

---

## **3 ECM AND SENSOR LOCATIONS**

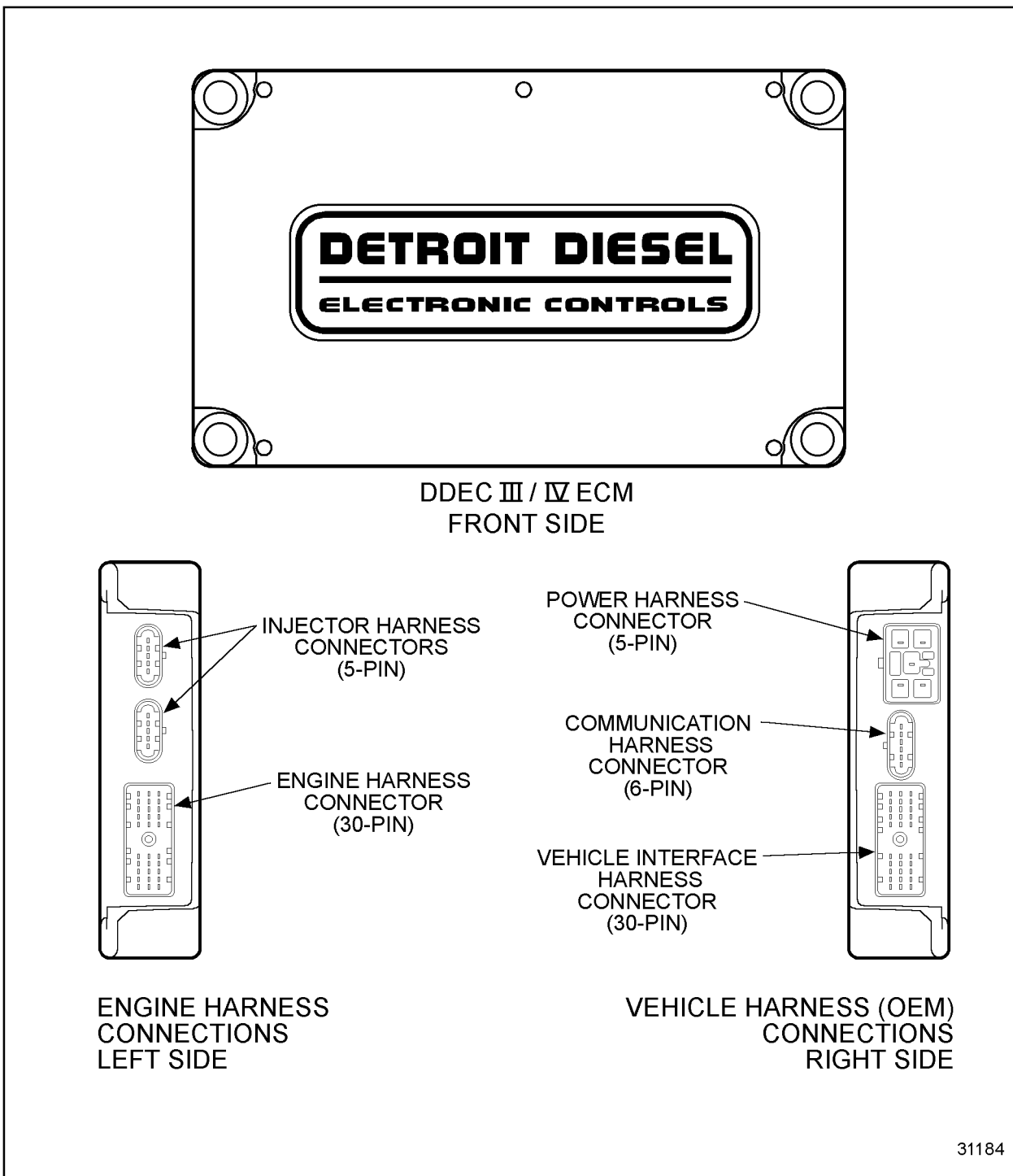
<b>Section</b>	<b>Page</b>
3.1 ECM AND SENSOR LOCATIONS .....	3-3

---



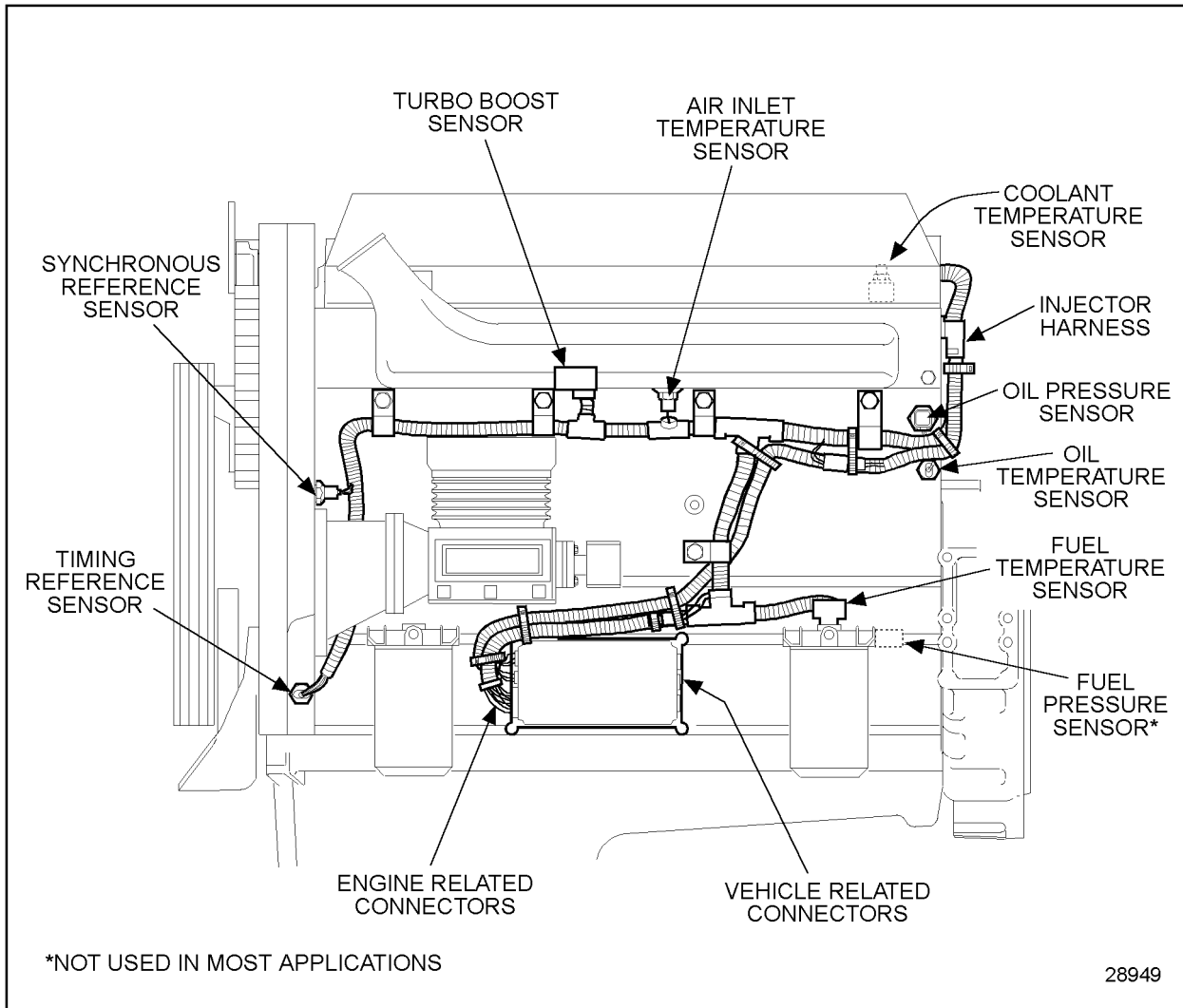
### 3.1 ECM AND SENSOR LOCATIONS

For the DDEC system ECM see Figure 3-1.



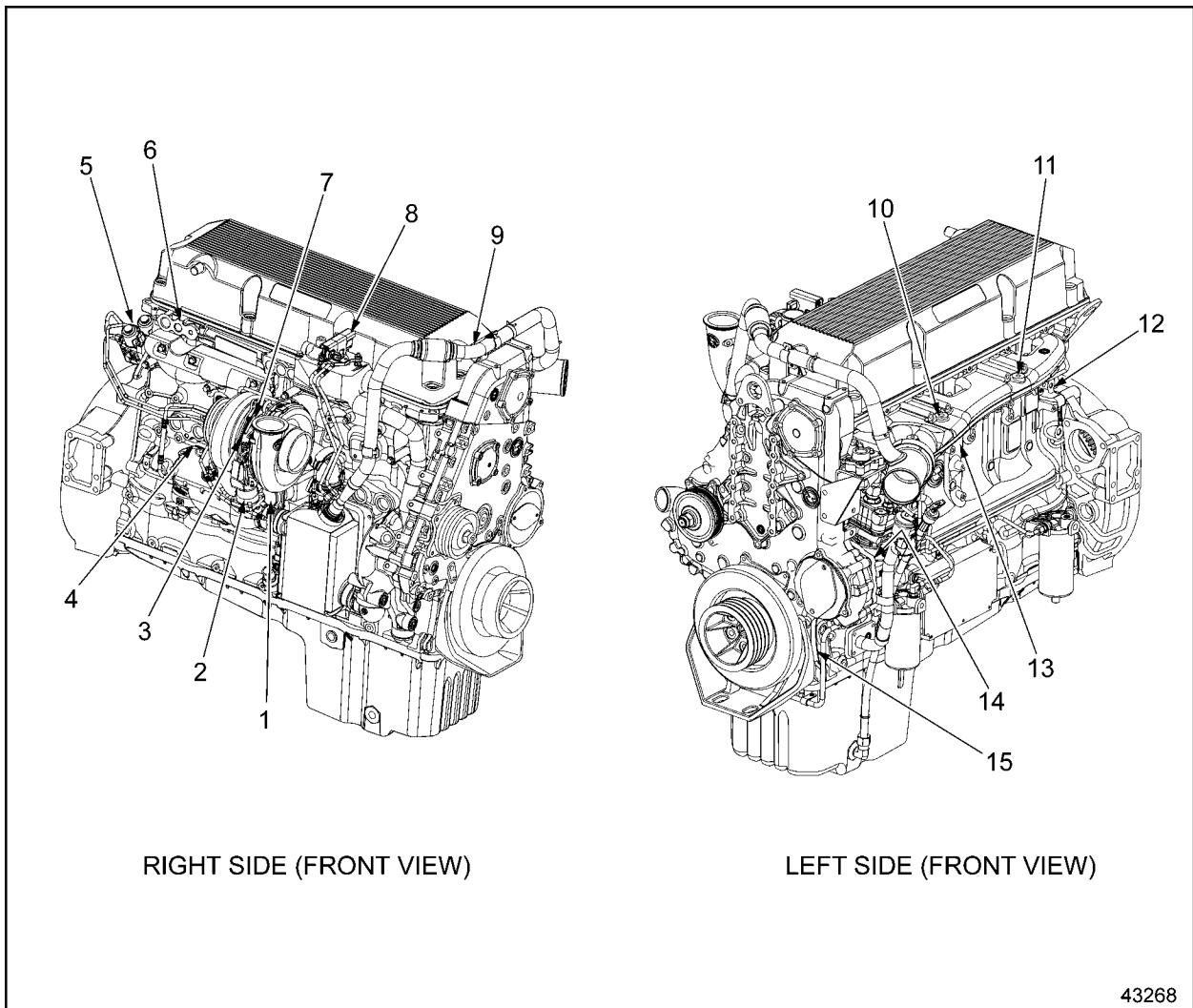
**Figure 3-1 DDEC System ECM**

For the Series 60<sup>®</sup> sensor locations, see Figure 3-2.



**Figure 3-2 Series 60 Diesel ECM and Sensor Locations**

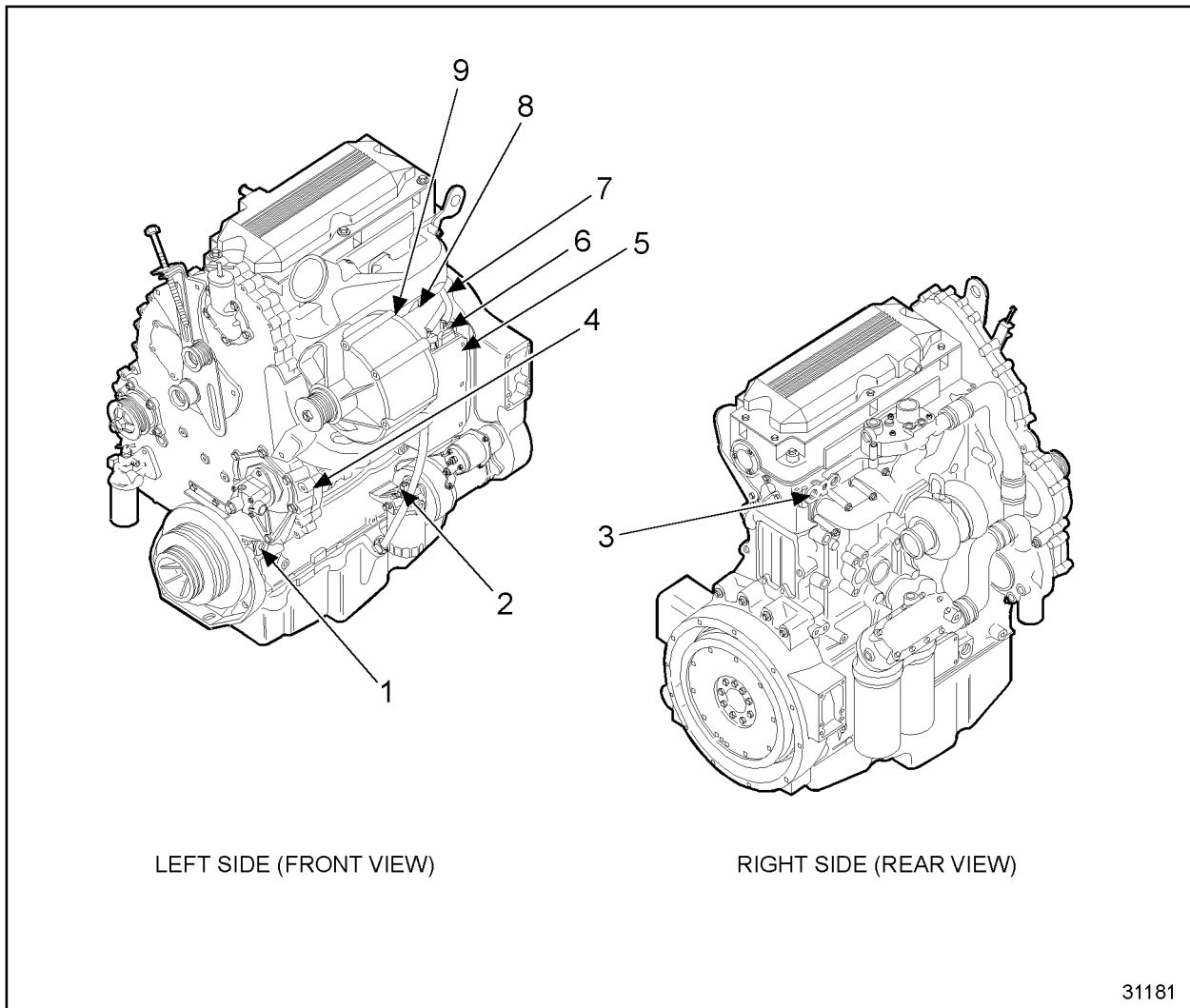
For the sensor locations for the Series 60, 2002 EGR engine, see Figure 3-3.



- |  |                                |
|--|--------------------------------|
| 1. EGR Valve                                 | 9. EGR Temperature Sensor      |
| 2. VNT                                       | 10. Turbo Boost Sensor         |
| 3. Turbo Compressor Outlet Temp Sensor (TCO) | 11. Intake Air Temp Sensor     |
| 4. Oil Temperature Sensor                    | 12. Oil Pressure Sensor        |
| 5. VPODs                                     | 13. Barometric pressure Sensor |
| 6. Coolant Temperature Sensor                | 14. SRS                        |
| 7. Turbo Speed Sensor                        | 15. TRS                        |
| 8. Delta-P Sensor                            |                                |

**Figure 3-3**      **Sensor Locations, Series 60 2002 EGR Engine**

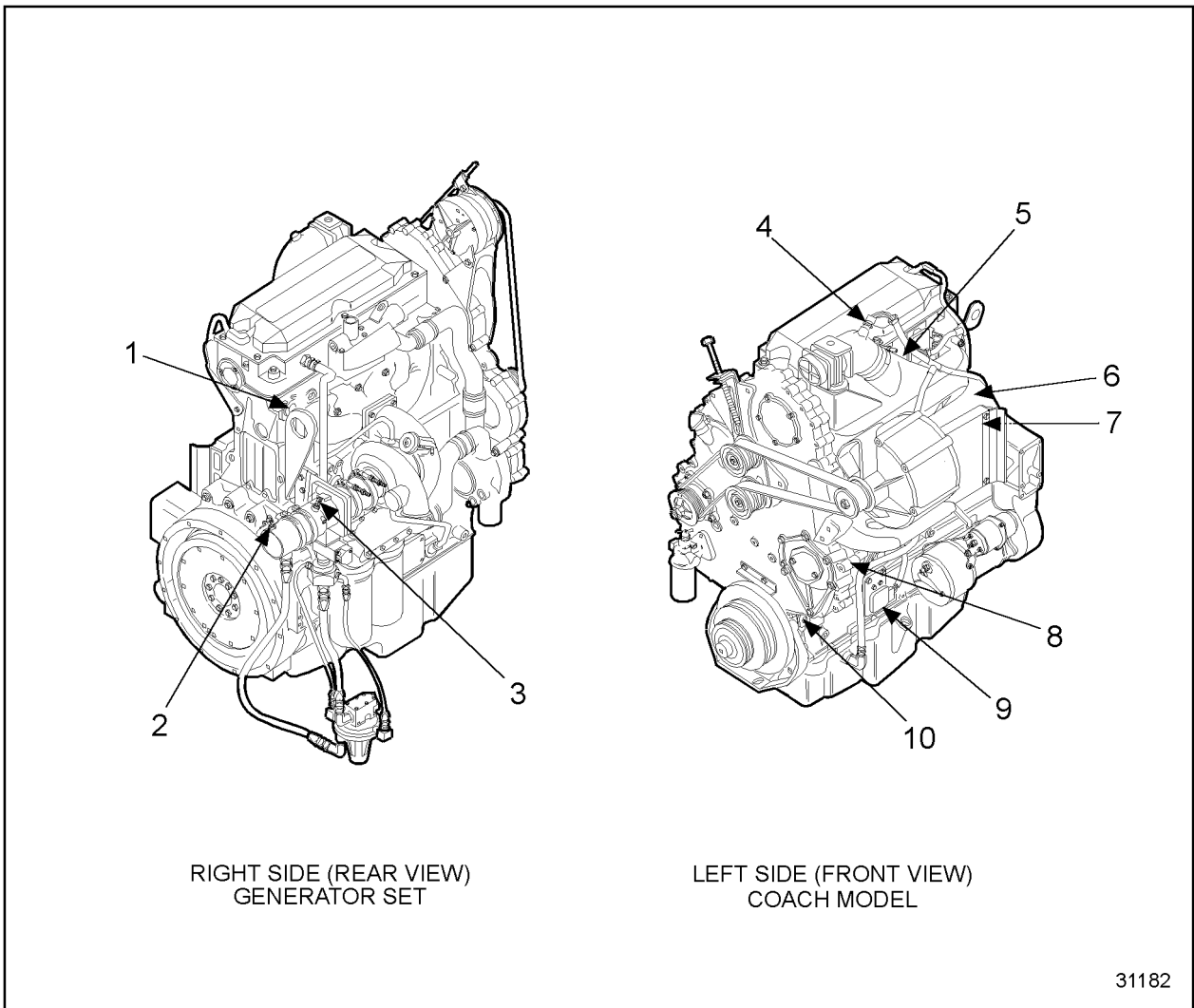
For the Series 50<sup>®</sup> diesel engine sensor locations, see Figure 3-4.



- |                                 |                                 |
|---------------------------------|---------------------------------|
| 1. Timing Reference Sensor      | 6. Oil Temperature Sensor       |
| 2. Fuel Temperature Sensor      | 7. Oil Pressure Sensor          |
| 3. Coolant Temperature Sensor   | 8. Turbo Boost Sensor           |
| 4. Synchronous Reference Sensor | 9. Air Inlet Temperature Sensor |
| 5. ECM                          |                                 |

**Figure 3-4 Series 50 Diesel ECM and Sensor Locations**

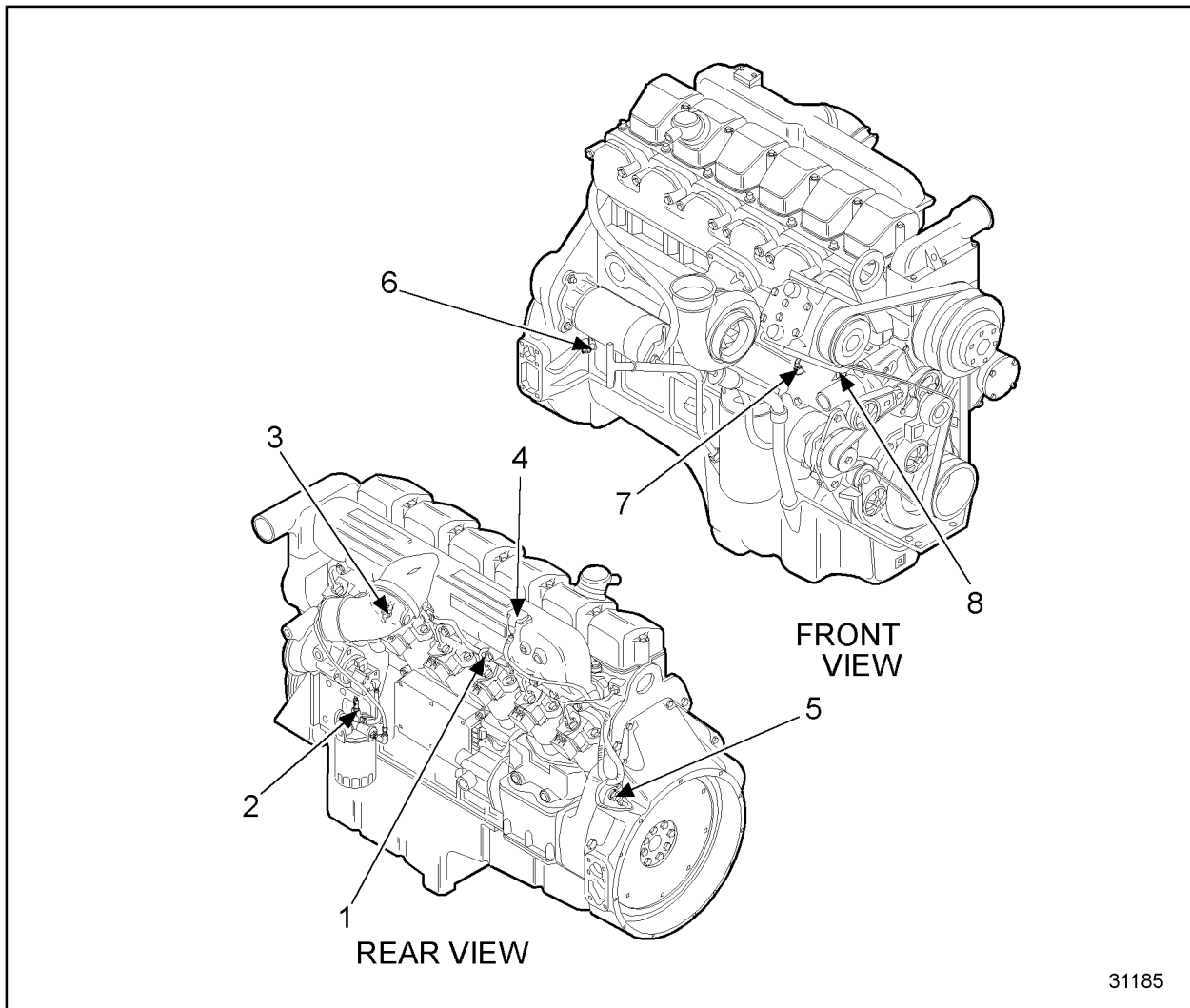
For the Series 50<sup>®</sup> gas engine sensor locations, see Figure 3-5.



- |                                       |                                 |
|---------------------------------------|---------------------------------|
| 1. Coolant Temperature Sensor         | 6. Oil Temperature Sensor       |
| 2. Air Temperature Sensor             | 7. Oil Pressure Sensor          |
| 3. Fuel Temperature Sensor            | 8. Synchronous Reference Sensor |
| 4. Manifold Air Pressure (MAP) Sensor | 9. SNEF Module                  |
| 5. Knock Sensor                       | 10. Timing Reference Sensor     |

**Figure 3-5 Series 50 Gas ECM and Sensor Locations**

For the Series 55™ engine sensor locations, see Figure 3-6.



- |                                 |                                 |
|---------------------------------|---------------------------------|
| 1. Coolant Temperature Sensor   | 5. Synchronous Reference Sensor |
| 2. Fuel Temperature Sensor      | 6. Timing Reference Sensor      |
| 3. Air Inlet Temperature Sensor | 7. Oil Temperature Sensor       |
| 4. Turbo Boost Sensor           | 8. Oil Pressure Sensor          |

**Figure 3-6 Series 55 Engine Sensor Locations**