

MP88.493A  
04JUN99

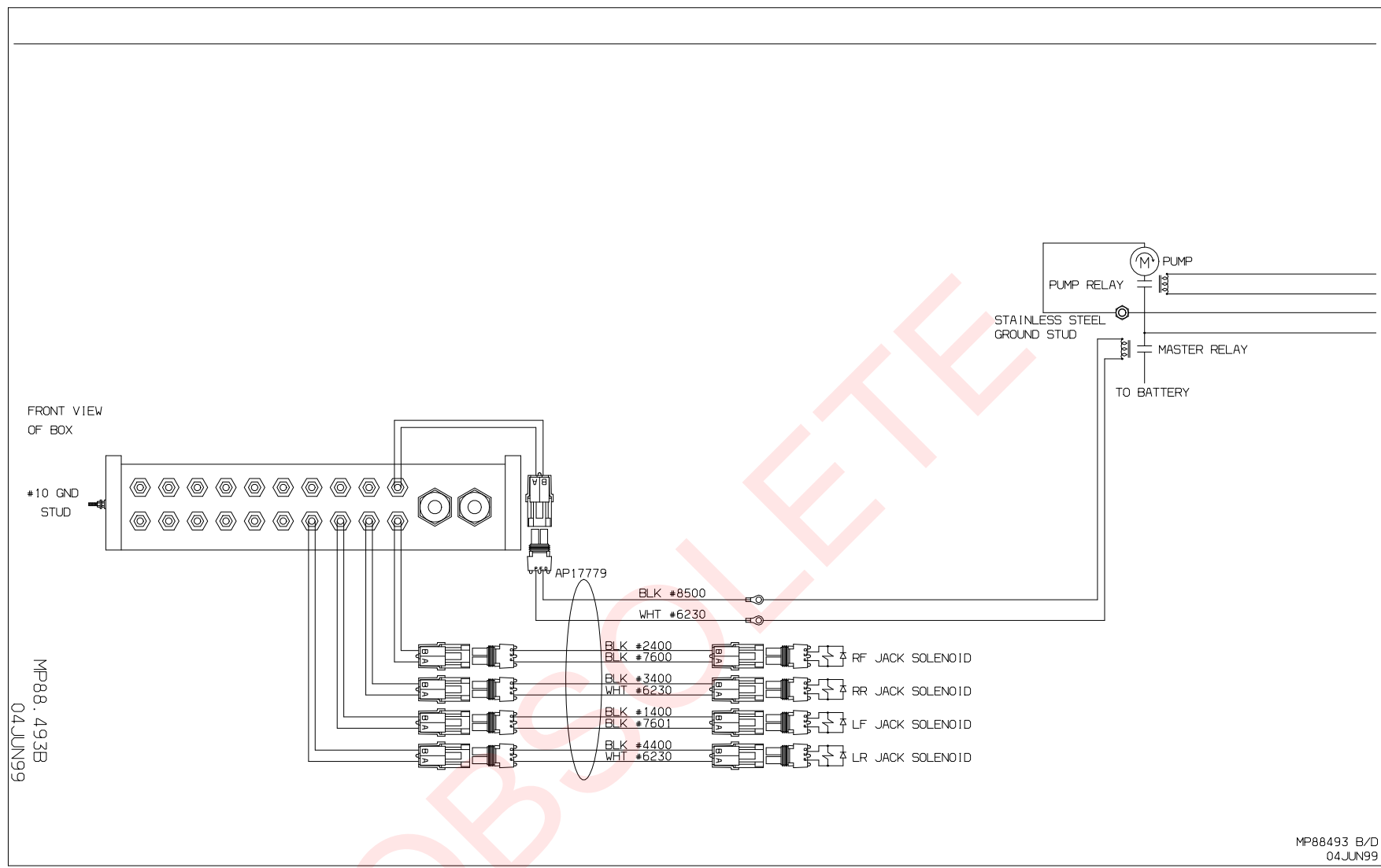
		HWH		1-80 EXIT 267 SOUTH RT 1 MOSCOW, IOWA 52760	
		SCALE 1:3		DATE 04JUN99 DRAWN BY .	
		SCHEMATICS SYSTEM			
NO.		DATE		REVISION	
				THE INFORMATION DISCLOSED ON THIS DRAWING IS CONFIDENTIAL AND MUST NOT BE DISCLOSED OR USED IN ANY MANNER WHICH WILL BE DETRIMENTAL TO THE HWH CORPORATION	
		ELECTRICAL		DRAWING NUMBER MP88493 A/D	

CCN 12315Z	BLUE BIRD CORPORATION FORT VALLEY GEORGIA, U.S.A.	SCALE ----
DIAGRAM, WRG, SLIDEOUT, FRONT		
WARE		
DR. 6/21/99 APP. 6/22/99	BY RV BY EA	B 0015286
		PAGE 1 OF 4

INACTIVATES NOS.	LET.	WAS	REVISIONS	DR.	APP.	CCN
0010369						

r jvettel JUNE 22, 1999 15.51.41

15.54.19  
JUNE 22, 1999  
FRAME 1  
r.j.vettel



FRONT VIEW OF BOX

#10 GND STUD

MP88.493B  
04JUN99

AP17779

BLK #8500

WHT #6230

BLK #2400

BLK #7600

BLK #3400

WHT #6230

BLK #1400

BLK #7601

BLK #4400

WHT #6230

RF JACK SOLENOID

RR JACK SOLENOID

LF JACK SOLENOID

LR JACK SOLENOID

STAINLESS STEEL GROUND STUD


PUMP RELAY

PUMP

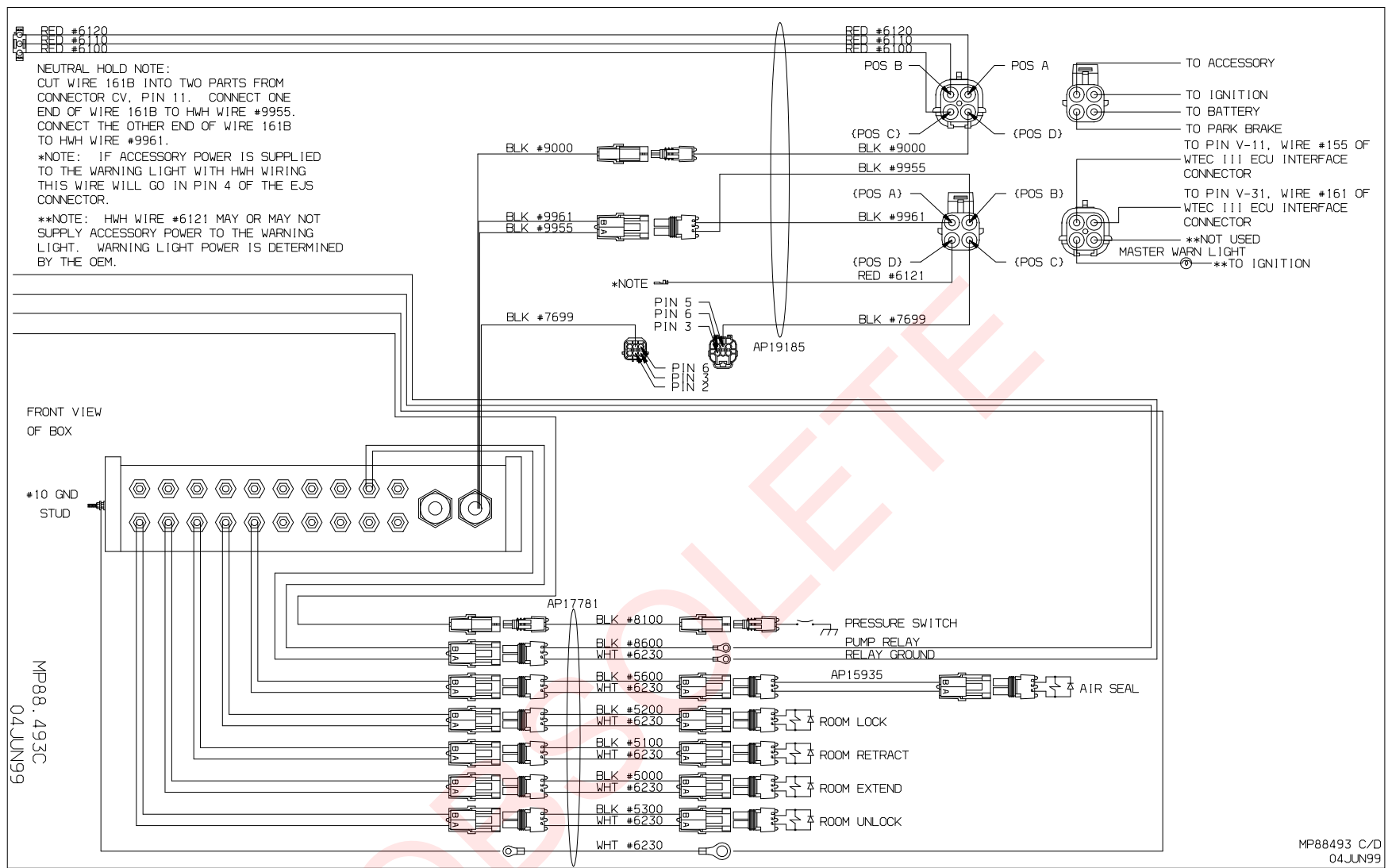
MASTER RELAY

TO BATTERY

MP88493 B/D  
04JUN99

CCN <u>12315Z</u>	BLUE BIRD CORPORATION FORT VALLEY GEORGIA, U. S. A.		SCALE ----
<i>DIAGRAM, WRG, SLIDEOUT, FRONT</i>			
<i>W4RE</i>			

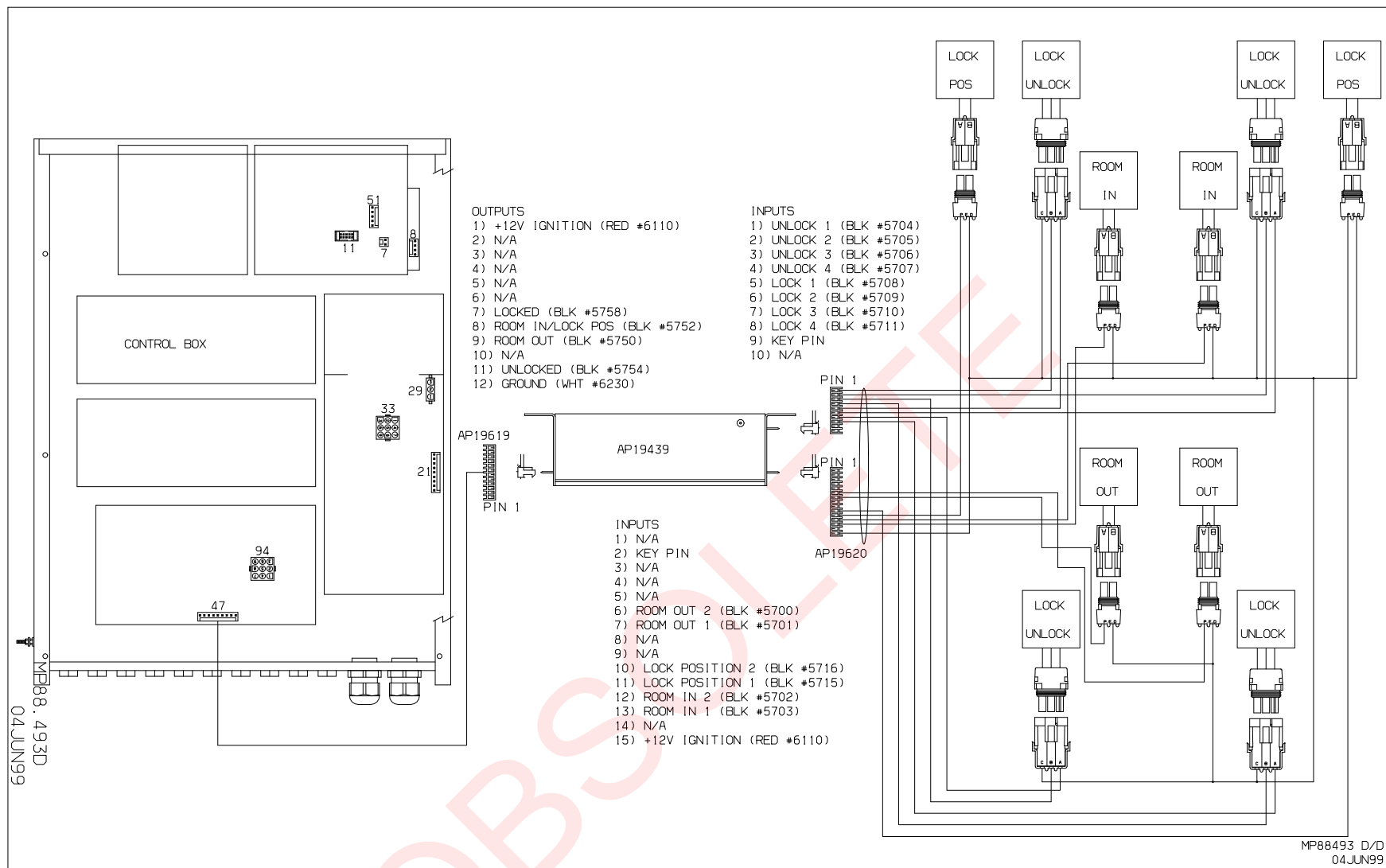

INACTIVATES NOS.	0010369	LET.	WAS	REVISIONS	DR.	APP.	CCN	DR. 6/21/99	BY RV	B	0015286	PAGE
								APP. 6/22/99	BY EA			2 OF 4



CCN 12315Z	BLUE BIRD CORPORATION FORT VALLEY GEORGIA, U.S.A.	SCALE ----
DIAGRAM, WRG, SLIDEOUT, FRONT		
WARE		
DR. 6/21/99	BY RV	B 0015286
APP. 6/22/99	BY EA	
INACTIVATES NOS. 0010369		PAGE 3 OF 4

rjvettel  
 FRAME 1  
 JUNE 22, 1999  
 15.56.18

LET.	WAS	REVISIONS	DR.	APP.	CCN



JUNE 22, 1999 16.01.27  
FRAME 1  
rjvettel

04JUN99  
04JUN99  
04JUN99

CCN 12315Z	BLUE BIRD CORPORATION FORT VALLEY GEORGIA, U. S. A.	SCALE ----
DIAGRAM, WRG, SLIDEOUT, FRONT		
W4RE		
DR. 6/21/99	BY RV	B 0015286
APP. 6/22/99	BY EA	
INACTIVATES NOS.	0010369	PAGE 4 OF 4

INACTIVATES NOS.	LET.	WAS	REVISIONS	DR.	APP.	CCN