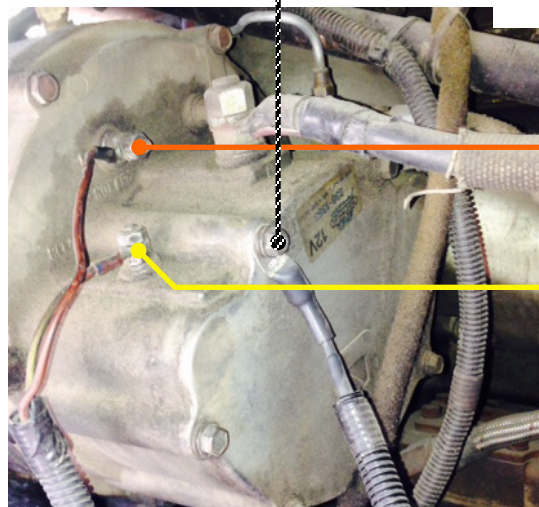
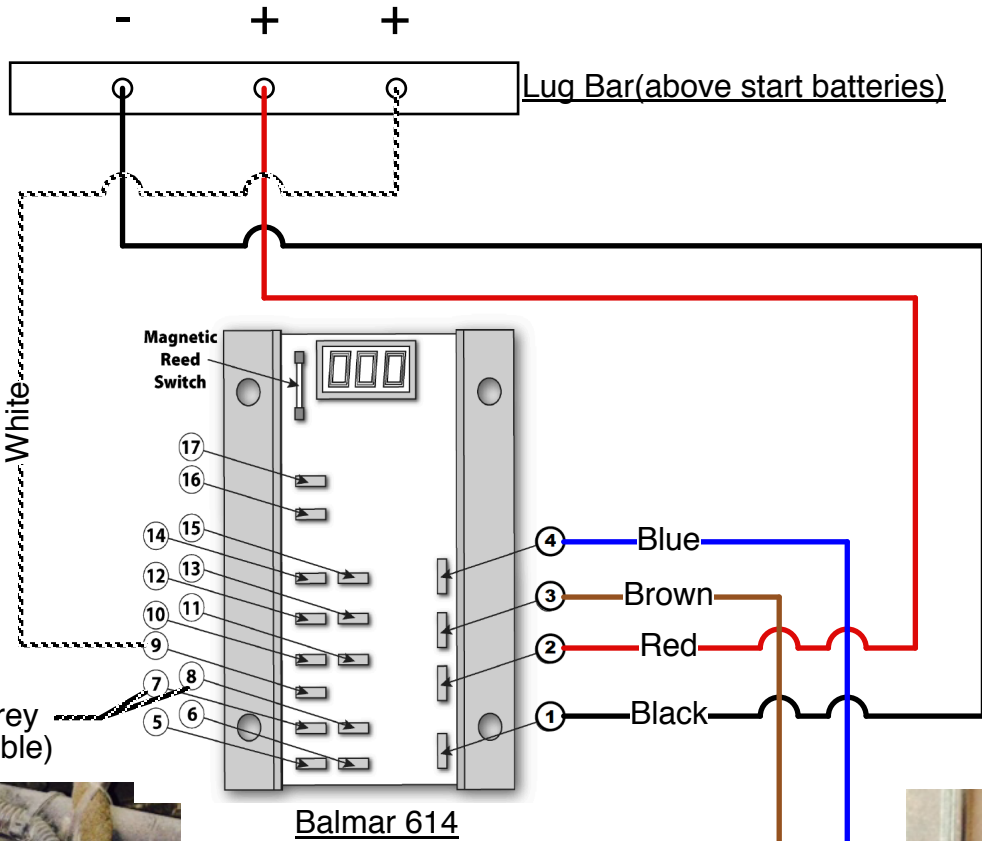


Balmar 614 schematic  
1995 PT42

- ① Ground.
- ② Power.
- ③ Ign. switched power.
- ④ Field output.
- ⑦⑧ Alt. temperature.
- ⑨ Battery voltage sense.



Alternator

Orange/Black

Yellow/Black

Switched +



Orig Reg.