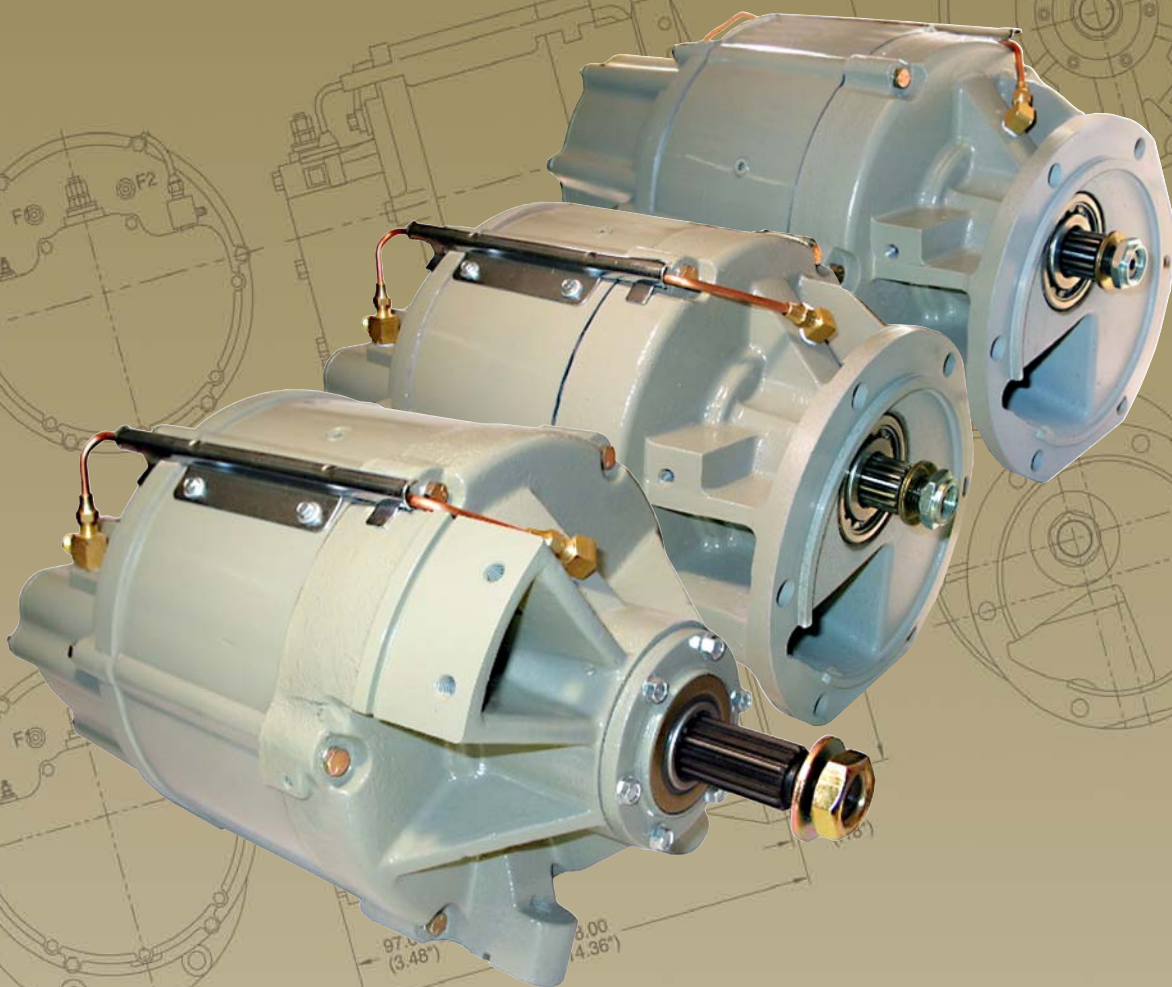




BUS AND COACH

ALTERNATORS 50DN SERIES



**QUALITY
PART NUMBER SUFFIX
CROSS REFERENCE**

PAGES: 2 TO 3

SECTION

1

**BELT DRIVE, GEAR DRIVE
OUTLINE SPECIFICATIONS
AND SERVICE PARTS**

PAGES: 4 TO 7

SECTION

2

BUYER'S GUIDE

PAGES: 8 TO 16

SECTION

3



Our goal is to continuously provide our customers with high quality remanufactured and new products that perform at original equipment specification and deliver long service life.

Dixie Electric products are 100% tested and inspected in accordance with the highest standards in our industry.

Every unit has its own unique serial number and is accompanied by a printed performance test tag.

Test Tag Sample



QMI
90 Burnhamthorpe Road West, Suite 300
Mississauga, Ontario, Canada L5B 3C3
Telephone: (905) 272-3920
Facsimile: (905) 272-3942
A Division of CSA International

CERTIFICATE OF REGISTRATION

QMI issues this certificate to:

DIXIE ELECTRIC LTD.
517 Basaltic Road
Concord, Ontario
L4K 4W8 Canada

which has demonstrated that its quality system is in compliance with:

ISO 9002-1994

The following scope of registration applies:

Dixie remanufactures and manufactures alternators and starters and their components for automotive, industrial, farm and marine applications.

Certificate Number: CC0231-003781
SIC Numbers: 5013, 3612, 3677
Date of Original Registration: September 29, 1998
Date of Current Registration: September 29, 1998
Date Registration Expires: September 29, 2001



Catherine Neville
Catherine Neville
President

101-50213
24V 270A N

1.0001.000

Alternator test sequence:	Results:
Maximum output power	7252 Watts ±
Maximum output under full load	296 Amps ±
Turn on speed (or indicator lamp out)	1080 RPM ±
Field current	7.0 Amps ±
Stator output measured @ 24.5 volts	12.2 Volts ±
Leakage current tested @ 24 volts	0.0 mAmps ±
Ripple voltage @ maximum output	6.92 Volts ±

Output current tested at 24.5 volts

Alternator RPM	1800	2000	3000	4000	5000	6000
Ampereage	195	217	265	283	290	294

Performance curve

Externally regulated alternator!

PART NUMBER SUFFIX

- 101-50213 w/o suffix = **New**
(outright program)
- 101-50213-1 = **Reman/rewound**
(exchange program)
- 101-50213-2 = **Remanufactured**
(outright program)
- 101-50213-3 = **Rewound component**
(outright program)



CROSS REFERENCE

Original Number	Dixie Number	Page No.	Original Number	Dixie Number	Page No.	Original Number	Dixie Number	Page No.
DELCO REMY			DELCO REMY			DELCO REMY		
1117661	101-50107	8	1117863	101-50213	8	10457638	2701-5021	10
1117665	101-50107	8	1117864	101-50213	8	10457639	2701-5023	10
1117667	101-50107	8	1117866	101-50212	8	10457640	2701-5011	9
1117670	101-50107	8	1117867	101-50214	8	10457641	2701-5013	9
1117672	101-50105	8	1117877	101-50105	8	10457642	2901-5010	10
1117677	101-50107	8	1117878	101-50213	8	10457643	2901-5020	11
1117678	101-50107	8	1117879	101-50213	8	10457698	3501-5013	11
1117680	101-50105	8	1118437	3501-5022	11	10457699	3501-5024	11
1117681	101-50107	8	1118443	3501-5012	11	10457787	4901-5005	13
1117682	101-50107	8	1118447	3501-5023	11	10457788	4901-5008	14
1117683	101-50105	8	1875993	2901-5010	10	10457789	4901-5009	14
1117684	101-50107	8	1875997	2801-5001	10	10457790	4901-5010	15
1117689	101-50214	8	1876003	2701-5020	10	10457791	4901-5014	16
1117690	101-50107	8	1892576	2701-5022	10	10457792	4901-5012	15
1117691	101-50107	8	1892884	2901-5020	11	10457793	4901-5011	15
1117692	101-50214	8	1894501	2901-5010	10	10457794	4901-5004	13
1117693	101-50213	8	1894867	3201-5000	11	10457795	4901-5013	15
1117695	101-50214	8	1941002	2801-5001	10	10459032	101-50214	8
1117699	101-50107	8	1941010	2901-5010	10	10459033	101-50213	8
1117700	101-50214	8	1941018	2701-5010	9	10459034	101-50212	8
1117701	101-50107	8	1946568	2901-5010	10	10459060	101-50214	8
1117702	101-50214	8	1956305	2101-5002	9	10459112	2901-5020	11
1117703	101-50214	8	1956306	2701-5020	10	10459114	101-50105	8
1117704	101-50106	8	1956315	2801-5002	10	10459121	101-50212	8
1117705	101-50212	8	1964000	2701-5010	9	10459122	101-50214	8
1117706	101-50214	8	1964531	2701-5012	9	10459123	101-50213	8
1117707	101-50213	8	1969312	2701-5010	10	10459124	101-50214	8
1117708	101-50213	8	1975942	2901-5020	11	10459125	101-50212	8
1117709	101-50105	8	1975943	2901-5010	9	10459126	101-50214	8
1117710	101-50107	8	1975948	2901-5010	10	10459127	101-50213	8
1117739	101-50213	8	1975949	2901-5010	10	10459128	101-50214	8
1117740	101-50212	8	1976516	2201-5001	9	10459129	101-50212	8
1117748	101-50212	8	1977339	3501-5024	11	10459130	101-50213	8
1117749	101-50212	8	1984397	2701-5012	9	10459131	101-50214	8
1117790	101-50212	8	1986085	3501-5013	11	10459297	101-50106	8
1117791	101-50212	8	1987399	2701-5021	10	10459298	101-50107	8
1117792	101-50214	8	1988063	4901-5003	12	10459299	101-50105	8
1117793	101-50107	8	1988064	4901-5001	12	10467636	2801-5001	10
1117794	101-50214	8	1988304	2701-5010	9	10467637	2801-5002	10
1117795	101-50212	8	1988306	2701-5022	10	10471558	2701-5010	9
1117797	101-50212	8	1988307	2101-5002	9	10471607	2701-5020	10
1117799	101-50213	8	1989408	2701-5012	9	10471614	2901-5020	11
1117850	101-50214	8	1989461	2101-5003	9	10471622	2701-5022	10
1117851	101-50212	8	1989462	2101-5003	9	10471627	2901-5010	10
1117852	101-50213	8	9000551	3501-5011	11	10471646	2701-5012	10
1117853	101-50213	8	9000573	3501-5022	11	10487568	2701-5023	10
1117854	101-50107	8	9000597	3501-5021	11	10487571	2701-5020	10
1117855	101-50106	8	10456496	101-50107	8	10499307	2701-5013	9
1117856	101-50212	8	10456497	101-50106	8	19020402	3501-5024	11
1117857	101-50107	8	10456498	101-50105	8	19020403	3501-5013	11
1117858	101-50214	8	10457148	4901-5007	14	19020404	3501-5024	11
1117859	101-50212	8	10457239	4901-5006	14			
1117860	101-50105	8	10457571	2701-5021	10			
1117861	101-50212	8	10457636	2801-5001	10			
1117862	101-50214	8	10457637	2801-5002	10			

1

OUTLINE SPECIFICATIONS



DELCO 12V

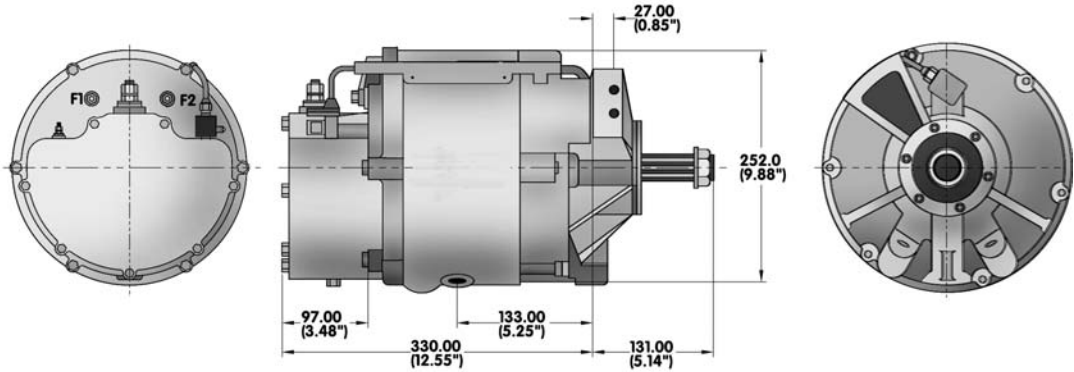
1117672
1117680, 683
1117709
1117860, 877
10456498

Illustration
50-001

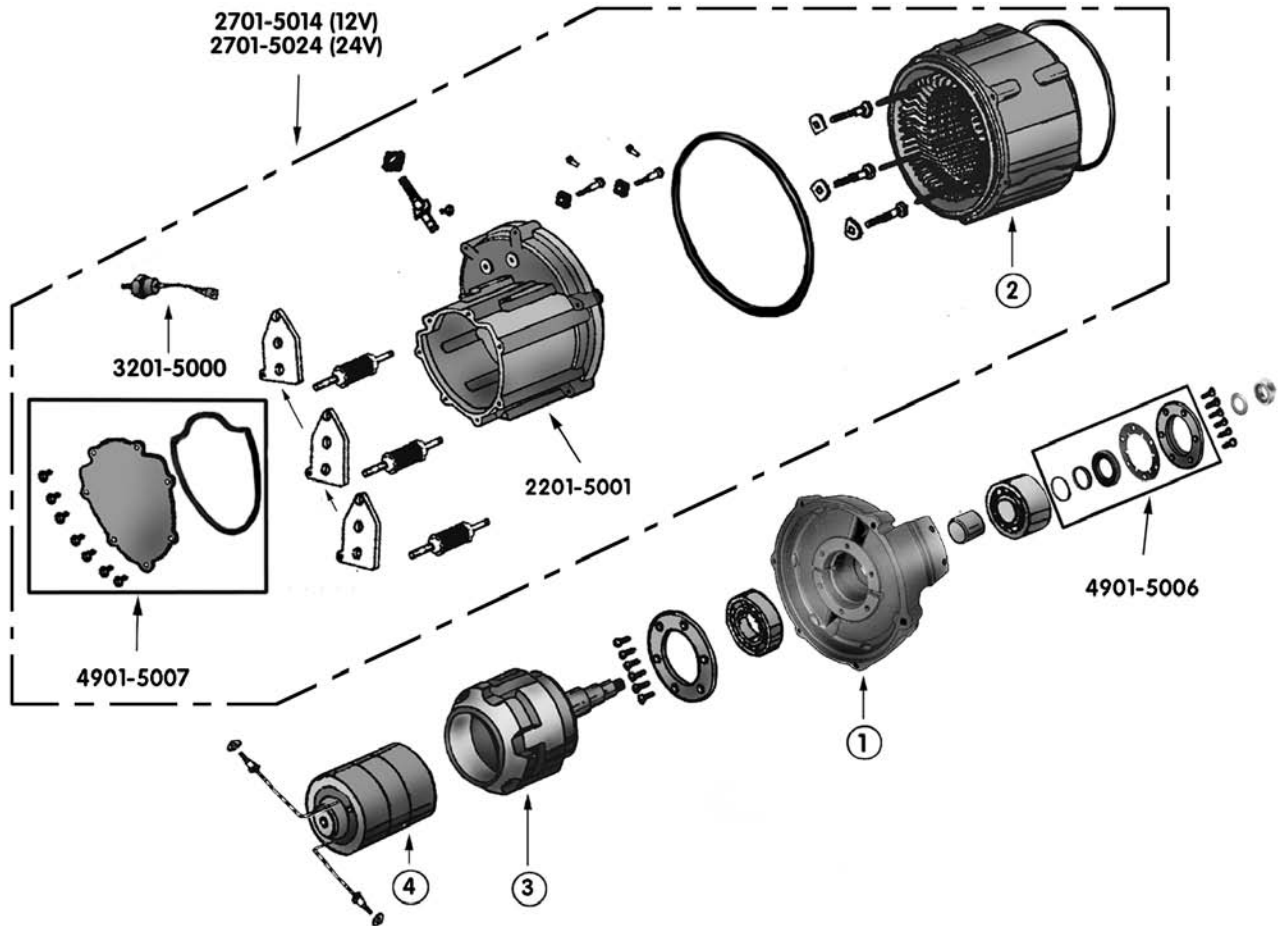


DELCO 24V

1117693
1117707, 708
1117739, 799
1117852, 853
1117863, 864
1117878, 879
10459033
10459123, 127, 130



- 101-50105 ▼ 12V, 300A, Belt Drive
- 101-50213 ▼ 24V, 270A, Belt Drive



						Repair Kits				
						4901-5003	4901-5005	4901-5008	4901-5009	4901-5010
Alternator	Stator, Frame & Coil Assy.	1 DE Housing	2 Stator	3 Rotor	4 Coil					
101-50105 ▼	2701-5014 ▼	2101-5002	2701-5013 ▼	2801-5002	2901-5010 ▼	X	X	X	X	X
101-50213 ▼	2701-5024 ▼	2101-5002	2701-5023 ▼	2801-5002	2901-5020 ▼	X	X	X	X	X

▼ For REMAN/REWOUND exchange program add suffix "-1" to part no.. For other programs see "Suffix" on page 2.

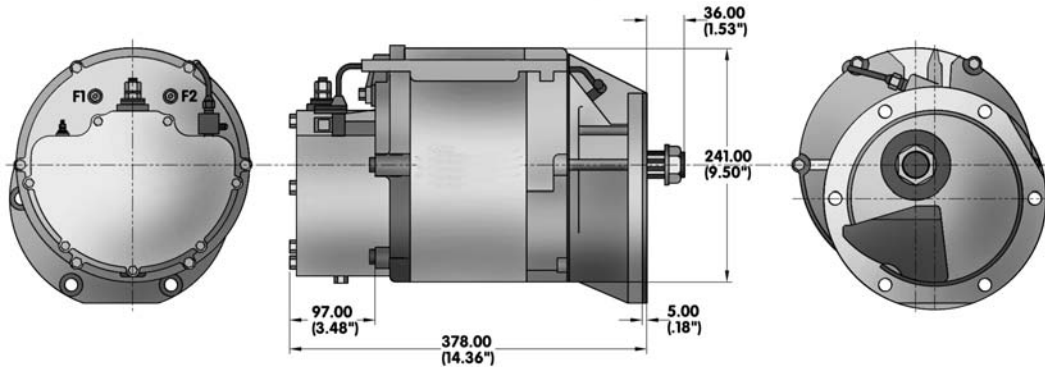
OUTLINE SPECIFICATIONS



DELCO 12V

1117661, 665, 667
 1117670, 677, 678
 1117681, 682, 684
 1117690, 691, 699
 1117701, 710, 793
 1117854, 857
 10456496

Illustration 50-002



101-50107 ▼ 12V, 300A, Gear Drive

101-50212 ▼ 24V, 270A, Gear Drive

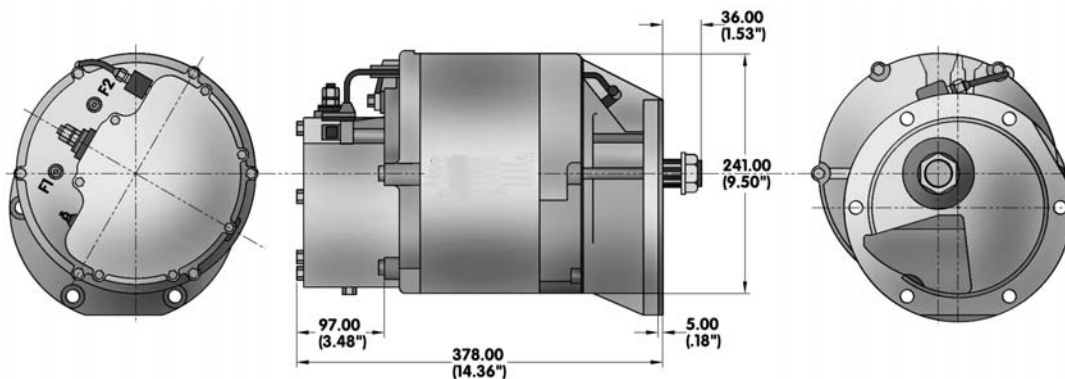
DELCO 24V

1117740, 748
 1117749
 1117790, 791
 1117851, 856
 1117859, 861
 1117705, 795, 797
 10459034, 9121
 10459125, 9129

DELCO 12V

1117704
 1117855
 10456497

Illustration 50-003

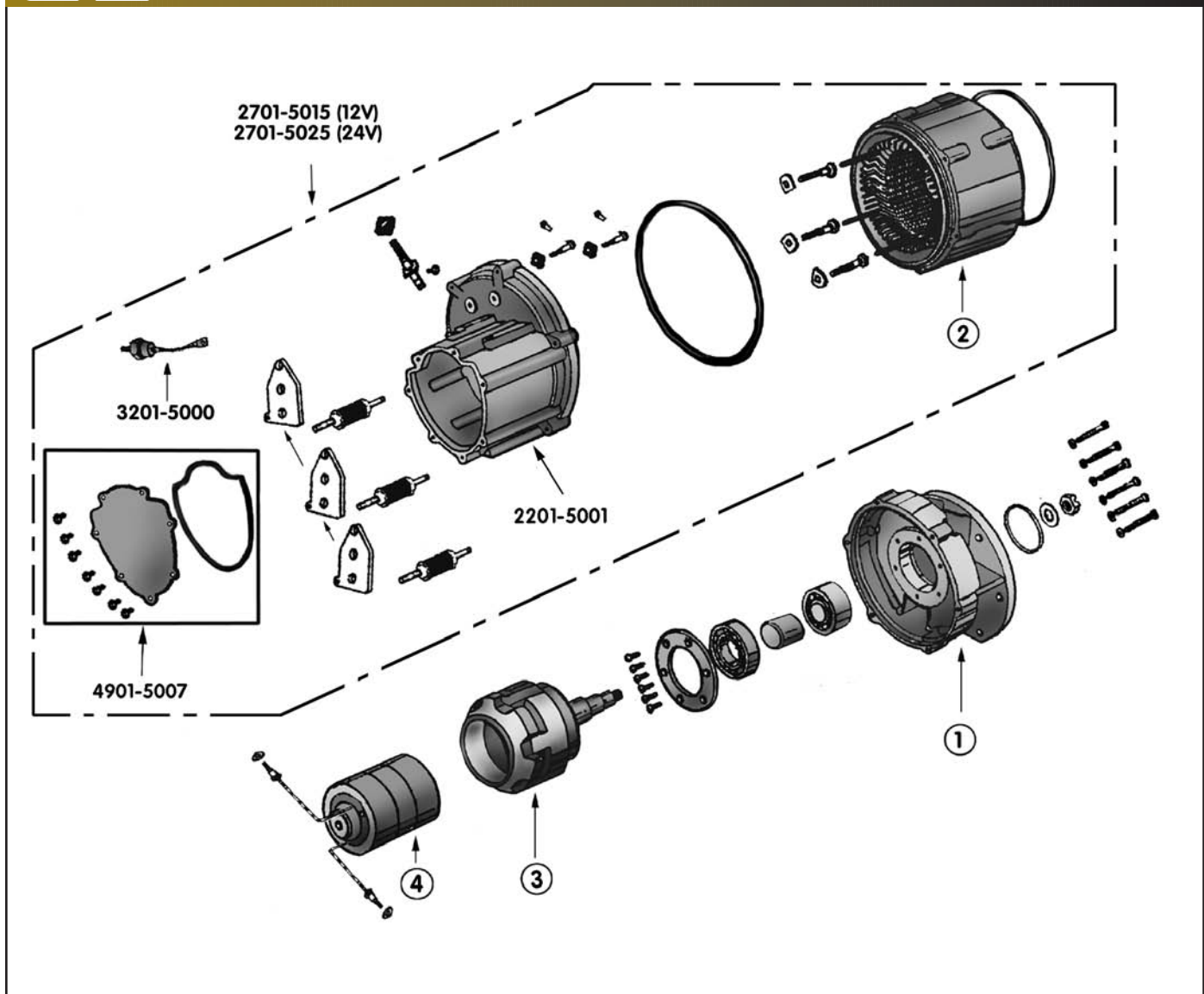


101-50106 ▼ 12V, 300A, Gear Drive

101-50214 ▼ 24V, 270A, Gear Drive

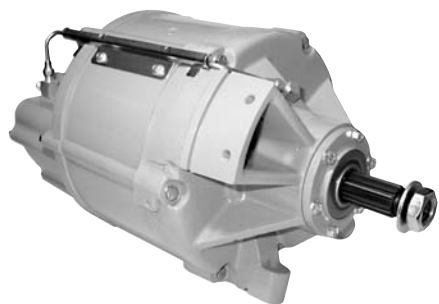
DELCO 24V

1117689, 692, 695
 1117700, 792, 850
 1117858, 862
 1117702, 703, 706
 1117792, 794
 10459032, 9060
 10459122, 9124
 10459126, 128
 10459131



Alternator	Stator, Frame & Coil Assy.	1 DE Housing	2 Stator	3 Rotor	4 Coil	Repair Kits						
						4901-5001	4901-5002	4901-5004	4901-5011	4901-5012	4901-5013	4901-5014
101-50106 ▼	2701-5015 ▼	2101-5003	2701-5011 ▼	2801-5001	2901-5010 ▼	X		X	X	X		X
101-50107 ▼	2701-5015 ▼	2101-5003	2701-5011 ▼	2801-5001	2901-5010 ▼	X		X	X	X		X
101-50212 ▼	2701-5025 ▼	2101-5003	2701-5021 ▼	2801-5001	2901-5020 ▼	X		X	X	X		X
101-50214 ▼	2701-5025 ▼	2101-5003	2701-5021 ▼	2801-5001	2901-5020 ▼		X	X	X	X	X	

▼ For REMAN/REWOUND exchange program add suffix "-1" to part no.. For other programs see "Suffix" on page 2.



101-50105 ▼

**Alternator, Belt Drive
12V, 300A, Neg. Grd.**

Replaces:

Delco Remy

1117672, 680, 683, 709, 860,
877, 10456498, 9114, 9299

Refer to Illustration 50-001
Page No. 4



101-50107 ▼

**Alternator, Gear Drive
12V, 300A, Neg. Grd.**

Replaces:

Delco Remy

1117661, 665, 667, 670, 677,
678, 681, 682, 684, 690, 691,
699

701, 710, 793, 854, 857,
10456496, 9298

Refer to Illustration 50-002
Page No. 6



101-50213 ▼

**Alternator, Belt Drive
24V, 270A, Neg. Grd.**

Replaces:

Delco Remy

1117693, 707, 708, 739, 799,
852, 853, 863, 864, 878,
10459033, 9123, 9127, 9130

Refer to Illustration 50-001
Page No. 4



101-50106 ▼

**Alternator, Gear Drive
12V, 300A, Neg. Grd.**

Replaces:

Delco Remy

1117704, 855, 10456497, 9297

Refer to Illustration 50-003
Page No. 6



101-50212 ▼

**Alternator, Gear Drive
24V, 270A, Neg. Grd.**

Replaces:

Delco Remy

1117705, 740, 748, 749, 790,
791, 797, 851, 856, 859,
861, 10459034, 9121, 9125

Refer to Illustration 50-002
Page No. 6



101-50214 ▼

**Alternator, Gear Drive
24V, 270A, Neg. Grd.**

Replaces:

Delco Remy

1117689, 692, 695, 700, 702,
703, 706, 792, 794, 850, 858,
862, 867,
10459032, 9122, 9124, 9126,
9128, 9131

Refer to Illustration 50-003
Page No. 6



2101-5002
Housing, D.E.
Replaces:
Delco Remy: 1956305, 1988307



2101-5003
Housing, D.E.
Replaces:
Delco Remy : 1989461, 462



2201-5001
Housing
Replaces:
Delco Remy 1976516



2701-5010 ▼
Stator, 12V, 300A
 54 Slots, w/Solid Leads
 Gear Drive
Replaces:
Delco Remy : 1964000,
 1969312, 1988304, 10471558



2701-5011 ▼
Stator, 12V, 300A
 54 Slots, w/Flex Leads,
 Gear Drive
Replaces:
Delco Remy : 10457640



2701-5012 ▼
Stator, 12V, 300A
 54 Slots, w/Solid Leads,
 Belt Drive
Replaces:
Delco Remy 1964531,
 10471646,



2701-5013 ▼
Stator, 12V, 300A
 54 Slots, w/Flex Leads,
 Belt Drive
Replaces:
Delco Remy : 10499307



2701-5014 ▼
Stator, Frame & Coil Assy.
12V, 300A
 Belt Drive



2701-5015 ▼
Stator, Frame & Coil Assy.
12V, 300A
 Gear Drive



2701-5020 ▼

Stator, 24V, 270A

72 Slots, w/Solid Leads,
Gear Drive

Replaces:

Delco Remy : 1876003,
1956306, 1987399, 10471607,
10487571



2701-5023 ▼

Stator, 24V, 270A

72 Slots, w/Flex Leads,
Belt Drive

Replaces:

Delco Remy: 10487568



2801-5001

**Rotor,
Gear Drive**

Replaces:

Delco Remy: 1941002,
10457636



2701-5021 ▼

Stator, 24V, 270A

72 Slots, w/Flex Leads,
Gear Drive

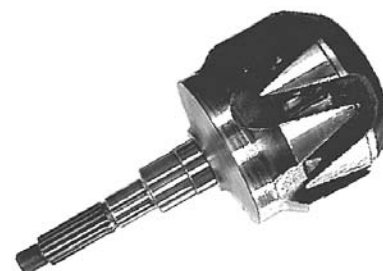


2701-5024 ▼

Stator, Frame & Coil Assy.

24V, 270A

Belt Drive



2801-5002

**Rotor,
Belt Drive**

Replaces:

Delco Remy: 1956315,
1958937, 10457637



2701-5022 ▼

Stator, 24V, 270A

72 Slots, w/Solid Leads,
Belt Drive

Replaces:

Delco Remy: 1892576,
1988306, 10471622



2701-5025 ▼

Stator, Frame & Coil Assy.

24V, 270A

Gear Drive



2901-5010 ▼

Rotor Coil, 12 Volt

Replaces:

Delco Remy: 1875993,
1894501, 1941010, 1975943,
948, 949,
10457642, 10471627



2901-5020 ▼

Rotor Coil, 24 Volt

Replaces:

Delco Remy: 1875942,
1892884, 1975942,
10457643, 10471614



3201-5000

Diode

Replaces:

Delco Remy: 1894867



3501-5011 ▼

Regulator-50RD, 12 Volt

B Circuit

Replaces:

Delco Remy: 9000551



3501-5012 ▼

Regulator-50RD, 12 Volt

B Circuit

Replaces:

Delco Remy: 1118443



3501-5013

Regulator-50VR, 12 Volt

A or B Circuit

Replaces:

Delco Remy: 10457698



3501-5021 ▼

Regulator-50RD, 24 Volt

A or B Circuit

Replaces:

Delco Remy: 9000597



3501-5022 ▼

Regulator-50RD, 24 Volt

A Circuit

Replaces:

Delco Remy: 1118437, 9000573



3501-5023 ▼

Regulator-50RD, 24 Volt

B Circuit

Replaces:

Delco Remy: 1118447



3501-5024

Regulator-50VR, 24 Volt

A or B Circuit

Replaces:

Delco Remy: 10457699



4901-5001

Bearing & Oil Line Repair Kit-Gear Drive

Replaces:

Delco Remy: 1988064

Consisting of:

<u>Qty.</u>	<u>OEM No.</u>	Description
1	121339	Elbow
1	1987256	Tee
1	1987333	Bracket, Oil Line
1	9440138	Bearing, Roller
1	1987257	Oil Line (for B+ Term. at 12:00 o'clock pos.)
1	10495390	Bearing (10 Balls)



4901-5003

Bearing & Oil Line Repair Kit-Belt Drive

Replaces:

Delco Remy: 1988063

Consisting of:

<u>Qty.</u>	<u>OEM No.</u>	Description
1	121339	Elbow
1	1987256	Tee
1	1987333	Bracket, Oil Line
1	1987651	Oil Line
1	9440138	Bearing, Roller
1	10499878	Bearing (13 Balls)



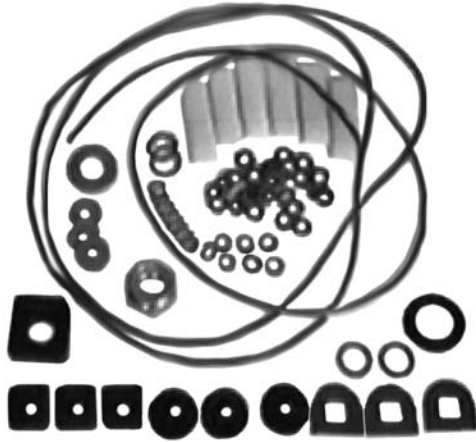
4901-5002

Bearing & Oil Line Repair Kit-Gear Drive

Replaces: N/A

Consisting of:

<u>Qty.</u>	<u>OEM No.</u>	Description
1	121339	Elbow
1	1987256	Tee
1	1987333	Bracket, Oil Line
1	10495099	Oil Line (for B+ Term. at 10:00 o'clock pos.)
1	9440138	Bearing, Roller
1	10495390	Bearing (10 Ball)



4901-5004

Base Repair Kit - Gear Drive

Replaces:

Delco Remy: 10457794

Consisting of:

<u>Qty.</u>	<u>OEM No.</u>	<u>Description</u>
1	1893813	Insulator Washer, D.C. Terminal
3	1902746	Insulator Washer, Relay/Field Terminal
1	1911116	Washer, Shaft
3	1941039	Insulator Sleeve, 1/4"
9	1941041	"O"-Ring, Relay/Field Terminal
3	1941043	"O"-Ring, D.C. Terminal
3	1941051	Insulator Washer, Stator
1	1941052	"O"-Ring, Bearing Clamp
1	1941055	Insulator Sleeve, 1/2"
2	1941057	"O"-Ring, Stator
3	1952193	Insulator Support, Rectifier
3	1952212	Insulator, Stator Terminal
1	1965246	Insulator, D.C. Terminal
3	1965249	Insulator, Relay/Field Terminal
1	1967037	"O"-Ring, Diode Cover
1	9418942	Nut, Shaft



4901-5005

Base Repair Kit - Belt Drive

Replaces:

Delco Remy: 10457787

Consisting of:

<u>Qty.</u>	<u>OEM No.</u>	<u>Description</u>
1	1893813	Insulator Washer, D.C. Terminal
3	1902746	Insulator Washer, Relay/Field Terminal
3	1941039	Insulator Sleeve 1/4"
9	1941041	"O"-Ring, Relay/Field Terminal
3	1941043	"O"-Ring, D.C. Terminal
3	1941051	Insulator Washer, Stator
1	1941052	"O"-Ring, Bearing Clamp
1	1941055	Insulator Sleeve, 1/2"
2	1941057	"O"-Ring, Stator
3	1952193	Insulator Support, Rectifier
3	1952212	Insulator, Stator Terminal
1	1956312	Seal, D.E Bearing
1	1956313	Gasket, Bearing Retainer
1	1958286	"O"-Ring, Rotor Shaft
1	1965246	Insulator, D.C. Terminal
3	1965249	Insulator, Relay/Field Terminal
1	1967037	"O"-Ring, Diode Cover
1	1970261	Washer, Shaft
1	1979400	Nut, Shaft



4901-5006

Hub & Seal Repair Kit - Belt Drive

Replaces:

Delco Remy: 10457239

Consisting of:

Qty.	OEM No.	Description
1	1956310	Retainer
1	1956312	Seal, D.E. Bearing
1	1956313	Gasket, Bearing Retainer
1	1956314	Spacer, D.E.
1	800593	"O" Ring, Rotor Shaft



4901-5007

Diode Cover Kit

Replaces: 10457148

Consisting of:

Qty.	OEM No.	Description
7	10415784	Screw
1	N/A	Cover
1	1967037	Seal



4901-5008

Repair Kit - Belt Drive

Replaces:

Delco Remy: 10457788

Consisting of:

Qty.	OEM No.	Description
1	10457787	Base Repair Kit
1	9440138	Bearing, Roller
1	10499878	Bearing (13 Balls)



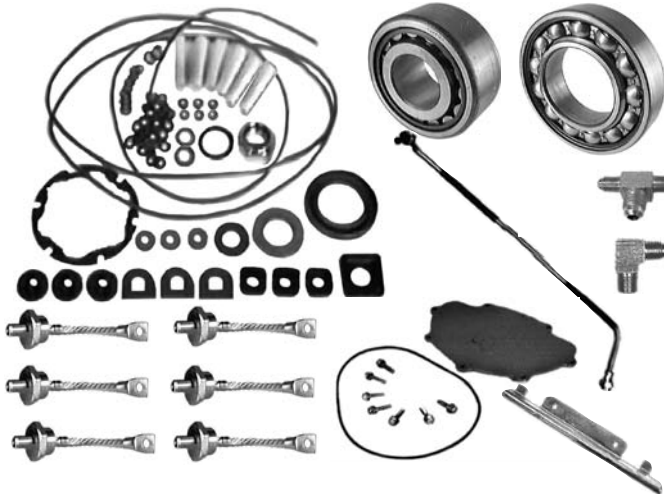
4901-5009

Repair Kit - Belt Drive

Replaces: Delco Remy: 10457789

Consisting of:

Qty.	OEM No.	Description
1	10457787	Base Repair Kit
6	1894867	Diode
1	9440138	Bearing, Roller
1	10499878	Bearing (13 Balls)



4901-5010

Repair Kit - Belt Drive

Replaces: Delco Remy: 10457790

Consisting of:

Qty.	OEM No.	Description
1	10457787	Base Repair Kit
1	121339	Elbow
6	1894867	Diode
1	1987256	Tee
1	1987333	Bracket, Oil Line
1	1987651	Oil Line
1	9440138	Bearing, Roller
1	10457148	Cover & Seal Kit, Rectifier
1	10499878	Bearing (13 Balls)



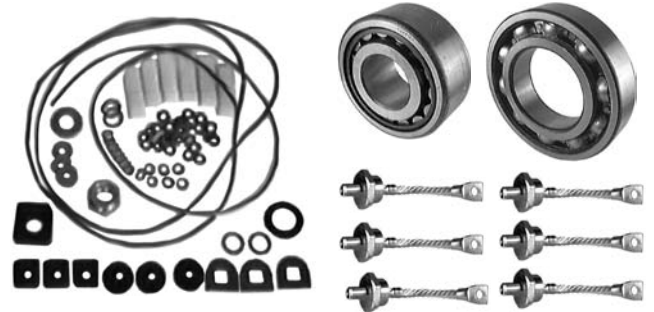
4901-5011

Repair Kit - Gear Drive

Replaces: Delco Remy: 10457793

Consisting of:

Qty.	OEM No.	Description
1	10457794	Base Repair Kit
1	9440138	Bearing, Roller
1	10495390	Bearing (10 Balls)



4901-5012

Repair Kit - Gear Drive

Replaces: Delco Remy: 10457792

Consisting of:

Qty.	OEM No.	Description
1	10457794	Base Repair Kit
6	1894867	Diode
1	9440138	Bearing, Roller
1	10495390	Bearing (10 Balls)



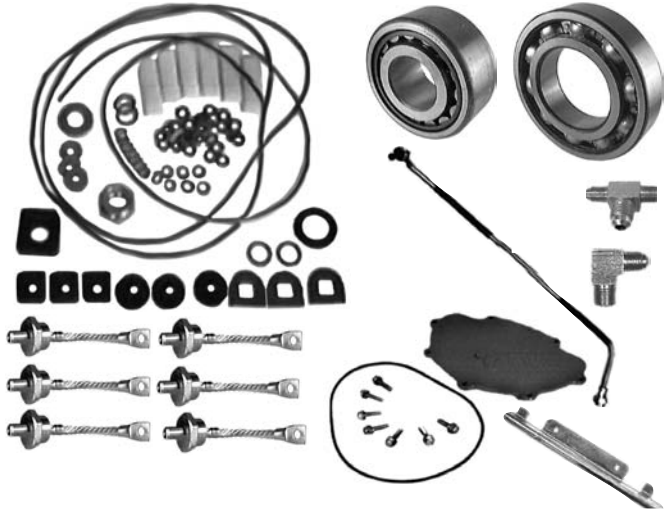
4901-5013

Repair Kit - Gear Drive

Replaces: Delco Remy: 10457795

Consisting of:

Qty.	OEM No.	Description
1	10457794	Base Repair Kit
1	121339	Elbow
6	1894867	Diode
1	1987256	Tee
1	1987333	Bracket, Oil Line
1	9440138	Bearing, Roller
1	10457148	Cover & Seal Kit, Rectifier
1	10495099	Oil Line (for B+ Term. at 10:00 o'clock pos.)
1	10495390	Bearing (10 Balls)



4901-5014

Repair Kit - Gear Drive

Replaces: Delco Remy: 10457791

Consisting of:

<u>Qty.</u>	<u>OEM No.</u>	<u>Description</u>
1	10457794	Base Repair Kit
1	121339	Elbow
6	1894867	Diode
1	1987256	Tee
1	1987257	Oil Line (for B+ Term. at 12:00 o'clock pos.)
1	1987333	Bracket, Oil Line
1	9440138	Bearing, Roller
1	10457148	Cover & Seal Kit, Rectifier
1	10495390	Bearing (10 Balls)

3

Distributed by:



Dixie Electric Ltd.

517 Basaltic Road, Concord, Ontario
Canada L4K 4W8

Tel.: (905) 879-0533 U.S. 800-563-3933

Fax: (905) 879-0532

E-Mail: sales@dixie-electric.com

Web Site: www.dixie-electric.com

Dixie Electric Inc.

17100 Medina Road, Suite 100 Minneapolis, MN.
U.S.A. 55447-1249

Tel.: (763) 475-6629 800-478-0608

Fax: (763) 475-6635 800-392-8719

E-Mail: mn.sales@dixie-electric.com

Web Site: www.dixie-electric.com