

Table of Contents

BRAKES

AIR DRYER ASSY	2
AD-9.....	2
6 CHANNEL, ABS	6
OPTIONAL EQUIPMENT	8
BRACKET ASSY.....	8
STOPLIGHTS & PARKING BRAKE SWITCH	8
HUB COVERS	10
RESERVOIR ASSY	12
ACCESSORY	12
FRONT.....	14
6 CHANNEL, ABS 45 FT.....	14
FROM CSN 10/20/03 TO CSN 10/17/04	14
FROM CSN 10/18/04.....	16
FRONT & ACCESSORY.....	18
6 CHANNEL, ABS	18
REAR.....	20
6 CHANNEL, ABS	22
6 CHANNEL, ABS 45 FT.....	24
FROM CSN 10/20/03.....	24
WET TANK	26
6 CHANNEL, ABS 45 FT.....	26
FROM CSN 10/20/03 TO CSN 10/1/04	26
FROM CSN 10/18/04.....	28
ACCESSORY	30
6 CHANNEL, ABS	32
FROM CSN 07/13/03.....	34
AIR BRAKE SYSTEM.....	36
TO CSN 07/13/03	36
6 CHANNEL, ABS	40
WITH FEATURE 40191-01	40
TO CSN 07/17/05.....	40
WITH FEATURE 40191-02	44
FROM CSN 07/17/03.....	44
FROM CSN 2/23/04 TO CSN 10/18/04	48
FROM CSN 10/18/04.....	52
ACCESSORIES	56
VALVE ASSY	58
BRAKE TREADLE & PEDAL.....	58
6 CHANNEL, ABS	58
DOUBLE CHECK.....	60
FROM CSN 03/06/00.....	60
GOVERNOR.....	62
MANIFOLD.....	63
FRONT.....	63
REAR.....	65
REAR, AIR BRAKE.....	67
MODULATOR.....	68
6 CHANNEL, ABS, REAR	68
ABS, REAR	70

PARKING BRAKE.....	71
6 CHANNEL, ABS.....	72
FROM CSN 01/22/01.....	72
QUICK RELEASE.....	74
WITH R12 RELAY.....	74
SPRING BRAKE.....	78
6 CHANNEL, ABS.....	78
FROM CSN 03/06/00.....	78
WHEEL END COMPONENTS.....	80
FRONT AND REAR, ALUMN WHEELS.....	80
CALIPER ASSY AIR DISC DX225.....	80
FRONT, ALUMN WHEELS.....	82
REAR.....	84
ALUMN WHEELS.....	84
TAG AXLE.....	92
ALUMN WHEELS.....	92
DEARATION TANK.....	94
TO CSN 02/29/04.....	94
FROM CSN 01/15/04 TO 02/22/04.....	95
FEATURE 40192-02.....	96
TO CSN 02/20/04.....	96
C13.....	98
FEATURE 40192-03.....	98
TO CSN 02/29/04.....	98
CAT C13, 525 HP, ALUMN.....	100
FEATURE 40192-04.....	100
TO CSN 02/22/04.....	100
FROM CSN 02/23/04.....	102

COOLING

ENGINE.....	104
CAT C13.....	104
COOLER AND FAN ASSY.....	112
ISL.....	114

DRIVELINE

SPL170.....	118
SPL250.....	119

ENGINE TRIM

AIR INTAKE.....	120
CAT C13.....	120
FEATURE 40192-03, -04.....	120
TO CSN 04/10/05.....	120
FROM CSN 04/11/05.....	122
ISL.....	124
ISL03.....	126
ALTERNATOR.....	128
CAT C12.....	128
ENGINE BLOCK HEATER.....	130
ENGINE TRIM.....	132
C13.....	132
FEATURE 40192-03, -04.....	132

ISL	136
FEATURE 40191-01	136
ISL03	140
FEATURE 40191-02	140
INSTALLATION	144
ENGINE, ISX	144

EXHAUST

CAT C12	146
CAT C13	150
TOWER WITH LOCK NOTCH	154
CUMMINS ISL	156

ELECTRICAL

CABLES	160
INSTALLATION	160
CHASSIS ELECTRICAL CENTER.....	164
DRIVER'S ARM CONSOLE	166
DRIVER'S LUGGAGE COMPARTMENT.....	168
PANEL ASSEMBLIES.....	170
CHASSIS, ELECTRICAL CENTER.....	170
FRONT MULTIPLEX	172
PDU, REAR.....	176
INTERMEDIATE PANEL ASSY	176
CUMMINS	176
To CSN 02/16/03.....	176
From CSN 02/17/03.....	178
POWER CORD REEL BOX	180
FEATURE 38112-07	180
REAR CONTROL BOX.....	182
From CSN 02/13/03.....	182

FRAME

FRAME COMPONENTS	184
FRAME COMPONENT INSTALLATION.....	186
FRAME TO LUGGAGE BAY	190
FRONT ASSY	196
INST, FRONT BASKET TO CHASSIS	196
LUGGAGE BAY.....	198

FUEL

CAT	200
CHART FUEL SENDERS	207
CUMMINS	212
FUEL AND WATER SEPARATOR.....	216
FILTER ASSY	216
To CSN 02/22/04	216
RACOR 120R.....	218
RACOR 490R.....	220
LP TANK	222
To CSN 05/27/02	222
From CSN 05/28/02	226
COMPARTMENT INSTALLATION	230
From CSN 05/28/02	230

PLUMBING.....	232
To CSN 05/27/02.....	232
FROM CSN 05/28/02.....	234
REGULATOR COVER.....	236

INSTRUMENTS

PANEL.....	238
To CSN 04/13/03.....	238
WITH BLACK BEZEL.....	242
FROM CSN 04/14/03.....	242
WITH GOLD BEZEL.....	246
FROM CSN 04/14/03.....	246

STEERING

COLUMN.....	250
To CSN 10/19/03.....	250
EXTERNAL COMPONENTS.....	252
INTERNAL COMPONENTS.....	254
SMART WHEEL.....	256
GEAR.....	258
SYSTEM.....	262

SUSPENSION

AIR.....	266
TAG AXLE.....	266
ASSEMBLY.....	268
FRONT AND REAR PLUMBING.....	272
INSTALLATION.....	274
DRIVE AXLE.....	274
STEER AXLE.....	276
LEVELING JACKS.....	278
INSTALLATION STABILIZING SYSTEM.....	278

TRANSMISSION

AUTOMATIC, COMPONENTS.....	282
300MH.....	282
SPL 250.....	286
FEATURE 40192-01, 02, 40190-01.....	286
SPL 250, C13.....	290
FEATURE 40192-03, 02, 40190-04.....	290

HYDRAULIC SYSTEM

C13.....	294
FILTER ASSY.....	298
MODULE ASSY, SINGLE FAN.....	300
MOTOR ASSY, HYDRAULIC FAN.....	302
PUMP ASSY.....	303
RESERVOIR & VALVE ASSY.....	304
ISL.....	306
MOTOR ASSY, HYDRAULIC.....	310
RESERVOIR & VALVE ASSY.....	312

EXTERIOR

CENTER.....	314
COMM ACCESS.....	314
SIDE ENGINE DOORS & WHEEL COVERS, INSTALLATION.....	316
SIDE GRILLES & REFLECTORS, INSTALLATION.....	318
SIDE LOWER PANELS & COMPARTMENT DOORS.....	319
FRONT.....	320
GENERATOR DOOR, INSTALLATION.....	320
REAR.....	322
ASSY.....	322
ENGINE COMPARTMENT DOOR.....	324
ENGINE DOOR & BUMPER.....	326
VIEWED FROM INSIDE.....	330

STRUCTURE

CENTER.....	334
LH SIDE.....	334
RH SIDE.....	335
FLOOR.....	336
PLYWOOD FLOOR INSTALLATION.....	336
FRONT.....	338
3708.....	338
4400.....	342
REAR.....	345
REAR DAVENPORT.....	345
ROOF.....	346
INSTALLATION.....	346

INTERIOR

CENTER.....	348
CEILING PANELS.....	348
SIDE WALLS.....	350
SUBCEILING PANELS.....	352
FRONT DASH.....	353
REAR DAVENPORT.....	354

STEPWELLS & HANDRAILS

STEPWELL.....	358
FRONT DOOR.....	358

DOORS

ENTRANCE.....	360
DOOR STOP.....	360

WINDOWS

WINDOWS.....	362
--------------	-----

HEATERS

AIR CONDITIONING	363
DUCTING	364
DEFROSTER	364
AUXILLARY	366
BAY	366
HYDRONIC HEATING	368
DBL SLD INSTALLATION	368
FLOOR PLAN A & B INSTALLATION	372
HURRICANE ASSY, FITTINGS	376
HURRICANE INSTALLATION	378
HYDRONIC MANIFOLDS	380
ASSEMBLY	380
CONVECTOR SUPPLY W/ FITTINGS	380
HEAT EXCHANGER	382
RETURN W/ FITTINGS	384
SUPPLY W/ FITTINGS	386
HURRICANE	388
INSTALLATION	390
WEBASTO 230	394
HEATER BREAKDOWN	394
HEATER INSTALLATION	396

WINDSHIELD WIPERS

WIPERS & MOTOR	398
----------------------	-----

LIGHTS & LENSES

HEADLAMP & LIGHTS	400
HIGH & LOW BEAM	400
90MM	400
HEADLIGHTS	402
HEADLIGHTS & TURN LIGHTS	410

EMERGENCY EQUIPMENT

FIRE EXTINGUISHER & TRIANGLE WARNING KIT	412
--	-----

COMPARTMENTS

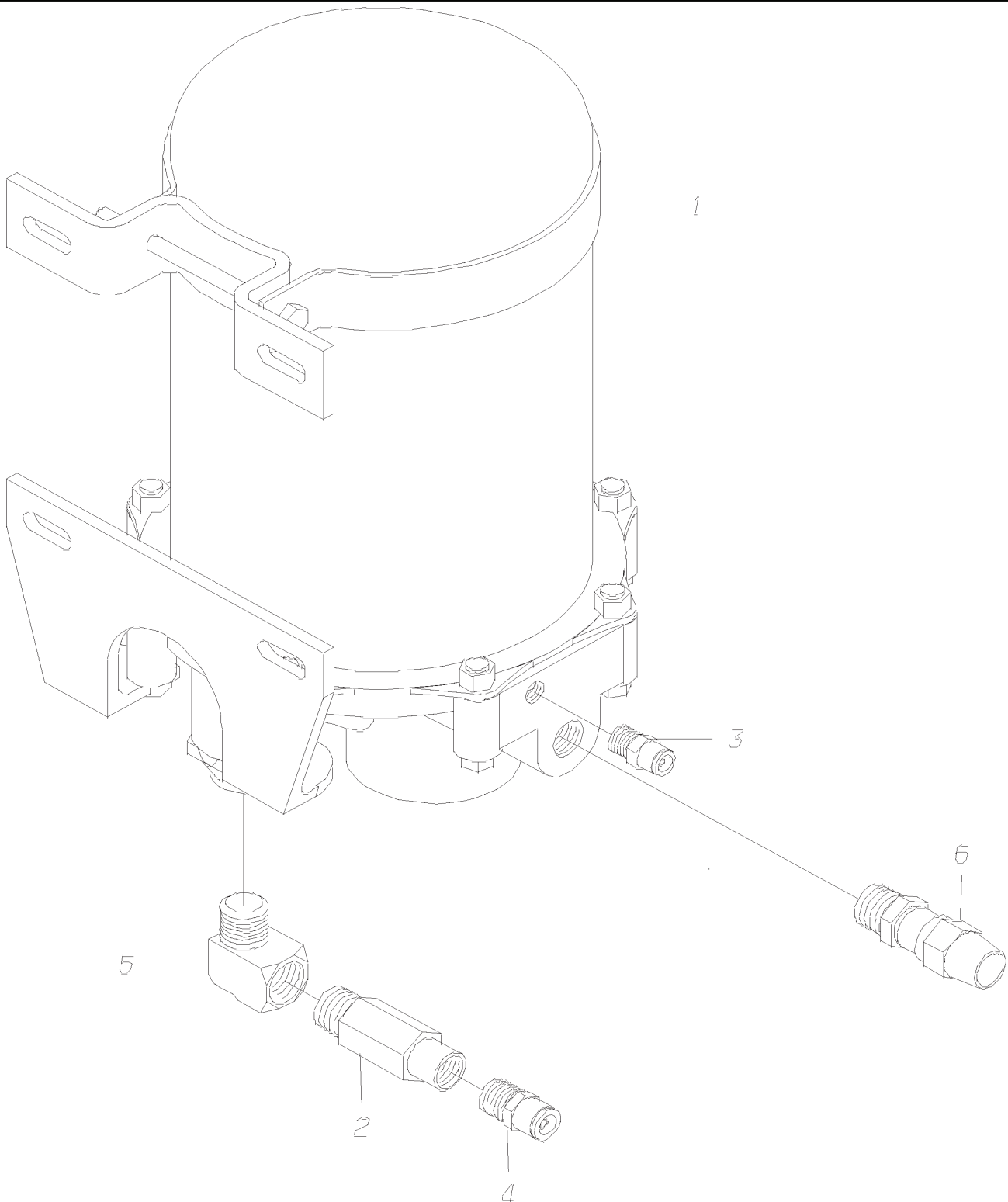
BATTERY	414
DOOR	414
TRAY	418
GENERATOR DOOR INSTALLATION	420
LUGGAGE	422
DOOR	422
48 INCH RH	422
DOOR PANTOGRAPH INSTALLATION 1	424
HINGED	428
INSTALLATION, 48 INCH RH	432
LH FRONT	434
PANTOGRAPH	438
DOORS & EXTERIOR SIDE PANELS	444
DRIVER	446
INSTALLATION	448
FRAME TO BAY	450

ACCESSORIES

ALARM, BURGLAR.....	452
AUX AIR COMPRESSORS.....	454
KIT, AIR ACCESSORY SYSTEM	456
GENERATOR ASSY, 12 KW, POWER TECH	458
GENERATOR EXHAUST, FRONT	460
GENERATOR EXHAUST, REAR	462
GENERATOR EXHAUST, SUSPENSION.....	464
GENERATOR RADIATOR.....	466
INVERTER INSTALLATION	466
GROMMET CHART	484
LEVELING SYSTEM	486
MUDFLAPS.....	488
PLUMBING FOR FRESH WATER	490
TANK INSTALLATION	492
PLUMBING, DRAINAGE	496
TANK, FRESH WATER.....	500

Models: H4RE, M4RE
AIR DRYER ASSY
AD-9

Key	PartNumber	Qty	Description	Comment
-----	------------	-----	-------------	---------

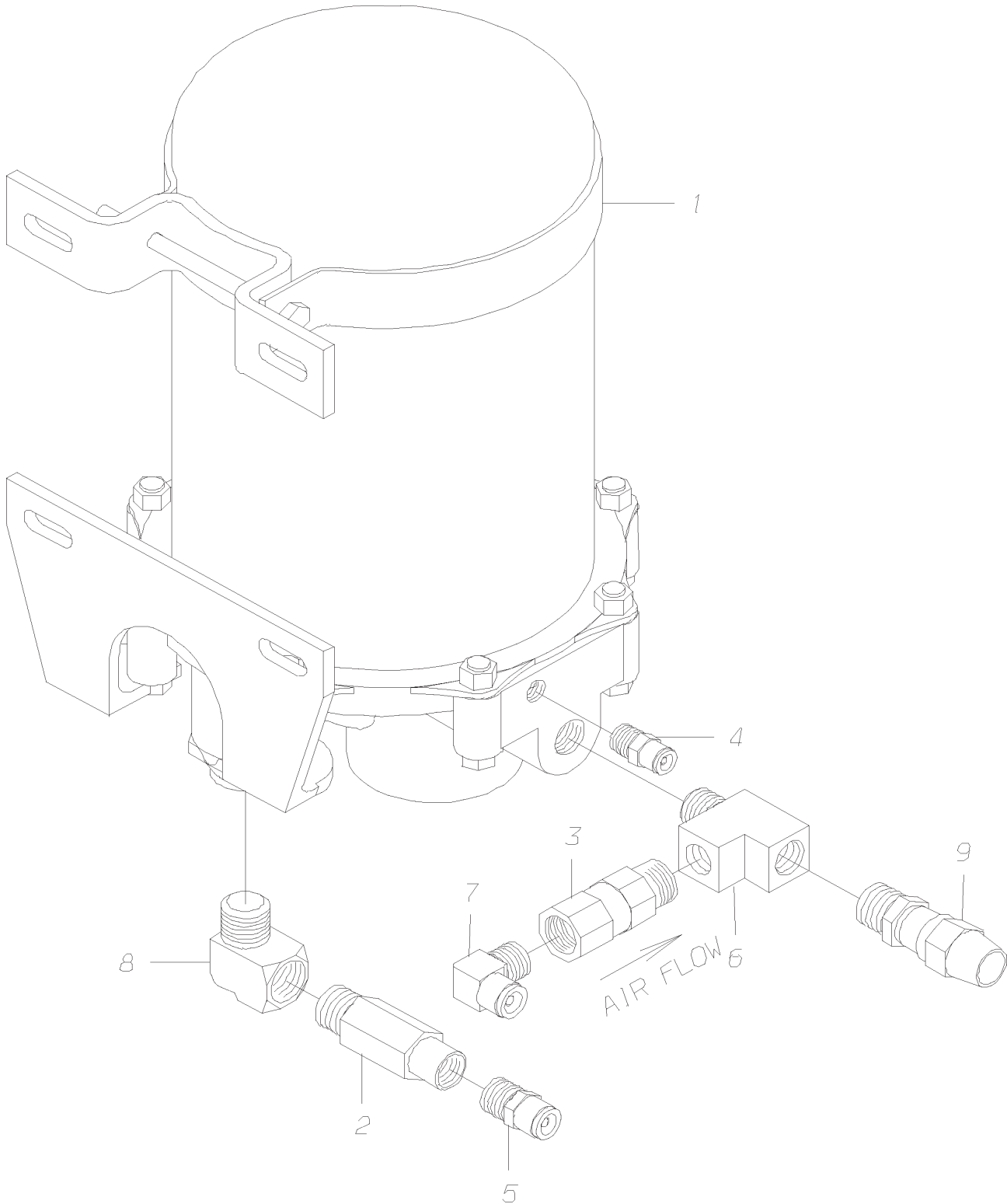


**Models: H4RE, M4RE
AIR DRYER ASSY
AD-9**

Key	PartNumber	Qty	Description	Comment
1	1734136	1	AIR DRYER,AD-9,LH SUPPLY,W/VITON TURBO	
2	0392308	1	VALVE,CHECK,WATER	
3	0009922	1	CONNECTOR, MALE, 1868X4X4-Z, .25MPT	
4	0009923	1	CONNECTOR,MALE,1868X10-Z,.50MPT X .63T	
5	2008274	1	ELBOW,STREET,90 DEG,1/2MPT X	
6	2023356	1	CONNECTOR,1/2 MPT X 5/8 TUBE	

Models: H4RE
AIR DRYER ASSY
AD-9

Key	PartNumber	Qty	Description	Comment
-----	------------	-----	-------------	---------

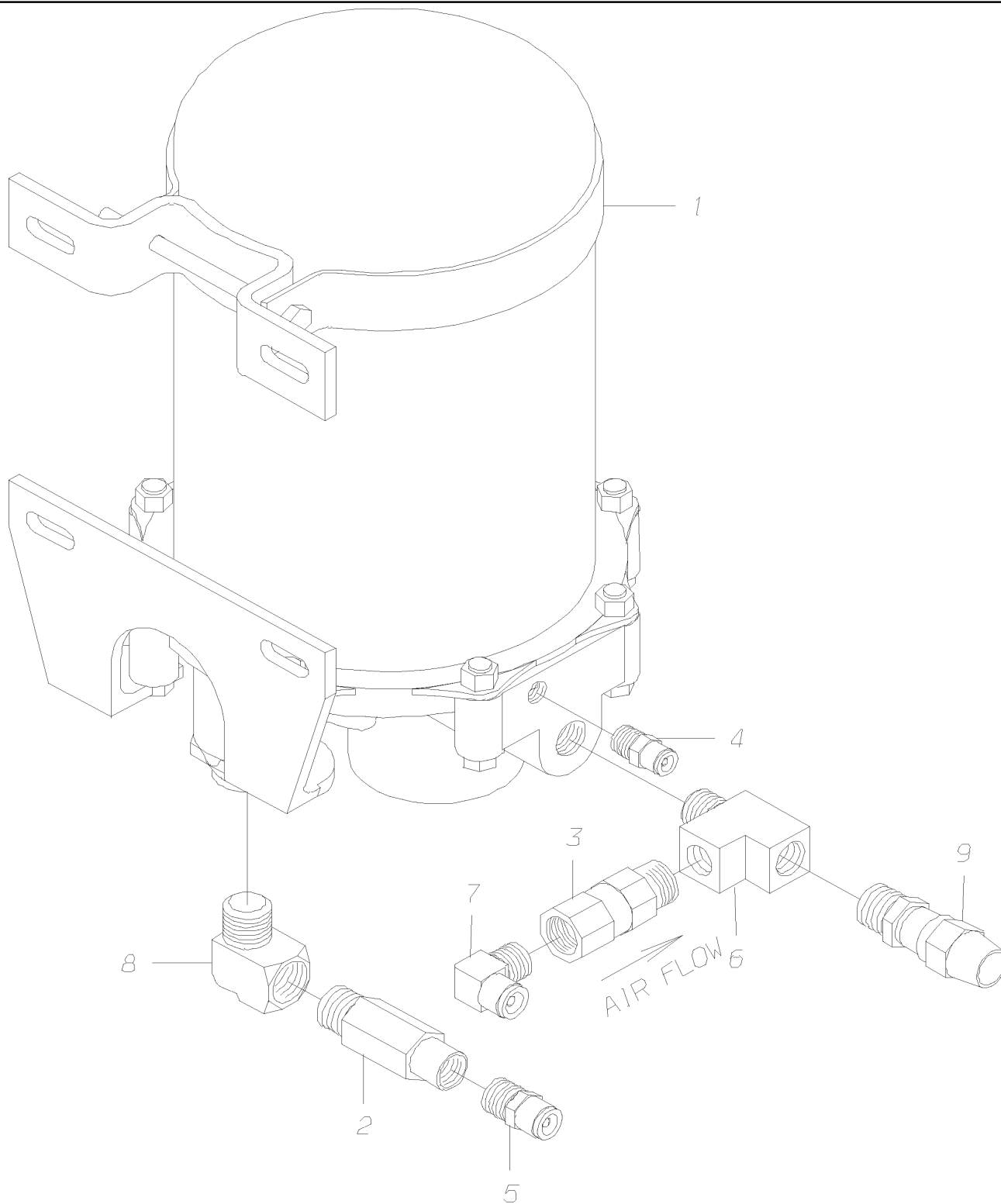


**Models: H4RE
AIR DRYER ASSY
AD-9**

Key	PartNumber	Qty	Description	Comment
1	1734136	1	AIR DRYER,AD-9,LH SUPPLY,W/VITON TURBO	
2	0392308	1	VALVE,CHECK,WATER	
3	0001134	1	VALVE,SINGLE CHECK,1/2 PIPE,STRAIGHT	
4	0009922	1	CONNECTOR, MALE, 1868X4X4-Z, .25MPT	
5	0009923	1	CONNECTOR,MALE,1868X10-Z,.50MPT X .63T	
6	0654350	1	TEE,1/2 PIPE,STREET	
7	0009909	1	ELBOW,90 DEG,MALE1869X6X8-Z,.50MPT	
8	2008274	1	ELBOW,STREET,90 DEG,1/2MPT X	
9	2023356	1	CONNECTOR,1/2 MPT X 5/8 TUBE	

Models: H4RE
AIR DRYER ASSY
 AD-9
6 CHANNEL, ABS

Key	PartNumber	Qty	Description	Comment
-----	------------	-----	-------------	---------

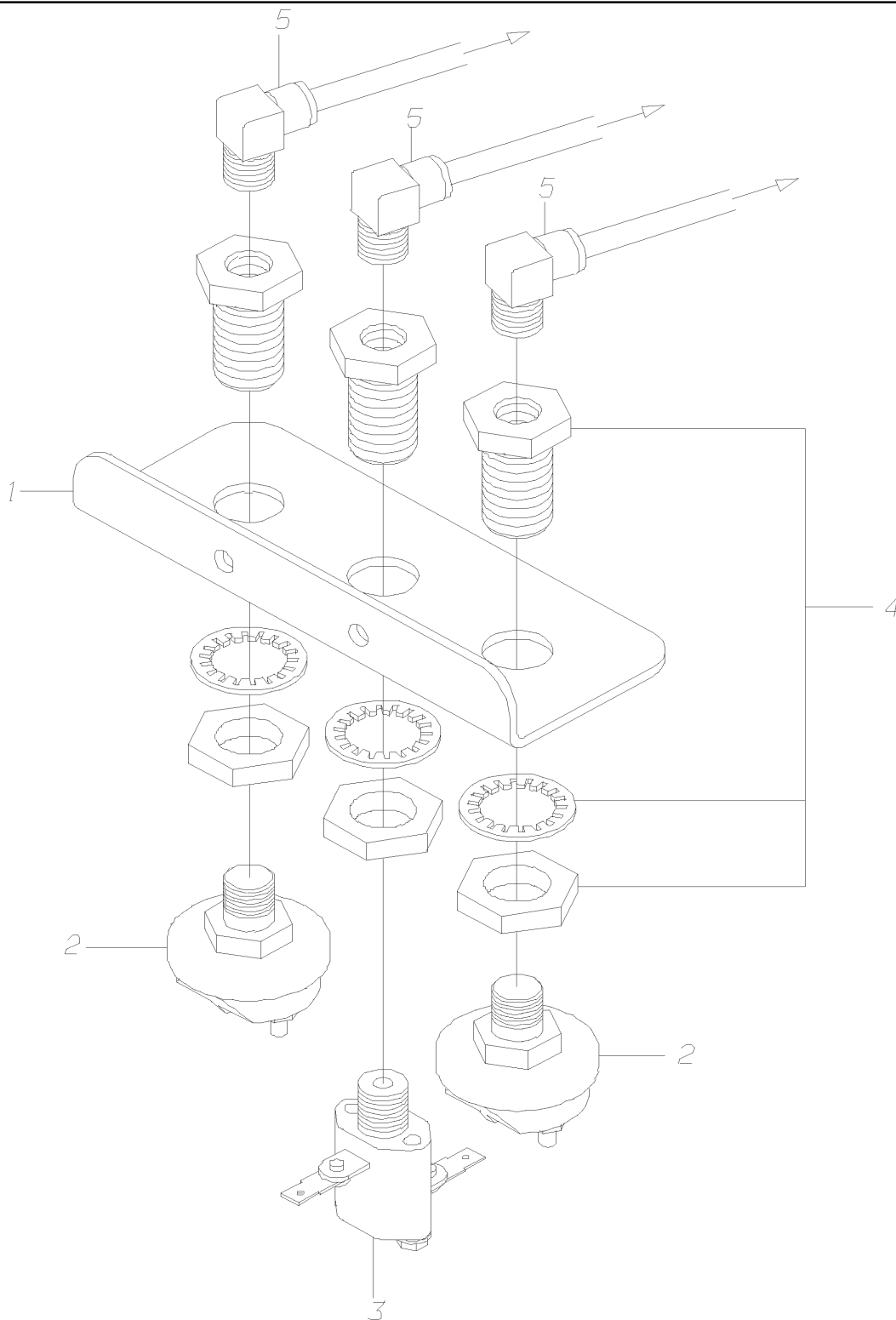


Models: H4RE
 AIR DRYER ASSY
 AD-9
 6 CHANNEL, ABS

Key	PartNumber	Qty	Description	Comment
1	1734136	1	AIR DRYER,AD-9,LH SUPPLY,W/VITON TURBO	
NI	4311908	1	ELEMENT ONLY,AIR DRYER AD-9,1539089"	
2	0392308	1	VALVE,CHECK,WATER	
3	0001134	1	VALVE,SINGLE CHECK,1/2 PIPE,STRAIGHT	
4	0009922	1	CONNECTOR, MALE, 1868X4X4-Z, .25MPT	
5	0009923	1	CONNECTOR,MALE,1868X10-Z,.50MPT X .63T	
6	0654350	1	TEE,1/2 PIPE,STREET	
7	0009909	1	ELBOW,90 DEG,MALE1869X6X8-Z,.50MPT	
8	2008274	1	ELBOW,STREET,90 DEG,1/2MPT X	
9	2023356	1	CONNECTOR,1/2 MPT X 5/8 TUBE	

**Models: H4RE, M4RE
 OPTIONAL EQUIPMENT
 BRACKET ASSY
 STOPLIGHTS & PARKING BRAKE SWITCH**

Key	PartNumber	Qty	Description	Comment
-----	------------	-----	-------------	---------



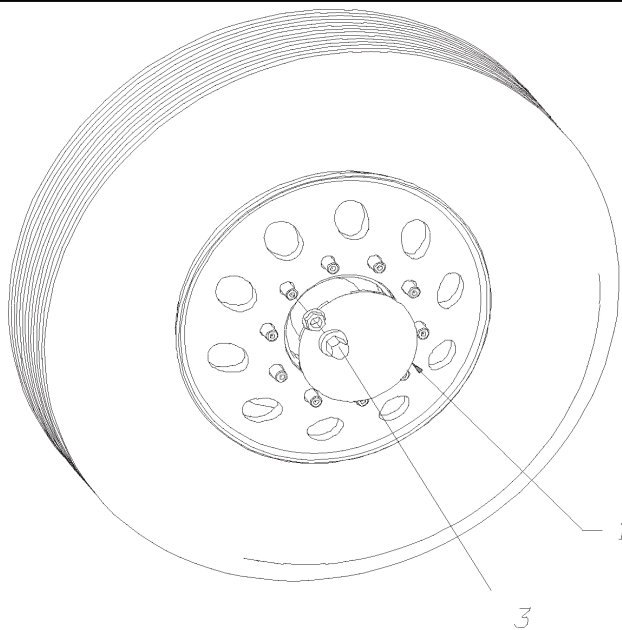
To order parts call 478.825.0330 x136

**Models: H4RE, M4RE
OPTIONAL EQUIPMENT
BRACKET ASSY
STOPLIGHTS & PARKING BRAKE SWITCH**

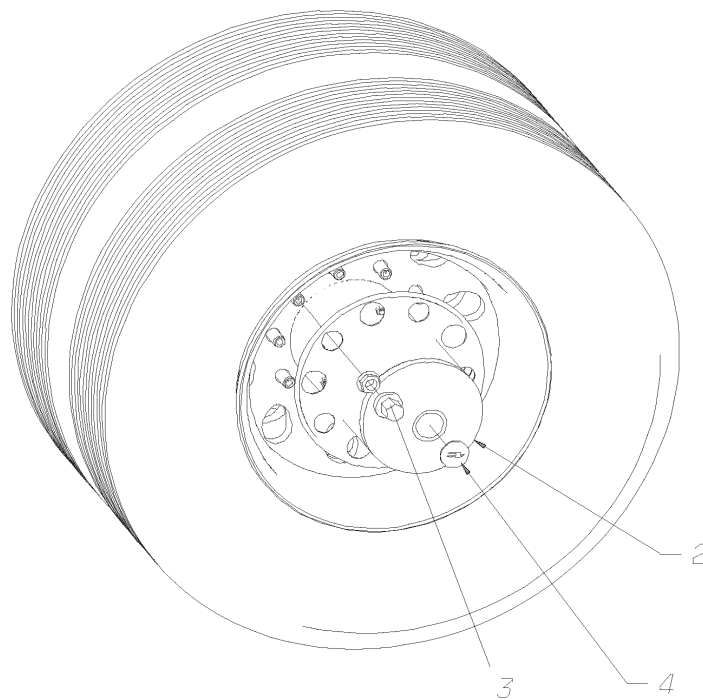
Key	PartNumber	Qty	Description	Comment
1	0039382	1	BRACKET,MTG,STOPLIGHT,RETARDER&PARK	
2	1940873	2	SWITCH ASSY,STOPLIGHT PRESSURE	
3	0982918	1	INDICATOR,LOW PRESSURE,LP-3,30 PSI	
4	2023232	3	COUPLING,ANCHOR,205465	
5	0009912	3	ELBOW, 90 DEG, MALE, 1869X4X4-Z,.25MPT	

Models: H4RE
OPTIONAL EQUIPMENT
HUB COVERS

Key	PartNumber	Qty	Description	Comment
-----	------------	-----	-------------	---------



FRONT AXLE



REAR AXLE

Models: H4RE
OPTIONAL EQUIPMENT
HUB COVERS

Key	PartNumber	Qty	Description	Comment
1	6020390	2	COVER,HUB,SS,FRT AXLE,W/NOTCHES,22582,	
2	0032022	2	COVER,HUB,REAR,WHEEL,2000,Q4,B4,W4RE"	
3	0026322	40	COVER,LUG NUT,33MM,ALUM WHEEL,SS,Q4RE,	
4	6088728	2	DECAL,LOGO,REAR WHEEL COVER, 1997 WLWB	

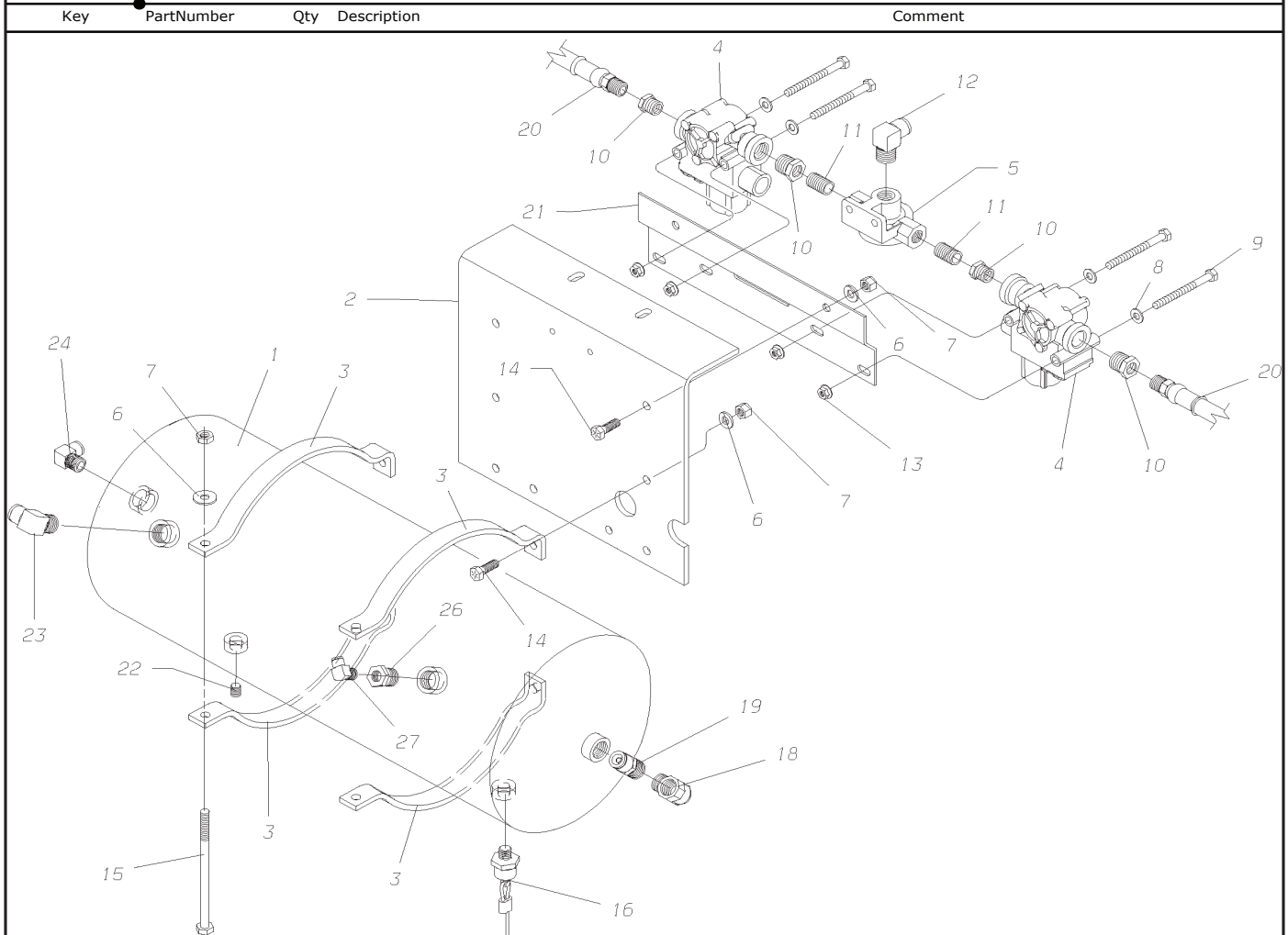
Models: H4RE
RESERVOIR ASSY
ACCESSORY

Key	PartNumber	Qty	Description	Comment
1	0014509	1	RESERVOIR,2000 CU. IN.,DUAL COMPARTMENT	
2	0040247	1	BRACKET,MTG,RESERVOIR,2000CI DUAL COMP	
3	0850586	4	BRACKET,MTG,9 1/2IN,AIR RESERVOIR	
4	0008387	2	MODULATOR,ABS,6 CHANNEL,AIR BRAKES,	
5	1940857	1	VALVE,QUICK RELEASE,1/2" INLET PORT	
6	1107085	8	WASHER,FLAT,13/32 X 13/16 X 3/32,HDN,BLK	
7	1013689	8	NUT,HEX HD,3/8-16,WASHER SER,YEL ZN DICH	
8	2001048	4	WASHER,FLAT,11/32 X 11/16 X 1/16,YEL	
9	1226877	4	CAPSCREW,HEX HD,5/16X 3 1/2,GR8,YEL ZN	

**Models: H4RE
RESERVOIR ASSY
ACCESSORY**

Key	PartNumber	Qty	Description	Comment
10	2023539	4	BUSHING,PIPE,1/2MPT X 3/8FPT,3220X8X6Z,	
11	2027191	2	NIPPLE,0.375 CLOSE PIPE,BRASS	
12	0009907	1	ELBOW,90 DEG,MALE1869X8X8-Z,.50MPT	
13	0829390	4	NUT, HEX HD, 5/16-18, SER WASHER, YEL ZN	
14	0803213	6	CAPSCREW,HEX HD,3/8-16X1 1/4,GR8,YEL	
15	0851337	2	CAPSCREW,HEX HD,3/8-16X6 1/2,GR5,YEL	
16	1110188	2	VALVE,RESERVOIR,DRAIN	
17	0663427	1	PLUG,PIPE,1/2 SQ HD,3151 X 8Z,BRASS	
18	3772159	3	PLUG,PIPE,0.375,BRASS W/SEALANT,HEX HD	
19	0001135	1	VALVE,SINGLE CHECK,1/2 PIPE,90 DEGREE	
20	0009923	1	CONNECTOR,MALE,1868X10-Z,.50MPT X .63T	
21	0009906	1	ELBOW,90 DEG,MALE1869X8-Z,.38MPT X .50T	
22	0009911	2	ELBOW,90 DEG,MALE1869X6X6-Z,.38MPT	
23	1082619	2	HOSE ASSY,BRAKE,7/16 X 30 IN LONG	
24	0048520	1	BRACKET,MTG,MODULATORS,FRONT,H4RE	

Models: H4RE
**RESERVOIR ASSY
 FRONT
 6 CHANNEL, ABS 45 FT**
BSN: From CSN 10/20/03
 To CSN 10/17/04

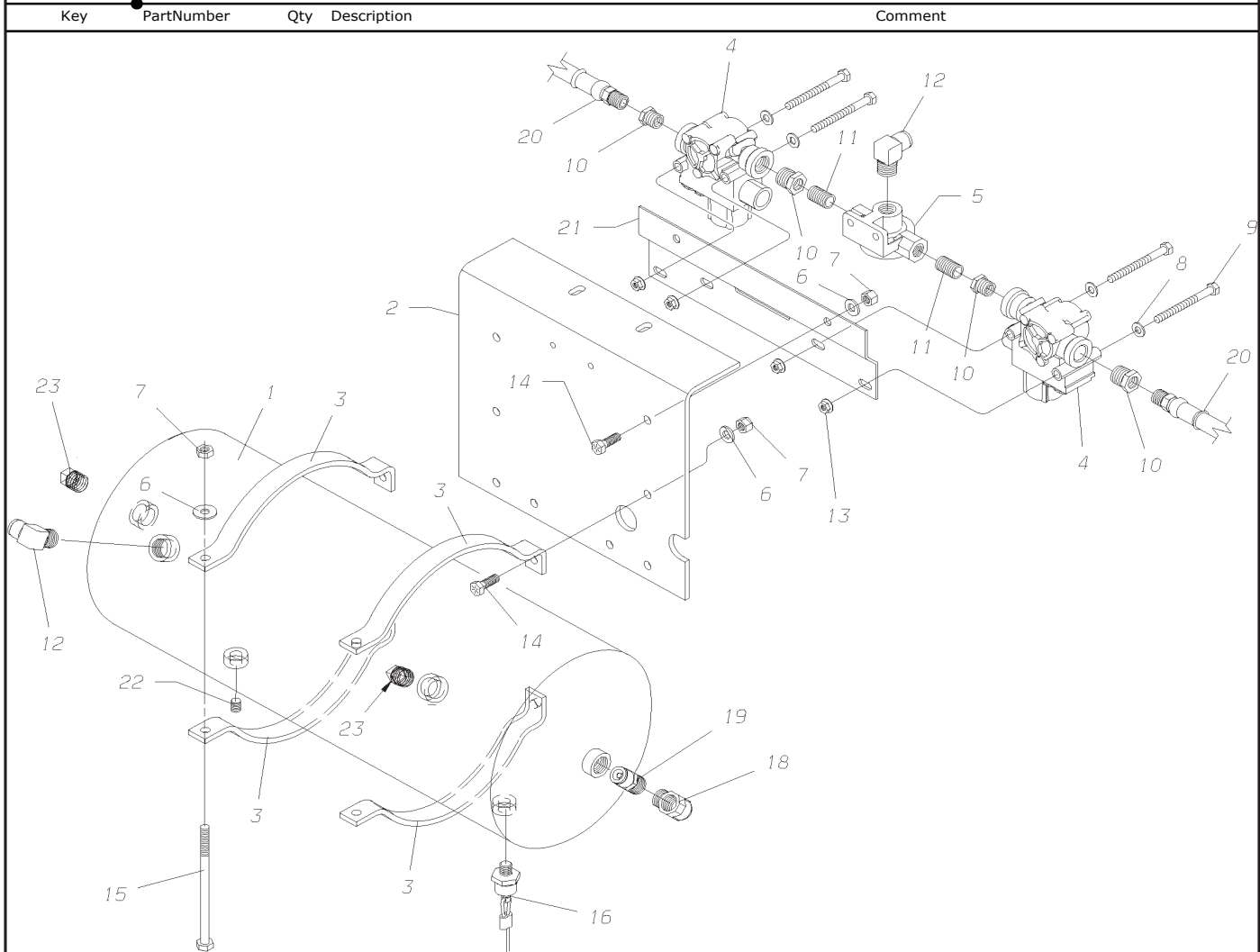


Key	PartNumber	Qty	Description	Comment
1	0073461		RESERVOIR,AIR,9.5X27,1760CUIN"	
2	0040247		BRACKET,MTG,RESERVOIR,2000CI DUAL COMP	
3	0850586	4	BRACKET,MTG,9 1/2IN,AIR RESERVOIR	
4	0008387	2	MODULATOR,ABS,6 CHANNEL,AIR BRAKES,	
5	1940857		VALVE,QUICK RELEASE,1/2" INLET PORT	
6	1107085	8	WASHER,FLAT,13/32 X 13/16 X 3/32,HDN,BLK	
7	1013689	8	NUT,HEX HD,3/8-16,WASHER SER,YEL ZN DICH	
8	2001048	4	WASHER,FLAT,11/32 X 11/16 X 1/16,YEL	

Models: H4RE
RESERVOIR ASSY
FRONT
6 CHANNEL, ABS 45 FT
BSN: From CSN 10/20/03
 To CSN 10/17/04

Key	PartNumber	Qty	Description	Comment
9	1226877	4	CAPSCREW,HEX HD,5/16X 3 1/2,GR8,YEL ZN	
10	2023539	4	BUSHING,PIPE,1/2MPT X 3/8FPT,3220X8X6Z,	
11	2027191	2	NIPPLE,0.375 CLOSE PIPE,BRASS	
12	0009907		ELBOW,90 DEG,MALE1869X8X8-Z,.50MPT	
13	0829390	4	NUT, HEX HD, 5/16-18, SER WASHER, YEL ZN	
14	0803213	6	CAPSCREW,HEX HD,3/8-16X1 1/4,GR8,YEL	
15	0851337	2	CAPSCREW,HEX HD,3/8-16X6 1/2,GR5,YEL	
16	0021075		VALVE,DRAIN & CABLE ASSY,1/4 NPTF	
18	0001135		VALVE,SINGLE CHECK,1/2 PIPE,90 DEGREE	
19	0009923		CONNECTOR,MALE,1868X10-Z,.50MPT X .63T	
20	0991653	2	HOSE ASSY,BRAKE,7/16 X 36 IN LONG	
21	0048520		BRACKET,MTG,MODULATORS,FRONT,H4RE	
22	2023513		PLUG,PIPE,1/4,ALLEN HEX HD,BRASS	
23	0009907		ELBOW,90 DEG,MALE1869X8X8-Z,.50MPT	
24	0009909		ELBOW,90 DEG,MALE1869X6X8-Z,.50MPT	
25	9095745	.2	** PART NOT FOUND **	
26	2027159		BUSHING,PIPE,1/2 X 1/4,BRASS	
27	0009912		ELBOW, 90 DEG, MALE, 1869X4X4-Z,.25MPT	

Models: H4RE
RESERVOIR ASSY
FRONT
6 CHANNEL, ABS 45 FT
BSN: From CSN 10/18/04



Key	PartNumber	Qty	Description	Comment
1	0073461		RESERVOIR,AIR,9.5X27,1760CUIN"	
2	0040247		BRACKET,MTG,RESERVOIR,2000CI DUAL COMP	
3	1583608	4	BRACKET,MTG,RESERVOIR,1240 CU.IN.	
4	0008387	2	MODULATOR,ABS,6 CHANNEL,AIR BRAKES,	
5	1940857		VALVE,QUICK RELEASE,1/2" INLET PORT	
6	1107085	8	WASHER,FLAT,13/32 X 13/16 X 3/32,HDN,BLK	
7	1013689	8	NUT,HEX HD,3/8-16,WASHER SER,YEL ZN DICH	
8	2001048	4	WASHER,FLAT,11/32 X 11/16 X 1/16,YEL	

Models: H4RE
**RESERVOIR ASSY
 FRONT
 6 CHANNEL, ABS 45 FT**
BSN: From CSN 10/18/04

Key	PartNumber	Qty	Description	Comment
9	1226877	4	CAPSCREW,HEX HD,5/16X 3 1/2,GR8,YEL ZN	
10	2023539	4	BUSHING,PIPE,1/2MPT X 3/8FPT,3220X8X6Z,	
11	2027191	2	NIPPLE,0.375 CLOSE PIPE,BRASS	
12	0009907	2	ELBOW,90 DEG,MALE1869X8X8-Z,.50MPT	
13	0829390	4	NUT, HEX HD, 5/16-18, SER WASHER, YEL ZN	
14	0803213	6	CAPSCREW,HEX HD,3/8-16X1 1/4,GR8,YEL	
15	0851337	2	CAPSCREW,HEX HD,3/8-16X6 1/2,GR5,YEL	
16	0021075		VALVE,DRAIN & CABLE ASSY,1/4 NPTF	
17	0905745		SEALANT,PIPE,LOCTITE 567,W/TEFLON 250CC	
18	0001135		VALVE,SINGLE CHECK,1/2 PIPE,90 DEGREE	
19	0009923		CONNECTOR,MALE,1868X10-Z,.50MPT X .63T	
20	0991653	2	HOSE ASSY,BRAKE,7/16 X 36 IN LONG	
21	0048520		BRACKET,MTG,MODULATORS,FRONT,H4RE	
22	2023513		PLUG,PIPE,1/4,ALLEN HEX HD,BRASS	
23	0663427	2	PLUG,PIPE,1/2 SQ HD,3151 X 8Z,BRASS	

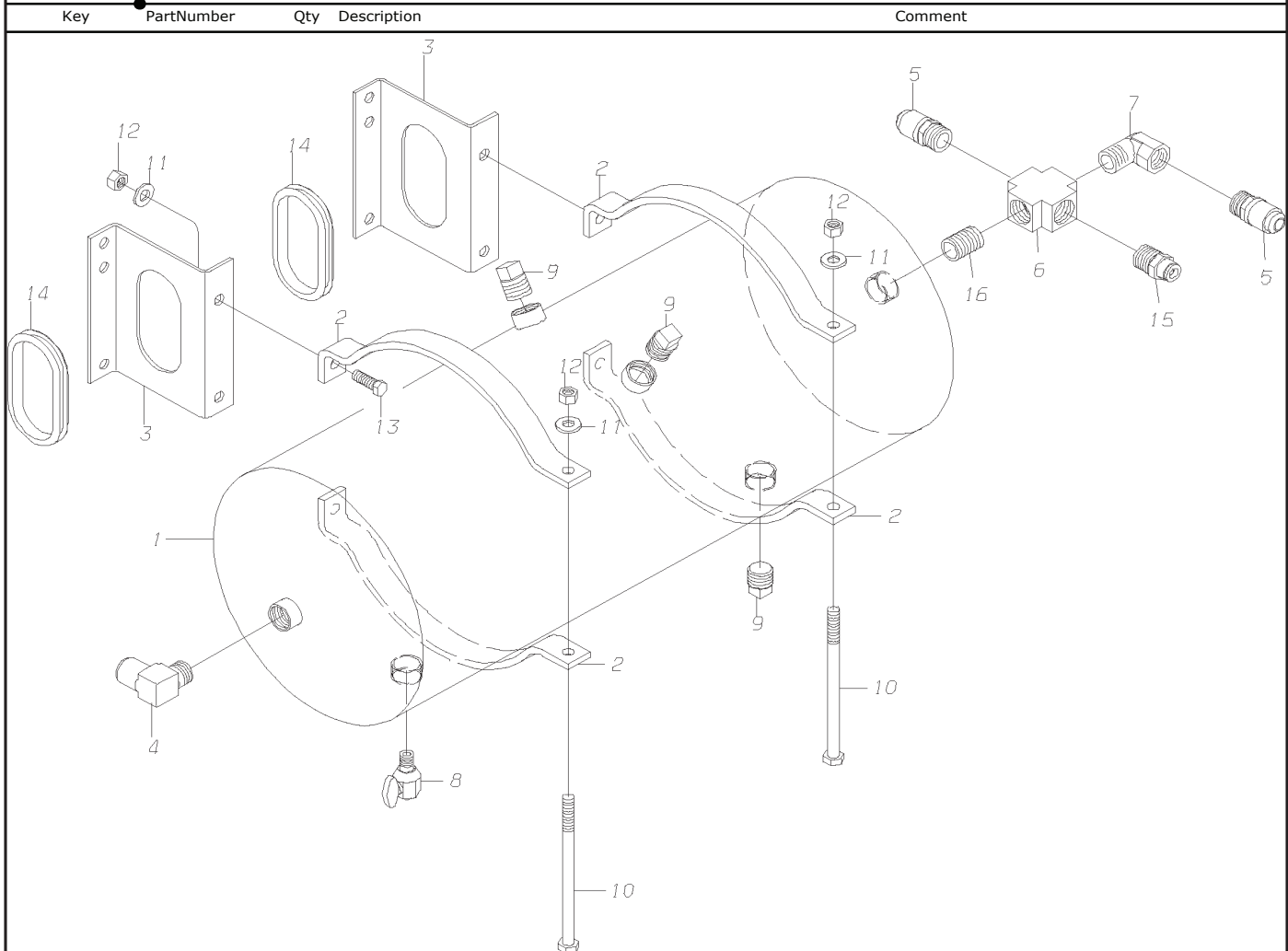
Models: **H4RE
RESERVOIR ASSY
FRONT & ACCESSORY
6 CHANNEL, ABS**

Key	PartNumber	Qty	Description	Comment
1	0014509	1	RESERVOIR,2000 CU. IN.,DUAL COMPARTMENT	
2	0040247	1	BRACKET,MTG,RESERVOIR,2000CI DUAL COMP	
3	0850586	4	BRACKET,MTG,9 1/2IN,AIR RESERVOIR	
4	0008387	2	MODULATOR,ABS,6 CHANNEL,AIR BRAKES,	
5	1940857	1	VALVE,QUICK RELEASE,1/2" INLET PORT	
6	1107085	8	WASHER,FLAT,13/32 X 13/16 X 3/32,HDN,BLK	
7	1013689	8	NUT,HEX HD,3/8-16,WASHER SER,YEL ZN DICH	
8	2001048	4	WASHER,FLAT,11/32 X 11/16 X 1/16,YEL	
9	1226877	4	CAPSCREW,HEX HD,5/16X 3 1/2,GR8,YEL ZN	

**Models: H4RE
RESERVOIR ASSY
FRONT & ACCESSORY
6 CHANNEL, ABS**

Key	PartNumber	Qty	Description	Comment
10	2023539	4	BUSHING,PIPE,1/2MPT X 3/8FPT,3220X8X6Z,	
11	2027191	2	NIPPLE,0.375 CLOSE PIPE,BRASS	
12	0009907	1	ELBOW,90 DEG,MALE1869X8X8-Z,.50MPT	
13	0829390	4	NUT, HEX HD, 5/16-18, SER WASHER, YEL ZN	
14	0803213	6	CAPSCREW,HEX HD,3/8-16X1 1/4,GR8,YEL	
15	0851337	2	CAPSCREW,HEX HD,3/8-16X6 1/2,GR5,YEL	
16	1110188	2	VALVE,RESERVOIR,DRAIN	
17	0663427	1	PLUG,PIPE,1/2 SQ HD,3151 X 8Z,BRASS	
18	3772159	3	PLUG,PIPE,0.375,BRASS W/SEALANT,HEX HD	
19	0001135	1	VALVE,SINGLE CHECK,1/2 PIPE,90 DEGREE	
20	0009923	1	CONNECTOR,MALE,1868X10-Z,.50MPT X .63T	
21	0009906	1	ELBOW,90 DEG,MALE1869X8-Z,.38MPT X .50T	
22	0009911	2	ELBOW,90 DEG,MALE1869X6X6-Z,.38MPT	
23	1082619	2	HOSE ASSY,BRAKE,7/16 X 30 IN LONG	
24	0048520	1	BRACKET,MTG,MODULATORS,FRONT,H4RE	

**Models: H4RE, M4RE
RESERVOIR ASSY
REAR**

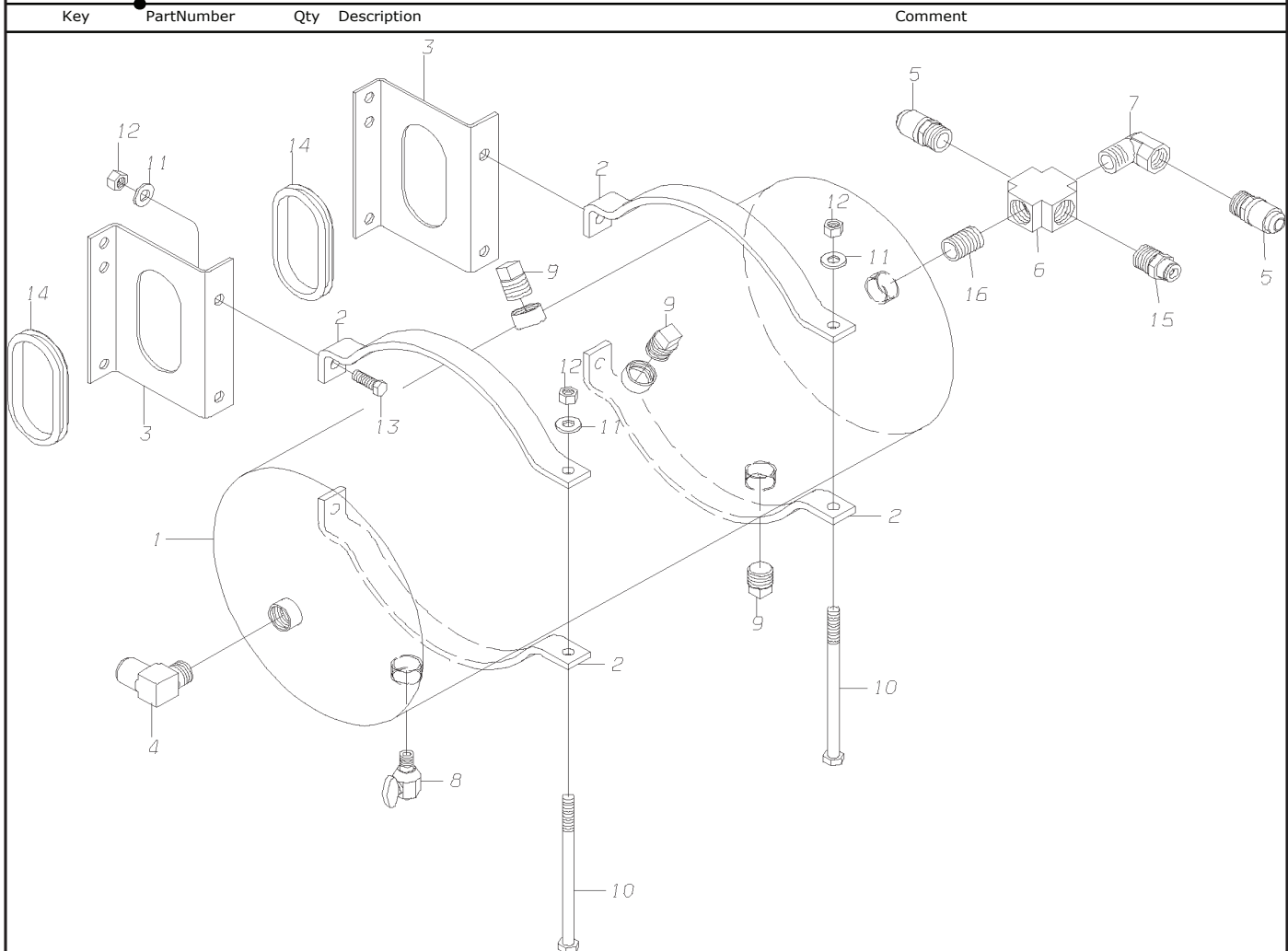


Key	PartNumber	Qty	Description	Comment
1	0991513	1	RESERVOIR,9 1/2 X 27 - 1760 CU.IN.	
2	0850586	4	BRACKET,MTG,9 1/2IN,AIR RESERVOIR	
3	1946649	2	BRACKET,SPACER,AIR RESERVOIR,RC	
4	0009908	1	ELBOW,90 DEG,MALE1869X10-Z,.50MPT X .63T	
5	0009920	2	CONNECTOR,MALE,1868X8X8-Z,.50MPT X .50T"	
6	2257905	1	CROSS,FEMALE PIPE,0.50,BRASS	
7	0001135	1	VALVE,SINGLE CHECK,1/2 PIPE,90 DEGREE	
8	1110188	1	VALVE,RESERVOIR,DRAIN	

**Models: H4RE, M4RE
RESERVOIR ASSY
REAR**

Key	PartNumber	Qty	Description	Comment
9	0663427	3	PLUG,PIPE,1/2 SQ HD,3151 X 8Z,BRASS	
10	0851337	2	CAPSCREW,HEX HD,3/8-16X6 1/2,GR5,YEL	
11	1107085	6	WASHER,FLAT,13/32 X 13/16 X 3/32,HDN,BLK	
12	1013689	6	NUT,HEX HD,3/8-16,WASHER SER,YEL ZN DICH	
13	0803213	4	CAPSCREW,HEX HD,3/8-16X1 1/4,GR8,YEL	
14	1576388	2	GROMMET,MOLDED STRIP,.320 X 12.75 LONG	
15	0009919	1	CONNECTOR,MALE,1868X6X8-Z,.50MPT X .38T"	
16	2023992	1	NIPPLE,203321 1/2 CLOSE PIPE	

**Models: H4RE
RESERVOIR ASSY
REAR
6 CHANNEL, ABS**

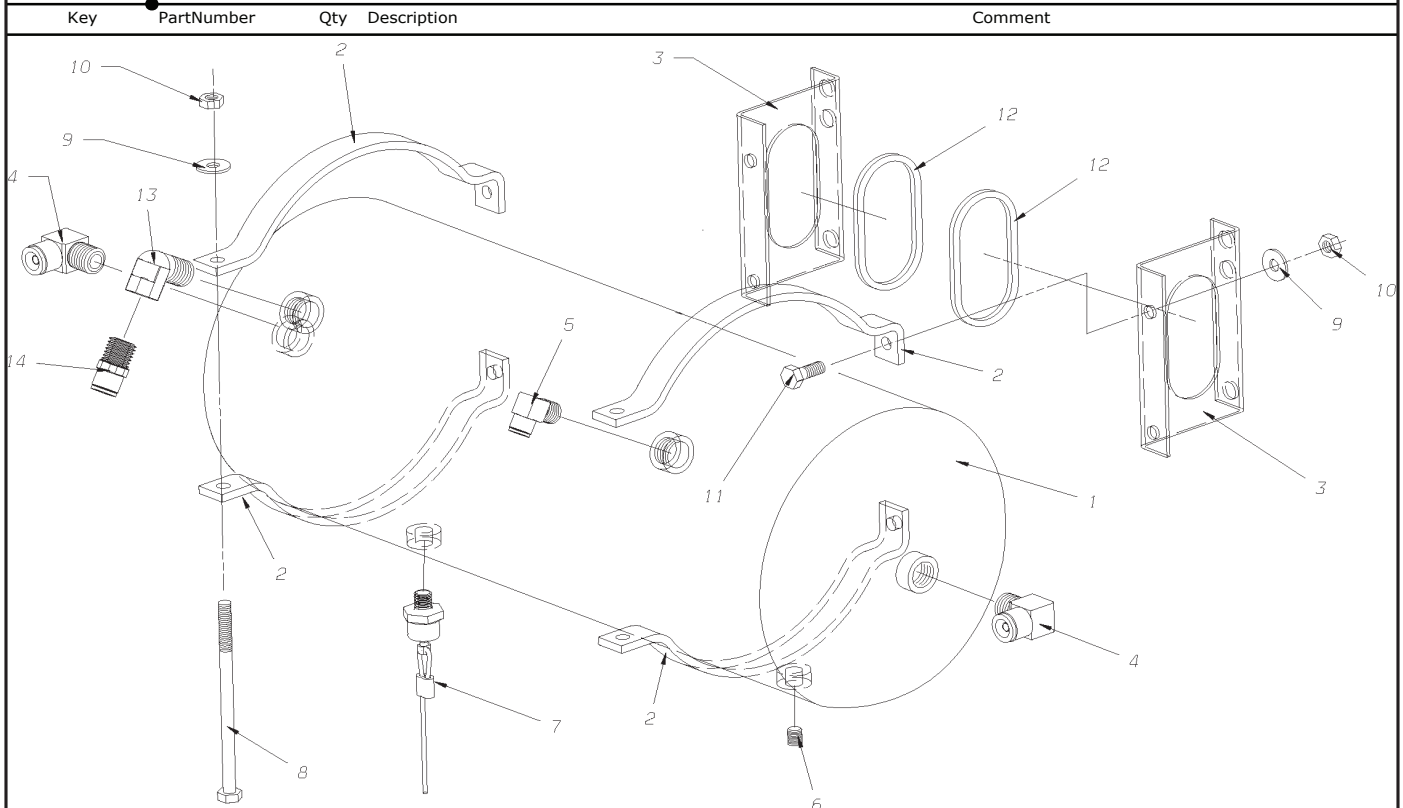


Key	PartNumber	Qty	Description	Comment
1	0991513	1	RESERVOIR,9 1/2 X 27 - 1760 CU.IN.	
2	0850586	4	BRACKET,MTG,9 1/2IN,AIR RESERVOIR	
3	1946649	2	BRACKET,SPACER,AIR RESERVOIR,RC	
4	0009908	1	ELBOW,90 DEG,MALE1869X10-Z,.50MPT X .63T	
5	0009920	2	CONNECTOR,MALE,1868X8X8-Z,.50MPT X .50T"	
6	2257905	1	CROSS,FEMALE PIPE,0.50,BRASS	
7	0001135	1	VALVE,SINGLE CHECK,1/2 PIPE,90 DEGREE	
8	1110188	1	VALVE,RESERVOIR,DRAIN	

Models: H4RE
 RESERVOIR ASSY
 REAR
 6 CHANNEL, ABS

Key	PartNumber	Qty	Description	Comment
9	0663427	3	PLUG,PIPE,1/2 SQ HD,3151 X 8Z,BRASS	
10	0851337	2	CAPSCREW,HEX HD,3/8-16X6 1/2,GR5,YEL	
11	1107085	6	WASHER,FLAT,13/32 X 13/16 X 3/32,HDN,BLK	
12	1013689	6	NUT,HEX HD,3/8-16,WASHER SER,YEL ZN DICH	
13	0803213	4	CAPSCREW,HEX HD,3/8-16X1 1/4,GR8,YEL	
14	1576388	2	GROMMET,MOLDED STRIP,.320 X 12.75 LONG	
15	0009919	1	CONNECTOR,MALE,1868X6X8-Z,.50MPT X .38T"	
16	2023992	1	NIPPLE,203321 1/2 CLOSE PIPE	

Models: H4RE
RESERVOIR ASSY
REAR
6 CHANNEL, ABS 45 FT
BSN: From CSN 10/20/03

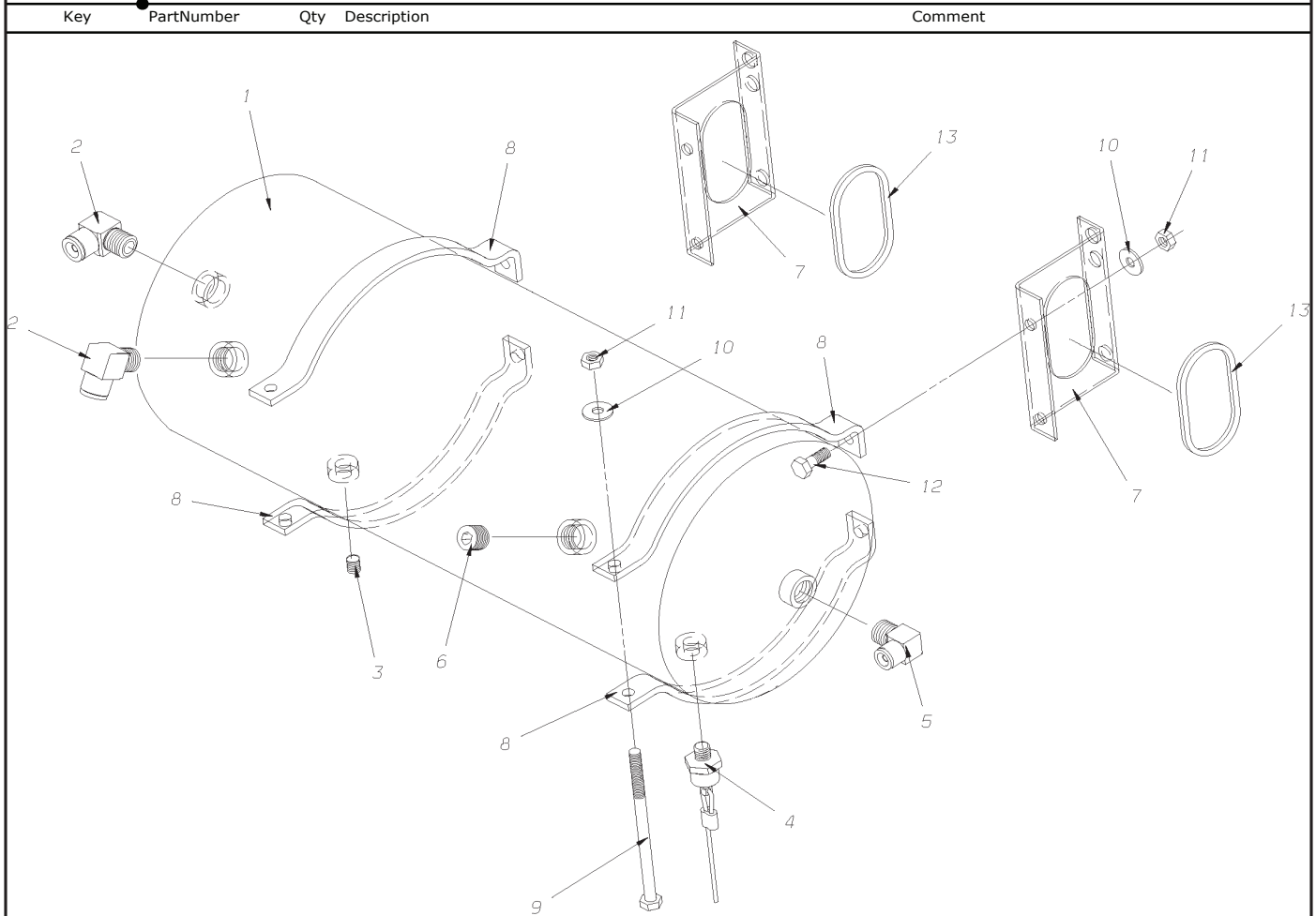


Key	PartNumber	Qty	Description	Comment
1	0073461		RESERVOIR,AIR,9.5X27,1760CUIN"	
2	0850586	4	BRACKET,MTG,9 1/2IN,AIR RESERVOIR	
3	0069075	2	BRACKET,SPACER,REAR BRAKE	
4	0009908	2	ELBOW,90 DEG,MALE1869X10-Z,.50MPT X .63T	
5	0009909		ELBOW,90 DEG,MALE1869X6X8-Z,.50MPT	
6	2023513		PLUG,PIPE,1/4,ALLEN HEX HD,BRASS	
7	0021075		VALVE,DRAIN & CABLE ASSY,1/4 NPTF	
8	0851337	2	CAPSCREW,HEX HD,3/8-16X6 1/2,GR5,YEL	
9	1107085	6	WASHER,FLAT,13/32 X 13/16 X 3/32,HDN,BLK	
10	1013689	6	NUT,HEX HD,3/8-16,WASHER SER,YEL ZN DICH	
11	0803213	4	CAPSCREW,HEX HD,3/8-16X1 1/4,GR8,YEL	

Models: H4RE
RESERVOIR ASSY
REAR
6 CHANNEL, ABS 45 FT
BSN: From CSN 10/20/03

Key	PartNumber	Qty	Description	Comment
13	0001135		VALVE,SINGLE CHECK,1/2 PIPE,90 DEGREE	
14	0009920		CONNECTOR,MALE,1868X8X8-Z,.50MPT X .50T"	
15	0905745		SEALANT,PIPE,LOCTITE 567,W/TEFLON 250CC	

Models: H4RE
RESERVOIR ASSY
WET TANK
6 CHANNEL, ABS 45 FT
BSN: From CSN 10/20/03
 To CSN 10/17/04



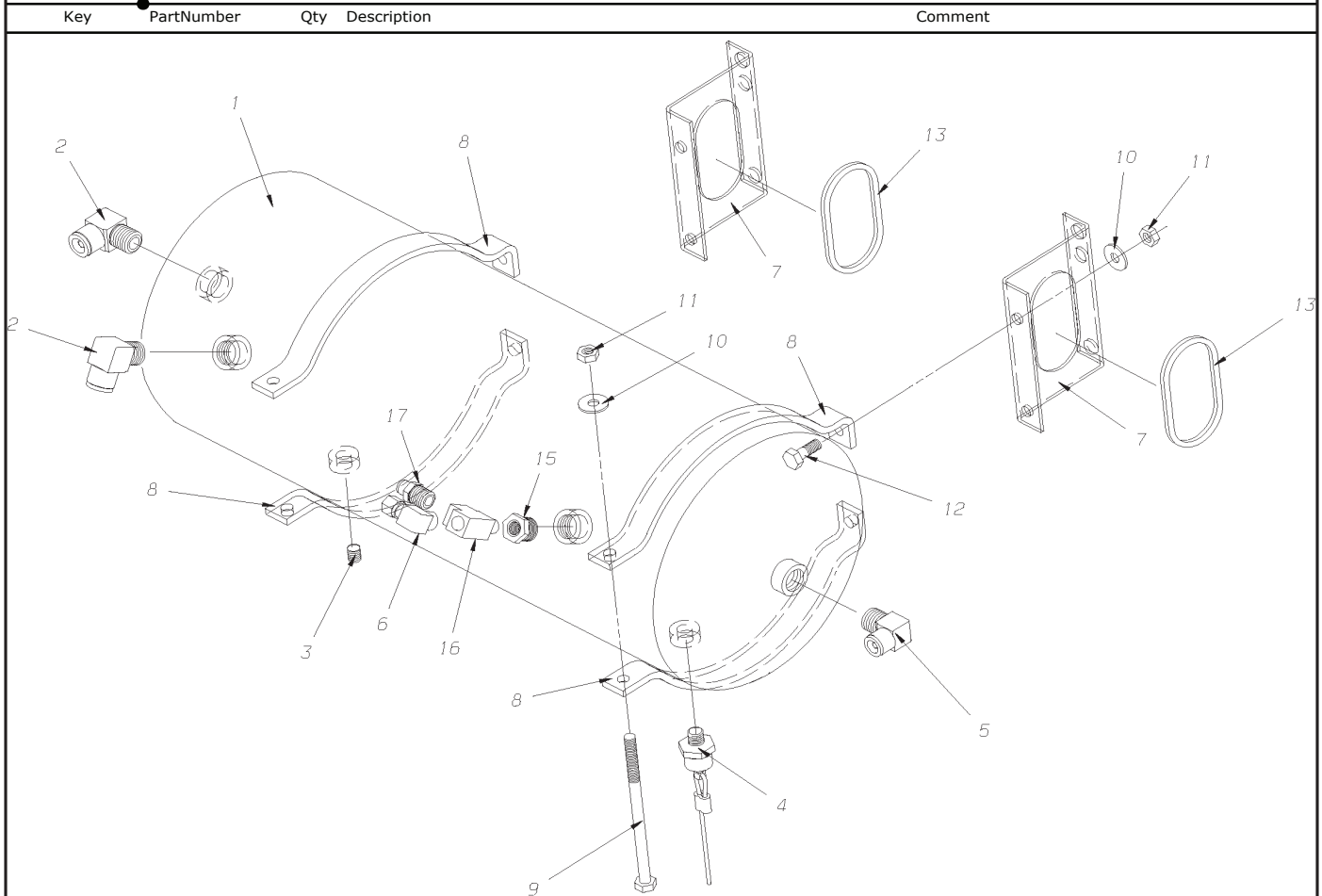
Key	PartNumber	Qty	Description	Comment
1	0073461		RESERVOIR,AIR,9.5X27,1760CUIN"	
2	0009908	2	ELBOW,90 DEG,MALE1869X10-Z,.50MPT X .63T	
3	2023513		PLUG,PIPE,1/4,ALLEN HEX HD,BRASS	
4	0027015		BRACKET,MTG,L/CMPT DOOR LINKAGE,FRT"	
5	0009907		ELBOW,90 DEG,MALE1869X8X8-Z,.50MPT	
6	1354877		PLUG,PIPE,1/2 ALLEN HEAD	
7	0069075	2	BRACKET,SPACER,REAR BRAKE	
8	0850586	4	BRACKET,MTG,9 1/2IN,AIR RESERVOIR	
9	0851337	2	CAPSCREW,HEX HD,3/8-16X6 1/2,GR5,YEL	

Models: H4RE
RESERVOIR ASSY
WET TANK
6 CHANNEL, ABS 45 FT

BSN: From CSN 10/20/03
 To CSN 10/17/04

Key	PartNumber	Qty	Description	Comment
10	1107082	6	** PART NOT FOUND **	
11	1013689	6	NUT,HEX HD,3/8-16,WASHER SER,YEL ZN DICH	
12	0803213	4	CAPSCREW,HEX HD,3/8-16X1 1/4,GR8,YEL	
13	1576388	2	GROMMET,MOLDED STRIP,.320 X 12.75 LONG	
14	0905745	AR	SEALANT,PIPE,LOCTITE 567,W/TEFLON 250CC	

Models: H4RE
RESERVOIR ASSY
WET TANK
6 CHANNEL, ABS 45 FT
BSN: From CSN 10/18/04

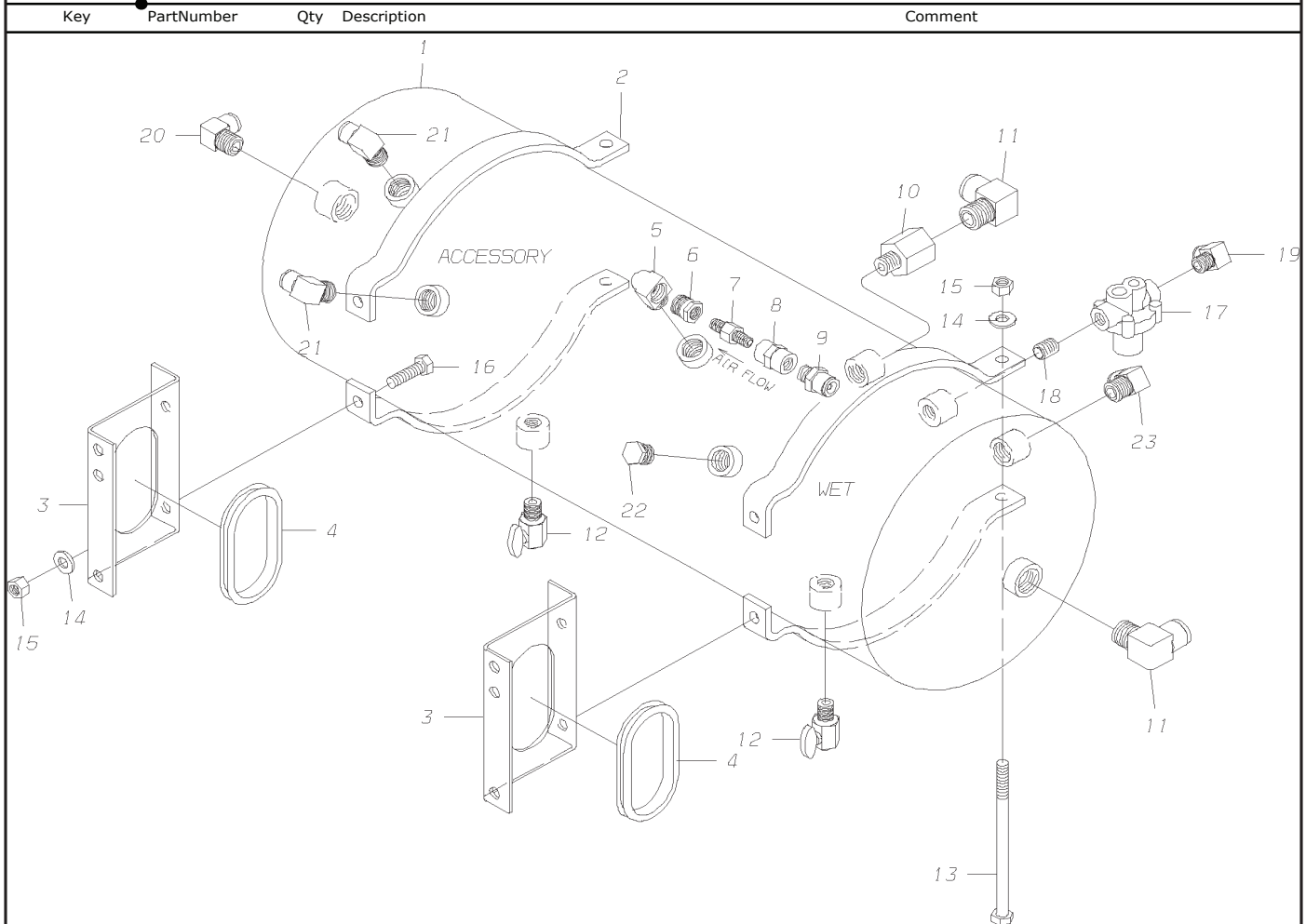


Key	PartNumber	Qty	Description	Comment
1	0073461		RESERVOIR,AIR,9.5X27,1760CUIN"	
2	0009908	2	ELBOW,90 DEG,MALE1869X10-Z,.50MPT X .63T	
3	2023513		PLUG,PIPE,1/4,ALLEN HEX HD,BRASS	
4	0021075		VALVE,DRAIN & CABLE ASSY,1/4 NPTF	
5	0009907		ELBOW,90 DEG,MALE1869X8X8-Z,.50MPT	
6	1344043		ELBOW,90 DEG,MALE,1469X6X6-Z,.38MP X .38T	
7	0069075	2	BRACKET,SPACER,REAR BRAKE	
8	1583608		BRACKET,MTG,RESERVOIR,1240 CU.IN.	
9	0851337	2	CAPSCREW,HEX HD,3/8-16X6 1/2,GR5,YEL	

Models: H4RE
RESERVOIR ASSY
WET TANK
6 CHANNEL, ABS 45 FT
BSN: From CSN 10/18/04

Key	PartNumber	Qty	Description	Comment
10	1107085	6	WASHER,FLAT,13/32 X 13/16 X 3/32,HDN,BLK	
11	1013689	6	NUT,HEX HD,3/8-16,WASHER SER,YEL ZN DICH	
12	0803213	4	CAPSCREW,HEX HD,3/8-16X1 1/4,GR8,YEL	
13	1576388	2	GROMMET,MOLDED STRIP,.320 X 12.75 LONG	
14	9095745	AR	** PART NOT FOUND **	
15	2023539		BUSHING,PIPE,1/2MPT X 3/8FPT,3220X8X6Z,	
16	0031016		TEE,STREET,.375MPTX.375FPTX.375FPT,BRASS"	
17	0023776		CONNECTOR,MALE,1868X4X6-Z,.38MPT X .25T	

Models: **H4RE
RESERVOIR ASSY
WET TANK
ACCESSORY**

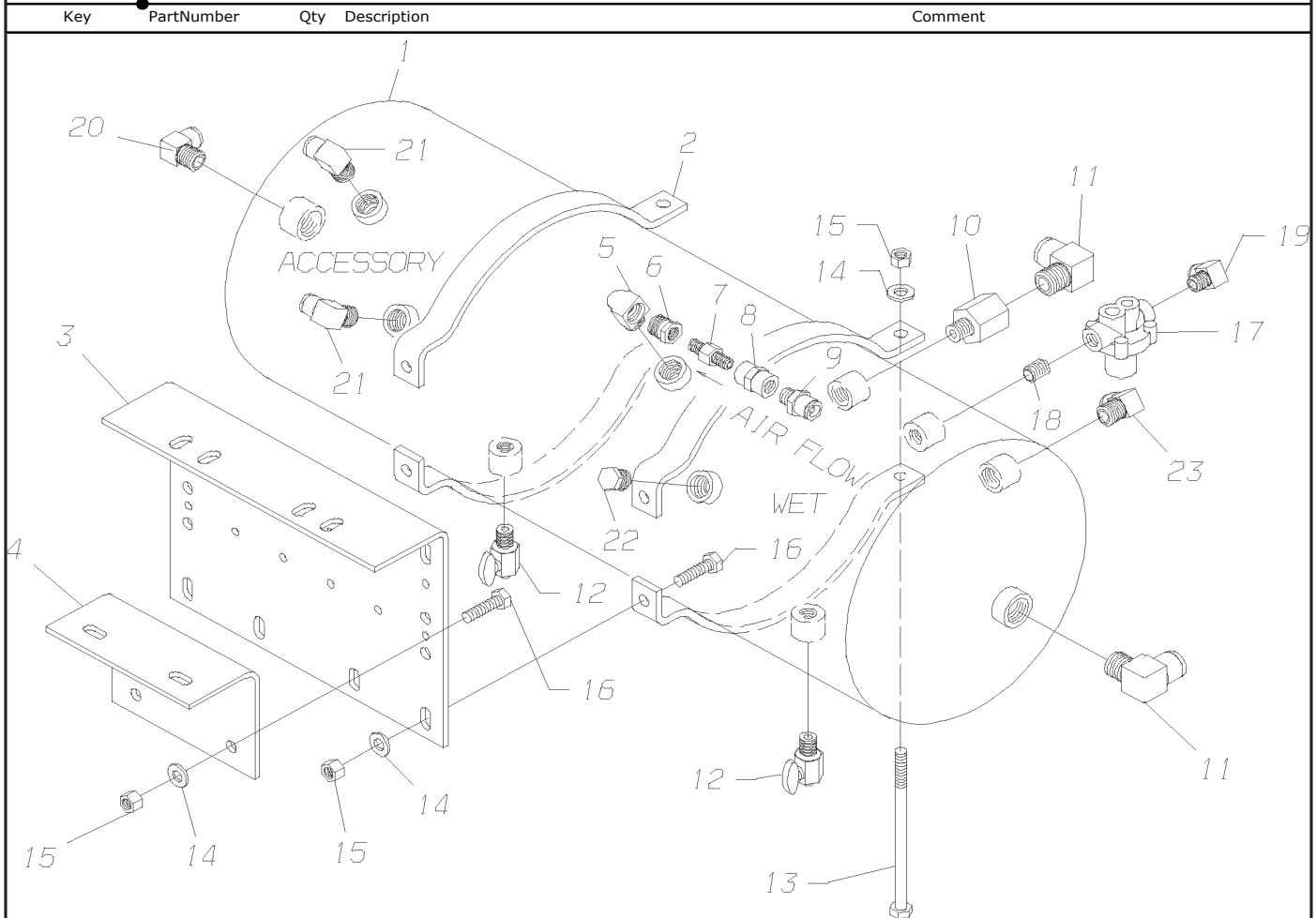


Key	PartNumber	Qty	Description	Comment
1	0014509	1	RESERVOIR,2000 CU. IN.,DUAL COMPARTMENT	
2	1583608	4	BRACKET,MTG,RESERVOIR,1240 CU.IN.	
3	1946649	2	BRACKET,SPACER,AIR RESERVOIR,RC	
4	1576388	2	GROMMET,MOLDED STRIP,.320 X 12.75 LONG	
5	2027241	1	ELBOW,STREET,90 DEG,3/8MPT X	
6	2027134	1	BUSHING,PIPE,3/8 X 1/4,BRASS	
7	1448091	1	VALVE,CHECK,1/4 X 1/4 MALE PT	
8	2027175	1	COUPLING, PIPE, 1/4	
9	0009924	1	CONNECTOR,MALE,1868X6-Z,.25MPT X .38T"	

Models: H4RE
RESERVOIR ASSY
WET TANK
ACCESSORY

Key	PartNumber	Qty	Description	Comment
10	0970327	1	ADAPTER,1/2 FPT TO 3/8 MPT,PARKER 222P-8-6	
11	0009908	2	ELBOW,90 DEG,MALE1869X10-Z,.50MPT X .63T	
12	1110188	2	VALVE,RESERVOIR,DRAIN	
13	0851337	2	CAPSCREW,HEX HD,3/8-16X6 1/2,GR5,YEL	
14	1107085	6	WASHER,FLAT,13/32 X 13/16 X 3/32,HDN,BLK	
15	1013689	6	NUT,HEX HD,3/8-16,WASHER SER,YEL ZN DICH	
16	0803213	4	CAPSCREW,HEX HD,3/8-16X1 1/4,GR8,YEL	
17	0522508	1	VALVE,PRESS PROTECTION,65 PSI	
18	2027183	1	NIPPLE,1/4 CLOSE,BRASS	
19	0009914	1	ELBOW,90 DEG,MALE1869X6-Z,.25MPT X .38T"	
20	0009909	1	ELBOW,90 DEG,MALE1869X6X8-Z,.50MPT	
21	0009911	2	ELBOW,90 DEG,MALE1869X6X6-Z,.38MPT	
22	3772159	1	PLUG,PIPE,0.375,BRASS W/SEALANT,HEX HD	
23	0009906	1	ELBOW,90 DEG,MALE1869X8-Z,.38MPT X .50T	

Models: **H4RE
RESERVOIR ASSY
WET TANK
ACCESSORY
6 CHANNEL, ABS**

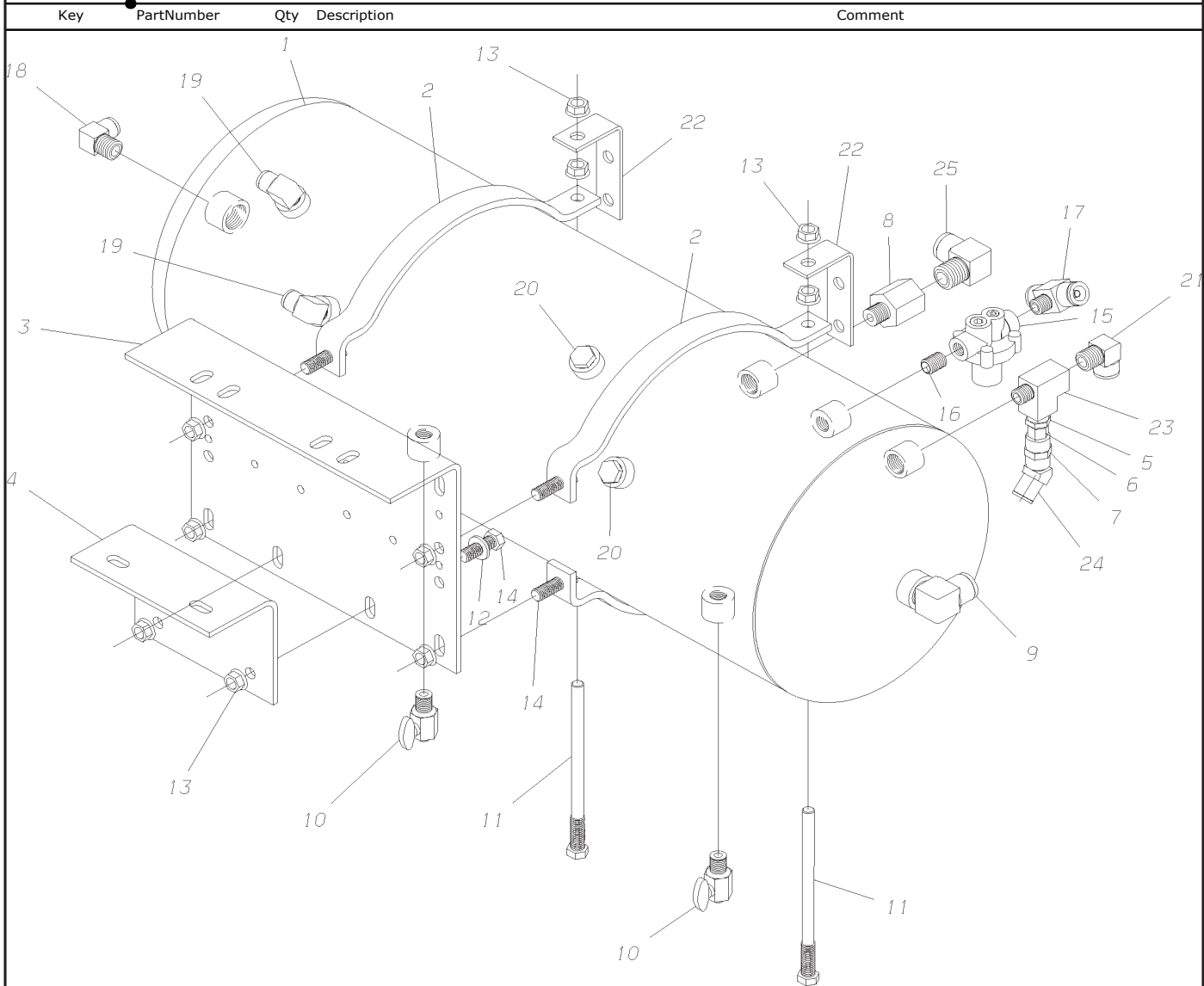


Key	PartNumber	Qty	Description	Comment
1	0014509	1	RESERVOIR,2000 CU. IN.,DUAL COMPARTMENT	
2	0850586	4	BRACKET,MTG,9 1/2IN,AIR RESERVOIR	
3	1999911	1	BRACKET,MTG,OPTIONAL AIR TANK,UPPER"	
4	1999929	1	BRACKET,MTG,OPTIONAL AIR TANK,LOWER	
5	2027241	1	ELBOW,STREET,90 DEG,3/8MPT X	
6	2027134	1	BUSHING,PIPE,3/8 X 1/4,BRASS	
7	1448091	1	VALVE,CHECK,1/4 X 1/4 MALE PT	
8	2027175	1	COUPLING, PIPE, 1/4	
9	0009924	1	CONNECTOR,MALE,1868X6-Z, .25MPT X .38T"	

Models: H4RE
 RESERVOIR ASSY
 WET TANK
 ACCESSORY
 6 CHANNEL, ABS

Key	PartNumber	Qty	Description	Comment
10	0970327	1	ADAPTER,1/2 FPT TO 3/8 MPT,PARKER 222P-8-6	
11	0009908	2	ELBOW,90 DEG,MALE1869X10-Z,.50MPT X .63T	
12	1110188	2	VALVE,RESERVOIR,DRAIN	
13	0851337	2	CAPSCREW,HEX HD,3/8-16X6 1/2,GR5,YEL	
14	1107085	8	WASHER,FLAT,13/32 X 13/16 X 3/32,HDN,BLK	
15	1013689	8	NUT,HEX HD,3/8-16,WASHER SER,YEL ZN DICH	
16	0803213	6	CAPSCREW,HEX HD,3/8-16X1 1/4,GR8,YEL	
17	0522508	1	VALVE,PRESS PROTECTION,65 PSI	
18	2027183	1	NIPPLE,1/4 CLOSE,BRASS	
19	0009914	1	ELBOW,90 DEG,MALE1869X6-Z,.25MPT X .38T"	
20	0009909	1	ELBOW,90 DEG,MALE1869X6X8-Z,.50MPT	
21	0009911	2	ELBOW,90 DEG,MALE1869X6X6-Z,.38MPT	
22	3772159	1	PLUG,PIPE,0.375,BRASS W/SEALANT,HEX HD	
23	0009906	1	ELBOW,90 DEG,MALE1869X8-Z,.38MPT X .50T	

Models: H4RE
RESERVOIR ASSY
WET TANK
ACCESSORY
6 CHANNEL, ABS
BSN: From CSN 07/13/03

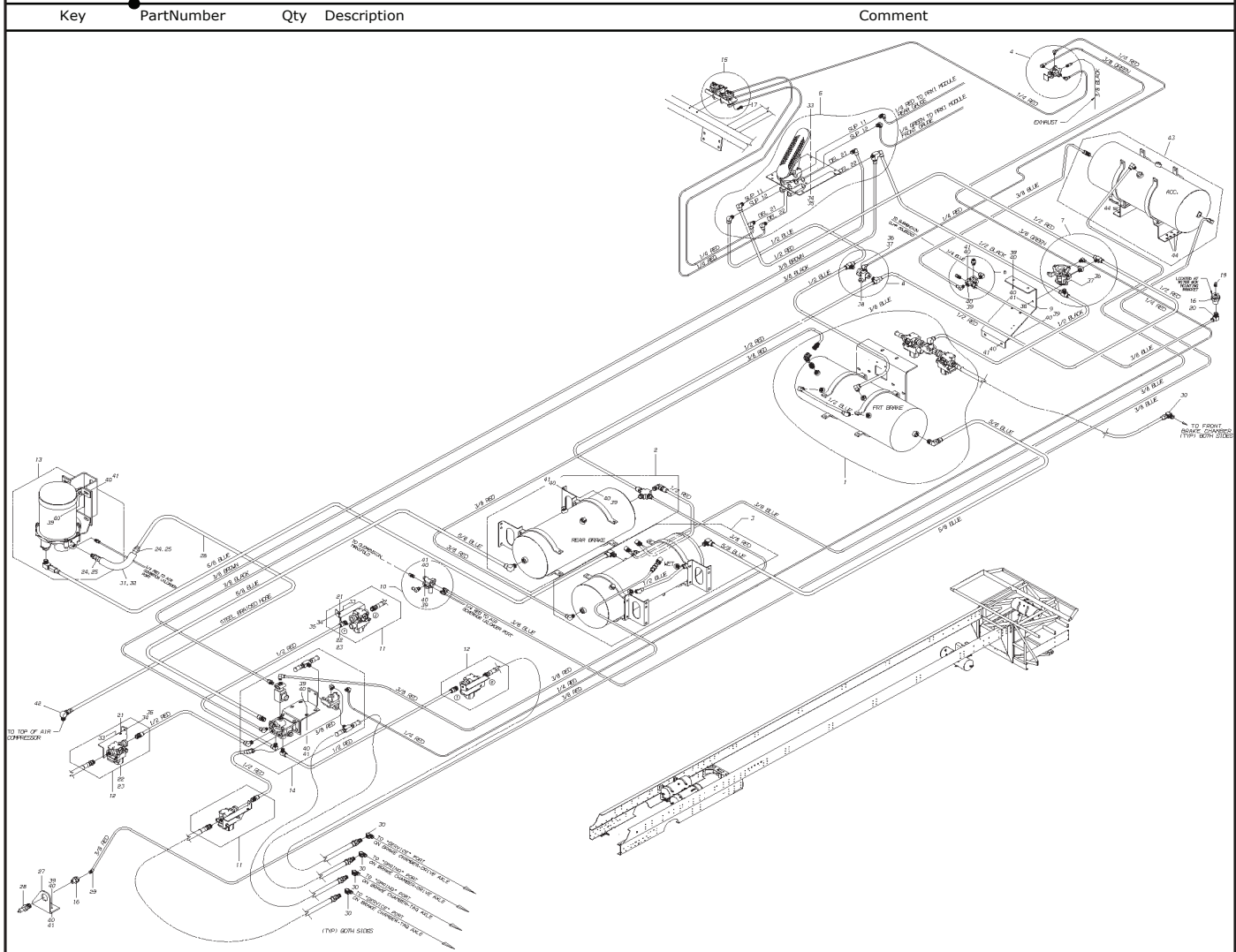


Key	PartNumber	Qty	Description	Comment
1	0014509		RESERVOIR,2000 CU. IN.,DUAL COMPARTMENT	
2	0850586	4	BRACKET,MTG,9 1/2IN,AIR RESERVOIR	
3	1999911		BRACKET,MTG,OPTIONAL AIR TANK,UPPER"	
4	1999929		BRACKET,MTG,OPTIONAL AIR TANK,LOWER	
5	2027134		BUSHING,PIPE,3/8 X 1/4,BRASS	
6	1448091		VALVE,CHECK,1/4 X 1/4 MALE PT	

Models: H4RE
RESERVOIR ASSY
WET TANK
ACCESSORY
6 CHANNEL, ABS
BSN: From CSN 07/13/03

Key	PartNumber	Qty	Description	Comment
7	2027175		COUPLING, PIPE, 1/4	
8	0970327		ADAPTER,1/2 FPT TO 3/8 MPT,PARKER 222P-8-6	
9	0009908		ELBOW,90 DEG,MALE1869X10-Z,.50MPT X .63T	
10	1110188	2	VALVE,RESERVOIR,DRAIN	
11	0851337	2	CAPSCREW,HEX HD,3/8-16X6 1/2,GR5,YEL	
12	1107085	2	WASHER,FLAT,13/32 X 13/16 X 3/32,HDN,BLK	
13	1013689	10	NUT,HEX HD,3/8-16,WASHER SER,YEL ZN DICH	
14	0803213	6	CAPSCREW,HEX HD,3/8-16X1 1/4,GR8,YEL	
15	0522508		VALVE,PRESS PROTECTION,65 PSI	
16	2027183		NIPPLE,1/4 CLOSE,BRASS	
17	0009926		TEE,MALE,BRANCH,1872X6-Z,.25MPT X .38T	
18	0009909		ELBOW,90 DEG,MALE1869X6X8-Z,.50MPT	
19	0009911	2	ELBOW,90 DEG,MALE1869X6X6-Z,.38MPT	
20	3772159	2	PLUG,PIPE,0.375,BRASS W/SEALANT,HEX HD	
21	0009906		ELBOW,90 DEG,MALE1869X8-Z,.38MPT X .50T	
22	1317247	2	BRACKET,ATCH,BRAKE LINE TO FRAME	
23	1010065		TEE,STREET,3/8 PIPE 3750 X 6	
24	0011946		ELBOW,45 DEG,MALE,1880X6-Z,.25MPT X .38T	
25	0009926		TEE,MALE,BRANCH,1872X6-Z,.25MPT X .38T	

Models: H4RE, M4RE
 SYSTEM
 To CSN H4RE 07/13/03; M4RE 10/17/04



Key	PartNumber	Qty	Description	Comment
1	0067157		RESERVOIR ASSY,BRAKE,FRT,M4RE	
1	0063279		RESERVOIR ASSY,BRAKE,FRT, ACSRY W/AUTO	FEATURE 40081-03 ONLY
2	0069422		RESERVOIR ASSY, BRAKE, REAR, M4RE	
2	0063280		RESERVOIR ASSY,BRAKE,REAR W/AUTO DV-2,	FEATURE 40081-03 ONLY
3	0067158		RESERVOIR,ASSEMBLY,WET,M4RE	
3	0063322		RESERVOIR ASSY,ACSRY,WET W/AUTO DV-2,	FEATURE 40081-03 ONLY
4	0032239		VALVE ASSY,PARKING BRAKE,PP-1, RCDA	

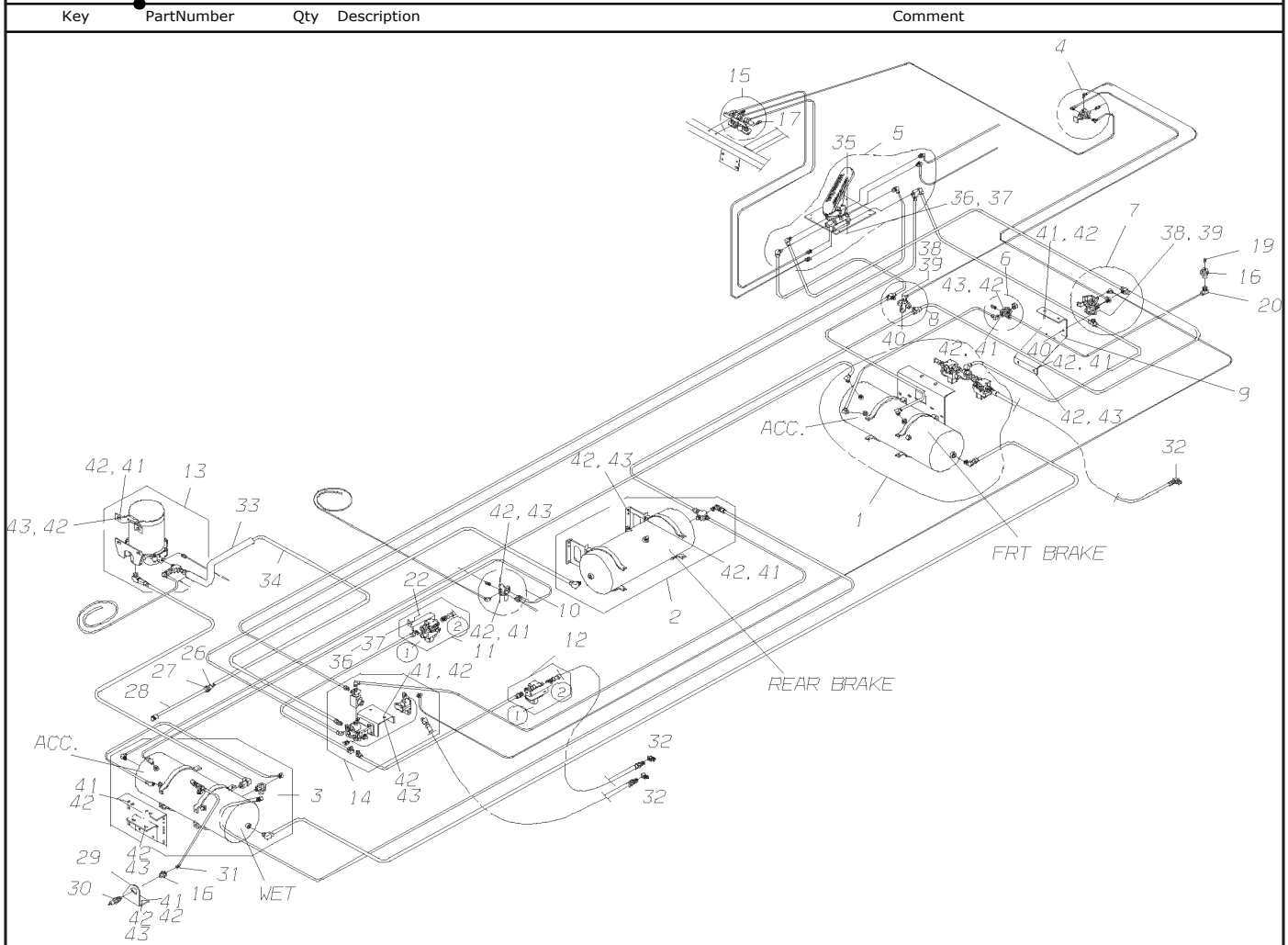
**Models: H4RE, M4RE
SYSTEM
To CSN H4RE 07/13/03; M4RE 10/17/04**

Key	PartNumber	Qty	Description	Comment
6	0045359		MANIFOLD ASSY,FRONT,AIR BRAKE,H4RE"	
7	0020805		VALVE ASSY,SPRING BRAKE,SR-1,RCDA	
8	0020761		VALVE ASSY,DOUBLE CHECK,RCDA	
9	0064916		BRACKET,STABILIZER,RESERVOIR,FRT,H4RE	
10	0046104		MANIFOLD ASSY,REAR,AIR BRAKE,H4RE"	
11	0045356	2	VALVE ASSY,MODULATOR,ABS,REAR,LH,H4RE"	
12	0045357	2	VALVE ASSY,MODULATOR,ABS,REAR,RH,H4RE"	
13	0060881		AIR DRYER,ASSY,AD-9,,H4/M4RE	<i>M4RE ONLY</i>
14	0059429		VALVE ASSY,QUICK REL AND R-12	
15	0043182		BRACKET ASSY,MTG,S/LGTS&PARK BRK	
16	2023232	2	COUPLING,ANCHOR,205465	
17	2000198	2	SCREW,5/16-18 X 1,D,HEX HD,YEL ZN DICH	
18			CURRENTLY NOT USED	
19	2023513		PLUG,PIPE,1/4,ALLEN HEX HD,BRASS	
20	0009914		ELBOW,90 DEG,MALE1869X6-Z,.25MPT X .38"	
21	0870477	4	CAPSCREW,HEX HD,1/4-20 X 1,GR 8,YEL ZN	
22	1467000	4	WASHER,FLAT,.281 X.750X.078 HARDENED,BLK	
23	2001345	4	NUT,HEX HD,1/4-20,LOCKING,YELLOW	
24	2026763	2	FERRULE,60 X 10 5/8 IN	
25	2055846	2	NUT	
26	1612712		HOSE ASSY,AIR CMPR,DISCH,72 LONG	
27	1881101		BRACKET MTG,SCHRADER VALVE	

**Models: H4RE, M4RE
SYSTEM
To CSN H4RE 07/13/03; M4RE 10/17/04**

Key	PartNumber	Qty	Description	Comment
28	0818609		VALVE,SCHRADER,1/4 MPT	
29	0011946		ELBOW,45 DEG,MALE,1880X6-Z,-25MPT X .38T	
30	2027241	10	ELBOW,STREET,90 DEG,3/8MPT X	
31	1741925	.5	INSULATION,PIPE,POLYETHYLENE,1/2 THICK	
32	2027407	1.5	TUBING,COPPER,5/8,TYPE L (S04060)	
33	0854406	45	CAPSCREW, HEX HD, 5/16-18 X 1, GR8, YEL ZN	
34	1167485	6	WASHER,FLAT,11/32 X 11/16 X 5/64,HDN,BLK	
35	1465954	6	NUT,HEX HD,5/16-18,LK,NYLON INSERT,YEL	
36	1085604	4	CAPSCREW,HEX HD,5/16-18X1 3/4,GR8,	
37	2001121	4	WASHER, FLAT, 5/16 X 3/4, X 5/64, YEL ZN	
38	1981844	4	NUT,HEX HD,5/16-18,LOCK,YEL DICH	
39	0803213	26	CAPSCREW,HEX HD,3/8-16X1 1/4,GR8,YEL	
40	1107085	52	WASHER,FLAT,13/32 X 13/16 X 3/32,HDN,BLK	
41	0826297	26	NUT,HEX HD,3/8-16 LOCK,YEL ZN DICH	
42	2026706		ELBOW,49X10,1/2MPT X 5/8 TUBE,FLARE	
43	0067501		RESERVOIR,ASSEMBLY,ACCESSORY,M4RE	
	0067156		RESERVOIR,ASSY,FRT BRK,W/AUTO DV-2	FEATURE 40081-20 ONLY
44	1576172	6	SCREW,HEX,WASH,5/16X3/4,TYPE F,YEL ZN	

Models: H4RE
SYSTEM
6 CHANNEL, ABS
248 WB WITH BL 3807
With: WITH FEATURE 40191-01
 To CSN 07/17/05



Key	PartNumber	Qty	Description	Comment
1	0045249		RESERVOIR ASSY,FRONT BRAKE,ACCESSORY,	
2	0045355		RESERVOIR ASSY,REAR,AIR BRAKE,H4RE"	
3	0045248		RESERVOIR ASSY,WET,ACCESSORY,H4RE	
4	0032239		VALVE ASSY,PARKING BRAKE,PP-1, RCDA	
NI	0032235		VALVE,PARKING BRAKE,PP-1	
5	0045361		VALVE ASSY,TREADLE AND PEDAL,ABS,6 CHN	
6	0045359		MANIFOLD ASSY,FRONT,AIR BRAKE,H4RE"	
NI	2023083		FITTING,MANIFOLD,212322	

Models: H4RE
SYSTEM
6 CHANNEL, ABS
248 WB WITH BL 3807
With: WITH FEATURE 40191-01
To CSN 07/17/05

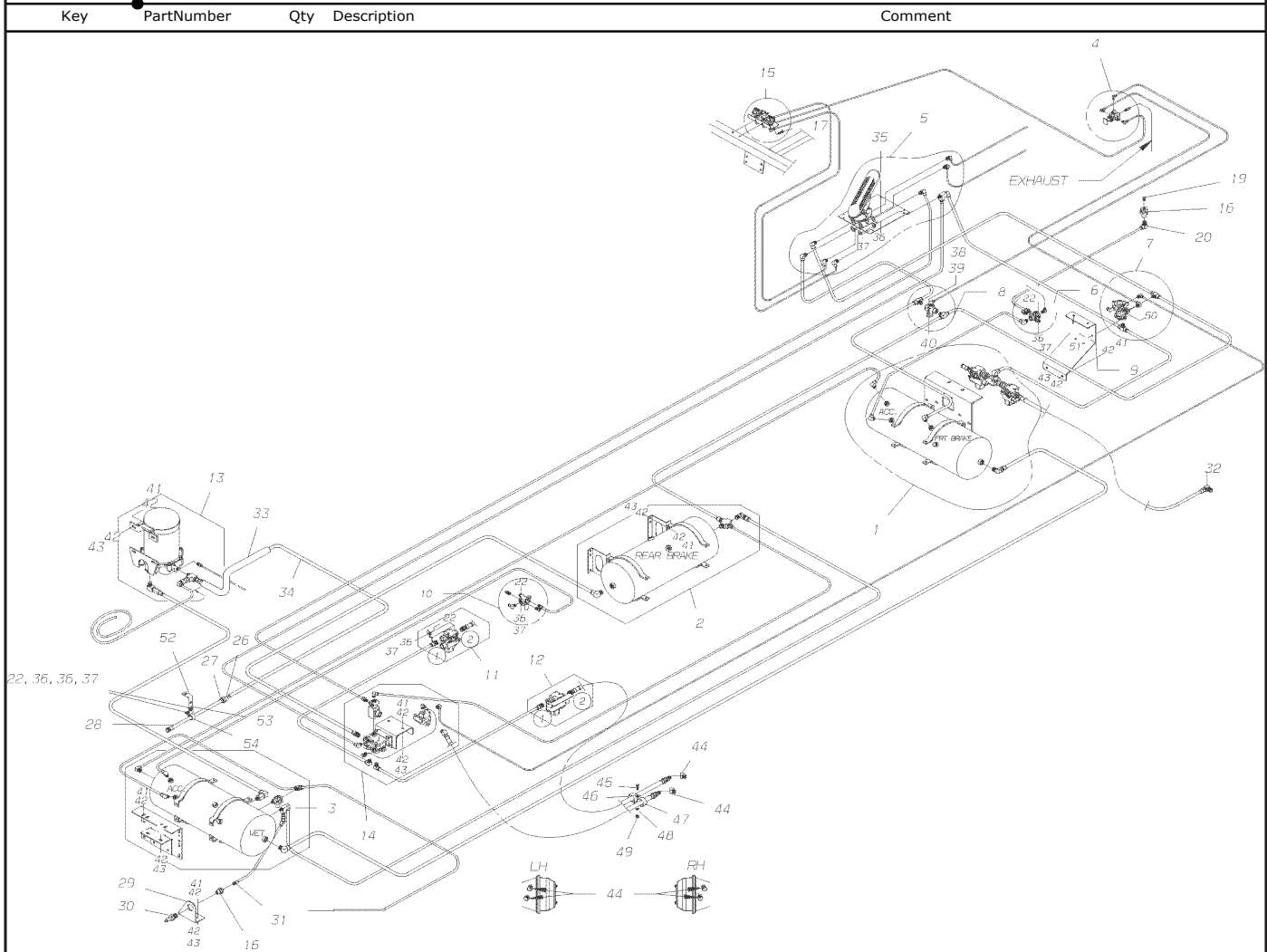
Key	PartNumber	Qty	Description	Comment
7	0020805		VALVE ASSY,SPRING BRAKE,SR-1,RCDA	
NI	0654426		VALVE,SPRING BRAKE	
8	0020761		VALVE ASSY,DOUBLE CHECK,RCDA	
NI	0654434		VALVE,DOUBLE CHECK,3/8 PIPE	
9	0040248		BRACKET,STAB,RESVR,2000 CU.IN.,FRONT	
10	0046104		MANIFOLD ASSY,REAR,AIR BRAKE,H4RE"	
11	0045356		VALVE ASSY,MODULATOR,ABS,REAR,LH,H4RE"	
12	0045357		VALVE ASSY,MODULATOR,ABS,REAR,RH,H4RE"	
13	0045360		AIR DRYER ASSY,AD-9,H4RE"	
14	0045358		VALVE ASSY,QUICK REL AND R-12 RELAY,H4RE"	
15	0043182		BRACKET ASSY,MTG,S/LGTS&PARK BRK	
16	2023232	2	COUPLING,ANCHOR,205465	
17	2000198	2	SCREW,5/16-18 X 1,D,HEX HD,YEL ZN DICH	
19	2023513		PLUG,PIPE,1/4,ALLEN HEX HD,BRASS	
20	0009914		ELBOW,90 DEG,MALE1869X6-Z,.25MPT X .38T"	
22	0870477	2	CAPSCREW,HEX HD,1/4-20 X 1,GR 8,YEL ZN	
26	2026763		FERRULE,60 X 10 5/8 IN	
27	2055846		NUT	
28	1027975		** PART NOT FOUND **	
29	1881101		BRACKET MTG,SCHRADER VALVE	
30	0818609		VALVE,SCHRADER,1/4 MPT	
31	0011946		ELBOW,45 DEG,MALE,1880X6-Z,.25MPT X .38T	
32	2027241	4	ELBOW,STREET,90 DEG,3/8MPT X	

Models: H4RE
SYSTEM
6 CHANNEL, ABS
248 WB WITH BL 3807

With: WITH FEATURE 40191-01
To CSN 07/17/05

Key	PartNumber	Qty	Description	Comment
33	1741925	.5	INSULATION,PIPE,POLYETHYLENE,1/2 THICK	
34	2027407	9	TUBING,COPPER,5/8,TYPE L (S04060)	
35	2000081	45	CAPSCREW,HEX HD,1/4-20X1 1/2,GR8,YEL	
36	1467000	6	WASHER,FLAT,,.281 X.750X.078 HARDENED,BLK	
37	2001345	6	NUT,HEX HD,1/4-20,LOCKING,YELLOW	
38	1085604	4	CAPSCREW,HEX HD,5/16-18X1 3/4,GR8,	
39	2001121	4	WASHER, FLAT, 5/16 X 3/4, X 5/64, YEL ZN	
40	1981844	4	NUT,HEX HD,5/16-18,LOCK,YEL DICH	
41	0803213	26	CAPSCREW,HEX HD,3/8-16X1 1/4,GR8,YEL	
42	1107085	52	WASHER,FLAT,13/32 X 13/16 X 3/32,HDN,BLK	
43	0826297	26	NUT,HEX HD,3/8-16 LOCK,YEL ZN DICH	

Models: H4RE
SYSTEM
6 CHANNEL, ABS
248 WB WITH BL 3807
With: WITH FEATURE 40191-02
BSN: From CSN 07-17-03



Key	PartNumber	Qty	Description	Comment
1	0045249		RESERVOIR ASSY,FRONT BRAKE,ACCESSORY,	
2	0045355		RESERVOIR ASSY,REAR,AIR BRAKE,H4RE"	
3	0065800		RESERVOIR ASSY,ACCESSORY,WET,ISL03,H4RE	
4	0032239		VALVE ASSY,PARKING BRAKE,PP-1, RCDA	
5	0045361		VALVE ASSY,TREADLE AND PEDAL,ABS,6 CHN	
6	0045359		MANIFOLD ASSY,FRONT,AIR BRAKE,H4RE"	
7	0020805		VALVE ASSY,SPRING BRAKE,SR-1,RCDA	
8	0020761		VALVE ASSY,DOUBLE CHECK,RCDA	

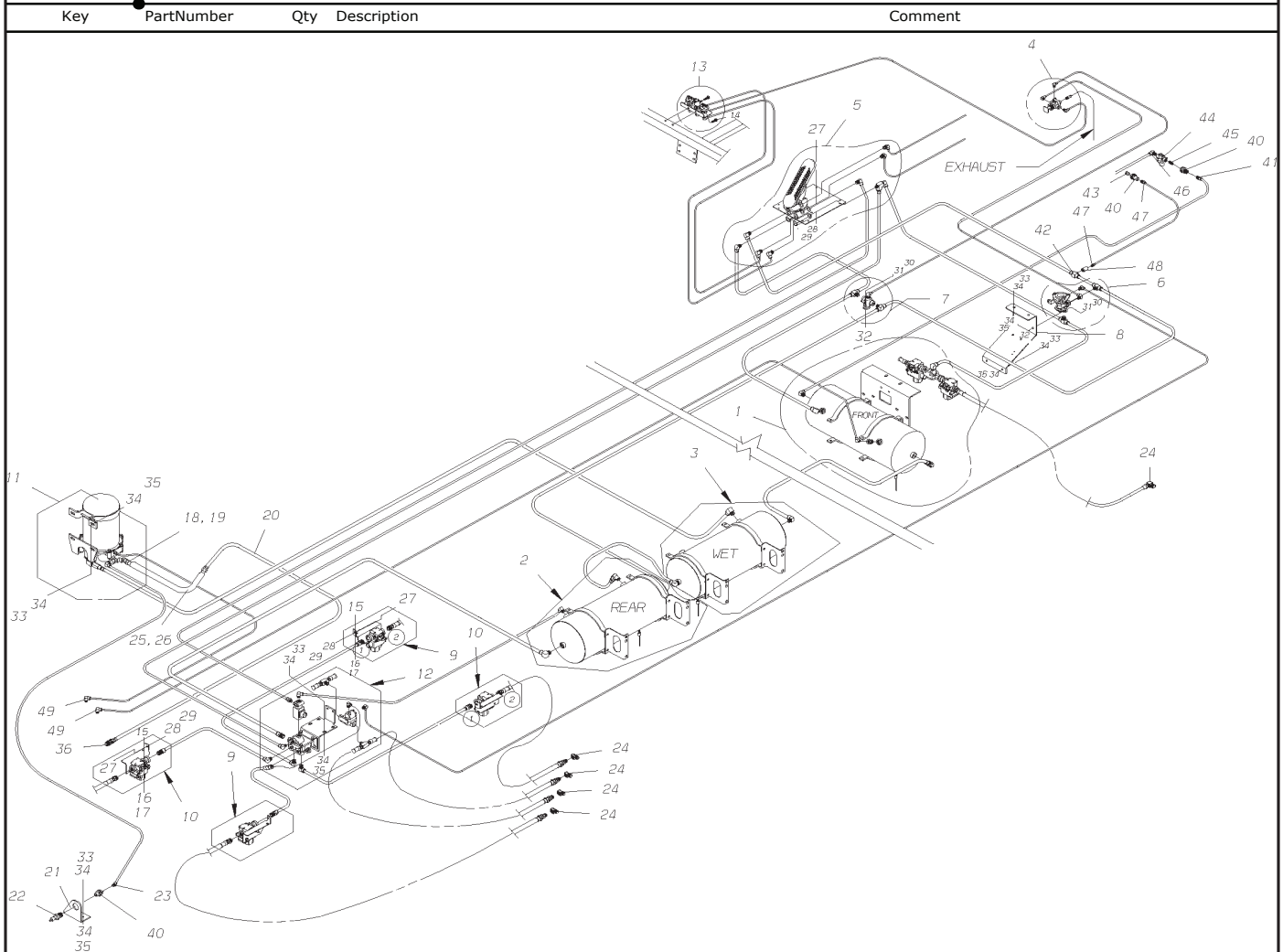
Models: H4RE
SYSTEM
6 CHANNEL, ABS
248 WB WITH BL 3807
With: WITH FEATURE 40191-02
BSN: From CSN 07-17-03

Key	PartNumber	Qty	Description	Comment
9	0040248		BRACKET,STAB,RESVR,2000 CU.IN.,FRONT	
10	0046104		MANIFOLD ASSY,REAR,AIR BRAKE,H4RE"	
11	0045356		VALVE ASSY,MODULATOR,ABS,REAR,LH,H4RE"	
12	0045357		VALVE ASSY,MODULATOR,ABS,REAR,RH,H4RE"	
13	0045360		AIR DRYER ASSY,AD-9,H4RE"	
14	0045358		VALVE ASSY,QUICK REL AND R-12 RELAY,H4RE"	
15	0043182		BRACKET ASSY,MTG,S/LGTS&PARK BRK	
16	2023232	2	COUPLING,ANCHOR,205465	
17	2000198	2	SCREW,5/16-18 X 1,D,HEX HD,YEL ZN DICH	
19	2023513		PLUG,PIPE,1/4,ALLEN HEX HD,BRASS	
20	0009914		ELBOW,90 DEG,MALE1869X6-Z,.25MPT X .38T"	
22	0870477		CAPSCREW,HEX HD,1/4-20 X 1,GR 8,YEL ZN	
26	2026763		FERRULE,60 X 10 5/8 IN	
27	2055846		NUT	
28	1024975		HOSE ASSY,AIR CMPR DISCH,30 LONG	
29	1881101		BRACKET MTG,SCHRADER VALVE	
30	0818609		VALVE,SCHRADER,1/4 MPT	
31	0011946		ELBOW,45 DEG,MALE,1880X6-Z,.25MPT X .38T	
32	2027241	2	ELBOW,STREET,90 DEG,3/8MPT X	
33	1741925	AR	INSULATION,PIPE,POLYETHYLENE,1/2 THICK	
34	2027407	AR	TUBING,COPPER,5/8,TYPE L (S04060)	
35	2000081	AR	CAPSCREW,HEX HD,1/4-20X1 1/2,GR8,YEL	
36	1467000	AR	WASHER,FLAT,.281 X.750X.078 HARDENED,BLK	

Models: H4RE
SYSTEM
6 CHANNEL, ABS
248 WB WITH BL 3807
With: WITH FEATURE 40191-02
BSN: From CSN 07-17-03

Key	PartNumber	Qty	Description	Comment
37	2001345	AR	NUT,HEX HD,1/4-20,LOCKING,YELLOW	
38	1085604		CAPSCREW,HEX HD,5/16-18X1 3/4,GR8,	
39	2001121		WASHER, FLAT, 5/16 X 3/4, X 5/64, YEL ZN	
40	1981844		NUT,HEX HD,5/16-18,LOCK,YEL DICH	
41	0803213	AR	CAPSCREW,HEX HD,3/8-16X1 1/4,GR8,YEL	
42	1107085	AR	WASHER,FLAT,13/32 X 13/16 X 3/32,HDN,BLK	
43	0826297	AR	NUT,HEX HD,3/8-16 LOCK,YEL ZN DICH	
44	2008282	AR	ELBOW,STREET,45 DEG,3350X6Z,BRASS	
45	1504018	AR	CAPSCREW,HEX HD,1/4-20X1 1/8,GR5,YEL	
46	2001121	AR	WASHER, FLAT, 5/16 X 3/4, X 5/64, YEL ZN	
47	0557710	AR	CLAMP,LOOP,.812	
48	2001170	AR	LOCK WASHER, SPLIT RING, 1/4 , MED, YEL ZN	
49	2001329	AR	NUT,HEX HD,1/4-20,YELLOW DICHROMATE"	
50	0610725	AR	CAPSCREW,HEX HD,5/16-18X1 1/4,GR8,	
51	0829390	AR	NUT, HEX HD, 5/16-18, SER WASHER, YEL ZN	
52	1317247		BRACKET,ATCH,BRAKE LINE TO FRAME	
53	1501097		BRACKET,ATCH,BRAKE LINE TO FRAME	
54	1517168		CLAMP,LOOP,.937	
NI	1109271		LOOM,CORRUGATED,BLACK,NYLON,3/4 ID,SS	

Models: H4RE
SYSTEM
6 CHANNEL, ABS
296 WB WITH BL 4400
BSN: From CSN 02-23-04
 To CSN 10-18-04



Key	PartNumber	Qty	Description	Comment
1	0070433		RESERVOIR,ASSY,FRT BRAKE,45H4RE	
2	0070434		RESERVOIR,ASSY,REAR BRAKE,45H4RE	
3	0070063		RESERVOIR,ASSY,WET BRAKE TANK,45H4RE	
4	0032239		VALVE ASSY,PARKING BRAKE,PP-1, RCDA	
5	0045361		VALVE ASSY,TREADLE AND PEDAL,ABS,6 CHN	
6	0020805		VALVE ASSY,SPRING BRAKE,SR-1,RCDA	
7	0020761		VALVE ASSY,DOUBLE CHECK,RCDA	
8	0064916		BRACKET,STABILIZER,RESERVOIR,FRT,H4RE	

Models: H4RE
SYSTEM
6 CHANNEL, ABS
296 WB WITH BL 4400
BSN: From CSN 02-23-04
 To CSN 10-18-04

Key	PartNumber	Qty	Description	Comment
9	0045356	2	VALVE ASSY,MODULATOR,ABS,REAR,LH,H4RE"	
10	0045357	2	VALVE ASSY,MODULATOR,ABS,REAR,RH,H4RE"	
11	0045360		AIR DRYER ASSY,AD-9,H4RE"	
12	0059429		VALVE ASSY,QUICK REL AND R-12	
13	0043182		BRACKET ASSY,MTG,S/LGTS&PARK BRK	
14	2000198	2	SCREW,5/16-18 X 1,D,HEX HD,YEL ZN DICH	
15	0870477	4	CAPSCREW,HEX HD,1/4-20 X 1,GR 8,YEL ZN	
16	1467000		WASHER,FLAT,.281 X.750X.078 HARDENED,BLK	
17	2001345	4	NUT,HEX HD,1/4-20,LOCKING,YELLOW	
18	2026763	2	FERRULE,60 X 10 5/8 IN	
19	2055846	2	NUT	
20	1612712		HOSE ASSY,AIR CMPR,DISCH,72 LONG	
21	1881101		BRACKET MTG,SCHRADER VALVE	
22	0818609		VALVE,SCHRADER,1/4 MPT	
23	0011946		ELBOW,45 DEG,MALE,1880X6-Z,.25MPT X .38T	
24	2027241	10	ELBOW,STREET,90 DEG,3/8MPT X	
25	1741925	AR	INSULATION,PIPE,POLYETHYLENE,1/2 THICK	
26	2027407	AR	TUBING,COPPER,5/8,TYPE L (S04060)	
27	0854406		CAPSCREW, HEX HD, 5/16-18 X 1, GR8, YEL ZN	
28	1167485	AR	WASHER,FLAT,11/32 X 11/16 X 5/64,HDN,BLK	
29	1465954		NUT,HEX HD,5/16-18,LK,NYLON INSERT,YEL	
30	1085604		CAPSCREW,HEX HD,5/16-18X1 3/4,GR8,	
31	2001121		WASHER, FLAT, 5/16 X 3/4, X 5/64, YEL ZN	

Models: H4RE
SYSTEM
6 CHANNEL, ABS
296 WB WITH BL 4400
BSN: From CSN 02-23-04
 To CSN 10-18-04

Key	PartNumber	Qty	Description	Comment
32	1981844		NUT,HEX HD,5/16-18,LOCK,YEL DICH	
33	0803213		CAPSCREW,HEX HD,3/8-16X1 1/4,GR8,YEL	
34	1107085		WASHER,FLAT,13/32 X 13/16 X 3/32,HDN,BLK	
35	0826297		NUT,HEX HD,3/8-16 LOCK,YEL ZN DICH	
36	0076651		ADAPTER,STR,37DEG FL,ORING,WHC5315X10"	
37	0803239		CAPSCREW, HEX HD, 1/2-13 X1 1/2, GR8	
38	1003045		WASHER, FLAT,1 7/32 X 1 1/16 X 7/64, HDN,	
39	0850800		NUT, HEX HD, 1/2-13, LOCKING, GR 8, CAD	
40	2023232	3	COUPLING,ANCHOR,205465	
41	0009924		CONNECTOR,MALE,1868X6-Z,.25MPT X .38T"	
42	0009927		TEE,MALE,BRANCH,1872X8X4-Z,.25MPT X .50T	
43	2506285		PLUG,HEX HD,3152 X 4 1/4	
44	0522508		VALVE,PRESS PROTECTION,65 PSI	
45	2027183		NIPPLE,1/4 CLOSE,BRASS	
46	0009914		ELBOW,90 DEG,MALE1869X6-Z,.25MPT X .38T"	
47	0009922	2	CONNECTOR, MALE, 1868X4X4-Z, .25MPT	
48	3807559		COUPLING,BRASS,1/4	
49	0009903	2	ELBOW, 90 DEG, MALE, 1869X4-Z, .13MPT	

Models: **H4RE
SYSTEM
6 CHANNEL, ABS
296 WB WITH BL 4400**
BSN: **From CSN 10/18/04**

Key	PartNumber	Qty	Description	Comment
1	0082221		RESERVOIR,ASSY,BRAKE,FRONT,TANK,45H4RE	
2	0070434		RESERVOIR,ASSY,REAR BRAKE,45H4RE	
3	0082220		RESERVOIR ASSY,RESV,BRAKE TANK,45H4RE	
4	0032239		VALVE ASSY,PARKING BRAKE,PP-1, RCDA	
5	0045361		VALVE ASSY,TREADLE AND PEDAL,ABS,6 CHN	
5	0092427		PEDAL ASSY,VALVE,ABS,6 CHAN, H4RE	WITH FEATURE 40099-02
6	0020805		VALVE ASSY,SPRING BRAKE,SR-1,RCDA	
7	0020761		VALVE ASSY,DOUBLE CHECK,RCDA	

Models: H4RE
SYSTEM
6 CHANNEL, ABS
296 WB WITH BL 4400
BSN: From CSN 10/18/04

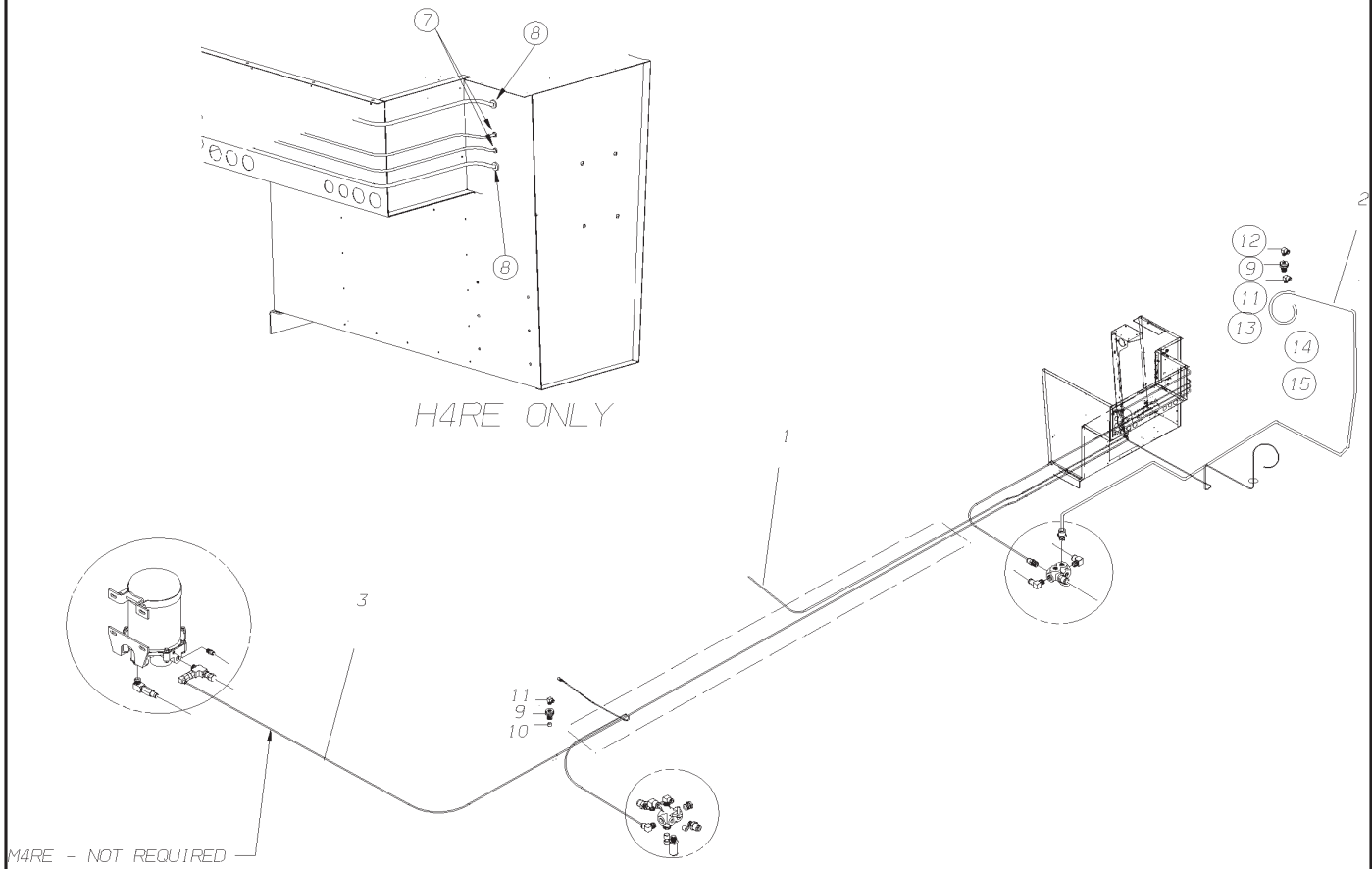
Key	PartNumber	Qty	Description	Comment
8	0064916		BRACKET,STABILIZER,RESERVOIR,FRT,H4RE	
9	0045356	2	VALVE ASSY,MODULATOR,ABS,REAR,LH,H4RE"	
10	0045357	2	VALVE ASSY,MODULATOR,ABS,REAR,RH,H4RE"	
11	0045360		AIR DRYER ASSY,AD-9,H4RE"	
12	0059429		VALVE ASSY,QUICK REL AND R-12	
13	0043182		BRACKET ASSY,MTG,S/LGTS&PARK BRK	
14	2000198	2	SCREW,5/16-18 X 1,D,HEX HD,YEL ZN DICH	
15	0870477	4	CAPSCREW,HEX HD,1/4-20 X 1,GR 8,YEL ZN	
16	1467000		WASHER,FLAT,.281 X.750X.078 HARDENED,BLK	
17	2001345	4	NUT,HEX HD,1/4-20,LOCKING,YELLOW	
18	2026763	2	FERRULE,60 X 10 5/8 IN	
19	2055846	2	NUT	
20	1612712		HOSE ASSY,AIR CMPR,DISCH,72 LONG	
21	1881101		BRACKET MTG,SCHRADER VALVE	
22	0818609		VALVE,SCHRADER,1/4 MPT	
23	0011946		ELBOW,45 DEG,MALE,1880X6-Z,.25MPT X .38T	
24	2027241	10	ELBOW,STREET,90 DEG,3/8MPT X	
25	1741925	AR	INSULATION,PIPE,POLYETHYLENE,1/2 THICK	
26	2027407	AR	TUBING,COPPER,5/8,TYPE L (S04060)	
27	0854406		CAPSCREW, HEX HD, 5/16-18 X 1, GR8, YEL ZN	
28	1167485	AR	WASHER,FLAT,11/32 X 11/16 X 5/64,HDN,BLK	
29	1465954		NUT,HEX HD,5/16-18,LK,NYLON INSERT,YEL	
30	1085604		CAPSCREW,HEX HD,5/16-18X1 3/4,GR8,	

Models: H4RE
SYSTEM
6 CHANNEL, ABS
296 WB WITH BL 4400
BSN: From CSN 10/18/04

Key	PartNumber	Qty	Description	Comment
31	2001121		WASHER, FLAT, 5/16 X 3/4, X 5/64, YEL ZN	
32	1981844		NUT,HEX HD,5/16-18,LOCK,YEL DICH	
33	0803213		CAPSCREW,HEX HD,3/8-16X1 1/4,GR8,YEL	
34	1107085		WASHER,FLAT,13/32 X 13/16 X 3/32,HDN,BLK	
35	0826297		NUT,HEX HD,3/8-16 LOCK,YEL ZN DICH	
36	0076651		ADAPTER,STR,37DEG FL,ORING,WHC5315X10"	
37	0803239		CAPSCREW, HEX HD, 1/2-13 X1 1/2, GR8	
38	1003045		WASHER, FLAT,1 7/32 X 1 1/16 X 7/64, HDN,	
39	0850800		NUT, HEX HD, 1/2-13, LOCKING, GR 8, CAD	
40	2023232	3	COUPLING,ANCHOR,205465	
41	0009924		CONNECTOR,MALE,1868X6-Z,.25MPT X .38T"	
42	0009927		TEE,MALE,BRANCH,1872X8X4-Z,.25MPT X .50T	
43	2506285		PLUG,HEX HD,3152 X 4 1/4	
44	0522508		VALVE,PRESS PROTECTION,65 PSI	
45	2027183		NIPPLE,1/4 CLOSE,BRASS	
46	0009914		ELBOW,90 DEG,MALE1869X6-Z,.25MPT X .38T"	
47	0009922	2	CONNECTOR, MALE, 1868X4X4-Z, .25MPT	
48	3807559		COUPLING,BRASS,1/4	
49	0009903	2	ELBOW, 90 DEG, MALE, 1869X4-Z, .13MPT	
50	0992305		PLUG,PIPE,1/8,HEX SOCKET	
51	2023513		PLUG,PIPE,1/4,ALLEN HEX HD,BRASS	

**Models: H4RE, M4RE
SYSTEM
6 CHANNEL, ABS
ACCESSORIES**

Key	PartNumber	Qty	Description	Comment
-----	------------	-----	-------------	---------



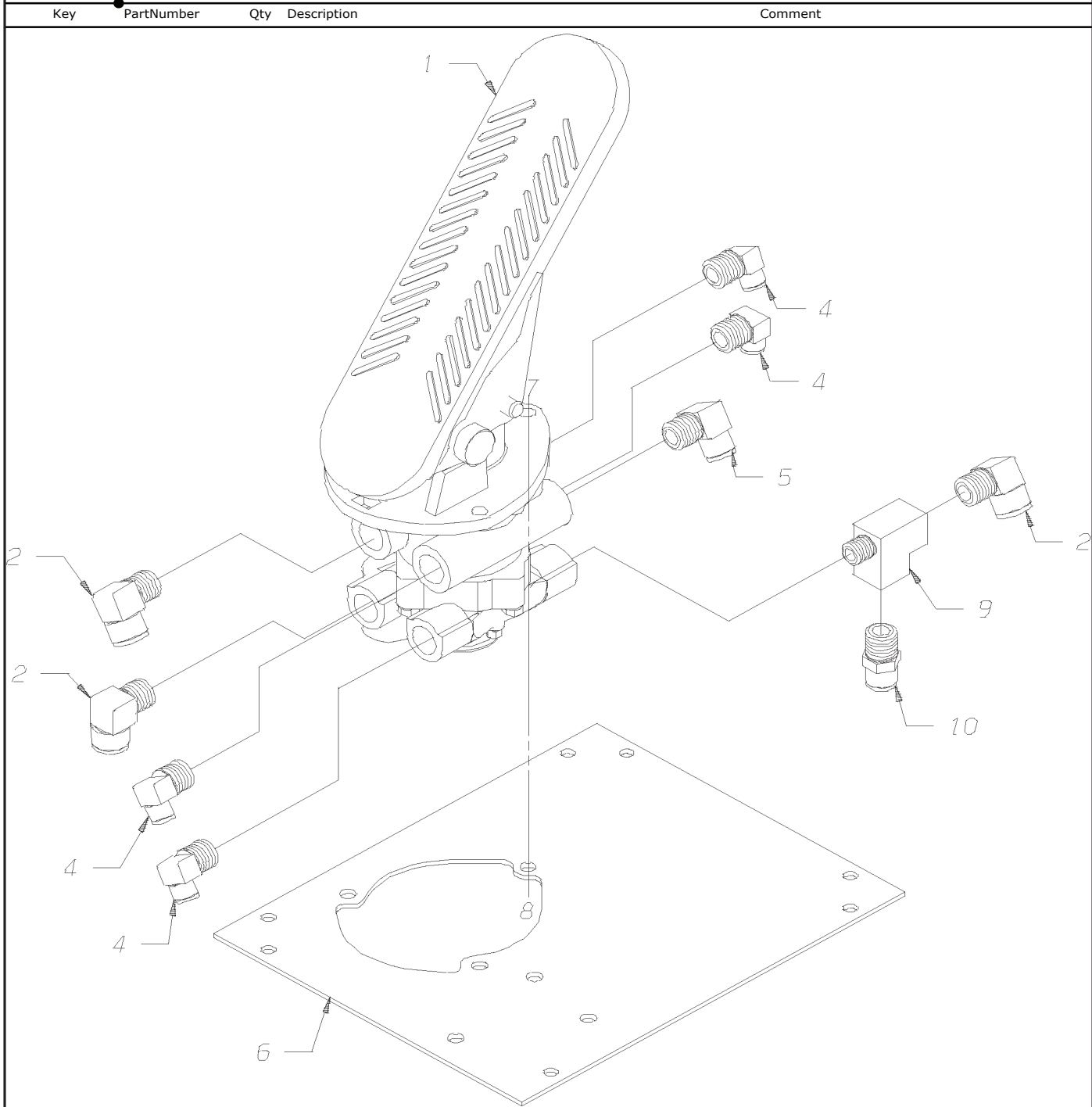
M4RE - NOT REQUIRED

1	1346832		TUBING,PLASTIC,1/4 OD,RED,SAE J844 TYPE A
2	1220037		TUBING,PLASTIC,3/8 OD,RED,SAE J844 TYPE B
3	0012443		TUBING,PLASTIC,3/8 OD,GREEN,SAE J844 TYPE
5	1510775	8	LOOM,CORRUGATED,BLACK NYLON,1/4 ID,SS
6	2272862	10	LOOM,CORRUGATED,BLACK,NYLON,3/8ID,SS
7	0053652	2	GROMMET,RUBBER,1/4IDX.0625WALL"
8	2003218	2	GROMMET,RUBBER,3/8 ID
9	2023232	2	COUPLING,ANCHOR,205465
10	2023513	2	PLUG,PIPE,1/4,ALLEN HEX HD,BRASS
11	0009912	2	ELBOW, 90 DEG, MALE, 1869X4X4-Z,.25MPT

**Models: H4RE, M4RE
SYSTEM
6 CHANNEL, ABS
ACCESSORIES**

Key	PartNumber	Qty	Description	Comment
12	0009914		ELBOW,90 DEG,MALE1869X6-Z,.25MPT X .38T"	
13	1346790	AR	TUBING,PLASTIC,1/4 OD,GREEN,SAE J844 TYPE	

**Models: H4RE
VALVE ASSY
BRAKE TREADLE & PEDAL
6 CHANNEL, ABS**

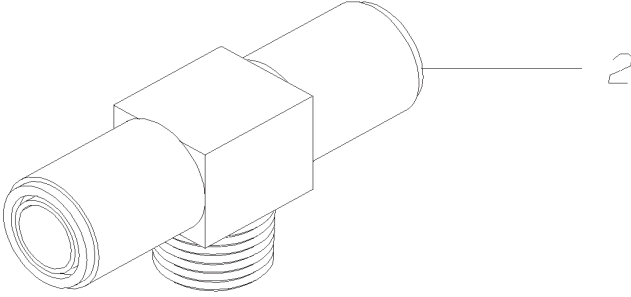
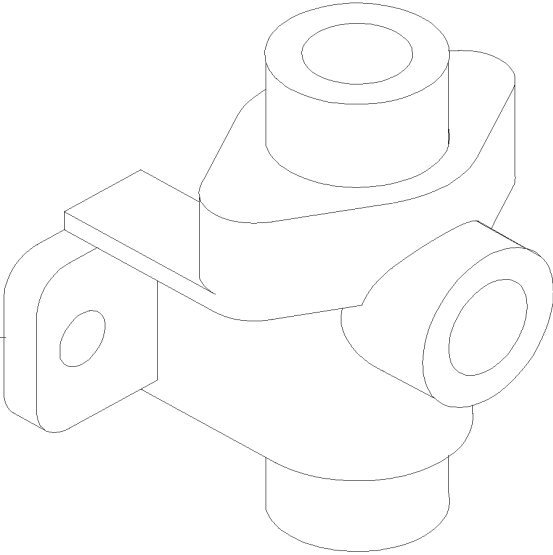
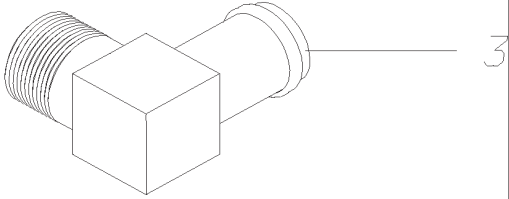
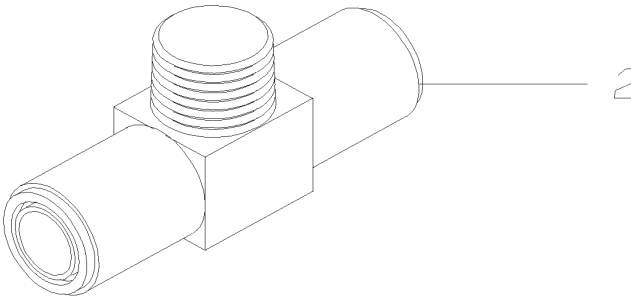


Key	PartNumber	Qty	Description	Comment
1	0020837	1	VALVE,TREADLE & PEDAL,AIR BRAKE	
2	0009906	3	ELBOW,90 DEG,MALE1869X8-Z,.38MPT X .50T	

**Models: H4RE
VALVE ASSY
BRAKE TREADLE & PEDAL
6 CHANNEL, ABS**

Key	PartNumber	Qty	Description	Comment
3	0023776	2	CONNECTOR,MALE,1868X4X6-Z,.38MPT X .25T	
4	0009913	2	ELBOW,90 DEG,MALE1869X4X6-Z,.38MPT	
5	0009911	1	ELBOW,90 DEG,MALE1869X6X6-Z,.38MPT	
6	0040322	1	PLATE,MTG,TREADLE AND ACCELERATOR, H4RE	
7	0854414	3	CAPSCREW,HEX HD,5/16-18X7/8,GR8,YEL ZN	
8	1981844	3	NUT,HEX HD,5/16-18,LOCK,YEL DICH	
9	1010065	1	TEE,STREET,3/8 PIPE 3750 X 6	
10	0009918	1	CONNECTOR,MALE,1868X6X6-Z,.38MPT X .38T"	

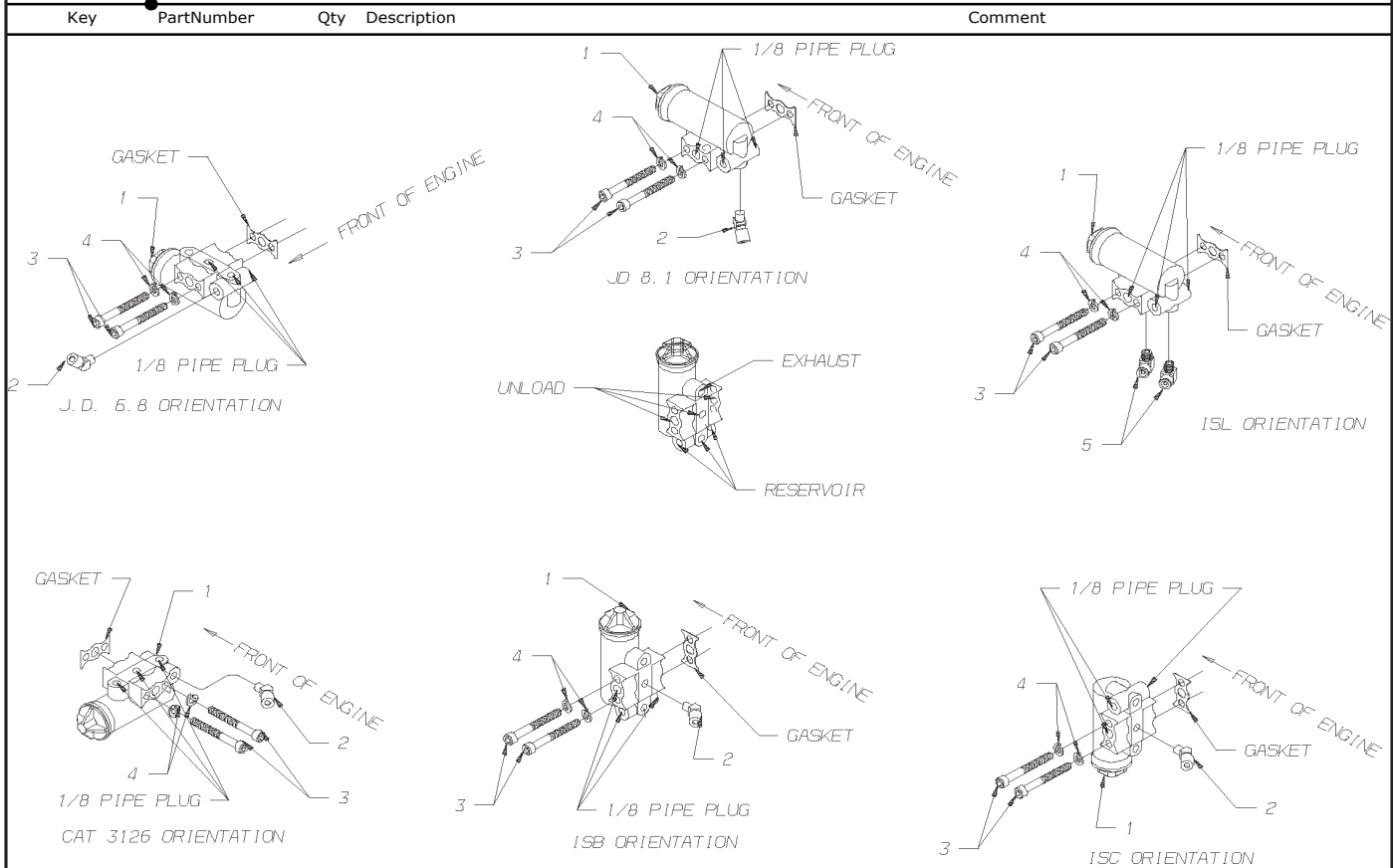
Models: B4RE, H4RE, Q4RE, W4RE
**VALVE ASSY
DOUBLE CHECK
6 CHANNEL, ABS**
BSN: From CSN 10052365 (03/06/00)

Key	PartNumber	Qty	Description	Comment
				
1				
				
				

Models: B4RE, H4RE, Q4RE, W4RE
VALVE ASSY
DOUBLE CHECK
6 CHANNEL, ABS
BSN: From CSN 10052365 (03/06/00)

Key	PartNumber	Qty	Description	Comment
1	0654434	1	VALVE,DOUBLE CHECK,3/8 PIPE	
2	0009925	2	TEE,MALE,BRANCH,1872X8-Z,.38MPT X .50T	
3	0009913	1	ELBOW,90 DEG,MALE1869X4X6-Z,.38MPT	

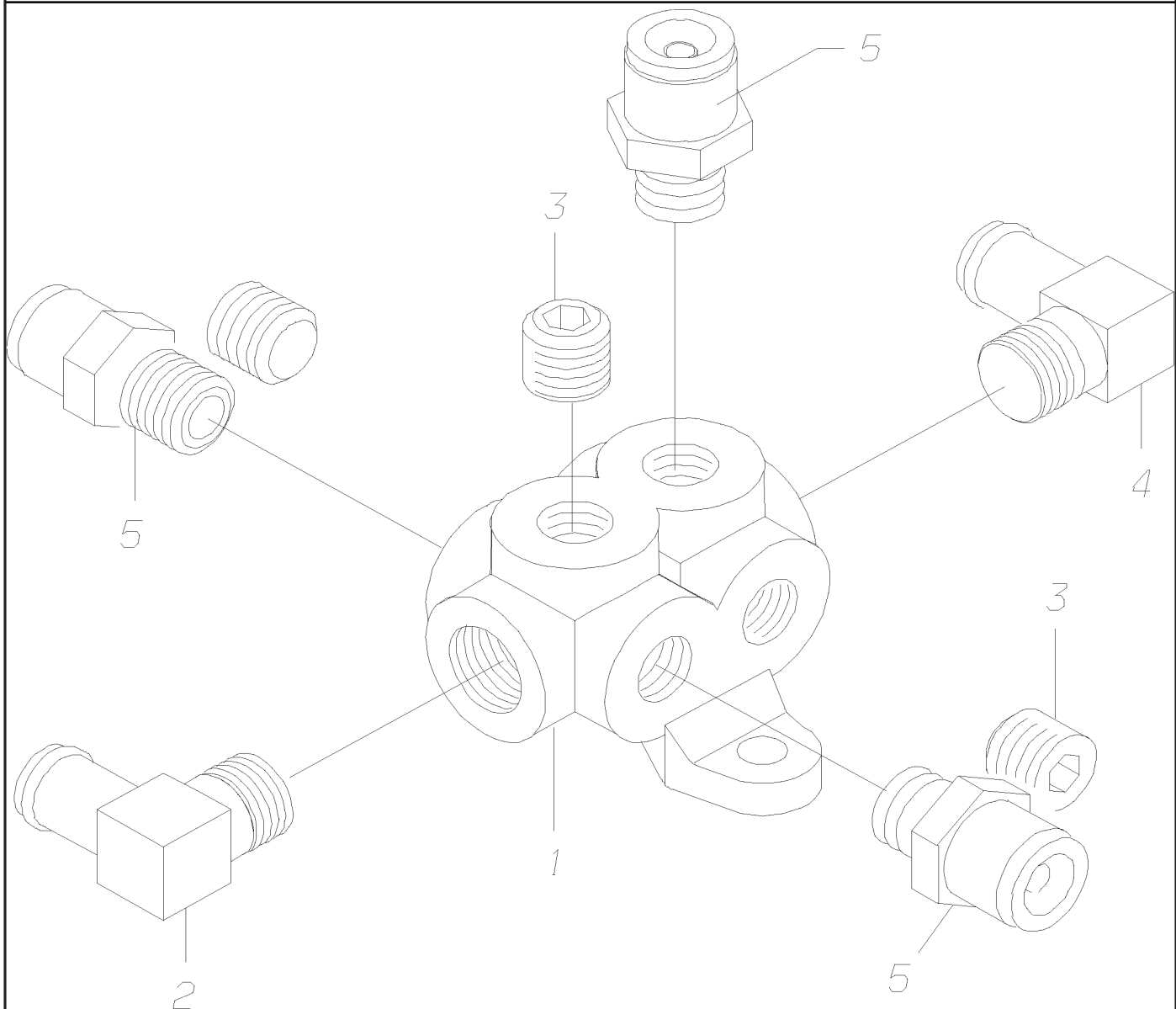
Models: **H4RE
VALVE ASSY
GOVERNOR**



Key	PartNumber	Qty	Description	Comment
1	0908160	1	GOVERNOR,AIR COMPRESSOR,275491	
2	0027181	AR	ELBOW,45 DEG,MALE,1880X4-Z,.12MPT X .25T"	
3	0035607	2	CAPSCREW,ALLEN,SOC HD,5/16-18X2 3/4,BLK	WITH CAT OR JD
3	0002746	2	CAPSCREW,ALLEN,SOC HD,M8-1.25 X 70MM,	WITH CUMMINS ISB, ISC OR ISL
4	2001188	2	LOCK WASHER, SPLIT RING, 5/16, MED, YEL ZN	
5	0009903	2	ELBOW, 90 DEG, MALE, 1869X4-Z, .13MPT	

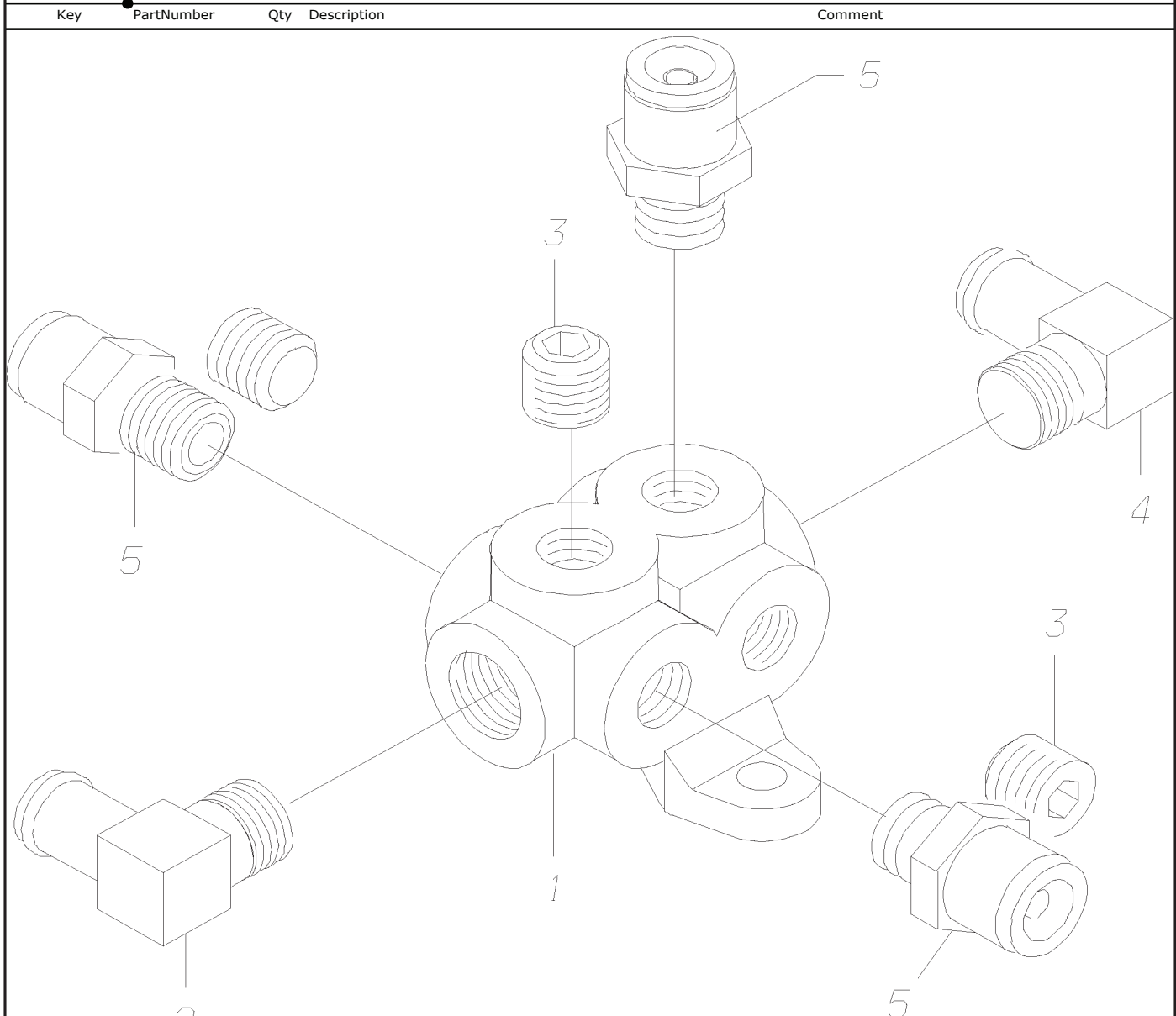
Models: **H4RE
VALVE ASSY
MANIFOLD
FRONT**

Key	PartNumber	Qty	Description	Comment
-----	------------	-----	-------------	---------



1	2023083	1	FITTING,MANIFOLD,212322	
2	0009911	1	ELBOW,90 DEG,MALE1869X6X6-Z,.38MPT	
3	2023513	3	PLUG,PIPE,1/4,ALLEN HEX HD,BRASS	
4	0009912	1	ELBOW, 90 DEG, MALE, 1869X4X4-Z,.25MPT	
5	0009924	3	CONNECTOR,MALE,1868X6-Z,.25MPT X .38T"	

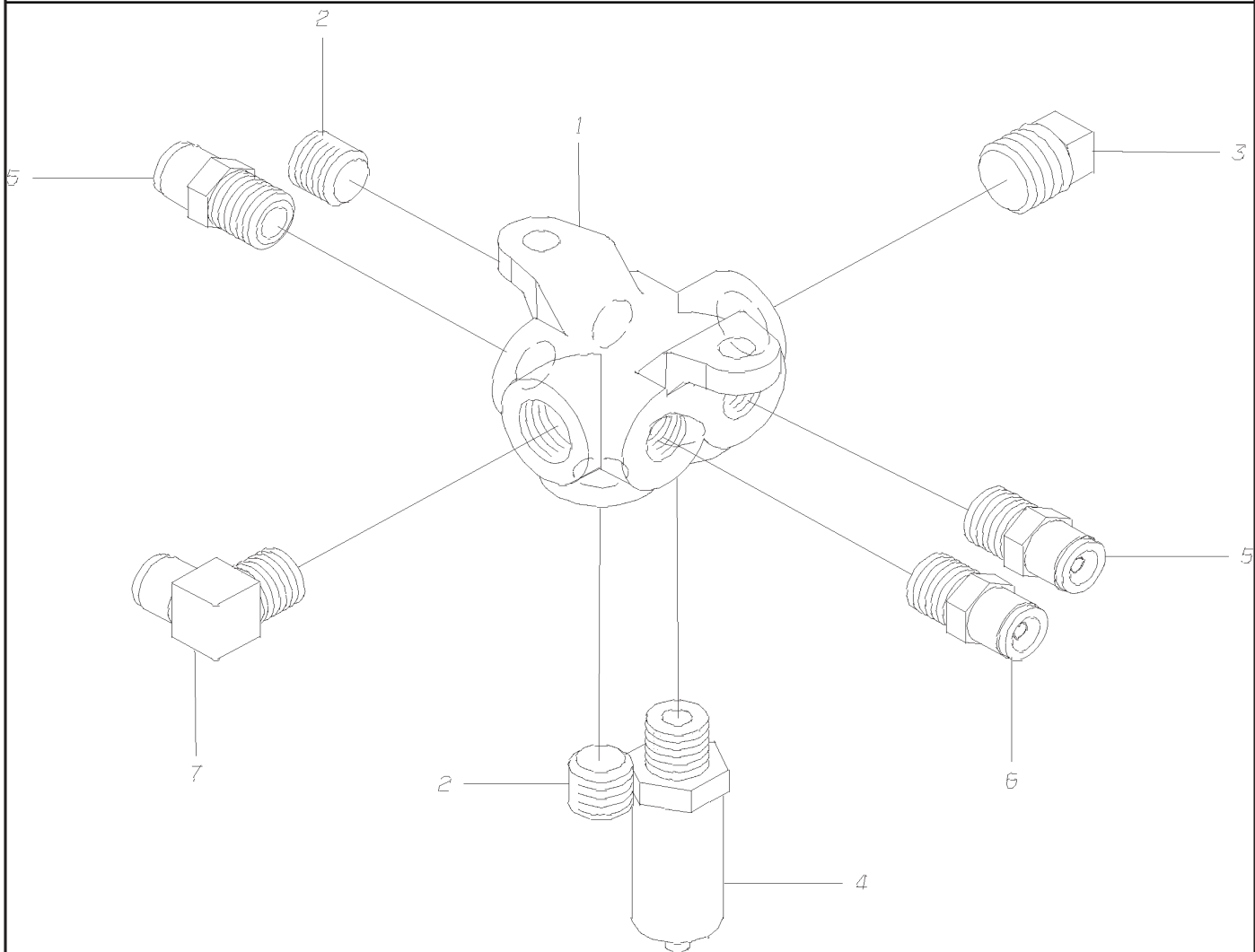
**Models: H4RE, M4RE
VALVE ASSY
MANIFOLD
FRONT**



Key	PartNumber	Qty	Description	Comment
1	2023083	1	FITTING,MANIFOLD,212322	
2	0009911	1	ELBOW,90 DEG,MALE1869X6X6-Z,.38MPT	
3	2023513	3	PLUG,PIPE,1/4,ALLEN HEX HD,BRASS	
4	0009912	1	ELBOW, 90 DEG, MALE, 1869X4X4-Z,.25MPT	
5	0009924	3	CONNECTOR,MALE,1868X6-Z,.25MPT X .38T"	

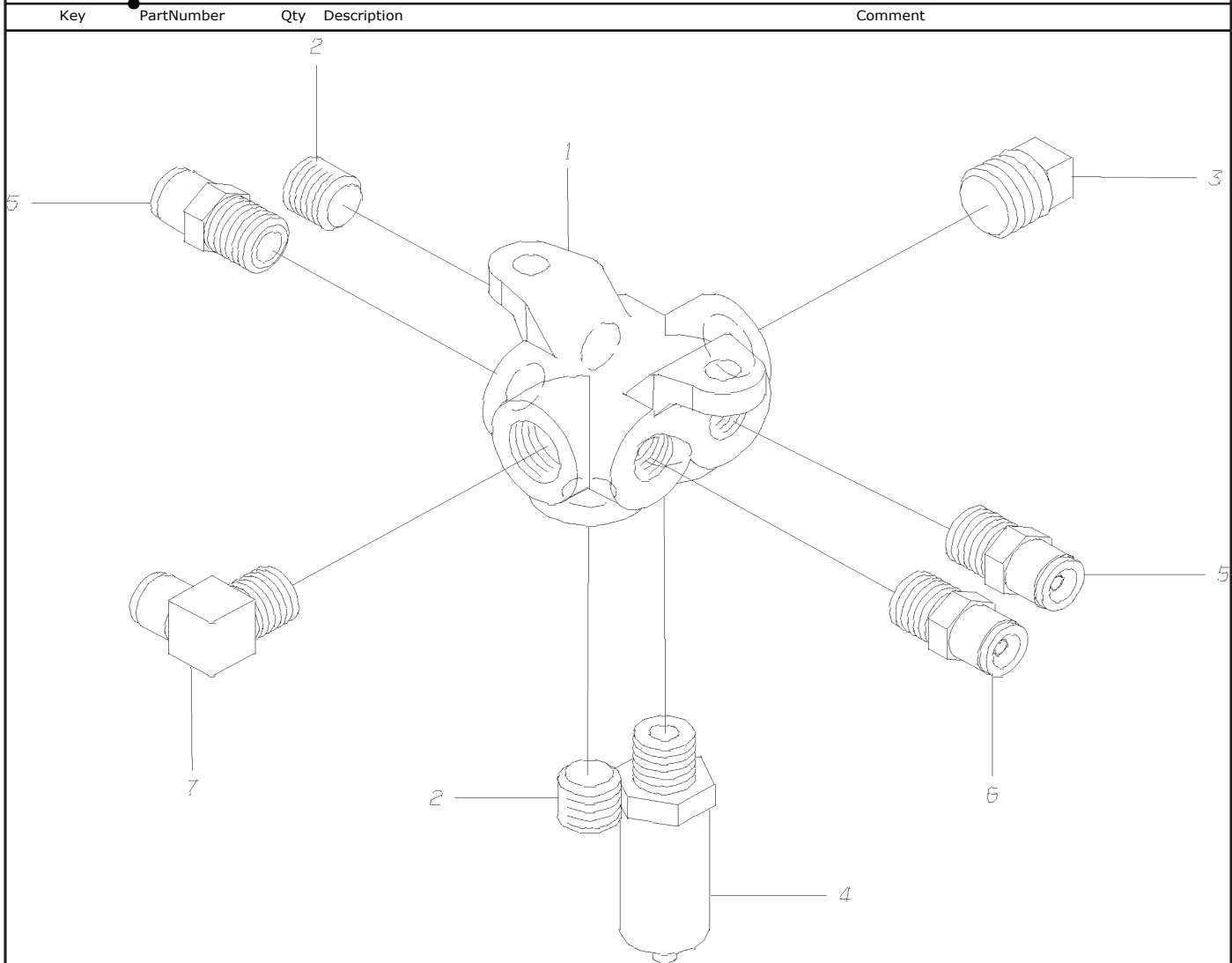
Models:
H4RE
VALVE ASSY
MANIFOLD
REAR

Key	PartNumber	Qty	Description	Comment
-----	------------	-----	-------------	---------



1	2023083	1	FITTING,MANIFOLD,212322	
2	2023513	2	PLUG,PIPE,1/4,ALLEN HEX HD,BRASS	
3	3772159	1	PLUG,PIPE,0.375,BRASS W/SEALANT,HEX HD	
4	0839019	1	VALVE,SAFETY,1/4IN PIPE,BW NO284142	
5	0009924	2	CONNECTOR,MALE,1868X6-Z,.25MPT X .38T"	
6	0009922	1	CONNECTOR, MALE, 1868X4X4-Z, .25MPT	
7	0009912	1	ELBOW, 90 DEG, MALE, 1869X4X4-Z,.25MPT	

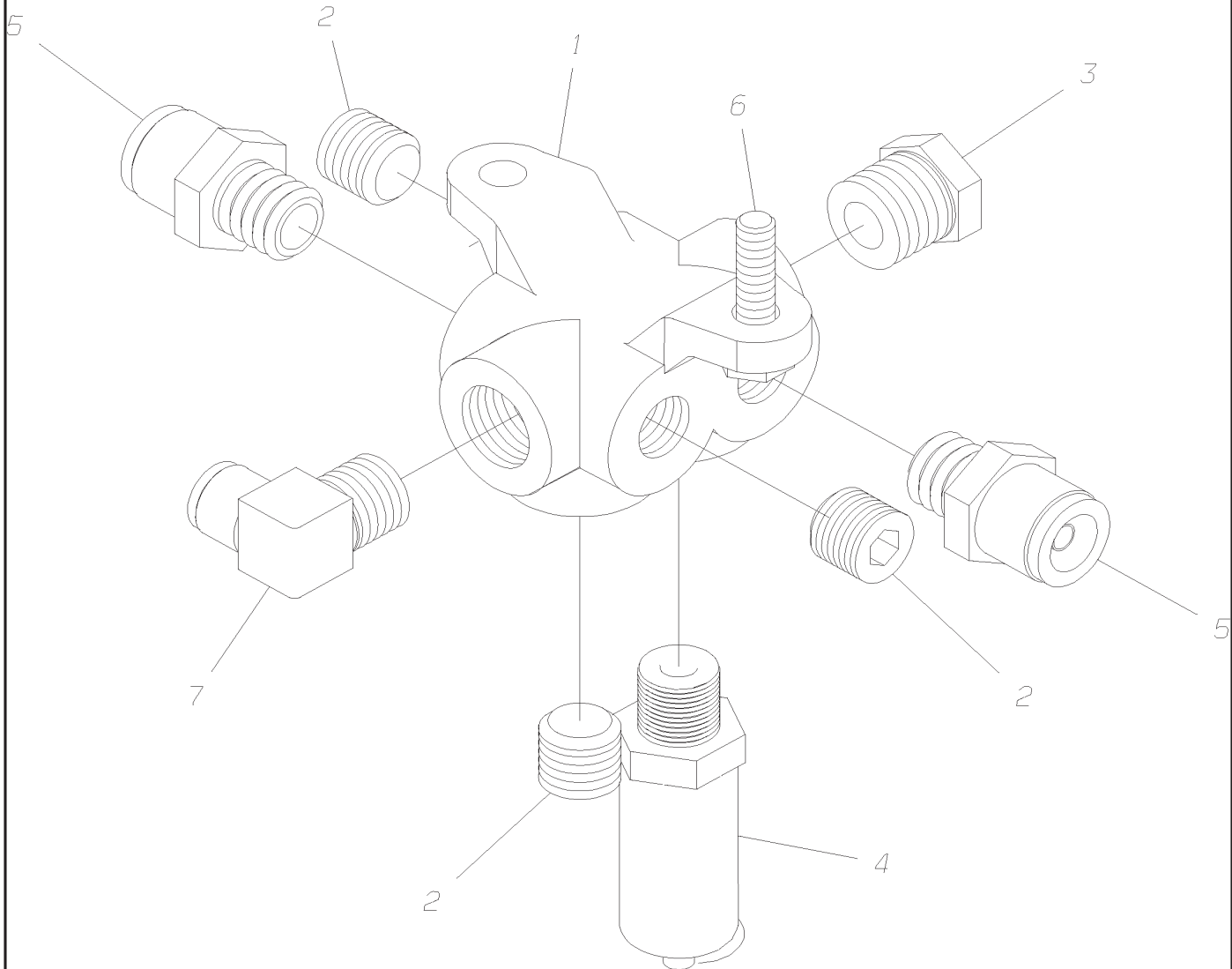
Models: H4RE, M4RE
 VALVE ASSY
 MANIFOLD
 REAR



Key	PartNumber	Qty	Description	Comment
1	2023083	1	FITTING,MANIFOLD,212322	
2	2023513	2	PLUG,PIPE,1/4,ALLEN HEX HD,BRASS	
3	3772159	1	PLUG,PIPE,0.375,BRASS W/SEALANT,HEX HD	
4	0839019	1	VALVE,SAFETY,1/4IN PIPE,BW NO284142	
5	0009924	2	CONNECTOR,MALE,1868X6-Z,.25MPT X .38T"	
6	0009922	1	CONNECTOR, MALE, 1868X4X4-Z, .25MPT	
7	0009912	1	ELBOW, 90 DEG, MALE, 1869X4X4-Z,.25MPT	

**Models: H4RE, M4RE
VALVE ASSY
MANIFOLD
REAR, AIR BRAKE**

Key	PartNumber	Qty	Description	Comment
-----	------------	-----	-------------	---------



1	2023083		FITTING,MANIFOLD,212322	
2	2023513	3	PLUG,PIPE,1/4,ALLEN HEX HD,BRASS	
3	3772159		PLUG,PIPE,0.375,BRASS W/SEALANT,HEX HD	
4	0839019		VALVE,SAFETY,1/4IN PIPE,BW NO284142	
5	0009924	2	CONNECTOR,MALE,1868X6-Z,.25MPT X .38T"	
6	0870477		CAPSCREW,HEX HD,1/4-20 X 1,GR 8,YEL ZN	
7	0009912		ELBOW, 90 DEG, MALE, 1869X4X4-Z,.25MPT	

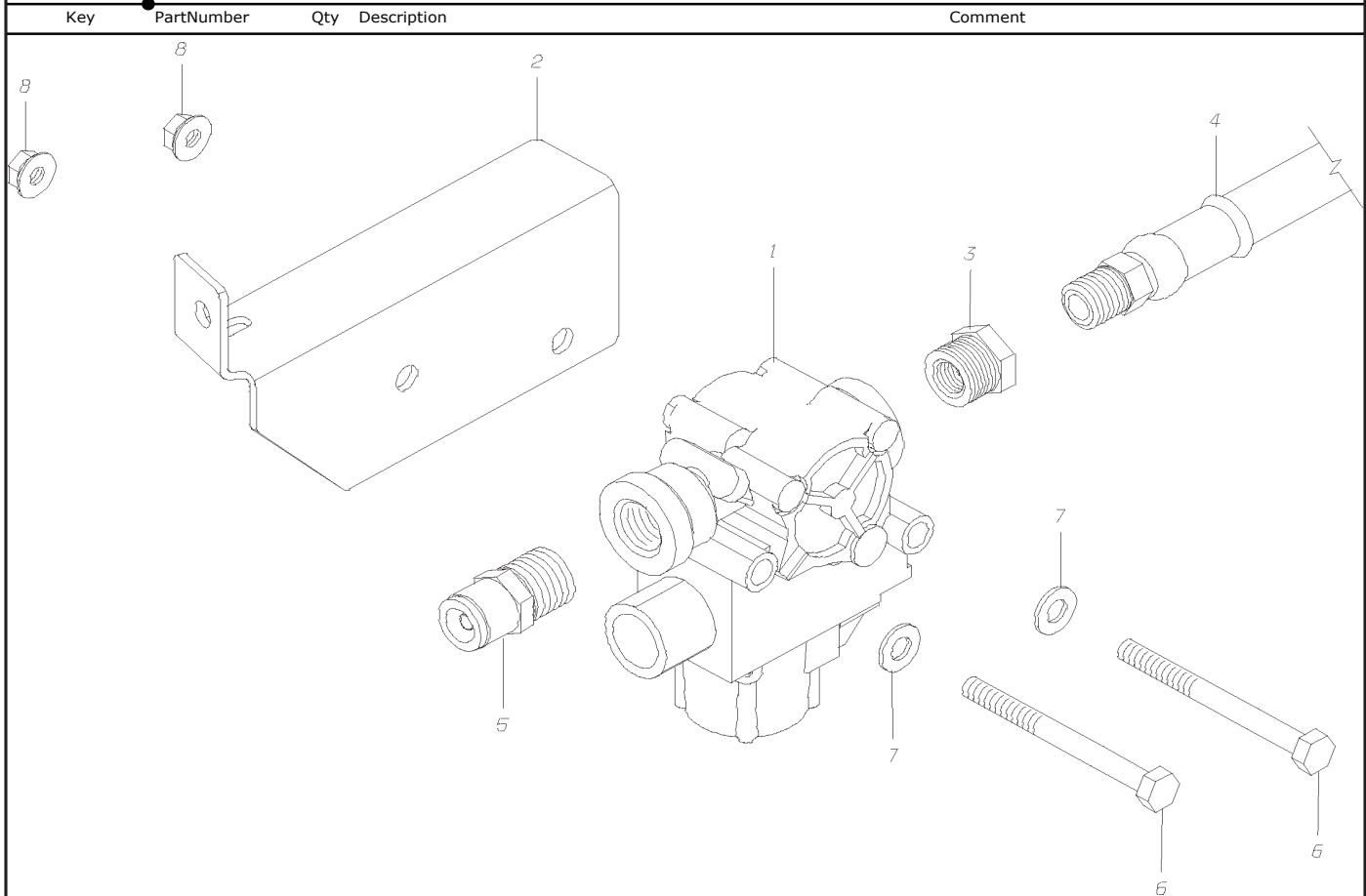
**Models: H4RE, M4RE
VALVE ASSY
MODULATOR
6 CHANNEL, ABS, REAR**

Key	PartNumber	Qty	Description	Comment
	0045356		VALVE ASSY,MODULATOR,ABS,REAR,LH,H4RE"	CONSISTS OF THE FOLLOWING:
	0045357		VALVE ASSY,MODULATOR,ABS,REAR,RH,H4RE"	CONSISTS OF THE FOLLOWING:
1	0008387		MODULATOR,ABS,6 CHANNEL,AIR BRAKES,	
2	0039996		BRACKET,MTG,ABS MODULATOR VALVES,LH	
2	0040067		BRACKET,MTG,ABS MODULATOR VALVES,RH	
3	2023539		BUSHING,PIPE,1/2MPT X 3/8FPT,3220X8X6Z,	
4	0991653		HOSE ASSY,BRAKE,7/16 X 36 IN LONG	
5	0009920		CONNECTOR,MALE,1868X8X8-Z,.50MPT X .50T"	
6	1226877	2	CAPSCREW,HEX HD,5/16X 3 1/2,GR8,YEL ZN	
7	2001048	2	WASHER,FLAT,11/32 X 11/16 X 1/16,YEL	

Models: H4RE, M4RE
VALVE ASSY
MODULATOR
6 CHANNEL, ABS, REAR

Key	PartNumber	Qty	Description	Comment
8	0829390	2	NUT, HEX HD, 5/16-18, SER WASHER, YEL ZN	

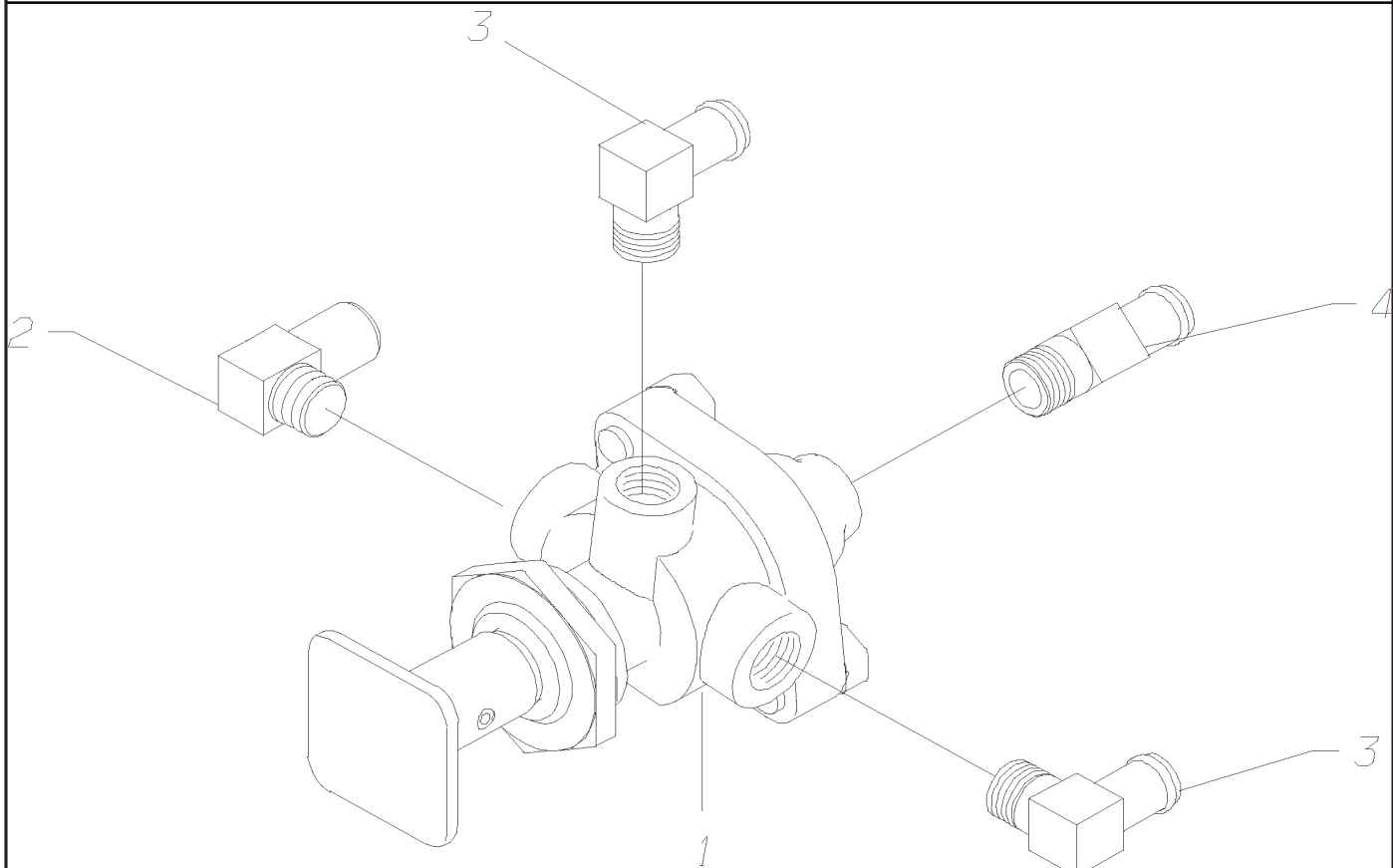
Models: H4RE, M4RE
VALVE ASSY
MODULATOR
ABS, REAR



Key	PartNumber	Qty	Description	Comment
1	0008387	1	MODULATOR,ABS,6 CHANNEL,AIR BRAKES,	
2	0039996	1	BRACKET,MTG,ABS MODULATOR VALVES,LH	
2	0040067	1	BRACKET,MTG,ABS MODULATOR VALVES,RH	
3	2023539	1	BUSHING,PIPE,1/2MPT X 3/8FPT,3220X8X6Z,	
4	0991653	1	HOSE ASSY,BRAKE,7/16 X 36 IN LONG	
5	0009920	1	CONNECTOR,MALE,1868X8X8-Z,.50MPT X .50T"	
6	1226877	2	CAPSCREW,HEX HD,5/16X 3 1/2,GR8,YEL ZN	
7	2001048	2	WASHER,FLAT,11/32 X 11/16 X 1/16,YEL	
8	0829390	2	NUT, HEX HD, 5/16-18, SER WASHER, YEL ZN	

**Models: H4RE, M4RE
VALVE ASSY
PARKING BRAKE**

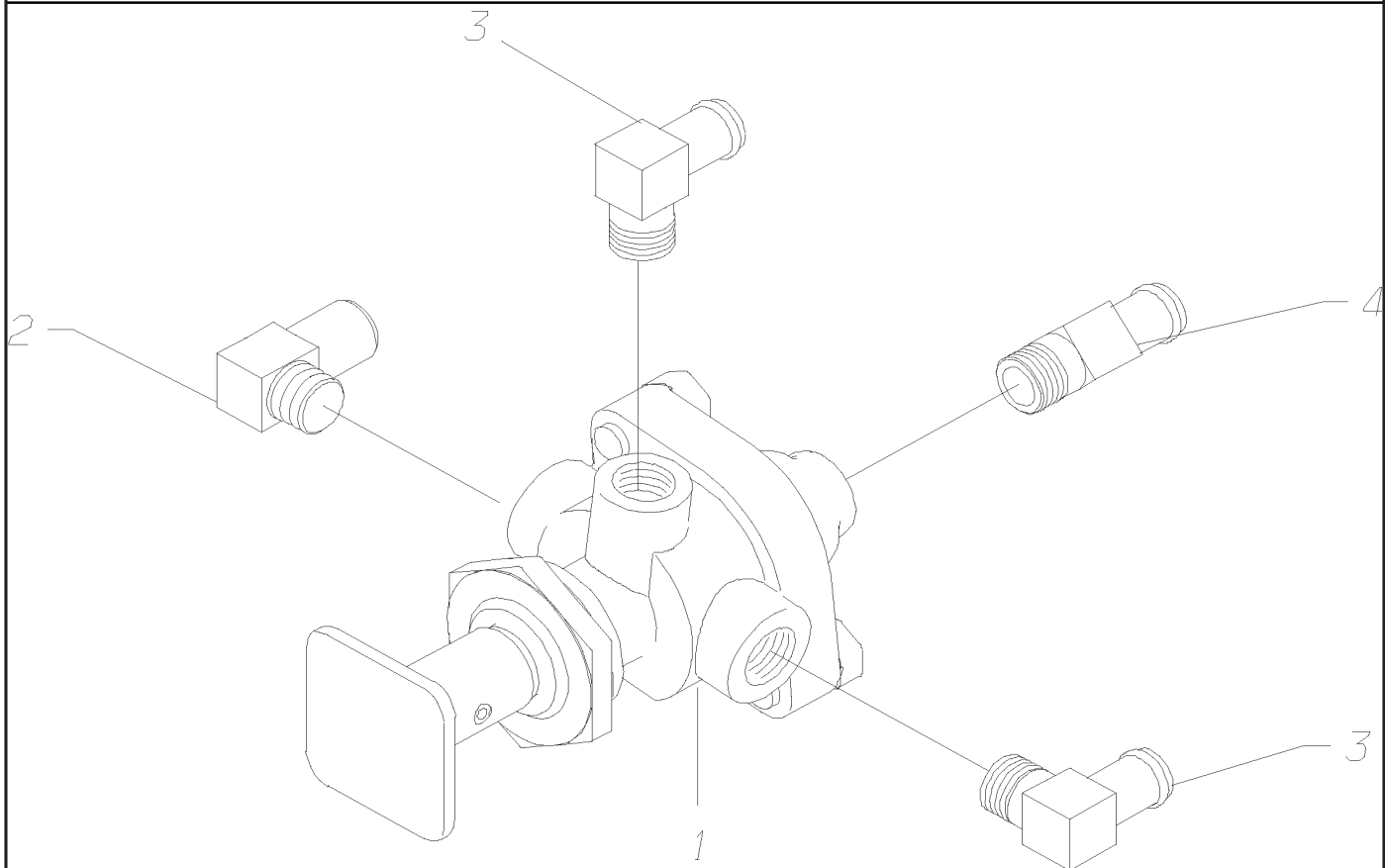
Key	PartNumber	Qty	Description	Comment
-----	------------	-----	-------------	---------



1	0032235	1	VALVE,PARKING BRAKE,PP-1	
NI	0054535	1	KIT,REPAIR FOR 0032235 VALVE"	
NI	0054536	1	BUTTON,FOR VALVE 0032235"	
NI	2705762	1	PIN,SPIROL,FOR PARKING BRAKE VALVE KNOB	
2	0009989	1	ELBOW,90,MALE,1869X6X2-Z.13MP X .38T	
3	0009903	2	ELBOW, 90 DEG, MALE, 1869X4-Z, .13MPT	
4	0013103	1	CONNECTOR,MALE,1868X6X2-Z,.13MP X .38T	

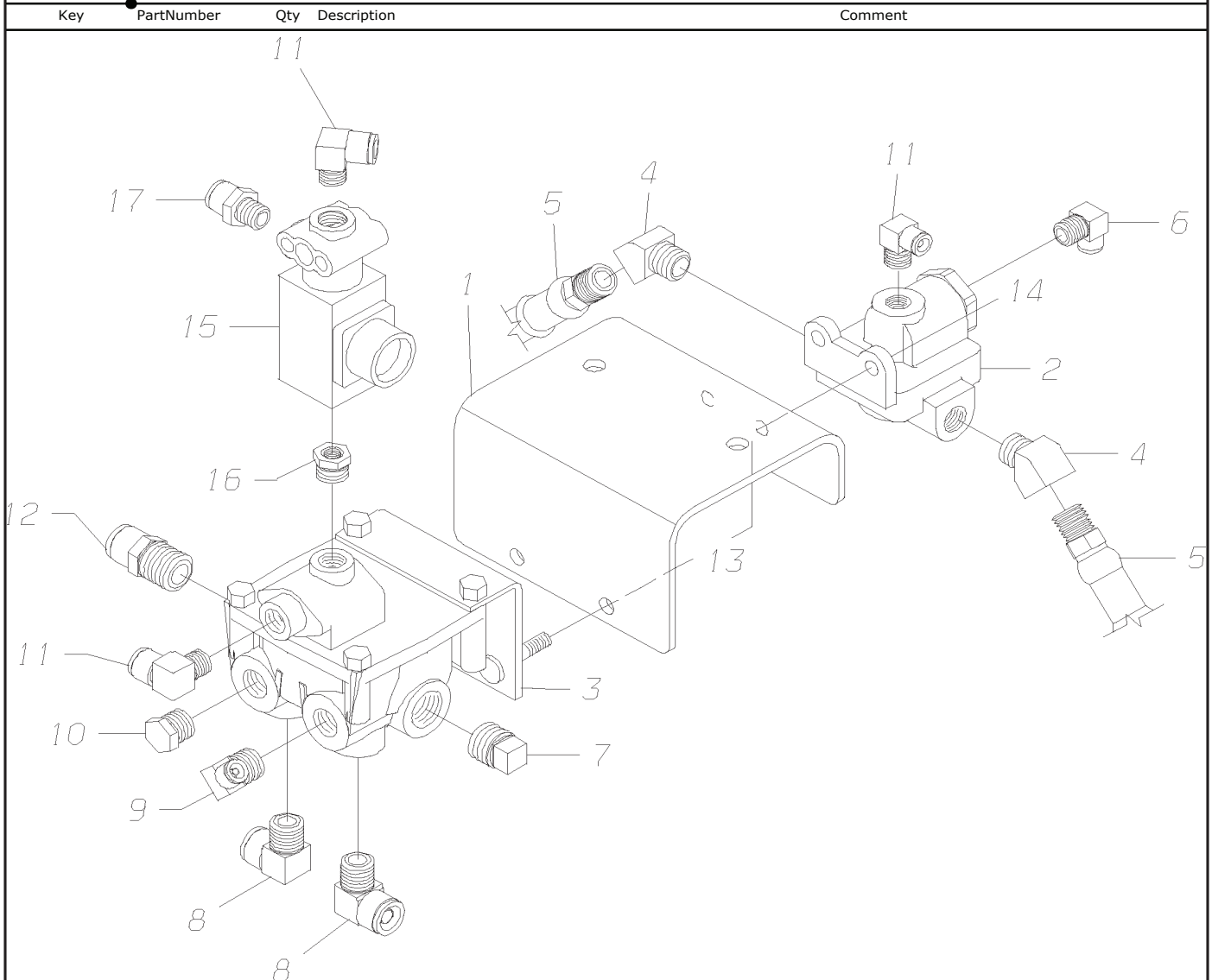
Models: B4RE, H4RE, Q4RE, W4RE
VALVE ASSY
PARKING BRAKE
6 CHANNEL, ABS
BSN: From CSN 10076921 (01/22/01)

Key	PartNumber	Qty	Description	Comment
-----	------------	-----	-------------	---------



1	0032235		VALVE,PARKING BRAKE,PP-1	
NI	0054536		BUTTON,FOR VALVE 0032235"	<i>KNOB ONLY</i>
NI	0054535		KIT,REPAIR FOR 0032235 VALVE"	
NI	2705762		PIN,SPIROL,FOR PARKING BRAKE VALVE KNOB	
2	0009989	1	ELBOW,90,MALE,1869X6X2-Z,.13MP X .38T	
3	0009903	2	ELBOW, 90 DEG, MALE, 1869X4-Z, .13MPT	
4	0013103		CONNECTOR,MALE,1868X6X2-Z,.13MP X .38T	

**Models: H4RE
VALVE ASSY
QUICK RELEASE
WITH R12 RELAY**

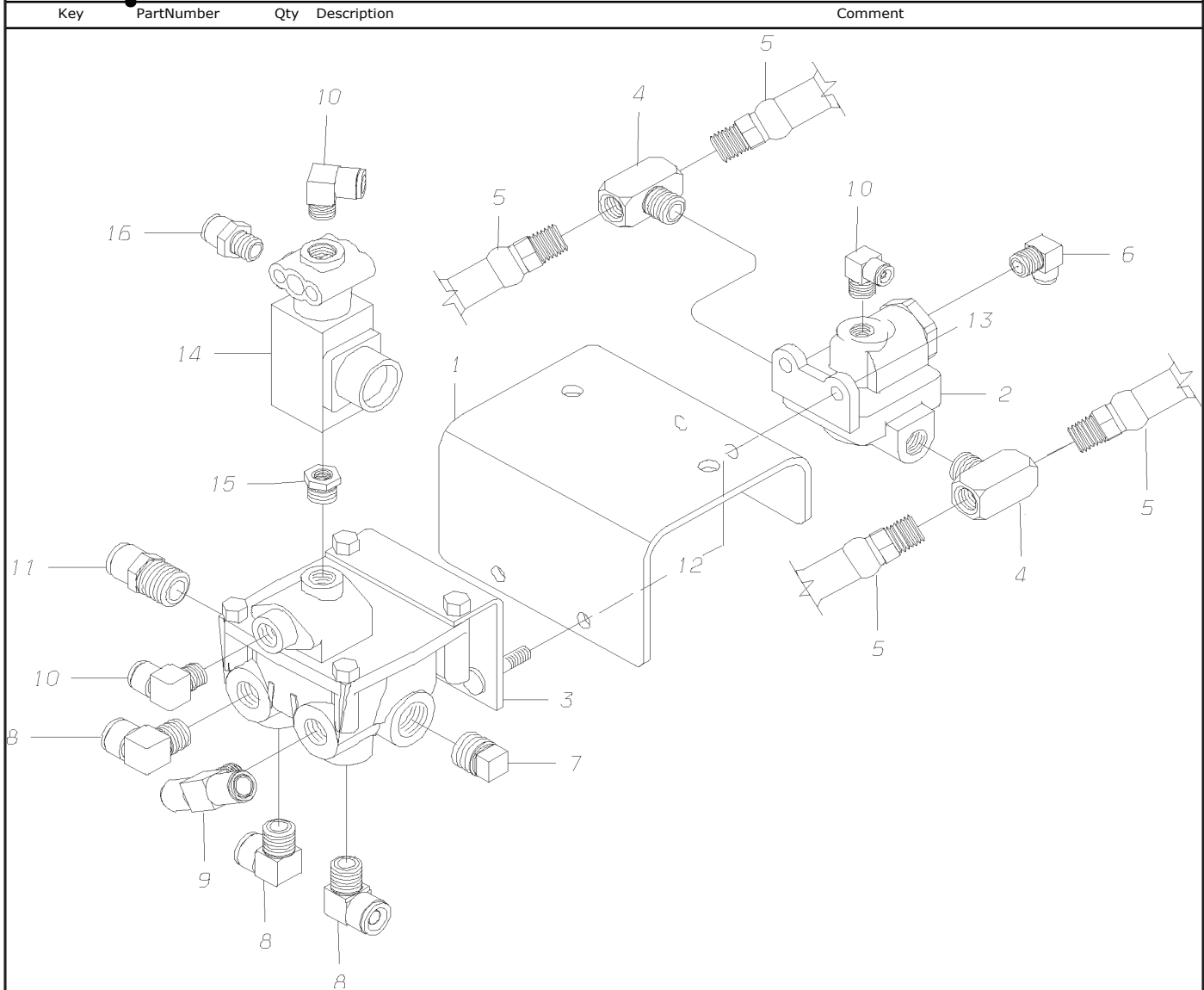


Key	PartNumber	Qty	Description	Comment
1	0039995	1	BRACKET,MTG,BRAKE VALVES,R12/QR-1C	
2	1220128	1	VALVE,SPRING BRAKE,RELAY,QR-1C	
3	1995851	1	VALVE,RELAY,R12 W/DOUBLE CHECK,ABS	
4	2008282	2	ELBOW,STREET,45 DEG,3350X6Z,BRASS	
5	0991653	2	HOSE ASSY,BRAKE,7/16 X 36 IN LONG	
6	0009912	1	ELBOW, 90 DEG, MALE, 1869X4X4-Z,.25MPT	
7	0663427	1	PLUG,PIPE,1/2 SQ HD,3151 X 8Z,BRASS	

**Models: H4RE
VALVE ASSY
QUICK RELEASE
WITH R12 RELAY**

Key	PartNumber	Qty	Description	Comment
8	0009906	2	ELBOW,90 DEG,MALE1869X8-Z,.38MPT X .50T	
9	0009911	1	ELBOW,90 DEG,MALE1869X6X6-Z,.38MPT	
10	3772159	1	PLUG,PIPE,0.375,BRASS W/SEALANT,HEX HD	
11	0009914	3	ELBOW,90 DEG,MALE1869X6-Z,.25MPT X .38T"	
12	0009923	1	CONNECTOR,MALE,1868X10-Z,.50MPT X .63T	
13	0829390	4	NUT, HEX HD, 5/16-18, SER WASHER, YEL ZN	
14	0854414	2	CAPSCREW,HEX HD,5/16-18X7/8,GR8,YEL ZN	
15	0045364	1	VALVE,SOLENOID,6S6M ATC"	
16	2008050	1	BUSHING,PIPE,1/8 TO 1/4,BRASS	
17	0009924	1	CONNECTOR,MALE,1868X6-Z,.25MPT X .38T"	

**Models: H4RE, M4RE
VALVE ASSY
QUICK RELEASE
WITH R12 RELAY**

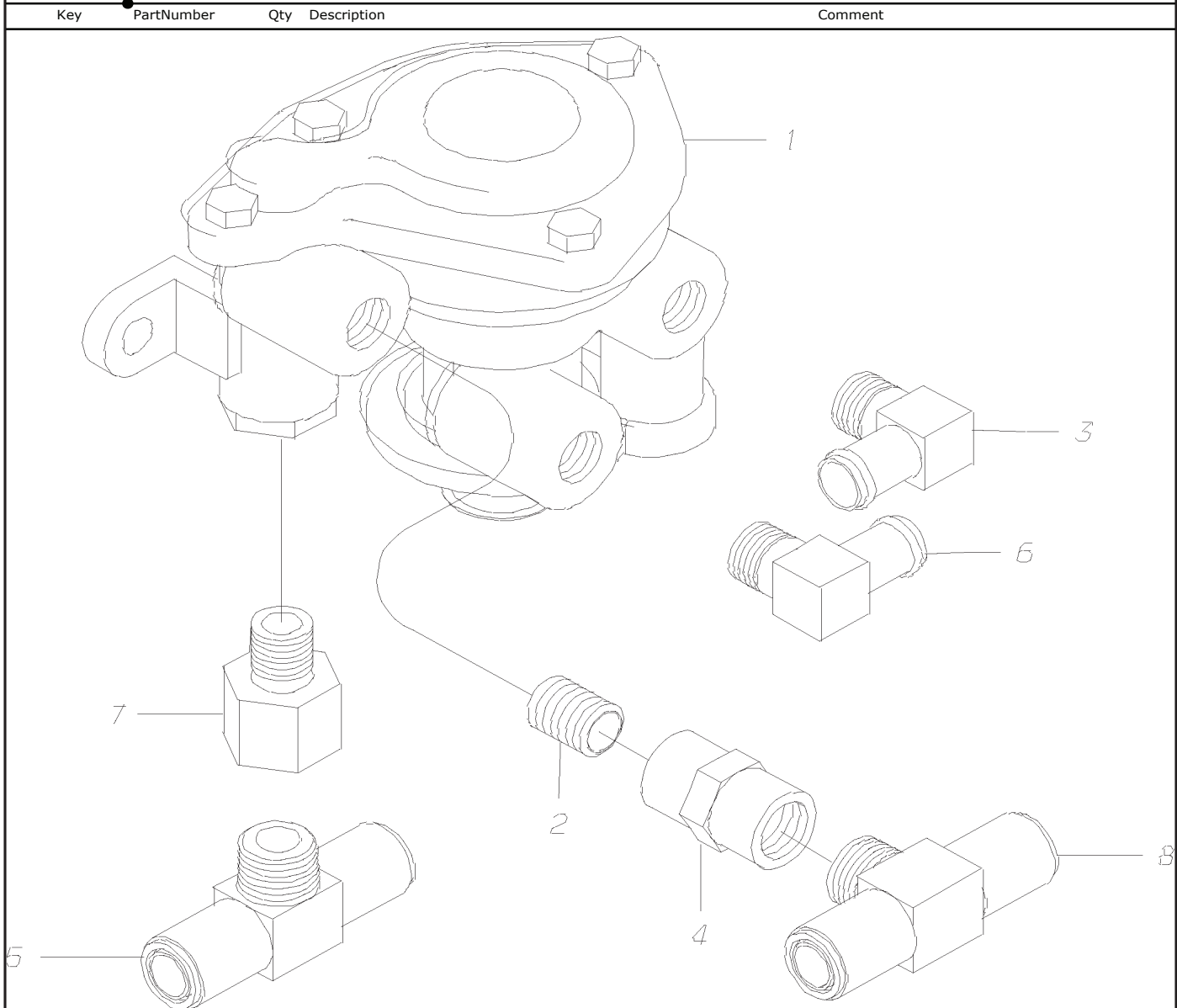


Key	PartNumber	Qty	Description	Comment
1	0039995	1	BRACKET,MTG,BRAKE VALVES,R12/QR-1C	
2	1220128	1	VALVE,SPRING BRAKE,RELAY,QR-1C	
3	1995851	1	VALVE,RELAY,R12 W/DOUBLE CHECK,ABS	
4	0016750	2	TEE,BRASS,3/8MPTX3/8FPTX3/8FPT,3600X6	
5	0991653	4	HOSE ASSY,BRAKE,7/16 X 36 IN LONG	
6	0009912	1	ELBOW, 90 DEG, MALE, 1869X4X4-Z,.25MPT	

**Models: H4RE, M4RE
VALVE ASSY
QUICK RELEASE
WITH R12 RELAY**

Key	PartNumber	Qty	Description	Comment
7	0663427	1	PLUG,PIPE,1/2 SQ HD,3151 X 8Z,BRASS	
8	0009906	3	ELBOW,90 DEG,MALE1869X8-Z,.38MPT X .50T	
9	0027594	1	TEE,MALE,BRANCH,117-63686	
10	0009914	3	ELBOW,90 DEG,MALE1869X6-Z,.25MPT X .38T"	
11	0009923	1	CONNECTOR,MALE,1868X10-Z,.50MPT X .63T	
12	0829390	4	NUT, HEX HD, 5/16-18, SER WASHER, YEL ZN	
13	0854414	2	CAPSCREW,HEX HD,5/16-18X7/8,GR8,YEL ZN	
14	0045364	1	VALVE,SOLENOID,6S6M ATC"	
15	2008050	1	BUSHING,PIPE,1/8 TO 1/4,BRASS	
16	0009924	1	CONNECTOR,MALE,1868X6-Z,.25MPT X .38T"	

Models: B4RE, H4RE, Q4RE, W4RE
VALVE ASSY
SPRING BRAKE
6 CHANNEL, ABS
BSN: From CSN 10052365 (03/06/00)



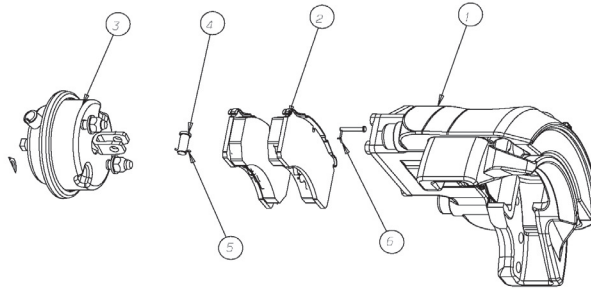
Key	PartNumber	Qty	Description	Comment
1	0654426		VALVE,SPRING BRAKE	
2	2009330	2	NIPPLE,PIPE,1/4 X 2,GALV	
3	0009912		ELBOW, 90 DEG, MALE, 1869X4X4-Z,.25MPT	
4	2027175		COUPLING, PIPE, 1/4	
5	0009927		TEE,MALE,BRANCH,1872X8X4-Z,.25MPT X .50T	
6	0009914	1	ELBOW,90 DEG,MALE1869X6-Z,.25MPT X .38T"	

Models: B4RE, H4RE, Q4RE, W4RE
VALVE ASSY
SPRING BRAKE
6 CHANNEL, ABS
BSN: From CSN 10052365 (03/06/00)

Key	PartNumber	Qty	Description	Comment
-----	------------	-----	-------------	---------

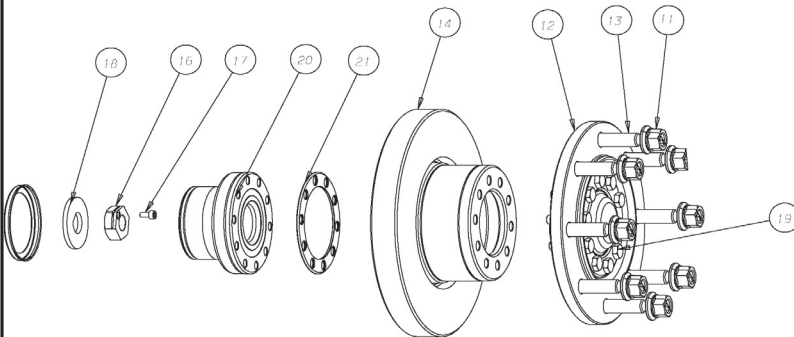
**Models: H4RE, M4RE
WHEEL END COMPONENTS
FRONT AND REAR, ALUMN WHEELS
CALIPER ASSY AIR DISC DX225**

Key	PartNumber	Qty	Description	Comment
-----	------------	-----	-------------	---------



DR. 4-10-03	BY MR	0056692	REV
APP.	BY TL	FRT	REV

© BLUE BIRD BODY COMPANY. ALL RIGHTS RESERVED



0076902	KIT, BRAKE, PAD, DX225, MERITOR, (ONE KIT	CONSISTS OF KEY NOS 1, 2, 4
---------	---	-----------------------------

1	2	SPRING
---	---	--------

2	4	BRAKE PAD
---	---	-----------

4		BOLT
---	--	------

0079344	KIT, BOLT, STABILIZING BAR, DX225
---------	-----------------------------------

3		RETAINING WASHER
---	--	------------------

4		BOLT
---	--	------

0065289	KIT, PIN, CLEVIS, DX195
---------	-------------------------

5		CLEVIS PIN
---	--	------------

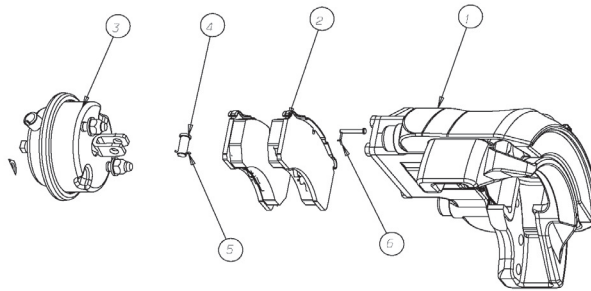
6		COTTER PIN
---	--	------------

**Models: H4RE, M4RE
WHEEL END COMPONENTS
FRONT AND REAR, ALUMN WHEELS
CALIPER ASSY AIR DISC DX225**

Key	PartNumber	Qty	Description	Comment
10			CALIPER ASSY KIT, DX225,	<i>CONSISTS OF KEY NOS 3,4,10</i>
	0077343		CALIPER,LH,DX225"	
	0077342		CALIPER,RH,DX225"	
	0063534		KIT,PLUG,DX195	<i>CONSISTS OF KEY NOS 7,8</i>
9			AIR CHAMBER, DX 225	
	0065277		BRAKE,CHAMBER,FRONT,DX195,T20 REAR	
	0077338		BRAKE,CHAMBER,DRIVE,LH,24/30"	
	0077340		BRAKE,CHAMBER,DRIVE,RH 24/30"	
	0077949		KIT,BOLT,SADDLE BOLTS & WASHERS,AIR DISC	<i>CONSISTS OF KEY 11,12</i>
	0077950		KIT,LEVER,AIR DISC BRAKES"	<i>CONSISTS OF KEY NO 13,14</i>

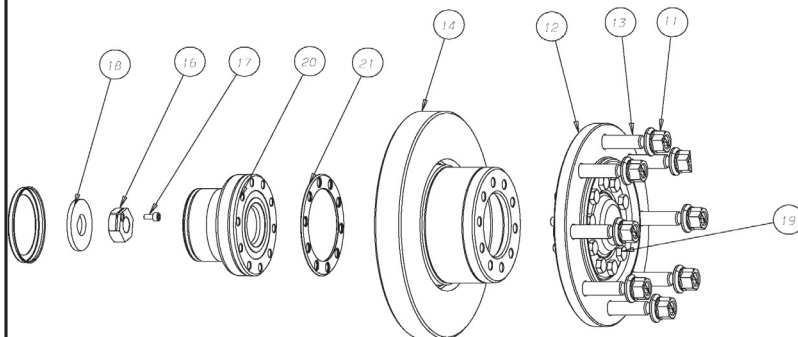
Models: H4RE, M4RE
 WHEEL END COMPONENTS
 FRONT, ALUMN WHEELS

Key	PartNumber	Qty	Description	Comment
-----	------------	-----	-------------	---------



DR. 4-10-03	BY MR	0056692	REV	
APP.	BY TL	FRT	REV	

© BLUE BIRD BODY COMPANY. ALL RIGHTS RESERVED

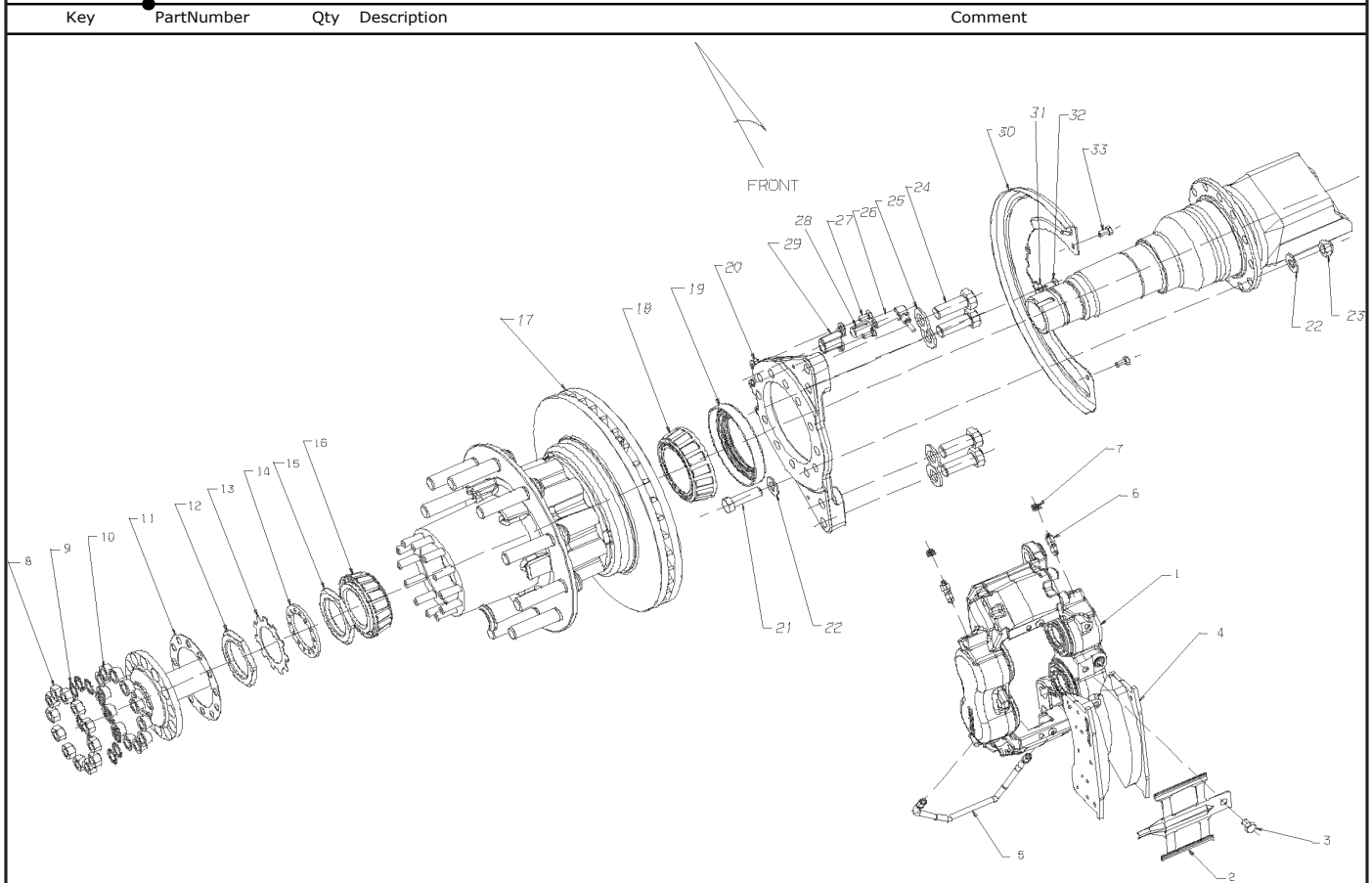


1	0077343	1	CALIPER,LH,DX225"	
1	0077342	1	CALIPER,RH,DX225"	
NI	0063534	1	KIT,PLUG,DX195	
NI	0077949	1	KIT,BOLT,SADDLE BOLTS & WASHERS,AIR DISC	
NI	0077950	1	KIT,LEVER,AIR DISC BRAKES"	
2	0076902	1	KIT,BRAKE,PAD,DX225,MERITOR,(ONE KIT	ONE AXLE
3	0065277	2	BRAKE,CHAMBER,FRONT,DX195,T20	
4			KIT, PIN, CLEVIS	
5			KIT, COTTER PIN	
NI	0065289	2	KIT,PIN,CLEVIS,DX195	4, 5

**Models: H4RE, M4RE
WHEEL END COMPONENTS
FRONT, ALUMN WHEELS**

Key	PartNumber	Qty	Description	Comment
6	0065290	2	PIN,COTTER,DX195	
7		4	SCREW, SOCKET HEAD	
8		4	BOLT, HEX HEAD	
9		16	BOLT, HEX HEAD	
10		10	BOLT, HEX HEAD	
11	0072937	16	NUT,LUG,TWO PIECE,M22X1.5 GH THREADS	
12	0077902	2	ADAPTER,WHEEL,FRONT,IFS,DX225"	
13	0077914	16	STUD,WHEEL,FRONT,DX225"	
14	0077166	2	ROTOR,FRONT,DX225"	
15	0077508	1	STEERING KNUCKLE,LH,M4	
15	0077507	1	STEERING KNUCKLE,RIGHT HAND,M4	
16	0077928		NUT,SPINDLE,LH,IFS,H4RE,M4RE"	
16	0077926		NUT,SPINDLE,RH,IFS H4RE,M4RE"	
17	0077975	2	SCREW,SOCKET HD,DX225"	
18	0078049	2	WASHER,SPINDLE,FRONT,DX225"	
19	0078043	24	BOLT,HEX,HEAD,DX225"	
20	0078025	2	HUB,BEARING,DX225"	
21	0077910	2	SPACER,HUB,FRONT,DX225"	
NI	0078029		SENSOR,ABS,DX225"	
NI	0043313		BUSHING,ABS,STEER KNUCKLE	

**Models: H4RE, M4RE
WHEEL END COMPONENTS
REAR
ALUMN WHEELS**



Key	PartNumber	Qty	Description	Comment
1	0077343		CALIPER,LH,DX225"	
1	0077342		CALIPER,RH,DX225"	
NI	0063534		KIT,PLUG,DX195	
2			KIT, SPRING, RETENTION	
3			KIT, PIN, SPRING, RETENTION	
4			COTTER PIN	
	0077338		BRAKE,CHAMBER,DRIVE,LH,24/30"	
	0077340		BRAKE,CHAMBER,DRIVE,RH 24/30"	
5	0076902		KIT,BRAKE,PAD,DX225,MERITOR,(ONE KIT	ONE AXLE
6	2594893	8	NUT,AXLE SHAFT	

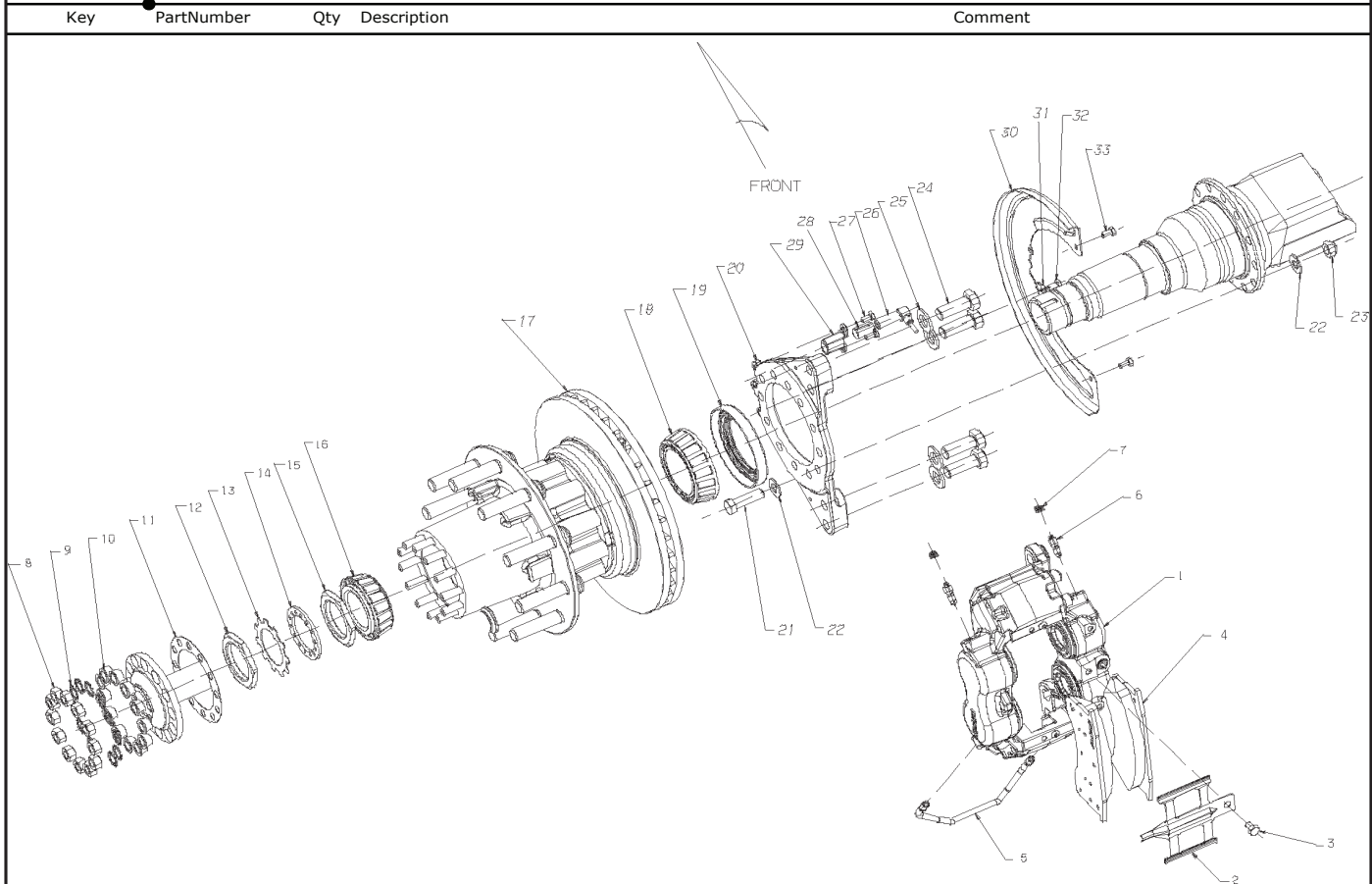
**Models: H4RE, M4RE
WHEEL END COMPONENTS
REAR
ALUMN WHEELS**

Key	PartNumber	Qty	Description	Comment
7	2603512	8	WASHER,AXLE SHAFT	
8	0929091	8	DOWEL,AXLE SHAFT	
9	0043449	2	GASKET	
10	0043475	2	NUT,WHEEL,BEARING,ADJUSTING,REAR AXLE	
11	2647230	2	** PART NOT FOUND **	
12	0048533	2	WASHER,LOCK,SPINDLE	
13	2598613	2	NUT,WHEEL,BEARING,JAM,REAR AXLE	
14	0929059		BEARING,OUTER,AXLE SHAFT,ROCKWELL &	
15			HUB AND ROTOR ASSY	
NI	0077861		HUB & CUP ASSY,DRIVE,MERITOR"	
NI	2621779	1	CUP,WHEEL BEARING,REAR INNER,R-155,592A	
NI	2621571	1	CUP,OUTER WHEEL BEARING	
NI	0077949	8	KIT,BOLT,SADDLE BOLTS & WASHERS,AIR DISC	
NI	0072937	8	NUT,LUG,TWO PIECE,M22X1.5 GH THREADS	
NI	0044462	8	CHANNEL,BUMPER BRACE,RH	
NI	0077303	1	ROTOR,ABS,DX225,MERITOR"	
NI	0078910	6	BOLT,ROTOR,HUB TO ROTOR BOLT	
15	0929042		BEARING,INNER,REAR AXLE	
16	0078915		SEAL,OIL,INNER,REAR AXLE	
17	0079028		PLATE,TORQUE,REAR AXLE,LH	
17	0079029		PLATE,TORQUE,REAR AXLE,RH	
18			CAPSCREW, HEX HD	
19			WASHER, FLAT	

**Models: H4RE, M4RE
WHEEL END COMPONENTS
REAR
ALUMN WHEELS**

Key	PartNumber	Qty	Description	Comment
20			NUT, HEX HEAD	
21			CAPSCREW, HEX HD	
22			WASHER, FLAT	
23	0078029		SENSOR,ABS,DX225"	
24			CAPSCREW, BRACKET, ABS MOUNTING	
25	0078024		BUSHING,ABS,SENSOR"	
26			BRACKET, ABS MOUNTING	
27			DUSTSHIELD	
28	1542471		SLEEVE,CLAMP,NOTCHED,HUB SENSOR,ABS	
29			CAPSCREW, CLIP	
30			CAPSCREW, DUSTSHIELD	

Models: H4RE, M4RE
WHEEL END COMPONENTS
REAR
ALUMN WHEELS



Key	PartNumber	Qty	Description	Comment
1	0077343		CALIPER,LH,DX225"	
1	0077342		CALIPER,RH,DX225"	
NI	0063534		KIT,PLUG,DX195	
2			KIT, SPRING, RETENTION	
3			KIT, PIN, SPRING, RETENTION	
4			COTTER PIN	
5	0076092		PAD ASSY,DAVENPORT,RISER,W/PROFORM,	ONE AXLE
6	2594893	8	NUT,AXLE SHAFT	
7	2603512	8	WASHER,AXLE SHAFT	
8	0929091	8	DOWEL,AXLE SHAFT	

**Models: H4RE, M4RE
WHEEL END COMPONENTS
REAR
ALUMN WHEELS**

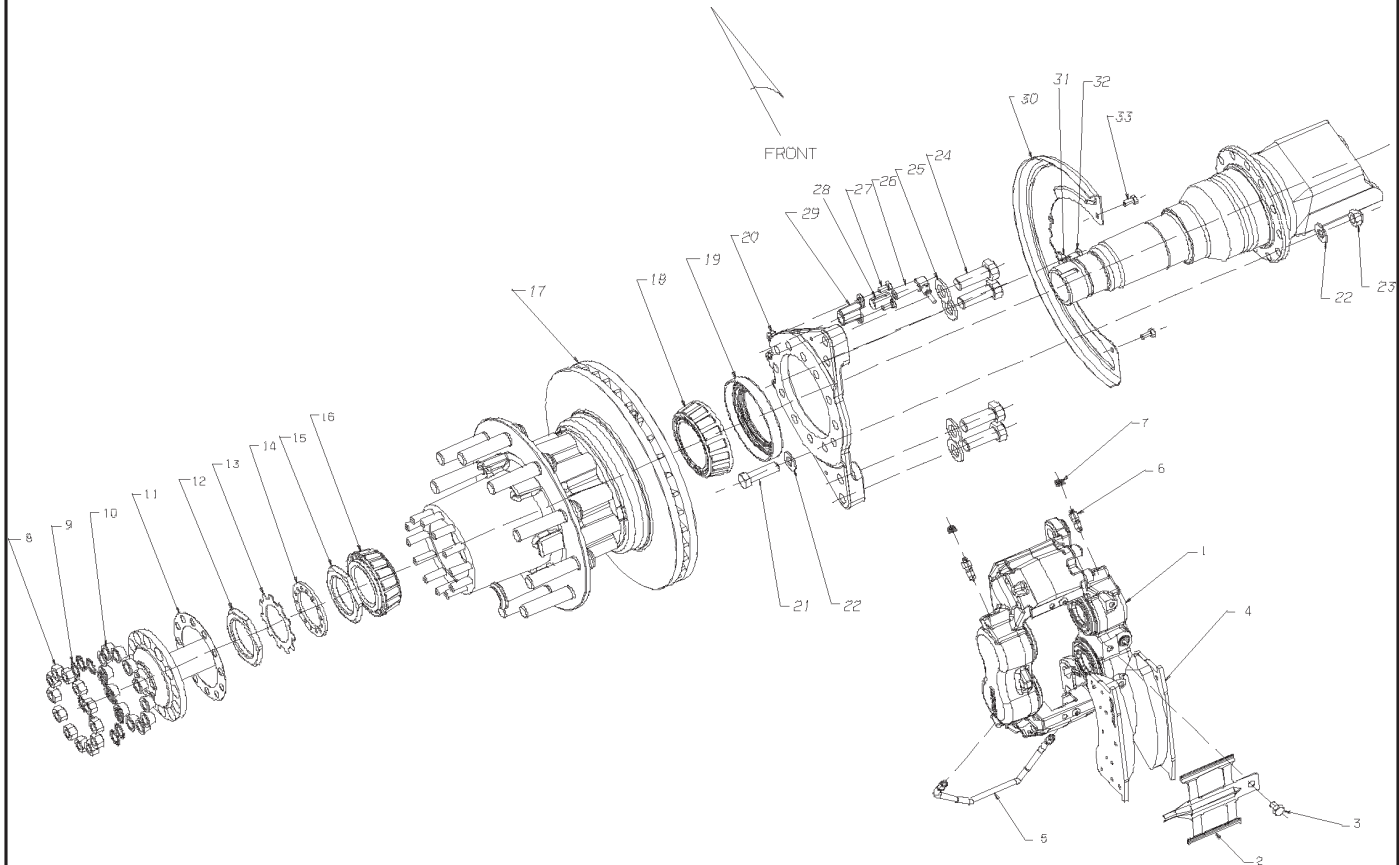
Key	PartNumber	Qty	Description	Comment
9	0043449	2	GASKET	
10	0043475	2	NUT,WHEEL,BEARING,ADJUSTING,REAR AXLE	
11	2647230	2	** PART NOT FOUND **	
12	0048533	2	WASHER,LOCK,SPINDLE	
13	2598613	2	NUT,WHEEL,BEARING,JAM,REAR AXLE	
14	0929059		BEARING,OUTER,AXLE SHAFT,ROCKWELL &	
15			HUB AND ROTOR ASSY	
NI	0067273		HUB & CUP ASSY,REAR,L4RE	
NI	2621779	1	CUP,WHEEL BEARING,REAR INNER,R-155,592A	
NI	2621571	1	CUP,OUTER WHEEL BEARING	
NI	0062329	8	STUD,WHEEL,DX195,MERITOR	
NI	0072937	8	NUT,LUG,TWO PIECE,M22X1.5 GH THREADS	
NI	0062331	8	STUD,DRIVE,DX195,MERITOR	
NI	0067274	1	ROTOR,REAR,L4RE	
NI	0062326	6	CAPSCREW,ROTOR,DX195,MERITOR	
15	0929042		BEARING,INNER,REAR AXLE	
16	0929067		SEAL,INNER,REAR AXLE OIL,LUBRICATED	
17			PLATE, TORQUE, LH	
17			PLATE, TORQUE, RH	
18			CAPSCREW, HEX HD	
19			WASHER, FLAT	
20			NUT, HEX HEAD	
21			CAPSCREW, HEX HD	

Models: H4RE, M4RE
WHEEL END COMPONENTS
REAR
ALUMN WHEELS

Key	PartNumber	Qty	Description	Comment
22			WASHER, FLAT	
23	0063543		SENSOR,ABS,DX195,ROUND PLUG	
24			CAPSCREW, BRACKET, ABS MOUNTING	
25	0078024		BUSHING,ABS,SENSOR"	
26			BRACKET, ABS MOUNTING	
27			DUSTSHIELD	
28	1542471		SLEEVE,CLAMP,NOTCHED,HUB SENSOR,ABS	
29			CAPSCREW, CLIP	
30			CAPSCREW, DUSTSHIELD	

**Models: H4RE, M4RE
WHEEL END COMPONENTS
TAG AXLE
ALUMN WHEELS**

Key	PartNumber	Qty	Description	Comment
-----	------------	-----	-------------	---------

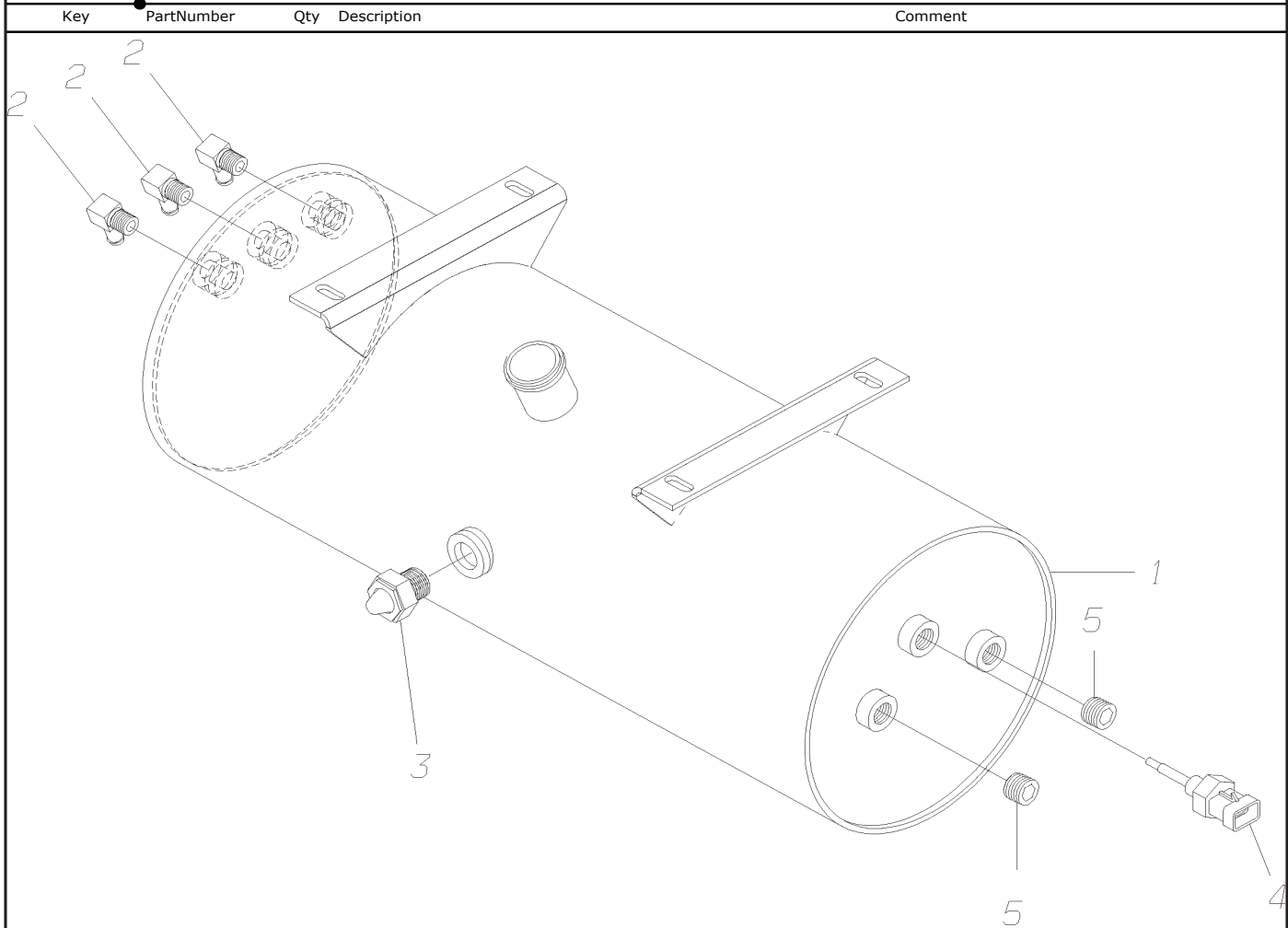


NI			CALIPER ASSY	
NI	0077343		CALIPER,LH,DX225"	
NI	0077342		CALIPER,RH,DX225"	
NI	0076902		KIT,BRAKE,PAD,DX225,MERITOR,(ONE KIT	ONE AXLE
NI			PLATE, TORQUE	
NI	0078904		PLATE,TORQUE,LH,TAG AXLE"	
NI	0078905		PLATE,TORQUE,RH,TAG AXLE"	
NI	0078907	2	SENSOR,ABS,TAG AXLE,DX225"	
NI	0077326	2	BRAKE,CHAMBER,TAG,T16"	
NI	0077303		ROTOR,ABS,DX225,MERITOR"	

**Models: H4RE, M4RE
WHEEL END COMPONENTS
TAG AXLE
ALUMN WHEELS**

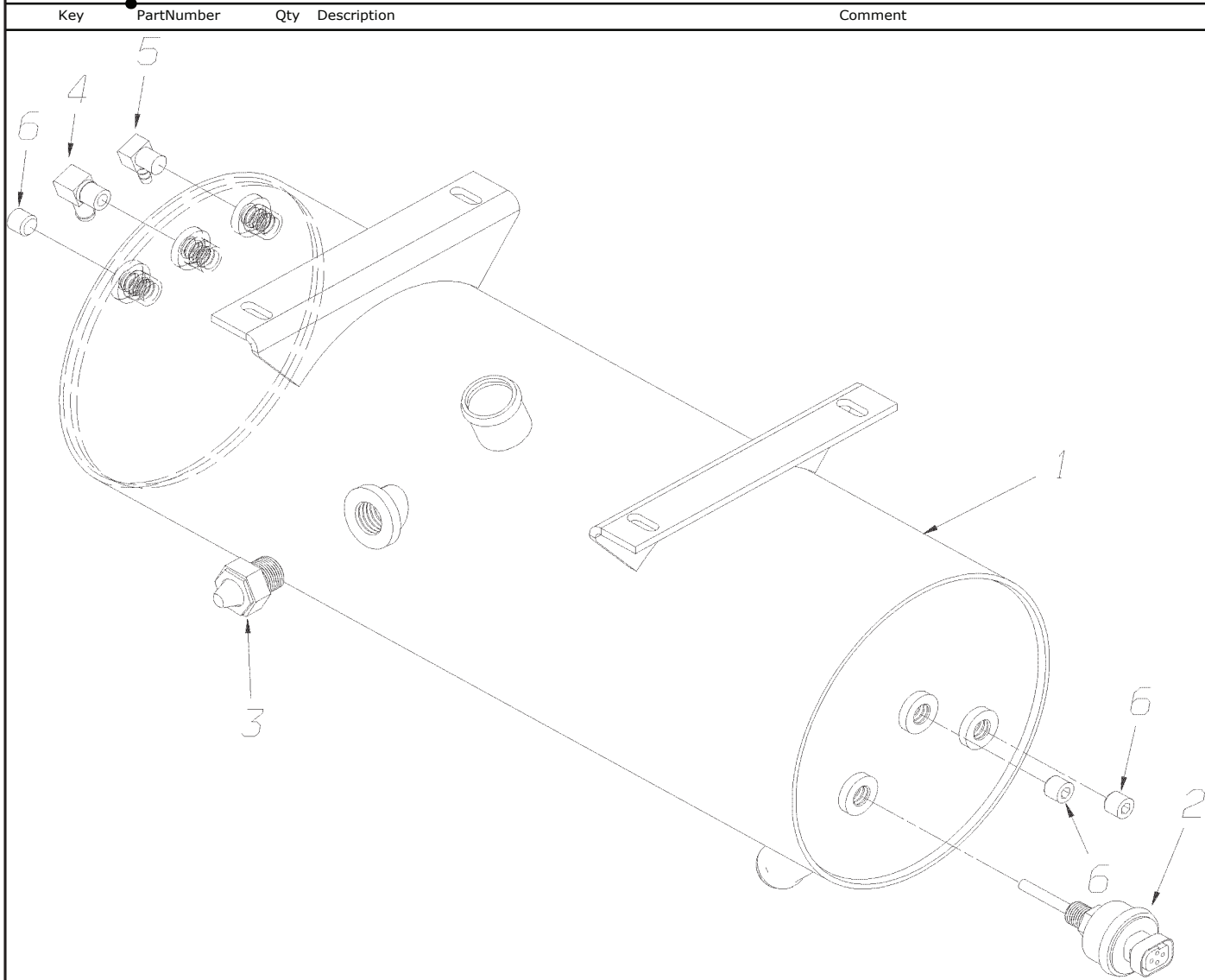
Key	PartNumber	Qty	Description	Comment
	0078908		SEAL,OIL,INNER,TAG AXLE	
NI	0077301		HUB & CUP ASSY,TAG,MERITOR"	
NI			INNER BEARING CUP	
NI			OUTER BEARING CUP	
NI	0044642	8	STUD,DRIVE,5/8	
NI	0079117		NUT,DRIVE,STUD	
NI	2603512		WASHER,AXLE SHAFT	
NI	0929042		BEARING,INNER,REAR AXLE	
NI	0929059		BEARING,OUTER,AXLE SHAFT,ROCKWELL &	
NI	0043475		NUT,WHEEL,BEARING,ADJUSTING,REAR AXLE	
NI	2647238		LOCKWASHER,WHEEL BEARING NUT	
NI	2598613		NUT,WHEEL,BEARING,JAM,REAR AXLE	
NI	0048543		DECAL,MAIN LOAD CTR,SPECIAL 1,2002 LXI	
NI	0079031		CAP,ASSY,HUB,TAG AXLE	
NI	0043449		GASKET	

**Models: H4RE, M4RE
DEAERATION TANK
To CSN 02/29/04 (M4RE)**



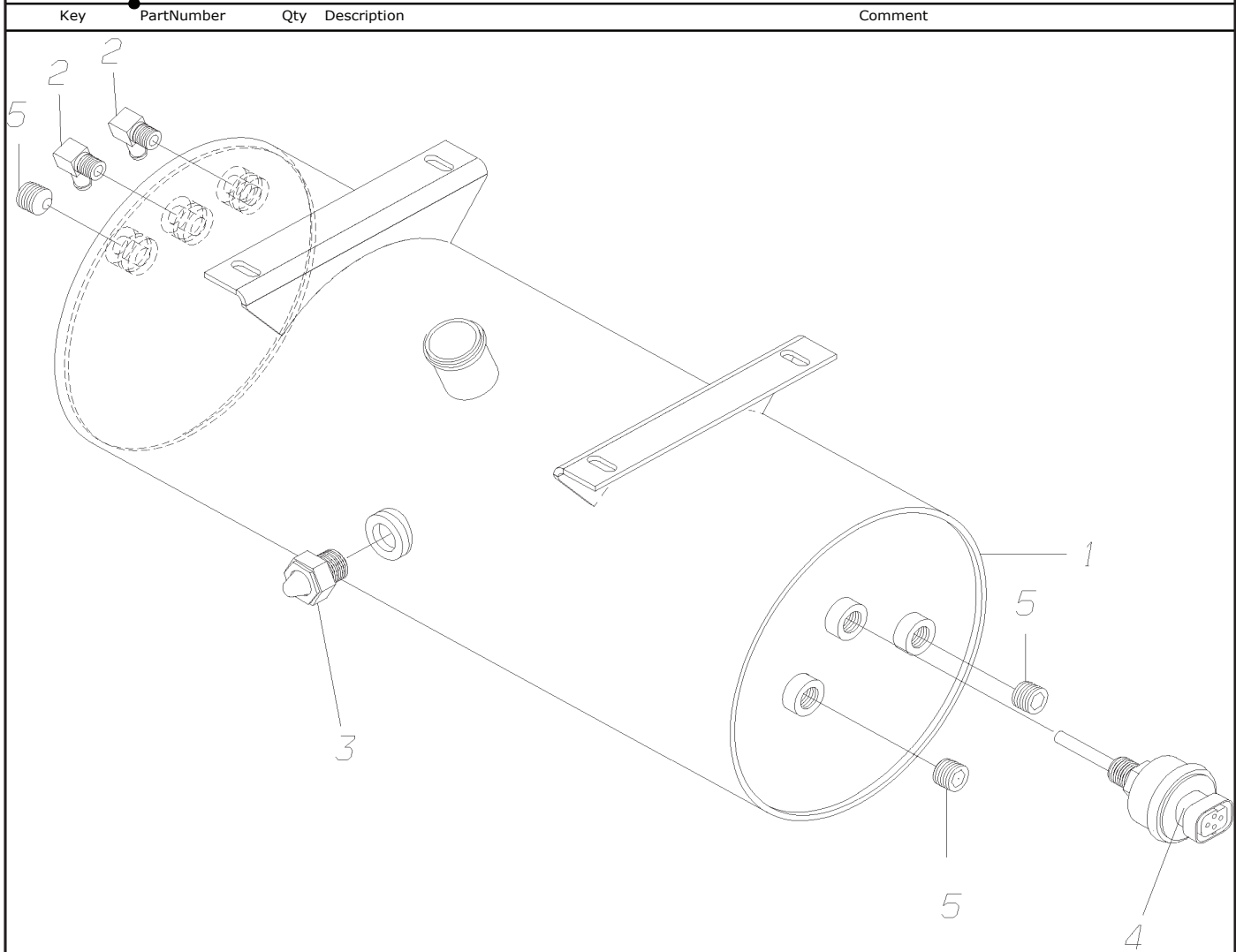
Key	PartNumber	Qty	Description	Comment
1	0034436		TANK ASSY,DEAERATION,ALUMINUM,	
2	1409093	3	ELBOW,BARBED INSERT,3/8 HOSE X 1/4 MPT	
3	1422179		SIGHT GLASS	
4	1747997		SENSOR,LOW COOLANT,DDEC III	
5	2023513		PLUG,PIPE,1/4,ALLEN HEX HD,BRASS	

Models: H4RE, M4RE
DEAERATION TANK
BSN: From CSN 01-15-04
 To CSN H4RE (02/22/04); M4RE (05/01/05)



Key	PartNumber	Qty	Description	Comment
1	0034436		TANK ASSY,DEAERATION,ALUMINUM,	
2	1940022		SENDER,LOW COOLANT LEVEL,COOPER	
3	1422179		SIGHT GLASS	
4	1409093		ELBOW,BARBED INSERT,3/8 HOSE X 1/4 MPT	
5	1409085		ELBOW,BARBED INSERT,1/4 HOSE X 1/4 MPT	
6	2023513	3	PLUG,PIPE,1/4,ALLEN HEX HD,BRASS	

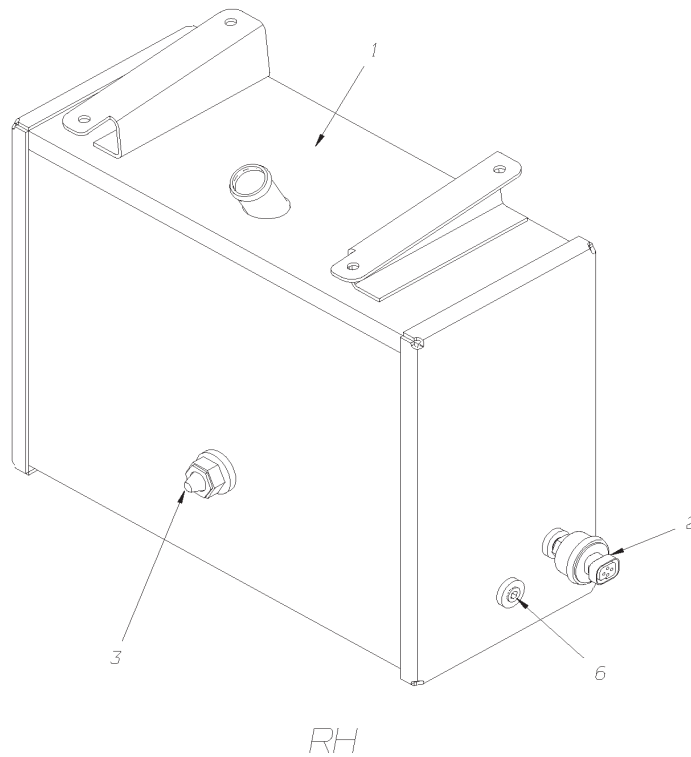
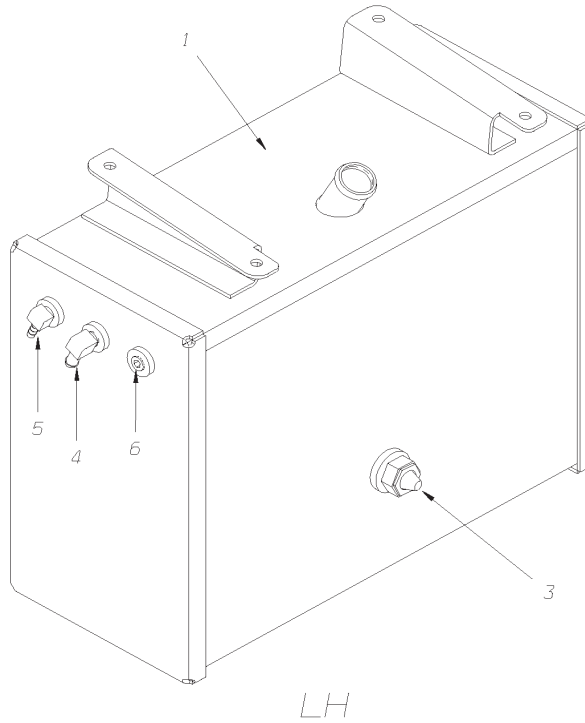
Models: H4RE, M4RE
DEAERATION TANK
With: FEATURE 40192-02
To CSN M4RE (02/29/04)



Key	PartNumber	Qty	Description	Comment
1	0034436		TANK ASSY,DEAERATION,ALUMINUM,	
2	1409093	3	ELBOW,BARBED INSERT,3/8 HOSE X 1/4 MPT	
3	1422179		SIGHT GLASS	
4	1940022		SENDER,LOW COOLANT LEVEL,COOPER	
5	2023513		PLUG,PIPE,1/4,ALLEN HEX HD,BRASS	

Models: H4RE, M4RE
DEAERATION TANK
C13
With: FEATURE 40192-03
To CSN M4RE (02/29/04)

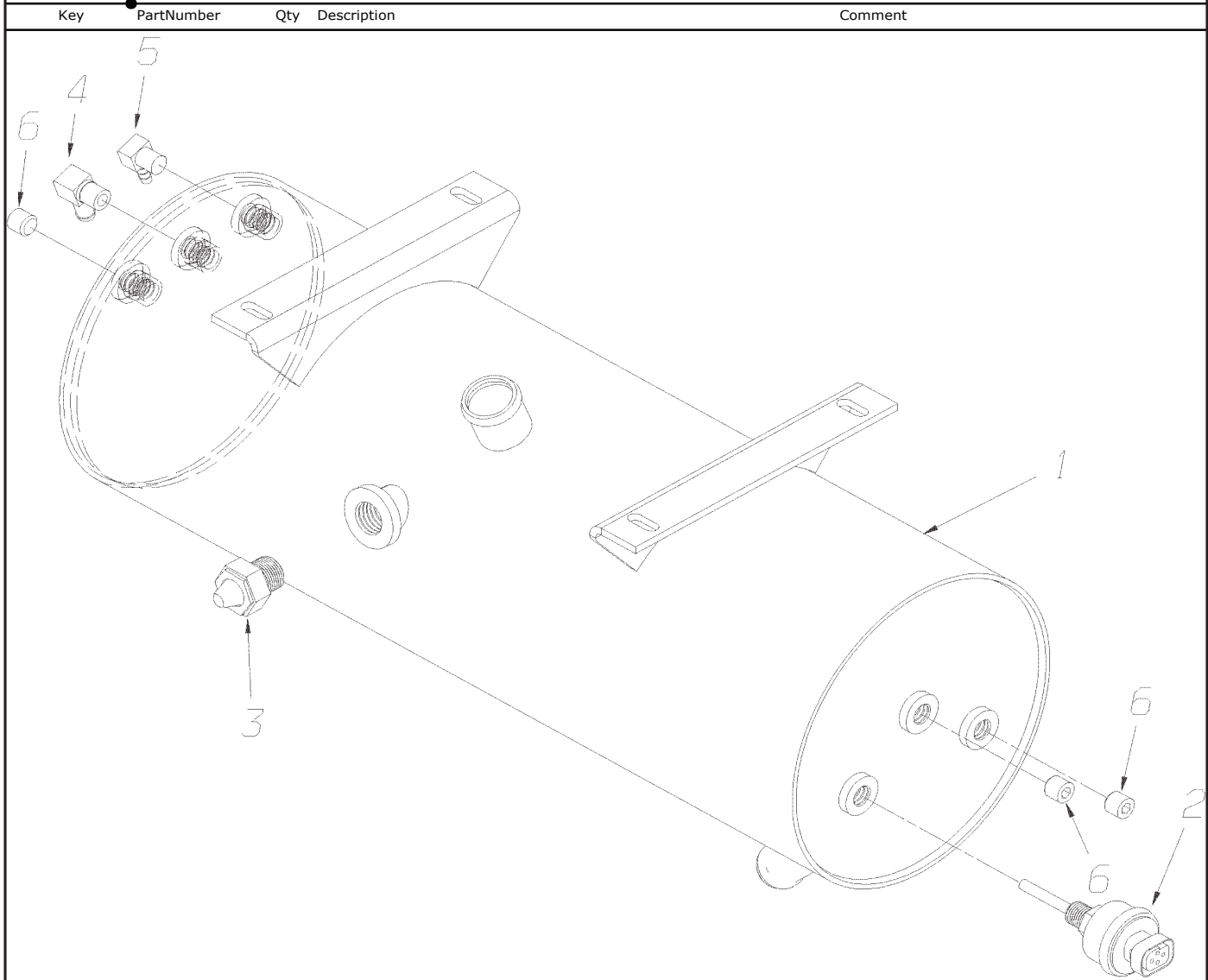
Key	PartNumber	Qty	Description	Comment
-----	------------	-----	-------------	---------



Models: H4RE, M4RE
**DEAERATION TANK
 C13**
With: FEATURE 40192-03
To CSN M4RE (02/29/04)

Key	PartNumber	Qty	Description	Comment
1	0084568		TANK ASSY,DEAERATION,C13	
2	1940022		SENDER,LOW COOLANT LEVEL,COOPER	
3	1422179		SIGHT GLASS	
4	1409093	3	ELBOW,BARBED INSERT,3/8 HOSE X 1/4 MPT	
5	1409085		ELBOW,BARBED INSERT,1/4 HOSE X 1/4 MPT	
6	2023513		PLUG,PIPE,1/4,ALLEN HEX HD,BRASS	
7	0905745		SEALANT,PIPE,LOCTITE 567,W/TEFLON 250CC	

Models: H4RE
DEAERATION TANK
CAT C13, 525 HP, ALUMINUM
With: FEATURE 40192-04
To CSN 02/22/04

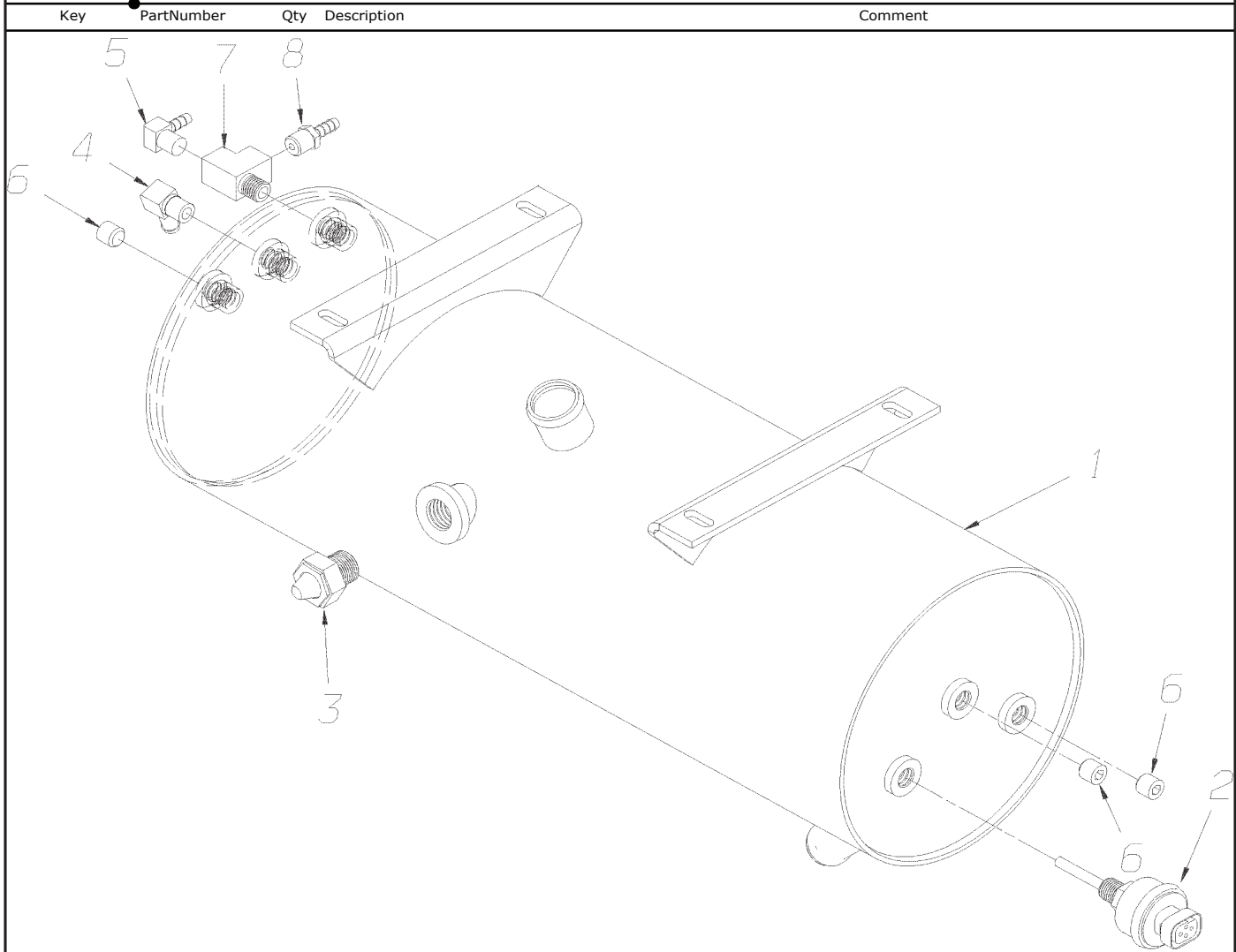


Key	PartNumber	Qty	Description	Comment
	0072851		TANK,ASSEMBLY,FINAL,DEAERATION,	
1	0034436		TANK ASSY,DEAERATION,ALUMINUM,	
2	1940022		SENDER,LOW COOLANT LEVEL,COOPER	
3	1422179		SIGHT GLASS	
4	1409093		ELBOW,BARBED INSERT,3/8 HOSE X 1/4 MPT	
5	1409085		ELBOW,BARBED INSERT,1/4 HOSE X 1/4 MPT	
6	2023513		PLUG,PIPE,1/4,ALLEN HEX HD,BRASS	

Models: H4RE
DEAERATION TANK
CAT C13, 525 HP, ALUMINUM
With: FEATURE 40192-04
To CSN 02/22/04

Key	PartNumber	Qty	Description	Comment
NI	0905745		SEALANT,PIPE,LOCTITE 567,W/TEFLON 250CC	

Models: H4RE
DEAERATION TANK
CAT C13, 525 HP, ALUMINUM
With: FEATURE 40192-04
To CSN 02/23/04

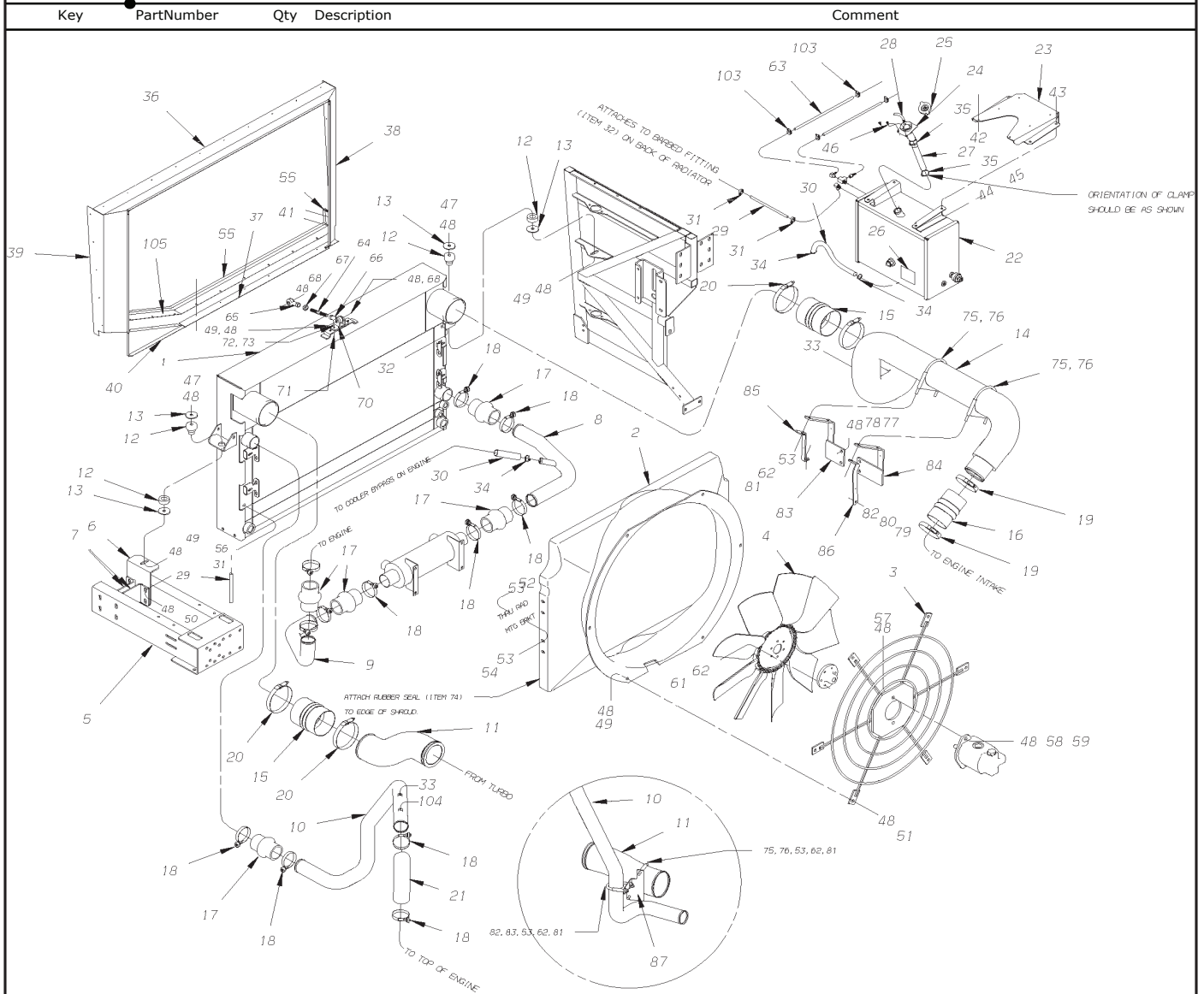


Key	PartNumber	Qty	Description	Comment
	0082127		TANK ASSY,FINAL,DEAERATION,ALUMINUM,	
1	0034436		TANK ASSY,DEAERATION,ALUMINUM,	
2	1940022		SENDER,LOW COOLANT LEVEL,COOPER	
3	1422179		SIGHT GLASS	
4	1409093		ELBOW,BARBED INSERT,3/8 HOSE X 1/4 MPT	
5	1409085		ELBOW,BARBED INSERT,1/4 HOSE X 1/4 MPT	
6	2023513		PLUG,PIPE,1/4,ALLEN HEX HD,BRASS	

Models: H4RE
DEAERATION TANK
CAT C13, 525 HP, ALUMINUM
With: FEATURE 40192-04
To CSN 02/23/04

Key	PartNumber	Qty	Description	Comment
8	2008126		CONNECTOR,HOSE,W/S WIPER,692 1/4 X 1/4	
NI	0905745		SEALANT,PIPE,LOCTITE 567,W/TEFLON 250CC	

**Models: H4RE
ENGINE
CAT C13**



Key	PartNumber	Qty	Description	Comment
1	0080178		RADIATOR/CAC ASSY,ENG,AKG,3862.003.0000	
	0090504		RADIATOR,ASSY,ONLY,H4,AKG	
	0090505		COOLER,ASSY,CAC ONLY,H4,AKG	
2	0073495		SHROUD,FAN,RADIATOR,AKG 3862.001.0000	FROM 2-16-04 TO 6-27-04.
2	0081191		SHROUD,FAN,RADIATOR,AKG 3862.002.0000	BEGIN 6-28-04.
3	0073496		MOUNT,MOTOR,HYDRALIC,AKG2	

**Models: H4RE
ENGINE
CAT C13**

Key	PartNumber	Qty	Description	Comment
4	0073503		FAN BLADE,RAD, /CAC ASSY,32IN,HD11	
5	0073804		BRACE ASSY,STRUCTURE,REAR,LH,AKG	
6	0073725		BRACKET,MTG,ISOLATOR TO RADIATOR,REAR,	
7	0073726	2	BRACKET,SUPPORT,RADIATOR,MOUNT,REAR,RV	
8	0083448		TUBE,RADIATOR,LWR,RAD TO COOLER,C13,RV	
9	0073499		TUBE,RADIATOR,LWR,COOLER TO ENG,C13,AKG	
10	0080465		TUBE,RADIATOR,UPPER,C13,525HP	
11	0073501		TUBE,CAC,TO TURBO,AKG,C13	
12	0073692	2	ISOLATOR,MOUNT,BARRY,22002-11	
13	0073693	4	WASHER,SPECIAL,SNUBBING,BARRY,9810145	
14	0075266		TUBE,CAC,TO INTAKE,AKG,C13	
15	0074440	2	HOSE,REINF,HUMP,5.00ID X 6.0 LG	
16	1735893		HOSE,HUMP,REINF,4.00ID X 6.00LG,FLX7715	
17	1985498	5	HOSE,HUMP,RAD,2.50 X 5.00,SILICONE,	
18	1905488	12	CLAMP,CONSTANT TORQUE,2 1/4 TO 3 1/8 DIA	
19	1258599	2	CLAMP,SPRING LOADED,4.25 ID,4.06-4.38	
20	4763153	4	CLAMP,SPRING LOADED,5.25 ID,5.06-5.37"	
21	0062974		ELBOW,SILICONE,4 PLY,90 DEG,2.50 I.D.X5.50	
22	0084569		TANK ASSY,FINAL,DEAERATION,C13,RV,	
23	0046038		BRACKET,PURGE TANK	
24	0016618		NECK ASSEMBLY, SURGE TANK, B4/W4RE	
25	1325430		CAP,RADIATOR,10 PSI,DOUBLE SEAL	
26	1784743		DECAL,COLD FILL,DEAERATION TANK	

**Models: H4RE
ENGINE
CAT C13**

Key	PartNumber	Qty	Description	Comment
27	1990076	A/	HOSE,SILICONE,1.25 ID	
28	0938548	12	HOSE,RUBBER,HO5705,5/16 ID X 9/16 OD	
29	1361468	13	HOSE,SILICON,,.37 ID PUROSIL 80	
30	1143866	7	HOSE,HEATER,1 INCH ID,SILICONE	
31	0068856	3	CLAMP,HOSE,SPRING,SELF-TIGHTENING,21/32	
32	1454008		INSERT,BARBED,3/8 ID HOSE X 1/4 MPT	
33	0072579	A/	SENSOR,TEMPERATURE,AIRPAX,5024-0184	
34	1894799	3	CLAMP,CONSTANT TORQUE,13/16 TO 1-1/2 DIA	
35	0016749	2	CLAMP,CONSTANT TORQUE, 1 1/16 X 2.00,	
36	0071454		BAFFLE,RADIATOR,TOP,40/45,RV,AKG	
37	0071455		BAFFLE,RADIATOR,BOTTOM,40/45,RV,AKG	
38	0085491		BAFFLE,RADIATOR,LEFT, 45H4RE	
39	0085492		BAFFLE,RADIATOR,RIGHT, 45H4RE	
40	0071498		BAFFLE,RADIATOR,CORNER,40/45,RV,AKG	
41	1801067	42	SCREW,8-18 X 3/4,PH1,PAN HD,BLKZN,S/DRILL	
42	0038822	16	RIVET,.187,CHERRY,BSC-06-04	
43	0854406	14	CAPSCREW, HEX HD, 5/16-18 X 1, GR8, YEL ZN	
44	2001048	14	WASHER,FLAT,11/32 X 11/16 X 1/16,YEL	
45	2001410	12	NUT,HEX HD,5/16-18,YEL ZN DICH"	
46	2000644	4	SCREW,1/4-14X 3/4,AB,PH1,TRUSS HD,	
47	0864025	2	CAPSCREW,HEX HD,1/2-13 X3 1/2,GR8,	
48	0850776	36	WASHER,FLAT,17/32 X 1 1/16 X 3/32,	
49	0850800	16	NUT, HEX HD, 1/2-13, LOCKING, GR 8, CAD	

**Models: H4RE
ENGINE
CAT C13**

Key	PartNumber	Qty	Description	Comment
50	1942135	4	CAPSCREW,HEX HD 1/2-13X 1 1/4,GR8,	
51	0419804	6	CAPSCREW, HEX HD, 1/2-13 X 1, GR8, YEL ZN	
52	0882803	8	CAPSCREW,HEX HD,3/8-16,X,1,,GR5,YELDICH	
53	1078922	24	WASHER, FLAT, 3/8 X 7/8 X 5/64, YEL ZN DICH	
54	0826297	8	NUT,HEX HD,3/8-16 LOCK,YEL ZN DICH	
55	1068501	A/	SEAL,RUBBER,A/C HOOD TRIM	
56	2020659		COCK,DRAIN	
57	0803239	2	CAPSCREW, HEX HD, 1/2-13 X1 1/2, GR8	
58	2001212	2	LOCKWASHER,SPLIT RING, 1/2 ,LHT,YEL ZN	
59	1003094	2	NUT,HEX HD,1/2-13,GR 8,YEL ZN DICH	
61	0559195	6	CAPSCREW, HEX HD, 3/8-16 X 1, GR 8, YEL ZN	
62	0882795	14	LOCKWASHER, SPLIT RING, 3/8, MED, YELLOW	
63	1359207	8	HOSE,SILICON,.25 ID PUROSIL 80	
64	0077486		ROD,CONNECTOR,RIGHT/LEFT THREADED,1/2 X	
65	0077487		ROD,CONNECTOR,END,ISOLATED,1/2,RHT,	
66	0077488		ROD,CONNECTOR,END,ISOLATED,1/2,LHT,	
67	2001485		NUT,HEX HD,1/2-20,ZINC	
68	1839331	2	CAPSCREW,HEX HD,1/2-13 X 2.00,GR5 YEL	
70	0080173		BRACKET ASSY,MTG,STABILIZER ROD,AKG	
71	1692664	2	CAPSCREW, HEX FLG, 1/4-20 X .75, GR5, YEL	
72	2001170	2	LOCK WASHER, SPLIT RING, 1/4 , MED, YEL ZN	
73	2001329	2	NUT,HEX HD,1/4-20,YELLOW DICHROMATE"	
74	0064834	A/	SEAL,RUBBER,PUSH ON,BULB,CMPT DR,H4RE	

Models: H4RE
ENGINE
CAT C13

Key	PartNumber	Qty	Description	Comment
75	1660836	3	U-BOLT,5.00 IN	
76	1660844	3	SADDLE,5.00 IN	
77	1557156	4	CAPSCREW,HX HD,M12-1.75X20,G8.8,	
78	0990655	4	LOCKWASHER,SPLIT RING, 1/2 ,MED,YEL ZN	
79	0079370	2	CAPSCREW,HEX HD,M10-1.5X20,8.8,	
80	2001204		LOCKWASHER,SPLIT RING, 7/16,LHT,YEL ZN	
81	2001451	8	NUT, HEX HD, 3/8-16, YELLOW DICHROMATE	
82	1082205	2	WASHER,FLAT,15/32 X 3/4 X 1/16,YEL ZN DICH	
83	0079007		BRACKET ASSY,SUPT,CAC TUBE,C13,RV,LH	
84	0079008		BRACKET ASSY,SUPT,CAC TUBE,C13,RV,RH	
85	0079011		BRACE,SUPT,BRKT ASSY,CAC TUBE,C13,RV,LH	
86	0079012		BRACE,SUPT,BRKT ASSY,CAC TUBE,C13,RV,RH	
87	0079013		BRACKET,SUPT,UPPER RADIATOR TUBE,C13,RV	

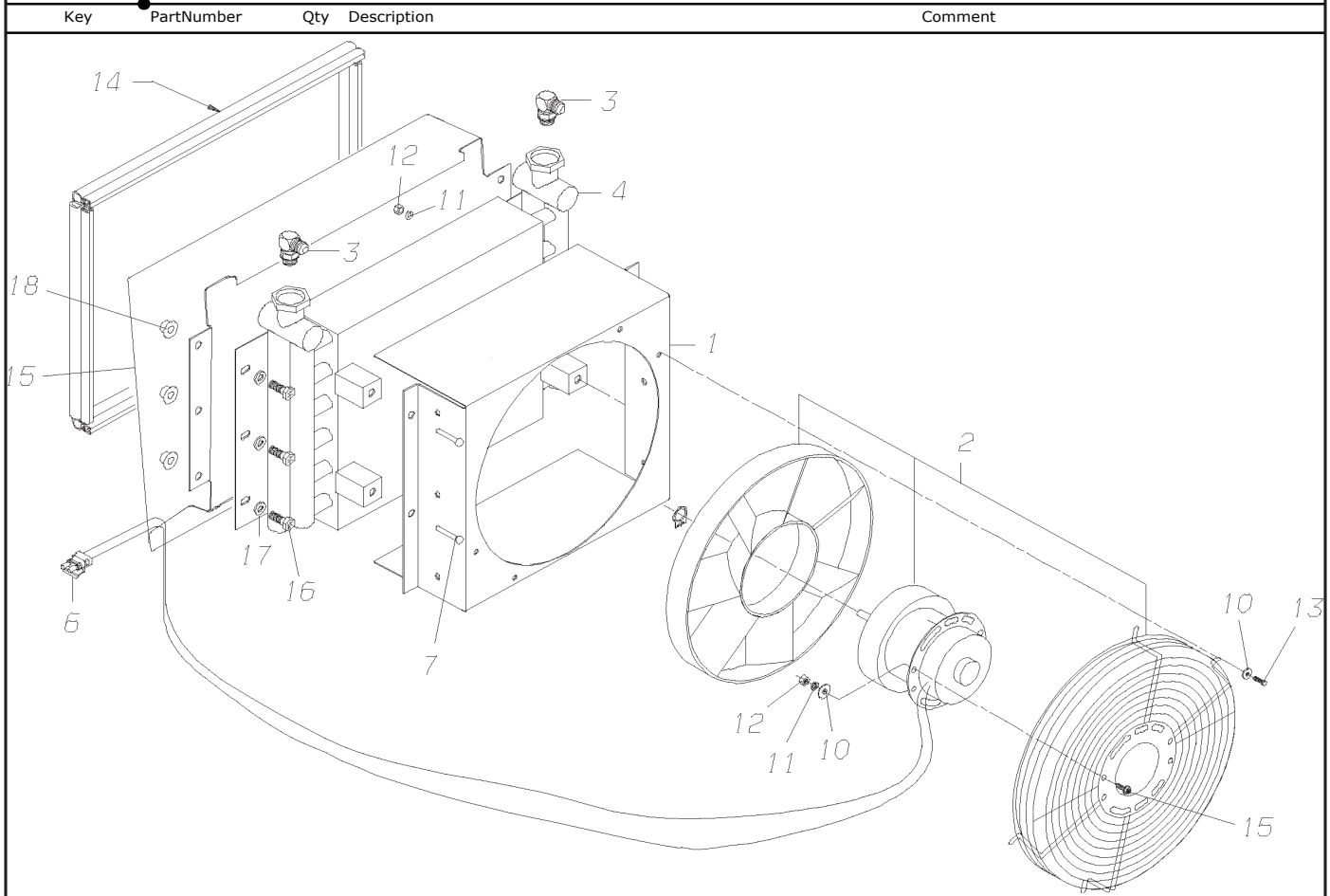
Models: **H4RE
ENGINE
CAT C13**

Key	PartNumber	Qty	Description	Comment
88	0081014		PANEL,CLOSEOUT,RUBBER,ENG CMPT,LOWER	
89	0081016		PANEL,CLOSEOUT,RUBBER,ENG CMPT,UPPER	
90	0080761		PANEL,CLOSEOUT,ENG CMPT,LOWER,FRONT	
91	0080762		PANEL,CLOSEOUT,ENG CMPT,LOWER,REAR	
92	0080764		BAR,MTG,CLOSEOUT PANEL,ENG CMPT,SIDE,	
93	0080765		BAR,MTG,CLOSEOUT PANEL,ENG CMPT,SIDE,	
94	0080766		ANGLE,MTG,BAFFLE,ENGINE CMPT,LOWER	
95	1143676	50	SCREW,10-16 X 3/4, AB,PH1,PAN HD,BLK ZN,	
96	2001105	13	WASHER,FLAT,13/64 X,1/2 X 3/64,YEL ZN DICH	
97	0870477	4	CAPSCREW,HEX HD,1/4-20 X 1,GR 8,YEL ZN	
98	1991108	4	WASHER,FLAT,17/64 ID X 3/4,YELLOW ZINC	
99	0659979	4	NUT, HEX, FLANGE SER, 1 /4-20, BLACK, ZINC	
10	2000016	5	SCREW,1/4-14 X 5/8,B,HEX,W/PLAIN WASH,	
10	1047711	37	WASHER,1/4 X 11/16 X 1/16,NYLON	

Models: H4RE
ENGINE
CAT C13

Key	PartNumber	Qty	Description	Comment
10	0081034		BAFFLE,RADIATOR,LWR CORNER,40/45,RV,AKG	
NI	0854307	A/	FLOOR COVERING,SMTH,BLK,RUBBER,.125 X	
NI	0599704		TIE, CABLE, NYLON	
NI	0096545	A/	ANTIFREEZE,COOLANT,FLEETCOOL EX PM	
10	1363274	4	CLAMP,HOSE,SILICON,.62.00	
10	2008126		CONNECTOR,HOSE,W/S WIPER,692 1/4 X 1/4	
10	0085490		BAFFLE,RADIATOR,DOOR C/OUT, 45H4RE	

**Models: H4RE
ENGINE
COOLER AND FAN ASSY**

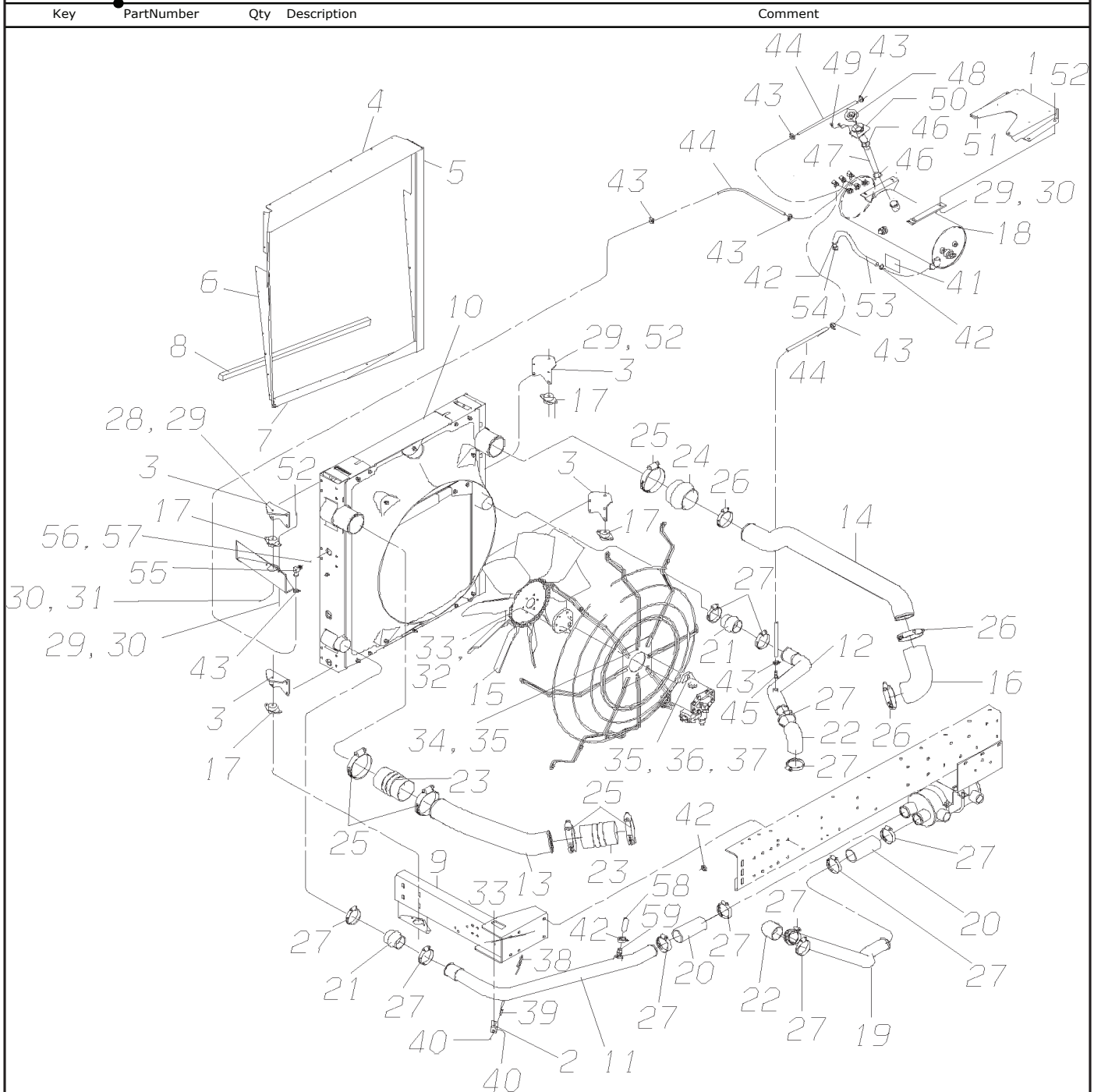


Key	PartNumber	Qty	Description	Comment
1	1886035		SHROUD ASSY, HYDRAULIC OIL COOLER	
2	1885938		FAN ASSY,12 IN,HONEYWELL	
3	1885946	2	ELBOW,90 DEG,O-RING,STRT THD,	
4	1885862		COOLER,OIL,HYDRAULIC,HONEYWELL 718159	
5	1206127	2	KIT,TRANSMISSION COOLER MOUNT,K223,PAIR	
6	1161868		CONNECTOR,2 CIRC,TOWER,WEATHERPACK,	
	1154541	2	TERMINAL,SOC,14-16GA,WEATHERPACK,PACK	
	1113315	2	SEAL,WIRE,CBL/DIA.136-.169,BL,W/PACK,PACK	
7	1085604	4	CAPSCREW,HEX HD,5/16-18X1 3/4,GR8,	

**Models: H4RE
ENGINE
COOLER AND FAN ASSY**

Key	PartNumber	Qty	Description	Comment
9	0530436	4	SCREW,MACH,1/4-20X3/4,PH1,RD HD,YEL ZN	
10	1467000	8	WASHER,FLAT,.281 X.750X.078 HARDENED,BLK	
11	1674225	8	CAPSCREW,HEX FLG,1/4-20X1.25,GRD5,BLACK	
12	2001329	8	NUT,HEX HD,1/4-20,YELLOW DICHROMATE"	
13	0977132	4	CAPSCREW,HEX HD,1/4-20 X 3/4,GR 5,YEL	
14	1068501		SEAL,RUBBER,A/C HOOD TRIM	
15	0045707		BAFFLE ASSY,HYDRAULIC COOLER, H4RE	
16	0882803	6	CAPSCREW,HEX HD,3/8-16,X,1,,GR5,YELDICH	
17	1328632	6	WASHER,FLAT,.06 X .406 ID X 1.125 OD,BLK	
18	0543934	6	NUT, HEX HD, 3/8-16, ZINC, LG FLG LK, YEL	

**Models: H4RE
ENGINE
ISL**



Key	PartNumber	Qty	Description	Comment
1	0046038		BRACKET,PURGE TANK	
2	0046274		BRACKET,LOWER RADIATOR TUBE, H4RE	
3	0046275	4	BRACKET,RADIATOR SUPPORT, H4RE	

**Models: H4RE
ENGINE
ISL**

Key	PartNumber	Qty	Description	Comment
4	0052190		BAFFLE,RADIATOR, TOP, H4RE	
5	0046277		BAFFLE,RADIATOR,FRONT, H4RE	
6	0052188		BAFFLE,RADIATOR,REAR, H4RE	
7	0046279		BAFFLE,RADIATOR,BOTTOM, H4RE	
8	0046454		TUBE,RAD BAFFLE,SUPPORT, H4RE	
9	0046513		ANGLE ASSY,REAR STRUCTURE,LH, H4RE"	
10	0035245		RADIATOR AND CAC ASSY, VALEO 1050075	
11	0040782		TUBE,RADIATOR,LOWER,ISL, H4RE	
12	0040784		TUBE,RADIATOR,UPPER,ISL, H4RE	
13	0040819		TUBE,CAC TO TURBO,ISL, H4RE	
14	0041492		TUBE,CAC TO INTAKE,ISL, H4RE	
15	0046421		FAN BLADE,28IN,9 BLADE MD9,SUCTION, H4RE	
16	0046425		ELBOW,90 DEGREE,3.50 X 4.00 X 7.50, H4RE	
17	0046442	4	ISOLATOR,MOUNT,BARRY 505-3	
18	0047714		TANK,FINAL ASSY,DEAERATION,ALUM, H4RE	
19	1998962		TUBE,RAD,LWR,ENG TO CLR W/RETDR CUMN	
20	1875269	2	HOSE,SILICONE,2.25 ID X 6.00 LONG	
21	1985498	2	HOSE,HUMP,RAD,2.50 X 5.00,SILICONE,	
22	1534981	2	ELBOW,SILICONE,90 DEG 2.25 X 4.00 X 6.00	
23	1735893	2	HOSE,HUMP,REINF,4.00ID X 6.00LG,FLX7715	
24	1868108		HOSE,HUMP,REINF,REDUCING,4.00 X 3.50 ID	
25	1258599	5	CLAMP,SPRING LOADED,4.25 ID,4.06-4.38	
26	1450246	3	CLAMP,SPRING LOADED,3.75 ID,3.56-3.88	

Models: **H4RE
ENGINE
ISL**

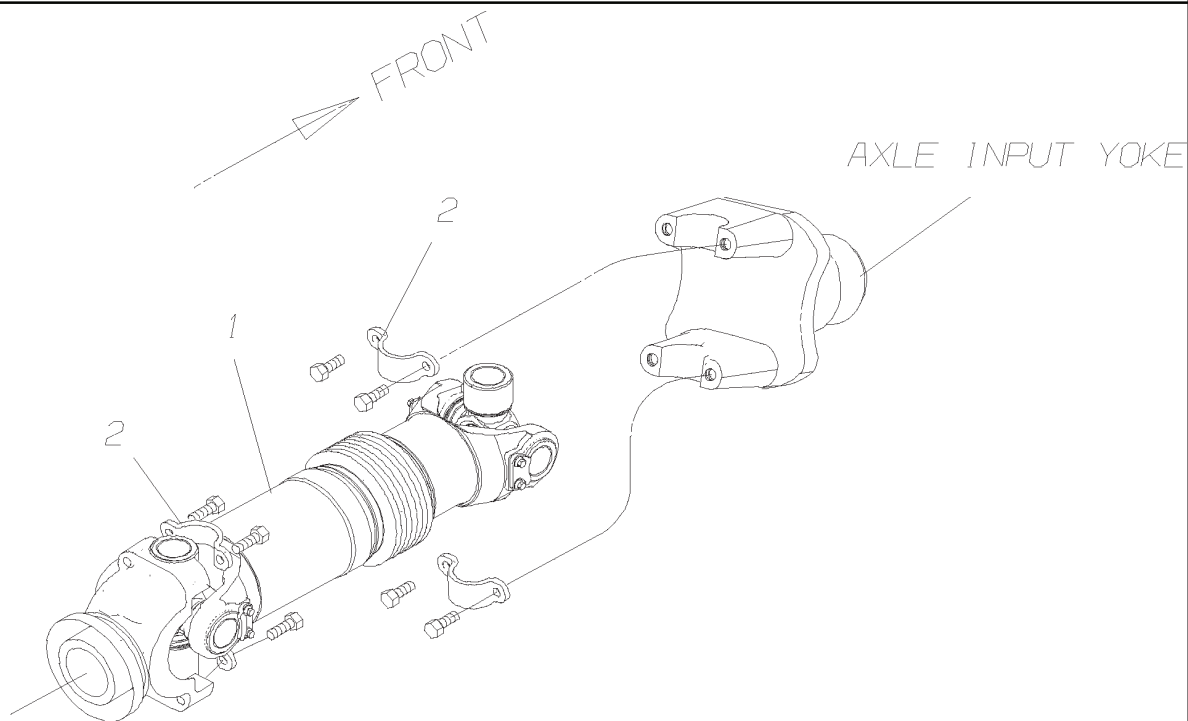
Key	PartNumber	Qty	Description	Comment
27	1905488	12	CLAMP,CONSTANT TORQUE,2 1/4 TO 3 1/8 DIA	
28	0616748	4	CAPSCREW,HEX HD,5/16-18X2 1/4,GR5,	
29	2001048	32	WASHER,FLAT,11/32 X 11/16 X 1/16,YEL	
30	2001410	16	NUT,HEX HD,5/16-18,YEL ZN DICH"	
31	2001055	4	WASHER,FLAT,11/32 X 1 1/4 X 5/32,YEL ZN	
32	0882795	6	LOCKWASHER, SPLIT RING, 3/8, MED, YELLOW	
33	0559195	7	CAPSCREW, HEX HD, 3/8-16 X 1, GR 8, YEL ZN	
34	0803239	2	CAPSCREW, HEX HD, 1/2-13 X1 1/2, GR8	
35	0850776	4	WASHER,FLAT,17/32 X 1 1/16 X 3/32,	
36	2001212	2	LOCKWASHER,SPLIT RING, 1/2 ,LHT,YEL ZN	
37	1003094	2	NUT,HEX HD,1/2-13,GR 8,YEL ZN DICH	
38	0805176		U-BOLT,2 1/2,UB250 STD,EXHAUST	
39	0805184		SADDLE,2 1/2IN,S-250 STD,EXHAUST	
40	2001451	3	NUT, HEX HD, 3/8-16, YELLOW DICHROMATE	
41	1784743		DECAL,COLD FILL,DEAERATION TANK	
42	1894799	2	CLAMP,CONSTANT TORQUE,13/16 TO 1-1/2 DIA	
43	2027571	6	CLAMP,HOSE,6203	
44	1361468		HOSE,SILICON,.37 ID PUROSIL 80	
45	1454008		INSERT,BARBED,3/8 ID HOSE X 1/4 MPT	
46	0016749	2	CLAMP,CONSTANT TORQUE, 1 1/16 X 2.00,	
47	1990076	AR	HOSE,SILICONE,1.25 ID	
48	1325430		CAP,RADIATOR,10 PSI,DOUBLE SEAL	
49	2000644	4	SCREW,1/4-14X 3/4,AB,PH1,TRUSS HD,	

Models: H4RE
ENGINE
ISL

Key	PartNumber	Qty	Description	Comment
50	0016618		NECK ASSEMBLY, SURGE TANK, B4/W4RE	
51	0038822	10	RIVET, .187, CHERRY, BSC-06-04	
52	0854406	28	CAPSCREW, HEX HD, 5/16-18 X 1, GR8, YEL ZN	
53	1143866	AR	HOSE, HEATER, 1 INCH ID, SILICONE	
54	0315200		ADAPTER, HTR, 3/4 PIPE X 1 HOSE	
55	1409093		ELBOW, BARBED INSERT, 3/8 HOSE X 1/4 MPT	
56	2027175		COUPLING, PIPE, 1/4	
57	2027183		NIPPLE, 1/4 CLOSE, BRASS	
58	1280551	AR	HOSE, HEATER, 3/4", GY HI MILER, BLUE W/WHT	
59	2051134		INSERT, BARBED, 3&4 HOSE X 1&2 PIPE	

Models: H4RE

Key	PartNumber	Qty	Description	Comment
-----	------------	-----	-------------	---------

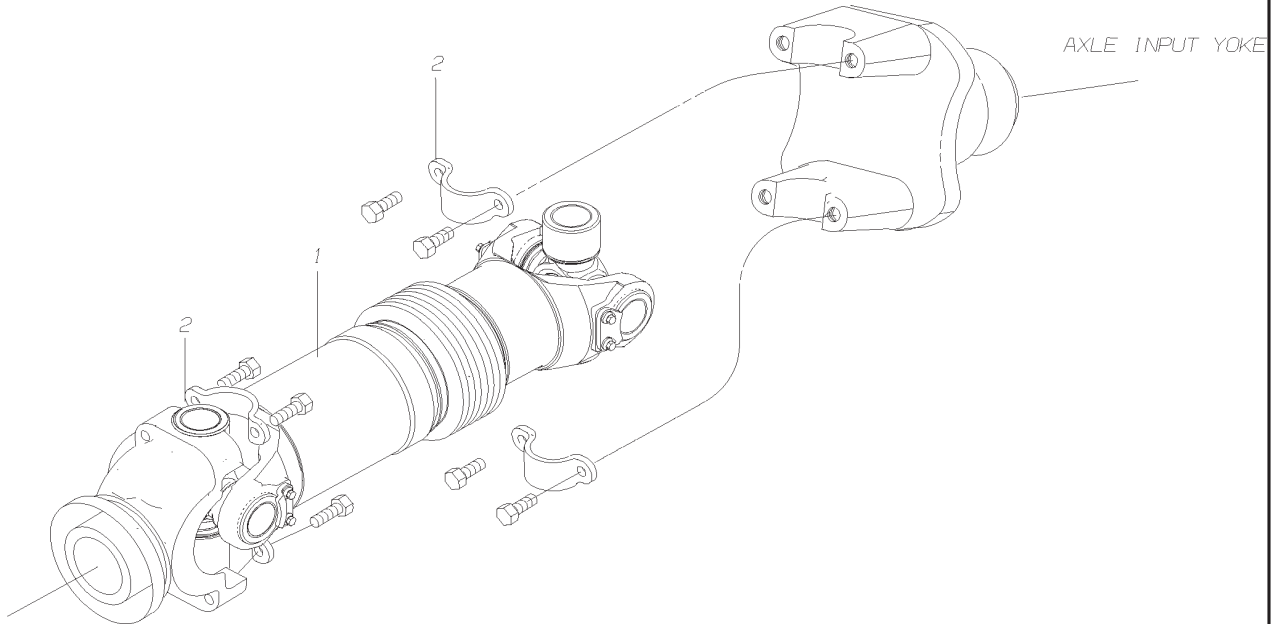


TRANSMISSION OUTPUT YOKE

- | | | | | |
|---|---------|---|---|--|
| 1 | 0039053 | 1 | SHAFT ASSY,SPL170,SLIP TYP,SHORT | |
| 2 | 0045639 | 2 | KIT,BRG RETAINER,SPL170,VNDR#170-70-18X | |

Models: H4RE, M4RE

Key	PartNumber	Qty	Description	Comment
-----	------------	-----	-------------	---------

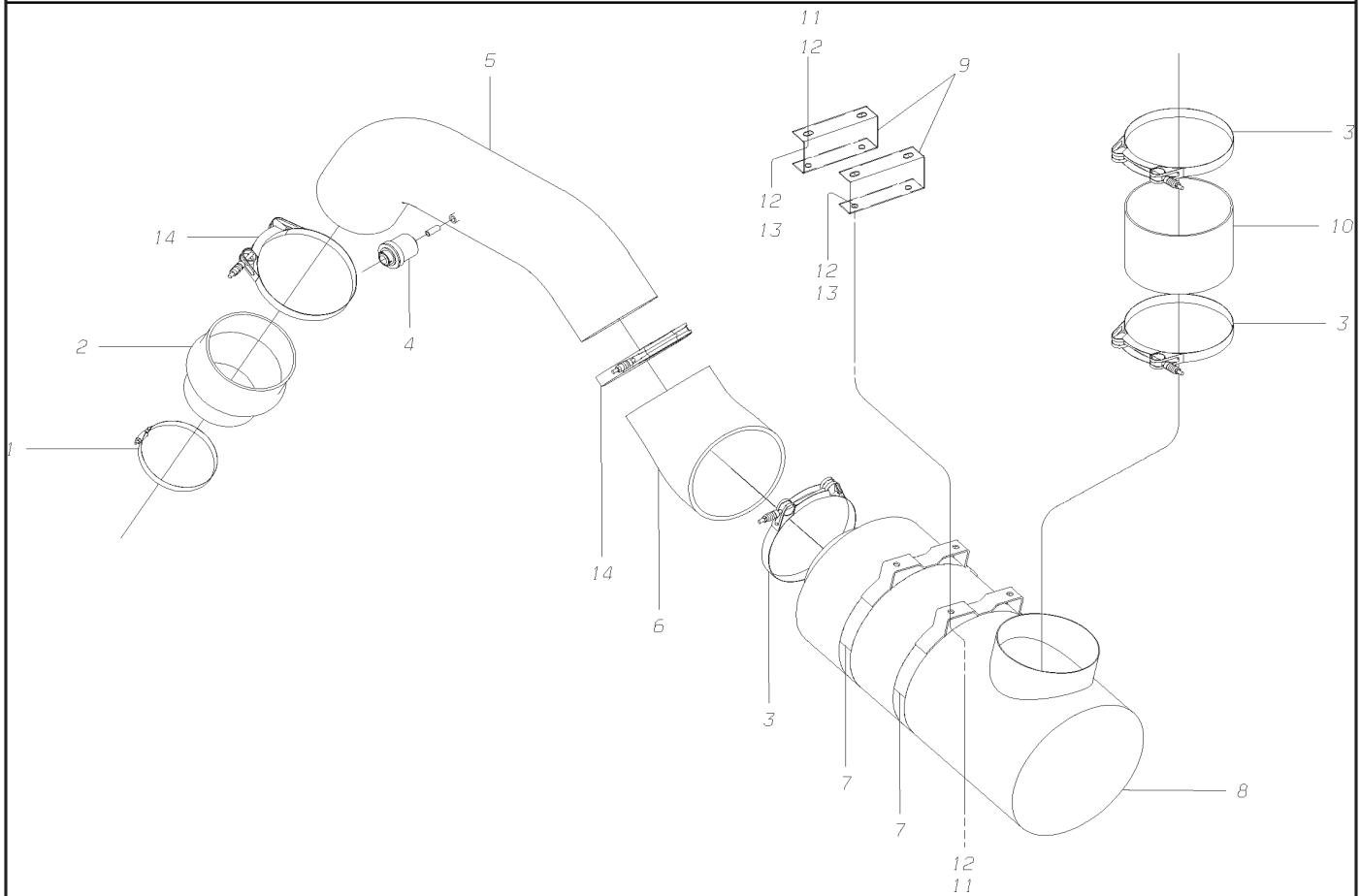


TRANSMISSION OUTPUT YOKE

1	0050035	1	SHAFT ASSY,SPL250,SHORT CPLG,32.04"LG	
2	0050036	2	KIT,BRG,RETAINER,SPL250,250-70-18X	
NI		1	KIT, BOOT & STRAP	
NI		2	UNIVERSAL JOINT, SPL250	

Models: H4RE, M4RE
AIR INTAKE
CAT C13
With: FEATURE 40192-03, -04
To CSN 04/10/05

Key	PartNumber	Qty	Description	Comment
-----	------------	-----	-------------	---------



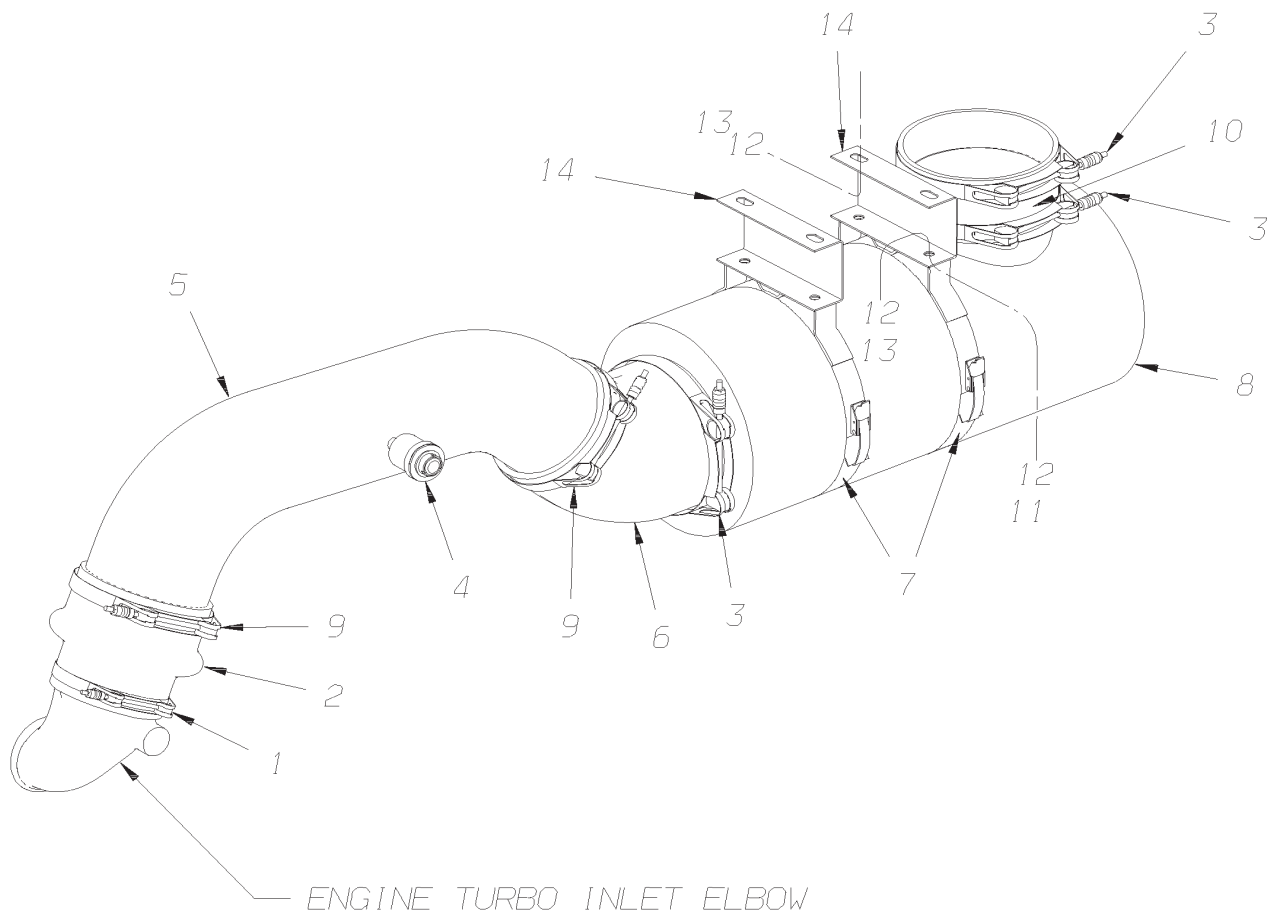
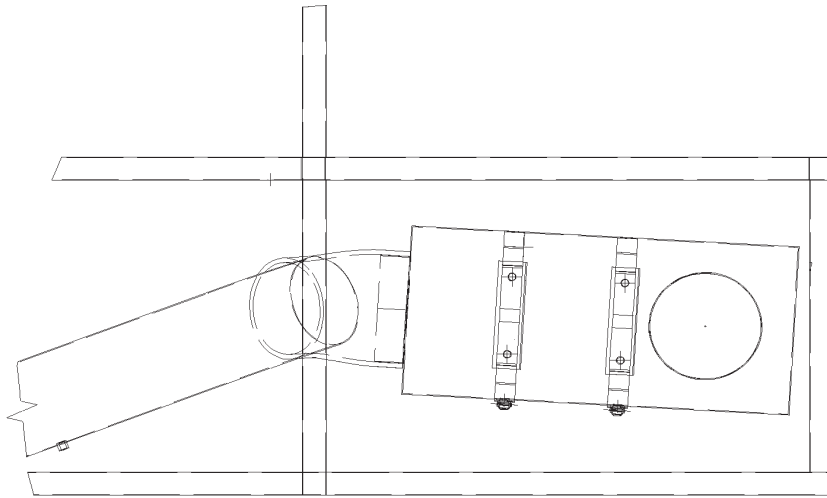
1	1432798		CLAMP,SPRING LOADED,5.50 ID.5.31-5.62	
2	0073132		HOSE,REDUCER,HUMP,6 IN TO 5 IN	
3	1421965	3	CLAMP,SPRING LOADED,7.50 ID,7.25-7.56	
4	1977255		INDICATOR,AIR RESTRICTION,25 IN,W/O	
5	0075135		TUBE,AIR INTAKE,CAT C13,V2	
6	1982719		ELBOW,RUBBER,REDUCING,45 DEG,6.00 X 7.00	
7	1657642	2	CLAMP ASSY,AIR CLEANER,ECO,071921-004	
8	0056377		AIR CLEANER ASSY,ECO-LL FARR 400820-001	
9	0057292	2	BRACKET,MTG,AIR CLEANER TO DAVENPORT	

Models: H4RE, M4RE
AIR INTAKE
CAT C13
With: FEATURE 40192-03, -04
To CSN 04/10/05

Key	PartNumber	Qty	Description	Comment
10	0002093		HOSE,RUBBER,STRAIGHT,7 IN ID 3.50 IN LONG	
11	0059195	8	BM L4RE 35'BODY MISC (PRIMER,	
12	1107085	16	WASHER,FLAT,13/32 X 13/16 X 3/32,HDN,BLK	
13	0826297	8	NUT,HEX HD,3/8-16 LOCK,YEL ZN DICH	
14	1856038	2	CLAMP,SPRING LOADED,6.50 ID,6.25-6.56	

Models: H4RE
AIR INTAKE
CAT C13
With: FEATURE 40192-03, -04
BSN: From CSN 04/11/05

Key	PartNumber	Qty	Description	Comment
-----	------------	-----	-------------	---------

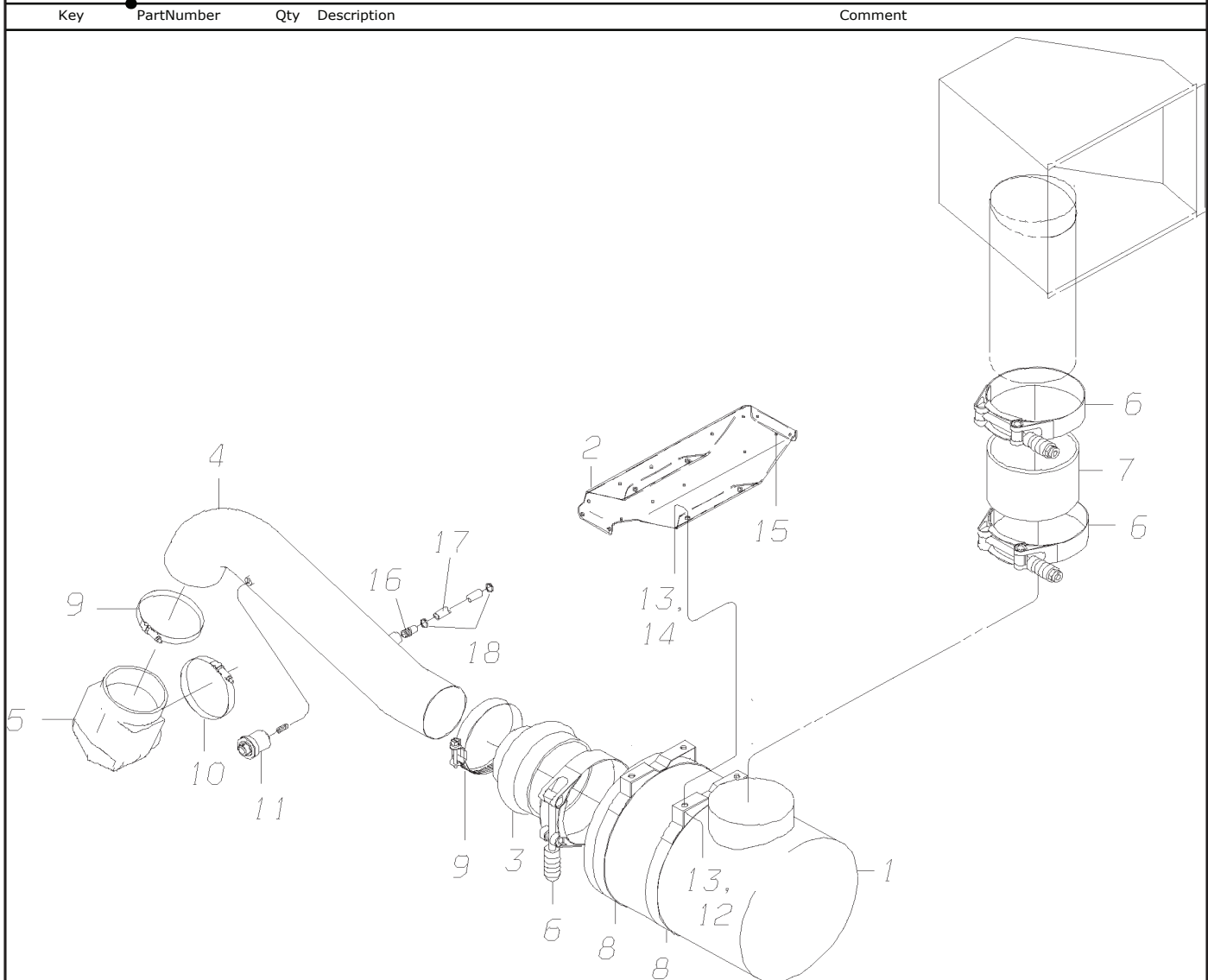


ENGINE TURBO INLET ELBOW

Models: H4RE
AIR INTAKE
CAT C13
With: FEATURE 40192-03, -04
BSN: From CSN 04/11/05

Key	PartNumber	Qty	Description	Comment
1	1432798		CLAMP,SPRING LOADED,5.50 ID.5.31-5.62	
2	0073132		HOSE,REDUCER,HUMP,6 IN TO 5 IN	
3	1421965	3	CLAMP,SPRING LOADED,7.50 ID,7.25-7.56	
4	1977255		INDICATOR,AIR RESTRICTION,25 IN,W/O	
5	0075135		TUBE,AIR INTAKE,CAT C13,V2	
6	1982719		ELBOW,RUBBER,REDUCING,45 DEG,6.00 X 7.00	
7	1657642	2	CLAMP ASSY,AIR CLEANER,ECO,071921-004	
8	0056377		AIR CLEANER ASSY,ECO-LL FARR 400820-001	
9	1856038	2	CLAMP,SPRING LOADED,6.50 ID,6.25-6.56	
10	0002093		HOSE,RUBBER,STRAIGHT,7 IN ID 3.50 IN LONG	
11	0059195	8	BM L4RE 35'BODY MISC (PRIMER,	
12	1107085	12	WASHER,FLAT,13/32 X 13/16 X 3/32,HDN,BLK	
13	0826297	8	NUT,HEX HD,3/8-16 LOCK,YEL ZN DICH	
14	0057292	2	BRACKET,MTG,AIR CLEANER TO DAVENPORT	

**Models: H4RE
AIR INTAKE
ISL**



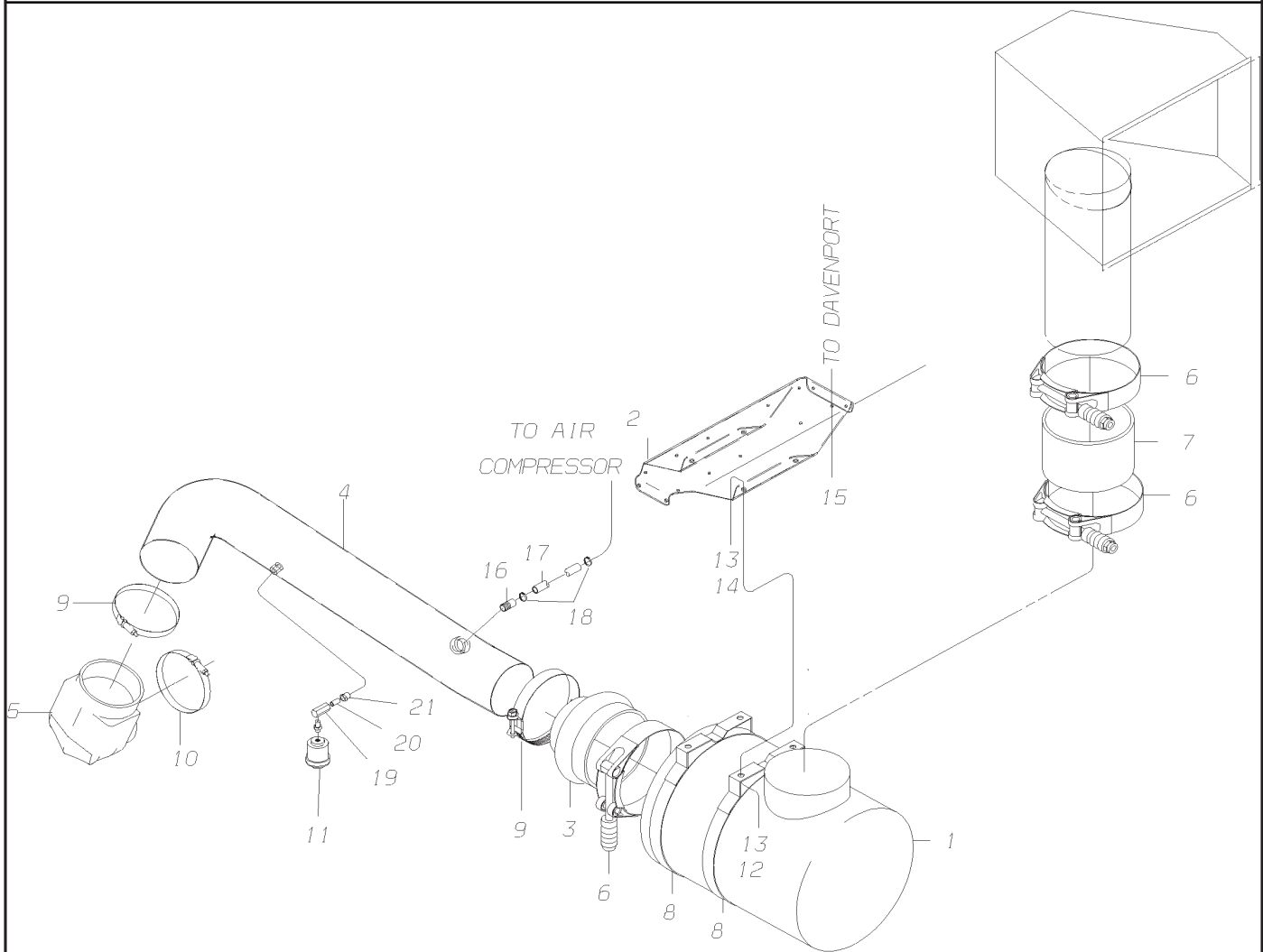
Key	PartNumber	Qty	Description	Comment
1	1895044		AIR CLEANER ASSY,ECO-SM FARR 99842-007	
2	0046003		BRACKET,AIR CLEANER,MTG,ISL, H4RE	
3	0000080		HOSE,HUMP,7.00 ID X 5.00 ID	
4	0041385		TUBE,AIR INTAKE,ISL, H4RE	
5	1945989		ELBOW,RUBBER,COBRA,4 TO 5 IN	
6	1421965		CLAMP,SPRING LOADED,7.50 ID,7.25-7.56	
7	0002093		HOSE,RUBBER,STRAIGHT,7 IN ID 3.50 IN LONG	

Models: H4RE
AIR INTAKE
ISL

Key	PartNumber	Qty	Description	Comment
8	1570407	2	CLAMP,MTG,AIR CLEANER, WLWB	
9	1432798	2	CLAMP,SPRING LOADED,5.50 ID.5.31-5.62	
10	1421981		CLAMP,SPRING LOADED,4.50 ID,4.25-4.56	
11	1977255		INDICATOR,AIR RESTRICTION,25 IN,W/O	
12	0559195	4	CAPSCREW, HEX HD, 3/8-16 X 1, GR 8, YEL ZN	
13	1107085	8	WASHER,FLAT,13/32 X 13/16 X 3/32,HDN,BLK	
14	0826297	4	NUT,HEX HD,3/8-16 LOCK,YEL ZN DICH	
15	0038822	12	RIVET,.187,CHERRY,BSC-06-04	
16	0315200		ADAPTER,HTR,3/4 PIPE X 1 HOSE	
17	1143866	AR	HOSE,HEATER,1 INCH ID,SILICONE	
18	0870345	2	CLAMP,HOSE,1INCH,LINED	

Models: **H4RE**
AIR INTAKE
ISL03

Key	PartNumber	Qty	Description	Comment
-----	------------	-----	-------------	---------

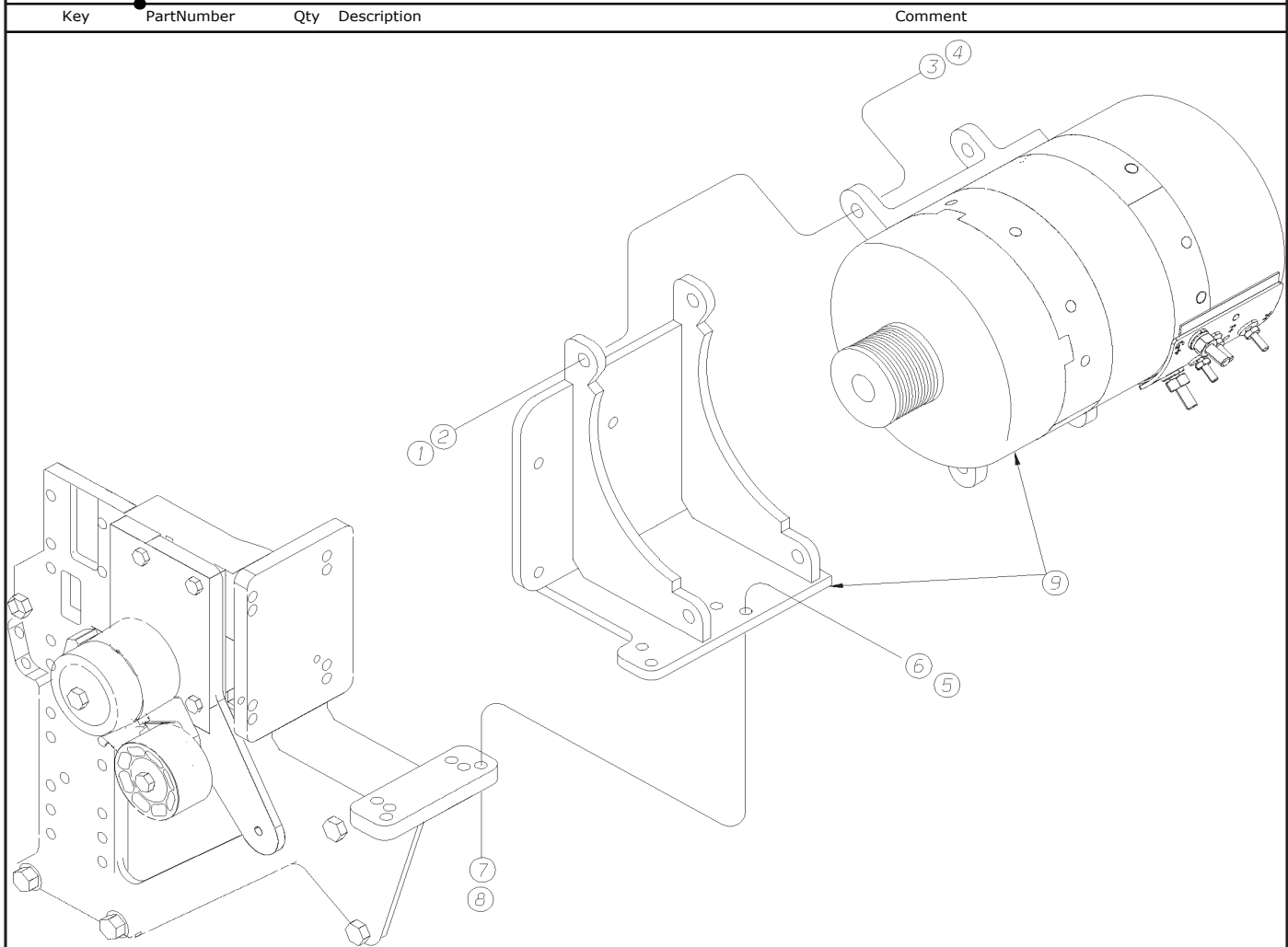


1	1895044		AIR CLEANER ASSY,ECO-SM FARR 99842-007	
2	0046003		BRACKET,AIR CLEANER,MTG,ISL, H4RE	
3	0000080		HOSE,HUMP,7.00 ID X 5.00 ID	
4	0041385		TUBE,AIR INTAKE,ISL, H4RE	
5	1945989		ELBOW,RUBBER,COBRA,4 TO 5 IN	
6	1421965		CLAMP,SPRING LOADED,7.50 ID,7.25-7.56	
7	0002093		HOSE,RUBBER,STRAIGHT,7 IN ID 3.50 IN LONG	

Models: H4RE
AIR INTAKE
ISL03

Key	PartNumber	Qty	Description	Comment
8	1570407	2	CLAMP,MTG,AIR CLEANER, WLWB	
9	1432798	2	CLAMP,SPRING LOADED,5.50 ID.5.31-5.62	
10	1421981		CLAMP,SPRING LOADED,4.50 ID,4.25-4.56	
11	1977255		INDICATOR,AIR RESTRICTION,25 IN,W/O	
12	0559195	4	CAPSCREW, HEX HD, 3/8-16 X 1, GR 8, YEL ZN	
13	1107085	8	WASHER,FLAT,13/32 X 13/16 X 3/32,HDN,BLK	
14	0826297	4	NUT,HEX HD,3/8-16 LOCK,YEL ZN DICH	
15	0038822	12	RIVET,.187,CHERRY,BSC-06-04	
16	0315200		ADAPTER,HTR,3/4 PIPE X 1 HOSE	
17	1143866	AR	HOSE,HEATER,1 INCH ID,SILICONE	
18	0870345	2	CLAMP,HOSE,1INCH,LINED	
19	1990696		FITTING,90 DEGREE,FARR	
20	2051381		NIPPLE,BRASS,1/8 CLOSE 3326 X 2	
21	2008050		BUSHING,PIPE,1/8 TO 1/4,BRASS	

**Models: H4RE, M4RE
ALTERNATOR
CAT C12**

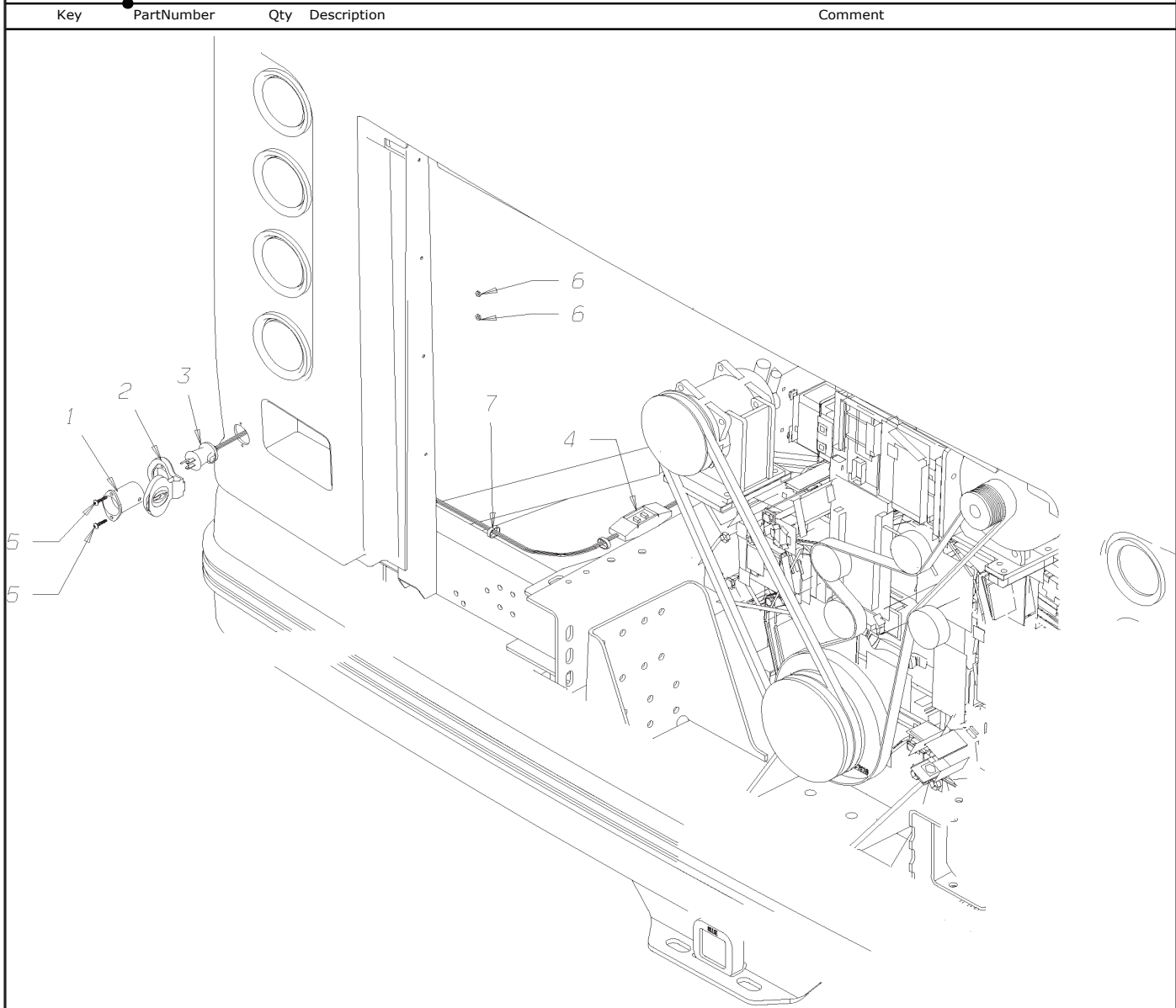


Key	PartNumber	Qty	Description	Comment
1	0803205	4	CAPSCREW, HEX HD, 1/2-13 X 2, GR 8, YEL ZN	
2	1003045	4	WASHER, FLAT,1 7/32 X 1 1/16 X 7/64, HDN,	
3	2001212	4	LOCKWASHER,SPLIT RING, 1/2 ,LHT,YEL ZN	
4	2001477	4	NUT,HEX HD,1/2-13,YEL ZN DICH	
5	0801910	8	CAPSCREW,HEX HD,3/8-16 X 2,GR8,YEL ZN	
6	1107085	8	WASHER,FLAT,13/32 X 13/16 X 3/32,HDN,BLK	
7	0882795	8	LOCKWASHER, SPLIT RING, 3/8, MED, YELLOW	
8	1013689	8	NUT,HEX HD,3/8-16,WASHER SER,YEL ZN DICH	

Models: H4RE, M4RE
ALTERNATOR
CAT C12

Key	PartNumber	Qty	Description	Comment
9	0054513		KIT,ALTERNATOR,24V VLF,CAT C12	
	0085725		BRACKET,ALTERNATOR,24V,290A,C12"	<i>PART OF ITEM 9</i>
	0077070		ALTERNATOR,LEECE-NEVILLE,24V,290 AMP	<i>PART OF ITEM 9</i>
	0077071		REGULATOR,ALTERNATOR,24V,LEECE-NEVILLE	<i>PART OF ITEM 9</i>

**Models: H4RE
ENGINE BLOCK HEATER**

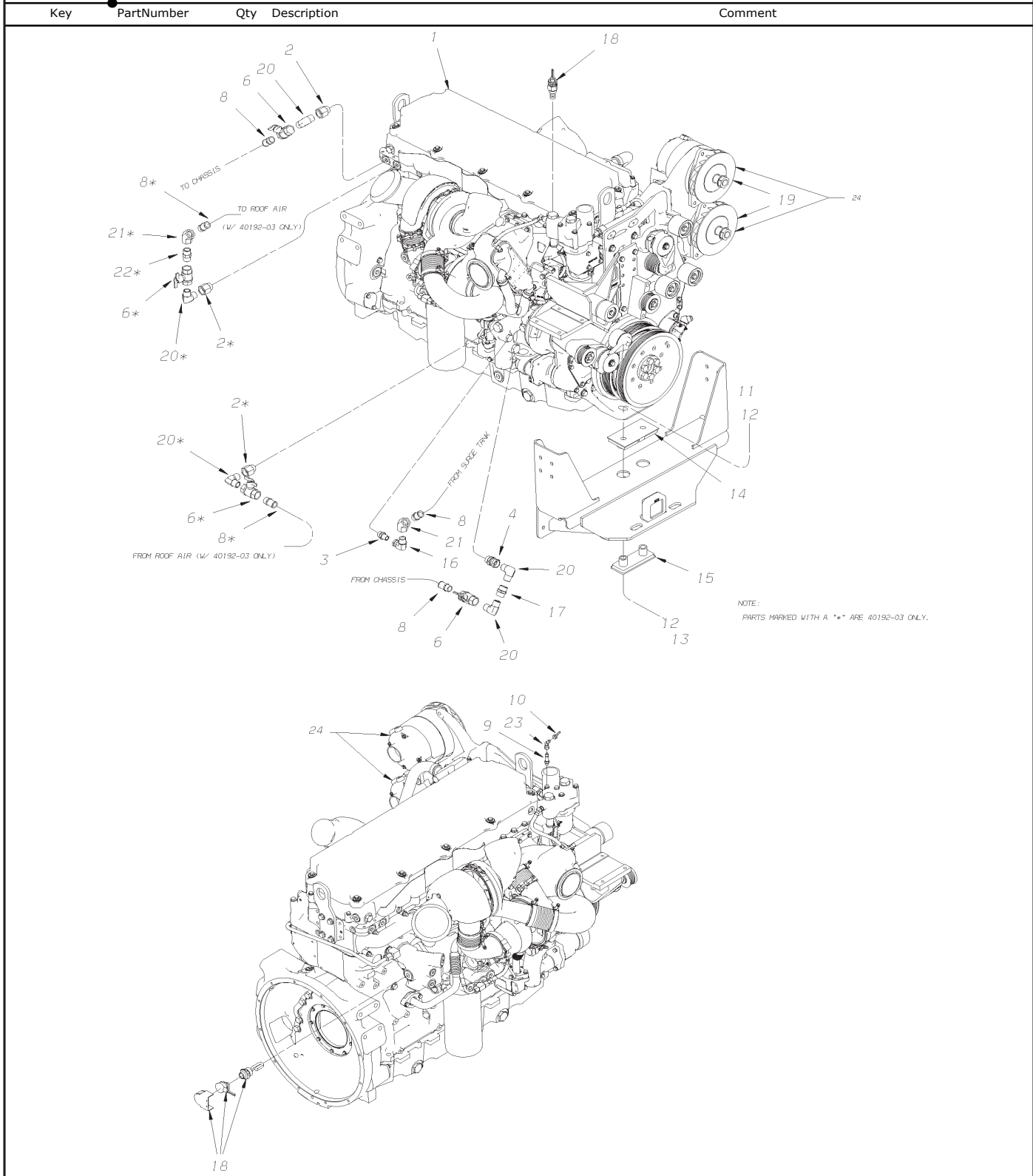


Key	PartNumber	Qty	Description	Comment
1	1570035		HOUSING,PLASTIC,KIM,HOTSTART	
2	1570027		COVER ASSY,PLASTIC,KIM,HOTSTART	
3	1570258		CABLE ASSY,ENG BLK HTR	
4	0059105		RECEPTACLE,ELEC,20A-120VAC,INLINE GFI	
5	1315100	2	SCREW,MACH,10-32X1,PHI,PAN HD,BLK	
6	1495415	2	NUT,HEX HD,10-32 PRVLG TORQUE, GRADE A,	

**Models: H4RE
ENGINE BLOCK HEATER**

Key	PartNumber	Qty	Description	Comment
7	0599704		TIE, CABLE, NYLON	

Models: H4RE, M4RE
ENGINE TRIM
C13
With: FEATURE 40192-03, -04



Models: H4RE, M4RE
ENGINE TRIM
C13
With: FEATURE 40192-03, -04

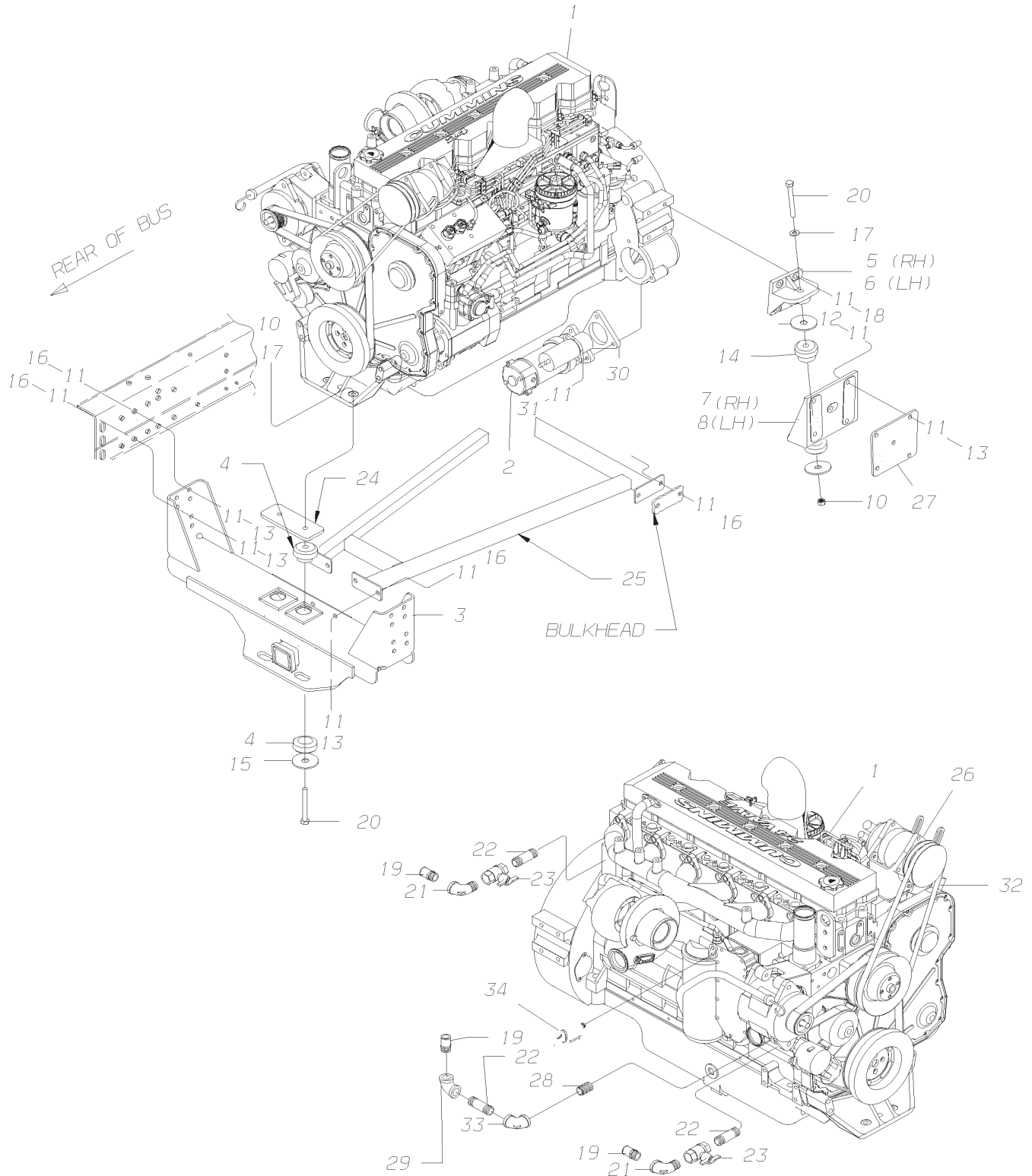
Key	PartNumber	Qty	Description	Comment
1	0068170		ENGINE ASSY,CAT,C13,410/1450	FEATURE 40192-03
1	0067608		ENGINE ASSY,CAT,C13,525/1650	FEATURE 40192-04
2	0071591	3	FITTING,PARKER,12-3/4 F5OG-S	
3	0071882		FITTING,PARKER,10-1/2 F5OF-S	
4	0071865		FITTING,PARKER,0507-12-12-S	
6	1626431	4	VALVE,BALL,3/4,W/BUTTERFLY HANDLE	
8	0315200	5	ADAPTER,HTR,3/4 PIPE X 1 HOSE	
9	0071881		FITTING,PARKER,4 FF5OX-S	
10	0071592		FITTING,PARKER,146HBLFSV-4-4	
11	0870873	2	CAPSCREW,HEX HD,3/4-10 X 4,GR 8,YEL ZN	
12	0870915	4	WASHER,FLAT,27/32 X 1 1/2 X 1/8,YEL ZN	
13	0933879	2	NUT,HEX HD,3/4-10,PRVLG TORQ,GR8,CAD	
14	0052808		MOUNT,FRONT,BARRY 26703-2	
15	0052806		MOUNT,FRONT REBOUND,BARRY 26704-1	
16	0073016		FITTING,PARKER,2107-12-8-S	
17	0055231		COUPLING,3/4" NPT,BRASS,WH#3300X12	
18	0075076		KIT,HEATER,ENG BLOCK,HOT START	
	0075073		HEATER,COOLANT,HOT START	
	0075074		THERMOSTAT,HEATER,HOT START,W/ CORD &	
19	0073358		ALTERNATOR,ENG,BOSCH,T1,0-120-689-552	M4RE ONLY
20	0073482		ELBOW,90 DEG,MALE PIPE,3/4-14 NPTF	
21	0055120		ELBOW,45 DEG,3/4 FEM TO FEM,FPT,C3559X12	
22	1900729		NIPPLE,HEX,3/4 MPT	MPT. M4RE ONLY

Models: H4RE, M4RE
ENGINE TRIM
C13
With: FEATURE 40192-03, -04

Key	PartNumber	Qty	Description	Comment
23	0077222		FITTING,PARKER,4 V6X-S	
24	0080458	2	MODULE,ELEC,ALT,140A/24VDC,TYPE AC172	<i>WITH REMOTE REG. H4RE ONLY</i>
NI	0077083		FILTER,FUEL,ENGINE,CAT,C12/13	
NI	0082791		FILTER,OIL,ENGINE,BYPASS,C-12/13	
NI	0082792		FILTER,OIL,ENGINE,PRIMARY,C-13"	

**Models: H4RE
ENGINE TRIM
ISL**
With: FEATURE 40191-01

Key	PartNumber	Qty	Description	Comment
-----	------------	-----	-------------	---------



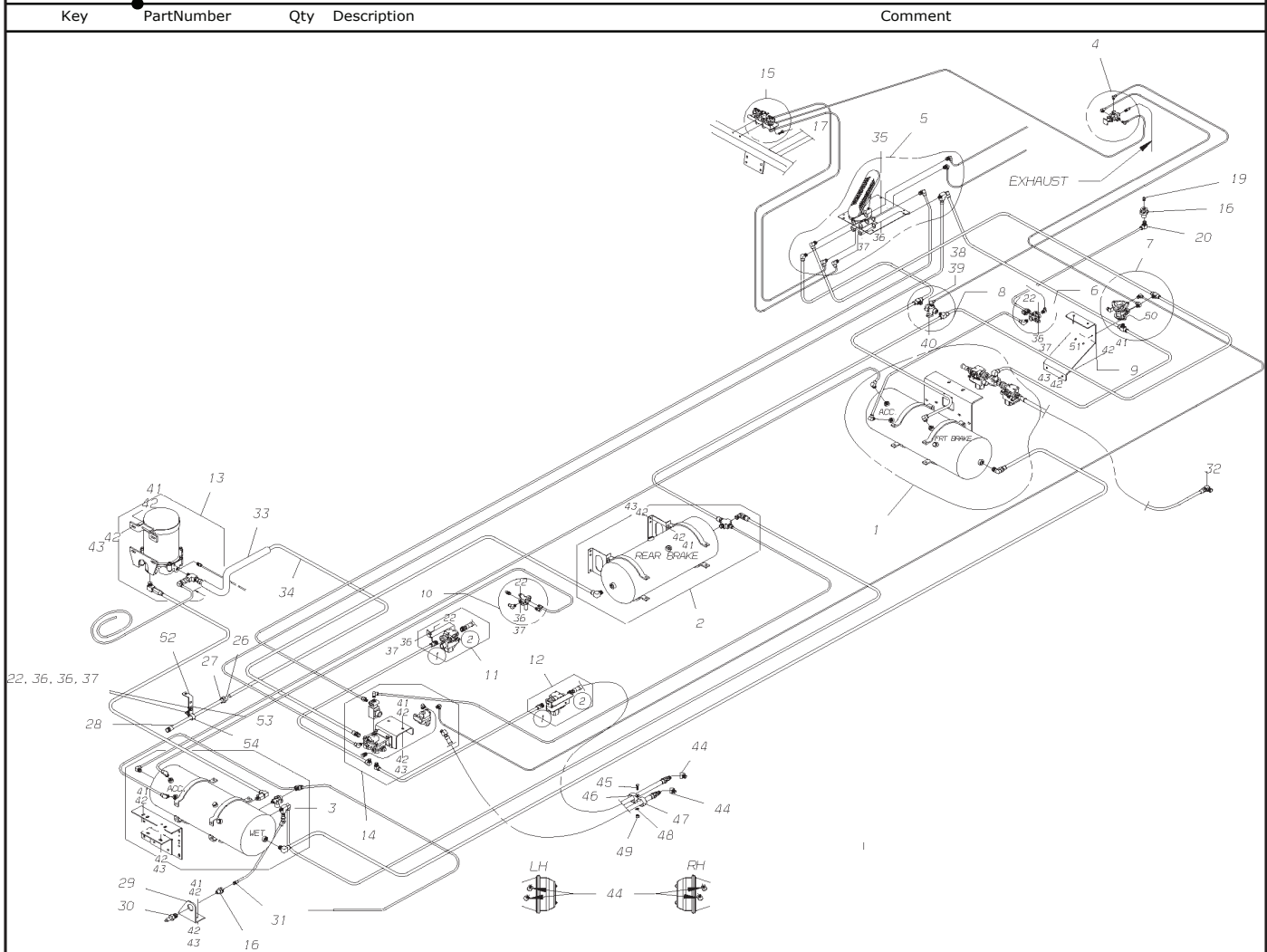
Models: H4RE
ENGINE TRIM
ISL
With: FEATURE 40191-01

Key	PartNumber	Qty	Description	Comment
1	0047350		ENGINE ASSY,CUMN ISL 400HP/1200 FTLB,	
2	1935477		STARTER,DENSO,228000-5311,12V,8.3/ISC	
3	0045851		CROSSMEMBER ASSY,ENG/TLR HITCH MTG,ISL	
4	1982586	2	ISOLATOR,BARRY,ARMORED	
5	1930379		CASTING,BELLHOUSING,CUMMINS ISC,RH,	
6	1930288		CASTING,BELLHOUSING,CUMMINS ISC,LH,	
7	1930205		CASTING,FRAME,REAR ENGINE,RH,HDRE	
8	1944081		CASTING,FRAME,REAR ENGINE,LH,HDRE	
9	1946037	2	CAPSCREW,HEX HD,5/8-11 X 5 1/4,GR8,YEL	
10	0939827	4	NUT, HEX HD, 5/8-11, GR 8, LOCK, CADMIUM	
11	1003045	65	WASHER, FLAT,1 7/32 X 1 1/16 X 7/64, HDN,	
12	0803148	8	CAPSCREW,HEX HD,1/2-13 X 1 3/4,GR8,	
13	0850800	24	NUT, HEX HD, 1/2-13, LOCKING, GR 8, CAD	
14	0023692	2	ISOLATOR,BARRY,ARMORED	
15	0049065	6	WASHER,FLAT,.629IDX2.81 ODX.177THK,	
16	0803239	8	CAPSCREW, HEX HD, 1/2-13 X1 1/2, GR8	
17	0929018	4	WASHER, FLAT, 21/32 X 1 1/8 X 3/32, HDN, YEL	
18	1660984	8	CAPSCREW,HEX HD M12-1.75 X 30MM,GR 10.9	
19	0315200	3	ADAPTER,HTR,3/4 PIPE X 1 HOSE	
20	1631068	2	CAPSCREW,HX HD,5/8-11 X 4 1/2,GR8,	
21	0760249	2	ELBOW,STREET,3/4,90 DEG,GALV	
22	2009520	2	NIPPLE,PIPE,3/4 X 3,GALV	
23	1626431	2	VALVE,BALL,3/4,W/BUTTERFLY HANDLE	

Models: H4RE
ENGINE TRIM
ISL
With: FEATURE 40191-01

Key	PartNumber	Qty	Description	Comment
24	1972728		SPACER,3.00 X 7.50 X .38 THICK	
25	0046074		BRACE ASSY,TRAILER HITCH, H4RE	
26	0045902		KIT,INSTALLATION,A/C COMPRESSOR,ISL,	
27	0047495	2	PLATE,SPACER,FRAME TO MOUNT,37 FT, H4RE	
28	2009504		NIPPLE,PIPE,3/4 X CLOSE,GALV	
29	2009207		ELBOW,PIPE,3/4 X 90 DEG,GALV	
30	1301910		SPACER,STRTR,12MM,SM 9009,8.3TA	
31	1524636		CAPSCREW,HEX HD,M12-1.75 X 45MM,GRADE	
32	1947654		BELT,47X1/2,A-SECTION,V-GROOVE,H4RE/B4RE	
33	0055120		ELBOW,45 DEG,3/4 FEM TO FEM,FPT,C3559X12	
34	1947431		SENDER,OIL PRESSURE,0-150 PSI	

**Models: H4RE
ENGINE TRIM
ISL03**
With: FEATURE 40191-02



Key	PartNumber	Qty	Description	Comment
1	0065802		ENGINE ASSY,CUMN,ISL03 400HP/1200FTLB	
2	1935477		STARTER,DENSO,228000-5311,12V,8.3/ISC	
3	0045851		CROSSMEMBER ASSY,ENG/TLR HITCH MTG,ISL	
4	1982586	2	ISOLATOR,BARRY,ARMORED	
5	1930379		CASTING,BELLHOUSING,CUMMINS ISC,RH,	
6	1930288		CASTING,BELLHOUSING,CUMMINS ISC,LH,	
7	1930205		CASTING,FRAME,REAR ENGINE,RH,HDRE	
8	1944081		CASTING,FRAME,REAR ENGINE,LH,HDRE	

Models: H4RE
ENGINE TRIM
ISL03
With: FEATURE 40191-02

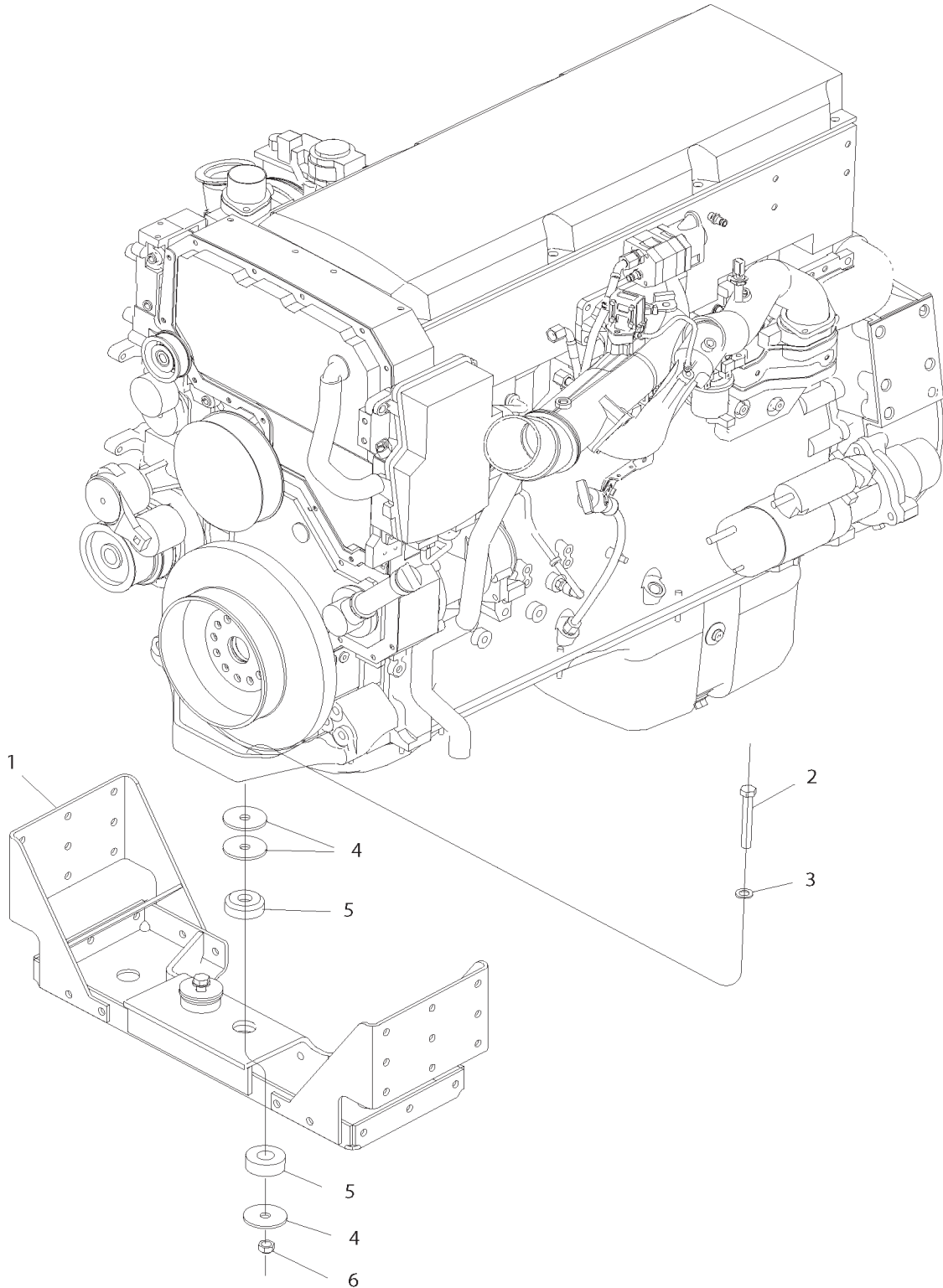
Key	PartNumber	Qty	Description	Comment
9	0939827	4	NUT, HEX HD, 5/8-11, GR 8, LOCK, CADMIUM	
10	1003045	65	WASHER, FLAT,1 7/32 X 1 1/16 X 7/64, HDN,	
11	0803148	8	CAPSCREW,HEX HD,1/2-13 X 1 3/4,GR8,	
12	0850800	24	NUT, HEX HD, 1/2-13, LOCKING, GR 8, CAD	
13	0023692	2	ISOLATOR,BARRY,ARMORED	
14	0049065	6	WASHER,FLAT,.629IDX2.81 ODX.177THK,	
15	0803239	8	CAPSCREW, HEX HD, 1/2-13 X1 1/2, GR8	
16	0929018	4	WASHER, FLAT, 21/32 X 1 1/8 X 3/32, HDN, YEL	
17	1713635	8	CAPSCREW,HEX HD,M12-1.75X30MM,CL10.9	
18	0315200	3	ADAPTER,HTR,3/4 PIPE X 1 HOSE	
19	1631068	2	CAPSCREW,HX HD,5/8-11 X 4 1/2,GR8,	
20	0760249	2	ELBOW,STREET,3/4,90 DEG,GALV	
21	2009520	2	NIPPLE,PIPE,3/4 X 3,GALV	
22	1626431	2	VALVE,BALL,3/4,W/BUTTERFLY HANDLE	
23	1972728		SPACER,3.00 X 7.50 X .38 THICK	
24	0046074		BRACE ASSY,TRAILER HITCH, H4RE	
25	0045902		KIT,INSTALLATION,A/C COMPRESSOR,ISL,	
26	0047495	2	PLATE,SPACER,FRAME TO MOUNT,37 FT, H4RE	
27	2009504		NIPPLE,PIPE,3/4 X CLOSE,GALV	
28	2009207		ELBOW,PIPE,3/4 X 90 DEG,GALV	
29	1301910		SPACER,STRTR,12MM,SM 9009,8.3TA	
30	1524636		CAPSCREW,HEX HD,M12-1.75 X 45MM,GRADE	
31	1947654		BELT,47X1/2,A-SECTION,V-GROOVE,H4RE/B4RE	

Models: H4RE
ENGINE TRIM
ISLO3
With: **FEATURE 40191-02**

Key	PartNumber	Qty	Description	Comment
32	0055120		ELBOW,45 DEG,3/4 FEM TO FEM,FPT,C3559X12	
33	1947431		SENDER,OIL PRESSURE,0-150 PSI	
34	4760375		FITTING ADAPTOR M12X1/4NPT	
35	0009924		CONNECTOR,MALE,1868X6-Z,.25MPT X .38T"	
NI	0089489		FILTER,FUEL,10 MIRCON,FUEL/WATER SEP,	
NI	0089488		FILTER,FUEL,SPIN ON,2 MICRON,ISLO3,ON	
NI	0009424		FILTER,FULL FLOW OIL,LF9009	

**Models: M4RE, H4RE
INSTALLATION
ENGINE, 1SX**

Key	PartNumber	Qty	Description	Comment
-----	------------	-----	-------------	---------



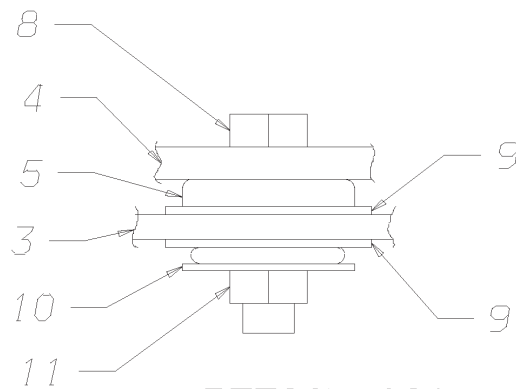
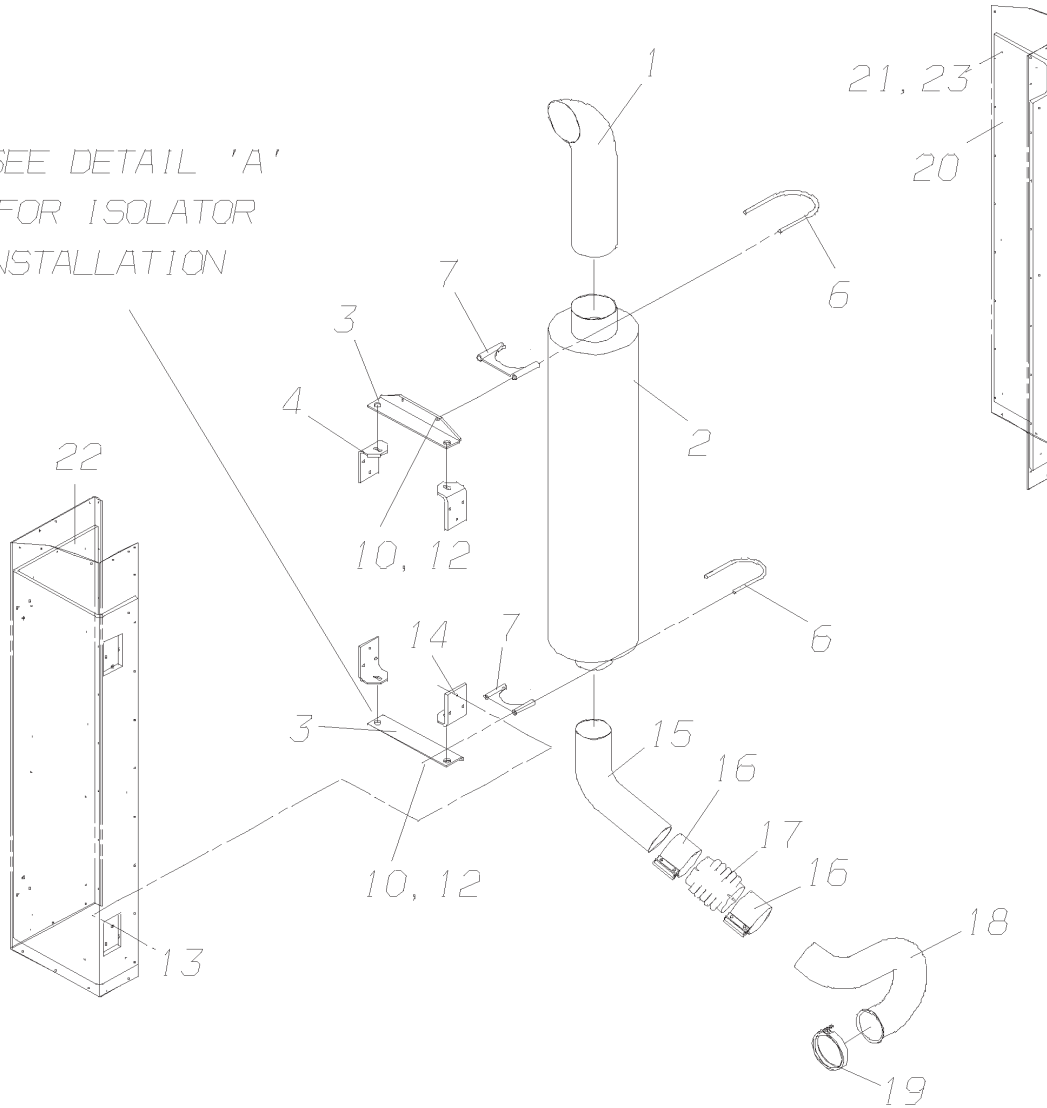
**Models: M4RE, H4RE
INSTALLATION
ENGINE, 1SX**

Key	PartNumber	Qty	Description	Comment
	0116357	1	DIAGRAM,INSTL,ENGINE,ISX600	
1	0111279	RE	CROSSMEMBER ASSY, ENGINE, ISX	
2	0116406	2	CAPSCREW,HEX HD,YEL DICH,GR8,5/8-11 X	
3	0929018	2	WASHER, FLAT, 21/32 X 1 1/8 X 3/32, HDN, YEL	
4	0090109	4	WASHER,SPECIAL,SNUBBING,BARRY,9810145	
5	0042594	2	ISOLATOR,ENGINE,BARRY CONTROLS	
6	0939827	2	NUT, HEX HD, 5/8-11, GR 8, LOCK, CADMIUM	

Models: H4RE
CAT
C12

Key	PartNumber	Qty	Description	Comment
-----	------------	-----	-------------	---------

SEE DETAIL 'A'
FOR ISOLATOR
INSTALLATION



DETAIL 'A'

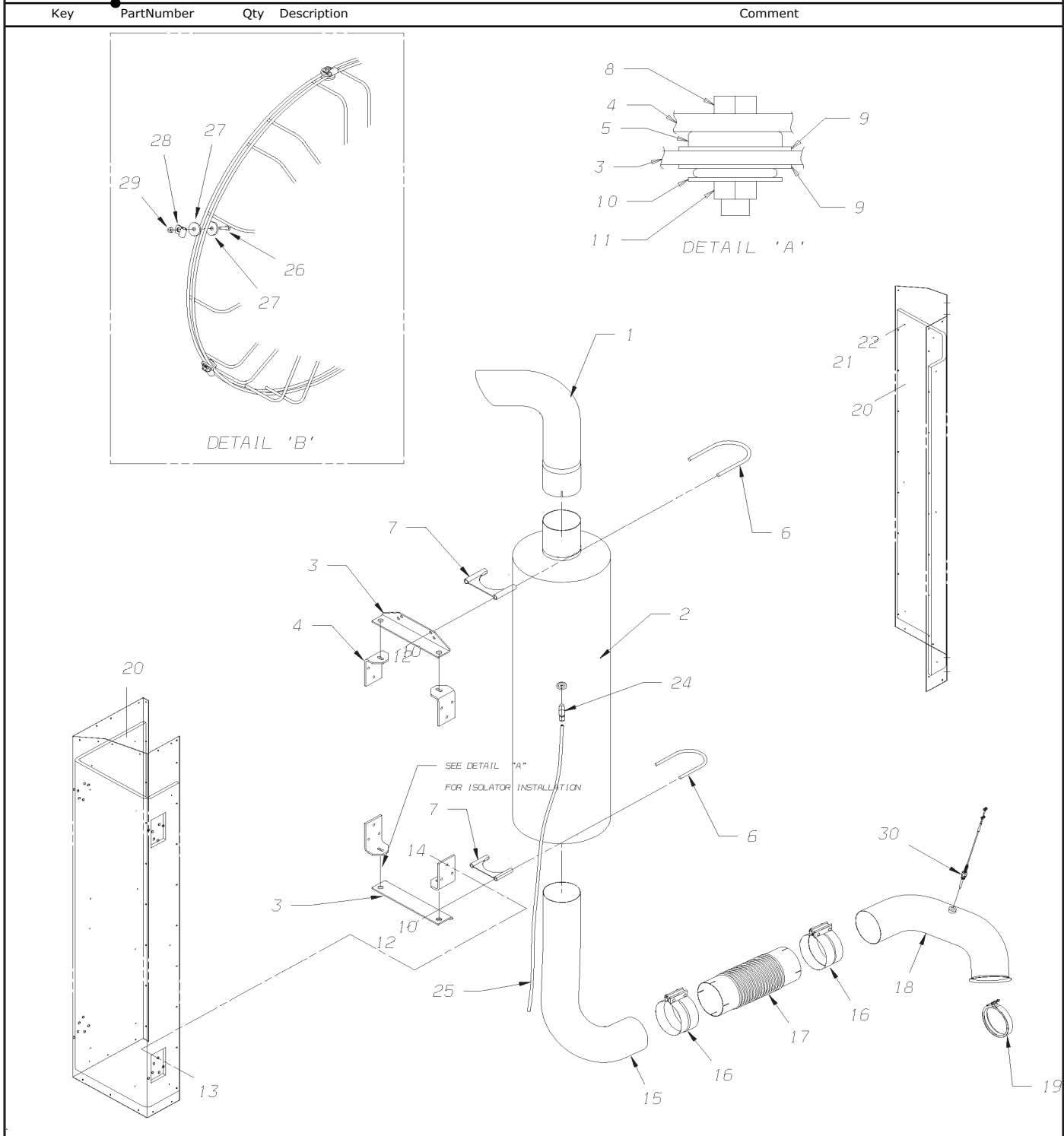
Models: H4RE
CAT
C12

Key	PartNumber	Qty	Description	Comment
1	0048053		TAILPIPE,ROOF EXHAUST,5.00 OD CHROME,	
2	0050358		MUFFLER,DONALDSON,NO DC-	
3	0056144	2	ANGLE,MTG,MUFFLER,5.0 INLET/OUTLET,CAT	
4	1436138	4	BRACKET,MUFFLER SUPPORT,ROOF EXIT EXH,	
5	1327428	4	ISOLATOR,RUBBER,LORD CB-1120-3	
6	1660836	2	U-BOLT,5.00 IN	
7	1660844	2	SADDLE,5.00 IN	
8	2028363	4	BOLT,HEX HD,3/8-16,1-1/4,GR 5,YEL ZN DICH	
9	0958504	8	WASHER,FLAT,1 1/2 X 3/4 1/16 THK,NYLON	
10	1328632	12	WASHER,FLAT,.06 X .406 ID X 1.125 OD,BLK	
11	0839027	4	NUT,HEX HD,3/8-16,GR G,SM FLG LK,YEL	
12	0543934	4	NUT, HEX HD, 3/8-16, ZINC, LG FLG LK, YEL	
13	2001394	12	RIVNUT,NC,1/4"	
14	1044650	12	CAPSCREW,HEX,FLANGE 1/4-20X7/8	
15	0054511		PIPE,EXH.FLEX TO MUFFLER,CAT C12	
16	1250851	2	CLAMP,EXHAUST,WIDE BAND,5IN	
17	1947845		CONNECTOR,FLEXIBLE EXHAUST,SS,5.0ID-	
18	0054510		PIPE,EXH.TURBO TO FLEX,CAT C12	H4RE ONLY
18	0054938		PIPE,EXH,TURBO TO FLEX,COACH,CAT C12	H4RE ONLY
19	1735976		CLAMP,V-BAND,5 INCH	
20	0057593		KIT,INSULATION,CHIMNEY WRAP	
21	1925833	27	SCREW,8-18 X 1/2,AB,PH1,PAN HD,BLK ZN	
22	2001105	27	WASHER,FLAT,13/64 X,1/2 X 3/64,YEL ZN DICH	

Models: H4RE
CAT
C12

Key	PartNumber	Qty	Description	Comment
NI	0832402	AR	SEALANT,EXHAUST PIPE,YALE MCS	

**Models: H4RE, M4RE
CAT
C13**



1 0072334 TAILPIPE,EXHAUST,ROOF,CHROME,4.875 O.D

**Models: H4RE, M4RE
CAT
C13**

Key	PartNumber	Qty	Description	Comment
2	0071622		MUFFLER,EXHAUST,NELSON	
3	0056144	2	ANGLE,MTG,MUFFLER,5.0 INLET/OUTLET,CAT	
4	1436138	4	BRACKET,MUFFLER SUPPORT,ROOF EXIT EXH,	
5	1327428	4	ISOLATOR,RUBBER,LORD CB-1120-3	
6	1660844	2	SADDLE,5.00 IN	
7	1660844	2	SADDLE,5.00 IN	
8	2028363	4	BOLT,HEX HD,3/8-16,1-1/4,GR 5,YEL ZN DICH	
9	0958504	8	WASHER,FLAT,1 1/2 X 3/4 1/16 THK,NYLON	
10	1328632	12	WASHER,FLAT,.06 X .406 ID X 1.125 OD,BLK	
11	0839027	4	NUT,HEX HD,3/8-16,GR G,SM FLG LK,YEL	
12	0543934	4	NUT, HEX HD, 3/8-16, ZINC, LG FLG LK, YEL	
13	2001394	12	RIVNUT,NC,1/4"	
14	1044650	12	CAPSCREW,HEX,FLANGE 1/4-20X7/8	
15	0067918		PIPE,EXH,FLEX TO MUFFLER,CAT C13	
16	1250851	2	CLAMP,EXHAUST,WIDE BAND,5IN	
17	0073397		CONNECTOR,FLEXIBLE,EXHAUST,5 IN,MF	
18	0075115		PIPE,EXH,TURBO TO FLEX,RV,CAT C13-525	WITH FEATURE 40192-04
18	0075116		PIPE,EXH,TURBO TO FLEX,COACH,CAT C13-410	WITH FEATURE 40192-03
19	1735976		CLAMP,V-BAND,5 INCH	
20	0057593		KIT,INSULATION,CHIMNEY WRAP	
21	1925833	27	SCREW,8-18 X 1/2,AB,PH1,PAN HD,BLK ZN	
22	2001105	27	WASHER,FLAT,13/64 X,1/2 X 3/64,YEL ZN DICH	
24	0072330		FITTING,PARKER,6-6 CBU-S	

**Models: H4RE, M4RE
CAT
C13**

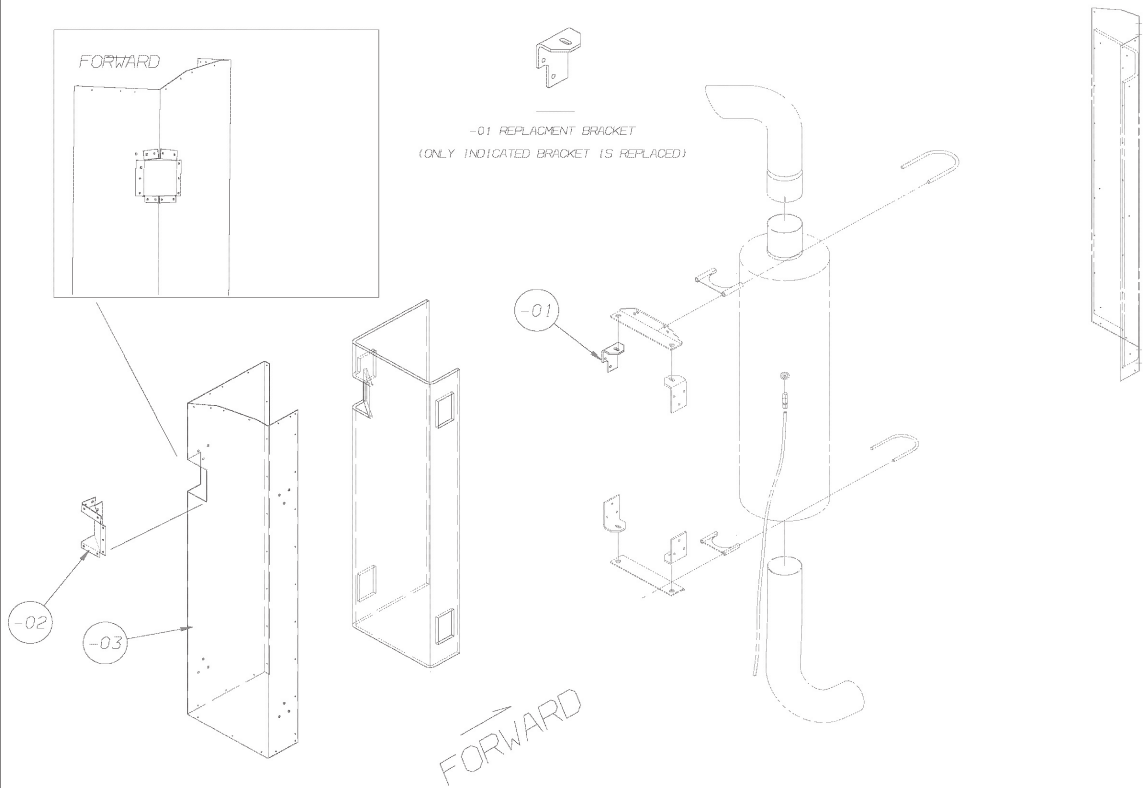
Key	PartNumber	Qty	Description	Comment
25	2027381	8	TUBING,COPPER,3/8,OD,TYPE L	
26	1504018	3	CAPSCREW,HEX HD,1/4-20X1 1/8,GR5,YEL	
27	2001055	6	WASHER,FLAT,11/32 X 1 1/4 X 5/32,YEL ZN	
28	2024370	3	CLAMP,LOOP,.250	
29	1465947	3	NUT,HEX HD,1/4-20,LK,NYLON INSERT,YEL	
30	0074420	A/	SENSOR,TEMPERATURE,PYROMETER,ISSPRO,	
NI	0832402	A/	SEALANT,EXHAUST PIPE,YALE MCS	

Models: **H4RE
CAT
C13
TOWER WITH LOCK NOTCH**

Key	PartNumber	Qty	Description	Comment
-----	------------	-----	-------------	---------

DR. 03-24-05	BY MR	0075946	1	
APP.	BY	FRT	REV	

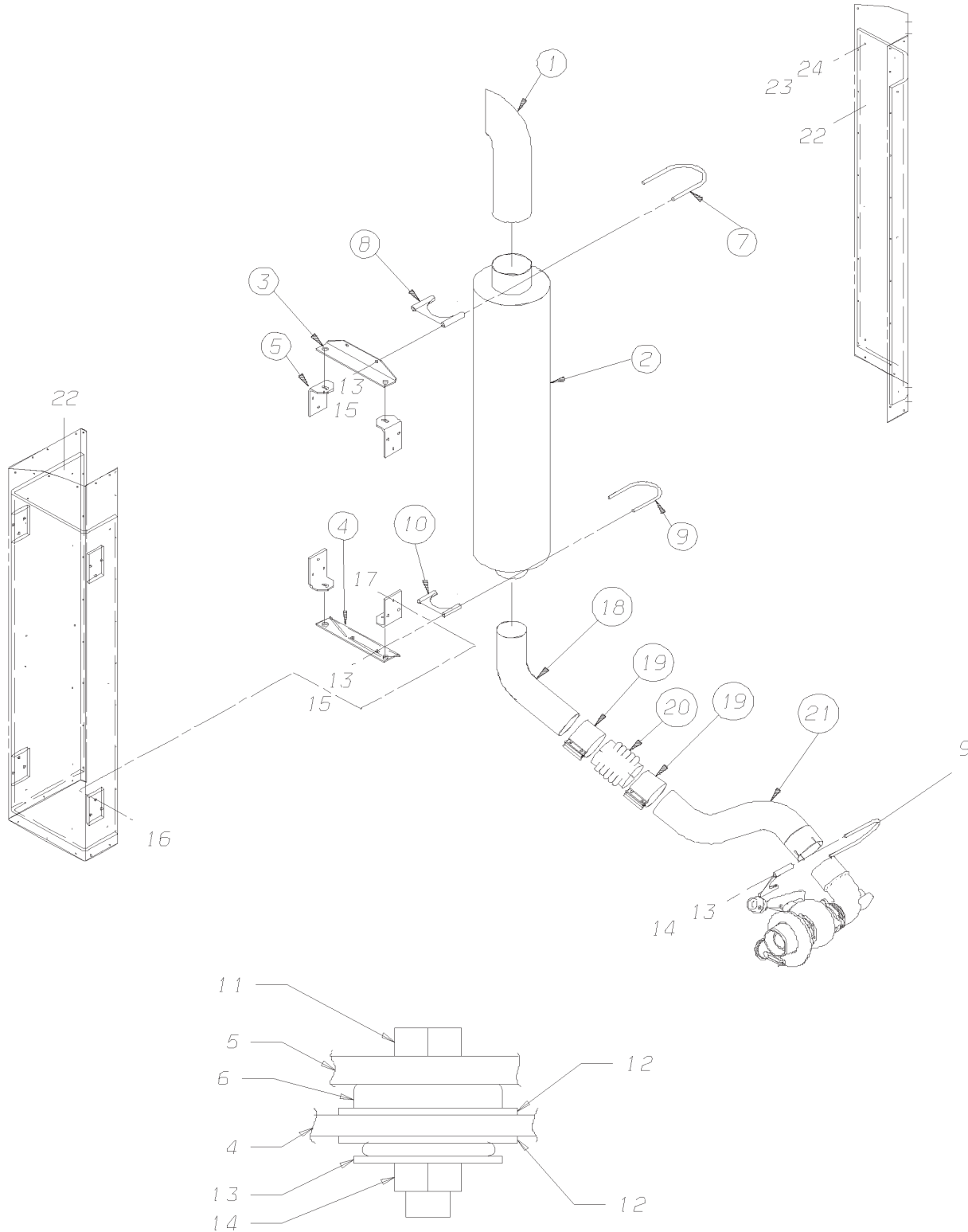
© BLUE BIRD BODY COMPANY, ALL RIGHTS RESERVED



1	0075819		BRACKET,STAINLESS,MUF SUP,RFEX,MAIN E,
2	0075821		COVER,STAINLESS,EXHAUST TOWER,MAIN
3	0075830		PANEL,ROOF,EXHAUST,TOWER,UPR RER,W

Models: H4RE
CUMMINS
ISL

Key	PartNumber	Qty	Description	Comment
-----	------------	-----	-------------	---------



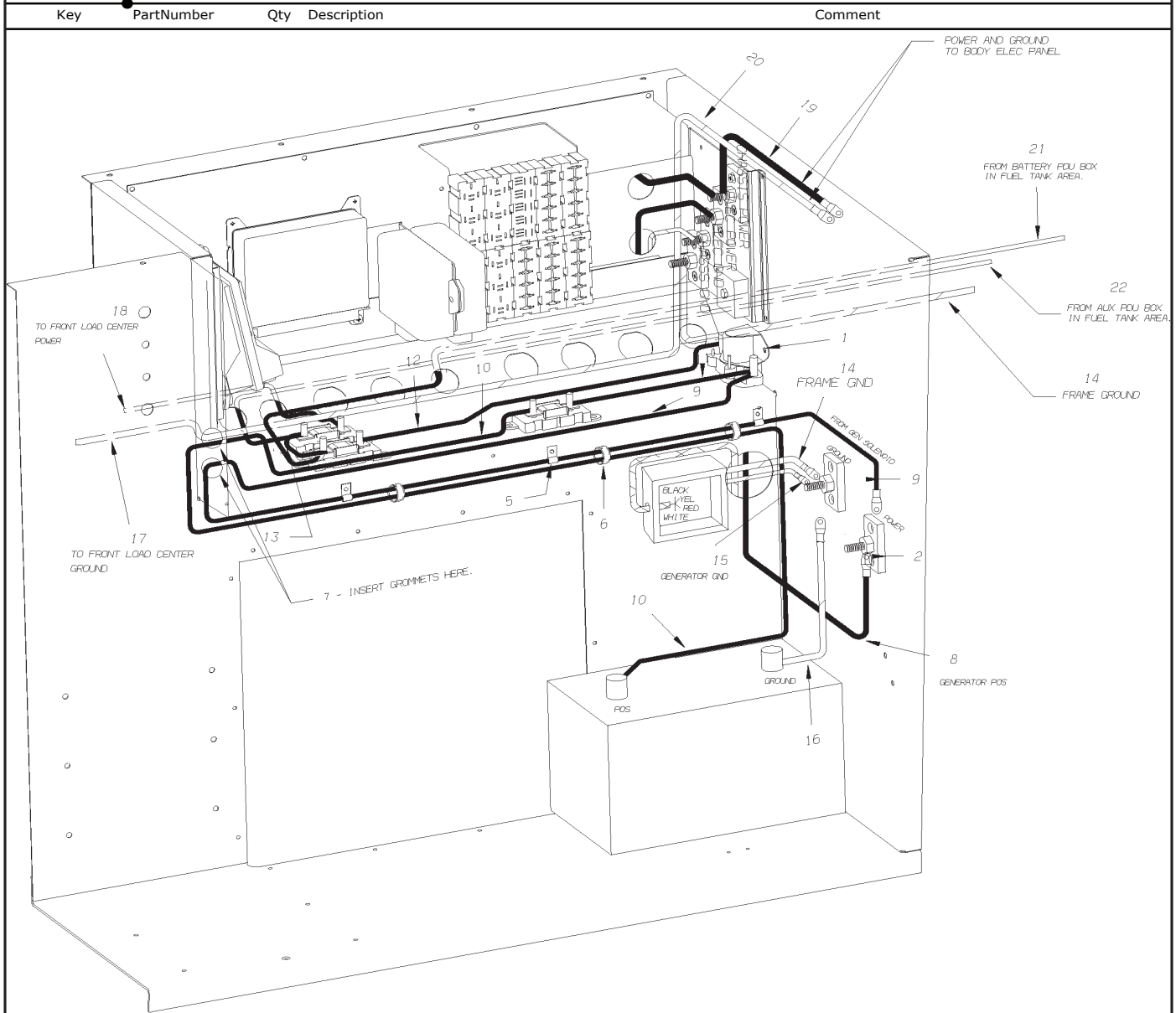
Models: H4RE
CUMMINS
ISL

Key	PartNumber	Qty	Description	Comment
1	0048053		TAILPIPE,ROOF EXHAUST,5.00 OD CHROME,	
2	1997964		MUFFLER,NON-CATALYST,4 INLET X 5 OUTLET,	
3	0040701		ANGLE,MTG,MUFFLER,UPPER,ISL, H4RE	
4	0040703		ANGLE,MTG,MUFFLER,LOWER,ISL, H4RE	
5	1436138	4	BRACKET,MUFFLER SUPPORT,ROOF EXIT EXH,	
6	1327428	4	ISOLATOR,RUBBER,LORD CB-1120-3	
7	1660836		U-BOLT,5.00 IN	
8	1660844		SADDLE,5.00 IN	
9	0815621	2	U-BOLT,4IN,EXHAUST PIPE CLAMP	
10	0819359	2	CLAMP,SADDLE,4IN EXHAUST PIPE	
11	2028363	4	BOLT,HEX HD,3/8-16,1-1/4,GR 5,YEL ZN DICH	
12	0958504	8	WASHER,FLAT,1 1/2 X 3/4 1/16 THK,NYLON	
13	1328632	8	WASHER,FLAT,.06 X .406 ID X 1.125 OD,BLK	
14	0839027	6	NUT,HEX HD,3/8-16,GR G,SM FLG LK,YEL	
15	0543934	4	NUT, HEX HD, 3/8-16, ZINC, LG FLG LK, YEL	
16	2001394	12	RIVNUT,NC,1/4"	
17	1044650	12	CAPSCREW,HEX,FLANGE 1/4-20X7/8	
18	0040821		PIPE,EXH,FLEX TO MUFFLER,ISL, H4RE	
19	1005552	2	CLAMP,EXHAUST,WIDE BAND,4IN	
20	1749886		CONNECTOR,FLEXIBLE EXHAUST,4 ID X 10	
21	0040820		PIPE,EXH,TURBO TO FLEX,ISL, H4RE	
22	0047448		KIT,INSL,CHIMNEY WRAP,H4RE	
23	1925833	27	SCREW,8-18 X 1/2,AB,PH1,PAN HD,BLK ZN	

Models: H4RE
CUMMINS
ISL

Key	PartNumber	Qty	Description	Comment
24	2001105	27	WASHER,FLAT,13/64 X,1/2 X 3/64,YEL ZN DICH	

**Models: H4RE
CABLES
INSTALLATION
CEC
38' UNIT**



Key	PartNumber	Qty	Description	Comment
1	3954625		SOLENOID,12VDC,CUTLER-HAMMER,6041H105A	
	2000685		SCREW,1/4-14 X 1,AB,PH1,PAN HD,YEL ZN"	
2	0553131		STUD,TERMINAL,BAT CABLE JUNCTION,NO	
	0527358		SCREW,1/4-14 X 1-1/4,AB,PH1,FLT CNSK,YEL	
3	1864404		HOLDER,FUSE,MEGA,LITTLE FUSE	

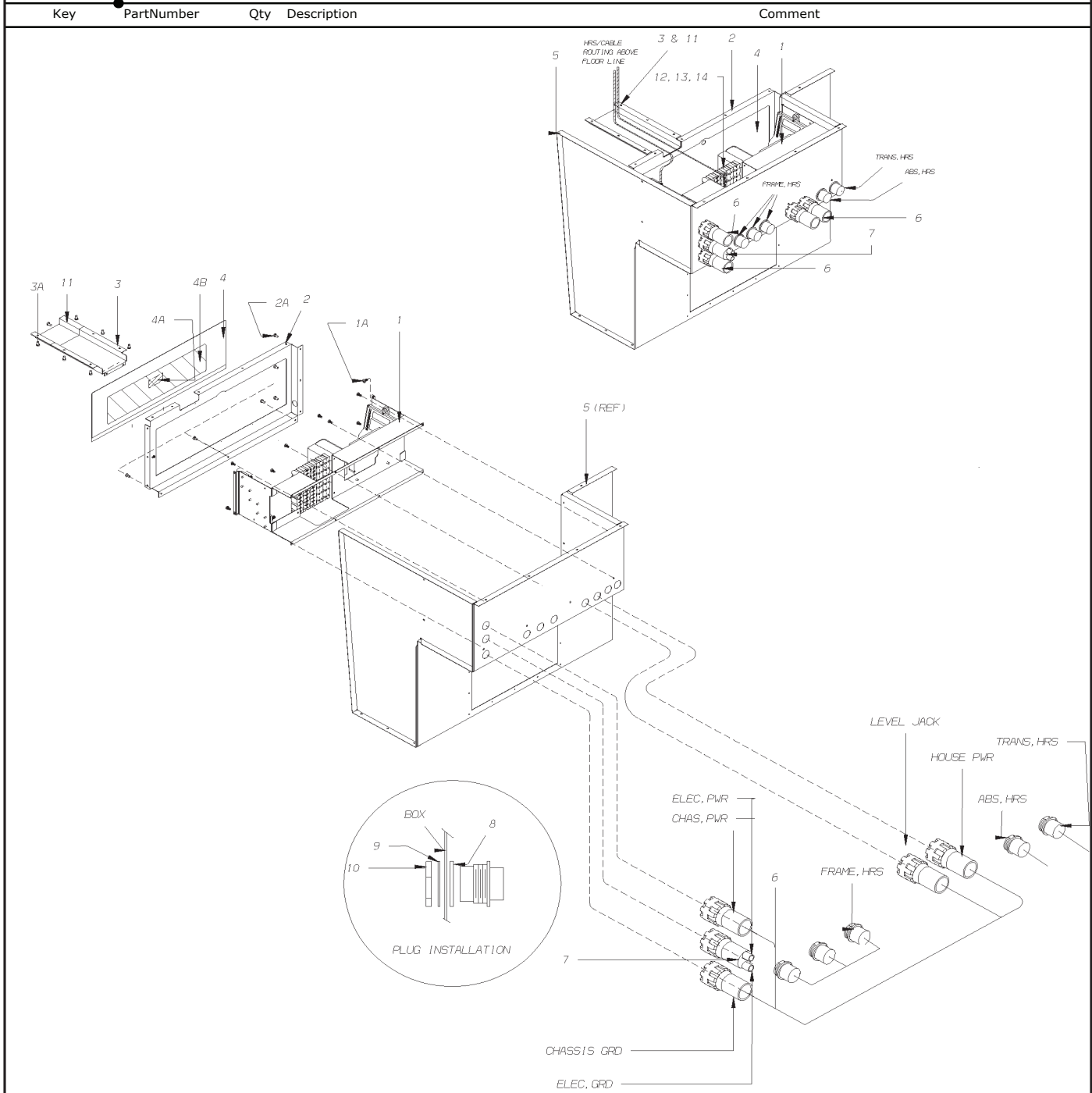
**Models: H4RE
CABLES
INSTALLATION
CEC
38' UNIT**

Key	PartNumber	Qty	Description	Comment
	0051960		FUSE, MEGA, 150 AMP, AMG SERIES	
	1268119		SCREW,1/4-20X1/2,F,PH1,PAN HD,YEL ZN DICH	
4	1864404		HOLDER,FUSE,MEGA,LITTLE FUSE	
	1864396		FUSE,MEGA,300 AMP	
	1268119		SCREW,1/4-20X1/2,F,PH1,PAN HD,YEL ZN DICH	
5	2027530		CLAMP,ONE HOLE STEEL,L8 1/2IN	
	1268119		SCREW,1/4-20X1/2,F,PH1,PAN HD,YEL ZN DICH	
6	0029275		CABLE,TIE,STUD MOUNT	
7	2003234		GROMMET,RUBBER,CHASSIS COWL WIRES,3/4	
8	0046197		CABLE ASSY,STARTER POS TO PDU,ISBE	
9	1996438		CABLE ASSY,SHUNT TO STARTER, TCFE	
10	0067505		CABLE,ASSY,2/0,.406 X .343 X 76 LONG	
11	1799493		CABLE ASSY,2/0,.406 X .406 X 13 LONG	
12	0067504		CABLE,ASSY,2/0,.343 X .406 X 24 LONG	
13	0067368		CABLE,ASSY,2/0,.343 X .343 X 12 LONG	
14	0067507		CABLE,ASSY,2/0,.406 X .406 X 38 LONG	
15	0067510		CABLE,ASSY,2/0,.406 X .406 X 115 LONG	
16	0067508		CABLE,ASSY,2/0,.343 X .406 X 14 LONG	
17	0067370		CABLE,ASSY,NEG,4/0,.406 X.406 X 180	
18	0067369		CABLE,ASSY,POS,4/0,.343 X .343 X 155 LONG	
19	0067514		CABLE,ASSY,1GA,POS,.406 X .406 X 46 LONG	
20	0067515		CABLE,ASSY,1GA,NEG,.406 X .406 X 46 LONG	
21	0045061		CABLE ASSY,LEVEL JACK,PUMP, H4RE	

Models: H4RE
CABLES
INSTALLATION
CEC
38' UNIT

Key	PartNumber	Qty	Description	Comment
22	0067304		CABLE ASSY,POS,4/0,.343 X .343 X 207 LONG	

Models: **H4RE**
CHASSIS ELECTRICAL CENTER



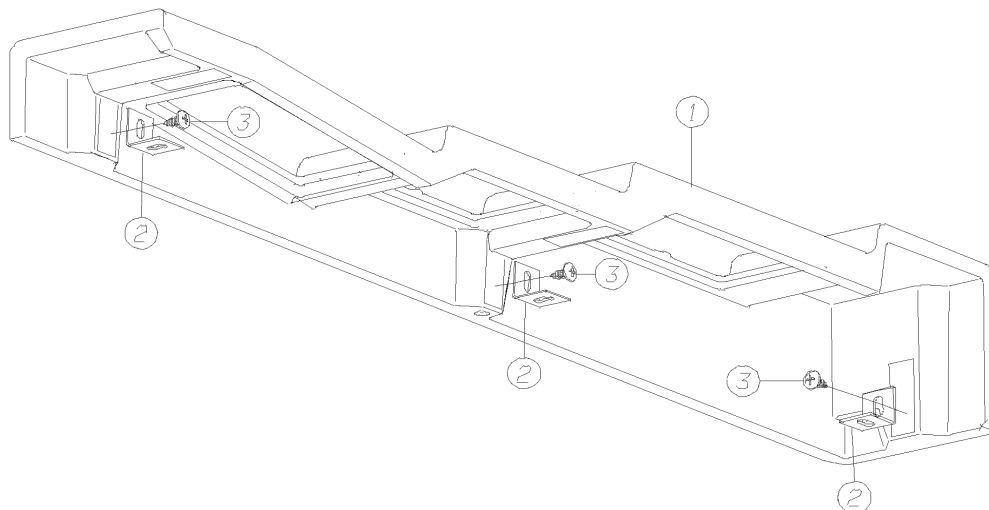
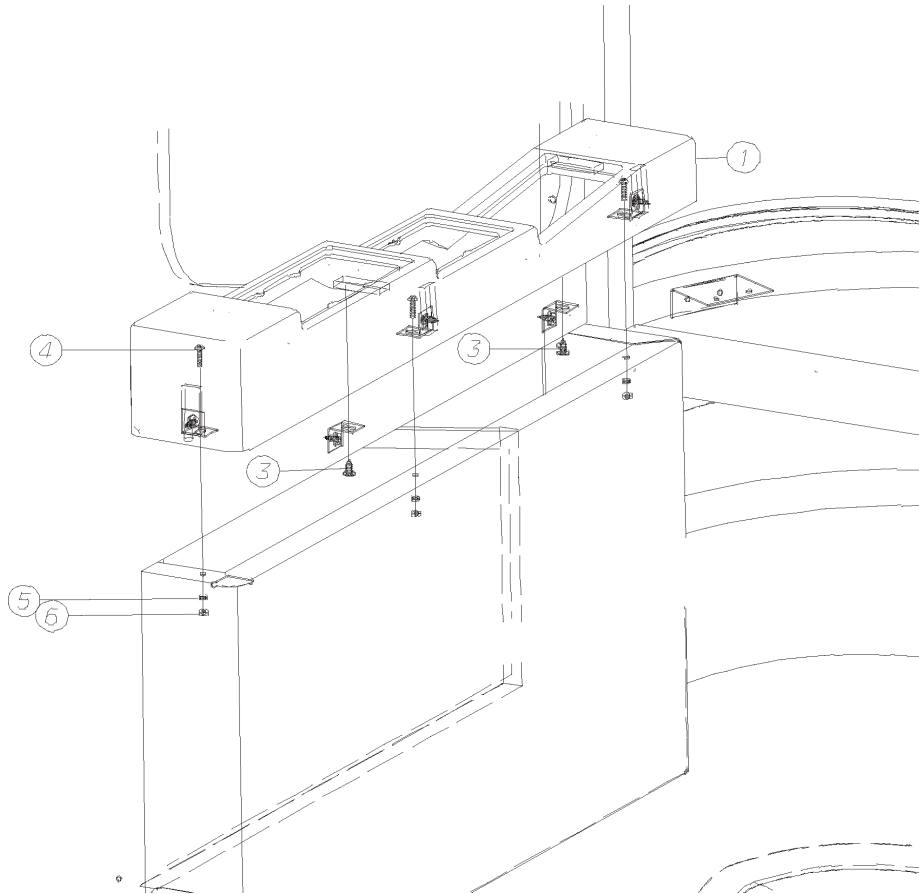
Key	PartNumber	Qty	Description	Comment
1	0061949		PANEL,ASSY,CHASSIS ELECTRICAL CENTER,	
1A	0019061	12	SCREW,10-32 X 1/2, F, PH1, PAN HD, BLACK	

**Models: H4RE
CHASSIS ELECTRICAL CENTER**

Key	PartNumber	Qty	Description	Comment
2	0042161		PANEL,CLOSEOUT,ELEC,CENTER	
2A	0019061	14	SCREW,10-32 X 1/2, F, PH1, PAN HD, BLACK	
3	0042160		PANEL,CLOSEOUT,ELEC,CENTER,UPPER,1, H4RE	
3A	0019061	8	SCREW,10-32 X 1/2, F, PH1, PAN HD, BLACK	
4	0042203		DOOR ASSY,ELEC,CENTER,CHASSIS	
4A	0042207		DECAL,CHASSIS,ELECTRICAL,CENTER	
4B	0059710		DECAL,ELECTRICAL,CENTER,COMPONENT, H4RE	
5	0041541		COMPARTMENT ASSY,L/CMPT,DRV AREA, H4RE	
6	0002220	4	BOOT, HEAT SHRINKABLE, RAYCHEM CES-3	
7	0006105		BOOT,HEAT SHRINKABLE,RAYCHEM,CE3-3-D1	
8	0002662	5	GASKET,CONNECTOR,24 SHELL,DEUTSCH	
9	1985001	5	LOCKWASHER,BLKHD,HD30,SIZE 24,DEUTSCH	
10	1984996	5	NUT,PANEL,BLKHD,HD30,SIZE 24,DEUTSCH	
11	0037420		PANEL,CLOSEOUT,ELEC,CENTER,UPPER,2, H4RE	
12	0059044		HARNESS,WRG,CHASSIS ELECTRICAL CENTER,	
13	1247709	4	WASHER,FLAT,17/64 ID X,5/8,YEL ZN DICH	
14	2000099	4	SCREW,1/4-20 X 1-1/2,D,HEX HD,YEL ZN DICH"	

**Models: H4RE
DRIVER'S ARM CONSOLE**

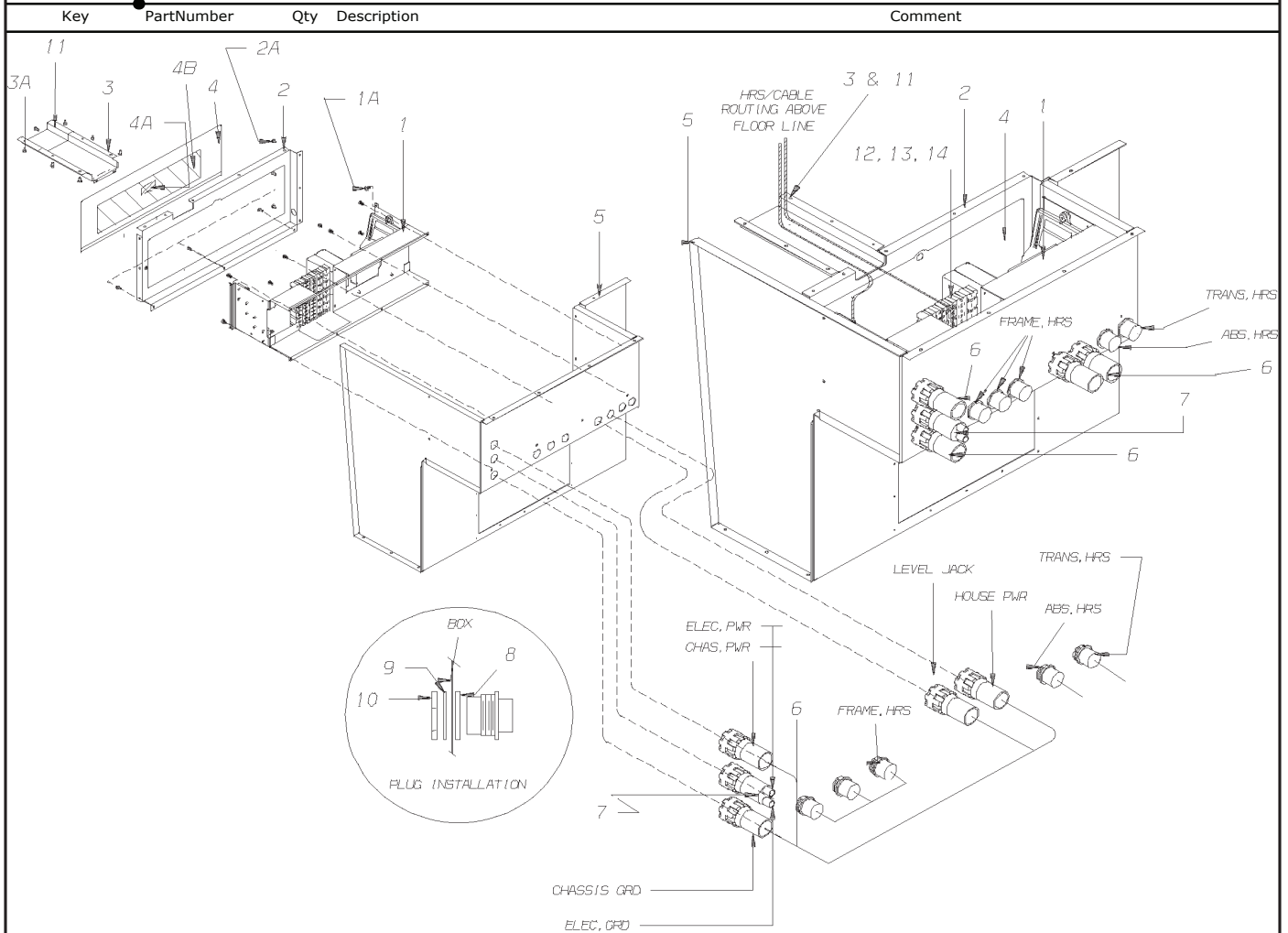
Key	PartNumber	Qty	Description	Comment
-----	------------	-----	-------------	---------



**Models: H4RE
DRIVER'S ARM CONSOLE**

Key	PartNumber	Qty	Description	Comment
1	0040496		PANEL,DASH,CONSOLE,DRIVERS,TAUPE, H4RE	
2	0043740	5	ANGLE,MTG,DRIVERS SIDE CONSOLE, H4RE	
3	2000636	7	SCREW,1/4-14 X 1/2,AB,PH1,PAN HD,YEL	
4	1315100	3	SCREW,MACH,10-32X1,PHI,PAN HD,BLK	
5	2001162	3	LOCKWASHER,SPLIT RING, 3/16,MED,YEL ZN	
6	2001287	3	NUT,HEX HD,10-32,YEL ZN DICH	

Models: **H4RE
ELECTRICAL CENTER
DRIVER'S LUGGAGE COMPARTMENT**

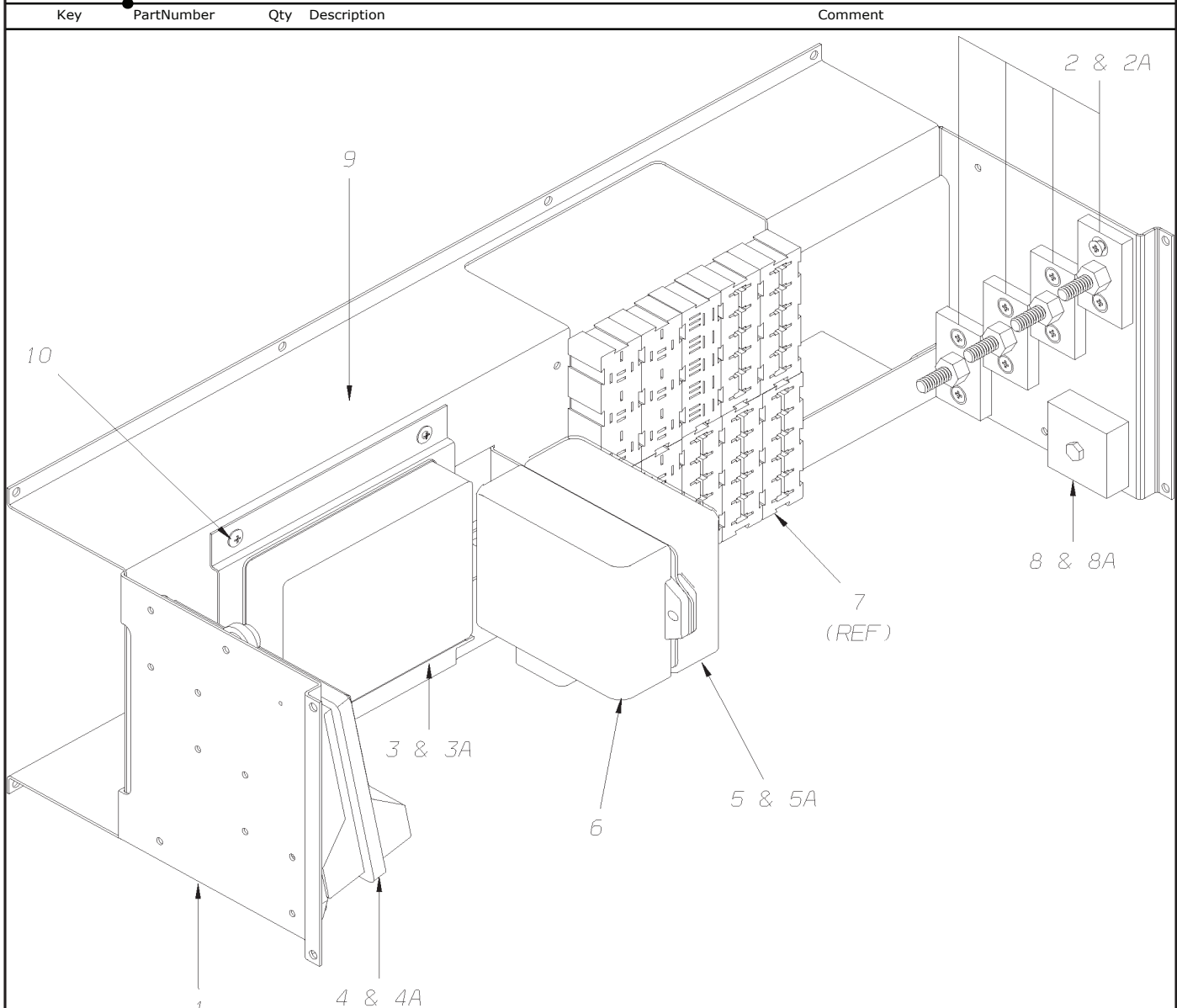


Key	PartNumber	Qty	Description	Comment
1	0042527		PANEL,ASSY,COMPONENTS,CHAS,ELEC,CTR,,	
1A	0019061	12	SCREW,10-32 X 1/2, F, PH1, PAN HD, BLACK	
2	0042161		PANEL,CLOSEOUT,ELEC,CENTER	
2A	0019061	14	SCREW,10-32 X 1/2, F, PH1, PAN HD, BLACK	
3	0042160		PANEL,CLOSEOUT,ELEC,CENTER,UPPER,1, H4RE	
3A	0019061	8	SCREW,10-32 X 1/2, F, PH1, PAN HD, BLACK	
4	0042203		DOOR ASSY,ELEC,CENTER,CHASSIS	
4A	0042207		DECAL,CHASSIS,ELECTRICAL,CENTER	

**Models: H4RE
ELECTRICAL CENTER
DRIVER'S LUGGAGE COMPARTMENT**

Key	PartNumber	Qty	Description	Comment
4B	0042209		DECAL,ELEC,CENTER,COMPONENT, H4RE	
5	0041541		COMPARTMENT ASSY,L/CMPT,DRV AREA, H4RE	
6	0002220	4	BOOT, HEAT SHRINKABLE, RAYCHEM CES-3	
7	0006105		BOOT,HEAT SHRINKABLE,RAYCHEM,CE3-3-D1	
8	0002662	5	GASKET,CONNECTOR,24 SHELL,DEUTSCH	
9	1985001	5	LOCKWASHER,BLKHD,HD30,SIZE 24,DEUTSCH	
10	1984996	5	NUT,PANEL,BLKHD,HD30,SIZE 24,DEUTSCH	
11	0037420		PANEL,CLOSEOUT,ELEC,CENTER,UPPER,2, H4RE	
12	0037404		HARNESS,WRG,CHASSIS ELECTRICAL CENTER,	
13	1247709	4	WASHER,FLAT,17/64 ID X,5/8,YEL ZN DICH	
14	2000099	4	SCREW,1/4-20 X 1-1/2,D,HEX HD,YEL ZN DICH"	

Models: **H4RE
 PANEL ASSEMBLIES
 CHASSIS, ELECTRICAL CENTER**



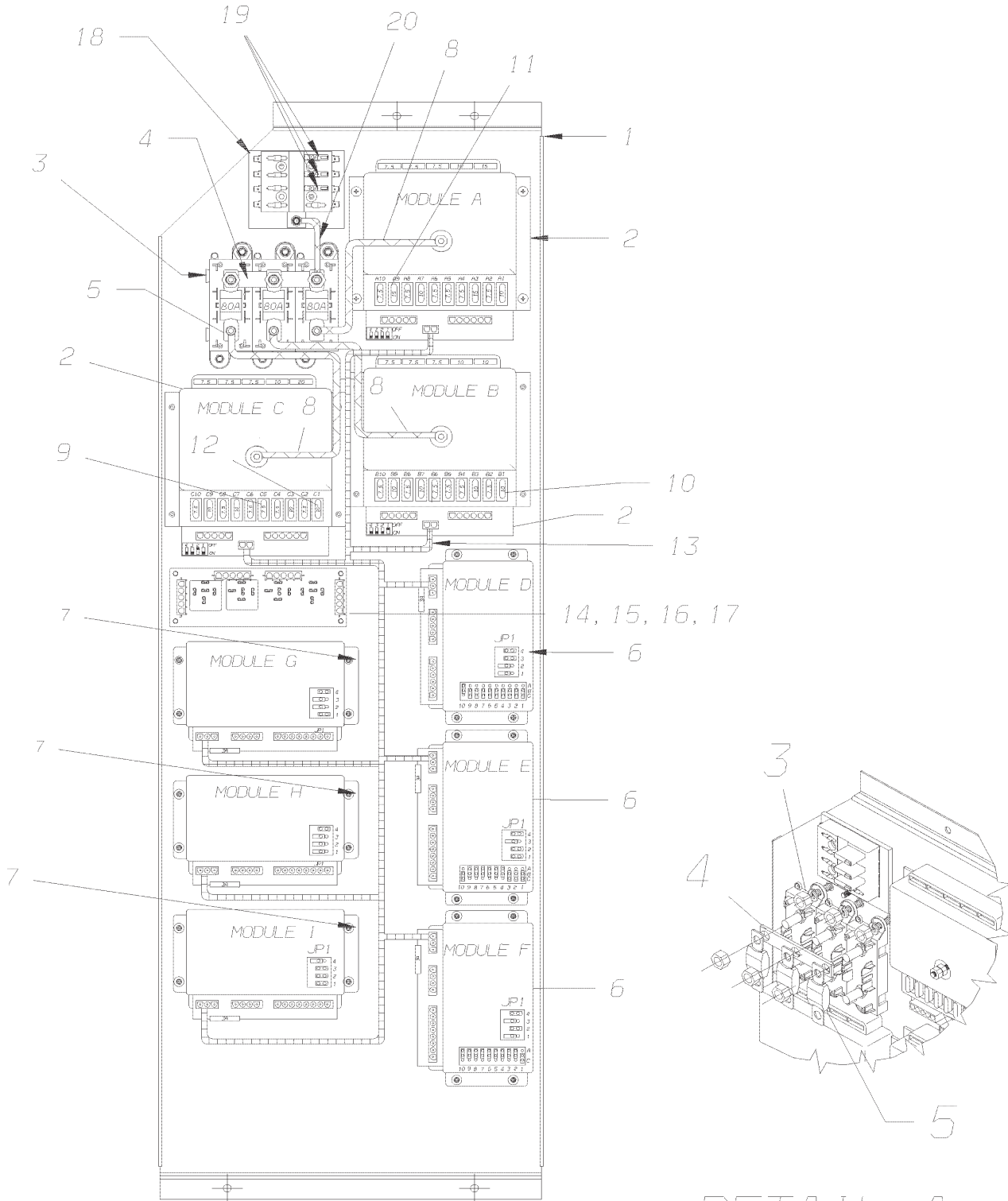
Key	PartNumber	Qty	Description	Comment
1	0041760		PANEL ASSY,CHASSIS,ELECTRICAL CENTER,	
2	0553131	4	STUD,TERMINAL,BAT CABLE JUNCTION,NO	
2A	1731017	8	SCREW,12-24 X 7/8,F,PH1,FLT CNSK HD,BLK	
3	0064650		ECU,REMOTE,6 CHANNEL,AIR BRAKE,ABS	
3A	1337039	4	SCREW,12-24 X 3/8,PH1,PAN HD,YEL ZN	

**Models: H4RE
 PANEL ASSEMBLIES
 CHASSIS, ELECTRICAL CENTER**

Key	PartNumber	Qty	Description	Comment
4A	2000099	3	SCREW,1/4-20 X 1-1/2,D,HEX HD,YEL ZN DICH"	
	1247709	3	WASHER,FLAT,17/64 ID X,5/8,YEL ZN DICH	
5	0042520		ECU,INSTRUMENTATION,1587,PI,PRX2, H4RE	
5A	2000057	2	CAPSCREW, HEX HD, 1/4-20 X 1, GR 5,Y EL ZN	
	1247709	2	WASHER,FLAT,17/64 ID X,5/8,YEL ZN DICH	
	0659979	2	NUT, HEX, FLANGE SER, 1 /4-20, BLACK, ZINC	
6	0061808		ECU,INST,1587,PI,PRX1-D,C4/H4	
7	0059044		HARNESS,WRG,CHASSIS ELECTRICAL CENTER,	
8	1320340		RELAY,TIME DELAY,60 SEC SSAC TSDB1160 SP	
8A	2000073		SCREW,1/4-20 X 1,D,HEX HD,YEL ZN DICH	
9	0067847		BRACKET,MTG,ECU,ABS,AIR BRAKES, 38H4	
10	1062124	4	SCREW,1/4-14 X 1,AB,PH1,PAN HD,YEL ZN	

Models: **H4RE
 PANEL ASSEMBLIES
 FRONT MULTIPLEX
 45' UNIT**

Key	PartNumber	Qty	Description	Comment
-----	------------	-----	-------------	---------



DETAIL A

**Models: H4RE
 PANEL ASSEMBLIES
 FRONT MULTIPLEX
 45' UNIT**

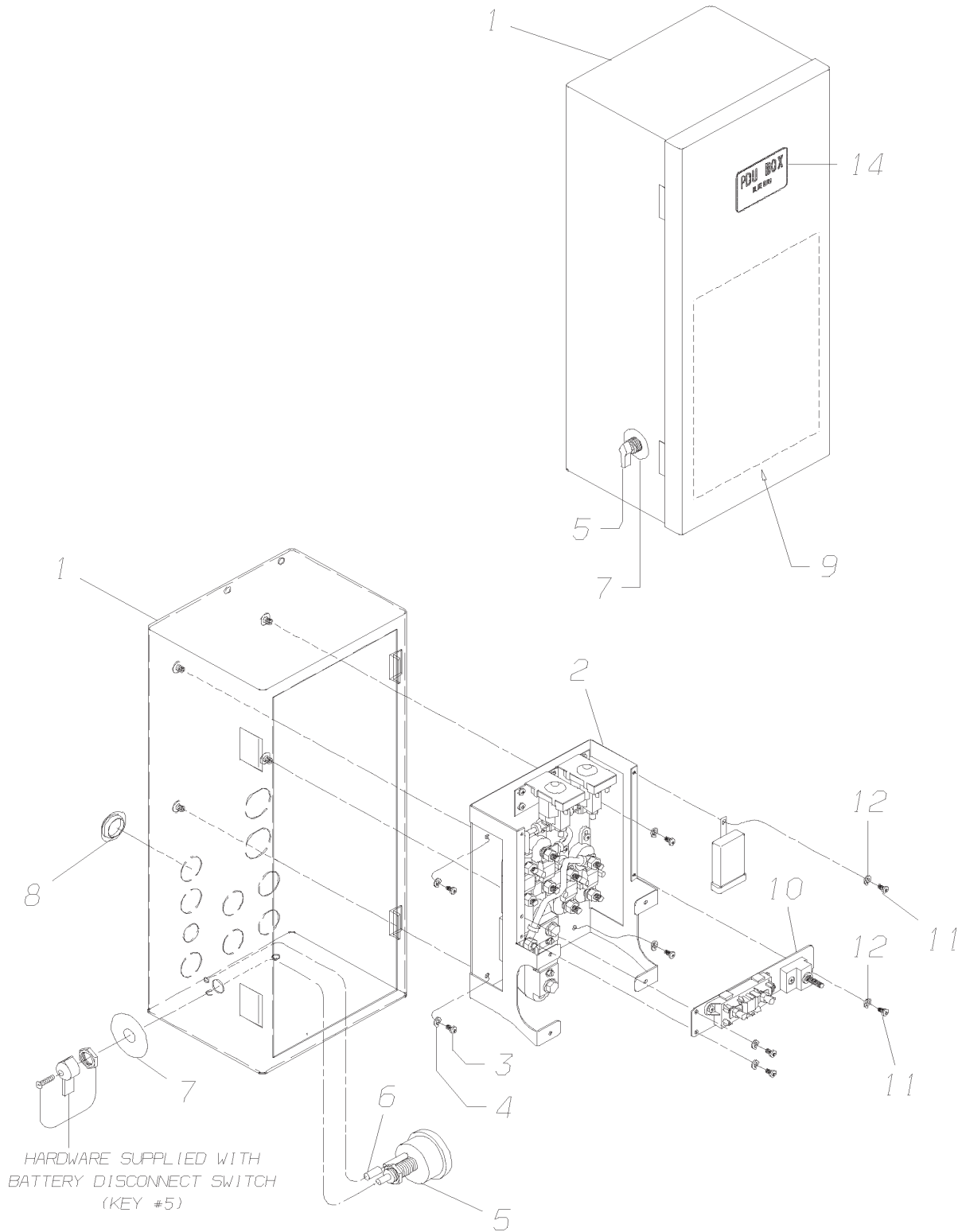
Key	PartNumber	Qty	Description	Comment
1	0087752		PANEL,MTG,FRONT MULTIPLEX MODULES	
2	0069050	3	MODULE,10 RELAY,NON LATCHING,M450	
NI	2000446	12	SCREW,6-20 X 3/8,AB,PH1,PAN HD,YEL ZN	
3	1864404	3	HOLDER,FUSE,MEGA,LITTLE FUSE	
NI	0977132	6	CAPSCREW,HEX HD,1/4-20 X 3/4,GR 5,YEL	
NI	2001170	6	LOCK WASHER, SPLIT RING, 1/4 , MED, YEL ZN	
NI	2001337	6	NUT,HEX HD,1/4-20,ZINC	
4	0063855		BUSBAR,CABLE,.75 X 4.00,.406 3 HOLES	
5	0041783	3	FUSE,MEGA,80 AMP	
6	0069053	3	MODULE,INPUT,MULTIPLEXING,INTELLITEC,	
NI	0527275	12	SCREW,10-16 X 3/8,AB,PH1,PAN,YEL ZINC	
7	0069256	3	MODULE,MULTIPLEX,OUTPUT,10 - 0.1AMPS,	
NI	0527275	12	SCREW,10-16 X 3/8,AB,PH1,PAN,YEL ZINC	
8	0073626	3	CABLE,ASSEMBLY,6 GA,RED,5/16 X 1/4 X 11	
9	1696715	27	FUSE,AUTO,7.5 AMP	
10	1696723	4	FUSE,AUTO,10 AMP	
11	1696731	3	FUSE,AUTO,15 AMP	
12	1696749	3	FUSE,AUTO,20 AMP	
13	0071371		HARNES,WRG,FRONT MULTIPLEX DATA COMM,	
14	0081452		RELAY,BOARD,PC BOARD W/4 RELAY, M450	
15	1868017	2	RELAY,POTTER BRUMFIELD VF4-15F11-S01	
16	0031314	4	SPACER,.250 ID X .375 OD X .45 LONG	
17	1529536	4	SCREW,6-20 X 3/4,AB,PH1,OVAL CNSK HD,SST	

Models: H4RE
PANEL ASSEMBLIES
FRONT MULTIPLEX
45' UNIT

Key	PartNumber	Qty	Description	Comment
18	0041386		PANEL,FUSE,8 POSITION	
NI	0527275	2	SCREW,10-16 X 3/8,AB,PH1,PAN,YEL ZINC	
19	0074826	3	BREAKER,CIRC,SNAP ACTION,MANUAL	
20	0088501		CABLE ASSY,GA,6,RED,3/8 X #10 X 8 LG	

Models: H4RE
PDU, REAR
INTERMEDIATE PANEL ASSY
CUMMINS
To CSN 02/16/03

Key	PartNumber	Qty	Description	Comment
-----	------------	-----	-------------	---------

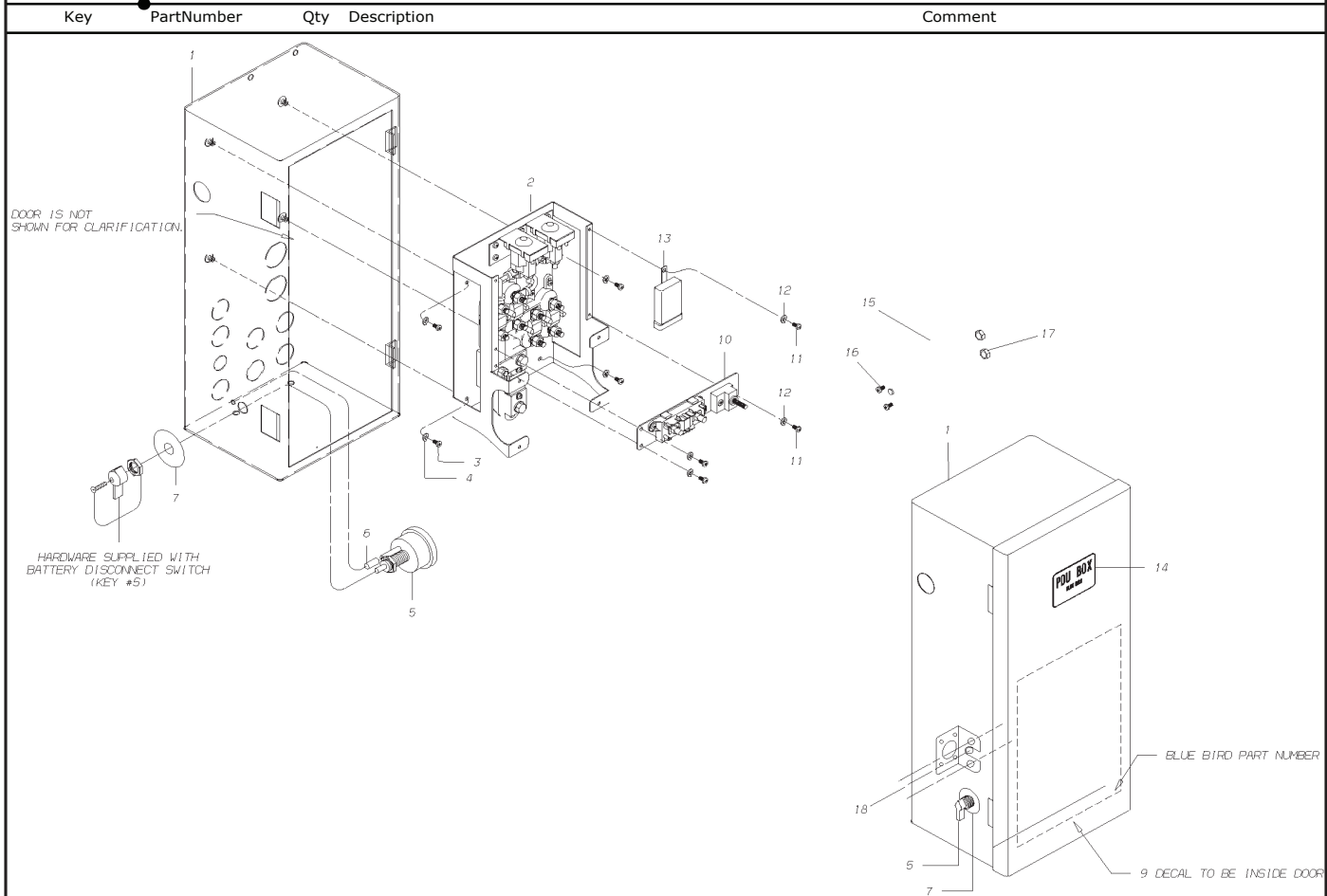


**Models: H4RE
PDU, REAR
INTERMEDIATE PANEL ASSY
CUMMINS
To CSN 02/16/03**

Key	PartNumber	Qty	Description	Comment
	0041152		PANEL ASSY,INTERMEDIATE,REAR,PDU,CUMN,	
1	0039608		BOX,REAR PDU, C4RE,H4RE	
2	0041149		PANEL ASSY,INNER REAR,PDU,CUMMINS, H4RE	
3	3754728	4	SCREW,MACH,10-32 X 3/8,PH1,PAN HD,	
4	2001162	4	LOCKWASHER,SPLIT RING, 3/16,MED,YEL ZN	
5	1902337		SWITCH, DISCONNECT, BATTERY, DOUBLE	
6	1797802		HOSE,.25 ID X .50 OD,W-H H00904	
7	0006304		FACE PLATE, BATTERY SWITCH, DOUBLE POLE	
8	0041120		CAP,PLUG,1.375	
9	0042169		DECAL,PDU,REAR,CUMMINS, H4RE	
10	0041128		PANEL ASSY,MTG,ELEC COMPONENTS, C4RE	
11	1334689	4	SCREW,10-32 X 3/8,F,PH1,PAN HD,YEL ZN DICH	
12	2001162	4	LOCKWASHER,SPLIT RING, 3/16,MED,YEL ZN	
13	0026267		MODULE,COOLANT LEVEL	
14	0042939		DECAL,PDU BOX, C4RE/H4RE	

**Models: H4RE
PDU, REAR
INTERMEDIATE PANEL ASSY
CUMMINS**

BSN: From CSN 02/17/03

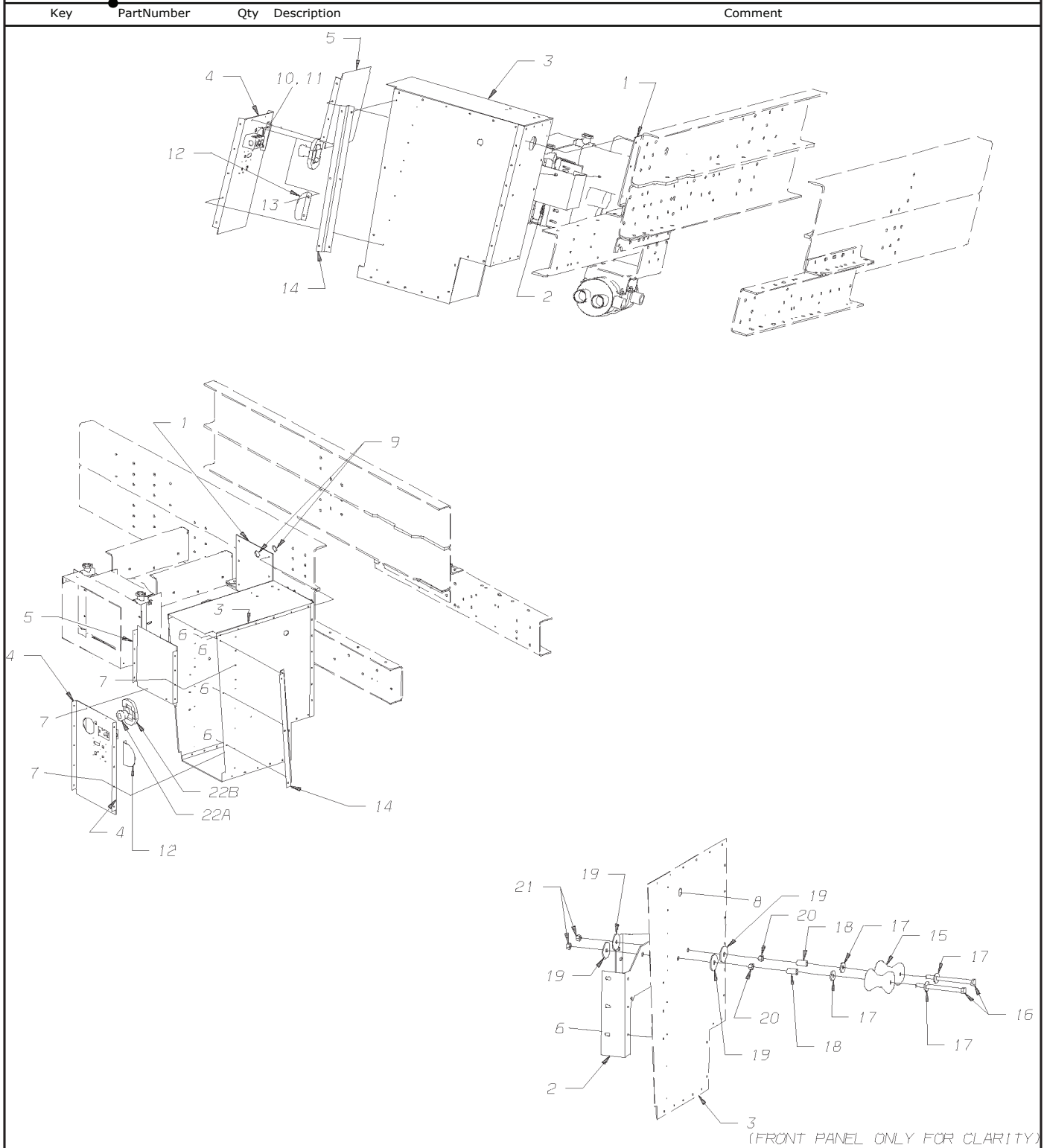


Key	PartNumber	Qty	Description	Comment
	0060580		PANEL ASSY,INTERMEDIATE,REAR,PDU,CUM,	
1	0060778		BOX,REAR,PDU, H4RE	
2	0060770		PANEL ASSY,REAR,PDU,INNER,CUMMINS, H4RE	
3	3754728		SCREW,MACH,10-32 X 3/8,PH1,PAN HD,	
4	2001162		LOCKWASHER,SPLIT RING, 3/16,MED,YEL ZN	
5	1902337		SWITCH, DISCONNECT, BATTERY, DOUBLE	
6	1797802		HOSE,.25 ID X .50 OD,W-H H00904	
7	0006304		FACE PLATE, BATTERY SWITCH, DOUBLE POLE	
9	0059065		DECAL,PDU,REAR,CUMMINS, 38H4	

Models: H4RE
 PDU, REAR
 INTERMEDIATE PANEL ASSY
 CUMMINS
BSN: From CSN 02/17/03

Key	PartNumber	Qty	Description	Comment
10	0041128		PANEL ASSY,MTG,ELEC COMPONENTS, C4RE	
11	1334689		SCREW,10-32 X 3/8,F,PH1,PAN HD,YEL ZN DICH	
12	2001162		LOCKWASHER,SPLIT RING, 3/16,MED,YEL ZN	
13	0026267		MODULE,COOLANT LEVEL	
14	0042939		DECAL,PDU BOX, C4RE/H4RE	
15	0046498		BRACKET,MTG,DIAGNOSTIC, C4RE	
16	1631613		SCREW,MACH,1/4-20X1,PH1,TRUSS HD,YEL	
17	0659979		NUT, HEX, FLANGE SER, 1 /4-20, BLACK, ZINC	
18	0037406		CAP,PLUG,0.875	

Models: H4RE
POWER CORD REEL BOX
With: FEATURE 38112-07



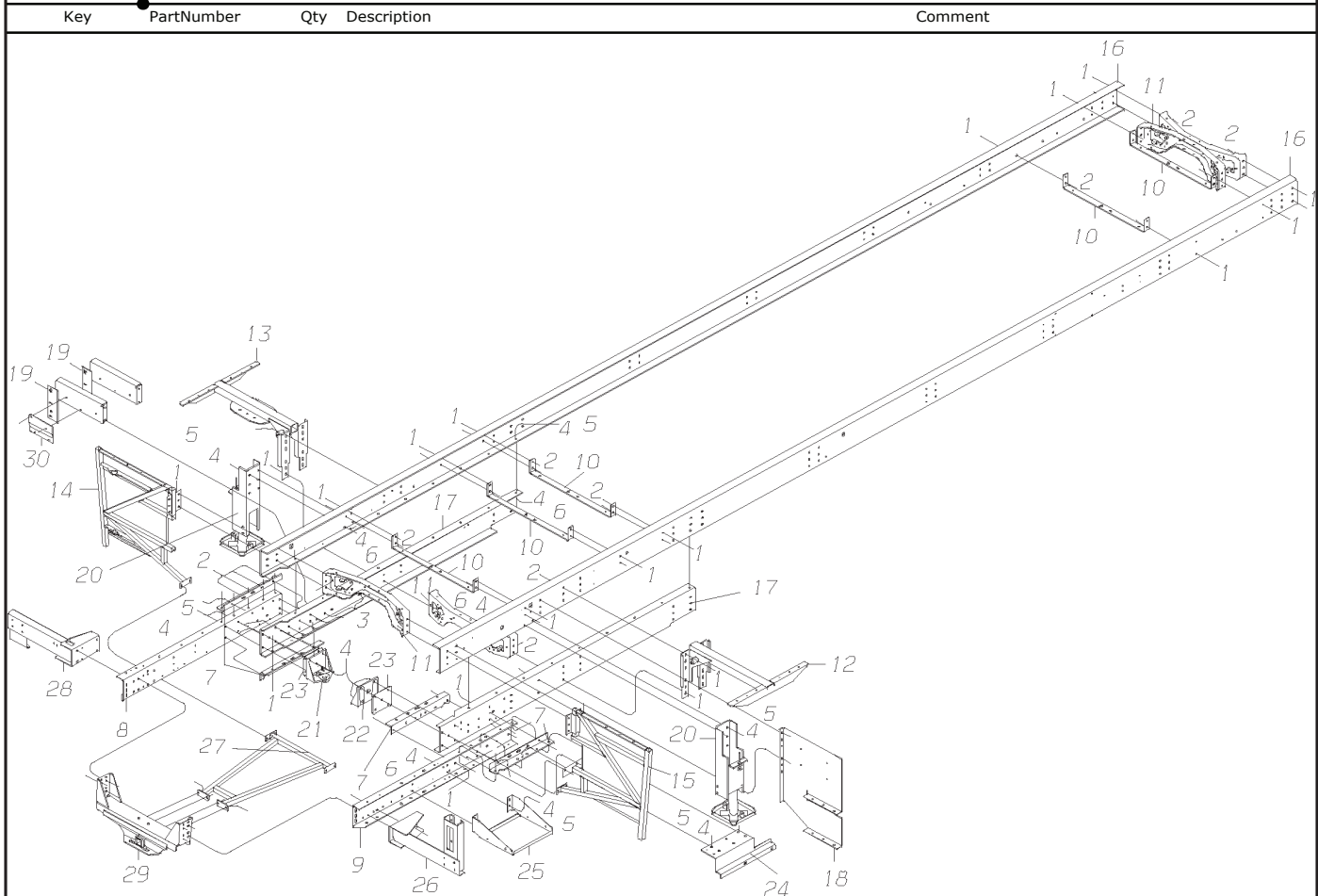
**Models: H4RE
POWER CORD REEL BOX
With: FEATURE 38112-07**

Key	PartNumber	Qty	Description	Comment
2	0041520		BRACKET,MTG,OUTER,ELEC CORD REEL,H4RE	
3	0042608		BOX ASSY,POWER CORD REEL,H4RE	
4	0042626		PANEL ASSY,FACE,LWR,ELEC CORD REEL,H4RE	
5	0041528		PANEL,FACE,UPR,ELEC CORD REEL,H4RE	
6	0888222	12	RIVET,CHERRY,1/4IN	
7	2193456		SCREW,SM,PH,PN/HD,10-24 X 3/8,TYPE G,ZN3	
8	2003192		GROMMET,RUBBER,FC	
9	2003200	2	GROMMET,RUBBER,1 IN. ID	
10	0882795	2	LOCKWASHER, SPLIT RING, 3/8, MED, YELLOW	
11	2260834	2	CAPSCREW,HEX,3/8-16 X 1,GR 5,ZN3	
12	0046273		CLOSEOUT,PANEL PWR CORD REEL ACCESS,	
13	2260677	2	NUT,HEX,3/8-16,ZN3	
14	0046651		BRACKET,MTG,REAR,PWR CORD REEL BOX,	
15	0049099		ROLLER,3.0 BOW,RUBBER,BLACK,H4RE	
16	1003086	2	CAPSCREW,HEX HD,1/2-13 X6 1/2,GR8,	
17	2001154	4	WASHER,FLAT,9/16,X 1 25/64 X7/64,	
18	0049100	2	SPACER,.75OD X .510ID,1.375THK,H4RE	
19	1306927	4	WASHER,FLAT,.531 X 2.250 X 11 GA,YEL	
20	1003094	2	NUT,HEX HD,1/2-13,GR 8,YEL ZN DICH	
21	0850800	2	NUT, HEX HD, 1/2-13, LOCKING, GR 8, CAD	
22	0049142		CORD REEL ASSY,CABLE MASTER,H4RE	

Models: C4RE, H4RE
REAR CONTROL BOX
JD 8.1, CUM ISC. CAT 3126, C7, C7-07
BSN: From CSN 02/13/03

Key	PartNumber	Qty	Description	Comment
1	0042774	1	BOX,REAR,CONTROL, C4RE,H4RE	
2	0042255	1	PLATE,MTG,ELEC,COMP,RR CONTROL BX,C4RE,	
3	0041124	1	GAUGE,CONTROLLER MODULE	
4	0036899	1	GAUGE,OIL PRESSURE,DATA LINK,PI	
5	0036900	1	GAUGE,COOLANT TEMP,DATA LINK,PI	
6	0036901	1	GUAGE,HOURLMETER,DATA LINK,PI	
7	2545325	3	O-RING,136	
8	0042122	3	RING,MTG,PI,2.375	
9	0004201	1	SWITCH,TOGGLE,DPST,MAINTAINED	
10	0004199	1	SWITCH,TOGGLE,SPST,MOMENTARY	
11	0044069	1	SWITCH,TOGGLE,DPDS,MAINTAINED,32NT91-1	
12	0039837	3	SEAL,WASHER,.53 ID X 1.50 OD X .08 THK	
13	0043086	1	DECAL,REAR,CONTROL,BOX, C4RE,H4RE	
14	0059035	1	HARNESS,WRG,REAR,CONTROL, C4RE/H4RE	
15	2001162	4	LOCKWASHER,SPLIT RING, 3/16,MED,YEL ZN	
16	3754728	4	SCREW,MACH,10-32 X 3/8,PH1,PAN HD,	
17	0019061	2	SCREW,10-32 X 1/2, F, PH1, PAN HD, BLACK	
18	0057296	1	BRACE,REAR,CONTROL BOX RIGHT HAND, C4RE	
19		4	CAPSCREW,SS, VENDOR SUPPLIED	
20		4	NUT,SS,VENDOR SUPPLIED	
21	0057297	1	BRACE,REAR,CONTROL BOX LEFT HAND, C4RE	

Models: **H4RE**
FRAME COMPONENTS
3800BM

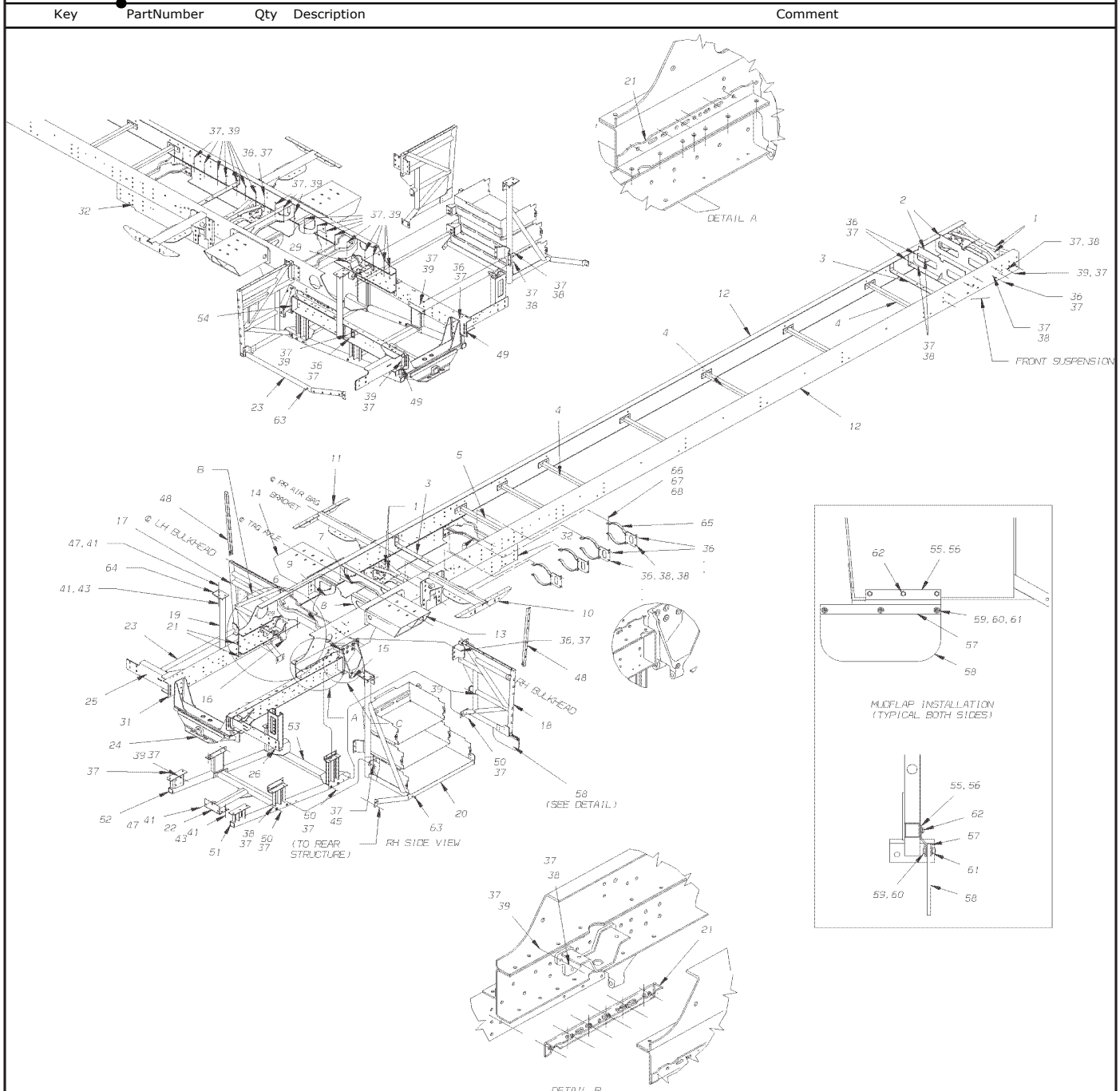


Key	PartNumber	Qty	Description	Comment
1	1636943	96	PIN, FLG HEAD, HUCKSPIN, .50X2.22, HSP8	
2	1636968	96	COLLAR, HUCKSPIN, .50,HSCH-R16	
3	0803148	10	CAPSCREW,HEX HD,1/2-13 X 1 3/4,GR8,	
4	1003045	10	WASHER, FLAT,1 7/32 X 1 1/16 X 7/64, HDN,	
5	0850800	54	NUT, HEX HD, 1/2-13, LOCKING, GR 8, CAD	
6	0803239	44	CAPSCREW, HEX HD, 1/2-13 X1 1/2, GR8	
7	1875053	4	ANGLE,ATTACHING SUBFRAME TO FRAME	
8	0014746	1	FRAME,SUB,REAR,LH,RE	
9	0014753	1	FRAME,SUB,REAR,RH,RE	

**Models: H4RE
FRAME COMPONENTS
3800BM**

Key	PartNumber	Qty	Description	Comment
10	0000096	5	BRACKET, SUPPORT, DRIVE SHAFT GUARD,	
11	1807577	4	CROSSMEMBER, STAMPED, 34 INCH	
12	0035364	1	BRACKET ASSY,MTG,RR AIR BAG,RR SUSP,RH,	
13	0046200	1	BRACKET ASSY,MTG,RR AIR BAG,RR SUSP,LH,	
14	0039804	1	TUBE ASSY,BULKHEAD,MTG,RADIATOR,FRONT,	
15	0040611	1	BULKHEAD ASSY,MTG,RADIATOR,FRONT,RH	
16	0038672	1	FRAME RAIL SET, 3800 H4RE	
17	0038491	1	TUBE,1.000 OD X .625 ID X 1.750 LONG	
18	0040805	RE	BRACKET,MTG,BATTERY TRAY,FRT,37FT,H4RE	
19	1885359	RE	BRACKET ASSY,MTG,HYDRAULIC COOLER,RE	
20	0010411	RE	JACK,LEVELING,FRONT,HWH	
21	1944081	RE	CASTING,FRAME,REAR ENGINE,LH,HDRE	
22	1930205	RE	CASTING,FRAME,REAR ENGINE,RH,HDRE	
23	0047495	RE	PLATE,SPACER,FRAME TO MOUNT,37 FT, H4RE	
24	0040806	RE	BRACKET,MTG,BATTERY TRAY,M/S,UPR,37FT,	
25	1944925	RE	TRAY,BATTERY,RAW	
26	0046515	RE	ANGLE ASSY,REAR STRUCTURE RH, H4RE	
27	0046074	RE	BRACE ASSY,TRAILER HITCH, H4RE	
28	0046513	RE	ANGLE ASSY,REAR STRUCTURE,LH, H4RE"	
29	0045851	RE	CROSSMEMBER ASSY,ENG/TLR HITCH MTG,ISL	
30	0040699	RE	BRACKET,MTG,AIR DRYER TO OUTRIGGER,	

Models: **H4RE**
FRAME COMPONENTS
FRAME COMPONENT INSTALLATION
45 FT



Key	PartNumber	Qty	Description	Comment
1	1807577	4	CROSSMEMBER, STAMPED, 34 INCH	
2	0054254	2	CROSSMEMBER ASSY, REINF, FRT AXLE	
3	0000096	2	BRACKET, SUPPORT, DRIVE SHAFT GUARD,	

**Models: H4RE
FRAME COMPONENTS
FRAME COMPONENT INSTALLATION
45 FT**

Key	PartNumber	Qty	Description	Comment
4	0054258	6	CROSSMEMBER,SUPPORT,CABLE TRAY	
5	0071290		CROSSMEMBER,SUPPORT,CABLE TRAY,REAR	
6	0059609	2	CROSSMEMBER, TRQ/ROD, UPR, RR SUSP,	
7	0069151		CROSSMEMBER,REINF,TAG AXLE,FWD	
8	0069154		CROSSMEMBER,REINF,TAG AXLE,LH	
9	0071291		CROSSMEMBER,REINF,TAG AXLE,RH	
10	0072335		BRACKET ASSY, MNT, RR SUSP, A/BAG, RH	
11	0072337		BRACKET ASSY, MNT, RR SUSP, A/BAG, LH	
12	0072761		RAIL,FRAME,4400	
13	0076884		BRACKET ASSY,MTG,A/BAG TO FRAME,RH	
14	0076890		BRACKET ASSY,MTG,A/BAG TO FRAME,LH	
15	0061005		BRACKET,MTG,TORQUE ROD,TAG AXLE,RH,	
16	0061007		BRACKET,MTG,TORQUE ROD,TAG AXLE,LH,	
17	0103152		BULKHEAD,REAR,ASSY LH, 45H4RE	
18	0083246		BULKHEAD ASSY,REAR,RIGHT HAND, 45H4RE	
19	0068882		TUBE ASSY,SUPPORT,DAVENPORT,LH, 45H4RE	
20	0068881		COMPARTMENT,ASSY,FINAL,BATTERY	
21	1875053	4	ANGLE,ATTACHING SUBFRAME TO FRAME	
22	0080152		TUBE ASSY,REAR,TRAILER HITCH, 45H4RE	
23	0080160		TUBE ASSY,CMPT,ENGINE,LOWER,LH, 45H4RE	
24	0059593		CROSSMEMBER ASSY,ENG,TRLR HTCH,CAT C12	
25	0088471		BRACE ASSY,STRUCTURE,REAR,LH,AKG,	
26	0075191		BRACE ASSY,STRUCTURE,REAR,RH,V2	

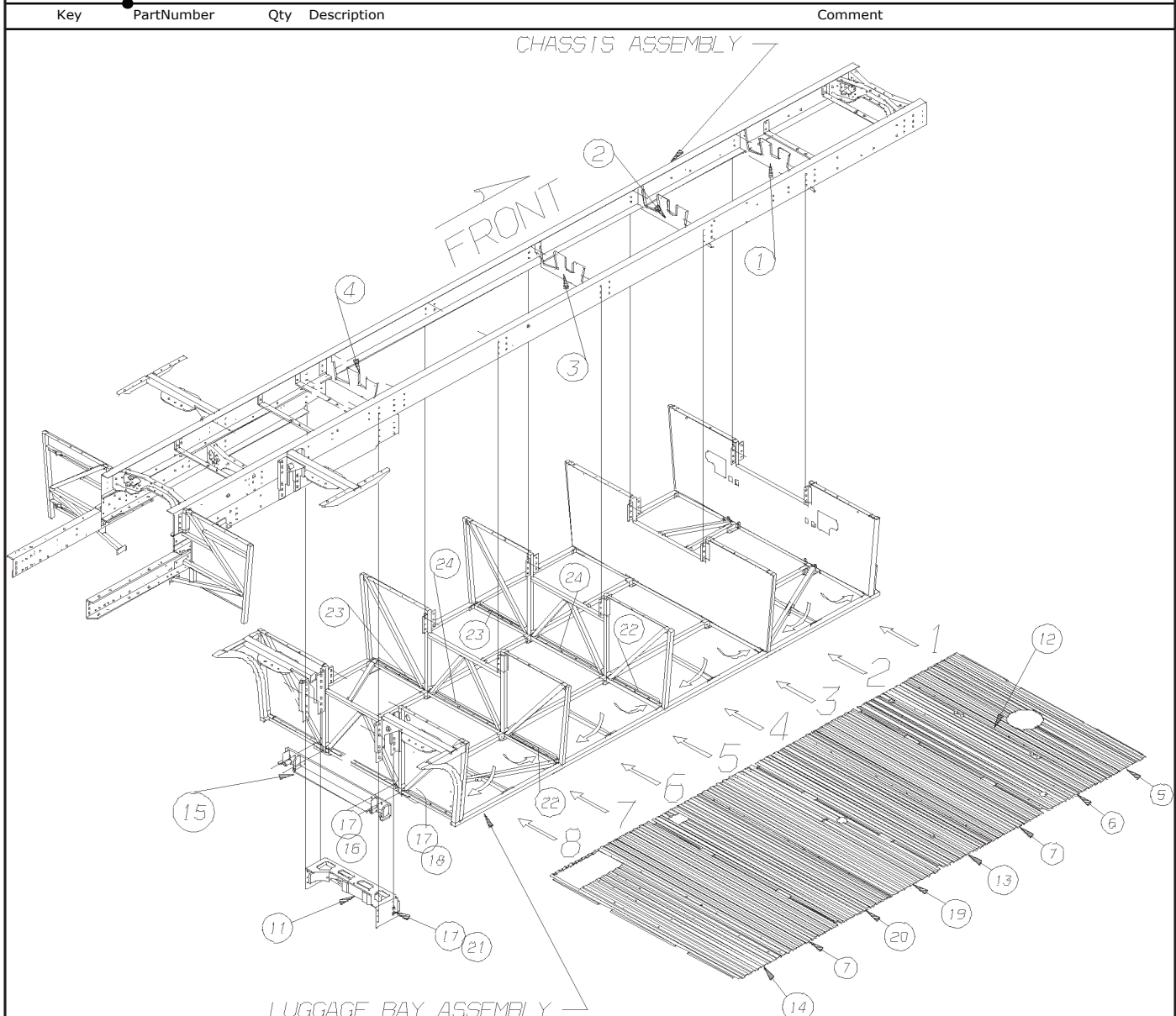
**Models: H4RE
 FRAME COMPONENTS
 FRAME COMPONENT INSTALLATION
 45 FT**

Key	PartNumber	Qty	Description	Comment
27	0069014	2	BRACE,BATTERY,UPPER FRONT, 45H4RE	
28	0069013		BRACE,BATTERY,LOWER FRONT, 45H4RE	
29	0071276		BRACKET ASSY,MNT,ENG/TRANS TO FRAME,RH	
29	0071277		BRACKET ASSY,MNT,ENG/TRANS TO FRAME,LH	
30	0014753		FRAME,SUB,REAR,RH,RE	
31	0014746		FRAME,SUB,REAR,LH,RE	
32	0061993		FRAME RAIL SET,RR,LWR, 4000/4400 H4RE	
33	3805165	6	WASHER,LOCK,HELICAL SPRING,1/4,304 SS	
34			HUCK FASTENER	
35			HUCK FASTENER	
36	0803148	43	CAPSCREW,HEX HD,1/2-13 X 1 3/4,GR8,	
37	1003045	30	WASHER, FLAT,1 7/32 X 1 1/16 X 7/64, HDN,	
38	0850800	15	NUT, HEX HD, 1/2-13, LOCKING, GR 8, CAD	
39	0803239	11	CAPSCREW, HEX HD, 1/2-13 X1 1/2, GR8	
40	1107895	16	CAPSCREW,HEX HD,5/8-11 X 2,GR8,YEL ZN	
41	0929018	54	WASHER, FLAT, 21/32 X 1 1/8 X 3/32, HDN, YEL	
42	3931805	6	CAPSCREW,HEX HD,1/4-20 X 1,304 SS	
43	0939827	30	NUT, HEX HD, 5/8-11, GR 8, LOCK, CADMIUM	
44			HUCK FASTENER	
45	1003078	2	CAPSCREW,HEX HD,1/2-13 X 3,GR 8,YEL ZN	
46			HUCK FASTENER	
47	1107879	15	CAPSCREW,HEX HD,5/8-11 X1 3/4,GR8,	
48	0077348	2	PLATE ASSY,BACKING,DOOR,ENG ACCESS,	

**Models: H4RE
FRAME COMPONENTS
FRAME COMPONENT INSTALLATION
45 FT**

Key	PartNumber	Qty	Description	Comment
49	0058065	2	SPACER,SUB FRM TO RR STRUC ANGLE ASSY,	
50	1139559	14	CAPSCREW, HEX HD, 1/2-13 X 4, GR8, YEL ZN	
51	0080461		TUBE ASSY,FINAL,TRAILER HITCH,RH, 45H4RE	
52	0080488		TUBE ASSY,FINAL,TRAILER HITCH,LH, 45H4RE	
53	0080459		CROSSMEMBER ASSY,FRONT,TRAILER HITCH	
54	0079868	2	CAP,FRAME,LOWER, 45H4RE	
55	0082673		BRACKET, MTG, MUDFLAP, FRT & RR BLKHD,	
56	0082775		BRACKET, MTG, MUDFLAP, FRT & RR BLKHD,	
57	0082763	2	PLATE, MTG, MUDFLAP, FRT AND RR BLKHD,	
58	0082676	2	MUDFLAP, RUBBER, 7.50 X 15.00, 45H4RE	
59	0854406	6	CAPSCREW, HEX HD, 5/16-18 X 1, GR8, YEL ZN	
60	2001121	6	WASHER, FLAT, 5/16 X 3/4, X 5/64, YEL ZN	
61	1480433	6	NUT, HEX HD,5/16-18, FLG PRVG TORQ, GR F,	
62	3893773	6	SCREW,T EKS/3, HEX, WASHER HD, 1/4-14 X 1,	
63	0035382	2	BUMPER,RUBBER,SPARE TIRE ACCESS DOOR,	
64	0068877	3	PLATE,TUBE,TOP,LOWER DAV SUPPORT,	
65	0093580	4	BRACKET,ASSY,MOUNTING,AIR TANK	
66	0851337	4	CAPSCREW,HEX HD,3/8-16X6 1/2,GR5,YEL	
67	1107085	12	WASHER,FLAT,13/32 X 13/16 X 3/32,HDN,BLK	
68	1013689	12	NUT,HEX HD,3/8-16,WASHER SER,YEL ZN DICH	

Models: **H4RE**
FRAME COMPONENTS
FRAME TO LUGGAGE BAY



LUGGAGE BAY ASSEMBLY

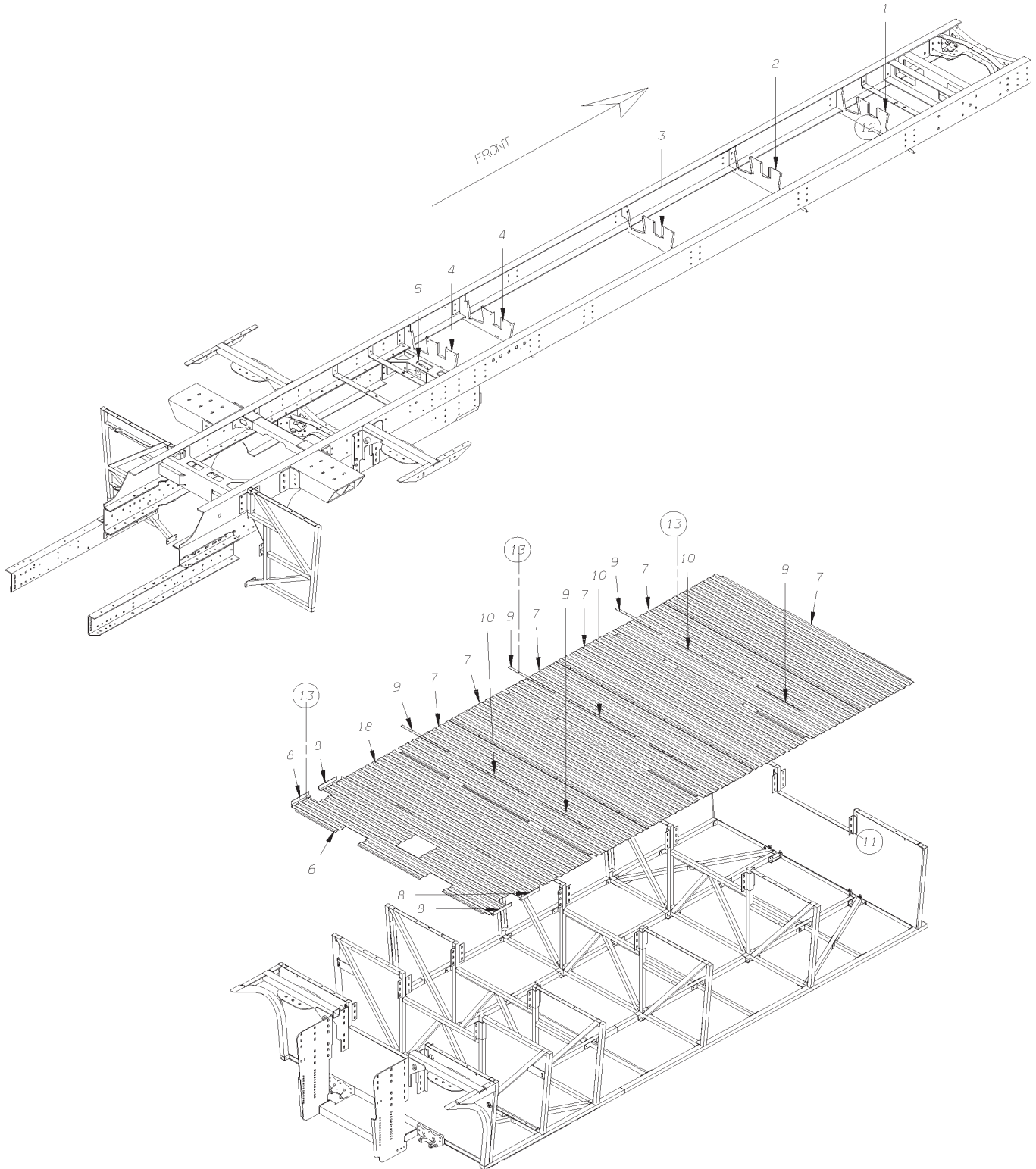
Key	PartNumber	Qty	Description	Comment
1	0037043	1	PANEL,FRAME RAIL BAFFLE,LOWER NO 1, H4RE	
2	0039167	1	PANEL,FRAME RAIL BAFFLE,LOWER NO 2, H4RE	
3	0039168	1	PANEL,FRAME RAIL BAFFLE,LOWER NO 3, H4RE	
4	0037259	1	PANEL,FRAME RAIL BAFFLE,LOWER NO 4, H4RE	
5	0039300	1	PANEL,CORRUGATED FLOOR,FRONT	

**Models: H4RE
FRAME COMPONENTS
FRAME TO LUGGAGE BAY**

Key	PartNumber	Qty	Description	Comment
6	0039301	1	PANEL,CORRUGATED FLOOR,J-BOLT	
7	0035404	2	PANEL,CORR FLOOR,.047X24.26X88.61	
8	1636943	78	PIN, FLG HEAD, HUCKSPIN, .50X2.22, HSP8	
9	1636968	78	COLLAR, HUCKSPIN, .50,HSCH-R16	
10	0043434	3	ADHESIVE,BETAMATE 7177,600ML	
11	0047068	1	CROSSMEMBER ASSY,UPPER TORQUE ROD,	
12	1813070	90	FASTENER,HUCK,.25,BLIND,MAGNABULB,MBP-	
13	0044746	1	PANEL,CORRUGATED FLOOR,HLDG TK CMPT,	
14	0044744	1	PANEL,CORRUGATED FLOOR,HLDG TK CMPT,RR,	
15	0038395	1	BRACKET ASSY,MTG,SUSP TO BULKHEAD,RR,	
16	1003086	8	CAPSCREW,HEX HD,1/2-13 X6 1/2,GR8,	
17	1003045	16	WASHER, FLAT,1 7/32 X 1 1/16 X 7/64, HDN,	
18	0850800	8	NUT, HEX HD, 1/2-13, LOCKING, GR 8, CAD	
19	0051489	1	PANEL,CORRUGATED,AQUAHOT CMPT,FRT,38	
20	0051494	1	PANEL,CORRUGATED FLR,PLUMB,RR,H4RE	

Models: H4RE, M4RE
FRAME COMPONENTS
FRAME TO LUGGAGE BAY
40 FT

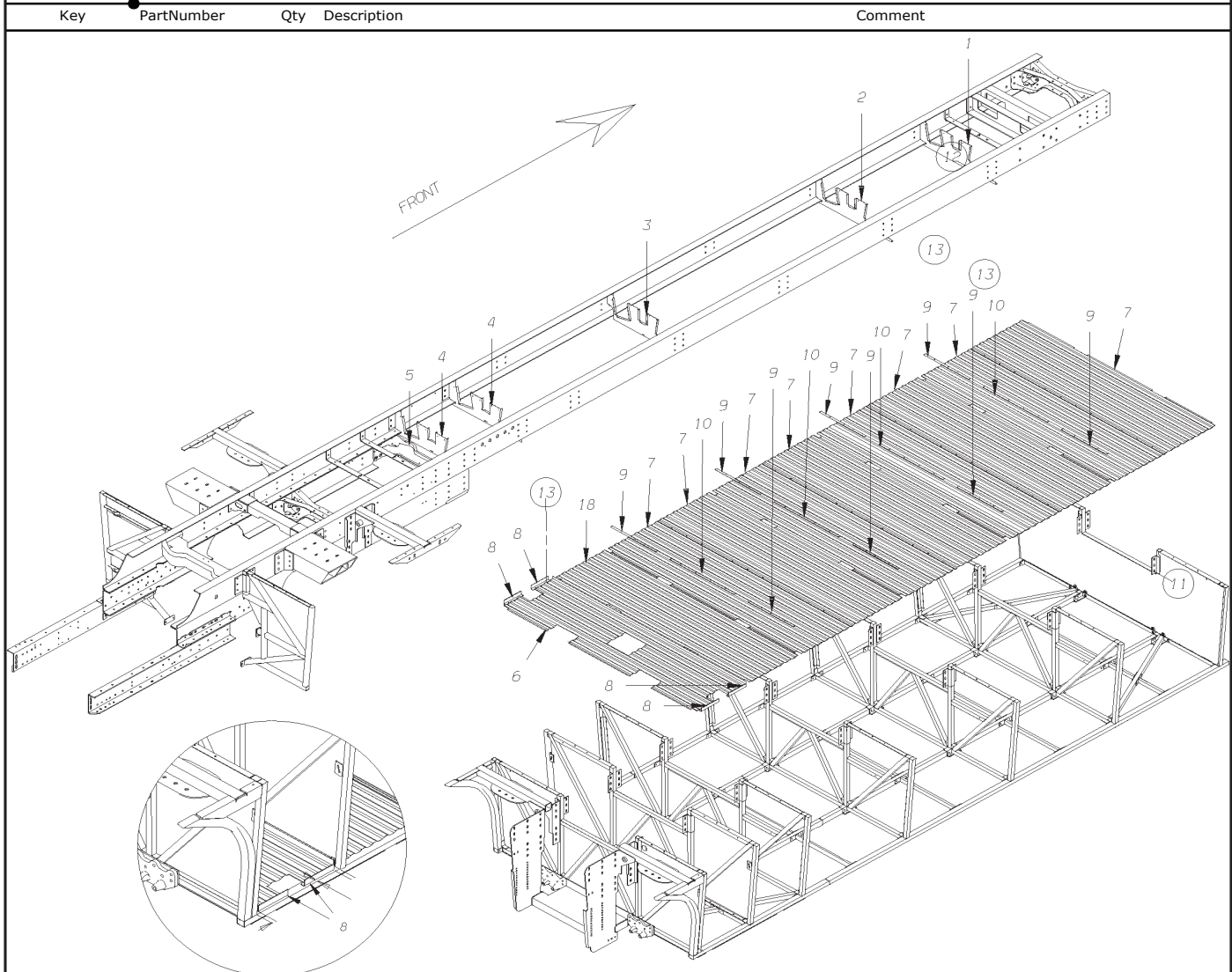
Key	PartNumber	Qty	Description	Comment
-----	------------	-----	-------------	---------



**Models: H4RE, M4RE
 FRAME COMPONENTS
 FRAME TO LUGGAGE BAY
 40 FT**

Key	PartNumber	Qty	Description	Comment
1	0037043	1	PANEL,FRAME RAIL BAFFLE,LOWER NO 1, H4RE	
2	0039167	1	PANEL,FRAME RAIL BAFFLE,LOWER NO 2, H4RE	
3	0039168	1	PANEL,FRAME RAIL BAFFLE,LOWER NO 3, H4RE	
4	0037259	2	PANEL,FRAME RAIL BAFFLE,LOWER NO 4, H4RE	
5	0052723	1	CROSSMEMBER ASSY,UPPER TORQUE ROD,	
6	0059011	1	PANEL,CORRUGATED FLOOR,FUEL BAY, M/H4RE	
7	0035404	6	PANEL,CORR FLOOR,.047X24.26X88.61	
8	0058943	4	ANGLE,MTG,LOWER,FUEL TANK, H4/M4RE	
9	0059295	6	TRIM,CORRUGATED FLOOR,OUTBOARD, M4RE	
10	0059297	3	TRIM,CORRUGATED FLOOR,CENTER, M4RE	
11	1636943	96	PIN, FLG HEAD, HUCKSPIN, .50X2.22, HSP8	
12	1636968	96	COLLAR, HUCKSPIN, .50,HSCH-R16	
13	1854397	88	RIVET,BLIND,.25 DIA,.38 GRIP	
14	0803148	12	CAPSCREW,HEX HD,1/2-13 X 1 3/4,GR8,	
15	1003045	20	WASHER, FLAT,1 7/32 X 1 1/16 X 7/64, HDN,	
16	0850800	8	NUT, HEX HD, 1/2-13, LOCKING, GR 8, CAD	
17	0043434	3	ADHESIVE,BETAMATE 7177,600ML	
18	0059017	1	PANEL,CORRUGATED FLOOR,BAY 5, M/H4RE	
19	2002756	1	SEALANT,SYNTHETIC,PUTTY,SIKA SLUG	

Models: H4RE, M4RE
FRAME COMPONENTS
FRAME TO LUGGAGE BAY
45 FT

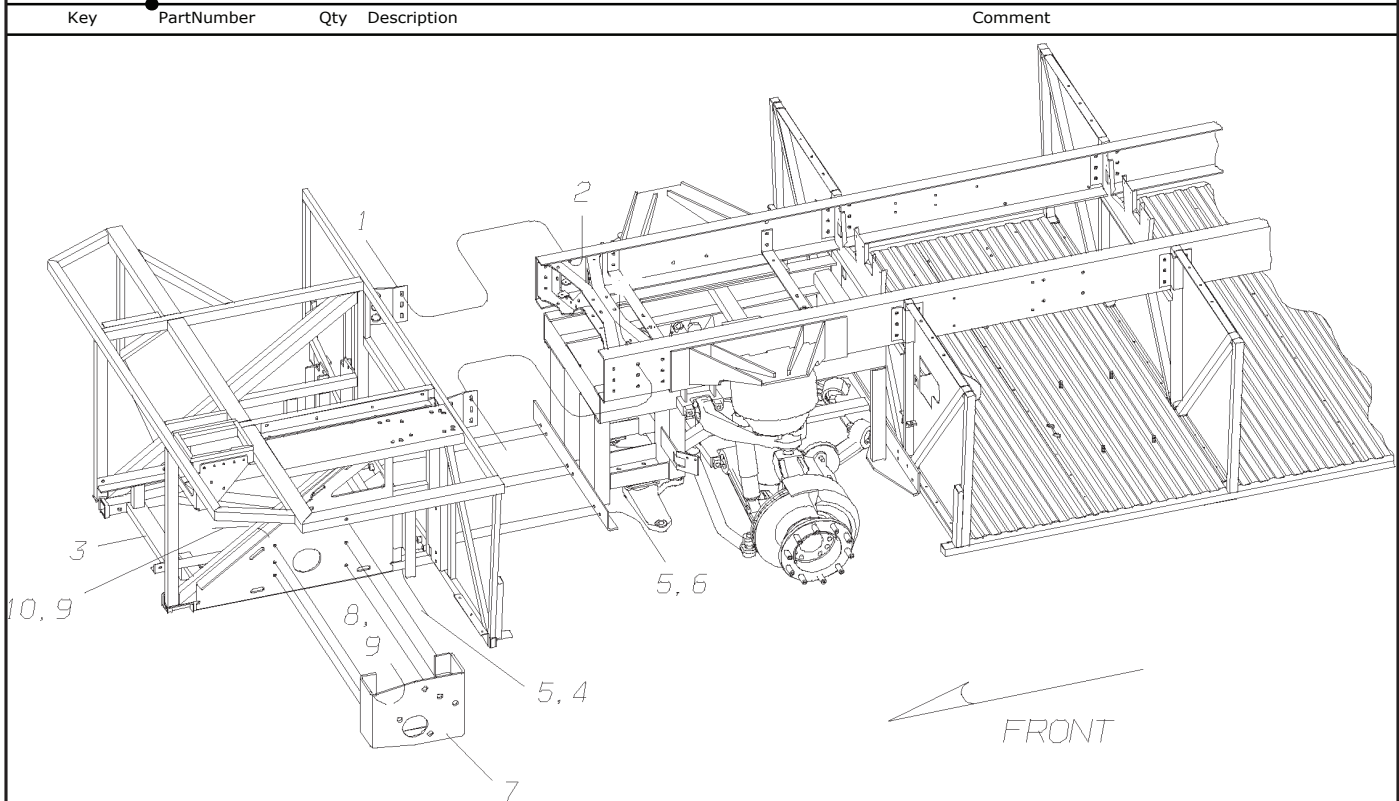


Key	PartNumber	Qty	Description	Comment
1	0037043	1	PANEL,FRAME RAIL BAFFLE,LOWER NO 1, H4RE	
2	0039167	1	PANEL,FRAME RAIL BAFFLE,LOWER NO 2, H4RE	
3	0039168	1	PANEL,FRAME RAIL BAFFLE,LOWER NO 3, H4RE	
4	0037259	2	PANEL,FRAME RAIL BAFFLE,LOWER NO 4, H4RE	
5	0052723	1	CROSSMEMBER ASSY,UPPER TORQUE ROD,	
6	0059011	1	PANEL,CORRUGATED FLOOR,FUEL BAY, M/H4RE	
7	0035404	8	PANEL,CORR FLOOR, .047X24.26X88.61	

**Models: H4RE, M4RE
 FRAME COMPONENTS
 FRAME TO LUGGAGE BAY
 45 FT**

Key	PartNumber	Qty	Description	Comment
8	0058943	4	ANGLE,MTG,LOWER,FUEL TANK, H4/M4RE	
9	0059295	8	TRIM,CORRUGATED FLOOR,OUTBOARD, M4RE	
10	0059297	4	TRIM,CORRUGATED FLOOR,CENTER, M4RE	
11	1636943	10	PIN, FLG HEAD, HUCKSPIN, .50X2.22, HSP8	
12	1636968	10	COLLAR, HUCKSPIN, .50,HSCH-R16	
13	1854397	10	RIVET,BLIND,.25 DIA,.38 GRIP	
14	0803148	12	CAPSCREW,HEX HD,1/2-13 X 1 3/4,GR8,	
15	1003045	20	WASHER, FLAT,1 7/32 X 1 1/16 X 7/64, HDN,	
16	0850800	8	NUT, HEX HD, 1/2-13, LOCKING, GR 8, CAD	
17	0054290	3	ADHESIVE,SIKA-FLEX 252,20OZ. SAUSAGE,BLK	
18	0059017	1	PANEL,CORRUGATED FLOOR,BAY 5, M/H4RE	
19	2002756	1	SEALANT,SYNTHETIC,PUTTY,SIKA SLUG	

**Models: H4RE
FRONT ASSY
INST, FRONT BASKET TO CHASSIS**

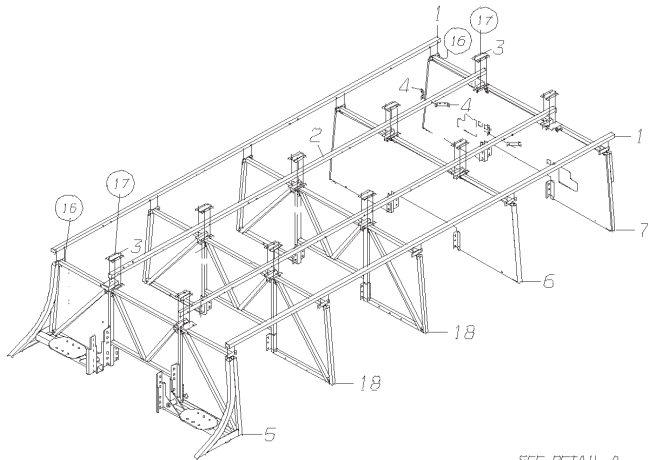


Key	PartNumber	Qty	Description	Comment
1	1636943	6	PIN, FLG HEAD, HUCKSPIN, .50X2.22, HSP8	
2	1636968	6	COLLAR, HUCKSPIN, .50,HSCH-R16	
3	0037860	1	SUBFRAME ASSY,FRONT STRUCTURE, H4RE	
4	1003078	6	CAPSCREW,HEX HD,1/2-13 X 3,GR 8,YEL ZN	
5	1003045	12	WASHER, FLAT,1 7/32 X 1 1/16 X 7/64, HDN,	
6	0850800	6	NUT, HEX HD, 1/2-13, LOCKING, GR 8, CAD	
7	0048052	1	BRACKET ASSY,MTG,STEERING GEAR, H4RE	
8	0803239	6	CAPSCREW, HEX HD, 1/2-13 X1 1/2, GR8	
9	1003045	12	WASHER, FLAT,1 7/32 X 1 1/16 X 7/64, HDN,	
10	0850800	6	NUT, HEX HD, 1/2-13, LOCKING, GR 8, CAD	

Models: H4RE
LUGGAGE BAY
LUGGAGE BAY

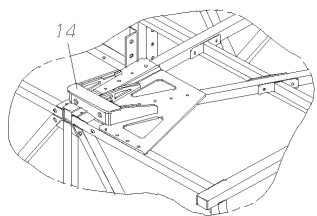
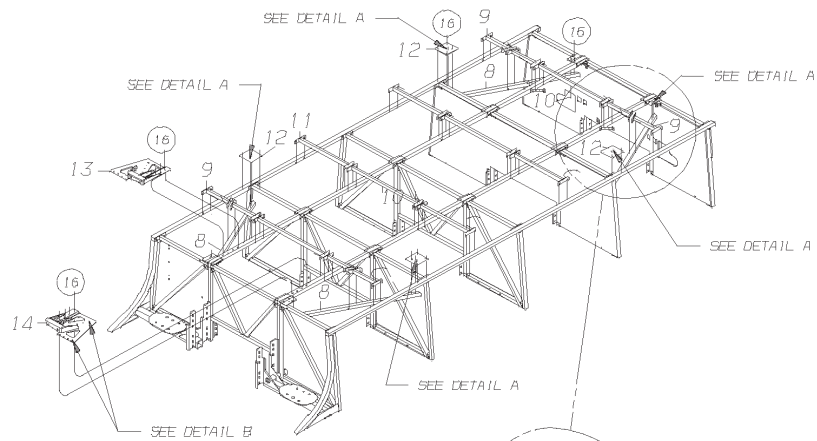
Key	PartNumber	Qty	Description	Comment
-----	------------	-----	-------------	---------

LONGITUDINAL TUBE INSTALLATION

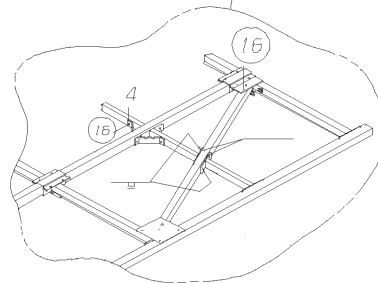


FRONT

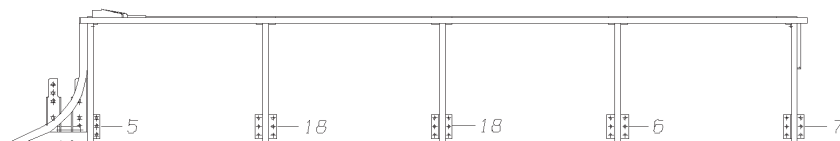
LUGGAGE BAY FLOOR CROSS TUBE INSTALLATION



DETAIL B



DETAIL A



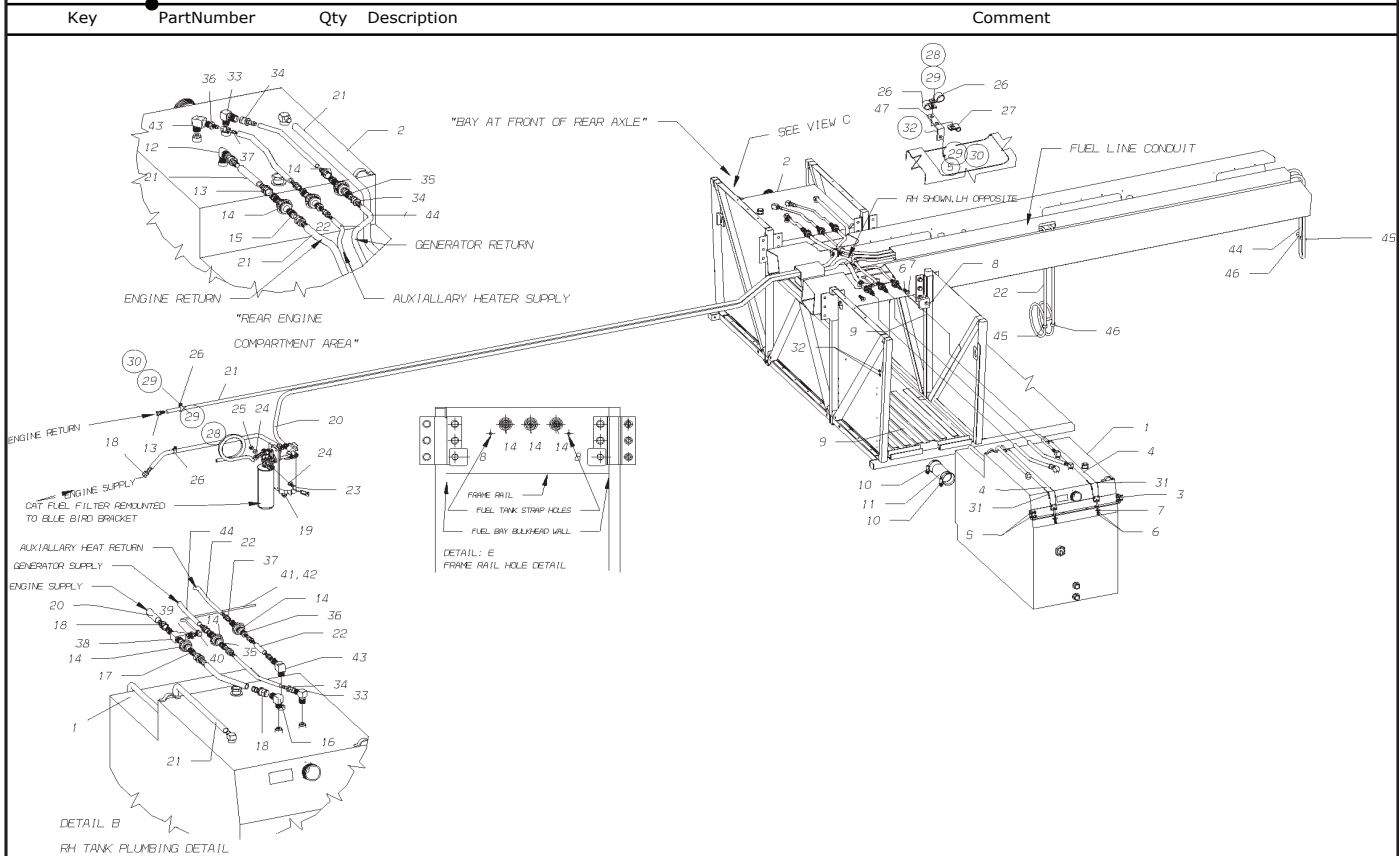
INVERTED RIGHT HAND SIDE VIEW

FRONT

Models:
H4RE
LUGGAGE BAY
LUGGAGE BAY

Key	PartNumber	Qty	Description	Comment
1	0046901	2	TUBE ASSY, LONGITUDINAL, OUTBOARD, LOWER,	
2	0046256	2	TUBE ASSY, LONGITUDINAL, CENTER, LOWER,	
3	0034917	10	BRACKET, CLAMP, LUGGAGE COMP, BOTTOM	
4	0048422	4	BRACKET, MTG, FUEL TANK STRAP, FLOOR	
5	0038589	1	BULKHEAD ASSY, LUGGAGE COMPT, IFS, REAR,	
6	0030538	3	BULKHEAD ASSY, LUGGAGE COMPARTMENT	
7	0038607	1	BULKHEAD ASSY, FINAL, LUGGAGE COMPT, IFS,	
8	0045405	4	TUBE, STEEL, 1.50 X 1.50 X 52.32 X .083 THK	
9	0045546	8	TUBE ASSY, SUPPORTLOCK, FLOOR, OUTSIDE	
10	0048088	4	TUBE ASSY, SUPPORTLOCK, FLOOR, CENTER, BAY	
11	0045551	4	TUBE ASSY, SUPPORTLOCK, FLOOR, OUTSIDE	
12	0036339	4	PLATE, RIVET, LUGGAGE BAY TUBE, H4RE	
13	0049148	1	BRACKET ASSY, MTG, RH, SUSP TO BULKHEAD, RR	
14	0049156	1	BRACKET ASSY, MTG, LH, SUSP TO BULKHEAD, RR	
15	0043434	1	ADHESIVE, BETAMATE 7177, 600ML	
16	0044986	17	FASTENER, HUCK, .31, BLIND, BOM-R10-4WH	
17	1813070	40	FASTENER, HUCK, .25, BLIND, MAGNABULB, MBP-	

Models: H4RE
 CAT
 200 GALLON
 248 AND 296 WB
With: FEATURE 40241-17
 To CSN 02-22-04 (FOR 296 WHEELBASE)



Key	PartNumber	Qty	Description	Comment
1	0058189		TANK ASSY,FUEL,100 GALLON W/O	
2	0056836		TANK ASSY,FUEL,100 GALLON W/SENDER,	
	0086581		SENDER,FUEL TANK,100 GALLON,COMMERCIAL	
3	0058944	2	BRACKET,MTG,TIE DOWN,FUEL TANK, M4/H4RE	
4	0058941	4	STRAP ASSY,FUEL TANK,100 GALLON, M4/H4RE	
5	1339621	10	CAPSCREW,HEX FLG,3/8-16X1.25,GR5,YEL	
6	2001451	16	NUT, HEX HD, 3/8-16, YELLOW DICHROMATE	
7	1078922	8	WASHER, FLAT, 3/8 X 7/8 X 5/64, YEL ZN DICH	
8	0058940	4	PAD,SPACER,FUEL TANK TO FRAME RAIL,	
9	0046056	32	PAD,URETHANE,.125 X 1.5 X 28 IN, H4RE	
10	1905488	2	CLAMP,CONSTANT TORQUE,2 1/4 TO 3 1/8 DIA	

**Models: H4RE
 CAT
 200 GALLON
 248 AND 296 WB**
**With: FEATURE 40241-17
 To CSN 02-22-04 (FOR 296 WHEELBASE)**

Key	PartNumber	Qty	Description	Comment
11	0062366		HOSE,FUEL SYS,2.38IDX5.50 LONG,H4/M4RE	
12	1002864		ELBOW,90 DEG,1/2 FL X 1/2 MPT WH 49X8X8	
13	1944107	4	SWIVEL,FEMALE,45FL,1/2HX1/2T,WH10008B	
14	1153600	6	COUPLING,ANCHOR,1/2 NPT	
15	1003102	2	ADAPTER,STRAIGHT,37 DEG FL,1/2MPT X 1/2T	
16	2026706		ELBOW,49X10,1/2MPT X 5/8 TUBE,FLARE	
17	2026672	2	CONNECTOR,MALE,45 FL,5/8T X 1/2MPT,48 X	
18	1912765	4	SWIVEL,FEMALE,45 FL,5/8H X 5/8T,10010B-410	
19	0066582		FILTER ASSY,WATER,SEP 120 GPH,.62 LINE	
20	1313774	20	HOSE,.625 ID X .906 OD,WH H10110	
21	1797828	27	HOSE,.50 ID X .78 OD,W-H H00908	
22	1797802	20	HOSE,.25 ID X .50 OD,W-H H00904	
23	0520866	2	CAPSCREW,HEX HD,1/2-13 X 1 1/2,GR 5,ZINC	
24	1003045	4	WASHER, FLAT,1 7/32 X 1 1/16 X 7/64, HDN,	
25	0850800	2	NUT, HEX HD, 1/2-13, LOCKING, GR 8, CAD	
26	1602663	6	CLAMP,LOOP,1.00 INCH,INSULATED	
27	0021926	2	CLAMP,LOOP,.625	
28	2000057	4	CAPSCREW, HEX HD, 1/4-20 X 1, GR 5,Y EL ZN	
29	1467000	8	WASHER,FLAT,.281 X.750X.078 HARDENED,BLK	
30	0659979	4	NUT, HEX, FLANGE SER, 1 /4-20, BLACK, ZINC	
31	2007649	2	PAD,FUEL TANK STRAP	
32	1013689	8	NUT,HEX HD,3/8-16,WASHER SER,YEL ZN DICH	
33	0032911	2	ELBOW,90 DEG,3/8FL X 1/2MPT,WH 49X6X8	

Models: H4RE
 CAT
 200 GALLON
 248 AND 296 WB
With: FEATURE 40241-17
 To CSN 02-22-04 (FOR 296 WHEELBASE)

Key	PartNumber	Qty	Description	Comment
34	1944099	6	SWIVEL,FEMALE,45FL,3/8H X 3/8T,1000GB-406	
35	2257897	4	CONNECTOR,0.375FL X 0.50MPT,BRASS	
36	0060431	6	FITTING,CONNECTOR,MALE,37 DEG,C5205X4X8	
37	0060430	6	FITTING,SWIVEL,FM,45FL,1/4HX1/4T,10004B	
38	1545730		TEE,STREET,1/2MPT X 1/2FPT X	
39	2027159		BUSHING,PIPE,1/2 X 1/4,BRASS	
40	0009912		ELBOW, 90 DEG, MALE, 1869X4X4-Z,.25MPT	
41	0654962	35	TUBING, PLASTIC, 1/4 OD, BLACK, SAE J844	
42	2005718	13	LOOM,ASPHALTUM,WIRE,5/16IN	
43	2008274	2	ELBOW,STREET,90 DEG,1/2MPT X	
44	1797810	60	HOSE,.37 ID X .62 OD,W-H H00906	
45	2249357	AR	TAPE,ELECTRICAL MARKING RED	
46	2249365	AR	TAPE,ELECTRICAL MARKING,YELLOW	
47	1317247	A/	BRACKET,ATCH,BRAKE LINE TO FRAME	
NI	0005364	A/	SEALANT,SIKAFLEX,221 BLACK,INDUSTRIAL	

Models: H4RE
 CAT
 200 GALLON
 296 WB
With: FEATURE 40241-17
BSN: From CSN 02-23-04 (FOR 296 WHEELBASE)

Key	PartNumber	Qty	Description	Comment
	0086581		SENDER,FUEL TANK,100 GALLON,COMMERCIAL	
9	0058189		TANK ASSY,FUEL,100 GALLON W/O	
10	0058940	4	PAD,SPACER,FUEL TANK TO FRAME RAIL,	
11	0058941	4	STRAP ASSY,FUEL TANK,100 GALLON, M4/H4RE	
12	0058944	2	BRACKET,MTG,TIE DOWN,FUEL TANK, M4/H4RE	
13	0520866	2	CAPSCREW,HEX HD,1/2-13 X 1 1/2,GR 5,ZINC	
14	0076640		FILTER,FUEL,FILTER MINDER,56501, 45H4RE	
15	0659979	7	NUT, HEX, FLANGE SER, 1 /4-20, BLACK, ZINC	
16	0850800	2	NUT, HEX HD, 1/2-13, LOCKING, GR 8, CAD	
17	1002864		ELBOW,90 DEG,1/2 FL X 1/2 MPT WH 49X8X8	
18	1003045	4	WASHER, FLAT,1 7/32 X 1 1/16 X 7/64, HDN,	
20	1078922	8	WASHER, FLAT, 3/8 X 7/8 X 5/64, YEL ZN DICH	
21	1313774	A/	HOSE,.625 ID X .906 OD,WH H10110	
22	0829317	8	CAPSCREW,HEX FLG,5/16-18X1.25,GR5,SER,	
23	1467000	14	WASHER,FLAT,.281 X.750X.078 HARDENED,BLK	
24	1602663	8	CLAMP,LOOP,1.00 INCH,INSULATED	
25	1797802	A/	HOSE,.25 ID X .50 OD,W-H H00904	
26	1797810	A/	HOSE,.37 ID X .62 OD,W-H H00906	
27	1797828	A/	HOSE,.50 ID X .78 OD,W-H H00908	
28	0074935	2	CLAMP,HOSE,2.375ID,45H4RE	
29	1912765	2	SWIVEL,FEMALE,45 FL,5/8H X 5/8T,10010B-410	
30	1944099	2	SWIVEL,FEMALE,45FL,3/8H X 3/8T,1000GB-406	
31	1944107	4	SWIVEL,FEMALE,45FL,1/2HX1/2T,WH10008B	

Models: H4RE
 CAT
 200 GALLON
 296 WB
With: FEATURE 40241-17
BSN: From CSN 02-23-04 (FOR 296 WHEELBASE)

Key	PartNumber	Qty	Description	Comment
32	2000057	7	CAPSCREW, HEX HD, 1/4-20 X 1, GR 5,Y EL ZN	
33	2001451	16	NUT, HEX HD, 3/8-16, YELLOW DICHROMATE	
34	2007649	A/	PAD,FUEL TANK STRAP	
35	2008274	2	ELBOW,STREET,90 DEG,1/2MPT X	
36	2026706		ELBOW,49X10,1/2MPT X 5/8 TUBE,FLARE	
37	2249357	A/	TAPE,ELECTRICAL MARKING RED	
38	2249365	A/	TAPE,ELECTRICAL MARKING,YELLOW	
39	0021926	2	CLAMP,LOOP,.625	
40	1589308	5	CLIP,WIRE AND TUBE CLAMP,1/8 - 1/4 FLANGE	
41	0076643		FITTING,BUSHING,FUEL SYSTEM,200GAL,	
42	0076433		FITTING,TEE,1/4 X 1/4 X 9/16 2609-06-04-04	
43	0076435		FITTING,ADAPTER,1/4 X 9/16,6505-04-06	
NI	3756004	A/	FUEL,DIESEL NO 2	
45	0073708		PLATE,C/O,FUEL TANK ACCESS	
46	0071303	4	SCREW,TEKS/3,PH,WAFER HD,8-24 X 1 1/4,ZN3	

Models: A3FE, B4RE, C1FE, C3FE, C4RE, CSFE, CSRE, H4RE, L4RE, Q4RE, QBRE, WLWB, W4RE CHART, FUEL SENDERS

Key	PartNumber	Qty	Description	Comment
			TANK ASSEMBLY, FUEL	
	1935501		TANK ASSY,FUEL,60 GAL,MM,RH FILL,A3RE	
	1601947		TANK ASSY,FUEL,100 GAL,MIDMOUNT,RIGHT	
	1935493		TANK ASSY,FUEL,100 GAL,MM,RH FILL,A3RE	
	1997576		TANK ASSY,FUEL,100 GALLON,MIDMOUNT,RH	
	1866375		TANK ASSY,FUEL,100 GAL,MM,RH FILL, CEC/RE	
	0021432		CAP,FUEL TANK FILLER,BORGLWARNER	
	0011895		TANK ASSY,FUEL,60 GAL,MM,LEFT FILL, A3RE	
	0011897		TANK ASSY,FUEL,100 GAL,MM,LEFT FILL, A3RE	
	4311155		SENDING UNIT,100 GAL FUEL TANK A1380AE"	
			TANK ASSEMBLY, FUEL	
	1667682		TANK ASSY,FUEL,45 GALLON,SIDEMOUNT,	
	4328746		CAP,FUEL TANK,GASOLINE/DIESEL"	
	1531417		TANK ASSY,FUEL,60 GAL,SIDEMOUNT,RIGHT	
	1667690		TANK ASSY,FUEL,60 GALLON,SIDEMOUNT,R/F	
	4328746		CAP,FUEL TANK,GASOLINE/DIESEL"	
	1784933		TANK ASSY,FUEL,60 GAL,M/M,RH FILL,	
	4323622		GASKET,SENDER,60 GAL FUEL TANK"	
	1667716		TANK ASSY,FUEL,60 GALLON,MIDMOUNT,RIGHT	
	0049389		TANK ASSY,FUEL,60 GALLON,MM,RH FILLBBCV,	
	4323622		GASKET,SENDER,60 GAL FUEL TANK"	
	4312609		FLANGE,PLUG,FUSE #873,FUEL TANK	
	0044488		PLUG,FUSE #873,FUEL TANK,1667716	

Models: A3FE, B4RE, C1FE, C3FE, C4RE, CSFE, CSRE, H4RE, L4RE, Q4RE, QBRE, WLWB, W4RE
CHART, FUEL SENDERS

Key	PartNumber	Qty	Description	Comment
	1667732		TANK ASSY,FUEL,90 GALLON,MIDMOUNT,RIGHT	
	1997642		TANK ASSY,FUEL,90 GALLON,MIDMOUNT,RH	
	0067240		TANK ASSY,FUEL,100 GAL,MM,RH FILL	
	1997501		TANK ASSY,FUEL,100 GALLON,MIDMOUNT,RH	
	0049387		TANK ASSY,FUEL,100 GALLON,MM,RH	
	4323622		GASKET,SENDER,60 GAL FUEL TANK"	
	4312609		FLANGE,PLUG,FUSE #873,FUEL TANK	
	0044488		PLUG,FUSE #873,FUEL TANK,1667716	
	1667708		TANK ASSY,FUEL,60 GALLON,SIDEMOUNT,LEFT	
	1667724		TANK ASSY,FUEL,60 GALLON,MIDMOUNT,LEFT	
	0049390		TANK ASSY,FUEL,60 GALLON,MM,LH FILL, A3FE	
	0011896		TANK ASSY,FUEL,100 GAL,MM,LEFT FILL, FE	
	0049388		TANK ASSY,FUEL,100 GALLON,MM,LH FILL,	
	4315248		SENDING UNIT,45,60, OR 90 GAL FUEL TANK"	

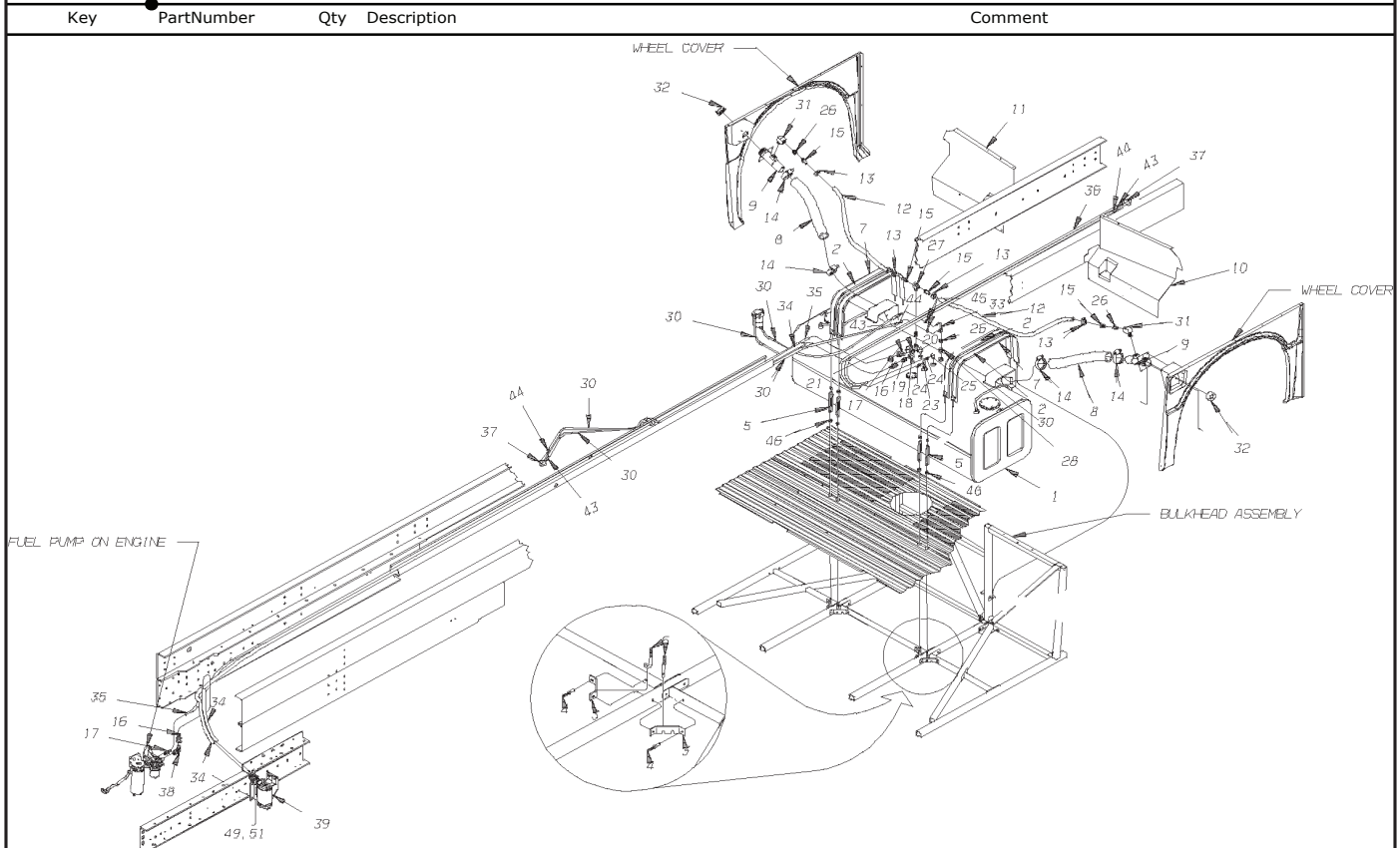
Models: A3FE, B4RE, C1FE, C3FE, C4RE, CSFE, CSRE, H4RE, L4RE, Q4RE, QBRE, WLWB, W4RE CHART, FUEL SENDERS

Key	PartNumber	Qty	Description	Comment
			TANK ASSEMBLY, FUEL	
	1574805		TANK ASSY,FUEL 60 GALLON GAS, 49 STATE,	
	1637859		TANK ASSY,FUEL 40 GAL GAS,49 STATE,ALUM	
	4327052		SENDER W/PUMP,40 GAL,GAS,427	
	1574987		FITTING,SWAGELOK TO AN UNION 3/8,TUBE,TC	
	1574979		FITTING,SWAGELOK TO AN UNION,5/16 TUBE,	
	1943232		TANK ASSY,FUEL,176 GAL,TRNSV MT,DUAL FILL	
	8312639		SENDING UNIT,176 GAL. TANK LTC"	
	1533348		TANK ASSY,FUEL,60 GAL,SIDEMOUNT,LEFT FILL	
	2008001		SENDING UNIT,60 GAL FUEL TANK (90 OHM)	90 OHM
	0036591		TANK ASSY,FUEL,105 GALLON,TRNV,RH FILL	
	0056335		TANK ASSY,FUEL,105 GAL,TRANSVERSE RT	
	0056967	2	SENDING UNIT, 45 GAL. TANK (9021058)	
	0056836		TANK ASSY,FUEL,100 GALLON W/SENDER,	
	0086581		SENDER,FUEL TANK,100 GALLON,COMMERCIAL	
	9021058		TO,TANK ASSY,FUEL,45GAL,SIDEMT,EMCO	
	0056967		SENDING UNIT, 45 GAL. TANK (9021058)	
	0070805		TANK ASSY,FUEL,100 GAL,MIDMOUNT,LH FILL	
	0094754		SENDER,FUEL TANK,105 GAL,TRANSVERSE,RH	
	0068149		TANK ASSY,FUEL,100GAL,MM,LS FILL	
	0068150		TANK ASSY,FUEL,60GAL,MM,LS FILL	
	0068151		TANK ASSY,FUEL,100GAL,MM,RIGHT FILL	
	0068152		TANK ASSY,FUEL,60GAL,MM,RIGHT FILL	

Models: A3FE, B4RE, C1FE, C3FE, C4RE, CSFE, CSRE, H4RE, L4RE, Q4RE, QBRE, WLWB, W4RE
CHART, FUEL SENDERS

Key	PartNumber	Qty	Description	Comment
	0087876		TANK ASSY,FUEL,96,MM,RIGHT FILL,10%, HDRE	
	0093338		SENDER,FUEL TANK,FOR 21.5 IN DEEP TANK	
	0068146		TANK ASSY,FUEL,60GAL,SIDEMNT,RF	
	0068147		TANK ASSY,FUEL,100GAL,MM,LEFT FILL	
	0068148		TANK ASSY,FUEL,60GAL,MM,LEFT FILL	
	0067239		TANK ASSY,FUEL,60 GAL,MM,RH FILL	
	0081017		SENDER,FUEL TANK,FOR 14 IN DEEP TANK"	

Models: **H4RE
CUMMINS
145 GALLON, ISM**



Key	PartNumber	Qty	Description	Comment
1	0035415		TANK,ASSY,FUEL,145 GAL,TRANS,D/FIL,ALUM	
NI	4311155		SENDING UNIT,100 GAL FUEL TANK A1380AE"	
2	1466242	4	STRAP ASSY,FUEL TANK,60 GAL MIDMOUNT	
3	0048422		BRACKET,MTG,FUEL TANK STRAP,FLOOR	
4			NA	
5	0038054	4	TURNBUCKLE,3/8-16,BODY ONLY	
6	0048375	4	BOLT,J,3/8-16 LEFT HAND THREAD	
7	2007649	AR	PAD,FUEL TANK STRAP	
8	0045790		HOSE,FILLER,FUEL,2.25 ID,19.25 LENGTH,	
9	6066625		NECK ASSY,FUEL FILL,300 GAL TANK	
NI	0045481		GUARD ASSY,FUEL,FILL HOSE RH, H4RE	

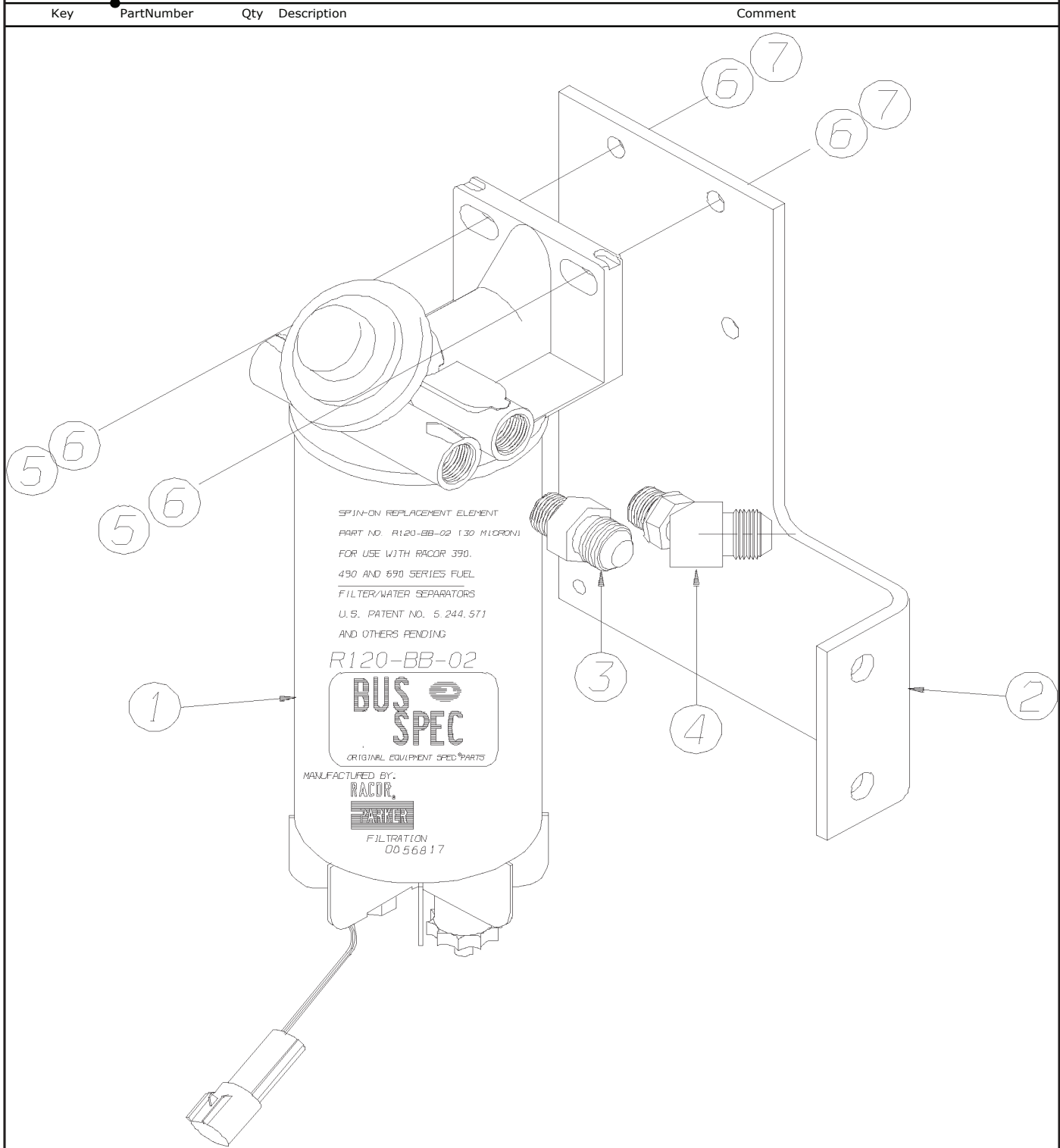
**Models: H4RE
CUMMINS
145 GALLON, ISM**

Key	PartNumber	Qty	Description	Comment
NI	0045482		GUARD ASSY,FUEL,FILL HOSE,LH, H4RE	
12	1886357		HOSE,.75 ID X 1.03 OD,W-H H10112	
13	1025857		CLAMP,HOSE,SIZE 8,LINED	
14	1905488		CLAMP,CONSTANT TORQUE,2 1/4 TO 3 1/8 DIA	
15	0021443		INSERT,.75 HOSE X .50 PIPE	
16	1912765	2	SWIVEL,FEMALE,45 FL,5/8H X 5/8T,10010B-410	
17	1944107	2	SWIVEL,FEMALE,45FL,1/2HX1/2T,WH10008B	
18	2008274		ELBOW,STREET,90 DEG,1/2MPT X	
19	2026672		CONNECTOR,MALE,45 FL,5/8T X 1/2MPT,48 X	
20	2027241		ELBOW,STREET,90 DEG,3/8MPT X	
21	2026664		CONNECTOR,MALE,1/2T X 3/8MPT,48X8Z	
22	2023539		BUSHING,PIPE,1/2MPT X 3/8FPT,3220X8X6Z,	
23	2026987		ELBOW,400 X 6,1/4 MPT X 3/8,IF	
24	1313808	2	SWIVEL,MALE,3/8 HOSE X 3/8 INV FL10006B-	
25	0670901		ELBOW,3/8MPT X 3/8 INV FLARE,402X6X6	
26	1394691	4	BUSHING,PIPE,3/4 X 1/2,BRASS,COATED	
27	1545730		TEE,STREET,1/2MPT X 1/2FPT X	
28	2027159		BUSHING,PIPE,1/2 X 1/4,BRASS	
29	0046056	20	PAD,URETHANE,.125 X 1.5 X 28 IN, H4RE	
30	1797802	AR	HOSE,.25 ID X .50 OD,W-H H00904	
31	1877166	2	ELBOW,STREET,3/4,3400 X 12	
32	3880788	2	CAP ASSY,FUEL TANK,N/VNT,2 THD,W/BR	
33	0045791		TUBE ASSY,WEBASTO HEATER,, H4RE	

**Models: H4RE
CUMMINS
145 GALLON, ISM**

Key	PartNumber	Qty	Description	Comment
34	1313774	AR	HOSE,.625 ID X .906 OD,WH H10110	
35	1797828	AR	HOSE,.50 ID X .78 OD,W-H H00908	
36	1797810	AR	HOSE,.37 ID X .62 OD,W-H H00906	
37	0599704	5	TIE, CABLE, NYLON	
38	0046262		ELBOW,90 DEG,45DEG FL,10M X 10F	
39	0044841		FILTER,ASSY,F/WAT SEP,490,.62LN, H4RE	SEE DRAWING 0044841
40	1542372	8	CAPSCREW,HEX FLG,1/4-20X.75,GRD5,BLACK	
41	1339639	8	NUT,HEX HD,1/4-20,PRVLG TORQUE,FLG,YEL	
NI	1094275	14	SCREW,1/4-14X3/4,HEX HD,SELFDRILL,	
43	2249357	AR	TAPE,ELECTRICAL MARKING RED	
44	2249365	AR	TAPE,ELECTRICAL MARKING,YELLOW	
45	1363274	2	CLAMP,HOSE,SILICON,.62.00	
46	2001451	16	NUT, HEX HD, 3/8-16, YELLOW DICHRMATE	
47	1078922	4	WASHER, FLAT, 3/8 X 7/8 X 5/64, YEL ZN DICH	
48	0557710	2	CLAMP,LOOP,.812	
49	2000321	2	CAPSCREW,HEX HD,1/2-13 X 1 1/2,GR5,	
50	0850800	2	NUT, HEX HD, 1/2-13, LOCKING, GR 8, CAD	
51	1003045	4	WASHER, FLAT,1 7/32 X 1 1/16 X 7/64, HDN,	

**Models: H4RE, M4RE
 FUEL AND WATER SEPARATOR
 FILTER ASSEMBLY
 To CSN H4RE (02/22/04); M4RE (02/15/04)**



0056813

FILTER ASSY,FUEL/WATER SEP,120 GPH,.62

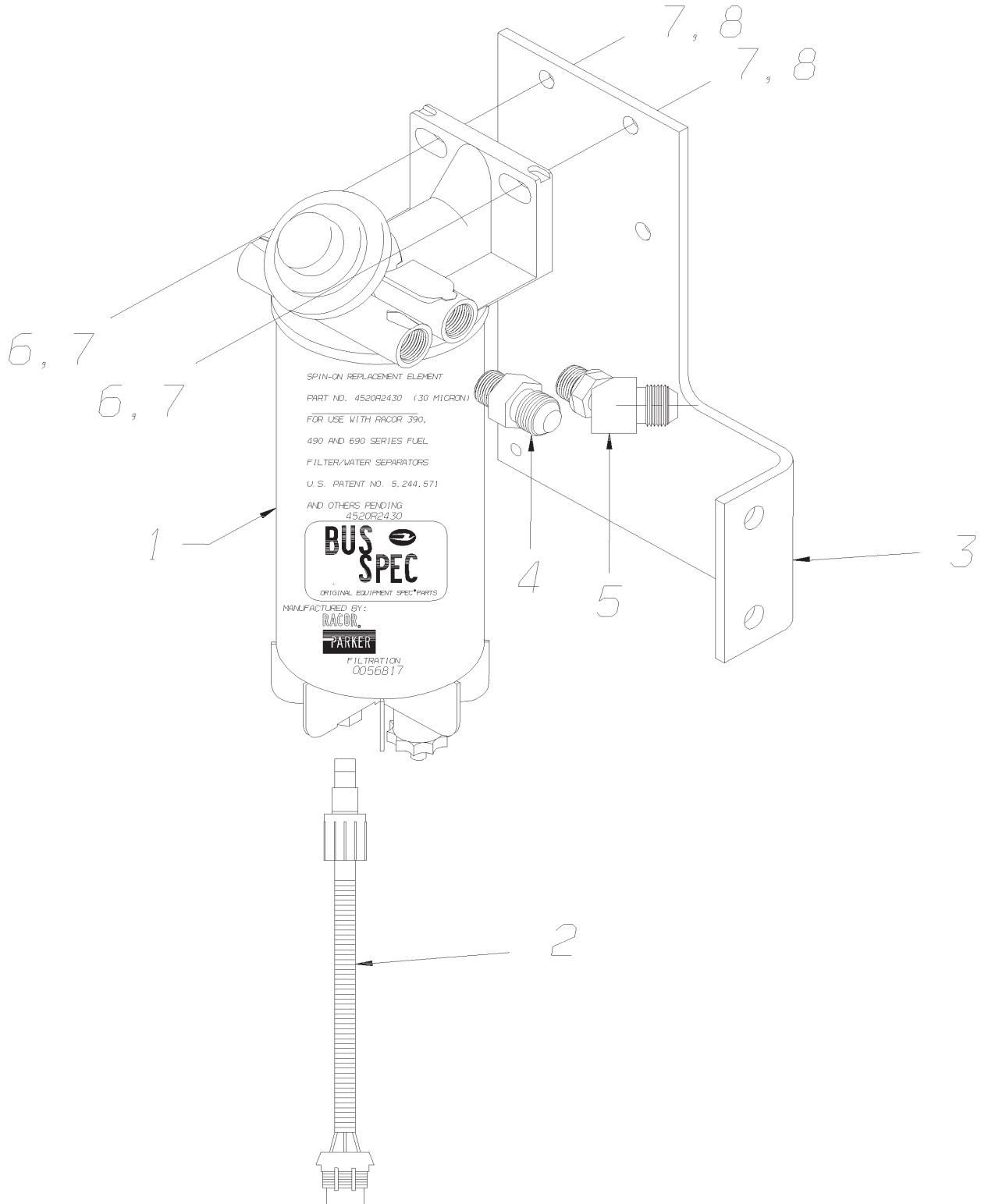
CONSISTS OF THE FOLLOWING

**Models: H4RE, M4RE
 FUEL AND WATER SEPARATOR
 FILTER ASSEMBLY
 To CSN H4RE (02/22/04); M4RE (02/15/04)**

Key	PartNumber	Qty	Description	Comment
1	0056814		FILTER,FUEL/WATER SEP,RACOR 120R-BB-01	
2	0056812		BRACKET,MTG,FUEL/WATER SEP,RACOR 120	
3	1780394		CONNECTOR,STRAIGHT THREAD,O-RING 10-8	
4	0056810		ELBOW,45 DEG,O-RING,W/H 6802-10-8	
5	2050839	2	CAPSCREW,HEX HD,3/8-16X1 1/2,GR5,YEL	
6	1107085	4	WASHER,FLAT,13/32 X 13/16 X 3/32,HDN,BLK	
7	0826297	2	NUT,HEX HD,3/8-16 LOCK,YEL ZN DICH	

**Models: H4RE
FUEL AND WATER SEPARATOR
RACOR 120R**

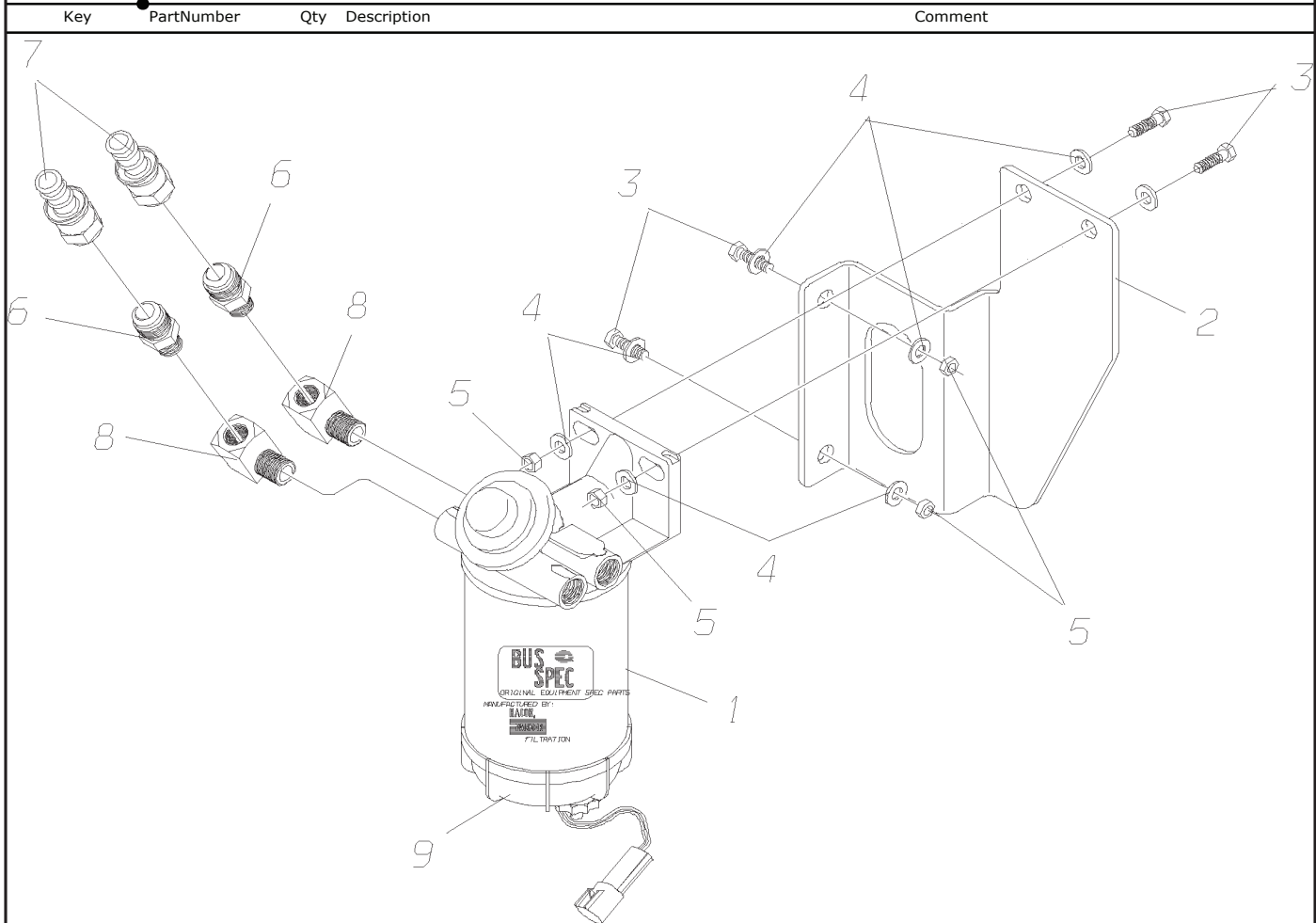
Key	PartNumber	Qty	Description	Comment
-----	------------	-----	-------------	---------



**Models: H4RE
FUEL AND WATER SEPARATOR
RACOR 120R**

Key	PartNumber	Qty	Description	Comment
			FILTER ASSEMBLY, FUEL/WATER SEPARATOR,	
1	0056814		FILTER,FUEL/WATER SEP,RACOR 120R-BB-01	
NI	0056817		ELEMENT,CAT,C12,FUEL/WATER SEP,ELEMENT	
2	0066572		SENSOR,WATER,RACOR 30880	
3	0056812		BRACKET,MTG,FUEL/WATER SEP,RACOR 120	
4	1780394		CONNECTOR,STRAIGHT THREAD,O-RING 10-8	
5	0056810		ELBOW,45 DEG,O-RING,W/H 6802-10-8	
6	2050839	2	CAPSCREW,HEX HD,3/8-16X1 1/2,GR5,YEL	
7	1107085	4	WASHER,FLAT,13/32 X 13/16 X 3/32,HDN,BLK	
8	0826297	2	NUT,HEX HD,3/8-16 LOCK,YEL ZN DICH	

**Models: H4RE
FUEL AND WATER SEPARATOR
RACOR 490R**



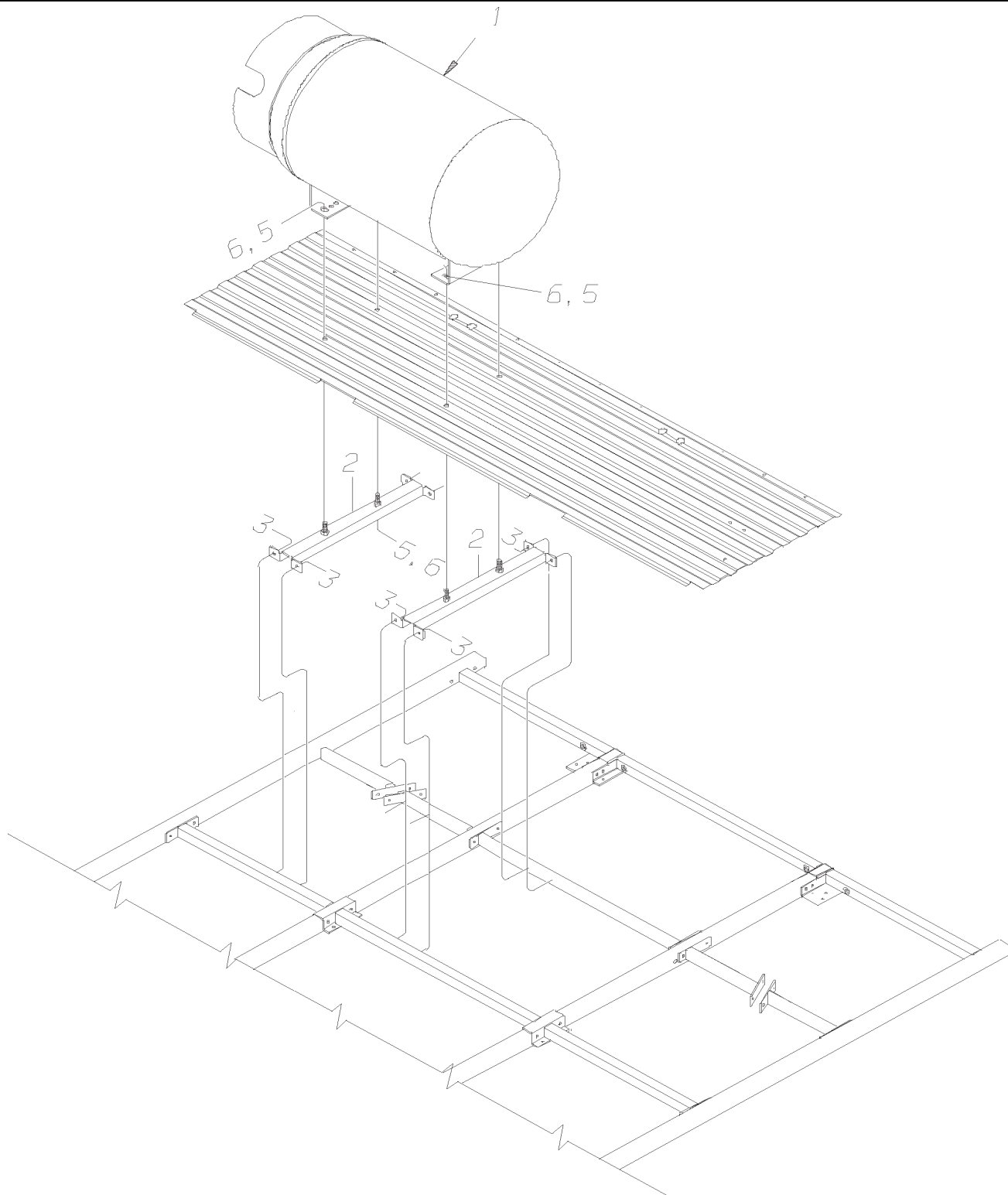
Key	PartNumber	Qty	Description	Comment
	0044841		FILTER,ASSY,F/WAT SEP,490,.62LN, H4RE	
1	0030160		FILTER,FUEL/WATER SEP,RACOR 490R-BB-01	
NI	1967009		ELEMENT,FUEL/WATER SEPARATOR,R90P,30M	
2	0040900		BRACKET,MOUNTING,FUEL/WATER SEP,RACOR,	
3	2050839	4	CAPSCREW,HEX HD,3/8-16X1 1/2,GR5,YEL	
4	1107085	8	WASHER,FLAT,13/32 X 13/16 X 3/32,HDN,BLK	
5	0826297	14	NUT,HEX HD,3/8-16 LOCK,YEL ZN DICH	
6	1705771	2	CONNECTOR,MALE,45 FL,5/8T X	
7	1912765	2	SWIVEL,FEMALE,45 FL,5/8H X 5/8T,10010B-410	

Models: H4RE
FUEL AND WATER SEPARATOR
RACOR 490R

Key	PartNumber	Qty	Description	Comment
8	2027241	2	ELBOW,STREET,90 DEG,3/8MPT X	
9	0044852		WATER SENSOR,RACOR,RK 30880	

Models: H4RE
 LP TANK
 To CSN 05/27/02

Key	PartNumber	Qty	Description	Comment
-----	------------	-----	-------------	---------

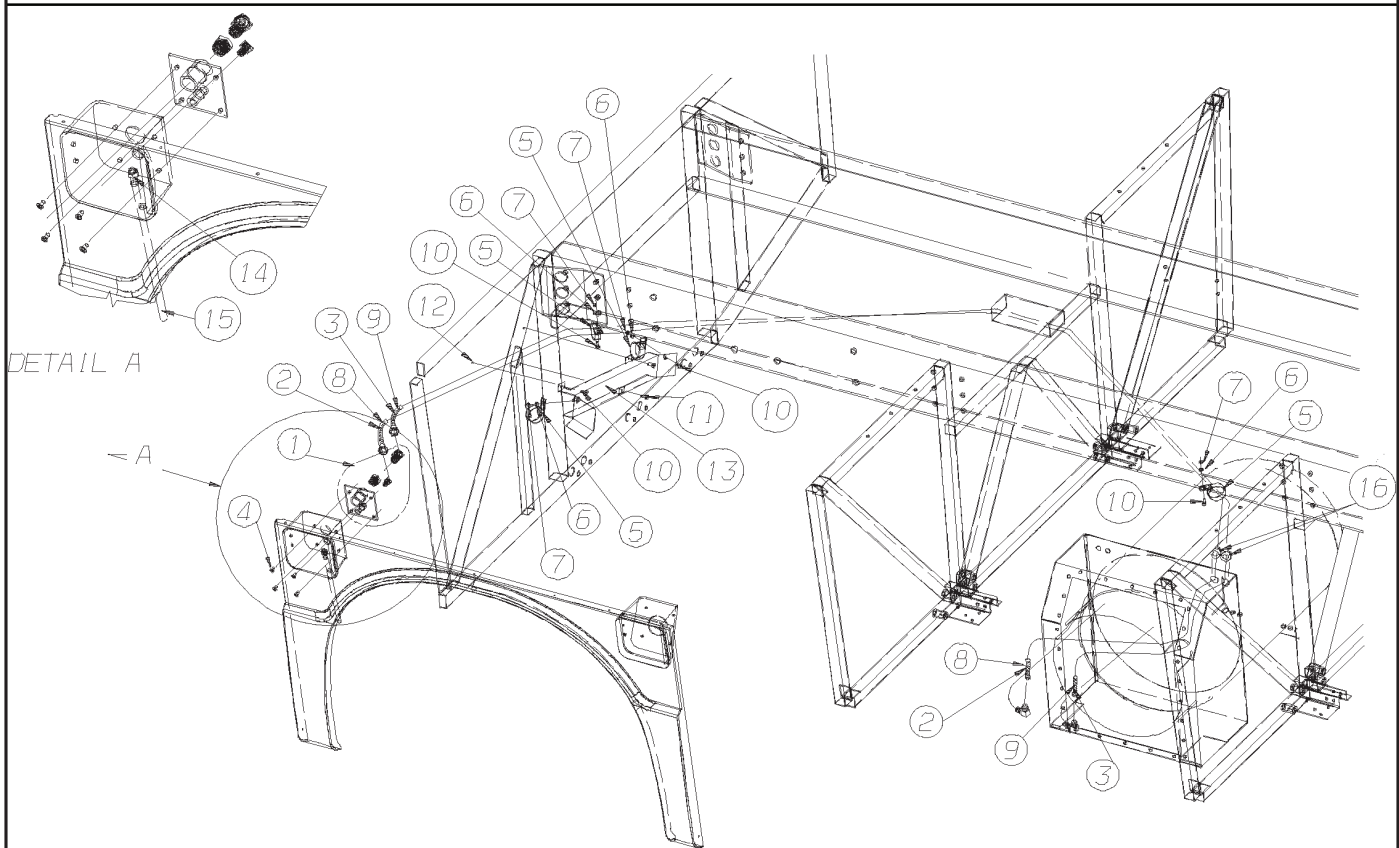


**Models: H4RE
LP TANK
To CSN 05/27/02**

Key	PartNumber	Qty	Description	Comment
1	0039947		TANK ASSY,LPG,20X37,END FTG W/90-OHM	
	4569182		VALVE,MANUAL CUTT-OFF,LPG TANK,V20373,	
	1441997		VALVE,OUTAGE,80 PERCENT COUPLING,V13399	
	4406203		FILL VALVE LPG,V-13415	
	0912626		SENDER,MA-6 TRANSMITTER LPG TANK	
2	0049989	2	BRACKET ASSY,SUPPORT,LP TANK	
3			HUCK FASTENER	
5	0850776	4	WASHER,FLAT,17/32 X 1 1/16 X 3/32,	
6	0952556	4	NUT,HEX HD,1/2-20,LOCKING,YELLOW	

Models: **H4RE
LP TANK
To CSN 05/27/02**

Key	PartNumber	Qty	Description	Comment
-----	------------	-----	-------------	---------



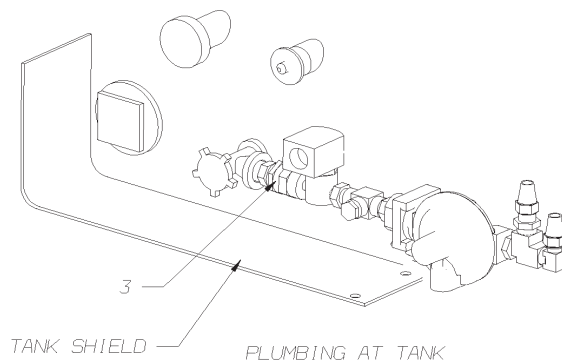
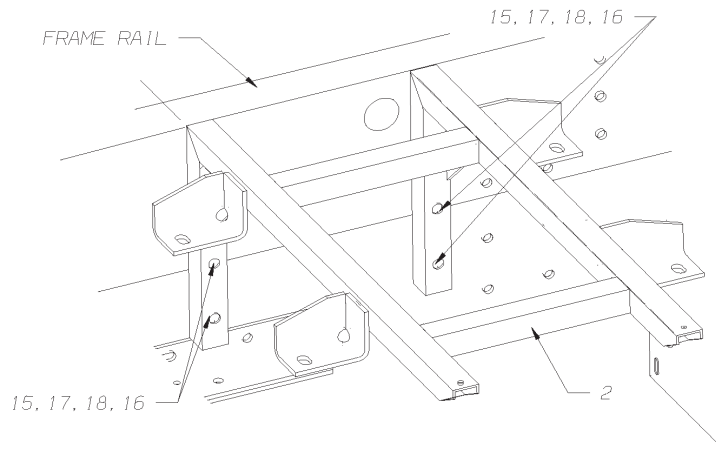
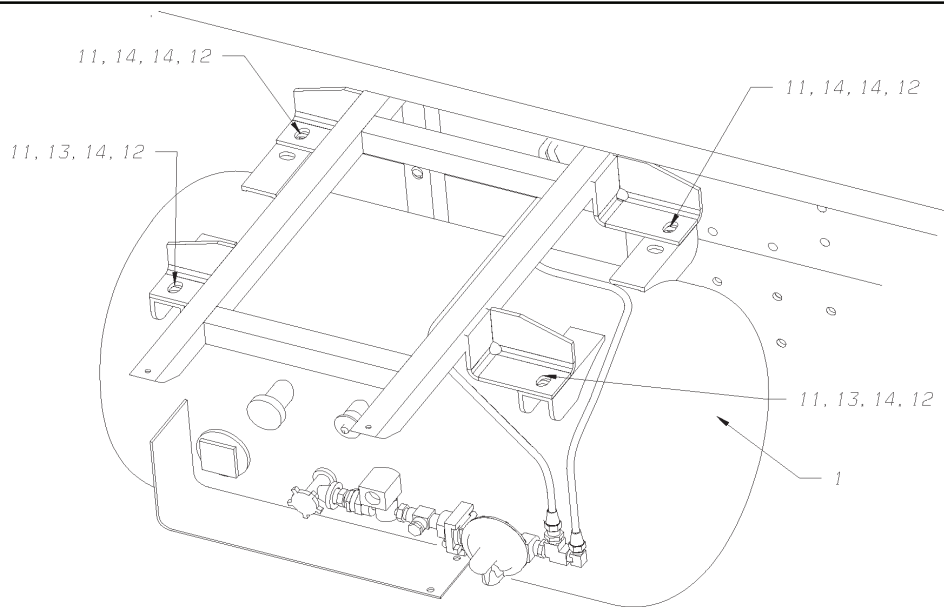
1	0042165		PLATE AND FITTING ASSEMBLY,LPG REMOTE	
2	1964600		HOSE ASSY,MED PRESS,LPG,REMOTE OUTAGE,	
3	1964618		HOSE ASSY,MED PRESS,LPG,REMOTE FILL,	
4	1268119	4	SCREW,1/4-20X1/2,F,PH1,PAN HD,YEL ZN DICH	
5	1107937	4	CLAMP,LOOP,2.00	
6	2001170	4	LOCK WASHER, SPLIT RING, 1/4 , MED, YEL ZN	
7	2001345	4	NUT,HEX HD,1/4-20,LOCKING,YELLOW	
8	0946533	AR	LOOM,CORRUGATED,BLACK,NYLON,7/16 ID,SS	
9	1109271	AR	LOOM,CORRUGATED,BLACK,NYLON,3/4 ID,SS	
10	0807958	5	CAPSCREW,HEX HD,1/4-20X 1/2,GR8,YEL ZN	

**Models: H4RE
LP TANK
To CSN 05/27/02**

Key	PartNumber	Qty	Description	Comment
12	1686617		PLUSNUT,1/4-20,S25P280	
13	0042629		SHIELD,LPG HOSE,FRT WHL WELL,H4RE	
14	2494201		NUT,1/4 TUBE 1110 X 4	
15	2205102	AR	TUBING,COPPER,1/4 OD	
16	2003234	2	GROMMET,RUBBER,CHASSIS COWL WIRES,3/4	

Models: H4RE
LP TANK
BSN: From CSN 05/28/02

Key	PartNumber	Qty	Description	Comment
-----	------------	-----	-------------	---------



**Models: H4RE
LP TANK**
BSN: From CSN 05/28/02

Key	PartNumber	Qty	Description	Comment
1	0053929		TANK ASSY,LPG,18X36,SIDE VALVES,38 H4RE	
2	0057384		TUBE ASSY,MTG,LPG TANK, 38H4RE	
3	0054526		PLUMBING ASSY,LP TANK,38 H4RE	SEE DRAWING
	6069579		CONNECTOR,LPG REGULATOR,1/4 MPT X POL	PART OF ITEM 3
	3954047		FILTER,LPG HIGH PRESSURE	PART OF ITEM 3
	6046932		VALVE,SOLENOID,HIGH PRESS,CCI 9006,CAL93	PART OF ITEM 3
	1613611		CONNECTOR,2CIRC,M,280 SERIES,METRI-PACK	PART OF VALVE
	1754357	2	TERMINAL,PIN,12-14 GA,280 SERIES,METRI-	PART OF VALVE
	1154582	2	SEAL,WIRE,CBL/DIA.111-.137,GY,W/PACK,PACK	PART OF VALVE
	1613645		LOCK,SEAL,SECD,2CIR,280 SERIES,METRI-	PART OF VALVE
	2245199	2	NIPPLE,HEX,1/4 MPT X 3/8 MPT	PART OF ITEM 3
	2027258		TEE,0.375FPT,BRASS	PART OF ITEM 3
	3772159		PLUG,PIPE,0.375,BRASS W/SEALANT,HEX HD	PART OF ITEM 3
	0052166		REGULATOR,LPG,TWIN-STAGE,REGO	PART OF ITEM 3
	2023539		BUSHING,PIPE,1/2MPT X 3/8FPT,3220X8X6Z,	PART OF ITEM 3
	0029677		ELBOW,MALE,3/8 FLARE X 3/8 MPT,BRASS	PART OF ITEM 3
	1010065		TEE,STREET,3/8 PIPE 3750 X 6	PART OF ITEM 3
	0388231		CONNECTOR,0.375MPT X 0.375FL,BRASS	PART OF ITEM 3
	3743994	2	NUT,LONG,FORGED FLARE,0.375,BRASS	PART OF ITEM 3
11	1107879	4	CAPSCREW,HEX HD,5/8-11 X1 3/4,GR8,	
12	2001493	4	NUT,HEX HD,5/8-11,YEL ZN DICH	
13	1540103	2	WASHER,STAR,.62,ZINC PLATED	
14	0020239	6	WASHER,FLAT,21/32 X 1 3/4 X 7/32 HD YEL ZN	

Models: H4RE
LP TANK
BSN: From CSN 05/28/02

Key	PartNumber	Qty	Description	Comment
15	0803163	4	CAPSCREW,HEX HD,1/2-13 X2 1/2,GR8,	
16	2001485	4	NUT,HEX HD,1/2-20,ZINC	
17	1003045	4	WASHER, FLAT,1 7/32 X 1 1/16 X 7/64, HDN,	
18	0990655	4	LOCKWASHER,SPLIT RING, 1/2 ,MED,YEL ZN	
NI	2027381	AR	TUBING,COPPER,3/8,OD,TYPE L	

**Models: H4RE
LP TANK
COMPARTMENT INSTALLATION**
BSN: From CSN 05/28/02

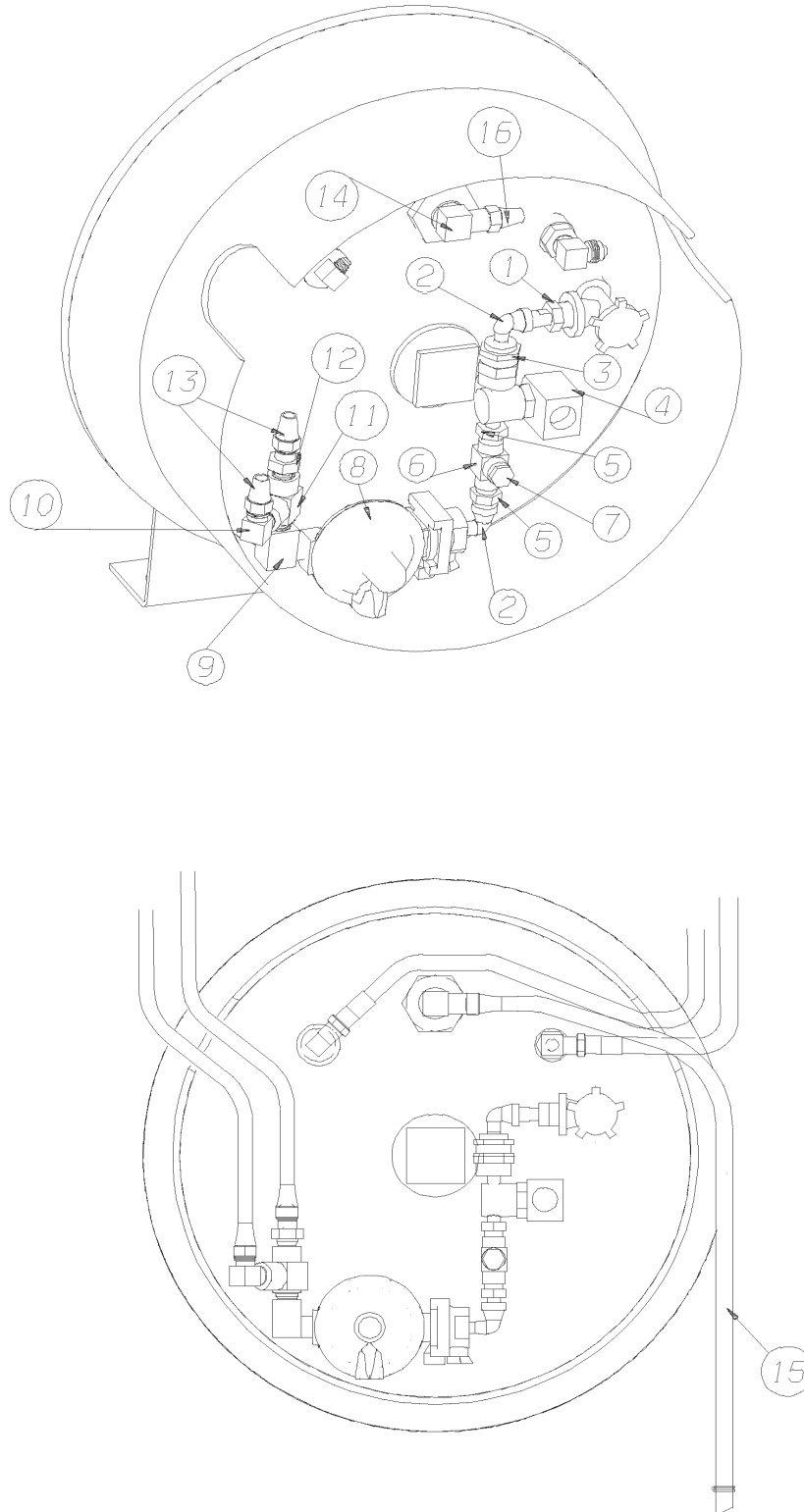
Key	PartNumber	Qty	Description	Comment
1	0054328		SHIELD,DUST,LPG TANK,38 H4RE	<p>1 — TOP VIEW OF COMPARTMENT</p> <p>SECTION : A-A LOCATION OF SHELF ON REAR WALL OF COMPARTMENT LOCATION OF FRT PANEL AT FRT OF COMPARTMENT</p> <p>DETAIL : C BRACKET MOUNTING TO UNDERSIDE OF BODY TUBE</p>
				<p>4 (3) PLCS ATTACH TO UNDERSIDE OF FLOOR</p> <p>FRT OF COACH</p>

Models: H4RE
LP TANK
COMPARTMENT INSTALLATION
BSN: From CSN 05/28/02

Key	PartNumber	Qty	Description	Comment
2	0056645		CLOSEOUT,LP CMPT,FRT,38 H4RE	
3	0058017	2	BRACKET,MTG,SLOTTED,ALUM,H4RE	
4	2000016	13	SCREW,1/4-14 X 5/8,B,HEX,W/PLAIN WASH,	
5	2000784	2	SCREW,MACH,1/4-20X1/2,PH1,TRUSSHD,	
6	2001345	2	NUT,HEX HD,1/4-20,LOCKING,YELLOW	
7	1467000	8	WASHER,FLAT,.281 X.750X.078 HARDENED,BLK	

Models: H4RE
 LP TANK
 PLUMBING
 To CSN 05/27/02

Key	PartNumber	Qty	Description	Comment
-----	------------	-----	-------------	---------

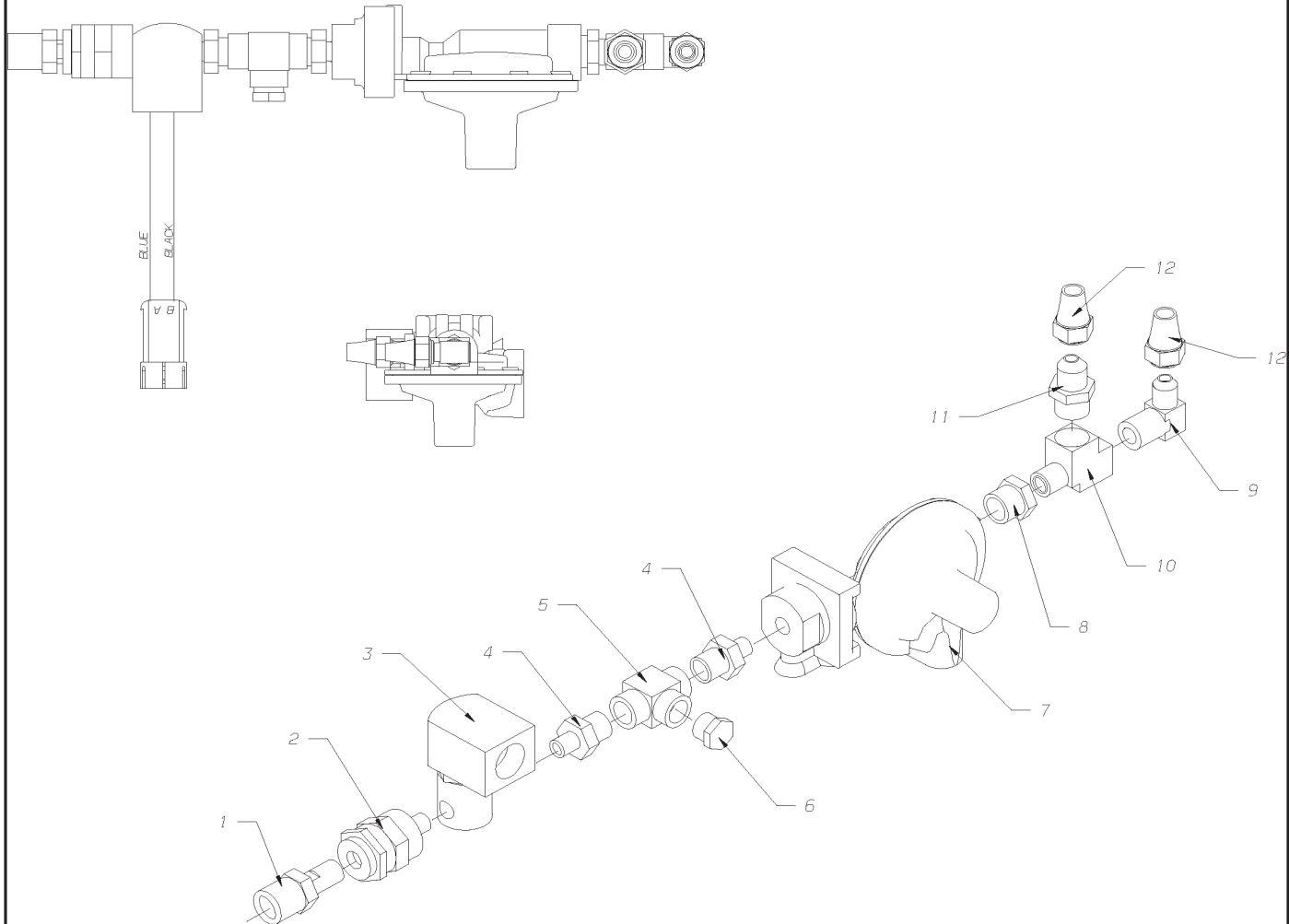


**Models: H4RE
LP TANK
PLUMBING
To CSN 05/27/02**

Key	PartNumber	Qty	Description	Comment
1	6069579		CONNECTOR,LPG REGULATOR,1/4 MPT X POL	
2	2027233	2	ELBOW,STREET,1/4,3400X4Z	
3	3954047		FILTER,LPG HIGH PRESSURE	
4	6046932		VALVE,SOLENOID,HIGH PRESS,CCI 9006,CAL93	
5	2245199	2	NIPPLE,HEX,1/4 MPT X 3/8 MPT	
6	2027258		TEE,0.375FPT,BRASS	
7	3772159		PLUG,PIPE,0.375,BRASS W/SEALANT,HEX HD	
8	0021240		REGULATOR,LPG,TWIN-STAGE,REGO	
9	2233930		ELL,STREET,1/2 NPT BRASS NO3400X8	
10	0041290		FITTING,ELBOW MALE,1/2MPTX3/8FLR,	
11	0654350		TEE,1/2 PIPE,STREET	
12	2257897		CONNECTOR,0.375FL X 0.50MPT,BRASS	
13	3743994	2	NUT,LONG,FORGED FLARE,0.375,BRASS	
14	0006435		ADAPTER,ELBOW,LP GAS PIPE AWAY	
15	2027399	AR	TUBING,COPPER,1/2,TYPE L	
16	3744000		NUT,LONG,FORGED FLARE,0.50,BRASS	

Models: H4RE
LP TANK
PLUMBING
BSN: From CSN 05/28/02

Key	PartNumber	Qty	Description	Comment
-----	------------	-----	-------------	---------



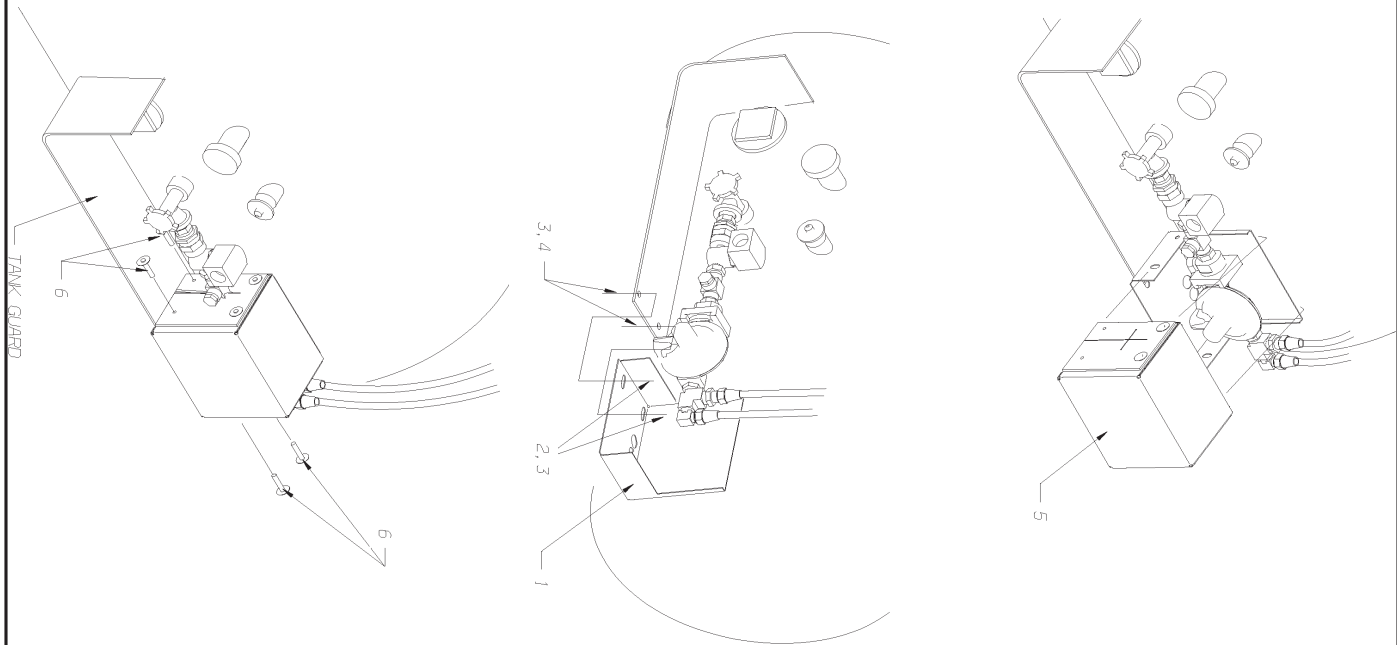
	0054526		PLUMBING ASSY,LP TANK,38 H4RE	<i>CONSISTS OF THE FOLLOWING</i>
1	6069579		CONNECTOR,LPG REGULATOR,1/4 MPT X POL	
2	3954047		FILTER,LPG HIGH PRESSURE	
3	6046932		VALVE,SOLENOID,HIGH PRESS,CCI 9006,CAL93	
	1613611		CONNECTOR,2CIRC,M,280 SERIES,METRI-PACK	<i>PART OF ITEM 3</i>
	1754357	2	TERMINAL,PIN,12-14 GA,280 SERIES,METRI-	<i>PART OF ITEM 3</i>
	1154582	2	SEAL,WIRE,CBL/DIA.111-.137,GY,W/PACK,PACK	<i>PART OF ITEM 3</i>
	1613645		LOCK,SEAL,SECD,2CIR,280 SERIES,METRI-	<i>PART OF ITEM 3</i>

Models: H4RE
 LP TANK
 PLUMBING
BSN: From CSN 05/28/02

Key	PartNumber	Qty	Description	Comment
4	2245199	2	NIPPLE,HEX,1/4 MPT X 3/8 MPT	
5	2027258		TEE,0.375FPT,BRASS	
6	3772159		PLUG,PIPE,0.375,BRASS W/SEALANT,HEX HD	
7	0052166		REGULATOR,LPG,TWIN-STAGE,REGO	
8	2023539		BUSHING,PIPE,1/2MPT X 3/8FPT,3220X8X6Z,	
9	0029677		ELBOW,MALE,3/8 FLARE X 3/8 MPT,BRASS	
10	1010065		TEE,STREET,3/8 PIPE 3750 X 6	
11	0388231		CONNECTOR,0.375MPT X 0.375FL,BRASS	
12	3743994	2	NUT,LONG,FORGED FLARE,0.375,BRASS	

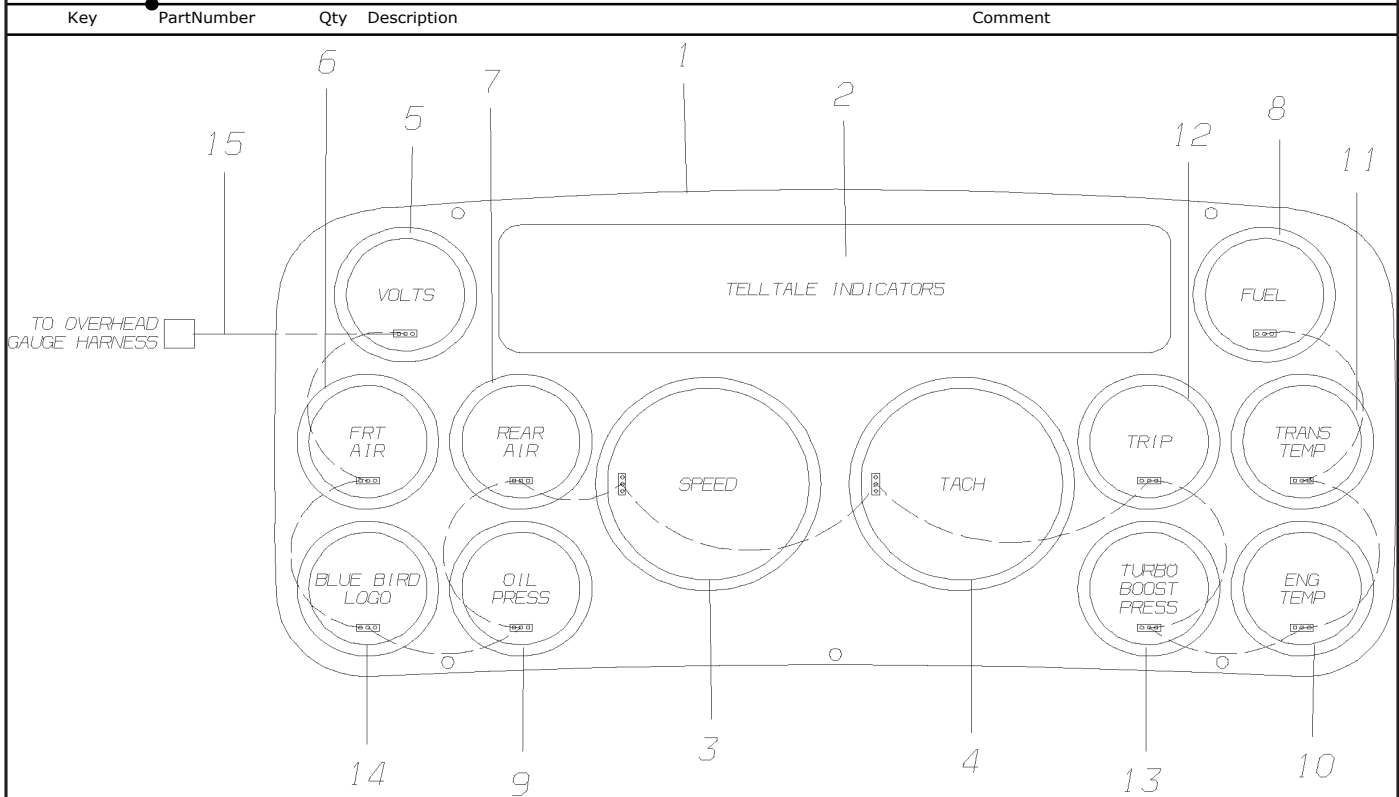
Models: H4RE
**LP TANK
 REGULATOR COVER**
BSN: From CSN 05/28/02

Key	PartNumber	Qty	Description	Comment
-----	------------	-----	-------------	---------



1	0068892		COVER,REAR,LP REGULATOR,38H4RE	
2	2000784	2	SCREW,MACH,1/4-20X1/2,PH1,TRUSSHD,	
3	2001121	4	WASHER, FLAT, 5/16 X 3/4, X 5/64, YEL ZN	
4	2001345	2	NUT,HEX HD,1/4-20,LOCKING,YELLOW	
5	0068908		COVER,ASSY,LP REGULATOR,W/FLAPS,38H4RE	
6	3959301	4	CLIP,CHRISTMAS TREE,HEADLINER,1.25,91 WL	

Models: **H4RE
PANEL
To CSN 04/13/03**



Key	PartNumber	Qty	Description	Comment
	0041514		PANEL ASSY,INSTRUMENT,W/CMPS,BLK, H4RE	CONSISTS OF THE FOLLOWING
1	0041513		PANEL,INSTRUMENT,BLACK, H4RE	
2	0036912		INSTRUMENTATION, TELL TALE BAR, H4RE	
3	0036893		GAUGE,SPEEDOMETER,W/ODOMETER,DATA	
4	0036894		GAUGE,TACHOMETER,W/HOURMETER,DATA	
5	0036895		GAUGE,VOLTMETER,DATA LINK,PI	
6	0036896		GAUGE,AIR,FRONT,DATA LINK,PI	
7	0036897		GAUGE,AIR,REAR,DATA LINK,PI	
8	0036898		GAUGE,FUEL,DATA LINK,PI	
9	0036899		GAUGE,OIL PRESSURE,DATA LINK,PI	
10	0036900		GAUGE,COOLANT TEMP,DATA LINK,PI	
11	0036969		GAUGE,TRANSMISSION OIL TEMP,DATA LINK,PI	

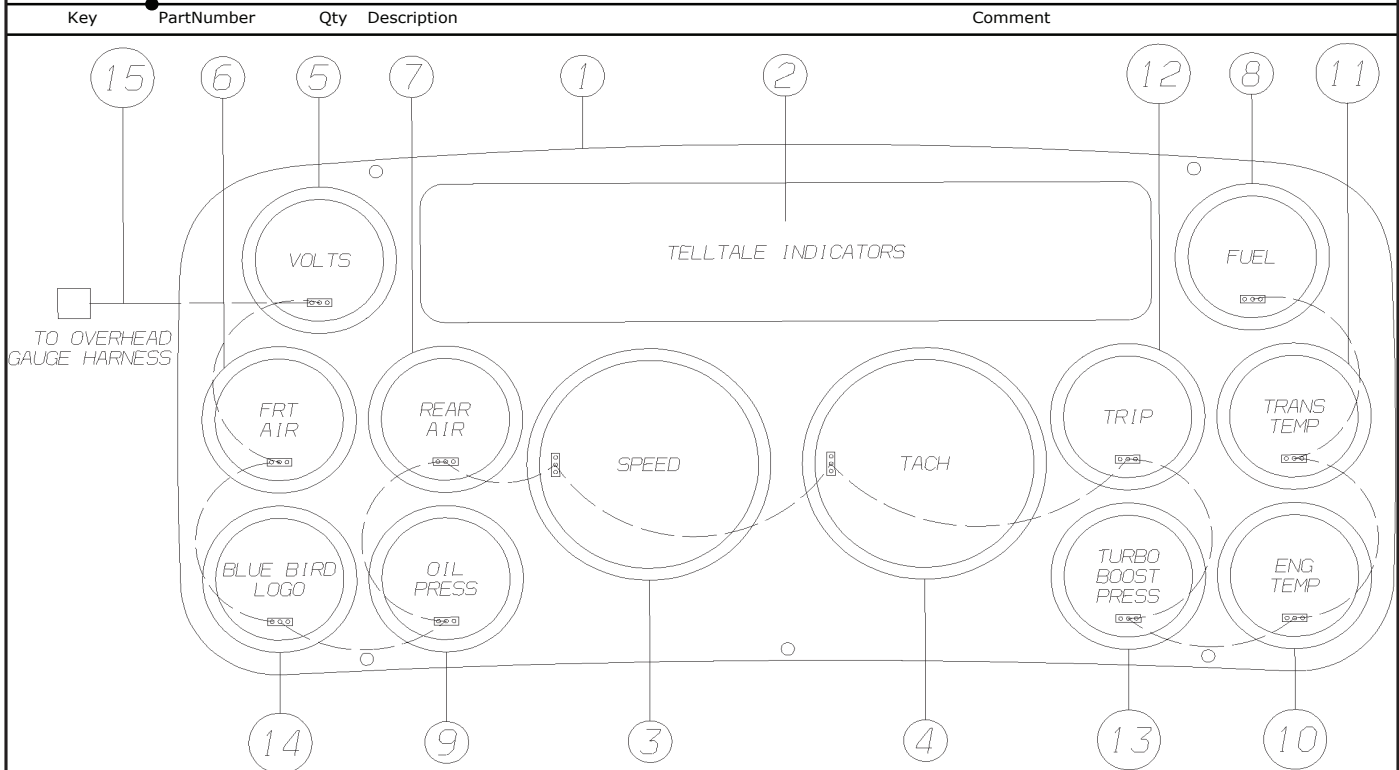
**Models: H4RE
 PANEL
 To CSN 04/13/03**

Key	PartNumber	Qty	Description	Comment
12	0036908		GUAGE,TRIP ODOMETER,DATA LINK,PI	
13	0036910		GUAGE,TURBO BOOST,DATA LINK,PI	
14	0039787		GAUGE,BLUE BIRD LOGO,DATA LINK,PI	
15	0045368		HARNESS,WRG,INSTRUMENT PANEL,	
NI	0042122	10	RING,MTG,PI,2.375	
NI	0042125	2	RING,MTG,PI,3.750	
	0050589		PANEL ASSY,INSTRUMENT,W/CMPS,BURL, 38H4	<i>CONSISTS OF THE FOLLOWING</i>
1	0050527		PANEL,INSTRUMENT,BURL,38H4"	
2	0036912		INSTRUMENTATION, TELL TALE BAR, H4RE	
3	0047305		GAUGE,SPEEDOMETER,W/ODOMETER,J1939,	
4	0047306		GAUGE,TACHOMETER,W/HOURMETER,J1939,	
5	0047299		GAUGE,VOLTMETER,J1939,GOLD	
6	0042465		GAUGE,AIR,FRONT,J1939,GOLD	
7	0047294		GAUGE,AIR REAR,J1939,GOLD	
8	0047293		GAUGE,FUEL,J1939,GOLD	
9	0047300		GAUGE,OIL PRESSURE,J1939,GOLD	
10	0042734		GAUGE,COOLANT,TEMP,J1939,GOLD	
11	0047302		GAUGE,TRANSMISSION OIL TEMP,J1939,GOLD	
12	0042735		GAUGE,TRIP ODOMETER,J1939,GOLD	
13	0047295		GUAGE,TURBO BOOST,J1939,GOLD	
14	0047292		GAUGE,BLUE BIRD LOGO,J1939, GOLD	
15	0045368		HARNESS,WRG,INSTRUMENT PANEL,	
NI	0042122	10	RING,MTG,PI,2.375	

Models: H4RE
PANEL
To CSN 04/13/03

Key	PartNumber	Qty	Description	Comment
NI	0042125	2	RING,MTG,PI,3.750	

Models: H4RE
PANEL
WITH BLACK BEZEL
BSN: From CSN 04/14/03



Key	PartNumber	Qty	Description	Comment
	0062395		PANEL,INST,W/COMPONENTS,METRIC,BLK BEZ,	CONSISTS OF THE FOLLOWING
1	0041513		PANEL,INSTRUMENT,BLACK, H4RE	CONSISTS OF THE FOLLOWING
2	0036912		INSTRUMENTATION, TELL TALE BAR, H4RE	
3	0055309		GAUGE,SPEEDO,W/ODOMETER,BLACK	
4	0036894		GAUGE,TACHOMETER,W/HOURMETER,DATA	
5	0036895		GAUGE,VOLTMETER,DATA LINK,PI	
6	0036896		GAUGE,AIR,FRONT,DATA LINK,PI	
7	0036897		GAUGE,AIR,REAR,DATA LINK,PI	
8	0036898		GAUGE,FUEL,DATA LINK,PI	
9	0061913		GAUGE,ASSY,OIL PRESS,DATA LK,PI,PRX	
10	0036900		GAUGE,COOLANT TEMP,DATA LINK,PI	
11	0036969		GAUGE,TRANSMISSION OIL TEMP,DATA LINK,PI	

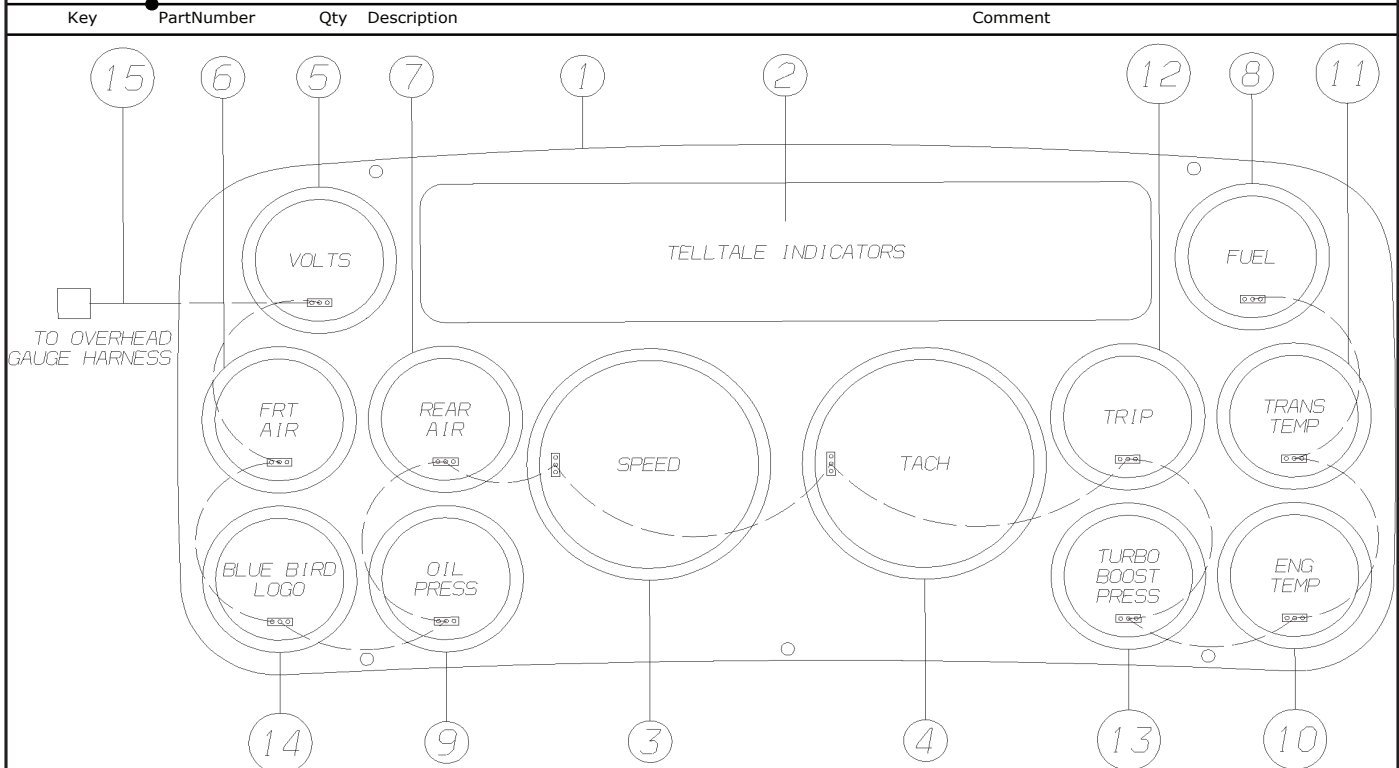
Models: H4RE
PANEL
WITH BLACK BEZEL
BSN: From CSN 04/14/03

Key	PartNumber	Qty	Description	Comment
12	0062402		GAUGE,ASSY,TRIP ODOMETER,METRIC,BLK	
13	0036910		GUAGE,TURBO BOOST,DATA LINK,PI	
14	0039787		GAUGE,BLUE BIRD LOGO,DATA LINK,PI	
15	0045368		HARNESS,WRG,INSTRUMENT PANEL,	
16	0042122	10	RING,MTG,PI,2.375	
17	0042125	2	RING,MTG,PI,3.750	
	0062396		PANEL,INST,W/COMPONENTS,METRIC,GLD BEZ,	<i>CONSISTS OF THE FOLLOWING</i>
1	0050527		PANEL,INSTRUMENT,BURL,38H4"	<i>CONSISTS OF THE FOLLOWING</i>
2	0036912		INSTRUMENTATION, TELL TALE BAR, H4RE	
3	0055312		GAUGE,SPEEDO,W/ODOMETER,GOLD	
4	0047306		GAUGE,TACHOMETER,W/HOURMETER,J1939,	
5	0047299		GAUGE,VOLTMETER,J1939,GOLD	
6	0024265		CHAIR,DIN,HARRIS MARCUS,G2,B25 GOLDEN	
7	0047294		GAUGE,AIR REAR,J1939,GOLD	
8	0047293		GAUGE,FUEL,J1939,GOLD	
9	0061912		GAUGE,ASSY,OIL PRES,DATA LK,GLD,PI,PRX	
10	0042734		GAUGE,COOLANT,TEMP,J1939,GOLD	
11	0047302		GAUGE,TRANSMISSION OIL TEMP,J1939,GOLD	
12	0062403		GAUGE,ASSY,TRIP ODOMETER,METRIC,GLD	
13	0047295		GUAGE,TURBO BOOST,J1939,GOLD	
14	0047292		GAUGE,BLUE BIRD LOGO,J1939, GOLD	
15	0045368		HARNESS,WRG,INSTRUMENT PANEL,	
16	0042122	10	RING,MTG,PI,2.375	

Models: H4RE
PANEL
WITH BLACK BEZEL
BSN: From CSN 04/14/03

Key	PartNumber	Qty	Description	Comment
17	0042125	2	RING,MTG,PI,3.750	

Models: H4RE
PANEL
WITH GOLD BEZEL
BSN: From CSN 04/14/03



Key	PartNumber	Qty	Description	Comment
	0062158		PANEL,INST,W/COMPONENTS,BLACK BEZEL,	CONSISTS OF THE FOLLOWING
1	0041513		PANEL,INSTRUMENT,BLACK, H4RE	CONSISTS OF THE FOLLOWING
2	0036912		INSTRUMENTATION, TELL TALE BAR, H4RE	
3	0055307		GAUGE,SPEEDO,W/ODOMETER,BLACK BEZEL	
4	0036894		GAUGE,TACHOMETER,W/HOURMETER,DATA	
5	0036895		GAUGE,VOLTMETER,DATA LINK,PI	
6	0036896		GAUGE,AIR,FRONT,DATA LINK,PI	
7	0036897		GAUGE,AIR,REAR,DATA LINK,PI	
8	0036898		GAUGE,FUEL,DATA LINK,PI	
9	0061913		GAUGE,ASSY,OIL PRESS,DATA LK,PI,PRX	
10	0036900		GAUGE,COOLANT TEMP,DATA LINK,PI	
11	0036969		GAUGE,TRANSMISSION OIL TEMP,DATA LINK,PI	

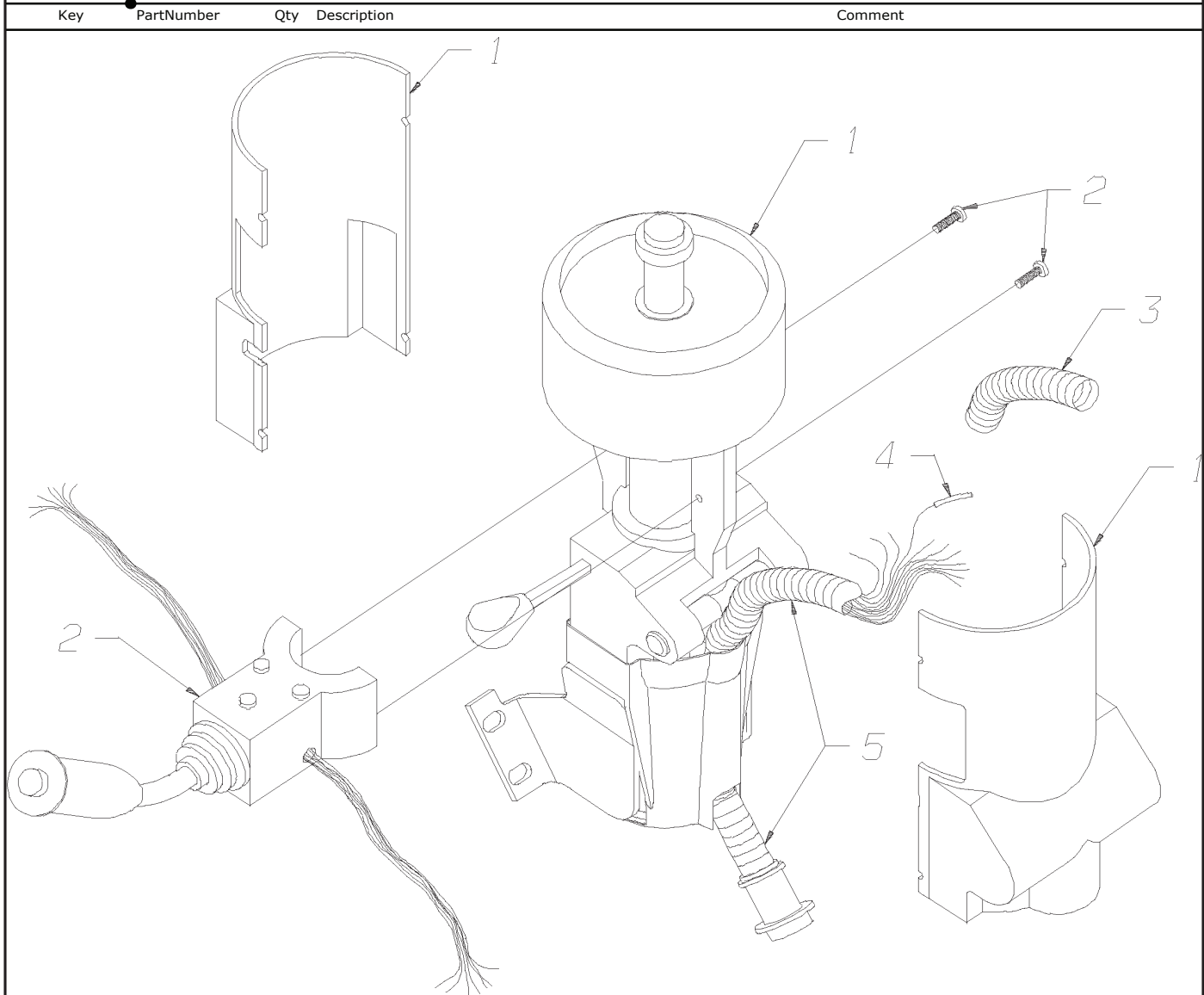
**Models: H4RE
 PANEL
 WITH GOLD BEZEL
 BSN: From CSN 04/14/03**

Key	PartNumber	Qty	Description	Comment
12	0036908		GUAGE,TRIP ODOMETER,DATA LINK,PI	
13	0036910		GUAGE,TURBO BOOST,DATA LINK,PI	
14	0039787		GAUGE,BLUE BIRD LOGO,DATA LINK,PI	
15	0045368		HARNESS,WRG,INSTRUMENT PANEL,	
16	0042122	10	RING,MTG,PI,2.375	
17	0042125	2	RING,MTG,PI,3.750	
	0062160		PANEL,INST,W/COMPONENTS,GOLD BEZELS,	<i>CONSISTS OF THE FOLLOWING</i>
1	0050527		PANEL,INSTRUMENT,BURL,38H4"	
2	0036912		INSTRUMENTATION, TELL TALE BAR, H4RE	
3	0055311		GAUGE,SPEEDO,W/ODOMETER,GOLD	
4	0047306		GAUGE,TACHOMETER,W/HOURMETER,J1939,	
5	0047299		GAUGE,VOLTMETER,J1939,GOLD	
6	0042465		GAUGE,AIR,FRONT,J1939,GOLD	
7	0047294		GAUGE,AIR REAR,J1939,GOLD	
8	0047293		GAUGE,FUEL,J1939,GOLD	
9	0061912		GAUGE,ASSY,OIL PRES,DATA LK,GLD,PI,PRX	
10	0042734		GAUGE,COOLANT,TEMP,J1939,GOLD	
11	0047302		GAUGE,TRANSMISSION OIL TEMP,J1939,GOLD	
12	0042735		GAUGE,TRIP ODOMETER,J1939,GOLD	
13	0047295		GUAGE,TURBO BOOST,J1939,GOLD	
14	0047292		GAUGE,BLUE BIRD LOGO,J1939, GOLD	
15	0045368		HARNESS,WRG,INSTRUMENT PANEL,	
16	0042122	10	RING,MTG,PI,2.375	

Models: H4RE
PANEL
WITH GOLD BEZEL
BSN: From CSN 04/14/03

Key	PartNumber	Qty	Description	Comment
17	0042125	2	RING,MTG,PI,3.750	

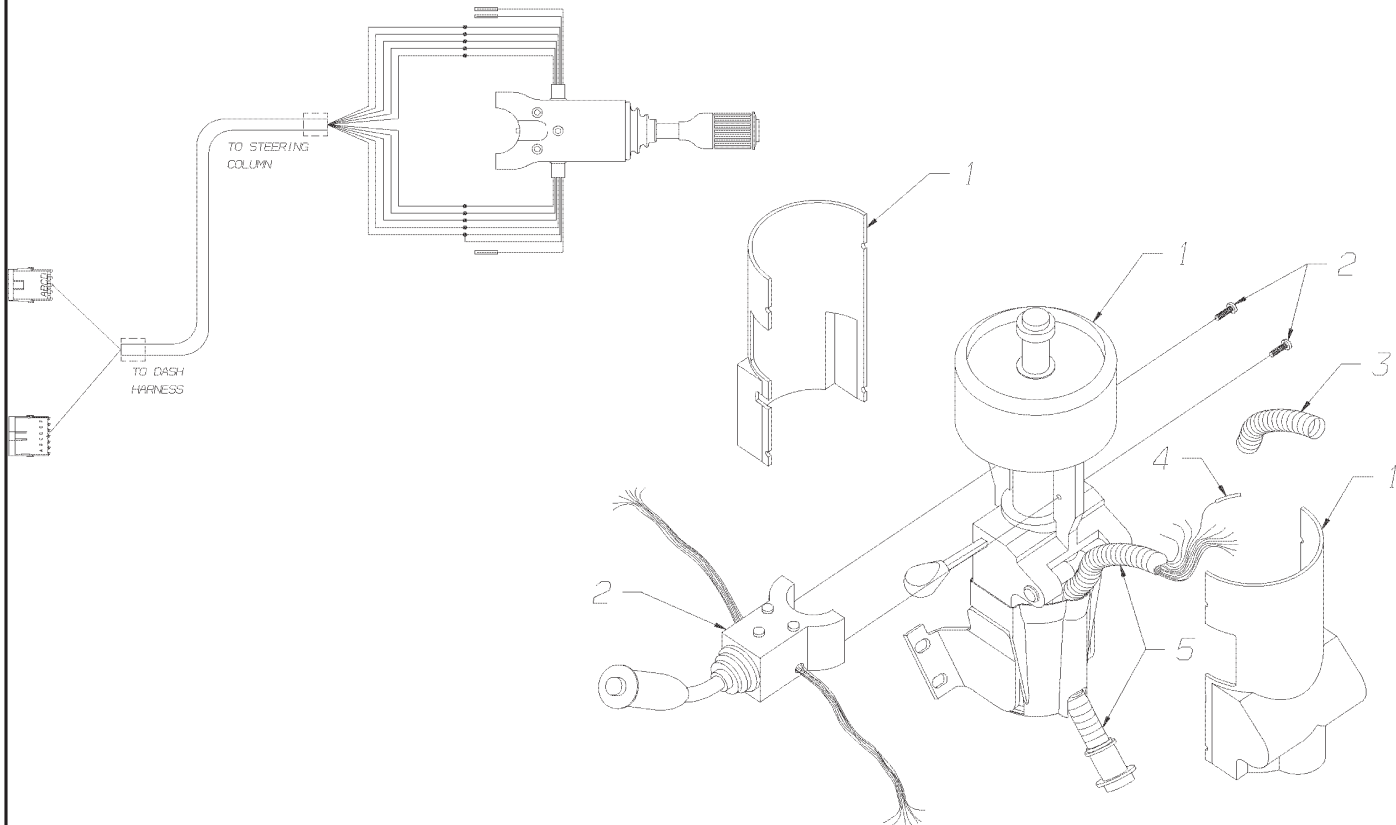
**Models: H4RE, M4RE
COLUMN
To CSN 10/19/03 (M4RE)**



Key	PartNumber	Qty	Description	Comment
	0019951		COLUMN ASSY,TILT/TELE,DA-929,COMPLETE,	<i>CONSISTS OF THE FOLLOWING</i>
1	0010839		COLUMN ASSY,TILT/TELE,FACE MTG,BRKT, DA	
2	1399195		SWITCH,DIRECTIONAL,SELF CANCEL,E-003-009	
3	2272870		LOOM,CORRUGATED,BLACK,NYLON,1/2ID,SS	
4	0009737		TUBING,HEAT SHRINK,SEALING,1/8,BK	
5	0007503		HARNESS,WRG,STEERING COLUMN,HB17,RCDA	

Models: H4RE, M4RE
COLUMN
BSN: From CSN 10/20/03

Key	PartNumber	Qty	Description	Comment
-----	------------	-----	-------------	---------

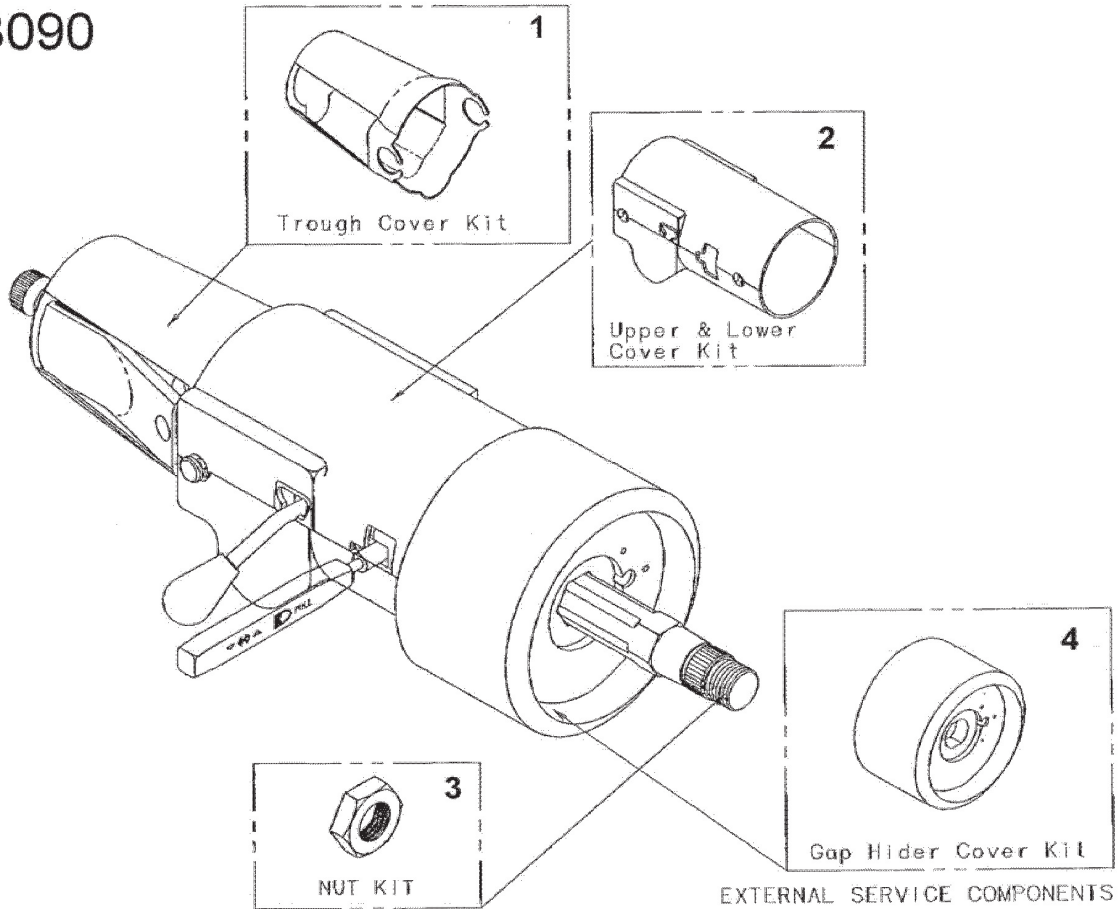


	0069973		COLUMN,ASSY,TILT/TELE,DA-929,COMPLETE	<i>CONSISTS OF THE FOLLOWING</i>
1	0010839		COLUMN ASSY,TILT/TELE,FACE MTG,BRKT, DA	
2	1399195		SWITCH,DIRECTIONAL,SELF CANCEL,E-003-009	
3	2272870		LOOM,CORRUGATED,BLACK,NYLON,1/2ID,SS	
4	0009737		TUBING,HEAT SHRINK,SEALING,1/8,BK	
5	0049569		HARNES,WRG,STEERING COLUMN,MULTIPLEX,	

Models: B4RE, H4RE, L4RE, M4RE, Q4RE, W4RE
COLUMN
EXTERNAL COMPONENTS

Key PartNumber Qty Description Comment

0053090

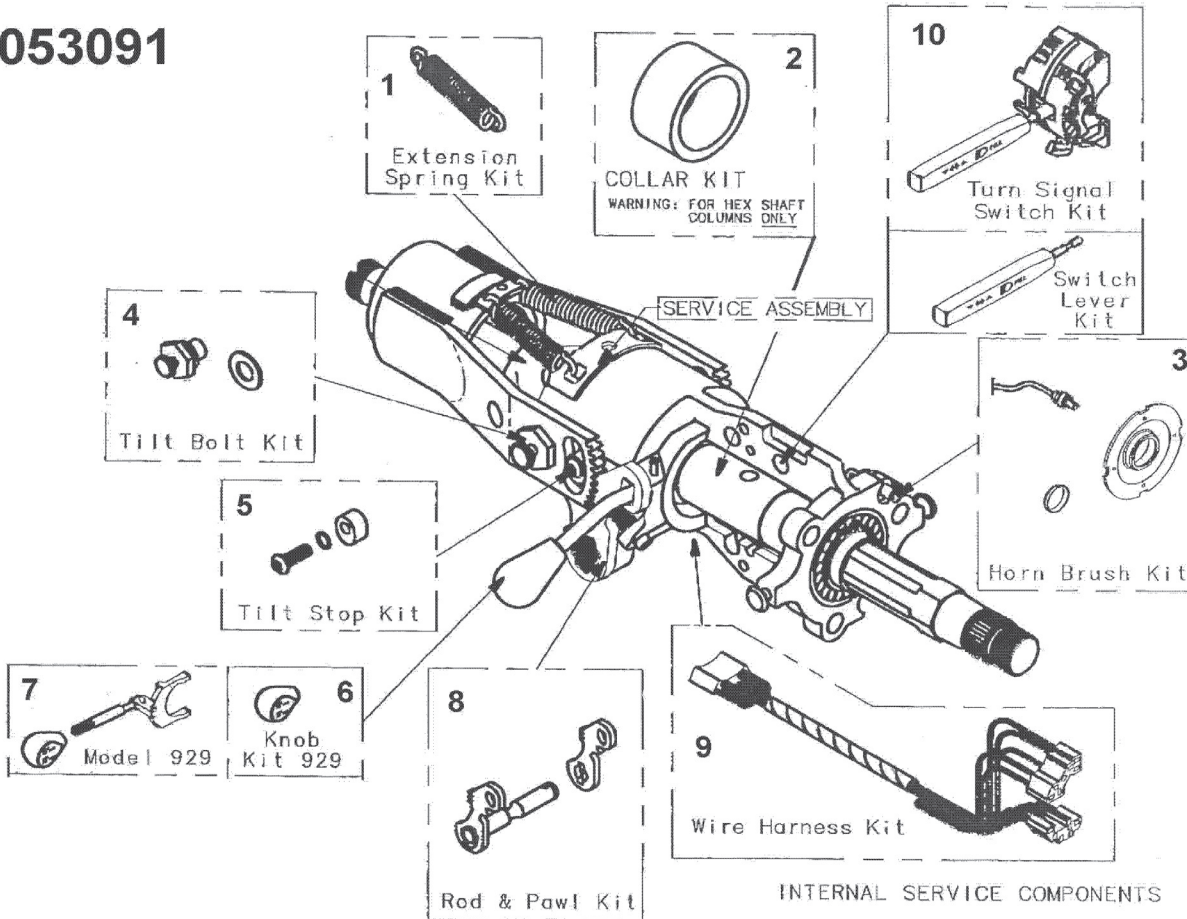


1	0053125	KIT, TROUGH COVER, STEERING COLUMN DA
2	0053126	KIT,COVER,UPR & LWR,STEERING COLUMN DA
3		NUT
4	0053127	KIT,GAP HINDER COVER,STEERING COLUMN,
NI	0053136	KIT,BRACKET-SERVICE,STEERING COLUMN, DA

Models: B4RE, H4RE, L4RE, M4RE, Q4RE, W4RE
**COLUMN
 INTERNAL COMPONENTS**

Key PartNumber Qty Description Comment

0053091



INTERNAL SERVICE COMPONENTS

1	0053128	KIT,SPRING EXTENSION,STEERING COLUMN,
2	0053129	KIT,LOCKING COLLAR,STEERING COLUMN, DA
3	0053130	KIT,HORN BRUSH, DA-929
4	0053131	KIT,TILT BOLT,STEERING COLUMN, DA-929
5	0053132	KIT,TILT STOP,STEERING COLUMN, DA-929
6	0053133	KNOB,TILT LEVER,STEERING COLUMN, DA-929
7	0053134	KIT,TILT LEVER,STEERING COLUMN, DA-929
8	0053135	KIT,ROD & PAWL,STEERING COLUMN, DA-929

**Models: B4RE, H4RE, L4RE, M4RE, Q4RE, W4RE
COLUMN
INTERNAL COMPONENTS**

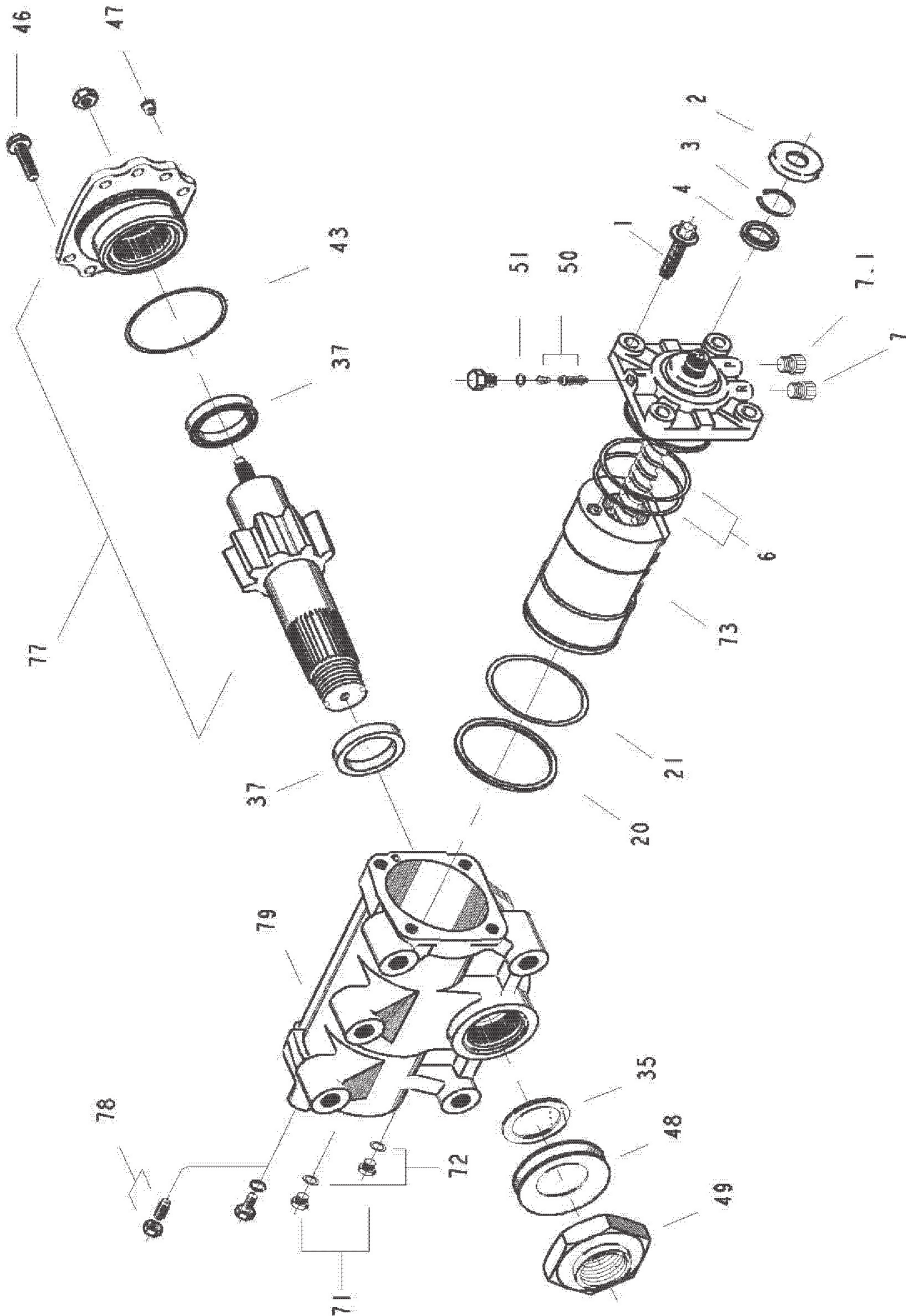
Key	PartNumber	Qty	Description	Comment
9	0007503		HARNESS,WRG,STEERING COLUMN,HB17,RCDA	
10	1399195		SWITCH,DIRECTIONAL,SELF CANCEL,E-003-009	
NI	0053137		KIT,GREASE,STEERING COLUMN, DA-929	

Models: **H4RE
COLUMN
SMART WHEEL**
BSN: **From CSN 02/23/04**

Key	PartNumber	Qty	Description	Comment
	0075831		COLUMN ASSY,STEERING,T/T,DA-929,SMART	<i>CONSISTS OF THE FOLLOWING</i>
1	0073678		COLUMN,STEERING,SMT WHL,W/CLCK SPRING,	
2	0077265		SWITCH,ASSY,TURN SIGNAL,LEVER, 45H4RE	<i>INCLUDES THE FOLLOWING</i>
	0073559		SWITCH,TURN SIGNAL,LEVER, M450	
	2003218		GROMMET,RUBBER,3/8 ID	
3	2272870		LOOM,CORRUGATED,BLACK,NYLON,1/2ID,SS	

**Models: H4RE, M4RE
GEAR**

Key	PartNumber	Qty	Description	Comment
-----	------------	-----	-------------	---------



0050365

**Models: H4RE, M4RE
GEAR**

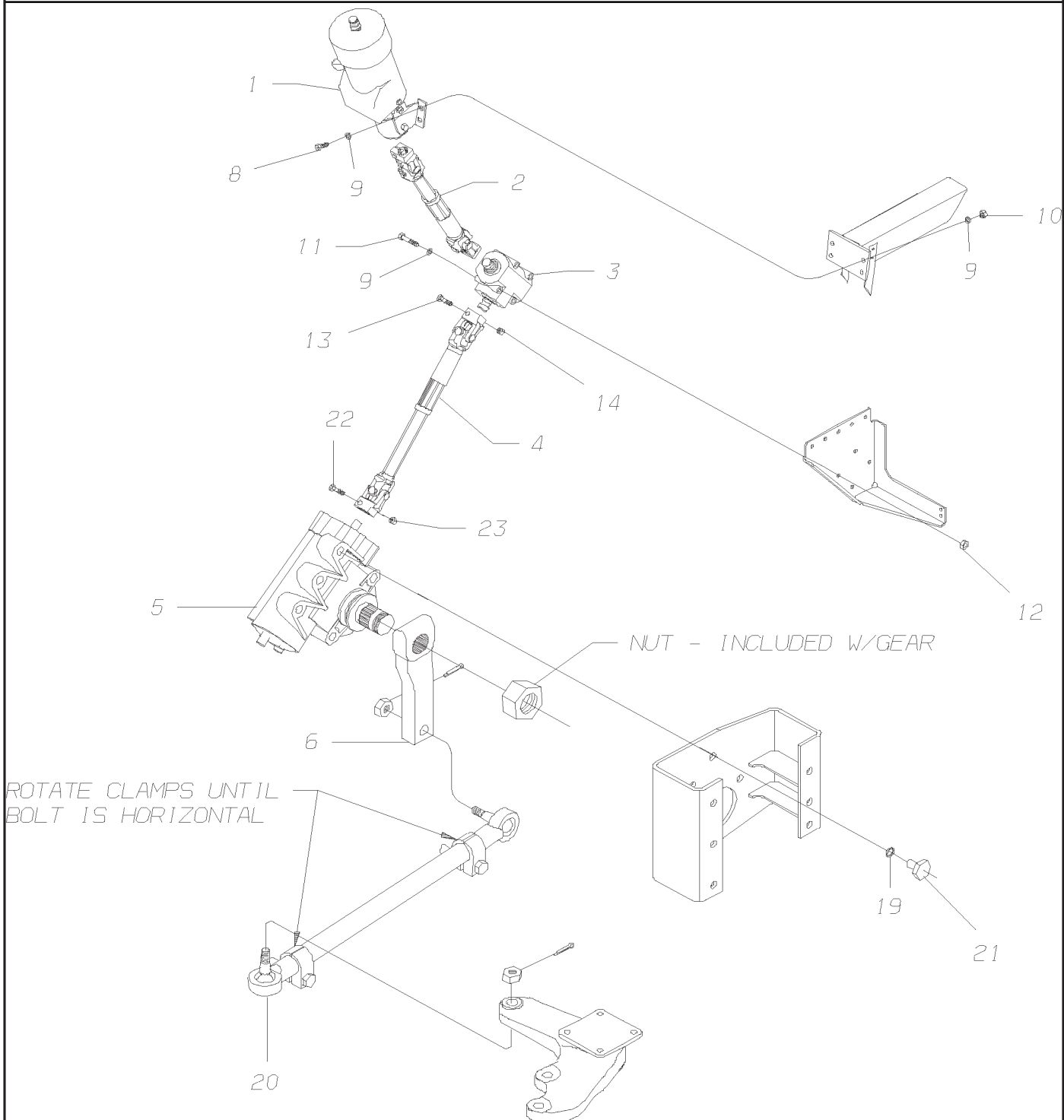
Key	PartNumber	Qty	Description	Comment
1		4	VALVE HOUSING BOLTS	
3			INPUT SHAFT RETAINING RING	
46		8	SIDE COVER BOLT	
49			DROP ARM LOCKNUT	
71		2	AUXILIARY PORT PLUG	
72		2	BONDED WASHER	
73			PISTON, VALVE HOUSING AND ASSEMBLY	
77			OUTPUT SHAFT & SIDE COVER, ASSEMBLY	
78	0058015		POPPET,ADJUST SCREW,65 MM, H4/M4	
79			MAIN HOUSING ASSEMBLY	
	0058947		KIT,OVERHAUL SEAL,H4/M4,0050365	<i>CONSISTS OF THE FOLLOWING</i>
6		2	O-RING	
43			O-RING	
37		2	OUTPUT SHAFT SEAT	
51			RELIEF VALVE O-RING	
4			INPUT SHAFT SEAT	
21			PISTON RACK O-RING	
20			PISTON RACK SEAT RING	
48			DIRT AND WATER SEAL	
2			DIRT AND WATER SEAL	
35			DIRT AND WATER SEAL	
58			DIRT AND WATER SEAL	
7.1			PORT PLUG, WITH WASHER	<i>M18</i>

**Models: H4RE, M4RE
GEAR**

Key	PartNumber	Qty	Description	Comment
7			PORT PLUG, WITH WASHER	M16
47			VENT PLUG	
	0058948		KIT,INPUT SEAT,H4/M4,0050365	CONSISTS OF THE FOLLOWING
48			DIRT AND WATER SEAL	
35			DIRT AND WATER SEAL	
37		2	OUTPUT SHAFT SEAL	
43			SIDE COVER O-RING	
47			VENT PLUG	
	0058949		KIT,OUTPUT SHAFT,H4/M4,0050365	CONSISTS OF THE FOLLOWING
2			DIRT AND WATER SEAL	
4			INPUT SHAFT SEAL	
3			INPUT SHAFT RETAINING RING	
	0058940		PAD,SPACER,FUEL TANK TO FRAME RAIL,	CONSISTS OF THE FOLLOWING
50			RELIEF VALVE	
51			RELIEF VALVE O-RING	

Models: H4RE, M4RE SYSTEM

Key	PartNumber	Qty	Description	Comment
-----	------------	-----	-------------	---------



1	0019951		COLUMN ASSY,TILT/TELE,DA-929,COMPLETE,	
---	---------	--	--	--

**Models: H4RE, M4RE
SYSTEM**

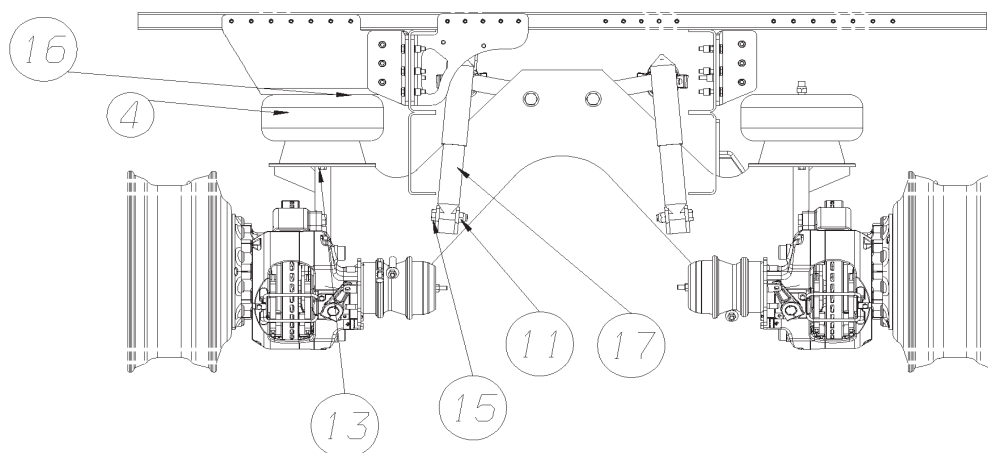
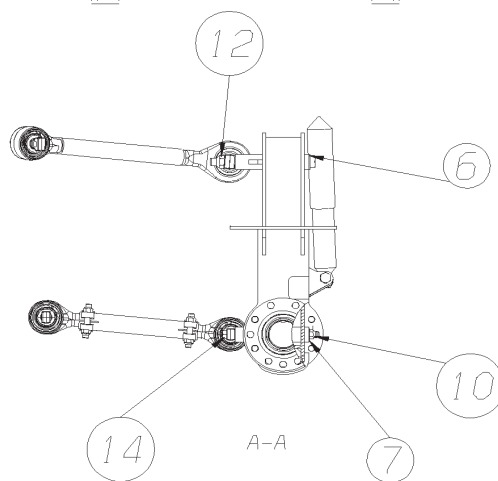
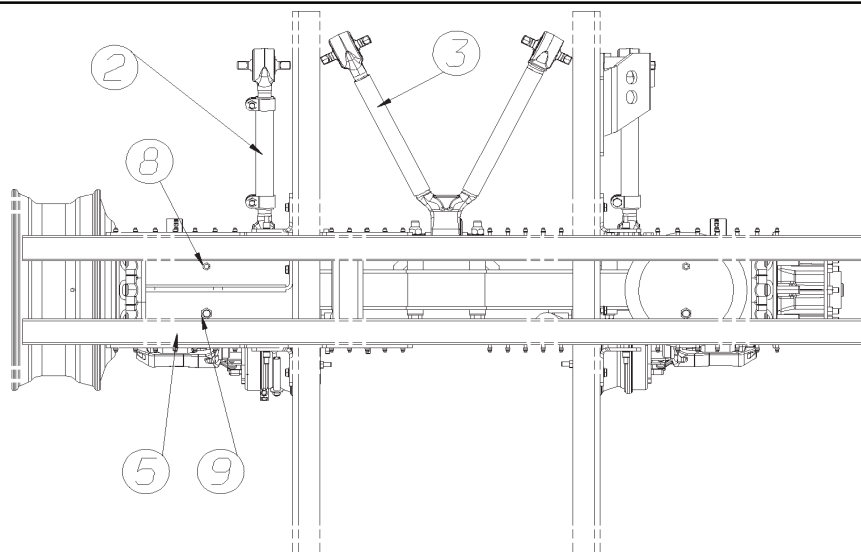
Key	PartNumber	Qty	Description	Comment
2	0047745		SHAFT ASSY,SLIP,STRG COL TO TRANS BOX,	
3	1928266		GEAR BOX,TRANSFER,STEERING,90DEG,1:1R,	
4	0047746		SHAFT ASSY,SLIP,TRANS BOX TO STRG GEAR	
5	0050365		GEAR,PWR STEERING,THP-90,20.9/1 RATIO,	
6	0047813		ARM,PITMAN,2.15 X 48 SERRATIONS X 8.62	
8	0559195	4	CAPSCREW, HEX HD, 3/8-16 X 1, GR 8, YEL ZN	
9	1107085	12	WASHER,FLAT,13/32 X 13/16 X 3/32,HDN,BLK	
10	0826297	4	NUT,HEX HD,3/8-16 LOCK,YEL ZN DICH	
11	1928290	4	CAPSCREW,HEX HD,3/8-16 X 4,GR8,YEL ZN	
12	0839027	4	NUT,HEX HD,3/8-16,GR G,SM FLG LK,YEL	
13	1916980	3	CAPSCREW,HEX HD,7/16-14 X 1 3/4,GR8,	
14	0997080	3	NUT,HEX HD,7/16-14,LOCKING,GR 8,CADMIUM	
19	0607036	5	WASHER,FLAT,13/16 X 1 3/8 X 7/64 ZP,HRD	
20	0052158		DRAG ROD ASSY,34.00, H4RE	<i>CONSISTS OF THE FOLLOWING</i>
	0058012		TIE ROD END LH THREAD H4/M4, 0052158	
	0058013		TIE ROD END RH THREAD, 0052158	
21	0052733	5	CAPSCREW,HEX HD,M20-1.50X35MM,GR10.9,	
22	1085604		CAPSCREW,HEX HD,5/16-18X1 3/4,GR8,	
23	1981844		NUT,HEX HD,5/16-18,LOCK,YEL DICH	

**Models: H4RE, M4RE
SYSTEM**

Key	PartNumber	Qty	Description	Comment
1	0019951		COLUMN ASSY,TILT/TELE,DA-929,COMPLETE,	
2	0047745		SHAFT ASSY,SLIP,STRG COL TO TRANS BOX,	
3	1928266		GEAR BOX,TRANSFER,STEERING,90DEG,1:1R,	
4	0047746		SHAFT ASSY,SLIP,TRANS BOX TO STRG GEAR	
5	0050365		GEAR,PWR STEERING,THP-90,20.9/1 RATIO,	
6	0047813		ARM,PITMAN,2.15 X 48 SERRATIONS X 8.62	
8	0559195	4	CAPSCREW, HEX HD, 3/8-16 X 1, GR 8, YEL ZN	
9	1107085	12	WASHER,FLAT,13/32 X 13/16 X 3/32,HDN,BLK	
10	0826297	4	NUT,HEX HD,3/8-16 LOCK,YEL ZN DICH	
11	1928290	4	CAPSCREW,HEX HD,3/8-16 X 4,GR8,YEL ZN	
12	0839027	4	NUT,HEX HD,3/8-16,GR G,SM FLG LK,YEL	
13	1916980	3	CAPSCREW,HEX HD,7/16-14 X 1 3/4,GR8,	
14	0997080	3	NUT,HEX HD,7/16-14,LOCKING,GR 8,CADMIUM	
19	0607036	5	WASHER,FLAT,13/16 X 1 3/8 X 7/64 ZP,HRD	
20	0052158		DRAG ROD ASSY,34.00, H4RE	<i>CONSISTS OF THE FOLLOWING</i>
	0058012		TIE ROD END LH THREAD H4/M4, 0052158	
	0058013		TIE ROD END RH THREAD, 0052158	
21	0052733	5	CAPSCREW,HEX HD,M20-1.50X35MM,GR10.9,	
22	1085604		CAPSCREW,HEX HD,5/16-18X1 3/4,GR8,	
23	1981844		NUT,HEX HD,5/16-18,LOCK,YEL DICH	

**Models: H4RE, M4RE
AIR
TAG AXLE**

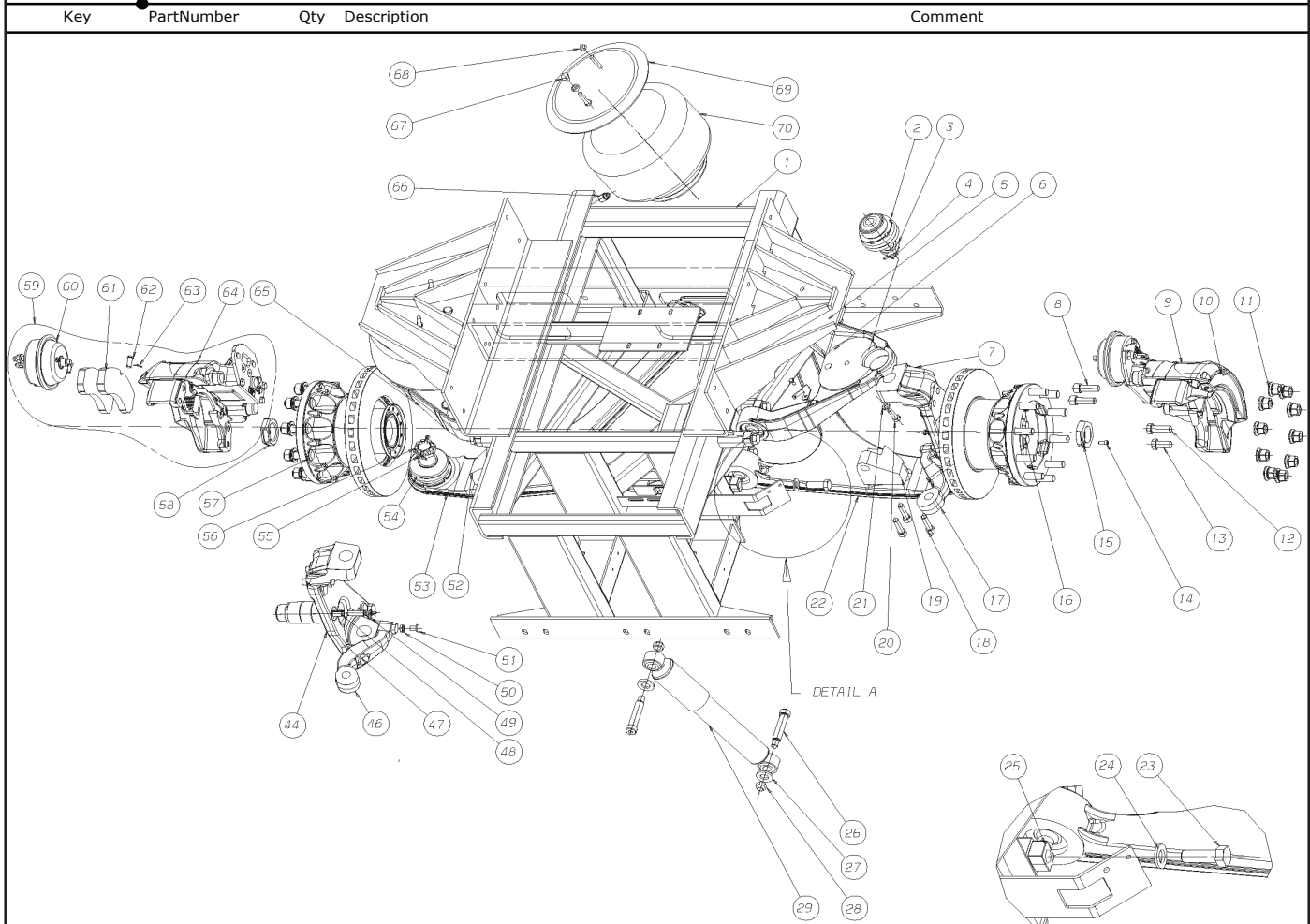
Key	PartNumber	Qty	Description	Comment
-----	------------	-----	-------------	---------



Models: H4RE, M4RE
AIR
TAG AXLE

Key	PartNumber	Qty	Description	Comment
2	0077074		ROD,TORQUE,TAG AXLE	
3	0077075		ROD,TORQUE,UPPER REAR	
4	0077076		SPRING,AIR,TAG AXLE	
5			FRAME, TAG	
6			WASHER, FLAT	
7			WASHER, FLAT	
8			LOCKNUT	
9			LOCKNUT	
10			LOCKNUT	
11			LOCKNUT	
12			LOCKNUT	
13			SCREW	
14			SCREW	
15			SCREW	
16			SCREW	
17	0077077		SHOCK ABSORBER,REAR,M4	

**Models: H4RE, M4RE
ASSEMBLY**



Key	PartNumber	Qty	Description	Comment
1			SUBFRAME ASSEMBLY	
2		2	STUD ASSEMBLY - BALL	
3		2	NUT- HEX CASTLE	
4		2	COTTER PIN	
5			SUSPENSION ASSEMBLY	
6	0077511		ARM ASSY,UPPER,LH,A FRAME	
7	0077508		STEERING KNUCKLE,LH,M4	
8		4	SCREW, SOCKET HEAD	
9			DISC BRAKE ASSEMBLY	

**Models: H4RE, M4RE
ASSEMBLY**

Key	PartNumber	Qty	Description	Comment
10			DISC BRAKE - MERITOR	
11		20	NUT ASSEMBLY	
12		2	SCREW CAP - METRIC	
13		2	SCREW CAP - METRIC	
14		2	SCREW CAP - METRIC	
15			NUT-SPINDLE LH	
16		24	SCREW CAP - METRIC	
17	0077510		STEERING ARM,LEFT HAND,M4	
18		6	SCREW - SOCKET HEAD	
19			BRACKET - SHOCK ABSORBER, FIN	
20		2	SCREW - CAP	
21		2	LOCK WASHER	
22	0077512		ARM ASSY,LOWER,LH,A FRAME	
23		16	SCREW - CAP	
24		16	WASHER - HARDENED	
25		8	BUSHING ASSEMBLY	
26		4	BOLT, SHOULDER	
27		4	WASHER - FLAT	
28		4	NUT - LOCK, FIN	
29	0077380	2	SHOCK ABSORBER,STEER,IFS	
30			TIE ROD ASSEMBLY LH	
31	0077515		TIE ROD END,OUTER,LH,M4	
32	0077517		RELAY,ASSY,IDLER, ARM	

**Models: H4RE, M4RE
ASSEMBLY**

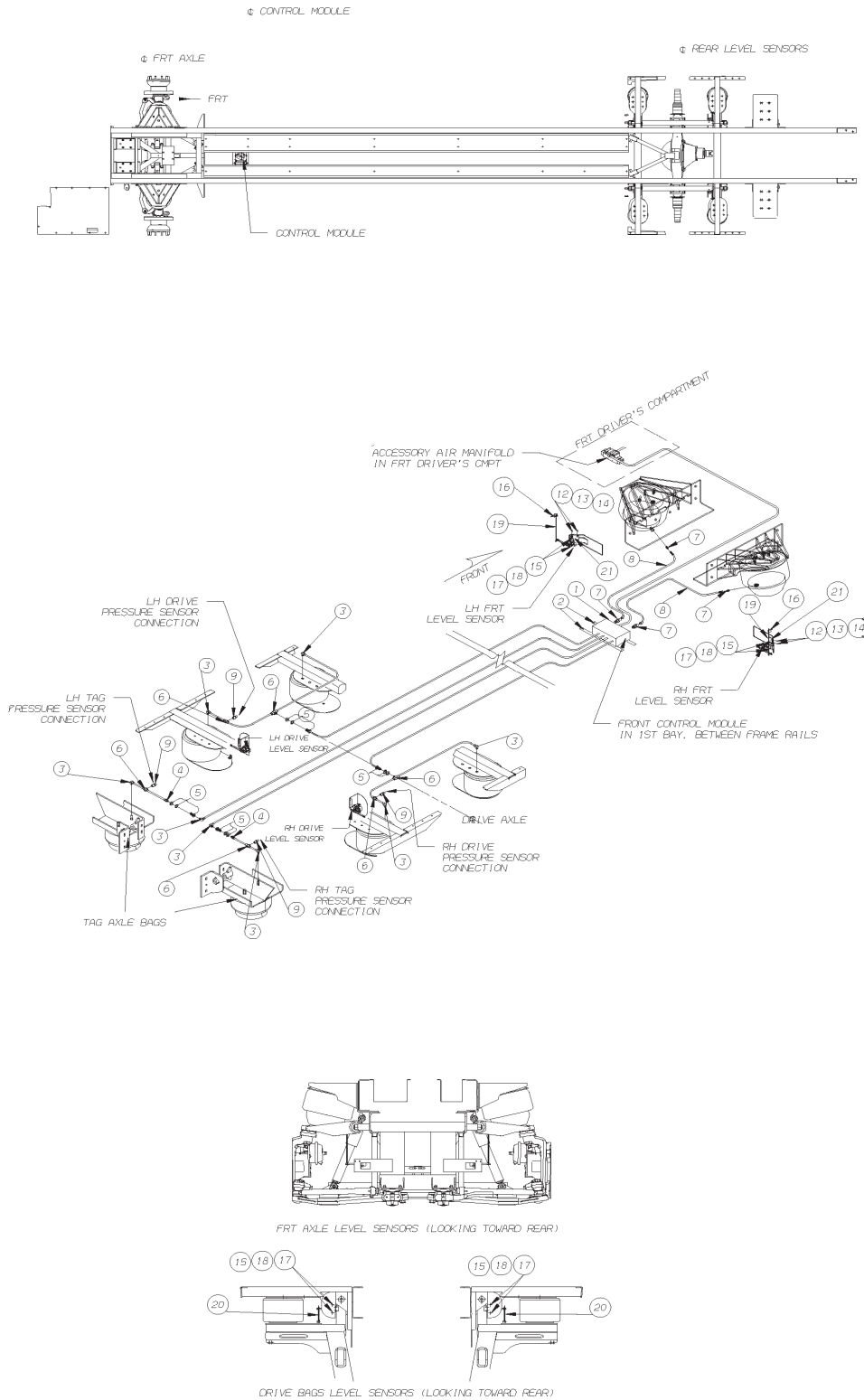
Key	PartNumber	Qty	Description	Comment
33	0077518		RELAY,STEERING,ASSY	
NI	0097242		COVER, RELAY/IDLER,STEERING,KIT	
NI	0111734		BEARING ASSY,RELAY,STEERING	
34		8	SCREW - CAP	
35	0077519		RELAY,STEERING,IDLER ASSY	
NI	0097242		COVER, RELAY/IDLER,STEERING,KIT	
NI	0111734		BEARING ASSY,RELAY,STEERING	
36		8	WASHER - FLAT	
37		8	NUT - LOCK, FIN	
38		2	PIN, COTTER	
			FOR AXLE ASSEMBLY 0056945	
39			ROD ASSEMBLY - TIE RH	
40	0077516		TIE ROD END,OUTER,RH,M4	
41	0077835		TIE ROD END,INNER,RH,M4	
42	0077834		TIE ROD END,INNER,LH,M4	
43		2	CLAMP NUT	
44	0077507		STEERING KNUCKLE,RIGHT HAND,M4	
45		4	PIN, COTTER	
46	0077509		STEERING ARM, RIGHT HAND, M4	
47		4	SCREW - CAP METRIC	
48		2	BUSHING SENSOR	
49		2	ABS SENSOR	
50		2	NUT - LOCK	

**Models: H4RE, M4RE
ASSEMBLY**

Key	PartNumber	Qty	Description	Comment
51		2	SCREW, STEERING STOP	
52			BRACKET - SHOCK, ABSORBER, FIN	
53	0077514		ARM ASSY,LOWER,RH,A FRAME	
54		2	STUD ASSEMBLY - BALL	
55		2	PIN - COTTER	
56		2	NUT - HEX CASTLE	
57			SUSPENSION ASSEMBLY	
58			NUT - SPINDLE RH	
59			DISC - BRAKE ASSEMBLY	
60		2	CHAMBER ASSEMBLY - BRAKE	
61		4	SHOE - BRAKE, & LINING ASSEMBLY	
62		2	PIN, CLEVIS	
63		2	PIN, COTTER	
64			DISC BARKE - MERITOR	
65	0077513		ARM ASSY,UPPER,RH,A FRAME	
66		2	ADAPTER	
67		2	PLUG	
68		4	NUT - LOCK, FIN	
69		2	SUPPORT PLATE - AIR SPRING	
70	0077379	2	SPRING,AIR,STEER AXLE,IFS	

Models: H4RE
FRONT AND REAR PLUMBING

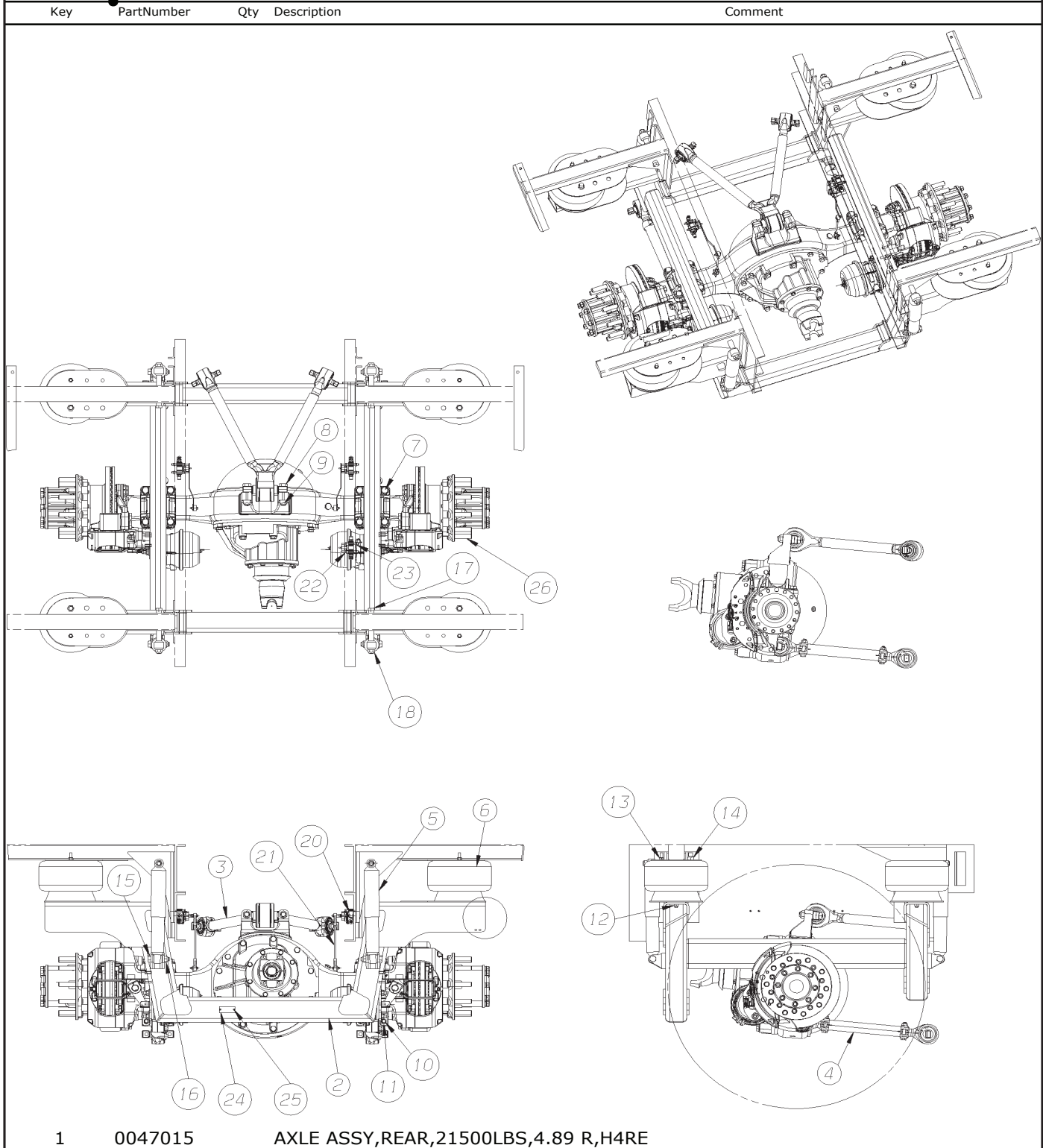
Key	PartNumber	Qty	Description	Comment
-----	------------	-----	-------------	---------



**Models: H4RE
FRONT AND REAR PLUMBING**

Key	PartNumber	Qty	Description	Comment
1	0073308		BOX,CONTROL,FRT,ELEC LVL SYS,	
2	0073333	2	BRACKET,MTG,LVLING SYS CTRL	
3	0009914	8	ELBOW,90 DEG,MALE1869X6-Z,.25MPT X .38T"	
4	0009924	2	CONNECTOR,MALE,1868X6-Z,.25MPT X .38T"	
5	2023232	4	COUPLING,ANCHOR,205465	
6	0009926	6	TEE,MALE,BRANCH,1872X6-Z,.25MPT X .38T	
7	0075097	4	FITTING,CONNECTOR,37 DEG,	
8	0073014	2	HOSE,ASSEMBLY,FRT SUSP,3/8JIC X 3/8MPT,SS	
9	1660109	4	COUPLING,1/4 FPT X 1/8 FPT,BRASS	
NI	1346857	AR	TUBING,PLASTIC,3/8 OD,BLUE,SAE J844 TYPE B	
NI	2272862	AR	LOOM,CORRUGATED,BLACK,NYLON,3/8ID,SS	
12	0854414	4	CAPSCREW,HEX HD,5/16-18X7/8,GR8,YEL ZN	
13	3840881	4	WASHER, FLAT, TYPE A, NARROW, 5/16, ZN3	
14	1981844	4	NUT,HEX HD,5/16-18,LOCK,YEL DICH	
15	0659979	4	NUT, HEX, FLANGE SER, 1 /4-20, BLACK, ZINC	
16	0052543	2	BRACKET,FRONT A-ARM,LEVELING VLV LINK	
17	0870477	4	CAPSCREW,HEX HD,1/4-20 X 1,GR 8,YEL ZN	
18	2001170	4	LOCK WASHER, SPLIT RING, 1/4 , MED, YEL ZN	
19	0058960	2	LINK ASSY,LEVELING VALVE,ADJUSTABLE	
20	0075237	2	LINK,ASSY,LEVELING VALVE,	
21	0073488	2	BRACKET,MTG,LEVEL SENSOR,FRT,45H4RE	
NI	1346865	16	TUBING,PLASTIC,1/2 OD,BLACK,SAE J844 TYPE	
NI	2272870	14	LOOM,CORRUGATED,BLACK,NYLON,1/2ID,SS	

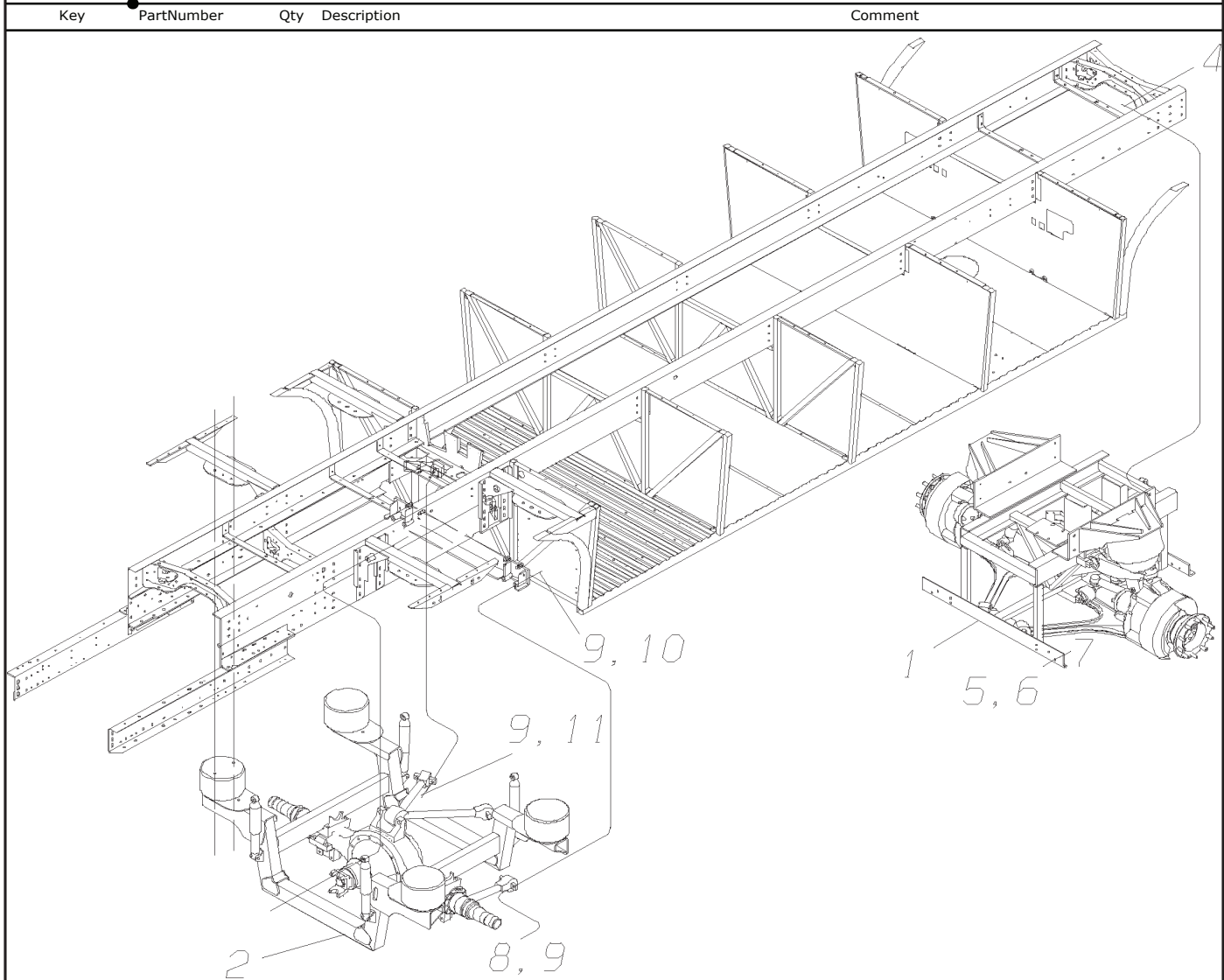
**Models: H4RE
INSTALLATION
DRIVE AXLE**



**Models: H4RE
INSTALLATION
DRIVE AXLE**

Key	PartNumber	Qty	Description	Comment
	0105966		SEAL,OIL,PINION,RC23500AXLE,M4RE	
2			FRAME ASSEMBLY	
3	0077075		ROD,TORQUE,UPPER REAR	
4	0077164		ROD,TORQUE,LOWER	
5	0077077		SHOCK ABSORBER,REAR,M4	
6	0077165		SPRING,AIR,REAR	
7			CAPSCREW 3/4 UNC- 2A 9 INCH LONG - GRADE	
8			CAPSCREW 7/8 UNC-2A 3.75 INCH LONG,	
9			LOCKNUT, 7/8 UNC - 2B CLASS C	
10			CAPSCREW, 5/8 UNC - 2A 4 INCH LONG, GRADE	
11	2596591		NUT	
12	2162089		NUT,FRONT BRAKE,15 X 4	
13	2162089		NUT,FRONT BRAKE,15 X 4	
14			LOCKNUT, 3/4 UNF - 2B, CLASS C	
15			CAPSCREW, 3/4 UNC - 2A, 3.50 IN LONG,	
16			LOCKNUT, 3/4 UNC - 2B, CLASS C	
17			CAPSCREW, 3/4 UNC - 2A, 8.50 INCH LONG,	
18			LOCKNUT 3/4 UNC - 2B, CLASS C	
19			LOCKNUT, 3/4 UNC - 2B, CLASS C	
20			CHASSIS LEVELING VALVE	

**Models: H4RE
INSTALLATION
STEER AXLE**

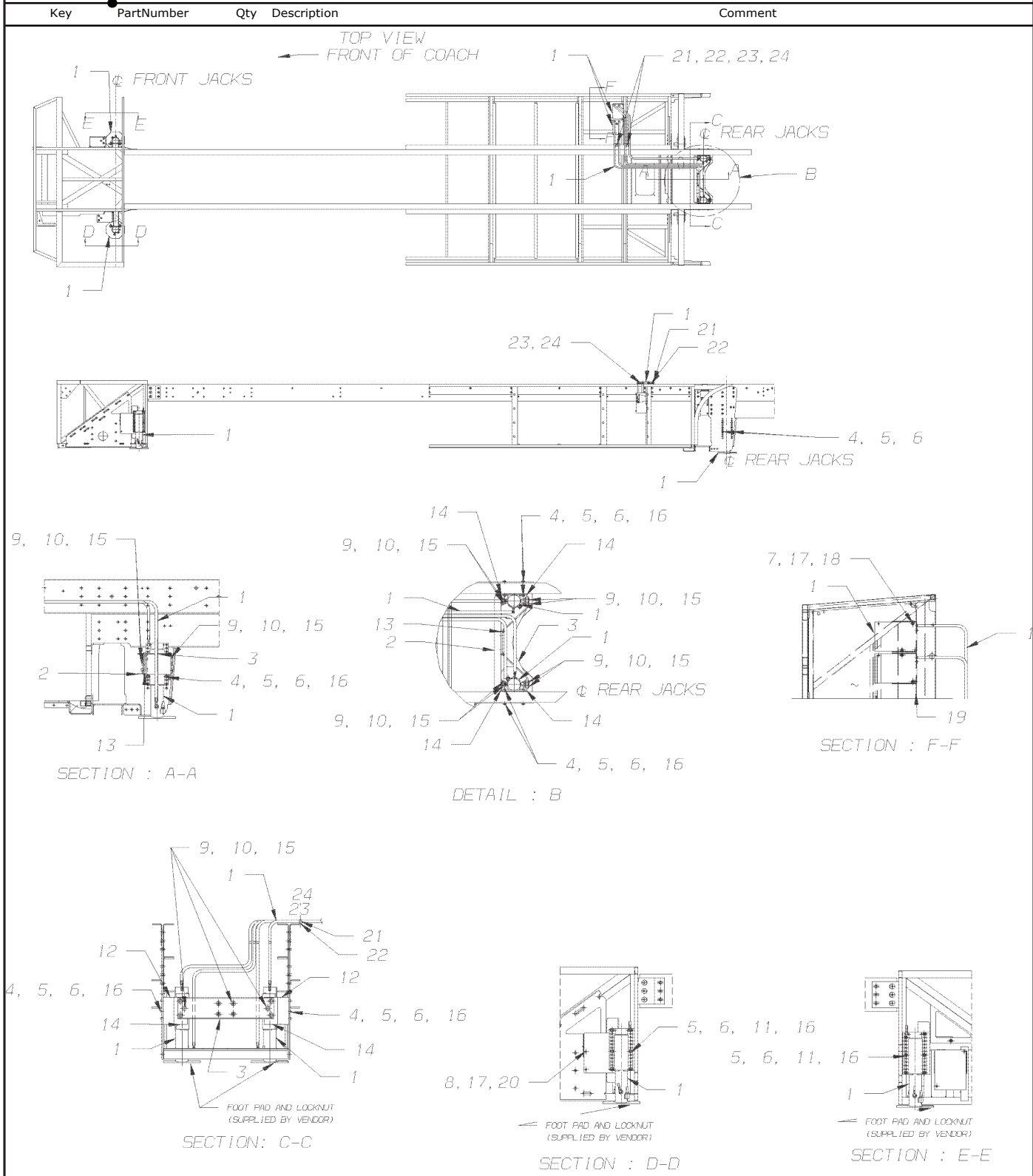


Key	PartNumber	Qty	Description	Comment
1	0047013		AXLE & SUSP ASSY,STEER,IFS,16000 LBS, H4RE	
2	0047015		AXLE ASSY,REAR,21500LBS,4.89 R,H4RE	
5	0850800	8	NUT, HEX HD, 1/2-13, LOCKING, GR 8, CAD	
6	0850776	8	WASHER,FLAT,17/32 X 1 1/16 X 3/32,	
7	0803239	8	CAPSCREW, HEX HD, 1/2-13 X1 1/2, GR8	
8	0939835	4	CAPSCREW,HEX HD,5/8-11 X2 1/2,GR8,	
9	0929018	12	WASHER, FLAT, 21/32 X 1 1/8 X 3/32, HDN, YEL	

Models: H4RE
INSTALLATION
STEER AXLE

Key	PartNumber	Qty	Description	Comment
10	0939827	4	NUT, HEX HD, 5/8-11, GR 8, LOCK, CADMIUM	
11	1832328	4	CAPSCREW,5/8-11 X 8 1/2 GR8	

**Models: H4RE
LEVELING JACKS
INSTALLATION STABILIZING SYSTEM
45 FT**



**Models: H4RE
LEVELING JACKS
INSTALLATION STABILIZING SYSTEM
45 FT**

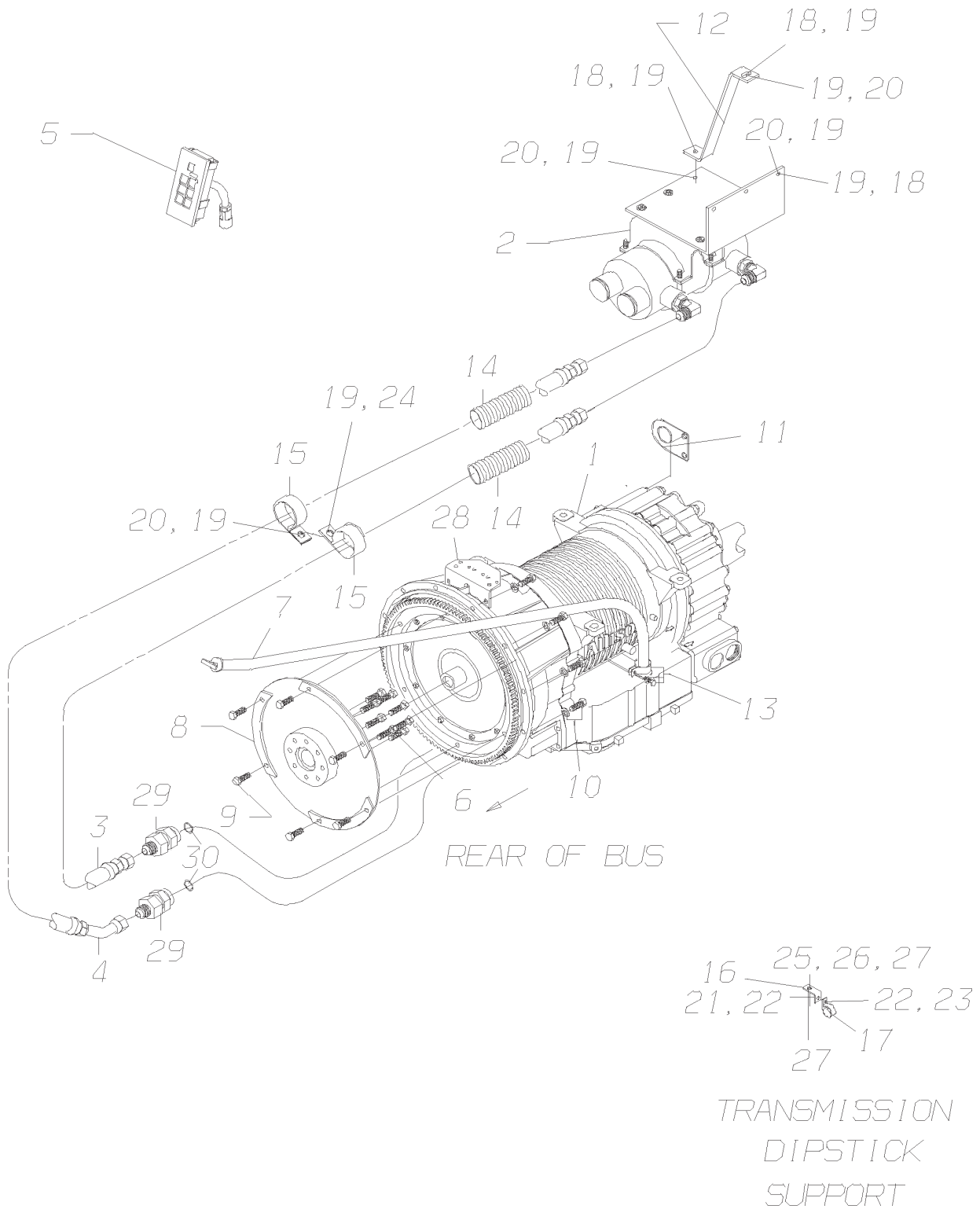
Key	PartNumber	Qty	Description	Comment
1	0073399		KIT,STABILIZER,HYDRAULIC,QE2-45	
2	0060847		CHANNEL,REINF,REAR,LEVELING JACK, 3800	
3	0060839		CROSSMEMBER,REAR,LEVELING JACK, 3800	
4	0801928	24	CAPSCREW,HEX HD,7/16-14X1 1/2,GR8,	
5	0075858	40	NUT,HEX HD,7/16-14,GR8,YEL ZN DICH	
6	0997072	40	WASHER,FLAT,15/32 X 15/16 X 5/64,HDN,	
7	0559195	7	CAPSCREW, HEX HD, 3/8-16 X 1, GR 8, YEL ZN	
8	0822817		SCREW,3/8-16 X 1,F,HEX WASH HD,YEL ZN	
9	0850800	16	NUT, HEX HD, 1/2-13, LOCKING, GR 8, CAD	
10	2255461	32	WASHER,FLAT,TYPE A,NARROW,1/2,ZN3	
11	0085530	12	HOSE ASSY,TRANS,OIL CLR,#12-STR-45-59"	
12	0054251	2	BRACKET ASSY,MOUNTING,JACK	
13	0073351		PLATE,SPACER,LVLG JACK C/MBR	
14	0073341	4	ANGLE,ATCH,C/MBR TO LVLG JACK,RR	
15	0803239	16	CAPSCREW, HEX HD, 1/2-13 X1 1/2, GR8	
16	0075859	36	WASHER,LOCK,SPLIT RING,7/16,GR8,YEL ZN	
17	1107085	8	WASHER,FLAT,13/32 X 13/16 X 3/32,HDN,BLK	
18	0520742	4	NUT,RETAINER,SPEED GRIP	
19	0076188		CHANNEL,MOUNTING,HYD PUMPS, 45H4RE	
20	2001451		NUT, HEX HD, 3/8-16, YELLOW DICHROMATE	
21	1602663	4	CLAMP,LOOP,1.00 INCH,INSULATED	
22	1589308	2	CLIP,WIRE AND TUBE CLAMP,1/8 - 1/4 FLANGE	
23	2000057	2	CAPSCREW, HEX HD, 1/4-20 X 1, GR 5,Y EL ZN	

Models: H4RE
LEVELING JACKS
INSTALLATION STABILIZING SYSTEM
45 FT

Key	PartNumber	Qty	Description	Comment
24	1467000	2	WASHER,FLAT, .281 X.750X.078 HARDENED,BLK	

**Models: H4RE
AUTOMATIC, COMPONENTS
3000MH**

Key	PartNumber	Qty	Description	Comment
-----	------------	-----	-------------	---------



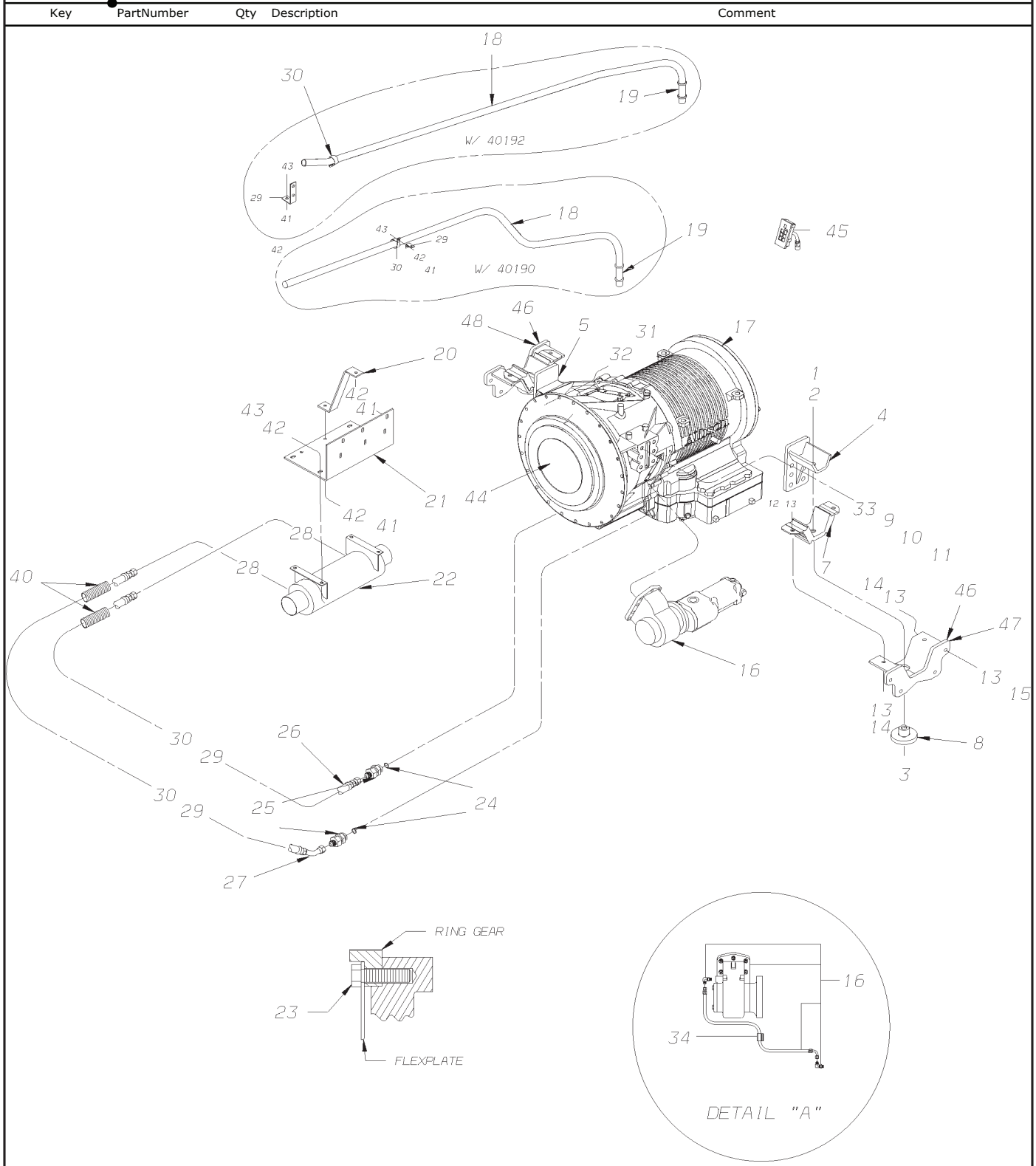
**Models: H4RE
AUTOMATIC, COMPONENTS
3000MH**

Key	PartNumber	Qty	Description	Comment
1	0033853		TRANSMISSION,3000MH,TC421,ISL,OLS,SPL	
2	0046441	1	COOLER ASSY,TRANSMISSION, H4RE	
NI	1207950	1	COOLER ASSY,TRANS OIL,S-W 31046-83B-AA	COOLER ONLY
3	0046287	1	HOSE ASSY,WH23916EE-616-616-OAL00031IN	
4	0046288	1	HOSE ASSY,WH23916EE-616-696-OAL00033IN	
5	0031122	1	SELECTOR,SHIFT,PUSHBUTTON,3000 SRS,	
6	1596717	8	BOLT,CRANKSHAFT,MD3060/CUM,ALLISON	
7	1652270	1	TUBE & DIPSTICK ASSY,TRANS OIL,MD-3060	
8	1760842	1	KIT,ENG ADAPT,5.9 & 8.3,WORLD T/M	
9	1760859	6	BOLT,FLEXPLATE TO FLEXPLATE ADAPT,WORLD	
10	1760867	1	BOLT/WASHER KIT,FWH,CUMMINS	
11	1815992	1	PLATE,MOUNTING,PIGTAIL HARNESS TO TRANS	
12	1820729	1	BRACE,MOUNTING,CLR BRKT TO S/FRM	
13	1595362	1	CLAMP,INSULATED 1.00 ID	
14	1228840	8	LOOM,CORRUGATED,BLACK,NYLON,1 1/4ID,SS	
15	1039486	2	CLAMP,LOOP,1.50	
16	1501097	1	BRACKET,ATCH,BRAKE LINE TO FRAME	
17	1517168	1	CLAMP,LOOP,.937	
18	0803213	5	CAPSCREW,HEX HD,3/8-16X1 1/4,GR8,YEL	
19	1107085	12	WASHER,FLAT,13/32 X 13/16 X 3/32,HDN,BLK	
20	0826297	6	NUT,HEX HD,3/8-16 LOCK,YEL ZN DICH	
21	0854414	1	CAPSCREW,HEX HD,5/16-18X7/8,GR8,YEL ZN	
22	1078922	2	WASHER, FLAT, 3/8 X 7/8 X 5/64, YEL ZN DICH	

**Models: H4RE
AUTOMATIC, COMPONENTS
3000MH**

Key	PartNumber	Qty	Description	Comment
23	1480433	1	NUT, HEX HD,5/16-18, FLG PRVG TORQ, GR F,	
24	0559195	1	CAPSCREW, HEX HD, 3/8-16 X 1, GR 8, YEL ZN	
25	1030998	1	NUT,HEX HD,M8-1.25,ZINC	
26	2001188	1	LOCK WASHER, SPLIT RING, 5/16, MED, YEL ZN	
27	1167485	2	WASHER,FLAT,11/32 X 11/16 X 5/64,HDN,BLK	
28	1839315	1	BRACKET,MTG,HYD HOSES TO TRANSMISSION	
29	1140441	2	ADAPTER,1040-12-16S,STRAIGHT,O-RING	
30	0048094	2	O-RING,VITON,12 HYD FITTINGS	
NI	0039338	1	ELECTRONIC CONTROL UNIT,TRANS, H4RE	

Models: H4RE, M4RE
AUTOMATIC, COMPONENTS
SPL 250
With: FEATURE 40192-01, 02, 40190-01



Models: H4RE, M4RE
AUTOMATIC, COMPONENTS
SPL 250
With: FEATURE 40192-01, 02, 40190-01

Key	PartNumber	Qty	Description	Comment
1	0870873	2	CAPSCREW,HEX HD,3/4-10 X 4,GR 8,YEL ZN	
2	0870915	2	WASHER,FLAT,27/32 X 1 1/2 X 1/8,YEL ZN	
3	0933879	2	NUT,HEX HD,3/4-10,PRVLG TORQ,GR8,CAD	
4	0052873	1	MOUNT ASSY,TRANSMISSION,LH	
5	0052874	1	MOUNT ASSY,TRANSMISSION,RH	
6			NOT CURRENTLY USED	
7	0052807	2	ISOLATOR,REAR ENGINE,BARRY 27330-1	
8	0052805	2	RING,REBOUND,BARRY 27477-2	
9	0929018	12	WASHER, FLAT, 21/32 X 1 1/8 X 3/32, HDN, YEL	
10	2001220	12	LOCKWASHER,SPLIT RING, 5/8 ,LHT,YEL ZN	
11	0054337	12	CAPSCREW,HEX HD,M16-2.00 X 45,GR 10.9	
12	1942135	4	CAPSCREW,HEX HD 1/2-13X 1 1/4,GR8,	
13	1003045	16	WASHER, FLAT,1 7/32 X 1 1/16 X 7/64, HDN,	
14	0850800	12	NUT, HEX HD, 1/2-13, LOCKING, GR 8, CAD	
15	0803205	8	CAPSCREW, HEX HD, 1/2-13 X 2, GR 8, YEL ZN	
16	0029540	1	KIT,PTO,267 SERIES FOR HD4060P,CUMN/DET,	
17	0050054	1	TRANSMISSION,B500P,TC541,C12,OLS,SPL 250	WITH 40192-02
17	0050053	1	TRANSMISSION,4000MH,TC551,C12,OLS,SPL	WITH 40192-01
17	0050055	1	TRANSMISSION,B500P,TC541,DDS60,OLS,SPL	WITH 40190-01
18	0056132	1	TUBE & DIPSTICK ASSY,TRANS OIL,	WITH 40190
18	0066624	1	TUBE,DIPSTICK,ASSY,TRANS,OIL,	WITH 40192
19	1595362	1	CLAMP,INSULATED 1.00 ID	
20	0054992	1	BRACE,MOUNTING,TRANS COOLER TO	

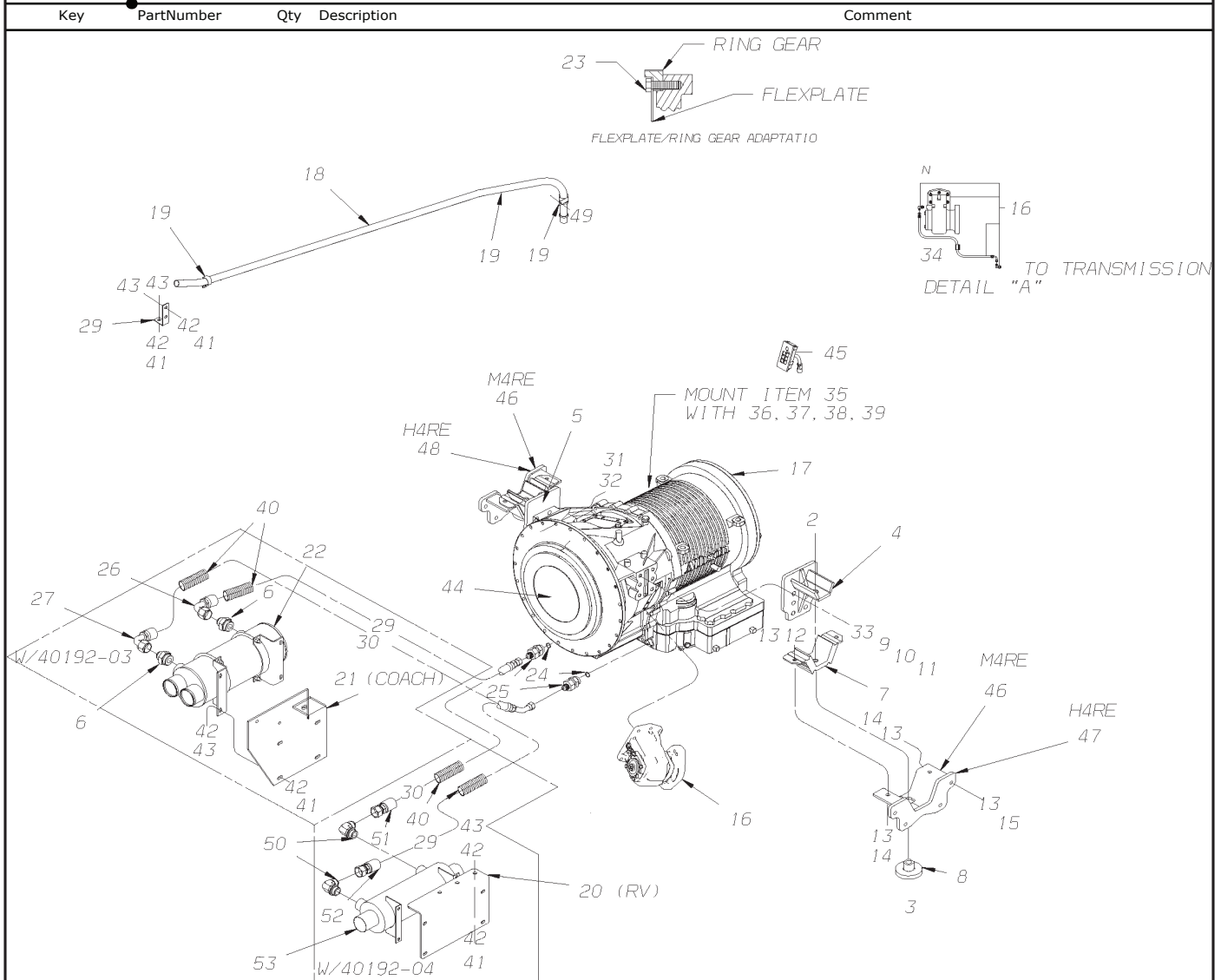
Models: H4RE, M4RE
AUTOMATIC, COMPONENTS
SPL 250
With: FEATURE 40192-01, 02, 40190-01

Key	PartNumber	Qty	Description	Comment
21	0054960	1	BRACKET,MOUNTING,TRANS COOLER TO	
22	0050572	1	COOLER ASSY,TRAS OIL,3-1249T	
23	0997759	12	CAPSCREW,HX HD,M8-1.25X25,CL10.9,	
24	0057071	2	O-RING,VITON,16 HYD FITTING	
25	1042878	2	ADAPTER,848-FSO-16X16	
26	0057072	1	HOSE ASSY,WH23916EE-616-616-OAL00040IN	
27	0057073	1	HOSE ASSY,WH23916EE-616-676-OAL00060IN	
28	1056076	3	ADAPTER,849-FSO-16X16,37 DEG,STL FLARE	
29	1501097	3	BRACKET,ATCH,BRAKE LINE TO FRAME	WITH 40190
29	1501097	2	BRACKET,ATCH,BRAKE LINE TO FRAME	WITH 40192
29	1317247	1	BRACKET,ATCH,BRAKE LINE TO FRAME	WITH 40192
30	1225598	5	CLAMP,LOOP,1.25	
31	1916980	12	CAPSCREW,HEX HD,7/16-14 X 1 3/4,GR8,	
32	2001204	12	LOCKWASHER,SPLIT RING, 7/16,LHT,YEL ZN	
33	1422195		SEALANT,LOCTITE,THREADLOCKER 242, BLUE	
34	0854612	1	CLAMP,LOOP,.500	
35	1987957	1	PLATE,MTG,TRANSMISSION HARNESS	
36	2001212	1	LOCKWASHER,SPLIT RING, 1/2 ,LHT,YEL ZN	
37	0850776	1	WASHER,FLAT,17/32 X 1 1/16 X 3/32,	
38	2000321	1	CAPSCREW,HEX HD,1/2-13 X 1 1/2,GR5,	
39	2001477	1	NUT,HEX HD,1/2-13,YEL ZN DICH	
40	1228840	8	LOOM,CORRUGATED,BLACK,NYLON,1 1/4ID,SS	
41	0826297	11	NUT,HEX HD,3/8-16 LOCK,YEL ZN DICH	

Models: H4RE, M4RE
AUTOMATIC, COMPONENTS
SPL 250
With: FEATURE 40192-01, 02, 40190-01

Key	PartNumber	Qty	Description	Comment
42	1107085	20	WASHER,FLAT,13/32 X 13/16 X 3/32,HDN,BLK	
43	0803213	11	CAPSCREW,HEX HD,3/8-16X1 1/4,GR8,YEL	
44	2054989		LUBRICANT,MOLY-TEX,NO 2,5 GAL PAIL	
45	0031122	1	SELECTOR,SHIFT,PUSHBUTTON,3000 SRS,	
46	0065843	2	BRACKET ASSY,MTG,ENG/TRANS TO FRAME,	
47	0065841	1	BRACKET ASSY,MTG,ENG/TRANS TO FRAME,RH	. M4RE ONLY
48	0066159	1	BRACKET ASSY,MTG,ENG/TRANS TO FRAME,LH	H4RE ONLY
NI	0050316	1	ELECTRONIC CONTROL UNIT,4000MH	WITH 40192-01
NI	0050315	1	ELECTRONIC CONTROL UNIT,B500P,425C12,	WITH 40192-02 & 40190-01

Models: H4RE, M4RE
AUTOMATIC, COMPONENTS
SPL 250, C13
With: FEATURE 40192-03, 02, 40190-04



Key	PartNumber	Qty	Description	Comment
1	0870873	2	CAPSCREW,HEX HD,3/4-10 X 4,GR 8,YEL ZN	
2	0870915	2	WASHER,FLAT,27/32 X 1 1/2 X 1/8,YEL ZN	
3	0933879	2	NUT,HEX HD,3/4-10,PRVLG TORQ,GR8,CAD	
4	0070111		MOUNT,ASSY,TRANSMISSION,RH	
5	0070113		PLATE,MOUNTING,TRANSMISSION	
6	0071613		FITTING,PARKER,16-20 F5OX-S	WITH FEATURE 40192-03
7	0069641	2	ISOLATOR,REAR ENGINE,BARRY 27330-2	

WITH FEATURE 40192-03

Models: H4RE, M4RE
AUTOMATIC, COMPONENTS
SPL 250, C13
With: FEATURE 40192-03, 02, 40190-04

Key	PartNumber	Qty	Description	Comment
8	0052805	2	RING,REBOUND,BARRY 27477-2	
9	0929018	12	WASHER, FLAT, 21/32 X 1 1/8 X 3/32, HDN, YEL	
10	2001220	12	LOCKWASHER,SPLIT RING, 5/8 ,LHT,YEL ZN	
11	0054337	12	CAPSCREW,HEX HD,M16-2.00 X 45,GR 10.9	
12	1942135	4	CAPSCREW,HEX HD 1/2-13X 1 1/4,GR8,	
13	1003045	16	WASHER, FLAT,1 7/32 X 1 1/16 X 7/64, HDN,	
14	0850800	12	NUT, HEX HD, 1/2-13, LOCKING, GR 8, CAD	
15	0803205	8	CAPSCREW, HEX HD, 1/2-13 X 2, GR 8, YEL ZN	
16	0076684		KIT,PTO,,267 SERIES,ROTATABLE,ALISON	
17	0050054		TRANSMISSION,B500P,TC541,C12,OLS,SPL 250	WITH 40192-03
	0073109		TRANSMISSION,MH4000,TC561,OLS,SPL 250	WITH 40192-04
18	0066624		TUBE,DIPSTICK,ASSY,TRANS,OIL,	WITH 40192
19	1595362		CLAMP,INSULATED 1.00 ID	
20	0074631		BRACKET,MTG,TRANS COOLER ASSY,RV	WITH FEATURE 40192-04
21	0073145		BRACKET,MTG,TRANSMISSION COOLER ASSY,	WITH FEATURE 40129-03
22	0071022		COOLER ASSY,TRANS,OIL,ROCOR 3-1270A	WITH FEATURE 40192-03
23	1700442	12	CAPSCREW,HEX HD,M8-1.25 X 20MM,10.9	
24	0057071	2	O-RING,VITON,16 HYD FITTING	
25	1042878	2	ADAPTER,848-FSO-16X16	
26	0072497		HOSE ASSY,PARKER,P266**3939161616-40	WITH FEATURE 40192-03
27	0072496		HOSE ASSY,PARKER,P266**0639161616-60	WITH FEATURE 40192-03
28	1056076	3	ADAPTER,849-FSO-16X16,37 DEG,STL FLARE	
29	1501097	3	BRACKET,ATCH,BRAKE LINE TO FRAME	

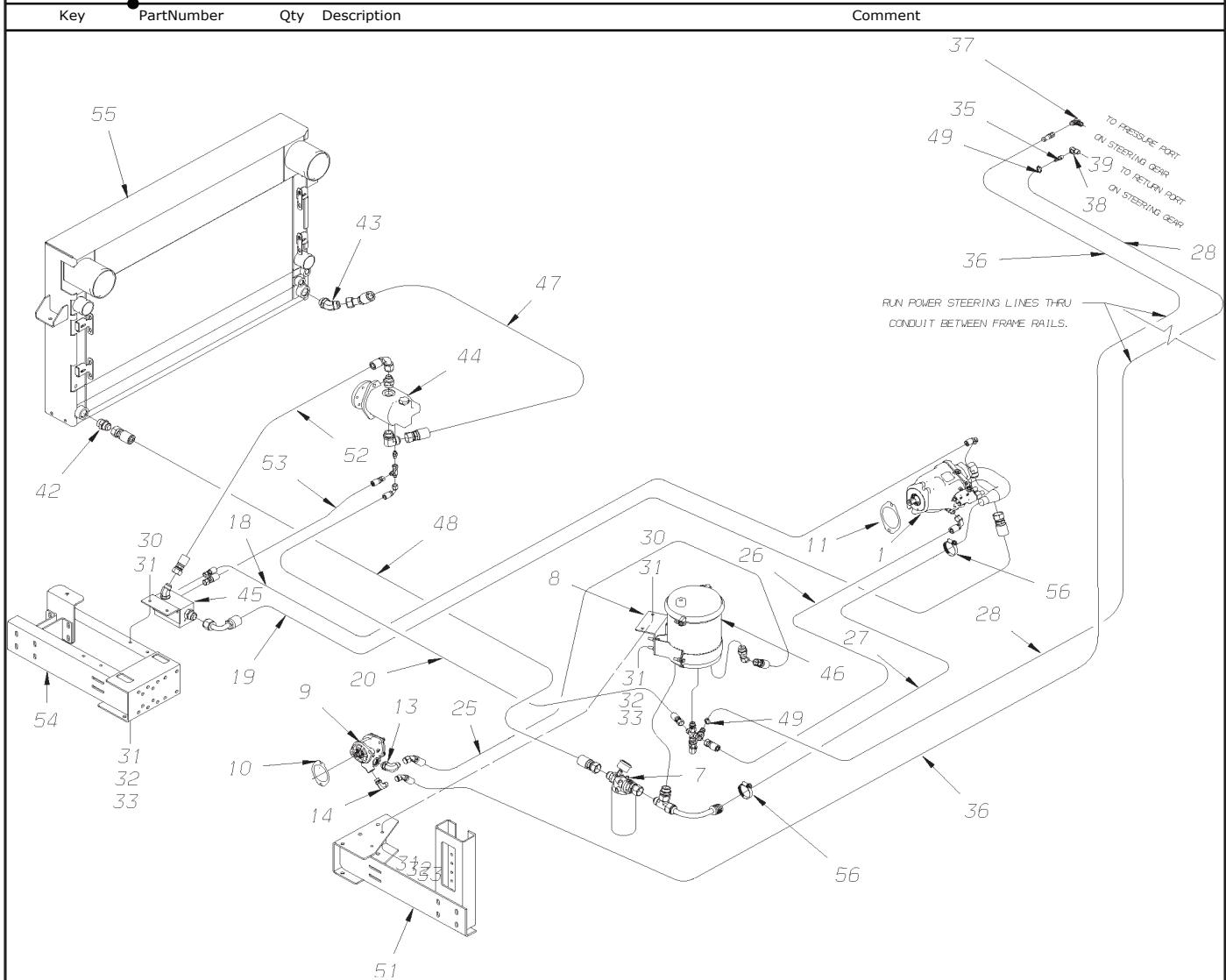
Models: H4RE, M4RE
AUTOMATIC, COMPONENTS
SPL 250, C13
With: FEATURE 40192-03, 02, 40190-04

Key	PartNumber	Qty	Description	Comment
29	1317247		BRACKET,ATCH,BRAKE LINE TO FRAME	
30	1225598	5	CLAMP,LOOP,1.25	
31	1916980	12	CAPSCREW,HEX HD,7/16-14 X 1 3/4,GR8,	
32	2001204	12	LOCKWASHER,SPLIT RING, 7/16,LHT,YEL ZN	
33	1422195		SEALANT,LOCTITE,THREADLOCKER 242, BLUE	
34	0854612		CLAMP,LOOP,.500	
35	1987957		PLATE,MTG,TRANSMISSION HARNESS	
36	2001212		LOCKWASHER,SPLIT RING, 1/2 ,LHT,YEL ZN	
37	0850776		WASHER,FLAT,17/32 X 1 1/16 X 3/32,	
38	2000321		CAPSCREW,HEX HD,1/2-13 X 1 1/2,GR5,	
39	2001477		NUT,HEX HD,1/2-13,YEL ZN DICH	
40	1228840	8	LOOM,CORRUGATED,BLACK,NYLON,1 1/4ID,SS	
41	0826297	11	NUT,HEX HD,3/8-16 LOCK,YEL ZN DICH	
42	1107085	20	WASHER,FLAT,13/32 X 13/16 X 3/32,HDN,BLK	
43	0803213	11	CAPSCREW,HEX HD,3/8-16X1 1/4,GR8,YEL	
44	2054989		LUBRICANT,MOLY-TEX,NO 2,5 GAL PAIL	
45	0031122		SELECTOR,SHIFT,PUSHBUTTON,3000 SRS,	
46	0071274	2	BRACKET ASSY,MNT,ENG/TRANS TO FRAME	WITH FEATURE 40192-03
47	0071276		BRACKET ASSY,MNT,ENG/TRANS TO FRAME,RH	WITH FEATURE 40192-04
48	0071277		BRACKET ASSY,MNT,ENG/TRANS TO FRAME,LH	WITH FEATURE 40192-04
NI	0050316		ELECTRONIC CONTROL UNIT,4000MH	WITH 40192-01
NI	0050315	1	ELECTRONIC CONTROL UNIT,B500P,425C12,	WITH 40192-02 & 40190-01
49			SUPPLIED WITH CLAMP KEY NO 19	

Models: H4RE, M4RE
AUTOMATIC, COMPONENTS
SPL 250, C13
With: FEATURE 40192-03, 02, 40190-04

Key	PartNumber	Qty	Description	Comment
50	0071861	2	FITTING,PARKER,16 C5OX-S	WITH FEATURE 40192-04
51	0074615		HOSE ASSY,PARKER,P266**0606161616-39	WITH FEATURE 40192-04
52	0074616		HOSE ASSY,PARKER,P266**0637161616-55	WITH FEATURE 40192-04
53	0074916		COOLER ASSY,TRANS,OIL,ROCOR 3-1249V	WITH FEATURE 40192-04

Models: H4RE
C13



Key	PartNumber	Qty	Description	Comment
1	0072527		PUMP ASSY, HYDRAULIC, CROSS, CUSTOM	
7	0072524		FILTER ASSY, HYDRAULIC, WITH PRESSURE	
8	0071856		BRACKET, MTG, HYDRAULIC RESERVOIR, RV	
9	0054710		PUMP, POWER STEERING, C12, TRW, H4RE	
10	1360411		GASKET, POWER STEERING PUMP TCFC,	
11	0991828		GASKET, HYD PUMP, WLPP	
13	0071878		FITTING, PARKER, 8 C50X-S	

**Models: H4RE
C13**

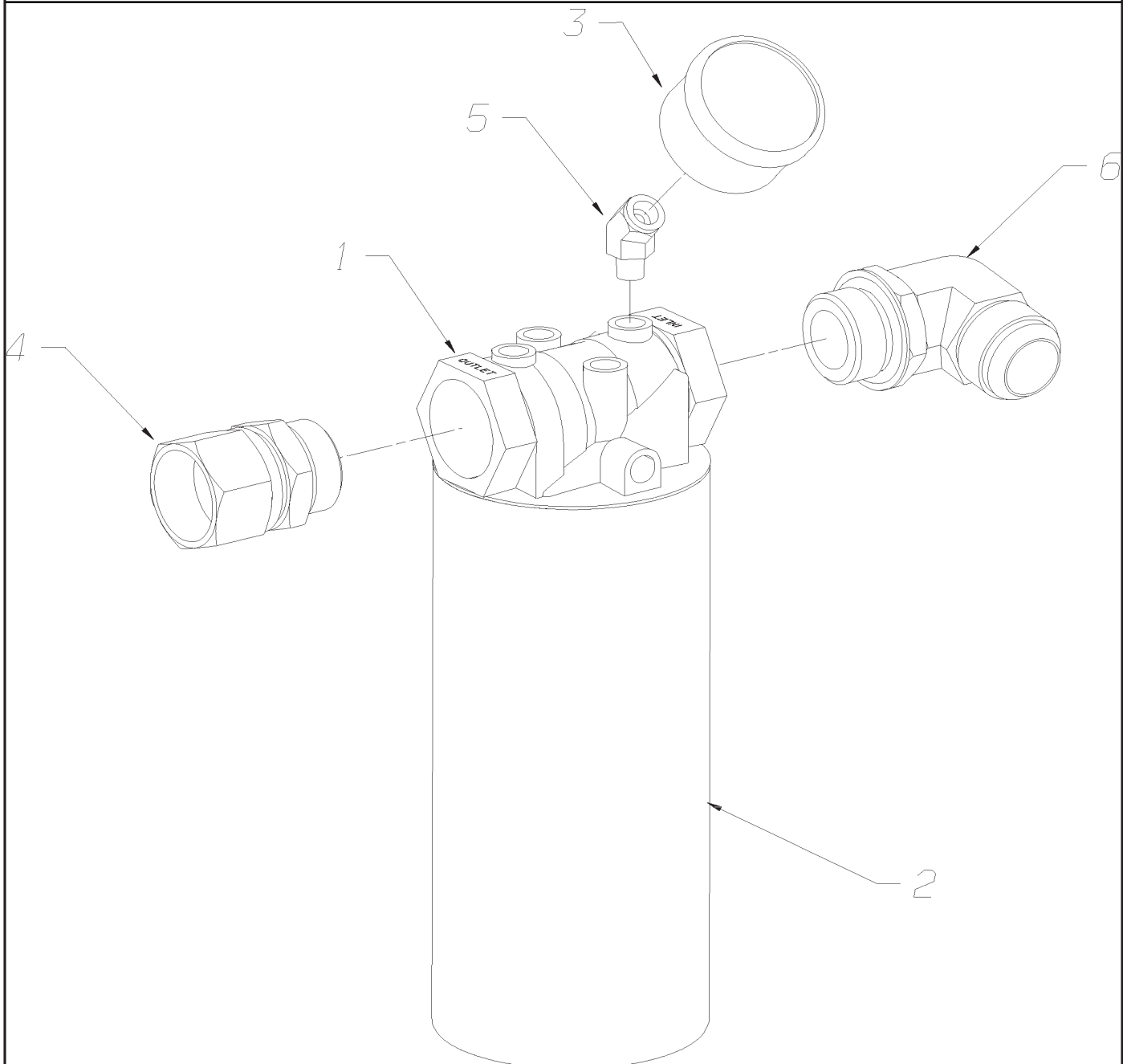
Key	PartNumber	Qty	Description	Comment
14	0071590		FITTING,PARKER,12 C5OX-S	
18	0072487		HOSE ASSY,PARKER,F301**0639060606-112	
19	0072488		HOSE ASSY,PARKER,F381**0639161616-120	
20	0072489		HOSE ASSY,PARKER,F301**3939060806-84	
25	0073879		HOSE ASSY,PARKER,F881**0637101212-36	
26	0072494		HOSE ASSY,PARKER,F301**0639080808-68	
27	0072587		HOSE,PARKER,1 PC. 881-24-180	
28	1313774		HOSE,.625 ID X .906 OD,WH H10110	
30	0882803	4	CAPSCREW,HEX HD,3/8-16,X,1,,GR5,YELDICH	
31	0061034	12	WASHER,FLAT,13/32 X 1.25 X 5/64,Y ZINC	
32	0882795	8	LOCKWASHER, SPLIT RING, 3/8, MED, YELLOW	
33	2001451	8	NUT, HEX HD, 3/8-16, YELLOW DICHROMATE	
35	1313840		INSERT,BARBED,STRAIGHT, .625 HOSE	
36	0072948		HOSE ASSY,PARKER,F451TC0637080808-552	
37	0052760		ELBOW,90DEG,M16-1.5X1/2 MALE FLARE	
38	0052761		ELBOW,90DEG,STREET,3/8	
39	0052762		ADAPTER,M18-1.5X3/8FPT	
NI	0557710	10	CLAMP,LOOP,.812	
NI	1039486	6	CLAMP,LOOP,1.50	
NI	0854406	10	CAPSCREW, HEX HD, 5/16-18 X 1, GR8, YEL ZN	
NI	2001410	10	NUT,HEX HD,5/16-18,YEL ZN DICH"	
NI	0074612		KIT,HYDRAULIC,CROSS COMPONENTS,RV	<i>CONSISTS OF THE FOLLOWING</i>
	0071847		PUMP,HYDRAULIC,CROSS,CUSTOM	

Models: H4RE
C13

Key	PartNumber	Qty	Description	Comment
	0072633		FITTING,CROSS,HYDRAULIC,180 DEG SPECIAL	
	0074077		MODULE,CONTROL,SINGLE FAN,CROSS CSE-	
	0071842		MOTOR,HYDRAULIC,RAD FAN,EATON	
	0072579	2	SENSOR,TEMPERATURE,AIRPAX,5024-0184	
	0074134		FITTING,CROSS,HYDRAULIC,SHF-90	
42	0071595		FITTING,PARKER,16 F5OX-S	
43	0074645		FITTING,PARKER,16 V5OX-S	
44	0074610		MOTOR ASSY,HYDRAULIC,FAN,AKG,RV	
45	0074609		MODULE,ASSEMBLY,SINGLE FAN CONTROL,	
46	0074611		RESERVOIR ASSY,HYD,CAT C13	
47	0074658		HOSE ASSY,HYDRAULIC,F301**0637161616-32	
48	0074678		HOSE ASSY,HYDRAULIC,F301**0606161616-65	
49	1025857	2	CLAMP,HOSE,SIZE 8,LINED	
51	0075191		BRACE ASSY,STRUCTURE,REAR,RH,V2	
52	0075201		HOSE ASSY,PARKER,F381**0639121212-30	
53	0075202		HOSE ASSY,PARKER,F301**0606080606-24	
54	0073804		BRACE ASSY,STRUCTURE,REAR,LH,AKG	
55	0073494		RADIATOR/CAC ASSY,ENG,AKG,3862.001.0000	ENDING WITH CSN 06/27/04
55	0080178		RADIATOR/CAC ASSY,ENG,AKG,3862.003.0000	BEGIN WITH CSN 06/28/04
56	0077930	2	CLAMP,CONSTANT TORQUE,1-7/8 TO 2-3/16	

**Models: H4RE, M4RE
C13
FILTER ASSY**

Key	PartNumber	Qty	Description	Comment
-----	------------	-----	-------------	---------



1	0072499		FILTER,HEAD,HYDRAULIC,ZINGA,ZAF-13-50-2	
2	0072500		FILTER,HYDRAULIC,SPIN-ON,ZINGA ZAE-10L	
3	0072501		GAUGE,FILTER,HYDRAULIC,ZINGA C1-20	

**Models: H4RE, M4RE
C13
FILTER ASSY**

Key	PartNumber	Qty	Description	Comment
4	0071880		FITTING,PARKER,16 F65OX-S	
5	0072503		FITTING,PARKER,1/8 CD45	
6	0071861		FITTING,PARKER,16 C5OX-S	

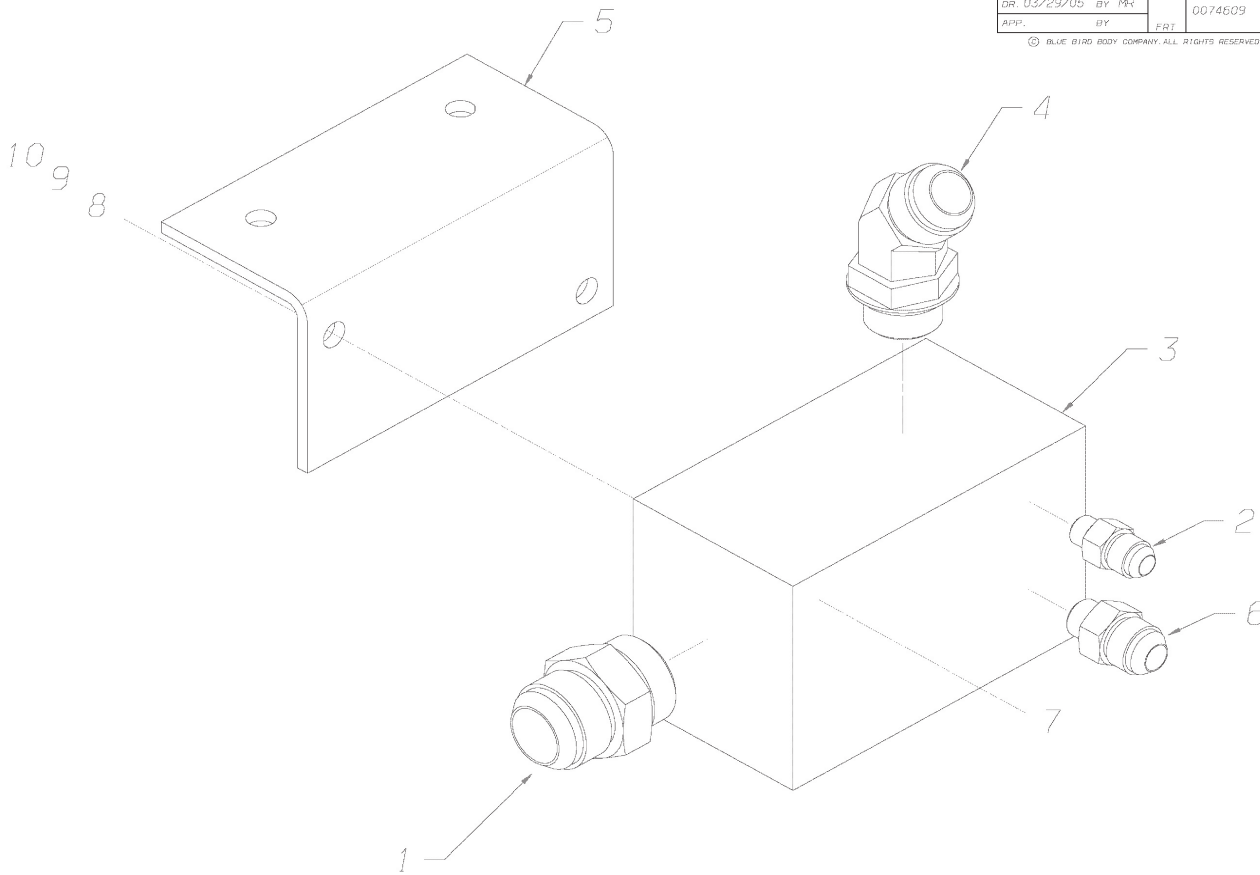
Models: H4RE
C13
MODULE ASSY, SINGLE FAN

Key	PartNumber	Qty	Description	Comment
-----	------------	-----	-------------	---------

DR. 03/29/05	BY MR	0074609	A
APP.	BY	FRT	REV



© BLUE BIRD BODY COMPANY. ALL RIGHTS RESERVED



1	0071595		FITTING,PARKER,16 F5OX-S
2	0071596		FITTING,PARKER,6-4 F5OX-S
3	0074077		MODULE,CONTROL,SINGLE FAN,CROSS CSE-
4	0072458		FITTING,PARKER,12 V5OX-S
5	0072510		BRACKET,MTG,HYD FAN CONTROL MODULE
6	0074105		FITTING,PARKER,8-6 F5OX-S
7	1542455	2	CAPSCREW,HEX FLG,5/16-18X4.00,GRD5,
8	2001048	2	WASHER,FLAT,11/32 X 11/16 X 1/16,YEL
9	2001188	2	LOCK WASHER, SPLIT RING, 5/16, MED, YEL ZN

Models: H4RE
C13
MODULE ASSY, SINGLE FAN

Key	PartNumber	Qty	Description	Comment
10	2001410	2	NUT,HEX HD,5/16-18,YEL ZN DICH"	

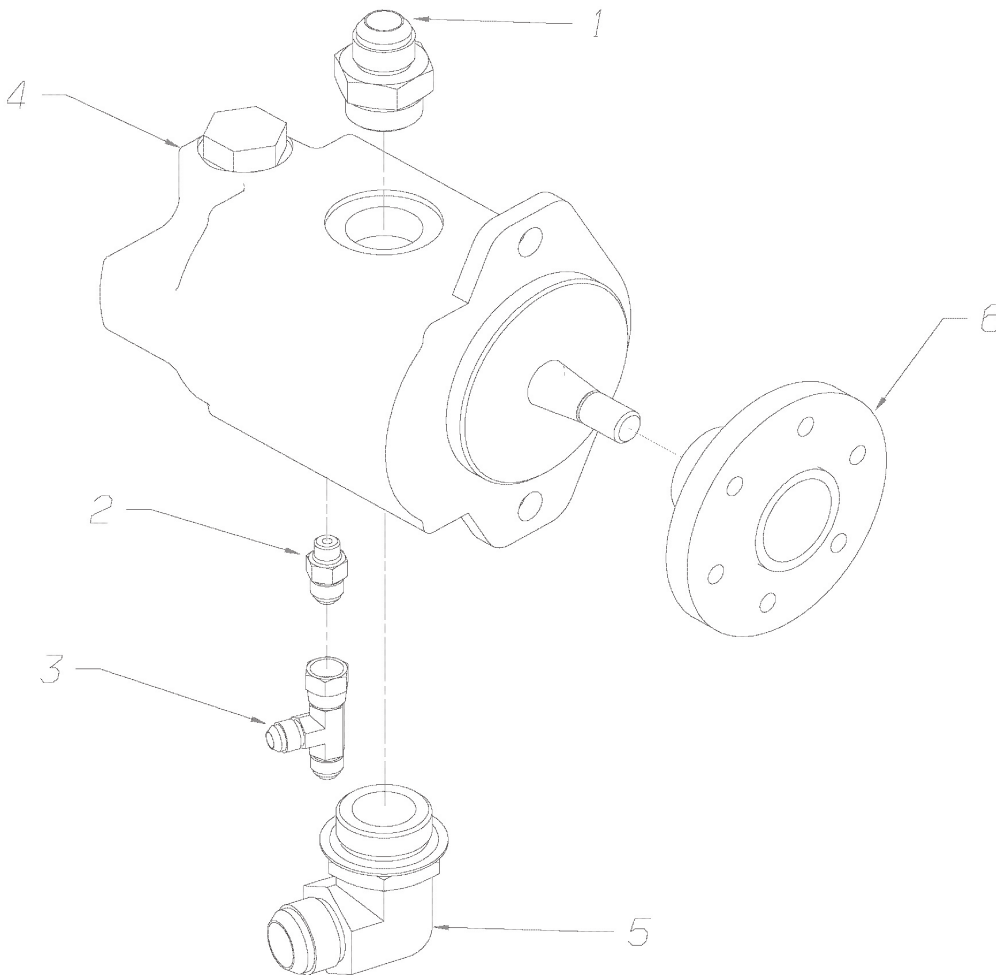
**Models: H4RE
C13
MOTOR ASSY, HYDRAULIC FAN**

Key	PartNumber	Qty	Description	Comment
-----	------------	-----	-------------	---------

DR. 03/29/05	BY MR			
APP.	BY	FRT	0074610	A REV



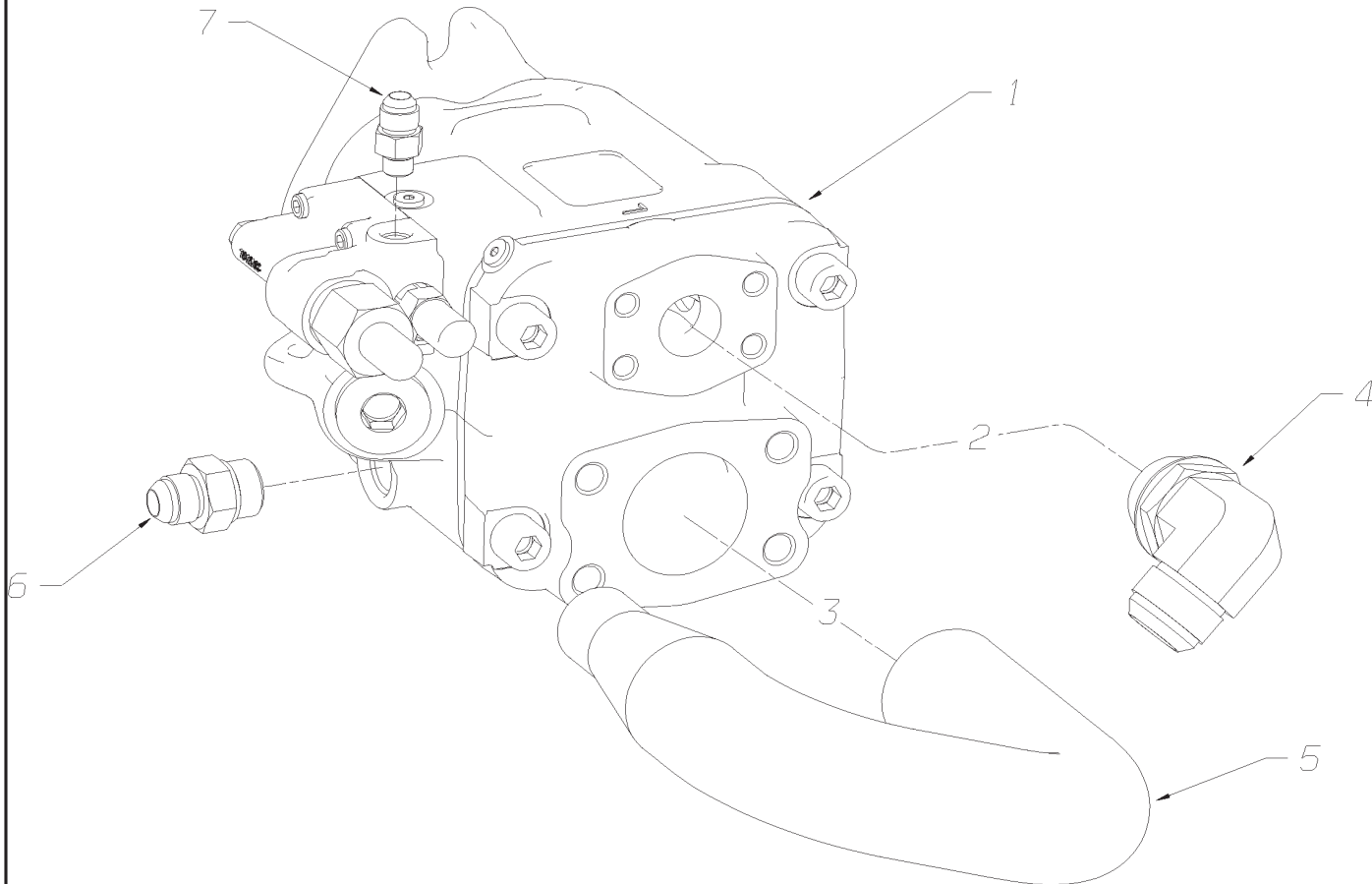
© BLUE BIRD BODY COMPANY. ALL RIGHTS RESERVED



1	0071594		FITTING,PARKER,12-16 F5OX-S	
2	0071596		FITTING,PARKER,6-4 F5OX-S	
3	0071597		FITTING,PARKER,6 R6X-S	
4	0071842		MOTOR,HYDRAULIC,RAD FAN,EATON	
5	0074803		FITTING,PARKER,16-20 C5OX-S	
6	1741032		HUB,FAN HYD,W/1.5 TAPER AND .249 KEYWAY	

**Models: H4RE, M4RE
C13
PUMP ASSY**

Key	PartNumber	Qty	Description	Comment
-----	------------	-----	-------------	---------




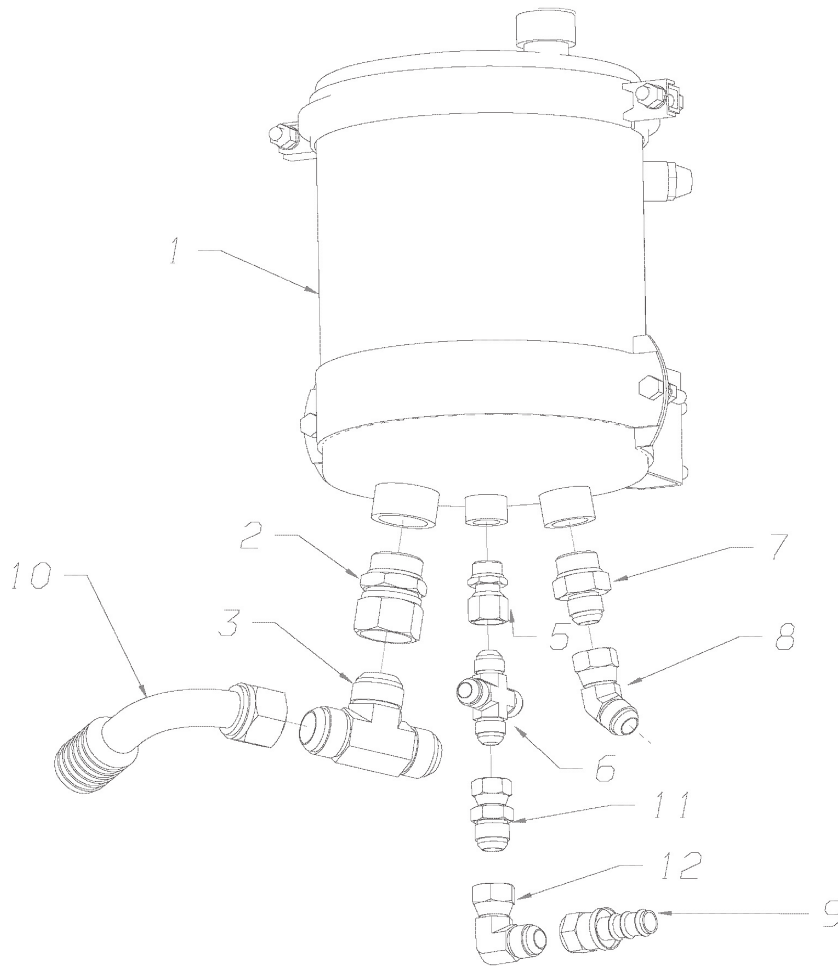
1	0071847		PUMP, HYDRAULIC, CROSS, CUSTOM	
2	0072482		FITTING, PARKER, 16G5Q1BK	
3	0072483		FITTING, PARKER, 5151HK-32	
4	0071861		FITTING, PARKER, 16 C5OX-S	
5	0072633		FITTING, CROSS, HYDRAULIC, 180 DEG SPECIAL	
6	0071863		FITTING, PARKER, 8-10 F5OX-S	
7	0071596		FITTING, PARKER, 6-4 F5OX-S	

Models: H4RE, M4RE
C13
RESERVOIR & VALVE ASSY
BSN: From CSN 07/12/04 (M4RE)

Key	PartNumber	Qty	Description	Comment
-----	------------	-----	-------------	---------

DR. 03/29/05	BY MR	0074611	B
APP.	BY	FRT	REV

© BLUE BIRD BODY COMPANY ALL RIGHTS RESERVED

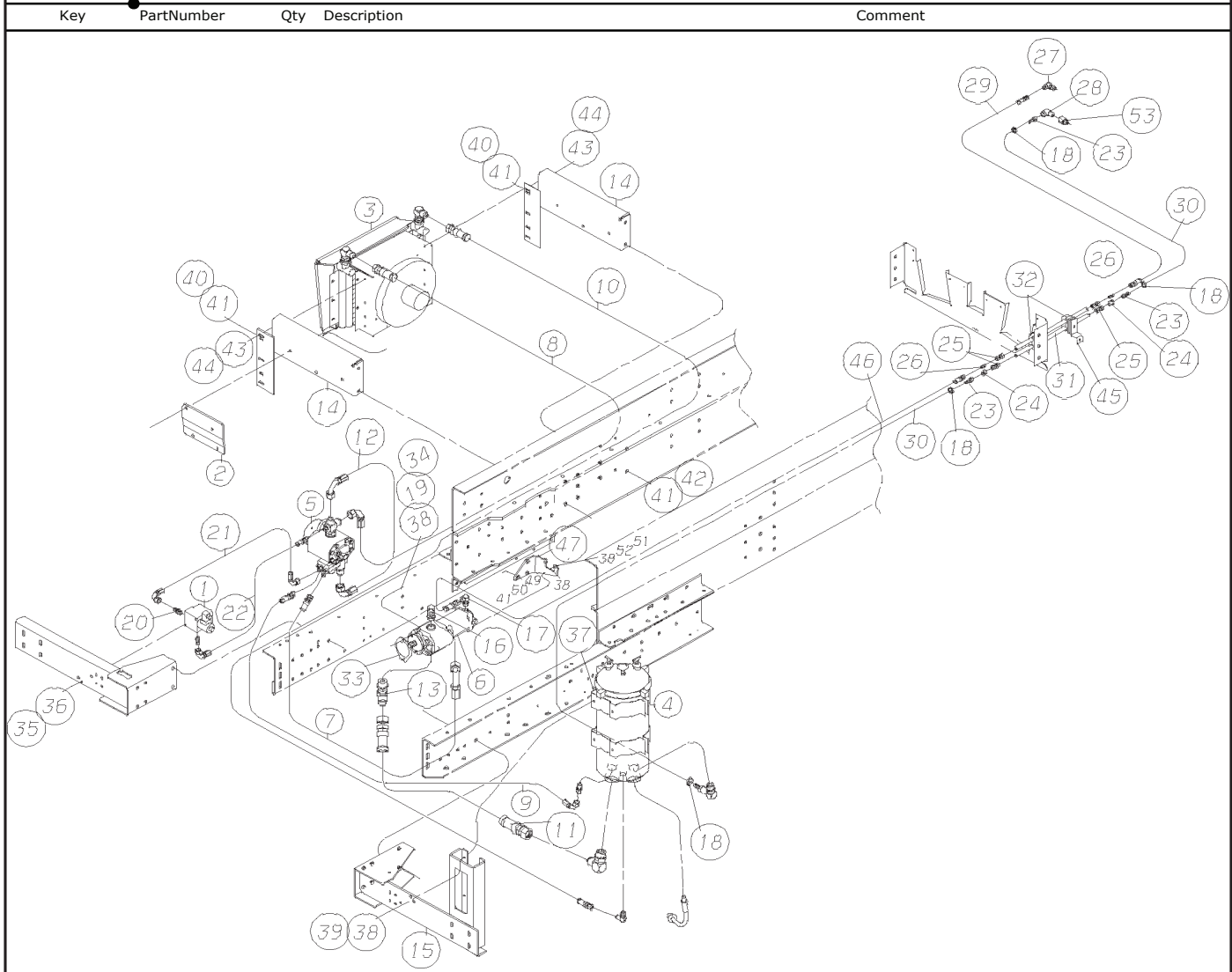



1	0071841		RESERVOIR, HYDRAULIC, 9 QT, 8.6 DIA, 13.5 H
2	0071880		FITTING, PARKER, 16 F65OX-S
3	0074082		FITTING, PARKER, 16 JTX-S
5	0072454		FITTING, PARKER, 8 F65OX-S
6	0072455		FITTING, PARKER, 8 KTX-S
7	0072441		FITTING, PARKER, 10-12 F5OX-S
8	0072440		FITTING, PARKER, 10 V6X-S
9	1912765		SWIVEL, FEMALE, 45 FL, 5/8H X 5/8T, 10010B-410

Models: H4RE, M4RE
C13
RESERVOIR & VALVE ASSY
BSN: From CSN 07/12/04 (M4RE)

Key	PartNumber	Qty	Description	Comment
10	0074134		FITTING,CROSS,HYDRAULIC,SHF-90	
11	0075060		FITTING,PARKER,10-8 XHX6	
12	0075070		FITTING,PARKER,10 C6X-S	

Models: H4RE
ISL



Key	PartNumber	Qty	Description	Comment
1	0039341		VALVE,FAN CONTROL,PWM,12V	
2	0040699		BRACKET,MTG,AIR DRYER TO OUTRIGGER,	
3	0045705		COOLER & FAN ASSY, 12 IN,12 VOLT, H4RE	
4	0046103		RESERVOIR ASSY,16 QT HYDRAULIC, H4RE	
5	0046167		MOTOR ASSY,HYDRAULIC,COMPLETE, H4RE	
6	0046252		PUMP,HYDRAULIC,SP2.5/250,ISL, H4RE	
7	0046281		HOSE ASSY,WH14512UU-612-692-OA00078IN	

**Models: H4RE
ISL**

Key	PartNumber	Qty	Description	Comment
8	0046282		HOSE ASSY,WH10416UU-616-696-OAL00067IN	
9	0046283		HOSE ASSY,WH10404UU-604-664-OAL00086IN	
10	0046284		HOSE ASSY,WH10416UU-616-616-OAL00150IN	
11	0046285		HOSE ASSY,WH03924-624-624-OAL00036IN	
12	0046286		HOSE ASSY,WH10416UU-676-676-OAL00030IN"	
13	0046293		FITTING,45 DEG,6802-24-20	
14	1885359	2	BRACKET ASSY,MTG,HYDRAULIC COOLER,RE	
15	0046515		ANGLE ASSY,REAR STRUCTURE RH, H4RE	
16	0964908		ADAPTER,849-FSO-12X12,37 DEG	
17	1875160		CONNECTOR,STRAIGHT THREAD 8-6 C50X	
18	2027571	2	CLAMP,HOSE,6203	
19	1394675	2	LOCKWASHER,SPLIT RING,10 MM,MED,OLV DRB	
20	1900299	2	CONNECTOR,37 DEG,1/4 TUBE X 3/8 O-RING	
21	1996610		HOSE ASSY,WH 42504U-664665A02900	
22	1982156		HOSE ASSY,14504U604664A03200	
23	1313840	3	INSERT,BARBED,STRAIGHT, .625 HOSE	
24	2023539	2	BUSHING,PIPE,1/2MPT X 3/8FPT,3220X8X6Z,	
25	1935741	4	CONNECTOR,FEMALE,WH7255X10	
26	1003102	2	ADAPTER,STRAIGHT,37 DEG FL,1/2MPT X 1/2T	
27	0052760		ELBOW,90DEG,M16-1.5X1/2 MALE FLARE	
28	0052761		ELBOW,90DEG,STREET,3/8	
29	1875111		HOSE ASSY,P/S,PRESSURE,1/2 ID,112 IN LONG	
30	1313774	AR	HOSE,.625 ID X .906 OD,WH H10110	

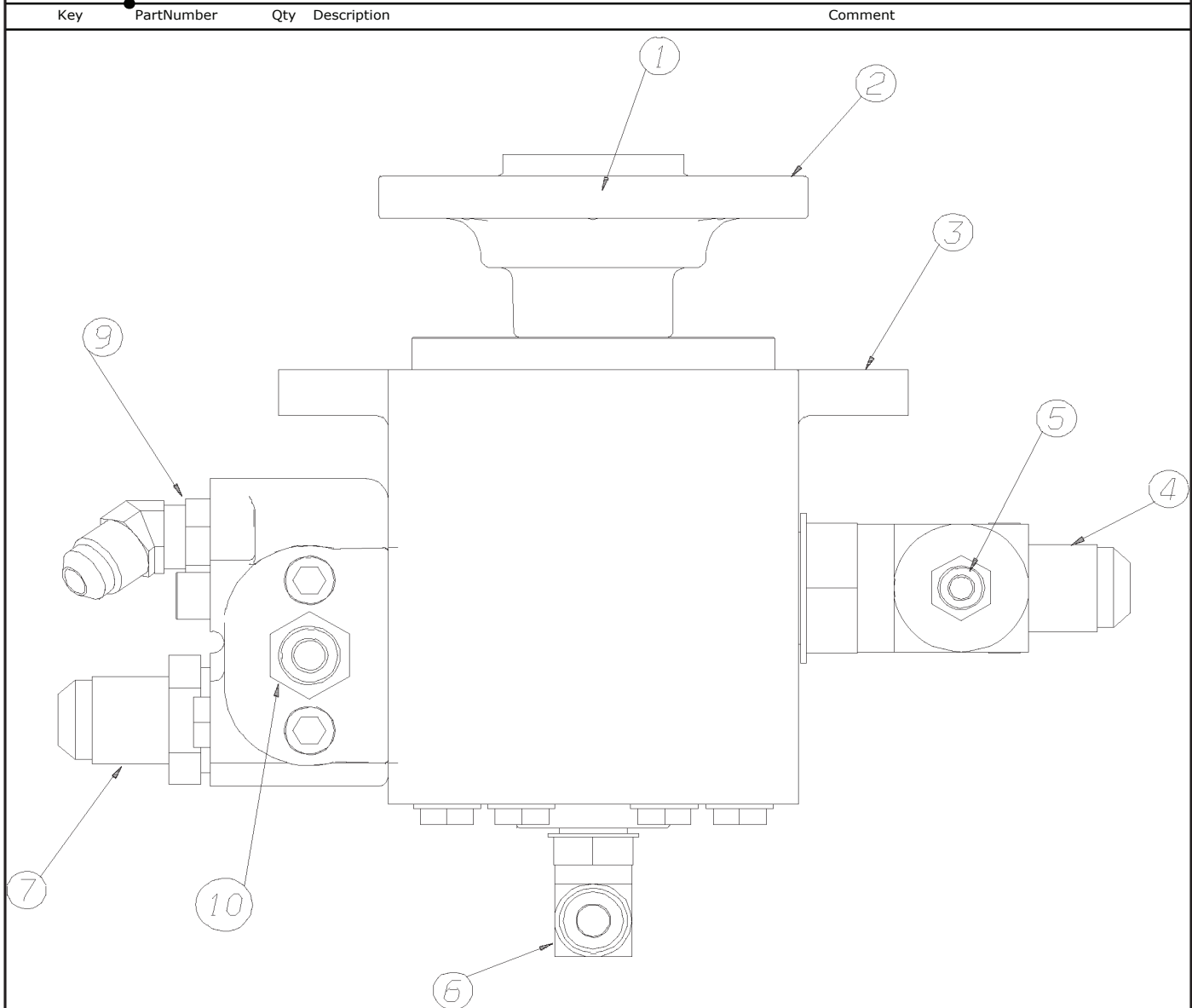
Models: H4RE
ISL

Key	PartNumber	Qty	Description	Comment
31	1926237	2	TUBING,STEEL,JIC,HYD,SMLS,5/8ODX.065X18	
32	0048060	5	CLAMP,TUBE,STAUFF,5/8 DIA	
33	1360411		GASKET,POWER STEERING PUMP TCFC,	
34	1750959	2	CAPSCREW,HEX FLANGE HD M10X1.50X30 CL	
35	1700442	2	CAPSCREW,HEX HD,M8-1.25 X 20MM,10.9	
36	2001188	2	LOCK WASHER, SPLIT RING, 5/16, MED, YEL ZN	
37	0803213	8	CAPSCREW,HEX HD,3/8-16X1 1/4,GR8,YEL	
38	1107085	18	WASHER,FLAT,13/32 X 13/16 X 3/32,HDN,BLK	
39	0826297	8	NUT,HEX HD,3/8-16 LOCK,YEL ZN DICH	
40	0803239	4	CAPSCREW, HEX HD, 1/2-13 X1 1/2, GR8	
41	0850776	11	WASHER,FLAT,17/32 X 1 1/16 X 3/32,	
42	0850800	4	NUT, HEX HD, 1/2-13, LOCKING, GR 8, CAD	
43	2001121	12	WASHER, FLAT, 5/16 X 3/4, X 5/64, YEL ZN	
44	0854414	6	CAPSCREW,HEX HD,5/16-18X7/8,GR8,YEL ZN	
45	0048110		BRACKET,STABILIZER,POWER STRG LINES,	
46	0048565		HOSE ASSY,WH14508UU-608-668-OAL00117IN	
47	0051647		BRACKET,HYD,PUMP,ISL, H4RE	
49	0990655	3	LOCKWASHER,SPLIT RING, 1/2 ,MED,YEL ZN	
50	1557156	3	CAPSCREW,HX HD,M12-1.75X20,G8.8,	
51	0803189	2	NUT,HEX,3/8-24,GR8,BLACK ZINC	
52	0882795	2	LOCKWASHER, SPLIT RING, 3/8, MED, YELLOW	
NI	0557710	6	CLAMP,LOOP,.812	
NI	1039486	4	CLAMP,LOOP,1.50	

Models: H4RE
ISL

Key	PartNumber	Qty	Description	Comment
NI	0854406	6	CAPSCREW, HEX HD, 5/16-18 X 1, GR8, YEL ZN	
NI	2001410	6	NUT,HEX HD,5/16-18,YEL ZN DICH"	
53	0052762		ADAPTER,M18-1.5X3/8FPT	

Models: **H4RE
ISL
MOTOR ASSY HYDRAULIC**



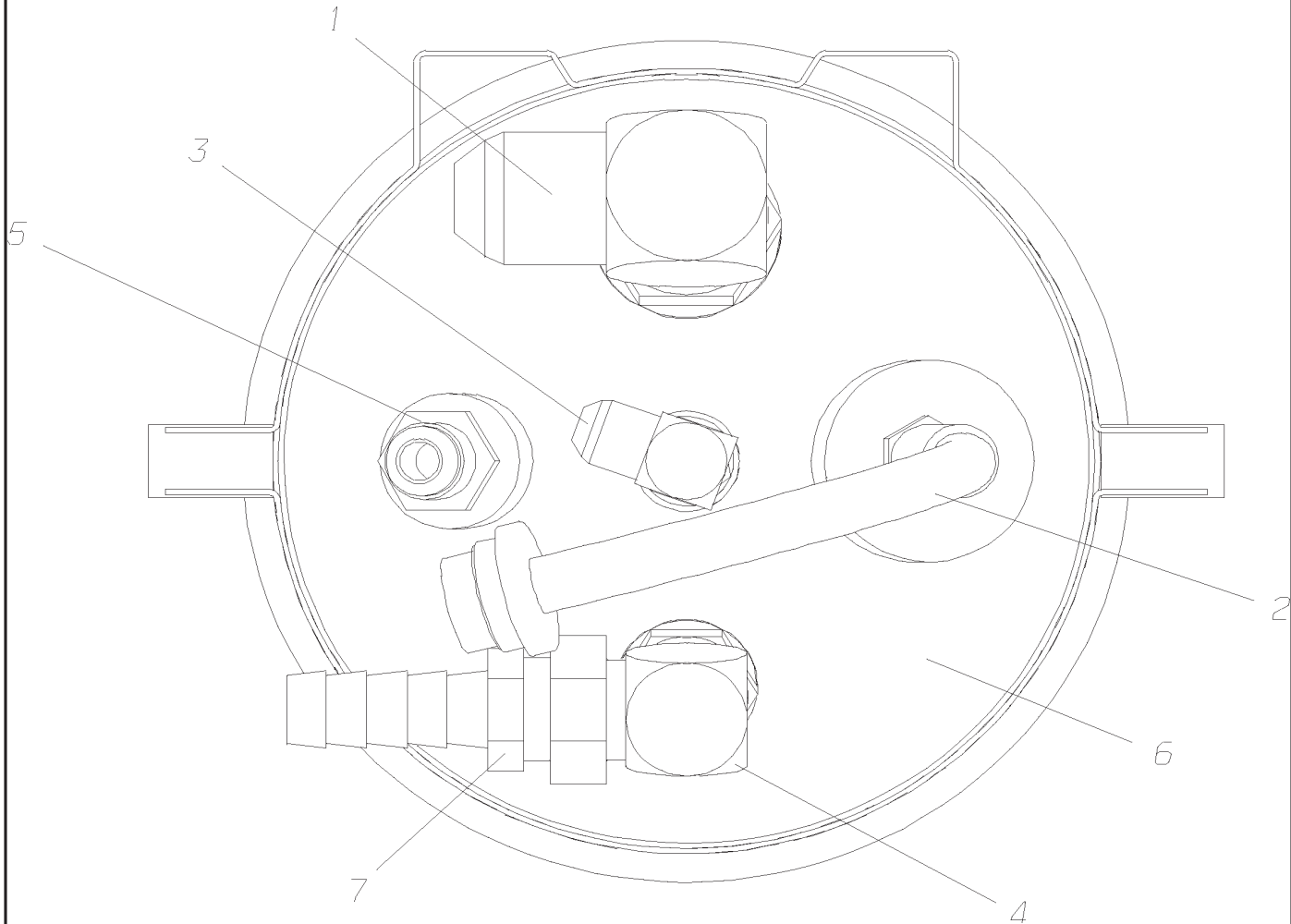
Key	PartNumber	Qty	Description	Comment
1	1212133		NUT,HEX HD,5/8-18,NYLOK,GR8,YEL DICH	
2	1741032		HUB,FAN HYD,W/1.5 TAPER AND .249 KEYWAY	WITH 1.5 TAPER AND .249 KEYWAY
3	0046165		MOTOR,HYDRAULIC FAN, H4RE	
4	0011878		TEE,STRAIGHT THREAD O-RING,16R50X-S	
5	2008084		CONNECTOR,MALE,1/4 TUBE X 1/8 PIPE,48 X 4	
6	1932326		ELBOW,9/16 O-RING - 1/4JIC(37),TF5515X4X6	

Models: H4RE
ISL
MOTOR ASSY HYDRAULIC

Key	PartNumber	Qty	Description	Comment
7	1140441		ADAPTER,1040-12-16S,STRAIGHT,O-RING	
9	1965045		ELBOW,45 DEG,WEATHERHEAD,C5365X12X10	
10	1749571		CONNECTOR,STRAIGHT THREAD 5 F5OX	

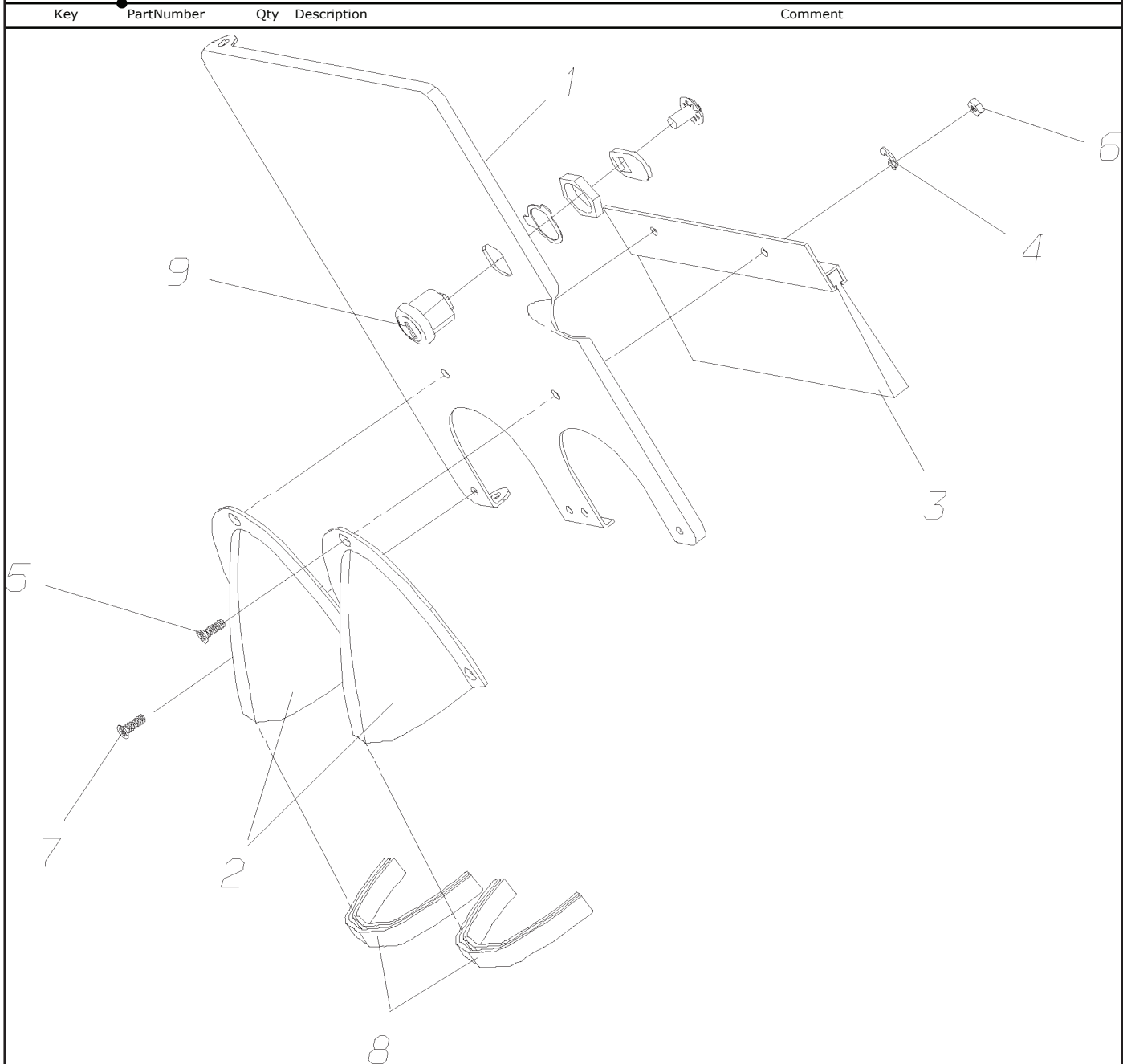
Models: **H4RE
ISL
RESERVOIR & VALVE ASSY**

Key	PartNumber	Qty	Description	Comment
-----	------------	-----	-------------	---------



1	1759000		ELBOW,90 DEG,MALE,24 O-RING X 24 37 DEG	
2	0012070		SENDER,HYD TEMP & ALARM,INDEX,160 F,200 F	
3	1056076		ADAPTER,849-FSO-16X16,37 DEG,STL FLARE	
4	1995182		ADAPTER,90 ELBOW,37 DEG FLARE,TF	
5	1875178		CONNECTOR,STRAIGHT THREAD 4-8 F50X-S	
6	1760370		RESERVOIR,16 QT WITH O-RING BOSSES	
7	1912765		SWIVEL,FEMALE,45 FL,5/8H X 5/8T,10010B-410	

**Models: H4RE
CENTER
COMM ACCESS**



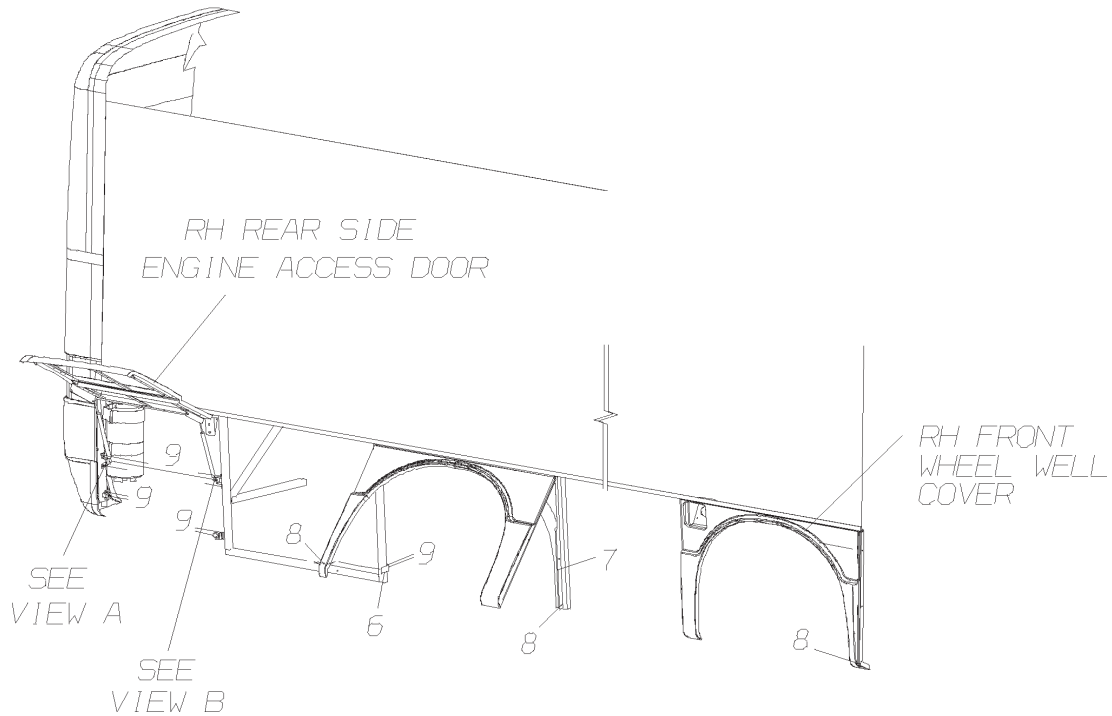
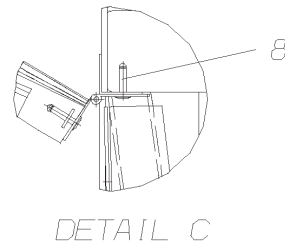
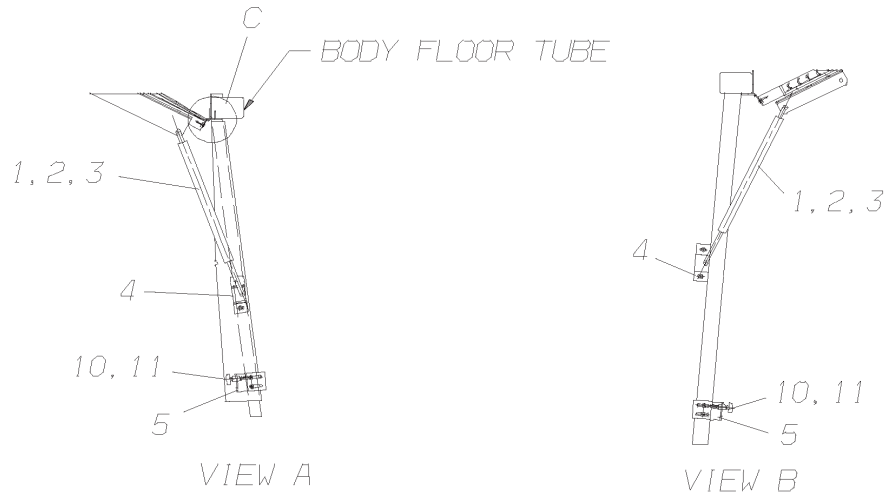
Key	PartNumber	Qty	Description	Comment
1	0042679		DOOR,COMM ACCESS,H4RE,PART OF 0039492	
2	3955457	2	VENTILATOR,CLAM SHELL,UTILITY DOOR,SP/WB	
3	0042574		HOLDER,ALUM,STRAIGHT,7.0	
4	3840907	6	WASHER,LOCK,HELICAL SPRING,3/16,ZN3	

Models: H4RE
 CENTER
 COMM ACCESS

Key	PartNumber	Qty	Description	Comment
5	3870946	5	SCREW,MACH,PH,FT/HD,8-32 X 1/2 LG,18-8 SS	
6	3757077	6	NUT,HEX,8-32,ZN3	
7	3822459		SCREW,MACH,PH,PN/HD,8-32 X 1/4,18-8SS	
8	2004547		TRIM, INSTRUMENT HOOD, VINYL EDGE, BLACK	
9	0001011		KIT,LOCK,SIDE COMPARTMENT,Q4/B4RE	

**Models: H4RE
CENTER
SIDE ENGINE DOORS & WHEEL COVERS, INSTALLATION**

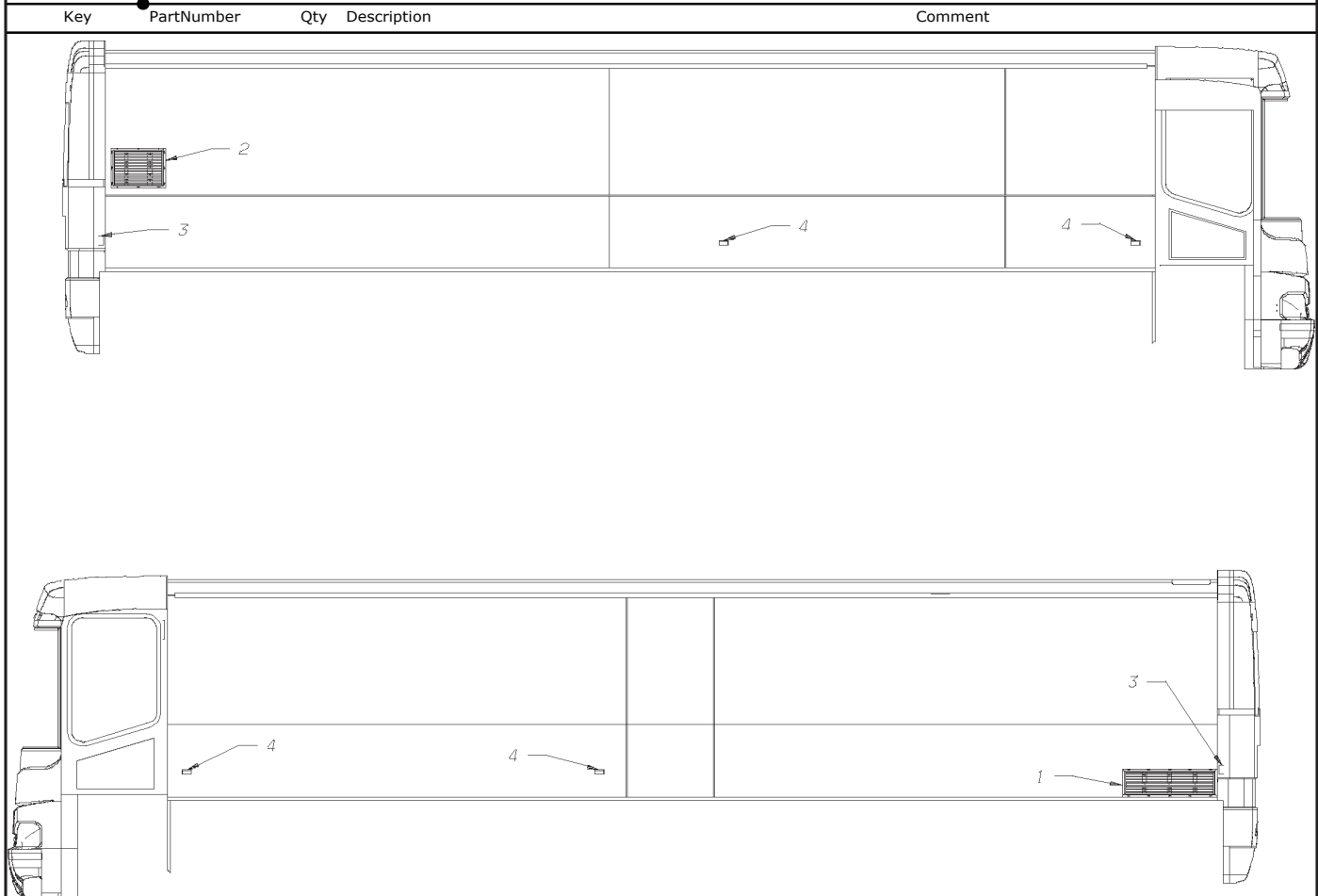
Key	PartNumber	Qty	Description	Comment
-----	------------	-----	-------------	---------



**Models: H4RE
CENTER
SIDE ENGINE DOORS & WHEEL COVERS, INSTALLATION**

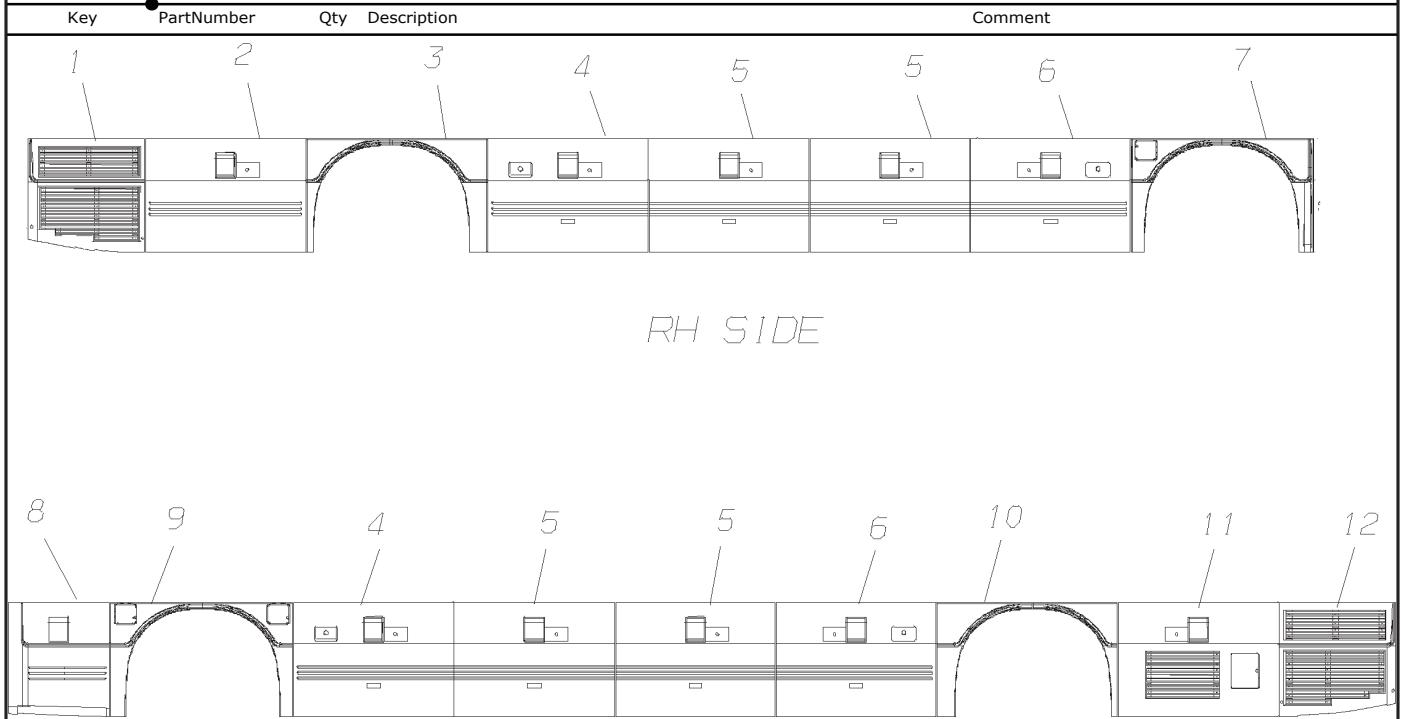
Key	PartNumber	Qty	Description	Comment
1	1719103		GAS SPRING,FBN 12D,75 LB	
2	3758810		STUD,BALL,O/H CABINET 10MM,WL	
3	0829390		NUT, HEX HD, 5/16-18, SER WASHER, YEL ZN	
4	0044344		BRACKET,MTG,GAS SPRING,BODY,SD ENG ACS	
5	0044291		ANGLE,LATCHING,DOOR,SIDE ENGINE ACESS,	
6	0043913		ANGLE,ATCH,LOWER,WHEEL WELL COVER,	
7	0045266		ANGLE,CLOSEOUT,WHEEL WELL COVER, H4RE	
8	0542019		RIVET,LONG CHERRY,7355-100-6-8	
9	0020713		SCREW,1/4-20 X 3/4,F,PH1,PAN HD,YEL ZN	
10	1703057		BUMPER,RUBBER,ADJUSTABLE,5/16-18X1 3/4	
11	1465954		NUT,HEX HD,5/16-18,LK,NYLON INSERT,YEL	
12	0005364		SEALANT,SIKAFLEX,221 BLACK,INDUSTRIAL	

Models: **H4RE
CENTER
SIDE GRILLES & REFLECTORS, INSTALLATION**



1	0044030		GRILLE ASSY,AIR INTAKE,RADIATOR,H4RE	
2	0045190		GRILLE ASSY,AIR INTAKE,ENGINE,H4RE	
NI	6069348		SCREW,SM,PH,OVAL HD,8-18X1-1/4,TYPE AB,	
3	0026512		REFLECTOR,RED	
4	0026511		REFLECTOR,AMBER	

**Models: H4RE
CENTER
SIDE LOWER PANELS & COMPARTMENT DOORS**



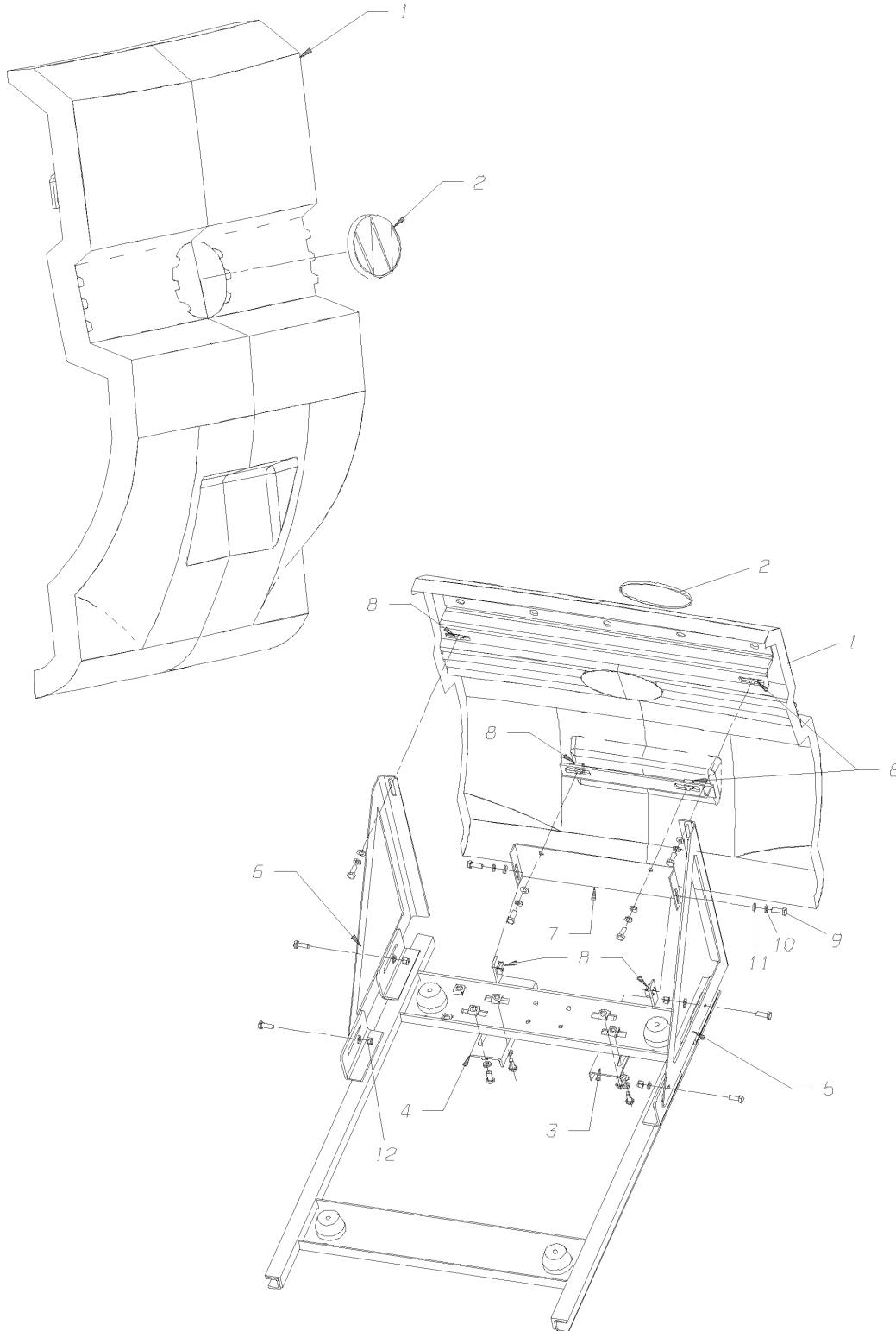
RH SIDE

LH SIDE

Key	PartNumber	Qty	Description	Comment
1	0039480		PANEL,DOOR,ENGINE ACCESS,RH REAR, H4RE	
2	0039491		PANEL ASSY,DOOR,BATTERY CMPT, H4RE	
3	0039494		COVER,WHEEL WELL,RH REAR, H4RE	
4	0039489		PANEL ASSY,DOOR,L/CMPT,RH REAR, H4RE	
5	0039490		PANEL ASSY,DOOR,L/CMPT,CENTER,LH/RH,	
6	0039488		PANEL ASSY,DOOR,L/CMPT,RH/LH, H4RE	
7	0039493		COVER,WHEEL WELL,RH FRT, H4RE	
8	0045295		PANEL ASSY,DOOR,L/CMPT,LH FRT	
9	0039495		COVER,WHEEL WELL,LH FRT, H4RE	
10	0039496		COVER,WHEEL WELL,LH REAR,H4RE	
11	0052860		PANEL ASSY,DOOR,OIL COOLER,H4RE	
12	0039481		PANEL,DOOR,ENGINE ACCESS,LH REAR, H4RE	

**Models: H4RE
FRONT
GENERATOR DOOR, INSTALLATION**

Key	PartNumber	Qty	Description	Comment
-----	------------	-----	-------------	---------




**Models: H4RE
FRONT
GENERATOR DOOR, INSTALLATION**

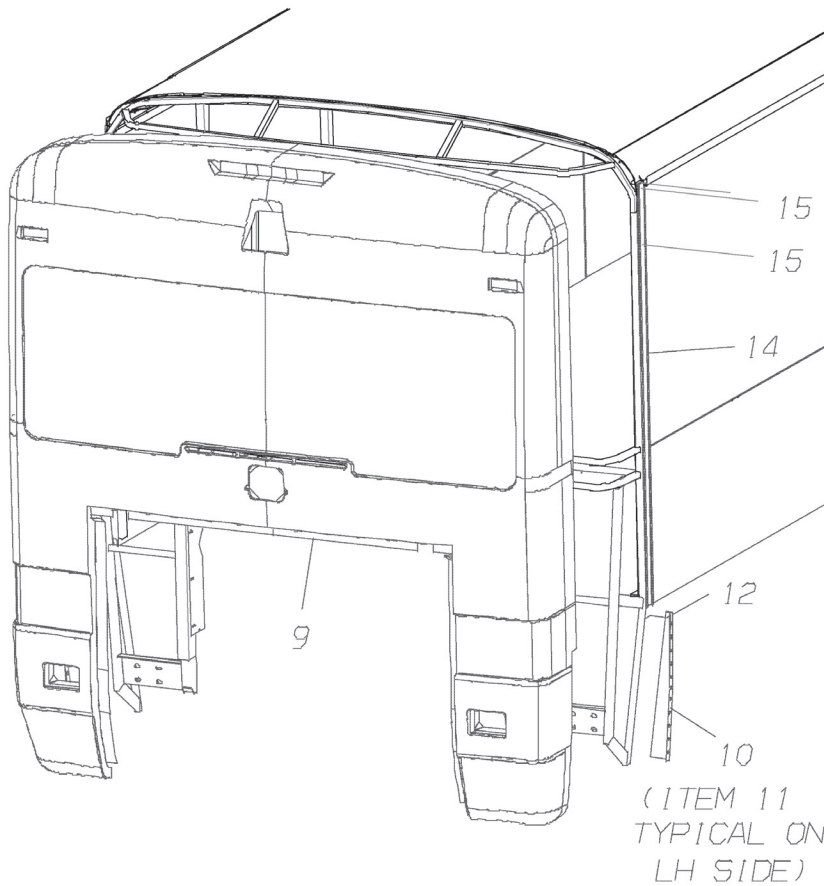
Key	PartNumber	Qty	Description	Comment
1	0039171		DOOR ASSY,GENERATOR ACCESS,H4RE"	
2	0023775		NAMEPLATE,WL,FRT,W/LOGO,CHR/BLK,2001	
3	0043379		BRACKET,MTG,DOOR ASSY,GEN,LWR,RH,H4RE	
4	0043380		BRACKET,MTG,DOOR ASSY,GEN,LWR,LH,H4RE	
5	0049300		BRACE,MTG,DOOR,GENERATOR,UPR,RH,H4RE	
6	0049301		BRACE,MTG,DOOR,GENERATOR,UPR,LH,H4RE	
7	0043381		BRACKET,MTG,DOOR ASSY,GEN,UPR,H4RE	
8	0025734		NUT,CAGE,3/8-16,C30683-3816	
9	2260834		CAPSCREW,HEX,3/8-16 X 1,GR 5,ZN3	
10	3840923		WASHER,LOCK,HELICAL SPRING,3/8,ZN3	
11	3748688		WASHER,FLAT,TYPE B,REGULAR,3/8,304 SS	
12	2021129		NUT,HEX HD,3/8-16,ELASTIC STOP,YEL ZN	

Models: **H4RE
REAR
ASSY**

Key	PartNumber	Qty	Description	Comment
-----	------------	-----	-------------	---------

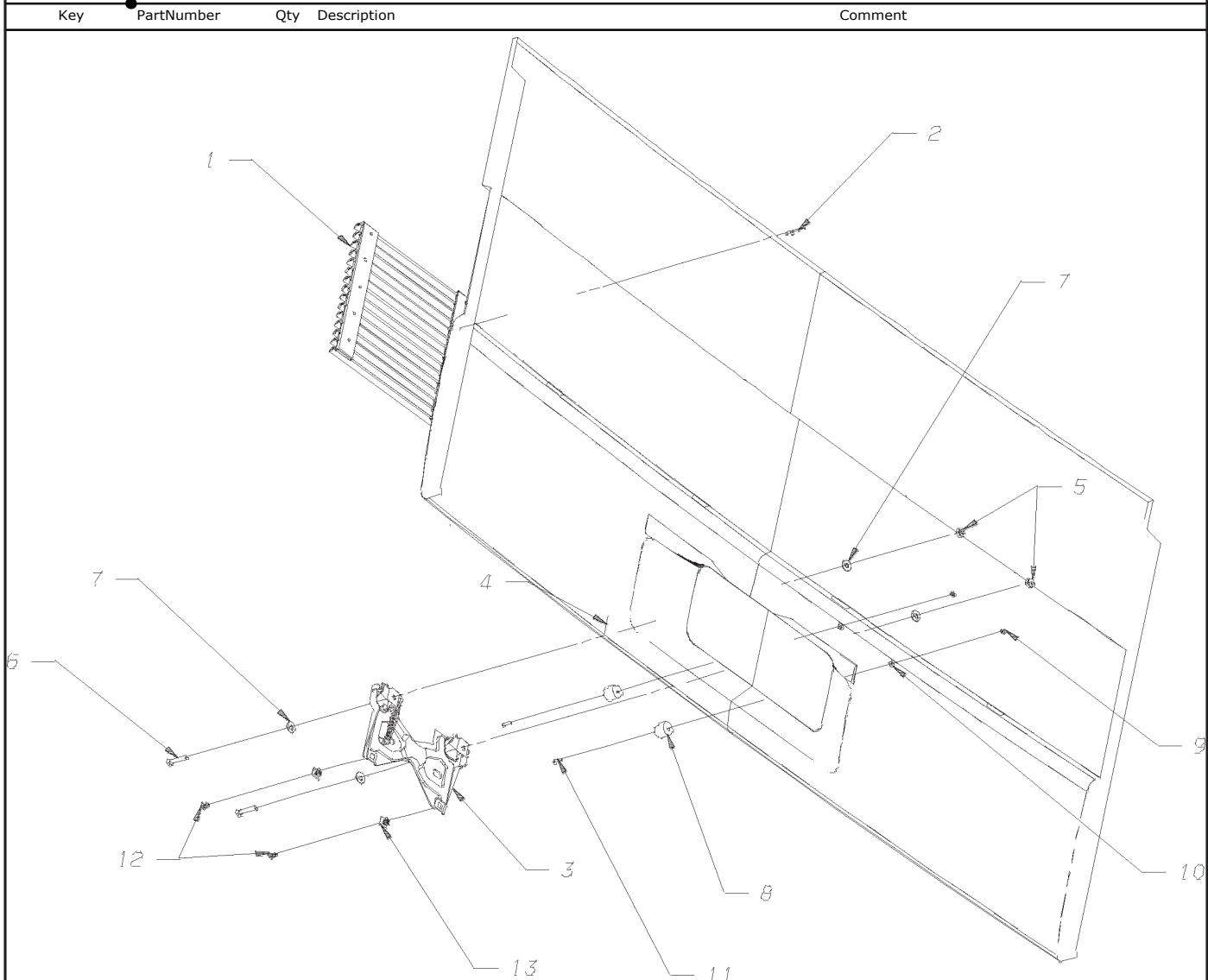
DR. 05/29/02 BY TFM	00282322	A	
APP. BY FRT		REV	

© BLUE BIRD BODY COMPANY. ALL RIGHTS RESERVED



9	0041136		CAP,FIBERGLASS,REAR, H4RE	
10	0044789		PANEL,CLOSEOUT,RH,SIDE ENG ACS,REAR	
11	0044788		PANEL,CLOSEOUT,LH,SIDE ENG ACS,REAR	
12	1589522		SCREW,10-16 X 3/4,AB,PH1,PAN HD,YEL ZN	
14	0040152		EXTRUSION,EDGE,FIBERGLASS CAP, C4RE	
15	2217578		RIVET,BLIND,ALUM,1/8 DIA,W/ST M,251-312	

**Models: H4RE
REAR
ENGINE COMPARTMENT DOOR**



Key	PartNumber	Qty	Description	Comment
1	0045251		AXLE ASSY,FRONT,FF967	
2	0033267	12	RIVET,BLIND,STEEL,3/16DIA,W/ST M,.626-.750	
3	3830528		DOOR,FUEL FILLER,GM NO 14083879	
4	3831138	2	SPACER,NEOPRENE,1/4 X 1 1/2 X 2,W/3/8	
5	2190262	2	NUT,LOCK,HEX,5/16-18,304 SS,WASHER	
6	0616037	2	CAPSCREW,HEX HD,5/16-18X1 1/2,GR5,	
7	3823465	4	WASHER,FLAT,TYPE A,NARROW,5/16,304 SS	

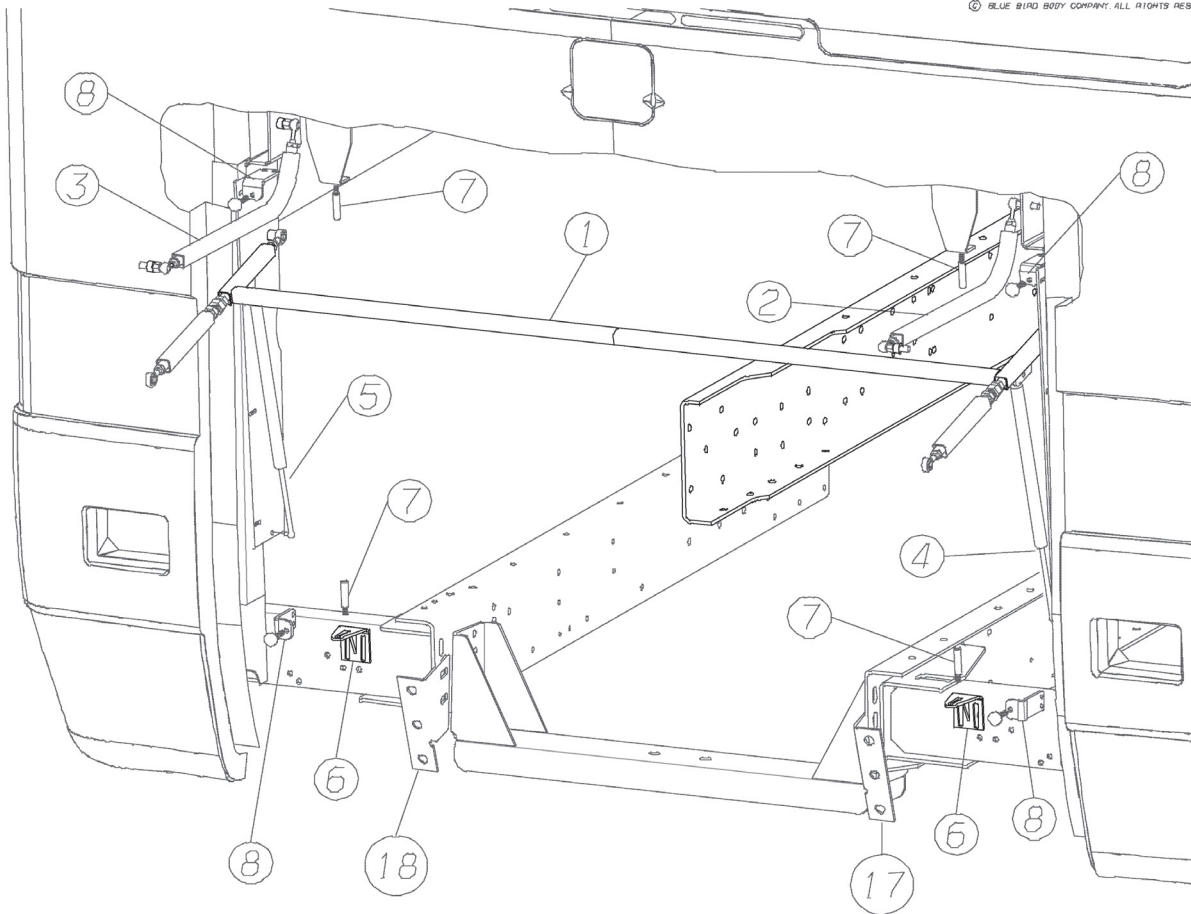
**Models: H4RE
REAR
ENGINE COMPARTMENT DOOR**

Key	PartNumber	Qty	Description	Comment
8	3748969	2	RUBBER,RECESSED BUMPER,60 DUROMETER	
9	3825429	2	NUT,LOCK,HEX,10-24,304 SS,WASHER INSERT	
10	3840873	2	WASHER,FLAT,TYPE A,NO 10,ZN3	
11	6088488	2	SCREW,MACH,10-24 X 1-1/2,PH,PAN HD ZN3	
12	1217686	2	NUT,NYLON,SQUARE,395014 DORMAN	
13	3747045	2	SCREW,SM,PH,PN/HD,1/4 X 3/4,TYPE A,18-8 SS	

Models: **H4RE
REAR
ENGINE DOOR & BUMPER**

Key PartNumber Qty Description Comment

DR. 05/29/02 BY TFM
APP. BY FRT 00436181 8
REV
© BLUE BIRD BODY COMPANY. ALL RIGHTS RESERVED



1	0043568	LINKAGE ASSY,LOWER,RR ENG DR,COMPLETE,
	1983741	4 SPACER,.75 OD X .437 ID X .63 LONG
	0660464	4 CAPSCREW,HEX HD,7/16-14 X 2,GR8,YEL ZN
	2028546	8 WASHER,FLAT,7/16,X 1 1/32 X 5/64,YL ZN
	0997080	4 NUT,HEX HD,7/16-14,LOCKING,GR 8,CADMIUM
2	1984657	TUBE ASSY,UPR LINKAGE,RR ENG DR,RH,
	1134105	2 NUT,HEX HD,7/16-20,TOP LOCKING,CADMIUM
	2028546	2 WASHER,FLAT,7/16,X 1 1/32 X 5/64,YL ZN

**Models: H4RE
REAR
ENGINE DOOR & BUMPER**

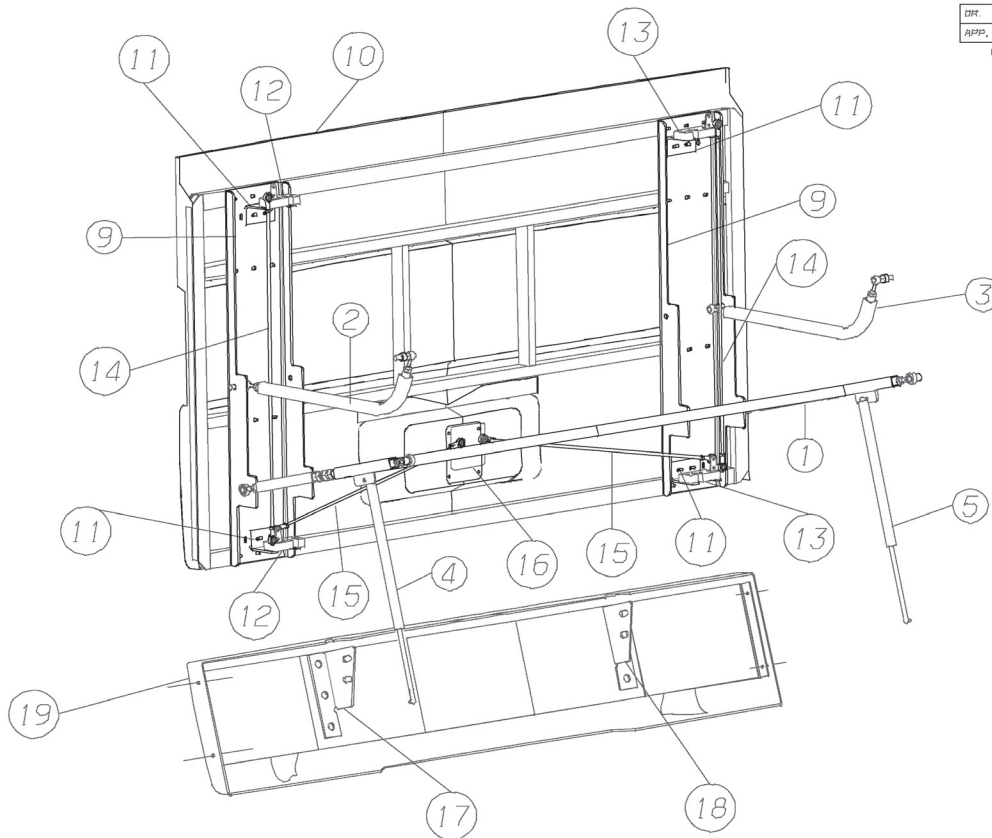
Key	PartNumber	Qty	Description	Comment
	2001204	2	LOCKWASHER,SPLIT RING, 7/16,LHT,YEL ZN	
	1586502	2	SPACER,.75 OD X.437 ID X.437 LG	
3	1984665		TUBE ASSY,UPR LINKAGE,RR ENG DR,LH,	
	1134105	2	NUT,HEX HD,7/16-20,TOP LOCKING,CADMIUM	
	2001204	2	LOCKWASHER,SPLIT RING, 7/16,LHT,YEL ZN	
	2028546	2	WASHER,FLAT,7/16,X 1 1/32 X 5/64,YL ZN	
	1586502	2	SPACER,.75 OD X.437 ID X.437 LG	
4	1983766		GAS SPRING,FAL 22,150 LB,LOCKING	
	1316686	2	STUD,GAS SPRING,A90007 FOR FB22-160	
	1316694	2	CLIP,GAS SPRING,A9036 FOR FB22-160	
	1465954	2	NUT,HEX HD,5/16-18,LK,NYLON INSERT,YEL	
5	1328616		GAS SPRING,FAN22P	
	1316686	2	STUD,GAS SPRING,A90007 FOR FB22-160	
	1316694	2	CLIP,GAS SPRING,A9036 FOR FB22-160	
	1465954	2	NUT,HEX HD,5/16-18,LK,NYLON INSERT,YEL	
6	1337120	2	BRACKET ASSY,MTG,STRIKER,ENG CMPT DOOR	
	1619451	4	SCREW,1/4-14 X 1-1/2,HEX HD,SELF DRILLING	
	1467000	4	WASHER,FLAT,.281 X.750X.078 HARDENED,BLK	
7	1339092	4	STRIKER,LATCH,ENGINE COMPARTMENT DOOR,	
	2001451	4	NUT, HEX HD, 3/8-16, YELLOW DICHROMATE	
	1078922	4	WASHER, FLAT, 3/8 X 7/8 X 5/64, YEL ZN DICH	
	0882795	4	LOCKWASHER, SPLIT RING, 3/8, MED, YELLOW	
8	1044668	4	BUMPER,RUBBER,RECESS 1 1/2 X 1 1/2 DIA	

**Models: H4RE
REAR
ENGINE DOOR & BUMPER**

Key	PartNumber	Qty	Description	Comment
	0044113	4	BRACKET,MTG,ADJUSTABLE BMPR,RR ENG DR,	
	1619451	8	SCREW,1/4-14 X 1-1/2,HEX HD,SELF DRILLING	
	2001345	8	NUT,HEX HD,1/4-20,LOCKING,YELLOW	
	1467000	8	WASHER,FLAT,,.281 X.750X.078 HARDENED,BLK	
17	0048530		BRACKET,MTG,RH,REAR BUMPER, H4RE	
	0803239	2	CAPSCREW, HEX HD, 1/2-13 X1 1/2, GR8	
	1003045	2	WASHER, FLAT,1 7/32 X 1 1/16 X 7/64, HDN,	
	0850800	2	NUT, HEX HD, 1/2-13, LOCKING, GR 8, CAD	
18	0048531		BRACKET,MTG,LH,REAR BUMPER, H4RE	
	0803239		CAPSCREW, HEX HD, 1/2-13 X1 1/2, GR8	
	1003045	2	WASHER, FLAT,1 7/32 X 1 1/16 X 7/64, HDN,	
	0850800	2	NUT, HEX HD, 1/2-13, LOCKING, GR 8, CAD	
19	0044865		BUMPER ASSY,REAR,H4RE	
	1092337	4	CAPSCREW,HEX HD,1/4-20 X 2,GR 5,YEL ZN	
	2001121	4	WASHER, FLAT, 5/16 X 3/4, X 5/64, YEL ZN	
	2001345	4	NUT,HEX HD,1/4-20,LOCKING,YELLOW	
20	0011569	4	PLATE,REAR BUMPER REINFORCEMENT, B4RE	

Models: **H4RE
REAR
ENGINE DOOR & BUMPER (VIEWED FROM INSIDE)**

Key	PartNumber	Qty	Description	Comment
-----	------------	-----	-------------	---------



REAR ENGINE DOOR AND BUMPER VIEWED FROM INSIDE

1	0043568		LINKAGE ASSY,LOWER,RR ENG DR,COMPLETE,	
	1983741	4	SPACER,.75 OD X .437 ID X .63 LONG	
	0660464	4	CAPSCREW,HEX HD,7/16-14 X 2,GR8,YEL ZN	
	2028546	8	WASHER,FLAT,7/16,X 1 1/32 X 5/64,YL ZN	
	0997080	4	NUT,HEX HD,7/16-14,LOCKING,GR 8,CADMIUM	
2	1984657		TUBE ASSY,UPR LINKAGE,RR ENG DR,RH,	
	1134105	2	NUT,HEX HD,7/16-20,TOP LOCKING,CADMIUM	Part of item 2
	2028546	2	WASHER,FLAT,7/16,X 1 1/32 X 5/64,YL ZN	
	2001204	2	LOCKWASHER,SPLIT RING, 7/16,LHT,YEL ZN	

**Models: H4RE
REAR
ENGINE DOOR & BUMPER (VIEWED FROM INSIDE)**

Key	PartNumber	Qty	Description	Comment
	1586502	2	SPACER,.75 OD X.437 ID X.437 LG	
3	1984665		TUBE ASSY,UPR LINKAGE,RR ENG DR,LH,	
	1134105	2	NUT,HEX HD,7/16-20,TOP LOCKING,CADMIUM	
	2001204	2	LOCKWASHER,SPLIT RING, 7/16,LHT,YEL ZN	
	2028546	2	WASHER,FLAT,7/16,X 1 1/32 X 5/64,YL ZN	
	1586502	2	SPACER,.75 OD X.437 ID X.437 LG	
4	1983766		GAS SPRING,FAL 22,150 LB,LOCKING	
	1316686	2	STUD,GAS SPRING,A90007 FOR FB22-160	<i>Part of item 4</i>
	1316694	2	CLIP,GAS SPRING,A9036 FOR FB22-160	<i>Part of item 4</i>
	1465954	2	NUT,HEX HD,5/16-18,LK,NYLON INSERT,YEL	
5	1328616		GAS SPRING,FAN22P	
	1316686	2	STUD,GAS SPRING,A90007 FOR FB22-160	<i>Part of item 5</i>
	1316694	2	CLIP,GAS SPRING,A9036 FOR FB22-160	<i>Part of item 5</i>
	1465954	2	NUT,HEX HD,5/16-18,LK,NYLON INSERT,YEL	
9	0043450	2	BRACKET,MTG,LINKAGE,REAR ENGINE DOOR,	
	1619451	24	SCREW,1/4-14 X 1-1/2,HEX HD,SELF DRILLING	
	1467000	24	WASHER,FLAT,.281 X.75X.078 HARDENED,BLK	
10	1958560		DOOR,ENGINE,REAR, H4RE	
11	1500495	4	BRACKET,MTG,LATCH,LOWER,ENG CMPT DOOR,	
	1692664	8	CAPSCREW, HEX FLG, 1/4-20 X .75, GR5, YEL	
	0659979	8	NUT, HEX, FLANGE SER, 1 /4-20, BLACK, ZINC	
12	1338243	2	LATCH,ROTARY,1-3400,RH	
	1396555	4	CAPSCREW,HEX HD,5/16-18 X 1 1/2,GR 5,SST	

**Models: H4RE
REAR
ENGINE DOOR & BUMPER (VIEWED FROM INSIDE)**

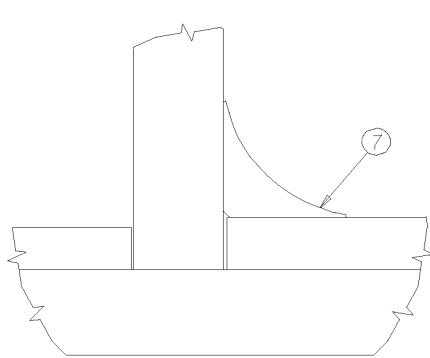
Key	PartNumber	Qty	Description	Comment
	3830163	4	NUT,LOCK,HEX,5/16-18,304 SS,CENTER LOCK	
13	1338250	2	LATCH,ROTARY,1-3400,LH	
	1396555	4	CAPSCREW,HEX HD,5/16-18 X 1 1/2,GR 5,SST	
	3830163	4	NUT,LOCK,HEX,5/16-18,304 SS,CENTER LOCK	
14	0043600		ROD,UPPER,LATCH RELEASE,RR ENGINE DOOR	
	1338300	2	ROD END,ALINABAL PFL-4-G,WLPP	<i>Part of item 14</i>
	1342419	4	NUT,HEX,1/4-28,YELLOW DICHROMATE	
	1339480	2	ROD,END,ALINABAL PF-4-G,WLPP	<i>Part of item 14</i>
	1230622	4	NUT,HEX HD,1/4-28,NYLON INSERT,YEL ZN	
	1307917	4	SCREW,MACH,1/4-28X1,PH1,PAN HD,YEL ZN	
15	0043599	2	ROD,LOWER,LATCH RELEASE,RR ENGINE DOOR	
	1338300	2	ROD END,ALINABAL PFL-4-G,WLPP	
	1342419	4	NUT,HEX,1/4-28,YELLOW DICHROMATE	
	1339480	2	ROD,END,ALINABAL PF-4-G,WLPP	
	1230622		NUT,HEX HD,1/4-28,NYLON INSERT,YEL ZN	
	1307917	4	SCREW,MACH,1/4-28X1,PH1,PAN HD,YEL ZN	
16	1450766		HANDLE,LATCH,ENG CMPT DOOR,PRIMED,	
	1230622	4	NUT,HEX HD,1/4-28,NYLON INSERT,YEL ZN	
	1307917	4	SCREW,MACH,1/4-28X1,PH1,PAN HD,YEL ZN	
	0977132	4	CAPSCREW,HEX HD,1/4-20 X 3/4,GR 5,YEL	
17	0048530		BRACKET,MTG,RH,REAR BUMPER, H4RE	
	0803239	2	CAPSCREW, HEX HD, 1/2-13 X1 1/2, GR8	
	1003045	2	WASHER, FLAT,1 7/32 X 1 1/16 X 7/64, HDN,	

**Models: H4RE
REAR
ENGINE DOOR & BUMPER (VIEWED FROM INSIDE)**

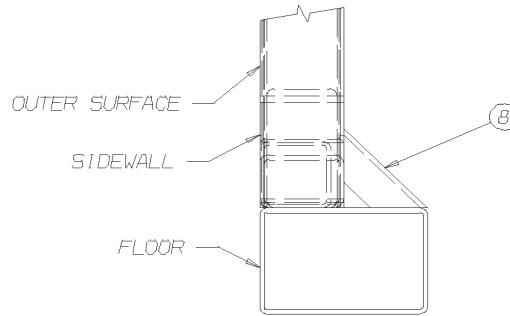
Key	PartNumber	Qty	Description	Comment
	0850800	2	NUT, HEX HD, 1/2-13, LOCKING, GR 8, CAD	
18	0048531		BRACKET,MTG,LH,REAR BUMPER, H4RE	
	0803239		CAPSCREW, HEX HD, 1/2-13 X1 1/2, GR8	
	1003045	2	WASHER, FLAT,1 7/32 X 1 1/16 X 7/64, HDN,	
	0850800	2	NUT, HEX HD, 1/2-13, LOCKING, GR 8, CAD	
19	0044865		BUMPER ASSY,REAR,H4RE	
	1092337	4	CAPSCREW,HEX HD,1/4-20 X 2,GR 5,YEL ZN	
	2001121	4	WASHER, FLAT, 5/16 X 3/4, X 5/64, YEL ZN	
	2001345	4	NUT,HEX HD,1/4-20,LOCKING,YELLOW	

Models: **H4RE
CENTER
LH SIDE
38' UNIT**

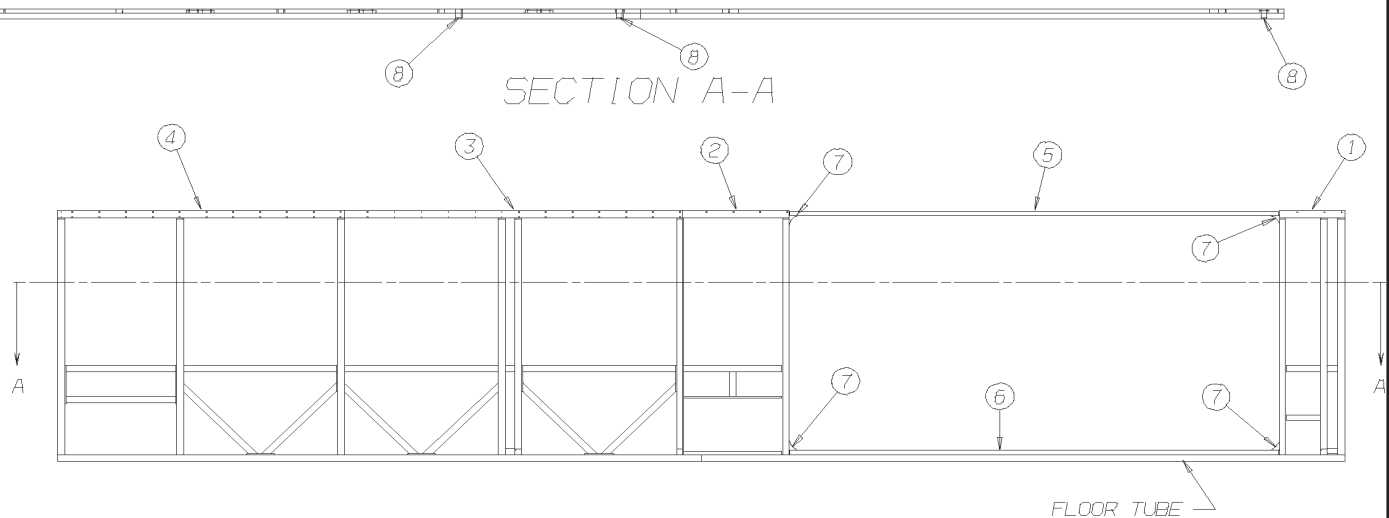
Key	PartNumber	Qty	Description	Comment
-----	------------	-----	-------------	---------



DETAIL : C



DETAIL : A

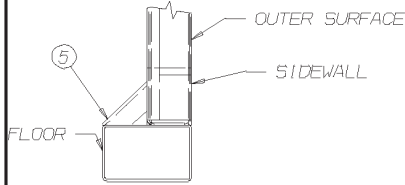


1	0033938		TUBE ASSY,SIDEWALL,FRT OF FRT SL/OUT,
2	0033939		TUBE ASSY,SIDEWALL,RR OF FRT SL/OUT, H4RE
3	0033934		TUBE ASSY,SIDEWALL,FRT OF RR W/H,LH,
4	0033936		TUBE ASSY,SIDEWALL,REAR SECT,LH, H4RE
5	0036239		TUBE,STL,SQ, 1.50 X .083 X 145.65, H4RE
6	0038506		TUBE,STL,SQ, 1.25 X .125 X 145.88
7	0030997	4	GUSSET,REINF,SL/OUT SEAL EXTR, TOP
8	0042864	3	GUSSET,SUPT,FLR TO WALL, H4RE

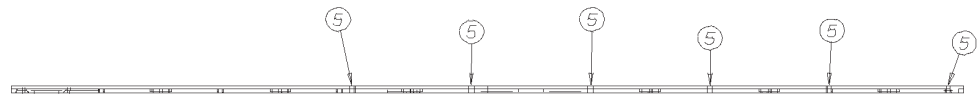
FLOOR TUBE

Models: **H4RE
CENTER
RH SIDE
38' UNIT**

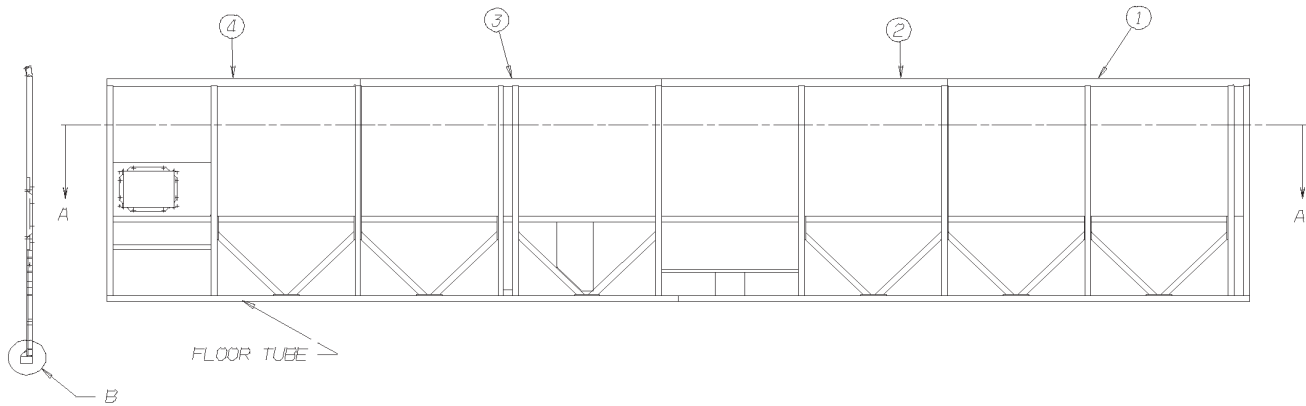
Key	PartNumber	Qty	Description	Comment
-----	------------	-----	-------------	---------



DETAIL : B

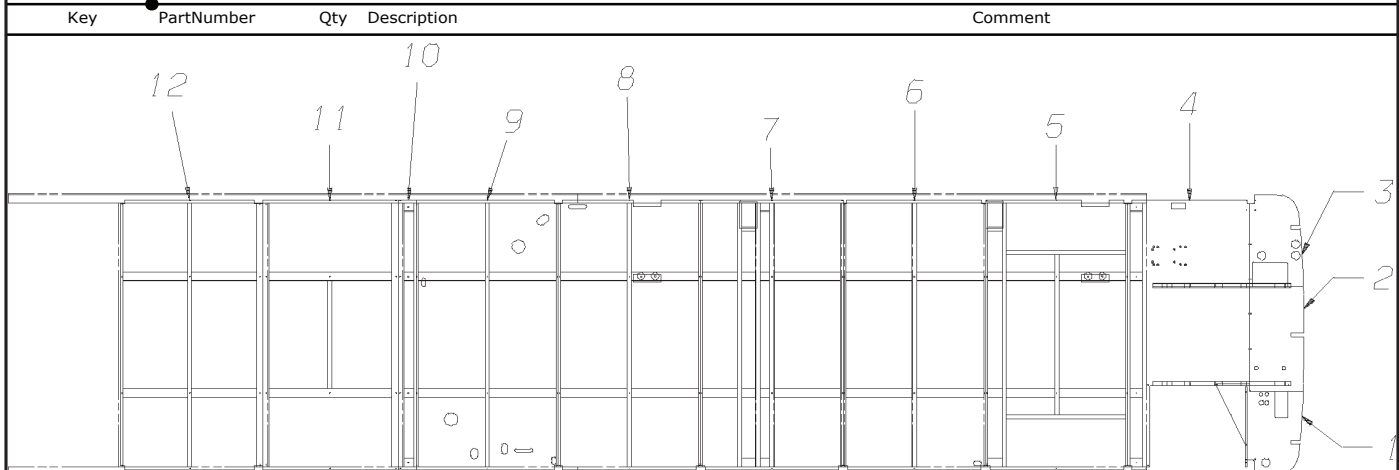


SECTION A-A



1	0033930		TUBE ASSY,SIDEWALL,FRT W/H,RH, H4RE	
2	0033932		TUBE ASSY,SIDEWALL,REFRIG/HOT WAT OPG,	
3	0033933		TUBE ASSY,SIDEWALL,FRT OF RR W/H,RH,	
4	0033935		TUBE ASSY,SIDEWALL,REAR SECT,RH, H4RE	
5	0042864	6	GUSSET,SUPT,FLR TO WALL, H4RE	

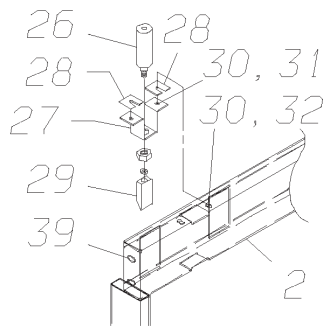
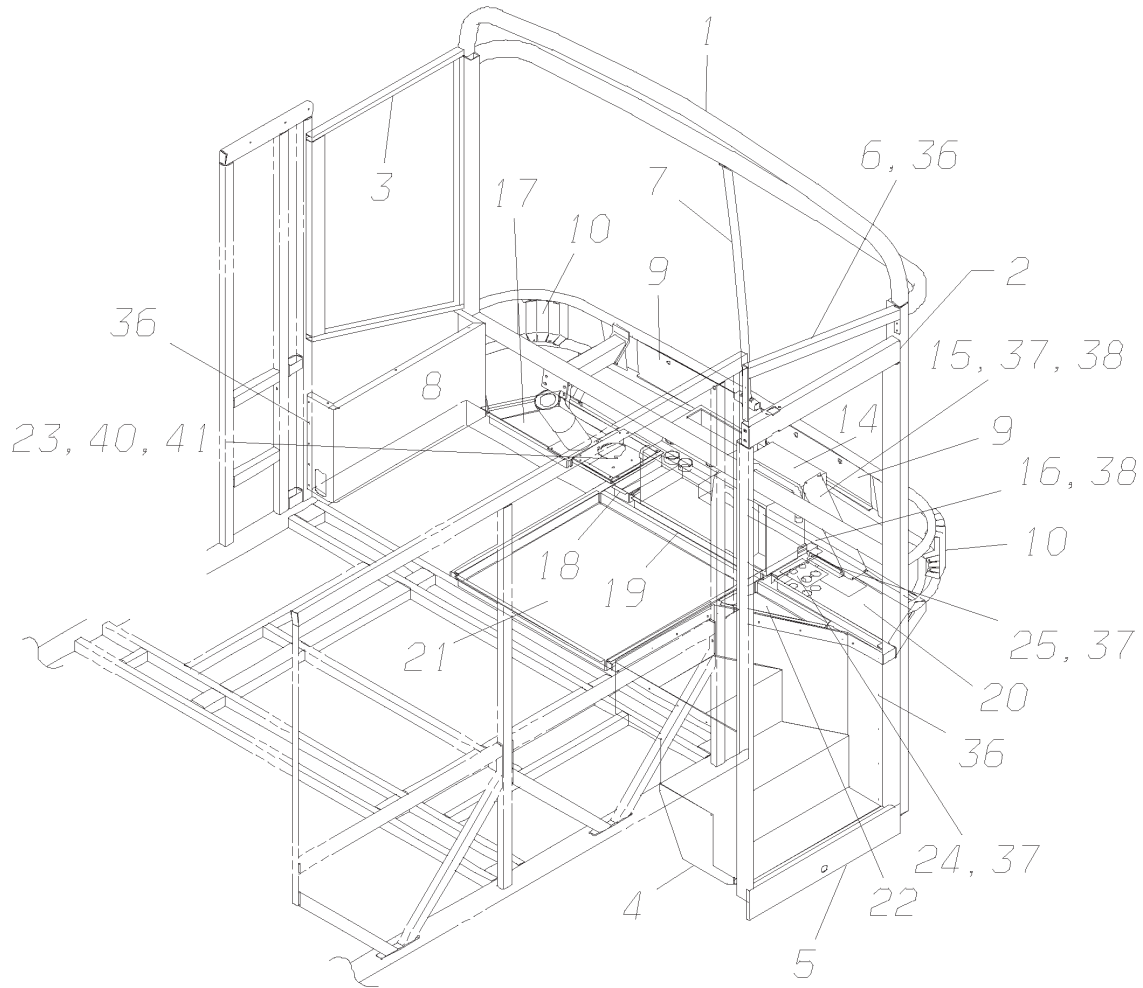
Models: **H4RE
FLOOR
PLYWOOD FLOOR INSTALLATION**



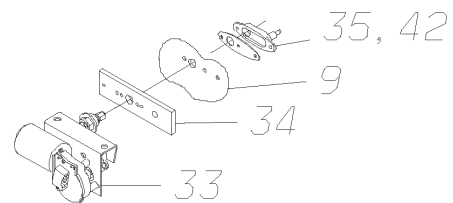
Key	PartNumber	Qty	Description	Comment
1	0037826		COMPOSITE,SUBFLOOR,FRT STRUC,RH, H4RE	
2	0039470		COMPOSITE,SUBFLOOR,FRT STRUC,MID, H4RE	
3	0037825		COMPOSITE,SUBFLOOR,FRT STRUC,LH, H4RE	
4	0037389		COMPOSITE,SUBFLOOR,FRT STRUC,RR, H4RE	
5	0037390		COMPOSITE,SUBFLOOR,FRT EXTN BEARING,	
6	0042888	2	COMPOSITE,SUBFLOOR,1ST L/CMPT BAY, H4RE	
7	0037392		COMPOSITE,SUBFLOOR,RR EXTN BEARING,	
8	0037393		COMPOSITE,SUBFLOOR,3RD L/CMPT BAY, H4RE	
9	0037394		COMPOSITE,SUBFLOOR,FRT OF RR W/H, H4RE	
10	0037395		COMPOSITE,SUBFLOOR,RR W/H, H4RE	
11	0037391		PLYWOOD,.75 X 48.00 X 96.00,DB LITE PLY	
NI	3889292		SCREW,TEKS/3,PH,WAFER HD,10-24 X 1,ZN3	

Models: **H4RE
FRONT
3708**

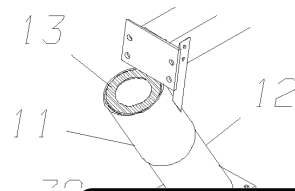
Key	PartNumber	Qty	Description	Comment
-----	------------	-----	-------------	---------



UPPER AIR LOCK INSTALLATION



WIPER MOTOR INSTALLATION
(LEFT HAND SHOWN)



**Models: H4RE
FRONT
3708**

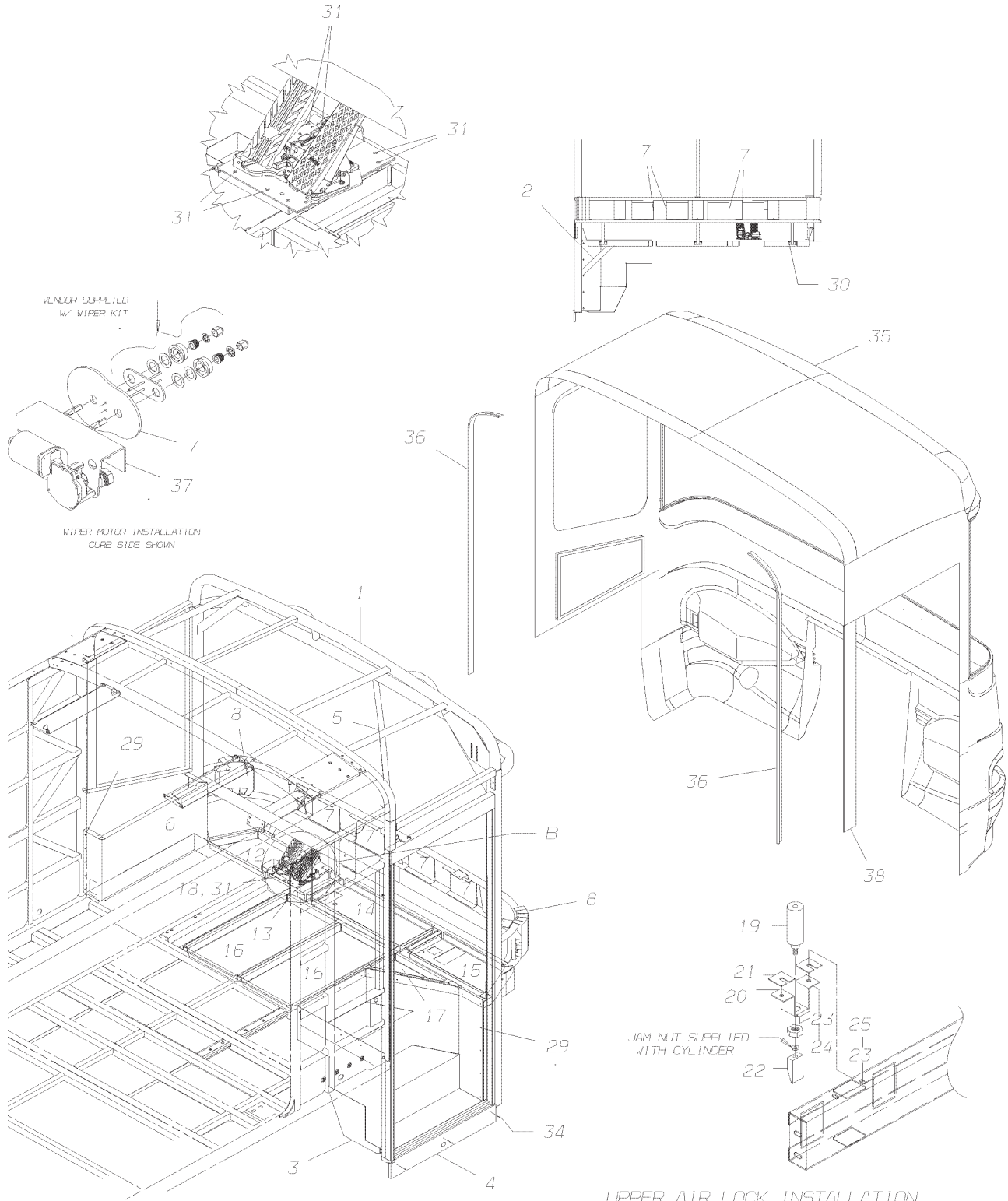
Key	PartNumber	Qty	Description	Comment
1	0039293		STRUCTURE ASSY,FRONT, H4RE	
2	0043330		FRAME ASSY,FRONT ENTRANCE DOOR, H4RE	
3	0049639		FRAME ASSY,MTG,DRIVERS WINDOW, H4RE	
4	0034660		STEPWELL ASSY,FRONT ENTRANCE DOOR,	
5	0043622		TRIM,LOWER,ENTRANCE DOOR, H4RE	
6	0040413		TUBE ASSY,ATCH,BODY TO FRT STRUC, TOP,	
7	0000380		POST ASSY,WINDSHIELD, B4/W4RE	
8	0041727		PANEL ASSY,DRIVERS INSIDE, H4RE	
9	0029252		PANEL,SUPPORT,FRONT FIBERGLASS, B4RE	
10	0000463		PANEL,BACKING,SIDE VIEW MIRROR, W4RE	
11	0043105		TUBE ASSY,STEERING COLUMN C/OUT, TOP,	
12	0043110		TUBE ASSY,STEERING COLUMN C/OUT,BTM,	
13	0830059		TAPE,FOAM,1/2X3/4,CLSD CELL NEOPRENE ADH	
14	0045785		HEATER-A/C ASSY,FRONT DASH,BERGSTROM	
15	1948587		PANEL, TOP,FRESH AIR DUCT, Q4/W4/B4RE	
16	1948579		PANEL, SIDE,FRESH AIR DUCT, Q4/W4/B4RE	
17	0040391		PANEL ASSY,FLOOR,FRT STRUC,FRT LH, H4RE	
18	0042439		PANEL,FLOOR,FRT STRUC,FRT MID LH, H4RE	
19	0040294		PANEL,FLOOR,FRT STRUC,FRT MID, H4RE	
20	0040293		PANEL,FLOOR,FRT STRUC,FRT RH, H4RE	
21	0040297		PANEL,FLOOR,FRT STRUC,RR MID, H4RE	
22	0040296		PANEL,FLOOR,FRT STRUC,STPWL, H4RE	

**Models: H4RE
FRONT
3708**

Key	PartNumber	Qty	Description	Comment
24	0042858		PLATE,HEATER HOSE PROTECTOR, H4RE	
25	0042862		BRACKET,MTG,KYSOR AIR INLET, H4RE	
26	0029613		CYLINDER,AIR,PARKER,1.25 BORE,1.00	
27	0040777		BRACKET,MTG,AIR LOCK,FRONT ENT DOOR,	
28	0004485		SPACER,BRACKET,AIR LOCK,FRONT ENT DOOR	
29	0031899		PIN,LOCK,TOP,ENT DR,AVIONIC STRUC, H4RE	
30	1467000		WASHER,FLAT, .281 X.750X.078 HARDENED,BLK	
31	2001345		NUT,HEX HD,1/4-20,LOCKING,YELLOW	
32	0977132		CAPSCREW,HEX HD,1/4-20 X 3/4,GR 5,YEL	
36	1693407		FASTENER,HUCK,.25,BLIND,MAGNABULB,MBP-	
37	1589522		SCREW,10-16 X 3/4,AB,PH1,PAN HD,YEL ZN	
38	2186401		SCREW,10-16 X 1/2,AB,PH1,PAN HD,YEL ZN	
39	1576172		SCREW,HEX,WASH,5/16X3/4,TYPE F,YEL ZN	
40	0559195		CAPSCREW, HEX HD, 3/8-16 X 1, GR 8, YEL ZN	
41	2001451		NUT, HEX HD, 3/8-16, YELLOW DICHROMATE	
NI	0032084		DOOR,ELECTRICAL ACCESS PANEL, Q4,B4,W4	
NI	1958628		SCREEN,AIR INTAKE,DEFROSTER,KYSOR A/C	

**Models: H4RE
FRONT
4400**

Key	PartNumber	Qty	Description	Comment
-----	------------	-----	-------------	---------



UPPER AIR LOCK INSTALLATION

To order parts call 478.825.0330 x136

**Models: H4RE
FRONT
4400**

Key	PartNumber	Qty	Description	Comment
1	0093748		STRUCTURE ASSY,FRONT,STRUCTURE, 45H4RE	
2	0070587		BRACE,LOWER,BELOW FLOOR,FRONT STRUCT	
3	0068792		STEPWELL ASSY,FRT,ENTRANCE DOOR, 45H4RE	
4	0068786		TRIM,LOWER,FRONT ENTRANCE DOOR, 45H4RE	
5	0000380		POST ASSY,WINDSHIELD, B4/W4RE	
6	0068796		PANEL ASSY,INSIDE,DRIVERS, 45H4RE	
7	0066636	4	PANEL,SUPPORT,WIPER AND FRP, M4RE	
8	0093239	2	BRACKET,SUPT,SIDE VIEW MIRRORS, H4/M4	
11	0830059	5	TAPE,FOAM,1/2X3/4,CLSD CELL NEOPRENE ADH	
12	0092431		PANEL ASSY,C/OUT,FLR,FRT BASKET,LH, H4/M4	
13	0092430		PANEL,C/OUT,FLR,FRT BASKET,MID,LH, H4/M4	
14	0068809		PANEL,FLOOR,FRT,STRUCT,FRT MID, 45H4RE	
15	0080107		PANEL,FLOOR,FRONT STRUC,FRT RH, 45H4RE	
16	0054059	2	PANEL,FLOOR,FRT STRUC,RR MID,H4RE	
17	0057369		PANEL,FLOOR,FRT STRUC,STPWL, H4RE	
18	0045361		VALVE ASSY,TREADLE AND PEDAL,ABS,6 CHN	STANDARD
18	0092427		PEDAL ASSY,VALVE,ABS,6 CHAN, H4RE	FEATURE 40099-02
19	0029613		CYLINDER,AIR,PARKER,1.25 BORE,1.00	
20	0040777		BRACKET,MTG,AIR LOCK,FRONT ENT DOOR,	
21	0004485	2	SPACER,BRACKET,AIR LOCK,FRONT ENT DOOR	
22	0031899		PIN,LOCK,TOP,ENT DR,AVIONIC STRUC, H4RE	
23	1467000	4	WASHER,FLAT,..281 X.750X.078 HARDENED,BLK	
24	2001345	2	NUT,HEX HD,1/4-20,LOCKING,YELLOW	

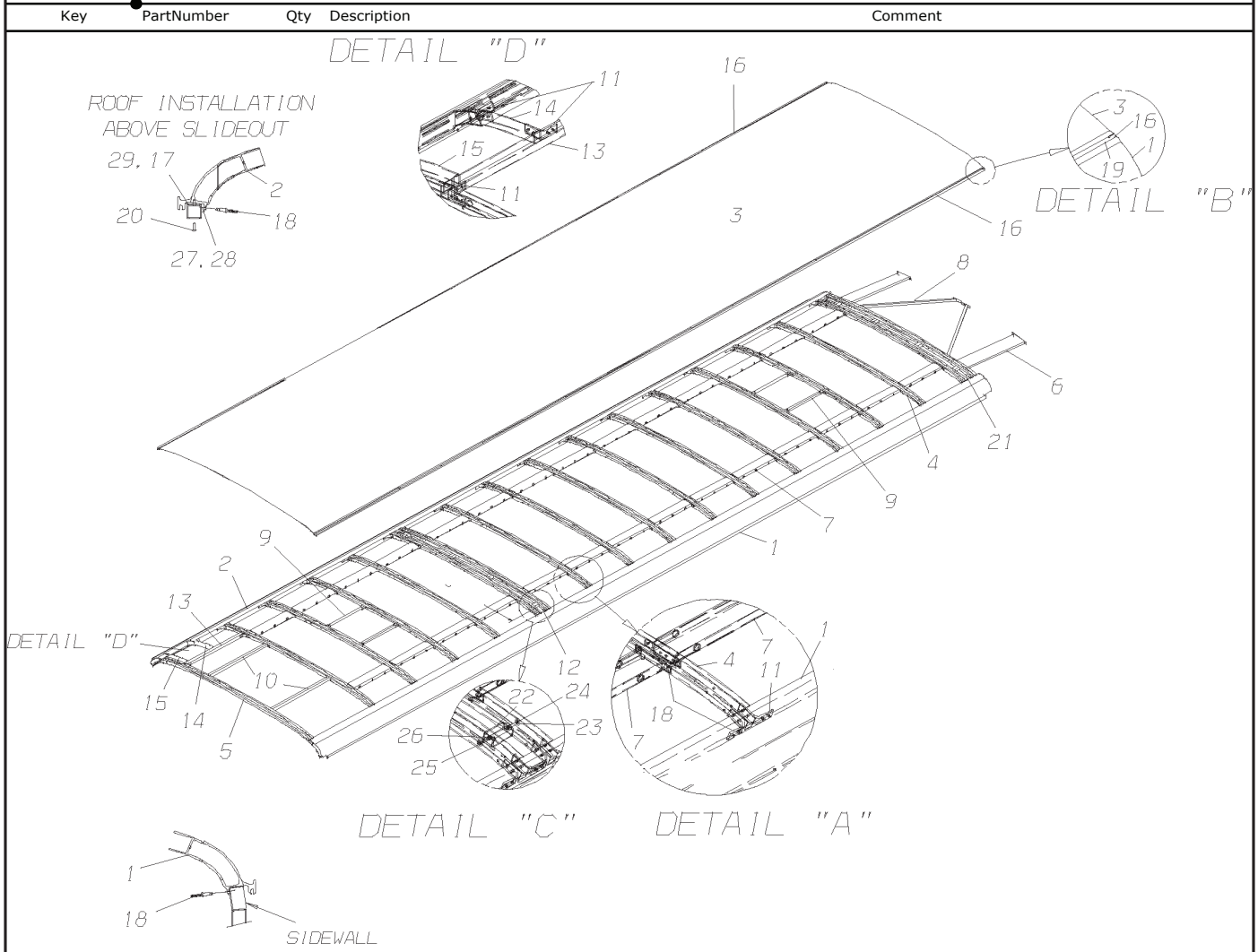
**Models: H4RE
FRONT
4400**

Key	PartNumber	Qty	Description	Comment
25	0977132	2	CAPSCREW,HEX HD,1/4-20 X 3/4,GR 5,YEL	
29			HUCK FASTENER	
30	1576172	20	SCREW,HEX,WASH,5/16X3/4,TYPE F,YEL ZN	
31	1032283	6	CAPSCREW,HEX HD,5/16-18,X,3/4,GR5,	
34	0542019	3	RIVET,LONG CHERRY,7355-100-6-8	
35	0082265		CAP,FRONT,FIBERGLASS, 45H4RE	
36	0040152	2	EXTRUSION,EDGE,FIBERGLASS CAP, C4RE	
37	0080744		KIT,WIPER,MOTOR ASSY,AM EQ 102-1057,	
38	0083064		FILLER,STRIP,FIBERGLASS,.187 THK.	
NI	1983600	2	ARM ASSY,WIPER,PANTOGRAPH,31",BK	
NI	1974070	2	BLADE,WINDSHIELD WIPER,26.00	
NI	1888510		RUBBER,WINDSHIELD SEAL,NREL	
NI	1870443		GLASS,W/S,2CF,.265 LAM,TNT/SHD,102",	
NI	1870450		GLASS,W/S,1CF,.265 LAM,TNT/SHD,102",	
NI	3770450	AR	REFILL,INSTA-FOAM 2000 BOTTLE A	
NI	3771268	AR	REFILL,INSTA-FOAM 2000 BOTTLE B	

Models: H4RE
REAR
REAR DAVENPORT

Key	PartNumber	Qty	Description	Comment
4	0039618		PANEL,DAVENPORT,SIDE,LH, H4RE	
5	0039342		PANEL,ACCESS,ENGINE CMPT, H4RE	
6	1439330		BOX ASSY,ROOF EXHAUST,LOWER, WLWB	
7	1813070		FASTENER,HUCK,.25,BLIND,MAGNABULB,MBP-	
8	0038566		KIT,INSL,POLYSTY FOAM,DAVENPORT,	
9	0039444		COMPOSITE,DVPT,.75 X 9.54 X 96.00, H4RE	
10	0039445		COMPOSITE,DVPT,.75 X 20.55 X 96.00, H4RE	
11	0039446		COMPOSITE,DVPT,.75 X 8.16 X 96.00, H4RE	
12	0039449		COMPOSITE,DVPT,.75 X 12.00 X 96.00, H4RE	
13	0039448	2	COMPOSITE,DVPT,.75 X 15.00 X 24.34, H4RE	
14	0039447		COMPOSITE,DVPT,.75 X 15.00 X 47.32, H4RE	
15	0039623		PANEL,ROOF EXHAUST,UPR,FRT, H4RE	
16	0039624		PANEL,ROOF EXHAUST,UPR,RR, H4RE	
17	0038791		COVER ASSY,ROOF EXHAUST, H4RE	
18	0044289		PANEL,CLOSEOUT,ROOF EXHAUST TO BOW,	
19	0042642		BOX ASSY,ENGINE AIR INTAKE,FINAL, H4RE	
20	2000594		SCREW,10-16X1-1/2,AB,PH1,OVAL CNSK,YEL	
21	1589522		SCREW,10-16 X 3/4,AB,PH1,PAN HD,YEL ZN	

Models: **H4RE
ROOF
INSTALLATION**



Key	PartNumber	Qty	Description	Comment
1	0034748		EXTRUSION,ALUM,ROOF,RH, H4RE	
2	0034749		EXTRUSION,ALUM,ROOF,LH, H4RE	
3	0034652		COIL,ALUM,ROOF SKIN,.040X91.5X5052-H36	
4	0028230	15	BOW,ROOF STRUCTURE, H4RE	
5	0036538		BOW,ROOF STRUCTURE,RR BOW	
6	0036743	2	BRACKET,SUPT,PARCEL RACK, H4RE	
7	0034739	28	STRINGER ASSY,ROOF SUPT,24.00 SECT, H4RE	

**Models: H4RE
ROOF
INSTALLATION**

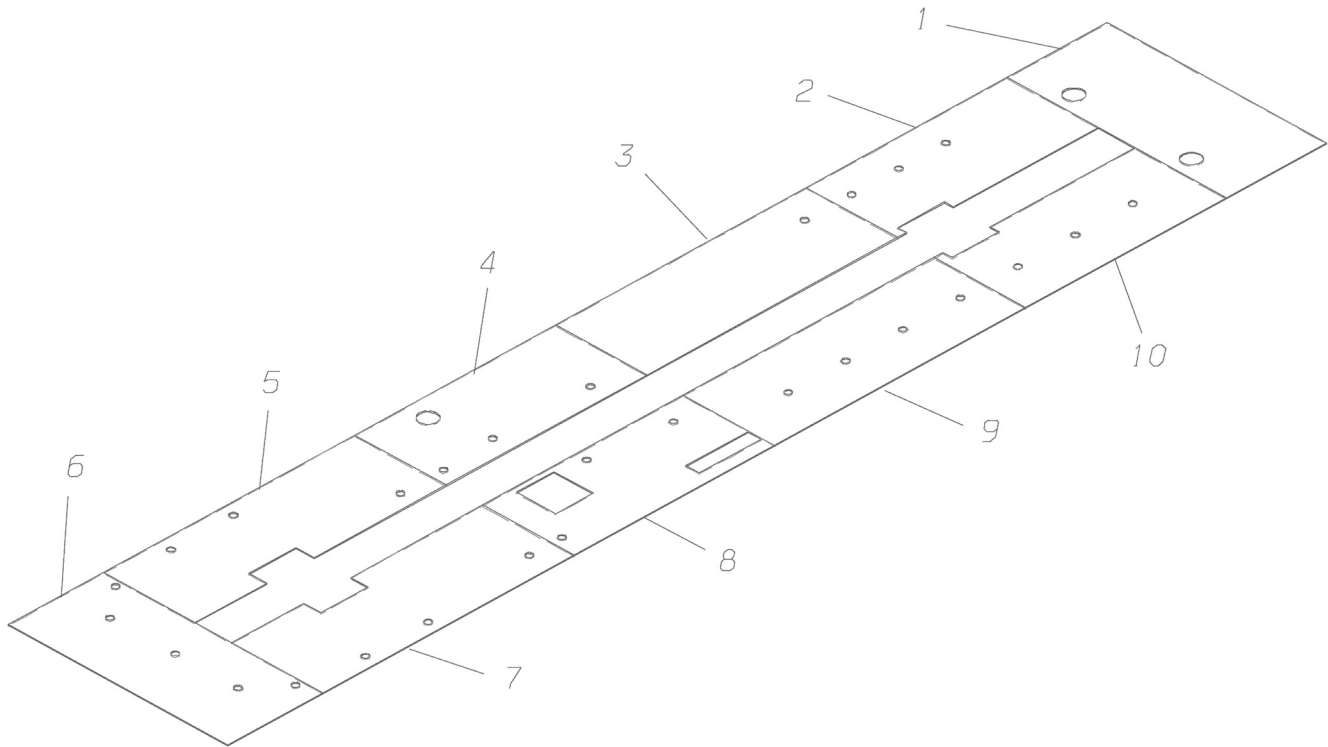
Key	PartNumber	Qty	Description	Comment
8	0035398	2	STRINGER ASSY,ROOF SUPT,FRT SECT, H4RE	
9	0035047	4	TUBE ASSY,SUPT,ROOF A/C UNIT, H4RE	
10	0034758	2	STRINGER ASSY,ROOF SUPT,RR SECT, H4RE	
11	0028231	70	EXTRUSION,ALUM,ATCH,ROOF STRUCTURE	
12	0036140	4	EXTRUSION,ALUM,ATCH,ROOF STRUCTURE,SGL	
13	0039190		CHANNEL,EXHAUST SUPT,CTR, H4RE	
14	0039191		CHANNEL,EXHAUST SUPT,FRT, H4RE	
15	0039192		CHANNEL ASSY,EXHAUST SUPT,RR, H4RE	
16	0034740	3	EXTRUSION,ALUM,ROOF EXTR ATCH,385.50	
17	0035023		SHIM,ALUM EXTR,FRT SL/OUT, H4RE	
18	0007614		FASTENER,HUCK,.25 BLIND,MAGNA-LOK,MGLP-	
19	0043608		FASTENER,HUCK,.18,BLND,MAGNATITE,MTP-B6	
20	2000776		SCREW,MACH, 10-32 X 3/4,PH1,RD HD,	
21	0033944		BOW ASSY,ROOF STRUCTURE, H4RE	

**Models: H4RE
CENTER
CEILING PANELS**

Key	PartNumber	Qty	Description	Comment
-----	------------	-----	-------------	---------

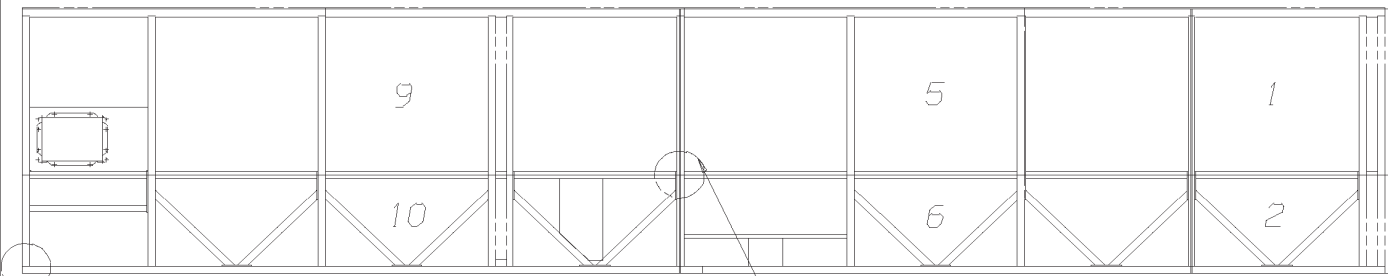
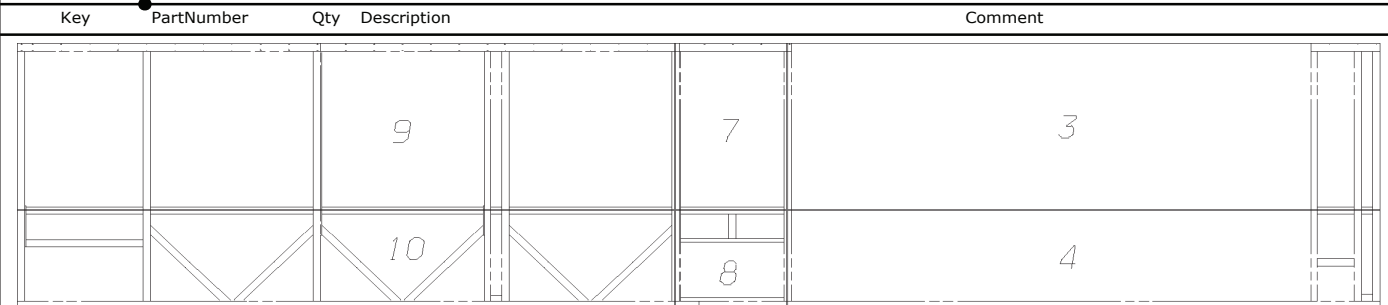
DR. 05/29/02	BY TFM	00464551	---	
APP.	BY	FRY	REV	

© BLUE BIRD BODY COMPANY. ALL RIGHTS RESERVED



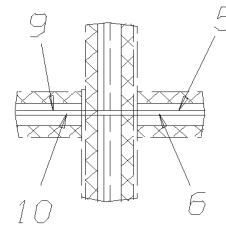
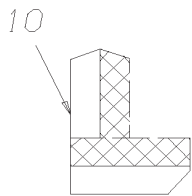
1	0046456		PANEL,CEILING,VINYL WRAPPED,PANEL 1,
2	0046457		PANEL,CEILING,VINYL WRAPPED,PANEL 2,
3	0046460		PANEL,CEILING,VINYL WRAPPED,PANEL 3,
4	0046501		PANEL,CEILING,VINYL WRAPPED,PANEL 4,
5	0046502		PANEL,CEILING,VINYL WRAPPED,PANEL 5
6	0046504		PANEL,CEILING,VINYL WRAPPED,PANEL 6,
7	0046505		PANEL,CEILING,VINYL WRAPPED,PANEL 7,
8	0046506		PANEL,CEILING,VINYL WRAPPED,PANEL 8,
9	0046507		PANEL,CEILING,VINYL WRAPPED,PANEL 9, 02
10	0046508		PANEL,CEILING,VINYL WRAPPED,PANEL 10,

Models: H4RE
CENTER
SIDE WALLS
38' UNIT



DETAIL "A" >

DETAIL "B"



DETAIL "A"

DETAIL "B"

1	0043854	PANEL,3MM ALUCOBOND,49.38 X 55.59
2	0043855	PANEL,3MM ALUCOBOND,29.00 X 55.59
3	0043856	PANEL,3MM ALUCOBOND,49.38 X 166.85
4	0043857	PANEL,3MM ALUCOBOND,29.00 X 166.85

**Models: H4RE
CENTER
SIDE WALLS
38' UNIT**

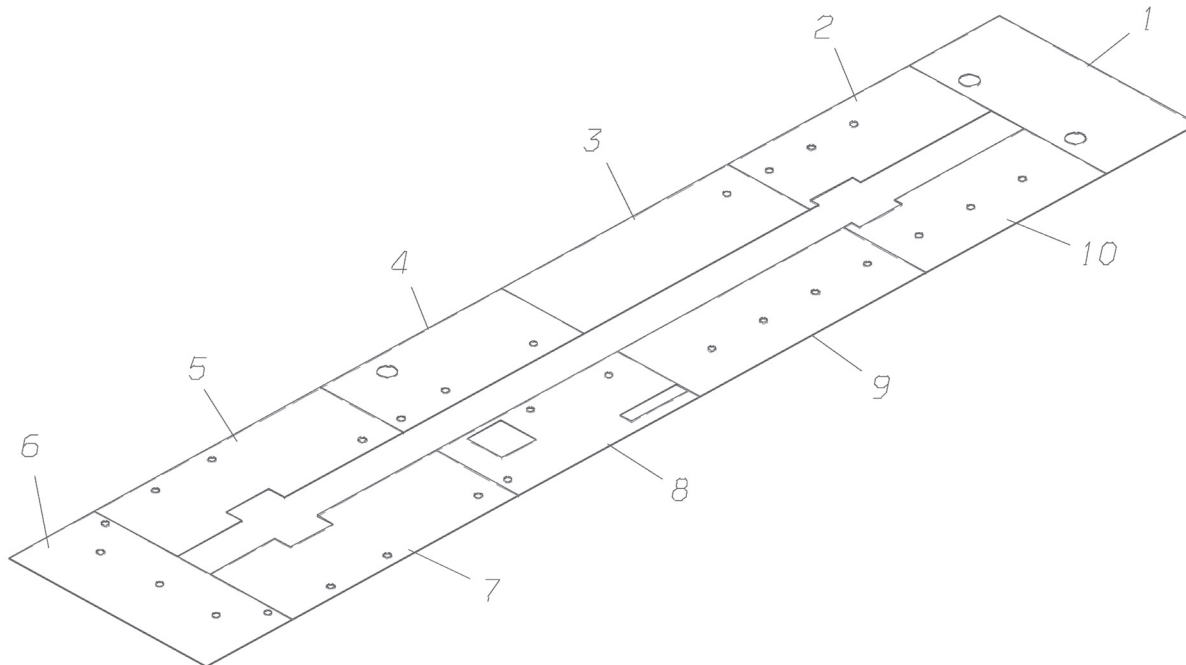
Key	PartNumber	Qty	Description	Comment
5	0043858		PANEL,3MM ALUCOBOND,49.38 X 144.25	
6	0043859		PANEL,3MM ALUCOBOND,29.00 X 144.25	
7	0043860		PANEL,3MM ALUCOBOND,31.87 X 49.38	
8	0043861		PANEL,3MM ALUCOBOND,29.00 X 31.87	
9	0043862	2	PANEL,3MM ALUCOBOND,49.38 X 185.30	
10	0043863	2	PANEL,3MM ALUCOBOND,29.00 X 185.30	
NI	0043615		TAPE,ADHESIVE,VHB 4946,1.00 X .045 X 36YDS	
NI	0052901		TAPE,ADHESIVE,VHB 4946,.50 X .045 X 36 YDS	

**Models: H4RE
CENTER
SUBCEILING PANELS**

Key	PartNumber	Qty	Description	Comment
-----	------------	-----	-------------	---------

DR. 08/15/02 BY TFM	00464261	C	
APP. BY	FBI	REV	

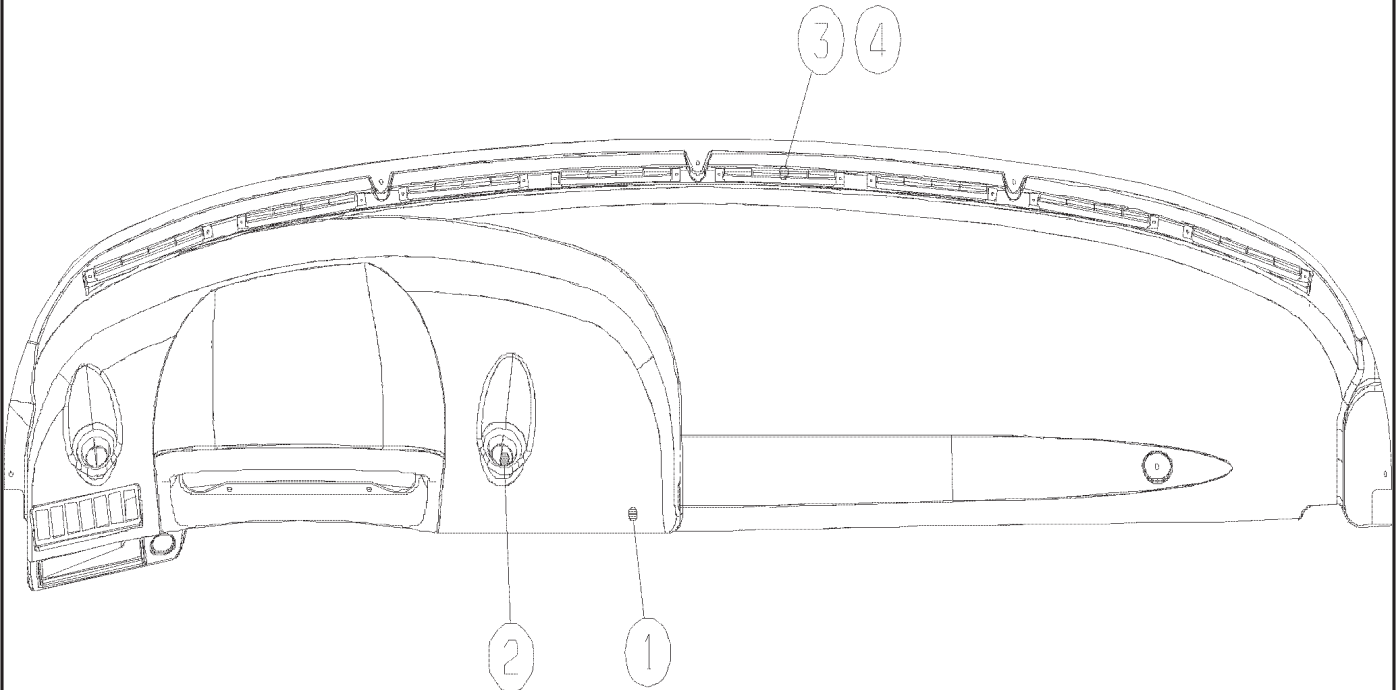
© BLUE BIRD BODY COMPANY. ALL RIGHTS RESERVED



1	0046429		PANEL,SUBCEILING,PANEL 1, 02H4RE
2	0046430		PANEL,SUBCEILING,PANEL 2, 02H4RE
3	0046431		PANEL,SUBCEILING,PANEL 3
4	0046432		PANEL,SUBCEILING,PANEL 4, 02H4RE
5	0046433		PANEL,SUBCEILING,PANEL 5, 02H4RE
6	0046434		PANEL,SUBCEILING,PANEL 6, 02H4RE
7	0046435		PANEL,SUBCEILING,PANEL 7, 02H4RE
8	0046436		PANEL,SUBCEILING,PANEL 8, 02H4RE
9	0046437		PANEL,SUBCEILING,PANEL 9, 02H4RE
10	0046438		PANEL,SUBCEILING,PANEL 10, 02H4RE

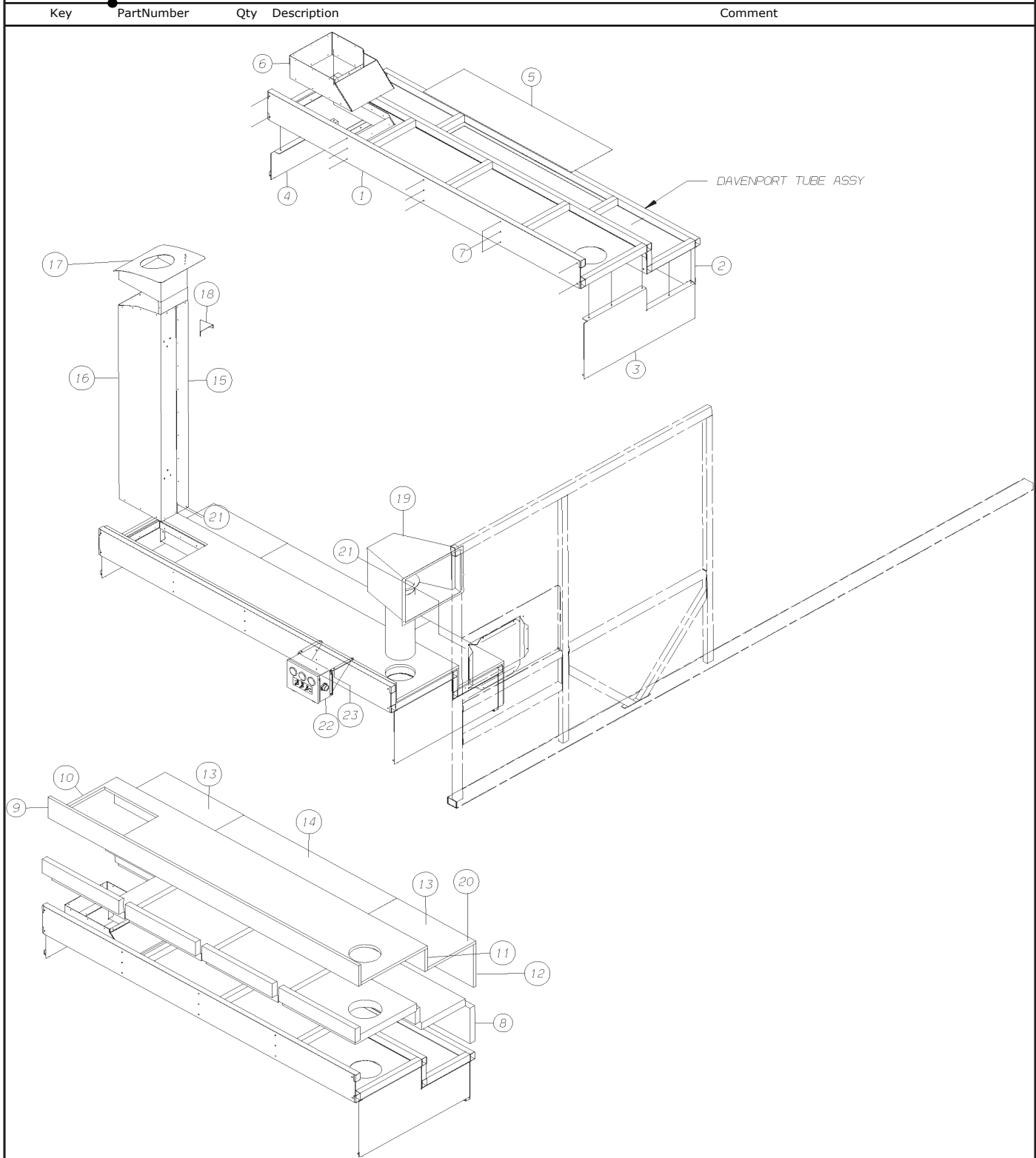
**Models: H4RE
FRONT DASH**

Key	PartNumber	Qty	Description	Comment
-----	------------	-----	-------------	---------



1	4759395		DASHBOARD ASSEMBLY	
2	4759765		DIFFUSER,VENT,SINGLE LOUVER,BALL	
3	4755190		VENT AIR RACK FRONT	
4	4757114		RIVET POP 3.2MM ALUMINIUM PEEL BACK	

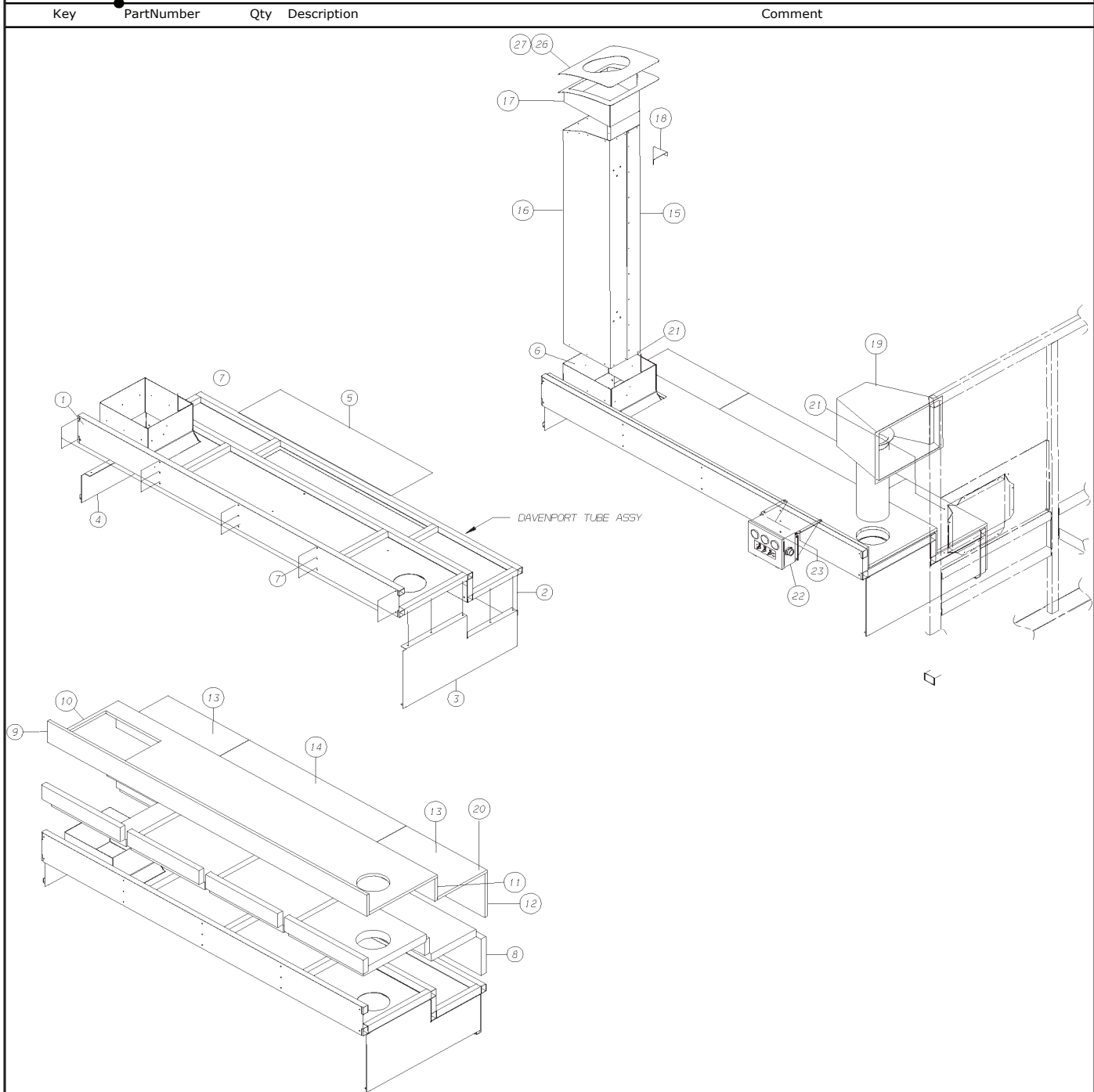
**Models: H4RE
REAR DAVENPORT
To BSN 02/09/03**



**Models: H4RE
REAR DAVENPORT
To BSN 02/09/03**

Key	PartNumber	Qty	Description	Comment
1	0038403		PANEL ASSY,DAVENPORT,UPPER, H4RE	
2	0038405		PANEL,DAVENPORT,LOWER, H4RE	
3	0039617		PANEL,DAVENPORT,SIDE,RH, H4RE	
4	0039618		PANEL,DAVENPORT,SIDE,LH, H4RE	
5	0039342		PANEL,ACCESS,ENGINE CMPT, H4RE	
6	1439330		BOX ASSY,ROOF EXHAUST,LOWER, WLWB	ENDING 6-15-03
7	1813070	70	FASTENER,HUCK,.25,BLIND,MAGNABULB,MBP-	
8	0055872		KIT,INSULATION,FIRE & ACOUSTIC,M380	
9	0039444		COMPOSITE,DVPT,.75 X 9.54 X 96.00, H4RE	
10	0039445		COMPOSITE,DVPT,.75 X 20.55 X 96.00, H4RE	
11	0039446		COMPOSITE,DVPT,.75 X 8.16 X 96.00, H4RE	
12	0039449		COMPOSITE,DVPT,.75 X 12.00 X 96.00, H4RE	
13	0039448	2	COMPOSITE,DVPT,.75 X 15.00 X 24.34, H4RE	
14	0039447		COMPOSITE,DVPT,.75 X 15.00 X 47.32, H4RE	
15	0039623		PANEL,ROOF EXHAUST,UPR,FRT, H4RE	
16	0039624		PANEL,ROOF EXHAUST,UPR,RR, H4RE	
17	0038791		COVER ASSY,ROOF EXHAUST, H4RE	
18	0044289		PANEL,CLOSEOUT,ROOF EXHAUST TO BOW,	
19	0042642		BOX ASSY,ENGINE AIR INTAKE,FINAL, H4RE	
20	2000594	60	SCREW,10-16X1-1/2,AB,PH1,OVAL CNSK,YEL	
21	1589522	50	SCREW,10-16 X 3/4,AB,PH1,PAN HD,YEL ZN	
22	0061914		PANEL,REAR,CONTROL,CUMMINS, C4RE/H4RE	
23	1576172	4	SCREW,HEX,WASH,5/16X3/4,TYPE F,YEL ZN	

Models: H4RE
REAR DAVENPORT



Key	PartNumber	Qty	Description	Comment
1	0038403		PANEL ASSY,DAVENPORT,UPPER, H4RE	
2	0038405		PANEL,DAVENPORT,LOWER, H4RE	
3	0039617		PANEL,DAVENPORT,SIDE,RH, H4RE	

**Models: H4RE
REAR DAVENPORT**

Key	PartNumber	Qty	Description	Comment
4	0039618		PANEL,DAVENPORT,SIDE,LH, H4RE	
5	0039342		PANEL,ACCESS,ENGINE CMPT, H4RE	
6	0065340		PANEL,ASSY,COVER,ROOF EXHAUST,LOWER,	
7	1813070	30	FASTENER,HUCK,.25,BLIND,MAGNABULB,MBP-	
8	0060674		KIT,INSL,SOUND DEADENING,DAVENPORT,	
9	0039444		COMPOSITE,DVPT,.75 X 9.54 X 96.00, H4RE	
10	0039445		COMPOSITE,DVPT,.75 X 20.55 X 96.00, H4RE	
11	0039446		COMPOSITE,DVPT,.75 X 8.16 X 96.00, H4RE	
12	0039449		COMPOSITE,DVPT,.75 X 12.00 X 96.00, H4RE	
13	0039448	2	COMPOSITE,DVPT,.75 X 15.00 X 24.34, H4RE	
14	0039447		COMPOSITE,DVPT,.75 X 15.00 X 47.32, H4RE	
15	0039623		PANEL,ROOF EXHAUST,UPR,FRT, H4RE	
16	0039624		PANEL,ROOF EXHAUST,UPR,RR, H4RE	
17	0038791		COVER ASSY,ROOF EXHAUST, H4RE	
18	0044289		PANEL,CLOSEOUT,ROOF EXHAUST TO BOW,	
19	0042642		BOX ASSY,ENGINE AIR INTAKE,FINAL, H4RE	
20	0010753	50	SCREW,TEKS/3,PH,WAFER HD,8-24 X 1 5/8,ZN3	
21	1589522	55	SCREW,10-16 X 3/4,AB,PH1,PAN HD,YEL ZN	
22	0061914		PANEL,REAR,CONTROL,CUMMINS, C4RE/H4RE	
23	1576172	4	SCREW,HEX,WASH,5/16X3/4,TYPE F,YEL ZN	
NI	3809639	2	SEALANT,SIKAFLEX,221 GRAY,INDUSTRIAL	
NI	0065367		SEALANT,HEAT,RESISTANT,DOW CORNING 736,	
26	0071487		COVER,ACCESS,ROOF EXHAUST,SST,H4RE"	

Models: **H4RE
STEPWELL
FRONT DOOR**

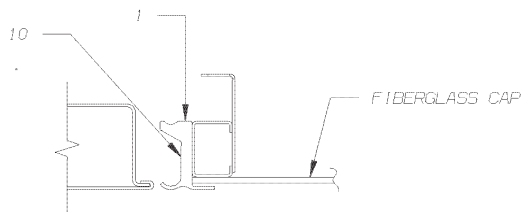
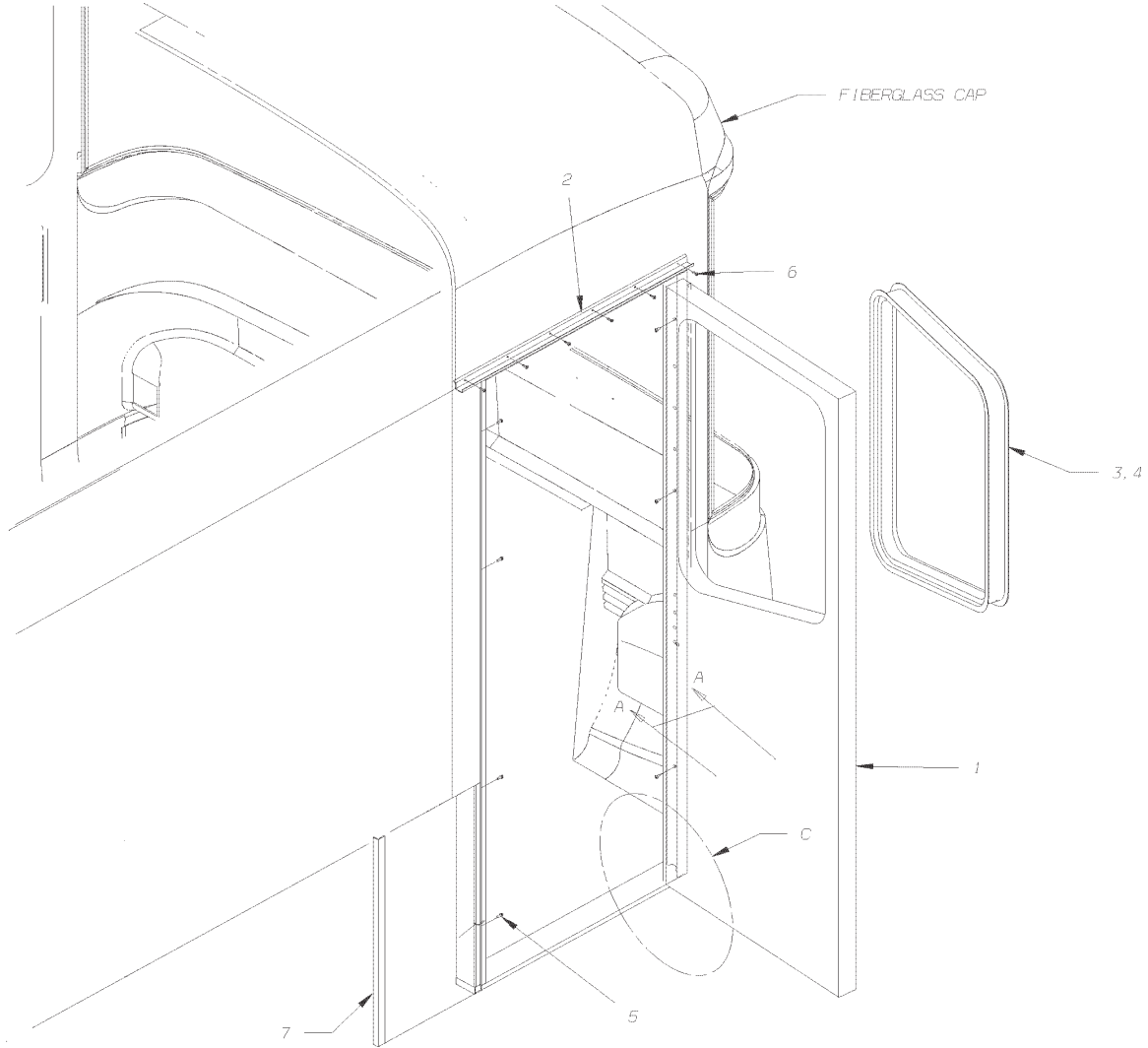
Key	PartNumber	Qty	Description	Comment
	0034660		STEPWELL ASSY,FRONT ENTRANCE DOOR,	
1	0037824		STEP,LOWER,ENT DR, H4RE	
2	0037827		PANEL,STEPWELL BAND,ENT DR, H4RE	

Models: H4RE
STEPWELL
FRONT DOOR

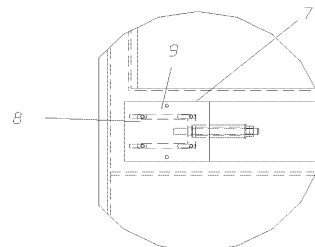
Key	PartNumber	Qty	Description	Comment
3	0045244		PANEL,CLOSEOUT,ELECTRIC STEP BRACKET,	
NI	0037828		BRACKET ASSY,MTG,ELECTRIC STEP, H4RE	

**Models: H4RE
ENTRANCE
DOOR STOP**

Key	PartNumber	Qty	Description	Comment
-----	------------	-----	-------------	---------



SECTION A-A



DETAIL C

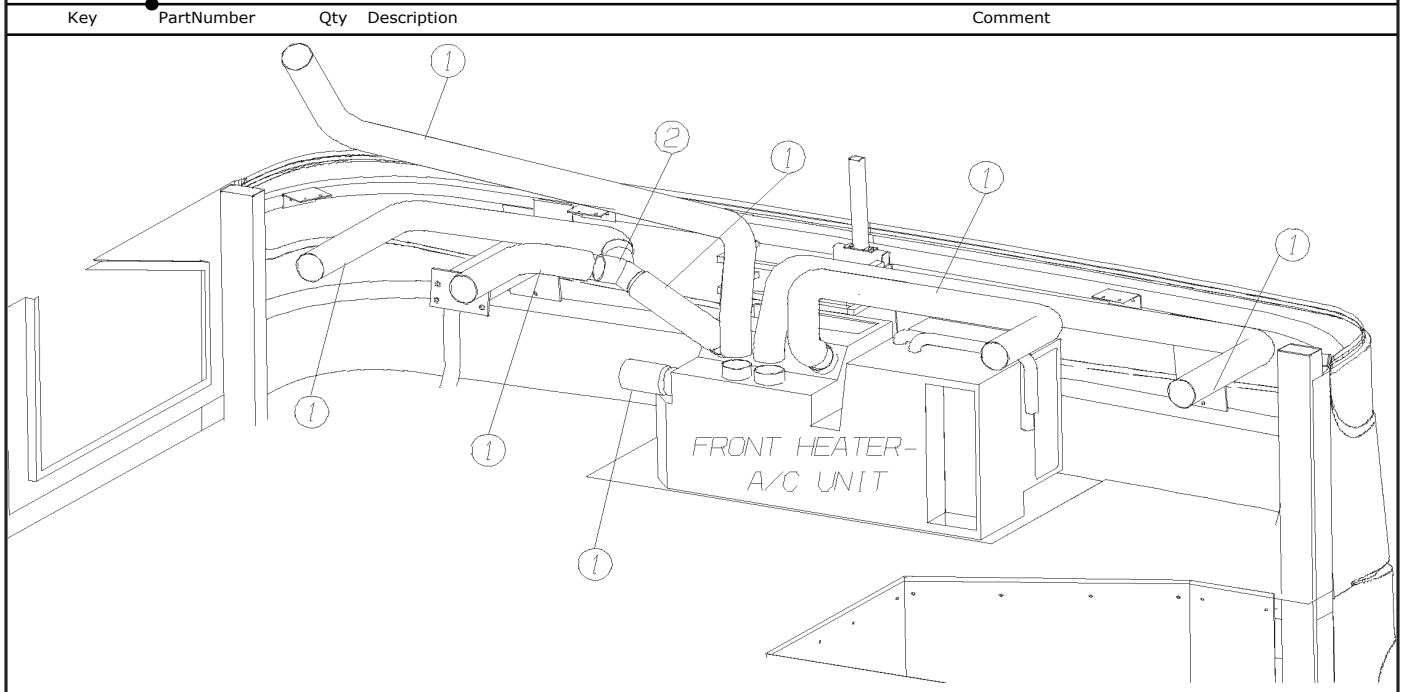
**Models: H4RE
ENTRANCE
DOOR STOP**

Key	PartNumber	Qty	Description	Comment
1	0050544		DOOR ASSY,FRT ENT DR,AVIONIC, H4RE	
2	0065341		RAIL,GUTTER,ENTRANCE DOOR, H4RE	
3	0050583		WINDOW ASSY,PENINSULA,THERMOPANE,ENT	
4	1925833		SCREW,8-18 X 1/2,AB,PH1,PAN HD,BLK ZN	
5	2083095		SCREW,10-16 X 3/4,AB,PH1,PANHD,YELZN,	
6	0864579		SCREW,10-16 X 3/4,AB,PH1,PAN HD,SST	
7	0065204		TRIM,C/O,LWR,RR,FRT ENT DR, M4/H4RE	
8	0099987		PLATE,MTG,DOOR STOP,FRT ENT DR, 45H4RE	
9	6069389		SCREW,TEKS/3,PH,PN HD,10-24 X 3/4,SS	
10	0100067		SCREW,PAN HD,1/4-20 X 1 1/4,PH1,TYPE F,	

Models: H4RE

Key	PartNumber	Qty	Description	Comment
	0039508		KIT,WINDOW,"HA",PENINSULA 1800,1RMS/O, WINDOW ASSY, 1800	CONSISTS OF THE FOLLOWING
1	0041199	3	WINDOW ASSY,PENSULA 1800,RH LVG RM,	45.63 X 35.63 X 3R X 2.125 TK
2	0036859	2	WINDOW ASSY,PENSULA 1800,LH LVGRM	35.13 X 35.63 X 3R X 2.125 TK
3	0036856		WINDOW ASSY,PENSULA 1800,LH BEDRM,H4RE	45.63 X 35.63 X4R X 2.125 TK
4	0036858		WINDOW ASSY,PENSULA 1800,RH BEDRM,	45.63 X 35.63 X4R X 2.125 TK
5	0041202		WINDOW ASSY,PENSULA 1800,LH KITCHEN,	30.50 X 21.63 X 3R X 2.125
6	0050400		WINDOW ASSY,SIDE OF FRT S/O,FLUSH,RAD	14.94 X 35.56 X 3R X 1.50
	0049971		KIT,WINDOW,"HB",PENINSULA 1800,W/BED WINDOW ASSY, 1800	CONSISTS OF THE FOLLOWING
1	0041199	3	WINDOW ASSY,PENSULA 1800,RH LVG RM,	45.63 X 35.63 X 3R X 2.125 TK
2	0036859	2	WINDOW ASSY,PENSULA 1800,LH LVGRM	35.13 X 35.63 X 3R X 2.125 TK
3	0049971		KIT,WINDOW,"HB",PENINSULA 1800,W/BED	
4	0036858		WINDOW ASSY,PENSULA 1800,RH BEDRM,	45.63 X 35.63 X4R X 2.125 TK
5	0041202		WINDOW ASSY,PENSULA 1800,LH KITCHEN,	30.50 X 21.63 X 3R X 2.125
6	0050400		WINDOW ASSY,SIDE OF FRT S/O,FLUSH,RAD	14.94 X 35.56 X 3R X 1.50
	0050582		WINDOW ASSY,PENINSULA,THERMOPANE,	

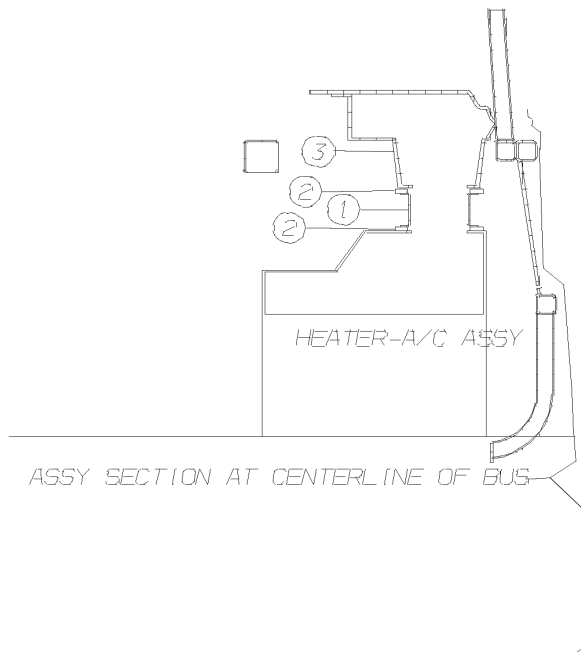
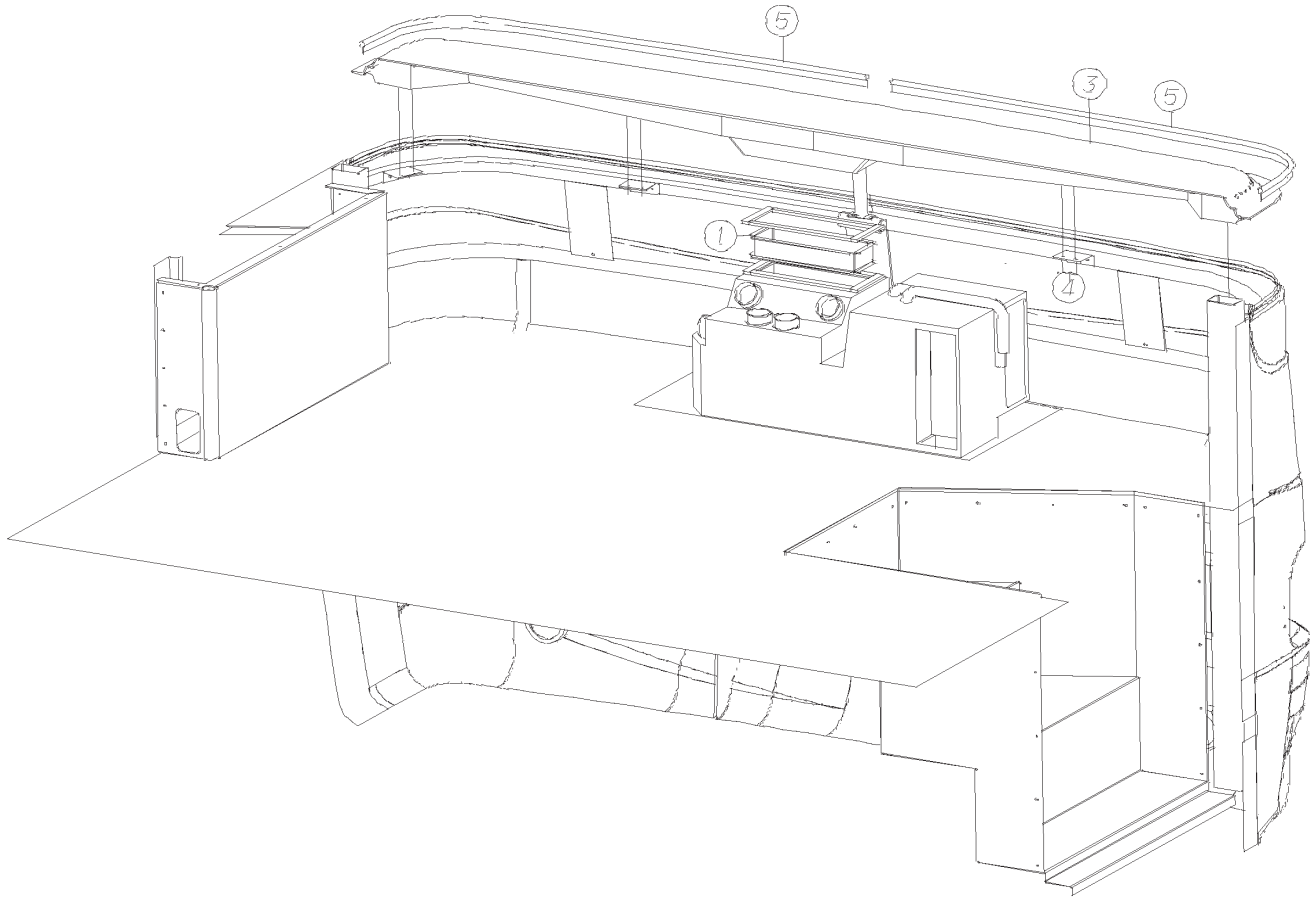
**Models: H4RE, M4RE
AIR CONDITIONING**



Key	PartNumber	Qty	Description	Comment
1	4316733		AR HOSE, 2.5" HEATER CV KYSOR WESTRAN	
2	0008825	6	CONNECTOR,DUCT,Y,2.5",KYSOR	

**Models: H4RE, M4RE
AIR CONDITIONING
DUCTING
DEFROSTER**

Key	PartNumber	Qty	Description	Comment
-----	------------	-----	-------------	---------



Models: H4RE, M4RE
AIR CONDITIONING
DUCTING
DEFROSTER

Key	PartNumber	Qty	Description	Comment
1	0045268		PANEL ASSY,CLOSEOUT,A/C TO DEF PLENUM,	
2	0830059	AR	TAPE,FOAM,1/2X3/4,CLSD CELL NEOPRENE ADH	
3	0043738		PLENUM,DEFROSTER,FRONT DASH, H4RE	
4	1589522	8	SCREW,10-16 X 3/4,AB,PH1,PAN HD,YEL ZN	
5	0048037	2	TRIM,WELT,FRONT DASH,MUSHROOM TAN	

Models: **H4RE
AUXILIARY
BAY**

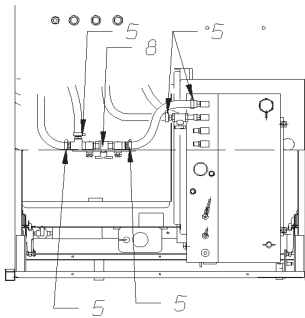
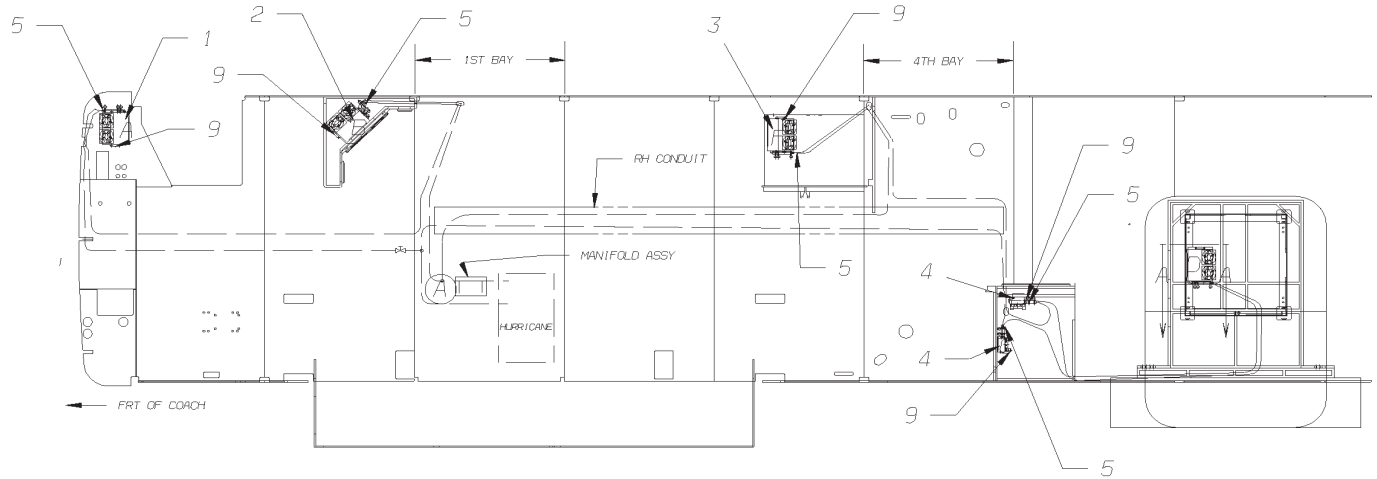
Key	PartNumber	Qty	Description	Comment
<p>DR. 04-07-04 BY MR APP. BY FRT 0075436 REV. 1 © BLUE BIRD BODY COMPANY ALL RIGHTS RESERVED</p>				
<p>VIEW OF FORWARD WALL OF 2ND BAY</p>				
<p>VIEW OF 4TH BAY RH SIDE, LOOKING OUTWARD OF ELECTRIC & CONVECTOR HEATERS</p>				
1	0070208	3	HEATER,ASSEMBLY,CONVECTR,4KBTU,1/2FPT	
2	6080923	AR	TUBING,1/2 ID,WIRSBO HEPEX,180F X 100PSI	
3	0071044	2	BRACKET,MTG,CONVECTOR,LUGG CMPT,45H4RE	
4	0071067		BRACKET,MTG,CONVECTOR,WATER	
5	1143684	10	SCREW,1/4-14 X 1,AB,PH1,PAN HD,BLK ZN,SST	
6	0071574	6	RING,CONNECTOR,FOR PRO-PEX 1/2	
7	0071570	6	FITTING,ADAPTER,STR,1/2MPTX1/2PEX	
8	0072137	2	HEATER,WALL,110V,500/1000 WATT	
9	0072292		CLOSEOUT,HEATER,110V,45H4RE	
10	2000511	12	SCREW,10-16 X 1/2,AB,PH1,TRUSS HD,	
NI	0064622		MODULE,THERMOSTAT,LOW TEMP,40-80 DEG,	

Models: H4RE
AUXILIARY
BAY

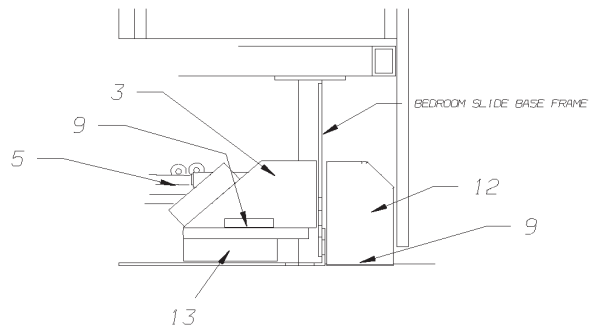
Key	PartNumber	Qty	Description	Comment
-----	------------	-----	-------------	---------

**Models: H4RE
AUXILIARY
HYDRONIC HEATING
DBL SLD INSTALLATION**

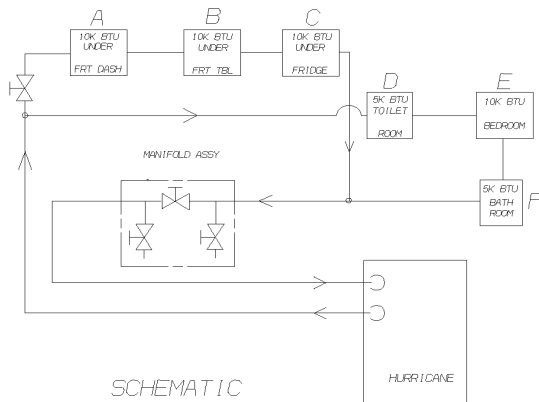
Key	PartNumber	Qty	Description	Comment
-----	------------	-----	-------------	---------



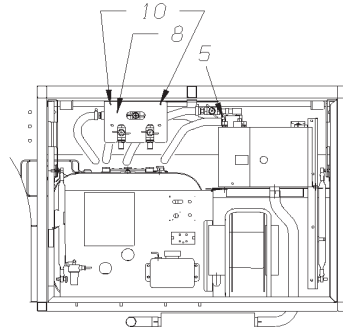
TOP VIEW: MANIFOLD & HURRICANE



SECTION A/A



SCHEMATIC



SIDE VIEW: MANIFOLD & HURRICANE

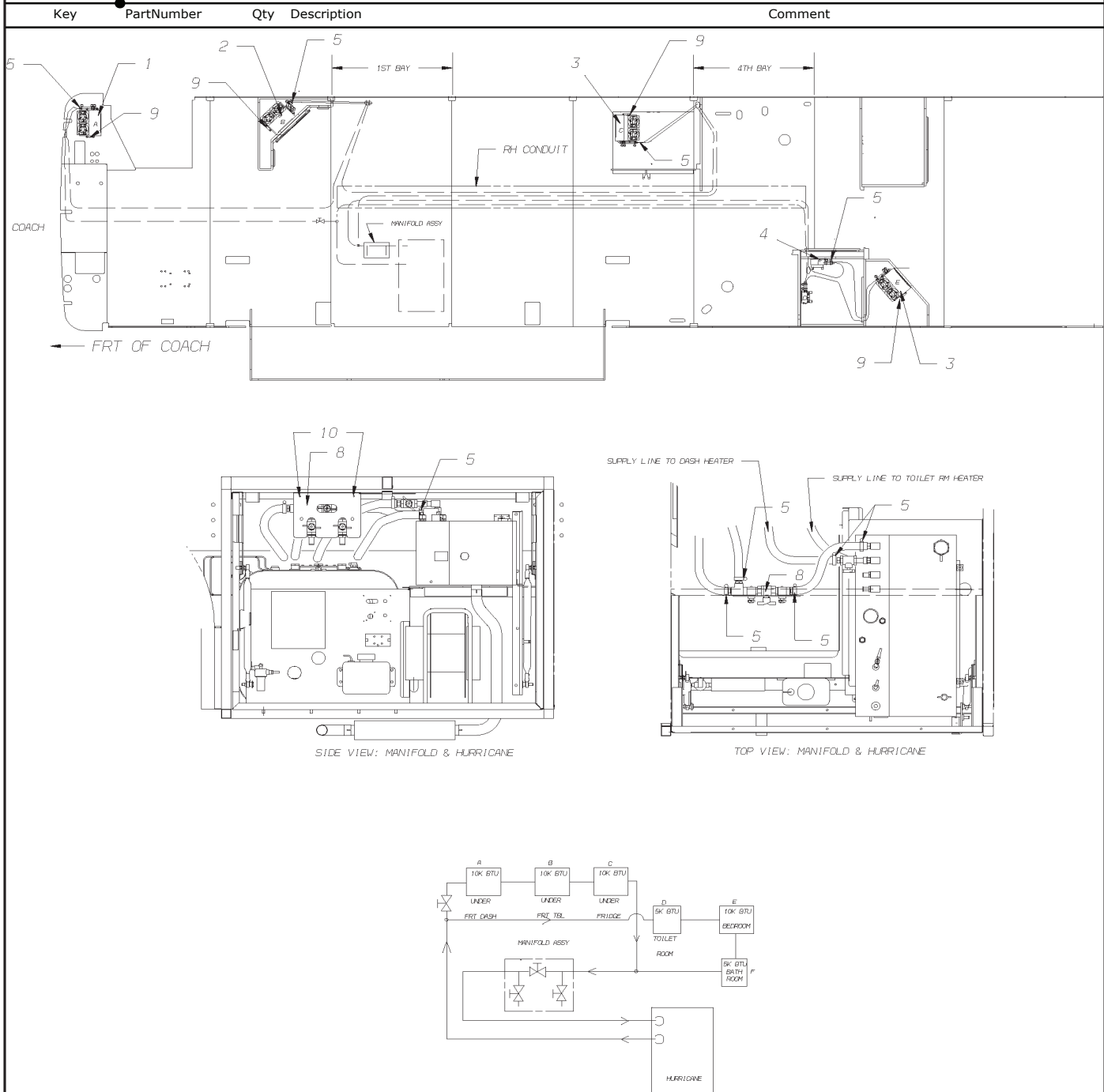
**Models: H4RE
AUXILIARY
HYDRONIC HEATING
DBL SLD INSTALLATION**

Key	PartNumber	Qty	Description	Comment
1	0055734		CONVECTOR ASSY,10K BTU,W/FTGS,DASH,38	
	0042877		CONVECTOR ASSY,10000 BTU,COMPACT,	PART OF ITEM 1
	0413153		HOSE,HEATER,WATER,5/8 ID	PART OF ITEM 1
	1894823	4	CLAMP,CONSTANT TORQUE,9/16 TO 1-1/16 DIA	PART OF ITEM 1
	0055387	2	UNION,ADAPTER,BARBED,5/8-3/4,BRASS,UNB	PART OF ITEM 1
	0049527		GUARD,FAN,FOR 10K CONVECTOR,LX/LXI	PART OF ITEM 1
	3858735	4	SCREW,SM,PH,TH,10-16 X .75,TYPE A,A3R	PART OF ITEM 1
2	0055729		CONVECTOR ASSY,10K W/FITGS,UNDER TBL,	
	0042877		CONVECTOR ASSY,10000 BTU,COMPACT,	PART OF ITEM 2
	6081475	2	ELBOW,RUBBER,5/8 ID,90 DEG	PART OF ITEM 2
	1894823	4	CLAMP,CONSTANT TORQUE,9/16 TO 1-1/16 DIA	PART OF ITEM 2
	0055387	2	UNION,ADAPTER,BARBED,5/8-3/4,BRASS,UNB	PART OF ITEM 2
	0055473	2	CONVECTOR ASSY,10K BTU,FOR HURRICANE,38	
3	0042877		CONVECTOR ASSY,10000 BTU,COMPACT,	PART OF ITEM 3
	0413153		HOSE,HEATER,WATER,5/8 ID	PART OF ITEM 3
	1894823	4	CLAMP,CONSTANT TORQUE,9/16 TO 1-1/16 DIA	PART OF ITEM 3
	0055387	2	UNION,ADAPTER,BARBED,5/8-3/4,BRASS,UNB	PART OF ITEM 3
	0055474	2	CONVECTOR ASSY,5K BTU,FOR HURRICANE,38	
4	0042878		CONVECTOR ASSY,12V,4000 BTU	PART OF ITEM 4
	0413153	AR	HOSE,HEATER,WATER,5/8 ID	PART OF ITEM 4
	1894823	4	CLAMP,CONSTANT TORQUE,9/16 TO 1-1/16 DIA	PART OF ITEM 4
	0055387	2	UNION,ADAPTER,BARBED,5/8-3/4,BRASS,UNB	PART OF ITEM 4
	2193878	2	BRACKET,WALL MTG,7/8 X 7/8 X 3/4,WL	PART OF ITEM 4

Models: **H4RE**
AUXILIARY
HYDRONIC HEATING
DBL SLD INSTALLATION

Key	PartNumber	Qty	Description	Comment
	6081475		ELBOW,RUBBER,5/8 ID,90 DEG	<i>PART OF ITEM 4</i>
5	1025857	18	CLAMP,HOSE,SIZE 8,LINED	
6	1280551	17	HOSE,HEATER,3/4",GY HI MILER,BLUE W/WHT	
8	0057427		MANIFOLD ASSY,HURRICANE FILL,38 H4RE	
9	3837010	20	SCREW,SM,PH,PN/HD,10-16 X 3/4,TYPE AB,ZN3	
10	2000016	2	SCREW,1/4-14 X 5/8,B,HEX,W/PLAIN WASH,	
12	0057010		HOOD,CONVECTOR,BEDRM SLIDEOUT,38 H4RE	
13	0057656		SUPPORT ASSY,HTR,BEDRM S/O,38 H4RE	
NI	0024125	AR	LOOM,CORRUGATED,BLACK,NYLON, 1 INCH I.D.	

**Models: H4RE
AUXILIARY
HYDRONIC HEATING
FLOOR PLAN A AND B INSTALLATION**



1	0055734		CONVECTOR ASSY,10K BTU,W/FTGS,DASH,38	
	0042877		CONVECTOR ASSY,10000 BTU,COMPACT,	PART OF ITEM 1
	0413153		HOSE,HEATER,WATER,5/8 ID	PART OF ITEM 1

**Models: H4RE
AUXILIARY
HYDRONIC HEATING
FLOOR PLAN A AND B INSTALLATION**

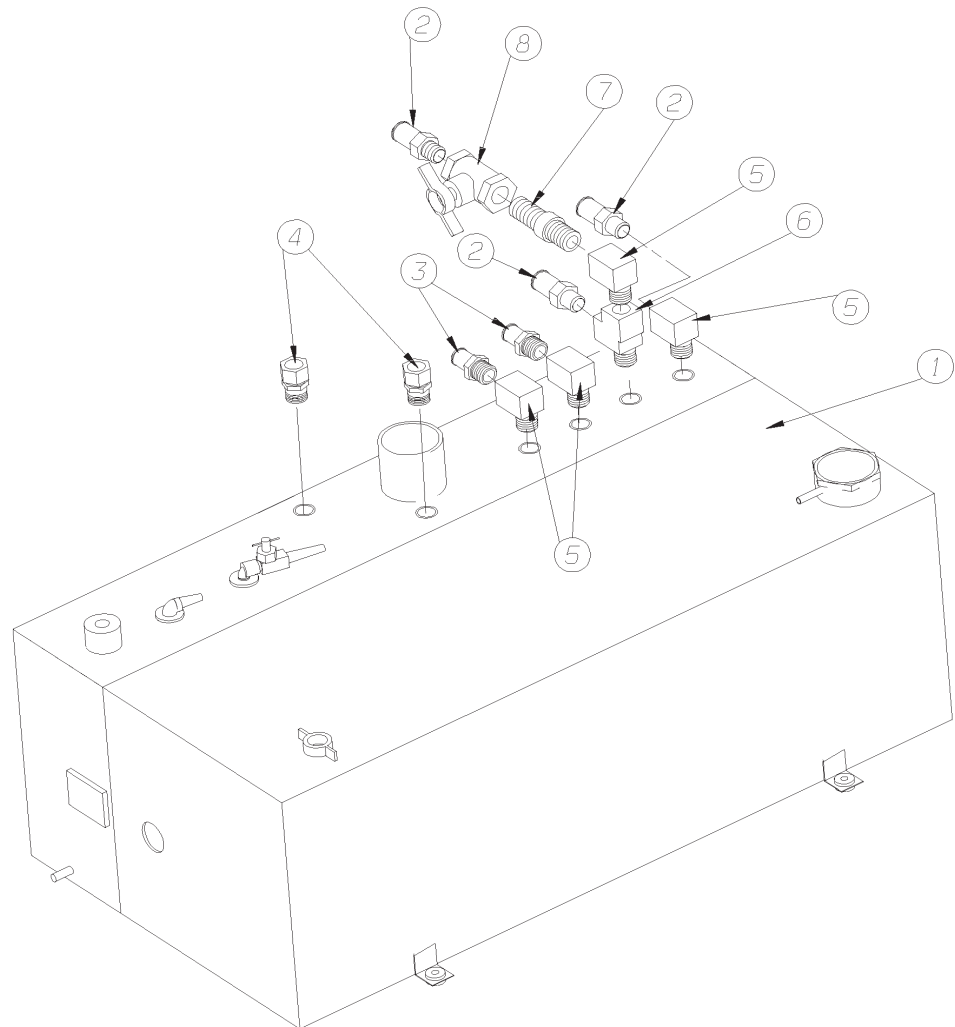
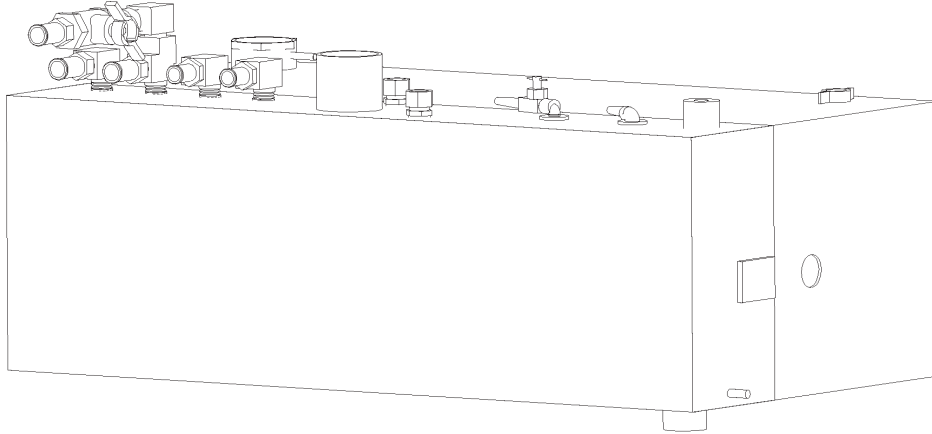
Key	PartNumber	Qty	Description	Comment
	1894823	4	CLAMP,CONSTANT TORQUE,9/16 TO 1-1/16 DIA	PART OF ITEM 1
	0055387	2	UNION,ADAPTER,BARBED,5/8-3/4,BRASS,UNB	PART OF ITEM 1
	0049527		GUARD,FAN,FOR 10K CONVECTOR,LX/LXI	PART OF ITEM 1
	3858735	4	SCREW,SM,PH,TH,10-16 X .75,TYPE A,A3R	PART OF ITEM 1
2	0055729		CONVECTOR ASSY,10K W/FITGGS,UNDER TBL,	
	0042877		CONVECTOR ASSY,10000 BTU,COMPACT,	PART OF ITEM 2
	6081475	2	ELBOW,RUBBER,5/8 ID,90 DEG	PART OF ITEM 2
	1894823	4	CLAMP,CONSTANT TORQUE,9/16 TO 1-1/16 DIA	PART OF ITEM 2
	0055387	2	UNION,ADAPTER,BARBED,5/8-3/4,BRASS,UNB	PART OF ITEM 2
3	0055473	2	CONVECTOR ASSY,10K BTU,FOR HURRICANE,38	
	0042877		CONVECTOR ASSY,10000 BTU,COMPACT,	PART OF ITEM 3
	0413153		HOSE,HEATER,WATER,5/8 ID	PART OF ITEM 3
	1894823	4	CLAMP,CONSTANT TORQUE,9/16 TO 1-1/16 DIA	PART OF ITEM 3
	0055387	2	UNION,ADAPTER,BARBED,5/8-3/4,BRASS,UNB	PART OF ITEM 3
4	0055474	2	CONVECTOR ASSY,5K BTU,FOR HURRICANE,38	
	0042878		CONVECTOR ASSY,12V,4000 BTU	PART OF ITEM 4
	0413153	AR	HOSE,HEATER,WATER,5/8 ID	PART OF ITEM 4
	1894823	4	CLAMP,CONSTANT TORQUE,9/16 TO 1-1/16 DIA	PART OF ITEM 4
	0055387	2	UNION,ADAPTER,BARBED,5/8-3/4,BRASS,UNB	PART OF ITEM 4
	2193878	2	BRACKET,WALL MTG,7/8 X 7/8 X 3/4,WL	PART OF ITEM 4
	6081475		ELBOW,RUBBER,5/8 ID,90 DEG	PART OF ITEM 4
5	1025857	18	CLAMP,HOSE,SIZE 8,LINED	
6	1280551	17	HOSE,HEATER,3/4",GY HI MILER,BLUE W/WHT	

**Models: H4RE
AUXILIARY
HYDRONIC HEATING
FLOOR PLAN A AND B INSTALLATION**

Key	PartNumber	Qty	Description	Comment
8	0057427		MANIFOLD ASSY,HURRICANE FILL,38 H4RE	
9	3837010	20	SCREW,SM,PH,PN/HD,10-16 X 3/4,TYPE AB,ZN3	
10	2000016	2	SCREW,1/4-14 X 5/8,B,HEX,W/PLAIN WASH,	
NI	0024125	AR	LOOM,CORRUGATED,BLACK,NYLON, 1 INCH I.D.	

Models: H4RE
AUXILIARY
HYDRONIC HEATING
HURRICANE ASSY, FITTINGS

Key	PartNumber	Qty	Description	Comment
-----	------------	-----	-------------	---------



**Models: H4RE
AUXILIARY
HYDRONIC HEATING
HURRICANE ASSY, FITTINGS**

Key	PartNumber	Qty	Description	Comment
1	0052622		HEATER,HURRICANE,45K BTU,MODEL 45 XL	
2	2051134	3	INSERT,BARBED,3&4 HOSE X 1&2 PIPE	
3	1142801	2	INSERT,BARBED,5/8 ID HOSE X 1/2 PIPE	
4	6080907	2	CONNECTOR,1/2 MPT X 5/8 OD POLY TUBE	
5	2233930	4	ELL,STREET,1/2 NPT BRASS NO3400X8	
6	0522516		TEE,STREET,0.50 PIPE,BRASS	
7	0043310		NIPPLE,PIPE,1/2MPT X 3L,BRASS,WH3330X8	
8	0056900		VALVE,BALL,1/2FPT,W/YEL TEE HANDLE,BRASS	

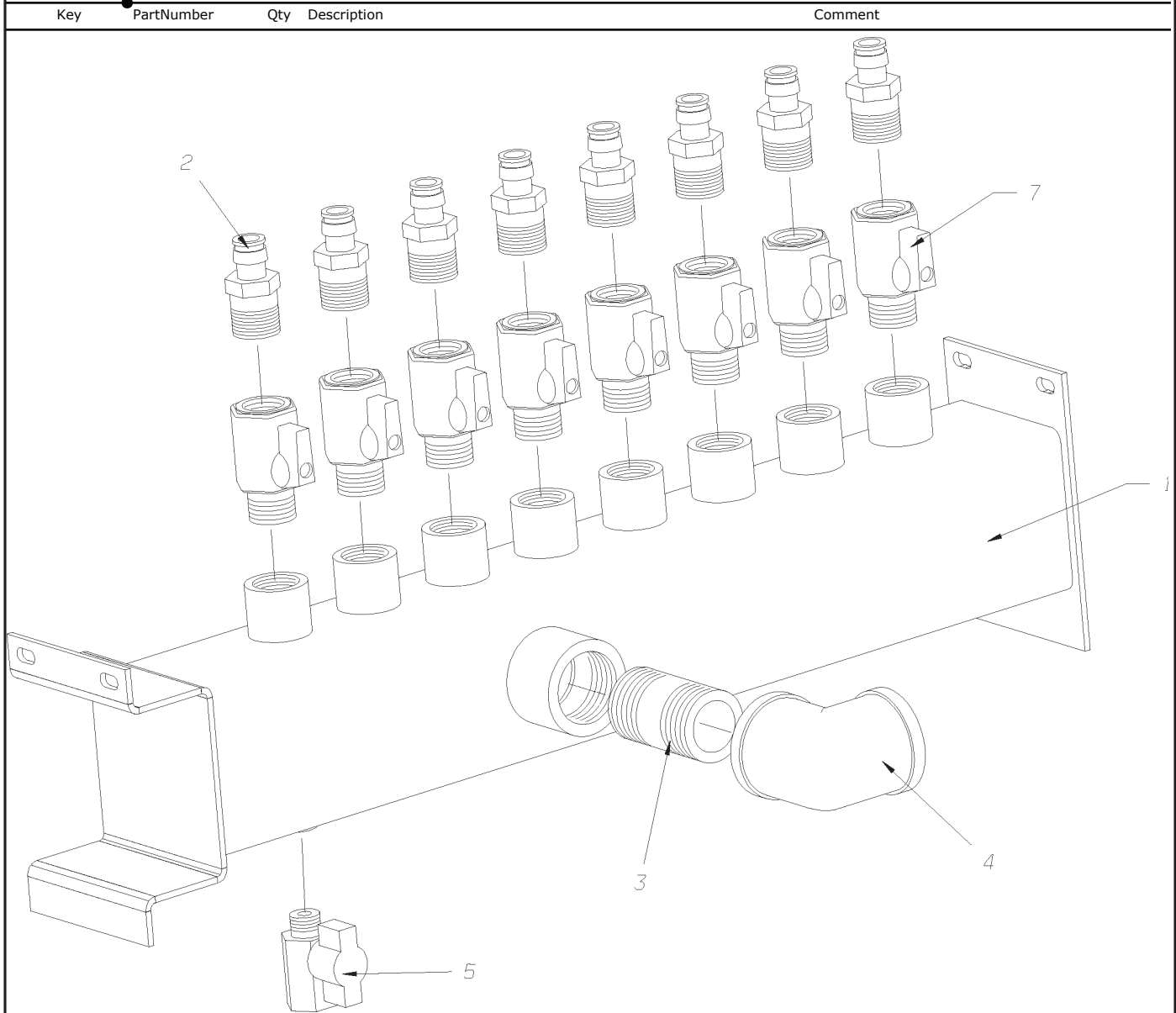
**Models: H4RE
AUXILIARY
HYDRONIC HEATING
HURRICANE INSTALLATION**

Key	PartNumber	Qty	Description	Comment
1	0054779		TUBE ASSY,HURRICANE,BULKHEAD,	

**Models: H4RE
AUXILIARY
HYDRONIC HEATING
HURRICANE INSTALLATION**

Key	PartNumber	Qty	Description	Comment
2	0054774		BRKT ASSY,HURRICANE,45XL,38 H4RE	
3	0053578		HURRICANE ASSY,FITTING BUILD-UP,38 H4RE	
4	2003218	2	GROMMET,RUBBER,3/8 ID	
5	1686617	14	PLUSNUT,1/4-20,S25P280	
6	0054287		FILTER ASSY,FUEL,HURRICANE 45XL"	
	0091187		FILTER,ELEMENT,FUEL,	
7	0054288		RESERVOIR,HURRICANE 45XL	
8	0054289		PIPE,TAIL,EXHAUST,HURRICANE,38 H4RE	
9	0058276		PIPE,EXHAUST,HURRICANE,REVISED,38 H4RE	
10	6074892	4	CLAMP,MUFFLER,1-5/8 OD PIPE, BMC	
11	0042896	2	BRACKET,MTG,CLAMP,EXH,2 IN,GEN,REAR,H4RE	
12	1631613	22	SCREW,MACH,1/4-20X1,PH1,TRUSS HD,YEL	
13	1467000	8	WASHER,FLAT,.281 X.750X.078 HARDENED,BLK	
14	2001485	8	NUT,HEX HD,1/2-20,ZINC	
15	1864750		SCREW,MACH,1/4-20X2 1/4,PH1,RD HD,	
16	6081483	AR	HOSE,5/16,RUBBER,W-H H05705	
17	1363274	6	CLAMP,HOSE,SILICON,.62.00	
18	0054286		MUFFLER,HURRICANE 45XL	
19	0064517	AR	INSULATION,EXHAUST,SILICA SLV,1.50D	
20	2000016	2	SCREW,1/4-14 X 5/8,B,HEX,W/PLAIN WASH,	

Models: H4RE
**AUXILIARY
 HYDRONIC MANIFOLDS
 ASSEMBLY
 CONVECTOR SUPPLY WITH FITTINGS**



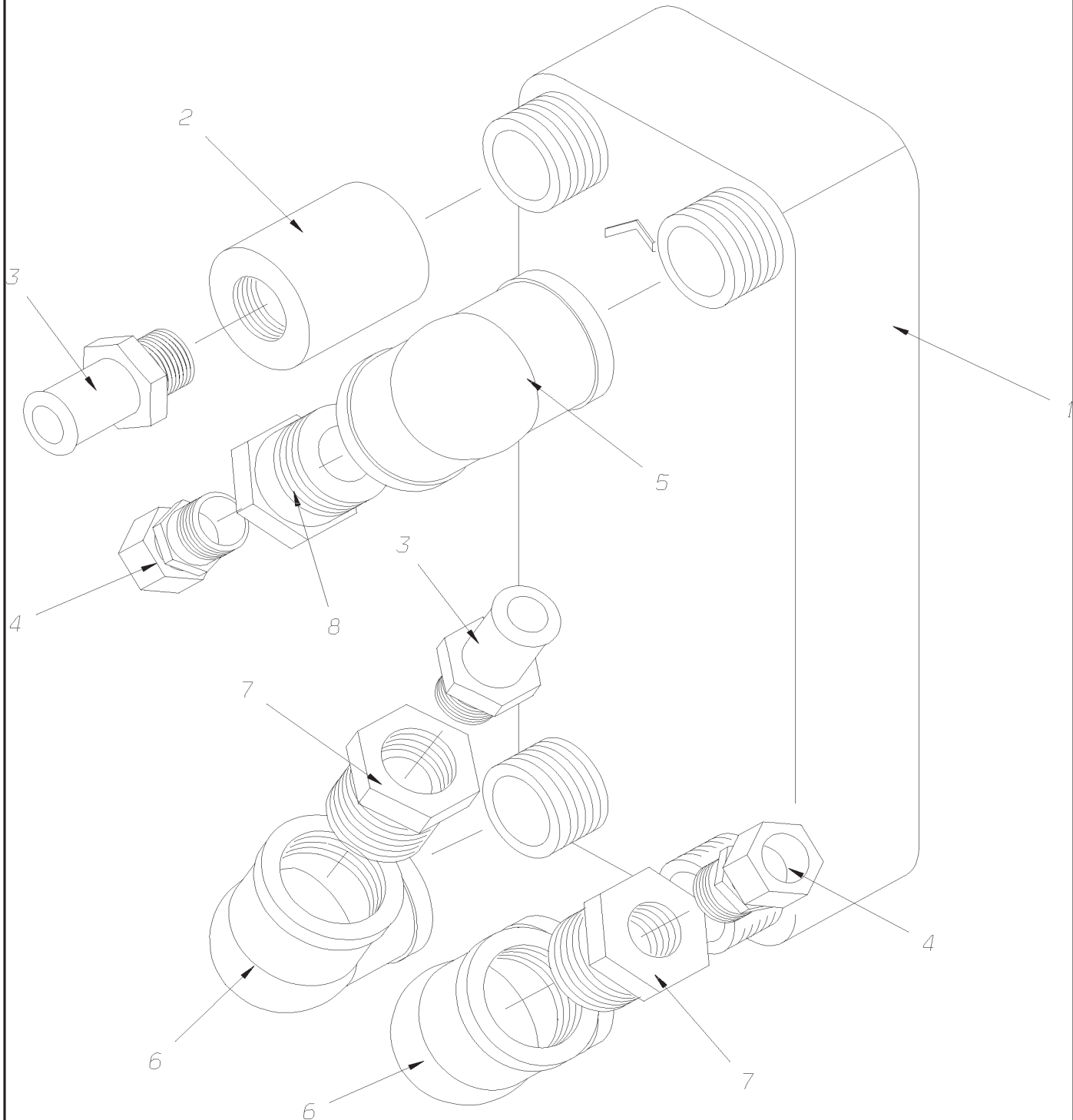
Key	PartNumber	Qty	Description	Comment
1	0071335		MANIFOLD,ASSEMBLY,CONVECTOR SUPPLY,HYD	
2	0071570	8	FITTING,ADAPTER,STR,1/2MPTX1/2PEX	
3	4098596		NIPPLE,GALV,1 X CLOSE	
4	4098208		ELBOW,GALV,1IN,90 DEG	
5	0072074		VALVE,BALL-LOCK,CHROME,1/4MPT/FPT,	

Models: H4RE
AUXILIARY
HYDRONIC MANIFOLDS
ASSEMBLY
CONVECTOR SUPPLY WITH FITTINGS

Key	PartNumber	Qty	Description	Comment
7	0075501	8	VALVE,BALL-LOCK,BRASS,1/2" FPT X 1/2" MPT	

Models: H4RE
**AUXILIARY
 HYDRONIC MANIFOLDS
 ASSEMBLY
 HEAT EXCHANGER**

Key	PartNumber	Qty	Description	Comment
-----	------------	-----	-------------	---------

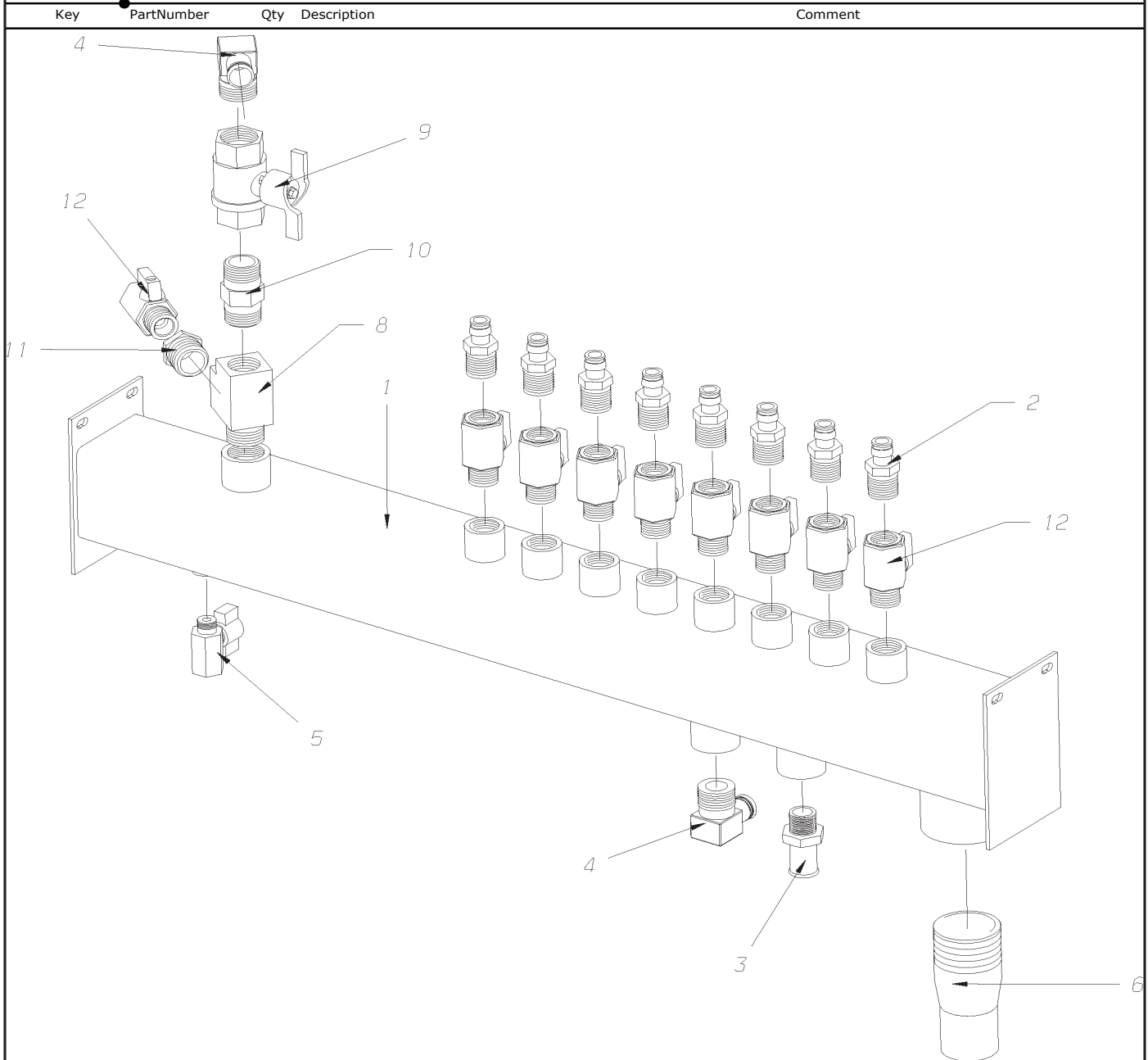


1	0071070		MANIFOLD,HEAT,EXCHANGER,20-110K,BTU	
---	---------	--	-------------------------------------	--

Models: H4RE
 AUXILIARY
 HYDRONIC MANIFOLDS
 ASSEMBLY
 HEAT EXCHANGER

Key	PartNumber	Qty	Description	Comment
2	0072236		FITTING,COUPLING,REDUCER,1FPTX3/4FPT,	
3	0048663	2	ADAPTER,HEATER,3/4 PIPE X 3/4 HOSE,	
4	6080907	2	CONNECTOR,1/2 MPT X 5/8 OD POLY TUBE	
5	4098208		ELBOW,GALV,1IN,90 DEG	
6	0072361	2	FITTING,ELBOW,90 DEG,1"FPT,BRONZE	
7	0072363	2	FITTING,BUSHING,PIPE,1 X 1/2,BRASS	
8	2009082		BUSHING,PIPE,GALV,3/4 X 1	
9	6098024	2	SEALER, PIPE THREAD, RECTOR SEAL, T PLUS 2	

Models: **H4RE
AUXILIARY
HYDRONIC MANIFOLDS
ASSEMBLY
RETURN WITH FITTINGS**

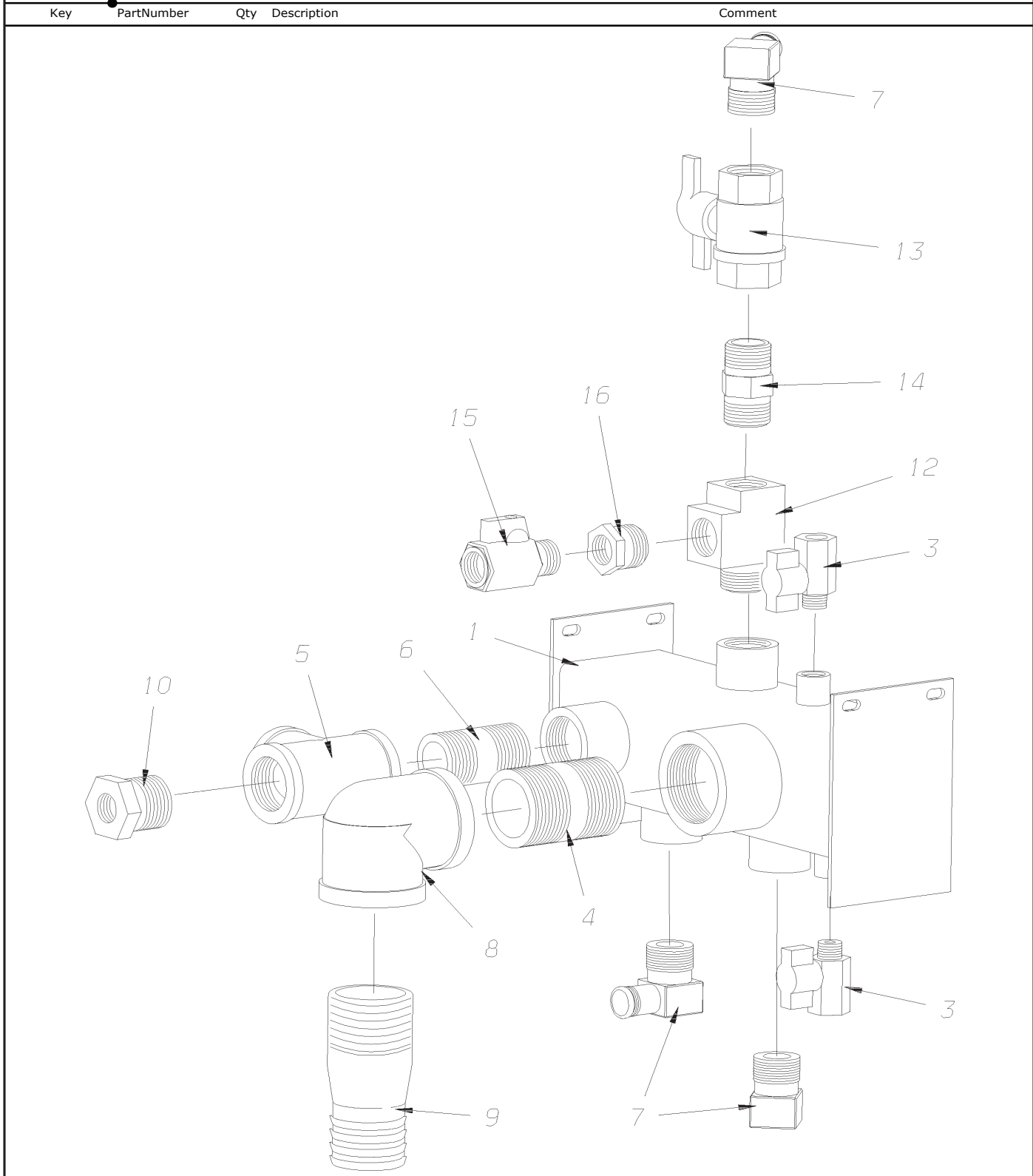


Key	PartNumber	Qty	Description	Comment
1	0071962		MANIFOLD,ASSEMBLY,RETURN,HYD HTG	
2	0071570	8	FITTING,ADAPTER,STR,1/2MPTX1/2PEX	
3	0048663		ADAPTER,HEATER,3/4 PIPE X 3/4 HOSE,	
4	0072049	2	FITTING,ELBOW,90DEG,3/4MPTX3/4HOSE,GALV	

**Models: H4RE
AUXILIARY
HYDRONIC MANIFOLDS
ASSEMBLY
RETURN WITH FITTINGS**

Key	PartNumber	Qty	Description	Comment
5	0072074		VALVE,BALL-LOCK,CHROME,1/4MPT/FPT,	
6	0072050		FITTING,HOSE,1.5"MPTX1.5"BARB,SS	
7	6098024	2	SEALER, PIPE THREAD, RECTOR SEAL, T PLUS 2	
8	1640317		TEE,3/4 PIPE,STREET,3750X12Z,WEATHERHEAD	
9	1626431		VALVE,BALL,3/4,W/BUTTERFLY HANDLE	
10	1900729		NIPPLE,HEX,3/4 MPT	
11	2009074		BUSHING,PIPE,GALV,1/2 X 3/4	
12	0075501		VALVE,BALL-LOCK,BRASS,1/2"FPTX1/2"MPT	

**Models: H4RE
AUXILIARY
HYDRONIC MANIFOLDS
ASSEMBLY
SUPPLY WITH FITTINGS**

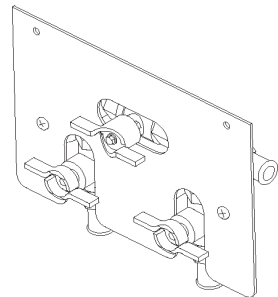
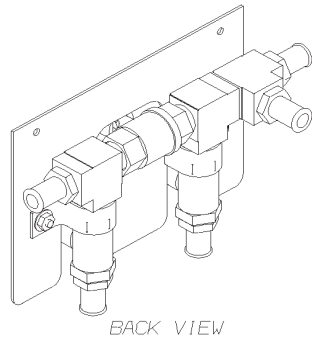
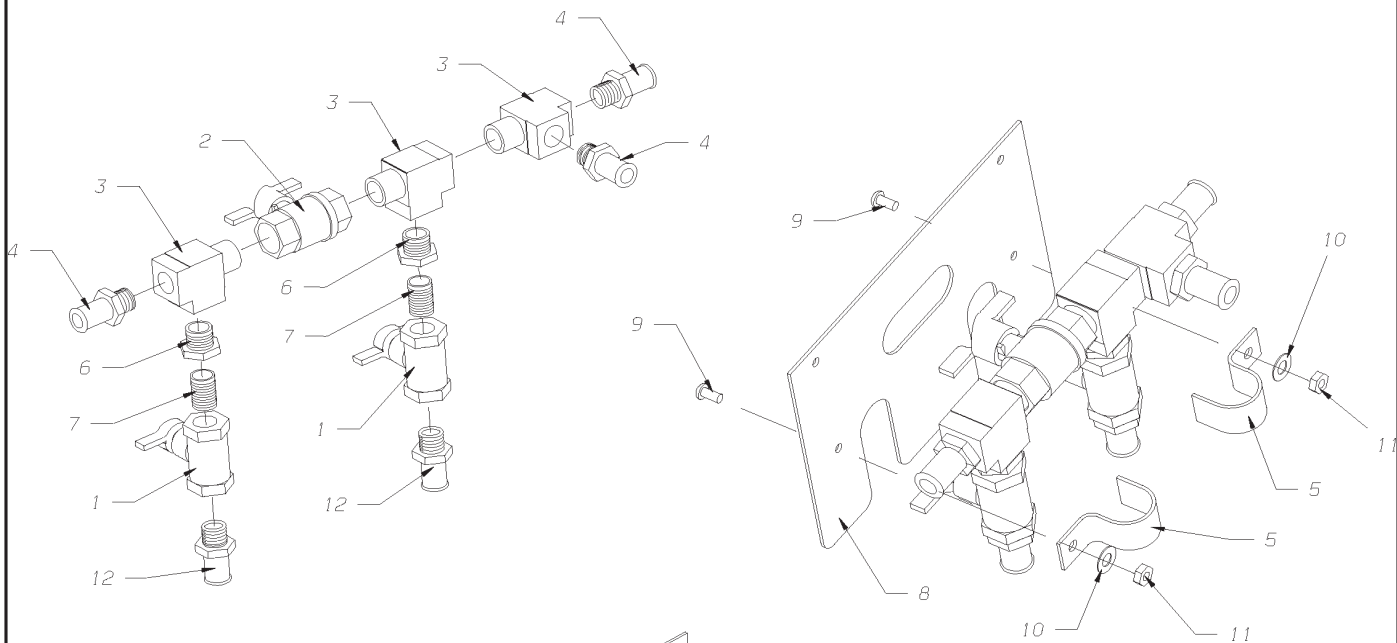
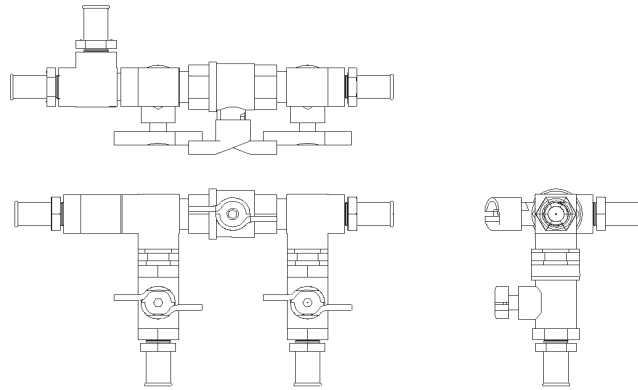


**Models: H4RE
AUXILIARY
HYDRONIC MANIFOLDS
ASSEMBLY
SUPPLY WITH FITTINGS**

Key	PartNumber	Qty	Description	Comment
1	0071334		MANIFOLD,ASSEMBLY,MAIN SUPPLY,HYD HTG	
3	0072074	2	VALVE,BALL-LOCK,CHROME,1/4MPT/FPT,	
4	0055996		NIPPLE,GALV,1 1/2XCLOSE	
5	4098869		TEE,PIPE,1 IN,GALV	
6	4098596		NIPPLE,GALV,1 X CLOSE	
7	0072049	3	FITTING,ELBOW,90DEG,3/4MPTX3/4HOSE,GALV	
8	4098224		ELBOW,GALV,1-1/2IN,90 DEG	
9	0072050		FITTING,HOSE,1.5"MPTX1.5"BARB,SS	
10	4052155		BUSHING,PIPE,GALV,1 X 1/2	
11	6098024	AR	SEALER, PIPE THREAD, RECTOR SEAL, T PLUS 2	
12	1640317		TEE,3/4 PIPE,STREET,3750X12Z,WEATHERHEAD	
13	1626431		VALVE,BALL,3/4,W/BUTTERFLY HANDLE	
14	1900729		NIPPLE,HEX,3/4 MPT	
15	0075501		VALVE,BALL-LOCK,BRASS,1/2"FPTX1/2"MPT	
16	2009074		BUSHING,PIPE,GALV,1/2 X 3/4	

**Models: H4RE
AUXILIARY
HYDRONIC MANIFOLDS
HURRICANE**

Key	PartNumber	Qty	Description	Comment
-----	------------	-----	-------------	---------



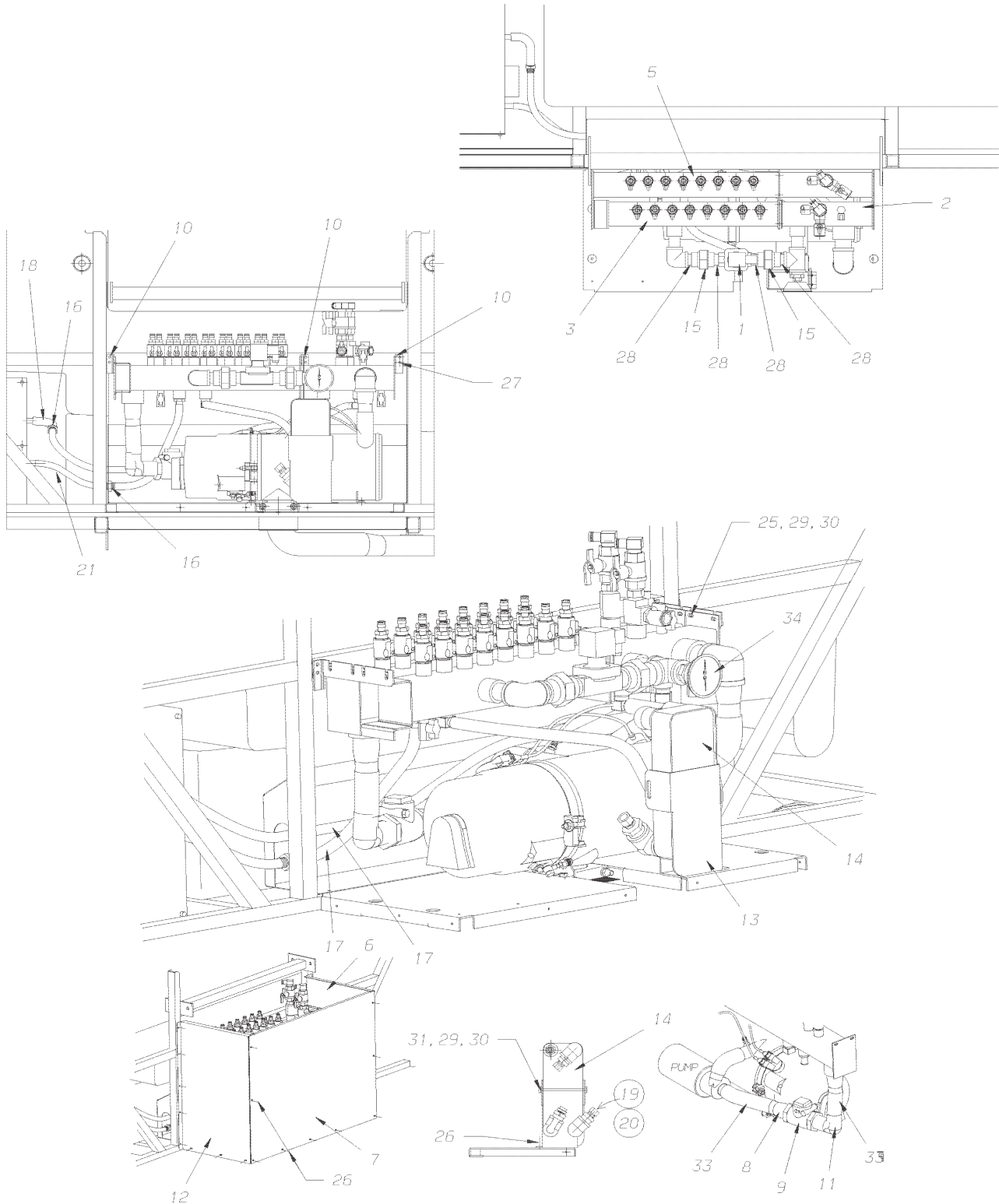
1	0056900	2	VALVE,BALL,1/2FPT,W/YEL TEE HANDLE,BRASS	
---	---------	---	--	--

**Models: H4RE
AUXILIARY
HYDRONIC MANIFOLDS
HURRICANE**

Key	PartNumber	Qty	Description	Comment
2	1626431		VALVE,BALL,3/4,W/BUTTERFLY HANDLE	
3	1640317		TEE,3/4 PIPE,STREET,3750X12Z,WEATHERHEAD	
4	0048663	3	ADAPTER,HEATER,3/4 PIPE X 3/4 HOSE,	
5	2223618	2	STRAP,CONDUIT,1 1/4 ID,T&B NO1214	
6	1394691	2	BUSHING,PIPE,3/4 X 1/2,BRASS,COATED	
7	6088470	2	NIPPLE,CLOSE,1/2 INCH,BRASS	
8	0057578		BRACKET,MTG,HURRICANE MANIFOLD,38 H4RE	
9	1401603	2	SCREW,MACH,1/4-20 X 5/8, PH1, RD HD,BLK	
10	1467000		WASHER,FLAT,.281 X.750X.078 HARDENED,BLK	
11	1465947	2	NUT,HEX HD,1/4-20,LK,NYLON INSERT,YEL	
12	1142801	2	INSERT,BARBED,5/8 ID HOSE X 1/2 PIPE	

**Models: H4RE
AUXILIARY
HYDRONIC MANIFOLDS
INSTALLATION**

Key	PartNumber	Qty	Description	Comment
-----	------------	-----	-------------	---------



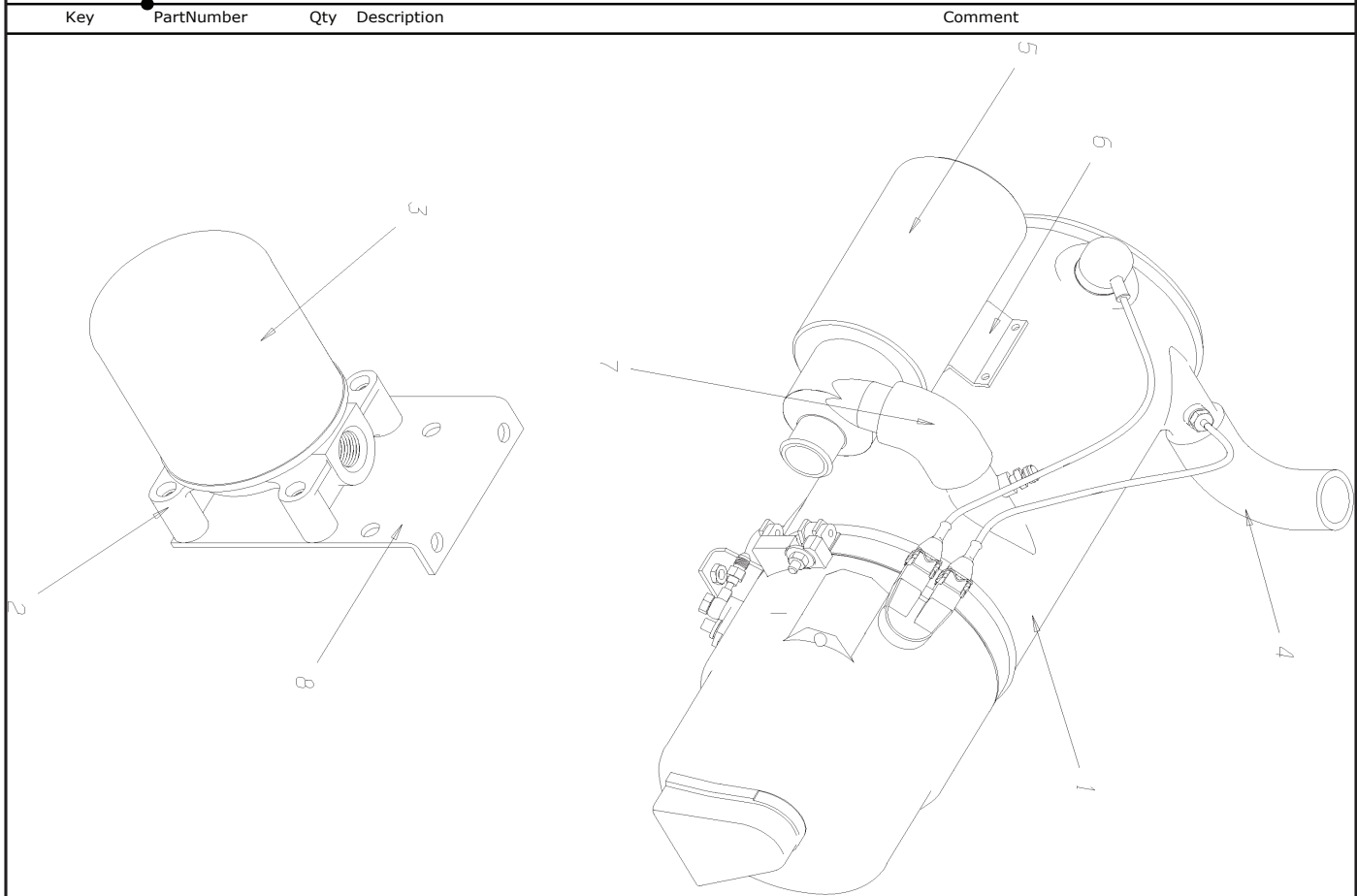
**Models: H4RE
AUXILIARY
HYDRONIC MANIFOLDS
INSTALLATION**

Key	PartNumber	Qty	Description	Comment
1	0071156		VALVE,SOLENOID,1NPT,N/C,24V,45H4RE	
2	0072080		MANIFOLD,ASSEMBLY,SUPPLY	
3	0072081		MANIFOLD,ASSEMBLY,CONVTR SUPPLY	
4	0071574	16	RING,CONNECTOR,FOR PRO-PEX 1/2	
5	0072082		MANIFOLD,ASSEMBLY,RETURN	
6	0072047		PANEL,CLOSEOUT,WEBASTO,LH SIDE,45H4RE	
7	0072048		PANEL,CLOSEOUT,WEBASTO,CENTER,45H4RE	
8	0072050		FITTING,HOSE,1.5"MPTX1.5"BARB,SS	
9	0072051		FITTING,VALVE,SWING CHECK,1 1/2"FPT,	
10	0072072	3	BRACKET,MTG,MANIFOLDS,HYD HTG	
11	0072230		FITTING,ELBOW,90DEG,1.5MPTX1.5HOSE,GALV	
12	0072238		PANEL,CLOSEOUT,WEBASTO,RH SIDE,45H4RE	
13	0072239		BRACKET,MTG,HEAT EXCHANGER,45H4RE	
14	0072168		MANIFOLD,ASSEMBLY,HEAT	
15	0072922	2	FITTING,UNION,1"FPT,GALV	
16	0055387	2	UNION,ADAPTER,BARBED,5/8-3/4,BRASS,UNB	
17	1280551	AR	HOSE,HEATER,3/4",GY HI MILER,BLUE W/WHT	
18	6081475		ELBOW,RUBBER,5/8 ID,90 DEG	
19	6080923	AR	TUBING,1/2 ID,WIRSBO HEPEX,180F X 100PSI	
20	6096416	2	INSERT,TUBE,1/2 I.D.,SS,WF4405000T	
21	0413153	AR	HOSE,HEATER,WATER,5/8 ID	
22	0870345	10	CLAMP,HOSE,1INCH,LINED	
23	1025857	4	CLAMP,HOSE,SIZE 8,LINED	

**Models: H4RE
AUXILIARY
HYDRONIC MANIFOLDS
INSTALLATION**

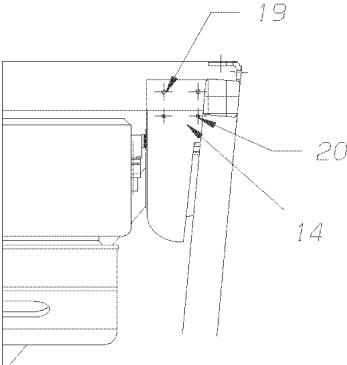
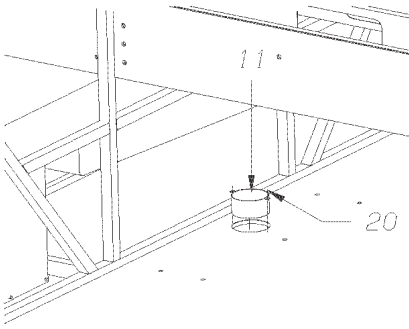
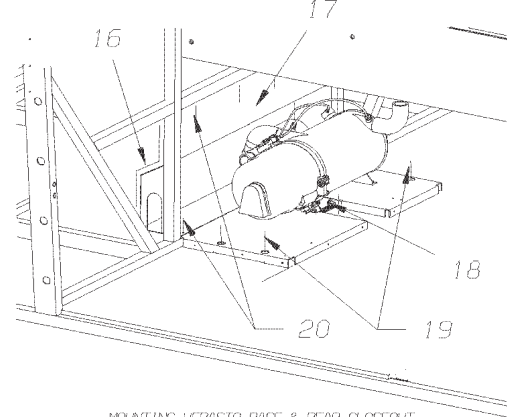
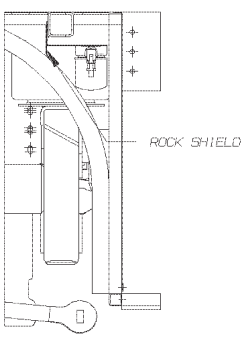
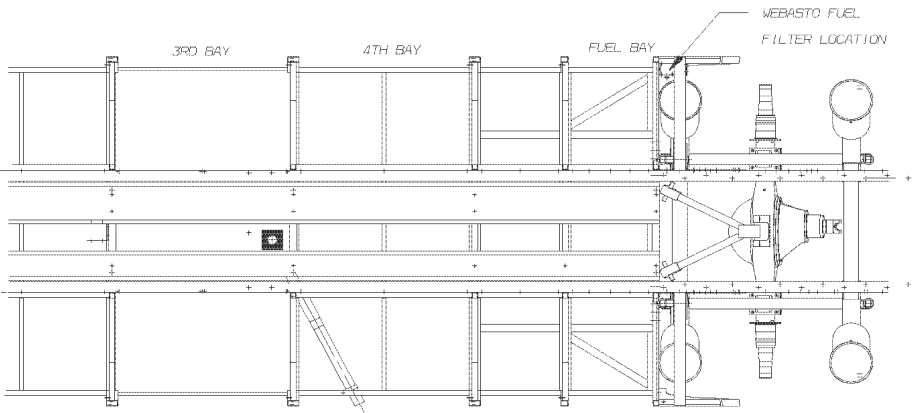
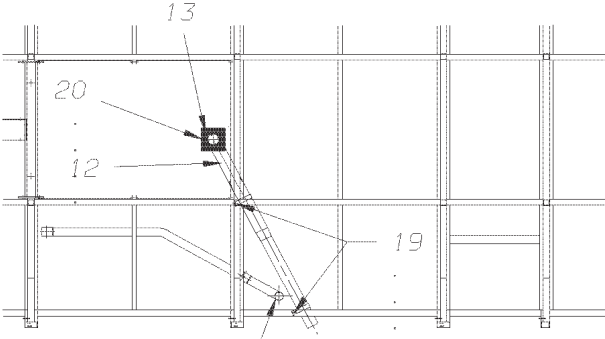
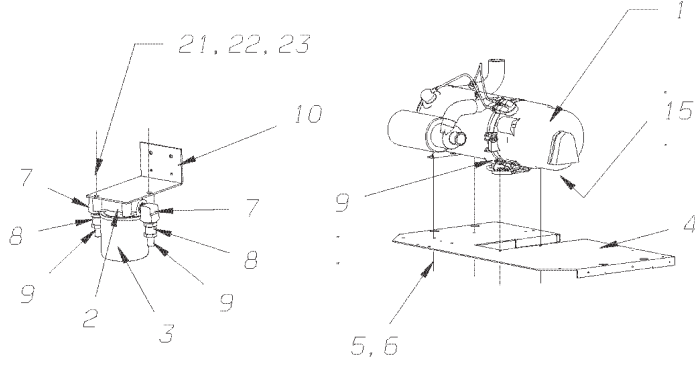
Key	PartNumber	Qty	Description	Comment
24	2088789	AR	ANTIFREEZE,LOW SILICATE ETH GLY 50/50	
25	1376086	12	SCREW,MACH,1/4-20 X 1,HEX,BLK	
26	1164821	24	SCREW, 10-16 X 3/4, AB, PH1, TRUSS HD, YEL	
27	1143684	6	SCREW,1/4-14 X 1,AB,PH1,PAN HD,BLK ZN,SST	
28	4098596	4	NIPPLE,GALV,1 X CLOSE	
29	1039262	13	NUT,HEX HD,1/4-20,LOCK,ZINC	
30	2177301	13	WASHER,LOCK,HELICAL SPRING,1/4,ZN3	
31	1958024		CAPSCREW,HEX HD,1/4-20X5 1/4,GR5,YEL	
32	6099188	6	CLAMP,1-1/2,SS,WORM GEAR,TRIDON SERIES	
33	1887124	AR	HOSE,HEATER,1.50	
34	0072232		GAUGE,TEMPERATURE,PRESSURE,1/2MPT,3"	

**Models: H4RE
AUXILIARY
WEBASTO 230
HEATER BREAKDOWN**



Key	PartNumber	Qty	Description	Comment
1	0069239		HEATER,COOLANT,80K,WEBASTO THERMO 230	
2	0069241		FILTER,BASE,WEBASTO THERMO 230	
3	0069242		FILTER,ASSY,WEBASTO THERMO 230,900001	
4			ELBOW 90 DEG, RUBBER 1.5 ID	
5	0071355		PUMP,COOLANT,W/BRKT,26GPM,24V,HYD HEAT	
6			PUMP MOUNTING BASE	
7			HOSE CONNECTOR	
8			BRACKET, MTG, FUEL FILTER	

**Models: H4RE
AUXILIARY
WEBASTO 230
HEATER INSTALLATION**

Key	PartNumber	Qty	Description	Comment
 <p>FILTER MTS BRACKET & ROCK SHIELD</p>				
 <p>INSTALLATION OF EXHAUST SLEEVE IN FLOOR AT REAR OF BAY 3</p>				
 <p>MOUNTING WEBASTO BASE & REAR CLOSEOUT</p>				
 <p>FUEL FILTER MOUNTING LOCATION VIEW LOOKING INTO RIGHT SIDE</p>				
 <p>TOP VIEW OF CHASSIS</p>				
 <p>GENERATOR EXHAUST (THRU FLOOR)</p>				
 <p>FUEL FILTER & BRACKET BUILD-UP</p>				

**Models: H4RE
AUXILIARY
WEBASTO 230
HEATER INSTALLATION**

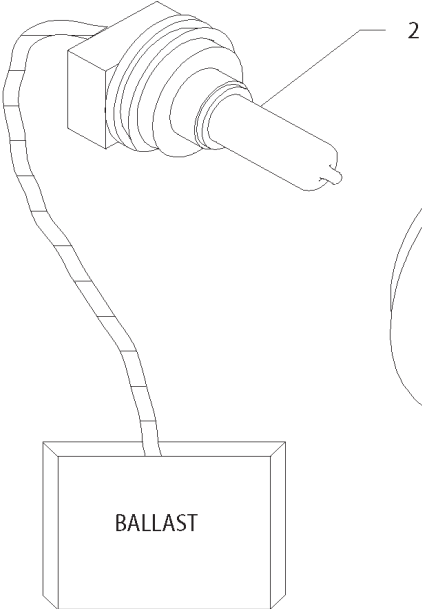
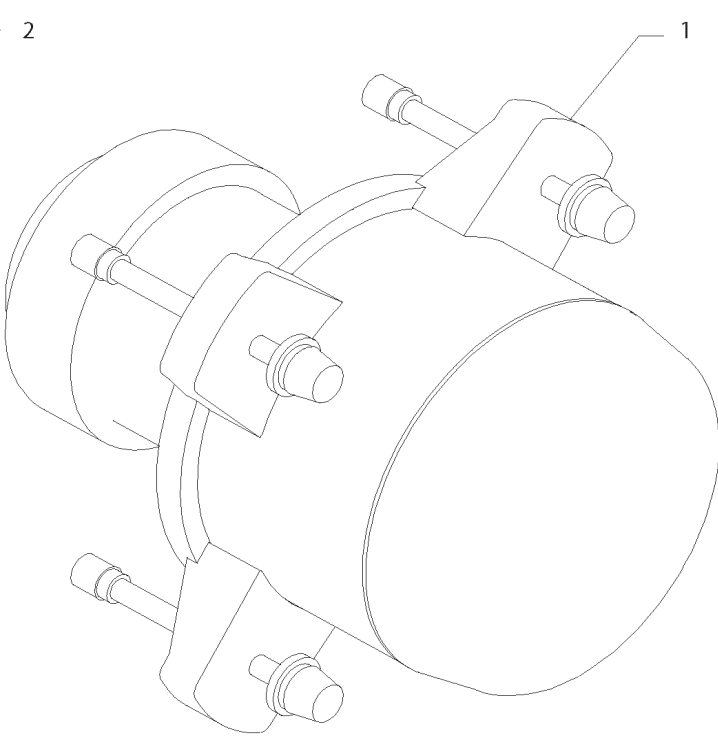
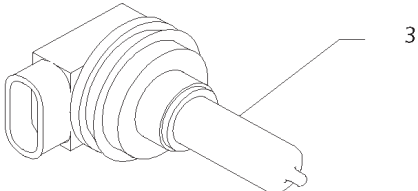
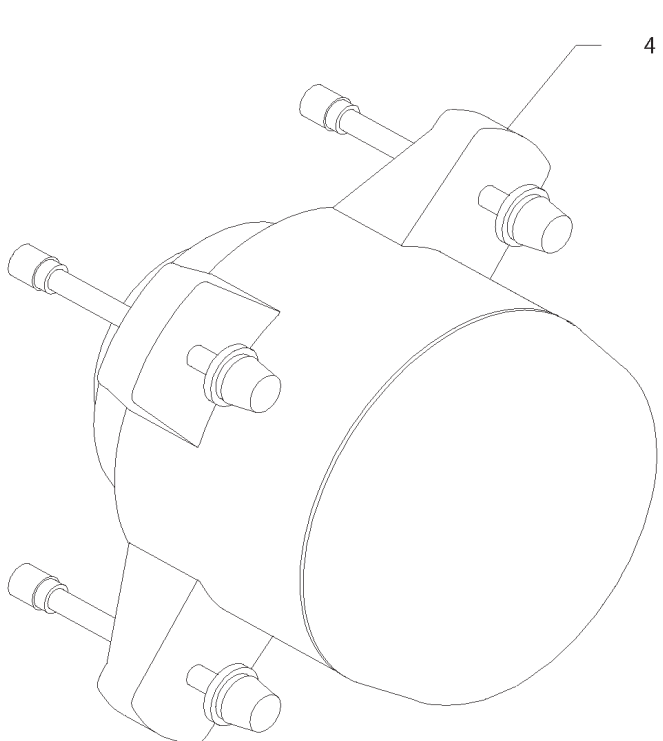
Key	PartNumber	Qty	Description	Comment
2	0069241		FILTER,BASE,WEBASTO THERMO 230	
3	0069242		FILTER,ASSY,WEBASTO THERMO 230,900001	
4	0072240		BASE,MTG,WEBASTO HEATER,45H4RE	
5	0997759	4	CAPSCREW,HX HD,M8-1.25X25,CL10.9,	
6	2001048	4	WASHER,FLAT,11/32 X 11/16 X 1/16,YEL	
7	2008274	2	ELBOW,STREET,90 DEG,1/2MPT X	
8	0060431	2	FITTING,CONNECTOR,MALE,37 DEG,C5205X4X8	
9	0060430	3	FITTING,SWIVEL,FM,45FL,1/4HX1/4T,10004B	
10	0076238		BRACKET,MTG,FUEL FILTER,WEBASTO,45H4RE	
11	0076286		SLEEVE,PIPE,WEBASTO EXHAUST,45H4RE	
12	0076291		SCHEMATIC,WRG,B1 MODULE, M450	
13	0076285		SCREEN,BARRIER,EXHAUST PIPE,	
14	0076239		SHIELD,FILTER,WEBASTO FUEL,45H4RE	
15	0065587		FITTING,SWIVEL,FEM,45FL,1/4H X #6 JIC	
16	0059678		INSULATION,SSFW 2A2 1/2"	
17	0073051		PANEL,CLOSEOUT,WEBASTO,REAR,45H4RE	
18	0068977		CLAMP,MUFFLER,3 INCH,HEAVY DUTY	
19	1143684		SCREW,1/4-14 X 1,AB,PH1,PAN HD,BLK ZN,SST	
20	0527275	11	SCREW,10-16 X 3/8,AB,PH1,PAN,YEL ZINC	
21	1092337	2	CAPSCREW,HEX HD,1/4-20 X 2,GR 5,YEL ZN	
22	1039262	2	NUT,HEX HD,1/4-20,LOCK,ZINC	
23	2177301	2	WASHER,LOCK,HELICAL SPRING,1/4,ZN3	

**Models: H4RE
WIPERS & MOTOR**

Key	PartNumber	Qty	Description	Comment
NI	0029935		WIPER MOTOR,62 DEG,ROAD SIDE,Q4,B4,W4	
	0029936		WIPER MOTOR,62 DEG,CURB SIDE,Q4,B4.W4	
NI	0020872		PLATE,BACKING,WIPER MOTOR	
NI	1290493		PIVOT,PARLGM,ELECTRIC,23948-90,BLACK	
NI	0029997		SCREW,MACH,1/4-28X1,PH1,PAN HD,BLK ZN	
NI	1983600		ARM ASSY,WIPER,PANTOGRAPH,31",BK	
NI	1974070		BLADE,WINDSHIELD WIPER,26.00	

**Models: M4RE, H4RE
HEADLAMP AND LIGHTS
HIGH AND LOW BEAM
90MM**

BSN: From BSN 1/30/02 H4RE, 2/24/03 M4RE

Key	PartNumber	Qty	Description	Comment
				
				
				
				

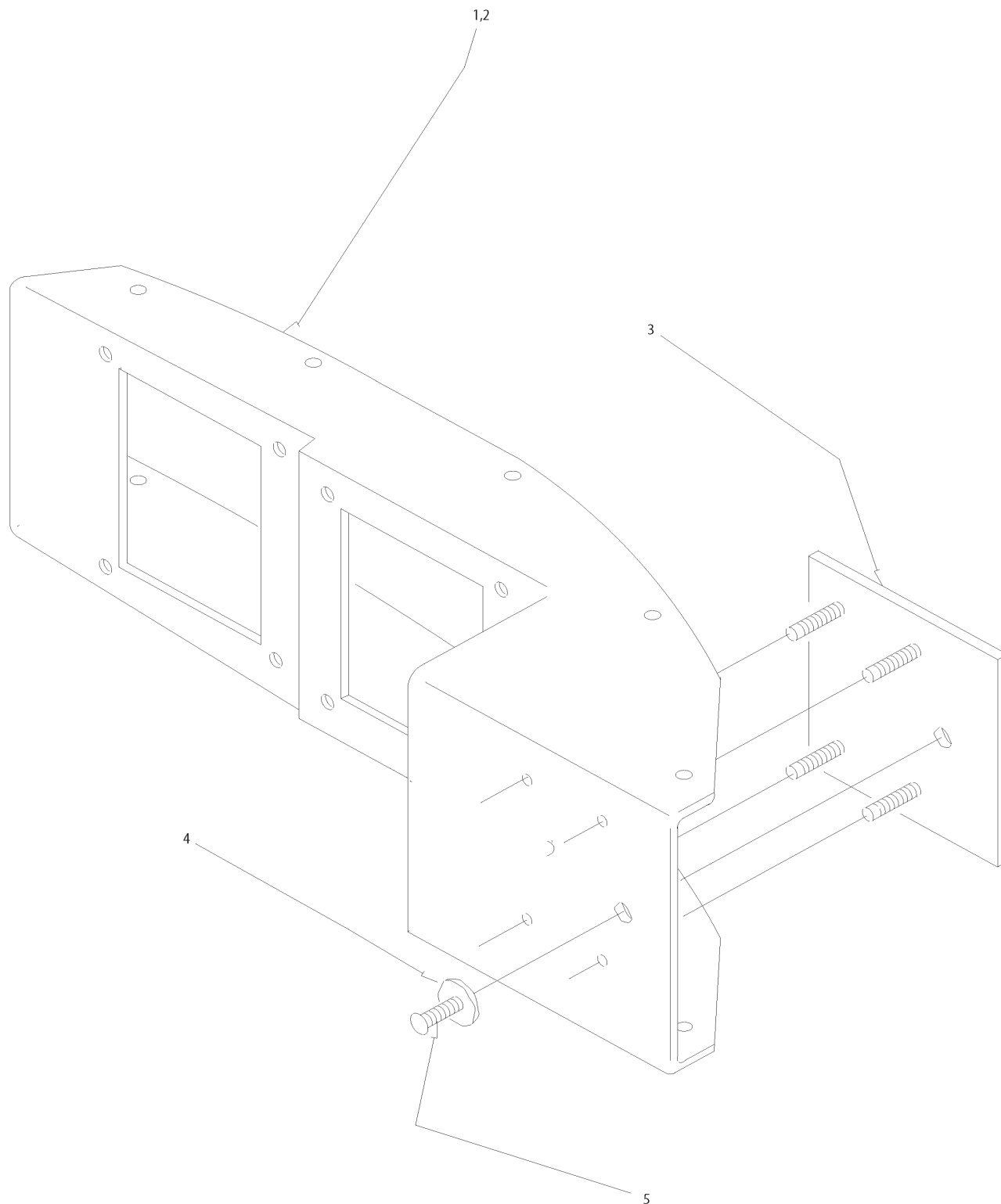
**Models: M4RE, H4RE
 HEADLAMP AND LIGHTS
 HIGH AND LOW BEAM
 90MM**

BSN: From BSN 1/30/02 H4RE, 2/24/03 M4RE

Key	PartNumber	Qty	Description	Comment
1	0107709		LIGHT, LOW BEAM, XENON, 90MM	
2	0107784		LIGHT, BULB, 12V, 35 WATT, XENON	
3	0052438		BULB,REPLACEMENT,HEADLAMP DE	
4	0051963		HEADLAMP,HIGH BEAM,DE MODULE,90MM	

Models: H4RE, M4RE
HEADLIGHTS
With: 2001 LX
BSN: From BSN 1/30/02 H4RE, 2/24/03 M4RE

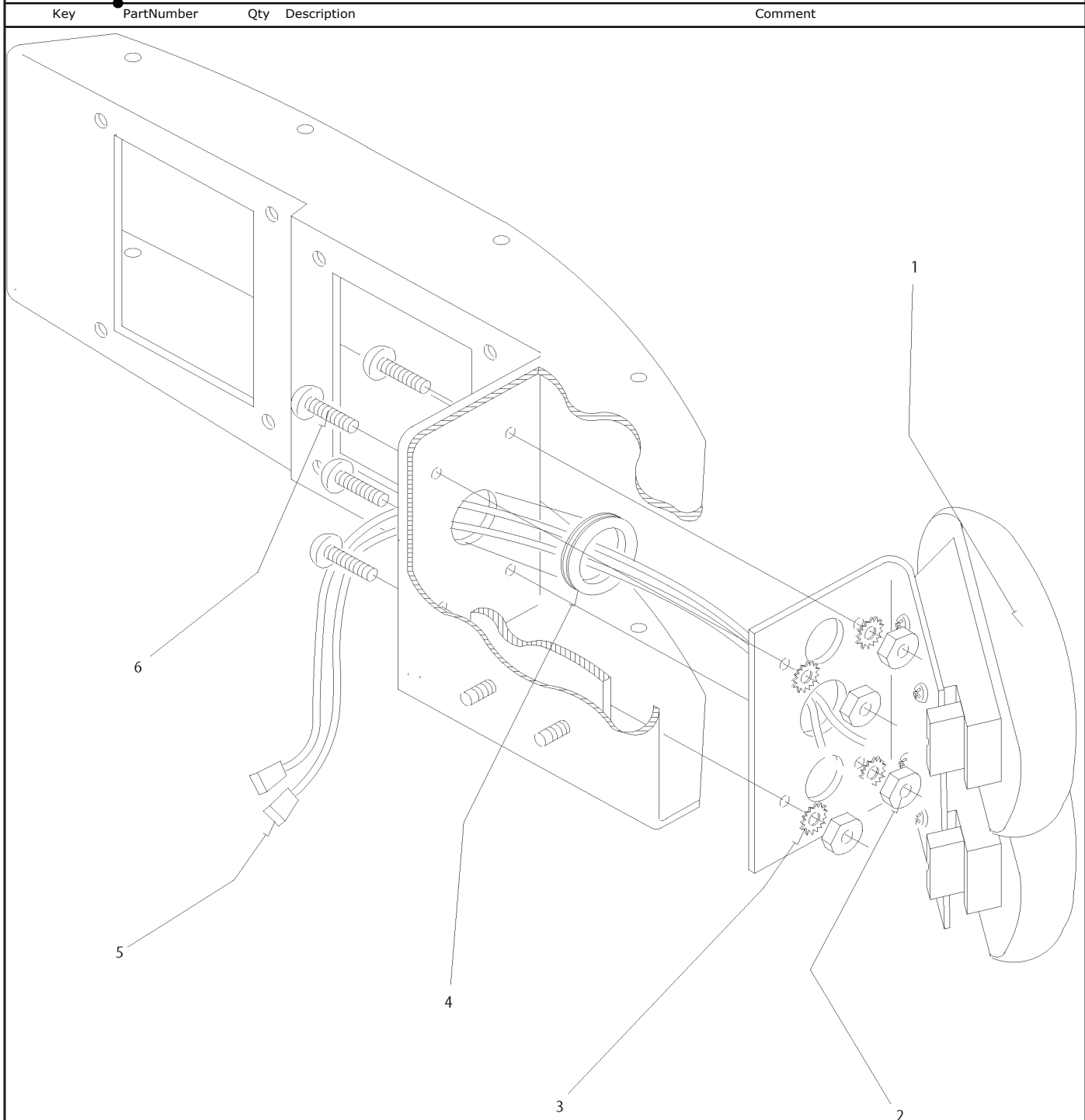
Key	PartNumber	Qty	Description	Comment
-----	------------	-----	-------------	---------



Models: H4RE, M4RE
HEADLIGHTS
With: 2001 LX
BSN: From BSN 1/30/02 H4RE, 2/24/03 M4RE

Key	PartNumber	Qty	Description	Comment
1	0023444	1	LIGHT BUCKET, HEADLAMP, RH, 2001 LX	
2	0023445	1	LIGHT BUCKET, HEADLAMP, LH, 2001 LX	
3	0023631	1	PLATE ASSY, MTG, HEADLAMP ASSY TO HINGE	
4	2000073	1	SCREW,1/4-20 X 1,D,HEX HD,YEL ZN DICH	
5	1467000	1	WASHER,FLAT, .281 X.750X.078 HARDENED,BLK	

Models: H4RE, M4RE
HEADLIGHTS
BSN: From BSN 1/30/02 H4RE, 2/24/03 M4RE

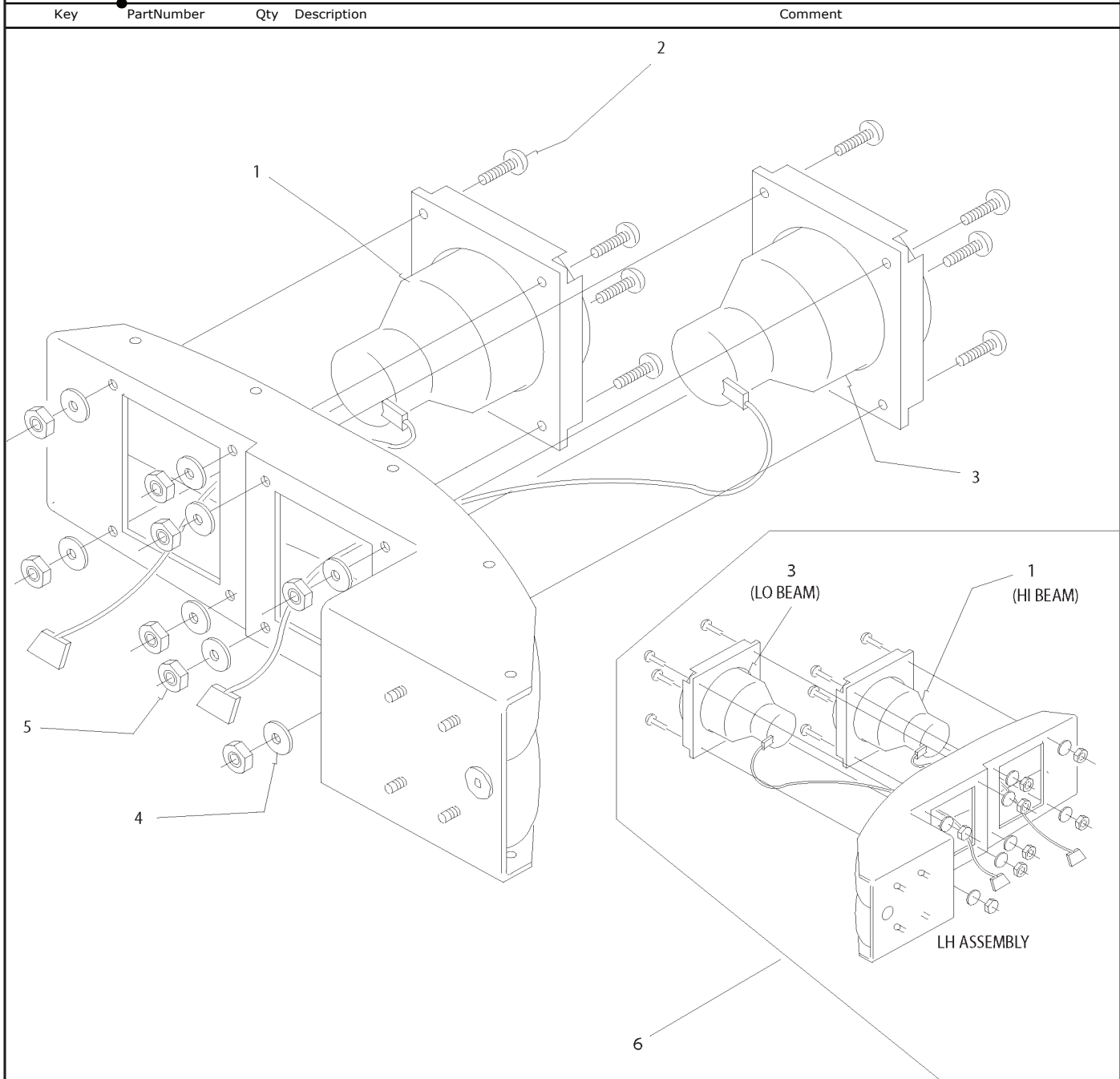


Key	PartNumber	Qty	Description	Comment
1	0024887	1	DIAGRAM ASSY, TURN/PARK LAMP ASSEMBLY,	
2	0026254	4	NUT,HEX,1/4-20,STAINLESS STEEL	

Models: H4RE, M4RE
HEADLIGHTS
BSN: From BSN 1/30/02 H4RE, 2/24/03 M4RE

Key	PartNumber	Qty	Description	Comment
3	0026255	4	LOCKWASHER, 1/4", EXT. TOOTH, STAINLESS	
4	2003200	1	GROMMET,RUBBER,1 IN. ID	
5	0025255	1	HARNES, WIRE, TURN/PRK LGT-CHASSIS,	
6	0026125	4	SCREW,MACH,PHD,PH,1/4-20X3/4 L,SS	

**Models: H4RE, M4RE
HEADLIGHTS**
BSN: From BSN 1/30/02 H4RE, 2/24/03 M4RE

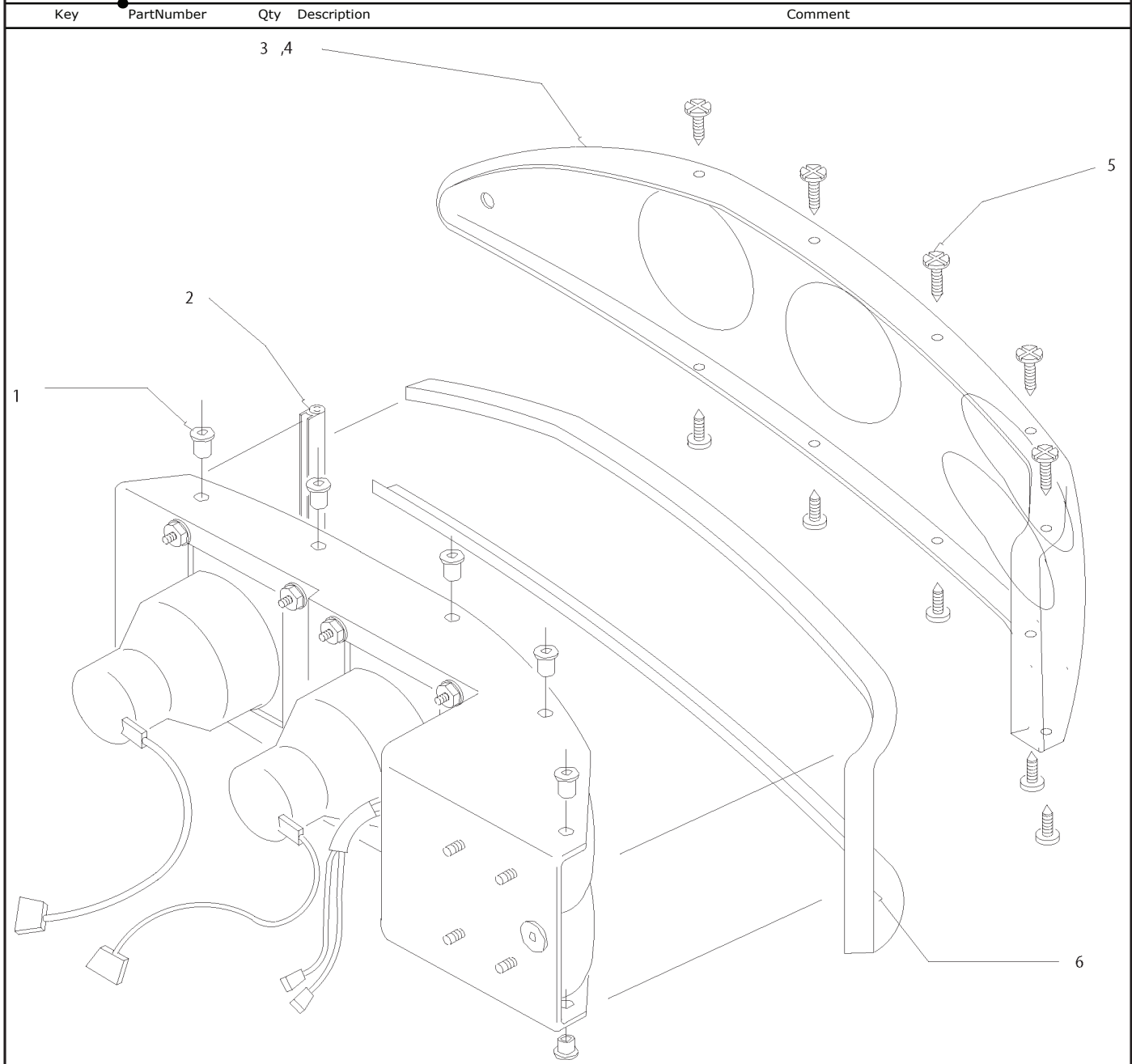


Key	PartNumber	Qty	Description	Comment
1	0026916	1	HEADLAMP ASSY, HI BEAM, 2001 LX	
2	3825445	8	SCREW, MACH, PH, TH, 1/4-20 X 3/4, 304 SS	
3	0026610	1	HEADLAMP ASSY, LO BEAM, 2001 LX	

Models: H4RE, M4RE
HEADLIGHTS
BSN: From BSN 1/30/02 H4RE, 2/24/03 M4RE

Key	PartNumber	Qty	Description	Comment
4	0026126	8	WASHER, FLAT, 1/4, 11/16 DIA, SS	
5	3823606	8	NUT, LOCK, HEX, 1/4-20, 304 SS, WASHER	
6	0027140		HEADLAMP ASSY, LH, 2001 LX	

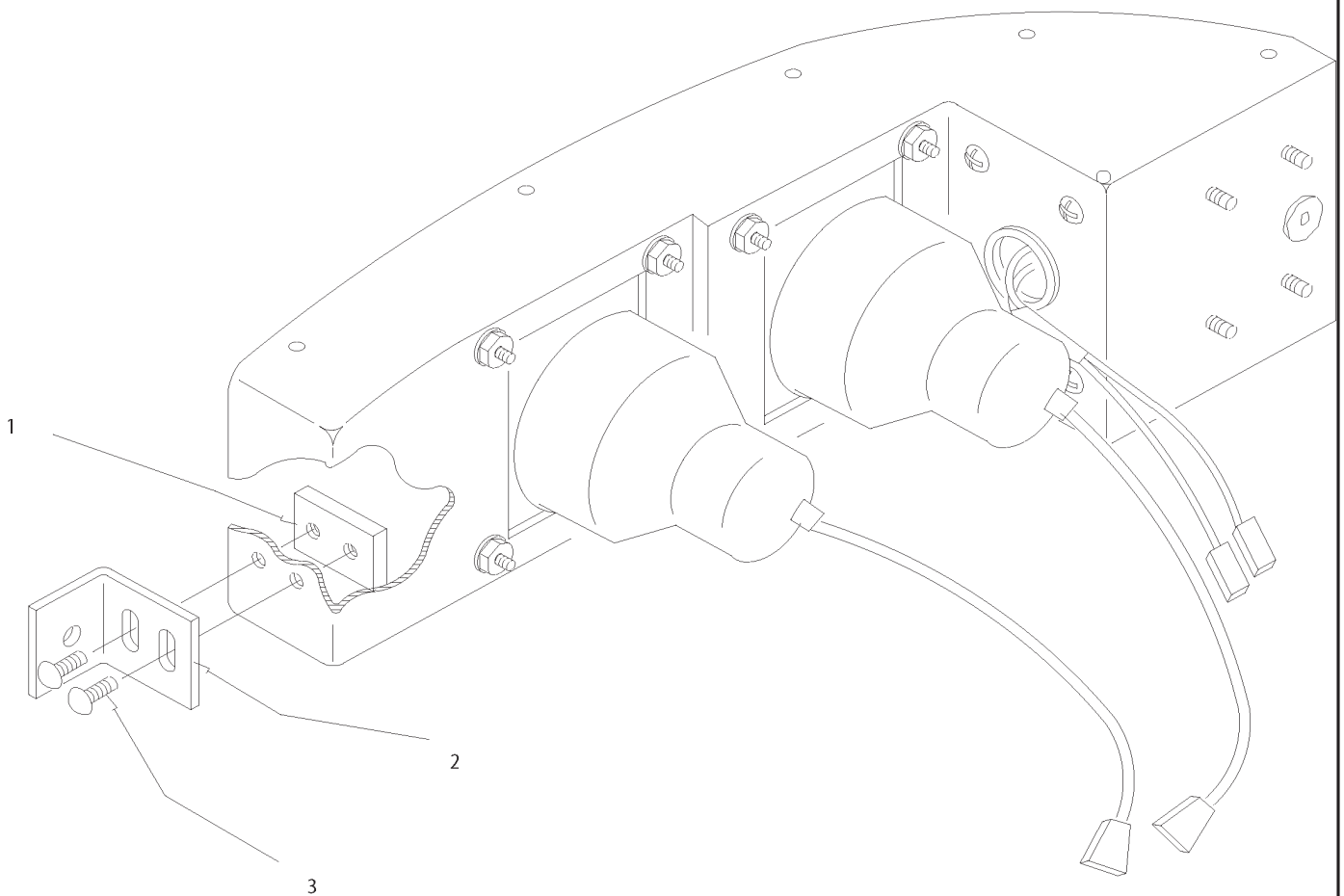
**Models: H4RE, M4RE
HEADLIGHTS**
BSN: From BSN 1/30/02 H4RE, 2/24/03 M4RE



Key	PartNumber	Qty	Description	Comment
1	0027250	1	PLATE, TAPPED, BRKT, HEADLAMP ASSY	
2	0023630	1	ANGLE, FASTENER, HEADLAMP ASSY	
3	1409788	2	SCREW, 1/4-20 X 3/4, D, HEX HD, YEL ZN DICH	

**Models: H4RE, M4RE
HEADLIGHTS**
BSN: From BSN 1/30/02 H4RE, 2/24/03 M4RE

Key	PartNumber	Qty	Description	Comment
-----	------------	-----	-------------	---------



1	1315118	10	WELLNUT Q-1032, .377 X 5/8	
2	0006046	1	TRIM, VINYL, BLACK, SIDE BULB SEAL	
3	0023441	1	LENS, HEADLAMP, LH, 2001 LX	
4	0023443	1	LENS, HEADLAMP, RH, 2001 LX	
5	0091507	10	SCREW, MACHINE, 10-32X3/4, PANHD, SS, BLK	
6	0028293	1	SEAL, RUBBER, HEADLAMP, RUBATEX, 62"L,	

Models: M4RE, H4RE
HEADLIGHTS AND TURN LIGHTS
WITH BRACKETS
BSN: From BSN 1/30/02 H4RE, 2/24/03 M4RE

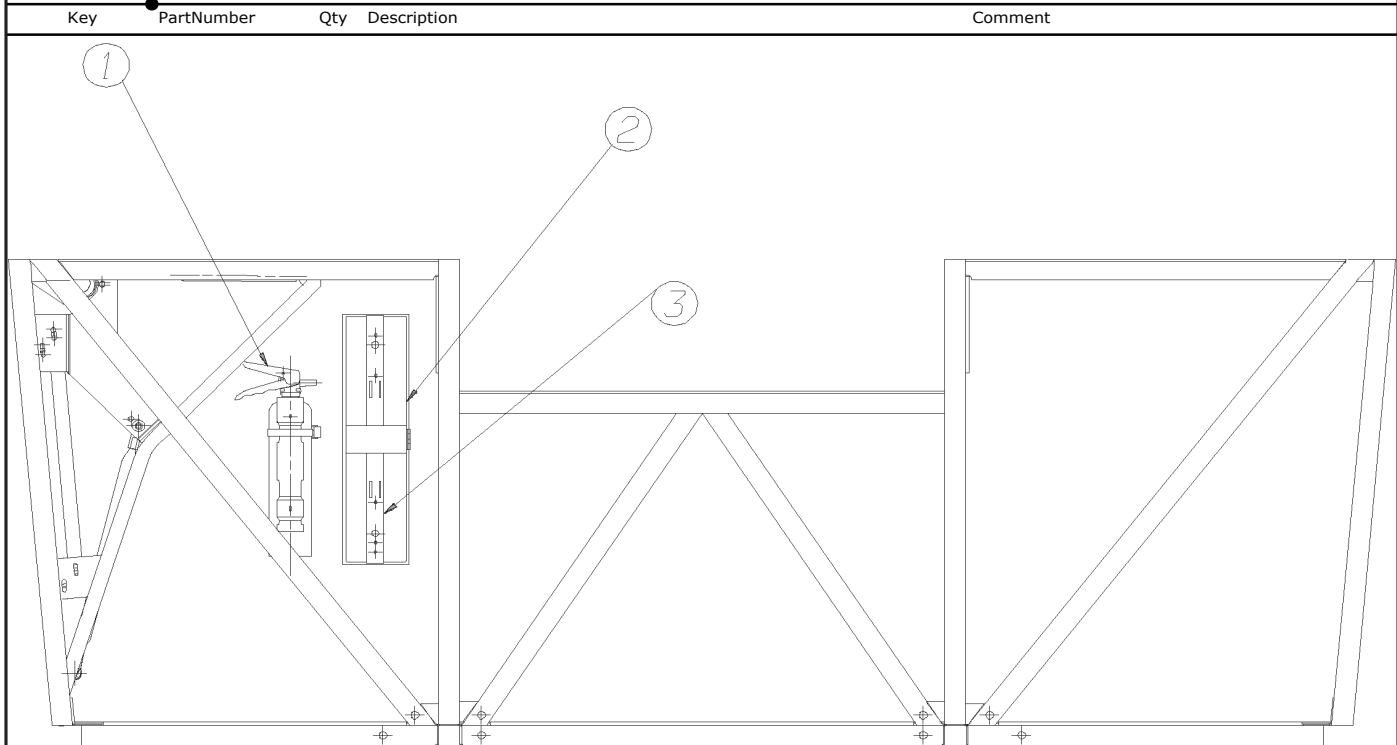
Key	PartNumber	Qty	Description	Comment
1	0107709	2	LIGHT, LOW BEAM, XENON, 90MM	
2	0051963	2	HEADLAMP,HIGH BEAM,DE MODULE,90MM	
3	0115996	4	BRACKET,MNT,SUB HEADLIGHT LOW AND HIGH	

HEAD AND TURN LAMP ASSEMBLED
 WITH OUT CAP FOR CLARITY

Models: M4RE, H4RE
**HEADLIGHTS AND TURN LIGHTS
 WITH BRACKETS**
BSN: From BSN 1/30/02 H4RE, 2/24/03 M4RE

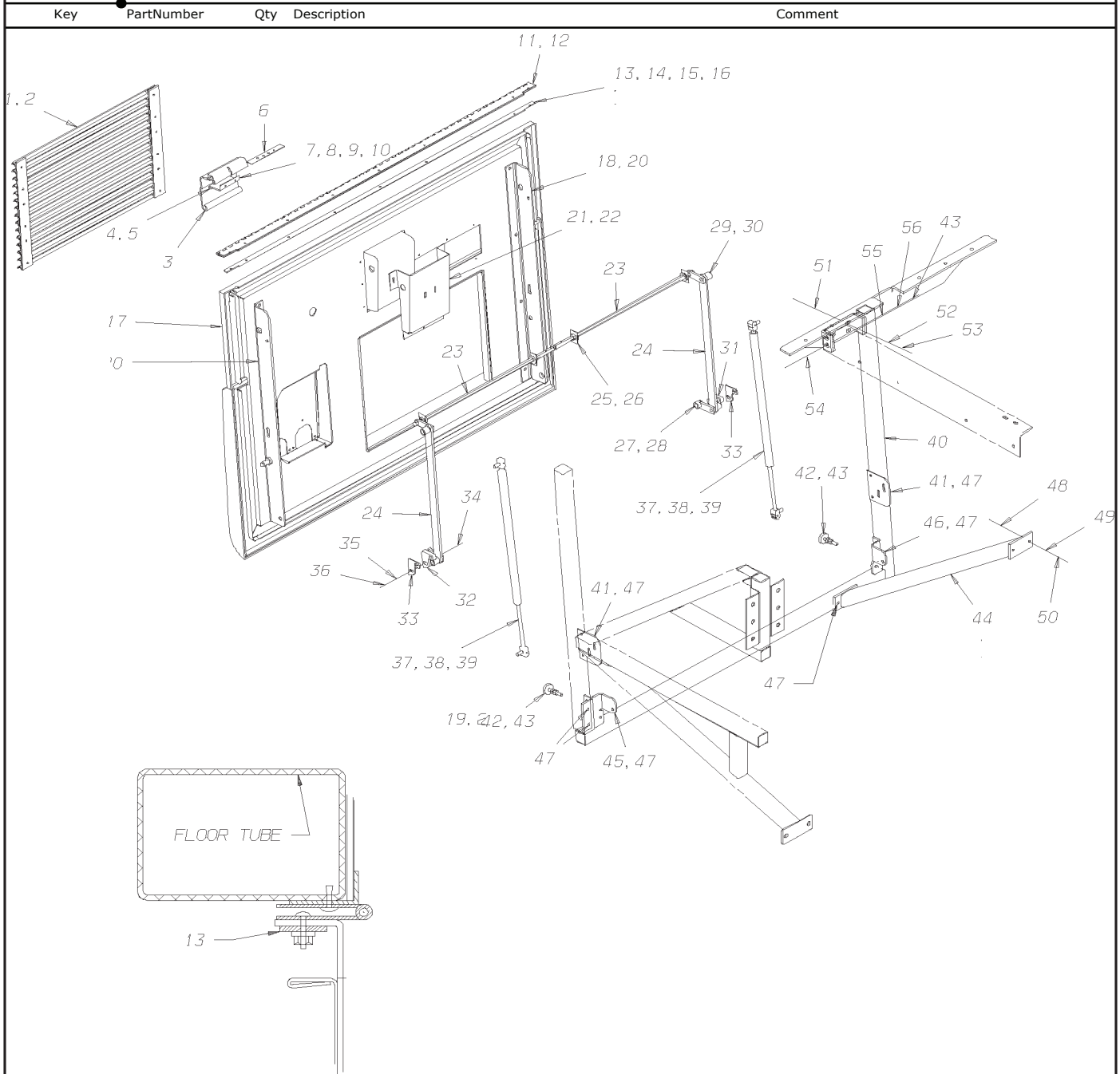
Key	PartNumber	Qty	Description	Comment
4	0023625	4	LIGHT, FRT TURN/PARK, GROTE#52893, 2001	
5	0115998	2	BRACKET, MNT, SUB TURN LAMP	
6	0115999	2	ANGLE, MNT, SUB, TURN LAMP, WITH	
7	0115995	1	BRACKET, MNT, MAIN HEADLAMP AND TURN, LH	
7	0115997	1	BRACKET, MNT, MAIN HEADLAMP AND TURN,	
8	0072538	16	INSERT, THREAD, BLIND, 10-32, 130, STEEL	
9	0091507	16	SCREW,MACHINE,10-32X3/4,PANHD,SS,BLK	
10	0115938	1	PANEL, FRONT, HEAD LAMP, LH	M4RE
10	0115947	1	PANEL, FRONT, HEAD LAMP, RH	M4RE
11	0864579	8	SCREW,10-16 X 3/4,AB,PH1,PAN HD,SST	

Models: **H4RE
FIRE EXTINGUISHER & TRIANGULAR WARNING KIT**



Key	PartNumber	Qty	Description	Comment
1	0845040		EXTINGUISHER,FIRE,1A 10BC,2.5#	
2	1748326		WARNING KIT,TRIANGULAR,W/O BRACKET	
3	1748318		BRACKET,TRIANGLE WARNING DEVICE,JAMES	
NI	0033267	9	RIVET,BLIND,STEEL,3/16DIA,W/ST M,.626-.750	
NI	3747045	2	SCREW,SM,PH,PN/HD,1/4 X 3/4,TYPE A,18-8 SS	
NI	1217686		NUT,NYLON,SQUARE,395014 DORMAN	
NI	0049926		MAT,FLOOR,LUGGAGE BAY,46 X 88.5,H4RE	
NI	0049927		MAT,FLOOR,LUGGAGE BAY,36 X 46,H4RE	

Models: **H4RE
BATTERY
DOOR**



SFAI / HINGE DETAIL

1	0043906	GRILLE ASSY, HYDRAULIC OIL COOLER, H4RE
2	3788049	4 RIVET, BLIND, ALUM, 3/16 DIA, W/ALUM M, 251

**Models: H4RE
BATTERY
DOOR**

Key	PartNumber	Qty	Description	Comment
3	0034929		HANDLE ASSY,LOCK,L/CMPT DR, H4RE	
4	3903200		BUMPER,RECESSED,0.50 DIA X 0.44 TALL,	
5	2217578		RIVET,BLIND,ALUM,1/8 DIA,W/ST M,251-312	
6	3891116		PLATE,MTG,LOCK ROD,COMPARTMENT DOOR,89	
7	0044151		STRIKER,LOCK,COMPARTMENT DOOR, H4RE	
8	2000776	2	SCREW,MACH, 10-32 X 3/4,PH1,RD HD,	
9	2001162	2	LOCKWASHER,SPLIT RING, 3/16,MED,YEL ZN	
10	2001287	2	NUT,HEX HD,10-32,YEL ZN DICH	
11	0045198		HINGE,STNLS,.120 PIN,47.75, H4RE	
12	0542019	7	RIVET,LONG CHERRY,7355-100-6-8	
13	0045507		SUPPORT,HINGED L/CMPT DOOR, H4RE	
14	2000750	9	SCREW,MACH,10-24 X 1/2,PH1,RD HD,YEL	
15	2145340	9	WASHER,LOCK,INTN,NO 10	
16	2001279	9	NUT,HEX HD,10-24,YEL ZN DICH"	
17			PANEL ASSY, DOOR	
17	0039492		PANEL ASSY,DOOR,OIL COOLER, H4RE	
17	0039491		PANEL ASSY,DOOR,BATTERY CMPT, H4RE	
18	0034941		ANGLE ASSY,ATCH,L/CMPT DR LINKAGE,FRT,	
19	0034942		ANGLE ASSY,ATCH,L/CMPT DR LINKAGE,RR,	
20	3840808	8	NUT,LOCK,HEX,1/4-20,ZN3,CENTER LOCK	
21	0028223		BRACKET,L/CMPT DR,HANDLE	
22	1943695	3	SCREW,10-16X3/4,AB,PH1,PAN HD,BLK ZN	
23	0034932	2	ROD ASSY,L/CMPT DOOR LATCH, H4RE	

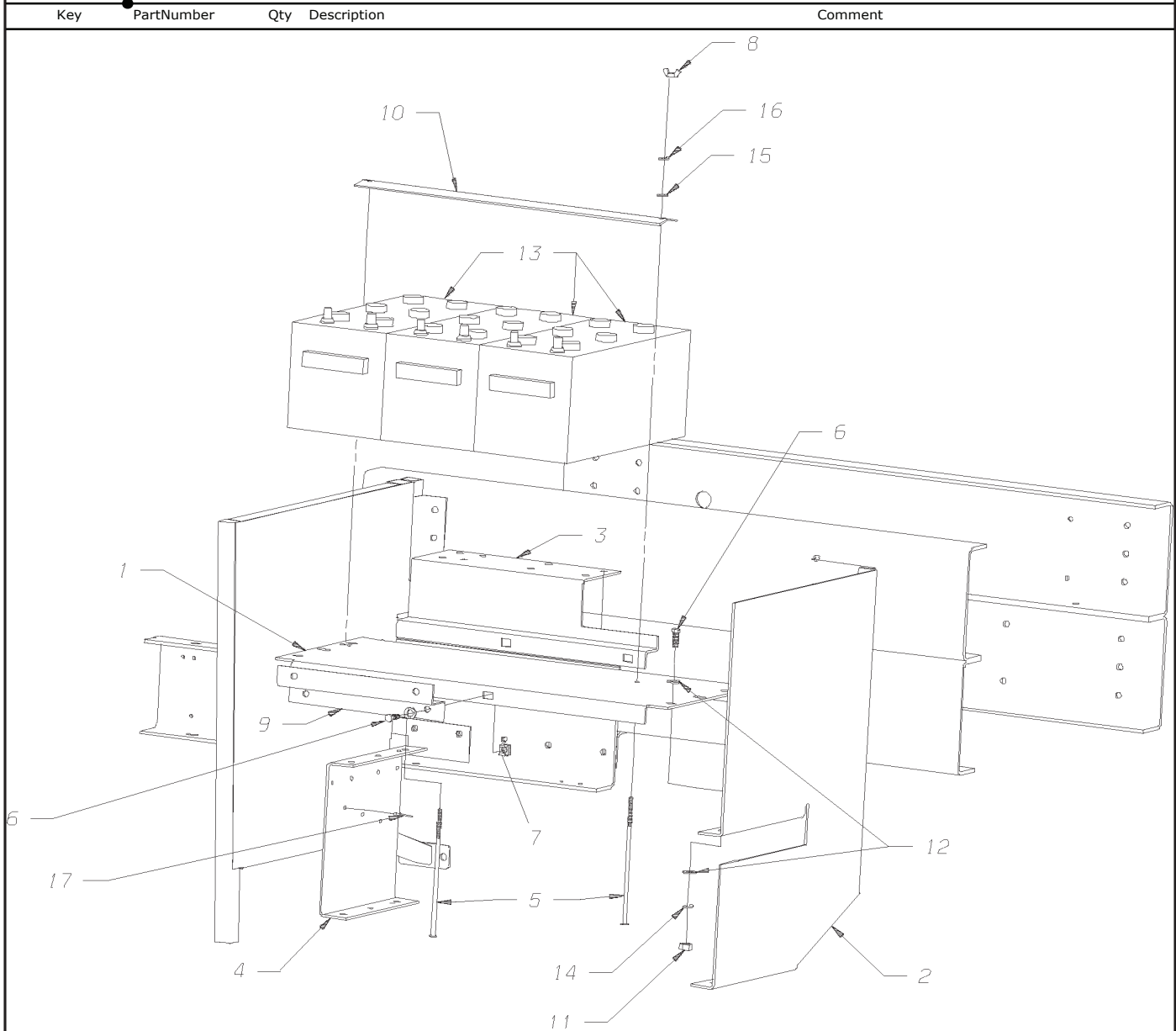
**Models: H4RE
BATTERY
DOOR**

Key	PartNumber	Qty	Description	Comment
24	0034940	2	BAR,CONN,L/CMPT DR LATCH, H4RE	
25	3900172	4	BUSHING,NYLON,GUIDE,LOCK ROD,CMPT DR,89	
26	3900164	4	FASTENER,PUSH-ON TYPE,TINNERMAN,C6307	
27	0034935	2	ROD ASSY,L/CMPT DOOR LATCH,LWR, H4RE	
28	0046336	2	RING,RETAINING,E TYPE,.50 SHAFT DIA	
29	3891264	4	BUSHING,NYLON,LOCK,COMPARTMENT	
30	3940145	4	SCREW,SHLDR,HEX SOC,5/16 X 3/4 W/ 1/4-20,,	
31	0020895		EXTRUSION,LOCK,CMPT DR CATCH,LH	
32	0020894		EXTRUSION,LOCK,CMPT DR CATCH,RH	
33	0021554	AR	SPACER,LUGGAGE DOOR CATCH"	
34	1674225	8	CAPSCREW,HEX FLG,1/4-20X1.25,GRD5,BLACK	
35	1467000	8	WASHER,FLAT,.281 X.750X.078 HARDENED,BLK	
36	2194447	8	NUT,HEX HD,1/4-20,PRVLG TORQUE,YEL ZN	
37	0012674	2	SPRING,GAS,AVM SE1500M,80LB	
38	1316686	4	STUD,GAS SPRING,A90007 FOR FB22-160	
39	1316694	4	CLIP,GAS SPRING,A9036 FOR FB22-160	
40			FRAME ASSY, BATT/OIL DOOR	
40	0045303		FRAME ASSY,BATT/OIL DOOR,LH, H4RE	
40	0045302		FRAME ASSY, BATT/OIL DOOR,RH, H4RE	
41	0045300	2	CATCH,LOCKING,BATT/OIL DOOR FRAME, H4RE	
42	1703057	2	BUMPER,RUBBER,ADJUSTABLE,5/16-18X1 3/4	
43	2001410	8	NUT,HEX HD,5/16-18,YEL ZN DICH"	
44	0045867		TUBE ASSY,BRACE,BATT/OIL DOOR, H4RE	

**Models: H4RE
BATTERY
DOOR**

Key	PartNumber	Qty	Description	Comment
45	0045657		BRACKET,MOUNTING,GAS SPRING,FRT, H4RE	
46	0045658		BRACKET,MOUNTING,GAS SPRING,RR, H4RE	
47	2000073	12	SCREW,1/4-20 X 1,D,HEX HD,YEL ZN DICH	
48	2000057	2	CAPSCREW, HEX HD, 1/4-20 X 1, GR 5,Y EL ZN	
49	2001170	2	LOCK WASHER, SPLIT RING, 1/4 , MED, YEL ZN	
50	2001329	2	NUT,HEX HD,1/4-20,YELLOW DICHROMATE"	
51	4105441	3	CAPSCREW,ALLEN,FL HD,3/8 X 1-3/4	
52	0850776	3	WASHER,FLAT,17/32 X 1 1/16 X 3/32,	
53	0826297	3	NUT,HEX HD,3/8-16 LOCK,YEL ZN DICH	
54	0989145	2	CAPSCREW,HEX HD,5/16-18, X, 1, ,GR5,	
55	1078922	2	WASHER, FLAT, 3/8 X 7/8 X 5/64, YEL ZN DICH	
56	2001188	2	LOCK WASHER, SPLIT RING, 5/16, MED, YEL ZN	

Models: **H4RE
BATTERY
TRAY**



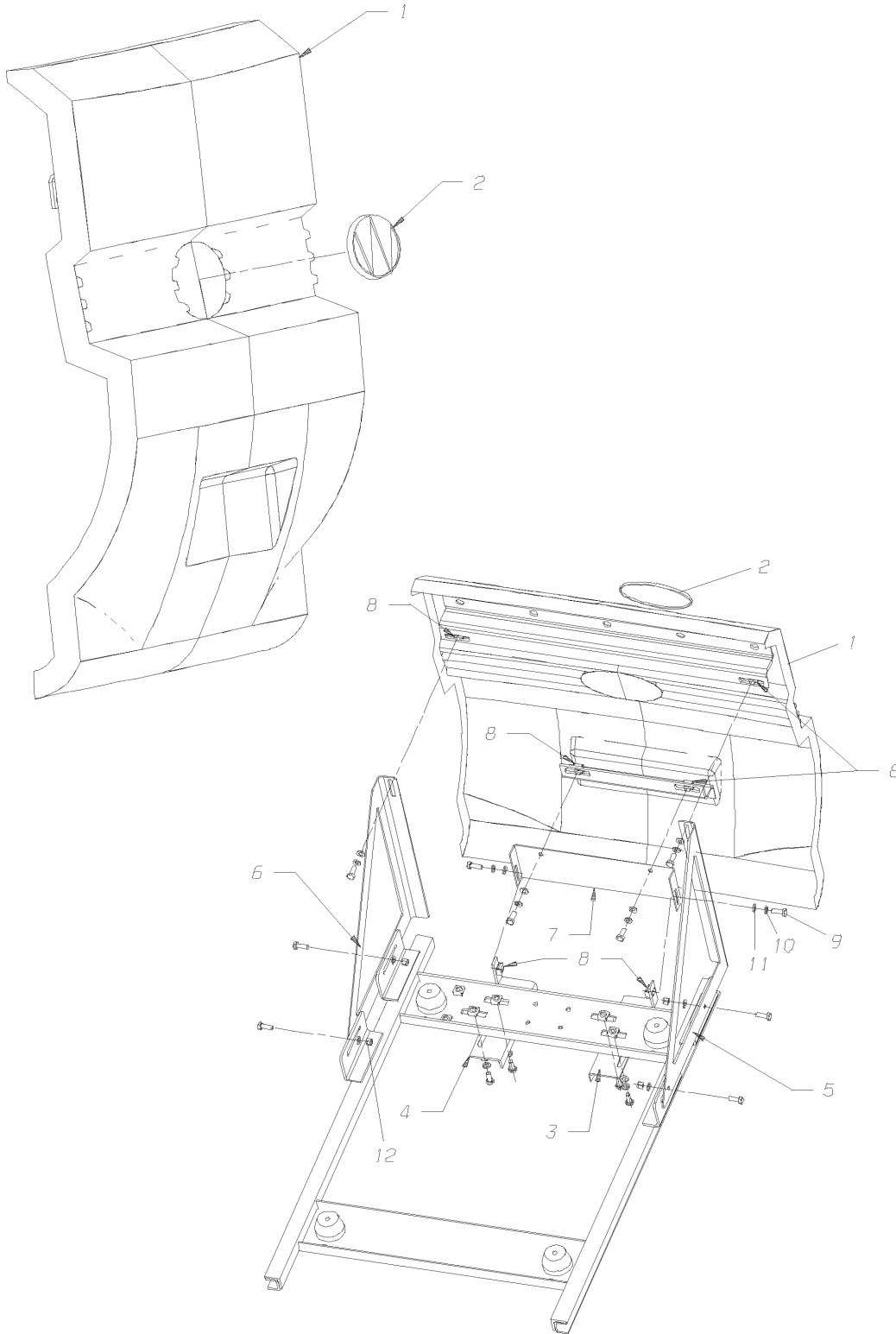
Key	PartNumber	Qty	Description	Comment
1	0040804		TRAY,BATTERY,COACH,38FT,H4RE	
2	0040805		BRACKET,MTG,BATTERY TRAY,FRT,37FT,H4RE	
3	0040806		BRACKET,MTG,BATTERY TRAY,M/S,UPR,37FT,	
4	0040808		BRACKET,MTG,BATTERY TRAY,REAR,37FT,H4RE	
5	0038398	2	BOLT,BATTERY TIE DOWN,10.75	

**Models: H4RE
BATTERY
TRAY**

Key	PartNumber	Qty	Description	Comment
6	0419804	10	CAPSCREW, HEX HD, 1/2-13 X 1, GR8, YEL ZN	
7	1442086	4	NUT,CAGE,1/2-13,C30683-1213	
8	2256162	2	NUT,WING,5/16-18,TYPE A,ZN3	
9	0027095		BRACKET,STOP,BATTERY, 2001 LXI	
10	0027195		BRACKET,TIE-DOWN,BATTERIES,COACH, 2001	
11	0850800	6	NUT, HEX HD, 1/2-13, LOCKING, GR 8, CAD	
12	2255461	12	WASHER,FLAT,TYPE A,NARROW,1/2,ZN3	
13	4509402	3	BATTERY,4D GEL CELL,MAINTENACE FREE,	
14	2229094	10	WASHER,LOCK,HELICAL SPRING,1/2,ZN3	
15	3840881	2	WASHER, FLAT, TYPE A, NARROW, 5/16, ZN3	
16	3840915	2	WASHER,LOCK,HELICAL SPRING,5/16,ZN3	
17	4558102	7	RIVET,CHERRY,1/4 X .790 MANDREL	

Models: H4RE
GENERATOR DOOR INSTALLATION

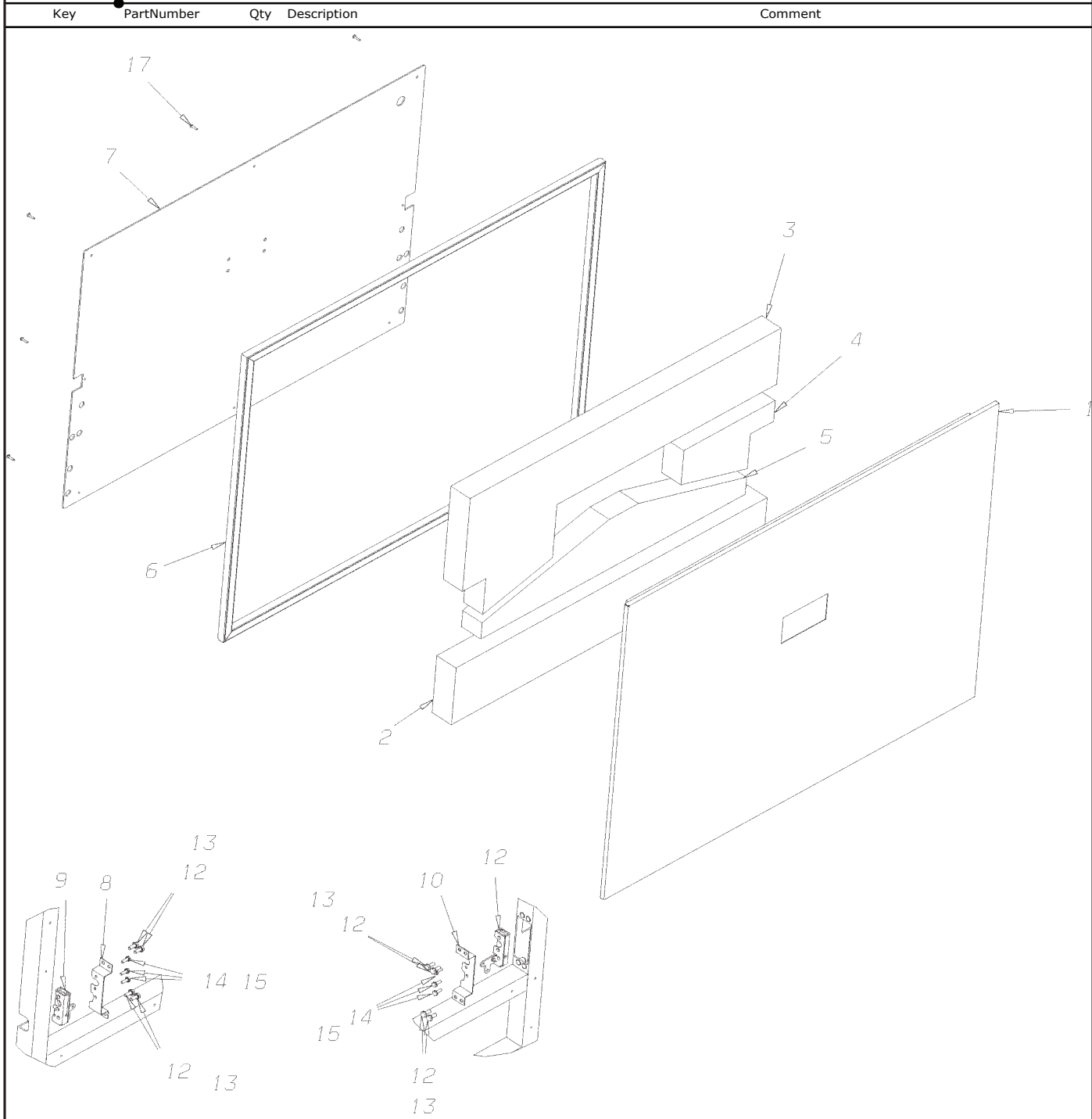
Key PartNumber Qty Description Comment



**Models: H4RE
GENERATOR DOOR INSTALLATION**

Key	PartNumber	Qty	Description	Comment
1	0039171		DOOR ASSY,GENERATOR ACCESS,H4RE"	
2	0023775		NAMEPLATE,WL,FRT,W/LOGO,CHR/BLK,2001	
3	0043379		BRACKET,MTG,DOOR ASSY,GEN,LWR,RH,H4RE	
4	0043380		BRACKET,MTG,DOOR ASSY,GEN,LWR,LH,H4RE	
5	0049300		BRACE,MTG,DOOR,GENERATOR,UPR,RH,H4RE	
6	0049301		BRACE,MTG,DOOR,GENERATOR,UPR,LH,H4RE	
7	0043381		BRACKET,MTG,DOOR ASSY,GEN,UPR,H4RE	
8	0025734	6	NUT,CAGE,3/8-16,C30683-3816	
9	2260834	14	CAPSCREW,HEX,3/8-16 X 1,GR 5,ZN3	
10	3840923	10	WASHER,LOCK,HELICAL SPRING,3/8,ZN3	
11	3748688	14	WASHER,FLAT,TYPE B,REGULAR,3/8,304 SS	
12	2021129	4	NUT,HEX HD,3/8-16,ELASTIC STOP,YEL ZN	

**Models: H4RE
LUGGAGE
DOOR
48 INCH RH**



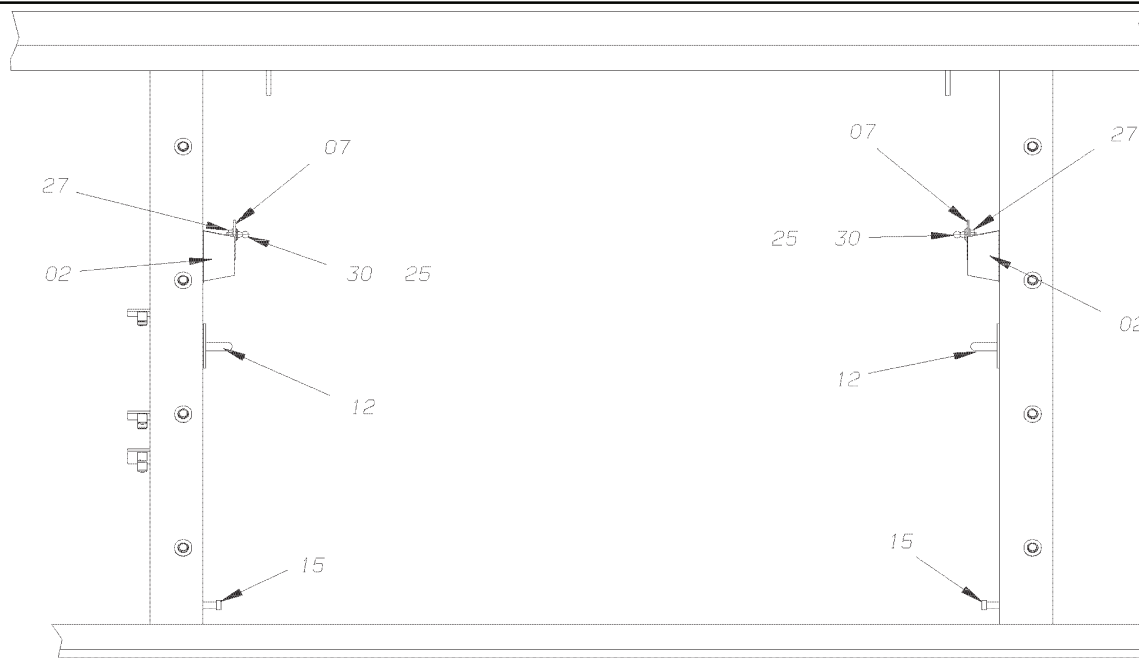
Key	PartNumber	Qty	Description	Comment
1	0094495		DOOR,ASSY,BAY,L/CMPT,48IN DR, 45H4RE	
2	0076324		PANEL,INSL,POLYFIBER,48IN DR,BTM, 45H4RE	

**Models: H4RE
LUGGAGE
DOOR
48 INCH RH**

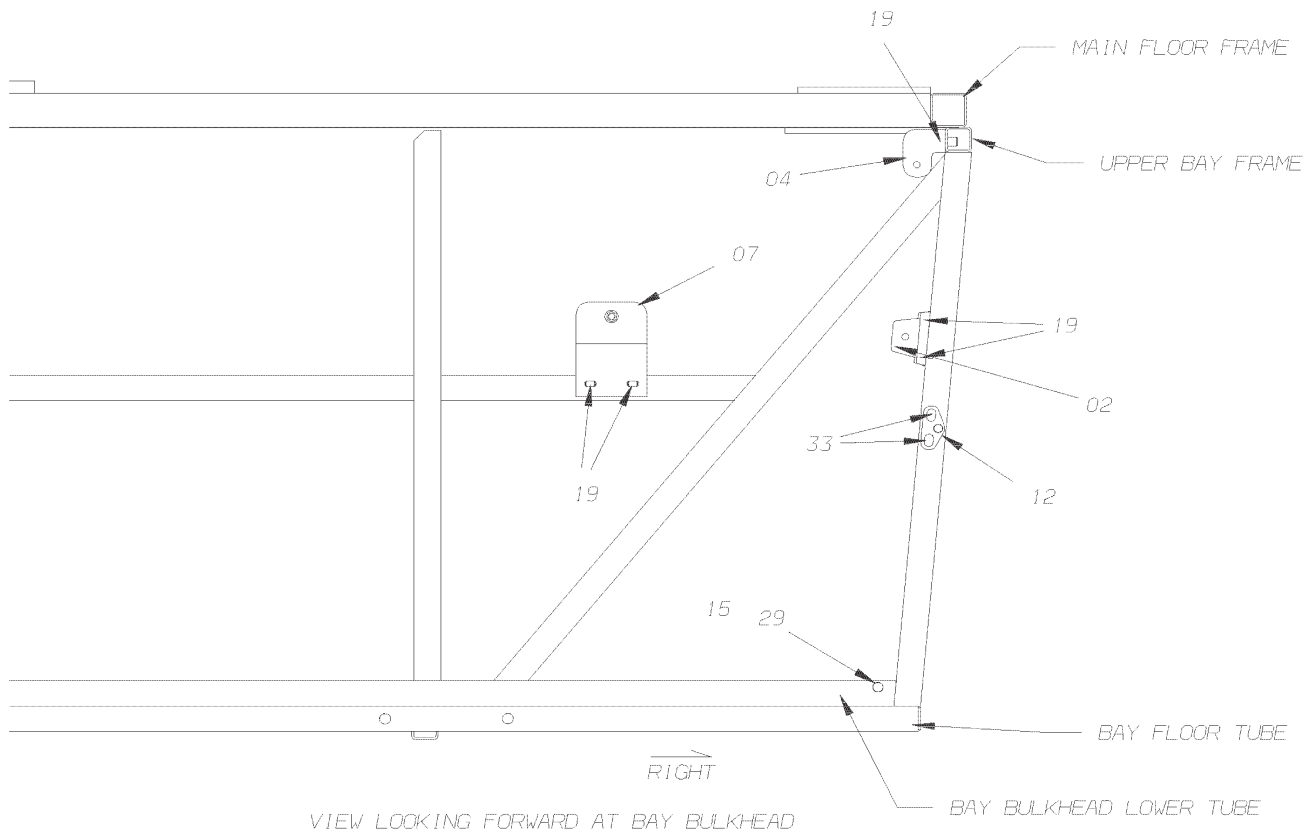
Key	PartNumber	Qty	Description	Comment
3	0094392		PANEL,INSL,POLYFIBER,48IN DR,TOP, 45H4RE	
4	0094393		PANEL,INSL,POLYFIBER,48IN DR,MID FWD,	
5	0094394		PANEL,INSL,POLYFIBER,48IN DR,MID, 45H4RE	
6	0076319		SEAL,DOOR,L/CMPT,48IN DR, 45H4RE	
7	0094438		PANEL,DOOR,INNER,BAY,L/CMPT,48IN, 45H4RE	
8	0076339		BRACKET,MTG,DOOR LATCH,RH, 45H4RE	
9			LATCH, ROTARY:AUSTIN HARDWARE 1165616	
10	0076340		BRACKET,MTG,DOOR LATCH,LH, 45H4RE	
12			LATCH, ROTARY:AUSITN HARDWARE 1165616	
13			CAPSCREW, HEX HD, 5/1618 X 3/4, SST	
14			LOCKWASHER, EXTERNAL TOOTH, 5/16	
15			CAPSCREW, HEX HD, 1/420 X 3/4, SST	
16			LOCKWASHER, EXTERNAL TOOTH, 1/4	
17			SCREW, TEKS/3, PH, PAN HD, 1024 X 3/4, SST	

**Models: H4RE
LUGGAGE
DOOR
DOOR PANTOGRAPH INSTALLATION 1**

Key	PartNumber	Qty	Description	Comment
-----	------------	-----	-------------	---------



VIEW LOOKING INTO BAY COMPARTMENT



VIEW LOOKING FORWARD AT BAY BULKHEAD

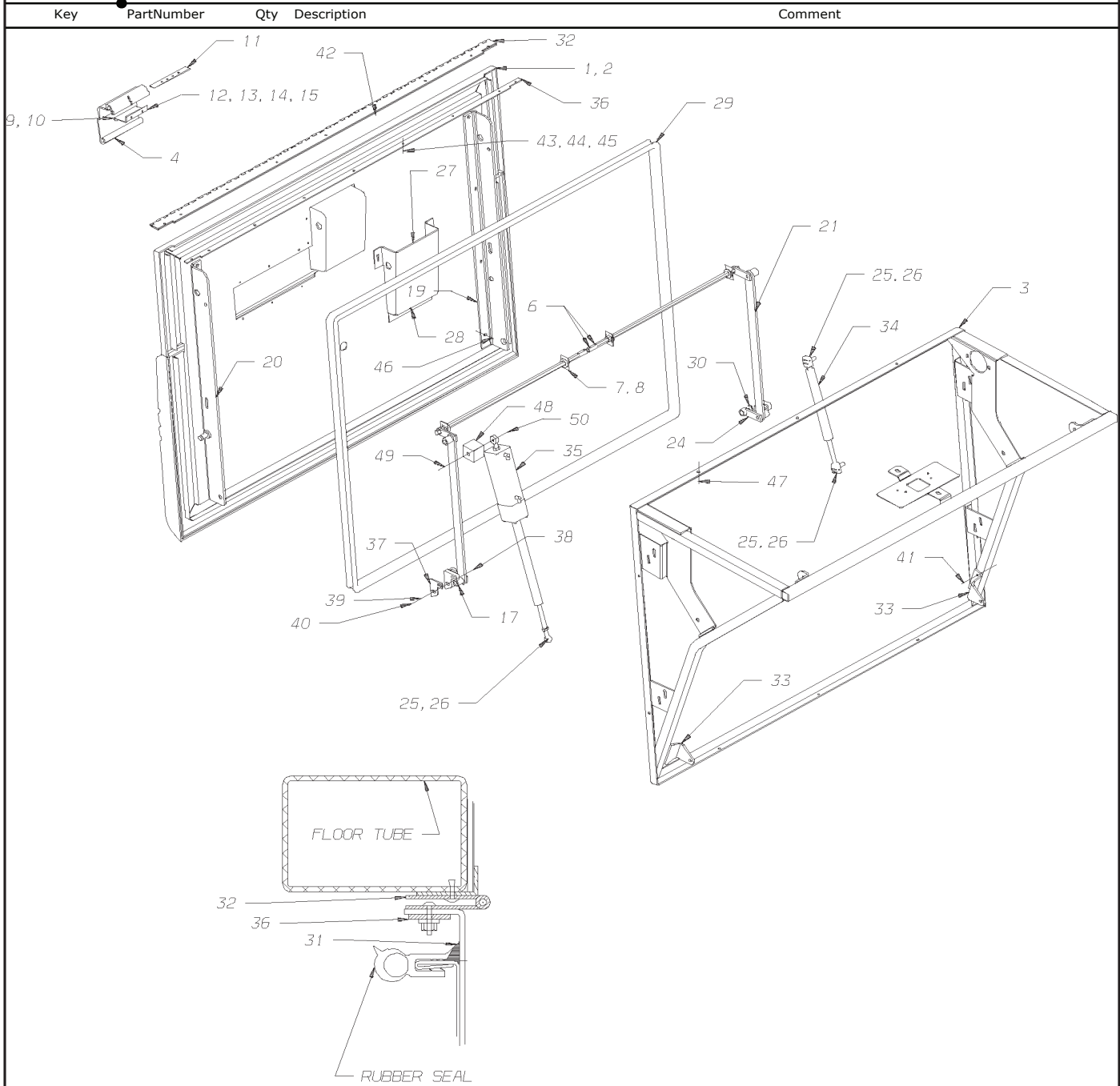
**Models: H4RE
LUGGAGE
DOOR
DOOR PANTOGRAPH INSTALLATION 1**

Key	PartNumber	Qty	Description	Comment
01	0094389		DOOR,ASSY,BAY,L/CMPT,48IN,MAIN, 45H4RE	
02	0094692		BRACKET,CONTROL,ARM,SHELL,PANTOGRAPH	
03	0094693		BRACKET,CONTROL,ARM,PANTOGRAPH DOOR,	
04	0094694		BRACKET,HINGE,ARM,SHELL,PANTOGRAPH	
07	0094697		BRACKET,MOUNT,GAS SPRING,SHELL,PANTO	
09	0098342		BRACKET,HINGE,ARM,WELDMENT,PANTOGRAPH	
10	0094700		ARM,HINGE,CONTROL,PANOTGRAPH DOOR,	
11	0094760		BRACKET,MOUNT,CONTROL ARM UPPER DOOR	
12	0076341		STRIKER,LATCH,L/CMPT DR,45H4RE	
13	0094790		SPRING,GAS,COMP ENDS,250MM STRK,800	
14	0094702		CAPSCREW,SOCKET HD,HEX,SHLDR .5X.5,	
16	0094704		BEARING,FLANGE,PLASTIC,IGUS LFI-0809	
17	0094705		BEARING,PLASTIC,THRUST,IGUS LT-0814	
18	0094714		CATCH,TENSION,LAMP BCTS-70,PUSH 12.5,	
19	1576172		SCREW,HEX,WASH,5/16X3/4,TYPE F,YEL ZN	
20	1610443		CAPSCREW,HEX FLG,5/16-18X .75,GR5,TYP F,	
22	1610443		CAPSCREW,HEX FLG,5/16-18X .75,GR5,TYP F,	
23	3825445		SCREW, MACH, PH, TH, 1/4-20 X 3/4, 304 SS	
24	0019129		SCREW,MACH,8-32X3/4,PH,PAN HD,YELZNDICH	
25	3758810		STUD,BALL,O/H CABINET 10MM,WL	
26	0071102		NUT,HEX HD,3/8-16,SER WASHER,SST	
27	0829390		NUT, HEX HD, 5/16-18, SER WASHER, YEL ZN	
28	2001253		NUT,HEX HD,8-32,YELLOW DICHROMATE	

Models: H4RE
LUGGAGE
DOOR
DOOR PANTOGRAPH INSTALLATION 1

Key	PartNumber	Qty	Description	Comment
30	2001121		WASHER, FLAT, 5/16 X 3/4, X 5/64, YEL ZN	
33	0076483		CAPSCREW, SOCKET HD, 5/16-18X1 1/4, FLG BUT	
34	3733292		ADHESIVE, LOCTITE 277, 50ML-27731	
44	0080058		FILM, VIBRATION, DAMPENING, POLYMERIC	

**Models: H4RE
LUGGAGE
DOOR
HINGED**



SEAL/HINGE DETAIL

Key	PartNumber	Qty	Description	Comment
1	0039489		PANEL ASSY,DOOR,L/CMPT,RH REAR, H4RE	
2	0039490		PANEL ASSY,DOOR,L/CMPT,CENTER,LH/RH,	

**Models: H4RE
LUGGAGE
DOOR
HINGED**

Key	PartNumber	Qty	Description	Comment
4	0034929		HANDLE ASSY,LOCK,L/CMPT DR, H4RE	
5	0034932	2	ROD ASSY,L/CMPT DOOR LATCH, H4RE	
6	2204170	4	SCREW,SM,PH,PN/HD,8-32 X 3/8,TYPE T,ZN3	
7	3900172	4	BUSHING,NYLON,GUIDE,LOCK ROD,CMPT DR,89	
8	3900164	4	FASTENER,PUSH-ON TYPE,TINNERMAN,C6307	
9	3903200		BUMPER,RECESSED,0.50 DIA X 0.44 TALL,	
10	2217578		RIVET,BLIND,ALUM,1/8 DIA,W/ST M,251-312	
11	3891116		PLATE,MTG,LOCK ROD,COMPARTMENT DOOR,89	
12	0044151		STRIKER,LOCK,COMPARTMENT DOOR, H4RE	
13	2000776	2	SCREW,MACH, 10-32 X 3/4,PH1,RD HD,	
14	2001162	2	LOCKWASHER,SPLIT RING, 3/16,MED,YEL ZN	
15	2001287	2	NUT,HEX HD,10-32,YEL ZN DICH	
16	3840808	4	NUT,LOCK,HEX,1/4-20,ZN3,CENTER LOCK	
17	3891264	4	BUSHING,NYLON,LOCK,COMPARTMENT	
18	3940145	4	SCREW,SHLDR,HEX SOC,5/16 X 3/4 W/ 1/4-20,,	
19	0034941		ANGLE ASSY,ATCH,L/CMPT DR LINKAGE,FRT,	
20	0034942		ANGLE ASSY,ATCH,L/CMPT DR LINKAGE,RR,	
21	0034940	2	BAR,CONN,L/CMPT DR LATCH, H4RE	
22	0020894	2	EXTRUSION,LOCK,CMPT DR CATCH,RH	
23	0020895	2	EXTRUSION,LOCK,CMPT DR CATCH,LH	
24	0034935	2	ROD ASSY,L/CMPT DOOR LATCH,LWR, H4RE	
25	1316686	3	STUD,GAS SPRING,A90007 FOR FB22-160	

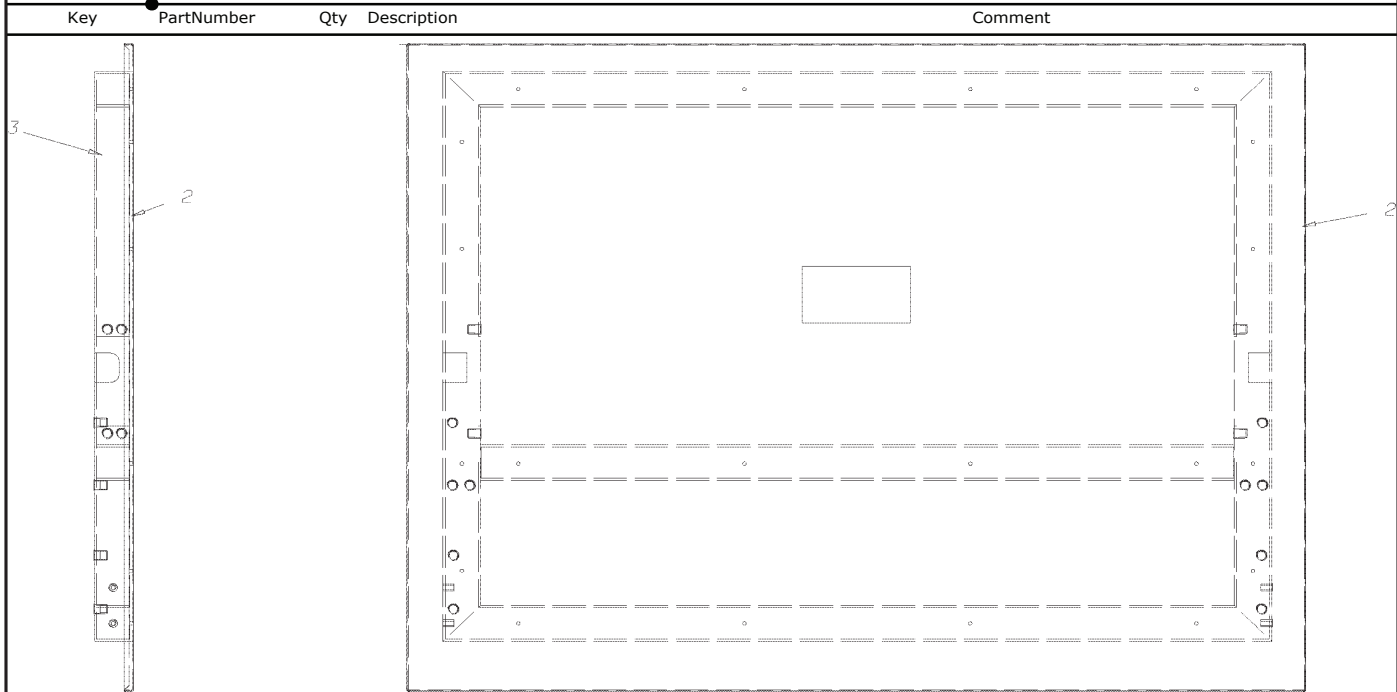
**Models: H4RE
LUGGAGE
DOOR
HINGED**

Key	PartNumber	Qty	Description	Comment
26	1316694	3	CLIP,GAS SPRING,A9036 FOR FB22-160	
27	0028223		BRACKET,L/CMPT DR,HANDLE	
28	1943695	3	SCREW,10-16X3/4,AB,PH1,PAN HD,BLK ZN	
29	0001713	AR	SEAL,RUBBER PUSH ON,75001611	
30	0046336	2	RING,RETAINING,E TYPE,.50 SHAFT DIA	
31	0005364	AR	SEALANT,SIKAFLEX,221 BLACK,INDUSTRIAL	
32	0045198		HINGE,STNLS,.120 PIN,47.75, H4RE	
33	0044654	2	BRACKET,MOUNTING,GAS SPRING,L/CMPT,	
34	0012674		SPRING,GAS,AVM SE1500M,80LB	
35	0046634		SPRING,GAS/AIR,HINGED L/CMPT DOOR,H4RE	
36	0045507		SUPPORT,HINGED L/CMPT DOOR, H4RE	
37	0021554	AR	SPACER,LUGGAGE DOOR CATCH"	
38	1674225	8	CAPSCREW,HEX FLG,1/4-20X1.25,GRD5,BLACK	
39	1467000	8	WASHER,FLAT,.281 X.750X.078 HARDENED,BLK	
40	2194447	8	NUT,HEX HD,1/4-20,PRVLG TORQUE,YEL ZN	
41	2000073	4	SCREW,1/4-20 X 1,D,HEX HD,YEL ZN DICH	
42	0542019	6	RIVET,LONG CHERRY,7355-100-6-8	
43	2000750	9	SCREW,MACH,10-24 X 1/2,PH1,RD HD,YEL	
44	2145340	9	WASHER,LOCK,INTN,NO 10	
45	2001279	9	NUT,HEX HD,10-24,YEL ZN DICH"	
46	3840808	8	NUT,LOCK,HEX,1/4-20,ZN3,CENTER LOCK	
48	0050368		SPACER,1.5 X 1.5 ALUM, H4RE	
49	0002780		CAPSCREW,HEX FLG,5/16-18X2.50,GRD5,	

Models:
H4RE
LUGGAGE
DOOR
HINGED

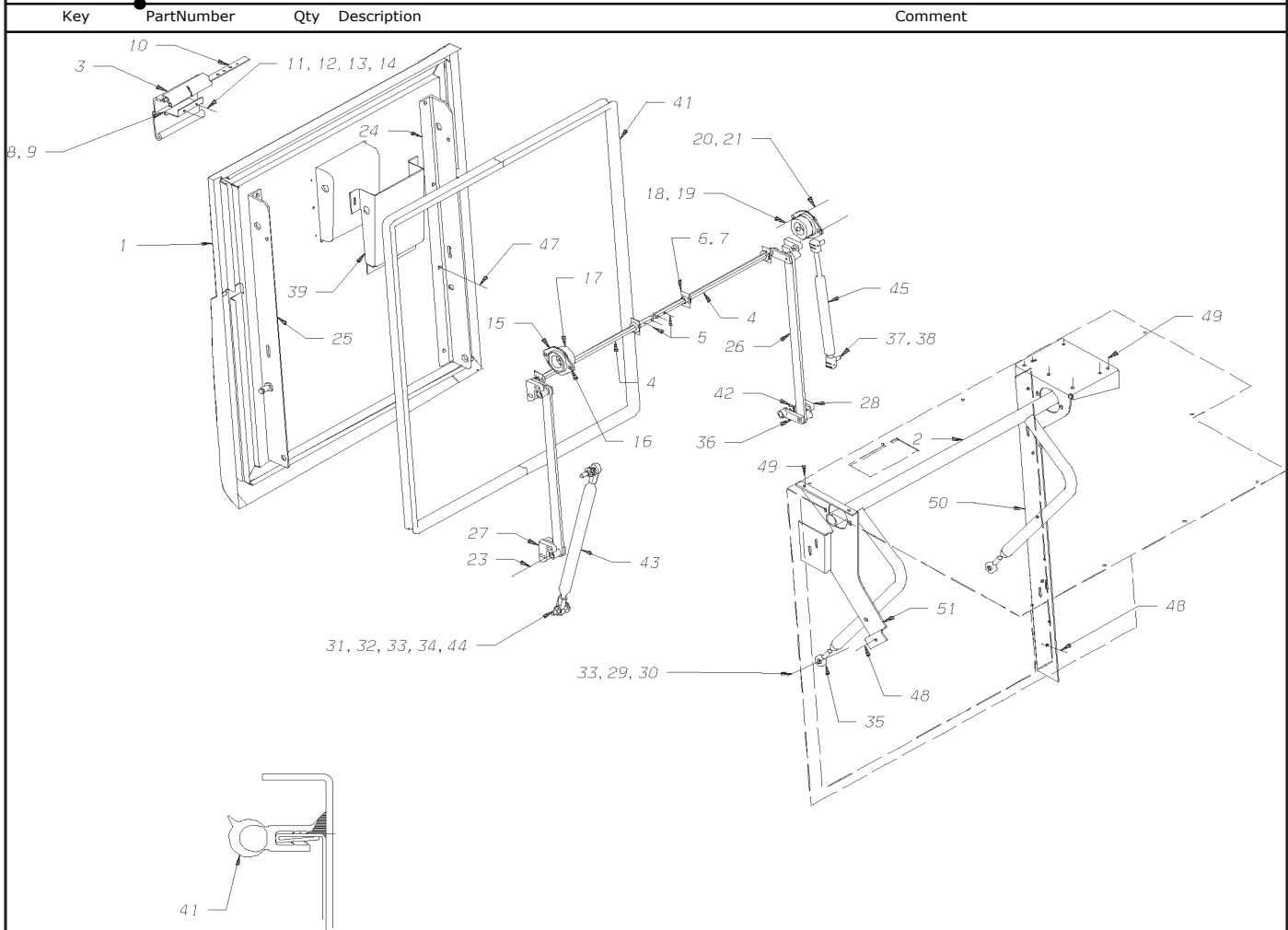
Key	PartNumber	Qty	Description	Comment
50	1799287		NUT,HEX HD,5/16-18,LOCKING,NYLON INSERT,	

**Models: H4RE
LUGGAGE
DOOR
INSTALLATION, 48 INCH RH**



01	0094495		DOOR,ASSY,BAY,L/CMPT,48IN DR, 45H4RE	
02	0094298		PANEL,DOOR,OUTER,BAY,L/CMPT,48IN, 45H4RE	
03	0094384		FRAME,ASSY,DOOR,BAY,L/CMPT,48IN, 45H4RE	

Models: **H4RE
LUGGAGE
DOOR
LH FRONT**



SFAI DFTA II

Key	PartNumber	Qty	Description	Comment
1	0045295		PANEL ASSY,DOOR,L/CMPT,LH FRT	
2	0042306		LINKAGE ASSY,DRV L/CMPT,UPPERLINK, H4RE	
3	0034929		HANDLE ASSY,LOCK,L/CMPT DR, H4RE	
4	0028225	2	ROD ASSY,L/CMPT LH FRT DOOR LATCH, H4RE	
5	2204170	4	SCREW,SM,PH,PN/HD,8-32 X 3/8,TYPE T,ZN3	
6	3900172	4	BUSHING,NYLON,GUIDE,LOCK ROD,CMPT DR,89	
7	3900164	4	FASTENER,PUSH-ON TYPE,TINNERMAN,C6307	

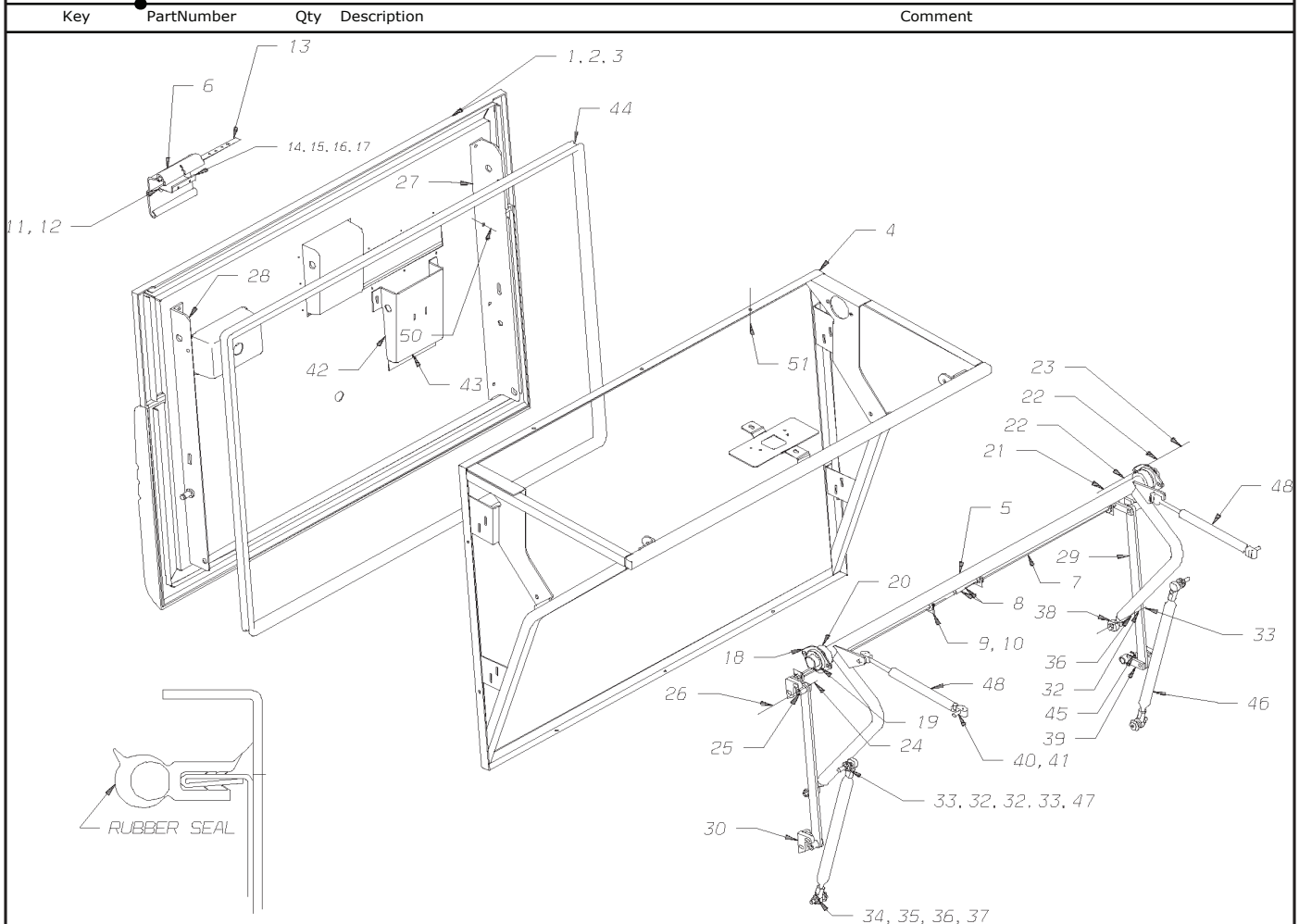
Models:
H4RE
LUGGAGE
DOOR
LH FRONT

Key	PartNumber	Qty	Description	Comment
8	3903200		BUMPER,RECESSED,0.50 DIA X 0.44 TALL,	
9	2217578		RIVET,BLIND,ALUM,1/8 DIA,W/ST M,251-312	
10	3891116		PLATE,MTG,LOCK ROD,COMPARTMENT DOOR,89	
11	0044151		STRIKER,LOCK,COMPARTMENT DOOR, H4RE	
12	2000776	2	SCREW,MACH, 10-32 X 3/4,PH1,RD HD,	
13	2001162	2	LOCKWASHER,SPLIT RING, 3/16,MED,YEL ZN	
14	2001287	2	NUT,HEX HD,10-32,YEL ZN DICH	
15	1966514	4	BEARING,FLANGE,LUGG DOOR,UPR LNK,	
16	1966506	2	BEARING,COMPOSITE,LUGG DOOR,UPR LNR,	
17	1959147	2	COLLAR,SHAFT 1.25:IDX2""OD	
18	1465954	4	NUT,HEX HD,5/16-18,LK,NYLON INSERT,YEL	
19	2106292	8	WASHER,5/16IN	
20	2509560	4	BOLT,5/16X3/4,HEX,WASH HD,TY B,GR5,ZN	
21	3840808		NUT,LOCK,HEX,1/4-20,ZN3,CENTER LOCK	
22	3891264	4	BUSHING,NYLON,LOCK,COMPARTMENT	
23	3940145	4	SCREW,SHLDR,HEX SOC,5/16 X 3/4 W/ 1/4-20,,	
24	0034941		ANGLE ASSY,ATCH,L/CMPT DR LINKAGE,FRT,	
25	0034942		ANGLE ASSY,ATCH,L/CMPT DR LINKAGE,RR,	
26	0034940	2	BAR,CONN,L/CMPT DR LATCH, H4RE	
27	0020894	2	EXTRUSION,LOCK,CMPT DR CATCH,RH	
28	0020895	2	EXTRUSION,LOCK,CMPT DR CATCH,LH	
29	1078922	4	WASHER, FLAT, 3/8 X 7/8 X 5/64, YEL ZN DICH	
30	2204402	4	NUT,HEX,3/8-24,ZN3	

**Models: H4RE
LUGGAGE
DOOR
LH FRONT**

Key	PartNumber	Qty	Description	Comment
31	4105441	2	CAPSCREW,ALLEN,FL HD,3/8 X 1-3/4	
32	0850776	2	WASHER,FLAT,17/32 X 1 1/16 X 3/32,	
33	0034938	4	SPACER,5/8 OD X 3/8 ID X .34	
34	0826297	4	NUT,HEX HD,3/8-16 LOCK,YEL ZN DICH	
35	1966738	2	ROD END,MALE THREAD,PLAIN BALL END,3/8	
36	0034935	2	ROD ASSY,L/CMPT DOOR LATCH,LWR, H4RE	
37	1316686	4	STUD,GAS SPRING,A90007 FOR FB22-160	
38	1316694	2	CLIP,GAS SPRING,A9036 FOR FB22-160	
39	0028223		BRACKET,L/CMPT DR,HANDLE	
40	1943695	3	SCREW,10-16X3/4,AB,PH1,PAN HD,BLK ZN	
41	0001713	AR	SEAL,RUBBER PUSH ON,75001611	
42	0046336	2	RING,RETAINING,E TYPE,.50 SHAFT DIA	
43	0001495	2	LINKAGE ASSY,LUGG DR,LWR LINK,B4/Q4/W4	
44	2028330	2	CAPSCREW,HEX HD,3/8-24 X 1,GR5,YEL ZN	
45	1980861	2	SPRING,GAS,200LBF,LG11.81TO19.69,SMALL	
46	0005364	AR	SEALANT,SIKAFLEX,221 BLACK,INDUSTRIAL	
47	3840808	8	NUT,LOCK,HEX,1/4-20,ZN3,CENTER LOCK	
49	2000073	7	SCREW,1/4-20 X 1,D,HEX HD,YEL ZN DICH	
50	0031874		BRACKET,MTG,DRVS,L/CMPT DOOR LINKAGE,	
51	0031875		BRACKET,MTG,DRVS,L/CMPT DOOR LINKAGE,RR	

Models: **H4RE
LUGGAGE
DOOR
PANTOGRAPH**



Key	PartNumber	Qty	Description	Comment
1	0039488		PANEL ASSY,DOOR,L/CMPT,RH/LH, H4RE	
2	0039489		PANEL ASSY,DOOR,L/CMPT,RH REAR, H4RE	
3	0039490		PANEL ASSY,DOOR,L/CMPT,CENTER,LH/RH,	
4	0027904		FRAME ASSEMBLY,MTG,L/CMPT DOORS	
5	0034928		LINKAGE ASSY,L/CMPT DR,UPR LINK, H4RE	
6	0034929		HANDLE ASSY,LOCK,L/CMPT DR, H4RE	
7	0034932	2	ROD ASSY,L/CMPT DOOR LATCH, H4RE	
8	2204170	4	SCREW,SM,PH,PN/HD,8-32 X 3/8,TYPE T,ZN3	
9	3900172	4	BUSHING,NYLON,GUIDE,LOCK ROD,CMPT DR,89	

**Models: H4RE
LUGGAGE
DOOR
PANTOGRAPH**

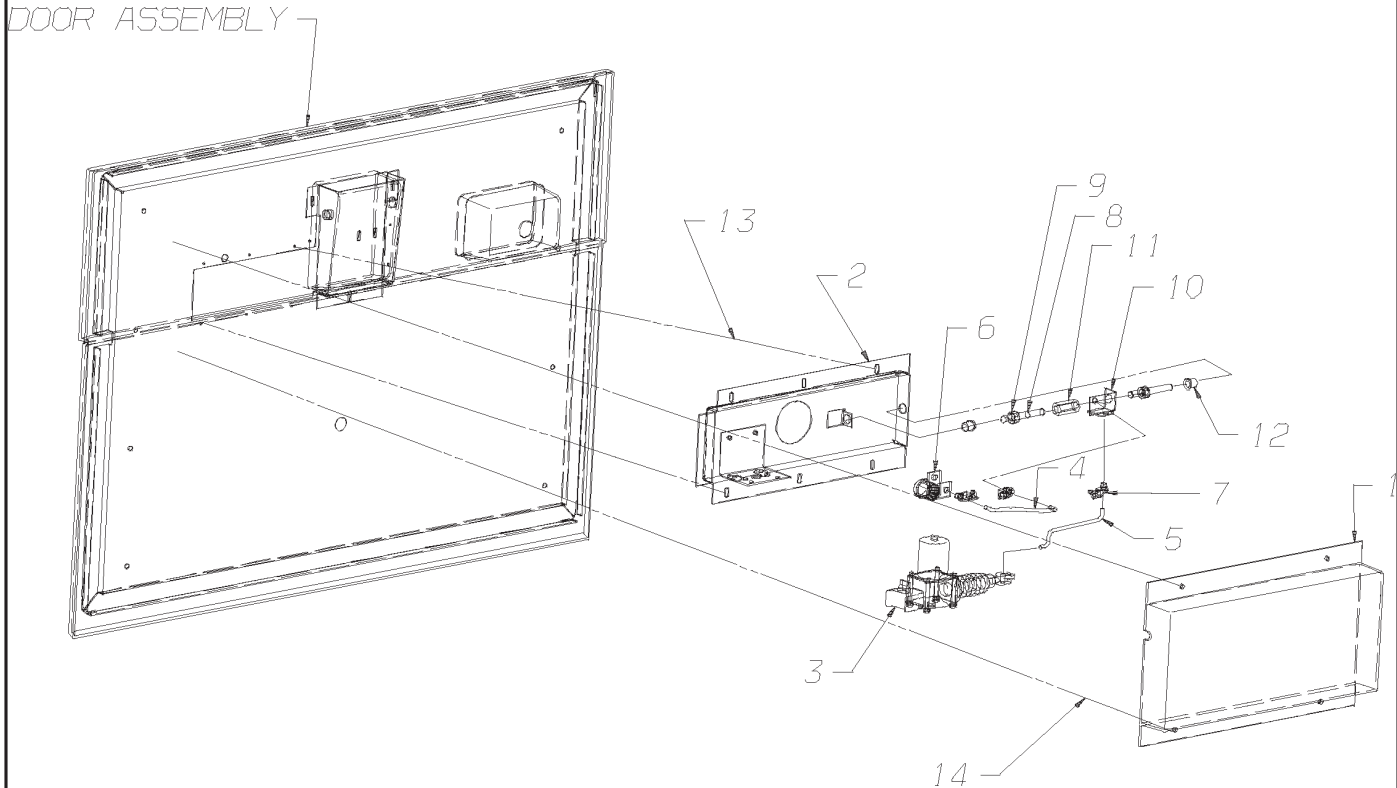
Key	PartNumber	Qty	Description	Comment
10	3900164	4	FASTENER,PUSH-ON TYPE,TINNERMAN,C6307	
11	3903200		BUMPER,RECESSED,0.50 DIA X 0.44 TALL,	
12	2217578		RIVET,BLIND,ALUM,1/8 DIA,W/ST M,251-312	
13	3891116		PLATE,MTG,LOCK ROD,COMPARTMENT DOOR,89	
14	0044151		STRIKER,LOCK,COMPARTMENT DOOR, H4RE	
15	2000776	2	SCREW,MACH, 10-32 X 3/4,PH1,RD HD,	
16	2001162	2	LOCKWASHER,SPLIT RING, 3/16,MED,YEL ZN	
17	2001287	2	NUT,HEX HD,10-32,YEL ZN DICH	
18	1966514	4	BEARING,FLANGE,LUGG DOOR,UPR LNK,	
19	1966506	2	BEARING,COMPOSITE,LUGG DOOR,UPR LNR,	
20	1959147	2	COLLAR,SHAFT 1.25:IDX2""OD	
21	1465954	4	NUT,HEX HD,5/16-18,LK,NYLON INSERT,YEL	
22	2106292	8	WASHER,5/16IN	
23	2509560	4	BOLT,5/16X3/4,HEX,WASH HD,TY B,GR5,ZN	
24	3840808	4	NUT,LOCK,HEX,1/4-20,ZN3,CENTER LOCK	
25	3891264	4	BUSHING,NYLON,LOCK,COMPARTMENT	
26	3940145	4	SCREW,SHLDR,HEX SOC,5/16 X 3/4 W/ 1/4-20,,	
27	0034941		ANGLE ASSY,ATCH,L/CMPT DR LINKAGE,FRT,	
28	0034942		ANGLE ASSY,ATCH,L/CMPT DR LINKAGE,RR,	
29	0034940	2	BAR,CONN,L/CMPT DR LATCH, H4RE	
30	0020894	2	EXTRUSION,LOCK,CMPT DR CATCH,RH	
31	0020895	2	EXTRUSION,LOCK,CMPT DR CATCH,LH	
32	1078922	4	WASHER, FLAT, 3/8 X 7/8 X 5/64, YEL ZN DICH	

Models:
H4RE
LUGGAGE
DOOR
PANTOGRAPH

Key	PartNumber	Qty	Description	Comment
33	2204402	4	NUT,HEX,3/8-24,ZN3	
34	4105441	2	CAPSCREW,ALLEN,FL HD,3/8 X 1-3/4	
35	0850776	2	WASHER,FLAT,17/32 X 1 1/16 X 3/32,	
36	0034938	4	SPACER,5/8 OD X 3/8 ID X .34	
37	0826297	4	NUT,HEX HD,3/8-16 LOCK,YEL ZN DICH	
38	1966738	2	ROD END,MALE THREAD,PLAIN BALL END,3/8	
39	0034935	2	ROD ASSY,L/CMPT DOOR LATCH,LWR, H4RE	
40	1316686	4	STUD,GAS SPRING,A90007 FOR FB22-160	
41	1316694	2	CLIP,GAS SPRING,A9036 FOR FB22-160	
42	0028223		BRACKET,L/CMPT DR,HANDLE	
43	1943695	3	SCREW,10-16X3/4,AB,PH1,PAN HD,BLK ZN	
44	0001713	AR	SEAL,RUBBER PUSH ON,75001611	
45	0045336	2	KIT,SLACK ADJ,HALDEX	
46	0001495	2	LINKAGE ASSY,LUGG DR,LWR LINK,B4/Q4/W4	
47	2028330	2	CAPSCREW,HEX HD,3/8-24 X 1,GR5,YEL ZN	
48	1980861	2	SPRING,GAS,200LBF,LG11.81TO19.69,SMALL	
49	0005364	AR	SEALANT,SIKAFLEX,221 BLACK,INDUSTRIAL	
50	3840808	8	NUT,LOCK,HEX,1/4-20,ZN3,CENTER LOCK	

Models: **H4RE
LUGGAGE
DOOR
PANTOGRAPH**

Key	PartNumber	Qty	Description	Comment
-----	------------	-----	-------------	---------

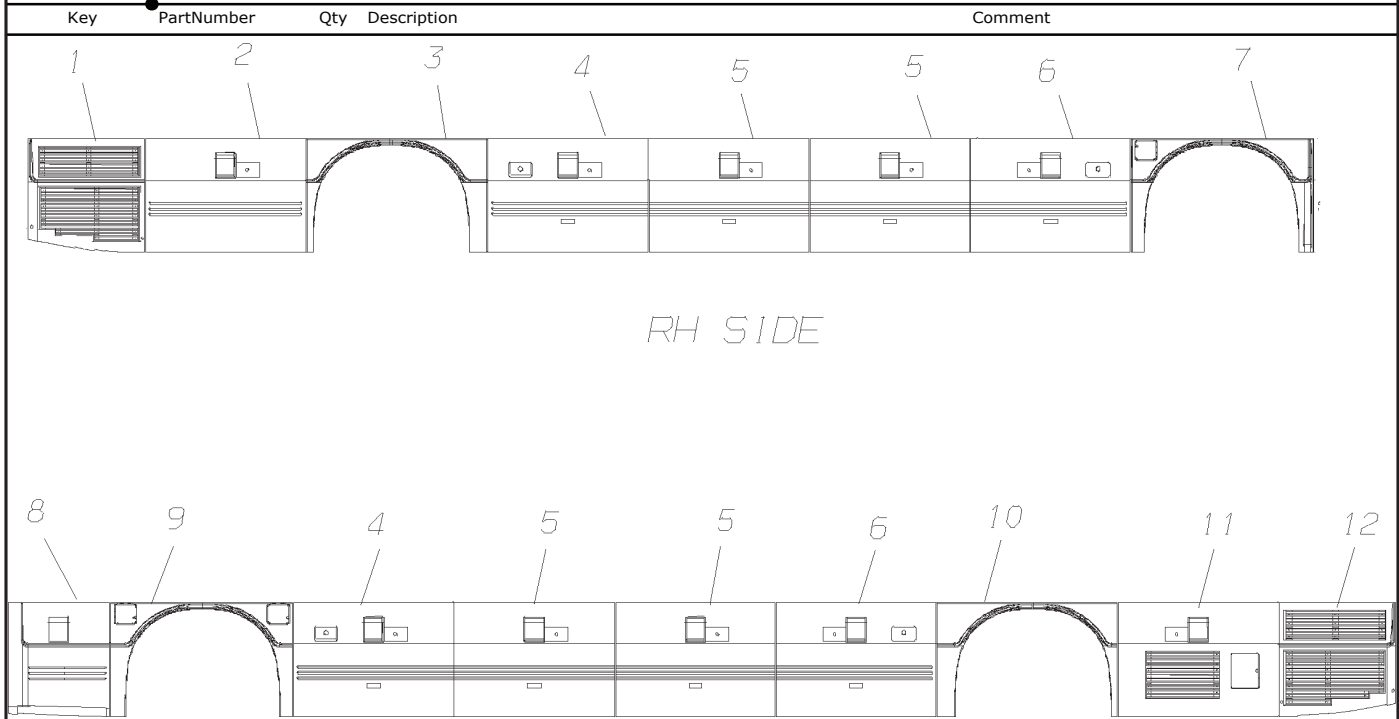


1	0043653		COVER,ELECT LOCK OPENING,L/CMPT DR, H4RE	
2	0044152		BRACKET ASSY,MOUNTING ELECT LOCK, H4RE	
3	2271914		ACTUATOR,ELECTRICAL,ENTRANCE DOOR LOCK	
4	0043898		ROD,ATTCH,KEY LOCK,ELECTRIC LOCK, H4RE	KEY LOCK, ELECTRIC LOCK
5	0043915		ROD,ATTACH,SOLENOID,ELECTRIC LOCK, H4RE	
6	0045663		KIT,LOCK,SIDE COMPARTMENTS, H4RE	
7	1989748	3	CLIP,ROD END	
8	1978840	2	ROD,PLUNGER,ELECTRIC LOCK, W4RE	
9	0971978	2	NUT,HEX HD,5/16,YELLOW DICHROMATE	
10	0043894		BRACKET,MOUNTING,ELECTRIC LOCK SLIDE,	
11	0028228		NUT,COUPLING,ZINC,5/16-24	

Models: H4RE
LUGGAGE
DOOR
PANTOGRAPH

Key	PartNumber	Qty	Description	Comment
12	0385484	2	BUSHING,NYLON,.437 HEYCO	
13	2000511	6	SCREW,10-16 X 1/2,AB,PH1,TRUSS HD,	
14	1801067	4	SCREW,8-18 X 3/4,PH1,PAN HD,BLKZN,S/DRILL	

Models: **H4RE
LUGGAGE
DOORS AND EXTERIOR SIDE PANELS**

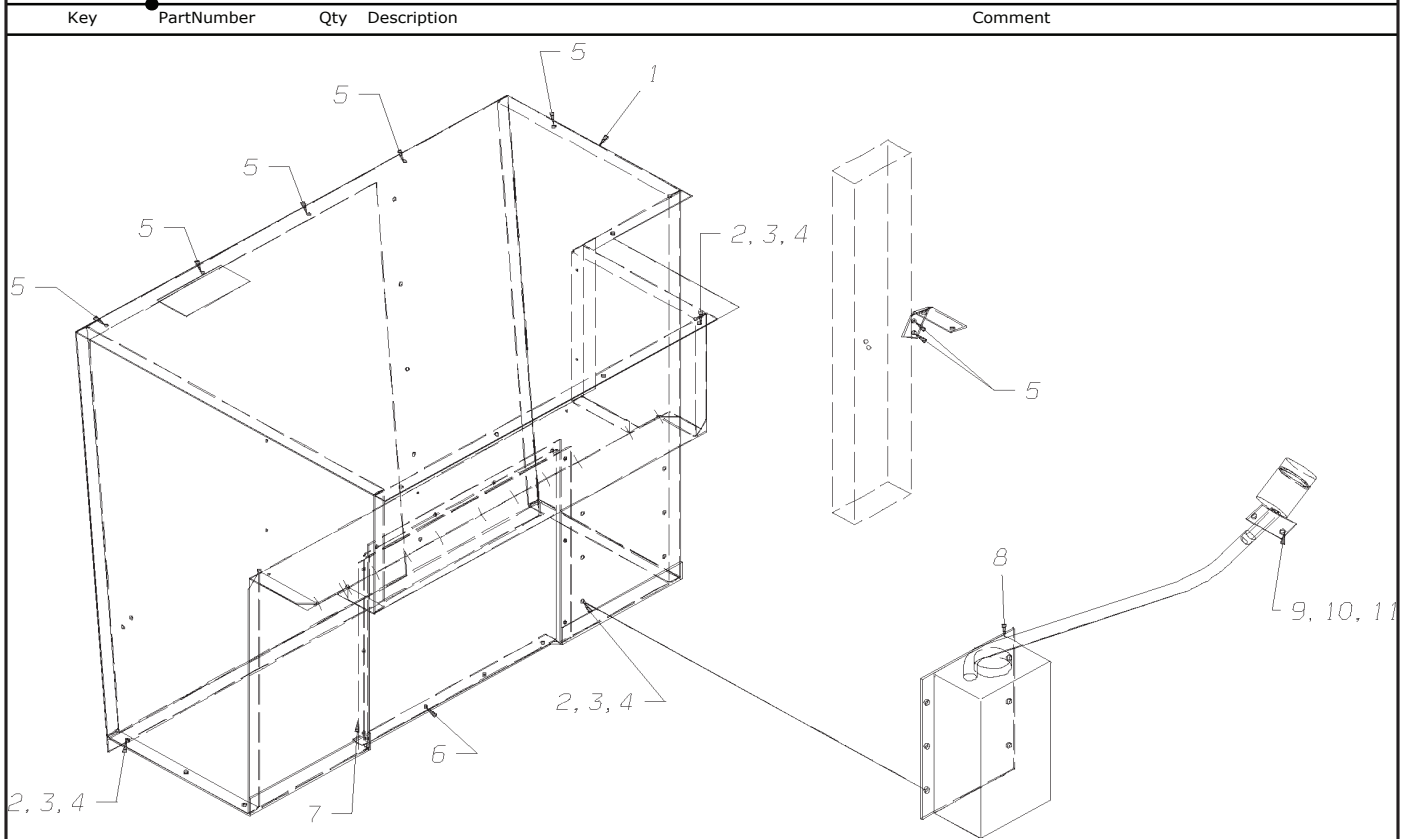


Key	PartNumber	Qty	Description	Comment
1	0039480		PANEL,DOOR,ENGINE ACCESS,RH REAR, H4RE	
2	0039491		PANEL ASSY,DOOR,BATTERY CMPT, H4RE	
3	0039494		COVER,WHEEL WELL,RH REAR, H4RE	
4	0039489		PANEL ASSY,DOOR,L/CMPT,RH REAR, H4RE	
5	0039490		PANEL ASSY,DOOR,L/CMPT,CENTER,LH/RH,	
6	0039488		PANEL ASSY,DOOR,L/CMPT,RH/LH, H4RE	
7	0039493		COVER,WHEEL WELL,RH FRT, H4RE	
8	0045295		PANEL ASSY,DOOR,L/CMPT,LH FRT	
9	0039495		COVER,WHEEL WELL,LH FRT, H4RE	
10	0039496		COVER,WHEEL WELL,LH REAR,H4RE	
11	0052860		PANEL ASSY,DOOR,OIL COOLER,H4RE	
12	0039481		PANEL,DOOR,ENGINE ACCESS,LH REAR, H4RE	

**Models: H4RE
LUGGAGE
DOORS AND EXTERIOR SIDE PANELS**

Key	PartNumber	Qty	Description	Comment
-----	------------	-----	-------------	---------

**Models: H4RE
LUGGAGE
DRIVER**



Key	PartNumber	Qty	Description	Comment
1	0041541		COMPARTMENT ASSY,L/CMPT,DRV AREA, H4RE	
2	1692664	13	CAPSCREW, HEX FLG, 1/4-20 X .75, GR5, YEL	
3	2001170	13	LOCK WASHER, SPLIT RING, 1/4 , MED, YEL ZN	
4	2001337	13	NUT,HEX HD,1/4-20,ZINC	
5	1094275	7	SCREW,1/4-14X3/4,HEX HD,SELFDRILL,	
6	0019061	14	SCREW,10-32 X 1/2, F, PH1, PAN HD, BLACK	
7	0042478		COVER,ACCESS,STEERING GEAR, H4RE	
8	6097364		KIT,BOT,W/S WASH,5 QT W/REMOTE FILL 98	
9	1610443	2	CAPSCREW,HEX FLG,5/16-18X .75,GR5,TYP F,	
10	2001188	2	LOCK WASHER, SPLIT RING, 5/16, MED, YEL ZN	
11	2001410	2	NUT,HEX HD,5/16-18,YEL ZN DICH"	

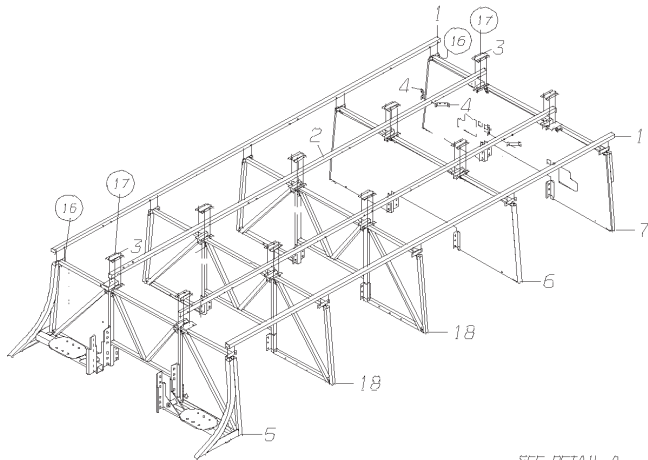
Models: H4RE
LUGGAGE
DRIVER

Key	PartNumber	Qty	Description	Comment
12	0042651		BRACKET,MOUNTING,REMOTE FILL,W/S WASH,	

**Models: H4RE
LUGGAGE
INSTALLATION**

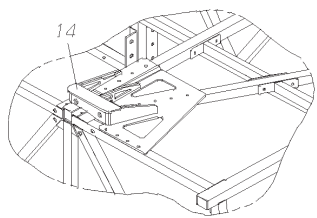
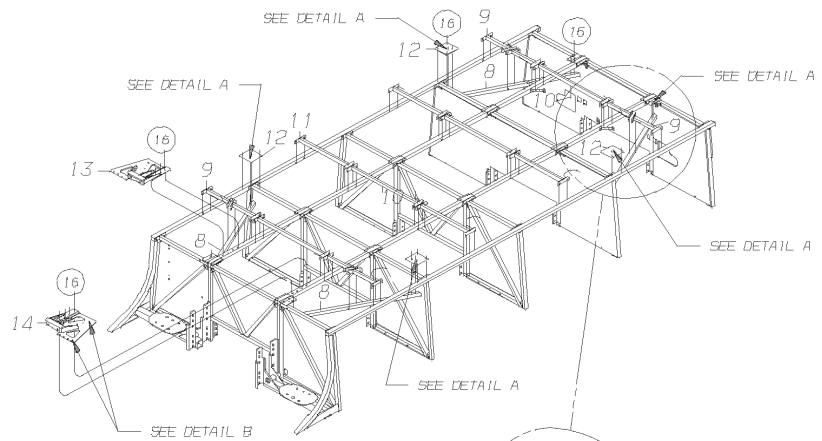
Key	PartNumber	Qty	Description	Comment
-----	------------	-----	-------------	---------

LONGITUDINAL TUBE INSTALLATION

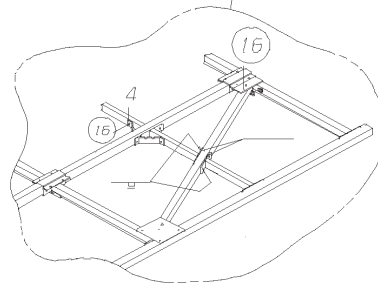


FRONT

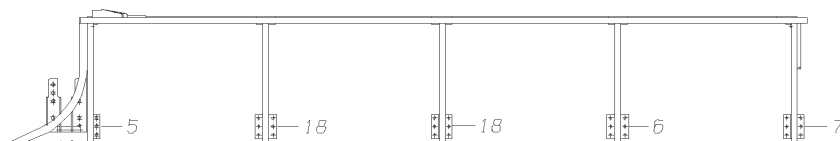
LUGGAGE BAY FLOOR CROSS TUBE INSTALLATION



DETAIL B



DETAIL A



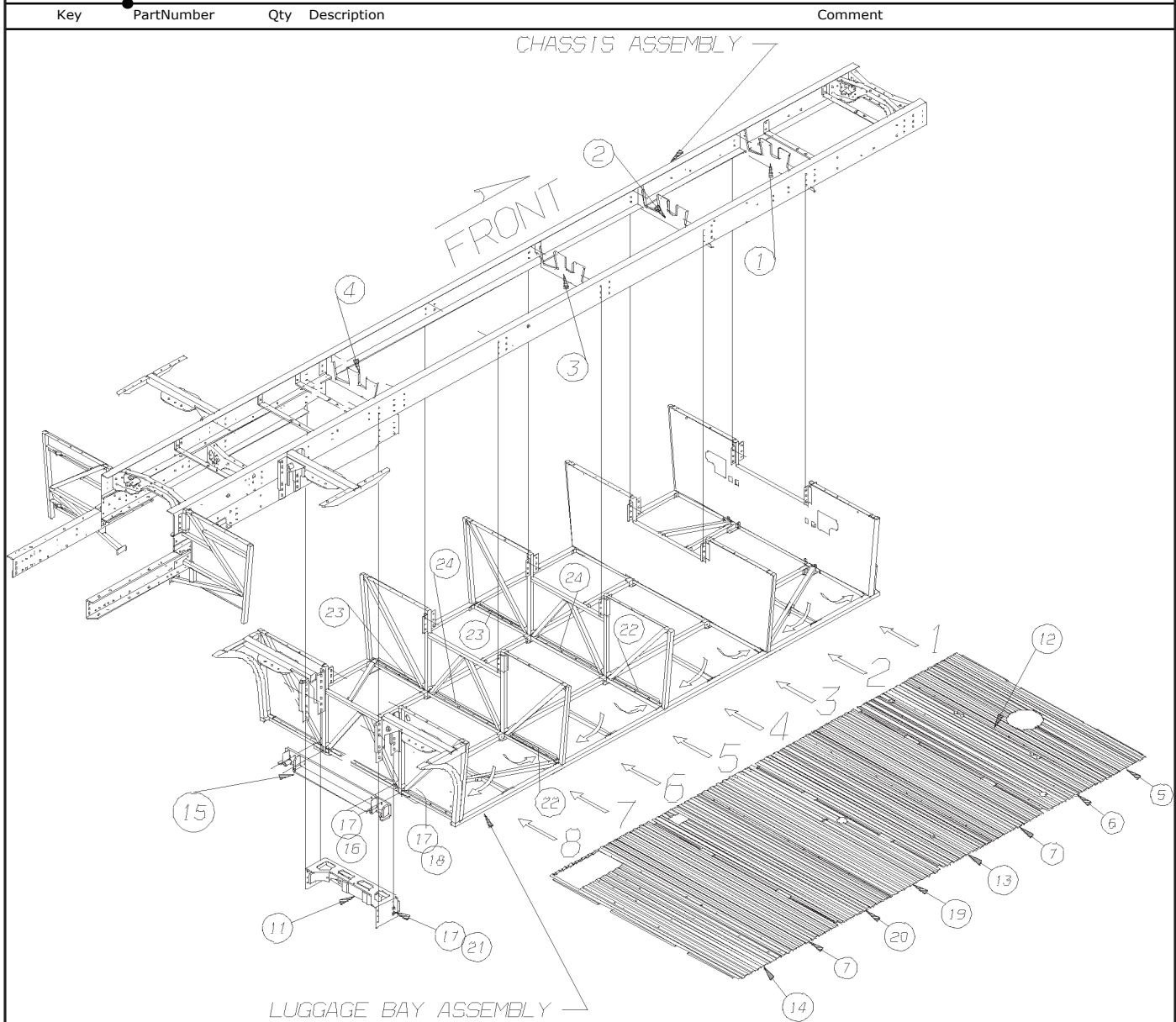
INVERTED RIGHT HAND SIDE VIEW

FRONT

**Models: H4RE
LUGGAGE
INSTALLATION**

Key	PartNumber	Qty	Description	Comment
1	0046901	2	TUBE ASSY, LONGITUDINAL, OUTBOARD, LOWER,	
2	0046256	2	TUBE ASSY, LONGITUDINAL, CENTER, LOWER,	
3	0034917	10	BRACKET, CLAMP, LUGGAGE COMP, BOTTOM	
4	0048422	4	BRACKET, MTG, FUEL TANK STRAP, FLOOR	
5	0038589		BULKHEAD ASSY, LUGGAGE COMPT, IFS, REAR,	
6	0030538		BULKHEAD ASSY, LUGGAGE COMPARTMENT	
7	0038607		BULKHEAD ASSY, FINAL, LUGGAGE COMPT, IFS,	
8	0045405	4	TUBE, STEEL, 1.50 X 1.50 X 52.32 X .083 THK	
9	0045546	8	TUBE ASSY, SUPPORTLOCK, FLOOR, OUTSIDE	
10	0048088	4	TUBE ASSY, SUPPORTLOCK, FLOOR, CENTER, BAY	
11	0045551	4	TUBE ASSY, SUPPORTLOCK, FLOOR, OUTSIDE	
12	0036339	4	PLATE, RIVET, LUGGAGE BAY TUBE, H4RE	
13	0052395		BRACKET ASSY, MTG, RH, SUSP TO BULKHEAD, RR	
14	0052394		BRACKET ASSY, MTG, LH, SUSP TO BULKHEAD, RR	
15	0043434		ADHESIVE, BETAMATE 7177, 600ML	
17	1854397	AR	RIVET, BLIND, .25 DIA, .38 GRIP	
18	0053556	2	BULKHEAD ASSY, LUGGAGE CMPT, W/O PNL,	

Models: **H4RE
LUGGAGE
INSTALLATION
FRAME TO BAY**



LUGGAGE BAY ASSEMBLY

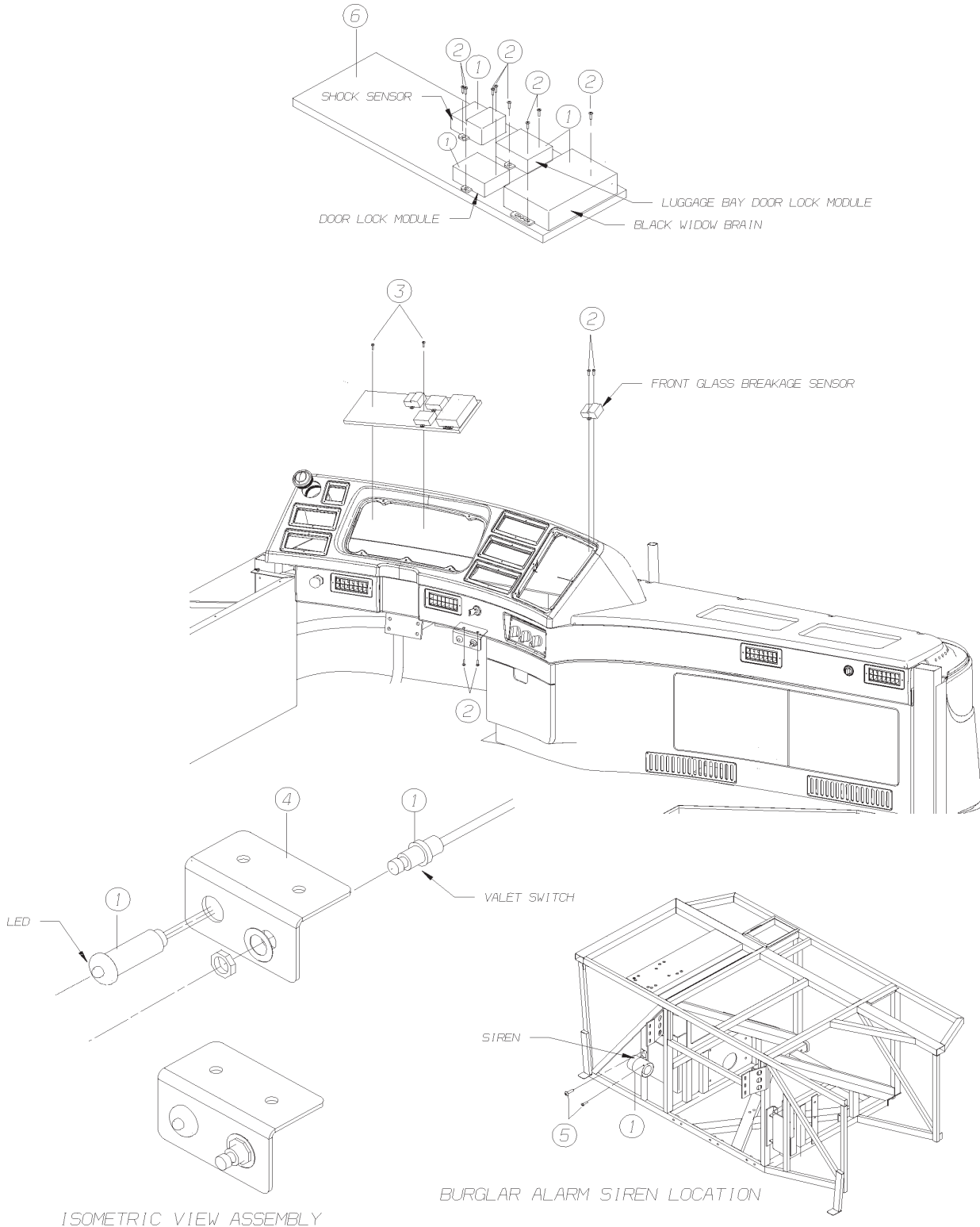
Key	PartNumber	Qty	Description	Comment
1	0037043		PANEL,FRAME RAIL BAFFLE,LOWER NO 1, H4RE	
2	0039167		PANEL,FRAME RAIL BAFFLE,LOWER NO 2, H4RE	
3	0039168		PANEL,FRAME RAIL BAFFLE,LOWER NO 3, H4RE	
4	0037259		PANEL,FRAME RAIL BAFFLE,LOWER NO 4, H4RE	
5	0039300		PANEL,CORRUGATED FLOOR,FRONT	

**Models: H4RE
LUGGAGE
INSTALLATION
FRAME TO BAY**

Key	PartNumber	Qty	Description	Comment
6	0053032		PANEL,CORRUGATED,BAY 1,REAR,38 H4RE	
7	0035404	2	PANEL,CORR FLOOR,.047X24.26X88.61	
10	0043434		ADHESIVE,BETAMATE 7177,600ML	
11	0052723		CROSSMEMBER ASSY,UPPER TORQUE ROD,	
12	1854397		RIVET,BLIND,.25 DIA,.38 GRIP	
13	0053029		PANEL,CORRUGATED,BAY 2,REAR,H4RE	
14	0044744		PANEL,CORRUGATED FLOOR,HLDG TK CMPT,RR,	
15	0038395		BRACKET ASSY,MTG,SUSP TO BULKHEAD,RR,	
16	1003078	4	CAPSCREW,HEX HD,1/2-13 X 3,GR 8,YEL ZN	
17	1003045	12	WASHER, FLAT,1 7/32 X 1 1/16 X 7/64, HDN,	
18	0850800	4	NUT, HEX HD, 1/2-13, LOCKING, GR 8, CAD	
19	0053030		PANEL,CORRUGATED,BAY 3,FRONT,H4RE	
20	0053031		PANEL,CORRUGATED,BAY 3,REAR,H4RE	
21	0803148	4	CAPSCREW,HEX HD,1/2-13 X 1 3/4,GR8,	
22	0053709	2	BRACKET,MTG,FLOOR AT BULKHEAD,RH,H4RE	
23	0053711	2	BRACKET,MTG,FLOOR AT BULKHEAD,LH,H4RE	
24	0053712	2	BRACKET,MTG,FLOOR AT BULKHEAD,CTR,H4RE	

**Models: H4RE
ALARM, BURGLAR**

Key	PartNumber	Qty	Description	Comment
-----	------------	-----	-------------	---------



ISOMETRIC VIEW ASSEMBLY

BURGLAR ALARM SIREN LOCATION

**Models: H4RE
ALARM, BURGLAR**

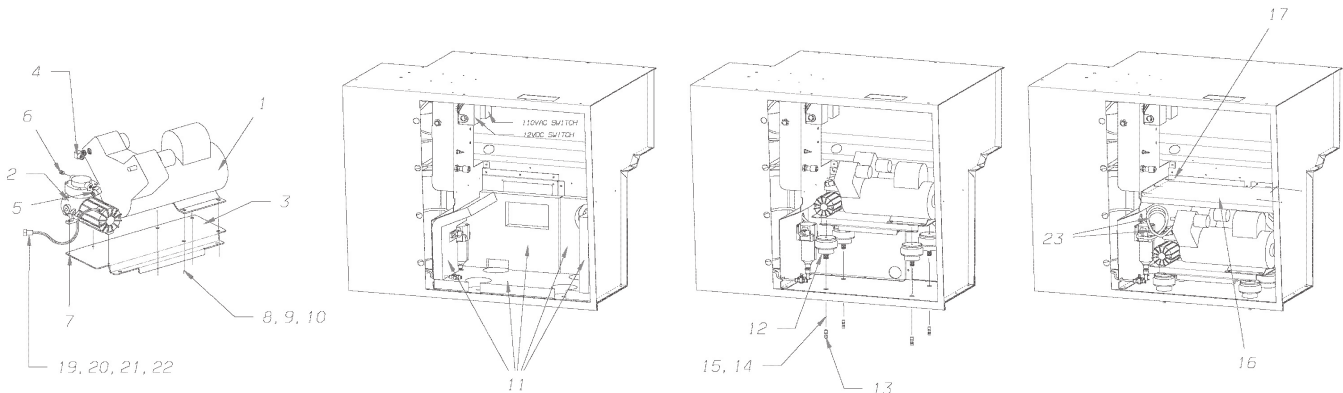
Key	PartNumber	Qty	Description	Comment
1	0058063		MODULE,ALARM,BGLR,KEYLESS ENTRY &	<i>KEYLESS, ENTRY AND SECURITY</i>
2	2256733	14	SCREW,SM,PH,PN/HD,6-20 X 1/2,TYPE AB,A3R	
3	2274686	2	SCREW,SM,PH,OVAL HD,10-16 X 1 3/16,AB,ZN3	
4	0065430		BRACKET,MTG,BURGLAR,ALARM,LED,VALET	
5	1801067	2	SCREW,8-18 X 3/4,PH1,PAN HD,BLKZN,S/DRILL	
6	0065633		PANEL,BURGLAR,ALARM,PLYWOOD,1/2	
7	3802949		DIODE,IN5400,3 AMP	
8	2007409	11	TERMINAL,BUTT CONN,14-16GA,INSULATED	
9	3846896	15	CONNECTOR,BUTT,SEAMLESS,INSULATED,18	
10	2268423	19	TERMINAL,SMALL,CLOSED END CONN	
11	3846870	2	CONNECTOR,BUTT,SEAMLESS,INSULATED,10	
12	0036507	2	TERMINAL,BUTT CONN,14-16GA,INSL,HEAT	

Models: **H4RE
AUX AIR COMPRESSORS**

Key	PartNumber	Qty	Description	Comment
-----	------------	-----	-------------	---------

DR. 2-10-05	BY MR		0075036	A
APP.	BY	FRT		REV

© BLUE BIRD BODY COMPANY ALL RIGHTS RESERVED

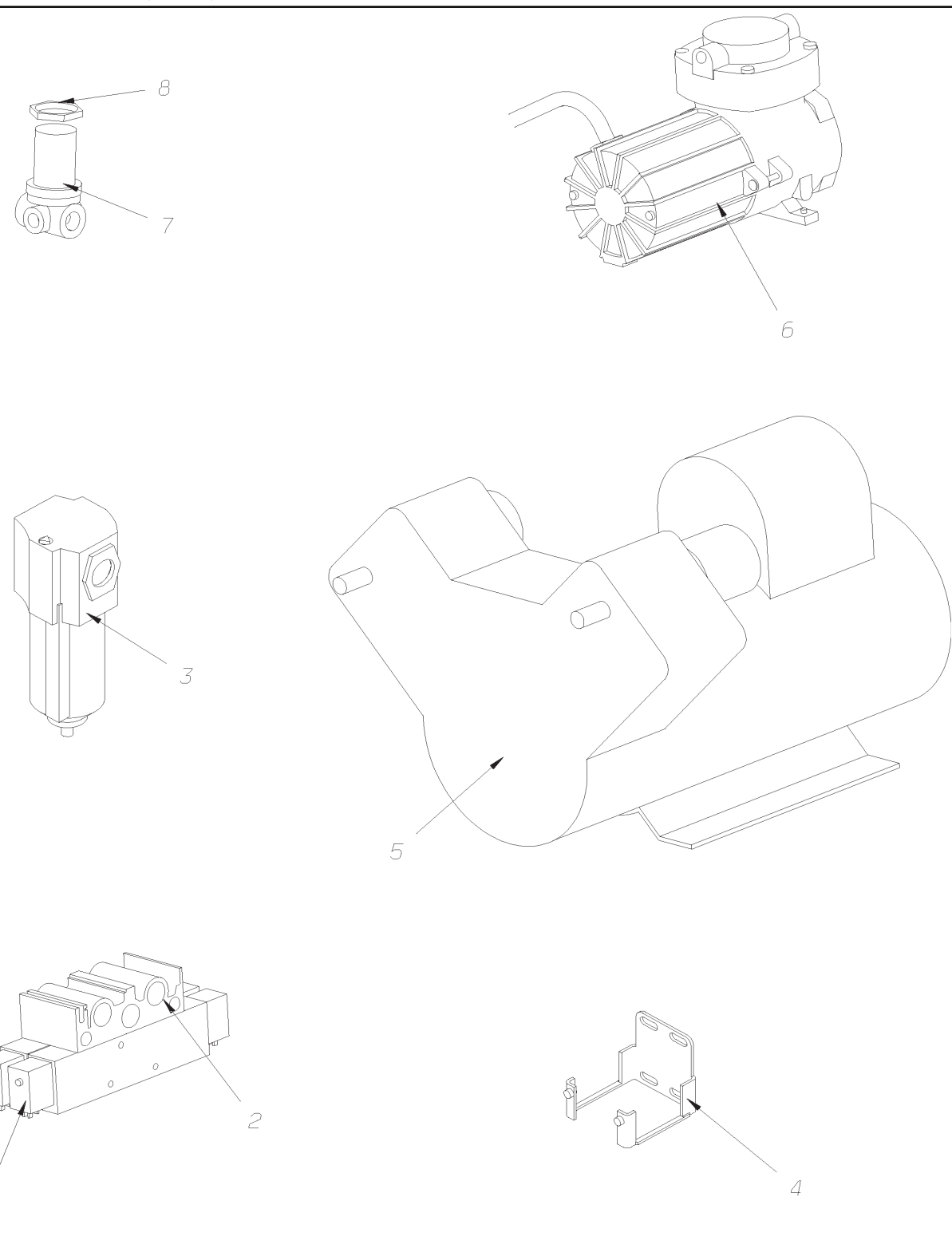



1	0069322		COMPRESSOR,AIR,110V AUX,45H4RE	
2	0069323		COMPRESSOR,AIR,12VDC,45H4RE	
3	0073095		BASE,MTG,COMPRESSORS,FRT CMPT,45H4RE	
4	0009911		ELBOW,90 DEG,MALE1869X6-Z,.38MPT	
5	0009914		ELBOW,90 DEG,MALE1869X6-Z,.25MPT X .38T"	
6	0992305		PLUG,PIPE,1/8,HEX SOCKET	
7	0563916	3	SCREW,8-32 X 1/2,PH1,RD HD,YEL ZN DICH	
8	0616037	4	CAPSCREW,HEX HD,5/16-18X1 1/2,GR5,	
9	2001188	4	LOCK WASHER, SPLIT RING, 5/16, MED, YEL ZN	
10	1142603	4	NUT,HEX HD,5/16-18,GR 8,YELLOW	
11	0075853		KIT,INSULATION,FRT CMPT,45H4RE	
12	0073156	4	SPRING,AIR,MINI SLEEVE,1.5H,	
13	0073157	4	VALVE,AIR,INFLATION,THIN SLEEVE,1/8NPTF	
14	2001220	4	LOCKWASHER,SPLIT RING, 5/8 ,LHT,YEL ZN	

**Models: H4RE
AUX AIR COMPRESSORS**

Key	PartNumber	Qty	Description	Comment
15	0939827	4	NUT, HEX HD, 5/8-11, GR 8, LOCK, CADMIUM	
16	0075557		PANEL,CLOSEOUT,SHELF,FRT CMPT,45H4RE	
17	0527275	7	SCREW,10-16 X 3/8,AB,PH1,PAN,YEL ZINC	
18	0054290	AR	ADHESIVE,SIKA-FLEX 252,20OZ. SAUSAGE,BLK	
19	1613611		CONNECTOR,2CIRC,M,280 SERIES,METRI-PACK	
20	1754357	2	TERMINAL,PIN,12-14 GA,280 SERIES,METRI-	
21	1154582	2	SEAL,WIRE,CBL/DIA.111-.137,GY,W/PACK,PACK	
22	1613645		LOCK,SEAL,SECD,2CIR,280 SERIES,METRI-	
23	0083030	4	TUBING,TEFLON,PFA,HIGH TEMP,3/8"OD	

Models: **H4RE
AUX AIR COMPRESSORS
KIT, AIR ACCESSORY SYSTEM**

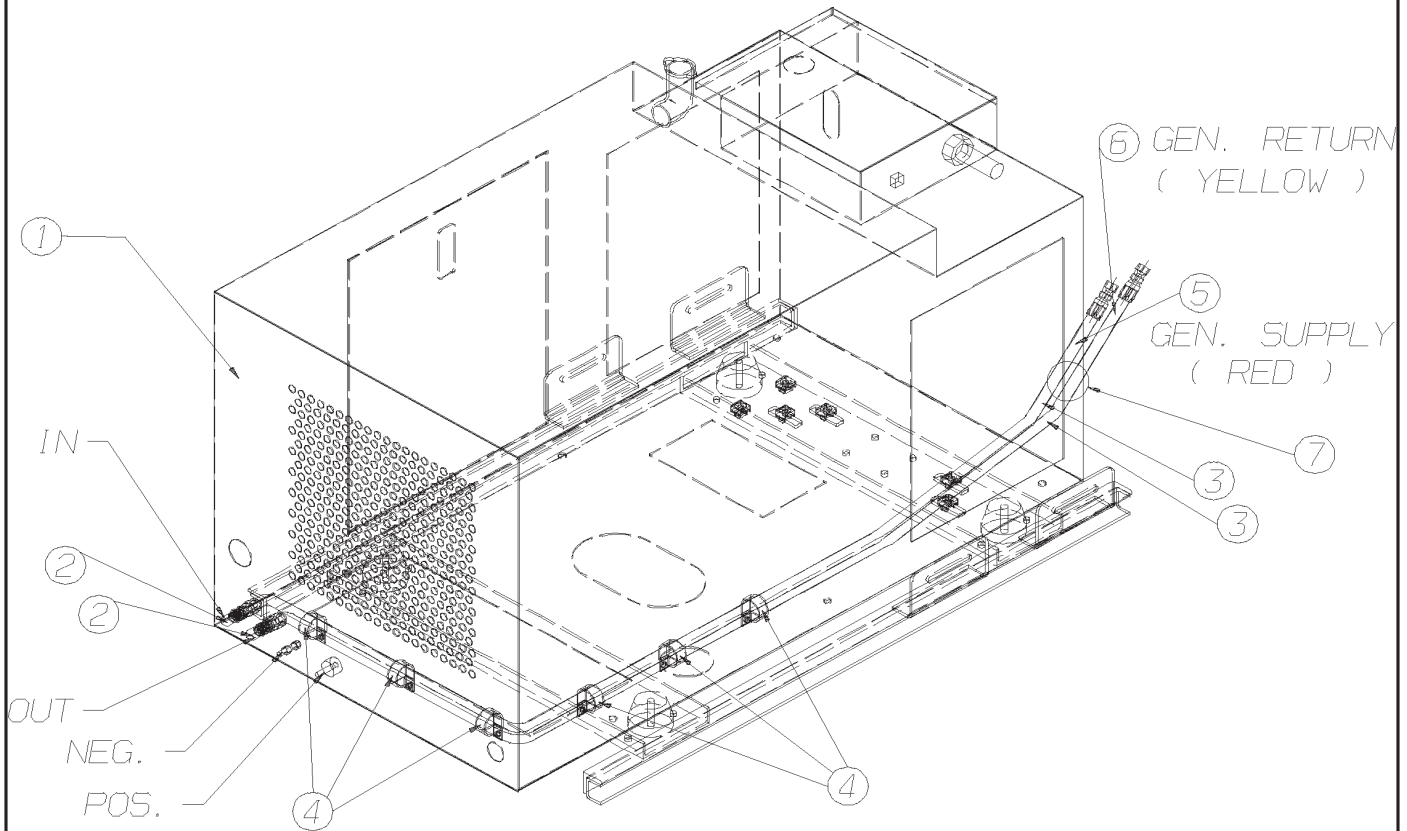
Key	PartNumber	Qty	Description	Comment
				

**Models: H4RE
AUX AIR COMPRESSORS
KIT, AIR ACCESSORY SYSTEM**

Key	PartNumber	Qty	Description	Comment
1	0069327		VALVE,AIR,NORGREN,N61,ACCSRY	
2	0069324		MANIFOLD,AIR,2 STATION,V61,ACCSRY,45H4RE	
3	0069325		FILTER,AIR,NORGREN,45H4RE	
4	0069326		BRACKET,MTG,AIR FILTER,ACCSRY,F73,45H4RE	
5	0069322		COMPRESSOR,AIR,110V AUX,45H4RE	
6	0069323		COMPRESSOR,AIR,12VDC,45H4RE	
7	0071413		REGULATOR,AIR,ACCESSORY AIR	
8	0071414		NUT,SPECIAL,MTG,FOR 0071413	

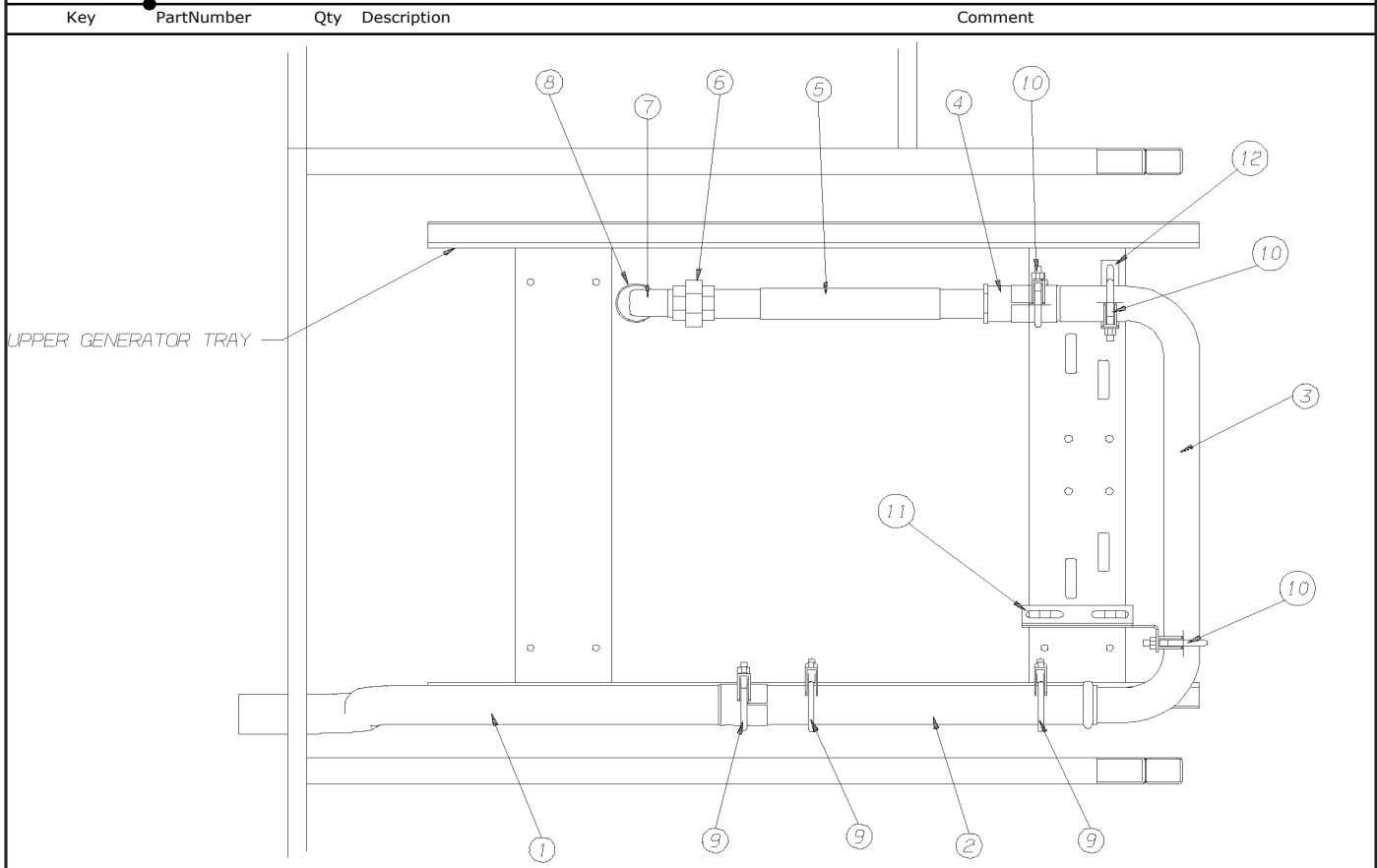
Models: **H4RE
GENERATOR ASSY, 12KW, POWER TECH**

Key	PartNumber	Qty	Description	Comment
-----	------------	-----	-------------	---------



1	0038161		GENERATOR,12 KW,POWER TECH,QUIET BOX,
2	1024843	2	FITTING,ELBOW,90DEG,1/4MPT X 3/8 37 DEG
3	3889417	2	HOSE ASSY,FUEL LINE,FEM SWIV X .312 ID X
4	0948141	6	CLAMP,LOOP,1.312
5	2249357		TAPE,ELECTRICAL MARKING RED
6	2249365		TAPE,ELECTRICAL MARKING,YELLOW
7	0599704		TIE, CABLE, NYLON

Models: **H4RE
GENERATOR EXHAUST, FRONT**



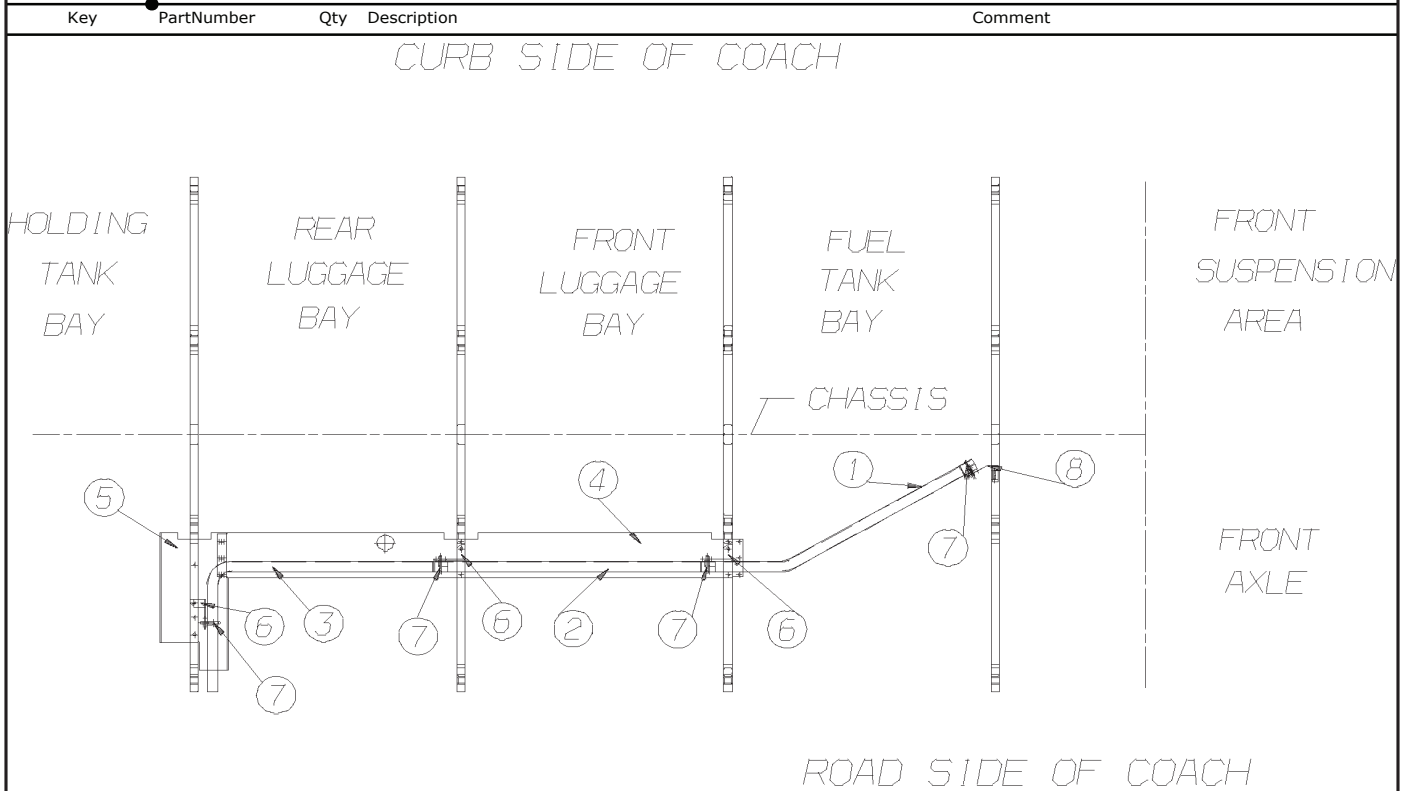
FRONT BASKET AND GENERATOR AREA VIEWED FROM UNDER COACH

1	0041501		PIPE,EXH,GEN,SLIP,TO MUFFLER,H4RE	
2	3928801		PIPE,CONN,EXHAUST,GEN,2.25OD FEM,90WB,	
3	0041500		PIPE,EXH,GEN,FRT,H4RE	
4	6096119		PIPE,CONNECTOR,EXHAUST,AQUA-HOT,1998	
5	0041503		PIPE,EXH,FLEX,1.25 BIIP X 15.80 LONG,H4RE	
6	2248672		FITTING,UNION,PIPE,1 1/4,BLK IRON	
7	1862564		ELBOW,STREET,1 1/4 PIPE,BLK IRON	
8	6078521		NIPPLE,PIPE,1-1/4 X 3 LONG,BIP	
9	3734704	3	CLAMP,MUFFLER,2 1/4IN	

**Models: H4RE
GENERATOR EXHAUST, FRONT**

Key	PartNumber	Qty	Description	Comment
11	0043195		BRACKET,MTB,CLAMP,EXH,2 IN,GEN,FRT,LH,	
12	0043197		BRACKET,MTG,CLAMP,EXH,2 IN,GEN,FRT,RH,	
NI	2260834	4	CAPSCREW,HEX,3/8-16 X 1,GR 5,ZN3	
NI	3748688	4	WASHER,FLAT,TYPE B,REGULAR,3/8,304 SS	
NI	3840923	4	WASHER,LOCK,HELICAL SPRING,3/8,ZN3	

Models: **H4RE
GENERATOR EXHAUST, REAR**



VIEWED FROM BOTTOM OF COACH

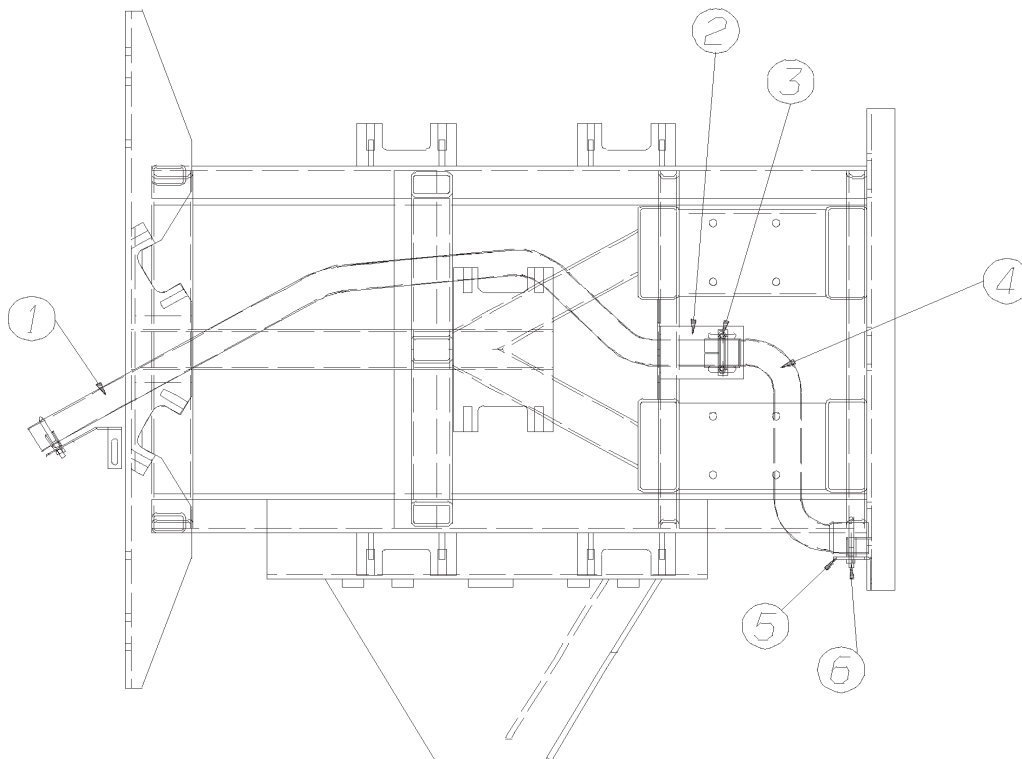
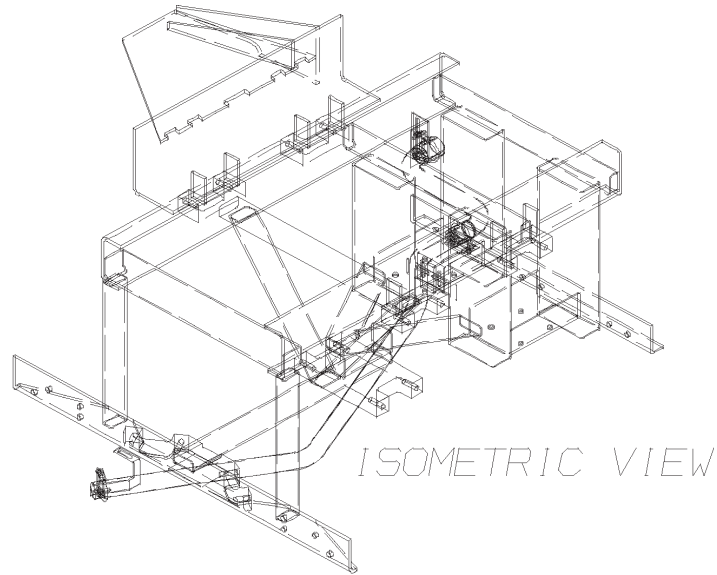
Key	PartNumber	Qty	Description	Comment
1	0041931		PIPE,EXH,GEN,TRANSITION TO	
2	0041929		PIPE,EXH,GEN,2.0 OD,48 SECTION,H4RE	
3	0041930		PIPE,EXH,GEN,ELBOW,TAILPIPE,H4RE	
4	0042966		SHIELD,HEAT,EXH,GEN,L/CMPT,FRONT,H4RE	
5	0042967		SHIELD,HEAT,EXH,GEN,L/CMPT,REAR,H4RE	
6	0042896	3	BRACKET,MTG,CLAMP,EXH,2 IN,GEN,REAR,H4RE	
7	3732930	4	CLAMP,MUFFLER,2IN	
8	0047778		BRACKET,MTG,CLAMP,EXH,2IN,GEN,SUSP,H4RE	
NI	3893773	6	SCREW,T EKS/3, HEX, WASHER HD, 1/4-14 X 1,	
NI	3840402	4	SCREW,SM,HEX,5/16-18 X 1,TYPE D,ZN3	

**Models: H4RE
GENERATOR EXHAUST, REAR**

Key	PartNumber	Qty	Description	Comment
NI	3804101	3	SCREW,SM,PH,PN/HD,10-16 X 1/2,TYPE B,ZN3	

**Models: H4RE
GENERATOR EXHAUST, SUSPENSION**

Key	PartNumber	Qty	Description	Comment
-----	------------	-----	-------------	---------



FRONT SUSPENSION VIEWED FROM UNDER COACH

ONLY MAIN SUSPENSION SHOWN FOR CLARITY

**Models: H4RE
GENERATOR EXHAUST, SUSPENSION**

Key	PartNumber	Qty	Description	Comment
1	0041932		PIPE,EXH,GEN,TRANSITION FROM MUFFLER,	
2	0042731		BRACKET,MTG,CLAMP,EXH,MUFFLER,REAR,H4RE	
3	3732930		CLAMP,MUFFLER,2IN	
4	0038354		PIPE,EXH,GEN,MUFFLER REPLACEMENT,H4RE	
5	0042732		BRACKET,MTG,CLAMP,EXH,MUFFLER,FRONT,	
6	3734704		CLAMP,MUFFLER,2 1/4IN	
NI	2260834	4	CAPSCREW,HEX,3/8-16 X 1,GR 5,ZN3	
NI	2260677	4	NUT,HEX,3/8-16,ZN3	
NI	3748688	8	WASHER,FLAT,TYPE B,REGULAR,3/8,304 SS	
NI	3840923	4	WASHER,LOCK,HELICAL SPRING,3/8,ZN3	

**Models: H4RE
GENERATOR RAIDATOR
INVERTER INSTALLATION
EIGHT OF 9**

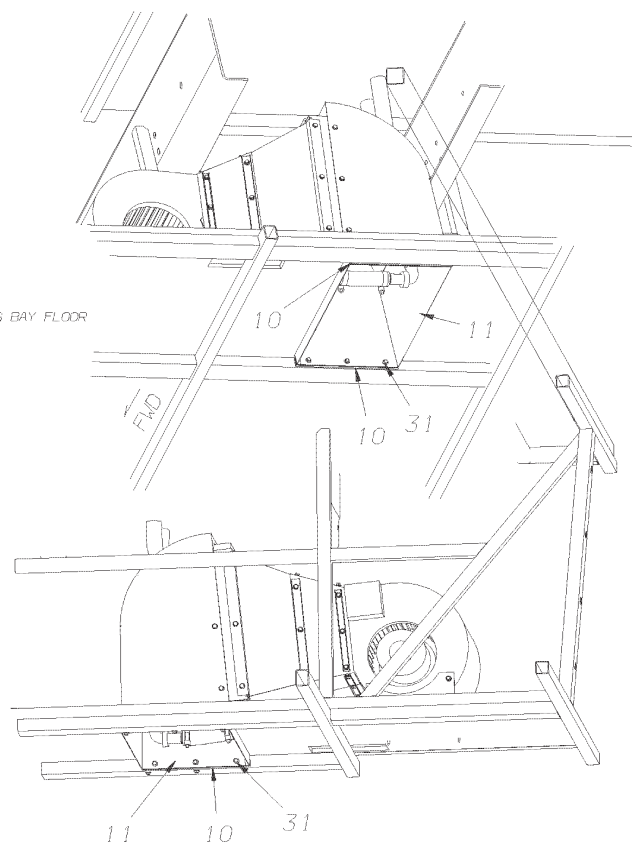
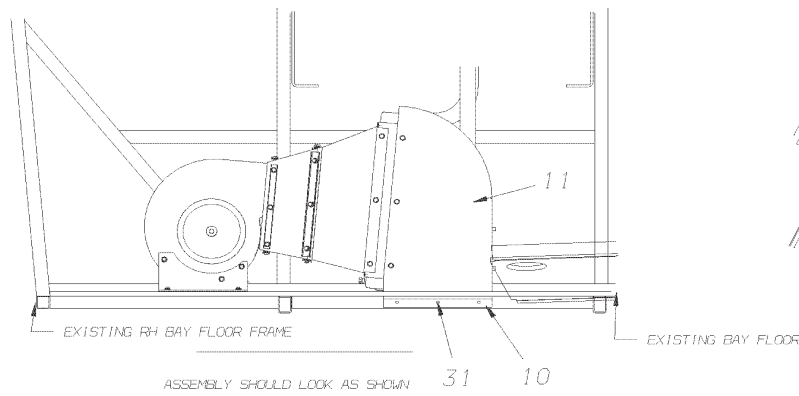
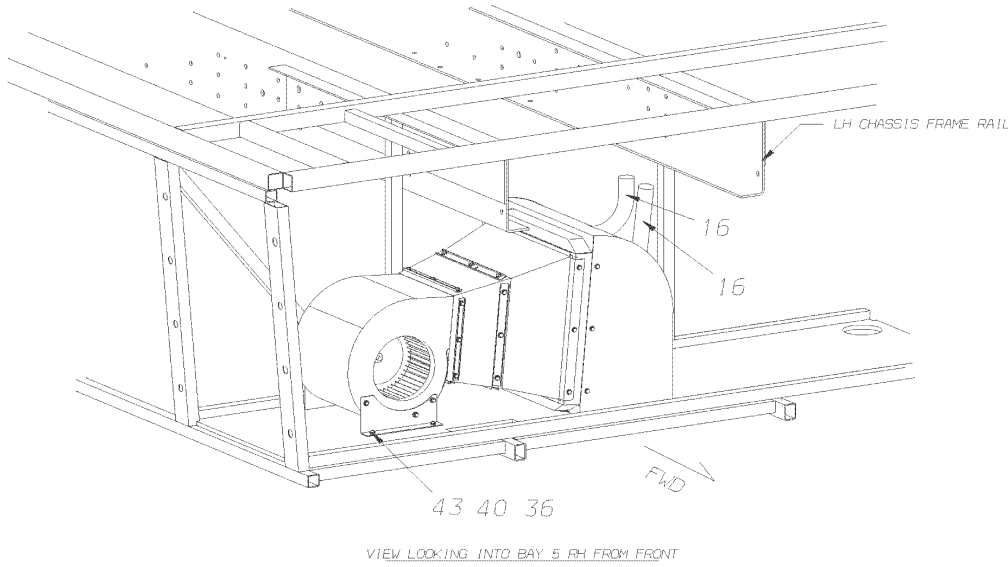
Key	PartNumber	Qty	Description	Comment

**Models: H4RE
GENERATOR RAIDATOR
INVERTER INSTALLATION
EIGHT OF 9**

Key	PartNumber	Qty	Description	Comment
13	0080099		BLOWER,RADIATOR,ASSEMBLY, 45H4RE	
25	0069058		PANEL,ELEC,INVERTER,VANNER,24V,3600W,	
26	0071467		FUSE,HOLDER,W/FUSE,200 AMP,INVERTER,	
37	2000776	12	SCREW,MACH, 10-32 X 3/4,PH1,RD HD,	
38	3893757	14	SCREW,TEKS/3,PH,PN/HD,NO 10-24 X 3/4,ZN3	
44	0080045	16	GROMMET,VIBRATION,DAMPENING, 45H4RE	
54	0080060		PANEL,CLOSEOUT,INVERTER,PRIMARY,	
55	0080061		PANEL,CLOSEOUT,INVERTER,SECONDARY,	

Models: **H4RE
GENERATOR RAIDATOR
INVERTER INSTALLATION
FIVE OF 9**

Key	PartNumber	Qty	Description	Comment
-----	------------	-----	-------------	---------



**Models: H4RE
GENERATOR RAIDATOR
INVERTER INSTALLATION
FIVE OF 9**

Key	PartNumber	Qty	Description	Comment
10	0080452	2	SPACER,RUBBER,RADIATOR,SHROUD,GEN,	
11	0080032		SHROUD,RADIATOR,DIVERTER,GEN,ASSY,	
16	0080536	AR	HOSE,COOLANT,RADIATOR,GENERATOR,	
31	3840402	14	SCREW,SM,HEX,5/16-18 X 1,TYPE D,ZN3	
36	3758455	14	SCREW,SM,PH,RND HD,1/4X1 1/2,TYP A,	
40	2001170	54	LOCK WASHER, SPLIT RING, 1/4 , MED, YEL ZN	
43	3805157	54	WASHER,FLAT,TYPE A,NARROW,1/4,304 SS	

Models: **H4RE
GENERATOR RAIDATOR
INVERTER INSTALLATION
FOUR OF 9**

Key	PartNumber	Qty	Description	Comment
1	0080018		BRACKET,BLOWER,RADIATOR,R/H,GEN, 45H4RE	
2	0080019		BRACKET,BLOWER,RADIATOR,L/H,GEN, 45H4RE	
4	0080029		SHROUD,BLOWER,RADIATOR,GEN, 45H4RE	
5	0080022	2	STRAP,BLOWER,BOOT,RADIATOR,BLWR SID A,	
6	0080026	2	STRAP,BLOWER,BOOT,RADIATOR,BLWR SID B,	
13	0080099		BLOWER,RADIATOR,ASSEMBLY, 45H4RE	
34	1409788	30	SCREW, 1/4-20 X 3/4, D, HEX HD, YEL ZN DICH	
36	3758455	14	SCREW,SM,PH,RND HD,1/4X1 1/2,TYP A,	
40	2001170	54	LOCK WASHER, SPLIT RING, 1/4 , MED, YEL ZN	
43	3805157	54	WASHER,FLAT,TYPE A,NARROW,1/4,304 SS	

**Models: H4RE
GENERATOR RAIDATOR
INVERTER INSTALLATION
FOUR OF 9**

Key	PartNumber	Qty	Description	Comment
51	0054290		ADHESIVE,SIKA-FLEX 252,20OZ. SAUSAGE,BLK	

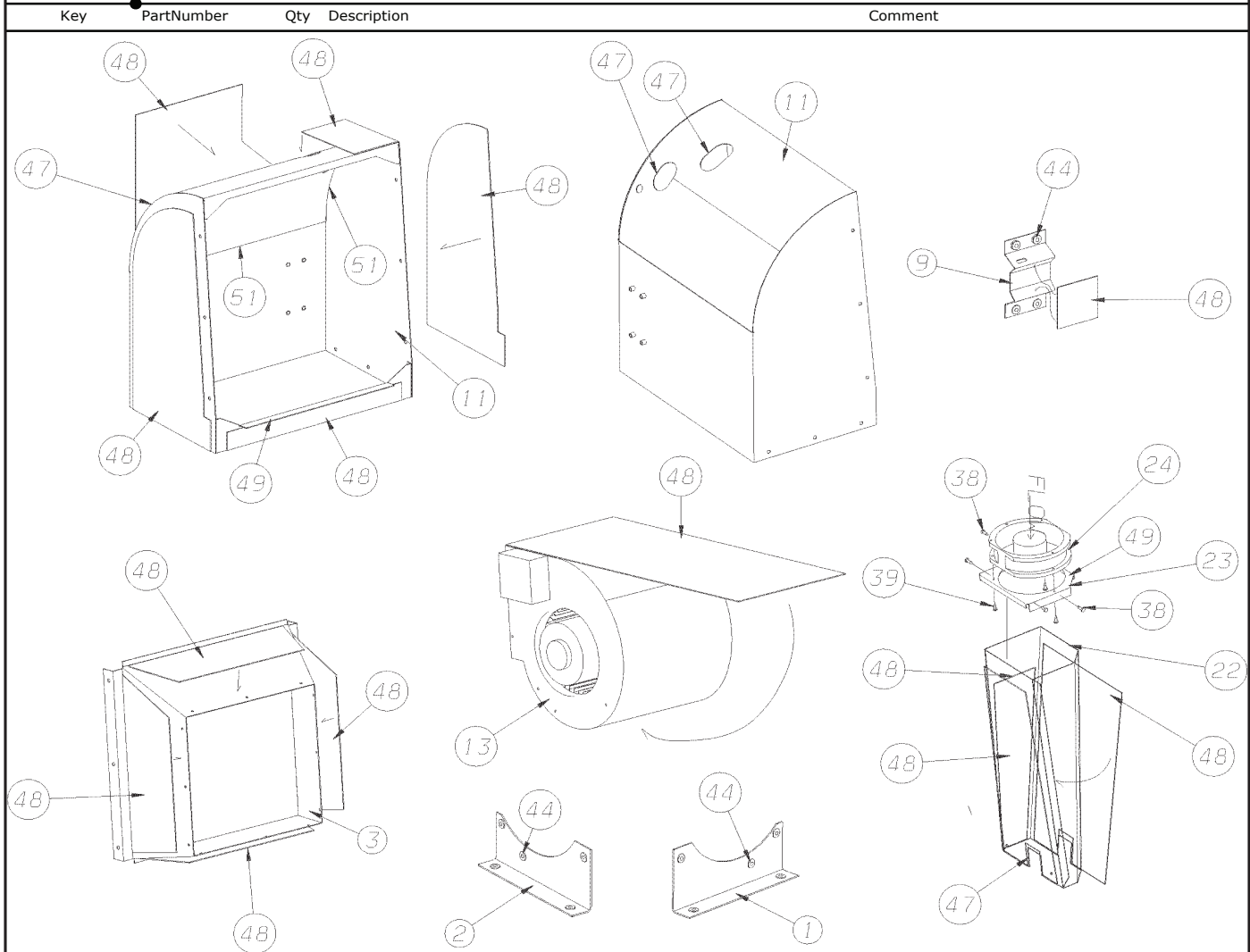
**Models: H4RE
GENERATOR RAIDATOR
INVERTER INSTALLATION
NINE OF 9**

Key	PartNumber	Qty	Description	Comment
<p>EXISTING OUTBOARD BAY TUBING</p> <p>55 54</p> <p>EXISTING BAY FLOOR</p> <p>VIEW LOOKING FWD AT BAY 5 RH CLOSEOUT PANELS</p>				
<p>30 41</p> <p>28</p> <p>41 30</p> <p>27</p>				
<p>27</p> <p>36 40 43</p> <p>VIEW LOOKING AFT AT BAY 5 RH LEVELING JACK PUMPS BRACKET</p>				
<p>30 41</p> <p>28</p> <p>41 30</p> <p>27</p>				
<p>AFT BAY WALL</p> <p>EXISTING BAY FLOOR</p> <p>27</p> <p>26</p> <p>13</p> <p>VIEW LOOKING DOWN INTO BAY</p>				

**Models: H4RE
GENERATOR RAIDATOR
INVERTER INSTALLATION
NINE OF 9**

Key	PartNumber	Qty	Description	Comment
12	0080034		GRILLE,SHROUD,RADIATOR,GEN, 45H4RE	
26	0071467		FUSE,HOLDER,W/FUSE,200 AMP,INVERTER,	
27	0080481		BRACKET,MOUNTING,HYDAULIC LEVEL JACK	
28	0073399		KIT,STABILIZER,HYDRAULIC,QE2-45	
30	2260834	4	CAPSCREW,HEX,3/8-16 X 1,GR 5,ZN3	
36	3758455	14	SCREW,SM,PH,RND HD,1/4X1 1/2,TYP A,	
40	2001170	54	LOCK WASHER, SPLIT RING, 1/4 , MED, YEL ZN	
41	1078922	4	WASHER, FLAT, 3/8 X 7/8 X 5/64, YEL ZN DICH	
43	3805157	54	WASHER,FLAT,TYPE A,NARROW,1/4,304 SS	
54	0080060		PANEL,CLOSEOUT,INVERTER,PRIMARY,	
55	0080061		PANEL,CLOSEOUT,INVERTER,SECONDARY,	

Models: **H4RE
GENERATOR RAIDATOR
INVERTER INSTALLATION
ONE OF 9**

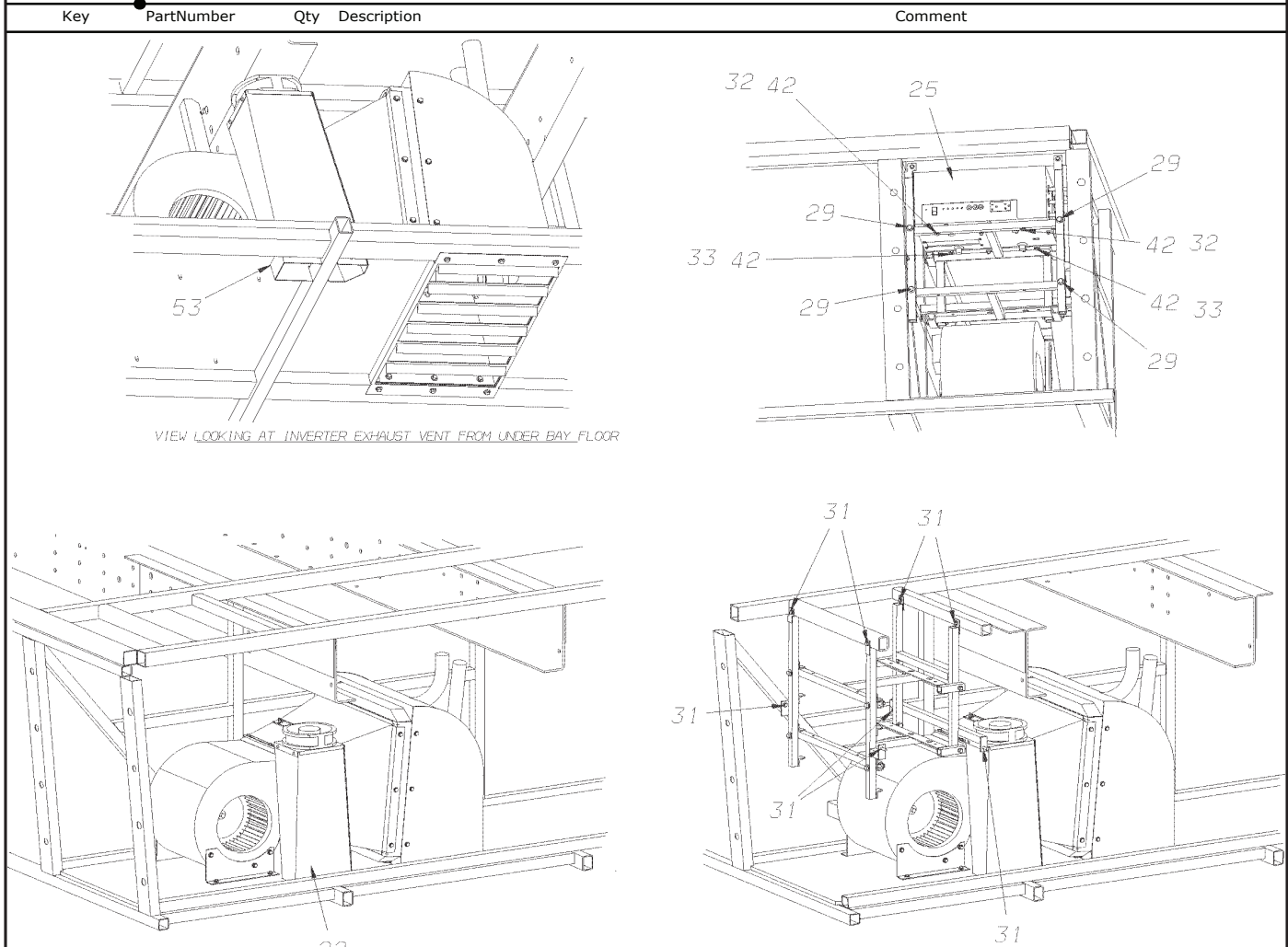


Key	PartNumber	Qty	Description	Comment
1	0080018		BRACKET,BLOWER,RADIATOR,R/H,GEN, 45H4RE	
2	0080019		BRACKET,BLOWER,RADIATOR,L/H,GEN, 45H4RE	
3	0080020		RADIATOR,BLOWER,BOOT,GEN, 45H4RE	
9	0080324		BRACKET,MOUNTING,BOOSTER PUMP,	
11	0080032		SHROUD,RADIATOR,DIVERTER,GEN,ASSY,	
13	0080099		BLOWER,RADIATOR,ASSEMBLY, 45H4RE	
22	0080064		DUCT,EXHAUST,INVERTER, 45H4RE	
23	0080062		DUCT,EXHAUST,CAP,INVERTER, 45H4RE	

**Models: H4RE
GENERATOR RAIDATOR
INVERTER INSTALLATION
ONE OF 9**

Key	PartNumber	Qty	Description	Comment
24	0080063		FAN,EXHAUST,INVERTER, 45H4RE	
38	3893757	14	SCREW,TEKS/3,PH,PN/HD,NO 10-24 X 3/4,ZN3	
39	3783487	3	SCREW,SM,PH,PN/HD,10-16 X 5/8,TYPE AB,A3R	
44	0080045	16	GROMMET,VIBRATION,DAMPENING, 45H4RE	
47	1489434	AR	TRIM,VINYL,BLACK,DOUBLE LIP	
48	0080558		KIT,FILM,VIBRATION,DAMPENING, 45H4RE	
49	1362292	14	TAPE,FOAM,3/16X3/4,CLSD CELL,NEOPRENE	

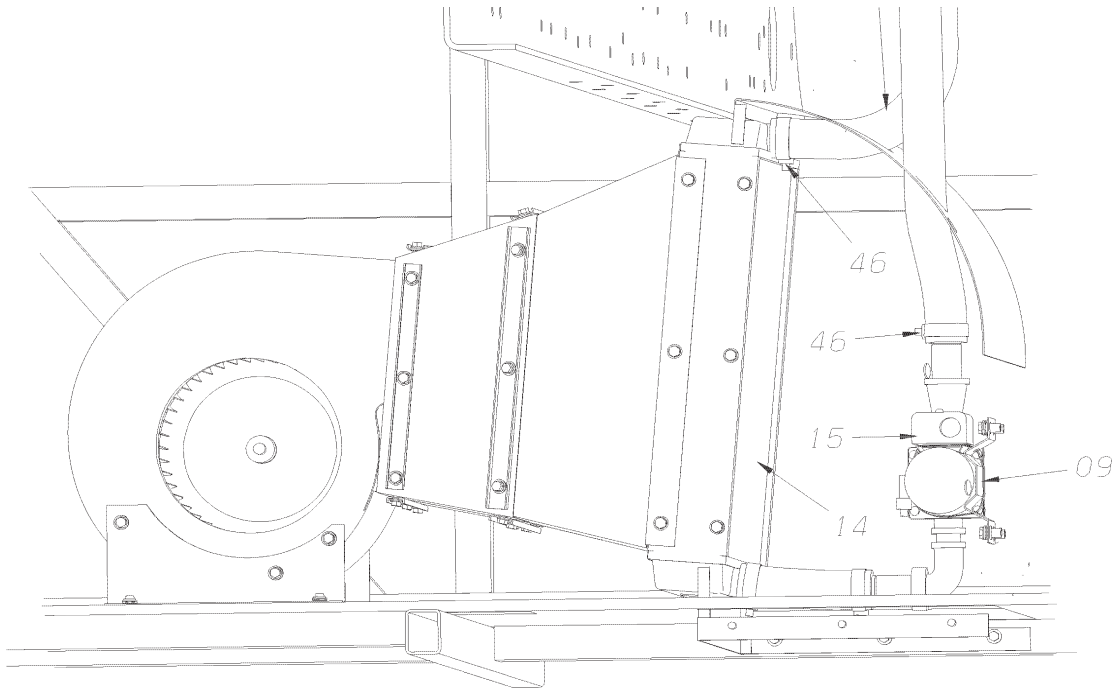
Models: **H4RE
GENERATOR RAIDATOR
INVERTER INSTALLATION
SEVEN OF 9**



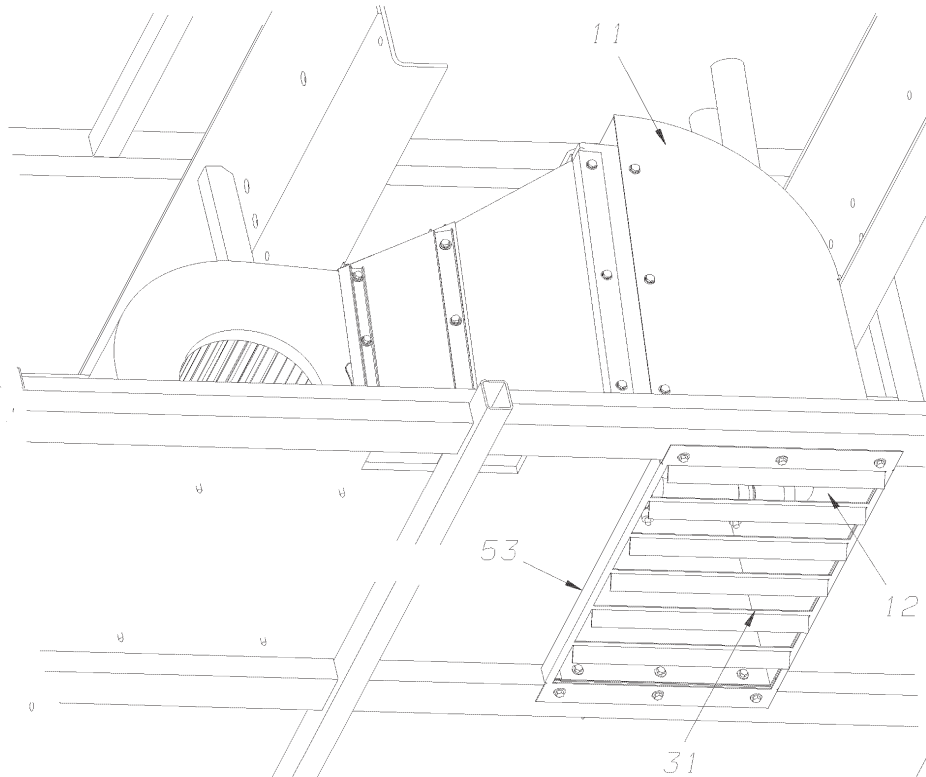
Key	PartNumber	Qty	Description	Comment
22	0080064		DUCT,EXHAUST,INVERTER, 45H4RE	
25	0069058		PANEL,ELEC,INVERTER,VANNER,24V,3600W,	
29	0882811		CAPSCREW,HEX HD,3/8-16X2 1/2,GR5,YEL	
31	3840402	14	SCREW,SM,HEX,5/16-18 X 1,TYPE D,ZN3	
32	0956789	4	CAPSCREW,HEX HD,1/4-20X1.50,GR8,BLACK	
33	0870477	4	CAPSCREW,HEX HD,1/4-20 X 1,GR 8,YEL ZN	
42	1467000	8	WASHER,FLAT,..281 X.750X.078 HARDENED,BLK	
53	3983871		FOAM,POLYURETHANE,TRIPLE EXPAND,12 OZ	

**Models: H4RE
GENERATOR RAIDATOR
INVERTER INSTALLATION
SIX OF 9**

Key	PartNumber	Qty	Description	Comment
-----	------------	-----	-------------	---------



VIEW LOOKING AFT AT GENERATOR RADIATOR HOOK-UPS



**Models: H4RE
GENERATOR RAIDATOR
INVERTER INSTALLATION
SIX OF 9**

Key	PartNumber	Qty	Description	Comment
9	0080324		BRACKET,MOUNTING,BOOSTER PUMP,	
11	0080032		SHROUD,RADIATOR,DIVERTER,GEN,ASSY,	
12	0080034		GRILLE,SHROUD,RADIATOR,GEN, 45H4RE	
14	0080524		RADIATOR,GENERATOR,FOR 20 KW	
15	0075968		PUMP,WATER,CIRCULATING,HOT,1/40HP,115V	
16	0080536	AR	HOSE,COOLANT,RADIATOR,GENERATOR,	
31	3840402	14	SCREW,SM,HEX,5/16-18 X 1,TYPE D,ZN3	
46	0016749	4	CLAMP,CONSTANT TORQUE, 1 1/16 X 2.00,	
53	3983871		FOAM,POLYURETHANE,TRIPLE EXPAND,12 OZ	

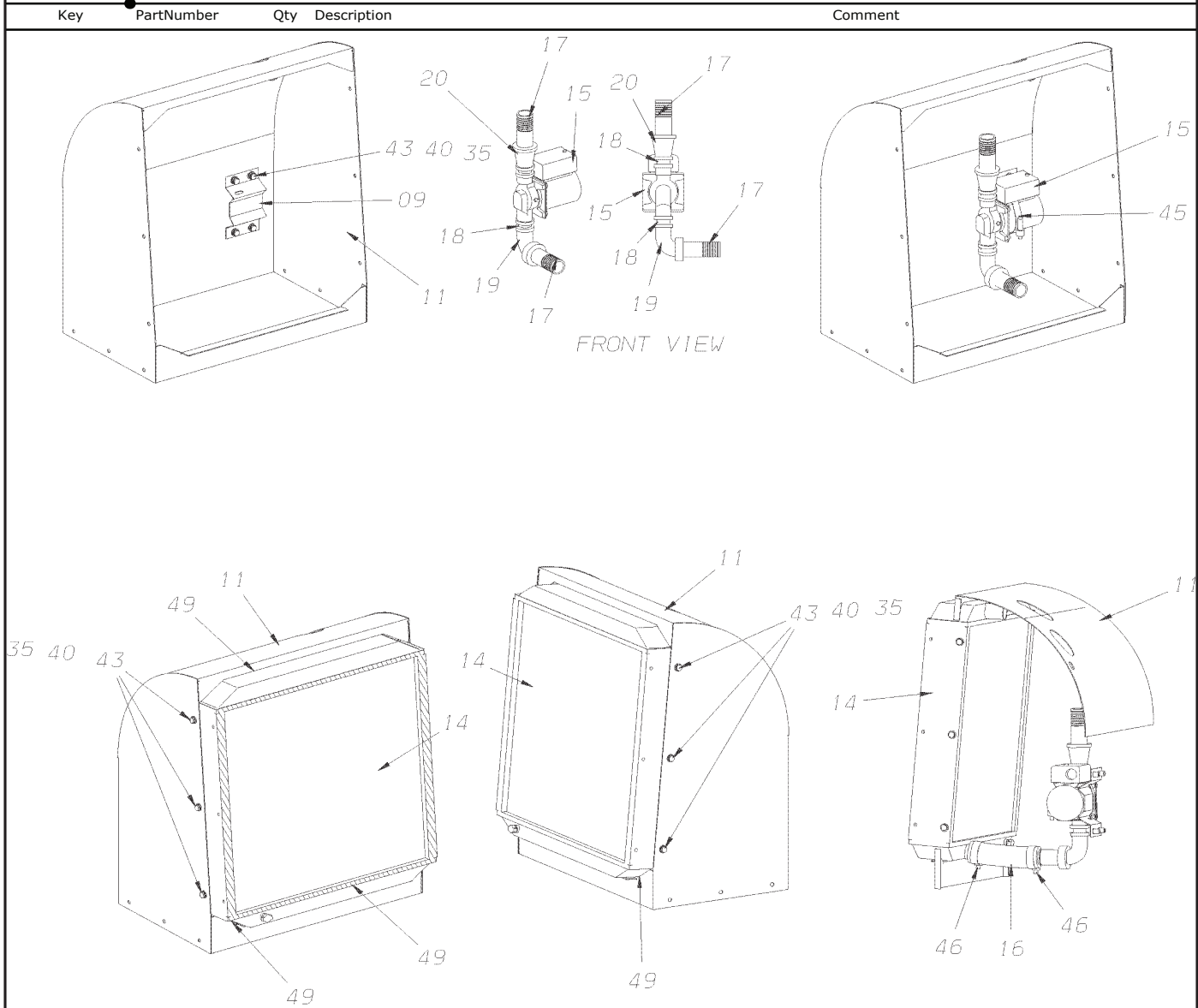
Models: **H4RE
GENERATOR RAIDATOR
INVERTER INSTALLATION
THREE OF 9**

Key	PartNumber	Qty	Description	Comment
3	0080020		RADIATOR,BLOWER,BOOT,GEN, 45H4RE	
4	0080029		SHROUD,BLOWER,RADIATOR,GEN, 45H4RE	
7	0080436	2	STRAP,BLOWER,BOOT,RADIATOR,SHRD SID A,	
8	0080438	2	STRAP,BLOWER,BOOT,RADIATOR,SHRD SID B,	
11	0080032		SHROUD,RADIATOR,DIVERTER,GEN,ASSY,	
14	0080524		RADIATOR,GENERATOR,FOR 20 KW	
34	1409788	30	SCREW, 1/4-20 X 3/4, D, HEX HD, YEL ZN DICH	

**Models: H4RE
GENERATOR RAIDATOR
INVERTER INSTALLATION
THREE OF 9**

Key	PartNumber	Qty	Description	Comment
35	3848272	16	CAPSCREW, HEX, 1/4 - 20 X 3/4, 304 SS	
40	2001170	54	LOCK WASHER, SPLIT RING, 1/4 , MED, YEL ZN	
43	3805157	54	WASHER,FLAT,TYPE A,NARROW,1/4,304 SS	
47	1489434	AR	TRIM,VINYL,BLACK,DOUBLE LIP	

Models: **H4RE
GENERATOR RAIDATOR
INVERTER INSTALLATION
TWO OF 9**



9	0080324		BRACKET,MOUNTING,BOOSTER PUMP,	
11	0080032		SHROUD,RADIATOR,DIVERTER,GEN,ASSY,	
14	0080524		RADIATOR,GENERATOR,FOR 20 KW	
15	0075968		PUMP,WATER,CIRCULATING,HOT,1/40HP,115V	
16	0080536	AR	HOSE,COOLANT,RADIATOR,GENERATOR,	
17	0080526	2	FITTING,STEEL,1 MPT TO 1.25 ID HOSE,	

**Models: H4RE
GENERATOR RAIDATOR
INVERTER INSTALLATION
TWO OF 9**

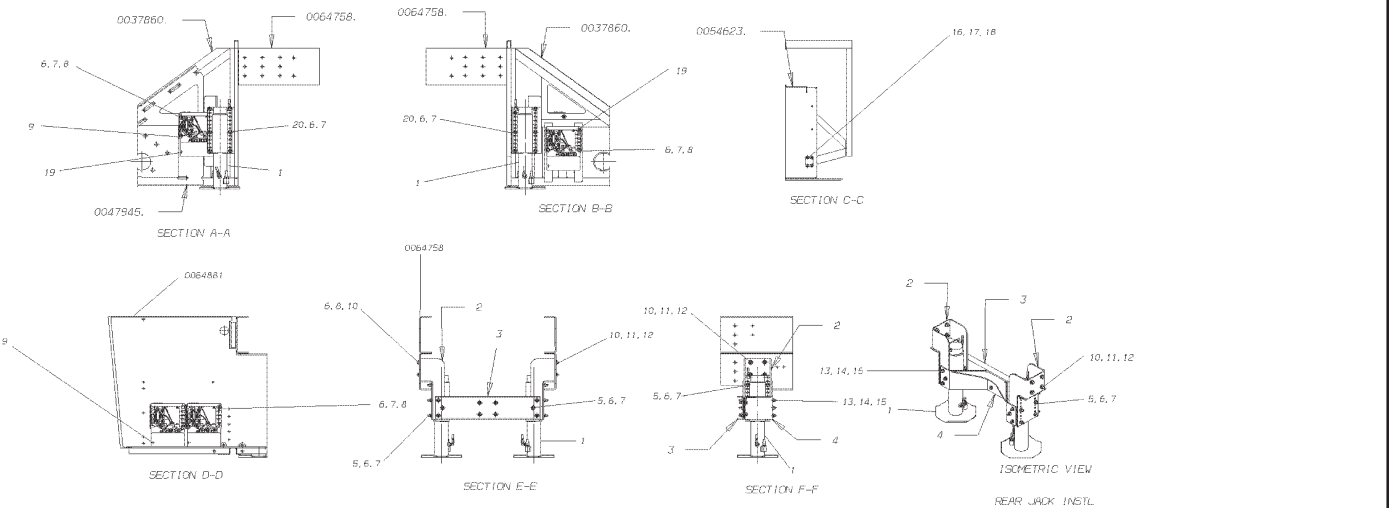
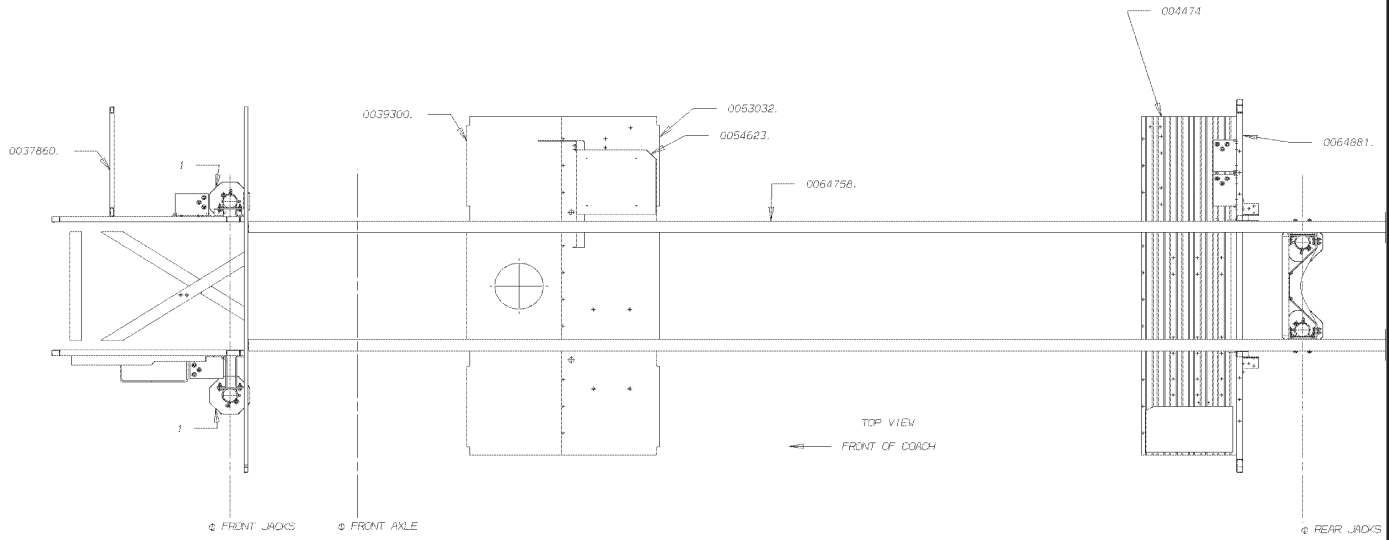
Key	PartNumber	Qty	Description	Comment
18	0080529	2	FITTING,STEEL,NIPPLE .75 MPT FULL 1.38 L.,	
19	0080531		FITTING,STEEL,REDUCING ELBOW 1 FPT-.75	
20	0080532		FITTING,STEEL,STRT REDUCER, 1 FPT-.75 FPT,	
35	3848272	16	CAPSCREW, HEX, 1/4 - 20 X 3/4, 304 SS	
40	2001170	54	LOCK WASHER, SPLIT RING, 1/4 , MED, YEL ZN	
43	3805157	54	WASHER,FLAT,TYPE A,NARROW,1/4,304 SS	
45	9004701		TO,CLAMP,HOSE,CONSTANT TORQUE #CT	
46	0016749	4	CLAMP,CONSTANT TORQUE, 1 1/16 X 2.00,	
49	1362292	14	TAPE,FOAM,3/16X3/4,CLSD CELL,NEOPRENE	

Models: A3FE, B4RE, C1FE, C3FE, C4RE, CSEV, CSFE, CSRE, H4RE, L3RE, L4RE, M4RE, Q4RE, QBEV, QBRE, W4RE, WLWB
GROMMET CHART

Key	PartNumber	Qty	Description	Comment
	2003150		GROMMET,CHASSIS,COWL WIRING	.16 ID
	1619477		GROMMET,RUBBER,.25 ID X .38 OD	
	2003168		GROMMET,RUBBER	.31 ID
	0890566		GROMMET,RUBBER,ATLANTIC INDIA,NO 2758	.38 ID
	2003218		GROMMET,RUBBER,3/8 ID	.38 ID
	2003226		GROMMET,RUBBER,W/S WIPER	.44 ID
	1508613		GROMMET,RUBBER,ATLANTIC INDIA #2426	.50 ID
	2003192		GROMMET,RUBBER,FC	.75 ID
	2003234		GROMMET,RUBBER,CHASSIS COWL WIRES,3/4	
	1894187		GROMMET,RUBBER,.75 ID W/1.00 X .09	
	2003200		GROMMET,RUBBER,1 IN. ID	
	2003184		GROMMET,RUBBER,HEATER PANEL,1-1/4 IN. ID	
	1610450		GROMMET,RUBBER,1.38 ID X 1.718 OD	
	1652379		GROMMET,RUBBER,1.25 ID W/1.50 X .25	
	0421792		GROMMET,1 3/4 X 1/16 X 1 1/2	
	2003176		GROMMET,HEATER HOSE,1 1/2IN ID	
	0026853		GROMMET,RUBBER,2.125 I.D.	
	0053652		GROMMET,RUBBER,1/4IDX.0625WALL"	
	0063731		GROMMET,RUBBER,1.00 ID	
	0066468		GROMMET,RUBBER,13/32 ID,3/8 GW,5/8 GD	
	0112325		GROMMET,RUBBER,1.75ID W/2.00 X .25	

**Models: H4RE
LEVELING SYSTEM**

Key	PartNumber	Qty	Description	Comment
-----	------------	-----	-------------	---------

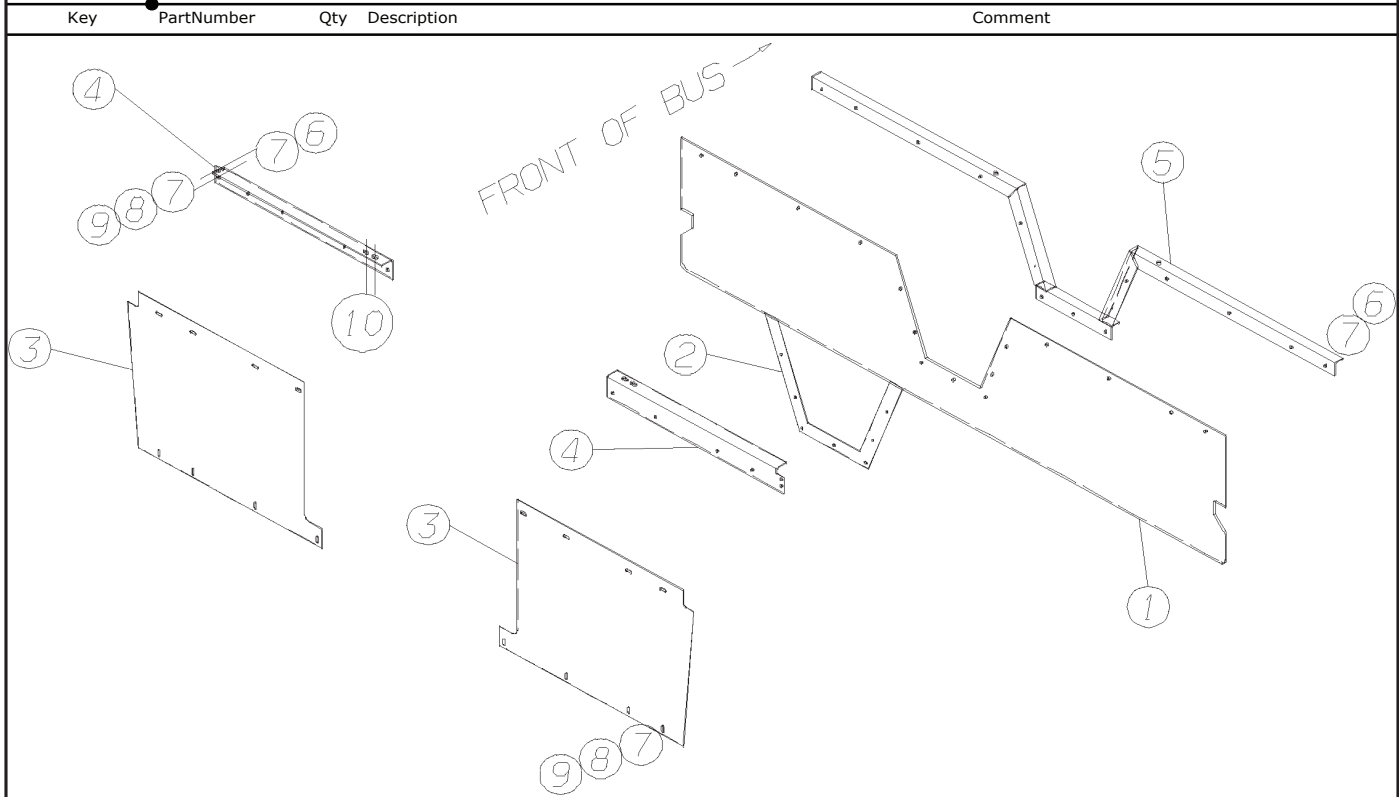


1	0052586		LEVELING SYSTEM,QUADRA,QE2-38	
2	0060857	2	BRACKET ASSY,MTG,REAR,LEVELING JACK,	
3	0060847		CHANNEL,REINF,REAR,LEVLING JACK, 3800	
4	0060839		CROSSMEMBER,REAR,LEVELING JACK, 3800	
5	0801928	12	CAPSCREW,HEX HD,7/16-14X1 1/2,GR8,	
6	0997080	34	NUT,HEX HD,7/16-14,LOCKING,GR 8,CADMIUM	
7	0997072	68	WASHER,FLAT,15/32 X 15/16 X 5/64,HDN,	

**Models: H4RE
LEVELING SYSTEM**

Key	PartNumber	Qty	Description	Comment
8	0801894	10	CAPSCREW,HEX HD,7/16-14 X 1,GR8,YEL ZN	
9	0822817		SCREW,3/8-16 X 1,F,HEX WASH HD,YEL ZN	
10	0564377	8	CAPSCREW,HEX HD,3/4-10X1.50,GR8,BLACK	
11	0933879	8	NUT,HEX HD,3/4-10,PRVLG TORQ,GR8,CAD	
12	0607036	16	WASHER,FLAT,13/16 X 1 3/8 X 7/64 ZP,HRD	
13	0803239	16	CAPSCREW, HEX HD, 1/2-13 X1 1/2, GR8	
14	0850800	16	NUT, HEX HD, 1/2-13, LOCKING, GR 8, CAD	
15	2255461	32	WASHER,FLAT,TYPE A,NARROW,1/2,ZN3	
16	1667773	2	CAPSCREW,HEX HD,1/4-20X1 1/4,GR5,YEL	
17	1686617	2	PLUSNUT,1/4-20,S25P280	
18	1247709	2	WASHER,FLAT,17/64 ID X,5/8,YEL ZN DICH	
19	2001105	8	WASHER,FLAT,13/64 X,1/2 X 3/64,YEL ZN DICH	
20	0854430	12	CAPSCREW,HEX HD,7/16-14X1 3/8,GR8,	

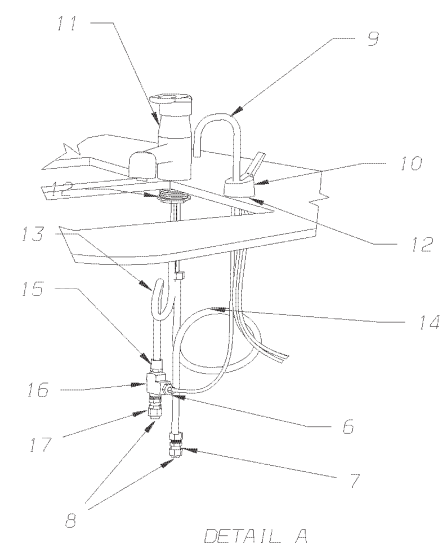
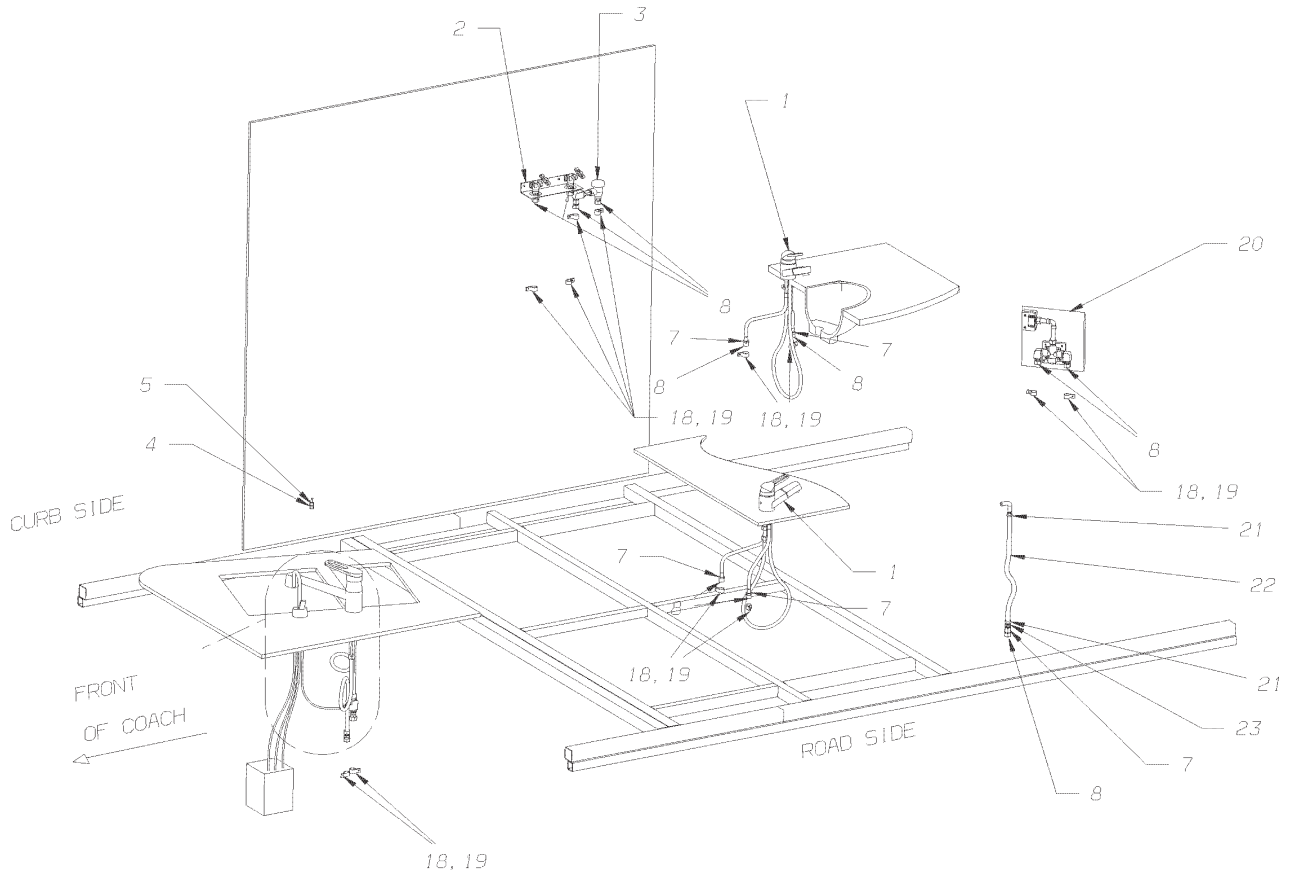
Models: **H4RE
MUDFLAPS
FULL WIDTH**



Key	PartNumber	Qty	Description	Comment
1	0045114		MUD FLAP,FULL WIDTH,31 X 20 X 92,RUBBER	
2	0045115		PLATE,BACKING,REAR MUD FLAP, H4RE	
3	0045116	2	PANEL,EXTENSION,REAR MUD FLAP, H4RE	
4	0045117	2	ANGLE,MTG,REAR MUD FLAP, H4RE	
5	0017608		ANGLE ASSY,FULL WIDTH MUDFLAP SUPT,	
6	0610725		CAPSCREW,HEX HD,5/16-18X1 1/4,GR8,	
7	2001048		WASHER,FLAT,11/32 X 11/16 X 1/16,YEL	
8	2001188		LOCK WASHER, SPLIT RING, 5/16, MED, YEL ZN	
9	1480433		NUT, HEX HD,5/16-18, FLG PRVG TORQ, GR F,	
10	1447796		SCREW,5/16-18 X 1-1/4,C,HEX HD,YEL ZN	

**Models: H4RE
PLUMBING FOR FRESH WATER**

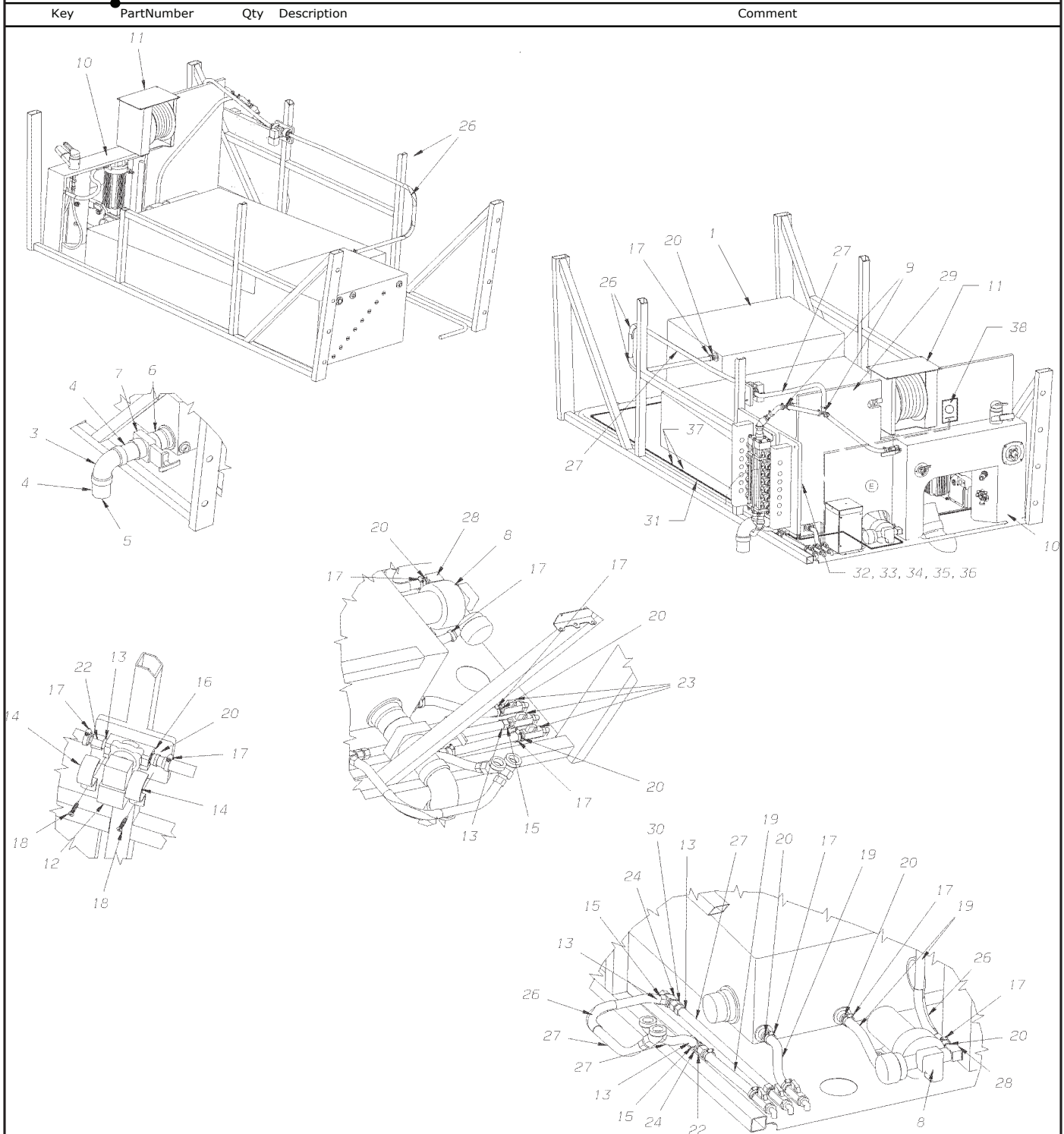
Key	PartNumber	Qty	Description	Comment
-----	------------	-----	-------------	---------



**Models: H4RE
PLUMBING FOR FRESH WATER**

Key	PartNumber	Qty	Description	Comment
1	0038664	2	FAUCET,ITC,VENEZIA,97480CB W/POP-UP,	
2	0072544		MANIFOLD,WATER,WASHING MACHINE,45H4RE	
3			ASSEMBLY, PLUMBING, HOLDING TANK	
4	3807559		COUPLING,BRASS,1/4	
5	6085120	2	INSERT,POLYETHYLENE TUBE, 1/4 OD,ICE-	
6			CURRENTLY NOT USED	
7	0028342	5	CONNECTOR,1/2 FPT X 5/8 COMPR,BRASS	
8	6096416	13	INSERT,TUBE,1/2 I.D.,SS,WF4405000T	
9	4460622		KONSTANT HOT,INSINKERATOR MODEL,GN-3	
10	0056833		KIT,KONSTANT HOT,BLACK,43153B	
11	0038666		FAUCET,KIT,PRICE PFISTER,533-5CMB,	
12	6083463	2	WASHER,FLAT,2.00 OD X 1.38 ID,ALUM,FAUCET	
13	0033142	2	HOSE,SUPPLY,FAUCET,UNIVERSAL,1/2FPT,20	
15	0056756		NIPPLE,HEX,NYLON,1/2 MPT X 1/2 MPT	
16	0522516		TEE,STREET,0.50 PIPE,BRASS	
17	6080907		CONNECTOR,1/2 MPT X 5/8 OD POLY TUBE	
18	2008589	14	CLAMP,CABLE,L 16	
19	3840451	14	SCREW,SM,PH,TH,10-16 X 3/4,TYPE AB,ZN3	
20	0061473		VALVE ASSY,SHOWER,H4RE	
21	3747862	2	CLAMP,HOSE,5/8IN	
22	2255933	3ft	HOSE,WATER PUMP,1/2IN	
23	2216125		ADAPTER,BRASS,1/2 MPT X 1/2 BARB	

**Models: H4RE
PLUMBING FOR FRESH WATER
TANK INSTALLATION**



1 0075563 TANK ASSY,WATER,FRESH,130 GAL,FP-

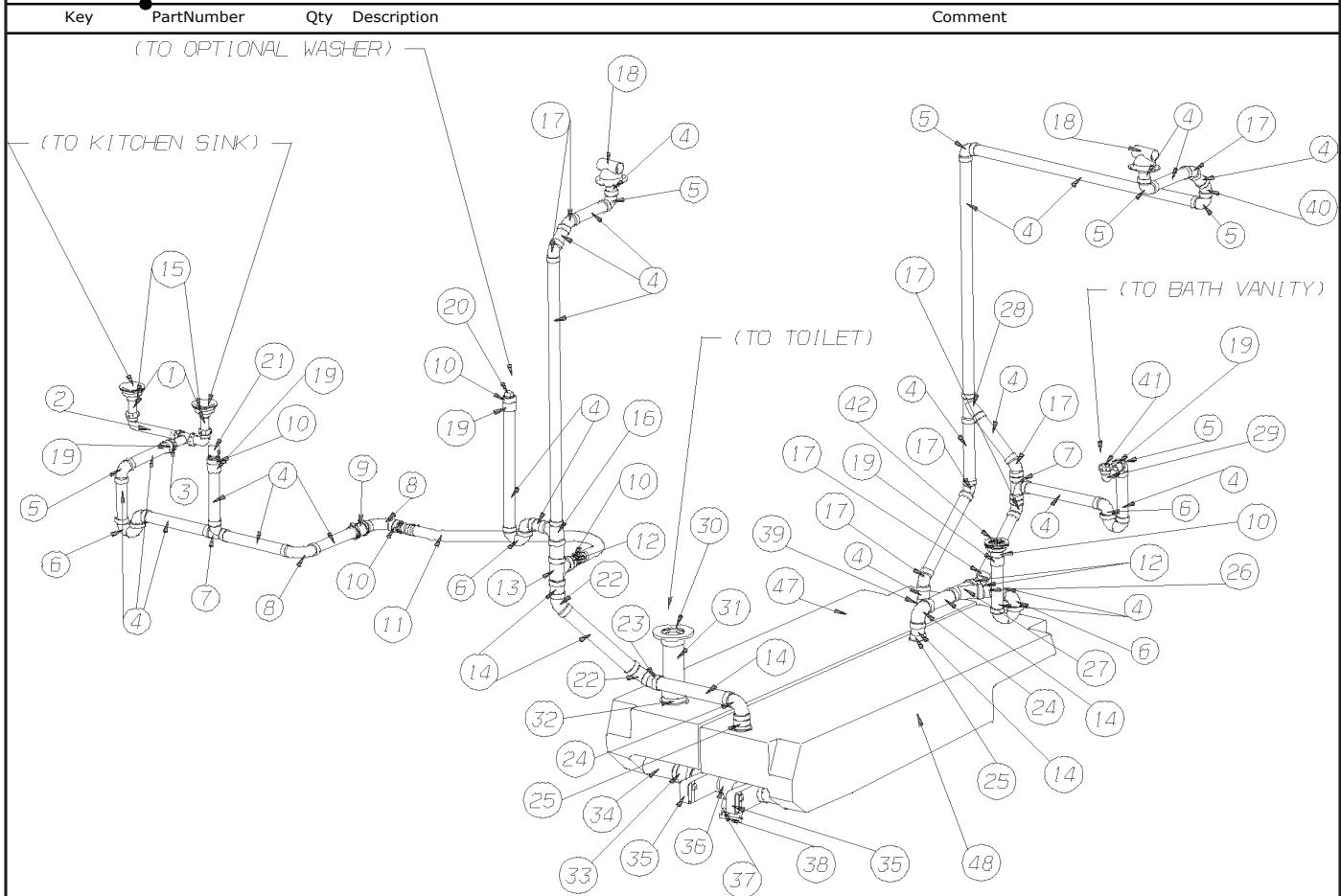
**Models: H4RE
PLUMBING FOR FRESH WATER
TANK INSTALLATION**

Key	PartNumber	Qty	Description	Comment
2	0072073		MANIFOLD,ASSEMBLY,DISTR,F/W,45H4RE	
3	0026765		ELBOW,PVC,DWV,45 DEG,2 HUB X HUB	
4	0066243	3	PIPE,PVC,DWV,2.00 ID,3.63 LONG	
5	0064795		SCREEN,ALUMINUM,6.00 X 6.00	
6	0045349		ADAPTER,PVC,DWV,2 MPT X 2HUB	
7	4485801		VALVE,DUMP 2IN PVC DIXIE PLUMBING	
8	0045486		PUMP,FRESH WATER,5.3 GPM @65 PSI	
9	0074318	2	CONNECTOR,BARBED,WYE,NYLON,1/2 X 1/2 X	
10			FILTER ASSY, F/W & CITY FILL, 45H4RE	
11	0072615		REEL,HOSE,WATER,SHORELINE,45H4RE	
12	6083232		VALVE,SOLENOID,CUTOFF,SPORLAN	
13	6096416	5	INSERT,TUBE,1/2 I.D.,SS,WF4405000T	
14	2223618	2	STRAP,CONDUIT,1 1/4 ID,T&B NO1214	
15	6080907	3	CONNECTOR,1/2 MPT X 5/8 OD POLY TUBE	
16	3820693	2	BUSHING,3/4 X 1/2 PIPE,BRASS	
17	3747862	20	CLAMP,HOSE,5/8IN	
18	2186393	2	SCREW,SM,PH,PN/HD,1/4 X 3/4,TYPE AB,ZN3	
19	2255933	23f	HOSE,WATER PUMP,1/2IN	
20	2216125	7	ADAPTER,BRASS,1/2 MPT X 1/2 BARB	
21	6046833	3	ELBOW,1/2 MPT - 1/2 HOSE BARB, 70-TE-2088	
22	3804820	2	CONNECTOR,1/2 FPT X 1/2 HOSE,BARB,BRASS	
23	3884541	3	VALVE,SHUT OFF,WATER,1/2 FPT	
24	0045459	3	TEE,BRANCH,MALE,5/8 OD COMPR X 1/2MPT	

**Models: H4RE
PLUMBING FOR FRESH WATER
TANK INSTALLATION**

Key	PartNumber	Qty	Description	Comment
25	0056756		NIPPLE,HEX,NYLON,1/2 MPT X 1/2 MPT	
26	6081301	4	SUPPORT,90 BEND,5/8 OD POLY TUBE,	
27	6080923	3	TUBING,1/2 ID,WIRSBO HEPEX,180F X 100PSI	
28	2233930		ELL,STREET,1/2 NPT BRASS NO3400X8	
29	0075685		PANEL ASSY,C/O,HLDG TNK BAY,RD	
30	0028342		CONNECTOR,1/2 FPT X 5/8 COMPR,BRASS	
31	0086293	24f	CABLE,HEAT,120VAC,10 WATTS PER FOOT	
32	0086294		KIT,CONNECTOR,HEAT CABLE	
33	2211118		BOX,RECEPTACLE,WEATHERPROOF	
34	6045496		RECEPTACLE,BRN/GFCI,20A,120VAC	
35	0087464		COVER,RECP,WEATHERPROFF,GFCI	
36	3875416	2	CONNECTOR,CORD GRIP,ELEC,.5 HUB,.31-.43	
37	1170083	24	CLAMP,LOOP,.375	
38	0064622	RE	MODULE,THERMOSTAT,LOW TEMP,40-80 DEG,	

Models: H4RE
 PLUMBING, DRAINAGE
 With: STD



Key	PartNumber	Qty	Description	Comment
1	3903697	2	TAILPIECE,PVC,DWV,FLANGED,SINK,KITCHEN,4	
2	3796398		CONTINUOUS WASTE,CENTER OUTLET,21IN	
3	0044117	2	ADAPTER,PVC,DWV,TRAP,1.5 SPIG X SJ	
4	0045344	2	PIPE,PVC,DWV,1.5 ID X 20 FEET	
5	0044059	5	ELBOW,PVC,DWV,90DEG,1.5HUB X HUB	
6	0044104	4	TRAP,P,PVC,DWV,1.5 HUBXBUB,W/UNION JT	
7	0043981	2	TEE,PVC,DWV,SANITARY,1.5 HUBXHUBXHUB	
8	0043924	2	ELBOW,PVC,DWV,90 DEG,1.5HUB X HUB,LG	
9	4661302		COUPLING,FLEXIBLE PIPE,FERNCO,1-1/2 FP	
10	0043942	5	ADAPTER,PVC,DWV,1.5 SPIG X FIPT	

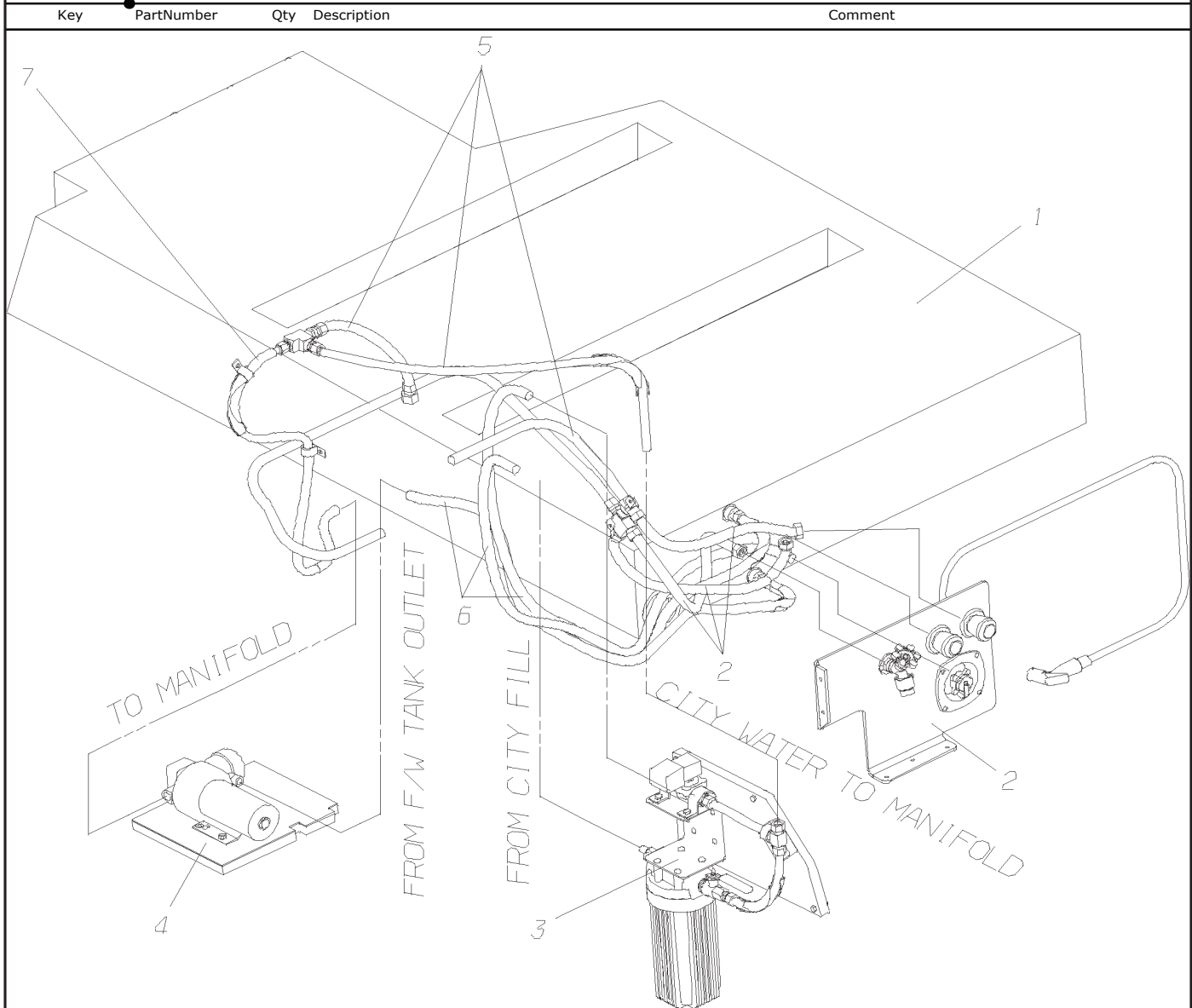
**Models: H4RE
PLUMBING, DRAINAGE
With: STD**

Key	PartNumber	Qty	Description	Comment
11	6100226		PIPE ASSY,FLEXIBLE DRAIN,SLIDE-OUT, 98 LXI	
12	0045341	3	BUSHING,PVC,DWV,FLUSH,SPIG,2 X 1-1/2	
13	0044316		TEE,PVC,DWV,SANITARY,2 HUBXHUBXHUB	
14	0045343		PIPE,PVC,DWV,2 ID X 20 FEET	
15	3750676	2	STRAINER,SINK,KITCHEN,CORIAN,CHROME	
16	0050383		TEE.PVC,DWV,SANITARY,REDU,2X1.5X1.5	
17	0044153	8	ELBOW,PVC,DWV,45DEG,1.5HUB X HUB	
18	0046071	2	VENT,ROOF,VAC-U-JET,STORM BEIGE,H4RE	
19	0044072	3	COUPLING,PVC,DWV,1.5 HUB X HUB	
20	0046978		PLUG,PVC,DWV,1.5 MIPT,H4RE	
21	2221588		VENT,CHECK,NO 140	
22	0026765	2	ELBOW,PVC,DWV,45 DEG,2 HUB X HUB	
23	0050389		ELBOW,PVC,DWV,22.5DEG,2 HUB X HUB	
24	0044402	2	ELBOW,PVC,DWV,90 DEG,2 HUB X HUB	
25	0045349	2	ADAPTER,PVC,DWV,2 MPT X 2HUB	
26	0044154		ELBOW,PVC,DWV,45DEG,ST,1.5HUB X SPIG	
27	0045352		WYE,PVC,DWV,45 Y,2 HUBXHUBXHUB	
28	0045351		WYE,PVC,DWV,45 Y,1.5 HUBXHUBXHUB	
29	6037287		FITTING,ELBOW,WASTE ARM,PVC,1.5" X 20"LG	
30	0036888		FLANGE,CLOSET,PVC,4X3,FLUSH,PIPE STOP	
31	0038347		PIPE,PVC,DWV,3 ID X 20 FEET	
32	0042893		ADAPTER,PVC,DWV,3 MPT X 3 HUB	
33	4661294		COUPLING,FLEXIBLE PIPE,FERNCO, 3 FP	

Models: H4RE
With: PLUMBING, DRAINAGE
 STD

Key	PartNumber	Qty	Description	Comment
34	2199453		PIPE,ABS,3IN X 20FT,PIONEER BRAND	
35	2198687	2	VALVE,DUMP,HOLDING TANK	
36	6066344		ELBOW,ABS,3 INCH,DOUBLE ELL,NIBCO 5837	
37	6082051		ADAPTER,BAYONET,DUMP VALVE,BPC66V29	
38	2198703		CAP & CHAIN,ABS,DUMP VALVE,3 INCH	
39	0045350		ADAPTER,PVC,DWV,1.5 MPT X 1.5 HUB	
40	0044154		ELBOW,PVC,DWV,45DEG,ST,1.5HUB X SPIG	
41	6050454		WASHER,SLIP,WASTE OUTLET,1 1/2 - 1 1/4, WB	
42	6097166		DRAIN,SHOWER,ABS,1 1/2",POLISHED BRASS,	
43	6088249		CEMENT,PVC,OATEY RAIN OR SHINE,PINT	
44	2016707		CEMENT,ABS	
45	6098024		SEALER, PIPE THREAD, RECTOR SEAL, T PLUS 2	
46	3765351		PRIMER,PVC	
47	0048996		TANK ASSY,HLDG,75 GAL,FRT,FP-A,H4RE	
48	0048998		TANK ASSY,HLDG,66 GAL,RR,FP-A,H4RE	

**Models: H4RE
TANK, FRESH WATER**



Key	PartNumber	Qty	Description	Comment
1	0042572		TANK,FRESH WATER,100 GAL,H4RE	
2	0051508		FAUCET ASSY,F/W,O/S,H4RE	
3	0049955		FILTER, ASSY,F/W,W/TANK FILL,H4RE	
4	0049953		PUMP ASSY,FRESH WATER,H4RE	
5	6080923		TUBING,1/2 ID,WIRSBO HEPEX,180F X 100PSI	
6	2255933		HOSE,WATER PUMP,1/2IN	

**Models: H4RE
TANK, FRESH WATER**

Key	PartNumber	Qty	Description	Comment
7	0045499		HOSE ASSY,PULSATION DAMPENER,F/W PUMP,	

