

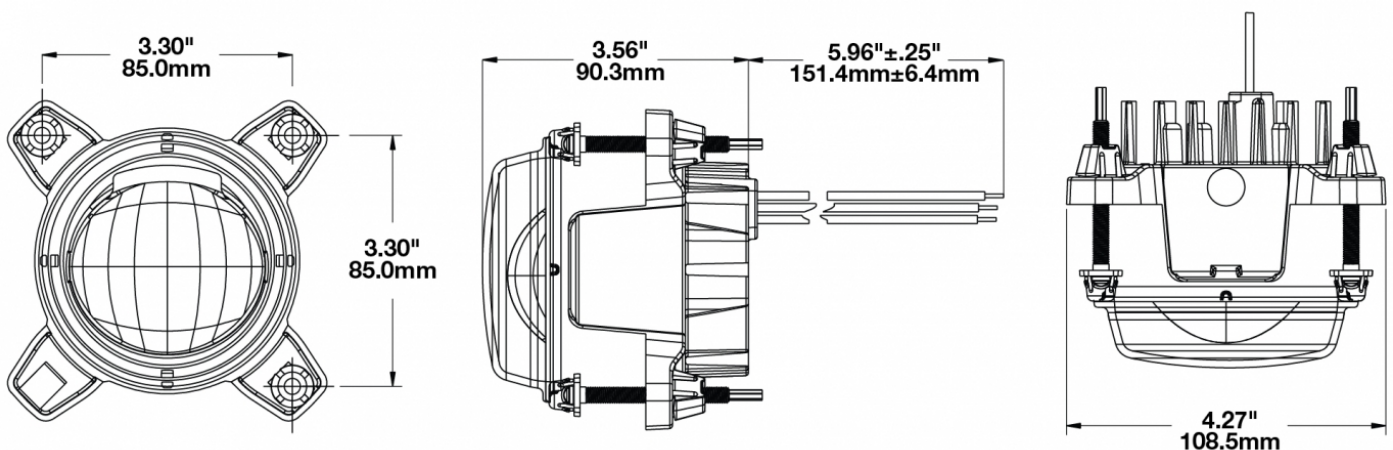
# LED Headlights - Model 90

## PRODUCT INFORMATION

<b>Description</b>	12-24V DOT/ECE LED High Beam Headlight
<b>Height</b>	108.46 mm / 4.27 in
<b>Width</b>	108.46 mm / 4.27 in
<b>Depth</b>	90.42 mm / 3.56 in
<b>Shape</b>	Round
<b>Outer Lens Material</b>	Polycarbonate
<b>Outer Lens Color</b>	Clear
<b>Housing Material</b>	Die-Cast Aluminum
<b>Housing Color</b>	Black
<b>Mounting Hardware Description</b>	(x3) Ball & Socket
<b>Mounting Type</b>	Low Profile Mount
<b>Minimum Operating Temperature</b>	-40 °C / -40 °F
<b>Maximum Operating Temperature</b>	65 °C / 149 °F
<b>Connector or Wiring</b>	6" Bare Leads
<b>Product Weight</b>	1.30 lbs / 0.59 kgs



## PRODUCT DIMENSIONS



Print date: 2017-04-25

© 2017 J.W. Speaker Corporation • Germantown, WI U.S.A.  
 www.jwspeaker.com • speaker@jwspeaker.com • 262.251.6660

**J.W. SPEAKER**  
 Engineered. Lighting. Solutions.

# LED Headlights - Model 90

## ELECTRICAL SPECIFICATIONS

<b>Input Voltage</b>	12-24V DC
<b>Operating Voltage</b>	10.5-38V DC
<b>Transient Spike Protection</b>	150V Peak @ 1 HZ-100 Pulses
<b>Red Wire</b>	Positive
<b>Black Wire</b>	Negative
<b>White Wire</b>	Front Position
<b>Current Draw</b>	0.80A @ 12V DC (High Beam) 0.40A @ 24V DC (High Beam) 0.40A @ 12V DC (Front Position) 0.20A @ 24V DC (Front Position)

## REGULATORY STANDARDS COMPLIANCE

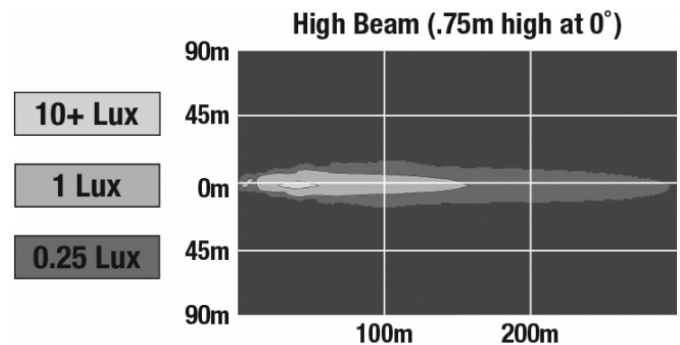


Buy America Standards  
ECE Reg 7  
FMVSS 108 Table XVIII

ECE Reg 112  
Eco Friendly  
IEC IP67

## PHOTOMETRIC SPECIFICATIONS

<b>Raw Lumen Output</b>	630
<b>Effective Lumen Output</b>	230
<b>Candela Output</b>	45,000
<b>Nominal LED Color Temperature</b>	5000 K
<b>Beam Pattern(s)</b>	Forward Lighting - High Beam (DOT/ECE) Signalization - Front Position



Print date: 2017-04-25

© 2017 J.W. Speaker Corporation • Germantown, WI U.S.A.  
www.jwspeaker.com • speaker@jwspeaker.com • 262.251.6660

# LED Headlights - Model 90

## APPLICATIONS

---



## ADDITIONAL INFORMATION

---

Headlight must be securely mounted and properly aimed such that the beam pattern cut off line complies with all applicable regulations. If you are not familiar with the legal requirements for aiming your headlights, please see a professional service provider. We recommend that headlights are aimed with a headlight aiming system for proper alignment.

## ACCESSORIES

---



### **Part Number**

**8200111**

Model 90 Replacement  
Adjuster Kit

# LED Headlights - Model 90

## RELATED PRODUCTS

---



**Part Number**  
**0551201**  
12-24V ECE LED LHT  
Low Beam Headlight



**Part Number**  
**0551211**  
12-24V DOT/ECE LED  
RHT Low Beam  
Headlight



**Part Number**  
**0551221**  
12-24V DOT/ECE LED  
Symmetrical Low Beam  
Headlight



**Part Number**  
**0553053**  
12-24V DOT/ECE LED  
Low Beam Headlight  
(for John Deere 6R, 7R  
& 8R Series Tractors) -  
2 Light Kit