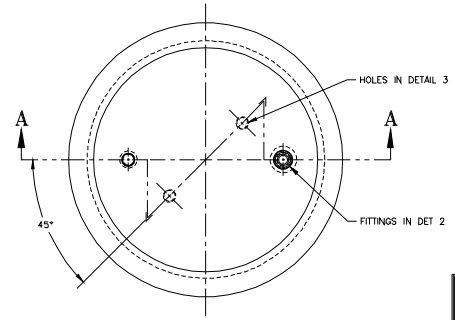
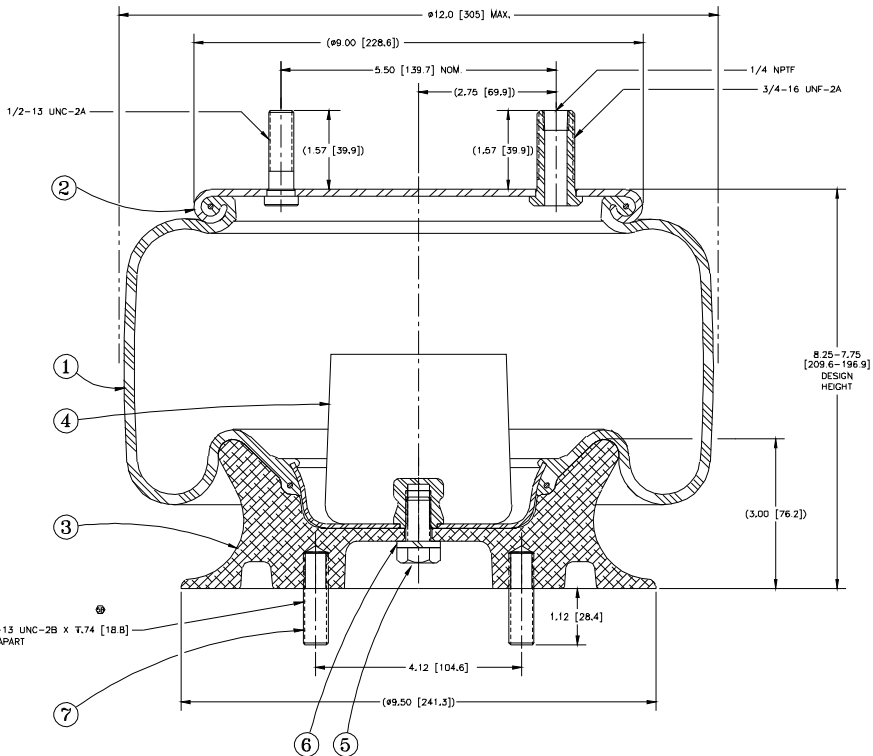
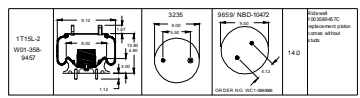


BASIC ASSEMBLY						
DET	DESCRIPTION	QTY	DWG. NO.	FSN	AGN	BUMPER CONTACT HT.
1	1T15L-2 AIR SPRING PART	1		C01-358-2182	W01-358-9467	(4.8 [122])
2	BEAD PLATE	1	NBD-9928	70-3582-3235		
3	PISTON	1	NBD-10472	70-3582-9669		
4	BUMPER	1	NCD-3404	C71-358-0366		
5	1/2-13 UNC-2A X 1.00 [25.4] LG. HEX HD. BOLT	1	NDD-2941	70-3582-8103		
6	1/2 LOCKWASHER	1	NDD-2940	70-3582-8429		
7	PISTONS STUD	2	NDD-1598	70-3582-9922		



TOP VIEW  
HALF SIZE



THIRD ANGLE PROJECTION

DO NOT SCALE

NOTE AND TOL

1PL: 1/16

2PL: 1/32

3PL: 1/64

PL: 1/16

NO DATE DESCRIPTION REV

ANGLES UNLESS SPEC.

REMOVE BURRS AND SHARP EDGES

TABLE OF REVISIONS

MATL: NAD-18217

JAL-

1T15L-2 ASSEMBLY FIRKSTONE

INDUSTRIAL PRODUCTS CO., LLC INDIANAPOLIS, INDIANA

Drawn by JONES Checked by App'd by Date 23 MAY 1986 Scale FULL NAD-18217-6