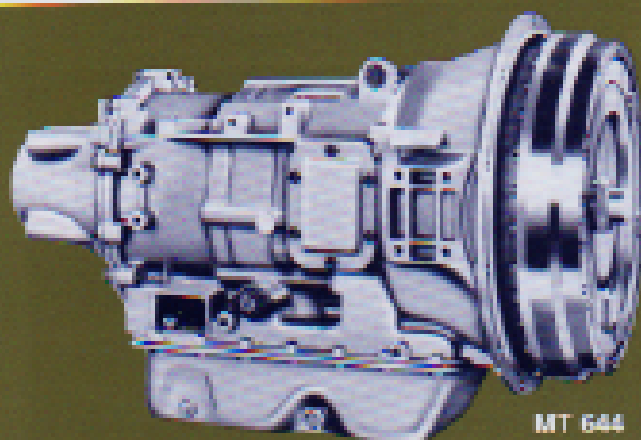
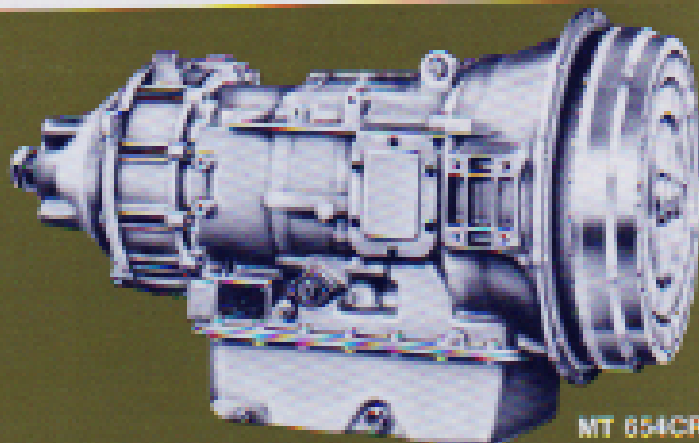


MT 644
up to 300 hp
(224 kW)

MT 654CR
up to 300 hp
(224 kW)



MT 644



MT 654CR

specifications

		MT 644	MT 654CR
rating	Net input power	300 hp (224 kW) (max)	300 hp (224 kW) (max)
	Input speed, full-load governed	3000 rpm (max) 2000 rpm (min)	3000 rpm (max) 1800 rpm (min)
	Net input torque	780 lb ft (1058 N-m) (max)	950 lb ft (1288 N-m) (max)
	Vehicle weight (GVW or GCW)	Up to 50,000 lbs (22,690 kg)	Up to 60,000 lbs (26,298 kg)
mounting	Engine	SAE 1 or 2 flywheel housing with flex disk drive	
	Vehicle	One 4-hole, SAE mounting pad each side of converter housing; two holes on top at rear of transmission	
torque converter	Type	Single-stage, 3-element, multiphase	Single-stage, 3-element multiphase
	Stall torque ratio	TC 494-1.9 TC 495-2.2	TC 495-2.2, TC 496-1.8 TC 497-2.7
	Lockup clutch, automatic, modulated	Effective in 2nd, 3rd, & 4th	Effective in 2nd, 3rd, 4th and 5th
gearing	Type	Constant mesh, spur type planetary	Constant mesh, spur type planetary
	Gear ratios:		
	First	3.58	4.17
	Second	2.09	2.21
	Third	1.39	1.56
	Fourth	1.00	1.27
	Fifth	—	1.00
Reverse	5.67	10.78	
power takeoff	Type	Converter driven	
	Size of opening	SAE 6-bolt	
	Location	Right side (viewed from rear)	
	Drive gear ratio	All ranges—1.00 x converter output speed	
	Drive gear rating	300 lb ft (407 N-m) throughout speed range	
oil system	Oil type	Dexron [®] , Dexron II [®] Alt. type C-3	Dexron [®] , Dexron II [®] Alt. type C-3
	Capacity (excluding external circuit)	16 qt. (15 litres)	17 qt. (16 litres)
	Sump	Integral	Integral
	Filter or screen	Integral	Integral
	Cooler*	Remote mounted	Remote mounted
size	Length	30.42 in (773 mm) (max)	36.23 in (920 mm) (max)
	Width	18.25 in (460 mm)	18.25 in (460 mm)
	Height	21.50 in (549 mm)	21.50 in (549 mm)
	Weight (dry)	535 lbs (243 kg)	655 lbs (297 kg)

*Not furnished on transmission assembly but is supplied by vehicle manufacturer.

NOTE: All data and specifications subject to change without notice.