



BLUE BIRD

QUICK REFERENCE
SERVICE PARTS
CATALOG

\$14.95 USD

TABLE OF CONTENTS

SECTION 01 - SWITCHES
SECTION 02 - LIGHTS
SECTION 03 - ELECTRICAL
SECTION 04 - HVAC
SECTION 05 - WINDSHIELD WIPERS
SECTION 06 - MIRRORS
SECTION 07 - GLASS
SECTION 08 - HANDLES/LATCHES
SECTION 09 - EMERGENCY
SECTION 10 - UPHOLSTERY
SECTION 11 - SPECIAL NEEDS
SECTION 12 - STOP ARMS
SECTION 13 - CROSSING ARMS
SECTION 14 - ROOF HATCHES
SECTION 15 - ELECTRONICS
SECTION 16 - FLOOR COVERINGS
SECTION 17 - PAINTS/SEALANT/DECALS
SECTION 18 - HARDWARE/TOOLS
SECTION 19 - CHASSIS

Blue Bird Service Parts has made every attempt to publish this Quick Reference Catalog as error free as possible. In the event you discover an error, please fax the correction to the Blue Bird Service Parts Technical Communications at:

478-822-2461

ATTN: Quick Reference Catalog

Thank you.

00048718

- Bulb for Rocker Switches

09025157

- Temporary option
- Rocker button
- NGR
- Blank



00027301

- Rocker button
- NGR
- W/L
- Select start



00027288

- Switch base
- NGR
- SPST
- On-off-momentary on



00089174

- Camera Switch Button

0109836

- Switch Base

00027328

- Rocker button
- NGR
- Service door (elec)



00042456 (blue)

00042457 (blue)

00027292 (black)

- Switch base
- NGR
- DPST
- Momentary on-off-momentary on



00027349

- Blank plug for switch panel
- NGR



00049553

- Blank plug for switch panel
- Actia
- NGR

00027302

- Rocker button
- NGR
- W/L
- Emergency override



00027290

- Switch base
- NGR
- DPST
- Off-on
- Red



00027714

- Switch base
- NGR
- DPST
- Off-momentary on
- Red



00032198

- Rocker button
- NGR
- Speaker int-ext



00032480

- Switch base
- NGR
- DPST
- On-on



00027307

- Rocker button
- NGR
- Stop arm hi/lo



00027313

- Rocker button
- NGR
- Dome rear



00027308

- Rocker button
- NGR
- Cross arm light



00027314

- Rocker button
- NGR
- Dome drivers



00027309

- Rocker button
- NGR
- Dome



00027322

- Rocker button
- NGR
- Destination sign



00027310

- Rocker button
- NGR
- Dome LH



00027733

- Rocker button
- NGR
- Clear lights



00027311

- Rocker button
- NGR
- Dome RH



00027312

- Rocker button
- NGR
- Dome front



Common Base

(Used by the switches in this section.)

00027285

- Switch base
- NGR
- SPST
- On-on high



00027303

- Rocker button
- NGR
- Stop arm cancel



00027305

- Rocker button
- NGR
- Cross arm cancel



00027306

- Rocker button
- NGR
- Stop/cross arm cancel



Common Base

(Used by the switches in this section.)

00027289

- Switch base
- NGR
- SPST
- Off-momentary on



00027318

- Rocker button
- NGR
- Heater master



00027320

- Rocker button
- NGR
- Strobe



00029027

- Rocker button
- NGR
- Door, rear



Common Base

(Used by the switches in this section.)

00027294

- Switch base
- NGR
- SPST
- On-on
- Ext ind



00027327

- Rocker button
- NGR
- Brake override



00027650

- Rocker button
- NGR
- W/L
- Cancel



Common Base

(Used by the switches in this section.)

00027293

- Switch base
- NGR
- SPST
- On-momentary off



- 00027299
- Rocker button
 - NGR
 - W/L
 - Master
 - Green



- 00027325
- Rocker button
 - NGR
 - Lift



- 00027323
- Rocker button
 - NGR
 - Chime



- 00027331
- Rocker button
 - NGR
 - Heater auxiliary



Common Base
(Used by the switches in this section.)

- 00027287
- Switch base
 - NGR
 - SPST
 - IND
 - Off-on



- 00027332
- Rocker button
 - NGR
 - Step de-ice



- 00027581
- Rocker button
 - NGR
 - W/L
 - Master
 - Red



- 00074914
- Noise Suppression Switch

- 00074915
- Rocker, Kill switch, noise suppression used if radio is on bus
 - (Base 0074504) - Record

- 00027319
- Rocker button
 - NGR
 - Heater pump

Aux Heater Byp



- 00027321
- Rocker button
 - NGR
 - Heated mirror



Common Base
(Used by the switches in this section.)

- 00027298
- Switch base
 - NGR
 - SPST
 - IND
 - Off-on high



00027315

- Rocker button
- NGR
- Fan



00027317

- Rocker button
- NGR
- Heater, rear



00027316

- Rocker button
- NGR
- Heater, front



00027324

- Rocker button
- NGR
- Vent roof
- 2 speed



Common Base

(Used by the switches in this section.)

00027291

- Switch base
- NGR
- SPST
- On-off-on high



00027330

- Rocker button
- NGR
- Heater, driver's



00029026

- Rocker button
- NGR
- Heater, RH



00027328

- Rocker button
- NGR
- Service door (air)



00027329

- Rocker button
- NGR
- Exit door (air)



Common Base

(Used by the switches in this section.)

00042458 (Blue)

00027296 (Black)

- Switch base
- NGR
- SPST
- Momentary on-off-momentary on



00027328

- Rocker button
- NGR
- Service door (air)



00042457 (Blue)

00035240 (Black)

- Switch base
- NGR
- DPST
- On-on-on



00027300

- Rocker button
- NGR
- W/L
- Start



00027295

- Switch base
- NGR
- SPST
- Off-momentary on
- Amber



00027328

- Rocker button
- NGR
- Service door (electric)



00027292

- Switch base
- NGR
- DPST
- Momentary on-off-momentary on



00027334

- Indicator button w/ yellow & red light beside warning light start & master switch



00027347

- Bezel end
- NGR
- Switch panel



00027321

- Rocker button
- NGR
- Heated mirror



00027297

- Switch base
- NGR
- SPST
- IND
- Off-momentary on



00027345 (Dome)

00027933 (Panel)

00042182 (Gauge)

- Switch
- Slide
- Dimmer panel
- Gang mount
- 10A



01808435

- Connector

00049555

- Plate
- 4 gang switch



00049554

- Plate
- 3 gang switch



00027348

- Bezel center
- NGR
- Switch panel



09025198

- Temporary option
- Connector
- 10 circuit
- Switch
- Eaton



01947100

- Terminal

09025199

- Terminal

01499094

- Push-pull
- 3-position heater
- 3 terminals
- Defroster Switch

*Used until 1993 -
replaced by
04320925*



01073311

- Nut, hex, panel

TC/Driver Fan

00236745

- Emergency door
and window buzzer
- 1 terminal



00196394

- Nut, adjusting



01077718

- Relay for Emer Door
Buzzer

02006187

Older Busses

01155241

- Manual
- Push-button ON
when in
- 2 terminals



01155258

- Manual
- Push-button OFF
when in
- 2 terminals



01169408

- Nut, hex, panel



01499102

- Push-pull
- 2-position accessory
- 2 terminals



01073311

- Nut, hex, panel



04320925

- Htr Fan Switch SBCV

Strobe Light

Defroster

Q-Bus

00367466

- Push-pull
- Warning light
system
- 4 terminals



01073311

- Nut, hex, panel



00367466

- Push-pull
- Warning light system
- 4 terminals



01073311

- Nut, hex, panel



02167393

- Standard
- Push-out
- Window warning buzzer
- 1 terminal



Switch for Buzzer on Plowindow

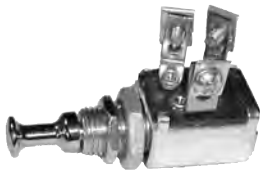
01695154

- Vertical hinge
- Push-out window



01014349

- Push-pull
- 3-position front heater
- Mini-Bird
- 3 terminals



01073311

- Nut, hex, panel



01145168

- Adjustable
- Normally closed for rear emergency door or window buzzer
- 2 terminals



7/16" Nut

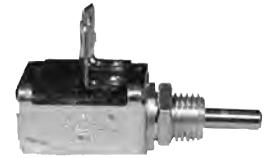


01073311

- Nut, hex, panel

01126176

- On when out
- 2 terminals



00046112

- Nut, hex, panel



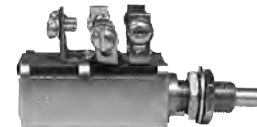
02100576

- Warning lights
- 4 terminals



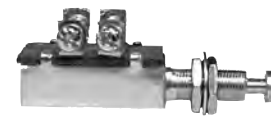
02005981

- Warning light
- 6 terminals



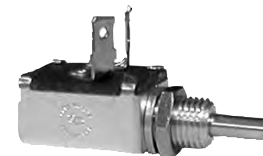
00989020

- On when out
- 4 terminals



01126184

- Off when out
- 2 terminals



02145449

- Nut, hex, panel



01124411 *Opt 2230*

- Adjustable
- On when out
- 4 terminals



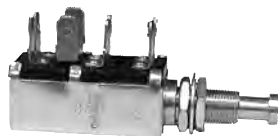
01073311

- Nut, hex, panel



00648527

- Warning light
- 8 terminals

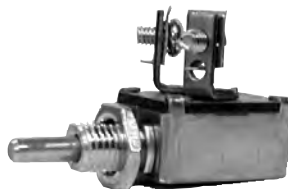


02006088

- On when out
- 2 terminals

02006013

- On when in
- 2 terminals

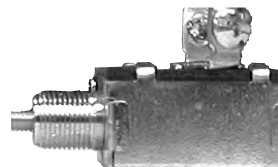


02145449

- Nut panel

02101392

- Vacuum Stop Arm Switch
- On when out
- 2-position
- 2 terminals



02101400

- Vacuum Stop Arm Switch
- On when out
- 3-position
- 2 terminals



00810002

- 3-position with red knob

1655



00809996

- 2-position with red knob
- Stop Arm



01494913

- 4 position heater
- 30 AMP

01494897

- Knob



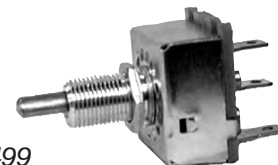
TC/Defrost Control

08303141

- Two speed
- Heater fan

CV Def

01838499



04320917

- Knob
- Heater switch
- Fresh Air



08303158 Legacy

- Knob
- Heater switch
- Fresh Air
- 1 1/2" diameter



00031531

- Knob
- Temperature control
- Heater water
- 1 1/8" diameter

New

00016333

New Switch



04320925

- 3-speed
- Heater fan
- 5 Prong

01816727

- Terminal

08312316
Complete Wiring
Harness

01838499

- Connector

TC/LTC

08304081

- Harness w/Door Switch

08304099

- Harness w/o Door Switch



01962380

- Low idle
- Adjustable



00833061

- Foot-operated
- Momentary with lights



01962364

- Cruise control
- On/off



02025245

- Back-up light
- 2 terminals
- AA Auto Trans



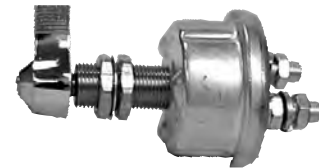
01962372

- Cruise control
- Set/resume



01143338

- Battery disconnect



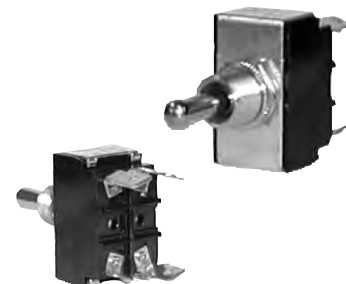
01969997

- Multi-function gauge



01656396

- Toggle
- On-on
- Rear engine control



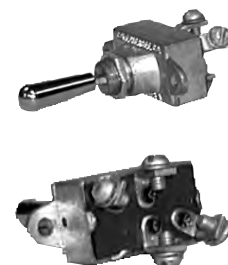
01656487

- High idle



00989186

- Toggle
- 3-position
- Off-run momentary
- 4 terminals
- Spring Loaded



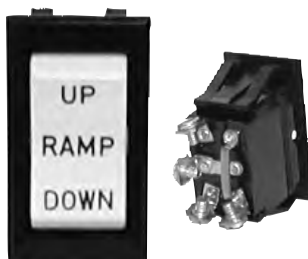
02241438

- Handi-lift
- Up-down
- Red
- 4 terminals



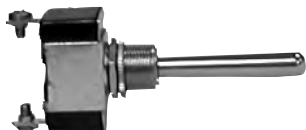
02241446

- Handi-lift ramp
- Up-down
- White
- 4 terminals



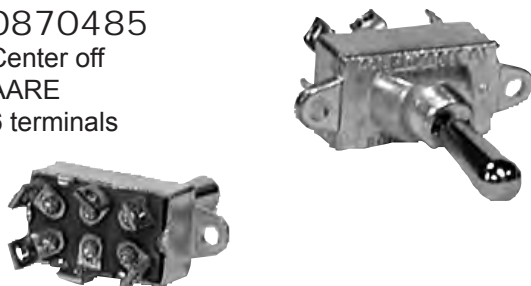
00759902

- Toggle with 1.5" lever
- 2 terminals



00870485

- Center off
- AARE
- 6 terminals



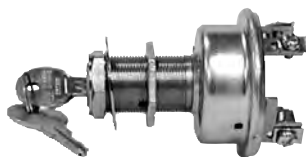
02632529

- Control
- Handi-lift
- 3 terminals



00945410

- Outside power
- Jackknife door
- 4 terminals



00998740

01940873

Switch Stop Light - Controls Warning Light

00612895

- Control
- Handi-lift
- 6 terminals



00416628

- Toggle
- On-off
- 6 terminals



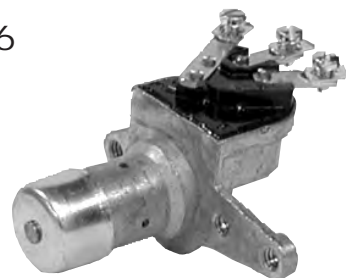
01004597

- Toggle
- 12 terminals



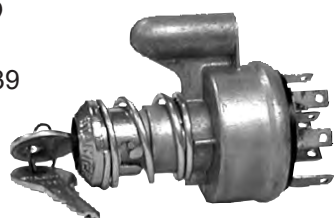
01124676

- Headlight
- Dimmer



00770339

- Ignition
- Pollack 31-139

Old Style


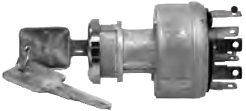
01010685 04294849
 • Ignition • Key, blank
 • Pollack 31-191

01320969
 • Connector
 • Ignition switch

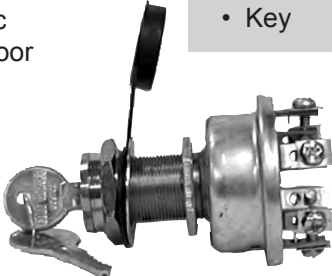
01462993 01320969
 • Ignition • Connector
 • Pollack
 • Keyed alike (key # D-250)

00766121 01320969
 • Term 10 GA Connector
 00766121 Terminal


Q-Bus 02028066
 Term 14-16 GA AA's TC '82 & up

01861806 08301244
 • Electric • Key
 • O/O Door
 • keyed



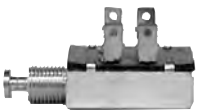
01644525
 • Headlight
 • Dimmer
 • TC/2000
 • 1994-1998




01159375/ 02028066/
 00766162 00766121
 • Connector • Terminal

01861814 Door Switch by Handle
 • Momentary
 • N/C
 • O/O
 • Electric door
 • Normally closed

3 Term
 40 Amp



01025782
 • Emergency override
 • Includes knob
 • 5 terminals



00952465
 • Headlight


01879931
 • Nut
 • Headlight switch

01277516
 • Knob
 • Headlight switch with rod

01355619
 • Connector plugs into headlight switch

01320951
 • Connector

02028066
 • Terminator




01659218
 • Backup Light Switch



01644749
 • Headlamp and parking lamp
 • TC/2000
 • 1994-1998


01833045
 Connector Packard Headlight Switch

01831544 Terminal 01469030 Diode




01085083
 • Rheostat
 • 2-pole

Dimmer Switch that controls lights on Driver's Panel 89 AAFC Domelite




00907600
 • Safety for Spicer transmissions
 • 2 terminals
 • AA Manual Trans



01583699
 • Key
 • O/S electric
 • Vandal lock (key not included)

00848747
 • Key



06012165

- Marquardt
- SPDT
- On-off-on


Application Blue Bird Q-Bus



06012009

- Arco Electric
- DPST
- Momentary on-off


Application Blue Bird Q-Bus



01601814

- Arco Elec
- SPST
- On-off
- 1550 sp

Application Blue Bird Q-Bus



06012017

- Arco Electric
- SPST
- On-off


Application Blue Bird Q-Bus



01646587

- Marquardt
- SPDT
- On-off-on

Application Blue Bird Q-Bus



06012033

- Arco Electric
- SPST
- On-momentary off

Application Blue Bird Q-Bus



01646595

- Marquardt
- SPST
- On-off


Application Blue Bird Q-Bus



06012041

- Arco Electric
- DPST
- On-off
- 12V lamp
- Red face

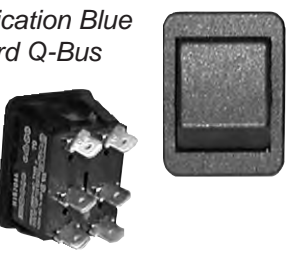
Application Blue Bird Q-Bus BOAE Door Switch



06011985 *Application Blue Bird Q-Bus*

- Arco Electric
- DPDT
- On-off-on


A/C Switch



06012058

- Arco Electric
- DPST
- On-on
- 12V lamp
- Red face


Application Blue Bird Q-Bus



06011993

- Arco Electric
- DPST
- On-momentary off


Application Blue Bird Q-Bus Brake Interlock



06012025

- Arco Electric
- SPST
- Momentary on-off

Application Blue Bird Q-Bus



01943729
• Bezel, End



01943737
• Bezel, Middle



01947597
• On-off-on
• Red/amber pilot lights
• 5 terminals



Application
Blue Bird
MicroBird

01947530
• On-momentary off
• 2 terminals

Application
Blue Bird
MicroBird
Strobe Lite



01947605
• Off-on
• 4 terminals

Application
Blue Bird
MicroBird



01947548
• Off-momentary on
• 2 terminals

Application
Blue Bird
MicroBird



01947555
• Off-on
• Amber pilot light
• 3 terminals

Strobe Light

Application
Blue Bird
MicroBird



01947522
• Off-on
• 2 terminals

Application
Blue Bird
MicroBird



01947563
• Off-on
• Red pilot light
• 3 terminals

Application
Blue Bird
MicroBird



01947571
• Off-on-on without resistor
• SPDT

01947589
• Off-on-on with resistor
• SPDT

Application
Blue Bird
MicroBird



SWITCHES TO FIT OTHER MAKES OF BUSES

02133429

- Rocker
- High-low-park
- 4 terminals



02133452

- Rocker
- High-low-off
- 6 terminals



02133445

- Rocker
- On-off
- 4 terminals



02133437

- Rocker
- High-low-off
- 4 terminals



02133411

- Rocker
- On-off momentary
- 4 terminals



02133460

- Rocker
- On-off and momentary
- 4 terminals



02133478

- Rocker
- High-low-off
- 3 terminals



02133403

- Rocker
- On-off
- 2 terminals



02145878

- Rocker switch
- Off-momentary on
- W/S washer
- 2 terminals

*Application
Thomas*



02145779

- Rocker switch
- Hi-low-off split
- 3 terminals

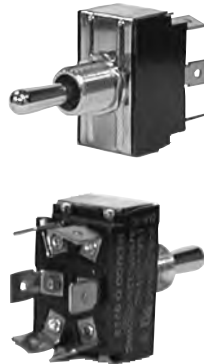
*Application
Thomas*



02145795

- Toggle switch
- Momentary warning light
- 6 terminals

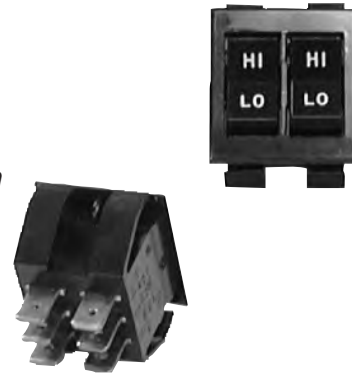
*Application
Thomas*



02145746

- Rocker switch
- Hi-low-off split
- 6 terminals

*Application
Thomas*



04312542

- Toggle switch
- On-off with red light
- Warning lights
- 4 terminals

*Application
Thomas*



04297826

- Blank switch

*Application
Thomas*



02145753

- Rocker switch
- On-off and split
- 2 terminals

*Application
Thomas*



02145761

- Rocker switch
- On-off split
- 4 terminals

*Application
Thomas*



02145787

- Paddle switch
- On-momentary off split
- 4 terminals

*Application
Thomas*

02147734

- Toggle switch
- On-on-off heater
- 3 terminals

*Application
Carpenter*

04294351

- Switch
- Momentary
- 2 terminals

02147726

- Toggle switch
- Hi-low-off
- W/S wiper
- 4 terminals

*Application
Carpenter*

02147742

- Toggle switch
- On-off accessory
- 2 terminals

*Application
Carpenter*

02147759

- Toggle switch
- Off-momentary on
- Warning lights and w/s wiper
- 2 terminals

*Application
Carpenter*

04297925

- Toggle switch
- On-on-off
- Door
- 5 terminals

*Application
Carpenter*

04297917

- Toggle switch
- On-off
- Master
- Lighted
- Red toggle
- 3 terminals

*Application
Carpenter*

01586288
 • Red light
 • 1-wire

01586296
 • Amber light
 • 1-wire

01927490
 • Amber light
 • 2-wire

01586288
 • Light
 • Marker
 • Red
 • 2 wires

02103398
 • Red lens

02103406
 • Amber lens

04286423
 • Lens screw

02103653
 • Lens gasket

04286381
 • Foam mounting pad

00932020
 • Armor shield
 • Housing



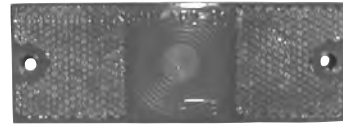
Weldon
 5050 Series



02007557
 • Bulb, T5-67

04303285
 • Bulb, 90H
 wedge base

00758342
 • Hood
 • Dual Warning
 Light



Dominion

01941376
 • Light marker
 • Red
 • Recessed

01941368
 • Light marker
 • Amber
 • Recessed

01134691
 • Red light

01134709
 • Amber light

02130508
 • Red lens

02130490
 • Amber lens



Cats Eye/
 Signal Stat
 00399
 150 Series

*Twist in
 Not for use in GA*

02006336
 • Red light

02006328
 • Amber light

02101632
 • Red lens

02101640
 • Amber lens

01151406
 • Bulb



Peterson
 122 Series

02132009
 • Red light

02132017
 • Amber light

00064612
 • Red light
 • 2-wire



Weldon
 5000 Series
 Rectangular

02132025
 • Red lens

02132033
 • Amber lens

02132041
 • Armor shield

02140986
 • Lens screw

04286407
 • Lens gasket

04286399
 • Mounting pad

02144988
• Red light

02144996
• Red lens

02144962
• Amber light

02144970
• Amber lens



Grote
452 Series

04312740
• Amber light

04312757
• Amber lens



Truck Lite
20309

00620443
• Light assembly
• Amber



Dietz
85004

W/L Only

02112183
• Amber lens

02123313
• Bulb, #168

01226695
• Light assembly
• Amber

04288080
• Amber lens

01228451
• Light assembly
• Red

04288098
• Red lens

02007557
• Bulb

KD
541 Series



01164359
• Light assembly
• Amber

02146348
• Amber lens

02150951
• Bulb, #921

Arrow
59 Series



00533646
• Light assembly
• Amber

02255636
• Bulb

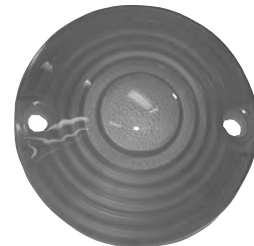
00533638
• Light assembly
• Red



Peterson
126 Series

00617142
• Light assembly
• Door marker
• Red
• 1-wire

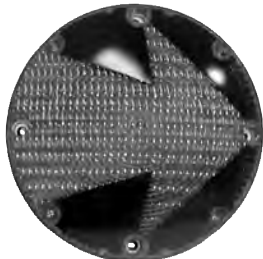
01969005
• Light assembly
• Door marker
• Red
• 2-wire

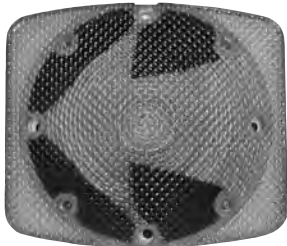


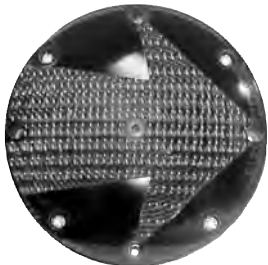
Weldon
2026

02103091
• Red lens

<p>Body Ground 01135649 • Amber light</p> <p>01135631 • Red light</p>	<p>04306031 • Amber lens</p> <p>04306023 • Red lens</p> <p>02255636 • Bulb</p>	<p>With Ground Wire 01280601 • Amber light</p> <p>01281369 • Red light</p>	
 <p>KD 500 Series</p>			

<p>00566190 • Light assembly with red arrow</p> <p>00566208 • Light assembly with amber arrow</p>	 <p>Weldon 1000 Series</p>	<p>02102754 • Red lens with arrow</p> <p>02102762 • Amber lens with arrow</p> <p>02157063 • Lens screw</p>	<p>02134369 • Lens gasket</p> <p>04286373 • Mounting pad</p> <p>01038215 • Bulb</p>
<p>7 Inch Tail/Stop Signal Light</p>			

<p>01339001 • Light assembly with amber arrow</p> <p>00566208 • Light assembly with amber arrow</p>	 <p>Weldon 2000 Series</p>	<p>02720647 • Amber lens with arrow</p> <p>02157063 • Lens screw</p> <p>02157071 • Lens gasket</p>	<p>02157097 • Mounting pad</p> <p>01038215 • Bulb</p>
---	---	--	---

<p>02132157 • Light assembly with red arrow</p> <p>02132140 • Light assembly with amber arrow</p>	 <p>Baader-Brown 7" Turn Signal 6000 Series</p>	<p>02132173 • Red lens with arrow</p> <p>02132165 • Amber lens with arrow</p> <p>04280202 • Lens gasket</p>	<p>04280194 • Mounting pad</p> <p>01038215 • Bulb</p> <p>00027926 • Red LED Clearance</p> <p>00027925 • Amber LED Clearance</p>
---	--	---	---

01357326

- Light assembly
- Amber lens



Weldon
2010 Series

02157287

- Lens

02157071

- Lens gasket

02157063

- Lens screw

02157097

- Mounting pad

01038215

- Bulb

04304416

- Red Lens

04308185

- Clear Lens

00525543

- Light assembly
- Red (dual filament)



Cats Eye/Signal Stat
7" Directional (Plain)
650 Series

02101558

- Red lens

02101541

- Amber lens

02128254

- Lens gasket

08309692

- Light
- Amber
- Directional
- Fender mount
- GMCV



Signal Stat
5800 Series
GMCV

08309700

- Amber lens
- Directional

02255669

- Bulb

03909082

- Light
- Amber
- Side marker



Signal Stat

04306015

- Amber lens
- Side marker

03909090

- Chrome guard

04321717

- Red light

02147601

- Red lens

04321725

- Amber light

Arrow
58 Series

02147619

- Amber lens



02123313

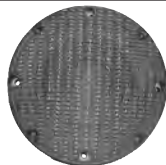
- Bulb

00758342

- Warning Light Hood

00566174

- Light assembly
- Red
- Single
- Directional



Weldon

00818260

00818278

- Brackets

02134369

- Lens gasket



00817098

- Light assembly
- Directional
- Amber

00857656

- 7" Light
- Red
- Dual contact/2 wires
- Stop/Brake Light
- Tail
- Opt 1959
- 1157 bulb



02102770

- Red lens

02103109

- Amber lens

02148179

- Blue Light

02152237

- Mtg Pad



00963173

- Light
- Directional
- Amber
- Dual contact

04311775

- Clear lens

04293262

- Blue lens

01038215

- Bulb

00053069

- L.E.D. Light
- 7" red
- Stop and tail
- 60 L.E.D.

Doran




Stop/Tail/Turn Light

00053071

- L.E.D. Light.
- 7" amber
- Directional
- 80 L.E.D.


Doran



Turn Light

00027923

- L.E.D. Light
- Amber
- Directional



Peterson

00065534


- L.E.D. Light
- Red
- Stop and tail with tag light



Doran

00027924

- L.E.D. Light
- Red
- Stop



Peterson

00061783

- Retrofit kit
- Stop arm
- L.E.D.



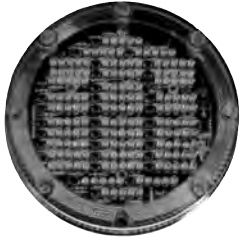
Doran
00149

00061302

- L.E.D. Light assembly
- 7"
- Red
- Warning

00084001

- Amber LED
- Warning



Doran

09014407*

- L.E.D. Light
- Amber
- Clearance/ marker

NO. 00027927

- Light bracket
- Clearance/ marker

** Replaces
p/n 00027925*

00027926

- L.E.D. Light
- Red
- Clearance/ marker

Peterson



00051796

- L.E.D. Light
- Clear
- Backup
- 4 inch



Dialight

Opt 30176-03

00054534

- L.E.D. Light
- Clear
- Backup
- C4RE
- 4 inch

01620053

- Light
- Directional
- Amber



Hella

04317467
• Amber lens

04317525
• Housing

00053411

- L.E.D. Light
- Amber
- Marker



Dialight

00053409

- L.E.D. Light
- Red
- Marker



00043525
• L.E.D. gasket

00051797

- L.E.D. Light
- Amber
- 4"

Image
Not
Available

Dialight

0025926

- Light
- Backup
- 7"



00031423
• Clear lens

00031422
• Outside gasket

00046329
• Inside gasket

00064615

- Light
- Stop-turn
- Red
- 3 wires

00064616

- Light
- Directional
- Amber
- 3 wires



Weldon

00064613

- Light
- Back up
- Clear
- 2 wires



Weldon

TRUCK LITE CLEARANCE AND MARKER LIGHTING - TRUCK LITE MODEL #12

Vendor P/N	Blue Bird No.	Description
12009Y	00014698	Complete Light Kit Assemby, Amber (includes lamp, lamp gasket, mounting bracket with gasket and pigtail)
12009R	00044521	Complete Light Kit Assembly, Red (includes lamp, lamp gasket, mounting bracket with gasket and pigtail)



Vendor No.	Blue Bird No.	Description
12002R	00044513	Lamp, red with gasket
12002Y	00044514	Lamp, amber with gasket
12200R	00044515	Lamp only, red
12200Y	00044516	Lamp only, amber
94919	00044517	Pigtail for Kit# 12009
12723	00044518	Mounting bracket for Kit# 12009
97925	00044519	Mounting bracket with gasket for Kit# 12009
97921	0004520	Gasket only for Kit# 12009

- 00061482
- Light assembly
 - Safety
 - Driver alert



Transpec



02147338

- Light assembly
- Amber

02255669

- Bulb
- Turn and Park

02255636

- Bulb
- Side marker



KD
Directional Light,
Fender Mount
764 Series
Navistar

01620012

- Light assembly
- Amber
- Directional RH

01620004

- Light assembly
- Amber
- Directional LH



Hella

01620806

- Bulb

04317467

- Lens

04317525

- Housing

02147379

- Light assembly

02147361

- Red lens

02147346

- Amber lens
- Marker

01038215

- Signal bulb

02255636

- Bulb
- Side marker



Signal Stat
Directional
Light,
Fender Mount

00399

00817106

- Light assembly
- Amber

00817114

- Light assembly
- Red

02104099

- Amber lens

02104081

- Red lens

01038215

- Bulb



KD
Directional Light
722 Series

02152726

- Light assembly RH

02152734

- Light assembly LH

02147346

- Amber lens
- Marker

01038215

- Signal bulb

02255636

- Bulb
- Side marker



Signal Stat
Directional
Light,
Fender Mount

*Plastic that
contours fender*

02154490

- Light assembly LH

02147346

- Lens marker
- Amber

01038215

- Signal bulb

02255636

- Bulb
- Side marker



Signal Stat
Directional Light,
Fender Mount
GMCV

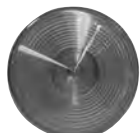
- 00040858
• 4 Inch, Stop/
Tail/Tag



- 00009475
• Light assembly
• Red

- 02146777
• Red lens

- 02255669
• Bulb (1157)



Grote
5080 Series

- 02147106
• Lamp assembly
• Red

- 02146785
• Red lens
(screw type)

- 02146777
• Red lens
(snap on)



Grote
Stop and Tail
Lamp Assembly
50852 Series

- 01620020
• Lamp assembly
• Stop

- 04306064
• Red lens
• Stop

- 01620806
• Bulb



Hella

- 02145027
• Light assembly
• Red

- 02145035
• Red lens



Grote
Stop and Tail
Lamp Assembly
(Flush Mount)
502 Series

- 02148260
• Light assembly

- 02255669
• Bulb



Truck Lite
Directional Light,
Fender Mount

- 00611731
• Light assembly
• Red

- 02117273
• Red lens



Grote
Stop/Tail Lamp
(Less Studs)
5088 Series

- 01619998
• Light assembly
• Tail

- 04306056
• Red lens
• Tail

- 01620798
• Bulb



Hella

- 04297834
• Red light
• 2 wires

- 04284543
• Red lens



KD
756 Series

01392075

- Light 5 Inch Lift Light
- Clear SGA BU Light Assy

- 04280293
- Clear lens

- 04326278
- GKT, Lens



Weldon
1060 Series

00525857

- Light assembly
- Clear



Cats Eye/
Signal Stat

01581321

- Light assembly
- Backup

- 01620806
- Bulb

- 01211945
- Light



Hella

02145001

- Light assembly
- Clear

- 02145019
- Clear lens



Grote

01635127

- Lamp assembly
- 7" backup
- Clear

- 04311775
- 7" lens
- Clear

- 02134369
- Lens gasket



KD

04292215

- Lens and housing
- Amber

01203678

- Lamp assembly
- Amber

02146330

- Lens and housing only
- Red

01203660

- Lamp assembly
- Red

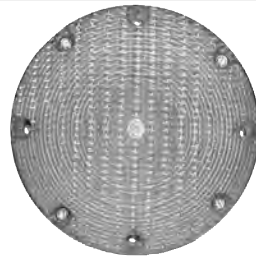


Truck Lite
Stop/Tail/Turn
Lamp

- 2255669
- Bulb

02132116

- Light assembly
- Amber



Baader-Brown
7" Stop Light
5000 Series

- 04299350
- Red light
- Double filament bulb

- 02132108
- Red light
- Single filament bulb

- 02132124
- Red lens

- 02132132
- Amber lens

01203686

- Light assembly (with grommet and plug)

- 02146314
- Lamp only

- 02146264
- Grommet only

- 02146256
- Plug only



Truck Lite

- 00566182
• Light assembly
• Red

- 00755132
• Light assembly
• Amber



Weldon
Warning

- 02102788
• Red lens

- 02103679
• Amber lens

- 04293262
• Blue lens

- 04311775
• Clear lens

- 02101517
• Bulb

- 02134369
• Lens gasket

- 02152239
• Mounting pad

- 02157063
• Lens screws

- 01111475
• Hood
• Warning light

- 01736289
• Light assembly
• Red

- 01736297
• Light assembly
• Amber



Austin/Whelen
Strobe Warning
Lights

- 01872332
• Flasher system

- 01872340
• Monitor panel

- 04319422
• Flash tube

- 08308728
• Red lens

- 08308710
• Amber lens



- 02161529
• Red light

- 02161552
• Amber light

- 02161545
• Red lens

- 02161537
• Amber lens

- 02157063
• Lens screw

- 02157071
• Lens gasket



Weldon

- 04286415
• Mounting pad

- 02101517
• Bulb

- 01225986
• Light assembly
• Red

- 01225994
• Light assembly
• Amber

- 02132082
• Red lens

- 02132090
• Amber lens

- 02101517
• Seal beam
bulb
• Clear



Baader-Brown
7" Warning

- 04288916
• Housing only
• Warning lamp

04303806

- Light
- Clear

- 04286498
- Clear lens



Baader-Brown

01370048

- Light assembly
- Clear
- Stepwell
- Engine compartment

- 02100436
- Clear lens

- 02007557
- Bulb



Arrow
35 Series

- 00904748
- Bracket

00817155

- Light assembly

Weldon
8010 Series



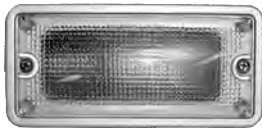
- 02103661
- Lens

- 02007557
- Bulb

08302150

- Dome light
- Bode door

- 01038215
- Bulb



Grote

02146827

- Clear light
- Stepwell

- 02146819
- Clear lens



Weldon

01635127

- Lamp assembly
- 7" backup
- Clear

- 04311775
- 7" lens
 - Clear

- 02134369
- Lens gasket



KD

01341700

- Parking Light Assy
- Wraps around corner of bus

01128321

- Lamp assembly with lens

01257997

- Lamp assembly without lens

01966829

- Dome light housing
- 2 wire



Weldon
8005

01258003

- Lens with logo

02007565

- Bulb

02007557

- Bulb

01759240

- Light
- Lift approach ADA (self-grounding)
- Opt 487

01759257

- Light
- Lift approach ADA (with ground wire)
- Opt 431-01



KD
856 Series

01295252

- License Plate Tag Light
- Opt 487

01644558

- Parking lamp
- Amber

- 04280012
- Amber lens

- 01571751
- Light Assy, Red



Dietz

02146710

- Reflector
- Amber
- 3 1/4"
- Center mounting hole
- K-D



02146702

- Reflector
- Red
- 3 1/4"
- Center mounting hole
- K-D

01341700

- Parking light
- Amber



Dietz

04281804

- Amber lens

01295252

- Light with tag bracket
- Grey

01151406
• Bulb, #194Peterson
436 Series Tag Light

01835461

- Reflector with self adhesive
- Amber
- Replaces p/n 0526632



Peterson

01835479

- Reflector with self adhesive
- Red
- Replaces p/n 0526624

00618579

- Reflector
- Amber
- Bracket mount
- Front bumper
- 3"



Peterson

01619980

- Light tag without bracket

01151406
• Bulb, #194Peterson
436 Series Tag Light

02006260

- Reflector
- Amber with aluminum housing
- 5"
- Arrow



02006278

- Reflector
- Red with aluminum housing
- 5"
- Arrow

01791300

- Light
- Switch panel illumination

01952381

Switch Panel inverter



04324034

- Strobe light assembly
- Clear
- 3 Hole Mount

04322368

- Flash tube



Specialty
10 Joule
515-400

01685908

- Strobe light assembly
- Clear

04320339

- Clear lens

04324026

00087169

- Flash tube



Service Mate
16 Joule

00066494

- Strobe light
- S/CNT power supply
- SGL flash

00061123

- Gasket



Aeroflash
8 Joule/13 Joule

01734011

- Strobe light assembly
- Clear, SGA

08311581

- Light assembly
- Amber

04320339

- Clear lens

04324026

- Flash tube, SGA



Service Mate
8/13 Joule
TransElectric

01009281

- Strobe light kit with power pack

02147197

- Light assembly

02126928

- Light and pigtail

02147213

- Wiring harness

02147205

- Power pack



Aeroflash
00863



FLASH TUBES

04293577

- Flash tube
- Model 2010
- "Old Style"
- 3-pin



Austin/Whelen

04324026

- Flash tube
- 8/13 or 16-joule
- 8 pins



Service Mate

04325304

- Flash tube
- Model 2020
- 3-pin



Austin/Whelen

04323861

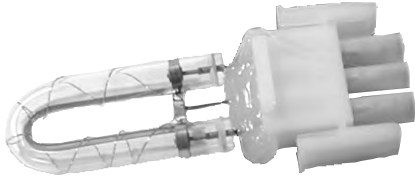
- Flash tube
- Model 2010
- "New Style"
- 3-pin



Austin/Whelen

04322368

- Flash tube
- 10-joule
- 3-socket



Specialty

04324810

- Flash tube
- Model 400S
- 8-pin



Austin/Whelen

SQUARE PILOT LIGHTS

04282349

- Amber
- 2 terminal

04297644

- Green
- 2 terminal

04282331

- Red
- 2 terminal



Thomas

04297818

- Red-amber
- 4 terminal

PILOT LIGHTS



One Wire

02006799

- Amber
- 17/32" diameter lens

01525682

- Red
- 1" diameter lens

02006807

- Red
- 17/32" diameter lens

00877100

- Bulb
- 1" pilot light

Two Wires

01525666

- Amber
- 1" diameter lens

01410794

- Amber
- .53" diameter lens

01525674

- Green
- 1" diameter lens

01410802

- Red
- 1" diameter lens

01525682

- Red
- 1" diameter lens

BULBS

Trade No.	Blue Bird No.	
53	02007532	
67	02007557	
68	02255727	
70	01218411	Wedge base
89	02007565 526-03	
93	02007573	
161	04304697	Wedge base
168	02123313	
192	01314996	
194	01151406	
904	04303285	
921	02150951	Wedge base
1156	01038215	
1156	04287926	DC
1157	02255669	
1416	02255693	
1816	01102037	
1895	02255636	
78-186M	01620806	
78-232	01620798	
	02137677	Tezelzey Guage

02137677

- Tezelzey Guage



SEALED BEAMS		
Trade No.	Blue Bird No.	
4636	02101517	7" Clear
4000	02105070	Headlight
4040	02105088	Headlight
6052	02160513	Headlight
6054	04288767	Halogen headlight
H4651	02144905	Halogen headlight
H4656	02144913	Halogen headlight
	08312707	TSO-V2 (Small) - MultiFunctional
	08312712	Toshiba V2 (Large) - Tell Tale
	04287736	FibreOptic Ribbon
	01314962	Light Source

08312704

- TSO-V2 (Small) Multi-Function



08312712

- Toshiba-V2 (Large) Tell Tale



TRANSMATIC LIGHTS

Light Assy	Size	Bulb(s) Required	Size	Qty. Required
09017181	12"	09006329	9"	1
09007097	18"	09007098	12"	1
09006328	24"	09006329	9"	2
09006326	30"	09007098	12"	2
09017182	36"	09007098	12"	2
09004916	48"	09004917	21"	2

PLEASE NOTE: Light assemblies DO NOT include bulbs.

DORAN MONITOR ASSEMBLIES

Dual warning system without beltline lights

*C-3 SGA
Indicator Panel
External Light
Monitor*

04278727

- Models through 5/1988

01374818

- Models since 5/1988 B-3

04278719

- Models through 2/1988

01374826

- Models since 2/1988 C-4



Single warning system without beltline lights

04278735

- Models through 9/1988

01374800

- Models since 9/1988 A-3

04278701

- Models through 3/1988

01374834

- Models since 3/1988 D-3



04324489

- Small bulbs for dash

02104602

- Bulb

00040872

- Monitor for LED on WCTA C-4R



Works only with Doran lights

00053479

- Monitor
- Dual W/L with L.E.D. beltline lights



Works only with Trucklite and Dialight beltline lights

09026488

- Monitor
- Dual w/l with L.E.D. beltline lights
- C-4S



01366574

- Flasher system
- 8-lamp

01374149

- RAC 8 Light
- NLA

01161876

- Relay
- Aeroflash flasher

Aeroflash/RAC**01382241**

- Flasher
- 8-lamp system
- Non-sequential

02129476

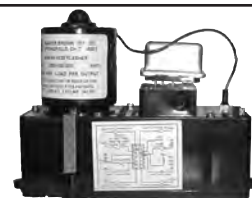
- Spring set (contact points)
- Flasher motor

02129468

- Diode block

02129443

- Motor
- Flasher

**Baader-Brown**

02112936

- Relay
- 5-prong



02129450

- Relay
- 6-prong

**00937953**

- Flasher
- 8-lamp system
- Sequential

02129476

- Spring set (contact points)
- Flasher motor

02129468

- Diode block

02129443

- Motor
- Flasher

02129450

- Relay
- 6-prong

**Baader-Brown**

02112936

- Relay
- 5-prong

**02005841**

- Flasher
- Element
- 2-prong
- Directional lights

**Wagner****02005866**

- Flasher
- Element
- 2-prong
- Thermal directional lights

00069592

- Flasher
- Element
- 3-prong
- Thermal warning light
- Flasher

00056549

- Flasher
- Element
- 2-prong
- Directional lights

02005874

- Bracket
- Flasher

02005908

- Flasher
- Motor driven

Cole-Hersee**01656743**

- Flasher system
- 8-lamp



Weldon
7000
00596
RAC

01055417

- Flasher system
- 4-lamp

6404.164

Replaces
Baader-Brown
P/N 0400-120-301

Baader-Brown**00809103**

- Switch
- Magnetic
- Starter

**Delco Remy**

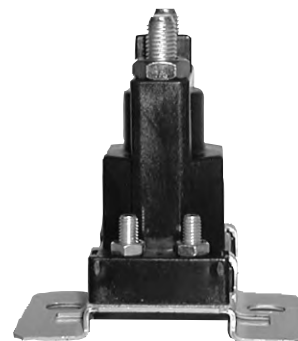
00518514

- Flasher
- Warning light
- Alternating
- 3-terminal

**Dietz**

01367234

- Solenoid
- 80 amp
- Hydraulic brake

**White-Rodgers/RBM**

01868025

- 4 Way Flasher
- Turn/hazard warning
- 5-10 Light Flasher

**Potter & Brumfield**

01451434

- Solenoid assembly
- Vandal lock
- 60 amp

**United Technologies**

01013861

- Solenoid
- Master control
- Continuous duty
- By Driver's Console
- Switches on Key

**United Technologies**

01281070

- Solenoid
- Entrance door
- Vandal lock



Ledex

00932012

- Solenoid
- 100 amp
- Essex

**United Technologies**

01950559

- Relay
- Power
- Grid heater

**White-Rodgers/RBM**

04315131

- Relay
- Engine wiring harness

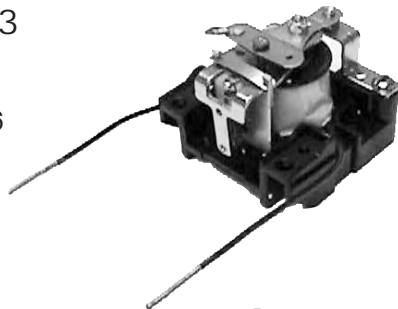


Application 1994-95 TCFE/RE

Packard

00663203

- Relay
- Pilot light
- Option 2146
- Single pole

**Arrow**

01746387

- Relay
- Micro

**Bosch
Hella**

01779446

- Hella Starter Relay
- 931-410-02



01868017

- Relay
- 40 amp

Application
1994-Present TCFE/RE**Potter & Brumfield**

01740711

- Relay
- Time delay
- 4-second

Airotronics
25808

01554740

- Alarm
- Dual rate
- Low air warning

Low Arm Brake Buzzer

Application 1991-
Present (1993)

00021437

- Buzzer
- Rear emergency door and push out windows
- Replaces legacy p/n 2006187



00521781

- Relay
- Horn

TCFC
Pokorny

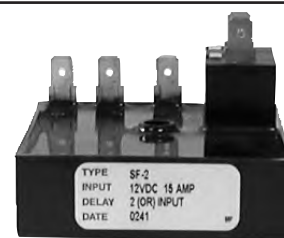
01615830

- Relay
- Time delay
- 390-second
- Heated mirrors

SSAC

01747633

- Relay
- Time delay
- 4-second
- OR gate

Airotronics

00003311

- Horn
- Backing alarm
- 107 DB
- 12-24 V



00003312

- Horn
- Backing alarm
- 112 DB
- 12-24 V



01320977

- Diode
- Rectifier
- IN5408
- 3 amp

01469030

- Diode
- Rectifier
- ECG5812
- 6 amp



01952381

- Inverter
- EL
- Switch panel lighting
- B1VC



00093264

- Harness, Filter

A.T.I.

00020479

- Module assembly
- Door control
- Entrance



BOSCH - SOLENOIDS AND RELAYS

Bosch P/N	Blue Bird P/N
0-332-002-155	01197136
0-332-002-156	00004394
0-332-204-198	01161876 8 way flasher relay w/o tab
0-332-204-161	01077718 8 way flasher relay
0-332-209-137	02127736
	01779446
0-332-002-156	00004394

NOTE: Bosch P/N will be stamped on top.



01161876

- 8 way flasher relay w/o tab



01816727

- Terminal, Female

01143627

- Connector



CIRCUIT BREAKERS

Blue Bird P/N	Description
01170869	Circuit breaker, 8 amp
00768218	Circuit breaker, 10 amp
02006104	Circuit breaker, 15 amp
02006112	Circuit breaker, 20 amp
02215259	Circuit breaker, 30 amp
01216936	Circuit breaker, 40 amp
02006096	Buss Bar; Copper



LITTLEFUSE - MEGA FUSES

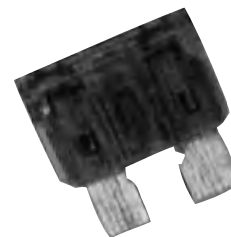
Blue Bird P/N	Current Rating	Littelfuse P/N
00006151	125	
01864362	200	298200
01864388	250	298250



01864404
• Holder

LITTLE FUSE - FUSES

Blue Bird P/N	Current Rating	Littelfuse P/N
01774801	3	257003
00015990	5	257005
01696715	7.5	25707.5
01696723	10	257010
01696731	15	257015
01696749	20	257020
01983832	25	257025
01696756	30	257030
01930015	35	257035
01759380	40	



02025641
• Fuse Holder

01779446

- 40 Amp Starter Relay
- Hella



00099908

- Switch Assy
- Directional
- Hazard

**01286426**

- Solenoid
- Engine
- Shut-Down

**01811132**

- Connector
- 5 Circuit
- 280 Series

**02102218**

- Kit
- Flasher
- Repair
- Cole-Hersee


**04283016**

- Switch Assy
- Roof Hatch
- Alarm
- Magnetic




00228072

- Heater motor
- 12 volt
- 2-speed CW
- 2 -wire
- Self-ground
- Shaft: 1 3/8" x 5/16"



00228080

- Heater motor
- 12 volt
- 2-speed CCW
- 2 -wire
- Self-ground
- Shaft: 7/8" x 5/16"
- Rear Underseat
- Counterclockwise
- Used on AA & TC's up to 1992



00159723

- Heater motor
- 12 volt
- 2-speed CW
- 2-wire
- Self-ground
- Shaft: 11/8" x 5/16"
- Underseat Heater/Defroster
- Smaller RH Front



01476183

- Heater motor
- 12 volt
- PM
- CCW
- Shaft: 11/8" x 5/16"
- Heater in stepwell
- Front Heater
- Also 1991 - check eng opt



Applications

- TC/2000
- TC/1000
- CS Series
- TranShuttle 1992-97
- Q-Bus 1992-Present

04316246

- Heater defroster motor
- CW
- Shaft: 11/8" x 5/16"
- 2 speed or 3 speed



Applications

- 1995-97 Conventionals

08303182

- Blower assembly
- Front heater
- Double power



Kysor 18471


Applications

- TC/2000
- CS Series
- TranShuttle
- Conventional 1997-Present
- All American 1999-Present

<p>00013477</p> <ul style="list-style-type: none"> • Strap <p>08307241</p> <ul style="list-style-type: none"> • Strap, Wall Heater <p>08307217</p> <ul style="list-style-type: none"> • Housing 	<p>08307373</p> <ul style="list-style-type: none"> • Blower motor • Main Htr Fan Mtr <p>08307365</p> <ul style="list-style-type: none"> • Blower wheel <p>00014626</p> <ul style="list-style-type: none"> • Grill, End <p>08313223</p> <ul style="list-style-type: none"> • Clip <p>04316295</p> <ul style="list-style-type: none"> • Resistor
--	--

01438480

- Heater motor
- Driver's heater
- Shaft: 11/8" x 1/4"



Applications 1989-Present

08307373

- Blower motor
- Dual shaft:
10" x 5/16"



02004307

- Fan blade
- 10"
- CCW



02103323

- Fan blade
- 5"
- Driver's heater
- Used until 1989



02103414

- Motor used w/ this fan

01438126

- Fan blade
- 5"
- Driver's heater
- Used 1989-Present



01567288

- Blower wheel
- Small
- Steel
- 2 7/8" H x 4 3/4" D
- 5/16" Shaft
- For Defroster



01567270

- Blower wheel
- Large
- Steel
- 2 7/8" H x 5 1/4" D



01494905

- Blower wheel
- Steel
- 3.79" H x 7.31" D



04316543

- Blower wheel
- Steel
- 3" H x 5 1/2" D



04316337

- Blower wheel
- Steel
- 3 1/2" H x 5 3/4" D



01562131

- 2 Inch AC Diff, Trans Air

01407816

- 3 Inch AC Diff,
Trans Air



08307365

- Blower wheel
- Plastic
- 3 1/4" H x 5 1/4" D




00530246

- Diffuser
- Flat
- Black



01915438

- Diffuser assembly
- Adjustable
- 3"
- Takes 3 screws



00530253

- Diffuser
- Air
- Black



01918549

- Diffuser assembly
- Adjustable
- 3" without housing



01563436 (1)

- Louver
- Ball
- Q'Bus 1992-95



01568948

- Ring w/Hose Adpt

01563428 (2)

- Collar
- Mounting

04310264 (1&2)

- Ball and Collar


01563444

- Ring (for 2)

*3 Inch Opening
2 Inch Hose*

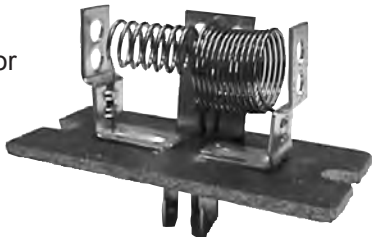
08303091

- Louver heater
- 1 1/2 - 2 Inch Dash




04316295

- Resistor
- 3-speed
- Heater motor
- Dual Shaft



01786060

- Diffuser assembly
- Adjustable
- 3" for 2 1/2" hose
- Conventional 1995-96

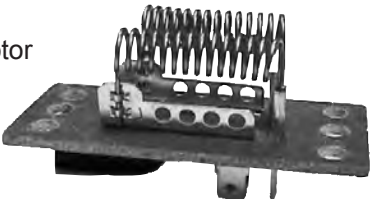


01787472

- Plastic cover to hold diffuser

01601681

- Resistor
- 3-speed
- Heater motor
- CV



01345669

- Connector

BERGSTROM PUMP

00599-18471

*Makes a great replacement
for Groco pumps!*

01973981

- Pump assembly
- Auxiliary water



01973403*

- Cover
- Auxiliary pump

00020158

- 90 Degree Tube

01987676**

- Plate
- Mounting
auxiliary pump



01973999

- Has straight pipe

00007258

- Bergstrom A3RE
Feature 30058

02148849

- Heater, Water
Pump has
straight pipe

0869062

0869012

- Bergstrom Lt

**Required when replacing Groco
pump I/S Bus.*

***Required when replacing Groco pump
in rear engine compartment.*

*Replace those leaking pumps
with a quality-made,
economical Bergstrom pump!*

00952887

- Auxiliary water pump
assembly

CP20BB12V

Application Blue Bird

Groco
00198

02103299

- Motor only

02103307

- Seal kit

02115780

- Impeller

**Note: These service
parts fit both Blue Bird
and Wayne pumps.*

01723071

- Auxiliary water pump
- Plastic housing

04324893

- Motor only

04324570

- Repair kit

01973999

- Pump

00054276

- Seal Kit



Groco

04297222

- Auxiliary water pump

Application Wayne



Groco

02103299*

- Motor only

02103307*

- Seal kit


02115780*

- Impeller

**Note: These service
parts fit both Blue Bird
and Wayne pumps.*

00666719

- 6" auxiliary fan assembly
- 2-speed



DCM

08314320

- Motor, CCW
- 2-wire
- Self-ground
- Shaft: 5/8" x 1/4"

08314312

- Blade

08314304

- Guard kit
- Front and rear

02105013

- Base assembly

01544220

- 6" auxiliary fan assembly
- 2-speed
- Metal



Baader-Brown

02143386

- Motor, CW
- Defroster
- 2-speed


08301954

- Blade

FASCO

00935494

- Defroster fan motor



02115483

- Defroster fan blade

02146694

- Defroster fan guard (front)


08306060

- Defroster fan guard (rear)

Replace assembly with DCM fan.


04316386

- Heater filter
- Conventional
- 3/8" x 11" x 20 1/8"
- LH



08303216

- Heater filter
- Conventional
- 3/8" x 10" x 24"



01922384

- Heater filter
- 10" x 21.06" x 0.43"

01494962


- Heater filter
- 10" x 20.15" x 0.43"

00015895

- AA 80000
- TC

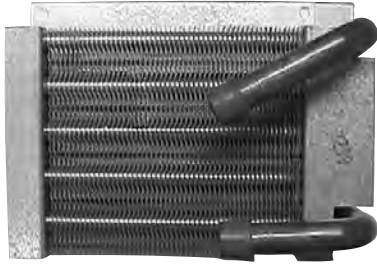
06003305

- Filter
- Heater
- 1/4" x 10" x 10"



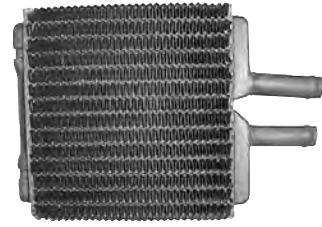
01297761

- Heater coil
- RH
- W/S
- Auxiliary
- Defroster
- 5/8" inlet and 5/8" outlet
- 5 1/4" x 5 5/8" x 1 7/8"



02102705

- Heater core assembly
- 12,000 BTU
- Driver's heater
- 2" x 6" x 8 1/2"
- Used until 1989



01322494

- Coil
- Front RH heater
- TC/2000
- 2 1/4" x 15" x 16 1/2"
- Used until 1991

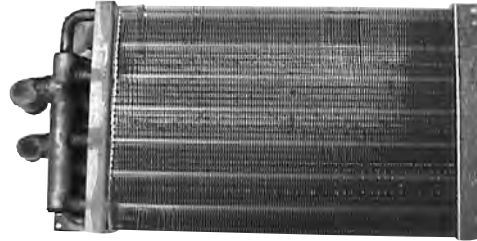


01294099

- Heater coil
- 50,000 BTU
- RH front and underseat
- 2" x 9" x 16.2"

02160562

- Kit
- Converts old-type core unit to coil

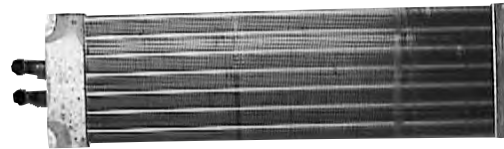
Conventional

01294081

- Heater coil
- 80,000 BTU
- Underseat
- 2" x 9" x 29.9"

02157592

- Kit
- Converts old-type core unit to coil



01438118

- Coil
- Driver's heater
- 2 1/2" x 5" x 7"
- Used 1989-Present



08316374

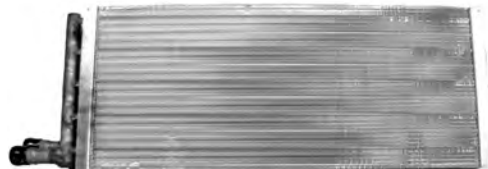
- Heater coil
- LH front heater
- Conventional
- Used 1997-2000

00035914

- Heater coil
- Used 2001-Present

02149698

- Coil, 25m Underseat (1023514)



01064997

- Heater coil
- 80,000 BTU
- LH front
- Conventional
- 3" x 10 3/4" x 26 1/4"
- Used until 1994

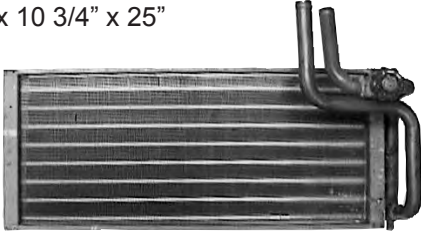
02129732

- Kit
- Converts old-type core unit to coil



01155977

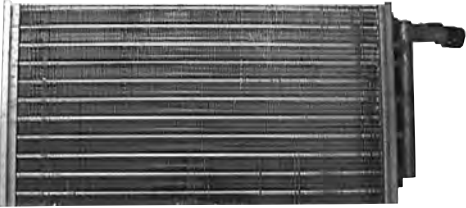
- Coil
- Front heater
- 90,000 BTU
- 3" x 10 3/4" x 25"



04316378

- Heater coil
- LH front heater
- SBCV
- 3 1/2" x 11" x 22"

Application
1995-97

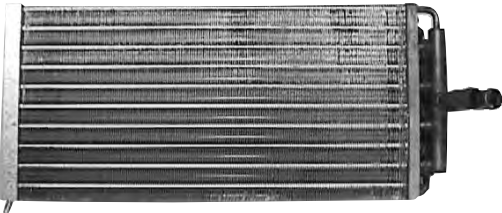


01473511

- Heater coil
- Front RH heater
- 3 1/2" x 10" x 22"

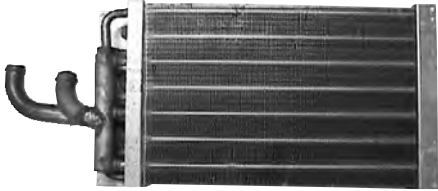
Applications

- 1991-96 TC/2000
- CS Series
- Q-Bus



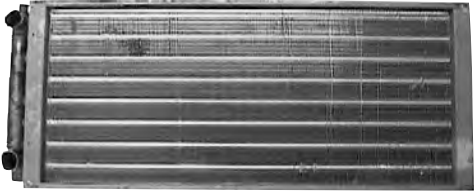
01605542

- Coil
- RH front heater
- 50,000 BTU
- 2" x 9" x 16.18"



01155969

- Coil
- Front heater
- 90,000 BTU
- 3" x 10 3/4" x 25"




08303208

- Heater coil
- RH front heater
- 3 5/8" x 10" x 24"

Applications

- 1997-Present TC/2000
- CS Series



08303109

- Breaker
- 10 amp
- TC heater



00544353

- Valve
- Gate
- Heater
- Reamed
- 2 sided
- 1"



00601617

- Clamp
- Heater hose
- Support



00544361

- Valve
- Gate
- Heater
- Reamed
- 1 side
- 1"



01438811

- Connector assembly
- Heater hose with 90 degrees
- KY

Image
Not
Available

01626431

- Valve
- Ball
- 3/4"
- With butterfly handle



- 04315065
- Handle only

2000 SBW

00244475

- Valve assembly
- Straight
- 1"



00651844

- Valve
- Remote controlled
- Cable operated



00250803

- Valve assembly
- Heater
- Dual cut-off valve
- Soldered
- Cuts water onto heater beside driver's leg



01420025

- Cable
- Fresh air control AA



01482736


- Cable
- Heater control TC



02052579


- Valve assembly
- Gate
- 3/4"

1990 SBCV



00571067

- Tubing assembly
- With valve



00810945

- Brass elbow
- 90°
- With bleeder valve

00810911

- Bleeder screw



00031322

- Main Heater Water Valve Kit
- SBCV - New Ones



00281303

- Tubing only
- Brass elbow
- 90°



00621664

- Valve assembly
- Complete



02115574

- Brass Tubing
- 4 Inch Straight


00878603

- 1/4 Inch Compression, Cut-off Valve

01605559


- Valve assembly
- LH heater

Application
GMCV 1992-94




01360270

- Tubing assembly
- Water supply/return
- RH WS defroster



01203850

- Tubing assembly
- With valve
- LH front heater



01784628

- Kit
- Water valve

Application
GMCV 1995-96



01913722

- Kit
- Water valve

Application
GMCV 1997-
Present

01784636

- Kit
- Water valve

Application
SBCV 1995-96



01913730

- Kit
- Water valve

Application
SBCV 1997-
Present

00003459

- Mounting bracket
- Seat cushion
- With U/S heater



00069754

- Heater assembly
- U/S
- 50,000 BTU
- Seat-mounted



00069758

- Heater assembly
- U/S
- 50,000 BTU
- Floor-mounted

01294099
• Heater coil

00228072
• Heater motor
Rep by 0057157

02004307
• Heater fan

00015894
• Filter

00007252
• Screen, Protective

01213651
• Mtg Bracket

00018903
• Channel Adpt HR to Seat



00069757

- Heater assembly
- U/S
- 80,000 BTU
- Floor-mounted

01294081
• Heater coil

00228072
• Heater motor

00069752

- Heater assembly
- U/S
- 80,000 BTU
- Seat-mounted

02004307
• Heater fan

00015895
• Filter



01444033

- Heater assembly
- Driver's
- 12,000 BTU

01438118
• Heater coil

01438480
• Heater motor

01438126
• Heater fan



FLEXIBLE DUCT HOSE

P/N	Description	Inside Diam (IN.)	Length (IN.)
01025261	Hose, Flex, Duct, 1.75 x 18	1.75	18
01025279	Hose, Flex, Duct, 1.75 x 48	1.75	48
01025287	Hose, Flex, Duct, 1.75 x 103	1.75	103
01025295	Hose, Flex, Duct, 2.5 x 34	2.5	34
01623248	Hose, Flex, Duct, 2.5 x 51	2.5	51
01508373	Hose, Flex, Duct, 2.5 x 7	2.5	7
01508381	Hose, Flex, Duct, 2.5 x 28	2.5	28
01623248	Hose, Flex, Duct, 2.5 x 48	2.5	48
01025303	Hose, Flex, Duct, 3 x 6	3	6
01025311	Hose, Flex, Duct, 3 x 18	3	18
01025329	Hose, Flex, Duct, 3 x 24	3	24
01025352	Hose, Flex, Duct, 3 x 103	3	103
01025360	Hose, Flex, Duct, 4 x 4	4	4
01251065	Hose, Flex, Duct, 4 x 45	4	45
01627090	Hose, FlexFlyte L1, 4 x 12	4	144
01248129	Hose, Flex, Duct, 5 x 18	5	18
01296235	Hose, Flex, Duct, 5 x 96	5	96
01493097	Hose, FlexFlyte L1, 5 x 12	5	144
01139872	Hose, FlexFlyte VF, 6 x 25	6	300
01451046	Hose, FlexFlyte VF, 6 x 18	6	18
01711787	Hose, Flex, Duct, 6 x 8	6	8

- 2102994
- Kit
 - Retrofit
 - Plumbing
 - US heater

1" HEATER HOSE BY THE FOOT

02003317	Black
02003309	Red
01250760	Blue, Hy Miler
01143866	Silicone

AIR CONDITIONING

Contact your Blue Bird Distributor for all your Air Conditioning parts needs.
Ask for a copy of our A/C Parts Catalog!

4

H
V
A
C

26-19912

- Dual wheel blower

Replaces
Carrier 401-209
and
Trans Air
412025



Omega

31-30957

- Expansion valve

Replaces
Trans Air 210019



Omega

37-10866

- 30 cu. in. filter/drier



Omega

Replaces Trans Air 212010

25-11112

- 11" condenser fan

Replaces
Carrier 401-110



Omega

31-30901-P

- Expansion valve

Replaces
Carrier 101-107



Omega

25-14863-T

- 10" condenser fan



Omega

Replaces Trans Air 2160088

37-10865

- 16 cu. in. filter/drier



Omega

Replaces Carrier 101-303

COMMON REPLACEMENT PARTS FOR TRANS AIR AND CARRIER

BLUE BIRD P/N	TRANS AIR P/N	CARRIER P/N
29-30120	111001	201-404
30-13331	112007	201-806
28-51601	113033	202-300
28-01713	412005	
26-19902	412019	
33-31961	111022	
29-21901	113006	201-305
37-10860-A	211004	101-200
28-31528	412012	401-301
26-14596	511002	
29-30104	111025	201-400
28-51602	113032	202-303
37-10870	212012	
28-21565	412014	
26-14522	511017	
20-10089		501-298
32-10905-E		201-501
28-31535		401-308
20-10838		502-216
33-31916		201-611
26-14595		501-102A
37-10868		14-00288-00

*Contact your
Blue Bird Distributor
for all your
Air Conditioning
parts needs.*

*Ask for a copy of our
A/C Parts Catalog!*

PREMIUM REFRIGERANT LUBRICANTS FOR R-134A A/C SYSTEMS

41-50014-B
• POE 100

41-50102-B
• PAG 46

41-50104-B
• PAG 100

41-50106-B
• PAG 100



Omega

- 21-24801
- A/C service kit
 - R-12 and R-134A compatible
 - Premium seals and O-rings

Omega



1997-2002 FORD E - SERIES VANS AND CUTAWAY BUSES

Contact your Blue Bird Distributor for all your Air Conditioning parts needs.
Ask for a copy of our A/C Parts Catalog!

4

H
V
A
C

29-33104

- Clutch cycle switch



Omega

37-23441

- Ford accumulator



Omega

26-13248

- Ford blower motor



Omega

20-10778

- Ford FS10 compressor with clutch

20-10587

- Ford FS10 compressor without clutch



Omega



- 22-10504
- Clutch only

24-31063

- Ford condenser



Omega

31-50003

- Red orifice tube



Omega

27-33161

- Ford evaporator



Omega

01525856

- Knob
- Lever



- 01789916
- Windshield wiper assembly
 - Lefthand
 - SBCV and GMCV

Applications Blue Bird Conventionals 1973 - Present

- 01789924
- Windshield wiper assembly
 - Righthand
 - SBCV and GMCV

- 00522243
- Shaft assembly
- 00522219
- Connecting link

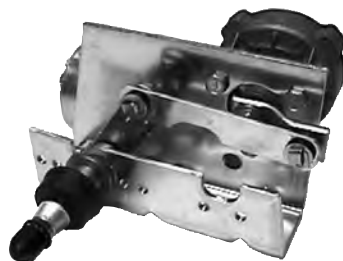
- 02102242
- Crank arm (square hole)
- 04304465
- Crank arm (round hole)



- 01023142
- Windshield wiper assembly
 - Lefthand
 - 1973-1992

- 01600493
- Windshield wiper assembly
 - Lefthand
 - 1992 - Present

- 01600485
- Windshield wiper assembly
 - Righthand
 - 1973 - Present



- 02101459
- Shaft assembly
 - Transmission
- 02100824
- Connecting link

Applications All American FE and RE 1973 - Present

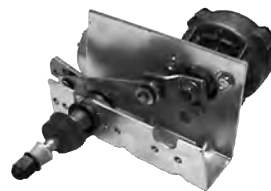
- 02126001
- Crank arm (square hole)
 - Old style splined
- 04311965
- Crank arm (round hole)



- 01600451
- Windshield wiper assembly
 - Lefthand or righthand
 - 1973-1992

Applications

- Mini Bird
- MBCC



- MBWB
- 1978 - Present

- 02101459
- Shaft assembly

- 02100824
- Connecting link



- 02102242
- Crank arm (square hole)

- 04304465
- Crank arm (round hole)

- 01600410
- Elec Wiper Kit LH

- 01600428
- Elec Wiper Kit RH

- 04304440
- Motor

- 00522243
- Shaft

- 04311965
- AAFC & AARE



- 04311957
- TCFC & TCRE



- 04312146
- Wiring Diagram

- 04304465
- If Mtr doesn't fit on older bus, need to order this crank arm



Service parts common to all major assemblies on previous and following pages include:

- 04304440
- Motor only
- 12v, 2.25 Amp

- 00522227
- Washer
- Retainer clip

- 02113983
- Retainer clip
- Connecting link



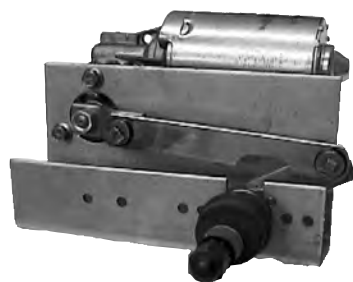
- 02140655
- Stud
- Shaft assembly

- 04309621
- Black Bushing
- Nylon
- Connecting link
- For wiper arm



01600493

- Windshield wiper assembly
- Lefthand



01457035

- Windshield wiper assembly
- Righthand

02101459

- Shaft assembly

02126001

- Crank arm (square hole)

04286001

- Connecting link

04311957

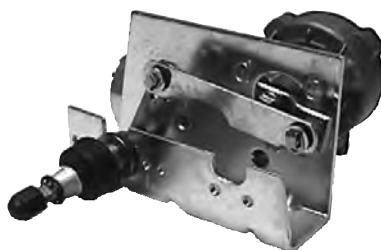
- Crank arm (round hole)

Application

- TC/2000
- 1988-91

01573997

- Windshield wiper assembly
- Lefthand



01574003

- Windshield wiper assembly
- Righthand

02101459

- Shaft assembly

04311957

- Crank arm

04286001

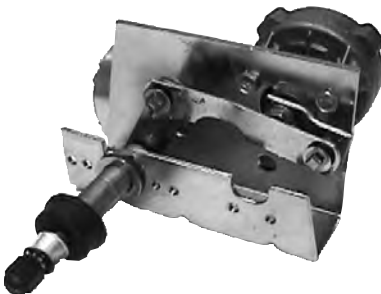
- Connecting link

Applications

- TC/2000 FE and RE
- CS Series FE and RE
- TranShuttle
- 1992 - Present

01580240

- Windshield wiper assembly
- Lefthand



01580257

- Windshield wiper assembly
- Righthand

04313201

- Shaft assembly

04304465

- Crank arm

02100824

- Connecting link

Applications

- Q-Bus FE and RE
- 1992 - Present

Service parts common to all assemblies on this page include:

04304440

- Motor only

02113983

- Retainer clip
- Connecting link

02140655

- Stud
- Shaft assembly

04309621

- Bushing
- Nylon
- Connecting link

00522227

- Washer
- Retainer clip

04304440

- Motor only
- Wiper
- WJ series
- 12v, 2.25a and 3.5a



United Technologies
00034

08310039

- Gear assembly
- WJ motor

01573765

- Connector electrical
- Plugs into P/N 4304440

Applications

- All Blue Bird
- Amtron
- Carpenter
- Thomas
- Wayne

02100873

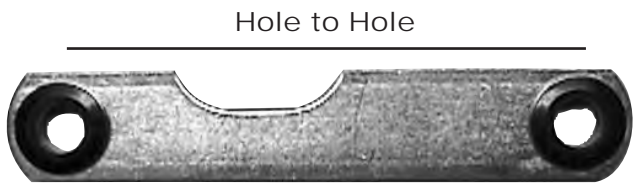
- Gear assembly
- K, L and WC series



United Technologies
(Bosch)

CONNECTING LINKS

P/N	Length (Hole Ctr. To Hole Ctr.)
02102242	1 1/8"
02100824	3 3/8"
04286001	4 7/16"
00522219	8 1/2"



Hole to Hole

United Technologies

04309621

- Bushing
- Nylon
- Connecting link

02113983

- Retainer clip
- Connecting link

00522227

- Washer
- Retainer clip

WIPER SHAFTS

P/N	Overall Length
02101459	3 1/2"
04313201	4 9/16"
00522243	8 1/2"

02140655

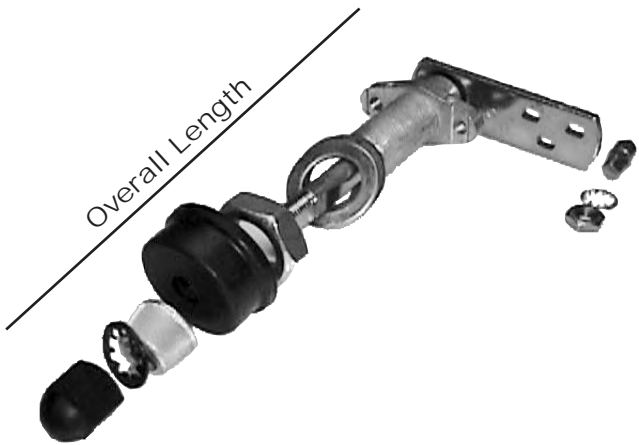
- Stud
- Wiper shaft
(attaches connecting link)

02100816

- Knurled driver

01342419

- Nut



Overall Length

United Technologies

CRANK ARMS (WITH SQUARE HOLES)

P/N	Application
02102242	Conventional and Mini-Bird 1962-1992
02126001	All American and TC/2000 1973-1992



United Technologies

CRANK ARMS (WITH ROUND HOLES)

P/N	Application
04304465 0-1 119-01	Conventional, Mini-Bird, and Q-Bus 1992-Present
02126001 1-4 139-04	All American 1992-Present
04311957 1-7 251-04	TC/2000 and CS Series 1992-Present



United Technologies

KNURLED DRIVERS

- 02100808
- Knurled driver
 - 5/16" shaft - SBCV



- 02100816
- Knurled driver
 - 3/8" shaft - AA, TC

- 01404771
- Wiper assembly
 - Air
 - Lefthand



Sprague

- Application*
- All American
 - 1988-Present

- 01404789
- Wiper assembly
 - Air
 - Righthand

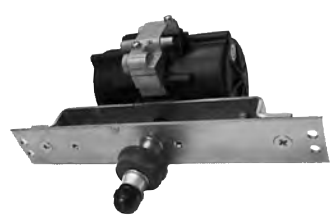
- 01364587
- Valve
 - Control
 - Air wiper



- 04302329
- Knob only

Sprague

- 01457027
- Wiper assembly
 - Air
 - Righthand



Sprague

- Application*
- TC/2000
 - 1988-91

- 01457019
- Wiper assembly
 - Air
 - Lefthand


01561679

- Wiper assembly
- Air
- Righthand

01561687

- Wiper assembly
- Air
- Lefthand

CSRE-99



Sprague

Application


- TC/2000
- 1991-Present

01271097

- Switch windshield wiper
- Electric
- Intermittent with dual switches

1272590

- Knob




Cole Hersee

01429562

- Switch
- Windshield wiper electric
- 2-speed with single switch for both wipers (75226-01)

01296441

- Knob



Cole Hersee

01429620


- Switch windshield wiper
- Electric
- Intermittent with single switch for both wipers

01272590

- Knob

01429703

- Harness



Cole Hersee


00000447 (AA)

- Switch
- Windshield wiper electric
- 2-speed with dual wiper switches

00982819


- Knob

All Am Switch




United Technologies

Blade	Length
00366476	16"
00522268	18" SGA - SBCV
00875229	20"




ANCO/Cooper
Flat Glass Blades

Blade	Length
00348144	18"
00348102	20"




ANCO/Cooper
Silver Curved Glass Blades

Blade	Length
00989202	18"



ANCO/Cooper
Curved Winter Blade

Blade	Length
01341981	18"
01341999	20"



ANCO/Cooper
Black Curved Glass Blades

04324646

- Kit
- Dry arm

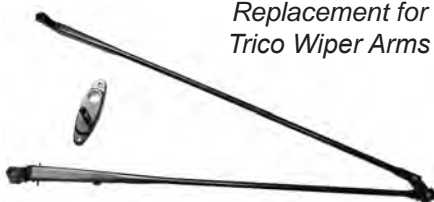
00063648

- Blade

Application


- Blue Bird Transit Style Buses
- 1962-1989

Replacement for Trico Wiper Arms



WIPER ARMS

Wet	Length	Dry
01918564	24"	01495597
01918572	26" (Std)	
01918580	28"	




Dyna/United Technologies

Miscellaneous Dyna wiper arm parts

04298014	04298030
• Saddle bolt	• Wet arm nozzle
	• Reversible for left or right
04298022	
• Nut	02101376
• Saddle bolt	• Silver Nut
	• NLA order 4283842
04298048	• Acorn Nut
• Black cap	
• Upper pivot	04283834
	• Black Nut

WIPER BLADES

Blades	Length
04322434	16"
01496827	18"
01496835	20"
01573682	22" (Std)
01573690	24"
01974070	26"
01958636	28"



Dyna/United Technologies

02160539

- Hose/tubing to wiper blade

Applications

- Blue Bird Transit style products
- Other makes of buses
- 1990-Present


WIPER ARMS

Wet	Length	Dry
01452796	24"	01452788
01561760	28"	

Miscellaneous Sprague wiper arm parts

04298923	04297529
• Saddle bolt	• Wet arm hose
04294112	02160539
• Wet arm nozzle	• Tubing

TCFC



Sprague
03369

Applications

- Blue Bird Transit style 1989-90
- Blue Bird Transit style with winter blades 1989-Present

WIPER ARMS

Wet	Length	Dry
01014505	15 1/7"	00522250
01014497	17	00888172



Anco
00038

- Applications*
- Conventional
 - Mini Bird

Miscellaneous Anco wiper arm parts

- | | | |
|----------------|--------------|------------------|
| 02143352 | 02143360 | 04294112 |
| • Saddle screw | • Saddle nut | • Wet arm nozzle |

01290493

- Wiper pivot



Anco/Cooper

04283834

- Nut
- Main shaft
- Black

04283834

- Nut cap
- Main shaft
- Black

04283842

- Nut
- Idler shaft
- Black

02143352

- Screws to hold wiper blades

04283867

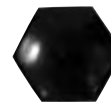
- Washer
- Star
- Main shaft
- Black

02143360

- Self locking nut holds wiper blades

02101376

- Nut
- Idler shaft
- Silver



01558550

- Windshield washer reservoir
- 4-quart



- 04304770
- Pump only

04298113

- Cap only
- Also overflow cap
- Also used on TC's for surge/recougtank

TC Coolant Recovery Tank

00000006

- Windshield washer reservoir
- 6-quart



00019621

- Pump
- 12 volt

00019577

- Filler spout with cap

00019576

- Tank
- Quart

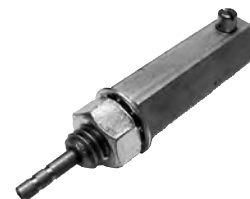
- Application*
- All American
 - 1999-Present

01452549

- Jet
- Windshield washer without wet arms

02142800

- Not Available



00833509

- Windshield washer kit (complete)

SBCV & TC
Older AA's



Included in above, but serviced separately

00831164

- Reservoir (includes pump assembly)

02115558

- Reservoir (without pump assembly)

02115541

- Pump assembly
- Washer

00876847

- Mounting bracket
- Reservoir
- CV

01085885

- Switch

01085877

- Tee
- Washer hose

00981399

- Tee
- Washer hose
- Wet piper

02003226

- Rubber grommet

01152917

- Wellnut

04312922

- Cap only
- Windshield washer

01126614

- Neoprene washer

NOTE: Reservoir hard container is one gallon capacity.



04294112

- Nozzle
- Wet arm
- Fits Sprague and Anco wiper arms



Sprague

01153170

- Connector
- Body
- Windshield washer with wet arms



Applications

- All American
- TC/2000

04298030

- Nozzle
- Wet arm
- Fits Dyna wiper arms



Q4RE

Dyna/United Technologies

01290758

- Connector
- Body
- Windshield washer with wet arms



Applications

- Conventional
- Mini Bird

NON-HEATED MIRRORS

- 01638675 01641372
 • Mirror head • Bracket Assy
 • Flat
 • Nomad 01638634
 • 6.5" x 10" • Bracket

Arm is in middle with 6 screws



Mirror Lite
Nomad Series

- 01638683 01643964
 • Mirror head • Brace
 • Convex
 • Nomad
 • 6.5" x 10"

HEATED MIRRORS

- 01646553 01646561
 • Mirror head • Mirror head
 • Flat • Convex
 • Nomad • Nomad
 • 6.5" x 10" • 6.5" x 10"
 • Upper • Lower

- 00884403
 • U Shaped Mtg Bracket
 • Option 5440003

NON-HEATED MIRRORS

- 01638642
 • Mirror head
 • Flat
 • Double Nickel

Side Mirror 7x10



Mirror Lite
Double Nickel Series

- 01638659
 • Mirror head
 • Convex
 • Double Nickel

HEATED MIRRORS

- 01646520
 • Mirror head
 • Flat
 • Double Nickel

- 01646538
 • Mirror head
 • Convex
 • Double Nickel

- 04308433
 • Glass only
 • Flat
 • Non-heated

- 04308425
 • Glass only
 • Convex
 • Non-heated

- 04302444
 • Mounting post

- 04302428
 • Glass only
 • Flat
 • Heated

- 04302436
 • Glass only
 • Convex
 • Heated

- 04302451
 • Mounting clamp

NON-HEATED MIRRORS

- 08312035
 • Mirror head
 • Flat
 • 10" x 10"



Mirror Lite
10" x 10" Series

- 08312019
 • Mirror head
 • Convex
 • 10" x 10"


HEATED MIRRORS


- 08312027
 • Mirror head
 • Flat
 • 10" x 10"

- 08312001
 • Mirror head
 • Convex
 • 10" x 10"

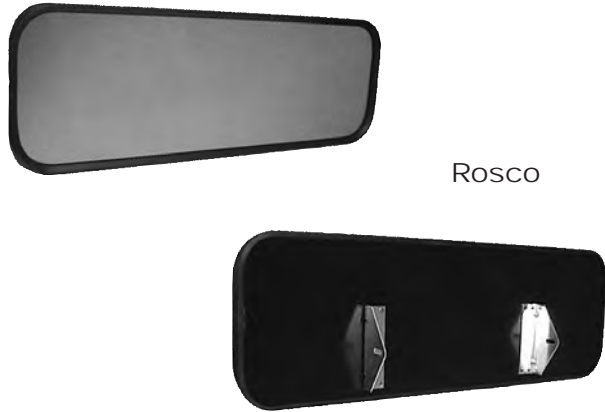
MIRRORS

6

<p>04287918</p> <ul style="list-style-type: none"> • Mirror head • Bus Boy • Non-heated 	<p>01590868 = 01451160</p> <p>02130524</p> <ul style="list-style-type: none"> • Collar 	<p>08314817</p> <ul style="list-style-type: none"> • RH Cateye for '99 <p>08314791</p> <ul style="list-style-type: none"> • LH Cateye for '99 	<p>00019838</p> <ul style="list-style-type: none"> • New Glass <p>00013583</p> <ul style="list-style-type: none"> • Brace Braket 13.37" <p>00013582</p> <ul style="list-style-type: none"> • Brace Braket 8" <p>00013581</p> <ul style="list-style-type: none"> • Brace Braket 12 1/2" <p>02130524</p> <ul style="list-style-type: none"> • Collar 	 <p>Mirror Lite Bus Boy Series</p>
<p>04298139</p> <ul style="list-style-type: none"> • Mirror head • Bus Boy • Heated 	<p>01697879</p> <ul style="list-style-type: none"> • Bus Boy Mirror Assy LH & RH 	<p>00001727</p> <ul style="list-style-type: none"> • Assy for LH &RH <p>00001776</p> <ul style="list-style-type: none"> • Arm Complete Assy • 0034923 - post RH • 0034924 - post LH 		
<p>04300117</p> <ul style="list-style-type: none"> • Glass only • Bus Boy • Heated • opt 2283-01 	<p>01315118</p> <ul style="list-style-type: none"> • Rubber Nut <p>01315100</p> <ul style="list-style-type: none"> • Screw 			


<p>04322509</p> <ul style="list-style-type: none"> • Mirror assembly • 6" x 30" • Clear I/S • With padded edge 	<p>01025246</p> <ul style="list-style-type: none"> • Standard bracket • 30.49 	 <p>Mirror Lite</p>
<p>00046520</p> <ul style="list-style-type: none"> • Mirror assembly • 6" x 30" • Non-glare I/S • 46.10 	<p>01752294</p> <ul style="list-style-type: none"> • Bracket with overhead compartment <p>02178150</p> <ul style="list-style-type: none"> • 10x30 I/S non-glare opt 2258 	

<p>00046521</p> <ul style="list-style-type: none"> • Mirror assembly • 10" x 30" • Clear I/S 	
<p>01752294</p> <ul style="list-style-type: none"> • Bracket with overhead compartment 	


<p>01951557</p> <ul style="list-style-type: none"> • Mirror assembly • 10" x 30" • Clear with padded edges 	 <p>Rosco</p>
<p>01752294</p> <ul style="list-style-type: none"> • Bracket with overhead compartment 	

01054675

- Mirror assembly
- 10" x 30"
- Clear, tempered with padded edges



Acme



01043777


- Mirror assembly
- 6" x 16"
- Clear with padded edges

01043694


- Bracket
- 1982-98

01965771

- Bracket
- 1998-Present



Mirror Lite



00888545

- Mirror
- Convex
- 6 1/2" x 6 1/2"
- 1991



Acme



04324414

- Mirror
- Flat
- 7 1/2" x 10 1/2"
- 1991



Acme



04292488

- Mirror
- Flat
- 7" x 10"



Mirror Lite



01638667

- Mirror
- Flat glass
- 7" x 16"



Mirror Lite



01386689

- Mirror
- Convex
- 6 1/2" x 6 1/2"



Velvac

02160679

- Mirror Assy
- Convex, w/ Mtg Hardware
- Includes glass and rubber

02161412

- Mounting hardware kit

01386671

- Mirror
- Flat
- 7" x 10"



Velvac

02160687

- Mirror Assy
- Hardware

01415231

- Mirror
- Convex
- 10" round
- Stainless steel



K10

00755710

- Mirror
- Convex
- 8" round
- SBCV
- Round Fender Mirror
- Bolts are included
- 6 screws on back
- Slides down to remove

Mirror Lite



00802033

- Mirror
- Convex
- 5" round



Mirror Lite

01019462

- Mirror
- Elliptical
- 8" round

Mirror Lite

- 01159417
- 00807818
- Bracket



NON-HEATED MIRRORS

01737915

- Mirror
- Lefthand

01737923

- Mirror
- Righthand



Mirror Lite
JR Dolly

HEATED MIRRORS

01769116

- Mirror
- Lefthand

01769108

- Mirror
- Righthand

00418665

- Mirror
- Convex with self-adhesive back
- 3 3/4" round



01447234

- Mirror
- Black
- 6" x 16"
- Does not come with bracket

Mirror Lite



00884403 00937771

- Bracket
- Bracket

00905471 01266592


- Brace
- Brace

00937763

- Bracket

01324086

- Mirror
- 2-point mount
- 7" x 12"
- Clear



Mirror Lite

01211408

- Mirror
- Heated with clear light
- 7" x 10"



Mirror Lite

00022292

- Mirror
- Heated with clearance light
- 6" x 16"



Federal Mogul

*Replaces Dominion Mirrors:
p/n 0767194 and 1389824*

01053586

- Mirror
- Clear with padded edge
- 7" x 16"



Acme

01263433

- Mirror
- Side-view
- Righthand
- MicroBird



01021443

- Mirror
- Side-view
- Lefthand
- MicroBird



01023720

- Bracket mounting
- Mirror
- Side-view
- VCTA



01046697

- Bracket mounting
- Mirror
- Triangular
- Upper
- VCTA

01673490

- Mirror assembly
- Inside
- Rear view



Rosco



03949211

- Mirror assembly
- Righthand

04321873

- Head Only

03949252

- Mirror assembly
- Lefthand

04321865

- Head Only



Metagal/Lucenix
Standard

01633114

- Mirror assembly
- Righthand

01633122

- Mirror assembly
- Lefthand

Metagal/Lucenix
Heated



01633031

- Mirror head assembly



Metagal/Lucerix
Heated/Remote Control

- 01633056
- Mirror bracket
 - Lefthand

- 01633064
- Switch
 - Mirror control
 - Righthand

- 01633049
- Mirror bracket
 - Righthand

- 01633072
- Switch
 - Mirror control
 - Lefthand

- 04306635
- Glass and Element

- 04319414
- Glass and Element

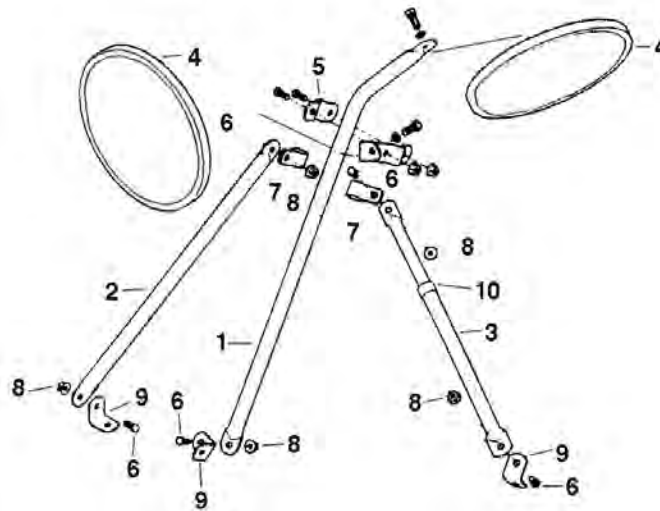
- 08303356
- Actuator

- 00020444
- Actuator

- 08301335
- Carriage

- 08301327
- Carriage

*Tripod Assy
Crossview Mirror
Convex*



00062384

- Stainless Steel Screws w/Wellnuts (6 Pair)

ASSEMBLY P/N	BUS MODEL	POST LEG (KEY 1)	BRACE LEG (KEY 2)	BRACE ARM TELESCOPIC (KEY 3)	CLAMP (2 REQ'D) (KEY 7)	POST MTG BRKT (KEY 9)
01437243	GM & FORD CV	01383314	01383280	01531490	01435007	01435031
01437037	IH CV	01383306	01383280	01531490	01435007	01435031
01437250	MBWB	01383314	01383272	01531490	01435007	01435031
01437268	FORT VCTA	01383306	01383272	01531490	01435007	01435031
01437276	CM VCTA	01383314	01383264	01531490	01435007	01435031

1032283	BOLT, HEX 5/16-18	(KEY 6)	0807818	BRACKET KIT	(KEY 5)
1435015	NUT, HEX 5/16-18	(KEY 8)	0755710	MIRROR HEAD 8"	(KEY 4)
2130524	COLLAR, WITH SET SCREW	(KEY 10)			

Rosco Aviastyle® Mirror Systems

00033044

- Mirror assembly
- Rearview
- Avia

- Application*
- All American
 - TC/2000



PARTS INCLUDED IN ASSEMBLY

- 00044687
- Arm
 - Swivel mounting
 - Driver side

- 00043203
- Arm
 - Fixed
 - Aviastyle
 - Passenger side

- 00043205
- Bracket mounting
 - Mirror brace
 - Passenger side

- 00040766
- Mirror head
 - Avia
 - Driver
 - 9 x 17
 - Nonheated

- 00043204
- Brace
 - Fixed
 - 20 inches
 - Rosco
 - Passenger side

- 00040767
- Mirror head
 - Avia
 - Passenger
 - 9 x 17
 - Nonheated

00033045

- Mirror assembly
- Rearview
- Avia
- Heated

- Application*
- All American
 - TC/2000



PARTS INCLUDED IN ASSEMBLY

- 00043205
- Bracket mounting
 - Mirror brace
 - Passenger side

- 00039136
- Mirror head
 - Avia
 - Driver
 - 9 x 17
 - Heated

- 00043204
- Brace
 - Fixed
 - 20 inches
 - Rosco
 - Passenger side

- 00039135
- Mirror head
 - Avia
 - Passenger
 - 9 x 17
 - Heated

- 00043203
- Arm
 - Fixed
 - Aviastyle
 - Passenger side

- 00046087
- Arm assembly
 - Driver side
 - Avia
 - With heater wire harness



6

MIRRORS

00037258

- Mirror assembly
- Rearview
- DTNT
- Heated
- Remote control
- Avia

Application

- All American
- TC/2000



PARTS INCLUDED IN ASSEMBLY

- | | |
|------------------------|---------------|
| 00031728 | 00044672 |
| • Switch with harness | • Mirror head |
| | • Passenger |
| | • Avia |
| 00045085 | • 9 x 17 |
| • Arm assembly | • Remote |
| • Driver | • Heated |
| • Breakaway | |
| • Remote | 00044671 |
| • Heated | • Mirror head |
| | • Driver |
| 00045084 | • Avia |
| • Arm assembly | • 9 x 17 |
| • Passenger | • Remote |
| • Breakaway with brace | • Heated |
| • Remote | |
| • Heated | |

00037248

- Mirror assembly
- Rearview
- Avia
- U.S. & Limited Canadian Wheelbases

Application

- Conventional



PARTS INCLUDED IN ASSEMBLY

- | | |
|-------------------|---------------|
| 00046083 | 00040767 |
| • Arm assembly | • Mirror head |
| • Passenger side | • Avia |
| • Avia | • Passenger |
| • Rearview | • 9 x 17 |
| | • Nonheated |
| 00044687 | 00040766 |
| • Arm | • Mirror head |
| • Swivel mounting | • Avia |
| • Driver side | • Driver |
| | • 9 x 17 |
| | • Nonheated |

00044687

- Arm
- Swivel mounting
- Driver side



00037249

- Mirror assembly
- Avia
- Rearview
- Heated
- US & limited Canadian wheelbases

Application
• Conventional



PARTS INCLUDED IN ASSEMBLY

- | | |
|---------------|----------------------------|
| 00039135 | 00046089 |
| • Mirror head | • Arm assembly |
| • Passenger | • Passenger side |
| • Avia | • Avia |
| • 9 x 17 | • With heater wire harness |
| • Heated | |
| 00039136 | 00046087 |
| • Mirror head | • Arm assembly |
| • Driver | • Driver side |
| • Avia | • Avia |
| • 9 x 17 | • With heater wire harness |
| • Heated | |

00037252

- Mirror assembly
- Rearview
- Avia
- DTN
- Heated
- Remote control
- US & limited Canadian wheelbases

Application
• Conventional



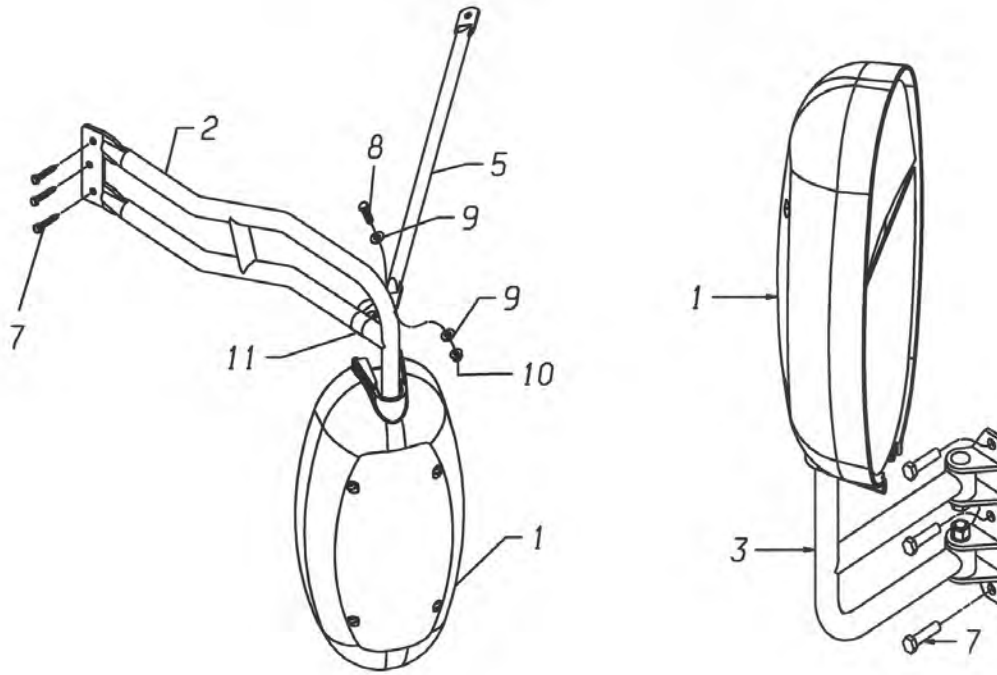
PARTS INCLUDED IN ASSEMBLY

- | | |
|------------------------|---------------|
| 00045084 | 00044672 |
| • Arm assembly | • Mirror head |
| • Passenger | • Passenger |
| • Breakaway with brace | • Avia |
| • Remote | • 9 x 17 |
| • Heated | • Remote |
| | • Heated |
| 00045085 | 00044671 |
| • Arm assembly | • Mirror head |
| • Driver | • Driver |
| • Breakaway | • Avia |
| • Remote | • 9 x 17 |
| • Heated | • Remote |
| | • Heated |
| 00031728 | |
| • Switch with harness | |

00046087

- Arm assembly
- Driver side
- With heater wire harness





PART NO.	KEY	DESCRIPTION
Arm Assembly, Passenger Side		
00046083	2	Non-heated
00046089	2	Heated
00066066	2	Stainless steel, heated
Arm Assembly, Driver Side		
00044687	3	Non-heated
00046087	3	Heated
00066065	3	Stainless steel, heated

PART NO.	KEY	DESCRIPTION
00043204	5	Bracket, Aviastyle, black
00043205	NI	Bracket, mounting, Aviastyle, adjustable, passenger side, black
02000198	7	Screw, hex head, 5/16-18 x 1, D, hex head
01386663	11	Clamp, tube, 1.00 ID tripod, stainless steel

00066068

- Housing
- Mirror
- Euro
- RVW

Image
Not
Available

6

00066012

- Arm assembly
- Overhang
- Driver
- Stainless steel
- With harness



00066006

- Arm assembly
- Overhang
- Passenger
- Stainless steel
- With harness



Comes with brackets

01221167

- Sun visor assembly
- Plexiglass
- Tinted



01468123

- Sun visor assembly
- Plexiglass
- Opaque black

00066939

- Sun visor assembly
- Plexiglass
- 6 x 30
- Thomas



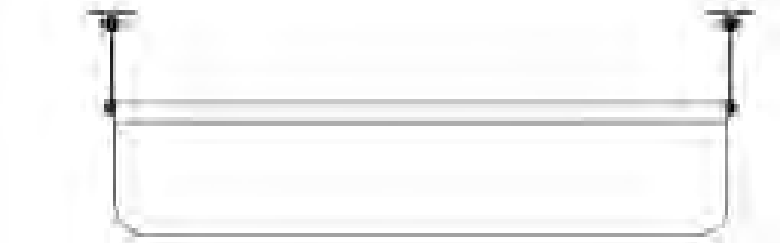
00066941

- Sun visor assembly
- Plexiglass
- 6 x 30
- AmTran/Carpenter



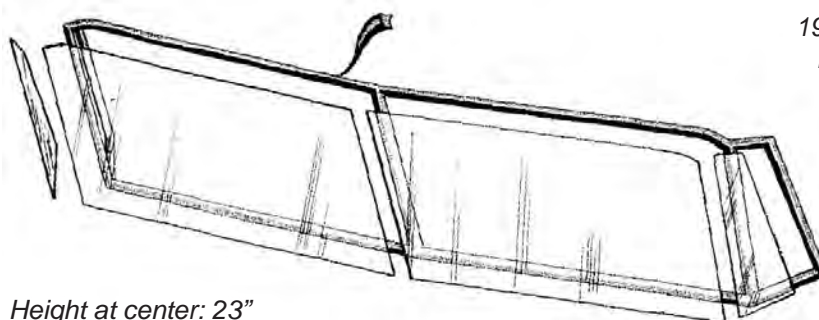
00066937

- Sun visor assembly
- Plexiglass
- 6 x 30
- Blue Bird



CONVENTIONAL WINDSHIELDS

4-PIECE FLAT FRONT



1967 and earlier
not available

Height at center: 23"

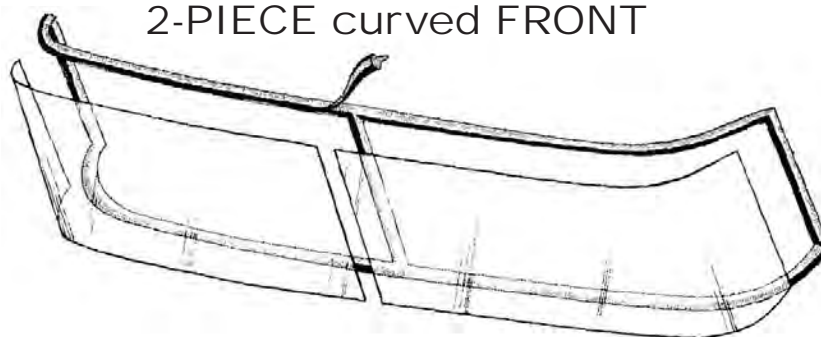
PART NO.	DESCRIPTION	YEARS USED
00357293	Glass, clear center	1968-Present
00357376	Glass, shaded center	1968-Present
00357368	Glass, tinted center	1968-Present
00218172	Glass, clear corner	1968-Present
00343848	*Glass, tinted corner	1968-Present
01387554	Windshield rubber seal	1968-Present
00269373	Fillerstrip (locking bead) windshield rubber 26 ft. required	1968-Present

All glass is safety plate.

All left and right hand windshields are the same.

* Also used with center shaded windshield.

2-PIECE curved FRONT



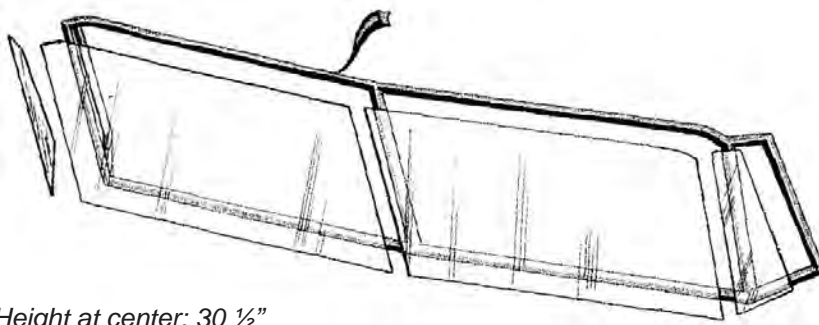
Height at center: 23"

PART NO.	DESCRIPTION	YEARS USED
00343822	Glass, shaded, right hand	1962-Present
00343830	Glass, shaded, left hand	1962-Present
00218800	Windshield rubber seal	1962-Present
00269373	Fillerstrip (locking bead) windshield rubber 23 ft. required	1962-Present

All glass is safety plate. All left and right hand windshields are the same.

TC/2000 WINDSHIELDS, 1987-1991

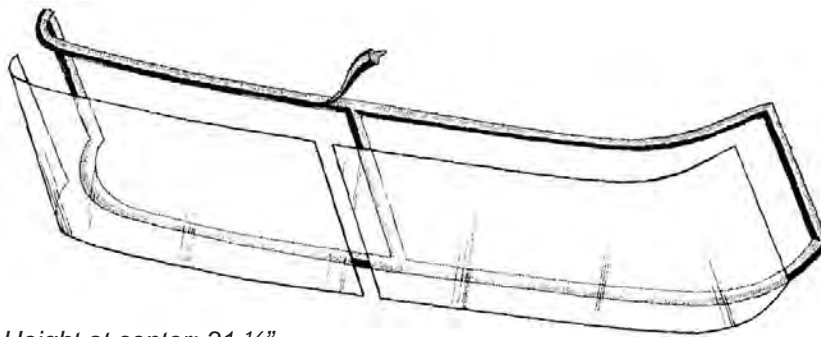
4-PIECE FLAT FRONT



Height at center: 30 1/2"

PART NO.	DESCRIPTION	YEARS USED
01327014	Glass, windshield clear	1987-1991
00357301	Glass, windshield tinted (Std)	1987-1991
00357335	Glass, windshield shaded	1987-1991
01327022	Glass, windshield corner, clear	1987-1991
01170810	Glass, windshield corner, tinted	1987-1991
00620310	Windshield rubber seal	1987-1991
00269373	Fillerstrip, glazing rubber, 26 ft. required	1987-1991

2-PIECE curved FRONT



Height at center: 31 1/2"

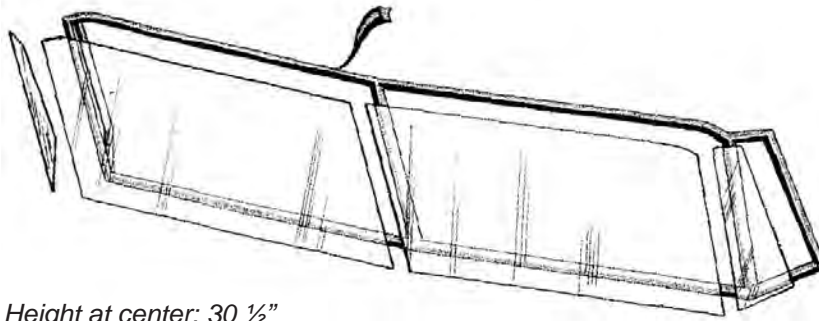
PART NO.	DESCRIPTION	YEARS USED
00343723	Glass, windshield, RH, tinted (Std)	1987-1991
00343731	Glass, windshield, LH, tinted	1987-1991
00347203	Glass, windshield, RH, shaded	1987-1991
00347211	Glass, windshield, LH, shaded	1987-1991
01172006	Rubber, windshield seal	1987-1991
00269373	Fillerstrip, glazing rubber 25 ft. required	1987-1991

ALL AMERICAN WINDSHIELDS, 1962-1999

7

G
L
A
S
S

4-PIECE FLAT FRONT



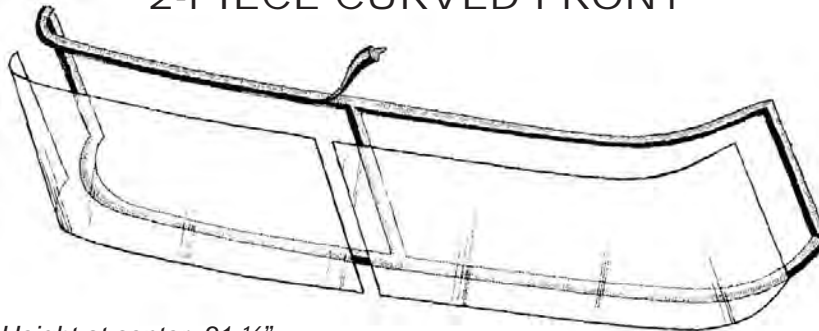
Height at center: 30 1/2"

PART NO.	DESCRIPTION	YEARS USED
00357335	Glass, shaded center	1968-Present
00357301	Glass, tinted center	1968-Present
*01170810	Glass, w/s corner (for tinted and shaded)	1968-Present
00620310	Windshield rubber seal	1968-1986
00269373	Fillerstrip (locking bead) rubber 30 ft. required	1968-Present

All glass is safety plate.
All left and right hand windshields are the same.

* Also used with center shaded windshield.

2-PIECE CURVED FRONT



Height at center: 31 1/2"

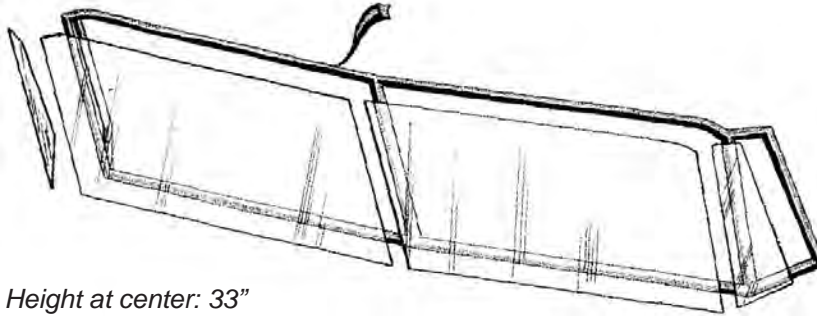
PART NO.	DESCRIPTION	YEARS USED
00347203	Glass, shaded, right hand	1962-Present
00347211	Glass, shaded, left hand	1962-Present
00343723	Glass tinted, right hand	1962-Present
00343731	Glass, tinted, left hand	1962-Present
01172006	Windshield rubber seal	1962-Present
00269373	Fillerstrip (locking bead) windshield rubber 23 ft. required	1962-Present

All glass is safety plate. All left and right hand windshields are the same.

ALL AMERICAN WINDSHIELDS, 1999-PRESENT TC/2000 WINDSHIELDS, 1991-PRESENT

TC/2000, TC/1000, CS-Series, Transhuttle

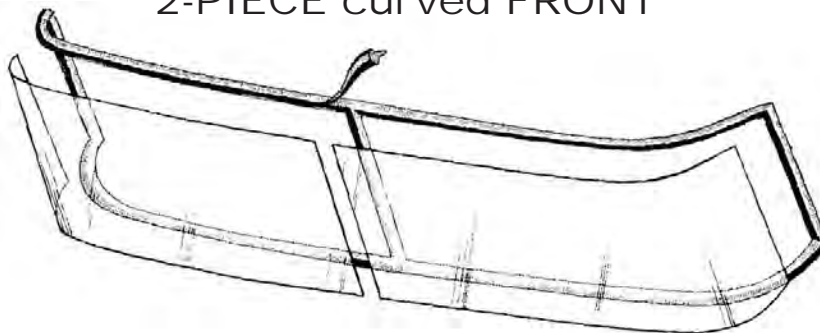
4-PIECE FLAT FRONT



Height at center: 33"

PART NO.	DESCRIPTION	YEARS USED
01551258	Glass, windshield clear	1991-Present
01551233	Glass, windshield tinted	1991-Present
01551241	Glass, windshield shaded	1991-Present
01551266	Glass, windshield corner, clear	1991-Present
01532399	Glass, windshield corner, tinted or shaded	1991-Present
01551167	Windshield rubber seal	1991-Present
00269373	Fillerstrip, seal rubber, 32 ft. required	1987-Present

2-PIECE curved FRONT

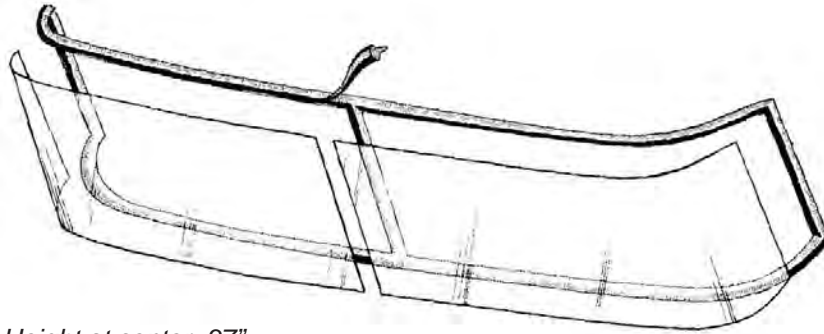


Height at center: 34 1/2"

PART NO.	DESCRIPTION	YEARS USED
01551183	Glass, windshield, RH, tinted (Std)	1991-Present
01551191	Glass, windshield, LH, tinted (Std)	1991-Present
01551209	Glass, windshield, RH, shaded	1991-Present
01551217	Glass, windshield, LH, shaded	1991-Present
01551159	Rubber, windshield seal	1991-Present
00269373	Fillerstrip, seal rubber 25 ft. required	1987-Present

Q-BUS WINDSHIELDS, 1991-PRESENT

2-PIECE CURVED FRONT



Height at center: 37"

PART NO.	DESCRIPTION	YEARS USED
06001929	Glass, windshield right hand	1991-Present
06001911	Glass, windshield left hand	1991-Present
01528298	Windshield rubber seal	1991-Present
00269373	Fillerstrip (locking bead), rubber, 25 ft. required	1991-Present

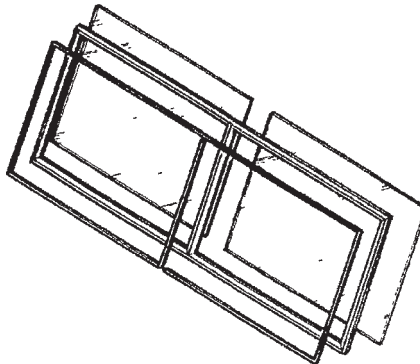
All glass is safety plate. All left and right hand windshields are the same.

7

G
L
A
S
S

MINI-BIRD BODY WINDSHIELDS

2-PIECE FLAT FRONT



PART NO.	DESCRIPTION	YEARS USED
01227511	Glass, windshield, shaded, green	1986-Present
01227503	Glass, windshield, tinted, green	1986-Present
01227537	Rubber, windshield seal	1986-Present
00269373	Fillerstrip, 22 ft. required	1986-Present

WINDOW GLASS - SPLIT SASH WINDOWS

28" and 35" Standard Split Sash, 9" Opening

01990647

- Complete window Assy 35" clear temp



VERTICAL

HORIZONTAL

GLAZING PART NO.	GLASS PART NO.	GLASS SIZE (VERT X HORIZ X THICKNESS)	COLOR	TYPE	UPPER OR LOWER	YEARS USED
02265510	02265502	10 7/8 x 25 x 1/8	Clear	Temp.	Upper/Lower	1981-Present
03831534	02165025	10 7/8 x 25 x 7/32	Clear	Temp.	Upper/Lower	1969-Present
02265510	01858539	10 7/8 x 25 x 1/8	Dk. Tint	Temp.	Upper/Lower	1995-Present
03831534	02165033	10 7/8 x 25 x 15/64	Clear	Lamn.	Upper/Lower	1969-Present
03831534	03800729	10 7/8 x 25 x 15/64	Gr. Tint	Lamn.	Upper/Lower	1985-Present
03831534	02210813	10 7/8 x 25 x 15/64	Bronze	Lamn.	Upper/Lower	1975-1985
03831534	03798527	10 7/8 x 25 x 15/64	Bronze	Lamn.	Upper/Lower	1985-Present
03831740	01509264	9 13/16 x 23 15/16 x 3/4	Clear	Storm	Upper/Lower	1969-Present
03831740	01518976	9 13/16 x 23 15/16 x 3/4	Bronze	Storm	Upper/Lower	1990-1997
03831740	01865716	9 13/16 x 23 15/16 x 3/4	Dk. Tint	Storm	Upper/Lower	1997-Present
03831567	02165058	10 7/8 x 32 x 7/32	Clear	Temp.	Upper/Lower	1969-Present
01863513	01877042	10 7/8 x 32 x 1/8	Dk. Tint	Temp.	Upper/Lower	1995-Present
03831567	02165066	10 7/8 x 32 x 15/64	Clear	Lamn.	Upper/Lower	1969-Present
03831567	03800737	10 7/8 x 32 x 15/64	Gr. Tint	Lamn.	Upper/Lower	1985-Present
03831567	02210821	10 7/8 x 32 x 15/64	Bronze	Lamn.	Upper/Lower	1975-Present
03831567	03798568	10 7/8 x 32 x 15/64	Bronze	Lamn.	Upper/Lower	1985-Present
03831773	01509272	9 13/16 x 30 15/16 x 3/4	Clear	Storm	Upper/Lower	1969-Present
03831773	01518984	9 13/16 x 30 15/16 x 3/4	Bronze	Storm	Upper/Lower	1990-1997
03831773	01865724	9 13/16 x 30 15/16 x 3/4	Dk. Tint	Storm	Upper/Lower	1997-Present
	01990639	10 7/8 x 32 x 1/8	Clear	Temp.		

Dk. Tint = Dark Tint
Gr. Tint = Green Tint

Temp. = Tempered
Lamn. = Laminated

02167393
• POW Switch

WINDOW GLASS - SPLIT SASH WINDOWS

Optional 12" Split Sash



VERTICAL

HORIZONTAL

GLAZING PART NO.	GLASS PART NO.	GLASS SIZE (VERT X HORIZ)	COLOR	TYPE	UPPER OR LOWER	YEARS USED
02168730	03805934	13 5/32 x 25	Clear	Lamn.	Lower	1979-1985
03805926	02236008	13 11/32 x 25	Clear	Lamn.	Lower	1985-Present
02168730	03805942	13 5/32 x 25	Bronze	Lamn.	Lower	1985
02168730	03805942	13 11/32 x 25	Bronze	Lamn.	Lower	1985-Present
01863505	01949676	13 5/32 x 25	Clear	Temp.	Lower	1997-Present
01863505	01883511	13 5/32 x 25	Dk. Tint	Temp.	Lower	1995-Present
03831153	03805967	13 5/32 x 25	Gr. Tint	Lamn.	Lower	1985-Present
03831757	01509298	12 9/32 x 23 15/16	Clear	Storm	Lower	1990-Present
03831757	01865740	12 9/32 x 23 15/16	Dk. Tint	Storm	Lower	1997-Present
02236271	02236065	13 5/32 x 32	Clear	Lamn.	Lower	1979-1985
02168730	03806171	13 11/32 x 32	Clear	Lamn.	Lower	1985-Present
02236271	03798055	13 5/32 x 32	Bronze	Lamn.	Lower	1985
02168730	03806189	13 11/32 X 32	Bronze	Lamn.	Lower	1985-Present
01877075	01949668	13 5/32 x 32	Clear	Temp.	Lower	1997-Present
01877075	01877067	13 5/32 x 32	Dk. Tint	Temp.	Lower	1995-Present
03831575	03806197	13 5/32 x 32	Gr. Tint	Lamn.	Lower	1985-Present
03831781	01509314	12 9/32 x 30 15/16	Clear	Storm	Lower	1990-Present
03831781	01865765	12 9/32 x 30 15/16	Dk. Tint	Storm	Lower	1997-Present

02000669
• Screw

Dk. Tint = Dark Tint
Gr. Tint = Green Tint

Temp. = Tempered
Lamn. = Laminated

01787704
• Washer, Triangle

04033254
• Window Washer, Round

CONTINUED ON NEXT PAGE

WINDOW GLASS - SPLIT SASH WINDOWS

Optional 12" Split Sash, cont'd



VERTICAL

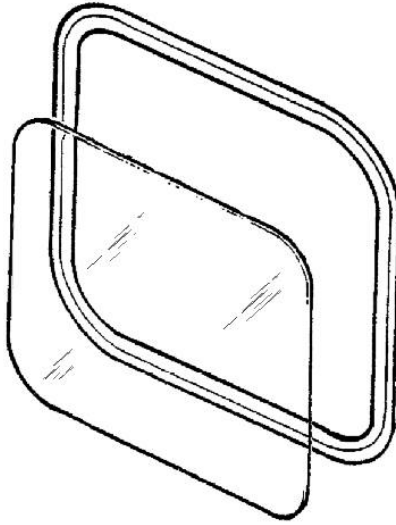
HORIZONTAL

GLAZING PART NO.	GLASS PART NO.	GLASS SIZE (VERT X HORIZ)	COLOR	TYPE	UPPER OR LOWER	YEARS USED
02168730	02236008	13 5/32 x 25	Clear	Lamn.	Lower	1979-1985
03805926	03805934	13 11/32 x 25	Clear	Lamn.	Lower	1985-Present
02168730	03805942	13 5/32 x 25	Bronze	Lamn.	Lower	1985
02168730	03805942	13 11/32 x 25	Bronze	Lamn.	Lower	1985-Present
01863505	01949676	13 5/32 x 25	Clear	Temp.	Lower	1997-Present
01863505	01883511	13 5/32 x 25	Dk. Tint	Temp.	Lower	1995-Present
03831153	03805967	13 5/32 x 25	Gr. Tint	Lamn.	Lower	1985-Present
03831757	01509298	12 9/32 x 23 15/16	Clear	Storm	Lower	1990-Present
03831757	01865740	12 9/32 x 23 15/16	Dk. Tint	Storm	Lower	1997-Present
02236271	02236065	13 5/32 x 32	Clear	Lamn.	Lower	1979-1985
02168730	03806171	13 11/32 x 32	Clear	Lamn.	Lower	1985-Present
02236271	03798055	13 5/32 x 32	Bronze	Lamn.	Lower	1985
02168730	03806189	13 11/32 X 32	Bronze	Lamn.	Lower	1985-Present
01877075	01949668	13 5/32 x 32	Clear	Temp.	Lower	1997-Present
01877075	01877067	13 5/32 x 32	Dk. Tint	Temp.	Lower	1995-Present
03831575	03806197	13 5/32 x 32	Gr. Tint	Lamn.	Lower	1985-Present
03831781	01509314	12 9/32 x 30 15/16	Clear	Storm	Lower	1990-Present
03831781	01865765	12 9/32 x 30 15/16	Dk. Tint	Storm	Lower	1997-Present

*Dk. Tint = Dark Tint
Gr. Tint = Green Tint*

*Temp. = Tempered
Lamn. = Laminated*

REAR VISION GLASS



GLAZING PART NO.	GLASS PART NO.	GLASS SIZE	COLOR	TYPE	YEARS USED
01114321	01110154	20 15/16 x 21 11/32	Clear	Temp.	1985-Present
00906529	00648063	20 15/16 x 23 9/16	Clear	Lamn.	1975-1985
01114321	01110162	20 15/16 x 21 11/32	Clear	Lamn.	1985-Present
01114321	01163096	20 15/16 x 21 11/32	Bronze	Lamn.	1985-Present
01114321	01163104	20 15/16 x 21 11/32	Gr. Tint	Lamn.	1985-Present
01114321	01858646	20 15/16 x 21 11/32	Dk. Tint	Temp.	1995-Present

Dk. Tint = Dark Tint
Gr. Tint = Green Tint

Temp. = Tempered
Lamn. = Laminated

WINDOWS AND GLASS

REAR EMERGENCY DOOR GLASS

GLAZING PART NO.	GLASS PART NO.	GLASS SIZE	COLOR	TYPE	UPPER OR LOWER	YEARS USED
00906529	00648097	20 15/16 X 29 15/16	Clear	Lamn.	Upper	1974-1985
00906529	00803841	20 15/16 X 29 15/16	Bronze	Lamn.	Upper	1974-1985
00963066	00648121	20 15/16 X 29 15/16	Clear	Lamn.	Lower	1974-1985
00963066	00803833	20 15/16 x 34 3/8	Bronze	Lamn.	Lower	1974-1985
01114339	01110048	20 15/16 x 34 3/8	Clear	Temp.	Upper	1985-Present
01114339	01110055	20 15/16 x 34 3/8	Clear	Lamn.	Upper	1985-Present
01114339	01163195	20 15/16 x 34 3/8	Bronze	Lamn.	Upper	1985-Present
01114339	01163203	20 15/16 x 34 3/8	Green	Lamn.	Upper	1985-Present
01114339	01858661	20 15/16 x 34 3/8	Dk. Tint	Temp.	Upper	1995-Present
01114305	01565126	19 13/26 x 33 1/4	Clear	Storm	Upper	1985-Present
01114321	01110089	13 15/16 x 34 3/8	Clear	Temp.	Lower	1985-Present
01114321	01110097	13 15/16 x 34 3/8	Clear	Lamn.	Lower	1985-Present
01114321	01163179	13 15/16 x 34 3/8	Bronze	Lamn.	Lower	1985-Present
01114321	01163187	13 15/16 x 34 3/8	Green	Lamn.	Lower	1985-Present
01114321	01858653	13 15/16 x 34 3/8	Dk. Tint	Temp.	Lower	1995-Present
01114305	01565092	12 13/26 x 33 1/4	Clear	Storm	Lower	1985-Present

Storm = Thermo Pane Lamn. = Laminated Temp. = Tempered Bronze = Bronze Tint

Fillerstrip P/N 00269373 used with glazing. Sold by the foot.

01991306

- Window latch assembly
- Left hand

01991298

- Window latch assembly

003876380

- Right hand
- Striker plate latch

02265940

- Striker plate shim



02176584

- Actuator window latch
- Used with P/Ns 2176568 and 2176576
- 1976-Present
- 2 per window

02176568

- Window latch
- Left hand

02176579

- Window latch
- Right hand

03788825

- Spring
- Window latch
- Small
- 1969-1984
- 2 springs per window

03817558

- Spring
- Window latch
- Large
- 1985-Present

00533711

- Lock, Sedan Door

Image Not Available

EMERGENCY DOOR LOCKS

01565290

- Rear center and RH side door

01565308

- LH side door



DOOR HANDLES (NON-LOCKING)

PART NO.	SHAFT LENGTH
00949842	3 1/4" Side Door
00949826	4 5/8" Rear Door

Length includes the threaded area.
Shafts are 1/2" wide.



DOOR HANDLES (LOCKING)

PART NO.	SHAFT LENGTH
01061928	3 1/4"
01062132 (includes 2 keys) LL25	4 1/4"

Length includes the threaded area.
Shafts are 1/2" wide.



01366715

- Baker Light handle for entrance door

00047119

- Latch, Wingknob



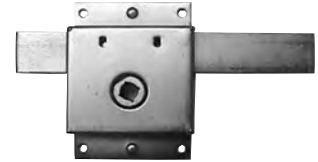
LIFT DOOR LOCKS

01565282

- LH side

01565274

- RH side



EMERGENCY DOOR HANDLES

01166529

- I/S
- Rear door
- Painted

01722719

- I/S
- Side door
- Painted

01166537

- I/S
- Rear door
- 3-point lock
- Painted



DOOR HINGE

01613744

- Rear emergency door
- Lift door
- 35" side emergency door



01952522

- Decal

01873835

- Hinge assembly
- Emergency door
- E-coat with grease fitting

01952514

- Bill Kent Rear Emer Door Hinge
- Opt 377 Locking Hinge

DOOR SUPPORTS

01546167

- Rear emergency door



01546175

- LH side
- Emergency door



01553569

- Telescopic
- RH side
- Emergency door



00952937

Strap, Door Stop

EMERGENCY DOOR HINGE

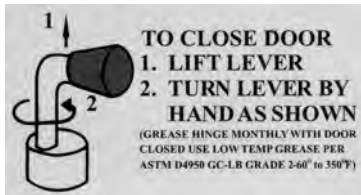
01952514

- Hinge assembly
- Positive open



01952522

- Instruction decal



BARREL LOCK

00831461

- Removable plug without key
- 1 Inch barrel w/ 1 inch plug



02072494

- Key, PL-201
- SED Key

00967307

- Barrel, Short 1/2 Inch
- Plug lock
- Chrome plated



ENTRANCE VANDAL LOCKS

00058414

- Vandal lock assembly (keys not included)



00848747

- Key, LL-25

01436948

- Latch
- Vandal lock

02104321

- Key CH 751



HOOD HINGES

01132414

- All American, TC/2000 (1988-1991)

01132406

- Hinge pin



01631035

- TC/2000 (1991-Present)



8

HOOD LATCHES

01515360

- TC/2000 (1991-1992)

01515618

- Catch
- Hood latch



02088623

- All American, TC/2000 (1992-Present)

02088631

- Catch
- Hood latch



08315319

- GMCV

08315335

- Catch
- Hood latch
- GMCV

08315327

- Bolt latch
- GMCV



H
A
N
D
L
E
S
/
L
A
T
C
H
E
S

FUEL DOORS

- 01857085
 • Door assembly
 • Non-locking



- 01857127
 • Door assembly
 • Non-locking



- 01857093
 • Door assembly
 • Locking
 (lock not included)

- 01857135
 • Door assembly
 • Locking
 (lock not included)

Service parts common to the above part numbers.

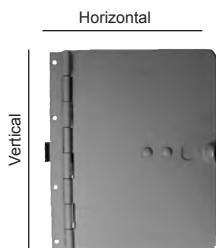
- 01789882
 • Lock assembly
 • Locking door

- 01849561
 • Bushing hinge
 pine

- 01486919
 • Rubber bumper

- 01849595
 • Door spring fuel
 door

- 01156371
 • Door assembly
 • Fuel fill
 • Locking/non-locking
 • H-8" x V-10"



- 00158634
 • Door spring

- 00848747
 • Key

- 01062108
 • Nut, lock

- 01060748
 • Lock assembly
 (key not included)
 • Also for Glove Compt



HANDLES

- 02004489
 • Handle
 • Hood and grab
 • Chrome



- 002527325
 • Screws
 • Takes 4 per handle

- 01651496
 • Handle
 • Grab
 • Black



- 01128628
 • Handle
 • Grab
 • Chrome



- 01122605
 • Handle
 • Hood and grab
 • Black
 • Fiberglass



- 00017324
 • Latch

- 00042753
 • Catch, Latch

- 01309319
 • Bracket for Door Keeper

- 01309327
 • Keeper



- 00017323
 • New 1/4 Turn Latch



- 00043168
 • Kit

- 00027417
 • Latch, Adj

- 00027419
 • Latch, Adj, Locking

- 00027420
 • Gasket

- 00040607
 • Lock for Latch

- 01798420
- Latch
 - Adjustable lever
 - 1995-Present

- 01338151
- Latch
 - Adj Lever
 - Until 1995

- 00042753
- Catch Latch

- 00027886
- Latch
 - Adjustable lever
 - Locking
 - 1995-Present

- 00017324
- Latch

- 01980713
- Latch Tab (Flat Plate
1 1/2x 2 1/2)



BATTERY BOX LOCKS

- 01055284
- Locking
(keys not included)

*Application Used
until 1993*

- 01651850
- Locking
(keys not included)

*Application
1993-Present*

- 00848747
- Key, LL-25

- 00848747
- Key, LL-25



Service parts common to the above part numbers.

- 02134468
- Cylinder
 - Paddle lock

- 04298956
- Rubber seal
 - Lock cylinder

- 04298964
- Retainer
 - Clip

- 02008712
- Non-locking

*Application Used
until 1993*

- 01651884
- Non-locking

*Application
1993-Present*



- 00757427
- Mount, Hinge Pin



01543651

- Prop
- Engine hood
- TCFE



01579366

- Pull
- Concealed
- Engine compartment door, QBRE, A3RE



01060748

- Lock assembly (key not included)
- Fuel tank door



01062108

- Nut
- 3/4-24

01060755

- Emergency equipment door lock

00848747

- Key, LL-25
- 3/4-24

01122902

- Latch
- Engine shell
- All American



01131259

- Catch

00845933

- Rubber
- Fuel opening



00071969

- Trim
- Rubber
- Fuel opening



01539162

- Handle assembly
- Door control
- Black piece that spring goes through

*Holds door together
Always send roll pin*



*01712884

- Pin, Plunger Plug
- Lock 5/16"
- Used until 1991

01161926

- Nylon Washer

*01483627

- Pin, Plunger Plug
- Lock 375
- 1991-Present

01357243

- Bracket - mounts handle to dash

00993261

- Pin, Roll
- Roll

02008647

- Brass Busings Bearings

01539147

- Spring - 3/8"

01367630

- Spring 5/16" Dia 1987

01539154

- Arm and shaft assembly

00992032

- Spring 1983

01366715

- Handle
- Saf-Latch



02007292

- Latch
- Glove compartment
- Wing head



- 01060748
 • Gas Door Lock w/o Key



- 01309301
 • Door Keeper Assy

- 04321089
 • Small Black Knob on Air Operated Door

- 00848747
 • Key
 • Locking Compt

- 01309319
 • Bracket

- 04311718
 • Large Black Knob on Air Operated Door

- 08301244
 • Key for CH 545
 • o/o door switch for electric 1861806

- 01309327
 • Keeper

Luggage Compt



- 00913160
 • Kit lock assembly
 • Locking

- 00058405
 • Lock
 • Paddle handle
 • Locking
 • E-coat

- 00913178
 • Kit lock assembly
 • Non-locking

- 00948596
 • Lock assembly
 • Non-locking

Service parts common to the above part numbers.

- 00994657
 • Latch (2)
 • Cable lock

- 04298956
 • Seal
 • Rubber
 • Lock cylinder
 • Luggage compartment door

- 00027419
 • Latch
 • Adjustable lever
 • Sealed
 • Locking

- 00994665
 • Cable assembly
 • Lock
 • 54 inches

- 04298964
 • Retainer
 • Spring clip
 • Lock cylinder
 • Luggage compartment

- 00027420
 • Gasket
 • Adjustable lever
 • Sealed

- 00848747
 • Key, LL-25

- 00994673
 • Sleeve
 • Oval cable lock

- 00027417
 • Latch
 • Adjustable lever
 • Sealed

- 00040607
 • Lock
 • Plug
 • For latch #0027419

- 02134468
 • Cylinder
 • Paddle lock
 • Keyed LL-25
 • w/ Keys

- 00044715
 • Latch
 • Electrical door
 • Square



00051271
 • Evac Blanket w/ 4
 Handles

01458785
 • Fire Blanket

02006187
 • Emer Door Buzzer

FIRE EXTINGUISHER

00845040
 • 2 3/4 lbs.
 • UL Rating = 10 BC



00060045
 • Bracket

01216704
 • 5 lbs.
 • UL Rating =
 ZA-10 BC

00060045
 • Bracket

01025238
 • Bracket

01216894
 • 6 lbs.
 • UL Rating = 30 BC

04291266
 • Bracket Clamp
 • 1985-Present

00948570
 • Bar
 • Wrecking
 • 24"



01748326
 • Warning kit
 • Triangular
 • Without bracket



00026124
 • Box only

FIRE AX

02004976
 • Pick head

02004984
 • Flat head



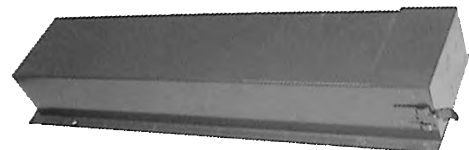
01458793
 • Seat belt cutter



01544519
 • Cannister for six
 30-minute fuses

02005320
 • 30-minute fuses

00026124
 • Box Only



FIRST AID KITS

STATE	BUS TYPE	FIRST AID KIT	BODY FLUID CLEANUP KIT	FIRE EXTINGUISHER
Alabama	All Buses	24M-SBK-91	BFK-10PC-2	01216704
Alaska	All Buses	24M-SBK-91	BFK-10PW-AK	01216704
Arizona	All Buses	24PW-AZ-SB*, 24M-AZ-SB	BFK-10PW-AZ	01216704
	All (Prior to 2/16/96)	16M-AZ-SB	BFK-10PW-AZ	
Arkansas	All Buses	10PW-AR-SB*	BFK-10PC-2	01216704
California	1-15 Passenger	10PW-CA-SB*		00845040
	1-15 Passenger	10M-CA-SB		
	16-42 Passenger	16PW-CA-SB*		
	16-42 Passenger	16M-CA-SB		
	43+ Passenger	24PW-CA-SB*		
	43+ Passenger	24M-CA-SB		
Colorado	All Buses	24PW-CO-SB*, 24M-CO-SB	BFK-10PC-2*	01216704
Connecticut	All Buses	10PW-CT-SB		00845040
Delaware	All Buses	10PW-DE-SB	BFK-10PW-DE	01216704
Florida	All Buses	10PC-FL-SB	BFK-10PC-FL	01216704
Georgia	All Buses	10M-GA-SB 4327334	BFK-10PC-GA	01216704
Hawaii	All Buses	10PW-HI-SB		00845040
Idaho	All Buses	24M-SBK-91	BFK-10PW-ID	01216704
Illinois	All Buses	10PW-IL-SB, 10M-IL-SB		00845040
Indiana	All Buses	24PW-IN-SB*, 24M-IN-SB	BFK-10PW-IN	01216704
Iowa	1-9 Passenger	10M-IA-SB		01216704
	10-30 Passenger	16M-IA-SB		
	31-48 Passenger	24M-IA-SB		
	49+ Passenger	36M-IA-SB		
Kansas	All Buses	24M-SBK-91	BFK-10PC-2	01216704
Kentucky	All Buses	24M-SBK-91*	BFK-10M-KY	01216894
Louisiana	All Buses	24M-SBK-91		01216704

1989870

Bumper, Rubber, FAK Mount

STATE	BUS TYPE	FIRST AID KIT	BODY FLUID CLEANUP KIT	FIRE EXTINGUISHER
Maine	All Buses	24M-SBK-91		01216704
Maryland	All Buses	24PW-MD-SB*, 24M-MD-SB	BFK-10PW-MD, BFK-10M-MD	01216704
Massachusetts	All Buses	24M-SBK-91	BFK-10Pc-1	01216704
Michigan	All Buses	10PW-MI-SB		01216704
Minnesota	1-10 Passenger	10PW-MN-SB	BFK-10PC-2	01216704
	All Buses	24M-SBK-91	BFK-10PC-2	
Mississippi	All Buses	24M-SBK-91	BFK-10PC-MS*	01216704
Missouri	All Buses	24M-SBK-91	BFK-10PC-MO*	01216704
Montana	All Buses	24M-SBK-91	BFK-10PW-MT	01216704
Nebraska	All Buses	24M-SBK-91	BFK-10PW-NE	01216704
Nevada	All Buses	24PW-NV-SB*, 24M-NV-SB*	BFK-10PC-NV*	01216704
New Hampshire	1-10 Passenger	10PW-NH-SB	BFK-10PW-NH	01216704
	A, B, C & D Buses	24M-NH-SB	BFK-10PW-NH	
New Jersey	1-9 Passenger	10PW-NJ-SB*	BFK-10PC-2*	01216704
	1-9 Passenger	10M-NJ-SB*	BFK-10PC-2*	
	10+ Passenger	24PW-NJ-SB*	BFK-10PC-2*	
	10+ Passenger	24M-NJ-SB	BFK-10PC-2*	
New Mexico	All Buses	24M-SBK-91	BFK-10PC-NM*	01216704
New York	1-21 Passenger	10PW-NY-SB		00845040
	22+ Passenger	10M-NY-SB		
North Carolina	All Buses	10PW-NC-SB	BFK-10PC-NC*	00845040
North Dakota	All Buses	24M-SBK-91	BFK-10PC-1	01216704
Ohio	9-24 Passenger	16PW-OH-SB*	BFK-10PW-OH, BFK-10M-OH	01216894
	9-24 Passenger	16M-OH-SB	BFK-10PW-OH, BFK-10M-OH	
	25+ Passenger	24PW-OH-SB*	BFK-10PW-OH, BFK-10M-OH	
	25+ Passenger	24M-OH-SB	BFK-10PW-OH, BFK-10M-OH	
Oklahoma	All Buses	24M-SBK-91	BFK-10PC-1	01216704
Oregon	All Buses	24PW-OR-SB*, 24M-OR-SB	BFK-10PC-OR	01216704

STATE	BUS TYPE	FIRST AID KIT	BODY FLUID CLEANUP KIT	FIRE EXTINGUISHER
Pennsylvania	All (Prior to 9/14/96)	24PW-PA-SB*, 10M-PA-SB*	BFK-10PC-PA	01216704
	All Buses	24PW-PA-SB*, 24M-PA-SB*	BFK-10PC-PA	
Rhode Island	All Buses	10PW-RI-SB*		00845040
South Carolina	All Buses	24M-SC-SB	BFK-ZLB-SC	00845040
	All Buses (FA Only)	24M-SC-SB-R-FA	BFK-ZLB-SC	
South Dakota	All Buses	24M-SBK-91	BFK-10PC-2*	01216704
Tennessee	All Buses	24M-SBK-91	BFK-10PW-TN	01216704
Texas	All Buses	24M-SBK-91		01216704
Utah	All Buses	24M-SBK-91	BFK-10M-UT	01216894
Vermont	1-15 Passenger	10PW-VT-SB		01216704
	16+ Passenger	16PW-VT-SB*		
	16+ Passenger	16M-VT-SB		
Virginia	All Buses	16M-VA-SB	BFK-10PW-VA	01216704
Washington	All Buses	24M-SBK-91*	BFK-10PW-WA	01216704
	All Buses	24M-WA-SB	BFK-10PW-WA	
West Virginia	All Buses	36PW-WV-SB*, 36M-WV-SB		01216704
Wisconsin	All Buses	16PW-WI-SB*, 16M-WI-SB		00845040
Wyoming	Type A Buses	16PW-WY-SB*, 16M-WY-SB		01216704
	Type B, C & D Buses	24PW-WY-SB*		
	Type B, C & D Buses	24M-WY-SB		
Canada	All Buses	36M-SBK-CAN		01216704
Nova Scotia	All Buses	36M-CAN-NS-SB		
Saskatchewan	All Buses	10PW-CAN-SK-SB		
1995 National Standard Kit		24M-SBK-91		
1985 National Standard Kit		24M-SBK		

BOSTROM DRIVER'S SEAT

SEAT COVERING	SEAT MODEL		
	BOSTROM RouteMaster	BOSTROM RouteMaster + Aire	BOSTROM RouteMaster + Aire TC w/hyd. brakes
Black Vinyl Back - 4315776 Seat - 4322137	00017453	01860261	00014189
Black Vinyl/Fabric	00017454	00014177	01697754
Brown Vinyl	00017449	00014178 <i>Std Rep Seat</i>	00014192
Brown Vinyl Fire Retardant	00017450	00014179	00014193
Brown Vinyl/Fabric	00017451	00014180	01697705
Burgundy Vinyl	00017442	00002309	00002316
Burgundy Vinyl Fire Retardant	00002323	00002313	00002318
Burgundy Vinyl/Fabric	00017446	00002310	00002320
Blue Vinyl	00002322	00002315	00002317
Blue Vinyl Fire Retardant	00002331	00002314	00002319
Blue Vinyl Fabric	00002325	00002312	00002321
Kev Brown Vinyl Fab seat w/o Ped	00047616		
Brown Vinyl, w/o Ped	00035608		



BOSTROM
RouteMaster



BOSTROM
RouteMaster + Aire

SEAT COVERING	OPTIONAL ARMREST
Brown Vinyl	01697762
Brown Vinyl Fire Retardant	01697770
Burgundy Vinyl	00002326
Burgundy Vinyl Fire Retardant	00002328
Blue Vinyl	00002327
Blue Vinyl Fire Retardant	00002320
Black Vinyl	01697804

**BEST PART NUMBER COMBINATIONS
FOR SEAT COVERS AND FOAM**

NO. 1	NO. 2	NO. 3	NO. 4 and 5
1. Blue Bird	1. Pre-DOT Lo Back	0. Seat cover	26. Seat size
2. Carpenter	2. Regular Metal Back	2. Velcro	30. Seat size
3. Superior	3. Cushion – 1 st Generation	9. Drivers	39. Seat size
4. Thomas	4. DOT Back – 1 st Generation		45. Seat size
5. Ward/Amtran	5. DOT Back – 2 nd Generation		
6. Wayne	6. Cushion – 2 nd Generation		

NO. 6
-0. Regular
-1. White welt
-2. Black welt
-3. Matching welt

7. New York Hi-Back – 1 st Generation
8. Cushion – 3 rd Generation (AmTran)
9. New York Hi-Back – 2 nd Generation (AmTran)

NO. 7 and 8
See BESI color chart

NO. 9 and 10
“ / “ used when there are two (2) colors in one cover

EXAMPLE OF HOW PART NUMBER WORKS:

64039-011 (6) Wayne, (4) DOT Back 1st Generation, (0) Seat cover, (39) 39”, (-0) Regular, (11) Dark green

16039-212 (1) Blue Bird, (6) Cushion 2nd Generation, (0) Seat cover, (39) 39”, (-2) Black welt, (12) Green

MAKE	Break Down on Part Number Changes:	
Blue Bird	Pre-1979 = 1st Generation	1979-Present = 2nd Generation
Carpenter	All backs = 1st Generation	Pre-1985 cushion = 1st Generation 1986-Present cushion = 2nd Generation
Superior	Pre-1978 = 1st Generation	1979-Present = 2nd Generation
Thomas	Pre-1982 back = 1st Generation 1983-Present back = 2nd Generation	Pre-1977 cushion = 1st Generation 1978-Present = 2nd Generation
Ward	Pre-1993 back = 1st Generation 1993-Present back = 2nd Generation 1993-Present HB - 2nd Generation	Pre-1977 cushion = 1st Generation 1978-1993 cushion = 2nd Generation 1993-Present cushion = 3rd Generation
Wayne	Pre-1992 back = 1st Generation 1993-Present back = 2nd Generation	Pre-1980 cushion = 1st Generation 1981-Present cushion = 2nd Generation

BESI COLOR CHART

COLOR CODE	DESCRIPTION
AMTRAN / IC	
100	42 oz chocolate
106	52 oz chocolate
051	Prevail chocolate
004	52 oz Prevail chocolate
115	Kevlar chocolate
101	42 oz green
107	52 oz green
053	Prevail green
111	52 oz Prevail green
104	Kevlar green
082	42 oz grey
109	52 oz grey
077	Prevail grey
113	52 oz Prevail grey
102	Kevlar grey
040	42 oz blue
108	52 oz blue
060	Prevail blue
112	52 oz Prevail blue
072	Kevlar blue
105	42 oz black
110	52 oz black
071	Prevail black
114	52 oz Prevail black
103	Kevlar black
PRE-1998 COLORS AMTRAN	
027	Old chocolate
049	Old Kevlar chocolate
024	Old jungle green
050	Old Kevlar green
041	Space blue
025	Chestnut

COLOR CODE	DESCRIPTION
BLUE BIRD	
012	Green
015	Brown
031	Blue
079	Prevail brown
050	Kevlar green
085	Kevlar brown
006	Kevlar blue
075	Kevlar maroon
116	Maroon
117	Prevail green
118	Prevail maroon
119	Kevlar blue pigskin
121	Green pigskin
122	Prevail green pigskin
123	Blue pigskin
124	52 oz brown
126	52 oz green
125	Teal
086	Black
096	Kevlar grey new
CARPENTER	
011	Dark green
019	Persimmon
017	Elk
039	Canyon
040	Blue
073	Prevail green
081	Kevlar green
098	Prevail canyon
099	Kevlar canyon
076	52 oz canyon
060	Prevail blue
072	Kevlar blue
082	Grey

COLOR CODE	DESCRIPTION
THOMAS	
002	52 oz Grey
007	Prevail brown
014	Spanish green
028	Spanish brown
033	Blue
037	Grey
052	52 oz green
069	Prevail blue
070	Prevail green
080	Prevail grey
087	Kevlar blue
088	Kevlar grey
093	Kevlar brown
094	Kevlar green new
095	Kevlar blue new
096	Kevlar grey new
097	Kevlar brown new
WAYNE	
011	Dark green
013	Saddle tan
078	Prevail tan
083	Kevlar tan
010	Holly green
073	Prevail green
077	Prevail grey
081	Kevlar green

COLOR CODE	DESCRIPTION
MISCELLANEOUS	
036	Gillig green
026	Black
035	NC/SC brown
010	Superior holly green
042	Midbus/Collins grey
023	Beige

CLOTH	
Brown	
Blue	
Green	
Maroon	
Black	

SEAT REPAIR TAPE

3" x 60-Yard Rolls	
02142925	Green
02142933	Brown
04295341	Red
08312597	Blue
08312589	Gray
08312571	Black
00029737	Burgundy



Meets Federal Motor Vehicle Safety Standard (FMVSS) #302 - Flammability of Interior Materials

18817

SEAT ATTACHING HARDWARE

- 00892604
01766716
- 3758810 Stud
 - Gas Shock for Seat

- 09009750
- To, plug, removable Track Mount

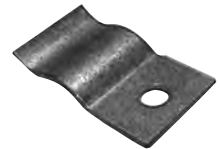
- 00615567 *Pre-1978*
- Clamp
 - Positive seat cushion
 - Rear
 - Used with round tube seat frames



- 00825331
- Clamp
 - Swivel
 - Positive seat cushion
 - Used with round tube seat frames



- 00919811
- Clamp
 - Positive
 - DOT-TF
 - Rear
 - Used 1977-Present



- 00919803
- Clamp
 - Swivel
 - DOT-TF
 - Front
 - Used 1977-Present



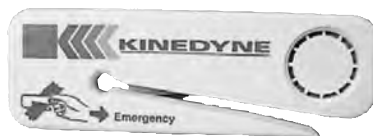
- 02001352
- Nut (4 per seat)
 - 1/4 x 20



- 00813477
- Screw (4 per seat)
 - 1/4-20 x 1/2



- 01458793
- Seat belt cutter



- 00003459
- Mounting bracket
 - Seat cushion
 - With US heater



10

U
P
H
O
L
S
T
E
R
Y

UPHOLSTERY

BLUE BIRD COLORS			
01409226	Green (1978-98)	All Blue Bird rolls are 58" wide.	All Blue Bird rolls are 40" long.
01409184	Brown		
00000860	Burgundy		
00001763	Blue (1999-Present)		
00001767	Green (1999-Present)		
01685494	Teal		

"LOW SMOKE", ARAMID			
01732072	Brown	All Aramid rolls are 58" wide.	All Aramid rolls are 40" long.
01732064	Green		
00001765	Burgundy		

SEWING THREAD	
02004133	Nylon black (used with standard upholstery)
01435239	Black (used with Aramid upholstery)

10

UPHOLSTERY

TRACK SYSTEMS

Q-8100-A1

- Heavy duty automatic retractors
- Dual tensioning knobs
- Hard cover case to protect belts
- Belts are interchangeable

Kit includes the following parts:

QTY	DESCRIPTION
4	QRT automatic retractors
1	Adjustable lap/shoulder belt combination
2	Pin connector brackets



11

SPECIAL NEEDS

Q-5001

- Single tensioning knob
- Interchangeable belts
- Self-tensioning
- Speed hooks
- Red release lever

Kit includes the following parts:

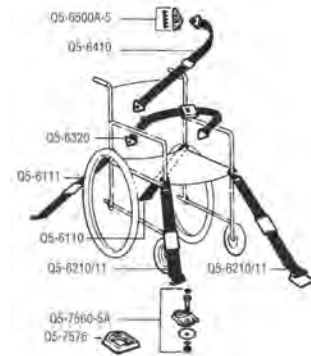
QTY	DESCRIPTION
4	QRT Econo Retractors
1	Retractable and adjustable lap/shoulder belt combination
2	Pin connector brackets



Q-5001-5

Kit includes the following parts:

PART NO.	QTY	DESCRIPTION
Q5-6110 (LH) Q5-6111 (RH)	1 ea	Rear belts
Q5-6210 (LH) Q5-6211 (RH)	1 ea	Front belts
Q5-6320	1	Lap belt
Q5-6410	1	Shoulder belt
Q5-6500	1	Shoulder belt bracket assembly
Q5-2941	1	Warranty card
Q5-1160	1	Instructional guide for drivers
Q5-1150	1	Installation instructions
Q5-1140	1	Instruction adhesive label
Q5-7576	1	Optional floor riser

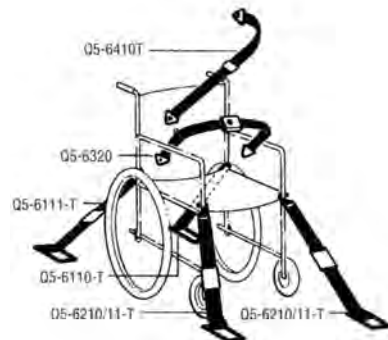


Q-5001-T

Kit includes the following parts:

PART NO.	QTY	DESCRIPTION
Q5-6110-T (LH) Q5-6111-T (RH)	1 ea	Rear belts
Q5-6210-T (LH) Q5-6211-T (RH)	1 ea	Front belts
Q5-6320	1	Lap belt
Q5-6410-T	1	Shoulder belt
Q5-2941	1	Warranty card
Q5-1160	1	Instructional guide for drivers
Q5-1140	1	Instruction adhesive label
Q5-7576	1	Optional Q'Strait Track

Note: Track and hardware to be purchased separately.



FF627S-4C

- With S-hooks
- Without occupant restraint



Kit includes the following parts:

PART NO.	QTY	DESCRIPTION
FE200855S	2	Right-hand crank retractor assembly with D-ring and S-hook
FE200907S	2	Left-hand crank retractor assembly with D-ring and S-hook

FF627-4C

- With buckle and tab
- Without occupant restraint



Kit includes the following parts:

PART NO.	QTY
FE200855	2
FE200907	2

Newly redesigned cover made of brushed chrome!



SURE-LOK
WHEELCHAIR TIE-DOWNS • OCCUPANT RESTRAINT SYSTEMS

FF628S-4C

- With S-hooks



Kit includes the following parts:

PART NO.	QTY	DESCRIPTION
FE200857S	2	Right-hand crank retractor assembly with D-ring and S-hook
FE200925S	2	Left-hand crank retractor assembly with D-ring and S-hook

FF628-4C

- With buckle and tab



Kit includes the following parts:

PART NO.	QTY
FE200857	2
FE200925	2

WHEELCHAIR RESTRAINTS

L-Track M-Series

- ADA strength test: minimum 2500 lbs. /1131 kg
- Meets FMVSS 209 and 302 standards
- Crash tested 30 mph at 20 Gs or 50 kph at 20 Gs



A-Track and E-Track M-Series

- ADA strength test: minimum 2500 lbs. /1131 kg
- Meets FMVSS 209 and 302 standards
- Crash tested 30 mph at 20 Gs or 50 kph at 20 Gs



MA-410

- Shoulder belt



MA-320

- Lap belt



ML-410

- Shoulder belt



ML-320

- Lap belt



MM-410

- Shoulder belt



Q'Straint

MM-320

- Lap belt



FE501

Kit includes the following parts:

PART NO.	QTY	DESCRIPTION
FE200619	2	Cam buckle straps
FE200620	2	Overcenter buckle straps
FE8264-1	1	Heavy duty series A track fitting

FE501S

- With S-hooks

Kit includes the following parts:

PART NO.	QTY	DESCRIPTION
FE200619LS FE200619RS	2 ea	Cam buckle straps
FE200620LS FE200620RS	2 ea	Overcenter buckle straps
FE8264-1	1	Heavy duty series A track fitting



FE501

SURE-LOK
WHEELCHAIR SEATING • OCCUPANT RESTRAINT SYSTEMS

FE510 1598994

Kit includes the following parts:

PART NO.	QTY	DESCRIPTION
FE200620	4	Overcenter buckle straps
FE8264-1	1	Heavy duty series A track fitting

FE510S

- With S-hooks

Kit includes the following parts:

PART NO.	QTY	DESCRIPTION
FE200620LS FE200620RS	2 ea	Overcenter buckle straps
FE8264-1	1	Heavy duty series A track fitting



FE510

SURE-LOK
WHEELCHAIR SEATING • OCCUPANT RESTRAINT SYSTEMS

FE514

Kit includes the following parts:

PART NO.	QTY	DESCRIPTION
FE200602	2	Cam buckle straps
FE200603	2	Overcenter buckle straps
	1	Heavy duty series L track fitting



FE514

SURE-LOK™
WHEELCHAIR ACCESSORIES • OCCUPANT RESTRAINT SYSTEMS

FE514S

- With S-hooks

Kit includes the following parts:

PART NO.	QTY	DESCRIPTION
FE200602RS FE200602LS	2 ea	Cam buckle straps
FE200603RS, FE200603LS	2 ea	Overcenter buckle straps
	1	Heavy duty series L track fitting

FE517

Kit includes the following parts:

PART NO.	QTY	DESCRIPTION
FE200603	4	Overcenter buckle straps
	1	Heavy duty series L track fitting



FE517

SURE-LOK™
WHEELCHAIR ACCESSORIES • OCCUPANT RESTRAINT SYSTEMS

FE517S

- With S-hooks

Kit includes the following parts:

PART NO.	QTY	DESCRIPTION
FE200603RS FE200603LS	2 ea	Overcenter buckle straps
	1	Heavy duty series L track fitting

LAP AND SHOULDER BELTS

FE200594

- Series L track
- 98" long

SURE-LOK
WHEELCHAIR TIE-DOWNS • OCCUPANT RESTRAINT SYSTEMS



FE200601

- Series A track
- 98" long

SURE-LOK
WHEELCHAIR TIE-DOWNS • OCCUPANT RESTRAINT SYSTEMS



FE200600

- Series L track
- 108" long

SURE-LOK
WHEELCHAIR TIE-DOWNS • OCCUPANT RESTRAINT SYSTEMS



FE200612

- Series A track
- 108" long

SURE-LOK
WHEELCHAIR TIE-DOWNS • OCCUPANT RESTRAINT SYSTEMS



FE200595

00016545

- 80" long

- Used with the Sure-lok FE500 series securement systems

00019628

FE200600 Lap Belt Assy
(L Track)

SURE-LOK
WHEELCHAIR TIE-DOWNS • OCCUPANT RESTRAINT SYSTEMS



FE200727

- Shoulder belt with integrated lap belt
- Series L track
- Used with Sure-lok FE500 series securement systems



SURE-LOK
WHEELCHAIR TIE-DOWNS • OCCUPANT RESTRAINT SYSTEMS

FE200727HA

- Shoulder belt with integrated lap belt and height adjuster
- Series L track
- Used with Sure-lok FE500 series securement systems



SURE-LOK
WHEELCHAIR TIE-DOWNS • OCCUPANT RESTRAINT SYSTEMS

FE200599HA

- Shoulder belt with height adjuster
- Series L track
- Non-retractable



SURE-LOK
WHEELCHAIR TIE-DOWNS • OCCUPANT RESTRAINT SYSTEMS

11

SPECIAL NEEDS

- FE200599
- Series L track
 - 52" long
 - Non-retractable

- FE200732
- Series L track
 - 82" long
 - Non-retractable



- FE200613
- Series A track
 - 52" long
 - Non-retractable

- FE200716
- Series A track
 - 82" long
 - Non-retractable



- FE200710
- Fixed-point shoulder belt
 - 52" long
 - Non-retractable

- FE200710L
- Fixed-point shoulder belt
 - 82" long
 - Non-retractable



- FE200710HA
- Fixed-point shoulder belt with height adjuster
 - Non-retractable



- FE200604
- Shoulder belt
 - 112" long
 - Retractable

- FE200604L
- Shoulder belt
 - 136" long
 - Retractable



- FE200604HA
- Shoulder belt with height adjuster
 - Retractable

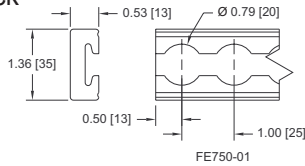
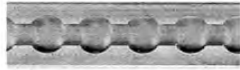


TRACKS AND FLOOR PLATES

FE750-01

- Series L track
- Medium-duty
- Aluminum
- Natural finish
(also available in black finish)
- 5.0 lb/2.3 kg
- 100 in/3 m

SURE-LOK
WHEEL-TO-TRUCK-LOADING OCCUPANT RESTRAINT SYSTEMS

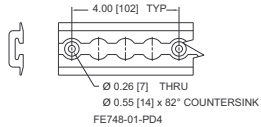


FE750-01

FE748-01-PD4

- Series L track with flanges and mounting holes
- Heavy-duty
- Aluminum
- Natural finish
(also available in black finish)
- 5.4 lb/2.5 kg
- 100 in/3 m

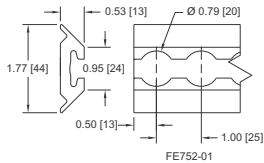
SURE-LOK
WHEEL-TO-TRUCK-LOADING OCCUPANT RESTRAINT SYSTEMS



FE748-01-PD4

FE752-01

- Series L track, angled
- Medium-duty
- Aluminum
- Natural finish
(also available in black finish)
- 5.2 lb/2.4 kg
- 100 in/3 m



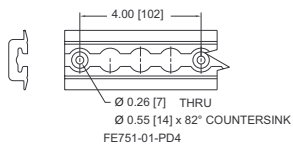
FE752-01

(Photo not available)

SURE-LOK
WHEEL-TO-TRUCK-LOADING OCCUPANT RESTRAINT SYSTEMS

FE751-01-PD4

- Series L track with flanges and mounting holes
- Medium-duty
- Aluminum
- Natural finish
(also available in black finish)
- 5.2 lb/2.4 kg
- 100 in/3 m



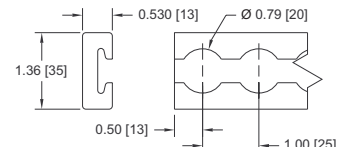
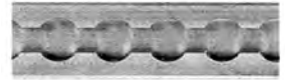
FE751-01-PD4

SURE-LOK
WHEEL-TO-TRUCK-LOADING OCCUPANT RESTRAINT SYSTEMS

FE744-01

- Series L track
- Heavy-duty
- Aluminum
- Natural finish
(also available in black finish)
- 5.2 lb/2.4 kg
- 100 in/3 m

SURE-LOK
WHEEL-TO-TRUCK-LOADING OCCUPANT RESTRAINT SYSTEMS



FE744-01

FE200761

- 8" section with 4 countersunk holes (.26)

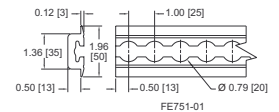
FE200762

- 9" section with 2 holes (.42)

FE751-01

- Series L track with flanges
- Medium-duty
- Aluminum
- Natural finish
(also available in black finish)
- 5.4 lb/2.5 kg
- 100 in/3 m

SURE-LOK
WHEEL-TO-TRUCK-LOADING OCCUPANT RESTRAINT SYSTEMS

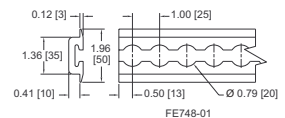


FE751-01

FE748-01

- Series L track with flanges
- Heavy-duty
- Aluminum
- Natural finish
(also available in black finish)
- 5.6 lb/2.6 kg
- 100 in/3 m

SURE-LOK
WHEEL-TO-TRUCK-LOADING OCCUPANT RESTRAINT SYSTEMS



FE748-01

FE200763

- 8" section with 4 countersunk holes (.26)

FE200765

- 9" section with 2 holes (.42)

03354

Q5-6008-FPD

- 6000 series flanged track
- 8" long
- Pre-drilled 5/16"/7.793 mm.



Q5-6008-FBK

- 6000 series flanged track
- 8" long
- Black anodized finish
- Pre-drilled 5/16"/7.793 mm.



Q5-7008-F

- 7000 series flanged track
- 8" long
- Pre-drilled 5/16"/7.793 mm.



Q5-7008-FBK

- 7000 series flanged track
- 8" long
- Black anodized finish
- Pre-drilled 5/16"/7.793 mm.



Q5-7008-PD

- 7000 series non-flanged track
- 8" long
- Pre-drilled 5/16"/7.937 mm.



Q5-6008-PD

- 6000 series non-flanged track
- 8" long
- Pre-drilled 5/16"/7.937 mm.



Q5-6008-SRPD

- 6000 series surface rail
- 8" long
- Pre-drilled 5/16"/7.937 mm.



FE200784

- Series L
- Single bolt
- Surface mount with collar and mounting hardware
- Impact-resistant plastic
- High strength plated steel track
- 1.0 lb/0.45 kg

SURE-LOK
www.sure-lok.com



FE200844

- Series L
- Single bolt
- Flush mount with mounting hardware
- Stainless steel case
- High strength plated steel track
- 1.0 lb/0.45 kg

SURE-LOK
www.sure-lok.com



MA-7560

- Floor plate
- Heavy-duty
- Heat treated



CHILD SAFETY RESTRAINT SYSTEMS

Q5-6400-01-S

- Q'Vest
- Fits 20-60 lbs.

Q5-6400-01-L

- Q'Vest
- Fits 60 lbs. and over



11

SPECIAL NEEDS

BR-22AI

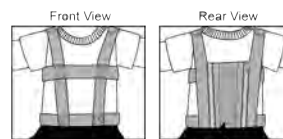
- Restraining harness
- Fits waist sizes 22" to 28"
- Brown

BR-30AI

- Restraining harness
- Fits waist sizes 30" to 36"
- Maroon

BR-38AI

- Restraining harness
- Fits waist sizes 38" to 44"
- Grey



Each harness comes with 3 separate zipper inserts that give you the ability to adjust to any size child!

Q5-T

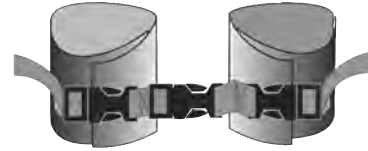
- Training program



E-Z-ON™ PRODUCTS

100AR

- Ankle restraints
- 3 push-buckle closures
- One-pull adjustment



100NP

- Sherpa neck pads
- 8" standard length
- 12" optional length



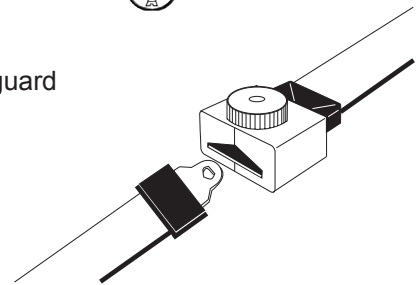
E-Z-ON™ PRODUCTS



E-Z-ON™ PRODUCTS

100BG

- Buckle guard

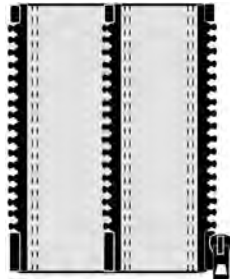


100AZ

- Zipper inserts
- Available in 4 sizes



E-Z-ON™ PRODUCTS



4012

- Locking clip



E-Z-ON™ PRODUCTS

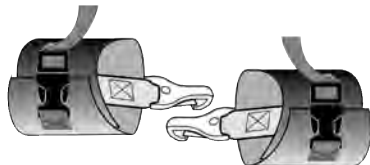


100WRP

- Wrist restraints
- Push buckle closure
- One-pull adjustment



E-Z-ON™ PRODUCTS

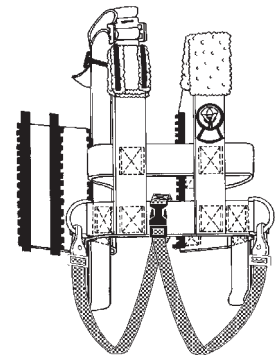


100CRP

- Crotch straps



E-Z-ON™ PRODUCTS



CR-30

- Integrated child restraint seat
- 30" single seat
- 56 lbs.

CR-39

- Integrated child restraint seat
- 39" double seat
- 73 lbs.



C. E. White Co.

00052977

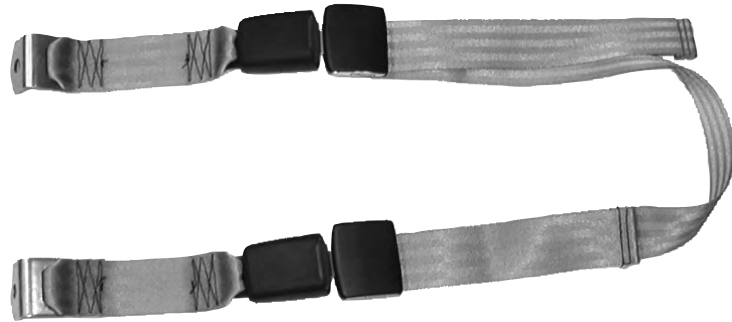
- Seat belt assembly
- Bus-baby
- Reverse 90° mount
- Turquoise
- Blue Bird applications

00052978

- Seat belt assembly
- Bus-baby
- Reverse 30° mount
- Turquoise
- AmTran, Collins applications

00052979

- Seat belt assembly
- Bus-baby
- Flat mount
- Turquoise
- Thomas, Carpenter applications



Don't wrestle with conventional seat belts to secure your child's safety seat.

Try the "Bus Baby Belt" instead!

It's the perfect belt to securely tie down child safety seats.

With twin adjustable tongues, the easy-to-use "Bus Baby Belt" is the perfect solution for securing a child safety seat.

It's the difference you can trust!

OTHER ACCESSORIES

00040264

- 172" Seat Belt, 3pt Susp

01497528

- 10" Longer Lap Belt
- 88" Floor to Floor

04301917

- Tether, Driver's



FE200745

- Sidewall mounting kit

For use with the following:

FE200604

- Retractable shoulder belt

FE200727

- Integrated combination belt

FE200710

- Fixed-point shoulder belt



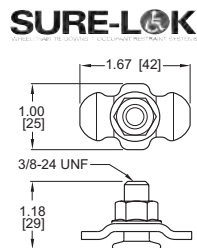
FE200744

- Series L seat stud fitting

For use with the following:

FE744-01

- Heavy-duty series L track



FE200747

- Series L mounting kit

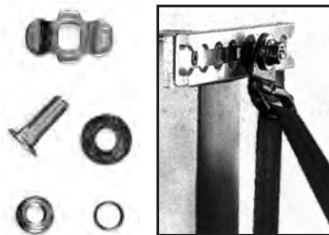
For use with the following:

FE200604

- Retractable shoulder belt

FE200727

- Integrated combination belt



FE200750

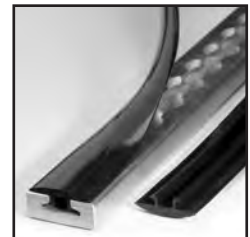
- Quick strap

SURE-LOK
WHEELCHAIR SEATING • OCCUPANT RESTRAINT SYSTEMS



FE200751

- Plastic filler strip
- Used with series L aluminum track
- Available in 25 ft. rolls



SURE-LOK
WHEELCHAIR SEATING • OCCUPANT RESTRAINT SYSTEMS

8663

- End cap
- Used with series L aluminum flanged track (FE748 or FE751)



Q5-7551-TF

- End cap
- Flange track
- Black



Q5-7551-TFS

- End cap
- Flange track
- Silver

Q5-7551-SR

- End cap
- Surface rail
- Black



Q5-7551-SRS

- End cap
- Flange track
- Silver



Q5-7535-A

- Heavy-duty
- Seat fitting stud
- Long wing



Q5-7535-A-S

- Heavy-duty
- Seat fitting stud
- Short wing



Q5-7535-A-K

- Seat fitting stud
- Hand operated



Q5-3053

- End cap
- Flange track
- Black



Q5-6300

- Lap cable extension



Q5-7570-A

- Covered track pocket
- Cast stainless steel
- Used with "L" track fitting

Image Not Available



Q5-7550-T

- Track cover
- Available in black or silver



Q5-6500-L

- Mounting hardware
- "L" track
- Four (4) per wheelchair location required
- Includes (1) "L" track fitting and (1) bracket and hardware



Q8-6040-FS-A

- Slider track
- Flange
- Pre-drilled, front or rear
- Used with Q8-6500-L track fitting and the QRT



8705

- Premium web cutter

SURE-LOK



Q5-7560-5A

- Floor pocket assembly
- Flush-mounted
- Stainless steel
- Used with QRT or Q-5000 series systems



Q5-7590

- Belt cutter



Q5-7576

- Floor pocket riser
- Plastic
- Fits with p/n Q5-7560-5A



Q5-8522

- Wall pouch
- Mesh material



Q5-7570-5

- Rubber plug



FE200746

- Vinyl storage container

SURE-LOK



Q5-8521-T

- Wheelchair tray pouch



Q5-7530

- Washer
- 3-hole
- 4"/102 mm



STOP ARMS BY OPTION NUMBER AND DESCRIPTION

SPECIALTY 00415

290 - LED Light Kit

OPTIONS/ FEATURES	DESCRIPTION	VACUUM ASSY (MFG#)	AIR ASSY (MFG#)	ELEC. ASSY (MFG#)	BLADE ONLY	BLADE WITH LIGHTS	BLADE DECAL
3143 & 3148	NON REFL, PAINTED STOP ARM	02004711	00647370	01600659	04295788	02101228	02154870
3148	NON REFL, PAINTED STOP ARM, RR MNT	01600618	01600592	01600600	08301186	N/A	N/A
7179	NON REFL, PAINTED STOP ARM, MASS	00839738 (1403)	00839746 (2403)		04295788	02101228	02154870
3146	NON REFL, PAINTED STOP ARM, 8/STOP	00753129 (1408)	00753137 (2408)	01600691 (5408)	N/A	02103141	N/A
3165	NON REFL, PAINTED STOP ARM. W/ STROBE	01288448 (1460)	01288455 (2460)	01600667 (5460)	04295788	04284758	02154870
3164	NON REFL, PAINTED STOP ARM, W/ STROBE, 8/STOP	04300968 (1468)	01390624 (2468)	01600683 (5468)	N/A	04284683	N/A
3135, 3149 & 3178	STD REFLECTED, STOP ARM (GA)	00607234 (1500)	00607242 (2500-01)	01600709 (5500)	04295804	02115327	02154862
3149	STD REFLECTED, STOP ARM, RR MNT	01600642 (1501)	01600626 (2501)	01600634 (5501)	N/A	N/A	N/A
3162	STD REFLECTED, STOP ARM W/ STROBE	01459676 (1560)	01459684 (2560)	01600725 (5560)	04295804	N/A	02154862
3155	HIGH INTENSITY REFL, STOP ARM, NO LIGHTS	00663492 (1800)	00663500 (2800-01)	01600675 (5800)	04305785	N/A	N/A
3174-01 & 3176-01	HIGH INTENSITY REFL, STOP ARM (GA) also for 0317402	01965367 (1300)	01967876 (2300)	01967892 (5300)	04295796	02146140	04281457
3176-01	HIGH INTENSITY REFL, STOP ARM, RR MNT	01965375 (1301)	01967884 (2301)	01967900 (5301)	N/A	04314050	N/A
3163-01	HIGH INTENSITY REFL, STOP ARM, W/ STROBE -02 w/o Strobe	01459700 (1960)	01459718 (2960)	01600733 (5960)	04295796	04314183	04281457
3179 & 3166	STD REFL, ARRET ARM	01605351 (1504)	01605369 (2504)	01605377 (5504)	N/A	N/A	N/A

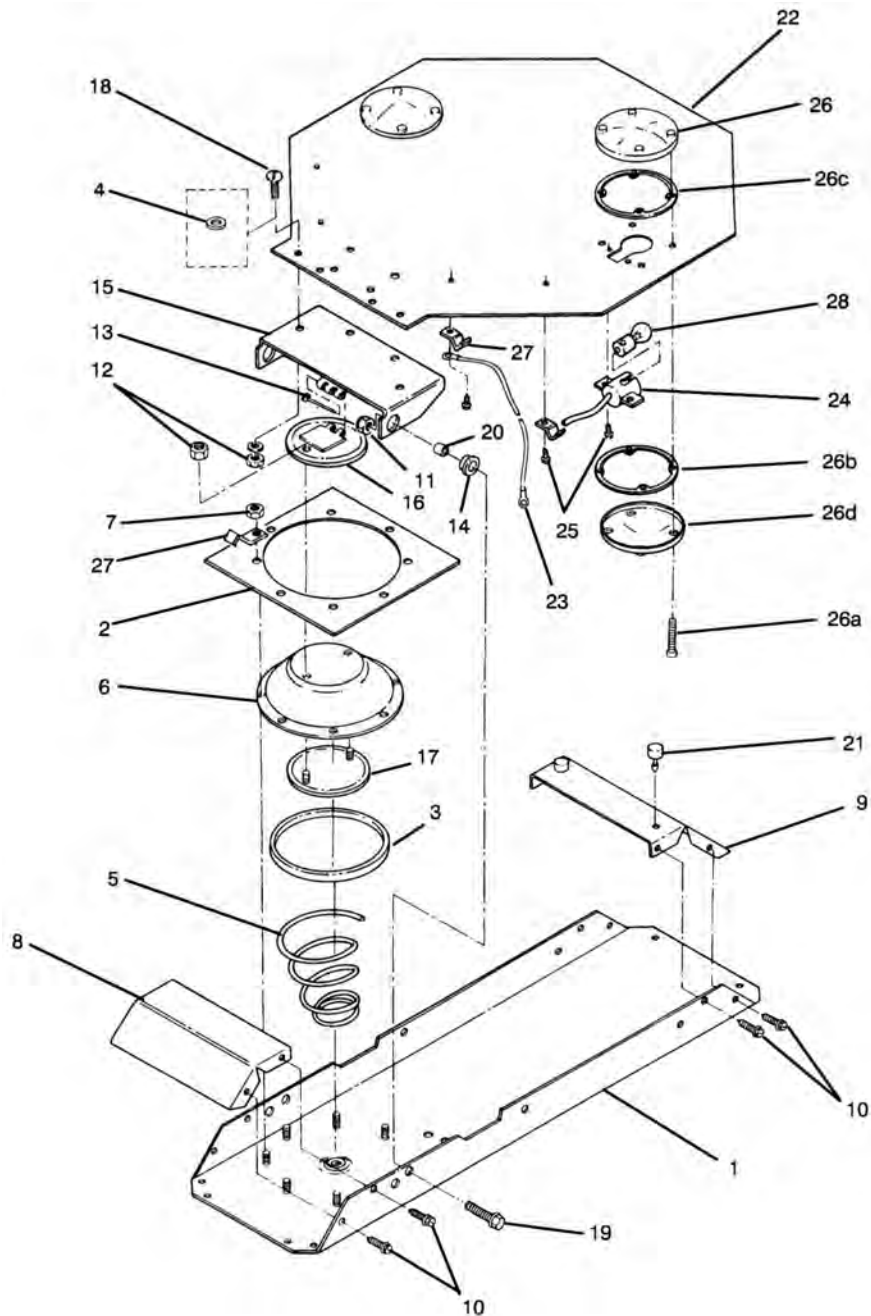
TRANSPEC
4001-001

30293-11, 30295-02	STOP ARM, HIGH INTENSITY, LED, W/WIND GUARD	N/A	N/A	01967991	N/A	N/A	08311946
30295-02	STOP ARM, HIGH INTENSITY, LED, W/WIND GUARD, REAR MOUNT	N/A	N/A	01967918	N/A	N/A	08311953

MISCELLANEOUS	04308854	02145498
00061783	• Kit to change Stop Arm from Reg to Strobe	• Bulb, Strobe w/ pigtail
• Kit, Stop Arm, Retro, LED		
	02101483	04320446
	• Stop Arm Cable	• Power Pack

12

STOP
ARMS



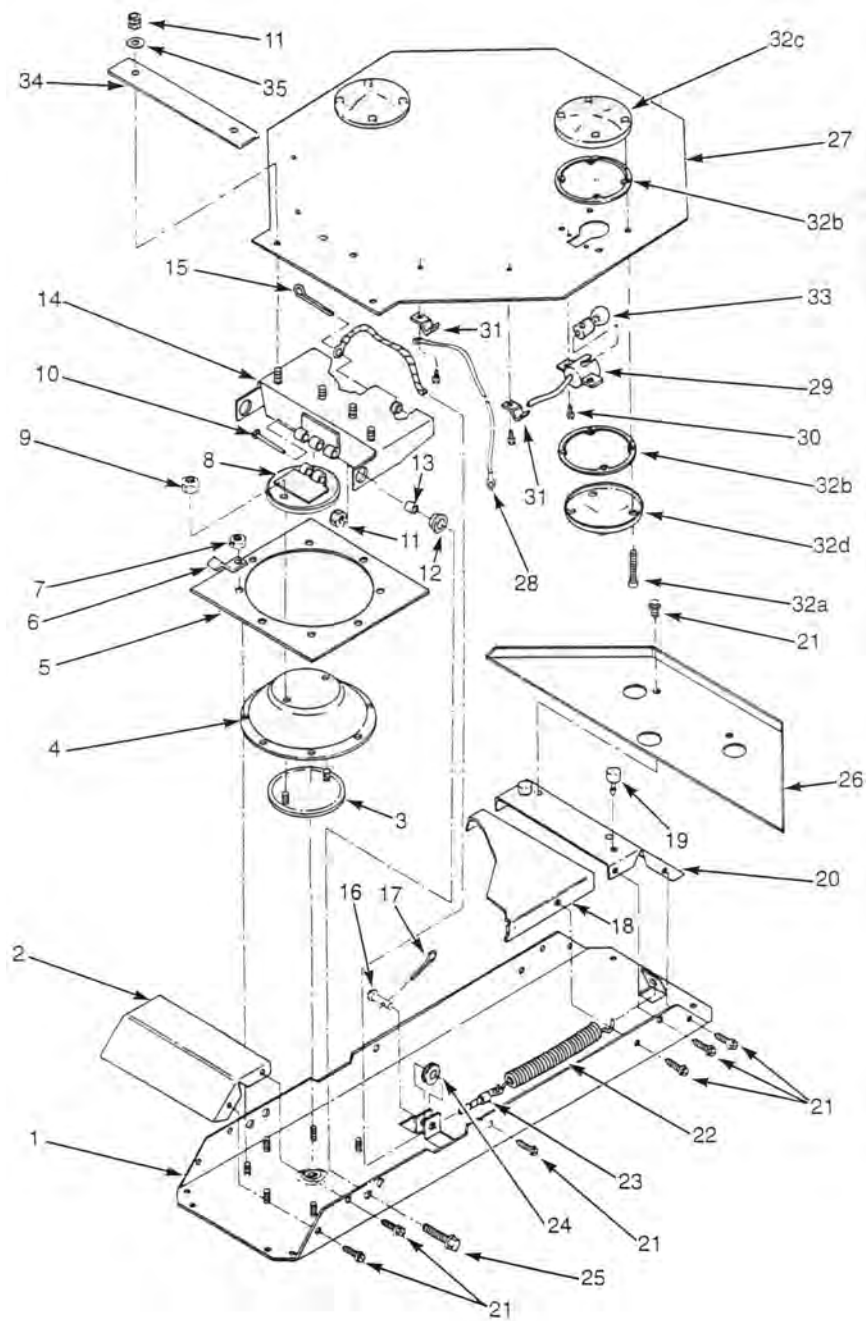
02134385
• 3010 Relay

SafetyGuard Stop Arm – Vacuum Assembly

ITEM NO.	BLUE BIRD PART NO.	QTY	DESCRIPTION
	04282257		VACUUM BASE ASSEMBLY
1	02101012	1	Base with Studs
2	02132314	1	Diaphragm Retaining Ring
3	02101046	1	Diaphragm Ring
4	02143618 OR 02132215	4 4	Inside Lockwasher 1/4" Nylon Flat Washer 1/4"
5	02101053	1	Diaphragm Spring (Vacuum)
6	02101061	1	Diaphragm
7	(111)	8	Hex Nut #10-32
8	02101079	1	Front End Cover Plate
9	02101087	1	Rear End Cover
10	02143626	8	#10 x 1/2 SMS Serrated
11	04308763	2	1/4-20 Insert Locknut
12	02001329	6	1/4-20 Hex Nut
13	02101095	1	Hinge Pin
14	02101103	2	Outer Bearing
15	02101475	1	Hinge Bracket (Vacuum)
16	02102150	1	Outer Diaphragm Plate
17	02132298	1	Inner Diaphragm Plate
18	(173)	4	1/4-20 x 1/2" Screw
19	02132306	2	Bolt, 1/4-20 x 3/4" RHMS
20	02101111	2	Inner Bearing
21	02101129	2	Rubber Bumper

22			BLADE ASSY: MAKE SELECTION FROM BLADE SECTION
23	02101145	1	Ground Strap w/Lugs (Used only w/strobe)
24	02153559	2	Socket and Pigtail, Wiring Harness
25	(192)	8	Self-Trapping Screw, #7 x 1/4"
26	04278420	2	Red Lens Kit Assembly (Includes 26a, 26c, 26d)
26a	04278412	4	Hex Head Screw, #6-32 x 1 1/4"
26b	02104156	2	Lens Gasket
26c	N/A	1	Red Lens – Front
26d	N/A	1	Red Lens Cut-out (Rear)
27	02101137	6	Tube Clamp – Molded Plastic
28	04287926	2	Double Contact Bulb, 100 to a box, Double current GE 1156

AIR STOP ARM ASSEMBLY

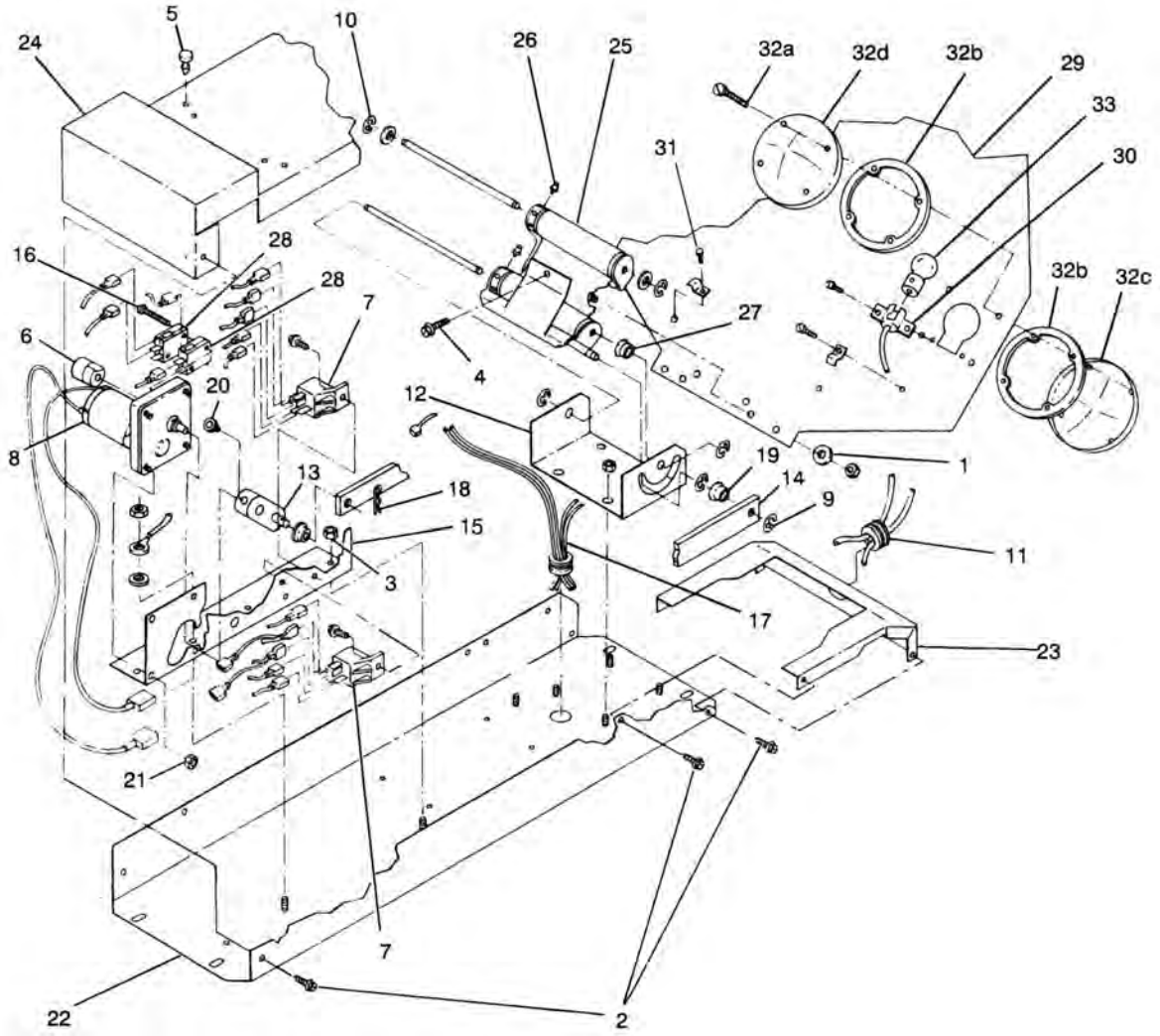


12

STOP ARMS

AIR STOP ARM ASSEMBLY

ITEM NO.	BLUE BIRD PART NO.	QTY	DESCRIPTION
	04282240		AIR STOP ARM BASE ASSEMBLY
1	02101012	1	Painted Base with Studs
2	02101079	1	Front End Cover Plate
3	02132298	1	Inner Diaphragm Plate - Bracket holds rubber boot on it
4	02101061	1	Diaphragm - Air Bag
5	02132314	1	Diaphragm Retaining Ring
6	(136)	2	Jiffy Clamp
7	04308870	8	10-32 Hex Nut
8	02102150	1	Outer Diaphragm Plate
9	02001329	2	1/4 x 20 Hex Nut
10	02101095	1	Hinge Pin
11	04308763	6	Nylon Locknut
12	02101103	2	Outer Bearing - Bushing
13	02101111	2	Inner Bearing - Bushing
14	02102143	1	Hinge Bracket
15	(2145)	1	Cotter Pin, 1/8" x 2 1/2"
16	02101467	1	Clevis Pin, 1/4" x 3/4"
17	02132223	1	Cotter Pin, 1/16" x 1 1/2"
18	02148476	1	Air Pan
19	02101129	2	Rubber Bumper
20	02101087	1	Rear End-Cover
21	N/A	14	#10 x 1/2 SMC Serrated
22	02101509	1	Air Return Spring
23	02101483	1	Return Cable - holds x gate - stop sign cable
24	02101491	1	Nylon Pulley
25	02132306	2	Bolt, 1/4-20 x 3/4
26	08309502	1	Windguard
27		1	Blade Choice
28	02101145	1	Ground Strap (Strobe only)
29	02153559	1	Socket and Pigtail - light pigtail on top of stop sign
30	(192)	8	Self-Tapping Screw
31	02101137	4	Clamp-Molded - red plastic
32	04278420	2	Kit, Red Lens (Includes 32a, 32b, 32c, 32d) # 194k
32a	04278412	4	Hex Head Screw
32b	02104156	2	Lens Gasket
32c	N/A	2	Lens, Red Solid
32d	N/A	2	Lens, Red Cut-Out
33	04287926	2	Bulb, Double Contact - Light on stop sign
34	08309494	1	Tab-Blade Mount
35	02143618	4	Washer, Nylon Flat
	00810762		Air Control Valve, includes solenoid, air reg cuts air on/off
	02005908		Solenoid operates stop sign in dash - motor driven
	00603415		Vac assy, vac stop arm
	01098185		Solenoid and regulator - Reg # 2101442 (AU)



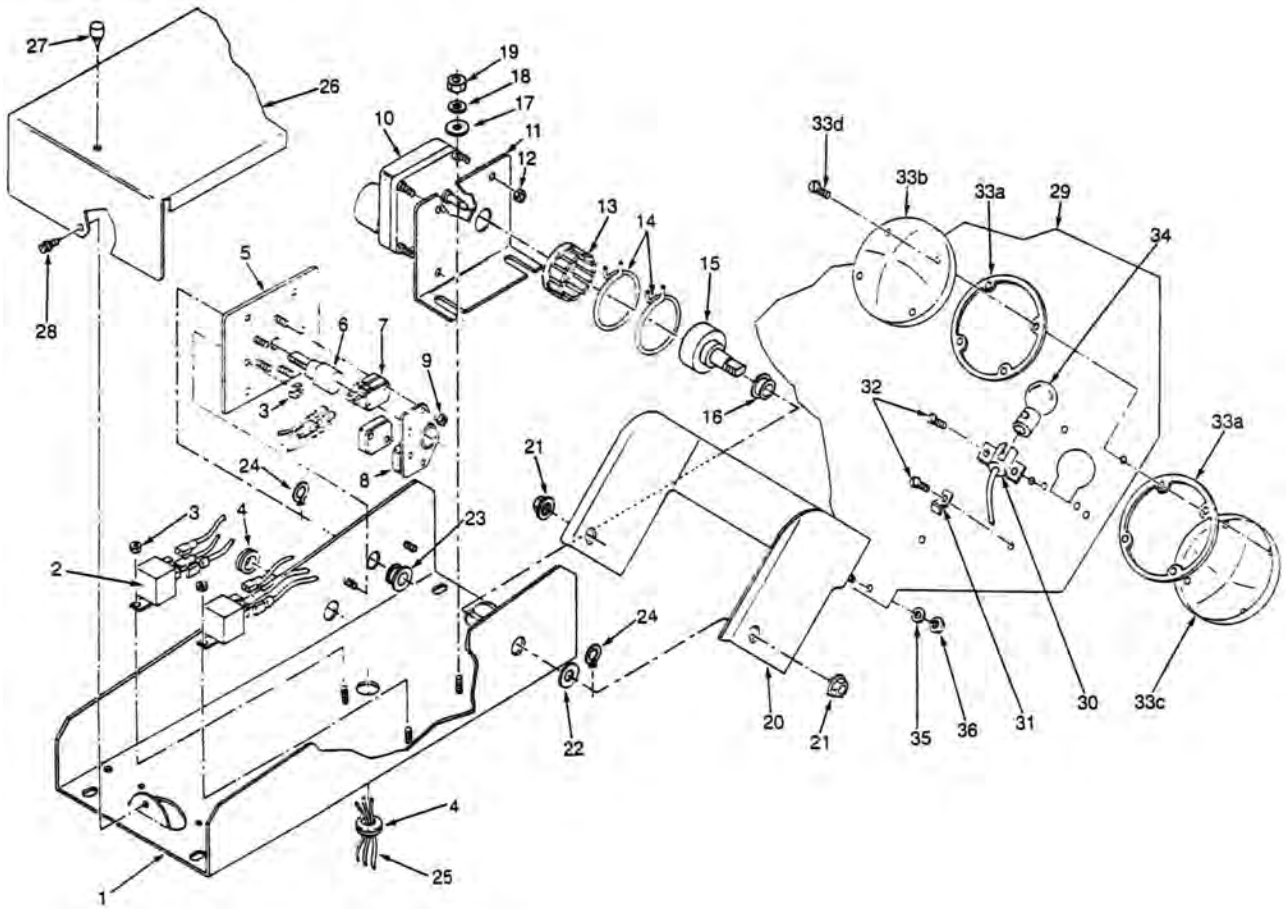
12

STOP ARMS

SafetyGuard Stop Arm – 4000 Series Electric

ITEM NO.	BLUE BIRD PART NO.	QTY	DESCRIPTION
	04296448		ELECTRIC BASE ASSEMBLY – QUICK RETURN
1	02143618	4	Inside Lockwasher 1/4"
2	02143626	13	#10 x 1/2" Type AB SMS Serrated
3	04308763	10	1/4-20 Nylon Insert Locknut
4	02132306	1	1/4-20 x 3/4" Hex Head Bolt
5	02101129	2	Rubber Bumper
6	04298162	1	Quick-Return Cam
7	01077718	2	Relay
8	04296356	1	Quick-Return Motor
9	08315129	2	Retaining Ring .243" x .500"
10	02143733	2	Retaining Ring .204" x .561"
11	02143774	2	Grommet
12	02143840	1	Hinge Bracket
13	02143857	1	Crank Arm
14	02143865	1	Connecting Bar
15	02143873	1	Motor Bracket
16	(4010)	2	#4 x 1" Type A Screw
17	04296364	1	Quick-Return Wiring Harness
18	02143907	1	Hairpin Clip
19	02143923	2	Brass Bushing, 5/16" x 3/8"
20	04278941	5	#10-32 x 3/8" Socket Cap
21	04308870	4	#10-32 Nylon Insert Locknut
22	02143931	1	Electric Base w/Studs
23	02143949	1	Electric Housing Front Cover
24	02143956	1	Electric Housing Rear Cover
25	02143972	1	Electric Hinge 5"
26	02147767	2	Tension Pin
27	04290136	2	Hinge Bracket Flange Bushing
28	04285649	2	Microswitch
29			BLADE ASSY: MAKE SELECTION FROM BLADE SECTION
30	02153559	2	Socket and Pigtail
31	(192)	8	#7 x 1/4" Type B Screw
32	04278420	2	Red Lens Kit Assembly (Includes 32a, 32b, 32c, 32d)
32a	04278412	8	#6-32 x 1 1/4" Hex Head Type F Screw
32b	02104156	2	Lens Gasket
32c	N/A	1	Red Lens-Front
32d	N/A	1	Red Lens Cut-Out
33	04287926	2	Double Contact Bulb

5-SERIES STOP ARM



12

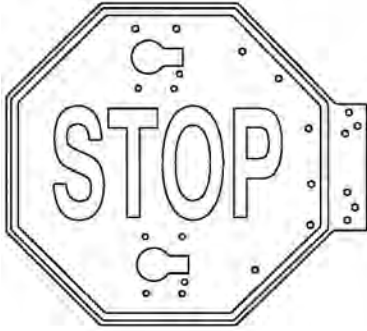
STOP ARMS

5-Series Stop Arm Part Number Cross Reference
5110

ITEM NO.	BLUE BIRD PART NO.	QTY	DESCRIPTION
	04309340		5-SERIES STOP ARM BASE ASSEMBLY Mounts on bumper
1	04308573	1	Base, Painted w/Studs
2	01077718	2	Relay
3	04308755	4	Insert Hex Nut, Nylon 8-32
4	02143774	2	Grommet
5	04308649	1	Microswitch Mounting Plate
6	04308599	1	Cam – Threaded
7	04285649	3	Microswitch
8	04308615	1	Cam Positioner Plate
9	04308748	4	#4-40 Nylon Hex Locknut
10	04308623	1	Motor
11	04308656	1	Motor Bracket
12	04308870	4	Hex Nut
13	04308664	1	Clutch, Plastic
14	04308581	2	Roto Clip
15	04308672	1	Slip Clutch, Aluminum - Cam not threaded snapping
16	08309551	1	Bushing, Nylon
17	(147)	2	Washer, Flat 1/4
18	08309544	2	Locknut
19	02001329	6	Insert Locknut
20	04308730	1	Hinge Bracket
21	04308714	2	Washer HD Whiz Nut
22	08309536	1	Washer, SS, 1" O.D.
23	04308896	1	Bushing, Nylon
24	08309528	2	Snap Ring
25	04308631	1	Wiring Harness
26	04308722	1	Cover
27	02101129	1	Rubber Bumper
28	02143626	2	#10 x 1/2" SMS Serrated
	08309502	1	Windguard (Not Shown)
29		1	Blade Choice (Contact Your Distributor)
30	02153559	1	Socket and Pigtail - Wiring harness
31	02101137	4	Tube Clamp – Molded
32	(192)	8	Screw, Self-Tapping
33	04278420	2	Lens Kit, Red (Includes 33a, 33b, 33c, 33d)
33a	02104156	4	Lens Gasket
33b	N/A	2	Lens, Red Solid
33c	N/A	2	Lens, Red Cut-Out
33d	04278412	8	Screw, Hex Head
34	04287926	2	Bulb, Double-Contact
35	02143618	4	Nylon Flat Washer
36	04308763	4	Nylon Locknut
	04322558		Plastic blade w/ yellow tip

SAFETYGUARD STOP ARM BLADE REPLACEMENT PARTS AND DECALS

BLADES



04295788

- Painted
- Steel

02115327

- Reflectorized
- 500-1
- w/ lights
- SGA

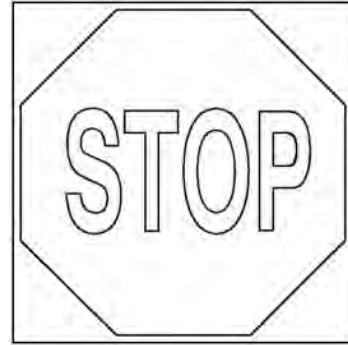
04295796

- Hi-Intensity

04278420

- Lens kit
- Stop Arm
- For 4308884 (1010)

DECALS



02154870

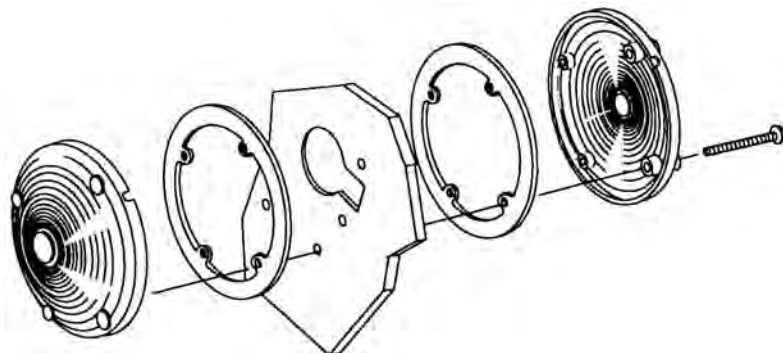
- Non-reflective

02154862

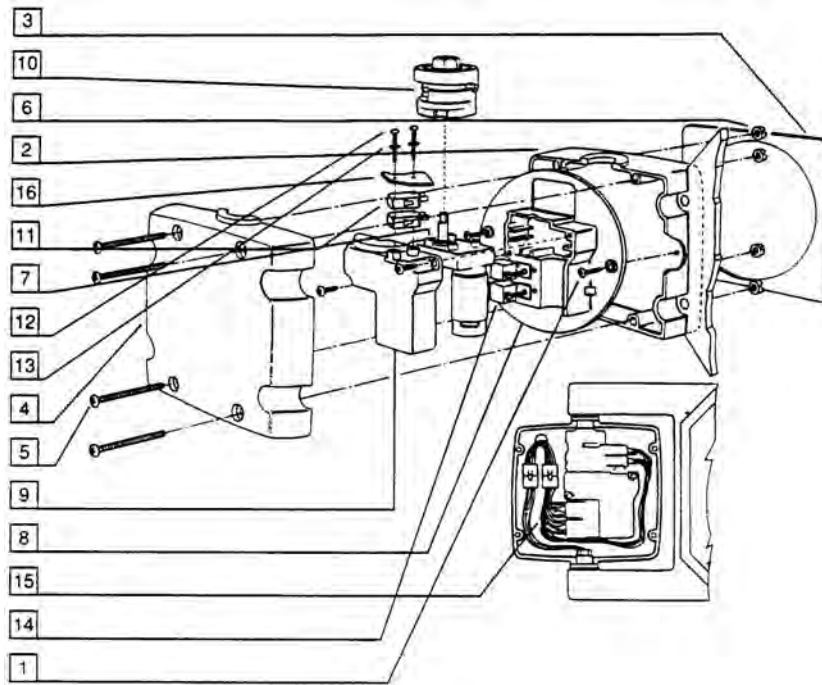
- Reflectorized
- Octagon
- SGA

04281457

- Hi-Intensity
- Glow in the Dark



TRANSPEC 6000/7000 DRIVE MECHANISM



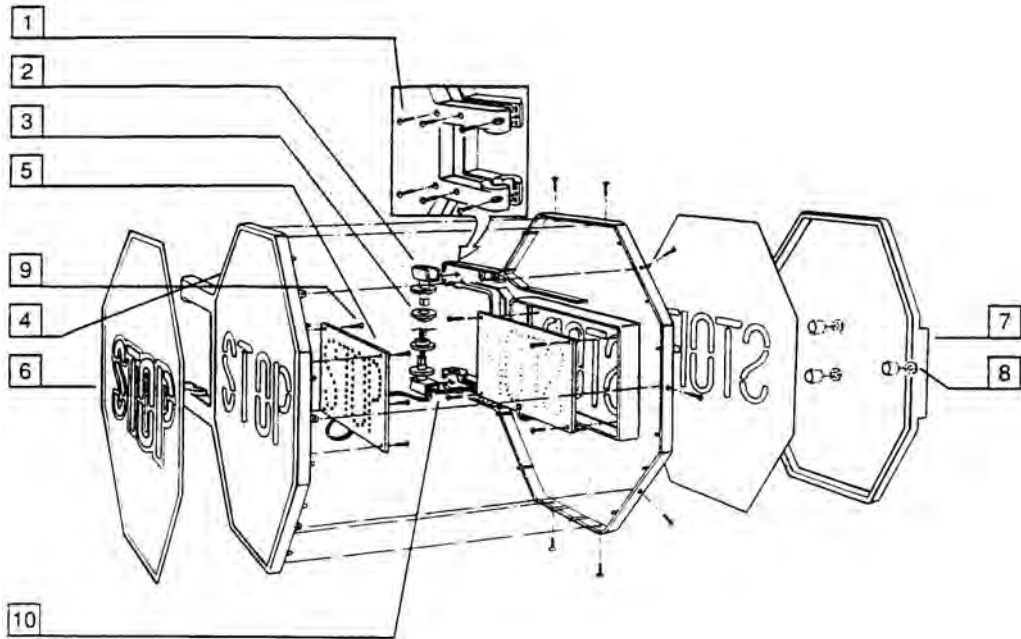
ITEM NO.	PART NO.	DESCRIPTION
1	04296703	Screws – Special
2	08311730	Base – Mechanism
3	08311748	Gasket – Mechanism Base
4	08311755	Cover – Mechanism
5	08311763	Screws – Motor Mechanism Cover
6	08311904	Lock Nut – Motor Mechanism Base
7	08310492	Motor – Drive
8	08311771	Cradle – Motor
9	08311789	Cradle Cover – Motor
10	08311813	Assembly – Clutch
11	08311821	Switch – Micro
12	08311839	Screw – Micro Switch
13	08311847	Washer – Lock
14	08311573	Relays – Electrical
15	08311854	Harness Assembly – Drive w/Relays
16	08311862	Cover Plate – Switches
17	08311870	Cradle Assembly – Motor (Not shown)

12

**S
T
O
P

A
R
M
S**

TRANSPEC 6000/7000 DRIVE MECHANISM



12

STOP
ARMS

ITEM NO.	PART NO.	DESCRIPTION
1	04296703	Screws – Special
2	08311888	Arm – Drive
3	08311896	Bushing – Bronze
4	08311912	Blade Assembly – “LED”
	08311920	Blade Assembly – “LED” Blank Front
5	08311938	Board – Circuit
6	08311946	Decal – “7000” Diamond Grade
	08311953	Decal – Red Blank (No Lettering)
7	08311961	Bezel – Trim
8	08311979	Gasket – Trim Bezel
9	08311987	Screws – Circuit Board
10	08311995	Harness Assembly – Light Wire

00603415

- Solenoid valve
- Stop/crossing arm
- Air/vac



00810762

- Solenoid/regulator assembly
- Stop/crossing arm
- Air



02008464

- Release
- Valve
- Vacuum
- Stop/crossing arm



00522508

- Valve
- Pressure protection
- Air
- Stop/crossing arm



01984376

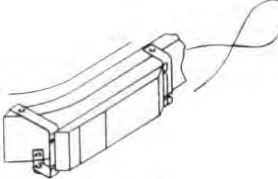
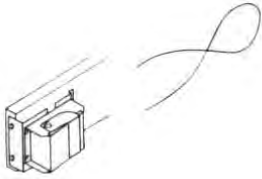

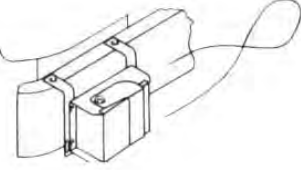

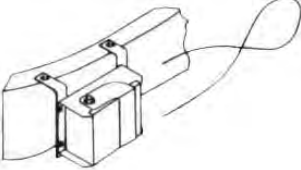
- Regulator
- Air pressure
- Stop/crossing arm



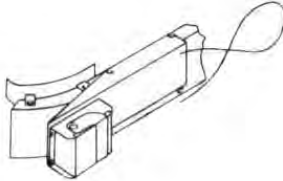
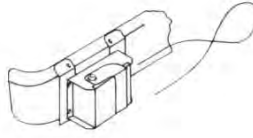
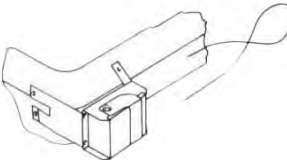
MOUNTING BRACKET KITS FOR CROSSING CONTROL ARMS

Proper installation and mounting of crossing arms is essential to provide greater operating efficiency. The applications listed below are the most popular kits which are known to work as they were intended. These kits may, and, in fact, probably do work in other applications. Please consult Specialty Manufacturing Company's Engineering Department if a question arises as to a possible application.

All kits include brackets and mounting hardware necessary for their designed application.

KIT NO.	DRAWING	DESCRIPTION
08300782		Navistar 3000 chassis from 1989 to present. Use with air and vacuum units. Bus must have swept back bumper. Does not include splash shield. 8040
(8041)		Designed for buses using a flat bumper. Typical applications include Ford and Navistar. Can be used with 5-Series, air, or vacuum units.
04322855		Ford B700 from 1984 to present. Bus must have contoured bumper. Can be used on 5-Series, air, or vacuum. Includes splash shield.
04322848		Designed for various model chassis. Can be used for 5-Series, air, and vacuum units. This kit has been used in the past on older model Ford, Chevrolet, GMC, International, and Ford Econoline Van (1980-1991). Includes splash shield for use on IH S1800.
04314357		Chevrolet chassis from 1990 to present. Bus must have contoured bumper. Can be used on 5-Series, air, or vacuum units.
(8047)		Thomas FWD control and pusher buses. This is a Thomas-exclusive kit, but may be usable on other chassis.

MOUNTING BRACKET KITS FOR CROSSING CONTROL ARMS, (CONT'D)

KIT NO.	DRAWING	DESCRIPTION
04322830		<p>Navistar 3000 from 1990 to present with flexible bumper. Fits 5-Series, air, or vacuum units. This bumper is similar to the standard bumper but has 18" plastic ends designed to break away in the event of a collision. This kit can also be used as an alternate to Kit #8039 on buses with all steel bumpers.</p>
08306672		<p>General Motors Van (Chevy, GMC) from early 1980s to present. Use with 5-Series and vacuum units. This chassis is used for Blue Bird Micro Bird.</p>
08306003		<p>Ford Econoline Vans 1992 to present. Fits 5-Series, air, and vacuum units.</p>

SPECIALTY CROSSING ARM ASSEMBLIES

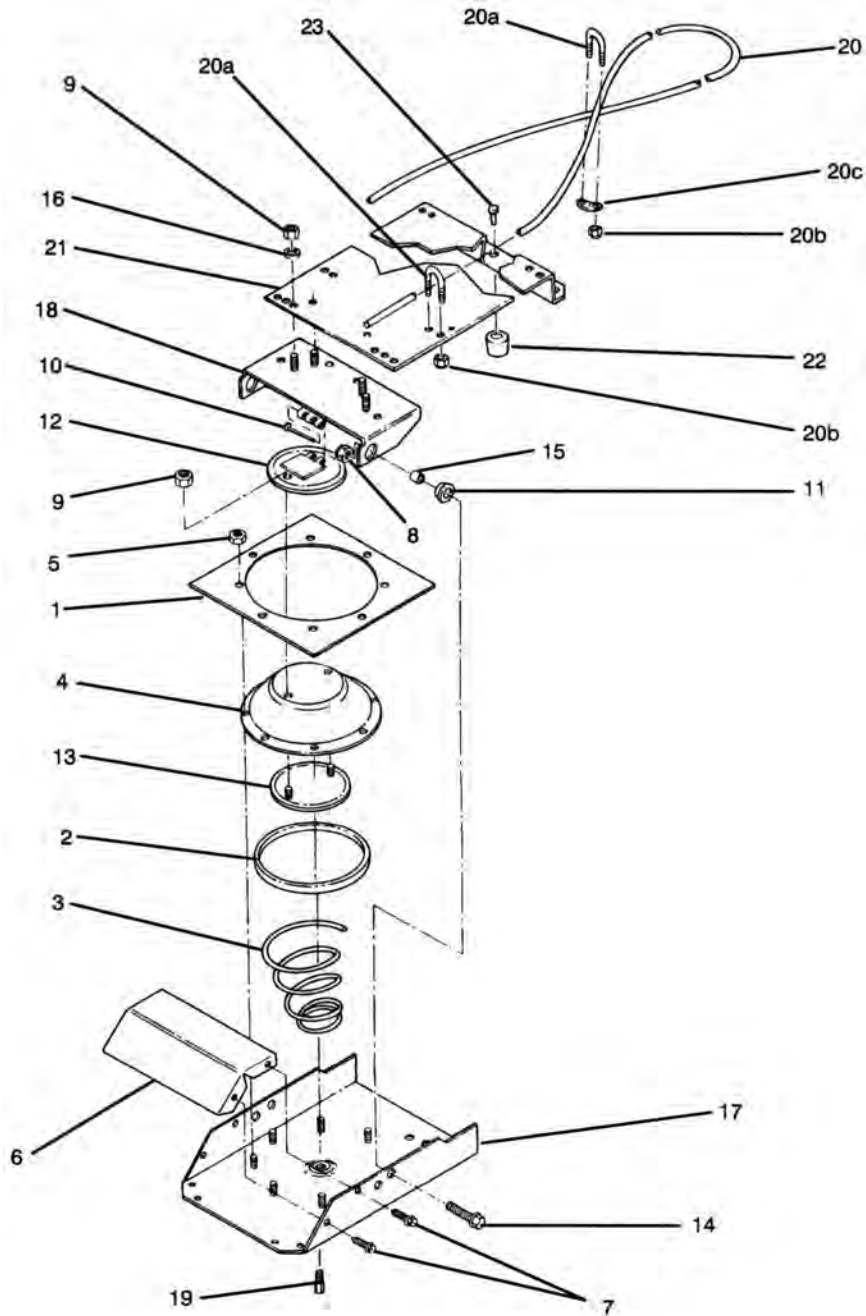
VACUUM	
(18100)	Vacuum crossing arm assembly, with figure 8 blade
08307621	Vacuum crossing arm assembly, with yellow poly blade

AIR	
01100718	Air crossing arm assembly, with figure 8 blade
04318077	Air crossing arm assembly, with yellow poly blade
04322558	Blade Only
00050028	Mtg Angle on Blade - Angled bracket that mounts to top plate

ELECTRIC	
	5-SERIES (Opt 3131)
04327565	Electric crossing arm assembly, 5-series, with figure 8 blade
04320982	Electric crossing arm assembly, 5-series, with yellow poly blade

ELECTRIC	
	6-SERIES
(68500)	Electric crossing arm assembly, 6-series, with figure 8-blade
(68600)	Electric crossing arm assembly, 6-series, with yellow poly blade

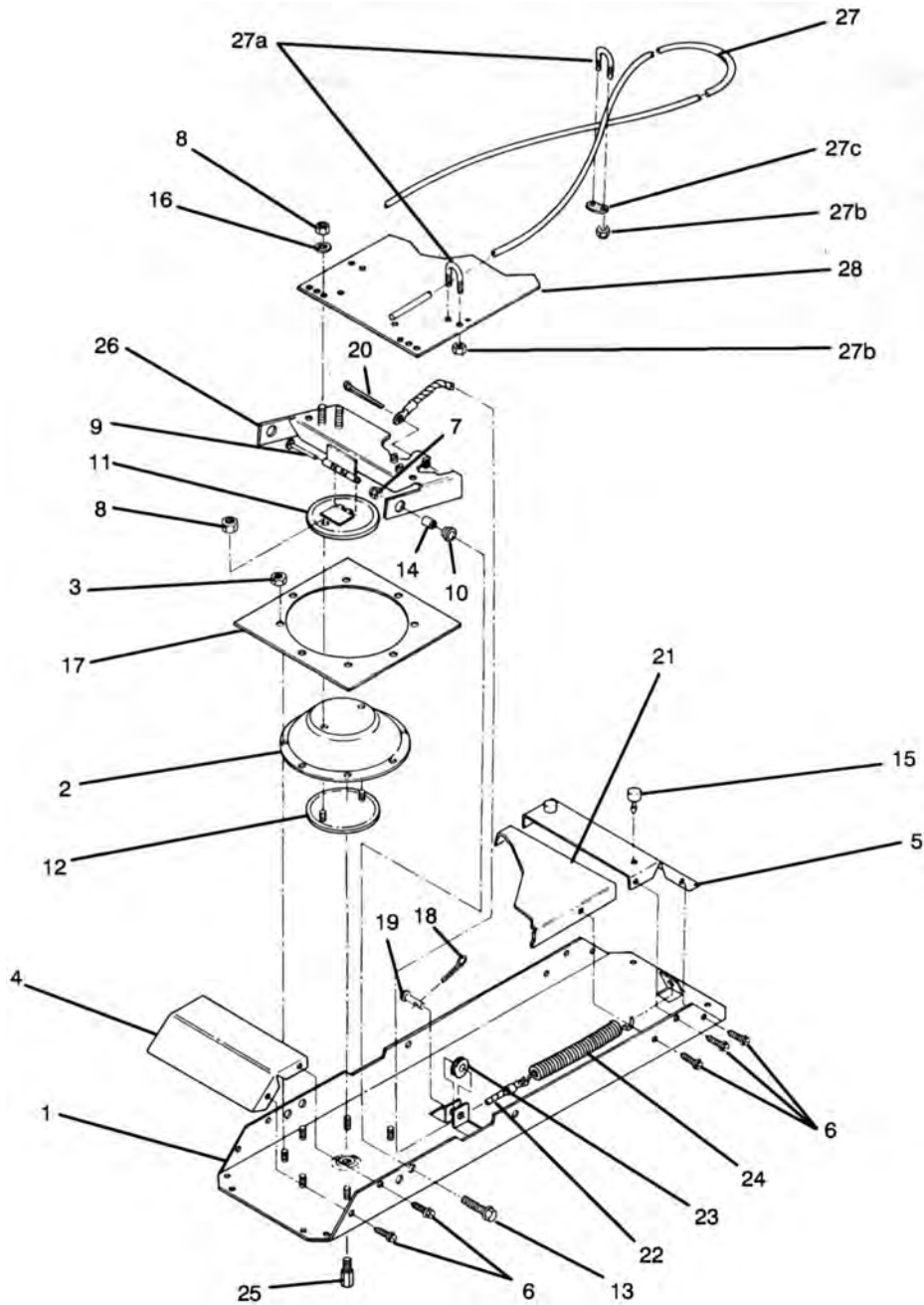
RETROFIT PLUMBING KITS	
00007163	Vacuum
00007164	Air
00026404	Electro Magnetic Kit
09022232	To, Crossing Blade, Poly - Bent to Fit Freightline Bumper
01101138	Round Rubber Mtg Bumper (Sold by Foot)



SafetyGuard Crossing Control Arms – Vacuum Assembly

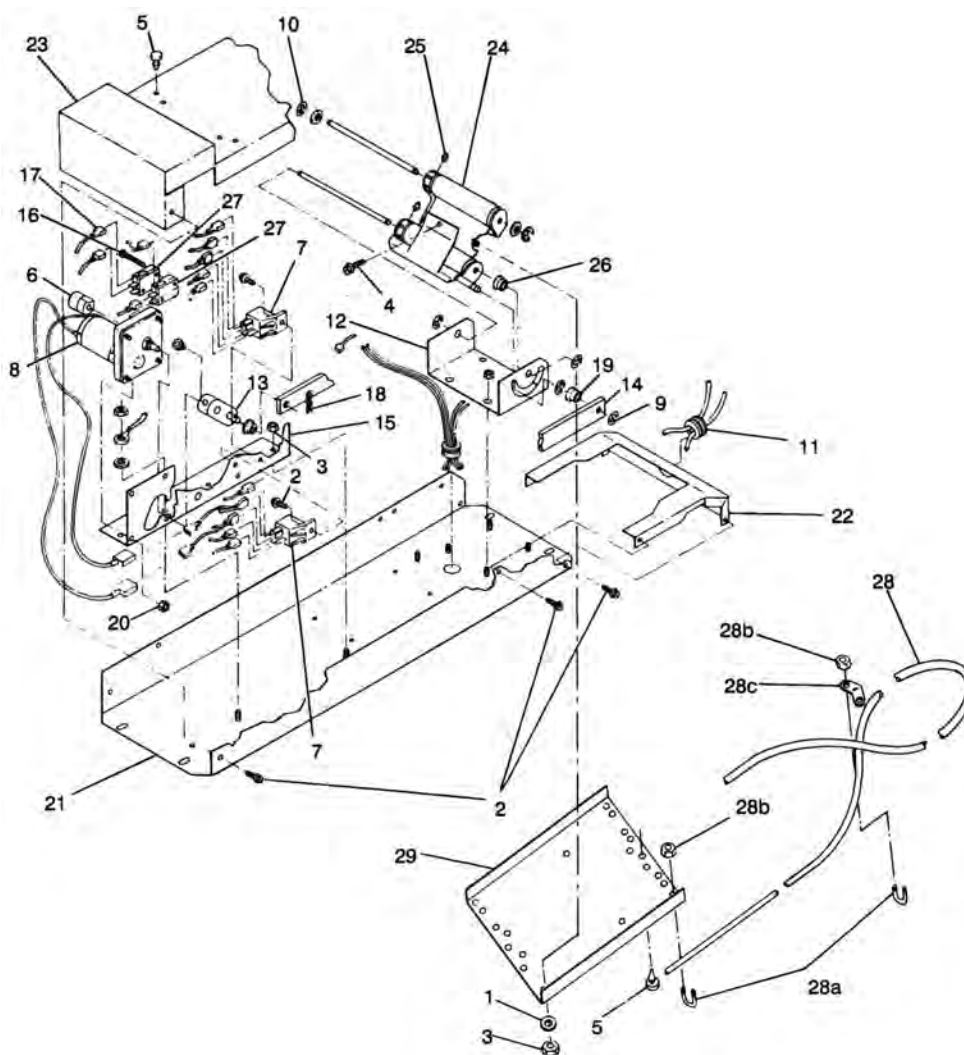
ITEM NO.	BLUE BIRD PART NO.	QTY	DESCRIPTION
	01217652		VACUUM CROSSING ARM BASE ASSEMBLY
1	02132314	1	Diaphragm Retaining Ring
2	02101046	1	Diaphragm Ring
3	02101053	1	Diaphragm Spring (Vacuum)
4	02101061	1	Diaphragm, Rubber boot
5	(111)	8	Hex Nut #10-32
6	02101079	1	Front End Cover Plate
7	02143626	4	#10 x 1/2" SMS Serrated
8	04308763	2	1/4-20 Insert Locknut
9	02001329	6	1/4-20 Hex Nut
10	02101095	1	Hinge Pin
11	02101103	2	Outer Bearing
12	02102150	1	Outer Diaphragm Plate
13	02132298	1	Inner Diaphragm Plate
14	02132306	2	Bolt, 1/2"-20 x 3/4" RHMS
15	02101111	2	Inside Bearing
16	02132215	4	Inside Lockwasher
17	02132322	1	Crossing Arm Base with Studs
18	02132363	1	Crossing Arm Hinge Bracket
19	02154979	1	Restrictor

	01616382		UNIVERSAL CROSSING ARM BLADE ASSEMBLY
20	02132280	1	12 Ft. Aluminum Rod (Includes 20a, 20b, 20c)
20a	02132249	2	5/16" U-Bolt
20b	02141000	4	#10-20 Locknut
20c	02141018	1	U-Bolt Retainer
21	04325668	1	Universal Crossing Arm Plate
22	02153096	1	Center Rubber Bumper
23	(48190)	1	Pop Rivet



SafetyGuard Crossing Control Arms – Air Assembly

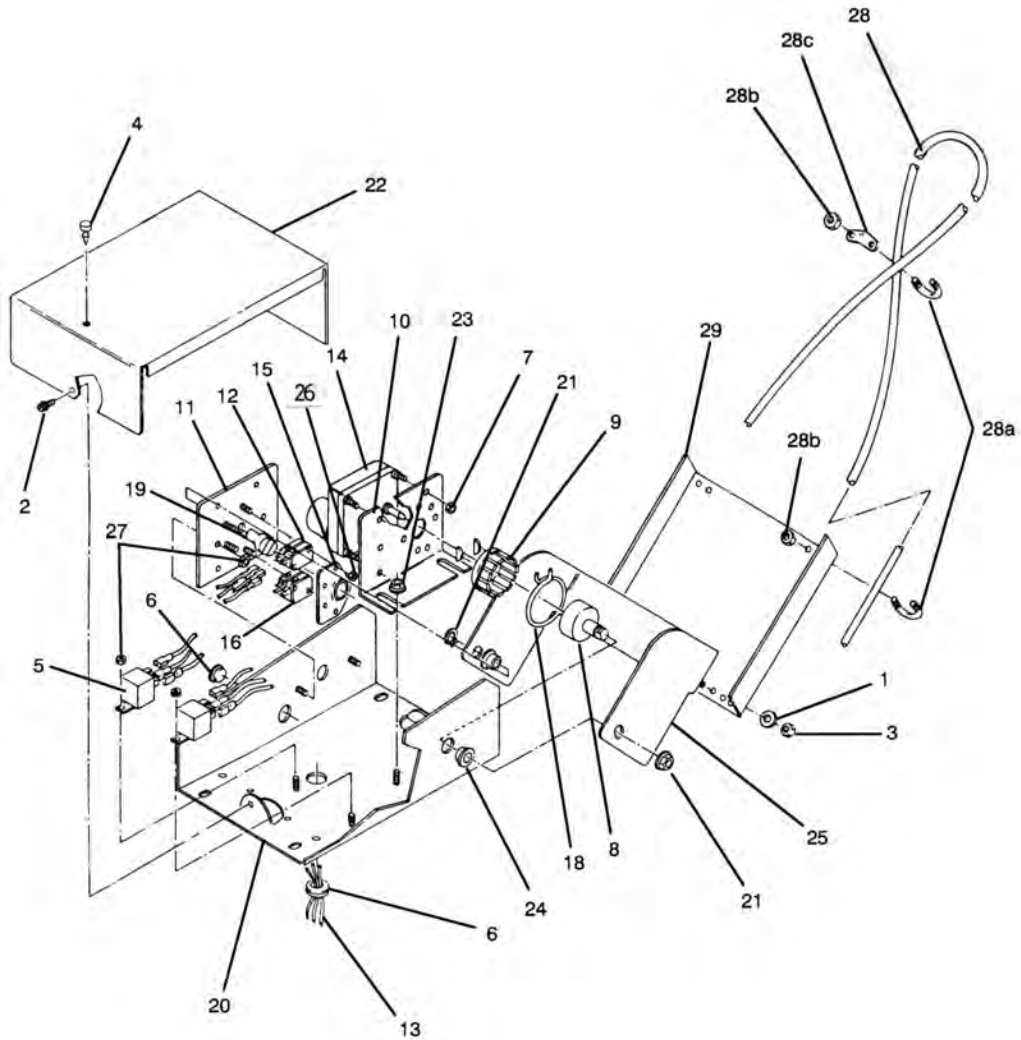
ITEM NO.	BLUE BIRD PART NO.	QTY	DESCRIPTION
	01217678		AIR CROSSING ARM BASE ASSEMBLY
1	02101012	1	Base with Studs
2	02101061	1	Diaphragm, Boot
3	04308870	8	Hex Nut #10-32
4	02101079	1	Front End Cover
5	02101087	1	Rear End Cover
6	02143626	12	#10 x 1/2" SMS Serrated
7	04308763	2	1/4-20 Nylon Insert Locknut
8	02001329	6	Hex Nut 1/4-20
9	02101095	1	Hinge Pin
10	02101103	2	Outer Bearing, Bushings, Roller
11	02102150	1	Outer Diaphragm Plate
12	02132298	1	Inner Diaphragm Plate
13	02132306	2	Bolt, 1/4-20 x 3/4" RHMS
14	02101111	2	Inner Bearing, Bushings, Roller
15	02101129	2	Rubber Bumper
16	02132215	4	Inside Lockwasher 1/4"
17	02132314	1	Diaphragm Retaining Ring
18	02132223	1	Cotter Pin, Zinc 1/16" x 1 1/2"
19	02101467	1	Clevis Pin, 1/4" x 3/4"
20	(2145)	1	Cotter Pin, 1/8" x 2 1/3"
21	02148476	1	Air Pan
22	02101483	1	Return Cable
23	02101491	1	Nylon Pulley
24	02101509	1	Air Return Spring
25	02154979	1	Restrictor
26	02102143	1	Hinge Plate Bracket, piece that holds x gate
	01616382		UNIVERSAL CROSSING ARM BLADE ASSEMBLY
27	02132280	1	12-Ft. Aluminum Rod (Includes 27a, 27b, 27c)
27a	02132249	2	5/16" U-Bolt
27b	02141000	4	Locknut 10-24
27c	02141018	1	U-Bolt Retainer
28	04325668	1	Universal Crossing Arm Plate



SafetyGuard Crossing Control Arms – 4000 Series Electric

ITEM NO.	BLUE BIRD PART NO.	QTY	DESCRIPTION
	01617786		ELECTRIC CROSSING ARM BASE ASSEMBLY – QUICK RETURN
1	02143618	4	Nylon Flat Washer 1/4"
2	02143626	11	#10 x 1/3" SMS Serrated
3	04308763	11	1/4-20 Nylon Insert Locknut
4	02132306	11	1/4-20 x 3/4" Hex Head Bolt
5	02101129	2	Rubber Bumper
6	04298162	1	Quick-Return Cam
7	01077718	2	Relay
8	04296356	1	Quick-Return Motor
9	08315129	2	Retaining Ring .243" x .500"
10	02143733	2	Retaining Ring .204" x .516"
11	02143774	2	Grommet
12	02143840	1	Hinge Bracket
13	02143857	1	Crank Arm
14	02143865	1	Connecting Bar
15	02143873	1	Motor Bracket
16	(4010)	2	#4 x 1" Type A Screw
17	(4014)	1	Quick-Return Wiring Harness
18	02143907	1	Hairpin Clip
19	02143923	2	Brass Bushing, 5/16" x 3/8"
20	04308870	5	#10-32 Nylon Insert Locknut
21	02143931	1	Electric Base w/Studs
22	02143949	1	Electric Housing Front Cover
23	02143956	1	Electric Housing Rear Cover
24	02143972	1	Electric Hinge 5"
25	02147767	2	Tension Pin
26	04290136	2	Hinge Bracket Flange Bushing
27	04285649	2	Microswitch

	01246602		ELECTRIC CROSSING ARM BLADE ASSEMBLY
	01616382		UNIVERSAL CROSSING ARM BLADE ASSEMBLY
	04322558		Yellow blade
28	02132280	1	12-Ft. Aluminum Rod (Includes 28a, 28b, 28c)
28a	02132249	2	U-Bolt 5/16"
28b	02141000	4	#10-24 Locknut
28c	02141018	1	U-Bolt Retainer
29	04325668	1	Universal Painted Plate



SafetyGuard Crossing Control Arms – 5-Series Electric

ITEM NO.	BLUE BIRD PART NO.	QTY	DESCRIPTION
	01617786		5-SERIES CROSSING ARM BASE ASSEMBLY Does not come with mtg brackets
1	02143618	4	Nylon Flat Washer 1/4"
2	02143626	2	#10 x 1/2" SMS Serrated
3	04308763	4	1/4-20 Nylon Locknut
4	02101129	1	Rubber Bumper
5	01077718	2	Relay
6	02143774	1	Grommet
7	04308870	4	#10-32 Hex Nylon Insert Locknut
8	04308672	1	Aluminum Slip Clutch, 5002
9	04308664	1	Plastic Clutch
10	04308656	1	Motor Bracket
11	04308649	1	Cam Bracket
12	04285649	3	Microswitch
13	04308631	1	Wiring Harness
14	04308623	1	5-Series Motor
15	04308615	1	Cam Positioner Brass Plate
16	04308607	1	Dummy Microswitch
17	04308771	1	Plastic Cap Plug (Not Shown)
18	04308581	1	#30 Roto Clip Clamp
19	04308599	1	Aluminum Cam – Threaded
20	04308789	1	Painted Base with Studs
21	04308714	2	1/2-20 Hex Wash Hd Whiz Nut
22	04308797	1	Painted Cover
23	04308888	2	1/4-20 Hed Hd Whiz Nut C
24	04308896	2	Bronze Bushing, Oil Impreg
25	04308730	1	Painted Hinge w/Studs
26	04308748	4	#4-40 Hex NyLk Inst Nut Cad
27	04308755	4	#8-32 Hex NyLk Inst Nut Cad

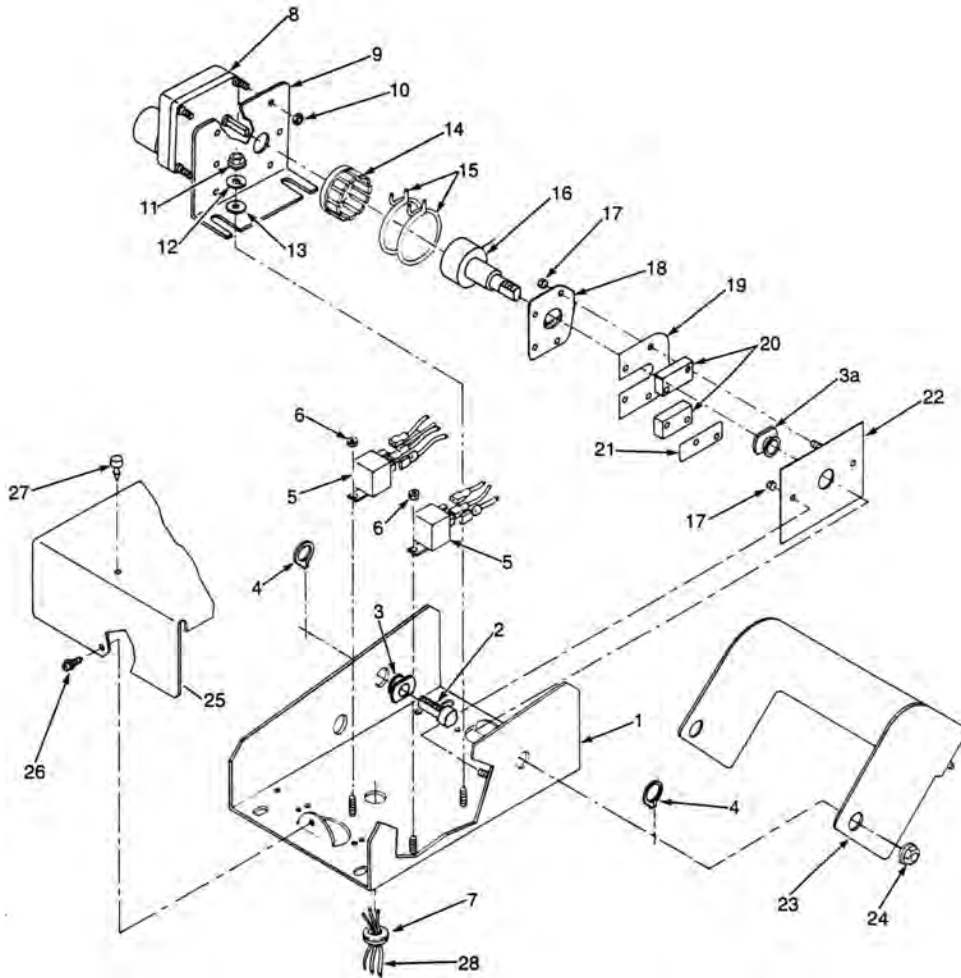
	01616382		5-SERIES CROSSING ARM BLADE ASSEMBLY
28	02132280	1	12-Ft. Aluminum Rod (Includes 28a, 28b, 28c)
28a	02132249	2	5/16" U-Bolt
28b	02141000	4	#10-24 Locknut
28c	02141018	1	U-Bolt Retainer
29	04325668	1	Universal Painted Plate - plate on bracket for rod
NI	01617786		Base, Crossing Control Arm, Electric
NI	01616325		Bracket, Mtg, Crossing Arm, 5.50
NI	01101138		Rubber Bushing, Round, 1.5 OD x .375 ID

MODEL 58106 CROSSING ARM BASE ASSEMBLY

CROSSING

13

ARMS



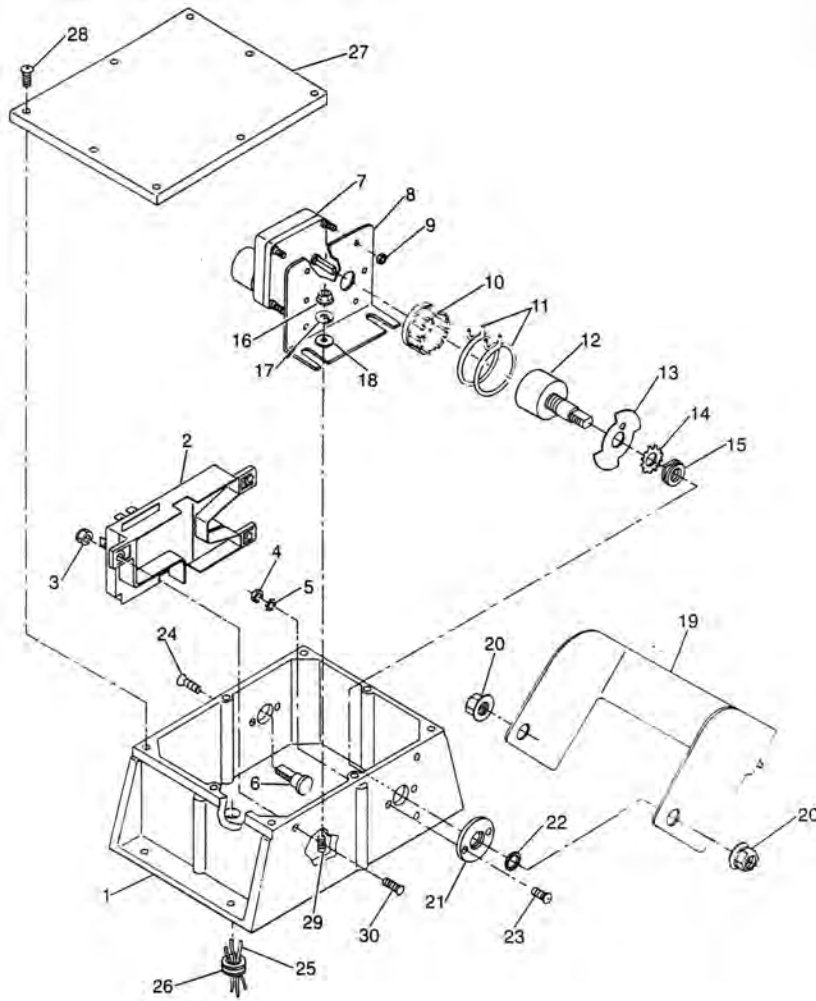
ITEM NO.	BLUE BIRD PART NO	QTY	DESCRIPTION
1	04308789	1	BASE, PAINTED WITH STUDS
2	08313546	1	HINGE PIN, INVERTED
3	08309551	1	BUSHING, NYLON WITH TAB
3A	04308896	1	BUSHING, NYLON, NO TAB
4	08309528	2	SNAP RING
5	01077718	2	RELAY
6	04308755	4	INSERT HEX NUT, NYLON 8-32
7	02143774	1	GROMMET
8	04308623	1	MOTOR
9	04308656	1	MOTOR BRACKET
10	04308870	4	HEX NUT
11	02001329	2	INSERT LOCKNUT
12	08309544	2	LOCK WASHER
13	(147)	2	WASHER, FLAT 1/4
14	04308664	1	CLUTCH, PLASTIC
15	04308581	2	ROTO CLIP
16	08313066	1	CLUTCH DRIVER/CAM, THREADED
17	04308748	4	#4-40 HEX NUT, SS
18	00006020	1	PLATE, FLAT - INVERTED
19	04323127	1	HEATER
20	04285649	2	MICROSWITCH
21	(5026)	2	MICROSWITCH INSULATOR
22	00006021	1	PLATE SWITCH MOUNTING/INV
23	04308730	1	HINGE, THREADED W/STUDS
24	04308714	2	1/2-20 HEX WASH HD WHIZ NUT
25	04308797	1	COVER, 5-SER X/A
26	02143626	2	10 X 1/2 HEX WASH HD SCREW
27	02101129	1	RUBBER BUMPER
28	(5021)	1	HARNESS, BASE QK-DISC. WIRING

MODEL 68106 CROSSING ARM BASE ASSEMBLY

C
R
O
S
S
I
N
G

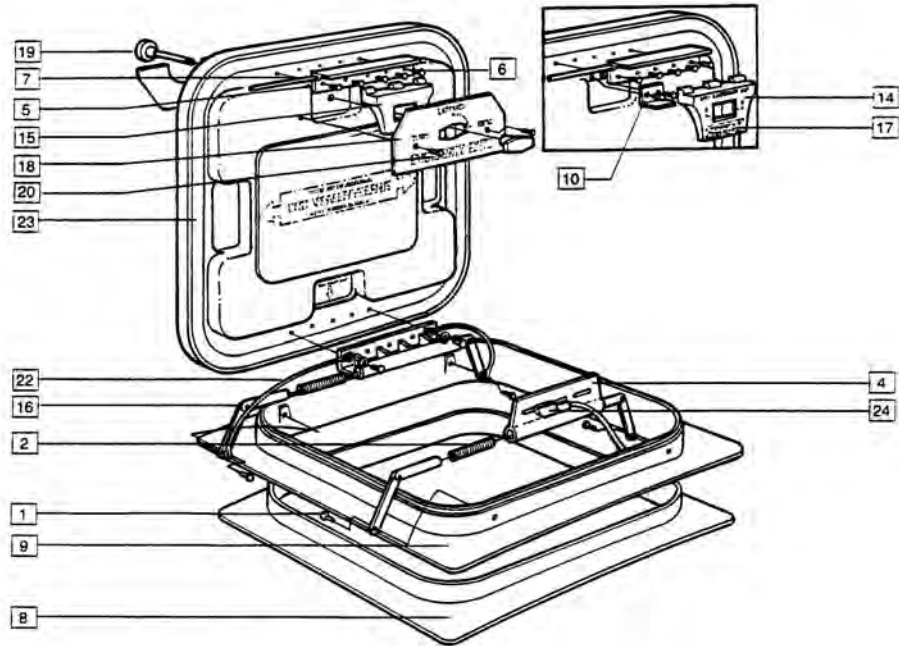
13

A
R
M
S



ITEM NO.	BLUE BIRD PART NO.	QTY	DESCRIPTION
1	(68101)	1	Base, Cast Aluminum, Painted with Studs
2	00006022	1	Control Module
3	04308755	3	Nut 8-32, Nylon Lock
4	(1095)	4	Nut 8-32
5	(6146)	4	Washer #8, Ext. Lock
6	08313546	1	Hinge Pin
7	04308623	1	Electric Motor
8	04308656	1	Motor Bracket
	00006024	1	V-Seal for Motor (Not Shown)
9	04308870	4	Nut 10-32, Nylon Lock
10	04308664	1	Clutch Hub
11	04308581	2	Roto Clamp
12	00006025	1	Cam-Clutch, Dbl. Threaded
	02143618	4	Washer 1/4" Nylon (Not Shown)
13	00006026	1	Vane, Position Control
14	00006027	1	Washer 9/16", Star
15	00006028	1	Nut, 9/16-18, Jam-Modified
16	02001329	2	Nut, 1/4-20 Hex SS
17	08309544	2	Washer 1/4" Split SS
18	(147)	2	Washer, 1/4"
19	04308730	1	Hinge Bracket
20	04308714	2	Nut 3/4-16, Whiz
21	00006029	2	Bushing
22	00006030	2	Seal, Bushing-Shaft
	00006032	1	Gasket, Bushing (Not Shown)
23	(6136)	2	Screw, 8-32 x 1/2" FH Octal
24	(6137)	2	Screw, 8-32 x 5/8" FH Octal
25	(6119)	1	Harness
26	(6142)	1	Grommet
27	(68125)	1	Cover
28	(6138)	8	Screw, 10-32 x 3/8" Pan Octal
	(6130)	1	Positive Stop (Not Shown)
29	(6140)	2	Stud, Broaching 1/4-20 x 3/4"
30	(6139)	3	Stud, Broaching 8-32 x 5/8"

TRANSPEC MODEL 1000 SAFETY VENT®



01458595

- Vent assembly
- Complete
- Dual purpose

Kit includes the following parts:

ITEM NO.	PART NO.	DESCRIPTION
1	04282521	Shoulder Belt - plunger
2	04282513	Plunger Spring
4	04280863	Release Hinge
5	04288312	Handle Base
6	04296703	Special Screw
7	04288304	Hinge Pin
8	04317939	#28 Trim Molding
9	04317814	#28 Mounting Frame
10	04291092	Safety Latch
14	04288320	Handle Assembly
15	04317947	Release Handle Assembly (OSR)
16	04282539	Link and Plunger Assembly
17	04293023	Instructional Decal Kit (OSR)
18	04317921	Instruction Decal Kit (OSR-E/F)
19	04295812	Outside Release Assembly
20	04308946	Release Handle Shield Assembly
22	04317913	Retention Cable Assembly (MTG Frame)
23	04291084	Extruded Gasket Kit - Seal
24	04283859	Released Hinge w/Alarm Switch

REPLACEMENT LID ASSEMBLIES*

	04299277	DPSV – Standard
	04293874	DPSC-W/OSR and Arm - Lid

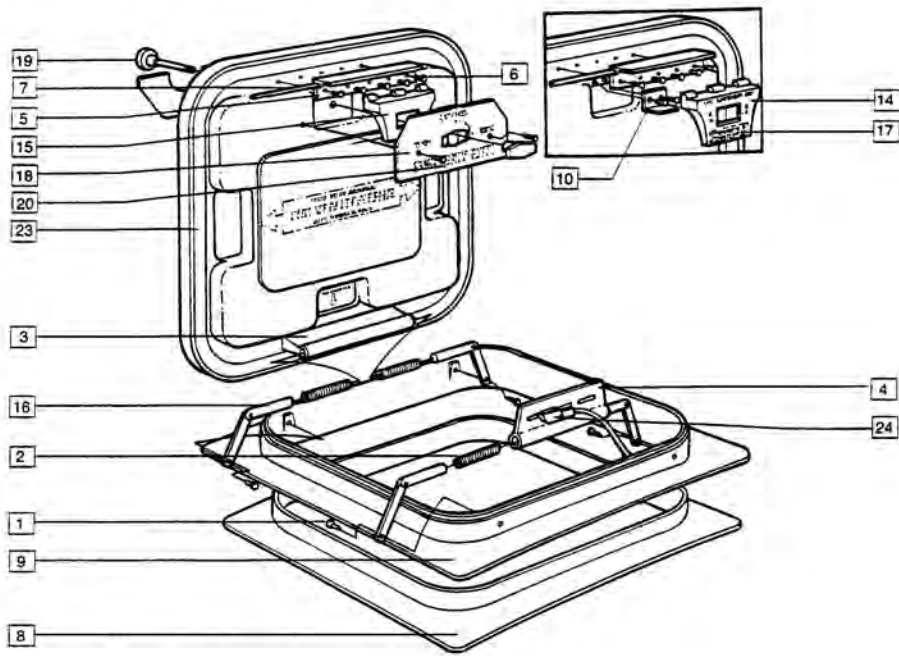
* Lid with fixed hinge, release, handle, gasket and decals.

TRANSPEC MODEL 1100 SAFETY VENT®

ROOF

14

HATCHES



01458603

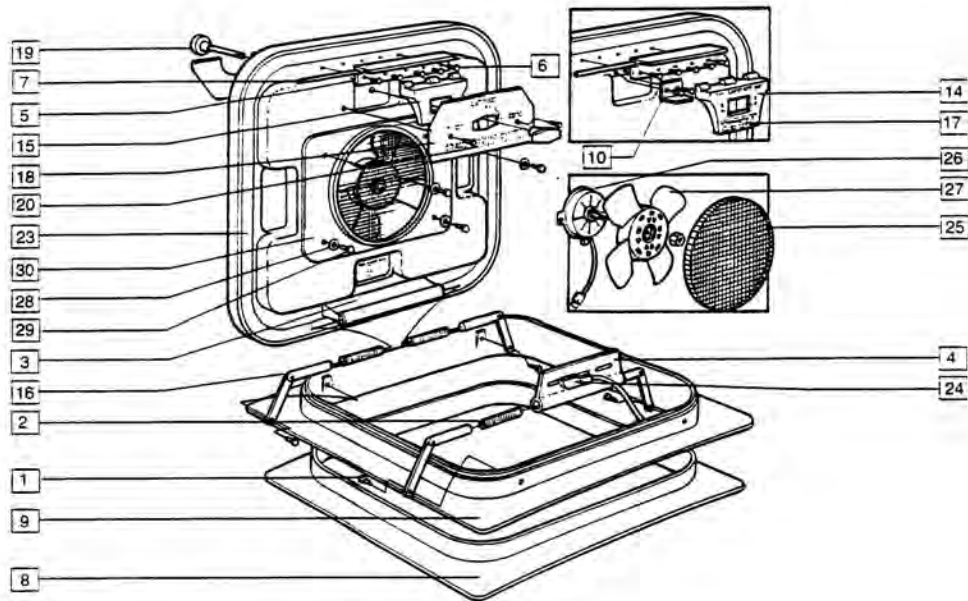
- Vent assembly
- Complete
- Dual purpose
- Triple value

Kit includes the following parts:

ITEM NO.	PART NO.	DESCRIPTION
1	04282521	Shoulder Belt
2	04282513	Plunger Spring
3	04317905	Hinge Cover
4	04280863	Release Hinge
5	04288312	Handle Base
6	04296703	Special Screw
7	04288304	Hinge Pin
8	04317939	#28 Trim Molding
9	04317814	#28 Mounting Frame
10	04291092	Safety Latch
14	04288320	Handle Assembly
15	04317947	Release Handle Array (OSR)
16	04282539	Link and Plunger Assembly
17	04293023	Instructional Decal Kit (OSR)
18	04317921	Instruction Decal Kit (OSR-E/F)
19	04295812	Outside Release Assembly (Inside and Outside Handle) KNG Assy
20	04308946	Release Handle Shield Assembly
22	04317913	Retention Cable Assembly (MTG Frame)
23	04291084	Extruded Gasket Kit
24	04283859	Released Hinge w/Alarm Switch

REPLACEMENT LID ASSEMBLIES*		
	04303673	TVSV-W/OSR and Arm
* Lid with fixed hinge, release, handle, gasket and decals.		

TRANSPEC MODEL 1600 POWER SAFETY VENT®



Kit includes the following parts:

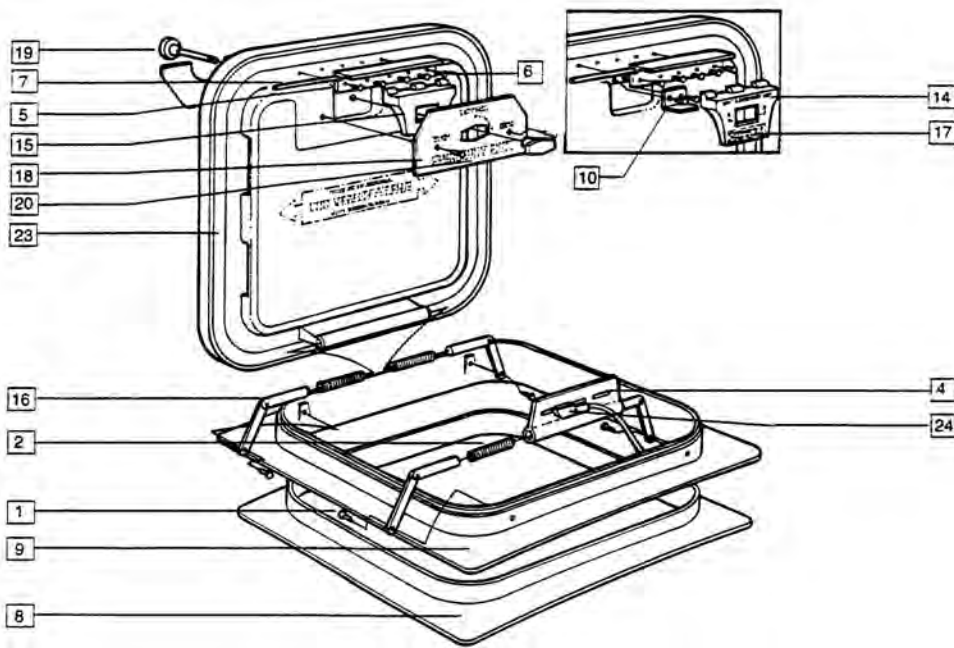
- 01667302
- Vent assembly
 - Complete
 - Dual purpose

ITEM NO.	PART NO.	DESCRIPTION
1	04282521	Shoulder Belt
2	04282513	Plunger Spring
3	04317905	Hinge Cover
4	04280863	Release Hinge
5	04288312	Handle Base
6	04296703	Special Screw
7	04288304	Hinge Pin
8	04317939	#28 Trim Molding
9	04317814	#28 Mounting Frame
10	04291092	Safety Latch
14	04288320	Handle Assembly
15	04317947	Release Handle Array (OSR)
16	04282539	Link and Plunger Assembly
17	04293023	Instructional Decal Kit (OSR)
18	04317921	Instruction Decal Kit (OSR-E/F)
19	04295812	Outside Release Assembly
20	04308946	Release Handle Shield Assembly
23	04291084	Extruded Gasket Kit
24	04283859	Released Hinge w/Alarm Switch
25	04317897	Power Vent Screen
26	04312831	Fan Motor
27	04317889	Fan Blade
28	04317871	Flange Washer
29	04317863	Oval Head Screw
30	04317855	Power Vent Trim

REPLACEMENT LID ASSEMBLIES*

	04317848	Power Vent w/OSR and Arm
* Lid with fixed hinge, release hinge, handle, gasket and decals.		

TRANSPEC MODEL 1900 ECONO VENT



01782754

- Vent assembly
- Complete
- Econo vent

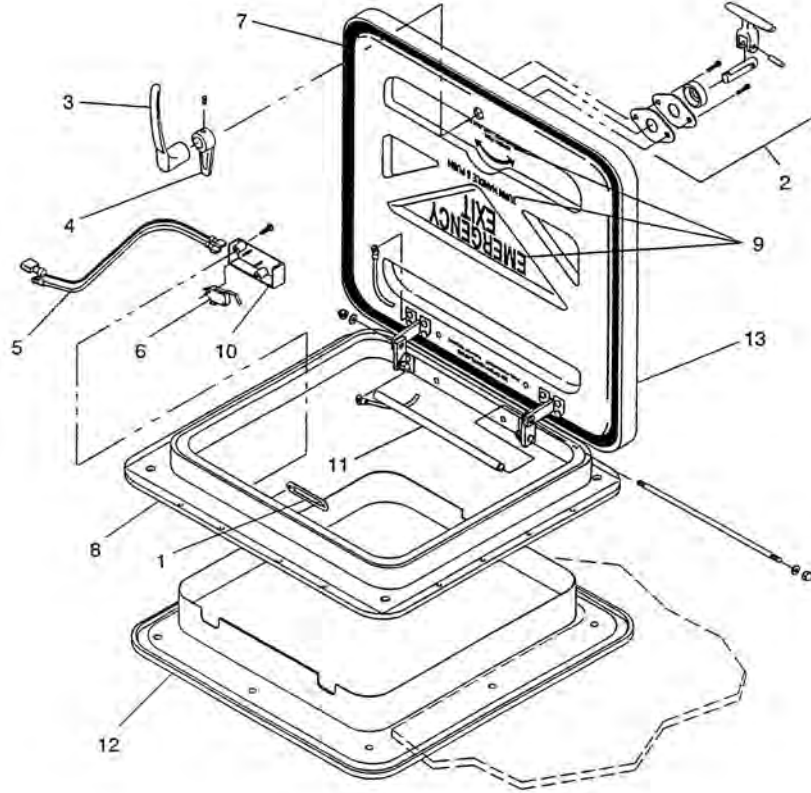
Kit includes the following parts:

ITEM NO.	PART NO.	DESCRIPTION
1	04282521	Shoulder Belt
2	04282513	Plunger Spring
4	04280863	Release Hinge
5	04288312	Handle Base
6	04296703	Special Screw
7	04288304	Hinge Pin
8	04317939	#28 Trim Molding
9	04317814	#28 Mounting Frame
10	04291092	Safety Latch
14	04288320	Handle Assembly
15	04317947	Release Handle Array (OSR)
16	04282539	Link and Plunger Assembly
17	04293023	Instructional Decal Kit (OSR)
18	04317921	Instruction Decal Kit (OSR-E/F)
19	04295812	Outside Release Assembly
20	04308946	Release Handle Shield Assembly
23	04291084	Extruded Gasket Kit
24	04283859	Released Hinge w/Alarm Switch

REPLACEMENT LID ASSEMBLIES*

	04317806 00083627	EconoVent with OSR and Arm
* Lid with fixed hinge, release hinge, handle, gasket and decals.		

SPECIALTY 8600 SERIES - 8645 SAFETYGUARD



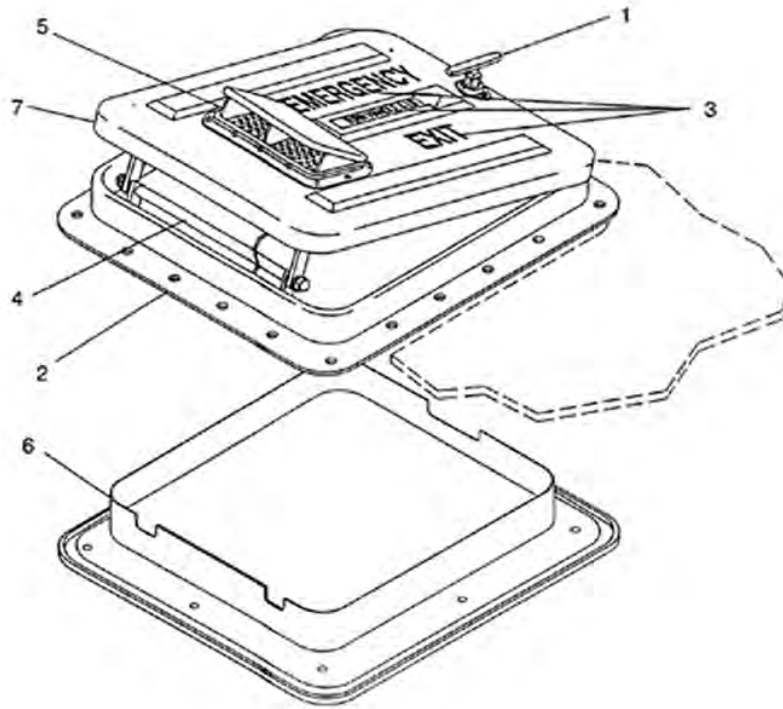
01873728

- Vent assembly
- Complete
- Slimline

Kit includes the following parts:

ITEM NO.	PART NO.	DESCRIPTION
1	04318507	Strike Insert
2	04318416	Assembly – Exterior Handle
3	04323903	Assembly – Interior Handle, includes Cam
4	04318549	Cam – for Handle
5	04318556	Cable, Alarm, 6"
6	04324141	Microswitch – Alarm 4324141
7	04321782	Rubber Gasket
8	04318564	Assembly – Mounting Frame
9	04318572	Decal Set – English
10	04318580	Cover – Microswitch
11	04318598	Assembly – Linkage, Pop-up
12	04320354	Assembly – Inside Trim Ring
13	04318614	Assembly – Top, 8645, Complete
	04318606	Decal Set - French/English
	04324141	Microswitch w/ Long Arm
	00040556	Handle only - 8810

SPECIALTY 8600 SERIES - 8640 SAFETYGUARD

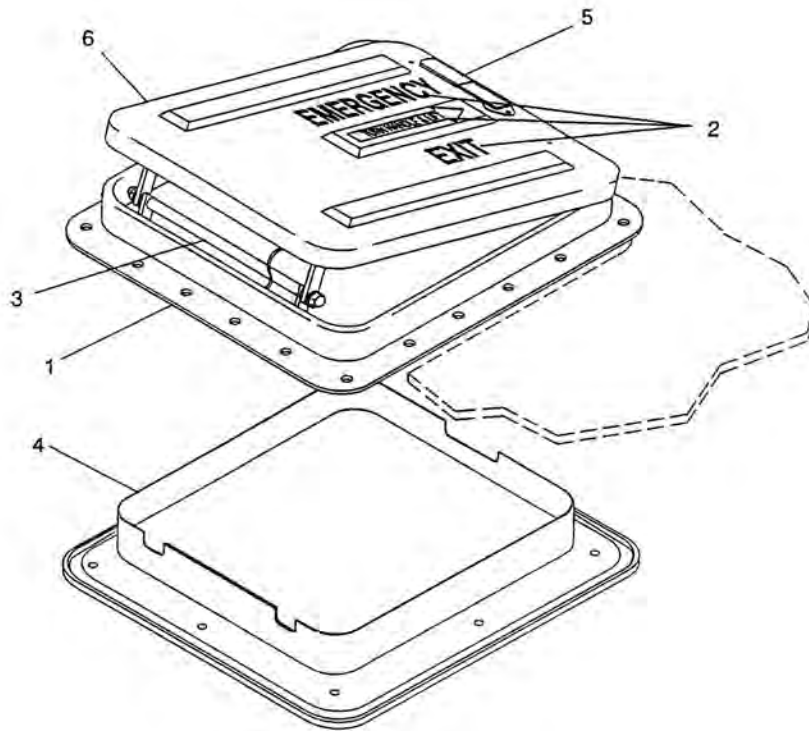


- 01835313
- Vent assembly
 - Complete
 - Pop-up

Kit includes the following parts:

ITEM NO.	PART NO.	DESCRIPTION
1	04282521	Shoulder Belt
	04318416	Assembly – Exterior Handle
	04323903	Assembly – Interior Handle
	04318549	Cam – for Handle
	04321063	Knob – Black Vent
	04324141	Microswitch – Alarm
	04321782	Rubber Gasket
2	04318564	Assembly – Mounting Frame
3	04318572	Decal Set – English
	04318580	Cover – Microswitch
4	04318598	Assembly – Linkage, Pop-up
5	04317954	Kit – 2 Way Screened Vent
6	04320354	Assembly – Inside Trim Ring
7	04318622	Assembly – Top, 8640, Complete
	04318606	Decal Set – French/English

SPECIALTY 8600 SERIES - 8650 SAFETYGUARD



- 01843671
- Vent assembly
 - Complete
 - Low profile

Kit includes the following parts:

ITEM NO.	PART NO.	DESCRIPTION
	04318507	Strike Insert
	04323903	Assembly – Interior Handle, includes Cam Metal Handle
	04318549	Cam – for Handle
	04318556	Cable, Alarm, 6”
	04324141	Microswitch – Alarm
	04321782	Rubber Gasket
	00040556	Plastic Handle, Inside
	01953066	Cap, Screw Cover, Gray
	01953074	Washer, Countersunk, Screw Cap
	02000495	Screw
	03775855	Washer
	03802105	Cover, Screwhead, Cream

ROOF HATCH ASSEMBLIES BY BLUE BIRD OPTION NUMBER

OPTION NO.	DESCRIPTION	QTY OF KITS	PART NO. (U.S.)	PART NO. (CANADIAN)
TRANSPEC				
3250-01	(1) Roof Vent/Hatch, 23 x 23, "Dual Purpose," with O.S. Handle and Alarm Switch	1 Gray	01458595 01980697	01500354 01980705
3250-02	(2) Roof Vent/Hatch, 23 x 23, "Dual Purpose," with O.S. Handle and Alarm Switch	2 Gray	01458595 01980697	01500354 01980705
3250-03	(1) Roof Vent/Hatch, 23 x 23, "Triple Value," with O.S. Handle and Alarm Switch	1 Gray	01458603 01980671	01500370 01964246
3250-04	(2) Roof Vent/Hatch, 23 x 23, "Triple Value," with O.S. Handle and Alarm Switch	2 Gray	01458603 01980671	01500370 01964246
3250-05	(1) Roof Vent/Hatch, Power Vent 23 x 23, "Triple Value," with O.S. Handle and Alarm Switch	1 Gray	01667302 01980689	01667310 01964253
3250-06	(2) Roof Vent/Hatch, Power Vent 23 x 23, "Triple Value," with O.S. Handle and Alarm Switch	2 Gray	01667302 01980689	01667310 01964253
3250-09	(1) Roof Vent/Hatch, 23 x 23, "Econo" Vent, with O.S. Handle and Alarm Switch	1	01782754	01782762
3250-10	(2) Roof Vent/Hatch, 23 x 23, "Econo" Vent, with O.S. Handle and Alarm Switch	2	01782754	01782762

SPECIALTY MANUFACTURING COMPANY				
3250-07	(1) Roof Vent/Hatch, "Slimline," with Vent, 23 x 23, with O.S. Handle and Alarm Switch	1	01873728	01873736
3250-08	(2) Roof Vent/Hatch, "Slimline," with Vent, 23 x 23, with O.S. Handle and Alarm Switch	2	01873728	01873736
3250-11	(1) Roof Vent/Hatch, Safetyguard, "Pop-up" Model 8640	1	01835313	01835305
3250-12	(2) Roof Vent/Hatch, Safetyguard, "Pop-up" Model 8640	2	01835313	01835305
3250-13	(1) Roof Vent/Hatch, Low Profile, Model 8650, 1 3/4" Height	1	01843671	01843689
3250-14	(2) Roof Vent/Hatch, Low Profile, Model 8650, 1 3/4" Height	2	01843671	01843689

RADIO SYSTEMS

CRC-5300

- AM/FM stereo
- Fixed face
- 18 FM and 12 AM presets
- Clock
- Seek and scan
- 4x30 watts
- Mute
- Electronic controls
- Special noise protection circuit
- Bass/treble/loudness controls
- Time default
- 4-way balance
- DSP (selects pre-set tone settings)
- Rotary volume/select control
- PA input
- L.E.D. lighting



Custom Radio

CRC-5310

- AM/FM stereo with auto reverse cassette
- Fixed face
- 18 FM and 12 AM presets
- Clock
- Seek and scan
- 4x30 watts
- Mute
- Electronic controls
- Special noise protection circuit
- Bass/treble/loudness controls
- Time default
- 4-way balance
- DSP (selects pre-set tone settings)
- Rotary volume/select control
- PA input
- L.E.D. lighting



Custom Radio

CRC-5340

- AM/FM stereo with CD player
- Fixed face
- 18 FM and 12 AM presets
- Clock
- Seek
- 4x30 watts
- Mute
- Electronic controls
- Special noise protection circuit
- Bass/treble/loudness controls
- Time default
- 4-way balance
- Rotary volume/select control
- PA input
- L.E.D. lighting



Custom Radio

PA6-GP44
 • Din-mount
 • On/off switch
 • L.E.D. indicator



Custom Radio

PA6-BL15M
 • Panel mount
 • Internal/external switch



Custom Radio

PA6-BL15E
 • Panel mount
 • Microphone connector
 • Internal/external switch



Custom Radio

PA6-BL30M
 • Remote mount



Custom Radio

PA2-5310-BL14M
 • Radio assembly
 • Lexan face plate



Custom Radio

PA2-5310-BL10E
 • Radio assembly
 • Aluminum face plate



Custom Radio

PA2-5310-AM05A
 • Radio assembly
 • Amtran



Custom Radio

PA2-5310-GM11B
 • Radio assembly
 • GM chassis



Custom Radio

PA2-5310-FM14B
 • Radio assembly
 • Ford chassis



Custom Radio

R655 - 760473

- Digital AM/FM stereo auto reverse cassette
- High power 25 watts per channel power output
- 12 FM and 6 AM memory presets
- Seek and scan tuning
- Separate bass and treble controls
- Fader, balance controls
- Quartz clock
- Internal/external speaker switch



REI

R320

- AM/FM stereo radio
- 9 watts per channel power output
- 12 FM and 6 AM memory presets
- Seek, scan and manual up/down tuning
- Tone and balance controls
- Quartz clock/liquid crystal display
- Internal/external speaker switch



REI

CQDP103U

- AM/FM CD



REI

CQ-R111

- AM/FM auto reverse cassette
- 15 W x 4 high power output
- 18 FM and 6 AM memory presets
- Auto preset memory with auto scan
- Separate bass/treble controls
- Quartz clock
- Internal/external speaker switch



REI

R655 with P.A. - 760472

- P.A. - P.A./radio selector switch
- Microphone included
- 3 3/4" x 12" panel



REI

R320 with P.A. - 760431

- P.A. - P.A./radio selector switch
- Microphone included
- 4" x 9" panel



REI

ACCESSORIES

CRC-2094

- Speaker
- Dual cone
- 5.3 oz. magnet
- 4 Ohm
- 5 1/4" round
- 10 watt



Custom Radio

CRC-103U

- Microphone
- Hand-held
- With volume control



Custom Radio

CRC-3053

- Speaker
- Flush mount
- Weather resistant
- Dual cone
- 4 Ohm
- 20 watt



Custom Radio

CRC-3057

- Exterior PA horn
- Grey
- 8 Ohm
- 25 watt
- U-mount
- 8" round



Custom Radio

CRC-2095

- Coax speaker
- 5.3 oz. magnet
- 4 Ohm
- 5 1/4" round
- 10 watt



Custom Radio

CRC-3056

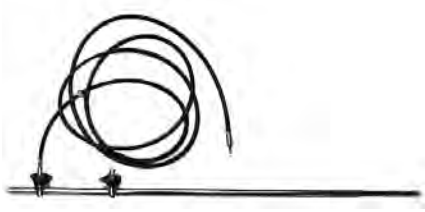
- Exterior PA horn
- Yellow
- 8 Ohm
- 25 watt
- U-mount
- 8" round



Custom Radio

1415785

- Antenna
- 92
- Double side mount



BRK-GP-0052

- Mounting bracket
- Optional
- Used with p/n CRC-3057 (PA horn)



Custom Radio

BLUE BIRD RADIO AND PA SYSTEMS BY CUSTOM RADIO

Bus Model & Year	PA System	AM/FM Stereo	AM/FM Stereo PA	AM/FM Stereo Cassette
November 1999 to December 2000	Radios were common speakerground. Both left and right speakergrounds were tied together in Pin #5 of the bus harness. The external speakerground was also connected to Pin #5. These vehicles can be upgraded to the high power radios listed from November 1999 to December 2000. However, the speakerground wires in the bus must be separated and positioned correctly in the bus harness for the radio. Refer to wiring diagram supplied with radio for the correct placement of the ground wires in the bus harness. Kit #BKT-BL-0006 contains terminal (pin) with wire to plug into the bus harness.			
Aluminum	N/A Can be upgraded	BKR-1050-BL25A Can be upgraded	PA2-1050-BL37A Can be upgraded	BKR-2015-BL25A Can be upgraded
Lexan	N/A Can be upgraded	BKR-1050-BL26A Can be upgraded	PA2-1050-BL38A Can be upgraded	BKR-2015-BL26A Can be upgraded
November 1999 to December 2000	Radios were Fixed-Face, Hi-Power with floating speakergrounds. The bus wiring was changed to separate the left, right and external speakerground wires in the bus harness. These radios can be installed in buses built prior to November 1999, but the bus speaker wiring must be changed to separate ground wires for the speakers.			
Aluminum	PA6-BL13E 00014018	BKR-5300-BL04E	PA2-5300-BL10E	BKR-5310-BL04E 00040798
Lexan	PA6-BL15E 00014020	BKR-5300-BL06E	PA2-5300-BL14E	BKR-5310-BL06E
January 2001 to Present	Radios are Fixed-Face, Hi-Power with floating speakergrounds. Lexan Radio Mounting Plate does not have the microphone on the plate. Microphone is located in driver's area. Production part number does not include microphone cable. Service Parts part number includes the microphone cable. Din Mount mounts in-dash with sleeve. Microphone and internal/switch mount in-dash. Production part number does not include microphone cable or internal/external switch. Service Parts part number includes microphone cable and internal/external switch. GM and Ford kits available with internal/external switch (W/SW) or without internal/external switch (W/O SW). Wiring plugs into GM or Ford OEM wiring.			
Din Mount				
Production	PA6-BL30M 00031042	BKR-5300-BL21M Same p/n for Production and Service Parts	PA2-5300-BL32M	BKR-5310-BL21M 00040803 Same p/n for Production and Service Parts
Service Parts	PA-6-BL34A		PA2-5300-BL40A (3" cable) PA2-5300-BL04B (6" cable)	
Lexan				
Production	PA6-BL15M 00031041	BKR-5300-BL05M Same p/n for Production and Service Parts	PA2-5300-BL14M	BKR-5310-BL05M 00040802 Same p/n for Production and Service Parts
Service Parts	PA6-BL15P		PA2-5300-BL14P	
GM 2001 to Current	PA6-GM11A (w/o sw) PA6-GM12A (w/sw) (Din Mounts)	BKR-5300-GM04A	PA2-5300-GM09A (w/o sw) PA2-5300-GM11A (w/sw)	BKR-5310-GM04A 00043227
Ford 1998 to Current	PA6-FM11A (w/o sw) PA6-FM12A (w/sw) (Din Mounts)	BKR-5300-FM03	PA2-5300-FM12 (w/o sw) PA2-5300-FM14A (w/sw)	BKR-5310-FM03 00043226

BLUE BIRD RADIO AND PA SYSTEMS BY CUSTOM RADIO

Bus Model & Year	AM/FM Stereo Cassette PA	AM/FM Stereo CD	AM/FM Stereo CD PA
November 1999 to December 2000			
Aluminum	PA2-2015-BL37A Can be upgraded	N/A Can be upgraded	N/A Can be upgraded
Lexan	PA2-2015-BL38A Can be upgraded	N/A Can be upgraded	N/A Can be upgraded
November 1999 to December 2000			
Aluminum	PA2-5310-BL10E 0040799	BKR-5340-BL04E	PA2-5340-BL10E
Lexan	PA2-5310-BL14E	BKR-5340-BL06E	PA2-5340-BL14E
January 2001 to Present			
Din Mount			
Production	PA-5310-BL32M 00040801	BKR-5340-BL21M 00048069 Same p/n for Pro- duction and Service Parts	PA2-5340-BL32M 00048067
Service Parts	PA2-5310-BL40A 3" cable PA2-5310-BL40B 6" cable		PA2-5340-BL40A 3" cable PA2-5340-BL40B 6" cable
Lexan			
Production	PA2-5310-BL14M 00040800	BKR-53430-BL05M 00048068 Same p/n for Pro- duction and Service Parts	PA2-5340-BL14M 00048066
Service Parts	PA2-5310-BL14P		PA2-5340-BL14P
GM 2001 to Current	PA2-5310-GM09A (w/o sw) 00043228	BKR-5340-GM04A 00048065	PA2-5340-GM09A (w/o sw) 00048064
	PA2-5310-GM11B (w/sw) 00048472		PA2-5340-GM11B (w/sw) 00048474
Ford 1998 to Current	PA2-5310-FM12 (w/o sw) 00043228	BKR-5340-FM03 00048063	PA2-5340-FM123 (w/o sw) 00048062
	PA2-5310-FM14B (w/sw) 00048470 (Production)		PA2-5340-FM14B (w/sw) 00048473
	PA2-5310-FM14A (w/o sw) Service Parts includes Pig- tail for Int/Ext Switch		PA2-5340-FM14A (w/sw) Service Parts includes Pigtail for Int/Ext Switch

THOMAS RADIO AND PA SYSTEMS BY CUSTOM RADIO

Bus Model & Year	PA System	AM/FM Stereo	AM/FM Stereo PA	AM/FM Stereo Cassette
CONVENTIONAL Dealer Part Numbers	All Thomas Built buses converted over to 12-position plug on January 1, 1990. All Thomas Built buses removed 12-position plug from buses between July 1, 2002 and September 20, 2002, and replaced with 14-position Molex plug.			
Before Jan. 1, 1998 4 x 12 Faceplate	PA6-TB18A	BKR-5300-TB07A	PA2-5300-TB11A	BKR-5310-TB07A
After Jan. 1, 1998 Din Mount	PA6-TB17A	BKR-5300-TB08A	PA2-5300-TB12A	BKR-5310-TB08A
SAFETY LINER Dealer Part Numbers				
Before Aug. 1, 2000 4 x 12 Faceplate	PA6-TB18A	BKR-5300-TB07A	PA2-5300-TB11A	BKR-5310-TB07A
After Aug. 1, 2000 Din Mount	PA6-17A	BKR-5300-TB08A	PA2-5300-TB12A	BKR-5310-TB08A
FORWARD CONTROLS Dealer Part Numbers				
Before July 1, 2002 4 x 12 Faceplate	PA6-TB18A	BKR-5300-TB07A	PA2-5300-TB11A	BKR-5310-TB07A
After July 1, 2002 Din Mount	PA6-TB17A	BKR-5300-TB08A	PA2-5300-TB12A	BKR-5310-TB08A
MINITOUR (FORD & GM) Dealer Part Numbers	GM and Ford kits available with internal/external switch (w/sw) or without internal/external switch (w/o sw). Wiring plugs into GM or Ford OEM wiring.			
Minitour – GM 2001 to Current	PA6-GM11A (w/o sw) PA6-GM12A (w/sw)	BKR-5300-GM04A	PA2-5300-GM09A (w/o sw) PA2-5300-GM11A (w/sw)	BKR-5310-GM04A
Minitour – Ford 1998 to Current	PA6-FM11A (w/o sw) PA6-FM12A (w/sw)	BKR-5300-FM03	PA2-5300-FM12 (w/o sw) PA2-5300-FM14A (w/sw)	BKR-5310-FM03

THOMAS RADIO AND PA SYSTEMS BY CUSTOM RADIO

Bus Model & Year	AM/FM Stereo Cassette PA	AM/FM Stereo CD	AM/FM Stereo CD PA
CONVENTIONAL Dealer Part Numbers			
Before Jan. 1, 1998 4 x 12 Faceplate	PA2-5310-TB11A	BKR-5340-TB07A	PA2-5340-TB11A
After Jan. 1, 1998 Din Mount	PA2-5310-TB12A	BKR-5340-TB08A	PA2-5340-TB12A
SAFETY LINER Dealer Part Numbers			
Before Aug. 1, 2000 4 x 12 Faceplate	PA2-5310-TB11A	BKR-5340-TB07A	PA2-5340-TB11A
After Aug. 1, 2000 Din Mount	PA2-5310-TB12A	BKR-5340-TB08A	PA2-5340-TB12A
FORWARD CONTROLS Dealer Part Numbers			
Before July 1, 2002 4 x 12 Faceplate	PA2-5310-TB11A	BKR-5340-TB07A	PA2-5340-TB11A
After July 1, 2002 Din Mount	PA2-5310-TB12A	BKR-5340-TB08A	PA2-5340-TB12A
MINITOUR (FORD & GM) Dealer Part Numbers			
Minitour – GM 2001 to Current	PA2-5310-GM09A (w/o sw)	BKR-5340-GM04A	PA2-5340-GM09A (w/o sw)
	PA2-5310-GM11A (w/sw)		PA2-5340-GM11A (w/sw)
Minitour – Ford 1998 to Current	PA2-5310-FM12 (w/o sw)	BKR-5340-FM03	PA2-5340-FM12 (w/o sw)
	PA2-5310-FM14A (w/sw)		PA2-5340-FM14A (w/sw)

AMTRAN RADIO AND PA SYSTEMS BY CUSTOM RADIO

Bus Model & Year	PA System	AM/FM Stereo	AM/FM Stereo PA	AM/FM Stereo Cassette
	Amtran switched terminal connection on plug sometime in 2000. Custom Radio is not sure of the effective date. Always check the terminals in the plug on the bus side to determine if male or female terminals. All units are mounted to a 2.75" x 10.5" black faceplate. PA units include fuse, microphone, internal/external switch and plug.			
Before 2000 Male Terminals	PA6-AM10A	BKR-5300-AM04A	PA-5300-AM04A	BKR-5310-AM04A
After 2000 Female Terminals	PA6-AM11A	BKR-5300-AM06A	PA2-5300-AM05A	BKR-5310-AM06A

Bus Model & Year	AM/FM Stereo Cassette PA	AM/FM Stereo CD	AM/FM Stereo CD PA
Before 2000 Male Terminals	PA2-5310-AM04A	BKR-5340-AM04A	PA2-5340-AM04A
After 2000 Female Terminals	PA2-5310-AM05A	BKR-5340-AM06A	PA2-5340-AM05A

BUS-WATCH® Digital Surveillance

- No tapes required
- Backward compatible with the current analog BUS-WATCH® System
- Real time digital recording - up to 30 frames/60 fields per second
- Ability to download, print and e-mail images
- Adjustable frame rate
- Removable hard drive featuring durable lap-top computer technology (available in 30 and 60 GB)
- Multiple camera capability (up to 4 cameras)



REI

BUS-WATCH® Camera

- .1 lux low-light sensitivity
- High-resolution CCD cameras for sharper images
- Electronic iris control
- Sturdy, four-point mounting system
- Built-in condenser microphone
- Sturdy steel housing deters vandalism
- Easy installation and connection
- Decoy systems available
- 3" wide x 3" high x 3" deep
- 4mm and 8mm lenses available
- Color and black/white cameras available



REI

Digital BUS-WATCH® Viewing Station

- Easy-to-use
- Insert removable hard drive into viewing station
- Use to download streaming video or still images to a PC
- View by connecting to PC or TV/Video Monitor
- Software and cables included
- Sturdy steel housing deters vandalism
- Easy installation and connection
- Decoy systems available
- 3" wide x 3" high x 3" deep
- 4mm and 8mm lenses available
- Color and black/white cameras available



REI

BUS-WATCH® VCR

- Records speed, brakes, turn signals, stop arm and warning lights
- Up to eight hours record time on standard VHS
- Automatic rewind and record
- Delay record for up to 35 minutes after ignition is turned off
- 10 event - 24 hour programmable recording
- Automatic daylight savings time adjustment
- Industrial grade components for durability
- Decoy systems available
- Tamperproof, lockable steel housing
- Built-in heater for temperature control inside the VCR
- Unique slide bracket for quick installation
- Reversible top or bottom mount hardware included
- Engineered specifically for the rugged School Bus Environment



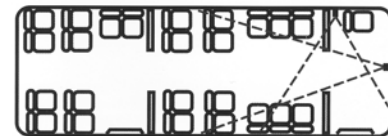
REI

BUS-WATCH® CAMERA SURVEILLANCE SYSTEMS

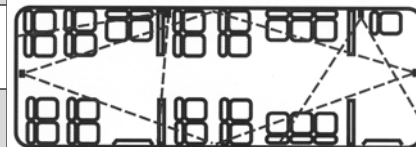
REI P/N	SYSTEM	DESCRIPTION
750055	Single	8mm Color with Analog VCR
750059	Single	4mm Black and White with Analog VCR
750058	Single	8mm Black and White with Analog VCR
769980-1C	Single	Color with Digital DVR and Removable Hard Drive
769980-1	Single	Black and White with Digital DVR and Removable Hard Drive



750056	Two	4mm/8mm Black and White with Analog VCR
769980-2C	Two	Color with Digital DVR and Removable Hard Drive
769980-2	Two	Black and White with Digital DVR and Removable Hard Drive



750054	Multi	4mm/8mm Black and White with Analog VCR
769980-3C	Multi	Color with Digital DVR and Removable Hard Drive
769980-3	Multi	Black and White with Digital DVR and Removable Hard Drive
769980-4C	Multi	Color with Digital DVR and Removable Hard Drive
769980-4	Multi	Black and White with Digital DVR and Removable Hard Drive



Additional Analog and Digital BUS-WATCH® Camera Systems are available.

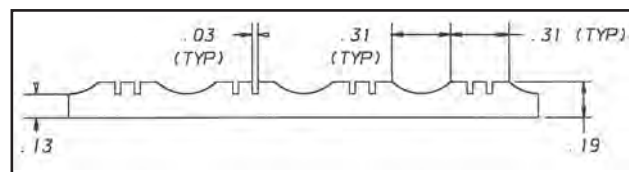
RUBBER FLOORING

RUBBER	COLOR	TEXTURE	THICKNESS (INCHES)	WIDTH (INCHES)
00854307	Solid Black	Smooth	.125	38.12
00854323	Solid Black	Ribbed	.1875	13.50
00756106	Solid Black	Ribbed	.1875	15.00
00535245	Solid Black	Ribbed	.1875	18.00
00978031	Solid Black	Ribbed	.1875	22.00
01525104	Solid Black	Ribbed	.1875	27.50
02005486	Solid Black	Ribbed	.1875	36.00

01066968	Tan (TR 747)	Smooth	.125	38.12
01066935	Tan (TR 747)	Ribbed	.1875	13.50
01066992	Tan (TR 747)	Ribbed	.1875	22.00
01066984	Tan (TR 747)	Ribbed	.1875	36.00

00854315	Green (TR 723)	Smooth	.125	38.12
00854331	Green (TR 723)	Ribbed	.1875	13.50
00977975	Green (TR 723)	Ribbed	.1875	22.00
01525120	Green (TR 723)	Ribbed	.1875	27.50
02005445	Green (TR 723)	Ribbed	.1875	36.00

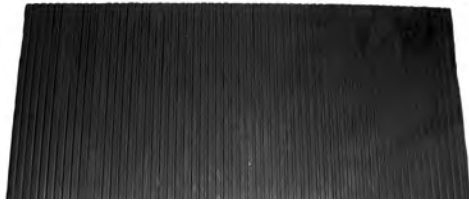
01992833	Grey (TR 766)	Smooth	.125	38.12
01673300	Grey (TR 766)	Smooth	.125	37.00
01992841	Grey (TR 766)	Ribbed	.1875	13.50
01992858	Grey (TR 766)	Ribbed	.1875	22.00
01992866	Grey (TR 766)	Ribbed	.1875	27.50
01673318	Grey (TR 766)	Ribbed	.1875	31.00
01832559	Grey (TR 766)	Ribbed	.1875	36.00



Typical Cross-Section of Ribbed Floor Covering

01929462

- Trim
- Wall to floor covering
- Black
- 1999-Present



20 INCHES X 37 INCHES

00021960	GRAY, NO LOGO
04299459	BLACK, NO LOGO
02133973	TAN, NO LOGO
02133981	GREEN, NO LOGO

12 INCHES X 30 INCHES

08317471	BLACK, NO LOGO
08317117	TAN, NO LOGO

For exact fit step treads for Blue Bird buses, see the appropriate product catalog. All of these step treads have white nosings.

00235424

- Aluminum aisle trim
- Sold in 12 ft lengths
- Order in 12 ft increments

01005818

- Rubber Covering for Risers (Cut to Fit)



04294070

- Contact cement
- Floor covering (gallon size only)
- Rubber floor covering only



00113410

60' x 2 1/2 Yellow Abrasive Tape

00113594

60' x 2 1/2 White Abrasive Tape

ABRASIVE STRIP adds extra protection against slippage in wet weather!

Students entering and exiting a school bus can be a potentially dangerous situation, especially on rainy or snowy days. But now, you can make your bus safer. Install R.C.A.'s new rubber step treads built with a 2 1/2-inch wide abrasive strip insert. R.C.A.'s step treads are still channeled for water drainage and feet cling to the abrasive strip because of its physical "bite." R.C.A.'s step treads meet OEM specifications, ADA guidelines for color contrast and slip resistance, and industry standards.

Install R.C.A.'s new rubber step treads with abrasive strip, because this 2 1/2-inch strip helps feet safely reach their stop. For more information, call your local Blue Bird distributor.

08311490

- 12" x 30"
- Universal step tread
- Black
- No logo
- With 2 1/2" abrasive strips

08311508

- 20" x 37"
- Universal step tread
- Black
- No logo
- With 2 1/2" abrasive strips

00069186

- Blue

00069183

- Blue

00030554

- Green

00030555

- Green

00030556

- Grey

00030557

- Grey

00030552

- Tan

00030553

- Tan

01338953

- StepTread Nosing, White 12 3/8"

00801076

- StepTread Nosing, White 21 1/2"

01377308

- StepTread Nosing, White 35"

NAME PLATES

00996942

- Blue Bird Mini Bird
- .030 NSB
- Yellow and black

00996959

- Blue Bird Mini Bird
- .030 aluminum
- White and black



01021476

- Blue Bird Micro Bird
- NSB chrome
- Black VCTA

01048990

- Blue Bird Micro Bird
- White and black VCTA



00001157

- Blue Bird
- Black letters on white background



00996975

- Blue Bird Handy Bus
- .030 aluminum
- White and black

00996967

- Blue Bird Handy Bus
- .030 aluminum
- Chrome and black



01611870

- Blue Bird
- Chrome



00000097

- Rear bumper
- Yellow



00000100

- Dash
- All American



DECALS

01584499

- Handicapped access
- National standards



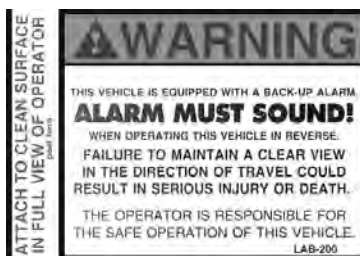
01618362

- Priority seating

PRIORITY SEATING 
FOR PERSONS WITH DISABILITIES

01684141

- Backing alarm
- Dash



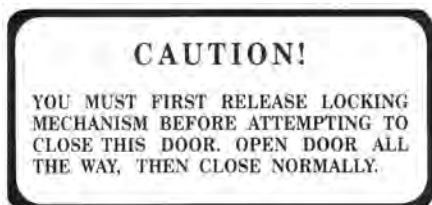
06032742

- Emergency exit door release



01835347

- Caution
- Locking mechanism



00000099

- Entrance door
- All American



00000141

- Diagnostic

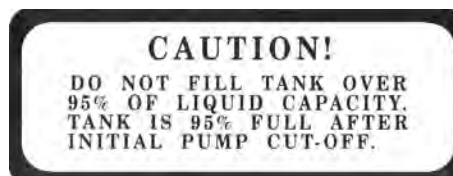


01834431

- Caution
- Overfill
- English

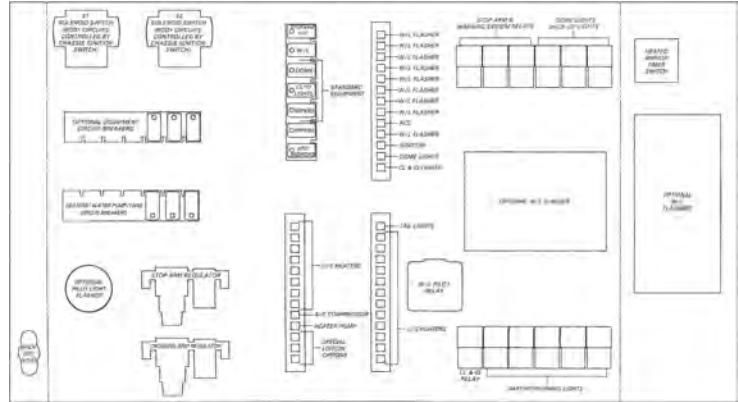
01844174

- Caution
- Overfill
- French



01684448

- Electrical service door



ENGLISH	DESCRIPTION	FRENCH
01512235	FUEL FILL CAUTION, 60 GAL SIDE MOUNTTANK	01512243
01476001	FUEL FILL CAUTION, 60 GAL MID-MOUNTTANK	01489491
01512276	FUEL FILL CAUTION, 100 GAL SIDE MOUNTTANK	01512284
01498289	FUEL FILL CAUTION, 100 GAL MID-MOUNTTANK	01489517



00001954

- Fuse panel inside



01298678

- Watch Your Step

00013460

- Fuse block

1	IGN SWITCH 20A	6	BODY IGN 15A	11	SPARE	16	BODY ACC 15A	21	SPARE
2	PWR FRONT 20A	7	HORN 15A	12	SPARE	17	DIR IGN 3A	22	SANDERS
3	HEAD LIGHTS 15A	8	HAZARD / DIR 20A	13	SPARE	18	CHASSIS IGN 15A	23	SPARE
4	PARK / TAIL INSTR LGTS 15A	9	STOP LGTS 15A	14	HAZARD BATTERY 3A	19	IGN (R/L ONLY) 3A	24	2 SPD A/E / REV MOTION
5	AIR SEAT 15A	10	CLOCK / CHG PWR 15A	15	SPARE	20	PAC BRAKE 2A	25	SPARE

01498708

- Blue Bird
- Logo



01242080

- "Be Safe, Buckle Up"



01858000

- Warning
- Luggage compartment door



00001953

- Relay block



STOP ARM DECALS	
PART NO.	DESCRIPTION
SPECIALTY	
02154862	Octagon, reflective - SGA
02154870	Octagon, non-reflective
04281457	Octagon, high intensity reflective
TRANSPEC	
08311946	"L.E.D.", diamond grade

VINYL LETTERS	
PART NO.	DESCRIPTION
04303988	3/4" vinyl letter
04290946	1" vinyl letter
04289351	2" vinyl letter
04289369	3" vinyl letter
04289377	4" vinyl letter
04289385	5" vinyl letter
04289393	6" vinyl letter
04289401	8" vinyl letter
04296877	10" vinyl letter
01530658	Vinyl Bird RH O/S above O/S Door
01530666	Vinyl Bird LH
00002726	8" vinyl, School Bus
04304366	10" vinyl, School Bus
00069748	Streamer, Black, 3" x 150' Roll
<p><i>Note: When ordering vinyl letters, please specify the EXACT wording you require (e.g., SMITH COUNTY SCHOOLS).</i></p>	

MISCELLANEOUS DECALS	
01360593	"Turn to open", 3/8-inch red letters
01316819	"Railway crossing", reflectorized
03801149	"Diesel", stick-on
01147495	"Instructions, rew lock"
00948844	"Emergency release instructions"
01584499	"Handicapped access", 6 x 6
00879619	"Strobe light"
01495530	"Emergency exit, push out window, operate from inside only"
01495399	"Emergency exit" in 2-inch black letters, "See instructions below"
01643592	Black arrow
00426072	Railroad - This vehicle stops at all crossings - unlawful to pass when red lights flash (3-4" high)

PART NO.	DESCRIPTION
EMERGENCY EXIT DECALS	
00847707	"Emergency door", 2-inch black letters - Inside Door
00852475	"Emergency door", 2-inch red letters
00840074	"Emergency exit", 2-inch black letters - 279-004
00812248	"Emergency exit - to open pull up handle - push out door", 1/2-inch black letters
00812222	"Emergency exit – to open pull handle – push out window", 1/2-inch black letters
00914978	"Emergency exit – to open turn handle – push out hatch", 1/2-inch black letters

EMERGENCY EQUIPMENT DECALS	
00759159	"Emergency equipment", 2-inch red letters
00759167	"First aid kit", 1/2-inch red letters
00759175	"Fire extinguisher", 1/2-inch red letters
00759183	"Warning devices", 1/2-inch red letters
00759191	"Axe", 1/2-inch red letters
00759209	"Wrecking bar", 1/2-inch red letters

EMERGENCY PUSH OUT WINDOW DECALS		
ENGLISH P/N		FRENCH P/N
01495399	"Emergency exit" in 2-inch black letters, "See instructions below"	01495555
01495530	"Emergency exit push out window operates from inside only"	01495589
00812222	"Emergency exit – to open pull handle – push out window", 1/2-inch black letters	00990200

BULKHEAD INSTRUCTIONS	
01084896	"No standees permitted", 2-inch black letters
02007052	"Do not lower below this line", 1-inch black letters
02007060	"Do not stand forward of line while bus is in motion", 3/4-inch black letters
01242080	"Be safe – buckle up"
02144343	"No smoking", small
01298678	"Watch your step", (in stepwell)

- 01832690
• Roof Panel Sealant

- 00015150
• Roof Panel Sealer

SCHOOL BUS SAFETY MARKINGS - 3M SCOTCHLITE REFLECTIVE MATERIAL

ITEM NO.	DESCRIPTION
SCHOOL BUS YELLOW DIAMOND GRADE	
04306718	Kit (includes items indicated by "**") - SGA
04305942*	Side horizontal stripe 30" x 2" (2 per kit)
04305918*	Rear vertical stripe 10' x 2" (2 per kit)
04308961*	Rear horizontal stripe 15' x 1.75" (1 per kit)
04305892*	School bus sign 44" x 10" (2 per kit)
04312385	"Ecoliers" sign, 44' x 10" (Quebec)
00002726	"Original Equipment" school bus sign 40" x 8 3/4"
01717529	1" stripe (150' roll) - SGA
01635036	1 3/4" stripe (150' roll)
01635028	2" stripe (150' roll) - SGA
WHITE DIAMOND GRADE	
01837996	1" stripe (150' roll)
00002008	1 3/4" stripe (150' roll)
00029482	2" stripe (150' roll)

SCHOOL BUS YELLOW HIGH INTENSITY GRADE	
04306718	Kit (includes items indicated by "**")
04308979*	Belt-line stripe 30' x 6"
04308987*	Rear vertical stripe 10' x 2"
04308995	Rear horizontal stripe 15' x 1.75"
04309001*	School bus sign 44" x 10"
04312385	"Ecoliers" sign 44" x 10" (Quebec)

SCHOOL BUS YELLOW AUTOMOTIVE GRADE	
04309027	Belt-line stripe 30' x 6"
04309035	Rear vertical stripe 10' x 3"
04309043	Rear horizontal stripe 15' x 1.75"
04305892	School bus sign 44" x 10"

FRONT BUMPER STRIPES	
04309019*	Black/black
04305934	Black/yellow (reflects)

REAR BUMPER STRIPES	
04309050*	Black/black
04305926	Black/yellow (reflects)

APPLICATION TOOLS	
04309225	Air release tool
04309233	Rivet cutting tool (for use with soldering gun)
04309241	Squeegee (blue)
04309258	Squeegee sleeve
04309266	Clear edge sealer for high intensity

SCHOOL BUS PAINTS AND SEALANTS

BLUE BIRD PART NO.	DESCRIPTION	DUPONT PART NO.	BASF/RM PART NO.
N/A	Seafoam green (walls and ceiling)	93-59594	RM88849
N/A	Valley green (heaters and trim)	93-29505	N/A
N/A	Dark green (seat frames)	93-24442	N/A
2078533	Sandstone (walls and ceiling)	93-4296	RM88675
N/A	Tan (heaters and trim)	93-96939	RM79627
2053148	Black (exterior gloss)	99	79578
N/A	Brown (seat frames)	N/A	88361
N/A	White (roof)	508	79618
	Nat School Bus Chrome Yellow		E-17391
	Blue, GSA Bus		E152BM091

SCHOOL BUS COLORS (BEGINNING 1996)

	National School Bus Chrome Yellow		87363
	Black (exterior)		79578
	Astro White (walls and ceiling) 0004783 Beginning 1999 – specify 60 Gloss Acry Enamel		79569
	Black (interior trim) - specify 60 Gloss		79578

SCHOOL BUS BASE COAT/CLEAR COAT (USED 1995-EARLY 1996)

	National School Bus Chrome Yellow		E-132YM05
	Black		E-132KM002
	Clear (top coat)		E-128CM01
	NSBC - Lusterless (BBCV)		E-35YM005

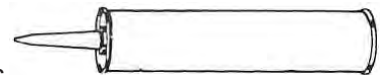
COMMERCIAL BUS PAINTS

	Fleet white		79618
	Black		79578
	Gray interior (specify 60 Gloss) 1699321		88674
	Beige 096939		

SEALANTS


02051902	Black silastic (11 oz. tube)		
00751883	Clear (10 oz. tube)	02002756	Sealant, Syn Putty (E Roof)
01363233	Yellow vinyl (11 oz. tube)	02154425	Sealant for Joint
00898627	Gray vinyl (11 oz. tube) Roof Panel	04294070	Adhesive

12 Tubes per box
Roof panel repair
Used around windows



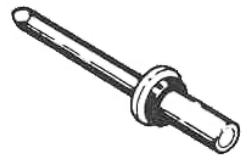
PPG Paint Code	BASF Paint Code	Color
907616	E152YM052	School Bus Yellow
907641	79682	Dark Red
907642	79569	White, Astro, Intorim
907643	79590	Bahama Blue
907644	79651	Orange
907645	79621	Mellow White
907646	79589	Go Blue
907647	79580	Light Blue
907648	79623	Limestone White
907649	79619	Warm White
907650	79618	White, Exterior
907651	79658	Brown
907652	79600	Blue Grass
907653	79575	Dark Gray
907654	80007	Medium Blue
907655	79581	Sky Blue
907656	79629	Cream
907657	79601	Green 1
907658	79627	Bengal Tan
907659	79568	Bright White
907660	79594	Light Green
907661	79578	Black, Exterior
907662	79591	Medium Blue
907663	79626	Tan
907664	79620	Antique White
907665	79572	Light Gray
907666	79674	Purple Plum
907667	77185	Vibrant Blue
907668	79628	Dark Brown
907669	79660	Red 1
907670	79613	Green 2
907671	79574	Medium Gray
907672	77038	Maroon
907673	79667	Target Red
907675	79662	Fire Red
907676	E152KM005	Black
907677	E152WM018	Fleet White
907915	GM WA8624	Olympic White
908173	E11AM014	Florida Gray B/E
908172	E11WM101	Astro White B/E
908458	SW45972	Rub-Rail Yellow
909506	80640	Forest Green
909507	1833656	Air Force Blue
910410		Desert Tan
910343		Tan, Factory Pack
910342		Black, Factory Pack
910314	Ford,yz	Oxford White

PART NO.		DIA/GRIP
00948505	02100667	1/4" x 5/16"
00948513	02100659	1/4" x 1/4 "
00948521	02100642	1/4" x 3/16"
00948539	02001659	1/4" x 1/8"
00948547	02001642	3/16" x 17/64"
00948554	02100675	1/4" x 3/8"
01449909	02100683	1/4" x 7/16"
01449883	02100691	1/4" x 1/2"



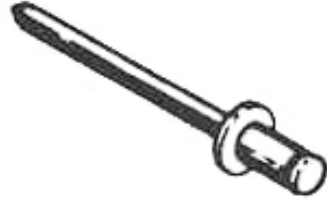
Steel

PART NO.	DIAMETER
00809343	3/16" x 1/2" with washer



Aluminum

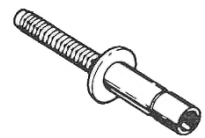
PART NO.	DIAMETER
00422915	1/8" x 1/8"
01211606	1/8" x 1/2"
00542019	3/16" x 3/4"



Rivets, pop-type, steel, hard stem

PART NO.	DIAMETER
00888222	1/4" Repair Rivet
01549211	3/16" Headlining
01989946	Roof Panel Replacement

02133650
• Rivet Gun



01006832

- Rivnut
- Hex
- 1/4-20 x 13/32"

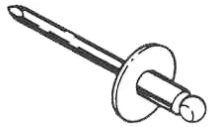


01434463

- Rivnut
- Hex
- 1/4-20 x 15/32"

Rivets, pop-type, steel

PART NO.	DIAMETER
01415769	3/16"



02001394

- Rivnut
- Round
- 1/4-20



01315118

- Wellnut
- Rubber
- .377 x 5/8"



01315100

- Screw

02131985

- Flat Washer

01152917

- Wellnut
- Rubber
- 1/4" x 3/4"



1985902
• Wellnut 1032

01308741

- Jack
- 12-ton
- Hydraulic with handle



04279212

- E-Z sweep broom



04312419

- Replacement head

02011807

- Cutter
- Metal
- Air hammer



Rivets, bucking-type

PART NO.	SIZE	APPROX. QTY. PER POUND
00948505	3/16" x 1/4"	238
00948513	3/16" x 5/16"	226 (Roof) (Short Panels)
00948521	3/16" x 3/8"	198
00948539	3/16" x 7/16"	176 (Long RubRails)
00948547	3/16" x 1/2"	150
00948554	3/16" x 5/8"	140
01449909	1/4" x 3/8"	92
01449883	1/4" x 1/2"	85
00948497	1/4" x 5/8"	68

GLASS INSTALLATION TOOLS

02011856

- Handle



02011849

- Hook



02011831

- Eye



02012441

- Tool rivnut



LUG WRENCHES

01112531

- SAE
- 1 1/2" hex x 13/16" square



00000992

- Metric
- 24 mm x 33 mm



1112549

- Handle
- Lug wrench

BUCKING RIVET SETS

02014207

- Set
- Brazier
- Rivet head
- 1/4"

02077675

- Set
- Brazier
- Rivet head
- 5/16"



02071363

- Tool
- Pin/socket extraction
- Amp CPC



TERMINAL
EXTRACTING TOOLS

00015917

- Deutsch
- Red
- 20 ga.

02066439

- Deutsch
- White
- 12 ga.

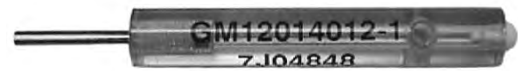
00015909

- Deutsch
- Blue
- 16 ga.



02069557

- Packerd



02087161

- Tool
- Connector removal
- Wide pick
- Blade/slide

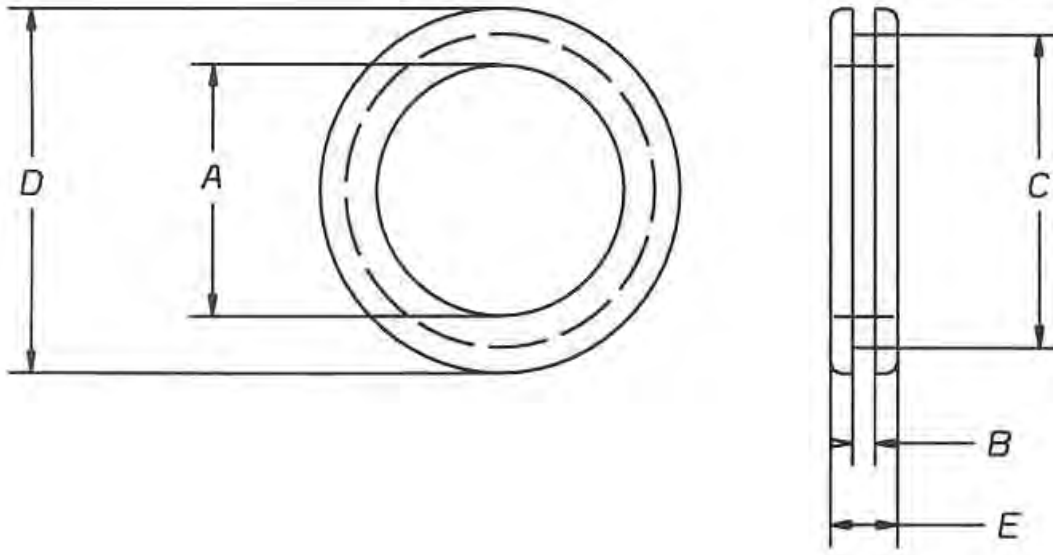


02084515

- Tool
- Connector removal
- Narrow pick
- Blade/slide

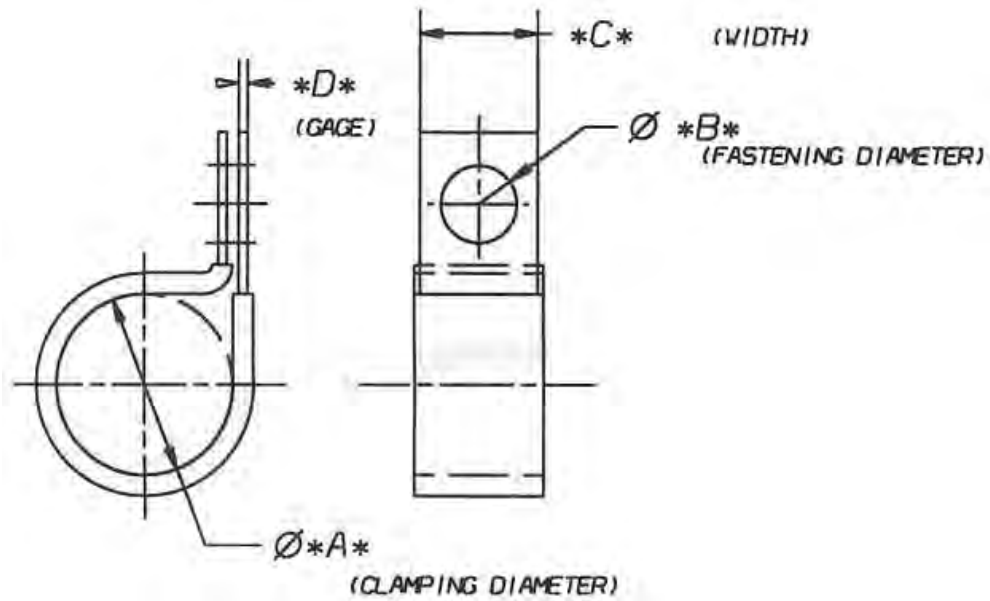


GROMMETS



BLUE BIRD P/N	DIM. A	DIM. B	DIM. C	DIM. D	DIM. E	MATERIAL
02003150	.16	.06	.25	.38	.19	SBR
02003242	.19	.19	.31	.44	.31	BUNA N
01619477	.25	.12	.38	.50	.25	BUNA N
02003168	.31	.06	.44	.62	.30	
02003218	.38	.06	.62	.87	.31	BUNA N
02003226	.44	.06	.56	.75	.25	SBR
01508613	.50	.06	1.00	1.25	.25	SBR
02003192	.75	.06	1.06	1.38	.38	BUNA N
02003234	.75	.25	1.06	1.38	.56	BUNA N
02003200	1.00	.25	1.38	1.75	.62	BUNA N
02003184	1.12	.06	1.50	1.87	.38	BUNA N
01610450	1.38	.12	1.72	2.00	.38	BUNA N
00421792	1.50	.06	1.75	2.12	.44	BUNA N
02003176	1.50	.25	1.75	2.12	.62	BUNA N
00551259	1.94	.08	2.44	2.78	.38	
01652379	1.25	.25	1.50	2.00	.52	
01894187	.75	.09	1.00	1.25	.31	

CLAMPS



BLUE BIRD P/N	DIM. A	DIM. B	DIM. C	DIM. D	FINISH
02024370	.250	.406	.750	.032	Vinyl Dipped
01170083	.375	.280	.500	.032	Vinyl Dipped
00854612	.500	.406	.750	.040	Vinyl Dipped
00557710	.812	.340	.625	.040	Vinyl Dipped
01517168	.937	.340	.625	.040	Vinyl Dipped
01225598	1.250	.406	.750	.040	Vinyl Dipped
00948141	1.312	.340	.625	.040	Vinyl Dipped
01039486	1.500	.406	.750	.040	Vinyl Dipped
01107937	2.000	.406	.750	.040	Vinyl Dipped
01674217	2.250	.406	.750	.040	Vinyl Dipped
00008340	3.000	.406	.750	.050	Vinyl Dipped
02021541	*	.340	.625	.040	Vinyl Dipped

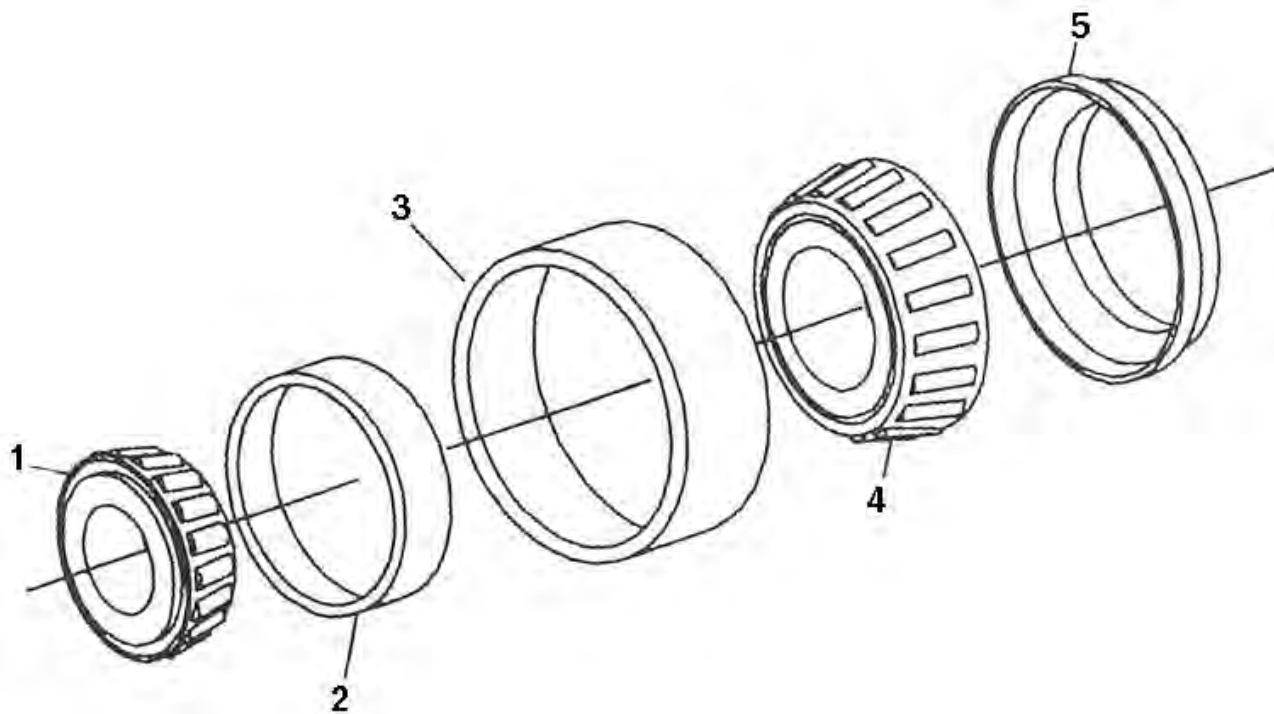
WHEEL BEARINGS AND SEALS BLUE BIRD CHASSIS

REAR AXLE				
		P/N	DESCRIPTION	APPLICATION
Spicer F170 ending with chassis service number 972479	1	02161768	Outer cone (bearing)	All
	2	02622728	Outer cup (race)	All
	3	02623221	Inner cup (race)	All
	4	04278040	Inner cone (bearing)	All
	5	01534569	Inner seal	Spoke wheels
		04283347	Inner seal	Disc wheels

FRONT AXLE				
Spicer I 100 I 108 I 120 I 146	1	00929414	Outer cone (bearing)	All except I 108
		02160968	Inner cup (race)	All except I 108
	2	02600179	Inner cone (bearing)	I 108
		04277927	Inner seal	All
	3	02593093	Inner seal	All
	4	00929406	Inner cone (bearing)	All
Rockwell FF932 FF942	5	01391572	Inner seal	All except I 100 and I 108
		08303893	Inner seal	I 100
		02161008	Inner seal	I 108

REAR AXLE				
Spicer J230	1	00929059	Outer cone (bearing)	All
	2	02621571	Outer cup (race)	All
Rockwell R155, R125, RS23-240	3	02621779	Inner cup (race)	All
	4	00929042	Inner cone (bearing)	All
	5	00929067	Inner seal	All

REAR AXLE				
F170 (beginning with CSN 972480) J190 J210 S150	1	02622926	Outer cone (bearing)	All
	2	02622728	Outer cup (race)	All
	3	02623221	Inner cup (race)	All
	4	02623320	Inner cone (bearing)	All
	5	01534569	Inner seal	All



CROSS REF NUMBER	BLUE BIRD P/N	DESCRIPTION
572	02621571	Bearing race (cup)
580	00929059	Bearing cone
592A	02621779	Bearing race (cup)
594A	00929042	Bearing cone
3720	02600179	Bearing race (cup)
3782	00929414	Bearing cone
28622	04277927	Bearing race (cup)
28682	02160968	Bearing cone
35066	01391572	Wheel seal
38779	04283347	Wheel seal
38780	01534569	Wheel seal
39520	02622728	Bearing race (cup)
39585	02161768	Bearing cone
39590	02622926	Bearing cone
44919	02161008	Wheel seal
47620	02623221	Bearing race (cup)
47678	04278040	Bearing cone
47686	02623320	Bearing cone
47697-S	00929067	Wheel seal
HM212011	02593093	Bearing race (cup)
HM212049	00929406	Bearing cone
W03HH101	08303893	Wheel seal

BLUE BIRD P/N	NTN/TIMKEN P/N	DESCRIPTION
00929042	594A	Bearing cone
00929059	580	Bearing cone
00929406	HM12049	Bearing cone
00929414	3782	Bearing cone
02160968	28682	Bearing cone
02161768	39585	Bearing cone
02622926	39590	Bearing cone
02623320	47686	Bearing cone
04278040	47678	Bearing cone
02593093	HM212011	Cup, bearing
02600179	3720	Cup, bearing
02621571	572	Cup, bearing
02623221	47620	Cup, bearing
04277927	28622	Cup, bearing
02622728	39520	Cup, bearing
02621779	592A	Cup, bearing



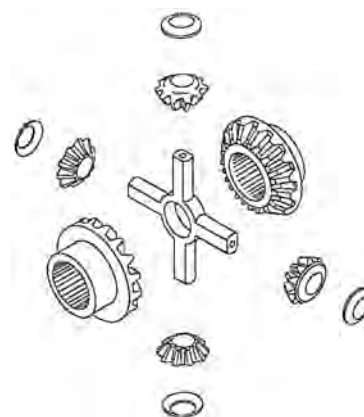
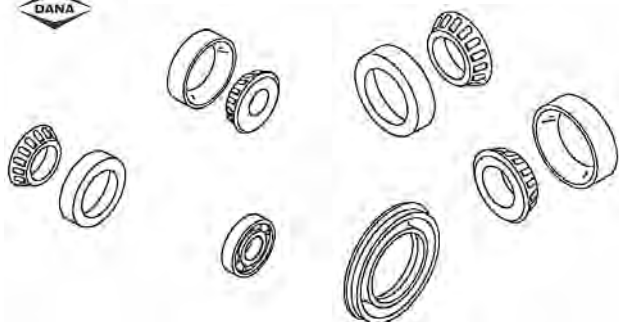
FRONT AXLE KING PIN OVERHAUL KITS



APPLICATION/FRONT AXLE CODE/RATING	VENDOR P/N	NAVISTAR P/N	BLUE BIRD P/N
AmTran "Genesis"/02ADD/12K lbs.	120KK100	FAK5455	08305203
Amtran "Genesis"/02ADE/12-14K lbs.	140KK100	FAK5456	08305211
AmTran "RE"/12-14K lbs.	120KK100	FAK5455	08305203
Blue Bird "All American"/FF932	Kit 195	N/A	02599033
Blue Bird "All American"/FF942/NX5-35	Kit 1307	N/A	02137305
Blue Bird "All American"/FF942/NX602 and 604	Kit 1315	FAK4570	04280855
Blue Bird "All American"/FG941 or FG943	Kit 1309	FAK4566	04279568
Blue Bird "All American"/I-146/140BN101 or 103	120KK102	N/A	04294716
Blue Bird "All American"/I-146/140BN or 109 ('96 and up)	140KK100	FAK5456	08305211
Blue Bird "TC2000"/I-108	343KK103	FAK5453	04293270
Blue Bird "TC2000"/I-120 (120BN101)	120KK102	N/A	04294716
Blue Bird "TC2000"/I-120 (120BN109)	120KK102	N/A	08305203
Blue Bird "TC2000"/I-100 (100BN204 or 205)	120KK102	N/A	04294716
Blue Bird "TC1000"/I-100 (100BN207 or 028)	120KK100	FAK5455	08305203
International 3400/Standard/6/8K	101KK111	FAK5454	08314171
International 3600/Standard/6/8K	101KK111	FAK5454	08314171
International 3800/Standard/6/8K	101KK111	FAK5454	08314171
International 3800/Opt 02ADC, 02ADL/02ADD/10K	120KK100	FAK5455	08305203
Mid Bus "SC"/Standard/6/8K	101KK111	FAK5454	08314171
Thomas "Vista"/Standard/6/8K	101KK111	FAK5454	08314171
Thomas "Vista"/Opt. 02ADC-02ADL/10K	120KK100	FAK5455	08305203
Thomas "Saf-T-Liner" and "MVP"/FF932	Kit 1315	FAK4570	04280855
Thomas "Saf-T-Liner" and "MVP"/FF943	Kit 1309	FAK4566	04279568
U.S. Bus "Eagle"/Standard/6/8K	101KK111	FAK5454	08314171

DRIVE AXLE REPAIR KITS

SPICER®



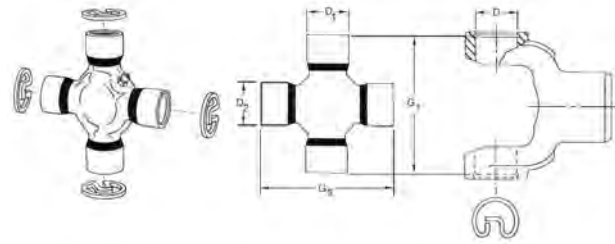
DIFFERENTIAL PARTS KITS

SPICER AXLE MODEL NO.	NAVISTAR AXLE MODEL NO.	SPICER P/N	NAVISTAR P/N	BLUE BIRD P/N
F155S F170S	14ADA 14029 14039	472KS106X	1651274C91	02161750
J220S J230S	14047	472KS109X	1651277C91	04301123
W230S	14057	472KS110X	1651278C91	08200230
S135 S150	14ADN 14ADP	360KS101X	1697142C91	08303414
J190S J210S	14ADG	472KS108X	1651276C91	04281259

DIFFERENTIAL BEARING AND SEAL KITS

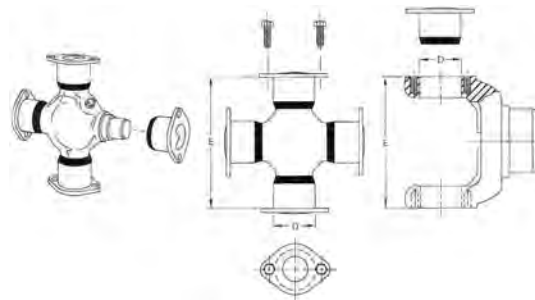
SPICER AXLE MODEL NO.	NAVISTAR AXLE MODEL NO.	SPICER P/N	NAVISTAR P/N	BLUE BIRD P/N
F155S F170S	144DA 144DJ 14039	341KS101	1651512C91	04290771
S135 S150	14ADN 14ADP	360KS100X	1697163C91	08303398
J175 J190 J210 J220 J230	14042 14044/14ADG 14036 14047	472KS101	1651517C91	04290789

UNIVERSAL JOINTS



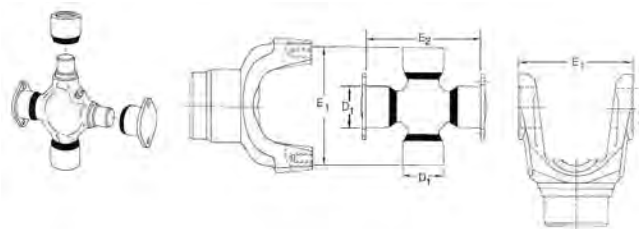
Outside Snap Ring (OSR) Style

A Distance Between Caps	B Bearing Cap Diameter	Driveline Series	Spicer P/N	Blue Bird P/N
4.188	1.375	1480	5-188X	02020287
4.964	1.375	1550	5-153X	02020428



Bearing Plate (BP) Style

A Distance Between Caps	B Bearing Cap Diameter	Driveline Series	Spicer P/N	Blue Bird P/N
5.312	1.875	1610	5-279X	01062926
6.094	1.938	1710	5-280X	01121565
7.547	1.938	1810	5-281X	01160803



Half Round (HR) Style

A Distance Between Caps	B Bearing Cap Diameter	Driveline Series	Spicer P/N	Blue Bird P/N
5.312	1.875	1610	5-674X	01564194
6.094	1.938	1710	5-515x	04307666

BLOCK HEATERS

ENGINE BLADE IMMERSION HEATERS

ENGINE MANUFACTURER MODELS (DIESEL)	WATTS	P/N 120 VOLTS	P/N 240 VOLTS	NOTES
CATERPILLAR				
3114/3116/3126	1500	FP151-001	FP152-001	1
3208 (recommended installation)	1500	JD3/4-151IN	JD3/4-152IN	
CHEVROLET/GMC				
6.2L/6.5L V-8s	600	FC601-PY2	N/A	2
CUMMINS				
6BT - 5.9L prior to 1998 engines	750	CUB-751FP	CUB-752FP	1
	1000	CUB-101FP	CUB-102FP	1
	1500	CUB-151FP	CUB-152FP	1
6BT - 5.9L 1998 and later engines	750	TF7510002	N/A	1-5
	1000	CUB-101FP	CUB-102FP	1-6
	1500	CUB-151FP	CUB-152FP	1-6
6CT - 8.3L prior to 1998 engines	1500	CUC-151FP	CUC-151FP	1
6CT - 8.3L 1998 and later engines	1000	DD8L-101	DD8L-102	5
DETROIT DIESEL				
8.2L V8s	1000	DD8L-101	DD8L-102	
FORD				
6.6L - 7.8L (1986 to 1989)	1000	FC101-PY1	N/A	2
6.6L - 7.8L (1990 to 1992)		N/A	N/A	3
1060 (See Cummins 6BT)				
1460 (See Cummins 6CT)				
6.9L - 7.3L through 1994	600	FC601-501	N/A	2
	1000	FC101-PY1	N/A	2
7.3L 1995 and later	1000	DD8L-101	DD8L-102	
JOHN DEERE				
6 cylinder diesels or Natural Gas	1000	JDS-101	JDS-102	
NAVISTAR/INTERNATIONAL				
All 6 cylinder diesel	1250	INTA-121	INTA-122	
6.9L - 7.3L through 1994	1000	FC101-PY1	N/A	2
7.3L and 444 1995 and later	1000	DD8L-101	DD8L-102	
9.0L V8s	1000	INT9-101F	INT9-102F	

ENGINE BLADE IMMERSION HEATERS, CONT'D

REPLACEMENT PARTS AND ACCESSORIES	WATTS	P/N 120 VOLTS	P/N 240 VOLTS	NOTES
6-FOOT CORDS				
Standard cord		IM6-1IN	IM6-2IN	
For recessed plug		11PR72T	21PR72T	4

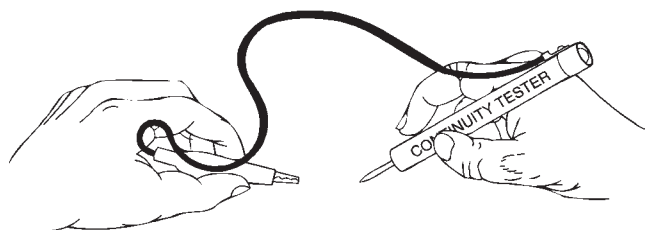
FLIP COVERS AND PLUG HOUSINGS				
Flip cover (black)		FC-KH	FC-KH	
Plug housing (receptacle)		A2223-PH	A2223-PH	

THERMOSTAT CONTROL CORDS				
ON at 80, OFF at 100		A2822-0M	A2822-0P	
ON at 100, OFF at 120		A2822-0B	A2822-0H	

HEAT SHIELD				
Use when manifold or turbo heat comes close to cord		HS1	HS1	

NOTES:				
<p>1. Use heat shield HS1 on these applications.</p> <p>2. Replacement cord is not available.</p> <p>3. Use a tank-style heater—i.e., TPS101t10-000 for these applications.</p> <p>4. Must use the flip cover and plug receptacle with this cord design.</p> <p>5. Installs in a threaded port in the oil cooler housing.</p> <p>6. Installs in the second from the front freeze plug opening on right side of the block.</p>				

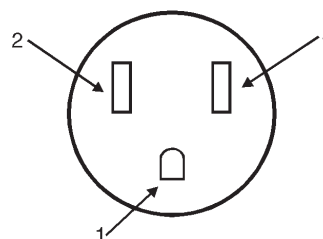
if you can use one of these...



you'll find the heaters that need replacing before the weather turns cold.

To check any engine pre-heater without having to plug the unit in, use a continuity tester in accordance with the accompanying diagram.

Using the power blades and the ground post, check ALL 3 terminals to determine if the pre-heater is working.



Terminal to Terminal	If the Light Lights	If the Light Stay Out
1 to 2	Bad	Good
1 to 3	Bad	Good
2 to 3	Good	Bad

REMANUFACTURED DIESEL ENGINES

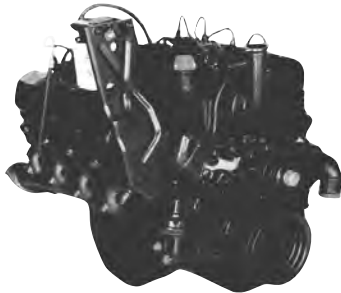
NAVISTAR®



formerly



NAVISTAR ENGINE	SHORT BLOCK	LONG BLOCK	COMPLETE DROP-IN
IDI 6.9L Nat. Asp.	X	X	X
IDI 7.3L Nat. Asp.	X	X	X
IDI 7.3L Turbo	X	X	X
IDI 6.9L/7.3L Turbo Upgrade		X	X
DI 7.3L Turbo Navistar	X		X
DI 7.3L Turbo T444E	X		X



6.9L/7.3L Naturally Aspirated (Non-turbo)



7.3L IDI Complete Drop-In



7.3L DI Turbo Navistar/T444E



Reviva's 6.9L/7.3L diesel engines are configured for delivery vans, pickup trucks, ambulances, utility trucks, airport shuttle buses and international school buses.

Reviva offers the HEUI injection system for the Navistar engine line. Every HEUI injector is dyno tested to ensure reliability and quality.



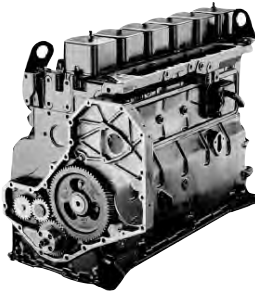
CUMMINS®

REVIVA

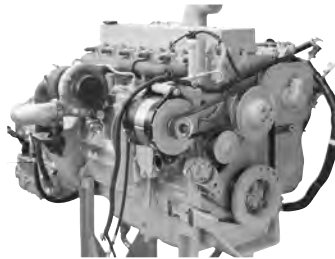
formerly

**DEALERS
DIESEL**

The Cummins 6B/5.9L engine is a solid, high-torque, six-cylinder engine used in many commercial/industrial, light-duty truck, recreational and marine applications. All of Reviva's B and C Series engines are re-engineered and durability-tested.



6B Long Block
Supreme



6B Complete Drop-In



6C/8.3L Complete
Drop-In

CATERPILLAR®

REVIVA

formerly

**DEALERS
DIESEL**

CAT 3208 engines are used in many work applications such as delivery trucks, dump trucks, garbage trucks, snow plows, flatbed trucks and school buses. Reviva will custom configure any CAT 3208 engine.



CAT 3208 Complete
Drop-In

NAVISTAR®



formerly



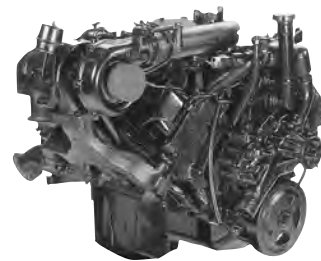
Reviva's 6.5L turbocharged and naturally aspirated diesel engines are configured for most GM C/K and commercial vehicles manufactured between 1982 and 1999.



Long Block Supreme



Complete Drop-In
Naturally Aspirated
(Available with
Mechanical Injection
Pump)



Complete Drop-In
Turbocharged
(Available with
Mechanical or
Electronic Injection
Pump)



Reviva's Splayed
Main Cap

Reviva's engineers developed a proprietary solution to the main web cracking problem associated with some GM 6.5L engines.



OEM Main Cap

BLUE BIRD REMAN AND NEW ALTERNATORS



BLUE BIRD REMAN NUMBER	BLUE BIRD NEW NUMBER	LEECE-NEVILLE SERVICE NUMBER	DESCRIPTION	W/WO REG.	W/WO RECT.	ALSO APPLICABLE TO
00046878	00008588	4871JB	12V/270 AMP	WITH	WITH	
00046880	08314056	110-450	12V/160 AMP	WITH	WITH	THOMAS, FREIGHT-LINER
00046881	00019435	110-580	12V/160 AMP	WITH	WITH	
00046882	01144203	2801LC	12V/160 AMP	WITH	WITH	
00046883	01706027	2671LC	12V/130 AMP	WITH	WITH	
00046868	01816073	4861JB	12V/200 AMP	WITH	WITH	NAVISTAR, AMTRAN
00046865	01856335	4850AA	12V/200 AMP	W/OUT	W/OUT	NAVISTAR, AMTRAN
00046866	01861426	4852AA	12V/240 AMP	W/OUT	W/OUT	NAVISTAR, AMTRAN
00046874	01944297	9800LC	12V/160 AMP	WITH	WITH	NAVISTAR, AMTRAN
00046884	01972686	9804LC	12V/160 AMP	WITH	WITH	THOMAS, FREIGHT-LINER



THOMAS/FREIGHTLINER LEECE NEVILLE REMAN AND NEW ALTERNATORS

BLUE BIRD REMAN NUMBER	BLUE BIRD NEW NUMBER	LEECE-NEVILLE SERVICE NUMBER	DESCRIPTION	W/WO REG.	W/WO RECT.	ALSO APPLICABLE TO
00046864	00048139	2800LC	12V/160 AMP	WITH	WITH	NAVISTAR, AMTRAN
00046884	01972686	9804LC	12V/160 AMP	WITH	WITH	BLUE BIRD
00046870	00048143	4864JB	12V/270 AMP	WITH	WITH	NAVISTAR, AMTRAN
00046867	00048142	4860JB	12V/200 AMP	WITH	WITH	NAVISTAR, AMTRAN
00046880	08314056	110-450	12V/160 AMP	WITH	WITH	BLUE BIRD

NAVISTAR/AMTRAN REMAN AND NEW ALTERNATORS



BLUE BIRD REMAN NUMBER	BLUE BIRD NEW NUMBER	LEECE-NEVILLE SERVICE NUMBER	DESCRIPTION	W/WO REG.	W/WO RECT.	ALSO APPLICABLE TO
00046863	00048138	2670LC	12V/130 AMP	WITH	WITH	
00046864	00048139	2800LC	12V/160 AMP	WITH	WITH	BLUE BIRD, THOMAS, FREIGHTLINER
00046865	01856335	4850AA	12V/200 AMP	W/OUT	W/OUT	BLUE BIRD
00046866	01861426	4852AA	12V/240 AMP	W/OUT	W/OUT	BLUE BIRD
00046867	00048142	4860JB	12V/200 AMP	WITH	WITH	THOMAS, FREIGHTLINER
00046868	01816073	4861JB	12V/200 AMP	WITH	WITH	BLUE BIRD
00046869	00048141	4800JB	12V/160 AMP	WITH	WITH	
00046870	00048143	4864JB	12V/270 AMP	WITH	WITH	THOMAS, FREIGHTLINER
00046871	00048144	4870JB	12V/270 AMP	WITH	WITH	
00046872	00048145	4874JB	12V/270 AMP	WITH	WITH	
00046873	00048146	4884JB	12V/200 AMP	WITH	WITH	
00046874	01944297	9800LC	12V/160 AMP	WITH	WITH	BLUE BIRD
00046875	00048140	2805LC	12V/145 AMP	WITH	WITH	
00046877	00048147	9802LC	12V/160 AMP	WITH	WITH	

C
H
A
S
S
I
S

19

OPTIONS

BLUE BIRD REMAN NUMBER	BLUE BIRD NEW NUMBER	LEECE-NEVILLE SERVICE NUMBER	DESCRIPTION	ALSO APPLICABLE TO
NEW ONLY	01870088	1111CA	200A RECTIFIER	4850AA ALTERNATOR
NEW ONLY	01870112	1112CA	240A RECTIFIER	4852AA ALTERNATOR
NEW ONLY	01870096	5078R	200A/240A REG.	4850AA/4850AA ALTERNATOR
NEW ONLY	01870104	6014R	200A/240A RELAY	4850AA/4850AA ALTERNATOR

REMAN STARTERS



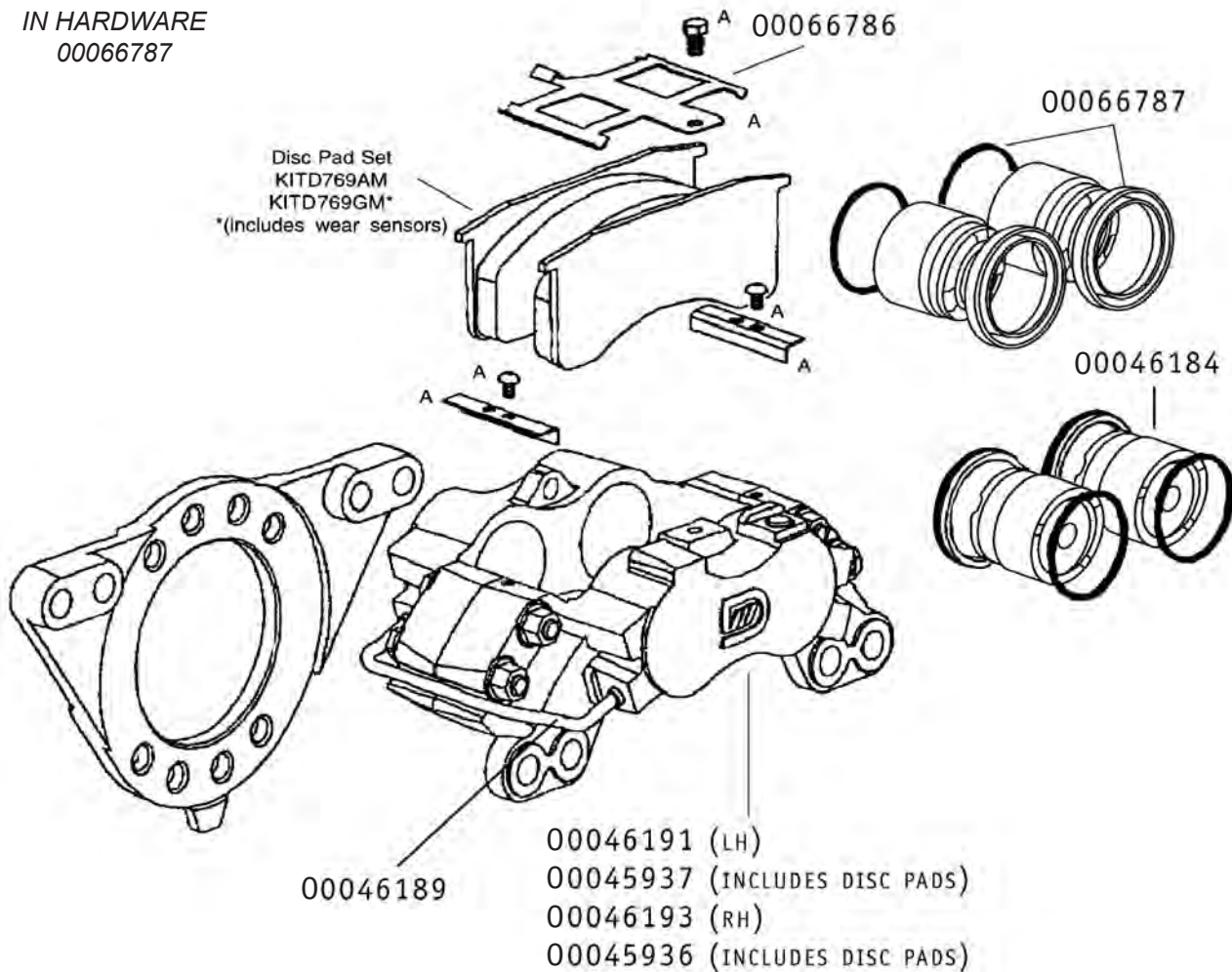
BLUE BIRD REMAN NUMBER	BLUE BIRD NEW NUMBER	OEM PART NUMBER	OEM	VOLTS	KW MODEL	PIN-ION DATA	ENGINE OEM
00046886	01967561	228000-7301	DENSO	12	3.0	13	CUMMINS 6BT, ISB
00046887	01935477	228000-5311	DENSO	12	3.0	10	CUMMINS 8.3, ISC
00046889	04312666	10461207/1993994	DELCO	12	5.0/37MT	10	CAT. 3116
00046890	01935485	228000-5851	DENSO	12	3.0	10	CAT. 3126
00046891	01483304	10479003/1990369	DELCO	12	7.5/42MT	12	CAT. 3208
00046892	01760057	228000-1953	DENSO	12	2.5	13	CUMMINS 6BT
00046893	01769512	228000-4671	DENSO	12	2.5	13	CUMMINS 6BT
00046894	01315480	128000-0540	DENSO	12	2.5/28MT	10	CUMMINS 6BT
00046895	01483312	10461414/1993795	DELCO	12	5.0/37MT	12	CUMMINS 8.3
00046898	01930163	228000-7491	DENSO	12	2.7	10	JOHN DEERE 6.8
00046899	01839281	228000-5461BK	DENSO	12	2.7	10	JOHN DEERE 8.2



QUADRAULIC DISC BRAKE

4 X 70 MM QUADRAULIC PHENOLIC PISTON

A - CONTAINED
IN HARDWARE
00066787






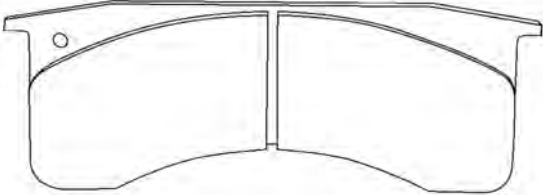
DISC PAD SET	KITD769AM	
DISC PAD SET	KITD769GM	INCLUDES WEAR SENSORS
	00066786	
	00066787	
	00046184	
	00046189	
	00046191	LH
	00045937	INCLUDES DISC PADS
	00046193	RH
	00045936	INCLUDES DISC PADS

00046188
• BLEEDER SCREW



Applications:
• Blue Bird
• Thomas
• Freightliner




QUADRAULIC DISC BRAKE

ITEM	PART NO.	DESCRIPTION
<p>HARDWARE KIT <i>SERVICES ONE WHEEL</i></p> 	00066786	<p>INCLUDES: 1 ANTI-RATTLE SPRING 1 BOLT ANTI-RATTLE 2 LINING SPACER 2 LINING SPACER BOLT</p>
<p>BOOT AND SEAL KIT</p> 	00066787 <i>(70MM)</i>	4 BOOT 4 SEAL
<p>CALIPER PISTON</p> 	00046184 <i>(70MM) PHENOLIC</i>	1 PISTON 1 HEAT SHIELD
<p>OUTER AND INNER BRAKE PAD</p> 	00046182 00066148	<p>4 OEM EXTENDED LIFE MERITOR PAD KIT</p> <p>BENDIX PREMIUM SERIES PAD KIT</p> <p><i>(PAD KITS SERVICE ONE AXLE)</i></p>

See next page for Steel Piston Conversion Kit

QUADRAULIC DISC BRAKE

70 MM STEEL PISTON CONVERSION KIT

ITEM	PART NO.	DESCRIPTION
	00066789 (70MM)	INCLUDES: 1 0046187 - HARDWARE KIT 1 0066788 - PISTON BOO AND SEAL KIT
BOOT AND SEAL KIT 	00066788 PISTON, BOOT AND SEAL KIT	INCLUDES: 4 BOOT 4 SEAL 4 BOOT SHIELD 4 PISTON
HARDWARE KIT 	00046187	INCLUDES: 1 ANTI-RATTLE SPRING 1 BOLT ANTI-RATTLE 2 LINING SPACER 2 LINING SPACER BOLT

00066790

- Piston
- Hydraulic
- Steel
- 70mm
- Quadraulic



00062970

- Turbine
- Brake
- 16.5"
- Rear axle
- 1 axle set



LynnFin Truck
Technologies



00062971

- Turbine
- Brake
- 16.5"
- 1.25" studs
- Steering axle
- 1 axle set

00062973

- Turbine
- Brake
- 16.5"
- 1.25" studs
- Steering axle
- 10 axle set

*Cleaner, cooler brakes stop better, stop quieter, and last longer!
increase the life span of school bus brakes by 25-75%!*

BENDIX BRAKE PADS



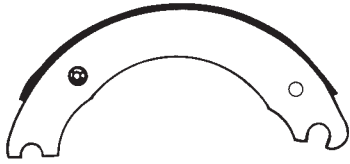
MK NO.	BLUE BIRD P/N PREMIUM	BLUE BIRD P/N HEAVY DUTY
MK225	00048199	00048198
MK224	00048197	00048196
MK236	00048201	00048200
MK184	00048195	00048194



*Call your local Blue Bird Distributor for
Webb brake drums for all bus applications.*

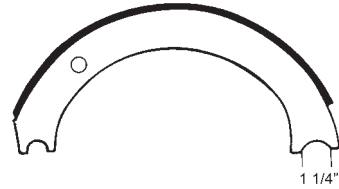
15" WEB BRAKE SHOES

SINGLE WEB



ROCKWELL/MERITOR 'Q' STYLE
(front) (original design)

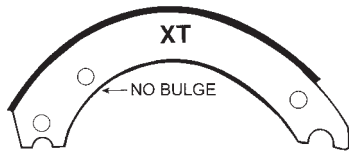
FMSI	SIZE	LINING
A 3222-Q-1837	4"	1308T
<p><i>NOTE: Table is mislocated, 1308TT (tapered) lining only. Drum fouling may occur if lining is substituted.</i></p>		



EATON
(front)

FMSI	SIZE	LINING
1308E/S648	4"	1308

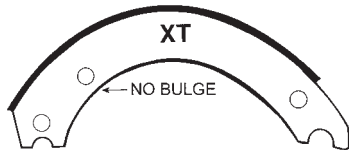
DOUBLE WEB BRAKE SHOES



MERITOR 15" 'Q' PLUS
extended service shoes (double web)

FMSI	SIZE	LINING
4702XT	4"	4702
	5"	4703
	6"	4704
	7"	4705
	8"	4706
4710XT	8 5/8"	4710

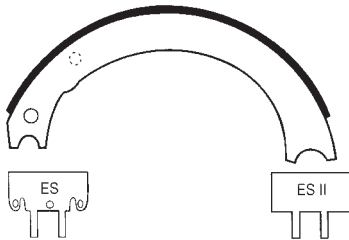
16 1/2" WEB BRAKE SHOES



Std. mount measures 4" at A.
High mount is 3 9/16".

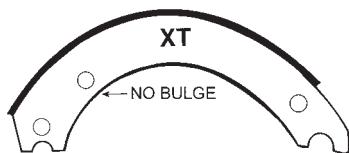
EATON
single anchor pin

FMSI	SIZE	LINING
---	4 1/2"	4570
4223A	5"	4223A
4223 HM	5"	4223A
4317	6"	4317G
4317 HM	6"	4317G
4311	7"	4311J/G
4311 HM	7"	4311J/G
4674	8 5/8"	4674



EATON
(Extended Service and ES II)

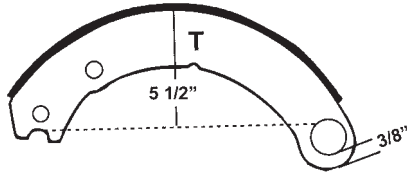
FMSI	SIZE	LINING
4719	5"	4719
4725	6"	4725
4709	7"	4709
4709N	7"	4709
4726	8 5/8"	4726



MERITOR
Q Plus Brake

Requires extended life s-cam.
(Web stampings: Meritor is marked Q+. RHD
is marked XT.)

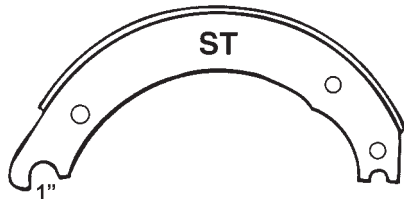
FMSI	SIZE	LINING
4720SXT	5"	4720
	6"	4715
	6"	4715A
4707XT	7"	4707
4718XT	8"	4718
	8 5/8"	4711



ROCKWELL 'P' STYLE

FMSI	SIZE	LINING
4549ET	4"	4549C
4524ET	5"	4524B
4514ET	6"	4514G
4515T	7"	4515
4515ET	7"	4515E/G
4644ET	8"	4644A
4644ETL*	8"	4644A
4644ETR*	8"	4644A
4551ET	8 5/8"	4551B
4552T	10"	4552
4514/49EST	10"	4514G/4549C

* offset webs



ROCKWELL / MERITOR "Q" STYLE
 (Equivalent to 'Q' Style)
 Features improved anchor slot design.

FMSI	SIZE	LINING
4549EST	4"	4549C
4524EST	5"	4524B
4514EST	6"	4514G
4515ST	7"	4515
4515EST	7"	4515E/G
4644EST	8"	4644A
4644ESTL*	8"	4644A
4644ESTR*	8"	4644A
4551EST	8 5/8"	4551B
4552ST	10"	4552
14/49EST	10"	4514G/4549C

* offset webs

WHEELCOVERS

00033872

- Kit
- Wheelcover
- Stainless steel
- 22.5 inches



01933209

- Kit
- Wheelcover
- Stainless steel
- 19.5 inches

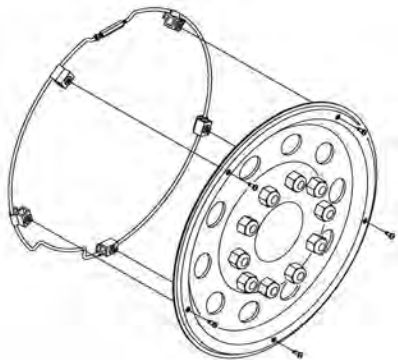


03982899

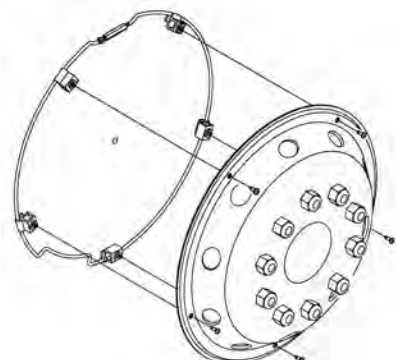
- Replacement emblem
- Blue Bird logo

Each kit contains:

- 2 - front wheelcovers
- 2 - rear wheelcovers
- 4 - cold rolled steel adjustable retention rings



Rear



Front

BUS STAINLESS STEEL WHEEL LINERS

01884626

- Kit
- Wheel liners
- Stainless steel
- 8.25 and 7.5 inches
- Hub piloted wheels
- 22.5 diameter



01933225

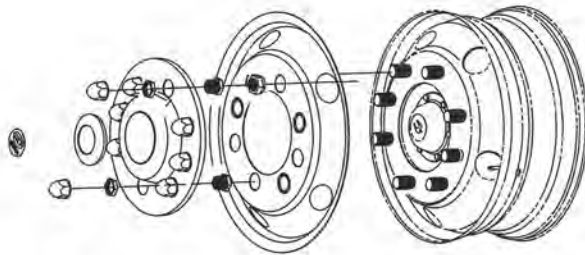
- Kit
- Wheel liners
- Stainless steel
- 6.75 inches
- 8-stud-275mm
- Hub piloted wheels
- 8.25 and 7.5 inches 19.5 diameter



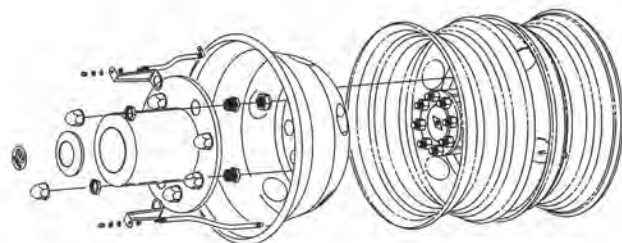
03982899

- Replacement emblem
- Blue Bird logo

- Each kit contains:*
- 2 - front wheel liners
 - 2 - rear wheel liners
 - 2 - rear valve stem extenders
 - All necessary mounting hardware



Front



Rear

VAN CUTAWAY STAINLESS STEEL WHEEL LINERS

00034525

- Kit
- Wheel liners
- Stainless steel
- 1992-Present Ford E-Series
- Dual rear wheel



00067039

- Kit
- Wheel liners
- Stainless steel
- 1992-Present Ford E-Series
- Single rear wheel



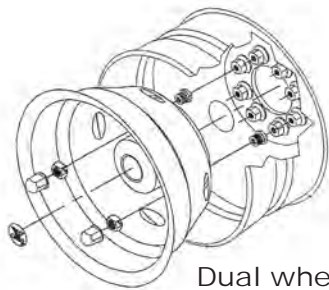
00067038

- Kit
- Wheel liners
- Stainless steel
- 2003-Present GM Van
- Single rear wheel

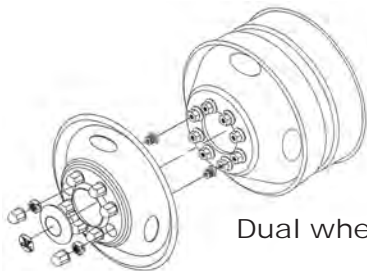
03982899

- Replacement emblem
- Blue Bird logo

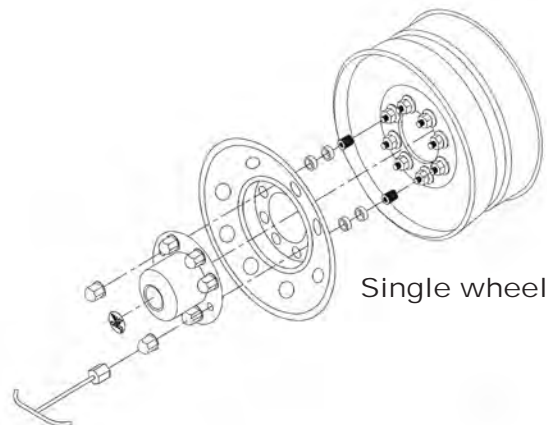
- Each kit contains:*
- 2 - front wheel liners
 - 2 - rear wheel liners
 - All necessary mounting hardware



Dual wheel rear



Dual wheel front



Single wheel

Index

A

A/C

Oil

- 41-50014-B 4-13
- 41-50102-B 4-13
- 41-50104-B 4-13
- 41-50106-B 4-13

Omega

- 25-11112 4-12
- 25-14863-T 4-12
- 26-19912 4-12
- 31-30901-P 4-12
- 31-30957 4-12
- 37-10865 4-12
- 37-10866 4-12

O-ring kit

- 21-24801 4-13

Alternators

New

- 00008588 19-11
- 00019435 19-11
- 00048140 19-12
- 00048147 19-12
- 01144203 19-11
- 01706027 19-11
- 01816073 19-11
- 01856335 19-11
- 01861426 19-11
- 01944297 19-11
- 01972686 19-11
- 08314056 19-11

Options

- 01870088 19-12
- 01870096 19-12
- 01870104 19-12
- 01870112 19-12

Reman

- 00046864 19-11
- 00046865 19-11
- 00046866 19-11
- 00046867 19-11
- 00046868 19-11
- 00046870 19-11
- 00046874 19-11
- 00046878 19-11
- 00046880 19-11
- 00046881 19-11
- 00046882 19-11
- 00046883 19-11
- 00046884 19-11

B

Blowers

- 08303182 4-1

Motor

- 08307373 4-1

Wheel

- 01494905 4-2
- 01567270 4-2
- 01567288 4-2
- 04316337 4-2
- 04316543 4-2
- 08307365 4-1, 4-2

Brake pads

Heavy duty

- 00048194 19-17
- 00048196 19-17
- 00048198 19-17
- 00048200 19-17

OEM extended life

- 00046182 19-15

Premium

- 00048195 19-17
- 00048197 19-17
- 00048199 19-17
- 00048201 19-17
- 00066148 19-15

Brakes

Boot & seal kit

- 00066787 19-15
- 00066788 19-16

Caliper piston

- 00046184 19-15

Hardware kit

- 00046187 19-16
- 00066786 19-15

Piston

- 00066790 19-16

Quadraulic

- 00045936 19-14
- 00045937 19-14
- 00046184 19-14
- 00046189 19-14
- 00046191 19-14
- 00046193 19-14
- 00066786 19-14
- 00066787 19-14

Steel caliper piston kit

- 00066789 19-16

Turbines

- 00062970 19-17
- 00062971 19-17
- 00062972 19-17
- 00062973 19-17

C

Chassis

King pin kits

08305203 19-3

U-Joints

01062926 19-5

01121565 19-5

01160803 19-5

01564194 19-5

02020287 19-5

02020428 19-5

04307666 19-5

Wheel bearings & seals

00929042 19-1

00929059 19-1

00929067 19-1

00929406 19-1

00929414 19-1

01391572 19-1

01534569 19-1

02160968 19-1

02161008 19-1

02593093 19-1

02600179 19-1

02621571 19-1

02621779 19-1

02622926 19-1

04277927 19-1

04283347 19-1

08303893 19-1

Child Safety Restraint Systems

Besi

BR-22AI 11-12

BR-30AI 11-12

BR-38AI 11-12

Bus Baby Belt

00052977 11-14

00052978 11-14

00052979 11-14

C. E. White

CR-30 11-14

CR-39 11-14

Q' Straint

Q5-6400-01-L 11-12

Q5-6400-01-S 11-12

Common Base 1-2-1-6

Crossing Arms

8041 13-1

8047 13-1

04314357 13-1

04322830 13-2

04322848 13-1

04322855 13-1

08300782 13-1

08306003 13-2

08306672 13-2

Air

01100718 13-3

04318077 13-3

Electric

68500 13-3

68600 13-3

04318077 13-3

04327565 13-3

Vacuum

08307621 13-3

D

Decals

00000099 17-2

00000141 17-2

00001953 17-4

00001954 17-3

00013460 17-3

00879619 17-4

00948844 17-4

01147495 17-4

01242080 17-3

01316819 17-4

01360593 17-4

01495399 17-4

01495530 17-4

01498708 17-3

01584499 17-4

01643592 17-4

01684141 17-2

01684448 17-3

01834431 17-2

01835347 17-2

01844174 17-2

01858000 17-3

03801149 17-4

06032742 17-2

Emergency door

01952522 8-2

English

01476001 17-3

01487289 17-3

01512235 17-3

01512276 17-3

French

01489491 17-3

01489517 17-3

01512243 17-3

01512284 17-3

Reflective
 00002008 17-6
 00002726 17-6
 01635028 17-6
 01635036 17-6
 01717529 17-6
 01837996 17-6
 04305892 17-6
 04305918 17-6
 04305942 17-6
 04306718 17-6
 04308961 17-6
 04308979 17-6
 04308987 17-6
 04308995 17-6
 04309001 17-6
 04309027 17-6
 04309035 17-6
 04309043 17-6
 04312385 17-6

Stop arm
 02154862 17-4
 02154870 17-4
 04281457 17-4
 08311946 17-4

Vinyl letters
 00002726 17-4
 01530658 17-4
 01530666 17-4
 04289351 17-4
 04289369 17-4
 04289377 17-4
 04289385 17-4
 04289393 17-4
 04289401 17-4
 04290946 17-4
 04296877 17-4
 04303988 17-4
 04304366 17-4

Door supports
 Emergency door
 01546167 8-2
 01546175 8-2
 01553569 8-2

E

Electrical
 Alarm
 01554740 3-3
 Bosch relays
 00004394 3-4
 00031399 3-4
 00038132 3-4
 00066791 3-4
 01197136 3-4
 08315293 3-4

Buzzer
 00021437 3-3
 Circuit breakers
 00864660 3-4
 01170869 3-4
 Connector
 01143627 3-4
 Diode
 01320977 3-4
 Flasher
 00937953 3-1
 01366574 3-1
 01382241 3-1
 01656743 3-1
 Hardware
 02005874 3-1
 02102218 3-1
 02129443 3-1
 02129468 3-1
 02129476 3-1
 Horn
 00003311 3-4, 3-6
 00003312 3-4
 Littelfuse
 01973478 3-5
 Module
 00020479 3-4
 Relay
 00521781 3-3
 00663203 3-3
 01161876 3-1
 01615830 3-3
 01740711 3-3
 01746387 3-3
 01868017 3-3
 01950559 3-2
 04315131 3-3
 Solenoid
 00932012 3-2
 01013861 3-2
 01281070 3-2
 01367234 3-2
 01451434 3-2
 Switch
 00809103 3-2
 Terminator
 01816727 3-4
 Emergency
 Fire ax
 02004976 9-1
 02004984 9-1
 Fire extinguishers
 00845040 9-1
 01216704 9-1
 01216894 9-1
 First aid kits 9-2

Hardware
 00026124 9-1
 01544519 9-1
 Seat belt cutter
 8705 11-17
 01458793 9-1, 10-5
 Q5-7590 11-17
 Warning kit
 01748326 9-1
 Wrecking bar
 00948570 9-1

F

Fans
 00666719 4-5
 01544220 4-5
 Hardware
 02105013 4-5
 08301954 4-5
 08314304 4-5
 08314312 4-5
 Motor
 02143386 4-5
 08314320 4-5
 Floors
 Cement
 04294070 16-2
 Rubber
 00535245 16-1
 00756106 16-1
 00854307 16-1
 00854315 16-1
 00854323 16-1
 00854331 16-1
 00977975 16-1
 00978031 16-1
 01066935 16-1
 01066968 16-1
 01066984 16-1
 01066992 16-1
 01525104 16-1
 01525120 16-1
 01673300 16-1
 01673318 16-1
 01832559 16-1
 01992833 16-1
 01992841 16-1
 01992858 16-1
 01992866 16-1
 02005445 16-1
 02005486 16-1

Step treads
 02133973 16-2
 02133981 16-2
 04299459 16-2
 08311508 16-2
 08317117 16-2
 08317471 16-2
 Trim
 00235424 16-2
 01929462 16-2

Fuel Doors

01156371 8-4
 Hardware
 00071969 8-6
 00158634 8-4
 00845933 8-6
 01060748 8-4
 01062108 8-4
 01486919 8-4
 01789882 8-4
 01849561 8-4
 01849595 8-4

Locking

01857093 8-4
 01857135 8-4

Non-locking

01857085 8-4
 01857127 8-4

G**Glass**

AA 2-Piece Curved
 00269373 7-3
 00343723 7-3
 00343731 7-3
 00347203 7-3
 00347211 7-3
 01172006 7-3
 AA 4-Piece Flat
 00269373 7-3
 00357301 7-3
 00357335 7-3
 00620310 7-3
 01170810 7-3
 CV 2-Piece Curved
 00218800 7-1
 00269373 7-1
 00343822 7-1
 00343830 7-1
 CV 4-Piece Flat
 00218172 7-1
 00269373 7-1
 00343848 7-1
 00357293 7-1
 00357368 7-1
 00357376 7-1
 01387554 7-1

Mini Bird 2-Piece Flat

- 00269373 7-5
- 01227503 7-5
- 01227511 7-5
- 01227537 7-5

Q-Bus 2-Piece Curved

- 00269373 7-5
- 01528298 7-5
- 06001911 7-5
- 06001929 7-5

Rear emergency

- 00648097 7-10
- 00648121 7-10
- 00803833 7-10
- 00803841 7-10
- 01110048 7-10
- 01110055 7-10
- 01110089 7-10
- 01110097 7-10
- 01163179 7-10
- 01163187 7-10
- 01163195 7-10
- 01163203 7-10
- 01565092 7-10
- 01565126 7-10
- 01858653 7-10
- 01858661 7-10

Rear emergency glazing

- 00906529 7-10
- 00963066 7-10
- 01114305 7-10
- 01114321 7-10
- 01114339 7-10

Rear vision

- 00648063 7-8
- 01110154 7-8
- 01110162 7-8
- 01163096 7-8
- 01163104 7-8
- 01858646 7-8

Rear vision glazing

- 00906529 7-8
- 01114321 7-8

SS Glazing

- 01863505 7-7, 7-8
- 01863513 7-6
- 01877075 7-7, 7-8
- 02168730 7-7, 7-8
- 02236271 7-7, 7-8
- 02265510 7-6
- 03805926 7-7, 7-8
- 03831153 7-7, 7-8
- 03831534 7-6
- 03831567 7-6
- 03831575 7-7, 7-8
- 03831740 7-6
- 03831757 7-7, 7-8
- 03831773 7-6
- 03831781 7-7, 7-8

SS Windows

- 01509264 7-6
- 01509272 7-6
- 01509298 7-7, 7-8
- 01509314 7-7, 7-8
- 01518976 7-6
- 01518984 7-6
- 01858539 7-6
- 01865716 7-6
- 01865724 7-6
- 01865740 7-7, 7-8
- 01865765 7-7, 7-8
- 01877042 7-6
- 01877067 7-7, 7-8
- 01883511 7-7, 7-8
- 01949668 7-7, 7-8
- 01949676 7-7, 7-8
- 02165025 7-6
- 02165033 7-6
- 02165058 7-6
- 02165066 7-6
- 02210813 7-6
- 02210821 7-6
- 02236008 7-7, 7-8
- 02236065 7-7, 7-8
- 02265502 7-6
- 03798055 7-7, 7-8
- 03798527 7-6
- 03798568 7-6
- 03800729 7-6
- 03800737 7-6
- 03805934 7-7, 7-8
- 03805942 7-7, 7-8
- 03805967 7-7, 7-8
- 03806171 7-7, 7-8
- 03806189 7-7, 7-8
- 03806197 7-7, 7-8

TC 2-Piece Curved

00269373 7-2
 00343723 7-2
 00343731 7-2
 00347203 7-2
 00347211 7-2
 01172006 7-2

TC 4-Piece Flat

00269373 7-2
 00357301 7-2
 00357335 7-2
 00620310 7-2
 01170810 7-2
 01327014 7-2
 01327022 7-2

TC/AA 2-Piece Curved

00269373 7-4
 01551159 7-4
 01551183 7-4
 01551191 7-4
 01551209 7-4
 01551217 7-4

TC/AA 4-Piece Flat

00269373 7-4
 01532399 7-4
 01551167 7-4
 01551233 7-4
 01551241 7-4
 01551258 7-4
 01551266 7-4

H

Handles

01122605 8-4
 01128628 8-4
 01366715 8-6
 01579366 8-6
 01651496 8-4
 02004489 8-4

Assembly

01539154 8-6
 01539162 8-6

Emergency door

01166529 8-1
 01166537 8-1
 01722719 8-1

Hardware

00993261 8-6
 01483627 8-6
 01712884 8-6

Hood catch

01515618 8-3
 02088631 8-3
 08315335 8-3

Locking

01061928 8-1
 01062132 8-1

Non-locking

00949826 8-1
 00949842 8-1

Hardware

Bucking rivet sets

02014207 18-3
 02077675 18-3

Clamps

00557710 18-5
 00854612 18-5
 00948141 18-5
 01039486 18-5
 01107937 18-5
 01170083 18-5
 01674217 18-5
 02024370 18-5

Grommets

00421792 18-4
 01508613 18-4
 01610450 18-4
 01619477 18-4
 02003150 18-4
 02003168 18-4
 02003184 18-4
 02003192 18-4
 02003200 18-4
 02003218 18-4
 02003226 18-4
 02003234 18-4
 02003242 18-4

Nuts

01006832 18-1
 01152917 18-2
 01315118 18-2
 01434463 18-1
 02001394 18-1

Rivets

00422915 18-1
 00542019 18-1
 00809343 18-1
 00888222 18-1
 00948497 18-2
 00948505 18-1, 18-2
 00948513 18-1, 18-2
 00948521 18-1, 18-2
 00948539 18-1, 18-2
 00948547 18-1, 18-2
 00948554 18-1, 18-2
 01415769 18-1
 01449883 18-1, 18-2
 01449909 18-1, 18-2
 01549211 18-1
 012116061 18-1

Heaters

- 00016880 4-10
- 00016882 4-10
- 00016883 4-10
- 00016884 4-10
- 01444033 4-10

Breaker

- 08303109 4-8

Clamp

- 00601617 4-8

Coil

- 01155969 4-7
- 01155977 4-7
- 01294081 4-6, 4-10
- 01294099 4-10
- 01297761 4-6
- 01438118 4-6, 4-10
- 01473511 4-7
- 01605542 4-7
- 04316378 4-7
- 08303208 4-7

Diffuser

- 00530246 4-3
- 00530253 4-3
- 01786060 4-3
- 01915438 4-3
- 01918549 4-3

Fan

- 01438126 4-10
- 02004307 4-10

Fan blades

- 01438126 4-2
- 02004307 4-2
- 02103323 4-2
- 02115483 4-5

Filter

- 01494962 4-5
- 01922384 4-5
- 04316386 4-5
- 06003305 4-5
- 08303216 4-5

Hardware

- 00003459 4-10
- 01420025 4-8
- 01438811 4-8
- 01482736 4-8
- 02102994 4-11
- 02129732 4-7
- 02157592 4-6
- 02160562 4-6
- 04315065 4-8
- 08306060 4-5

Louver

- 01563436 4-3
- 08303091 4-3

Motor

- 00159723 4-1
- 00228072 4-1, 4-10
- 00228080 4-1
- 00935494 4-5
- 01438480 4-1, 4-10
- 01476183 4-1
- 04316246 4-1

Resistor

- 01601681 4-3
- 04316295 4-3

Tubing

- 00281303 4-9
- 00571067 4-9
- 00810945 4-9
- 01360270 4-9

Valve

- 00244475 4-8
- 00250803 4-8
- 00544353 4-8
- 00544361 4-8
- 00621664 4-9
- 00651844 4-8
- 01605559 4-9
- 01626431 4-8
- 01784628 4-10
- 01784636 4-10
- 01913722 4-10
- 01913730 4-10
- 02052579 4-9

Hinges

- Emergency door
- 01613744 8-1
- 01769769 8-1
- 01952514 8-2

Hardware

- 01132406 8-3

Hood

- 01132414 8-3
- 01631035 8-3

Hood

- Hardware
- 01543651 8-6

K

Keys

- 00848747 1-12, 8-2, 8-4, 8-5, 8-6, 8-7
- 02072494 8-2
- 04294849 1-12
- 08301244 1-12

L

Latches

00027417 8-7
 00027419 8-7
 00027886 8-5
 00994657 8-7
 01798420 8-5

Electrical door
 00044715 8-7

Engine
 01122902 8-6

Glove compartment
 00043455 8-6

Hardware
 08315327 8-3

Hood
 01515360 8-3
 02088623 8-3
 08315319 8-3

Lights

00014698 2-7
 00044521 2-7
 00525543 2-4
 00533638 2-2
 00566174 2-4
 00566208 2-3
 00620443 2-2
 00817098 2-4
 00817155 2-12
 00857656 2-4
 00963173 2-4
 01134709 2-1
 01164359 2-2
 01228451 2-2
 01339001 2-3
 01586288 2-1
 01586296 2-1
 01759240 2-12
 010759257 2-12
 01927490 2-1
 02006336 2-1
 02126928 2-14
 02132009 2-1
 02132017 2-1
 02144962 2-2
 02144988 2-2
 02145001 2-10
 02146827 2-12
 02147197 2-14
 02161529 2-11
 04297834 2-9
 04303806 2-12
 04321725 2-4
 08302150 2-12
 08311581 2-14

Backup

01635127 2-12

Bulbs

00877100 2-15
 01038215 2-3, 2-12
 01151406 2-1, 2-13
 01620806 2-10
 02007557 2-1, 2-2, 2-12
 02007565 2-12
 02101517 2-11
 02123313 2-4
 02132108 2-10
 02150951 2-2
 02255636 2-2, 2-8
 02255669 2-4
 04299350 2-10
 04303285 2-1

Directional

00817106 2-8
 00817114 2-8
 01620053 2-6
 02154490 2-8

Flasher

01872332 2-11

Flash Tubes

04293577 2-14
 04319422 2-11
 04322368 2-14, 2-15
 04323861 2-15
 04324026 2-14
 04324810 2-15
 04325304 2-14

Hardware

00027927 2-5
 00061123 2-14
 00932020 2-1
 01111475 2-11
 02103653 2-1
 02132041 2-1
 02134369 2-3, 2-11
 02140986 2-1
 02146256 2-10
 02146264 2-10
 02146314 2-10
 02147213 2-14
 02152239 2-11
 02157071 2-3, 2-4
 02157097 2-4
 03909090 2-4
 04280194 2-3
 04286373 2-3
 04286381 2-1
 04286399 2-1
 04286407 2-1
 04286415 2-11
 04286423 2-1
 04288916 2-11
 04317525 2-6

L.E.D.

00027923 2-5
00027924 2-5
00027926 2-5
00051796 2-6
00051797 2-6
00053071 2-5
00053409 2-6
00054534 2-6
00061783 2-5

Lens

01258003 2-12
02100436 2-12
02101541 2-4
02101558 2-4
02101632 2-1
02101640 2-1
02102788 2-11
02103398 2-1
02103406 2-1
02103679 2-11
02104099 2-8
02117273 2-9
02128254 2-4
02130490 2-1
02130508 2-1
02132025 2-1
02132033 2-1
02132082 2-11
02132090 2-11
02132124 2-10
02145019 2-10
02145035 2-9
02146348 2-2
02146819 2-12
02147619 2-4
02161545 2-11
02720647 2-3
04280012 2-12
04284543 2-9
04286498 2-12
04288080 2-2
04293262 2-4, 2-11
04306015 2-4
04311775 2-10
04317467 2-6, 2-8
04320339 2-14
08308710 2-11
08308728 2-11
08309700 2-4

Marker

00064612 2-1
01941368 2-1
03909082 2-4

Monitor

00053479 2-17
01374818 2-17
01374826 2-17
01872340 2-11

Pilot

01410794 2-15
01410802 2-15
01525666 2-15
01525674 2-15
01525682 2-15
02006799 2-15
02006807 2-15
04282331 2-15
04282349 2-15
04297644 2-15
04297818 2-15

Reflector

00618579 2-13
01835461 2-13
02006260 2-13
02006278 2-13
02146702 2-13
02146710 2-13

Stop Tail

00065534 2-5
2145027 2-9

Stop Tail Turn

04292215 2-10

Strobe

00066494 2-14
01009281 2-14
01685908 2-14
01734011 2-14

Strobe Warning

01736289 2-11

Tag

01295252 2-13
01619980 2-13

Warning

000061302 2-5
00061482 2-7
00566182 2-11
00755132 2-11
01225986 2-11
01225994 2-11

Locks

00040607 8-7

Assembly

00058405 8-7
00948596 8-7
01789882 8-2

Barrel

00831461 8-2

Battery box locking

01055284 8-5
01651850 8-5

Battery box nonlocking
01651884 8-5
02008712 8-5
Emergency door
01565290 8-1
01565308 8-1
Fuel tank door
01060748 8-6
Hardware
00027420 8-7
00967307 8-2
00994665 8-7
00994673 8-7
01062108 8-6
02134468 8-5, 8-7
04298956 8-5, 8-7
04298964 8-5, 8-7
Kit assembly
00913160 8-7
00913178 8-7
Lift door
01565274 8-1
01565282 8-1
Vandal
00058414 8-2
01436948 8-2

M

Mirror
Micro Bird
01021443 6-6
01263433 6-6
Mirrors
01053586 6-5
01324086 6-5
01447234 6-5
Arm
00043203 6-8
00044687 6-8, 6-9
Arm assembly
00044687 6-10
00045084 6-9, 6-10
00045085 6-9, 6-10
00046083 6-9, 6-10
00046087 6-8, 6-10
00046089 6-10
00066006 6-12
00066012 6-12
00066065 6-10
00066066 6-10

Assembly
00033044 6-8
00033045 6-8
00037248 6-9
00037249 6-10
00037252 6-10
00037258 6-9
00046520 6-2
00046521 6-2
01043777 6-3
01054675 6-3
01437037 6-7
01437243 6-7
01437250 6-7
01437268 6-7
01437276 6-7
01633031 6-7
01633114 6-6
01633122 6-6
01673490 6-6
01951557 6-2
03949211 6-6
03949252 6-6
04322509 6-2
Convex
00418665 6-5
00755710 6-4
00802033 6-4
00888545 6-3
01386689 6-4
01415231 6-4
Elliptical
01019462 6-4
Flat
01386671 6-4
01638667 6-3
04292488 6-3
04324414 6-3

Hardware

- 00031728 6-9, 6-10
- 00043204 6-8, 6-10
- 00043205 6-8, 6-10
- 00755710 6-7
- 00807818 6-7
- 01023720 6-6
- 01025246 6-2
- 01032283 6-7
- 01043694 6-3
- 01046697 6-6
- 01383264 6-7
- 01383272 6-7
- 01383280 6-7
- 01383306 6-7
- 01383314 6-7
- 01386663 6-10
- 01435007 6-7
- 01435015 6-7
- 01435031 6-7
- 01531490 6-7
- 01633049 6-7
- 01633056 6-7
- 01633064 6-7
- 01633072 6-7
- 01752294 6-2
- 01965771 6-3
- 02000198 6-10
- 02130524 6-7
- 02161412 6-4
- 04302444 6-1
- 04302451 6-1

Heated

- 00022292 6-5
- 00039135 6-8, 6-10
- 00039136 6-8, 6-10
- 00044671 6-9, 6-10
- 00044672 6-9, 6-10
- 01211408 6-5
- 01646520 6-1
- 01646538 6-1
- 01646553 6-1
- 01646561 6-1
- 01769108 6-4
- 01769116 6-4
- 04298139 6-2
- 08312001 6-1
- 08312027 6-1

Housing

- 00066068 6-12

Htd Glass

- 04300117 6-2
- 04302428 6-1
- 04302436 6-1

NHtd Glass

- 04308425 6-1
- 04308433 6-1

Nonheated

- 00040766 6-8, 6-9
- 00040767 6-8, 6-9
- 01638642 6-1
- 01638659 6-1
- 01638675 6-1
- 01638683 6-1
- 01737915 6-4
- 01737923 6-4
- 04287918 6-2
- 08312019 6-1
- 08312035 6-1

Sunvisor

- 00066937 6-13
- 00066939 6-13
- 00066941 6-13
- 01221167 6-13
- 01468123 6-13

N

Name Plates

- All American**
 - 00000100 17-1
- Blue Bird**
 - 00000097 17-1
 - 00001157 17-1
- Handy Bus**
 - 00996967 17-1
 - 00996975 17-1
- Micro Bird**
 - 01021476 17-1
- Mini Bird**
 - 00996942 17-1
 - 00996959 17-1

P

Paints

- Dupont**
 - 93-29505 17-8
 - 93-59594 17-8

PA Systems

- Horns**
 - CRC-3056 15-4
 - CRC-3057 15-4

R

Radios

- Accessories**
 - 00031042 15-2
 - BRK-GP-0052 15-4
- Antenna**
 - 01415785 15-4

Custom Radio
 00040799 15-2
 00040800 15-2
 00048470 15-2
 00048472 15-2
 CRC-5300 15-1
 CRC-5310 15-1
 CRC-5340 15-1
 PA2-5310-AM05A 15-2
 Microphones
 CRC-103U 15-4
 Mounting plates
 00031041 15-2
 PA6-BL15E 15-2
 PA6-GP44 15-2
 REI
 CQDP103U 15-3
 CQ-R111 15-3
 R320 15-3
 R655 15-3
 Speakers
 CRC-2094 15-4
 CRC-2095 15-4
 CRC-3053 15-4
 Rocker Switches 1-1-1-18
 Roof Hatches
 Specialty
 01835313 14-6
 01843671 14-7
 Transpec
 01458595 14-1
 01667302 14-3
 01782754 14-4
 01873728 14-5

S

Special Needs
 Accessories
 100AR 11-13
 100AZ 11-13
 100BG 11-13
 100CRP 11-13
 100NP 11-13
 100WRP 11-13
 4012 11-13
 8663 11-15
 8705 11-17
 FE200744 11-15
 FE200746 11-17
 FE200750 11-15
 FE200751 11-15
 Q5-3053 11-16
 Q5-6300 11-16
 Q5-6500-L 11-16
 Q5-7530 11-17
 Q5-7535-A 11-16
 Q5-7535-A-K 11-16
 Q5-7535-A-S 11-16
 Q5-7550-T 11-16
 Q5-7551-SR 11-16
 Q5-7551-SRS 11-16
 Q5-7551-TF 11-16
 Q5-7551-TFS 11-16
 Q5-7560-5A 11-17
 Q5-7570-5 11-17
 Q5-7570-A 11-16
 Q5-7576 11-17
 Q5-7590 11-17
 Q5-8521-T 11-17
 Q5-8522 11-17
 Q5-T 11-13
 Q8-6040-FS-A 11-16
 Combo belts
 FE200727 11-15
 Floor plates
 MA-7560 11-11
 Lap belts
 FE200594 11-7
 FE200595 11-7
 FE200599 11-8
 FE200600 11-7
 FE200601 11-7
 FE200612 11-7
 FE200613 11-8
 FE200716 11-8
 FE200732 11-8
 MA-320 11-4
 ML-320 11-4
 MM-320 11-4
 Mounting kits
 FE200745 11-15
 FE200747 11-15

Shoulder belts

- FE200599HA 11-7
- FE200604 11-8, 11-15
- FE200604HA 11-8
- FE200604L 11-8
- FE200710 11-8, 11-15
- FE200710HA 11-8
- FE200710L 11-8
- FE200727 11-7
- FE200727HA 11-7
- MA-410 11-4
- ML-410 11-4
- MM-410 11-4

Tracks

- FE744-01 11-9, 11-15
- FE748-01 11-9
- FE748-01-PD4 11-9
- FE750-01 11-9
- FE751-01 11-9
- FE751-01-PD4 11-9
- FE752-01 11-9
- FE200761 11-9
- FE200762 11-9
- FE200763 11-9
- FE200765 11-9
- FE200784 11-11
- FE200844 11-11
- Q5-6008-FBK 11-10
- Q5-6008-FPD 11-10
- Q5-6008-PD 11-10
- Q5-6008-SRPD 11-10
- Q5-7008-F 11-10
- Q5-7008-FBK 11-10
- Q5-7008-PD 11-10

Track systems

- FF627-4C 11-3
- FF627S-4C 11-3
- FF628-4C 11-3
- FF628S-4C 11-3
- Q-5001 11-1
- Q-5001-5 11-2
- Q-5001-T 11-2
- Q-8100-A1 11-1

Wheelchair restraints

- FE501 11-5
- FE501S 11-5
- FE510 11-5
- FE510S 11-5
- FE514 11-6
- FE514S 11-6
- FE517 11-6
- FE517S 11-6

Starters

New

- 01315480 19-13
- 01483304 19-13
- 01760057 19-13
- 01769512 19-13
- 01930163 19-13
- 01935477 19-13
- 01935485 19-13
- 01967561 19-13
- 04312666 19-13

Reman

- 00046886 19-13
- 00046887 19-13
- 00046889 19-13
- 00046890 19-13
- 00046891 19-13
- 00046892 19-13
- 00046893 19-13
- 00046894 19-13
- 00046895 19-13
- 00046898 19-13
- 00046899 19-13

Stop Arms

Blades

- 02115327 12-10
- 04295788 12-10
- 04295796 12-10

Decals

- 02154862 12-10
- 02154870 12-10
- 04281457 12-10

Hardware

- 00522508 12-13
- 00603415 12-13
- 00810762 12-13
- 01984376 12-13
- 02008464 12-13

Lens kit

- 04278420 12-10

Specialty

- 3135 12-1
- 3143 12-1
- 3146 12-1
- 3148 12-1
- 3149 12-1
- 3155 12-1
- 3162 12-1
- 3163-01 12-1
- 3164 12-1
- 3165 12-1
- 3166 12-1
- 3174-01 12-1
- 3176-01 12-1
- 3178 12-1
- 3179 12-1
- 7179 12-1

Transpec	00027347	1-6
30293-11	00027348	1-7
30295-02	00027349	1-1
04296703	00027581	1-4
08310492	00027650	1-3
08311730	00027733	1-2
08311748	00027933	1-6
08311755	00029026	1-5
08311763	00029027	1-3
08311771	00031531	1-9
08311789	00032198	1-1
08311813	00049554	1-7
08311821	00049555	1-7
08311839	00236745	1-7
08311888	00367466	1-7, 1-8
08311896	00416628	1-11
08311904	00612895	1-11
08311912	00648527	1-9
08311920	00759902	1-11
08311938	00770339	1-11
08311946	00809996	1-9
08311953	00810002	1-9
08311961	00870485	1-11
08311979	00907600	1-12
Switches 1-1-1-18	00945410	1-11
00027299	00952465	1-12
00027300	00989020	1-8
00027301	00989186	1-10
00027302	01004597	1-11
00027303	01010685	1-12
00027305	01014349	1-8
00027306	01025782	1-12
00027307	01085083	1-12
00027308	01124411	1-8
00027309	01124676	1-11
00027310	01126176	1-8
00027311	01126184	1-8
00027312	01143338	1-10
00027313	01145168	1-8
00027314	01155241	1-7
00027315	01155258	1-7
00027316	01462993	1-12
00027317	01499094	1-7
00027318	01499102	1-7
00027319	01583699	1-12
00027320	01601814	1-13
00027321	01644525	1-12
00027322	01644749	1-12
00027323	01646587	1-13
00027324	01646595	1-13
00027325	01656396	1-10
00027327	01656487	1-10
00027328	01695154	1-8
00027329	01861806	1-12
00027330	01861814	1-12
00027331	01962364	1-10
00027332	01962372	1-10

01962380 1-10
 01969997 1-10
 02005981 1-8
 02006013 1-9
 02006088 1-9
 02025245 1-10
 02100576 1-8
 02101392 1-9
 02101400 1-9
 02133403 1-15
 02133411 1-15
 02133429 1-15
 02133437 1-15
 02133445 1-15
 02133452 1-15
 02133460 1-15
 02133478 1-15
 02145746 1-16
 02145753 1-16
 02145761 1-16
 02145779 1-16
 02145787 1-17
 02145878 1-16
 02147726 1-17
 02147734 1-17
 02147742 1-17
 02147759 1-17
 02167393 1-8
 02241438 1-11
 02241446 1-11
 02632529 1-11
 04294351 1-17
 04297826 1-16
 04297917 1-17
 04297925 1-17
 04312542 1-16
 04320917 1-9
 04320925 1-9
 06011985 1-13
 06011993 1-13
 06012009 1-13
 06012017 1-13
 06012025 1-13
 06012033 1-13
 06012041 1-13
 06012058 1-13
 06012165 1-13
 08303141 1-9
 08303158 1-9
 09025157 1-1
 09025198 1-7

Bases

00027285 1-2
 00027287 1-4
 00027288 1-1
 00027289 1-3
 00027290 1-1
 00027291 1-5
 00027292 1-1, 1-6
 00027293 1-3
 00027294 1-3
 00027295 1-6
 00027296 1-5
 00027297 1-6
 00027298 1-4
 00027714 1-1
 00032480 1-1
 00035240 1-6

Hardware

00046112 1-8
 00196394 1-7
 01073311 1-7
 01169408 1-7
 01277516 1-12
 01320951 1-12
 01320969 1-12
 01494897 1-9
 01816727 1-9
 01838499 1-9
 01879931 1-12
 02028066 1-12
 02145449 1-9

SWITCHES TO FIT OTHER MAKES OF BUSES 1-15

T

Tools

01308741 18-2
 02011807 18-2
 02071363 18-3
 02084515 18-3
 02087161 18-3
 04279212 18-2
 04312419 18-2

Glass installation

02011831 18-2
 02011849 18-2
 02011856 18-2
 02012441 18-2

Lug wrenches

00000992 18-3
 01112531 18-3
 01112549 18-3

Terminal extracting

00015909 18-3
 00015917 18-3
 02066439 18-3
 02069557 18-3

U

Upholstery

Blue Bird

00000860 10-6
 00001763 10-6
 00001767 10-6
 01409184 10-6
 01409226 10-6
 01685494 10-6

Bostrom

00002309 10-1
 00002310 10-1
 00002312 10-1
 00002313 10-1
 00002314 10-1
 00002315 10-1
 00002316 10-1
 00002317 10-1
 00002318 10-1
 00002319 10-1
 00002320 10-1
 00002321 10-1
 00002322 10-1
 00002323 10-1
 00002325 10-1
 00002331 10-1
 00014177 10-1
 00014178 10-1
 00014179 10-1
 00014180 10-1
 00014192 10-1
 00014193 10-1
 00017442 10-1
 00017446 10-1
 00017449 10-1
 00017450 10-1
 00017451 10-1
 00017453 10-1
 00017454 10-1
 01697705 10-1
 01697747 10-1
 01697754 10-1
 01860261 10-1

Cover assembly

02148310 10-3
 02710168 10-3
 02714665 10-3
 02719409 10-3

Seat covering

00002320 10-1
 00002326 10-1
 00002327 10-1
 00002328 10-1
 01697762 10-1
 01697770 10-1
 01697804 10-1

Seat hardware

00003459 10-5
 00615567 10-5
 00813477 10-5
 00825331 10-5
 00919803 10-5
 00919811 10-5
 02001352 10-5

Seat tape

02142925 10-5
 02142933 10-5

V

Video Systems 15-10

W

Water Pumps

00952887 4-4
 01723071 4-4
 04297222 4-4

Hardware

01973403 4-4
 01987676 4-4
 02103307 4-4
 02115780 4-4
 04324570 4-4

Motor

02103299 4-4
 04324893 4-4

Wheels

Covers

00033872 19-21
 01933209 19-21

Hardware

03982899 19-21, 19-22, 19-23

Liners

00034525 19-23
 00067038 19-23
 00067039 19-23
 01884626 19-22
 01933225 19-22

Window

Hardware

03788825 7-10
 03817558 7-10

Latch

02176568 7-10
 02176579 7-10
 02176584 7-10

Latch assembly

01991298 7-10
 01991306 7-10

Wiper

Arms

- 01014497 5-8
- 01014505 5-8
- 01452796 5-7
- 01561760 5-7
- 01918564 5-7
- 01918572 5-7
- 01918580 5-7

Assembly

- 01023142 5-1
- 01404771 5-5
- 01404789 5-5
- 01457019 5-5
- 01457027 5-5
- 01457035 5-3
- 01561679 5-6
- 01561687 5-6
- 01573997 5-3
- 01574003 5-3
- 01580240 5-3
- 01580257 5-3
- 01600451 5-1
- 01600485 5-1
- 01600493 5-1, 5-3
- 01789916 5-1
- 01789924 5-1

Blade

- 00063648 5-7
- 00348102 5-6
- 00348144 5-6
- 00366476 5-6
- 00522268 5-6
- 00875229 5-6
- 00989202 5-6
- 01341981 5-7
- 01341999 5-7
- 01496827 5-7
- 01496835 5-7
- 01573682 5-7
- 01573690 5-7
- 01958636 5-7
- 01974070 5-7
- 04322434 5-7

Blade kit

- 04324646 5-7

Connecting links

- 00522219 5-4
- 02100824 5-4
- 04286001 5-4

Connector

- 01153170 5-9
- 01290758 5-9
- 01573765 5-4

Crank arms

- 02102242 5-5
- 02126001 5-5
- 04304465 5-5
- 04311957 5-5

Gear assembly

- 02100873 5-4
- 08310039 5-4

Hardware

- 00522219 5-1
 - 00522227 5-2, 5-3, 5-4
 - 00522243 5-1
 - 00982819 5-6
 - 01272590 5-6
 - 01296441 5-6
 - 01364587 5-5
 - 01429703 5-6
 - 01452549 5-8
 - 02100808 5-5
 - 02100816 5-4, 5-5
 - 02100824 5-1, 5-3
 - 02101376 5-8
 - 02101459 5-1, 5-3
 - 02102242 5-1
 - 02113983 5-2, 5-3, 5-4
 - 02126001 5-1, 5-3
 - 02140655 5-2, 5-3, 5-4
 - 02143352 5-8
 - 02143360 5-8
 - 02160539 5-7
 - 04283834 5-8
 - 04283842 5-8
 - 04283867 5-8
 - 04286001 5-3
 - 04294112 5-7, 5-8
 - 04297529 5-7
 - 04298014 5-7
 - 04298022 5-7
 - 04298030 5-7
 - 04298048 5-7
 - 04298923 5-7
 - 04302329 5-5
 - 04304440 5-2, 5-3
 - 04304465 5-1, 5-3
 - 04309621 5-2, 5-3, 5-4
 - 04311957 5-3
 - 04311965 5-1
 - 04313201 5-3
- Motor
- 04304440 5-4
- Nozzle
- 04294112 5-9
 - 04298030 5-9
- Pivot
- 01290493 5-8

Reservoir

00000006 5-8

00831164 5-9

01558550 5-8

02115558 5-9

Reservoir hardware

00019576 5-8

00019577 5-8

00019621 5-8

00876847 5-9

00981399 5-9

01085877 5-9

01085885 5-9

01126614 5-9

01152917 5-9

02003226 5-9

02115541 5-9

04298113 5-8

04304770 5-8

04312922 5-9

Reservoir kit

00833509 5-9

Shafts

00522243 5-4

02101459 5-4

04313201 5-4

Switch

00000447 5-6

01271097 5-6

01429562 5-6

01429620 5-6

*For GENUINE BLUE BIRD replacement parts, contact your
Blue Bird Authorized Dealer*



BLUE BIRD

Publication Number 10000397

T E C H N I C A L C O M M U N I C A T I O N S

Post Office Box 937 • Fort Valley, Georgia 31030, USA • www.blue-bird.com