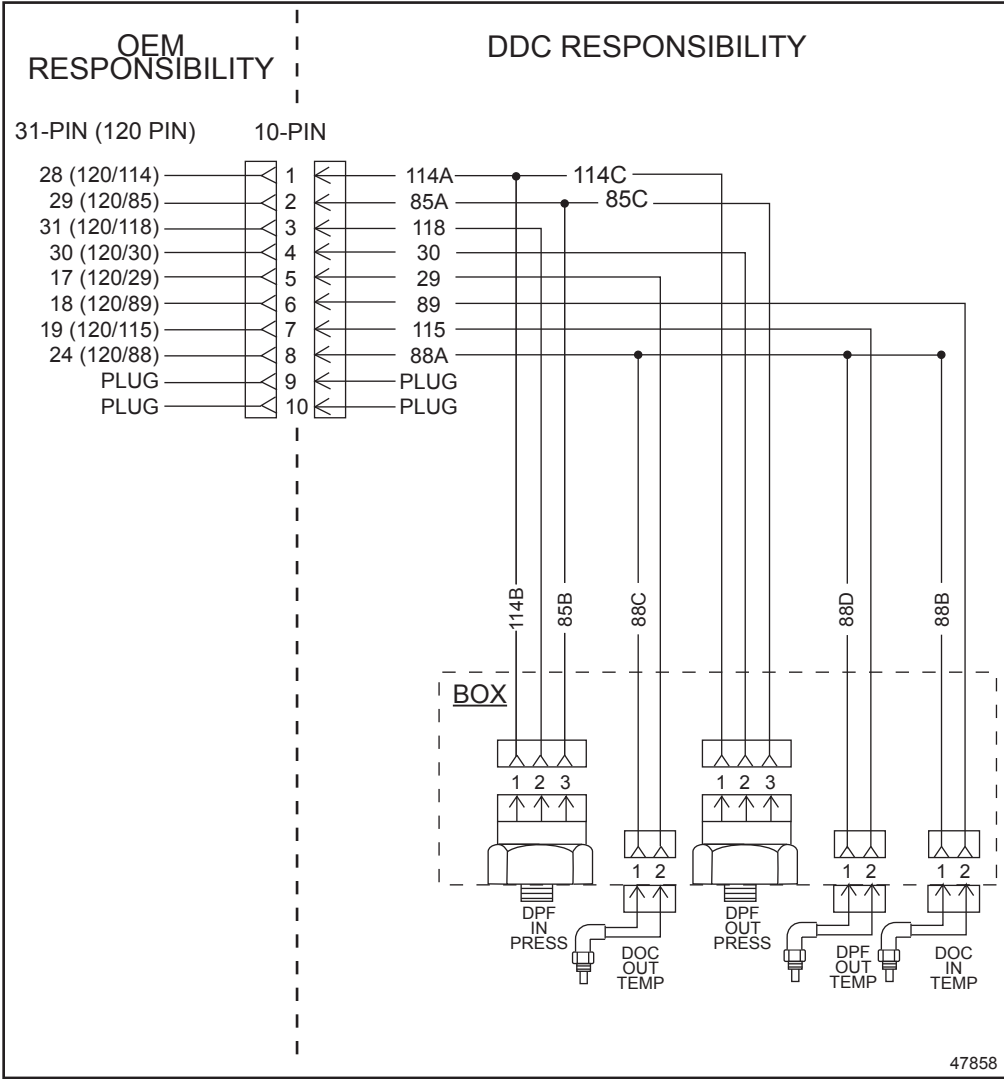


Horizontal ATD Wiring - OEM Responsibility



Vertical ATD Wiring - OEM Responsibility