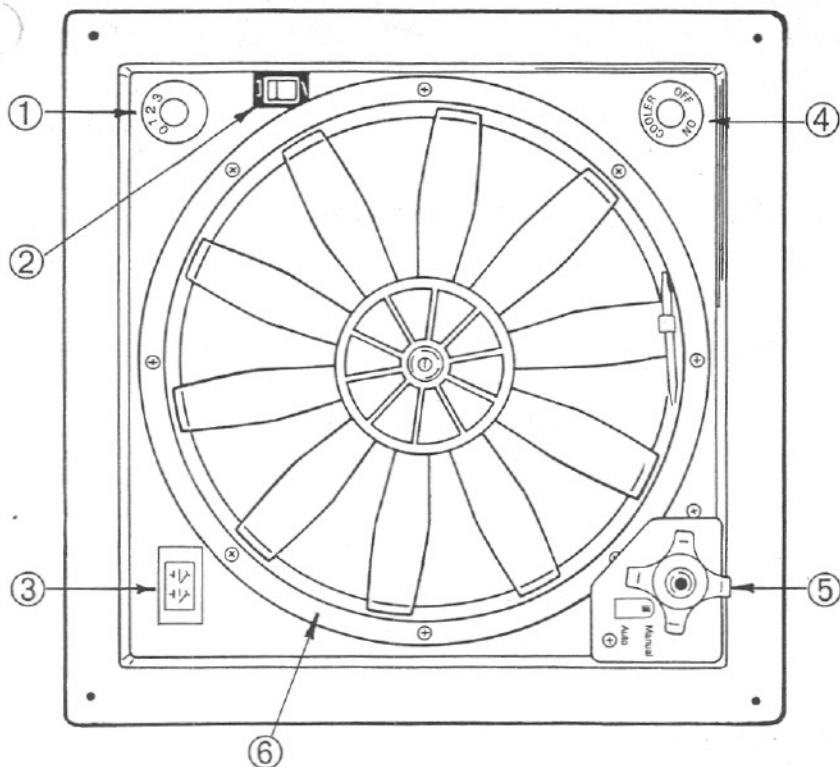


FAN-TASTIC VENT MODEL 6000A — OPERATING INSTRUCTIONS

(NEW PRODUCTION EFFECTIVE 1-96)



- ① 0 = Power Off
1 = On - Low Fan Blade Speed
2 = On - Med Fan Blade Speed
3 = On - High Fan Blade Speed
- ② Dome - $\swarrow \uparrow$ = (UP) or $\nwarrow \downarrow$ = (DOWN)
- ③ Fan Blade - On/Off
I = ON, O = OFF
or
Fan Blade - Center Off
 $\swarrow \uparrow$ = Out, $\nwarrow \downarrow$ = In
- ④ Fan Blade - 22°F - 120°F
Thermostat Control
- ⑤ IMPORTANT!!!!!!
Dome Adjustment or Emergency
Close Knob.
- ⑥ Removable Interior Screen

Notice: Do not leave fan in active automatic mode while rig is stored or unattended for long periods — high winds, other unusual conditions or obstructions may prevent closing: resulting leakage could cause damage.

- A.) Activate appliance by rotating ① to 1, 2 or 3.
- B.) Select "UP" ($\swarrow \uparrow$) on ② to raise dome, "DOWN" ($\nwarrow \downarrow$) to close dome.
- C.) With Fan Blade Off Switch, select I (ON) or O (OFF), switch ③. With Fan Blade Reverse Switch, select $\swarrow \uparrow$ (OUT), $\nwarrow \downarrow$ (IN) or center off on ③. NOTE: If fan blade is OFF or ON- $\nwarrow \downarrow$ (IN) mode, rain will infiltrate your rig until dome is fully closed.
- D.) ④ is the thermostat knob, "ON" is 22°F, "OFF" is 123°F. Select a setting somewhere in between for your comfort. Fan blade will automatically turn on and off as your rig heats up & cools off. When rain sensor becomes wet, dome will close automatically and shut off fan blade, if it is on. When sensor dries, dome re-opens again. If fan blade rapid cycles on/off, select more extreme temperature setting to minimize.
- E.) ⑤ is the dome adjustment/emergency close feature. To adjust dome, allow it to travel all the way up automatically. Now push thumb slide to "Manual" position. Turn knob lowering dome to desired height, then return thumb slide to "Auto" position (NOTE: at 1/3 open, fan blade exhaust efficiency is reduced to 90%). After adjusting always check knob to insure it is now "locked into gearbox". **IMPORTANT!!** Keep fingers away from knob while dome is automatically opening or closing. Always return thumb slide to "Auto" position after adjusting dome height.
- F.) When rain sensor is wet and dome closed, manually open dome to override rain sensor then return thumb slide to "Auto" position. When sensor dries dome will open.
- G.) To clean; remove 8 screws in ⑥, wash with mild detergent & re-install.
- H.) For storage; select dome down, $\nwarrow \downarrow$ on ②, then rotate ① to "0" (OFF).

IMPORTANT: Any Damage Due to Shipping, Call Fan-Tastic Vent Collect for Immediate Replacement.

FAN-TASTIC VENT

12 Volts Only 12 Volts Only 12 Volts Only 12 Volts Only

INSTALLATION INSTRUCTIONS FOR 12-VOLT CEILING FAN

SYSTEM HAS BEEN FUSED BY FAN-TASTIC VENT.

WHEN CONNECTING TO AN EXISTING CIRCUIT, IF POSSIBLE MOVE CIRCUIT TO FILTERED SIDE OF CONVERTER.

RECOMMENDED WIRE:

A minimum of 16-gauge stranded copper must be used.
Insulated connectors must be used.

WIRE COLOR CODE:

Black - Positive or Fused*
White - Negative or Ground

ROOF MOUNTING INSTRUCTIONS;-AFTERMARKET

A closed cell foam gasket is provided with your fan. Place gasket on bottom of flange and screw flange with gasket to roof using all 28 screws provided. Using silicone sealant, seal screw heads then apply a (1/4" approx.) bead around perimeter of flange at roof. Silicone is not provided. For rubber roofs substitute EPDM compatible lap sealant e.g. Dicor 551 LSW or 502 LSW.

ROOF MOUNTING INSTRUCTIONS;-OEM (Original Equipment Manufacturer)

Sealer is required between mounting flange bottom & top of roof.

RECOMMENDED SCREWS:

No. 8 self-tapping flat head - 3/4" to 1" in length. All 28 holes must be used for proper seal. After ceiling fan has been mounted and wired, install interior garnish with screws provided. Garnish must be trimmed for thinner roofs. For deeper than standard garnish, call Fan-Tastic Vent Corporation toll free.

REVERSE SWITCH:

Units equipped with a reverse switch - motor and fan blade must be completely stopped before reversing fan.

NOTE:

A SAFETY SWITCH HAS BEEN INSTALLED ON THIS UNIT, DOME MUST BE OPENED APPROXIMATELY 3 INCHES BEFORE MOTOR WILL OPERATE. WHEN DOME IS SHUT COMPLETELY, MOTOR WILL NOT OPERATE.

*PERMANENT MAGNET MOTORS & P.C. BOARDS PERFORM AS DESIGNED ON FILTERED DC CURRENT. UNFILTERED DC CURRENT MAY CREATE IRRITATING NOISE FROM FAN BLADE MOTORS & FAILURES IN P.C. BOARDS.

HOW TO USE YOUR FAN-TASTIC VENT

Close all vents when using your Fan-Tastic Vent. Slightly open windows on shaded side of coach afford the most comfortable ambient air, even on hot days. Remember, you direct the air flow by opening a window. Always try to position yourself between open window and fan for greatest air flow comfort.

Any installation or operating problems call Fan-Tastic Vent toll free immediately, 1-800 521-0298.

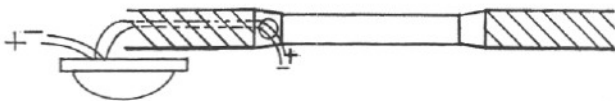
2083 S. Almont Ave.
Imlay City, Michigan 48444
(810) 724-3818 • (800) 521-0298 • FAX (810) 724-3460

HOW TO INSTALL YOUR FAN-TASTIC VENT FAN

12 volt only - 12 volt only - 12 volt only - 12 volt only - 12 volt only

- 1) Select fan location nearest a 12 volt power supply. When prewired by the mfg, check proper voltage and fuse.
- 2) Remove old fan/vent.
- 3) Scrape off the old sealant. A clean surface is necessary to provide best seal with closed cell gasket provided or any other sealants to be used.

4



Inside light

Prewire power through roof for best installation.

5



Place gasket around flange bottom.

6



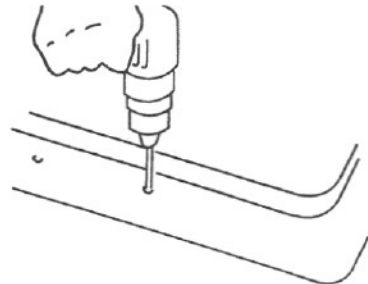
Set fan into opening, square.

7



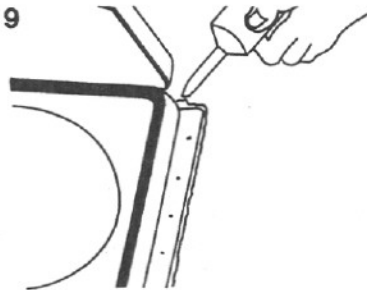
Hook power to fan. Open dome; check air flow direction.

8



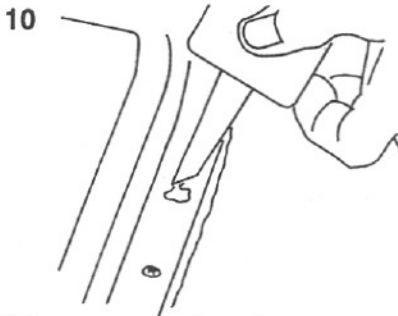
Screw down tight to roof using all 28 screws.

9



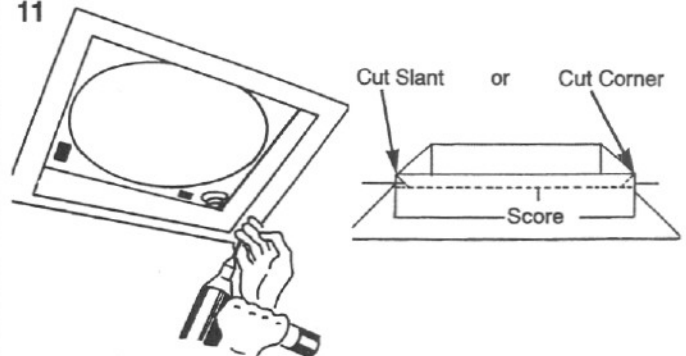
Silicone the flange where it meets the roof.

10



Silicone screw heads.

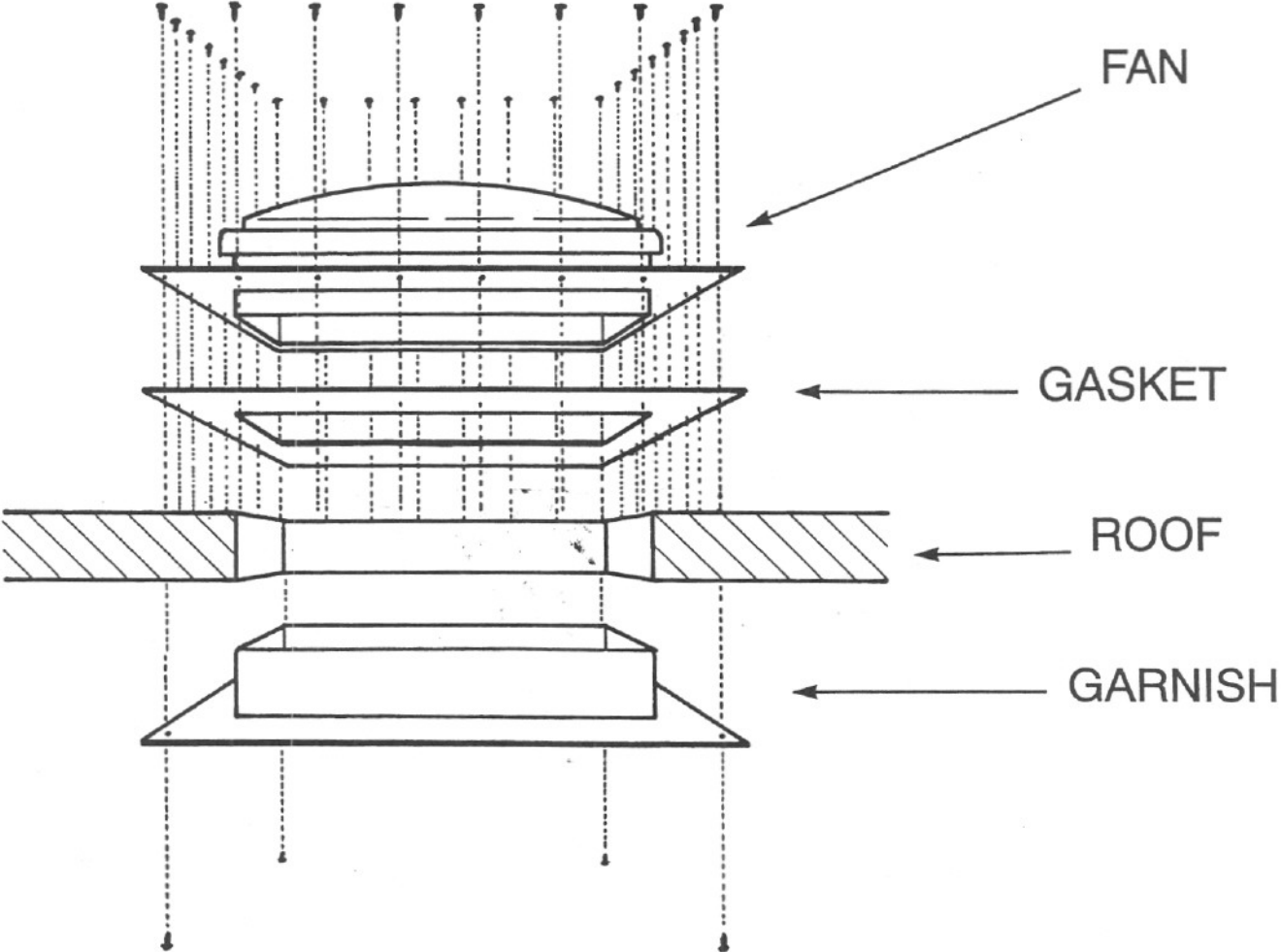
11



Install interior garnish. Garnish may need to be trimmed. Score with Stanley knife, cut corners to the score line & break away. Exact sizes are available

Call 1-800-521-0298 • 8 to 5 ET • Mon - Fri

SCHEMATIC FOR FAN-TASTIC VENT FAN



PARTS LIST

PRICE	PART DESCRIPTION	PART NUMBER
\$ 6.00	Dome Motor Off Switch	2053
\$ 5.20	EPDM Black Bulb Seal	1144
\$66.00	Circuit Board Series 200	6036
\$12.00	Motor Mount	1015
\$34.00	Main Body	1010
\$29.36	Exterior Vent Cover- Polycarbonate	1020
\$49.86	Double Dome (Insulated) Polycarbonate	2020
\$ 6.32	Interior Garnish; Color _____ Depth _____	1040
\$ 8.62	Arm Lift Assembly	2011
\$ 3.92	Interior Lift Knob Extension & Screw	1140K
\$78.12	Motor - 12 Volt - Black	4017
\$99.75	Motor - 12 Volt - Gold	1080
\$ 7.98	Screen Insert w/screws; Color _____	1035K
\$10.75	3 Speed Switch	1031
\$29.60	Thermostat (Cooling), Wall Mount Style	9005
\$ 5.25	Dome Switch (Plunger Style)	1122
\$14.95	Reverse Switch	9001
\$ 4.00	Motor Cap w/screws; Color _____	6035K
\$36.00	Dome Lift Motor w/connectors	6050

HOW TO USE YOUR FAN-TASTIC VENT

Windows furthest away from the fan provide the best air exchange. Windows should be open sufficient enough to allow proper circulation of air. No other top vents should be open when using your Fan-Tastic Vent. Airflow can be directed by closing the rear windows and opening the front windows or vice versa.

CLEANING

Turn vent motor off. Remove 8 painted flathead screws around perimeter of screen insert only. Clean screen with soap and water solution and reinstall. Motor is sealed and requires no lubrication.