



**PARTS CATALOG**  
**FOR**  
**LEVELING SYSTEMS,**  
**ROOM EXTENSION SYSTEMS,**  
**ACTIVE AIR SUSPENSION,**  
**AND**  
**SYSTEMS CONTROL MODULES**

**HWH CORPORATION**  
(ON I-80, Exit 267 South)  
2096 Moscow Road | Moscow, Iowa 52760  
Ph: 800/321-3494 (or) 563/724-3396 | Fax: 563/724-3408  
*www.hwh.com*

You can download our entire Parts Catalog from our Web Site @ [www.hwh.com](http://www.hwh.com).

**ML11428/MR01.001A**  
**21SEP06**

# HWH® PARTS CATALOG

## READ BEFORE USING MANUAL:


---

This manual is intended as a Parts Manual only. It is the responsibility of the individual doing the repairs to know the safe and proper procedures. Consult the appropriate Coach Manufacturer's

Manual, HWH Repair Manual, Operator's Manual or other manual. Contact HWH Corporation for additional information if needed.

## Table of Contents - See Index For Specific Locations

---

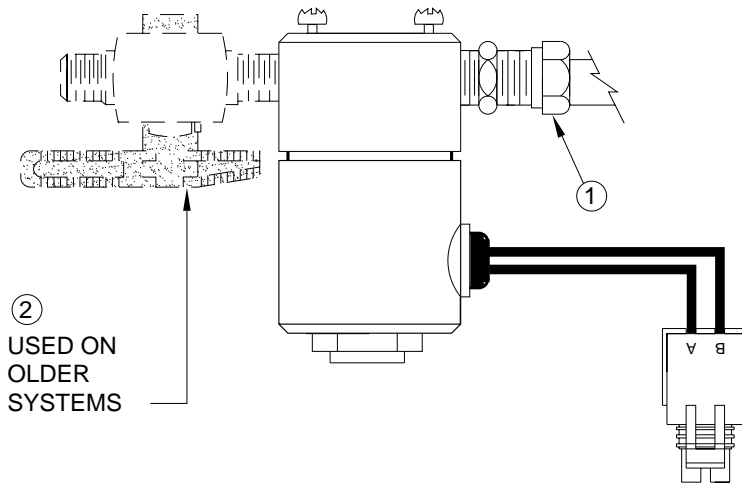
The Detailed Index (MR01.001Z) starts on the next page 

1. Air Equipment . . . . .	MR 0 5.	_ _ _ _
2. Cables - Touch Panel . . . . .	MR 1 0.	_ _ _ _
3. Control Boxes . . . . .	MR 1 5.	_ _ _ _
4. Control Panels . . . . .	MR 2 0.	_ _ _ _
5. Jacks - Kick Down . . . . .	MR 2 4.	_ _ _ _
6. Jacks - Straight-Acting, Power-Extend/Spring-Retract . .	MR 2 5.	_ _ _ _
7. Jacks - Straight-Acting/Pivoting, Power-Extend/Spring-Retract .	MR 2 6.	_ _ _ _
8. Jacks - Straight-Acting, Power-Extend/Power-Retract . .	MR 2 7.	_ _ _ _
9. Jacks - Straight-Acting/Pivoting, Power-Extend/Power-Retract .	MR 2 8.	_ _ _ _
10. Power Units, Hydraulic . . . . .	MR 3 0.	_ _ _ _
11. Relays, Electrical (Solenoid) . . . . .	MR 3 5.	_ _ _ _
12. Room Extension Systems (OEM'S) . . . . .	MR 4 0.	_ _ _ _
13. Room Extension Diagrams/Parts . . . . .	MR 4 1.	_ _ _ _
14. Sensing Units (Level) . . . . .	MR 4 5.	_ _ _ _
15. Switches . . . . .	MR 5 0.	_ _ _ _
16. Valves, Hydraulic . . . . .	MR 5 5.	_ _ _ _
17. Miscellaneous . . . . .	MR 7 0.	_ _ _ _
18. Tools . . . . .	MR 7 5.	_ _ _ _

**VALVE, AIR SOLENOID - 12 VOLT AND 24 VOLT  
USED PRIMARILY FOR AIR DUMP ON COACHES WITH AIR SUSPENSION**

**REPLACEMENT AIR SOLENOID**

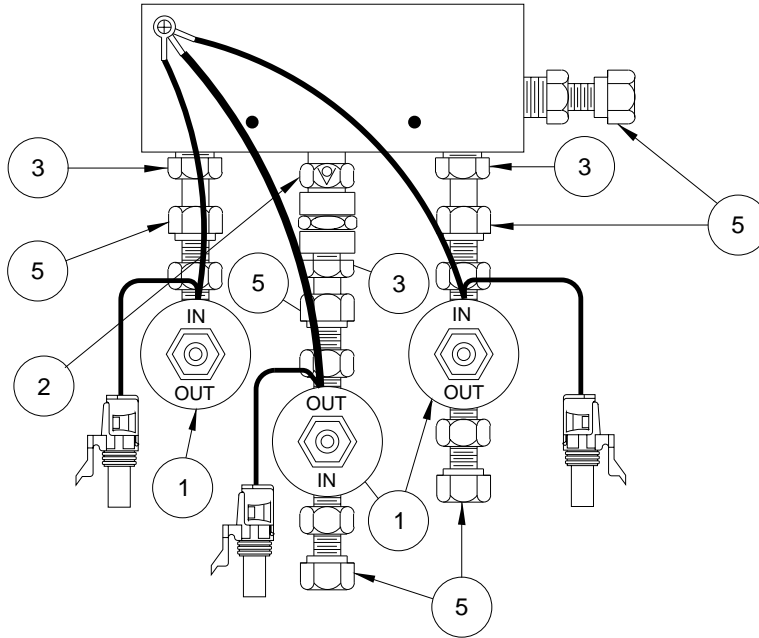
ITEM	PART	QTY	DESCRIPTION
	RAP1653		12 VOLT CONTINUED DUTY SOLENOID WITH 3/8" FITTING (REPLACES RAP4389)
	RAP90404		24 VOLT CONTINUED DUTY SOLENOID WITH 3/8" FITTING



**REPLACEMENT PARTS**

ITEM	PART	QTY	DESCRIPTION
1	RF4478	1	68NTA-6-4 3/8" TUBE X 1/4" NPT
2	RAP92644	1	PV607-4 1/4" x 1/4" PLUG VALVE

# MANIFOLD ASSEMBLY, AIR FOR 12 VOLT AIR SYSTEMS



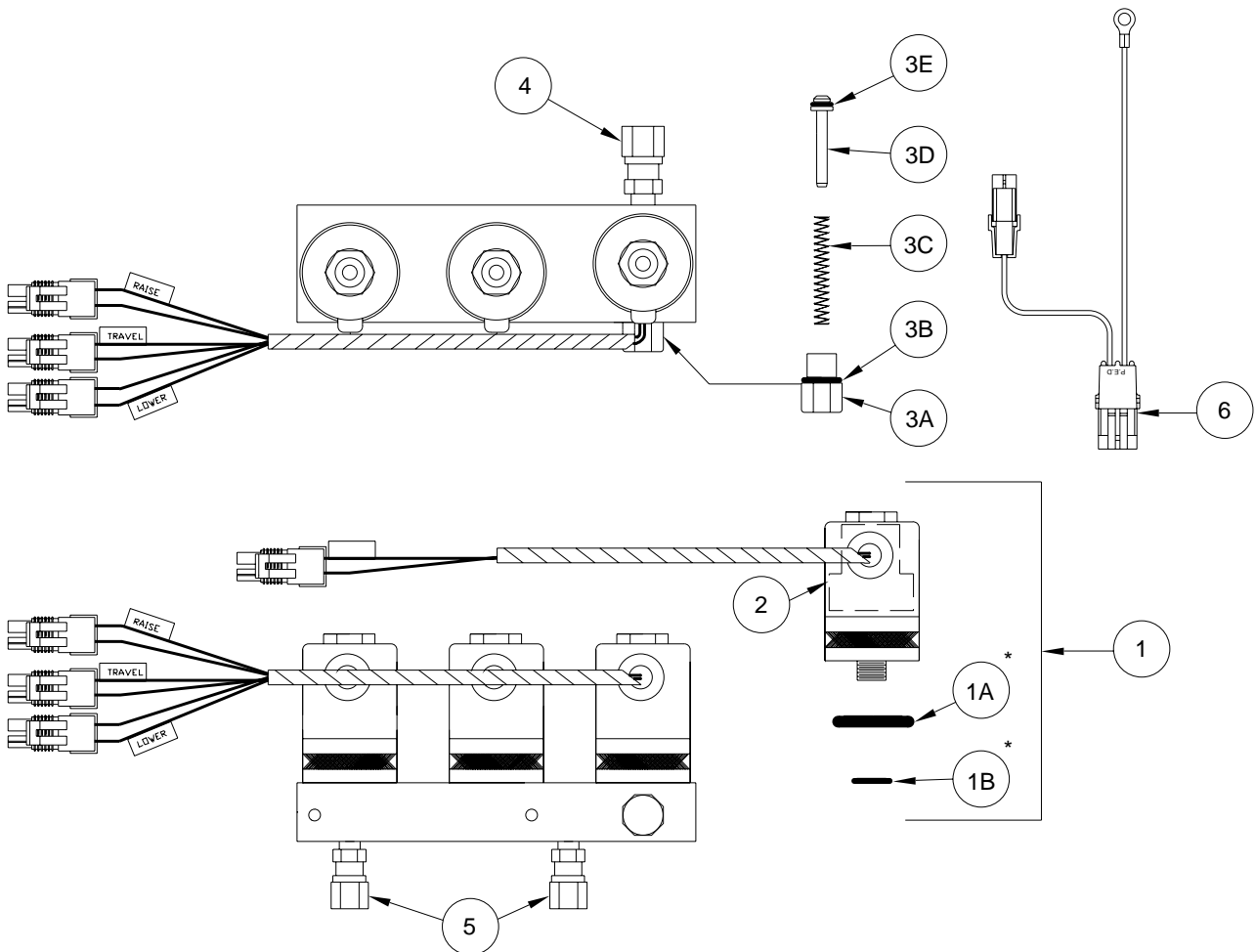
ITEM NO. 2 RP5597 IS MOUNTED ON BLOCK SO THAT AIR FLOWS INTO BLOCK BUT NOT OUT OF BLOCK.

## SOLENOID MANIFOLD REPAIR PARTS

ITEM	PART	QTY	DESCRIPTION	ITEM	PART	QTY	DESCRIPTION
	RAP5598		MANIFOLD ASSY. AIR/12V (COMPLETE MANIFOLD ASSEMBLY)	3	RP5654	3	HALF UNION (1/4" NPT X 3/8")
THE THREE FOLLOWING ASSEMBLIES WERE USED ON 1989 AND SOME 1990 BEAVER COACHES.				4	RF5599	1	COUPLING 207P-4 (1/4" NPT)
	RAP6007		MANIFOLD ASSY. AIR/12V FRONT (COMPLETE MANIFOLD ASSEMBLY)	5	RF4478	6	68NTA-6-4 (3/8" TUBE X 1/4" NPT)
	RAP6008		MANIFOLD ASSY. AIR/12V LR (COMPLETE MANIFOLD ASSEMBLY) (TEE FITTING ON RAISE SOLENOID)				
	RAP6009		MANIFOLD ASSY. AIR/12V RR (COMPLETE MANIFOLD ASSEMBLY) (90 DEGREE FITTING ON RAISE SOLENOID)				
1	RAP6059	3	SOLENOID ASSEMBLY AIR/12V (1 SOLENOID PER RAP6059)				
2	RP5597	1	CHECK VALVE 1/4" X 1/4" (1 VALVE PER RP5597)				



# MANIFOLD ASSEMBLY, AIR - 3 VALVE (AP1460 & AP6393)



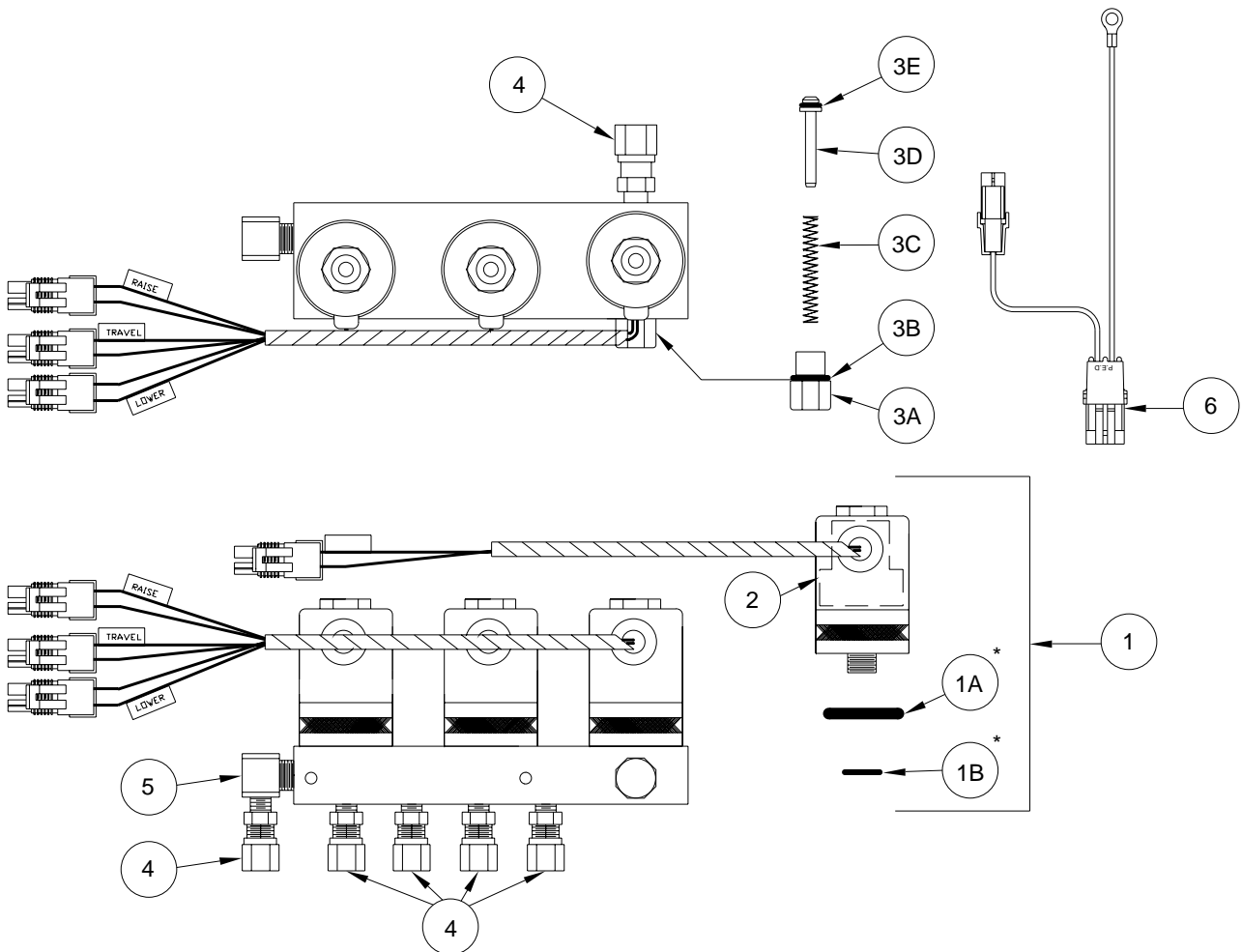
ITEM	PART	QTY	DESCRIPTION	ITEM	PART	QTY	DESCRIPTION
1	RAP1940	3	SOLENOID VALVE SCREW MOUNT COMPLETE : INCLUDES 1A, 1B AND 2	4	RF6148	1	68NTA-6-2 3/8" TUBE 1/8" NPT
1A		1	O-RING	5	RF4337	2	68NTA-4-2 1/4" TUBE 1/8" NPT
1B		1	O-RING	6	RAP91915	1	ADAPTER KIT MUST BE ORDERED WHEN REPLACING A SOLENOID VALVE WITH A SINGLE PIN PACKARD INCLUDES INSTRUCTION SHEET
	RAP6554	1	O-RING KIT COMPOSED OF (6) 1A AND (6) 1B				
2	RAP90568	1	REPLACEMENT COIL				
3	RAP6553	1	CHECK VALVE KIT				
3A		2	CAP				
3B		2	O-RING				
3C		2	SPRING				
3D		2	PLUNGER				
3E		2	O-RING				

\* GREASE LIGHTLY PRIOR TO ASSEMBLY

NOTE : INDENTED ITEMS INCLUDED WITH PRECEDING ITEM.

MR05.2500  
09MAY13

# MANIFOLD ASSEMBLY, AIR - 3 VALVE (AP2066 & AP8399)



ITEM	PART	QTY	DESCRIPTION
1	RAP1940	3	SOLENOID VALVE SCREW MOUNT COMPLETE : INCLUDES 1A, 1B AND 2
1A		1	O-RING
1B		1	O-RING
	RAP6554	1	O-RING KIT COMPOSED OF (6) 1A AND (6) 1B
2	RAP90568	1	REPLACEMENT COIL
3	RAP6553	1	CHECK VALVE KIT
3A		2	CAP
3B		2	O-RING
3C		2	SPRING
3D		2	PLUNGER
3E		2	O-RING

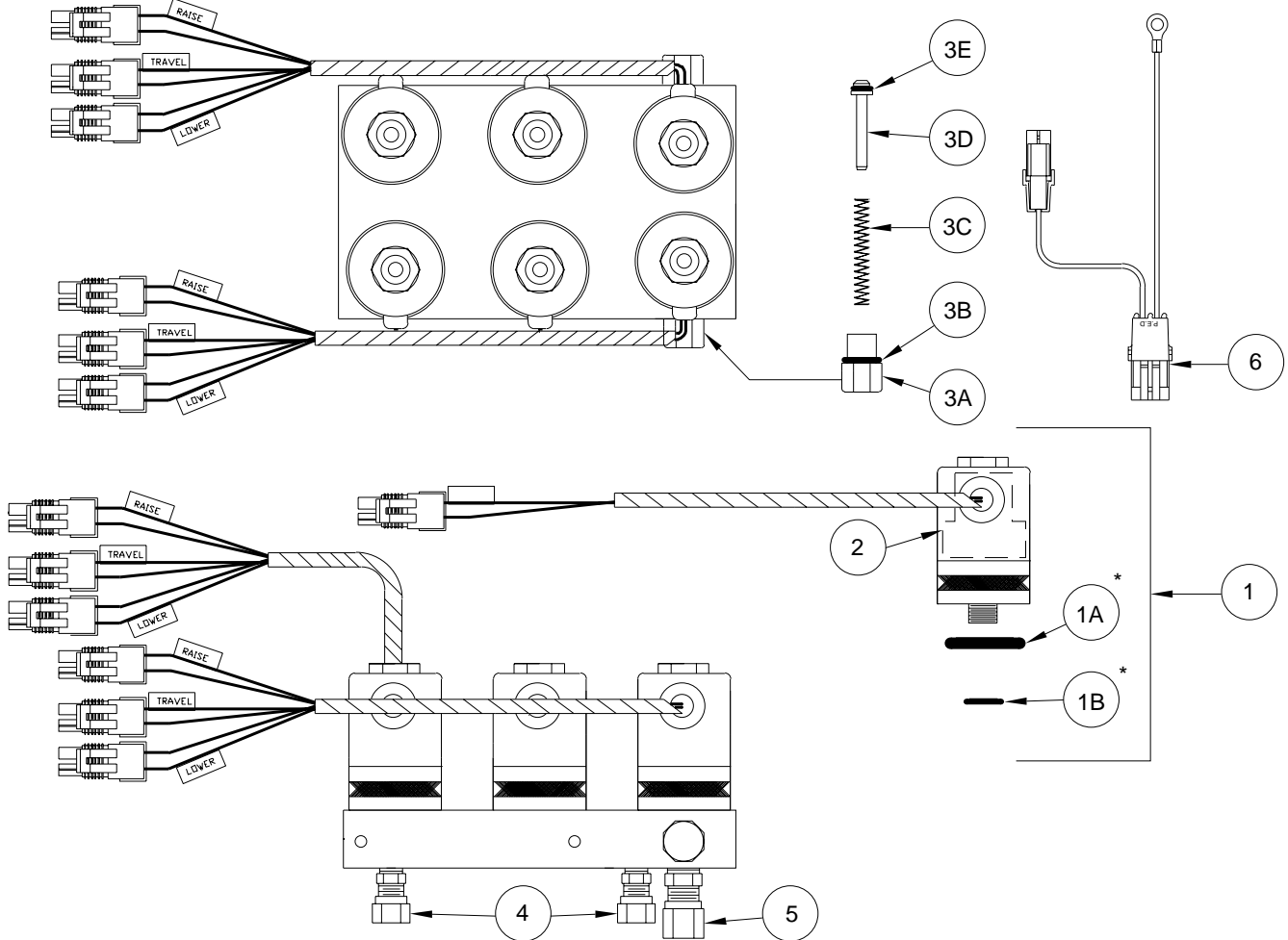
ITEM	PART	QTY	DESCRIPTION
4	RF6148	6	68NTA-6-2 3/8" TUBE 1/8" NPT
5	RF5132	1	2202P-2-2 ELBOW (BRASS)
6	RAP91915	1	ADAPTER KIT MUST BE ORDERED WHEN REPLACING A SOLENOID VALVE WITH A SINGLE PIN PACKARD INCLUDES INSTRUCTION SHEET

\* GREASE LIGHTLY PRIOR TO ASSEMBLY

NOTE : INDENTED ITEMS INCLUDED WITH PRECEDING ITEM.

MR05.2600  
09MAY13

# MANIFOLD ASSEMBLY, AIR - 6 VALVE (AP1461 & AP6394)



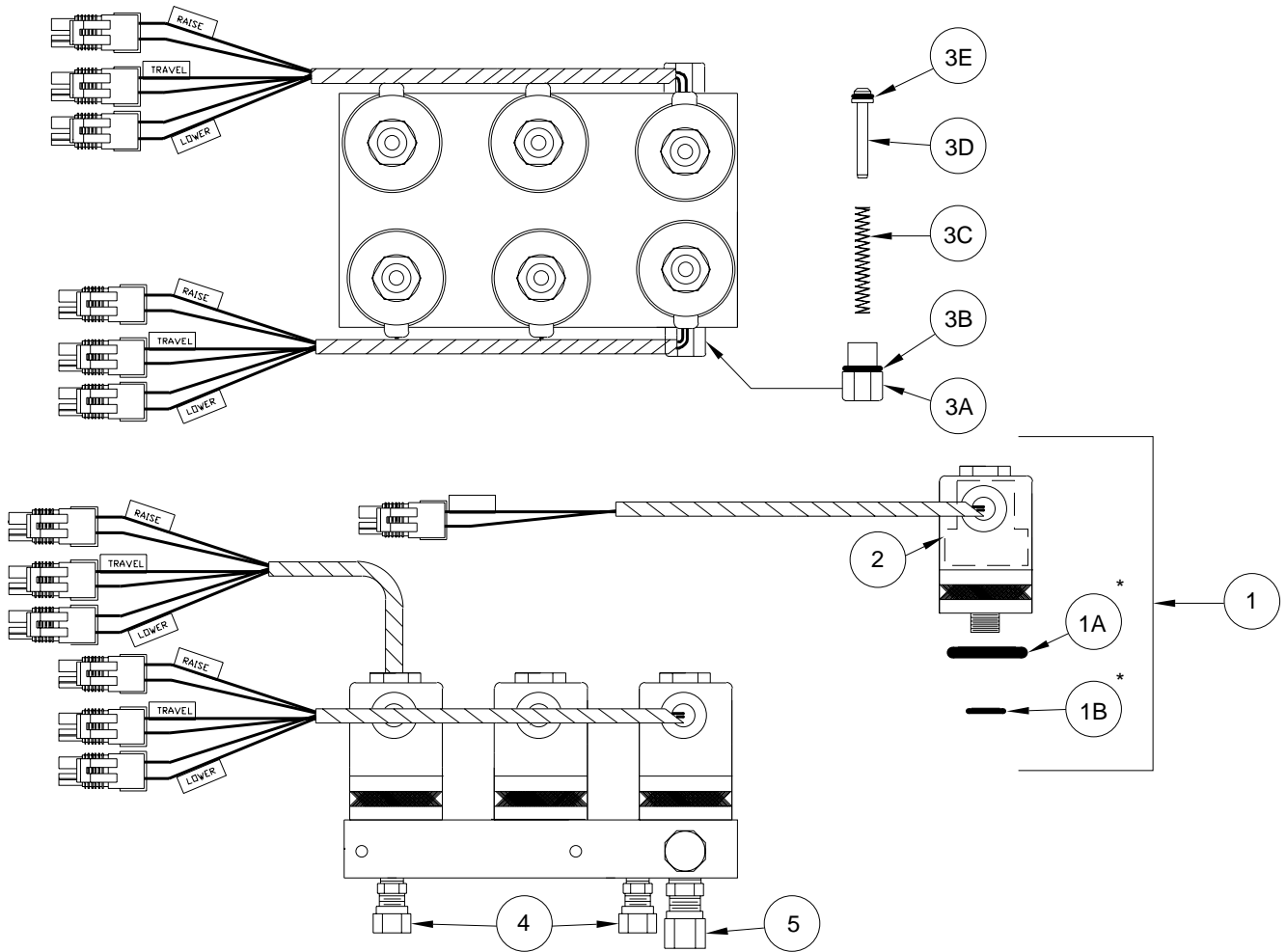
ITEM	PART	QTY	DESCRIPTION	ITEM	PART	QTY	DESCRIPTION
1	RAP1940	6	SOLENOID VALVE SCREW MOUNT COMPLETE : INCLUDES 1A, 1B AND 2	4	RF4337	4	68NTA-4-2 1/4" TUBE 1/8" NPT
1A		1	O-RING	5	RF4478	1	68NTA-6-4 3/8" TUBE 1/4" NPT
1B		1	O-RING	6	RAP91915	1	ADAPTER KIT MUST BE ORDERED WHEN REPLACING A SOLENOID VALVE WITH A SINGLE PIN PACKARD INCLUDES INSTRUCTION SHEET
	RAP6554	1	O-RING KIT COMPOSED OF (6) 1A AND (6) 1B				
2	RAP90568	1	REPLACEMENT COIL				
3	RAP6553	1	CHECK VALVE KIT				
3A		2	CAP				
3B		2	O-RING				
3C		2	SPRING				
3D		2	PLUNGER				
3E		2	O-RING				

\* GREASE LIGHTLY PRIOR TO ASSEMBLY

NOTE : INDENTED ITEMS INCLUDED WITH PRECEDING ITEM.

MR05.2700  
09MAY13

# MANIFOLD ASSEMBLY, AIR - 6 VALVE (AP10487)



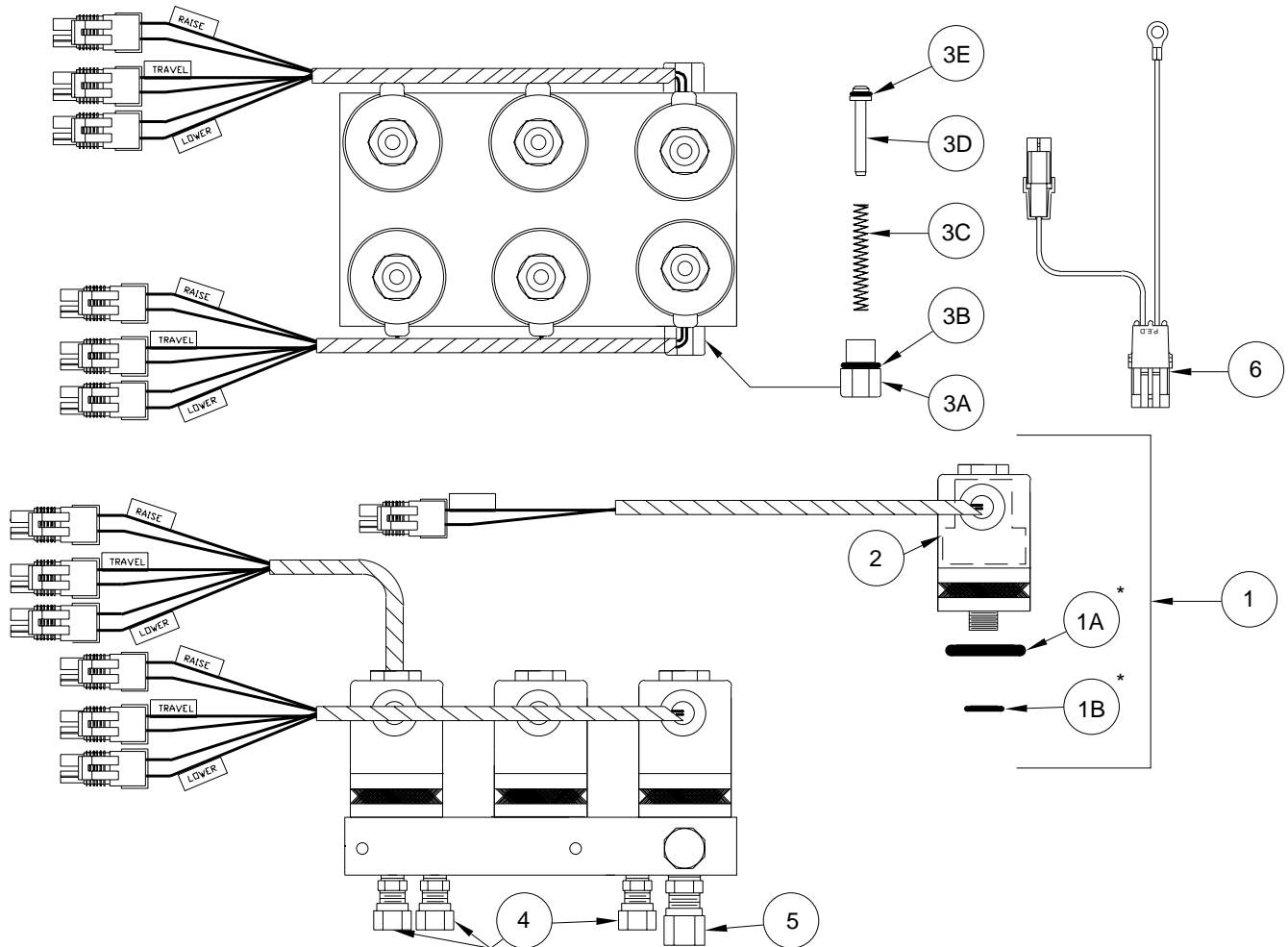
ITEM	PART	QTY	DESCRIPTION	ITEM	PART	QTY	DESCRIPTION
1	RAP1940	6	SOLENOID VALVE SCREW MOUNT COMPLETE : INCLUDES 1A, 1B AND 2	3	RAP6553	1	CHECK VALVE KIT
1A		1	O-RING	3A		2	CAP
1B		1	O-RING	3B		2	O-RING
	RAP6554	1	O-RING KIT COMPOSED OF (6) 1A AND (6) 1B	3C		2	SPRING
2	RAP90568	1	REPLACEMENT COIL	3D		2	PLUNGER
				3E		2	O-RING
				4	RF6148	4	68NTA-6-2 3/8" TUBE 1/8" NPT
				5	RF4478	1	68NTA-6-4 3/8" TUBE 1/4" NPT

\* GREASE LIGHTLY PRIOR TO ASSEMBLY

NOTE : INDENTED ITEMS INCLUDED WITH PRECEDING ITEM.

**MR05.2800**  
**09MAY13**

# MANIFOLD ASSEMBLY, AIR - 6 VALVE (AP2133 & AP8398)



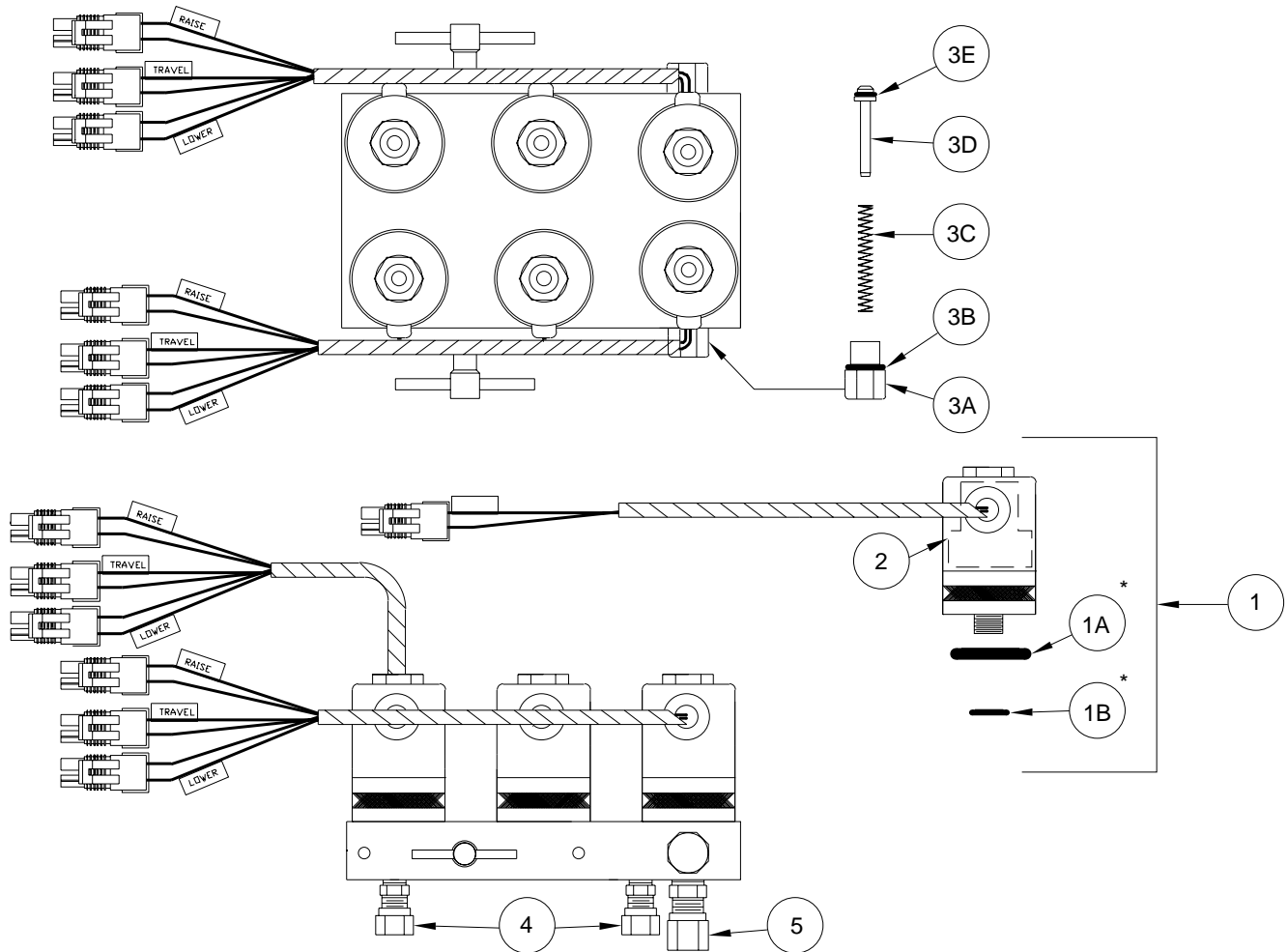
ITEM	PART	QTY	DESCRIPTION	ITEM	PART	QTY	DESCRIPTION
1	RAP1940	6	SOLENOID VALVE SCREW MOUNT COMPLETE : INCLUDES 1A, 1B AND 2	4	RF6148	6	68NTA-6-2 3/8" TUBE 1/8" NPT
1A		1	O-RING	5	RF4478	1	68NTA-6-4 3/8" TUBE 1/4" NPT
1B		1	O-RING	6	RAP91915	1	ADAPTER KIT MUST BE ORDERED WHEN REPLACING A SOLENOID VALVE WITH A SINGLE PIN PACKARD INCLUDES INSTRUCTION SHEET
	RAP6554	1	O-RING KIT COMPOSED OF (6) 1A AND (6) 1B				
2	RAP90568	1	REPLACEMENT COIL				
3	RAP6553	1	CHECK VALVE KIT				
3A		2	CAP				
3B		2	O-RING				
3C		2	SPRING				
3D		2	PLUNGER				
3E		2	O-RING				

\* GREASE LIGHTLY PRIOR TO ASSEMBLY

NOTE : INDENTED ITEMS INCLUDED WITH PRECEDING ITEM.

MR05.2900  
09MAY13

# MANIFOLD ASSEMBLY, AIR - 6 VALVE (AP15603) (WITH BY-PASS VALVE)



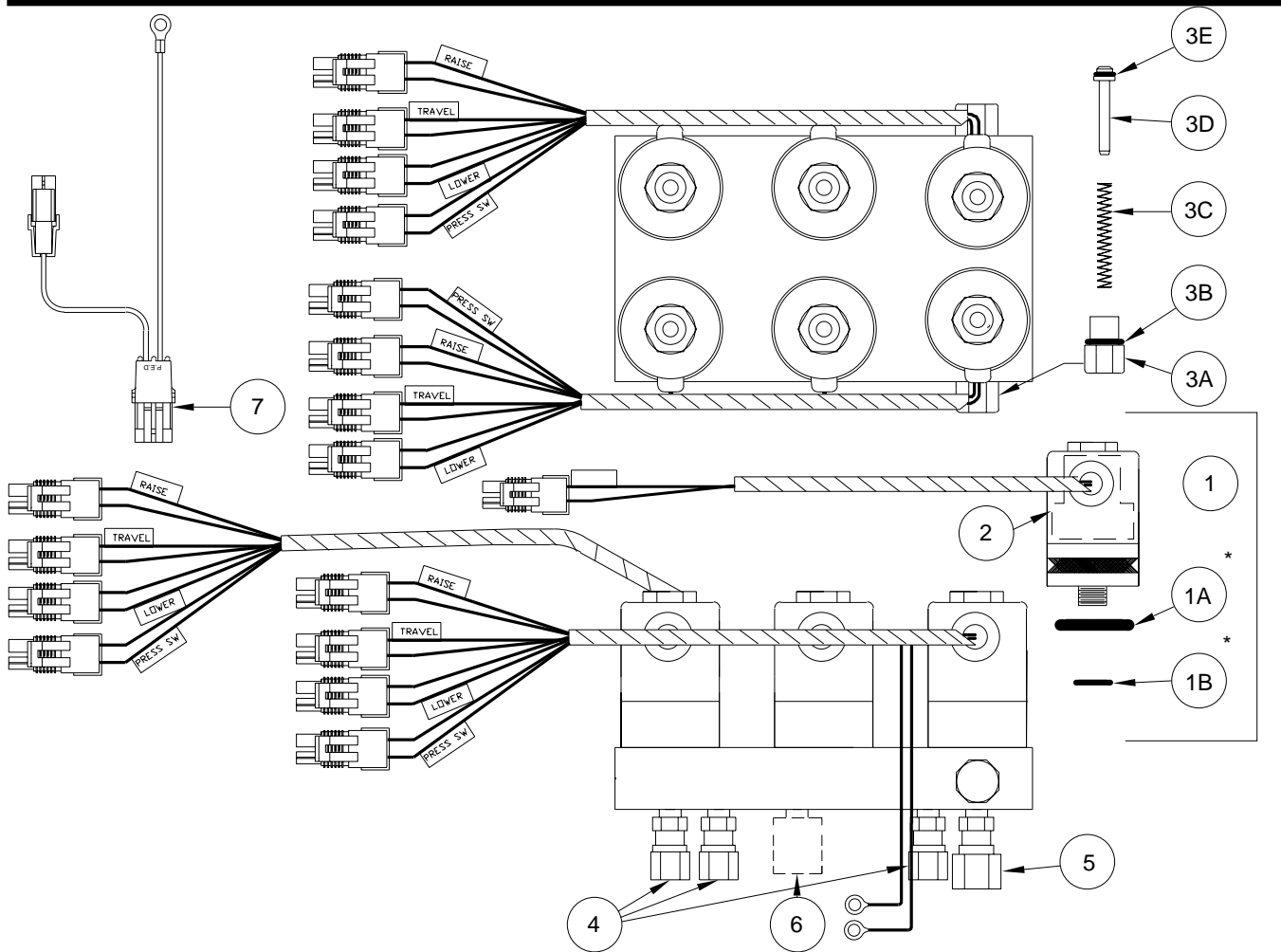
ITEM	PART	QTY	DESCRIPTION	ITEM	PART	QTY	DESCRIPTION
1	RAP1940	6	SOLENOID VALVE SCREW MOUNT COMPLETE : INCLUDES 1A, 1B AND 2	3	RAP6553	1	CHECK VALVE KIT
1A		1	O-RING	3A		2	CAP
1B		1	O-RING	3B		2	O-RING
	RAP6554	1	O-RING KIT COMPOSED OF (6) 1A AND (6) 1B	3C		2	SPRING
2	RAP90568	1	REPLACEMENT COIL	3D		2	PLUNGER
				3E		2	O-RING
				4	RF6148	4	68NTA-6-2 3/8" TUBE 1/8" NPT
				5	RF4478	1	68NTA-6-4 3/8" TUBE 1/4" NPT

\* GREASE LIGHTLY PRIOR TO ASSEMBLY

NOTE : INDENTED ITEMS INCLUDED WITH PRECEDING ITEM.

**MR05.2920**  
**09MAY13**

# MANIFOLD ASSEMBLY, AIR - 6 VALVE (AP9283) (FORETRAVEL - FRONT)



ITEM	PART	QTY	DESCRIPTION
1	RAP1940	6	SOLENOID VALVE SCREW MOUNT COMPLETE : INCLUDES 1A, 1B AND 2
1A		1	O-RING
1B		1	O-RING
	RAP6554	1	O-RING KIT COMPOSED OF (6) 1A AND (6) 1B
2	RAP90568	1	REPLACEMENT COIL
3	RAP6553	1	CHECK VALVE KIT
3A		2	CAP
3B		2	O-RING
3C		2	SPRING
3D		2	PLUNGER
3E		2	O-RING

ITEM	PART	QTY	DESCRIPTION
4	RF6148	6	68NTA-6-2 3/8" TUBE 1/8" NPT
5	RF4478	1	68NTA-6-4 3/8" TUBE 1/4" NPT
6		1	PRESSURE SWITCHES SUPPLIED BY FORETRAVEL NOT HWH CORPORATION
7	RAP91915	1	ADAPTER KIT MUST BE ORDERED WHEN REPLACING A SOLENOID VALVE WITH A SINGLE PIN PACKARD INCLUDES INSTRUCTION SHEET

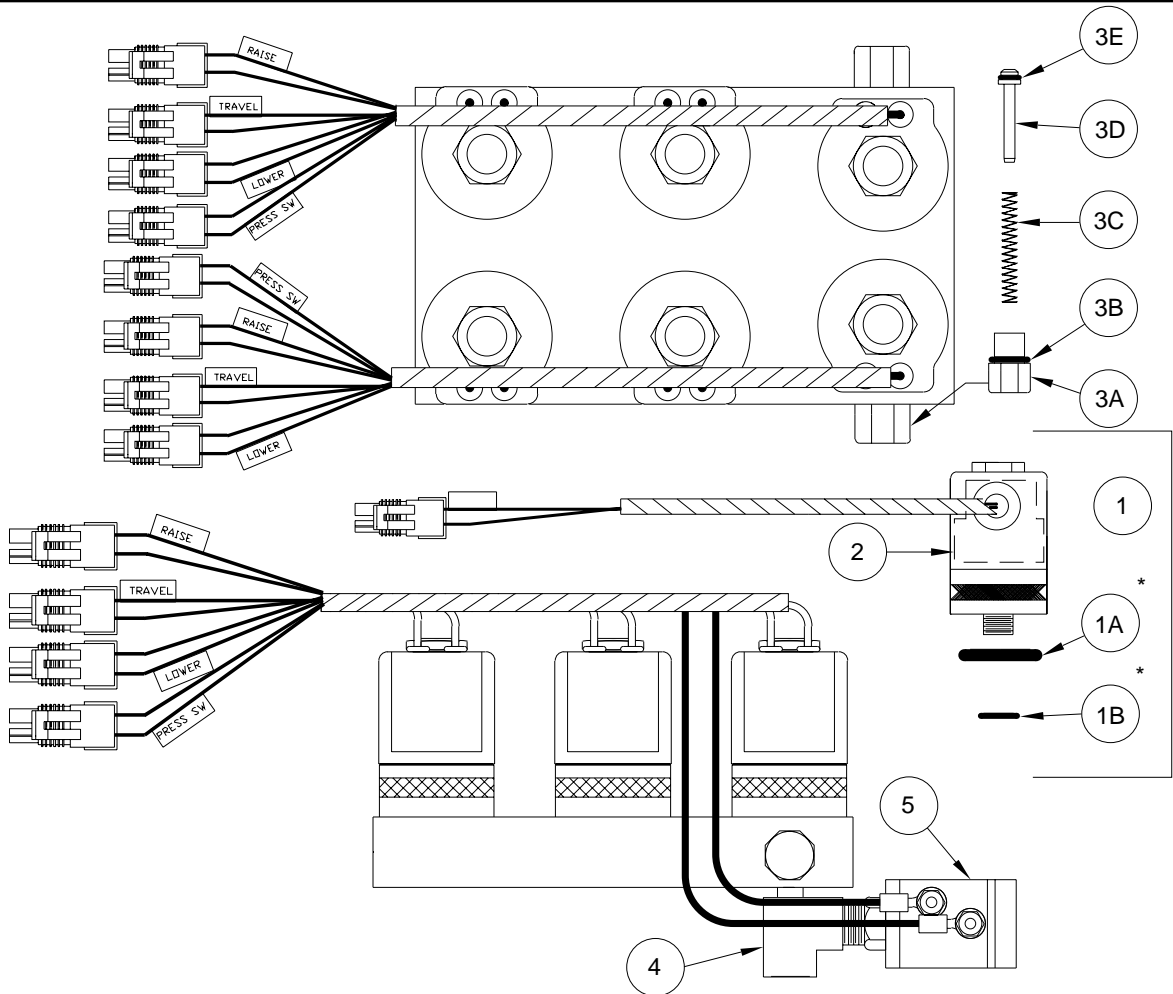
\* GREASE LIGHTLY PRIOR TO ASSEMBLY

NOTE : INDENTED ITEMS INCLUDED WITH PRECEDING ITEM.

**MR05.3000**  
**09MAY13**

# MANIFOLD ASSEMBLY, AIR - 6 VALVE (AP18658)

## (WITH ONE PRESSURE SWITCH)



ITEM	PART	QTY	DESCRIPTION
1	RAP1940	6	SOLENOID VALVE SCREW MOUNTED COMPLETE : INCLUDES 1A, 1B AND 2
1A			O-RING
1B			O-RING
	RAP6554	1	O-RING KIT COMPOSED OF (6) 1A AND (6) 1B
2	RAP90568	1	REPLACEMENT COIL

ITEM	PART	QTY	DESCRIPTION
3	RAP6553	1	CHECK VALVE KIT
3A		2	CAP
3B		2	O-RING
3C		2	SPRING
3D		2	PLUNGER
3E		2	O-RING
4	RF6944	1	TEE 1/4" X 1/4"
5	RAP90570	1	SWITCH PRESSURE 85 PSI (INCLUDES WIRE LEADS)

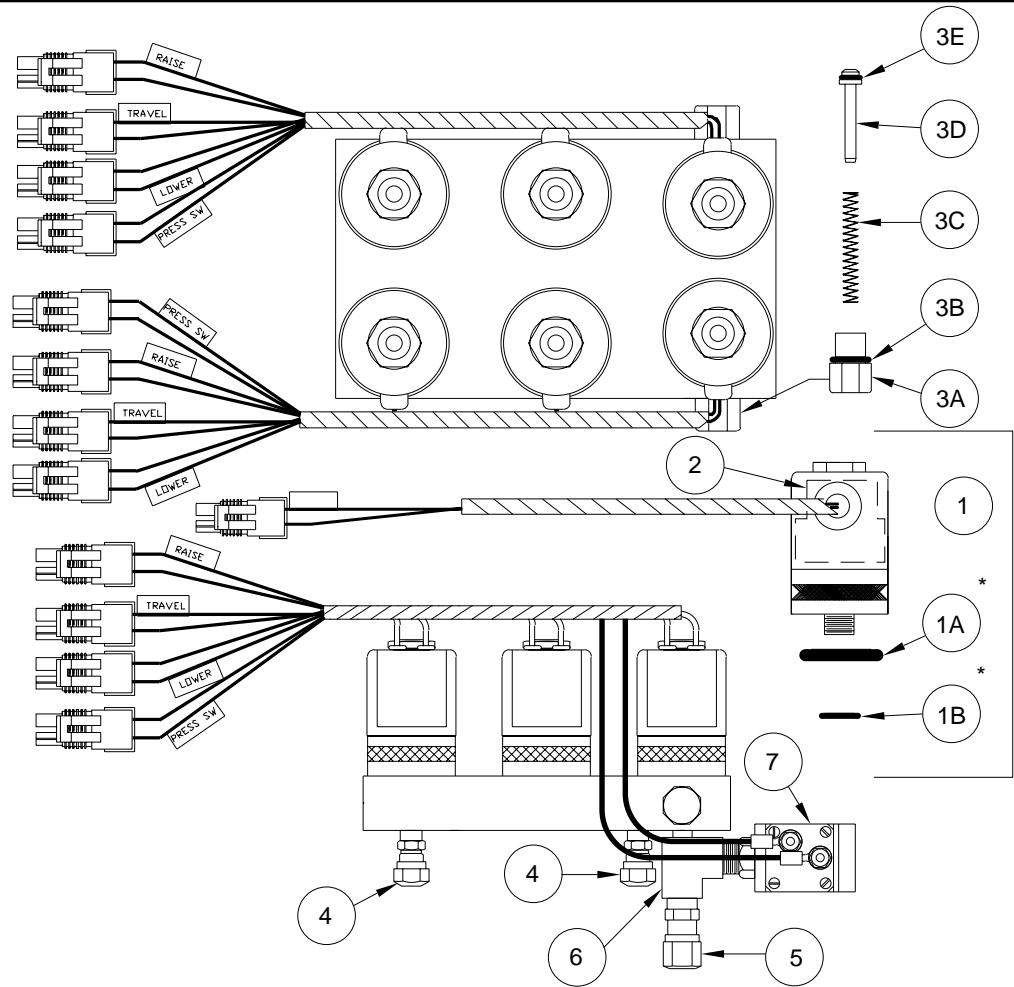
\* GREASE LIGHTLY PRIOR TO ASSEMBLY

NOTE : INDENTED ITEMS INCLUDED WITH PRECEDING ITEM.

**MR05.3290**  
**09MAY13**



# MANIFOLD ASSEMBLY, AIR - 6 VALVE (AP17485) (WITH ONE PRESSURE SWITCH)



ITEM	PART	QTY	DESCRIPTION
1	RAP1940	6	SOLENOID VALVE SCREW MOUNTED COMPLETE : INCLUDES 1A, 1B AND 2
1A			O-RING
1B			O-RING
	RAP6554	1	O-RING KIT COMPOSED OF (6) 1A AND (6) 1B
2	RAP90568	1	REPLACEMENT COIL
3	RAP6553	1	CHECK VALVE KIT
3A		2	CAP
3B		2	O-RING
3C		2	SPRING
3D		2	PLUNGER
3E		2	O-RING

ITEM	PART	QTY	DESCRIPTION
4	RF4337	6	MALE CONNECTOR 1/8" X 1/4"
5	RF4478	1	MALE CONNECTOR 1/4" X 3/8"
6	RF6944	2	TEE 1/4" X 1/4"
7	RAP90570	1	SWITCH PRESSURE 85 PSI (INCLUDES WIRE LEADS)

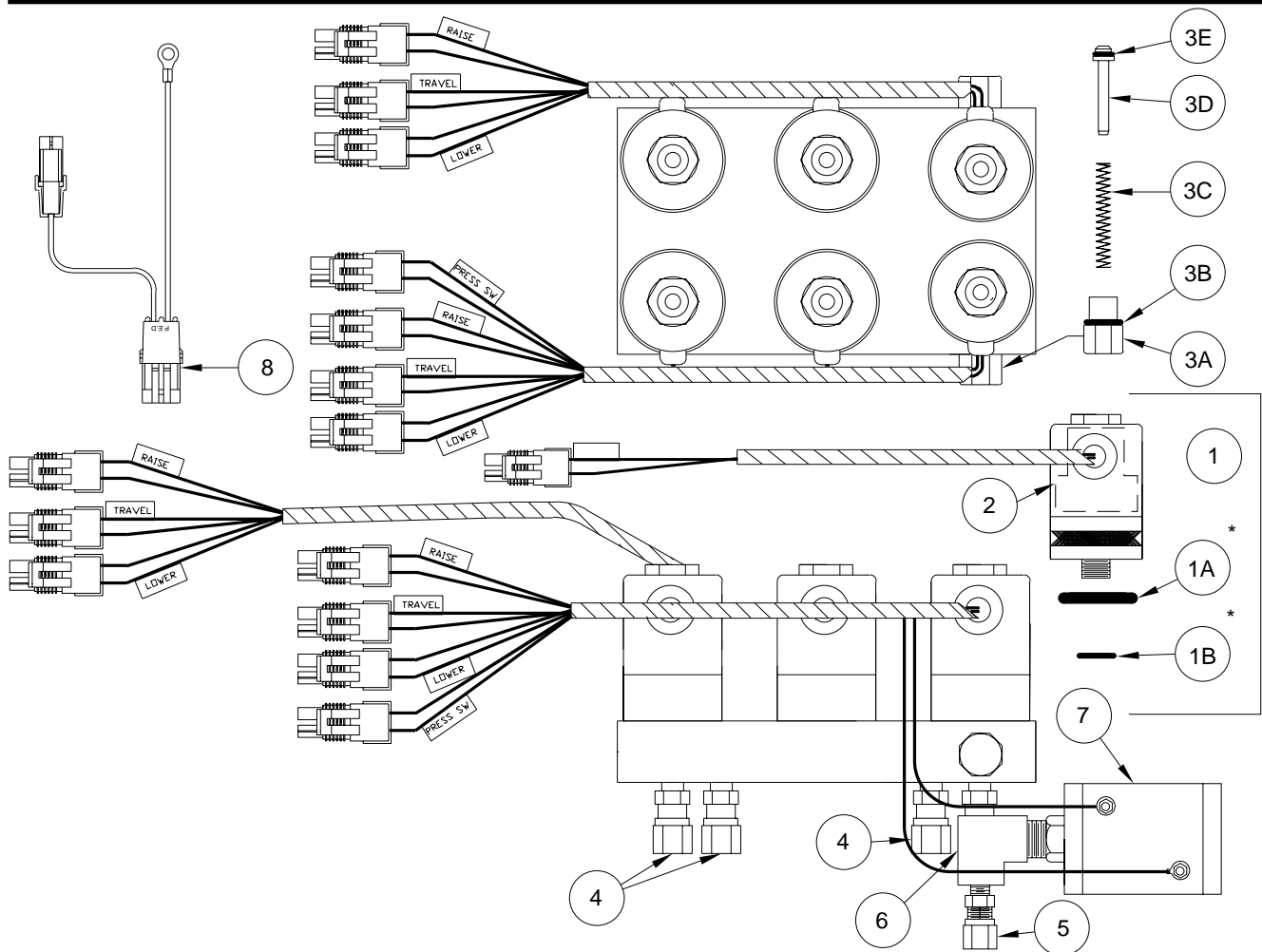
\* GREASE LIGHTLY PRIOR TO ASSEMBLY

NOTE : INDENTED ITEMS INCLUDED WITH PRECEDING ITEM.

**MR05.3295**  
**09MAY13**

# MANIFOLD ASSEMBLY, AIR - 6 VALVE (AP9278 & AP14168)

## (WITH PRESSURE SWITCH)



ITEM	PART	QTY	DESCRIPTION	ITEM	PART	QTY	DESCRIPTION
1	RAP1940	6	SOLENOID VALVE SCREW MOUNTED COMPLETE : INCLUDES 1A, 1B AND 2	4	RF6148	6	MALE CONNECTOR 1/8" X 3/8"
1A		1	O-RING	5	RF4478	1	MALE CONNECTOR 1/4" X 3/8"
1B		1	O-RING	6	RF6944	1	TEE 1/4" X 1/4"
	RAP6554	1	O-RING KIT COMPOSED OF (6) 1A AND (6) 1B	7	RAP90570	1	SWITCH PRESSURE 85 PSI (INCLUDES WIRE LEADS)
2	RAP90568	1	REPLACEMENT COIL	8	RAP91915	1	ADAPTER KIT MUST BE ORDERED WHEN REPLACING A SOLENOID VALVE OR PRESSURE SWITCH WITH A SINGLE PIN PACKARD INCLUDES INSTRUCTION SHEET
3	RAP6553	1	CHECK VALVE KIT				
3A		2	CAP				
3B		2	O-RING				
3C		2	SPRING				
3D		2	PLUNGER				
3E		2	O-RING				

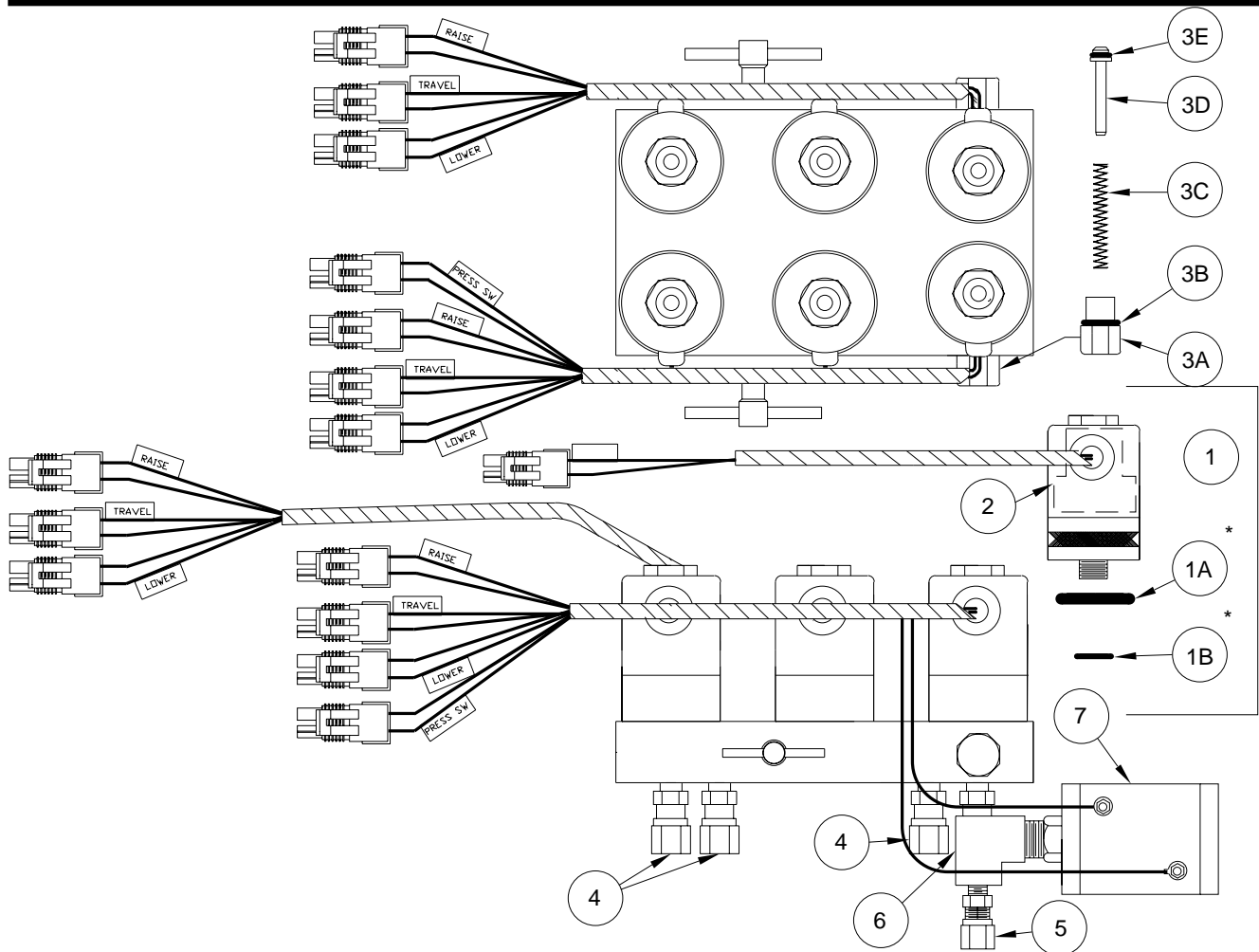
\* GREASE LIGHTLY PRIOR TO ASSEMBLY

NOTE : INDENTED ITEMS INCLUDED WITH PRECEDING ITEM.

**MR05.3300**  
**09MAY13**

# MANIFOLD ASSEMBLY, AIR - 6 VALVE (AP15602)

## (WITH ONE PRESSURE SWITCH AND BY-PASS VALVE)



ITEM	PART	QTY	DESCRIPTION
1	RAP1940	6	SOLENOID VALVE SCREW MOUNTED COMPLETE : INCLUDES 1A, 1B AND 2
1A		1	O-RING
1B		1	O-RING
	RAP6554	1	O-RING KIT COMPOSED OF (6) 1A AND (6) 1B
2	RAP90568	1	REPLACEMENT COIL
3	RAP6553	1	CHECK VALVE KIT
3A		2	CAP
3B		2	O-RING
3C		2	SPRING
3D		2	PLUNGER
3E		2	O-RING

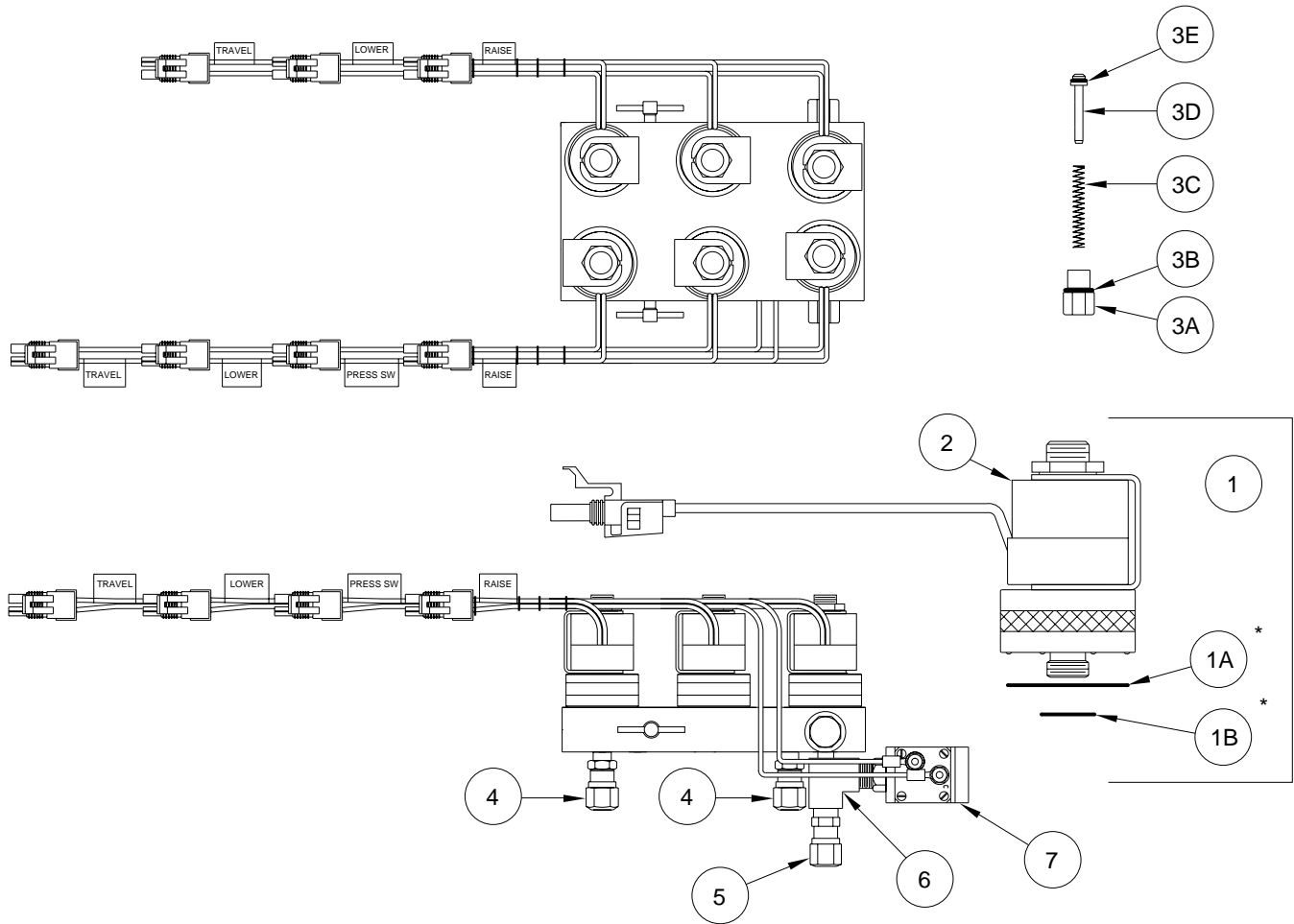
ITEM	PART	QTY	DESCRIPTION
4	RF4337	6	MALE CONNECTOR 1/8" X 1/4"
5	RF4478	1	MALE CONNECTOR 1/4" X 3/8"
6	RF6944	1	TEE 1/4" X 1/4"
7	RAP90388	1	SWITCH PRESSURE 100 PSI (INCLUDES WIRE LEADS)

\* GREASE LIGHTLY PRIOR TO ASSEMBLY

NOTE : INDENTED ITEMS INCLUDED WITH PRECEDING ITEM.

**MR05.3302**  
**09MAY13**

# MANIFOLD ASSEMBLY, AIR - 6 VALVE (AP19986) (WITH ONE PRESSURE SWITCH AND BY-PASS VALVE)



ITEM	PART	QTY	DESCRIPTION
1	RAP1940	6	SOLENOID VALVE SCREW MOUNTED COMPLETE : INCLUDES 1A, 1B AND 2
1A			O-RING
1B			O-RING
	RAP6554	1	O-RING KIT COMPOSED OF (6) 1A AND (6) 1B
2	RAP90568	1	REPLACEMENT COIL
3	RAP6553	1	CHECK VALVE KIT
3A		2	CAP
3B		2	O-RING
3C		2	SPRING
3D		2	PLUNGER
3E		2	O-RING

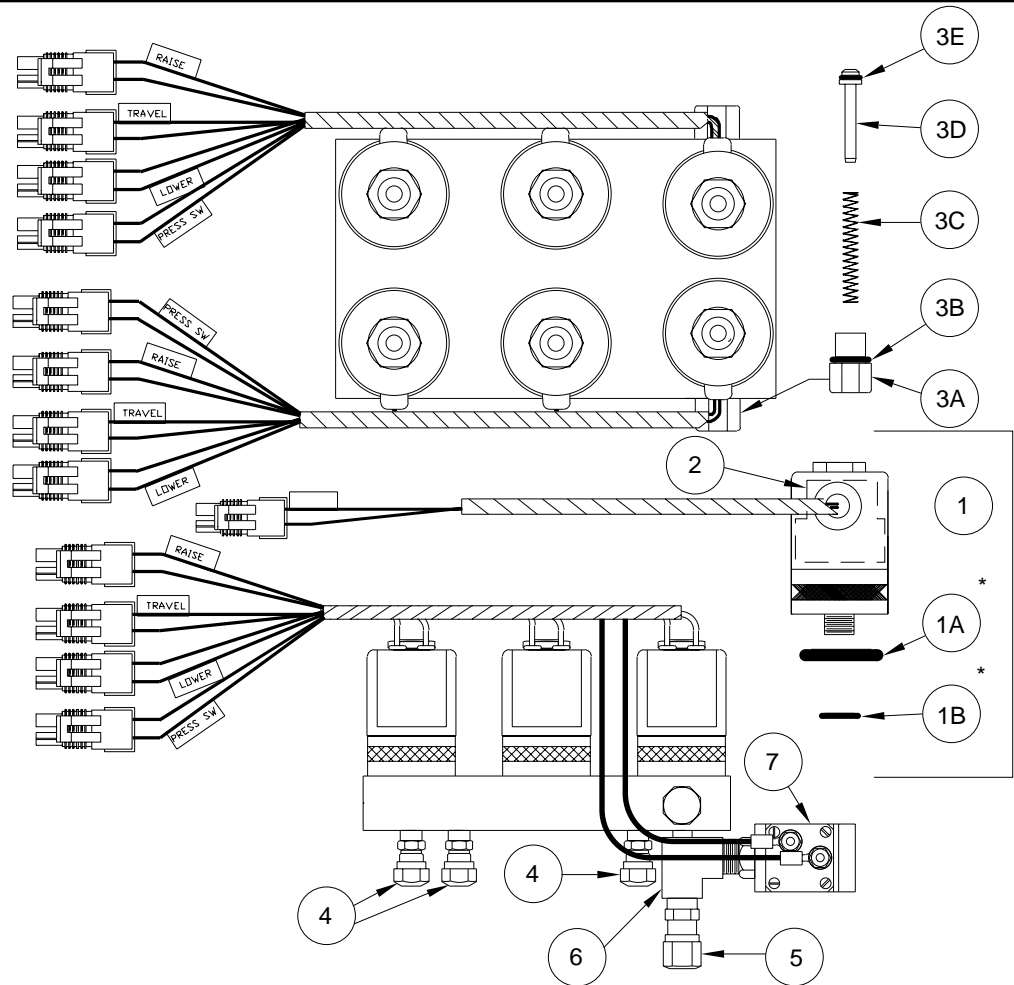
ITEM	PART	QTY	DESCRIPTION
4	RF6148	4	MALE CONNECTOR 1/8" X 3/8"
5	RF4478	1	MALE CONNECTOR 1/4" X 3/8"
6	RF6944	2	TEE 1/4" X 1/4"
7	RAP90388	1	SWITCH PRESSURE 100 PSI (INCLUDES WIRE LEADS)

\* GREASE LIGHTLY PRIOR TO ASSEMBLY

NOTE : INDENTED ITEMS INCLUDED WITH PRECEDING ITEM.

**MR05.3304**  
**09MAY13**

# MANIFOLD ASSEMBLY, AIR - 6 VALVE (AP14560) (WITH ONE PRESSURE SWITCH)



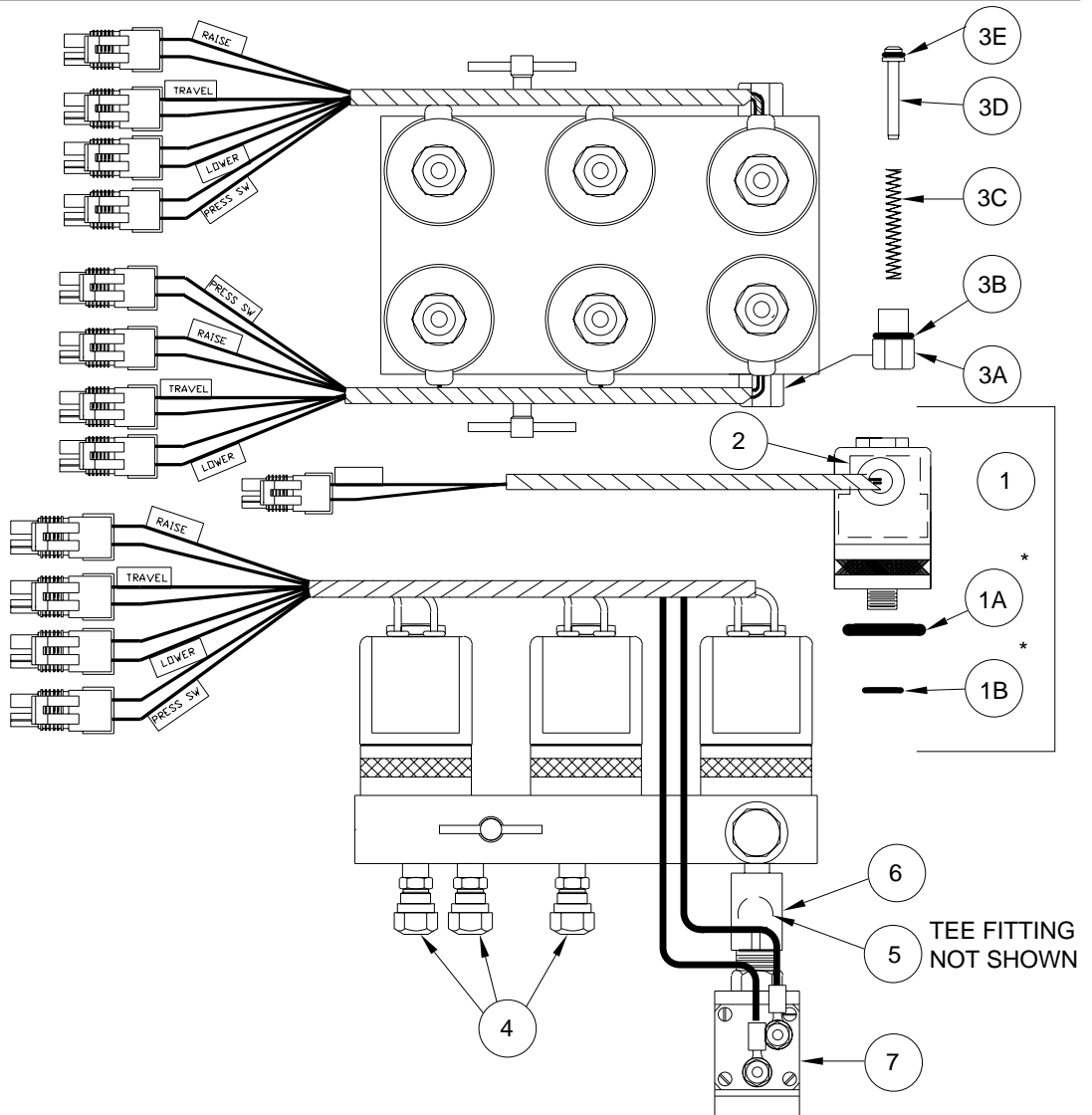
ITEM	PART	QTY	DESCRIPTION	ITEM	PART	QTY	DESCRIPTION
1	RAP1940	6	SOLENOID VALVE SCREW MOUNTED COMPLETE : INCLUDES 1A, 1B AND 2	4	RF6148	6	MALE CONNECTOR 1/8" X 3/8"
1A			O-RING	5	RF4478	1	MALE CONNECTOR 1/4" X 3/8"
1B			O-RING	6	RF6944	2	TEE 1/4" X 1/4"
	RAP6554	1	O-RING KIT COMPOSED OF (6) 1A AND (6) 1B	7	RAP90388	1	SWITCH PRESSURE 100 PSI (INCLUDES WIRE LEADS)
2	RAP90568	1	REPLACEMENT COIL				
3	RAP6553	1	CHECK VALVE KIT				
3A		2	CAP				
3B		2	O-RING				
3C		2	SPRING				
3D		2	PLUNGER				
3E		2	O-RING				

\* GREASE LIGHTLY PRIOR TO ASSEMBLY

NOTE : INDENTED ITEMS INCLUDED WITH PRECEDING ITEM.

**MR05.3305**  
**09MAY13**

# MANIFOLD ASSEMBLY, AIR - 6 VALVE (AP16636) (WITH ONE PRESSURE SWITCH AND BY-PASS VALVE)



ITEM	PART	QTY	DESCRIPTION
------	------	-----	-------------

1	RAP1940	6	SOLENOID VALVE SCREW MOUNTED COMPLETE : INCLUDES 1A, 1B AND 2
1A			O-RING
1B			O-RING
	RAP6554	1	O-RING KIT COMPOSED OF (6) 1A AND (6) 1B
2	RAP90568	1	REPLACEMENT COIL

ITEM	PART	QTY	DESCRIPTION
------	------	-----	-------------

3	RAP6553	1	CHECK VALVE KIT
3A		2	CAP
3B		2	O-RING
3C		2	SPRING
3D		2	PLUNGER
3E		2	O-RING
4	RF4337	6	MALE CONNECTOR 1/8" X 1/4"
5	RF90579	1	MALE RUN TEE 3/8" X 3/8" X 1/4"
6	RF6944	1	TEE 1/4" X 1/4"
7	RAP90388	1	SWITCH PRESSURE 100 PSI (INCLUDES WIRE LEADS)

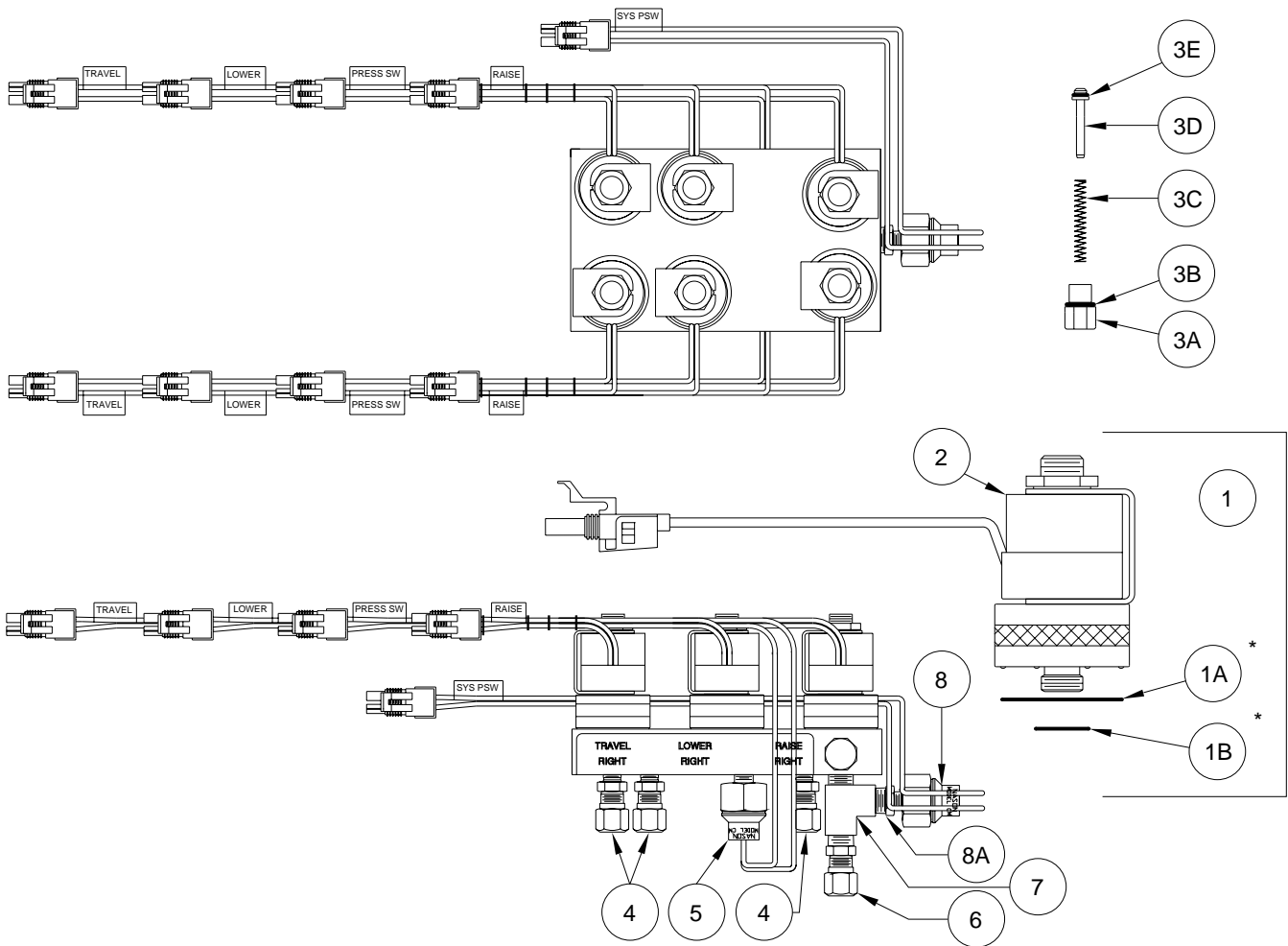
\* GREASE LIGHTLY PRIOR TO ASSEMBLY

NOTE : INDENTED ITEMS INCLUDED WITH PRECEDING ITEM.

**MR05.3310**  
**09MAY13**

# MANIFOLD ASSEMBLY, AIR - 6 VALVE (AP26552)

(WITH 3-PRESSURE SWITCHES)



ITEM	PART	QTY	DESCRIPTION
1	RAP1940	6	SOLENOID VALVE SCREW MOUNTED COMPLETE : INCLUDES 1A, 1B AND 2
1A			O-RING
1B			O-RING
	RAP6554	1	O-RING KIT COMPOSED OF (6) 1A AND (6) 1B
2	RAP90568	1	REPLACEMENT COIL
3	RAP6553	1	CHECK VALVE KIT
3A		2	CAP
3B		2	O-RING
3C		2	SPRING
3D		2	PLUNGER
3E		2	O-RING

ITEM	PART	QTY	DESCRIPTION
4	RF6148	6	MALE CONN 1/8" X 3/8"
5	RAP1720	2	SWITCH PRESSURE 20 PSI (INCLUDES WIRE LEADS)
6	RF4478	1	MALE CONN 1/4" X 3/8"
7	RF6944	1	1/4" STREET TEE
8	RAP90570	1	SWITCH PRESSURE 85 PSI (INCLUDES WIRE LEADS)
8A	RF90172	1	BRASS BUSHING 1/4" X 1/8"

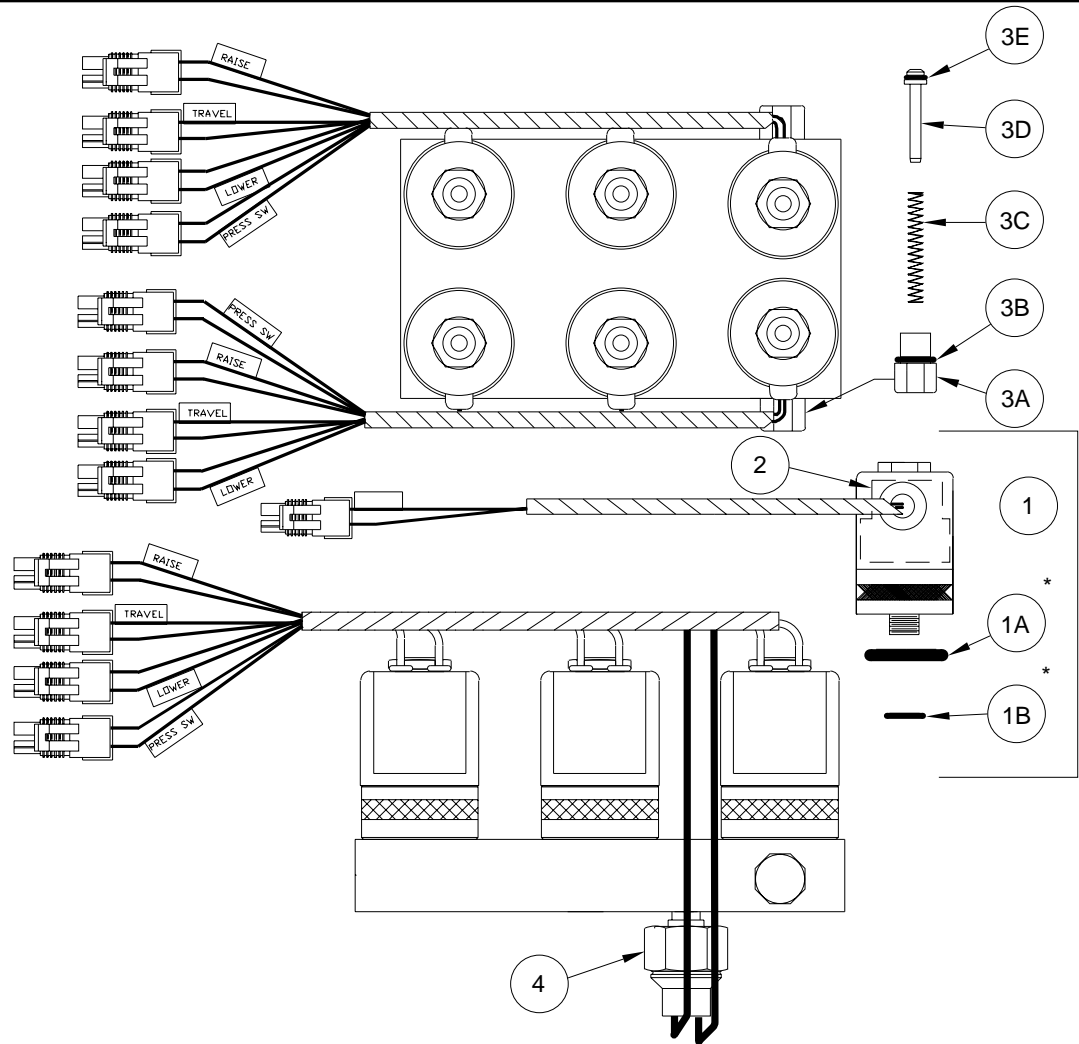
\* GREASE LIGHTLY PRIOR TO ASSEMBLY

NOTE : INDENTED ITEMS INCLUDED WITH PRECEDING ITEM.

MR05.3312  
09MAY13

# MANIFOLD ASSEMBLY, AIR - 6 VALVE (AP18657)

## (WITH PRESSURE SWITCH - NO FITTINGS)



ITEM	PART	QTY	DESCRIPTION
1	RAP1940	6	SOLENOID VALVE SCREW MOUNTED COMPLETE : INCLUDES 1A, 1B AND 2
1A			O-RING
1B			O-RING
	RAP6554	1	O-RING KIT COMPOSED OF (6) 1A AND (6) 1B

ITEM	PART	QTY	DESCRIPTION
2	RAP90568	1	REPLACEMENT COIL
3	RAP6553	1	CHECK VALVE KIT
3A		2	CAP
3B		2	O-RING
3C		2	SPRING
3D		2	PLUNGER
3E		2	O-RING
4	RAP1720	2	SWITCH PRESSURE 20 PSI (INCLUDES WIRE LEADS)

\* GREASE LIGHTLY PRIOR TO ASSEMBLY

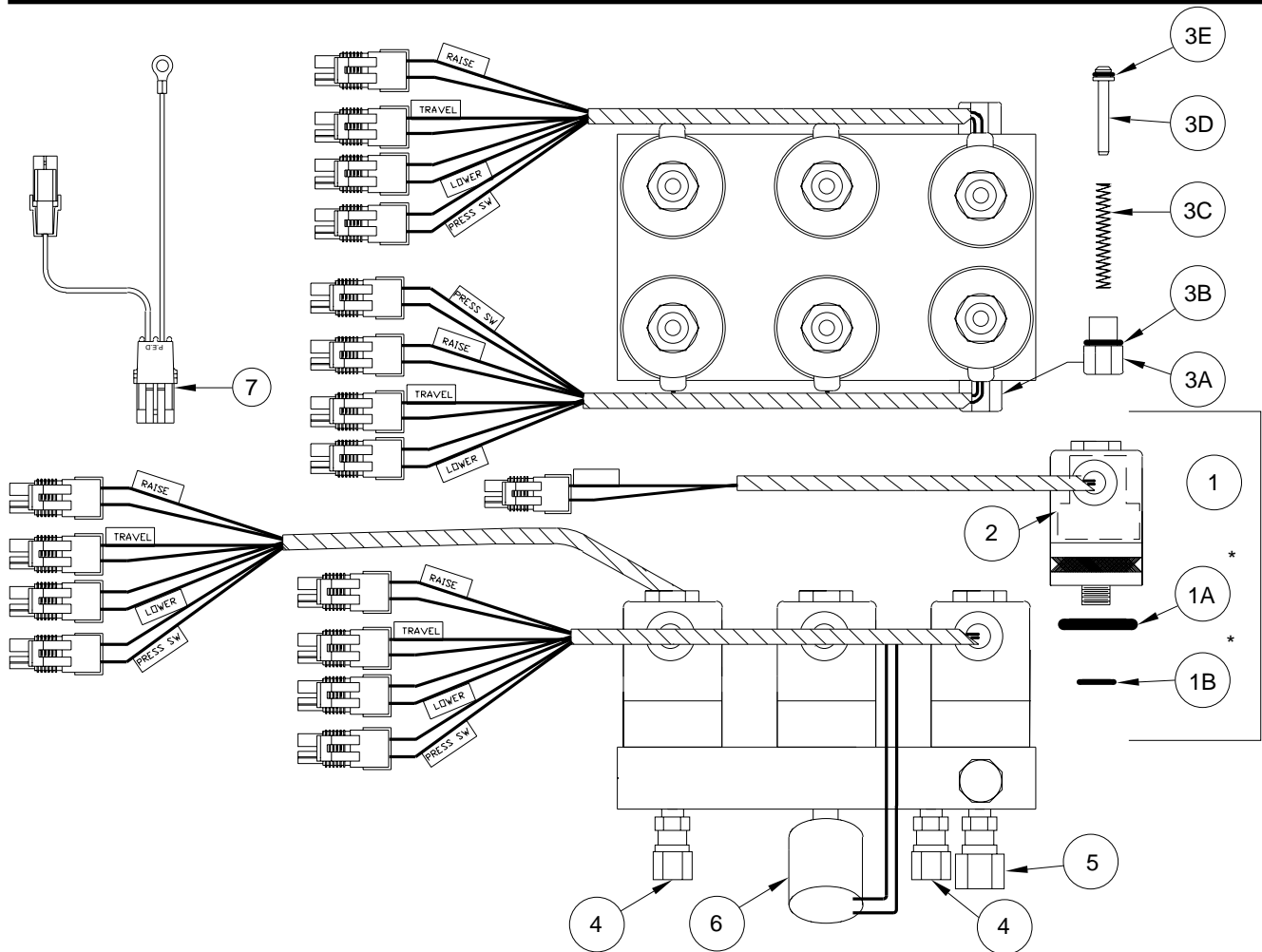
NOTE : INDENTED ITEMS INCLUDED WITH PRECEDING ITEM.

**MR05.3320**  
**09MAY13**



# MANIFOLD ASSEMBLY, AIR - 6 VALVE (AP1506)

(WITH PRESSURE SWITCH)



ITEM	PART	QTY	DESCRIPTION	ITEM	PART	QTY	DESCRIPTION
1	RAP1940	6	SOLENOID VALVE SCREW MOUNTED COMPLETE : INCLUDES 1A, 1B AND 2	4	RF4337	4	MALE CONNECTOR 1/8" X 1/4"
1A			O-RING	5	RF4478	1	MALE CONNECTOR 1/4" X 3/8"
1B			O-RING	6	RAP1720	2	SWITCH PRESSURE 20 PSI (INCLUDES WIRE LEADS)
	RAP6554	1	O-RING KIT COMPOSED OF (6) 1A AND (6) 1B	7	RAP91915	1	ADAPTER KIT MUST BE ORDERED WHEN REPLACING A SOLENOID VALVE OR PRESSURE SWITCH WITH A SINGLE PIN PACKARD INCLUDES INSTRUCTION SHEET
2	RAP90568	1	REPLACEMENT COIL				
3	RAP6553	1	CHECK VALVE KIT				
3A		2	CAP				
3B		2	O-RING				
3C		2	SPRING				
3D		2	PLUNGER				
3E		2	O-RING				

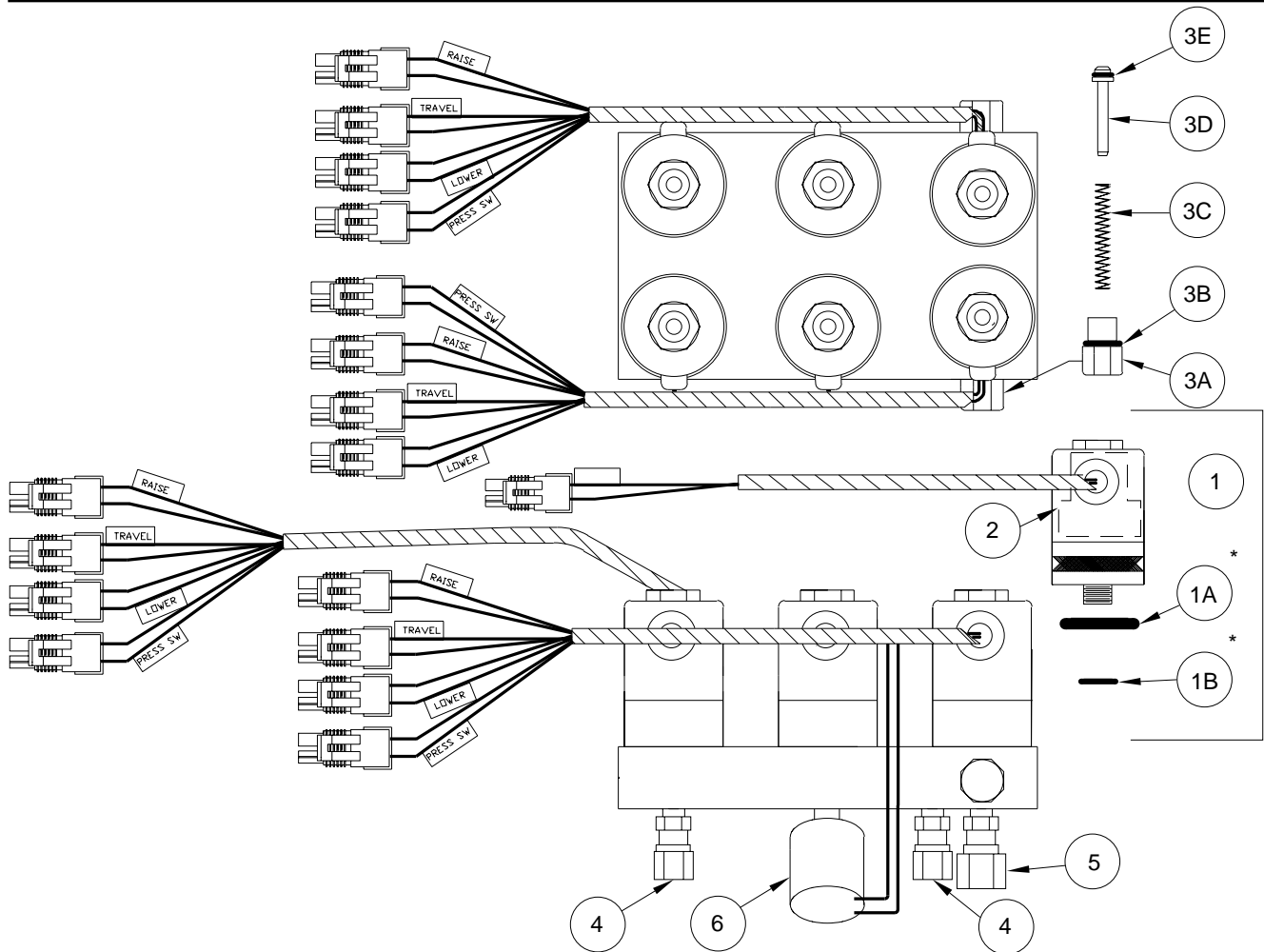
\* GREASE LIGHTLY PRIOR TO ASSEMBLY

NOTE : INDENTED ITEMS INCLUDED WITH PRECEDING ITEM.

MR05.3325  
09MAY13

# MANIFOLD ASSEMBLY, AIR - 6 VALVE (AP11240)

## (WITH PRESSURE SWITCH)



ITEM	PART	QTY	DESCRIPTION	ITEM	PART	QTY	DESCRIPTION
1	RAP1940	6	SOLENOID VALVE SCREW MOUNTED COMPLETE : INCLUDES 1A, 1B AND 2	4	RF6148	4	MALE CONNECTOR 1/8" X 3/8"
1A			O-RING	5	RF4478	1	MALE CONNECTOR 1/4" X 3/8"
1B			O-RING	6	RAP1720	2	SWITCH PRESSURE 20 PSI (INCLUDES WIRE LEADS)
	RAP6554	1	O-RING KIT COMPOSED OF (6) 1A AND (6) 1B				
2	RAP90568	1	REPLACEMENT COIL				
3	RAP6553	1	CHECK VALVE KIT				
3A		2	CAP				
3B		2	O-RING				
3C		2	SPRING				
3D		2	PLUNGER				
3E		2	O-RING				

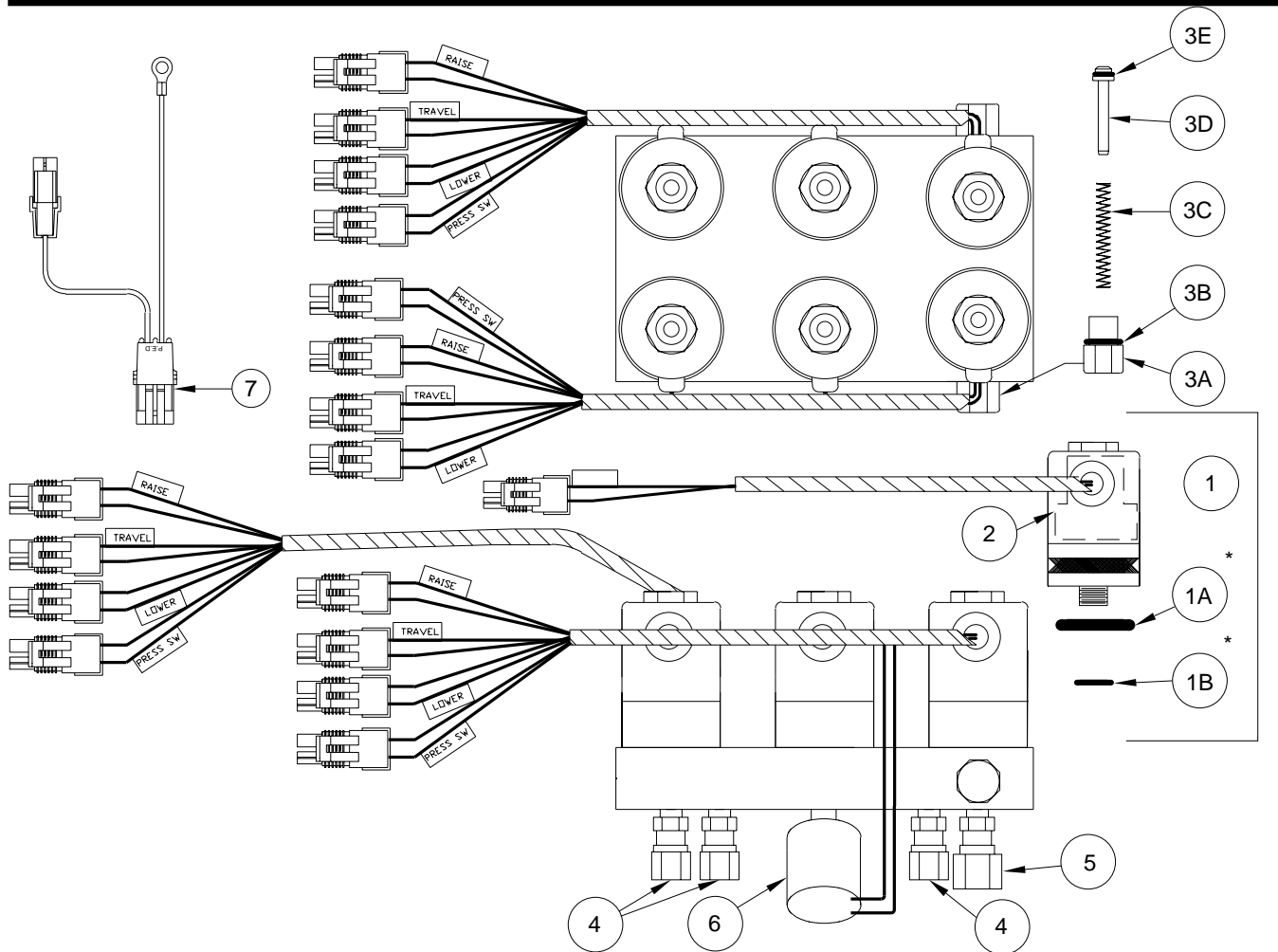
\* GREASE LIGHTLY PRIOR TO ASSEMBLY

NOTE : INDENTED ITEMS INCLUDED WITH PRECEDING ITEM.

**MR05.3350**  
**09MAY13**

# MANIFOLD ASSEMBLY, AIR - 6 VALVE (AP1875)

(WITH PRESSURE SWITCH)



ITEM	PART	QTY	DESCRIPTION	ITEM	PART	QTY	DESCRIPTION
1	RAP1940	6	SOLENOID VALVE SCREW MOUNTED COMPLETE : INCLUDES 1A, 1B AND 2	4	RF4337	6	MALE CONNECTOR 1/8" X 1/4"
1A			O-RING	5	RF4478	1	MALE CONNECTOR 1/4" X 3/8"
1B			O-RING	6	RAP1720	2	SWITCH PRESSURE 20 PSI (INCLUDES WIRE LEADS)
	RAP6554	1	O-RING KIT COMPOSED OF (6) 1A AND (6) 1B	7	RAP91915	1	ADAPTER KIT MUST BE ORDERED WHEN REPLACING A SOLENOID VALVE OR PRESSURE SWITCH WITH A SINGLE PIN PACKARD INCLUDES INSTRUCTION SHEET
2	RAP90568	1	REPLACEMENT COIL				
3	RAP6553	1	CHECK VALVE KIT				
3A		2	CAP				
3B		2	O-RING				
3C		2	SPRING				
3D		2	PLUNGER				
3E		2	O-RING				

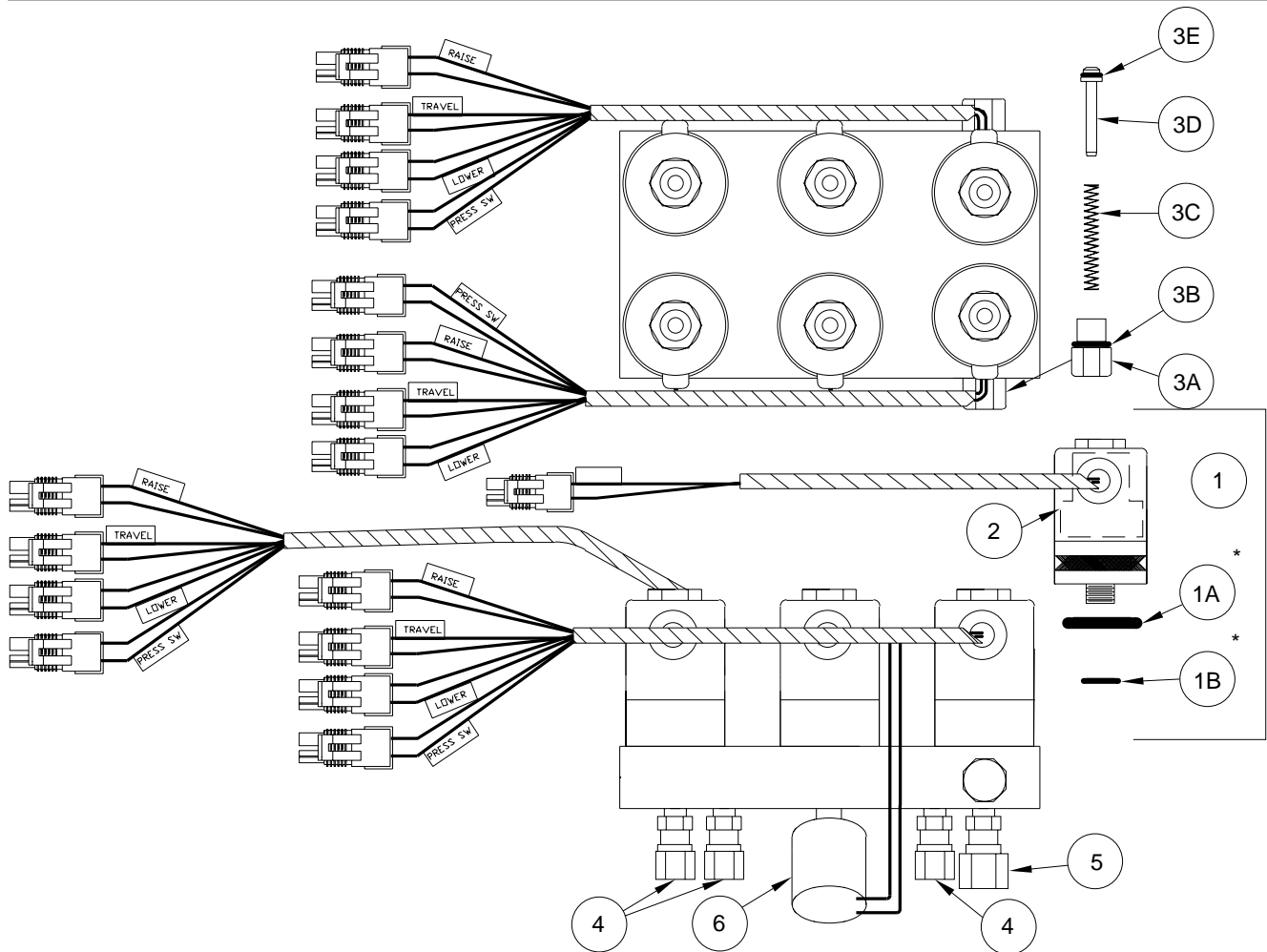
\* GREASE LIGHTLY PRIOR TO ASSEMBLY

NOTE : INDENTED ITEMS INCLUDED WITH PRECEDING ITEM.

MR05.3375  
30MAY13

# MANIFOLD ASSEMBLY, AIR - 6 VALVE (AP11239)

(WITH PRESSURE SWITCH)



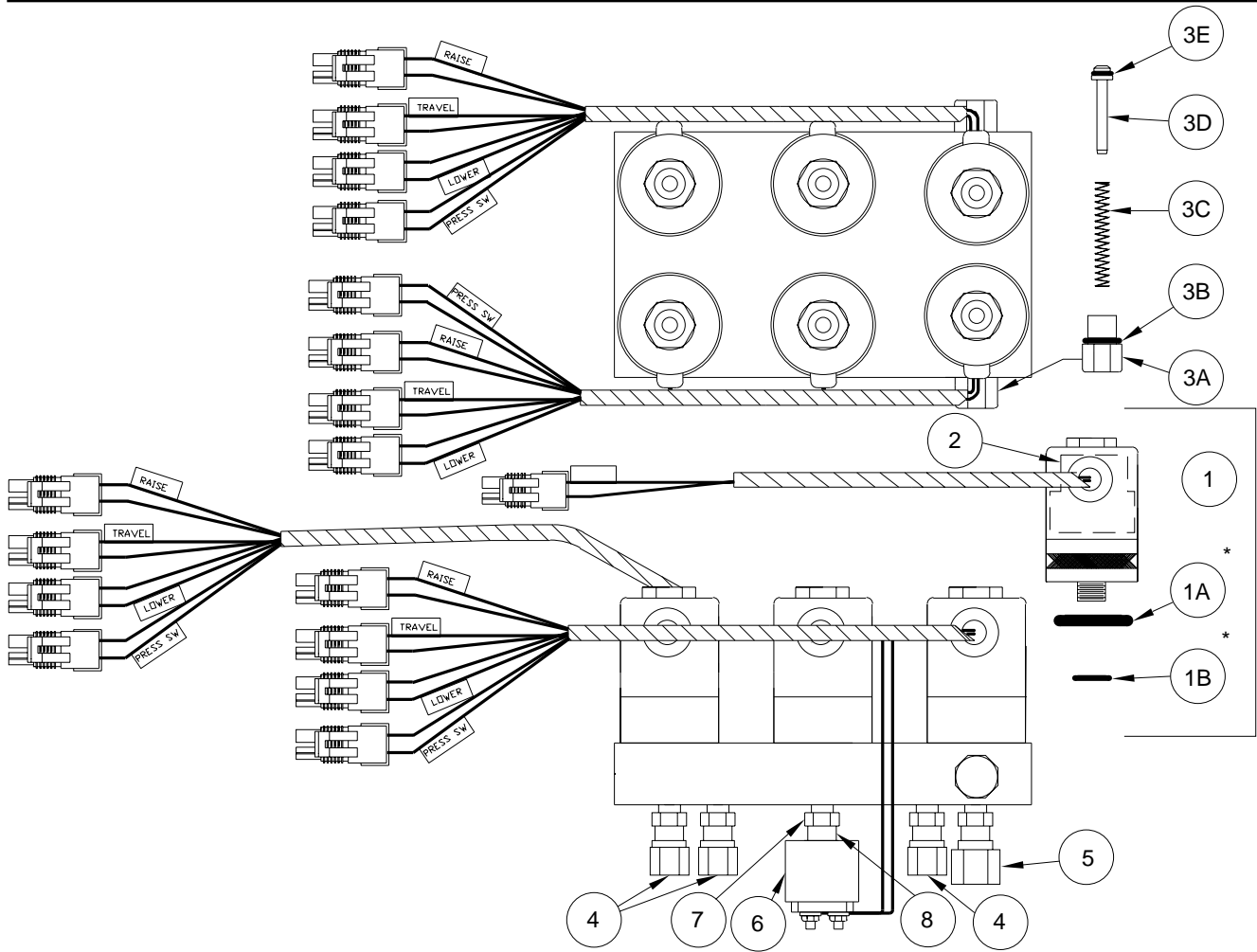
ITEM	PART	QTY	DESCRIPTION	ITEM	PART	QTY	DESCRIPTION
1	RAP1940	6	SOLENOID VALVE SCREW MOUNTED COMPLETE : INCLUDES 1A, 1B AND 2	4	RF6148	6	MALE CONNECTOR 1/8" X 3/8"
1A			O-RING	5	RF4478	1	MALE CONNECTOR 1/4" X 3/8"
1B			O-RING	6	RAP1720	2	SWITCH PRESSURE 20 PSI (INCLUDES WIRE LEADS)
	RAP6554	1	O-RING KIT COMPOSED OF (6) 1A AND (6) 1B				
2	RAP90568	1	REPLACEMENT COIL				
3	RAP6553	1	CHECK VALVE KIT				
3A		2	CAP				
3B		2	O-RING				
3C		2	SPRING				
3D		2	PLUNGER				
3E		2	O-RING				

\* GREASE LIGHTLY PRIOR TO ASSEMBLY

NOTE : INDENTED ITEMS INCLUDED WITH PRECEDING ITEM.

MR05.3400  
09MAY13

# MANIFOLD ASSEMBLY, AIR - 6 VALVE (AP11585) (WITH PRESSURE SWITCH)



ITEM	PART	QTY	DESCRIPTION	ITEM	PART	QTY	DESCRIPTION
1	RAP1940	6	SOLENOID VALVE SCREW MOUNTED COMPLETE : INCLUDES 1A, 1B AND 2	4	RF6148	6	MALE CONNECTOR 1/8" X 3/8"
1A			O-RING	5	RF4478	1	MALE CONNECTOR 1/4" X 3/8"
1B			O-RING	6	RAP90580	2	SWITCH PRESSURE 35 PSI (INCLUDES WIRE LEADS)
	RAP6554	1	O-RING KIT COMPOSED OF (6) 1A AND (6) 1B	7	RF1457	2	BRASS ADAPTOR 1/8" X 1/4"
2	RAP90568	1	REPLACEMENT COIL	8	RF3340	2	BRASS ELBOW 1/4" X 1/4"
3	RAP6553	1	CHECK VALVE KIT				
3A		2	CAP				
3B		2	O-RING				
3C		2	SPRING				
3D		2	PLUNGER				
3E		2	O-RING				

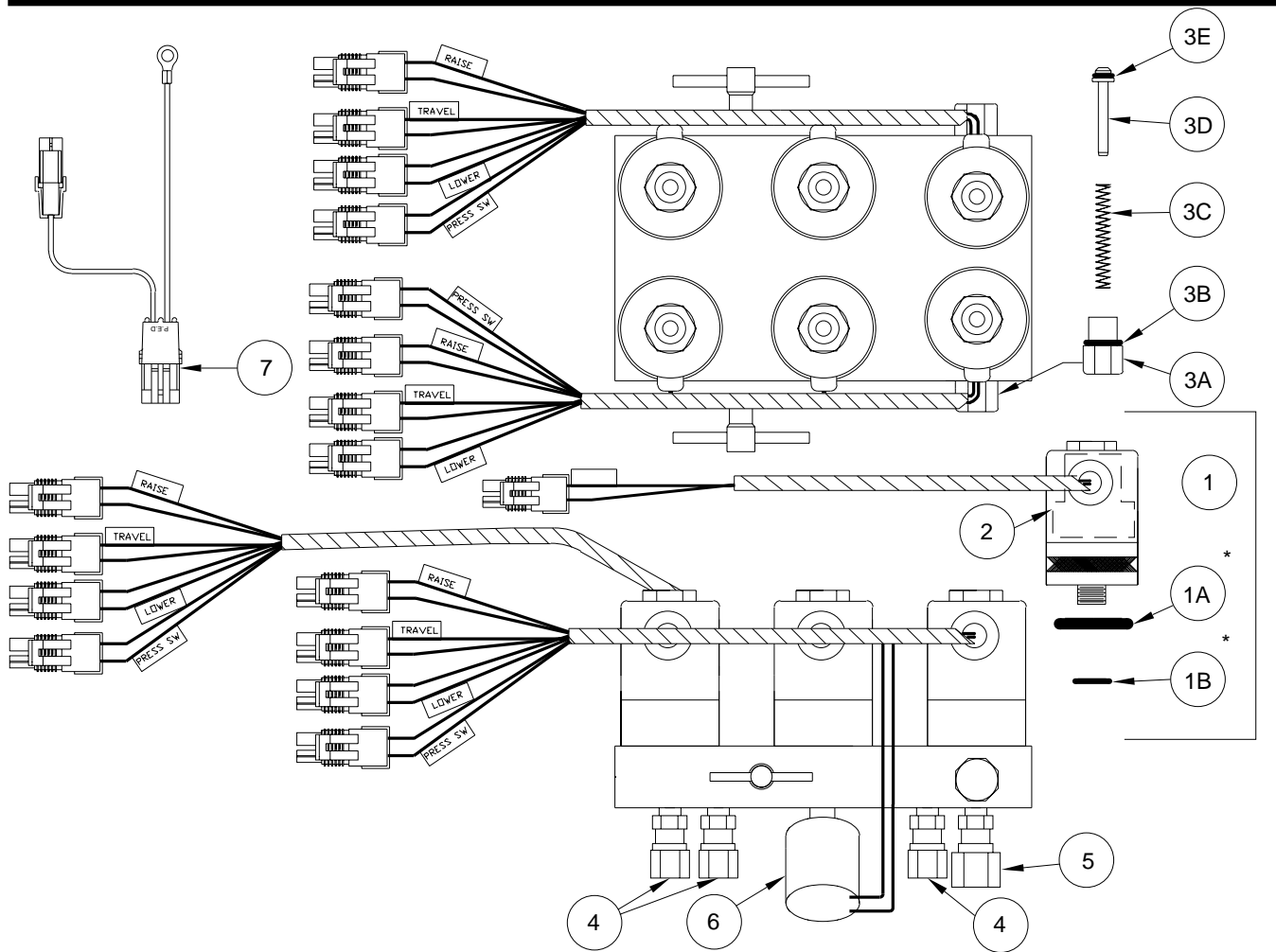
\* GREASE LIGHTLY PRIOR TO ASSEMBLY

NOTE : INDENTED ITEMS INCLUDED WITH PRECEDING ITEM.

**MR05.3500**  
**09MAY13**

# MANIFOLD ASSEMBLY, AIR - 6 VALVE (AP15554)

## (WITH PRESSURE SWITCHES AND BY-PASS VALVE)



ITEM	PART	QTY	DESCRIPTION	ITEM	PART	QTY	DESCRIPTION
1	RAP1940	6	SOLENOID VALVE SCREW MOUNTED COMPLETE : INCLUDES 1A, 1B AND 2	4	RF4337	6	MALE CONNECTOR 1/8" X 1/4"
1A			O-RING	5	RF4478	1	MALE CONNECTOR 1/4" X 3/8"
1B			O-RING	6	RAP1720	2	SWITCH PRESSURE 20 PSI (INCLUDES WIRE LEADS)
	RAP6554	1	O-RING KIT COMPOSED OF (6) 1A AND (6) 1B	7	RAP91915	1	ADAPTER KIT MUST BE ORDERED WHEN REPLACING A SOLENOID VALVE OR PRESSURE SWITCH WITH A SINGLE PIN PACKARD INCLUDES INSTRUCTION SHEET
2	RAP90568	1	REPLACEMENT COIL				
3	RAP6553	1	CHECK VALVE KIT				
3A		2	CAP				
3B		2	O-RING				
3C		2	SPRING				
3D		2	PLUNGER				
3E		2	O-RING				

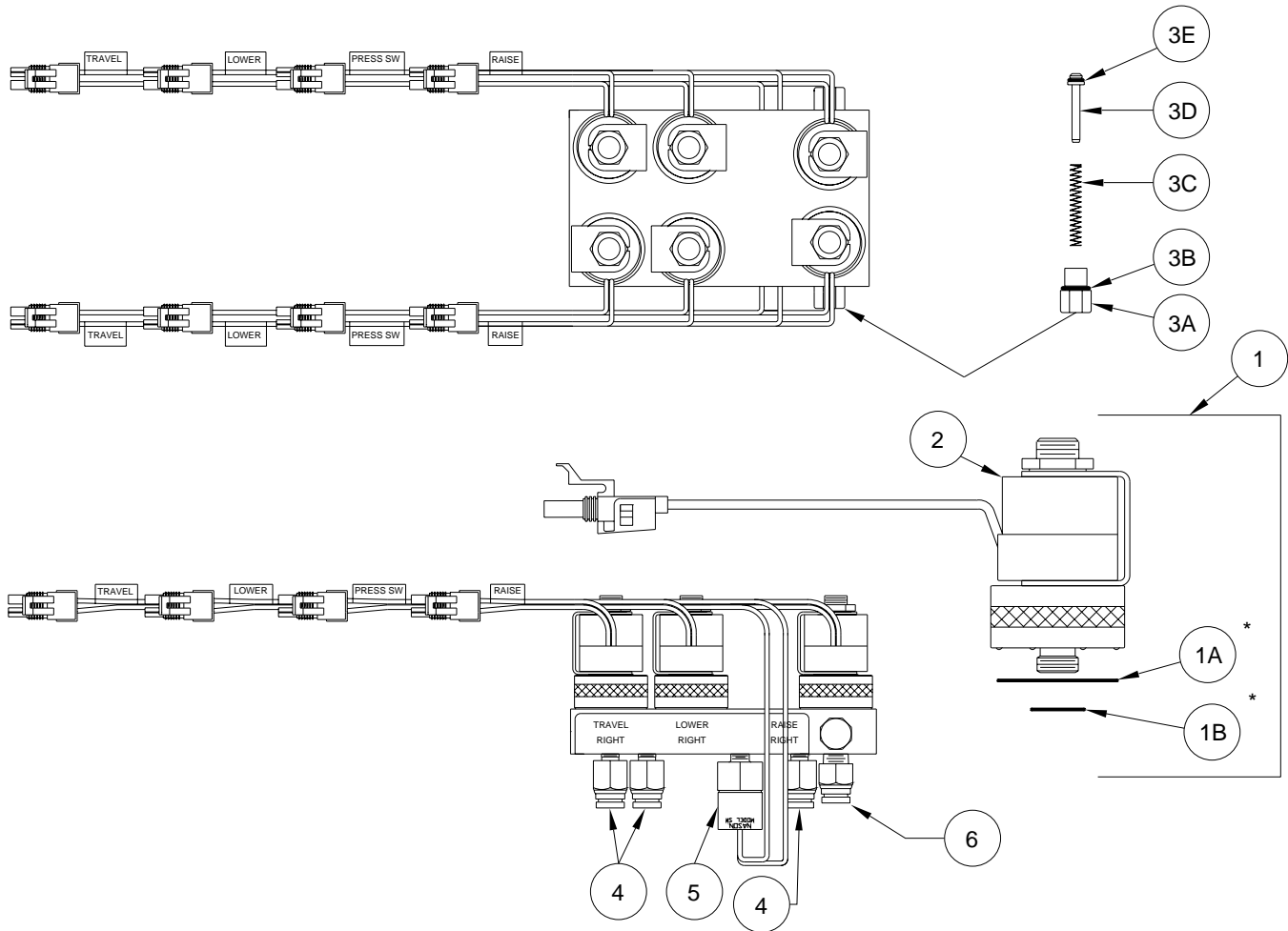
\* GREASE LIGHTLY PRIOR TO ASSEMBLY

NOTE : INDENTED ITEMS INCLUDED WITH PRECEDING ITEM.

**MR05.3600**  
**30MAY13**

# MANIFOLD ASSEMBLY, AIR - 6 VALVE (AP30879)

## (WITH 2-PRESSURE SWITCHES & PUSH TO CONNECT FITTINGS)



ITEM	PART	QTY	DESCRIPTION
------	------	-----	-------------

1	RAP1940	6	SOLENOID VALVE SCREW MOUNTED COMPLETE : INCLUDES 1A, 1B AND 2
1A			O-RING
1B			O-RING

ITEM	PART	QTY	DESCRIPTION
------	------	-----	-------------

3	RAP6553	1	CHECK VALVE KIT
	3A	2	CAP
	3B	2	O-RING
	3C	2	SPRING
	3D	2	PLUNGER
	3E	2	O-RING
4	RF91587	6	3/8" PUSH TO CONNECT 1/8" NPT
5	RAP1720	2	SWITCH PRESSURE 20 PSI
6	RF91586	1	3/8" PUSH TO CONNECT 1/4" NPT

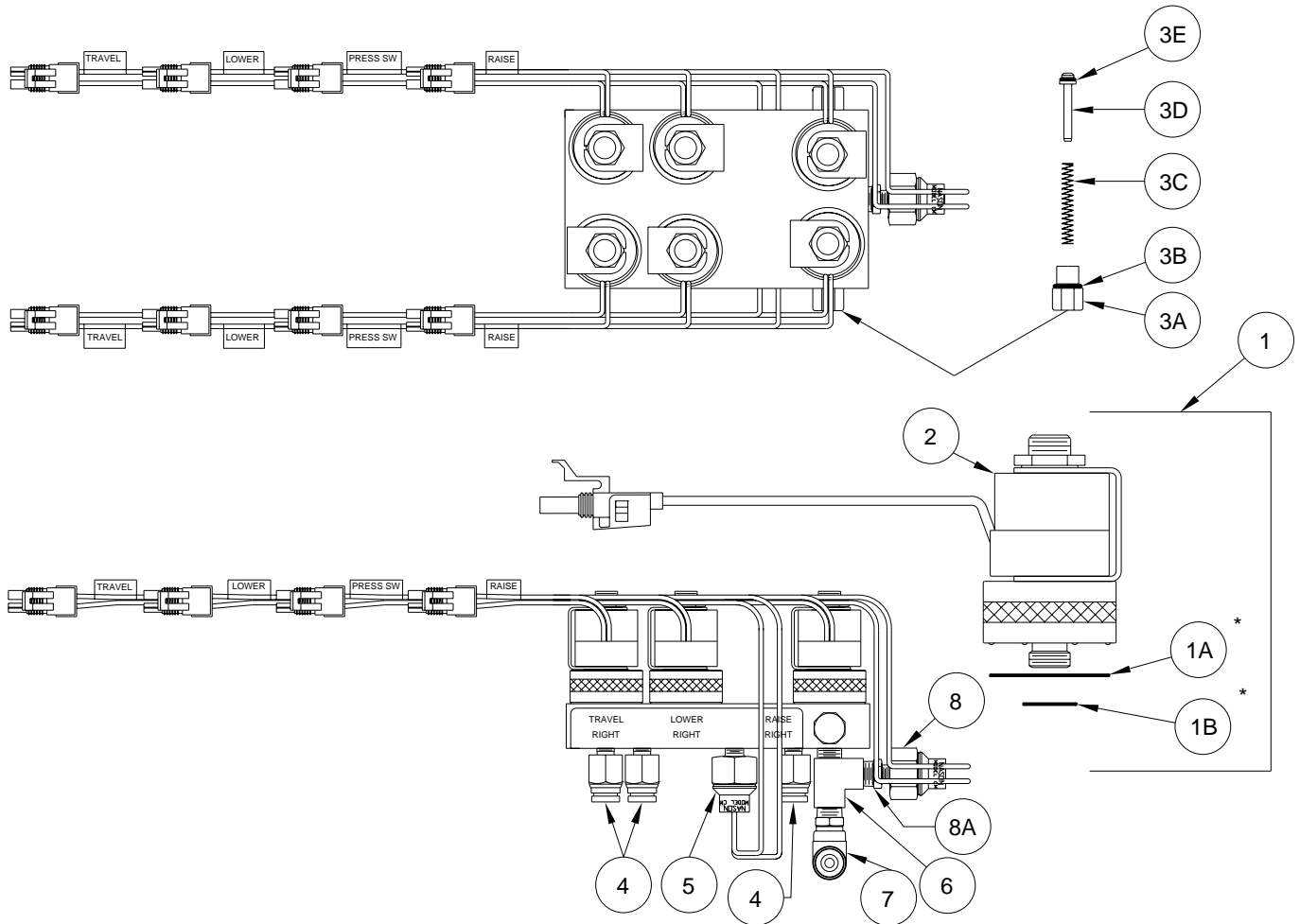
\* GREASE LIGHTLY PRIOR TO ASSEMBLY

NOTE : INDENTED ITEMS INCLUDED WITH PRECEDING ITEM.

**MR05.3601**  
**09MAY13**

# MANIFOLD ASSEMBLY, AIR - 6 VALVE (AP30880)

## (WITH 3-PRESSURE SWITCHES & PUSH TO CONNECT FITTINGS)



ITEM	PART	QTY	DESCRIPTION	ITEM	PART	QTY	DESCRIPTION
1	RAP1940	6	SOLENOID VALVE SCREW MOUNTED COMPLETE : INCLUDES 1A, 1B AND 2	4	RF91587	6	3/8" PUSH TO CONNECT 1/8" NPT
1A			O-RING	5	RAP1720	2	SWITCH PRESSURE 20 PSI
1B			O-RING	6	RF6944	1	1/4" STREET TEE
	RAP6554	1	O-RING KIT COMPOSED OF (6) 1A AND (6) 1B	7	RF91649	1	3/8" PUSH CONN ELBOW 1/4" NPT
2	RAP90568	1	REPLACEMENT COIL	8	RAP90388	1	SWITCH PRESSURE 100 PSI (REPLACES AP15387)
3	RAP6553	1	CHECK VALVE KIT	8A	RF90172	1	BRASS BUSHING 1/4" X 1/8"
3A		2	CAP				
3B		2	O-RING				
3C		2	SPRING				
3D		2	PLUNGER				
3E		2	O-RING				

\* GREASE LIGHTLY PRIOR TO ASSEMBLY

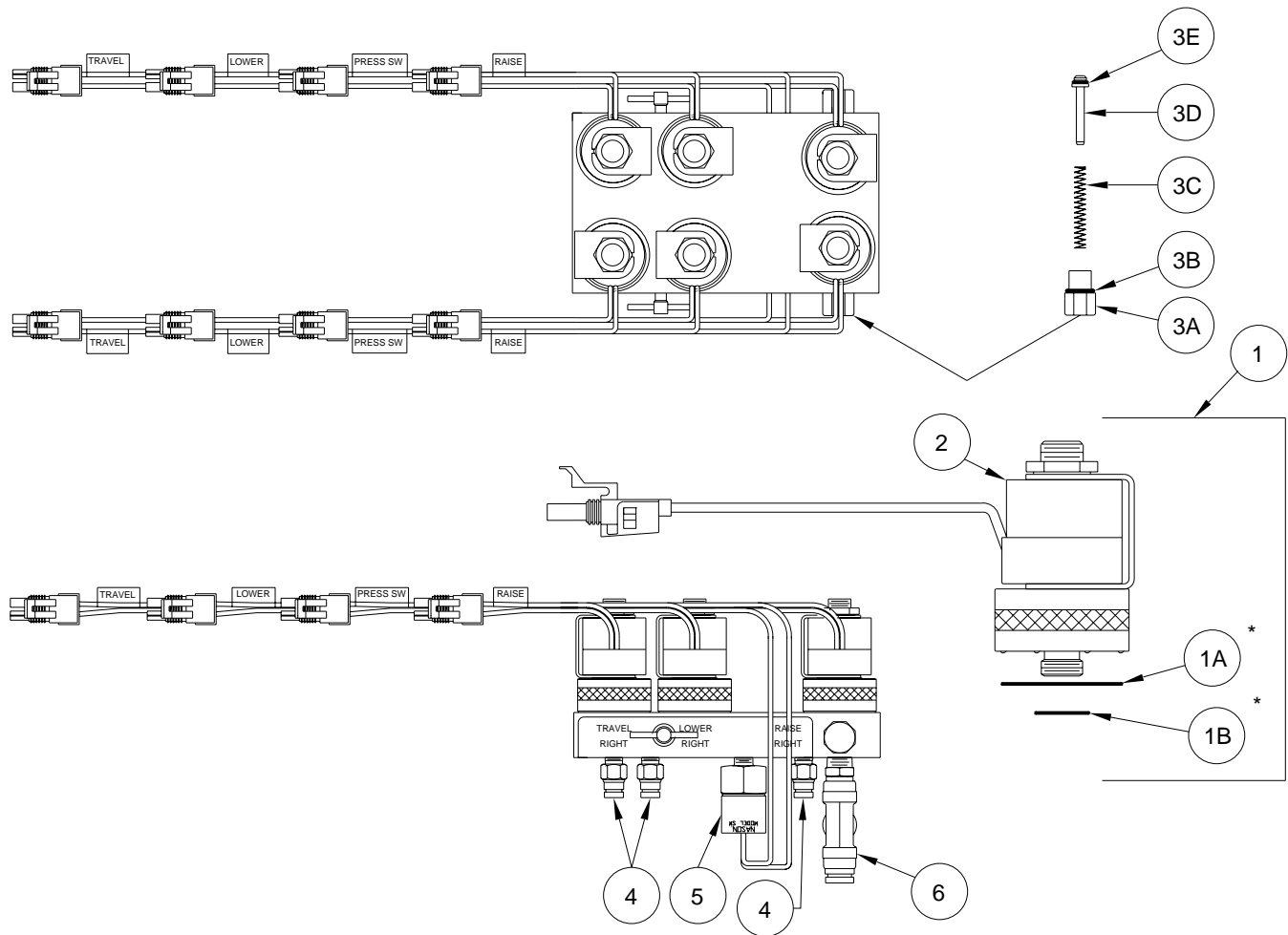
NOTE : INDENTED ITEMS INCLUDED WITH PRECEDING ITEM.

**MR05.3602**  
**09MAY13**



# MANIFOLD ASSEMBLY, AIR - 6 VALVE (AP35017)

(WITH TRAVEL BY-PASS 2-PRESSURE SWITCHES & PUSH TO CONNECT FITTINGS)



ITEM	PART	QTY	DESCRIPTION	ITEM	PART	QTY	DESCRIPTION
1	RAP1940	6	SOLENOID VALVE SCREW MOUNTED COMPLETE : INCLUDES 1A, 1B AND 2	3	RAP6553	1	CHECK VALVE KIT
1A			O-RING	3A		2	CAP
1B			O-RING	3B		2	O-RING
	RAP6554	1	O-RING KIT COMPOSED OF (6) 1A AND (6) 1B	3C		2	SPRING
2	RAP90568	1	REPLACEMENT COIL	3D		2	PLUNGER
				3E		2	O-RING
				4	RF91120	6	1/4" PUSH TO CONNECT 1/8" NPT
				5	RAP1720	2	SWITCH PRESSURE 20 PSI
				6	RF91119	1	3/8" PUSH TO CONNECT SWIVEL 1/4" NPT TEE

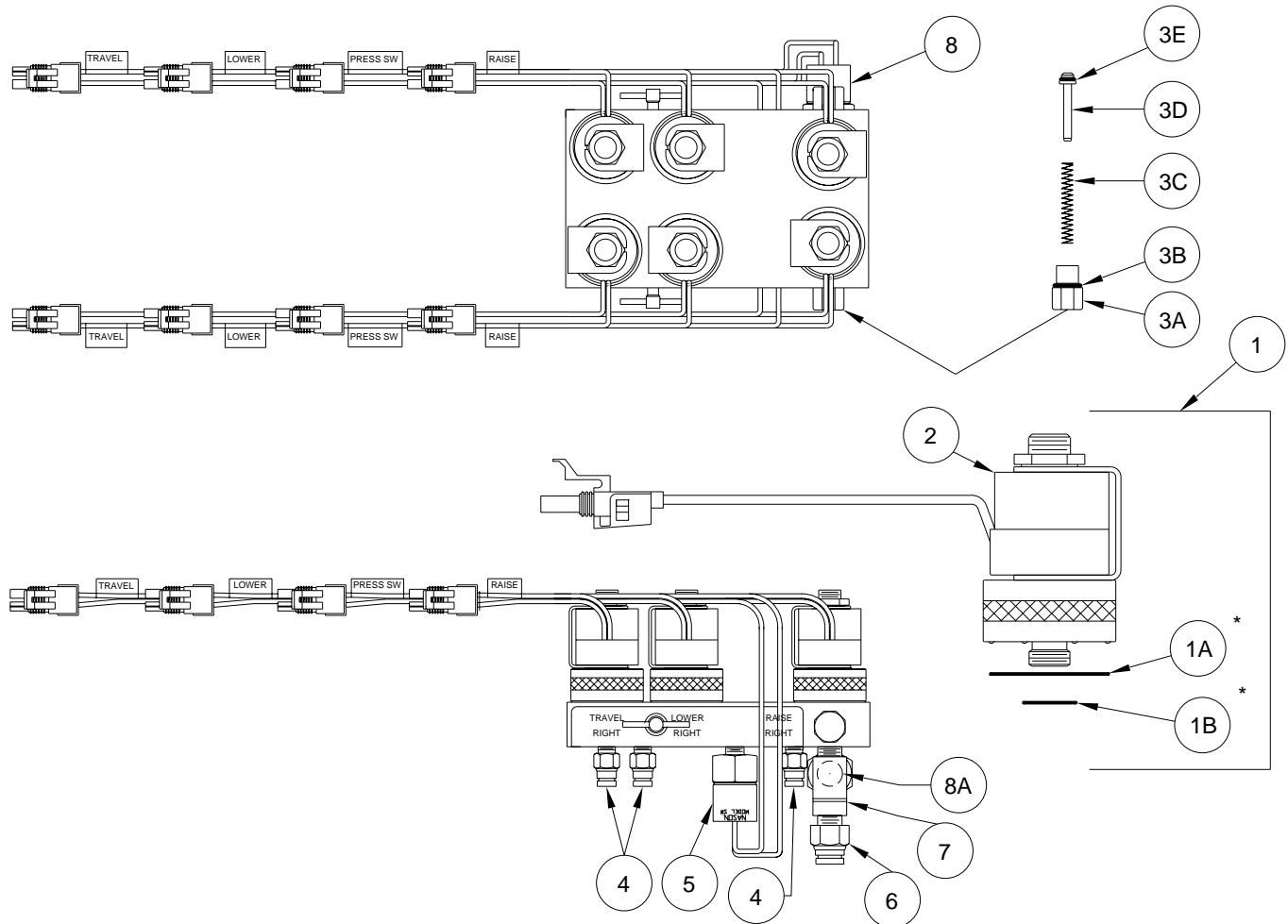
\* GREASE LIGHTLY PRIOR TO ASSEMBLY

NOTE : INDENTED ITEMS INCLUDED WITH PRECEDING ITEM.

MR05.3603  
09MAY13

# MANIFOLD ASSEMBLY, AIR - 6 VALVE (AP35018)

(WITH TRAVEL BY-PASS 3-PRESSURE SWITCHES & PUSH TO CONNECT FITTINGS)



ITEM	PART	QTY	DESCRIPTION	ITEM	PART	QTY	DESCRIPTION
1	RAP1940	6	SOLENOID VALVE SCREW MOUNTED COMPLETE : INCLUDES 1A, 1B AND 2	4	RF91120	6	1/4" PUSH TO CONNECT 1/8" NPT
1A			O-RING	5	RAP1720	2	SWITCH PRESSURE 20 PSI
1B			O-RING	6	RF91586	1	3/8" PUSH TO CONNECT 1/4" NPT
	RAP6554	1	O-RING KIT COMPOSED OF (6) 1A AND (6) 1B	7	RF6944	1	1/4" STREET TEE
2	RAP90568	1	REPLACEMENT COIL	8	RAP90388	1	SWITCH PRESSURE 100 PSI (REPLACES AP15387)
3	RAP6553	1	CHECK VALVE KIT	8A	RF90172	1	BRASS BUSHING 1/4" X 1/8"
3A		2	CAP				
3B		2	O-RING				
3C		2	SPRING				
3D		2	PLUNGER				
3E		2	O-RING				

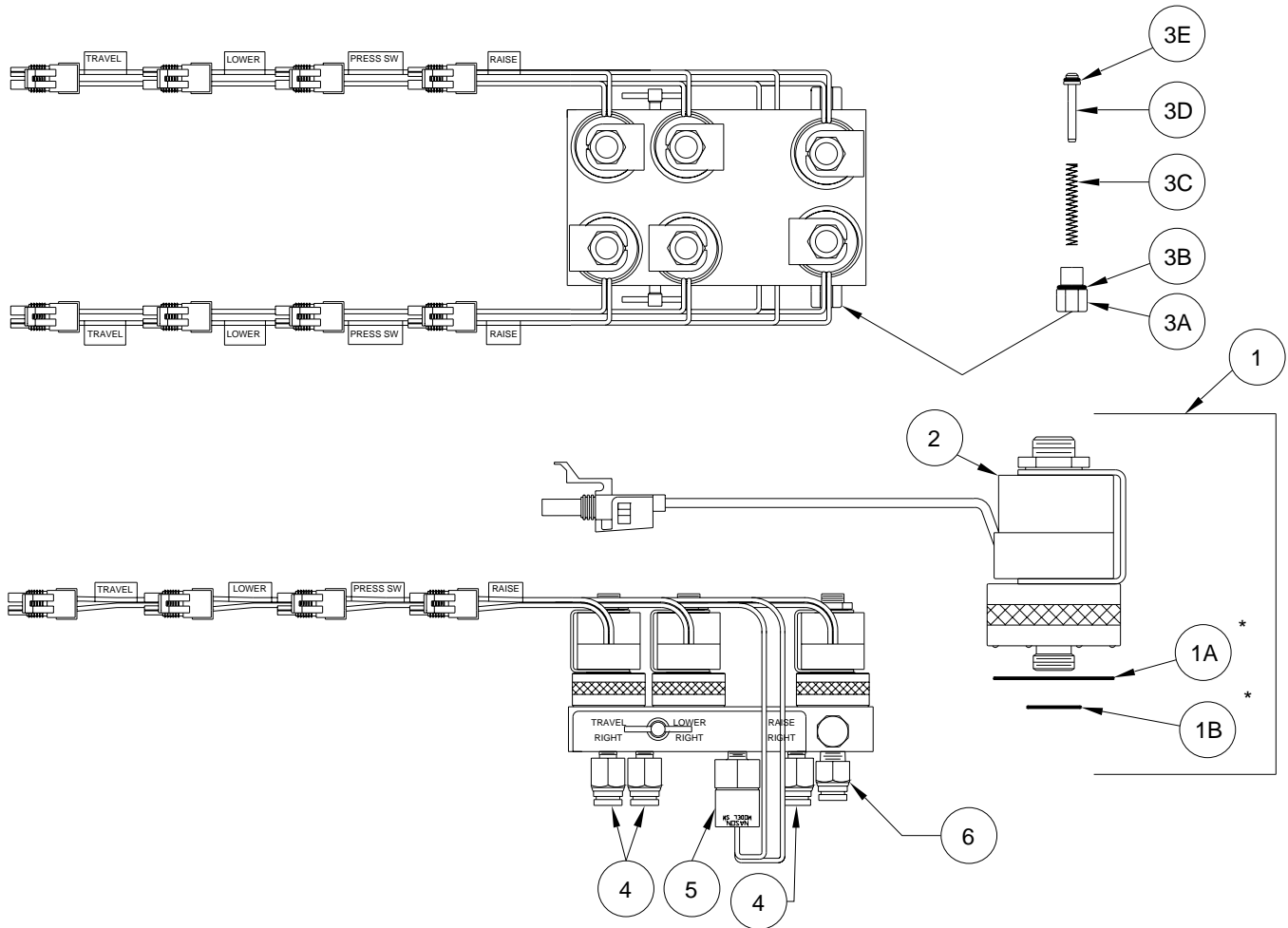
\* GREASE LIGHTLY PRIOR TO ASSEMBLY

NOTE : INDENTED ITEMS INCLUDED WITH PRECEDING ITEM.

MR05.3604  
09MAY13

# MANIFOLD ASSEMBLY, AIR - 6 VALVE (AP35019)

(WITH TRAVEL BY-PASS 2-PRESSURE SWITCHES & PUSH TO CONNECT FITTINGS)



ITEM	PART	QTY	DESCRIPTION	ITEM	PART	QTY	DESCRIPTION
1	RAP1940	6	SOLENOID VALVE SCREW MOUNTED COMPLETE : INCLUDES 1A, 1B AND 2	3	RAP6553	1	CHECK VALVE KIT
1A			O-RING	3A		2	CAP
1B			O-RING	3B		2	O-RING
	RAP6554	1	O-RING KIT COMPOSED OF (6) 1A AND (6) 1B	3C		2	SPRING
2	RAP90568	1	REPLACEMENT COIL	3D		2	PLUNGER
				3E		2	O-RING
				4	RF91120	6	1/4" PUSH TO CONNECT 1/8" NPT
				5	RAP1720	2	SWITCH PRESSURE 20 PSI
				6	RF91586	1	3/8" PUSH TO CONNECT 1/4" NPT

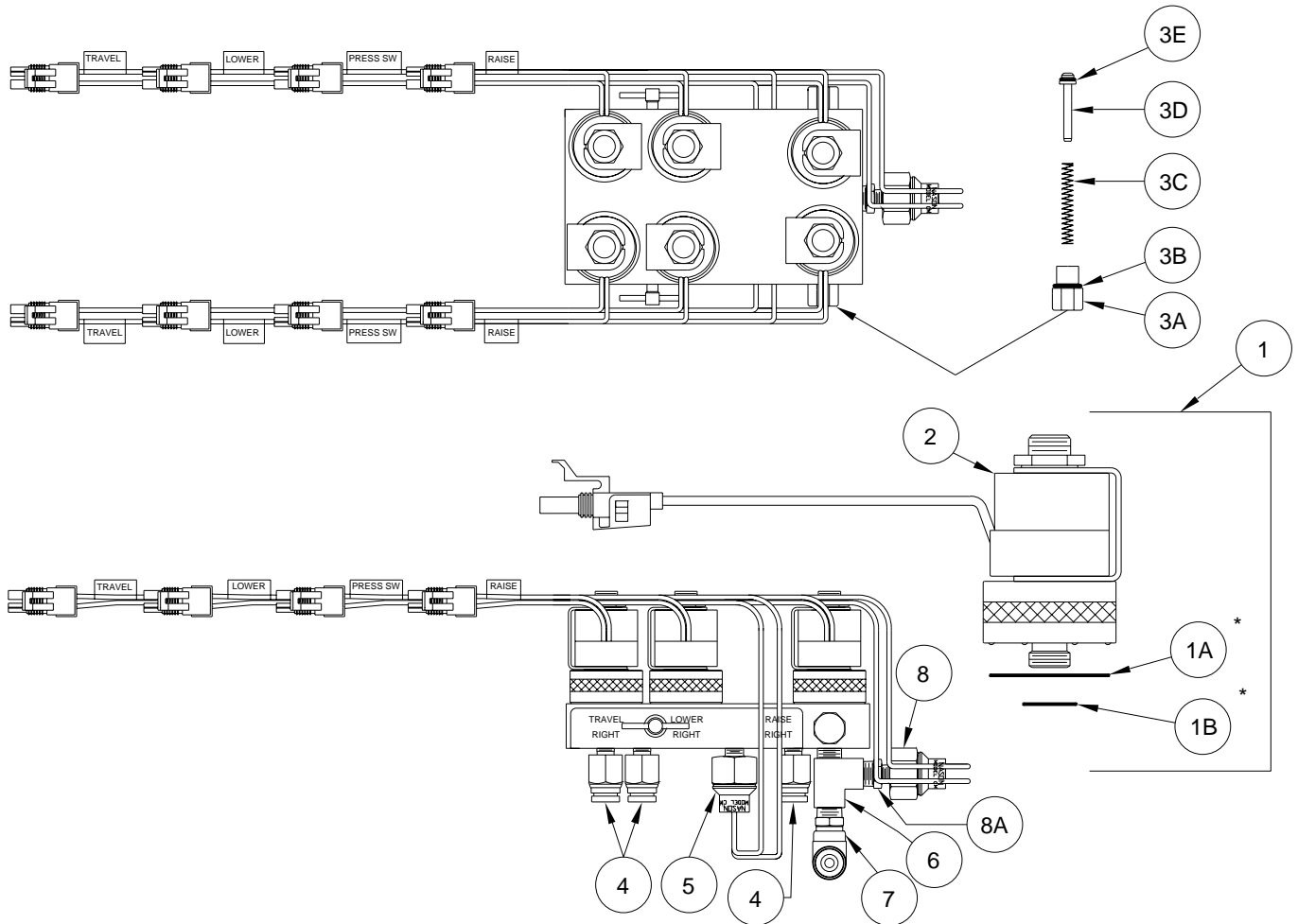
\* GREASE LIGHTLY PRIOR TO ASSEMBLY

NOTE : INDENTED ITEMS INCLUDED WITH PRECEDING ITEM.

MR05.3605  
09MAY13

# MANIFOLD ASSEMBLY, AIR - 6 VALVE (AP35020)

(WITH TRAVEL BY-PASS 3-PRESSURE SWITCHES & PUSH TO CONNECT FITTINGS)



ITEM	PART	QTY	DESCRIPTION
1	RAP1940	6	SOLENOID VALVE SCREW MOUNTED COMPLETE : INCLUDES 1A, 1B AND 2
1A			O-RING
1B			O-RING
	RAP6554	1	O-RING KIT COMPOSED OF (6) 1A AND (6) 1B
2	RAP90568	1	REPLACEMENT COIL
3	RAP6553	1	CHECK VALVE KIT
3A		2	CAP
3B		2	O-RING
3C		2	SPRING
3D		2	PLUNGER
3E		2	O-RING

ITEM	PART	QTY	DESCRIPTION
4	RF91587	6	3/8" PUSH TO CONNECT 1/8" NPT
5	RAP1720	2	SWITCH PRESSURE 20 PSI
6	RF6944	1	1/4" STREET TEE
7	RF91649	1	3/8" PUSH TO CONNECT ELBOW 1/4" NPT
8	RAP90388	1	SWITCH PRESSURE 100 PSI (REPLACES AP15387)
8A	RF90172	1	BRASS BUSHING 1/4" X 1/8"

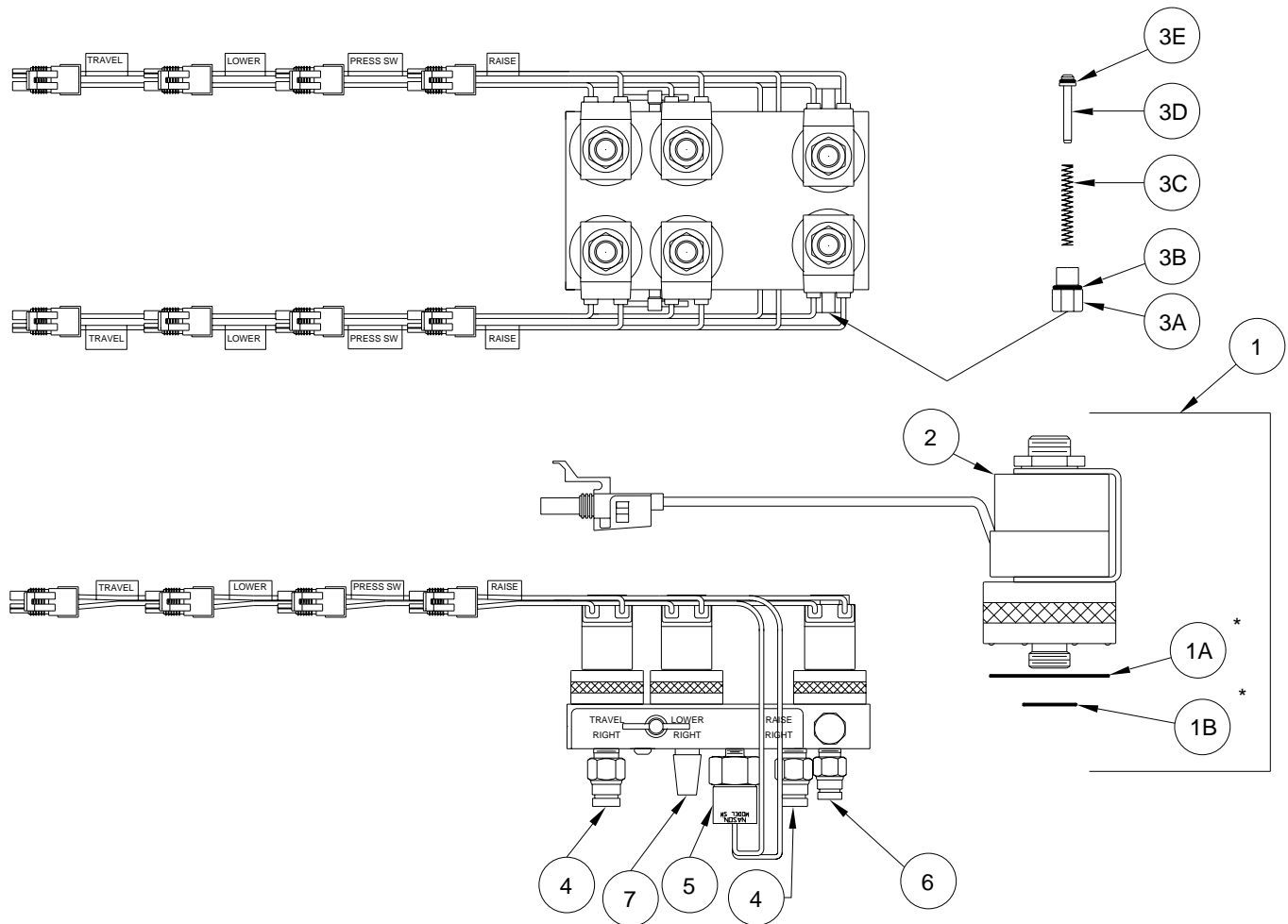
\* GREASE LIGHTLY PRIOR TO ASSEMBLY

NOTE : INDENTED ITEMS INCLUDED WITH PRECEDING ITEM.

MR05.3606  
09MAY13

# MANIFOLD ASSEMBLY, AIR - 6 VALVE (AP34962)

(WITH TRAVEL BY-PASS 2-PRESSURE SWITCHES & PUSH TO CONNECT FITTINGS)



ITEM	PART	QTY	DESCRIPTION	ITEM	PART	QTY	DESCRIPTION
1	RAP1940	6	SOLENOID VALVE SCREW MOUNTED COMPLETE : INCLUDES 1A, 1B AND 2	4	RF91640	4	1/2" PUSH TO CONNECT 1/4" NPT
1A			O-RING	5	RAP1720	2	SWITCH PRESSURE 20 PSI
1B			O-RING	6	RF91586	1	3/8" PUSH TO CONNECT 1/4" NPT
	RAP6554	1	O-RING KIT COMPOSED OF (6) 1A AND (6) 1B	7	RP90582	2	1/4" AIR MUFFLER
2	RAP90568	1	REPLACEMENT COIL				
3	RAP6553	1	CHECK VALVE KIT				
3A		2	CAP				
3B		2	O-RING				
3C		2	SPRING				
3D		2	PLUNGER				
3E		2	O-RING				

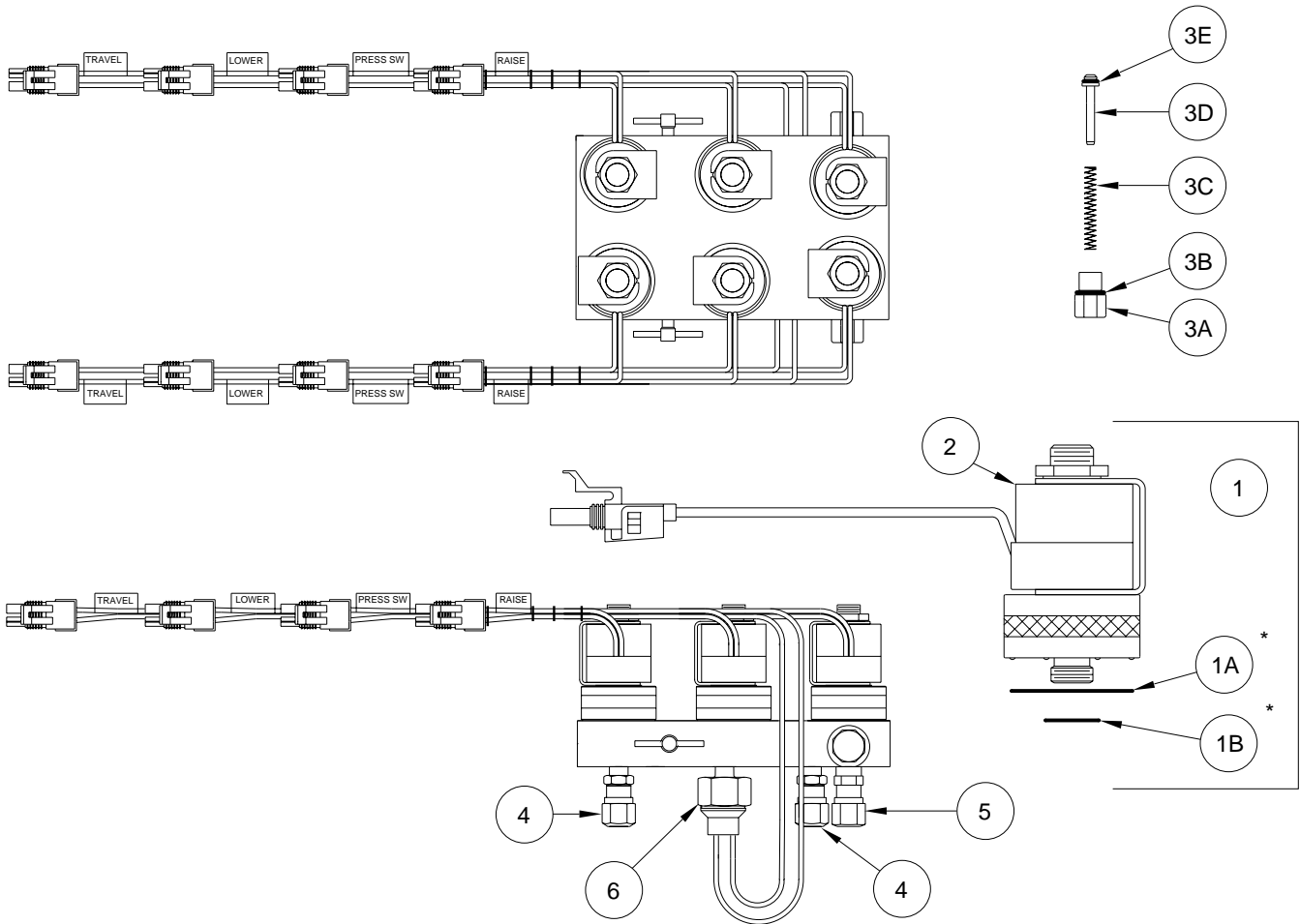
\* GREASE LIGHTLY PRIOR TO ASSEMBLY

NOTE : INDENTED ITEMS INCLUDED WITH PRECEDING ITEM.

MR05.3607  
09MAY13

# MANIFOLD ASSEMBLY, AIR - 6 VALVE (AP19985)

## (WITH 2-PRESSURE SWITCH AND BY-PASS VALVE)



ITEM	PART	QTY	DESCRIPTION
------	------	-----	-------------

1	RAP1940	6	SOLENOID VALVE SCREW MOUNTED COMPLETE : INCLUDES 1A, 1B AND 2
---	---------	---	--

1A			O-RING
1B			O-RING

	RAP6554	1	O-RING KIT COMPOSED OF (6) 1A AND (6) 1B
--	---------	---	---

2	RAP90568	1	REPLACEMENT COIL
---	----------	---	------------------

ITEM	PART	QTY	DESCRIPTION
------	------	-----	-------------

3	RAP6553	1	CHECK VALVE KIT
---	---------	---	-----------------

3A		2	CAP
3B		2	O-RING
3C		2	SPRING
3D		2	PLUNGER
3E		2	O-RING

4	RF6148	4	MALE CONNECTOR 1/8" X 3/8"
---	--------	---	-------------------------------

5	RF4478	1	MALE CONNECTOR 1/4" X 3/8"
---	--------	---	-------------------------------

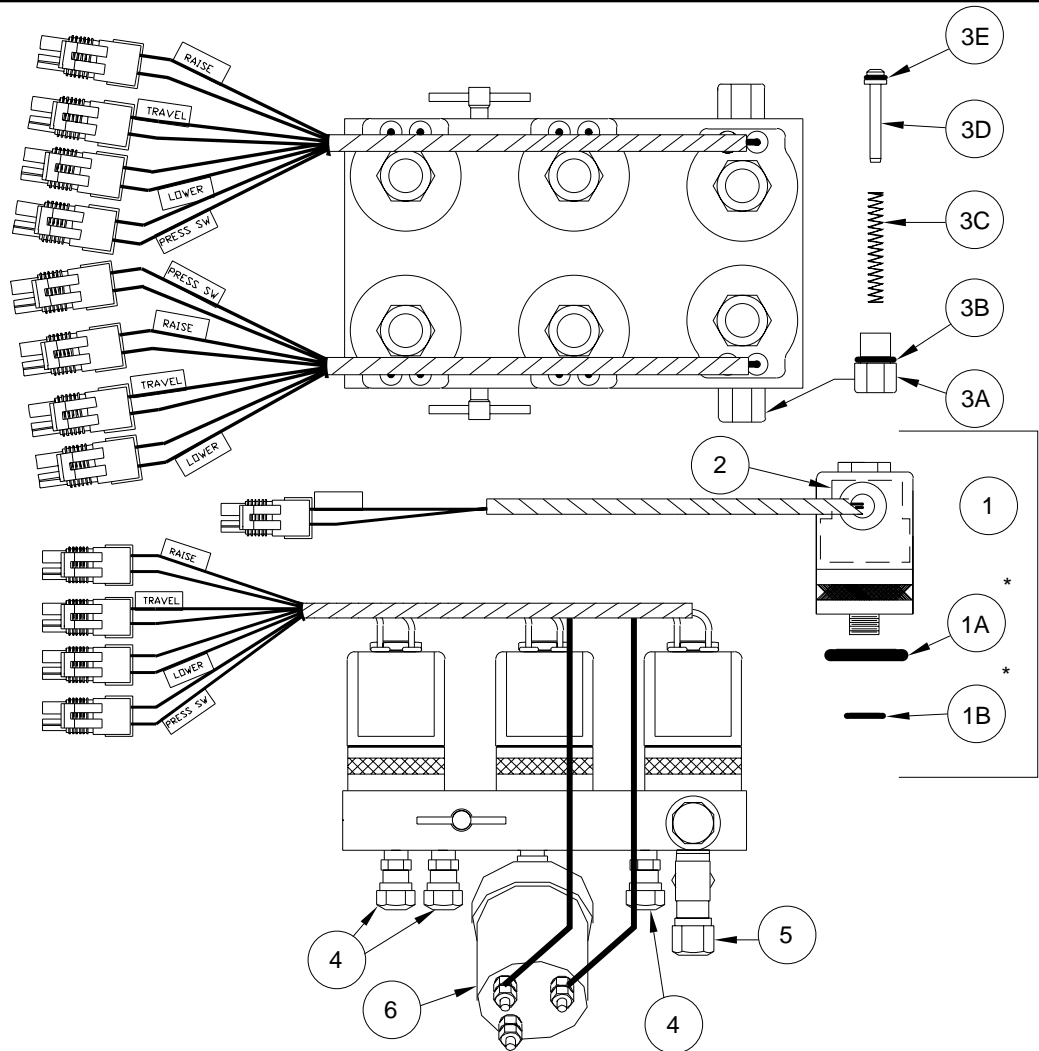
6	RAP1720	2	SWITCH PRESSURE 20 PSI (INCLUDES WIRE LEADS)
---	---------	---	--

\* GREASE LIGHTLY PRIOR TO ASSEMBLY

NOTE : INDENTED ITEMS INCLUDED WITH PRECEDING ITEM.

**MR05.3610**  
**09MAY13**

# MANIFOLD ASSEMBLY, AIR - 6 VALVE (AP16635) (WITH 2-PRESSURE SWITCH AND BY-PASS VALVE)



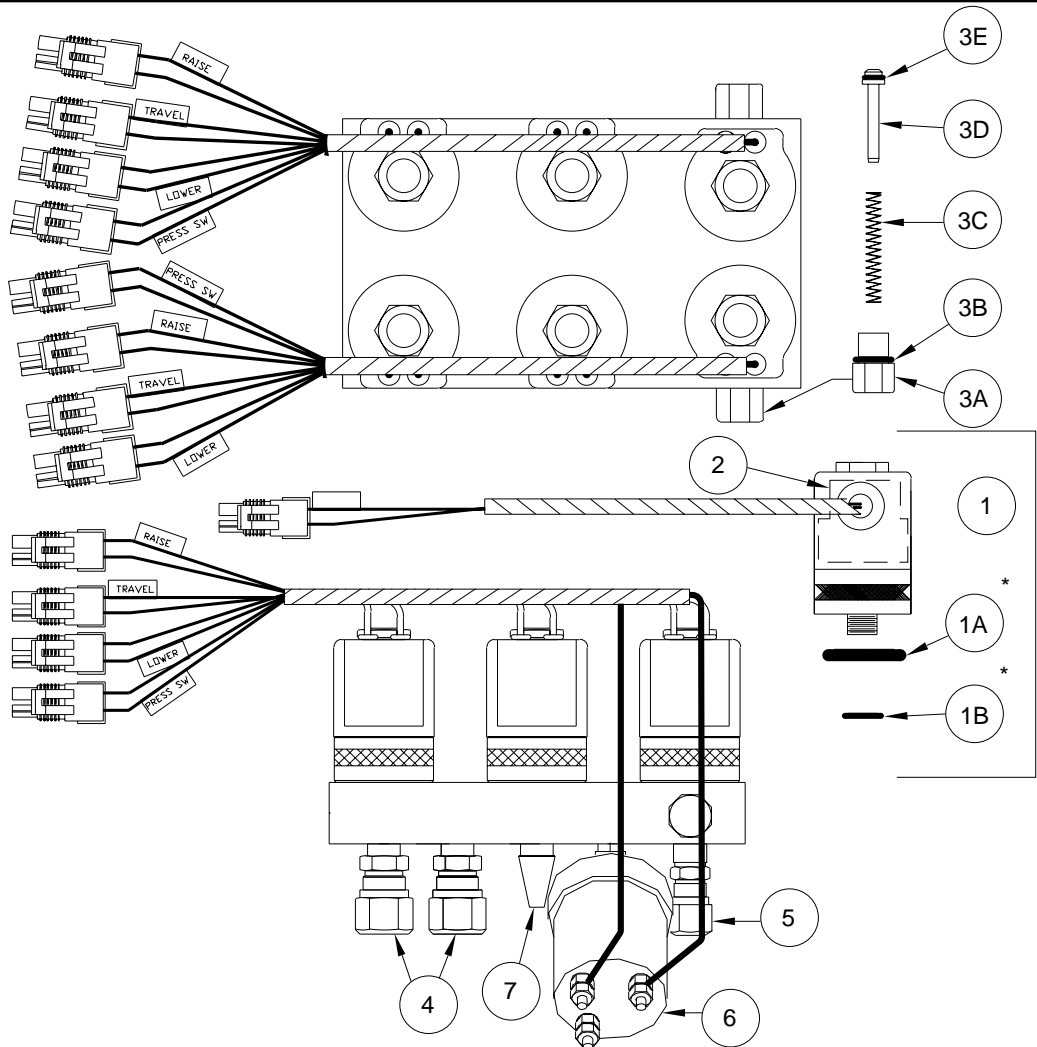
ITEM	PART	QTY	DESCRIPTION	ITEM	PART	QTY	DESCRIPTION
1	RAP1940	6	SOLENOID VALVE SCREW MOUNTED COMPLETE : INCLUDES 1A, 1B AND 2	3	RAP6553	1	CHECK VALVE KIT
1A			O-RING	3A		2	CAP
1B			O-RING	3B		2	O-RING
	RAP6554	1	O-RING KIT COMPOSED OF (6) 1A AND (6) 1B	3C		2	SPRING
2	RAP90568	1	REPLACEMENT COIL	3D		2	PLUNGER
				3E		2	O-RING
				4	RAP4337	6	MALE CONNECTOR 1/8" X 1/4"
				5	RAP90579	1	MALE RUN TEE 3/8" X 3/8" X 1/4"
				6	RAP1720	2	SWITCH PRESSURE 20 PSI (INCLUDES WIRE LEADS)

\* GREASE LIGHTLY PRIOR TO ASSEMBLY

NOTE : INDENTED ITEMS INCLUDED WITH PRECEDING ITEM.

**MR05.3650**  
**09MAY13**

# MANIFOLD ASSEMBLY, AIR - 6 VALVE (AP16864) (WITH 2-PRESSURE SWITCHES)



ITEM	PART	QTY	DESCRIPTION	ITEM	PART	QTY	DESCRIPTION
1	RAP1940	6	SOLENOID VALVE SCREW MOUNTED COMPLETE : INCLUDES 1A, 1B AND 2	4	RF1458	4	MALE CONNECTOR 1/4" X 1/2"
1A			O-RING	5	RF4478	1	MALE CONNECTOR 1/4" X 3/8"
1B			O-RING	6	RAP1720	2	SWITCH PRESSURE 20 PSI (INCLUDES WIRE LEADS)
	RAP6554	1	O-RING KIT COMPOSED OF (6) 1A AND (6) 1B	7	RP90582	2	MUFFLER 1/4" NPT
2	RAP90568	1	REPLACEMENT COIL				
3	RAP6553	1	CHECK VALVE KIT				
3A		2	CAP				
3B		2	O-RING				
3C		2	SPRING				
3D		2	PLUNGER				
3E		2	O-RING				

\* GREASE LIGHTLY PRIOR TO ASSEMBLY

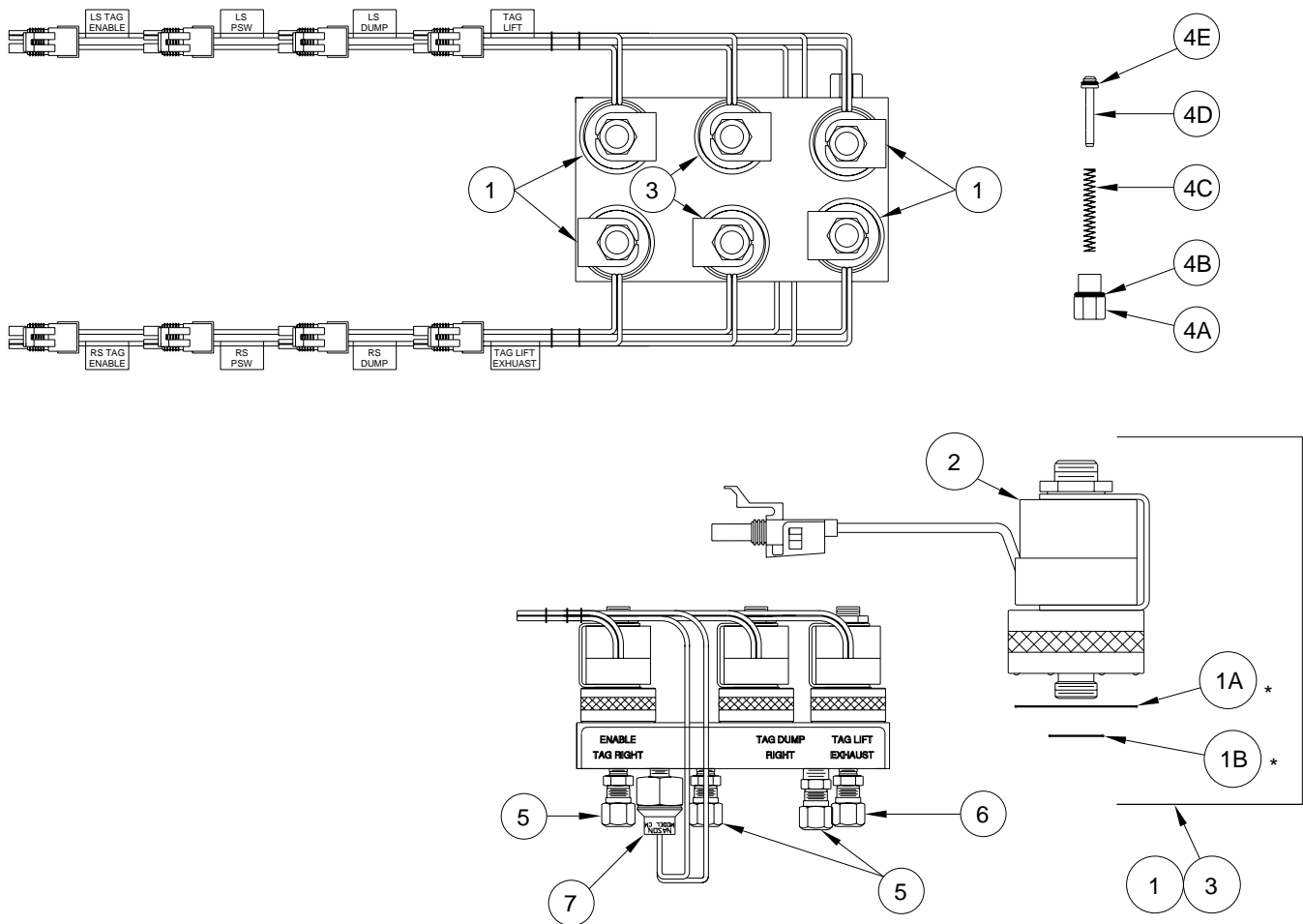
NOTE : INDENTED ITEMS INCLUDED WITH PRECEDING ITEM.

**MR05.3700**  
**09MAY13**



# MANIFOLD ASSEMBLY, AIR - 6 VALVE (AP25410)

(WITH 2-PRESSURE SWITCHES)



ITEM	PART	QTY	DESCRIPTION
1	RAP1940	4	SOLENOID VALVE SCREW MOUNTED COMPLETE : INCLUDES 1A , 1B AND 2
1A			O-RING
1B			O-RING
	RAP6554	1	O-RING KIT COMPOSED OF (6) 1A AND (6) 1B
2	RAP90568	1	REPLACEMENT COIL
3	RAP90989	2	SOLENOID VALVE HIGH FLOW SCREW MOUNTED COMPLETE : INCLUDES 1A, 1B AND 2

ITEM	PART	QTY	DESCRIPTION
4	RAP6553	1	CHECK VALVE KIT
	4A	2	CAP
	4B	2	O-RING
	4C	2	SPRING
	4D	2	PLUNGER
	4E	2	O-RING
5	RF6148	5	MALE CONNECTOR 1/8" X 3/8"
6	RF4478	1	MALE CONNECTOR 1/4" X 3/8"
7	RAP1720	2	SWITCH PRESSURE 20 PSI (INCLUDES WIRE LEADS)

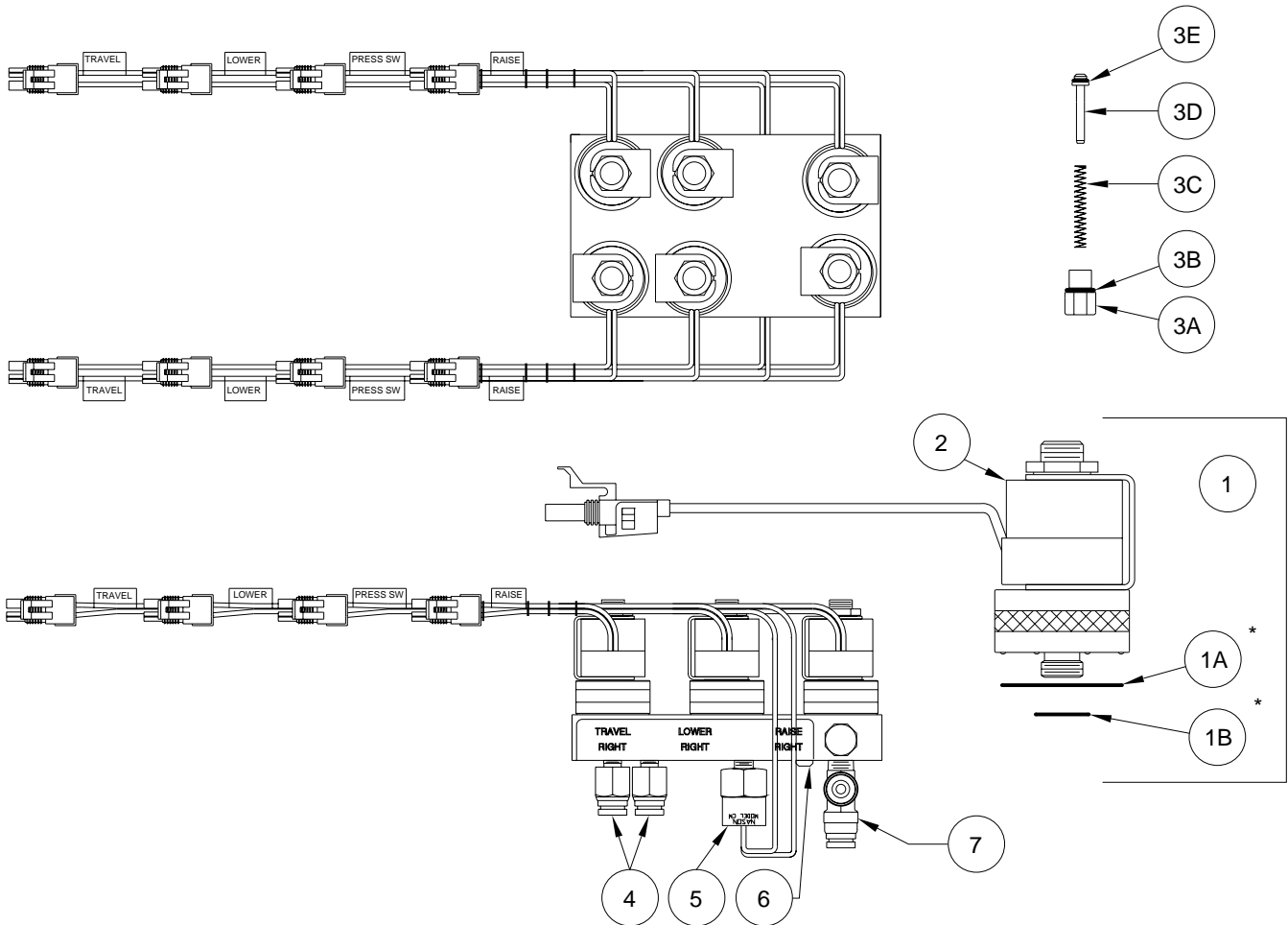
\* GREASE LIGHTLY PRIOR TO ASSEMBLY

NOTE : INDENTED ITEMS INCLUDED WITH PRECEDING ITEM.

MR05.3701  
09MAY13

# MANIFOLD ASSEMBLY, AIR - 6 VALVE (AP25473)

## (WITH 2-PRESSURE SWITCHES)



ITEM	PART	QTY	DESCRIPTION	ITEM	PART	QTY	DESCRIPTION
1	RAP1940	6	SOLENOID VALVE SCREW MOUNTED COMPLETE : INCLUDES 1A, 1B AND 2	3	RAP6553	1	CHECK VALVE KIT
1A			O-RING	3A		2	CAP
1B			O-RING	3B		2	O-RING
	RAP6554	1	O-RING KIT COMPOSED OF (6) 1A AND (6) 1B	3C		2	SPRING
2	RAP90568	1	REPLACEMENT COIL	3D		2	PLUNGER
				3E		2	O-RING
				4	RF91587	4	3/8 PUSH AIR STR
				5	RAP1720	2	SWITCH PRESSURE 20 PSI (INCLUDES WIRE LEADS)
				6	RF90173	2	1/8 HEX PLUG
				7	RF91119	1	3/8 PUSH AIR TEE

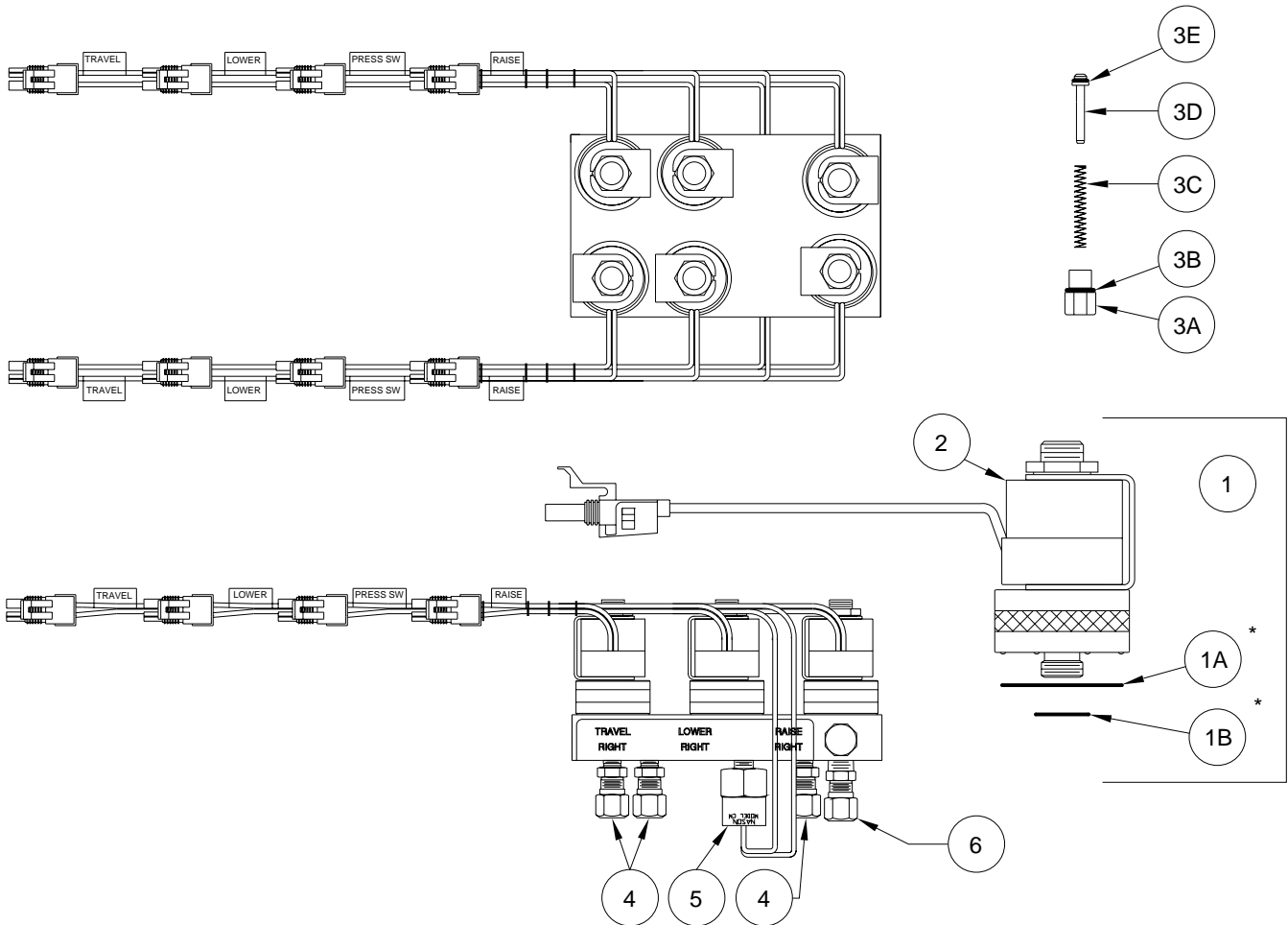
\* GREASE LIGHTLY PRIOR TO ASSEMBLY

NOTE : INDENTED ITEMS INCLUDED WITH PRECEDING ITEM.

**MR05.3703**  
**09MAY13**

# MANIFOLD ASSEMBLY, AIR - 6 VALVE (AP26553)

(WITH 2-PRESSURE SWITCHES)



ITEM	PART	QTY	DESCRIPTION	ITEM	PART	QTY	DESCRIPTION
1	RAP1940	6	SOLENOID VALVE SCREW MOUNTED COMPLETE : INCLUDES 1A, 1B AND 2	3	RAP6553	1	CHECK VALVE KIT
1A			O-RING	3A		2	CAP
1B			O-RING	3B		2	O-RING
	RAP6554	1	O-RING KIT COMPOSED OF (6) 1A AND (6) 1B	3C		2	SPRING
2	RAP90568	1	REPLACEMENT COIL	3D		2	PLUNGER
				3E		2	O-RING
				4	RF6148	6	MALE CONN 1/8" X 3/8"
				5	RAP1720	2	SWITCH PRESSURE 20 PSI (INCLUDES WIRE LEADS)
				6	RF4478	1	MALE CONN 1/4" X 3/8"

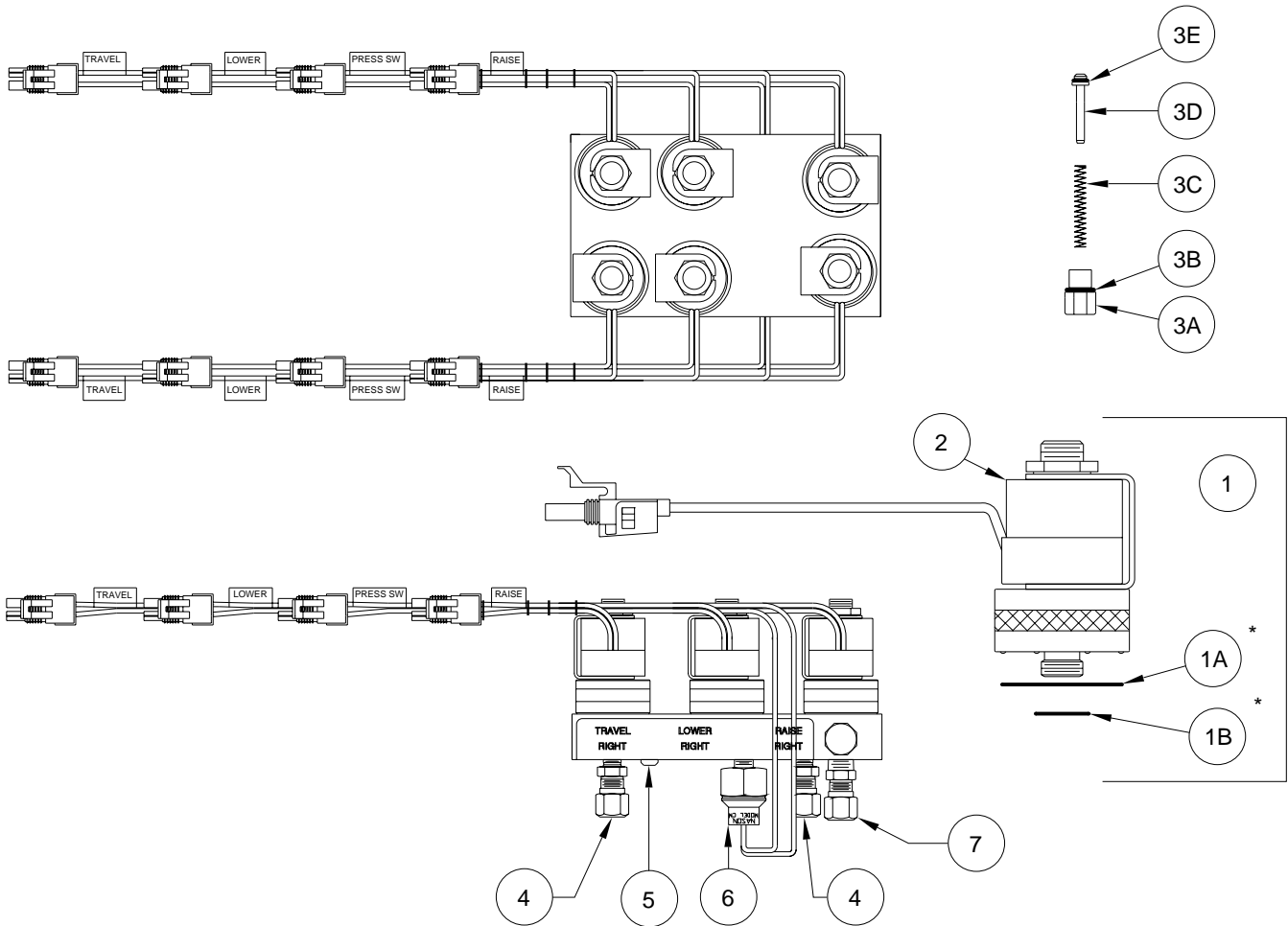
\* GREASE LIGHTLY PRIOR TO ASSEMBLY

NOTE : INDENTED ITEMS INCLUDED WITH PRECEDING ITEM.

MR05.3706  
09MAY13

# MANIFOLD ASSEMBLY, AIR - 6 VALVE (AP30503)

(WITH 2-PRESSURE SWITCHES)



ITEM	PART	QTY	DESCRIPTION	ITEM	PART	QTY	DESCRIPTION
1	RAP1940	6	SOLENOID VALVE SCREW MOUNTED COMPLETE : INCLUDES 1A, 1B AND 2	3	RAP6553	1	CHECK VALVE KIT
1A			O-RING	3A		2	CAP
1B			O-RING	3B		2	O-RING
	RAP6554	1	O-RING KIT COMPOSED OF (6) 1A AND (6) 1B	3C		2	SPRING
2	RAP90568	1	REPLACEMENT COIL	3D		2	PLUNGER
				3E		2	O-RING
				4	RF6148	4	MALE CONN 1/8" X 3/8"
				5	RF90173	2	1/8 HEX PLUG
				6	RAP1720	2	SWITCH PRESSURE 20 PSI (INCLUDES WIRE LEADS)
				7	RF4478	1	MALE CONN 1/4" X 3/8"

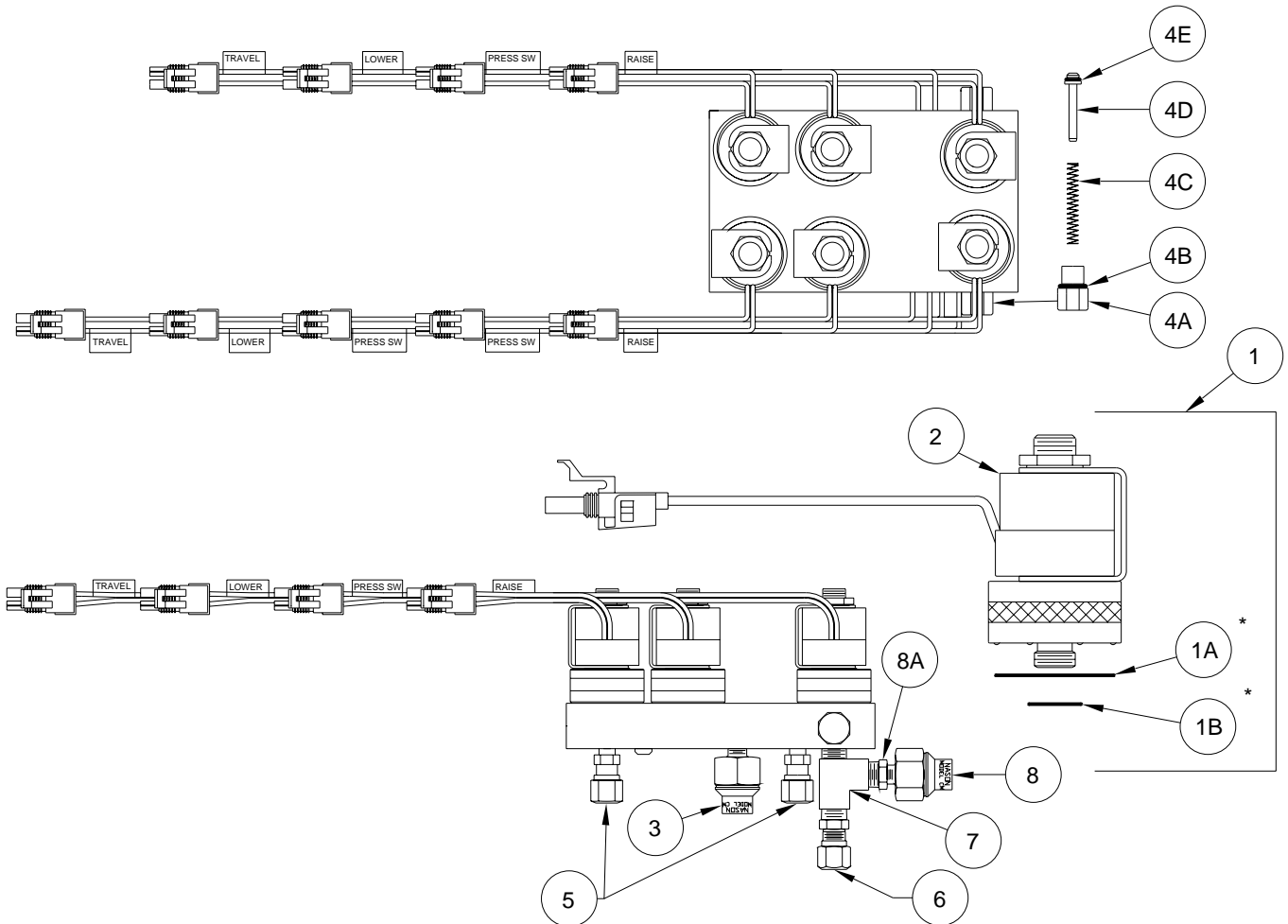
\* GREASE LIGHTLY PRIOR TO ASSEMBLY

NOTE : INDENTED ITEMS INCLUDED WITH PRECEDING ITEM.

MR05.3709  
09MAY13

# MANIFOLD ASSEMBLY, AIR - 6 VALVE (AP23327)

(WITH 3-PRESSURE SWITCHES)



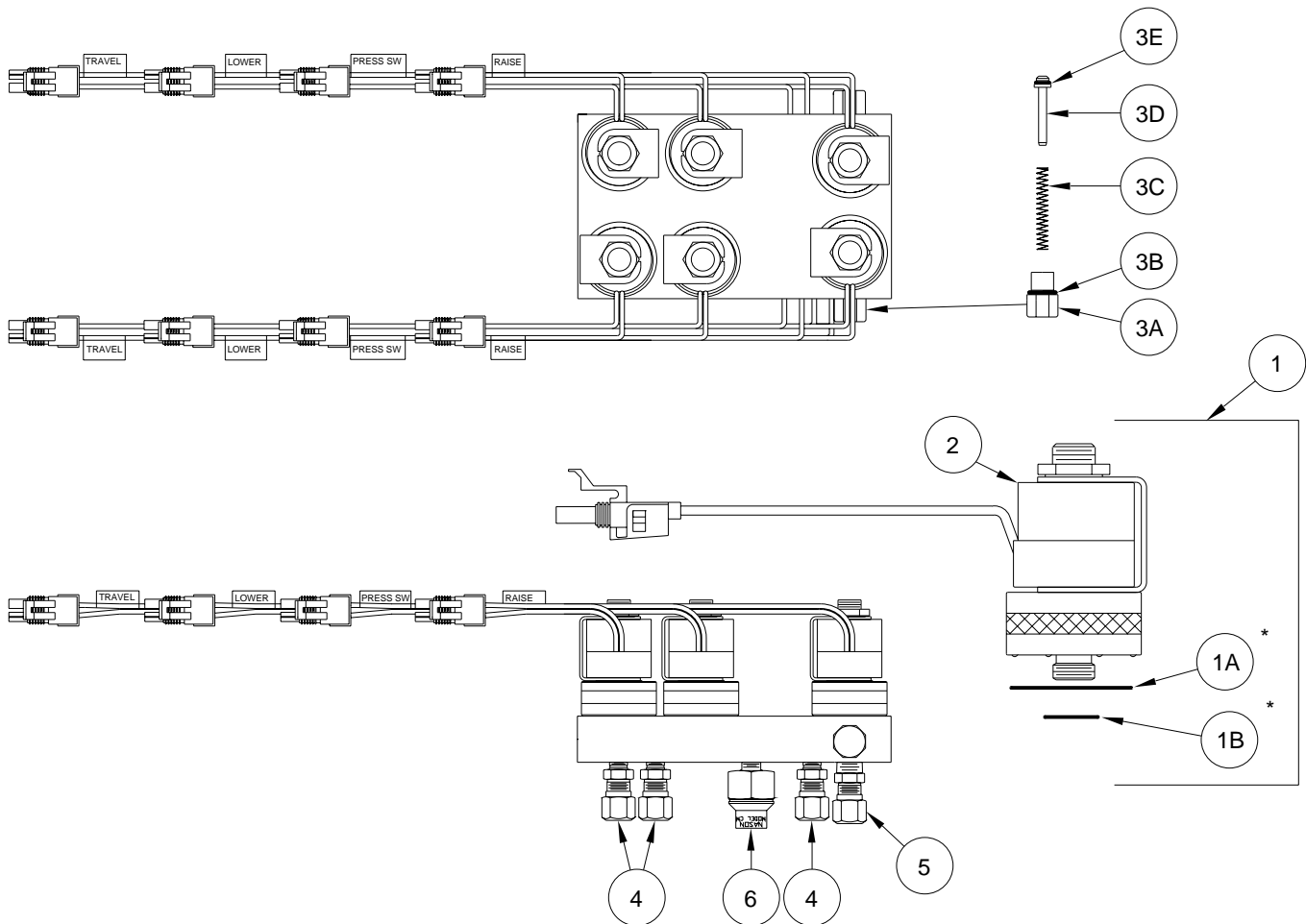
ITEM	PART	QTY	DESCRIPTION	ITEM	PART	QTY	DESCRIPTION
1	RAP1940	6	SOLENOID VALVE SCREW MOUNTED COMPLETE : INCLUDES 1A, 1B AND 2	4	RAP6553	1	CHECK VALVE KIT
1A			O-RING	4A		2	CAP
1B			O-RING	4B		2	O-RING
	RAP6554	1	O-RING KIT COMPOSED OF (6) 1A AND (6) 1B	4C		2	SPRING
2	RAP90568	1	REPLACEMENT COIL	4D		2	PLUNGER
3	RAP1720	2	SWITCH PRESSURE 20 PSI	4E		2	O-RING
				5	RF6148	4	MALE CONNECTOR 1/8" X 3/8"
				6	RF4478	1	MALE CONNECTOR 1/4" X 3/8"
				7	RF6944	1	1/4" STREET TEE
				8	RAP90570	1	SWITCH PRESSURE 85 PSI
				8A	RF90172	1	BRASS BUSHING 1/4" X 1/8"

\* GREASE LIGHTLY PRIOR TO ASSEMBLY

NOTE : INDENTED ITEMS INCLUDED WITH PRECEDING ITEM.

MR05.3710  
09MAY13

# MANIFOLD ASSEMBLY, AIR - 6 VALVE (AP24553) (WITH 2-PRESSURE SWITCHES)



ITEM	PART	QTY	DESCRIPTION
------	------	-----	-------------

1	RAP1940	6	SOLENOID VALVE SCREW MOUNTED COMPLETE : INCLUDES 1A, 1B AND 2
1A			O-RING
1B			O-RING

	RAP6554	1	O-RING KIT COMPOSED OF (6) 1A AND (6) 1B
--	---------	---	---

2	RAP90568	1	REPLACEMENT COIL
---	----------	---	------------------

ITEM	PART	QTY	DESCRIPTION
------	------	-----	-------------

3	RAP6553	1	CHECK VALVE KIT
3A		2	CAP
3B		2	O-RING
3C		2	SPRING
3D		2	PLUNGER
3E		2	O-RING

4	RF6148	6	MALE CONNECTOR 1/8" X 3/8"
---	--------	---	-------------------------------

5	RF4478	1	MALE CONNECTOR 1/4" X 3/8"
---	--------	---	-------------------------------

6	RAP92144	2	SWITCH PRESSURE 10 PSI
---	----------	---	---------------------------

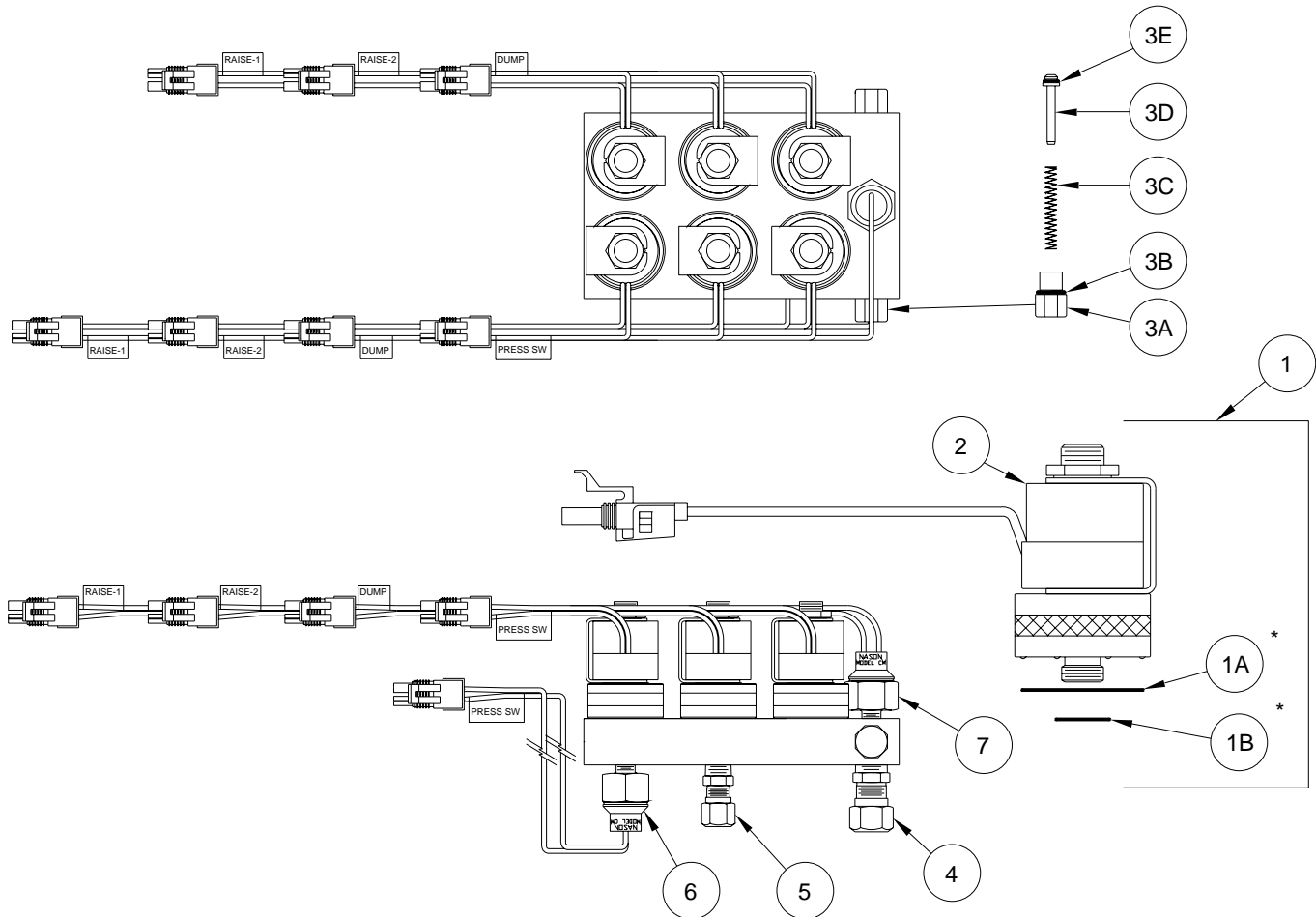
\* GREASE LIGHTLY PRIOR TO ASSEMBLY

NOTE : INDENTED ITEMS INCLUDED WITH PRECEDING ITEM.

**MR05.3711**  
**09MAY13**

# MANIFOLD ASSEMBLY, AIR - 6 VALVE (AP25184)

(WITH 3-PRESSURE SWITCHES)



ITEM	PART	QTY	DESCRIPTION
------	------	-----	-------------

1	RAP90989	6	SOLENOID VALVE HI FLOW SCREW MOUNTED COMPLETE : INCLUDES 1A, 1B AND 2
---	----------	---	---

1A			O-RING
1B			O-RING

	RAP6554	1	O-RING KIT COMPOSED OF (6) 1A AND (6) 1B
--	---------	---	---

2	RAP90568	1	REPLACEMENT COIL
---	----------	---	------------------

ITEM	PART	QTY	DESCRIPTION
------	------	-----	-------------

3	RAP6553	1	CHECK VALVE KIT
---	---------	---	-----------------

3A		2	CAP
3B		2	O-RING
3C		2	SPRING
3D		2	PLUNGER
3E		2	O-RING

4	RF4970	1	MALE CONNECTOR 1/2" X 3/8"
---	--------	---	-------------------------------

5	RF4478	2	MALE CONNECTOR 1/4" X 3/8"
---	--------	---	-------------------------------

6	RAP90580	2	SWITCH PRESSURE 35 PSI
---	----------	---	---------------------------

7	RAP90570	1	SWITCH PRESSURE 85 PSI
---	----------	---	---------------------------

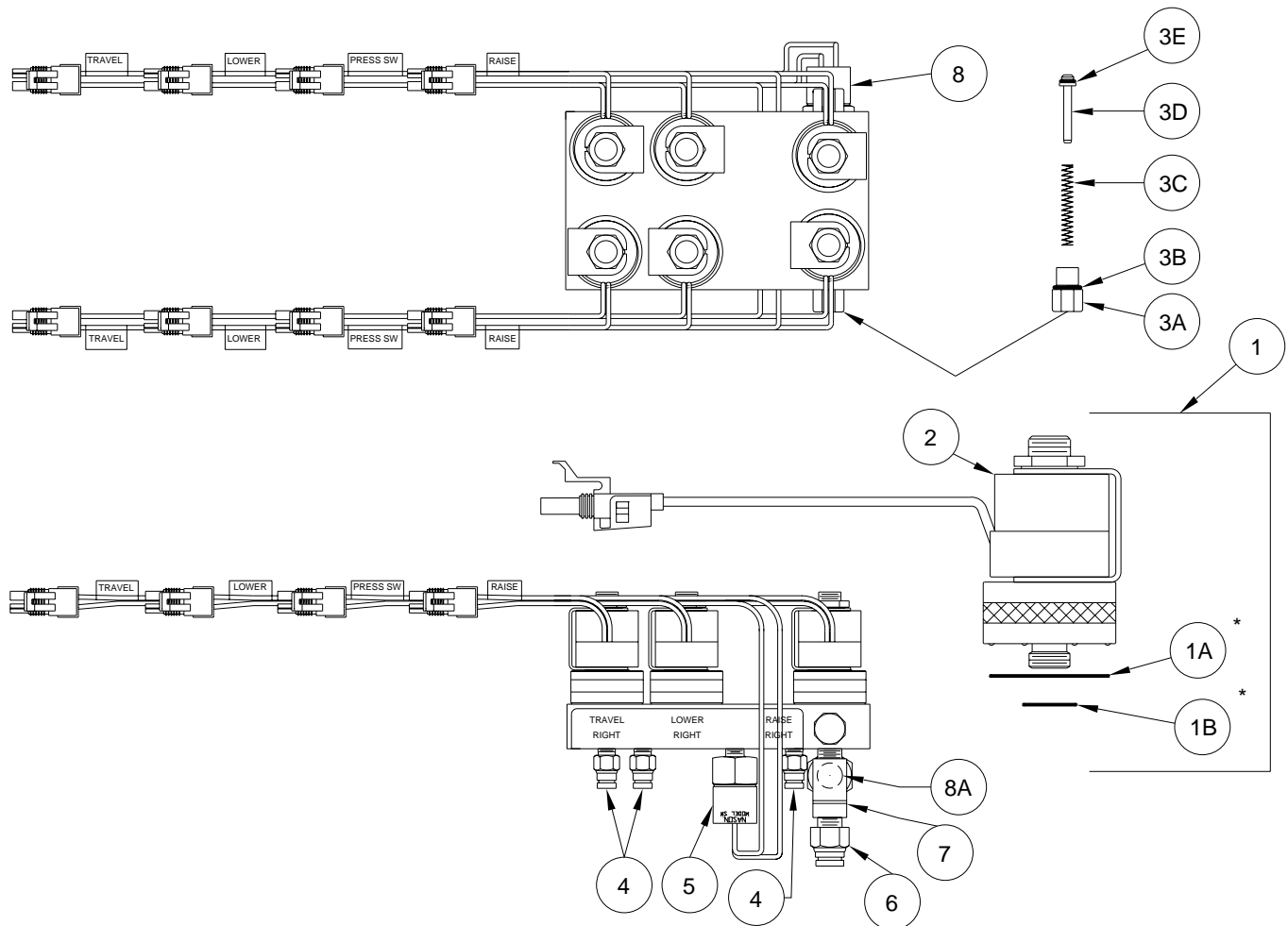
\* GREASE LIGHTLY PRIOR TO ASSEMBLY

NOTE : INDENTED ITEMS INCLUDED WITH PRECEDING ITEM.

MR05.3712  
09MAY13

# MANIFOLD ASSEMBLY, AIR - 6 VALVE (AP25451)

## (3-PRESSURE SWITCHES & PUSH TO CONNECT FITTINGS)



ITEM	PART	QTY	DESCRIPTION	ITEM	PART	QTY	DESCRIPTION
1	RAP1940	6	SOLENOID VALVE SCREW MOUNTED COMPLETE : INCLUDES 1A, 1B AND 2	4	RF91120	6	1/4" PUSH TO CONNECT 1/8" NPT
1A			O-RING	5	RAP1720	2	SWITCH PRESSURE 20 PSI
1B			O-RING	6	RF91586	1	3/8" PUSH TO CONNECT 1/4" NPT
	RAP6554	1	O-RING KIT COMPOSED OF (6) 1A AND (6) 1B	7	RF6944	1	1/4" STREET TEE
2	RAP90568	1	REPLACEMENT COIL	8	RAP90570	1	SWITCH PRESSURE 85 PSI
3	RAP6553	1	CHECK VALVE KIT	8A	RF90172	1	BRASS BUSHING 1/4" X 1/8"
3A		2	CAP				
3B		2	O-RING				
3C		2	SPRING				
3D		2	PLUNGER				
3E		2	O-RING				

\* GREASE LIGHTLY PRIOR TO ASSEMBLY

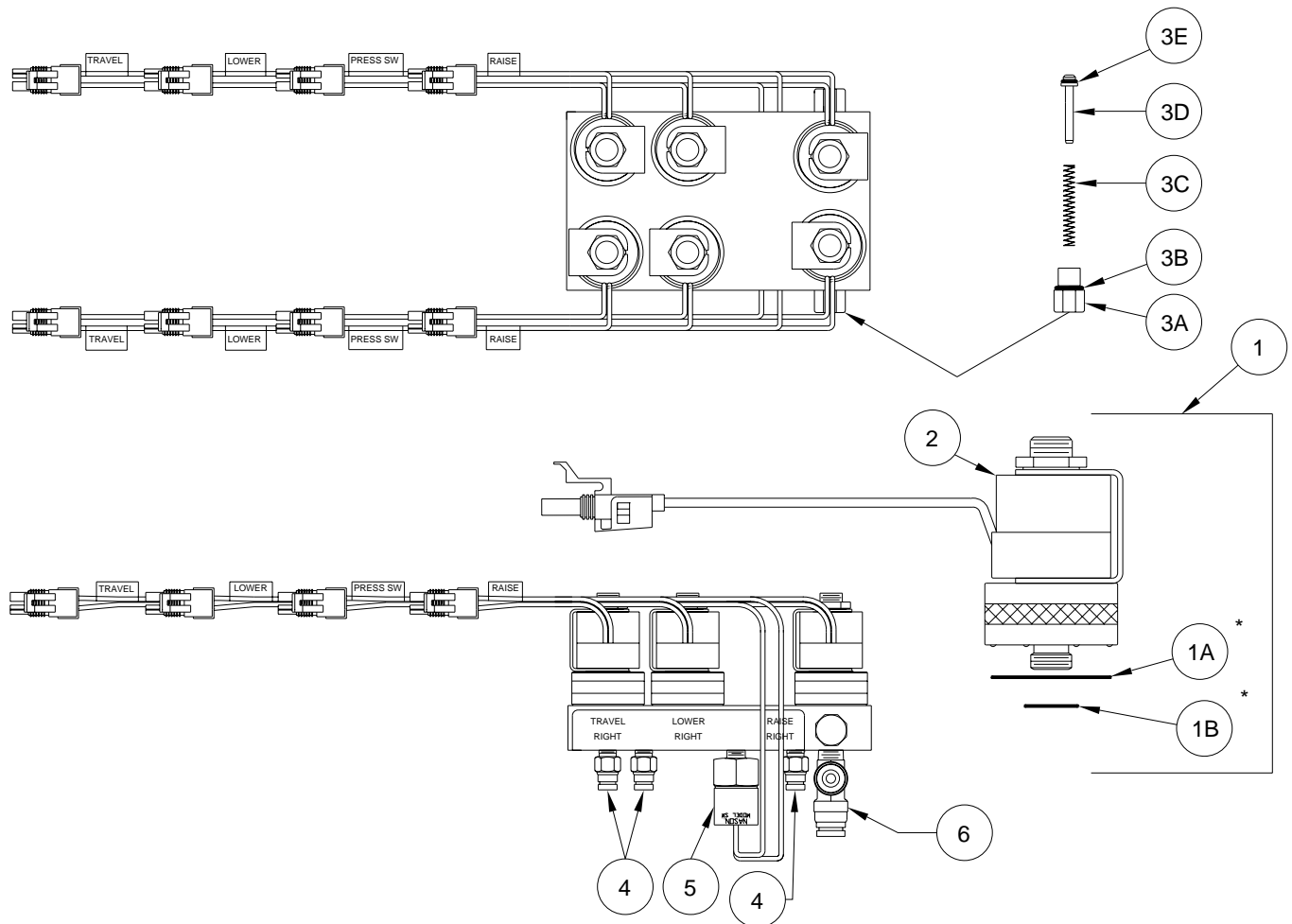
NOTE : INDENTED ITEMS INCLUDED WITH PRECEDING ITEM.

**MR05.3713**  
**09MAY13**



# MANIFOLD ASSEMBLY, AIR - 6 VALVE (AP25452)

## (2-PRESSURE SWITCHES & PUSH TO CONNECT FITTINGS)



ITEM	PART	QTY	DESCRIPTION	ITEM	PART	QTY	DESCRIPTION
1	RAP1940	6	SOLENOID VALVE SCREW MOUNTED COMPLETE : INCLUDES 1A, 1B AND 2	3	RAP6553	1	CHECK VALVE KIT
1A			O-RING	3A		2	CAP
1B			O-RING	3B		2	O-RING
	RAP6554	1	O-RING KIT COMPOSED OF (6) 1A AND (6) 1B	3C		2	SPRING
2	RAP90568	1	REPLACEMENT COIL	3D		2	PLUNGER
				3E		2	O-RING
				4	RF91120	6	1/4" PUSH TO CONNECT 1/8" NPT
				5	RAP1720	2	SWITCH PRESSURE 20 PSI
				6	RF91119	1	3/8" PUSH AIR TEE 1/4" NPT

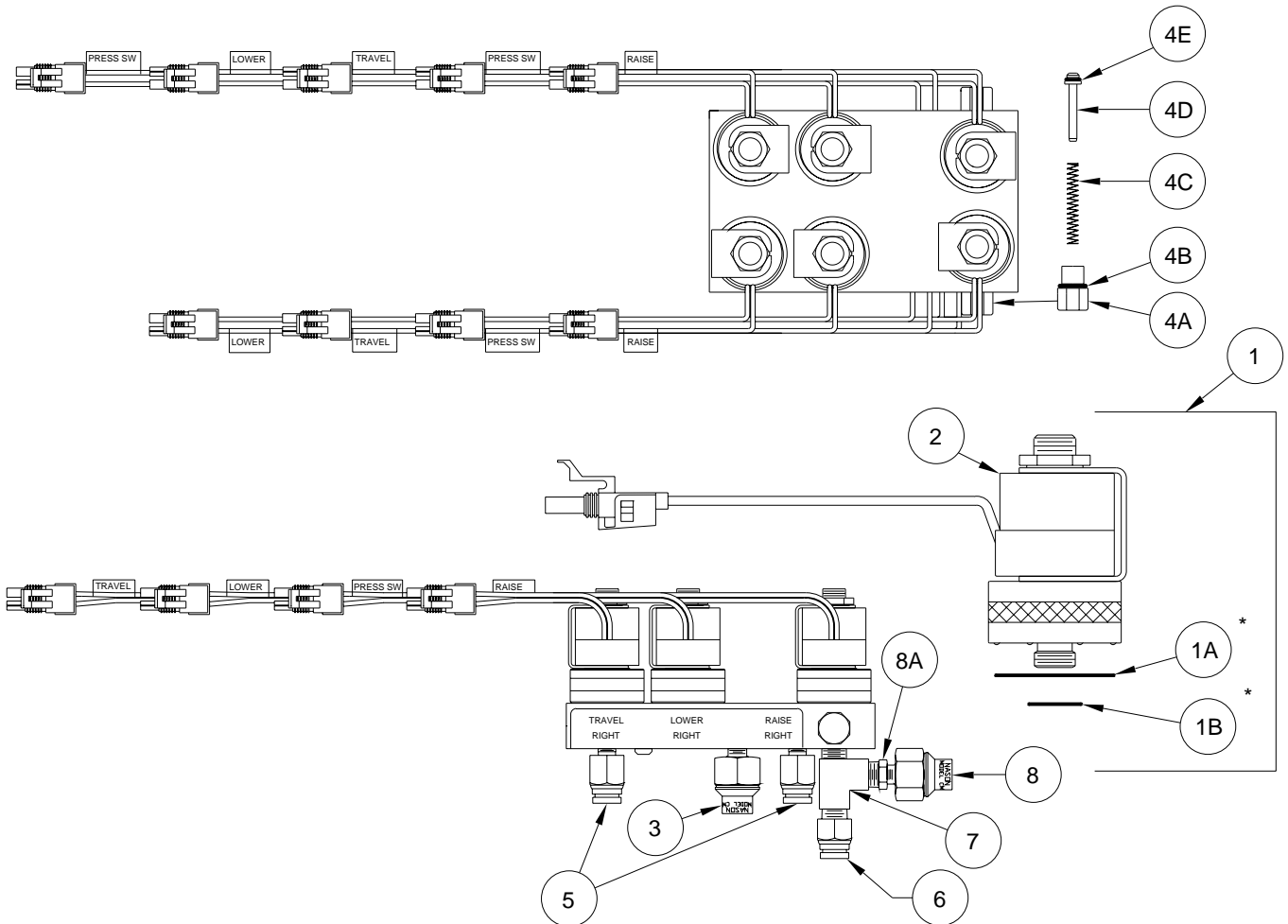
\* GREASE LIGHTLY PRIOR TO ASSEMBLY

NOTE : INDENTED ITEMS INCLUDED WITH PRECEDING ITEM.

**MR05.3714**  
**09MAY13**

# MANIFOLD ASSEMBLY, AIR - 6 VALVE (AP25507)

## (WITH 3-PRESSURE SWITCHES & PUSH TO CONNECT FITTINGS)



ITEM	PART	QTY	DESCRIPTION
------	------	-----	-------------

1	RAP1940	6	SOLENOID VALVE SCREW MOUNTED COMPLETE : INCLUDES 1A, 1B AND 2
1A			O-RING
1B			O-RING

	RAP6554	1	O-RING KIT COMPOSED OF (6) 1A AND (6) 1B
2	RAP90568	1	REPLACEMENT COIL
3	RAP1720	2	SWITCH PRESSURE 20 PSI

ITEM	PART	QTY	DESCRIPTION
------	------	-----	-------------

4	RAP6553	1	CHECK VALVE KIT
	4A	2	CAP
	4B	2	O-RING
	4C	2	SPRING
	4D	2	PLUNGER
	4E	2	O-RING
5	RF91587	4	3/8" PUSH TO CONNECT 1/8" NPT
6	RF91586	1	3/8" PUSH TO CONNECT 1/4" NPT
7	RF6944	1	1/4" STREET TEE
8	RAP90570	1	SWITCH PRESSURE 85 PSI
8A	RF90172	1	BRASS BUSHING 1/4" X 1/8"

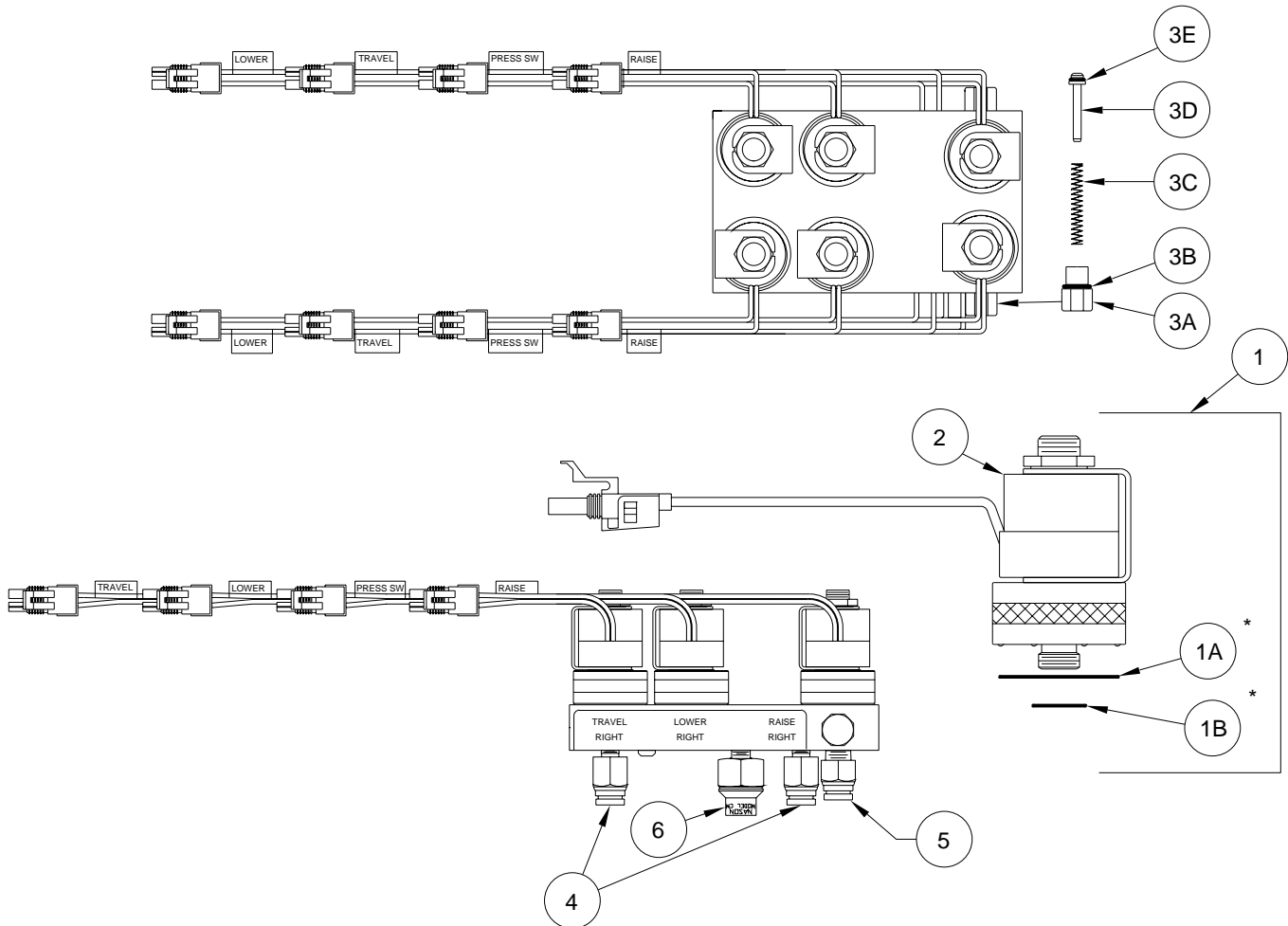
\* GREASE LIGHTLY PRIOR TO ASSEMBLY

NOTE : INDENTED ITEMS INCLUDED WITH PRECEDING ITEM.

**MR05.3715**  
**09MAY13**

# MANIFOLD ASSEMBLY, AIR - 6 VALVE (AP25508)

## (WITH 2-PRESSURE SWITCHES & PUSH TO CONNECT FITTINGS)



ITEM	PART	QTY	DESCRIPTION
------	------	-----	-------------

1	RAP1940	6	SOLENOID VALVE SCREW MOUNTED COMPLETE : INCLUDES 1A, 1B AND 2
1A			O-RING
1B			O-RING

	RAP6554	1	O-RING KIT COMPOSED OF (6) 1A AND (6) 1B
--	---------	---	---

2	RAP90568	1	REPLACEMENT COIL
---	----------	---	------------------

ITEM	PART	QTY	DESCRIPTION
------	------	-----	-------------

3	RAP6553	1	CHECK VALVE KIT
	3A	2	CAP
	3B	2	O-RING
	3C	2	SPRING
	3D	2	PLUNGER
	3E	2	O-RING

4	RF91587	4	3/8" PUSH TO CONNECT 1/8" NPT
---	---------	---	----------------------------------

5	RF91586	1	3/8" PUSH TO CONNECT 1/4" NPT
---	---------	---	----------------------------------

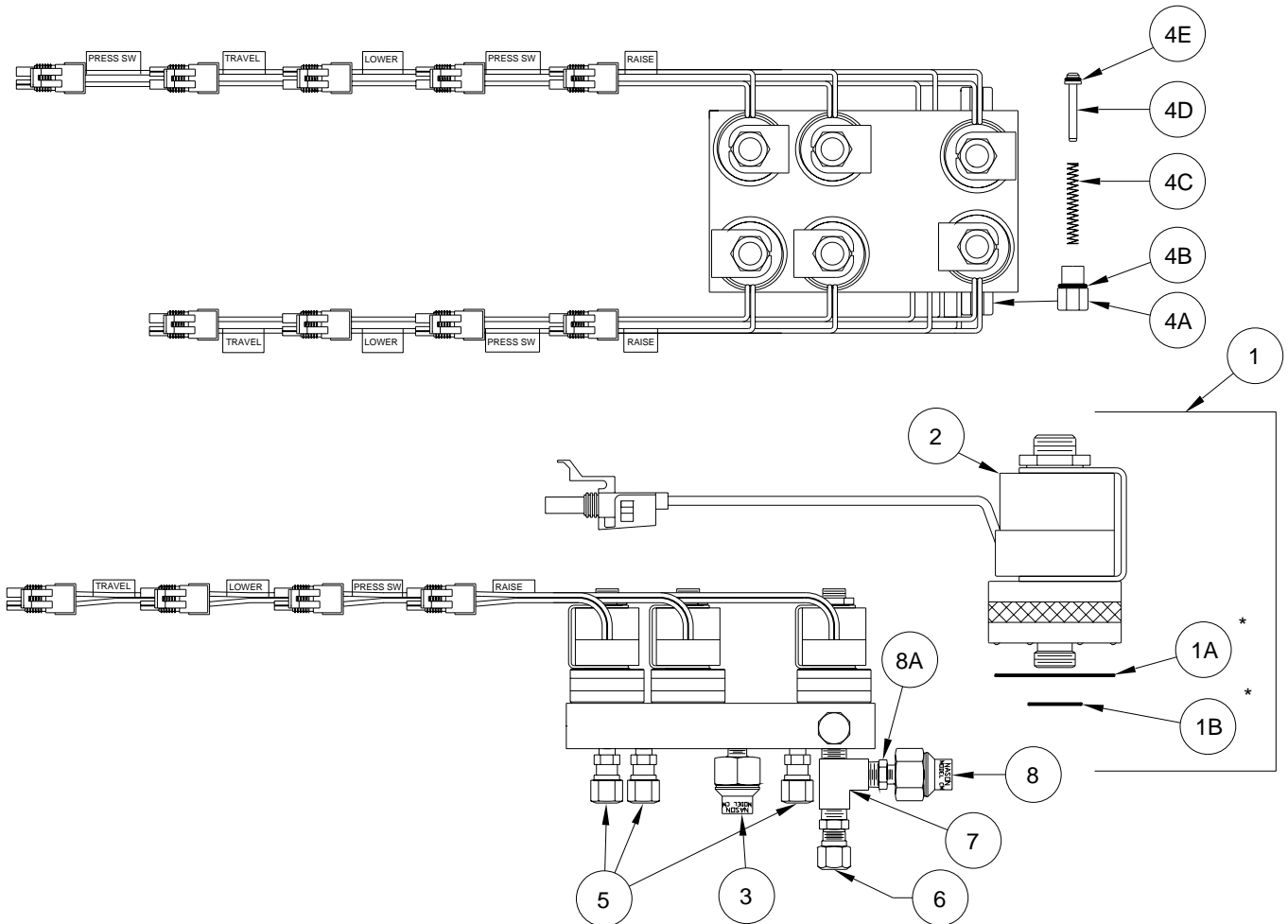
6	RAP1720	2	SWITCH PRESSURE 20 PSI
---	---------	---	---------------------------

\* GREASE LIGHTLY PRIOR TO ASSEMBLY

NOTE : INDENTED ITEMS INCLUDED WITH PRECEDING ITEM.

**MR05.3716**  
**09MAY13**

# MANIFOLD ASSEMBLY, AIR - 6 VALVE (AP26195) (WITH 3-PRESSURE SWITCHES)



ITEM	PART	QTY	DESCRIPTION	ITEM	PART	QTY	DESCRIPTION
1	RAP1940	6	SOLENOID VALVE SCREW MOUNTED COMPLETE : INCLUDES 1A, 1B AND 2	4	RAP6553	1	CHECK VALVE KIT
1A			O-RING	4A		2	CAP
1B			O-RING	4B		2	O-RING
	RAP6554	1	O-RING KIT COMPOSED OF (6) 1A AND (6) 1B	4C		2	SPRING
2	RAP90568	1	REPLACEMENT COIL	4D		2	PLUNGER
3	RAP1720	2	SWITCH PRESSURE 20 PSI	4E		2	O-RING
				5	RF6148	6	MALE CONNECTOR 1/8" X 3/8"
				6	RF4478	1	MALE CONNECTOR 1/4" X 3/8"
				7	RF6944	1	1/4" STREET TEE
				8	RAP90570	1	SWITCH PRESSURE 85 PSI
				8A	RF90172	1	BRASS BUSHING 1/4" X 1/8"

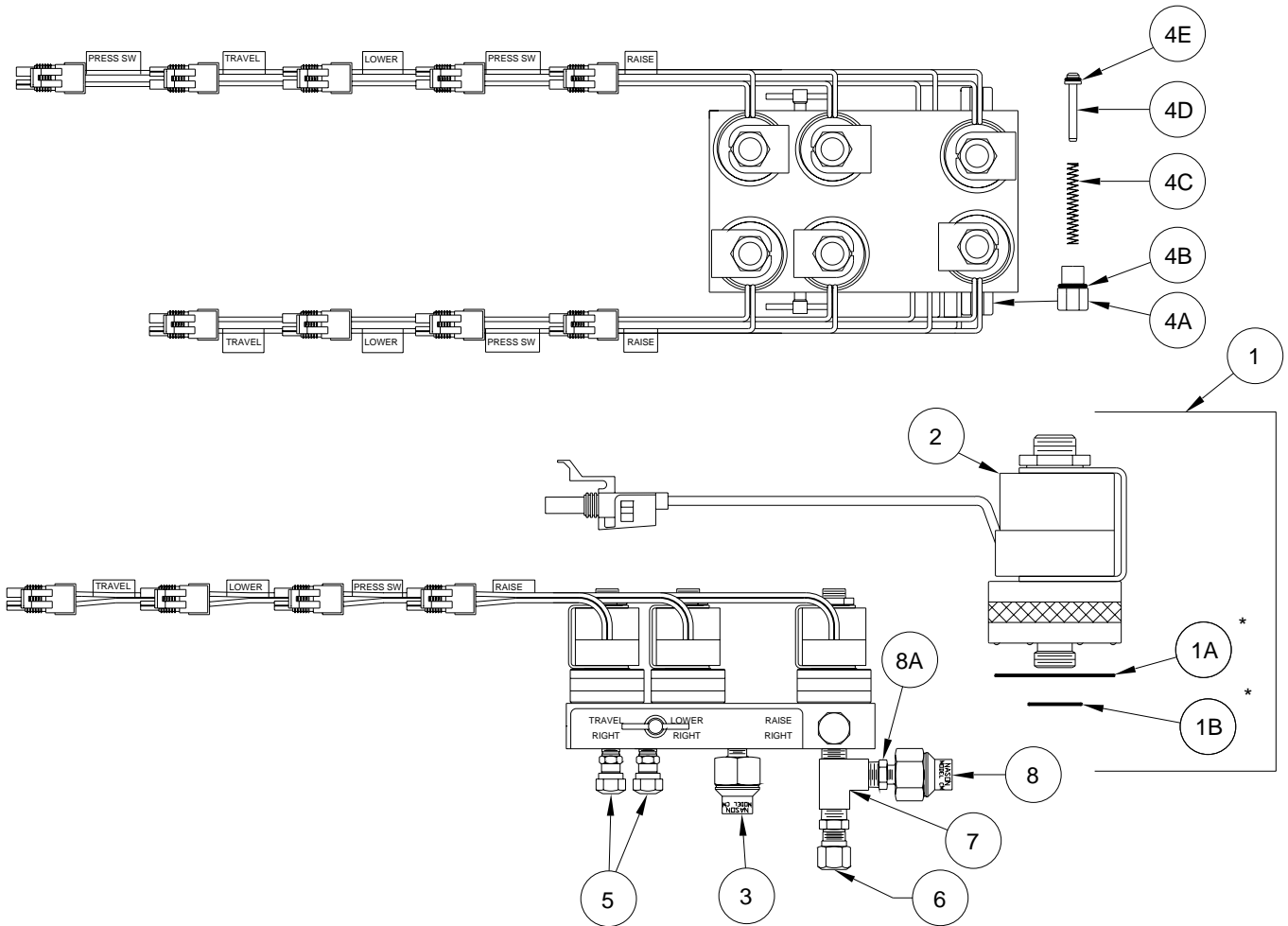
\* GREASE LIGHTLY PRIOR TO ASSEMBLY

NOTE : INDENTED ITEMS INCLUDED WITH PRECEDING ITEM.

**MR05.3717**  
**09MAY13**

# MANIFOLD ASSEMBLY, AIR - 6 VALVE (AP28527)

## (WITH TRAVEL BY-PASS 3-PRESSURE SWITCHES)



ITEM	PART	QTY	DESCRIPTION
------	------	-----	-------------

1	RAP1940	6	SOLENOID VALVE SCREW MOUNTED COMPLETE : INCLUDES 1A, 1B AND 2
1A			O-RING
1B			O-RING

	RAP6554	1	O-RING KIT COMPOSED OF (6) 1A AND (6) 1B
2	RAP90568	1	REPLACEMENT COIL
3	RAP1720	2	SWITCH PRESSURE 20 PSI

ITEM	PART	QTY	DESCRIPTION
------	------	-----	-------------

4	RAP6553	1	CHECK VALVE KIT
	4A	2	CAP
	4B	2	O-RING
	4C	2	SPRING
	4D	2	PLUNGER
	4E	2	O-RING
5	RF4337	4	MALE CONNECTOR 1/8" X 3/8"
6	RF4478	1	MALE CONNECTOR 1/4" X 3/8"
7	RF6944	1	1/4" STREET TEE
8	RAP90570	1	SWITCH PRESSURE 85 PSI
8A	RF90172	1	BRASS BUSHING 1/4" X 1/8"

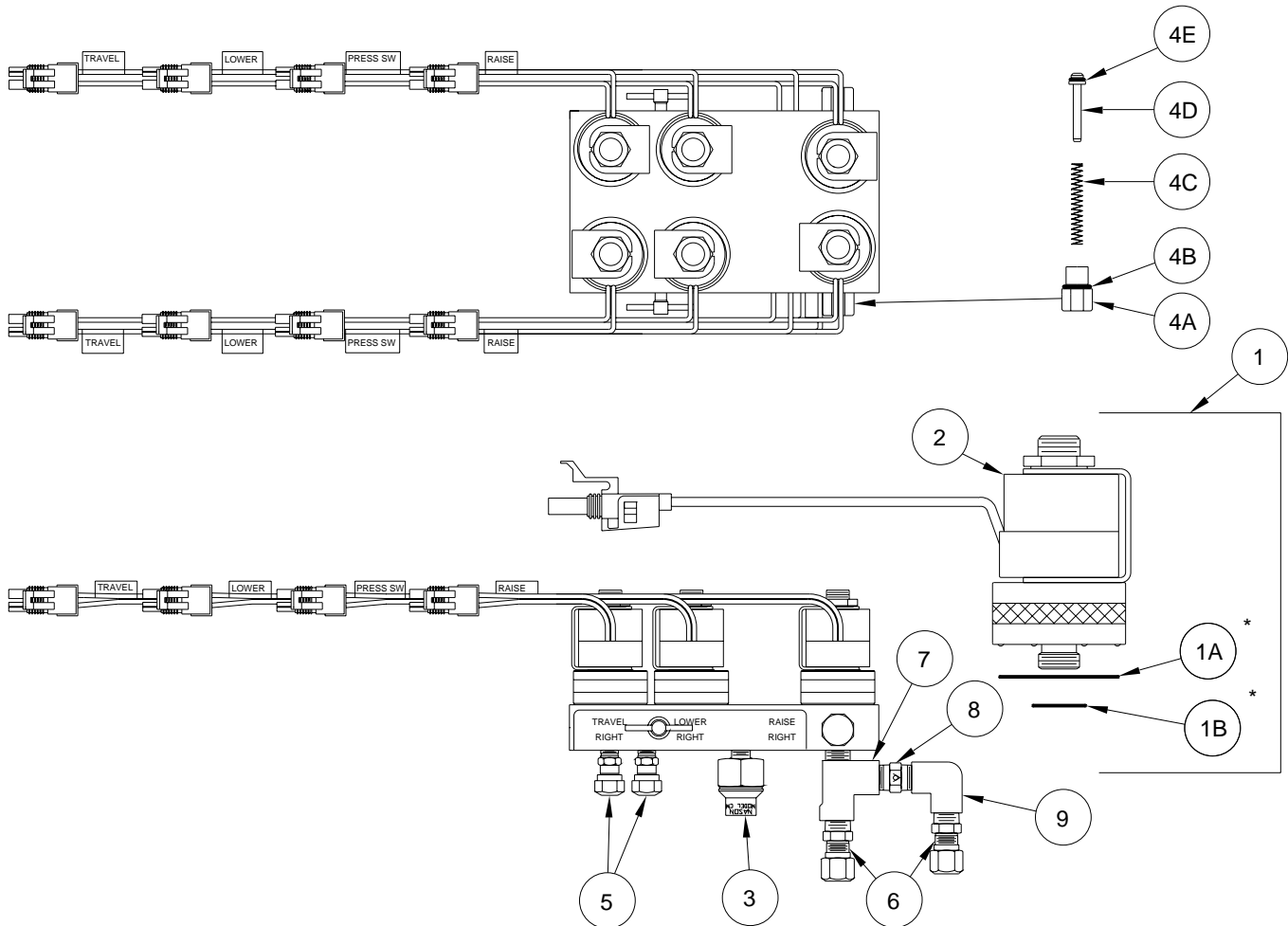
\* GREASE LIGHTLY PRIOR TO ASSEMBLY

NOTE : INDENTED ITEMS INCLUDED WITH PRECEDING ITEM.

**MR05.3718**  
**09MAY13**

# MANIFOLD ASSEMBLY, AIR - 6 VALVE (AP28528)

## (WITH TRAVEL BY-PASS 2-PRESSURE SWITCHES)



ITEM	PART	QTY	DESCRIPTION
------	------	-----	-------------

1	RAP1940	6	SOLENOID VALVE SCREW MOUNTED COMPLETE : INCLUDES 1A, 1B AND 2
---	---------	---	--

1A			O-RING
1B			O-RING

	RAP6554	1	O-RING KIT COMPOSED OF (6) 1A AND (6) 1B
--	---------	---	---

2	RAP90568	1	REPLACEMENT COIL
---	----------	---	------------------

3	RAP1720	2	SWITCH PRESSURE 20 PSI
---	---------	---	---------------------------

ITEM	PART	QTY	DESCRIPTION
------	------	-----	-------------

4	RAP6553	1	CHECK VALVE KIT
---	---------	---	-----------------

4A		2	CAP
4B		2	O-RING
4C		2	SPRING
4D		2	PLUNGER
4E		2	O-RING

5	RF4337	4	MALE CONNECTOR 1/8" X 1/4"
---	--------	---	-------------------------------

6	RF4478	2	MALE CONNECTOR 1/4" X 3/8"
---	--------	---	-------------------------------

7	RF6944	1	1/4" STREET TEE
---	--------	---	-----------------

8	RP5597	1	CHECK VALVE
---	--------	---	-------------

9	RF91776	1	1/4" BRASS ELBOW
---	---------	---	------------------

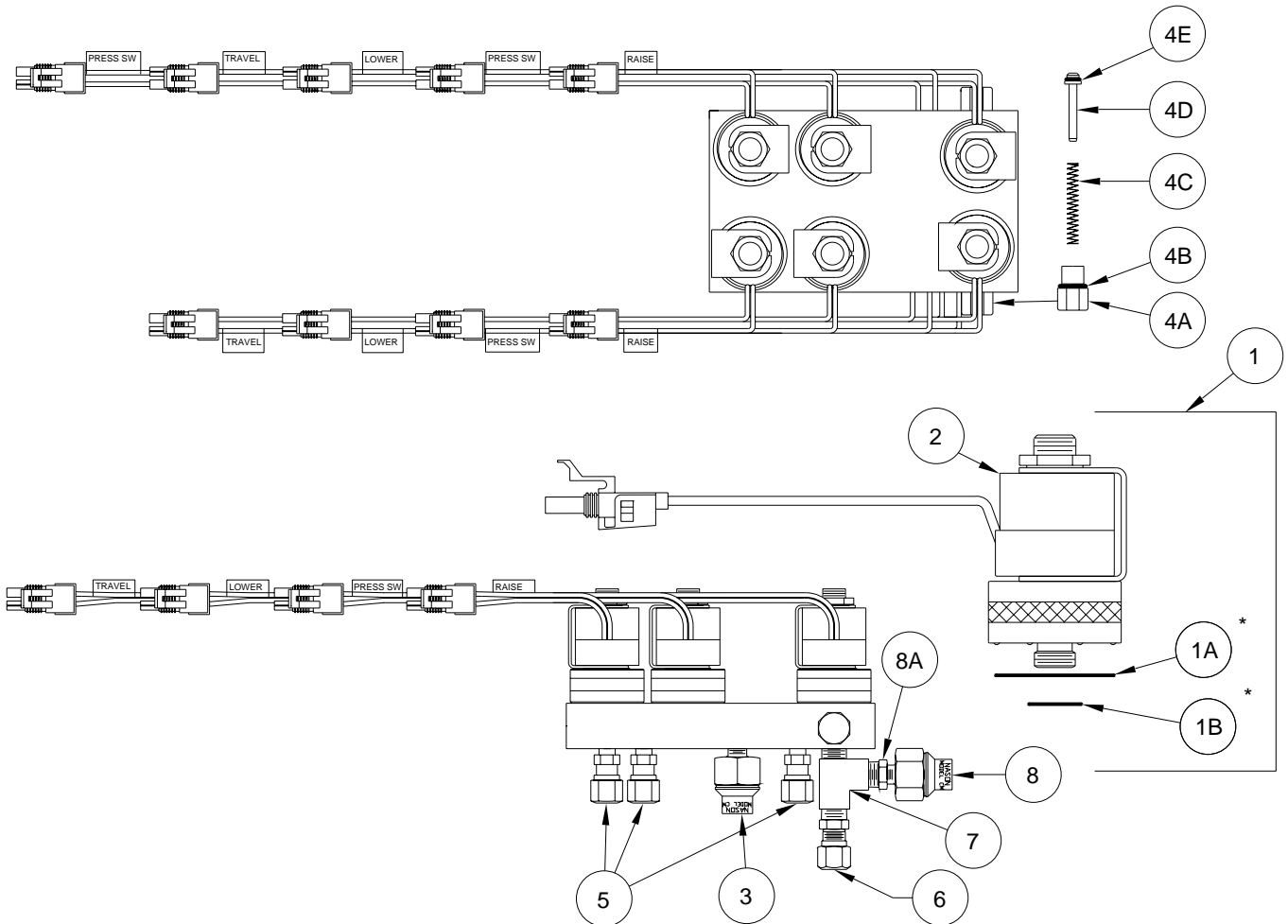
\* GREASE LIGHTLY PRIOR TO ASSEMBLY

NOTE : INDENTED ITEMS INCLUDED WITH PRECEDING ITEM.

**MR05.3719**  
**09MAY13**

# MANIFOLD ASSEMBLY, AIR - 6 VALVE (AP28925)

(WITH 3-PRESSURE SWITCHES)



ITEM	PART	QTY	DESCRIPTION	ITEM	PART	QTY	DESCRIPTION
1	RAP1940	6	SOLENOID VALVE SCREW MOUNTED COMPLETE : INCLUDES 1A, 1B AND 2	4	RAP6553	1	CHECK VALVE KIT
1A			O-RING	4A		2	CAP
1B			O-RING	4B		2	O-RING
	RAP6554	1	O-RING KIT COMPOSED OF (6) 1A AND (6) 1B	4C		2	SPRING
2	RAP90568	1	REPLACEMENT COIL	4D		2	PLUNGER
3	RAP1720	2	SWITCH PRESSURE 20 PSI	4E		2	O-RING
				5	RF6148	6	MALE CONNECTOR 1/8" X 3/8"
				6	RF4478	1	MALE CONNECTOR 1/4" X 3/8"
				7	RF6944	1	1/4" STREET TEE
				8	RAP90570	1	SWITCH PRESSURE 85 PSI
				8A	RF90172	1	BRASS BUSHING 1/4" X 1/8"

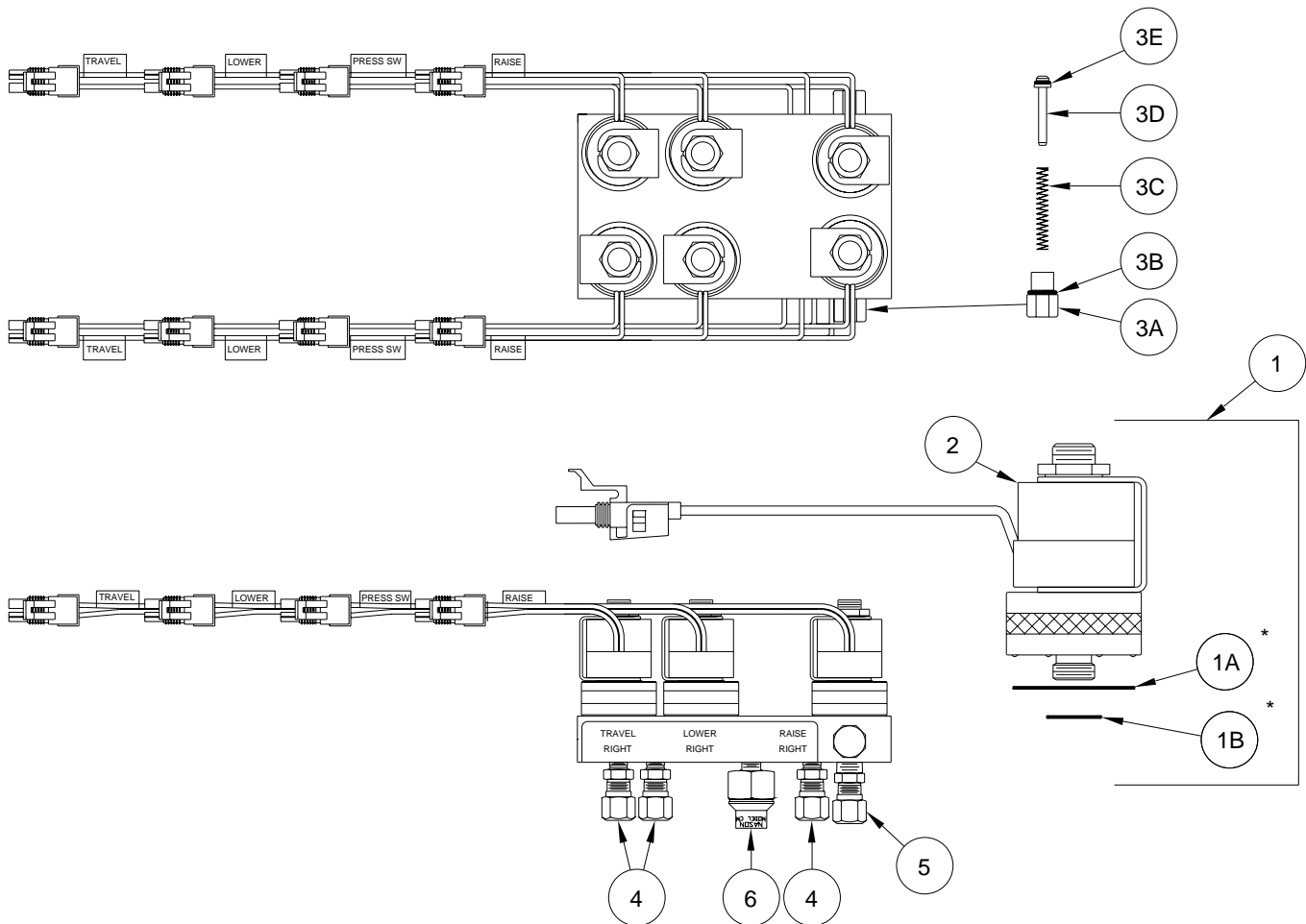
\* GREASE LIGHTLY PRIOR TO ASSEMBLY

NOTE : INDENTED ITEMS INCLUDED WITH PRECEDING ITEM.

MR05.3720  
09MAY13

# MANIFOLD ASSEMBLY, AIR - 6 VALVE (AP28926)

## (2-PRESSURE SWITCHES)



ITEM	PART	QTY	DESCRIPTION
1	RAP1940	6	SOLENOID VALVE SCREW MOUNTED COMPLETE : INCLUDES 1A, 1B AND 2
1A			O-RING
1B			O-RING
	RAP6554	1	O-RING KIT COMPOSED OF (6) 1A AND (6) 1B
2	RAP90568	1	REPLACEMENT COIL

ITEM	PART	QTY	DESCRIPTION
3	RAP6553	1	CHECK VALVE KIT
	3A	2	CAP
	3B	2	O-RING
	3C	2	SPRING
	3D	2	PLUNGER
	3E	2	O-RING
4	RF6148	6	MALE CONNECTOR 1/8" X 3/8"
5	RF4478	1	MALE CONNECTOR 1/4" X 3/8"
6	RAP1720	2	SWITCH PRESSURE 20 PSI

\* GREASE LIGHTLY PRIOR TO ASSEMBLY

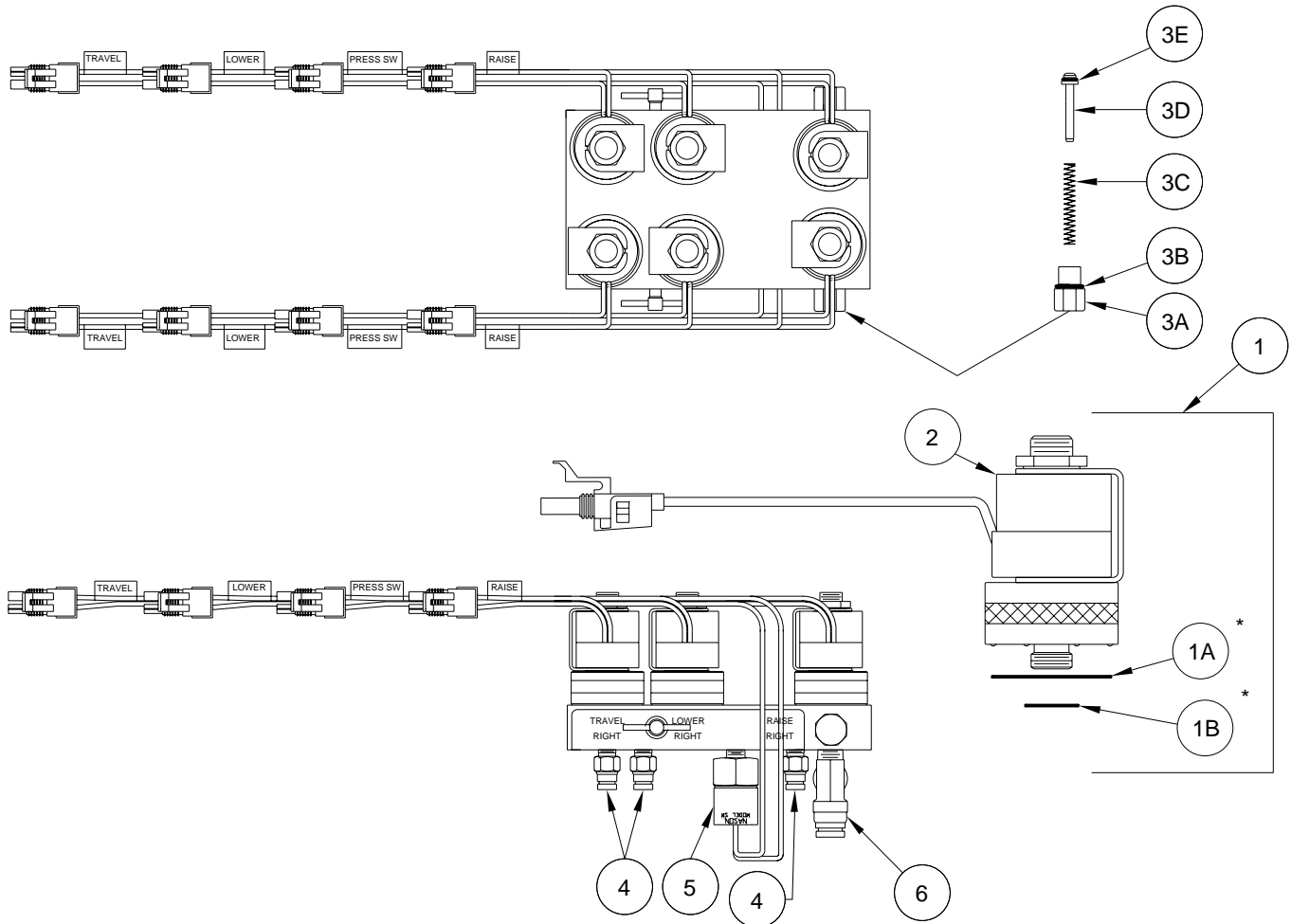
NOTE : INDENTED ITEMS INCLUDED WITH PRECEDING ITEM.

**MR05.3721**  
**09MAY13**



# MANIFOLD ASSEMBLY, AIR - 6 VALVE (AP30284)

(WITH TRAVEL BY-PASS 2-PRESSURE SWITCHES & PUSH TO CONNECT FITTINGS)



ITEM	PART	QTY	DESCRIPTION	ITEM	PART	QTY	DESCRIPTION
1	RAP1940	6	SOLENOID VALVE SCREW MOUNTED COMPLETE : INCLUDES 1A, 1B AND 2	3	RAP6553	1	CHECK VALVE KIT
1A			O-RING	3A		2	CAP
1B			O-RING	3B		2	O-RING
	RAP6554	1	O-RING KIT COMPOSED OF (6) 1A AND (6) 1B	3C		2	SPRING
2	RAP90568	1	REPLACEMENT COIL	3D		2	PLUNGER
				3E		2	O-RING
				4	RF91120	6	1/4" PUSH TO CONNECT 1/8" NPT
				5	RAP1720	2	SWITCH PRESSURE 20 PSI
				6	RF91119	1	3/8" PUSH AIR TEE 1/4" NPT

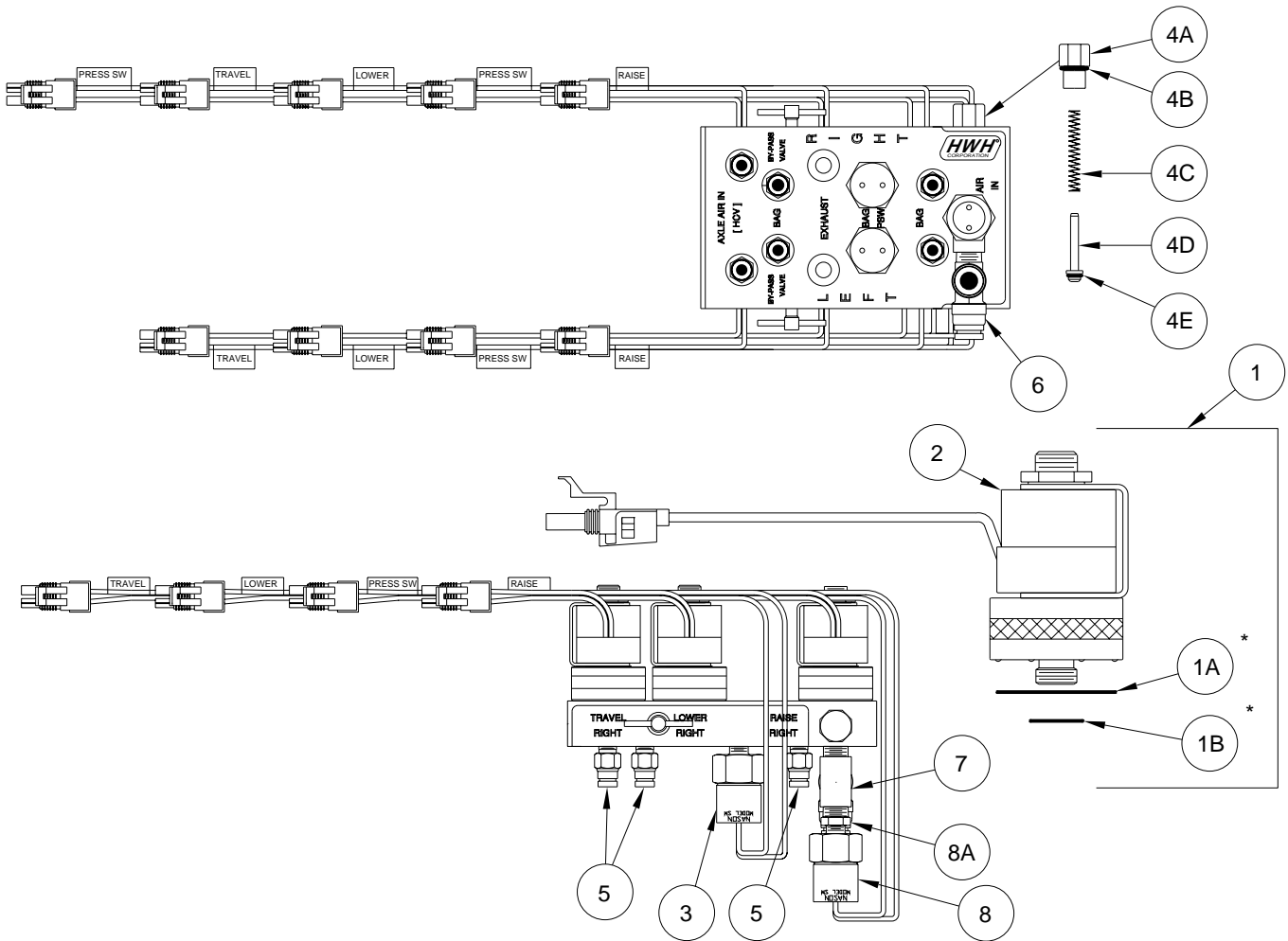
\* GREASE LIGHTLY PRIOR TO ASSEMBLY

NOTE : INDENTED ITEMS INCLUDED WITH PRECEDING ITEM.

MR05.3722  
09MAY13

# MANIFOLD ASSEMBLY, AIR - 6 VALVE (AP30285)

(WITH TRAVEL BY-PASS 3-PRESSURE SWITCHES & PUSH TO CONNECT FITTINGS)



ITEM	PART	QTY	DESCRIPTION
1	RAP1940	6	SOLENOID VALVE SCREW MOUNTED COMPLETE : INCLUDES 1A, 1B AND 2
1A			O-RING
1B			O-RING
	RAP6554	1	O-RING KIT COMPOSED OF (6) 1A AND (6) 1B
2	RAP90568	1	REPLACEMENT COIL
3	RAP1720	2	SWITCH PRESSURE 20 PSI

ITEM	PART	QTY	DESCRIPTION
4	RAP6553	1	CHECK VALVE KIT
4A		2	CAP
4B		2	O-RING
4C		2	SPRING
4D		2	PLUNGER
4E		2	O-RING
5	RF91120	6	1/4" PUSH TO CONNECT 1/8" NPT
6	RF91119	1	3/8" PUSH AIR TEE 1/4" NPT
7	RF6944	1	1/4" STREET TEE
8	RAP90388	1	SWITCH PRESSURE 100 PSI
8A	RF90172	1	BRASS BUSHING 1/4" X 1/8"

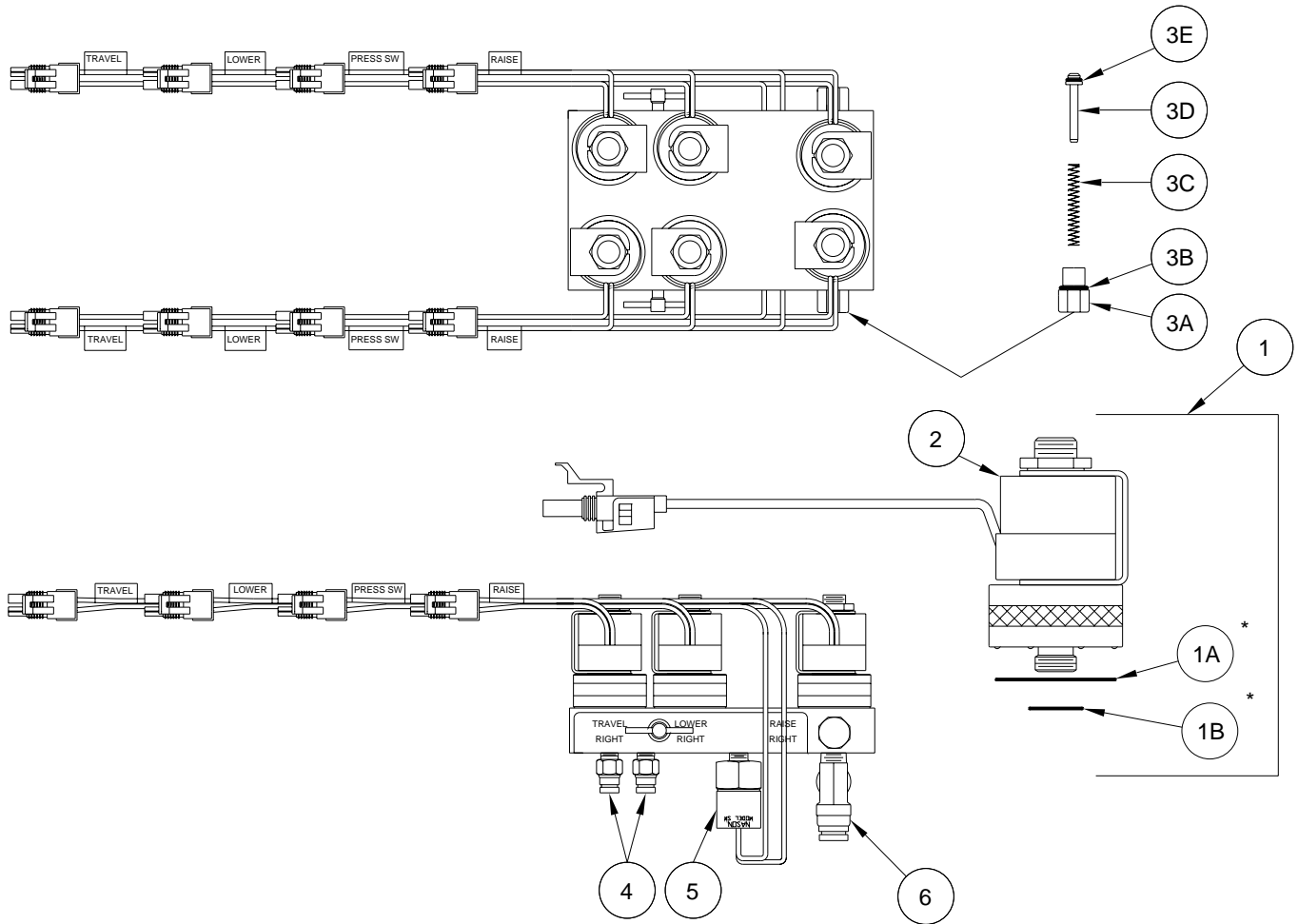
\* GREASE LIGHTLY PRIOR TO ASSEMBLY

NOTE : INDENTED ITEMS INCLUDED WITH PRECEDING ITEM.

**MR05.3723**  
**09MAY13**

# MANIFOLD ASSEMBLY, AIR - 6 VALVE (AP32798)

(WITH TRAVEL BY-PASS 2-PRESSURE SWITCHES & PUSH TO CONNECT FITTINGS)



ITEM	PART	QTY	DESCRIPTION	ITEM	PART	QTY	DESCRIPTION
1	RAP1940	6	SOLENOID VALVE SCREW MOUNTED COMPLETE : INCLUDES 1A, 1B AND 2	3	RAP6553	1	CHECK VALVE KIT
1A			O-RING	3A		2	CAP
1B			O-RING	3B		2	O-RING
	RAP6554	1	O-RING KIT COMPOSED OF (6) 1A AND (6) 1B	3C		2	SPRING
2	RAP90568	1	REPLACEMENT COIL	3D		2	PLUNGER
				3E		2	O-RING
				4	RF91120	4	1/4" PUSH TO CONNECT 1/8" NPT
				5	RAP1720	2	SWITCH PRESSURE 20 PSI
				6	RF91119	1	3/8" PUSH AIR TEE 1/4" NPT

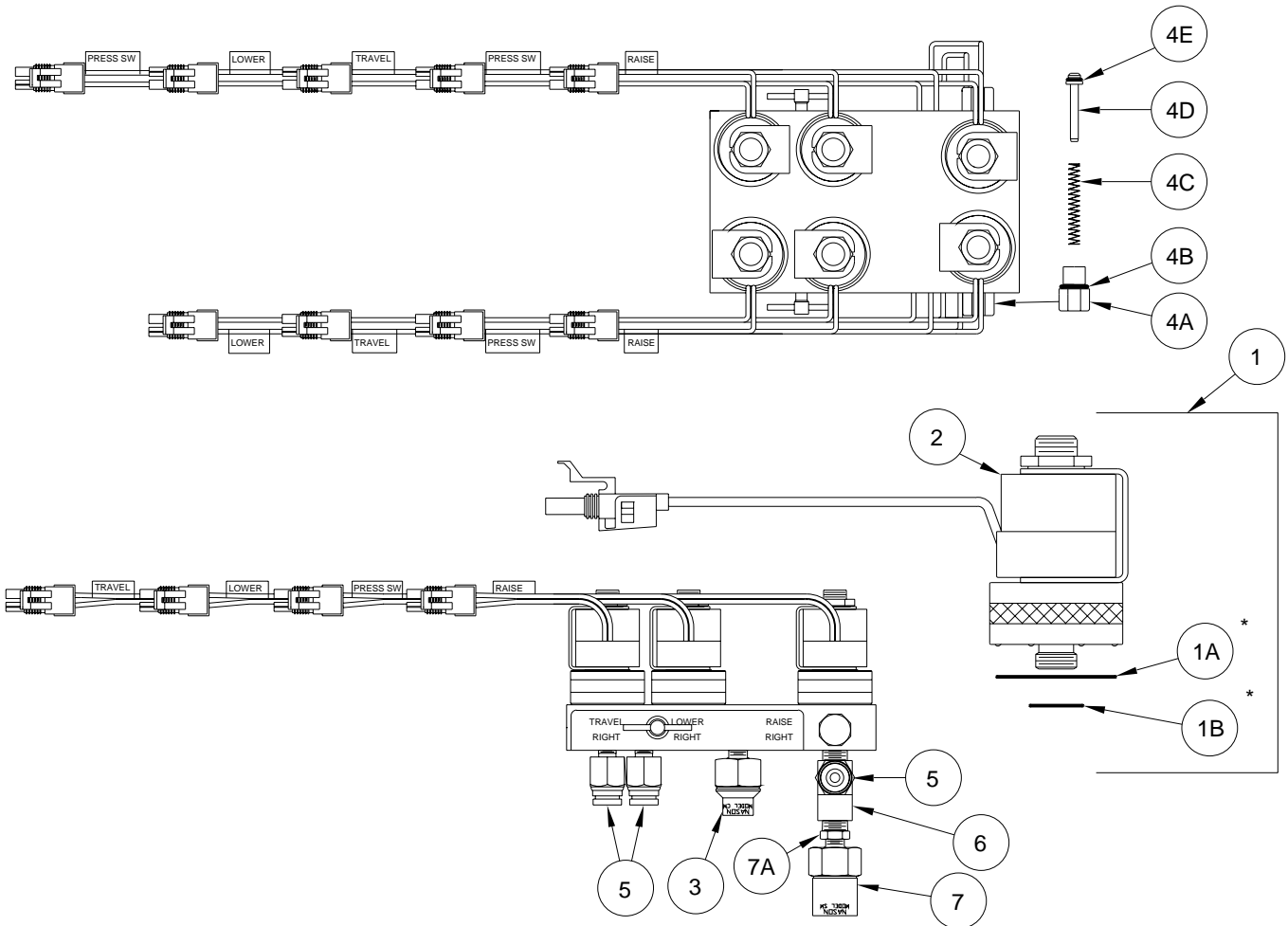
\* GREASE LIGHTLY PRIOR TO ASSEMBLY

NOTE : INDENTED ITEMS INCLUDED WITH PRECEDING ITEM.

MR05.3724  
09MAY13

# MANIFOLD ASSEMBLY, AIR - 6 VALVE (AP32799)

(WITH TRAVEL BY-PASS 3-PRESSURE SWITCHES & PUSH TO CONNECT FITTINGS)



ITEM	PART	QTY	DESCRIPTION	ITEM	PART	QTY	DESCRIPTION
1	RAP1940	6	SOLENOID VALVE SCREW MOUNTED COMPLETE : INCLUDES 1A, 1B AND 2	4	RAP6553	1	CHECK VALVE KIT
1A			O-RING	4A		2	CAP
1B			O-RING	4B		2	O-RING
	RAP6554	1	O-RING KIT COMPOSED OF (6) 1A AND (6) 1B	4C		2	SPRING
2	RAP90568	1	REPLACEMENT COIL	4D		2	PLUNGER
3	RAP1720	2	SWITCH PRESSURE 20 PSI	4E		2	O-RING
				5	RF91587	4	3/8" PUSH TO CONNECT 1/8" NPT
				6	RF6944	1	1/4" STREET TEE
				7	RAP90570	1	SWITCH PRESSURE 85 PSI
				7A	RF90172	1	BRASS BUSHING 1/4" X 1/8"

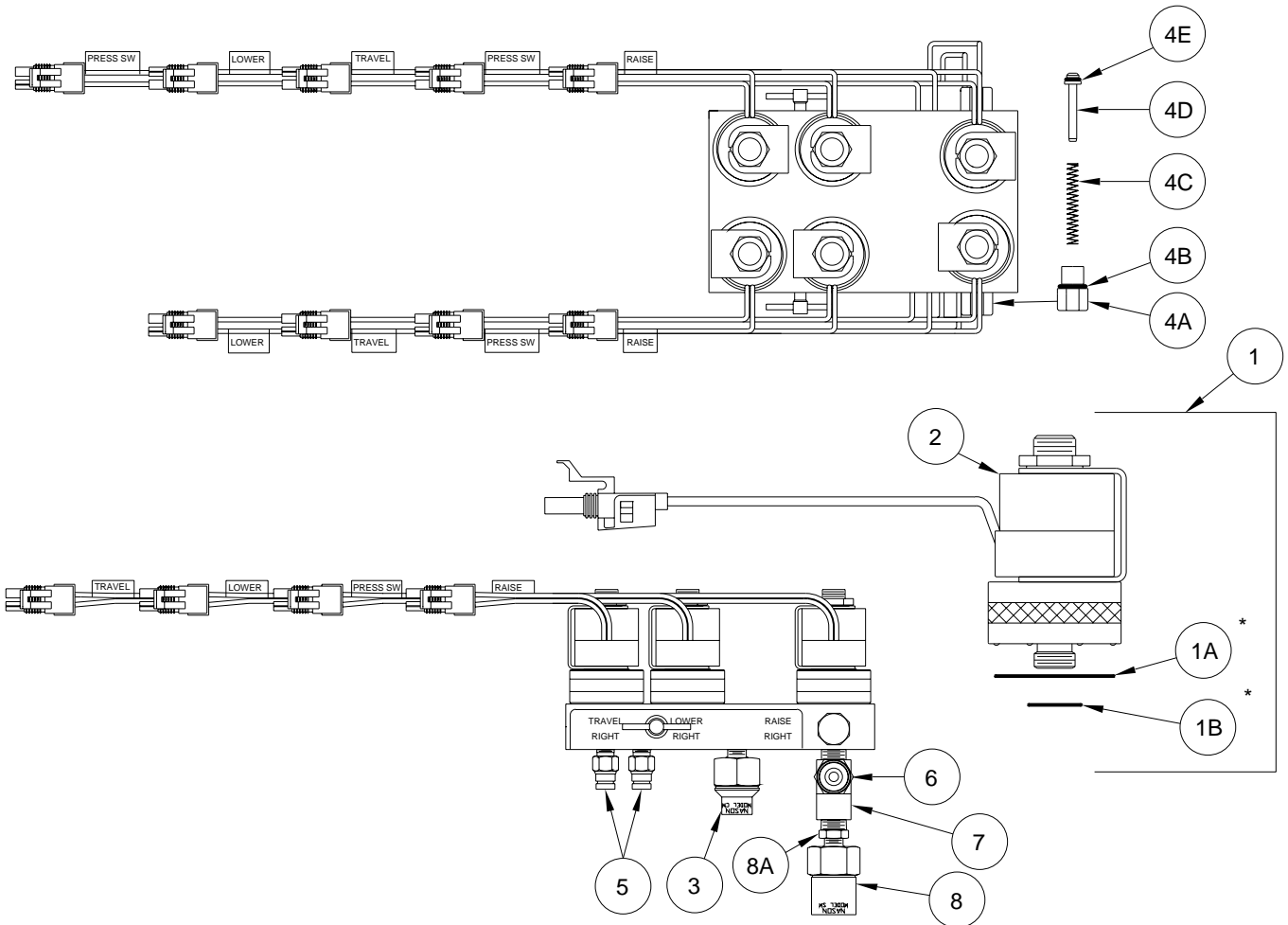
\* GREASE LIGHTLY PRIOR TO ASSEMBLY

NOTE : INDENTED ITEMS INCLUDED WITH PRECEDING ITEM.

MR05.3725  
09MAY13

# MANIFOLD ASSEMBLY, AIR - 6 VALVE (AP32990)

(WITH TRAVEL BY-PASS 3-PRESSURE SWITCHES & PUSH TO CONNECT FITTINGS)



ITEM	PART	QTY	DESCRIPTION
------	------	-----	-------------

1	RAP1940	6	SOLENOID VALVE SCREW MOUNTED COMPLETE : INCLUDES 1A, 1B AND 2
1A			O-RING
1B			O-RING

	RAP6554	1	O-RING KIT COMPOSED OF (6) 1A AND (6) 1B
2	RAP90568	1	REPLACEMENT COIL
3	RAP1720	2	SWITCH PRESSURE 20 PSI

ITEM	PART	QTY	DESCRIPTION
------	------	-----	-------------

4	RAP6553	1	CHECK VALVE KIT
	4A	2	CAP
	4B	2	O-RING
	4C	2	SPRING
	4D	2	PLUNGER
	4E	2	O-RING
5	RF91120	4	1/4" PUSH TO CONNECT 1/8" NPT
6	RF91586	1	3/8" PUSH TO CONNECT 1/8" NPT
7	RF6944	1	1/4" STREET TEE
8	RAP90570	1	SWITCH PRESSURE 85 PSI
8A	RF90172	1	BRASS BUSHING 1/4" X 1/8"

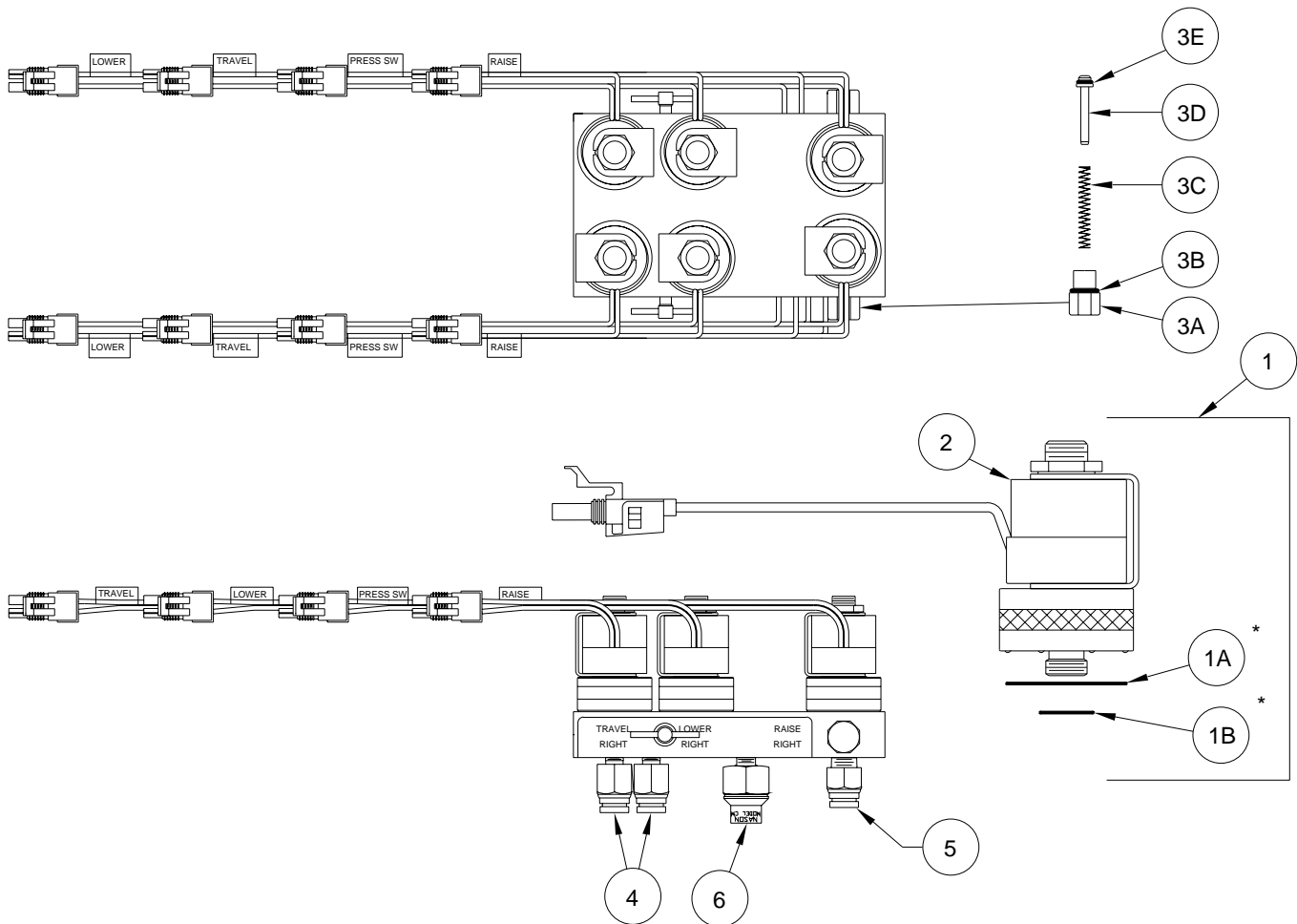
\* GREASE LIGHTLY PRIOR TO ASSEMBLY

NOTE : INDENTED ITEMS INCLUDED WITH PRECEDING ITEM.

MR05.3726  
09MAY13

# MANIFOLD ASSEMBLY, AIR - 6 VALVE (AP33329 & AP45744)

## (WITH TRAVEL BY-PASS 2-PRESSURE SWITCHES & PUSH TO CONNECT FITTINGS)



ITEM	PART	QTY	DESCRIPTION	ITEM	PART	QTY	DESCRIPTION
1	RAP1940	6	SOLENOID VALVE SCREW MOUNTED COMPLETE : INCLUDES 1A, 1B AND 2	3	RAP6553	1	CHECK VALVE KIT
1A			O-RING	3A		2	CAP
1B			O-RING	3B		2	O-RING
	RAP6554	1	O-RING KIT COMPOSED OF (6) 1A AND (6) 1B	3C		2	SPRING
2	RAP90568	1	REPLACEMENT COIL	3D		2	PLUNGER
				3E		2	O-RING
				4	RF91587	4	3/8" PUSH TO CONNECT 1/8" NPT
				5	RF91586	1	3/8" PUSH TO CONNECT 1/4" NPT
				6	RAP1720	2	SWITCH PRESSURE 20 PSI

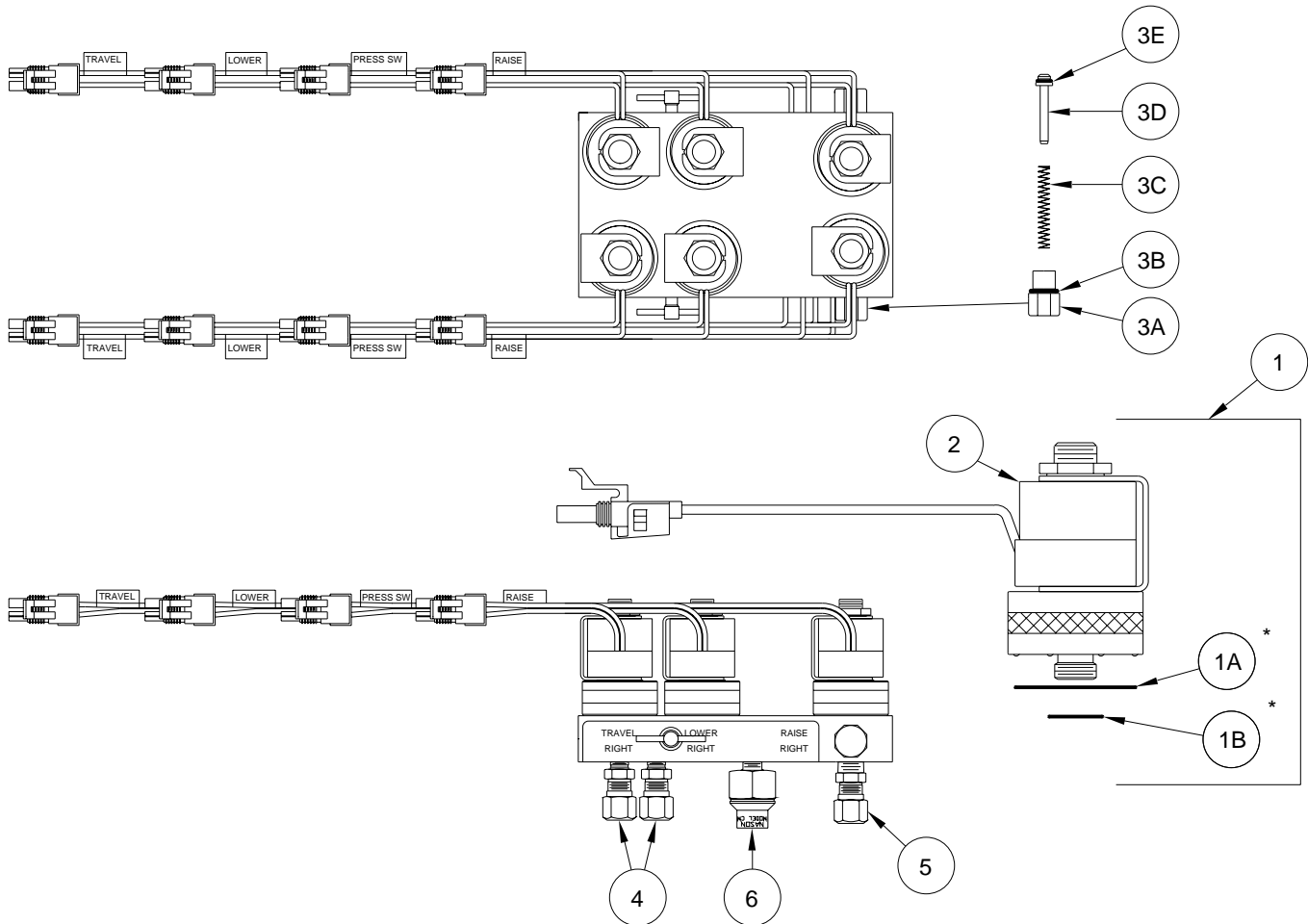
\* GREASE LIGHTLY PRIOR TO ASSEMBLY

NOTE : INDENTED ITEMS INCLUDED WITH PRECEDING ITEM.

**MR05.3727**  
**09MAY13**

# MANIFOLD ASSEMBLY, AIR - 6 VALVE (AP33337)

## (WITH TRAVEL BY-PASS 2-PRESSURE SWITCHES)



ITEM	PART	QTY	DESCRIPTION
------	------	-----	-------------

1	RAP1940	6	SOLENOID VALVE SCREW MOUNTED COMPLETE : INCLUDES 1A, 1B AND 2
---	---------	---	--

1A			O-RING
1B			O-RING

	RAP6554	1	O-RING KIT COMPOSED OF (6) 1A AND (6) 1B
--	---------	---	---

2	RAP90568	1	REPLACEMENT COIL
---	----------	---	------------------

ITEM	PART	QTY	DESCRIPTION
------	------	-----	-------------

3	RAP6553	1	CHECK VALVE KIT
---	---------	---	-----------------

3A		2	CAP
3B		2	O-RING
3C		2	SPRING
3D		2	PLUNGER
3E		2	O-RING

4	RF6148	4	MALE CONNECTOR 1/8" X 3/8"
---	--------	---	-------------------------------

5	RF4478	1	MALE CONNECTOR 1/4" X 3/8"
---	--------	---	-------------------------------

6	RAP1720	2	SWITCH PRESSURE 20 PSI
---	---------	---	---------------------------

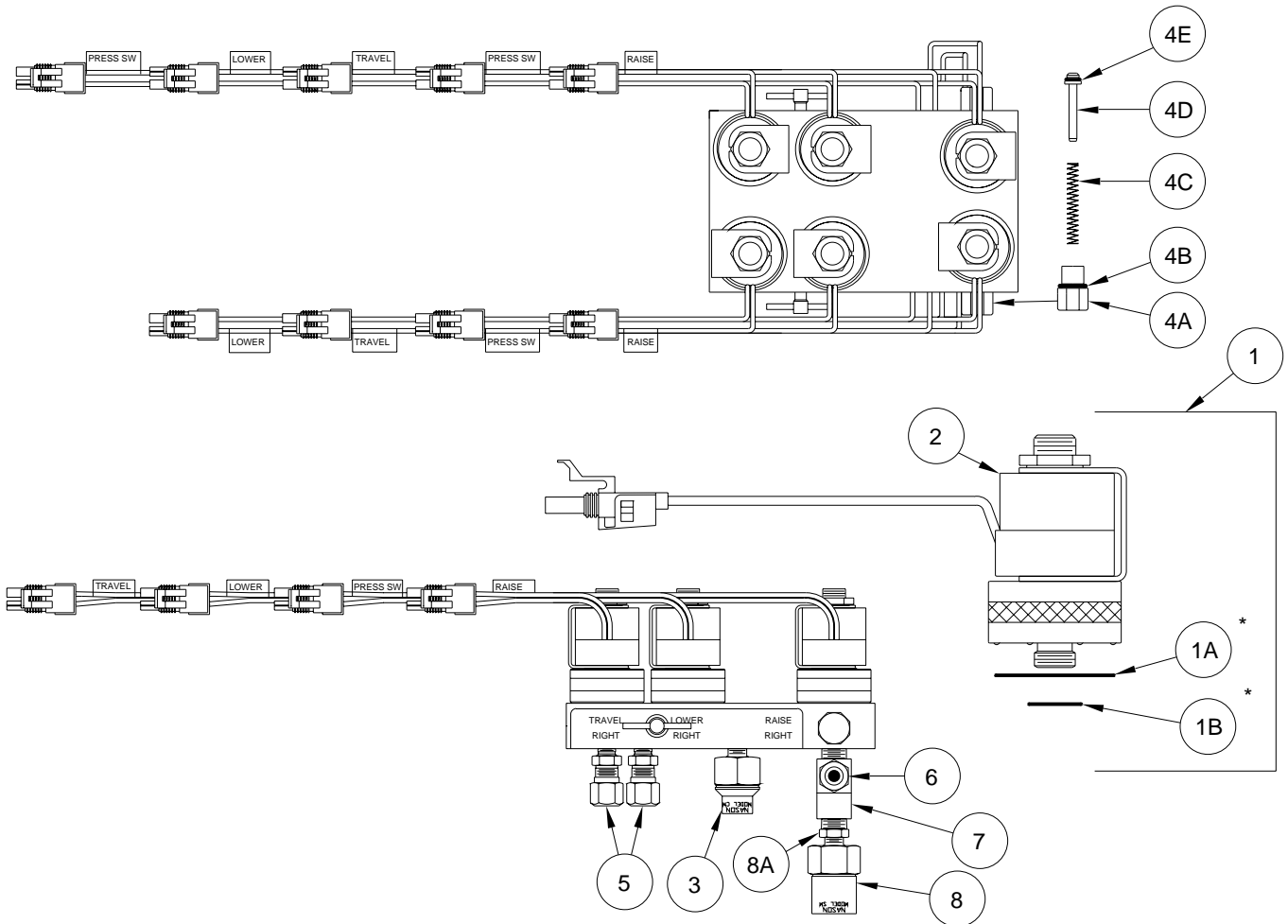
\* GREASE LIGHTLY PRIOR TO ASSEMBLY

NOTE : INDENTED ITEMS INCLUDED WITH PRECEDING ITEM.

**MR05.3728**  
**09MAY13**

# MANIFOLD ASSEMBLY, AIR - 6 VALVE (AP33338)

## (WITH TRAVEL BY-PASS 3-PRESSURE SWITCHES)



ITEM	PART	QTY	DESCRIPTION	ITEM	PART	QTY	DESCRIPTION
1	RAP1940	6	SOLENOID VALVE SCREW MOUNTED COMPLETE : INCLUDES 1A, 1B AND 2	4	RAP6553	1	CHECK VALVE KIT
1A			O-RING	4A		2	CAP
1B			O-RING	4B		2	O-RING
	RAP6554	1	O-RING KIT COMPOSED OF (6) 1A AND (6) 1B	4C		2	SPRING
2	RAP90568	1	REPLACEMENT COIL	4D		2	PLUNGER
3	RAP1720	2	SWITCH PRESSURE 20 PSI	4E		2	O-RING
				5	RF6148	4	MALE CONNECTOR 1/8" X 3/8"
				6	RF4478	1	MALE CONNECTOR 1/4" X 3/8"
				7	RF6944	1	1/4" STREET TEE
				8	RAP90570	1	SWITCH PRESSURE 85 PSI
				8A	RF90172	1	BRASS BUSHING 1/4" X 1/8"

\* GREASE LIGHTLY PRIOR TO ASSEMBLY

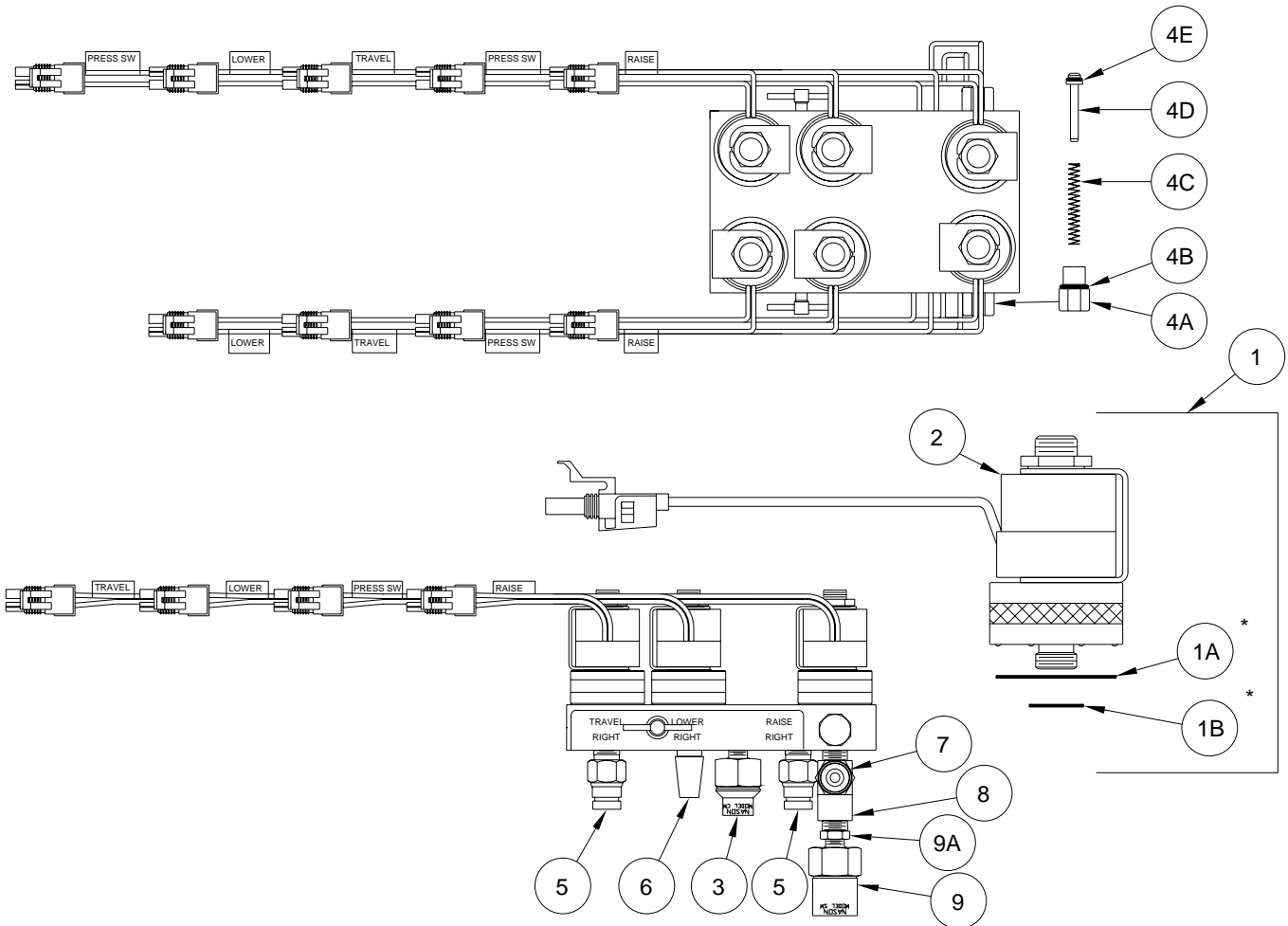
NOTE : INDENTED ITEMS INCLUDED WITH PRECEDING ITEM.

**MR05.3729**  
**09MAY13**



# MANIFOLD ASSEMBLY, AIR - 6 VALVE (AP35974)

(WITH TRAVEL BY-PASS 3-PRESSURE SWITCHES & PUSH TO CONNECT FITTINGS)



ITEM	PART	QTY	DESCRIPTION	ITEM	PART	QTY	DESCRIPTION
1	RAP1940	6	SOLENOID VALVE SCREW MOUNTED COMPLETE : INCLUDES 1A, 1B AND 2	4	RAP6553	1	CHECK VALVE KIT
1A			O-RING	4A		2	CAP
1B			O-RING	4B		2	O-RING
	RAP6554	1	O-RING KIT COMPOSED OF (6) 1A AND (6) 1B	4C		2	SPRING
2	RAP90568	1	REPLACEMENT COIL	4D		2	PLUNGER
3	RAP1720	2	SWITCH PRESSURE 20 PSI	4E		2	O-RING
				5	RF91640	4	1/2" PUSH TO CONNECT 1/4" NPT
				6	RP90582	2	1/4" AIR MUFFLER
				7	RF91586	1	3/8" PUSH TO CONNECT 1/8" NPT
				8	RF6944	1	1/4" STREET TEE
				9	RAP90388	1	SWITCH PRESSURE 100 PSI
				9A	RF90172	1	BRASS BUSHING 1/4" X 1/8"

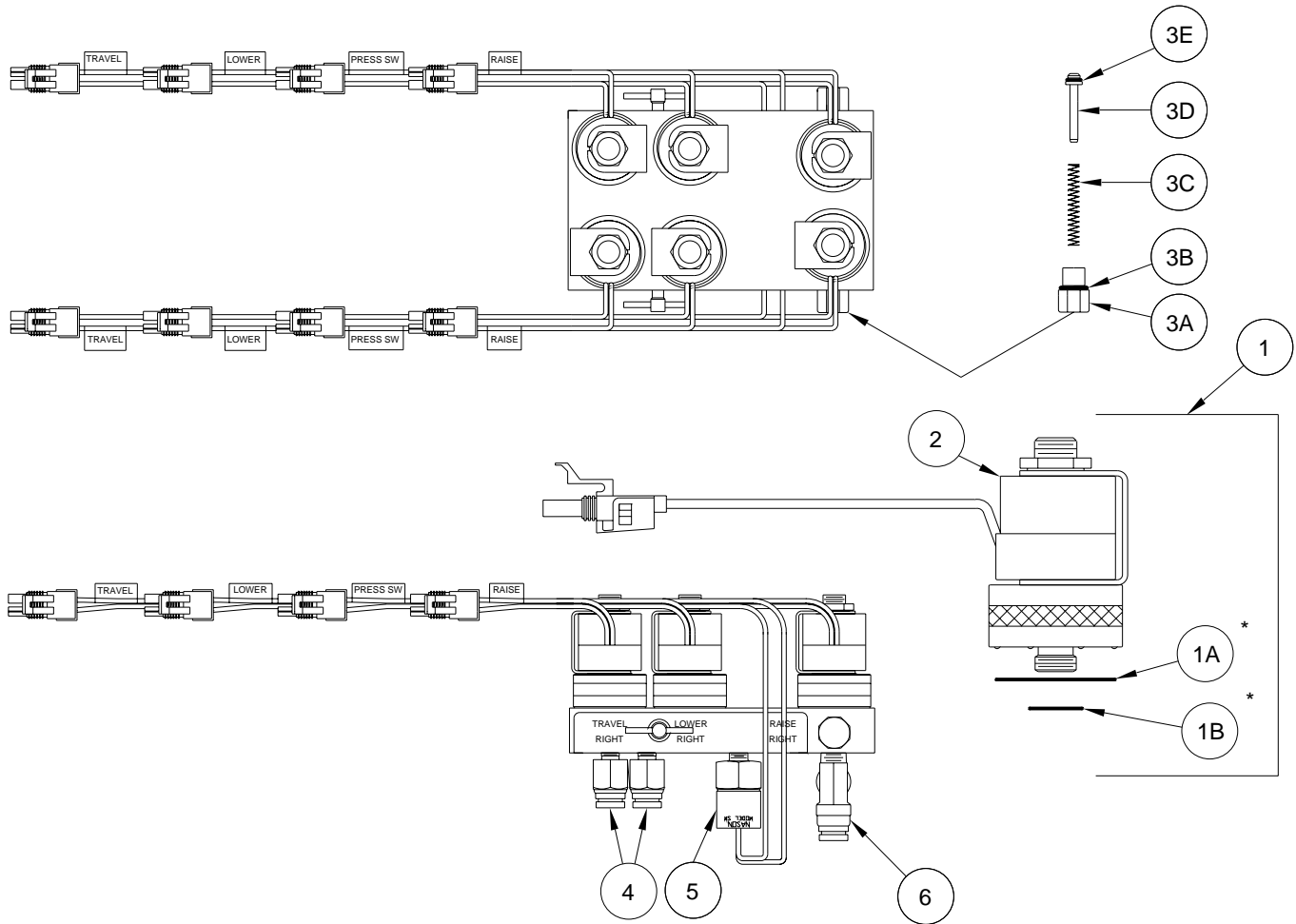
\* GREASE LIGHTLY PRIOR TO ASSEMBLY

NOTE : INDENTED ITEMS INCLUDED WITH PRECEDING ITEM.

**MR05.3730**  
**09MAY13**

# MANIFOLD ASSEMBLY, AIR - 6 VALVE (AP42172)

(WITH TRAVEL BY-PASS 2-PRESSURE SWITCHES & PUSH TO CONNECT FITTINGS)



ITEM	PART	QTY	DESCRIPTION	ITEM	PART	QTY	DESCRIPTION
1	RAP1940	6	SOLENOID VALVE SCREW MOUNTED COMPLETE : INCLUDES 1A, 1B AND 2	3	RAP6553	1	CHECK VALVE KIT
1A			O-RING	3A		2	CAP
1B			O-RING	3B		2	O-RING
	RAP6554	1	O-RING KIT COMPOSED OF (6) 1A AND (6) 1B	3C		2	SPRING
2	RAP90568	1	REPLACEMENT COIL	3D		2	PLUNGER
				3E		2	O-RING
				4	RF91587	4	3/8" PUSH TO CONNECT 1/8" NPT
				5	RAP1720	2	SWITCH PRESSURE 20 PSI
				6	RF91119	1	3/8" PUSH AIR TEE 1/4" NPT

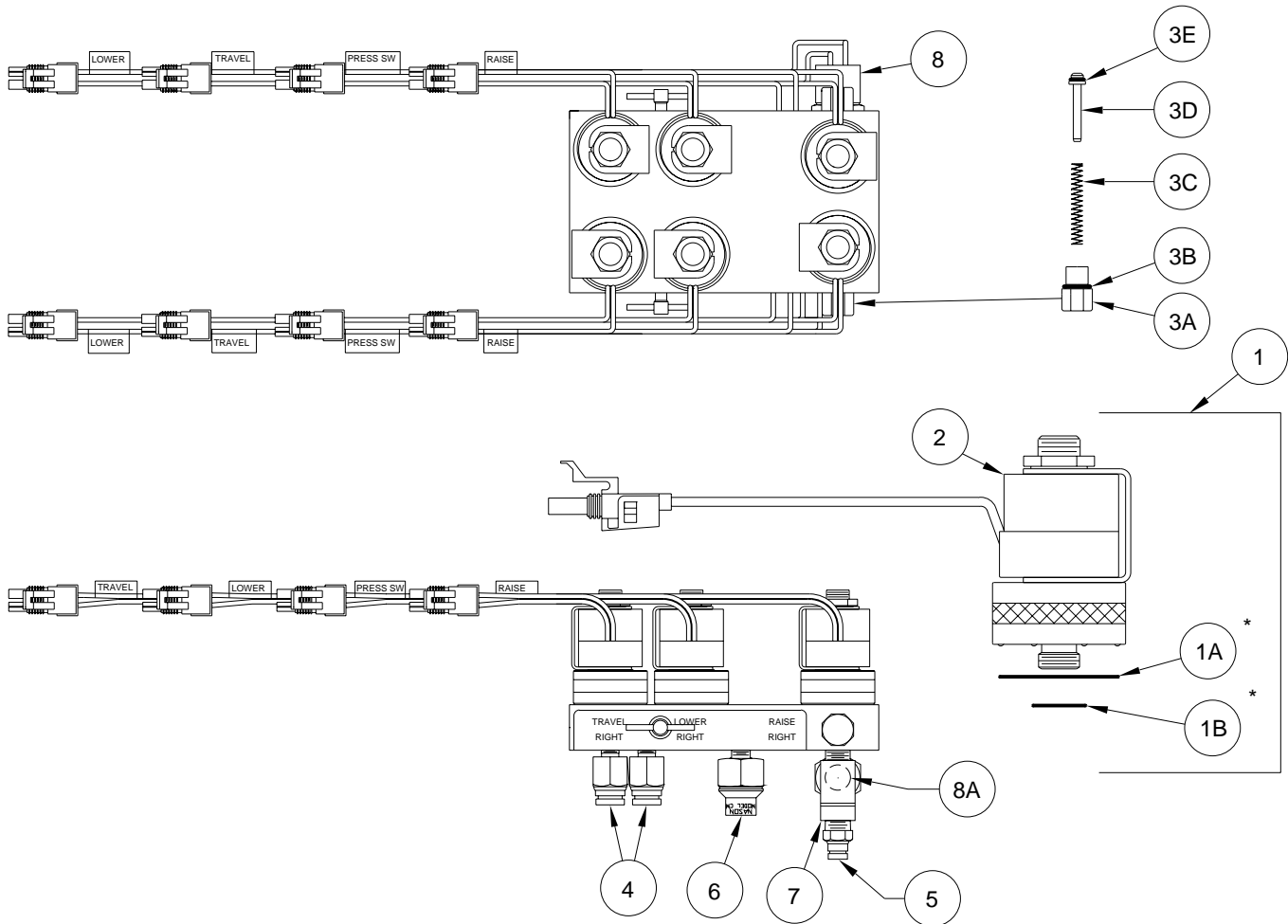
\* GREASE LIGHTLY PRIOR TO ASSEMBLY

NOTE : INDENTED ITEMS INCLUDED WITH PRECEDING ITEM.

MR05.3731  
09MAY13

# MANIFOLD ASSEMBLY, AIR - 6 VALVE (AP45745)

(WITH TRAVEL BY-PASS 3-PRESSURE SWITCHES & PUSH TO CONNECT FITTINGS)



ITEM	PART	QTY	DESCRIPTION	ITEM	PART	QTY	DESCRIPTION
1	RAP1940	6	SOLENOID VALVE SCREW MOUNTED COMPLETE : INCLUDES 1A , 1B AND 2	4	RF91587	4	3/8" PUSH TO CONNECT 1/8" NPT
1A			O-RING	5	RF91952	1	1/4" PUSH TO CONNECT 1/4" NPT
1B			O-RING	6	RAP1720	2	SWITCH PRESSURE 20 PSI
	RAP6554	1	O-RING KIT COMPOSED OF (6) 1A AND (6) 1B	7	RF6944	1	1/4" STREET TEE
2	RAP90568	1	REPLACEMENT COIL	8	RAP90570	1	SWITCH PRESSURE 85 PSI
3	RAP6553	1	CHECK VALVE KIT	8A	RF90172	1	BRASS BUSHING 1/4" X 1/8"
3A		2	CAP				
3B		2	O-RING				
3C		2	SPRING				
3D		2	PLUNGER				
3E		2	O-RING				

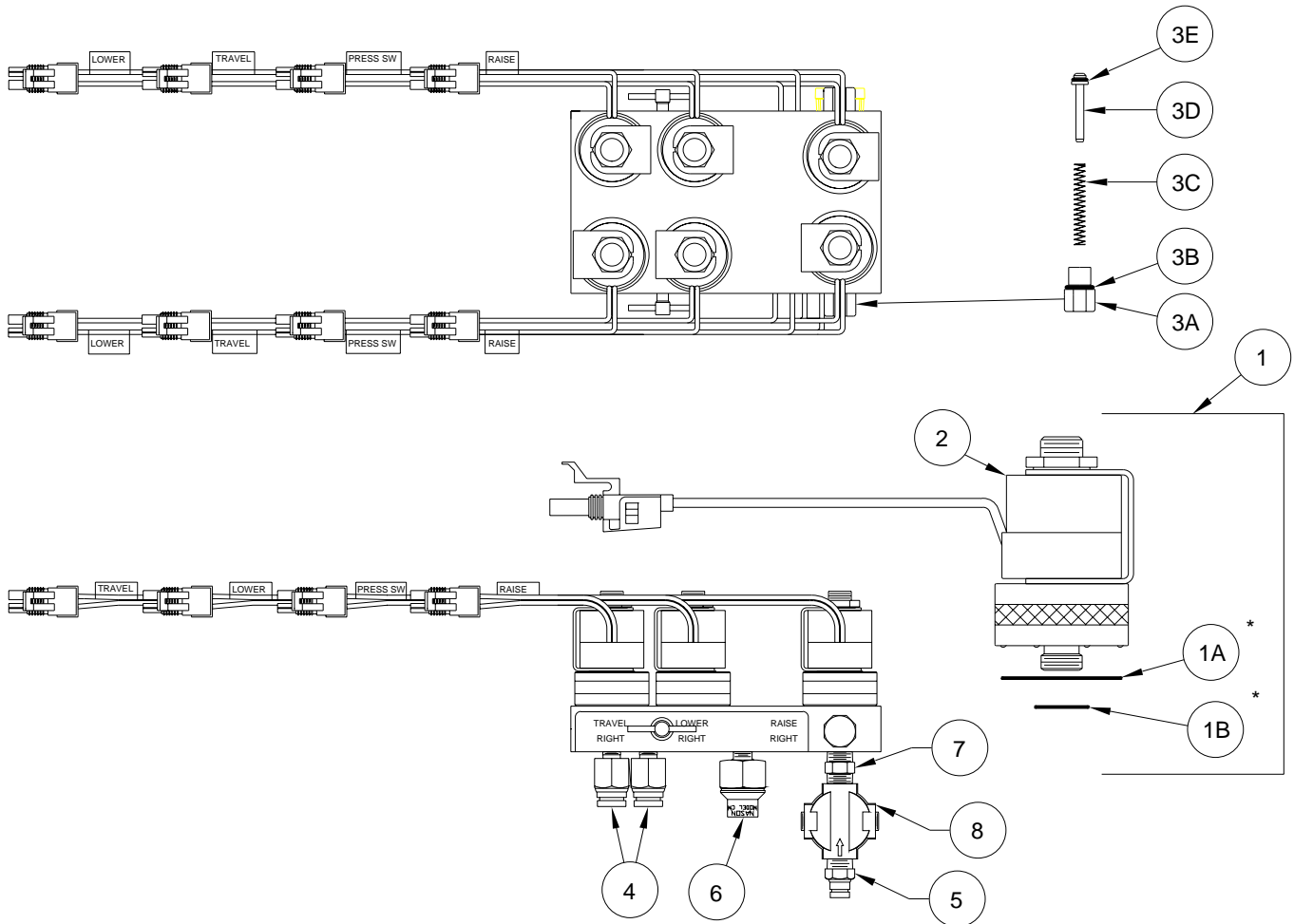
\* GREASE LIGHTLY PRIOR TO ASSEMBLY

NOTE : INDENTED ITEMS INCLUDED WITH PRECEDING ITEM.

MR05.3732  
09MAY13

# MANIFOLD ASSEMBLY, AIR - 6 VALVE (AP46964)

(WITH TRAVEL BY-PASS 2-PRESSURE SWITCHES & PUSH TO CONNECT FITTINGS)



ITEM	PART	QTY	DESCRIPTION	ITEM	PART	QTY	DESCRIPTION
1	RAP1940	6	SOLENOID VALVE SCREW MOUNTED COMPLETE : INCLUDES 1A, 1B AND 2	4	RF91587	4	3/8" PUSH TO CONNECT 1/8" NPT
1A			O-RING	5	RF91952	1	1/4" PUSH TO CONNECT 1/4" NPT
1B			O-RING	6	RAP1720	2	SWITCH PRESSURE 20 PSI
	RAP6554	1	O-RING KIT COMPOSED OF (6) 1A AND (6) 1B	7	RF6011	1	BRASS NIPPLE 1/4" X 1/4"
2	RAP90568	1	REPLACEMENT COIL	8	RAP93268	1	AIR REGULATOR (INCLUDES 2 PIPE PLUGS)
3	RAP6553	1	CHECK VALVE KIT				
3A		2	CAP				
3B		2	O-RING				
3C		2	SPRING				
3D		2	PLUNGER				
3E		2	O-RING				

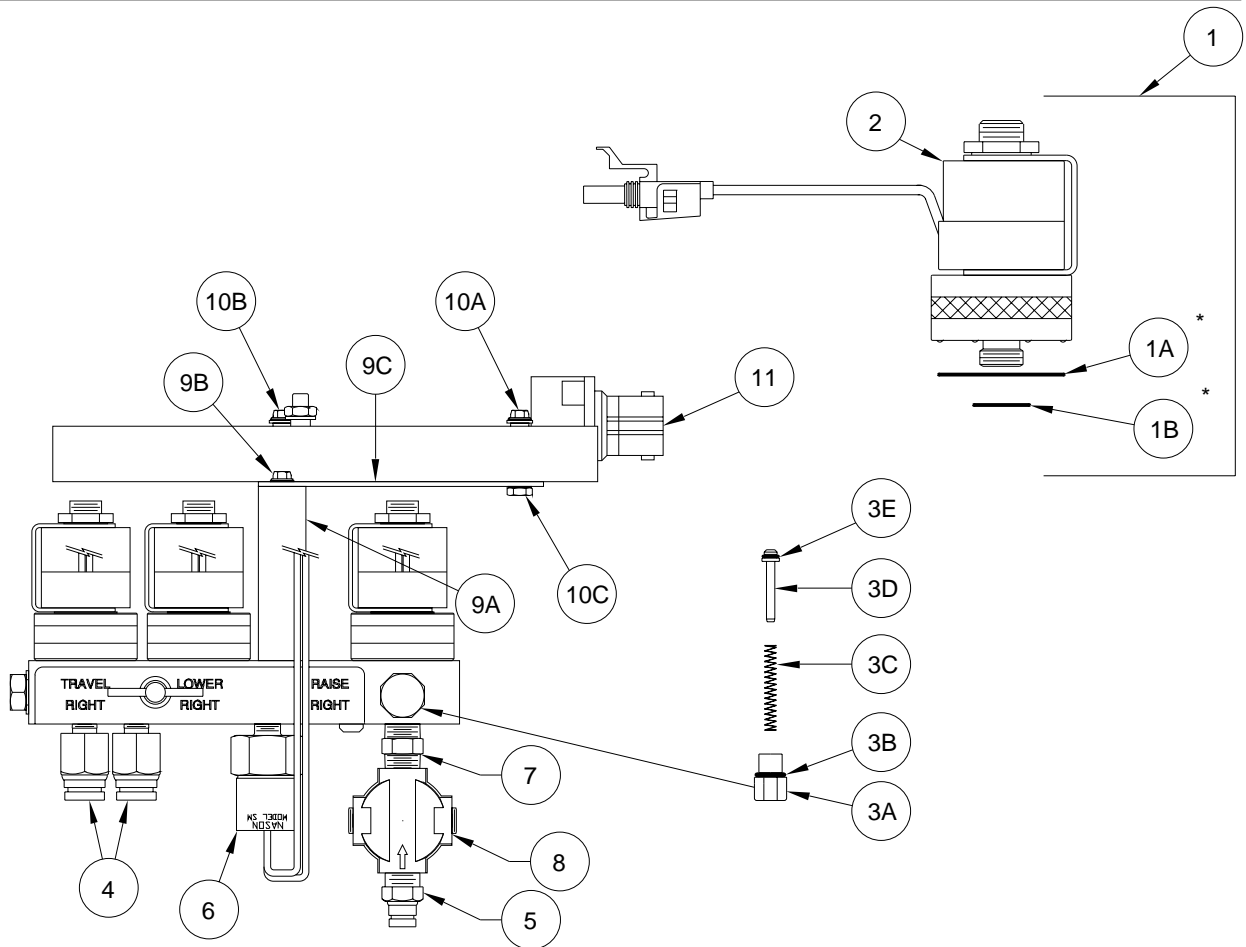
\* GREASE LIGHTLY PRIOR TO ASSEMBLY

NOTE : INDENTED ITEMS INCLUDED WITH PRECEDING ITEM.

MR05.3733  
09MAY13

# MANIFOLD ASSEMBLY, AIR - 6 VALVE (AP48499)

**(WITH TRAVEL BY-PASS 2-PRESSURE SWITCHES & PUSH TO CONNECT FITTINGS)**



ITEM	PART	QTY	DESCRIPTION
1	RAP1940	6	SOLENOID VALVE SCREW MOUNTED COMPLETE : INCLUDES 1A, 1B AND 2
1A			O-RING
1B			O-RING
	RAP6554	1	O-RING KIT COMPOSED OF (6) 1A AND (6) 1B
2	RAP90568	1	REPLACEMENT COIL
3	RAP6553	1	CHECK VALVE KIT
3A		2	CAP
3B		2	O-RING
3C		2	SPRING
3D		2	PLUNGER
3E		2	O-RING
4	RF91587	4	3/8" PUSH TO CONNECT 1/8" NPT

ITEM	PART	QTY	DESCRIPTION
5	RF91952	1	1/4" PUSH TO CONNECT 1/4" NPT
6	RAP1720	2	SWITCH PRESSURE 20 PSI
7	RF6011	1	BRASS NIPPLE 1/4" X 1/4"
8	RAP93268	1	AIR REGULATOR (INCLUDES 2 PIPE PLUGS)
9	RAP93019	1	MOUNTING KIT
9A		2	2.75" SPACER
9B		1	#8-32 x 3.25" SCREW
3C		1	MOUNTING BRACKET
10	RAP93018	1	HARDWARE KIT
10A		1	#8-32 x 1.25" SCREW
10B		1	#8-32 x 4.00" SCREW
10C		1	#8-32 HEX NUT
10D		4	#8 LOCK WASHER
10E		2	#8 FLAT WASHER
11	RAP92947	1	M.I.O.M. ASSEMBLY (INCLUDES ITEM #10)

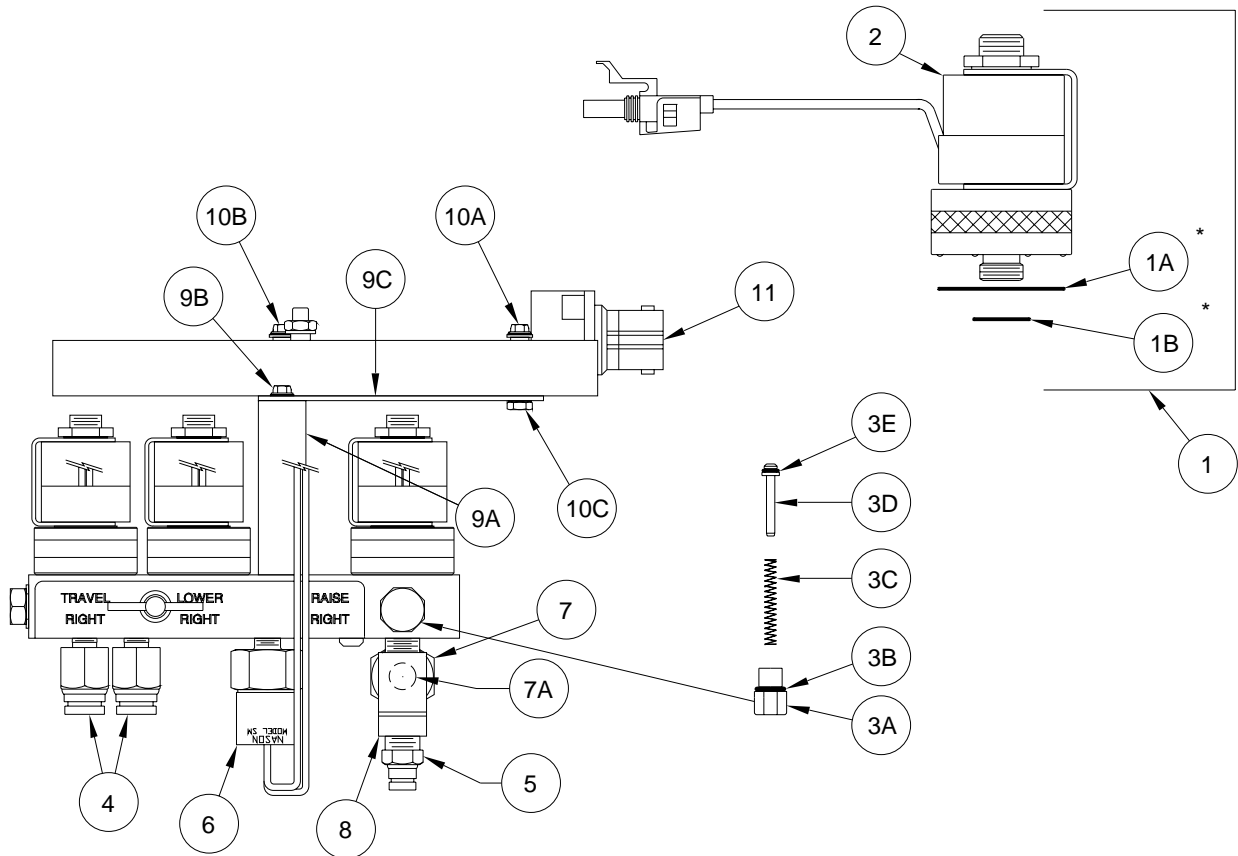
\* GREASE LIGHTLY PRIOR TO ASSEMBLY

NOTE : INDENTED ITEMS INCLUDED WITH PRECEDING ITEM:10

**MR05.3734**  
**09MAY13**

# MANIFOLD ASSEMBLY, AIR - 6 VALVE (AP48500)

**(WITH TRAVEL BY-PASS 3-PRESSURE SWITCHES & PUSH TO CONNECT FITTINGS)**



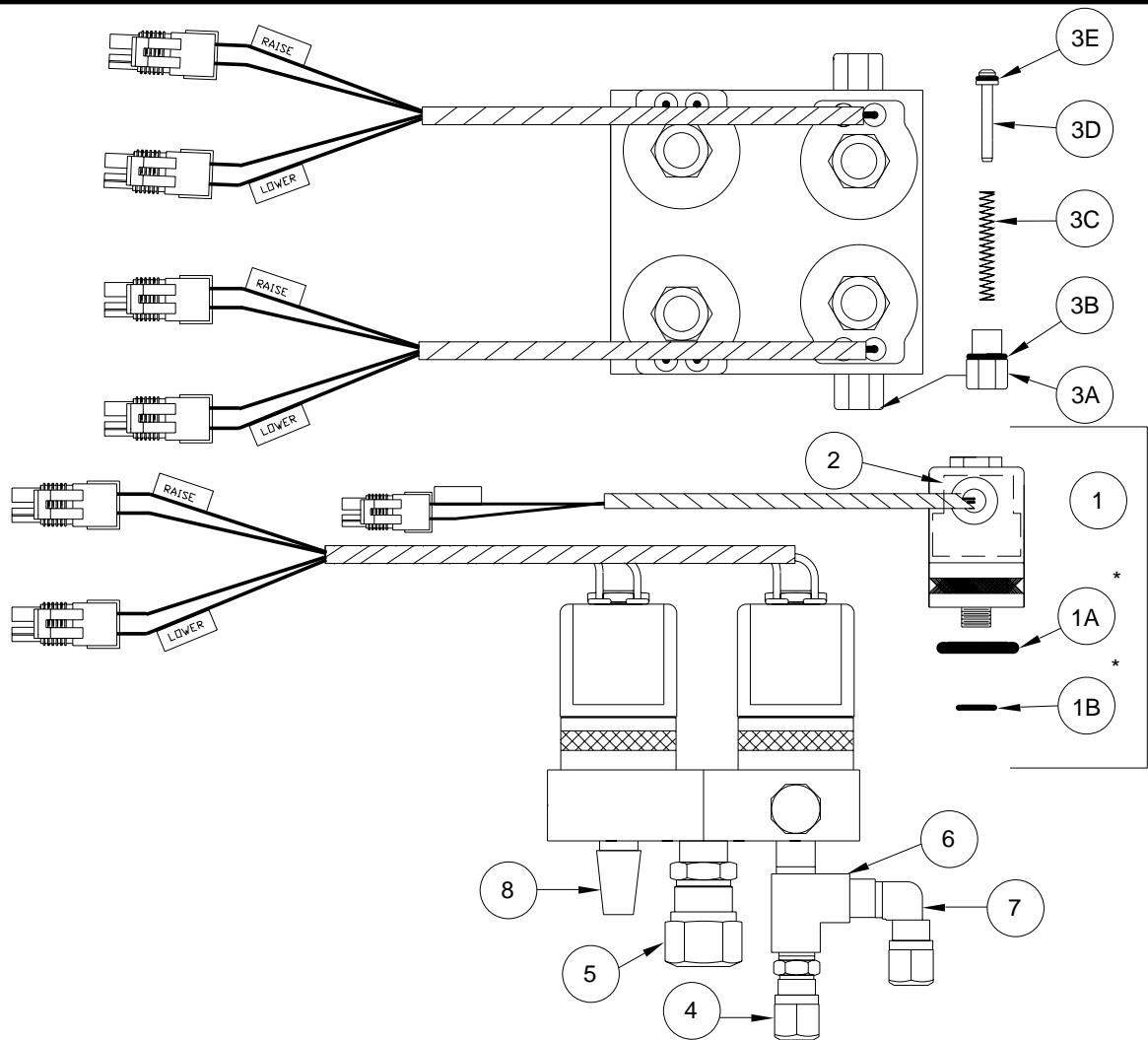
ITEM	PART	QTY	DESCRIPTION	ITEM	PART	QTY	DESCRIPTION
1	RAP1940	6	SOLENOID VALVE SCREW MOUNTED COMPLETE : INCLUDES 1A, 1B AND 2	5	RF91952	1	1/4" PUSH TO CONNECT 1/4" NPT
1A			O-RING	6	RAP1720	2	SWITCH PRESSURE 20 PSI
1B			O-RING	7	RAP90570	1	SWITCH PRESSURE 85 PSI
	RAP6554	1	O-RING KIT COMPOSED OF (6) 1A AND (6) 1B	7A	RF90172	1	BRASS BUSHING 1/4" X 1/8"
	RAP90568	1	REPLACEMENT COIL	8	RF6944	1	1/4" STREET TEE
2				9	RAP93019	1	MOUNTING KIT
3	RAP6553	1	CHECK VALVE KIT	9A		2	2.75" SPACER
3A		2	CAP	9B		1	#8-32 x 3.25" SCREW
3B		2	O-RING	3C		1	MOUNTING BRACKET
3C		2	SPRING	10	RAP93018	1	HARDWARE KIT
3D		2	PLUNGER	10A		1	#8-32 x 1.25" SCREW
3E		2	O-RING	10B		1	#8-32 x 4.00" SCREW
4	RF91587	4	3/8" PUSH TO CONNECT 1/8" NPT	10C		1	#8-32 HEX NUT
				10D		4	#8 LOCK WASHER
				10E		2	#8 FLAT WASHER
				11	RAP92948	1	M.I.O.M. ASSEMBLY (INCLUDES ITEM #10)

\* GREASE LIGHTLY PRIOR TO ASSEMBLY

NOTE : INDENTED ITEMS INCLUDED WITH PRECEDING ITEM.

**MR05.3735**  
**09MAY13**

# MANIFOLD ASSEMBLY, AIR - 4 VALVE (AP16848)



ITEM	PART	QTY	DESCRIPTION
------	------	-----	-------------

1	RAP1940	4	SOLENOID VALVE SCREW MOUNTED COMPLETE : INCLUDES 1A, 1B AND 2
---	---------	---	--

1A			O-RING
1B			O-RING

	RAP6554	1	O-RING KIT COMPOSED OF (6) 1A AND (6) 1B
--	---------	---	---

2	RAP90568	1	REPLACEMENT COIL
---	----------	---	------------------

ITEM	PART	QTY	DESCRIPTION
------	------	-----	-------------

3	RAP6553	1	CHECK VALVE KIT
---	---------	---	-----------------

3A		2	CAP
3B		2	O-RING
3C		2	SPRING
3D		2	PLUNGER
3E		2	O-RING

4	RF4478	1	MALE CONNECTOR 1/4" X 3/8"
---	--------	---	-------------------------------

5	RF90583	2	MALE CONNECTOR 3/8" X 5/8"
---	---------	---	-------------------------------

6	RF6944	1	TEE 1/4" X 1/4"
---	--------	---	-----------------

7	RF90164	1	MALE ELBOW 1/4" X 3/8"
---	---------	---	---------------------------

8	RP90582	2	MUFFLER 1/4" NPT
---	---------	---	------------------

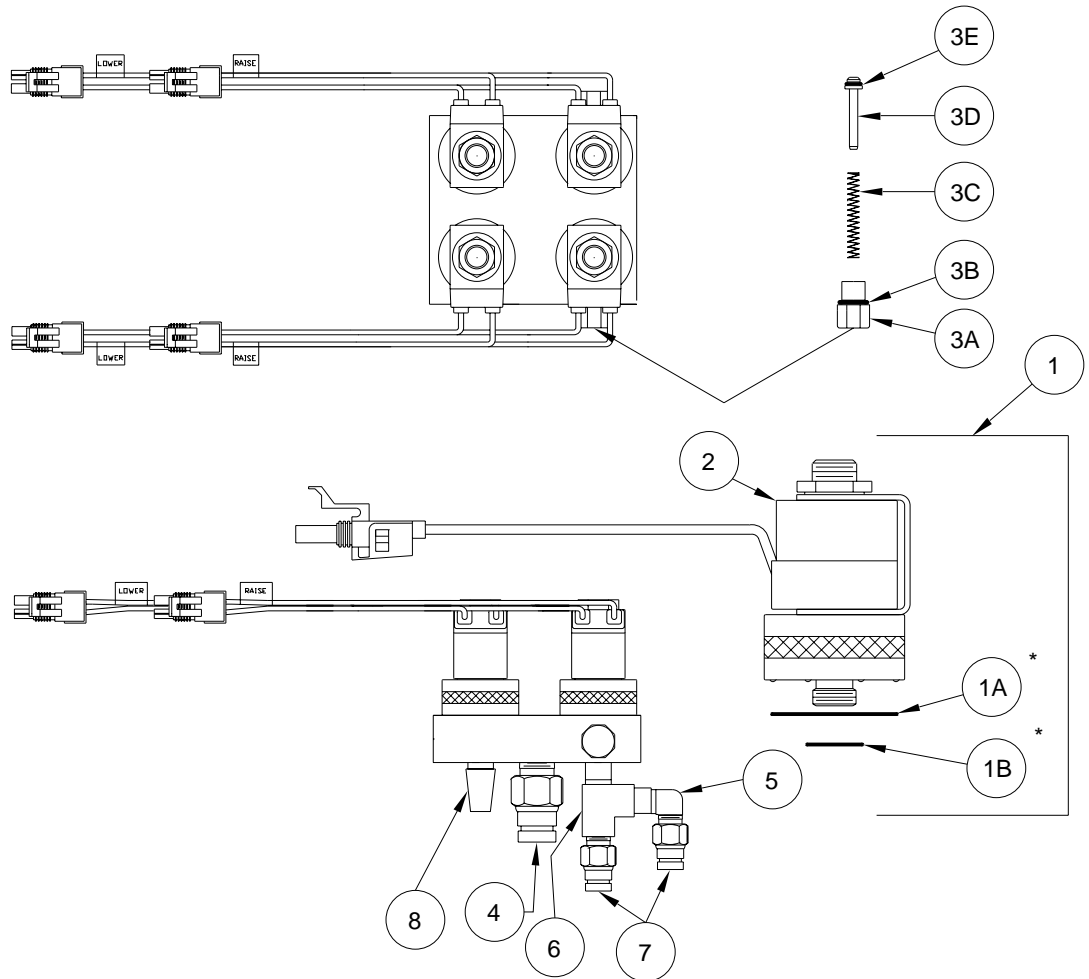
\* GREASE LIGHTLY PRIOR TO ASSEMBLY

NOTE : INDENTED ITEMS INCLUDED WITH PRECEDING ITEM.

**MR05.3900**  
**09MAY13**

# MANIFOLD ASSEMBLY, AIR - 4 VALVE (AP34963)

## (PUSH TO CONNECT FITTINGS)



ITEM	PART	QTY	DESCRIPTION
------	------	-----	-------------

1	RAP1940	4	SOLENOID VALVE SCREW MOUNTED COMPLETE : INCLUDES 1A, 1B AND 2
---	---------	---	--

1A			O-RING
1B			O-RING

	RAP6554	1	O-RING KIT COMPOSED OF (6) 1A AND (6) 1B
--	---------	---	---

2	RAP90568	1	REPLACEMENT COIL
---	----------	---	------------------

ITEM	PART	QTY	DESCRIPTION
------	------	-----	-------------

3	RAP6553	1	CHECK VALVE KIT
---	---------	---	-----------------

3A		2	CAP
3B		2	O-RING
3C		2	SPRING
3D		2	PLUNGER
3E		2	O-RING

4	RF91639	2	5/8" PUSH TO CONNECT 3/8" NPT
---	---------	---	----------------------------------

5	RF3340	1	BRASS ELBOW 1/4" NPT
---	--------	---	-------------------------

6	RF6944	1	1/4" STREET TEE
---	--------	---	-----------------

7	RF91586	2	3/8" PUSH TO CONNECT 1/4" NPT
---	---------	---	----------------------------------

8	RP90582	2	1/4" AIR MUFFLER
---	---------	---	------------------

\* GREASE LIGHTLY PRIOR TO ASSEMBLY

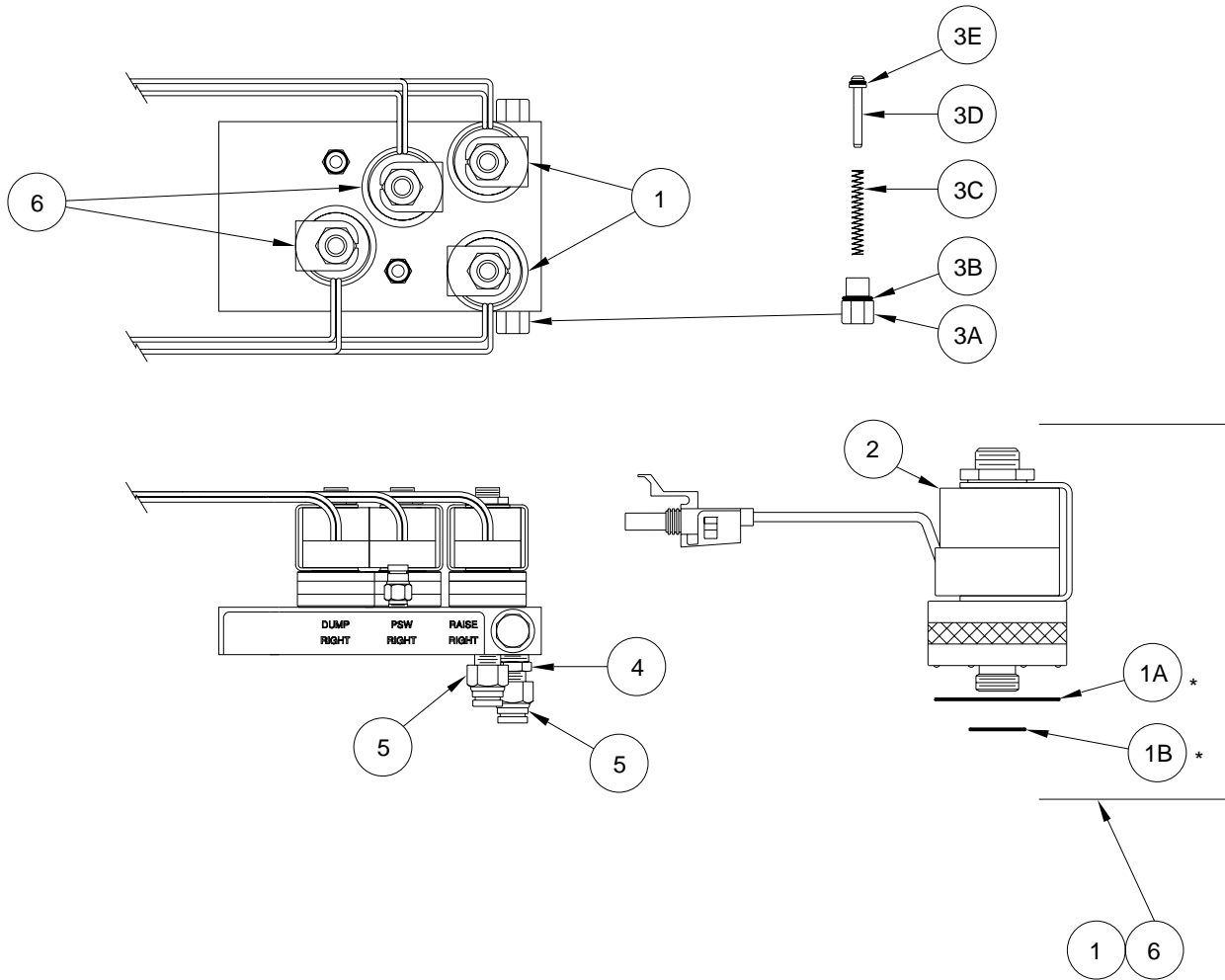
NOTE : INDENTED ITEMS INCLUDED WITH PRECEDING ITEM.

**MR05.3901**  
**09MAY13**



# MANIFOLD ASSEMBLY - 4 VALVE (AP51849)

## (WITH PUSH TO CONNECT FITTINGS)



ITEM	PART	QTY	DESCRIPTION	ITEM	PART	QTY	DESCRIPTION
1	RAP1940	2	SOLENOID VALVE SCREW MOUNTED COMPLETE : INCLUDES 1A, 1B AND 2	3	RAP6553	1	CHECK VALVE KIT
1A			O-RING	3A		2	CAP
1B			O-RING	3B		2	O-RING
	RAP6554	1	O-RING KIT COMPOSED OF (6) 1A AND (6) 1B	3C		2	SPRING
2	RAP90568	1	REPLACEMENT COIL	3D		2	PLUNGER
				3E		2	O-RING
				4	RF91955	1	REDUCER 1/4" PIPE x 3/8" NPT
				5	RF91586	3	3/8" PUSH TO CONNECT 1/4" NPT
				6	RAP90989	2	SOLENOID VALVE HIGH FLOW SCREW MOUNTED COMPLETE : INCLUDES 1A, 1B AND 2

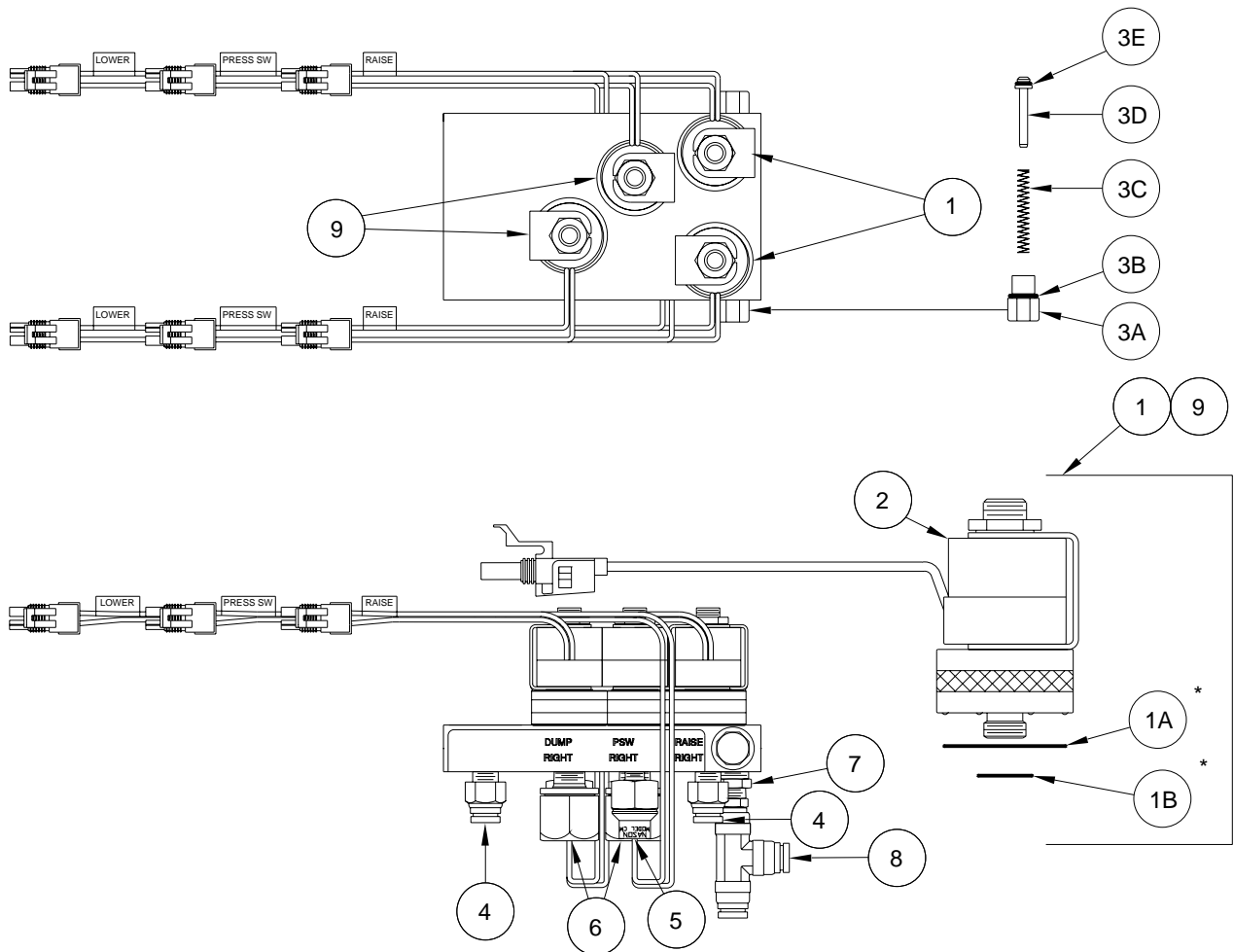
\* GREASE LIGHTLY PRIOR TO ASSEMBLY

NOTE : INDENTED ITEMS INCLUDED WITH PRECEDING ITEM.

**MR05.3902**  
**09MAY13**

# MANIFOLD ASSEMBLY, AIR - 4 VALVE (AP31954)

## (2-PRESSURE SWITCHES & PUSH TO CONNECT FITTINGS)



ITEM	PART	QTY	DESCRIPTION	ITEM	PART	QTY	DESCRIPTION
1	RAP1940	2	SOLENOID VALVE SCREW MOUNTED COMPLETE : INCLUDES 1A, 1B AND 2	4	RF91586	4	3/8" PUSH TO CONNECT 1/8" NPT
1A			O-RING	5	RAP1720	2	SWITCH PRESSURE 20 PSI
1B			O-RING	6	RAP92186	2	MUFFLER AIR
	RAP6554	1	O-RING KIT COMPOSED OF (6) 1A AND (6) 1B	7	RF91955	1	REDUCER 1/4" PIPE x 3/8" NPT
2	RAP90568	1	REPLACEMENT COIL	8	RF91119	1	3/8" PUSH AIR TEE 1/4" NPT
3	RAP6553	1	CHECK VALVE KIT	9	RAP90989	2	SOLENOID VALVE HIGH FLOW SCREW MOUNTED COMPLETE : INCLUDES 1A, 1B AND 2
3A		2	CAP				
3B		2	O-RING				
3C		2	SPRING				
3D		2	PLUNGER				
3E		2	O-RING				

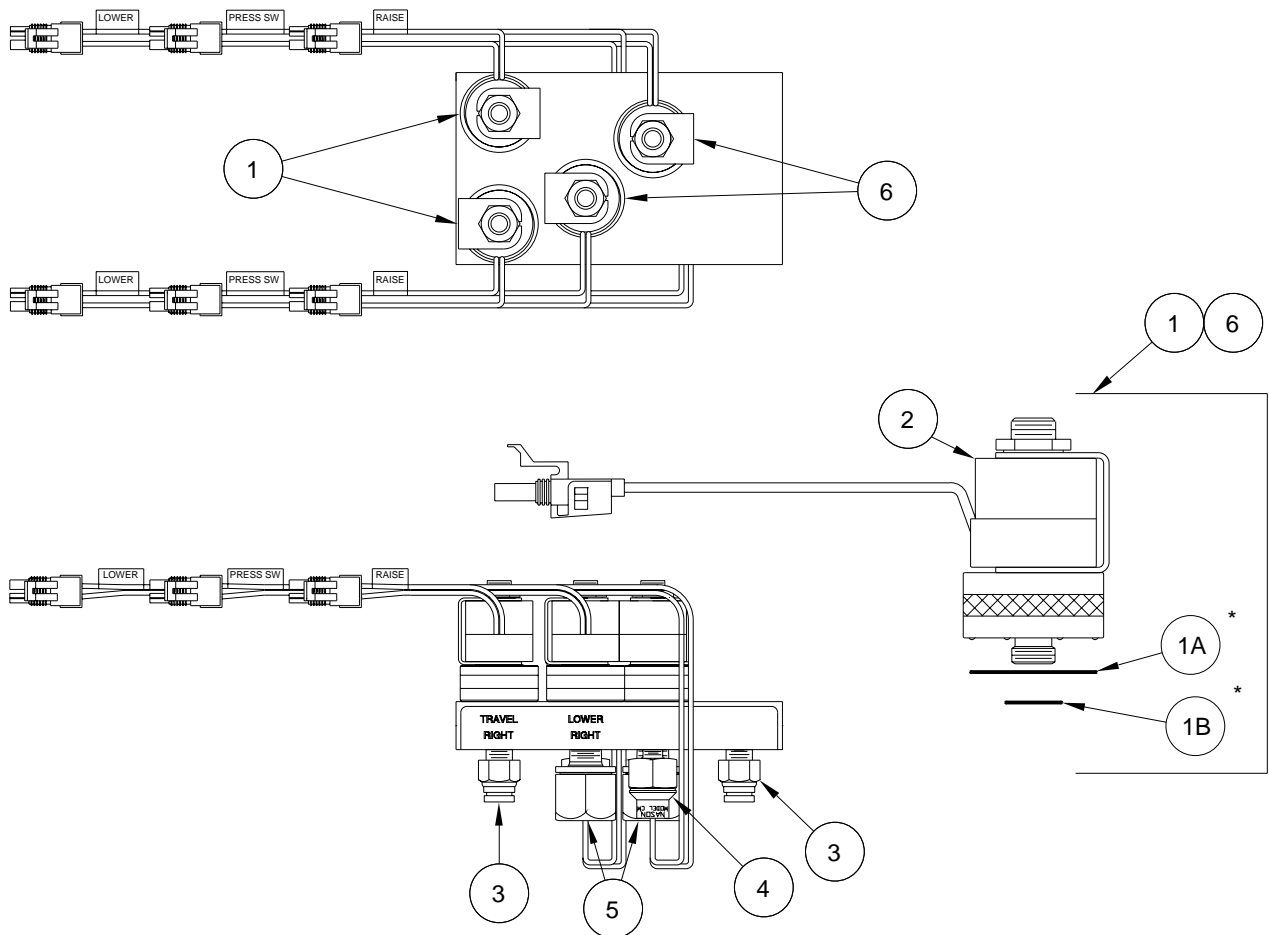
\* GREASE LIGHTLY PRIOR TO ASSEMBLY

NOTE : INDENTED ITEMS INCLUDED WITH PRECEDING ITEM.

**MR05.3905**  
**09MAY13**

# MANIFOLD ASSEMBLY, AIR - 4 VALVE (AP36968)

## (2-PRESSURE SWITCHES & PUSH TO CONNECT FITTINGS)



ITEM	PART	QTY	DESCRIPTION	ITEM	PART	QTY	DESCRIPTION
1	RAP1940	2	SOLENOID VALVE SCREW MOUNTED COMPLETE : INCLUDES 1A, 1B AND 2	3	RF91586	4	3/8" PUSH TO CONNECT 1/8" NPT
1A			O-RING	4	RAP1720	2	SWITCH PRESSURE 20 PSI
1B			O-RING	5	RAP92186	2	MUFFLER AIR
	RAP6554	1	O-RING KIT COMPOSED OF (6) 1A AND (6) 1B	6	RAP90989	2	SOLENOID VALVE HIGH FLOW SCREW MOUNTED COMPLETE : INCLUDES 1A, 1B AND 2
2	RAP90568	1	REPLACEMENT COIL				

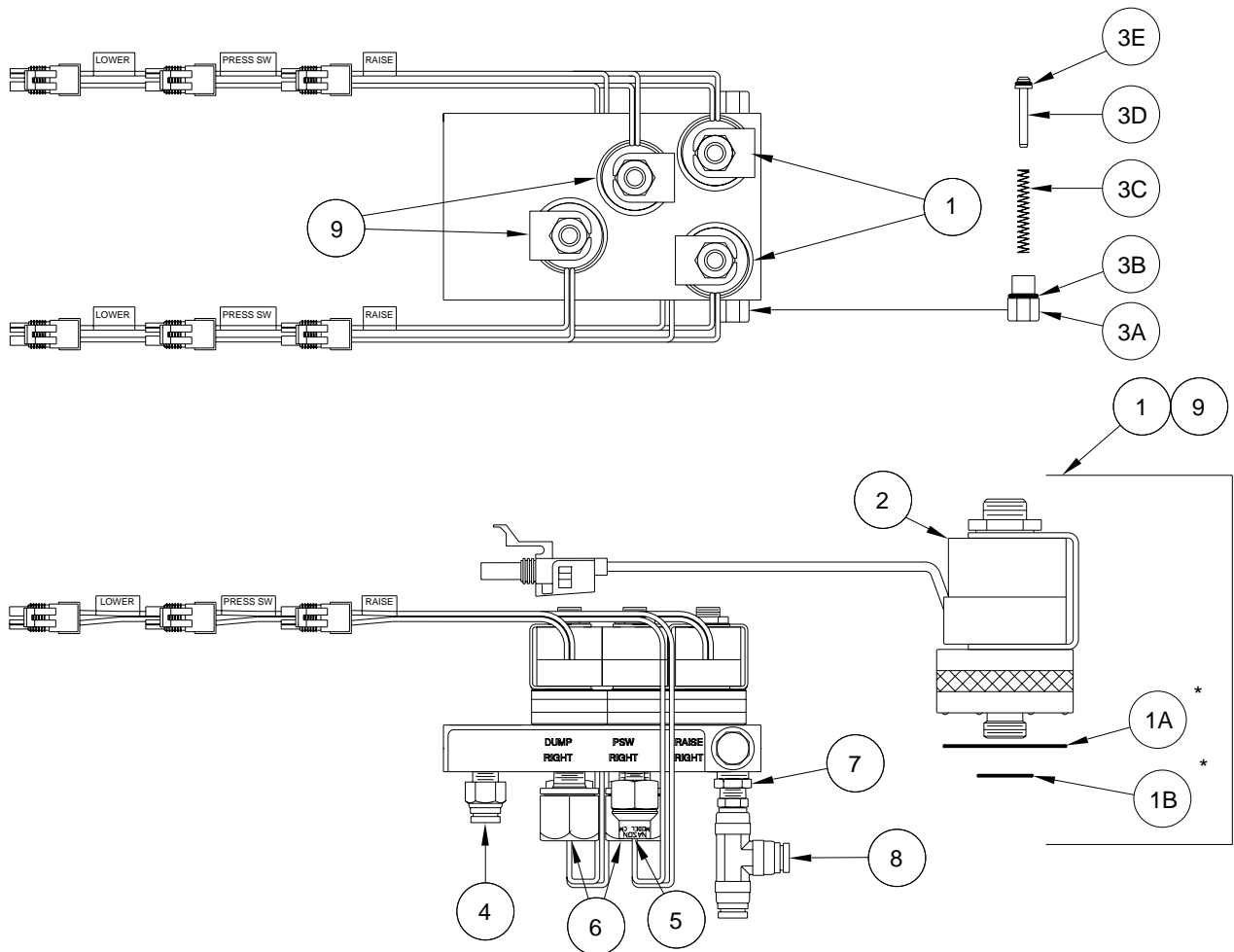
\* GREASE LIGHTLY PRIOR TO ASSEMBLY

NOTE : INDENTED ITEMS INCLUDED WITH PRECEDING ITEM.

**MR05.3907**  
**09MAY13**

# MANIFOLD ASSEMBLY, AIR - 4 VALVE (AP36994)

## (2-PRESSURE SWITCHES & PUSH TO CONNECT FITTINGS)



ITEM	PART	QTY	DESCRIPTION	ITEM	PART	QTY	DESCRIPTION
1	RAP1940	2	SOLENOID VALVE SCREW MOUNTED COMPLETE : INCLUDES 1A, 1B AND 2	4	RF91586	2	3/8" PUSH TO CONNECT 1/8" NPT
1A			O-RING	5	RAP1720	2	SWITCH PRESSURE 20 PSI
1B			O-RING	6	RAP92186	2	MUFFLER AIR
	RAP6554	1	O-RING KIT COMPOSED OF (6) 1A AND (6) 1B	7	RF91955	1	REDUCER 1/4" PIPE x 3/8" NPT
2	RAP90568	1	REPLACEMENT COIL	8	RF91119	1	3/8" PUSH AIR TEE 1/4" NPT
3	RAP6553	1	CHECK VALVE KIT	9	RAP90989	2	SOLENOID VALVE HIGH FLOW SCREW MOUNTED COMPLETE : INCLUDES 1A, 1B AND 2
3A		2	CAP				
3B		2	O-RING				
3C		2	SPRING				
3D		2	PLUNGER				
3E		2	O-RING				

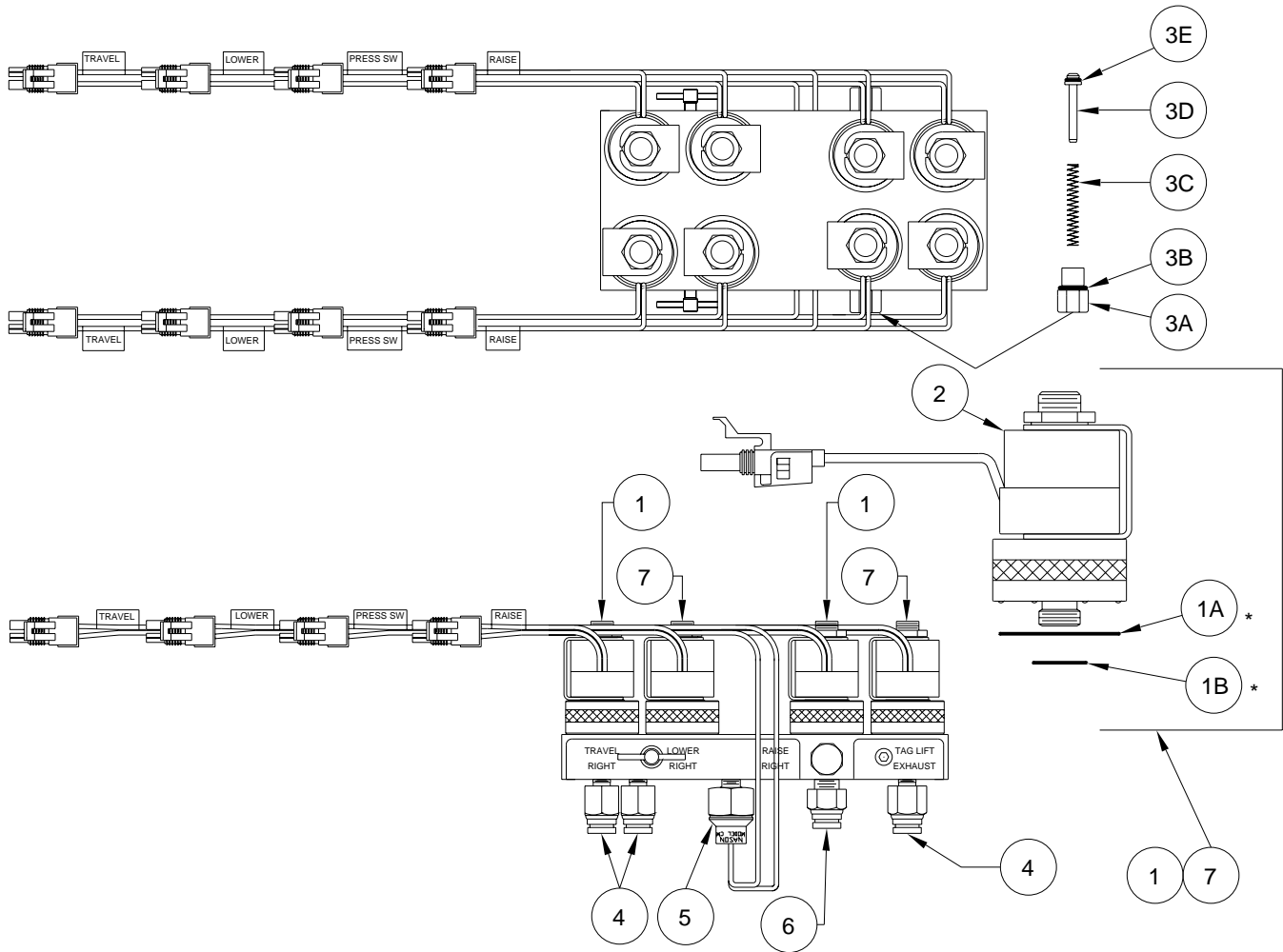
\* GREASE LIGHTLY PRIOR TO ASSEMBLY

NOTE : INDENTED ITEMS INCLUDED WITH PRECEDING ITEM.

**MR05.3910**  
**09MAY13**

# MANIFOLD ASSEMBLY, AIR - 8 VALVE (AP35021)

(WITH TRAVEL BY-PASS 2-PRESSURE SWITCHES & PUSH TO CONNECT FITTINGS)



ITEM	PART	QTY	DESCRIPTION	ITEM	PART	QTY	DESCRIPTION
1	RAP1940	4	SOLENOID VALVE SCREW MOUNTED COMPLETE : INCLUDES 1A, 1B AND 2	3	RAP6553	1	CHECK VALVE KIT
1A			O-RING	3A		2	CAP
1B			O-RING	3B		2	O-RING
	RAP6554	1	O-RING KIT COMPOSED OF (6) 1A AND (6) 1B	3C		2	SPRING
				3D		2	PLUNGER
				3E		2	O-RING
2	RAP90568	1	REPLACEMENT COIL	4	RF91587	5	3/8" PUSH TO CONNECT 1/8" NPT
				5	RAP1720	2	SWITCH PRESSURE 20 PSI
				6	RF91586	1	3/8" PUSH TO CONNECT 1/4" NPT
				7	RAP90989	4	SOLENOID VALVE HIGH FLOW SCREW MOUNTED COMPLETE : INCLUDES 1A, 1B AND 2

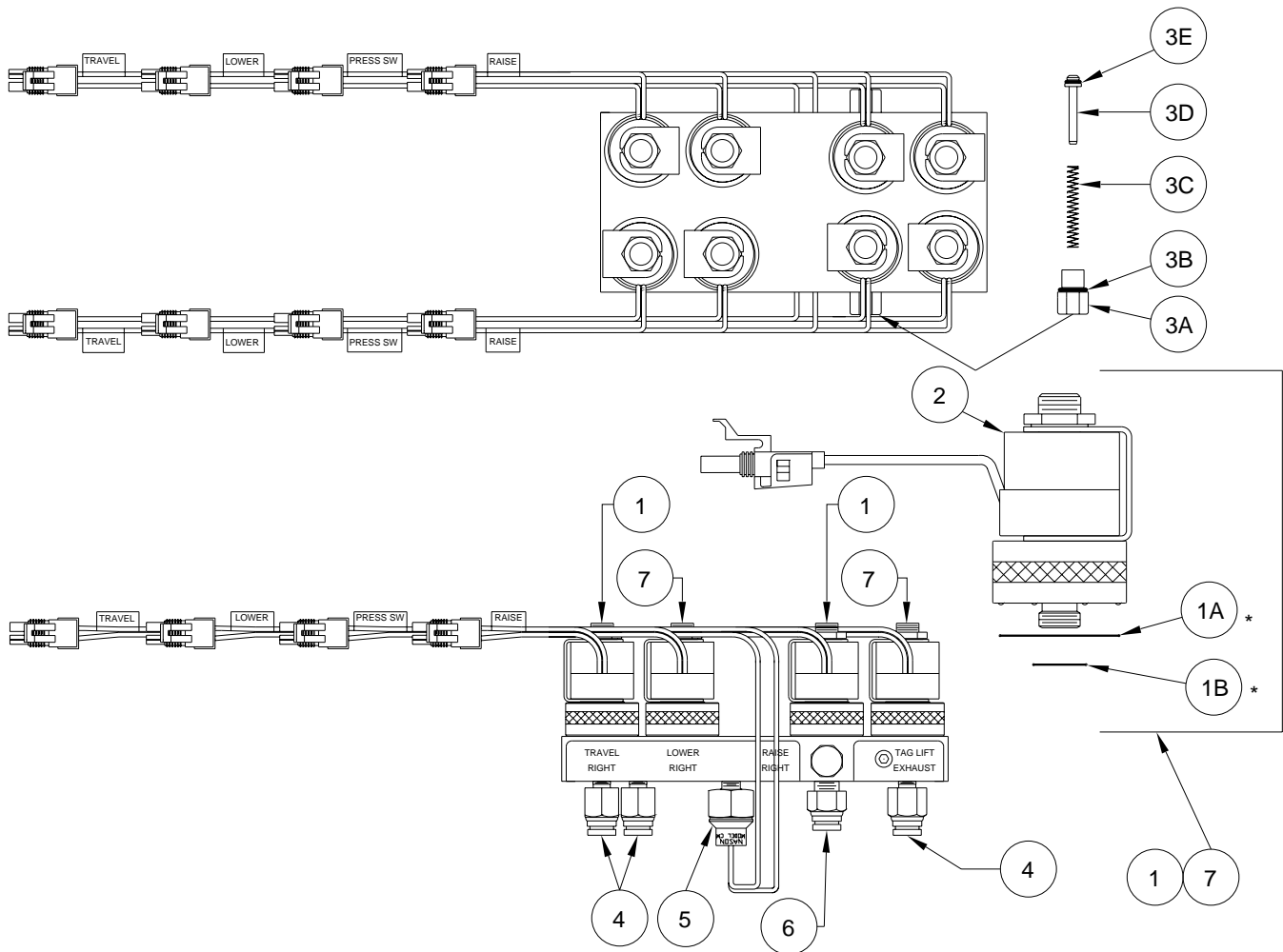
\* GREASE LIGHTLY PRIOR TO ASSEMBLY

NOTE : INDENTED ITEMS INCLUDED WITH PRECEDING ITEM.

**MR05.4200**  
**09MAY13**

# MANIFOLD ASSEMBLY, AIR - 8 VALVE (AP30116)

## (2-PRESSURE SWITCHES & PUSH TO CONNECT FITTINGS)



ITEM	PART	QTY	DESCRIPTION	ITEM	PART	QTY	DESCRIPTION
1	RAP1940	4	SOLENOID VALVE SCREW MOUNTED COMPLETE : INCLUDES 1A,1B AND 2	3	RAP6553	1	CHECK VALVE KIT
1A			O-RING	3A		2	CAP
1B			O-RING	3B		2	O-RING
	RAP6554	1	O-RING KIT COMPOSED OF (6) 1A AND (6) 1B	3C		2	SPRING
2	RAP90568	1	REPLACEMENT COIL	3D		2	PLUNGER
				3E		2	O-RING
				4	RF91587	5	3/8" PUSH TO CONNECT 1/8" NPT
				5	RAP1720	2	SWITCH PRESSURE 20 PSI
				6	RF91586	1	3/8" PUSH TO CONNECT 1/4" NPT
				7	RAP90989	4	SOLENOID VALVE HIGH FLOW SCREW MOUNTED COMPLETE : INCLUDES 1A, 1B AND 2

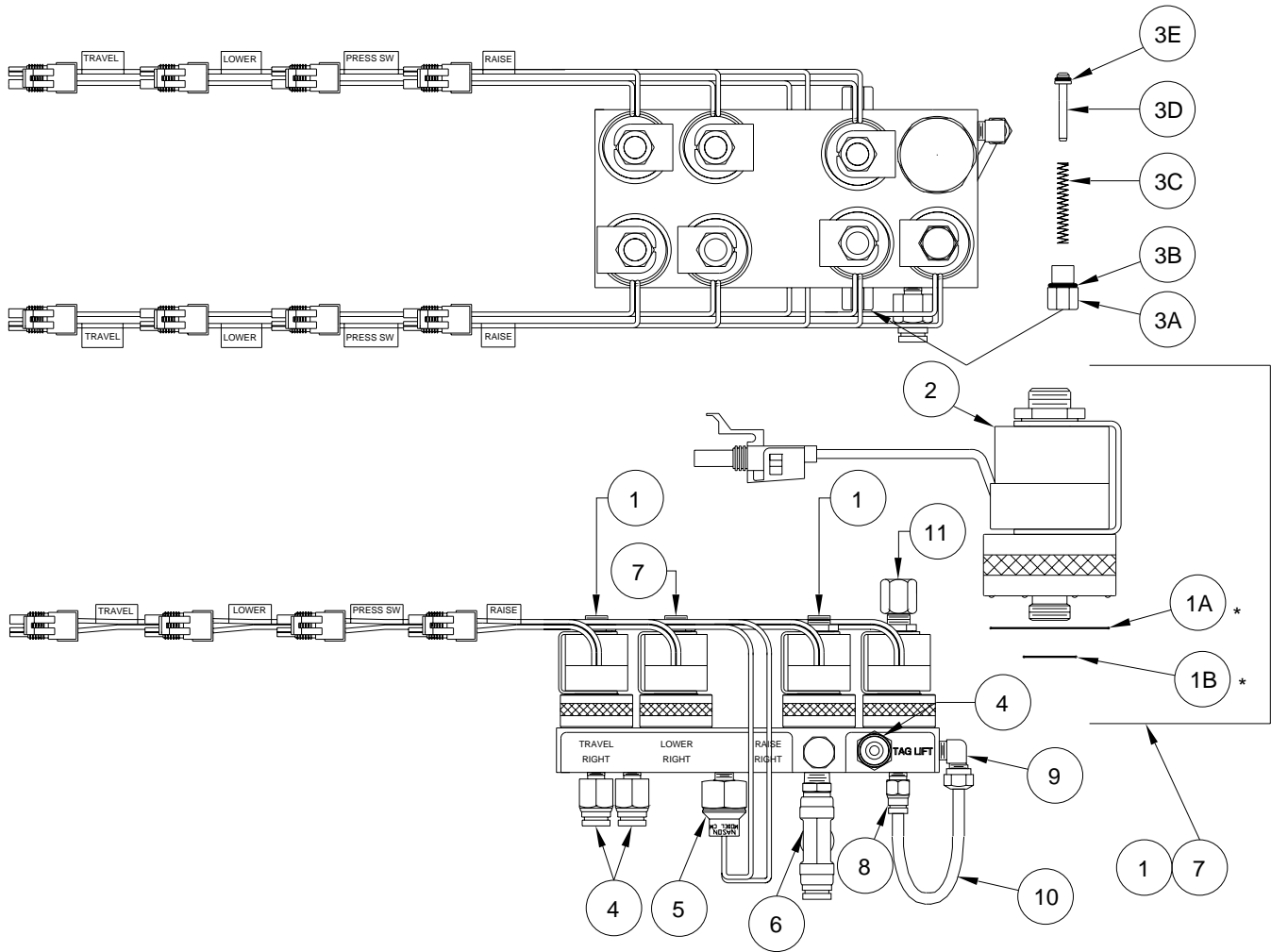
\* GREASE LIGHTLY PRIOR TO ASSEMBLY

NOTE : INDENTED ITEMS INCLUDED WITH PRECEDING ITEM.

**MR05.4202**  
**09MAY13**

# MANIFOLD ASSEMBLY, AIR - 7 VALVE (AP50472)

(WITH TRAVEL BY-PASS 2-PRESSURE SWITCHES & PUSH TO CONNECT FITTINGS)



ITEM	PART	QTY	DESCRIPTION	ITEM	PART	QTY	DESCRIPTION
1	RAP1940	4	SOLENOID VALVE SCREW MOUNTED COMPLETE : INCLUDES 1A , 1B AND 2	4	RF91587	5	3/8" PUSH TO CONNECT 1/8" NPT
1A			O-RING	5	RAP1720	2	SWITCH PRESSURE 20 PSI
1B			O-RING	6	RF91119	1	3/8" PUSH TO CONNECT SWIVEL 1/4" NPT TEE
	RAP6554	1	O-RING KIT COMPOSED OF (6) 1A AND (6) 1B	7	RAP90989	2	SOL. VALVE HIGH FLOW SCREW MOUNTED COMPLETE : INCLUDES 1A , 1B AND 2
2	RAP90568	1	REPLACEMENT COIL	8	RF91120	1	1/4" PUSH TO CONNECT 1/8" NPT
3	RAP6553	1	CHECK VALVE KIT	9	RF6791	1	MALE 90° ELBOW 1/4" x 1/8"
3A		2	CAP	10	RP92151	1	1/4" NYLON TUBING
3B		2	O-RING	11	RAP92145	1	SOLENOID VALVE 3 WAY SCREW MOUNTED COMPLETE : INCLUDES 1A,1B, AND 2
3C		2	SPRING				
3D		2	PLUNGER				
3E		2	O-RING				

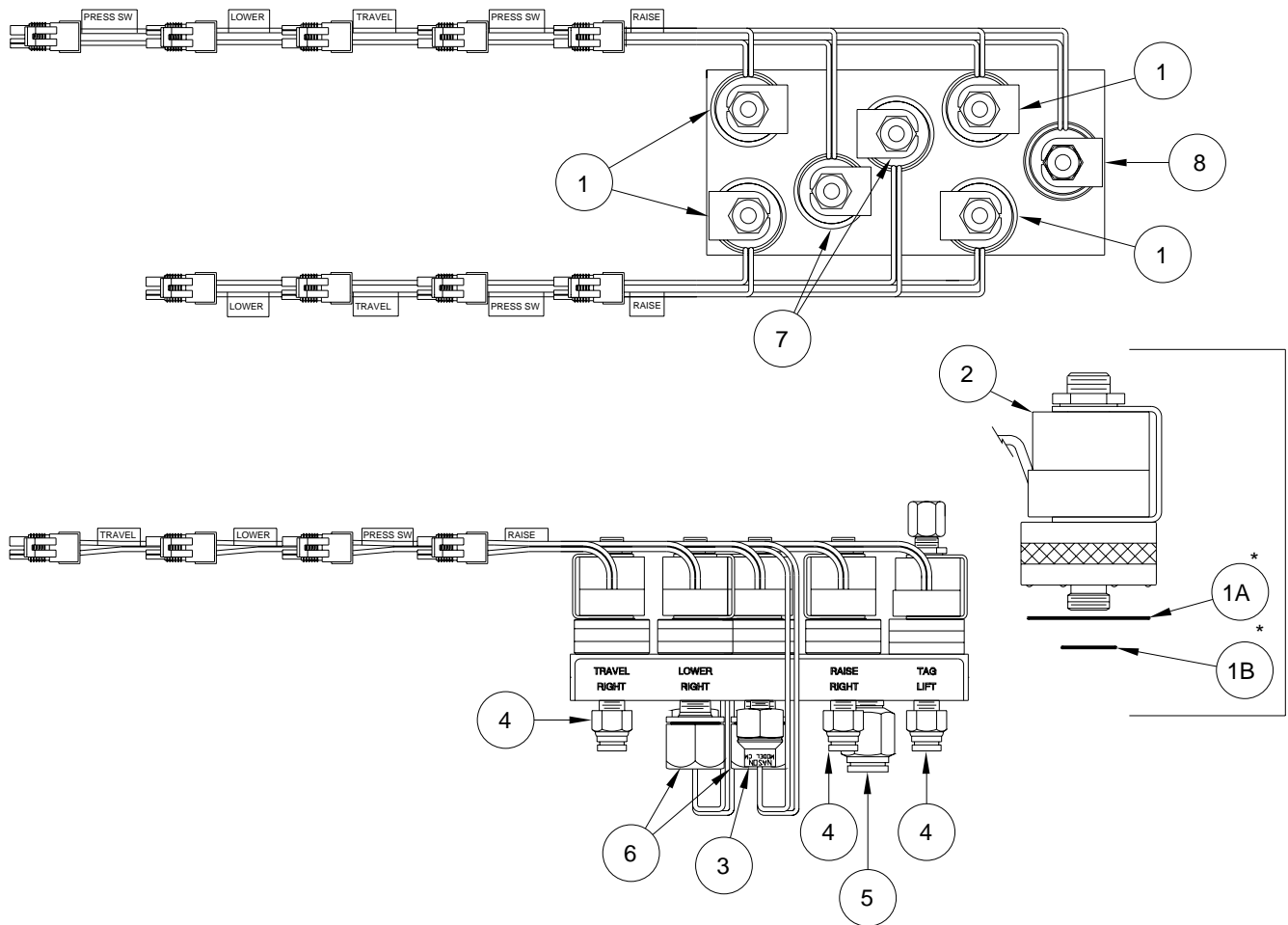
\* GREASE LIGHTLY PRIOR TO ASSEMBLY

NOTE : INDENTED ITEMS INCLUDED WITH PRECEDING ITEM.

MR05.4203  
09MAY13

# MANIFOLD ASSEMBLY, AIR - 7 VALVE (AP31932)

## (2-PRESSURE SWITCHES & PUSH TO CONNECT FITTINGS)



ITEM	PART	QTY	DESCRIPTION	ITEM	PART	QTY	DESCRIPTION
1	RAP1940	4	SOLENOID VALVE SCREW MOUNTED COMPLETE : INCLUDES 1A, 1B AND 2	4	RF91586	5	3/8" PUSH TO CONNECT 1/4" NPT
1A			O-RING	5	RF91639	1	5/8" PUSH TO CONNECT 3/8" NPT
1B			O-RING	6	RAP92186	2	MUFFLER AIR
	RAP6554	1	O-RING KIT COMPOSED OF (6) 1A AND (6) 1B	7	RAP90989	2	SOLENOID VALVE HIGH FLOW SCREW MOUNTED COMPLETE : INCLUDES 1A, 1B AND 2
2	RAP90568	1	REPLACEMENT COIL	8	RAP92145	1	SOLENOID VALVE 3 WAY HIGH FLOW SCREW MOUNTED COMPLETE : INCLUDES 1A, 1B AND 2
3	RAP1720	2	PRESSURE SWITCH 20 PSI				

\* GREASE LIGHTLY PRIOR TO ASSEMBLY

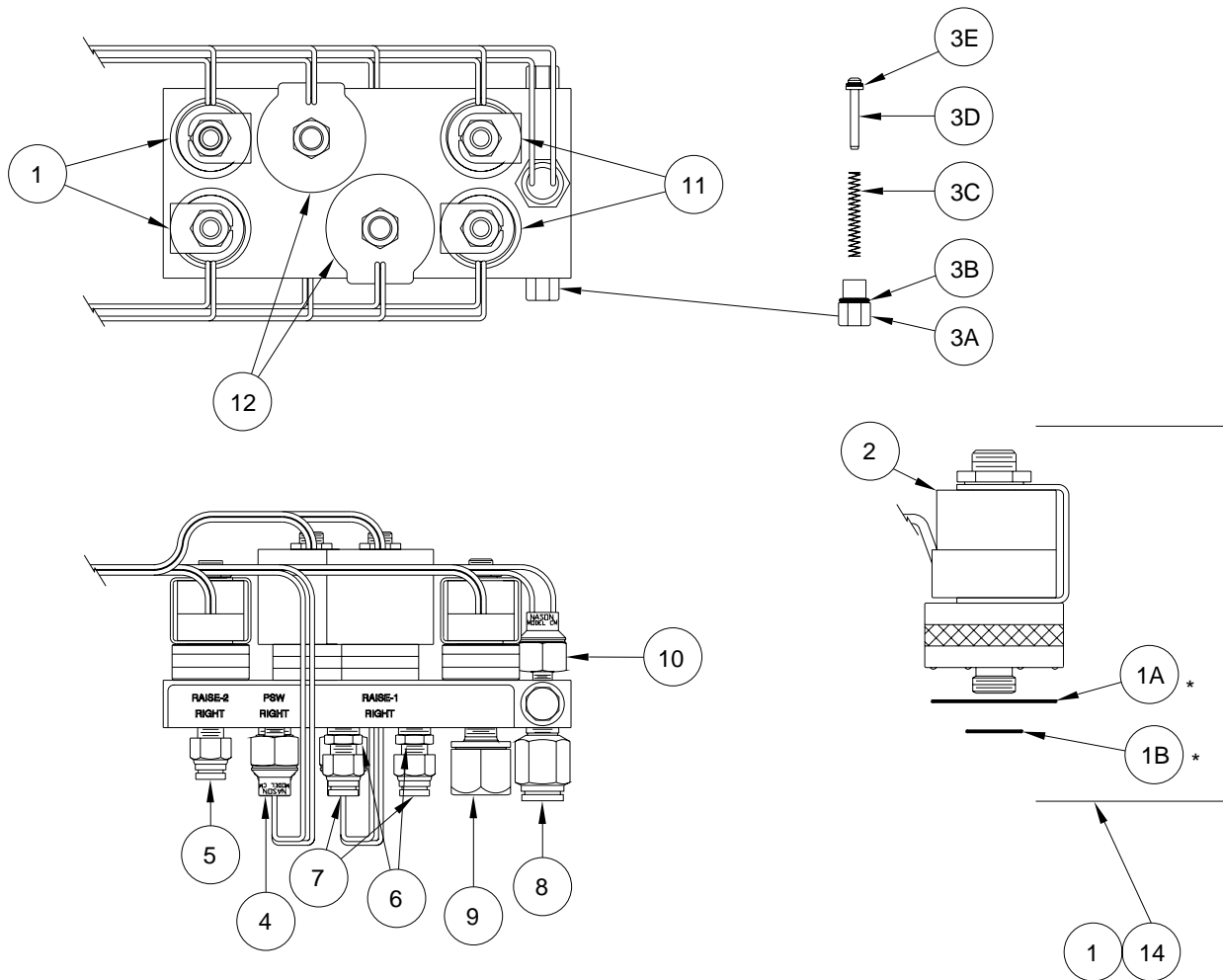
NOTE : INDENTED ITEMS INCLUDED WITH PRECEDING ITEM.

**MR05.4300**  
**09MAY13**



# MANIFOLD ASSEMBLY, AIR - 6 VALVE (AP31935)

## (3-PRESSURE SWITCHES & PUSH TO CONNECT FITTINGS)



ITEM	PART	QTY	DESCRIPTION
1	RAP1940	2	SOLENOID VALVE SCREW MOUNTED COMPLETE : INCLUDES 1A, 1B AND 2
1A			O-RING
1B			O-RING
	RAP6554	1	O-RING KIT COMPOSED OF (6) 1A AND (6) 1B
2	RAP90568	1	REPLACEMENT COIL
3	RAP6553	1	CHECK VALVE KIT
3A		2	CAP
3B		2	O-RING
3C		2	SPRING
3D		2	PLUNGER
3E		2	O-RING
4	RP1720	2	PRESSURE SWITCH 20 PSI

ITEM	PART	QTY	DESCRIPTION
5	RF91587	2	3/8" PUSH TO CONNECT 1/8" NPT
6	RF91955	4	REDUCER 1/4" PIPE x 3/8" NPT
7	RF91586	4	3/8" PUSH TO CONNECT 1/4" NPT
8	RF91639	1	5/8" PUSH TO CONNECT 3/8" NPT
9	RAP92186	2	MUFFLER AIR
10	RAP90388	1	PRESSURE SWITCH 100 PSI
11	RAP90989	2	SOLENOID VALVE HIGH FLOW SCREW MOUNTED COMPLETE : INCLUDES 1A, 1B AND 2
12	RAP92147	2	SOLENOID VALVE HIGH FLOW SCREW MOUNTED COMPLETE : INCLUDES 1A, AND 1B

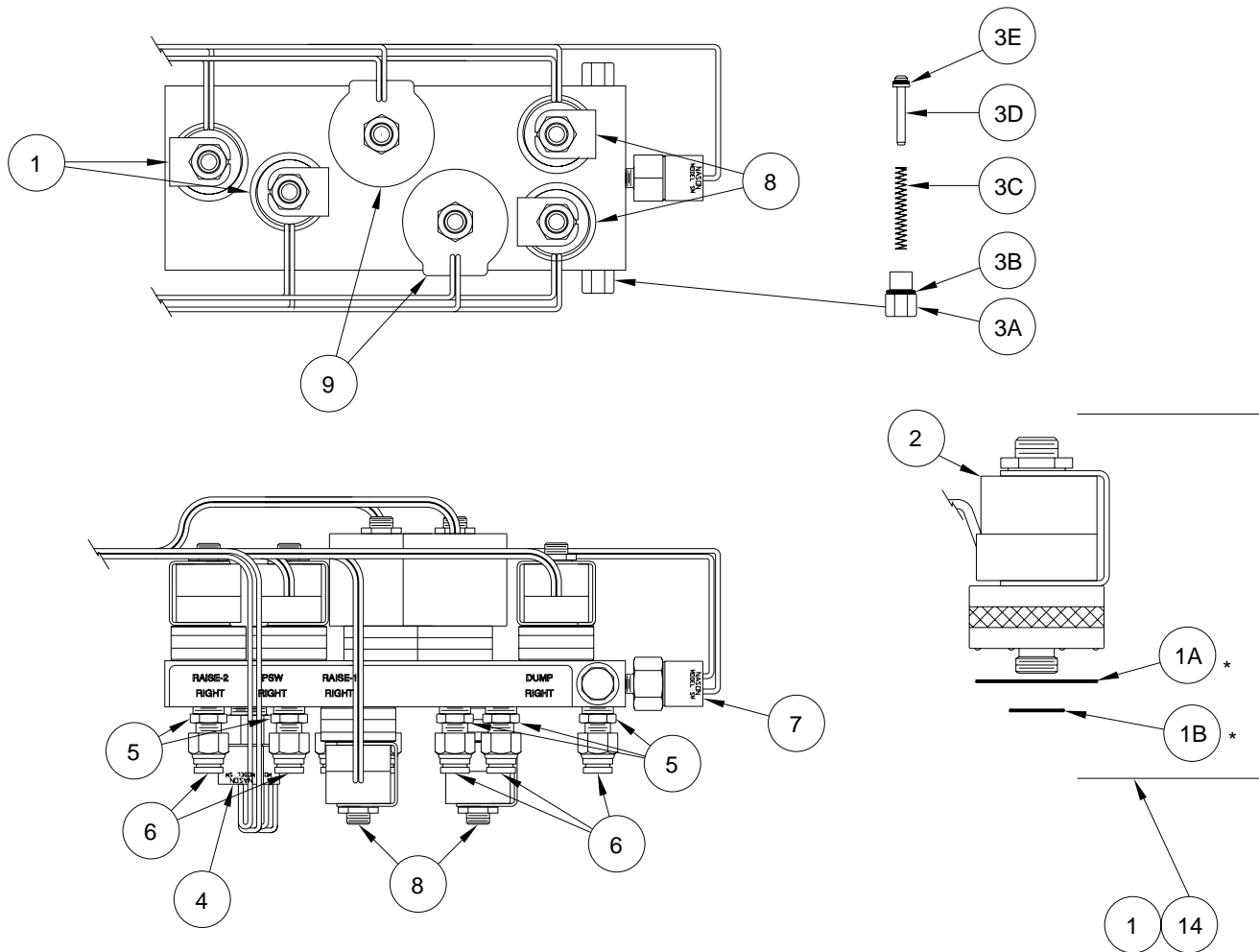
\* GREASE LIGHTLY PRIOR TO ASSEMBLY

NOTE : INDENTED ITEMS INCLUDED WITH PRECEDING ITEM.

**MR05.4301**  
**09MAY13**

# MANIFOLD ASSEMBLY, AIR - 8 VALVE (AP35032)

## (3-PRESSURE SWITCHES & PUSH TO CONNECT FITTINGS)



ITEM	PART	QTY	DESCRIPTION
1	RAP1940	2	SOLENOID VALVE SCREW MOUNTED COMPLETE : INCLUDES 1A, 1B AND 2
1A			O-RING
1B			O-RING
	RAP6554	1	O-RING KIT COMPOSED OF (6) 1A AND (6) 1B
2	RAP90568	1	REPLACEMENT COIL
3	RAP6553	1	CHECK VALVE KIT
3A		2	CAP
3B		2	O-RING
3C		2	SPRING
3D		2	PLUNGER
3E		2	O-RING
4	RP1720	2	PRESSURE SWITCH 20 PSI

ITEM	PART	QTY	DESCRIPTION
5	RF91955	7	REDUCER 1/4" PIPE x 3/8" NPT
6	RF91586	7	3/8" PUSH TO CONNECT 1/4" NPT
7	RAP90570	1	PRESSURE SWITCH 85 PSI
8	RAP90989	4	SOLENOID VALVE HIGH FLOW SCREW MOUNTED COMPLETE : INCLUDES 1A, 1B AND 2
9	RAP92147	2	SOLENOID VALVE HIGH FLOW SCREW MOUNTED COMPLETE : INCLUDES 1A, AND 1B

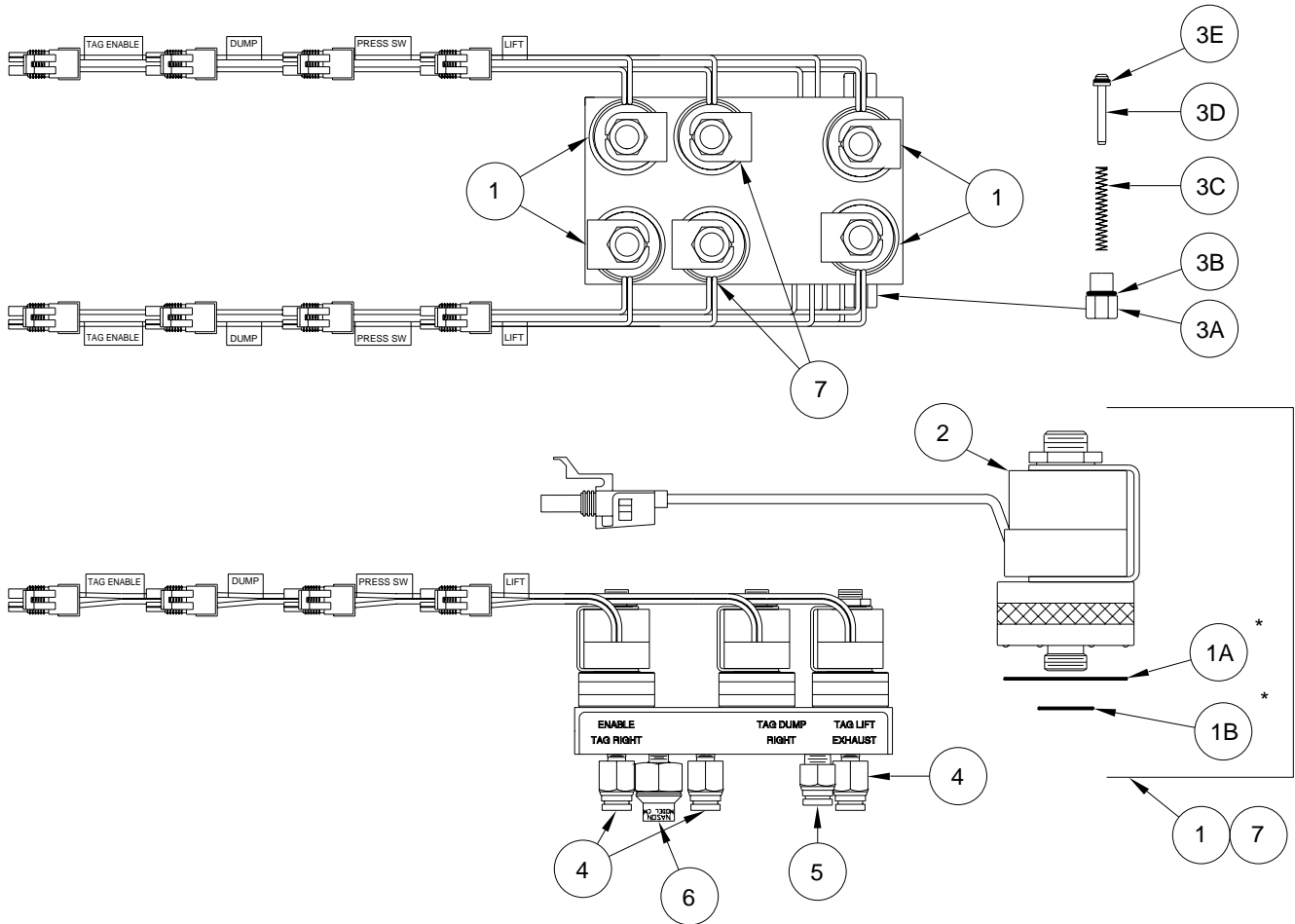
\* GREASE LIGHTLY PRIOR TO ASSEMBLY

NOTE : INDENTED ITEMS INCLUDED WITH PRECEDING ITEM.

**MR05.4320**  
**09MAY13**

# MANIFOLD ASSEMBLY, AIR - 6 VALVE (AP36620)

## (WITH 2-PRESSURE SWITCHES & PUSH TO CONNECT FITTINGS)



ITEM	PART	QTY	DESCRIPTION	ITEM	PART	QTY	DESCRIPTION
1	RAP1940	4	SOLENOID VALVE SCREW MOUNTED COMPLETE : INCLUDES 1A, 1B AND 2	4	RF91587	5	3/8" PUSH TO CONNECT 1/8" NPT
1A			O-RING	5	RF91586	1	3/8" PUSH TO CONNECT 1/4" NPT
1B			O-RING	6	RAP1720	2	SWITCH PRESSURE 20 PSI
	RAP6554	1	O-RING KIT COMPOSED OF (6) 1A AND (6) 1B	7	RAP90989	2	SOLENOID VALVE HIGH FLOW SCREW MOUNTED COMPLETE : INCLUDES 1A, 1B AND 2
2	RAP90568	1	REPLACEMENT COIL				
3	RAP6553	1	CHECK VALVE KIT				
3A		2	CAP				
3B		2	O-RING				
3C		2	SPRING				
3D		2	PLUNGER				
3E		2	O-RING				

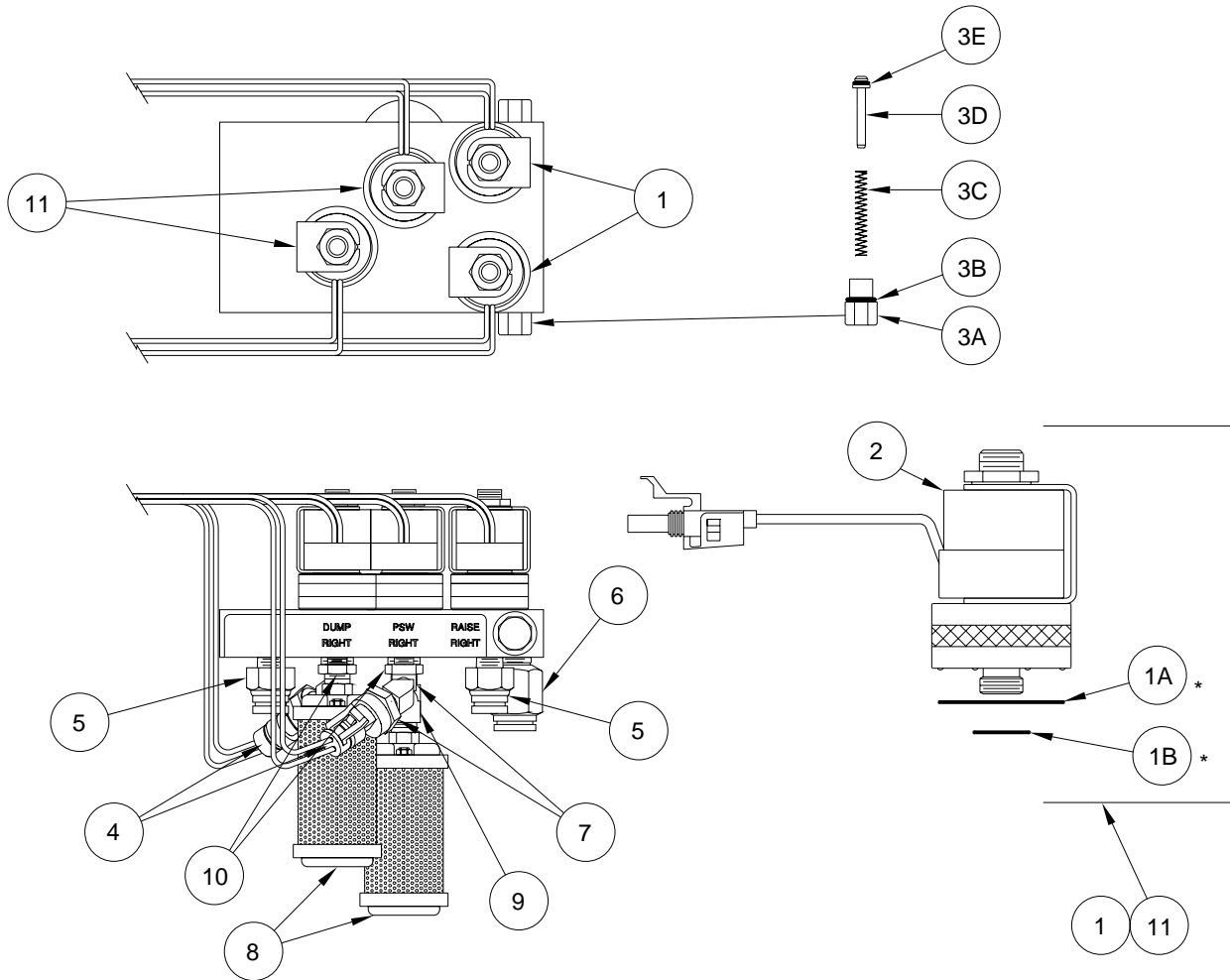
\* GREASE LIGHTLY PRIOR TO ASSEMBLY

NOTE : INDENTED ITEMS INCLUDED WITH PRECEDING ITEM.

**MR05.4350**  
**09MAY13**

# MANIFOLD ASSEMBLY, ACTIVE AIR - 4 VALVE (AP39952)

## (2-PRESSURE TRANSDUCERS & PUSH TO CONNECT FITTINGS)



ITEM	PART	QTY	DESCRIPTION
------	------	-----	-------------

1	RAP1940	2	SOLENOID VALVE SCREW MOUNTED COMPLETE : INCLUDES 1A, 1B AND 2
1A			O-RING
1B			O-RING
	RAP6554	1	O-RING KIT COMPOSED OF (6) 1A AND (6) 1B
2	RAP90568	1	REPLACEMENT COIL
3	RAP6553	1	CHECK VALVE KIT
3A		2	CAP
3B		2	O-RING
3C		2	SPRING
3D		2	PLUNGER
3E		2	O-RING

ITEM	PART	QTY	DESCRIPTION
------	------	-----	-------------

4	RP92146	2	PRESSURE TRANSDUCER 0 - 130 PSI
5	RF91640	4	1/2" PUSH TO CONNECT 1/4" NPT
6	RF91639	1	5/8" PUSH TO CONNECT 3/8" NPT
7	RF90167	4	1/8" NPT 45° ELBOW
8	RP92184	2	MUFFLER ACTIVE AIR
9	RF3340	1	1/4" NPT STREET ELBOW
10	RF91955	2	REDUCER 1/4" PIPE x 3/8" NPT
11	RAP90989	2	SOLENOID VALVE HIGH FLOW SCREW MOUNTED COMPLETE : INCLUDES 1A, 1B AND 2

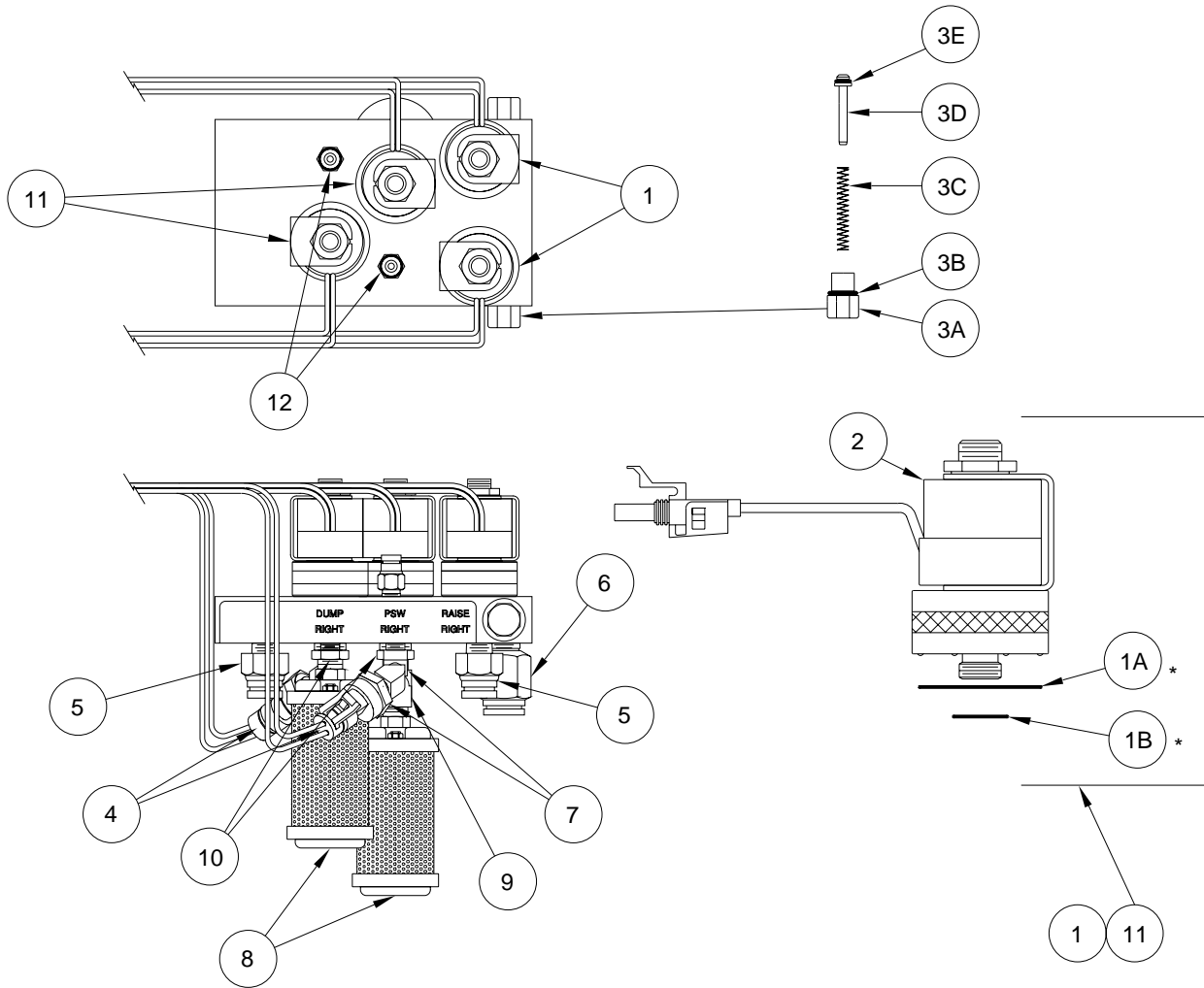
\* GREASE LIGHTLY PRIOR TO ASSEMBLY

NOTE : INDENTED ITEMS INCLUDED WITH PRECEDING ITEM.

**MR05.4500**  
**09MAY13**

# MANIFOLD ASSEMBLY, ACTIVE AIR - 4 VALVE (AP42498)

## (2-PRESSURE TRANSDUCERS & PUSH TO CONNECT FITTINGS)



ITEM	PART	QTY	DESCRIPTION	ITEM	PART	QTY	DESCRIPTION
1	RAP1940	2	SOLENOID VALVE SCREW MOUNTED COMPLETE : INCLUDES 1A, 1B AND 2	5	RF91640	4	1/2" PUSH TO CONNECT 1/4" NPT
1A			O-RING	6	RF91639	1	5/8" PUSH TO CONNECT 3/8" NPT
1B			O-RING	7	RF90167	4	1/8" NPT 45° ELBOW
	RAP6554	1	O-RING KIT COMPOSED OF (6) 1A AND (6) 1B	8	RP92184	2	MUFFLER ACTIVE AIR
2	RAP90568	1	REPLACEMENT COIL	9	RF3340	1	1/4" STREET ELBOW
3	RAP6553	1	CHECK VALVE KIT	10	RF91955	2	REDUCER 1/4" PIPE x 3/8" NPT
3A		2	CAP	11	RAP90989	2	SOLENOID VALVE HIGH FLOW SCREW MOUNTED COMPLETE : INCLUDES 1A, 1B AND 2
3B		2	O-RING				
3C		2	SPRING	12	RF91120	2	1/4" PUSH TO CONNECT 1/8" NPT
3D		2	PLUNGER				
3E		2	O-RING				
4	RP92146	2	PRESSURE TRANSDUCER 0 - 130 PSI				

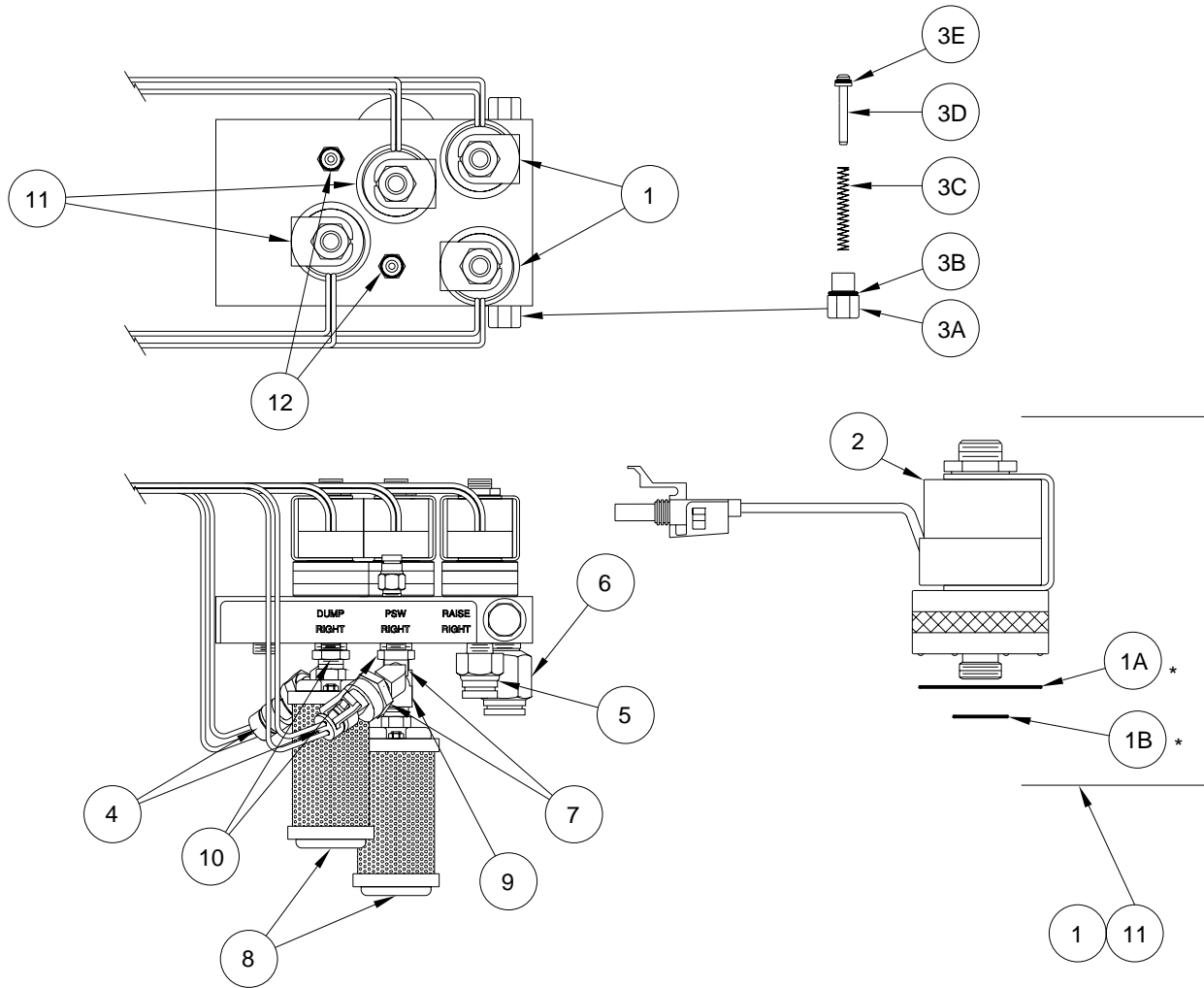
\* GREASE LIGHTLY PRIOR TO ASSEMBLY

NOTE : INDENTED ITEMS INCLUDED WITH PRECEDING ITEM.

**MR05.4501**  
**09MAY13**

# MANIFOLD ASSEMBLY, ACTIVE AIR - 4 VALVE (AP44403)

## (2-PRESSURE TRANSDUCERS & PUSH TO CONNECT FITTINGS)



ITEM	PART	QTY	DESCRIPTION	ITEM	PART	QTY	DESCRIPTION
1	RAP1940	2	SOLENOID VALVE SCREW MOUNTED COMPLETE : INCLUDES 1A, 1B AND 2	4	RP92146	2	PRESSURE TRANSDUCER 0 - 130 PSI
1A			O-RING	5	RF91640	2	1/2" PUSH TO CONNECT 1/4" NPT
1B			O-RING	6	RF91639	1	5/8" PUSH TO CONNECT 3/8" NPT
	RAP6554	1	O-RING KIT COMPOSED OF (6) 1A AND (6) 1B	7	RF90167	4	1/8" NPT 45° ELBOW
2	RAP90568	1	REPLACEMENT COIL	8	RP92184	2	MUFFLER ACTIVE AIR
3	RAP6553	1	CHECK VALVE KIT	9	RF3340	1	1/4" NPT STREET ELBOW
3A		2	CAP	10	RF91955	1	REDUCER 1/4" PIPE x 3/8" NPT
3B		2	O-RING	11	RAP90989	2	SOLENOID VALVE HIGH FLOW SCREW MOUNTED COMPLETE : INCLUDES 1A, 1B AND 2
3C		2	SPRING				
3D		2	PLUNGER				
3E		2	O-RING	12	RF91120	2	1/4" PUSH TO CONNECT 1/8" NPT

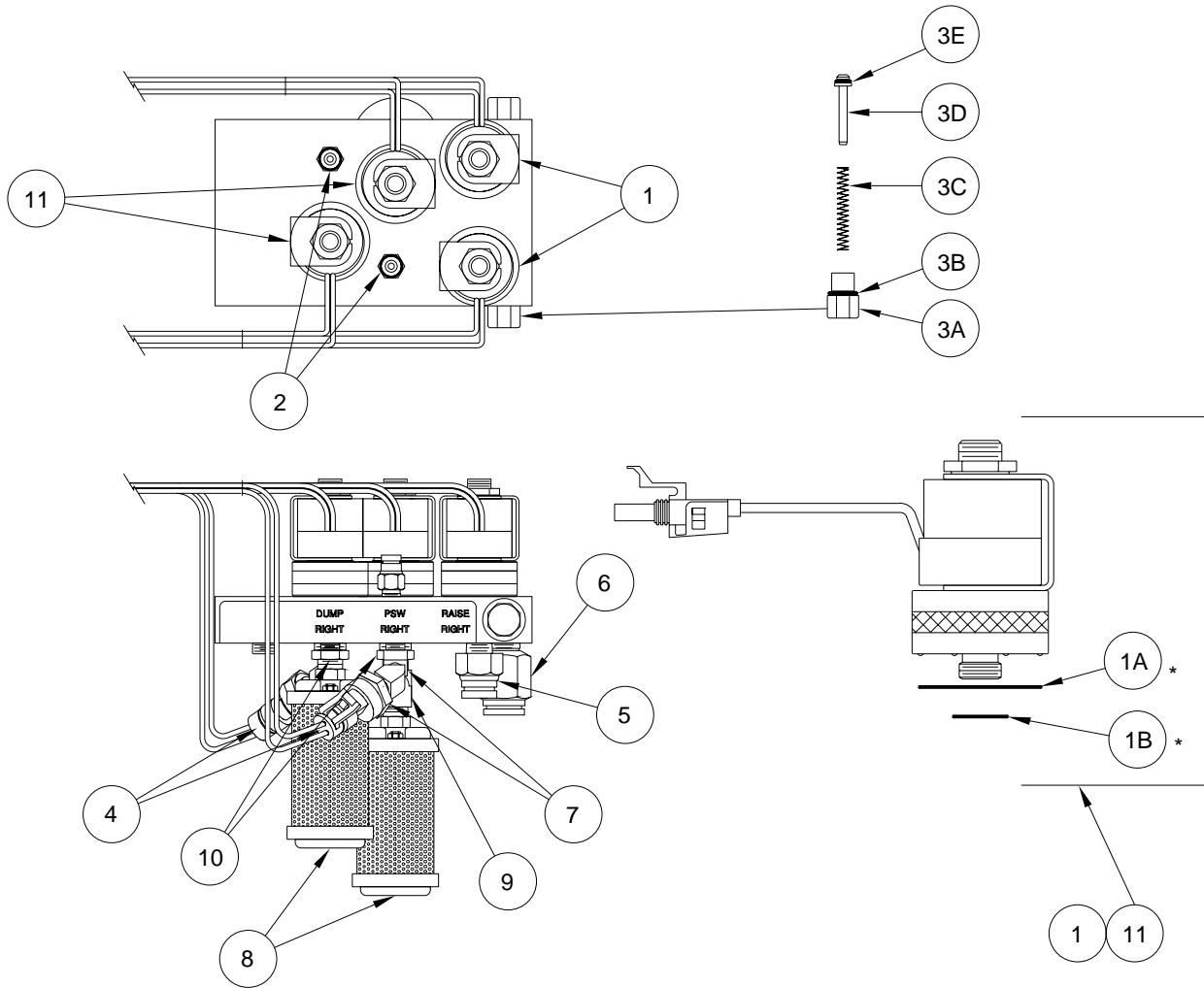
\* GREASE LIGHTLY PRIOR TO ASSEMBLY

NOTE : INDENTED ITEMS INCLUDED WITH PRECEDING ITEM.

**MR05.4502**  
**09MAY13**

# MANIFOLD ASSEMBLY, 24 VOLT ACTIVE AIR - 4 VALVE (AP51156)

## (2-PRESSURE TRANSDUCERS & PUSH TO CONNECT FITTINGS)



ITEM	PART	QTY	DESCRIPTION	ITEM	PART	QTY	DESCRIPTION
1	RAP93274	2	SOLENOID VALVE - 24V SCREW MOUNTED COMPLETE : INCLUDES 1A, 1B	4	RP92146	2	PRESSURE TRANSDUCER 0 - 130 PSI
1A			O-RING	5	RF91640	2	1/2" PUSH TO CONNECT 1/4" NPT
1B			O-RING	6	RF91639	1	5/8" PUSH TO CONNECT 3/8" NPT
	RAP6554	1	O-RING KIT COMPOSED OF (6) 1A AND (6) 1B	7	RF90167	4	1/8" NPT 45° ELBOW
2	RF91120	2	1/4" PUSH TO CONNECT 1/8" NPT	8	RP92184	2	MUFFLER ACTIVE AIR
3	RAP6553	1	CHECK VALVE KIT	9	RF3340	1	1/4" NPT STREET ELBOW
3A		2	CAP	10	RF91955	1	REDUCER 1/4" PIPE x 3/8" NPT
3B		2	O-RING	11	RAP93275	2	SOLENOID VALVE HIGH FLOW - 24V SCREW MOUNTED COMPLETE : INCLUDES 1A, 1B
3C		2	SPRING				
3D		2	PLUNGER				
3E		2	O-RING				

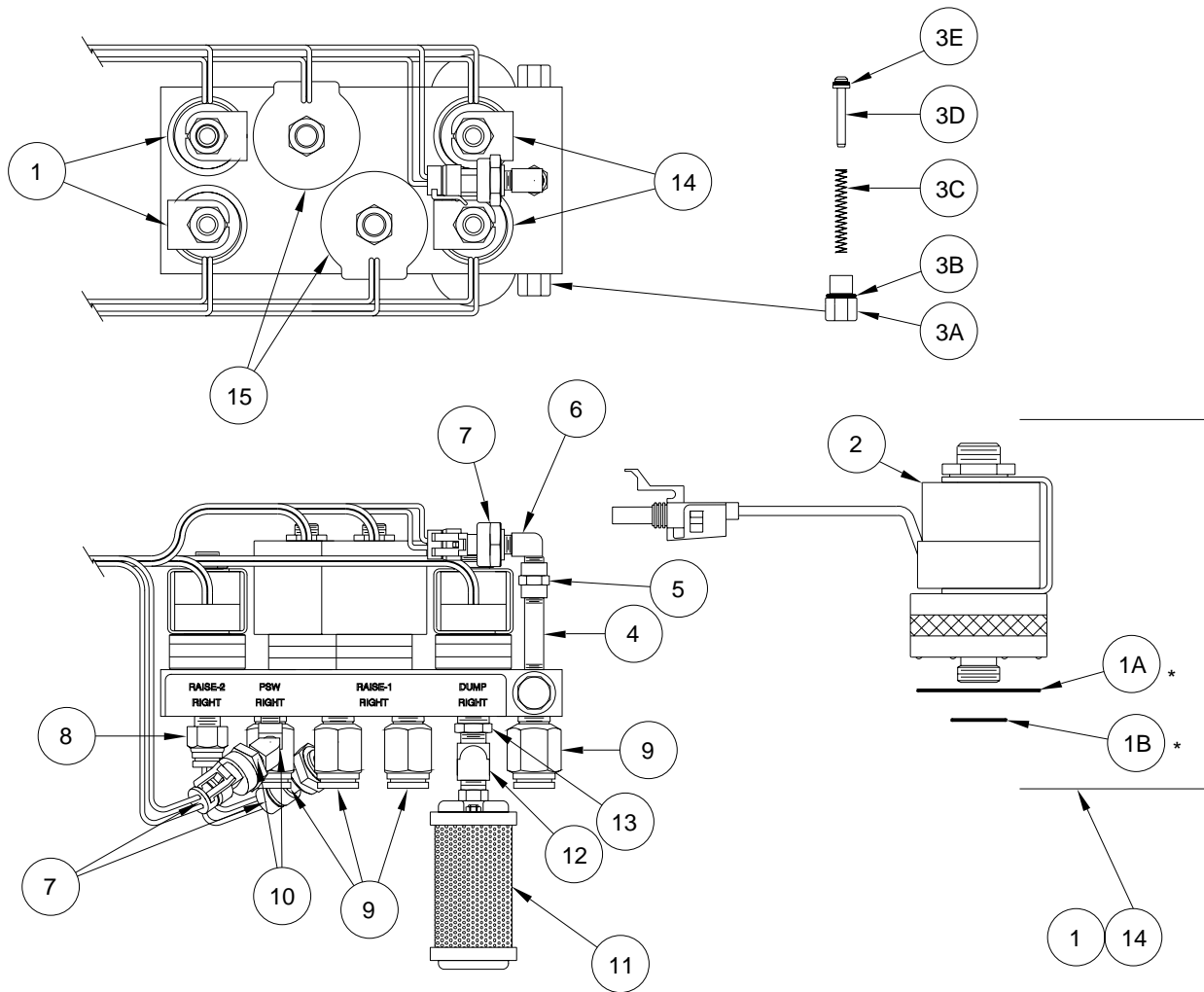
\* GREASE LIGHTLY PRIOR TO ASSEMBLY

NOTE : INDENTED ITEMS INCLUDED WITH PRECEDING ITEM.

**MR05.4503**  
**09MAY13**

# MANIFOLD ASSEMBLY, ACTIVE AIR - 6 VALVE (AP39953)

## (3-PRESSURE TRANSDUCERS & PUSH TO CONNECT FITTINGS)



ITEM	PART	QTY	DESCRIPTION	ITEM	PART	QTY	DESCRIPTION
1	RAP1940	2	SOLENOID VALVE SCREW MOUNTED COMPLETE : INCLUDES 1A, 1B AND 2	8	RF91586	2	3/8" PUSH TO CONNECT 1/4" NPT ON SOME MANIFOLDS, THESE PORTS ARE PLUGGED
1A			O-RING	9	RF91639	5	5/8" PUSH TO CONNECT 3/8" NPT
1B			O-RING	10	RF90167	4	1/8" NPT 45° ELBOW
	RAP6554	1	O-RING KIT COMPOSED OF (6) 1A AND (6) 1B	11	RP92184	2	MUFFLER ACTIVE AIR
2	RAP90568	1	REPLACEMENT COIL	12	RF3340	4	1/4" NPT STREET ELBOW
3	RAP6553	1	CHECK VALVE KIT	13	RF91955	2	REDUCER 1/4" PIPE x 3/8" NPT
3A		2	CAP	14	RAP90989	2	SOLENOID VALVE HIGH FLOW SCREW MOUNTED COMPLETE : INCLUDES 1A, 1B AND 2
3B		2	O-RING	15	RAP92147	2	SOLENOID VALVE HIGH FLOW SCREW MOUNTED COMPLETE : INCLUDES 1A, AND 1B
3C		2	SPRING				
3D		2	PLUNGER				
3E		2	O-RING				
4	RF92185	1	1/8" NPT x 2" NIPPLE				
5	RF92071	1	1/8" NPT COUPLING				
6	RF5132	1	1/8" NPT 90° ELBOW				
7	RP92146	3	PRESSURE TRANSDUCER 0 - 130 PSI				

\* GREASE LIGHTLY PRIOR TO ASSEMBLY

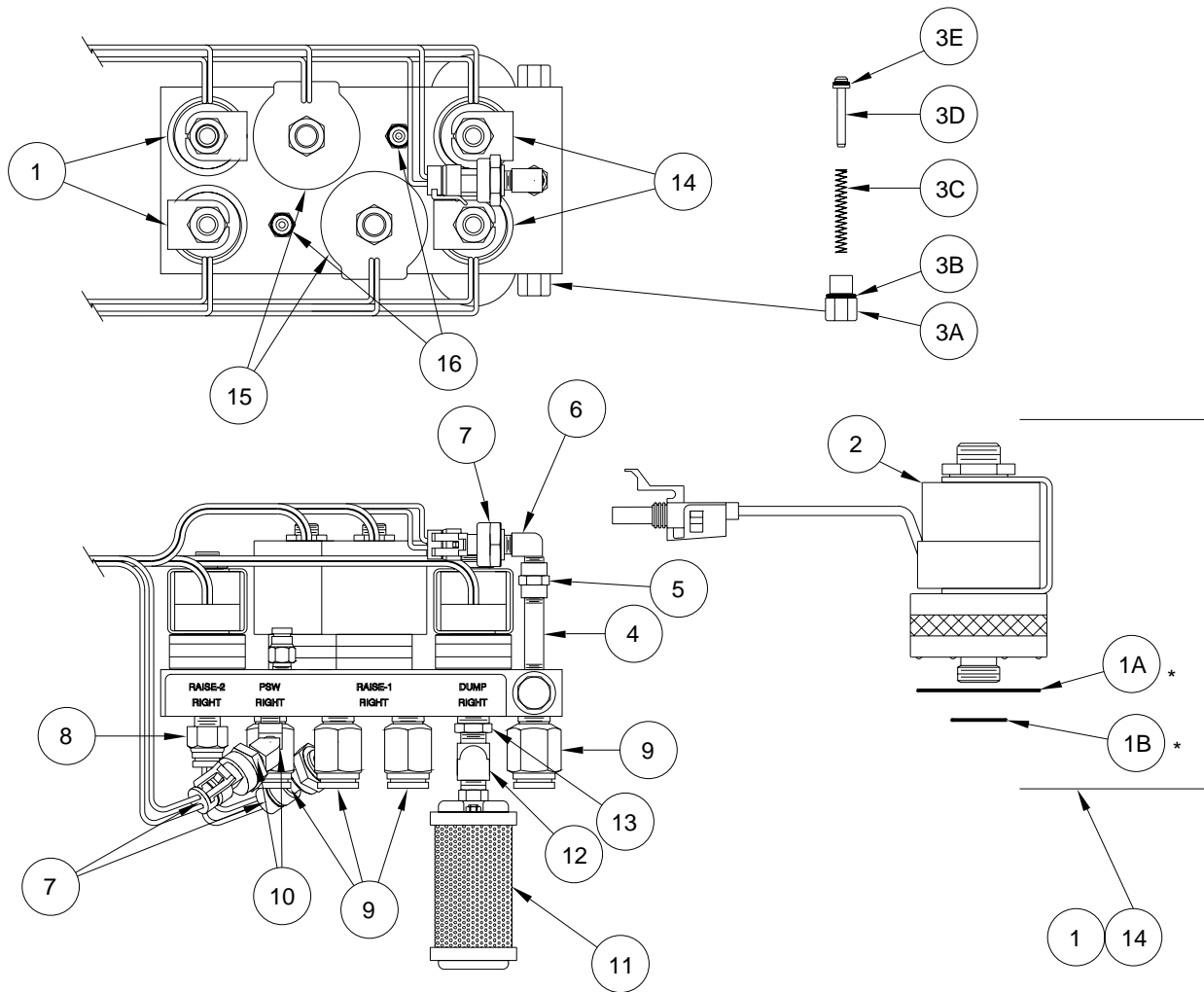
NOTE : INDENTED ITEMS INCLUDED WITH PRECEDING ITEM.

**MR05.4550**  
**09MAY13**



# MANIFOLD ASSEMBLY, ACTIVE AIR - 6 VALVE (AP42496)

## (3-PRESSURE TRANSDUCERS & PUSH TO CONNECT FITTINGS)



ITEM	PART	QTY	DESCRIPTION	ITEM	PART	QTY	DESCRIPTION
1	RAP1940	2	SOLENOID VALVE SCREW MOUNTED COMPLETE : INCLUDES 1A, 1B AND 2	8	RF91586	2	3/8" PUSH TO CONNECT 1/4" NPT ON SOME MANIFOLDS, THESE PORTS ARE PLUGGED
1A			O-RING	9	RF91639	5	5/8" PUSH TO CONNECT 3/8" NPT
1B			O-RING	10	RF90167	4	1/8" NPT 45° ELBOW
	RAP6554	1	O-RING KIT COMPOSED OF (6) 1A AND (6) 1B	11	RP92184	2	MUFFLER ACTIVE AIR
2	RAP90568	1	REPLACEMENT COIL	12	RF3340	4	1/4" NPT STREET ELBOW
3	RAP6553	1	CHECK VALVE KIT	13	RF91955	2	REDUCER 1/4" PIPE x 3/8" NPT
3A		2	CAP	14	RAP90989	2	SOLENOID VALVE HIGH FLOW SCREW MOUNTED COMPLETE : INCLUDES 1A, 1B AND 2
3B		2	O-RING	15	RAP92147	2	SOLENOID VALVE HIGH FLOW SCREW MOUNTED COMPLETE : INCLUDES 1A, AND 1B
3C		2	SPRING	16	RF91120	2	1/4" PUSH TO CONNECT 1/8" NPT
3D		2	PLUNGER				
3E		2	O-RING				
4	RF92185	1	1/8" NPT x 2" NIPPLE				
5	RF92071	1	1/8" NPT COUPLING				
6	RF5132	1	1/8" NPT 90° ELBOW				
7	RP92146	3	PRESSURE TRANSDUCER 0 - 130 PSI				

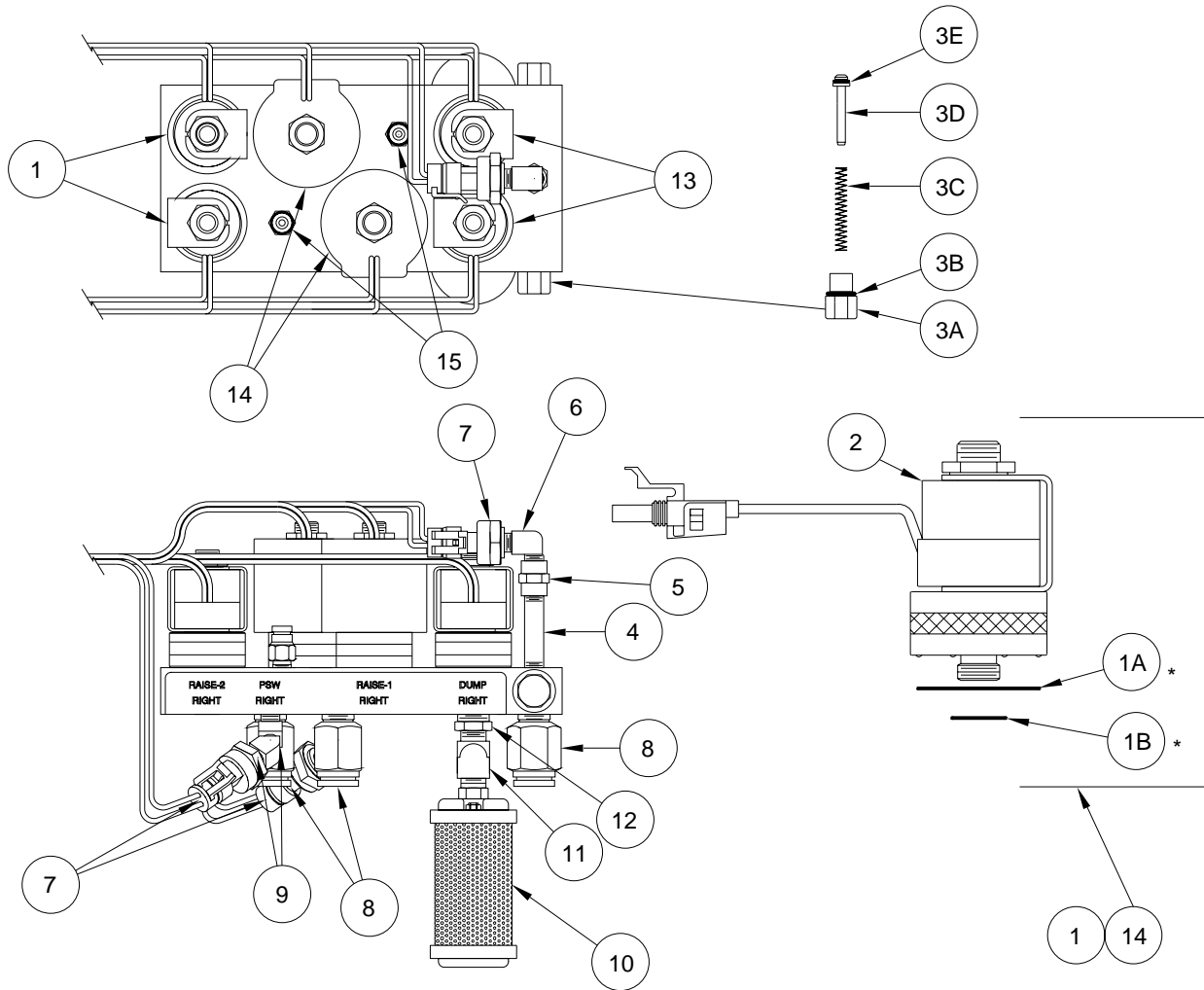
\* GREASE LIGHTLY PRIOR TO ASSEMBLY

NOTE : INDENTED ITEMS INCLUDED WITH PRECEDING ITEM.

**MR05.4551**  
**09MAY13**

# MANIFOLD ASSEMBLY, ACTIVE AIR - 6 VALVE (AP44404)

## (3-PRESSURE TRANSDUCERS & PUSH TO CONNECT FITTINGS)



ITEM	PART	QTY	DESCRIPTION	ITEM	PART	QTY	DESCRIPTION
1	RAP1940	2	SOLENOID VALVE SCREW MOUNTED COMPLETE : INCLUDES 1A, 1B AND 2	7	RP92146	3	PRESSURE TRANSDUCER 0 - 130 PSI
1A			O-RING	8	RF91639	3	5/8" PUSH TO CONNECT 3/8" NPT
1B			O-RING	9	RF90167	4	1/8" NPT 45 ELBOW
	RAP6554	1	O-RING KIT COMPOSED OF (6) 1A AND (6) 1B	10	RP92184	2	MUFFLER ACTIVE AIR
2	RAP90568	1	REPLACEMENT COIL	11	RF3340	4	1/4" NPT STREET ELBOW
3	RAP6553	1	CHECK VALVE KIT	12	RF91955	2	REDUCER 1/4" PIPE x 3/8" NPT
3A		2	CAP	13	RAP90989	2	SOLENOID VALVE HIGH FLOW SCREW MOUNTED COMPLETE : INCLUDES 1A, 1B AND 2
3B		2	O-RING	14	RAP92147	2	SOLENOID VALVE HIGH FLOW SCREW MOUNTED COMPLETE : INCLUDES 1A, AND 1B
3C		2	SPRING	15	RF91120	2	1/4" PUSH TO CONNECT 1/8" NPT
3D		2	PLUNGER				
3E		2	O-RING				
4	RF92185	1	1/8" NPT x 2" NIPPLE				
5	RF92071	1	1/8" NPT COUPLING				
6	RF5132	1	1/8" NPT 90° ELBOW				

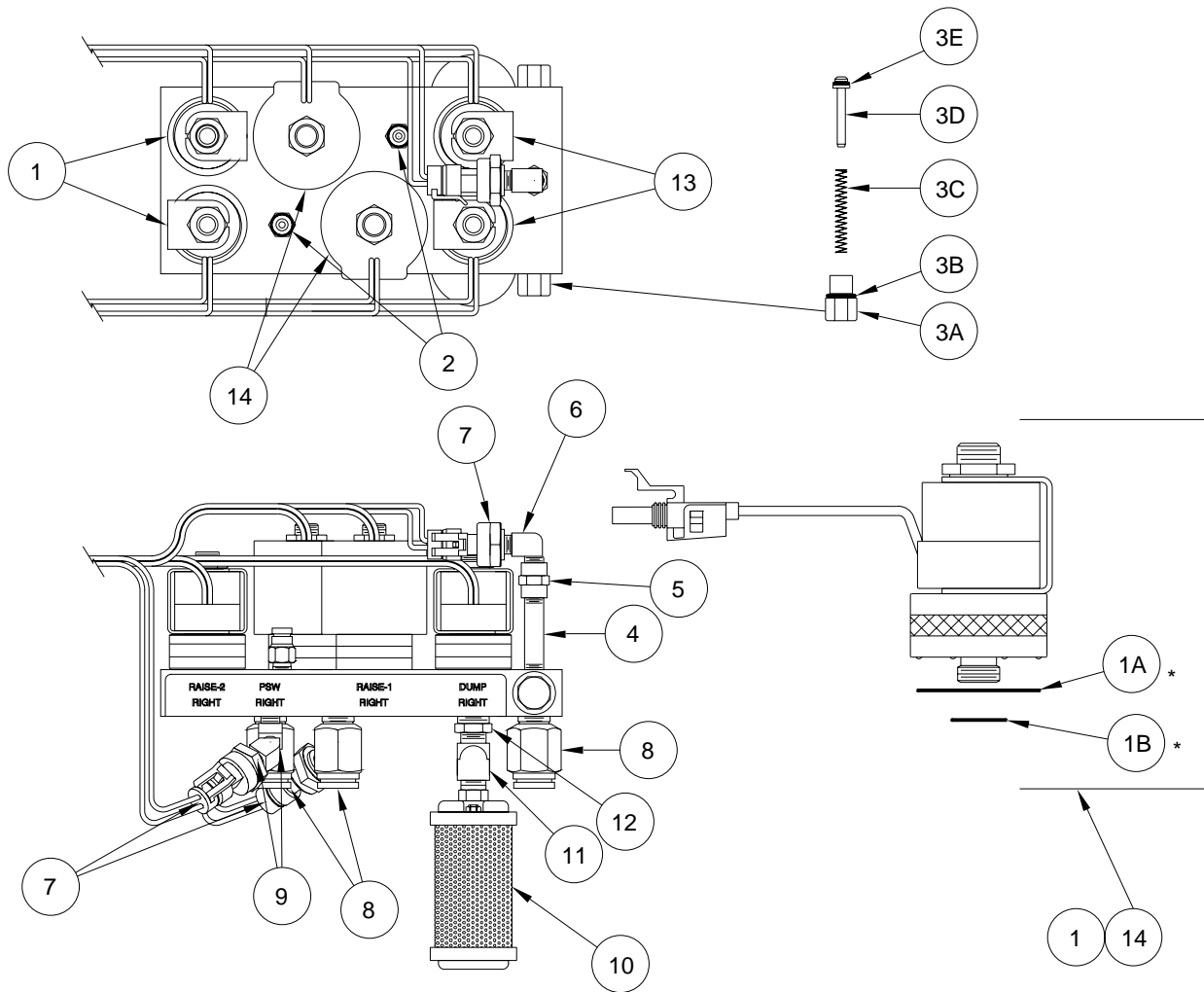
\* GREASE LIGHTLY PRIOR TO ASSEMBLY

NOTE : INDENTED ITEMS INCLUDED WITH PRECEDING ITEM.

**MR05.4552**  
**09MAY13**

# MANIFOLD ASSEMBLY, 24 VOLT ACTIVE AIR - 6 VALVE (AP51157)

## (3-PRESSURE TRANSDUCERS & PUSH TO CONNECT FITTINGS)



ITEM	PART	QTY	DESCRIPTION	ITEM	PART	QTY	DESCRIPTION
1	RAP93274	2	SOLENOID VALVE - 24V SCREW MOUNTED COMPLETE : INCLUDES 1A, 1B	7	RP92146	3	PRESSURE TRANSDUCER 0 - 130 PSI
1A			O-RING	8	RF91639	3	5/8" PUSH TO CONNECT 3/8" NPT
1B			O-RING	9	RF90167	4	1/8" NPT 45° ELBOW
	RAP6554	1	O-RING KIT COMPOSED OF (6) 1A AND (6) 1B	10	RP92184	2	MUFFLER ACTIVE AIR
2	RF91120	1	1/4" PUSH TO CONNECT 1/8" NPT	11	RF3340	4	1/4" NPT STREET ELBOW
3	RAP6553	1	CHECK VALVE KIT	12	RF91955	2	REDUCER 1/4" PIPE x 3/8" NPT
3A		2	CAP	13	RAP93275	2	SOLENOID VALVE HIGH FLOW - 24V SCREW MOUNTED COMPLETE : INCLUDES 1A, 1B
3B		2	O-RING				
3C		2	SPRING				
3D		2	PLUNGER	14	RAP93276	2	SOLENOID VALVE HIGH FLOW - 24V SCREW MOUNTED COMPLETE : INCLUDES 1A, 1B
3E		2	O-RING				
4	RF92185	1	1/8" NPT x 2" NIPPLE				
5	RF92071	1	1/8" NPT COUPLING				
6	RF5132	1	1/8" NPT 90 ELBOW				

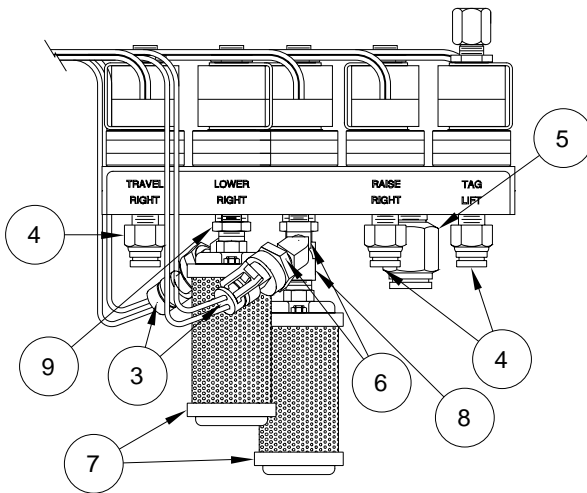
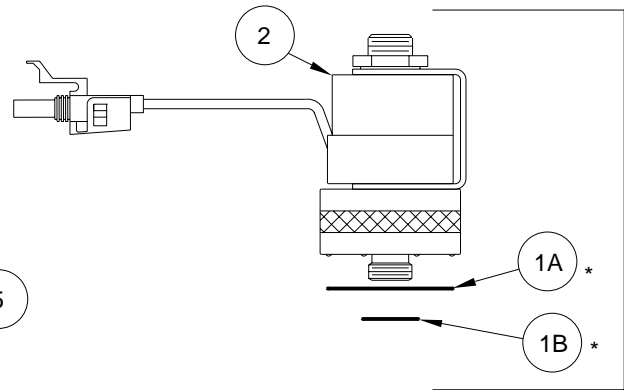
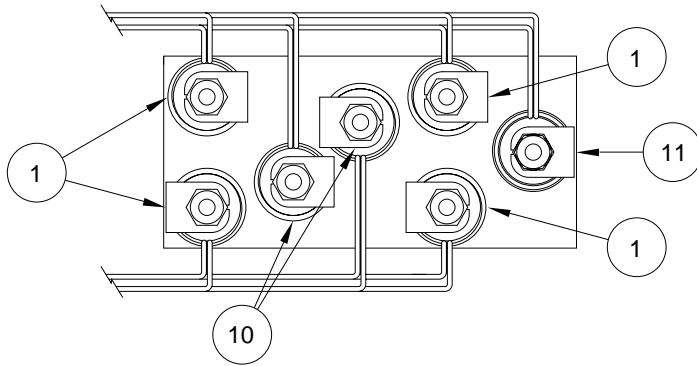
\* GREASE LIGHTLY PRIOR TO ASSEMBLY

NOTE : INDENTED ITEMS INCLUDED WITH PRECEDING ITEM.

**MR05.4553**  
**09MAY13**

# MANIFOLD ASSEMBLY, ACTIVE AIR - 7 VALVE (AP39844)

## (2-PRESSURE TRANSDUCERS & PUSH TO CONNECT FITTINGS)



ITEM	PART	QTY	DESCRIPTION
1	RAP1940	4	SOLENOID VALVE SCREW MOUNTED COMPLETE : INCLUDES 1A, 1B AND 2
1A 1B			O-RING O-RING
	RAP6554	1	O-RING KIT COMPOSED OF (6) 1A AND (6) 1B
2	RAP90568	1	REPLACEMENT COIL
3	RP92146	1	PRESSURE TRANSDUCER 0 - 130 PSI
4	RF91586	5	3/8" PUSH TO CONNECT 1/4" NPT
5	RF91639	1	5/8" PUSH TO CONNECT 3/8" NPT

ITEM	PART	QTY	DESCRIPTION
6	RF90167	4	1/8" NPT 45 ELBOW
7	RP92184	2	MUFFLER ACTIVE AIR
8	RF3340	2	1/4" NPT STREET ELBOW
9	RF91955	2	REDUCER 1/4" PIPE x 3/8" NPT
10	RAP90989	2	SOLENOID VALVE HIGH FLOW SCREW MOUNTED COMPLETE : INCLUDES 1A, 1B AND 2
11	RAP92145	1	SOLENOID VALVE 3 WAY HIGH FLOW SCREW MOUNTED COMPLETE : INCLUDES 1A, 1B AND 2

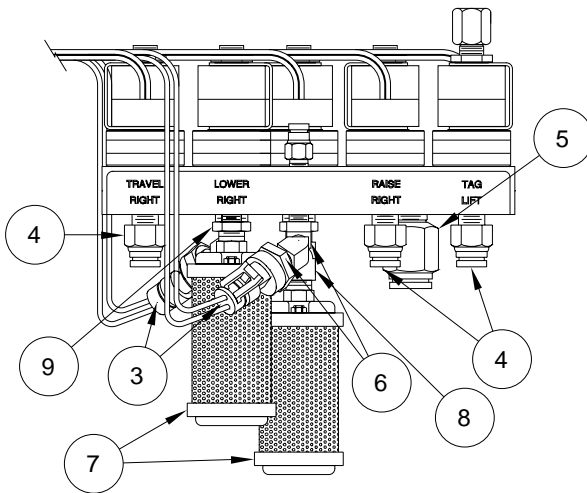
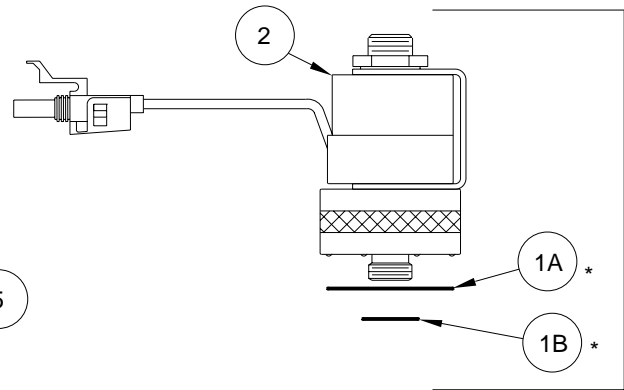
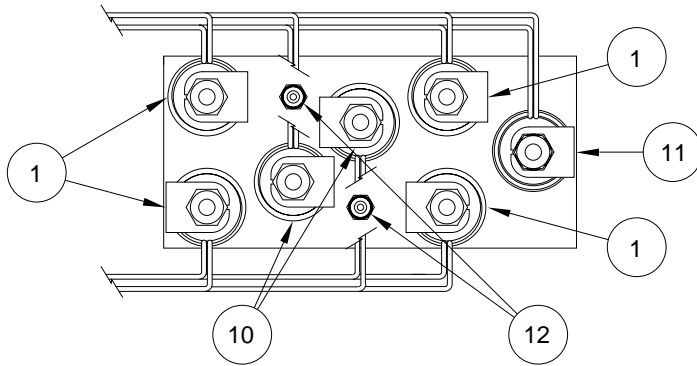
\* GREASE LIGHTLY PRIOR TO ASSEMBLY

NOTE : INDENTED ITEMS INCLUDED WITH PRECEDING ITEM.

**MR05.4600**  
**09MAY13**

# MANIFOLD ASSEMBLY, ACTIVE AIR - 7 VALVE (AP42495)

## (2-PRESSURE TRANSDUCERS & PUSH TO CONNECT FITTINGS)



ITEM	PART	QTY	DESCRIPTION
------	------	-----	-------------

1	RAP1940	4	SOLENOID VALVE SCREW MOUNTED COMPLETE : INCLUDES 1A, 1B AND 2
---	---------	---	--

1A  
1B

	RAP6554	1	O-RING KIT COMPOSED OF (6) 1A AND (6) 1B
--	---------	---	---

2	RAP90568	1	REPLACEMENT COIL
3	RP92146	2	PRESSURE TRANSDUCER 0 - 130 PSI

4	RF91586	4	3/8" PUSH TO CONNECT 1/4" NPT
---	---------	---	----------------------------------

5	RF91639	1	5/8" PUSH TO CONNECT 3/8" NPT
---	---------	---	----------------------------------

ITEM	PART	QTY	DESCRIPTION
------	------	-----	-------------

6	RF90167	4	1/8" NPT 45 ELBOW
---	---------	---	-------------------

7	RP92184	2	MUFFLER ACTIVE AIR
---	---------	---	--------------------

8	RF3340	2	1/4" NPT STREET ELBOW
---	--------	---	-----------------------

9	RF91955	1	REDUCER - 1/4" x 3/8"
---	---------	---	-----------------------

10	RAP90989	2	SOLENOID VALVE HIGH FLOW SCREW MOUNTED COMPLETE : INCLUDES 1A, 1B AND 2
----	----------	---	---

11	RAP92145	1	SOLENOID VALVE 3 WAY HIGH FLOW SCREW MOUNTED COMPLETE : INCLUDES 1A, 1B AND 2
----	----------	---	---

12	RF91120	2	1/4" PUSH TO CONNECT 1/8" NPT
----	---------	---	----------------------------------

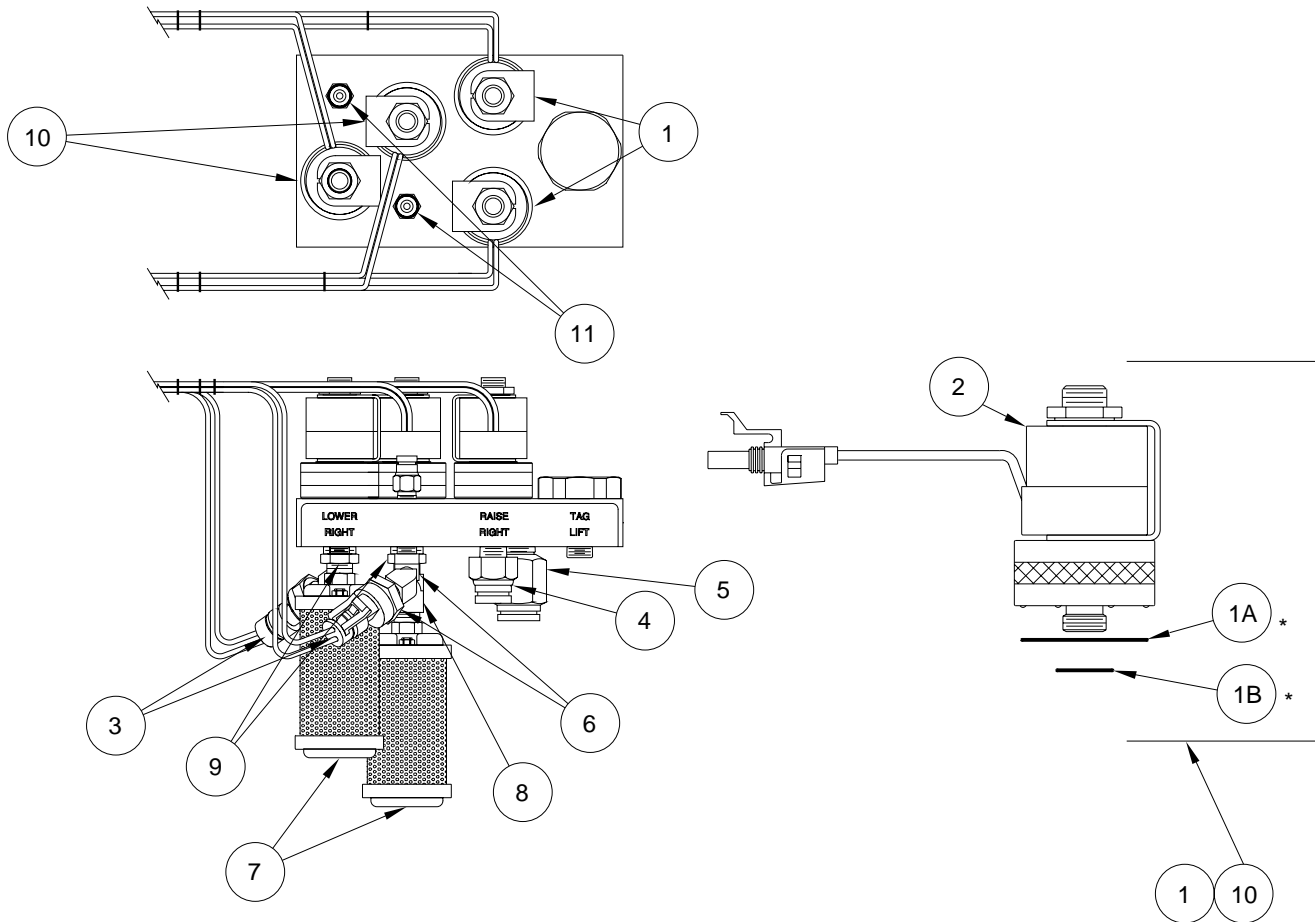
\* GREASE LIGHTLY PRIOR TO ASSEMBLY

NOTE : INDENTED ITEMS INCLUDED WITH PRECEDING ITEM.

**MR05.4601**  
**09MAY13**

# MANIFOLD ASSEMBLY, ACTIVE AIR - 4 VALVE (AP43305)

## (2-PRESSURE TRANSDUCERS & PUSH TO CONNECT FITTINGS)



ITEM	PART	QTY	DESCRIPTION
1	RAP1940	2	SOLENOID VALVE SCREW MOUNTED COMPLETE : INCLUDES 1A, 1B AND 2
1A			O-RING
1B			O-RING
	RAP6554	1	O-RING KIT COMPOSED OF (6) 1A AND (6) 1B
2	RAP90568	1	REPLACEMENT COIL
3	RP92146	2	PRESSURE TRANSDUCER 0 - 130 PSI
4	RF91640	2	1/2" PUSH TO CONNECT 1/4" NPT
5	RF91639	1	5/8" PUSH TO CONNECT 3/8" NPT

ITEM	PART	QTY	DESCRIPTION
6	RF90167	4	1/8" NPT 45° ELBOW
7	RP92184	2	MUFFLER ACTIVE AIR
8	RF3340	2	1/4" NPT STREET ELBOW
9	RF91955	1	REDUCER 1/4" PIPE x 3/8" NPT
10	RAP90989	2	SOLENOID VALVE HIGH FLOW SCREW MOUNTED COMPLETE : INCLUDES 1A, 1B AND 2
11	RF91120	2	1/4" PUSH TO CONNECT 1/8" NPT

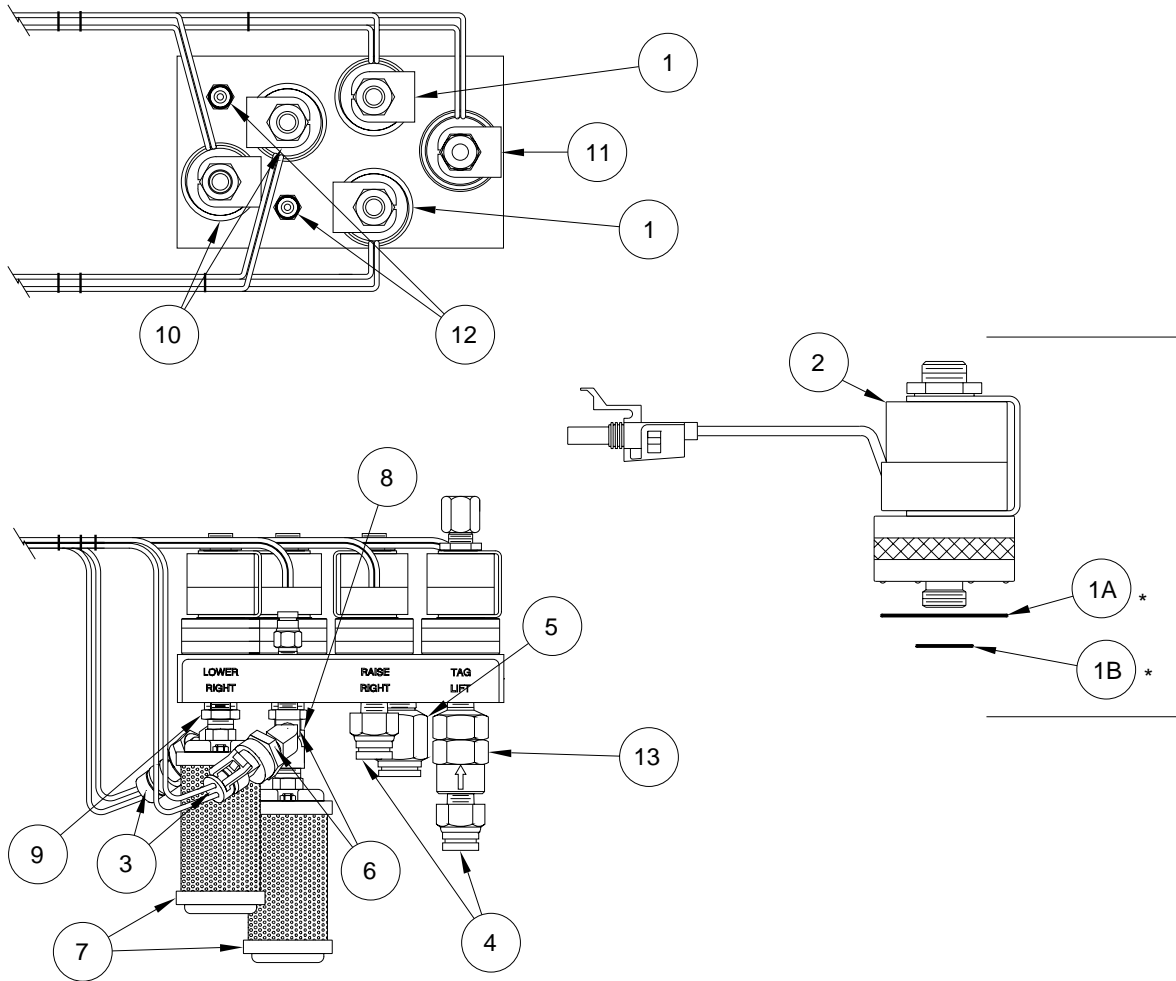
\* GREASE LIGHTLY PRIOR TO ASSEMBLY

NOTE : INDENTED ITEMS INCLUDED WITH PRECEDING ITEM.

**MR05.4602**  
**09MAY13**

# MANIFOLD ASSEMBLY, ACTIVE AIR - 5 VALVE (AP43492)

## (2-PRESSURE TRANSDUCERS & PUSH TO CONNECT FITTINGS)



ITEM	PART	QTY	DESCRIPTION	ITEM	PART	QTY	DESCRIPTION
1	RAP1940	2	SOLENOID VALVE SCREW MOUNTED COMPLETE : INCLUDES 1A, 1B AND 2 O-RING	6	RF90167	4	1/8" NPT 45 ELBOW
1A			O-RING	7	RP92184	2	MUFFLER ACTIVE AIR
1B			O-RING	8	RF3340	4	1/4" NPT STREET ELBOW
	RAP6554	1	O-RING KIT COMPOSED OF (6) 1A AND (6) 1B	9	RF91955	1	REDUCER 1/4" PIPE x 3/8" NPT
2	RAP90568	1	REPLACEMENT COIL	10	RAP90989	2	SOLENOID VALVE HIGH FLOW SCREW MOUNTED COMPLETE : INCLUDES 1A, 1B AND 2
3	RP92146	2	PRESSURE TRANSDUCER 0 - 130 PSI	11	RAP92145	1	SOLENOID VALVE 3 WAY HIGH FLOW SCREW MOUNTED COMPLETE : INCLUDES 1A, 1B AND 2
4	RF91640	3	1/2" PUSH TO CONNECT 1/4" NPT	12	RF91120	2	1/4" PUSH TO CONNECT 1/8" NPT
5	RF91639	1	5/8" PUSH TO CONNECT 3/8" NPT	13	RAP92320	1	INLINE AIR FILTER

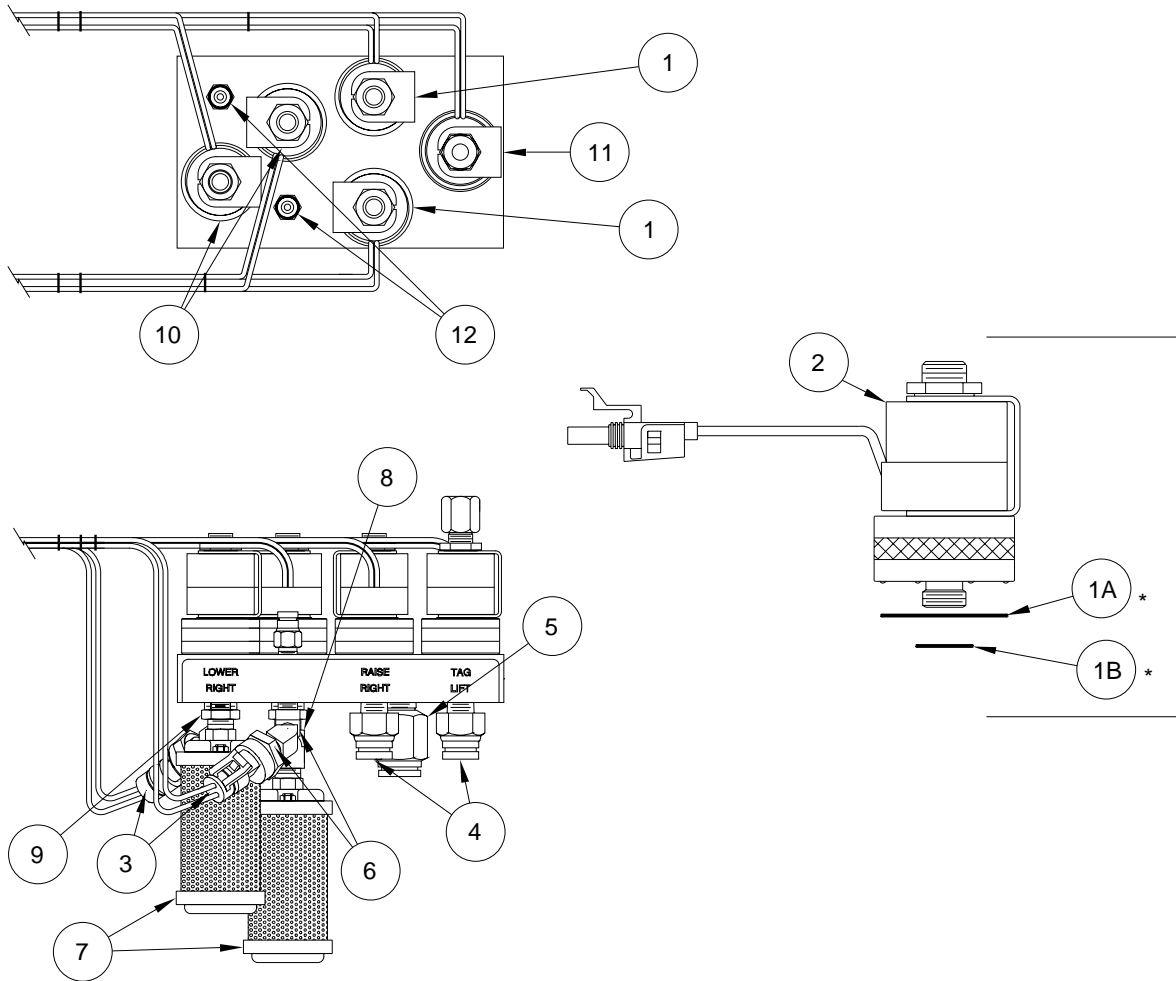
\* GREASE LIGHTLY PRIOR TO ASSEMBLY

NOTE : INDENTED ITEMS INCLUDED WITH PRECEDING ITEM.

**MR05.4603**  
**09MAY13**

# MANIFOLD ASSEMBLY, ACTIVE AIR - 5 VALVE (AP43540)

## (2-PRESSURE TRANSDUCERS & PUSH TO CONNECT FITTINGS)



ITEM	PART	QTY	DESCRIPTION
1	RAP1940	2	SOLENOID VALVE SCREW MOUNTED COMPLETE : INCLUDES 1A, 1B AND 2 O-RING
1A 1B			O-RING
	RAP6554	1	O-RING KIT COMPOSED OF (6) 1A AND (6) 1B
2	RAP90568	1	REPLACEMENT COIL
3	RP92146	2	PRESSURE TRANSDUCER 0 - 130 PSI
4	RF91586	3	3/8" PUSH TO CONNECT 1/4" NPT
5	RF91639	1	5/8" PUSH TO CONNECT 3/8" NPT

ITEM	PART	QTY	DESCRIPTION
6	RF90167	4	1/8" NPT 45 ELBOW
7	RP92184	2	MUFFLER ACTIVE AIR
8	RF3340	4	1/4" NPT STREET ELBOW
9	RF91955	1	REDUCER 1/4" PIPE x 3/8" NPT
10	RAP90989	2	SOLENOID VALVE HIGH FLOW SCREW MOUNTED COMPLETE : INCLUDES 1A, 1B AND 2
11	RAP92145	1	SOLENOID VALVE 3 WAY HIGH FLOW SCREW MOUNTED COMPLETE : INCLUDES 1A, 1B AND 2
12	RF91120	2	1/4" PUSH TO CONNECT 1/8" NPT

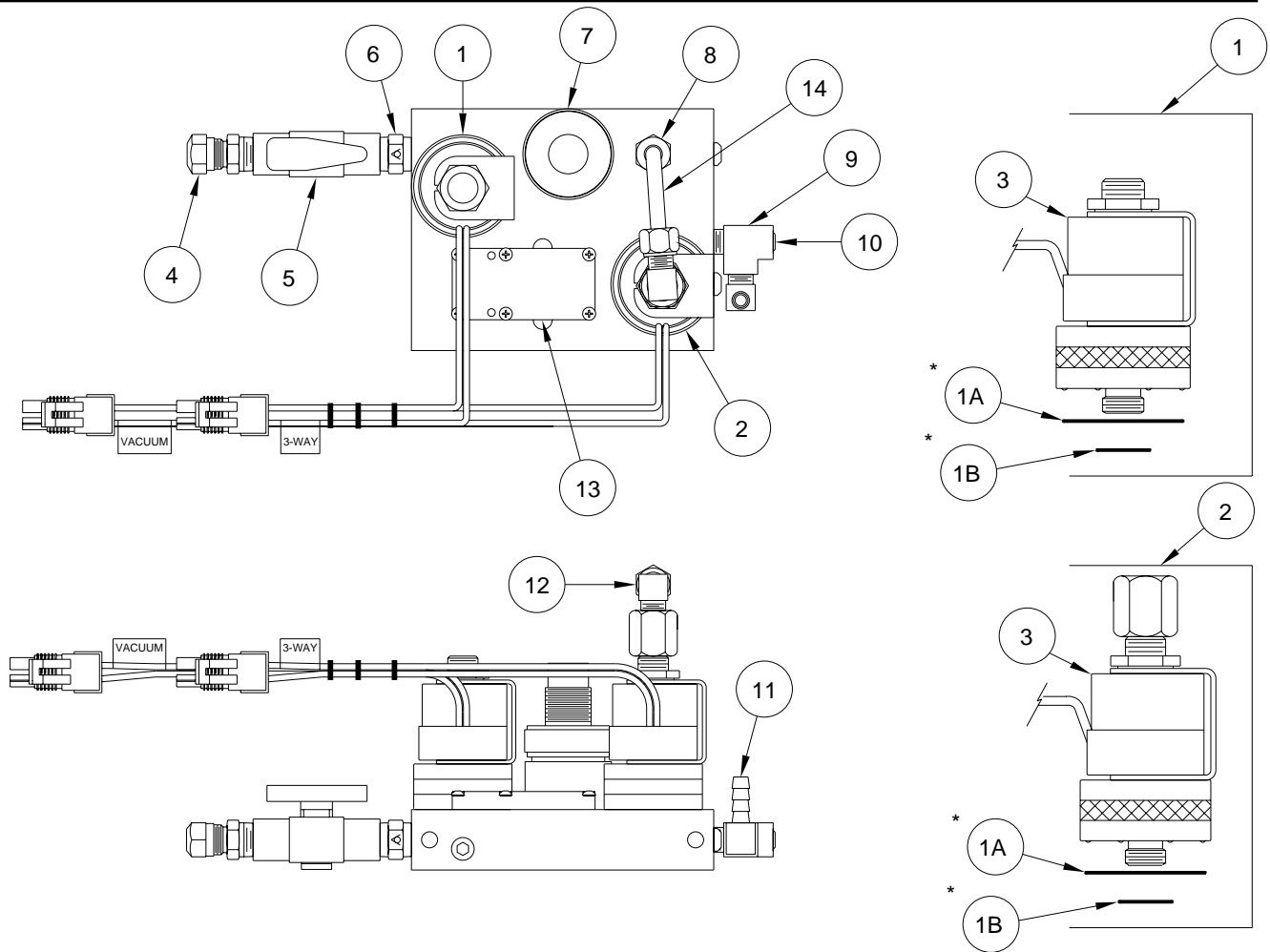
\* GREASE LIGHTLY PRIOR TO ASSEMBLY

NOTE : INDENTED ITEMS INCLUDED WITH PRECEDING ITEM.

**MR05.4604**  
**09MAY13**



# MANIFOLD ASSEMBLY, AIR SEAL - 2 VALVE (AP20078)



ITEM	PART	QTY	DESCRIPTION
1	RAP1940	1	SOLENOID VALVE SCREW MOUNTED COMPLETE : INCLUDES 1A,1B, AND 2
2	RAP92145	1	SOLENOID VALVE 3 WAY SCREW MOUNTED COMPLETE : INCLUDES 1A,1B, AND 2
1A 1B			O-RING O-RING
	RAP6554	1	O-RING KIT COMPOSED OF (6) 1A AND (6) 1B
3	RAP90568	1	REPLACEMENT COIL
4	RF6549	1	MALE CONNECTOR 1/4" x 1/4"

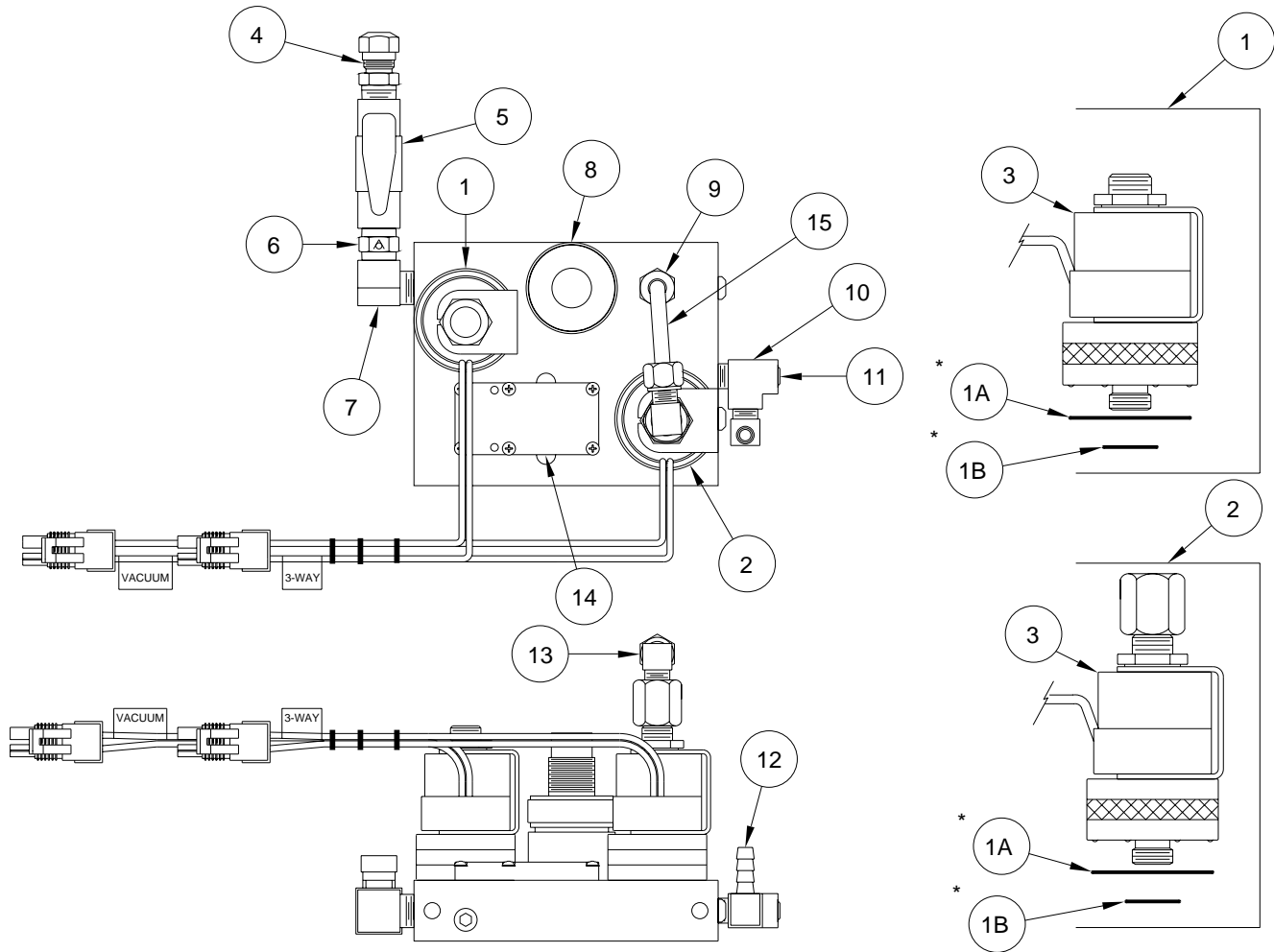
ITEM	PART	QTY	DESCRIPTION
5	RAP92179	1	PLUG VALVE 1/4" NPT
6	RP5597	1	CHECK VALVE
7	RAP91414	1	AIR REGULATOR 12 PSI
8	RF4337	1	MALE CONNECTOR 1/4" x 3/8"
9	RF91896	1	1/8" STREET TEE
10	RF90173	1	1/8" PIPE PLUG
11	RF91780	1	1/4" HOSE TO 1/4" PIPE
12	RF6791	1	MALE 90° ELBOW 1/4" x 1/8"
13	RAP92180	1	VACUUM CHIP
14	RP92151	1	1/4" NYLON TUBING

\* GREASE LIGHTLY PRIOR TO ASSEMBLY

NOTE : INDENTED ITEMS INCLUDED WITH PRECEDING ITEM.

**MR05.4800**  
**09MAY13**

# MANIFOLD ASSEMBLY, AIR SEAL - 2 VALVE (AP23200)



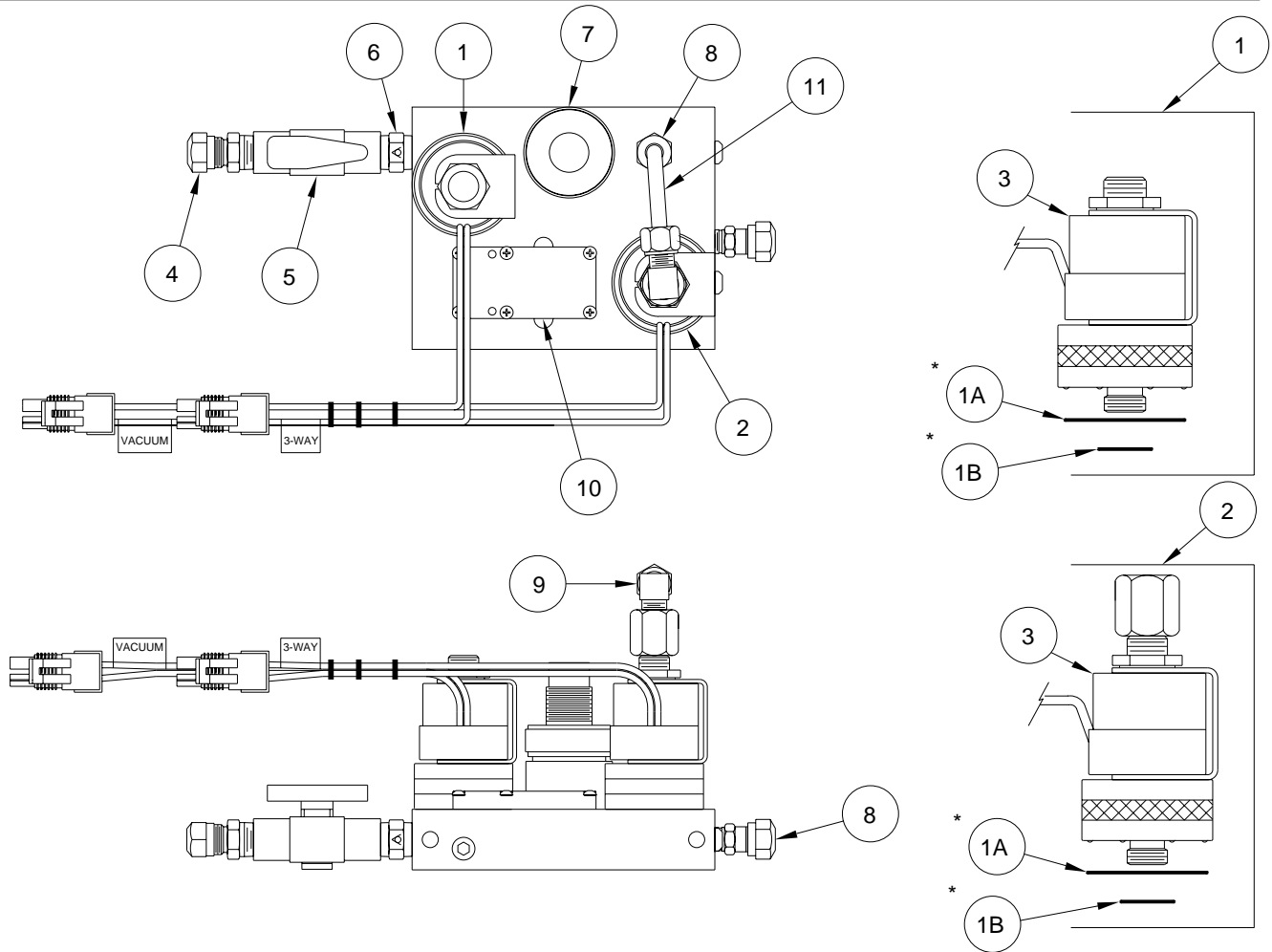
ITEM	PART	QTY	DESCRIPTION	ITEM	PART	QTY	DESCRIPTION
1	RAP1940	1	SOLENOID VALVE SCREW MOUNTED COMPLETE : INCLUDES 1A,1B, AND 2	5	RAP92179	1	PLUG VALVE - 1/4" NPT
2	RAP92145	1	SOLENOID VALVE 3 WAY SCREW MOUNTED COMPLETE : INCLUDES 1A,1B, AND 2	6	RP5597	1	CHECK VALVE
1A			O-RING	7	RF3340	1	BRASS 90° ELBOW 1/4"
1B			O-RING	8	RAP91414	1	AIR REGULATOR 12 PSI
	RAP6554	1	O-RING KIT COMPOSED OF (6) 1A AND (6) 1B	9	RF4337	1	MALE CONNECTOR 1/4" x 3/8"
3	RAP90568	1	REPLACEMENT COIL	10	RF91896	1	1/8" STREET TEE
4	RF6549	1	MALE CONNECTOR 1/4" x 1/4"	11	RF90173	1	1/8" PIPE PLUG
				12	RF91780	1	1/4" HOSE TO 1/4" PIPE
				13	RF6791	1	MALE 90° ELBOW 1/4" x 1/8"
				14	RAP92180	1	VACUUM CHIP
				15	RP92151	1	1/4" NYLON TUBING

\* GREASE LIGHTLY PRIOR TO ASSEMBLY

NOTE : INDENTED ITEMS INCLUDED WITH PRECEDING ITEM.

**MR05.4801**  
**09MAY13**

# MANIFOLD ASSEMBLY, AIR SEAL - 2 VALVE (AP24552)



ITEM	PART	QTY	DESCRIPTION
1	RAP1940	1	SOLENOID VALVE SCREW MOUNTED COMPLETE : INCLUDES 1A,1B, AND 2
2	RAP92145	1	SOLENOID VALVE 3 WAY SCREW MOUNTED COMPLETE : INCLUDES 1A,1B, AND 2
1A 1B			O-RING O-RING
	RAP6554	1	O-RING KIT COMPOSED OF (6) 1A AND (6) 1B
3	RAP90568	1	REPLACEMENT COIL
4	RF6549	1	MALE CONNECTOR 1/4" x 1/4"

ITEM	PART	QTY	DESCRIPTION
5	RAP92179	1	PLUG VALVE 1/4" NPT
6	RP5597	1	CHECK VALVE
7	RAP91414	1	AIR REGULATOR 12 PSI
8	RF4337	2	MALE CONNECTOR 1/4" x 3/8"
9	RF6791	1	MALE 90° ELBOW 1/4" x 1/8"
10	RAP92180	1	VACUUM CHIP
11	RP92151	1	1/4" NYLON TUBING

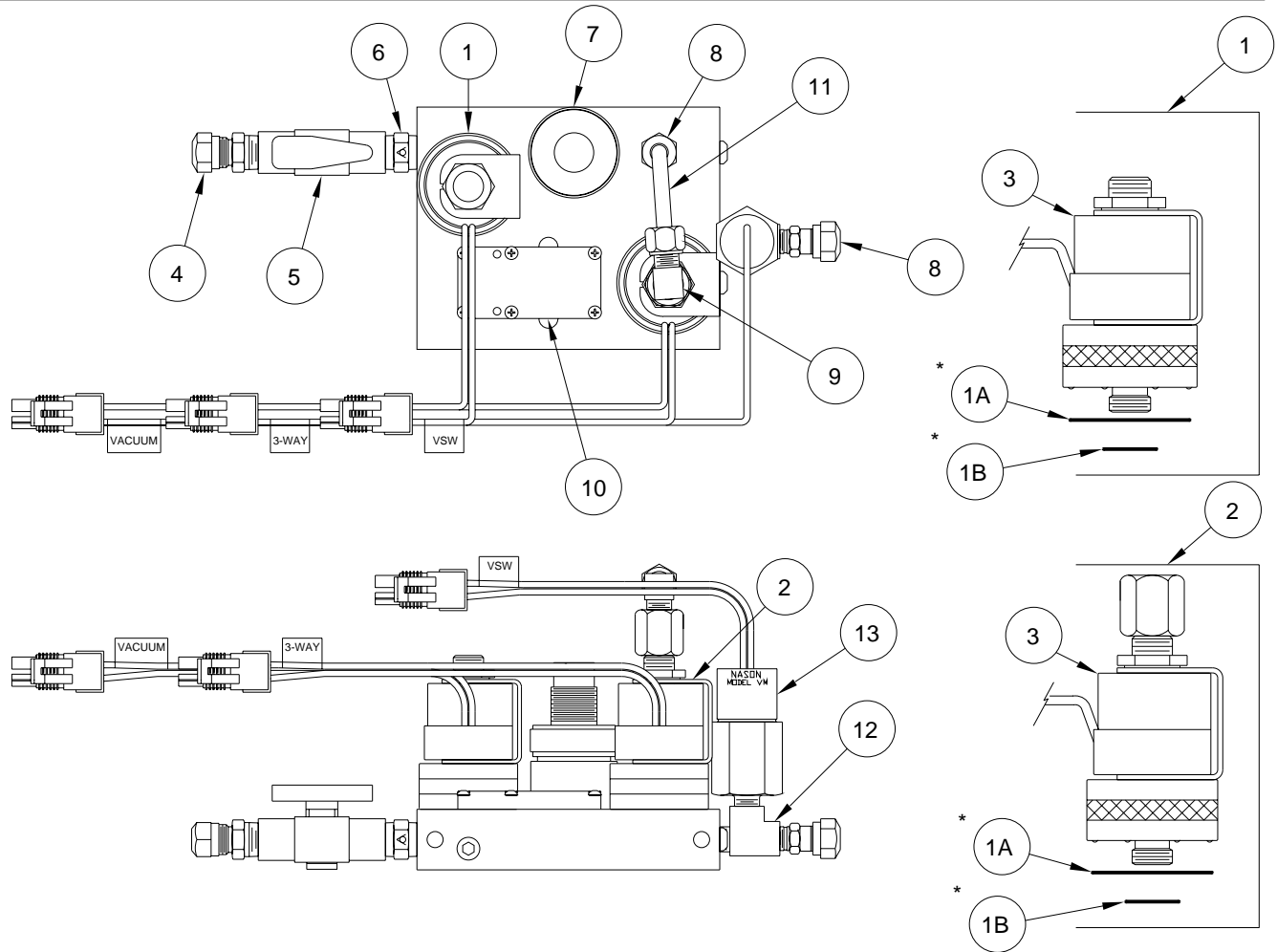
\* GREASE LIGHTLY PRIOR TO ASSEMBLY

NOTE : INDENTED ITEMS INCLUDED WITH PRECEDING ITEM.

**MR05.4802**  
**09MAY13**

# MANIFOLD ASSEMBLY, AIR SEAL - 2 VALVE (AP26571)

## (WITH VACUUM SWITCH)



ITEM	PART	QTY	DESCRIPTION
1	RAP1940	1	SOLENOID VALVE SCREW MOUNTED COMPLETE : INCLUDES 1A,1B, AND 2
2	RAP92145	1	SOLENOID VALVE 3 WAY SCREW MOUNTED COMPLETE : INCLUDES 1A,1B, AND 2
1A 1B			O-RING O-RING
	RAP6554	1	O-RING KIT COMPOSED OF (6) 1A AND (6) 1B
3	RAP90568	1	REPLACEMENT COIL
4	RF6549	1	MALE CONNECTOR 1/4" x 1/4"

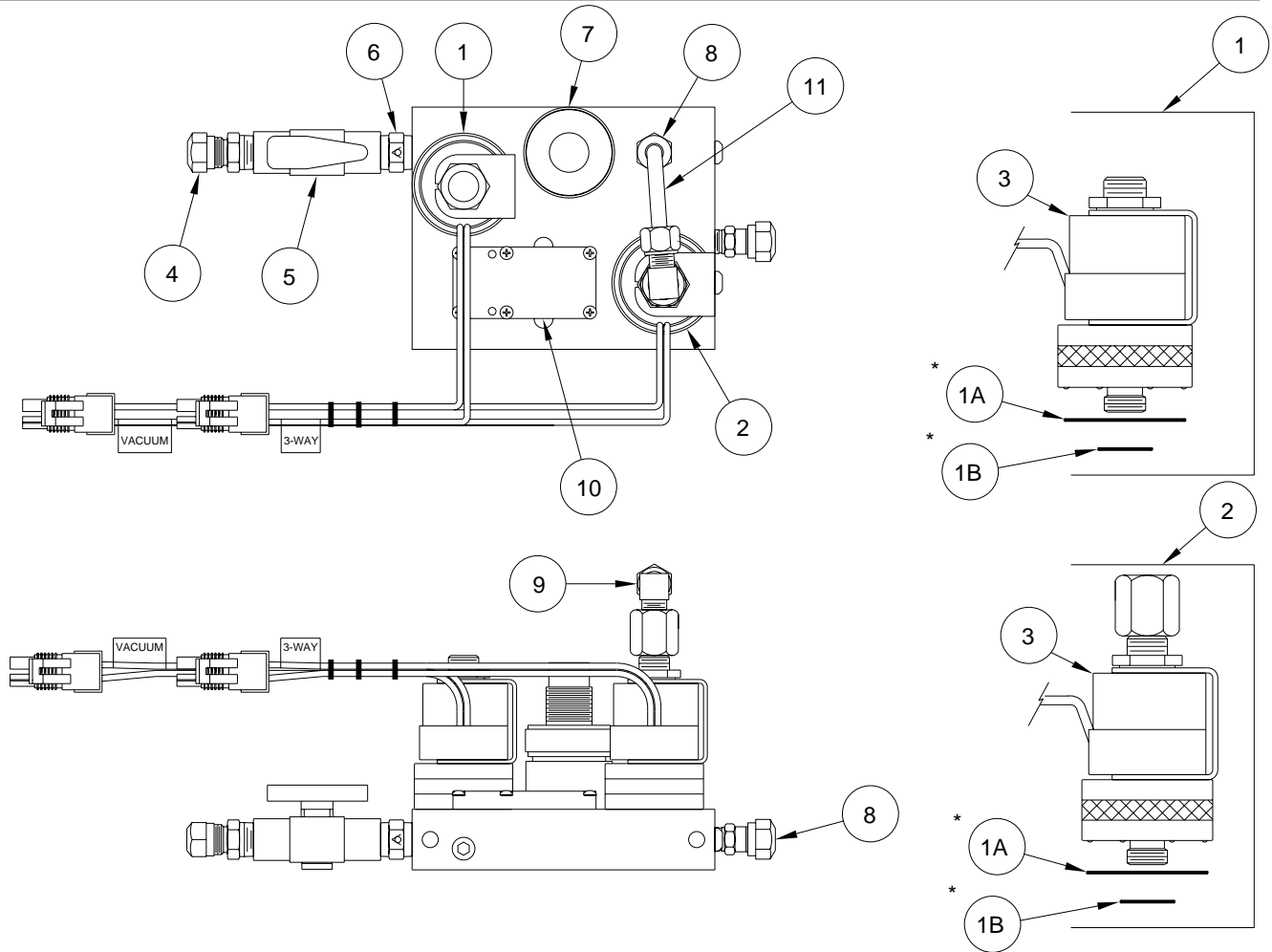
ITEM	PART	QTY	DESCRIPTION
5	RAP92179	1	PLUG VALVE 1/4" NPT
6	RP5597	1	CHECK VALVE
7	RAP91414	1	AIR REGULATOR 12 PSI
8	RF4337	2	MALE CONNECTOR 1/4" x 3/8"
9	RF6791	1	MALE 90° ELBOW 1/4" x 1/8"
10	RAP92180	1	VACUUM CHIP
11	RP92151	1	1/4" NYLON TUBING
12	RF91896	1	1/8" STREET TEE
13	RAP92183	1	VACUUM SWITCH 5 IN HG

\* GREASE LIGHTLY PRIOR TO ASSEMBLY

NOTE : INDENTED ITEMS INCLUDED WITH PRECEDING ITEM.

**MR05.4803**  
**09MAY13**

# MANIFOLD ASSEMBLY, AIR SEAL - 2 VALVE (AP34184)



ITEM	PART	QTY	DESCRIPTION
1	RAP1940	1	SOLENOID VALVE SCREW MOUNTED COMPLETE : INCLUDES 1A,1B, AND 2
2	RAP92145	1	SOLENOID VALVE 3 WAY SCREW MOUNTED COMPLETE : INCLUDES 1A,1B, AND 2
1A 1B			O-RING O-RING
	RAP6554	1	O-RING KIT COMPOSED OF (6) 1A AND (6) 1B
3	RAP90568	1	REPLACEMENT COIL
4	RF6549	1	MALE CONNECTOR 1/4" x 1/4"

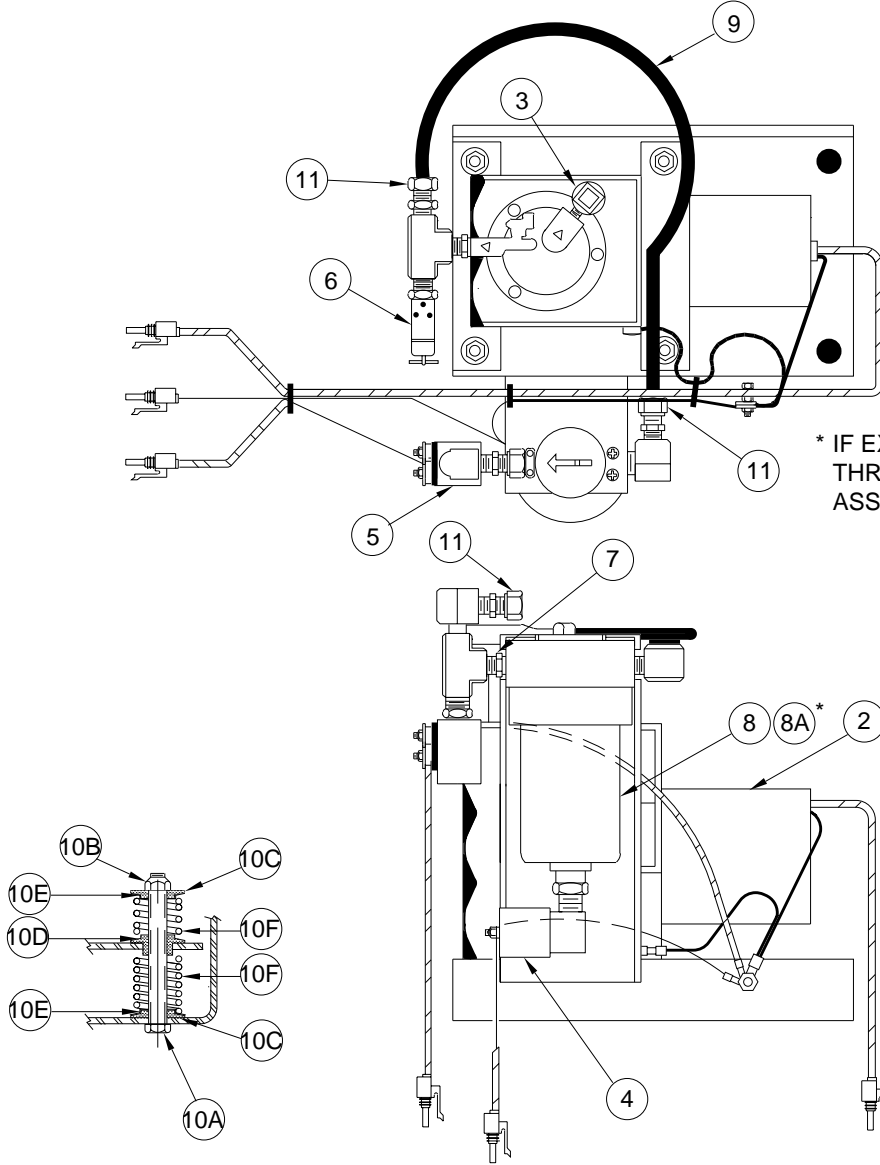
ITEM	PART	QTY	DESCRIPTION
5	RAP92179	1	PLUG VALVE 1/4" NPT
6	RP5597	1	CHECK VALVE
7	RAP92182	1	AIR REGULATOR 20 PSI
8	RF4337	2	MALE CONNECTOR 1/4" x 3/8"
9	RF6791	1	MALE 90° ELBOW 1/4" x 1/8"
10	RAP92180	1	VACUUM CHIP
11	RP92151	1	1/4" NYLON TUBING

\* GREASE LIGHTLY PRIOR TO ASSEMBLY

NOTE : INDENTED ITEMS INCLUDED WITH PRECEDING ITEM.

**MR05.4804**  
**09MAY13**

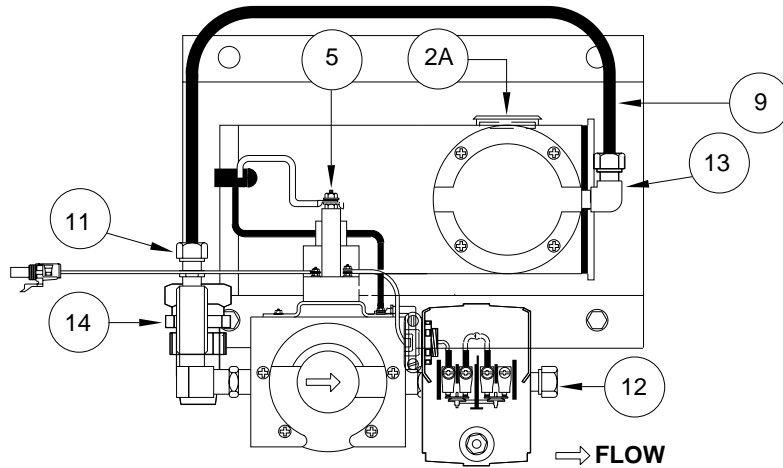
**COMPRESSOR, AIR - 1 OUTPUT, GAST (AP5878)  
(USED PRIMARILY ON 87-89 BEAVER COACHES)**



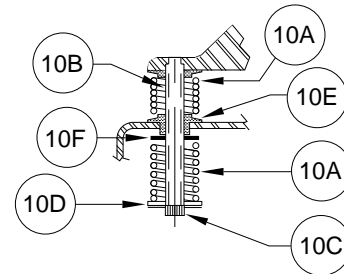
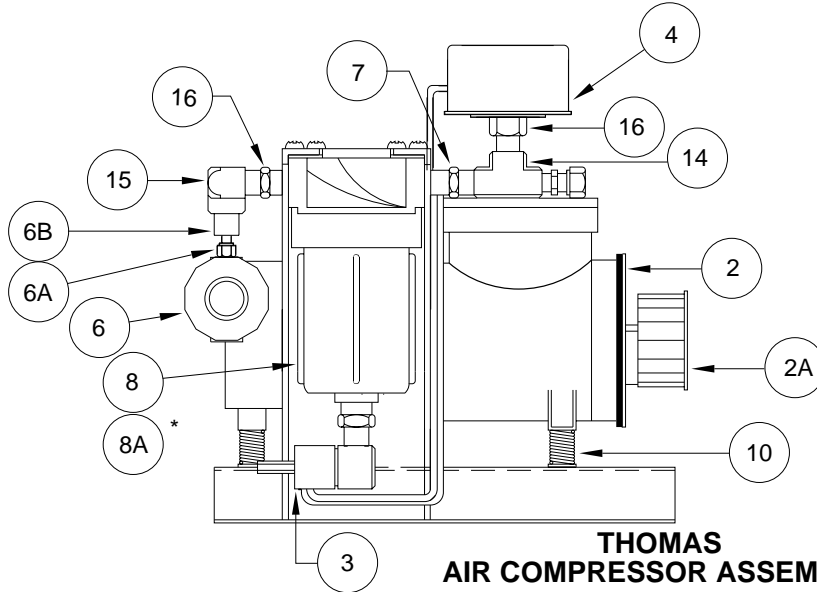
\* IF EXISTING FILTER ASSEMBLY HAS A THREADED BOWL, A COMPLETE FILTER ASSEMBLY WILL HAVE TO BE ORDERED.

ITEM	PART	QTY	DESCRIPTION	ITEM	PART	QTY	DESCRIPTION
1	RAP5878		AIR COMPRESSOR ASSY. COMPLETE 12 VOLT	8	RAP5883	1	AIR FILTER (REPLACES RAP5935)
2	RAP5880	1	AIR COMPRESSOR 12 VOLT, GAST	8A	RAP90539	1	REPLACEMENT BOWL
3	RAP5883	1	INLET FILTER	9		1	AIR LINE, 3/8 X 17" LARGE
4	RAP5868	1	SOLENOID VALVE, 12 VOLT, NORMALLY CLOSED	10	RAP6570	1	SPRING KIT
5	RAP7880	1	PRESSURE SWITCH NORMALLY OPEN	10A		4	HEX CAPSCREW 1/4"
6	RP5869	1	RELIEF VALVE	10B		6	ESSNA LOCKNUT 1/4"
7	RP5597	1	CHECK VALVE	10C		3	SPRING MOUNT
				10D		3	BUSHING
				10E		3	WIPER
				10F		3	SPRING
				11	RF4478	3	68 NTA-6-4 FOR 3/8

# COMPRESSOR, AIR - 1 OUTPUT, THOMAS (AP0198)

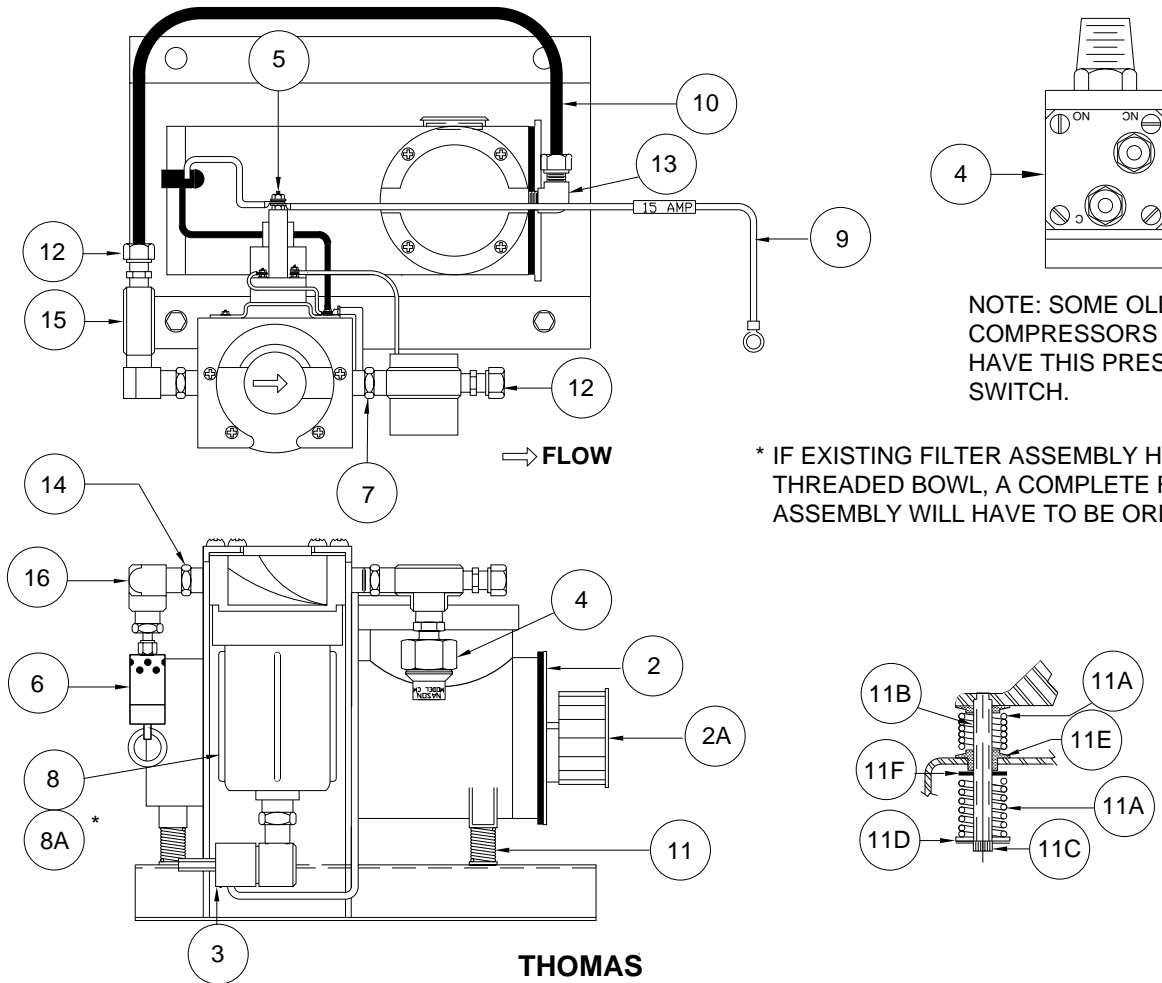


\* IF EXISTING FILTER ASSEMBLY HAS A THREADED BOWL, A COMPLETE FILTER ASSEMBLY WILL HAVE TO BE ORDERED.



ITEM	PART	QTY	DESCRIPTION	ITEM	PART	QTY	DESCRIPTION
1	RAP90158		AIR COMPRESSOR (COMPLETE 12 VOLT) (AUXILIARY PRESSURE SWITCH)	9	RP6566	1	AIR LINE 1/4"
2	RAP6192	1	COMPRESSOR 12 VOLT	10	RAP6562	1	SPRING KIT
2A	RAP6563	1	FILTER KIT (FILTER AND PLUG)	10A		6	SPRING
3	RAP6354	1	SOLENOID VALVE (NORMALLY OPEN)	10B		3	SPACER
4	RAP90159	1	SWITCH PRESSURE (NORMALLY CLOSED)	10C		3	SHCS
5	RP5512	1	RELAY (12 VOLT ESSEX)	10D		3	WASHER
6	RAP90160	1	RELIEF VALVE (ADJUSTABLE)	10E		3	SPRING SUPPORT
6A		1	BRASS NIPPLE	10F		3	RING
6B		1	BUSHING	11	RF6549	1	MALE CONNECTOR BRASS 1/4" X 1/4"
7	RP5597	1	CHECK VALVE	12	RF4478	1	MALE CONNECTOR BRASS 1/4" X 3/8"
8	RAP5883	1	FILTER ASSEMBLY (REPLACES RAP5935)	13	RF6791	1	BRASS ELBOW 1/8" X 1/4"
8A	RAP90539	1	REPLACEMENT BOWL	14	RF5887	2	BRASS TEE 1/4"
				15	RF3340	1	BRASS ELBOW 1/4" X 1/4"
				16	RF6011	1	BRASS NIPPLE 1/4"

# COMPRESSOR, AIR - 1 OUTPUT, THOMAS (AP6929) (STANDARD COMPRESSOR BEGINNING 1990)



NOTE: SOME OLDER COMPRESSORS WILL HAVE THIS PRESSURE SWITCH.

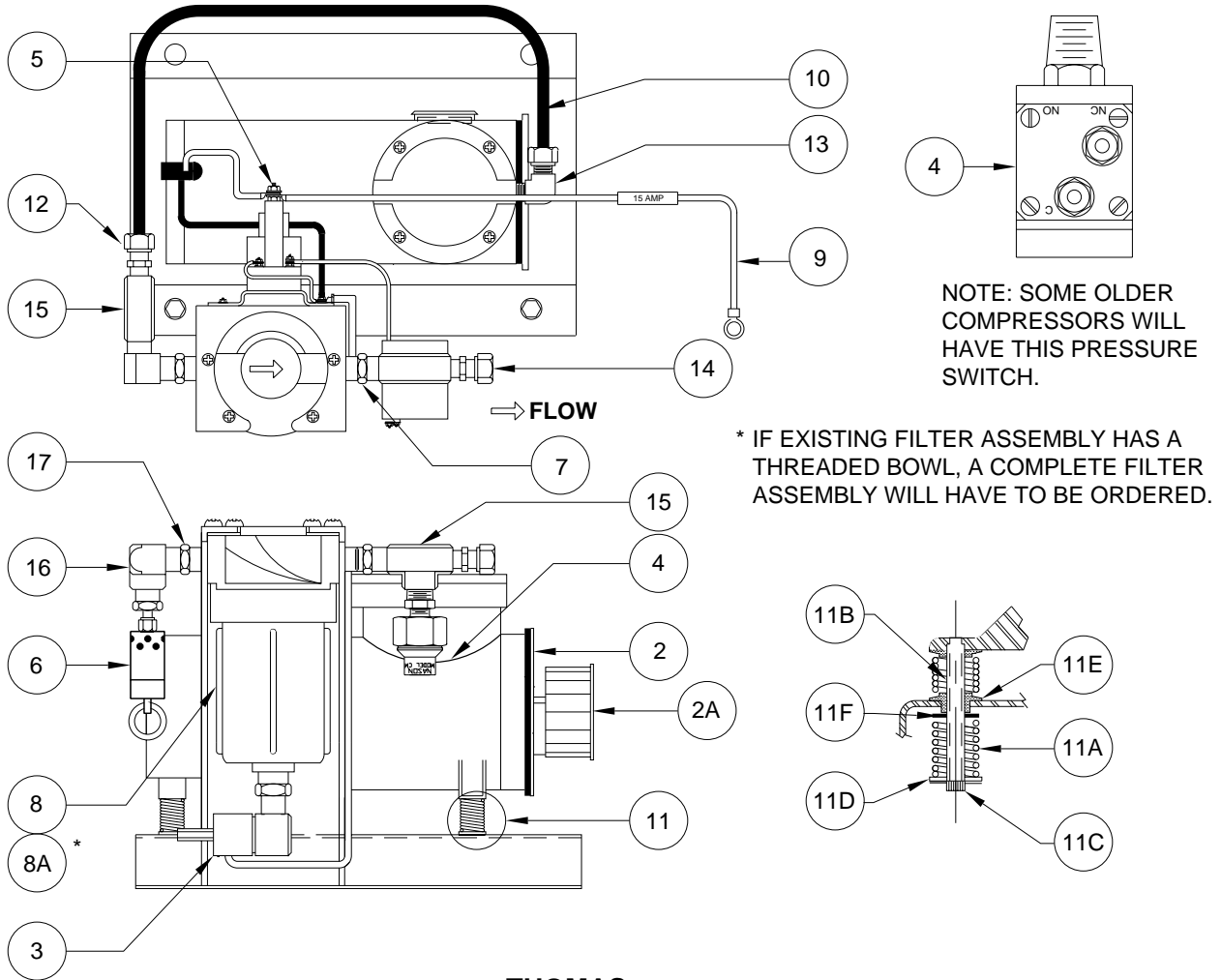
\* IF EXISTING FILTER ASSEMBLY HAS A THREADED BOWL, A COMPLETE FILTER ASSEMBLY WILL HAVE TO BE ORDERED.

**THOMAS  
AIR COMPRESSOR ASSEMBLY**

ITEM	PART	QTY	DESCRIPTION	ITEM	PART	QTY	DESCRIPTION
1	RAP6929		AIR COMPRESSOR (COMPLETE 12 VOLT)	9	RAP6551	1	LEAD WITH FUSE 15 AMP
2	RAP6192	1	COMPRESSOR 12 VOLT	10	RP6566	1	AIR LINE 1/4"
2A	RAP6563	1	FILTER KIT (FILTER AND PLUG)	11	RAP6562	1	SPRING KIT
3	RAP6354	1	SOLENOID VALVE (NORMALLY OPEN)	11A		6	SPRING
4	RAP9136	1	SWITCH PRESSURE (NORMALLY CLOSED)	11B		3	SPACER
5	RP5512	1	SOLENOID (12 VOLT ESSEX)	11C		3	SHCS
6	RP5869	1	RELIEF VALVE	11D		3	WASHER
7	RP5597	1	CHECK VALVE	11E		3	SPRING SUPPORT
8	RAP5883	1	INLET FILTER (REPLACES RAP5935)	11F		3	RING
8A	RAP90539	1	REPLACEMENT BOWL	12	RF6549	2	MALE CONNECTOR AIR 1/4" X 1/4"
				13	RF6791	1	BRASS ELBOW AIR 1/8" X 1/4"



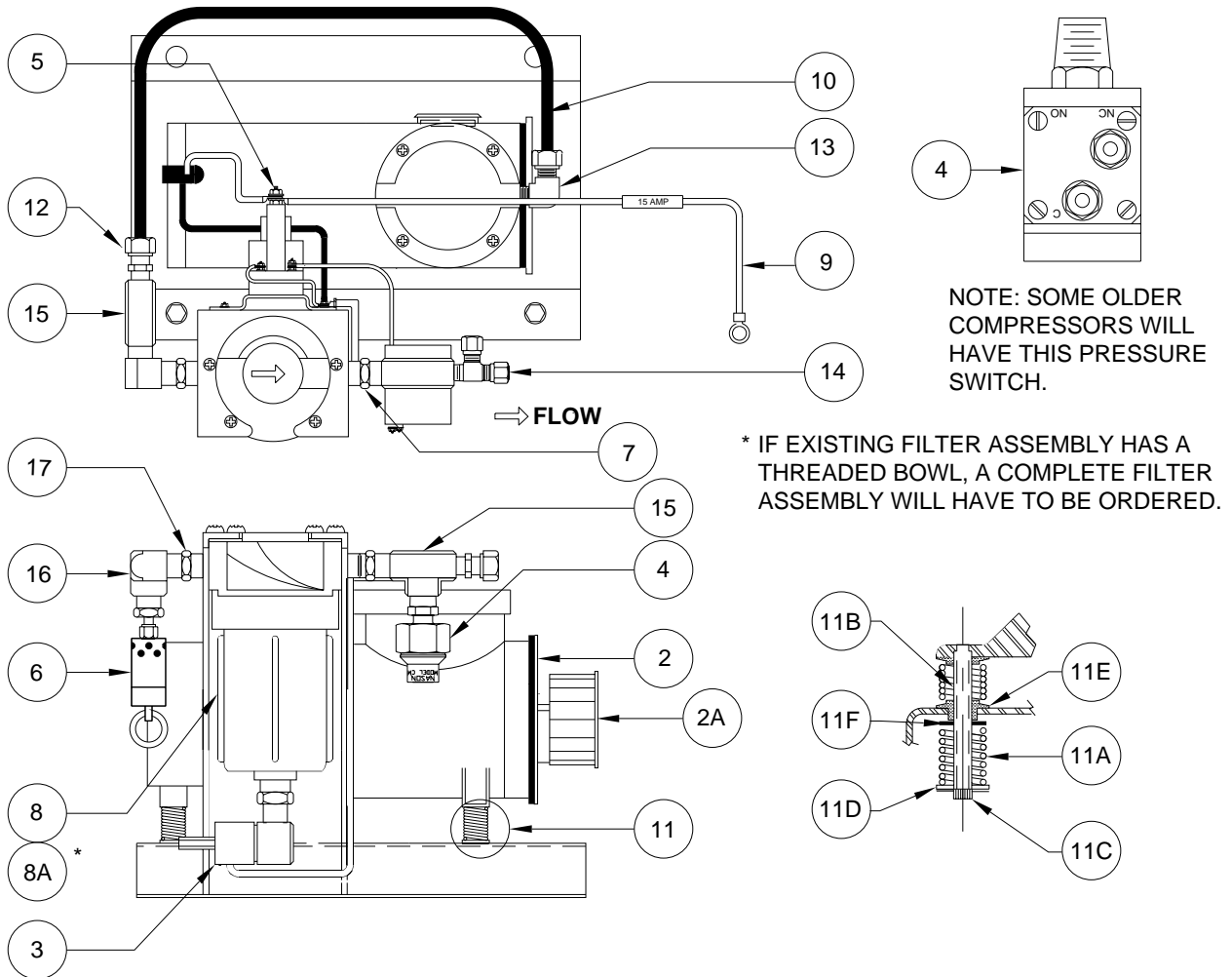
# COMPRESSOR, AIR - 1 OUTPUT, THOMAS (AP8400)



## THOMAS AIR COMPRESSOR ASSEMBLY

ITEM	PART	QTY	DESCRIPTION	ITEM	PART	QTY	DESCRIPTION
1	RAP8400		AIR COMPRESSOR (COMPLETE 12 VOLT)	11	RAP6562	1	SPRING KIT
2	RAP6192	1	COMPRESSOR 12 VOLT	11A		6	SPRING
2A	RAP6563	1	FILTER KIT (FILTER AND PLUG)	11B		3	SPACER
3	RAP6354	1	SOLENOID VALVE (NORMALLY OPEN)	11C		3	SHCS
4	RAP9136	1	SWITCH PRESSURE (NORMALLY CLOSED)	11D		3	WASHER
5	RP5512	1	SOLENOID (12 VOLT ESSEX)	11E		3	SPRING SUPPORT
6	RP5869	1	RELIEF VALVE	11F		3	RING
7	RP5597	1	CHECK VALVE	12	RF6549	1	MALE CONNECTOR AIR 1/4" X 1/4"
8	RAP5883	1	INLET FILTER (REPLACES RAP5935)	13	RF6791	1	BRASS ELBOW AIR 1/8" X 1/4"
8A	RAP90539	1	REPLACEMENT BOWL	14	RF4478	1	MALE CONNECTOR AIR 1/4" X 3/8"
9	RAP6551	1	LEAD WITH FUSE 15 AMP	15	RF5887	2	BRASS TEE 1/4"
10	RP6566	1	AIR LINE 1/4"	16	RF3340	1	BRASS ELBOW 1/4" 1/4"
				17	RF6011	1	BRASS NIPPLE 1/4"

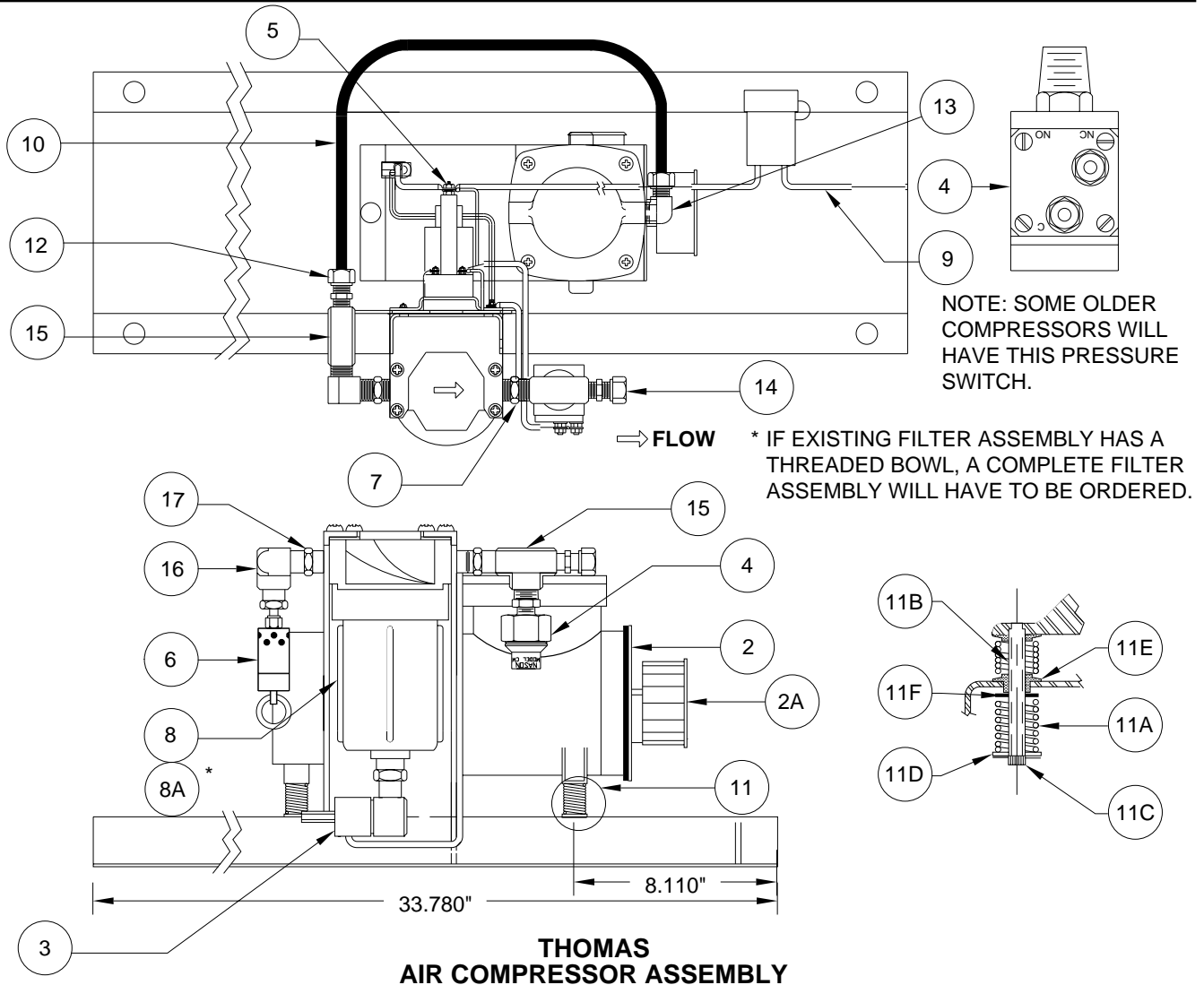
# COMPRESSOR, AIR - 2 OUTPUT, THOMAS (AP16634)



## THOMAS AIR COMPRESSOR ASSEMBLY

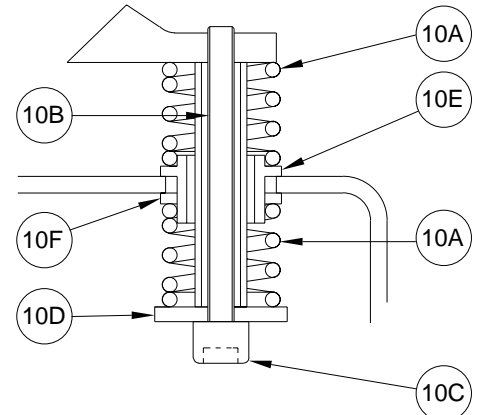
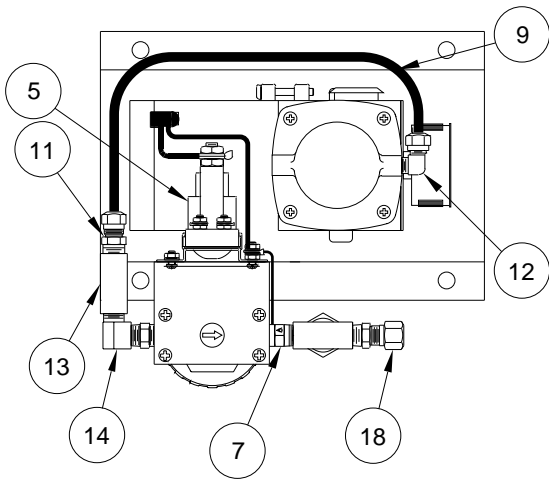
ITEM	PART	QTY	DESCRIPTION	ITEM	PART	QTY	DESCRIPTION
1	RAP90620		AIR COMPRESSOR (COMPLETE 12 VOLT)	11	RAP6562	1	SPRING KIT
2	RAP6192	1	COMPRESSOR 12 VOLT	11A		6	SPRING
2A	RAP6563	1	FILTER KIT (FILTER AND PLUG)	11B		3	SPACER
3	RAP6354	1	SOLENOID VALVE (NORMALLY OPEN)	11C		3	SHCS
4	RAP9136	1	SWITCH PRESSURE (NORMALLY CLOSED)	11D		3	WASHER
5	RP5512	1	SOLENOID (12 VOLT ESSEX)	11E		3	SPRING SUPPORT
6	RP5869	1	RELIEF VALVE	11F		3	RING
7	RP5597	1	CHECK VALVE	12	RF6549	1	MALE CONNECTOR AIR 1/4" X 1/4"
8	RAP5883	1	INLET FILTER (REPLACES RAP5935)	13	RF6791	1	BRASS ELBOW AIR 1/8" X 1/4"
8A	RAP90539	1	REPLACEMENT BOWL	14	RF90579	1	MALE RUN TEE 1/4" X 3/8" X 3/8"
9	RAP6551	1	LEAD WITH FUSE 15 AMP	15	RF5887	2	BRASS TEE 1/4"
10	RP6566	1	AIR LINE 1/4"	16	RF3340	1	BRASS ELBOW 1/4" 1/4"
				17	RF6011	1	BRASS NIPPLE 1/4"

# COMPRESSOR, AIR - 1 OUTPUT, THOMAS (AP17975) (LONG BASE)

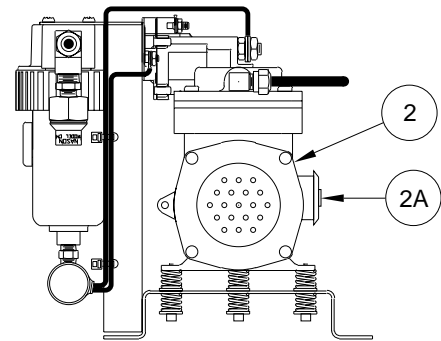
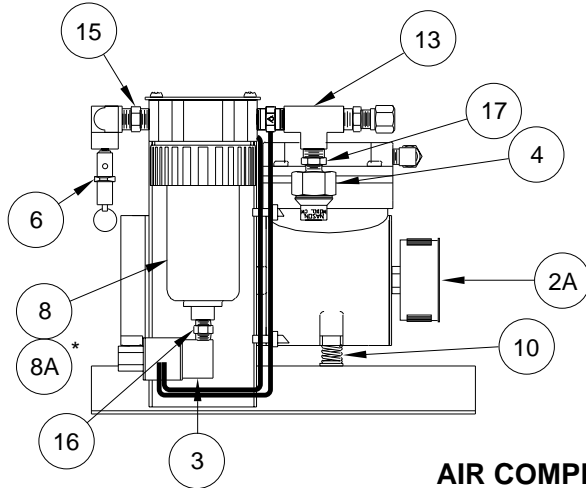


ITEM	PART	QTY	DESCRIPTION	ITEM	PART	QTY	DESCRIPTION
1	RAP90621		AIR COMPRESSOR (COMPLETE 12 VOLT)	11	RAP6562	1	SPRING KIT
2	RAP6192	1	COMPRESSOR 12 VOLT	11A		6	SPRING
2A	RAP6563	1	FILTER KIT (FILTER AND PLUG)	11B		3	SPACER
3	RAP6354	1	SOLENOID VALVE (NORMALLY OPEN)	11C		3	SHCS
4	RAP9136	1	SWITCH PRESSURE (NORMALLY CLOSED)	11D		3	WASHER
5	RP5512	1	SOLENOID (12 VOLT ESSEX)	11E		3	SPRING SUPPORT
6	RP5869	1	RELIEF VALVE	11F		3	RING
7	RP5597	1	CHECK VALVE	12	RF6549	1	MALE CONNECTOR AIR 1/4" X 1/4"
8	RAP5883	1	INLET FILTER (REPLACES RAP5935)	13	RF6791	1	BRASS ELBOW AIR 1/8" X 1/4"
8A	RAP90539	1	REPLACEMENT BOWL	14	RF4478	1	MALE CONNECTOR AIR 1/4" X 3/8"
9	RAP6551	1	LEAD WITH FUSE 15 AMP	15	RF5887	2	BRASS TEE 1/4"
10	RP6566	1	AIR LINE 1/4"	16	RF3340	1	BRASS ELBOW 1/4" 1/4"
				17	RF6011	1	BRASS NIPPLE 1/4"

# COMPRESSOR, AIR - 1 OUTPUT, THOMAS (AP26391)



\* IF EXISTING FILTER ASSEMBLY HAS A THREADED BOWL, A COMPLETE FILTER ASSEMBLY WILL HAVE TO BE ORDERED.

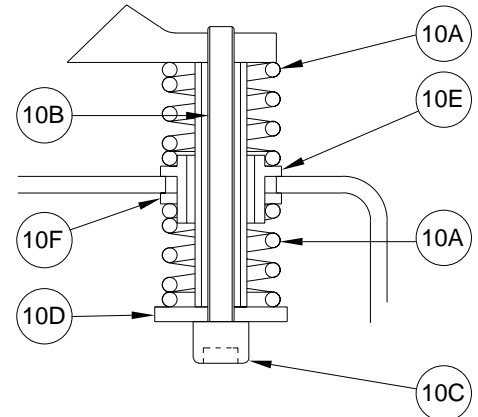
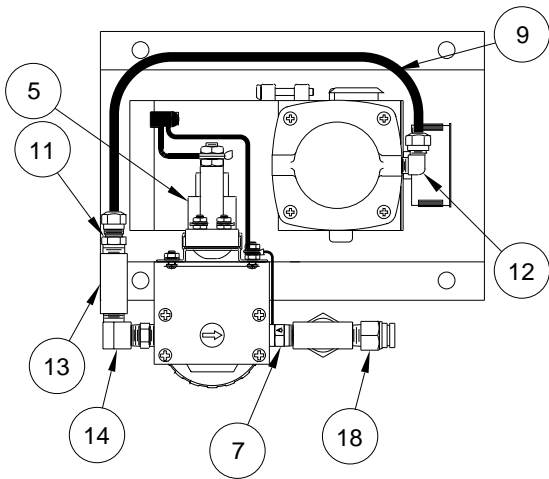


## THOMAS AIR COMPRESSOR ASSEMBLY

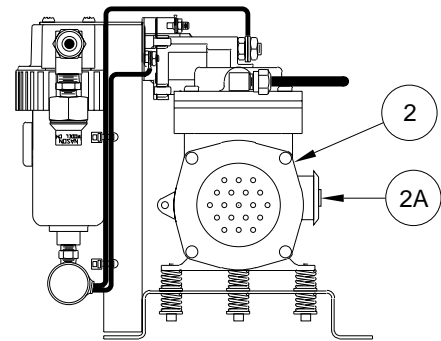
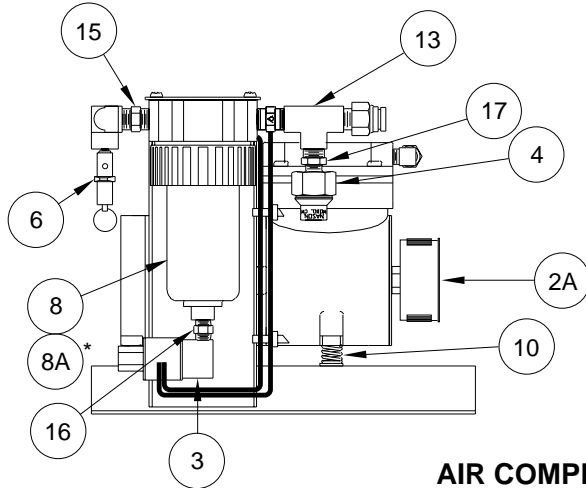
ITEM	PART	QTY	DESCRIPTION
1	RAP91887		AIR COMPRESSOR (COMPLETE 12 VOLT)
2	RAP6192	1	COMPRESSOR 12 VOLT
2A	RAP6563	1	FILTER KIT (FILTER AND PLUG)
3	RAP90911	1	SOLENOID VALVE (NORMALLY OPEN)
4	RAP9136	1	SWITCH PRESSURE (NORMALLY CLOSED)
5	RP5512	1	RELAY (12 VOLT ESSEX)
6	RP5869	1	AIR SAFETY VALVE
7	RP5597	1	CHECK VALVE
8	RAP5883	1	FILTER ASSEMBLY (REPLACES RAP5935)
8A	RAP90539	1	REPLACEMENT BOWL
9	RP6566	1	AIRLINE 1/4"

ITEM	PART	QTY	DESCRIPTION
10	RAP6562	1	SPRING KIT
10A		6	SPRING
10B		3	SPACER
10C		3	SHCS
10D		3	WASHER
10E		3	SPRING SUPPORT
10F		3	RING
11	RF6549	1	MALE CONNECTOR BRASS 1/4" X 1/4" TUBE
12	RF6791	1	BRASS ELBOW 1/8" X 1/4"
13	RF5887	2	BRASS TEE 1/4"
14	RF3340	1	BRASS ELBOW 1/4" X 1/4"
15	RF6011	1	BRASS NIPPLE 1/4"
16	RF90170	1	BRASS NIPPLE 1/8"
17	RF90172	1	BRASS BUSHING 1/4" X 1/8"
18	RF4478	1	1/4" PIPE TO 3/8" TUBE

# COMPRESSOR, AIR - 1 OUTPUT, THOMAS (AP30877)



\* IF EXISTING FILTER ASSEMBLY HAS A THREADED BOWL, A COMPLETE FILTER ASSEMBLY WILL HAVE TO BE ORDERED.

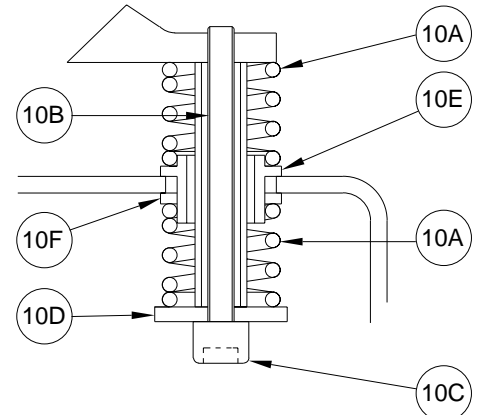
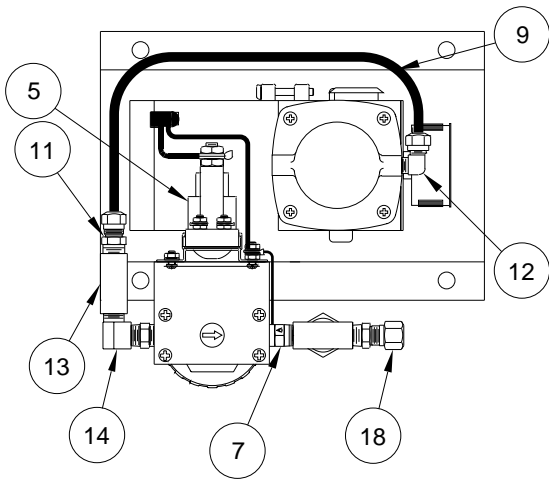


## THOMAS AIR COMPRESSOR ASSEMBLY

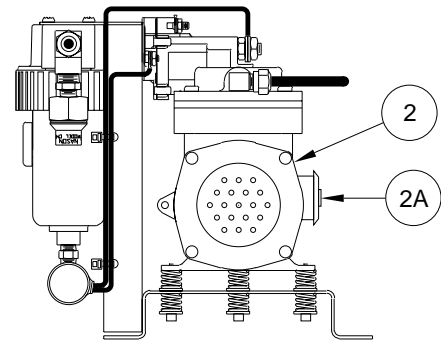
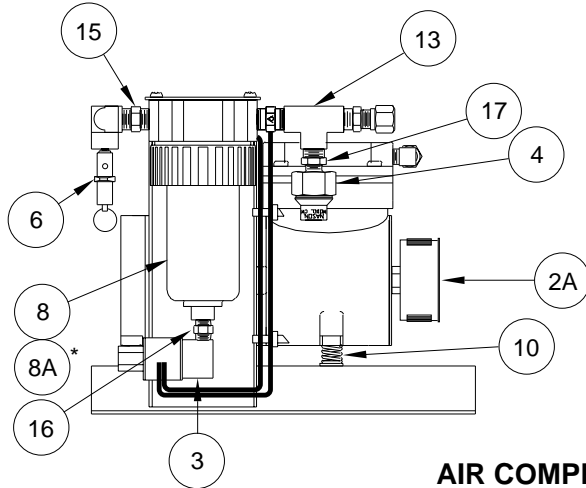
ITEM	PART	QTY	DESCRIPTION
1	RAP91895		AIR COMPRESSOR (COMPLETE 12 VOLT)
2	RAP6192	1	COMPRESSOR 12 VOLT
2A	RAP6563	1	FILTER KIT (FILTER AND PLUG)
3	RAP90911	1	SOLENOID VALVE (NORMALLY OPEN)
4	RAP91624	1	SWITCH PRESSURE (NORMALLY CLOSED)
5	RP5512	1	RELAY (12 VOLT ESSEX)
6	RP5869	1	AIR SAFETY VALVE
7	RP5597	1	CHECK VALVE
8	RAP5883	1	FILTER ASSEMBLY (REPLACES RAP5935)
8A	RAP90539	1	REPLACEMENT BOWL
9	RP6566	1	AIRLINE 1/4"

ITEM	PART	QTY	DESCRIPTION
10	RAP6562	1	SPRING KIT
10A		6	SPRING
10B		3	SPACER
10C		3	SHCS
10D		3	WASHER
10E		3	SPRING SUPPORT
10F		3	RING
11	RF6549	1	MALE CONNECTOR BRASS 1/4" X 1/4" TUBE
12	RF6791	1	BRASS ELBOW 1/8" X 1/4"
13	RF5887	2	BRASS TEE 1/4"
14	RF3340	1	BRASS ELBOW 1/4" X 1/4"
15	RF6011	1	BRASS NIPPLE 1/4"
16	RF90170	1	BRASS NIPPLE 1/8"
17	RF90172	1	BRASS BUSHING 1/4" X 1/8"
18	RF91586	1	PUSH AIR STRAIGHT 3/8" TUBE

# COMPRESSOR, AIR - 1 OUTPUT, THOMAS (AP31147)



\* IF EXISTING FILTER ASSEMBLY HAS A THREADED BOWL, A COMPLETE FILTER ASSEMBLY WILL HAVE TO BE ORDERED.

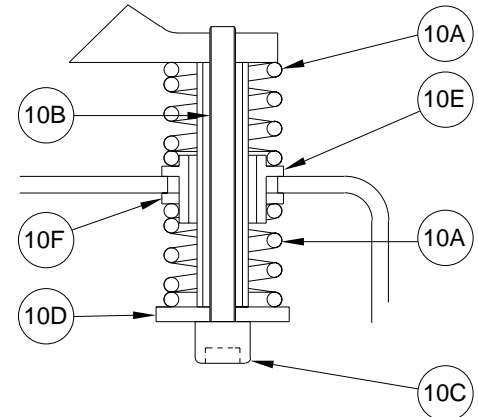
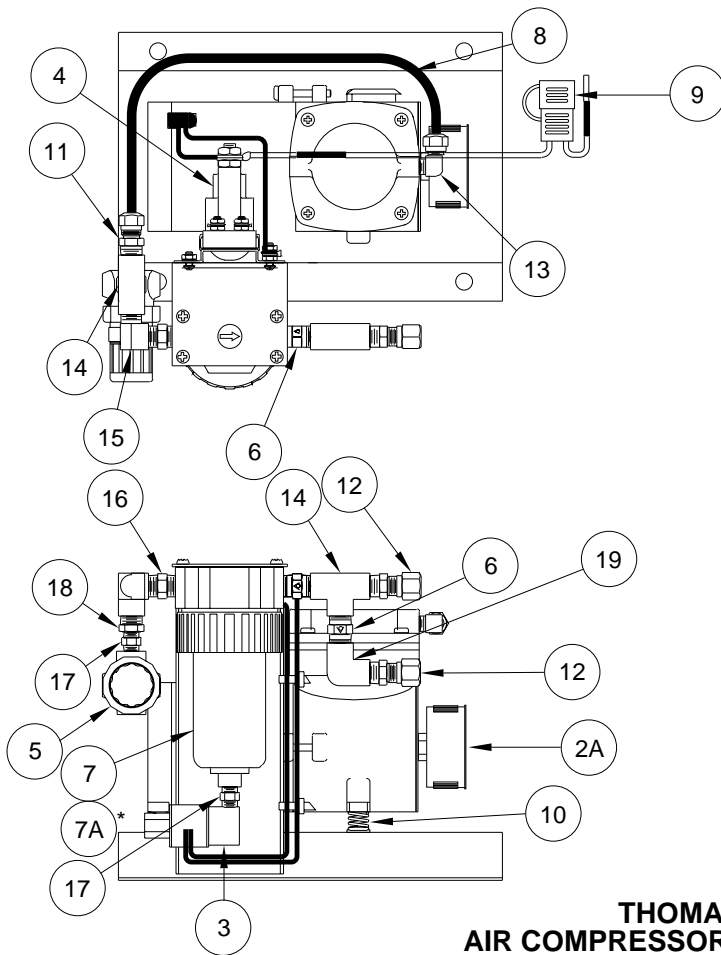


## THOMAS AIR COMPRESSOR ASSEMBLY

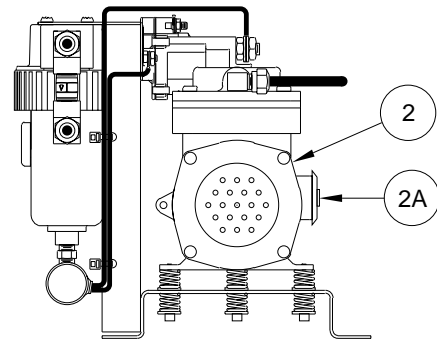
ITEM	PART	QTY	DESCRIPTION
1	RAP91409		AIR COMPRESSOR (COMPLETE 12 VOLT)
2	RAP6192	1	COMPRESSOR 12 VOLT
2A	RAP6563	1	FILTER KIT (FILTER AND PLUG)
3	RAP90911	1	SOLENOID VALVE (NORMALLY OPEN)
4	RAP91344	1	SWITCH PRESSURE (NORMALLY CLOSED)
5	RP5512	1	RELAY (12 VOLT ESSEX)
6	RP5869	1	AIR SAFETY VALVE
7	RP5597	1	CHECK VALVE
8	RAP5883	1	FILTER ASSEMBLY (REPLACES RAP5935)
8A	RAP90539	1	REPLACEMENT BOWL
9	RP6566	1	AIRLINE 1/4"

ITEM	PART	QTY	DESCRIPTION
10	RAP6562	1	SPRING KIT
10A		6	SPRING
10B		3	SPACER
10C		3	SHCS
10D		3	WASHER
10E		3	SPRING SUPPORT
10F		3	RING
11	RF6549	1	MALE CONNECTOR BRASS 1/4" X 1/4" TUBE
12	RF6791	1	BRASS ELBOW 1/8" X 1/4"
13	RF5887	2	BRASS TEE 1/4"
14	RF3340	1	BRASS ELBOW 1/4" X 1/4"
15	RF6011	1	BRASS NIPPLE 1/4"
16	RF90170	1	BRASS NIPPLE 1/8"
17	RF90172	1	BRASS BUSHING 1/4" X 1/8"
18	RF4478	1	1/4" TEE TO 3/8" TUBE

# COMPRESSOR, AIR - 1 OUTPUT, THOMAS (AP33330)



\* IF EXISTING FILTER ASSEMBLY HAS A THREADED BOWL, A COMPLETE FILTER ASSEMBLY WILL HAVE TO BE ORDERED.

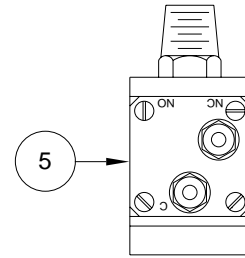
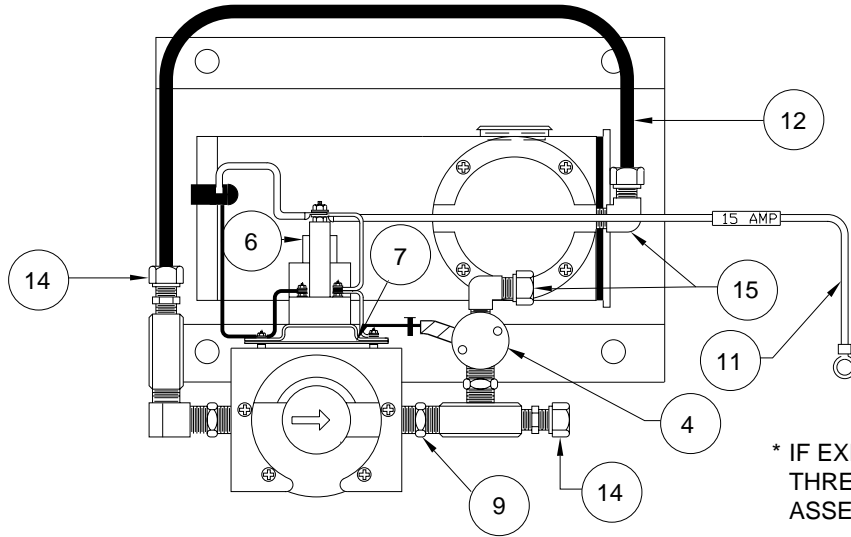


## THOMAS AIR COMPRESSOR ASSEMBLY

ITEM	PART	QTY	DESCRIPTION
1	RAP91885		AIR COMPRESSOR (COMPLETE 12 VOLT)
2	RAP6192	1	COMPRESSOR 12 VOLT
2A	RAP6563	1	FILTER KIT (FILTER AND PLUG)
3	RAP90911	1	SOLENOID VALVE (NORMALLY OPEN)
4	RP5512	1	RELAY (12 VOLT ESSEX)
5	RAP90160	1	RELIEF VALVE (ADJUSTABLE)
6	RP5597	2	CHECK VALVE
7	RAP5883	1	FILTER ASSEMBLY (REPLACES RAP5935)
7A	RAP90539	1	REPLACEMENT BOWL
8	RP6566	1	AIRLINE 1/4"
9	RAP6551	1	HARNESS FUSED 15 AMP FUSE

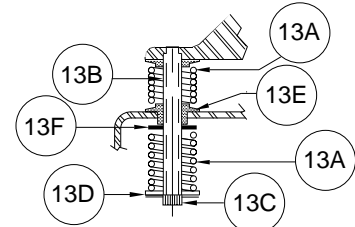
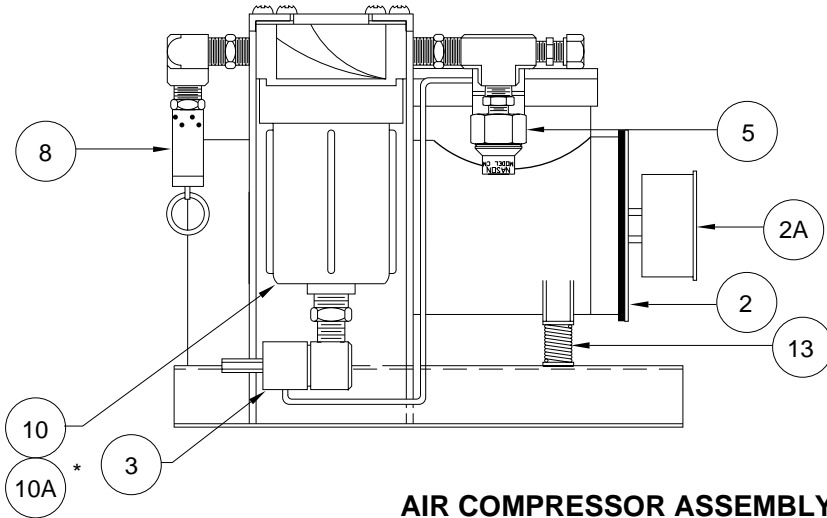
ITEM	PART	QTY	DESCRIPTION
10	RAP6562	1	SPRING KIT
10A		6	SPRING
10B		3	SPACER
10C		3	SHCS
10D		3	WASHER
10E		3	SPRING SUPPORT
10F		3	RING
11	RF6549	1	MALE CONNECTOR BRASS 1/4" X 1/4"
12	RF4478	2	1/4" NPT TO 3/8" TUBE
13	RF6791	1	BRASS ELBOW 1/8" X 1/4"
14	RF5887	2	BRASS TEE 1/4"
15	RF3340	1	BRASS ELBOW 1/4" X 1/4"
16	RF6011	1	BRASS NIPPLE 1/4"
17	RF90170	2	BRASS NIPPLE 1/8"
18	RF90172	1	BRASS BUSHING 1/4" X 1/8"
19	RF91776	1	BRASS ELBOW 1/4" X 1/4"

# COMPRESSOR, AIR - 2 OUTPUT, THOMAS (AP6386) (NO OEM USAGE)



NOTE: SOME OLDER COMPRESSORS WILL HAVE THIS PRESSURE SWITCH.

\* IF EXISTING FILTER ASSEMBLY HAS A THREADED BOWL, A COMPLETE FILTER ASSEMBLY WILL HAVE TO BE ORDERED.

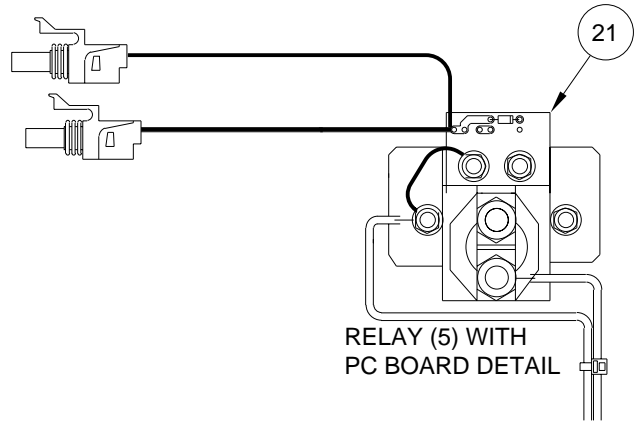
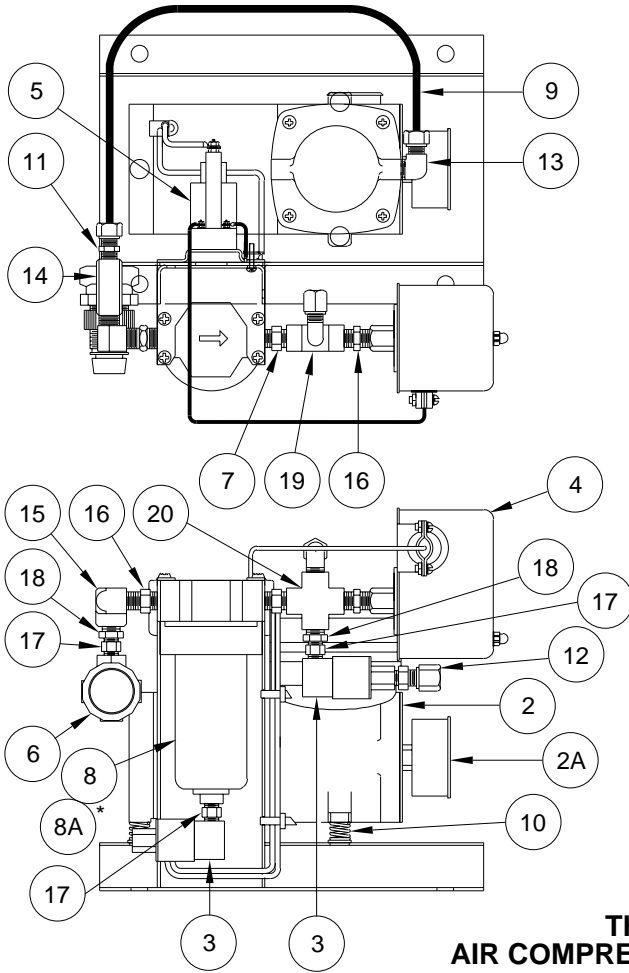


**AIR COMPRESSOR ASSEMBLY**

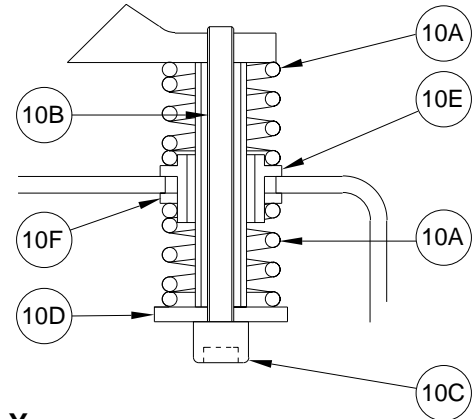
ITEM	PART	QTY	DESCRIPTION	ITEM	PART	QTY	DESCRIPTION
1	RAP6386		AIR COMP. ASSY., 12V 2 CIRCUIT, COMPLETE	10	RAP5883	1	INLET FILTER (REPLACES RAP5935)
2	RAP6192	1	COMPRESSOR, 12V	10A	RAP90539	1	REPLACEMENT BOWL
2A	RAP6563	1	FILTER KIT CONTAINS FILTER AND PLUG	11	RAP6551	1	LEAD, FUSED, WITH 15 AMP FUSE
3	RAP6354	1	SOLENOID VALVE, 12V, NORMALLY OPEN	12	RP6566	1	AIR LINE, 1/4"
4	RAP5868	1	SOLENOID VALVE, 12V, NORMALLY CLOSED	13	RAP6562	1	SPRING KIT
5	RAP9136	1	PRESSURE SWITCH N.C.	13A		6	SPRING
6	RP5512	1	RELAY, 12 V. ESSEX	13B		3	SPACER
7	RAP6395	1	PRINTED CIRCUIT BOARD WITH WIRING	13C		3	SOCKET HEAD SCREW
8	RP5869	1	RELIEF VALVE	13D		3	WASHER
9	RP5597	1	CHECK VALVE	13E		3	SPRING SUPPORT
				13F		3	RING
				14	RF6549	2	68 NTA-4-4 FOR 1/4" TUBE (1 FTG. PER RF6549)
				15	RF6791	2	269 NTA-4-2 BRASS ELBOW (1 PER RF6791)



# COMPRESSOR, AIR - 2 OUTPUT, THOMAS (AP19507)



\* IF EXISTING FILTER ASSEMBLY HAS A THREADED BOWL, A COMPLETE FILTER ASSEMBLY WILL HAVE TO BE ORDERED.

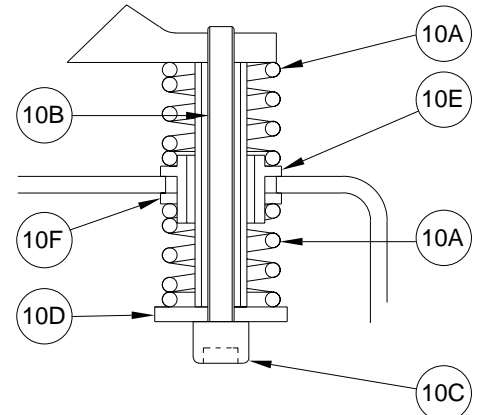
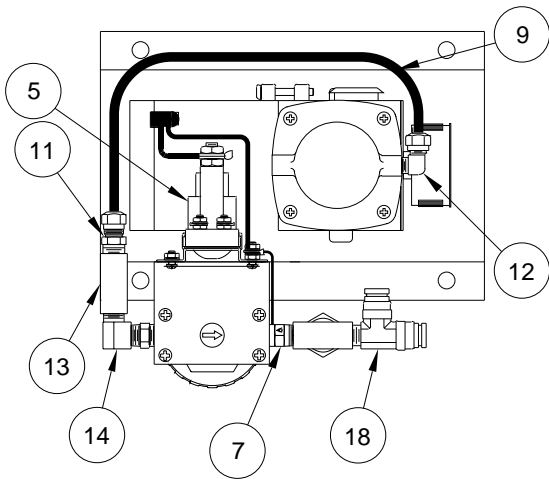


## THOMAS AIR COMPRESSOR ASSEMBLY

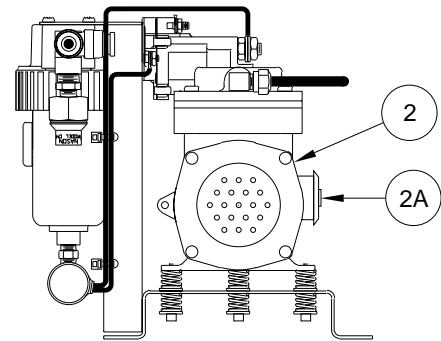
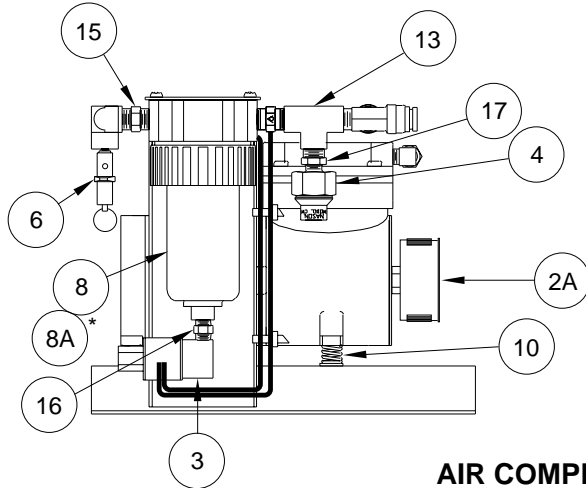
ITEM	PART	QTY	DESCRIPTION
1	RAP90677		AIR COMPRESSOR (COMPLETE 12 VOLT) (AUXILIARY PRESSURE SWITCH)
2	RAP6192	1	COMPRESSOR 12 VOLT
2A	RAP6563	1	FILTER KIT (FILTER AND PLUG)
3	RAP6354	1	SOLENOID VALVE (NORMALLY OPEN)
4	RAP90159	1	SWITCH PRESSURE (NORMALLY CLOSED)
5	RP5512	1	RELAY (12 VOLT ESSEX)
6	RP90160	1	RELIEF VALVE (ADJUSTABLE)
7	RP5597	1	CHECK VALVE
8	RAP5883	1	FILTER ASSEMBLY (REPLACES RAP5935)
8A	RAP90539	1	REPLACEMENT BOWL
9	RP6566	1	AIRLINE 1/4"

ITEM	PART	QTY	DESCRIPTION
10	RAP6562	1	SPRING KIT
10A		6	SPRING
10B		3	SPACER
10C		3	SHCS
10D		3	WASHER
10E		3	SPRING SUPPORT
10F		3	RING
11	RF6549	1	MALE CONNECTOR BRASS 1/4" X 1/4"
12	RF6148	1	MALE CONNECTOR BRASS 1/8" X 3/8"
13	RF6791	1	BRASS ELBOW 1/8" X 1/4"
14	RF5887	2	BRASS TEE 1/4"
15	RF3340	1	BRASS ELBOW 1/4" X 1/4"
16	RF6011	1	BRASS NIPPLE 1/4"
17	RF90170	1	BRASS NIPPLE 1/8"
18	RF90172	1	BRASS BUSHING 1/4" X 1/8"
19	RF90164	1	90 DEGREE BRASS CONN. 1/4" X 3/8"
20	RF90675	1	BRASS CROSS 1/4"
21	RAP90676	1	PC BOARD ASSY.

# COMPRESSOR, AIR - 2 OUTPUT, THOMAS (AP30876)



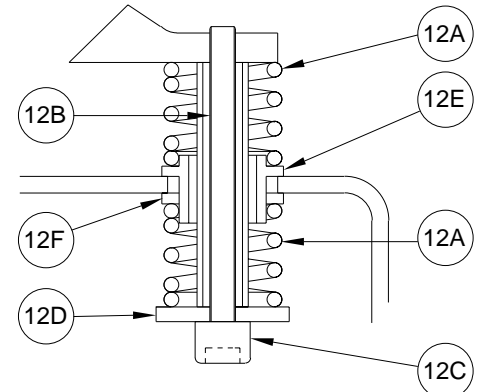
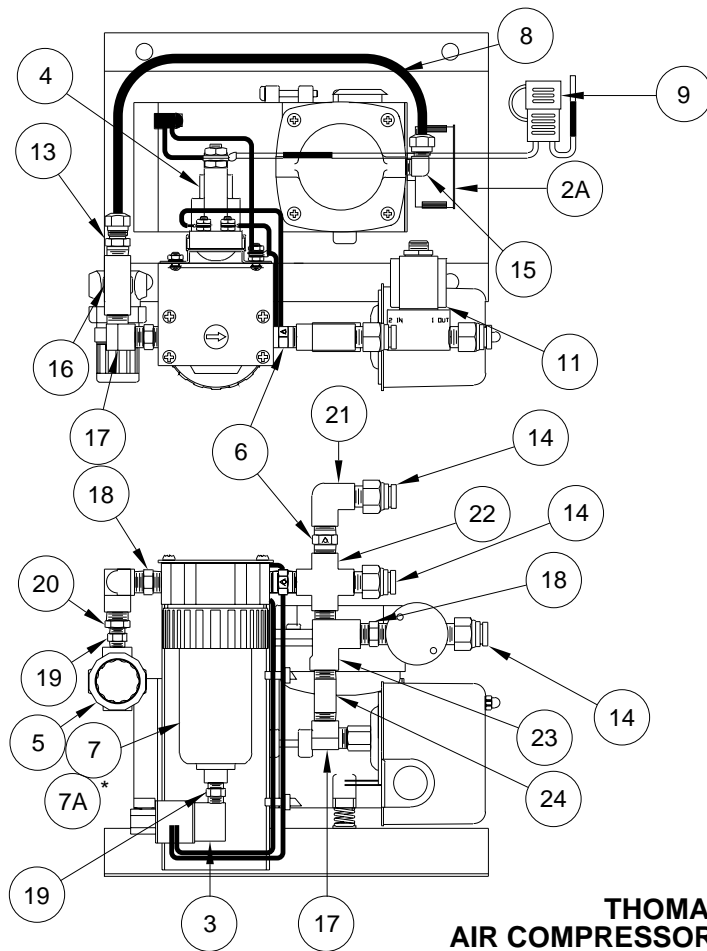
\* IF EXISTING FILTER ASSEMBLY HAS A THREADED BOWL, A COMPLETE FILTER ASSEMBLY WILL HAVE TO BE ORDERED.



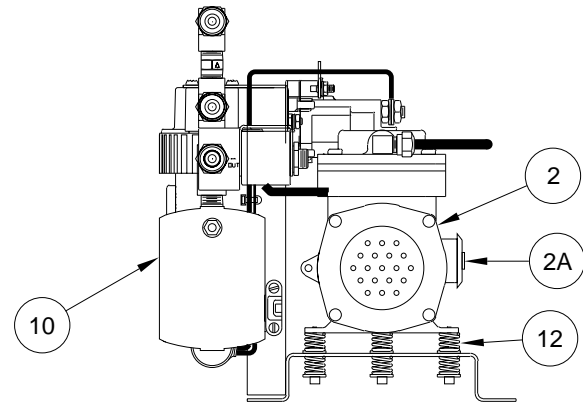
## THOMAS AIR COMPRESSOR ASSEMBLY

ITEM	PART	QTY	DESCRIPTION	ITEM	PART	QTY	DESCRIPTION
1	RAP91892		AIR COMPRESSOR (COMPLETE 12 VOLT)	10	RAP6562	1	SPRING KIT
2	RAP6192	1	COMPRESSOR 12 VOLT	10A		6	SPRING
2A	RAP6563	1	FILTER KIT (FILTER AND PLUG)	10B		3	SPACER
3	RAP90911	1	SOLENOID VALVE (NORMALLY OPEN)	10C		3	SHCS
4	RAP91624	1	SWITCH PRESSURE (NORMALLY CLOSED)	10D		3	WASHER
5	RP5512	1	RELAY (12 VOLT ESSEX)	10E		3	SPRING SUPPORT
6	RP5869	1	AIR SAFETY VALVE	10F		3	RING
7	RP5597	1	CHECK VALVE	11	RF6549	1	MALE CONNECTOR BRASS 1/4" X 1/4" TUBE
8	RAP5883	1	FILTER ASSEMBLY (REPLACES RAP5935)	12	RF6791	1	BRASS ELBOW 1/8" X 1/4"
8A	RAP90539	1	REPLACEMENT BOWL	13	RF5887	2	BRASS TEE 1/4"
9	RP6566	1	AIRLINE 1/4"	14	RF3340	1	BRASS ELBOW 1/4" X 1/4"
				15	RF6011	1	BRASS NIPPLE 1/4"
				16	RF90170	1	BRASS NIPPLE 1/8"
				17	RF90172	1	BRASS BUSHING 1/4" X 1/8"
				18	RF91119	1	PUSH AIR TEE 3/8" TUBE

# COMPRESSOR, AIR - 2 OUTPUT, THOMAS (AP32800)



\* IF EXISTING FILTER ASSEMBLY HAS A THREADED BOWL, A COMPLETE FILTER ASSEMBLY WILL HAVE TO BE ORDERED.

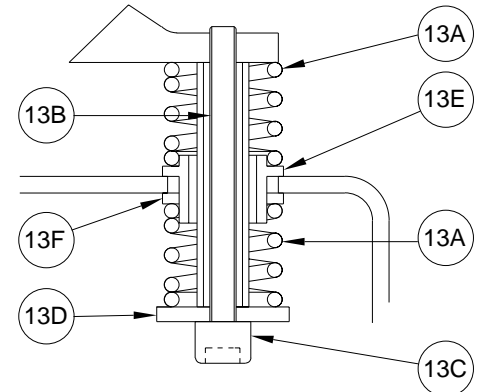
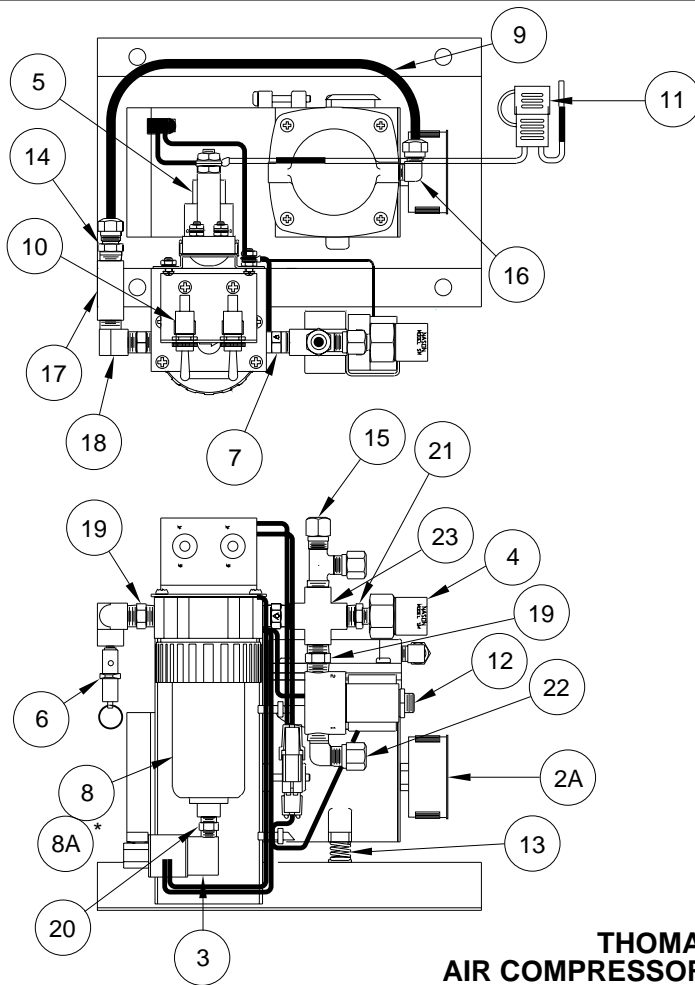


**THOMAS  
AIR COMPRESSOR ASSEMBLY**

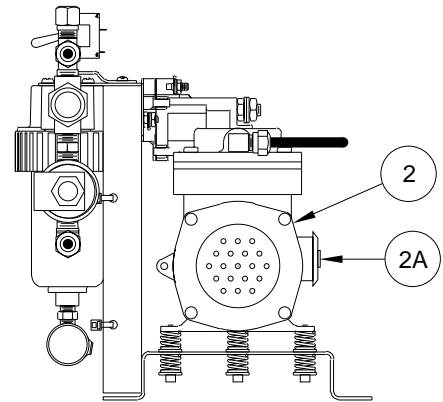
ITEM	PART	QTY	DESCRIPTION
1	RAP91889		AIR COMPRESSOR (COMPLETE 12 VOLT)
2	RAP6192	1	COMPRESSOR 12 VOLT
2A	RAP6563	1	FILTER KIT (FILTER AND PLUG)
3	RAP90911	1	SOLENOID VALVE (NORMALLY OPEN)
4	RP5512	1	RELAY (12 VOLT ESSEX)
5	RAP90160	1	RELIEF VALVE (ADJUSTABLE)
6	RP5597	2	CHECK VALVE
7	RAP5883	1	FILTER ASSEMBLY (REPLACES RAP5935)
7A	RAP90539	1	REPLACEMENT BOWL
8	RP6566	1	AIRLINE 1/4"
9	RAP6551	1	HARNESS FUSED 15 AMP FUSE
10	RAP90159	1	SWITCH PRESSURE (NORMALLY CLOSED)
11	RAP91775	1	SOLENOID VALVE (2 WAY)

ITEM	PART	QTY	DESCRIPTION
12	RAP6562	1	SPRING KIT
12A		6	SPRING
12B		3	SPACER
12C		3	SHCS
12D		3	WASHER
12E		3	SPRING SUPPORT
12F		3	RING
13	RF6549	1	MALE CONNECTOR BRASS 1/4" X 1/4" TUBE
14	RF91586	3	3/8" PUSH TUBE STR.
15	RF6791	1	BRASS ELBOW 1/8" X 1/4"
16	RF5887	1	BRASS TEE 1/4"
17	RF3340	2	BRASS ELBOW 1/4" X 1/4"
18	RF6011	2	BRASS NIPPLE 1/4"
19	RF90170	2	BRASS NIPPLE 1/8"
20	RF90172	1	BRASS BUSHING 1/4" X 1/8"
21	RF91776	1	BRASS ELBOW 1/4" X 1/4"
22	RF90675	1	BRASS CROSS 1/4"
23	RF6944	1	BRASS STREET TEE 1/4"
24	RF91777	1	BRASS NIPPLE 1/4" X 1/4"

# COMPRESSOR, AIR - 3 OUTPUT, THOMAS (AP28348)



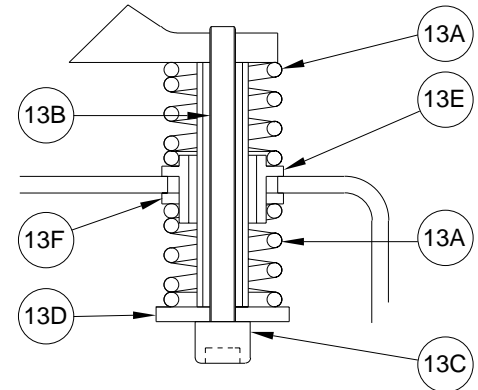
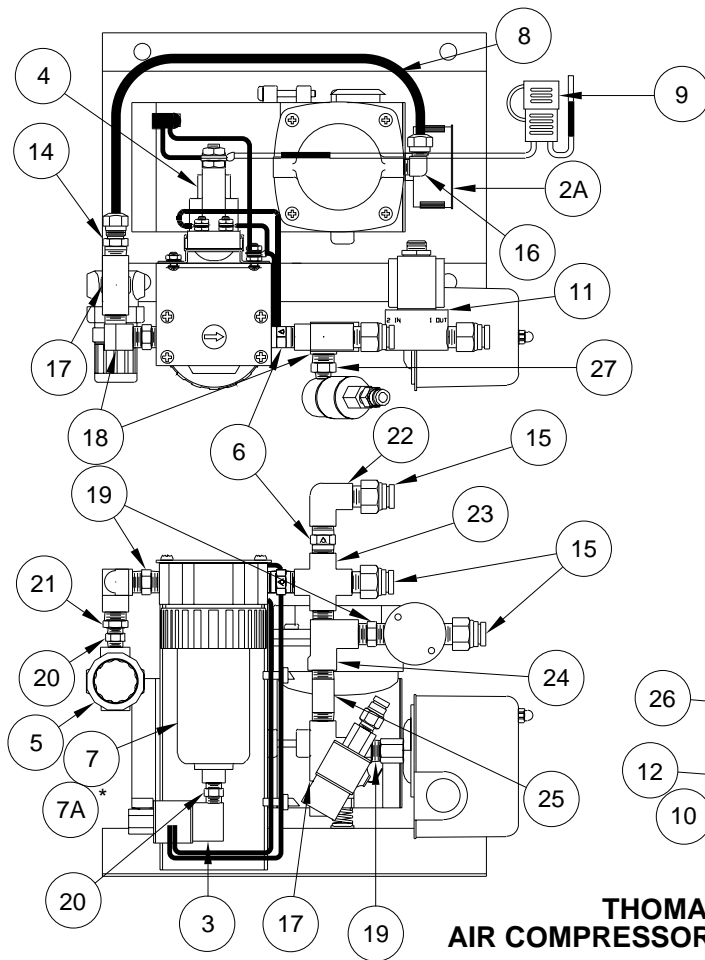
\* IF EXISTING FILTER ASSEMBLY HAS A THREADED BOWL, A COMPLETE FILTER ASSEMBLY WILL HAVE TO BE ORDERED.



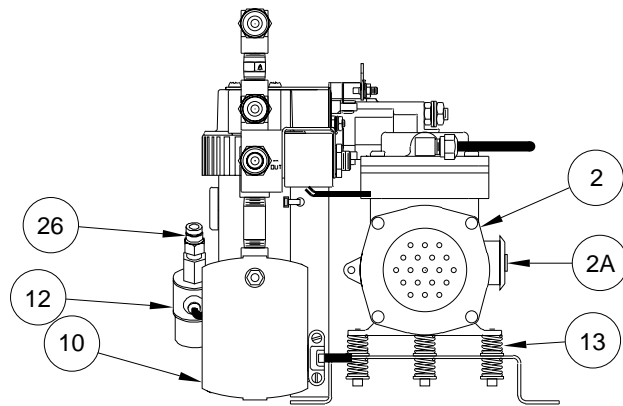
## THOMAS AIR COMPRESSOR ASSEMBLY

ITEM	PART	QTY	DESCRIPTION	ITEM	PART	QTY	DESCRIPTION
1	RAP91891		AIR COMPRESSOR (COMPLETE 12 VOLT)	13	RAP6562	1	SPRING KIT
2	RAP6192	1	COMPRESSOR 12 VOLT	13A		6	SPRING
2A	RAP6563	1	FILTER KIT (FILTER AND PLUG)	13B		3	SPACER
3	RAP90911	1	SOLENOID VALVE (NORMALLY OPEN)	13C		3	SHCS
4	RAP91344	1	SWITCH PRESSURE (NORMALLY CLOSED)	13D		3	WASHER
5	RP5512	1	RELAY (12 VOLT ESSEX)	13E		3	SPRING SUPPORT
6	RP5869	1	AIR SAFETY VALVE	13F		3	RING
7	RP5597	1	CHECK VALVE	14	RF6549	1	MALE CONNECTOR BRASS 1/4" X 1/4"
8	RAP5883	1	FILTER ASSEMBLY (REPLACES RAP5935)	15	RF90579	1	1/4" NPT TO 3/8" TUBE TEE
8A	RAP90539	1	REPLACEMENT BOWL	16	RF6791	1	BRASS ELBOW 1/8" X 1/4"
9	RP6566	1	AIRLINE 1/4"	17	RF5887	1	BRASS TEE 1/4"
10	RAP2354	2	TOGGLE SWITCH	18	RF3340	1	BRASS ELBOW 1/4" X 1/4"
11	RAP6551	1	HARNESS FUSED 15 AMP FUSE	19	RF6011	2	BRASS NIPPLE 1/4"
12	RAP91775	1	SOLENOID VALVE (2 WAY)	20	RF90170	1	BRASS NIPPLE 1/8"
				21	RF90172	1	BRASS BUSHING 1/4" X 1/8"
				22	RF90164	1	BRASS ELBOW 1/4" TO 3/8" TUBE
				23	RF90675	1	BRASS CROSS 1/4"

# COMPRESSOR, AIR - 3 OUTPUT, THOMAS (AP33379)



\* IF EXISTING FILTER ASSEMBLY HAS A THREADED BOWL, A COMPLETE FILTER ASSEMBLY WILL HAVE TO BE ORDERED.

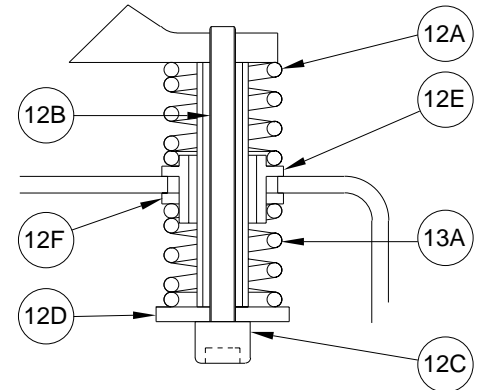
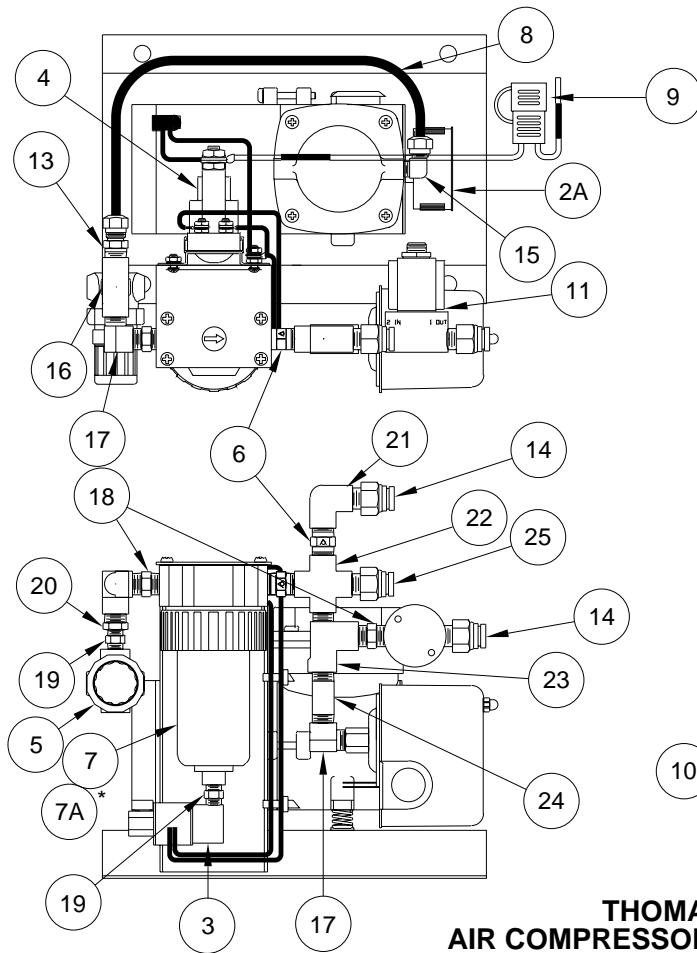


**THOMAS  
AIR COMPRESSOR ASSEMBLY**

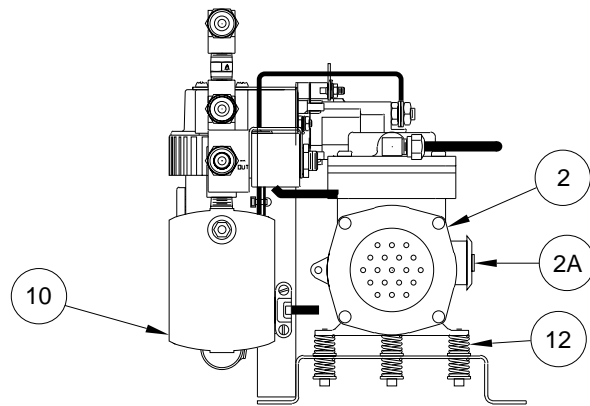
ITEM	PART	QTY	DESCRIPTION
1	RAP91886		AIR COMPRESSOR (COMPLETE 12 VOLT)
2	RAP6192	1	COMPRESSOR 12 VOLT
2A	RAP6563	1	FILTER KIT (FILTER AND PLUG)
3	RAP90911	1	SOLENOID VALVE (NORMALLY OPEN)
4	RP5512	1	RELAY (12 VOLT ESSEX)
5	RAP90160	1	RELIEF VALVE (ADJUSTABLE)
6	RP5597	2	CHECK VALVE
7	RAP5883	1	FILTER ASSEMBLY (REPLACES RAP5935)
7A	RAP90539	1	REPLACEMENT BOWL
8	RP6566	1	AIRLINE 1/4"
9	RAP6551	1	HARNESS FUSED 15 AMP FUSE
10	RAP90159	1	SWITCH PRESSURE (NORMALLY CLOSED)
11	RAP91775	1	SOLENOID VALVE (2 WAY)
12	RAP6354	1	SOLENOID VALVE (NORMALLY OPEN)

ITEM	PART	QTY	DESCRIPTION
13	RAP6562	1	SPRING KIT
13A		6	SPRING
13B		3	SPACER
13C		3	SHCS
13D		3	WASHER
13E		3	SPRING SUPPORT
13F		3	RING
14	RF6549	1	MALE CONNECTOR BRASS 1/4" X 1/4" TUBE
15	RF91586	3	3/8" PUSH TUBE STR.
16	RF6791	1	BRASS ELBOW 1/8" X 1/4"
17	RF5887	2	BRASS TEE 1/4"
18	RF3340	1	BRASS ELBOW 1/4" X 1/4"
19	RF6011	3	BRASS NIPPLE 1/4"
20	RF90170	2	BRASS NIPPLE 1/8"
21	RF90172	1	BRASS BUSHING 1/4" X 1/8"
22	RF91776	1	BRASS ELBOW 1/4" X 1/4"
23	RF90675	1	BRASS CROSS 1/4"
24	RF6944	1	BRASS STREET TEE 1/4"
25	RF91777	1	BRASS NIPPLE 1/4" X 1/4"
26	RF91120	1	PUSH AIR 1/4"
27	RF90908	1	BRASS NIPPLE 1/4" X 1/8"

# COMPRESSOR, AIR - 2 OUTPUT, THOMAS (AP37528)



\* IF EXISTING FILTER ASSEMBLY HAS A THREADED BOWL, A COMPLETE FILTER ASSEMBLY WILL HAVE TO BE ORDERED.

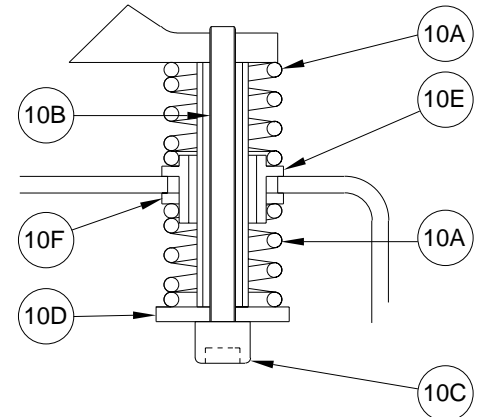
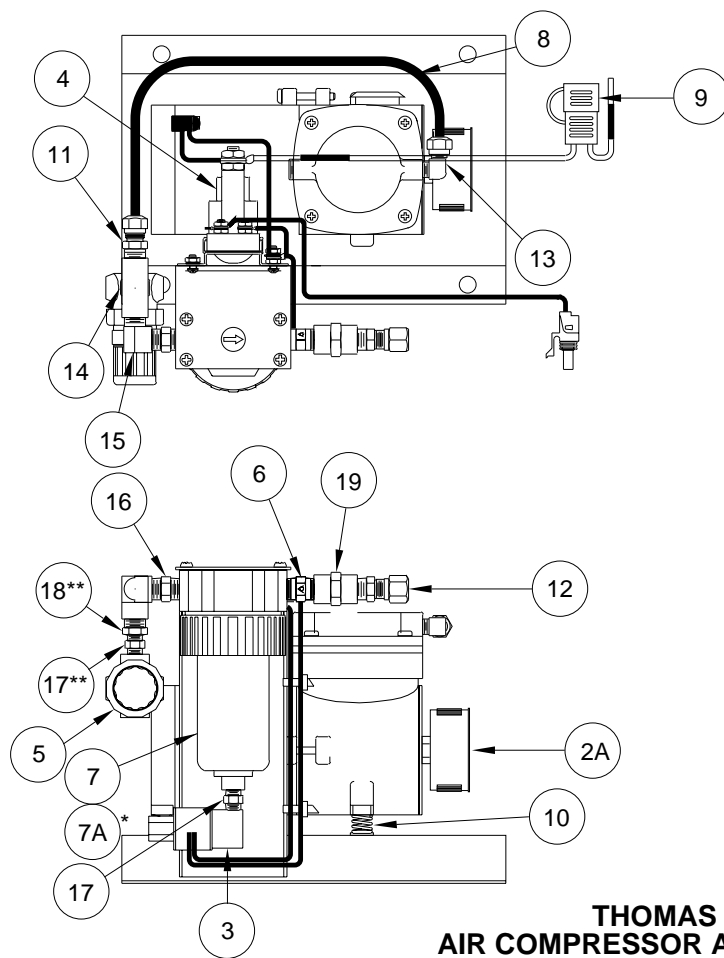


**THOMAS  
AIR COMPRESSOR ASSEMBLY**

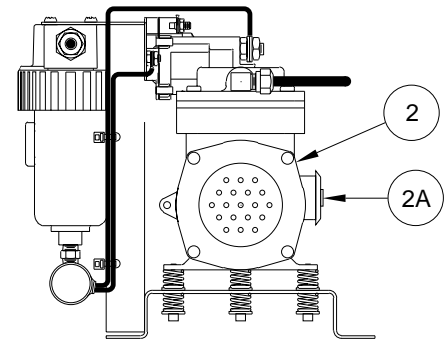
ITEM	PART	QTY	DESCRIPTION
1	RX92790		AIR COMPRESSOR (COMPLETE 12 VOLT)
2	RAP6192	1	COMPRESSOR 12 VOLT
2A	RAP6563	1	FILTER KIT (FILTER AND PLUG)
3	RAP90911	1	SOLENOID VALVE (NORMALLY OPEN)
4	RP5512	1	RELAY (12 VOLT ESSEX)
5	RAP90160	1	RELIEF VALVE (ADJUSTABLE)
6	RP5597	2	CHECK VALVE
7	RAP5883	1	FILTER ASSEMBLY (REPLACES RAP5935)
7A	RAP90539	1	REPLACEMENT BOWL
8	RP6566	1	AIRLINE 1/4"
9	RAP6551	1	HARNESS FUSED 15 AMP FUSE
10	RAP90159	1	SWITCH PRESSURE (NORMALLY CLOSED)
11	RAP91775	1	SOLENOID VALVE (2 WAY)

ITEM	PART	QTY	DESCRIPTION
12	RAP6562	1	SPRING KIT
12A		6	SPRING
12B		3	SPACER
12C		3	SHCS
12D		3	WASHER
12E		3	SPRING SUPPORT
12F		3	RING
13	RF6549	1	MALE CONNECTOR BRASS 1/4" X 1/4" TUBE
14	RF91586	3	3/8" PUSH TUBE STR.
15	RF6791	1	BRASS ELBOW 1/8" X 1/4"
16	RF5887	1	BRASS TEE 1/4"
17	RF3340	2	BRASS ELBOW 1/4" X 1/4"
18	RF6011	2	BRASS NIPPLE 1/4"
19	RF90170	2	BRASS NIPPLE 1/8"
20	RF90172	1	BRASS BUSHING 1/4" X 1/8"
21	RF91776	1	BRASS ELBOW 1/4" X 1/4"
22	RF90675	1	BRASS CROSS 1/4"
23	RF6944	1	BRASS STREET TEE 1/4"
24	RF91777	1	BRASS NIPPLE 1/4" X 1/4"
25	RF91952	1	1/4" PUSH TUBE STR.

# COMPRESSOR, AIR - 1 OUTPUT, THOMAS (AP41746)



\* IF EXISTING FILTER ASSEMBLY HAS A THREADED BOWL, A COMPLETE FILTER ASSEMBLY WILL HAVE TO BE ORDERED.



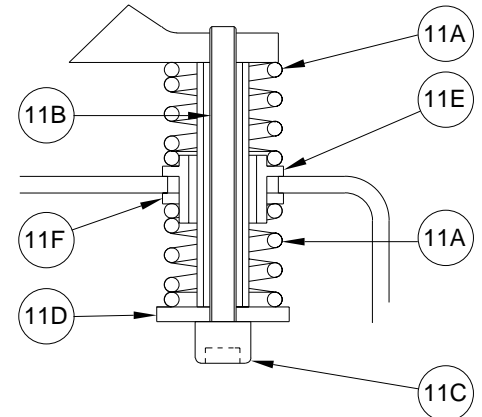
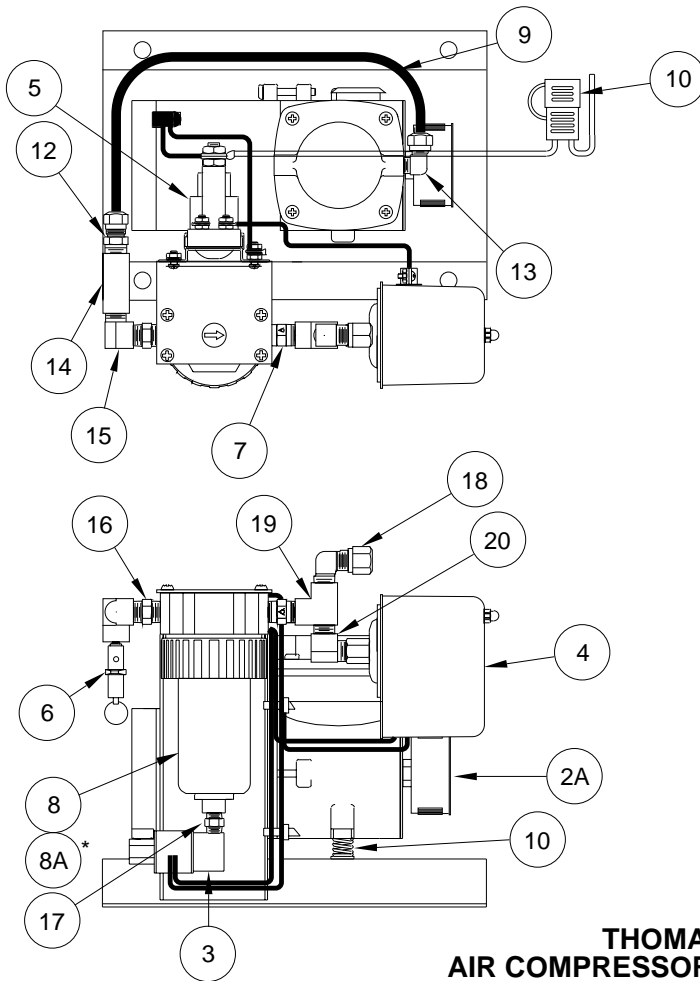
## THOMAS AIR COMPRESSOR ASSEMBLY

ITEM	PART	QTY	DESCRIPTION
1	RX92792		AIR COMPRESSOR (COMPLETE 12 VOLT)
2	RAP6192	1	COMPRESSOR 12 VOLT
2A	RAP6563	1	FILTER KIT (FILTER AND PLUG)
3	RAP90911	1	SOLENOID VALVE (NORMALLY OPEN)
4	RP5512	1	RELAY (12 VOLT ESSEX)
5	RAP90160	1	RELIEF VALVE (ADJUSTABLE)
6	RP5597	1	CHECK VALVE
7	RAP5883	1	FILTER ASSEMBLY (REPLACES RAP5935)
7A	RAP90539	1	REPLACEMENT BOWL
8	RP6566	1	AIRLINE 1/4"
9	RAP6551	1	HARNES FUSED 15 AMP FUSE

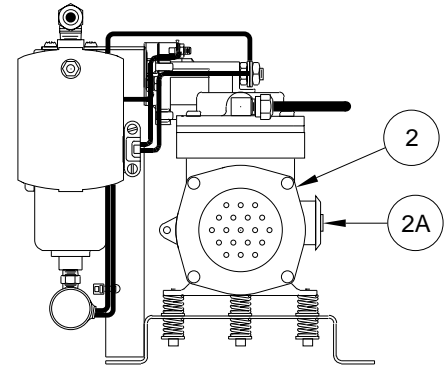
ITEM	PART	QTY	DESCRIPTION
10	RAP6562	1	SPRING KIT
10A		6	SPRING
10B		3	SPACER
10C		3	SHCS
10D		3	WASHER
10E		3	SPRING SUPPORT
10F		3	RING
11	RF6549	1	MALE CONNECTOR BRASS 1/4" X 1/4"
12	RF4478	1	1/4" NPT TO 3/8" TUBE
13	RF6791	1	BRASS ELBOW 1/8" X 1/4"
14	RF5887	1	BRASS TEE 1/4"
15	RF3340	1	BRASS ELBOW 1/4" X 1/4"
16	RF6011	1	BRASS NIPPLE 1/4"
17	RF90170	2	BRASS NIPPLE 1/8"
18	RF90172	1	BRASS BUSHING 1/4" X 1/8"

\*\*NOTE: ONE RF90908 CAN BE USED TO REPLACE ITEMS 17 AND 18 USED ON THE RELIEF VALVE

# COMPRESSOR, AIR - 1 OUTPUT, THOMAS (AP42111)



\* IF EXISTING FILTER ASSEMBLY HAS A THREADED BOWL, A COMPLETE FILTER ASSEMBLY WILL HAVE TO BE ORDERED.

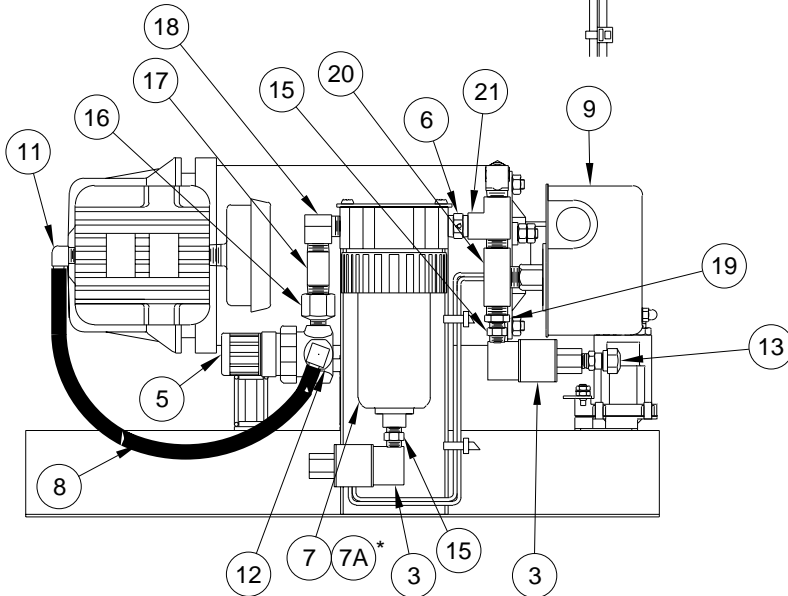
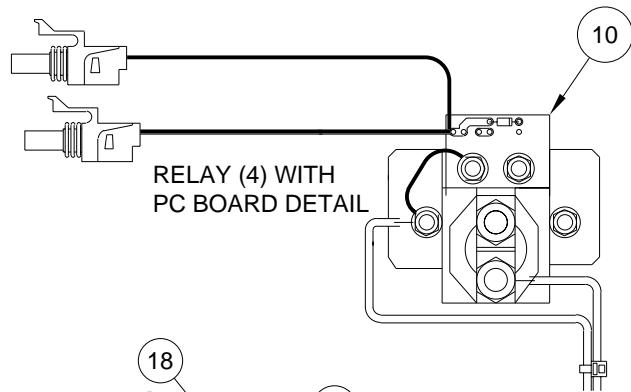


## THOMAS AIR COMPRESSOR ASSEMBLY

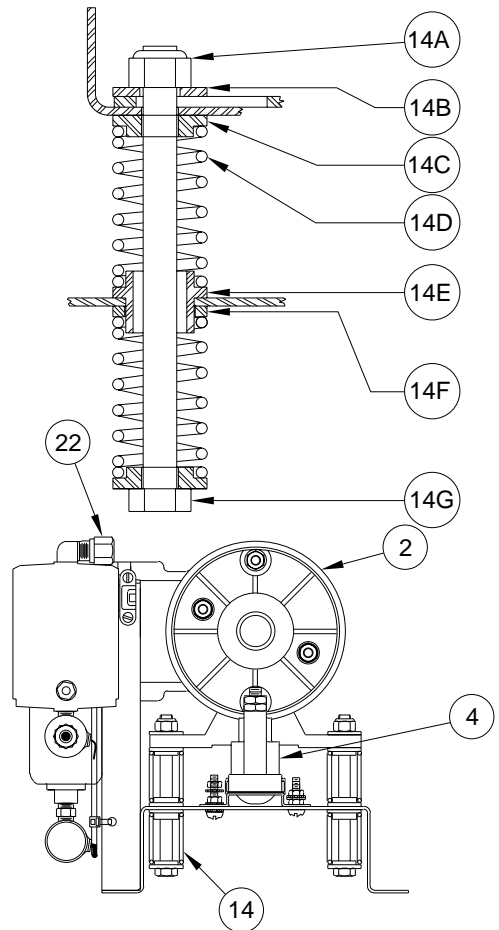
ITEM	PART	QTY	DESCRIPTION	ITEM	PART	QTY	DESCRIPTION
1	RX92794		AIR COMPRESSOR (COMPLETE 12 VOLT)	11	RAP6562	1	SPRING KIT
2	RAP6192	1	COMPRESSOR 12 VOLT	11A		6	SPRING
2A	RAP6563	1	FILTER KIT (FILTER AND PLUG)	11B		3	SPACER
3	RAP90911	1	SOLENOID VALVE (NORMALLY OPEN)	11C		3	SHCS
4	RAP90948	1	SWITCH PRESSURE (NORMALLY CLOSED)	11D		3	WASHER
5	RP5512	1	RELAY (12 VOLT ESSEX)	11E		3	SPRING SUPPORT
6	RP5869	1	AIR SAFETY VALVE	11F		3	RING
7	RP5597	1	CHECK VALVE	12	RF6549	1	MALE CONNECTOR BRASS 1/4" X 1/4" TUBE
8	RAP5883	1	FILTER ASSEMBLY (REPLACES RAP5935)	13	RF6791	1	BRASS ELBOW 1/8" X 1/4"
8A	RAP90539	1	REPLACEMENT BOWL	14	RF5887	2	BRASS TEE 1/4"
9	RP6566	1	AIRLINE 1/4"	15	RF3340	1	BRASS ELBOW 1/4" X 1/4"
10	RAP6551	1	LEAD WITH FUSE 15 AMP	16	RF6011	1	BRASS NIPPLE 1/4"
				17	RF90170	1	BRASS NIPPLE 1/8"
				18	RF90164	1	BRASS ELBOW 1/4" PIPE TO 3/8" TUBE
				19	RF6944	1	BRASS STREET TEE 1/4"
				20	RF3340	1	BRASS ELBOW 1/4" X 1/4"



# COMPRESSOR, AIR - (AP23395)



**AIR COMPRESSOR ASSEMBLY**

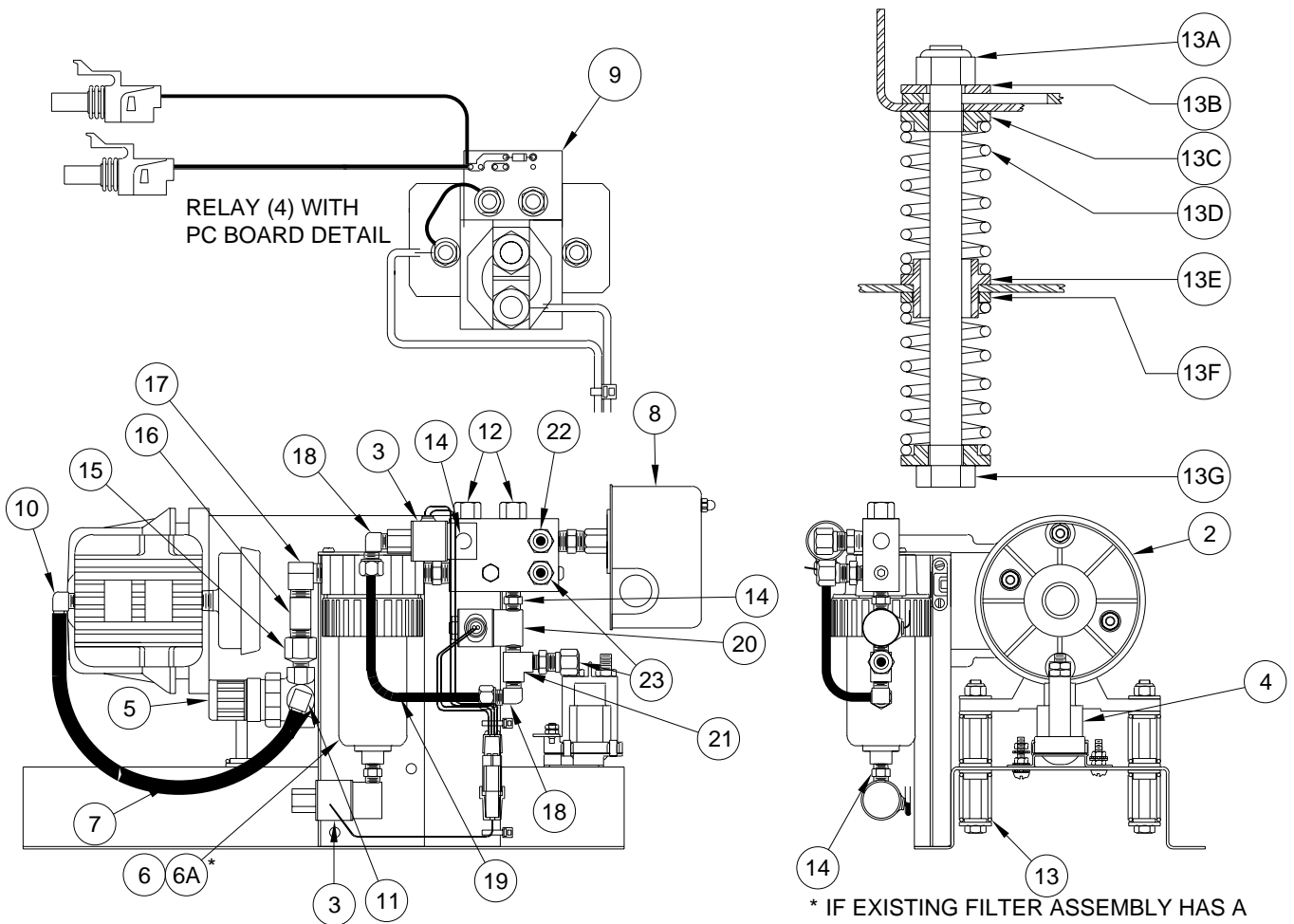


\* IF EXISTING FILTER ASSEMBLY HAS A THREADED BOWL, A COMPLETE FILTER ASSEMBLY WILL HAVE TO BE ORDERED.

ITEM	PART	QTY	DESCRIPTION
1	RAP91884		AIR COMPRESSOR ASSEMBLY - 12V
2	RAP91524	1	COMPRESSOR 12 VOLT
3	RAP6354	2	SOLENOID VALVE (NORMALLY OPEN)
4	RP5512	1	RELAY (12 VOLT ESSEX)
5	RAP90160	1	RELIEF VALVE (ADJUSTABLE)
6	RP5597	1	CHECK VALVE
7	RAP5883	1	FILTER ASSEMBLY (REPLACES RAP5935)
7A	RAP90539	1	REPLACEMENT BOWL
8	RP90957	1	AIRLINE 1/4
9	RAP90948	1	SWITCH PRESSURE
10	RAP90676	1	PC BOARD ASSY.
11	RF91779	1	1/4" HOSE TO 1/4" PIPE
12	RF91780	1	1/4" HOSE TO 1/2" PIPE
13	RF4337	1	STRAIGHT TUBE CONN 1/8" PIPE TO 1/4" TUBE

ITEM	PART	QTY	DESCRIPTION
14	RAP90936	1	COMP SPRING KIT
14A		4	NUT 5/16 - 18 ESNA
14B		4	WASHER FLAT 5/16
14C		8	BUSHING
14D		8	SPRING
14E		4	SPRING GUIDE
14F		4	WASHER SPRING GUIDE
14G		4	HHCS 5/16 - 18 X 4
15	RF90170	2	BRASS NIPPLE 1/8"
16	RF1457	1	1/8" TO 1/4" PIPE ADAPTER
17	RF91777	1	1/4" PIPE NIPPLE LONG
18	RF3340	1	BRASS ELBOW 1/4"
19	RF90172	1	BRASS BUSHING 1/4" X 1/8"
20	RF91781	1	BRASS BRANCH TEE 1/4"
21	RF6944	1	BRASS STREET TEE 1/4"
22	RF90164	1	BRASS ELBOW 1/4" PIPE TO 3/8" TUBE

# COMPRESSOR, AIR - (AP24089)



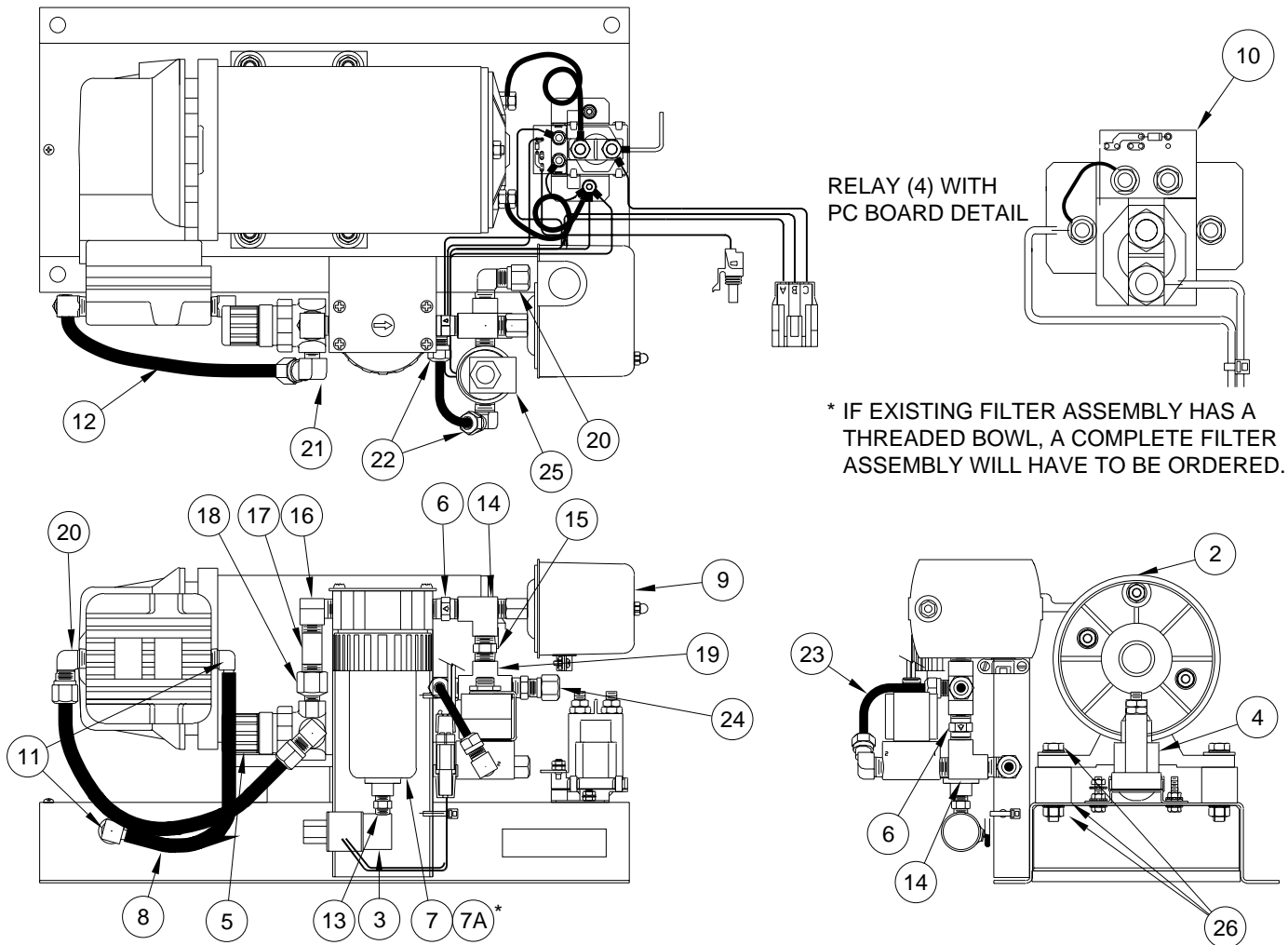
**AIR COMPRESSOR ASSEMBLY**

\* IF EXISTING FILTER ASSEMBLY HAS A THREADED BOWL, A COMPLETE FILTER ASSEMBLY WILL HAVE TO BE ORDERED.

ITEM	PART	QTY	DESCRIPTION
1	RAP91894		AIR COMPRESSOR ASSEMBLY - 12V AP24089 OBS. REFER TO AP25270 SEE MR05.5420
2	RAP91524	1	COMPRESSOR 12 VOLT
3	RAP6354	2	SOLENOID VALVE (NORMALLY OPEN)
4	RP5512	1	RELAY (12 VOLT ESSEX)
5	RAP90160	1	RELIEF VALVE (ADJUSTABLE)
6	RAP5883	1	FILTER ASSEMBLY (REPLACES RAP5935)
6A	RAP90539	1	REPLACEMENT BOWL
7	RP90957	1	AIRLINE 1/4"
8	RAP90948	1	SWITCH PRESSURE
9	RAP91598	1	PC BOARD ASSY.
10	RF91779	1	1/4" HOSE TO 1/4" PIPE
11	RF91780	1	1/4" HOSE TO 1/2" PIPE
12			CHECK VALVE KIT CONTACT HWH TECHNICAL SERVICE

ITEM	PART	QTY	DESCRIPTION
13	RAP90936	1	COMP SPRING KIT
13A		4	NUT 5/16 - 18 ESNA
13B		4	WASHER FLAT 5/16
13C		8	BUSHING
13D		8	SPRING
13E		4	SPRING GUIDE
13F		4	WASHER SPRING GUIDE
13G		4	HHCS 5/16 - 18 X 4
14	RF90170	3	BRASS NIPPLE 1/8"
15	RF1457	1	1/8" TO 1/4" PIPE ADAPTER
16	RF91777	1	1/4" PIPE NIPPLE LONG
17	RF3340	1	BRASS ELBOW 1/4"
18	RF6791	2	BRASS ELBOW 1/8" PIPE TO 1/4" TUBE
19	RP90957	1	AIRLINE 1/4"
20	RAP91893	1	SOLENOID VALVE NORMALLY CLOSED
21	RF91896	1	BRASS STREET TEE 1/8"
22	RF4478	1	1/4" TUBE TO 3/8" PIPE
23	RF6148	2	1/4" TUBE TO 3/8" PIPE

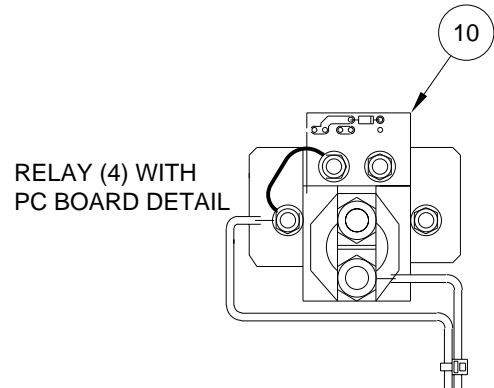
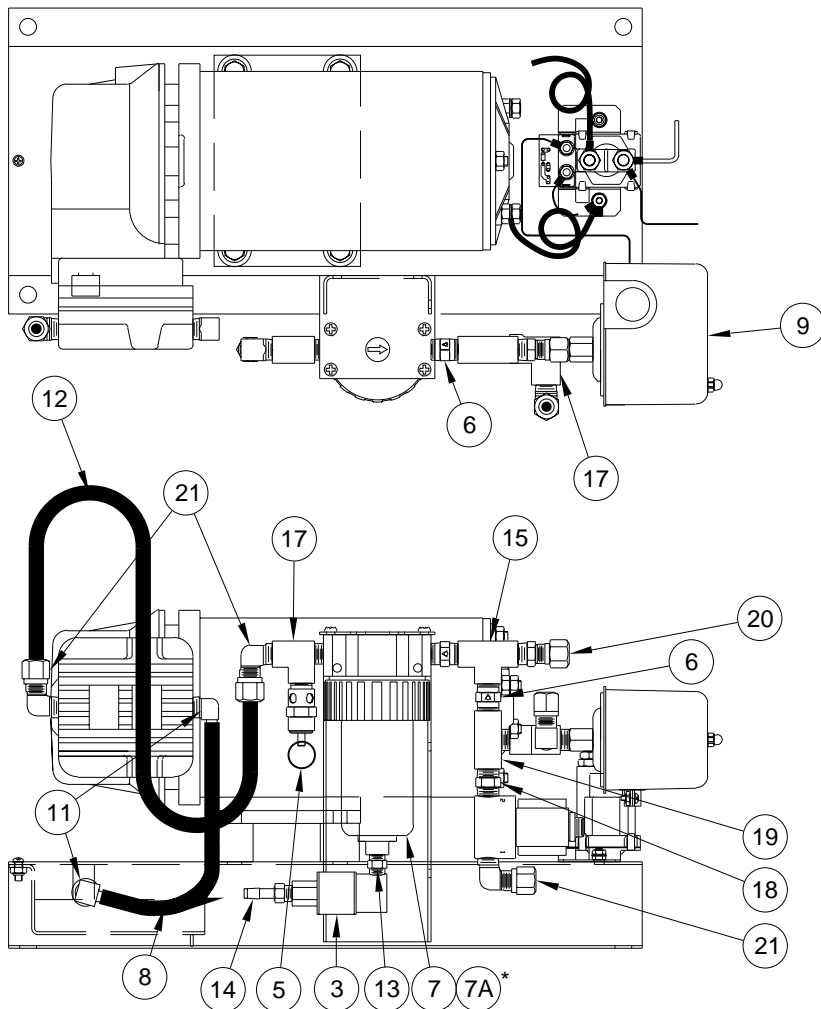
# COMPRESSOR, AIR - (AP25081)



**AIR COMPRESSOR ASSEMBLY**

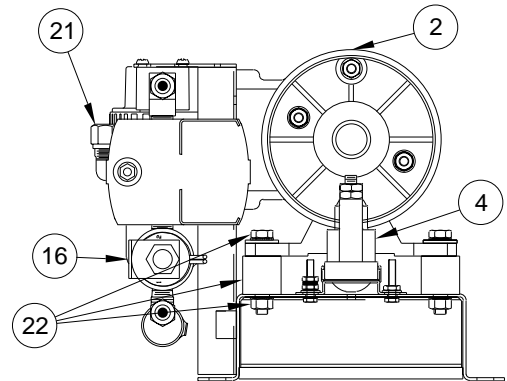
ITEM	PART	QTY	DESCRIPTION	ITEM	PART	QTY	DESCRIPTION
1	RX92767		AIR COMPRESSOR ASSEMBLY - 12V	17	RF91777	1	1/4" PIPE NIPPLE LONG
2	RAP91524	1	COMPRESSOR 12 VOLT	18	RF1457	1	1/8" TO 1/4" PIPE ADAPTER
3	RAP6354	1	SOLENOID VALVE (NORMALLY OPEN)	19	RF90675	1	BRASS CROSS 1/4"
4	RP5512	1	RELAY (12 VOLT ESSEX)	20	RF90164	2	BRASS ELBOW 1/4" PIPE TO 3/8" TUBE
5	RAP90160	1	RELIEF VALVE (ADJUSTABLE)	21	RF91947	1	BRASS ELBOW 1/8" PIPE TO 3/8" TUBE
6	RP5597	2	CHECK VALVE	22	RF6257	2	BRASS ELBOW 1/4" PIPE TO 1/4" TUBE
7	RAP5883	1	FILTER ASSEMBLY (REPLACES RAP5935)	23	RP92181	1	1/4" PTFE TUBING
7A	RAP90539	1	REPLACEMENT BOWL	24	RF4478	1	1/4" NPT TO 3/8" TUBE
8	RP90957	1	AIRLINE 1/4"	25	RAP91775	1	SOLENOID VALVE (2 WAY)
9	RAP90948	1	SWITCH PRESSURE	26	RAP92778	1	COMP MOUNTING KIT
10	RAP91888	1	PC BOARD ASSY.	26A		4	CAP SCREW 5/16-18 X 0.75
11	RAP91779	2	1/4" HOSE TO 1/4" PIPE	26B		8	WASHER LOCK 5/16
12	RP91873	1	3/8" PTFE TUBING	26C		4	WASHER FLAT 5/16
13	RF90170	1	BRASS NIPPLE 1/8"	26D		4	COMPRESSOR MOUNT
14	RF6944	2	BRASS STREET TEE 1/4"	26E		4	NUT 5/16 - 18
15	RF6011	1	BRASS NIPPLE 1/4"				
16	RF3340	3	1/4" X 1/4" BRASS ELBOW				

# COMPRESSOR, AIR - (AP25270)



RELAY (4) WITH  
PC BOARD DETAIL

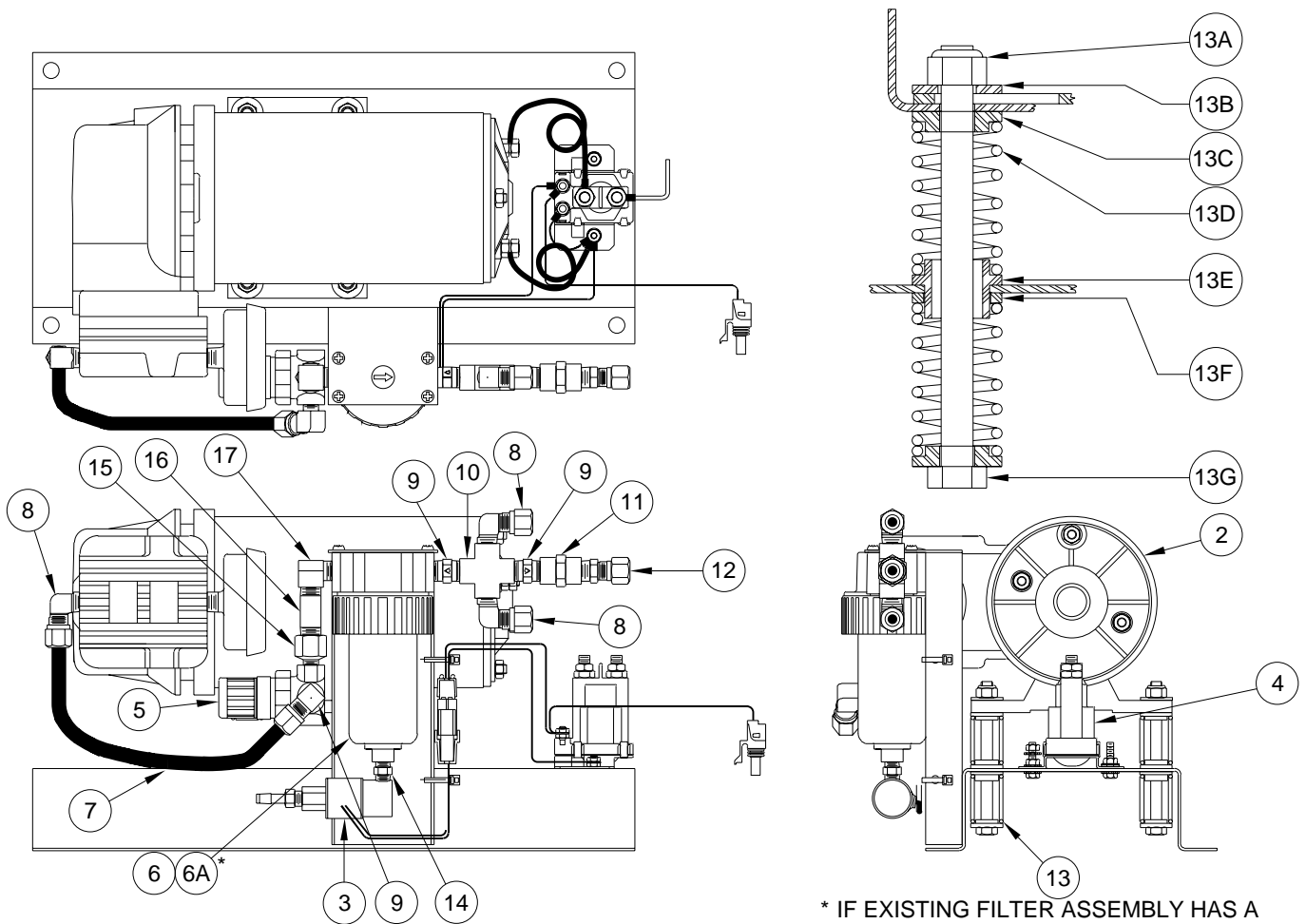
\* IF EXISTING FILTER ASSEMBLY HAS A  
THREADED BOWL, A COMPLETE FILTER  
ASSEMBLY WILL HAVE TO BE ORDERED.



## AIR COMPRESSOR ASSEMBLY

ITEM	PART	QTY	DESCRIPTION	ITEM	PART	QTY	DESCRIPTION
1	RAP91894		AIR COMPRESSOR ASSEMBLY - 12V	11	RAP91779	2	1/4" HOSE TO 1/4" PIPE
2	RAP91524	1	COMPRESSOR 12 VOLT	12	RP91873	1	PTFE TUBING
3	RAP6354	2	SOLENOID VALVE (NORMALLY OPEN)	13	RF90170	1	BRASS NIPPLE 1/8"
4	RP5512	1	RELAY (12 VOLT ESSEX)	14	RF91890	1	1/4" PIPE TO 1/4" HOSE
5	RP5869	1	AIR SAFETY VALVE	15	RF5887	1	BRASS TEE 1/4"
6	RP5597	2	CHECK VALVE	16	RAP91775	1	SOLENOID VALVE (2 WAY)
7	RAP5883	1	FILTER ASSEMBLY (REPLACES RAP5935)	17	RF6944	2	1/4" BRASS STREET TEE
7A	RAP90539	1	REPLACEMENT BOWL	18	RF6011	1	BRASS NIPPLE 1/4"
8	RP90957	1	AIRLINE 1/4"	19	RF91781	1	BRASS BRANCH TEE 1/4"
9	RAP90948	1	SWITCH PRESSURE	20	RF4478	1	1/4" PIPE TO 3/8" TUBE
10	RAP91888	1	PC BOARD ASSY.	21	RF90164	4	BRASS ELBOW 1/4" PIPE TO 3/8" TUBE
				22	RAP92778	1	COMP MOUNTING KIT
				22A		4	CAP SCREW 5/16-18 X 0.75
				22B		8	WASHER LOCK 5/16
				22C		4	WASHER FLAT 5/16
				22D		4	COMPRESSOR MOUNT
				22E		4	NUT 5/16 - 18

# COMPRESSOR, AIR - (AP28999)



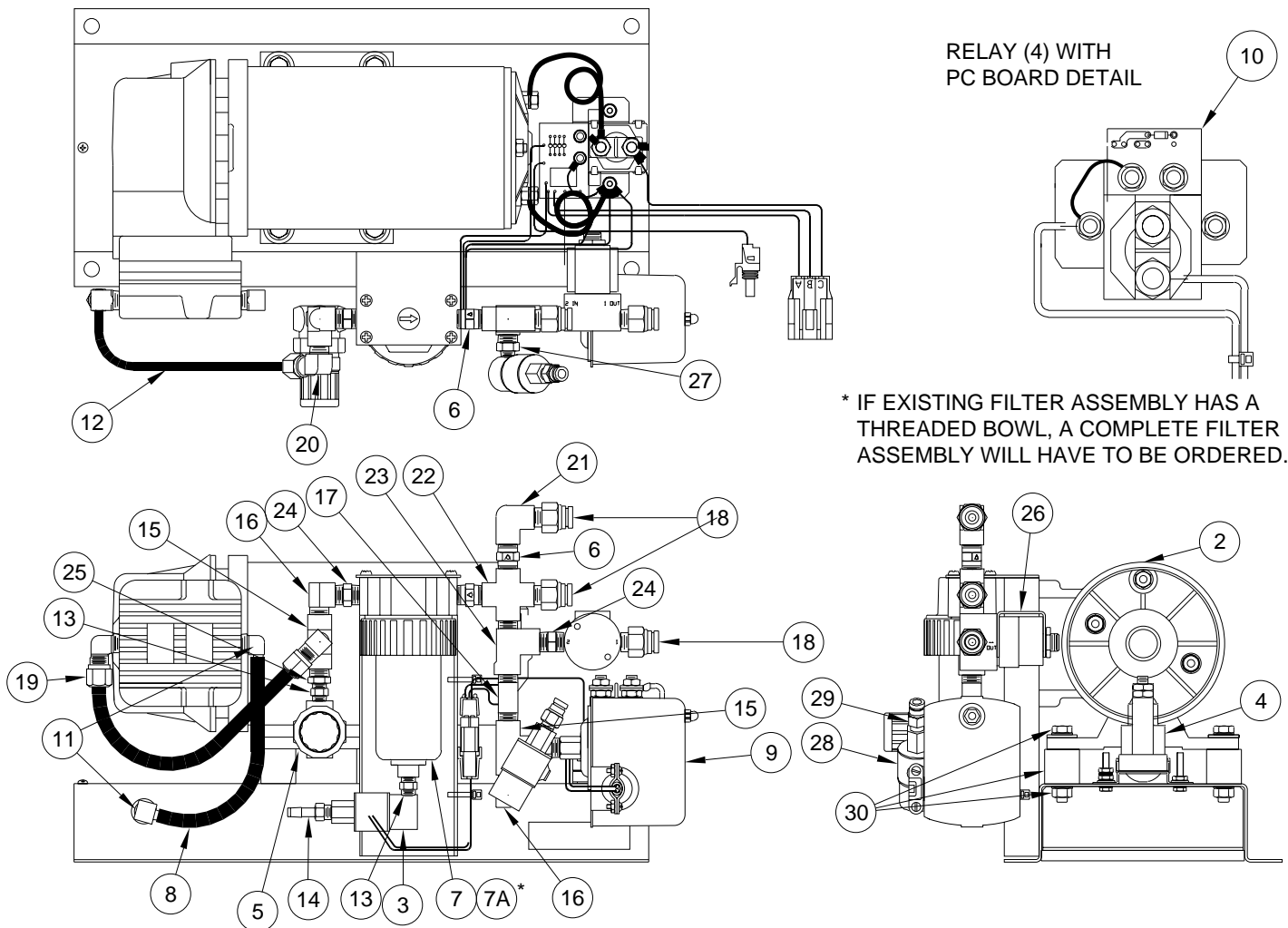
**AIR COMPRESSOR ASSEMBLY**

\* IF EXISTING FILTER ASSEMBLY HAS A THREADED BOWL, A COMPLETE FILTER ASSEMBLY WILL HAVE TO BE ORDERED.

ITEM	PART	QTY	DESCRIPTION
1	RX92789		AIR COMPRESSOR ASSEMBLY - 12V
2	RAP91524	1	COMPRESSOR 12 VOLT
3	RAP6354	1	SOLENOID VALVE (NORMALLY OPEN)
4	RP5512	1	RELAY (12 VOLT ESSEX)
5	RAP90160	1	RELIEF VALVE (ADJUSTABLE)
6	RAP5883	1	FILTER ASSEMBLY (REPLACES RAP5935)
6A	RAP90539	1	REPLACEMENT BOWL
7	RP91783	1	PTFE TUBING
8	RF90164	3	BRASS ELBOW 1/4" PIPE TO 3/8" TUBE
9	RF91947	1	BRASS ELBOW 1/8" PIPE TO 3/8" TUBE
9	RP5597	2	CHECK VALVE
10	RF90675	1	BRASS CROSS 1/4"
11	RF5599	1	COUPLING 1/4"
12	RF4478	1	1/4" PIPE TO 3/8" TUBE

ITEM	PART	QTY	DESCRIPTION
13	RAP90936	1	COMP SPRING KIT
13A		4	NUT 5/16 - 18 ESNA
13B		4	WASHER FLAT 5/16
13C		8	BUSHING
13D		8	SPRING
13E		4	SPRING GUIDE
13F		4	WASHER SPRING GUIDE
13G		4	HHCS 5/16 - 18 X 4
14	RF90170	3	BRASS NIPPLE 1/8"
15	RF1457	1	1/8" TO 1/4" PIPE ADAPTER
16	RF91777	1	1/4" PIPE NIPPLE LONG
17	RF3340	1	BRASS ELBOW 1/4"

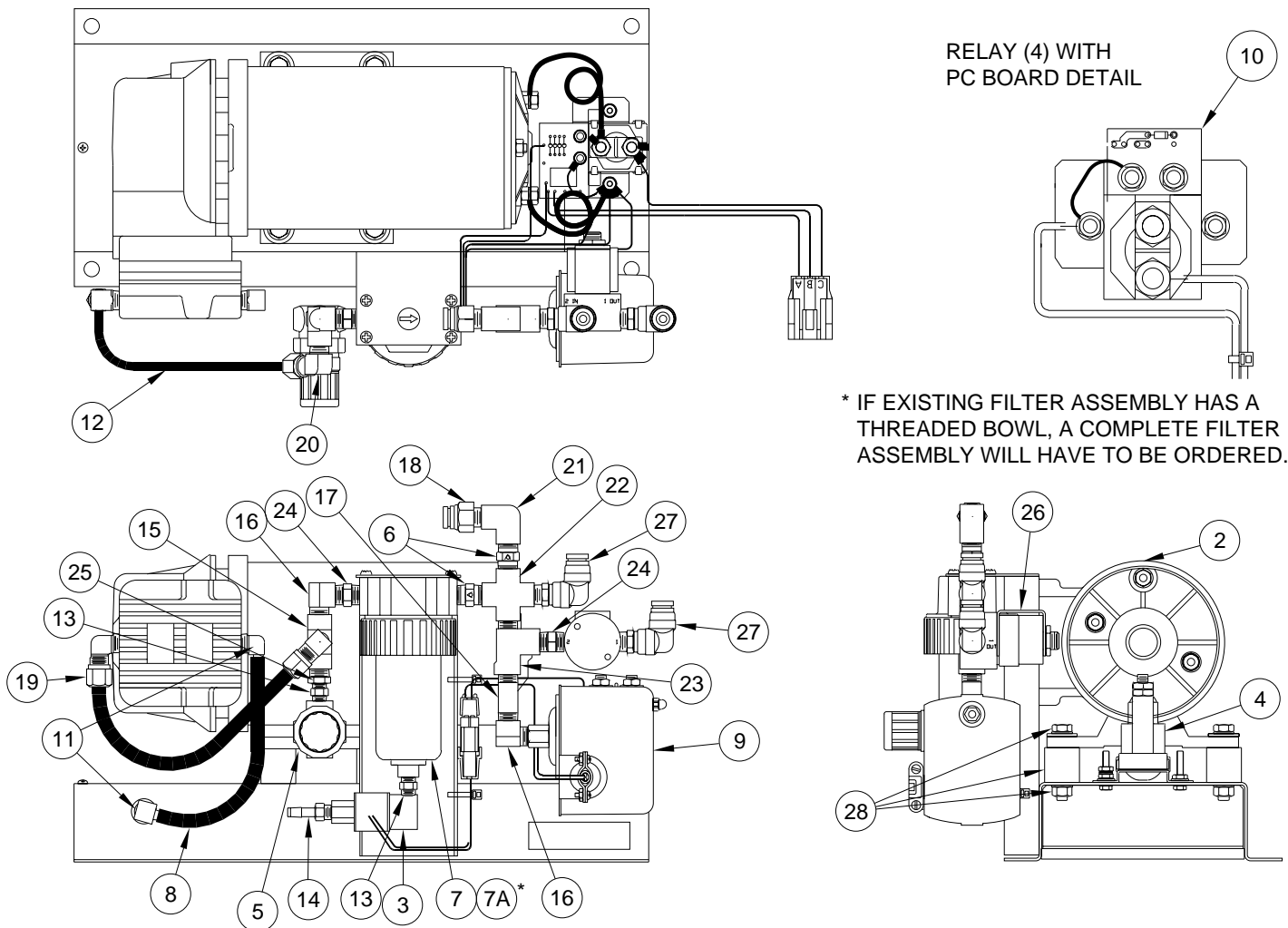
# COMPRESSOR, AIR - (AP38669)



**AIR COMPRESSOR ASSEMBLY**

ITEM	PART	QTY	DESCRIPTION	ITEM	PART	QTY	DESCRIPTION
1	RX92791		AIR COMPRESSOR ASSEMBLY - 12V	19	RF90164	1	BRASS ELBOW 1/4" PIPE TO 3/8" TUBE
2	RAP91524	1	COMPRESSOR 12 VOLT	20	RF91947	1	BRASS ELBOW 1/8" PIPE TO 3/8" TUBE
3	RAP90911	1	SOLENOID VALVE (N.O.)	21	RF91776	1	BRASS ELBOW 1/4" X 1/4"
4	RP5512	1	RELAY (12V ESSEX)	22	RF90675	1	BRASS CROSS 1/4"
5	RAP90160	1	RELIEF VALVE (ADJ.)	23	RF6944	1	BRASS STREET TEE 1/4"
6	RP5597	2	CHECK VALVE	24	RF6011	2	BRASS NIPPLE 1/4"
7	RAP5883	1	FILTER ASSEMBLY (REPLACES RAP5935)	25	RF90172	1	BRASS BUSHING 1/4" X 1/8"
7A	RAP90539	1	REPLACEMENT BOWL	26	RAP91775	1	SOL. VALVE (2 WAY)
8	RP90957	1	AIRLINE 1/4"	27	RF90908	1	BRASS NIPPLE 1/4" X 1/8"
9	RAP90948	1	SWITCH PRESSURE	28	RAP6354	1	SOLENOID VALVE (N.O.)
10	RAP92259	1	PC BOARD ASSY.	29	RF91120	1	PUSH AIR 1/4"
11	RF91779	2	1/4" HOSE TO 1/4" PIPE	30	RAP92778	1	COMP MOUNTING KIT
12	RP91873	1	PTFE TUBING	30A		4	CAP SCREW 5/16-18 X 0.75
13	RF90170	2	BRASS NIPPLE 1/8"	30B		8	WASHER LOCK 5/16
14	RF91890	1	1/4" PIPE TO 1/4" HOSE	30C		4	WASHER FLAT 5/16
15	RF5887	2	BRASS TEE 1/4"	30D		4	COMPRESSOR MOUNT
16	RF3340	2	1/4" X 1/4" BRASS ELBOW	30E		4	NUT 5/16 - 18
17	RF91777	1	1/4" PIPE NIPPLE LONG				
18	RF91586	3	3/8" PUSH TUBE STR.				

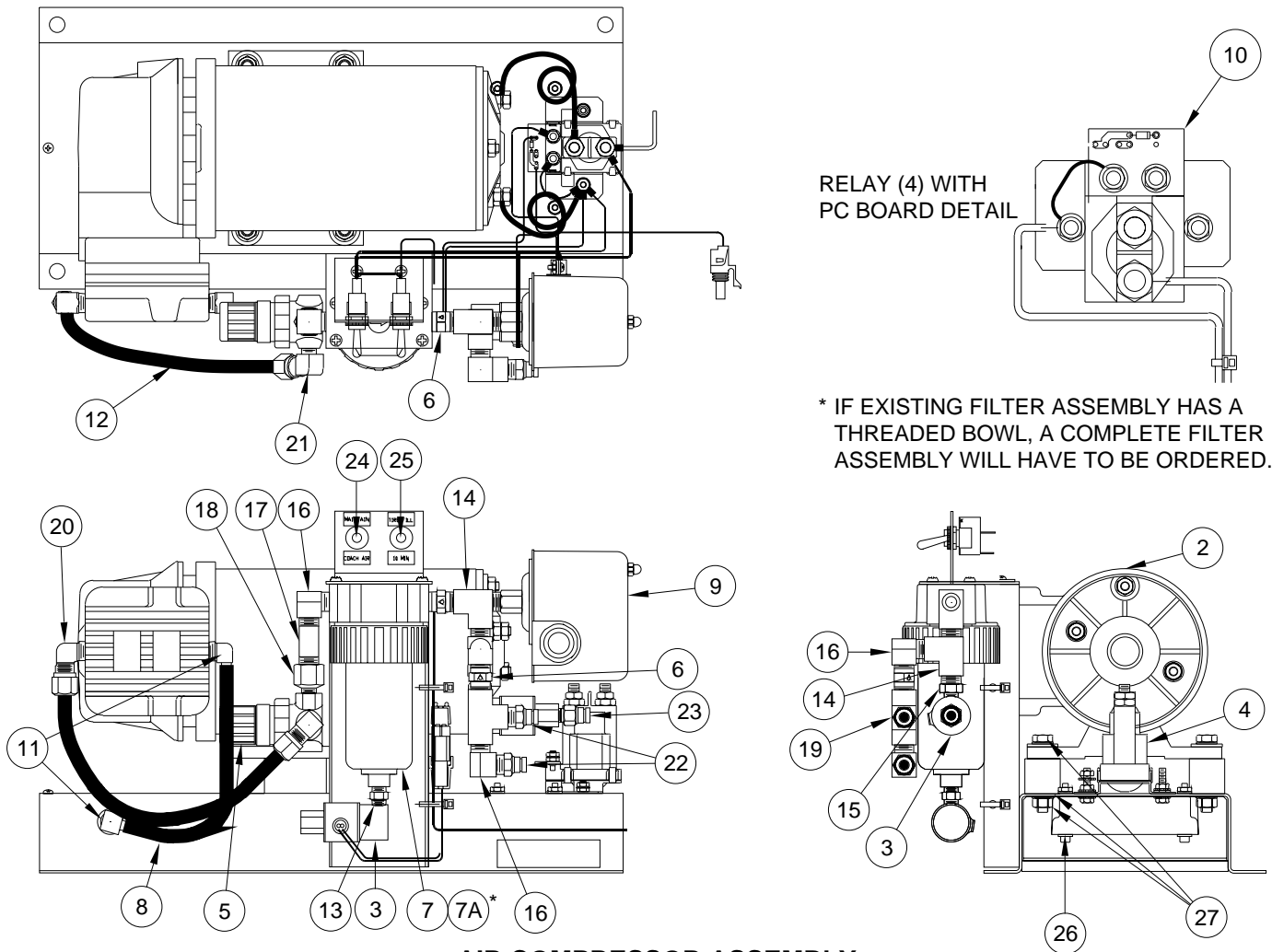
# COMPRESSOR, AIR - (AP38853)



**AIR COMPRESSOR ASSEMBLY**

ITEM	PART	QTY	DESCRIPTION	ITEM	PART	QTY	DESCRIPTION
1	RX92619		AIR COMPRESSOR ASSEMBLY - 12V	17	RF91777	1	1/4" PIPE NIPPLE LONG
2	RAP91524	1	COMPRESSOR 12 VOLT	18	RF91586	1	3/8" PUSH TUBE STR.
3	RAP90911	1	SOLENOID VALVE (NORMALLY OPEN)	19	RF90164	1	BRASS ELBOW 1/4" PIPE TO 3/8" TUBE
4	RP5512	1	RELAY (12V ESSEX)	20	RF91947	1	BRASS ELBOW 1/8" PIPE TO 3/8" TUBE
5	RAP90160	1	RELIEF VALVE (ADJ.)	21	RF91776	1	BRASS ELBOW 1/4" X 1/4"
6	RP5597	2	CHECK VALVE	22	RF90675	1	BRASS CROSS 1/4"
7	RAP5883	1	FILTER ASSEMBLY (REPLACES RAP5935)	23	RF6944	1	BRASS STREET TEE 1/4"
7A	RAP90539	1	REPLACEMENT BOWL	24	RF6011	2	BRASS NIPPLE 1/4"
8	RP90957	1	AIRLINE 1/4"	25	RF90172	1	BRASS BUSHING 1/4" X 1/8"
9	RAP90948	1	SWITCH PRESSURE	26	RAP91775	1	SOL. VALVE (2 WAY)
10	RAP92258	1	PC BOARD ASSY.	27	RF91649	2	3/8" PUSH TUBE ELBOW
11	RF91779	2	1/4" HOSE TO 1/4" PIPE	28	RAP92778	1	COMP MOUNTING KIT
12	RP91873	1	PTFE TUBING	28A		4	CAP SCREW 5/16-18 X 0.75
13	RF90170	2	BRASS NIPPLE 1/8"	28B		8	WASHER LOCK 5/16
14	RF91890	1	1/4" PIPE TO 1/4" HOSE	28C		4	WASHER FLAT 5/16
15	RF5887	1	BRASS TEE 1/4"	28D		4	COMPRESSOR MOUNT
16	RF3340	2	1/4" X 1/4" BRASS ELBOW	28E		4	NUT 5/16 - 18

# COMPRESSOR, AIR - (AP41883)

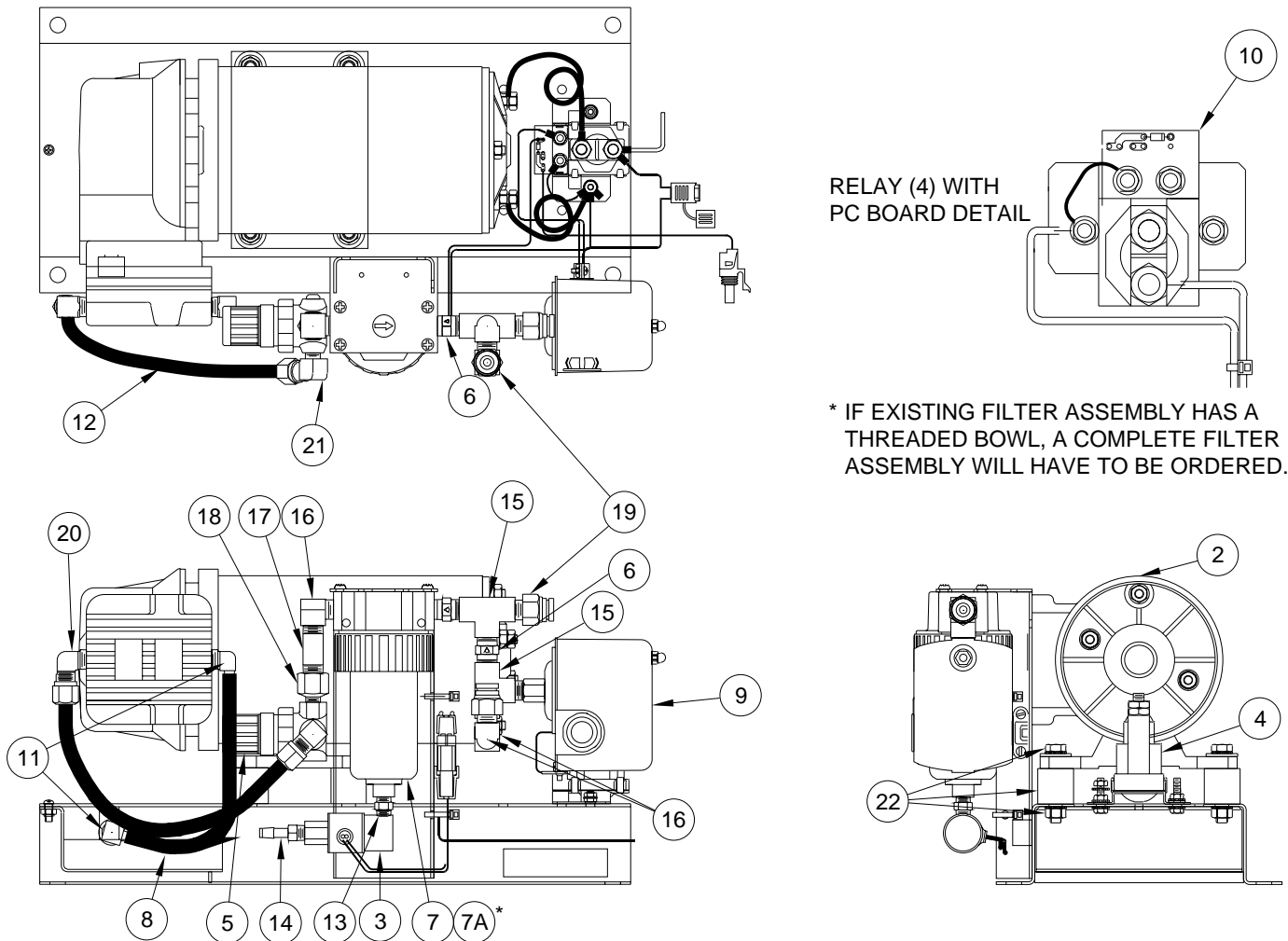


**AIR COMPRESSOR ASSEMBLY**

ITEM	PART	QTY	DESCRIPTION	ITEM	PART	QTY	DESCRIPTION
1	RX92793		AIR COMPRESSOR ASSEMBLY - 12V	16	RF3340	3	1/4" X 1/4" BRASS ELBOW
2	RAP91524	1	COMPRESSOR 12 VOLT	17	RF91777	1	1/4" PIPE NIPPLE LONG
3	RAP6354	2	SOLENOID VALVE (NORMALLY OPEN)	18	RF1457	1	1/8" TO 1/4" PIPE ADAPTER
4	RP5512	1	RELAY (12 VOLT ESSEX)	19	RF5887	1	BRASS TEE 1/4"
5	RAP90160	1	RELIEF VALVE (ADJUSTABLE)	20	RF90164	1	BRASS ELBOW 1/4" PIPE TO 3/8" TUBE
6	RP5597	2	CHECK VALVE	21	RF91947	1	BRASS ELBOW 1/8" PIPE TO 3/8" TUBE
7	RAP5883	1	FILTER ASSEMBLY (REPLACES RAP5935)	22	RF91952	2	1/4" PUSH TUBE STR.
7A	RAP90539	1	REPLACEMENT BOWL	23	RF91120	1	3/8" PUSH TUBE STR.
8	RP90957	1	AIRLINE 1/4"	24	RAP2354	1	TOGGLE SW. ON-OFF
9	RAP90948	1	SWITCH PRESSURE	25	RAP92597	1	TOGGLE SW. MOM.
10	RAP92257	1	PC BOARD ASSY.	26	RAP92256	1	COMP. CONTROL MODULE
11	RAP91779	2	1/4" HOSE TO 1/4" PIPE	27	RAP92778	1	COMP MOUNTING KIT
12	RP91873	1	PTFE TUBING	27A		4	CAP SCREW 5/16-18 X 0.75
13	RF90170	1	BRASS NIPPLE 1/8"	27B		8	WASHER LOCK 5/16
14	RF6944	2	BRASS STREET TEE 1/4"	27C		4	WASHER FLAT 5/16
15	RF90908	1	BRASS NIPPLE 1/4" X 1/8"	27D		4	COMPRESSOR MOUNT
				27E		4	NUT 5/16 - 18



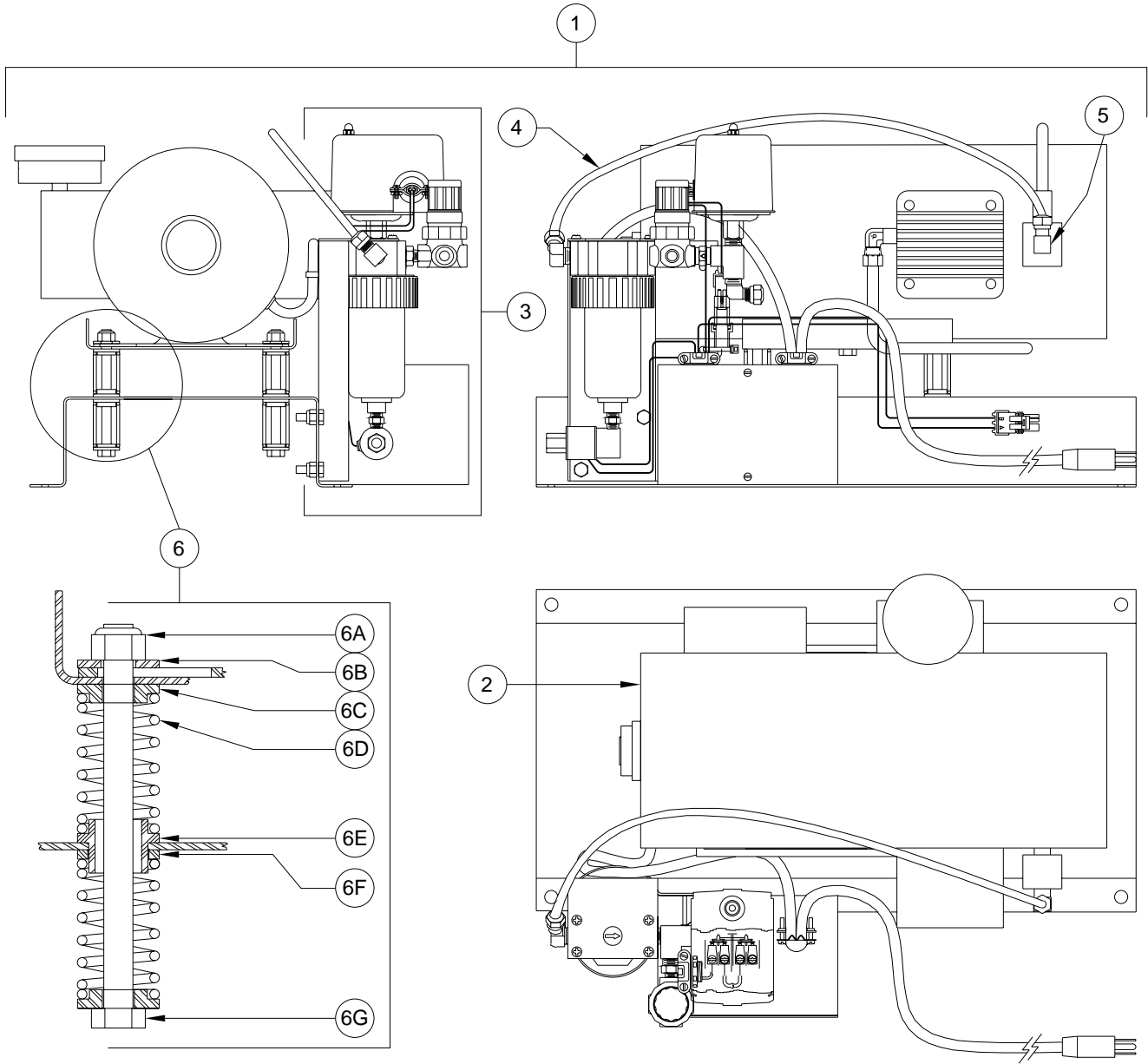
# COMPRESSOR, AIR - (AP43390)



**AIR COMPRESSOR ASSEMBLY**

ITEM	PART	QTY	DESCRIPTION	ITEM	PART	QTY	DESCRIPTION
1	RX92767		AIR COMPRESSOR ASSEMBLY - 12V	14	RF91890	1	1/4" PIPE TO 1/4" HOSE
2	RAP91524	1	COMPRESSOR 12 VOLT	15	RF5887	2	BRASS TEE 1/4"
3	RAP6354	1	SOLENOID VALVE (NORMALLY OPEN)	16	RF3340	3	1/4" X 1/4" BRASS ELBOW
4	RP5512	1	RELAY (12 VOLT ESSEX)	17	RF91777	1	1/4" PIPE NIPPLE LONG
5	RAP90160	1	RELIEF VALVE (ADJUSTABLE)	18	RF1457	1	1/8" TO 1/4" PIPE ADAPTER
6	RP5597	2	CHECK VALVE	19	RF91586	2	3/8" PUSH TUBE STR.
7	RAP5883	1	FILTER ASSEMBLY (REPLACES RAP5935)	20	RF90164	1	BRASS ELBOW 1/4" PIPE TO 3/8" TUBE
7A	RAP90539	1	REPLACEMENT BOWL	21	RF91947	1	BRASS ELBOW 1/8" PIPE TO 3/8" TUBE
8	RP90957	1	AIRLINE 1/4"	22	RAP92778	1	COMP MOUNTING KIT
9	RAP90948	1	SWITCH PRESSURE	22A		4	CAP SCREW 5/16-18 X 0.75
10	RAP91888	1	PC BOARD ASSY.	22B		8	WASHER LOCK 5/16
11	RAP91779	2	1/4" HOSE TO 1/4" PIPE	22C		4	WASHER FLAT 5/16
12	RP91873	1	PTFE TUBING	22D		4	COMPRESSOR MOUNT
13	RF90170	1	BRASS NIPPLE 1/8"	22E		4	NUT 5/16 - 18

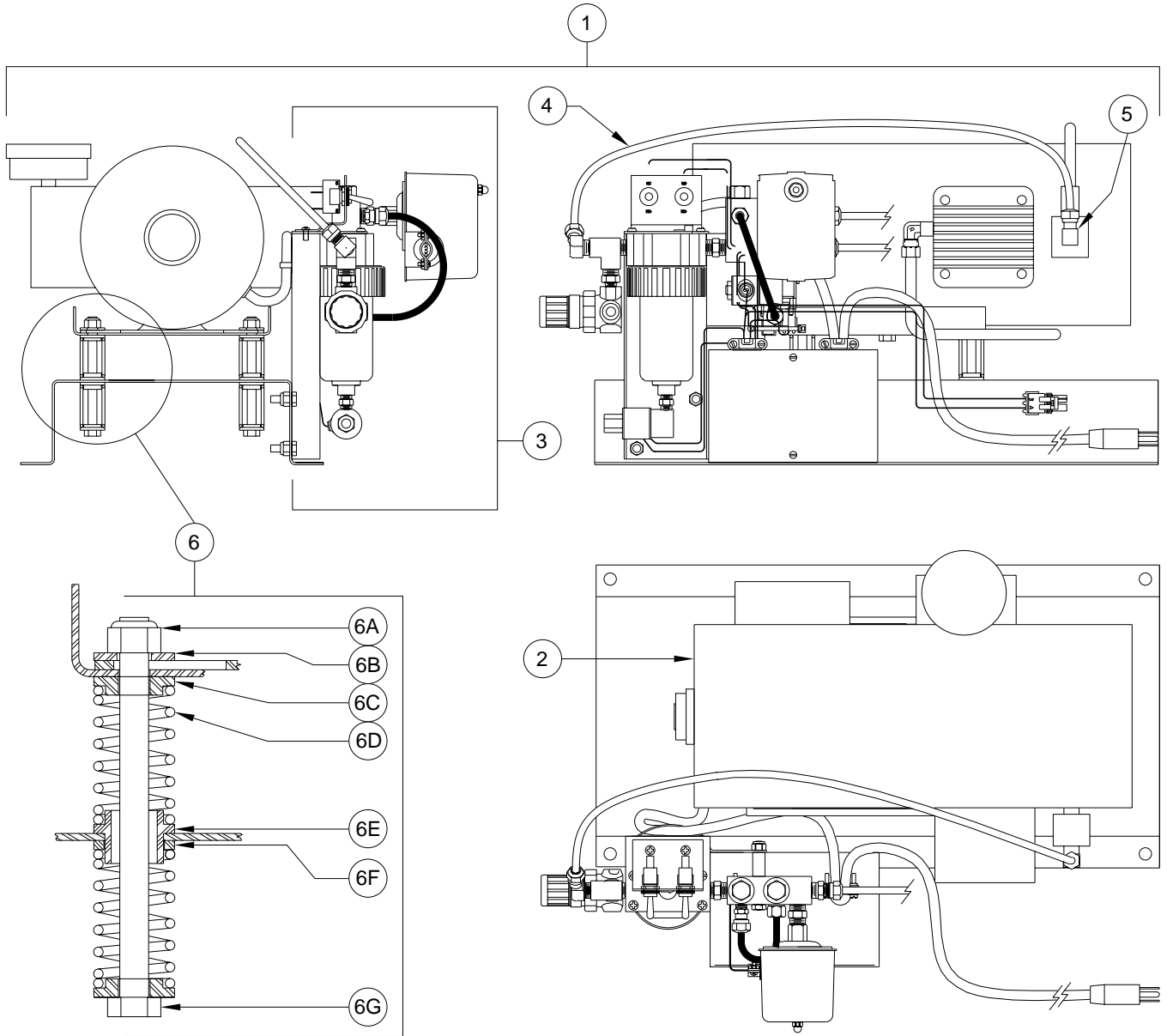
# COMPRESSOR, AIR - (AP21438)



## AIR COMPRESSOR ASSEMBLY

ITEM	PART	QTY	DESCRIPTION	ITEM	PART	QTY	DESCRIPTION
1	RAP90913		AIR COMPRESSOR ASSEMBLY - 110V	5	RP6257	1	MALE ELBOW
2	RAP90937	1	COMPRESSOR 110 VOLT	6	RAP90936	1	COMP SPRING KIT
3	RAP90907	1	WATER TRAP ASSY (SEE MR05.6101)	6A		4	NUT 5/16 - 18 ESNA
4	RP6566	1	TUBING NYLON 1/4"	6B		4	WASHER FLAT 5/16
				6C		8	BUSHING
				6D		8	SPRING
				6E		4	SPRING GUIDE
				6F		4	WASHER SPRING GUIDE
				6G		4	HHCS 5/16 - 18 X 4

# COMPRESSOR, AIR - (AP24088)

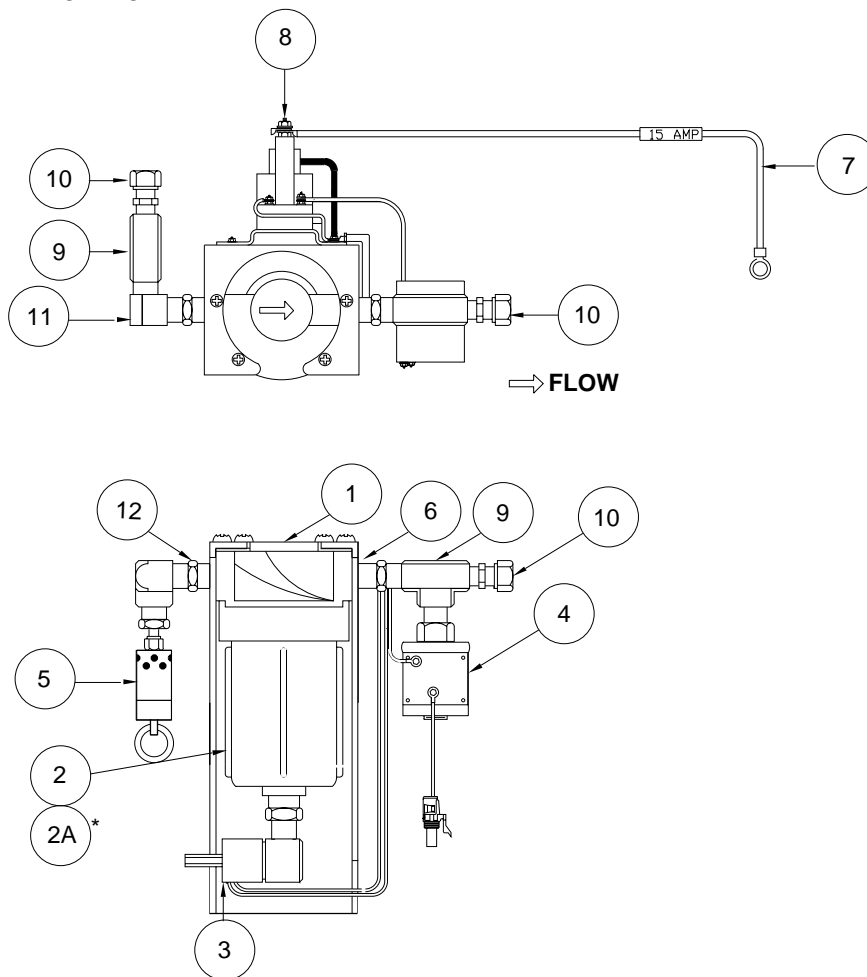


## AIR COMPRESSOR ASSEMBLY

ITEM	PART	QTY	DESCRIPTION	ITEM	PART	QTY	DESCRIPTION
1	RAP90940		AIR COMPRESSOR ASSEMBLY - 110V	5	RP6257	1	MALE ELBOW
2	RAP90937	1	COMPRESSOR 110 VOLT	6	RAP90936	1	COMP SPRING KIT
3	RAP90939	1	WATER TRAP ASSY (SEE MR05.6104)	6A		4	NUT 5/16 - 18 ESNA
4	RP6566	1	TUBING NYLON 1/4"	6B		4	WASHER FLAT 5/16
				6C		8	BUSHING
				6D		8	SPRING
				6E		4	SPRING GUIDE
				6F		4	WASHER SPRING GUIDE
				6G		4	HHCS 5/16 - 18 X 4

# WATER TRAP ASSEMBLY - (AP6748)

\* IF EXISTING FILTER ASSEMBLY HAS A THREADED BOWL, A COMPLETE FILTER ASSEMBLY WILL HAVE TO BE ORDERED.

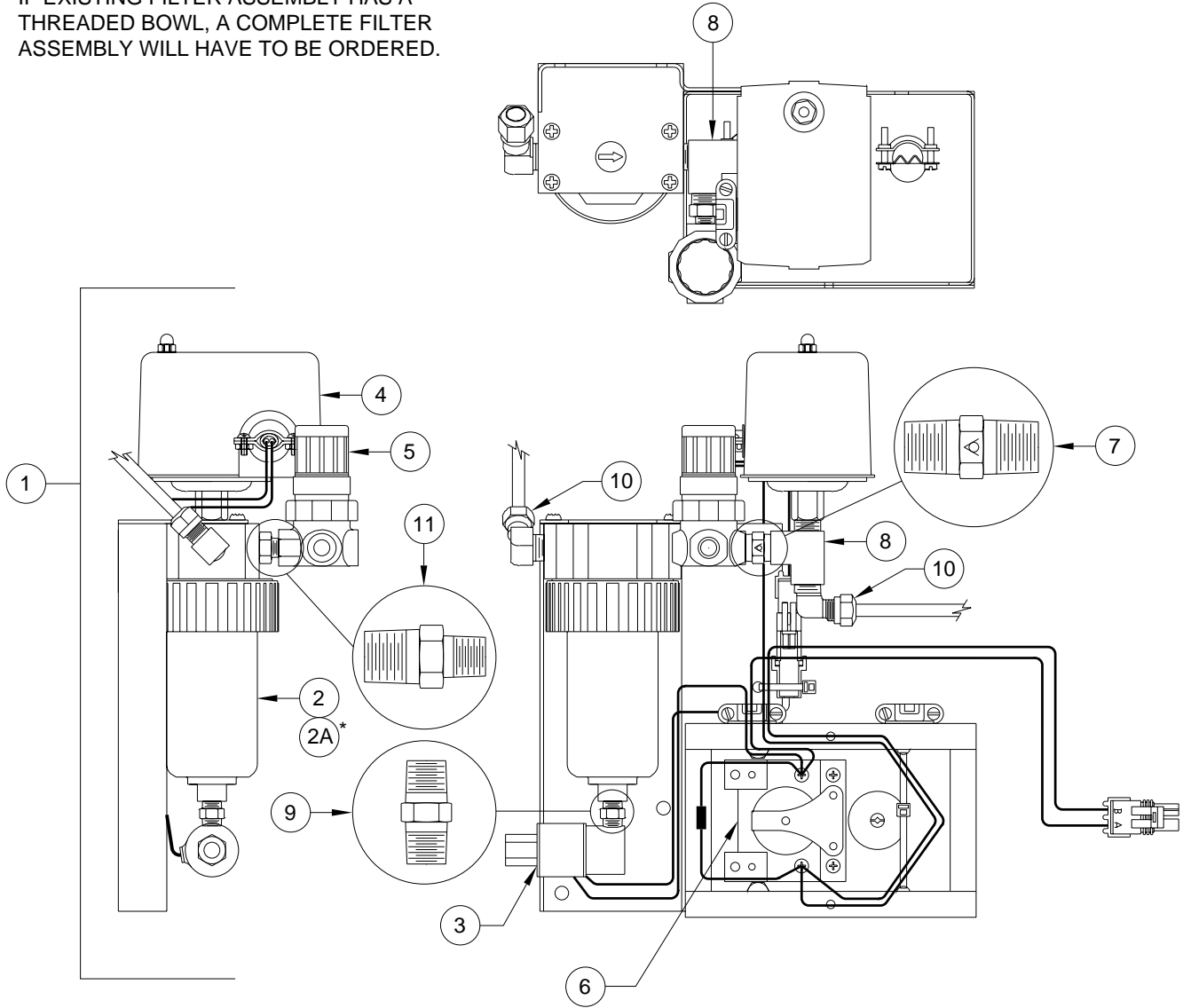


## WATER TRAP ASSEMBLY

ITEM	PART	QTY	DESCRIPTION	ITEM	PART	QTY	DESCRIPTION
1	RAP90161		WATER TRAP WITH 1/4" OUTLET	7	RAP6551	1	LEAD WITH FUSE 15 AMP
2	RAP5883	1	FILTER ASSEMBLY	8	RP5512	1	RELAY (12 VOLT ESSEX)
2A	RAP90539	1	REPLACEMENT BOWL	9	RF5887	2	BRASS TEE 1/4"
3	RAP6354	1	SOLENOID VALVE (NORMALLY OPEN)	10	RF6549	2	MALE CONNECTOR BRASS 1/4" X 1/4"
4	RAP9136	1	SWITCH PRESSURE (NORMALLY CLOSED)	11	RF3340	1	BRASS ELBOW 1/4" X 1/4"
5	RP5869	1	RELIEF VALVE				
6	RP5597	1	CHECK VALVE				

# WATER TRAP ASSEMBLY - (AP21597)

\* IF EXISTING FILTER ASSEMBLY HAS A THREADED BOWL, A COMPLETE FILTER ASSEMBLY WILL HAVE TO BE ORDERED.

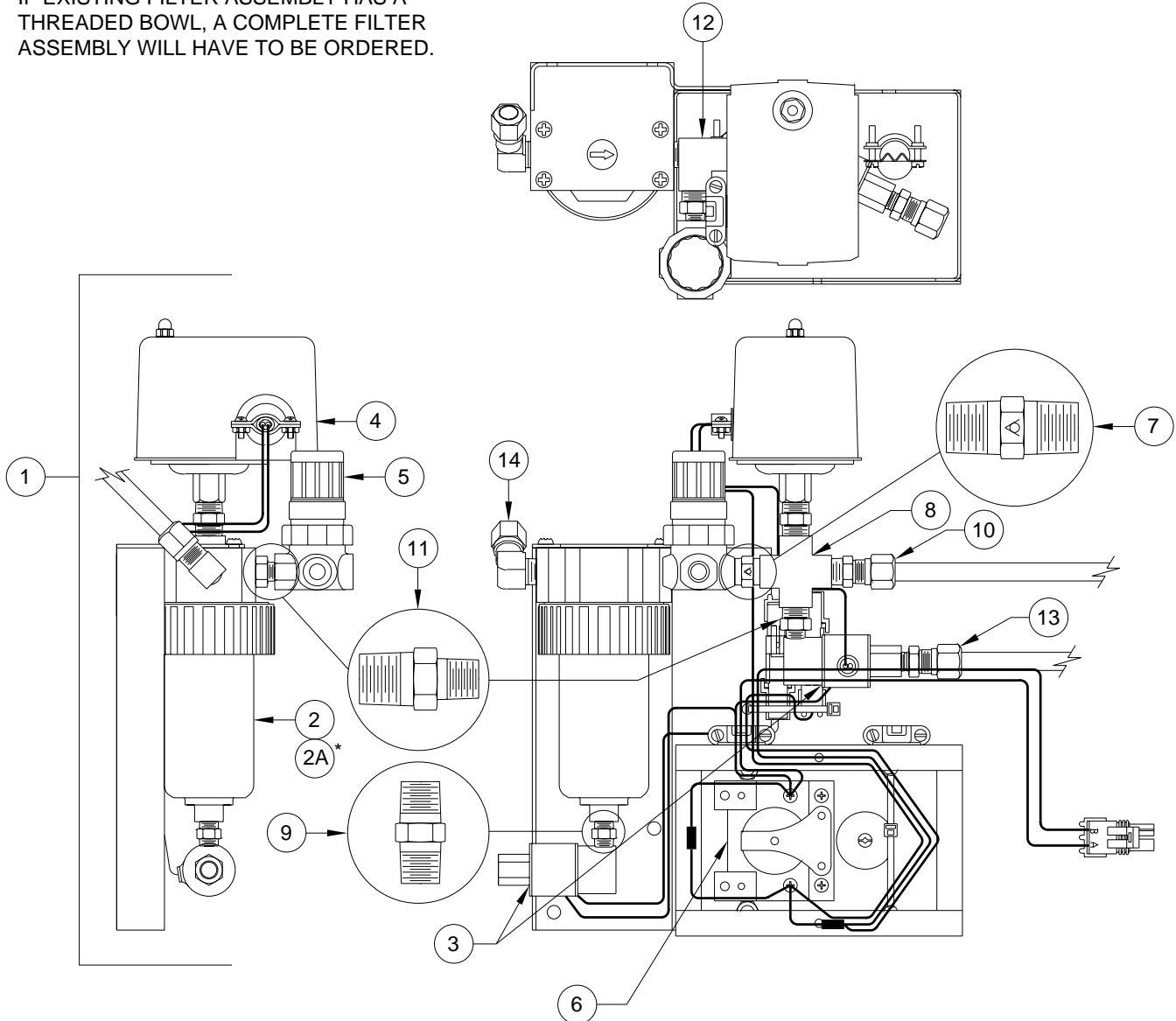


## WATER TRAP ASSEMBLY

ITEM	PART	QTY	DESCRIPTION	ITEM	PART	QTY	DESCRIPTION
1	RAP90907		WATER TRAP ASSY	7	RP5597	1	CHECK VALVE
2	RAP5883	1	FILTER ASSEMBLY	8	RF6944	2	STREET "T" 1/4 NPT
2A	RAP90539	1	REPLACEMENT BOWL	9	RF90170	1	MALE CONNECT BRASS
3	RAP6354	1	SOLENOID VALVE	10	RF6257	2	BRASS ELBOW
4	RAP90948	1	SWITCH PRESSURE	11	RF90908	1	MALE CONNECT BRASS
5	RAP90160	1	RELIEF VALVE				
6	R90909	1	RELAY (SPST 1HP)				

# WATER TRAP ASSEMBLY - (AP21638)

\* IF EXISTING FILTER ASSEMBLY HAS A  
 THREADED BOWL, A COMPLETE FILTER  
 ASSEMBLY WILL HAVE TO BE ORDERED.

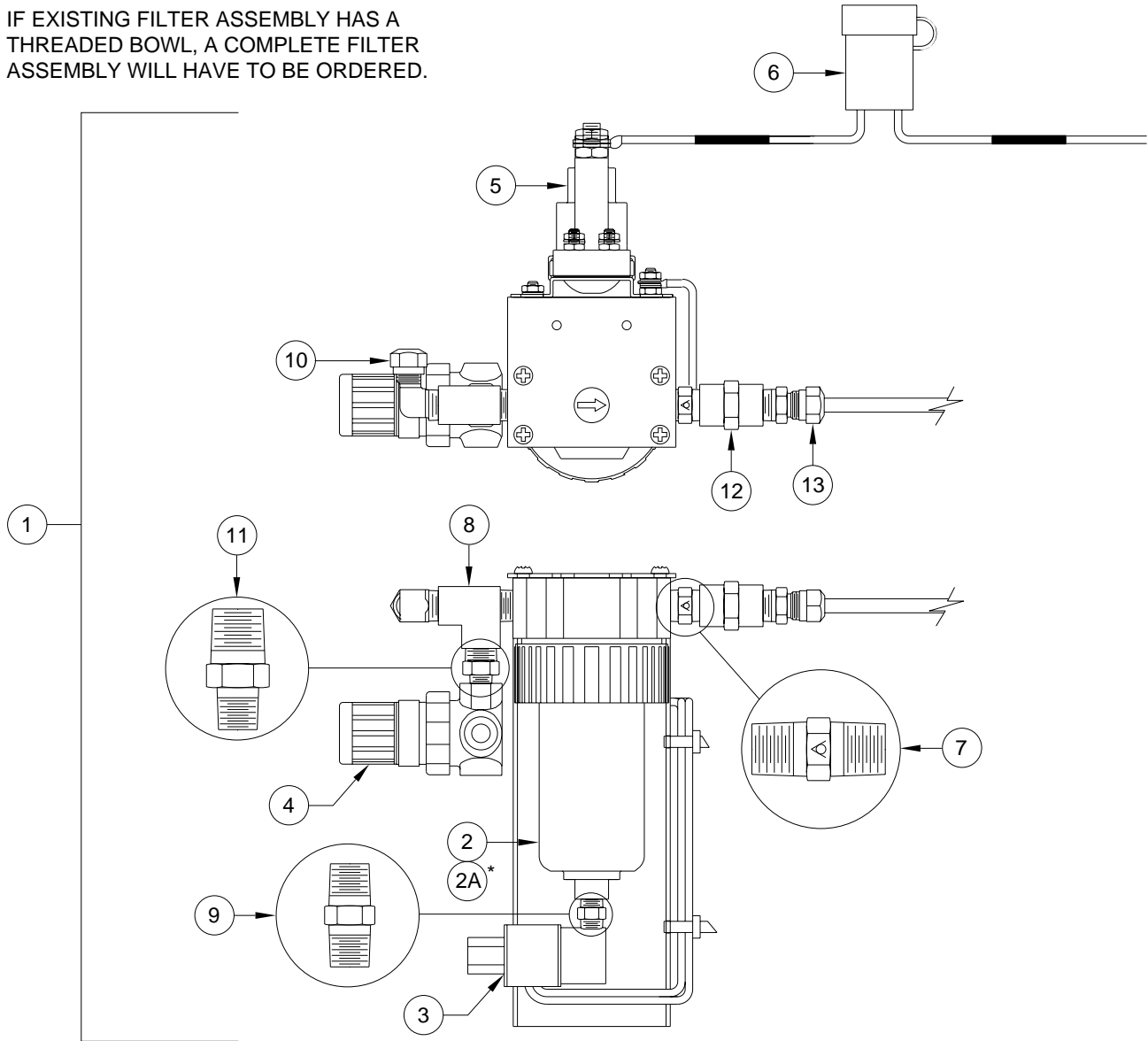


**WATER TRAP ASSEMBLY**

ITEM	PART	QTY	DESCRIPTION	ITEM	PART	QTY	DESCRIPTION
1	RAP90912		WATER TRAP ASSY	8	RF90675	1	CROSS BRASS
2	RAP5883	1	FILTER ASSEMBLY	9	RF90170	1	MALE CONNECT BRASS
2A	RAP90539	1	REPLACEMENT BOWL	10	RF4478	1	3/8 TUBE 1/4 NPT
3	RAP6354	2	SOLENOID VALVE	11	RF90908	2	MALE CONNECT BRASS
4	RAP90948	1	SWITCH PRESSURE	12	RF6944	1	STREET "T" 1/4 NPT
5	RAP90160	1	RELIEF VALVE	13	RF6148	1	3/8 TUBE 1/4 NPT
6	R90909	1	RELAY (SPST 1HP)	14	RF90164	1	ELBOW 3/8 X 1/4 NPT
7	RP5597	1	CHECK VALVE				

# WATER TRAP ASSEMBLY - (AP25739)

\* IF EXISTING FILTER ASSEMBLY HAS A THREADED BOWL, A COMPLETE FILTER ASSEMBLY WILL HAVE TO BE ORDERED.

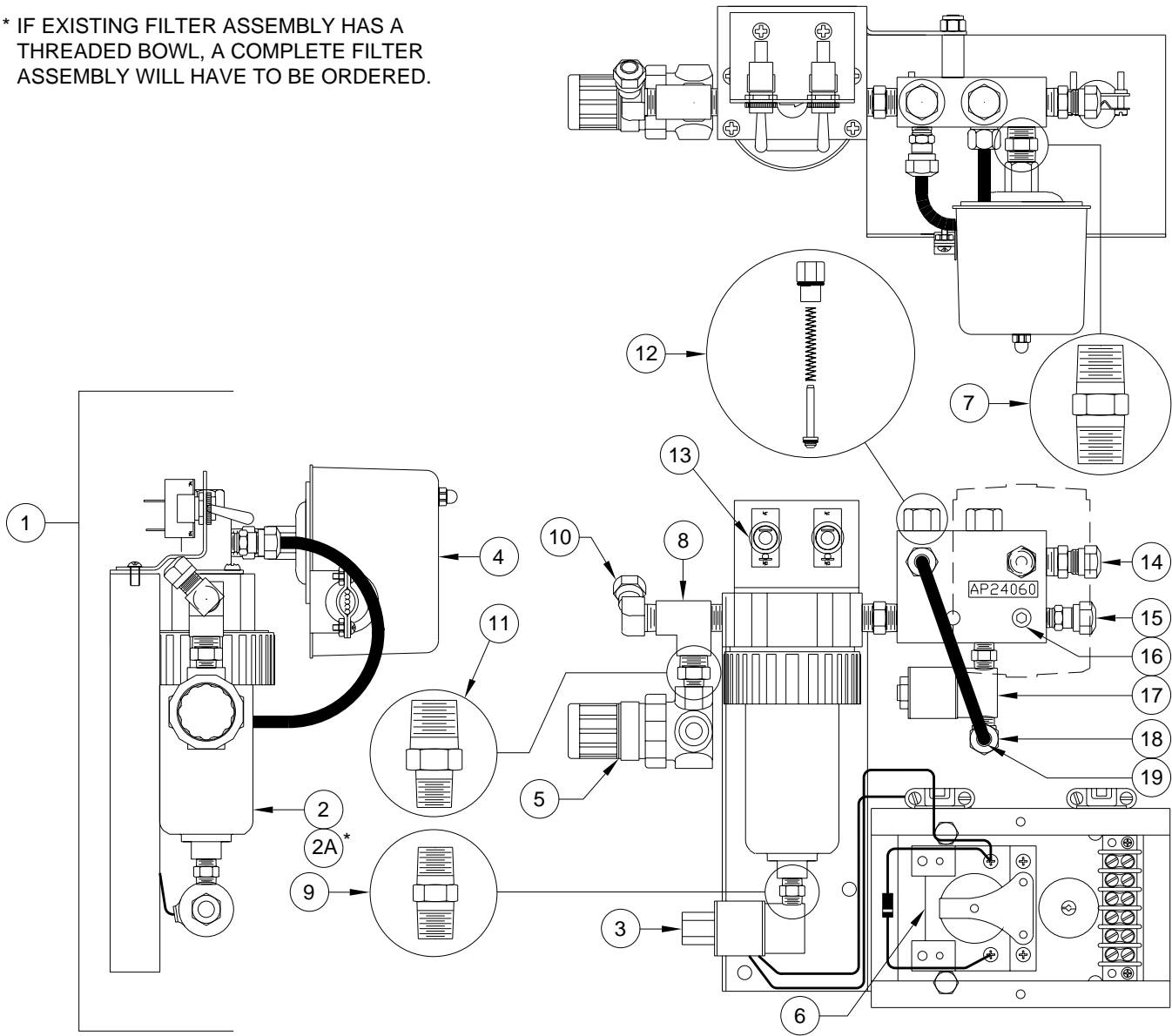


**WATER TRAP ASSEMBLY**

ITEM	PART	QTY	DESCRIPTION	ITEM	PART	QTY	DESCRIPTION
1	RAP90910		WATER TRAP ASSY	7	RP5597	1	CHECK VALVE
2	RAP5883	1	FILTER ASSEMBLY	8	RF6944	1	BRASS TEE 1/4"
2A	RAP90539	1	REPLACEMENT BOWL	9	RF90170	1	MALE CONNECT BRASS
3	RAP90911	1	SOLENOID VALVE (NORMALLY OPEN)	10	RF6257	1	BRASS ELBOW
4	RAP90160	1	RELIEF VALVE	11	RF90908	1	MALE CONNECT BRASS
5	RP5512	1	SOLENOID CONT DUTY 12V	12	RF5599	1	COUPLING 1/4 NPT
6	RAP6551	1	HARNES FUSED 15AMP FUSE	13	RF6549	1	TUBE 1/4 NPT

# WATER TRAP ASSEMBLY - (AP24060)

\* IF EXISTING FILTER ASSEMBLY HAS A THREADED BOWL, A COMPLETE FILTER ASSEMBLY WILL HAVE TO BE ORDERED.



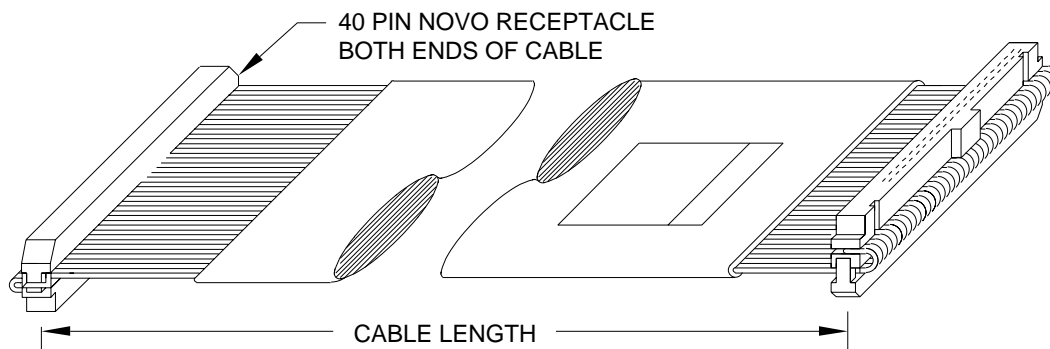
**WATER TRAP ASSEMBLY**

ITEM	PART	QTY	DESCRIPTION	ITEM	PART	QTY	DESCRIPTION
1	RAP90939		WATER TRAP ASSY	11	RF90908	1	MALE CONNECT BRASS
2	RAP5883	1	FILTER ASSEMBLY	12	RAP6553	2	CHECK VALVE KIT - AIR
2A	RAP90539	1	REPLACEMENT BOWL	13	RAP2354	2	TOGGLE SWITCH
3	RAP6354	1	SOLENOID VALVE	14	RF90164	1	1/4 TUBE - 1/4 NPT
4	RAP90948	1	SWITCH PRESSURE	15	RF4337	2	1/4 TUBE - 1/8 NPT
5	RAP90160	1	RELIEF VALVE	16	RF90173	1	BRASS PLUG 1/8 NPT
6	R90909	1	RELAY (SPST 1HP)	17	RP90956	1	SOLENOID AIR
7	RF6011	2	MALE CONNECT BRASS	18	RF6791	1	BRASS ELBOW
8	RF6944	1	STREET "T" 1/4 NPT	19	RP6566	1	TUBE 1/4 AIR
9	RF90170	2	MALE CONNECT BRASS				
10	RF6257	1	BRASS ELBOW				



# CABLE, RIBBON FOR COMPUTER-CONTROLLED LEVELING SYSTEMS (WITH TOUCH PANEL)

## RIBBON CABLE WITH STRAIN RELIEF TAB



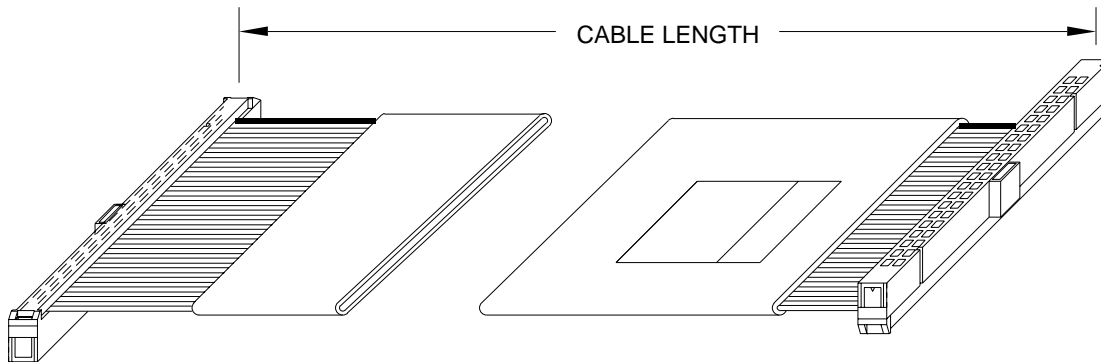
**NOTE :** THESE CABLES ARE USED WITH  
7" AND 14" CONTROL BOXES

### REPLACEMENT RIBBON CABLES

EXISTING NO.	REPLACEMENT NO.	CABLE LENGTH	DESCRIPTION
AP6725	RAP6892	2' - 0"	<b>OBSOLETE</b>
AP6892	RAP6892	3' - 0"	RIBBON CABLE 3' 0"
AP7041	RAP7041	5' - 0"	RIBBON CABLE 5' 0"
AP7788	RAP7788	7' - 0"	RIBBON CABLE 7' 0"
AP7132	RAP7079	8' - 0"	<b>OBSOLETE</b>
AP6413	RAP7079	10' - 0"	<b>OBSOLETE</b>
AP7079	RAP7079	10' - 8"	RIBBON CABLE 10' 8"
AP6933	RAP6981	12' - 0"	<b>OBSOLETE</b>
AP6981	RAP6981	16' - 0"	RIBBON CABLE 16' 0"
AP6077	RAP6077	22' - 0"	RIBBON CABLE 22' 0"
AP6610	RAP6610	27' - 0"	RIBBON CABLE 27' 0"
AP8455	RAP90260	35' - 0"	RIBBON CABLE 35' 0"
AP18997	RAP90832	40' - 0"	RIBBON CABLE 40' 0"

# CABLE, RIBBON FOR COMPUTER-CONTROLLED LEVELING SYSTEMS (WITH TOUCH PANEL)

## RIBBON CABLE WITHOUT STRAIN RELIEF TAB

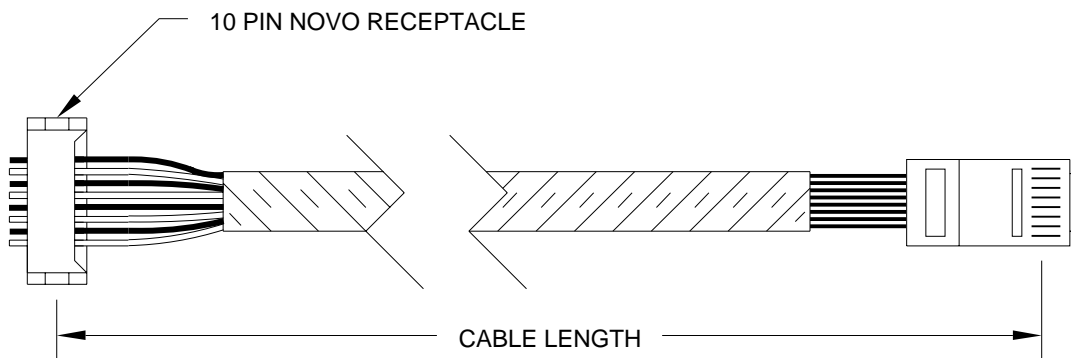


**NOTE :** FOR USE ON 1988 AND 1989 BEAVER COACHES (THE TOUCH PANEL AND THE CONTROL BOX HAVE SHORT LOCKING LATCHES ON THE RIBBON CABLE RECEPTACLES.)

### REPLACEMENT RIBBON CABLES

EXISTING NO.	REPLACEMENT NO.	CABLE LENGTH	DESCRIPTION
AP5808	RAP6558	10' - 8"	<b>OBSOLETE</b>
AP6558	RAP6558	12' - 0"	RIBBON CABLE 12' 0"
AP5853	RAP6031	20' - 0"	<b>OBSOLETE</b>
AP6031	RAP6031	22' - 0"	RIBBON CABLE 22' 0"

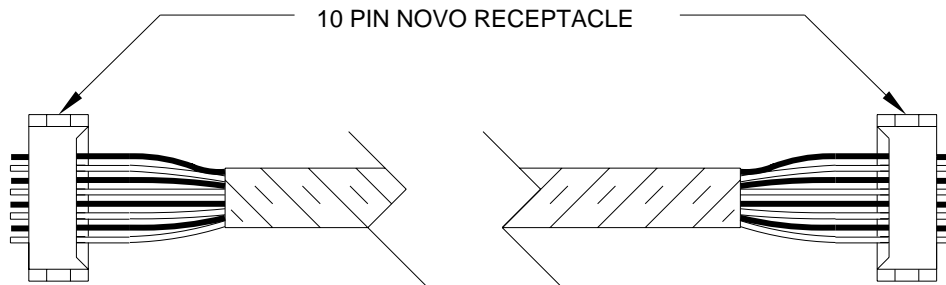
**CABLE, MODULAR  
FOR TOUCH PANEL-CONTROLLED LEVELING SYSTEMS  
(WITH 7" CONTROL BOXES)**



**REPLACEMENT MODULAR CABLES**

EXISTING NO.	REPLACEMENT NO.	CABLE LENGTH	DESCRIPTION
AP8001	RAP8001	3' - 0"	MODULAR CABLE 3' 0"
AP9226	RAP9226	5' - 0"	MODULAR CABLE 5' 0"
AP8002	RAP8002	7' - 0"	MODULAR CABLE 7' 0"
AP8460	RAP8460	10' - 0"	MODULAR CABLE 10' 0"
AP8690	RAP8690	13' - 0"	MODULAR CABLE 13' 0"
AP8058	RAP8058	22' - 0"	MODULAR CABLE 22' 0"

**CABLE, MODULAR  
FOR TOUCH PANEL-CONTROLLED LEVELING SYSTEMS  
(WITH 14" CONTROL BOXES)**

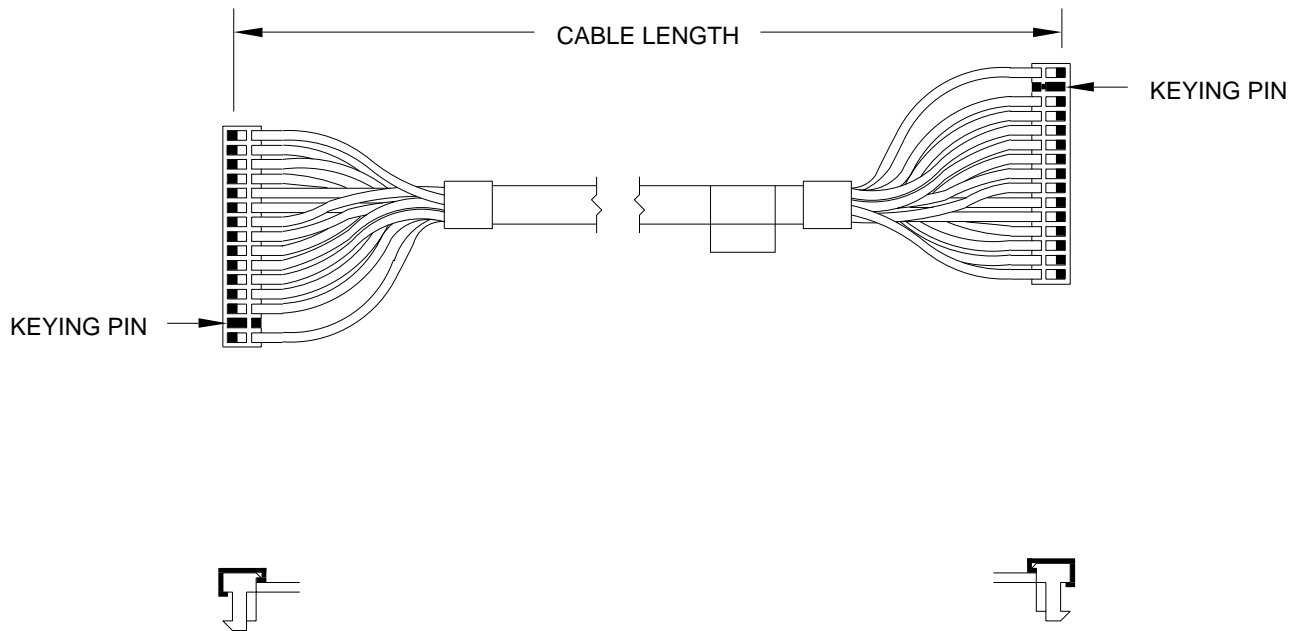


**REPLACEMENT MODULAR CABLES**

EXISTING NO.	REPLACEMENT NO.	CABLE LENGTH	DESCRIPTION
AP8446	RAP8446	11'	MODULAR CABLE 11'
AP8614	RAP8614	14'	MODULAR CABLE 14'
AP9652	RAP9652	17'	MODULAR CABLE 17'
AP9723	RAP9723	20'	MODULAR CABLE 20'
AP11607	RAP90814	22'	MODULAR CABLE 22'
AP13958	RAP90867	27'	MODULAR CABLE 27'
AP15456	RAP90816	30'	MODULAR CABLE 30' W/LOOM
AP17075	RAP90817	34'	MODULAR CABLE 34' W/LOOM
AP14944	RAP90868	45'	MODULAR CABLE 45' W/LOOM

# CABLE ASSEMBLIES FOR 310 SERIES, TOUCH PANEL-CONTROLLED LEVELING SYSTEMS (FOR MOTORIZED VEHICLES)

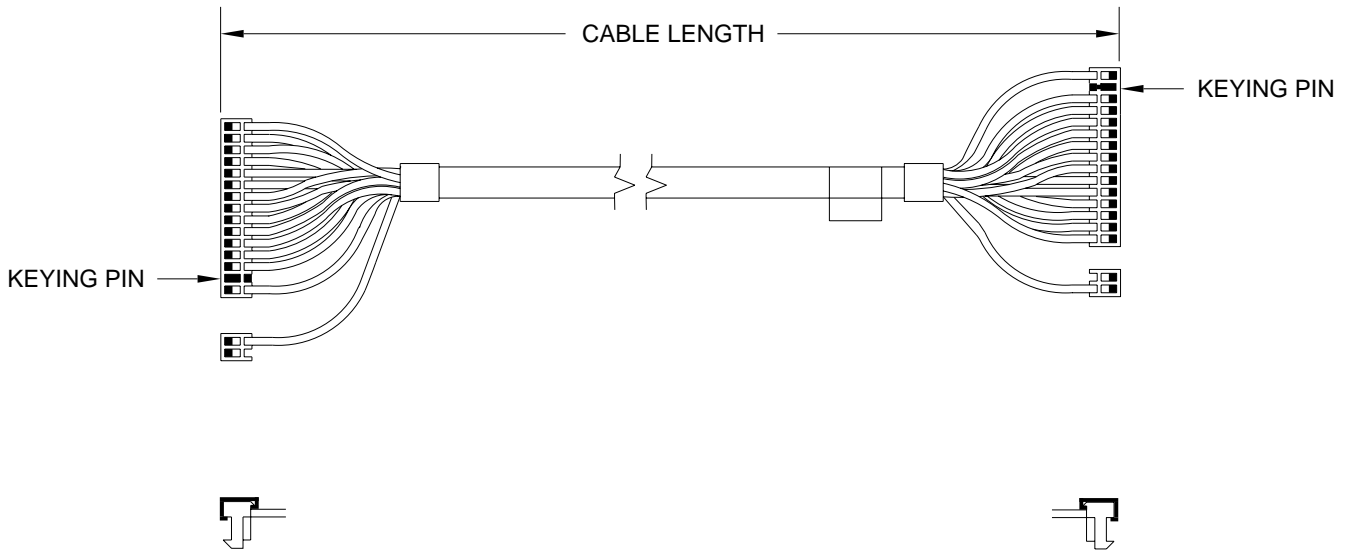
THESE HARNESES ARE USED WITH 3 AND 4 POINT LEVELING SYSTEMS



## REPLACEMENT CABLE ASSEMBLIES

EXISTING NO.	REPLACEMENT NO.	CABLE LENGTH	DESCRIPTION
AP10076	RAP90050	3' - 0"	CABLE ASSY. 3' 0"
AP10524	RAP90048	5' - 0"	CABLE ASSY. 5' 0"
AP10619	RAP90047	12' - 0"	CABLE ASSY. 12' 0"

**CABLE ASSEMBLIES  
FOR 310 SERIES, TOUCH PANEL-CONTROLLED LEVELING SYSTEMS  
(FOR MOTORIZED VEHICLES WITH PILOT DUMP)**

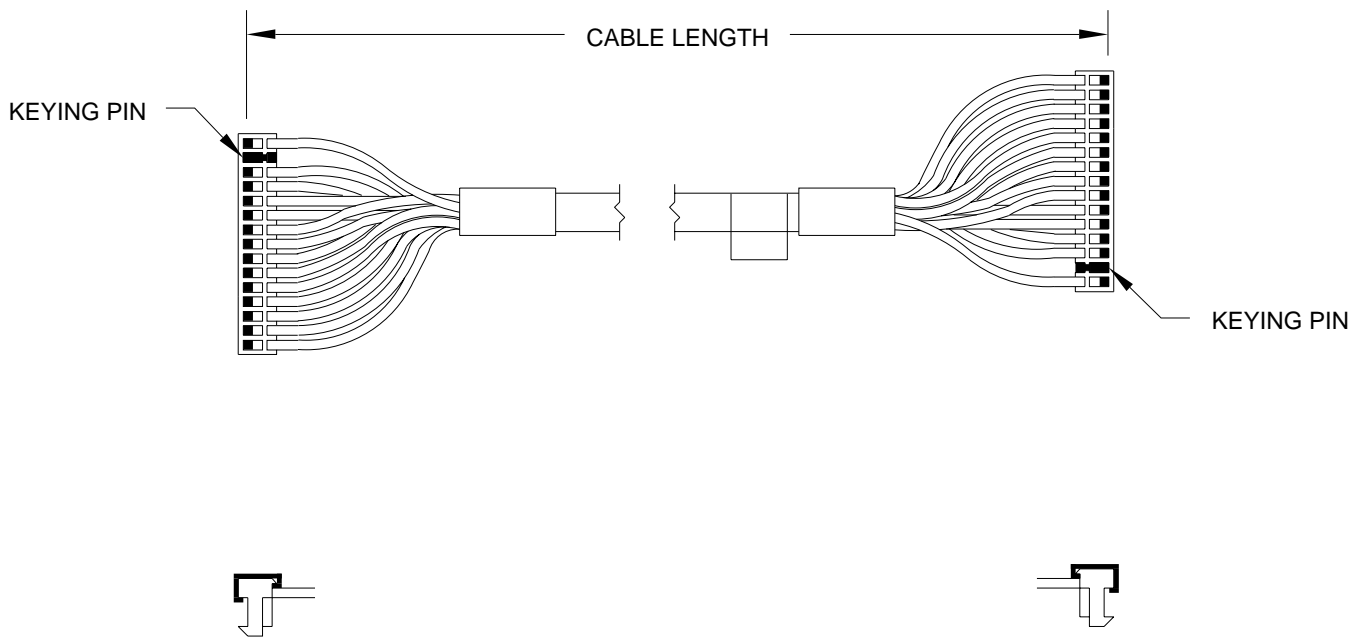


**REPLACEMENT CABLE ASSEMBLIES**

EXISTING NO.	REPLACEMENT NO.	CABLE LENGTH	DESCRIPTION
AP19550	RAP90679	7' - 0"	CABLE ASSEY. 7' 0"

# CABLE ASSEMBLIES FOR 310 SERIES, TOUCH PANEL-CONTROLLED LEVELING SYSTEMS (FOR MOTORIZED VEHICLES)

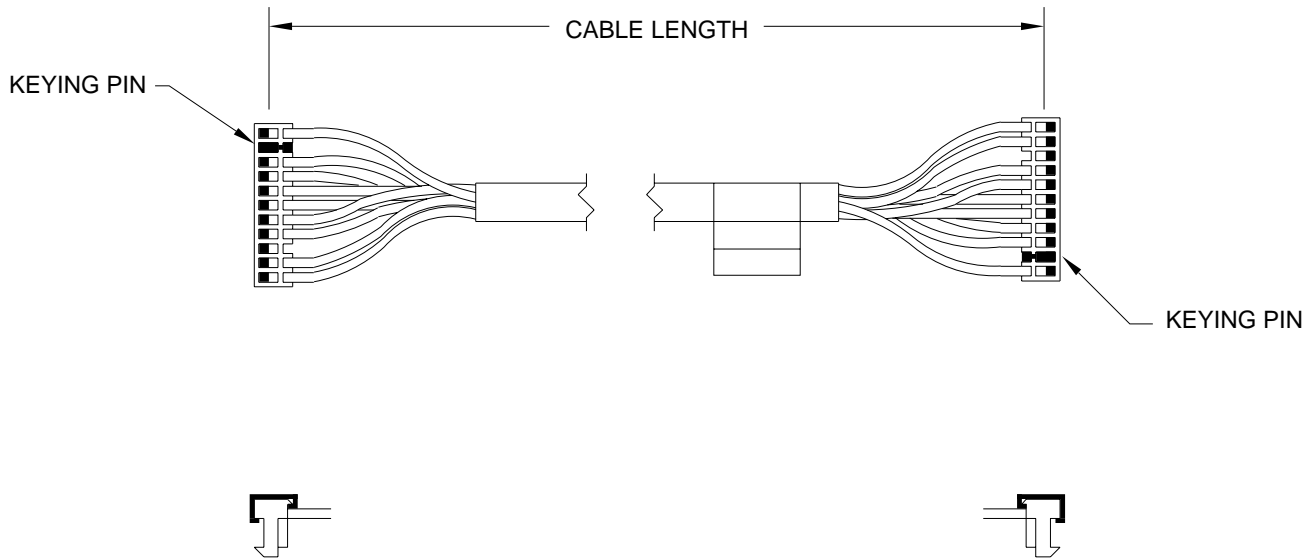
THESE HARNESES ARE USED WITH 3 POINT SAFARI AND MANUAL AIR LEVELING SYSTEMS.



## REPLACEMENT CABLE ASSEMBLIES

EXISTING NO.	REPLACEMENT NO.	CABLE LENGTH	DESCRIPTION
AP1563	RAP90055	9' - 2"	CABLE ASSY. 9' 2" SAFARI
AP2258	RAP90051	11' - 0"	CABLE ASSY. 11' 0" MITCHELL
AP2521	RAP90053	12' - 0"	CABLE ASSY. 12' 0"
AP1738	RAP90054	22' - 0"	CABLE ASSY. 22' 0" COUNTRY COACH
AP1564	RAP90052	45' - 0"	CABLE ASSY. 45' 0" SAFARI

# CABLE ASSEMBLIES FOR 610 SERIES, COMPUTER-CONTROLLED LEVELING SYSTEMS (WITH TOUCH PANEL AND 8" CONTROL BOX)



## REPLACEMENT CABLE ASSEMBLIES

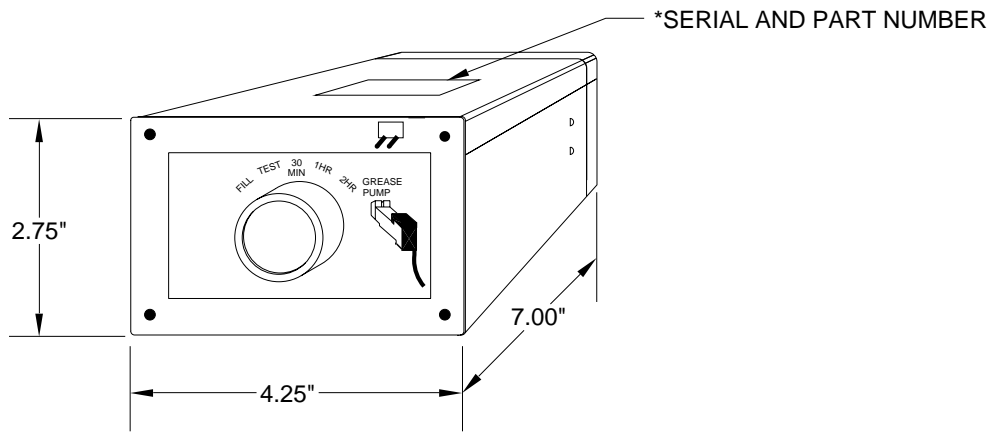
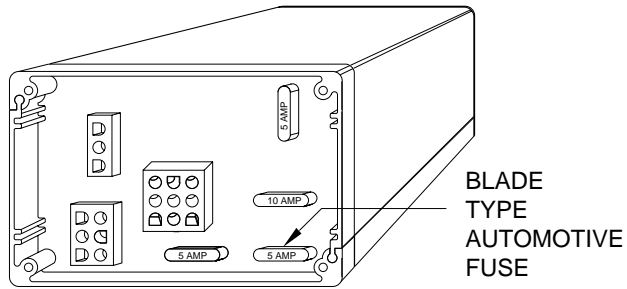
EXISTING NO.	REPLACEMENT NO.	CABLE LENGTH	DESCRIPTION
AP0983	RAP0983	3' - 0"	CABLE ASSY. 3' 0"
AP1020	RAP1020	5' - 0"	CABLE ASSY. 5' 0"
AP1214	RAP1214	7' - 0"	CABLE ASSY. 7' 0"
AP1195	RAP1195	10' - 0"	CABLE ASSY. 10' 0"
AP1117	RAP1117	12' - 0"	CABLE ASSY. 12' 0"
AP1386	RAP1386	15' - 0"	CABLE ASSY. 15' 0"
AP2263	RAP90046	18' - 0"	CABLE ASSY. 18' 0"
AP1419	RAP1419	22' - 0"	CABLE ASSY. 22' 0"
AP24844	RAP90842	32' - 0"	CABLE ASSY. 32' 0"

## SPECIAL CABLE ASSEMBLIES

EXISTING NO.	REPLACEMENT NO.	CABLE LENGTH	DESCRIPTION
AP11224	RAP90527	7' - 0"	WINNEBAGO ONLY
AP17696	RAP90528	10' - 0"	WINNEBAGO ONLY



# BOX, CONTROL GREASE TIMER (USE BEGINNING IN 1992)



**\*EXISTING NUMBER**

**DESCRIPTION**

**REPLACEMENT NUMBER**

AP9736

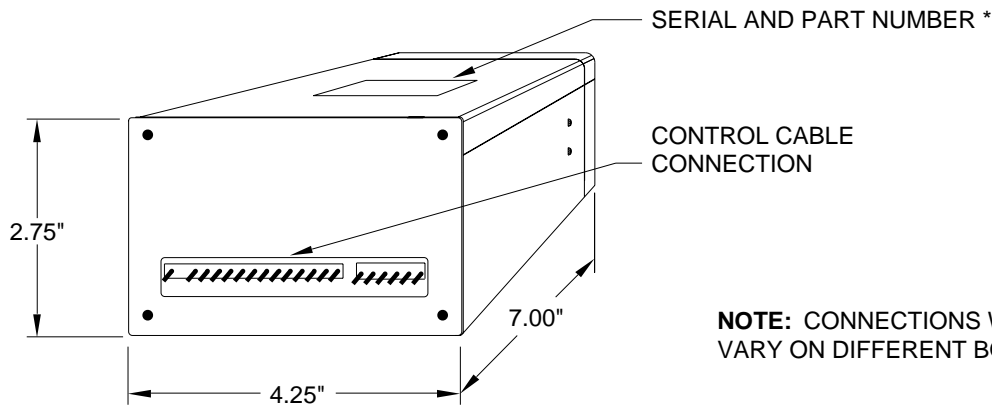
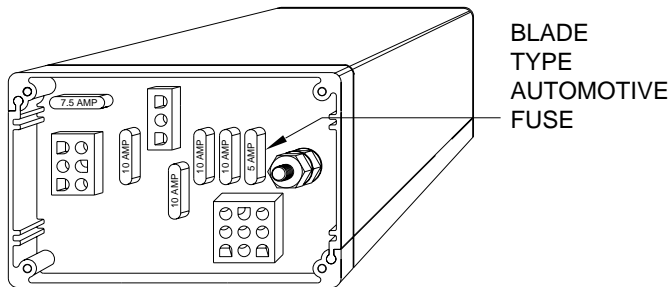
GREASE TIMER CONTROL BOX

RAP92028

\* PART NUMBER IS ON TOP OF BOX. NUMBER BEGINS WITH "AP" FOLLOWED BY 4 NUMERALS.

# BOX, CONTROL FOR 310 SERIES, TOUCH PANEL-CONTROLLED LEVELING SYSTEMS (USE BEGINNING 1995)

## 310 SERIES



**NOTE:** CONNECTIONS WILL VARY ON DIFFERENT BOXES.

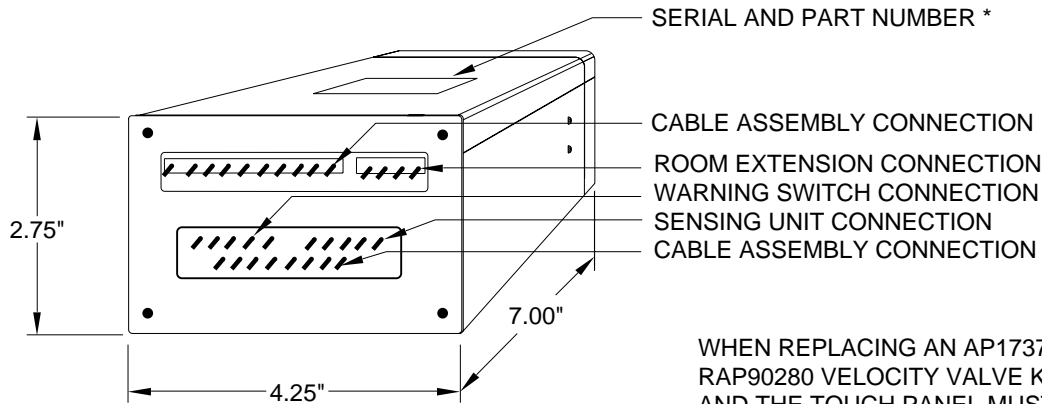
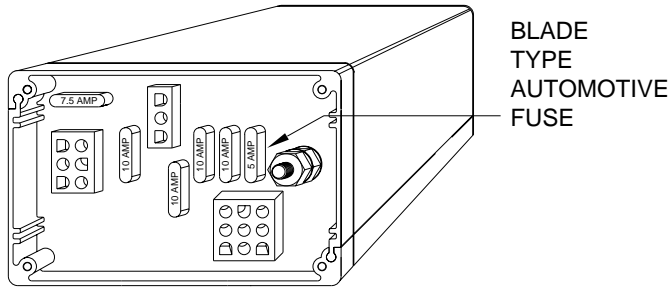
### REPLACEMENT CONTROL BOXES

*EXISTING NUMBER	HYDRAULIC LEVELING	JACK STYLE	AIR DUMP	AIR LEVELING	PARK SIGNAL	OPERATION FEATURES	COMMON APPLIC.	REPLACE NUMBER
AP1220	YES	STR	NO	NO	NEG.	3 POINT	SAFARI	RAP1220
AP10050	YES	STR	YES	NO	NEG.	3 POINT	BEAVER	RAP90017
AP10079	YES	ANY	YES	NO	NEG.	BI-AXIS		RAP90019
AP10086	YES	ANY	NO	NO	NEG.	BI-AXIS		RAP90019
AP17403	YES	ANY	YES	NO	NEG.	PILOT AIR DUMP		RAP90536

\* PART NUMBER IS ON TOP OF BOX. NUMBER BEGINS WITH "AP" FOLLOWED BY 4 OR 5 NUMERALS.

# BOX, CONTROL FOR 310 SERIES, TOUCH PANEL-CONTROLLED LEVELING SYSTEMS (NON - MOTORIZED VEHICLES)

## 310 SERIES NON - MOTORIZED VEHICLES



WHEN REPLACING AN AP1737 WITH A RAP90327 A RAP90280 VELOCITY VALVE KIT MUST BE INSTALLED AND THE TOUCH PANEL MUST BE REPLACED WITH A RAP90328 TOUCH PANEL.

### REPLACEMENT CONTROL BOXES

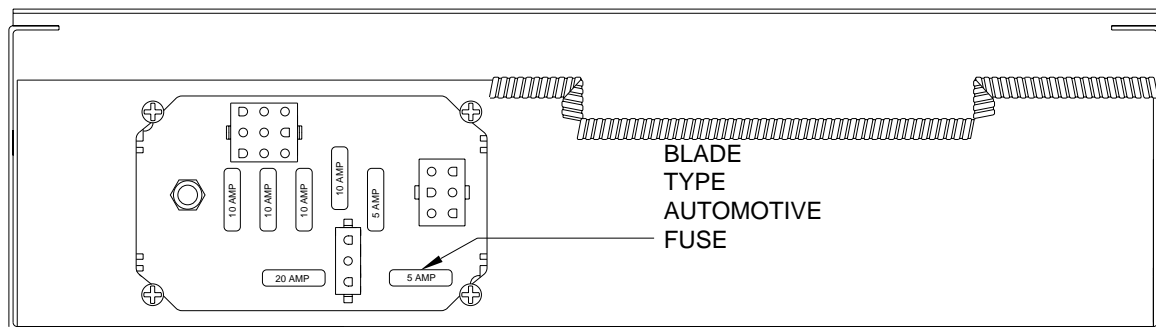
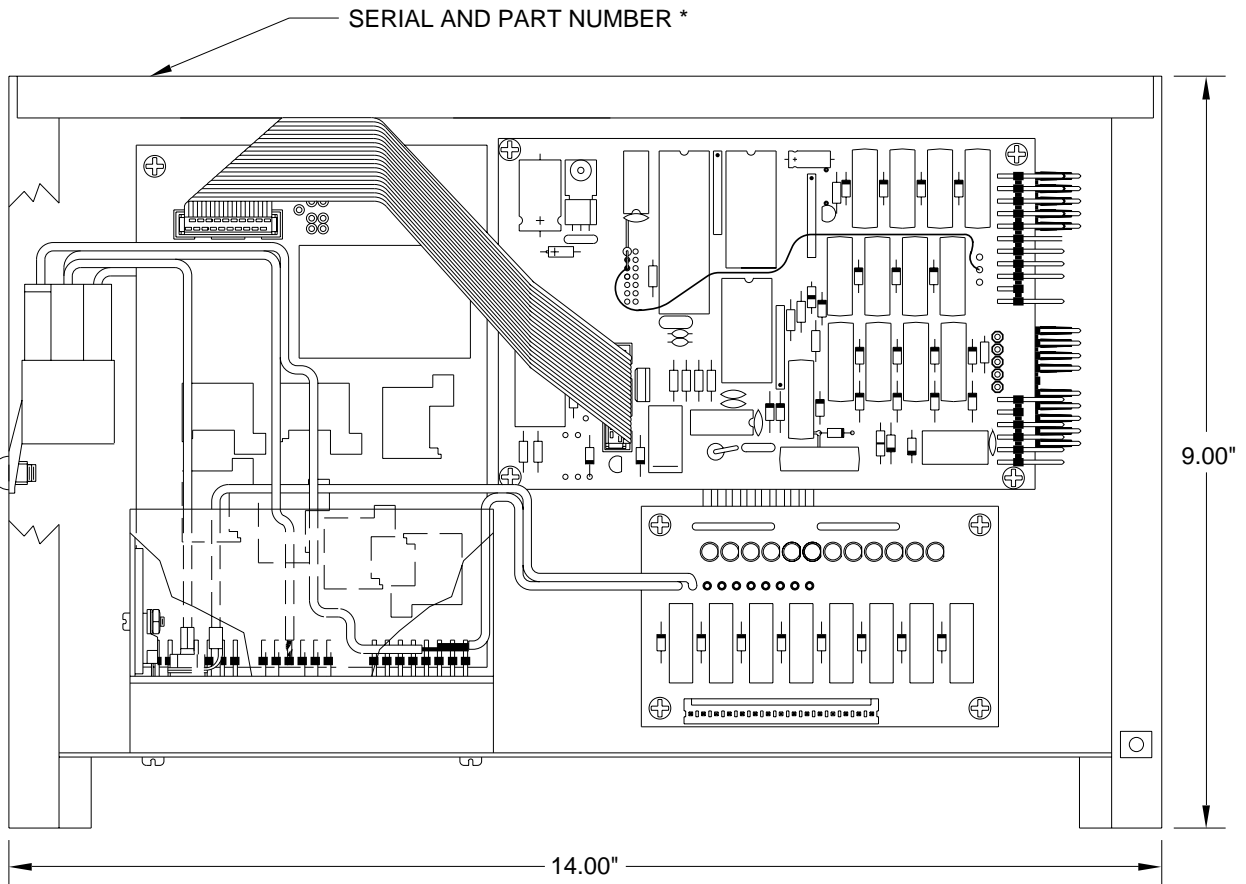
*EXISTING NUMBER	HYDRAULIC LEVELING	JACK STYLE	AIR DUMP	AIR LEVELING	PARK SIGNAL	OPERATION FEATURES	**COMMON APPLIC.	REPLACE NUMBER
AP1737	YES	STR	NO	NO	NONE	FIFTH WHEEL TRAILERS	<b>OBSOLETE</b>	RAP90327
AP10971	YES	STR	NO	NO	NONE		CARRIAGE	RAP90537
AP11995	YES	STR	NO	NO	NEG.	BI-AXIS FRONT JACKS PRESS. SW	FEATHERLITE	RAP90299
AP14545	YES	STR	NO	NO	NONE	FIFTH WHEEL TRAILERS	TRAILERS	RAP90327
AP20961	YES	STR	NO	NO	NEG.	1 ROOM EXTENSION	TRAILERS	RAP91628
AP29798	YES	STR	YES	NO	NONE		TRAILERS	RAP91996

\* PART NUMBER IS ON TOP OF BOX. NUMBER BEGINS WITH "AP" FOLLOWED BY 4 OR 5 NUMERALS.

\*\* SOME VEHICLES MAY HAVE DIFFERENT CONTROL BOXES.

# BOX, CONTROL FOR 310 SERIES, TOUCH PANEL-CONTROLLED LEVELING SYSTEMS (SIX JACK SYSTEM)

## 310 SERIES



### REPLACEMENT CONTROL BOXES

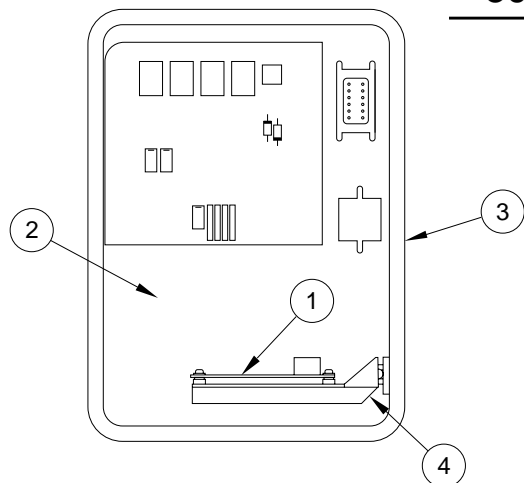
*EXISTING NUMBER	HYDRAULIC LEVELING	JACK STYLE	AIR DUMP	AIR LEVELING	PARK SIGNAL	OPERATION FEATURES	COMMON APPLIC.	REPLACE NUMBER
AP17260	YES	6-ST	NO	NO	NEG.	AUTOMATIC STABILIZE	FEATHERLITE	RAP92023

\* PART NUMBER IS ON INSIDE TOP EDGE OF BOX (NOT LID). NUMBER BEGINS WITH "AP" FOLLOWED BY 5 NUMERALS.

**MR15.3100**  
**20NOV06**

# BOX, CONTROL FOR 305/325 SERIES, TOUCH PANEL-CONTROLLED LEVELING SYSTEMS (USE BEGINNING 2003)

## 305/325 SERIES



### REPLACEMENT PARTS

ITEM	PART	DESCRIPTION
1	RAP91172	SENSING UNIT
2	RAP91932	CLEAR POLY COVER
3	RP92193	RETAINER SEAL ONE PER RP92193
4	SEE <a href="#">MR45.2005</a>	FOR SENSING UNIT MOUNTING HARDWARE INFORMATION
	R90924	3 AMP FUSE
	R90925	5 AMP FUSE
	R90928	15 AMP FUSE

NOTE: FUSES ARE SOLD IN QUANTITIES OF FIVE.

EXISTING ASSEMBLY AP #	VARIABLES				REPLACEMENT ASSEMBLY PART #	ID DECAL PART #
	SERIES	SUSPENSION	ROOMS	GLASS		
AP25918	305	N/A		N/A	RAP91318	AP25918
AP26778	325	SPRING		EAST	RAP91299	AP30045
AP27268	305	N/A	1 OR 2	N/A	RAP91317	AP27268
AP28735	325	AIR - HWH DUMP		WEST	RAP91301	AP30018
AP28887	305	N/A	3 OR 4	N/A	RAP91104	AP28887
AP29056	325	AIR - PILOT DUMP	3 OR 4	EAST	RAP91269	AP32234
AP29291	325	AIR - PILOT DUMP	3 OR 4	NORTH	RAP91269	AP32234
AP29302	325	AIR - PILOT DUMP	5 OR 6	NORTH	RAP91353	AP29302
AP29502	325	AIR - HWH DUMP		EAST	RAP91301	AP30018
AP29862	325	SPRING		WEST	RAP91299	AP30045
AP30018	325	AIR - PILOT DUMP		PROG	RAP91301	AP30018
AP30045	325	SPRING		PROG	RAP91299	AP30045
AP30048	325	AIR - PILOT DUMP		EAST	RAP91301	AP30018
AP30074	325	AIR - HWH DUMP		NORTH	RAP91301	AP30018
AP30377	325	SPRING	1 OR 2	EAST	RAP91591	AP30377
AP30540	325	SPRING	3 OR 4	EAST	RAP91590	AP30540
AP30716	325	AIR - PILOT DUMP		WEST	RAP91301	AP30018
AP30813	325	SPRING		SOUTH	RAP91299	AP30045
AP30900	325	SPRING		NORTH	RAP91299	AP30045
AP30987	325	SPRING	1 OR 2	WEST	RAP91261	AP31706
AP31095	325	AIR - PILOT DUMP	3 OR 4	WEST	RAP91269	AP32234
AP31706	325	SPRING	1 OR 2	PROG	RAP91261	AP31706
AP32230	325	SPRING	3 OR 4	PROG	RAP91265	AP32230
AP32232	325	AIR - PILOT DUMP	1 OR 2	PROG	RAP91270	AP32232
AP32234	325	AIR - PILOT DUMP	3 OR 4	PROG	RAP91269	AP32234
AP32271	325	SPRING	1 OR 2	WEST	RAP91261	AP31706

THE "GLASS" COLUMN REFERS TO THE DIRECTION THE PLEXIGLASS SIDE OF THE CONTROL BOX IS FACING. THE FRONT OF THE COACH IS ALWAYS NORTH. "N/A" INDICATES THIS ASSEMBLY HAS NO SENSING UNIT. "PROG" INDICATES THAT THIS (AP ASSEMBLY) COMES WITH A PROGRAMMABLE SENSING UNIT.

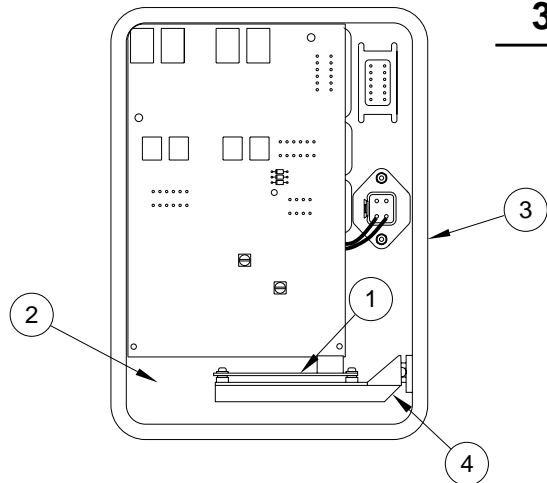
REPLACEMENT ASSEMBLIES WILL HAVE PROGRAMMABLE SENSING UNITS USING JUMPERS TO RECREATE THE ORIGINAL INSTALLATION GLASS DIRECTION AND SUSPENSION VARIABLES. REFER TO INSTRUCTION SHEET SUPPLIED WITH REPLACEMENT BOX.

WHEN REPLACING AN EXISTING 305/325 ASSEMBLY ORDER BY THE **REPLACEMENT "ASSEMBLY PART #"** LISTED BELOW UNLESS OTHERWISE AUTHORIZED BY AN HWH REPRESENTATIVE.

ORDER BY THE REPLACEMENT #, BUT BE AWARE THAT THE ID DECAL LOCATED ON THE OUTSIDE OF THE ASSEMBLY WILL NOT REFLECT THE RAP #. THE ID DECAL WILL EITHER REFLECT THE "EXISTING ASSEMBLY AP #" OR THE REPLACEMENT "ID DECAL AP #" LISTED.

# BOX, CONTROL FOR 325A SERIES, TOUCH PANEL-CONTROLLED LEVELING SYSTEMS (USE BEGINNING 2004)

## 325A SERIES



### REPLACEMENT PARTS

ITEM	PART	DESCRIPTION
1	RAP91172	SENSING UNIT
2	RAP91932	CLEAR POLY COVER
3	RP92193	RETAINER SEAL ONE PER RP92193
4	SEE <a href="#">MR45.2005</a>	FOR SENSING UNIT MOUNTING HARDWARE INFORMATION
	R90925	5 AMP FUSE
	R90927	10 AMP FUSE
	R90928	15 AMP FUSE
NOTE: FUSES ARE SOLD IN QUANTITIES OF FIVE.		

EXISTING ASSEMBLY AP #	VARIABLES	
	ROOMS	GLASS
AP31343	3 OR 4	NORTH
AP31345	3 OR 4	EAST
AP31348	1 OR 2	EAST
AP31493	1 OR 2	PROG
AP31659		EAST
AP31674	1 OR 2	NORTH
AP32150	3 OR 4	WEST
AP32235	3 OR 4	PROG
AP32236		PROG
AP32508	1 OR 2	WEST
AP32538		NORTH
AP32750		WEST
AP33176		WEST
AP33234		PROG
AP33273	5 OR 6	SOUTH
AP33292	5 OR 6	PROG
AP33538		EAST
AP33539		EAST
AP33693	5 OR 6	NORTH
AP33850		EAST
AP35905	1 OR 2	SOUTH

REPLACEMENT ASSEMBLY PART #	ID DECAL PART #
RAP91263	AP32235
RAP91431	AP31345
RAP91262	AP31493
RAP91262	AP31493
RAP91268	AP32236
RAP91262	AP31493
RAP91263	AP32235
RAP91263	AP32235
RAP91268	AP32236
RAP91262	AP31493
RAP91268	AP32236
RAP91268	AP32236
RAP91268	AP33236
RAP91576	AP33292
RAP91576	AP33292
RAP91268	AP32236
RAP91268	AP32236
RAP91576	AP33292
RAP91268	AP32236
RAP91262	AP31493

THE "GLASS" COLUMN REFERS TO THE DIRECTION THE PLEXIGLASS SIDE OF THE CONTROL BOX IS FACING. THE FRONT OF THE COACH IS ALWAYS NORTH. "PROG" INDICATES THAT THIS (AP ASSEMBLY) COMES WITH A PROGRAMMABLE SENSING UNIT.

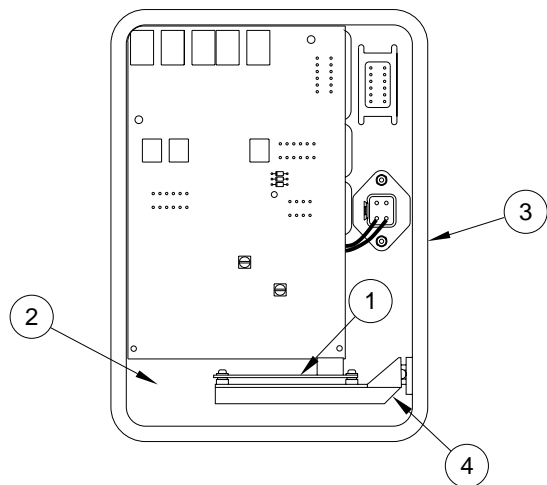
REPLACEMENT ASSEMBLIES WILL HAVE PROGRAMMABLE SENSING UNITS USING JUMPERS TO RECREATE THE ORIGINAL INSTALLATION GLASS DIRECTION AND SUSPENSION VARIABLES. REFER TO INSTRUCTION SHEET SUPPLIED WITH REPLACEMENT BOX.

WHEN REPLACING AN EXISTING 325A ASSEMBLY ORDER BY THE **REPLACEMENT "ASSEMBLY PART #"** LISTED BELOW UNLESS OTHERWISE AUTHORIZED BY AN HWH REPRESENTATIVE.

ORDER BY THE REPLACEMENT #, BUT BE AWARE THAT THE ID DECAL LOCATED ON THE OUTSIDE OF THE ASSEMBLY WILL NOT REFLECT THE RAP #. THE ID DECAL WILL EITHER REFLECT THE "EXISTING ASSEMBLY AP #" OR THE REPLACEMENT "ID DECAL AP #" LISTED.

# BOX, CONTROL FOR 325A SERIES, TOUCH PANEL-CONTROLLED LEVELING SYSTEMS (NON-MOTORIZED VEHICLES)

## 325A SERIES NON - MOTORIZED VEHICLES



### REPLACEMENT PARTS

ITEM	PART	DESCRIPTION
1	RAP91172	SENSING UNIT
2	RAP91932	CLEAR POLY COVER
3	RP92193	RETAINER SEAL ONE PER RP92193
4	SEE <a href="#">MR45.2005</a> FOR SENSING UNIT MOUNTING HARDWARE INFORMATION	
	R90924	3 AMP FUSE
	R90925	5 AMP FUSE
	R90926	7.5 AMP FUSE
	R90927	10 AMP FUSE
	R90928	15 AMP FUSE

NOTE: FUSES ARE SOLD IN QUANTITIES OF FIVE.

EXISTING ASSEMBLY AP #	VARIABLES			REPLACEMENT ASSEMBLY PART #	ID DECAL PART #
	OPERATION	ROOMS	GLASS		
AP34629	EQ VALVE, NO JACK PRESS. SW.		PROG	RAP92654	AP34629
AP34940	NO EQ VALVE, JACK PRESS. SW.		PROG	RAP91646	AP34940
AP35382	EQ VALVE, NO JACK PRESS. SW.	1 OR 2	PROG	RAP91668	AP35382
AP35718	EQ VALVE, NO JACK PRESS. SW.		NORTH	RAP92654	AP34629
AP36184	EQ VALVE, JACK PRESS. SW.	1 OR 2	SOUTH	RAP91771	AP37272
AP36259	EQ VALVE, NO JACK PRESS. SW.	1 OR 2	NORTH	RAP91668	AP35382
AP36937	EQ VALVE, JACK PRESS. SW.		PROG	RAP91645	AP36937
AP37234	EQ VALVE, JACK PRESS. SW.	1 OR 2	NORTH	RAP91771	AP37272
AP37271	EQ VALVE, JACK PRESS. SW.		NORTH	RAP91645	AP36937
AP37272	EQ VALVE, JACK PRESS. SW.	1 OR 2	PROG	RAP91771	AP37272
AP37610	EQ VALVE, JACK PRESS. SW.		WEST	RAP91645	AP36937
AP39330	EQ VALVE, JACK PRESS. SW.	7 OR 8	PROG	RAP92011	AP39330

THE "**GLASS**" COLUMN REFERS TO THE DIRECTION THE PLEXIGLASS SIDE OF THE CONTROL BOX IS FACING. THE FRONT OF THE COACH IS ALWAYS NORTH. "**PROG**" INDICATES THAT THIS (AP ASSEMBLY) COMES WITH A PROGRAMMABLE SENSING UNIT.

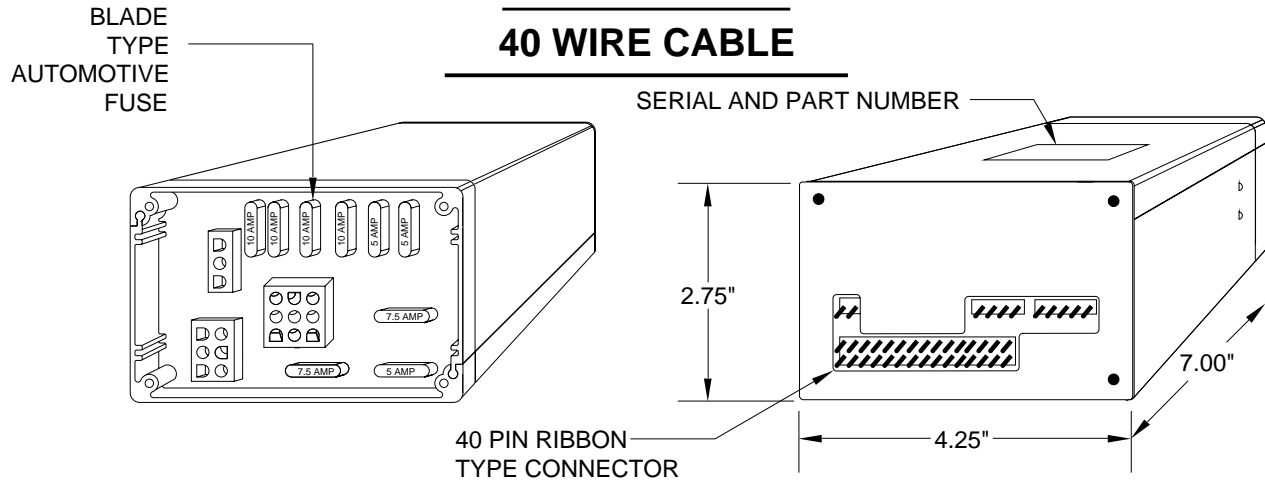
REPLACEMENT ASSEMBLIES WILL HAVE PROGRAMMABLE SENSING UNITS USING JUMPERS TO RECREATE THE ORIGINAL INSTALLATION GLASS DIRECTION AND SUSPENSION VARIABLES. REFER TO INSTRUCTION SHEET SUPPLIED WITH REPLACEMENT BOX.

WHEN REPLACING AN EXISTING 325A ASSEMBLY ORDER BY THE **REPLACEMENT "ASSEMBLY PART #"** LISTED BELOW UNLESS OTHERWISE AUTHORIZED BY AN HWH REPRESENTATIVE.

ORDER BY THE REPLACEMENT #, BUT BE AWARE THAT THE ID DECAL LOCATED ON THE OUTSIDE OF THE ASSEMBLY WILL NOT REFLECT THE RAP #. THE ID DECAL WILL EITHER REFLECT THE "**EXISTING ASSEMBLY AP #**" OR THE **REPLACEMENT "ID DECAL AP #"** LISTED.

# BOX, CONTROL FOR COMPUTER-CONTROLLED (TOUCH PANEL) LEVELING SYSTEMS (USE BEGINNING IN 1990)

## 510 SERIES 40 WIRE CABLE



\*\*\*CONTROL BOXES AP7545 & AP7550 ARE RECONNECTABLE FOR NEG. OR POS. (+12) PARK SIGNALS. THESE BOXES WERE USED PRIMARILY ON OSHKOSH PUSHER COACHES WHICH HAD POS. PARK SIGNALS.

### REPLACEMENT CONTROL BOXES

*EXISTING NUMBER	HYDRAULIC LEVELING	JACK STYLE	AIR DUMP	AIR LEVELING	PARK SIGNAL	OPERATION FEATURES	**COMMON APPLIC.	REPLACE NUMBER
AP6720 or AP8470	YES	2 or 4 KD	YES	NO	NEG.	2-3 JACKS	TYP. PUSH AIR SUSP.	RAP8470
AP6763 or AP8463	YES	2 or 4 KD	NO	NO	NEG.	2-1 JACKS	CHEV.FORD OSH.JD	RAP8463
AP7202 or AP8473	YES	4-ST	YES	NO	NEG.	2-3 JACKS		RAP8473
AP7545	YES	4-KD	NO	NO	POS NEG	2-1 JACKS	OSH PUSH CHEV.FORD	RAP8493 RAP8463
AP7550	YES	4-KD	YES	NO	POS NEG	2-3 JACKS	OSH PUSH GIL.SPART	RAP8495 RAP8470
AP7585 ***	YES	2 or 4 KD	YES	NO	NEG.	2-1 JACKS	STARCRAFT	RAP9230 ****
AP8493	YES	2 or 4 KD	NO	NO	POS.	2-1 JACKS	MALLARD	RAP8493
AP8495	YES	2 or 4 KD	YES	NO	POS.	2-3 JACKS	MALLARD/ AIR SUSP.	RAP8495
AP8668	YES	4-KD	NO	NO	NEG.	2-1 JACKS 30 S. STAB		RAP8668
AP8718	YES	4-KD	YES	NO	NEG.	2-3 JACKS 30 S. STAB		RAP8718
AP9230	YES	2 or 4 KD	YES	NO	NEG.	2-1 JACKS		RAP9230

\* PART NUMBER IS ON TOP OF BOX. NUMBER BEGINS WITH "AP" FOLLOWED BY 4 NUMERALS.

\*\* SOME VEHICLES MAY HAVE DIFFERENT CONTROL BOXES.

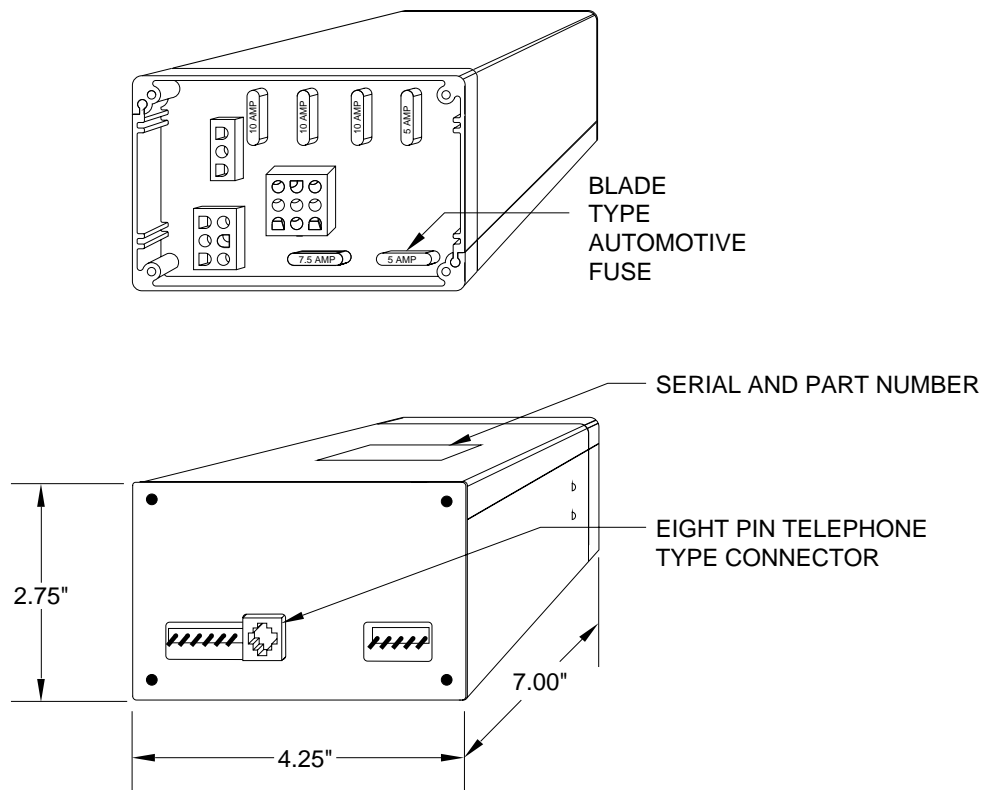
\*\*\* THIS CONTROL BOX USES A DIAGONAL SENSING UNIT.

**MR15.4200  
10NOV06**



# BOX, CONTROL FOR COMPUTER-CONTROLLED (TOUCH PANEL) LEVELING SYSTEMS (USE BEGINNING IN 1991)

## 510 SERIES WITH MODULAR CABLE

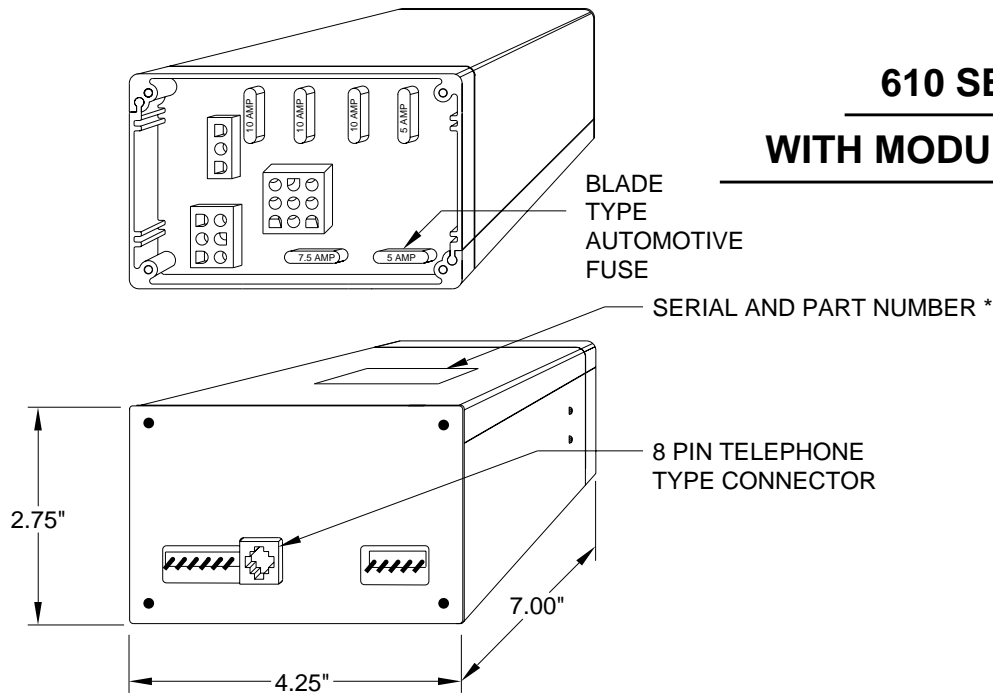


### REPLACEMENT CONTROL BOXES

*EXISTING NUMBER	HYDRAULIC LEVELING	JACK STYLE	AIR DUMP	AIR LEVELING	PARK SIGNAL	OPERATION FEATURES	**COMMON APPLIC.	REPLACE NUMBER
AP7855 or AP8478	YES	2 or 4 KD	YES	NO	NEG.	2-3 JACKS	ELITE	RAP8478
AP7865 or AP8465	YES	2 or 4 KD	NO	NO	NEG.	2-1 JACKS	FLEETWOOD ELITE	RAP8465
AP8055	YES	4-ST	NO	NO	NEG.	2-1 JACKS	BLUEBIRD	RAP8055
AP8075	YES	4-ST	YES	NO	NEG.	2-3 JACKS	FORETRAVEL	RAP8075
AP8717	YES	2 or 4 KD	NO	NO	NEG.	2-1 JACKS 30 S. STAB		RAP8717
AP8812	YES	4-ST	NO	NO	NEG.		MART-MARI MID-WELD	RAP8812

\* PART NUMBER IS ON TOP OF BOX. NUMBER BEGINS WITH "AP" FOLLOWED BY 4 OR 5 NUMERALS.  
 \*\* SOME VEHICLES MAY HAVE DIFFERENT CONTROL BOXES.

# BOX, CONTROL FOR COMPUTER-CONTROLLED (TOUCH PANEL) LEVELING SYSTEMS (USE BEGINNING 1991)



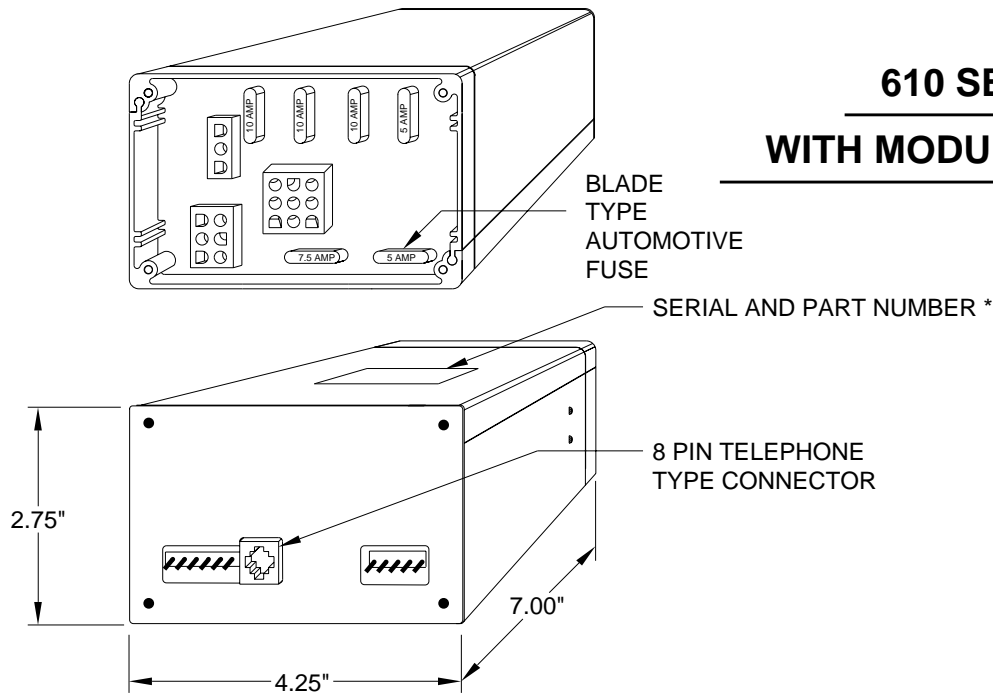
## 610 SERIES WITH MODULAR CABLE

### REPLACEMENT CONTROL BOXES

*EXISTING NUMBER	HYDRAULIC LEVELING	JACK STYLE	AIR DUMP	AIR LEVELING	PARK SIGNAL	OPERATION FEATURES	**COMMON APPLIC.	REPLACE NUMBER
AP0111	YES	4-KD	YES	NO	NEG.			RAP0111
AP0190	YES	4-KD	NO	NO	POS.	2-9000 # 2-16000 #	FLEETWOOD	RAP90016
AP0451	YES	4-ST	NO	NO	POS.			RAP0451
AP0890	YES	4-ST	YES	NO	NEG.			RAP0890
AP1098	YES	4-ST	NO	NO	NEG.			RAP1098
**** AP1363	YES	4-KD	NO	NO	NEG.	2-JACK LEV 2-JACK STAB		RAP1363
**** AP1368	YES	4-KD	YES	NO	NEG.	2-JACK LEV 2-JACK STAB		RAP1368
AP1370	YES	4-KD	NO	NO	NEG.			RAP1370
*** AP1430	YES	4-KD	NO	NO	NEG.	2-JACK LEV 1-JACK STAB	WINNEBAGO VECTRA	**** RAP1363

- \* PART NUMBER IS ON TOP OF BOX. NUMBER BEGINS WITH "AP" FOLLOWED BY 4 NUMERALS.
- \*\* SOME VEHICLES MAY HAVE DIFFERENT CONTROL BOXES.
- \*\*\* DOES NOT NEED NEW ACTUATORS
- \*\*\*\* NEEDS NEW STYLE ACTUATORS

# BOX, CONTROL FOR COMPUTER-CONTROLLED (TOUCH PANEL) LEVELING SYSTEMS (USE BEGINNING 1991)



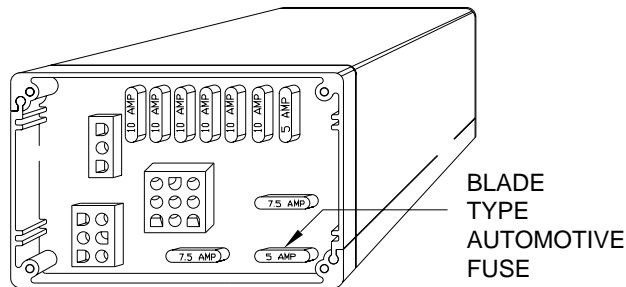
## REPLACEMENT CONTROL BOXES

*EXISTING NUMBER	HYDRAULIC LEVELING	JACK STYLE	AIR DUMP	AIR LEVELING	PARK SIGNAL	OPERATION FEATURES	**COMMON APPLIC.	REPLACE NUMBER
AP7945	YES	4-ST	NO	NO	NEG.		NEWMAR	RAP7945
AP8106	YES	4-KD	NO	NO	NEG.		WINNEBAGO FLEETWOOD	**** RAP1363
AP8447	YES	4-ST	NO	NO	NEG.		NEWMAR COACHMAN	RAP8447
AP8604	YES	4-ST	YES	NO	NEG.			RAP8604
AP8687	YES	4-KD	YES	NO	NEG.	2-9000 # 2-16000 #	ELITE	**** RAP1368
AP9212	YES	4-ST	YES	NO	NEG.			RAP9212
AP9526	YES	3-ST	NO	NO	NEG.	3 JACKS	FLEETWOOD	RAP9526

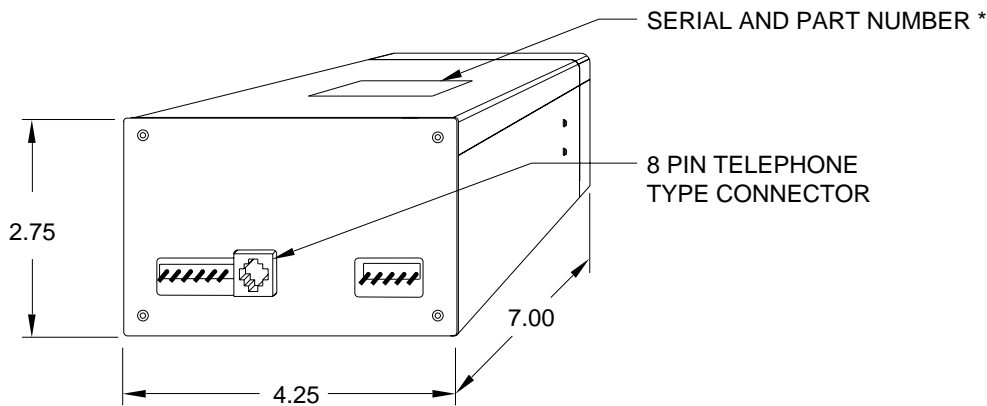
- \* PART NUMBER IS ON TOP OF BOX. NUMBER BEGINS WITH "AP" FOLLOWED BY 4 NUMERALS.
- \*\* SOME VEHICLES MAY HAVE DIFFERENT CONTROL BOXES.
- \*\*\* DOES NOT NEED NEW ACTUATORS
- \*\*\*\* NEEDS NEW STYLE ACTUATORS

**BOX, CONTROL  
FOR COMPUTER-CONTROLLED (TOUCH PANEL) LEVELING SYSTEMS  
(WITH COMBINATION HYDRAULIC/JET AIR SUSPENSION)**

**610 SERIES  
WITH MODULAR CABLE**



BLADE  
TYPE  
AUTOMOTIVE  
FUSE



SERIAL AND PART NUMBER \*

8 PIN TELEPHONE  
TYPE CONNECTOR

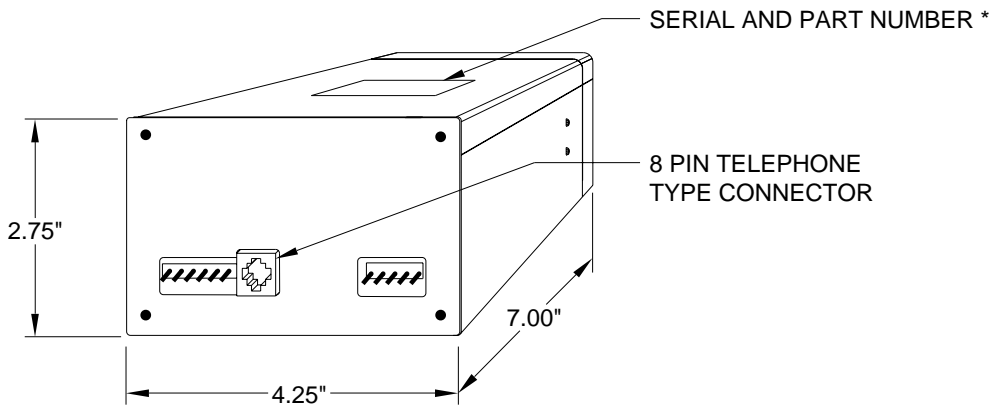
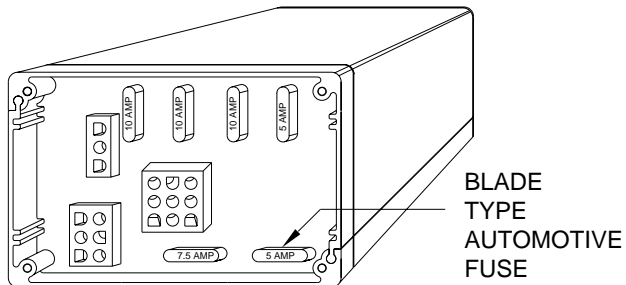
**REPLACEMENT CONTROL BOXES**

*EXISTING NUMBER	HYDRAULIC LEVELING	JACK STYLE	AIR DUMP	AIR LEVELING	PARK SIGNAL	OPERATION FEATURES	COMMON APPLIC.	REPLACE NUMBER
AP9800	YES	2-KD	YES	YES	NEG.	JET-AIR SUSPENSION	WINNEBAGO	RAP9800
AP9850	YES	4-KD	YES	YES	NEG.	JET-AIR SUSPENSION	WINNEBAGO	RAP9850

\* PART NUMBER IS ON TOP OF BOX. NUMBER BEGINS WITH "AP" FOLLOWED BY 4 OR 5 NUMERALS.

# BOX, CONTROL FOR COMPUTER-CONTROLLED (TOUCH PANEL) LEVELING SYSTEMS (NON - MOTORIZED VEHICLES)

## 610 SERIES NON - MOTORIZED VEHICLES



### REPLACEMENT CONTROL BOXES

*EXISTING NUMBER	HYDRAULIC LEVELING	JACK STYLE	AIR DUMP	AIR LEVELING	PARK SIGNAL	OPERATION FEATURES	**COMMON APPLIC.	REPLACE NUMBER
AP9463	YES	4-ST	YES	NO	NONE	FIFTH WHEEL TRAILERS	ALFA LEISURE	RAP92025

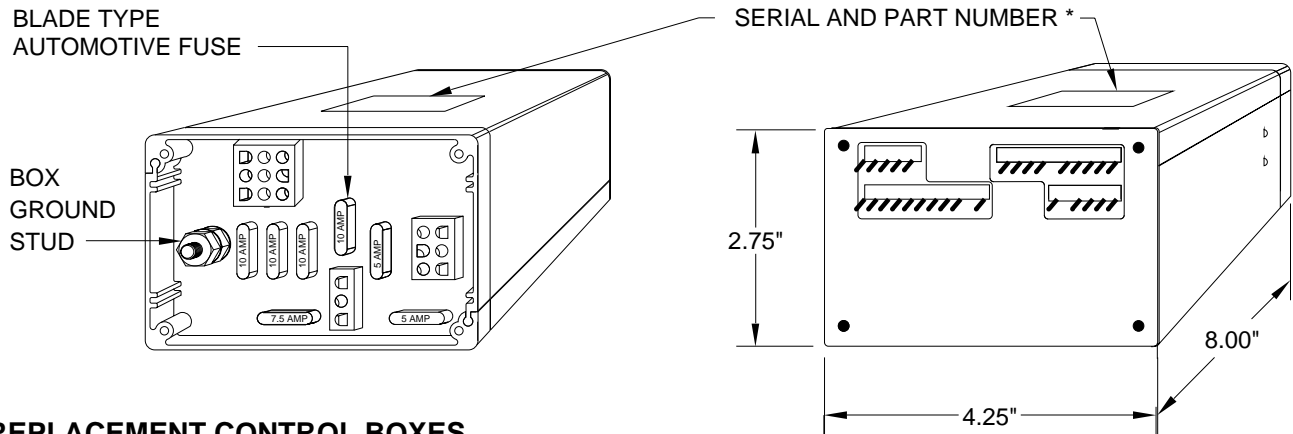
\* PART NUMBER IS ON TOP OF BOX. NUMBER BEGINS WITH "AP" FOLLOWED BY 4 OR 5 NUMERALS.

\*\* SOME VEHICLES MAY HAVE DIFFERENT CONTROL BOXES.

**MR15.4530  
21NOV06**

# BOX, CONTROL FOR COMPUTER-CONTROLLED (TOUCH PANEL) LEVELING SYSTEMS (USE BEGINNING IN 1993)

## 610 SERIES CENTRAL GROUNDED



### REPLACEMENT CONTROL BOXES

*EXISTING NUMBER	HYDRAULIC LEVELING	JACK STYLE	AIR DUMP	AIR LEVELING	PARK SIGNAL	OPERATION FEATURES	**COMMON APPLIC.	REPLACE NUMBER
AP0984	YES	4-KD	NO	NO	NEG.			RAP0984
AP1079	YES	4-ST	YES	NO	NEG.			RAP1079
AP1111	YES	4-ST	NO	NO	NEG.		NEWMAR COACHMAN	RAP1111
AP1227	YES	4-KD	YES	NO	NEG.	2-9000 # 2-16000 #		RAP1227
AP1290	YES	4-KD	NO	NO	NEG.	2-9000 # 2-16000 #		RAP1290
AP1292	YES	4-KD	YES	NO	NEG.			RAP1292
AP1503	YES	SPEC.	YES	NO	NEG.	UNIBODY	FORETRAVEL	RAP1503
AP1757	YES	4-KD	NO	NO	POS.	2-9000 # 2-16000 #		RAP1757
AP2078	YES	4-ST	NO	NO	NEG.	SINGLE JACK	NASA	RAP2078
AP2219	YES	4-ST	YES	NO	NEG.		MOEX	RAP90529
AP10089	YES	4-ST	NO	NO	POS.		EAGLE BUS	RAP90532
AP10284	YES	4-ST	YES	NO	NEG.			RAP91995
AP12209	YES	4-ST	YES	NO	NEG.	PILOT AIR DUMP	WINNEBAGO	RAP90304
AP16963	YES	4-ST	YES	NO	NEG.	PILOT AIR DUMP		RAP90533
AP18482	YES	4-ST	YES	NO	NEG.		NEWMAR	RAP90534

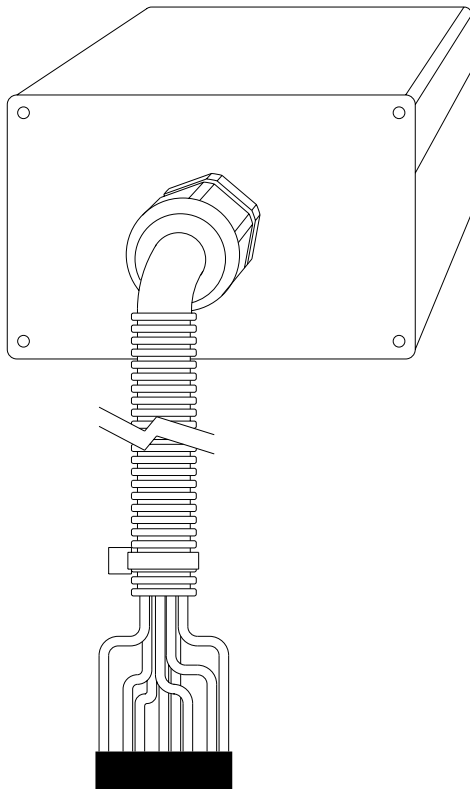
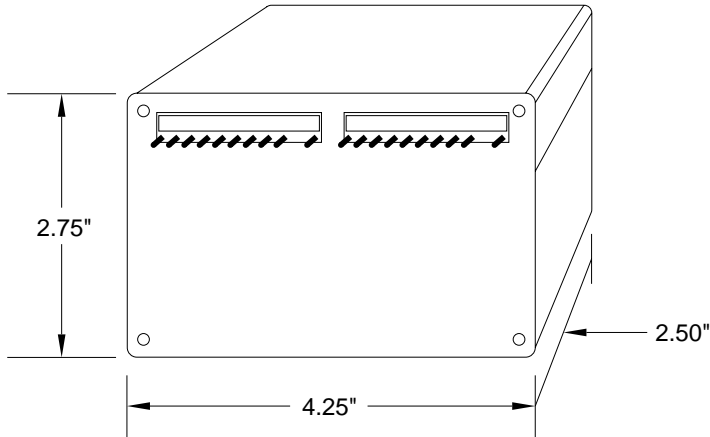
\* PART NUMBER IS ON TOP OF BOX. NUMBER BEGINS WITH "AP" FOLLOWED BY 4 OR 5 NUMERALS.  
 \*\* SOME VEHICLES MAY HAVE DIFFERENT CONTROL BOXES.

---

# BOX, CONTROL DUAL TOUCH PANEL INTERFACE

---

## 610 SERIES CENTRAL GROUNDED



THE TOUCH PANEL INTERFACE IS NEEDED TO OPERATE THE SYSTEM WHEN TWO TOUCH PANELS, AT DIFFERENT LOCATIONS ON THE VEHICLE, ARE USED. A STANDARD TOUCH PANEL FOR A 610 SERIES CENTRAL GROUND SYSTEM WILL NOT WORK WITH THE TOUCH PANEL INTERFACE. A SPECIAL TOUCH PANEL IS NEEDED. SEE CONTROL PANELS - COMPUTER CONTROLLED LEVELING SYSTEMS - REMOTE TOUCH PANELS (WITH CABLE ASSEMBLY), FOR CORRECT TOUCH PANEL.

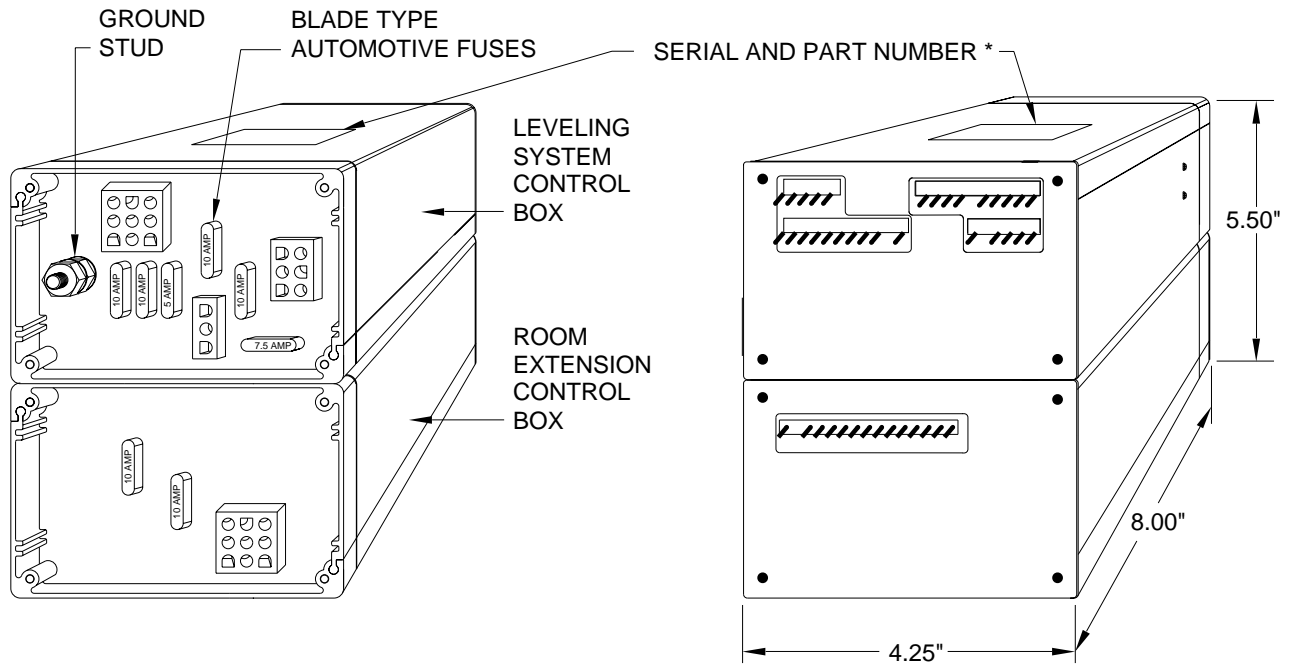
---

EXISTING NO.	REPLACEMENT NO.
AP11420	RAP90843

---

# BOX, CONTROL FOR COMPUTER-CONTROLLED (TOUCH PANEL) LEVELING SYSTEMS (WITH A ROOM EXTENSION)

## 610 SERIES CENTRAL GROUNDED



### REPLACEMENT CONTROL BOXES

*EXISTING NUMBER	HYDRAULIC LEVELING	JACK STYLE	AIR DUMP	AIR LEVELING	PARK SIGNAL	OPERATION FEATURES	**COMMON APPLIC.	REPLACE NUMBER
AP10846	YES	4-ST	NO	NO	NEG.	1 ROOM EXTENSION	WINNEBAGO	RAP90094
AP11537	YES	4-ST	NO	NO	NEG.	2 ROOM EXTENSIONS		RAP90531
AP11228	YES	4-ST	YES	NO	NEG.	1 ROOM EXTENSION	WINNEBAGO	RAP90380
AP12555	YES	4-KD	NO	NO	NEG.	1 ROOM EXTENSION		RAP90535
AP13328	YES	4-ST	PILOT DUMP	NO	NEG.	1 ROOM EXTENSION	WINNEBAGO	RAP90305
AP14045	YES	4-ST	YES	NO	NEG.	2 ROOM EXTENSIONS	WESTERN	RAP90380
AP18964	YES	4-ST	PILOT DUMP	NO	NEG.	1 ROOM EXTENSION	TRIPLE-E	RAP90834
AP19911	YES	4-ST	YES	NO	NEG.	1 ROOM EXTENSION	LIFELINE SHELTER	RAP91997

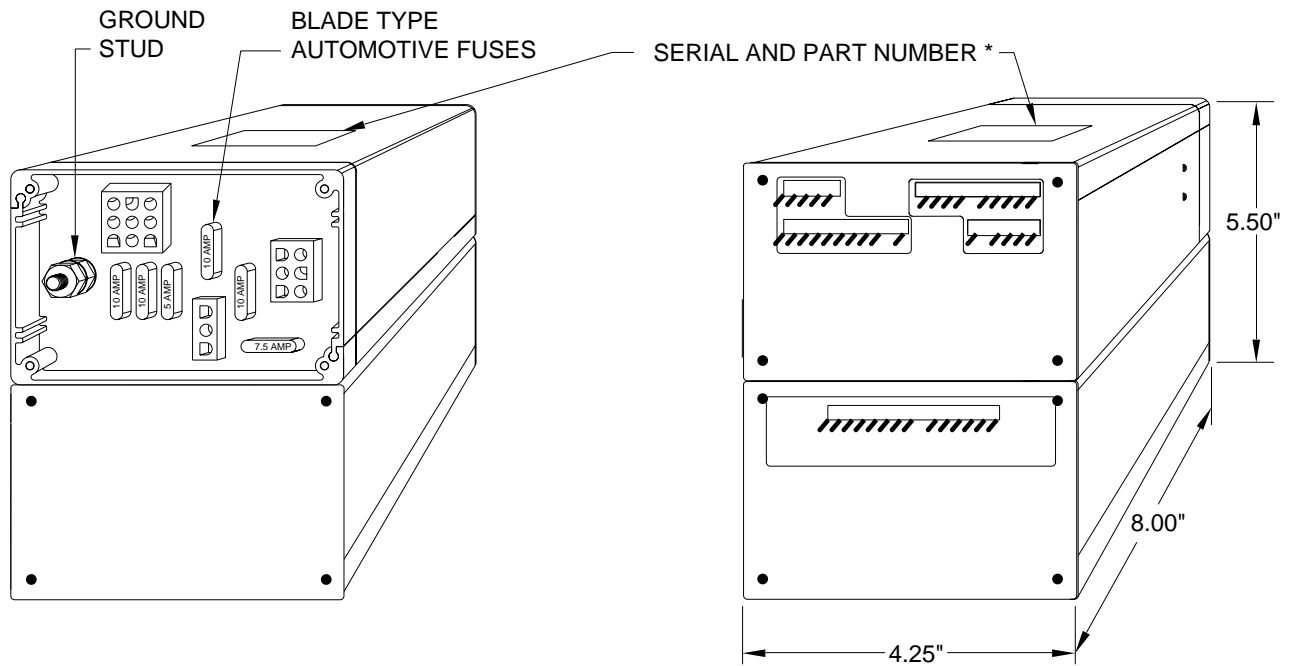
\* PART NUMBER IS ON TOP OF BOX. NUMBER BEGINS WITH "AP" FOLLOWED BY 4 OR 5 NUMERALS.  
 \*\* SOME VEHICLES MAY HAVE DIFFERENT CONTROL BOXES.

**MR15.4800  
08NOV06**



# BOX, CONTROL FOR COMPUTER-CONTROLLED (TOUCH PANEL) LEVELING SYSTEMS (SIX JACK SYSTEM)

## 610 SERIES CENTRAL GROUNDED

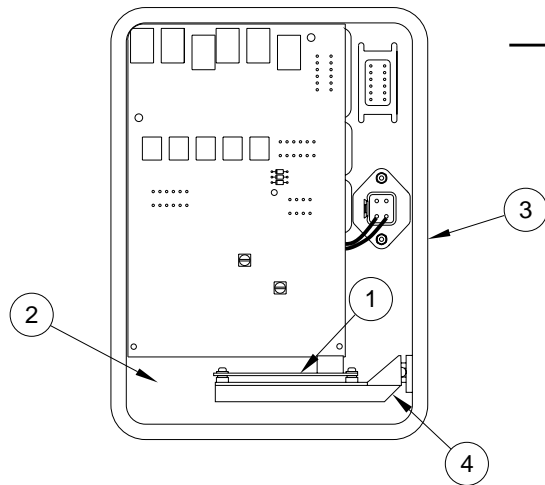


### REPLACEMENT CONTROL BOXES

*EXISTING NUMBER	HYDRAULIC LEVELING	JACK STYLE	AIR DUMP	AIR LEVELING	PARK SIGNAL	REPLACE NUMBER
AP18766	YES	6-ST	NO	NO	NEG.	RAP92024

\* PART NUMBER IS ON TOP OF BOX. NUMBER BEGINS WITH "AP" FOLLOWED BY 5 NUMERALS.

# BOX, CONTROL FOR 625 SERIES, COMPUTER-CONTROLLED LEVELING SYSTEMS (USE BEGINNING 2003)



## 625 SERIES

### REPLACEMENT PARTS

ITEM	PART	DESCRIPTION
1	RAP91172	SENSING UNIT
2	RAP91932	CLEAR POLY COVER
3	RP92193	RETAINER SEAL ONE PER RP92193
4	SEE <a href="#">MR45.2005</a> FOR SENSING UNIT MOUNTING HARDWARE INFORMATION	
	R90925	5 AMP FUSE
	R90927	10 AMP FUSE
	R90928	15 AMP FUSE

NOTE: FUSES ARE SOLD IN QUANTITIES OF FIVE.

EXISTING ASSEMBLY AP #	VARIABLES				REPLACEMENT ASSEMBLY PART #	ID DECAL PART #
	JACK STYLE	SUSPENSION	ROOMS	GLASS		
AP28215	SA	AIR - DUMP		EAST	RAP91303	AP30012
AP29377	SA	SPRING		SOUTH	RAP91302	AP30013
AP29407	SA	AIR - DUMP		WEST	RAP91303	AP30012
AP29534	SA	AIR - DUMP	3 OR 4	EAST	RAP91267	AP32233
AP29814	SA	SPRING		WEST	RAP91302	AP30013
AP29887	SA	SPRING		EAST	RAP91302	AP30013
AP29941	SA	AIR - DUMP		NORTH	RAP91303	AP30012
AP29942	KD	SPRING		PROG	RAP91304	AP29942
AP30012	SA	AIR - DUMP		PROG	RAP91303	AP30012
AP30013	SA	SPRING		PROG	RAP91302	AP30013
AP30125	SA	AIR - DUMP	1 OR 2	NORTH	RAP91256	AP32231
AP30126	SA	AIR - DUMP	3 OR 4	NORTH	RAP91267	AP32233
AP30228	SA	AIR - DUMP	1 OR 2	EAST	RAP91256	AP32231
AP30516	SA	SPRING		NORTH	RAP91302	AP30013
AP30782	SA	AIR - DUMP	1 OR 2	WEST	RAP91256	AP32231
AP30831	SA	SPRING	1 OR 2	WEST	RAP91260	AP31714
AP30852	KD	SPRING	1 OR 2	SOUTH	RAP91276	AP30852
AP30934	SA	SPRING	3 OR 4	WEST	RAP91271	AP32229
AP31182	KD	SPRING		SOUTH	RAP91304	AP29942
AP31403	SA	AIR - DUMP		SOUTH	RAP91303	AP30012
AP31714	SA	SPRING	1 OR 2	PROG	RAP91260	AP31714
AP31749	KD	SPRING		WEST	RAP91304	AP29942
AP31752	SA	AIR - DUMP		WEST	RAP91303	AP30012
AP31818	SA	SPRING	1 OR 2	WEST	RAP91260	AP31714
AP31824	SA	SPRING	1 OR 2	NORTH	RAP91260	AP31714

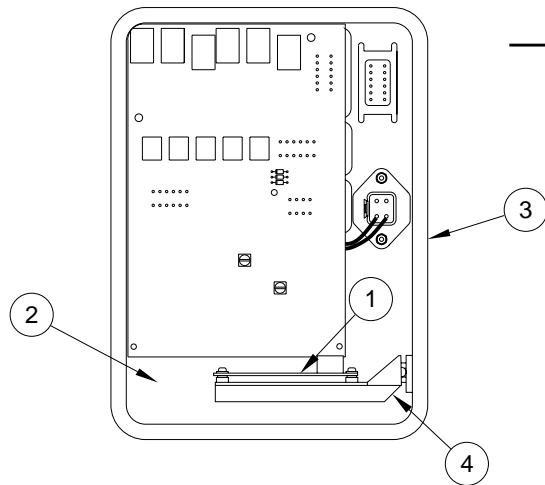
THE "GLASS" COLUMN REFERS TO THE DIRECTION THE PLEXIGLASS SIDE OF THE CONTROL BOX IS FACING. THE FRONT OF THE COACH IS ALWAYS NORTH. "PROG" INDICATES THAT THIS (AP ASSEMBLY) COMES WITH A PROGRAMMABLE SENSING UNIT.

REPLACEMENT ASSEMBLIES WILL HAVE PROGRAMMABLE SENSING UNITS USING JUMPERS TO RECREATE THE ORIGINAL INSTALLATION GLASS DIRECTION AND SUSPENSION VARIABLES. REFER TO INSTRUCTION SHEET SUPPLIED WITH REPLACEMENT BOX.

WHEN REPLACING AN EXISTING 625 ASSEMBLY ORDER BY THE **REPLACEMENT "ASSEMBLY PART #"** LISTED BELOW UNLESS OTHERWISE AUTHORIZED BY AN HWH REPRESENTATIVE.

ORDER BY THE REPLACEMENT #, BUT BE AWARE THAT THE ID DECAL LOCATED ON THE OUTSIDE OF THE ASSEMBLY WILL NOT REFLECT THE RAP #. THE ID DECAL WILL EITHER REFLECT THE "EXISTING ASSEMBLY AP #" OR THE REPLACEMENT "ID DECAL AP #" LISTED.

# BOX, CONTROL FOR 625 SERIES, COMPUTER-CONTROLLED LEVELING SYSTEMS (USE BEGINNING 2003)



## 625 SERIES

### REPLACEMENT PARTS

ITEM	PART	DESCRIPTION
1	RAP91172	SENSING UNIT
2	RAP91932	CLEAR POLY COVER
3	RP92193	RETAINER SEAL ONE PER RP92193
4	SEE <a href="#">MR45.2005</a>	FOR SENSING UNIT MOUNTING HARDWARE INFORMATION
	R90925	5 AMP FUSE
	R90927	10 AMP FUSE
	R90928	15 AMP FUSE

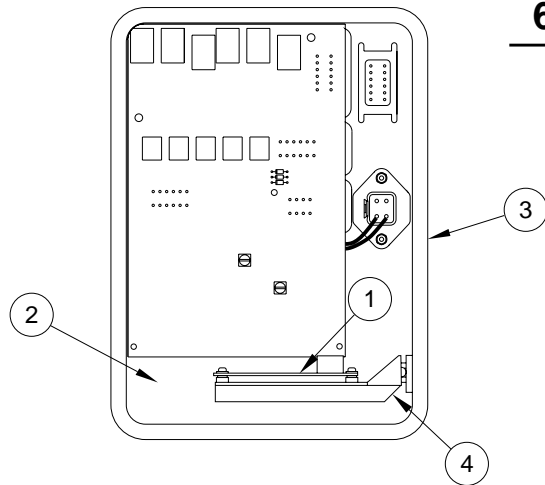
NOTE: FUSES ARE SOLD IN QUANTITIES OF FIVE.

EXISTING ASSEMBLY AP #	VARIABLES				REPLACEMENT ASSEMBLY PART #	ID DECAL PART #
	JACK STYLE	SUSPENSION	ROOMS	GLASS		
AP32229	SA	SPRING	3 OR 4	PROG	RAP91271	AP32229
AP32231	SA	AIR - DUMP	1 OR 2	PROG	RAP91256	AP32231
AP32233	SA	AIR - DUMP	3 OR 4	PROG	RAP91267	AP32233
AP33129	SA	SPRING		WEST	RAP91302	AP30013
AP33233	KD	SPRING		NORTH	RAP91304	AP29942
AP33396	SA	AIR - DUMP	5 OR 6	PROG	RAP91578	AP33814
AP33414	SA	AIR - DUMP	5 OR 6	NORTH	RAP91578	AP33814
AP33424	SA	AIR - DUMP	* 1 OR 2	EAST	RAP91256	AP32231
AP33425	SA	AIR - DUMP	* 3 OR 4	NORTH	RAP91267	AP32233
AP33606	SA	SPRING - SPECIAL LEVELING PROGRAM	1 OR 2	PROG	RAP91577	AP33606
AP33814	SA	AIR - DUMP	5 OR 6	PROG	RAP91578	AP33814
AP34653	SA	AIR - DUMP	1 OR 2	SOUTH	RAP91256	AP32231
AP35325	SA	AIR - DUMP		NORTH	RAP91303	AP30012
AP35835	SA	SPRING	1 OR 2	EAST	RAP91260	AP31714
AP35858	SA	AIR - DUMP	1, 2, OR 3 W/ STEP COVER	WEST	RAP92012	AP35858
AP36292 - 24V	KD	SPRING		PROG	RAP91761	AP36292
AP36705	SA	AIR - DUMP	1 OR 2	WEST	RAP91256	AP32231
AP37601 - 24V	SA	SPRING		PROG	RAP91815	AP37601
AP41155	SA	AIR - DUMP	3 OR 4	WEST	RAP91267	AP32233
AP41840	KD	REMOTE SENSOR		N/A	RAP92210	AP41840

\* NOTE: AP33424 AND AP33425 MUST HAVE ACCESSORY OR IGNITION POWER TO OPERATE THE ROOMS. THE REPLACEMENT BOX WILL OPERATE THE ROOMS IN ANY KEY POSITION.

# BOX, CONTROL FOR 625S SERIES, COMPUTER-CONTROLLED LEVELING SYSTEMS (USE BEGINNING 2005)

## 625S SERIES



### REPLACEMENT PARTS

ITEM	PART	DESCRIPTION
1	RAP91172	SENSING UNIT
2	RAP91932	CLEAR POLY COVER
3	RP92193	RETAINER SEAL ONE PER RP92193
4	SEE <a href="#">MR45.2005</a>	FOR SENSING UNIT MOUNTING HARDWARE INFORMATION
	R90925	5 AMP FUSE
	R90927	10 AMP FUSE
	R90928	15 AMP FUSE

NOTE: FUSES ARE SOLD IN QUANTITIES OF FIVE.

EXISTING ASSEMBLY AP #	VARIABLES				REPLACEMENT ASSEMBLY PART #	ID DECAL PART #
	JACK STYLE	SUSPENSION	ROOMS	GLASS		
AP34756 - 24V	SA	SPRING		SOUTH	RAP91767	AP36922
AP35796	SA	2 JACK SYSTEM		N/A	RAP91743	AP35796
AP36236 - 24V	SA	SPRING	1 OR 2	WEST	RAP91768	AP36923
AP36467	SA	SPRING	1 OR 2	WEST	RAP91763	AP36918
AP36595	SA	SPRING		SOUTH	RAP91762	AP36917
AP36764	SA	AIR - DUMP	1 OR 2	NORTH	RAP91764	AP36919
AP36765	SA	SPRING	3 OR 4	WEST	RAP91765	AP36920
AP36769	SA	AIR - DUMP	3 OR 4	NORTH	RAP91766	AP36921
AP36917	SA	SPRING		PROG	RAP91762	AP36917
AP36918	SA	SPRING	1 OR 2	PROG	RAP91763	AP36918
AP36919	SA	AIR - DUMP	1 OR 2	PROG	RAP91764	AP36919
AP36920	SA	SPRING	3 OR 4	PROG	RAP91765	AP36920
AP36921	SA	AIR - DUMP	3 OR 4	PROG	RAP91766	AP36921
AP36922 - 24V	SA	SPRING		PROG	RAP91767	AP36922
AP36923 - 24V	SA	SPRING	1 OR 2	PROG	RAP91768	AP36923
AP37319	SA	SPRING	1 OR 2	SOUTH	RAP91763	AP36918
AP37342 - 24V	SA	PROGRAMMABLE		PROG	RAP91811	AP37342
AP37402	SA	PROGRAMMABLE		PROG	RAP91812	AP37402
AP37501	SA	SPRING		WEST	RAP91762	AP36917
AP37503	SA	AIR - DUMP	1 OR 2	SOUTH	RAP91764	AP36919
AP37516	SA	SPRING	1 OR 2	EAST	RAP91763	AP36918
AP37517	SA	SPRING	1 OR 2	WEST	RAP91763	AP36918
AP37547	SA	PROGRAMMABLE	1 OR 2	WEST	RAP91814	AP37599
AP37599	SA	PROGRAMMABLE	1 OR 2	PROG	RAP91814	AP37599
AP37621	SA	AIR - DUMP		WEST	RAP91810	AP37682

THE "GLASS" COLUMN REFERS TO THE DIRECTION THE PLEXIGLASS SIDE OF THE CONTROL BOX IS FACING. THE FRONT OF THE COACH IS ALWAYS NORTH. "N/A" INDICATES THIS ASSEMBLY HAS NO SENSING UNIT. "PROG" INDICATES INDICATES THAT THIS (AP ASSEMBLY) COMES WITH A PROGRAMMABLE SENSING UNIT.

REPLACEMENT ASSEMBLIES WILL HAVE PROGRAMMABLE SENSING UNITS USING JUMPERS TO RECREATE THE ORIGINAL INSTALLATION GLASS DIRECTION AND SUSPENSION VARIABLES. REFER TO INSTRUCTION SHEET SUPPLIED WITH REPLACEMENT BOX.

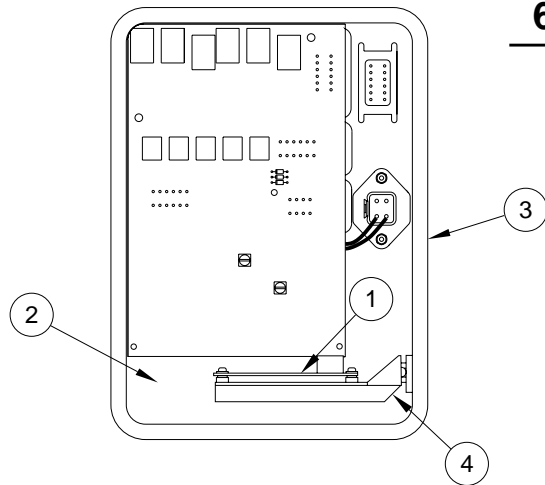
WHEN REPLACING AN EXISTING 625S ASSEMBLY ORDER BY THE **REPLACEMENT "ASSEMBLY PART #"** LISTED BELOW UNLESS OTHERWISE AUTHORIZED BY AN HWH REPRESENTATIVE.

ORDER BY THE REPLACEMENT #, BUT BE AWARE THAT THE ID DECAL LOCATED ON THE OUTSIDE OF THE ASSEMBLY WILL NOT REFLECT THE RAP #. THE ID DECAL WILL EITHER REFLECT THE "EXISTING ASSEMBLY AP #" OR THE REPLACEMENT "ID DECAL AP #" LISTED.

# BOX, CONTROL

## FOR 625S SERIES, COMPUTER-CONTROLLED LEVELING SYSTEMS

### (USE BEGINNING 2005)



### 625S SERIES

#### REPLACEMENT PARTS

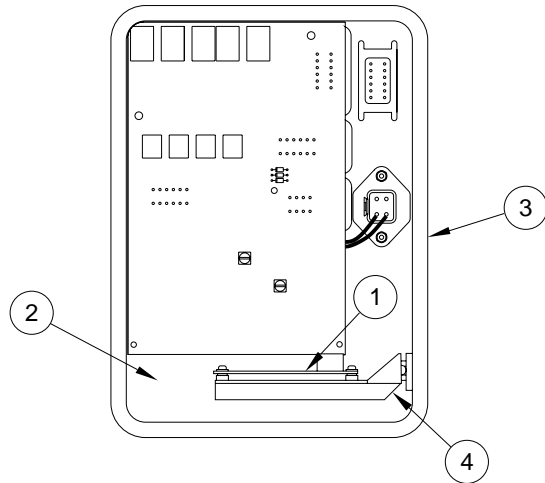
ITEM	PART	DESCRIPTION
1	RAP91172	SENSING UNIT
2	RAP91932	CLEAR POLY COVER
3	RP92193	RETAINER SEAL ONE PER RP92193
4	SEE <a href="#">MR45.2005</a> FOR SENSING UNIT MOUNTING HARDWARE INFORMATION	
	R90925	5 AMP FUSE
	R90927	10 AMP FUSE
	R90928	15 AMP FUSE
	NOTE: FUSES ARE SOLD IN QUANTITIES OF FIVE.	

EXISTING ASSEMBLY AP #	VARIABLES				REPLACEMENT ASSEMBLY PART #	ID DECAL PART #
	JACK STYLE	SUSPENSION	ROOMS	GLASS		
AP37629	SA	AIR - DUMP		SOUTH	RAP91810	AP37682
AP37682	SA	AIR - DUMP		PROG	RAP91810	AP37682
AP37703	SA	AIR - DUMP	3 OR 4	SOUTH	RAP91766	AP36921
AP37778	SA	AIR - DUMP	1 OR 2	WEST	RAP91764	AP36919
AP37784	SA	PROGRAMMABLE	3 OR 4	PROG	RAP91813	AP37784
AP38073	SA	AIR - DUMP	1, 2 OR 3 W/ STEP COVER	WEST	RAP92013	AP38073
AP38107	SA	SPRING	1 OR 2	NORTH	RAP91763	AP36918
AP38236	SA	AIR - DUMP	1 OR 2	EAST	RAP91764	AP36919
AP38247	SA	AIR - DUMP	3 OR 4	EAST	RAP93318	AP38247
AP39658	SA	SPRING	3 OR 4	SOUTH	RAP91765	AP36920
AP39890	SA	AIR - DUMP	*3 OR 4	WEST	RAP91766	AP36921
AP39936	SA	AIR - DUMP		EAST	RAP91810	AP37682
AP40215	SA	SPRING		NORTH	RAP91762	AP36917
AP40514	SA	SPRING	1, 2 OR 3 W/ STEP COVER	WEST	RAP92204	AP41004
AP40940	SA	AIR - DUMP		NORTH	RAP91810	AP37682
AP41004	SA	SPRING	1, 2 OR 3 W/ STEP COVER	PROG	RAP92204	AP41004
AP41034	SA	SPRING	4 OR 5 W/ STEP COVER	PROG	RAP92205	AP41034
AP41211	SA	REM. SENS. - DUMP		N/A	RAP92208	AP41211
AP41276	SA	REM. SENS. - DUMP	1 OR 2	N/A	RAP92209	AP41276
AP43159	SA	SPRING	3 OR 4	NORTH	RAP91765	AP36920
AP43478 - 24V	SA	REM. SENS. - SPRING		N/A	RAP92321	AP43478
AP44468 - 24V	SA	AIR - DUMP	1 OR 2	PROG	RAP92975	AP44468
AP47154	SA	SPRING		EAST	RAP91762	AP36917

\* NOTE: AP39890 MUST HAVE ACCESSORY OR IGNITION POWER TO OPERATE THE ROOMS. THE REPLACEMENT BOX WILL OPERATE THE ROOMS IN ANY KEY POSITION.

# BOX, CONTROL FOR 625/625S SERIES, COMPUTER-CONTROLLED LEVELING SYSTEMS (NON - MOTORIZED VEHICLES)

## 625/625S SERIES NON - MOTORIZED VEHICLES



### REPLACEMENT PARTS

ITEM	PART	DESCRIPTION
1	RAP91172	SENSING UNIT
2	RAP91932	CLEAR POLY COVER
3	RP92193	RETAINER SEAL ONE PER RP92193
4	SEE <a href="#">MR45.2005</a>	FOR SENSING UNIT MOUNTING HARDWARE INFORMATION
	R90924	3 AMP FUSE
	R90925	5 AMP FUSE
	R90926	7.5 AMP FUSE
	R90927	10 AMP FUSE
	R90928	15 AMP FUSE

NOTE: FUSES ARE SOLD IN QUANTITIES OF FIVE.

EXISTING ASSEMBLY AP #	VARIABLES				REPLACEMENT ASSEMBLY PART #	ID DECAL PART #
	SERIES	SUSPENSION	ROOMS	GLASS		
AP37689	625	SPRING	1 OR 2	NORTH	RAP92207	AP41414
AP38165	625	SPRING		WEST	RAP92014	AP38220
AP38220	625	SPRING		PROG	RAP92014	AP38220
AP38660 - 24V	625S	SEMI TRAILER	1 OR 2	PROG	RAP92017	AP38660
AP38837	625S	SEMI TRAILER		PROG	RAP92015	AP38837
AP40237 - 24V	625S	SEMI TRAILER	3 OR 4	PROG	RAP92206	AP40237
AP41329	625	SPRING	3 OR 4	PROG	RAP92232	AP41329
AP41414	625	SPRING	1 OR 2	PROG	RAP92207	AP41414
AP42294	625S	SEMI TRAILER	3 OR 4	PROG	RAP92251	AP42294
AP42385	625	SPRING		NORTH	RAP92014	AP38220

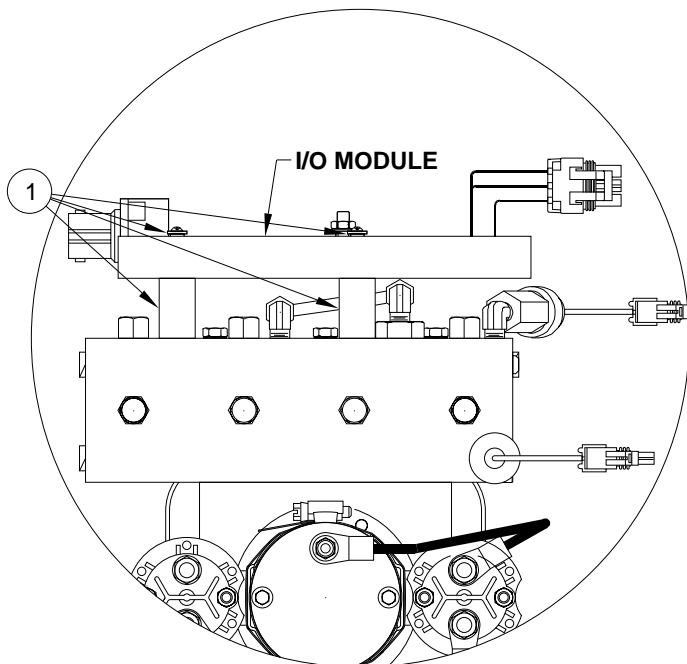
THE "GLASS" COLUMN REFERS TO THE DIRECTION THE PLEXIGLASS SIDE OF THE CONTROL BOX IS FACING. THE FRONT OF THE COACH IS ALWAYS NORTH. "PROG" INDICATES THAT THIS (AP ASSEMBLY) COMES WITH A PROGRAMMABLE SENSING UNIT.

REPLACEMENT ASSEMBLIES WILL HAVE PROGRAMMABLE SENSING UNITS USING JUMPERS TO RECREATE THE ORIGINAL INSTALLATION GLASS DIRECTION AND SUSPENSION VARIABLES. REFER TO INSTRUCTION SHEET SUPPLIED WITH REPLACEMENT BOX.

WHEN REPLACING AN EXISTING 625 OR 625S ASSEMBLY ORDER BY THE **REPLACEMENT "ASSEMBLY PART #"** LISTED BELOW UNLESS OTHERWISE AUTHORIZED BY AN HWH REPRESENTATIVE.

ORDER BY THE REPLACEMENT #, BUT BE AWARE THAT THE ID DECAL LOCATED ON THE OUTSIDE OF THE ASSEMBLY WILL NOT REFLECT THE RAP #. THE ID DECAL WILL EITHER REFLECT THE "EXISTING ASSEMBLY AP #" OR THE REPLACEMENT "ID DECAL AP #" LISTED.

**MULTIPLEX INPUT / OUTPUT MODULE  
FOR 725 SERIES, COMPUTER-CONTROLLED LEVELING SYSTEMS  
(USE BEGINNING 2010)**



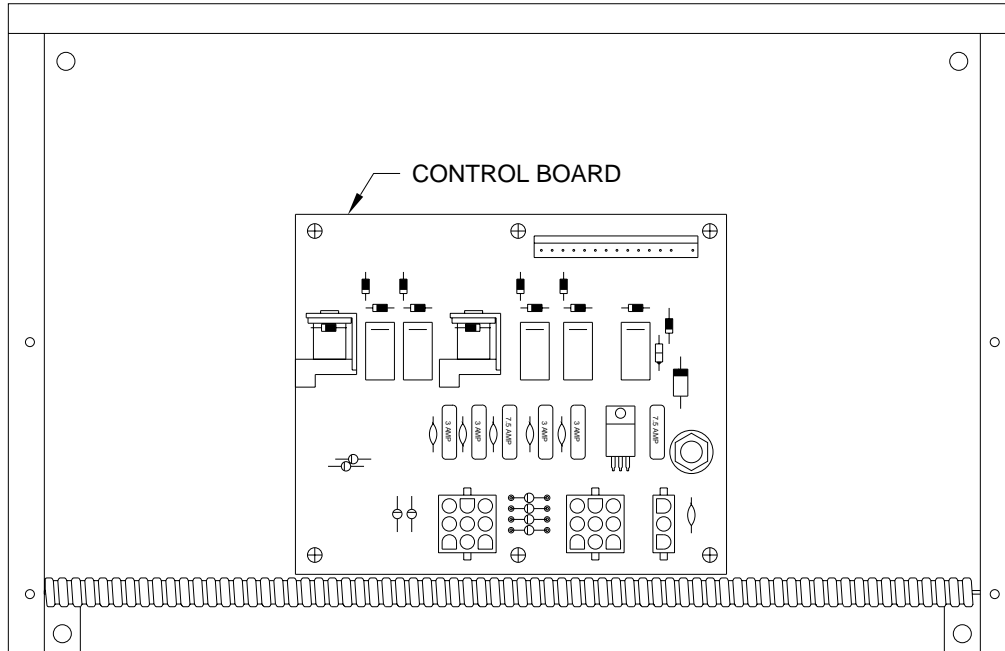
**REPLACEMENT PARTS**

ITEM	PART	DESCRIPTION
1	RAP93017	MOUNTING KIT INCLUDES HARDWARE NOTE: REPLACEMENT MODULES INCLUDE ITEM 1.
	R90289	40 AMP FUSE (PACKAGE OF FIVE)
	RP90296	40 AMP FUSEHOLDER

COMPLETE ASSEMBLY	ASSEMBLY REPLACEMENT	DESCRIPTION
AP45494	RAP92751	FOR PUMPS WITHOUT A ROOM MANIFOLD
AP47627	RAP92752	FOR PUMPS WITH A ROOM MANIFOLD
AP49063	RAP93014	FOR 8 VALVE MANIFOLDS / HAND PUMPS

# BOX, CONTROL FOR TOUCH PANEL-CONTROLLED AIR LEVELING SYSTEMS

## 300 SERIES



**SOME COACHES USE THE CONTROL BOARD ONLY.**

### CONTROL BOX COMPLETE

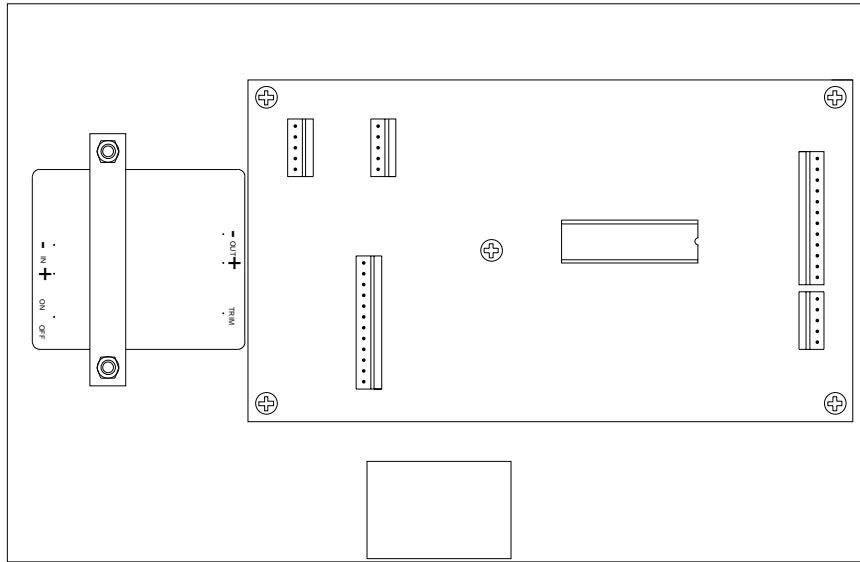
EXISTING NUMBER	DESCRIPTION	REPLACEMENT NUMBER
AP2255	3 - POINT MANUAL AIR LEVELING	RAP91994
AP2514	4 - POINT MANUAL AIR LEVELING	RAP90258

### CONTROL BOARD ONLY

EXISTING NUMBER	DESCRIPTION	REPLACEMENT NUMBER
AP1495	3 - POINT MANUAL AIR LEVELING	RAP90028
AP11053	4 - POINT MANUAL AIR LEVELING	RAP90257



**BOX, CONTROL  
FOR COMPUTER-CONTROLLED (TOUCH PANEL) LEVELING SYSTEMS  
(WITH RIBBON CABLE CONNECTIONS)**



THIS BOARD IS USED FOR COUNTRY COACH PREVOST CONVERSIONS.  
THIS IS FOR AIR LEVELING ONLY.

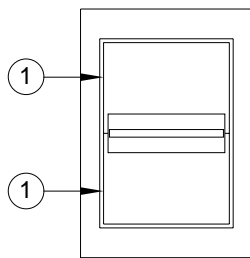
EXISTING NUMBER	REPLACEMENT NUMBER
-----------------	--------------------

AP8045

RAP8045

**SWITCH ASSEMBLY**

USED IN THE LEVELING SYSTEM INCORPORATING THE 8045 CONTROL BOX



ITEM	PART	QTY	DESCRIPTION
1	RP3657	1	LENS RED (2 LENS PER RP3657)

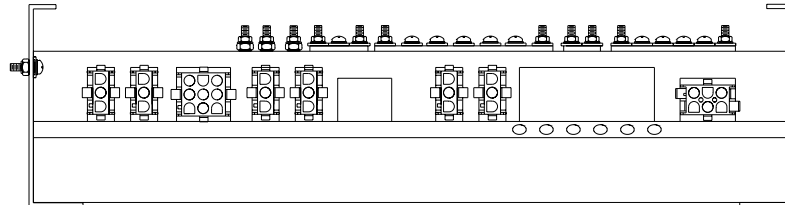
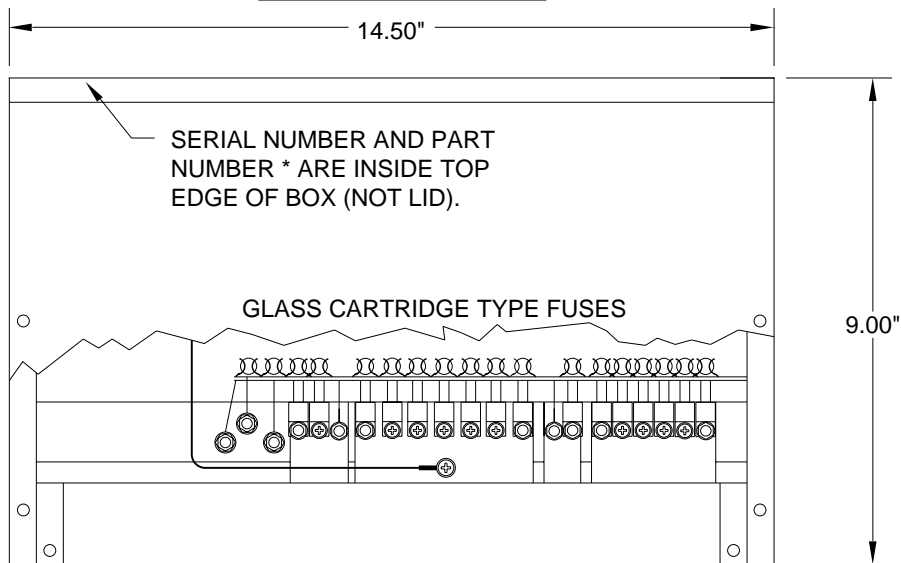
EXISTING NUMBER	REPLACEMENT NUMBER
-----------------	--------------------

AP5427

RAP90831

**BOX, CONTROL  
(WITH GLASS CARTRIDGE TYPE FUSES)  
FOR TOUCH PANEL-CONTROLLED LEVELING SYSTEMS  
(USED PRIMARILY IN 1988 & 1989)**

**500 SERIES**



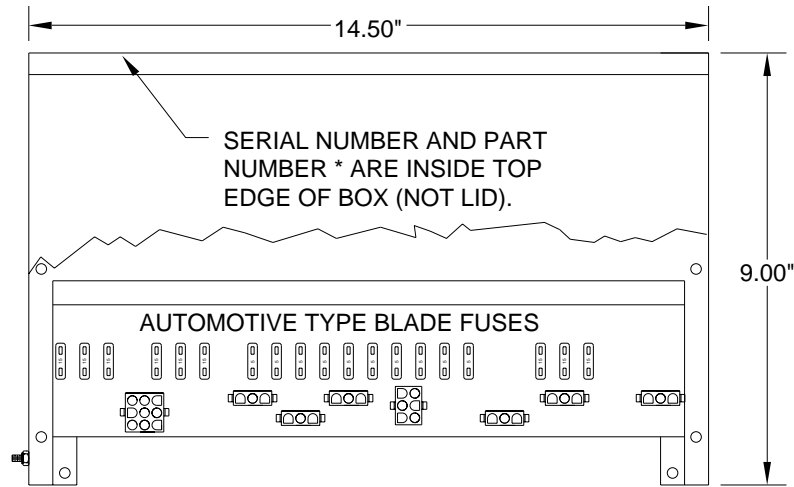
**REPLACEMENT CONTROL BOXES**

*EXISTING NUMBER	HYDRAULIC LEVELING	JACK STYLE	AIR DUMP	AIR LEVELING	GENERAL INSTRUCTIONS	REPLACEMENT NUMBER
AP5842	YES	KICK DOWN	INCL.	YES		RAP5842
AP6013	YES	STRAIGHT ACTING	NO	NO	AP5842/A6329	RAP6013
AP6018	YES	STRAIGHT ACTING	INCL.	NO	AP5842/A6328	RAP6018
AP6021	NO	AIR ONLY	INCL.	YES	AP9705 W/ MI1552 CONNECTION DIAGRAM USE AP0081 ADAPTOR	RAP6021

\* PART NUMBER IS ON INSIDE TOP EDGE OF BOX (NOT LID). NUMBER BEGINS WITH "AP" FOLLOWED BY 4 OR 5 NUMERALS.

**BOX, CONTROL  
(WITH AUTOMOTIVE TYPE BLADE FUSES)  
FOR TOUCH PANEL-CONTROLLED LEVELING SYSTEMS  
(WITH RIBBON CABLE CONNECTIONS)**

**500 SERIES**



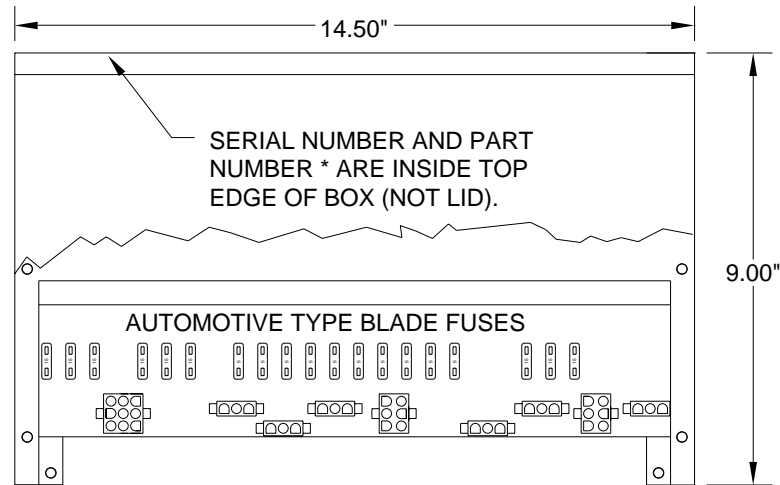
**REPLACEMENT CONTROL BOXES**

*EXISTING NUMBER	HYDRAULIC LEVELING	JACK STYLE	AIR DUMP	AIR LEVELING	GENERAL INSTRUCTIONS	REPLACEMENT NUMBER
AP1687	YES	STRAIGHT ACTING	INCL.	YES		RAP1687
AP2207	YES	STRAIGHT ACTING	INCL.	YES		RAP90015
AP6385	NO	AIR ONLY	INCL.	YES		RAP1687
AP6625	NO	AIR ONLY	INCL.	YES	3 POINT AIR LEVELING ONLY	RAP6625
AP6673	YES	STRAIGHT ACTING	INCL.	YES		RAP1687
AP6692	NO	AIR ONLY	INCL.	YES	RAP9705 W/MI1517 & MI1552 CONNECTION DIAGRAM USE AP0081 ADAPTOR	RAP6692
AP6744	YES	KICK DOWN	INCL.	YES	RAP1687/A6924	RAP6744
AP6855	YES	STRAIGHT ACTING	NO	NO	RAP1687/A6908	RAP6855
AP6890	YES	KICK DOWN	INCL.	YES	RAP1687/A6924 USE AP42350 ADAPTOR	RAP6890
AP7600	YES	STRAIGHT ACTING	INCL.	YES		RAP90015
AP7645	YES	KICK DOWN	INCL.	YES	RAP1687/A6924	RAP7645
AP7650	YES	STRAIGHT ACTING	INCL.	YES		RAP1687
AP9369	YES	STRAIGHT ACTING	INCL.	YES		RAP90015
AP9705	NO	AIR ONLY		ONLY	24 VOLT	RAP9705
AP10934	YES	STRAIGHT ACTING	YES	NO	USED W/ ROOM EXTENSION	RAP90021
AP15501	YES	STRAIGHT ACTING	INCL.	YES	EQUIPPED FOR USE WITH SPEED SWITCH	RAP92002
AP22070	YES	STRAIGHT ACTING	INCL.	YES	EQUIPPED FOR USE WITH SPEED SWITCH	RAP90015

\* PART NUMBER IS ON INSIDE TOP EDGE OF BOX (NOT LID). NUMBER BEGINS WITH "AP" FOLLOWED BY 4 OR 5 NUMERALS.

**BOX, CONTROL  
(WITH AUTOMOTIVE TYPE BLADE FUSES)  
FOR TOUCH PANEL-CONTROLLED LEVELING SYSTEMS  
(WITH MODULAR CABLE CONNECTIONS)**

**600 SERIES**



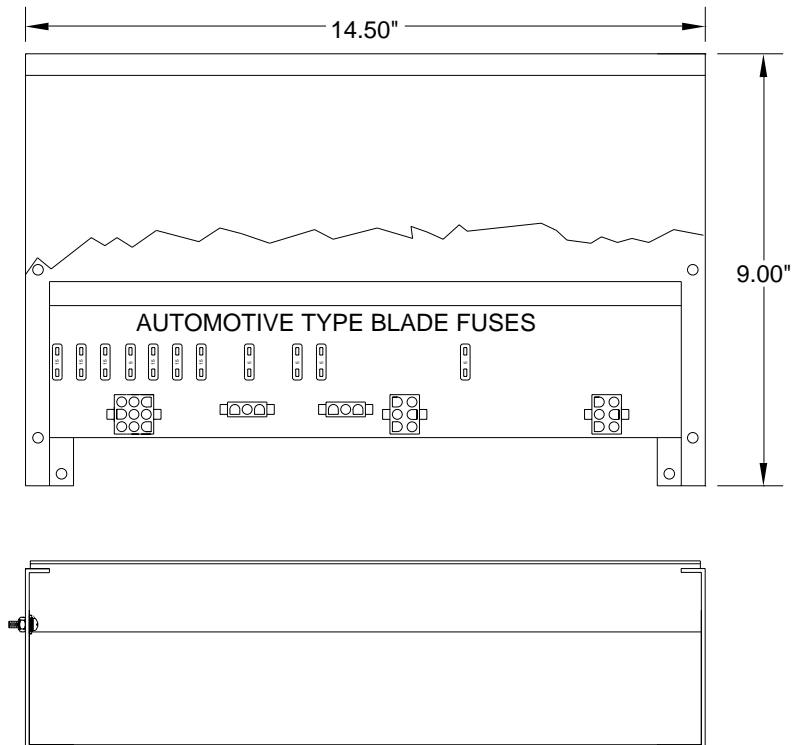
**REPLACEMENT CONTROL BOXES**

*EXISTING NUMBER	HYDRAULIC LEVELING	JACK STYLE	AIR DUMP	AIR LEVELING	GENERAL INSTRUCTIONS	REPLACEMENT NUMBER
AP0415	YES	KICK-DOWN	INCL.	4 POINT	9K & 16K JACKS	RAP2277
AP0416	YES	KICK-DOWN	INCL.	4 POINT	4-16K JACKS RAP91362/A0414	RAP0416
AP2205	YES	STRAIGHT-ACTING	INCL.	4 POINT		RAP91362
AP2277	YES	KICK-DOWN	INCL.	4 POINT	RAP91362/A2278	RAP2277
AP8238	NO	AIR ONLY	INCL.	3 POINT	FORETRAVEL	RAP8238
AP9180	NO	AIR ONLY	INCL.	4 POINT	<b>OBSOLETE</b> FORETRAVEL	RAP90026
AP9298	YES	KICK-DOWN	INCL.	3 POINT	RAP91362/A9299 USE AP10508 ADAPTOR FOR FRT AIR -4PT TO 3PT USE NEW LID AP10669	RAP9298
AP9488	NO	AIR ONLY	INCL.	4 POINT	FORETRAVEL	RAP90026
AP9651	YES	STRAIGHT-ACTING	INCL.	4 POINT		RAP91898
AP10125	YES	STRAIGHT-ACTING	INCL.	3 POINT		RAP92008
AP11636	NO	AIR ONLY	INCL.	3 POINT	PREVOST CONVERSION	RAP92009
AP12232	YES	STRAIGHT-ACTING	INCL.	4 POINT	NEWELL	RAP90276
AP14721	NO	AIR ONLY	INCL.	4 POINT	FORETRAVEL WITH TAG MONACO WITH TAG	RAP90525
AP14930	YES	STRAIGHT-ACTING	INCL.	4 POINT	BEAVER-DUAL TOUCH PANEL	RAP91250
AP15555	YES	STRAIGHT-ACTING	INCL.	4 POINT	ROOM INTERRUPT	RAP92007
AP16832	NO	AIR ONLY	INCL.	4 POINT	MCI	RAP91756
AP18033	NO	AIR ONLY	INCL.	4 POINT		RAP91770
AP25514	YES	STRAIGHT-ACTING	NO	NONE	BLUEBIRD	RAP92010

\* PART NUMBER IS ON INSIDE TOP EDGE OF BOX (NOT LID). NUMBER BEGINS WITH "AP" FOLLOWED BY 4 OR 5 NUMERALS.

**BOX, CONTROL  
(WITH AUTOMOTIVE TYPE BLADE FUSES)  
FOR "LEVEL IN / LEVEL OUT FLOOR" ROOM EXTENSIONS  
(SINGLE ROOM ONLY)**

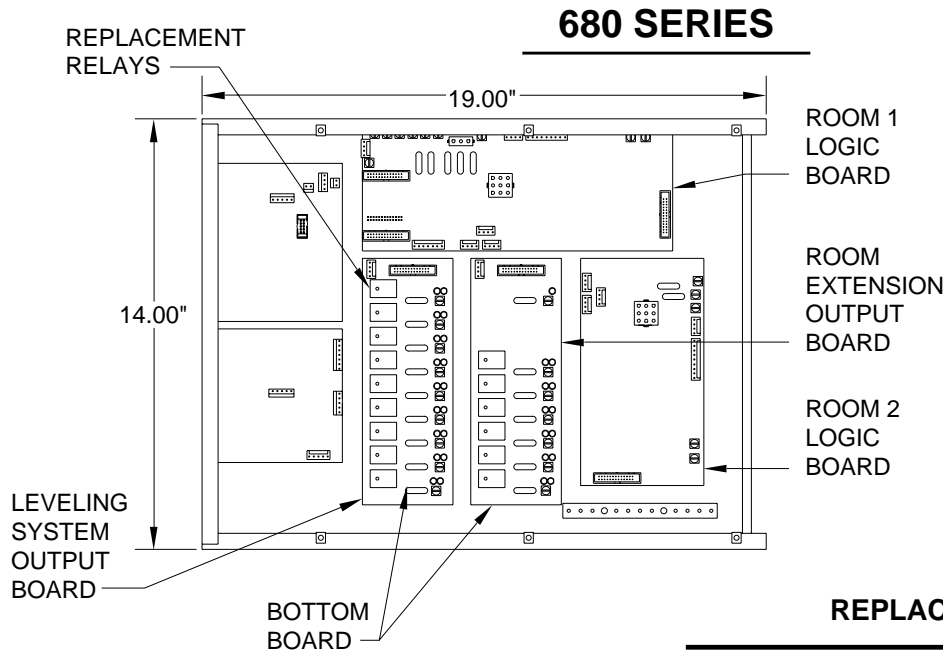
**600 SERIES**



EXISTING NUMBER	DESCRIPTION	REPLACEMENT NUMBER
AP12281	USED ON EARLY LEVEL FLOOR ROOM EXTENSIONS FOR NEWELL	RAP90277
AP13412	USED ON SYSTEMS WITH KEYED OPERATOR'S PANEL THAT HAS AN INDICATOR LIGHT.	RAP90278

# BOX, CONTROL

## FOR COMPUTER-CONTROLLED (TOUCH PANEL) LEVELING SYSTEMS (ROOM EXTENSIONS WITH ROOM LOCKS)



**IMPORTANT: CONTACT HWH CORPORATION BEFORE REPLACING COMPLETE CONTROL BOX. OUTPUT AND LOGIC BOARDS CAN BE REPLACED INSTEAD OF REPLACING THE COMPLETE CONTROL BOX. CONTACT HWH CUSTOMER SERVICE TO DETERMINE THE CORRECT BOARD TO REPLACE.**

**NOTE: CONTROL BOXES MAY HAVE 1, 2, OR 3 ROOMS WITH AIR AND/OR HYDRAULIC LEVELING. WITH MULTIPLE ROOMS AND LEVELING THERE WILL BE UPPER AND LOWER OUTPUT BOARDS.**

### REPLACEMENT PARTS

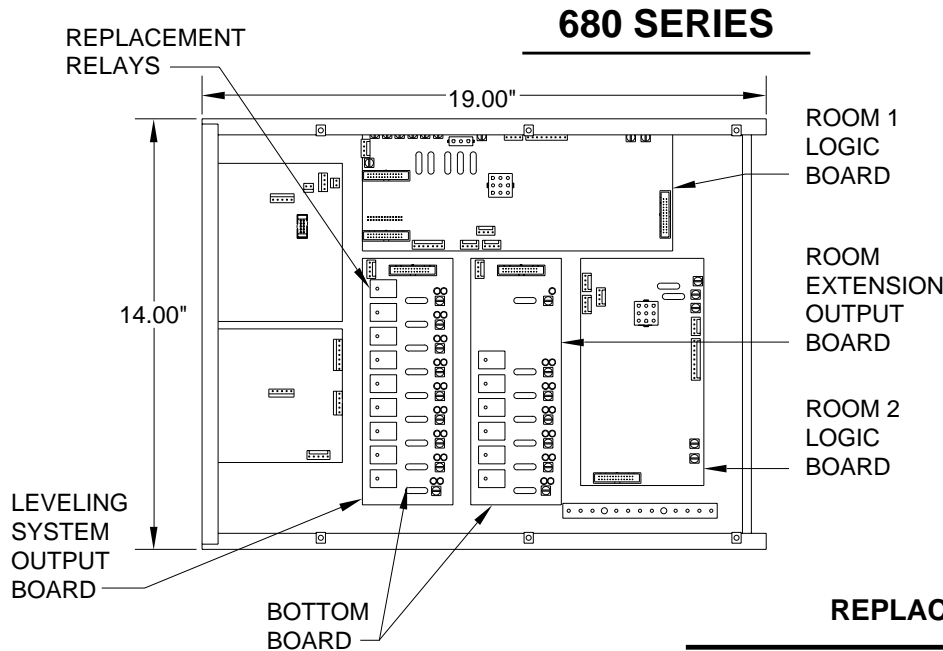
PART NO.	DESCRIPTION
RAP90594	REPLACEMENT RELAY FOR OUTPUT BOARDS

*EXISTING NUMBER	REPLACE NUMBER	CHIP STYLE	HYD. LEVELING	AIR LEVELING	LEVEL IN FLOOR	ROOM LOCK IN	ROOM LOCK OUT	AIR SEAL	COMMENTS
AP13455	RAP90597	A13456	2 JACKS ONLY	YES	NO	YES	YES	YES	NEWELL 1 - ROOM
AP13474	RAP90598	A13872	NO	YES 24 VOLT	NO	YES	YES	NO	VANTARE FEATHERLITE 1 - ROOM
AP13476	RAP90599	A13872	NO	YES 24 VOLT	NO	YES	YES	NO	VANTARE FEATHERLITE 2 - ROOMS
AP13782	RAP90600	A14212	NO	YES	YES	YES	YES	YES	NEWELL 2 - ROOM GEN SLIDE
AP13790	RAP90601	A13734	YES	YES	YES	YES	YES	YES	NEWELL 2 - ROOMS
AP13920	RAP90602	A14212	NO	YES	YES	YES	YES	YES	NEWELL 1 - ROOM
AP15544	RAP90603	NONE	NO	NO	NO	YES	YES	YES	B & B COACHWORKS 2 - ROOMS
AP15803	RAP90604	NONE	NO	NO	NO	YES	YES	YES	MONTANA COACH 2 - ROOMS
AP16326	RAP90605	A14212	NO	YES	NO	YES	YES	YES	NEWELL 1 - ROOM
AP16393	RAP90606	A13872	NO	YES 24 VOLT	YES	YES	NO	YES	MARATHON 2 - ROOMS
AP17228	RAP90607	A18338	NO	YES	NO	YES	NO	YES	MITCHELL 1 - ROOM
AP18370	RAP90608	A18338	NO	YES	NO	YES	NO	NO	MITCHELL 1 - ROOM

\* PART NUMBER IS ON TOP OF BOX. NUMBER BEGINS WITH "AP" FOLLOWED BY 5 NUMERALS.

# BOX, CONTROL

## FOR COMPUTER-CONTROLLED (TOUCH PANEL) LEVELING SYSTEMS (ROOM EXTENSIONS WITH ROOM LOCKS)



**IMPORTANT: CONTACT HWH CORPORATION BEFORE REPLACING COMPLETE CONTROL BOX. OUTPUT AND LOGIC BOARDS CAN BE REPLACED INSTEAD OF REPLACING THE COMPLETE CONTROL BOX. CONTACT HWH CUSTOMER SERVICE TO DETERMINE THE CORRECT BOARD TO REPLACE.**

**NOTE: CONTROL BOXES MAY HAVE 1, 2, OR 3 ROOMS WITH AIR AND/OR HYDRAULIC LEVELING. WITH MULTIPLE ROOMS AND LEVELING THERE WILL BE UPPER AND LOWER OUTPUT BOARDS.**

### REPLACEMENT PARTS

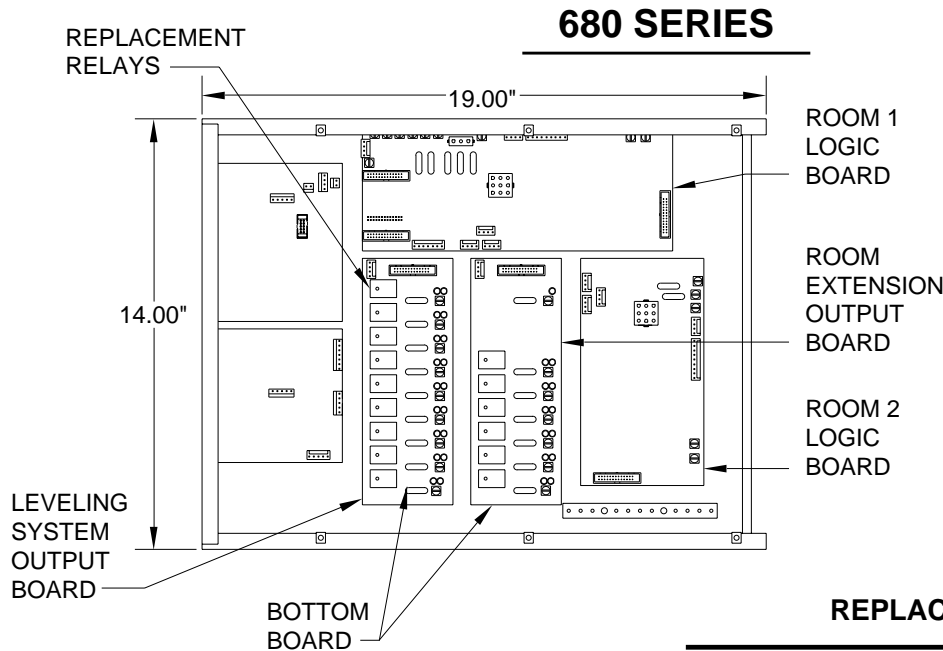
PART NO.	DESCRIPTION
RAP90594	REPLACEMENT RELAY FOR OUTPUT BOARDS

*EXISTING NUMBER	REPLACE NUMBER	CHIP STYLE	HYD. LEVELING	AIR LEVELING	LEVEL IN FLOOR	ROOM LOCK IN	ROOM LOCK OUT	AIR SEAL	COMMENTS
AP18480	RAP90609	NONE	NO	NO	NO	YES	YES	YES	I-44 BUS SALES 1 - ROOM
AP18497	RAP90610	A15944	YES	NO	NO	YES	NO	YES	BLUEBIRD 2 - ROOMS
AP18499	RAP90612	A15944	YES	NO	NO	YES	NO	YES	BLUEBIRD 1 - ROOM
AP18508	RAP90614	A18338	NO	YES	NO	YES	NO	YES	FORETRAVEL 1 - ROOM
AP18825	RAP90615	A14212	NO	YES	YES	YES	YES	YES	NEWELL 3 - ROOMS
AP19053	RAP90703	A19056	YES	NO	NO	YES	NO	NO	FEATHERLITE 2 - ROOMS
AP19081	RAP90704	A13872	NO	YES	YES	YES	NO	YES	PREVOST CONV. 1 - ROOM
AP19362	RAP90705	A19544	YES	NO	NO	YES	NO	YES	BLUEBIRD 1 - ROOM
AP19364	RAP90706	A19544	YES	NO	NO	YES	NO	YES	BLUEBIRD 2 - ROOMS
AP19559	RAP90707	A18338	NO	YES	NO	YES	NO	YES	FORETRAVEL 1 - ROOM
AP19673	RAP90708	A13872	NO	YES	NO	YES	NO	NO	FEATHERLITE 1 - ROOM
AP19674	RAP90709	A13872	NO	YES	NO	YES	NO	NO	FEATHERLITE 2 - ROOMS
AP20021	RAP90712	A13456	YES	YES	YES	YES	YES	YES	NEWELL 2 - ROOMS
AP20241	RAP90710	A13872	NO	YES	NO	YES	NO	YES	PREVOST CONV. XL 2 - ROOMS

\* PART NUMBER IS ON TOP OF BOX. NUMBER BEGINS WITH "AP" FOLLOWED BY 5 NUMERALS.

# BOX, CONTROL

## FOR COMPUTER-CONTROLLED (TOUCH PANEL) LEVELING SYSTEMS (ROOM EXTENSIONS WITH ROOM LOCKS)



**IMPORTANT: CONTACT HWH CORPORATION BEFORE REPLACING COMPLETE CONTROL BOX. OUTPUT AND LOGIC BOARDS CAN BE REPLACED INSTEAD OF REPLACING THE COMPLETE CONTROL BOX. CONTACT HWH CUSTOMER SERVICE TO DETERMINE THE CORRECT BOARD TO REPLACE.**

**NOTE: CONTROL BOXES MAY HAVE 1, 2, OR 3 ROOMS WITH AIR AND/OR HYDRAULIC LEVELING. WITH MULTIPLE ROOMS AND LEVELING THERE WILL BE UPPER AND LOWER OUTPUT BOARDS.**

### REPLACEMENT PARTS

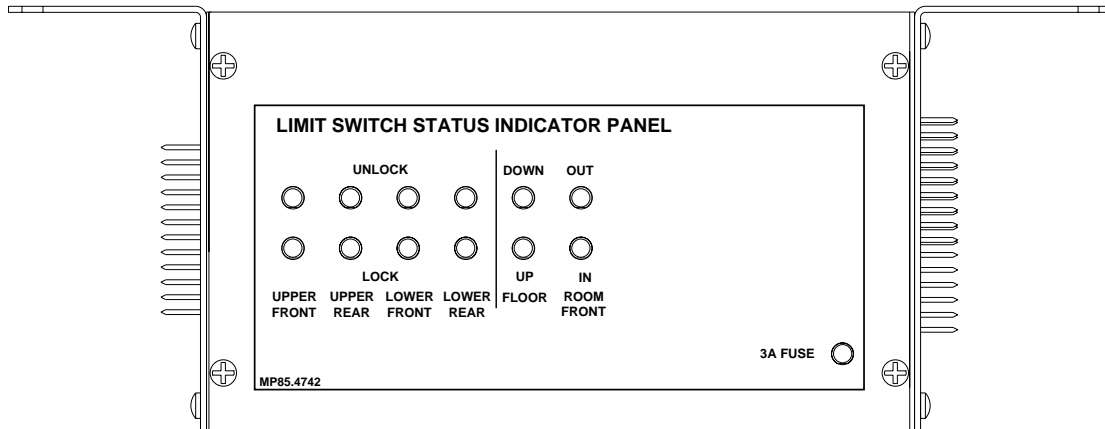
PART NO.	DESCRIPTION
RAP90594	REPLACEMENT RELAY FOR OUTPUT BOARDS

*EXISTING NUMBER	REPLACE NUMBER	CHIP STYLE	HYD. LEVELING	AIR LEVELING	LEVEL IN FLOOR	ROOM LOCK IN	ROOM LOCK OUT	AIR SEAL	COMMENTS
AP20761	RAP90713	A18338	NO	YES	NO	YES	NO	NO	PREVOST CONV. 1 - ROOM
AP21059	RAP90714	A21007	NO	YES 4 - POINT	YES	YES	NO	YES	PREVOST CONV. 2 - ROOMS
AP21112	RAP90715	A18338	NO	YES	YES	YES	NO	YES	MCI CONV. 2 - ROOMS
AP21168	RAP90716	A14212	NO	YES	YES	YES	NO	YES	NEWELL 2 - ROOMS
AP21185	RAP90717	A15944	YES	NO	NO	YES	NO	NO	HWH EUROPE 1 - ROOM
AP21270	RAP90718	A14212	NO	YES	YES	YES	NO	YES	NEWELL 3 - ROOMS
AP21662	RAP90719	A18338	NO	YES	NO	YES	NO	NO	FEATHERLITE VOUGE 2 - ROOMS
AP21696	RAP90720	A18338	NO	YES	NO	YES	NO	YES	FORETRAVEL 2 - ROOMS
AP21760	RAP90721	A14212	NO	YES	YES (2)	YES	YES	YES	NEWELL 3 - ROOMS
AP22274	RAP91943	A15944	YES	NO	NO	YES	YES	NO	HWH EUROPE 1 - ROOM
AP23930	RAP91999	A23933	YES	YES	NO	YES	YES	YES	BLUEBIRD 1 - ROOM
AP25815	RAP92000	A13874	NO	YES 24 VOLT	YES	YES	YES	YES	MARATHON 3 - ROOMS
AP27701	RAP92001	A15944	YES	NO	NO	YES	YES	NO	HWH EUROPE 2 - ROOMS
AP41022	RAP92222	A13872	NO	YES 24 VOLT	YES	YES	NO	YES	AP16393 CONV. 2 - ROOMS

\* PART NUMBER IS ON TOP OF BOX. NUMBER BEGINS WITH "AP" FOLLOWED BY 5 NUMERALS.



# BOX, STATUS LIMIT SWITCH FOR 680 SERIES LEVELING SYSTEMS (WITH ROOM LOCKING CYLINDERS)



NOTE: SOME BOXES USE DEUTSCH CONNECTORS. SEE THE CHART BELOW FOR MORE INFORMATION.

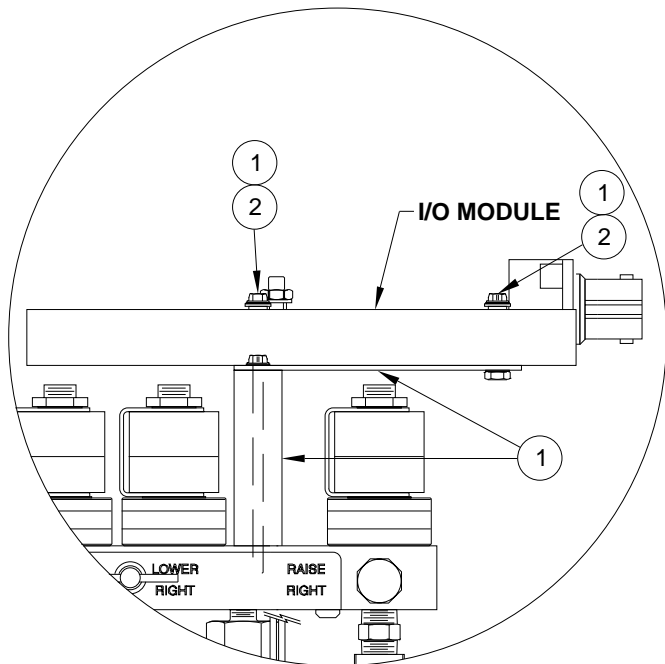
ALL BOXES USE R90283 FUSE. SOLD IN PACKAGES OF FIVE.

## REPLACEMENT BOXES

*EXISTING NUMBER	CONNECTOR STYLE	REPLACEMENT NUMBER
AP18441	MTA	RAP91816
AP18505	MTA	RAP91821
AP19347	MTA	RAP91313
AP19439	MTA	RAP91315
AP19573	MTA	RAP91782
AP19880	MTA	RAP91826
AP20100	DEUTSCH	RAP91827
AP20329	DEUTSCH	RAP91778
AP20341	DEUTSCH	RAP91828
AP20374	MTA	RAP91823
AP20535	MTA	RAP91314
AP20537	MTA	RAP91818
AP20668	DEUTSCH	RAP91311
AP20675	DEUTSCH	RAP91312
AP21508	DEUTSCH	RAP91820
AP22354	DEUTSCH	RAP91817
AP22358	DEUTSCH	RAP91819
AP25256	DEUTSCH	RAP91822

\* PART NUMBER IS ON LEFT OR RIGHT SIDE OF BOX. NUMBER BEGINS WITH "AP" FOLLOWED BY 5 NUMERALS.

**MULTIPLEX INPUT / OUTPUT MODULE  
FOR 700 SERIES, COMPUTER-CONTROLLED LEVELING SYSTEMS  
(USE BEGINNING 2011)**



**REPLACEMENT PARTS**

ITEM	PART	DESCRIPTION
1	RAP93019	MOUNTING KIT
2	RAP93018	HARDWARE KIT

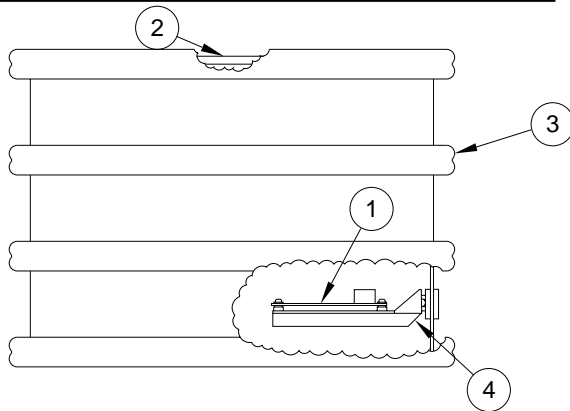
NOTE: REPLACEMENT MODULES INCLUDE ITEM 2.

COMPLETE ASSEMBLY	ASSEMBLY REPLACEMENT	DESCRIPTION
AP48445	RAP92947	FRONT AIR MANIFOLD
AP48446	RAP92948	REAR AIR MANIFOLD

# BOX, CONTROL FOR COMPUTER-CONTROLLED (TOUCH PANEL) LEVELING SYSTEMS (CAN SYSTEM)

2000 SERIES CONTROL BOXES ARE TO BE REPLACED AS A "COMPLETE ASSEMBLY". LOCATE YOUR CONTROL BOX IN THE "COMPLETE ASSEMBLY" COLUMN. THE "ASSEMBLY REPLACEMENT" COLUMN WILL SHOW THE REPLACEMENT NUMBER FOR THE "COMPLETE ASSEMBLY".

ALL ASSEMBLIES SINGLE OR STACKED WILL HAVE ONE "ASSEMBLY" LABEL LOCATED ON THE OUTSIDE. EACH RING WILL HAVE A "COMPONENT" LABEL ON THE INSIDE.



## REPLACEMENT PARTS

ITEM	PART	DESCRIPTION
1	RAP91172	SENSING UNIT
2	RAP91932	CLEAR POLY COVER
3	RP92193	RETAINER SEAL ONE PER RP92193
4	SEE <a href="#">MR45.2005</a>	FOR SENSING UNIT MOUNTING HARDWARE INFORMATION
	R90923	2 AMP FUSE
	R90924	3 AMP FUSE
	R90925	5 AMP FUSE
	R90926	7.5 AMP FUSE
	R90927	10 AMP FUSE
	R90928	15 AMP FUSE

NOTE: FUSES ARE SOLD IN QUANTITIES OF FIVE.

COMPLETE ASSEMBLY	ASSEMBLY REPLACEMENT	NUMBER OF RINGS	PRIMARY OEM AND CONTROL BOX INFORMATION
AP22690	RAP91324	3	NEWELL - CENTRAL CONTROL MODULE WITH OUTPUTS FOR 2 JACKS, 3 ROOMS, 3 LOCKS, AND 1 LEVEL IN/OUT FLOOR
AP22691	RAP92018	2	NEWELL ROOM #1 I/O MODULE WITH AIR SEAL OUTPUT
AP22700	RAP91325	2	NEWELL FRONT AIR I/O MODULE WITH FRONT AIR LEVELING OUTPUTS
AP22738	RAP92019	2	NEWELL ROOM #2 I/O MODULE WITH AIR SEAL OUTPUT
AP22739	RAP92020	2	NEWELL ROOM #3 I/O MODULE WITH AIR SEAL OUTPUT
AP22740	RAP91326	2	NEWELL REAR AIR I/O MODULE WITH REAR AIR OUTPUTS
AP23315	RAP91039	3	NEWELL - CENTRAL CONTROL MODULE WITH OUTPUTS FOR 4 ROOMS W/ GEN SLIDE, 5 LOCKS, AND 2 LEVEL IN/OUT FLOORS
AP23316	RAP90893	1	NEWELL ROOM #1 I/O MODULE WITH AIR SEAL OUTPUT
AP23317	RAP90892	1	NEWELL ROOM #2 I/O MODULE WITH AIR SEAL OUTPUT
AP23318	RAP90891	1	NEWELL ROOM #3 I/O MODULE WITH AIR SEAL OUTPUT
AP23319	RAP91323	2	NEWELL ROOM #4 I/O MODULE WITH AIR SEAL OUTPUT
AP23320	RAP91044	2	NEWELL - FRONT AIR & GEN SLIDE I/O MODULE WITH FRONT AIR LEVELING OUTPUTS
AP23321	RAP91045	2	NEWELL REAR AIR I/O MODULE WITH REAR AIR OUTPUTS
AP23493	RAP91327	2	NEWELL - CENTRAL CONTROL MODULE WITH OUTPUTS FOR 4 ROOMS, 4 LOCKS, AND 2 LEVEL IN/OUT FLOORS
AP23995	RAP91041	2	ABC BUS COMPANIES INC. - CENTRAL CONTROL MODULE WITH OUTPUTS FOR FRONT AND REAR AIR LEVELING
AP23996	RAP91040	2	ABC BUS COMPANIES INC. - ROOM I/O MODULE WITH OUTPUTS FOR ROOM, LOCKS, AIR SEAL, AND VACUUM
AP24062	RAP91047	3	FORETRAVEL INC. - CENTRAL CONTROL AND I/O MODULE WITH OUTPUTS FOR 2 ROOMS, 2 LOCKS, AIR SEAL, AND VACUUM

# BOX, CONTROL FOR COMPUTER-CONTROLLED (TOUCH PANEL) LEVELING SYSTEMS (CAN SYSTEM)

## 2000 SERIES

2000 SERIES CONTROL BOXES ARE TO BE REPLACED AS A "COMPLETE ASSEMBLY". LOCATE YOUR CONTROL BOX IN THE "COMPLETE ASSEMBLY" COLUMN. THE "ASSEMBLY REPLACEMENT" COLUMN WILL SHOW THE REPLACEMENT NUMBER FOR THE "COMPLETE ASSEMBLY".

COMPLETE ASSEMBLY	ASSEMBLY REPLACEMENT	NUMBER OF RINGS	PRIMARY OEM AND CONTROL BOX INFORMATION
AP24063	RAP91048	3	FORETRAVEL INC. - REAR AIR AND ROOM I/O MODULE WITH OUTPUTS FOR AIR SEAL, VACUUM, AND REAR AIR LEVELING
AP24299	RAP91046	2	FORETRAVEL INC. - FRONT AIR I/O MODULE WITH OUTPUTS FOR FRONT AIR LEVELING
AP24467	RAP90895	1	NEWELL TRAIN SLIDE I/O MODULE WITH AIR SEAL AND VACUUM OUTPUT
AP24500	RAP91057	2	COUNTRY COACH - CENTRAL CONTROL MODULE WITH OUTPUTS FOR FRONT AIR LEVELING
AP24565	RAP91058	3	HWH - CENTRAL CONTROL AND ROOM I/O MODULE WITH OUTPUTS FOR 2 ROOMS, AIR SEAL, AND VACUUM
AP24783	RAP90894	1	NEWELL ROOM I/O MODULE WITH AIR SEAL AND VACUUM OUTPUT
AP24859	RAP91049	3	NEWELL - CENTRAL CONTROL MODULE WITH OUTPUTS FOR 4 ROOMS, 4 LOCKS, AND 1 LEVEL IN/OUT FLOOR
AP24867	RAP91322	3	TRAIL WAGONS INC. - CENTRAL CONTROL AND ROOM I/O MODULE WITH OUTPUTS FOR HYDRAULIC LEVELING, 1 ROOM, LOCKS, AIR SEAL, AND VACUUM
AP24887	RAP91050	3	FORETRAVEL INC. - CENTRAL CONTROL AND ROOM I/O MODULE WITH OUTPUTS FOR 1 ROOM, LOCKS, AIR SEAL AND VACUUM
AP25144	RAP91051	3	HWH PREVOST CONVERSION - CENTRAL CONTROL AND ROOM I/O MODULE WITH OUTPUTS FOR 1 ROOM, LOCKS, AIR SEAL AND VACUUM
AP25150	RAP91052	2	FORETRAVEL INC. REAR AIR I/O MODULE WITH OUTPUTS FOR REAR AIR LEVELING
AP25254	RAP91321	3	FORETRAVEL INC. - CENTRAL CONTROL AND ROOM I/O MODULE WITH OUTPUTS FOR 2 ROOMS, 2 LOCKS, AIR SEAL AND VACUUM
AP25429	RAP91090	1	COUNTRY COACH ELECTRIC TRAIN SLIDE ROOM MODULE
AP25431	RAP91055	2	COUNTRY COACH - REAR AIR I/O MODULE WITH OUTPUTS FOR REAR AIR LEVELING
AP25435	RAP91056	2	MOTOR COACH IND. (NEWMAX) - CENTRAL CONTROL MODULE WITH OUTPUTS FOR FRONT AND REAR AIR LEVELING
AP25447	RAP91059	1	COUNTRY COACH ELECTRIC SINGLE CYLINDER ROOM EXTENSION MODULE
AP25611	RAP91106	1	COUNTRY COACH ELECTRIC TRAIN SLIDE ROOM MODULE
AP25649	RAP91060	2	CHASSIS MASTERS - CENTRAL CONTROL MODULE WITH OUTPUTS FOR HYDRAULIC LEVELING AND 3 ROOMS
AP25651	RAP91061	2	CHASSIS MASTERS 2 ROOM I/O MODULE WITH NO OUTPUTS
AP25652	RAP91062	1	CHASSIS MASTERS 1 ROOM I/O MODULE WITH AIR SEAL AND VACUUM OUTPUTS
AP25662	RAP91063	2	NEWELL - CENTRAL CONTROL MODULE WITH OUTPUTS FOR 4 ROOMS, 4 LOCKS, AND 2 LEVEL IN/OUT FLOORS
AP25798	RAP91064	2	NEWELL - CENTRAL CONTROL MODULE WITH OUTPUTS FOR 3 ROOMS, 3 LOCKS, AND 1 LEVEL IN/OUT FLOOR
AP25949	RAP91065	2	NEWELL - CENTRAL CONTROL MODULE WITH OUTPUTS FOR 2 ROOMS, 2 LOCKS, AND 1 LEVEL IN/OUT FLOOR
AP25998	RAP91066	1	FORETRAVEL INC. CENTRAL CONTROL MODULE WITH NO OUTPUTS
AP26569	RAP91068	2	NEWELL - CENTRAL CONTROL MODULE WITH OUTPUTS FOR 4 ROOMS, 4 LOCKS, AND 1 LEVEL IN/OUT FLOOR

# BOX, CONTROL FOR COMPUTER-CONTROLLED (TOUCH PANEL) LEVELING SYSTEMS (CAN SYSTEM)

## 2000 SERIES

2000 SERIES CONTROL BOXES ARE TO BE REPLACED AS A "COMPLETE ASSEMBLY". LOCATE YOUR CONTROL BOX IN THE "COMPLETE ASSEMBLY" COLUMN. THE "ASSEMBLY REPLACEMENT" COLUMN WILL SHOW THE REPLACEMENT NUMBER FOR THE "COMPLETE ASSEMBLY".

COMPLETE ASSEMBLY	ASSEMBLY REPLACEMENT	NUMBER OF RINGS	PRIMARY OEM AND CONTROL BOX INFORMATION
AP26594	RAP91069	3	FORETRAVEL INC. - CENTRAL CONTROL AND ROOM I/O MODULE WITH OUTPUTS FOR 2 ROOMS
AP26602	RAP91070	3	FORETRAVEL INC. - CENTRAL CONTROL AND ROOM I/O MODULE WITH OUTPUTS FOR 2 ROOMS, 2 LOCKS, AIR SEAL, AND VACUUM
AP26603	RAP91071	3	FORETRAVEL INC. - REAR AIR AND ROOM I/O MODULE WITH OUTPUTS FOR REAR AIR LEVELING, AIR SEAL, AND VACUUM
AP26748	RAP91319	2	NEWELL - CENTRAL CONTROL MODULE WITH OUTPUTS FOR 4 ROOMS, 4 LOCKS, AND 2 LEVEL IN/OUT FLOOR
AP26814	RAP91072	3	TRAIL WAGONS INC. - CENTRAL CONTROL AND HYDRAULIC LEVELING I/O MODULE WITH OUTPUTS FOR HYDRAULIC LEVELING
AP26815	RAP91073	3	TRAIL WAGONS INC. - CENTRAL CONTROL AND ROOM I/O MODULE WITH OUTPUTS FOR 1 ROOM, LOCKS, AIR SEAL, AND VACUUM
AP27046	RAP91074	1	FORETRAVEL INC. CENTRAL CONTROL MODULE WITH NO OUTPUTS
AP27222	RAP91075	3	FORETRAVEL INC. - CENTRAL CONTROL AND ROOM I/O MODULE WITH OUTPUTS FOR 2 ROOMS, 2 LOCKS, AIR SEAL, AND VACUUM
AP27396	RAP91076	3	INFINITY COACH - CENTRAL CONTROL AND ROOM I/O MODULE WITH OUTPUTS FOR 2 ROOMS, 2 LOCKS, AIR SEAL, AND VACUUM
AP27415	RAP91077	3	MONTANA COACH - CENTRAL CONTROL AND ROOM I/O MODULE WITH OUTPUTS FOR 2 ROOMS, 2 LOCKS, AIR SEAL, AND VACUUM
AP27418	RAP91078	1	MONTANA COACH ROOM I/O MODULE WITH OUTPUTS FOR AIR SEAL AND VACUUM
AP27475	RAP91080	3	DOMINATOR INT'L LIMITED - CENTRAL CONTROL MODULE WITH OUTPUTS FOR HYDRAULIC LEVELING AND 8 FUNCTIONS
AP27476	RAP91081	1	DOMINATOR INT'L LIMITED - BEDROOM SLIDE I/O MODULE WITH OUTPUTS FOR AIR SEAL AND VACUUM
AP27477	RAP91082	1	DOMINATOR INT'L LIMITED - LEVEL FLOOR I/O MODULE WITH OUTPUTS FOR AIR SEAL AND VACUUM
AP27478	RAP91083	1	DOMINATOR INT'L LIMITED - GEN SLIDE AND STEP COVER I/O MODULE WITH OUTPUTS FOR FRONT AND REAR AIR DUMP
AP27569	RAP91085	3	FORETRAVEL INC. - CENTRAL CONTROL AND ROOM I/O MODULE WITH OUTPUTS FOR 1 ROOM, LOCKS, AIR SEAL, AND VACUUM
AP27570	RAP91084	3	FORETRAVEL INC. - CENTRAL CONTROL AND ROOM I/O MODULE WITH OUTPUTS FOR 2 ROOMS, 2 LOCKS, AIR SEAL, AND VACUUM
AP27577	RAP91086	2	FORETRAVEL INC. REAR AIR I/O MODULE WITH OUTPUTS FOR REAR AIR LEVELING
AP27579	RAP91097	2	FORETRAVEL INC. REAR AIR I/O MODULE WITH OUTPUTS FOR REAR AIR LEVELING
AP27621	RAP91094	3	COUNTRY COACH - CENTRAL CONTROL AND REAR AIR I/O MODULE WITH OUTPUTS FOR 3 ROOMS AND REAR AIR LEVELING
AP27622	RAP91096	3	COUNTRY COACH - CENTRAL CONTROL AND FRONT AIR I/O MODULE WITH OUTPUTS FOR 2 ROOMS AND FRONT AIR LEVELING
AP27623	RAP91095	2	COUNTRY COACH REAR AIR I/O MODULE WITH OUTPUTS FOR REAR AIR LEVELING
AP27669	RAP91093	2	COUNTRY COACH - FRONT AIR AND ROOM I/O MODULE WITH OUTPUTS FOR FRONT AIR LEVELING
AP27703	RAP91092	3	FORETRAVEL INC. - CENTRAL CONTROL AND ROOM I/O MODULE WITH OUTPUTS FOR 2 ROOMS, LOCKS, AIR SEAL, AND VACUUM
AP27947	RAP91091	3	COUNTRY COACH - CENTRAL CONTROL AND ROOM/FRONT AIR I/O WITH OUTPUTS FOR 3 ROOMS, FLOOR UP/DOWN, AND FRONT AIR LEVELING

# BOX, CONTROL FOR COMPUTER-CONTROLLED (TOUCH PANEL) LEVELING SYSTEMS (CAN SYSTEM)

## 2000 SERIES

2000 SERIES CONTROL BOXES ARE TO BE REPLACED AS A "COMPLETE ASSEMBLY". LOCATE YOUR CONTROL BOX IN THE "COMPLETE ASSEMBLY" COLUMN. THE "ASSEMBLY REPLACEMENT" COLUMN WILL SHOW THE REPLACEMENT NUMBER FOR THE "COMPLETE ASSEMBLY".

COMPLETE ASSEMBLY	ASSEMBLY REPLACEMENT	NUMBER OF RINGS	PRIMARY OEM AND CONTROL BOX INFORMATION
AP28260	RAP91090	1	COUNTRY COACH ELECTRIC SLIDE I/O MODULE
AP28423	RAP91089	3	FORETRAVEL INC. - CENTRAL CONTROL AND ROOM I/O MODULE WITH OUTPUTS FOR 1 ROOM, LOCKS, AIR SEAL, AND VACUUM
AP28424	RAP91316	3	FORETRAVEL INC. - CENTRAL CONTROL AND ROOM I/O MODULE WITH OUTPUTS FOR 1 ROOM, LOCKS, AIR SEAL, AND VACUUM
AP28488	RAP91087	3	TRAIL WAGONS INC. - CENTRAL CONTROL AND ROOM/LEVELING I/O MODULE WITH OUTPUTS FOR HYDRAULIC LEVELING, 1 ROOM, LOCKS, AIR SEAL, AND VACUUM
AP28522	RAP91100	2	FOREST RIVER - CENTRAL CONTROL MODULE WITH OUTPUTS FOR FRONT AND REAR AIR LEVELING
AP28536	RAP91101	2	HWH EUROPE - ROOM I/O MODULE WITH OUTPUTS FOR 1 ROOM, AIR SEAL, AND VACUUM
AP28701	RAP91102	3	FLORIDA CUSTOM COACH INC. - CENTRAL CONTROL AND ROOM I/O MODULE WITH OUTPUTS FOR 2 ROOMS, 2 LOCKS, AIR SEAL, AND VACUUM
AP28702	RAP91103	1	FLORIDA CUSTOM COACH INC. - ROOM 2 I/O MODULE WITH OUTPUTS FOR AIR SEAL, AND VACUUM
AP28891	RAP91105	3	COUNTRY COACH - CENTRAL CONTROL AND FRONT AIR I/O WITH OUTPUTS FOR AIR LEVELING AND 2 ROOMS
AP29055	RAP91106	1	COUNTRY COACH ELECTRIC SLIDE I/O MODULE
AP29231	RAP91107	3	FLORIDA CUSTOM COACH INC. - CENTRAL CONTROL AND ROOM I/O MODULE WITH OUTPUTS FOR 2 ROOMS, 2 LOCKS, AIR SEAL, AND VACUUM
AP29411	RAP91108	3	FORETRAVEL INC. - CENTRAL CONTROL AND ROOM I/O MODULE WITH OUTPUTS FOR 2 ROOMS, 2 LOCKS, AIR SEAL, AND VACUUM
AP29645	RAP91109	3	TRAIL WAGONS INC. - CENTRAL CONTROL AND ROOM/LEVELING I/O MODULE WITH OUTPUTS FOR HYDRAULIC LEVELING, 2 ROOM, 2 LOCKS, AIR SEAL, AND VACUUM
AP29646	RAP91110	1	TRAIL WAGONS INC. ROOM I/O MODULE WITH OUTPUTS FOR AIR SEAL, AND VACUUM
AP29827	RAP91112	3	CAMI LLC - CENTRAL CONTROL AND FRONT AIR/ROOM I/O MODULE WITH OUTPUTS FOR 2 ROOMS AND FRONT AIR LEVELING
AP29829	RAP91113	2	CAMI LLC REAR AIR I/O MODULE WITH OUTPUTS FOR REAR AIR LEVELING
AP30200	RAP91114	2	MONACO COACH CORP WEST - CENTRAL CONTROL MODULE WITH OUTPUTS FOR FRONT AND REAR AIR LEVELING
AP30368	RAP91115	2	MONACO COACH CORP EAST - CENTRAL CONTROL MODULE WITH OUTPUTS FOR FRONT AND REAR AIR LEVELING
AP30554	RAP91116	3	ROADMASTER - CENTRAL CONTROL AND ROOM/LEVELING I/O MODULE WITH OUTPUTS FOR HYDRAULIC LEVELING, 1 ROOM, LOCKS, AIR SEAL, AND VACUUM
AP30730	RAP91286	2	COUNTRY COACH - CENTRAL CONTROL MODULE WITH OUTPUTS FOR FRONT AND REAR AIR LEVELING
AP30921	RAP91279	2	MONACO COACH CORP - REAR HYDRAULIC/AIR I/O MODULE WITH OUTPUTS FOR REAR AIR LEVELING
AP30922	RAP91278	2	MONACO COACH CORP - CENTRAL CONTROL MODULE WITH OUTPUTS FOR FRONT AIR AND HYDRAULIC LEVELING
AP31005	RAP91275	3	FORETRAVEL INC. - CENTRAL CONTROL AND ROOM MODULE WITH OUTPUTS FOR FRONT LEVELING, AIR SEAL, AND VACUUM
AP31006	RAP91274	3	FORETRAVEL INC. - FRONT AIR AND ROOM I/O MODULE WITH OUTPUTS FOR 2 ROOMS, 2 LOCKS, AIR SEAL, AND VACUUM
AP31037	RAP91273	3	COUNTRY COACH - CENTRAL CONTROL AND FRONT AIR/ROOM I/O MODULE WITH OUTPUTS FOR 3 ROOM AND FRONT AIR LEVELING

# BOX, CONTROL FOR COMPUTER-CONTROLLED (TOUCH PANEL) LEVELING SYSTEMS (CAN SYSTEM)

## 2000 SERIES

2000 SERIES CONTROL BOXES ARE TO BE REPLACED AS A "COMPLETE ASSEMBLY". LOCATE YOUR CONTROL BOX IN THE "COMPLETE ASSEMBLY" COLUMN. THE "ASSEMBLY REPLACEMENT" COLUMN WILL SHOW THE REPLACEMENT NUMBER FOR THE "COMPLETE ASSEMBLY".

COMPLETE ASSEMBLY	ASSEMBLY REPLACEMENT	NUMBER OF RINGS	PRIMARY OEM AND CONTROL BOX INFORMATION
AP31481	RAP91266	2	BEAVER - CENTRAL CONTROL MODULE WITH OUTPUTS FOR FRONT AND REAR AIR LEVELING
AP31482	RAP91264	2	BEAVER - CENTRAL CONTROL MODULE WITH OUTPUTS FOR FRONT AND REAR AIR LEVELING
AP31848	RAP91255	3	FORETRAVEL INC. - CENTRAL CONTROL AND ROOM I/O MODULE WITH OUTPUTS FOR 2 ROOMS, AIR SEAL, AND VACUUM
AP31864	RAP91254	2	COUNTRY COACH - REAR AIR/ROOM I/O MODULE WITH OUTPUTS FOR REAR AIR LEVELING
AP31865	RAP91253	3	COUNTRY COACH - CENTRAL CONTROL AND FRONT AIR/ROOM I/O MODULE WITH OUTPUTS FOR 3 ROOMS AND FRONT AIR LEVELING
AP32398	RAP91345	3	COUNTRY COACH - CENTRAL CONTROL AND FRONT AIR/ROOM I/O MODULE WITH OUTPUTS FOR 4 ROOMS AND FRONT AIR LEVELING
AP32470	RAP91710	2	HWH EUROPE - ROOM I/O MODULE WITH OUTPUTS FOR 2 ROOMS, AIR SEAL, AND VACUUM
AP32490	RAP91711	2	NEWMAR - CENTRAL CONTROL MODULE WITH OUTPUTS FOR FRONT AIR/HYDRAULIC LEVELING, AND GEN SLIDE
AP32613	RAP91712	3	ROADMASTER - CENTRAL CONTROL AND ROOM/JACKS I/O MODULE WITH OUTPUTS FOR HYDRAULIC LEVELING, 1 ROOM, AIR SEAL, AND VACUUM
AP32627	RAP91713	3	ROADMASTER - CENTRAL CONTROL AND ROOM I/O MODULE WITH OUTPUTS FOR 1 ROOM, AIR SEAL, AND VACUUM
AP33190	RAP91714	2	NEWMAR - CENTRAL CONTROL MODULE WITH OUTPUTS FOR HYDRAULIC LEVELING AND GEN SLIDE
AP33297	RAP91715	2	NEWMAR - AIR AND FRONT HYDRAULIC LEVELING I/O MODULE WITH OUTPUTS FOR FRONT AIR LEVELING
AP33346	RAP91663	2	NEWMAR - REAR AIR AND HYDRAULIC LEVELING I/O MODULE WITH OUTPUTS FOR FRONT AND REAR AIR LEVELING
AP33615	RAP91717	2	CUSTOM CHASSIS INC/FOREST RIVER - CENTRAL CONTROL MODULE WITH OUTPUTS FOR FRONT AND REAR AIR LEVELING
AP33689	RAP91662	2	NEWMAR - CENTRAL CONTROL MODULE WITH OUTPUTS FOR HYDRAULIC AND FRONT AIR LEVELING, AND GEN SLIDE
AP34262	RAP91721	2	FORETRAVEL INC. - FRONT AIR/ROOM I/O MODULE WITH OUTPUTS FOR FRONT AIR LEVELING, 2 AIR SEALS, AND 2 VACUUMS
AP34263	RAP91718	2	FORETRAVEL INC. - REAR AIR/ROOM I/O MODULE WITH OUTPUTS FOR REAR AIR LEVELING, 2 AIR SEALS, AND 2 VACUUMS
AP34264	RAP91733	2	FORETRAVEL INC. - CENTRAL CONTROL MODULE WITH OUTPUTS FOR 3 ROOMS
AP34265	RAP91719	2	FORETRAVEL INC. - CENTRAL CONTROL MODULE WITH OUTPUTS FOR 4 ROOMS
AP34757	RAP91611	2	MONACO COACH CORP WEST - CENTRAL CONTROL MODULE WITH OUTPUTS FOR FRONT AND REAR AIR LEVELING
AP34987	RAP91722	2	MOTOR COACH INDUSTRIES - CENTRAL CONTROL MODULE WITH OUTPUTS FOR FRONT AND REAR AIR LEVELING
AP35152	RAP91723	2	NEWMAR - CENTRAL CONTROL MODULE WITH OUTPUTS FOR HYDRAULIC LEVELING AND GEN SLIDE
AP35373	RAP91724	3	MCL (EUROPE) - CENTRAL CONTROL AND ROOM/HYD LEVELING WITH OUTPUTS FOR HYD LEVELING, 1 ROOM, LOCKS, AIR SEAL, AND VACUUM
AP35556	RAP91725	2	KRYSTAL ENTERPRISES - CENTRAL CONTROL MODULE WITH OUTPUTS FOR HYDRAULIC LEVELING, AND 2 ROOMS
AP35557	RAP91726	2	KRYSTAL ENTERPRISES - ROOM 1 AND 2 I/O MODULE WITH OUTPUTS FOR 2 AIR SEALS AND 2 VACUUMS

# BOX, CONTROL FOR COMPUTER-CONTROLLED (TOUCH PANEL) LEVELING SYSTEMS (CAN SYSTEM)

## 2000 SERIES

2000 SERIES CONTROL BOXES ARE TO BE REPLACED AS A "COMPLETE ASSEMBLY". LOCATE YOUR CONTROL BOX IN THE "COMPLETE ASSEMBLY" COLUMN. THE "ASSEMBLY REPLACEMENT" COLUMN WILL SHOW THE REPLACEMENT NUMBER FOR THE "COMPLETE ASSEMBLY".

COMPLETE ASSEMBLY	ASSEMBLY REPLACEMENT	NUMBER OF RINGS	PRIMARY OEM AND CONTROL BOX INFORMATION
AP35810	RAP91727	2	FORETRAVEL INC. CENTRAL CONTROL MODULE WITH OUTPUTS FOR 4 ROOMS
AP35878	RAP91728	2	FORETRAVEL INC. CENTRAL CONTROL MODULE WITH OUTPUTS FOR 3 ROOMS
AP35880	RAP91729	2	FORETRAVEL INC. CENTRAL CONTROL MODULE WITH OUTPUTS FOR 3 ROOMS
AP35916	RAP91730	2	WESTERN REC. - CENTRAL CONTROL MODULE WITH OUTPUTS FOR HYDRAULIC LEVELING WITH DUMP, AND 2 ROOMS
AP35926	RAP91731	2	WESTERN REC. - REAR I/O MODULE WITH OUTPUTS FOR AIR DUMP DUMP, AND 2 ROOMS
AP36267	RAP91732	3	COUNTRY COACH - CENTRAL CONTROL AND FRONT AIR/ROOM I/O MODULE WITH OUTPUTS FOR FRONT AIR LEVELING AND 3 ROOMS
AP36509	RAP91922	2	FORETRAVEL INC. CENTRAL CONTROL MODULE WITH OUTPUTS FOR 3 ROOMS
AP37843	RAP91923	2	FORETRAVEL INC. - CENTRAL CONTROL MODULE WITH OUTPUTS FOR 4 ROOMS AND GEN SLIDE
AP37884	RAP91924	2	FORETRAVEL INC. - CENTRAL CONTROL MODULE WITH OUTPUTS FOR 3 ROOMS AND GEN SLIDE
AP37885	RAP91925	2	FORETRAVEL INC. - CENTRAL CONTROL MODULE WITH OUTPUTS FOR 3 ROOMS AND GEN SLIDE
AP37886	RAP91926	2	FORETRAVEL INC. - CENTRAL CONTROL MODULE WITH OUTPUTS FOR 4 ROOMS AND GEN SLIDE
AP38154	RAP92225	2	ACTIVE AIR CONVERSION - CENTRAL CONTROL MODULE WITH OUTPUTS FOR HYDRAULIC LEVELING AND 2 ROOMS
AP38471	RAP91928	2	FORETRAVEL INC. - CENTRAL CONTROL MODULE WITH OUTPUTS FOR 2 ROOMS AND GEN SLIDE
AP38472	RAP91929	2	FORETRAVEL INC. - CENTRAL CONTROL MODULE WITH OUTPUTS FOR 1 ROOM AND GEN SLIDE
AP38756	RAP91930	2	COUNTRY COACH - CENTRAL CONTROL MODULE WITH WITH OUTPUTS FOR FRONT AND REAR AIR LEVELING
AP39190	RAP92021	2	FORETRAVEL INC. - CENTRAL CONTROL MODULE WITH OUTPUTS FOR 4 ROOMS AND GEN SLIDE
AP39306	RAP92233	2	NO CURRENT USAGE
AP39315	RAP92022	2	FORETRAVEL INC. - CENTRAL CONTROL MODULE WITH OUTPUTS FOR 1 ROOM AND GEN SLIDE
AP39524	RAP92212	2	MCL (EUROPE) - CENTRAL CONTROL MODULE WITH OUTPUTS FOR HYDRAULIC LEVELING, 1 ROOM, AIR SEAL, AND VACUUM
AP39639	RAP92234	2	NO CURRENT USAGE
AP39764	RAP92032	2	FORETRAVEL INC. - FRONT AIR/ROOM I/O MODULE WITH OUTPUTS FOR FRONT AIR LEVELING, 2 AIR SEALS, 2 VACUUMS, AND STEP COVER
AP39768	RAP92033	2	FORETRAVEL INC. - CENTRAL CONTROL MODULE WITH OUTPUTS FOR 4 ROOMS AND GEN SLIDE
AP39836	RAP92034	2	FORETRAVEL INC. - CENTRAL CONTROL MODULE WITH OUTPUTS FOR 2 ROOMS AND GEN SLIDE
AP39920	RAP92035	2	FORETRAVEL INC. - CENTRAL CONTROL MODULE WITH OUTPUTS FOR 3 ROOMS AND GEN SLIDE
AP39965	RAP92081	3	COUNTRY COACH - CENTRAL CONTROL AND FRONT AIR/ROOM I/O MODULE WITH OUTPUTS FOR FRONT AIR LEVELING AND 4 ROOMS



# BOX, CONTROL FOR COMPUTER-CONTROLLED (TOUCH PANEL) LEVELING SYSTEMS (CAN SYSTEM)

## 2000 SERIES

2000 SERIES CONTROL BOXES ARE TO BE REPLACED AS A "COMPLETE ASSEMBLY". LOCATE YOUR CONTROL BOX IN THE "COMPLETE ASSEMBLY" COLUMN. THE "ASSEMBLY REPLACEMENT" COLUMN WILL SHOW THE REPLACEMENT NUMBER FOR THE "COMPLETE ASSEMBLY".

COMPLETE ASSEMBLY	ASSEMBLY REPLACEMENT	NUMBER OF RINGS	PRIMARY OEM AND CONTROL BOX INFORMATION
AP39998	RAP92102	2	FORETRAVEL INC. - CENTRAL CONTROL MODULE WITH OUTPUTS FOR 3 ROOMS AND GEN SLIDE
AP40052	RAP92103	2	FORETRAVEL INC. - CENTRAL CONTROL MODULE WITH OUTPUTS FOR 4 ROOMS AND GEN SLIDE
AP40104	RAP92104	2	FORETRAVEL INC. - CENTRAL CONTROL MODULE WITH OUTPUTS FOR 4 ROOMS AND GEN SLIDE
AP40265	RAP92105	2	FORETRAVEL INC. - CENTRAL CONTROL MODULE WITH OUTPUTS FOR 2 ROOMS AND GEN SLIDE
AP40631	RAP92106	2	FORETRAVEL INC. - CENTRAL CONTROL MODULE WITH OUTPUTS FOR 3 ROOMS AND GEN SLIDE
AP40686	RAP92086	3	COUNTRY COACH - CENTRAL CONTROL AND FRONT AIR/ROOM I/O MODULE WITH OUTPUTS FOR FRONT AIR LEVELING AND 4 ROOMS
AP40912	RAP92223	2	COUNTRY COACH - CENTRAL CONTROL AND FRONT AIR/ROOM I/O MODULE WITH OUTPUTS FOR FRONT AIR LEVELING AND 1 ROOM
AP40913	RAP92224	2	COUNTRY COACH - REAR AIR/ROOM I/O MODULE WITH OUTPUTS FOR REAR AIR LEVELING AND 2 ROOMS
AP40948	RAP92084	3	COUNTRY COACH - CENTRAL CONTROL AND FRONT AIR/ROOM I/O MODULE WITH OUTPUTS FOR FRONT AIR LEVELING AND 3 ROOMS
AP40949	RAP92085	2	COUNTRY COACH - REAR AIR/ROOM I/O MODULE WITH OUTPUTS FOR REAR AIR LEVELING
AP41380	RAP92235	2	NO CURRENT USAGE
AP41057	RAP92211	2	FORETRAVEL INC. - CENTRAL CONTROL MODULE WITH OUTPUTS FOR 3 ROOMS AND GEN SLIDE
AP41591	RAP92215	2	WESTERN REC. - CENTRAL CONTROL MODULE WITH OUTPUTS FOR FRONT AND REAR AIR LEVELING
AP42599	RAP92326	3	COUNTRY COACH - CENTRAL CONTROL AND FRONT AIR/ROOM I/O MODULE WITH OUTPUTS FOR FRONT AIR LEVELING AND 4 ROOMS
AP42637	RAP92328	2	NO CURRENT USAGE
AP42639	RAP92330	1	NO CURRENT USAGE
AP42888	RAP92333	2	AFTER-MARKET - CENTRAL CONTROL MODULE WITH OUTPUTS FOR 2 DOUBLE ACTING AND 2 SPRING RETURN JACKS
AP43763	RAP92453	2	FORETRAVEL INC. - CENTRAL CONTROL MODULE WITH OUTPUTS FOR FRONT AND REAR AIR LEVELING
AP44198	RAP92976	2	NO CURRENT USAGE
AP45295	RAP92977	2	FORETRAVEL INC. - FRONT AIR / ROOM I/O MODULE WITH OUTPUTS FOR FRONT AIR LEVELING
AP45296	RAP92978	1	FORETRAVEL INC. - REAR AIR / ROOM I/O MODULE WITH OUTPUTS FOR REAR AIR LEVELING
AP45303	RAP92979	2	FORETRAVEL INC. - CENTRAL CONTROL MODULE WITH OUTPUTS FOR 3 ROOMS AND FLOOR
AP45841	RAP92980	2	TIFFIN MOTORHOMES - CENTRAL CONTROL MODULE WITH OUTPUTS FOR HYDRAULIC AND FRONT AIR LEVELING
AP45842	RAP92985	1	TIFFIN MOTORHOMES - REAR AIR I/O MODULE WITH OUTPUTS FOR REAR AIR LEVELING
AP45881	RAP92986	2	MOTOR COACH INDUSTRIES - CENTRAL CONTROL MODULE WITH OUTPUTS FOR FRONT AND REAR AIR LEVELING

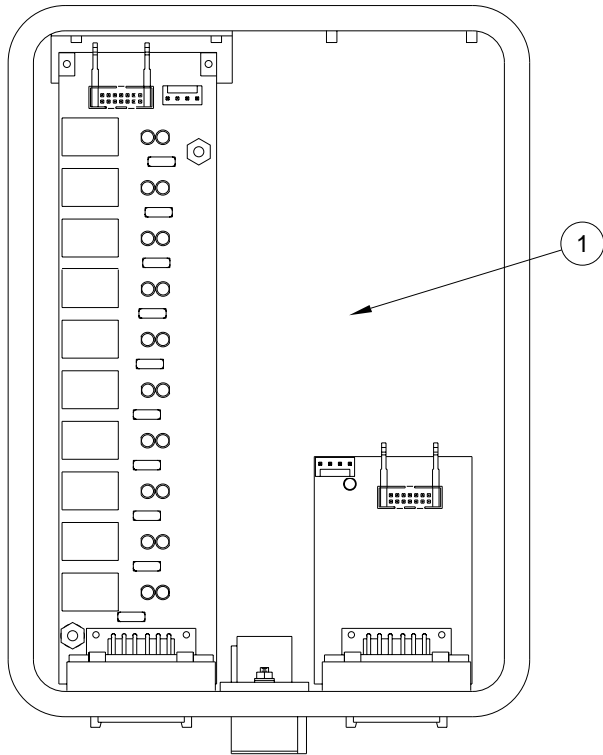
# BOX, CONTROL FOR COMPUTER-CONTROLLED (TOUCH PANEL) LEVELING SYSTEMS (CAN SYSTEM)

## 2000 SERIES

2000 SERIES CONTROL BOXES ARE TO BE REPLACED AS A "COMPLETE ASSEMBLY". LOCATE YOUR CONTROL BOX IN THE "COMPLETE ASSEMBLY" COLUMN. THE "ASSEMBLY REPLACEMENT" COLUMN WILL SHOW THE REPLACEMENT NUMBER FOR THE "COMPLETE ASSEMBLY".

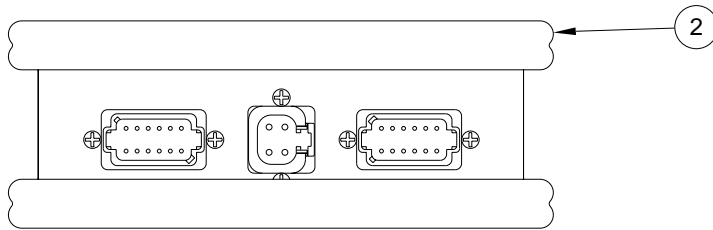
COMPLETE ASSEMBLY	ASSEMBLY REPLACEMENT	NUMBER OF RINGS	PRIMARY OEM AND CONTROL BOX INFORMATION
AP45988	RAP92708	2	TIFFIN MOTORHOMES - CENTRAL CONTROL MODULE WITH OUTPUTS FOR FRONT AND REAR AIR LEVELING
AP46003	RAP92987	2	FARBER'S SPECIALTY VEH'L, WOLF COACH, OSHKOSH SPECIALTY VEH'L CENTRAL CONTROL MODULE WITH OUTPUTS FOR HYDRAULIC LEVELING
AP46118	RAP92988	2	FARBER'S SPECIALTY VEHICLE - CENTRAL CONTROL MODULE WITH OUTPUTS FOR HYDRAULIC LEVELING AND AIR SUSPENSION DUMP
AP46173	RAP92989	2	TSN TELECOMUNICA - CENTRAL CONTROL MODULE AND FRONT I/O MODULE WITH OUTPUTS FOR FRONT HYDRAULIC JACKS AND ROOMS
AP46174	RAP92990	1	TSN TELECOMUNICA - REAR I/O MODULE WITH OUTPUTS FOR REAR HYDRAULIC JACKS AND ROOMS
AP46243	RAP92991	2	FARBER'S SPECIALTY VEHICLE - CENTRAL CONTROL MODULE WITH OUTPUTS FOR HYDRAULIC LEVELING AND AIR SUSPENSION DUMP
AP46863	RAP92936	2	LIFELINE SHELTER SYSTEMS - CENTRAL CONTROL MODULE WITH OUTPUTS FOR HYDRAULIC LEVELING, AND UP TO 4 ROOMS
AP46953	RAP92932	2	LDS SYSTEMS, SVI TRUCKS - CENTRAL CONTROL MODULE WITH OUTPUTS FOR HYDRAULIC LEVELING, AIR SUSPENSION DUMP, AND UP TO 4 ROOMS
AP46959	RAP92958	2	LIFELINE SHELTER SYSTEMS - CENTRAL CONTROL MODULE WITH OUTPUTS FOR HYDRAULIC LEVELING
AP47285	RAP92992	2	MDW INC. - CENTRAL CONTROL MODULE WITH OUTPUTS FOR HYDRAULIC LEVELING, AND UP TO 4 ROOMS
AP48272	RAP92994	3	LIFELINE SHELTER SYSTEMS - CENTRAL CONTROL MODULE WITH OUTPUTS FOR HYDRAULIC LEVELING, AND UP TO 7 ROOMS
AP48835	RAP92995	2	FORETRAVEL INC. - CENTRAL CONTROL MODULE WITH OUTPUTS FOR 4 ROOMS AND GEN SLIDE

# BOX, CONTROL FOR INTELLITEK AND SPYDER SYSTEMS



## REPLACEMENT PARTS

ITEM	PART	DESCRIPTION
1	RAP91932	CLEAR POLY COVER
2	RP92193	RETAINER SEAL ONE PER RP92193
	R90928	15 AMP FUSE
	NOTE: FUSES ARE SOLD IN QUANTITIES OF FIVE.	

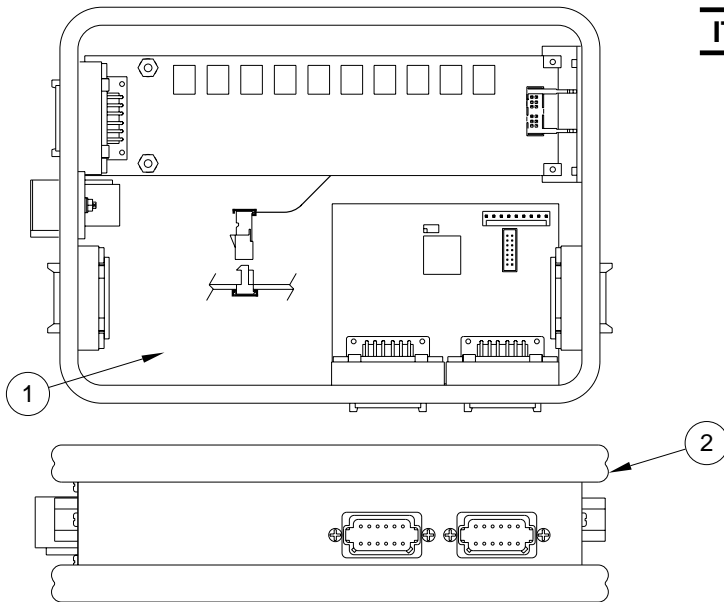


EXISTING NUMBER	DESCRIPTION	REPLACEMENT NUMBER
AP33578	TWO ROOM INTERFACE BOX	RAP92026
AP33580	THREE ROOM INTERFACE BOX	RAP92027
AP33582	FOUR ROOM INTERFACE BOX	RAP91769
AP33584	FIVE ROOM INTERFACE BOX	RAP91626

# BOX, CONTROL FOR COMPUTER-CONTROLLED (TOUCH PANEL) LEVELING SYSTEMS (NON - MOTORIZED)

## 2000 SERIES NON - MOTORIZED

2000 SERIES CONTROL BOXES ARE TO BE REPLACED AS A "COMPLETE ASSEMBLY". LOCATE YOUR CONTROL BOX IN THE "COMPLETE ASSEMBLY" COLUMN. THE "ASSEMBLY REPLACEMENT" COLUMN WILL SHOW THE REPLACEMENT NUMBER FOR THE "COMPLETE ASSEMBLY".



### REPLACEMENT PARTS

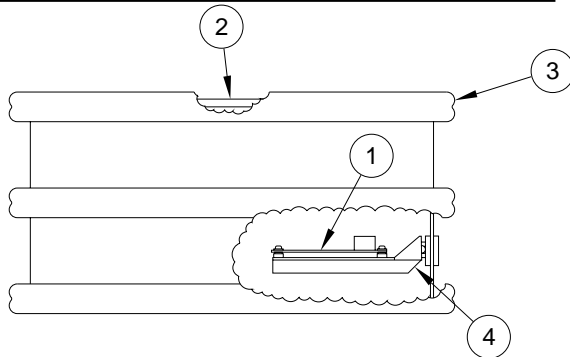
ITEM	PART	DESCRIPTION
1	RAP91932	CLEAR POLY COVER
2	RP92193	RETAINER SEAL ONE PER RP92193
	R90925	5 AMP FUSE
	R90928	15 AMP FUSE
	NOTE: FUSES ARE SOLD IN QUANTITIES OF FIVE.	

COMPLETE ASSEMBLY	ASSEMBLY REPLACEMENT	CONTROL BOX INFORMATION
AP43014	RAP92307	OPERATES 2 POWER EXTEND / POWER RETRACT AND 2 SPRING RETURN JACKS - USED WITH 8 VALVE MANIFOLDS
AP43248	RAP92337	OPERATES 4 SPRING RETURN JACKS USED WITH 8 VALVE MANIFOLDS
AP43463	RAP92341	OPERATES 4 POWER EXTEND / POWER RETRACT USED WITH 8 VALVE MANIFOLDS
AP43639	RAP92346	SINGLE TOUCH - OPERATES 2 POWER EXTEND / POWER RETRACT AND 2 SPRING RETURN JACKS - USED WITH 8 VALVE MANIFOLDS
AP43839	RAP92454	SINGLE TOUCH - OPERATES 4 SPRING RETURN JACKS USED WITH 8 VALVE MANIFOLDS
AP43840	RAP92455	SINGLE TOUCH - OPERATES 4 POWER EXTEND / POWER RETRACT USED WITH 8 VALVE MANIFOLDS
AP46464	RAP92973	SINGLE TOUCH - OPERATES 4 SPRING RETURN JACKS USED WITH 4 VALVE MANIFOLDS - ROOM ENABLE OUTPUT

# BOX, CONTROL FOR ACTIVE AIR LEVELING SYSTEMS (CAN SYSTEM)

2000 SERIES CONTROL BOXES ARE TO BE REPLACED AS A "COMPLETE ASSEMBLY". LOCATE YOUR CONTROL BOX IN THE "COMPLETE ASSEMBLY" COLUMN. THE "ASSEMBLY REPLACEMENT" COLUMN WILL SHOW THE REPLACEMENT NUMBER FOR THE "COMPLETE ASSEMBLY".

ALL ASSEMBLIES SINGLE OR STACKED WILL HAVE ONE "ASSEMBLY" LABEL LOCATED ON THE OUTSIDE. EACH RING WILL HAVE A "COMPONENT" LABEL ON THE INSIDE.



## REPLACEMENT PARTS

ITEM	PART	DESCRIPTION
1	RAP92304	SENSING UNIT
2	RAP91932	CLEAR POLY COVER
3	RP92193	RETAINER SEAL ONE PER RP92193
4	SEE <a href="#">MR45.2005</a> FOR SENSING UNIT MOUNTING HARDWARE INFORMATION	
	R90924	3 AMP FUSE
	R90925	5 AMP FUSE
	R90926	7.5 AMP FUSE
	R90927	10 AMP FUSE
	R90928	15 AMP FUSE

NOTE: FUSES ARE SOLD IN QUANTITIES OF FIVE.

COMPLETE ASSEMBLY	ASSEMBLY REPLACEMENT	NUMBER OF RINGS	PRIMARY OEM AND CONTROL BOX INFORMATION
AP39988	RAP92226	2	ACTIVE AIR CONVERSION CENTRAL CONTROL MODULE WITH OUTPUTS FOR 1 ROOM
AP39989	RAP92227	1	ACTIVE AIR CONVERSION FRONT I/O MODULE WITH OUTPUTS FOR FRONT ACTIVE AIR
AP39990	RAP92228	1	ACTIVE AIR CONVERSION REAR I/O MODULE WITH OUTPUTS FOR REAR ACTIVE AIR
AP40089	RAP92229	1	ACTIVE AIR CONVERSION CENTRAL CONTROL MODULE
AP40749	RAP92230	2	ACTIVE AIR CONVERSION - CENTRAL CONTROL MODULE WITH OUTPUTS FOR HYDRAULIC LEVELING
AP40752	RAP92231	1	ACTIVE AIR CONVERSION FRONT I/O MODULE WITH OUTPUTS FOR FRONT ACTIVE AIR
AP41524	RAP92213	2	FORETRAVEL INC. - ACTIVE AIR CENTRAL CONTROL MODULE WITH OUTPUTS FOR 4 ROOMS AND GEN SLIDE
AP41529	RAP92324	1	FORETRAVEL INC. - FRONT I/O MODULE WITH OUTPUTS FOR FRONT FRONT ACTIVE AIR - <b>REPLACED BY AP42581</b>
AP41640	RAP92216	2	FORETRAVEL INC. - ACTIVE AIR CENTRAL CONTROL MODULE WITH OUTPUTS FOR 4 ROOMS AND GEN SLIDE
AP41765	RAP92219	2	BLUE BIRD COACHWORKS - ACTIVE AIR CENTRAL CONTROL MODULE WITH OUTPUTS FOR HYDRAULIC LEVELING AND 2 ROOMS
AP41766	RAP92220	2	BLUE BIRD COACHWORKS - FRONT I/O MODULE WITH OUTPUTS FOR FRONT ACTIVE AIR AND 2 ROOMS
AP41767	RAP92221	1	BLUE BIRD COACHWORKS REAR I/O MODULE WITH OUTPUTS FOR REAR ACTIVE AIR
AP41855	RAP92218	1	FORETRAVEL INC. REAR I/O MODULE WITH OUTPUTS FOR REAR ACTIVE AIR
AP41995	RAP92217	2	FORETRAVEL INC. - ACTIVE AIR CENTRAL CONTROL MODULE WITH OUTPUTS FOR 4 ROOMS AND GEN SLIDE
AP42580	RAP92322	2	BLUEBIRD COACHWORKS - ACTIVE AIR CENTRAL CONTROL MODULE WITH OUTPUTS FOR 2 ROOMS AND HYDRAULIC JACKS
AP42581	RAP92324	1	FORETRAVEL INC. AND BLUEBIRD COACHWORKS FRONT I/O MODULE WITH OUTPUTS FOR FRONT ACTIVE AIR
AP42582	RAP92325	2	BLUEBIRD COACHWORKS - REAR I/O MODULE WITH OUTPUTS FOR REAR ACTIVE AIR AND 2 ROOMS

# BOX, CONTROL FOR ACTIVE AIR LEVELING SYSTEMS (CAN SYSTEM)

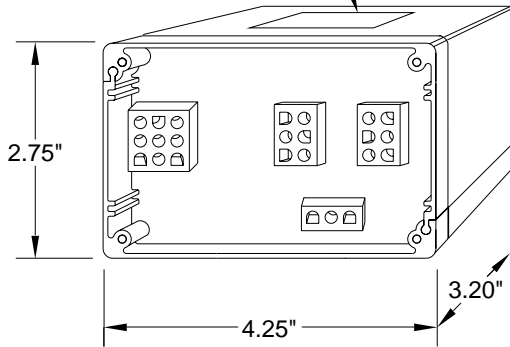
## 2000 SERIES

2000 SERIES CONTROL BOXES ARE TO BE REPLACED AS A "COMPLETE ASSEMBLY". LOCATE YOUR CONTROL BOX IN THE "COMPLETE ASSEMBLY" COLUMN. THE "ASSEMBLY REPLACEMENT" COLUMN WILL SHOW THE REPLACEMENT NUMBER FOR THE "COMPLETE ASSEMBLY".

COMPLETE ASSEMBLY	ASSEMBLY REPLACEMENT	NUMBER OF RINGS	PRIMARY OEM AND CONTROL BOX INFORMATION
AP42659	RAP92331	2	ACTIVE AIR CONVERSION - ACTIVE AIR CENTRAL CONTROL MODULE AND FRONT I/O MODULE WITH OUTPUTS FOR FRONT ACTIVE AIR
AP42693	RAP92332	1	ACTIVE AIR CONVERSION FRONT I/O MODULE WITH OUTPUTS FOR FRONT ACTIVE AIR
AP42904	RAP92334	2	FORETRAVEL INC. - ACTIVE AIR CENTRAL CONTROL MODULE WITH OUTPUTS FOR 3 ROOMS AND GEN SLIDE
AP42910	RAP92335	2	FORETRAVEL INC. - ACTIVE AIR CENTRAL CONTROL MODULE WITH OUTPUTS FOR 3 ROOMS AND GEN SLIDE
AP43102	RAP92336	2	FORETRAVEL INC. - ACTIVE AIR CENTRAL CONTROL MODULE WITH OUTPUTS FOR 3 ROOMS AND GEN SLIDE
AP43356	RAP92338	1	NO CURRENT USAGE
AP43364	RAP92339	1	FORETRAVEL INC. AND ACTIVE AIR CONVERSION REAR I/O MODULE WITH OUTPUTS FOR REAR ACTIVE AIR
AP43380	RAP92340	3	ACTIVE AIR CONV. - CENTRAL CONTROL AND FRONT AIR/ROOM I/O MODULE WITH OUTPUTS FOR FRONT ACTIVE AIR AND 3 ROOMS
AP43498	RAP92342	3	ACTIVE AIR CONV. - CENTRAL CONTROL AND FRONT AIR/ROOM I/O MODULE WITH OUTPUTS FOR FRONT ACTIVE AIR AND 3 ROOMS
AP43530	RAP92343	2	ACTIVE AIR CONVERSION - CENTRAL CONTROL MODULE WITH OUTPUTS FOR HYDRAULIC LEVELING
AP43560	RAP92344	2	FORETRAVEL INC. - ACTIVE AIR CENTRAL CONTROL MODULE WITH OUTPUTS FOR 2 ROOMS AND GEN SLIDE
AP43585	RAP92345	2	FORETRAVEL INC. - ACTIVE AIR CENTRAL CONTROL MODULE WITH OUTPUTS FOR 2 ROOMS AND GEN SLIDE
AP44405	RAP92996	2	ACTIVE AIR CONVERSION - ACTIVE AIR CENTRAL CONTROL MODULE AND FRONT I/O MODULE WITH OUTPUTS FOR FRONT ACTIVE AIR
AP44406	RAP92997	1	ACTIVE AIR CONVERSION REAR I/O MODULE WITH OUTPUTS FOR REAR ACTIVE AIR
AP44521	RAP92998	2	FORETRAVEL INC. - ACTIVE AIR CENTRAL CONTROL MODULE WITH OUTPUTS FOR 4 ROOMS AND GEN SLIDE
AP44540	RAP92999	2	FORETRAVEL INC. - ACTIVE AIR CENTRAL CONTROL MODULE WITH OUTPUTS FOR 3 ROOMS AND GEN SLIDE
AP44751	RAP93001	2	FORETRAVEL INC. - ACTIVE AIR CENTRAL CONTROL MODULE WITH OUTPUTS FOR 3 ROOMS AND GEN SLIDE
AP44819	RAP93009	2	FORETRAVEL INC. - ACTIVE AIR CENTRAL CONTROL MODULE WITH OUTPUTS FOR 3 ROOMS, GEN SLIDE, AND FLOOR
AP45034	RAP92345	2	FORETRAVEL INC. - ACTIVE AIR CENTRAL CONTROL MODULE WITH OUTPUTS FOR 4 ROOMS AND GEN SLIDE
AP45042	RAP93002	2	FORETRAVEL INC. - ACTIVE AIR CENTRAL CONTROL MODULE WITH OUTPUTS FOR 4 ROOMS AND GEN SLIDE
AP45351	RAP93004	2	NO CURRENT USAGE
AP45394	RAP93005	2	FORETRAVEL INC. - ACTIVE AIR CENTRAL CONTROL MODULE WITH OUTPUTS FOR 3 ROOMS AND GEN SLIDE
AP45964	RAP93006	2	NO CURRENT USAGE
AP47524	RAP93007	3	ACTIVE AIR CONV. - CENTRAL CONTROL AND FRONT AIR/ROOM I/O MODULE WITH OUTPUTS FOR FRONT ACTIVE AIR AND 4 ROOMS
AP49030	RAP93008	1	FORETRAVEL INC. AND ACTIVE AIR CONVERSION REAR I/O MODULE WITH OUTPUTS FOR REAR ACTIVE AIR

# BOX, CONTROL TRAVEL CLAMP SEQUENCE BOX (USE BEGINNING 2002)

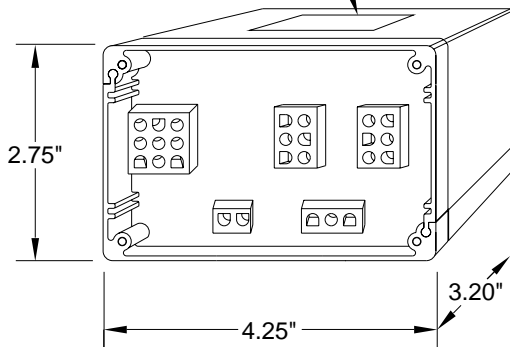
SERIAL AND PART NUMBER \*



## TRAVEL CLAMP SEQUENCE BOX

EXISTING NO.	REPLACEMENT NO.
AP40484	RAP91581
REPLACES AP29038	

SERIAL AND PART NUMBER \*

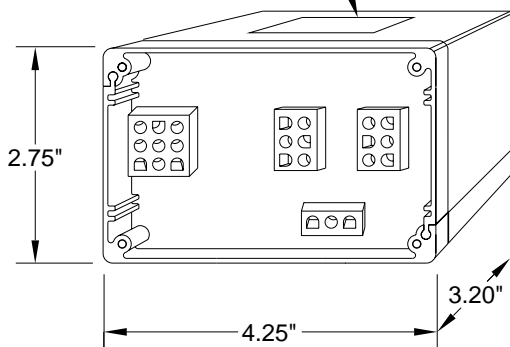


## TRAVEL CLAMP SEQUENCE BOX

EXISTING NO.	REPLACEMENT NO.
AP40185	RAP91650
REPLACES AP34567	

NOTE: THIS BOX IS USED PRIMARILY ON FLEETWOOD COACHES.

SERIAL AND PART NUMBER \*



## TRAVEL CLAMP SEQUENCE BOX

EXISTING NO.	REPLACEMENT NO.
AP45967	RAP92972

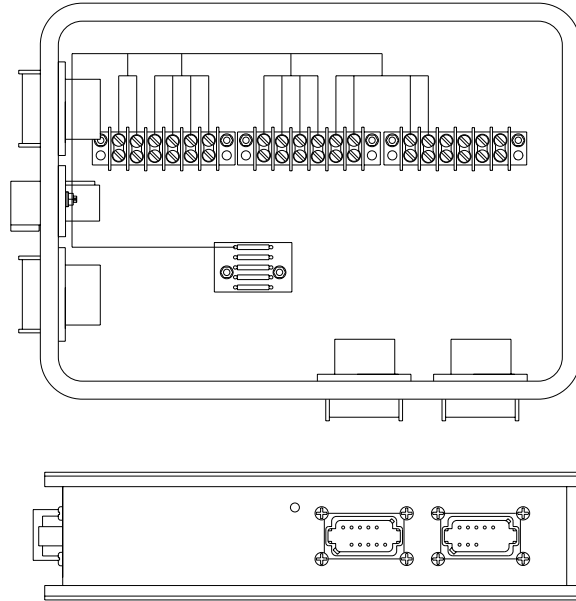
NOTE: THIS BOX IS USED FOR THREE CLAMP SYSTEMS.

\* PART NUMBER IS ON TOP OF BOX. NUMBER BEGINS WITH "AP" FOLLOWED BY 5 NUMERALS.

---

# BOX, JUNCTION FOR UP TO EIGHT ROOM EXTENSIONS

---



---

EXISTING NUMBER	DESCRIPTION	REPLACEMENT NUMBER
-----------------	-------------	--------------------

---

AP47206

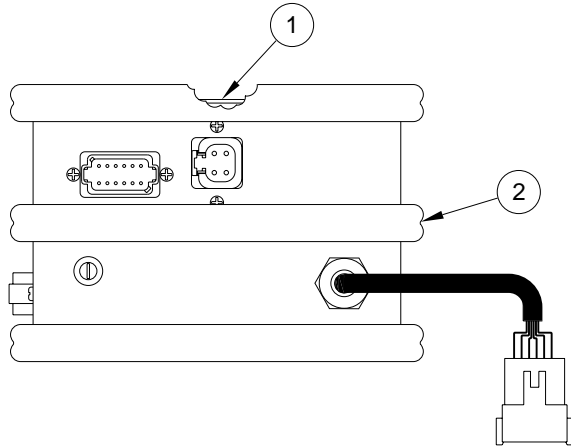
OPERATES UP TO EIGHT ROOMS

RAP92974



# BOX, CONTROL FOR PRECISION LEVELING SYSTEMS

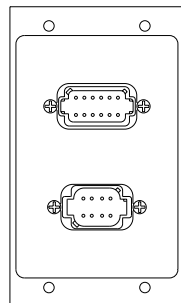
CONTROL BOXES ARE TO BE REPLACED AS A "COMPLETE ASSEMBLY". LOCATE YOUR CONTROL BOX IN THE "COMPLETE ASSEMBLY" COLUMN. THE "ASSEMBLY REPLACEMENT" COLUMN WILL SHOW THE REPLACEMENT NUMBER FOR THE "COMPLETE ASSEMBLY".



## REPLACEMENT PARTS

ITEM	PART	DESCRIPTION
1	RAP91932	CLEAR POLY COVER
2	RP92193	RETAINER SEAL ONE PER RP92193
	R90924	3 AMP FUSE
	R90925	5 AMP FUSE
	R90926	7.5 AMP FUSE
	R90928	15 AMP FUSE
NOTE: FUSES ARE SOLD IN QUANTITIES OF FIVE.		

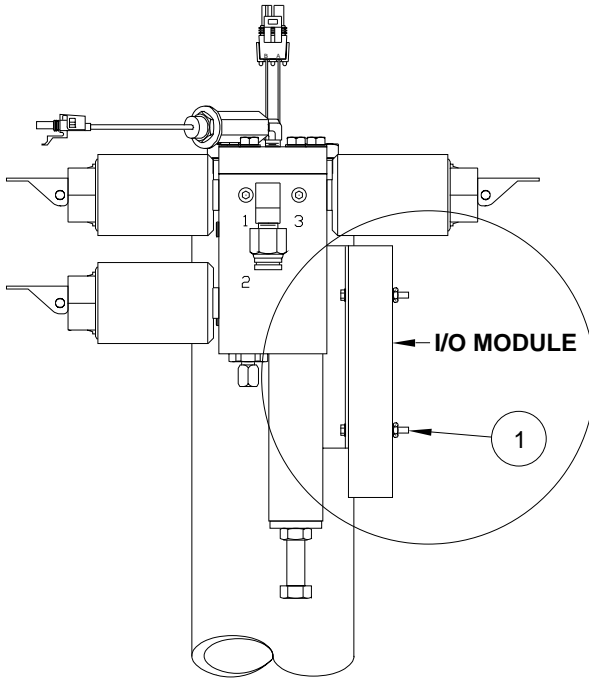
COMPLETE ASSEMBLY	ASSEMBLY REPLACEMENT	CONTROL BOX INFORMATION
AP47124	RAP93010	OSHKOSH SPECIALTY VEHICLES MOTORIZED VEHICLE
AP47489	RAP93011	OSHKOSH SPECIALTY VEHICLES / STANTON DYNAMICS NON-MOTORIZED VEHICLE
AP47718	RAP93012	LDV, INC. / 4D MOTORIZED VEHICLE



## INTERFACE BOX FOR LDV / 4D

EXISTING NO.	REPLACEMENT NO.
AP48825	RAP93013

# MULTIPLEX INPUT / OUTPUT MODULE FOR PRECISION LEVELING SYSTEMS JACK MOUNTED



## REPLACEMENT PARTS

ITEM	PART	QTY	DESCRIPTION
1	RAP93016		HDWE KIT MTG
1A		2	#8 x 1.25" SCREW
1B		2	#8 HEX NUT
1C		2	#8 FLAT WASHER
1D		2	#8 LOCK WASHER

NOTE: REPLACEMENT MODULES INCLUDE ITEM 1.

COMPLETE ASSEMBLY	ASSEMBLY REPLACEMENT	JACK	OEM
AP47181	RAP92981	LEFT FRONT	OSHKOSH SPECIALTY VEHICLES / STANTON DYNAMICS REPLACEMENT WILL BE AP52051 MODULE WITH ADAPTER.
AP47182	RAP92982	RIGHT FRONT	OSHKOSH SPECIALTY VEHICLES / STANTON DYNAMICS REPLACEMENT WILL BE AP52052 MODULE WITH ADAPTER.
AP47183	RAP92983	RIGHT REAR	OSHKOSH SPECIALTY VEHICLES / STANTON DYNAMICS REPLACEMENT WILL BE AP52053 MODULE WITH ADAPTER.
AP47184	RAP92984	LEFT REAR	OSHKOSH SPECIALTY VEHICLES / STANTON DYNAMICS REPLACEMENT WILL BE AP52054 MODULE WITH ADAPTER.
AP47671	RAP92961	LEFT FRONT	LDV INC. / 4D
AP47672	RAP92962	RIGHT FRONT	LDV INC. / 4D
AP47673	RAP92963	RIGHT REAR	LDV INC. / 4D
AP47674	RAP92964	LEFT REAR	LDV INC. / 4D
AP52051	RAP93351	LEFT FRONT	KENTUCKY TRAILER TECHNOLOGIES / STANTON DYNAMICS
AP52052	RAP93352	RIGHT FRONT	KENTUCKY TRAILER TECHNOLOGIES / STANTON DYNAMICS
AP52053	RAP93353	RIGHT REAR	KENTUCKY TRAILER TECHNOLOGIES / STANTON DYNAMICS
AP52054	RAP93354	LEFT REAR	KENTUCKY TRAILER TECHNOLOGIES / STANTON DYNAMICS

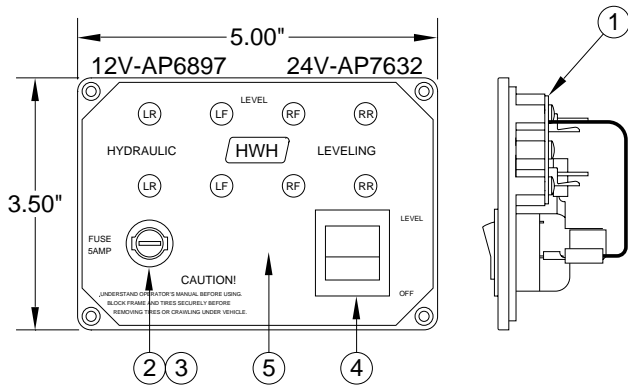
NOTE: INDENTED ITEMS INCLUDED WITH PRECEDING ITEM.

**MR15.9500**  
**30MAY13**

# PANEL, INDICATOR LIGHTS

## 100 SERIES, LEVER-CONTROLLED LEVELING SYSTEMS (WITH SEPARATE LIGHT PANEL)

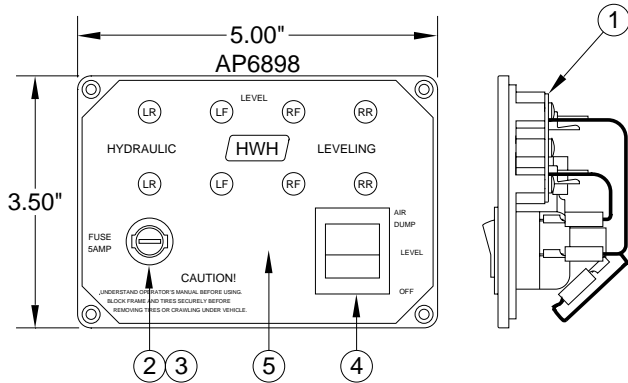
THESE PANELS ARE USED WITH A REMOTE 4 LEVER VALVE SUCH AS A RAP1118.  
THE PANEL MAY BE FLUSH MOUNTED ON A FLAT SURFACE OR A SPACER BOX MAY  
BE USED TO RAISE THE PANEL SUCH AS WHEN MOUNTED ON THE FLOOR.



### 100 SERIES WITHOUT SUSPENSION AIR DUMP

#### REPLACEMENT PARTS

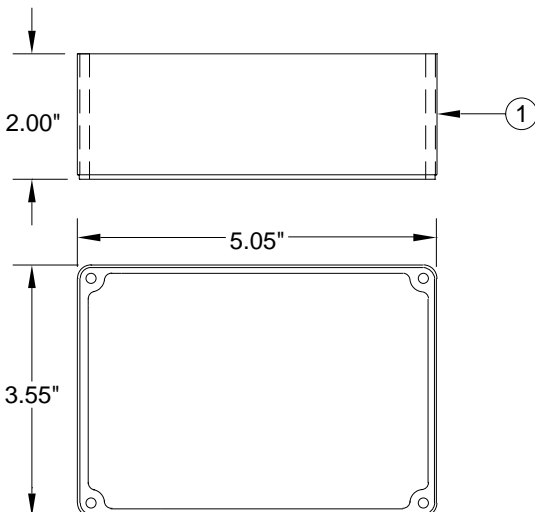
ITEM	PART	DESCRIPTION
	RAP6897	PANEL COMPLETE 12 V REPLACES AP6897
1	RAP6899	PC BOARD 12 VOLT
2	RP6352	FUSE HOLDER
3	R3674	FUSE 5 AMP AGC (CONTAINS 5)
4	RP9754	SWITCH 2 POSITION
5	RP91677	LEXAN
	RAP92652	PANEL COMPLETE 24 V REPLACES AP7632
1	RAP90398	PC BOARD 24 VOLT



### 100 SERIES WITH SUSPENSION AIR DUMP

#### REPLACEMENT PARTS

ITEM	PART	DESCRIPTION
	RAP6898	PANEL COMPLETE
1	RAP6900	PC BOARD W/DUMP
2	RP6352	FUSE HOLDER
3	R3674	FUSE 5 AMP AGC (CONTAINS 5)
4	RP6977	SWITCH 3 POSITION
5	RP91825	LEXAN

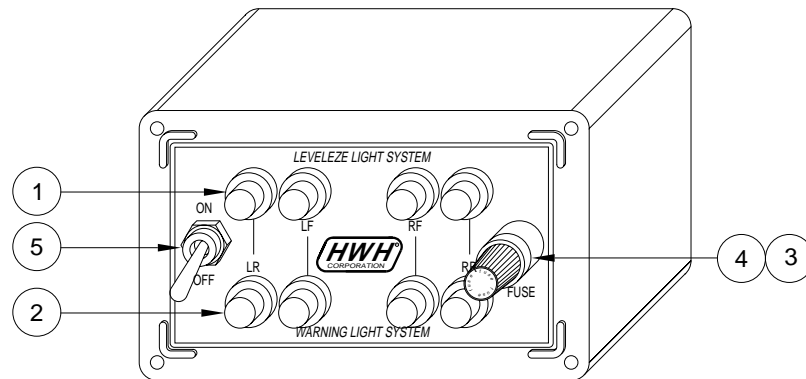
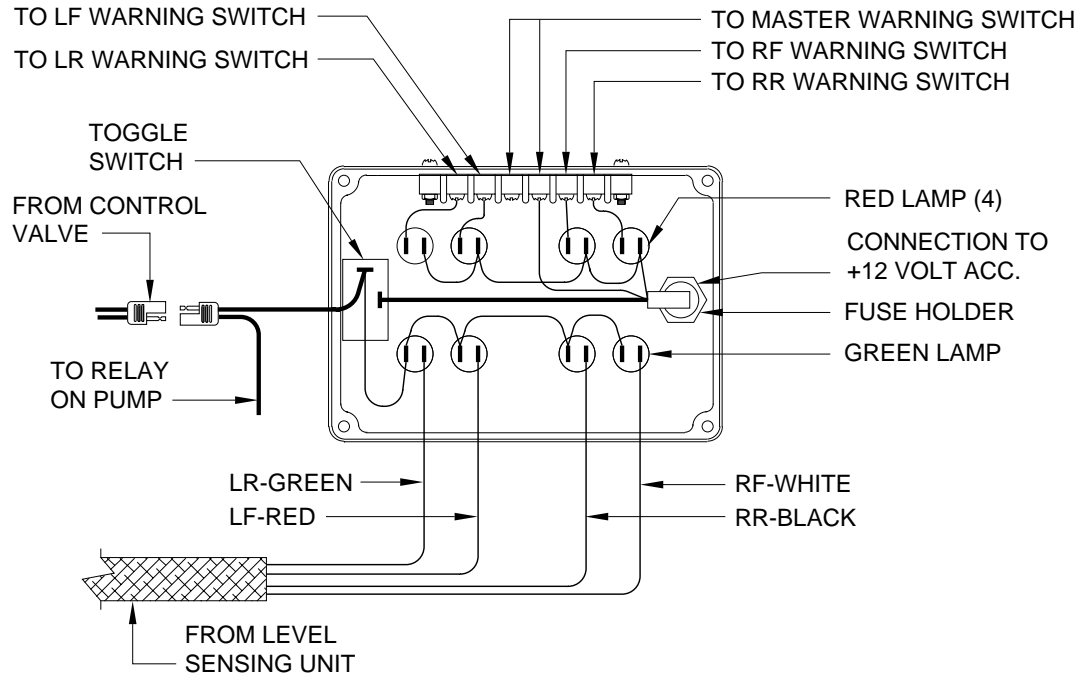


#### ACCESSORIES

ITEM	PART	DESCRIPTION
1	RP90068 R7057	SPACER BOX SCREWS #4 X 2.75" BLACK FOR USE WITH RP6269
	R7058	SPACER BOX SCREWS #4 X .75" BLACK FOR USE WITH PANEL ONLY (CONTAINS 4)

# PANEL, INDICATOR LIGHTS LEVELEZE LIGHT SYSTEM (SEPARATE LIGHT PANEL)

THIS LIGHT PANEL IS USED WITH A REMOTE VALVE SUCH AS A RAP1118.  
IT CAN NOT BE USED TO REPLACE A 100 SERIES PANEL.



EXISTING BOX MAY HAVE AN A&E LABEL INSTEAD OF AN HWH LABEL.

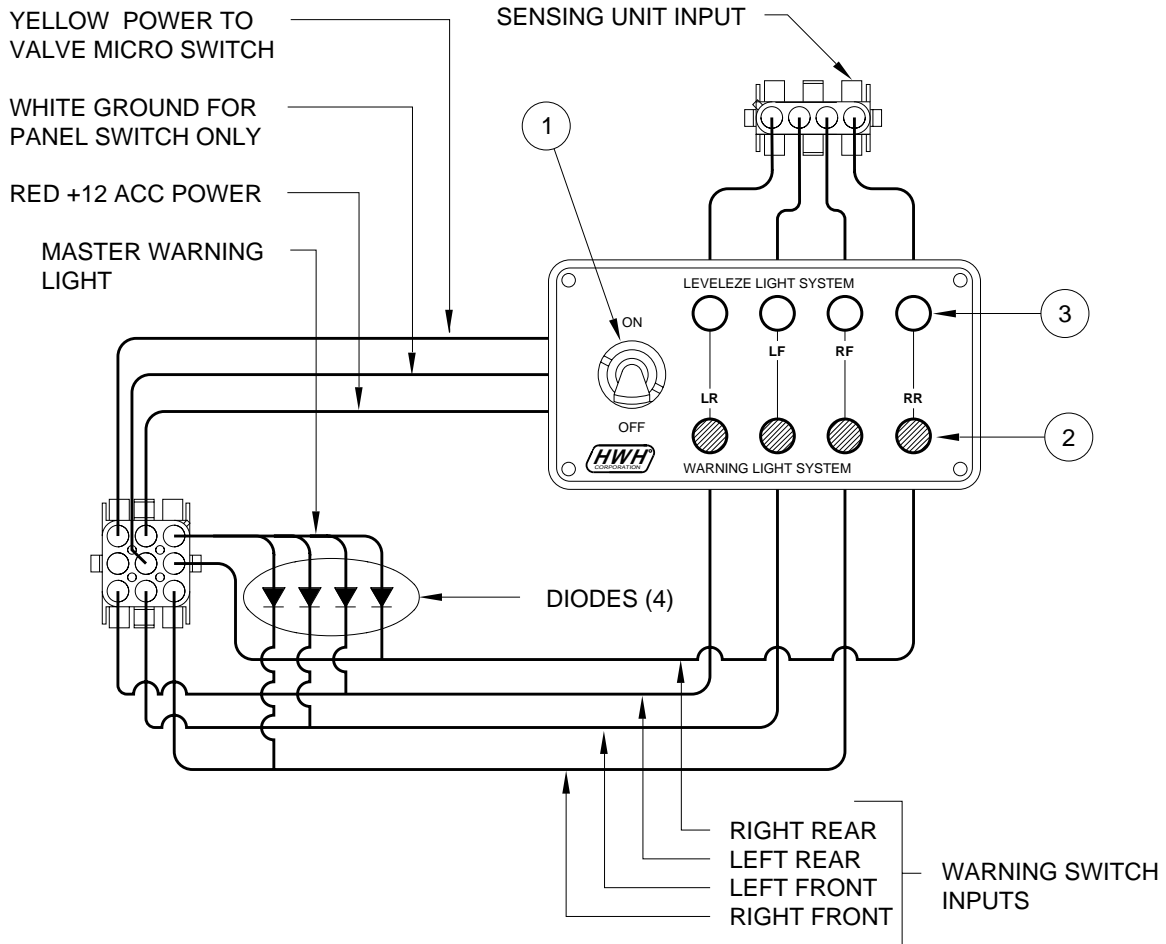
ITEM	PART	QTY	DESCRIPTION
	RAP2743		LIGHT PANEL ASSEMBLY COMPLETE REPLACES AP2743 AND AP4234 A&E BOX
1	RAP2355	4	GREEN LAMP 1/2" DIA.
2	RAP2472	4	RED LAMP 1/2" DIA.
3	RAP2353	1	FUSE HOLDER
4	R3263	1	FUSE 15 AMP (5 FUSES PER R3263)
5	RAP2354	1	TOGGLE SWITCH

# LIGHT PANELS

## LEVEZE LIGHT SYSTEM

### SEPARATE LIGHT PANEL

THIS PANEL IS USED WITH A REMOTE VALVE SUCH AS A RAP1118. IT CAN BE USED AS A DIRECT REPLACEMENT FOR HOLIDAY RAMBLER WITH LIKE PANELS. WIRING CONNECTIONS MAY NEED TO BE ALTERED FOR OTHER APPLICATIONS SUCH AS BEAVER OR COUNTRY COACH. THIS PANEL CAN NOT BE USED TO REPLACE A 100 SERIES PANEL.



#### LEVEZE LIGHT PANEL REPLACEMENT PARTS

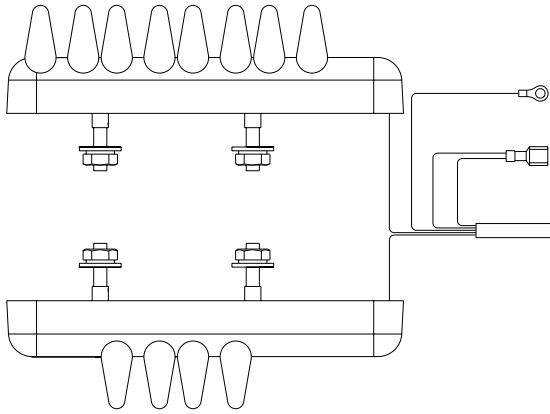
ITEM	PART	QTY	DESCRIPTION
	RAP4240		LIGHT PANEL COMPLETE CAN BE USED WITHOUT MASTER WARNING LIGHT
	RAP4052		LIGHT PANEL COMPLETE OBSOLETE REPLACED WITH RAP4240
1	RAP4926		TOGGLE SWITCH LIGHTED
2	RAP4698		LIGHT RED (WITH LEADS)
3	RAP4699		LIGHT GREEN (WITH LEADS)

---

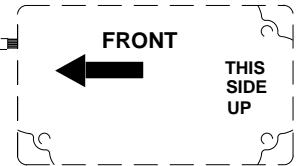
# LIGHT PACKAGE LEVEZEZ INDICATOR LIGHTS FOR HYDRAULIC SWITCH (LEVER CONTROLLED) HAND PUMP SYSTEMS

---

## LEVEZEZ INDICATOR FOR HYDRAULIC SWITCH HAND PUMP SYSTEMS

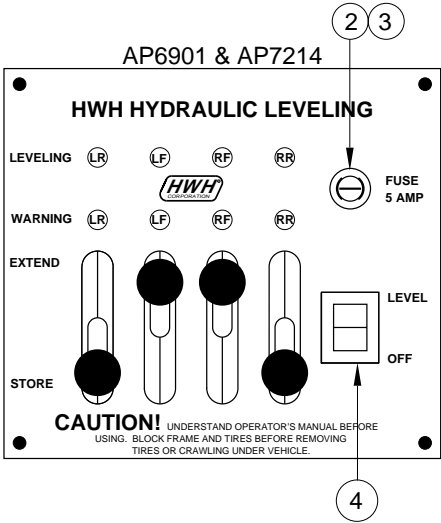


PART	QTY	DESCRIPTION
RAP92615 REPLACES-AP43067	1	LEVEZEZ INDICATOR WITH 10' CABLE



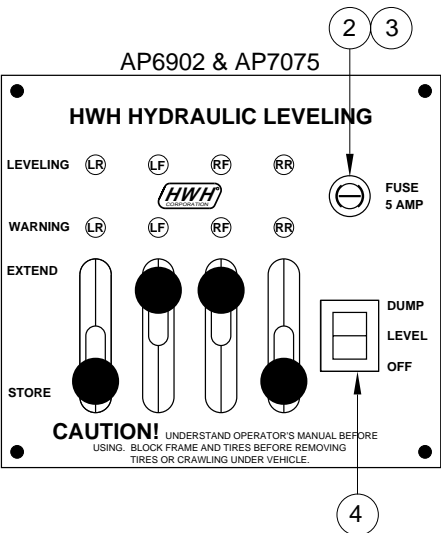
# PANEL, CONTROL AND INDICATOR LIGHTS - 12 VOLT 110 SERIES, LEVER-CONTROLLED LEVELING SYSTEM (WITH INTEGRATED LIGHT PANEL)

THESE PANELS ARE USED WITH THE INTEGRATED 4 LEVER VALVE RAP4973 OR RAP8097



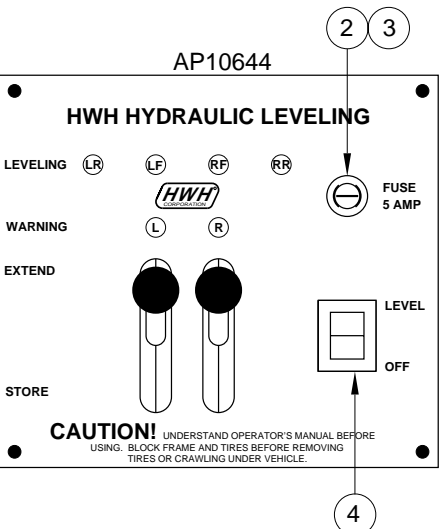
## 110 SERIES WITHOUT SUSPENSION AIR DUMP REPLACEMENT PARTS

ITEM	PART #	DESCRIPTION
	RAP6901	PANEL COMPLETE 12V REPLACES AP6901
1	RAP6899	PC BOARD 12 VOLT
2	RP6352	FUSE HOLDER
3	R3674	FUSE 5 AMP AGC
4	RP9754 AP7214	SWITCH 2 POSITION DO NOT ORDER CONTACT HWH



## 110 SERIES WITH SUSPENSION AIR DUMP REPLACEMENT PARTS

ITEM	PART #	DESCRIPTION
	RAP7075	PANEL COMPLETE 12V REPLACES AP6902 AND AP7075
1	RAP6900	PC BOARD W/DUMP 12 VOLT
2	RP6352	FUSE HOLDER
3	R3674	FUSE 5 AMP AGC
4	RP6977	SWITCH 3 POSITION

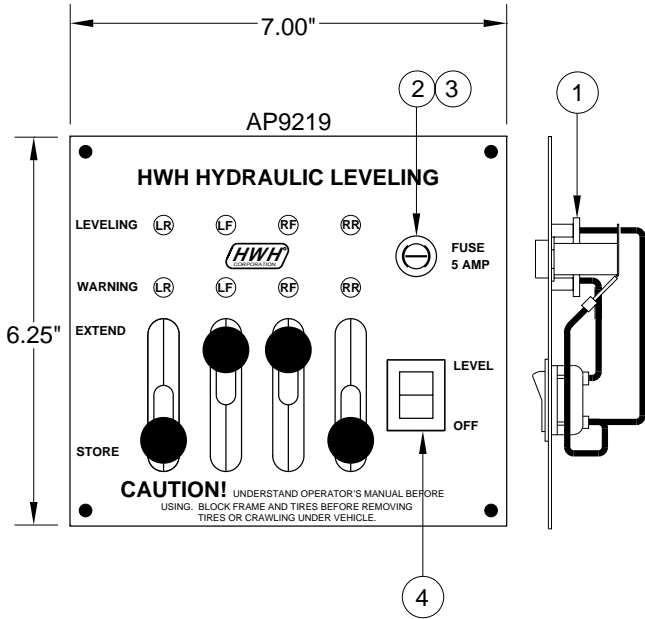


## 110 SERIES WITHOUT SUSPENSION AIR DUMP 2 JACKS

ITEM	PART #	DESCRIPTION
	RAP92653	PANEL COMPLETE 12V REPLACES AP10644
1	RAP6899	PC BOARD 12V
2	RP6352	FUSE HOLDER
3	R3674	FUSE 5 AMP AGC
4	RP9754	SWITCH 2 POSITION

# PANEL, CONTROL AND INDICATOR LIGHTS - 24 VOLT 110 SERIES, LEVER-CONTROLLED LEVELING SYSTEM (WITH INTEGRATED LIGHT PANEL)

THESE PANELS ARE USED WITH THE INTEGRATED 4 LEVER VALVE RAP4973 OR RAP8097



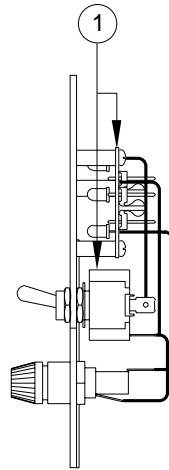
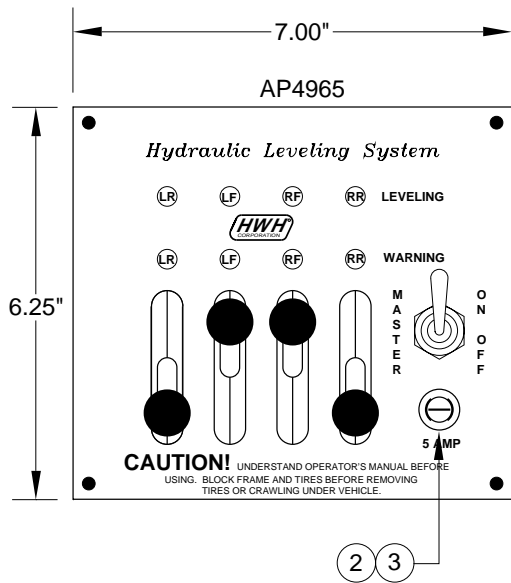
## 110 SERIES WITHOUT SUSPENSION AIR DUMP

### REPLACEMENT PARTS

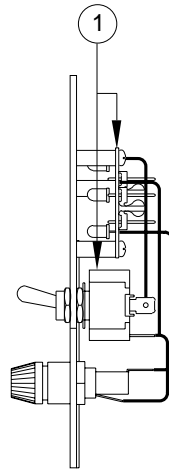
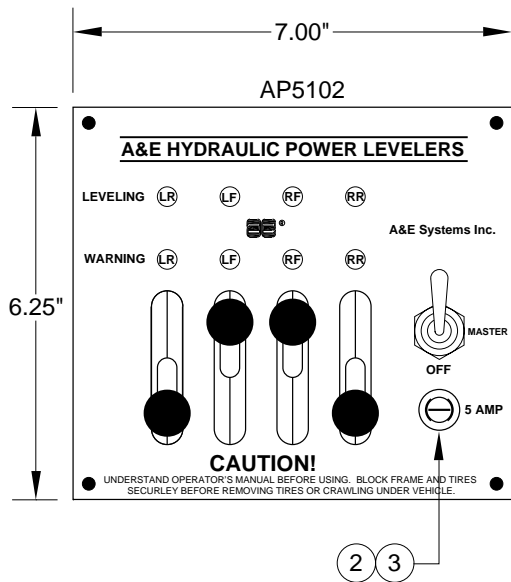
ITEM	PART #	DESCRIPTION
	RAP90399	PANEL COMPLETE 24V REPLACES AP9219
1	RAP90398	PC BOARD 24 VOLT
2	RP6352	FUSE HOLDER
3	R3674	FUSE 5 AMP AGC
4	RP9754	SWITCH 2 POSITION



# PANEL, CONTROL AND INDICATOR LIGHTS - 12 VOLT 110 SERIES, LEVER-CONTROLLED LEVELING SYSTEM (WITH INTEGRATED LIGHT PANEL AND TOGGLE SWITCH)

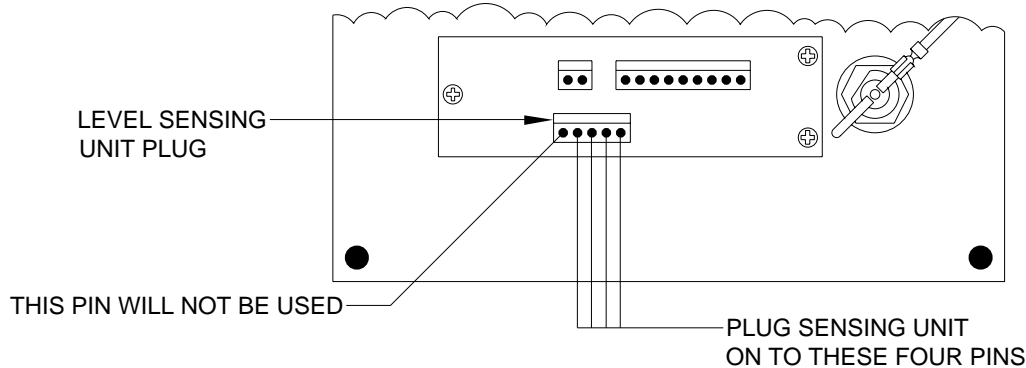


ITEM	PART	QTY	DESCRIPTION
	RAP6901		LIGHT PANEL W/O AIR DUMP (COMPLETE ASSY. W/BOARD AND SWITCH) 12 VOLT REPLACES AP4968 & AP5102
1	RAP4654	1	CIRCUIT BOARD WITH SWITCH 12 VOLT
2	RAP2353	1	FUSE HOLDER BLACK
3	R3674	1	FUSE AGC 5 (5 FUSES PER R3674)

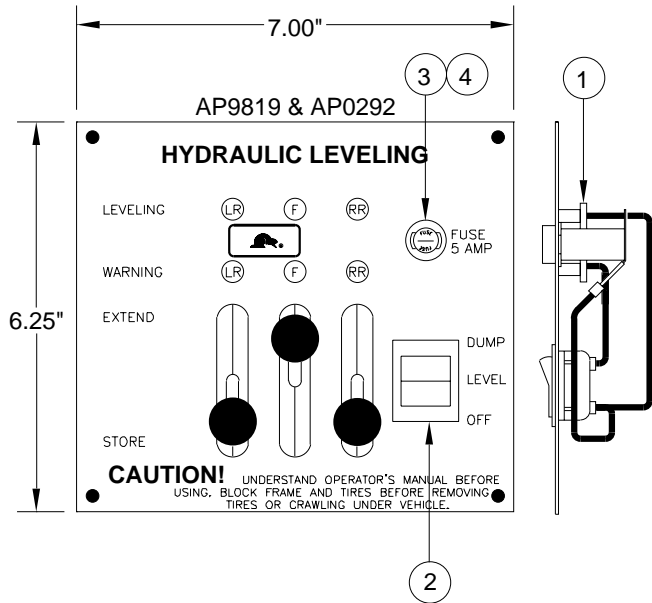


**IMPORTANT: WHEN REPLACING EITHER PANEL WITH THE RAP6901, THE LEVEL SENSING UNIT PLUG WILL HAVE 5 PINS INSTEAD OF 4. THE SENSING UNIT MUST BE PLUGGED IN AS SHOWN BELOW OR THE YELLOW INDICATOR LIGHTS WILL NOT WORK PROPERLY.**

VIEW OF PC BOARD ON BACK OF RAP6901 PANEL



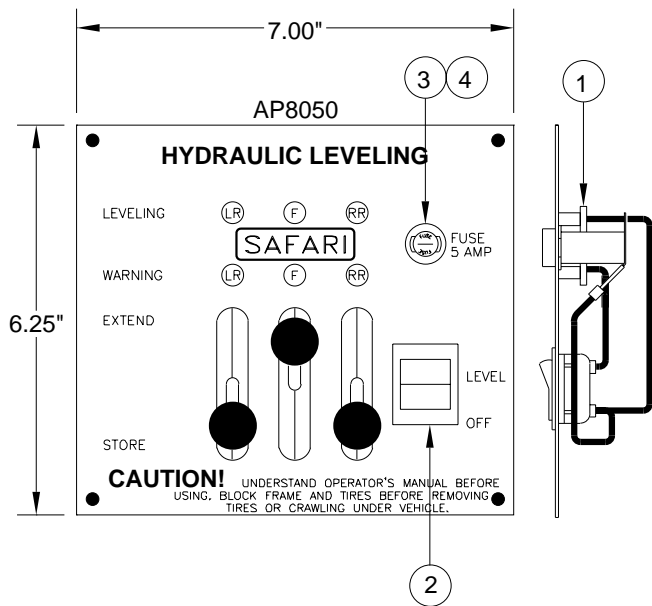
# PANEL, CONTROL AND INDICATOR LIGHTS - 12 VOLT 110 SERIES, LEVER-CONTROLLED 3 LEVER LEVELING SYSTEM (WITH INTEGRATED LIGHT PANEL)



THIS PANEL IS USED ON BEAVER COACHES ONLY.

## REPLACEMENT PARTS

ITEM	PART #	DESCRIPTION
	RAP9819	LIGHT PANEL WITH AIR DUMP (COMPLETE ASSEMBLY WITH PC BOARD AND SWITCH.) 12 VOLT
1	RAP9868	PC BOARD W/AIR DUMP 12 VOLT
2	RP6977	SWITCH MOMENTARY
3	RP6352	FUSE HOLDER
4	R3674	FUSE AGC 5 AMP (5 FUSES PER R3674)
	AP0292	DO NOT ORDER CONTACT HWH

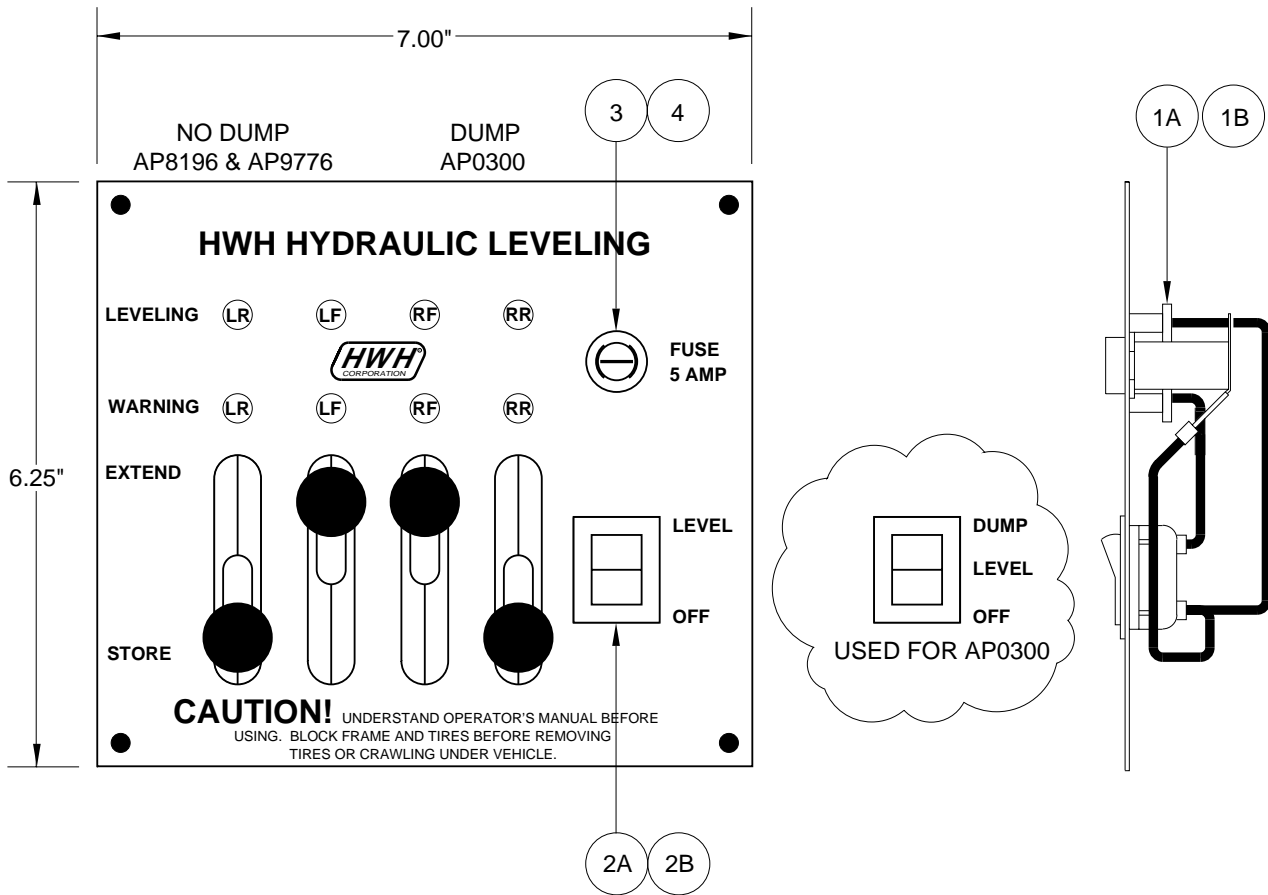


THIS PANEL IS USED ON SAFARI COACHES ONLY.

## REPLACEMENT PARTS

ITEM	PART #	DESCRIPTION
	RAP8050	LIGHT PANEL W/O AIR DUMP (COMPLETE ASSEMBLY WITH PC BOARD AND SWITCH.) 12 VOLT
1	RAP8051	PC BOARD W/O AIR DUMP 12 VOLT
2	RP9754	SWITCH 2-POSITION
3	RP6352	FUSE HOLDER
4	R3674	FUSE AGC 5 AMP (5 FUSES PER R3674)

# PANEL, CONTROL AND INDICATOR LIGHTS - 12 VOLT 110 SERIES, LEVER-CONTROLLED LEVELING SYSTEM (FOR TRAVEL TRAILERS AND FIFTH WHEEL VEHICLES)



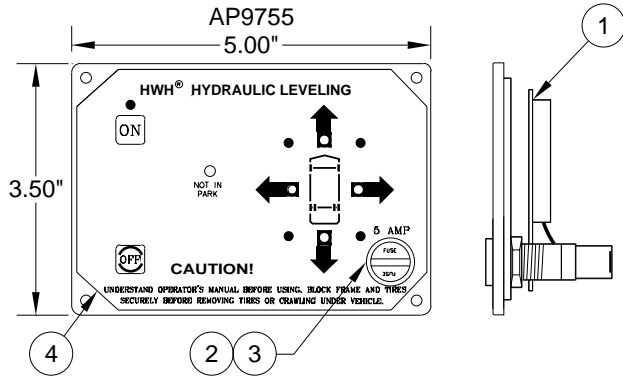
**NOTE :** DO NOT USE ON MOTORIZED VEHICLES

## REPLACEMENT PARTS

ITEM	PART	DESCRIPTION	ITEM	PART	DESCRIPTION
	RAP9776	LIGHT PANEL FRONT EQUAL W/O AIR DUMP (FOR USE WITH FRONT EQUALIZING VALVE) 12 VOLT - REPLACES AP8196 AND AP9776	1B	RAP90062	PC. BOARD W/AIR DUMP FOR RAP90061
	RAP90061	LIGHT PANEL W/AIR DUMP (FOR USE WITH FRONT EQUALIZING VALVE) 12 VOLT REPLACES AP0300	2A	RP6977	SW. 3 POS. MOMENTARY FOR PANELS WITH AIR DUMP.
1A	RAP9777	PC. BOARD FRONT EQUAL FOR RAP9776 - NO DUMP	2B	RP9754	SW. 2 POS. FOR PANELS W/O AIR DUMP
			3	RP6352	FUSE HOLDER
			4	R3674	FUSE AGC 5 AMP (CONTAINS 5)

# PANEL, INDICATOR LIGHTS - 12 VOLT 200 SERIES, JOY STICK-CONTROLLED LEVELING SYSTEMS (WITH SEPARATE LIGHT PANEL)

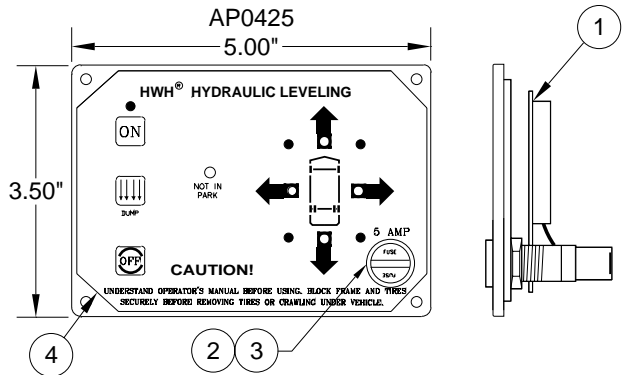
THESE PANELS ARE USED WITH THE JOYSTICK VALVE ONLY.  
THE PANEL MAY BE FLUSH MOUNTED ON A FLAT SURFACE OR A SPACER BOX MAY  
BE USED TO RAISE THE PANEL SUCH AS WHEN MOUNTED ON THE FLOOR.



## 200 SERIES WITHOUT SUSPENSION AIR DUMP

### REPLACEMENT PARTS

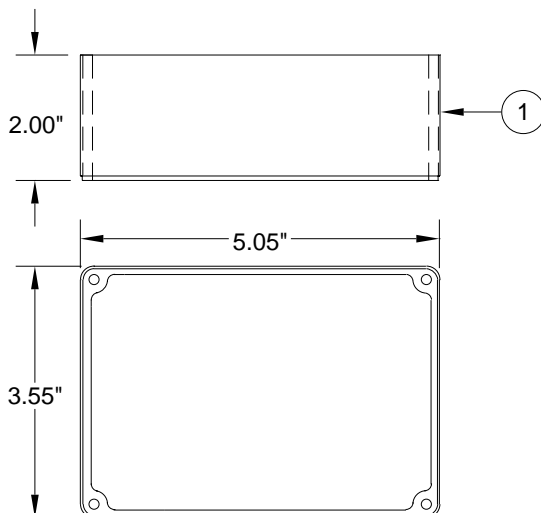
ITEM	PART	DESCRIPTION
	RAP9755	PANEL COMPLETE 12 VOLT (REPLACES AP9755)
1	RAP9756	PC BOARD 12 VOLT
2	RP6352	FUSE HOLDER
3	R3674	FUSE 5 AMP AGC (CONTAINS 5)
4	RP91678	LEXAN



## 200 SERIES WITH SUSPENSION AIR DUMP

### REPLACEMENT PARTS

ITEM	PART	DESCRIPTION
	RAP0425	PANEL COMPLETE 12 VOLT (REPLACES AP0425)
1	RAP9407	PC BOARD W/DUMP 12 VOLT
2	RP6352	FUSE HOLDER
3	R3674	FUSE 5 AMP AGC (CONTAINS 5)
4	RP91829	LEXAN

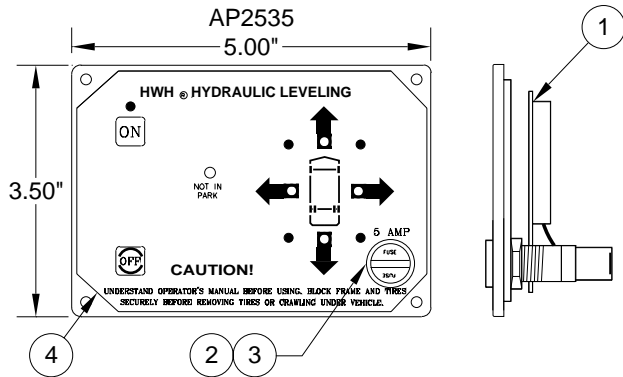


### ACCESSORIES

ITEM	PART	DESCRIPTION
1	RP90068 R7057	SPACER BOX SCREWS #4 X 2.75" BLACK FOR USE WITH RP6269
	R7058	SPACER BOX (CONTAINS 4) SCREWS #4 X .75" BLACK FOR USE WITH PANEL ONLY (CONTAINS 4)

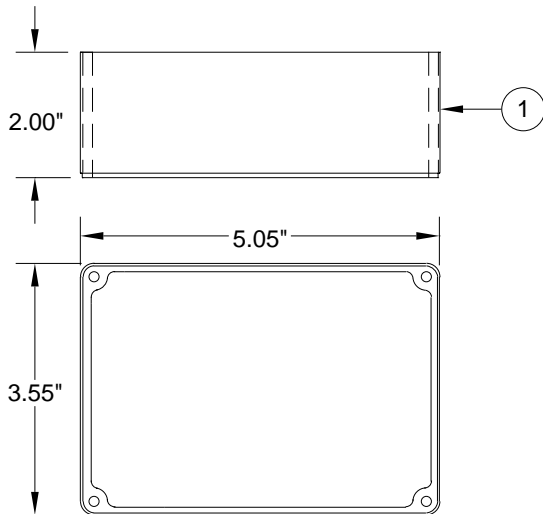
# PANEL, INDICATOR LIGHTS - 12 VOLT 200 SERIES, JOY STICK-CONTROLLED LEVELING SYSTEMS (WITH SEPARATE LIGHT PANEL)

THESE PANELS ARE USED WITH THE JOYSTICK VALVE ONLY.  
THE PANEL MAY BE FLUSH MOUNTED ON A FLAT SURFACE OR A SPACER BOX MAY  
BE USED TO RAISE THE PANEL SUCH AS WHEN MOUNTED ON THE FLOOR.



## 200 SERIES WITHOUT SUSPENSION AIR DUMP NO INHIBIT FOR YELLOW LIGHTS REPLACEMENT PARTS

ITEM	PART	DESCRIPTION
	<b>OBSELETE</b> REPLACE WITH RAP9755	PANEL COMPLETE 12 VOLT (REPLACES AP2535)
1	RAP9756	PC BOARD 12 VOLT
2	RP6352	FUSE HOLDER
3	R3674	FUSE 5 AMP AGC (CONTAINS 5)
3	R3674	FUSE 5 AMP AGC
4	RP91678	LEXAN

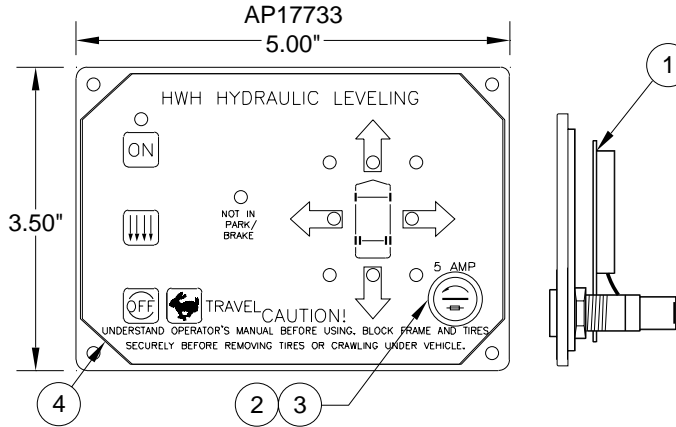


## ACCESSORIES

ITEM	PART	DESCRIPTION
1	RP90068 R7057	SPACER BOX SCREWS #4 X 2.75" BLACK FOR USE WITH RP6269
	R7058	SPACER BOX (CONTAINS 4) SCREWS #4 X .75" BLACK FOR USE WITH PANEL ONLY (CONTAINS 4)

# PANEL, INDICATOR LIGHTS - 12 VOLT 200 SERIES, JOY STICK-CONTROLLED LEVELING SYSTEMS (WITH SEPARATE LIGHT PANEL)

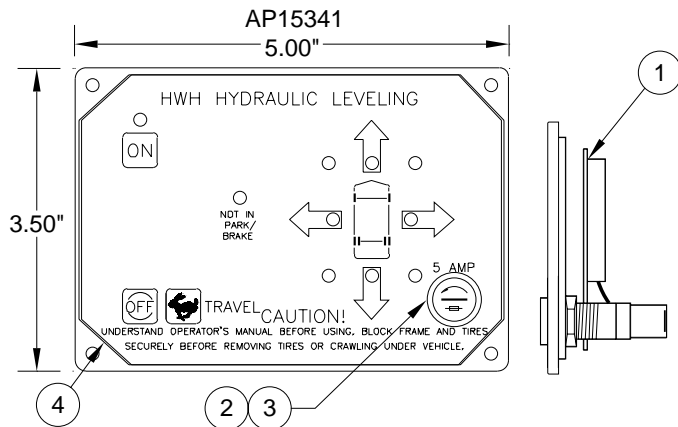
THESE PANELS ARE USED WITH THE JOYSTICK VALVE ONLY.  
THE PANEL MAY BE FLUSH MOUNTED ON A FLAT SURFACE OR A SPACER BOX MAY BE USED TO RAISE THE PANEL SUCH AS WHEN MOUNTED ON THE FLOOR.



## 200 SERIES WITH PILOT OPERATED SUSPENSION AIR DUMP

### REPLACEMENT PARTS

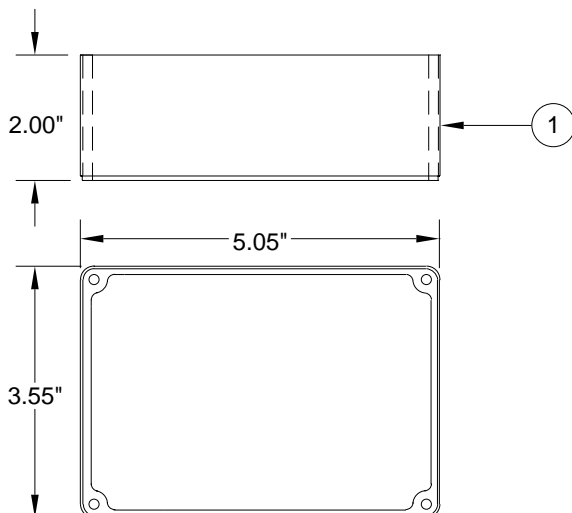
ITEM	PART	DESCRIPTION
	RAP90544	PANEL COMPLETE 12 VOLT (REPLACES AP17733)
1	RAP9756	PC BOARD 12 VOLT
2	RP6352	FUSE HOLDER
3	R3674	FUSE 5 AMP AGC (CONTAINS 5)
4	RP91831	LEXAN



## 200 SERIES WITH PILOT OPERATED SUSPENSION AIR DUMP

### REPLACEMENT PARTS

ITEM	PART	DESCRIPTION
	RAP90549	PANEL COMPLETE 12 VOLT (REPLACES AP15341)
1	RAP9407	PC BOARD W/DUMP 12 VOLT
2	RP6352	FUSE HOLDER
3	R3674	FUSE 5 AMP AGC (CONTAINS 5)
4	RP91830	LEXAN

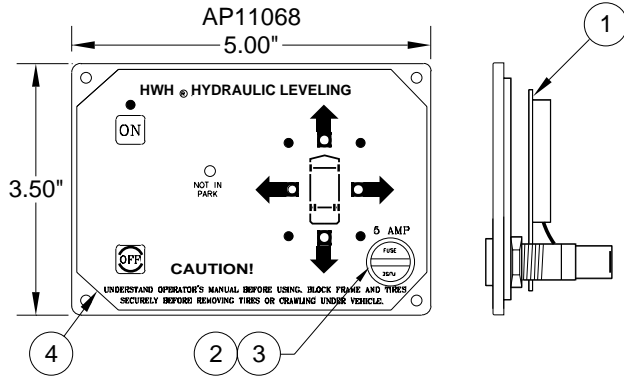


### ACCESSORIES

ITEM	PART	DESCRIPTION
1	RP90068 R7057	SPACER BOX SCREWS #4 X 2.75" BLACK FOR USE WITH RP6269 SPACER BOX (CONTAINS 4)
	R7058	SCREWS #4 X .75" BLACK FOR USE WITH PANEL ONLY (CONTAINS 4)

# PANEL, INDICATOR LIGHTS - 24 VOLT 200 SERIES, JOY STICK-CONTROLLED LEVELING SYSTEMS (WITH SEPARATE LIGHT PANEL)

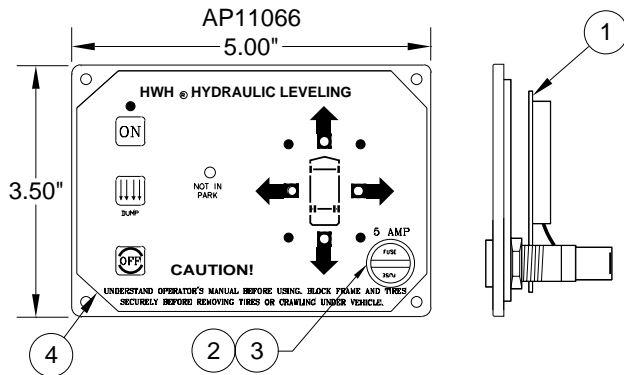
THESE PANELS ARE USED WITH THE JOYSTICK VALVE ONLY.  
THE PANEL MAY BE FLUSH MOUNTED ON A FLAT SURFACE OR A SPACER BOX MAY  
BE USED TO RAISE THE PANEL SUCH AS WHEN MOUNTED ON THE FLOOR.



## 200 SERIES WITHOUT SUSPENSION AIR DUMP

### REPLACEMENT PARTS

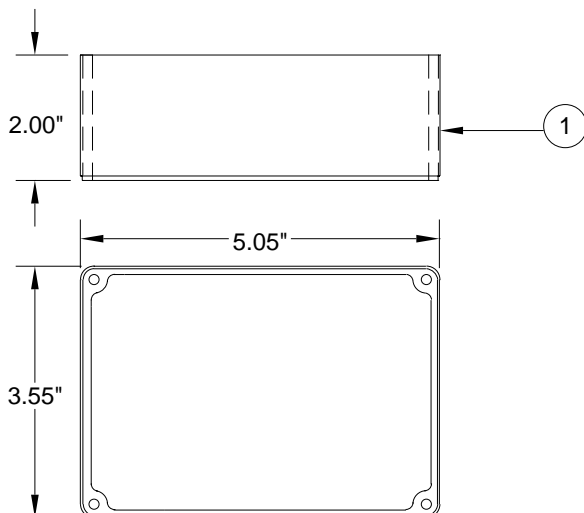
ITEM	PART	DESCRIPTION
	RAP90405	PANEL COMPLETE 24 VOLT (REPLACES AP11068)
1	RAP90408	PC BOARD 24 VOLT
2	RP6352	FUSE HOLDER
3	R3674	FUSE 5 AMP AGC (CONTAINS 5)
4	RP91678	LEXAN



## 200 SERIES WITH SUSPENSION AIR DUMP

### REPLACEMENT PARTS

ITEM	PART	DESCRIPTION
	RAP90407	PANEL COMPLETE 24 VOLT (REPLACES AP11066)
1	RAP90406	PC BOARD W/DUMP 24 VOLT
2	RP6352	FUSE HOLDER
3	R3674	FUSE 5 AMP AGC (CONTAINS 5)
4	RP91829	LEXAN

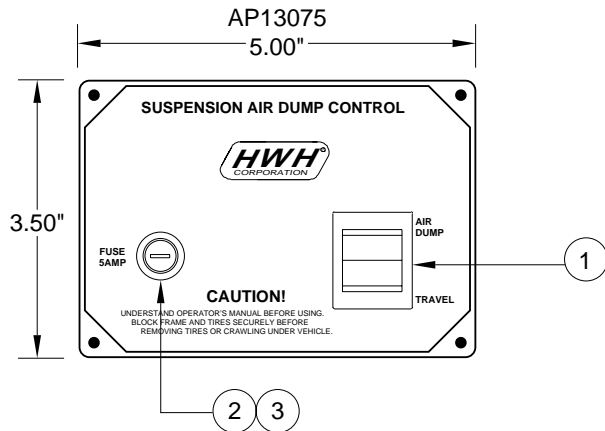


### ACCESSORIES

ITEM	PART	DESCRIPTION
1	RP90068 R7057	SPACER BOX SCREWS #4 X 2.75" BLACK FOR USE WITH RP6269
	R7058	SPACER BOX (CONTAINS 4) SCREWS #4 X .75" BLACK FOR USE WITH PANEL ONLY (CONTAINS 4)

# PANEL, CONTROL SUSPENSION AIR DUMP (PILOT OPERATED VALVE)

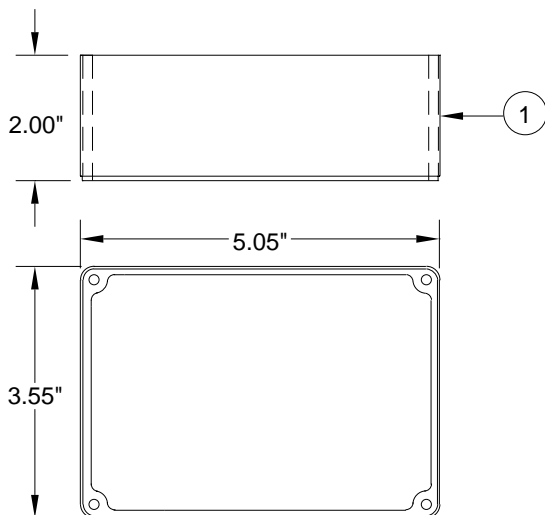
THIS PANEL IS USED WITH THE 210 / 225 SERIES VALVE OR VEHICLES WITHOUT LEVELING SYSTEMS. THE PANEL MAY BE FLUSH MOUNTED ON A FLAT SURFACE OR A SPACER BOX MAY BE USED TO RAISE THE PANEL SUCH AS WHEN MOUNTED ON THE FLOOR.



## SUSPENSION AIR DUMP PANEL PILOT OPERATED AIR DUMP VALVE EXISTING NUMBER - AP13075

### REPLACEMENT PARTS

ITEM	PART	DESCRIPTION
	RAP90434	PANEL COMPLETE (REPLACES AP13075)
1	RAP90042	ROCKER SWITCH
2	RP6352	FUSE HOLDER
3	R3674	FUSE 5 AMP AGC (CONTAINS 5)

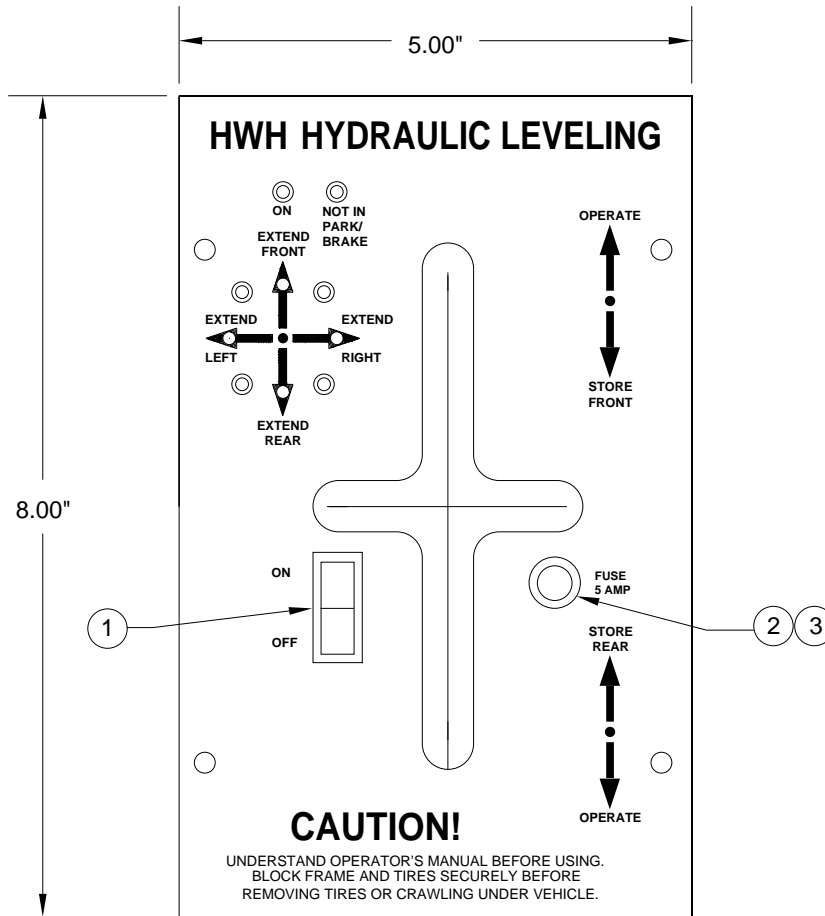


### ACCESSORIES

ITEM	PART	DESCRIPTION
1	RP90068 R7057	SPACER BOX SCREWS #4 X 2.75" BLACK FOR USE WITH RP6269
	R7058	SPACER BOX (CONTAINS 4) SCREWS #4 X .75" BLACK FOR USE WITH PANEL ONLY (CONTAINS 4)



# PANEL, CONTROL AND INDICATOR LIGHTS 210 SERIES, JOY STICK-CONTROLLED LEVELING SYSTEM (WITH INTEGRATED LIGHT PANEL)

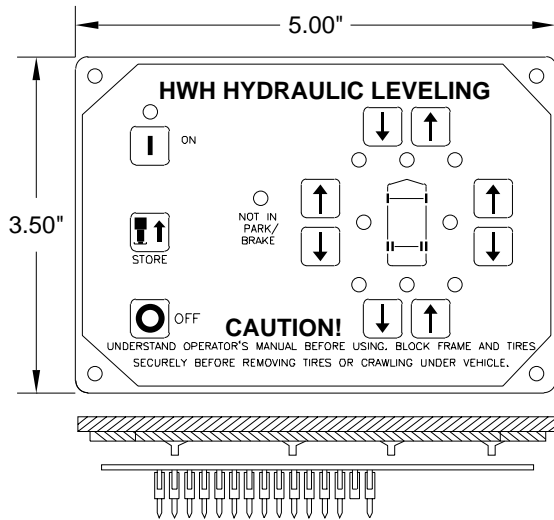


THIS PANEL DOES NOT INCLUDE THE INDICATOR LIGHTS. THEY ARE PART OF THE VALVE ASSEMBLY. SEE MR55.1200.

## REPLACEMENT PARTS

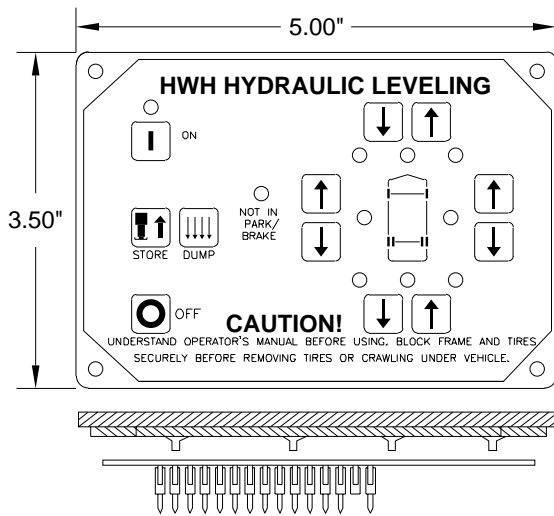
ITEM	PART	QTY	DESCRIPTION
	RAP90314		BEZEL PLATE COMPLETE (REPLACES AP12745 DOES NOT INCLUDE LED BOARD)
1	RP90315		SWITCH 2-POSITION
2	RP6352		FUSE HOLDER
3	R3674		FUSE ACC 5 AMP (CONTAINS 5)
	NOT SHOWN		
	RAP90319		LED INDICATOR LIGHT PC BOARD 12 VOLT
	RAP92308		LED INDICATOR LIGHT PC BOARD 24 VOLT

# PANEL, CONTROL AND INDICATOR LIGHTS 310 SERIES, TOUCH PANEL-CONTROLLED LEVELING SYSTEMS (FOR MOTORIZED VEHICLES)



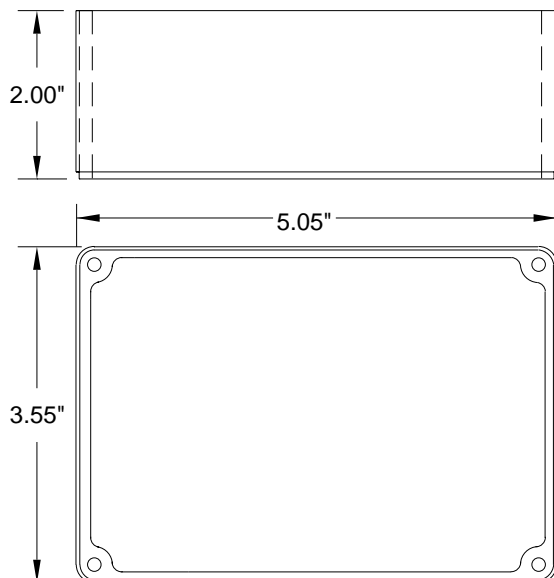
## HYDRAULIC LEVELING ONLY WITHOUT SUSPENSION AIR DUMP

EXISTING NO.	REPLACEMENT NO.
AP10215	RAP90056
REPLACEMENT LEXAN :	RP91679



## HYDRAULIC LEVELING WITH SUSPENSION AIR DUMP WITHOUT AIR LEVELING

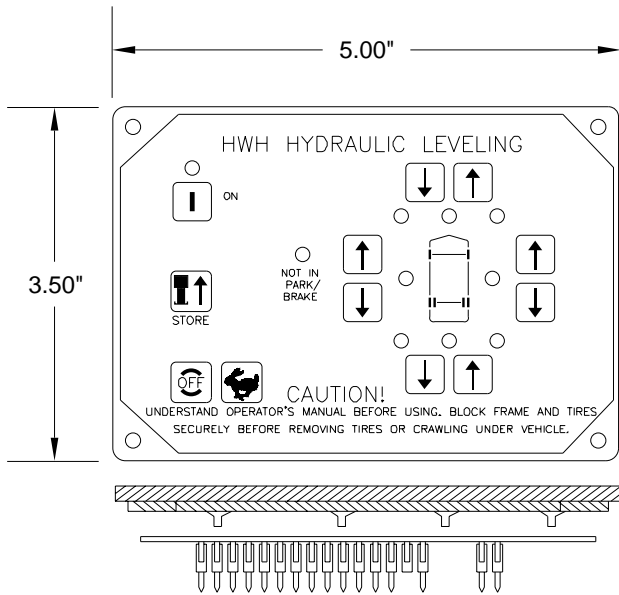
EXISTING NO.	REPLACEMENT NO.
AP10054	RAP90057
REPLACEMENT LEXAN :	RP91680



## ACCESSORIES

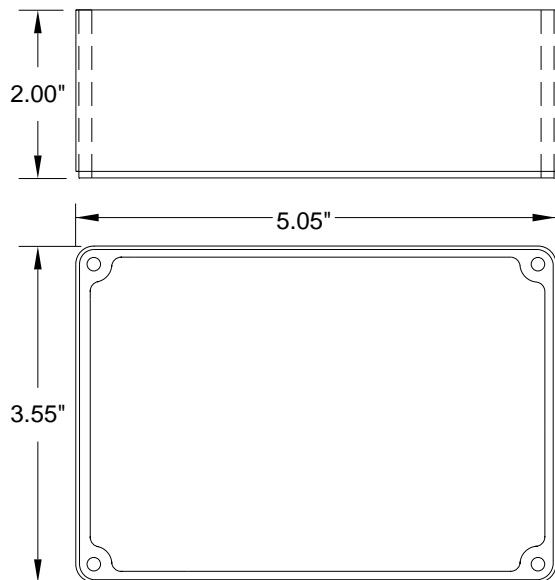
PART	DESCRIPTION
RP90068	SPACER BOX (FOR USE ONLY WITH REMOTE PANELS)
R7057	SCREW #4 X 2.75" BLACK (CONTAINS 4)
R7058	SCREW #4 X .75" BLACK (CONTAINS 4)

# PANEL, CONTROL AND INDICATOR LIGHTS 310 SERIES, TOUCH PANEL-CONTROLLED LEVELING SYSTEMS (FOR MOTORIZED VEHICLES WITH PILOT AIR DUMP)



## HYDRAULIC LEVELING WITH PILOT OPERATED AIR DUMP

EXISTING NO.	REPLACEMENT NO.
AP20007	RAP90680
REPLACEMENT LEXAN :	RP91833

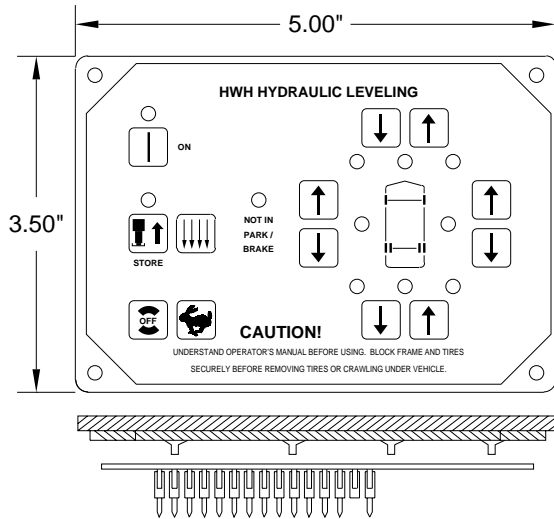


## ACCESSORIES

PART	DESCRIPTION
RP90068	SPACER BOX (FOR USE ONLY WITH REMOTE PANELS)
R7057	SCREW #4 X 2.75" BLACK (CONTAINS 4)
R7058	SCREW #4 X .75" BLACK (CONTAINS 4)

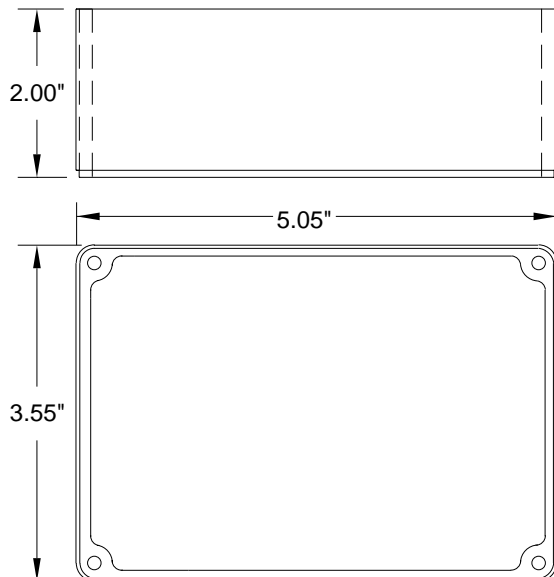
# PANEL, CONTROL AND INDICATOR LIGHTS

## 310 SERIES, TOUCH PANEL-CONTROLLED LEVELING SYSTEMS (FOR MOTORIZED VEHICLES)



### HYDRAULIC LEVELING ONLY PILOT OPERATED SUSPENSION AIR DUMP

EXISTING NO.	REPLACEMENT NO.
AP17550	RAP90545
REPLACEMENT LEXAN :	RP91834



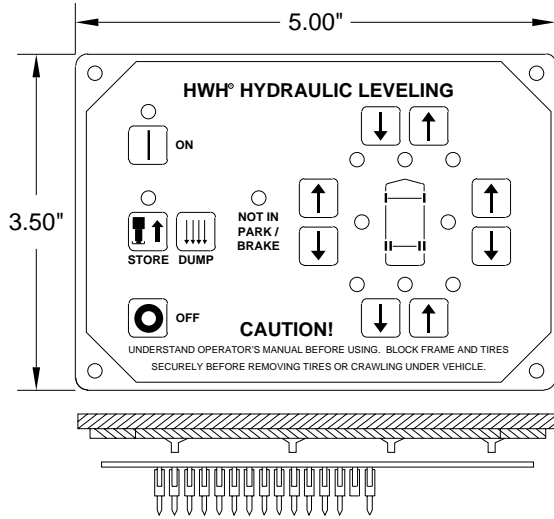
### ACCESSORIES

PART	DESCRIPTION
RP90068	SPACER BOX (FOR USE ONLY WITH REMOTE PANELS)
R7057	SCREW #4 X 2.75" BLACK (CONTAINS 4)
R7058	SCREW #4 X .75" BLACK (CONTAINS 4)

# PANEL, CONTROL AND INDICATOR LIGHT

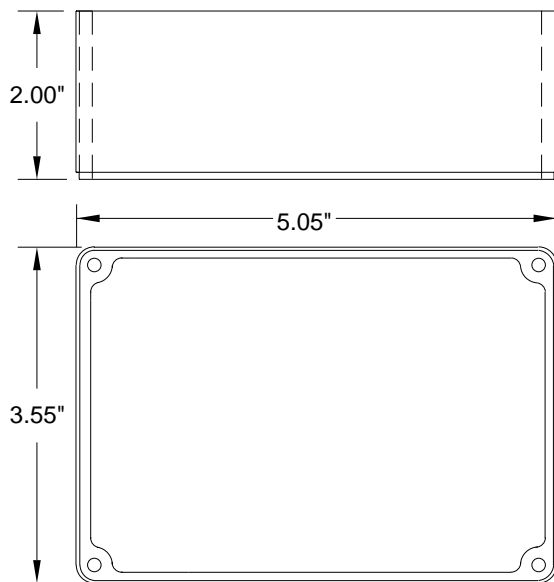
## 310 SERIES, TOUCH PANEL-CONTROLLED LEVELING SYSTEMS

### (FOR MOTORIZED VEHICLES)



### 3 POINT HYDRAULIC LEVELING PILOT OPERATED SUSPENSION AIR DUMP

EXISTING NO.	REPLACEMENT NO.
AP10353	RAP90020
REPLACEMENT LEXAN :	RP91680



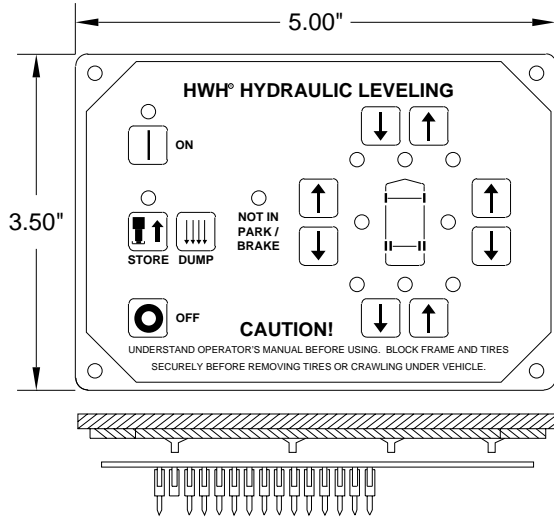
### ACCESSORIES

PART	DESCRIPTION
RP90068	SPACER BOX (FOR USE ONLY WITH REMOTE PANELS)
R7057	SCREW #4 X 2.75" BLACK (CONTAINS 4)
R7058	SCREW #4 X .75" BLACK (CONTAINS 4)

# PANEL, CONTROL AND INDICATOR LIGHT

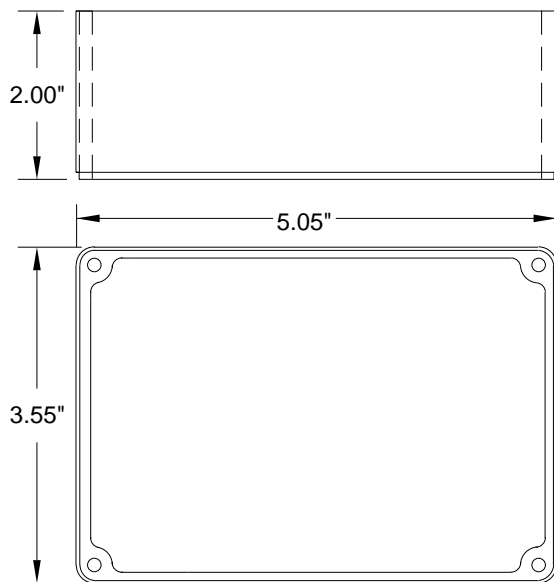
## 310 SERIES, TOUCH PANEL-CONTROLLED LEVELING SYSTEMS

### (FOR MOTORIZED VEHICLES)



#### HYDRAULIC LEVELING ONLY PILOT OPERATED SUSPENSION AIR DUMP

EXISTING NO.	REPLACEMENT NO.
AP29775	RAP91296
REPLACEMENT LEXAN :	RP91680



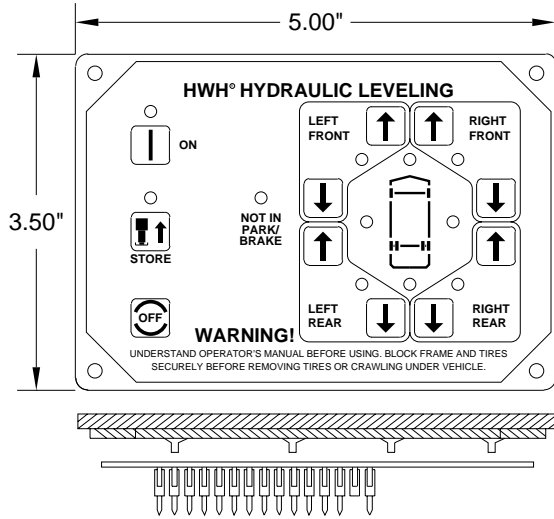
#### ACCESSORIES

PART	DESCRIPTION
RP90068	SPACER BOX (FOR USE ONLY WITH REMOTE PANELS)
R7057	SCREW #4 X 2.75" BLACK (CONTAINS 4)
R7058	SCREW #4 X .75" BLACK (CONTAINS 4)

# PANEL, CONTROL AND INDICATOR LIGHT

## 310 SERIES, TOUCH PANEL-CONTROLLED LEVELING SYSTEMS

### (MOTORIZED VEHICLES - INDEPENDENT JACK CONTROL)



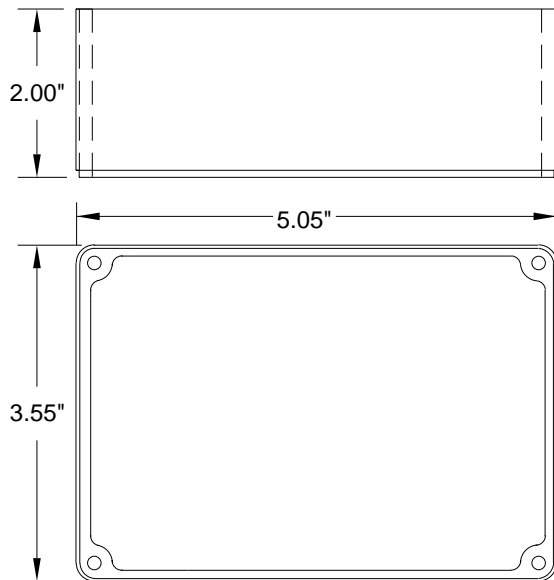
**HYDRAULIC LEVELING ONLY  
WITHOUT SUSPENSION AIR DUMP**

EXISTING NO.	REPLACEMENT NO.
--------------	-----------------

AP12546

REPLACEMENT LEXAN : RP91838

**CONTACT HWH TECHNICAL ASSISTANCE BEFORE ORDERING THIS PANEL**



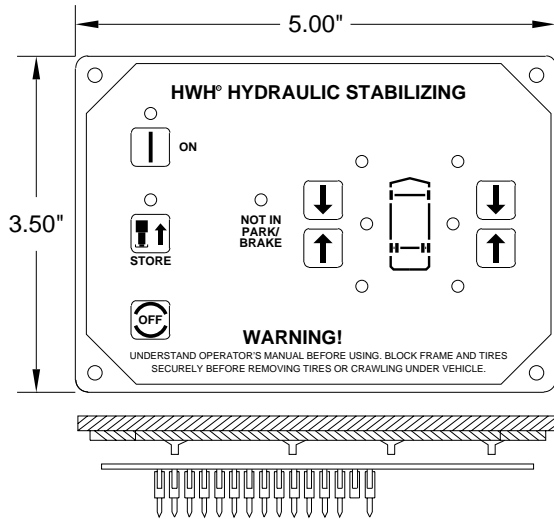
#### ACCESSORIES

PART	DESCRIPTION
RP90068	SPACER BOX (FOR USE ONLY WITH REMOTE PANELS)
R7057	SCREW #4 X 2.75" BLACK (CONTAINS 4)
R7058	SCREW #4 X .75" BLACK (CONTAINS 4)

# PANEL, CONTROL AND INDICATOR LIGHT

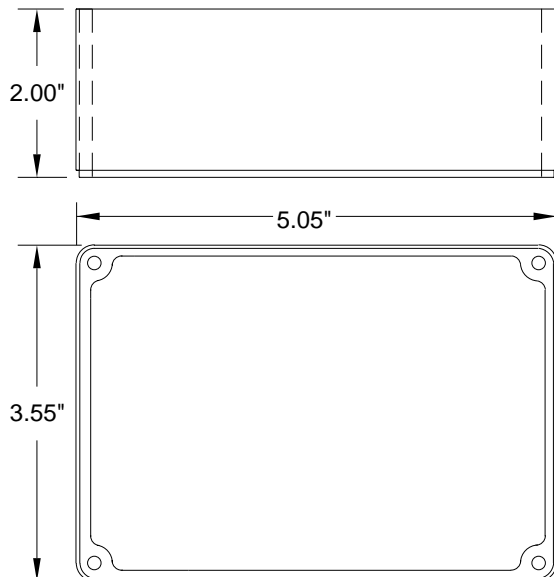
## 310 SERIES, TOUCH PANEL-CONTROLLED 2-JACK SYSTEM

### (MOTORIZED VEHICLES - STABILIZE ONLY)



#### HYDRAULIC LEVELING ONLY WITHOUT SUSPENSION AIR DUMP

EXISTING NO.	REPLACEMENT NO.
AP12576	RAP90553
REPLACEMENT LEXAN :	RP91832

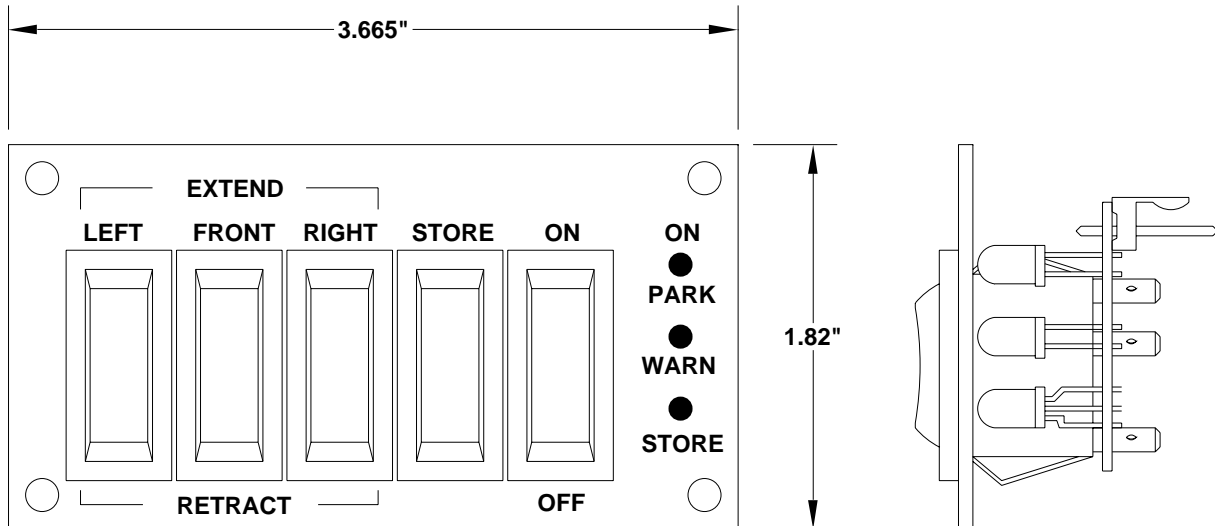


#### ACCESSORIES

PART	DESCRIPTION
RP90068	SPACER BOX (FOR USE ONLY WITH REMOTE PANELS)
R7057	SCREW #4 X 2.75" BLACK (CONTAINS 4)
R7058	SCREW #4 X .75" BLACK (CONTAINS 4)



**PANEL, CONTROL AND INDICATOR LIGHTS  
310 SERIES, ROCKER SWITCH-CONTROLLED LEVELING SYSTEMS  
(SAFARI)**



**HYDRAULIC LEVELING ONLY  
NO SUSPENSION AIR DUMP**

EXISTING NO.	REPLACEMENT NO.
AP1218	RAP90022

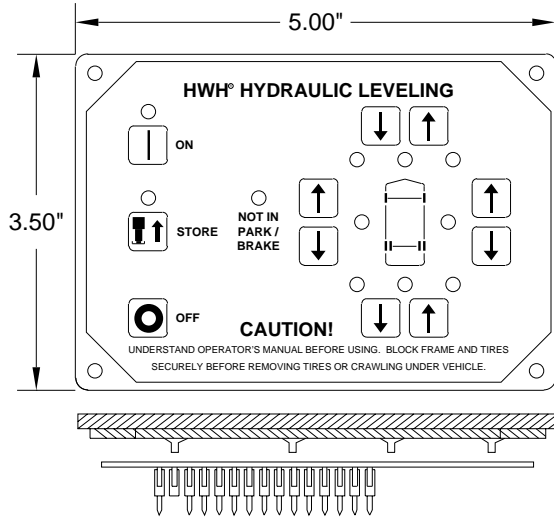
NOTE : THIS PANEL IS USED PRIMARILY ON SAFARI COACHES.

**MR20.3070  
29OCT12**

# PANEL, CONTROL AND INDICATOR LIGHT

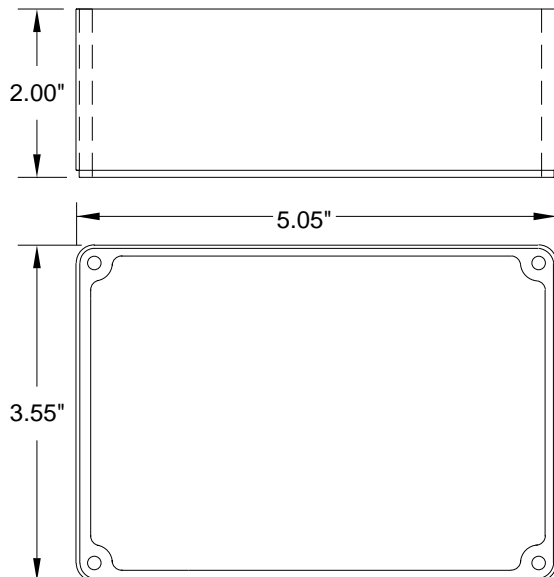
## 310 SERIES, TOUCH PANEL-CONTROLLED LEVELING SYSTEMS

### (NON - MOTORIZED VEHICLES)



#### HYDRAULIC LEVELING ONLY WITHOUT SUSPENSION AIR DUMP

EXISTING NO.	REPLACEMENT NO.
AP1823	RAP90058
REPLACEMENT LEXAN :	RP91679



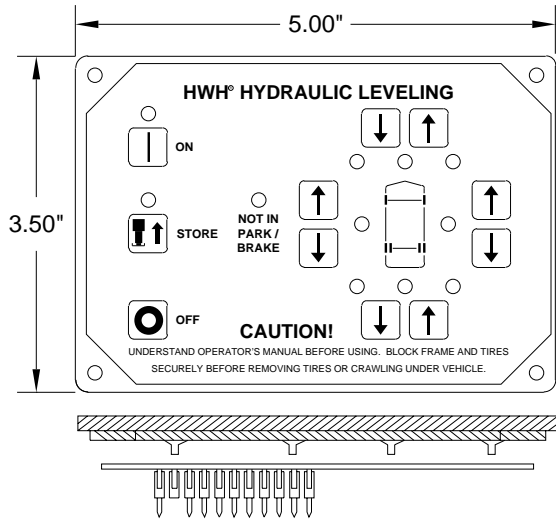
#### ACCESSORIES

PART	DESCRIPTION
RP90068	SPACER BOX (FOR USE ONLY WITH REMOTE PANELS)
R7057	SCREW #4 X 2.75" BLACK (CONTAINS 4)
R7058	SCREW #4 X .75" BLACK (CONTAINS 4)

# PANEL, CONTROL AND INDICATOR LIGHT

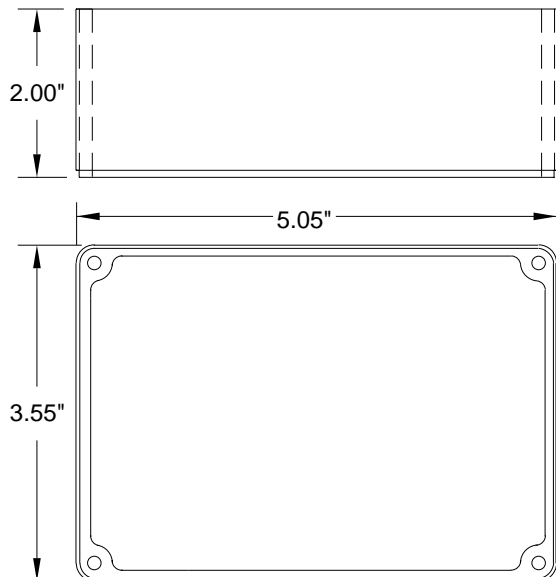
## 310 SERIES, TOUCH PANEL-CONTROLLED LEVELING SYSTEMS

### (NON - MOTORIZED VEHICLES)



#### HYDRAULIC LEVELING ONLY WITHOUT SUSPENSION AIR DUMP

EXISTING NO.	REPLACEMENT NO.
AP11998	RAP90555
REPLACEMENT LEXAN :	RP91679



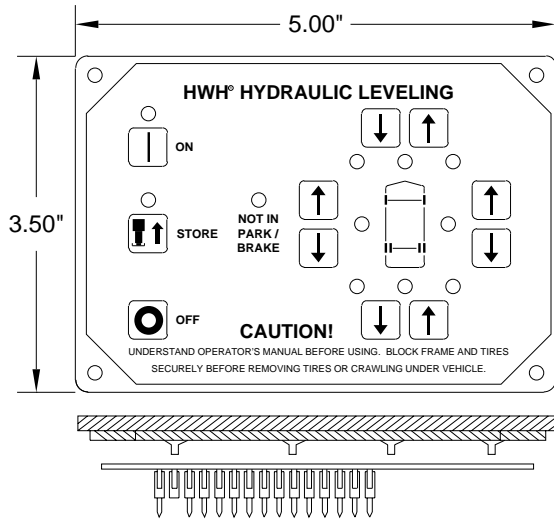
#### ACCESSORIES

PART	DESCRIPTION
RP90068	SPACER BOX (FOR USE ONLY WITH REMOTE PANELS)
R7057	SCREW #4 X 2.75" BLACK (CONTAINS 4)
R7058	SCREW #4 X .75" BLACK (CONTAINS 4)

# PANEL, CONTROL AND INDICATOR LIGHT

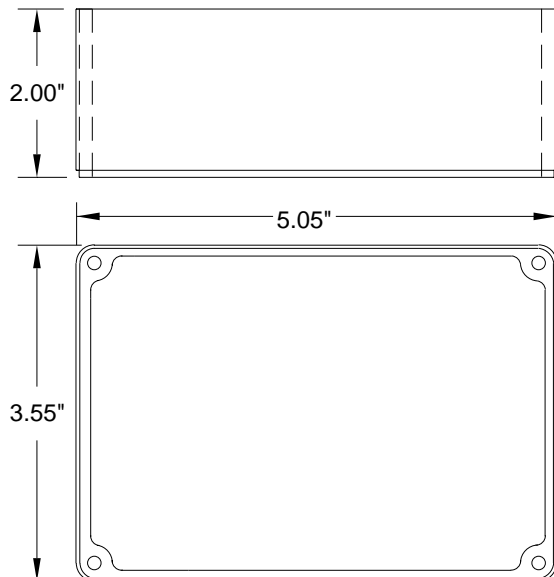
## 310 SERIES, TOUCH PANEL-CONTROLLED LEVELING SYSTEMS

### (NON - MOTORIZED VEHICLES)



#### HYDRAULIC LEVELING ONLY WITHOUT SUSPENSION AIR DUMP

EXISTING NO.	REPLACEMENT NO.
AP14553	RAP90328
REPLACEMENT LEXAN :	RP91679



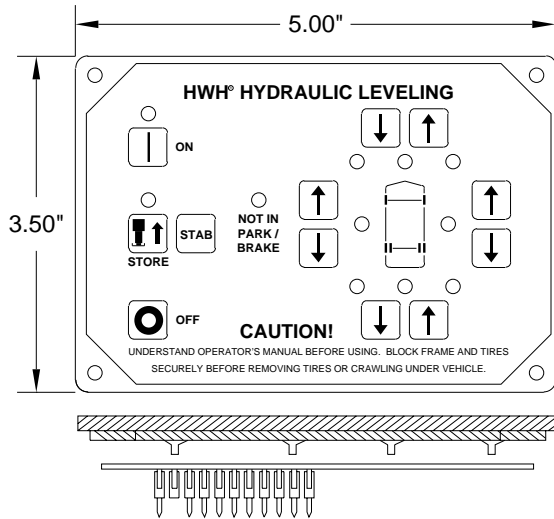
#### ACCESSORIES

PART	DESCRIPTION
RP90068	SPACER BOX (FOR USE ONLY WITH REMOTE PANELS)
R7057	SCREW #4 X 2.75" BLACK (CONTAINS 4)
R7058	SCREW #4 X .75" BLACK (CONTAINS 4)

# PANEL, CONTROL AND INDICATOR LIGHT

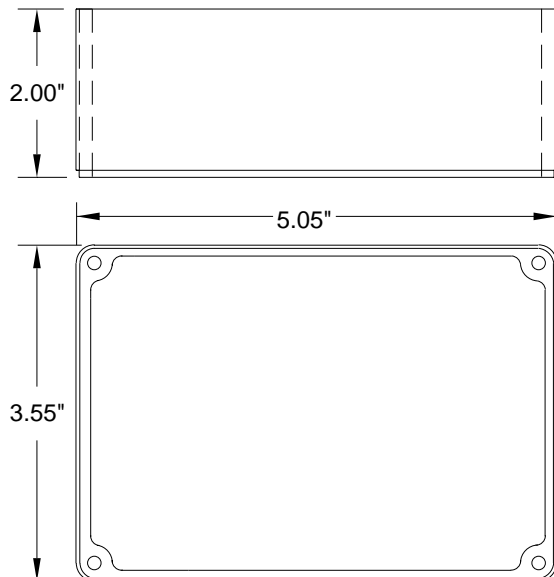
## 310 SERIES, TOUCH PANEL-CONTROLLED LEVELING SYSTEMS

### (NON - MOTORIZED VEHICLES)



#### HYDRAULIC LEVELING ONLY WITHOUT SUSPENSION AIR DUMP

EXISTING NO.	REPLACEMENT NO.
AP17439	RAP90547
REPLACEMENT LEXAN :	RP91837

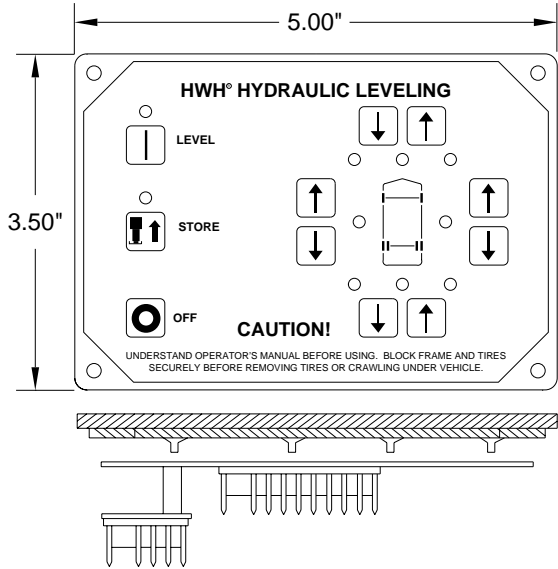


#### ACCESSORIES

PART	DESCRIPTION
RP90068	SPACER BOX (FOR USE ONLY WITH REMOTE PANELS)
R7057	SCREW #4 X 2.75" BLACK (CONTAINS 4)
R7058	SCREW #4 X .75" BLACK (CONTAINS 4)

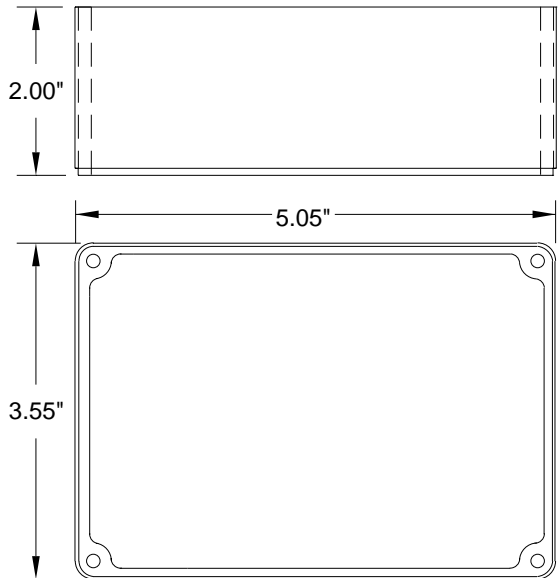
# PANEL, CONTROL AND INDICATOR LIGHTS

## 305/325 SERIES, TOUCH PANEL-CONTROLLED LEVELING SYSTEMS



### HYDRAULIC LEVELING ONLY PILOT OPERATED SUSPENSION AIR DUMP

EXISTING NO.	REPLACEMENT NO.
AP29691 REPLACES AP28275	RAP90938
REPLACEMENT LEXAN :	RP91845
REPLACEMENT FUSE : (5 FUSES PER R90924)	R90924

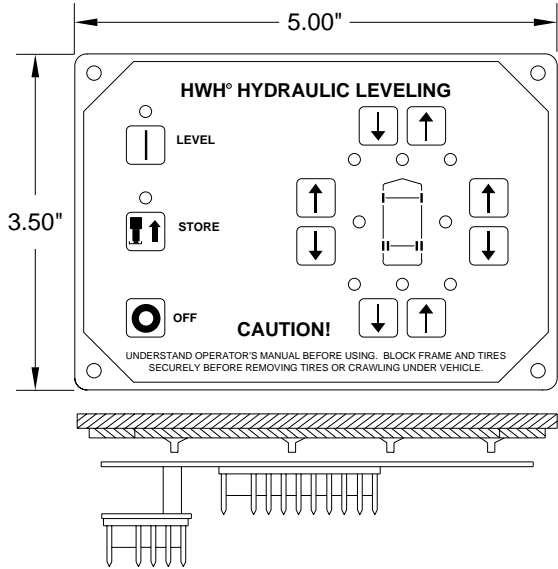


### ACCESSORIES

PART	DESCRIPTION
RP90068	SPACER BOX (FOR USE ONLY WITH REMOTE PANELS)
R7057	SCREW #4 X 2.75" BLACK (CONTAINS 4)
R7058	SCREW #4 X .75" BLACK (CONTAINS 4)

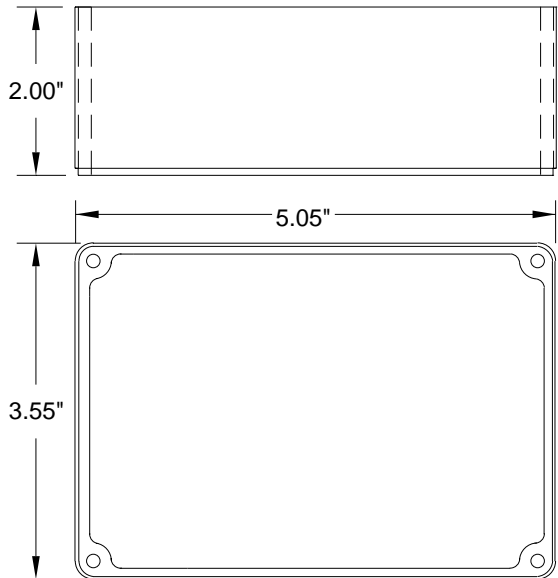
# PANEL, CONTROL AND INDICATOR LIGHTS

## 305/325 SERIES, TOUCH PANEL-CONTROLLED LEVELING SYSTEMS



### 3 - POINT HYDRAULIC LEVELING ONLY PILOT OPERATED SUSPENSION AIR DUMP

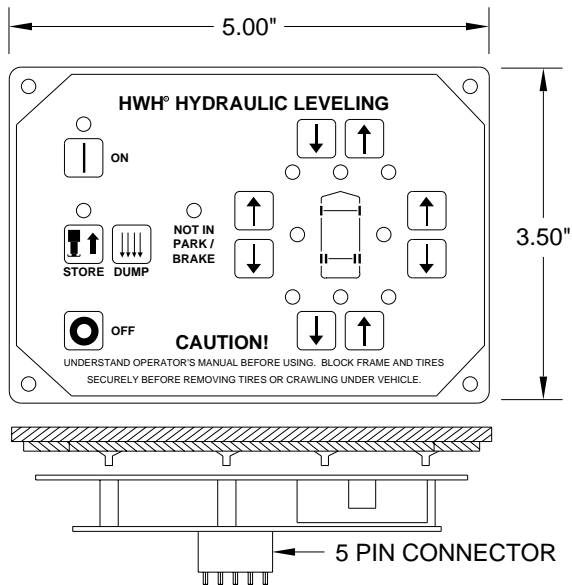
EXISTING NO.	REPLACEMENT NO.
AP30003	RAP92823
REPLACEMENT LEXAN :	RP91845
REPLACEMENT FUSE : (5 FUSES PER R90924)	R90924



### ACCESSORIES

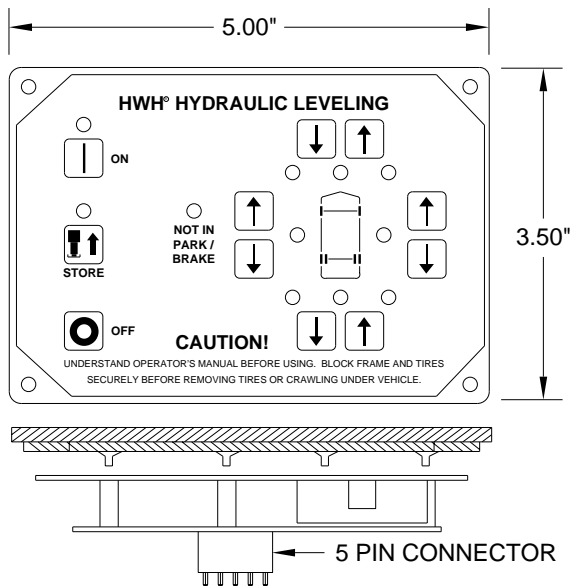
PART	DESCRIPTION
RP90068	SPACER BOX (FOR USE ONLY WITH REMOTE PANELS)
R7057	SCREW #4 X 2.75" BLACK (CONTAINS 4)
R7058	SCREW #4 X .75" BLACK (CONTAINS 4)

# PANEL, CONTROL AND INDICATOR LIGHTS FOR 325 SERIES, TOUCH PANEL-CONTROLLED LEVELING SYSTEMS



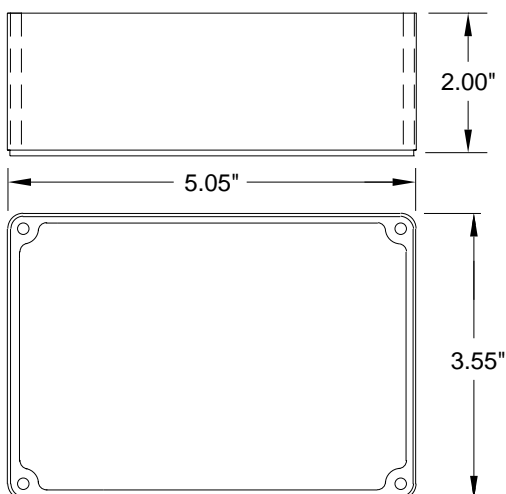
## HYDRAULIC LEVELING WITH SUSPENSION AIR DUMP

EXISTING NO.	REPLACEMENT NO.
AP31351	RAP91258
REPLACEMENT LEXAN :	RP91680



## HYDRAULIC LEVELING WITHOUT SUSPENSION AIR DUMP

EXISTING NO.	REPLACEMENT NO.
AP31350	RAP91259
REPLACEMENT LEXAN :	RP91679



## ACCESSORIES

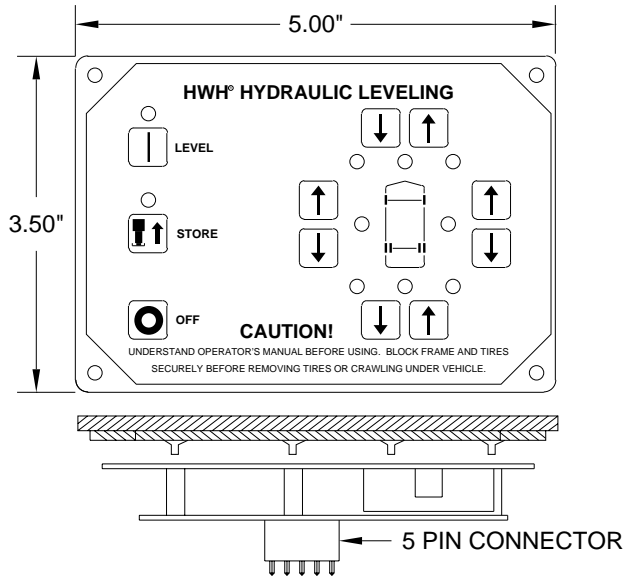
PART	DESCRIPTION
RP90068	SPACER BOX (FOR USE ONLY WITH REMOTE PANELS)
R7057	SCREWS #4 X 2.75" BLACK (CONTAINS 4)
R7058	SCREWS #4 X .75" BLACK (CONTAINS 4)



# PANEL, CONTROL AND INDICATOR LIGHT

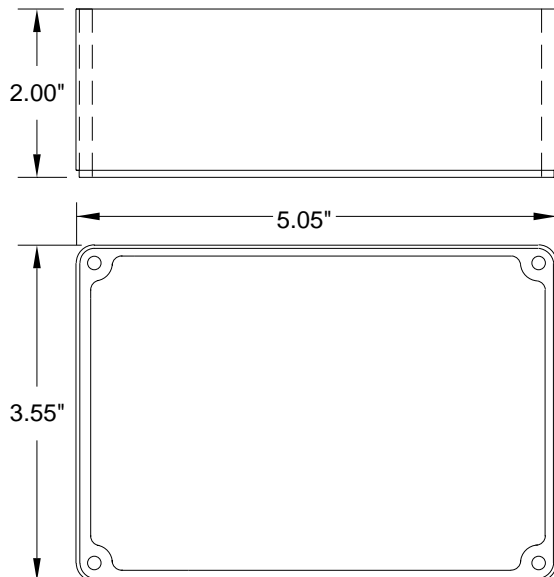
## 325 SERIES, TOUCH PANEL-CONTROLLED LEVELING SYSTEMS

### (NON - MOTORIZED VEHICLES)



#### HYDRAULIC LEVELING ONLY WITHOUT SUSPENSION AIR DUMP

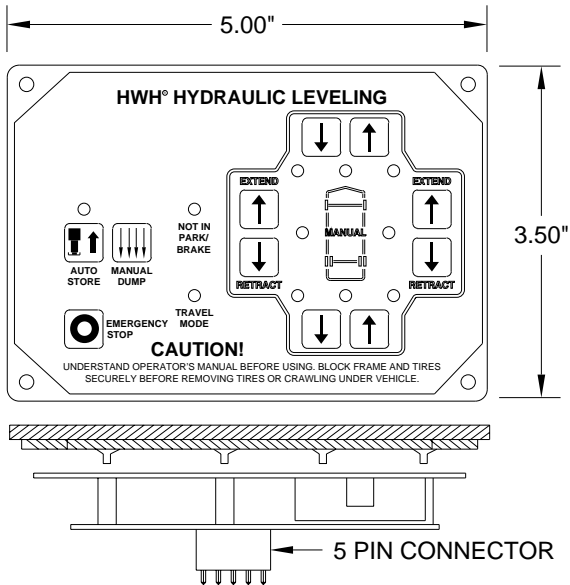
EXISTING NO.	REPLACEMENT NO.
AP35904	RAP91872
REPLACEMENT LEXAN :	RP91845



#### ACCESSORIES

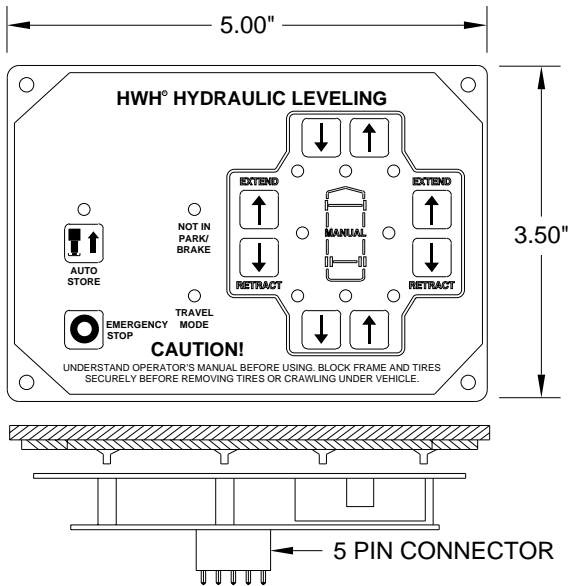
PART	DESCRIPTION
RP90068	SPACER BOX (FOR USE ONLY WITH REMOTE PANELS)
R7057	SCREW #4 X 2.75" BLACK (CONTAINS 4)
R7058	SCREW #4 X .75" BLACK (CONTAINS 4)

# PANEL, CONTROL AND INDICATOR LIGHTS FOR 325S SERIES, TOUCH PANEL-CONTROLLED LEVELING SYSTEMS



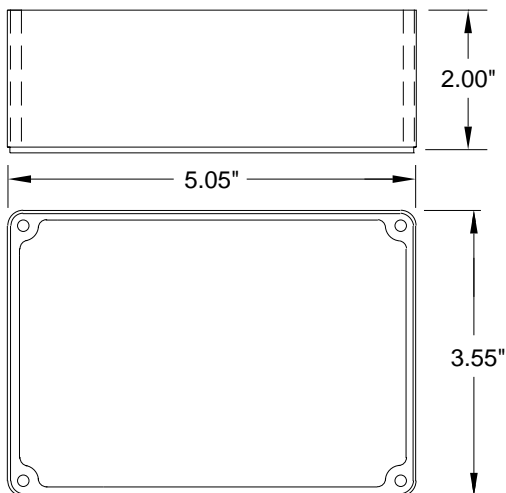
## HYDRAULIC LEVELING WITH SUSPENSION AIR DUMP

EXISTING NO.	REPLACEMENT NO.
AP37593	RAP91868
REPLACEMENT LEXAN :	RP91863



## HYDRAULIC LEVELING WITHOUT SUSPENSION AIR DUMP

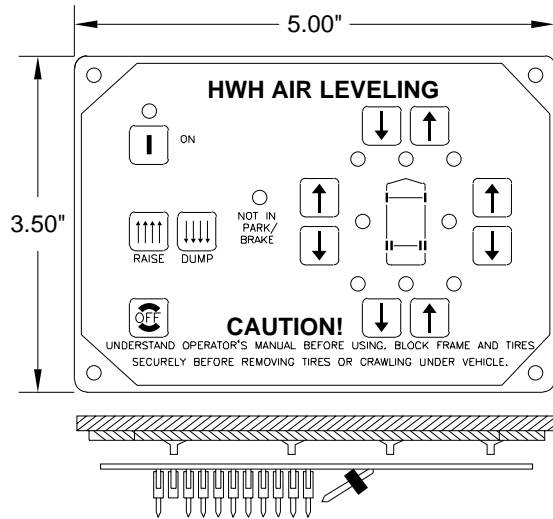
EXISTING NO.	REPLACEMENT NO.
AP37592	RAP91870
REPLACEMENT LEXAN :	RP91865



## ACCESSORIES

PART	DESCRIPTION
RP90068	SPACER BOX (FOR USE ONLY WITH REMOTE PANELS)
R7057	SCREWS #4 X 2.75" BLACK (CONTAINS 4)
R7058	SCREWS #4 X .75" BLACK (CONTAINS 4)

# PANEL, CONTROL AND INDICATOR LIGHTS TOUCH PANEL-CONTROLLED AIR LEVELING SYSTEMS

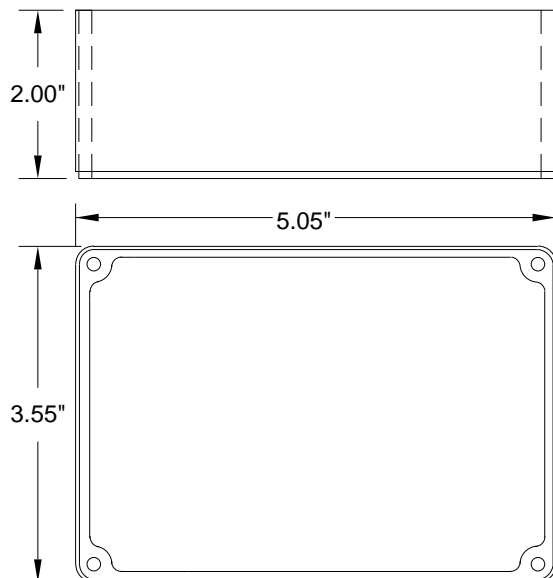


### 3 - POINT MANUAL AIR LEVELING ONLY WITH SUSPENSION AIR DUMP

EXISTING NO.	REPLACEMENT NO.
AP1533	RAP1533
REPLACEMENT LEXAN :	RP91836

### 4 - POINT MANUAL AIR LEVELING ONLY WITH SUSPENSION AIR DUMP

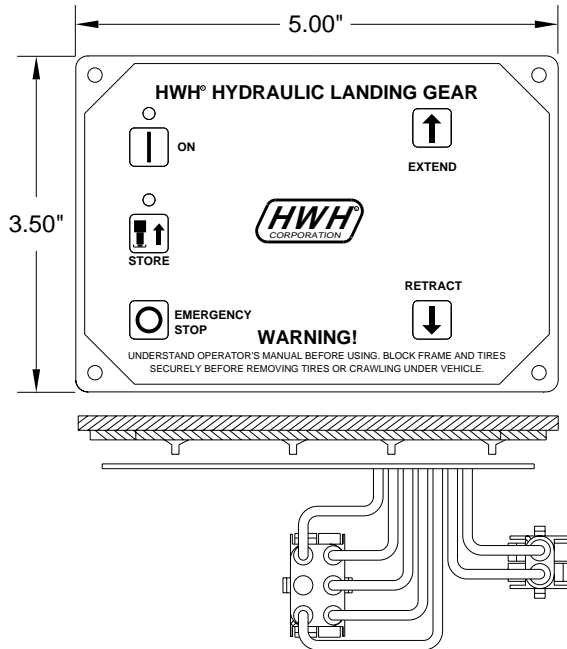
EXISTING NO.	REPLACEMENT NO.
AP2523	RAP90157
REPLACEMENT LEXAN :	RP91836



### ACCESSORIES

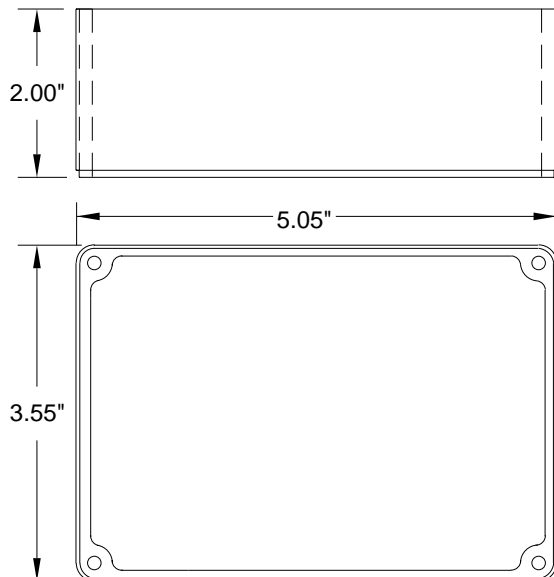
PART	DESCRIPTION
RP90068	SPACER BOX (FOR USE ONLY WITH REMOTE PANELS)
R7057	SCREW #4 X 2.75" BLACK (CONTAINS 4)
R7058	SCREW #4 X .75" BLACK (CONTAINS 4)

# PANEL, CONTROL AND INDICATOR LIGHTS TOUCH PANEL-CONTROLLED LANDING GEAR SYSTEMS (NON-MOTORIZED VEHICLES)



## HYDRAULIC LEVELING ONLY WITHOUT SUSPENSION AIR DUMP

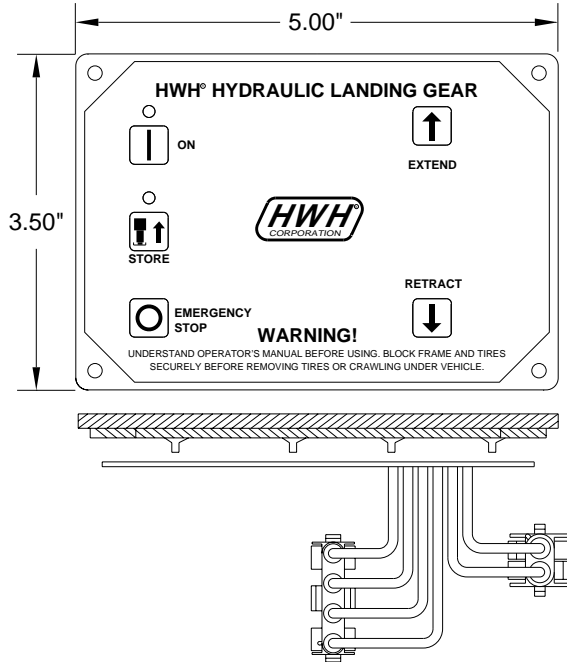
EXISTING NO.	REPLACEMENT NO.
AP37387	RAP92315
REPLACEMENT LEXAN :	RP91835
REPLACEMENT 15A FUSE : (5 FUSES PER R90288)	R90288
REPLACEMENT 10A FUSE : (5 FUSES PER R90287)	R90287



## ACCESSORIES

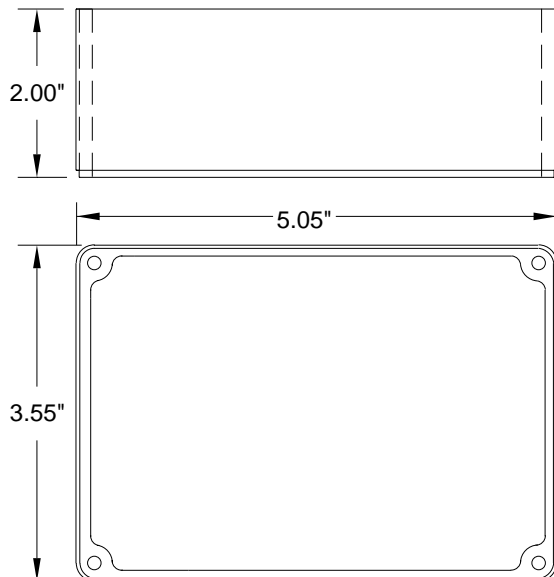
PART	DESCRIPTION
RP90068	SPACER BOX (FOR USE ONLY WITH REMOTE PANELS)
R7057	SCREW #4 X 2.75" BLACK (CONTAINS 4)
R7058	SCREW #4 X .75" BLACK (CONTAINS 4)

# PANEL, CONTROL AND INDICATOR LIGHTS TOUCH PANEL-CONTROLLED LANDING GEAR SYSTEMS (NON-MOTORIZED VEHICLES)



## HYDRAULIC LEVELING ONLY WITHOUT SUSPENSION AIR DUMP

EXISTING NO.	REPLACEMENT NO.
AP13539	RAP90551
REPLACEMENT LEXAN :	RP91835
REPLACEMENT 15A FUSE : (5 FUSES PER R90288)	R90288
REPLACEMENT 10A FUSE : (5 FUSES PER R90287)	R90287

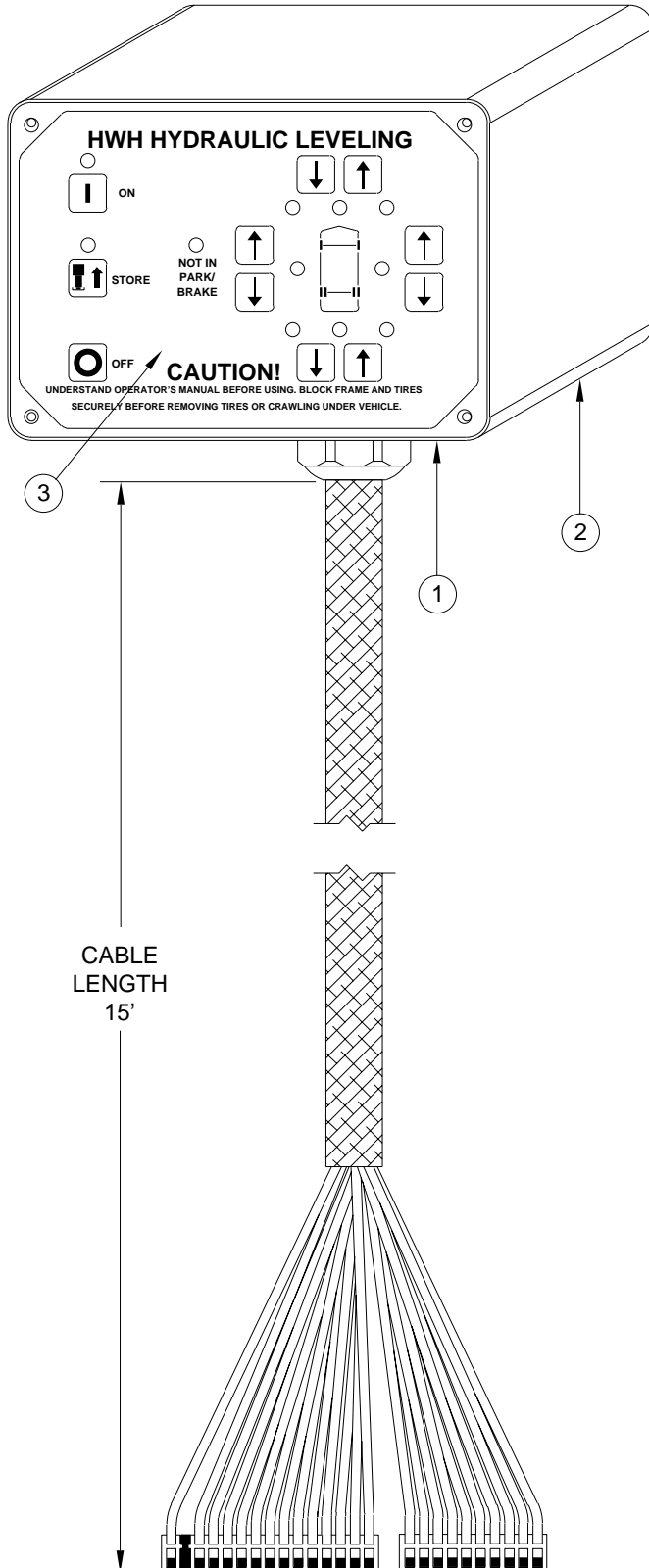


## ACCESSORIES

PART	DESCRIPTION
RP90068	SPACER BOX (FOR USE ONLY WITH REMOTE PANELS)
R7057	SCREW #4 X 2.75" BLACK (CONTAINS 4)
R7058	SCREW #4 X .75" BLACK (CONTAINS 4)

**PANEL, CONTROL AND INDICATOR LIGHTS  
(WITH CABLE ASSEMBLY)  
310 SERIES, TOUCH PANEL-CONTROLLED LEVELING SYSTEMS  
(NON - MOTORIZED VEHICLES)**

**HYDRAULIC LEVELING ONLY  
WITHOUT SUSPENSION AIR DUMP**



EXISTING NO.	REPLACEMENT NO.
--------------	-----------------

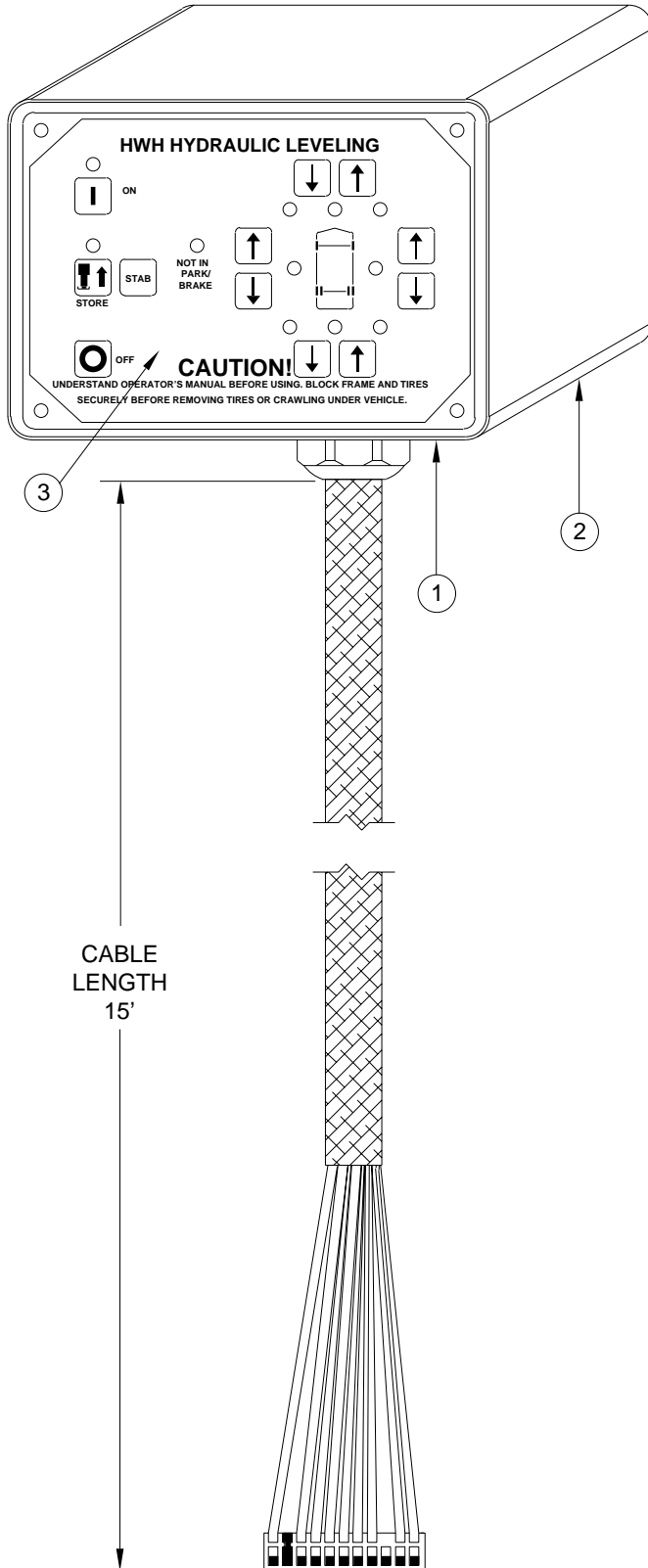
AP2134	<b>OBS</b>	RAP90329
AP14552		RAP90329

**REPLACEMENT PARTS**

ITEM	PART	DESCRIPTION
1	RAP90328 (AP14553)	TOUCH PANEL (REPLACES THE AP1823 TOUCH PANEL)
2	RAP90060 (AP10851)	MOLDED BOX W/CABLE (DOES NOT INCLUDE TOUCH PANEL)
3	RP91679	LEXAN

**PANEL, CONTROL AND INDICATOR LIGHTS  
(WITH CABLE ASSEMBLY)**  
**310 SERIES, TOUCH PANEL-CONTROLLED LEVELING SYSTEMS  
(NON - MOTORIZED VEHICLES - 6 JACK STABILIZE SYSTEMS)**

**HYDRAULIC LEVELING ONLY  
WITHOUT SUSPENSION AIR DUMP**



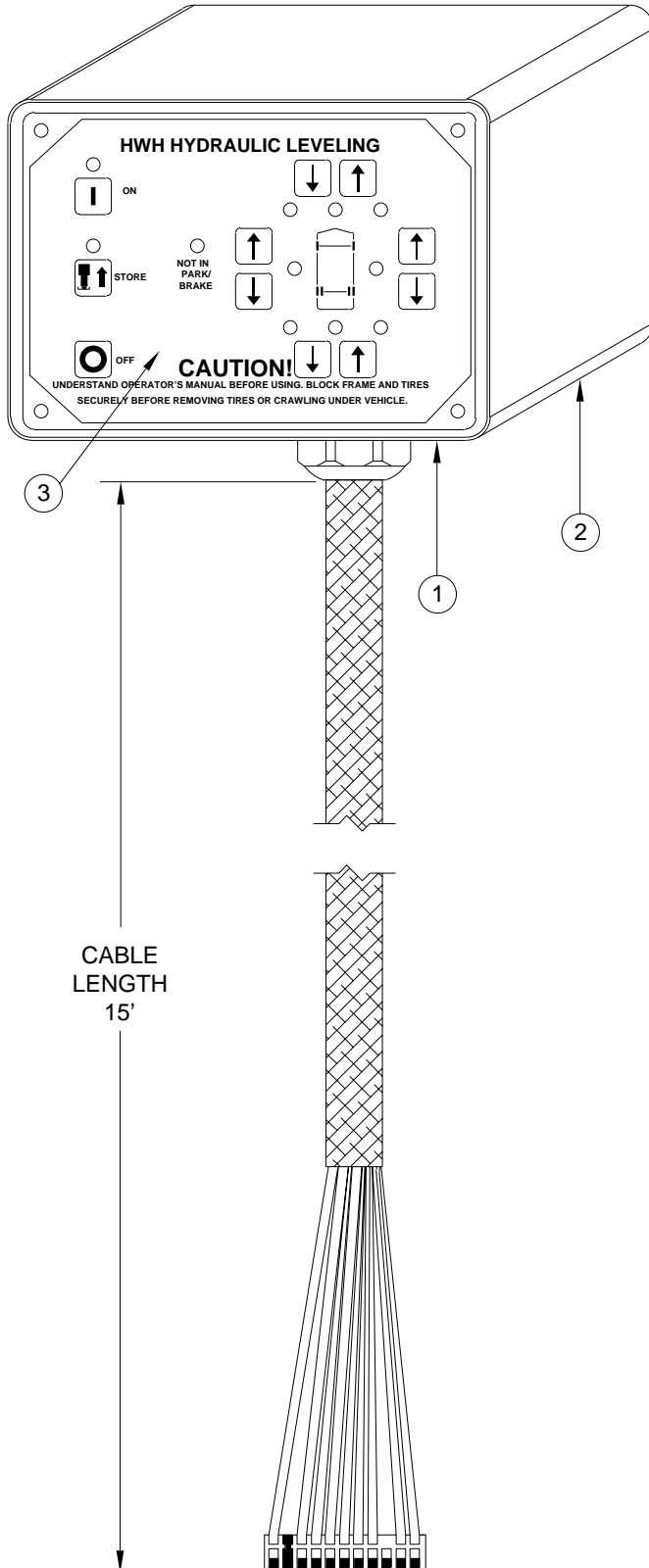
EXISTING NO.	REPLACEMENT NO.
AP17421	RAP90560

**REPLACEMENT PARTS**

ITEM	PART	DESCRIPTION
1	RAP90547 (AP17439)	TOUCH PANEL
2	RAP90686 (AP20443)	MOLDED BOX W/CABLE (DOES NOT INCLUDE TOUCH PANEL)
3	RP91837	LEXAN

**PANEL, CONTROL AND INDICATOR LIGHTS  
(WITH CABLE ASSEMBLY)  
310 SERIES, TOUCH PANEL-CONTROLLED LEVELING SYSTEMS  
(NON - MOTORIZED VEHICLES - SPECIAL)**

**HYDRAULIC LEVELING ONLY  
WITHOUT SUSPENSION AIR DUMP**



EXISTING NO.	REPLACEMENT NO.
AP11997	RAP90566

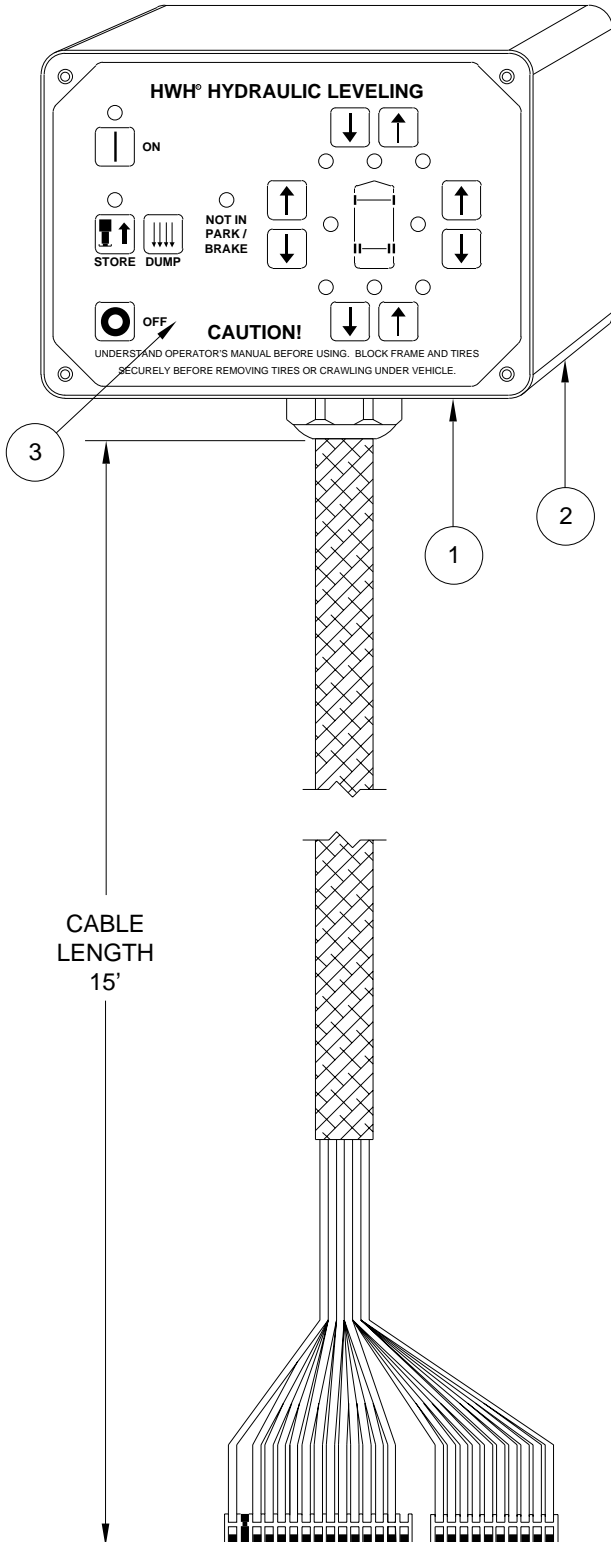
**REPLACEMENT PARTS**

ITEM	PART	DESCRIPTION
1	RAP90555 (AP11998)	TOUCH PANEL
2	RAP90686 (AP20443)	MOLDED BOX W/CABLE (DOES NOT INCLUDE TOUCH PANEL)
3	RP91679	LEXAN



**PANEL, CONTROL AND INDICATOR LIGHTS  
(WITH CABLE ASSEMBLY)  
310 SERIES, TOUCH PANEL-CONTROLLED**

**HYDRAULIC LEVELING ONLY  
WITH SUSPENSION AIR DUMP**



EXISTING NO.	REPLACEMENT NO.
--------------	-----------------

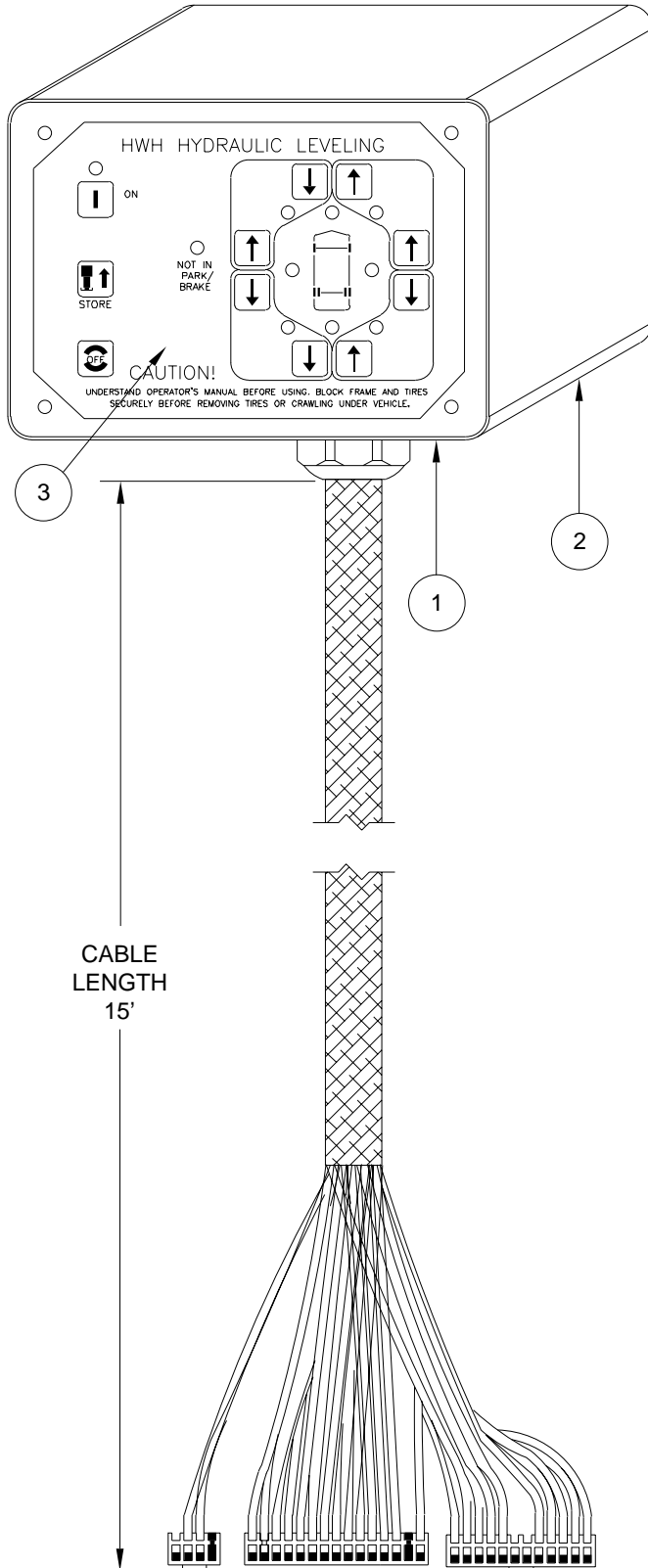
AP29777	RAP91309
---------	----------

**REPLACEMENT PARTS**

ITEM	PART	DESCRIPTION
1	RAP91296 (AP29775)	TOUCH PANEL
2	RAP90060 (AP10851)	MOLDED BOX W/CABLE (DOES NOT INCLUDE TOUCH PANEL)
3	RP91680	LEXAN

**PANEL, CONTROL AND INDICATOR LIGHTS  
(WITH CABLE ASSEMBLY)**  
**310 SERIES, TOUCH PANEL-CONTROLLED LEVELING SYSTEMS  
(MOTORIZED VEHICLES - INDEPENDENT JACK CONTROL)**

**HYDRAULIC LEVELING ONLY  
WITHOUT SUSPENSION AIR DUMP**



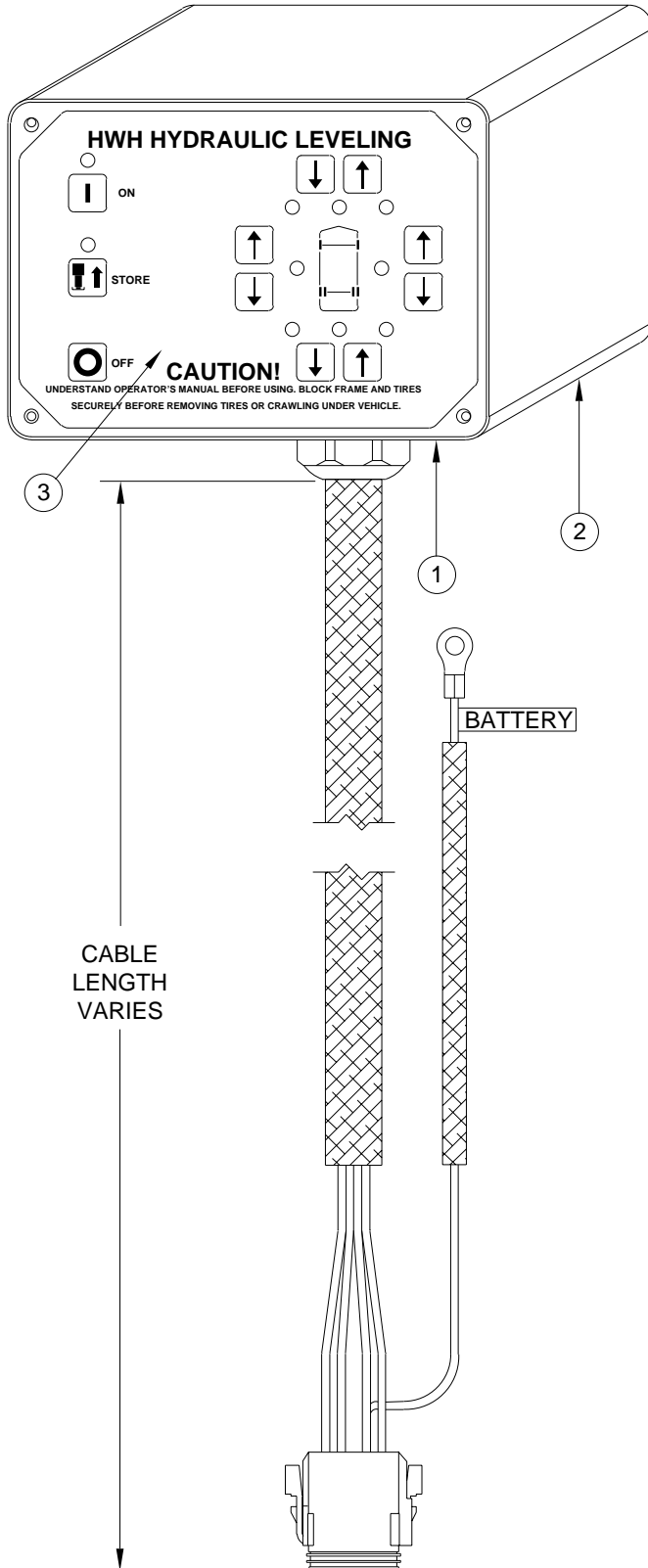
EXISTING NO.	REPLACEMENT NO.
AP12560	RAP90565

**REPLACEMENT PARTS**

ITEM	PART	DESCRIPTION
1	RAP90554	TOUCH PANEL
2	RAP90060	MOLDED BOX W/CABLE (DOES NOT INCLUDE TOUCH PANEL)
3	RP91838	LEXAN

**PANEL, CONTROL AND INDICATOR LIGHTS  
(WITH CABLE ASSEMBLY)  
325 SERIES, TOUCH PANEL-CONTROLLED LEVELING SYSTEMS  
(NON - MOTORIZED VEHICLES)**

**HYDRAULIC LEVELING ONLY  
WITHOUT SUSPENSION AIR DUMP**



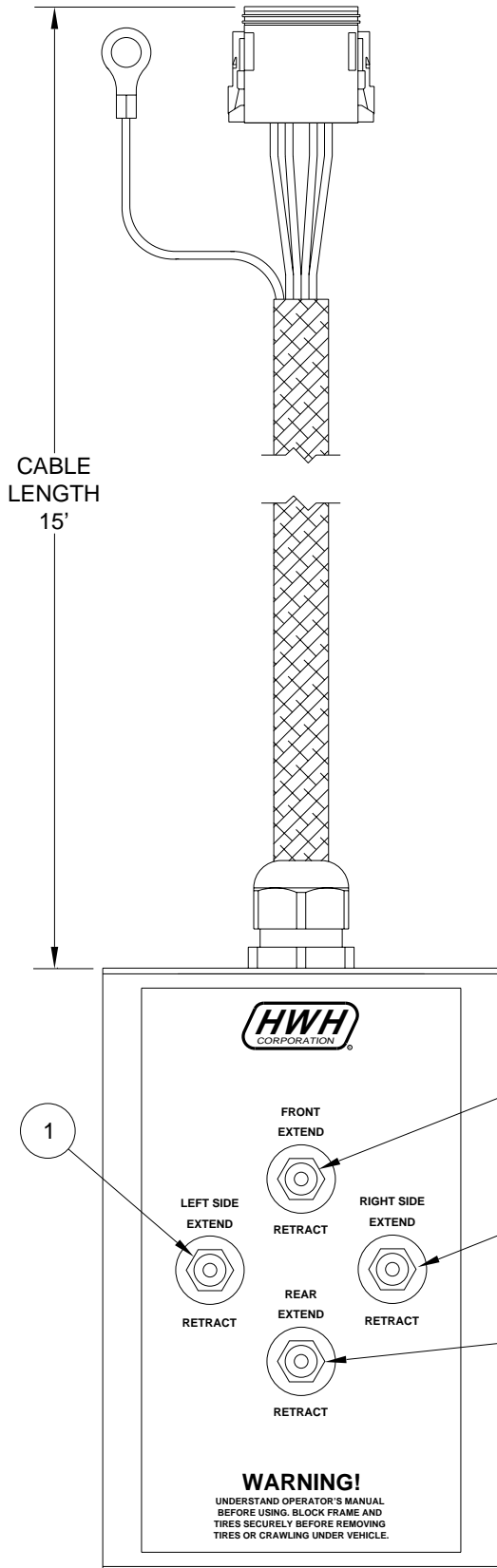
EXISTING NO.	REPLACEMENT NO.
AP34617 15' LONG	RAP91876
AP34684 20' LONG	RAP91878
AP37268 50' LONG	RAP91880

**REPLACEMENT PARTS**

ITEM	PART	DESCRIPTION
1	RAP91872 (AP35904)	TOUCH PANEL
2	RAP91877 (AP34618) 15' LONG	MOLDED BOX W/CABLE (DOES NOT INCLUDE TOUCH PANEL)
	RAP91879 (AP34683) 20' LONG	
	RAP91881 (AP37267) 50' LONG	
3	RP91845	LEXAN

**PENDANT, CONTROL  
(WITH CABLE ASSEMBLY)  
TOGGLE SWITCH-CONTROLLED LEVELING SYSTEMS  
(MOTORIZED VEHICLES)**

**HYDRAULIC LEVELING ONLY  
WITHOUT SUSPENSION AIR DUMP**



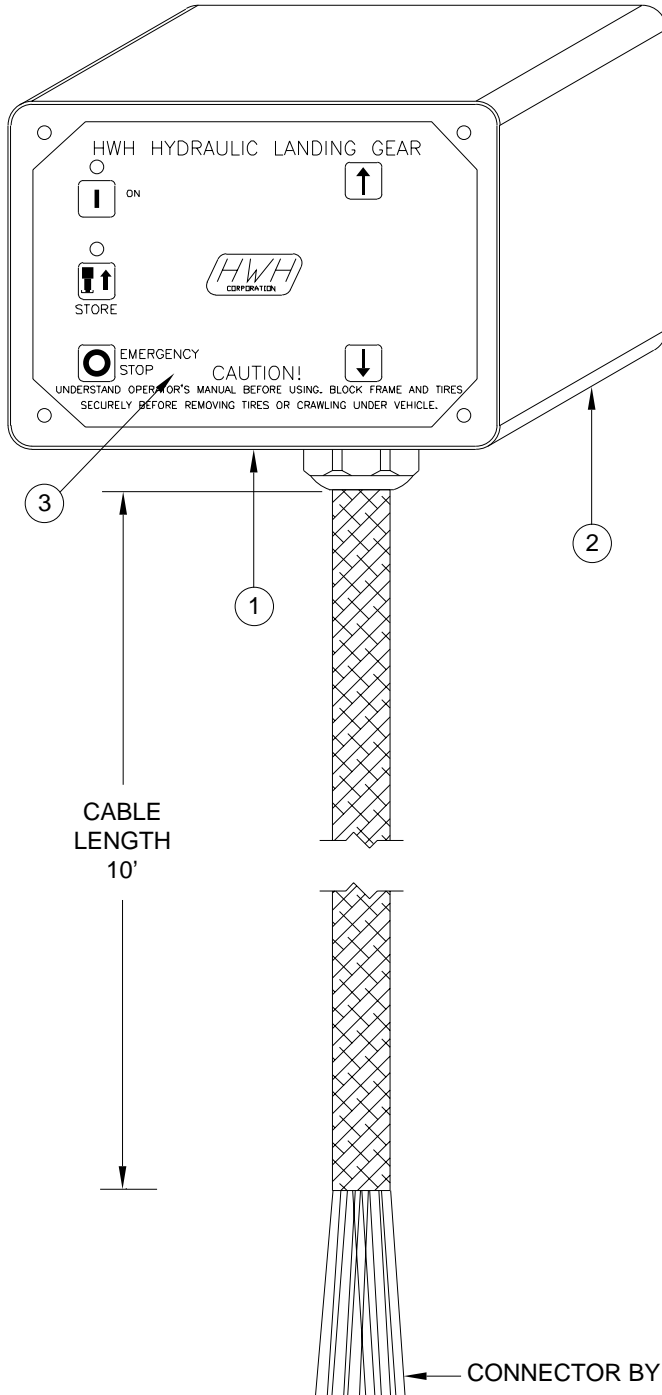
EXISTING NO.	REPLACEMENT NO.
AP46052	RAP92848

**REPLACEMENT PARTS**

ITEM	PART	DESCRIPTION
1	RP92349	TOGGLE SWITCH

**PANEL, CONTROL AND INDICATOR LIGHTS  
(WITH CABLE ASSEMBLY)  
TOUCH PANEL-CONTROLLED LANDING GEAR SYSTEMS  
(NON - MOTORIZED VEHICLES)**

**HYDRAULIC LEVELING ONLY  
WITHOUT SUSPENSION AIR DUMP**



EXISTING NO.	REPLACEMENT NO.
AP17564	RAP90561

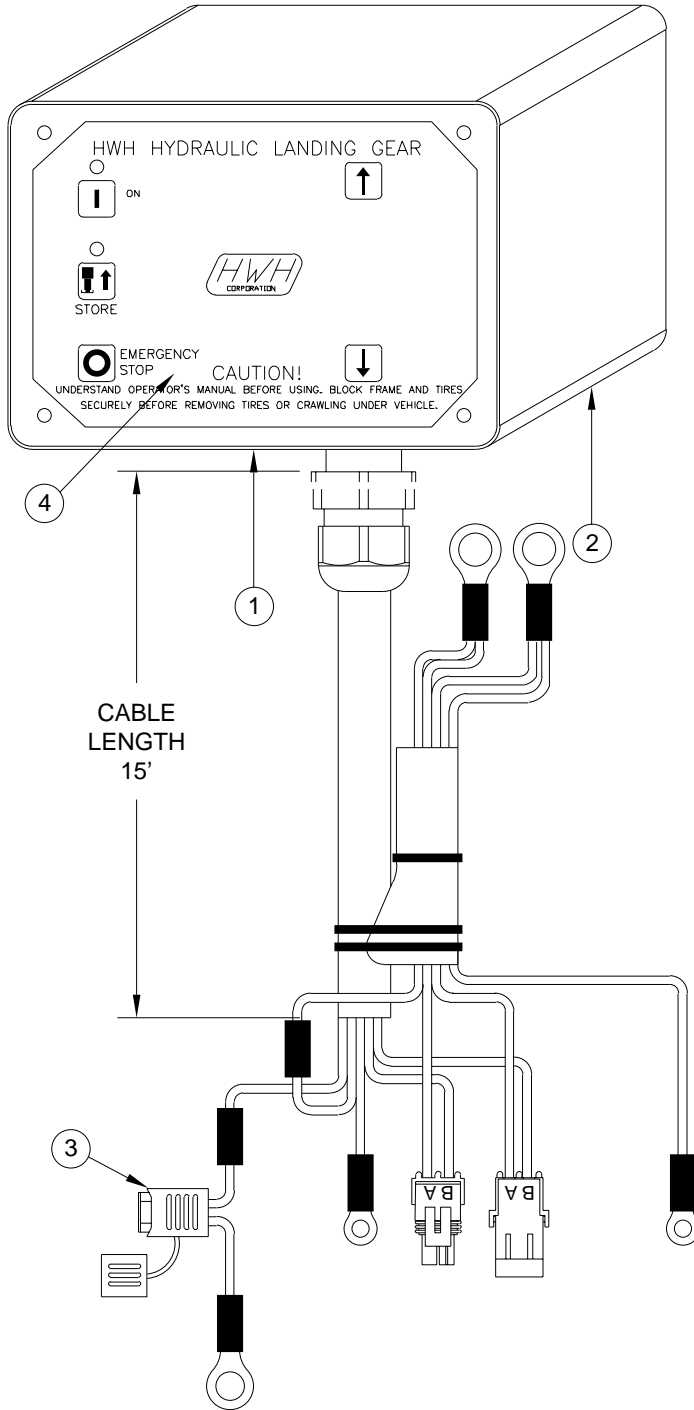
**REPLACEMENT PARTS**

ITEM	PART	DESCRIPTION
1	RAP90551	TOUCH PANEL
2	RAP90060	MOLDED BOX W/CABLE (DOES NOT INCLUDE TOUCH PANEL)
3	RP91835	LEXAN

**PANEL, CONTROL AND INDICATOR LIGHTS  
(WITH CABLE ASSEMBLY)**

**TOUCH PANEL-CONTROLLED LANDING GEAR SYSTEMS  
(NON - MOTORIZED VEHICLES WITHOUT ROOM EXTENSIONS)**

**HYDRAULIC LEVELING ONLY  
WITHOUT SUSPENSION AIR DUMP**



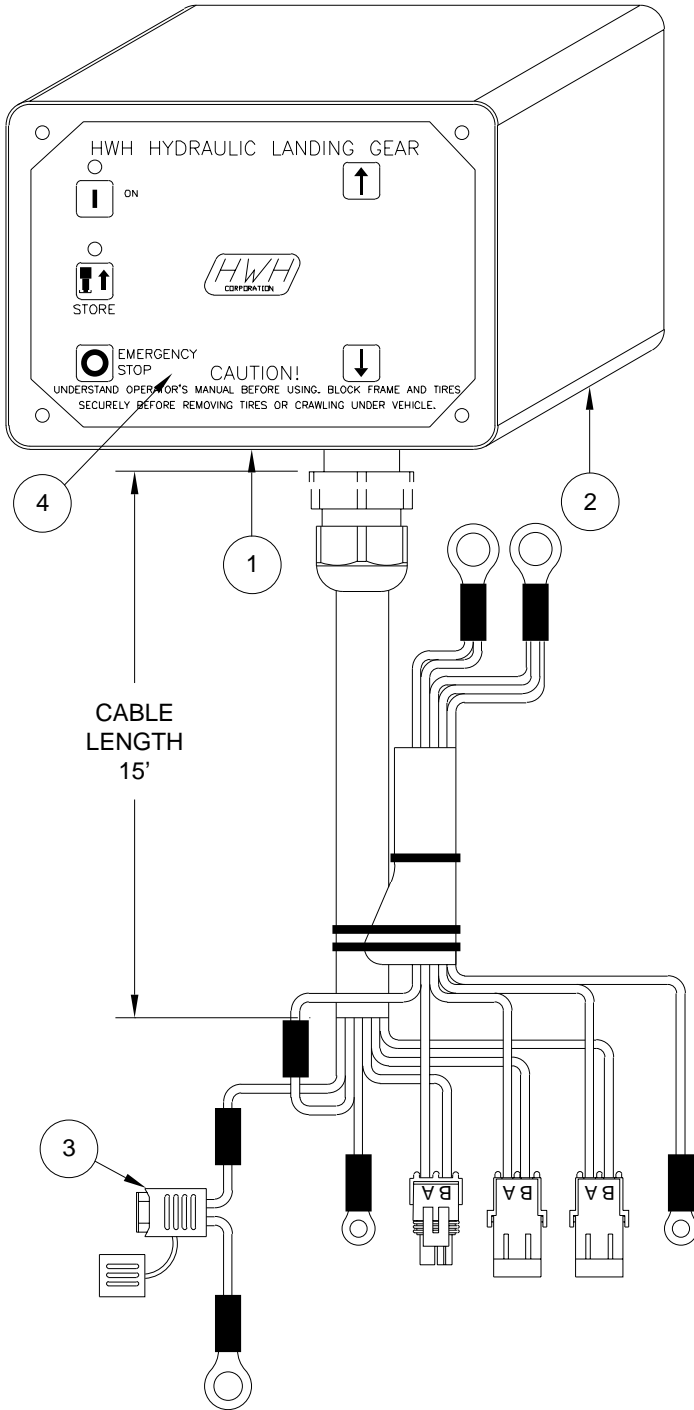
EXISTING NO.	REPLACEMENT NO.
AP13691	RAP90562

**REPLACEMENT PARTS**

ITEM	PART	DESCRIPTION
1	RAP90551	TOUCH PANEL
2	RAP90060	MOLDED BOX W/CABLE (DOES NOT INCLUDE TOUCH PANEL)
3	R90567	FUSE 20 AMP (5 PER PACKAGE)
4	RP91835	LEXAN

**PANEL, CONTROL AND INDICATOR LIGHTS  
(WITH CABLE ASSEMBLY)  
TOUCH PANEL-CONTROLLED LANDING GEAR SYSTEMS  
(NON - MOTORIZED VEHICLES WITH ROOM EXTENSIONS)**

**HYDRAULIC LEVELING ONLY  
WITHOUT SUSPENSION AIR DUMP**



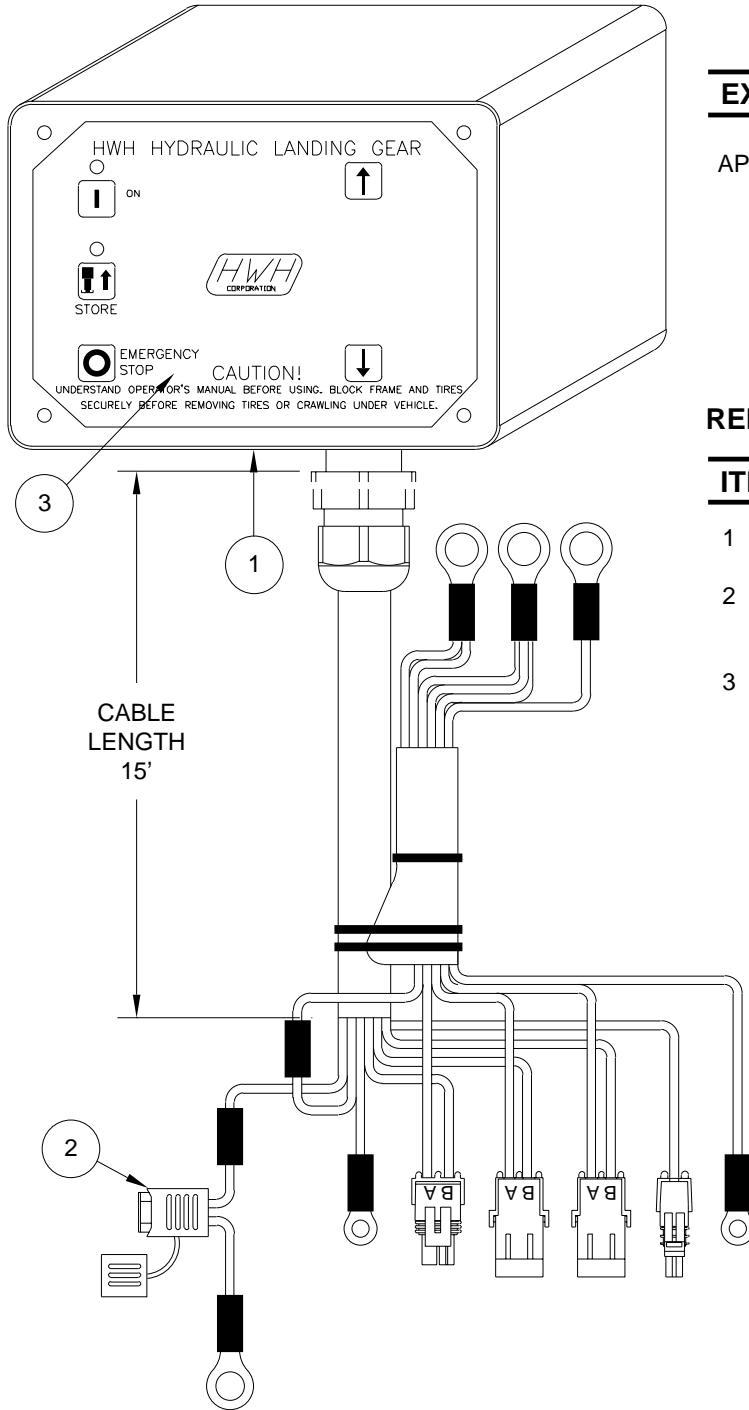
EXISTING NO.	REPLACEMENT NO.
AP13538	RAP90563

**REPLACEMENT PARTS**

ITEM	PART	DESCRIPTION
1	RAP90551	TOUCH PANEL
2	RAP90060	MOLDED BOX W/CABLE (DOES NOT INCLUDE TOUCH PANEL)
3	R90567	FUSE 20 AMP (5 PER PACKAGE)
4	RP91835	LEXAN

**PANEL, CONTROL AND INDICATOR LIGHTS  
(WITH CABLE ASSEMBLY)  
TOUCH PANEL-CONTROLLED LANDING GEAR SYSTEMS  
(NON - MOTORIZED VEHICLES)**

**HYDRAULIC LEVELING ONLY  
WITHOUT SUSPENSION AIR DUMP**



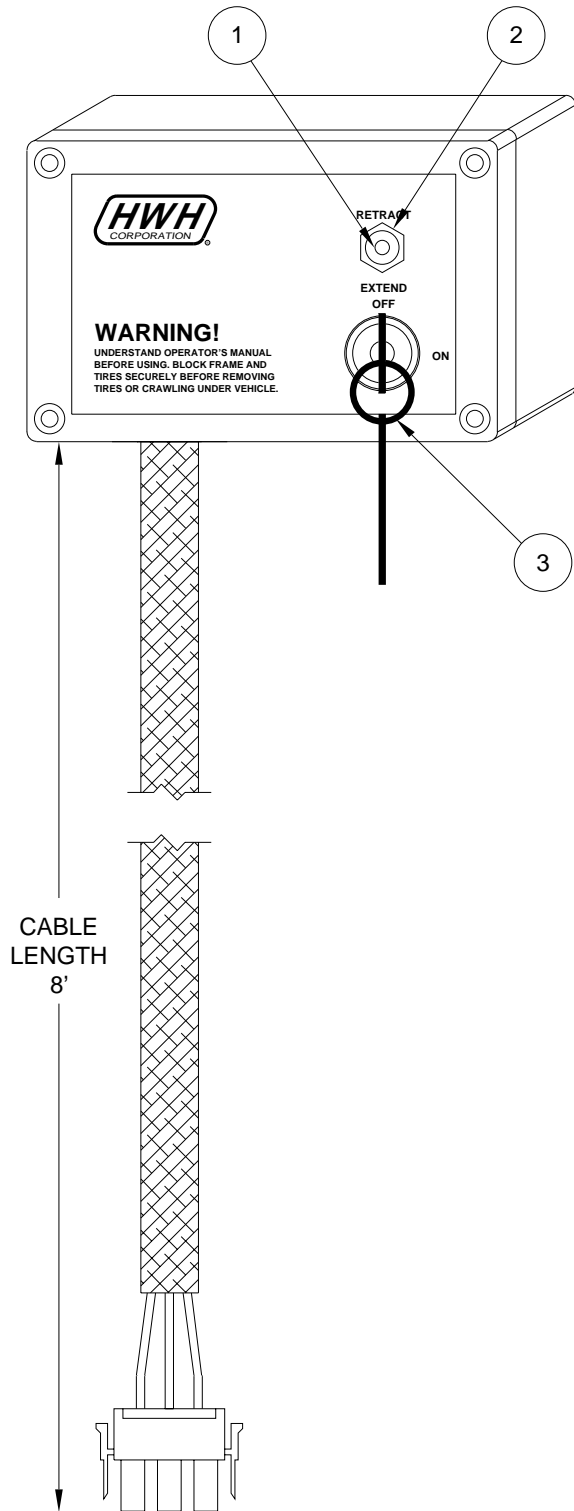
EXISTING NO.	REPLACEMENT NO.
AP37385	RAP92366

**REPLACEMENT PARTS**

ITEM	PART	DESCRIPTION
1	RAP92315	TOUCH PANEL
2	R90567	FUSE 20 AMP (5 PER PACKAGE)
3	RP91835	LEXAN



**PANEL, CONTROL  
(WITH CABLE ASSEMBLY)  
TOGGLE SWITCH-CONTROLLED LANDING GEAR SYSTEM  
(NON - MOTORIZED VEHICLES)**



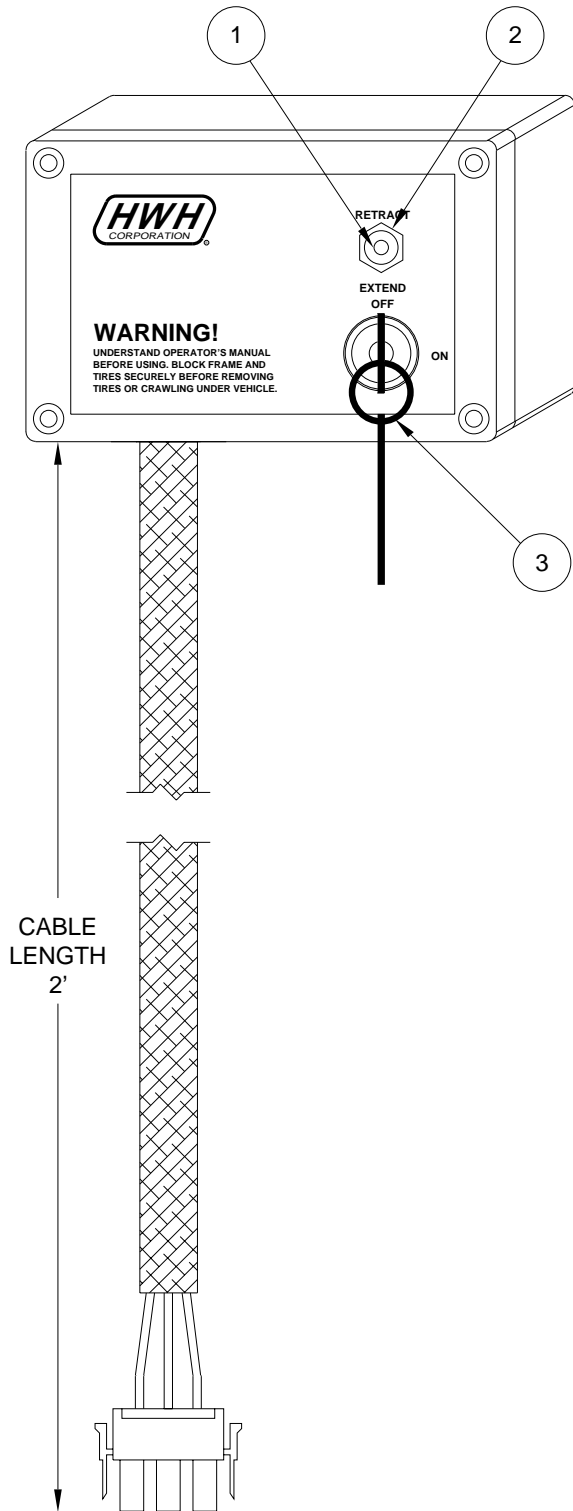
EXISTING NO.	REPLACEMENT NO.
AP44452	RAP92840

**REPLACEMENT PARTS**

ITEM	PART	DESCRIPTION
1	RAP92457	TOGGLE SWITCH
2	RP92458	TOGGLE SWITCH BOOT
3	RP92744	REPLACEMENT KEYS (CONTAINS 2)

**NOTE:** THE KEY SWITCH IS NOT A REPLACABLE PART.  
ORDER THE COMPLETE ASSEMBLY IF THE KEY  
SWITCH REPLACEMENT IS NECESSARY.

**PANEL, CONTROL  
(WITH CABLE ASSEMBLY)  
TOGGLE SWITCH-CONTROLLED LANDING GEAR SYSTEM  
(NON - MOTORIZED VEHICLES)**



EXISTING NO.	REPLACEMENT NO.
AP46738	RAP92864

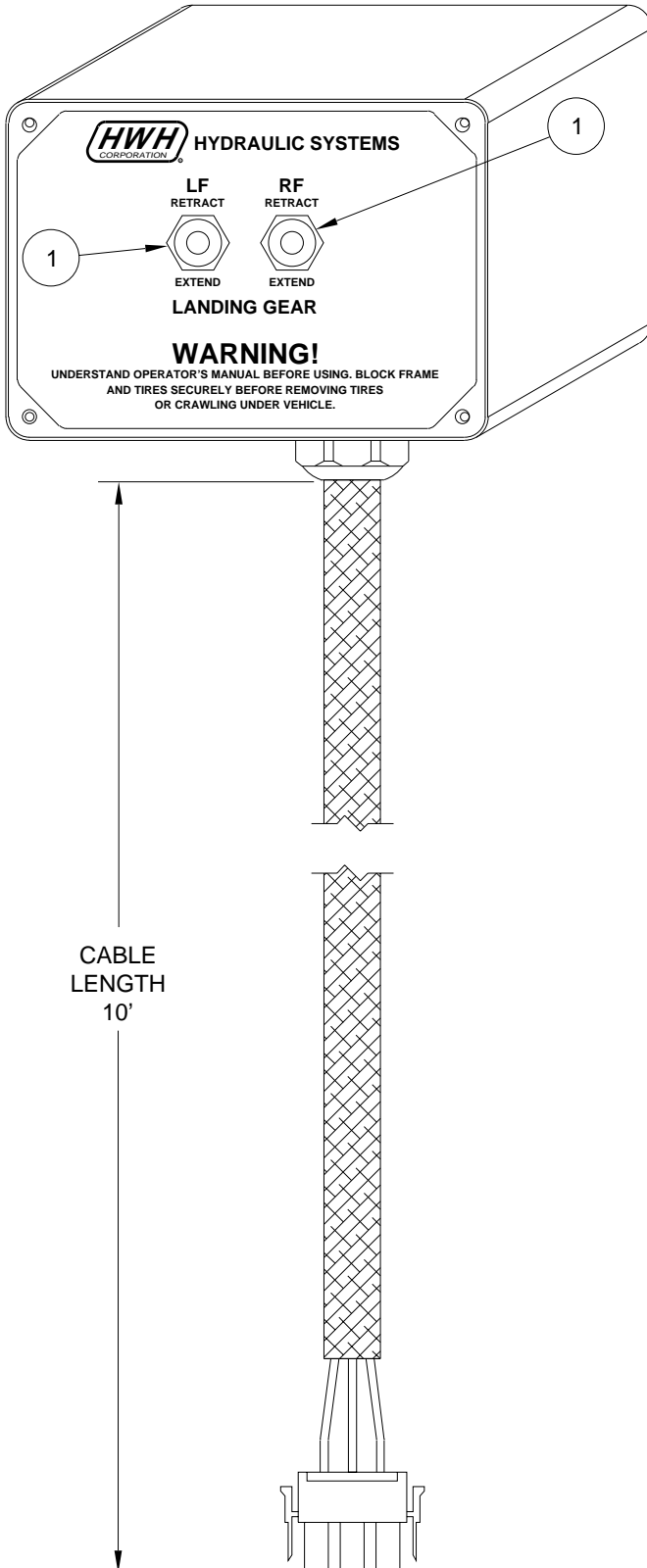
**REPLACEMENT PARTS**

ITEM	PART	DESCRIPTION
1	RAP92457	TOGGLE SWITCH
2	RP92458	TOGGLE SWITCH BOOT
3	RP92744	REPLACEMENT KEYS (CONTAINS 2)

**NOTE:** THE KEY SWITCH IS NOT A REPLACABLE PART. ORDER THE COMPLETE ASSEMBLY IF THE KEY SWITCH REPLACEMENT IS NECESSARY.

**PENDANT, CONTROL  
(WITH CABLE ASSEMBLY)  
TOGGLE SWITCH-CONTROLLED LANDING GEAR SYSTEMS  
(NON - MOTORIZED VEHICLES)**

**HYDRAULIC LEVELING ONLY  
WITHOUT SUSPENSION AIR DUMP**



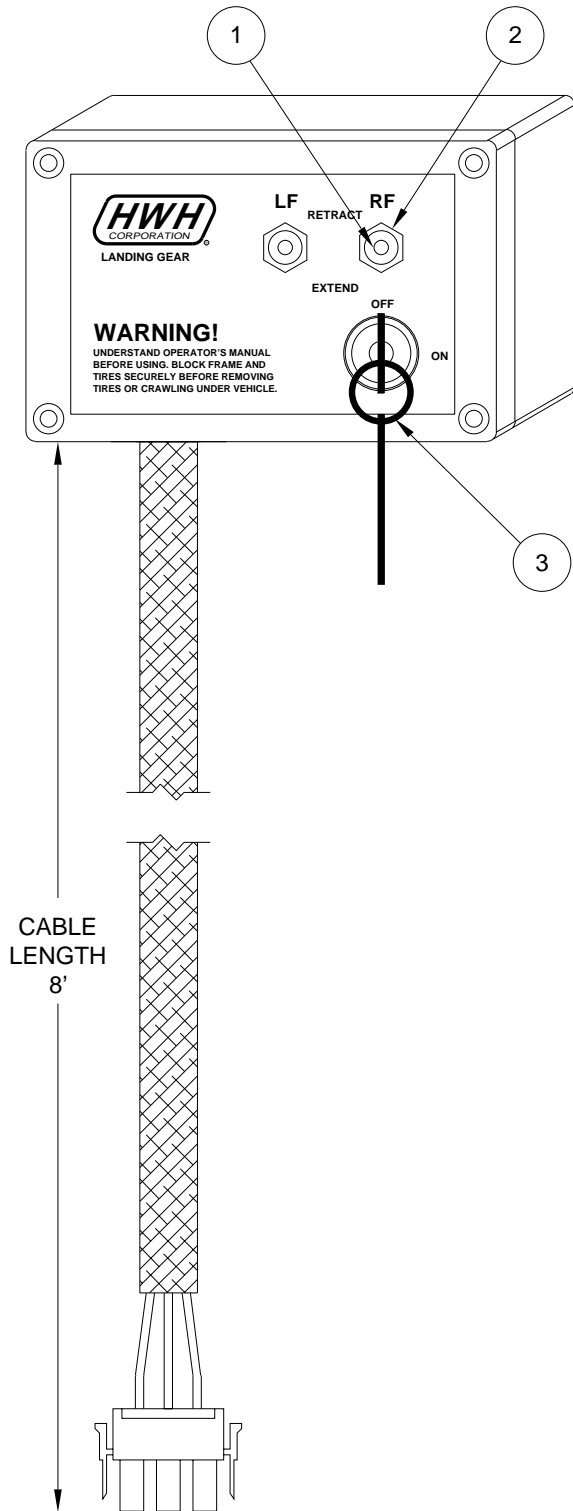
EXISTING NO.	REPLACEMENT NO.
AP42390	RAP92847

**REPLACEMENT PARTS**

ITEM	PART	DESCRIPTION
1	RP92349	TOGGLE SWITCH

CABLE LENGTH  
10'

**PANEL, CONTROL  
(WITH CABLE ASSEMBLY)  
TOGGLE SWITCH-CONTROLLED LANDING GEAR SYSTEM  
(NON - MOTORIZED VEHICLES)**



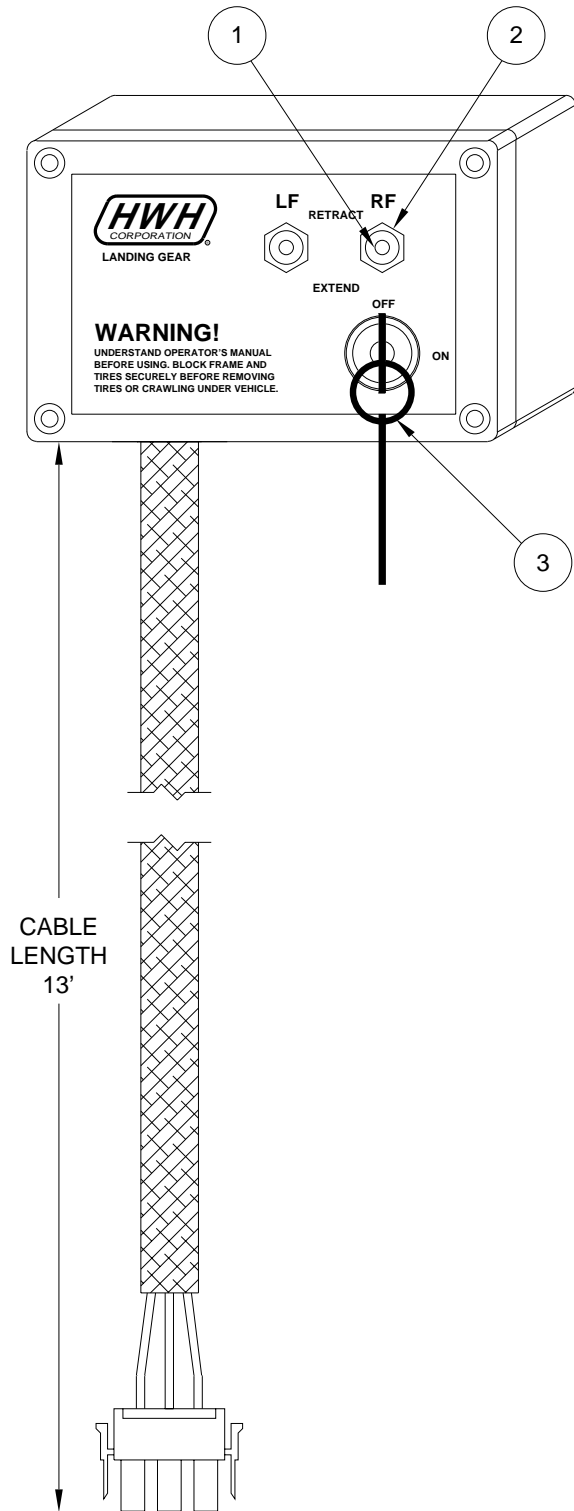
EXISTING NO.	REPLACEMENT NO.
AP43756	RAP92461

**REPLACEMENT PARTS**

ITEM	PART	DESCRIPTION
1	RAP92457	TOGGLE SWITCH
2	RP92458	TOGGLE SWITCH BOOT
3	RP92744	REPLACEMENT KEYS (CONTAINS 2)

**NOTE:** THE KEY SWITCH IS NOT A REPLACABLE PART. ORDER THE COMPLETE ASSEMBLY IF THE KEY SWITCH REPLACEMENT IS NECESSARY.

**PANEL, CONTROL  
(WITH CABLE ASSEMBLY)  
TOGGLE SWITCH-CONTROLLED LANDING GEAR SYSTEM  
(NON - MOTORIZED VEHICLES)**



EXISTING NO.	REPLACEMENT NO.
AP46061	RAP92835

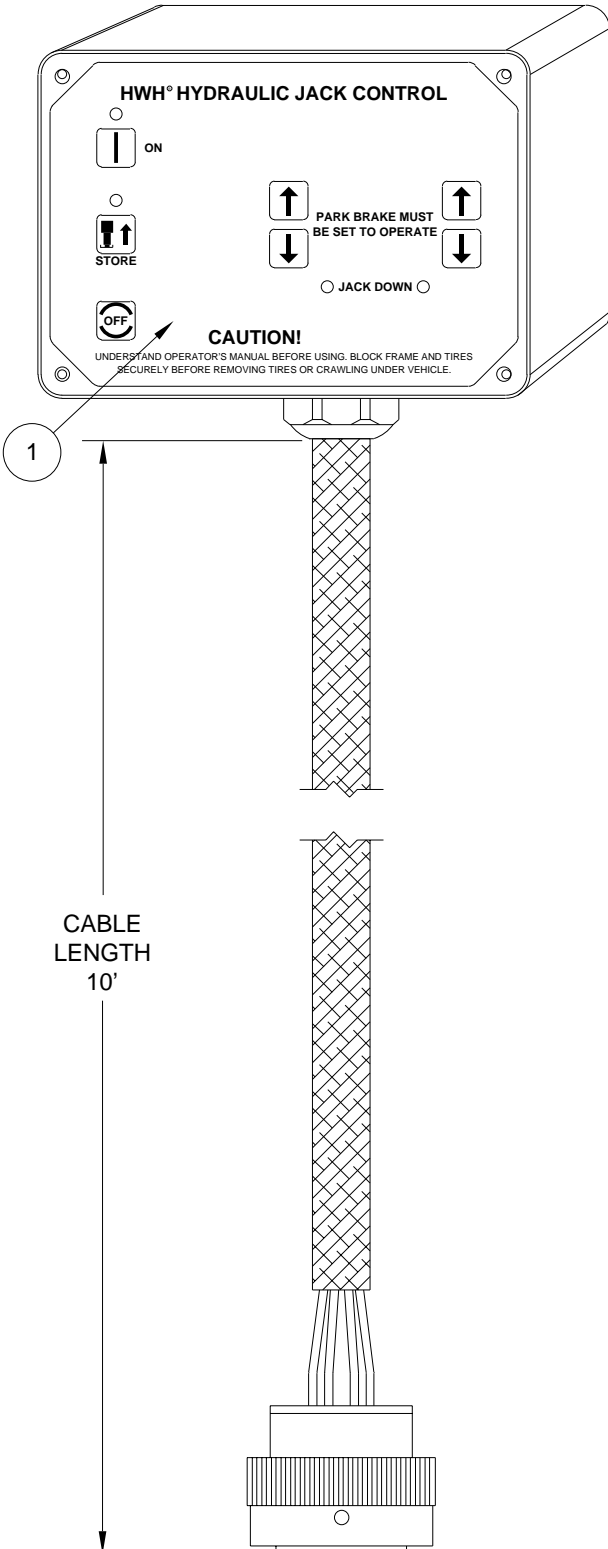
**REPLACEMENT PARTS**

ITEM	PART	DESCRIPTION
1	RAP92457	TOGGLE SWITCH
2	RP92458	TOGGLE SWITCH BOOT
3	RP92744	REPLACEMENT KEYS (CONTAINS 2)

**NOTE:** THE KEY SWITCH IS NOT A REPLACABLE PART. ORDER THE COMPLETE ASSEMBLY IF THE KEY SWITCH REPLACEMENT IS NECESSARY.

**PANEL, CONTROL AND INDICATOR LIGHTS  
(WITH CABLE ASSEMBLY)  
TOUCH PANEL-CONTROLLED 2-JACK SYSTEM  
(MOTORIZED VEHICLES - STABILIZE ONLY)**

**HYDRAULIC LEVELING ONLY  
WITHOUT SUSPENSION AIR DUMP**



EXISTING NO.	REPLACEMENT NO.
--------------	-----------------

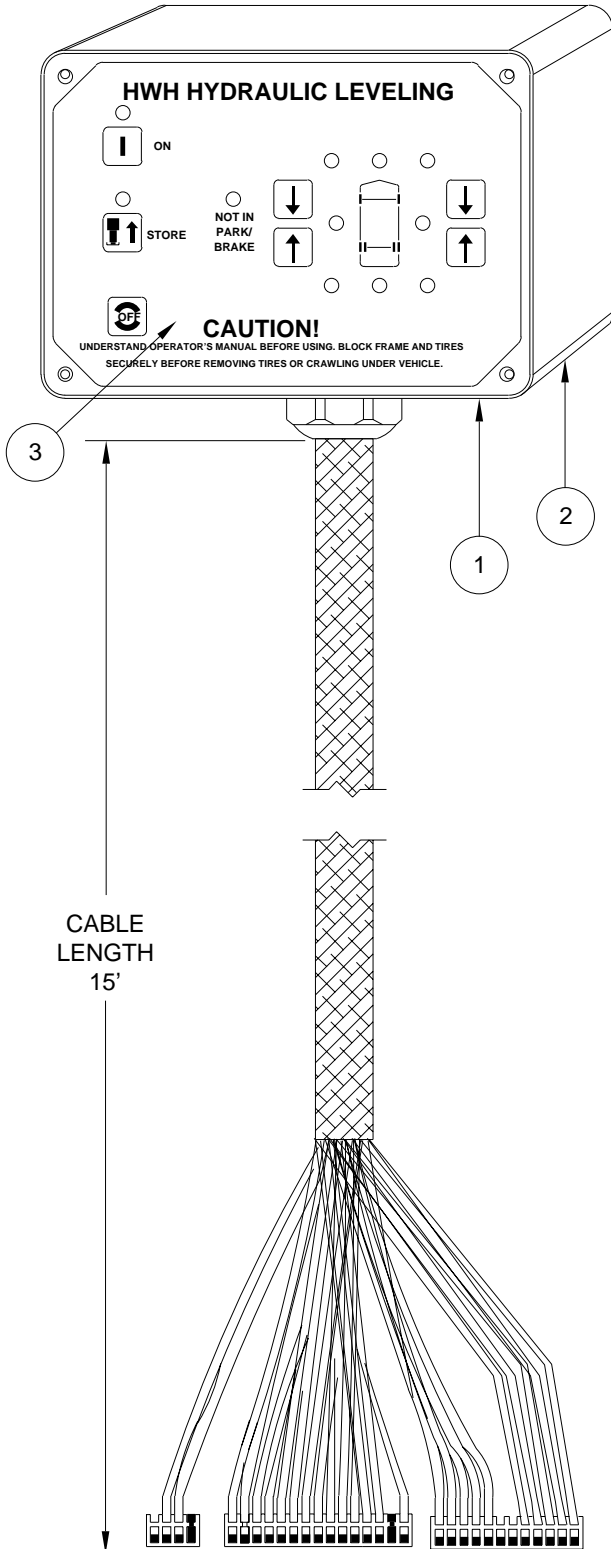
AP38656	RAP92367
---------	----------

**REPLACEMENT PARTS**

ITEM	PART	DESCRIPTION
1	RP92348	LEXAN
2	R90925	FUSE 5 AMP (5 PER PACKAGE)
3	R90928	FUSE 15 AMP (5 PER PACKAGE)

**PANEL, CONTROL AND INDICATOR LIGHTS  
(WITH CABLE ASSEMBLY)  
310 SERIES, TOUCH PANEL-CONTROLLED 2-JACK SYSTEM  
(MOTORIZED VEHICLES - STABILIZE ONLY)**

**HYDRAULIC LEVELING ONLY  
WITHOUT SUSPENSION AIR DUMP**



EXISTING NO.	REPLACEMENT NO.
--------------	-----------------

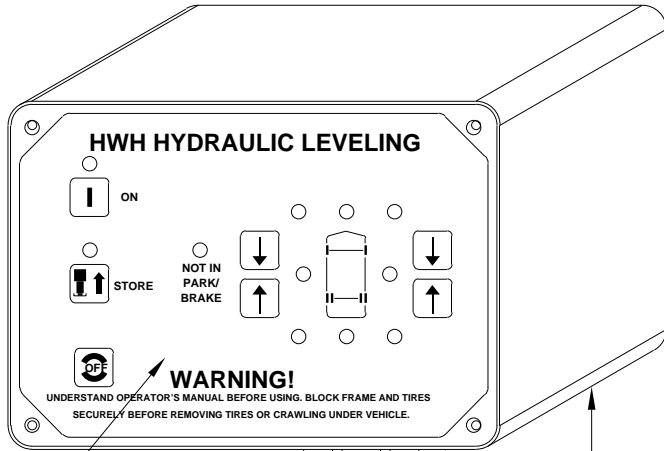
AP12561	RAP90564
---------	----------

**REPLACEMENT PARTS**

ITEM	PART	DESCRIPTION
1	RAP90553 (AP12576)	TOUCH PANEL
2	RAP90880 (AP20439)	MOLDED BOX W/CABLE (DOES NOT INCLUDE TOUCH PANEL)
3	RP91832	LEXAN

**PANEL, CONTROL AND INDICATOR LIGHTS  
(WITH CABLE ASSEMBLY)  
625 SERIES, TOUCH PANEL-CONTROLLED 2-JACK SYSTEM  
(MOTORIZED VEHICLES - STABILIZE ONLY)**

**HYDRAULIC LEVELING ONLY  
WITHOUT SUSPENSION AIR DUMP**

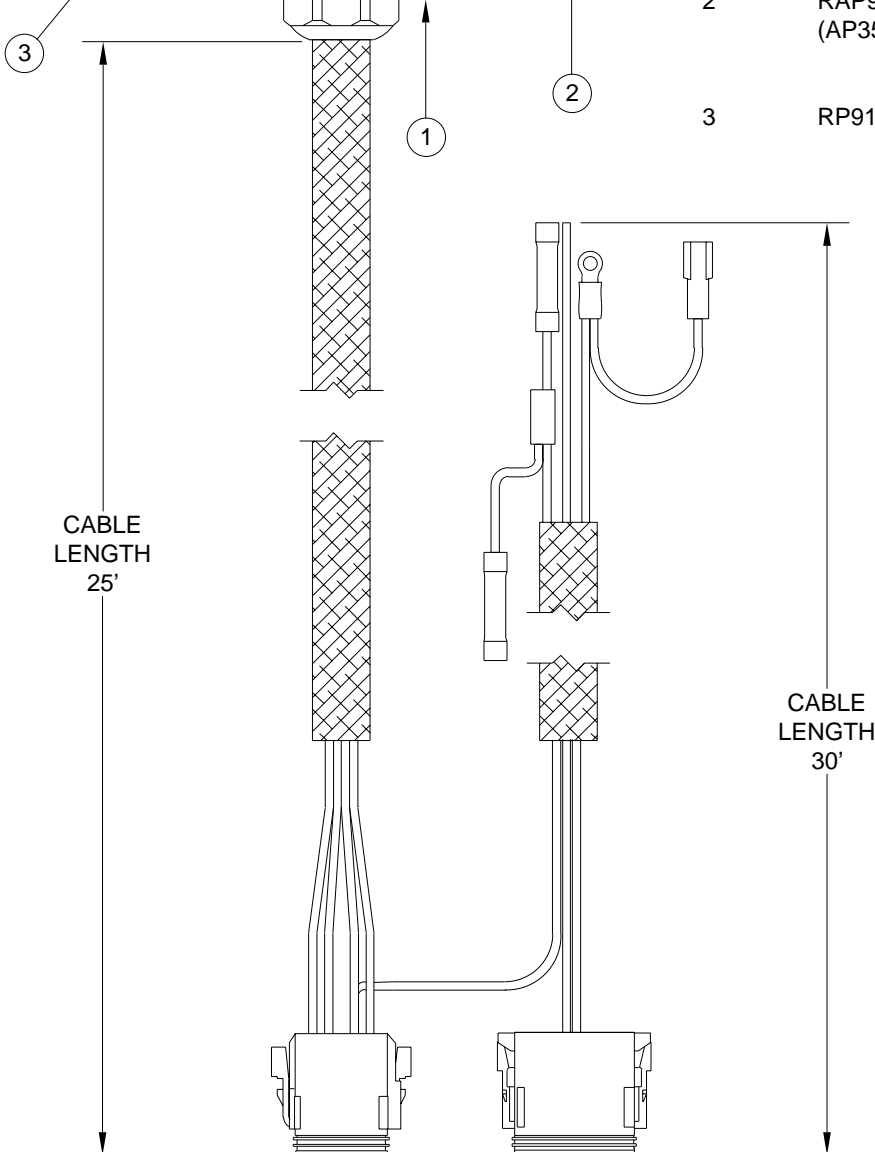


EXISTING NO.	REPLACEMENT NO.
--------------	-----------------

AP35799	RAP92857
---------	----------

**REPLACEMENT PARTS**

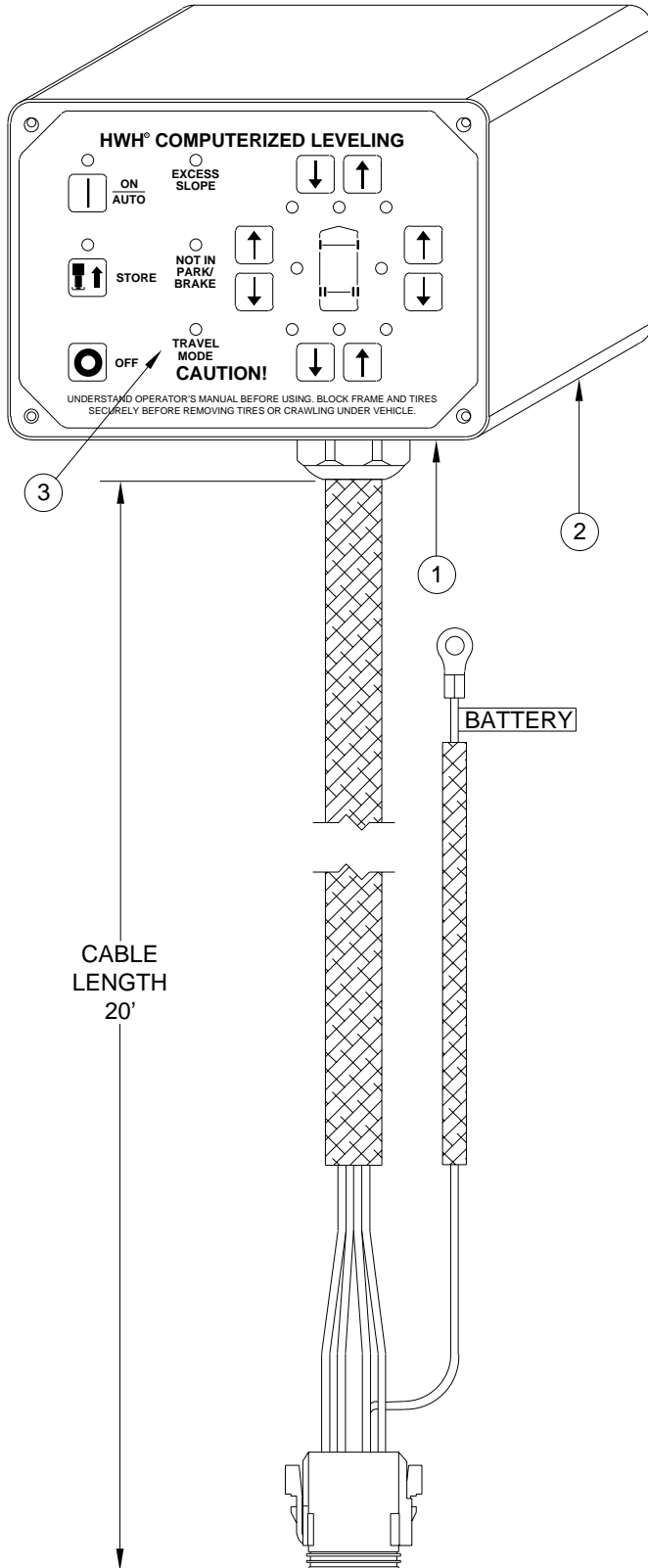
ITEM	PART	DESCRIPTION
1	RAP92360 (AP35798)	TOUCH PANEL
2	RAP92858 (AP35801)	MOLDED BOX W/CABLE (DOES NOT INCLUDE TOUCH PANEL)
3	RP91832	LEXAN





**PANEL, CONTROL AND INDICATOR LIGHTS  
(WITH CABLE ASSEMBLY)  
625 SERIES, TOUCH PANEL-CONTROLLED LEVELING SYSTEMS  
(NON - MOTORIZED VEHICLES)**

**HYDRAULIC LEVELING ONLY  
WITHOUT SUSPENSION AIR DUMP**



EXISTING NO.	REPLACEMENT NO.
--------------	-----------------

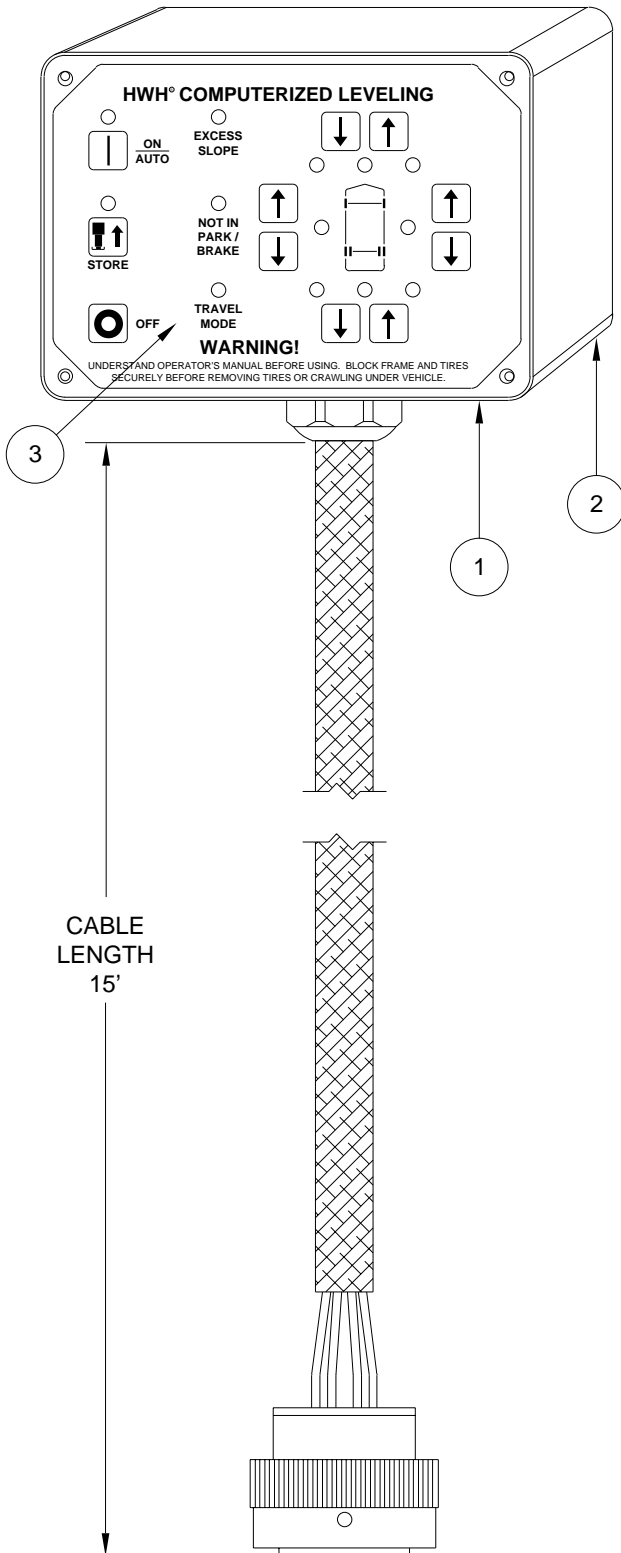
AP37982 20' LONG	RAP92253
------------------	----------

**REPLACEMENT PARTS**

ITEM	PART	DESCRIPTION
1	RAP91252 (AP24946)	TOUCH PANEL
2	RAP91879 (AP34683) 20' LONG	MOLDED BOX W/CABLE (DOES NOT INCLUDE TOUCH PANEL)
3	RP91683	LEXAN

**PANEL, CONTROL AND INDICATOR LIGHTS  
(WITH CABLE ASSEMBLY)  
FOR 625 SERIES, COMPUTER-CONTROLLED LEVELING SYSTEMS  
(MOTORIZED VEHICLES)**

**HYDRAULIC LEVELING ONLY  
WITHOUT SUSPENSION AIR DUMP**



EXISTING NO.	REPLACEMENT NO.
--------------	-----------------

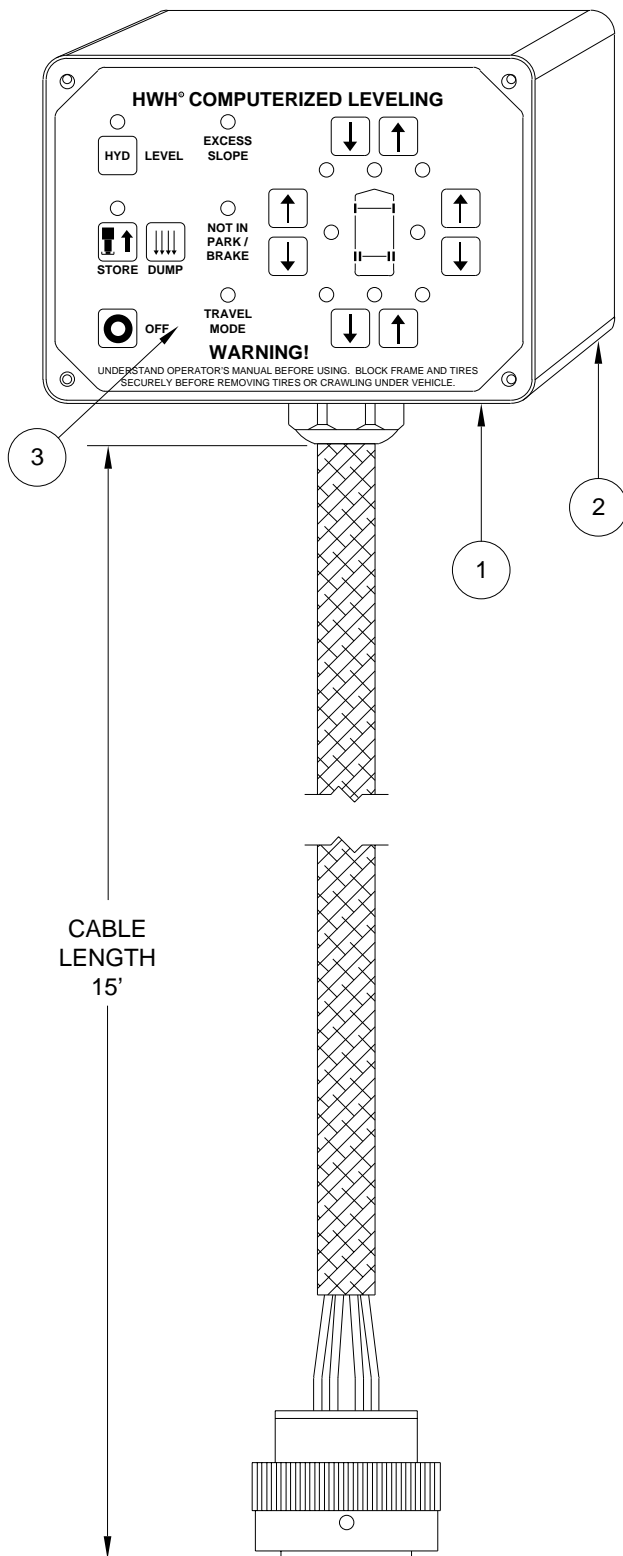
AP31413	RAP92842
---------	----------

**REPLACEMENT PARTS**

ITEM	PART	DESCRIPTION
1	RAP91252	TOUCH PANEL
2	RAP92846	MOLDED BOX W/CABLE (DOES NOT INCLUDE TOUCH PANEL)
3	RP91683	LEXAN

**PANEL, CONTROL AND INDICATOR LIGHTS  
(WITH CABLE ASSEMBLY)  
FOR 625 SERIES, COMPUTER-CONTROLLED LEVELING SYSTEMS  
(MOTORIZED VEHICLES)**

**HYDRAULIC LEVELING ONLY  
WITH SUSPENSION AIR DUMP**



EXISTING NO.	REPLACEMENT NO.
--------------	-----------------

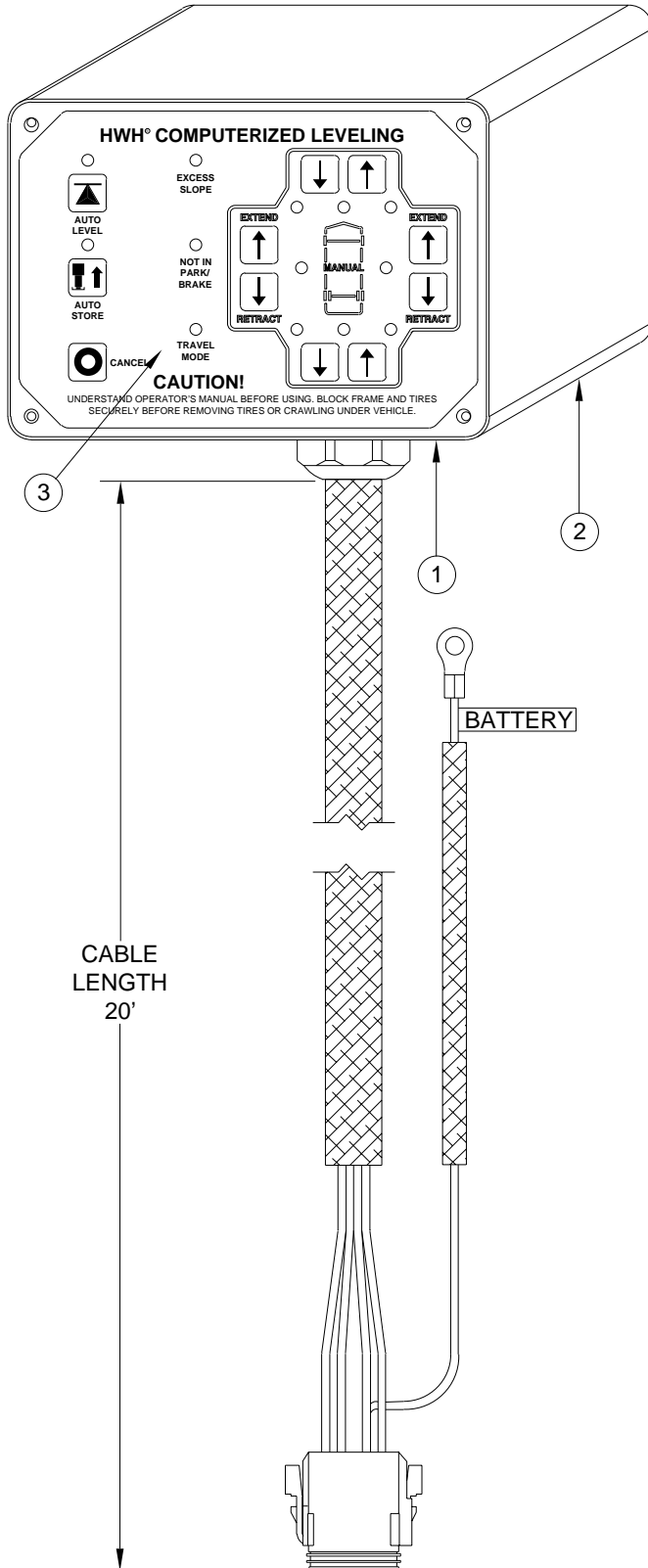
AP33799	RAP92843
---------	----------

**REPLACEMENT PARTS**

ITEM	PART	DESCRIPTION
1	RAP91186	TOUCH PANEL
2	RAP92846	MOLDED BOX W/CABLE (DOES NOT INCLUDE TOUCH PANEL)
3	RP91684	LEXAN

**PANEL, CONTROL AND INDICATOR LIGHTS  
(WITH CABLE ASSEMBLY)  
625S SERIES, TOUCH PANEL-CONTROLLED LEVELING SYSTEMS  
(NON - MOTORIZED VEHICLES)**

**HYDRAULIC LEVELING ONLY  
WITHOUT SUSPENSION AIR DUMP**



EXISTING NO.	REPLACEMENT NO.
--------------	-----------------

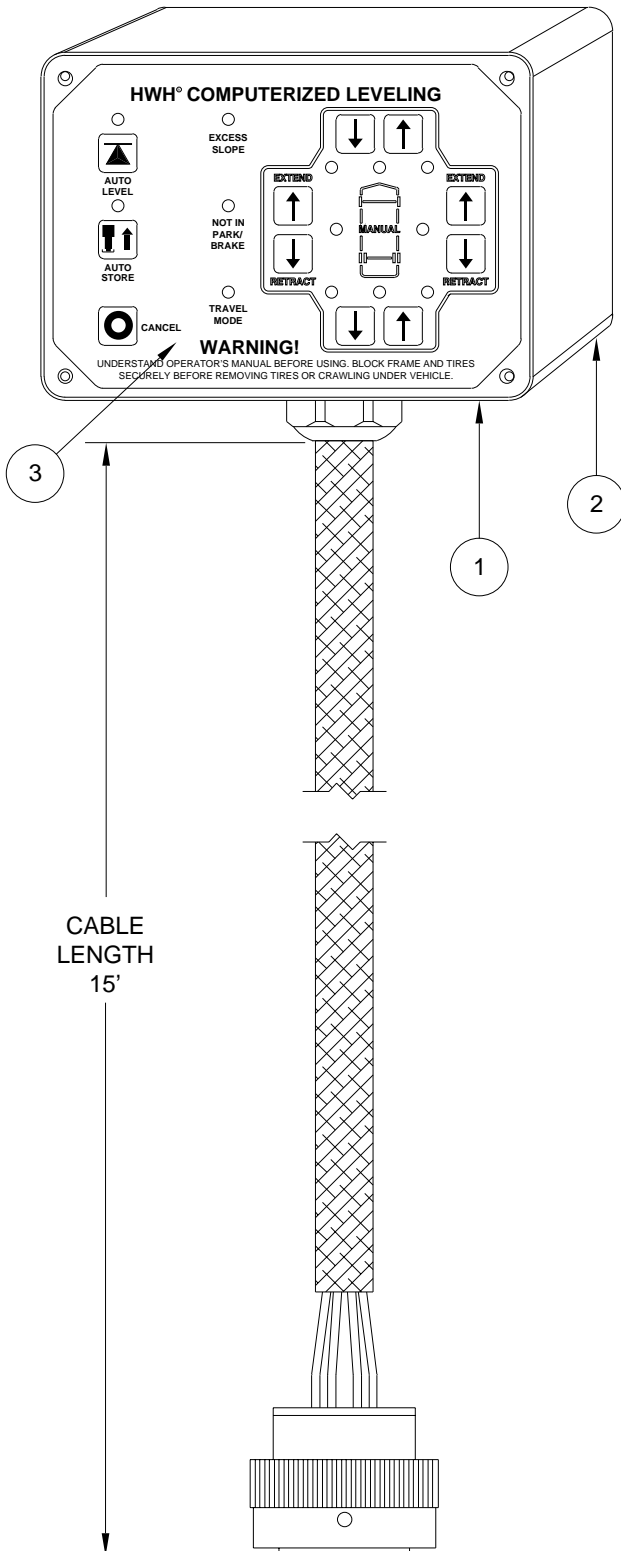
AP42377 20' LONG	RAP92252
------------------	----------

**REPLACEMENT PARTS**

ITEM	PART	DESCRIPTION
1	RAP91869 (AP37168)	TOUCH PANEL
2	RAP91879 (AP34683) 20' LONG	MOLDED BOX W/CABLE (DOES NOT INCLUDE TOUCH PANEL)
3	RP91861	LEXAN

**PANEL, CONTROL AND INDICATOR LIGHTS  
(WITH CABLE ASSEMBLY)  
FOR 625S SERIES, COMPUTER-CONTROLLED LEVELING SYSTEMS  
(MOTORIZED VEHICLES)**

**HYDRAULIC LEVELING ONLY  
WITHOUT SUSPENSION AIR DUMP**



EXISTING NO.	REPLACEMENT NO.
--------------	-----------------

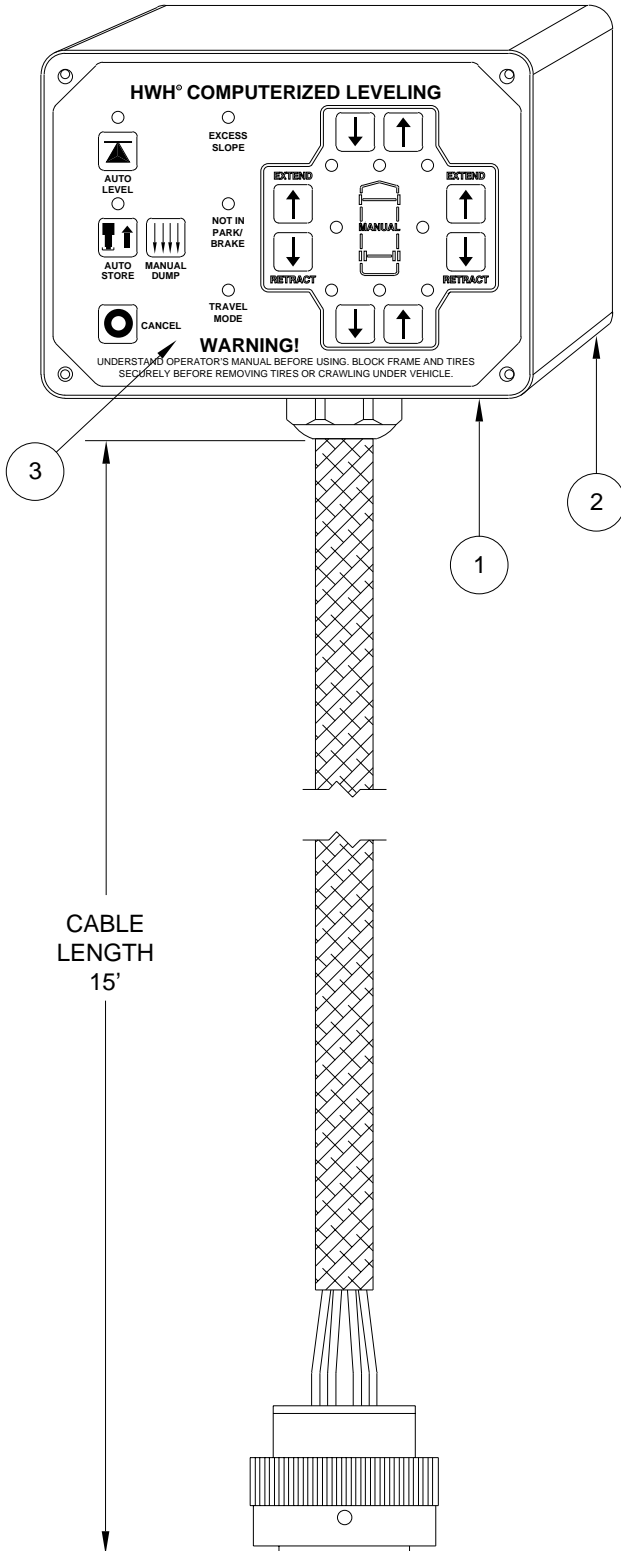
AP42329	RAP92844
---------	----------

**REPLACEMENT PARTS**

ITEM	PART	DESCRIPTION
1	RAP91869	TOUCH PANEL
2	RAP92846	MOLDED BOX W/CABLE (DOES NOT INCLUDE TOUCH PANEL)
3	RP91861	LEXAN

**PANEL, CONTROL AND INDICATOR LIGHTS  
(WITH CABLE ASSEMBLY)  
FOR 625S SERIES, COMPUTER-CONTROLLED LEVELING SYSTEMS  
(MOTORIZED VEHICLES)**

**HYDRAULIC LEVELING ONLY  
WITH SUSPENSION AIR DUMP**



EXISTING NO.	REPLACEMENT NO.
--------------	-----------------

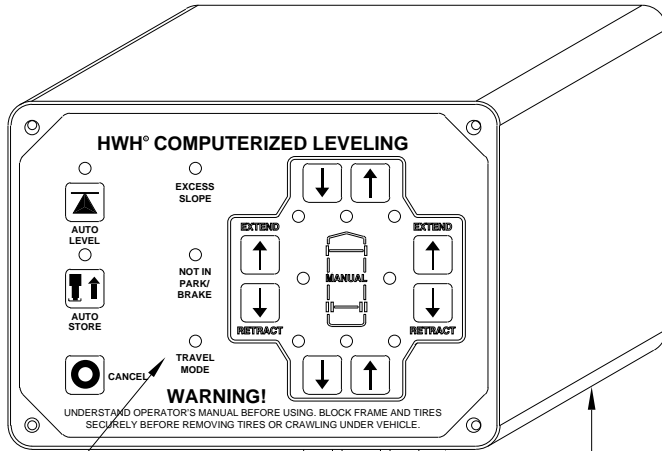
AP42330	RAP92845
---------	----------

**REPLACEMENT PARTS**

ITEM	PART	DESCRIPTION
1	RAP91866	TOUCH PANEL
2	RAP92846	MOLDED BOX W/CABLE (DOES NOT INCLUDE TOUCH PANEL)
3	RP91859	LEXAN

**PANEL, CONTROL AND INDICATOR LIGHTS  
(WITH CABLE ASSEMBLY)  
625S SERIES, TOUCH PANEL-CONTROLLED LEVELING SYSTEM  
(MOTORIZED VEHICLES)**

**HYDRAULIC LEVELING ONLY  
WITHOUT SUSPENSION AIR DUMP**

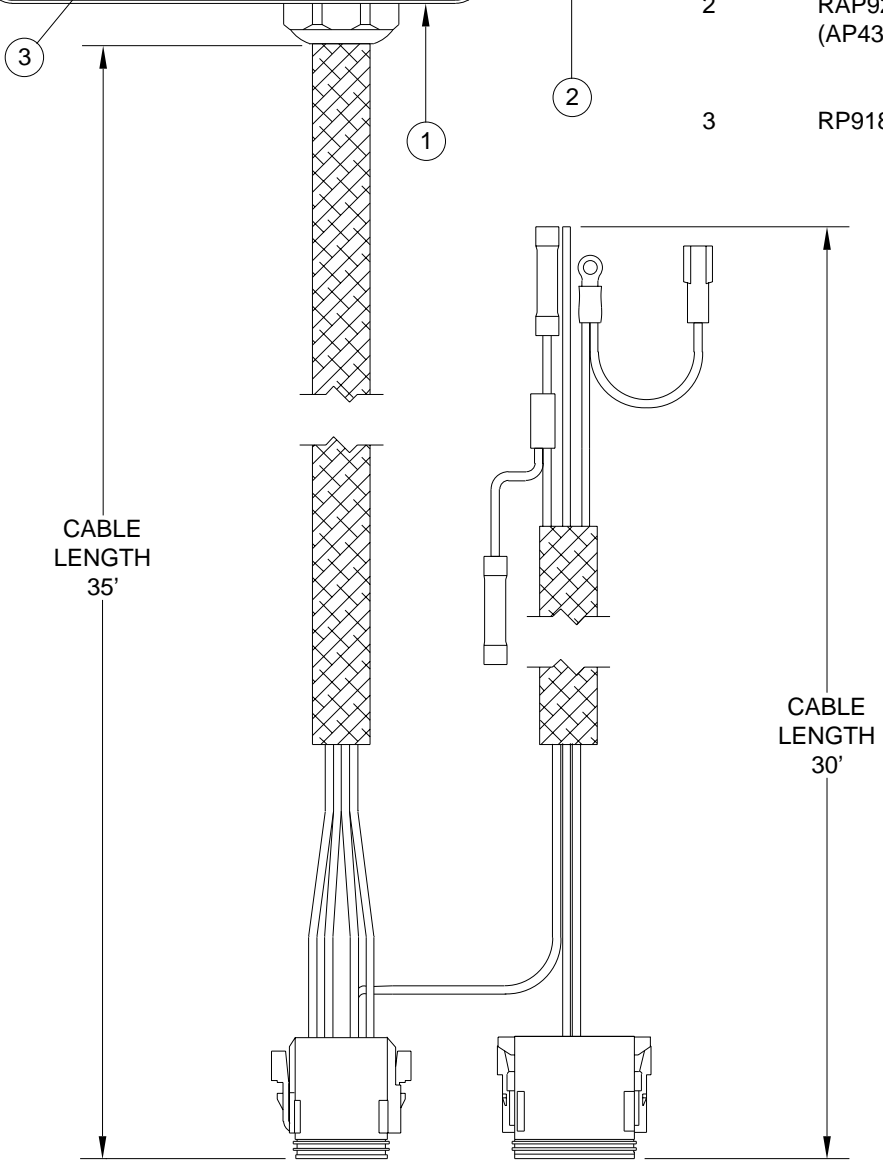


EXISTING NO.	REPLACEMENT NO.
--------------	-----------------

AP44475	RAP92859
---------	----------

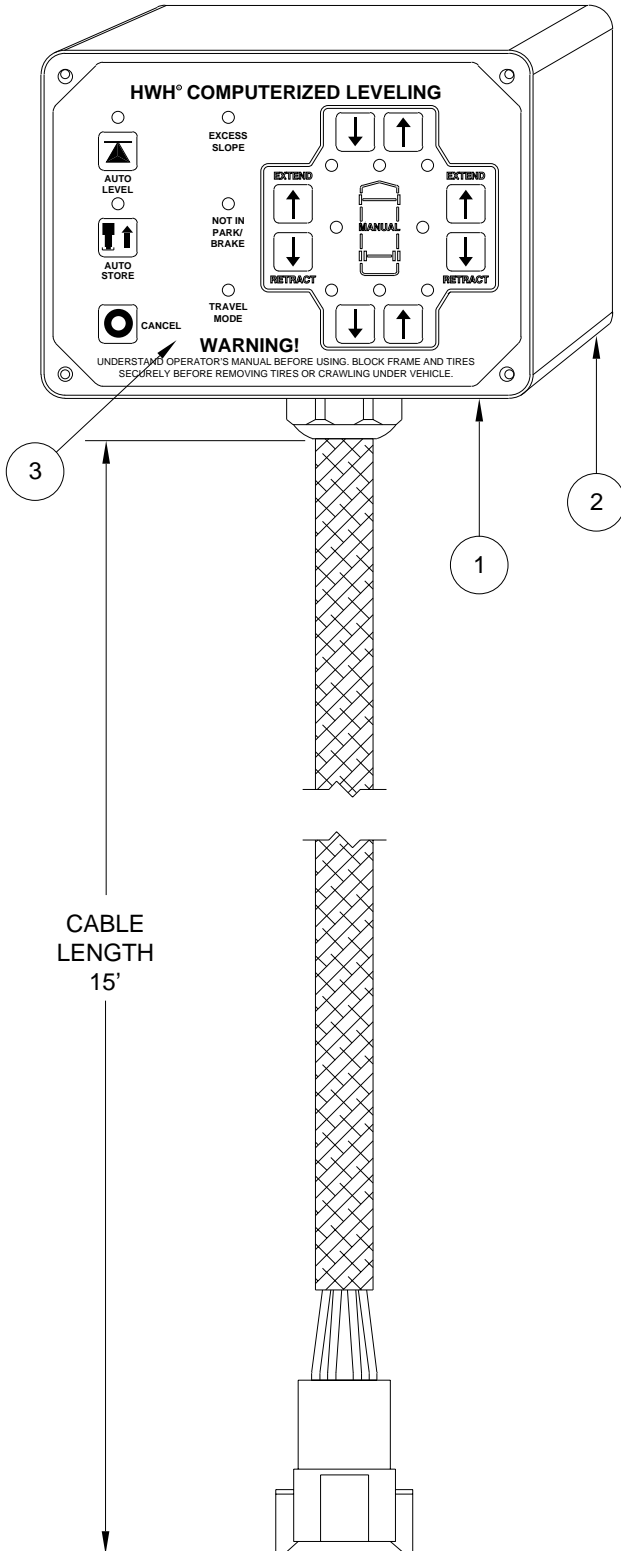
**REPLACEMENT PARTS**

ITEM	PART	DESCRIPTION
1	RAP91869 (AP37168)	TOUCH PANEL
2	RAP92860 (AP43459)	MOLDED BOX W/CABLE (DOES NOT INCLUDE TOUCH PANEL)
3	RP91861	LEXAN



**PANEL, CONTROL AND INDICATOR LIGHTS  
(WITH CABLE ASSEMBLY)  
FOR 625S SERIES, COMPUTER-CONTROLLED LEVELING SYSTEMS  
(MOTORIZED VEHICLES - DUAL TOUCH PANEL)**

**HYDRAULIC LEVELING ONLY  
WITHOUT SUSPENSION AIR DUMP**



EXISTING NO.	REPLACEMENT NO.
--------------	-----------------

AP39675	RAP92850
---------	----------

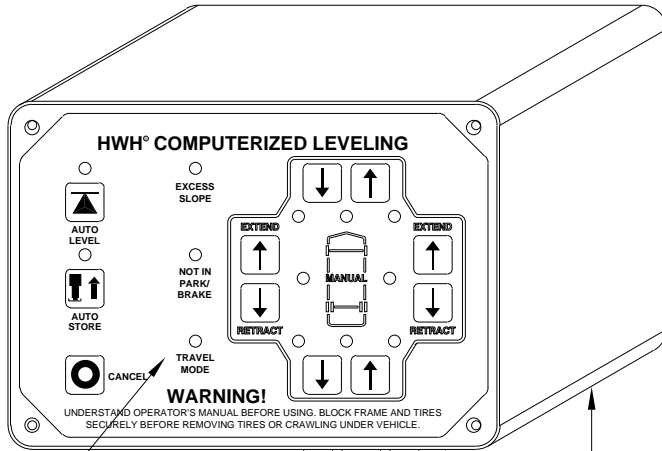
**REPLACEMENT PARTS**

ITEM	PART	DESCRIPTION
1	RAP92364	TOUCH PANEL
2	RAP92849	MOLDED BOX W/CABLE (DOES NOT INCLUDE TOUCH PANEL)
3	RP91861	LEXAN



**PANEL, CONTROL AND INDICATOR LIGHTS  
(WITH CABLE ASSEMBLY)  
625S SERIES, TOUCH PANEL-CONTROLLED LEVELING SYSTEM  
(MOTORIZED VEHICLES - 24 VOLT)**

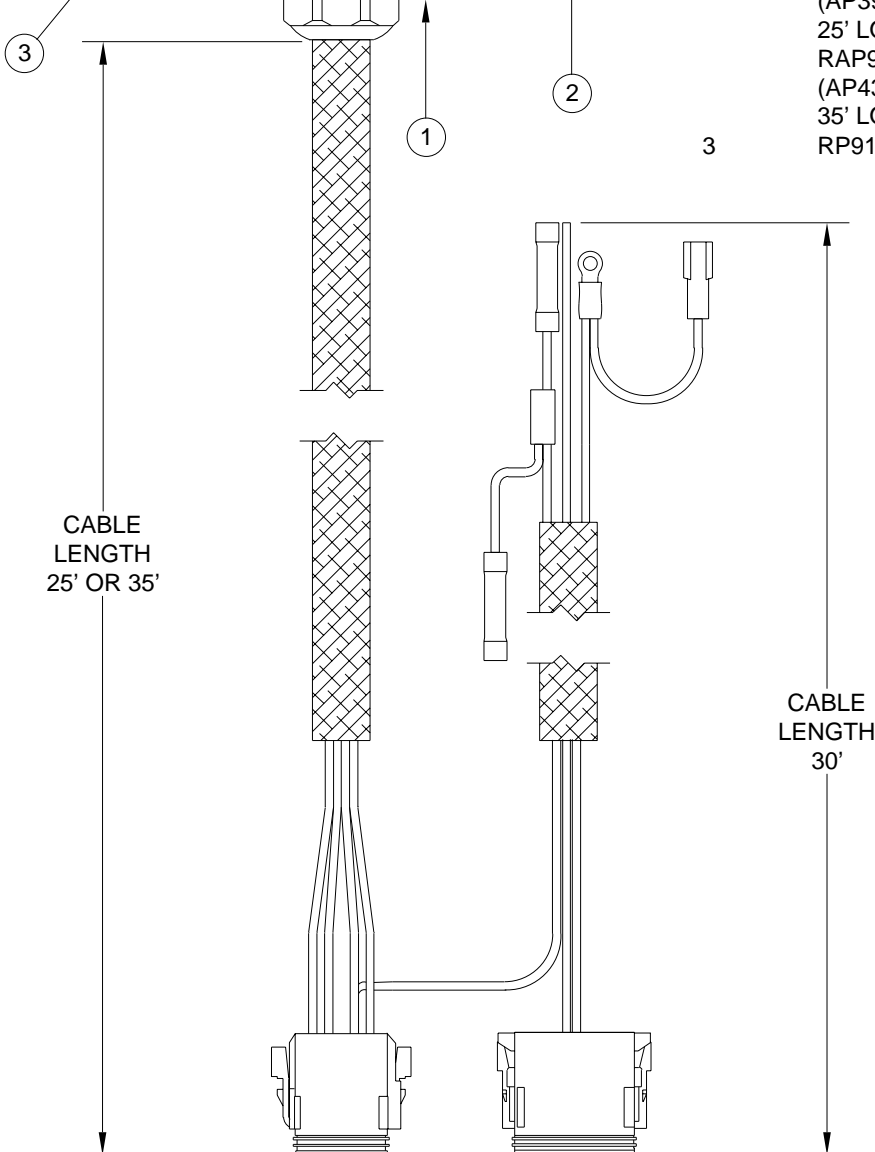
**HYDRAULIC LEVELING ONLY  
WITHOUT SUSPENSION AIR DUMP**



EXISTING NO.	REPLACEMENT NO.
AP39025 25' LONG	RAP92861
AP43460 35' LONG	RAP92863

**REPLACEMENT PARTS**

ITEM	PART	DESCRIPTION
1	RAP91867 (AP36226)	TOUCH PANEL - 24 VOLT
2	RAP92862 (AP39027) RAP92860 (AP43459)	MOLDED BOX W/CABLE (DOES NOT INCLUDE TOUCH PANEL)
3	RP91861	LEXAN

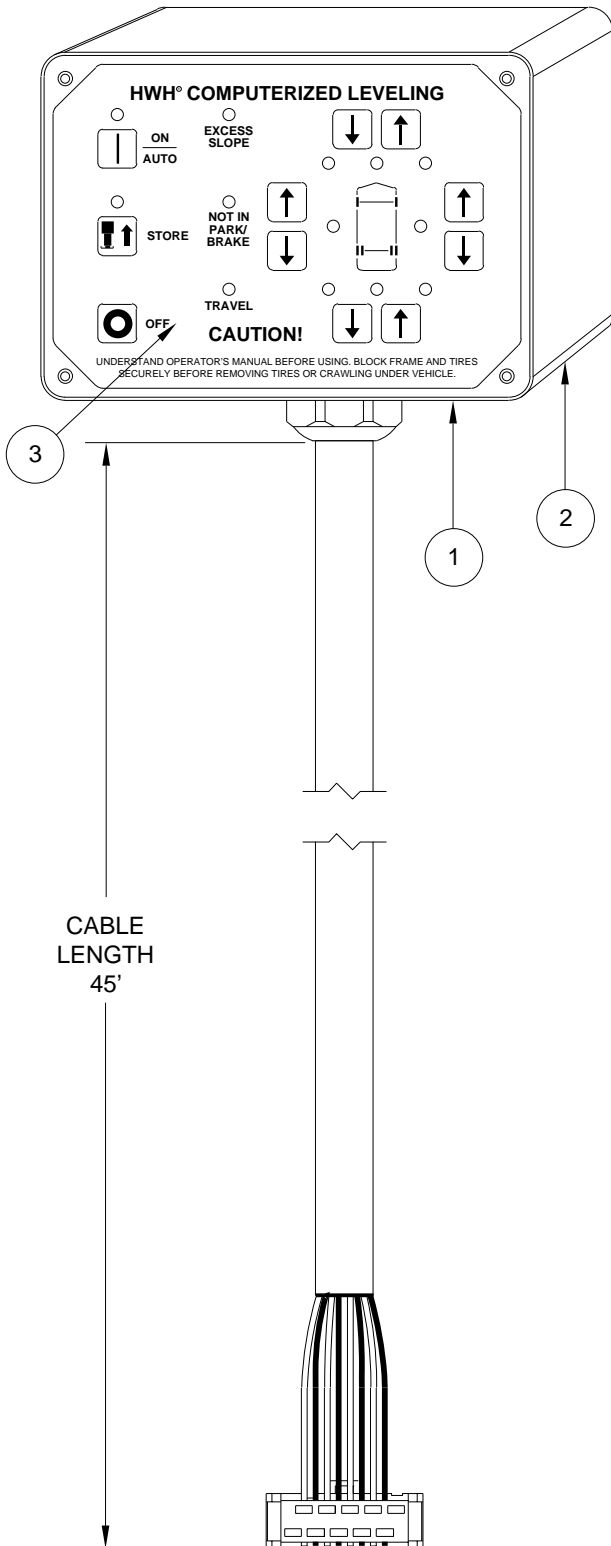


CABLE LENGTH  
25' OR 35'

CABLE LENGTH  
30'

**PANEL, CONTROL AND INDICATOR LIGHTS  
(WITH CABLE ASSEMBLY)  
680 SERIES, TOUCH PANEL-CONTROLLED**

**HYDRAULIC LEVELING ONLY  
WITH SUSPENSION AIR DUMP**



EXISTING NO.	REPLACEMENT NO.
--------------	-----------------

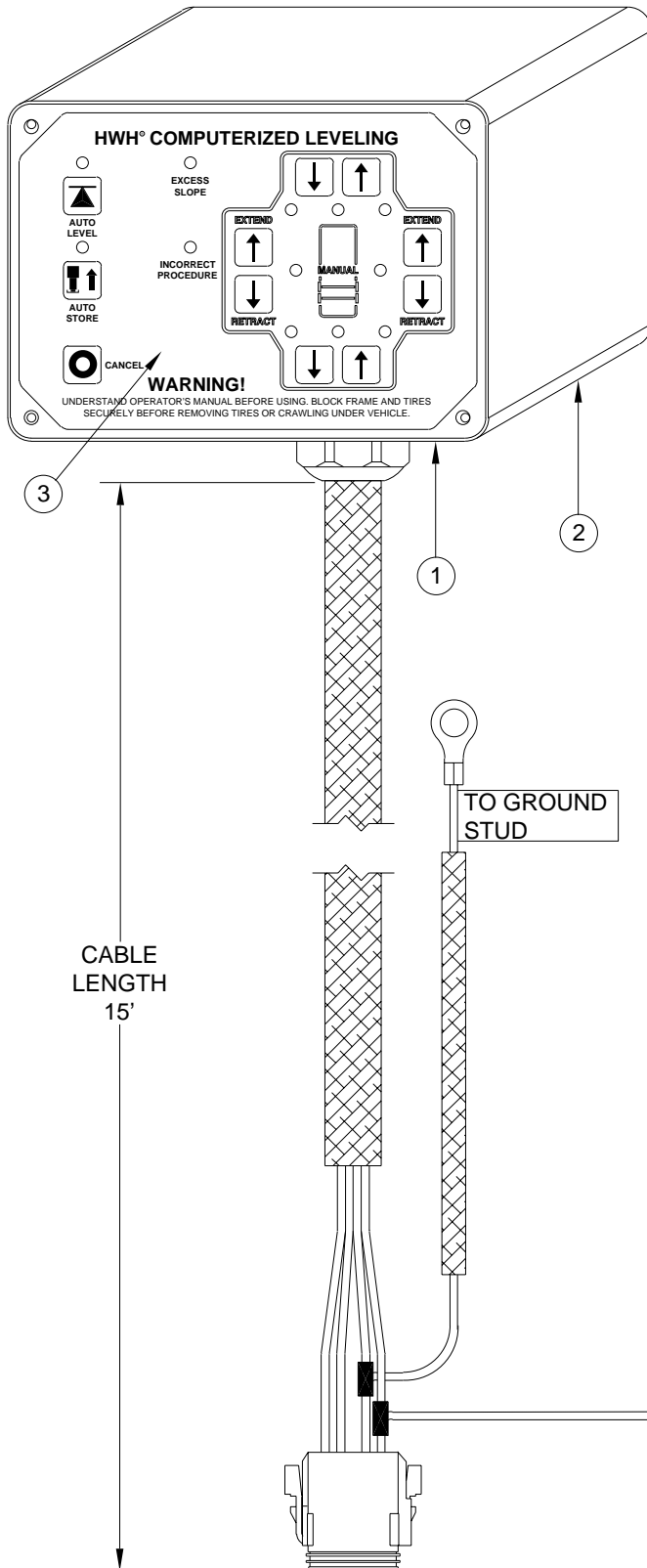
AP19121	RAP91846
---------	----------

**REPLACEMENT PARTS**

ITEM	PART	DESCRIPTION
1	RAP91308 (AP19129)	TOUCH PANEL
2	RAP90060 (AP10851)	MOLDED BOX W/CABLE (DOES NOT INCLUDE TOUCH PANEL)
3	RP91683	LEXAN

**PANEL, CONTROL AND INDICATOR LIGHTS  
(WITH CABLE ASSEMBLY)  
2000 SERIES, TOUCH PANEL-CONTROLLED LEVELING SYSTEMS  
(NON - MOTORIZED VEHICLES)**

**HYDRAULIC LEVELING ONLY  
WITHOUT SUSPENSION AIR DUMP**



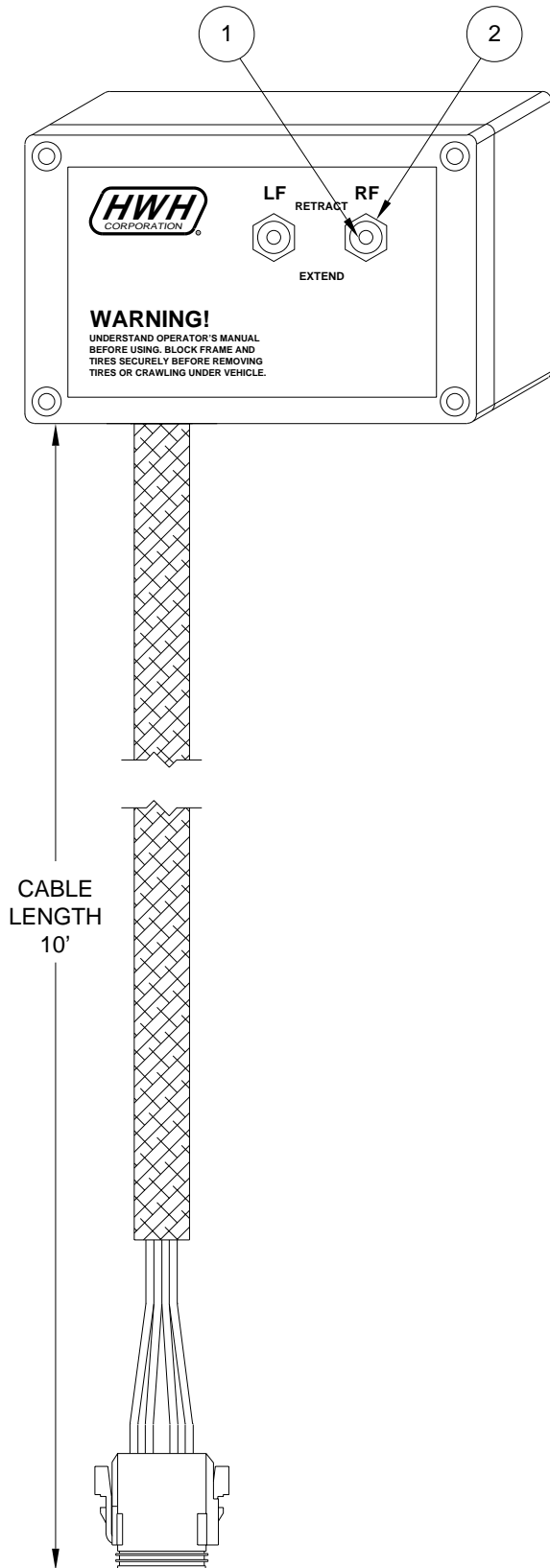
EXISTING NO.	REPLACEMENT NO.
--------------	-----------------

AP48748 15' LONG	RAP92874
------------------	----------

**REPLACEMENT PARTS**

ITEM	PART	DESCRIPTION
1	RAP92873 (AP48755)	TOUCH PANEL
2	RAP92875 (AP48747)	MOLDED BOX W/CABLE (DOES NOT INCLUDE TOUCH PANEL)
3	RP92639	LEXAN
4	R90288	FUSE 15 AMP (5 PER PACKAGE)

**PANEL, CONTROL  
(WITH CABLE ASSEMBLY)  
TOGGLE SWITCH-CONTROLLED PRECISION LEVELING SYSTEM  
(NON - MOTORIZED VEHICLES - FRONT JACKS ONLY)**

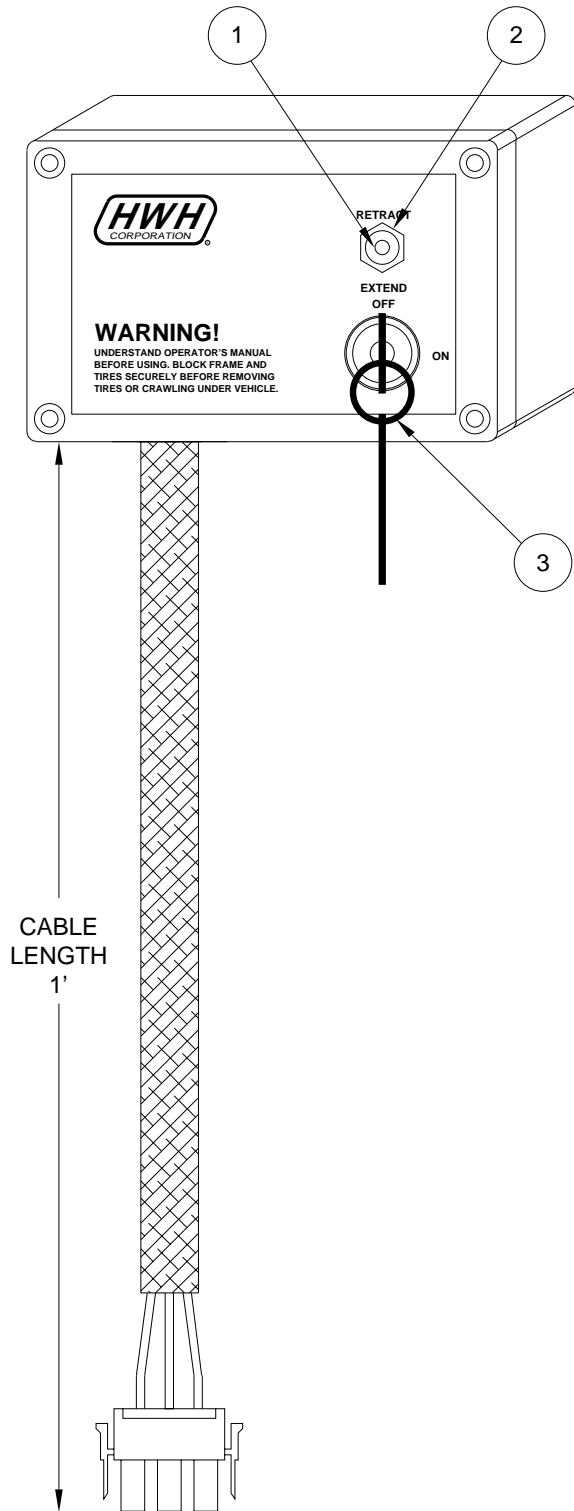


EXISTING NO.	REPLACEMENT NO.
AP47597	RAP92865

**REPLACEMENT PARTS**

ITEM	PART	DESCRIPTION
1	RAP92457	TOGGLE SWITCH
2	RP92458	TOGGLE SWITCH BOOT

**PANEL, CONTROL  
(WITH CABLE ASSEMBLY)  
TOGGLE SWITCH-CONTROLLED ROOM EXTENSION SYSTEMS  
(NON - MOTORIZED VEHICLES)**



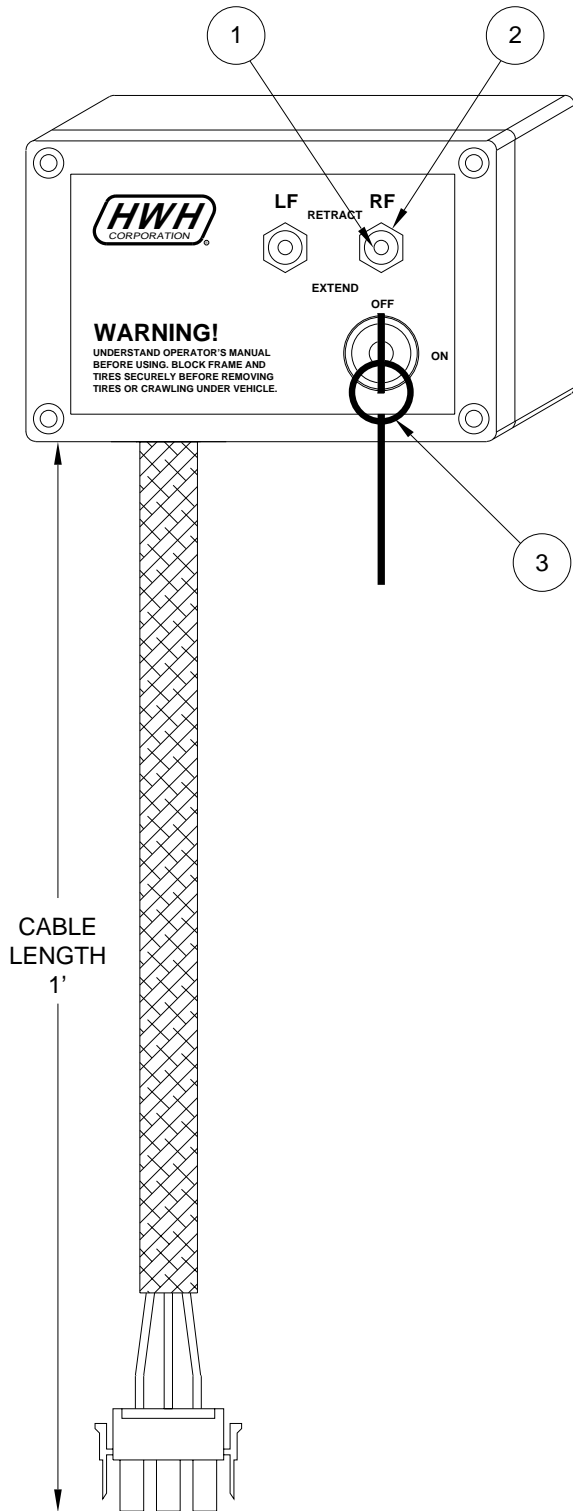
EXISTING NO.	REPLACEMENT NO.
AP45801	RAP92839

**REPLACEMENT PARTS**

ITEM	PART	DESCRIPTION
1	RAP92457	TOGGLE SWITCH
2	RP92458	TOGGLE SWITCH BOOT
3	RP92744	REPLACEMENT KEYS (CONTAINS 2)

**NOTE:** THE KEY SWITCH IS NOT A REPLACABLE PART.  
ORDER THE COMPLETE ASSEMBLY IF THE KEY  
SWITCH REPLACEMENT IS NECESSARY.

**PANEL, CONTROL  
(WITH CABLE ASSEMBLY)  
TOGGLE SWITCH-CONTROLLED ROOM EXTENSION SYSTEMS  
(NON - MOTORIZED VEHICLES)**



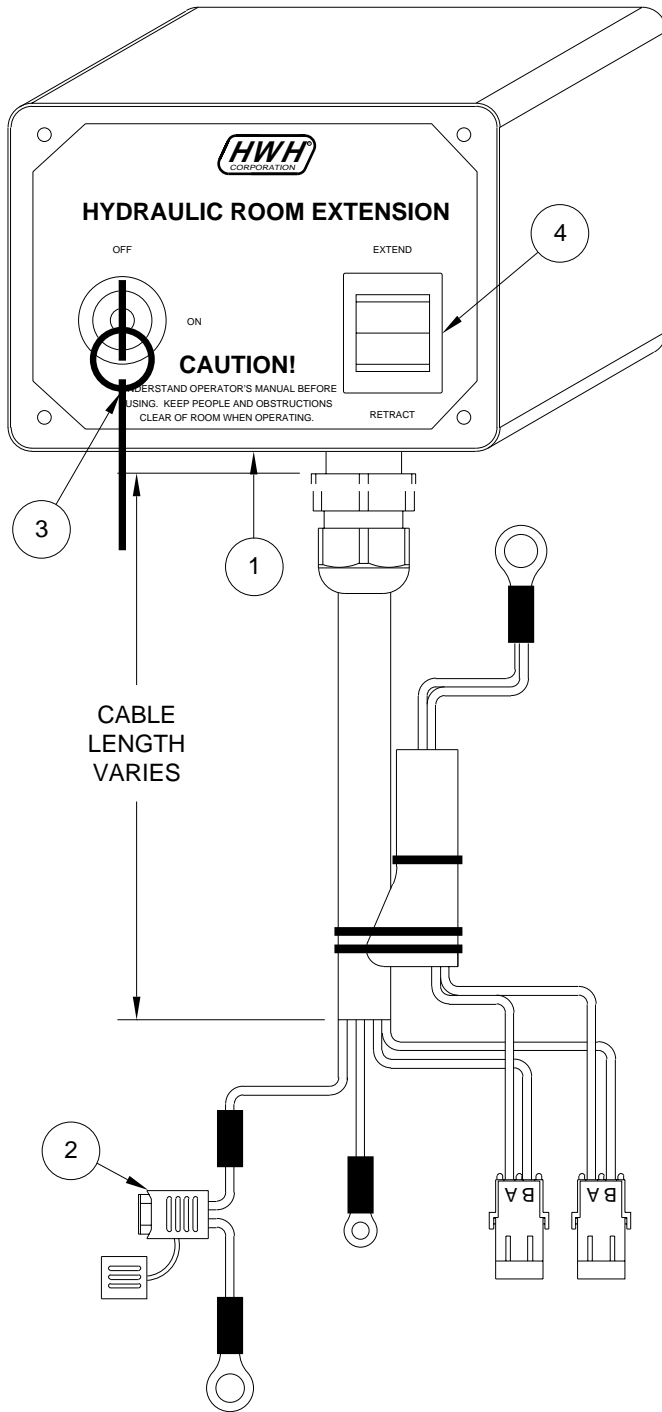
EXISTING NO.	REPLACEMENT NO.
AP45833	RAP92836

**REPLACEMENT PARTS**

ITEM	PART	DESCRIPTION
1	RAP92457	TOGGLE SWITCH
2	RP92458	TOGGLE SWITCH BOOT
3	RP92744	REPLACEMENT KEYS (CONTAINS 2)

**NOTE:** THE KEY SWITCH IS NOT A REPLACABLE PART.  
ORDER THE COMPLETE ASSEMBLY IF THE KEY  
SWITCH REPLACEMENT IS NECESSARY.

**PANEL, CONTROL  
(WITH CABLE ASSEMBLY)  
ROCKER SWITCH-CONTROLLED ROOM EXTENSION SYSTEMS  
(NON - MOTORIZED VEHICLES)**

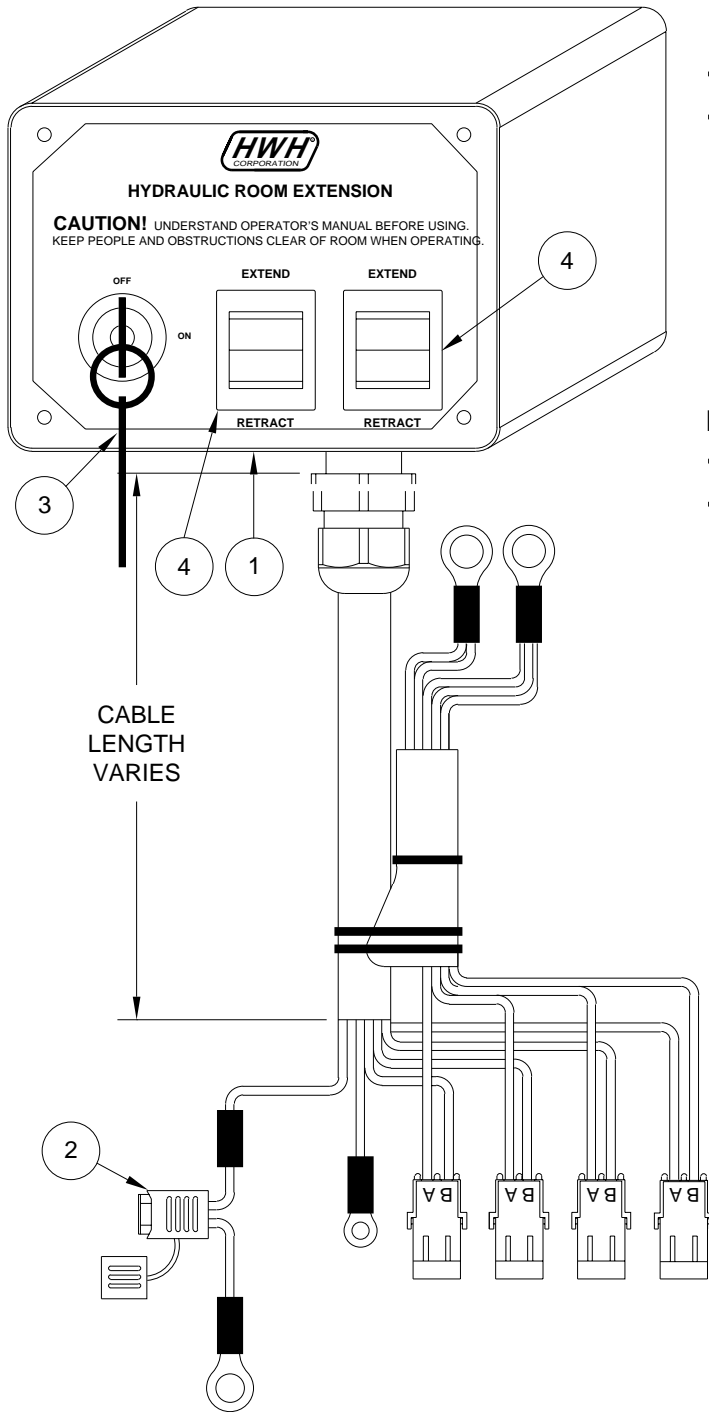


EXISTING NO.	REPLACEMENT NO.
AP12418 15' LONG	RAP92851
AP44896 8' LONG	RAP92852

**REPLACEMENT PARTS**

ITEM	PART	DESCRIPTION
1	RAP90041	CONTROL PANEL
2	R90288	FUSE 15 AMP (5 PER PACKAGE)
3	RP90038	REPLACEMENT KEYS (CONTAINS 2)
4	RP90042	ROCKER SWITCH

**PANEL, CONTROL  
(WITH CABLE ASSEMBLY)  
ROCKER SWITCH-CONTROLLED ROOM EXTENSION SYSTEMS  
(NON - MOTORIZED VEHICLES)**



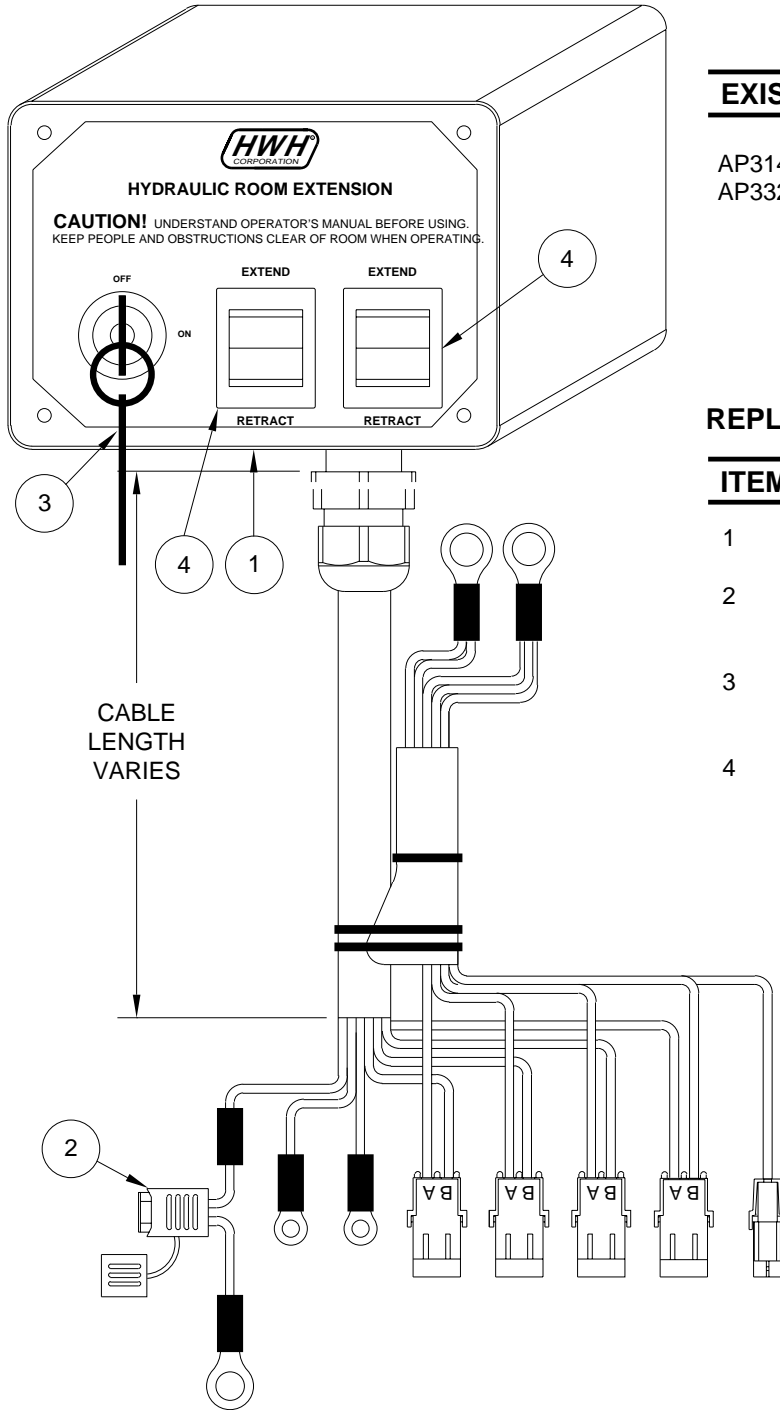
EXISTING NO.	REPLACEMENT NO.
AP28108 8' LONG	RAP92853
AP30372 16' LONG	RAP92854

**REPLACEMENT PARTS**

ITEM	PART	DESCRIPTION
1	RAP91871	CONTROL PANEL
2	R90288	FUSE 15 AMP (5 PER PACKAGE)
3	RP90038	REPLACEMENT KEYS (CONTAINS 2)
4	RP90042	ROCKER SWITCH



**PANEL, CONTROL  
(WITH CABLE ASSEMBLY)  
ROCKER SWITCH-CONTROLLED ROOM EXTENSION SYSTEMS  
(NON - MOTORIZED VEHICLES)**

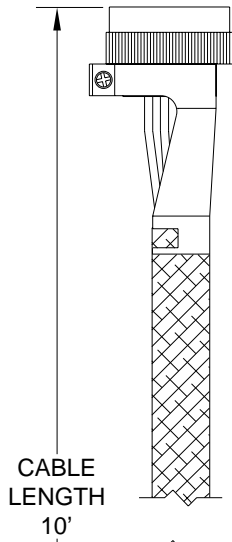


EXISTING NO.	REPLACEMENT NO.
AP31473 8' LONG	RAP92855
AP33213 30' LONG	RAP92856

**REPLACEMENT PARTS**

ITEM	PART	DESCRIPTION
1	RAP91873	CONTROL PANEL
2	R90288	FUSE 15 AMP (5 PER PACKAGE)
3	RP90038	REPLACEMENT KEYS (CONTAINS 2)
4	RP90042	ROCKER SWITCH

**PENDANT, CONTROL  
(WITH CABLE ASSEMBLY)  
PUSH BUTTON-CONTROLLED ROOM EXTENSION SYSTEMS  
(NON - MOTORIZED VEHICLES)**

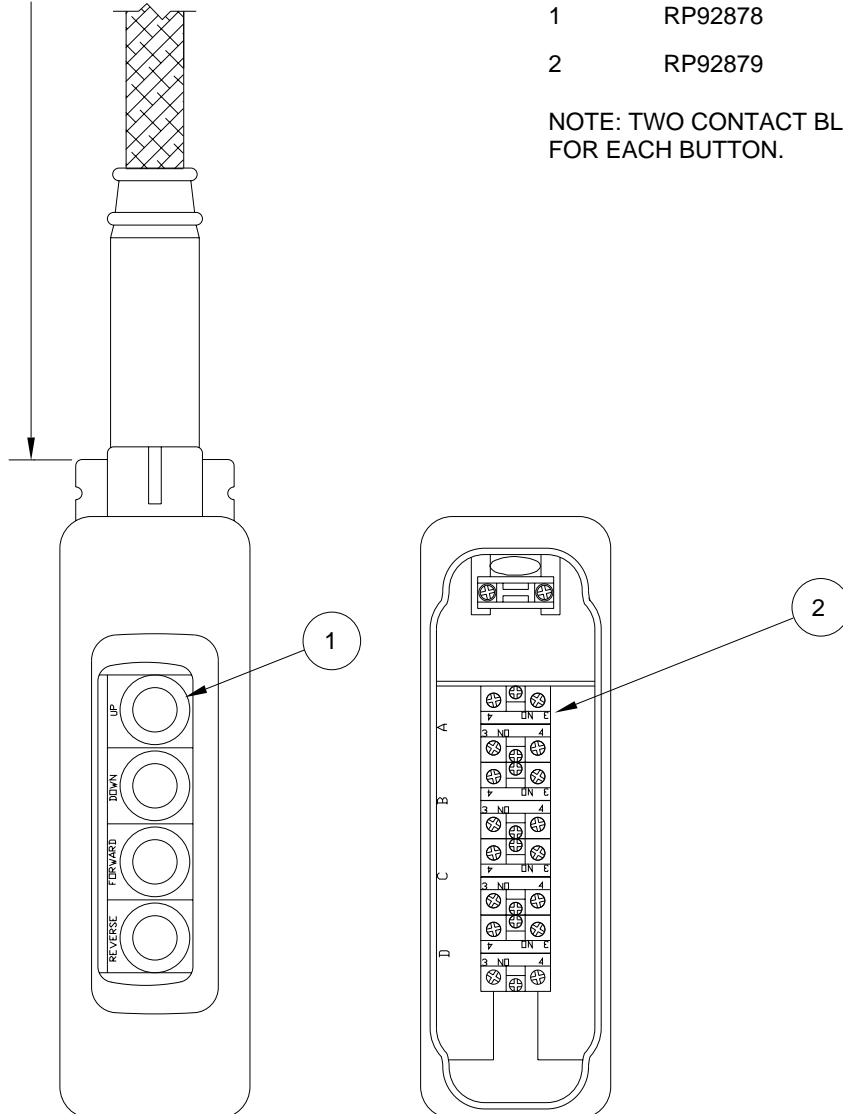


EXISTING NO.	REPLACEMENT NO.
AP34895	RAP92876

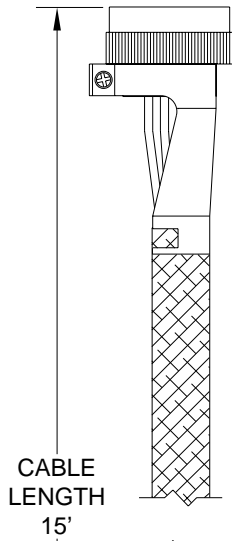
**REPLACEMENT PARTS**

ITEM	PART	DESCRIPTION
1	RP92878	BOOTED PUSH BUTTON
2	RP92879	SWITCH CONTACT BLOCK SINGLE POLE SINGLE THROW

NOTE: TWO CONTACT BLOCKS ARE USED FOR EACH BUTTON.



**PENDANT, CONTROL  
(WITH CABLE ASSEMBLY)  
PUSH BUTTON-CONTROLLED ROOM EXTENSION SYSTEMS  
(NON - MOTORIZED VEHICLES)**

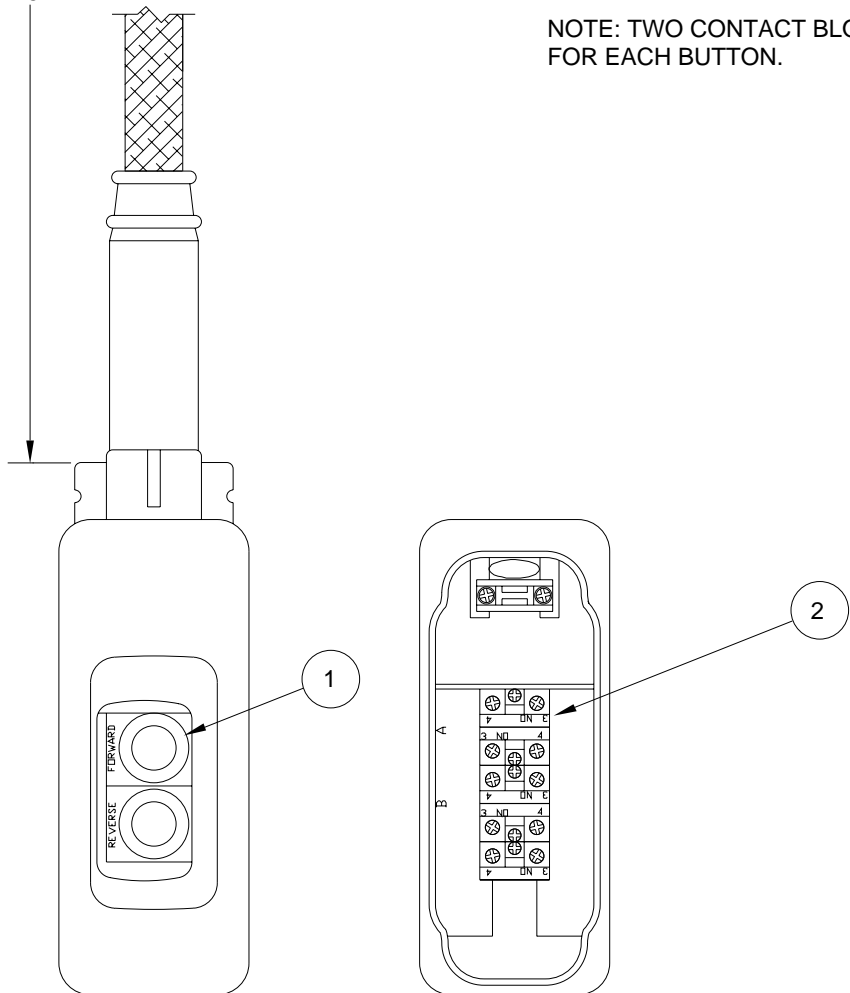


EXISTING NO.	REPLACEMENT NO.
AP47801	RAP92877

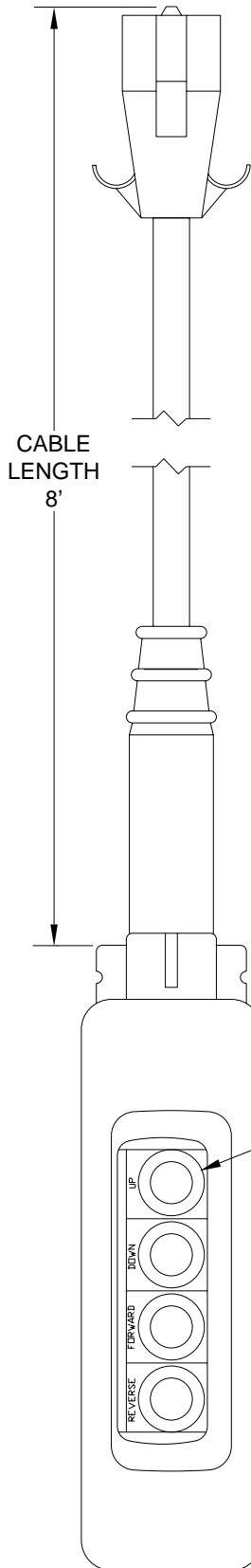
**REPLACEMENT PARTS**

ITEM	PART	DESCRIPTION
1	RP92878	BOOTED PUSH BUTTON
2	RP92879	SWITCH CONTACT BLOCK SINGLE POLE SINGLE THROW

NOTE: TWO CONTACT BLOCKS ARE USED FOR EACH BUTTON.



**PENDANT, CONTROL  
(WITH CABLE ASSEMBLY)  
PUSH BUTTON-CONTROLLED ROOM EXTENSION SYSTEMS  
(NON - MOTORIZED VEHICLES)**

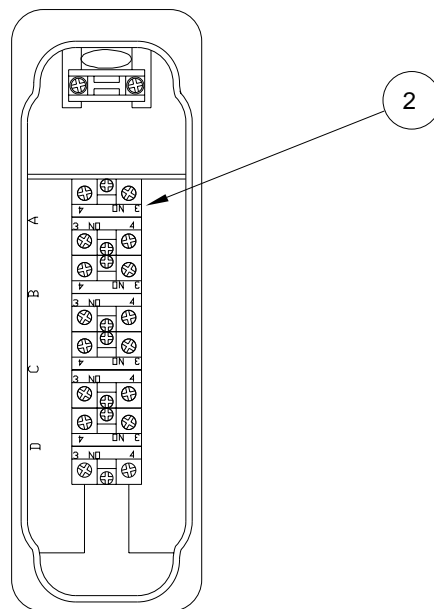


EXISTING NO.	REPLACEMENT NO.
AP50150	RAP93152

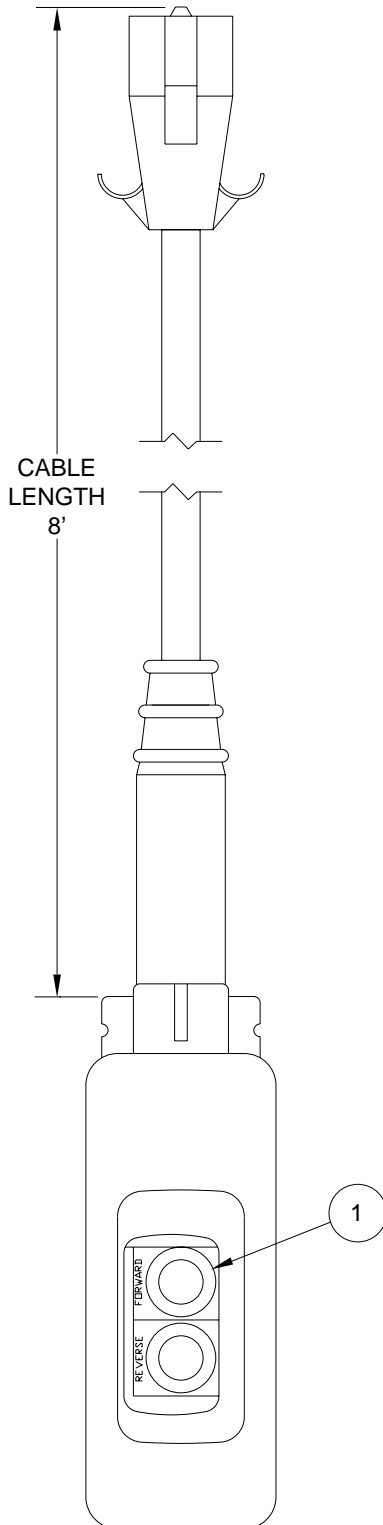
**REPLACEMENT PARTS**

ITEM	PART	DESCRIPTION
1	RP92878	BOOTED PUSH BUTTON
2	RP92879	SWITCH CONTACT BLOCK SINGLE POLE SINGLE THROW

NOTE: TWO CONTACT BLOCKS ARE USED FOR EACH BUTTON.



**PENDANT, CONTROL  
(WITH CABLE ASSEMBLY)  
PUSH BUTTON-CONTROLLED ROOM EXTENSION SYSTEMS  
(NON - MOTORIZED VEHICLES)**

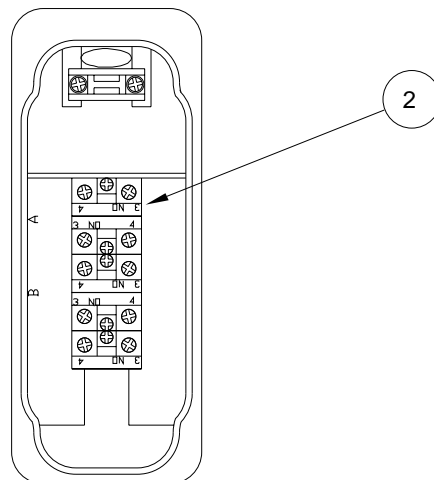


EXISTING NO.	REPLACEMENT NO.
AP50310	RAP93153

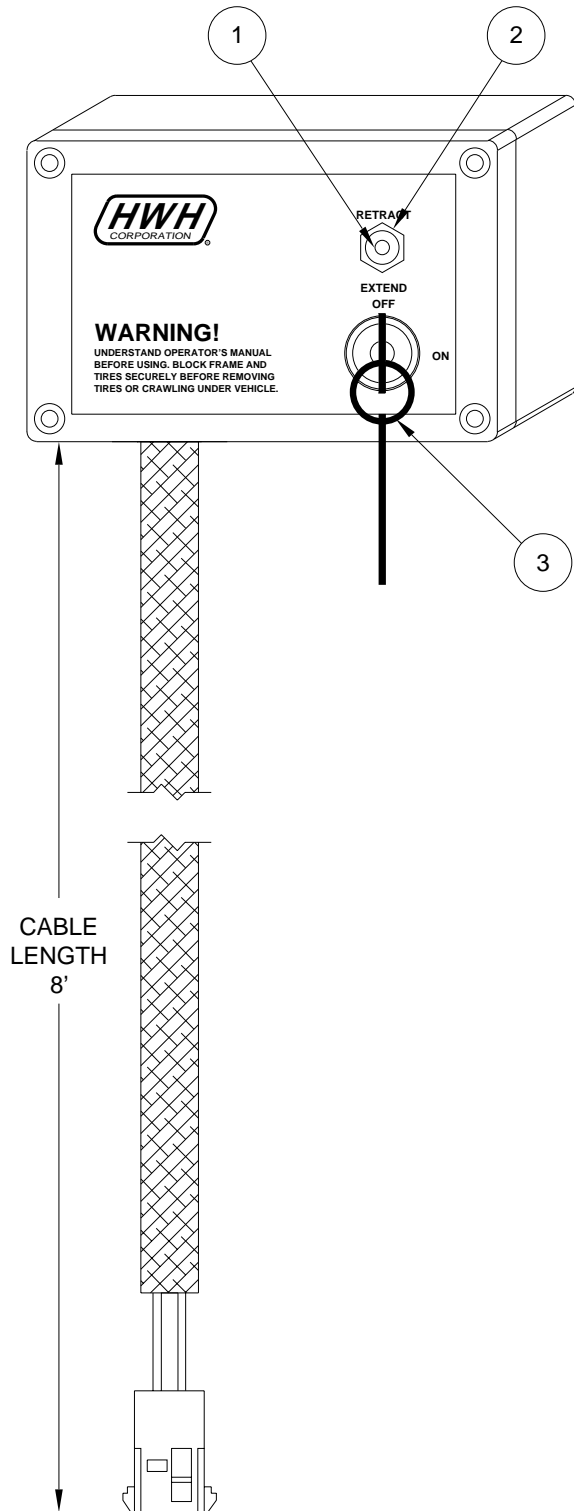
**REPLACEMENT PARTS**

ITEM	PART	DESCRIPTION
1	RP92878	BOOTED PUSH BUTTON
2	RP92879	SWITCH CONTACT BLOCK SINGLE POLE SINGLE THROW

NOTE: TWO CONTACT BLOCKS ARE USED FOR EACH BUTTON.



**PANEL, CONTROL  
(WITH CABLE ASSEMBLY)  
TOGGLE SWITCH-CONTROLLED SADDLE RACK  
(NON - MOTORIZED VEHICLES)**



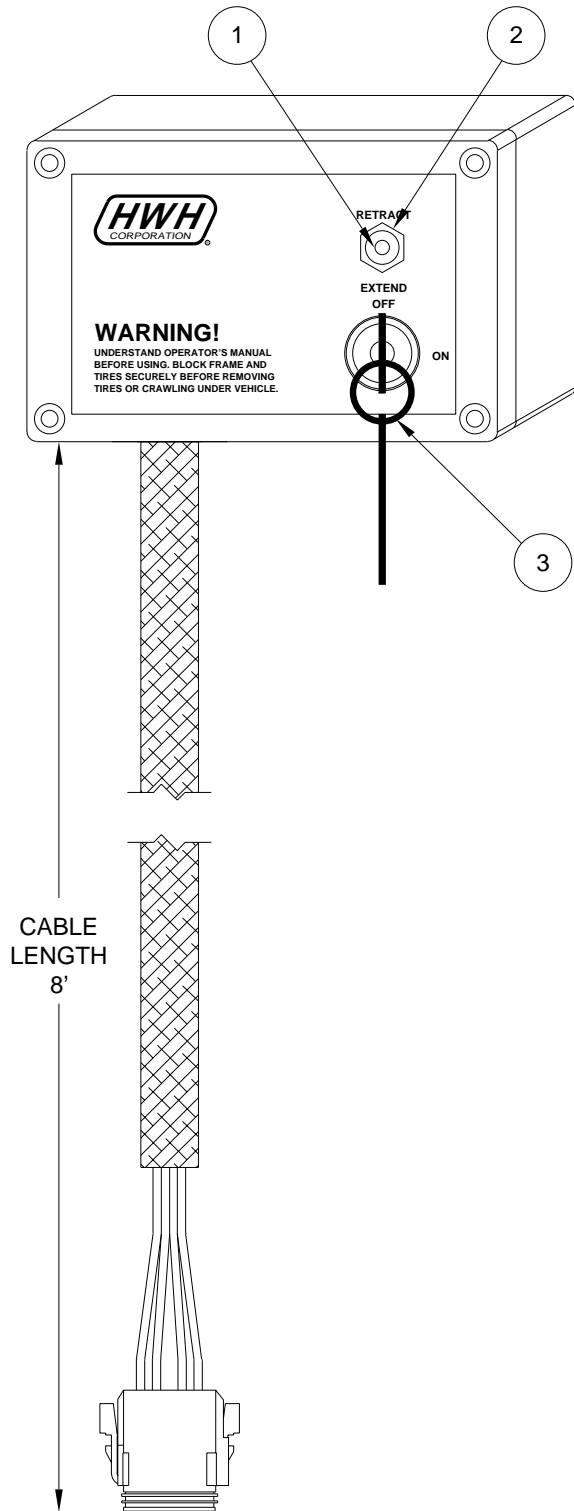
EXISTING NO.	REPLACEMENT NO.
AP45612	RAP92837

**REPLACEMENT PARTS**

ITEM	PART	DESCRIPTION
1	RAP92457	TOGGLE SWITCH
2	RP92458	TOGGLE SWITCH BOOT
3	RP92744	REPLACEMENT KEYS (CONTAINS 2)

**NOTE:** THE KEY SWITCH IS NOT A REPLACABLE PART. ORDER THE COMPLETE ASSEMBLY IF THE KEY SWITCH REPLACEMENT IS NECESSARY.

**PANEL, CONTROL  
(WITH CABLE ASSEMBLY)  
TOGGLE SWITCH-CONTROLLED SADDLE RACK  
(NON - MOTORIZED VEHICLES)**



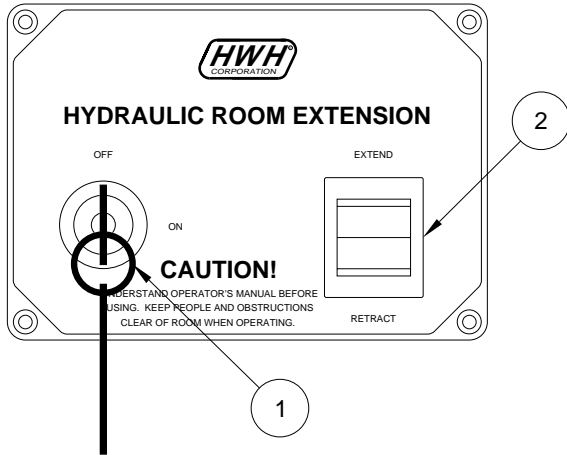
EXISTING NO.	REPLACEMENT NO.
AP46072	RAP92838

**REPLACEMENT PARTS**

ITEM	PART	DESCRIPTION
1	RAP92457	TOGGLE SWITCH
2	RP92458	TOGGLE SWITCH BOOT
3	RP92744	REPLACEMENT KEYS (CONTAINS 2)

**NOTE:** THE KEY SWITCH IS NOT A REPLACABLE PART.  
ORDER THE COMPLETE ASSEMBLY IF THE KEY  
SWITCH REPLACEMENT IS NECESSARY.

# CONTROL PANELS KEYED ROCKER SWITCH FOR ROOM EXTENSION SYSTEMS



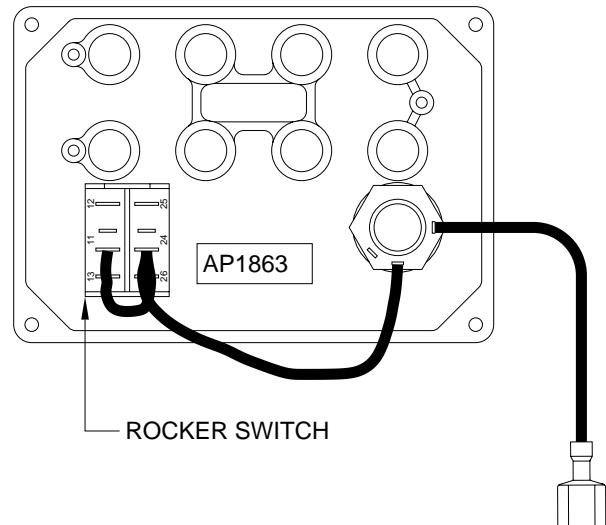
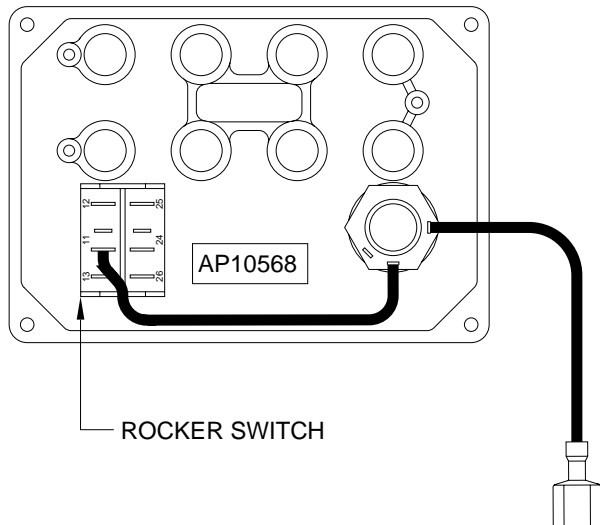
## REPLACEMENT PARTS

ITEM	PART	QTY	DESCRIPTION
1	RP90038	1	REPLACEMENT KEYS (CONTAINS 2)
2	RP90042	1	ROCKER SWITCH

**NOTE:** THE KEY SWITCH IS NOT A REPLACEMENT PART. ORDER A COMPLETE PANEL IF KEY SWITCH REPLACEMENT IS NECESSARY.

## REPLACEMENT PANELS

CHOOSE A REPLACEMENT PANEL ACCORDING TO THE STICKER ON THE BACK OF THE PANEL OR MATCH THE CORRECT WIRING OF THE ROCKER SWITCH.



EXISTING NO.	REPLACEMENT NO.
--------------	-----------------

AP10568

RAP90039

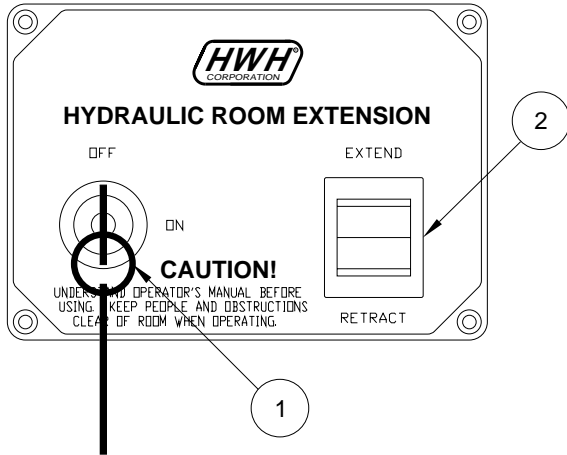
EXISTING NO.	REPLACEMENT NO.
--------------	-----------------

AP1863

RAP90041



# PANEL, CONTROL FOR KEYED ROCKER SWITCH-CONTROLLED ROOM EXTENSION SYSTEMS



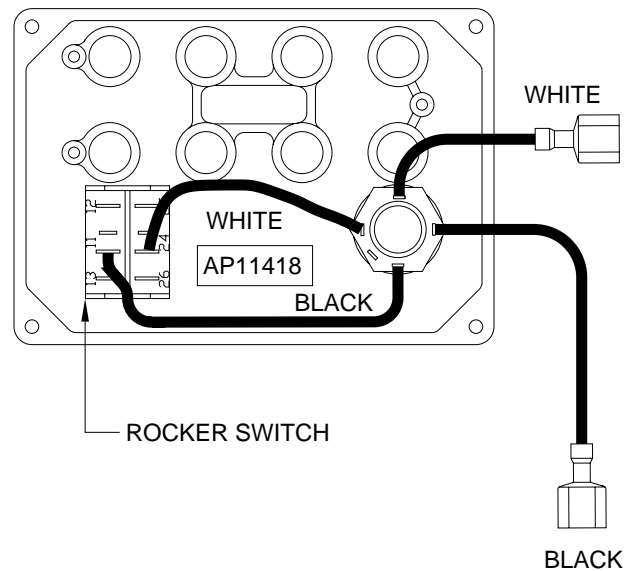
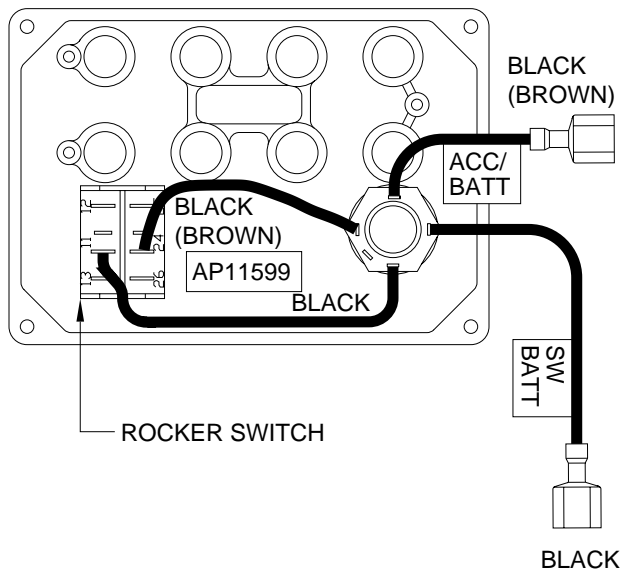
## REPLACEMENT PARTS

ITEM	PART	QTY	DESCRIPTION
1	RP90038	1	REPLACEMENT KEYS (CONTAINS 2)
2	RP90042	1	ROCKER SWITCH

**NOTE:** THE KEY SWITCH IS NOT A REPLACEMENT PART. ORDER A COMPLETE PANEL IF KEY SWITCH REPLACEMENT IS NECESSARY.

## REPLACEMENT PANELS

CHOOSE A REPLACEMENT PANEL ACCORDING TO THE STICKER ON THE BACK OF THE PANEL OR MATCH THE CORRECT WIRING OF THE ROCKER SWITCH.



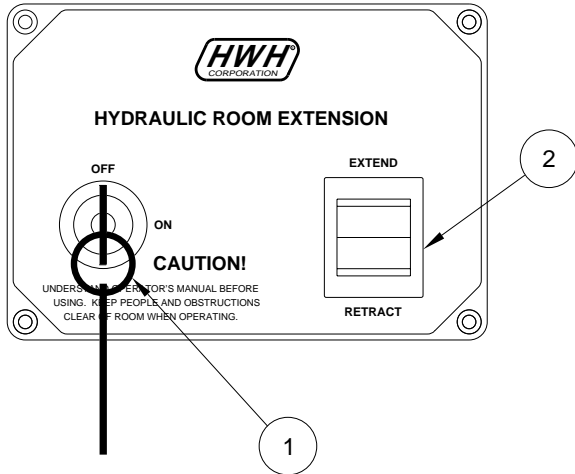
EXISTING NO.	REPLACEMENT NO.
--------------	-----------------

AP11599	RAP90253
---------	----------

EXISTING NO.	REPLACEMENT NO.
--------------	-----------------

AP11418	RAP90096
---------	----------

# PANEL, CONTROL KEYED ROCKER SWITCH-CONTROLLED ROOM EXTENSION SYSTEMS



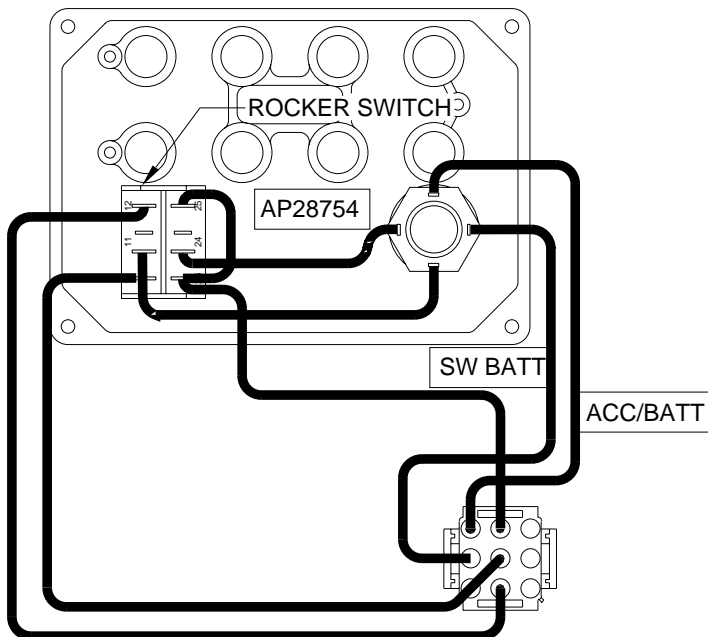
## REPLACEMENT PARTS

ITEM	PART	QTY	DESCRIPTION
1	RP90038	1	REPLACEMENT KEYS (CONTAINS 2)
2	RP90042	1	ROCKER SWITCH

**NOTE:** THE KEY SWITCH IS NOT A REPLACEMENT PART. ORDER A COMPLETE PANEL IF KEY SWITCH REPLACEMENT IS NECESSARY.

## REPLACEMENT PANELS

CHOOSE A REPLACEMENT PANEL ACCORDING TO THE STICKER ON THE BACK OF THE PANEL OR MATCH THE CORRECT WIRING OF THE ROCKER SWITCH.

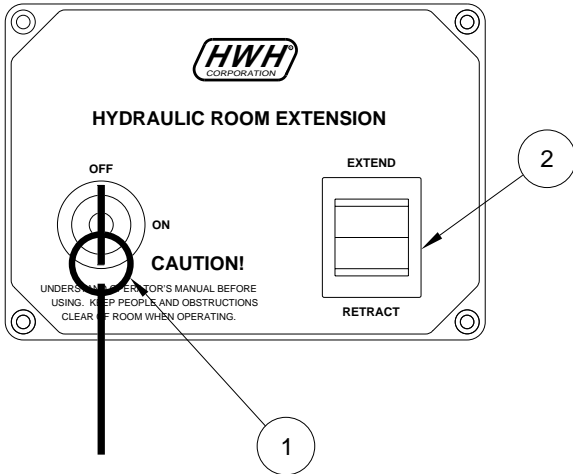


EXISTING NO.	REPLACEMENT NO.
--------------	-----------------

AP28754

RAP91130

# PANEL, CONTROL KEYED ROCKER SWITCH-CONTROLLED ROOM EXTENSION SYSTEMS



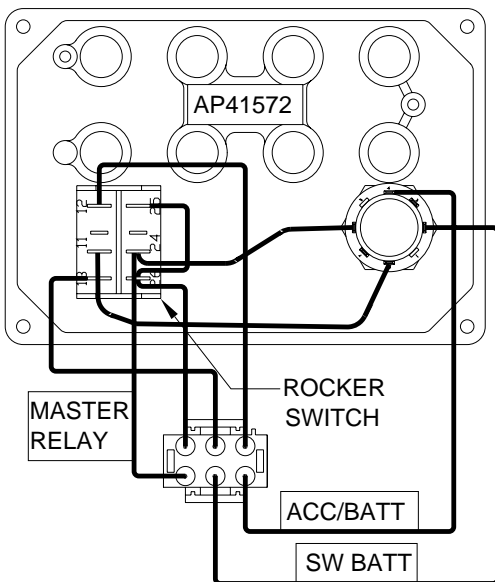
## REPLACEMENT PARTS

ITEM	PART	QTY	DESCRIPTION
1	RP90038	1	REPLACEMENT KEYS (CONTAINS 2)
2	RP90042	1	ROCKER SWITCH

**NOTE:** THE KEY SWITCH IS NOT A REPLACEMENT PART. ORDER A COMPLETE PANEL IF KEY SWITCH REPLACEMENT IS NECESSARY.

## REPLACEMENT PANELS

CHOOSE A REPLACEMENT PANEL ACCORDING TO THE STICKER ON THE BACK OF THE PANEL OR MATCH THE CORRECT WIRING OF THE ROCKER SWITCH.

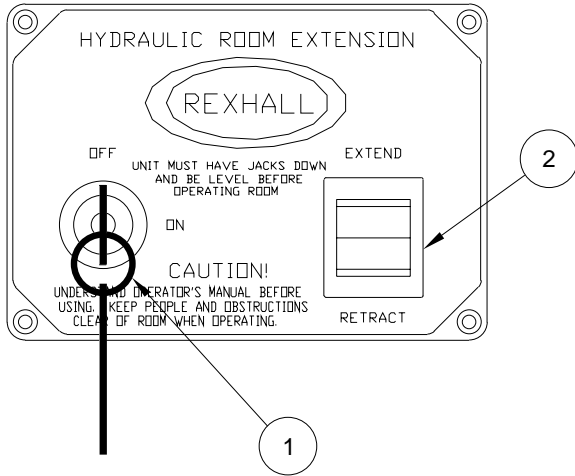


EXISTING NO.	REPLACEMENT NO.
--------------	-----------------

AP41572

RAP92818

# PANEL, CONTROL FOR KEYED ROCKER SWITCH-CONTROLLED ROOM EXTENSION SYSTEMS (REXHALL)



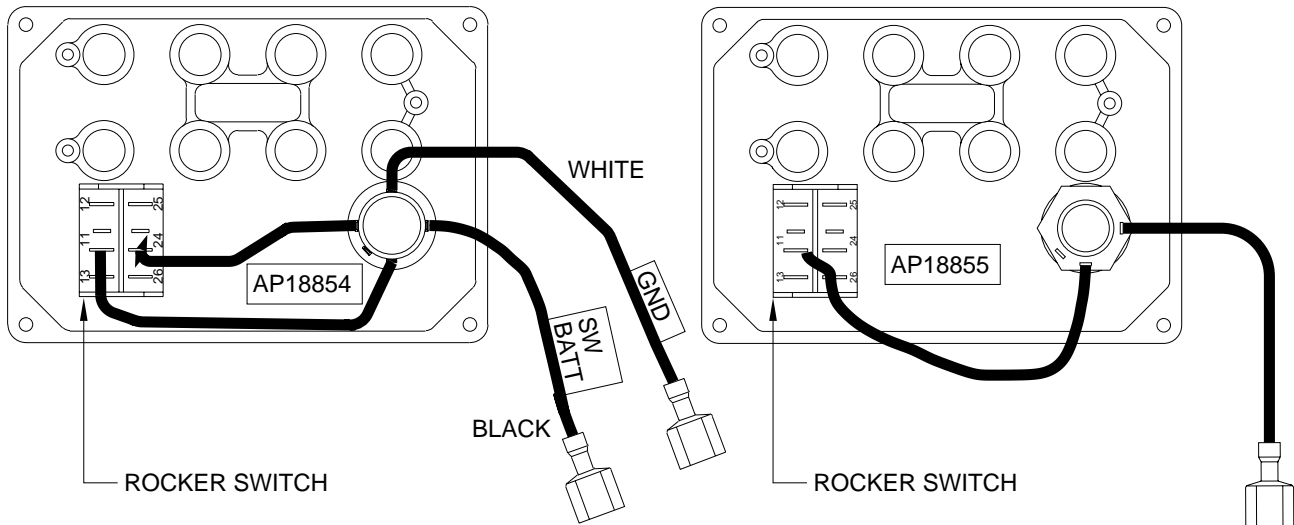
## REPLACEMENT PARTS

ITEM	PART	QTY	DESCRIPTION
1	RP90038	1	REPLACEMENT KEYS (CONTAINS 2)
2	RP90042	1	ROCKER SWITCH

**NOTE:** THE KEY SWITCH IS NOT A REPLACEMENT PART. ORDER A COMPLETE PANEL IF KEY SWITCH REPLACEMENT IS NECESSARY.

## REPLACEMENT PANELS

CHOOSE A REPLACEMENT PANEL ACCORDING TO THE STICKER ON THE BACK OF THE PANEL OR MATCH THE CORRECT WIRING OF THE ROCKER SWITCH.



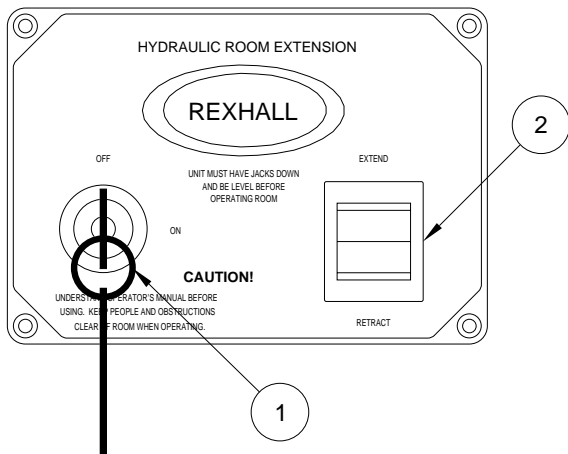
EXISTING NO.	REPLACEMENT NO.
--------------	-----------------

AP18854	RAP90541
---------	----------

EXISTING NO.	REPLACEMENT NO.
--------------	-----------------

AP18855	RAP90542
---------	----------

# PANEL, CONTROL FOR KEYED ROCKER SWITCH-CONTROLLED ROOM EXTENSION SYSTEMS (REXHALL)



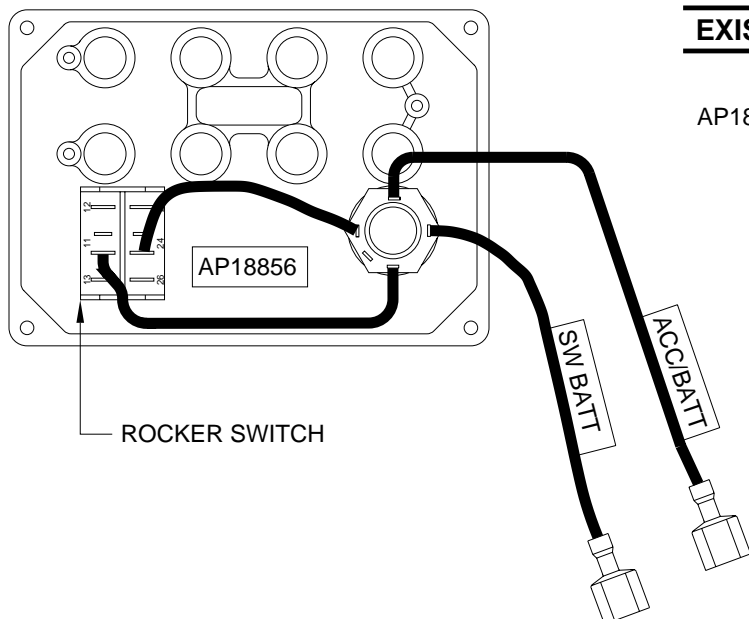
## REPLACEMENT PARTS

ITEM	PART	QTY	DESCRIPTION
1	RP90038	1	REPLACEMENT KEYS (CONTAINS 2)
2	RP90042	1	ROCKER SWITCH

**NOTE:** THE KEY SWITCH IS NOT A REPLACABLE PART. ORDER A COMPLETE PANEL IF THE KEY SWITCH REPLACEMENT IS NECESSARY.

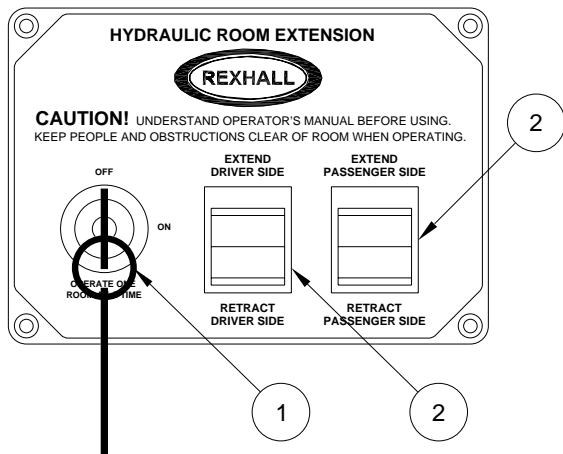
## REPLACEMENT PANEL

CHOOSE A REPLACEMENT PANEL ACCORDING TO THE STICKER ON THE BACK OF THE PANEL OR MATCH THE CORRECT WIRING OF THE ROCKER SWITCH AND CORRECT LOGO ON FACE OF PANEL.



EXISTING NO.	REPLACEMENT NO.
AP18856	RAP91043

# PANEL, CONTROL FOR KEYED ROCKER SWITCH-CONTROLLED ROOM EXTENSION SYSTEMS (REXHALL)



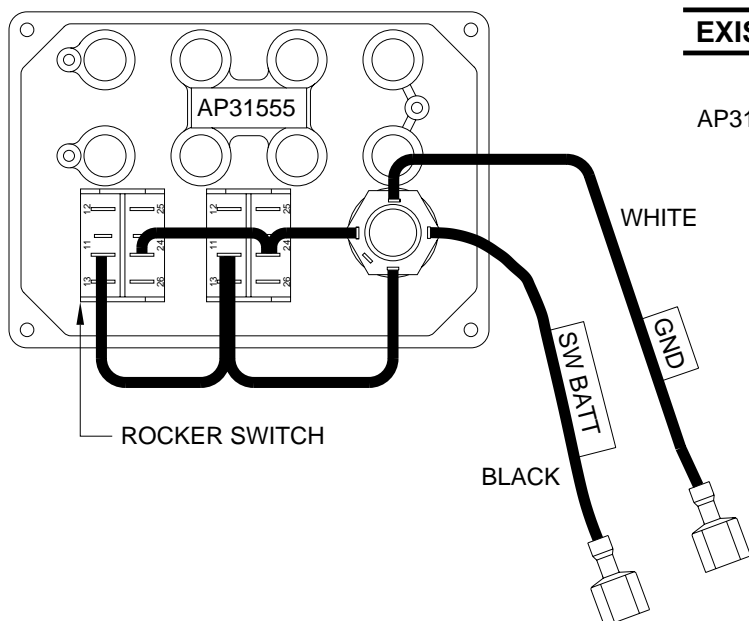
## REPLACEMENT PARTS

ITEM	PART	QTY	DESCRIPTION
1	RP90038	1	REPLACEMENT KEYS (CONTAINS 2)
2	RP90042	2	ROCKER SWITCH

**NOTE:** THE KEY SWITCH IS NOT A REPLACABLE PART. ORDER A COMPLETE PANEL IF THE KEY SWITCH REPLACEMENT IS NECESSARY.

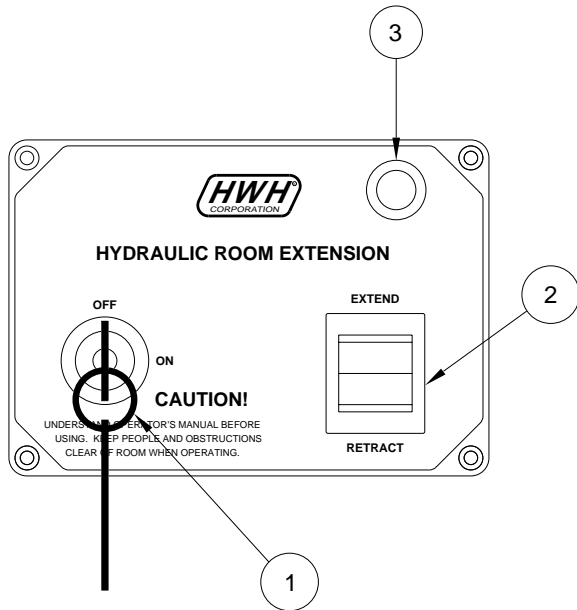
## REPLACEMENT PANEL

CHOOSE A REPLACEMENT PANEL ACCORDING TO THE STICKER ON THE BACK OF THE PANEL OR MATCH THE CORRECT WIRING OF THE ROCKER SWITCH AND CORRECT LOGO ON FACE OF PANEL.



EXISTING NO.	REPLACEMENT NO.
AP31555	RAP91603

# PANEL, CONTROL AND INDICATOR LIGHTS FOR KEYED ROCKER SWITCH-CONTROLLED ROOM EXTENSION SYSTEMS (COUNTRY COACH)



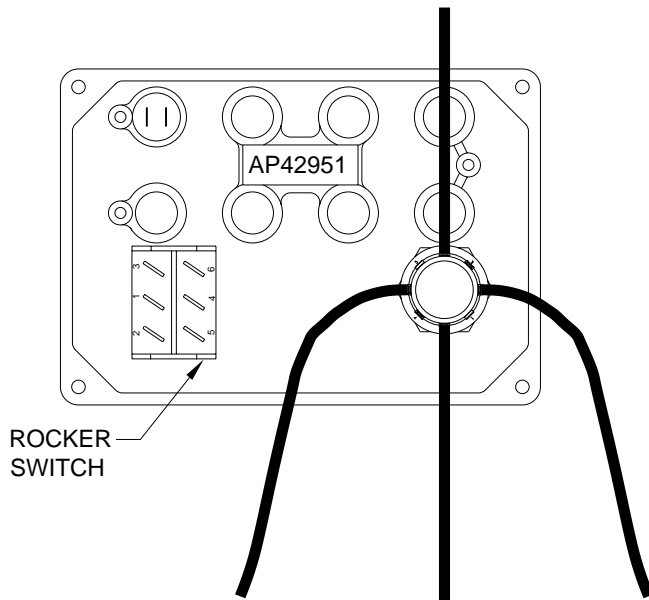
## REPLACEMENT PARTS

ITEM	PART	QTY	DESCRIPTION
1	RP90038	1	REPLACEMENT KEYS (CONTAINS 2)
2	RP90042	1	ROCKER SWITCH
3	RAP90307	1	AMBER LAMP 1/2" DIA.

**NOTE :** THE KEY SWITCH IS NOT A REPLACEMENT PART. ORDER A COMPLETE PANEL IF KEY SWITCH REPLACEMENT IS NECESSARY.

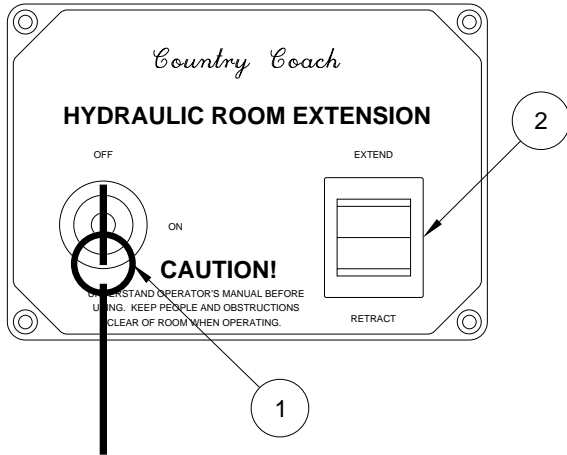
## REPLACEMENT PANEL

CHOOSE A REPLACEMENT PANEL ACCORDING TO THE STICKER ON THE BACK OF THE PANEL OR MATCH THE CORRECT WIRING OF THE ROCKER SWITCH.



EXISTING NO.	REPLACEMENT NO.
AP42951	RAP92819

# CONTROL PANELS KEYED ROCKER SWITCH FOR COUNTRY COACH ROOM EXTENSION SYSTEMS



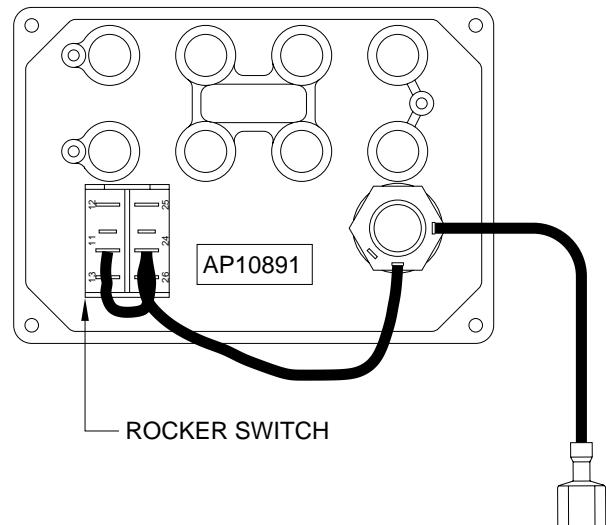
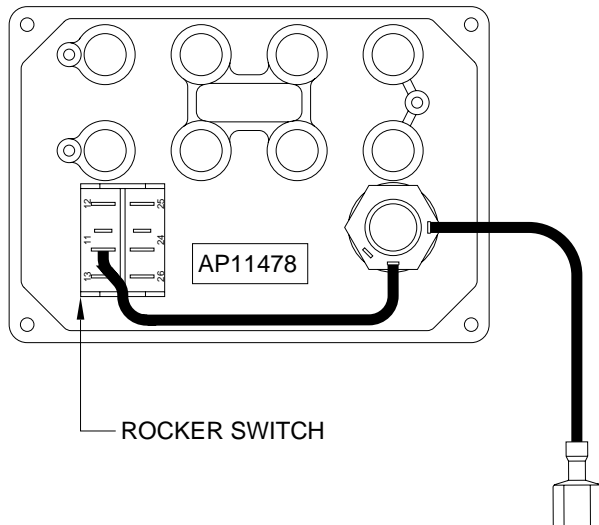
## REPLACEMENT PARTS

ITEM	PART	QTY	DESCRIPTION
1	RP90038	1	REPLACEMENT KEYS (CONTAINS 2)
2	RP90042	1	ROCKER SWITCH

**NOTE:** THE KEY SWITCH IS NOT A REPLACEMENT PART. ORDER A COMPLETE PANEL IF KEY SWITCH REPLACEMENT IS NECESSARY.

## REPLACEMENT PANELS

CHOOSE A REPLACEMENT PANEL ACCORDING TO THE STICKER ON THE BACK OF THE PANEL OR MATCH THE CORRECT WIRING OF THE ROCKER SWITCH.



EXISTING NO.	REPLACEMENT NO.
--------------	-----------------

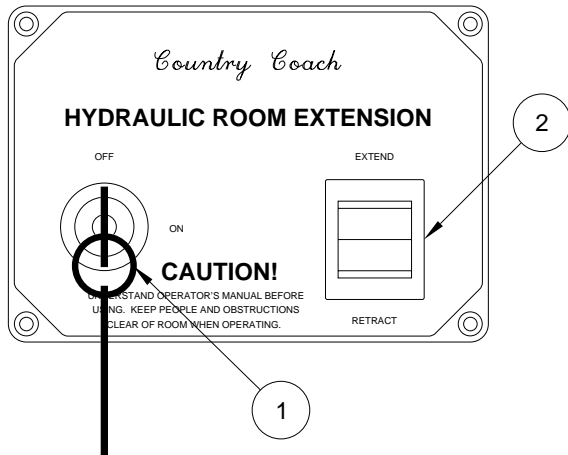
AP11478	RAP90097
---------	----------

EXISTING NO.	REPLACEMENT NO.
--------------	-----------------

AP10891	RAP90075
---------	----------



# PANEL, CONTROL FOR KEYED ROCKER SWITCH-CONTROLLED ROOM EXTENSION SYSTEMS (COUNTRY COACH)



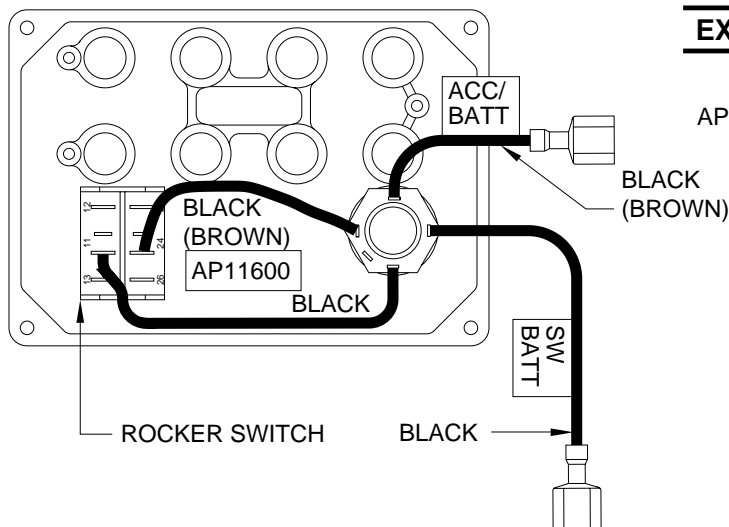
## REPLACEMENT PARTS

ITEM	PART	QTY	DESCRIPTION
1	RP90038	1	REPLACEMENT KEYS (CONTAINS 2)
2	RP90042	1	ROCKER SWITCH

**NOTE:** THE KEY SWITCH IS NOT A REPLACABLE PART. ORDER A COMPLETE PANEL IF THE KEY SWITCH REPLACEMENT IS NECESSARY.

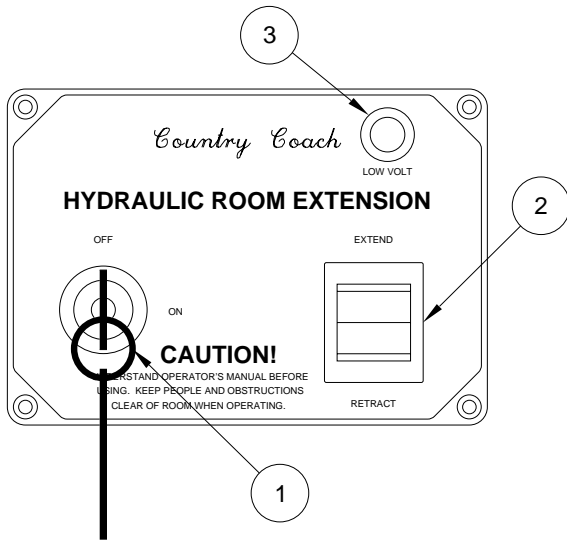
## REPLACEMENT PANEL

CHOOSE A REPLACEMENT PANEL ACCORDING TO THE STICKER ON THE BACK OF THE PANEL OR MATCH THE CORRECT WIRING OF THE ROCKER SWITCH AND CORRECT LOGO ON FACE OF PANEL.



EXISTING NO.	REPLACEMENT NO.
AP11600	RAP90254

# PANEL, CONTROL FOR KEYED ROCKER SWITCH-CONTROLLED ROOM EXTENSION SYSTEMS COUNTRY COACH



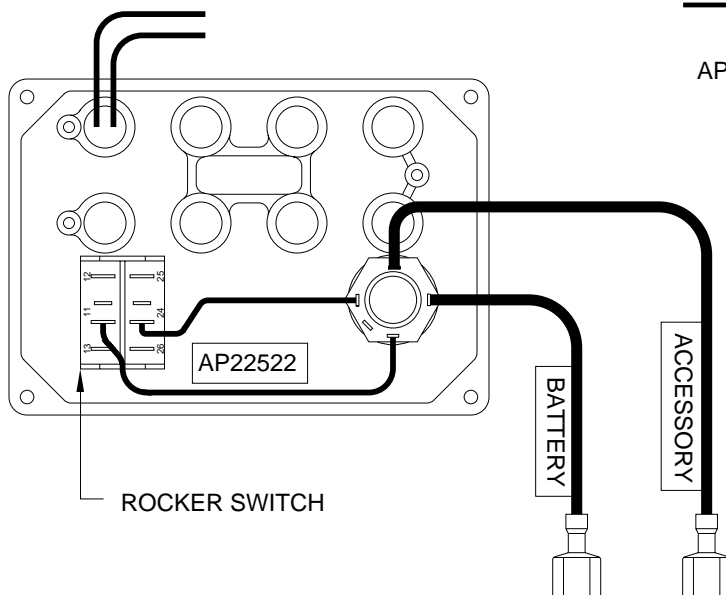
## REPLACEMENT PARTS

ITEM	PART	QTY	DESCRIPTION
1	RP90038	1	REPLACEMENT KEYS (CONTAINS 2)
2	RP90042	1	ROCKER SWITCH
3	RP90308	1	RED LAMP 1/2"

**NOTE :** THE KEY SWITCH IS NOT A REPLACEMENT PART. ORDER A COMPLETE PANEL IF KEY SWITCH REPLACEMENT IS NECESSARY.

## REPLACEMENT PANEL

CHOOSE A REPLACEMENT PANEL ACCORDING TO THE STICKER ON THE BACK OF THE PANEL OR MATCH THE CORRECT WIRING OF THE ROCKER SWITCH.

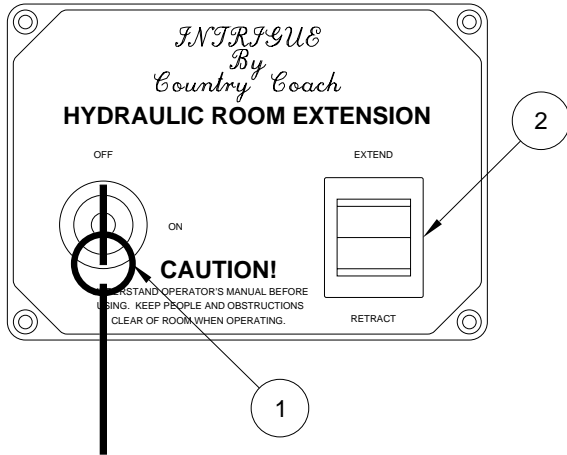


EXISTING NO.	REPLACEMENT NO.
--------------	-----------------

AP22522

RAP90830

# CONTROL PANELS KEYED ROCKER SWITCH FOR COUNTRY COACH ROOM EXTENSION SYSTEMS



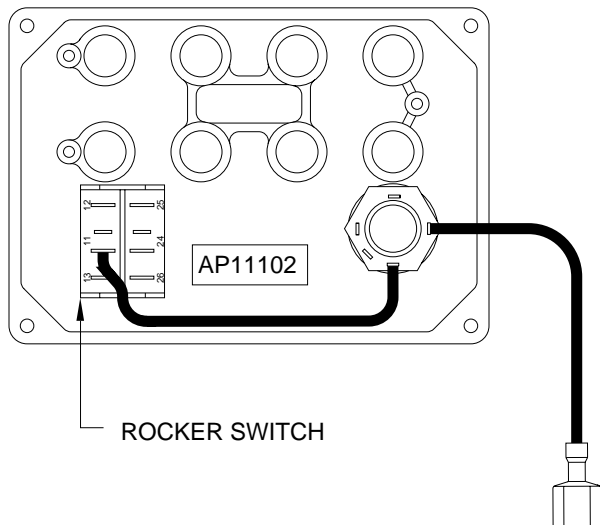
## REPLACEMENT PARTS

ITEM	PART	QTY	DESCRIPTION
1	RP90038	1	REPLACEMENT KEYS (CONTAINS 2)
2	RP90042	1	ROCKER SWITCH

**NOTE :** THE KEY SWITCH IS NOT A REPLACEMENT PART. ORDER A COMPLETE PANEL IF KEY SWITCH REPLACEMENT IS NECESSARY.

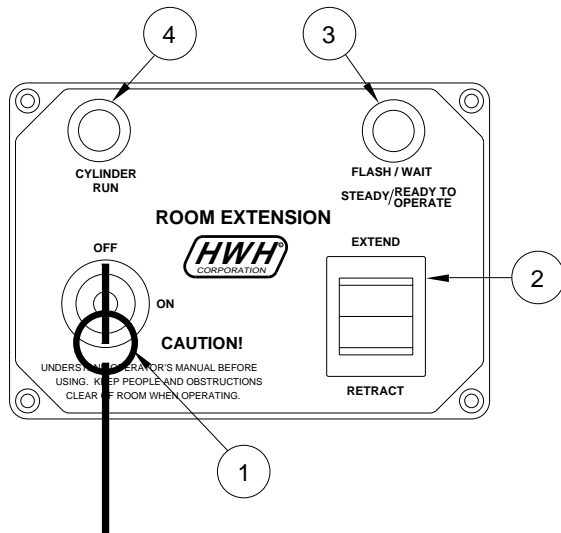
## REPLACEMENT PANEL

CHOOSE A REPLACEMENT PANEL ACCORDING TO THE STICKER ON THE BACK OF THE PANEL OR MATCH THE CORRECT WIRING OF THE ROCKER SWITCH.



EXISTING NO.	REPLACEMENT NO.
AP11102	RAP90074

# PANEL, CONTROL AND INDICATOR LIGHTS FOR 2000 SERIES, KEYED ROCKER SWITCH-CONTROLLED (COUNTRY COACH ELECTRIC ROOM EXTENSION)



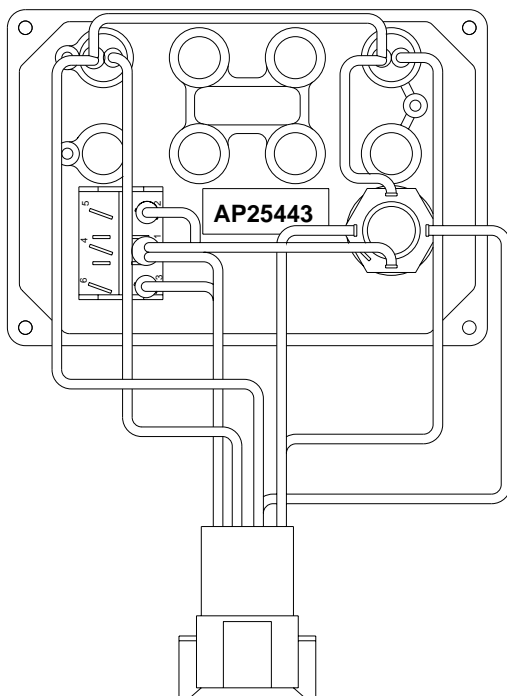
## REPLACEMENT PARTS

ITEM	PART	QTY	DESCRIPTION
1	RP90038	1	REPLACEMENT KEYS (CONTAINS 2)
2	RP90042	1	ROCKER SWITCH
3	RAP90307	1	AMBER LAMP 1/2" DIA.
4	RAP90308	1	RED LAMP 1/2" DIA.

**NOTE :** THE KEY SWITCH IS NOT A REPLACEMENT PART. ORDER A COMPLETE PANEL IF KEY SWITCH REPLACEMENT IS NECESSARY.

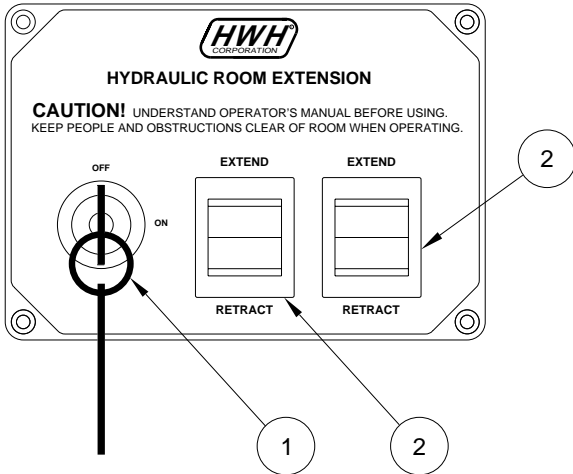
## REPLACEMENT PANEL

CHOOSE A REPLACEMENT PANEL ACCORDING TO THE STICKER ON THE BACK OF THE PANEL OR MATCH THE CORRECT WIRING OF THE ROCKER SWITCH.



EXISTING NO.	REPLACEMENT NO.
AP25443	RAP91128

# PANEL, CONTROL KEYED ROCKER SWITCH-CONTROLLED ROOM EXTENSION SYSTEMS



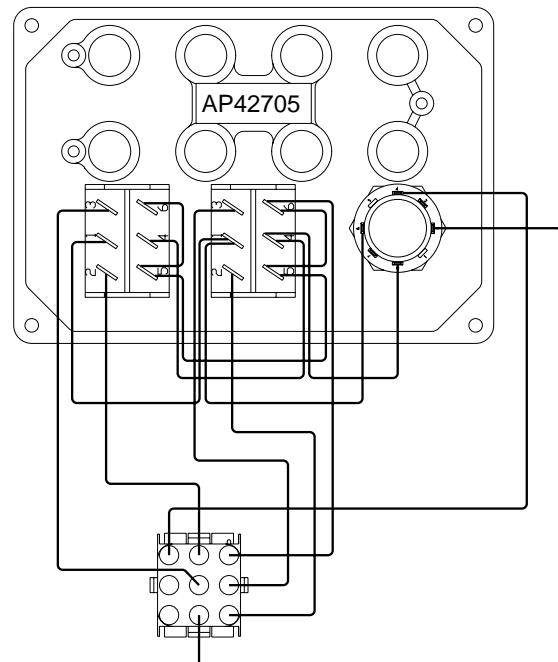
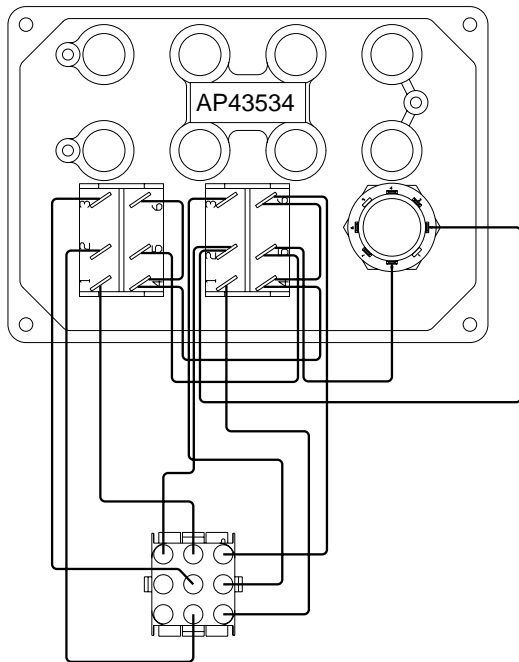
## REPLACEMENT PARTS

ITEM	PART	QTY	DESCRIPTION
1	RP90038	1	REPLACEMENT KEYS (CONTAINS 2)
2	RP90042	2	ROCKER SWITCH

**NOTE:** THE KEY SWITCH IS NOT A REPLACEMENT PART. ORDER A COMPLETE PANEL IF KEY SWITCH REPLACEMENT IS NECESSARY.

## REPLACEMENT PANELS

CHOOSE A REPLACEMENT PANEL ACCORDING TO THE STICKER ON THE BACK OF THE PANEL OR MATCH THE CORRECT WIRING OF THE ROCKER SWITCH.



EXISTING NO.	REPLACEMENT NO.
--------------	-----------------

AP43534

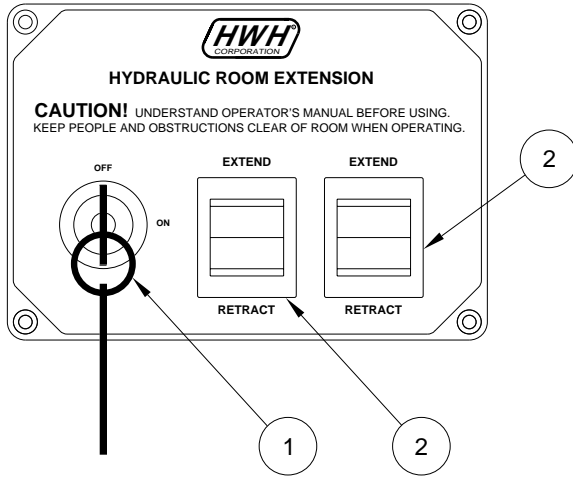
RAP92358

EXISTING NO.	REPLACEMENT NO.
--------------	-----------------

AP42705

RAP92359

# PANEL, CONTROL FOR KEYED ROCKER SWITCH-CONTROLLED ROOM EXTENSION SYSTEMS



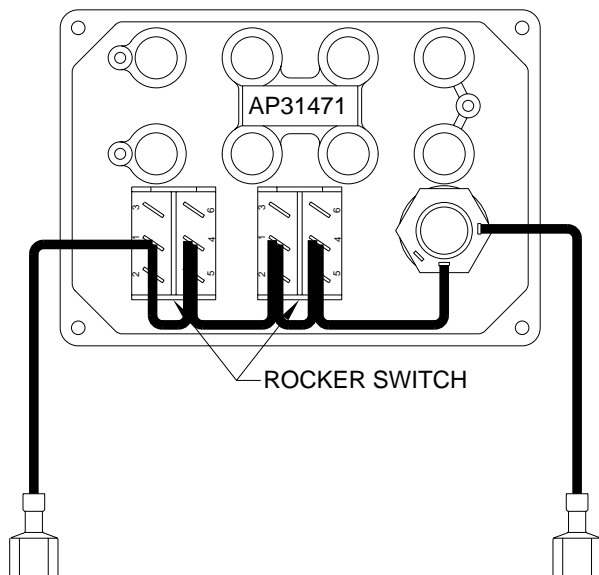
## REPLACEMENT PARTS

ITEM	PART	QTY	DESCRIPTION
1	RP90038	1	REPLACEMENT KEYS (CONTAINS 2)
2	RP90042	2	ROCKER SWITCH

**NOTE:** THE KEY SWITCH IS NOT A REPLACABLE PART. ORDER A COMPLETE PANEL IF THE KEY SWITCH REPLACEMENT IS NECESSARY.

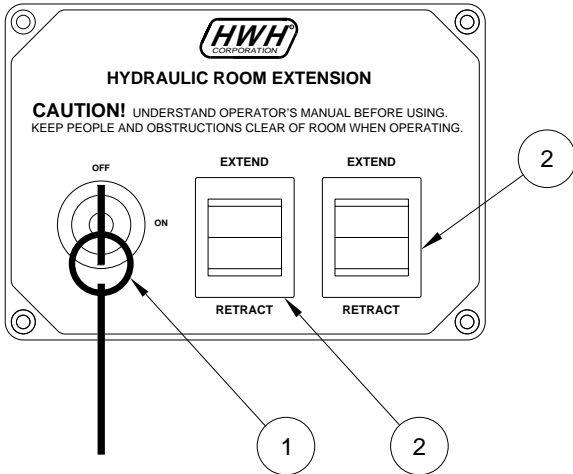
## REPLACEMENT PANEL

CHOOSE A REPLACEMENT PANEL ACCORDING TO THE STICKER ON THE BACK OF THE PANEL OR MATCH THE CORRECT WIRING OF THE ROCKER SWITCH AND CORRECT LOGO ON FACE OF PANEL.



EXISTING NO.	REPLACEMENT NO.
AP31471	RAP91873

# PANEL, CONTROL KEYED ROCKER SWITCH-CONTROLLED ROOM EXTENSION SYSTEMS



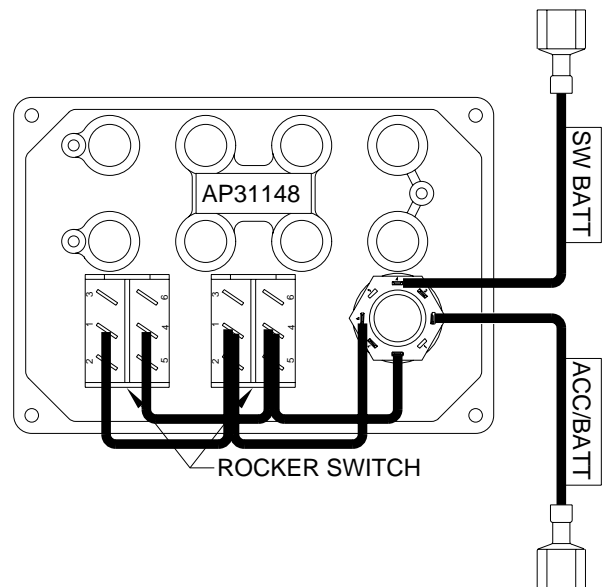
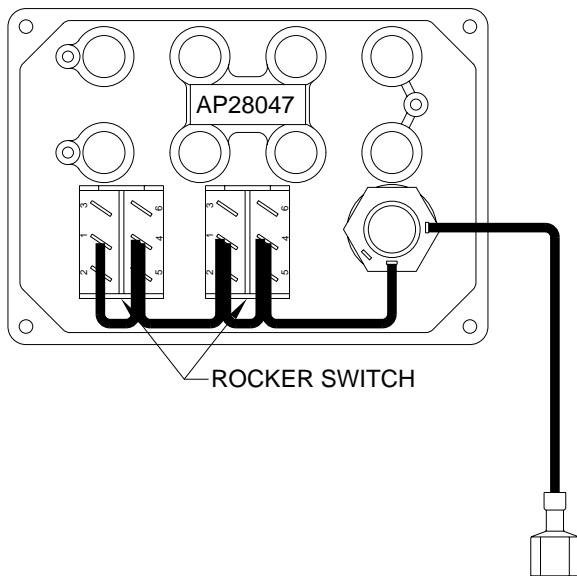
## REPLACEMENT PARTS

ITEM	PART	QTY	DESCRIPTION
1	RP90038	1	REPLACEMENT KEYS (CONTAINS 2)
2	RP90042	2	ROCKER SWITCH

**NOTE:** THE KEY SWITCH IS NOT A REPLACEMENT PART. ORDER A COMPLETE PANEL IF KEY SWITCH REPLACEMENT IS NECESSARY.

## REPLACEMENT PANELS

CHOOSE A REPLACEMENT PANEL ACCORDING TO THE STICKER ON THE BACK OF THE PANEL OR MATCH THE CORRECT WIRING OF THE ROCKER SWITCH.



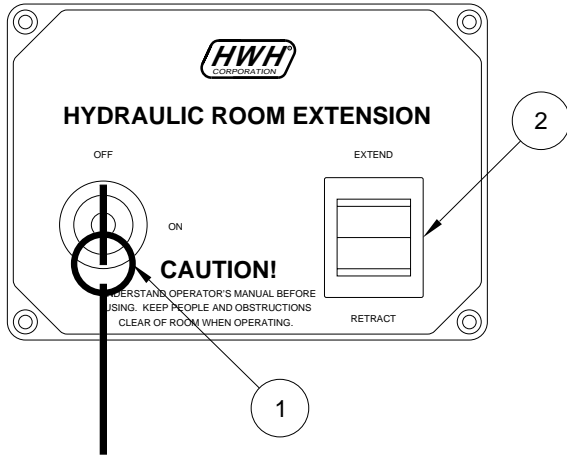
EXISTING NO.	REPLACEMENT NO.
--------------	-----------------

AP28047	RAP91871
---------	----------

EXISTING NO.	REPLACEMENT NO.
--------------	-----------------

AP31148	RAP91874
---------	----------

# CONTROL PANELS KEYED ROCKER SWITCH FOR ROOM EXTENSION SYSTEMS



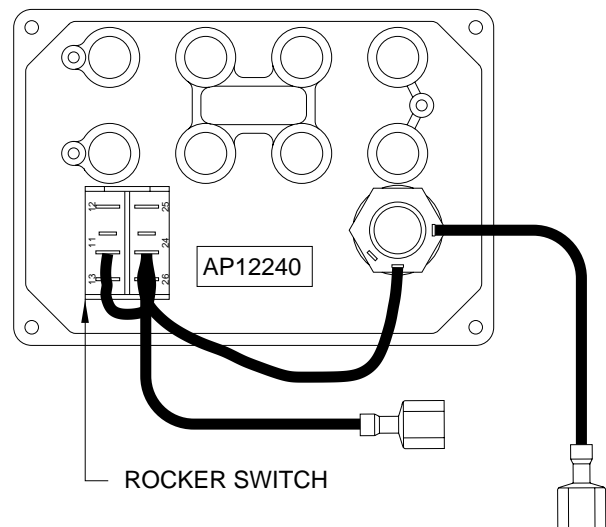
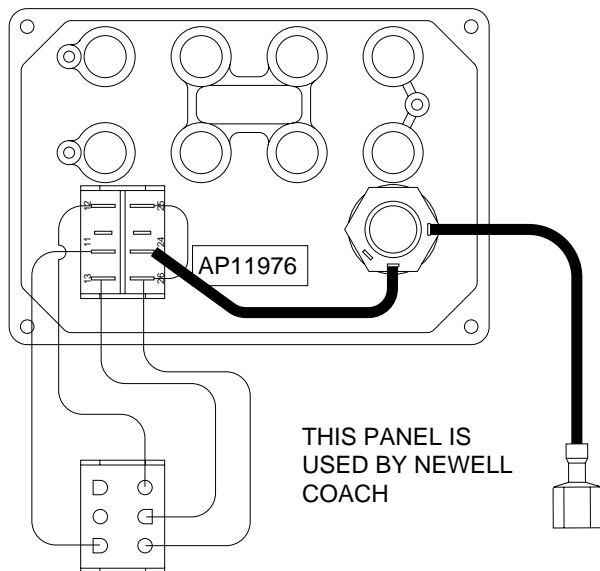
## REPLACEMENT PARTS

ITEM	PART	QTY	DESCRIPTION
1	RP90038	1	REPLACEMENT KEYS (CONTAINS 2)
2	RP90042	1	ROCKER SWITCH

**NOTE :** THE KEY SWITCH IS NOT A REPLACEMENT PART. ORDER A COMPLETE PANEL IF KEY SWITCH REPLACEMENT IS NECESSARY.

## REPLACEMENT PANELS

CHOOSE A REPLACEMENT PANEL ACCORDING TO THE STICKER ON THE BACK OF THE PANEL OR MATCH THE CORRECT WIRING OF THE ROCKER SWITCH.



EXISTING NO.	REPLACEMENT NO.
--------------	-----------------

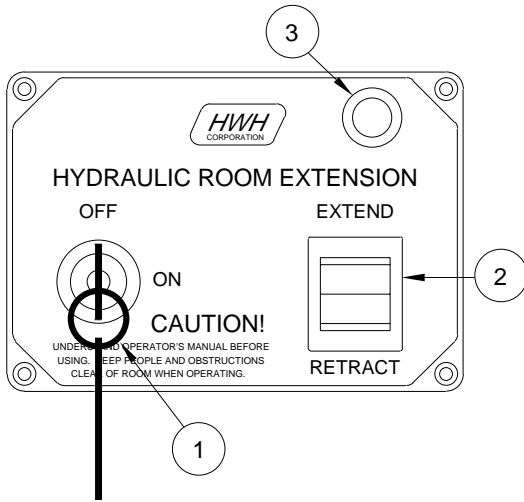
AP11976	RAP90255
---------	----------

EXISTING NO.	REPLACEMENT NO.
--------------	-----------------

AP12240	RAP90256
---------	----------



# CONTROL PANELS KEYED ROCKER SWITCH FOR LEVEL FLOOR ROOM EXTENSION SYSTEMS



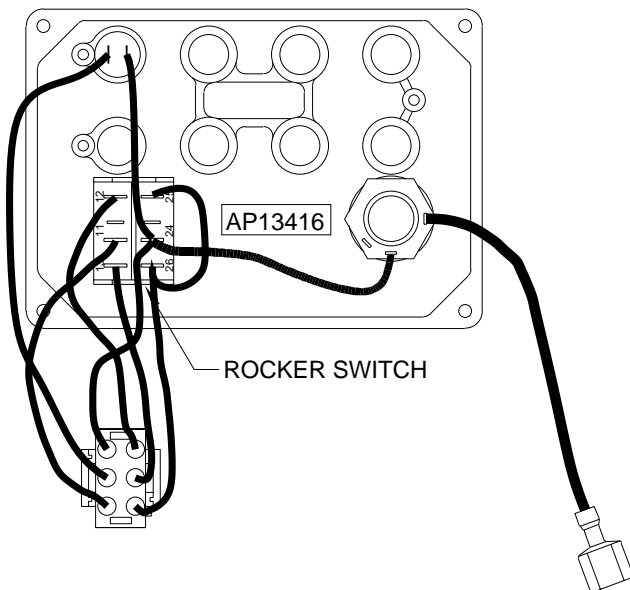
## REPLACEMENT PARTS

ITEM	PART	QTY	DESCRIPTION
1	RP90038	1	REPLACEMENT KEYS (CONTAINS 2)
2	RP90042	1	ROCKER SWITCH
3	RAP90307	1	AMBER LAMP 1/2" DIA.

**NOTE :** THE KEY SWITCH IS NOT A REPLACABLE PART. ORDER A COMPLETE PANEL IF KEY SWITCH REPLACEMENT IS NECESSARY.

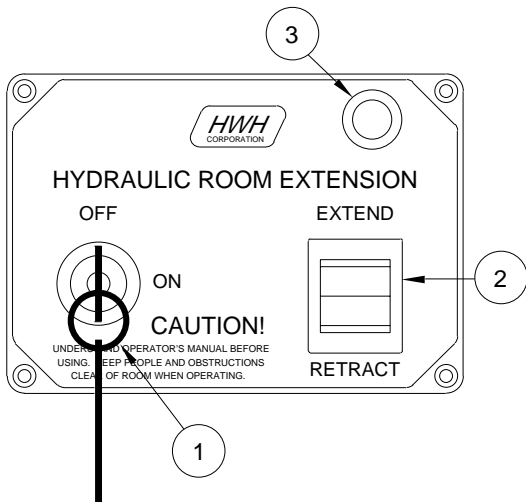
## REPLACEMENT PANEL

CHOOSE A REPLACEMENT PANEL ACCORDING TO THE STICKER ON THE BACK OF THE PANEL OR MATCH THE CORRECT WIRING OF THE ROCKER SWITCH.



EXISTING NO.	REPLACEMENT NO.
AP13416	RAP90306

# CONTROL PANELS KEYED ROCKER SWITCH FOR ROOM EXTENSION SYSTEMS



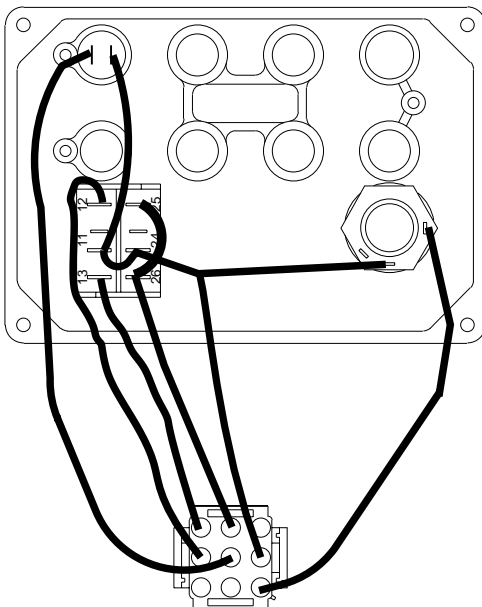
## REPLACEMENT PARTS

ITEM	PART	QTY	DESCRIPTION
1	RP90038	1	REPLACEMENT KEYS (CONTAINS 2)
2	RP90042	1	ROCKER SWITCH
3	RAP90307	1	AMBER LAMP 1/2" DIA.

**NOTE :** THE KEY SWITCH IS NOT A REPLACEMENT PART ORDER A COMPLETE PANEL IF KEY SWITCH REPLACEMENT IS NECESSARY.

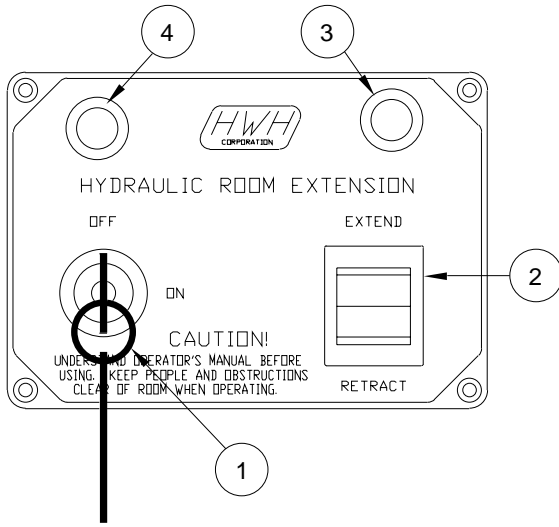
## REPLACEMENT PANEL

CHOOSE A REPLACEMENT PANEL ACCORDING TO THE STICKER ON THE BACK OF THE PANEL OR MATCH THE CORRECT WIRING OF THE ROCKER SWITCH.



EXISTING NO.	REPLACEMENT NO.
AP13939	RAP90433

# CONTROL PANELS KEYED ROCKER SWITCH 680 ROOM EXTENSION SYSTEMS



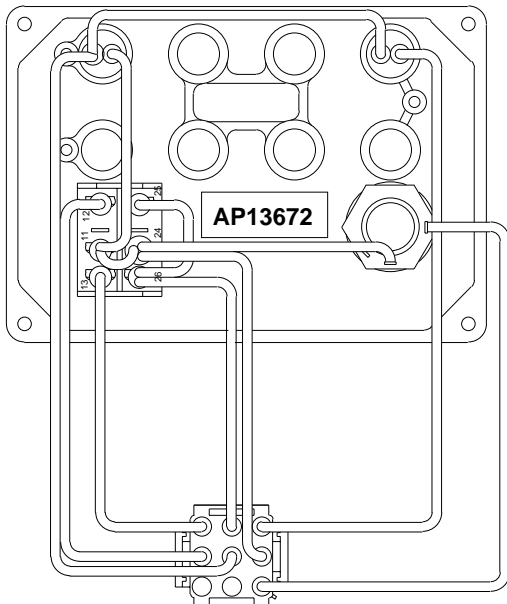
## REPLACEMENT PARTS

ITEM	PART	QTY	DESCRIPTION
1	RP90038	1	REPLACEMENT KEYS (CONTAINS 2)
2	RP90042	1	ROCKER SWITCH
3	RAP90307	1	AMBER LAMP 1/2" DIA.
4	RAP90308	1	RED LAMP 1/2" DIA.

**NOTE :** THE KEY SWITCH IS NOT A REPLACEMENT PART. ORDER A COMPLETE PANEL IF KEY SWITCH REPLACEMENT IS NECESSARY.

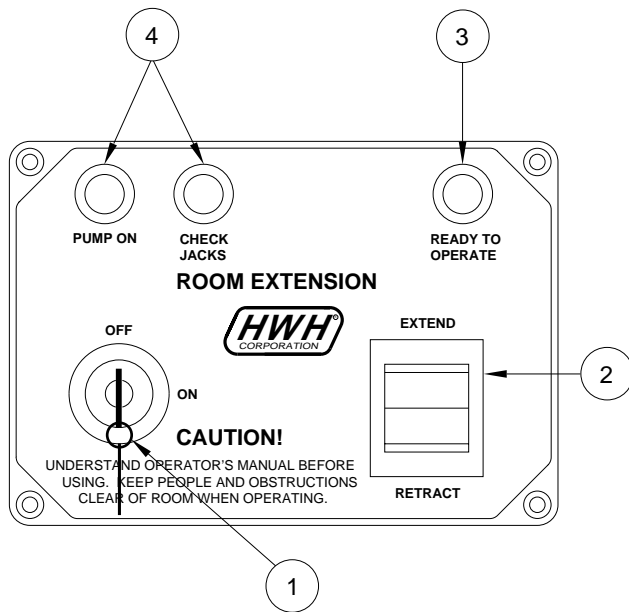
## REPLACEMENT PANEL

CHOOSE A REPLACEMENT PANEL ACCORDING TO THE STICKER ON THE BACK OF THE PANEL OR MATCH THE CORRECT WIRING OF THE ROCKER SWITCH.



EXISTING NO.	REPLACEMENT NO.
AP13672	RAP90543

# PANEL, CONTROL AND INDICATOR LIGHTS FOR 680 SERIES KEYED ROCKER SWITCH-CONTROLLED ROOM EXTENSION SYSTEMS



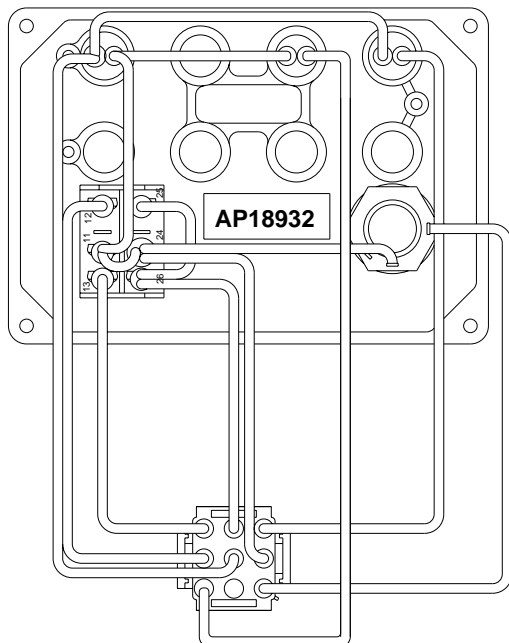
## REPLACEMENT PARTS

ITEM	PART	QTY	DESCRIPTION
1	RP90038	1	REPLACEMENT KEYS (CONTAINS 2)
2	RP90042	1	ROCKER SWITCH
3	RAP90307	1	AMBER LAMP 1/2" DIA.
4	RAP90308	2	RED LAMP 1/2" DIA.

**NOTE :** THE KEY SWITCH IS NOT A REPLACEMENT PART. ORDER A COMPLETE PANEL IF KEY SWITCH REPLACEMENT IS NECESSARY.

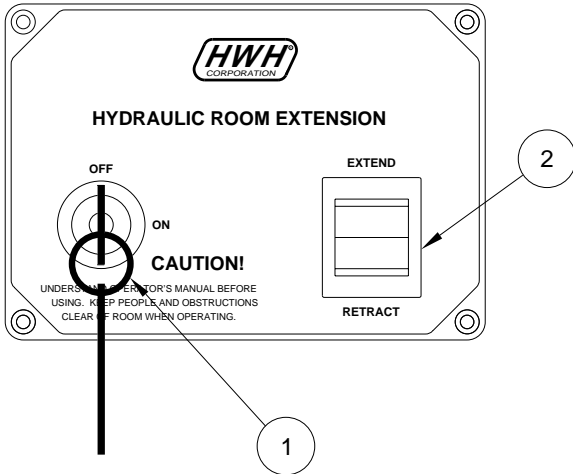
## REPLACEMENT PANEL

CHOOSE A REPLACEMENT PANEL ACCORDING TO THE STICKER ON THE BACK OF THE PANEL OR MATCH THE CORRECT WIRING OF THE ROCKER SWITCH.



EXISTING NO.	REPLACEMENT NO.
AP18932	RAP90628

# PANEL, CONTROL FOR 680 SERIES, KEYED ROCKER SWITCH-CONTROLLED ROOM EXTENSION SYSTEMS



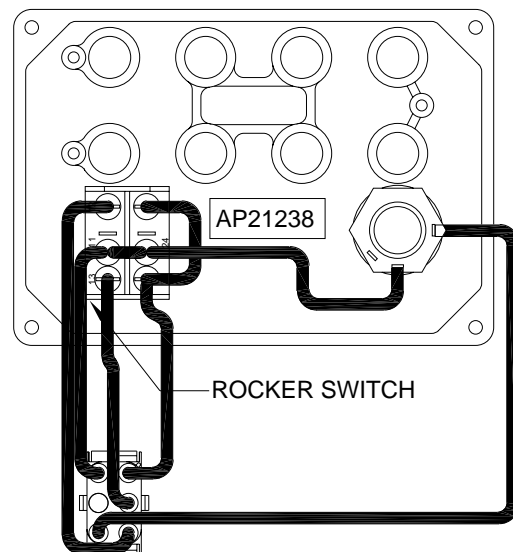
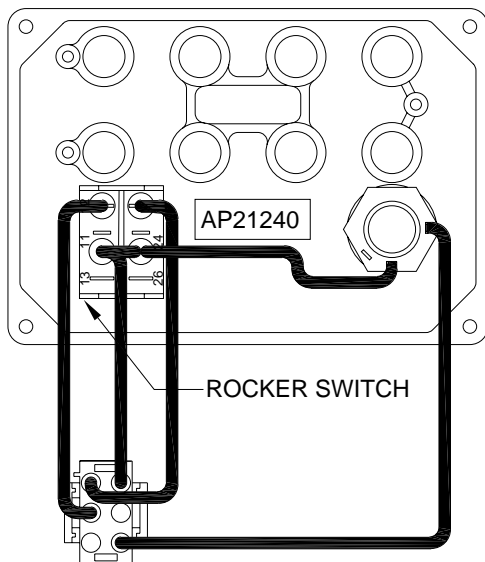
## REPLACEMENT PARTS

ITEM	PART	QTY	DESCRIPTION
1	RP90038	1	REPLACEMENT KEYS (CONTAINS 2)
2	RP90042	1	ROCKER SWITCH

**NOTE:** THE KEY SWITCH IS NOT A REPLACEMENT PART. ORDER A COMPLETE PANEL IF KEY SWITCH REPLACEMENT IS NECESSARY.

## REPLACEMENT PANELS

CHOOSE A REPLACEMENT PANEL ACCORDING TO THE STICKER ON THE BACK OF THE PANEL OR MATCH THE CORRECT WIRING OF THE ROCKER SWITCH.



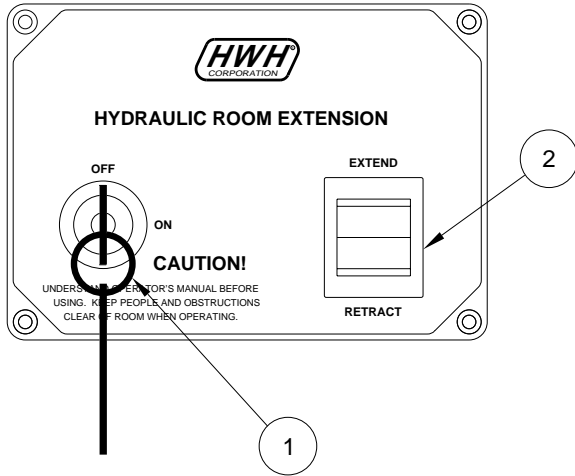
EXISTING NO.	REPLACEMENT NO.
--------------	-----------------

AP21240	RAP91125
---------	----------

EXISTING NO.	REPLACEMENT NO.
--------------	-----------------

AP21238	RAP91123
---------	----------

# PANEL, CONTROL KEYED ROCKER SWITCH-CONTROLLED ROOM EXTENSION SYSTEMS



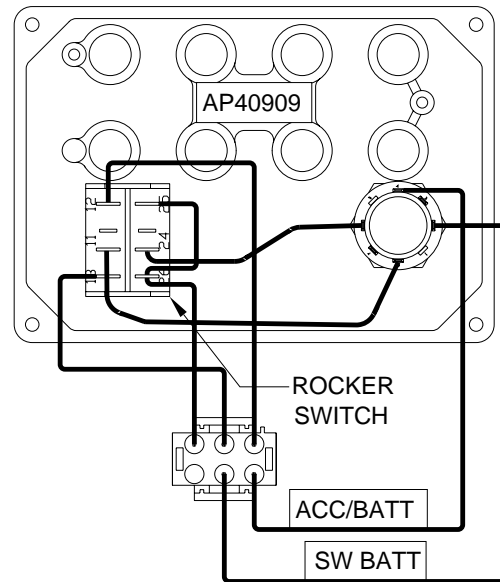
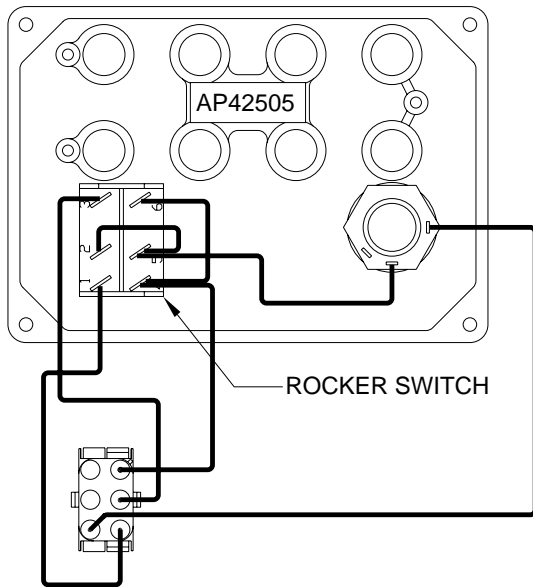
## REPLACEMENT PARTS

ITEM	PART	QTY	DESCRIPTION
1	RP90038	1	REPLACEMENT KEYS (CONTAINS 2)
2	RP90042	1	ROCKER SWITCH

**NOTE:** THE KEY SWITCH IS NOT A REPLACEMENT PART. ORDER A COMPLETE PANEL IF KEY SWITCH REPLACEMENT IS NECESSARY.

## REPLACEMENT PANELS

CHOOSE A REPLACEMENT PANEL ACCORDING TO THE STICKER ON THE BACK OF THE PANEL OR MATCH THE CORRECT WIRING OF THE ROCKER SWITCH.



EXISTING NO.	REPLACEMENT NO.
--------------	-----------------

AP42505

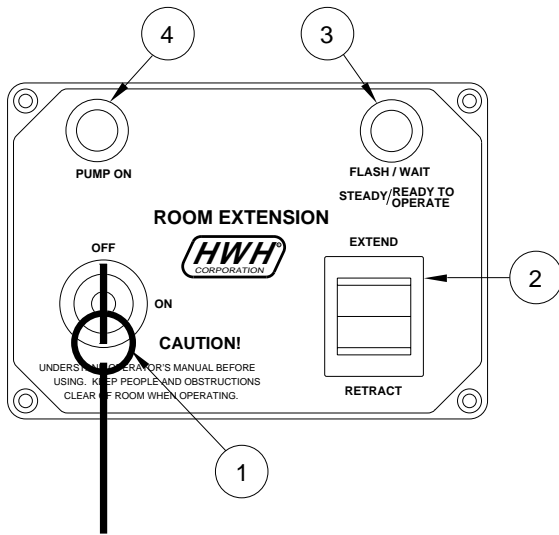
RAP92352

EXISTING NO.	REPLACEMENT NO.
--------------	-----------------

AP40909

RAP92190

# PANEL, CONTROL AND INDICATOR LIGHTS FOR 2000 SERIES, KEYED ROCKER SWITCH-CONTROLLED ROOM EXTENSION SYSTEMS



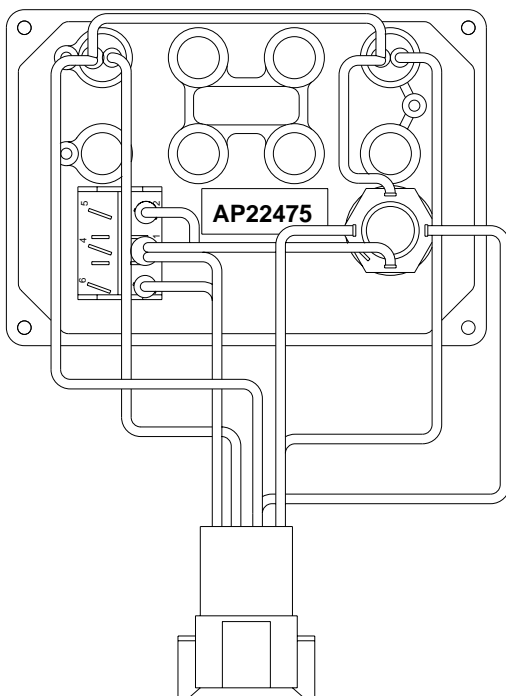
## REPLACEMENT PARTS

ITEM	PART	QTY	DESCRIPTION
1	RP90038	1	REPLACEMENT KEYS (CONTAINS 2)
2	RP90042	1	ROCKER SWITCH
3	RAP90307	1	AMBER LAMP 1/2" DIA.
4	RAP90308	1	RED LAMP 1/2" DIA.

**NOTE :** THE KEY SWITCH IS NOT A REPLACEMENT PART. ORDER A COMPLETE PANEL IF KEY SWITCH REPLACEMENT IS NECESSARY.

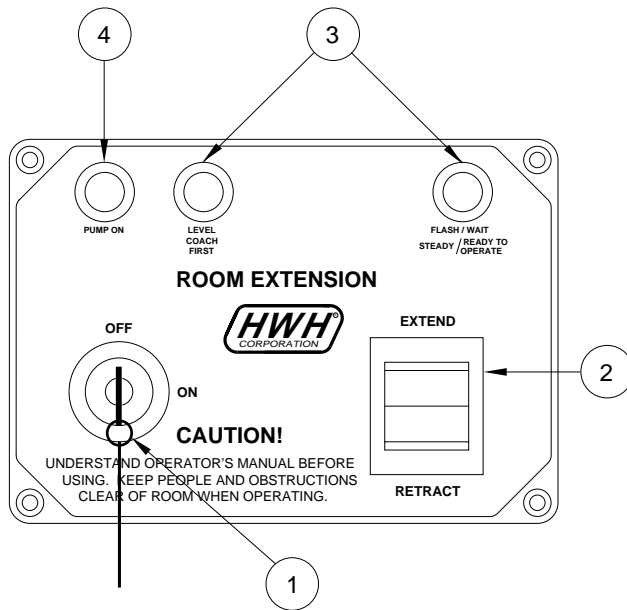
## REPLACEMENT PANEL

CHOOSE A REPLACEMENT PANEL ACCORDING TO THE STICKER ON THE BACK OF THE PANEL OR MATCH THE CORRECT WIRING OF THE ROCKER SWITCH.



EXISTING NO.	REPLACEMENT NO.
AP22475	RAP91127

# PANEL, CONTROL AND INDICATOR LIGHTS FOR 2000 SERIES, KEYED ROCKER SWITCH-CONTROLLED ROOM EXTENSION SYSTEMS



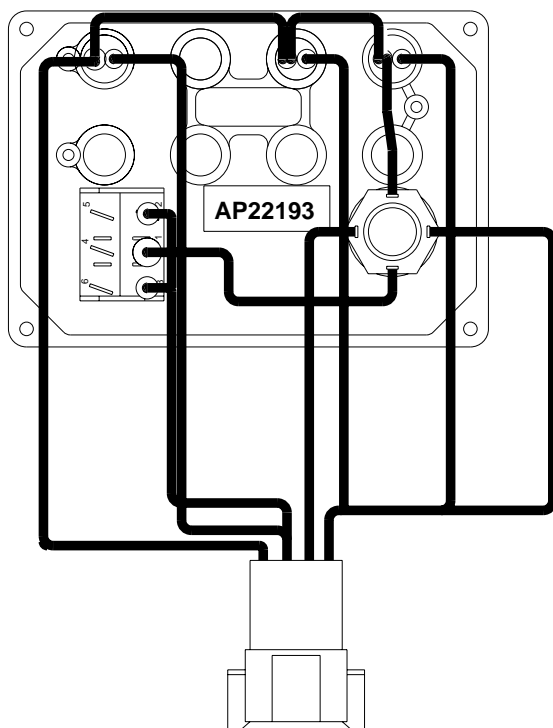
## REPLACEMENT PARTS

ITEM	PART	QTY	DESCRIPTION
1	RP90038	1	REPLACEMENT KEYS (CONTAINS 2)
2	RP90042	1	ROCKER SWITCH
3	RAP90307	2	AMBER LAMP 1/2" DIA.
4	RAP90308	1	RED LAMP 1/2" DIA.

**NOTE :** THE KEY SWITCH IS NOT A REPLACEMENT PART. ORDER A COMPLETE PANEL IF KEY SWITCH REPLACEMENT IS NECESSARY.

## REPLACEMENT PANEL

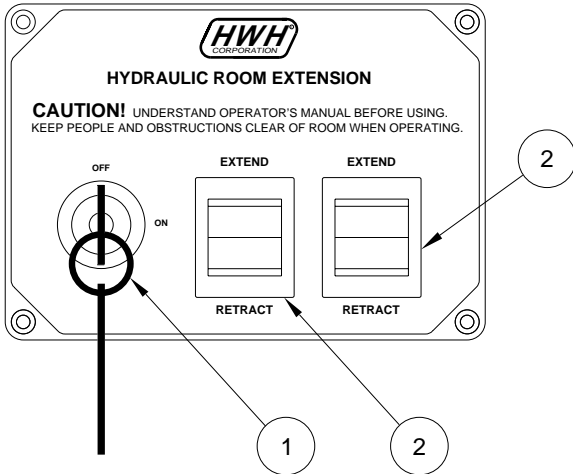
CHOOSE A REPLACEMENT PANEL ACCORDING TO THE STICKER ON THE BACK OF THE PANEL OR MATCH THE CORRECT WIRING OF THE ROCKER SWITCH.



EXISTING NO.	REPLACEMENT NO.
AP22193	RAP91858



# PANEL, CONTROL KEYED ROCKER SWITCH-CONTROLLED ROOM EXTENSION SYSTEMS



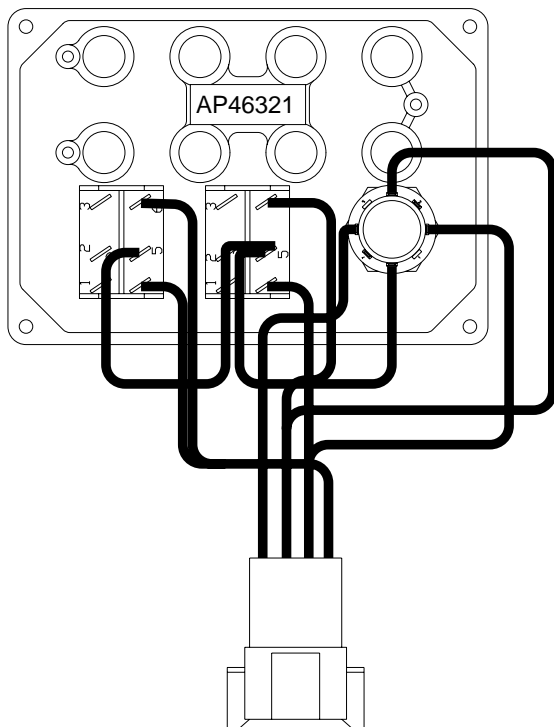
## REPLACEMENT PARTS

ITEM	PART	QTY	DESCRIPTION
1	RP90038	1	REPLACEMENT KEYS (CONTAINS 2)
2	RP90042	2	ROCKER SWITCH

**NOTE:** THE KEY SWITCH IS NOT A REPLACEMENT PART. ORDER A COMPLETE PANEL IF KEY SWITCH REPLACEMENT IS NECESSARY.

## REPLACEMENT PANELS

CHOOSE A REPLACEMENT PANEL ACCORDING TO THE STICKER ON THE BACK OF THE PANEL OR MATCH THE CORRECT WIRING OF THE ROCKER SWITCH.

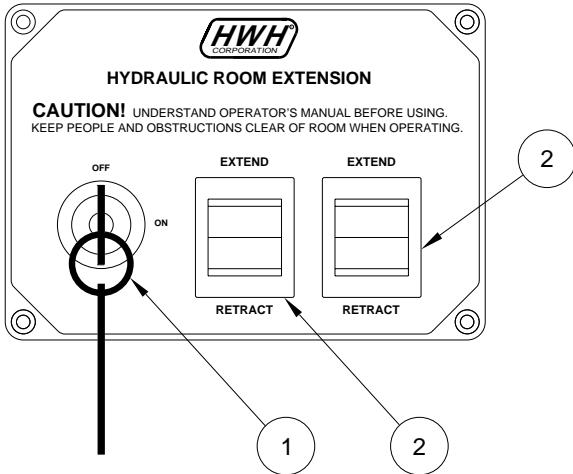


EXISTING NO.	REPLACEMENT NO.
--------------	-----------------

AP46321

RAP92821

# PANEL, CONTROL KEYED ROCKER SWITCH-CONTROLLED ROOM EXTENSION SYSTEMS



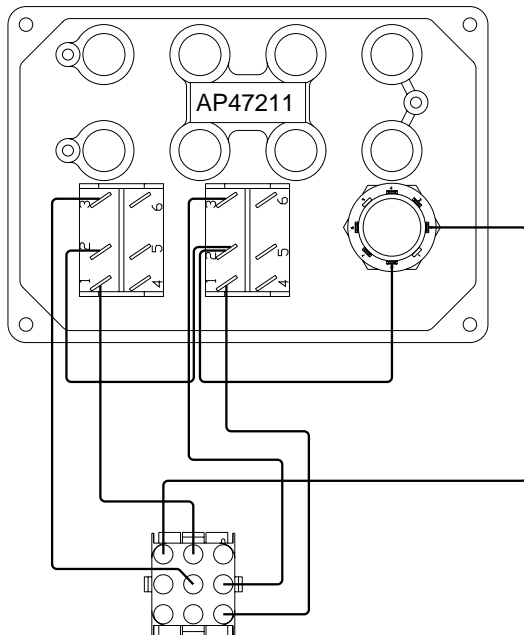
## REPLACEMENT PARTS

ITEM	PART	QTY	DESCRIPTION
1	RP90038	1	REPLACEMENT KEYS (CONTAINS 2)
2	RP90042	2	ROCKER SWITCH

**NOTE:** THE KEY SWITCH IS NOT A REPLACEMENT PART. ORDER A COMPLETE PANEL IF KEY SWITCH REPLACEMENT IS NECESSARY.

## REPLACEMENT PANELS

CHOOSE A REPLACEMENT PANEL ACCORDING TO THE STICKER ON THE BACK OF THE PANEL OR MATCH THE CORRECT WIRING OF THE ROCKER SWITCH.

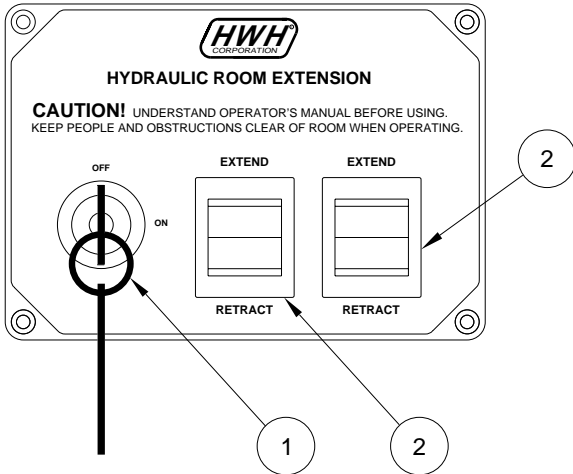


EXISTING NO.	REPLACEMENT NO.
--------------	-----------------

AP47211

RAP92822

# PANEL, CONTROL KEYED ROCKER SWITCH-CONTROLLED ROOM EXTENSION SYSTEMS



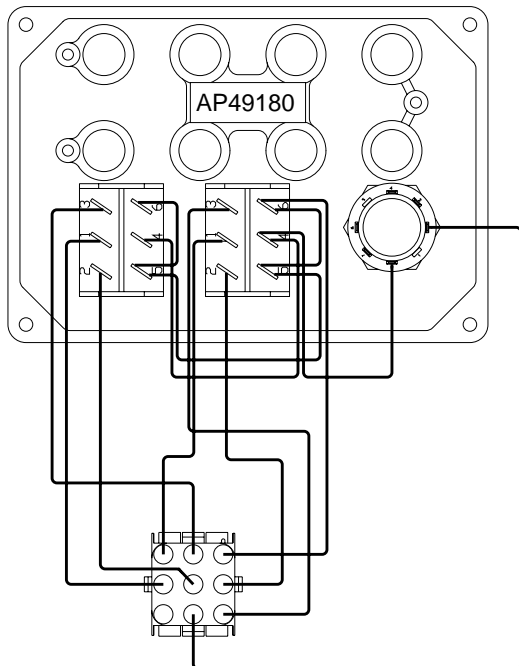
## REPLACEMENT PARTS

ITEM	PART	QTY	DESCRIPTION
1	RP90038	1	REPLACEMENT KEYS (CONTAINS 2)
2	RP90042	2	ROCKER SWITCH

**NOTE:** THE KEY SWITCH IS NOT A REPLACEMENT PART.  
ORDER A COMPLETE PANEL IF KEY SWITCH REPLACEMENT  
IS NECESSARY.

## REPLACEMENT PANELS

CHOOSE A REPLACEMENT PANEL ACCORDING TO THE STICKER ON THE BACK OF THE PANEL OR MATCH THE CORRECT WIRING OF THE ROCKER SWITCH.

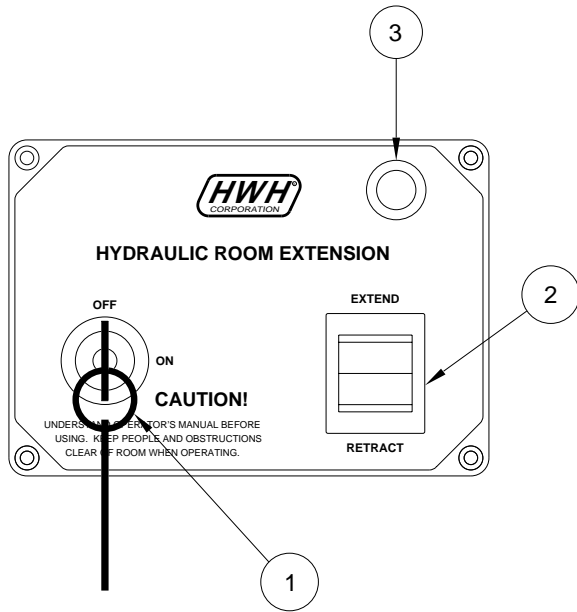


EXISTING NO.	REPLACEMENT NO.
--------------	-----------------

AP49180

RAP93194

# PANEL, CONTROL AND INDICATOR LIGHTS FOR KEYED ROCKER SWITCH-CONTROLLED TRAVEL CLAMP SYSTEMS (TRIPLE E)



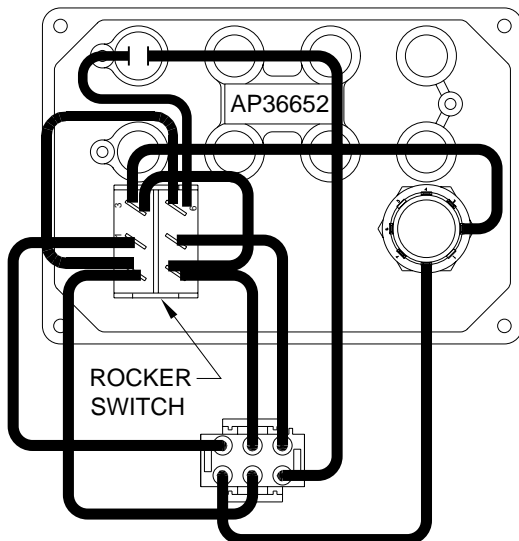
## REPLACEMENT PARTS

ITEM	PART	QTY	DESCRIPTION
1	RP90038	1	REPLACEMENT KEYS (CONTAINS 2)
2	RP90042	1	ROCKER SWITCH
3	RAP90307	1	AMBER LAMP 1/2" DIA.

**NOTE :** THE KEY SWITCH IS NOT A REPLACEMENT PART. ORDER A COMPLETE PANEL IF KEY SWITCH REPLACEMENT IS NECESSARY.

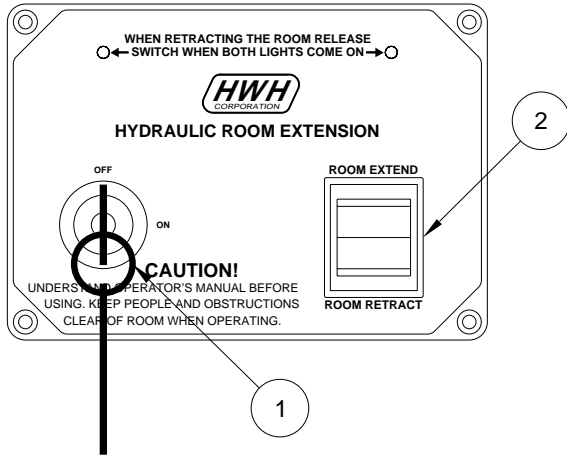
## REPLACEMENT PANEL

CHOOSE A REPLACEMENT PANEL ACCORDING TO THE STICKER ON THE BACK OF THE PANEL OR MATCH THE CORRECT WIRING OF THE ROCKER SWITCH.



EXISTING NO.	REPLACEMENT NO.
AP36652	RAP92817

# PANEL, CONTROL AND INDICATOR LIGHTS FOR KEYED ROCKER SWITCH-CONTROLLED ROOM LOCKS



## REPLACEMENT PARTS

ITEM	PART	QTY	DESCRIPTION
1	RP90038	1	REPLACEMENT KEYS (CONTAINS 2)
2	RP90042	1	ROCKER SWITCH

**NOTE :** THE KEY SWITCH IS NOT A REPLACEMENT PART. ORDER A COMPLETE PANEL IF KEY SWITCH REPLACEMENT IS NECESSARY.

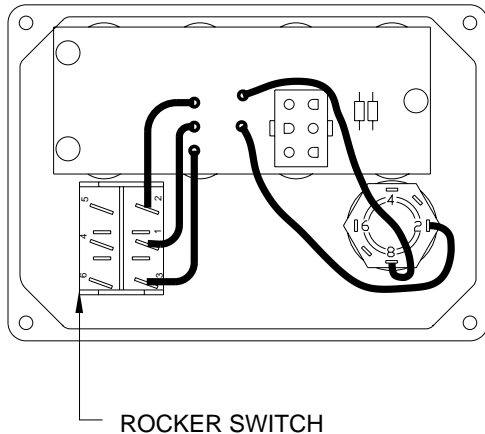
## REPLACEMENT PANEL

CHOOSE A REPLACEMENT PANEL ACCORDING TO THE STICKER ON THE BACK OF THE PANEL OR MATCH THE CORRECT WIRING OF THE ROCKER SWITCH.

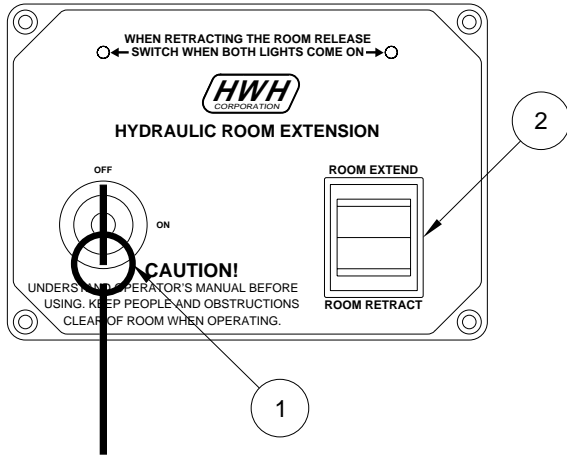
EXISTING NO.	REPLACEMENT NO.
--------------	-----------------

AP28642

RAP91129



# PANEL, CONTROL AND INDICATOR LIGHTS FOR KEYED ROCKER SWITCH-CONTROLLED ROOM LOCKS



## REPLACEMENT PARTS

ITEM	PART	QTY	DESCRIPTION
1	RP90038	1	REPLACEMENT KEYS (CONTAINS 2)
2	RP90042	1	ROCKER SWITCH

**NOTE :** THE KEY SWITCH IS NOT A REPLACEMENT PART. ORDER A COMPLETE PANEL IF KEY SWITCH REPLACEMENT IS NECESSARY.

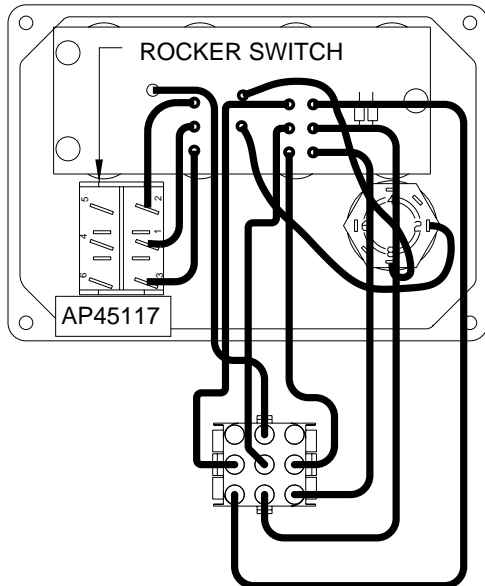
## REPLACEMENT PANEL

CHOOSE A REPLACEMENT PANEL ACCORDING TO THE STICKER ON THE BACK OF THE PANEL OR MATCH THE CORRECT WIRING OF THE ROCKER SWITCH.

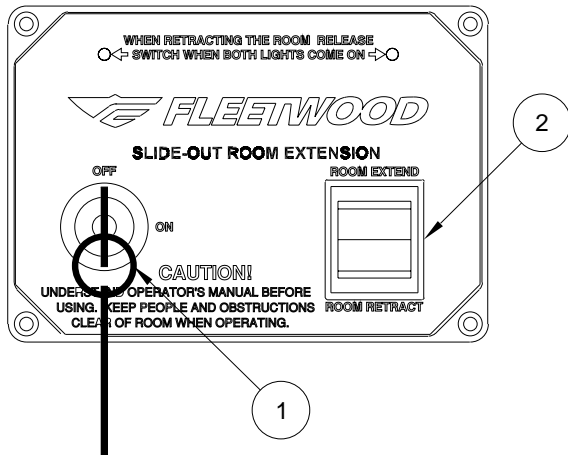
EXISTING NO.	REPLACEMENT NO.
--------------	-----------------

AP45117

RAP92820



# PANEL, CONTROL FOR KEYED ROCKER SWITCH-CONTROLLED ROOM LOCKS (FLEETWOOD)



## REPLACEMENT PARTS

ITEM	PART	QTY	DESCRIPTION
1	RP90038	1	REPLACEMENT KEYS (CONTAINS 2)
2	RP90042	1	ROCKER SWITCH

**NOTE :** THE KEY SWITCH IS NOT A REPLACEMENT PART. ORDER A COMPLETE PANEL IF KEY SWITCH REPLACEMENT IS NECESSARY.

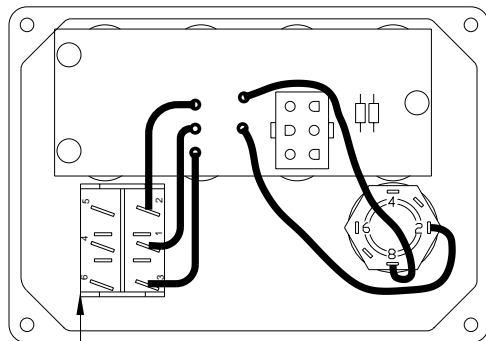
## REPLACEMENT PANEL

CHOOSE A REPLACEMENT PANEL ACCORDING TO THE STICKER ON THE BACK OF THE PANEL OR MATCH THE CORRECT WIRING OF THE ROCKER SWITCH.

EXISTING NO.	REPLACEMENT NO.
--------------	-----------------

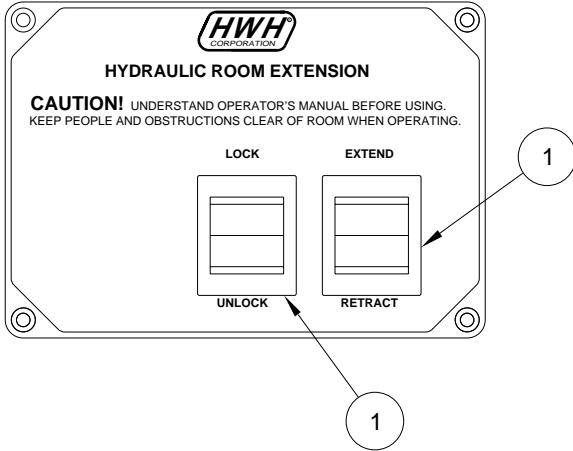
AP34718

RAP91651



ROCKER SWITCH

# PANEL, CONTROL FOR ROCKER SWITCH-CONTROLLED ROOM LOCKS



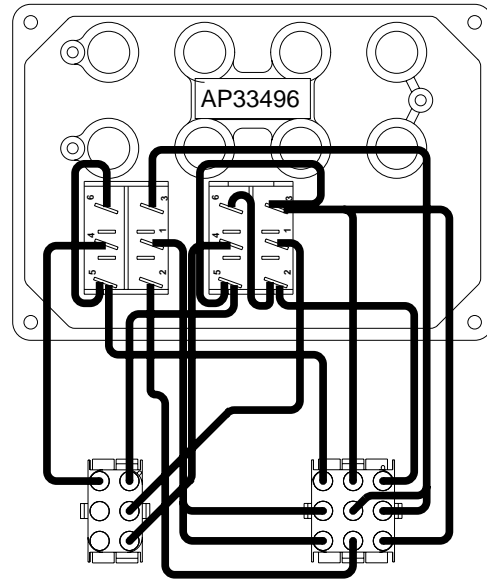
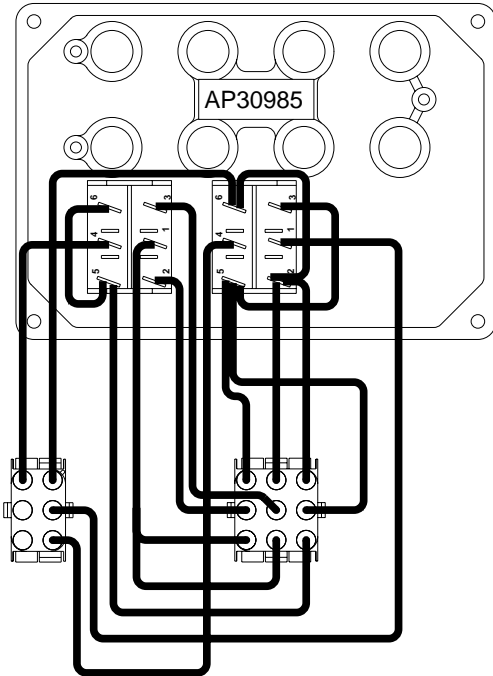
## REPLACEMENT PARTS

ITEM	PART	QTY	DESCRIPTION
1	RP90042	2	ROCKER SWITCH

## REPLACEMENT PANELS

CHOOSE A REPLACEMENT PANEL ACCORDING TO THE STICKER ON THE BACK OF THE PANEL OR MATCH THE CORRECT WIRING OF THE ROCKER SWITCH.

NOTE: THIS PANEL ONLY USED ON 200 SERIES LEVELING SYSTEMS



EXISTING NO.	REPLACEMENT NO.
--------------	-----------------

AP30985

RAP91599

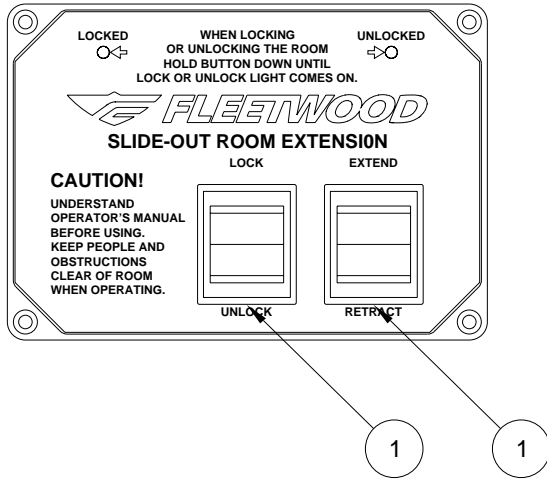
EXISTING NO.	REPLACEMENT NO.
--------------	-----------------

AP33496

RAP91857



# PANEL, CONTROL FOR ROCKER SWITCH-CONTROLLED ROOM LOCKS (FLEETWOOD)



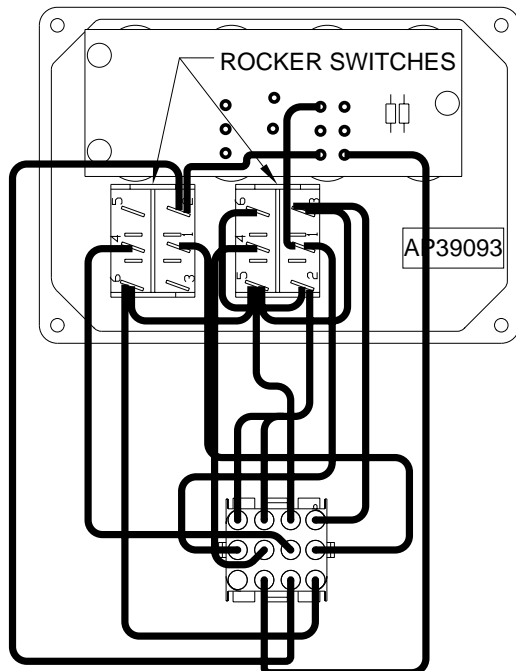
## REPLACEMENT PARTS

ITEM	PART	QTY	DESCRIPTION
1	RP90042	2	ROCKER SWITCH

**NOTE :** THE KEY SWITCH IS NOT A REPLACEMENT PART. ORDER A COMPLETE PANEL IF KEY SWITCH REPLACEMENT IS NECESSARY.

## REPLACEMENT PANEL

CHOOSE A REPLACEMENT PANEL ACCORDING TO THE STICKER ON THE BACK OF THE PANEL OR MATCH THE CORRECT WIRING OF THE ROCKER SWITCH.

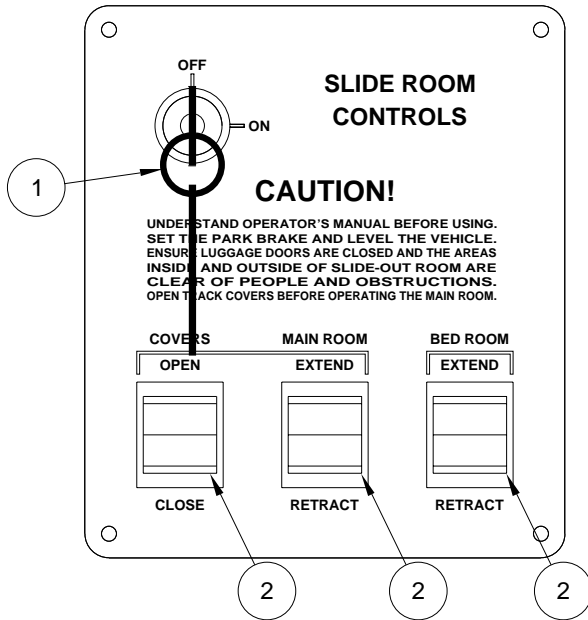


EXISTING NO.	REPLACEMENT NO.
--------------	-----------------

AP39093

RAP92054

# PANEL, CONTROL FOR KEYED ROCKER SWITCH-CONTROLLED ROOM EXTENSION SYSTEMS



## REPLACEMENT PARTS

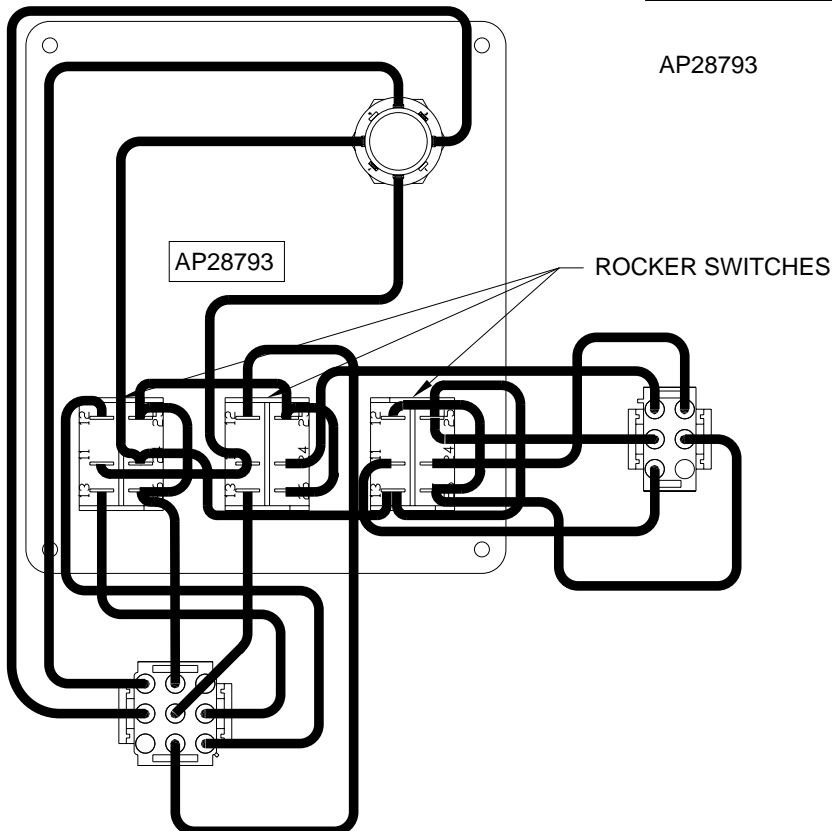
ITEM	PART	QTY	DESCRIPTION
1	RP90038	1	REPLACEMENT KEYS (CONTAINS 2)
2	RP90042	3	ROCKER SWITCH

**NOTE :** THE KEY SWITCH IS NOT A REPLACEMENT PART. ORDER A COMPLETE PANEL IF KEY SWITCH REPLACEMENT IS NECESSARY.

## REPLACEMENT PANEL

CHOOSE A REPLACEMENT PANEL ACCORDING TO THE STICKER ON THE BACK OF THE PANEL OR MATCH THE CORRECT WIRING OF THE ROCKER SWITCH.

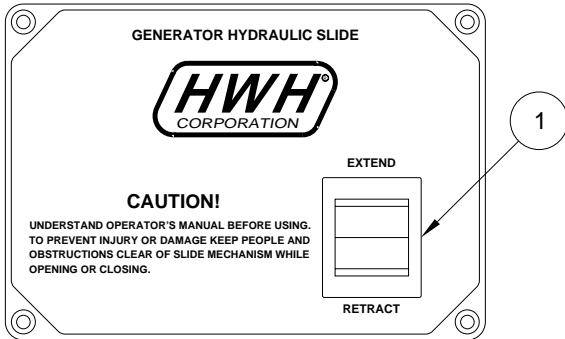
EXISTING NO.	REPLACEMENT NO.
--------------	-----------------



AP28793

RAP92816

# PANEL, CONTROL FOR ROCKER SWITCH-CONTROLLED GENERATOR SLIDES

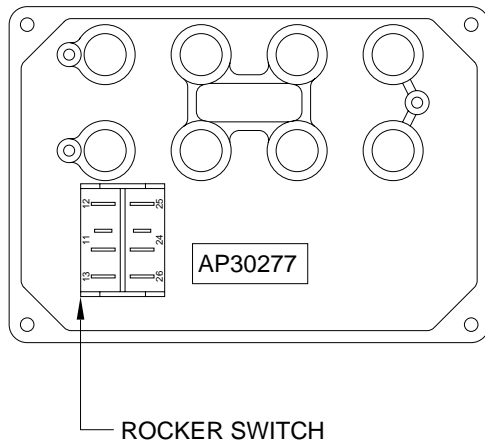


## REPLACEMENT PARTS

ITEM	PART	QTY	DESCRIPTION
1	RP90042	1	ROCKER SWITCH

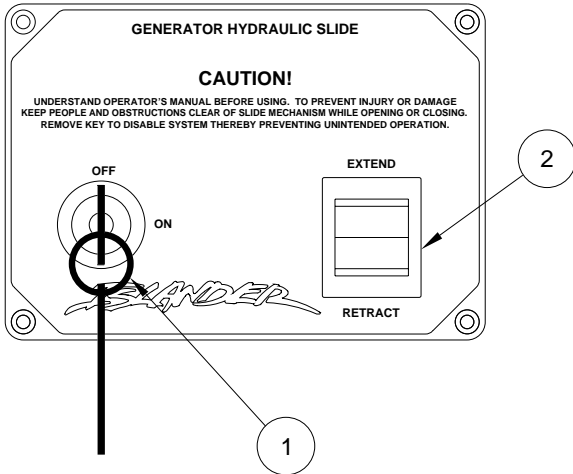
## REPLACEMENT PANELS

CHOOSE A REPLACEMENT PANEL ACCORDING TO THE STICKER ON THE BACK OF THE PANEL.



EXISTING NO.	REPLACEMENT NO.
AP30277	RAP91193

# PANEL, CONTROL KEYED ROCKER SWITCH-CONTROLLED GENERATOR SLIDES



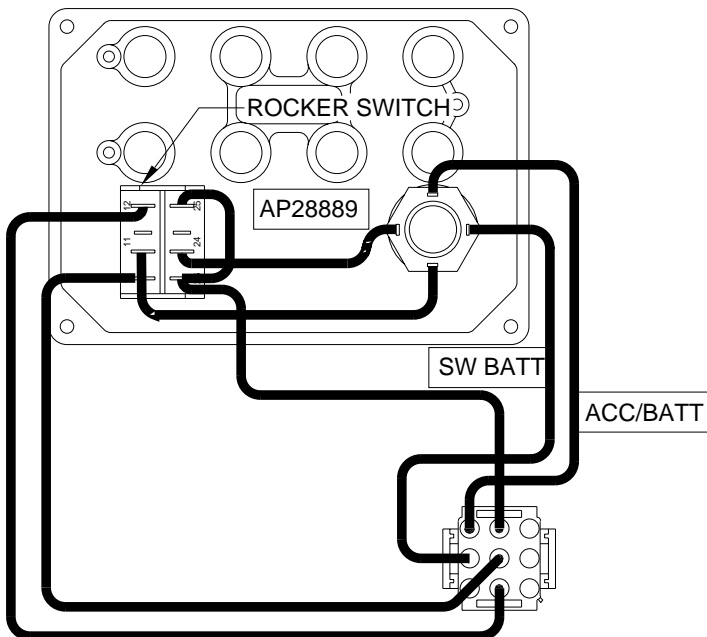
## REPLACEMENT PARTS

ITEM	PART	QTY	DESCRIPTION
1	RP90038	1	REPLACEMENT KEYS (CONTAINS 2)
2	RP90042	1	ROCKER SWITCH

**NOTE:** THE KEY SWITCH IS NOT A REPLACEMENT PART. ORDER A COMPLETE PANEL IF KEY SWITCH REPLACEMENT IS NECESSARY.

## REPLACEMENT PANELS

CHOOSE A REPLACEMENT PANEL ACCORDING TO THE STICKER ON THE BACK OF THE PANEL OR MATCH THE CORRECT WIRING OF THE ROCKER SWITCH.

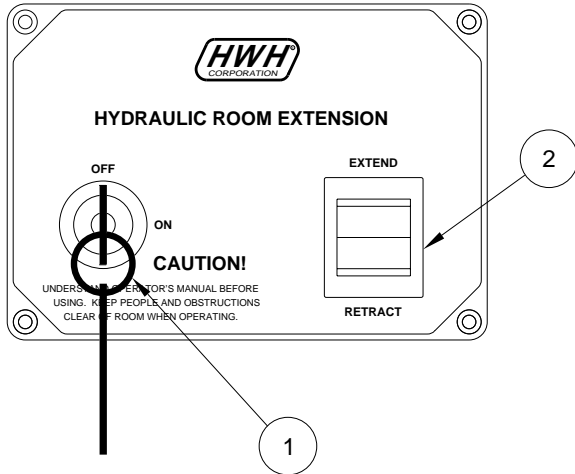


EXISTING NO.	REPLACEMENT NO.
--------------	-----------------

AP28889

RAP91131

# PANEL, CONTROL KEYED ROCKER SWITCH-CONTROLLED CANOPY LIFT SYSTEMS



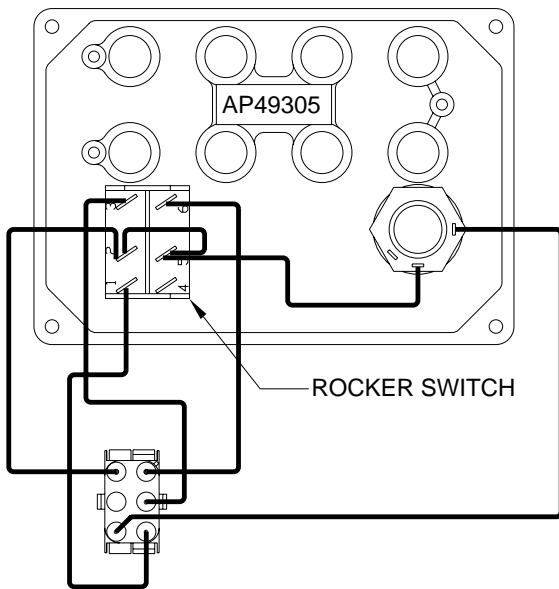
## REPLACEMENT PARTS

ITEM	PART	QTY	DESCRIPTION
1	RP90038	1	REPLACEMENT KEYS (CONTAINS 2)
2	RP90042	1	ROCKER SWITCH

**NOTE:** THE KEY SWITCH IS NOT A REPLACEMENT PART. ORDER A COMPLETE PANEL IF KEY SWITCH REPLACEMENT IS NECESSARY.

## REPLACEMENT PANELS

CHOOSE A REPLACEMENT PANEL ACCORDING TO THE STICKER ON THE BACK OF THE PANEL OR MATCH THE CORRECT WIRING OF THE ROCKER SWITCH.

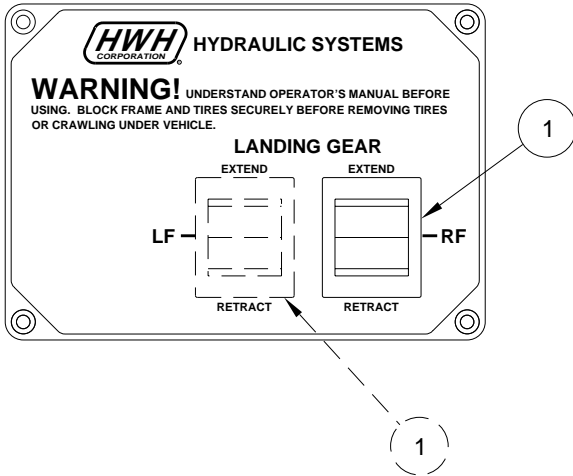


EXISTING NO.	REPLACEMENT NO.
--------------	-----------------

AP49305

RAP93195

# PANEL, CONTROL ROCKER SWITCH-CONTROLLED HYDRAULIC LANDING GEAR SYSTEMS

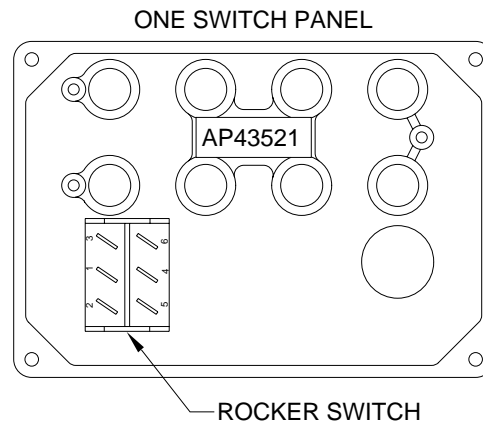
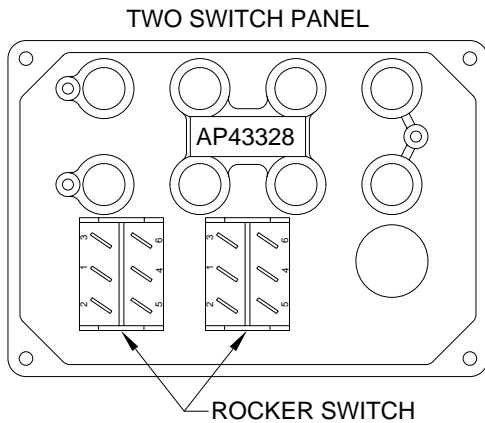


## REPLACEMENT PARTS

ITEM	PART	QTY	DESCRIPTION
1	RP90042	1	ROCKER SWITCH

## REPLACEMENT PANELS

CHOOSE A REPLACEMENT PANEL ACCORDING TO THE STICKER ON THE BACK OF THE PANEL.



**NOTE:** SWITCH PIGTAIL IS INCLUDED WITH THE REPLACEMENT PANEL.

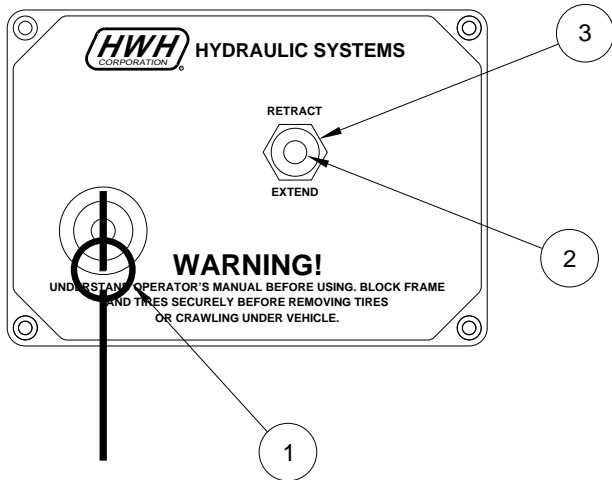
EXISTING NO.	REPLACEMENT NO.
--------------	-----------------

AP43328	RAP92350
---------	----------

EXISTING NO.	REPLACEMENT NO.
--------------	-----------------

AP43521	RAP92351
---------	----------

# PANEL, CONTROL FOR KEYED ROCKER SWITCH-CONTROLLED SADDLE RACK, ROOM EXTENSIONS AND SPECIALTY SYSTEMS



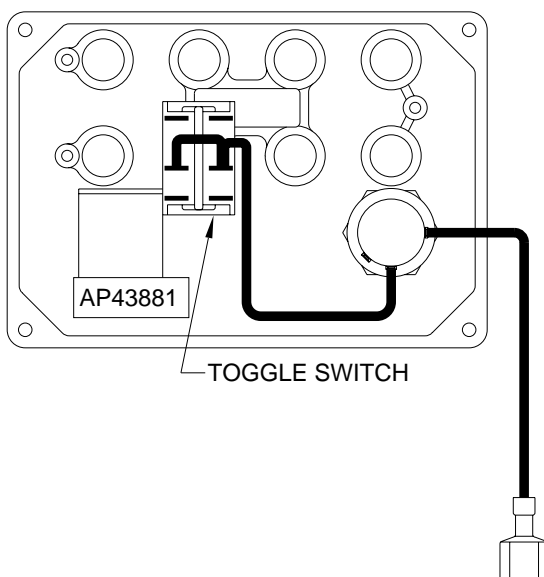
## REPLACEMENT PARTS

ITEM	PART	QTY	DESCRIPTION
1	RP90038	1	REPLACEMENT KEYS (CONTAINS 2)
2	RAP92457	1	TOGGLE SWITCH
3	RP92458	1	TOGGLE SWITCH BOOT

**NOTE:** THE KEY SWITCH IS NOT A REPLACABLE PART.  
ORDER A COMPLETE PANEL IF THE KEY SWITCH REPLACEMENT  
IS NECESSARY.

## REPLACEMENT PANEL

CHOOSE A REPLACEMENT PANEL ACCORDING TO THE STICKER ON THE BACK OF THE PANEL OR MATCH THE CORRECT WIRING OF THE ROCKER SWITCH AND CORRECT LOGO ON FACE OF PANEL.

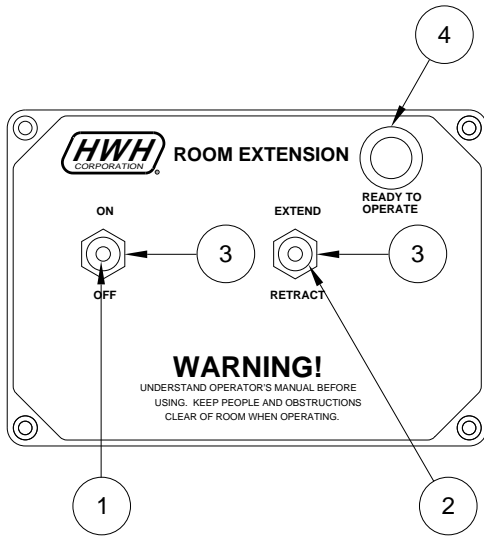


EXISTING NO.	REPLACEMENT NO.
--------------	-----------------

AP4381

RAP92459

# PANEL, CONTROL FOR TOGGLE SWITCH-CONTROLLED ROOM EXTENSION AND AIR SEAL

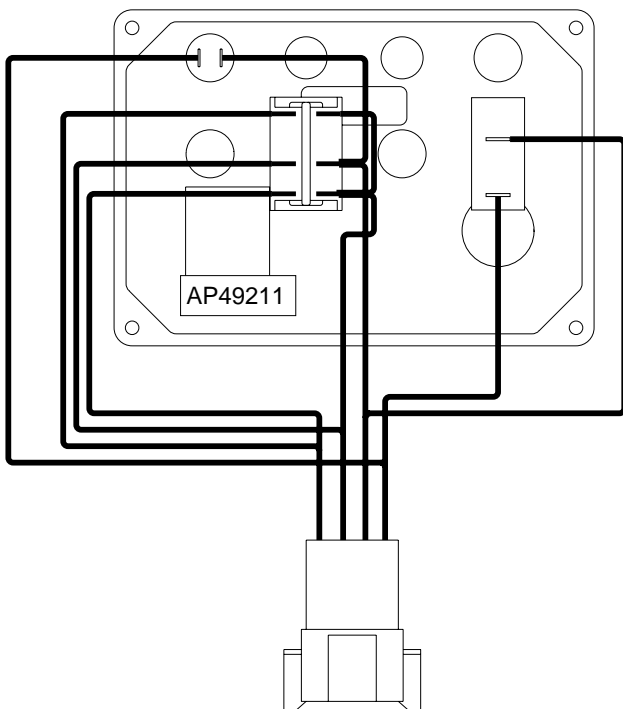


## REPLACEMENT PARTS

ITEM	PART	QTY	DESCRIPTION
1	RAP2354	1	TOGGLE SWITCH ON-OFF
2	RAP92457	1	TOGGLE SWITCH MOM
3	RP92458	2	TOGGLE SWITCH BOOT
4	RAP90307	1	AMBER LAMP 1/2" DIA.

## REPLACEMENT PANEL

CHOOSE A REPLACEMENT PANEL ACCORDING TO THE STICKER ON THE BACK OF THE PANEL OR MATCH THE CORRECT WIRING OF THE TOGGLE SWITCH AND CORRECT LOGO ON FACE OF PANEL.



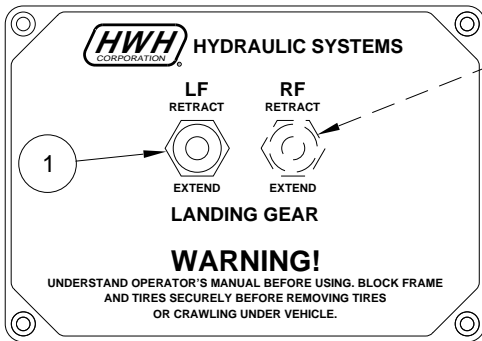
EXISTING NO.	REPLACEMENT NO.
--------------	-----------------

AP49211

RAP93196



# PANEL, CONTROL TOGGLE SWITCH-CONTROLLED HYDRAULIC LANDING GEAR SYSTEMS

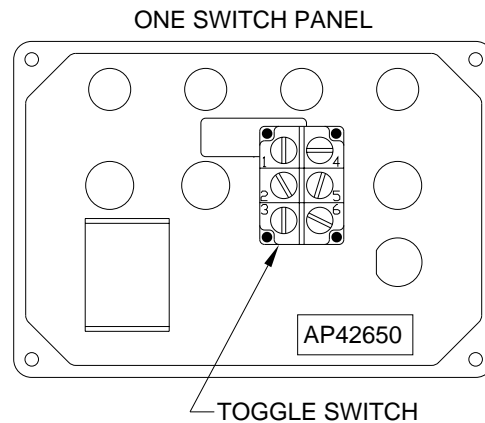
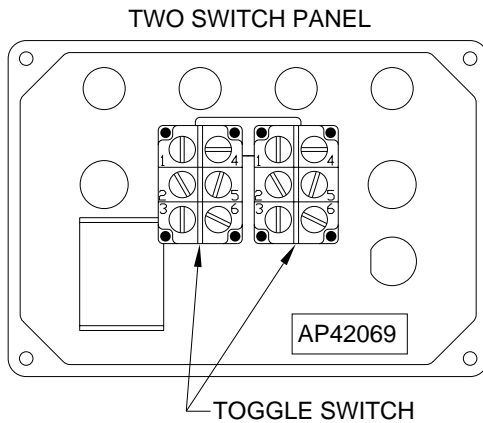


## REPLACEMENT PARTS

ITEM	PART	QTY	DESCRIPTION
1	RP92349	1	TOGGLE SWITCH

## REPLACEMENT PANELS

CHOOSE A REPLACEMENT PANEL ACCORDING TO THE STICKER ON THE BACK OF THE PANEL.



**NOTE:** SWITCH PIGTAIL IS INCLUDED WITH THE REPLACEMENT PANEL.

EXISTING NO.	REPLACEMENT NO.
--------------	-----------------

AP42069	RAP92356
---------	----------

EXISTING NO.	REPLACEMENT NO.
--------------	-----------------

AP42650	RAP92357
---------	----------

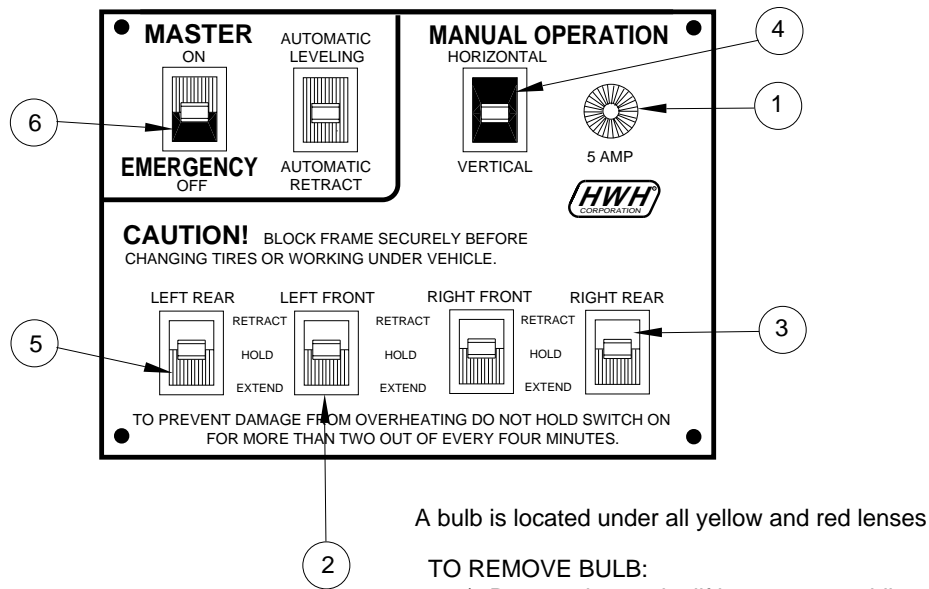
# PANEL, CONTROL AND INDICATOR LIGHTS FOR COMPUTER-CONTROLLED, HYDRAULIC LEVELING SYSTEMS (PADDLE SWITCH)

The face of these panels are 6.75 x 5.75 inches and usually have seven paddle switches with red, yellow or black lens. Other switch arrangements may be used. A printed circuit board is permanently attached to the back of the switches.

Immediately below is a listing of all replacement components.

Following the replacement components is a listings of replacement panels and existing panels.

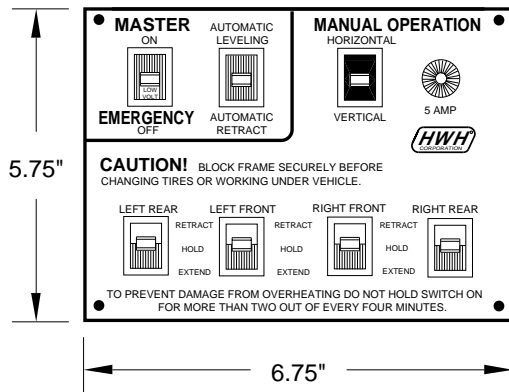
## REPLACEMENT COMPONENTS FOR COMPUTER-CONTROLLED SYSTEM PANELS



ITEM	PART	QTY	DESCRIPTION
1	R3674		FUSE 5 AMP AGC 5 (5 FUSES PER R3674)
2	RP3654		BULB #73 (2 BULBS PER RP3654)
3	RP3655		LENS YELLOW (2 LENS PER RP3655)
4	RP3656		LENS BLACK (2 LENS PER RP3656)
5	RP3657		LENS RED (2 LENS PER RP3657)
6	RP4946		LENS RED LOW VOLT (1 LENS PER RP4946)

# PANEL, CONTROL AND INDICATOR LIGHTS FOR COMPUTER-CONTROLLED, HYDRAULIC LEVELING SYSTEMS (PADDLE SWITCH)

## STANDARD FACE PANELS - SERIES 400



### FEATURES:

USED WITH KICKDOWN JACKS

All replacement panels will have the AUTO OFF feature.

The replacement panel may have a different color than the original.

**SENSING UNIT REPLACEMENT:** The sensing unit for all panels on this page is RAP91696. The retrofit kit RAP91742 must also be ordered.

NOTE: Panels should have a tag with the part number on the back.

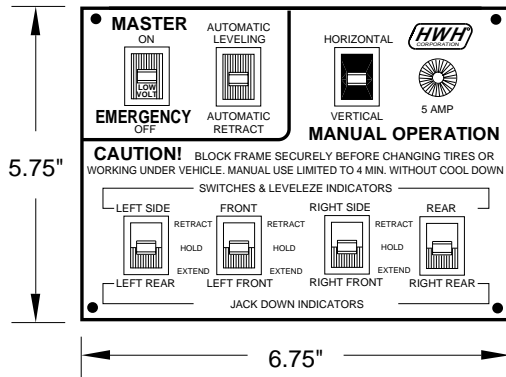
Panels with a blue dot on the back are AP3915. Panels with an orange dot are AP3659.

EXISTING PANEL	AIR DUMP	AUTO OFF	OPERATIONAL FEATURES	REPLACEMENT PANEL
AP3659	NO	NO	EXTENDS ONE JACK AT A TIME	RAP5699
AP3849	NO	NO	EXTENDS ONE JACK AT A TIME	RAP5699
AP3850*	YES	NO	EXTENDS ONE JACK AT A TIME	RAP5698
AP3915*	YES	NO	EXTENDS ONE JACK AT A TIME	RAP5698
AP4142*	NO	NO	<b>IF IN A BLUE BIRD COACH:</b> EXTENDS ONE JACK AT A TIME	RAP4679
AP4142*	NO	NO	EXTENDS ONE JACK AT A TIME	RAP5699
AP4577*	NO	NO	<b>IF IN A BLUE BIRD COACH:</b> EXTENDS ONE JACK AT A TIME	RAP4679
AP4577*	NO	NO	EXTENDS ONE JACK AT A TIME	RAP5699
AP4679	NO	YES	AIR MUST BE DUMPED MANUALLY, REAR JACKS MAY BE STRAIGHT-ACTING	RAP4679
AP4690	YES	NO	MAY EXTEND TWO JACKS AT ONCE	RAP5698
AP4775	NO	NO	EXTENDS FRONT JACKS TOGETHER	RAP5701
AP4811	YES	NO	MAY EXTEND TWO JACKS AT ONCE	RAP5698
AP4829	NO	NO	EXTENDS ONE JACK AT A TIME	RAP5699
AP4835	YES	NO	MAY EXTEND TWO JACKS AT ONCE	RAP5698
AP5675	YES	YES	MAY EXTEND TWO JACKS AT ONCE	RAP5698
AP5698	YES	YES	MAY EXTEND TWO JACKS AT ONCE	RAP5698
AP5699	NO	YES	EXTENDS ONE JACK AT A TIME	RAP5699
AP5701	NO	YES	EXTENDS FRONT JACKS TOGETHER	RAP5701
AP5721	NO	YES	EXTENDS ONE JACK AT A TIME	RAP5699
AP5722	YES	YES	MAY EXTEND TWO JACKS AT ONCE	RAP5698

\* If replacing this panel, the sensing unit must also be replaced. See above FEATURES.

# PANEL, CONTROL AND INDICATOR LIGHTS FOR COMPUTER-CONTROLLED HYDRAULIC LEVELING SYSTEMS (PADDLE SWITCH)

## BI-AXIS PANEL - SERIES 400



### FEATURES:

USED WITH KICKDOWN JACKS

All replacement panels will have the AUTO OFF feature.

The replacement panel may have a different color than the original.

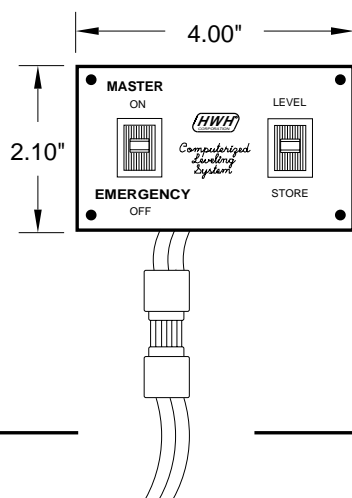
Two black line brackets. One line designating the 4 yellow lights and 4 lower switches as Left Side, Front, Right Side, and Rear. The second line designating the 4 lower red lights as Left Rear, Left Front, Right Front, and Right Rear.

**SENSING UNIT REPLACEMENT:** The sensing unit for all panels on this page is RAP91031. The retrofit kit RAP91742 must also be ordered.

NOTE: Panels should have a tag with the part number on the back.

EXISTING PANEL	AIR DUMP	AUTO OFF	OPERATIONAL FEATURES	REPLACEMENT PANEL
AP4951	NO	NO	BI-AXIS	RAP5702
AP4953	YES	NO	BI-AXIS	RAP5692
AP5692	YES	YES	BI-AXIS - ALWAYS EXTENDS TWO JACKS AT ONCE	RAP5692
AP5702	NO	YES	BI-AXIS - ALWAYS EXTENDS TWO JACKS AT ONCE	RAP5702

# PANEL, CONTROL AND INDICATOR LIGHTS FOR COMPUTER-CONTROLLED HYDRAULIC LEVELING SYSTEMS (PADDLE SWITCH)



## REMOTE 2 SWITCH PANEL - SERIES 400

### FOR COMPUTER PANELS WITHOUT AUTO OFF FEATURE

This panel contains only the 'MASTER' switch and 'AUTOMATIC LEVEL/RETRACT' switch.

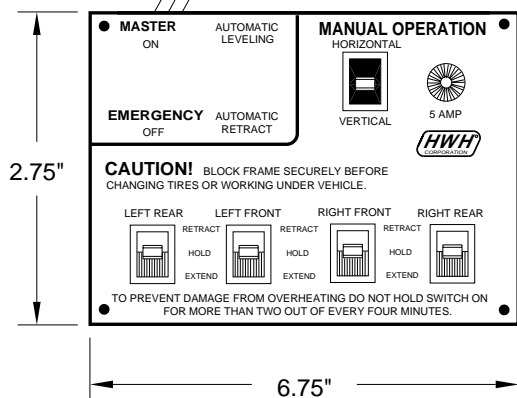
#### REPLACEMENT

ORDER: RAP4223 PANEL 2 SW REMOTE

#### REPAIR

See "REPLACEMENT COMPONENTS FOR COMPUTERIZED PANELS" page MR20.5000

## REMOTE COMPUTERIZED PANELS



#### FEATURES:

USED WITH KICKDOWN JACKS

No 'MASTER' or 'AUTOMATIC LEVEL/RETRACT' switch on the main panel.

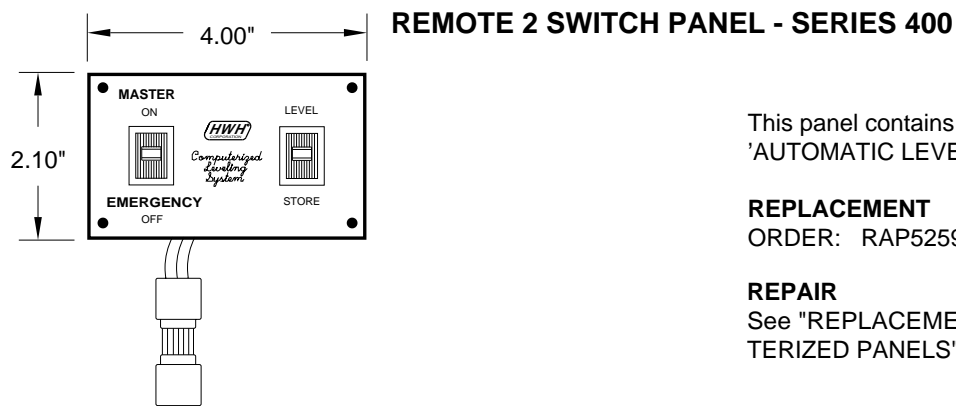
**SENSING UNIT REPLACEMENT:** The sensing unit for all panels on this page is RAP91696. The retrofit kit RAP91742 must also be ordered.

NOTE: Panels should have a tag with the part number on the back.

EXISTING PANEL	AIR DUMP	AUTO OFF	OPERATIONAL FEATURES	REPLACEMENT PANEL
AP4222	NO	NO	EXTENDS ONE JACK AT A TIME	RAP4222
AP4365*	YES	NO	EXTENDS ONE JACK AT A TIME	RAP4920
AP4920	YES	NO	MAY EXTEND TWO JACKS AT ONCE	RAP4920

\* If replacing this panel, the sensing unit must also be replaced. See above FEATURES.

# PANEL, CONTROL AND INDICATOR LIGHTS FOR COMPUTER-CONTROLLED HYDRAULIC LEVELING SYSTEMS (PADDLE SWITCH)



**REMOTE 2 SWITCH PANEL - SERIES 400**

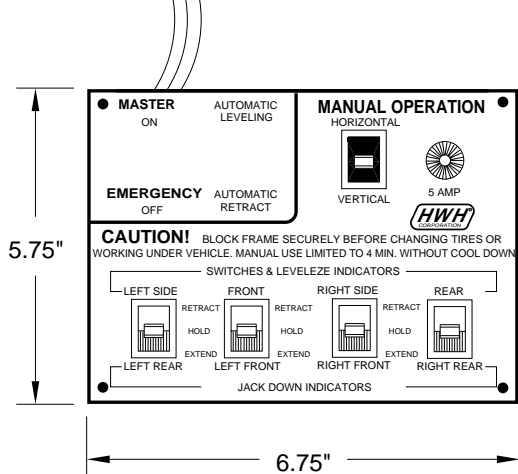
This panel contains only the 'MASTER' switch and 'AUTOMATIC LEVEL / RETRACT' switch.

**REPLACEMENT**

ORDER: RAP5259 PANEL 2 SWITCH REMOTE

**REPAIR**

See "REPLACEMENT COMPONENTS FOR COMPUTERIZED PANELS" page MR20.5000



**BI-AXIS PANEL**

**FEATURES:**

USED WITH KICKDOWN JACKS

No 'MASTER' or 'AUTOMATIC LEVEL / RETRACT' switch on the main panel.

Two black line brackets. One line designating the 4 yellow lights and 4 lower switches as Left Side, Front, Right Side, and Rear. The second line designating the 4 lower red lights as Left Rear, Left Front, Right Front, and Right Rear.

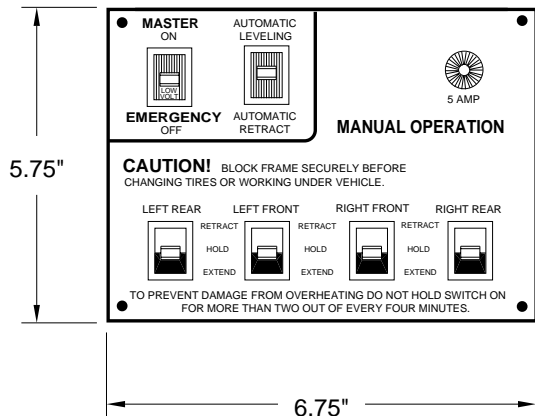
**SENSING UNIT REPLACEMENT:** The sensing unit for all panels on this page is RAP91031. The retrofit kit RAP91742 must also be ordered.

NOTE: Panels should have a tag with the part number on the back.

EXISTING PANEL	AIR DUMP	AUTO OFF	OPERATIONAL FEATURES	REPLACEMENT PANEL
AP5258	YES	YES	BI-AXIS - ALWAYS EXTENDS TWO JACKS AT A TIME	RAP5258

# PANEL, CONTROL AND INDICATOR LIGHTS FOR COMPUTER-CONTROLLED HYDRAULIC LEVELING SYSTEMS (PADDLE SWITCH)

## STANDARD PANEL - STRAIGHT-ACTING JACKS - SERIES 400



### FEATURES:

USED WITH STRAIGHT-ACTING JACKS

The absence of the 'HORIZONTAL / VERTICAL' switch.

The replacement panel may have a different color than the original.

**SENSING UNIT REPLACEMENT:** The sensing unit for all panels on this page is RAP91696. The retrofit kit RAP91742 must also be ordered.

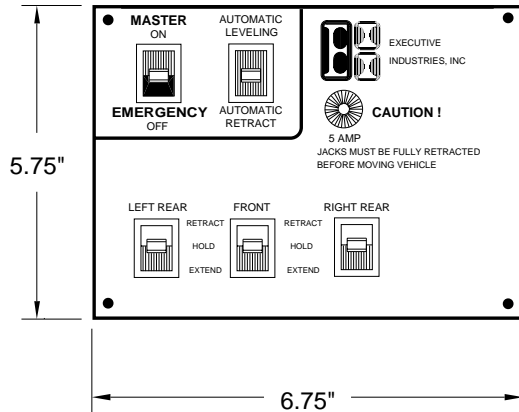
NOTE: Panels should have a tag with the part number on the back.

EXISTING PANEL	AIR DUMP	AUTO OFF	OPERATIONAL FEATURES	REPLACEMENT PANEL
AP5548	NO*	YES	USE WITH STRAIGHT-ACTING JACKS ONLY - BROWN PANEL	RAP6989
AP5615	NO*	YES	USE WITH STRAIGHT-ACTING JACKS ONLY - GRAY PANEL	RAP6989
AP6989	NO*	YES	USE WITH STRAIGHT-ACTING JACKS ONLY - BLACK PANEL	RAP6989

\* Air must be manually dumped from the suspension before leveling.

# PANEL, CONTROL AND INDICATOR LIGHTS FOR COMPUTER-CONTROLLED HYDRAULIC LEVELING SYSTEMS (PADDLE SWITCH)

## THREE JACK CONTROL PANEL - SERIES 400 USED ON 1985 EXECUTIVE IND. COACHES ONLY



### DISTINGUISHING FEATURES:

Color: Silver with black lettering.

"E I I Ind." name on face.

The presence of the 'MASTER' switch and 'AUTOMATIC LEVEL / RETRACT' switch on the face rather than on a separate panel.

The absence of the 'HORIZONTAL / VERTICAL' switch.

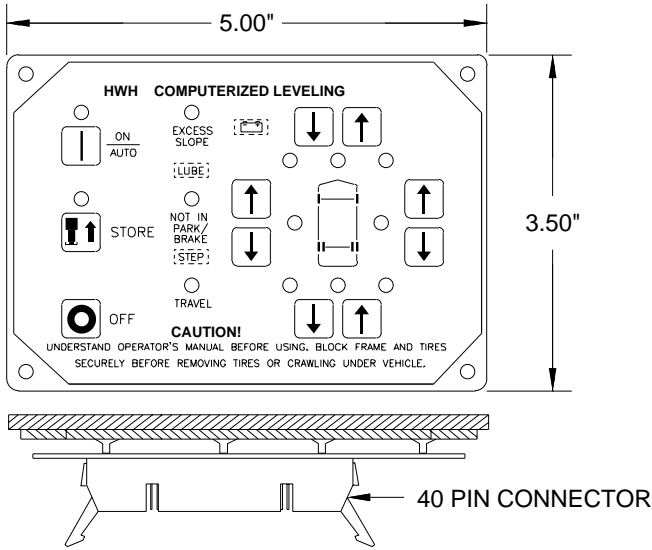
**SENSING UNIT REPLACEMENT:** Contact HWH Technical service if the level sensing unit must be replaced.

NOTE: Panels should have a tag with the part number on the back.

EXISTING PANEL	AIR DUMP	OPERATIONAL FEATURES	REPLACEMENT PANEL
AP4191	NO	FOR USE WITH THREE STRAIGHT-ACTING JACKS ONLY	RAP4495
AP4495	NO	FOR USE WITH THREE STRAIGHT-ACTING JACKS ONLY	RAP4495

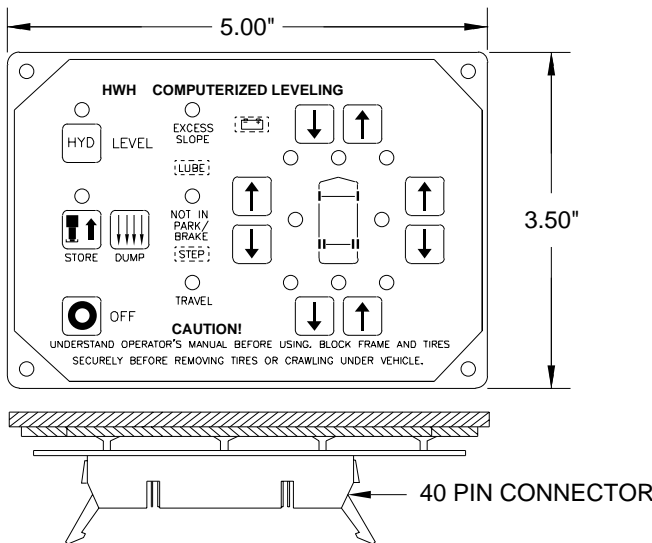


# PANEL, CONTROL AND INDICATOR LIGHTS FOR COMPUTER-CONTROLLED LEVELING SYSTEMS (WITH RIBBON CABLE)



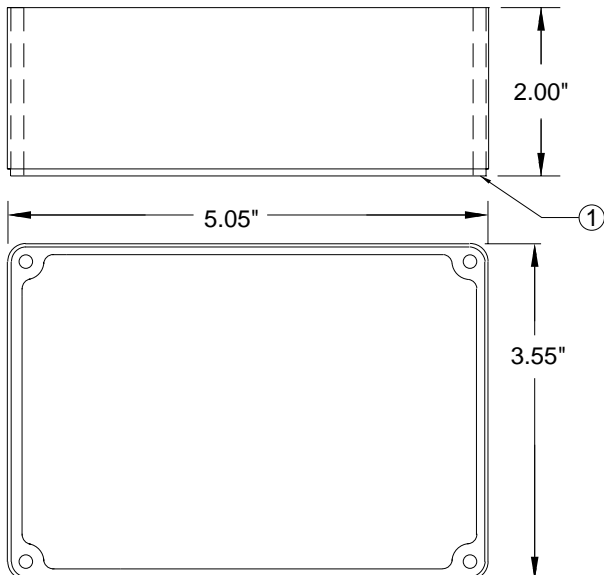
## HYDRAULIC LEVELING ONLY

EXISTING NO.	REPLACEMENT NO.
AP6040	RAP6040
REPLACEMENT LEXAN : (MAY BE DIFFERENT THAN ORIGINAL)	RP91683



## HYDRAULIC LEVELING WITH SUSPENSION AIR DUMP

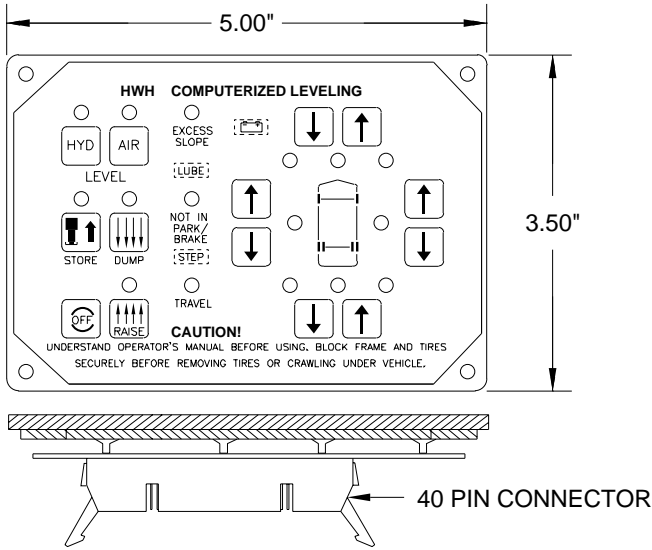
EXISTING NO.	REPLACEMENT NO.
AP6041	RAP6041
REPLACEMENT LEXAN : (MAY BE DIFFERENT THAN ORIGINAL)	RP91684



## ACCESSORIES

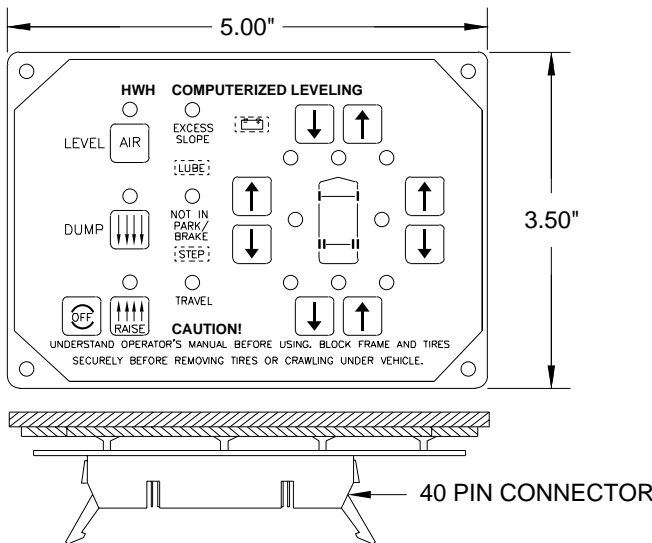
ITEM	PART	DESCRIPTION
1	RP90068	SPACER BOX (FOR USE ONLY WITH REMOTE PANELS)
	R7057	SCREWS #6 X 2-1/2" BLACK (CONTAINS 4)
	R7058	SCREWS #6 X 3/4" BLACK (CONTAINS 4)

# PANEL, CONTROL AND INDICATOR LIGHTS FOR COMPUTER-CONTROLLED LEVELING SYSTEMS (WITH RIBBON CABLE)



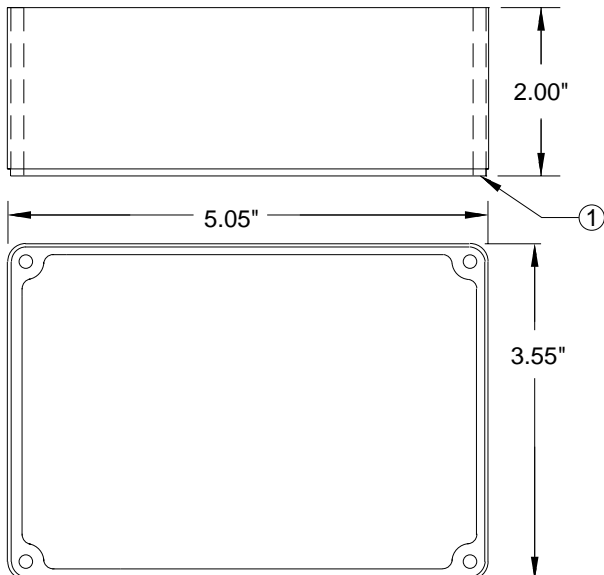
## HYDRAULIC LEVELING WITH AIR LEVELING WITH SUSPENSION AIR DUMP

EXISTING NO.	REPLACEMENT NO.
AP5809	RAP5809
REPLACEMENT LEXAN :	RP91840



## WITH SUSPENSION AIR DUMP WITH AIR LEVELING

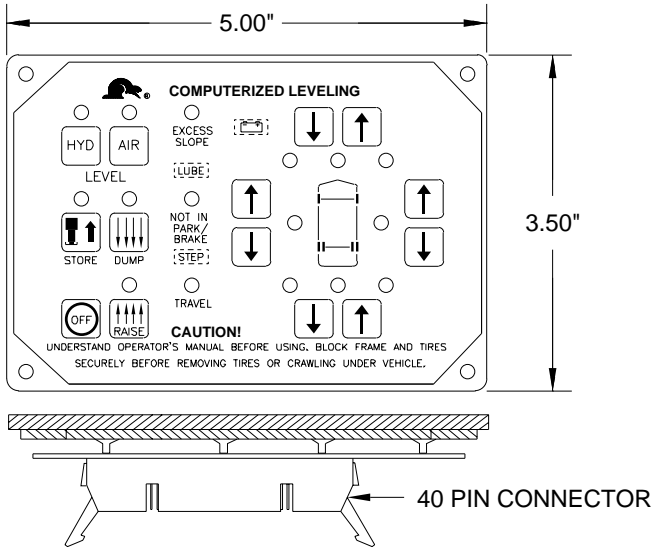
EXISTING NO.	REPLACEMENT NO.
AP6046 12V NO ACC.	RAP6046
AP6975 12V	RAP6975
AP6805 24V	RAP6805
REPLACEMENT LEXAN :	RP91841



## ACCESSORIES

ITEM	PART	DESCRIPTION
1	RP90068	SPACER BOX (FOR USE ONLY WITH REMOTE PANELS)
	R7057	SCREWS #6 X 2-1/2" BLACK (CONTAINS 4)
	R7058	SCREWS #6 X 3/4" BLACK (CONTAINS 4)

# PANEL, CONTROL AND INDICATOR LIGHTS FOR COMPUTER-CONTROLLED LEVELING SYSTEMS (WITH RIBBON CABLE)



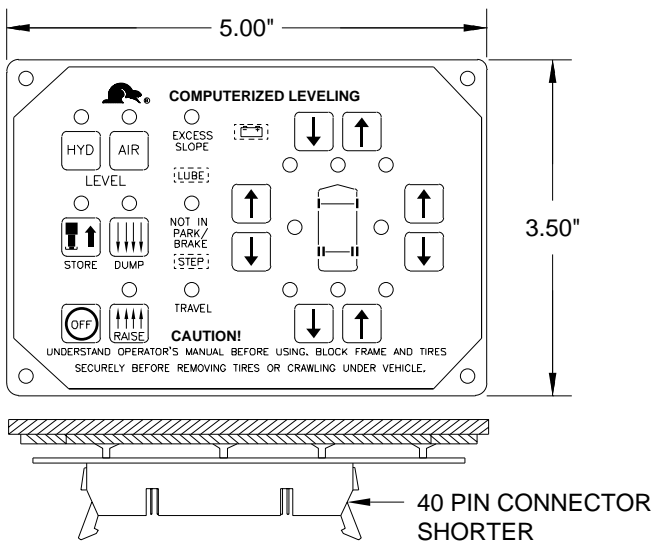
## HYDRAULIC LEVELING WITH AIR LEVELING WITH SUSPENSION AIR DUMP

EXISTING NO.	REPLACEMENT NO.
--------------	-----------------

AP6912	RAP6912
--------	---------

REPLACEMENT LEXAN : (MAY BE DIFFERENT THAN ORIGINAL)	RP91840
---	---------

**NOTE :** THIS PANEL IS USED ON BEAVER COACHES.



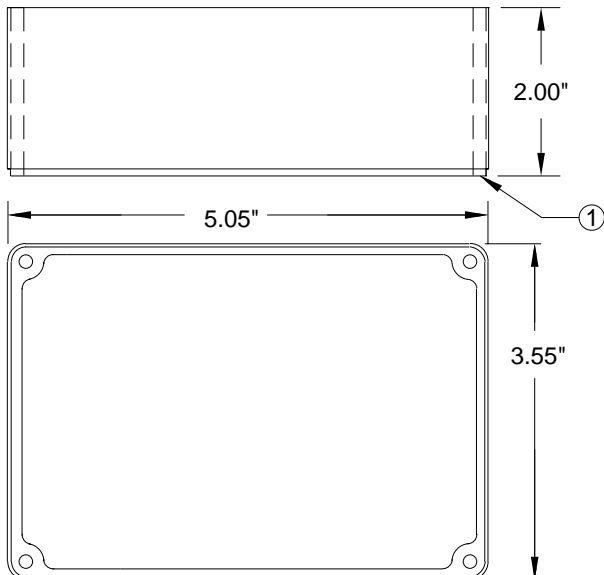
## HYDRAULIC LEVELING WITH AIR LEVELING WITH SUSPENSION AIR DUMP

EXISTING NO.	REPLACEMENT NO.
--------------	-----------------

AP5963	RAP5963
--------	---------

REPLACEMENT LEXAN : (MAY BE DIFFERENT THAN ORIGINAL)	RP91840
---	---------

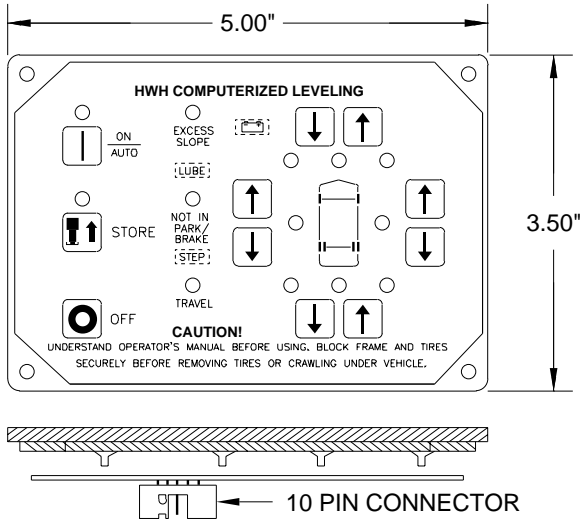
**NOTE :** THIS PANEL IS USED ON BEAVER COACHES PRIOR TO 1990. THE LOCKING LATCHES ON THE PIN CONNECTOR ARE SHORTER.



## ACCESSORIES

ITEM	PART	DESCRIPTION
1	RP90068	SPACER BOX (FOR USE ONLY WITH REMOTE PANELS)
	R7057	SCREWS #6 X 2-1/2" BLACK (CONTAINS 4)
	R7058	SCREWS #6 X 3/4" BLACK (CONTAINS 4)

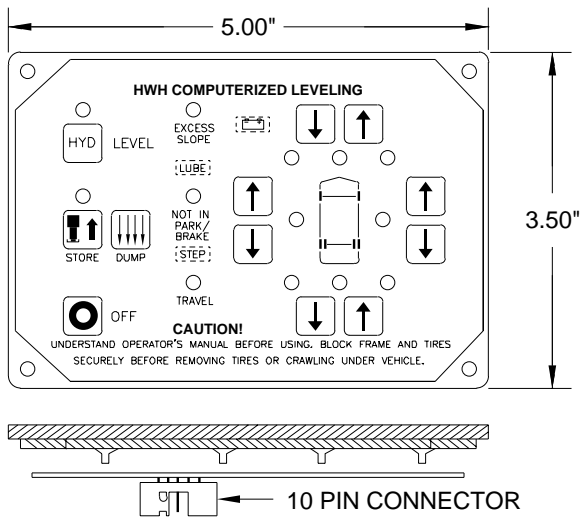
# PANEL, CONTROL AND INDICATOR LIGHTS FOR COMPUTER-CONTROLLED LEVELING SYSTEMS (WITH MODULAR CABLE)



## HYDRAULIC LEVELING ONLY

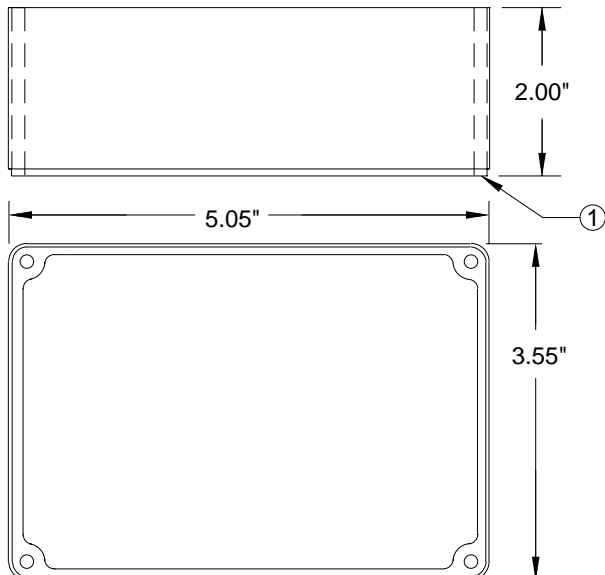
EXISTING NO.	REPLACEMENT NO.
AP7868	RAP7868
REPLACEMENT LEXAN : (MAY BE DIFFERENT THAN ORIGINAL)	RP91683
AP8361	RAP8361
REPLACEMENT LEXAN : (MAY BE DIFFERENT THAN ORIGINAL)	RP91683

**NOTE :** THE AP8361 DOES NOT HAVE THE HWH LOGO



## HYDRAULIC LEVELING WITH SUSPENSION AIR DUMP

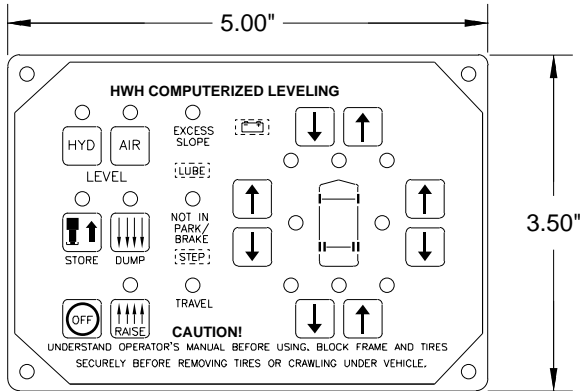
EXISTING NO.	REPLACEMENT NO.
AP7864	RAP7864
REPLACEMENT LEXAN : (MAY BE DIFFERENT THAN ORIGINAL)	RP91684



## ACCESSORIES

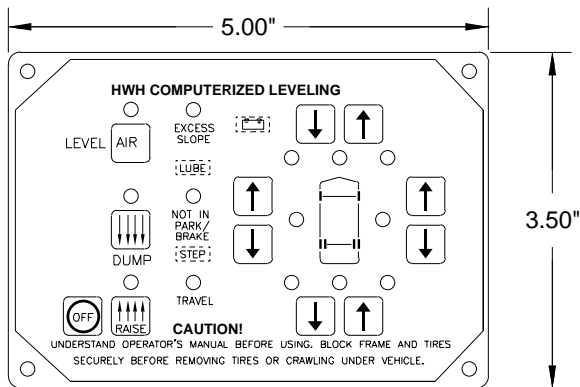
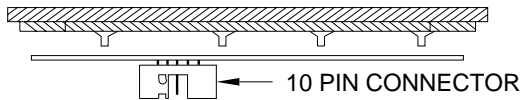
ITEM	PART	DESCRIPTION
1	RP90068	SPACER BOX (FOR USE ONLY WITH REMOTE PANELS)
	R7057	SCREWS #6 X 2-1/2" BLACK (CONTAINS 4)
	R7058	SCREWS #6 X 3/4" BLACK (CONTAINS 4)

# PANEL, CONTROL AND INDICATOR LIGHTS FOR COMPUTER-CONTROLLED LEVELING SYSTEMS (WITH MODULAR CABLE)



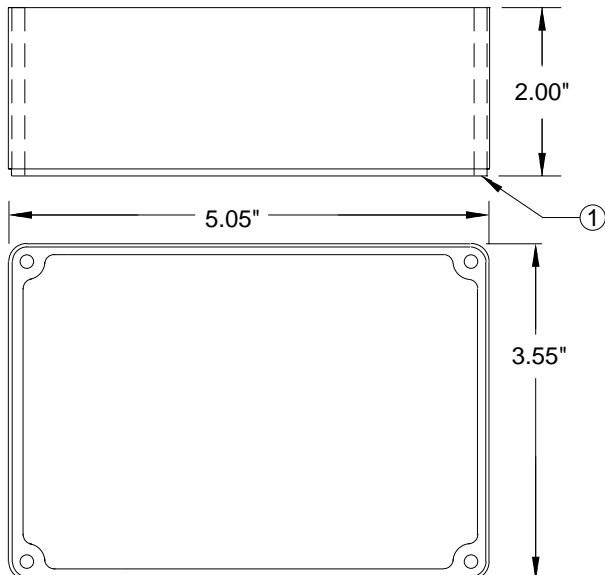
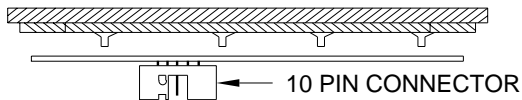
## HYDRAULIC LEVELING WITH AIR LEVELING WITH SUSPENSION AIR DUMP

EXISTING NO.	REPLACEMENT NO.
AP8552	RAP8552
REPLACEMENT LEXAN :	RP91840



## AIR LEVELING WITH SUSPENSION AIR DUMP

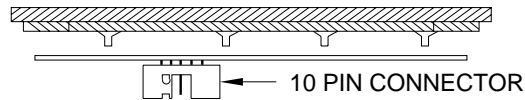
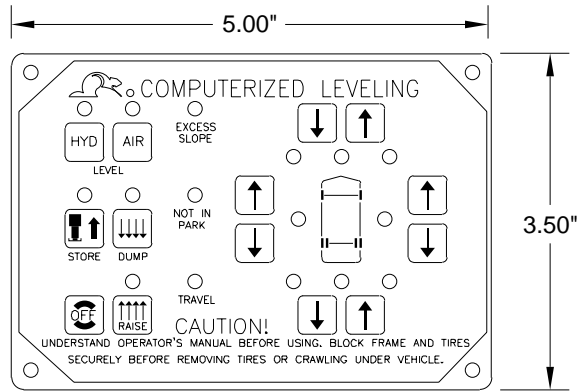
EXISTING NO.	REPLACEMENT NO.
AP8444	RAP8444
REPLACEMENT LEXAN :	RP91841



## ACCESSORIES

ITEM	PART	DESCRIPTION
1	RP90068	SPACER BOX (FOR USE ONLY WITH REMOTE PANELS)
	R7057	SCREWS #6 X 2-1/2" BLACK (CONTAINS 4)
	R7058	SCREWS #6 X 3/4" BLACK (CONTAINS 4)

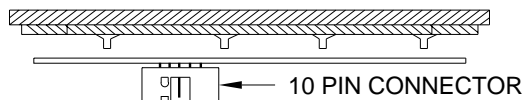
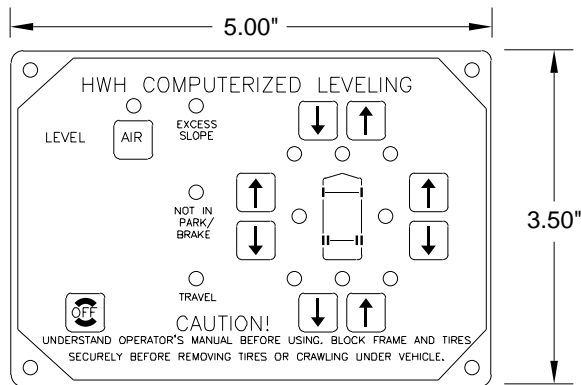
# PANEL, CONTROL AND INDICATOR LIGHTS FOR COMPUTER-CONTROLLED LEVELING SYSTEMS (WITH MODULAR CABLE)



## HYDRAULIC LEVELING WITH AIR LEVELING WITH SUSPENSION AIR DUMP

EXISTING NO.	REPLACEMENT NO.
AP9192	RAP90559
REPLACEMENT LEXAN : (MAY BE DIFFERENT THAN ORIGINAL)	RP91840

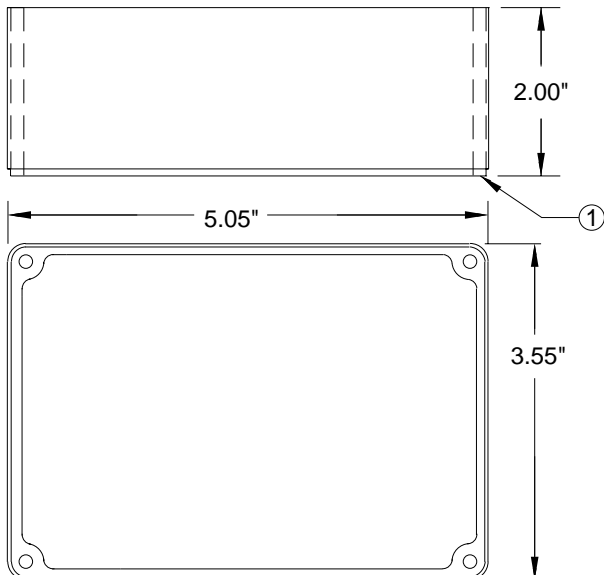
**NOTE:** THIS PANEL IS USED ON BEAVER COACHES.



## AIR LEVELING

EXISTING NO.	REPLACEMENT NO.
AP16874	RAP90548
REPLACEMENT LEXAN :	RP91842

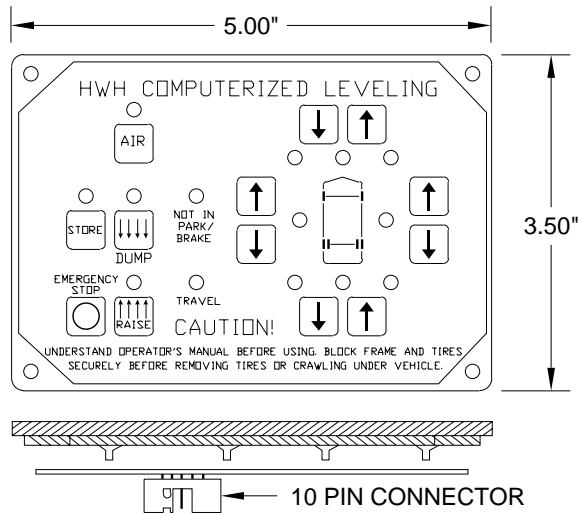
**NOTE:** THIS PANEL IS USED ON MCI BUSES.



## ACCESSORIES

ITEM	PART	DESCRIPTION
1	RP90068	SPACER BOX (FOR USE ONLY WITH REMOTE PANELS)
	R7057	SCREWS #6 X 2-1/2" BLACK (CONTAINS 4)
	R7058	SCREWS #6 X 3/4" BLACK (CONTAINS 4)

# PANEL, CONTROL AND INDICATOR LIGHTS FOR COMPUTER-CONTROLLED LEVELING SYSTEMS (WITH MODULAR CABLE)



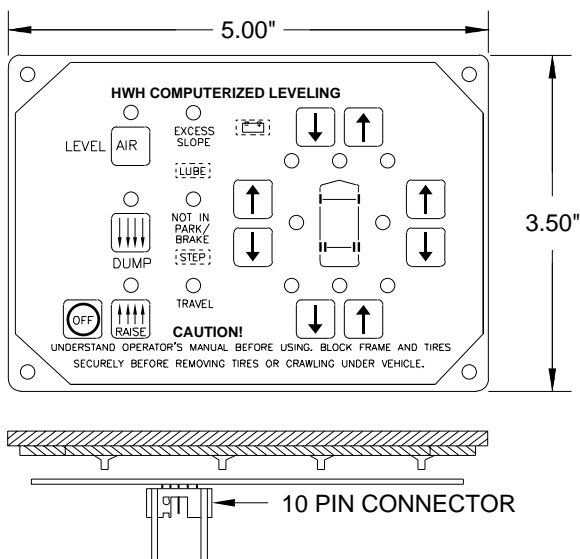
## AIR LEVELING WITH SUSPENSION AIR DUMP

EXISTING NO.	REPLACEMENT NO.
--------------	-----------------

AP14210	RAP90550
---------	----------

REPLACEMENT LEXAN : RP91844  
(MAY BE DIFFERENT THAN ORIGINAL)

**NOTE:** THIS PANEL IS USED ON NEWELL COACHES.



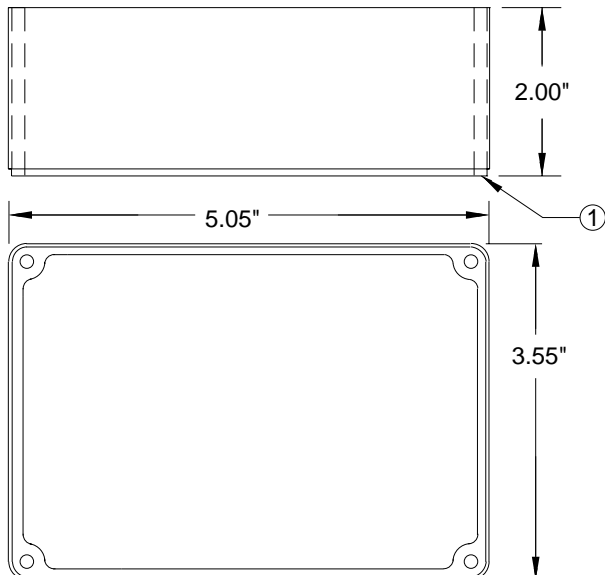
## AIR LEVELING WITH SUSPENSION AIR DUMP

EXISTING NO.	REPLACEMENT NO.
--------------	-----------------

AP17540 OBSOLETE	RAP8444
------------------	---------

REPLACEMENT LEXAN : RP91841

**NOTE:** THIS PANEL IS USED ON FORETRAVEL COACHES.

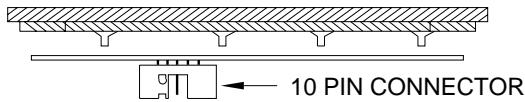
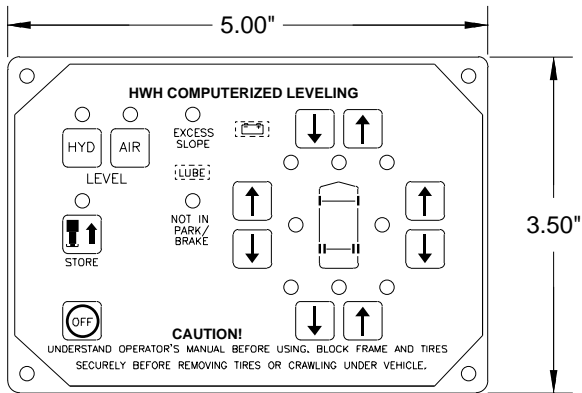


### ACCESSORIES

ITEM	PART	DESCRIPTION
------	------	-------------

1	RP90068	SPACER BOX (FOR USE ONLY WITH REMOTE PANELS)
	R7057	SCREWS #6 X 2-1/2" BLACK (CONTAINS 4)
	R7058	SCREWS #6 X 3/4" BLACK (CONTAINS 4)

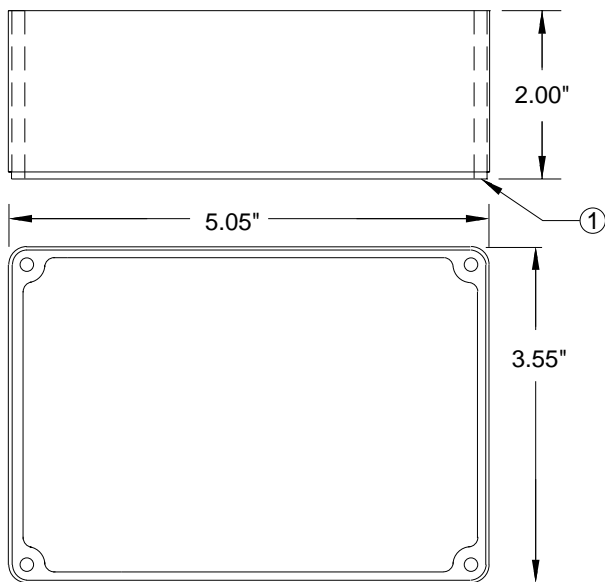
# PANEL, CONTROL AND INDICATOR LIGHTS FOR COMPUTER-CONTROLLED LEVELING SYSTEMS (WITH MODULAR CABLE)



## HYDRAULIC LEVELING WITH AIR LEVELING WITH SUSPENSION AIR DUMP

EXISTING NO.	REPLACEMENT NO.
AP0027	RAP0027
REPLACEMENT LEXAN :	RP91849

**NOTE :** THIS PANEL IS USED FOR LEVELING SYSTEMS WITH COMBINATION HYDRAULIC / JET AIR SUSPENSION.

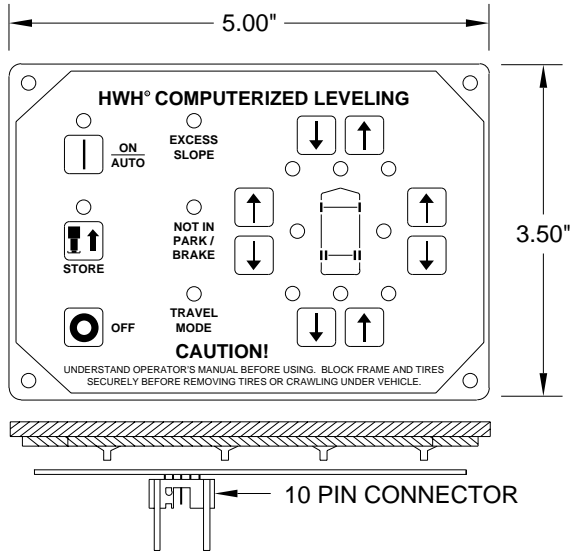


## ACCESSORIES

ITEM	PART	DESCRIPTION
1	RP90068	SPACER BOX (FOR USE ONLY WITH REMOTE PANELS)
	R7057	SCREWS #6 X 2-1/2" BLACK (CONTAINS 4)
	R7058	SCREWS #6 X 3/4" BLACK (CONTAINS 4)

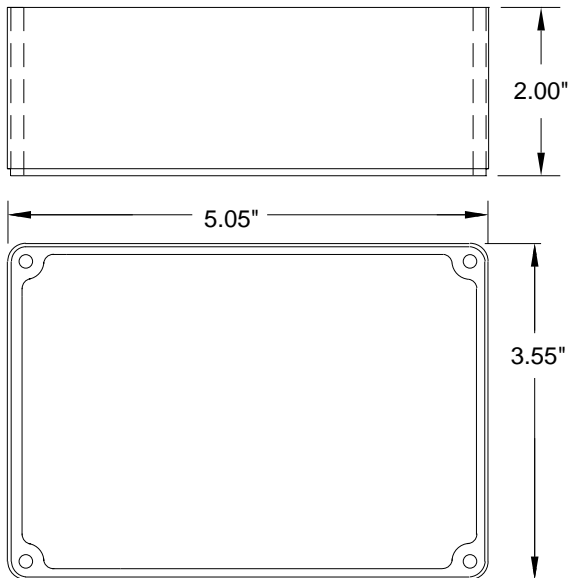


# PANEL, CONTROL AND INDICATOR LIGHTS FOR COMPUTER-CONTROLLED LEVELING SYSTEMS (WITH MODULAR CABLE)



## HYDRAULIC LEVELING WITHOUT SUSPENSION AIR DUMP

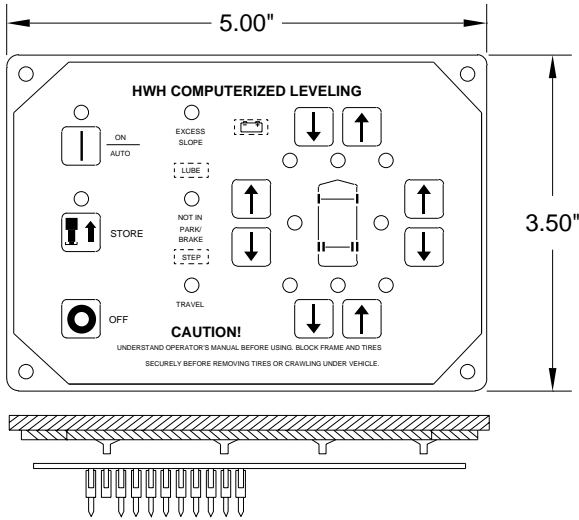
EXISTING NO.	REPLACEMENT NO.
AP19129	RAP91308
REPLACEMENT LEXAN : (MAY BE DIFFERENT THAN ORIGINAL)	RP91683
<b>NOTE:</b> THIS PANEL IS USED BY FEATHERLITE.	



## ACCESSORIES

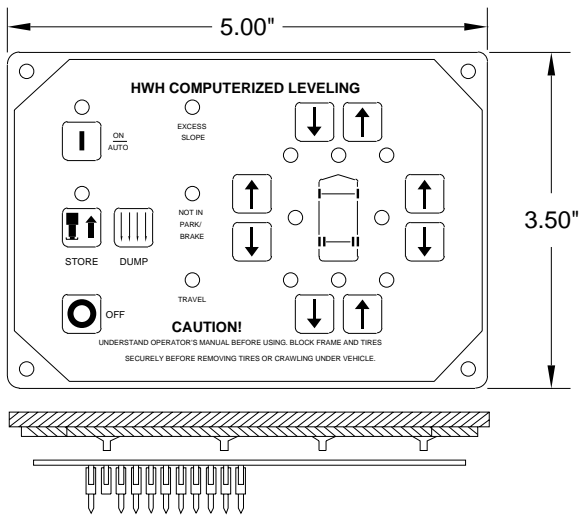
PART	DESCRIPTION
RP90068	SPACER BOX (FOR USE ONLY WITH REMOTE PANELS)
R7057	SCREWS #4 X 2.75" BLACK (CONTAINS 4)
R7058	SCREWS #4 X .75" BLACK (CONTAINS 4)

# PANEL, CONTROL AND INDICATOR LIGHTS FOR COMPUTER-CONTROLLED LEVELING SYSTEMS (WITH CABLE ASSEMBLY)



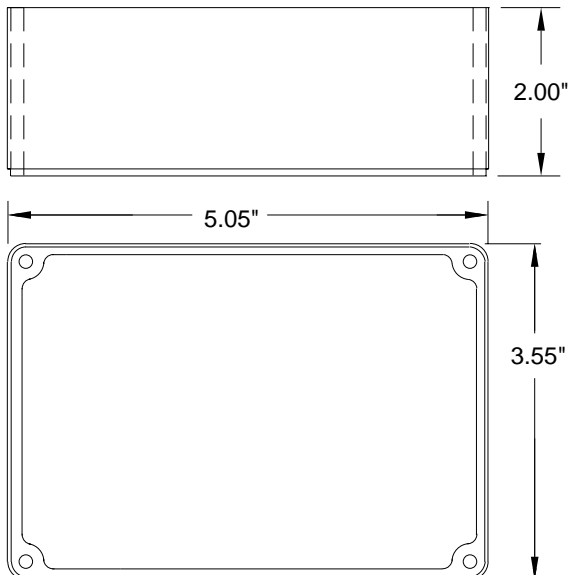
## HYDRAULIC LEVELING ONLY

EXISTING NO.	REPLACEMENT NO.
AP1002	RAP1002
REPLACEMENT LEXAN : (MAY BE DIFFERENT THAN ORIGINAL)	RP91683



## HYDRAULIC LEVELING WITH SUSPENSION AIR DUMP

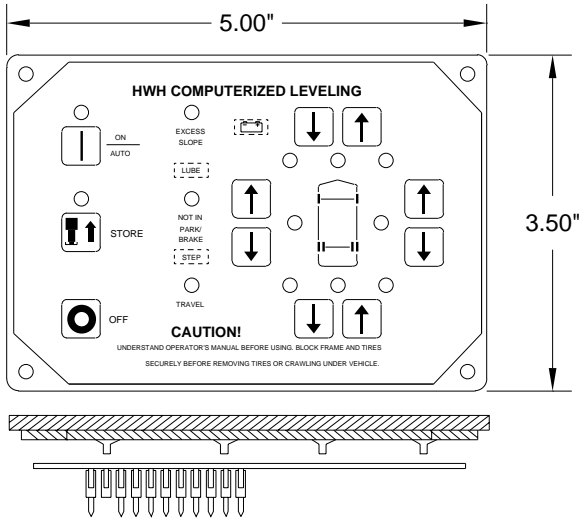
EXISTING NO.	REPLACEMENT NO.
AP1088	RAP1088
REPLACEMENT LEXAN : (MAY BE DIFFERENT THAN ORIGINAL)	RP91684



## ACCESSORIES

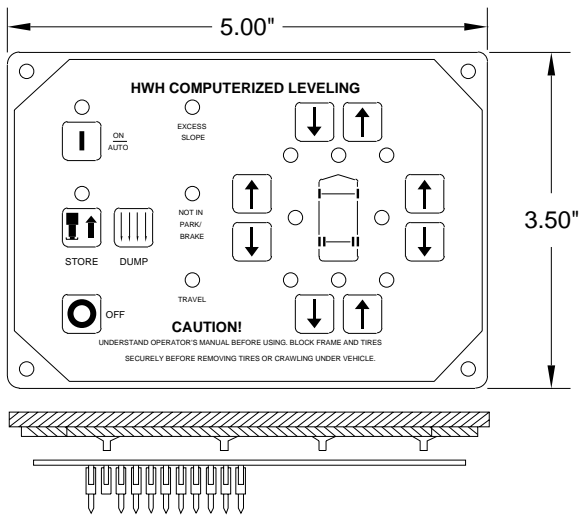
PART	DESCRIPTION
RP90068	SPACER BOX (FOR USE ONLY WITH REMOTE PANELS)
R7057	SCREWS #4 X 2.75" BLACK (CONTAINS 4)
R7058	SCREWS #4 X .75" BLACK (CONTAINS 4)

# PANEL, CONTROL AND INDICATOR LIGHTS FOR COMPUTER-CONTROLLED LEVELING SYSTEMS REMOTE TOUCH PANELS - (WITH CABLE ASSEMBLY)



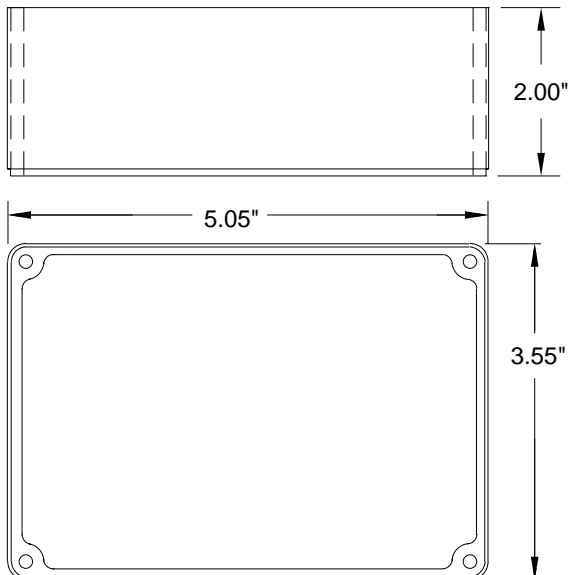
## HYDRAULIC LEVELING ONLY 610 REMOTE PANEL

EXISTING NO.	REPLACEMENT NO.
AP11437	RAP90557
REPLACEMENT LEXAN : (MAY BE DIFFERENT THAN ORIGINAL)	
	RP91683



## HYDRAULIC LEVELING 610 REMOTE PANEL WITH SUSPENSION AIR DUMP

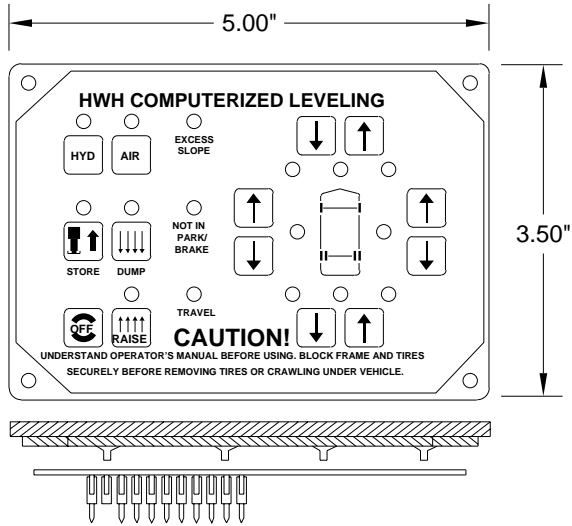
EXISTING NO.	REPLACEMENT NO.
AP11439	RAP90556
REPLACEMENT LEXAN : (MAY BE DIFFERENT THAN ORIGINAL)	
	RP91684



## ACCESSORIES

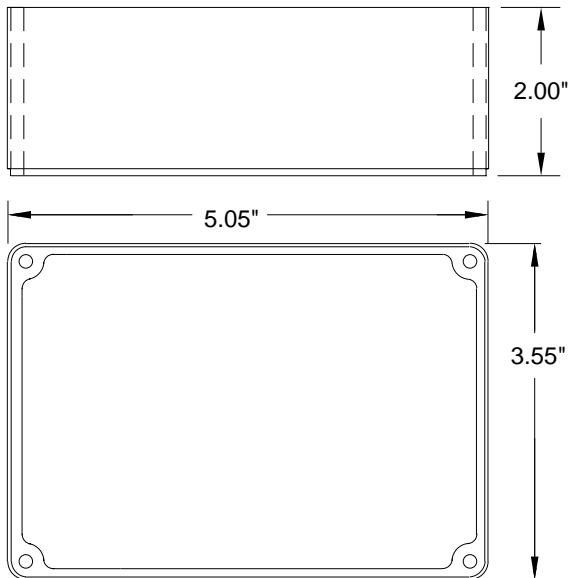
PART	DESCRIPTION
RP90068	SPACER BOX (FOR USE ONLY WITH REMOTE PANELS)
R7057	SCREWS #4 X 2.75" BLACK (CONTAINS 4)
R7058	SCREWS #4 X .75" BLACK (CONTAINS 4)

# PANEL, CONTROL AND INDICATOR LIGHTS FOR COMPUTER-CONTROLLED LEVELING SYSTEMS (WITH CABLE ASSEMBLY)



## HYDRAULIC LEVELING AIR LEVELING WITH SUSPENSION AIR DUMP

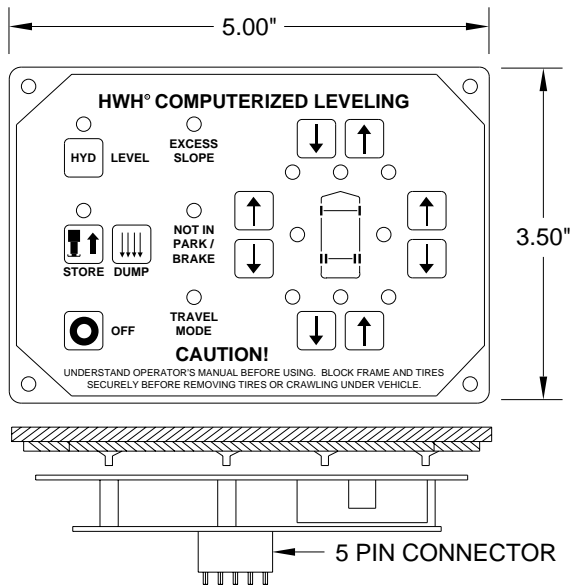
EXISTING NO.	REPLACEMENT NO.
AP13367	RAP90552
REPLACEMENT LEXAN :	RP91840



### ACCESSORIES

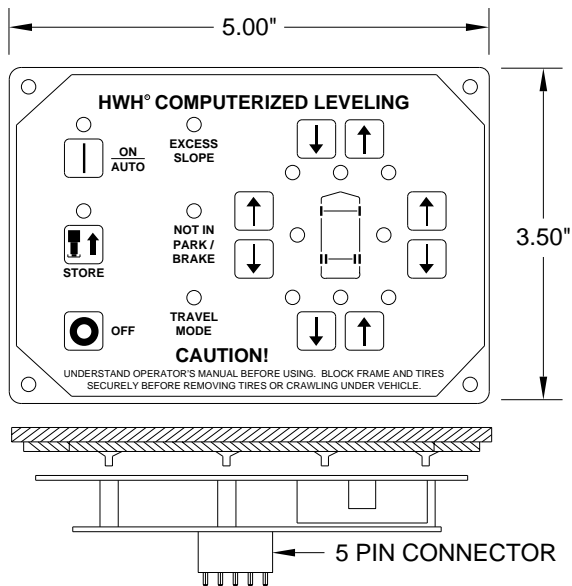
PART	DESCRIPTION
RP90068	SPACER BOX (FOR USE ONLY WITH REMOTE PANELS)
R7057	SCREWS #4 X 2.75" BLACK (CONTAINS 4)
R7058	SCREWS #4 X .75" BLACK (CONTAINS 4)

# PANEL, CONTROL AND INDICATOR LIGHTS FOR 625 SERIES, COMPUTER-CONTROLLED LEVELING SYSTEMS



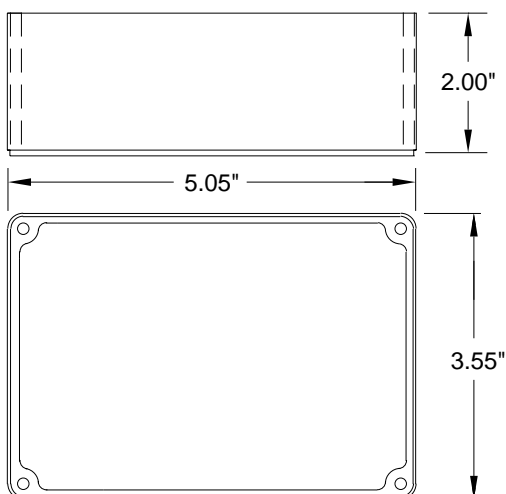
## HYDRAULIC LEVELING WITH SUSPENSION AIR DUMP

EXISTING NO.	REPLACEMENT NO.
AP25650	RAP91186
REPLACEMENT LEXAN :	RP91684



## HYDRAULIC LEVELING WITHOUT SUSPENSION AIR DUMP

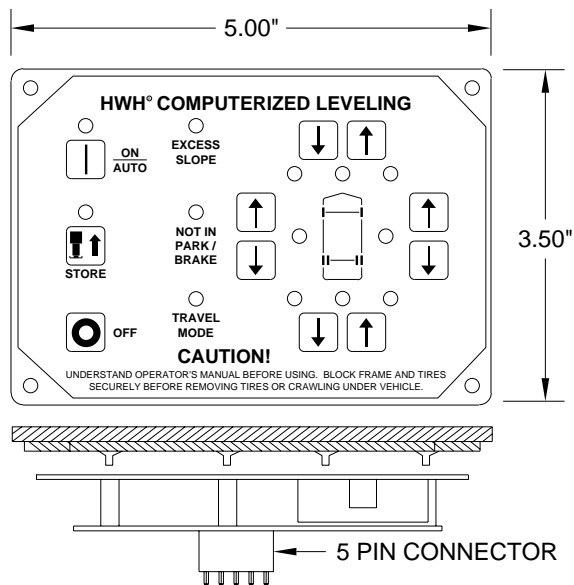
EXISTING NO.	REPLACEMENT NO.
AP24946	RAP91252
REPLACEMENT LEXAN :	RP91683



## ACCESSORIES

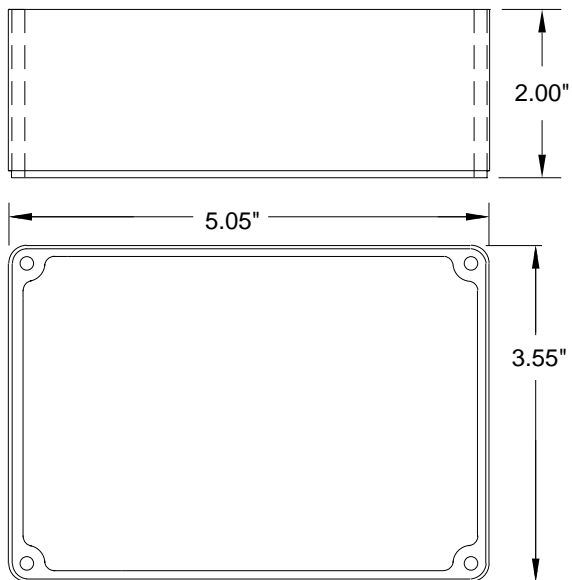
PART	DESCRIPTION
RP90068	SPACER BOX (FOR USE ONLY WITH REMOTE PANELS)
R7057	SCREWS #4 X 2.75" BLACK (CONTAINS 4)
R7058	SCREWS #4 X .75" BLACK (CONTAINS 4)

# PANEL, CONTROL AND INDICATOR LIGHTS - 24 VOLT FOR 625 SERIES, COMPUTER-CONTROLLED LEVELING SYSTEMS



## HYDRAULIC LEVELING WITHOUT SUSPENSION AIR DUMP

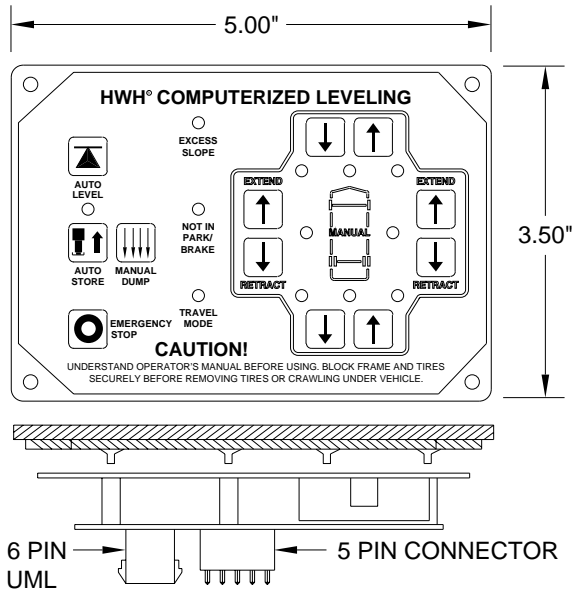
EXISTING NO.	REPLACEMENT NO.
AP37759	RAP91860
REPLACEMENT LEXAN :	RP91683



## ACCESSORIES

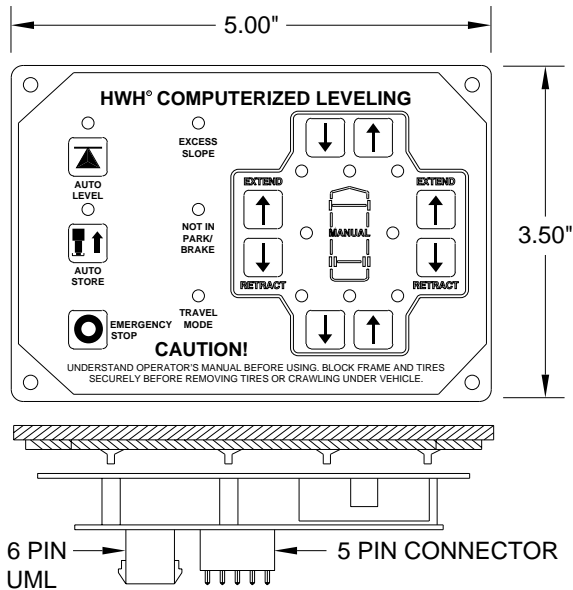
PART	DESCRIPTION
RP90068	SPACER BOX (FOR USE ONLY WITH REMOTE PANELS)
R7057	SCREWS #4 X 2.75" BLACK (CONTAINS 4)
R7058	SCREWS #4 X .75" BLACK (CONTAINS 4)

# PANEL, CONTROL AND INDICATOR LIGHTS FOR 625S SERIES, COMPUTER-CONTROLLED LEVELING SYSTEMS (WITH REMOTE SWITCH)



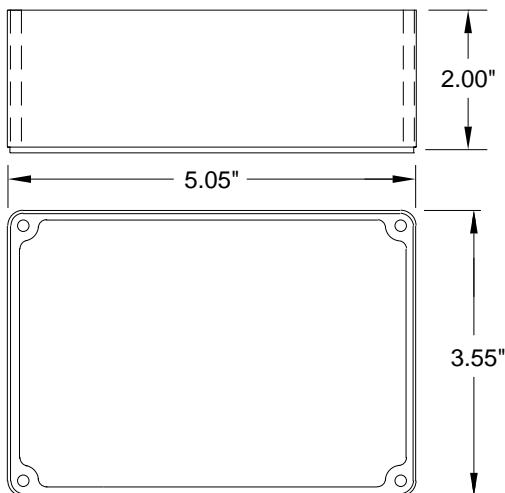
## HYDRAULIC LEVELING WITH SUSPENSION AIR DUMP

EXISTING NO.	REPLACEMENT NO.
AP39650 REPLACES AP34697	RAP91862
REPLACEMENT LEXAN :	RP91859



## HYDRAULIC LEVELING WITHOUT SUSPENSION AIR DUMP

EXISTING NO.	REPLACEMENT NO.
AP39649 REPLACES AP36468	RAP91864
REPLACEMENT LEXAN :	RP91861

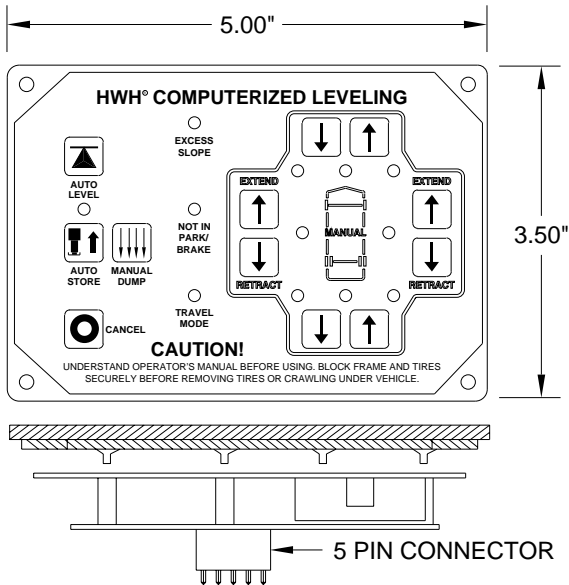


## ACCESSORIES

PART	DESCRIPTION
RP90068	SPACER BOX (FOR USE ONLY WITH REMOTE PANELS)
R7057	SCREWS #4 X 2.75" BLACK (CONTAINS 4)
R7058	SCREWS #4 X .75" BLACK (CONTAINS 4)

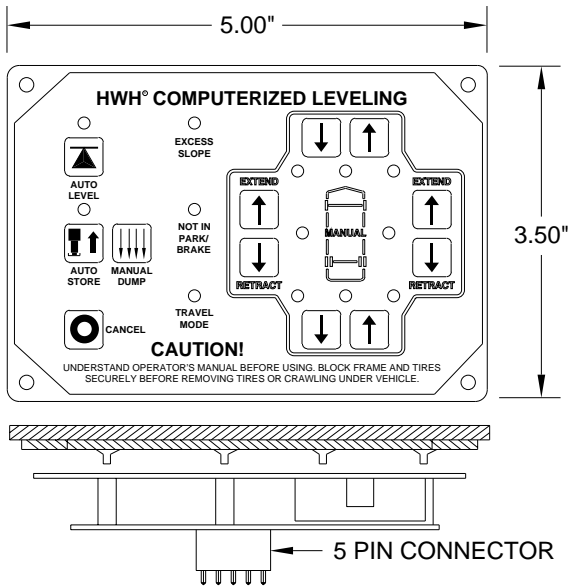
**MR20.5660**  
**01AUG07**

# PANEL, CONTROL AND INDICATOR LIGHTS FOR 625S SERIES, COMPUTER-CONTROLLED LEVELING SYSTEMS DUAL TOUCH PANEL SYSTEM.



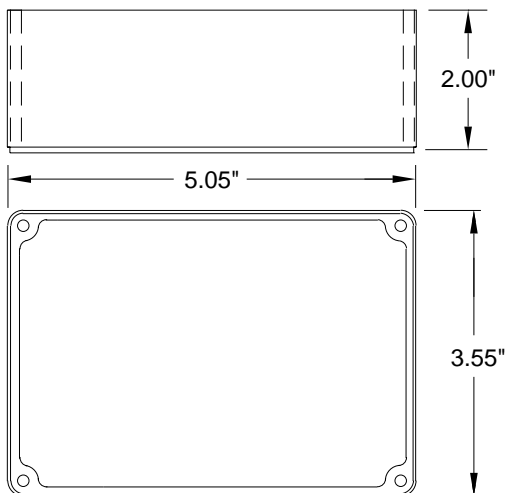
## HYDRAULIC LEVELING WITH SUSPENSION AIR DUMP

EXISTING NO.	REPLACEMENT NO.
AP37518	RAP92047
REPLACEMENT LEXAN :	RP91859



## HYDRAULIC LEVELING WITH SUSPENSION AIR DUMP

EXISTING NO.	REPLACEMENT NO.
AP37467	RAP92046
REPLACEMENT LEXAN :	RP91859



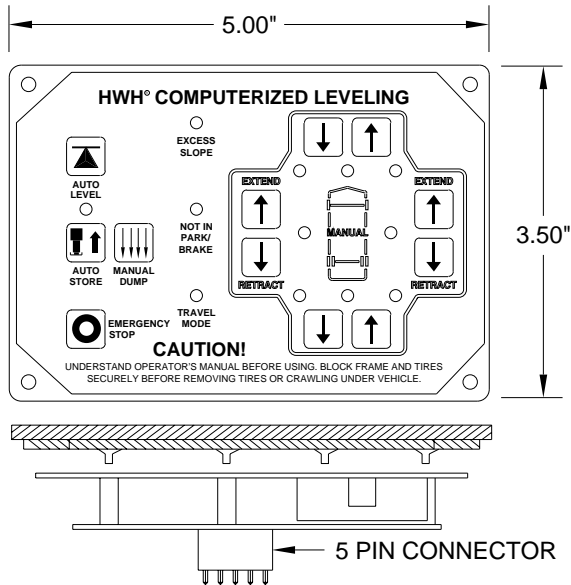
## ACCESSORIES

PART	DESCRIPTION
RP90068	SPACER BOX (FOR USE ONLY WITH REMOTE PANELS)
R7057	SCREWS #4 X 2.75" BLACK (CONTAINS 4)
R7058	SCREWS #4 X .75" BLACK (CONTAINS 4)

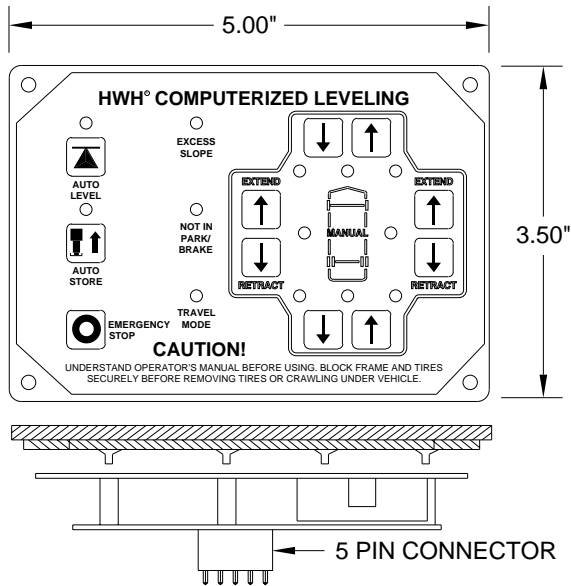
**MR20.5663  
30MAR09**



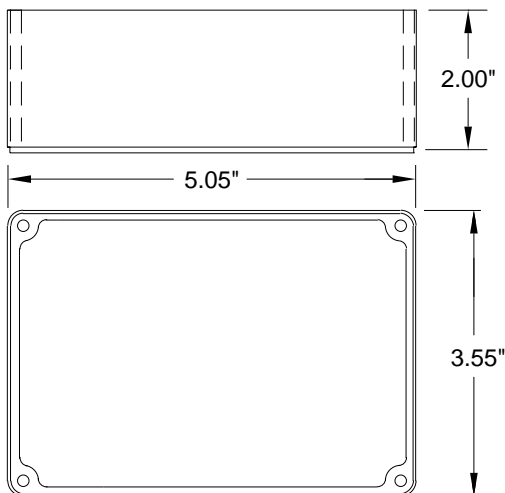
# PANEL, CONTROL AND INDICATOR LIGHTS FOR 625S SERIES, COMPUTER-CONTROLLED LEVELING SYSTEMS



EXISTING NO.	REPLACEMENT NO.
AP34884	RAP91866
REPLACEMENT LEXAN :	RP91859

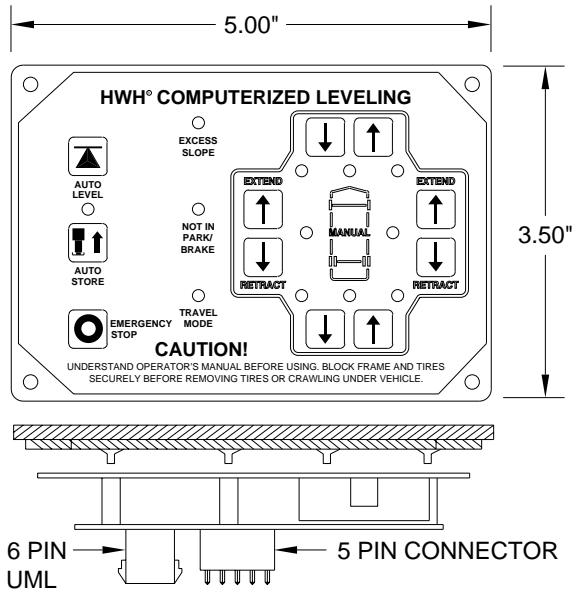


EXISTING NO.	REPLACEMENT NO.
AP37168	RAP91869
REPLACEMENT LEXAN :	RP91861



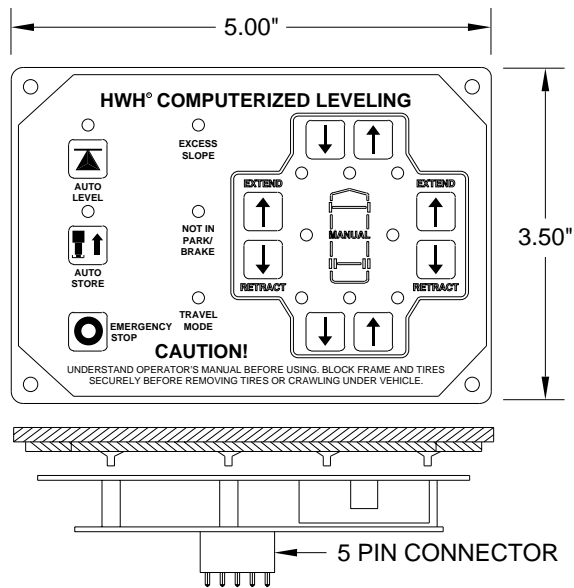
PART	DESCRIPTION
RP90068	SPACER BOX (FOR USE ONLY WITH REMOTE PANELS)
R7057	SCREWS #4 X 2.75" BLACK (CONTAINS 4)
R7058	SCREWS #4 X .75" BLACK (CONTAINS 4)

# PANEL, CONTROL AND INDICATOR LIGHTS FOR 625S SERIES, COMPUTER-CONTROLLED LEVELING SYSTEMS (WITH REMOTE SWITCH) DUAL TOUCH PANEL SYSTEM



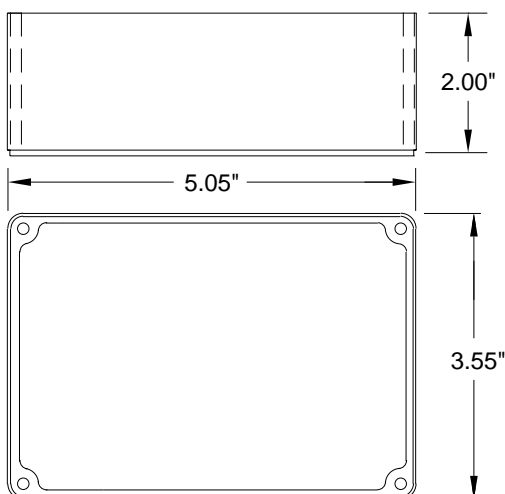
## HYDRAULIC LEVELING WITHOUT SUSPENSION AIR DUMP

EXISTING NO.	REPLACEMENT NO.
AP39673	RAP92363
REPLACEMENT LEXAN :	RP91861



## HYDRAULIC LEVELING WITHOUT SUSPENSION AIR DUMP

EXISTING NO.	REPLACEMENT NO.
AP39674	RAP92364
REPLACEMENT LEXAN :	RP91861

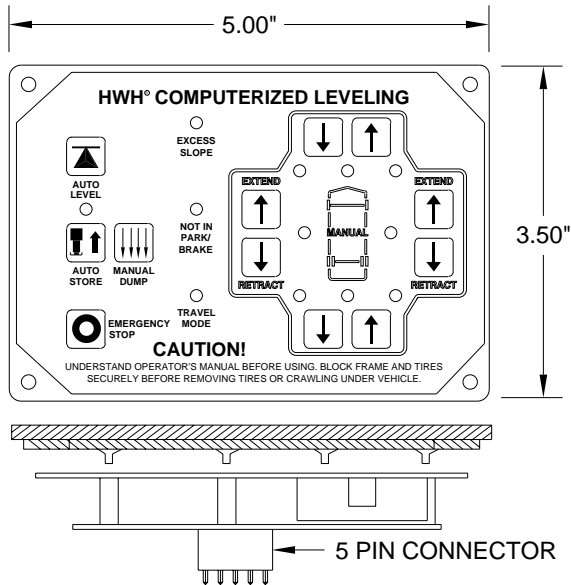


## ACCESSORIES

PART	DESCRIPTION
RP90068	SPACER BOX (FOR USE ONLY WITH REMOTE PANELS)
R7057	SCREWS #4 X 2.75" BLACK (CONTAINS 4)
R7058	SCREWS #4 X .75" BLACK (CONTAINS 4)

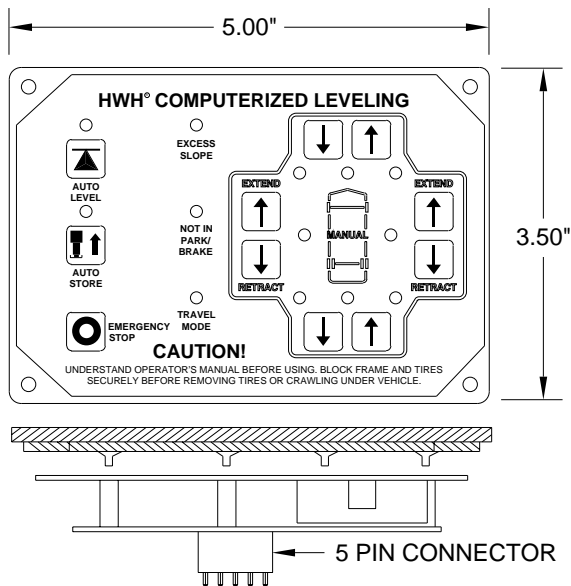
**MR20.5667  
30MAR09**

# PANEL, CONTROL AND INDICATOR LIGHTS - 24 VOLT FOR 625S SERIES, COMPUTER-CONTROLLED LEVELING SYSTEMS



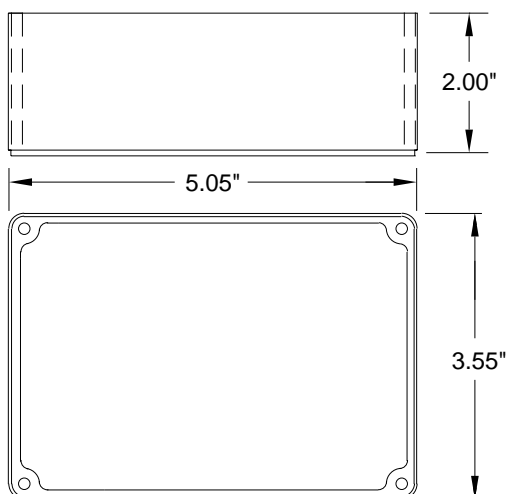
## HYDRAULIC LEVELING WITH SUSPENSION AIR DUMP

EXISTING NO.	REPLACEMENT NO.
AP44466	RAP92882
REPLACEMENT LEXAN :	RP91859



## HYDRAULIC LEVELING WITHOUT SUSPENSION AIR DUMP

EXISTING NO.	REPLACEMENT NO.
AP36226	RAP91867
REPLACEMENT LEXAN :	RP91861

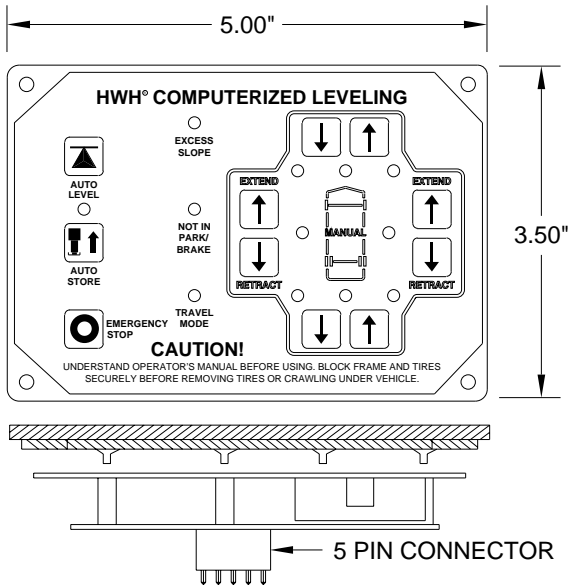


## ACCESSORIES

PART	DESCRIPTION
RP90068	SPACER BOX (FOR USE ONLY WITH REMOTE PANELS)
R7057	SCREWS #4 X 2.75" BLACK (CONTAINS 4)
R7058	SCREWS #4 X .75" BLACK (CONTAINS 4)

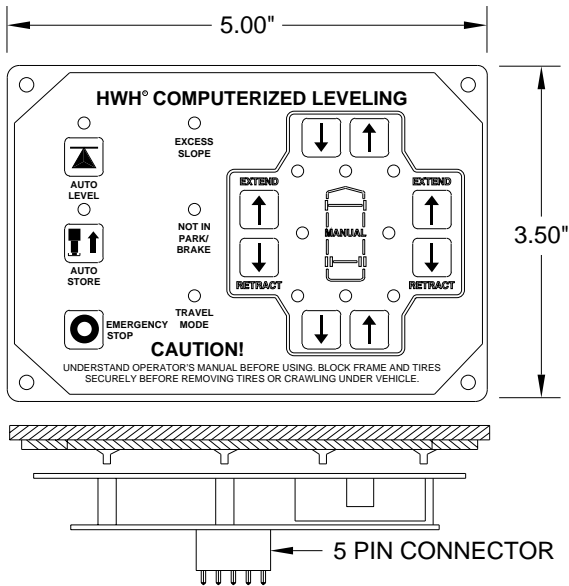
**MR20.5670**  
**27MAY11**

# PANEL, CONTROL AND INDICATOR LIGHTS - 24 VOLT FOR 625S SERIES, COMPUTER-CONTROLLED LEVELING SYSTEMS DUAL TOUCH PANEL SYSTEM.



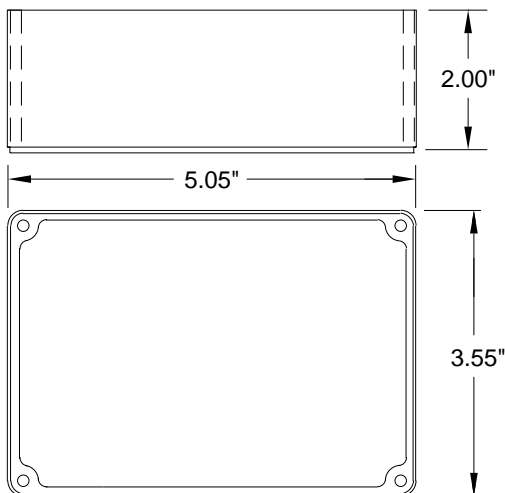
## HYDRAULIC LEVELING WITHOUT SUSPENSION AIR DUMP

EXISTING NO.	REPLACEMENT NO.
AP42722	RAP92361
REPLACEMENT LEXAN :	RP91861



## HYDRAULIC LEVELING WITHOUT SUSPENSION AIR DUMP

EXISTING NO.	REPLACEMENT NO.
AP42723	RAP92362
REPLACEMENT LEXAN :	RP91861

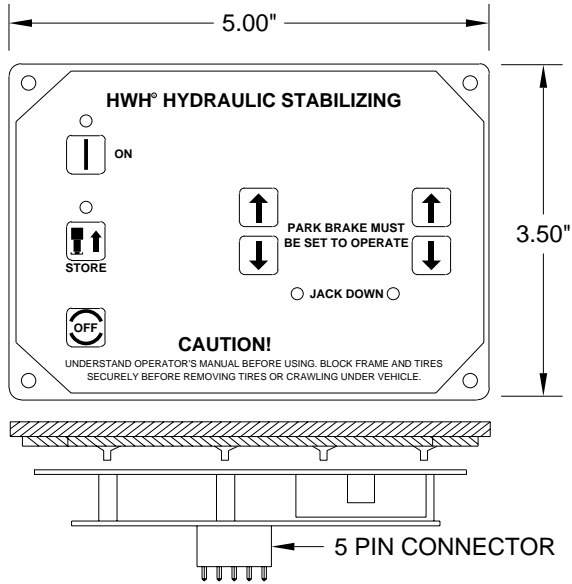


## ACCESSORIES

PART	DESCRIPTION
RP90068	SPACER BOX (FOR USE ONLY WITH REMOTE PANELS)
R7057	SCREWS #4 X 2.75" BLACK (CONTAINS 4)
R7058	SCREWS #4 X .75" BLACK (CONTAINS 4)

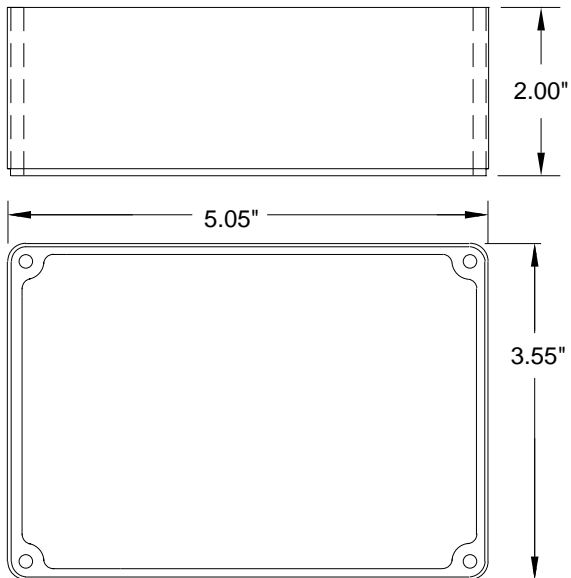
**MR20.5675  
30MAR09**

# PANEL, CONTROL AND INDICATOR LIGHTS FOR 625S SERIES, COMPUTER-CONTROLLED STABILIZING SYSTEMS



## HYDRAULIC LEVELING WITHOUT SUSPENSION AIR DUMP

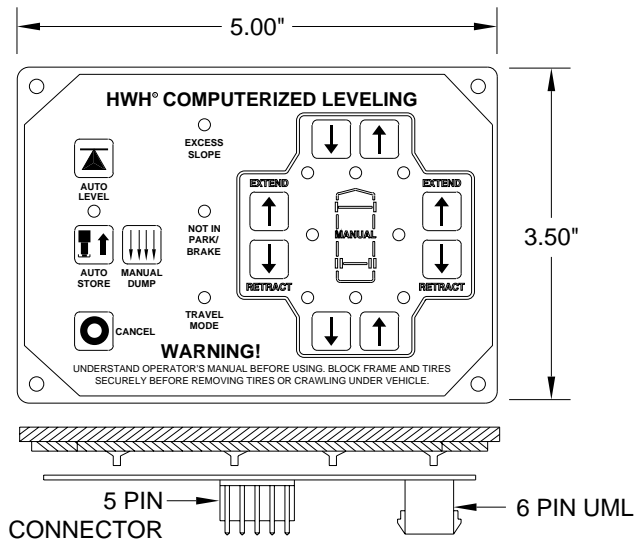
EXISTING NO.	REPLACEMENT NO.
AP35798	RAP92360
REPLACEMENT LEXAN :	RP92348



## ACCESSORIES

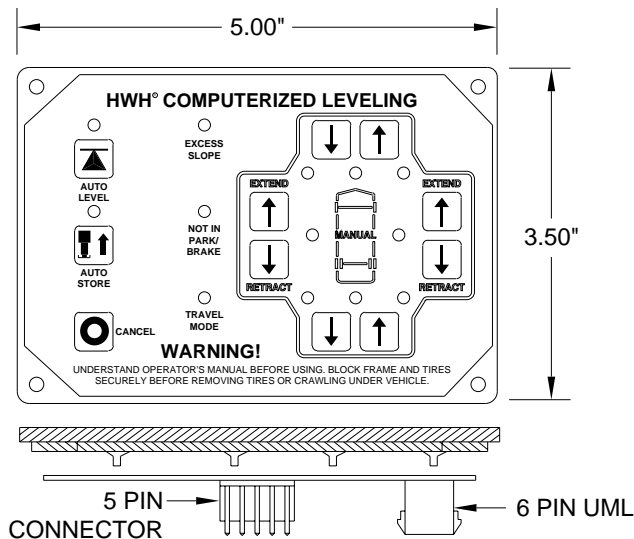
PART	DESCRIPTION
RP90068	SPACER BOX (FOR USE ONLY WITH REMOTE PANELS)
R7057	SCREWS #4 X 2.75" BLACK (CONTAINS 4)
R7058	SCREWS #4 X .75" BLACK (CONTAINS 4)

# PANEL, CONTROL AND INDICATOR LIGHTS FOR 725 SERIES, COMPUTER-CONTROLLED LEVELING SYSTEMS



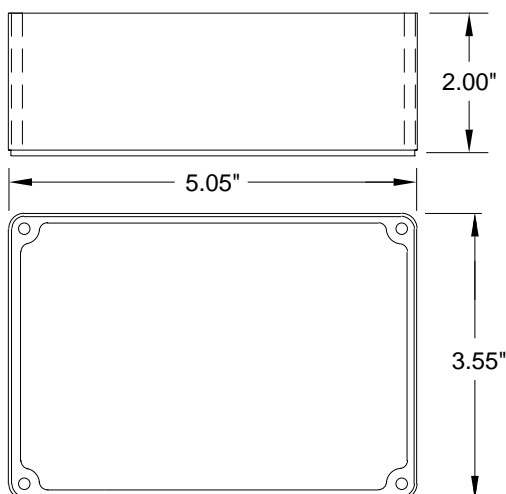
## HYDRAULIC LEVELING WITH SUSPENSION AIR DUMP

EXISTING NO.	REPLACEMENT NO.
AP46382	RAP92764
REPLACEMENT LEXAN :	RP91859



## HYDRAULIC LEVELING WITHOUT SUSPENSION AIR DUMP

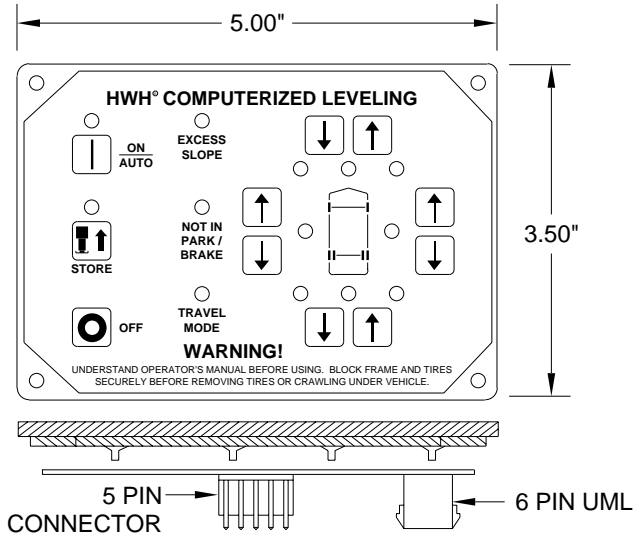
EXISTING NO.	REPLACEMENT NO.
AP47493	RAP92765
REPLACEMENT LEXAN :	RP91861



## ACCESSORIES

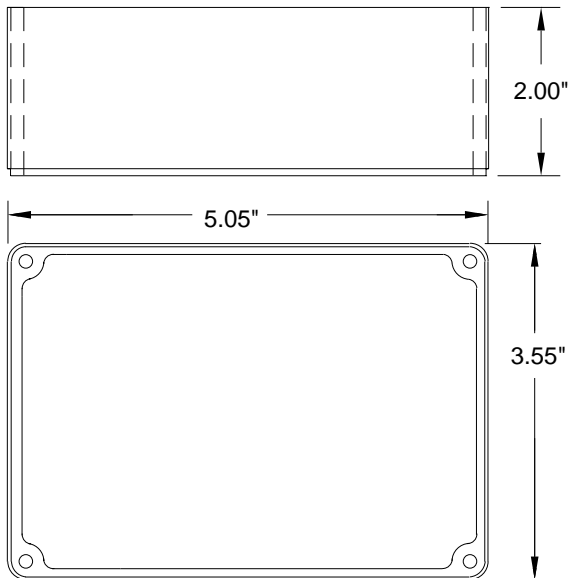
PART	DESCRIPTION
RP90068	SPACER BOX (FOR USE ONLY WITH REMOTE PANELS)
R7057	SCREWS #4 X 2.75" BLACK (CONTAINS 4)
R7058	SCREWS #4 X .75" BLACK (CONTAINS 4)

# PANEL, CONTROL AND INDICATOR LIGHTS FOR 725 SERIES, COMPUTER-CONTROLLED LEVELING SYSTEMS



## HYDRAULIC LEVELING WITHOUT SUSPENSION AIR DUMP FOR KICK-DOWN JACKS

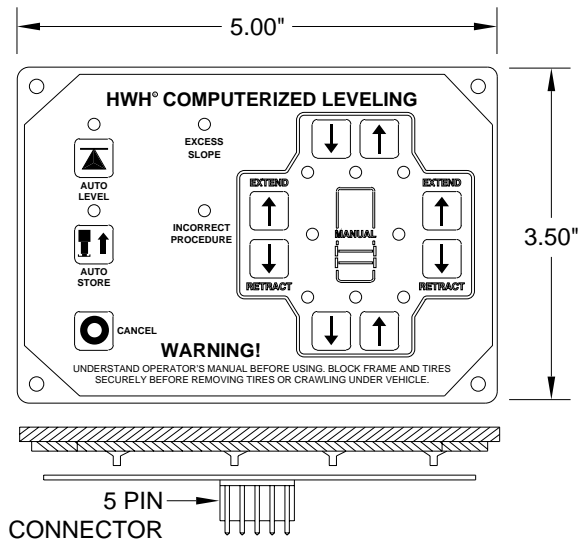
EXISTING NO.	REPLACEMENT NO.
AP47663	RAP92887
REPLACEMENT LEXAN :	RP91683



## ACCESSORIES

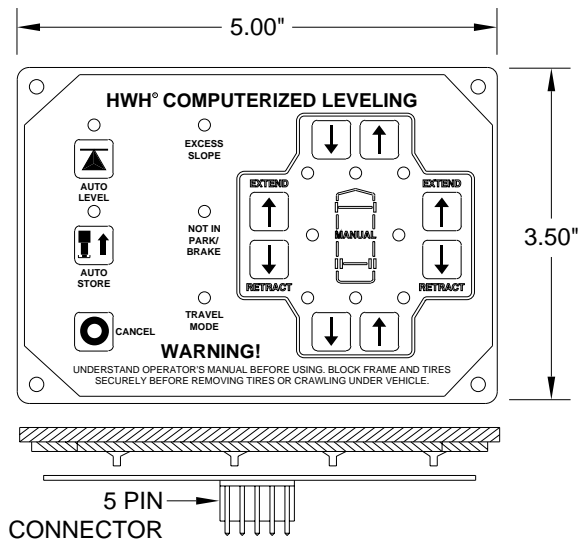
PART	DESCRIPTION
RP90068	SPACER BOX (FOR USE ONLY WITH REMOTE PANELS)
R7057	SCREWS #4 X 2.75" BLACK (CONTAINS 4)
R7058	SCREWS #4 X .75" BLACK (CONTAINS 4)

# PANEL, CONTROL AND INDICATOR LIGHTS FOR 725 SERIES, COMPUTER-CONTROLLED LEVELING SYSTEMS



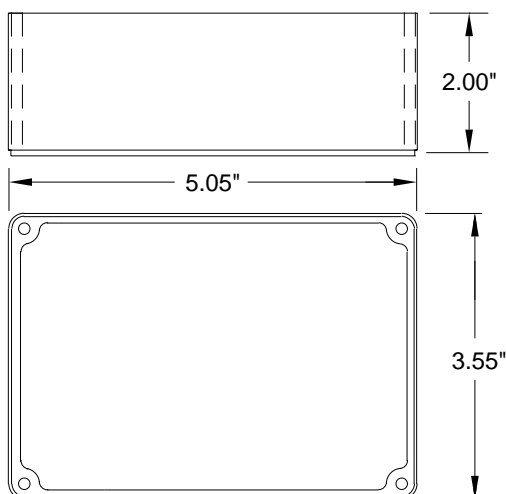
## HYDRAULIC LEVELING WITH SUSPENSION AIR DUMP FOR TRAILERS

EXISTING NO.	REPLACEMENT NO.
AP50798	RAP93198
REPLACEMENT LEXAN :	RP92639



## HYDRAULIC LEVELING WITHOUT SUSPENSION AIR DUMP FOR TRAILERS

EXISTING NO.	REPLACEMENT NO.
AP49227	RAP93197
REPLACEMENT LEXAN :	RP91861



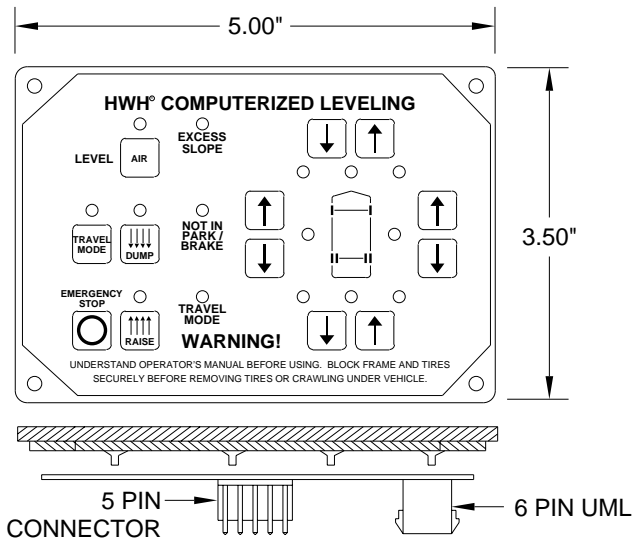
### ACCESSORIES

PART	DESCRIPTION
RP90068	SPACER BOX (FOR USE ONLY WITH REMOTE PANELS)
R7057	SCREWS #4 X 2.75" BLACK (CONTAINS 4)
R7058	SCREWS #4 X .75" BLACK (CONTAINS 4)

**MR20.6020**  
**11OCT12**

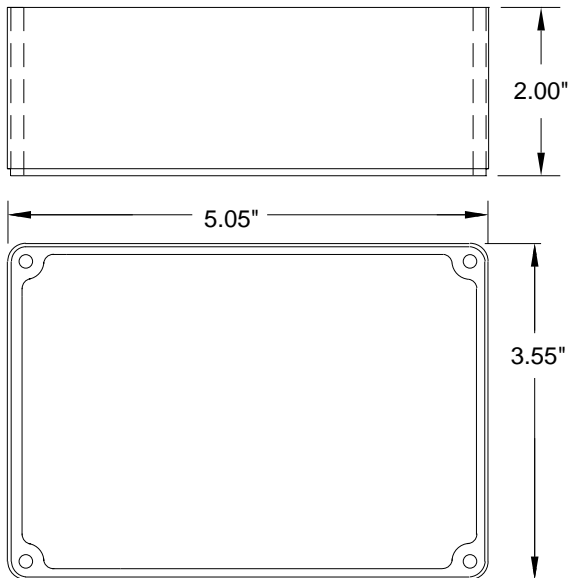


# PANEL, CONTROL AND INDICATOR LIGHTS FOR 700 SERIES, COMPUTER-CONTROLLED LEVELING SYSTEMS



## AIR LEVELING WITH SUSPENSION AIR DUMP

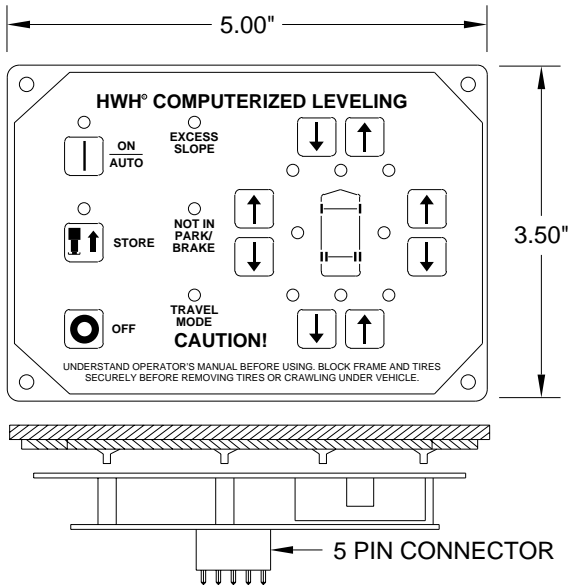
EXISTING NO.	REPLACEMENT NO.
AP48649	RAP92890
REPLACEMENT LEXAN :	RP91844



## ACCESSORIES

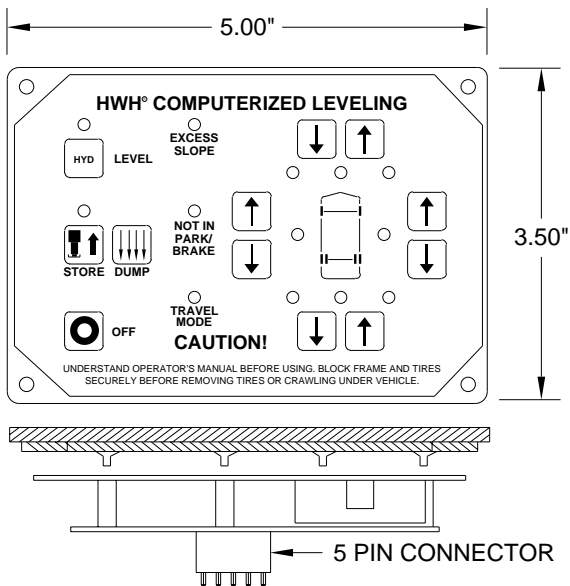
PART	DESCRIPTION
RP90068	SPACER BOX (FOR USE ONLY WITH REMOTE PANELS)
R7057	SCREWS #4 X 2.75" BLACK (CONTAINS 4)
R7058	SCREWS #4 X .75" BLACK (CONTAINS 4)

# PANEL, CONTROL AND INDICATOR LIGHTS FOR 2000 SERIES, COMPUTER-CONTROLLED LEVELING SYSTEMS



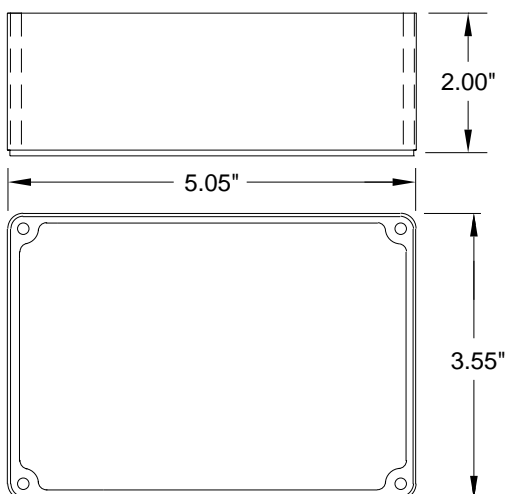
## HYDRAULIC LEVELING WITHOUT AIR DUMP

EXISTING NO.	REPLACEMENT NO.
AP28489	RAP91298
REPLACEMENT LEXAN :	RP91683



## HYDRAULIC LEVELING WITH AIR DUMP

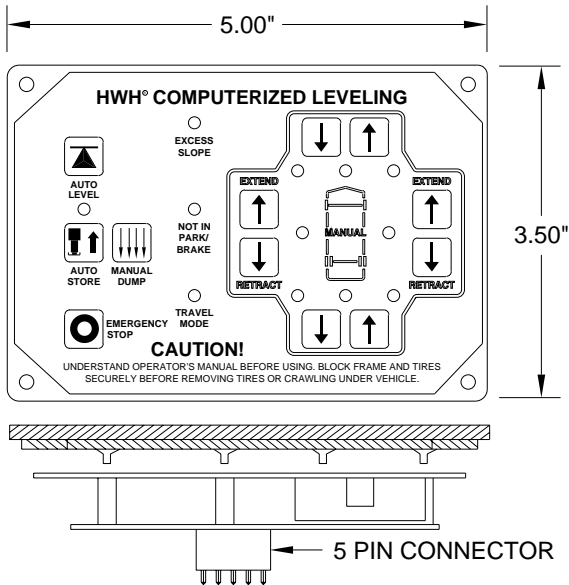
EXISTING NO.	REPLACEMENT NO.
AP28243	RAP91305
REPLACEMENT LEXAN :	RP91684



## ACCESSORIES

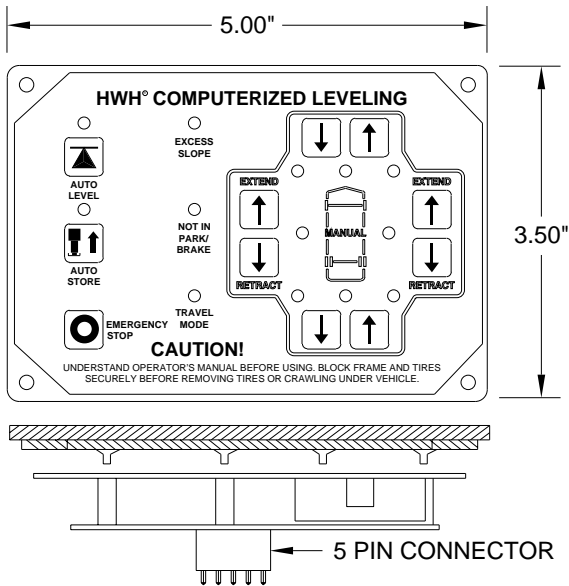
PART	DESCRIPTION
RP90068	SPACER BOX (FOR USE ONLY WITH REMOTE PANELS)
R7057	SCREWS #4 X 2.75" BLACK (CONTAINS 4)
R7058	SCREWS #4 X .75" BLACK (CONTAINS 4)

# PANEL, CONTROL AND INDICATOR LIGHTS FOR 2000 SERIES, COMPUTER-CONTROLLED LEVELING SYSTEMS



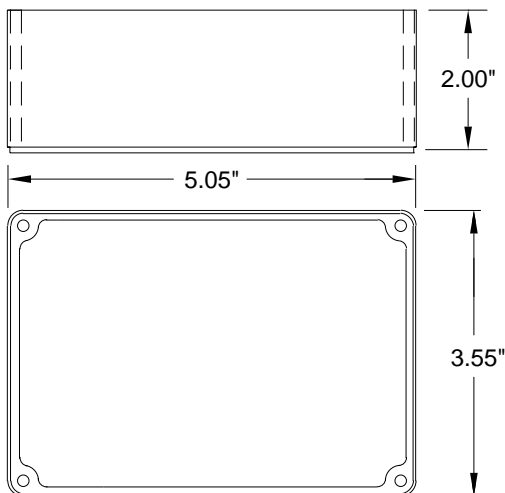
## HYDRAULIC LEVELING WITH SUSPENSION AIR DUMP

EXISTING NO.	REPLACEMENT NO.
AP46065	RAP92746
REPLACEMENT LEXAN :	RP91859



## HYDRAULIC LEVELING WITHOUT SUSPENSION AIR DUMP

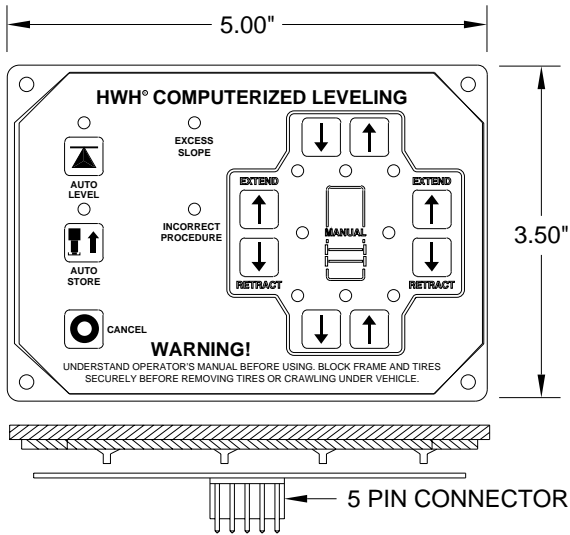
EXISTING NO.	REPLACEMENT NO.
AP46915	RAP92886
REPLACEMENT LEXAN :	RP91861



## ACCESSORIES

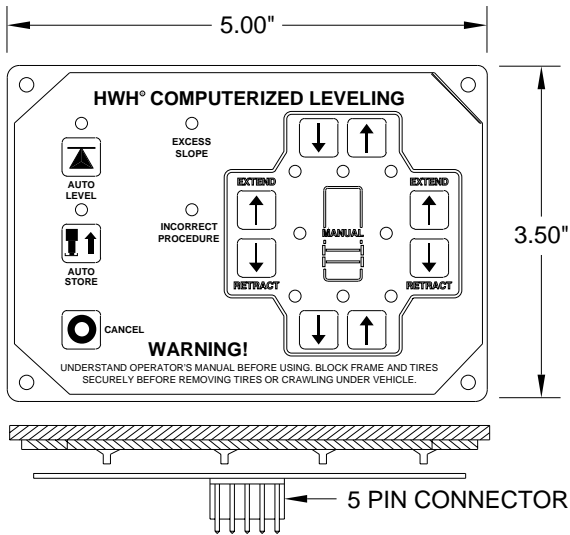
PART	DESCRIPTION
RP90068	SPACER BOX (FOR USE ONLY WITH REMOTE PANELS)
R7057	SCREWS #4 X 2.75" BLACK (CONTAINS 4)
R7058	SCREWS #4 X .75" BLACK (CONTAINS 4)

# PANEL, CONTROL AND INDICATOR LIGHTS FOR 2000 SERIES, COMPUTER-CONTROLLED LEVELING SYSTEMS



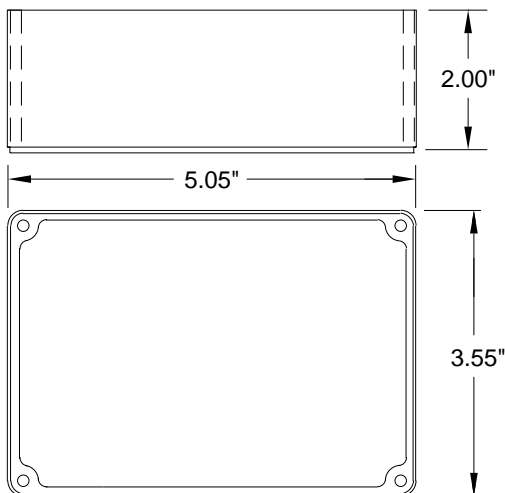
## HYDRAULIC LEVELING WITHOUT SUSPENSION AIR DUMP FOR TRAILERS WITHOUT TERMINATING RESISTOR

EXISTING NO.	REPLACEMENT NO.
AP43636	RAP92460
REPLACEMENT LEXAN :	RP92639



## HYDRAULIC LEVELING WITHOUT SUSPENSION AIR DUMP FOR TRAILERS WITH TERMINATING RESISTOR

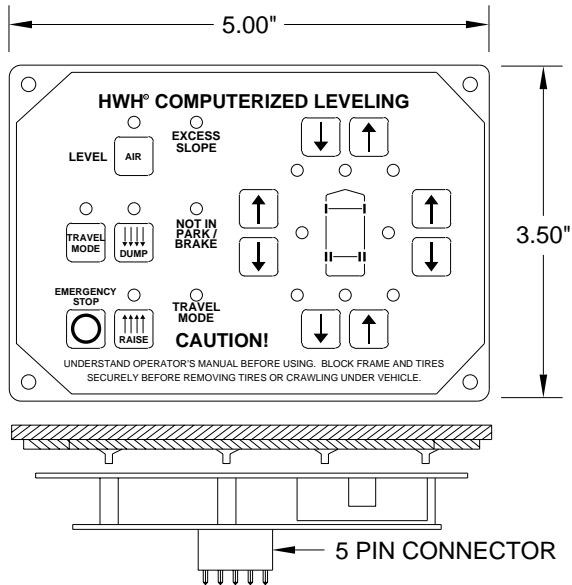
EXISTING NO.	REPLACEMENT NO.
AP48755	RAP92873
REPLACEMENT LEXAN :	RP92639



### ACCESSORIES

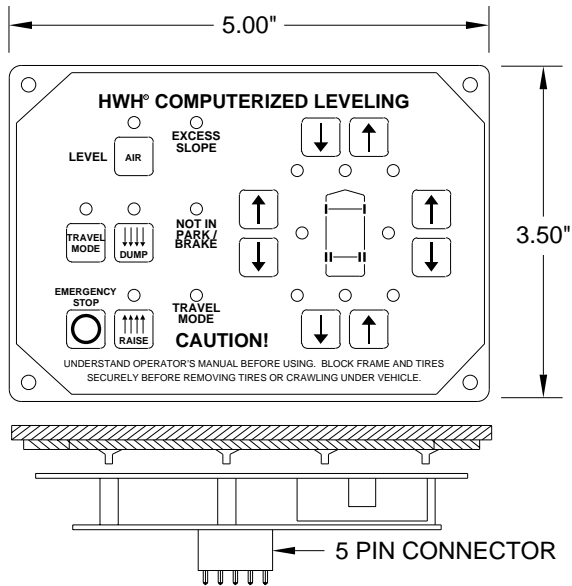
PART	DESCRIPTION
RP90068	SPACER BOX (FOR USE ONLY WITH REMOTE PANELS)
R7057	SCREWS #4 X 2.75" BLACK (CONTAINS 4)
R7058	SCREWS #4 X .75" BLACK (CONTAINS 4)

# PANEL, CONTROL AND INDICATOR LIGHTS FOR 2000 SERIES, COMPUTER-CONTROLLED LEVELING SYSTEMS



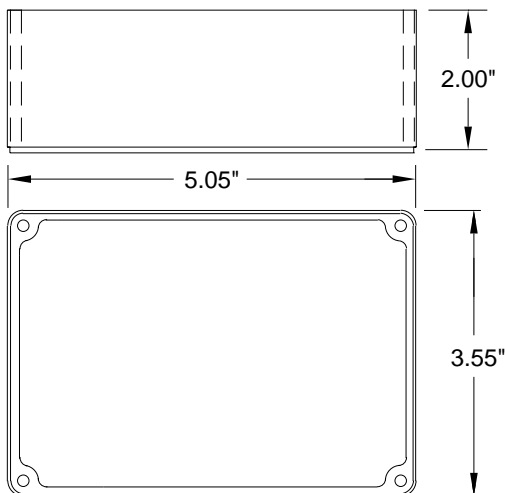
## AIR LEVELING WITH RESISTOR

EXISTING NO.	REPLACEMENT NO.
AP24249	RAP91137
REPLACEMENT LEXAN :	RP91844



## AIR LEVELING WITHOUT RESISTOR

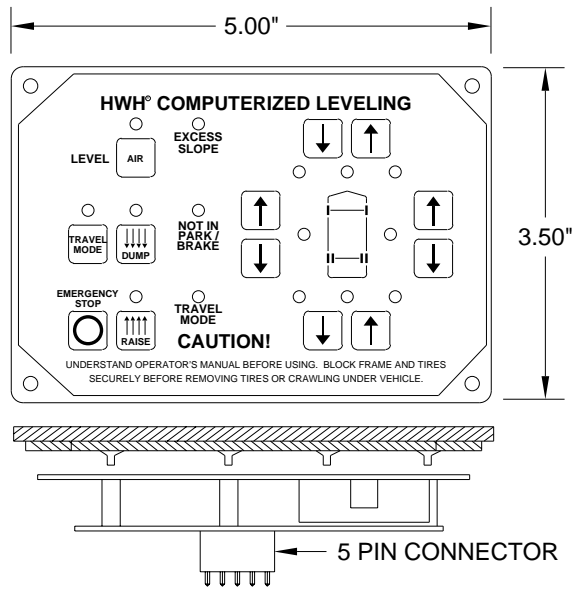
EXISTING NO.	REPLACEMENT NO.
AP22703	RAP91307
REPLACEMENT LEXAN :	RP91844



## ACCESSORIES

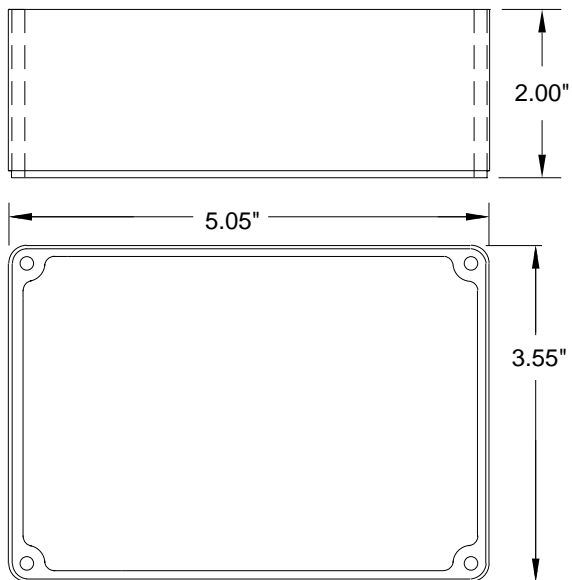
PART	DESCRIPTION
RP90068	SPACER BOX (FOR USE ONLY WITH REMOTE PANELS)
R7057	SCREWS #4 X 2.75" BLACK (CONTAINS 4)
R7058	SCREWS #4 X .75" BLACK (CONTAINS 4)

# PANEL, CONTROL AND INDICATOR LIGHTS FOR 2000 SERIES, COMPUTER-CONTROLLED LEVELING SYSTEMS



## AIR LEVELING WITH SUSPENSION AIR DUMP

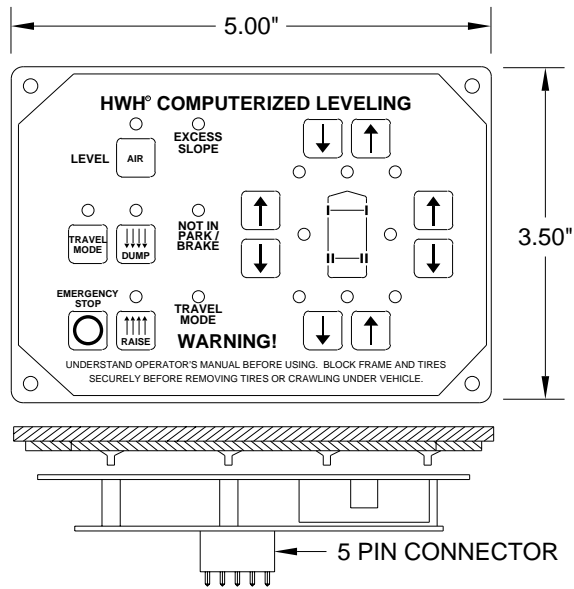
EXISTING NO.	REPLACEMENT NO.
AP26256	RAP91306
REPLACEMENT LEXAN :	RP91844



## ACCESSORIES

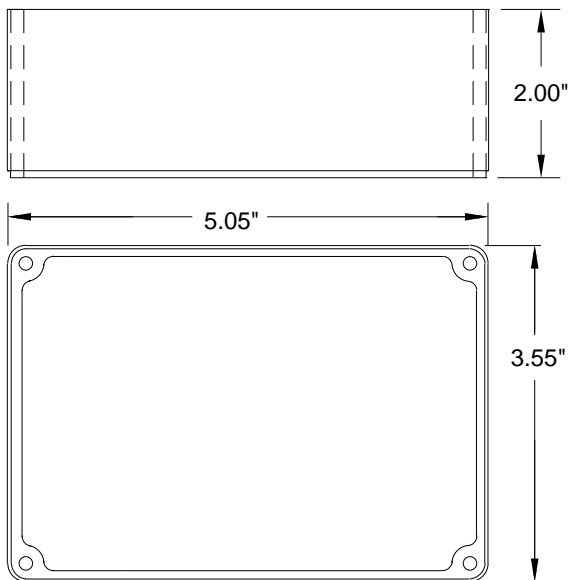
PART	DESCRIPTION
RP90068	SPACER BOX (FOR USE ONLY WITH REMOTE PANELS)
R7057	SCREWS #4 X 2.75" BLACK (CONTAINS 4)
R7058	SCREWS #4 X .75" BLACK (CONTAINS 4)

# PANEL, CONTROL AND INDICATOR LIGHTS FOR 2000 SERIES, COMPUTER-CONTROLLED LEVELING SYSTEMS



## AIR LEVELING WITH SUSPENSION AIR DUMP

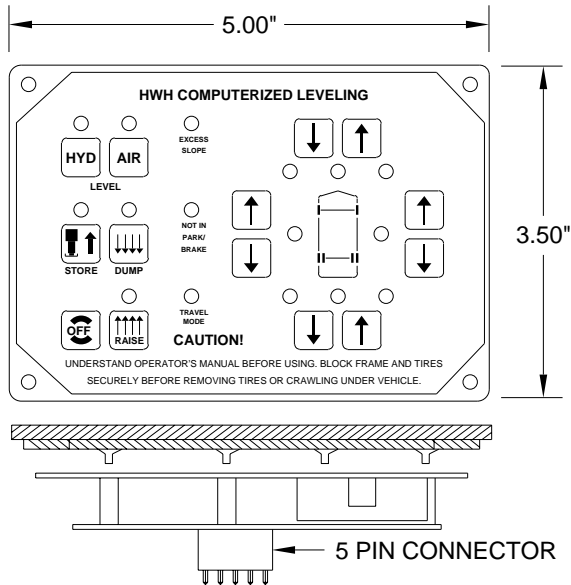
EXISTING NO.	REPLACEMENT NO.
AP46150	RAP92737
REPLACEMENT LEXAN :	RP91844



## ACCESSORIES

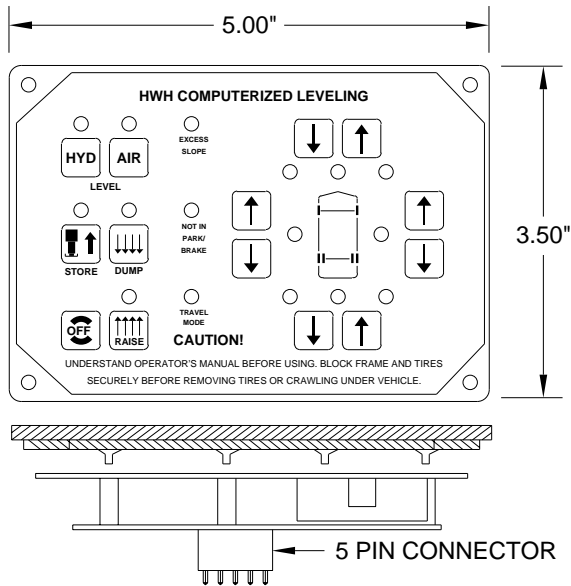
PART	DESCRIPTION
RP90068	SPACER BOX (FOR USE ONLY WITH REMOTE PANELS)
R7057	SCREWS #4 X 2.75" BLACK (CONTAINS 4)
R7058	SCREWS #4 X .75" BLACK (CONTAINS 4)

# PANEL, CONTROL AND INDICATOR LIGHTS FOR 2000 SERIES, COMPUTER-CONTROLLED LEVELING SYSTEMS



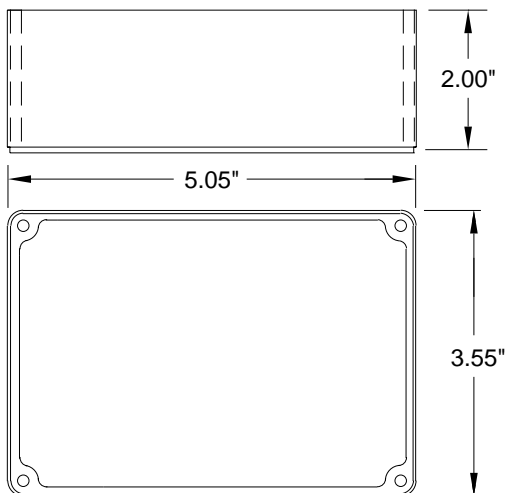
## HYDRAULIC LEVELING WITH AIR LEVELING WITH RESISTOR

EXISTING NO.	REPLACEMENT NO.
AP30917	RAP91272
REPLACEMENT LEXAN :	RP91840



## HYDRAULIC LEVELING WITH AIR LEVELING WITHOUT RESISTOR

EXISTING NO.	REPLACEMENT NO.
AP32944	RAP91654
REPLACEMENT LEXAN :	RP91840



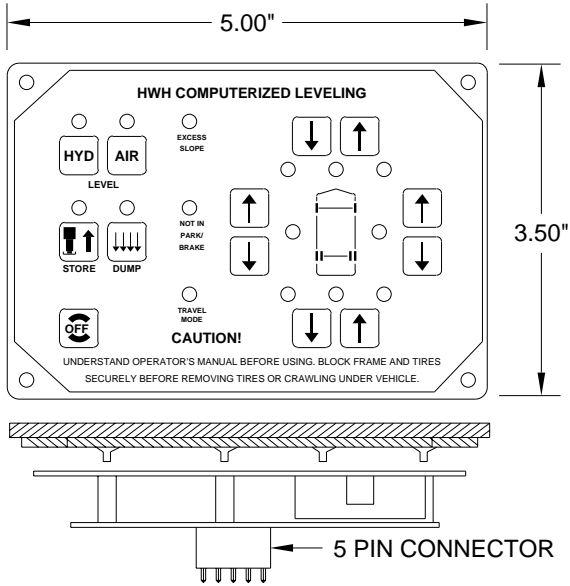
## ACCESSORIES

PART	DESCRIPTION
RP90068	SPACER BOX (FOR USE ONLY WITH REMOTE PANELS)
R7057	SCREWS #4 X 2.75" BLACK (CONTAINS 4)
R7058	SCREWS #4 X .75" BLACK (CONTAINS 4)

**MR20.7150  
26MAY11**

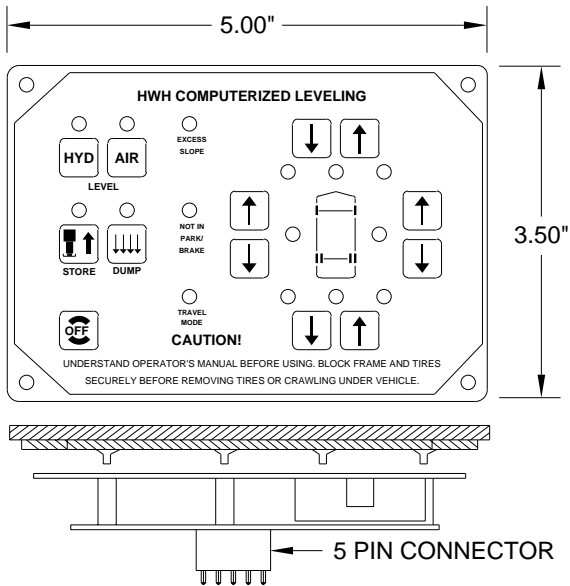


# PANEL, CONTROL AND INDICATOR LIGHTS FOR 2000 SERIES, COMPUTER-CONTROLLED LEVELING SYSTEMS DUAL TOUCH PANEL SYSTEM.



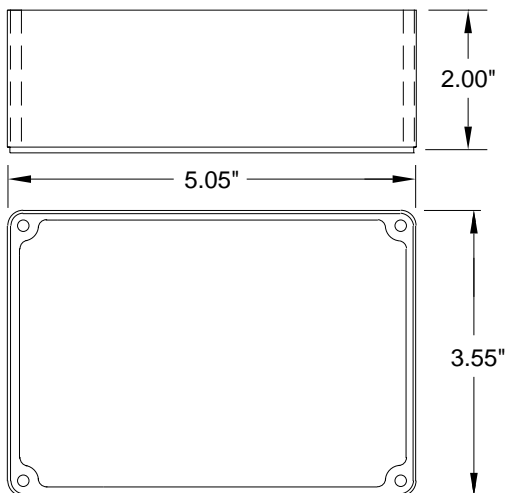
## HYDRAULIC LEVELING WITH AIR LEVELING

EXISTING NO.	REPLACEMENT NO.
AP39294 REPLACES AP36714	RAP92051
REPLACEMENT LEXAN :	RP92347



## HYDRAULIC LEVELING WITH AIR LEVELING

EXISTING NO.	REPLACEMENT NO.
AP36716	RAP92052
REPLACEMENT LEXAN :	RP92347

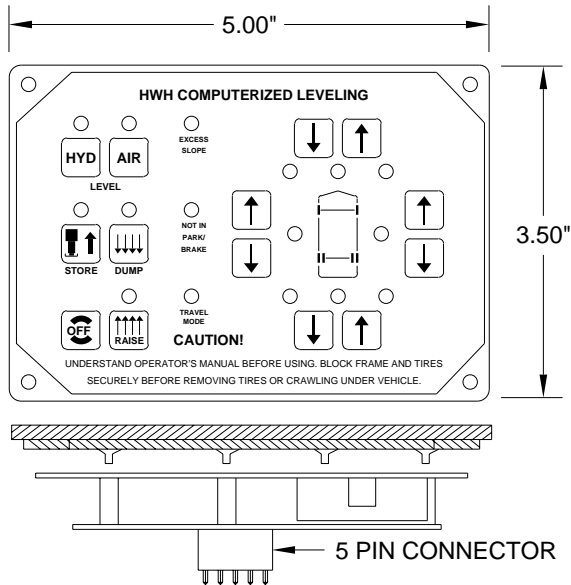


## ACCESSORIES

PART	DESCRIPTION
RP90068	SPACER BOX (FOR USE ONLY WITH REMOTE PANELS)
R7057	SCREWS #4 X 2.75" BLACK (CONTAINS 4)
R7058	SCREWS #4 X .75" BLACK (CONTAINS 4)

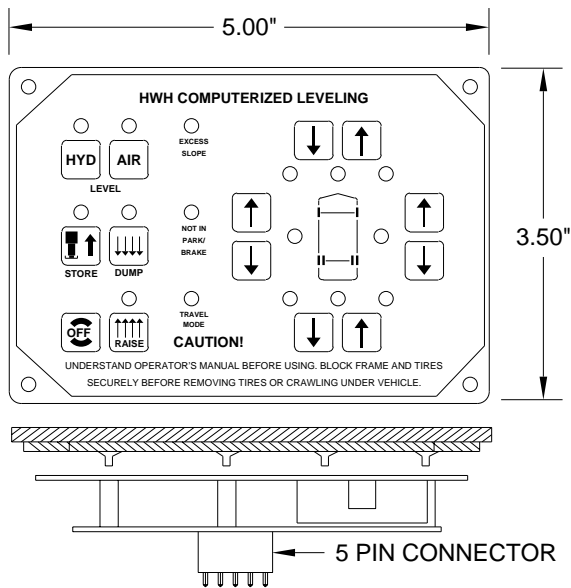
**MR20.7158  
26MAY11**

# PANEL, CONTROL AND INDICATOR LIGHTS FOR 2000 SERIES, COMPUTER-CONTROLLED LEVELING SYSTEMS DUAL TOUCH PANEL SYSTEM



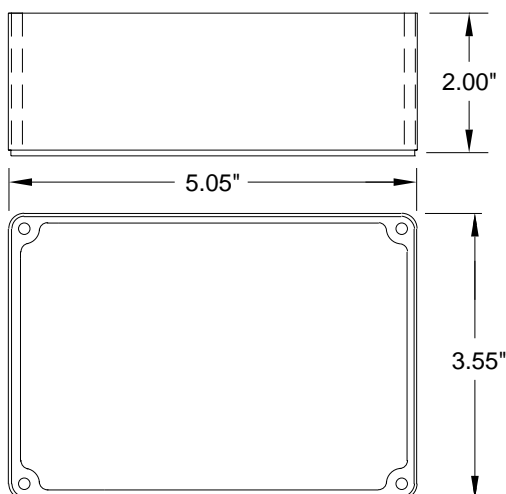
## HYDRAULIC LEVELING WITH AIR LEVELING

EXISTING NO.	REPLACEMENT NO.
AP33913	RAP92883
REPLACEMENT LEXAN :	RP91840



## HYDRAULIC LEVELING WITH AIR LEVELING

EXISTING NO.	REPLACEMENT NO.
AP34464	RAP92884
REPLACEMENT LEXAN :	RP91840

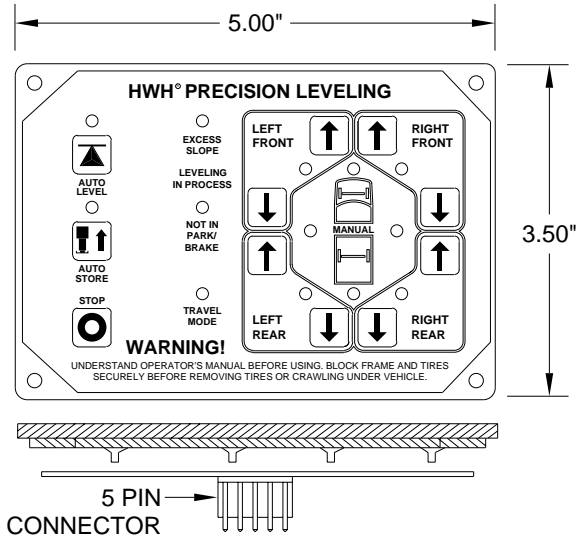


## ACCESSORIES

PART	DESCRIPTION
RP90068	SPACER BOX (FOR USE ONLY WITH REMOTE PANELS)
R7057	SCREWS #4 X 2.75" BLACK (CONTAINS 4)
R7058	SCREWS #4 X .75" BLACK (CONTAINS 4)

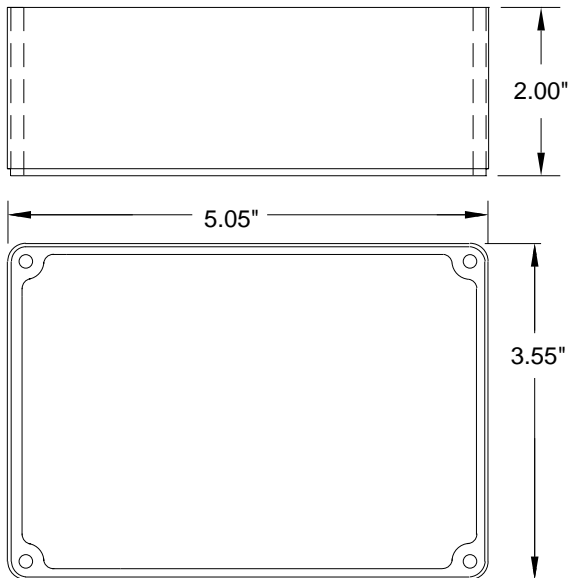
**MR20.7159**  
**27MAY11**

# PANEL, CONTROL AND INDICATOR LIGHTS FOR COMPUTER-CONTROLLED PRECISION LEVELING SYSTEMS



## HYDRAULIC LEVELING WITHOUT SUSPENSION AIR DUMP

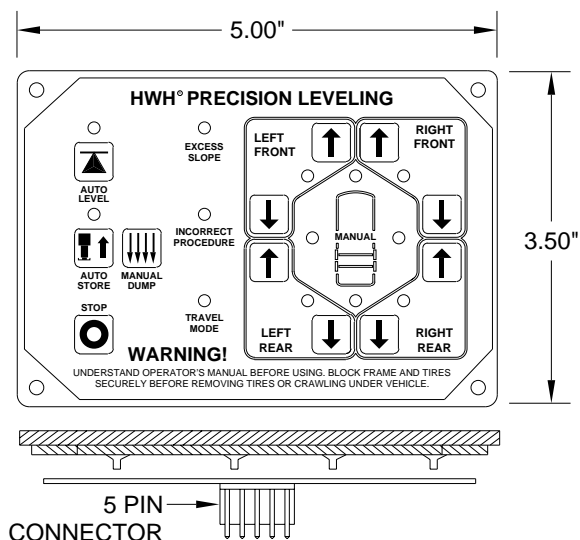
EXISTING NO.	REPLACEMENT NO.
AP47721	RAP92891
REPLACEMENT LEXAN :	RP92892



## ACCESSORIES

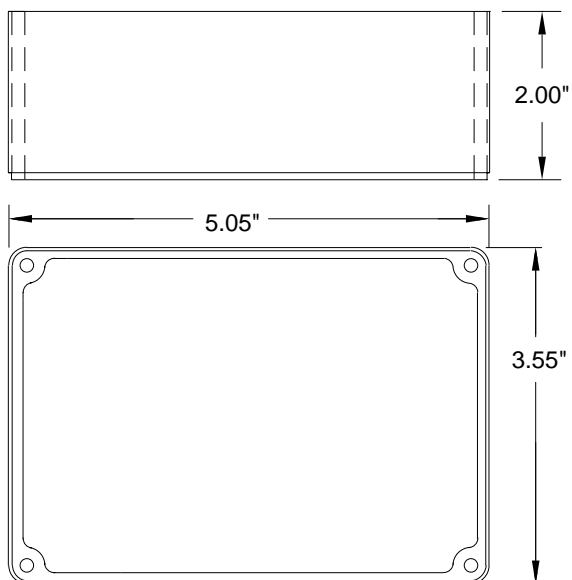
PART	DESCRIPTION
RP90068	SPACER BOX (FOR USE ONLY WITH REMOTE PANELS)
R7057	SCREWS #4 X 2.75" BLACK (CONTAINS 4)
R7058	SCREWS #4 X .75" BLACK (CONTAINS 4)

# PANEL, CONTROL AND INDICATOR LIGHTS FOR COMPUTER-CONTROLLED PRECISION LEVELING SYSTEMS



## HYDRAULIC LEVELING WITH SUSPENSION AIR DUMP FOR TRAILERS

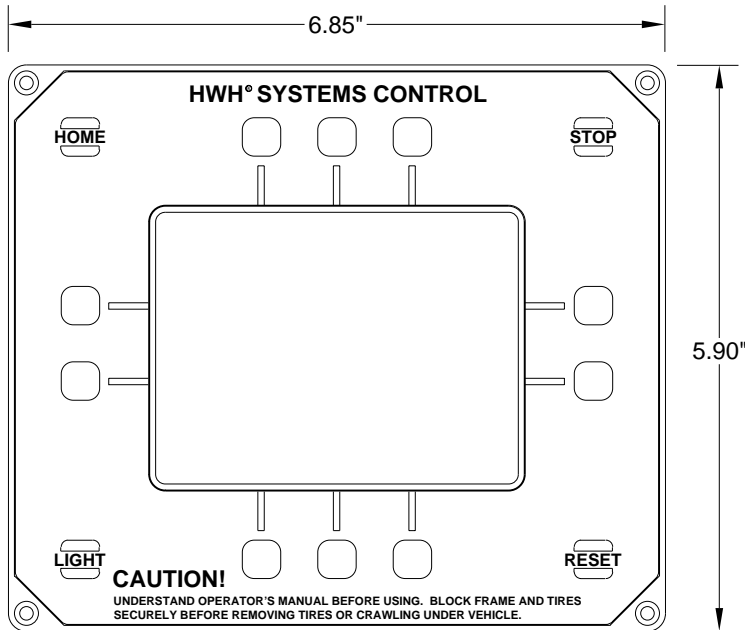
EXISTING NO.	REPLACEMENT NO.
AP47198	RAP92888
REPLACEMENT LEXAN :	RP92889



## ACCESSORIES

PART	DESCRIPTION
RP90068	SPACER BOX (FOR USE ONLY WITH REMOTE PANELS)
R7057	SCREWS #4 X 2.75" BLACK (CONTAINS 4)
R7058	SCREWS #4 X .75" BLACK (CONTAINS 4)

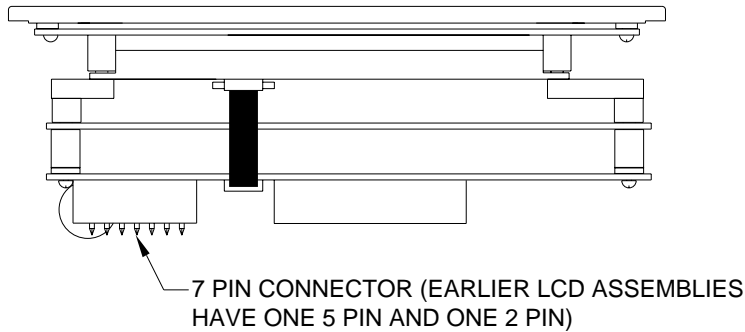
# PANEL, SYSTEM CONTROL FOR COMPUTER-CONTROLLED LEVELING SYSTEMS



## MONOCROME LCD ASSEMBLY

CONTACT HWH TECHNICAL ASSISTANCE FOR REPLACEMENT INFORMATION.

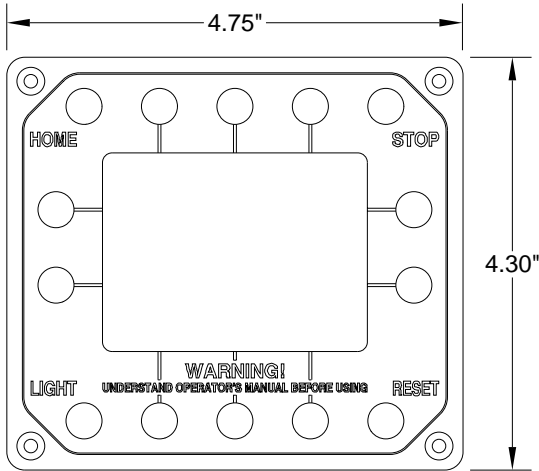
REPLACEMENT FUSE : R90924  
(5 FUSES PER R90924)



## ACCESSORIES

PART	DESCRIPTION
R7057	SCREWS #4 X 2.75" BLACK (CONTAINS 4)
R7058	SCREWS #4 X .75" BLACK (CONTAINS 4)

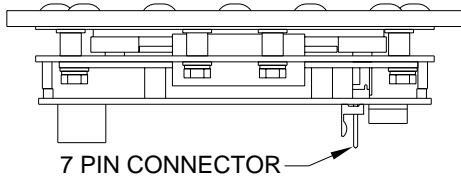
# PANEL, SYSTEM CONTROL FOR COMPUTER-CONTROLLED LEVELING SYSTEMS



## COLOR LCD ASSEMBLY

BUTTON AND LEXAN KIT :     RAP93193

REPLACEMENT FUSE :       R90924  
(5 FUSES PER R90924)



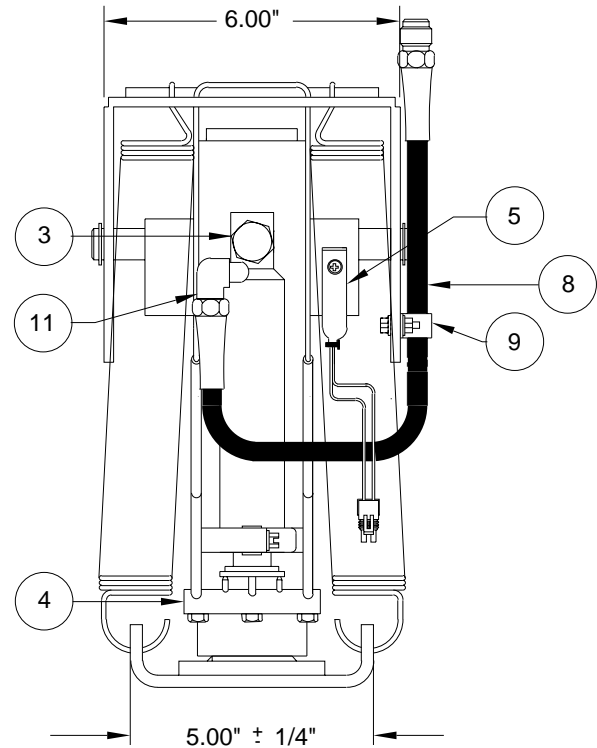
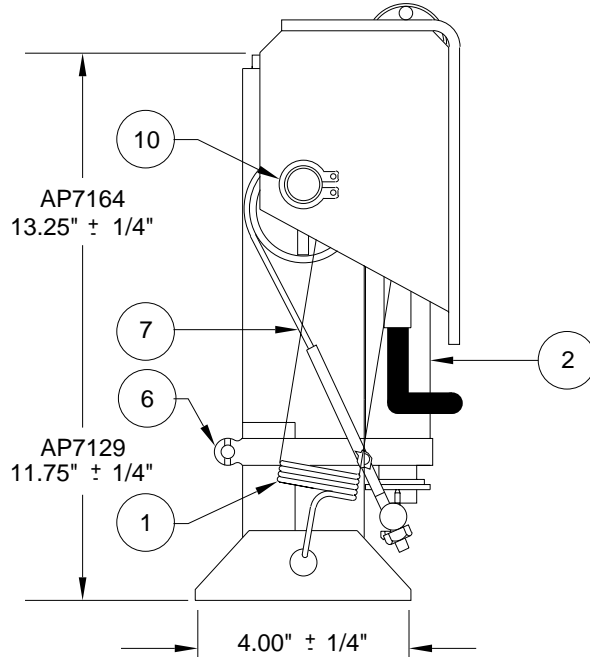
EXISTING PANEL	PRIMARY OEM	OPERATIONAL FEATURES	REPLACEMENT PANEL
AP47594	FORETRAVEL	ACTIVE AIR, TAG, NO HYDRAULIC LEVELING, AIR SEAL TIMER	RAP93184
AP47595	AFTERMARKET	ACTIVE AIR, TAG, NO HYDRAULIC LEVELING	RAP93199
AP47864	AFTERMARKET	ACTIVE AIR, NO TAG, HYDRAULIC LEVELING	RAP93200
AP48768	AFTERMARKET	ACTIVE AIR, TAG, HYDRAULIC LEVELING	RAP93201
AP49101	AFTERMARKET	ACTIVE AIR, NO TAG, NO HYDRAULIC LEVELING	RAP93202
AP50372	FORETRAVEL	ACTIVE AIR, NO TAG, NO HYDRAULIC LEVELING, AIR SEAL TIMER	RAP93203

## ACCESSORIES

PART	DESCRIPTION
R7057	SCREWS #4 X 2.75" BLACK (CONTAINS 4)
R7058	SCREWS #4 X .75" BLACK (CONTAINS 4)

**AP7129 - KICK DOWN JACK, LOW PROFILE**  
**AP7164 / AP12447 - KICK DOWN JACK, STANDARD PROFILE**  
**6,000 # CAPACITY; 1.625" ROD DIAMETER**  
**SINGLE HOSE CONNECTION FOR MANUALLY CONTROLLED SYSTEMS**

NOTE: THE AP12447 JACK IS THE SAME AS THE AP7164 JACK EXCEPT THE HOSE ATTACHES TO THE LEFT SIDE OF THE PIVOT BRACKET.



**THESE JACKS ARE USED WITH 100, 110, 200 AND 310 LEVELING SYSTEMS.**

ITEM	PART	QTY	DESCRIPTION	ITEM	PART	QTY	DESCRIPTION
	RAP7129		JACK 6,000 # KICK DOWN LOW PROFILE (REPLACES AP7129)	5	RAP1010	1	WARNING SWITCH KIT (REPLACES RAP7328) SWITCH WARNING 2-WIRE PHRDHD #10-24 X 3/8" LW. #10 EXT. STAR
	RAP7164		JACK 6,000 # KICK DOWN STANDARD PROFILE (REPLACES AP7164 AND AP12447)	6	RP2508	1	CLAMP BAND/ BOLT
1	R6824	1	SPRING KIT 1-1/2" X 10"	7	RAP7194	1	ACTUATOR CABLE KIT ACTUATOR CABLE NUT 1/4-28 NYLOK
		1	SPRING MOUNTING ROD	8	RAP7542	1	HOSE ASSEMBLY
		2	SPRING 1-1/2" X 10"	9	RAP7555	1	HOSE CLAMP KIT
2	RAP0448	1	ACTUATOR KIT (REPLACES AP7062) (INCLUDES ITEMS 3,11)			1	HOSE CLAMP
		1	STEEL BALL 3/16"			1	HHCS 1/4-20 X 1"
3	RAP7072	1	HEX SCREW KIT			1	NUT 1/4-20 UNC
		1	SCREW HEX SPECIAL			1	LW. 1/4" INT. STAR
		2	O-RING	10	R7531	2	SNAP RING (CONTAINS 4)
4	RP7064	1	RETAINING ROD KIT	11	RF1453	1	ELBOW
		1	ACTUATOR RETAINING ROD				
		1	HHCS 1/4-20 X 1"				
		1	LW. 1/4" INT. STAR				
		2	SET SCREW #10-24 X 1/4"				
		2	HEX NUT #10-24				

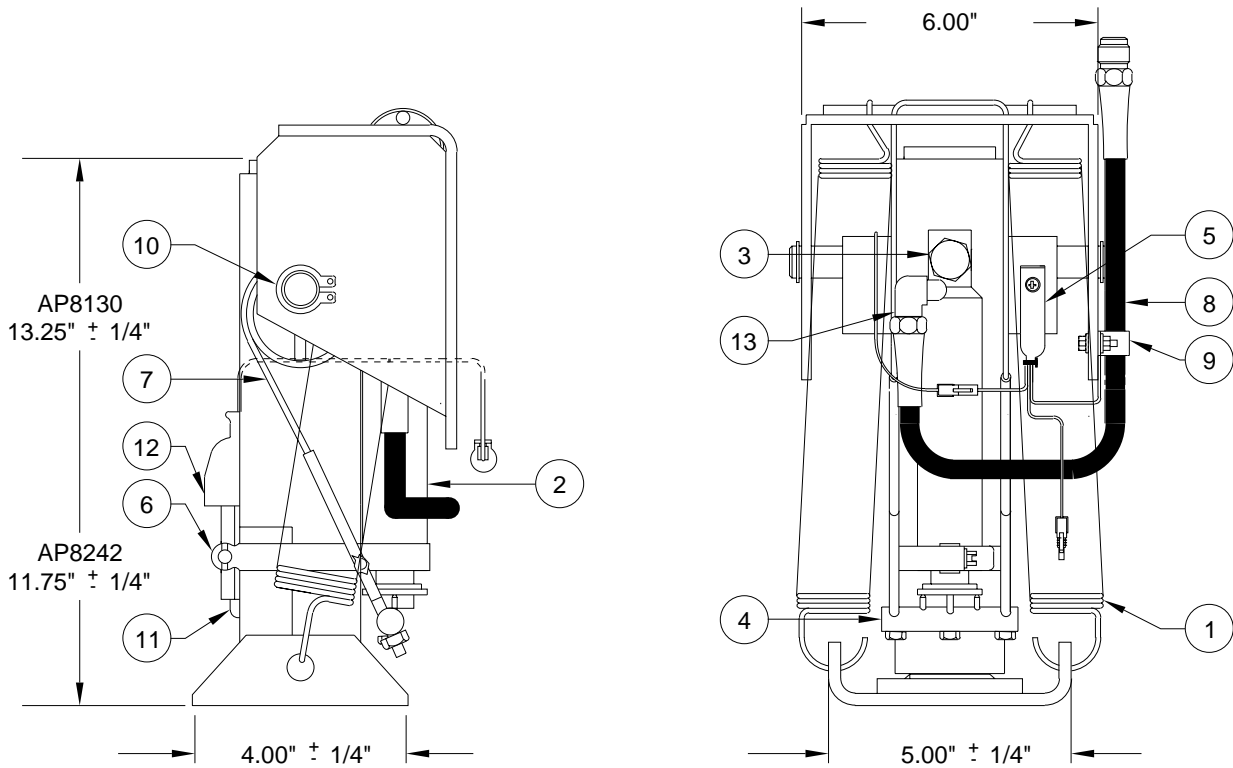
NOTE: INDENTED ITEMS ARE INCLUDED WITH PRECEDING ITEM.

**MR24.2200**  
**17FEB00**

**AP8242 - KICK DOWN JACK, LOW PROFILE  
AP8130 - KICK DOWN JACK, STANDARD PROFILE**

**6,000 # CAPACITY; 1.625" ROD DIAMETER**

**SINGLE HOSE CONNECTION, PRESSURE SWITCH AND 3-WIRE WARNING SWITCH**



**THESE JACKS ARE USED WITH 610 SERIES COMPUTERIZED LEVELING SYSTEMS.**

ITEM	PART	QTY	DESCRIPTION	ITEM	PART	QTY	DESCRIPTION
	RAP8242		JACK 6,000 # KICK DOWN LOW PROFILE (REPLACES AP8242)	5	RAP90072	1	WARNING SWITCH KIT (REPLACES RAP8072)
	RAP8130		JACK 6,000 # KICK DOWN STANDARD PROFILE (REPLACES AP8130)			1	SWITCH WARNING 3-WIRE
						1	PHRDHD #10-24 X 3/8"
						1	LW. #10 EXT STAR
1	R6824	1	SPRING KIT 1-1/2" X 10"	6	RP2508	1	CLAMP BAND/BOLT
		1	SPRING ROD	7	RAP7194	1	ACTUATOR CABLE KIT
		2	SPRING 1-1/2" X 10"			1	ACTUATOR CABLE
2	RAP0448	1	ACTUATOR KIT (REPLACES AP7062) (INCLUDES ITEMS 3,13)			1	NUT 1/4-28 NYLOK
		1	STEEL BALL 3/16"	8	RAP7542	1	HOSE ASSEMBLY
3	RAP7072	1	HEX SCREW KIT	9	RAP7555	1	HOSE CLAMP KIT
		1	SCREW HEX SPECIAL			1	HOSE CLAMP
		2	O-RING			1	HHCS 1/4-20 X 1"
4	RP7064	1	RETAINING ROD KIT			1	NUT 1/4-20 UNC
		1	ACTUATOR RETAINING ROD			1	LW. 1/4" INT. STAR
		1	HHCS 1/4-20 X 1"	10	R7531	2	SNAP RING (CONTAINS 4)
		1	LW. 1/4" INT. STAR	11	RF8143	1	ELBOW
		2	SET SCREW #10-24	12	RAP8003	1	SWITCH PRESSURE
		2	HEX NUT #10-24	13	RF1453	1	ELBOW

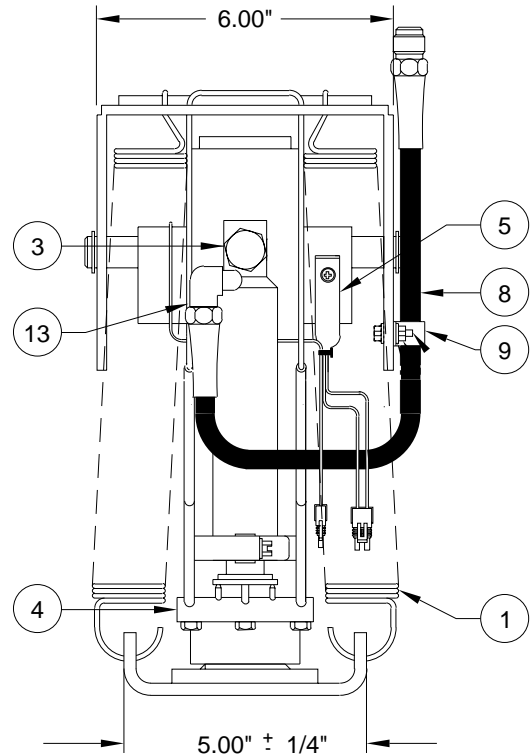
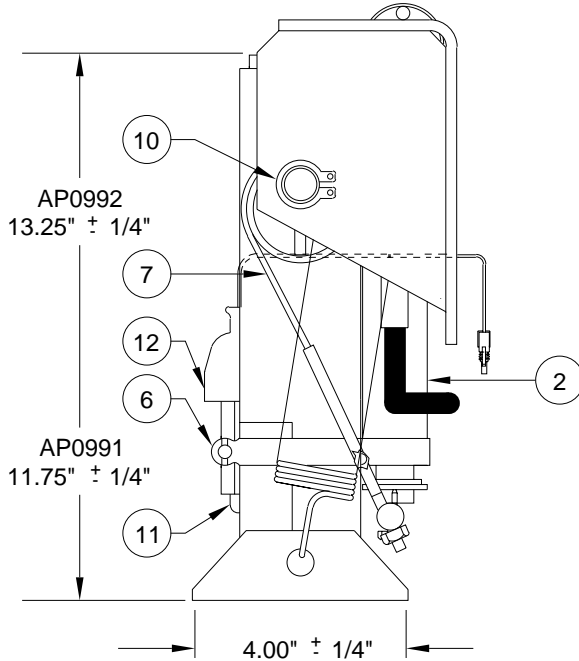
**NOTE:** INDENTED ITEMS ARE INCLUDED WITH PRECEDING ITEM.

**MR24.2300  
16APR08**



**AP0991 - KICK DOWN JACK, LOW PROFILE**  
**AP0992 / AP14070 - KICK DOWN JACK, STANDARD PROFILE**  
**6,000 # CAPACITY; 1.625" ROD DIAMETER**  
**SINGLE HOSE CONNECTION, PRESSURE SWITCH AND 2-WIRE WARNING SWITCH**

NOTE: THE AP14070 JACK IS THE SAME AS THE AP0992 JACK EXCEPT THE HOSE ATTACHES TO THE LEFT SIDE OF THE PIVOT BRACKET.



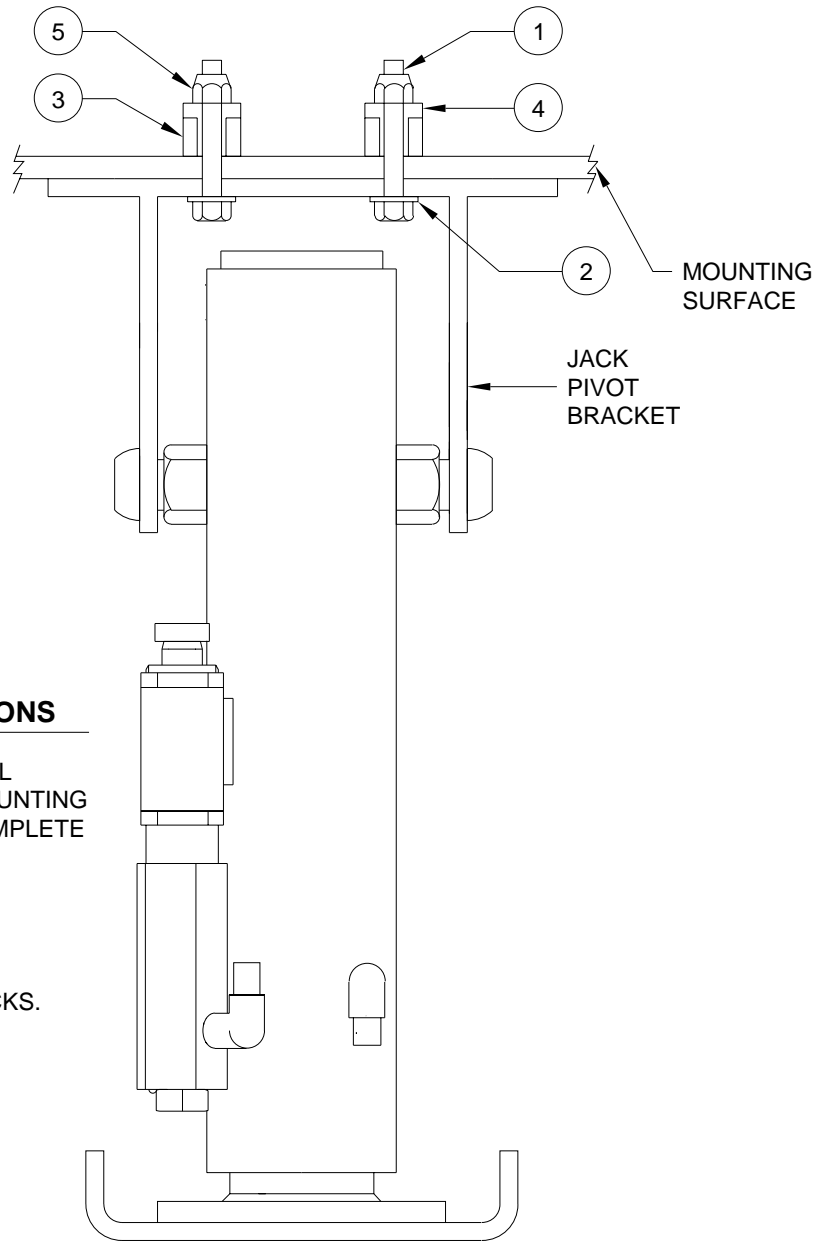
**THESE JACKS ARE USED WITH 610 CENTRAL GROUND LEVELING SYSTEMS.**

ITEM	PART	QTY	DESCRIPTION	ITEM	PART	QTY	DESCRIPTION
	RAP0991		JACK 6,000 # KICK DOWN LOW PROFILE (REPLACES AP0991)	5	RAP1010	1	WARNING SWITCH KIT
						1	SWITCH WARNING 2-WIRE
						1	PHRDHD #10-24 X 3/8"
						1	LW. #10 EXT STAR
	RAP0992		JACK 6,000 # KICK DOWN STANDARD PROFILE (REPLACES AP0992 AND AP14070)	6	RP2508	1	CLAMP BAND/BOLT
1	R6824	1	SPRING KIT 1-1/2" X 10"	7	RAP7194	1	ACTUATOR CABLE KIT
		1	SPRING ROD			1	ACTUATOR CABLE
		2	SPRING 1-1/2" X 10"			1	NUT 1/4-28 NYLOK
2	RAP0448	1	ACTUATOR KIT (REPLACES AP7062) (INCLUDES ITEMS 3,13)	8	RAP7542	1	HOSE ASSEMBLY
		1	STEEL BALL 3/16"	9	RAP7555	1	HOSE CLAMP KIT
						1	HOSE CLAMP
						1	HHCS 1/4-20 X 1"
						1	NUT 1/4-20 UNC
						1	LW. 1/4" INT STAR
3	RAP7072	1	HEX SCREW KIT	10	R7531	2	SNAP RING (CONTAINS 4)
		1	SCREW HEX SPECIAL				
		2	O-RING				
4	RP7064	1	RETAINING ROD KIT	11	RF8143	1	ELBOW
		1	ACTUATOR RETAINING ROD				
		1	HHCS 1/4-20 X 1"	12	RAP8003	1	SWITCH PRESSURE
		1	LW. 1/4" INT. STAR				
		2	SET SCREW #10-24	13	RF1453	1	ELBOW
		2	HEX NUT #10-24				

NOTE: INDENTED ITEMS ARE INCLUDED WITH PRECEDING ITEM.

**MR24.2400**  
**17FEB00**

# AP5749 CUSHION MOUNTING KIT FOR 9,000 # KICK DOWN JACKS



### **MOUNTING INSTRUCTIONS**

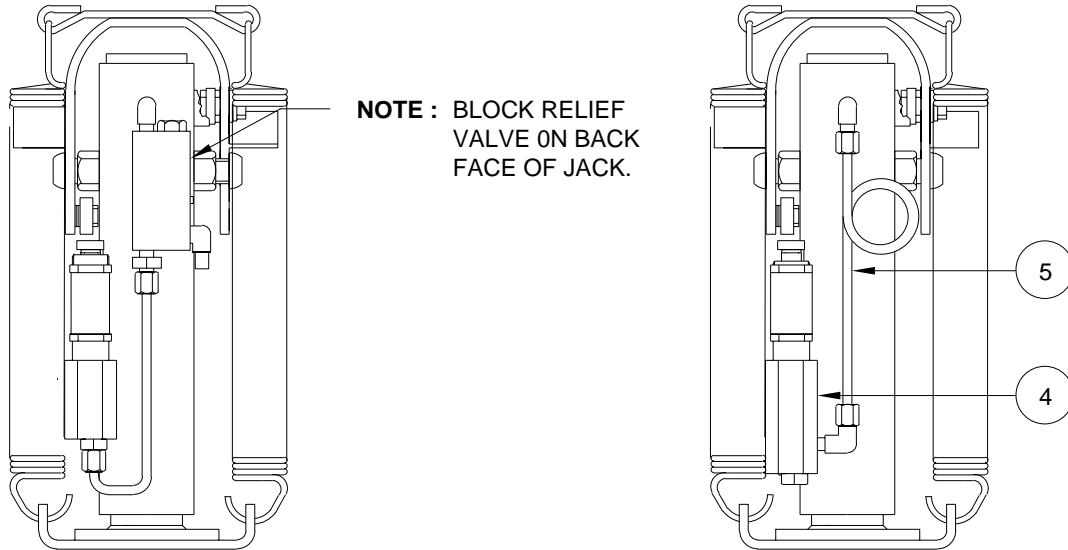
TIGHTEN BOLTS (1) UNTIL STEEL SPACER BOTTOMS OUT ON MOUNTING SURFACE. THEN LOOSEN 4 COMPLETE TURNS.

ONE CUSHION MOUNTING KIT HAS ALL THE COMPONENTS REQUIRED TO MOUNT TWO JACKS.

**USED PRIMARILY ON FORWARD CONTROL  
BLUE BIRD COACHES.**

ITEM	PART	QTY	DESCRIPTION	ITEM	PART	QTY	DESCRIPTION
	RAP5749		CUSHION MOUNTING KIT	3		8	BUSHING
1		8	HHCS 3/8-16 X 2.25"	4		8	SPACER
2		8	3/8" WASHER	5		8	3/8-16 ESSNA NUT

**AP2512 - KICK DOWN JACK**  
**9,000 # CAPACITY; 2.000" ROD DIAMETER; REMOTE ACTUATOR VALVE**  
**USE ENDING IN MIDYEAR 1980**



IF ACTUATOR NEEDS TO BE REPLACED :

BLOCK RELIEF VALVE, STEEL TUBE ASSEMBLY AND OLD ACTUATOR NEED TO BE REMOVED AND REPLACED WITH A NEW ACTUATOR AND TUBE KIT. (SEE PARTS BELOW).

THE FUNCTION OF THE BLOCK RELIEF VALVE IS INCORPORATED INTO THE NEW ACTUATOR.

THE COMPLETE JACK CAN BE REPLACED WITH AN RAP7001 JACK.

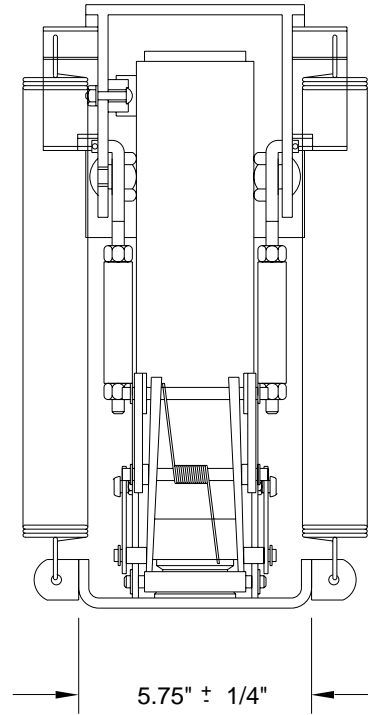
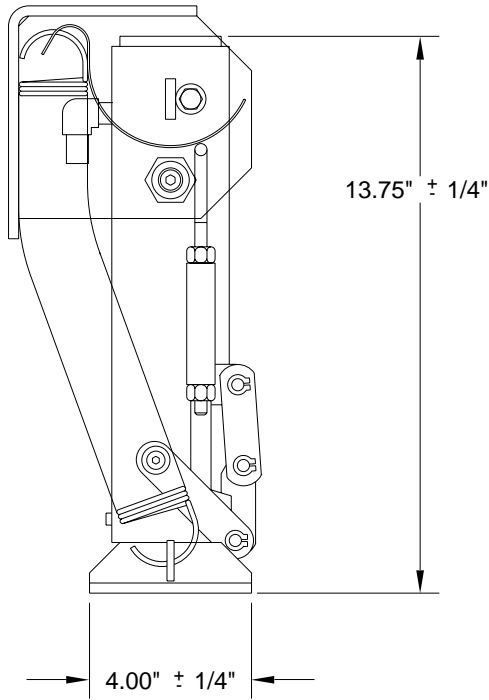
ITEM	PART	QTY	DESCRIPTION
	RAP7001		JACK 9,000 # KICK DOWN (REPLACES RAP2512)
1	R1171	1	SPRING KIT 1-5/8" X 12"
		1	SPRING ROD
		2	SPRING 1-5/8" X 12"
2	R1280	1	PIVOT BOLT KIT
		2	BHCS 5/8-11 X 1"
		2	BUSHING .75" OD

ITEM	PART	QTY	DESCRIPTION
3	R2956	1	HEX STOP KIT
		1	BUMPER
		1	HEX STOP
		1	FSHCS 3/8-16 X 1"
4	RAP0547	1	ACTUATOR KIT
5	RAP90080	1	TUBE ASSEMBLY LONG (REPLACES RAP2539)

**NOTE:** INDENTED ITEMS ARE INCLUDED WITH PRECEDING ITEM.

**MR24.3125**  
**20AUG96**

**AP1206 - KICK DOWN JACK, MECHANICAL**  
**9,000 # CAPACITY; 2.000" ROD DIAMETER**  
**FOR USE WITH MANUALLY CONTROLLED LEVELING SYSTEMS**  
**MANUFACTURE ENDING IN 1987**



ITEM	PART	QTY	DESCRIPTION
------	------	-----	-------------

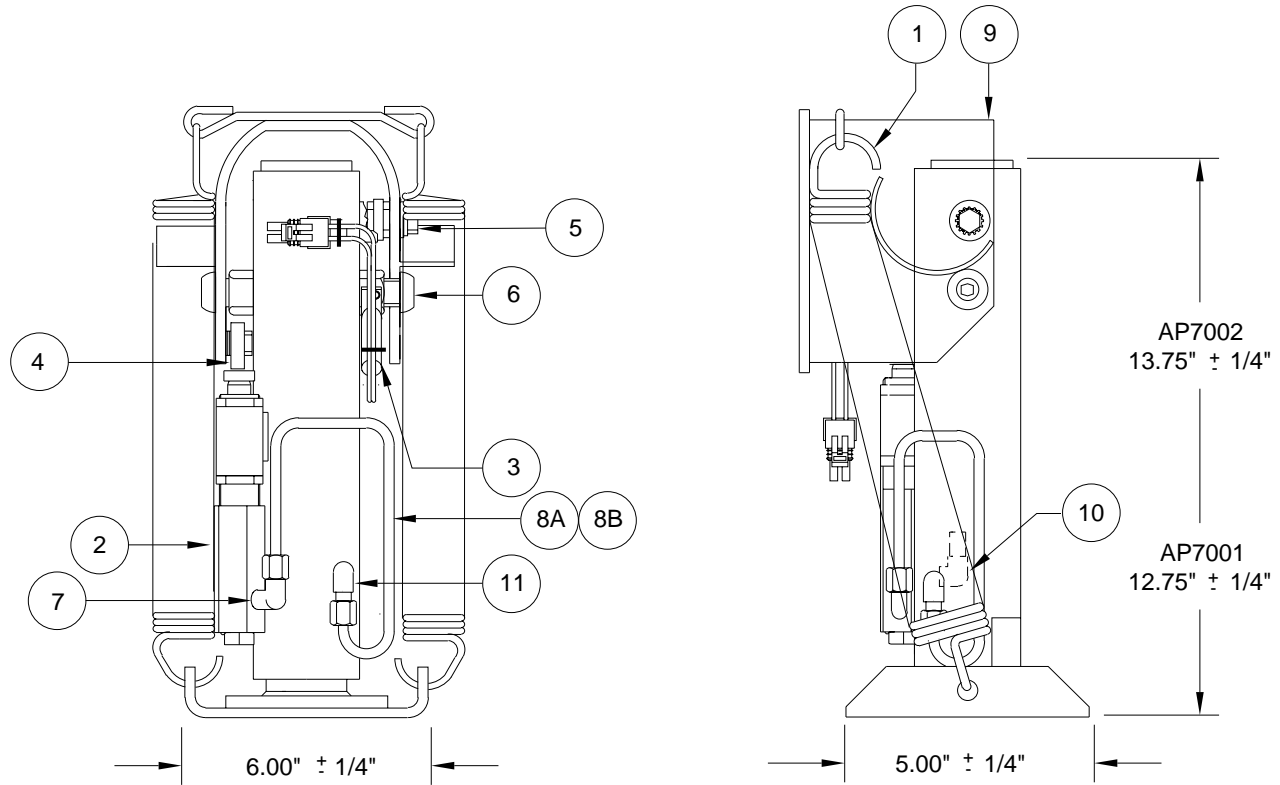
ITEM	PART	QTY	DESCRIPTION
------	------	-----	-------------

**THIS JACK IS OBSOLETE. THERE ARE NO PARTS AVAILABLE  
FOR THIS JACK. THIS JACK IS REPLACED WITH RAP7001.**

**AP7001 - KICK DOWN JACK, LOW PROFILE**  
**AP7002 - KICK DOWN JACK, STANDARD PROFILE**

**9,000 # CAPACITY; 2.000" ROD DIAMETER**

**SINGLE HOSE CONNECTION FOR MANUALLY CONTROLLED LEVELING SYSTEMS**



**THESE JACKS ARE USED WITH 100, 110, 200, AND 310 SERIES LEVELING SYSTEMS.**

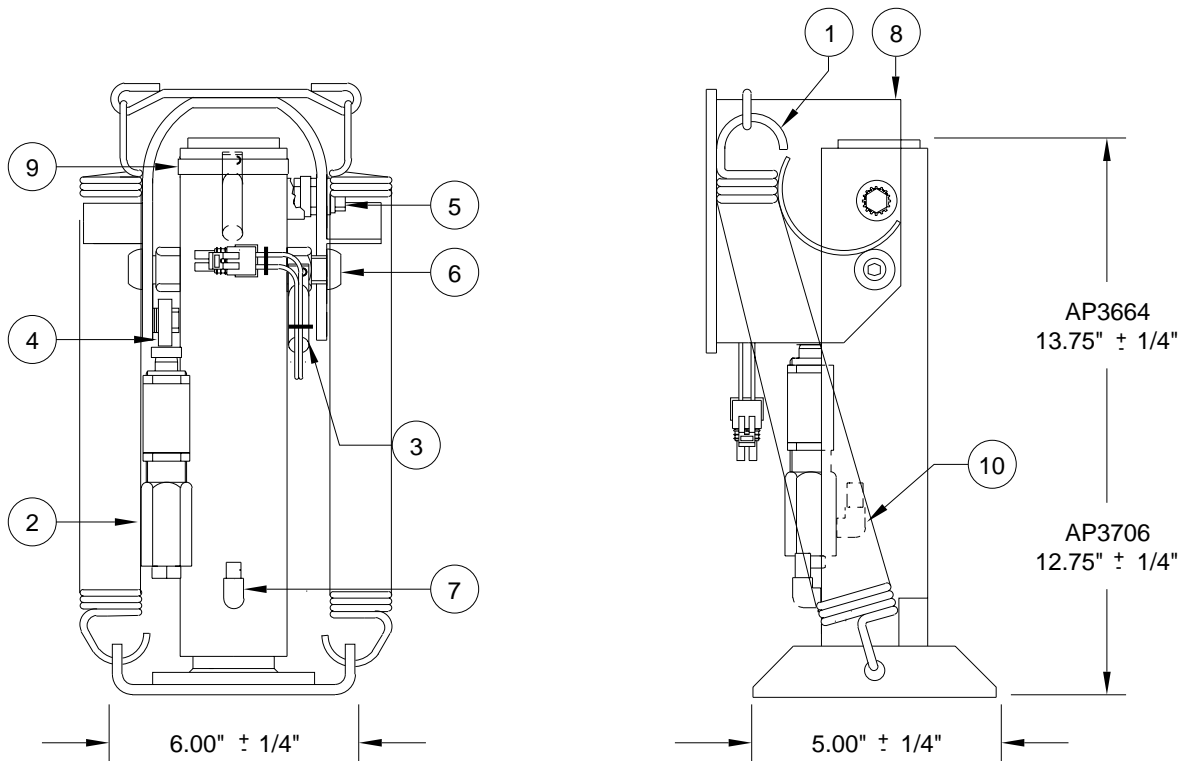
ITEM	PART	QTY	DESCRIPTION	ITEM	PART	QTY	DESCRIPTION
	RAP7001		JACK 9,000 # KICK DOWN LOW PROFILE (REPLACES AP7001 AND AP3289)	4	R2527	1	ROLLER KIT
	RAP7002		JACK 9,000 # KICK DOWN STANDARD PROFILE (REPLACES AP7002 AND AP3342)			1	BEARING 1.125" DIA.
1	R1171	1	SPRING KIT 1-5/8" X 12"			1	ROLLER FASTENER
		1	SPRING MOUNTING ROD			3	LW. 3/8" EXT. STAR
		2	SPRING 1-5/8" X 12"	5	R2956	1	HEX STOP KIT
2	RAP0547	1	ACTUATOR KIT (REPLACES RAP2795 AND RAP7028) (FOR USE ON ALL ABOVE JACKS) (INCLUDES ITEMS 7,10)			1	BUMPER
						1	HEX STOP
						1	FSHCS 3/8-16 X 1"
3	RAP1010	1	WARNING SWITCH KIT (REPLACES RAP7328)	6	R1280	1	PIVOT BOLT KIT
		1	SWITCH WARNING 2-WIRE			2	BHCS 5/8-11 X 1"
		1	PHRDHD #10 -24 X 3/8"	7	RF1453	1	BUSHING .75" OD
		1	LW #10 EXT STAR			1	ELBOW
							<b>(CHOOSE ONE ITEM 8A OR 8B)</b>
				8A	RAP0711		TUBE ASSEMBLY SHORT (FOR AP7001 REPLACES RAP5653)
				8B	RAP0733		TUBE ASSEMBLY TALL (FOR AP7002 REPLACES RAP5652)
				9	RAP5520	1	PIVOT BRACKET (INCLUDES ITEMS 4,5)
				10	RF1511	1	ELBOW LONG
				11	RF1453	1	ELBOW

**NOTE:** WHEN REPLACING A WARNING SWITCH ATTACHED TO THE CYLINDER BARREL ASSEMBLY, A REPLACEMENT BAND CLAMP RP1000 IS USED.

**NOTE:** INDENTED ITEMS ARE INCLUDED WITH PRECEDING ITEM.

**MR24.3250**  
**20AUG96**

**AP3706 - KICK DOWN JACK, LOW PROFILE**  
**AP3664 - KICK DOWN JACK, STANDARD PROFILE**  
**9,000 # CAPACITY; 2.000" ROD DIAMETER**  
**2 HOSE CONNECTIONS FOR EARLY COMPUTERIZED LEVELING SYSTEMS**



**THESE JACKS ARE USED WITH 400 AND 510 SERIES LEVELING SYSTEMS.**

ITEM	PART	QTY	DESCRIPTION	ITEM	PART	QTY	DESCRIPTION
	RAP3706		JACK 9,000 # KICK DOWN LOW PROFILE (REPLACES AP3706)	4	R2527	1	ROLLER KIT
						1	BEARING 1.125" DIA.
						1	ROLLER FASTENER
						3	LW. 3/8" EXT. STAR
	RAP3664		JACK 9,000 # KICK DOWN STANDARD PROFILE (REPLACES AP3664)	5	R2956	1	HEX STOP KIT
						1	BUMPER
						1	HEX STOP
						1	FSHCS 3/8-16 X 1"
1	R1171	1	SPRING KIT 1-5/8" X 12"	6	R1280	1	PIVOT BOLT KIT
		1	SPRING ROD			2	BHCS 5/8-11 X 1"
		2	SPRING 1-5/8" X 12"			2	BUSHING .75" OD
2	RAP4079	1	ACTUATOR KIT (FOR USE ON ALL ABOVE JACKS) (INCLUDES ITEM 10)	7	RF1453	1	ELBOW
		2	SPANNER NUT 1-14	8	RAP5520	1	PIVOT BRACKET (INCLUDES ITEMS 4,5)
3	RAP1010	1	WARNING SWITCH KIT (REPLACES RAP7328)	9	RP1000	1	CLAMP BAND/GROUND (REPLACES RP2508)
		1	SWITCH WARNING 2-WIRE	10	RAP3798	1	ELBOW RESTRICTOR LONG
		1	PHRDHD #10-24 X 3/8"				
		1	LW. #10 EXT. STAR				

**NOTE :** WHEN REPLACING A WARNING SWITCH ON EARLIER MODELS, ITEM NUMBER 9 IS REQUIRED TO MOUNT SWITCH TO CYLINDER BARREL ASSEMBLY.

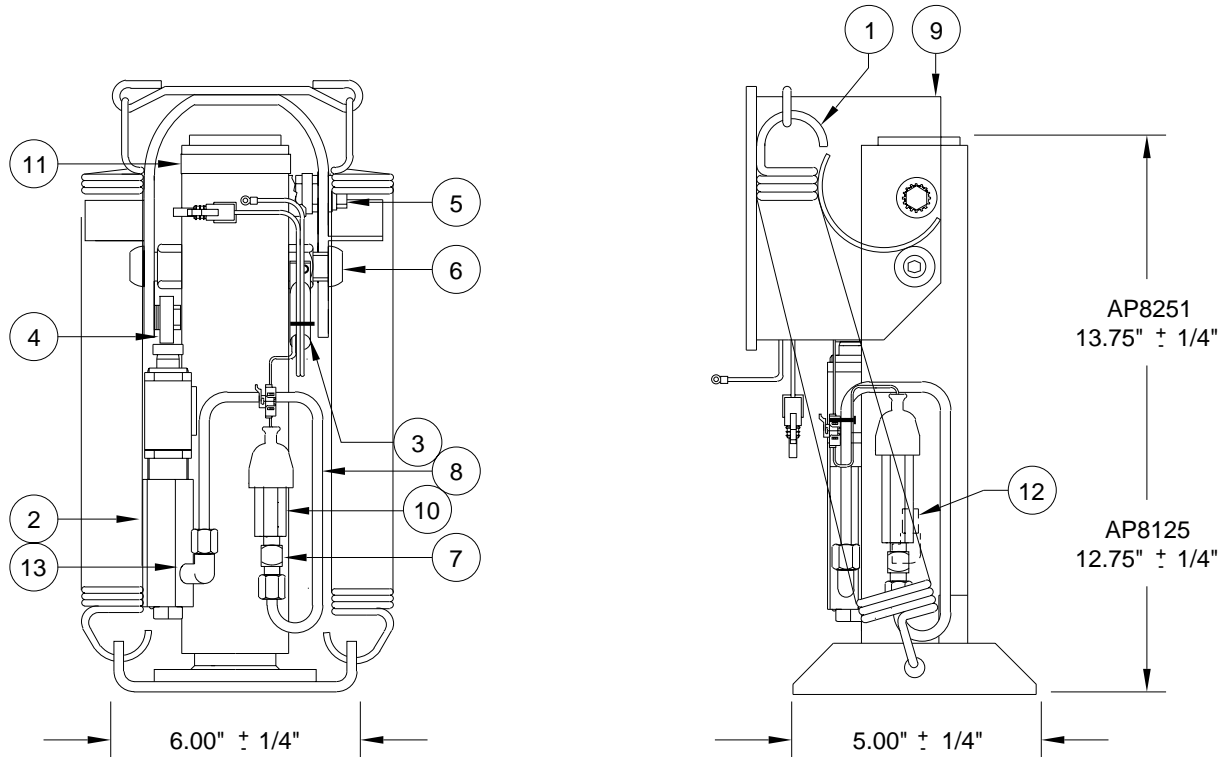
**NOTE :** INDENTED ITEMS ARE INCLUDED WITH PRECEDING ITEM.

**MR24.3400**  
**20AUG96**

**AP8125 - KICK DOWN JACK, LOW PROFILE**  
**AP8251 - KICK DOWN JACK, STANDARD PROFILE**

**9,000 # CAPACITY; 2.000" ROD DIAMETER**

**SINGLE HOSE CONNECTION, PRESSURE SWITCH AND 3-WIRE WARNING SWITCH**



**THESE JACKS ARE USED WITH EARLY 610 SERIES LEVELING SYSTEMS.**

ITEM	PART	QTY	DESCRIPTION	ITEM	PART	QTY	DESCRIPTION
	RAP8125		JACK 9,000 # KICK DOWN LOW PROFILE (REPLACES AP8125)	5	R2956	1	HEX STOP KIT
	RAP8251		JACK 9,000 # KICK DOWN STANDARD PROFILE (REPLACES AP8251)			1	BUMPER
1	R1171	1	SPRING KIT 1-5/8" X 12"			1	HEX STOP
		1	SPRING ROD			1	FSHCS 3/8-16 X 1"
		2	SPRING 1-5/8" X 12"	6	R1280	1	PIVOT BOLT KIT
2	RAP0547	1	ACTUATOR KIT (REPLACES RAP7028) (FOR USE ON ALL ABOVE JACKS)			2	BHCS 5/8-11 X 1"
		2	SPANNER NUT 1-14			2	BUSHING .75" OD
3	RAP90072	1	WARNING SWITCH KIT (REPLACES RAP8072)	7	RP0734	1	T-FITTING SPEC.
		1	SWITCH WARNING 3-WIRE				<b>(CHOOSE ONE ITEM 8A OR 8B)</b>
		1	PHRDHD #10-24 X 3/8"	8A	RAP0711		TUBE ASSEMBLY SHORT (FOR AP8125)
4	R2527	1	LW. #10 EXT. STAR				(REPLACES RAP5653)
		1	ROLLER KIT	8B	RAP0733		TUBE ASSEMBLY TALL (FOR AP8251)
		1	BEARING 1.125" DIA.				(REPLACES RAP5652)
		1	ROLLER FASTENER	9	RAP5520	1	PIVOT BRACKET (INCLUDES ITEMS 4,5)
		3	LW. 3/8" EXT. STAR	10	RAP8003	1	SWITCH PRESSURE
				11	RP1000	1	BAND CLAMP/GROUND
				12	RF1453	1	ELBOW
				13	RF1511	1	ELBOW LONG

**NOTE :** WHEN REPLACING A WARNING SWITCH ON EARLIER MODELS, ITEM NUMBER 11 IS REQUIRED TO MOUNT SWITCH ON CYLINDER BARREL ASSEMBLY.

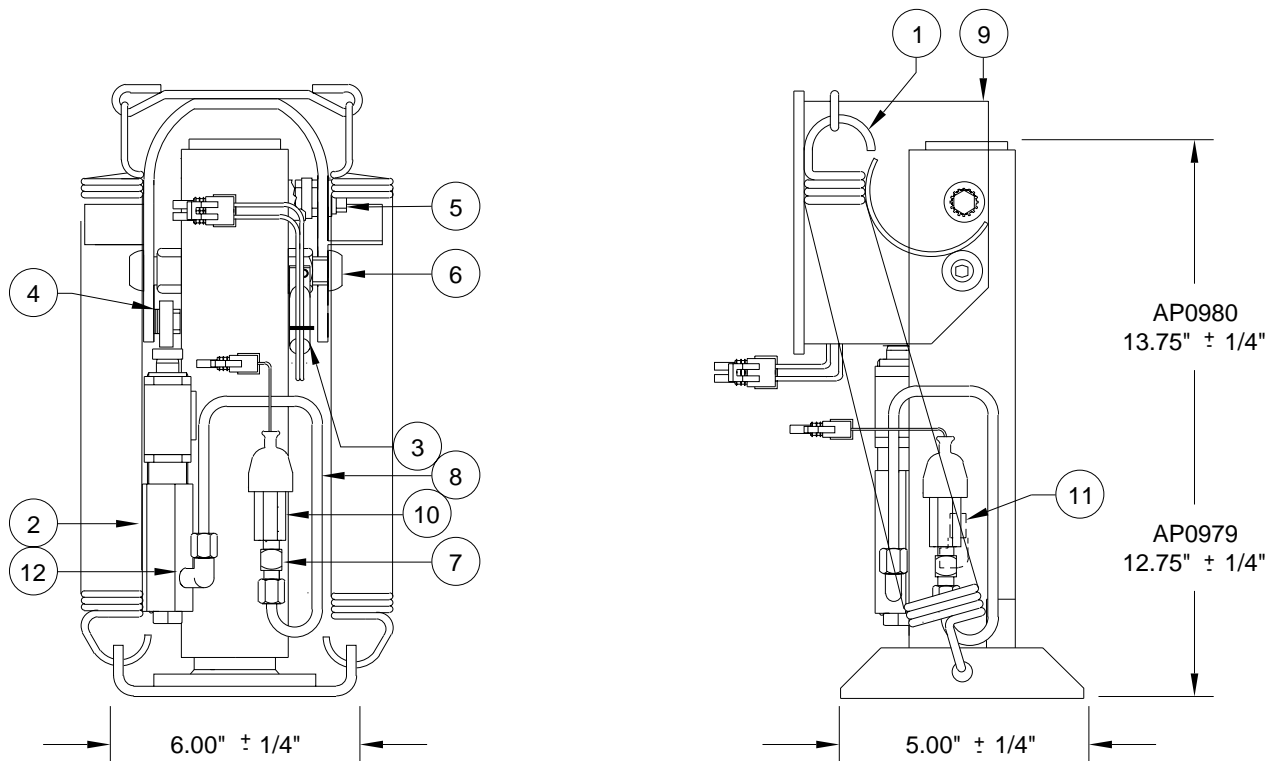
**NOTE :** INDENTED ITEMS ARE INCLUDED WITH PRECEDING ITEM.

**MR24.3500**  
**16APR08**

**AP0979 - KICK DOWN JACK, LOW PROFILE**  
**AP0980 - KICK DOWN JACK, STANDARD PROFILE**

**9,000 # CAPACITY; 2.000" ROD DIAMETER**

**SINGLE HOSE CONNECTION, PRESSURE SWITCH AND 2-WIRE WARNING SWITCH**



**THESE JACKS ARE USED WITH THE CENTRAL GROUND 610 SERIES LEVELING SYSTEM.**

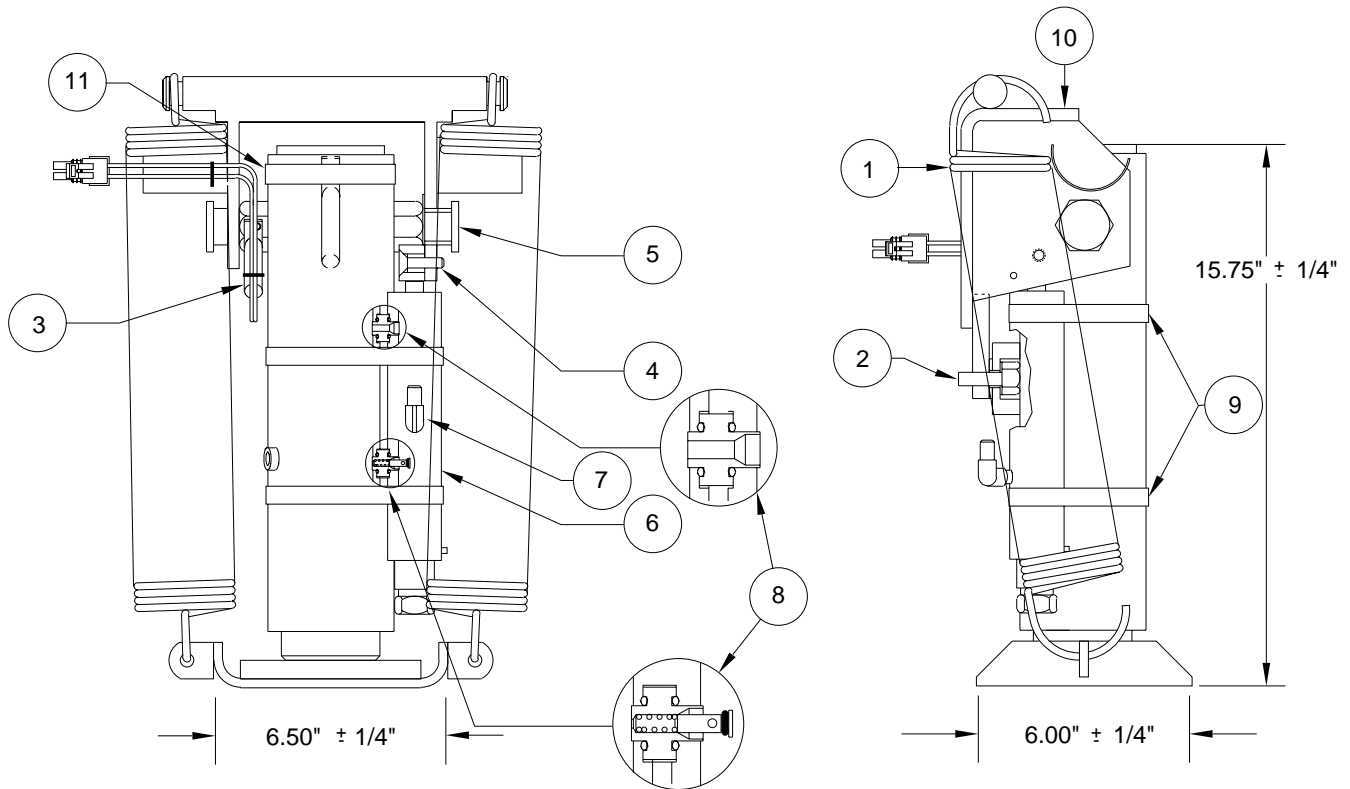
ITEM	PART	QTY	DESCRIPTION	ITEM	PART	QTY	DESCRIPTION
	RAP0979		JACK 9,000 # KICK DOWN LOW PROFILE (REPLACES AP0979)	5	R2956	1	HEX STOP KIT
						1	BUMPER
						1	HEX STOP
						1	FSHCS 3/8-16 X 1"
	RAP0980		JACK 9,000 # KICK DOWN STANDARD PROFILE (REPLACES AP0980)	6	R1280	1	PIVOT BOLT KIT
						2	BHCS 5/8-11 X 1"
						2	BUSHING .75" OD
1	R1171	1	SPRING KIT 1-5/8" X 12"	7	RP0734	1	T-FITTING SPECIAL
		1	SPRING ROD				<b>(CHOOSE ONE ITEM 8A OR 8B)</b>
		2	SPRING 1-5/8" X 12"	8A	RAP0711		TUBE ASSEMBLY SHORT (FOR AP0979)
2	RAP0547	1	ACTUATOR KIT (FOR USE ON ALL ABOVE JACKS) (INCLUDES ITEMS 11,12)	8B	RAP0733		TUBE ASSEMBLY TALL (FOR AP0980)
		2	SPANNER NUT 1-14	9	RAP5520	1	PIVOT BRACKET (INCLUDES ITEMS 4,5)
3	RAP1010	1	WARNING SWITCH KIT	10	RAP8003	1	SWITCH PRESSURE
		1	SWITCH WARNING 2-WIRE	11	RF1453	1	ELBOW
		1	PHRDHD #10-24 X 3/8"	12	RF1511	1	ELBOW LONG
		1	LW. #10 EXT. STAR				
4	R2527	1	ROLLER KIT				
		1	BEARING 1.125" DIA.				
		1	ROLLER FASTENER				
		3	LW. 3/8" EXT. STAR				

**NOTE:** INDENTED ITEMS ARE INCLUDED WITH PRECEDING ITEM.

**MR24.3600**  
**20AUG96**



**AP2381 - KICK DOWN JACK**  
**16,000 # CAPACITY; 2.75" ROD DIAMETER**  
**SINGLE HOSE CONNECTION FOR MANUALLY CONTROLLED LEVELING SYSTEMS**



**THIS JACK IS USED WITH 100, 110, 200 AND 310 SERIES LEVELING SYSTEMS.**

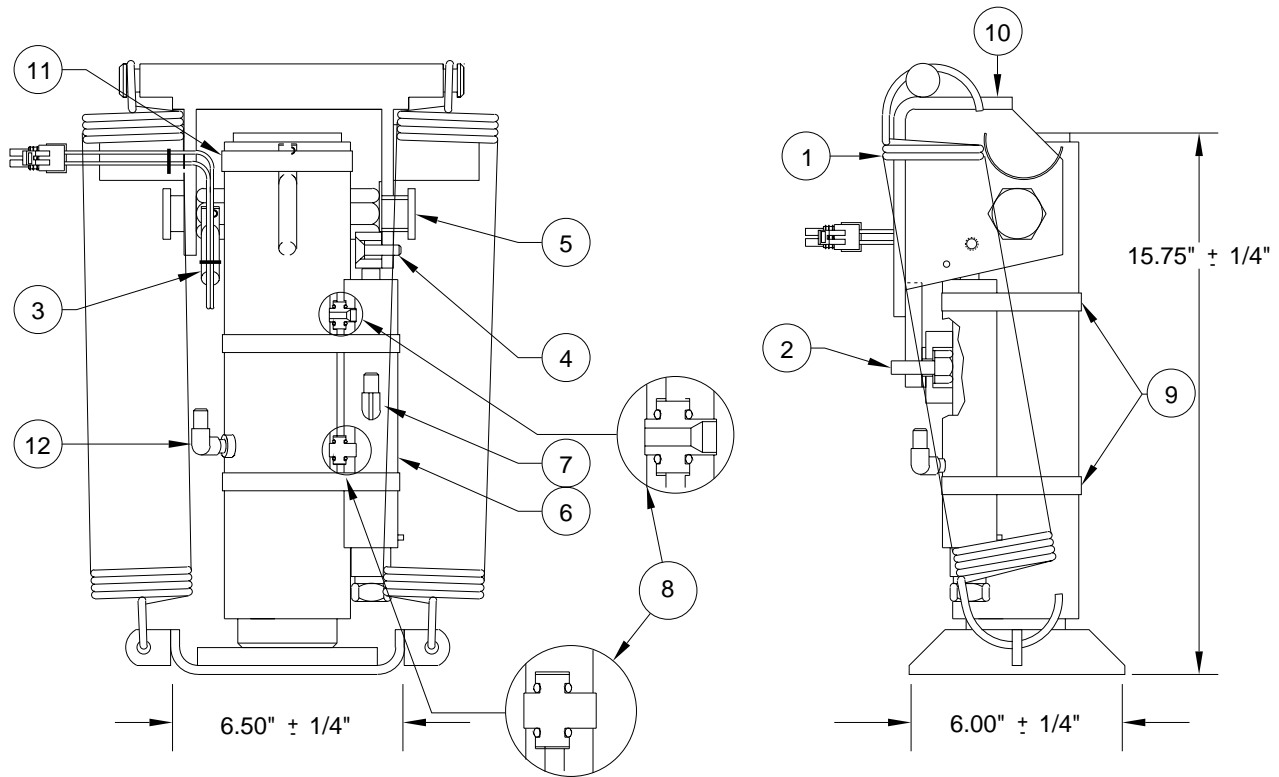
ITEM	PART	QTY	DESCRIPTION	ITEM	PART	QTY	DESCRIPTION
	RAP2381		JACK 16,000 # KICK DOWN (REPLACES AP2381)	5	R2329	1	PIVOT BOLT KIT
1	R2365	1	SPRING KIT 2.75" X 13.50"	2		2	HHCS 7/8" SPECIAL
		2	SPRING 2.75" X 13.50"	2		2	BUSHING 1-1/8" OD
2	R2511	1	STOP KIT	1		1	WASHER 7/8" SAE 1-3/4" (USED ON ACTUATOR SIDE ONLY)
		1	BUMPER 2" OD	6	RAP8764	1	ACTUATOR KIT (REPLACES RAP4211) (INCLUDES ITEM 7 AND 8)
		1	HHCS 1/2-13 X 1-1/4"	7	RF1453	1	ELBOW
		1	WASH 1/2" STRUCTURAL	8	RAP93121	1	CYL PORTS W/ POPPET AND O-RINGS
		1	SPACER 5/8" OD	9	RP2383	2	BAND CLAMP/ BOLT
		1	WASHER 1/2" FLAT	10	RAP5521	1	PIVOT BRACKET
3	RAP1010	1	WARNING SWITCH KIT (REPLACES RAP2477)	11	RP0493	1	BAND CLAMP/GROUND (REPLACES RP2711)
		1	SWITCH WARNING 2-WIRE				
		1	PHRDHD #10-24 X 3/8"				
		1	LW. #10 EXT. STAR				
4	R2327	1	ROLLER KIT				
		1	ROLLER 1" OD				
		1	BUSHING 1/2" OD				
		1	CS 3/8-16 X 1-1/4"				

**NOTE :** WHEN REPLACING A WARNING SWITCH ON EARLIER MODELS, ITEM 11 IS REQUIRED TO MOUNT SWITCH TO CYLINDER BARREL ASSEMBLY.

**NOTE :** INDENTED ITEMS ARE INCLUDED WITH PRECEDING ITEM..

**MR24.5100**  
**02MAR12**

**AP3677 - KICK DOWN JACK**  
**16,000 # CAPACITY; 2.750" ROD DIAMETER**  
**2 HOSE CONNECTIONS FOR EARLY COMPUTERIZED LEVELING SYSTEMS**



**THIS JACK IS USED WITH 400 AND 510 SERIES LEVELING SYSTEMS.**

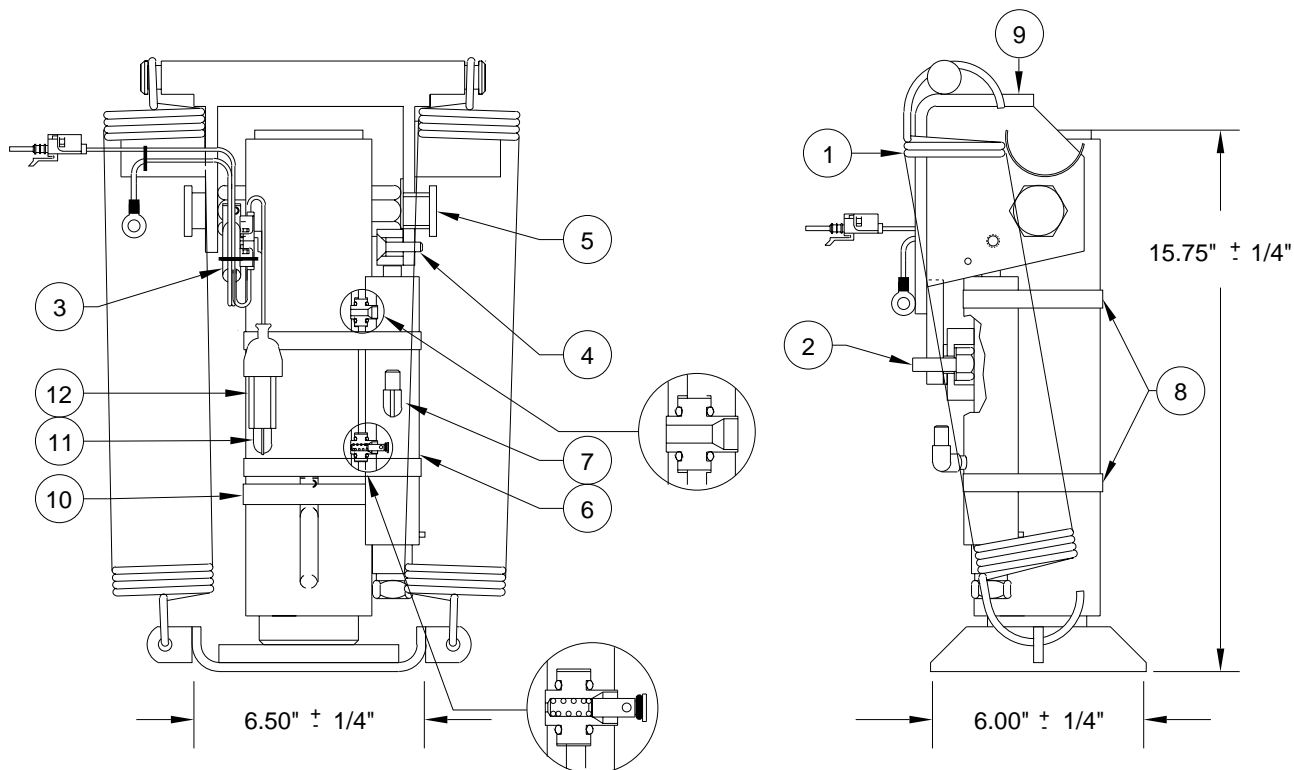
ITEM	PART	QTY	DESCRIPTION	ITEM	PART	QTY	DESCRIPTION
	RAP3677		JACK 16,000 # KICK DOWN (REPLACES AP3677)	5	R2329	1	PIVOT BOLT KIT
1	R2365	1	SPRING KIT 2.75" X 13.50"	2		2	HHCS 7/8" SPECIAL
		2	SPRING 2.75" X 13.50"	2		2	BUSHING 1-1/8" OD
2	R2511	1	STOP KIT	1		1	WASH 7/8" SAE 1-3/4" (USED ON ACTUATOR SIDE ONLY.)
		1	BUMPER 2" OD	6	RAP4210	1	ACTUATOR KIT (INCLUDES ITEM 7 AND 8)
		1	HHCS 1/2-13 X 1-1/4"	7	RAP3799	1	ELBOW
		1	WASH 1/2" STRUCTURAL	8	RAP93121	1	CYL PORTS W/ POPPET AND O-RINGS
		1	SPACER 5/8" OD	9	RP2383	2	BAND CLAMP/BOLT
3	RAP1010	1	WARNING SWITCH KIT (REPLACES RAP2477)	10	RAP5521	1	PIVOT BRACKET
		1	SWITCH WARNING 2-WIRE	11	RP0493	1	BAND CLAMP/GROUND (REPLACES RP2711)
		1	PHRDHD #10-24 X 3/8"	12	RF1453	1	ELBOW
		1	LW. #10 EXT. STAR				
4	R2327	1	ROLLER KIT				
		1	ROLLER 1" OD				
		1	BUSHING 1/2" OD				
		1	CS 3/8-16 X 1-1/4"				

**NOTE :** WHEN REPLACING A WARNING SWITCH ON EARLIER MODELS, ITEM NUMBER 11 IS REQUIRED TO MOUNT SWITCH TO CYLINDER BARREL ASSEMBLY.

**NOTE :** INDENTED ITEMS ARE INCLUDED WITH PRECEDING ITEM.

**MR24.5200**  
**02MAR12**

**AP8525 - KICK DOWN JACK**  
**16,000 # CAPACITY; 2.75" ROD DIAMETER**  
**SINGLE HOSE CONNECTION, PRESSURE SWITCH AND 3-WIRE WARNING SWITCH**



**THIS JACK IS USED WITH EARLY 610 SERIES LEVELING SYSTEMS.**

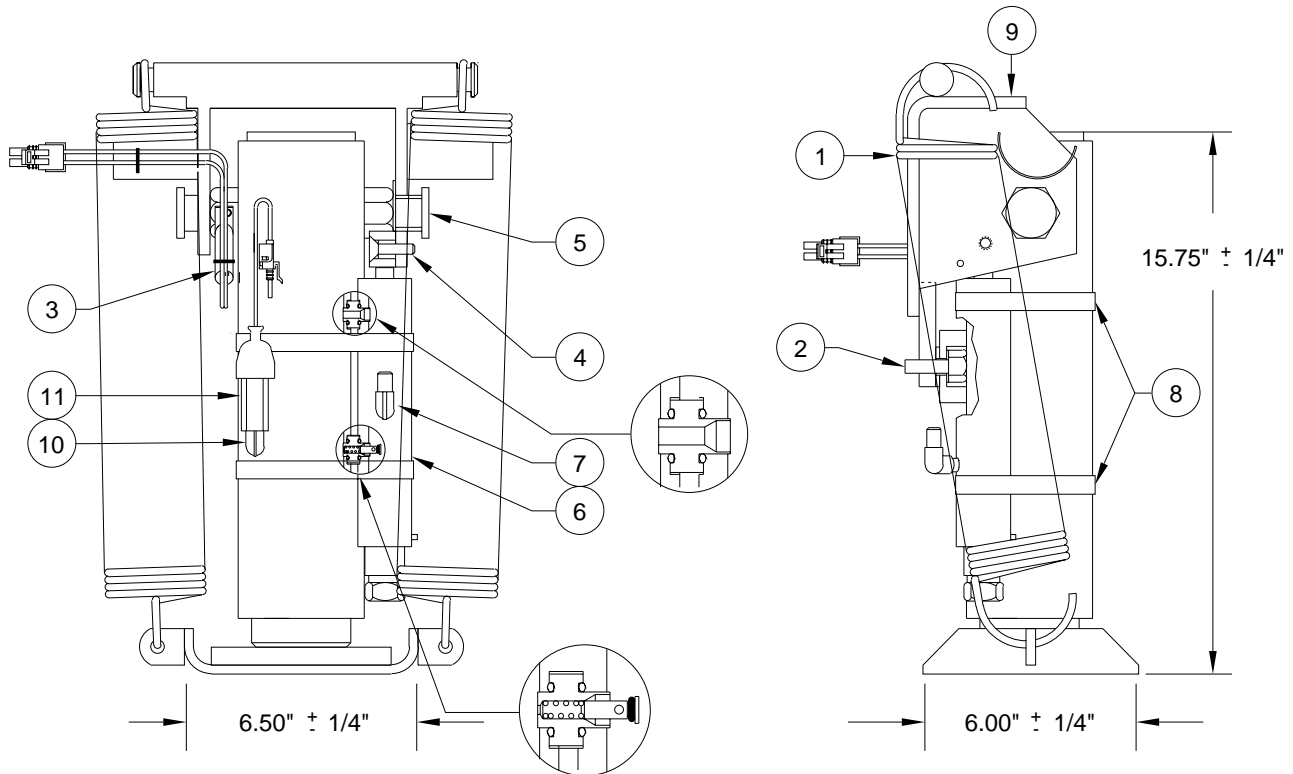
ITEM	PART	QTY	DESCRIPTION	ITEM	PART	QTY	DESCRIPTION
	RAP8525		JACK 16,000 # KICK DOWN (REPLACES AP8525)			2	HHCS 7/8" SPECIAL
						2	BUSHING 1-1/8" OD
1	R2365	1	SPRING KIT 2.75" X 13.50"			1	WASH 7/8" SAE 1-3/4" (USED ON ACTUATOR SIDE ONLY)
		2	SPRING 2.75" X 13.50"				
2	R2511	1	STOP KIT	6	RAP8764	1	ACTUATOR KIT (INCLUDES ITEM 7)
		1	BUMPER 2" OD			2	CYLINDER PORT OPEN
		1	HHCS 1/2-13 X 1-1/4"			4	O-RING
		1	WASH 1/2" STRUCTURAL			1	POPPET
		1	SPACER 5/8" OD			1	SPRING
		1	WASH 1/2" FLAT			1	O-RING
3	RAP90072	1	WARNING SWITCH KIT (REPLACES RAP8551)	7	RF1453	1	ELBOW
		1	SWITCH WARNING 3-WIRE	8	RP2383	2	BAND CLAMP/BOLT
		1	PHRDHD #10-24 X 3/8"	9	RAP5521	1	PIVOT BRACKET
		1	LW. #10 EXT. STAR	10	RP0493	1	BAND CLAMP/GROUND (REPLACES RP2711)
4	R2327	1	ROLLER KIT	11	RF8143	1	ELBOW
		1	ROLLER 1" OD	12	RAP8003	1	SWITCH PRESSURE
		1	BUSHING 1/2" OD				
		1	CS 3/8-16 X 1-1/4"				
5	R2329	1	PIVOT BOLT KIT				

**NOTE :** WHEN REPLACING WARNING SWITCH ON EARLIER MODELS, ITEM NUMBER 10 IS REQUIRED TO MOUNT SWITCH TO CYLINDER BARREL ASSEMBLY.

**NOTE :** INDENTED ITEMS ARE INCLUDED WITH PRECEDING ITEM.

**MR24.5300**  
**16APR08**

**AP1183 - KICK DOWN JACK**  
**16,000 # CAPACITY; 2.75" ROD DIAMETER**  
**SINGLE HOSE CONNECTION, PRESSURE SWITCH AND 2-WIRE WARNING SWITCH**



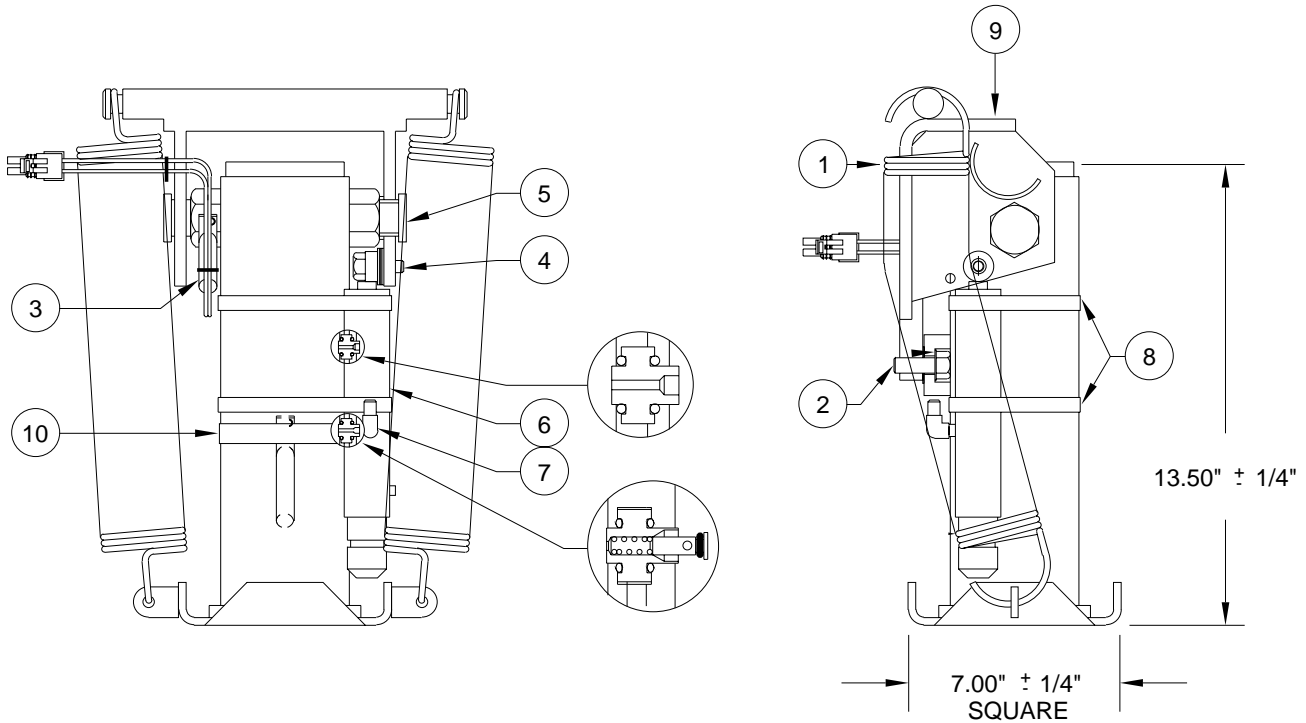
**THIS JACK IS USED WITH CENTRAL GROUND 610 SERIES LEVELING SYSTEMS.**

ITEM	PART	QTY	DESCRIPTION	ITEM	PART	QTY	DESCRIPTION
	RAP1183		JACK 16,000 # KICK DOWN (REPLACES AP1183)	5	R2329	1	PIVOT BOLT KIT
1	R2365	1	SPRING KIT 2.75" X 13.50"			2	HHCS 7/8" SPECIAL
		2	SPRING 2.75" X 13.50"			2	BUSHING 1-1/8" OD
2	R2511	1	STOP KIT			1	WASH 7/8" SAE 1-3/4" (USED ON ACTUATOR SIDE ONLY.)
		1	BUMPER 2" OD	6	RAP8764	1	ACTUATOR KIT (INCLUDES ITEM 7)
		1	HHCS 1/2-13 X 1-1/4"			2	CYLINDER PORT OPEN
		1	WASH 1/2" STRUCTURAL			4	O-RING
		1	SPACER 5/8" OD			1	POPPET
		1	WASH 1/2" FLAT			1	SPRING
3	RAP1010	1	WARNING SWITCH KIT SWITCH WARNING 2-WIRE			1	O-RING
		1	PHRDHD #10-24 X 3/8"	7	RF1453	1	ELBOW
		1	LW. #10 EXT. STAR	8	RP2383	2	BAND CLAMP/BOLT
4	R2327	1	ROLLER KIT	9	RAP5521	1	PIVOT BRACKET
		1	ROLLER 1" OD	10	RF8143	1	ELBOW
		1	BUSHING 1/2" OD	11	RAP8003	1	SWITCH PRESSURE
		1	CS 3/8-16 X 1-1/4"				

**NOTE:** INDENTED ITEMS ARE INCLUDED WITH PRECEDING ITEM.

**MR24.5400**  
**12AUG96**

**AP3000 - KICK DOWN JACK**  
**24,000 # CAPACITY; 3.500" ROD DIAMETER**  
**SINGLE HOSE CONNECTION FOR MANUALLY CONTROLLED LEVELING SYSTEMS**



**THIS JACK IS USED WITH 100, 110, 200 AND 310 SERIES LEVELING SYSTEMS.**

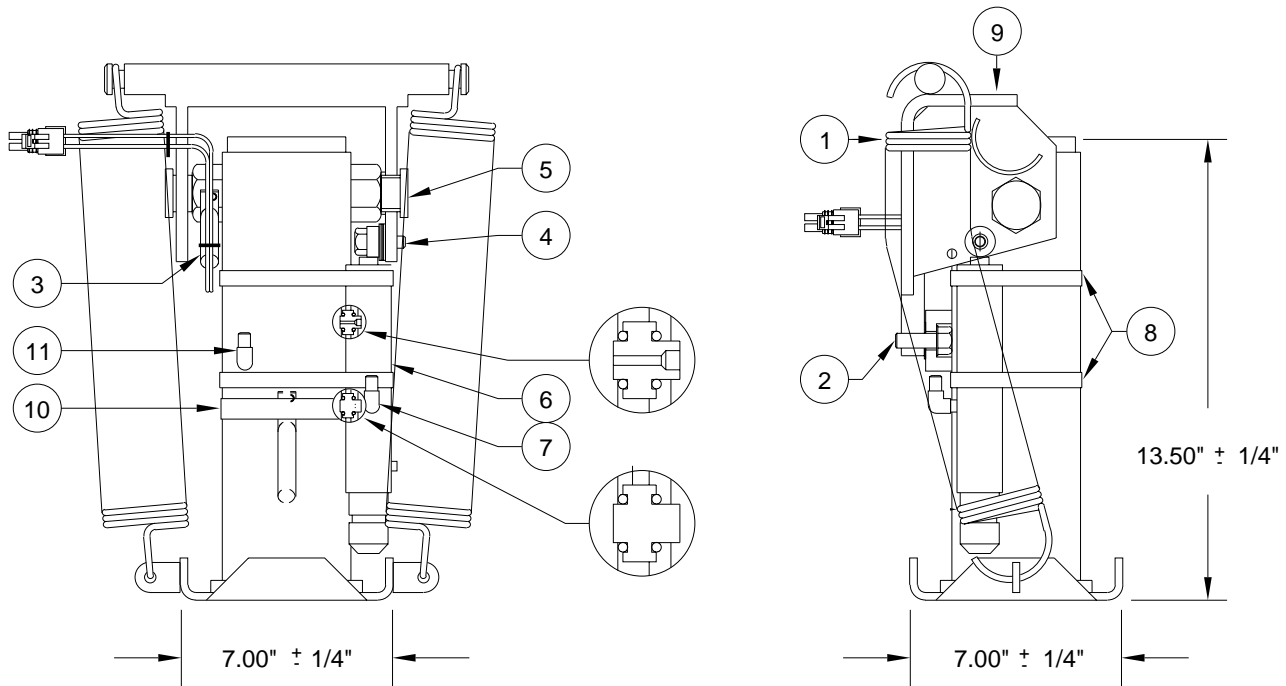
ITEM	PART	QTY	DESCRIPTION	ITEM	PART	QTY	DESCRIPTION
	RAP3000		JACK 24,000 # KICK DOWN (REPLACES AP3000)	5	R3003	1	PIVOT BOLT KIT
1	R2365	1	SPRING KIT 2.75" X 13.50"			2	HHCS 1" X 1-1/2" SPECIAL
		2	SPRING 2.75" X 13.50"			2	BUSHING
2	R2511	1	STOP KIT 2"	6	RAP90261	1	ACTUATOR KIT (INCLUDES ITEM 7)
		1	BUMPER 2" OD			2	CYLINDER PORT OPEN
		1	HHCS 1/2-13 X 1-1/4"			4	O-RING
		1	WASH 1/2" STRUCTURAL			1	POPPET
		1	SPACER 5/8" OD			1	SPRING
		1	WASH 1/2" FLAT			1	O-RING
3	RAP1010	1	WARNING SWITCH KIT (REPLACES RAP2477)	7	RF3799	1	ELBOW RESTRICTOR LONG
		1	SWITCH WARNING 2-WIRE	8	RP2383	2	BAND CLAMP/BOLT
		1	PHRDHD #10-24 X 3/8"	9	RAP2993	1	PIVOT BRACKET
		1	LW. #10 EXT. STAR	10	RP0493	1	BAND CLAMP/GROUND (REPLACES RP2711)
4	R2527	1	ROLLER KIT				
		1	BEARING 1.125" OD				
		1	ROLLER FASTENER				
		3	LW. 3/8" EXT. STAR				

**NOTE :** WHEN REPLACING A WARNING SWITCH ON EARLIER MODELS, ITEM NUMBER 10 IS REQUIRED TO MOUNT SWITCH TO CYLINDER BARREL ASSEMBLY.

**NOTE :** INDENTED ITEMS ARE INCLUDED WITH PRECEDING ITEM.

**MR24.7100**  
**12AUG96**

**AP4390 - KICK DOWN JACK**  
**24,000 # CAPACITY; 3.500" ROD DIAMETER**  
**2 HOSE CONNECTIONS FOR EARLY COMPUTERIZED LEVELING SYSTEMS**



**THIS JACK IS USED WITH 400 AND 510 SERIES LEVELING SYSTEMS.**

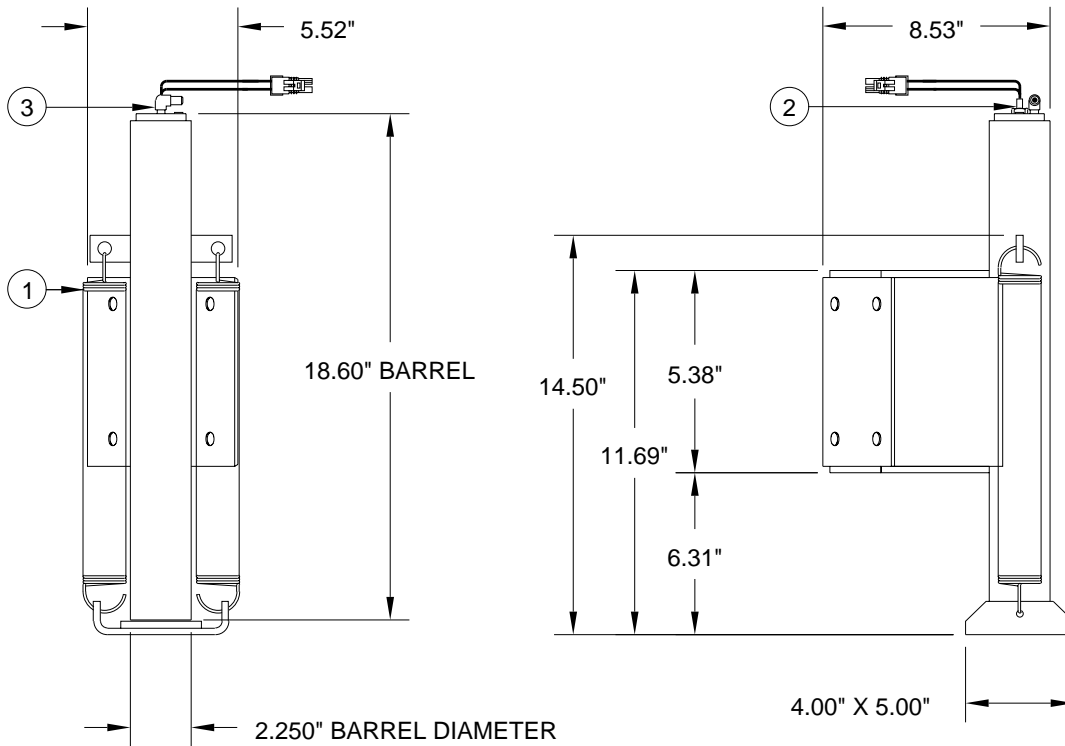
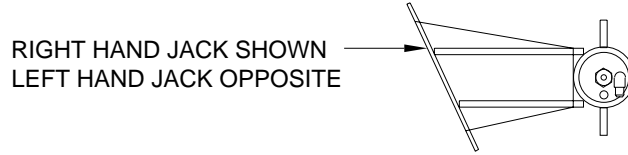
ITEM	PART	QTY	DESCRIPTION	ITEM	PART	QTY	DESCRIPTION
	RAP90263		JACK 24,000 # KICK DOWN (REPLACES AP4390)	5	R3003	1	PIVOT BOLT KIT
1	R2365	1	SPRING KIT 2.75" X 13.50"			2	HHCS 1" X 1-1/2" SPECIAL
		2	SPRING 2.75" X 13.50"			2	BUSHING
2	R2511	1	STOP KIT	6	RAP90262	1	ACTUATOR KIT (INCLUDES ITEM 7)
		1	BUMPER 2" OD			1	CYLINDER PORT OPEN
		1	HHCS 1/2-13 X 1-1/4"			4	O-RING
		1	WASH 1/2" STRUCTURAL			1	CYLINDER PORT CLOSED
		1	SPACER 5/8" OD	7	RF3799	1	ELBOW RESTRICTOR LONG
		1	WASH 1/2" FLAT	8	RP2383	2	BAND CLAMP/BOLT
3	RAP1010	1	WARNING SWITCH KIT (REPLACES RAP2477)	9	RAP2993	1	PIVOT BRACKET
		1	SWITCH WARNING 2-WIRE	10	RP0493	1	BAND CLAMP/GROUND (REPLACES RP2711)
		1	PHRDHD #10-24 X 3/8"	11	RF1453	1	ELBOW
		1	LW. #10 EXT. STAR				
4	R2527	1	ROLLER KIT				
		1	BEARING 1.125" OD				
		1	ROLLER FASTENER				
		3	LW. 3/8" EXT. STAR				

**NOTE :** WHEN REPLACING WARNING SWITCH ON EARLIER MODELS, ITEM NUMBER 10 IS REQUIRED TO MOUNT SWITCH TO CYLINDER BARREL ASSEMBLY.

**NOTE :** INDENTED ITEMS ARE INCLUDED WITH PRECEDING ITEM.

**MR24.7200**  
**20AUG96**

**AP7786 - STRAIGHT - ACTING JACK, FIXED, RH**  
**AP7787 - STRAIGHT - ACTING JACK, FIXED, LH**  
**6,000 # CAPACITY; 1.625" ROD DIAMETER; 14.00" STROKE**  
**USED ON FRONT OF TRAVEL TRAILERS**



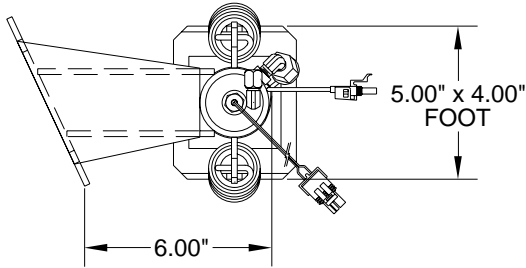
ITEM	PART	QTY	DESCRIPTION	ITEM	PART	QTY	DESCRIPTION
	RAP7786		JACK 6,000 # X 14" FIXED RH (REPLACES AP7786)	1	R1171	1	SPRING KIT 1-5/8" X 12"
						2	SPRING 1-5/8" X 12"
	RAP7787		JACK 6,000 # X 14" FIXED LH (REPLACES AP7787)	2	RAP1008	1	SWITCH WARNING 2-WIRE
				3	RF1453	1	ELBOW 1/8" X 1/4"

**NOTE:** INDENTED ITEMS ARE INCLUDED WITH PRECEDING ITEM.

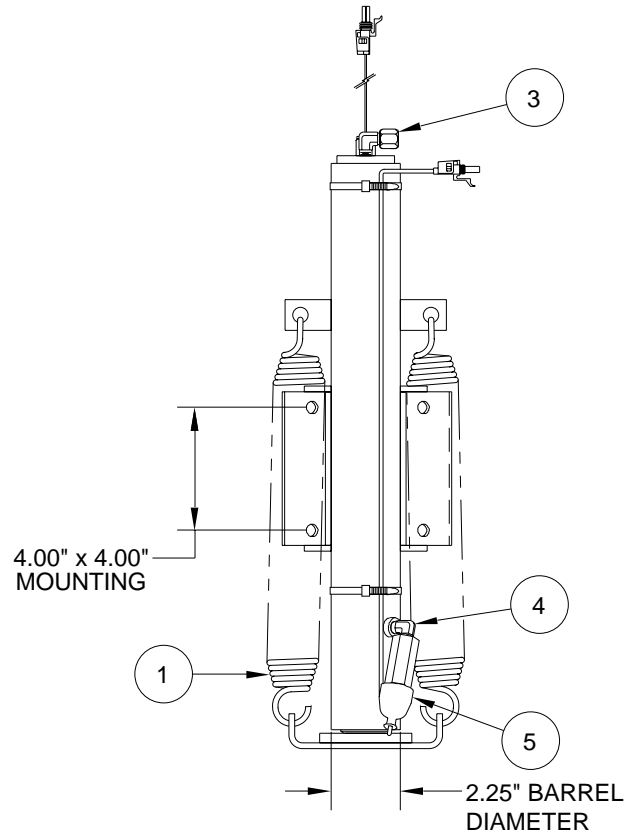
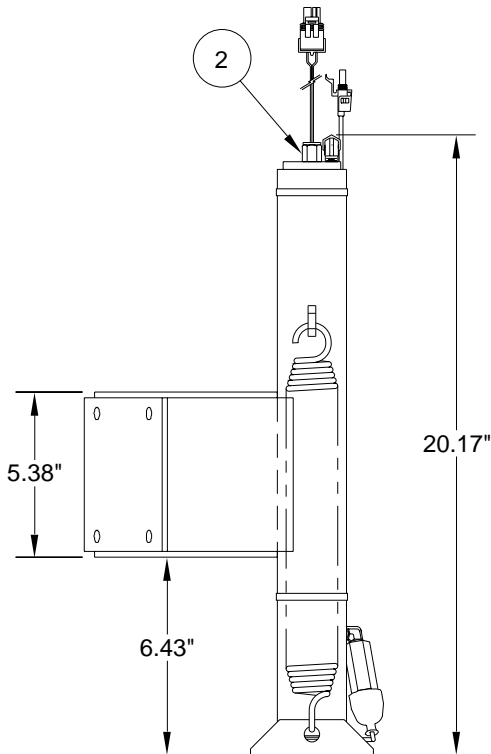
**MR25.2500**  
**06MAY97**

**AP34501 - AP34502 - AP36945 - AP36946**  
**STRAIGHT-ACTING JACK, FIXED**  
**6,000 # CAPACITY; 1.625" ROD DIAMETER; 14.00" STROKE**  
**USED ON FRONT OF TRAVEL TRAILERS**

JACK #	REPLACEMENT #	DESCRIPTION
AP34501	RAP92436	MAGNETIC WARN. SWITCH W/ GRAY CONNECTOR ONLY, RIGHT HAND JACK
AP34502	RAP92437	MAGNETIC WARN. SWITCH W/ GRAY CONNECTOR ONLY, LEFT HAND JACK
AP36945	RAP92438	MAGNETIC WARN. SWITCH W/ GRAY CONNECTOR, PRESS. SW., RIGHT HAND JACK
AP36946	RAP92439	MAGNETIC WARN. SWITCH W/ GRAY CONNECTOR, PRESS. SW., LEFT HAND JACK



**RIGHT HAND JACK SHOWN  
LEFT HAND JACK OPPOSITE**



ITEM	PART	QTY	DESCRIPTION
1	R1171	1	SPRING KIT 1-5/8" X 12"
		2	SPRING 1-5/8" X 12"
2	RAP90968	1	SWITCH WARNING MAGNETIC GRAY
3	RF1453	1	ELBOW 1/8" X 1/4"

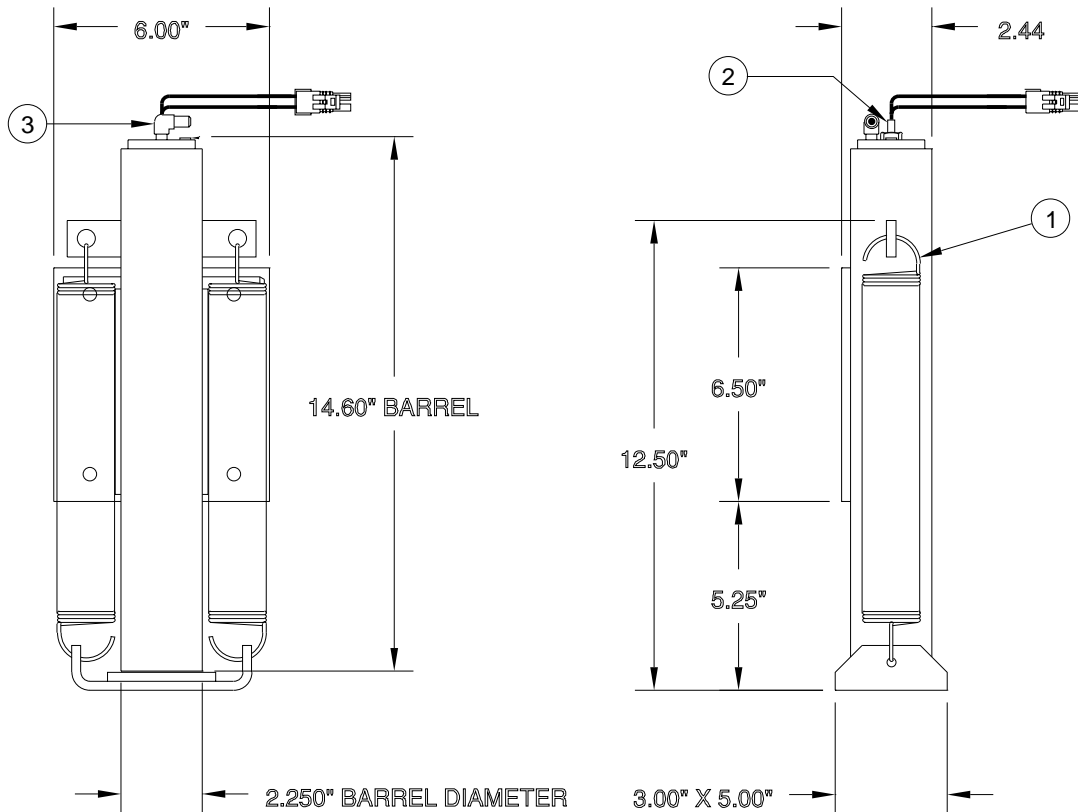
ITEM	PART	QTY	DESCRIPTION
4	RF8143	1	ELBOW 1/8" X 1/8" (AP36945, AP36946)
5	RAP8003	1	SWITCH PRESSURE (AP36945, AP36946)

**NOTE:** INDENTED ITEMS ARE INCLUDED WITH PRECEDING ITEM.

**MR25.2505  
13MAR09**



**AP7729 - STRAIGHT - ACTING JACK, FIXED**  
**6,000 # CAPACITY; 1.625" ROD DIAMETER; 10.00" STROKE**  
**USED ON REAR OF TRAVEL TRAILERS**



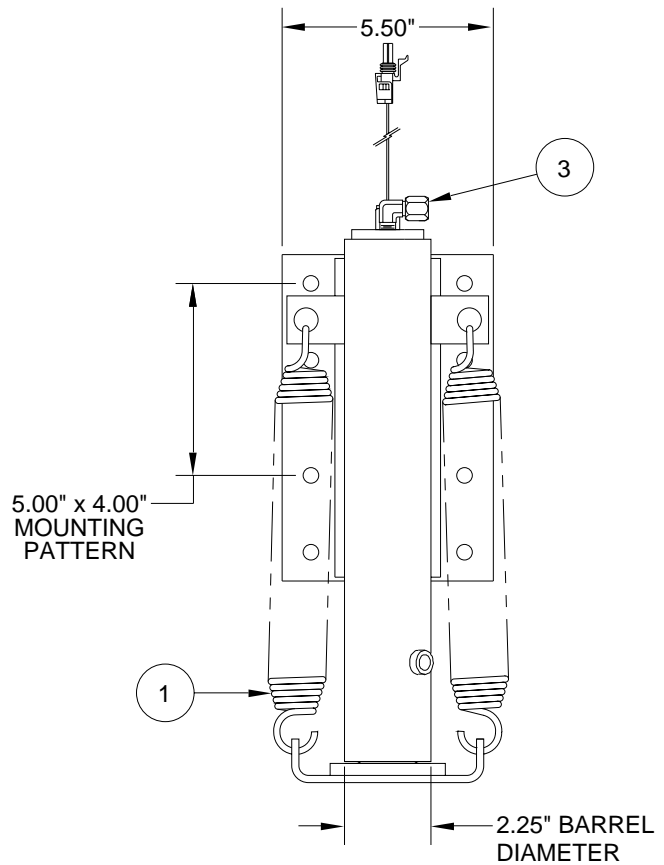
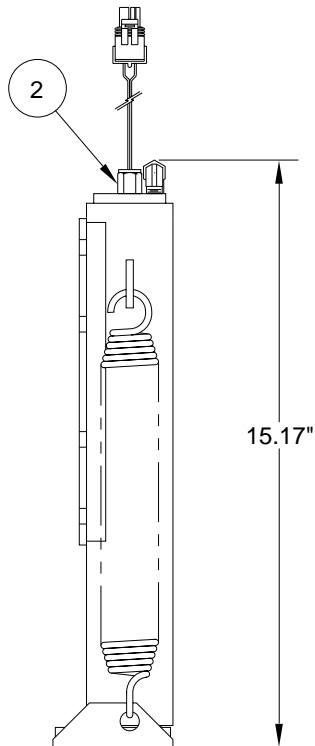
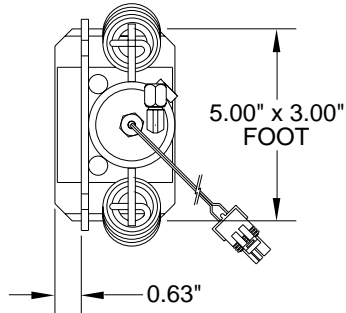
ITEM	PART	QTY	DESCRIPTION
	RAP7729		JACK 6,000 # X 10" FIXED (REPLACES AP7729)
1	R6824	1	SPRING KIT 1-1/2" X 10"
		2	SPRING 1-1/2" X 10"

ITEM	PART	QTY	DESCRIPTION
2	RAP1008	1	SWITCH WARNING 2-WIRE
3	RF1453	1	ELBOW 1/8" X 1/4"

**NOTE:** INDENTED ITEMS ARE INCLUDED WITH PRECEDING ITEM.

**MR25.2550**  
**06MAY97**

**AP13326 - STRAIGHT - ACTING JACK, FIXED**  
**6,000 # CAPACITY; 1.625" ROD DIAMETER; 10.00" STROKE**  
**USED ON REAR OF TRAVEL TRAILERS AND FIFTH WHEEL COACHES**



ITEM	PART	QTY	DESCRIPTION
	RAP92440		JACK 6,000 # X 10" FIXED (REPLACES AP13326)
1	R6824	1	SPRING KIT 1.5" X 10"
		2	SPRING 1.5" X 10"

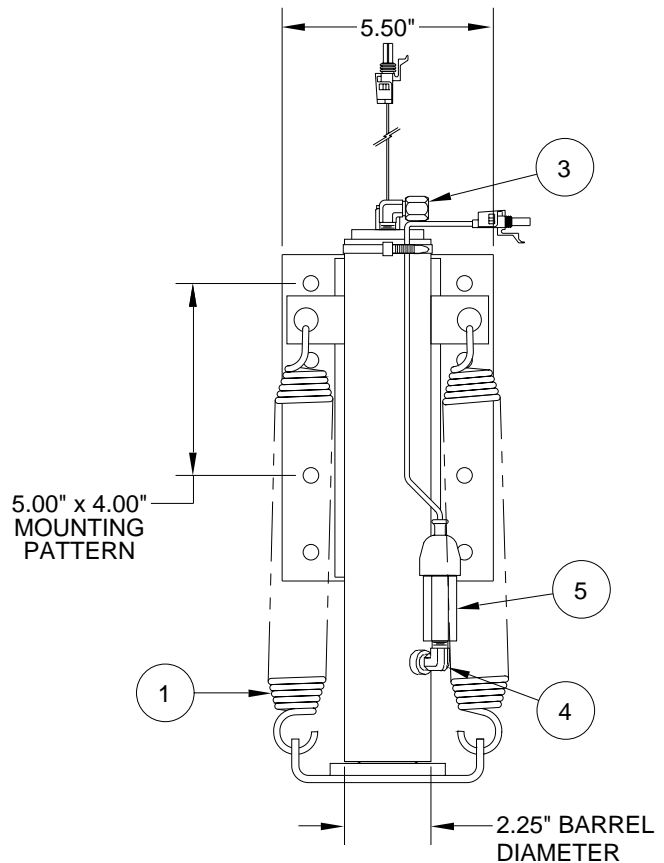
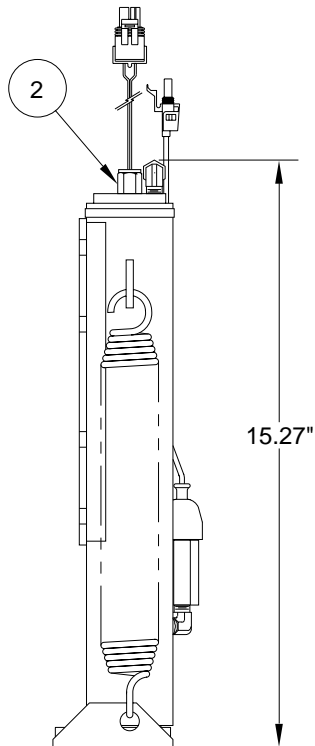
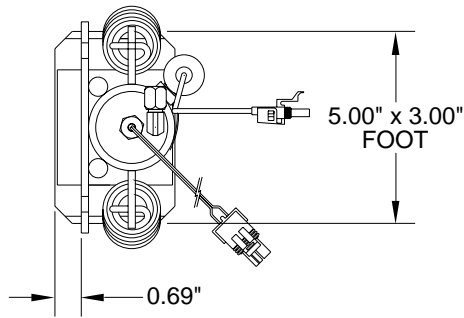
ITEM	PART	QTY	DESCRIPTION
2	RAP1008	1	SWITCH WARNING MAGNETIC
3	RF1453	1	ELBOW 1/8" X 1/4"

**NOTE:** INDENTED ITEMS ARE INCLUDED WITH PRECEDING ITEM.

**MR25.2555**  
**13MAR09**

**AP34503 - AP40490**  
**STRAIGHT-ACTING JACK, FIXED**  
**6,000 # CAPACITY; 1.625" ROD DIAMETER; 10.00" STROKE**  
**USED ON REAR OF TRAVEL TRAILERS AND FIFTH WHEEL COACHES**

JACK #	REPLACEMENT #	DESCRIPTION
AP34503	RAP92441	MAGNETIC WARN. SWITCH W/ GRAY CONNECTOR ONLY
AP40490	RAP92442	MAGNETIC WARN. SWITCH W/ GRAY CONNECTOR, PRESSURE SWITCH



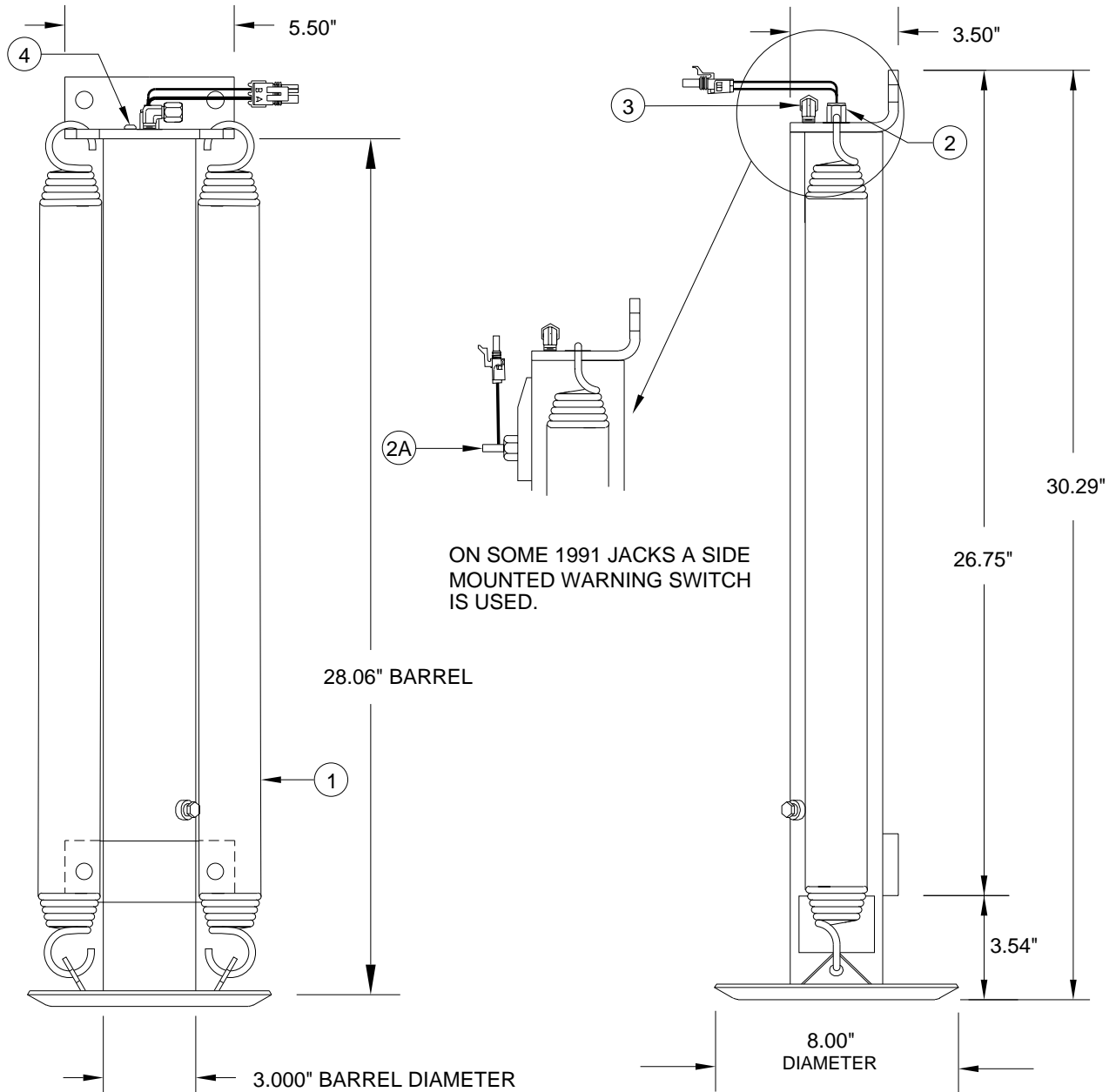
ITEM	PART	QTY	DESCRIPTION
1	R6824	1	SPRING KIT 1.5" X 10"
		2	SPRING 1.5" X 10"
2	RAP90968	1	SWITCH WARNING MAGNETIC GRAY (AP34503, AP40490)
3	RF1453	1	ELBOW 1/8" X 1/4"

ITEM	PART	QTY	DESCRIPTION
4	RF8143	1	ELBOW 1/8" X 1/8" (AP40490 ONLY)
5	RAP8003	1	SWITCH PRESSURE (AP40490 ONLY)

**NOTE:** INDENTED ITEMS ARE INCLUDED WITH PRECEDING ITEM.

**MR25.2560**  
**13MAR09**

**AP7900 - STRAIGHT - ACTING JACK, FIXED  
6,000 # CAPACITY; 2.375" ROD DIAMETER; 21.00" STROKE  
USED ON FIFTH WHEEL COACHES**



ITEM	PART	QTY	DESCRIPTION
------	------	-----	-------------

	RAP7900		JACK 6,000 # X 21" FIXED (REPLACES AP7900)
1	R7967	1	SPRING KIT .2187" X 25.25"
		2	SPRING .2187" X 25.25"

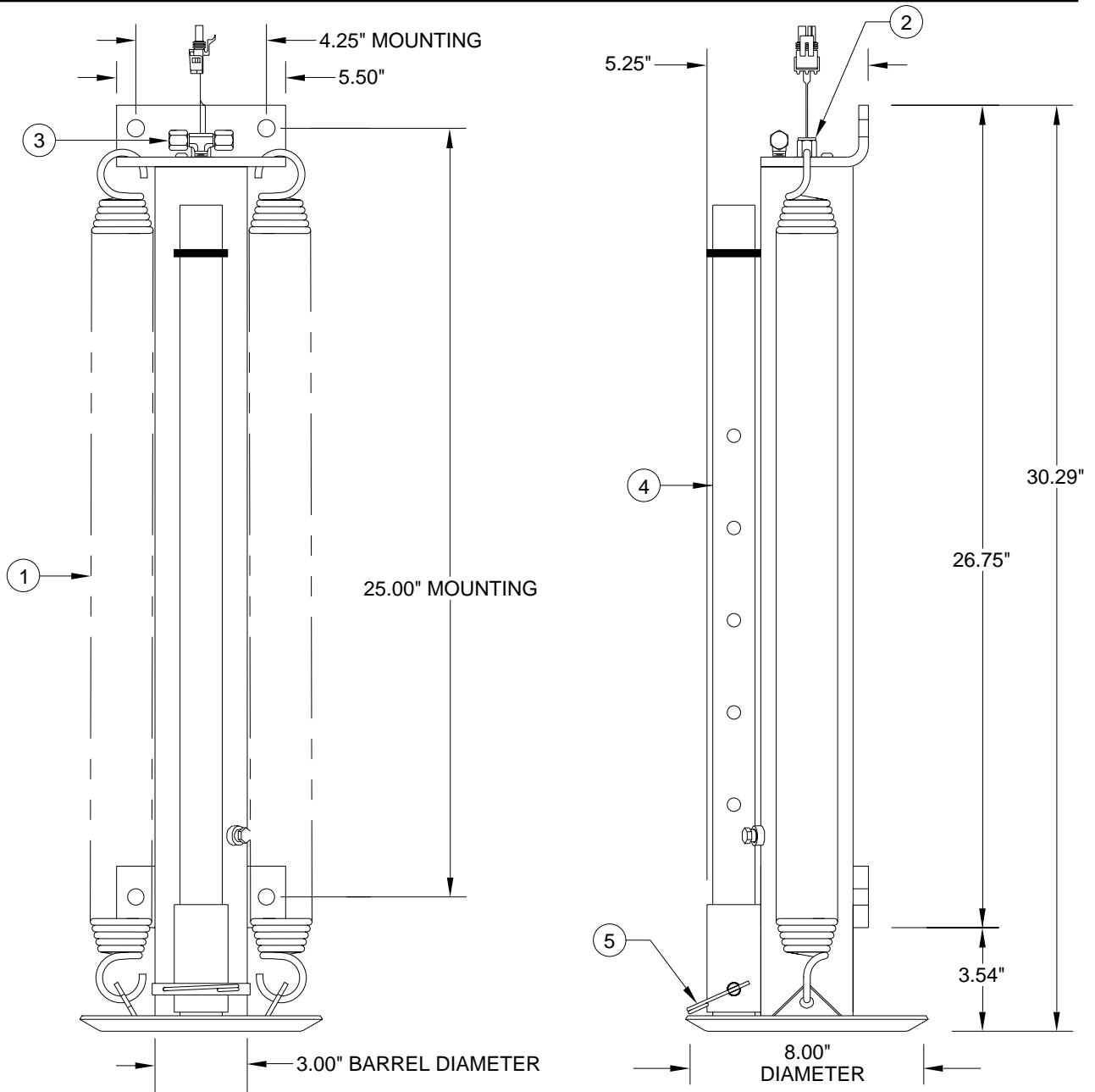
ITEM	PART	QTY	DESCRIPTION
------	------	-----	-------------

2	RAP1008	1	SWITCH WARNING 2-WIRE
2A	RAP7777	1	SWITCH WARNING SIDE- PORT. (USED ON SOME 1991 COACHES)
3	RF1453	1	ELBOW 1/8" X 1/4"
4	RF2418	1	PIPE PLUG 1/8"

**NOTE:** INDENTED ITEMS ARE INCLUDED WITH PRECEDING ITEM.

**MR25.2600  
10MAY05**

**AP34499 - STRAIGHT - ACTING JACK, FIXED**  
**6,000 # CAPACITY; 2.375" ROD DIAMETER; 21.00" STROKE**  
**USED ON FIFTH WHEEL COACHES**



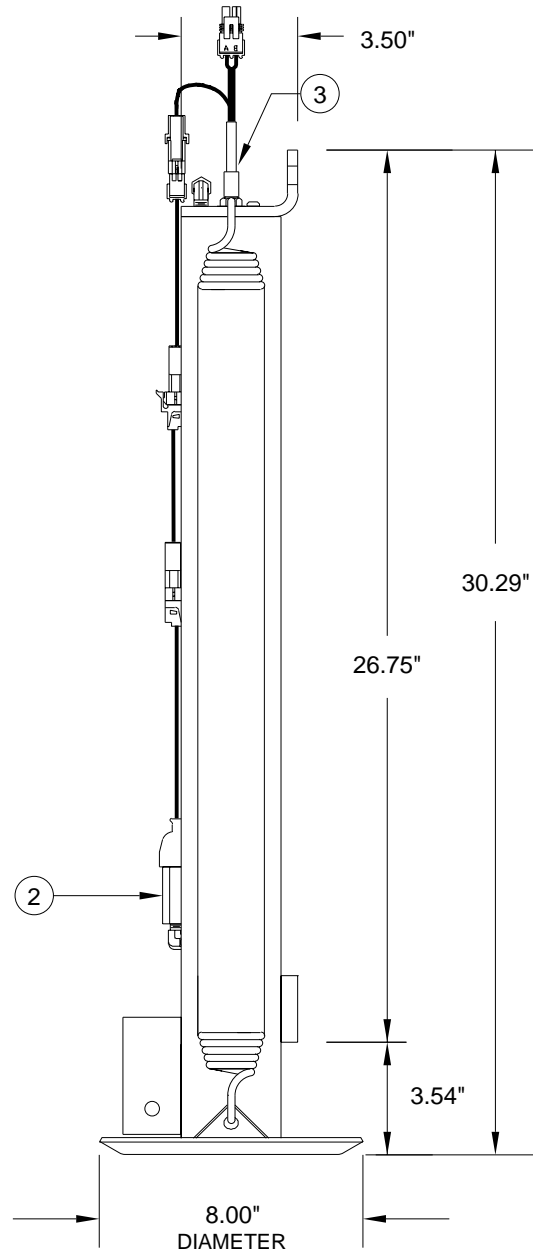
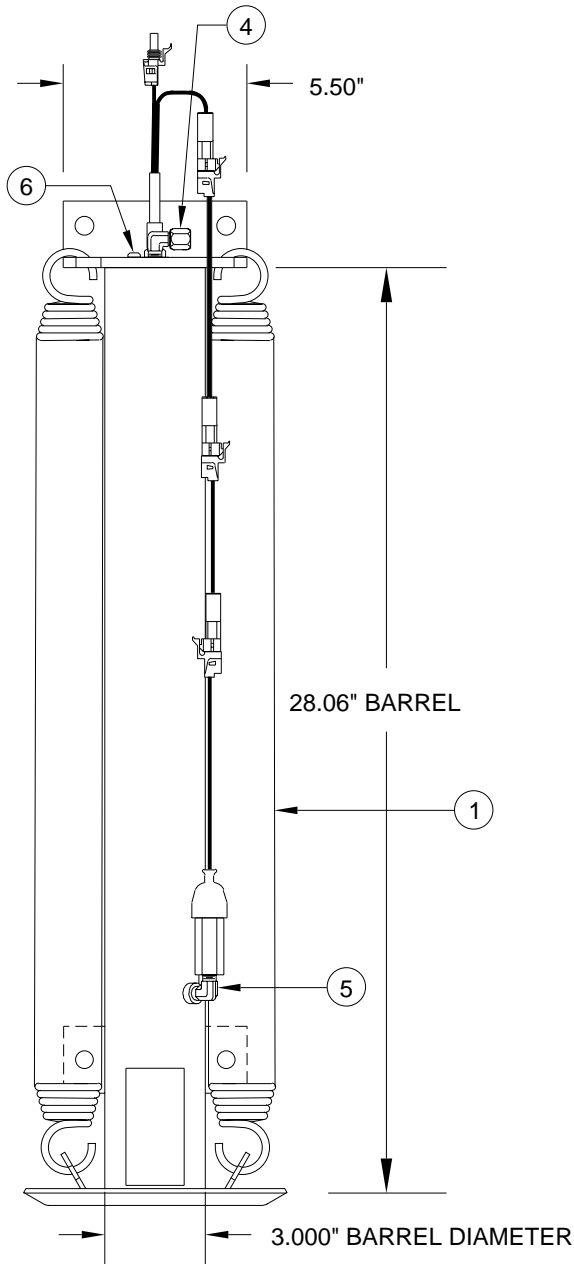
ITEM	PART	QTY	DESCRIPTION
	RAP92447		JACK 6000 # X 21" FIXED (REPLACES AP34499)
1	R7967	1	SPRING KIT .2187" X 25.25"
		2	SPRING .2187" X 25.25"
2	RAP90968	1	SWITCH WARNING MAGNETIC GRAY

ITEM	PART	QTY	DESCRIPTION
3	RF90151	1	MALE TEE 1/8" X 1/4" X 1/4"
4	RAP0137	1	STOP ROD
5	RAP0133	1	RETAINING PIN

**NOTE:** INDENTED ITEMS ARE INCLUDED WITH PRECEDING ITEM.

**MR25.2605**  
**13MAR09**

**AP8512 - STRAIGHT - ACTING JACK, FIXED**  
**6,000 # CAPACITY; 2.375" ROD DIAMETER; 21.00" STROKE**  
**WITH PRESSURE SWITCH AND 3-WIRE WARNING SWITCH**  
**USED ON FIFTH WHEEL COACHES**



ITEM	PART	QTY	DESCRIPTION
	RAP8512		JACK 6,000 # X 21" FIXED (REPLACES AP8512)
1	R7967	1	SPRING KIT .2187" X 25.25"
		2	SPRING .2187" X 25.25"
2	RAP8003	1	SWITCH PRESSURE

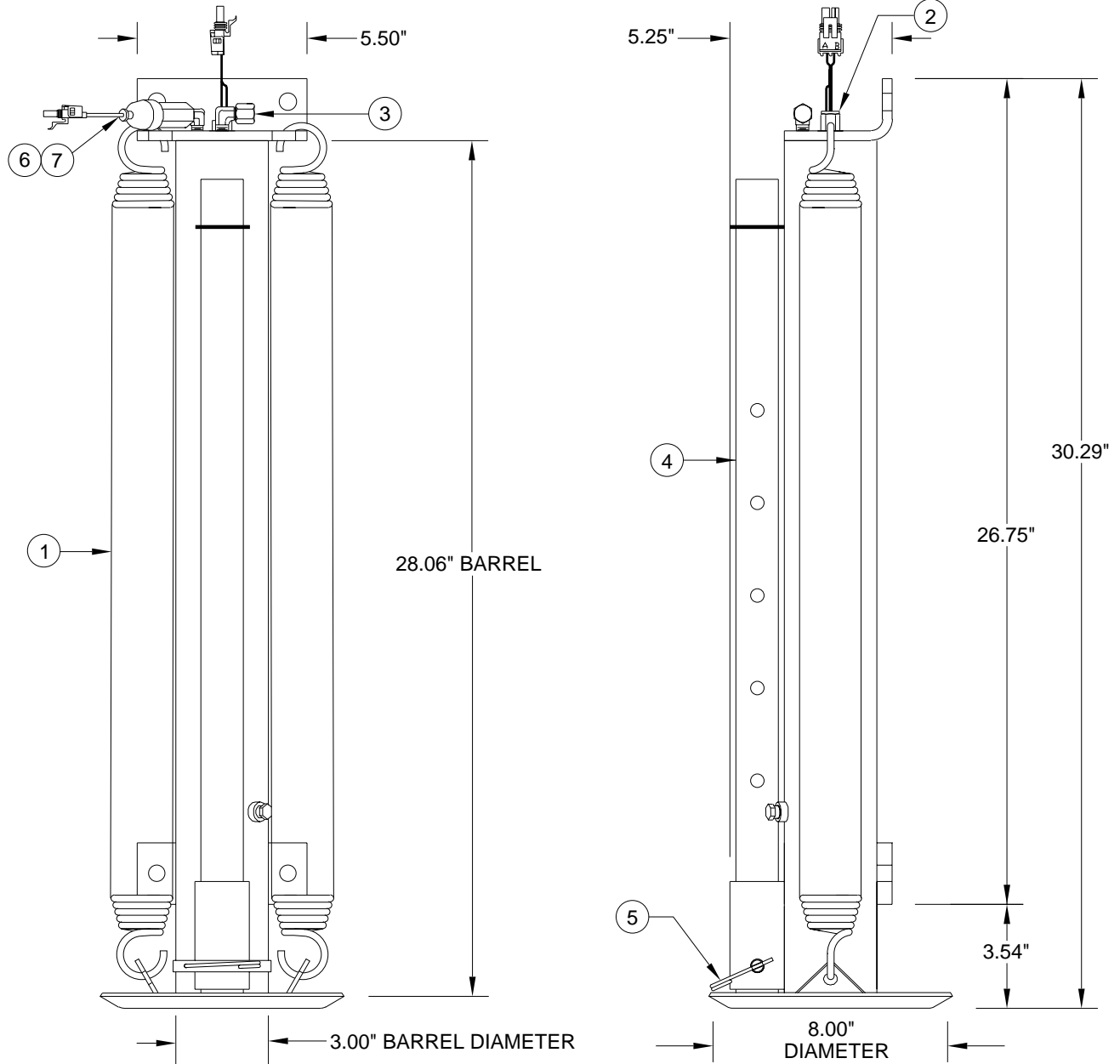
ITEM	PART	QTY	DESCRIPTION
3	RAP90073	1	SWITCH WARNING 3-WIRE (REPLACES RAP1009)
4	RF1453	1	ELBOW 1/8" X 1/4"
5	RF8143	1	ELBOW 1/8" X 1/8"
6	RF2418	1	PIPE PLUG 1/8" BLK

**NOTE:** INDENTED ITEMS ARE INCLUDED WITH PRECEDING ITEM.

**MR25.2625**  
**13MAY05**

**AP0130 - AP20975 - AP38530**  
**STRAIGHT-ACTING JACK, FIXED**  
**6,000 # CAPACITY; 2.375" ROD DIAMETER; 21.00" STROKE**  
**USED ON FIFTH WHEEL COACHES**

JACK #	REPLACEMENT #	DESCRIPTION
AP0130	RAP0130	REPLACED BY AP38530
AP20975	RAP90981	MAGNETIC WARN. SWITCH W/ BLACK CONNECTOR, PRESSURE SWITCH
AP38530	RAP0130	MAGNETIC WARN. SWITCH W/ BLACK CONNECTOR ONLY



ITEM	PART	QTY	DESCRIPTION
1	R7967	1	SPRING KIT .2187" X 25.25"
		2	SPRING .2187" X 25.25"
2	RAP1008	1	SWITCH WARNING MAGNETIC
3	RF8143	1	ELBOW 1/8" X 1/8"

NOTE: SOME LATER MODEL JACKS USE RF90151 BRANCH TEE.

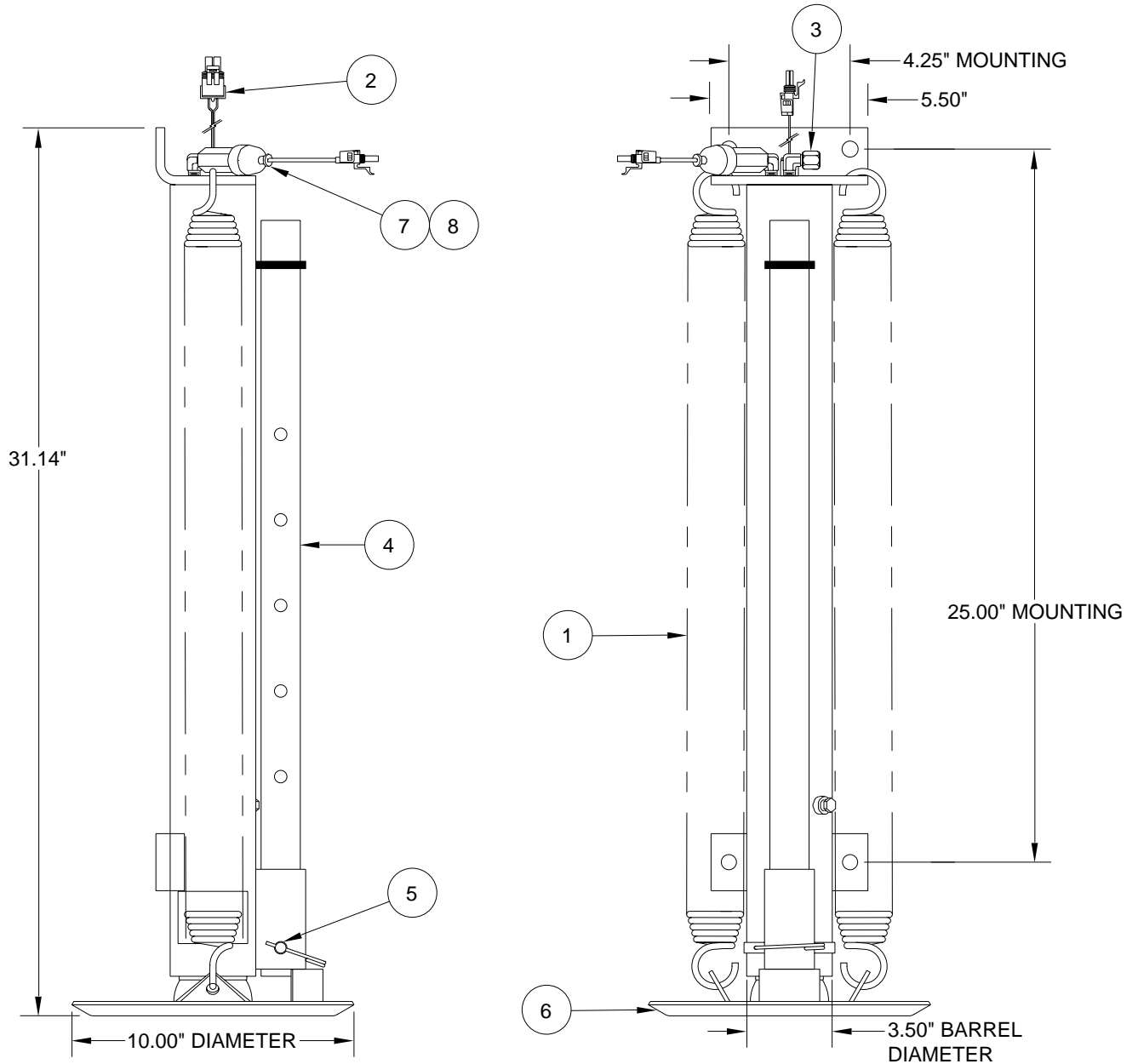
ITEM	PART	QTY	DESCRIPTION
4	RAP0137	1	STOP ROD
5	RAP0133	1	RETAINING PIN
6	RF8143	1	ELBOW 1/8" X 1/8" (AP20975 ONLY)
7	RAP8003	1	SWITCH PRESSURE (AP20975 ONLY)

NOTE: INDENTED ITEMS ARE INCLUDED WITH PRECEDING ITEM.

**MR25.2650**  
**20MAR09**

**AP36400 - AP36514**  
**STRAIGHT-ACTING JACK, FIXED**  
**6,000 # CAPACITY; 2.375" ROD DIAMETER; 21.00" STROKE; BOLT-ON FOOT**  
**USED ON FIFTH WHEEL COACHES**

JACK #	REPLACEMENT #	DESCRIPTION
AP36400	RAP92049	MAGNETIC WARN. SWITCH W/ GRAY CONNECTOR, PRESSURE SWITCH
AP36514	RAP92050	MAGNETIC WARN. SWITCH W/ GRAY CONNECTOR ONLY



ITEM	PART	QTY	DESCRIPTION
1	R7967	1	SPRING KIT .2187" X 25.25"
		2	SPRING .2187" X 25.25"
2	RAP90968	1	SWITCH WARNING MAGNETIC GRAY (AP36400, AP36514)
3	RF1453	1	ELBOW 1/8" X 1/4"
4	RAP0137	1	STOP ROD

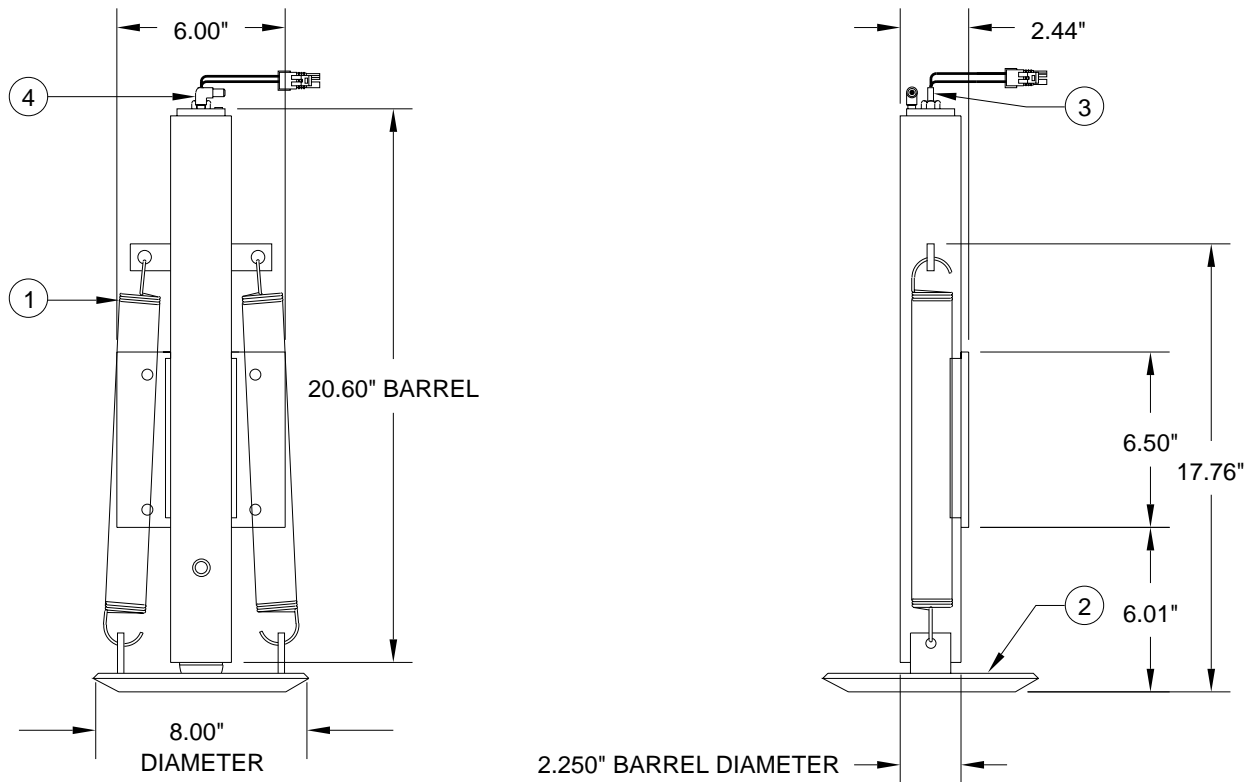
ITEM	PART	QTY	DESCRIPTION
5	RAP0133	1	RETAINING PIN
6	RAP92452	1	FOOT 10" DIAMETER
7	RF8143	1	ELBOW 1/8" X 1/8" (AP36400 ONLY)
8	RAP8003	1	SWITCH PRESSURE (AP36400 ONLY)

**NOTE:** INDENTED ITEMS ARE INCLUDED WITH PRECEDING ITEM.

**MR25.2655**  
**01JUN09**



**AP8082 - STRAIGHT - ACTING JACK, FIXED  
6,000 # CAPACITY; 1.625" ROD DIAMETER; 16.00" STROKE  
USED ON SAFARI COACHES**



ITEM	PART	QTY	DESCRIPTION
	RAP8082		JACK 6,000 # X 16" FIXED (REPLACES AP8082)
1	R3847	1	SPRING KIT 1-11/16" X 14"
		2	SPRING 1-11/16" X 14"

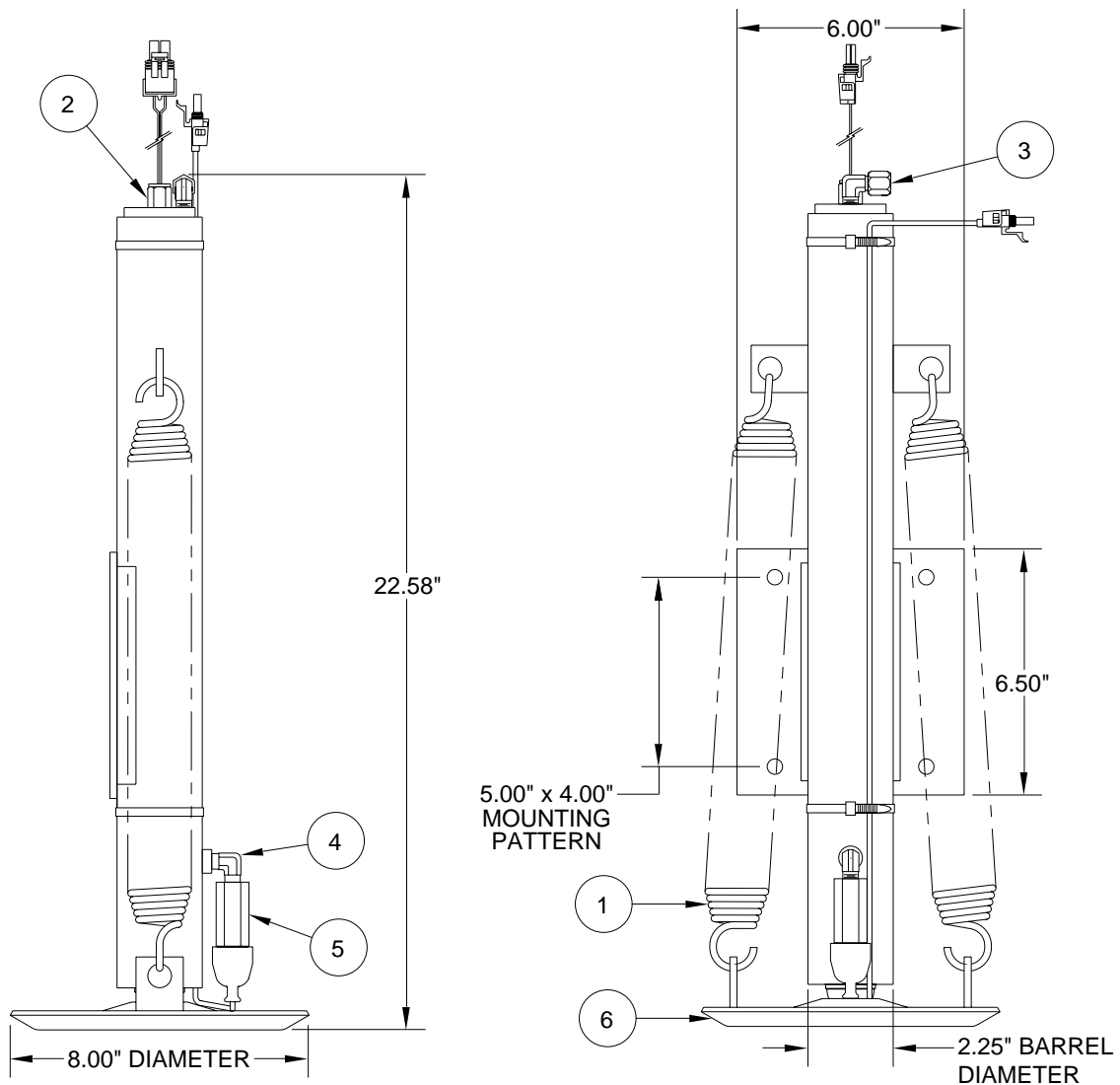
ITEM	PART	QTY	DESCRIPTION
2	RAP8126	1	8.00" DIAMETER FOOT
3	RAP1008	1	SWITCH WARNING 2-WIRE
4	RF1453	1	ELBOW 1/8" X 1/4"

**NOTE:** INDENTED ITEMS ARE INCLUDED WITH PRECEDING ITEM.

**MR25.2700  
06MAY97**

**AP34331 - AP36952**  
**STRAIGHT-ACTING JACK, FIXED**  
**6,000 # CAPACITY; 1.625" ROD DIAMETER; 16.00" STROKE**  
**USED ON REAR OF TRAVEL TRAILERS AND FIFTH WHEEL COACHES**

JACK #	REPLACEMENT #	DESCRIPTION
AP34331	RAP92443	MAGNETIC WARN. SWITCH W/ GRAY CONNECTOR ONLY
AP36952	RAP92444	MAGNETIC WARN. SWITCH W/ GRAY CONNECTOR ONLY, PRESSURE SWITCH



ITEM	PART	QTY	DESCRIPTION
1	R3847	1	SPRING KIT 1-11/16" X 14"
		2	SPRING 1-11/16" X 14"
2	RAP90968	1	SWITCH WARNING MAGNETIC GRAY (AP34331, AP36952)
3	RF1453	1	ELBOW 1/8" X 1/4"

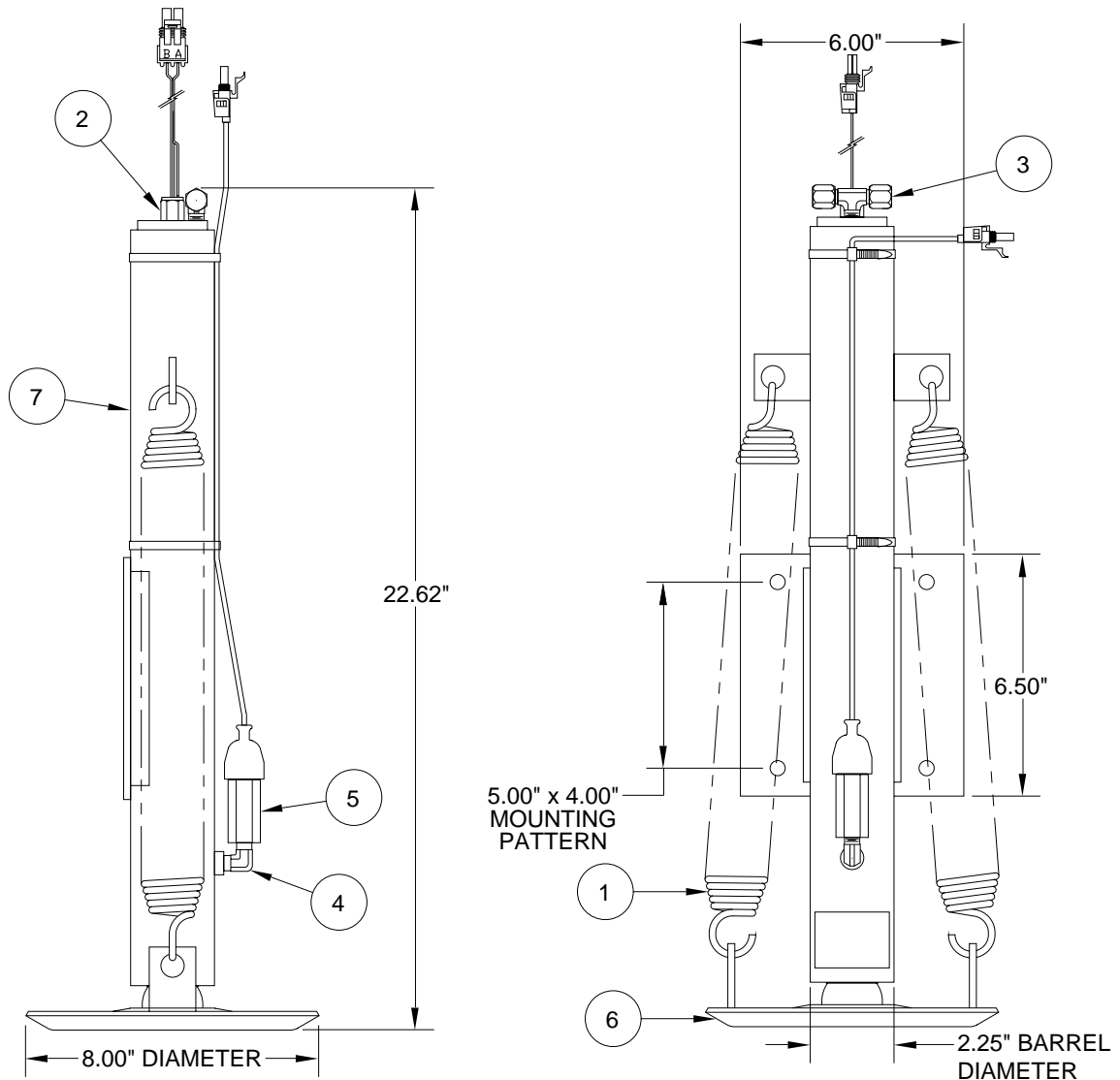
ITEM	PART	QTY	DESCRIPTION
4	RF8143	1	ELBOW 1/8" X 1/8" (AP36952 ONLY)
5	RAP8003	1	SWITCH PRESSURE (AP36952 ONLY)
6	RAP8126	1	8.00" DIAMETER FOOT

NOTE: INDENTED ITEMS ARE INCLUDED WITH PRECEDING ITEM.

**MR25.2705**  
**13MAR09**

**AP45076 - AP45077 - AP45078**  
**STRAIGHT-ACTING JACK, FIXED**  
**6,000 # CAPACITY; 1.625" ROD DIAMETER; 16.00" STROKE**  
**USED ON REAR OF TRAVEL TRAILERS AND FIFTH WHEEL COACHES**

JACK #	DESCRIPTION
AP45076	MAGNETIC WARN. SWITCH W/ BLACK CONNECTOR ONLY
AP45077	MAGNETIC WARN. SWITCH W/ GRAY CONNECTOR ONLY
AP45078	MAGNETIC WARN. SWITCH W/ GRAY CONNECTOR, WITH PRESSURE SWITCH



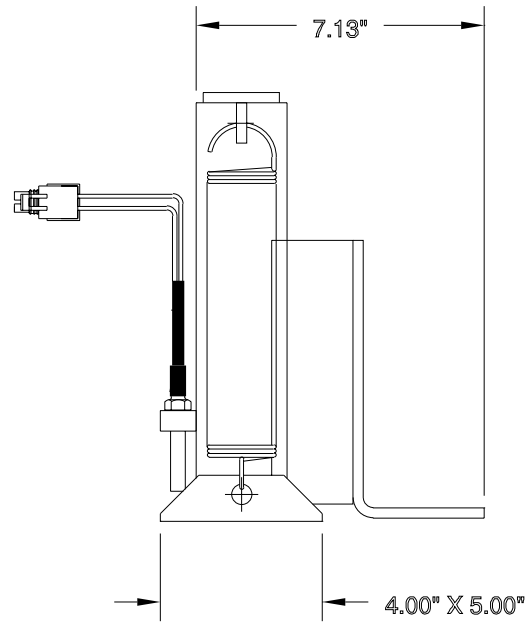
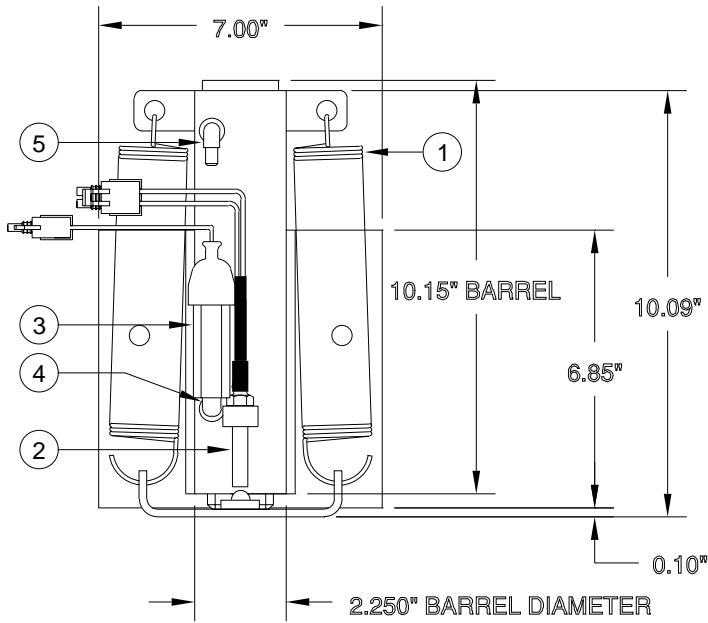
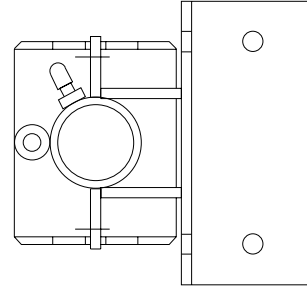
ITEM	PART	QTY	DESCRIPTION
1	R3847	1	SPRING KIT 1-11/16" X 14"
		2	SPRING 1-11/16" X 14"
2	RAP1008	1	SWITCH WARNING MAGNETIC BLACK (AP45076)
2	RAP90968	1	SWITCH WARNING MAGNETIC GRAY (AP45077, AP45078)
3	RF90151	1	MALE TEE 1/8" X 1/4" X 1/4"

ITEM	PART	QTY	DESCRIPTION
4	RF8143	1	ELBOW 1/8" X 1/8" (AP45078 ONLY)
5	RAP8003	1	SWITCH PRESSURE (AP45078 JACK ONLY)
6	RAP92048	1	8.00" DIAMETER FOOT
7	RAP92795	1	CYL ASSY 1.625" x 16" (INCLUDES ITEM 3) (EXCLUDES ITEMS 2,4,5)

**NOTE:** INDENTED ITEMS ARE INCLUDED WITH PRECEDING ITEM.

**MR25.2710**  
**03APR12**

**AP1334 - STRAIGHT - ACTING JACK, FIXED**  
**6,000 # CAPACITY; 1.625" ROD DIAMETER; 6.50" STROKE**  
**WITH PRESSURE SWITCH**

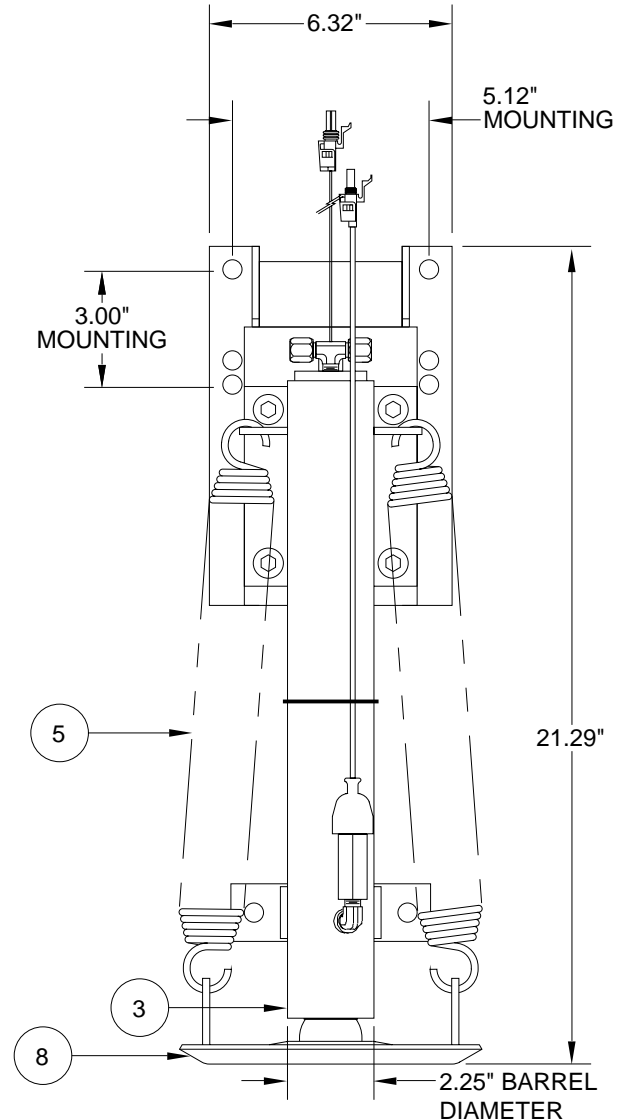
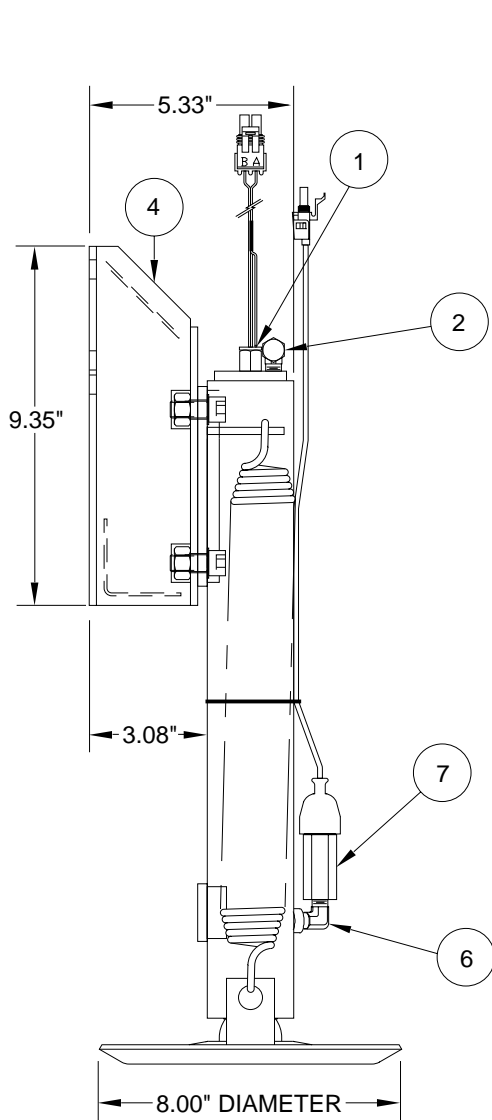


ITEM	PART	QTY	DESCRIPTION	ITEM	PART	QTY	DESCRIPTION
	RAP90197		JACK 6,000 # X 6.5" FIXED (REPLACES AP1334)	3	RAP8003	1	SWITCH PRESSURE
1	R90248	1	SPRING KIT 1.68" X 7.75"	4	RF8143	1	ELBOW 1/8" X 1/4"
		2	SPRING 1.68" X 7.75"	5	RF1453	1	ELBOW 1/8" X 1/4"
2	RAP1008	1	SWITCH WARNING 2-WIRE				

**NOTE:** INDENTED ITEMS ARE INCLUDED WITH PRECEDING ITEM.

**MR25.2750**  
**06MAY97**

**AP44445 - STRAIGHT ACTING JACK, FIXED**  
**6,000 # CAPACITY; 1.625" ROD DIAMETER; 13.00" STROKE; BOLT-ON FOOT**  
**WITH MAGNETIC WARNING SWITCH AND PRESSURE SWITCH**  
**REPLACES AP44322**



ITEM	PART	QTY	DESCRIPTION
1	RAP90968	1	SWITCH WARNING MAGNETIC GRAY
2	RF90151	1	MALE TEE 1/8" X 1/4" X 1/4"
3	RAP92557	1	CYL. ASSY. 1.625" x 13" (INCLUDES ITEM 2) (EXCLUDES ITEMS 1,8,9)

**NOTE:** WHEN REPLACING A CYLINDER ON A AP44322 JACK ITEM 4 MUST BE ORDERED ALSO.

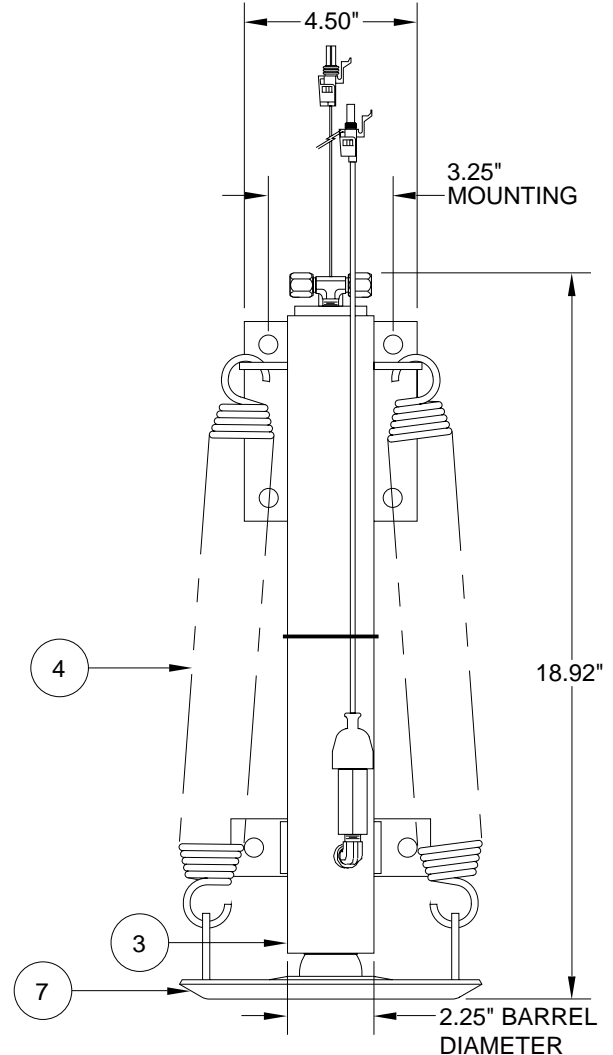
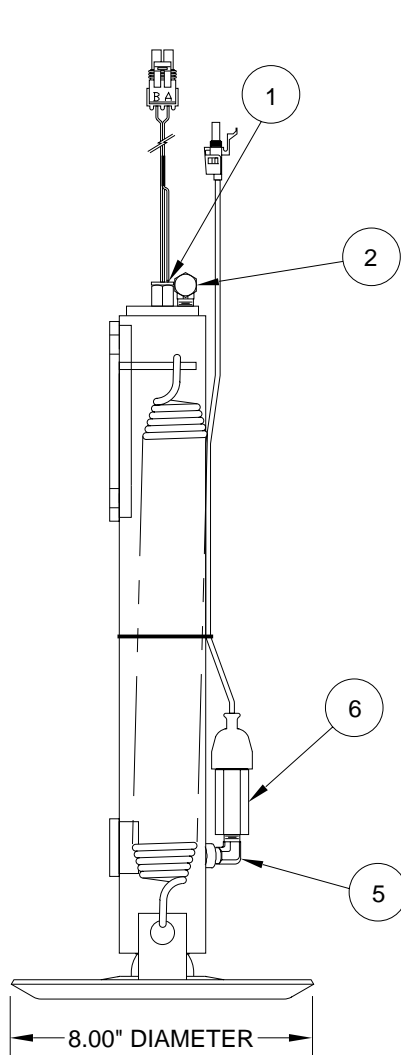
ITEM	PART	QTY	DESCRIPTION
4	RAP92558	1	MOUNTING BRACKET (INCLUDES HARDWARE)
5	R3847	1 2	SPRING KIT 1-11/16" X 14" SPRING 1-11/16" X 14"
6	RF8143	1	ELBOW 1/8" X 1/8"
7	RAP8003	1	SWITCH PRESSURE
8	RAP92048	1	FOOT 8.00" DIAMETER

**NOTE:** INDENTED ITEMS ARE INCLUDED WITH PRECEDING ITEM.

**MR25.2800**  
**09JUL09**

**AP44594 - AP44595**  
**STRAIGHT-ACTING JACK, FIXED**  
**6,000 # CAPACITY; 1.625" ROD DIAMETER; 13.00" STROKE; BOLT-ON FOOT**

JACK #	DESCRIPTION
AP44594	MAGNETIC WARNING SWITCH W/ GRAY CONNECTOR ONLY
AP44595	MAGNETIC WARNING SWITCH W/ GRAY CONNECTOR, PRESSURE SWITCH



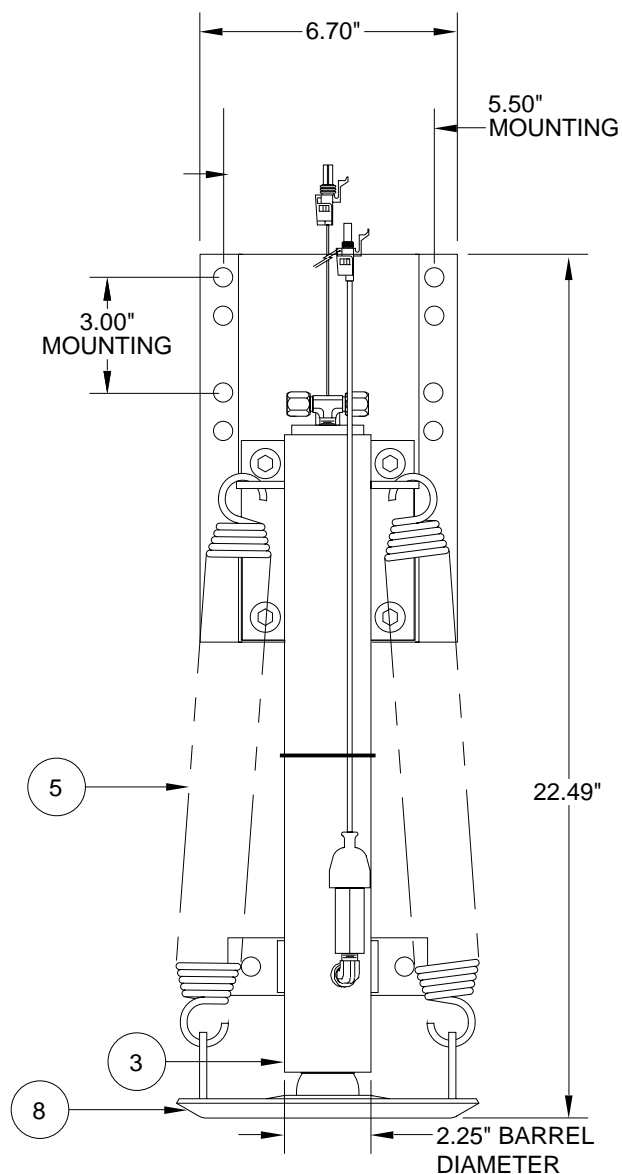
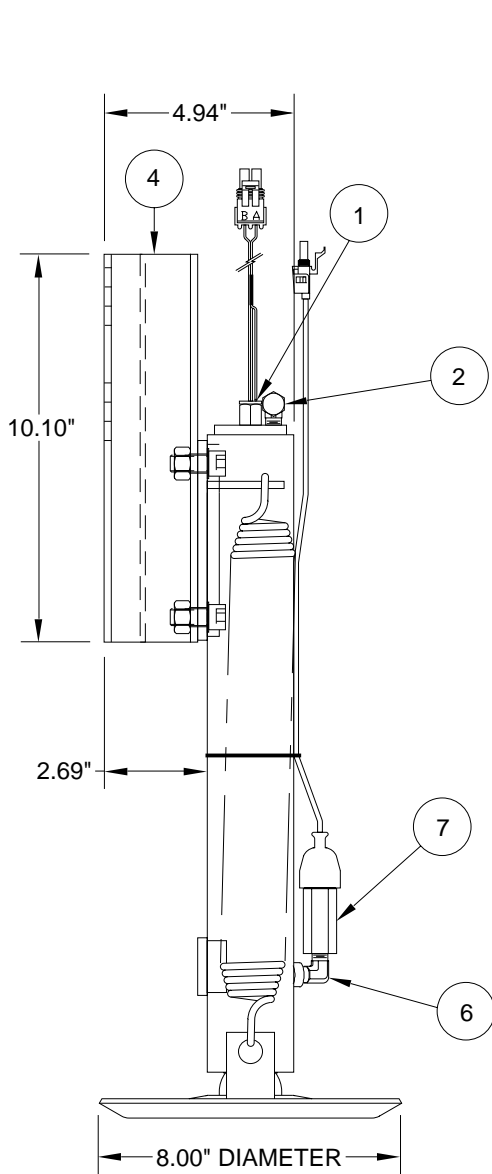
ITEM	PART	QTY	DESCRIPTION
1	RAP90968	1	SWITCH WARNING MAGNETIC GRAY (AP44594, AP44595)
2	RF90151	1	MALE TEE 1/8" X 1/4" X 1/4"
3	RAP92557	1	CYL. ASSY. 1.625" x 13" (INCLUDES ITEM 2) (EXCLUDES ITEMS 1,8,9)

ITEM	PART	QTY	DESCRIPTION
4	R3847	1	SPRING KIT 1-11/16" X 14"
		2	SPRING 1-11/16" X 14"
5	RF8143	1	ELBOW 1/8" X 1/8" (AP44595 ONLY)
6	RAP8003	1	SWITCH PRESSURE (AP44595 ONLY)
7	RAP92048	1	FOOT 8.00" DIAMETER

NOTE: INDENTED ITEMS ARE INCLUDED WITH PRECEDING ITEM.

**MR25.2805**  
**09JUL09**

**AP44659 - STRAIGHT ACTING JACK, FIXED**  
**6,000 # CAPACITY; 1.625" ROD DIAMETER; 13.00" STROKE; BOLT-ON FOOT**  
**WITH MAGNETIC WARNING SWITCH AND PRESSURE SWITCH**



ITEM	PART	QTY	DESCRIPTION
1	RAP90968	1	SWITCH WARNING MAGNETIC GRAY
2	RF90151	1	MALE TEE 1/8" X 1/4" X 1/4"
3	RAP92557	1	CYL. ASSY. 1.625" x 13" (INCLUDES ITEM 2) (EXCLUDES ITEMS 1,8,9)

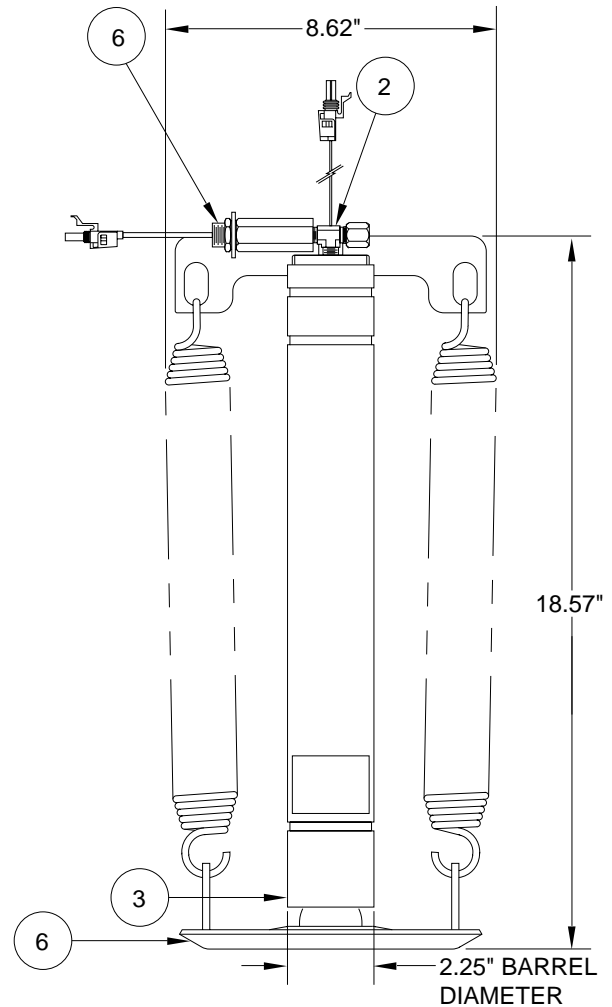
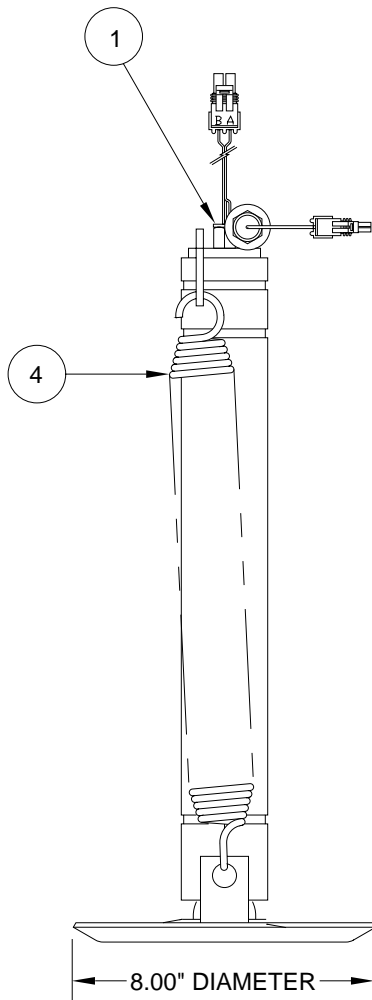
ITEM	PART	QTY	DESCRIPTION
4	RAP92559	1	MOUNTING BRACKET (INCLUDES HARDWARE)
5	R3847	1 2	SPRING KIT 1-11/16" X 14" SPRING 1-11/16" X 14"
6	RF8143	1	ELBOW 1/8" X 1/8"
7	RAP8003	1	SWITCH PRESSURE
8	RAP92048	1	FOOT 8.00" DIAMETER

NOTE: INDENTED ITEMS ARE INCLUDED WITH PRECEDING ITEM.

**MR25.2810**  
**09JUL09**

**AP46762 - AP48138**  
**STRAIGHT-ACTING JACK, FIXED**  
**6,000 # CAPACITY; 1.625" ROD DIAMETER; 13.00" STROKE; BOLT-ON FOOT**

JACK #	DESCRIPTION
AP46762	MAGNETIC WARNING SWITCH W/ GRAY CONNECTOR ONLY
AP48138	MAGNETIC WARNING SWITCH W/ GRAY CONNECTOR, PRESSURE SWITCH



ITEM	PART	QTY	DESCRIPTION
1	RAP90968	1	SWITCH WARNING MAGNETIC GRAY
2	RP0734	1	MALE TEE SPECIAL
3	RAP92726	1	CYL. ASSY. 1.625" x 13" (INCLUDES ITEM 2) (EXCLUDES ITEMS 1,5)

ITEM	PART	QTY	DESCRIPTION
4	R3847	1	SPRING KIT 1-11/16" X 14"
		2	SPRING 1-11/16" X 14"
5	RAP8003	1	SWITCH PRESSURE (AP48138 JACK ONLY)
6	RAP92048	1	FOOT 8.00" DIAMETER

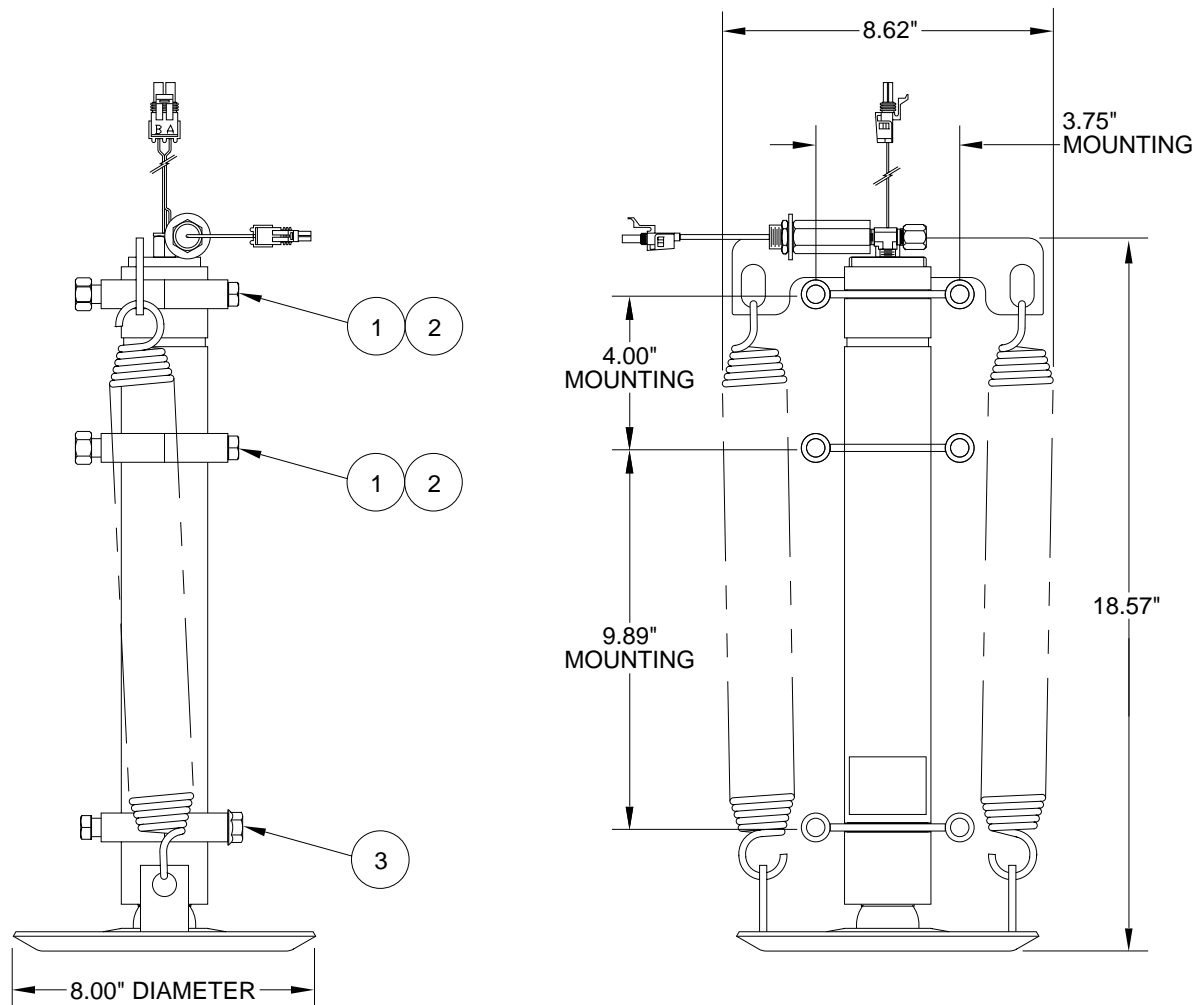
NOTE: INDENTED ITEMS ARE INCLUDED WITH PRECEDING ITEM.

**MR25.2813**  
**09AUG12**



**AP46763 - STRAIGHT-ACTING JACK, FIXED**  
**6,000 # CAPACITY; 1.625" ROD DIAMETER; 13.00" STROKE; BOLT-ON FOOT**  
**WITH MAGNETIC WARNING SWITCH AND PRESSURE SWITCH**

FOR BASIC JACK INFORMATION INCLUDING CYLINDER, SWITCHES AND SPRINGS OR JACK DIMENSIONS  
 DIMENSIONS SEE PAGE [MR25.2813](#)



ITEM	PART	QTY	DESCRIPTION
1	RAP93107	1	CLAMP KIT BOLT-THRU INCLUDES HARDWARE, DOES NOT INCLUDE ITEM #3.
2	RAP93109	1	CLAMP KIT WELD ON INCLUDES HARDWARE, DOES NOT INCLUDE ITEM #3.

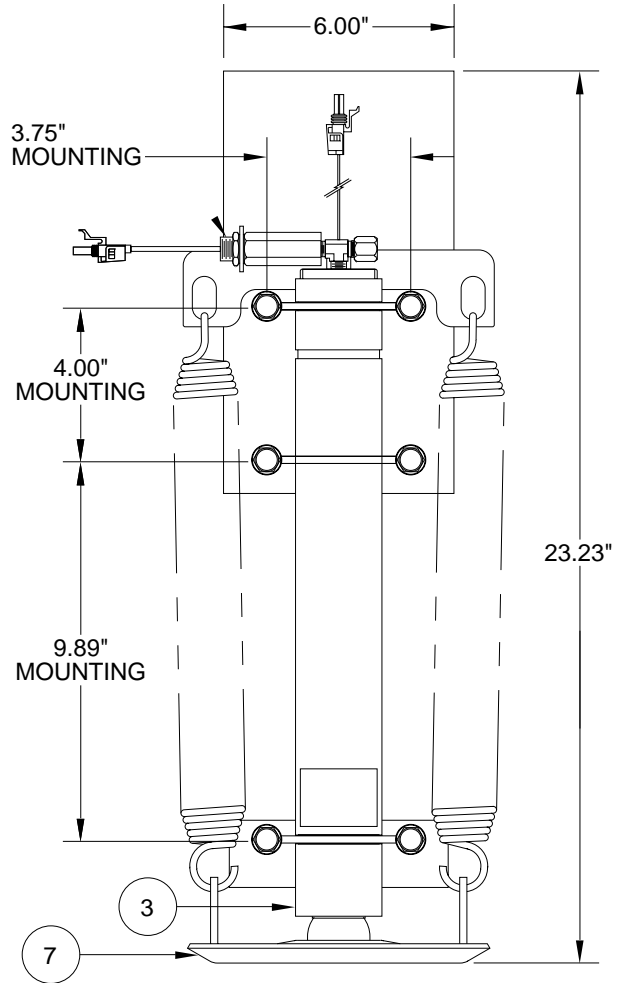
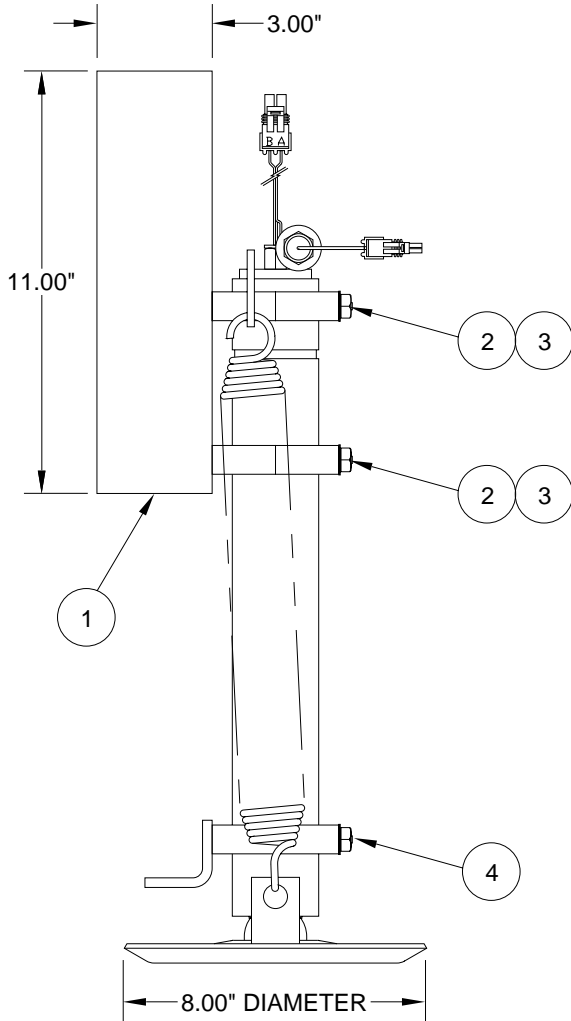
ITEM	PART	QTY	DESCRIPTION
3	RAP93110	1	CROSSTIE CLAMP KIT INCLUDES HARDWARE, AND CROSSTIE MOUNTING ANGLE

**NOTE:** INDENTED ITEMS ARE INCLUDED WITH PRECEDING ITEM.

**MR25.2813A**  
**09APR12**

**AP48086 - STRAIGHT-ACTING JACK, FIXED**  
**6,000 # CAPACITY; 1.625" ROD DIAMETER; 13.00" STROKE; BOLT-ON FOOT**  
**WITH MAGNETIC WARNING SWITCH AND PRESSURE SWITCH**

FOR BASIC JACK INFORMATION INCLUDING CYLINDER, SWITCHES AND SPRINGS OR JACK DIMENSIONS DIMENSIONS SEE PAGE [MR25.2813](#)



ITEM	PART	QTY	DESCRIPTION
1	RAP93040	1	MOUNTING BRACKET ASSEMBLY. INCLUDES OUTER CLAMPS AND HARDWARE. DOES NOT INCLUDE ITEM #4.
2	RAP93107	1	CLAMP KIT BOLT-THRU INCLUDES INNER CLAMPS, OUTER CLAMPS, AND HARDWARE. DOES NOT INCLUDE ITEM #4.

ITEM	PART	QTY	DESCRIPTION
3	RAP93109	1	CLAMP KIT WELD ON INCLUDES INNER CLAMPS, OUTER CLAMPS, AND HARDWARE. DOES NOT INCLUDE ITEM #4.
4	RAP93110	1	CROSSTIE CLAMP KIT INCLUDES INNER CLAMP, OUTER CLAMP, ANGLE BRACKET AND HARDWARE.

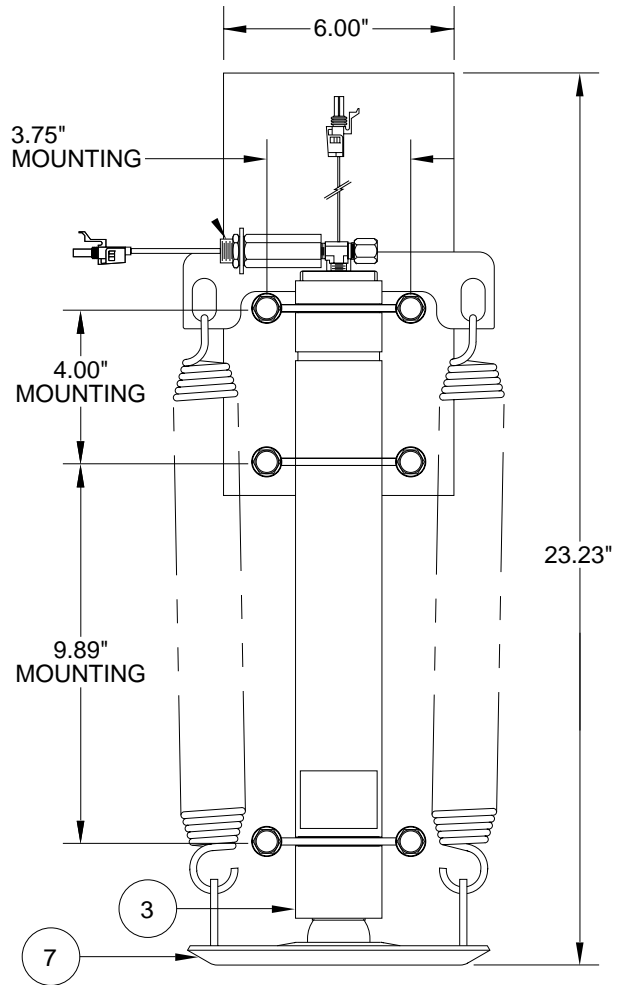
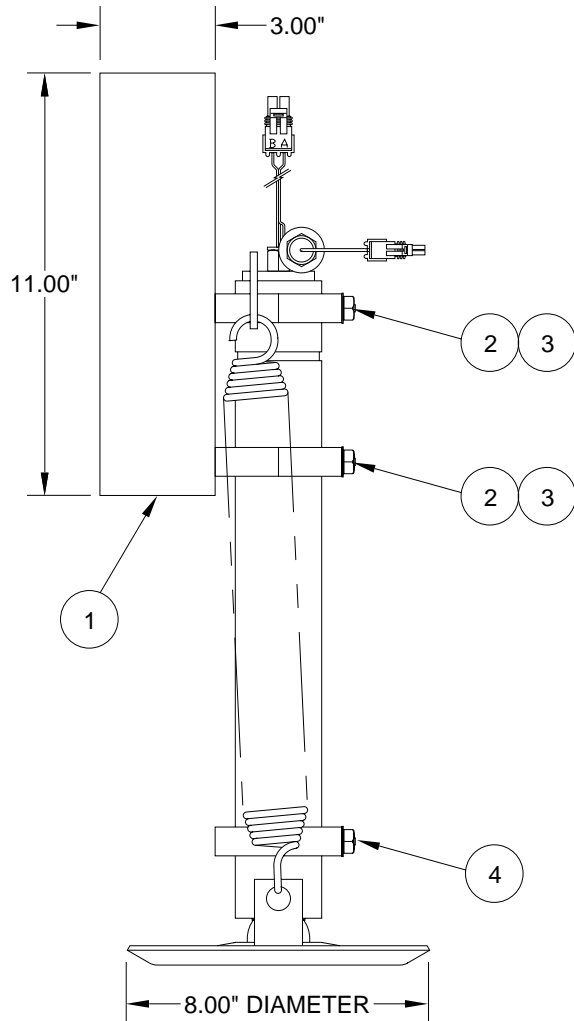
**NOTE:** INDENTED ITEMS ARE INCLUDED WITH PRECEDING ITEM.

**MR25.2813B**  
**09AUG12**

# AP50022 - STRAIGHT-ACTING JACK, FIXED

**6,000 # CAPACITY; 1.625" ROD DIAMETER; 13.00" STROKE; BOLT-ON FOOT WITH MAGNETIC WARNING SWITCH AND PRESSURE SWITCH**

FOR BASIC JACK INFORMATION INCLUDING CYLINDER, SWITCHES AND SPRINGS OR JACK DIMENSIONS DIMENSIONS SEE PAGE [MR25.2813](#)



ITEM	PART	QTY	DESCRIPTION
1	RAP93040	1	MOUNTING BRACKET ASSEMBLY. INCLUDES OUTER CLAMPS AND HARDWARE. DOES NOT INCLUDE ITEM #4.
2	RAP93107	1	CLAMP KIT BOLT-THRU INCLUDES INNER CLAMPS, OUTER CLAMPS, AND HARDWARE. DOES NOT INCLUDE ITEM #4.

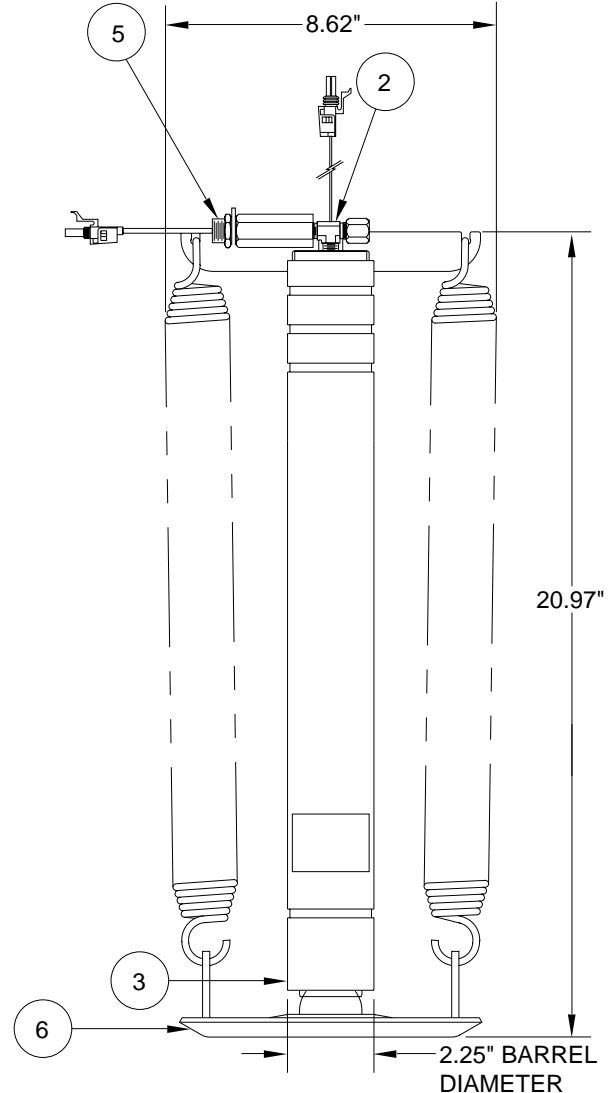
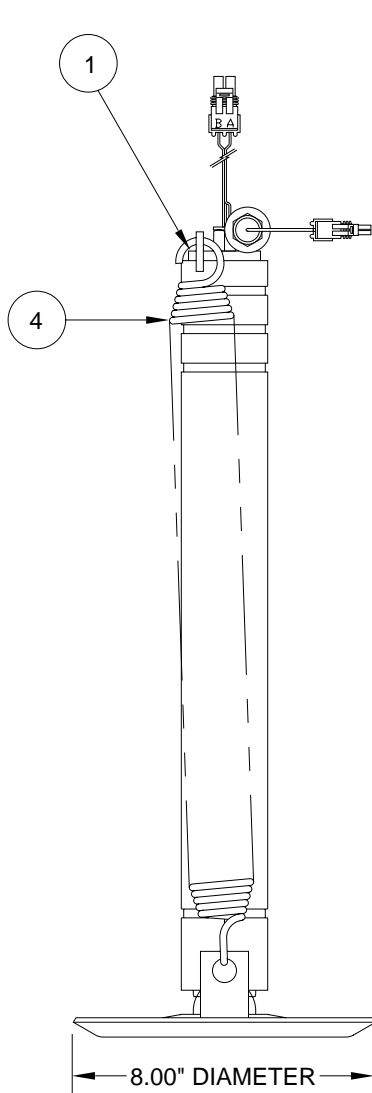
ITEM	PART	QTY	DESCRIPTION
3	RAP93109	1	CLAMP KIT WELD ON INCLUDES INNER CLAMPS, OUTER CLAMPS, AND HARDWARE. DOES NOT INCLUDE ITEM #4.
4	RAP93110	1	CROSSTIE CLAMP KIT INCLUDES INNER CLAMP, OUTER CLAMP, ANGLE BRACKET AND HARDWARE.

**NOTE:** INDENTED ITEMS ARE INCLUDED WITH PRECEDING ITEM.

**MR25.2813C  
09AUG12**

**AP46766 - AP46767**  
**STRAIGHT-ACTING JACK, FIXED**  
**6,000 # CAPACITY; 1.625" ROD DIAMETER; 15.00" STROKE; BOLT-ON FOOT**

JACK #	DESCRIPTION
AP46766	MAGNETIC WARNING SWITCH W/ GRAY CONNECTOR ONLY
AP46767	MAGNETIC WARNING SWITCH W/ GRAY CONNECTOR, PRESSURE SWITCH



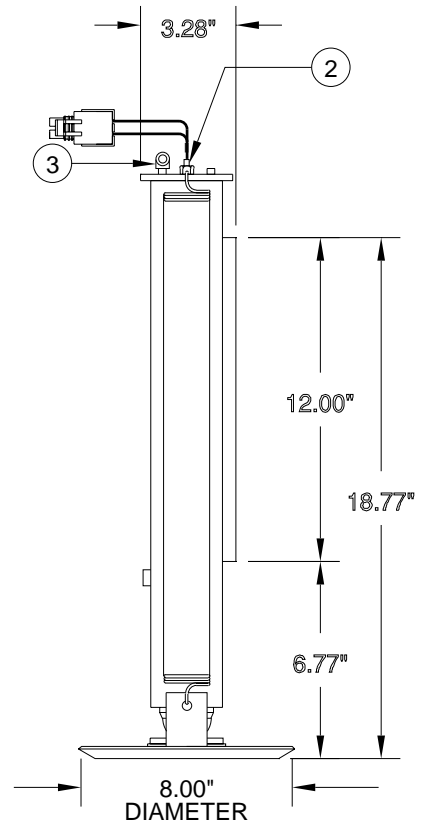
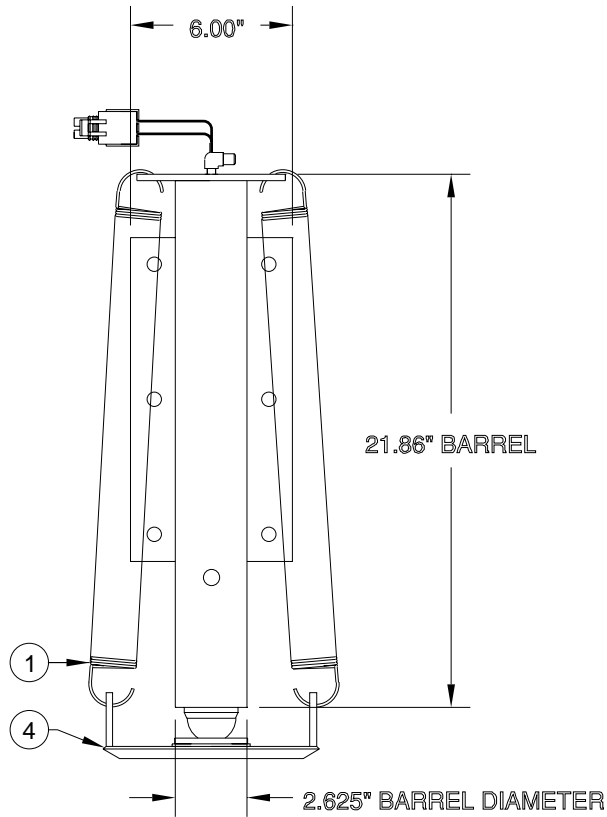
ITEM	PART	QTY	DESCRIPTION
1	RAP90968	1	SWITCH WARNING MAGNETIC GRAY
2	RP0734	1	MALE TEE SPECIAL
3	RAP92804	1	CYL. ASSY. 1.625" x 15" (INCLUDES ITEM 2) (EXCLUDES ITEMS 1,6)

ITEM	PART	QTY	DESCRIPTION
4	R3848	1	SPRING KIT 1-11/16" X 18"
		2	SPRING 1-11/16" X 18"
5	RAP8003	1	SWITCH PRESSURE (AP46767 JACK ONLY)
6	RAP92048	1	FOOT 8.00" DIAMETER

NOTE: INDENTED ITEMS ARE INCLUDED WITH PRECEDING ITEM.

MR25.2820  
03APR12

**AP9550 - STRAIGHT - ACTING JACK, FIXED**  
**9,000 # CAPACITY; 2.000" ROD DIAMETER; 16.00" STROKE**

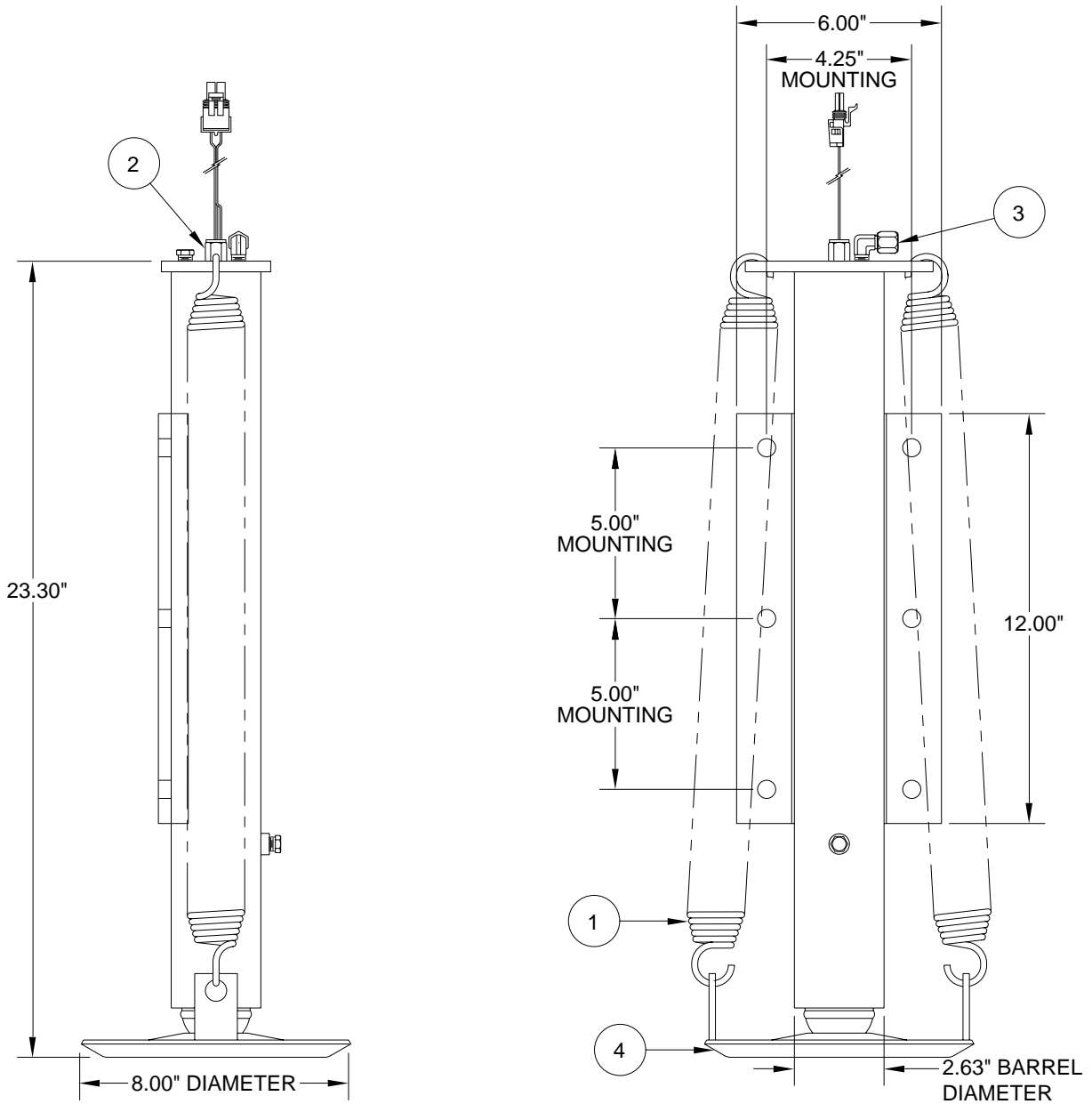


ITEM	PART	QTY	DESCRIPTION	ITEM	PART	QTY	DESCRIPTION
	RAP9550		JACK 9,000 # X 16" FIXED (REPLACES AP9550)	2	RAP1008	1	SWITCH WARNING 2-WIRE
1	R3848	1	SPRING KIT 1-11/16" X 18"	3	RF1453	1	ELBOW 1/8" X 1/4"
		2	SPRING 1-11/16" X 18"	4	RAP8464	1	8.00" DIAMETER FOOT

**NOTE:** INDENTED ITEMS ARE INCLUDED WITH PRECEDING ITEM.

**MR25.3100**  
**06MAY97**

**AP39148 - STRAIGHT - ACTING JACK, FIXED**  
**9,000 # CAPACITY; 2.000" ROD DIAMETER; 16.00" STROKE**  
**USED ON FIFTH WHEEL COACHES**



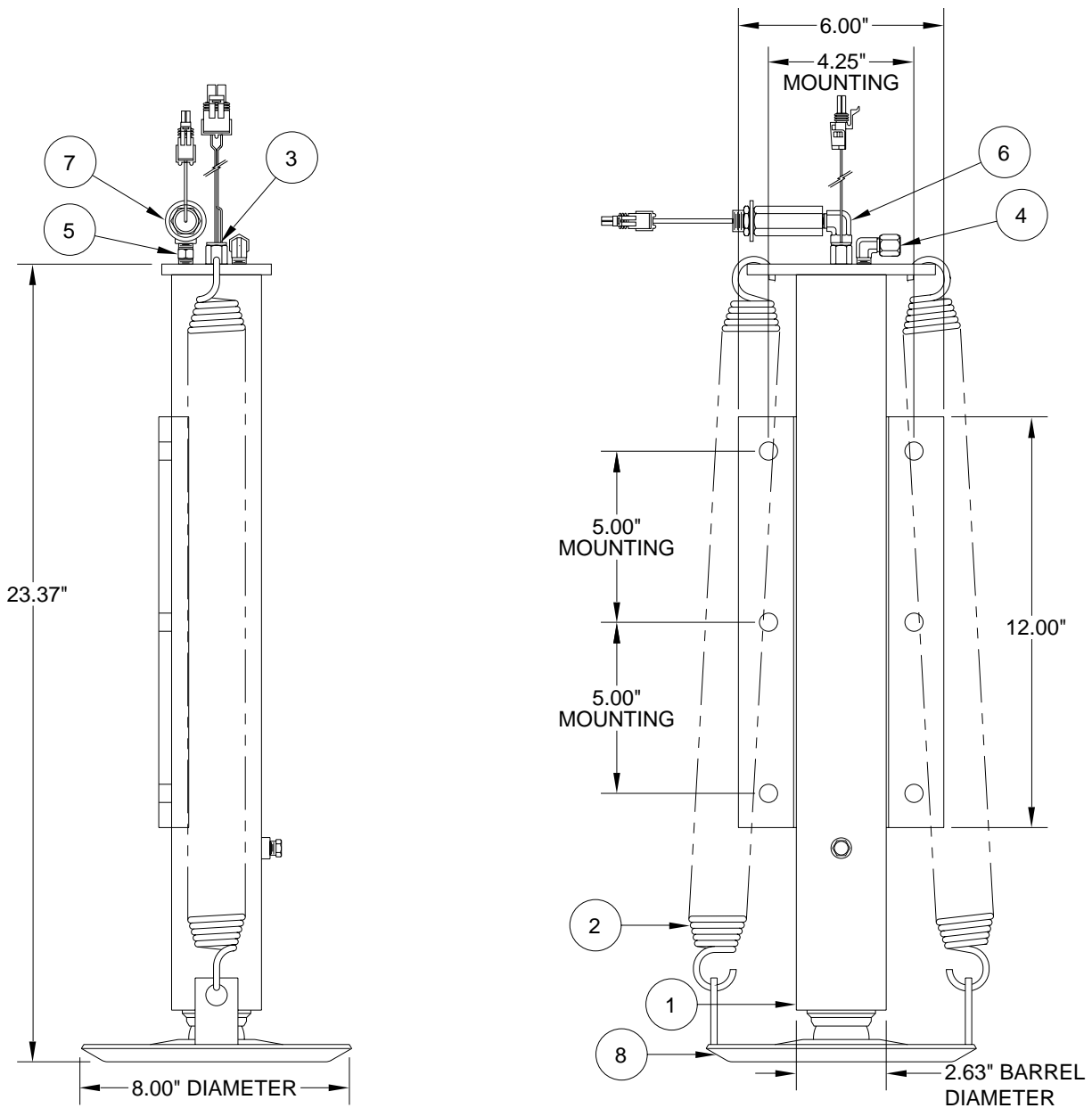
ITEM	PART	QTY	DESCRIPTION
	RAP92445		JACK 9,000 # X 16" FIXED (REPLACES AP39148)
1	R3848	1	SPRING KIT 1-11/16" X 18"
		2	SPRING 1-11/16" X 18"

ITEM	PART	QTY	DESCRIPTION
2	RAP90968	1	SWITCH WARNING MAGNETIC GRAY
3	RF1453	1	ELBOW 1/8" X 1/4"
4	RAP8464	1	8.00" DIAMETER FOOT

**NOTE:** INDENTED ITEMS ARE INCLUDED WITH PRECEDING ITEM.

**MR25.3105**  
**13MAR09**

**AP39149 - STRAIGHT - ACTING JACK, FIXED**  
**9,000 # CAPACITY; 2.000" ROD DIAMETER; 16.00" STROKE; BOLT-ON FOOT**  
**USED ON FIFTH WHEEL COACHES**



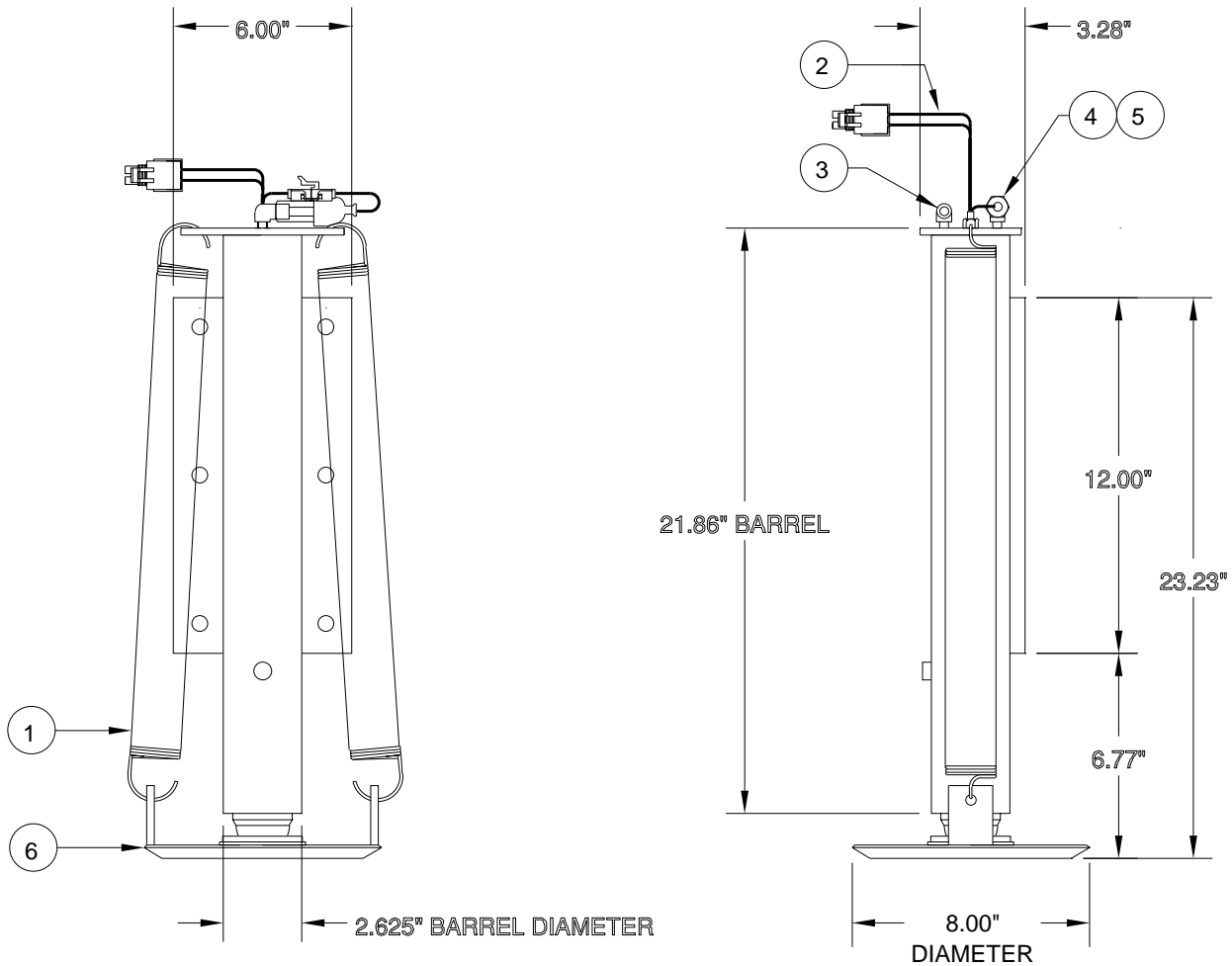
ITEM	PART	QTY	DESCRIPTION
1	RAP92799	1	CYL. ASSY. 2.000" x 16" (INCLUDES TEE) (EXCLUDES ITEMS 3,4,5,6,7)
2	R3848	1 2	SPRING KIT 1-11/16" X 18" SPRING 1-11/16" X 18"
3	RAP90968	1	SWITCH WARNING MAGNETIC GRAY
4	RF1453	1	ELBOW 1/8" X 1/4"

ITEM	PART	QTY	DESCRIPTION
5	RF9315	1	NIPPLE 1/8"
6	RF90796	1	STREET ELBOW 1/8"
7	RAP8003	1	SWITCH PRESSURE
8	RAP92406	1	8.00" DIAMETER FOOT

**NOTE:** INDENTED ITEMS ARE INCLUDED WITH PRECEDING ITEM.

**MR25.3107**  
**23JAN12**

**AP9587 - STRAIGHT - ACTING JACK, FIXED**  
**9,000 # CAPACITY; 2.000" ROD DIAMETER; 16.00" STROKE**  
**WITH PRESSURE SWITCH**



ITEM	PART	QTY	DESCRIPTION
	RAP9587		JACK 9,000 # X 16" FIXED (REPLACES AP9587)
1	R3848	1	SPRING KIT 1-11/16" X 18"
		2	SPRING 1-11/16" X 18"
2	RAP90073	1	SWITCH WARNING 3-WIRE (REPLACES RAP8442 AND RAP1009)

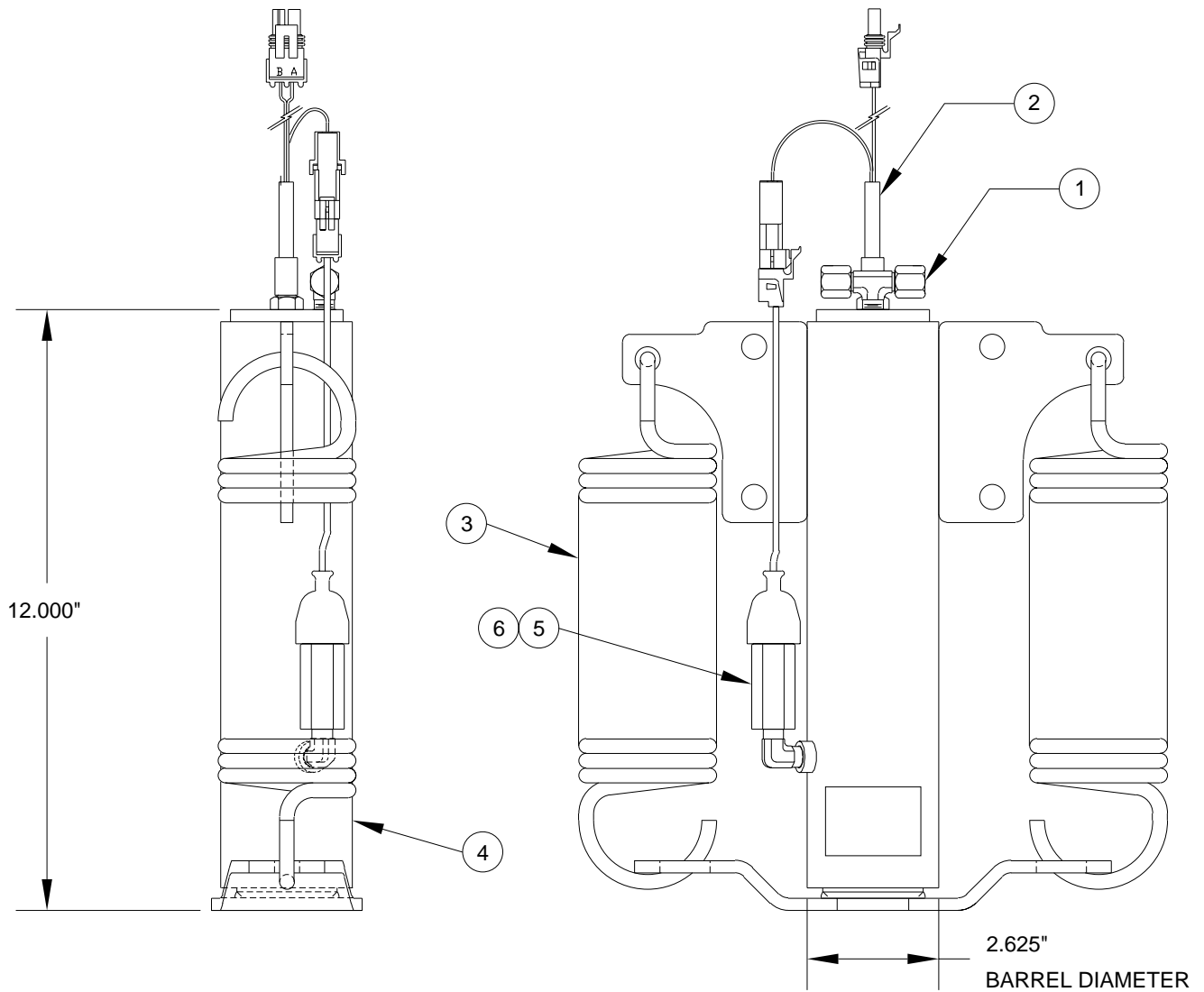
ITEM	PART	QTY	DESCRIPTION
3	RF1453	1	ELBOW 1/8" X 1/4"
4	RF8143	1	ELBOW 1/8" X 1/4"
5	RAP8003	1	SWITCH PRESSURE
6	RAP8464	1	8.00" DIAMETER FOOT

**NOTE:** INDENTED ITEMS ARE INCLUDED WITH PRECEDING ITEM.

**MR25.3110**  
**06MAY97**



**AP20875 - STRAIGHT - ACTING JACK, FIXED, F/A SPRINGS**  
**9,000 # CAPACITY; 2.000" ROD DIAMETER; 8.00" STROKE**  
**WITH PRESSURE SWITCH AND 3-WIRE WARNING SWITCH.**



ITEM	PART	QTY	DESCRIPTION
	RAP90996		JACK 9,000 # X 8" F/A (REPLACES AP20875)
1	RF90151	1	MALE BRANCH TEE 1/8" X 1/4" X 1/4"
2	RAP90073	1	SWITCH WARNING 3-WIRE
3	R90854	1 2	SPRING KIT SPRING 2.75 X 9.75

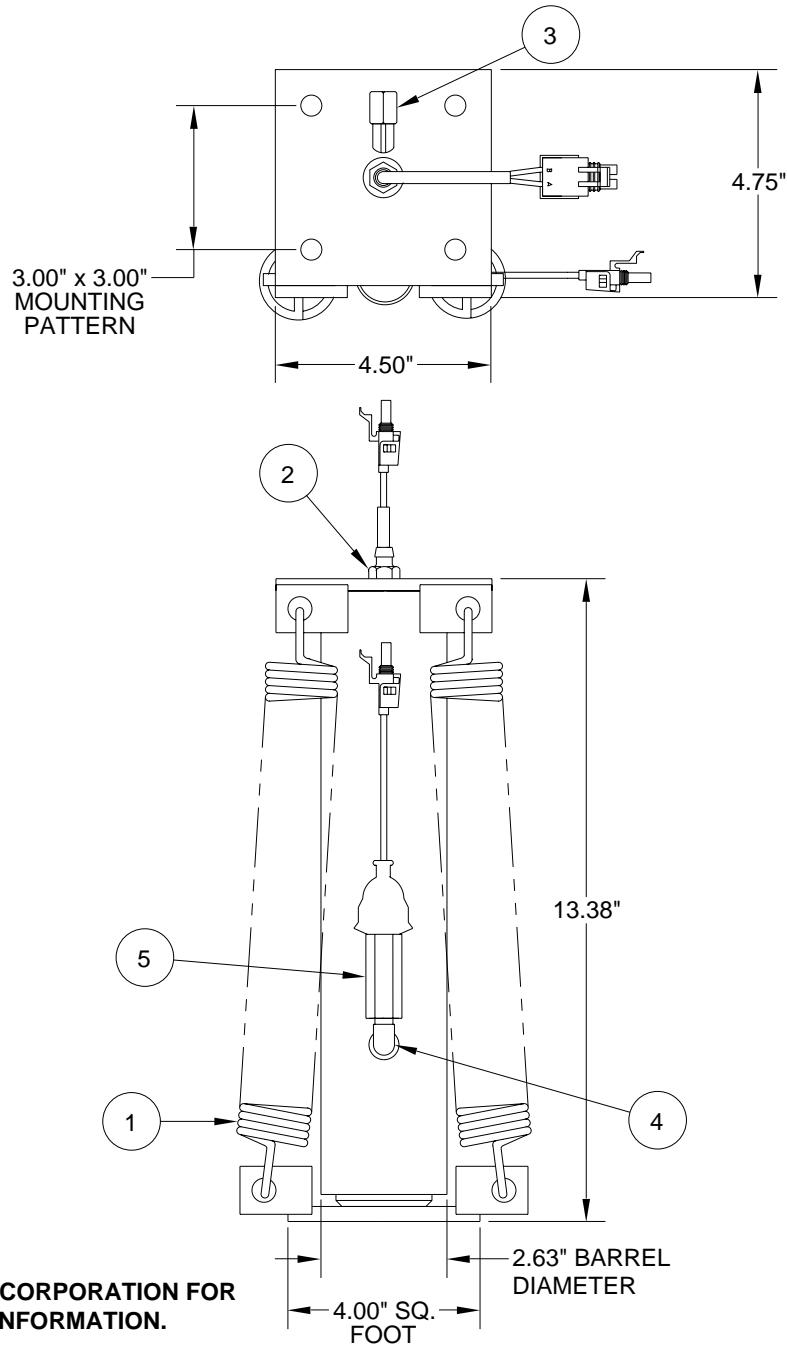
ITEM	PART	QTY	DESCRIPTION
4	RAP90994	1	CYL. ASSY. 2.00" X 8.00" (INCLUDES ITEM 1) (EXCLUDES ITEMS 2,3,5,6)
5	RF8143	1	ELBOW 1/8" X 1/8"
6	RAP8003	1	SWITCH PRESSURE

NOTE : INDENTED ITEMS ARE INCLUDED WITH PRECEDING ITEM.

**MR25.3111**  
**23DEC02**

**AP12275 - AP12276**  
**STRAIGHT-ACTING JACK, FIXED**  
**9,000 # CAPACITY; 2.000" ROD DIAMETER; 8.00" STROKE**  
**USED ON PREVOST BUS CONVERSIONS**

JACK #	DESCRIPTION
AP12275	MAGNETIC WARNING SWITCH W/ BLACK CONNECTOR, PRESSURE SWITCH
AP12276	MAGNETIC WARNING SWITCH W/ BLACK CONNECTOR ONLY

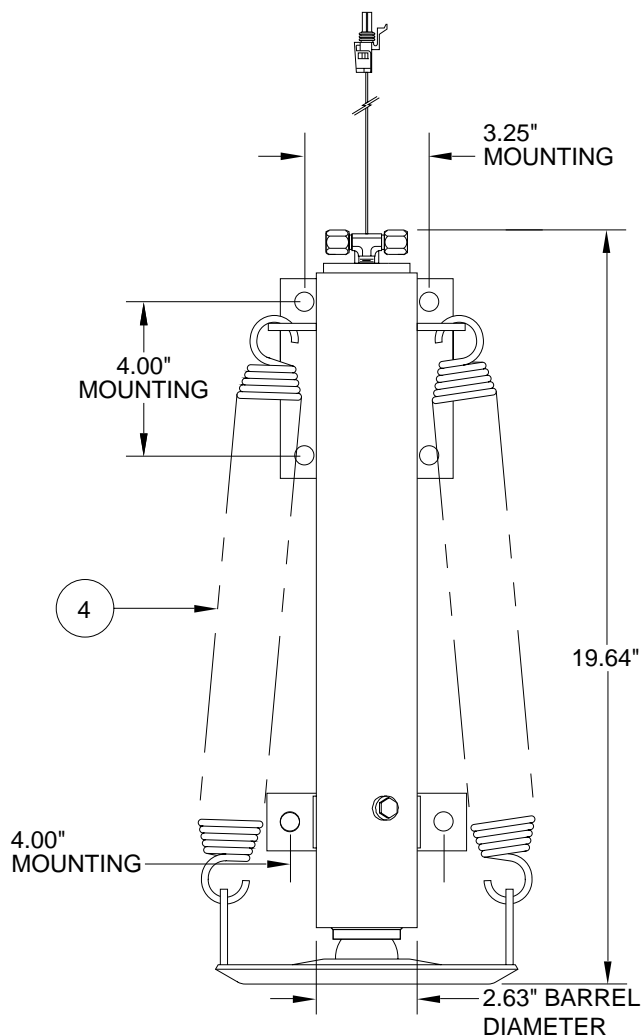
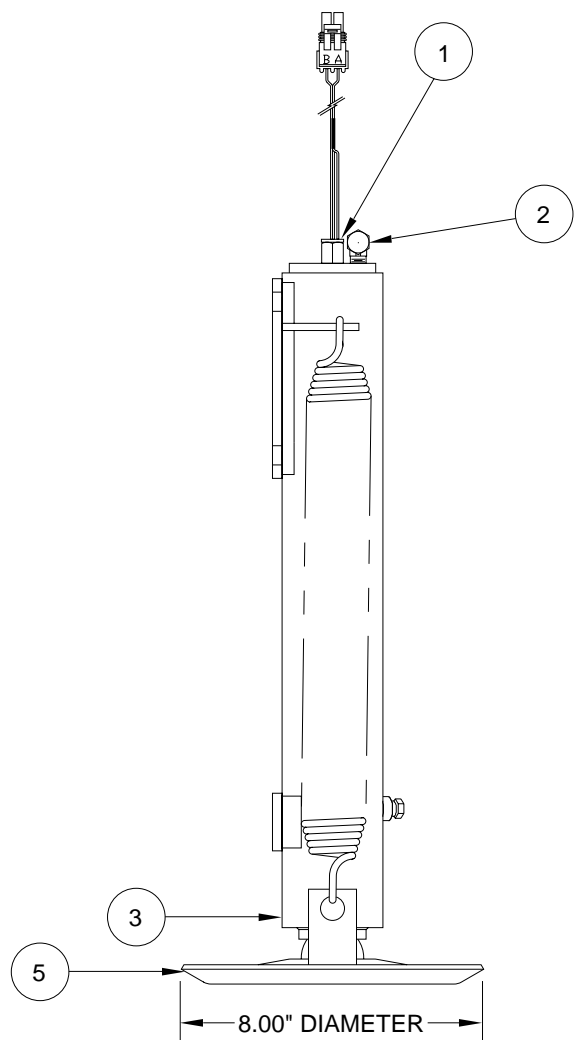


ITEM	PART	QTY	DESCRIPTION	ITEM	PART	QTY	DESCRIPTION
1	R6824	1	SPRING KIT 1.50" X 10"	4	RF8143	1	ELBOW 1/8" X 1/8" (AP12275 ONLY)
		2	SPRING 1.50" X 10"	5	RAP8003	1	SWITCH PRESSURE (AP12275 ONLY)
2	RAP1008	1	SWITCH WARNING MAGNETIC (AP12275, AP12276)				
3	RF1453	1	ELBOW 1/8" X 1/4"				

NOTE: INDENTED ITEMS ARE INCLUDED WITH PRECEDING ITEM.

**MR25.3112**  
**13MAR09**

**AP45588 - STRAIGHT-ACTING JACK, FIXED**  
**9,000 # CAPACITY; 2.000" ROD DIAMETER; 13.00" STROKE; BOLT-ON FOOT**  
**WITH MAGNETIC WARNING SWITCH**



ITEM	PART	QTY	DESCRIPTION
1	RAP90968	1	SWITCH WARNING MAGNETIC GRAY
2	RF90151	1	MALE TEE 1/8" X 1/4" X 1/4"
3	RAP92528	1	CYL. ASSY. 2.000" x 13" (INCLUDES ITEM 2) (EXCLUDES ITEM 1)

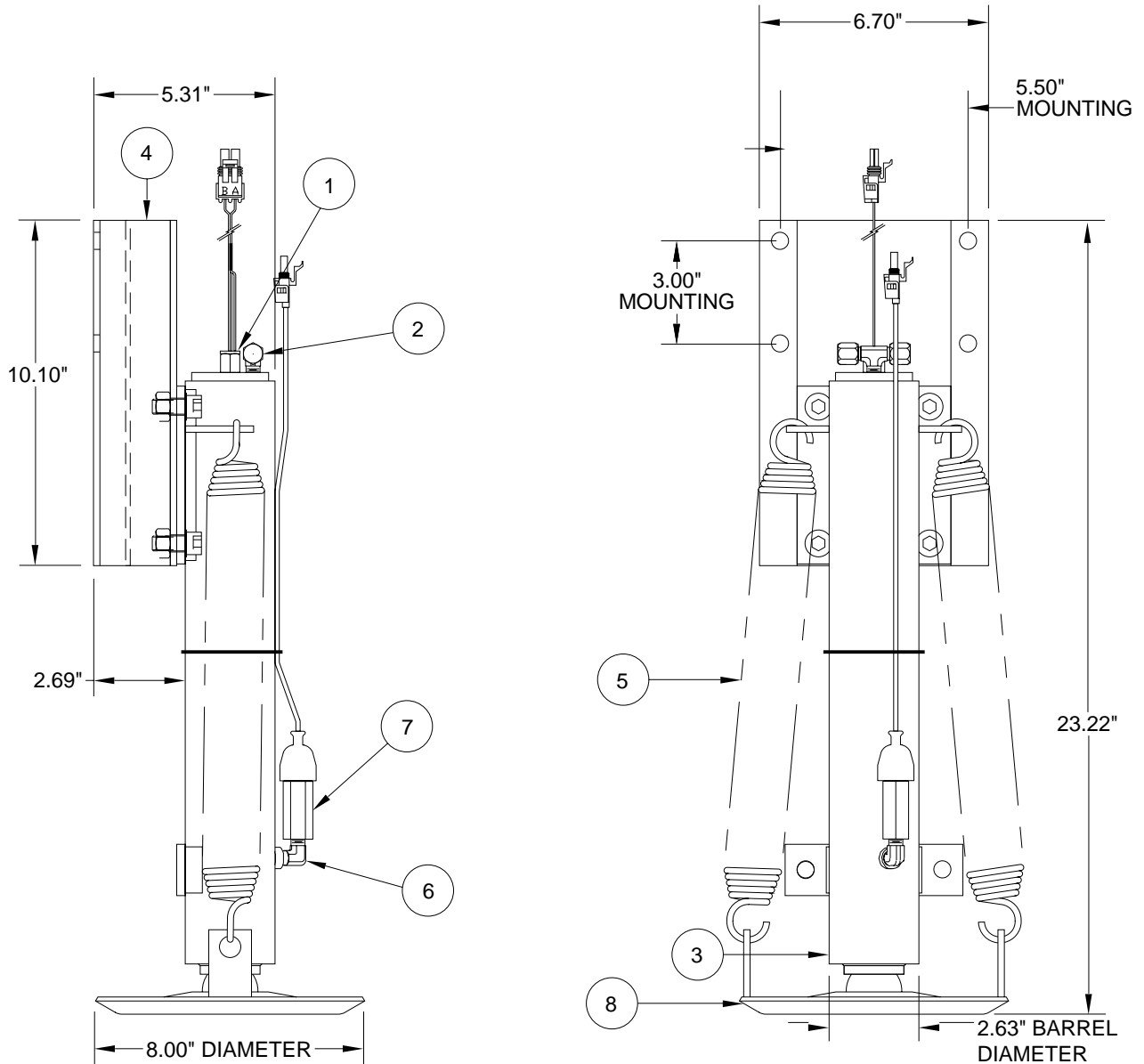
ITEM	PART	QTY	DESCRIPTION
4	R3847	1 2	SPRING KIT 1-11/16" X 14" SPRING 1-11/16" X 14"
5	RAP92406	1	FOOT 8.00" DIAMETER

**NOTE:** INDENTED ITEMS ARE INCLUDED WITH PRECEDING ITEM.

**MR25.3115**  
**03APR12**

# AP44447 - STRAIGHT ACTING JACK, FIXED

**9,000 # CAPACITY; 2.000" ROD DIAMETER; 13.00" STROKE; BOLT-ON FOOT WITH MAGNETIC WARNING SWITCH AND PRESSURE SWITCH  
REPLACES AP44323**



ITEM	PART	QTY	DESCRIPTION
------	------	-----	-------------

1	RAP90968	1	SWITCH WARNING MAGNETIC GRAY
2	RF90151	1	MALE TEE 1/8" X 1/4" X 1/4"
3	RAP92528	1	CYL. ASSY. 2.000" x 13" (INCLUDES ITEM 2) (EXCLUDES ITEMS 1,8,9)

**NOTE:** WHEN REPLACING A CYLINDER ON A AP44323 JACK ITEM 4 MUST BE ORDERED ALSO.

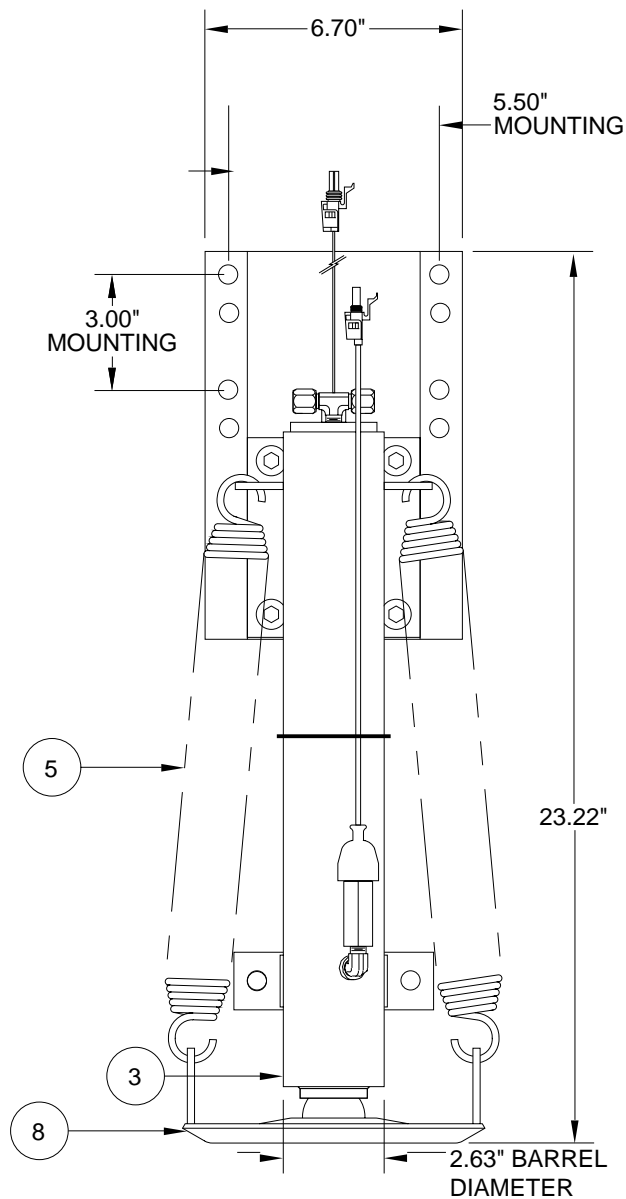
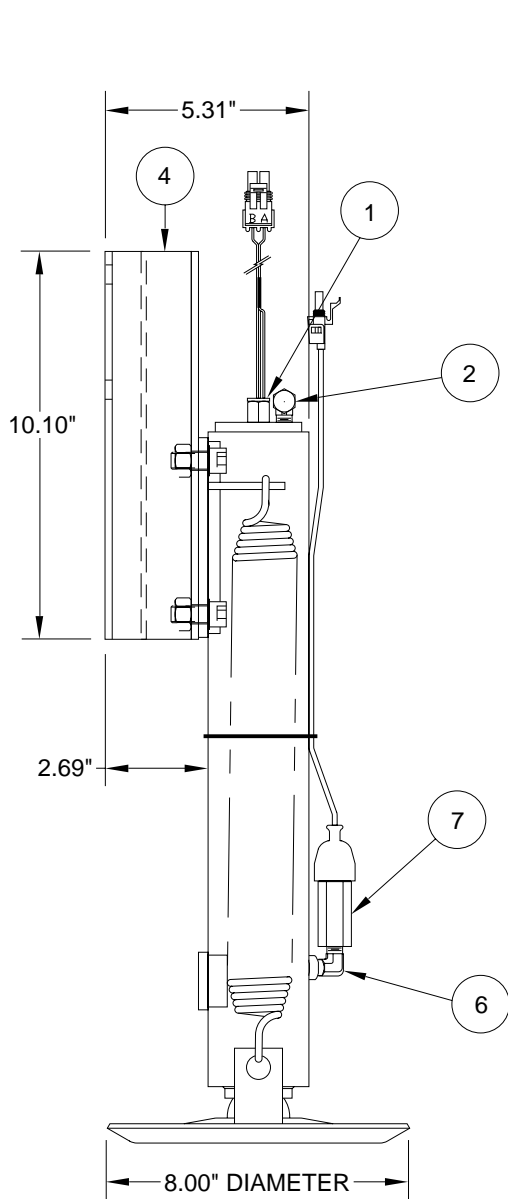
ITEM	PART	QTY	DESCRIPTION
------	------	-----	-------------

4	RAP92560	1	MOUNTING BRACKET (INCLUDES HARDWARE)
5	R3847	1 2	SPRING KIT 1-11/16" X 14" SPRING 1-11/16" X 14"
6	RF8143	1	ELBOW 1/8" X 1/8"
7	RAP8003	1	SWITCH PRESSURE
8	RAP92048	1	FOOT 8.00" DIAMETER

**NOTE:** INDENTED ITEMS ARE INCLUDED WITH PRECEDING ITEM.

**MR25.3200  
09JUL09**

**AP44661 - STRAIGHT ACTING JACK, FIXED**  
**9,000 # CAPACITY; 2.000" ROD DIAMETER; 13.00" STROKE; BOLT-ON FOOT**  
**WITH MAGNETIC WARNING SWITCH AND PRESSURE SWITCH**



ITEM	PART	QTY	DESCRIPTION
1	RAP90968	1	SWITCH WARNING MAGNETIC GRAY
2	RF90151	1	MALE TEE 1/8" X 1/4" X 1/4"
3	RAP92528	1	CYL. ASSY. 2.000" x 13" (INCLUDES ITEM 2) (EXCLUDES ITEMS 1,8,9)
4	RAP92559	1	MOUNTING BRACKET (INCLUDES HARDWARE)

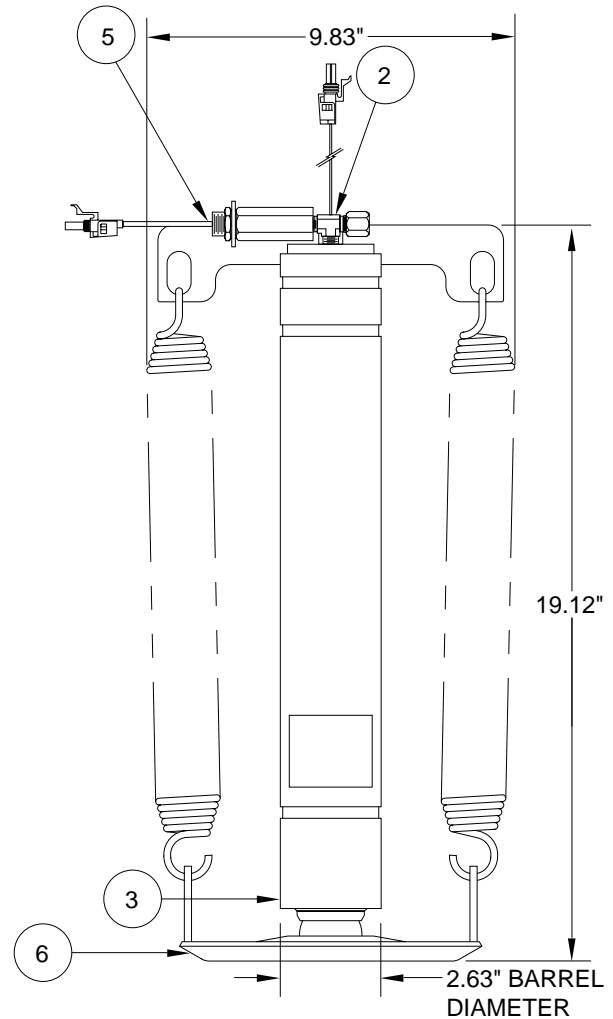
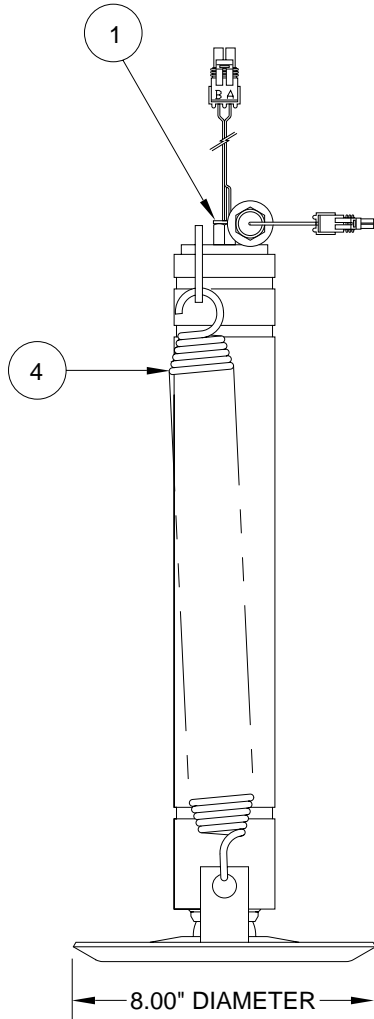
ITEM	PART	QTY	DESCRIPTION
5	R3847	1	SPRING KIT 1-11/16" X 14"
		2	SPRING 1-11/16" X 14"
6	RF8143	1	ELBOW 1/8" X 1/8"
7	RAP8003	1	SWITCH PRESSURE
8	RAP92048	1	FOOT 8.00" DIAMETER

NOTE: INDENTED ITEMS ARE INCLUDED WITH PRECEDING ITEM.

**MR25.3205**  
**09JUL09**

**AP46747 - AP48140**  
**STRAIGHT-ACTING JACK, FIXED**  
**9,000 # CAPACITY; 2.000" ROD DIAMETER; 13.00" STROKE; BOLT-ON FOOT**

JACK #	DESCRIPTION
AP46747	MAGNETIC WARNING SWITCH W/ GRAY CONNECTOR ONLY
AP48140	MAGNETIC WARNING SWITCH W/ GRAY CONNECTOR, PRESSURE SWITCH



ITEM	PART	QTY	DESCRIPTION
1	RAP90968	1	SWITCH WARNING MAGNETIC GRAY
2	RP0734	1	MALE TEE SPECIAL
3	RAP92729	1	CYL. ASSY. 2.000" x 13" (INCLUDES ITEM 2) (EXCLUDES ITEMS 1,5)

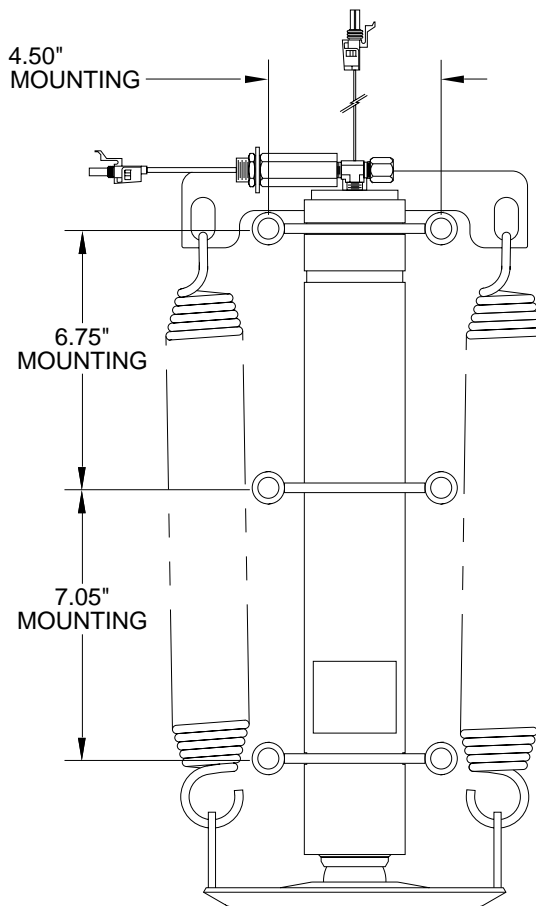
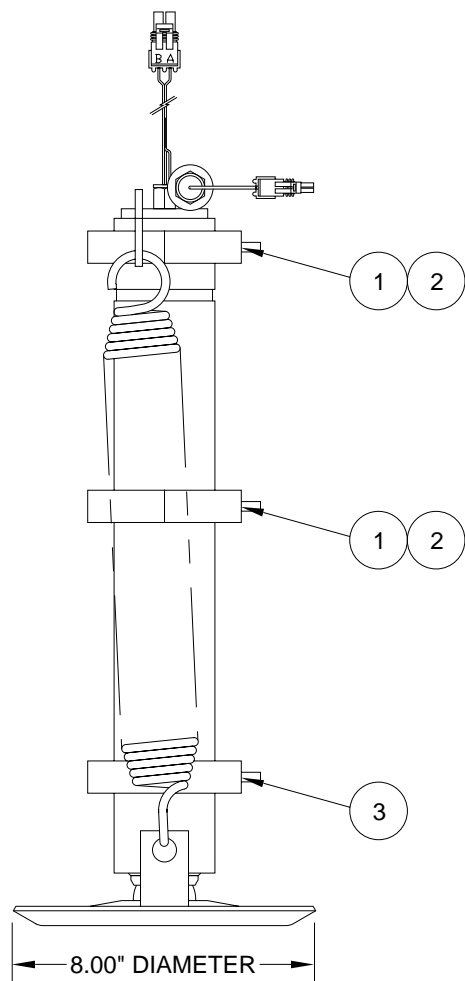
ITEM	PART	QTY	DESCRIPTION
4	R3847	1	SPRING KIT 1-11/16" X 14"
		2	SPRING 1-11/16" X 14"
5	RAP8003	1	SWITCH PRESSURE (AP48140 JACK ONLY)
6	RAP92406	1	FOOT 8.00" DIAMETER

NOTE: INDENTED ITEMS ARE INCLUDED WITH PRECEDING ITEM.

MR25.3213  
09APR12

**AP45657 - STRAIGHT-ACTING JACK, FIXED**  
**9,000 # CAPACITY; 2.000" ROD DIAMETER; 13.00" STROKE; BOLT-ON FOOT**  
**WITH MAGNETIC WARNING SWITCH AND PRESSURE SWITCH**

FOR BASIC JACK INFORMATION INCLUDING CYLINDER, SWITCHES AND SPRINGS OR JACK DIMENSIONS DIMENSIONS SEE PAGE [MR25.3213](#)



ITEM	PART	QTY	DESCRIPTION
1	RAP93104	1	CLAMP KIT WELD ON INCLUDES HARDWARE, DOES NOT INCLUDE ITEM #3.
2	RAP93105	1	CLAMP KIT BOLT-THRU INCLUDES HARDWARE, DOES NOT INCLUDE ITEM #3.

ITEM	PART	QTY	DESCRIPTION
3	RAP93106	1	CROSSTIE CLAMP KIT INCLUDES HARDWARE, AND CROSSTIE MOUNTING ANGLE

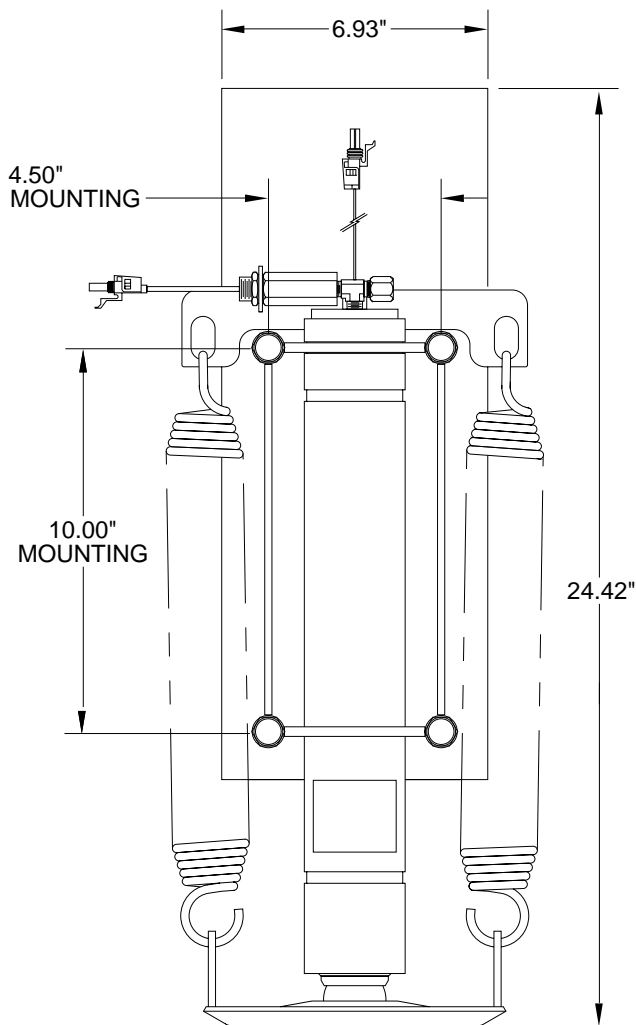
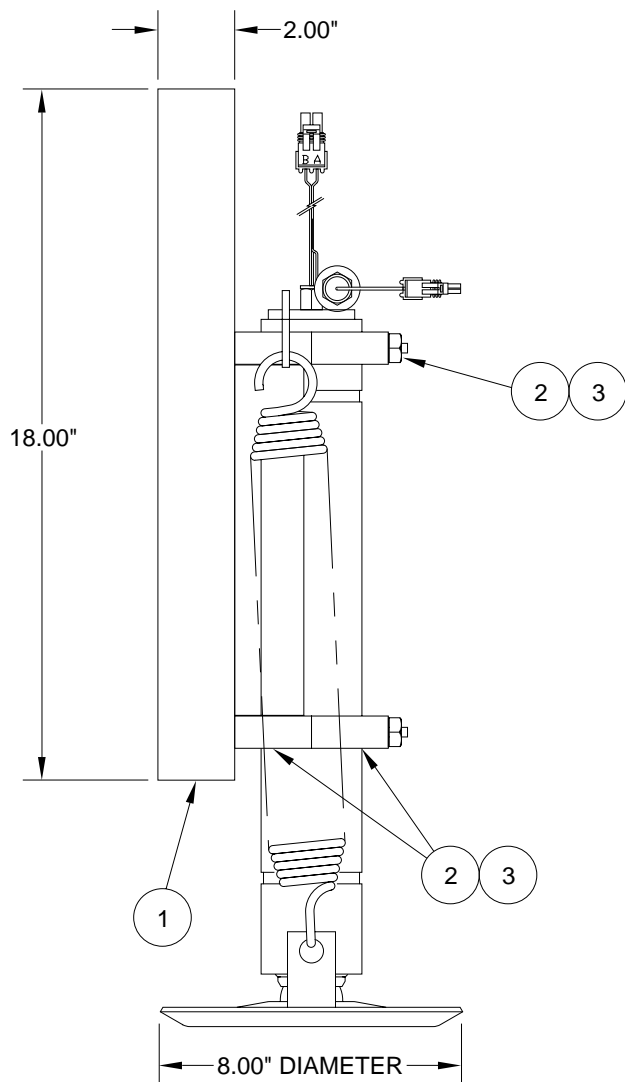
NOTE: INDENTED ITEMS ARE INCLUDED WITH PRECEDING ITEM.

**MR25.3213A**  
**09APR12**

# AP47071 - STRAIGHT-ACTING JACK, FIXED

**9,000 # CAPACITY; 2.000" ROD DIAMETER; 13.00" STROKE; BOLT-ON FOOT WITH MAGNETIC WARNING SWITCH AND PRESSURE SWITCH**

FOR BASIC JACK INFORMATION INCLUDING CYLINDER, SWITCHES AND SPRINGS OR JACK DIMENSIONS DIMENSIONS SEE PAGE [MR25.3213](#)



ITEM	PART	QTY	DESCRIPTION
1	RAP93043	1	MOUNTING BRACKET ASSEMBLY. INCLUDES CHANNEL, INNER CLAMP WELDMENT, AND OUTER CLAMPS WITH HARDWARE.
2	RAP93104	1	CLAMP KIT WELD ON INCLUDES INNER CLAMPS, OUTER CLAMPS, AND HARDWARE.

ITEM	PART	QTY	DESCRIPTION
3	RAP93105	1	CLAMP KIT BOLT-THRU INCLUDES INNER CLAMPS, OUTER CLAMPS, AND HARDWARE.

**NOTE:** INDENTED ITEMS ARE INCLUDED WITH PRECEDING ITEM.

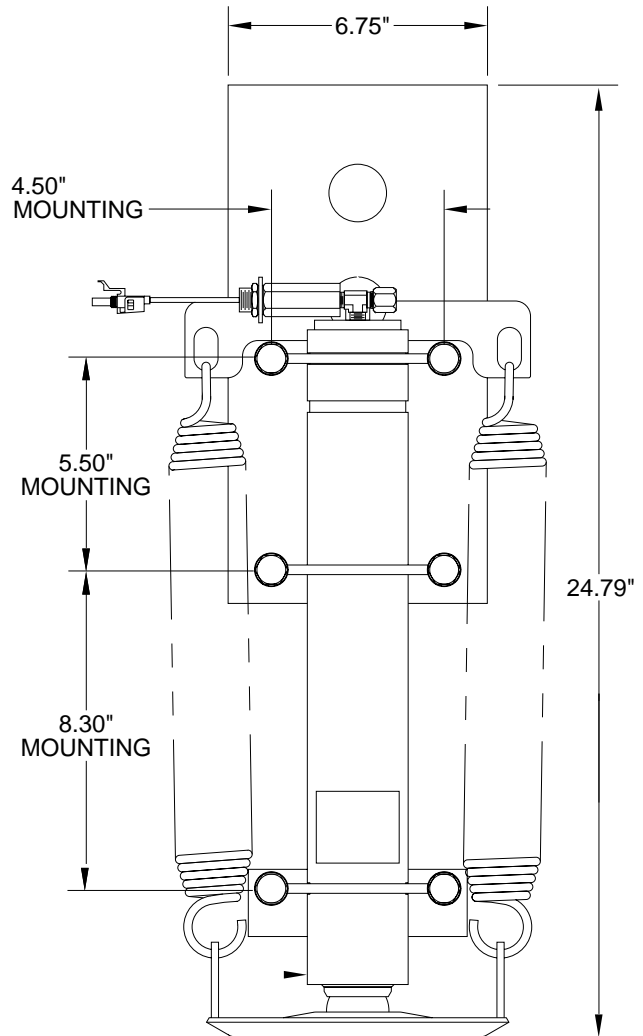
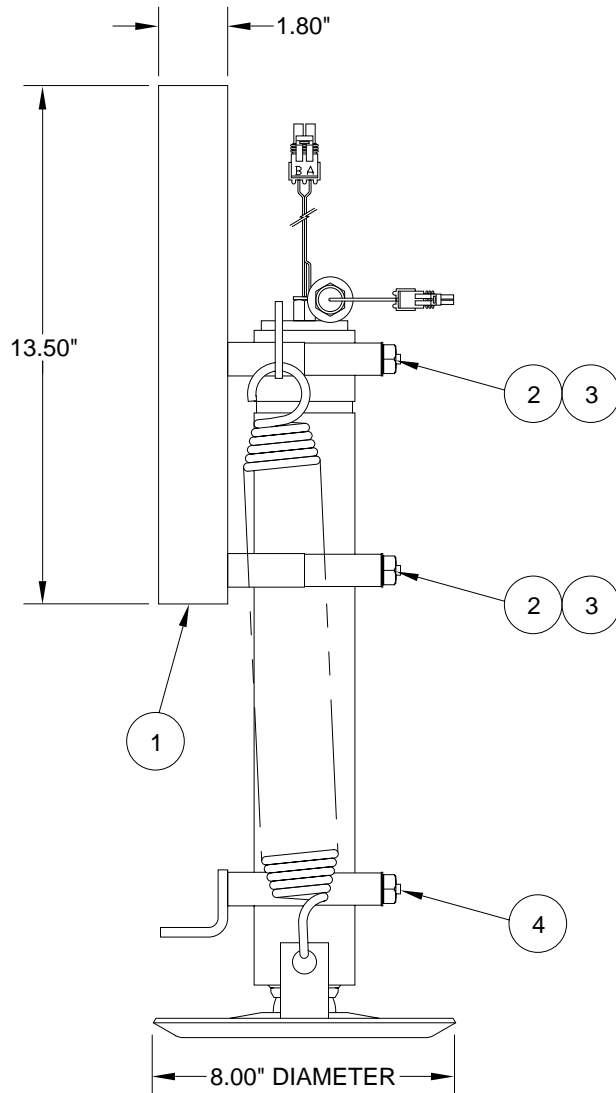
**MR25.3213B**  
**27FEB13**



# AP48088 - STRAIGHT-ACTING JACK, FIXED

## 9,000 # CAPACITY; 2.000" ROD DIAMETER; 13.00" STROKE; BOLT-ON FOOT WITH MAGNETIC WARNING SWITCH AND PRESSURE SWITCH

FOR BASIC JACK INFORMATION INCLUDING CYLINDER, SWITCHES AND SPRINGS OR JACK DIMENSIONS DIMENSIONS SEE PAGE [MR25.3213](#)



ITEM	PART	QTY	DESCRIPTION
1	RAP93042	1	MOUNTING BRACKET ASSEMBLY. INCLUDES OUTER CLAMPS AND HARDWARE. DOES NOT INCLUDE ITEM #4.
2	RAP93104	1	CLAMP KIT WELD ON INCLUDES INNER CLAMPS, OUTER CLAMPS, AND HARDWARE. DOES NOT INCLUDE ITEM #4.

ITEM	PART	QTY	DESCRIPTION
3	RAP93105	1	CLAMP KIT BOLT-THRU INCLUDES INNER CLAMPS, OUTER CLAMPS, AND HARDWARE. DOES NOT INCLUDE ITEM #4.
4	RAP93106	1	CROSSTIE CLAMP KIT INCLUDES INNER CLAMP, OUTER CLAMP, ANGLE BRACKET AND HARDWARE.

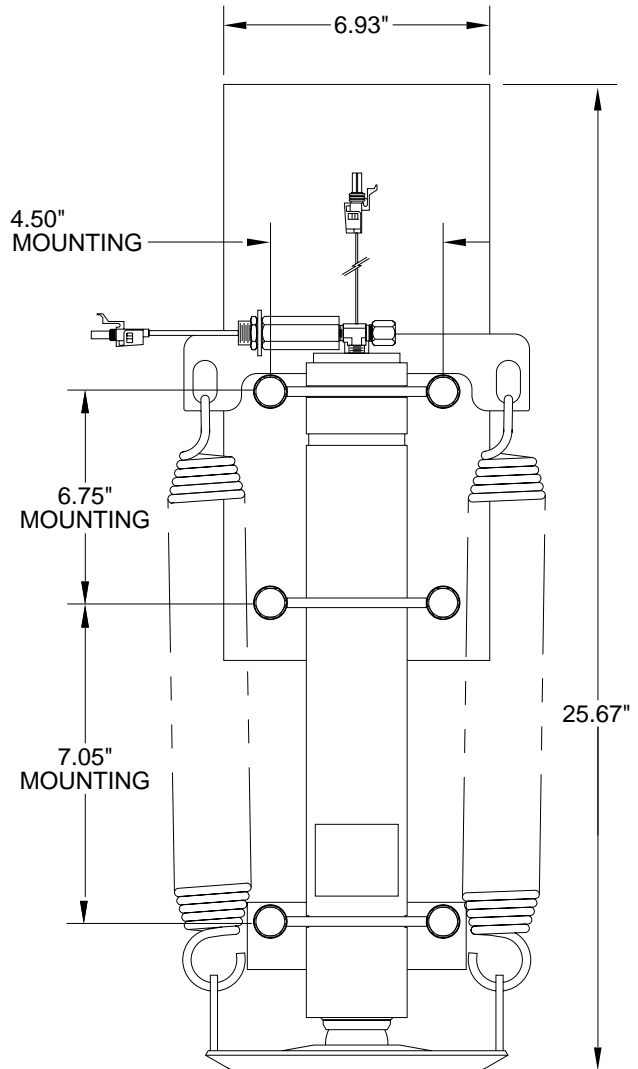
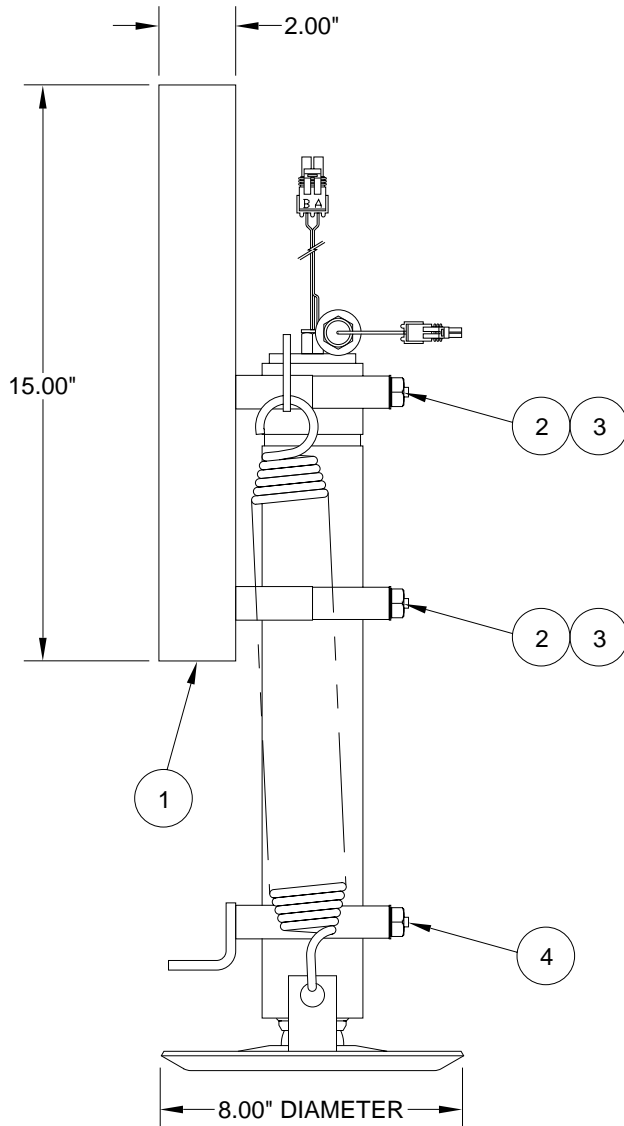
**NOTE:** INDENTED ITEMS ARE INCLUDED WITH PRECEDING ITEM.

**MR25.3213C**  
**09APR12**

# AP49586 - STRAIGHT-ACTING JACK, FIXED

## 9,000 # CAPACITY; 2.000" ROD DIAMETER; 13.00" STROKE; BOLT-ON FOOT WITH MAGNETIC WARNING SWITCH AND PRESSURE SWITCH

FOR BASIC JACK INFORMATION INCLUDING CYLINDER, SWITCHES AND SPRINGS OR JACK DIMENSIONS  
DIMENSIONS SEE PAGE [MR25.3213](#)



ITEM	PART	QTY	DESCRIPTION
1	RAP93041	1	MOUNTING BRACKET ASSEMBLY. INCLUDES OUTER CLAMPS AND HARDWARE. DOES NOT INCLUDE ITEM #4.
2	RAP93104	1	CLAMP KIT WELD ON INCLUDES INNER CLAMPS, OUTER CLAMPS, AND HARDWARE. DOES NOT INCLUDE ITEM #4.

ITEM	PART	QTY	DESCRIPTION
3	RAP93105	1	CLAMP KIT BOLT-THRU INCLUDES INNER CLAMPS, OUTER CLAMPS, AND HARDWARE. DOES NOT INCLUDE ITEM #4.
4	RAP93106	1	CROSSTIE CLAMP KIT INCLUDES INNER CLAMP, OUTER CLAMP, ANGLE BRACKET AND HARDWARE.

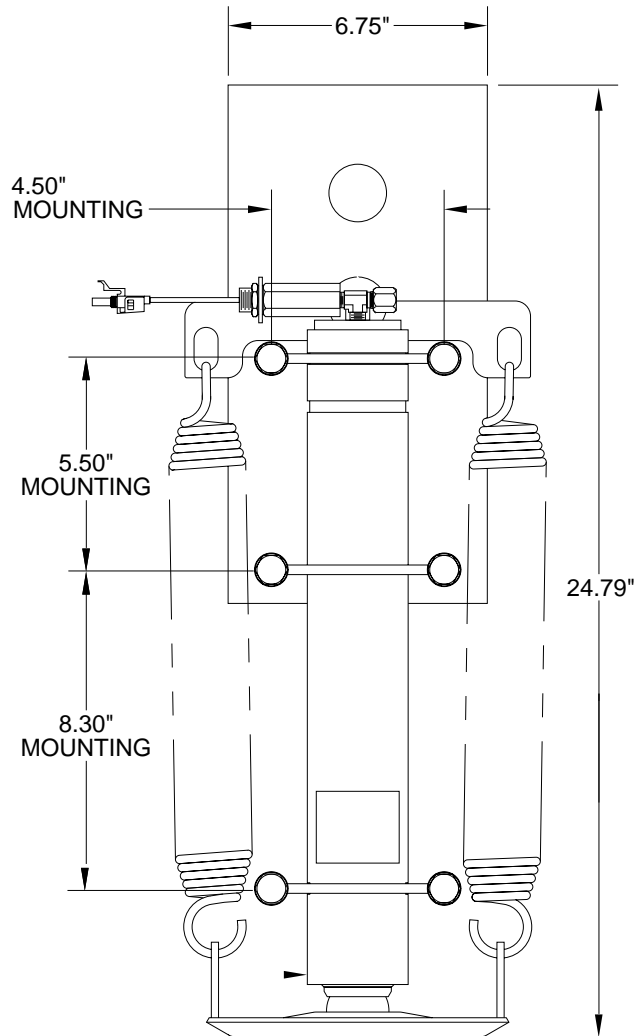
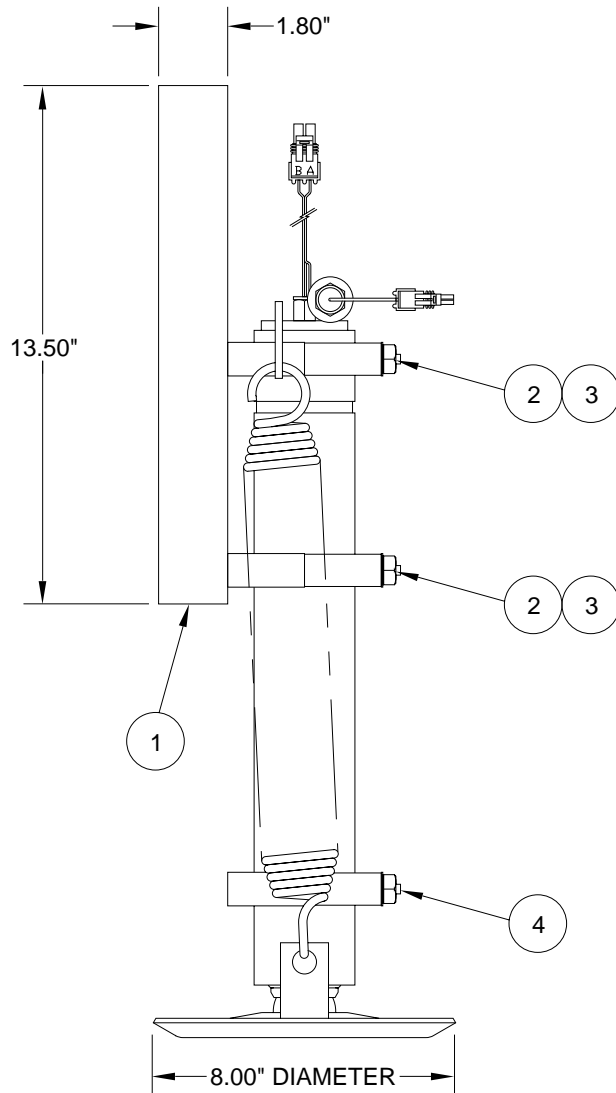
**NOTE:** INDENTED ITEMS ARE INCLUDED WITH PRECEDING ITEM.

**MR25.3213D**  
**09APR12**

# AP50023 - STRAIGHT-ACTING JACK, FIXED

## 9,000 # CAPACITY; 2.000" ROD DIAMETER; 13.00" STROKE; BOLT-ON FOOT WITH MAGNETIC WARNING SWITCH AND PRESSURE SWITCH

FOR BASIC JACK INFORMATION INCLUDING CYLINDER, SWITCHES AND SPRINGS OR JACK DIMENSIONS DIMENSIONS SEE PAGE [MR25.3213](#)



ITEM	PART	QTY	DESCRIPTION
1	RAP93042	1	MOUNTING BRACKET ASSEMBLY. INCLUDES OUTER CLAMPS AND HARDWARE. DOES NOT INCLUDE ITEM #4.
2	RAP93104	1	CLAMP KIT WELD ON INCLUDES INNER CLAMPS, OUTER CLAMPS, AND HARDWARE. DOES NOT INCLUDE ITEM #4.

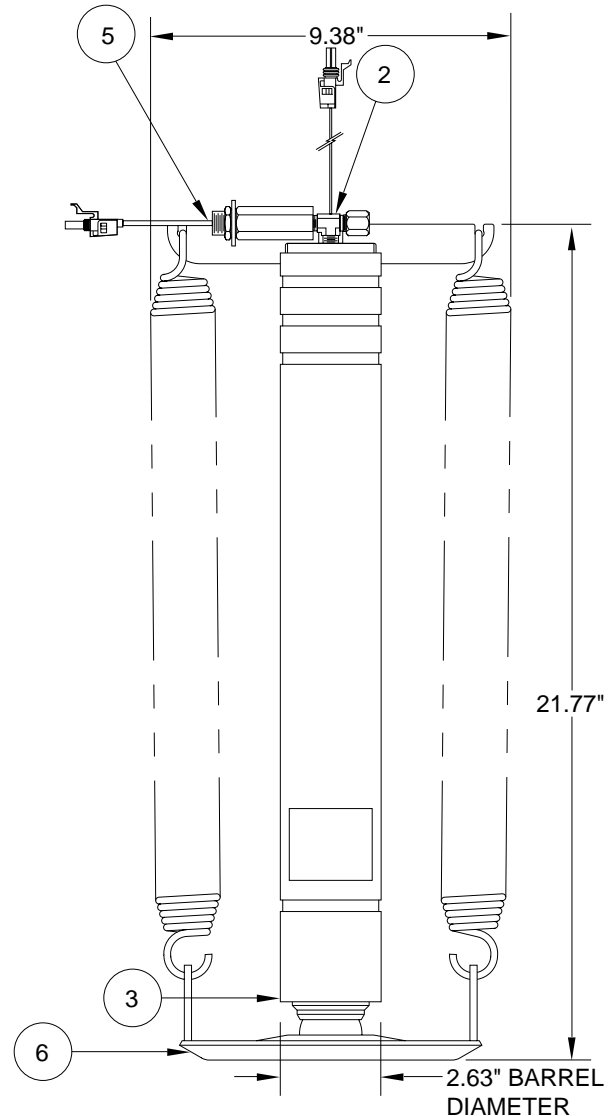
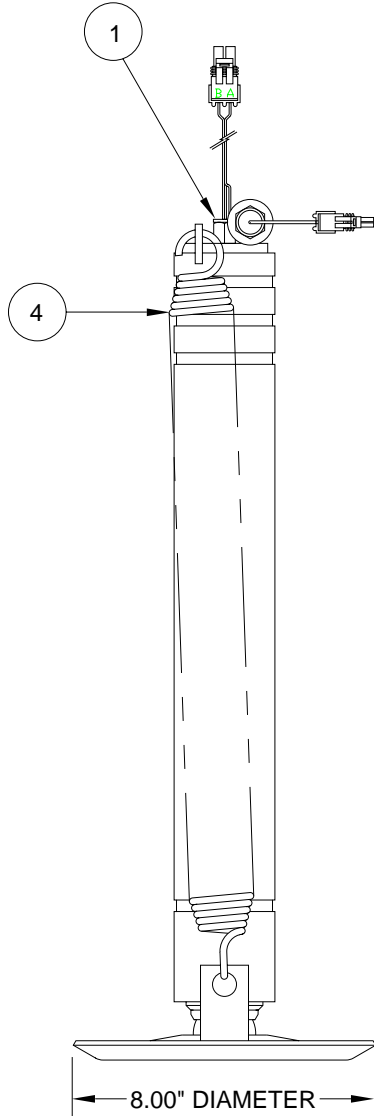
ITEM	PART	QTY	DESCRIPTION
3	RAP93105	1	CLAMP KIT BOLT-THRU INCLUDES INNER CLAMPS, OUTER CLAMPS, AND HARDWARE. DOES NOT INCLUDE ITEM #4.
4	RAP93106	1	CROSSTIE CLAMP KIT INCLUDES INNER CLAMP, OUTER CLAMP, AND HARDWARE.

**NOTE:** INDENTED ITEMS ARE INCLUDED WITH PRECEDING ITEM.

**MR25.3213E**  
**09APR12**

**AP45660 - AP49759**  
**STRAIGHT-ACTING JACK, FIXED**  
**9,000 # CAPACITY; 2.000" ROD DIAMETER; 15.00" STROKE; BOLT-ON FOOT**

JACK #	DESCRIPTION
AP45660	MAGNETIC WARNING SWITCH W/ GRAY CONNECTOR, PRESSURE SWITCH
AP49759	MAGNETIC WARNING SWITCH W/ GRAY CONNECTOR ONLY



ITEM	PART	QTY	DESCRIPTION
1	RAP90968	1	SWITCH WARNING MAGNETIC GRAY
2	RP0734	1	MALE TEE SPECIAL
3	RAP93045	1	CYL. ASSY. 2.000" x 15" (INCLUDES ITEM 2) (EXCLUDES ITEMS 1,5)

ITEM	PART	QTY	DESCRIPTION
4	R3848	1	SPRING KIT 1-11/16" X 18"
		2	SPRING 1-11/16" X 18"
5	RAP8003	1	SWITCH PRESSURE (AP45660 JACK ONLY)
6	RAP92406	1	FOOT 8.00" DIAMETER

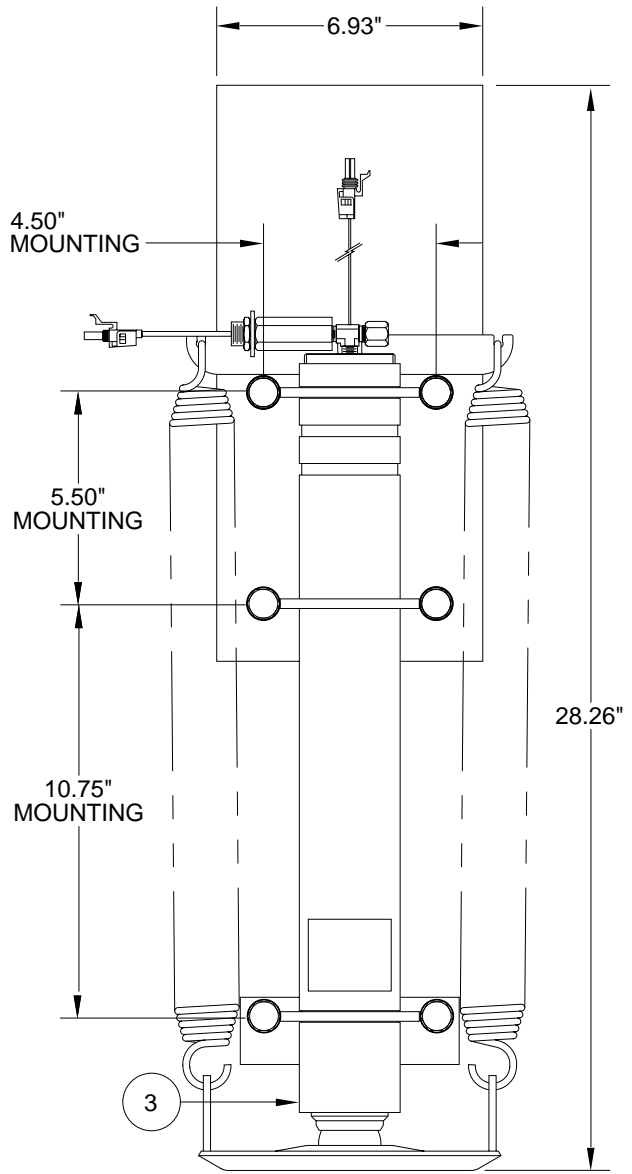
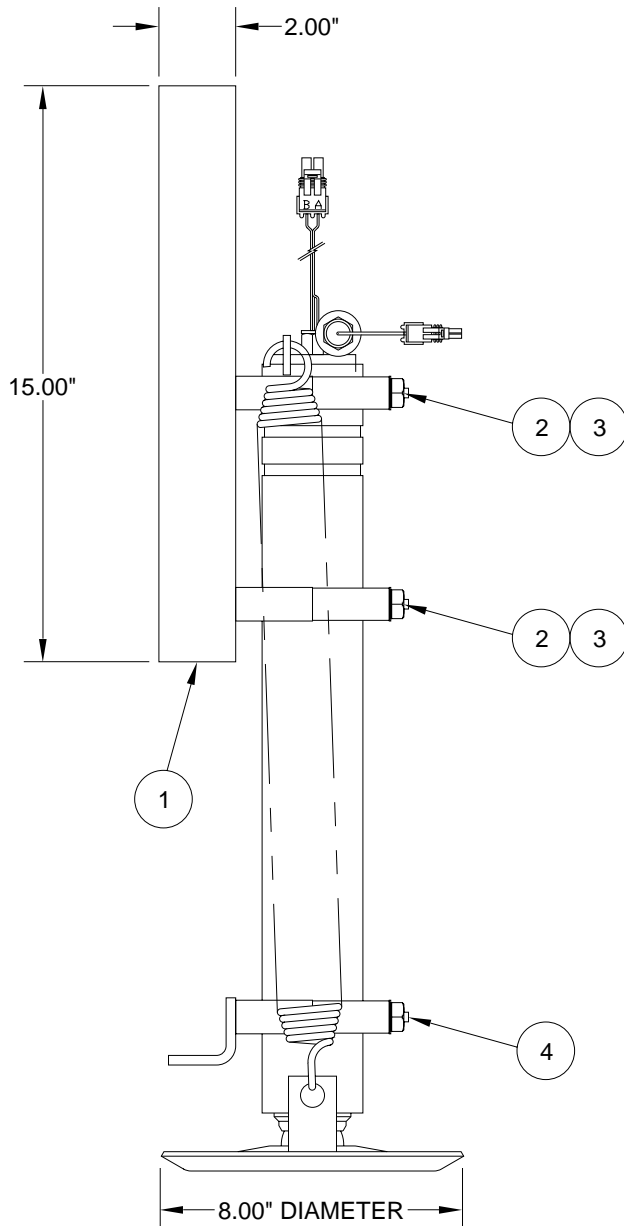
NOTE: INDENTED ITEMS ARE INCLUDED WITH PRECEDING ITEM.

**MR25.3230**  
**25FEB13**

# AP49587 - STRAIGHT-ACTING JACK, FIXED

## 9,000 # CAPACITY; 2.000" ROD DIAMETER; 15.00" STROKE; BOLT-ON FOOT WITH MAGNETIC WARNING SWITCH AND PRESSURE SWITCH

FOR BASIC JACK INFORMATION INCLUDING CYLINDER, SWITCHES AND SPRINGS OR JACK DIMENSIONS  
DIMENSIONS SEE PAGE [MR25.3230](#)



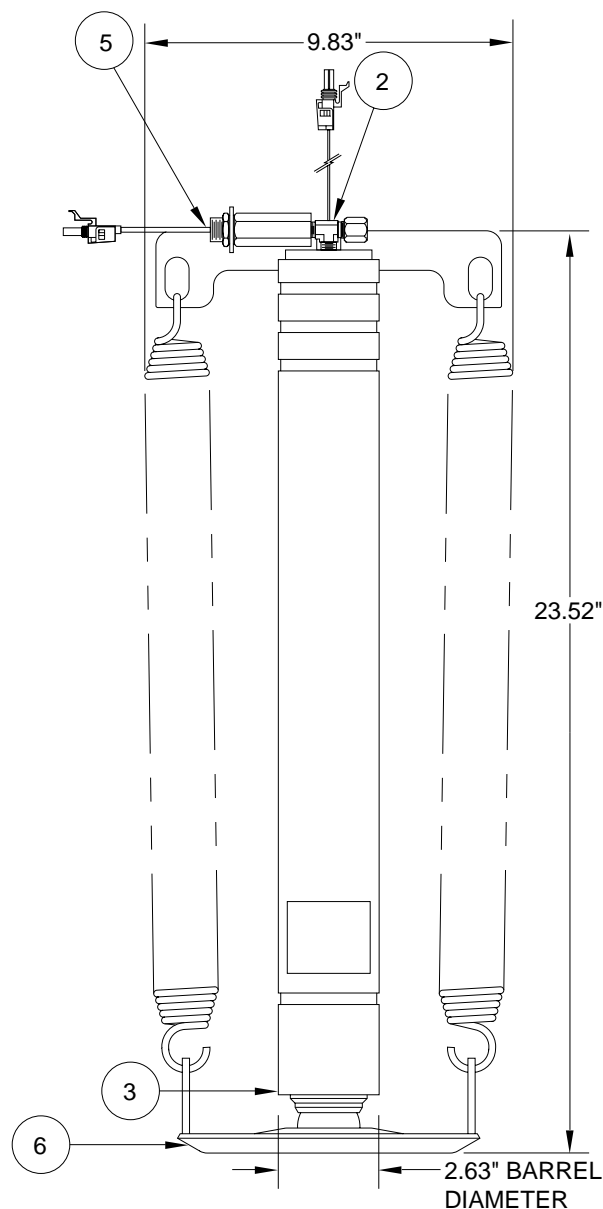
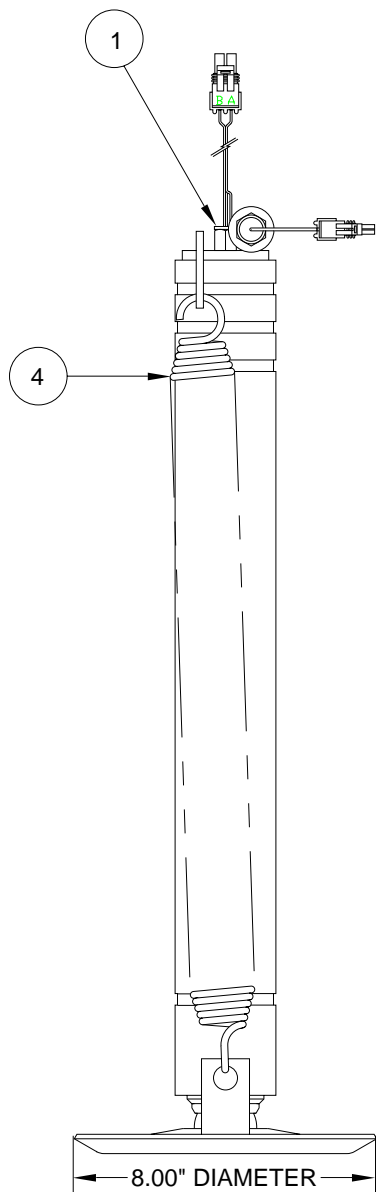
ITEM	PART	QTY	DESCRIPTION
1	RAP93041	1	MOUNTING BRACKET ASSEMBLY. INCLUDES OUTER CLAMPS AND HARDWARE. DOES NOT INCLUDE ITEM #4.
2	RAP93104	1	CLAMP KIT WELD ON INCLUDES INNER CLAMPS, OUTER CLAMPS, AND HARDWARE. DOES NOT INCLUDE ITEM #4.

ITEM	PART	QTY	DESCRIPTION
3	RAP93105	1	CLAMP KIT BOLT-THRU INCLUDES INNER CLAMPS, OUTER CLAMPS, AND HARDWARE. DOES NOT INCLUDE ITEM #4.
4	RAP93106	1	CROSSTIE CLAMP KIT INCLUDES INNER CLAMP, OUTER CLAMP, ANGLE BRACKET AND HARDWARE.

**NOTE:** INDENTED ITEMS ARE INCLUDED WITH PRECEDING ITEM.

**MR25.3230A**  
**09APR12**

**AP49585 - STRAIGHT-ACTING JACK, FIXED**  
**9,000 # CAPACITY; 2.000" ROD DIAMETER; 16.00" STROKE; BOLT-ON FOOT WITH MAGNETIC WARNING SWITCH AND PRESSURE SWITCH**



ITEM	PART	QTY	DESCRIPTION
1	RAP90968	1	SWITCH WARNING MAGNETIC GRAY
2	RP0734	1	MALE TEE SPECIAL
3	RAP93044	1	CYL. ASSY. 2.000" x 16" (INCLUDES ITEM 2) (EXCLUDES ITEMS 1,5)

ITEM	PART	QTY	DESCRIPTION
4	R3848	1	SPRING KIT 1-11/16" X 18"
		2	SPRING 1-11/16" X 18"
5	RAP8003	1	SWITCH PRESSURE
6	RAP92406	1	FOOT 8.00" DIAMETER

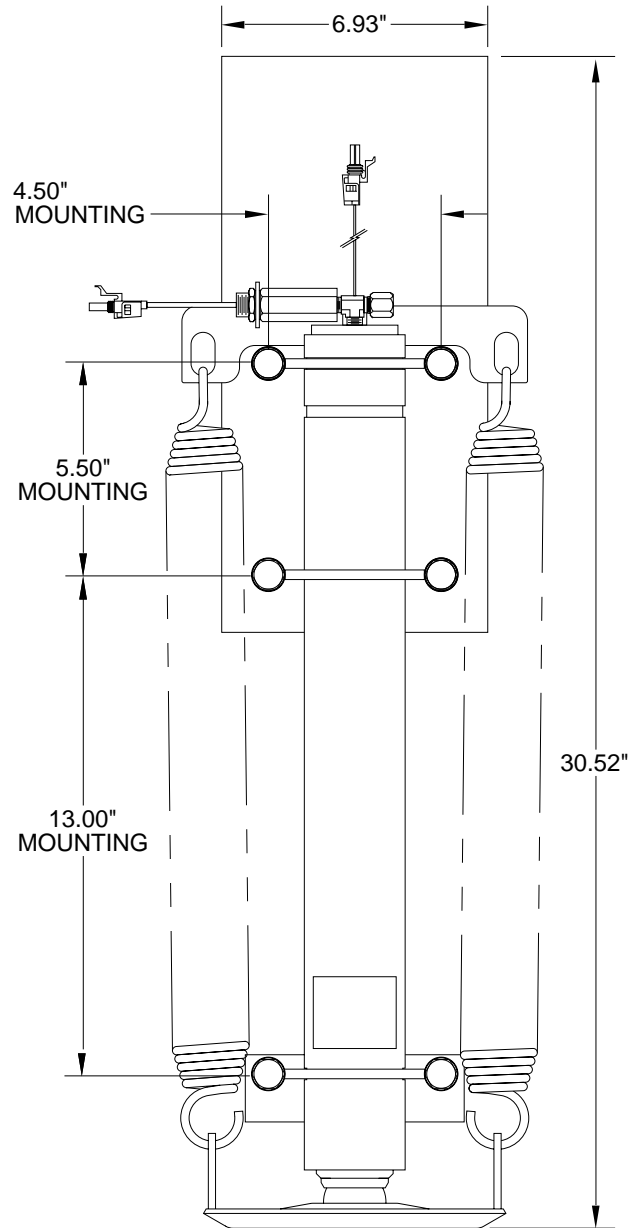
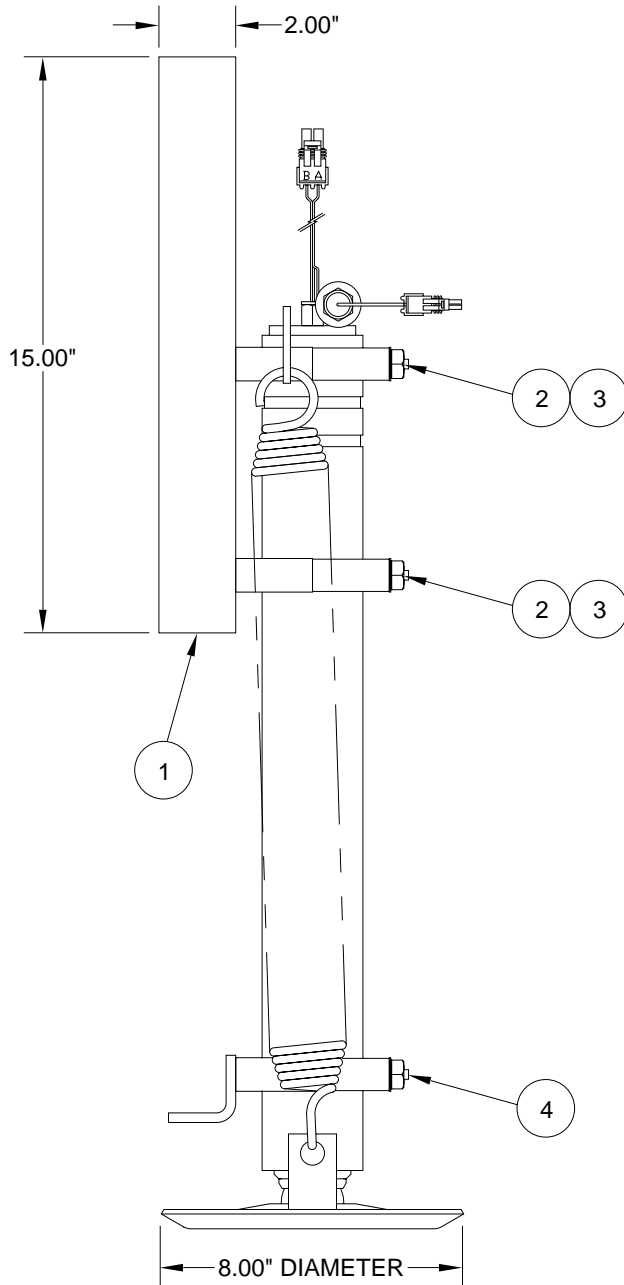
NOTE: INDENTED ITEMS ARE INCLUDED WITH PRECEDING ITEM.

MR25.3235  
09APR12

# AP49588 - STRAIGHT-ACTING JACK, FIXED

**9,000 # CAPACITY; 2.000" ROD DIAMETER; 16.00" STROKE; BOLT-ON FOOT WITH MAGNETIC WARNING SWITCH AND PRESSURE SWITCH**

FOR BASIC JACK INFORMATION INCLUDING CYLINDER, SWITCHES AND SPRINGS OR JACK DIMENSIONS DIMENSIONS SEE PAGE [MR25.3235](#)



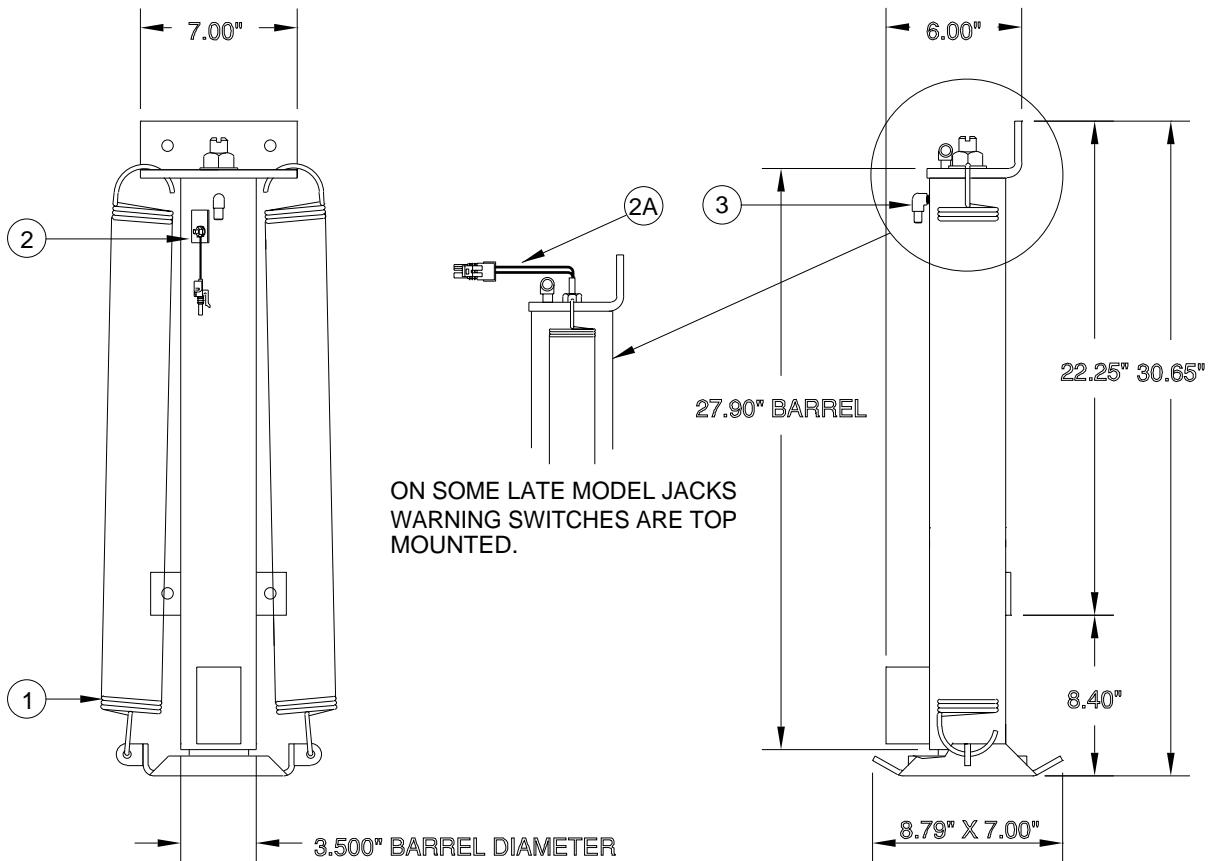
ITEM	PART	QTY	DESCRIPTION
1	RAP93041	1	MOUNTING BRACKET ASSEMBLY. INCLUDES OUTER CLAMPS AND HARDWARE. DOES NOT INCLUDE ITEM #4.
2	RAP93104	1	CLAMP KIT WELD ON INCLUDES INNER CLAMPS, OUTER CLAMPS, AND HARDWARE. DOES NOT INCLUDE ITEM #4.

ITEM	PART	QTY	DESCRIPTION
3	RAP93105	1	CLAMP KIT BOLT-THRU INCLUDES INNER CLAMPS, OUTER CLAMPS, AND HARDWARE. DOES NOT INCLUDE ITEM #4.
4	RAP93106	1	CROSSTIE CLAMP KIT INCLUDES INNER CLAMP, OUTER CLAMP, ANGLE BRACKET AND HARDWARE.

**NOTE:** INDENTED ITEMS ARE INCLUDED WITH PRECEDING ITEM.

**MR25.3235A**  
**09APR12**

**AP3326 - STRAIGHT - ACTING JACK, FIXED**  
**10,000 # CAPACITY; 2.75" ROD DIAMETER; 21.00" STROKE**  
**USED ON FIFTH WHEEL COACHES**



ITEM	PART	QTY	DESCRIPTION
	RAP3326		JACK 10,000 # X 21" FIXED (REPLACES AP3326)(FOR FIFTH WHEEL COACHES).
1	R1905	1	SPRING KIT 2-3/4" X 22"
		2	SPRING 2-3/4" X 22"

ITEM	PART	QTY	DESCRIPTION
2	RAP5027	1	SWITCH WARNING SIDE PORT.
2A	RAP1008	1	SWITCH WARNING 2-WIRE USED ON SOME LATE MODEL COACHES.
3	RF1453	1	ELBOW 1/8" X 1/4"

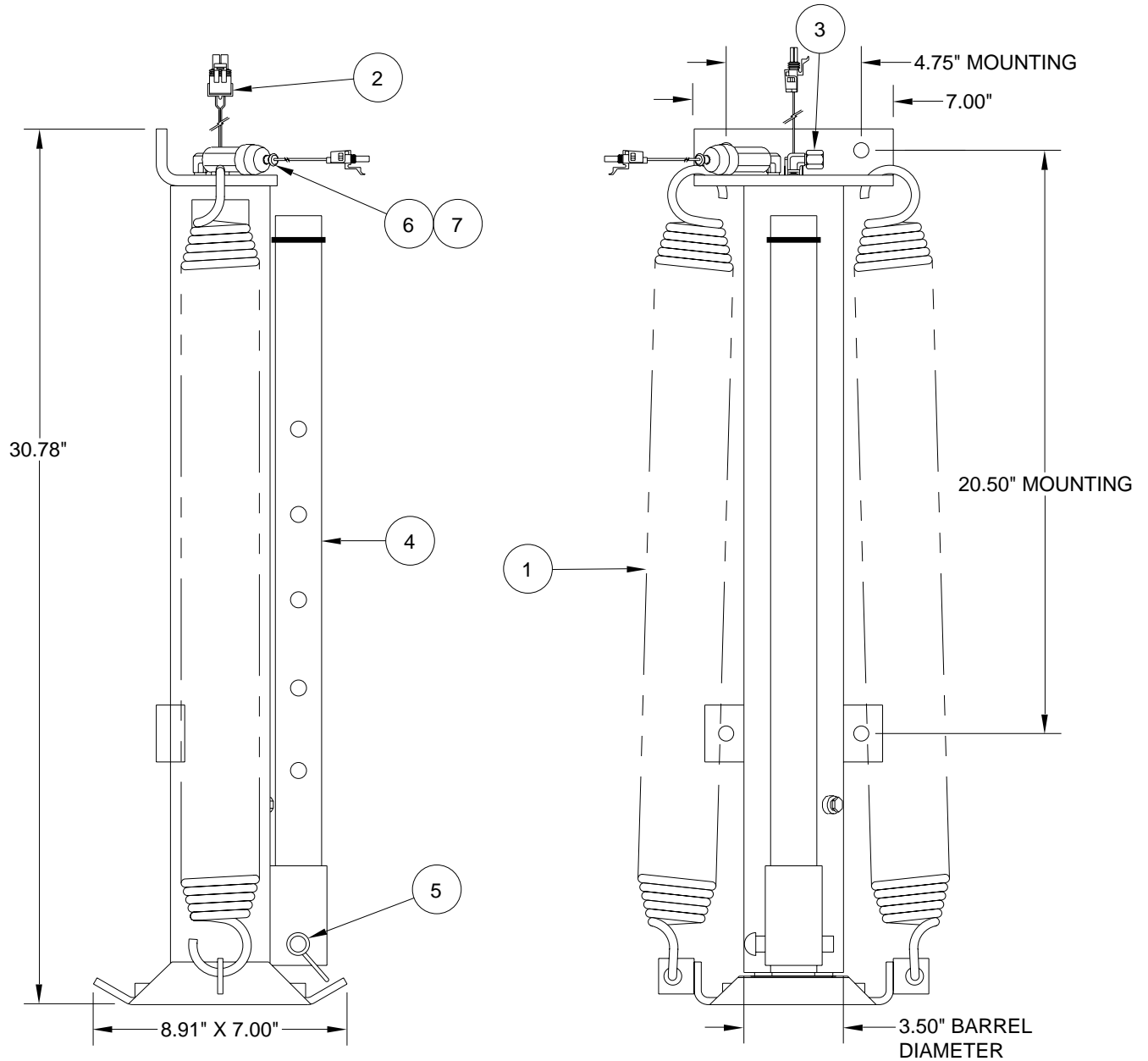
**NOTE:** INDENTED ITEMS ARE INCLUDED WITH PRECEDING ITEM.

**MR25.4050**  
**06MAY97**



**AP0285 - AP15183**  
**STRAIGHT-ACTING JACK, FIXED**  
**10,000 # CAPACITY; 2.750" ROD DIAMETER; 21.00" STROKE**  
**USED ON FIFTH WHEEL COACHES**

JACK #	REPLACEMENT #	DESCRIPTION
AP0285	RAP0285	MAGNETIC WARN. SWITCH W/ BLACK CONNECTOR ONLY
AP15183	RAP91606	MAGNETIC WARN. SWITCH W/ BLACK CONNECTOR, PRESSURE SWITCH

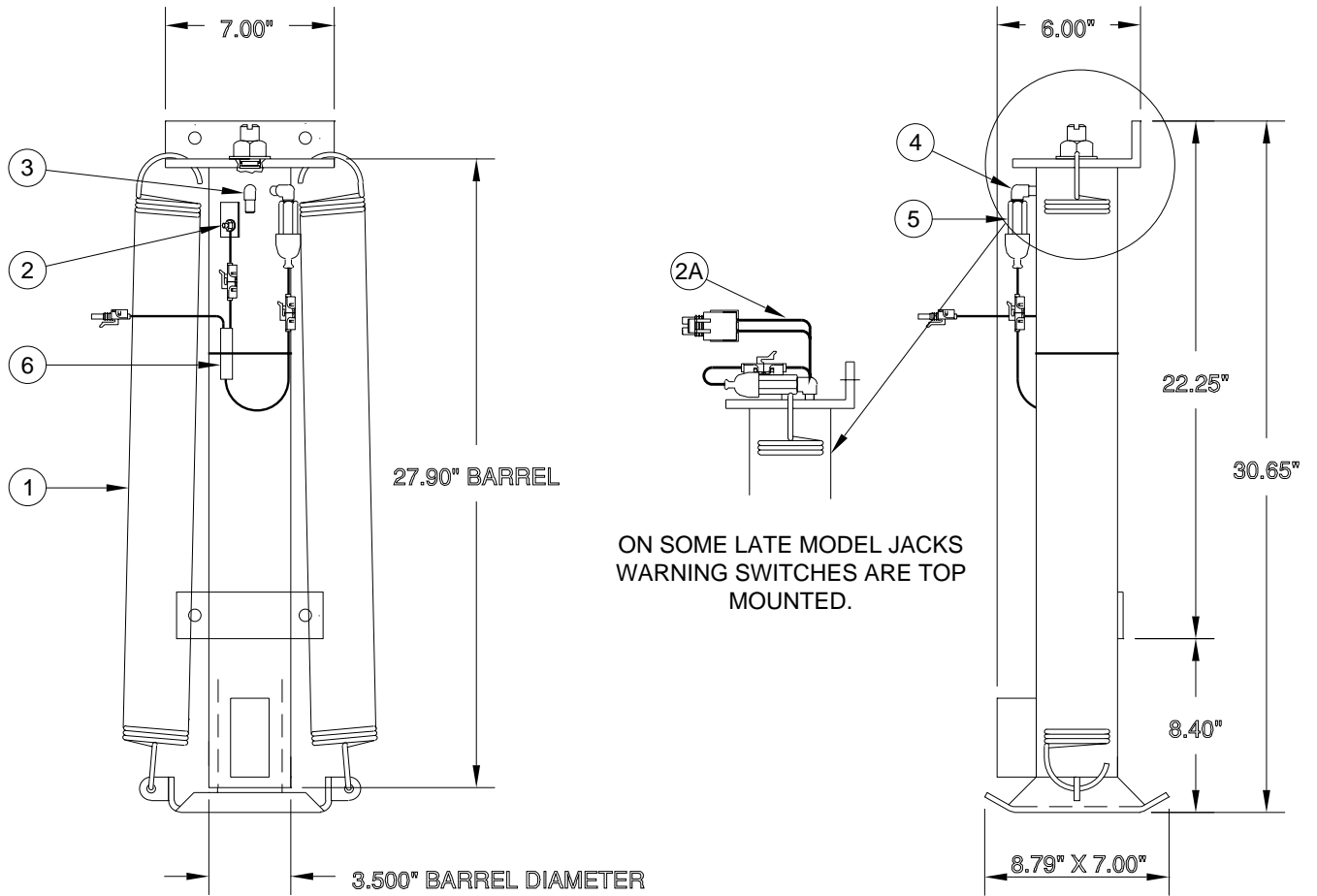


ITEM	PART	QTY	DESCRIPTION
1	R1905	1	SPRING KIT 2-3/4" X 22.00"
		2	SPRING 2-3/4" X 22.00"
2	RAP1008	1	SWITCH WARNING MAGNETIC (AP0285, AP15183)
3	RF1453	1	ELBOW 1/8" X 1/4"

ITEM	PART	QTY	DESCRIPTION
4	RAP0271	1	STOP ROD
5	RAP0281	1	RETAINING PIN
6	RF8143	1	ELBOW 1/8" X 1/8" (AP15183 ONLY)
7	RAP8003	1	SWITCH PRESSURE (AP15183 ONLY)

**NOTE:** INDENTED ITEMS ARE INCLUDED WITH PRECEDING ITEM.

**AP9438 - STRAIGHT - ACTING JACK, FIXED**  
**10,000 # CAPACITY; 2.75" ROD DIAMETER; 21.00" STROKE**  
**WITH PRESSURE SWITCH**  
**USED ON FIFTH WHEEL COACHES**



ITEM	PART	QTY	DESCRIPTION
	RAP9438		JACK 10,000 # X 21" FIXED (REPLACES AP9438) (FOR FIFTH WHEEL COACHES).
1	R1905	1 2	SPRING KIT 2-3/4" X 22" SPRING 2-3/4" X 22"
2	RAP5027	1	SWITCH WARNING SIDE PORT
2A	RAP90073	1	SWITCH WARNING 3-WIRE USED ON SOME LATE MODEL JACKS.

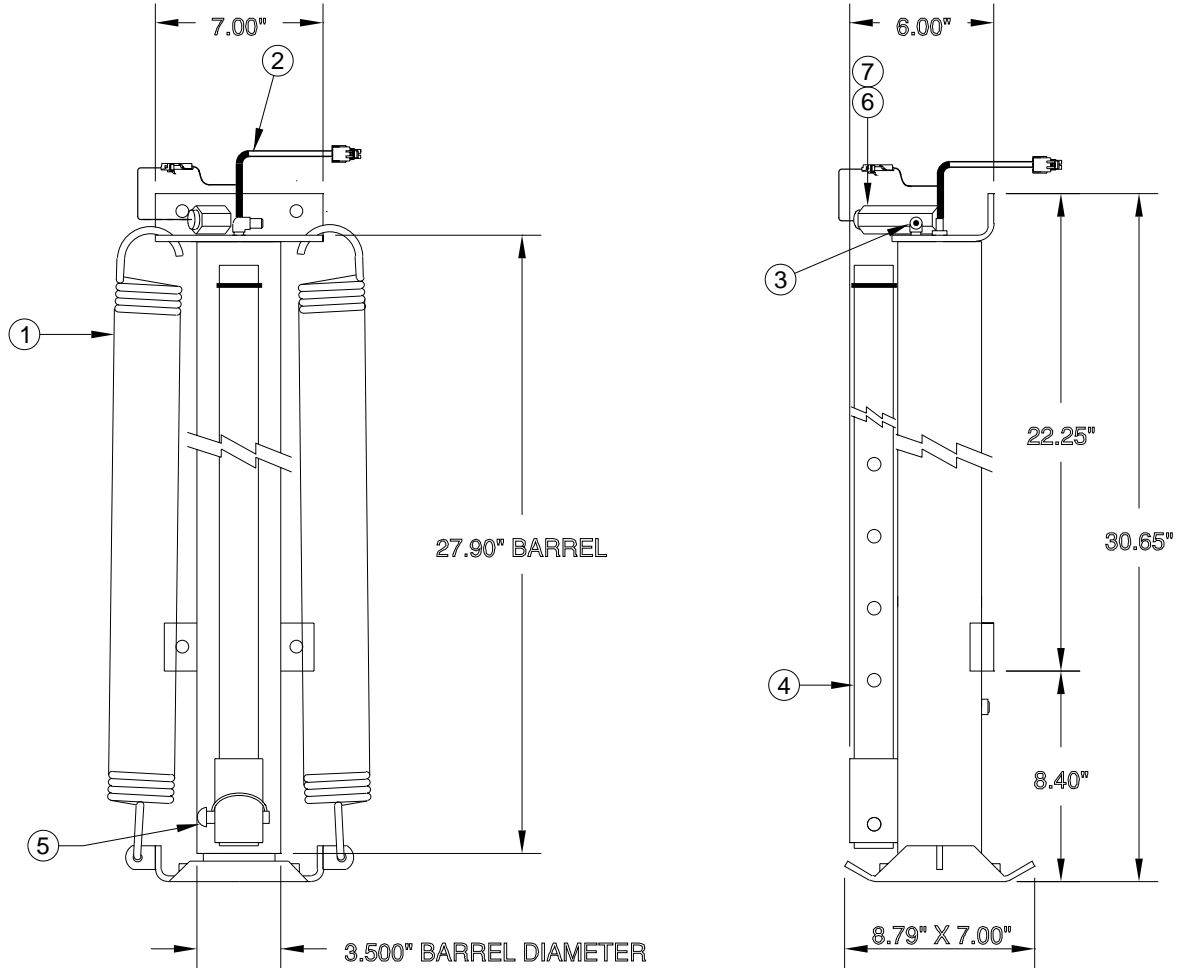
ITEM	PART	QTY	DESCRIPTION
3	RF1453	1	ELBOW 1/8" X 1/4"
4	RF8143	1	ELBOW 1/8" X 1/4"
5	RAP8003	1	SWITCH PRESSURE
6	RAP9072	1	INTERFACE WARNING/ PRESSURE SWITCH USE WITH SIDE PORT WARNING SWITCH

**NOTE:** INDENTED ITEMS ARE INCLUDED WITH PRECEDING ITEM.

**MR25.4150**  
**06MAY97**

## AP0360 - STRAIGHT - ACTING JACK, FIXED

**10,000 # CAPACITY; 2.75" ROD DIAMETER; 21.00" STROKE  
WITH PRESSURE SWITCH AND 3-WIRE WARNING SWITCH  
USED ON FIFTH WHEEL COACHES**



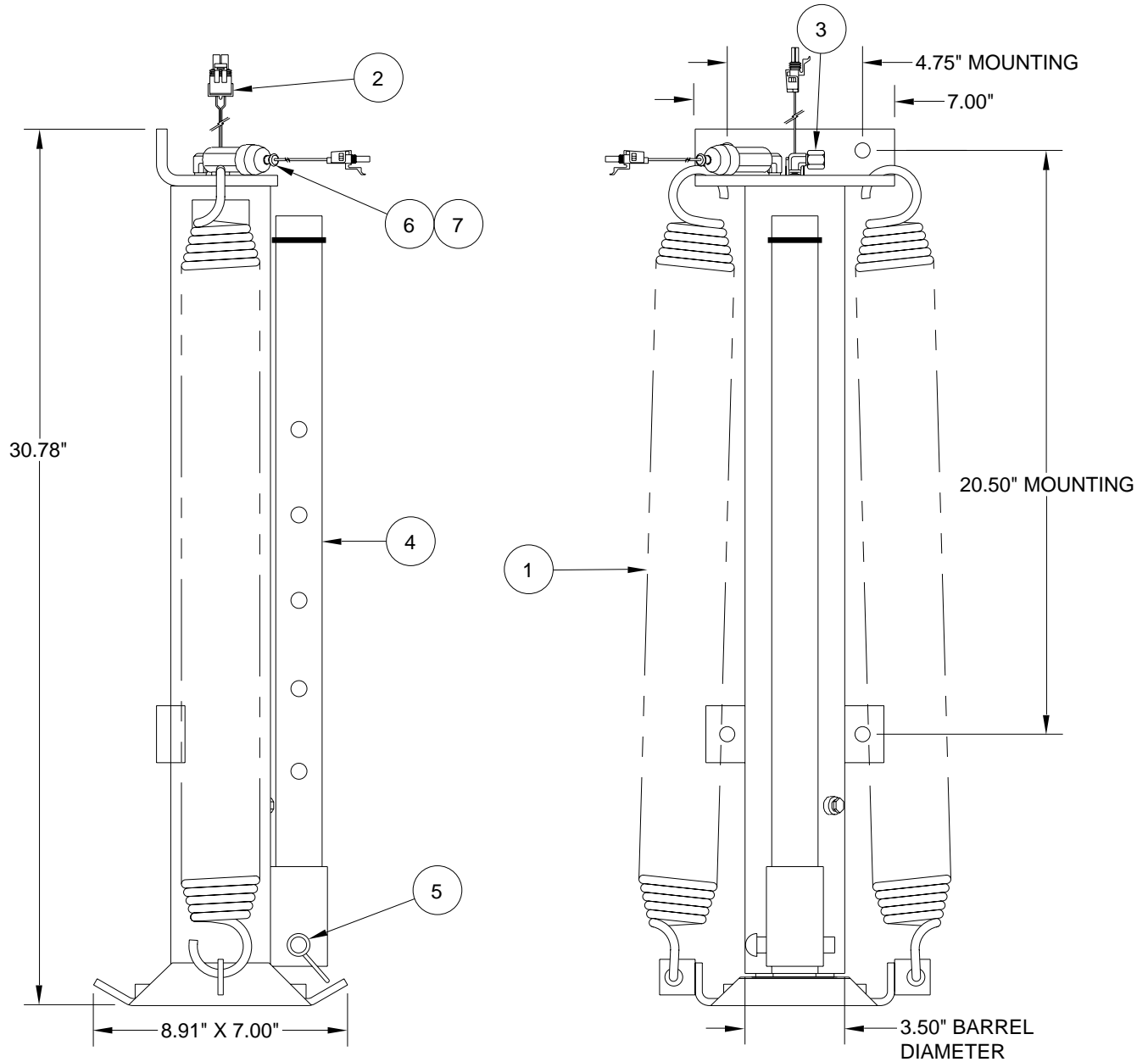
ITEM	PART	QTY	DESCRIPTION	ITEM	PART	QTY	DESCRIPTION
	RAP0360		JACK 10,000 # X 21" FIXED (REPLACES AP0360) (FOR FIFTH WHEEL COACHES).	3	RF1453	1	ELBOW 1/8" X 1/4"
1	R1905	1	SPRING KIT 2-3/4" X 22"	4	RAP0271	1	STOP ROD
		2	SPRING 2-3/4" X 22"	5	RAP0281	1	RETAINING PIN
2	RAP90073	1	SWITCH WARNING 3-WIRE (REPLACES AP8442 AND RAP1009)	6	RF8143	1	ELBOW 1/8" X 1/4"
				7	RAP8003	1	SWITCH PRESSURE

**NOTE:** INDENTED ITEMS ARE INCLUDED WITH PRECEDING ITEM.

**MR25.4200  
06MAY97**

**AP34500 - AP34941**  
**STRAIGHT-ACTING JACK, FIXED**  
**10,000 # CAPACITY; 2.750" ROD DIAMETER; 21.00" STROKE**  
**USED ON FIFTH WHEEL COACHES**

JACK #	REPLACEMENT #	DESCRIPTION
AP34500	RAP91605	MAGNETIC WARN. SWITCH W/ GRAY CONNECTOR ONLY
AP34941	RAP92448	MAGNETIC WARN. SWITCH W/ GRAY CONNECTOR, PRESSURE SWITCH



ITEM	PART	QTY	DESCRIPTION
1	R1905	1	SPRING KIT 2-3/4" X 22.00"
		2	SPRING 2-3/4" X 22.00"
2	RAP90968	1	SWITCH WARNING MAGNETIC GRAY (AP34500, AP34941)
3	RF1453	1	ELBOW 1/8" X 1/4"

ITEM	PART	QTY	DESCRIPTION
4	RAP0271	1	STOP ROD
5	RAP0281	1	RETAINING PIN
6	RF8143	1	ELBOW 1/8" X 1/8" (AP34941 ONLY)
7	RAP8003	1	SWITCH PRESSURE (AP34941 ONLY)

NOTE: INDENTED ITEMS ARE INCLUDED WITH PRECEDING ITEM.

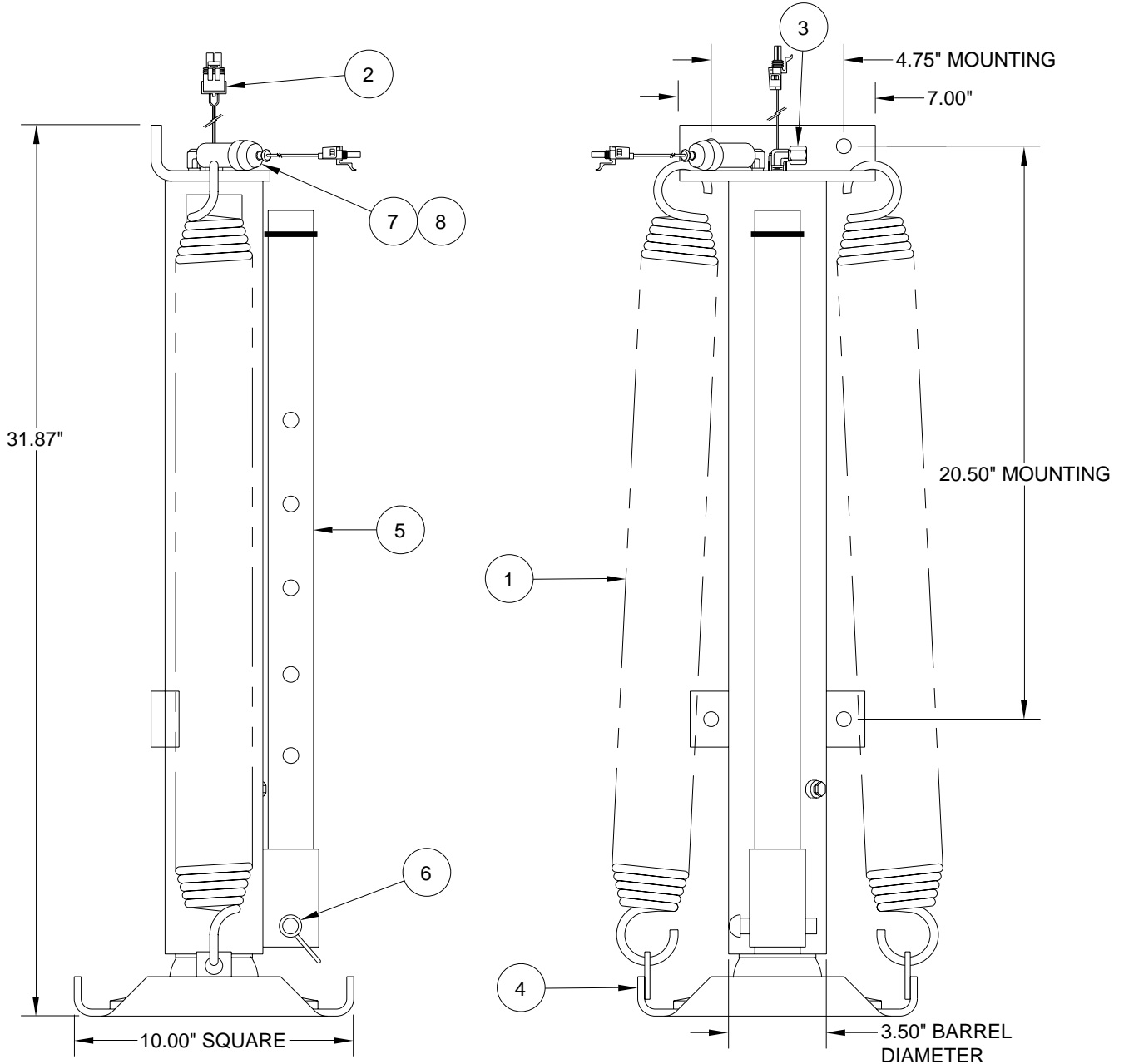
**MR25.4205**  
**13MAR09**

# AP36376 - AP36807

## STRAIGHT-ACTING JACK, FIXED

**10,000 # CAPACITY; 2.750" ROD DIAMETER; 21.00" STROKE; BOLT-ON FOOT  
USED ON FIFTH WHEEL COACHES**

JACK #	REPLACEMENT #	DESCRIPTION
AP36376	RAP92005	MAGNETIC WARN. SWITCH W/ GRAY CONNECTOR ONLY
AP36807	RAP92006	MAGNETIC WARN. SWITCH W/ GRAY CONNECTOR, PRESSURE SWITCH



ITEM	PART	QTY	DESCRIPTION
1	R1905	1	SPRING KIT 2-3/4" X 22.00"
		2	SPRING 2-3/4" X 22.00"
2	RAP90968	1	SWITCH WARNING MAGNETIC GRAY (AP36376, AP36807)
3	RF1453	1	ELBOW 1/8" X 1/4"
4	RAP92632	1	FOOT 11.40" ROUND 10" SQUARE FOOT NO LONGER AVAILABLE

ITEM	PART	QTY	DESCRIPTION
5	RAP0271	1	STOP ROD
6	RAP0281	1	RETAINING PIN
7	RF8143	1	ELBOW 1/8" X 1/8" (AP36807 ONLY)
8	RAP8003	1	SWITCH PRESSURE (AP36807 ONLY)

**NOTE:** INDENTED ITEMS ARE INCLUDED WITH PRECEDING ITEM.

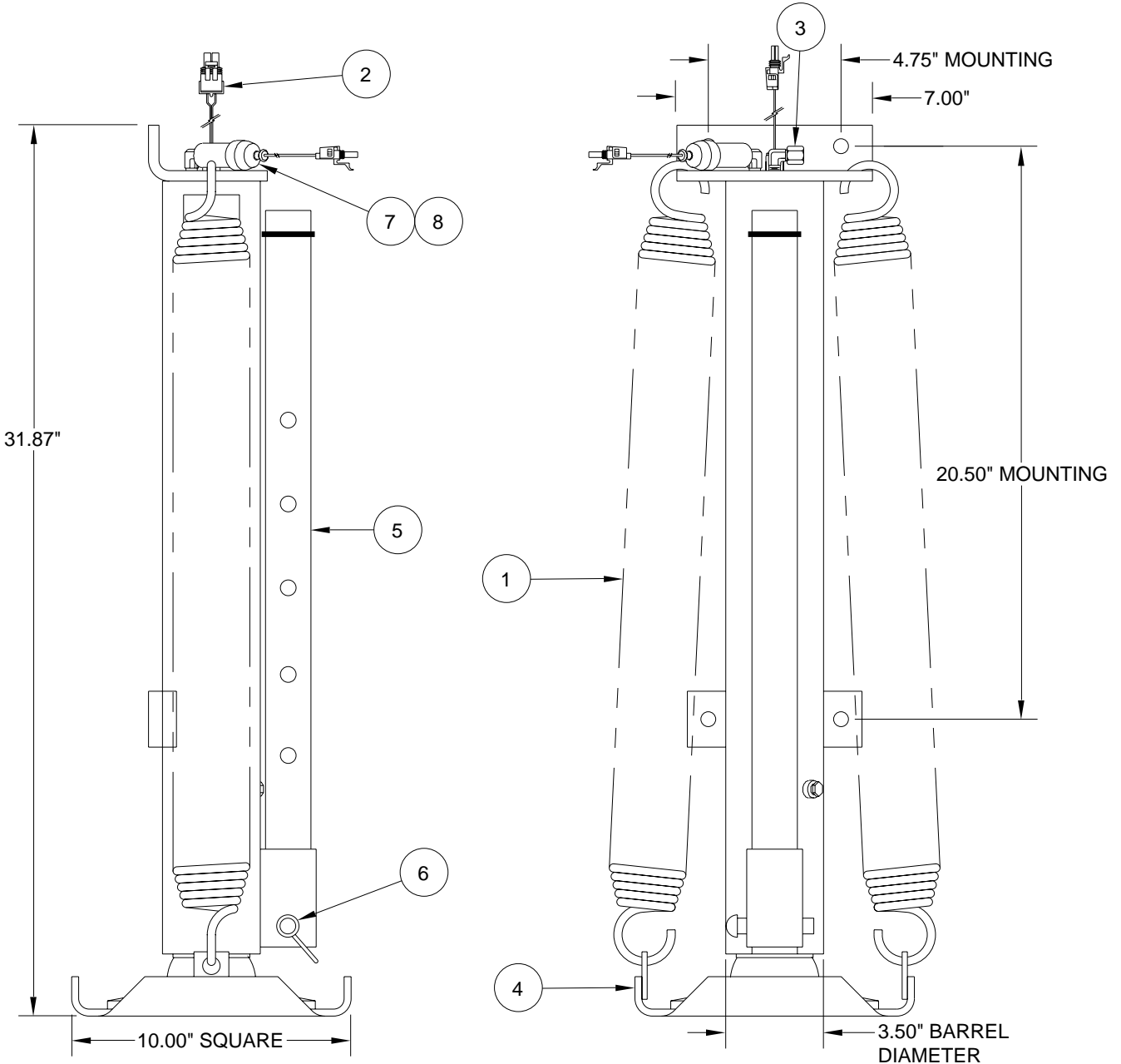
**MR25.4210  
14FEB13**

# AP36805 - AP36806

## STRAIGHT-ACTING JACK, FIXED

**10,000 # CAPACITY; 2.750" ROD DIAMETER; 21.00" STROKE; BOLT-ON FOOT  
USED ON FIFTH WHEEL COACHES**

JACK #	REPLACEMENT #	DESCRIPTION
AP36805	RAP92003	MAGNETIC WARN. SWITCH W/ BLACK CONNECTOR ONLY
AP36806	RAP91921	MAGNETIC WARN. SWITCH W/ BLACK CONNECTOR, PRESSURE SWITCH



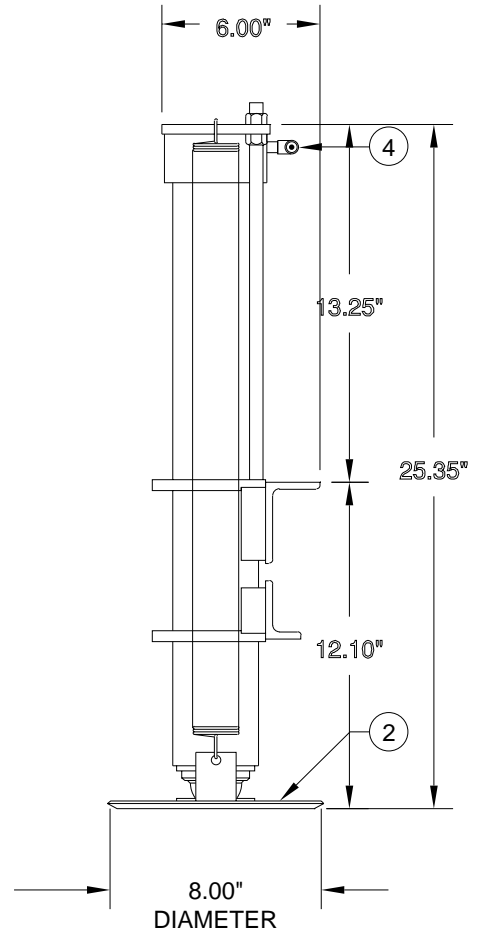
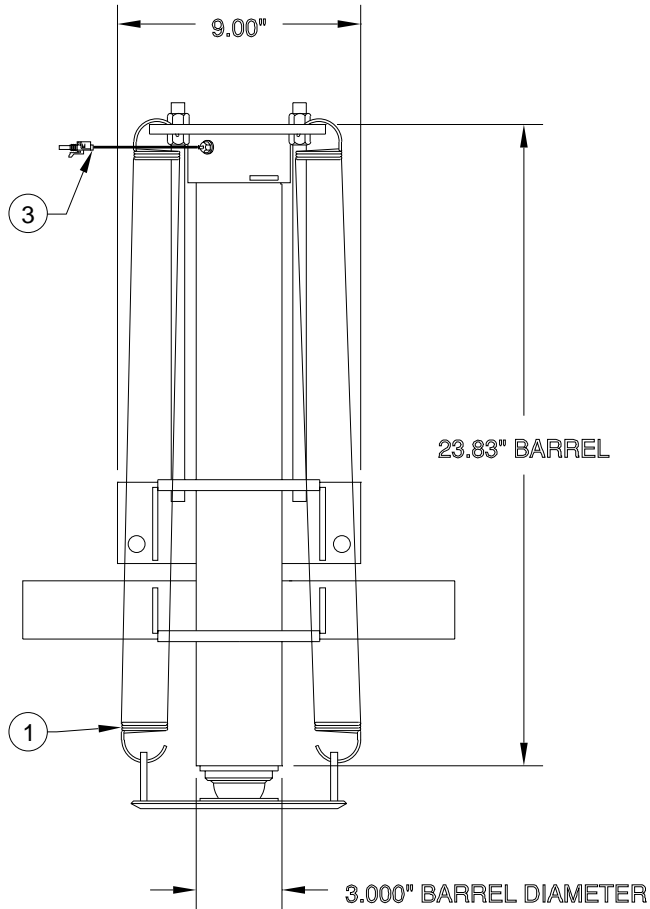
ITEM	PART	QTY	DESCRIPTION
1	R1905	1	SPRING KIT 2-3/4" X 22.00"
		2	SPRING 2-3/4" X 22.00"
2	RAP1008	1	SWITCH WARNING MAGNETIC (AP36805, AP36806)
3	RF1453	1	ELBOW 1/8" X 1/4"
4	RAP92632	1	FOOT 11.40" ROUND 10" SQUARE FOOT NO LONGER AVAILABLE

ITEM	PART	QTY	DESCRIPTION
5	RAP0271	1	STOP ROD
6	RAP0281	1	RETAINING PIN
7	RF8143	1	ELBOW 1/8" X 1/8" (AP36806 ONLY)
8	RAP8003	1	SWITCH PRESSURE (AP36806 ONLY)

**NOTE:** INDENTED ITEMS ARE INCLUDED WITH PRECEDING ITEM.

**MR25.4215  
14FEB13**

**AP3897 - STRAIGHT - ACTING JACK, FIXED  
12,000 # CAPACITY; 2.375" ROD DIAMETER; 16.00" STROKE  
WITH LOW MOUNTING BRACKET; FRONT  
USED ON 1985 E.I.I. COACHES WITH CHEVY CHASSIS**



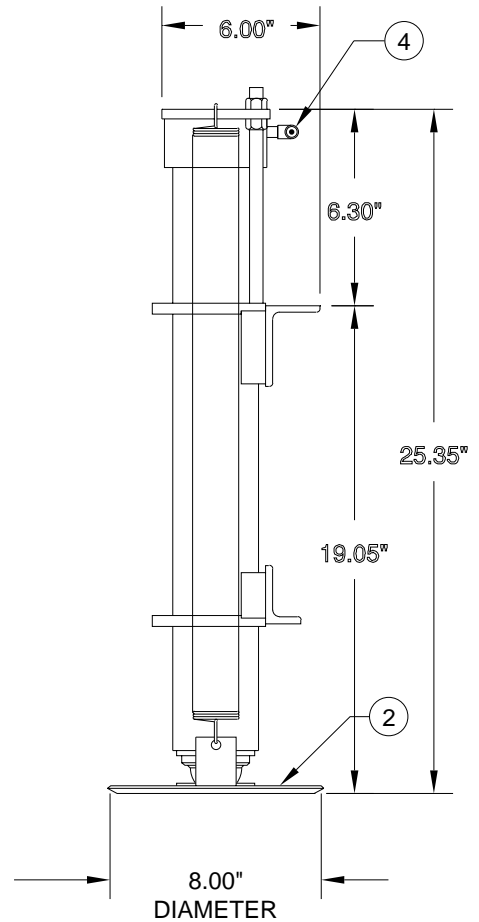
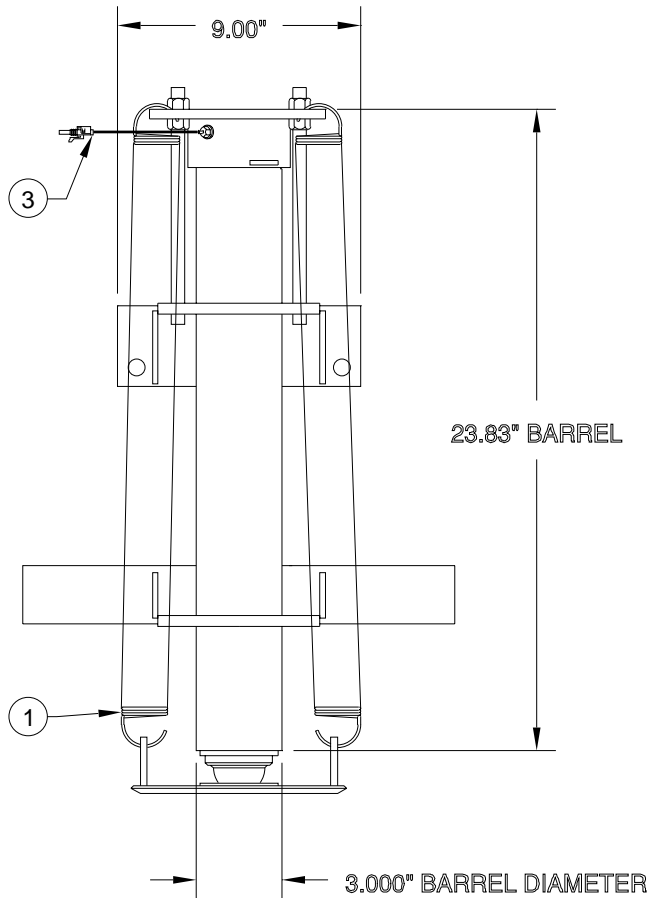
ITEM	PART	QTY	DESCRIPTION
	RAP3897		JACK 12,000 # X 16" FIXED LOW MOUNTING BRACKET (REPLACES AP3897)
1	R3848	1	SPRING KIT 1-11/16" X 18"
		2	SPRING 1-11/16" X 18"

ITEM	PART	QTY	DESCRIPTION
2	RAP8464	1	8.00" DIAMETER FOOT (REPLACES RAP3895 FOOT)
3	RAP5027	1	SWITCH WARNING SIDE PORT
4	RF3968	4	ELBOW 3/8" X 1/4"

NOTE: INDENTED ITEMS ARE INCLUDED WITH PRECEDING ITEM.

**MR25.5010  
06MAY97**

**AP4154 - STRAIGHT - ACTING JACK, FIXED**  
**12,000 # CAPACITY; 2.375" ROD DIAMETER; 16.00" STROKE**  
**WITH HIGH MOUNTING BRACKET; FRONT**  
**USED ON 1985 E.I.I.COACHES WITH GILLIG CHASSIS**



ITEM	PART	QTY	DESCRIPTION
	RAP4154		JACK 12,000 # X 16" FIXED HIGH MOUNTING BRACKET (REPLACES AP4154)
1	R3848	1	SPRING KIT 1-11/16" X 18"
		2	SPRING 1-11/16" X 18"

ITEM	PART	QTY	DESCRIPTION
2	RAP8464	1	8.00" DIAMETER FOOT (REPLACES RAP3895 FOOT)
3	RAP5027	1	SWITCH WARNING SIDE PORT
4	RF3968	1	ELBOW 3/8" X 1/4"

**NOTE:** INDENTED ITEMS ARE INCLUDED WITH PRECEDING ITEM.

**MR25.5015**  
**06MAY97**

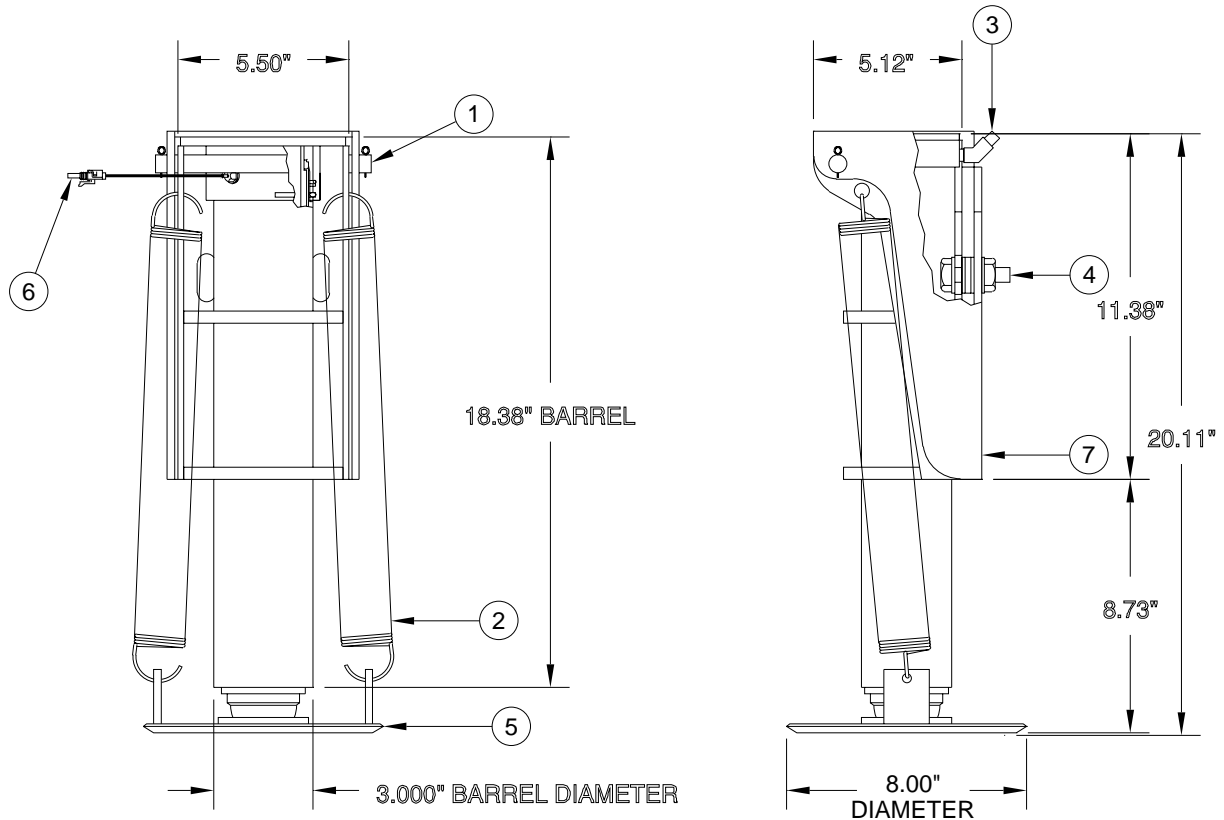


# AP3898 - STRAIGHT - ACTING JACK, FIXED

12,000 # CAPACITY; 2.375" ROD DIAMETER; 13.25" STROKE

MOUNTING BRACKET; REAR

USED PRIMARILY ON 1985 E.I.I. COACHES, MANUFACTURING ENDING IN 1985



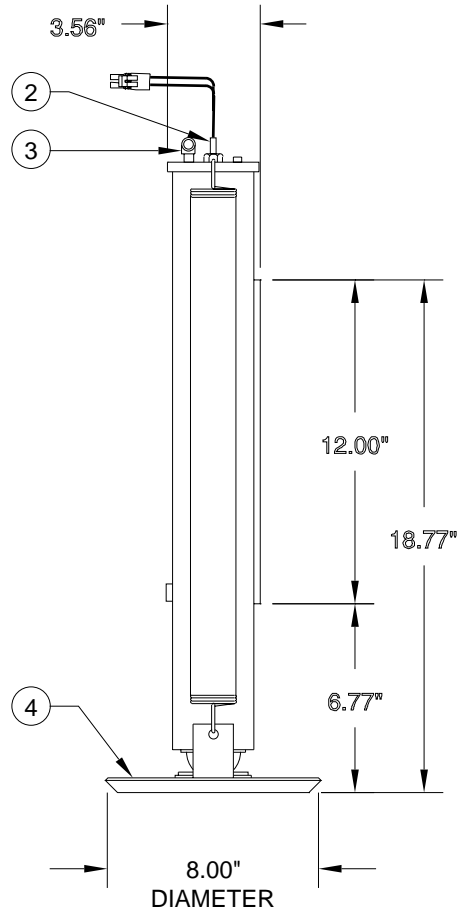
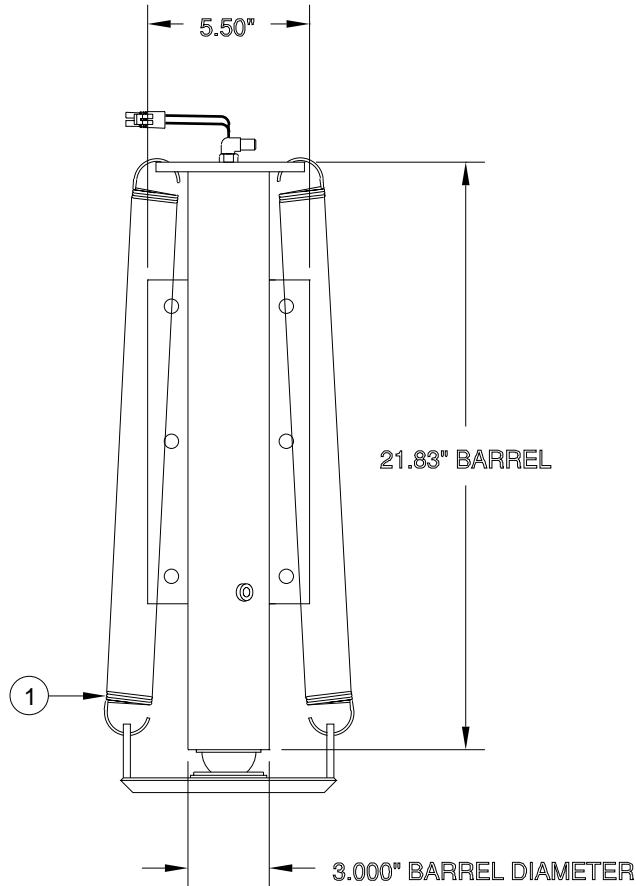
ITEM	PART	QTY	DESCRIPTION
	RAP3898		JACK 12,000 # X 13.25" (REPLACES AP3898)
1	R3882	1	PIVOT PIN KIT
		1	PIVOT ROD
		2	COTTER PIN 3/16" X 1"
2	R3847	1	SPRING KIT 1-11/16" X 14"
		2	SPRING 1-11/16" X 14"
3	R3969	1	ELBOW 45 DEGREE 1/8" X 1/4"

ITEM	PART	QTY	DESCRIPTION
4	R4028	1	STOP KIT HEX 1/2-13
		2	SHCS 1/2-13 X 2-1/4" PLD
		2	LOCK NUT FLANGED 1/2-13
		2	WASHER STRUCTURAL 1/2"
		2	BUSHING NEOPRENE
		4	WASHER COMMON 1/2"
5	RAP8464	1	8.00" DIAMETER FOOT (REPLACES RAP3895 FOOT)
6	RAP5027	1	SWITCH WARNING SIDE PORT
7	RAP3839	1	PIVOT BRACKET

NOTE: INDENTED ITEMS ARE INCLUDED WITH PRECEDING ITEM.

MR25.5020  
06MAY97

**AP9810 - STRAIGHT - ACTING JACK, FIXED**  
**12,000 # CAPACITY; 2.375" ROD DIAMETER; 16.00" STROKE**



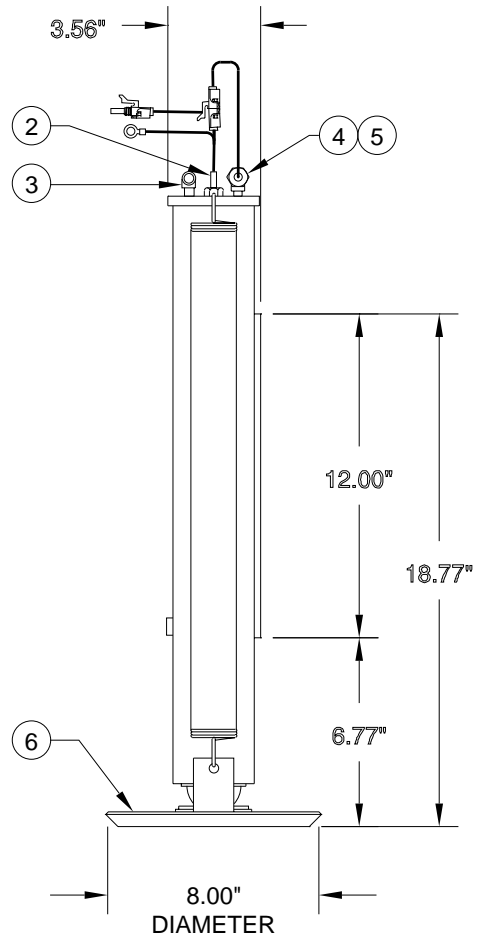
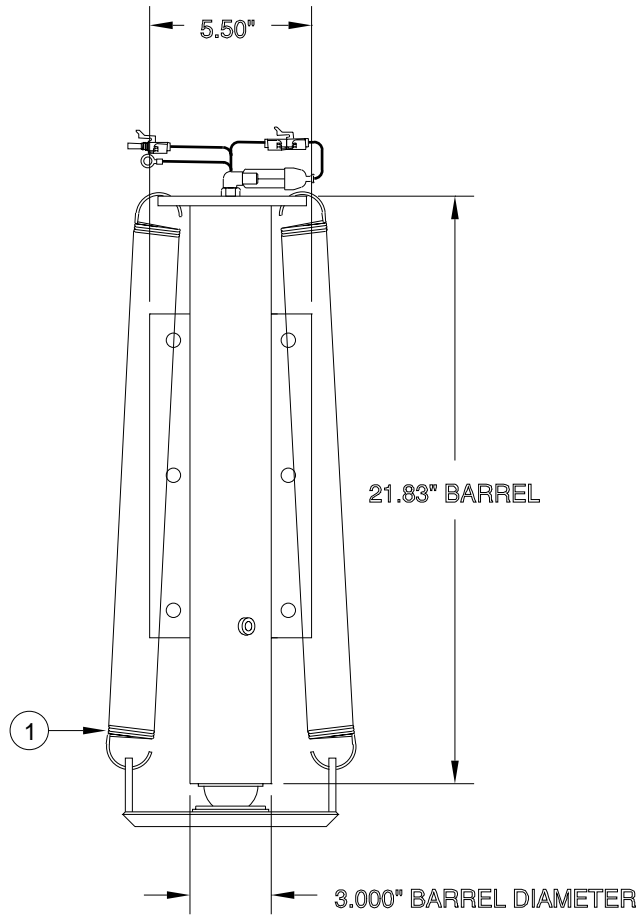
ITEM	PART	QTY	DESCRIPTION
	RAP9810		JACK 12,000 # X 16" FIXED (REPLACES AP9810)
1	R3848	1	SPRING KIT 1-11/16" X 18"
		2	SPRING 1-11/16" X 18"

ITEM	PART	QTY	DESCRIPTION
2	RAP1008	1	SWITCH WARNING 2-WIRE
3	RF1453	1	ELBOW 1/8" X 1/4"
4	RAP8464	1	8.00" DIAMETER FOOT

**NOTE:** INDENTED ITEMS ARE INCLUDED WITH PRECEDING ITEM.

**MR25.5100**  
**06MAY97**

**AP9513 - STRAIGHT - ACTING JACK, FIXED**  
**12,000 # CAPACITY; 2.375" ROD DIAMETER; 16.00" STROKE**  
**WITH PRESSURE SWITCH AND 3-WIRE WARNING SWITCH**



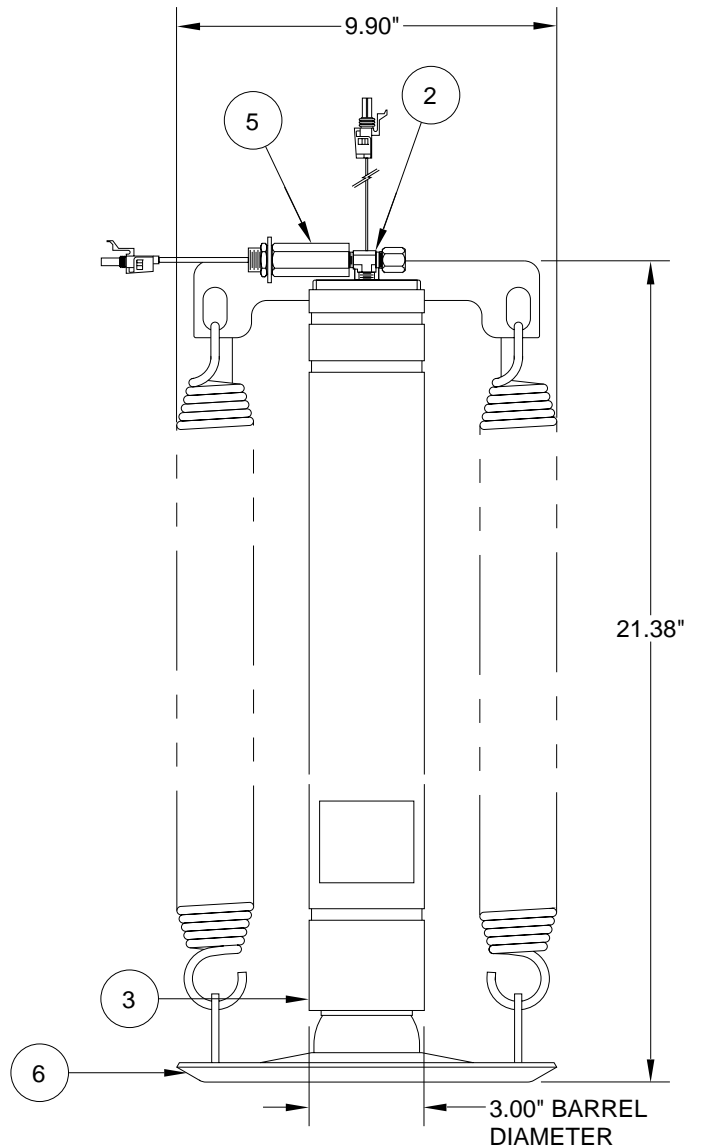
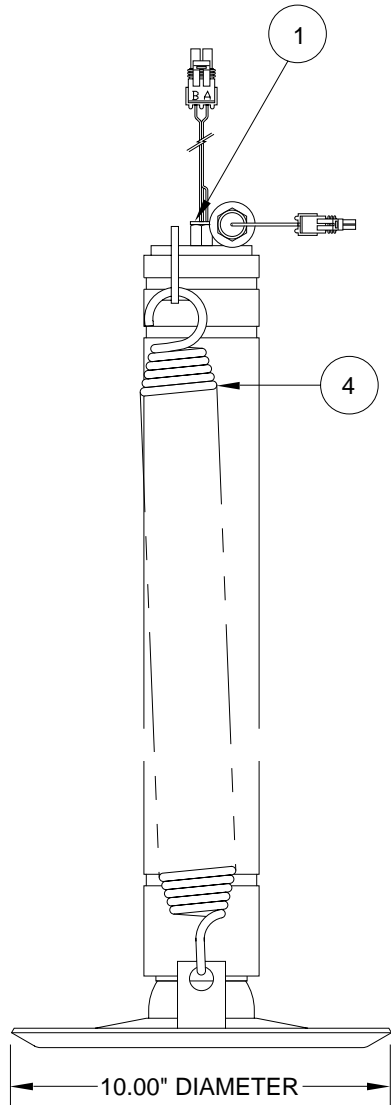
ITEM	PART	QTY	DESCRIPTION
	RAP9513		JACK 12,000 # X 16" FIXED (REPLACES AP9513)
1	R3848	1	SPRING KIT 1-11/16" X 18"
		2	SPRING 1-11/16" X 18"
2	RAP90073	1	SWITCH WARNING 3-WIRE

ITEM	PART	QTY	DESCRIPTION
3	RF1453	1	ELBOW 1/8" X 1/4"
4	RF8143	1	ELBOW 1/8" X 1/4"
5	RAP8003	1	SWITCH PRESSURE
6	RAP8464	1	8.00" DIAMETER FOOT

NOTE: INDENTED ITEMS ARE INCLUDED WITH PRECEDING ITEM.

**MR25.5110**  
**06MAY97**

**AP49471 - STRAIGHT-ACTING JACK, FIXED**  
**12,000 # CAPACITY; 2.375" ROD DIAMETER; 13.00" STROKE; BOLT-ON FOOT**  
**WITH MAGNETIC WARNING SWITCH AND PRESSURE SWITCH**



ITEM	PART	QTY	DESCRIPTION
1	RAP90968	1	SWITCH WARNING MAGNETIC GRAY
2	RP0734	1	MALE TEE SPECIAL
3	RAP92732	1	CYL. ASSY. 2.375" x 13" (INCLUDES ITEM 2) (EXCLUDES ITEMS 1,5)

ITEM	PART	QTY	DESCRIPTION
4	R91642	1	SPRING KIT .2187" X 14.5"
		2	SPRING .2187" X 14.5"
5	RAP8003	1	SWITCH PRESSURE
6	RAP92281	1	FOOT 10.00" DIAMETER

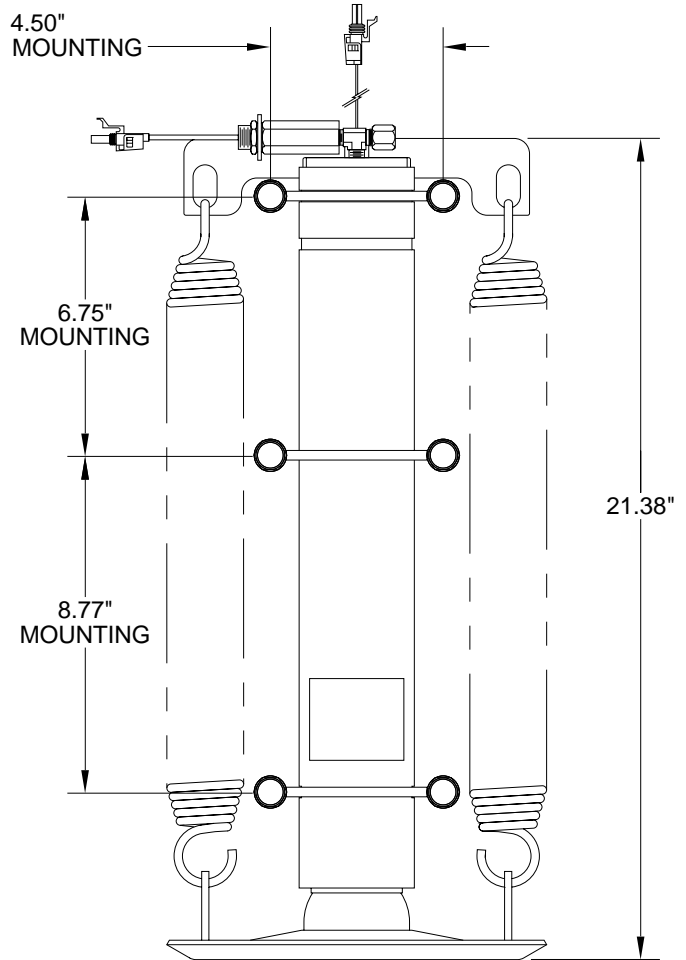
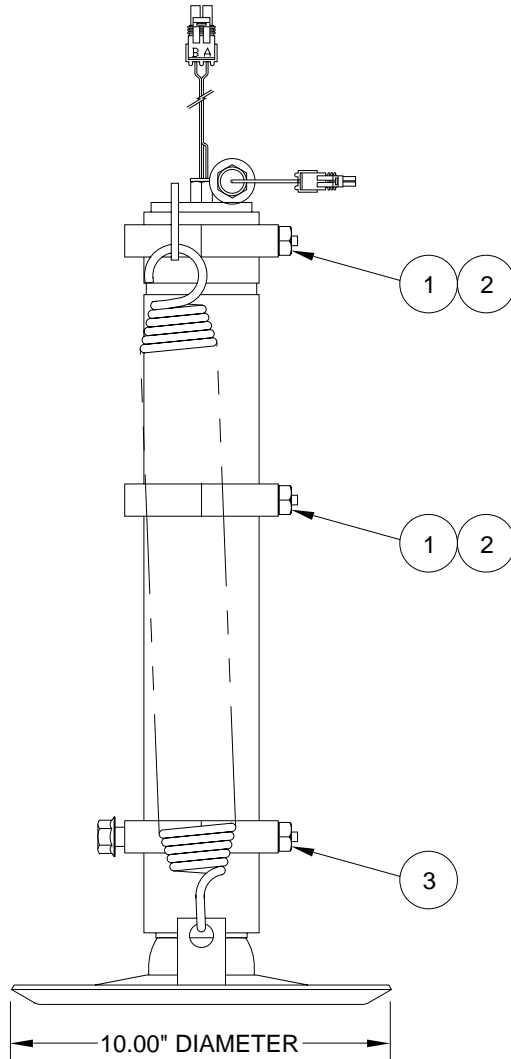
NOTE: INDENTED ITEMS ARE INCLUDED WITH PRECEDING ITEM.

**MR25.5115**  
**13APR12**

**AP45650 - AP46748**  
**STRAIGHT-ACTING JACK, FIXED**  
**12,000 # CAPACITY; 2.375" ROD DIAMETER; 13.00" STROKE; BOLT-ON FOOT**

JACK #	DESCRIPTION
AP45650	MAGNETIC WARNING SWITCH W/ GRAY CONNECTOR, PRESSURE SWITCH
AP46748	MAGNETIC WARNING SWITCH W/ GRAY CONNECTOR ONLY

FOR BASIC JACK INFORMATION INCLUDING CYLINDER, SWITCHES AND SPRINGS OR JACK DIMENSIONS DIMENSIONS SEE PAGE [MR25.5115](#)



ITEM	PART	QTY	DESCRIPTION
1	RAP93114	1	CLAMP KIT BOLT-THRU INCLUDES INNER CLAMPS, OUTER CLAMPS, AND HARDWARE. DOES NOT INCLUDE ITEM #3.
2	RAP93115	1	CLAMP KIT WELD ON INCLUDES INNER CLAMPS, OUTER CLAMPS, AND HARDWARE. DOES NOT INCLUDE ITEM #3.

ITEM	PART	QTY	DESCRIPTION
3	RAP93117	1	CROSSTIE CLAMP KIT INCLUDES INNER CLAMP, OUTER CLAMP, ANGLE BRACKET AND HARDWARE.

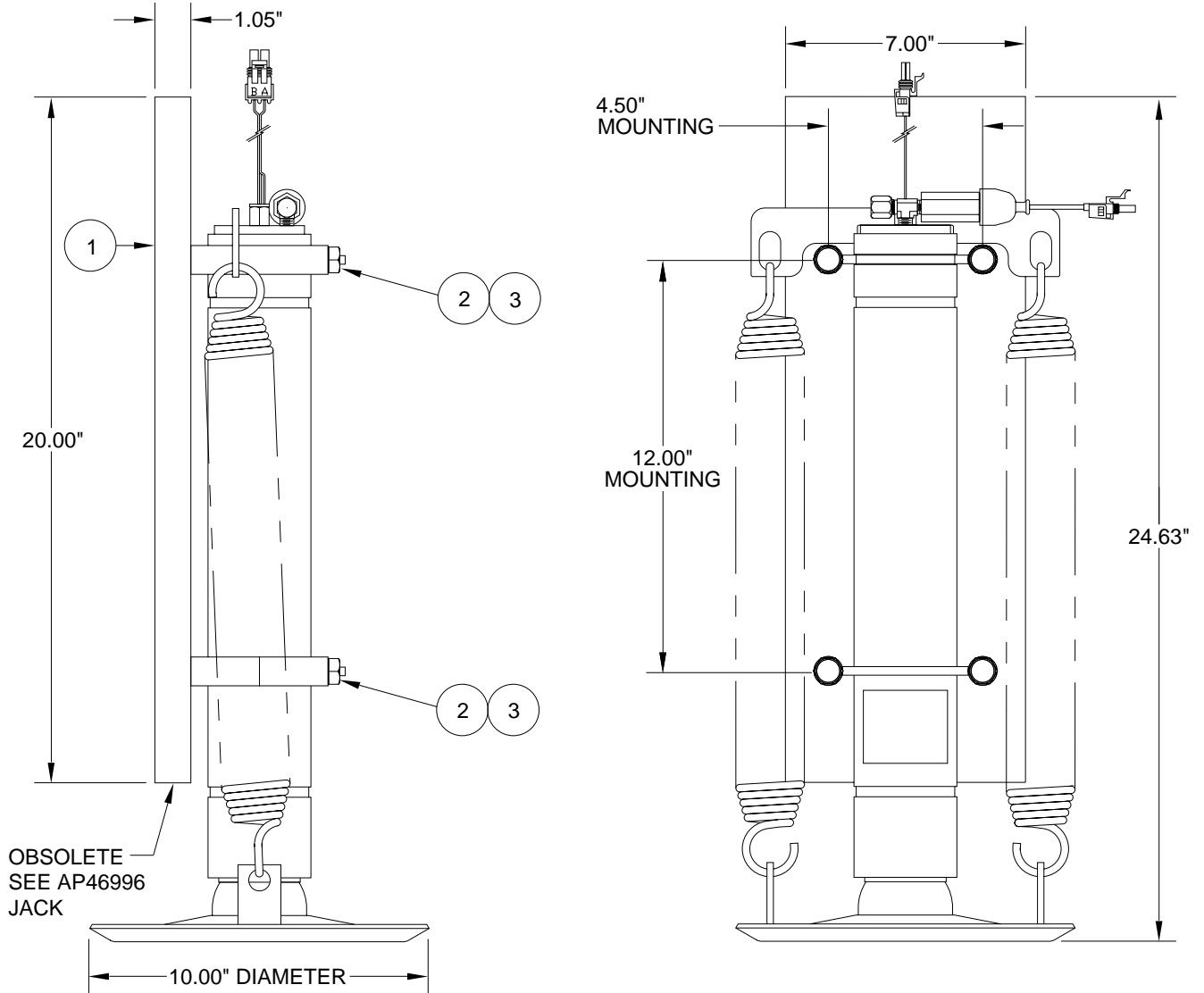
**NOTE:** INDENTED ITEMS ARE INCLUDED WITH PRECEDING ITEM.

**MR25.5115A**  
**13APR12**

# AP46995 - STRAIGHT-ACTING JACK, FIXED

## 12,000 # CAPACITY; 2.375" ROD DIAMETER; 13.00" STROKE; BOLT-ON FOOT WITH MAGNETIC WARNING SWITCH AND PRESSURE SWITCH

FOR BASIC JACK INFORMATION INCLUDING CYLINDER, SWITCHES AND SPRINGS OR JACK DIMENSIONS DIMENSIONS SEE PAGE [MR25.5115](#)



ITEM	PART	QTY	DESCRIPTION
1	RAP93047	1	MOUNTING BRACKET ASSEMBLY. REPLACES OBS. AP46994 BRACKET INCLUDES OUTER CLAMPS AND HARDWARE.
2	RAP93114	1	CLAMP KIT BOLT-THRU INCLUDES INNER CLAMPS, OUTER CLAMPS, AND HARDWARE.

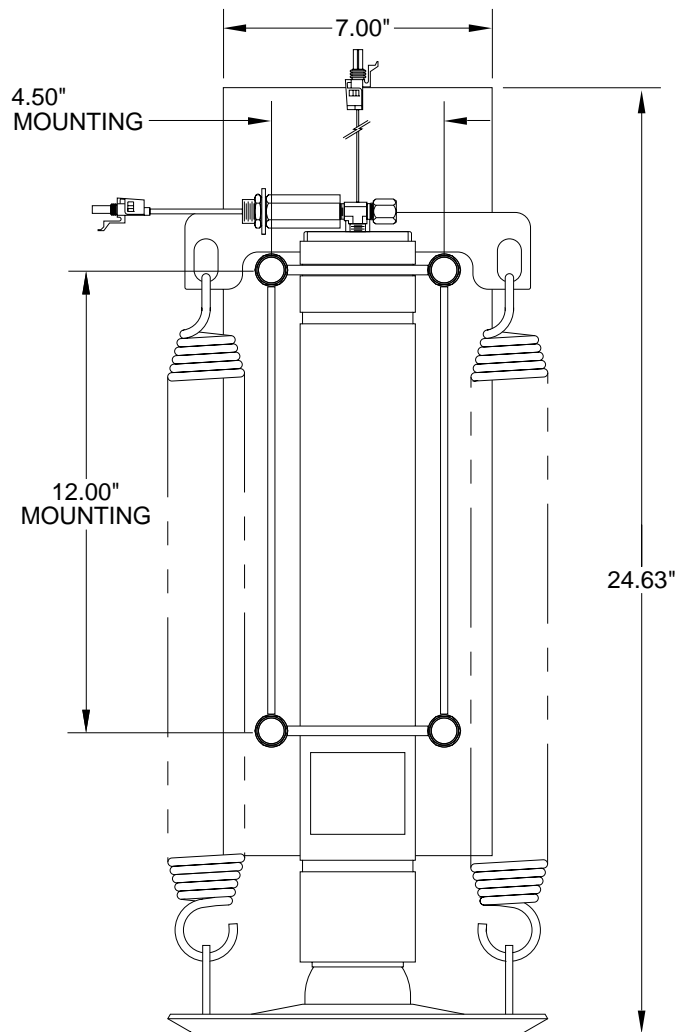
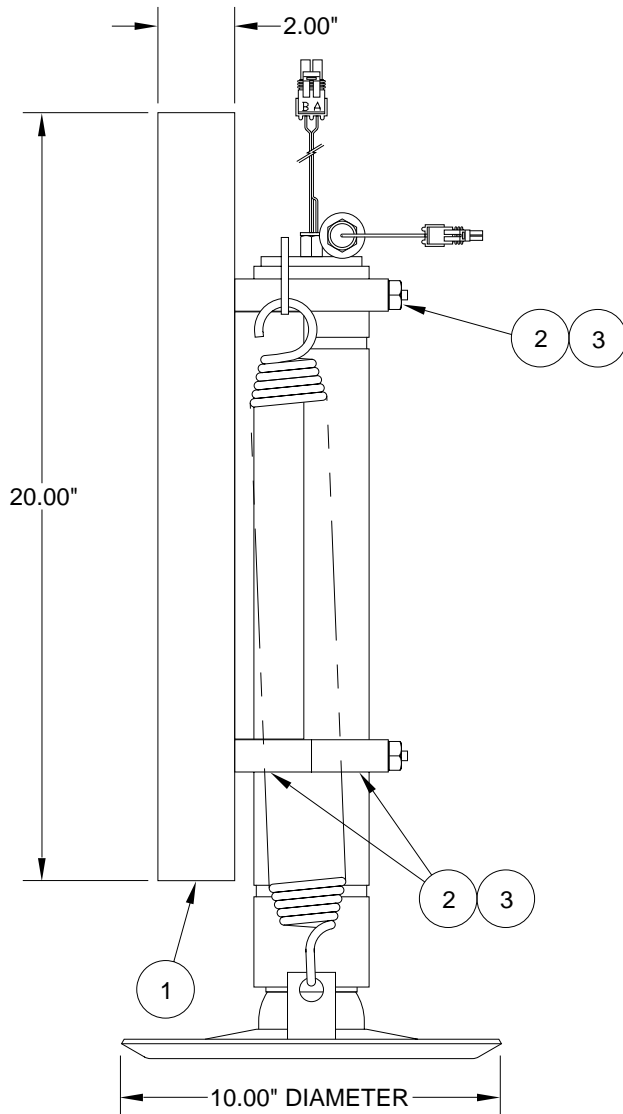
ITEM	PART	QTY	DESCRIPTION
3	RAP93115	1	CLAMP KIT WELD ON INCLUDES INNER CLAMPS, OUTER CLAMPS, AND HARDWARE.

**NOTE:** INDENTED ITEMS ARE INCLUDED WITH PRECEDING ITEM.

**MR25.5115B**  
**13APR12**

**AP46996 - STRAIGHT-ACTING JACK, FIXED**  
**12,000 # CAPACITY; 2.375" ROD DIAMETER; 13.00" STROKE; BOLT-ON FOOT**  
**WITH MAGNETIC WARNING SWITCH AND PRESSURE SWITCH**

FOR BASIC JACK INFORMATION INCLUDING CYLINDER, SWITCHES AND SPRINGS OR JACK DIMENSIONS  
 DIMENSIONS SEE PAGE [MR25.5115](#)



ITEM	PART	QTY	DESCRIPTION
1	RAP93047	1	MOUNTING BRACKET ASSEMBLY. INCLUDES CHANNEL, INNER CLAMP WELDMENT, AND OUTER CLAMPS WITH HARDWARE.
2	RAP93114	1	CLAMP KIT BOLT-THRU INCLUDES INNER CLAMPS, OUTER CLAMPS, AND HARDWARE.

ITEM	PART	QTY	DESCRIPTION
3	RAP93115	1	CLAMP KIT WELD ON INCLUDES INNER CLAMPS, OUTER CLAMPS, AND HARDWARE.

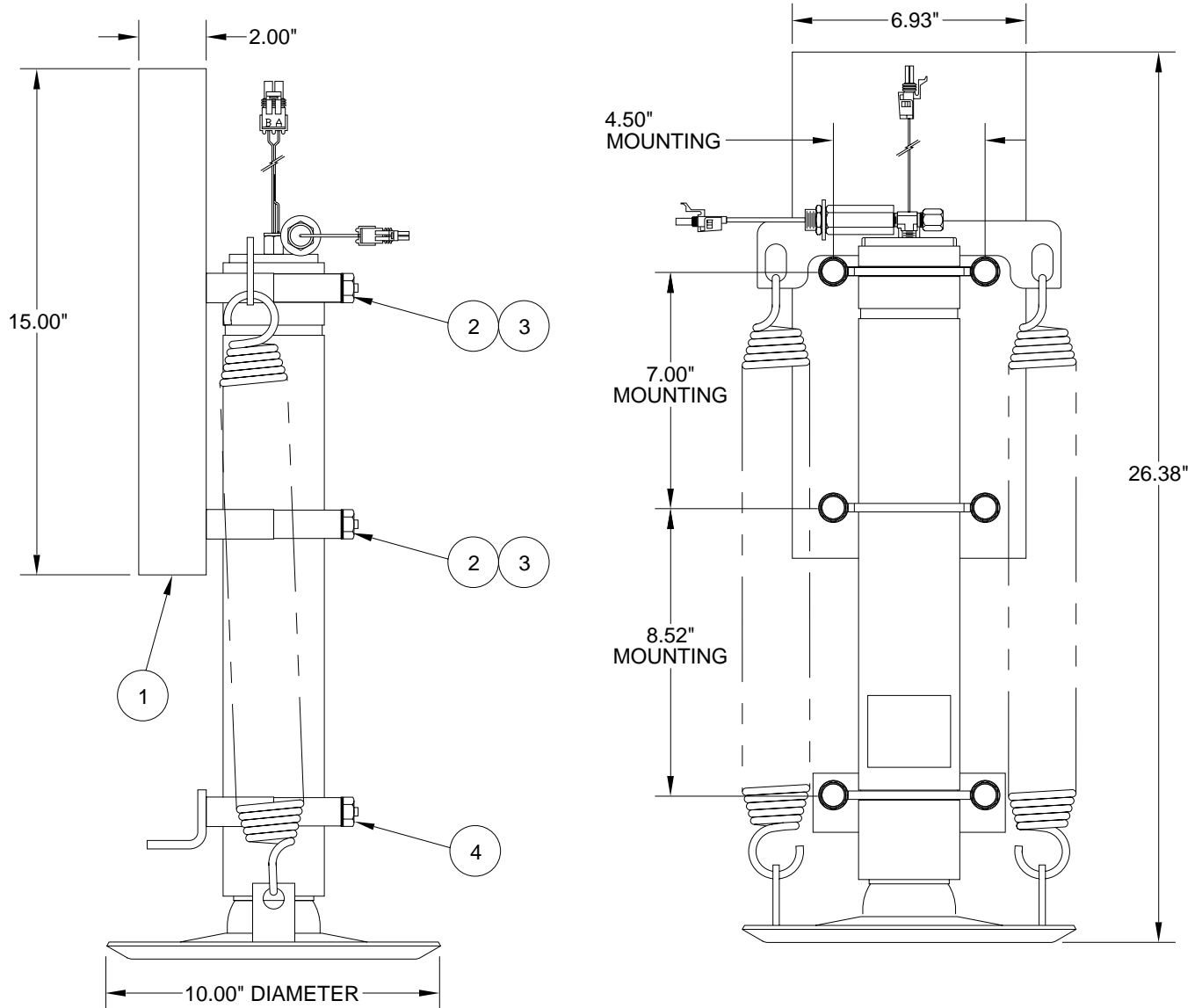
**NOTE:** INDENTED ITEMS ARE INCLUDED WITH PRECEDING ITEM.

**MR25.5115C**  
**27FEB13**

# AP49515 - STRAIGHT-ACTING JACK, FIXED

## 12,000 # CAPACITY; 2.375" ROD DIAMETER; 13.00" STROKE; BOLT-ON FOOT WITH MAGNETIC WARNING SWITCH AND PRESSURE SWITCH

FOR BASIC JACK INFORMATION INCLUDING CYLINDER, SWITCHES AND SPRINGS OR JACK DIMENSIONS DIMENSIONS SEE PAGE [MR25.5115](#)



ITEM	PART	QTY	DESCRIPTION
1	RAP93048	1	MOUNTING BRACKET ASSEMBLY. INCLUDES OUTER CLAMPS AND HARDWARE. DOES NOT INCLUDE ITEM #4.
2	RAP93114	1	CLAMP KIT BOLT-THRU INCLUDES INNER CLAMPS, OUTER CLAMPS, AND HARDWARE. DOES NOT INCLUDE ITEM #4.

ITEM	PART	QTY	DESCRIPTION
3	RAP93115	1	CLAMP KIT WELD ON INCLUDES INNER CLAMPS, OUTER CLAMPS, AND HARDWARE. DOES NOT INCLUDE ITEM #4.
4	RAP93117	1	CROSSTIE CLAMP KIT INCLUDES INNER CLAMP, OUTER CLAMP, ANGLE BRACKET AND HARDWARE.

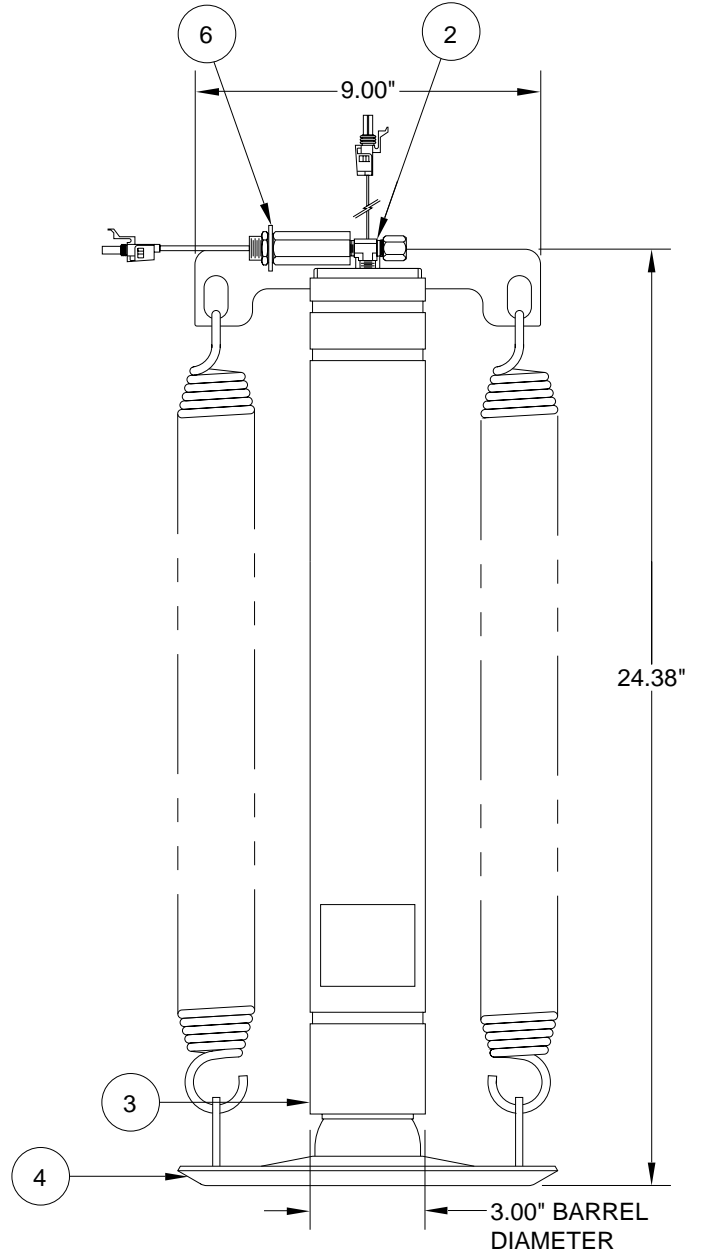
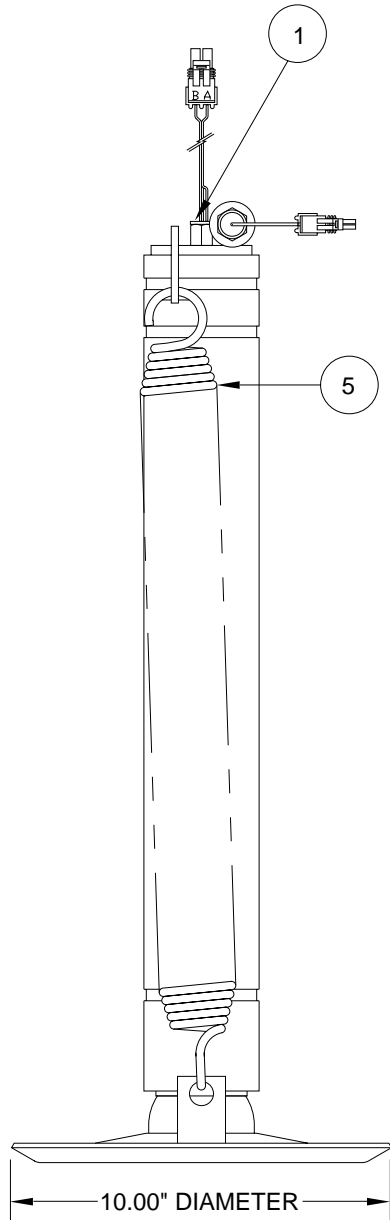
**NOTE:** INDENTED ITEMS ARE INCLUDED WITH PRECEDING ITEM.

**MR25.5115D**  
**13APR12**



**AP49472 - AP50131**  
**STRAIGHT-ACTING JACK, FIXED**  
**12,000 # CAPACITY; 2.375" ROD DIAMETER; 16.00" STROKE; BOLT-ON FOOT**

JACK #	DESCRIPTION
AP49472	MAGNETIC WARNING SWITCH W/ GRAY CONNECTOR, PRESSURE SWITCH
AP50131	MAGNETIC WARNING SWITCH W/ GRAY CONNECTOR ONLY



ITEM	PART	QTY	DESCRIPTION
1	RAP90968	1	SWITCH WARNING MAGNETIC GRAY
2	RP0734	1	MALE TEE SPECIAL
3	RAP93046	1	CYL. ASSY. 2.375" x 16" (INCLUDES ITEM 2) (EXCLUDES ITEMS 1,6)

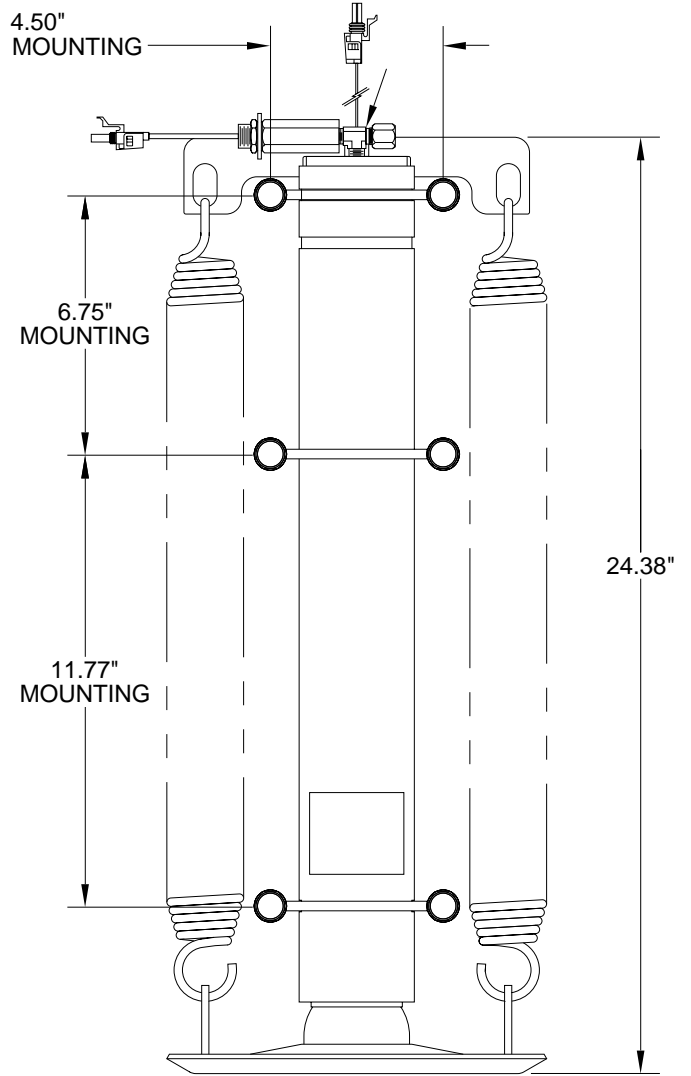
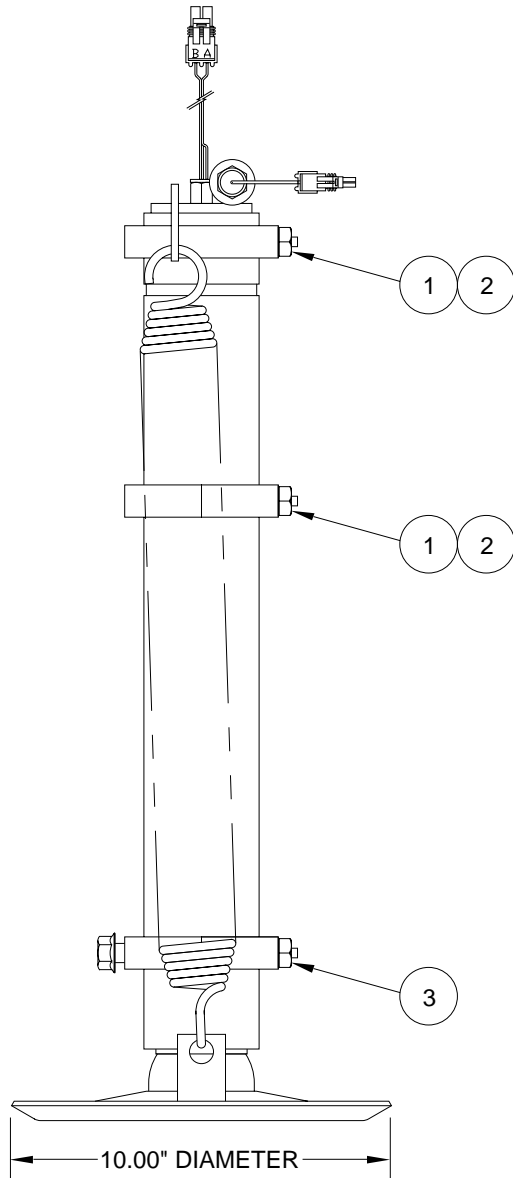
ITEM	PART	QTY	DESCRIPTION
4	RAP92281	1	FOOT 10.00" DIAMETER
5	R91933	1	SPRING KIT .218" X 17.5"
		2	SPRING .218" X 17.5"
6	RAP8003	1	SWITCH PRESSURE (AP49472 JACK ONLY)

**NOTE:** INDENTED ITEMS ARE INCLUDED WITH PRECEDING ITEM.

**MR25.5130**  
**09APR12**

**AP45649 - STRAIGHT-ACTING JACK, FIXED**  
**12,000 # CAPACITY; 2.375" ROD DIAMETER; 16.00" STROKE; BOLT-ON FOOT**  
**WITH MAGNETIC WARNING SWITCH AND PRESSURE SWITCH**

FOR BASIC JACK INFORMATION INCLUDING CYLINDER, SWITCHES AND SPRINGS OR JACK DIMENSIONS DIMENSIONS SEE PAGE [MR25.5130](#)



ITEM	PART	QTY	DESCRIPTION
1	RAP93114	1	CLAMP KIT BOLT-THRU INCLUDES INNER CLAMPS, OUTER CLAMPS, AND HARDWARE. DOES NOT INCLUDE ITEM #3.
2	RAP93115	1	CLAMP KIT WELD ON INCLUDES INNER CLAMPS, OUTER CLAMPS, AND HARDWARE. DOES NOT INCLUDE ITEM #3.

ITEM	PART	QTY	DESCRIPTION
3	RAP93117	1	CROSSTIE CLAMP KIT INCLUDES INNER CLAMP, OUTER CLAMP, AND HARDWARE

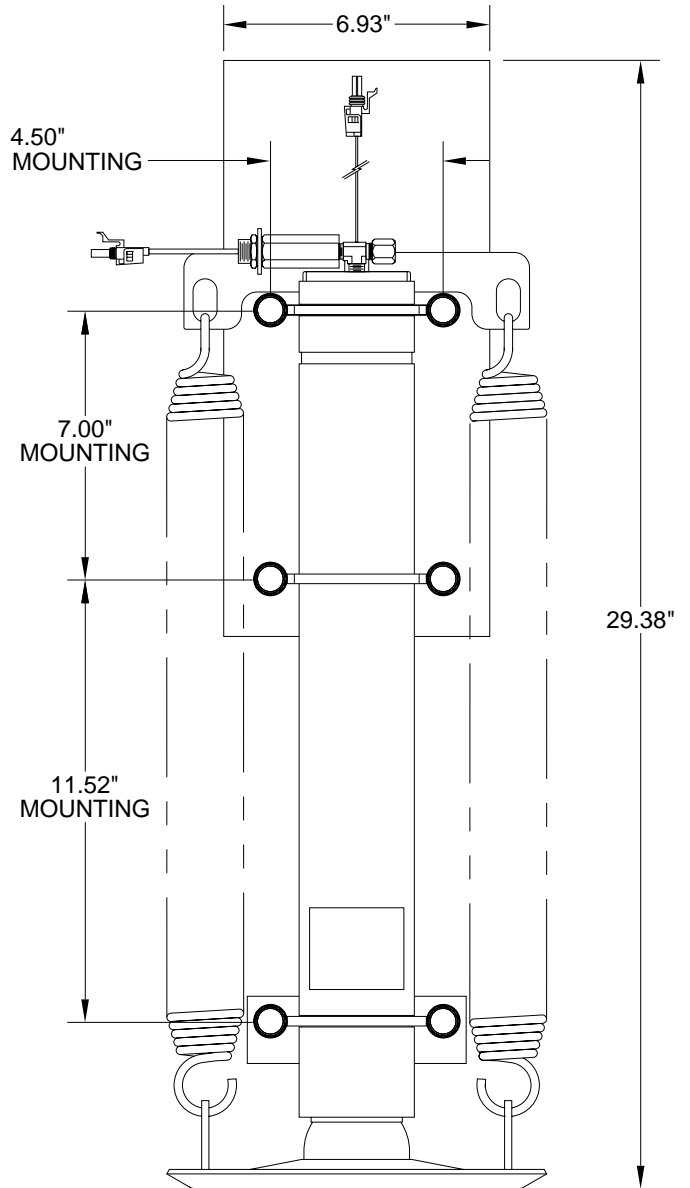
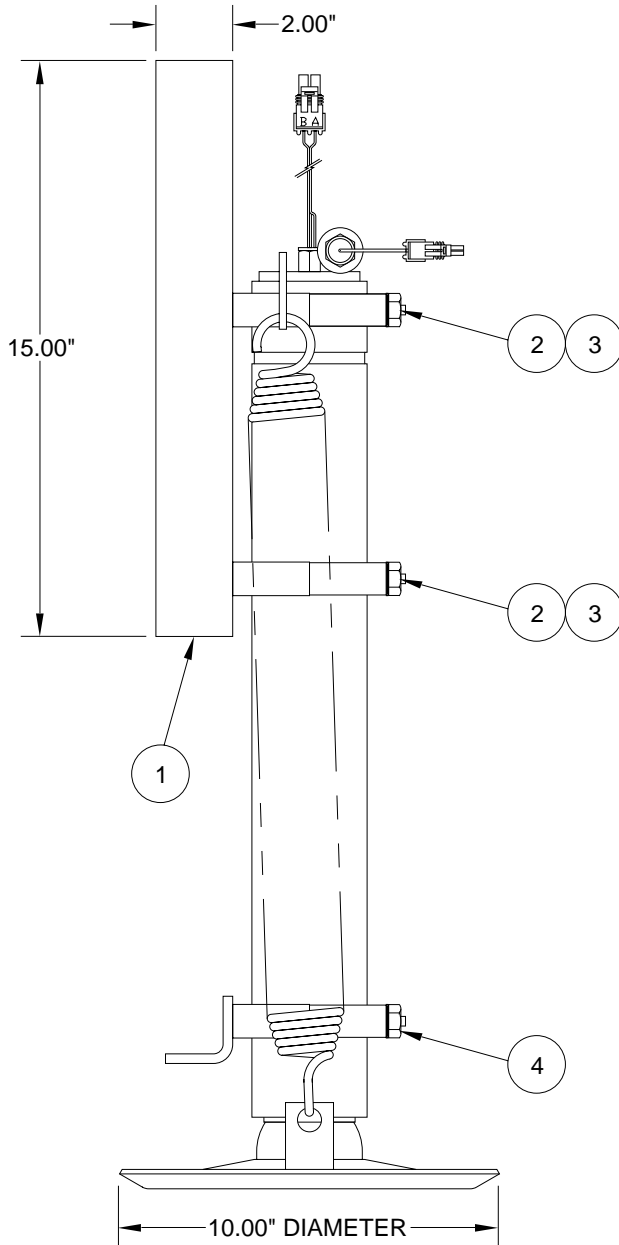
**NOTE:** INDENTED ITEMS ARE INCLUDED WITH PRECEDING ITEM.

**MR25.5130A**  
**09APR12**

# AP49516 - STRAIGHT-ACTING JACK, FIXED

**12,000 # CAPACITY; 2.375" ROD DIAMETER; 16.00" STROKE; BOLT-ON FOOT WITH MAGNETIC WARNING SWITCH AND PRESSURE SWITCH**

FOR BASIC JACK INFORMATION INCLUDING CYLINDER, SWITCHES AND SPRINGS OR JACK DIMENSIONS DIMENSIONS SEE PAGE [MR25.5130](#)



ITEM	PART	QTY	DESCRIPTION
1	RAP93048	1	MOUNTING BRACKET ASSEMBLY. INCLUDES OUTER CLAMPS AND HARDWARE. DOES NOT INCLUDE ITEM #4.
2	RAP93114	1	CLAMP KIT BOLT-THRU INCLUDES INNER CLAMPS, OUTER CLAMPS, AND HARDWARE. DOES NOT INCLUDE ITEM #4.

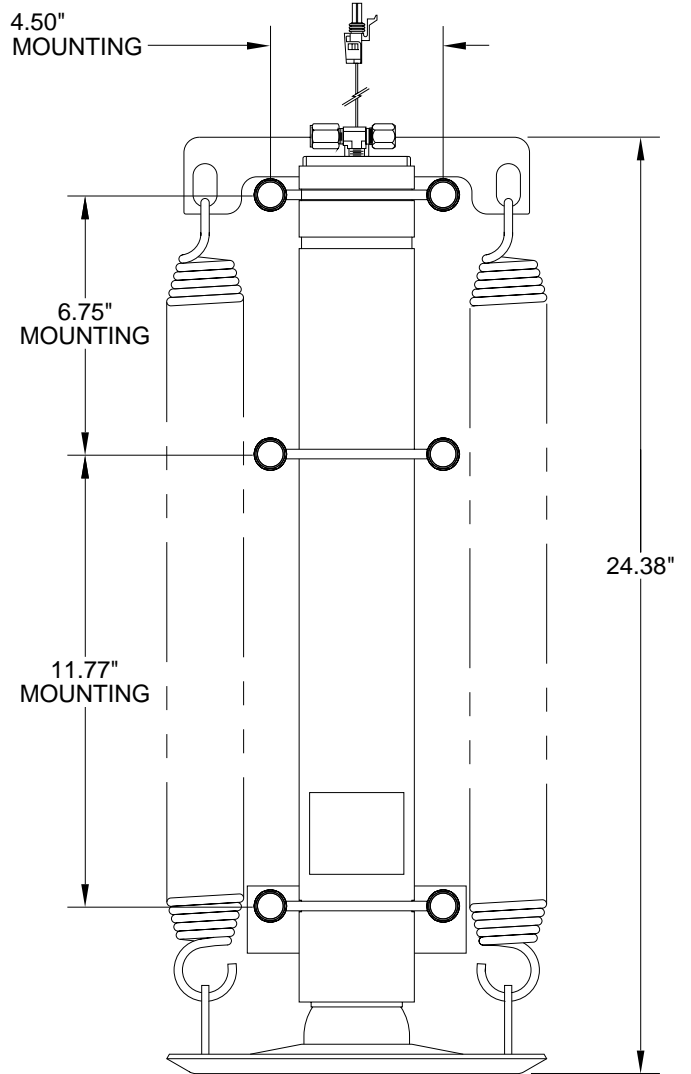
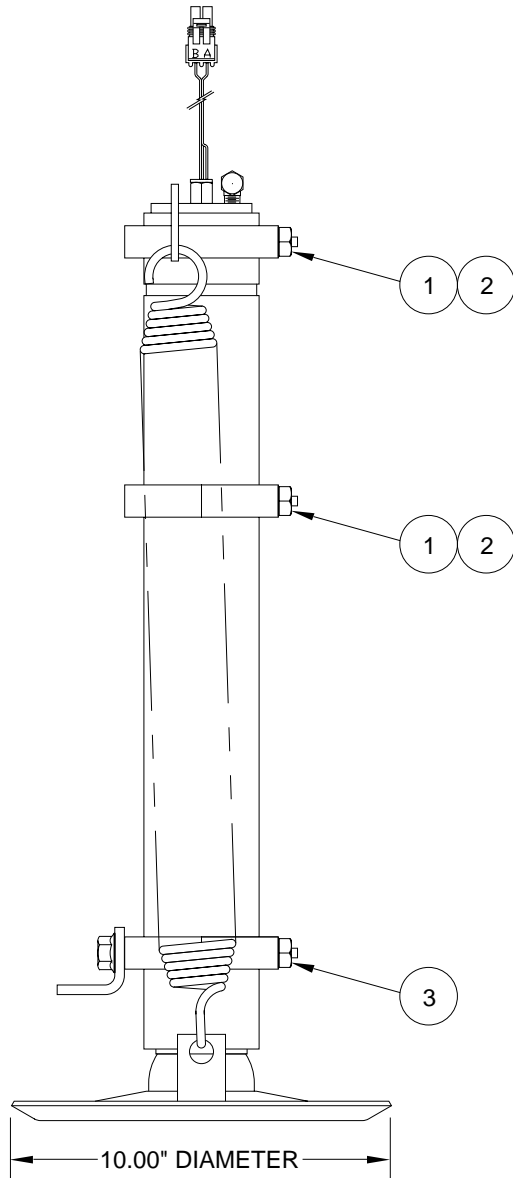
ITEM	PART	QTY	DESCRIPTION
3	RAP93115	1	CLAMP KIT WELD ON INCLUDES INNER CLAMPS, OUTER CLAMPS, AND HARDWARE. DOES NOT INCLUDE ITEM #4.
4	RAP93117	1	CROSSTIE CLAMP KIT INCLUDES INNER CLAMP, OUTER CLAMP, ANGLE BRACKET AND HARDWARE.

**NOTE:** INDENTED ITEMS ARE INCLUDED WITH PRECEDING ITEM.

**MR25.5130B**  
**10APR12**

**AP50132 - STRAIGHT-ACTING JACK, FIXED**  
**12,000 # CAPACITY; 2.375" ROD DIAMETER; 16.00" STROKE; BOLT-ON FOOT**  
**WITH MAGNETIC WARNING SWITCH**

FOR BASIC JACK INFORMATION INCLUDING CYLINDER, SWITCHES AND SPRINGS OR JACK DIMENSIONS DIMENSIONS SEE PAGE [MR25.5130](#)



ITEM	PART	QTY	DESCRIPTION
1	RAP93114	1	CLAMP KIT BOLT-THRU INCLUDES INNER CLAMPS, OUTER CLAMPS, AND HARDWARE. DOES NOT INCLUDE ITEM #3.
2	RAP93115	1	CLAMP KIT WELD ON INCLUDES INNER CLAMPS, OUTER CLAMPS, AND HARDWARE. DOES NOT INCLUDE ITEM #3.

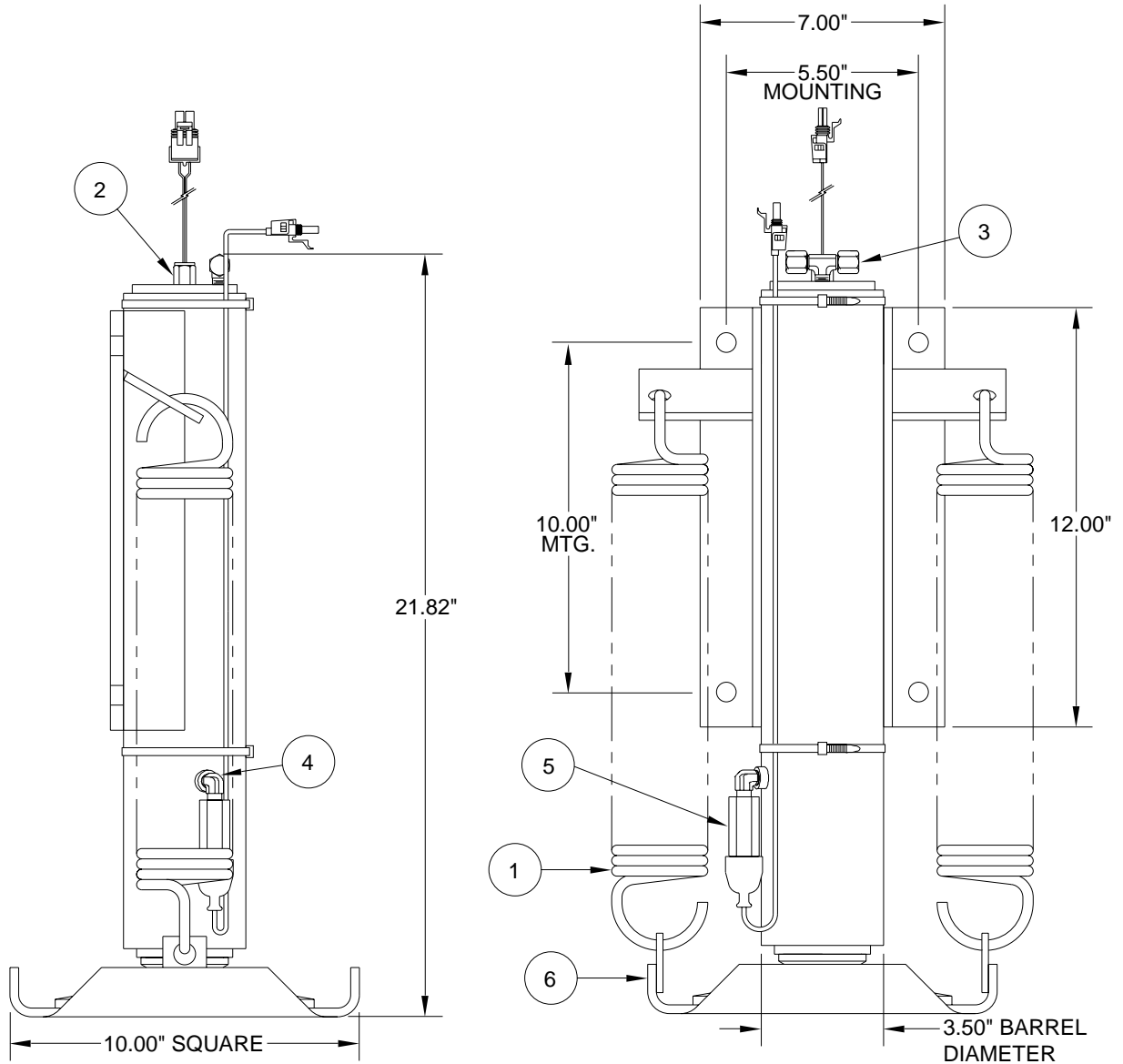
ITEM	PART	QTY	DESCRIPTION
3	RAP93117	1	CROSSTIE CLAMP KIT INCLUDES INNER CLAMP, OUTER CLAMP, ANGLE BRACKET AND HARDWARE.

**NOTE:** INDENTED ITEMS ARE INCLUDED WITH PRECEDING ITEM.

**MR25.5130C**  
**09APR12**

**AP29888 - AP29920**  
**STRAIGHT-ACTING JACK, FIXED**  
**14,000 # CAPACITY; 2.750" ROD DIAMETER; 13.00" STROKE**

JACK #	REPLACEMENT #	DESCRIPTION
AP29888	RAP92446	MAGNETIC WARN. SWITCH W/ GRAY CONNECTOR ONLY, PRESSURE SWITCH
AP29920	RAP91657	MAGNETIC WARN. SWITCH W/ GRAY CONNECTOR ONLY



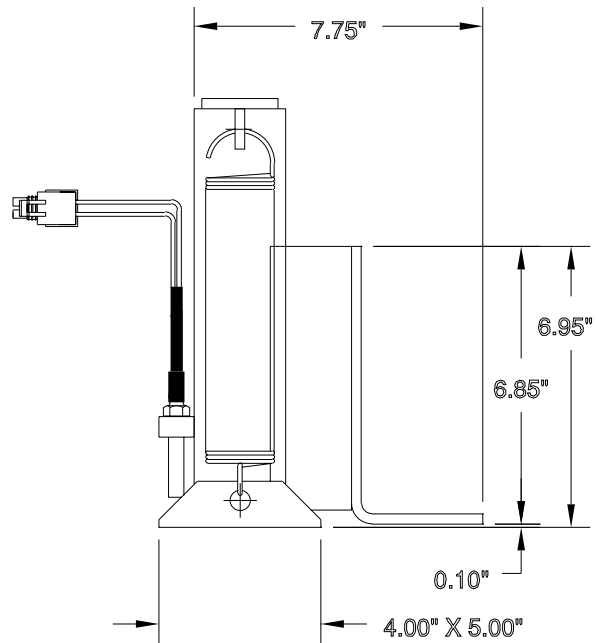
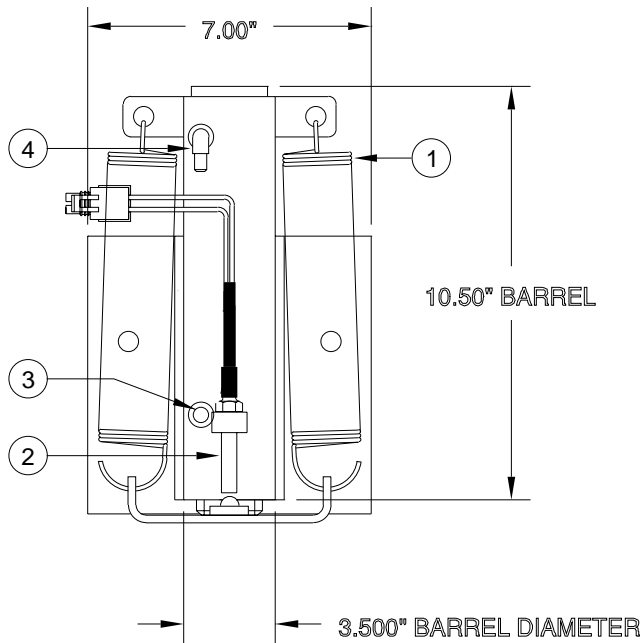
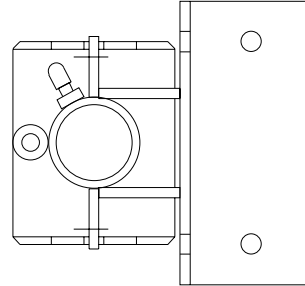
ITEM	PART	QTY	DESCRIPTION
1	R2365	1	SPRING KIT 2-3/4" X 13-1/2"
		2	SPRING 2-3/4" X 13-1/2"
2	RAP90968	1	SWITCH WARNING MAGNETIC GRAY (AP29888, AP29920)
3	RF90151	1	MALE TEE 1/8" X 1/4" X 1/4"

ITEM	PART	QTY	DESCRIPTION
4	RF8143	1	ELBOW 1/8" X 1/8" (AP29888 ONLY)
5	RAP8003	1	SWITCH PRESSURE (AP29888 ONLY)
6	RAP7754	1	FOOT 11.40" ROUND 10" SQUARE FOOT NO LONGER AVAILABLE

**NOTE:** INDENTED ITEMS ARE INCLUDED WITH PRECEDING ITEM.

**MR25.5500**  
**14FEB13**

**AP1301 - STRAIGHT - ACTING JACK, FIXED**  
**16,000 # CAPACITY; 2.750" ROD DIAMETER; 6.50" STROKE**  
**WITH PRESSURE SWITCH**

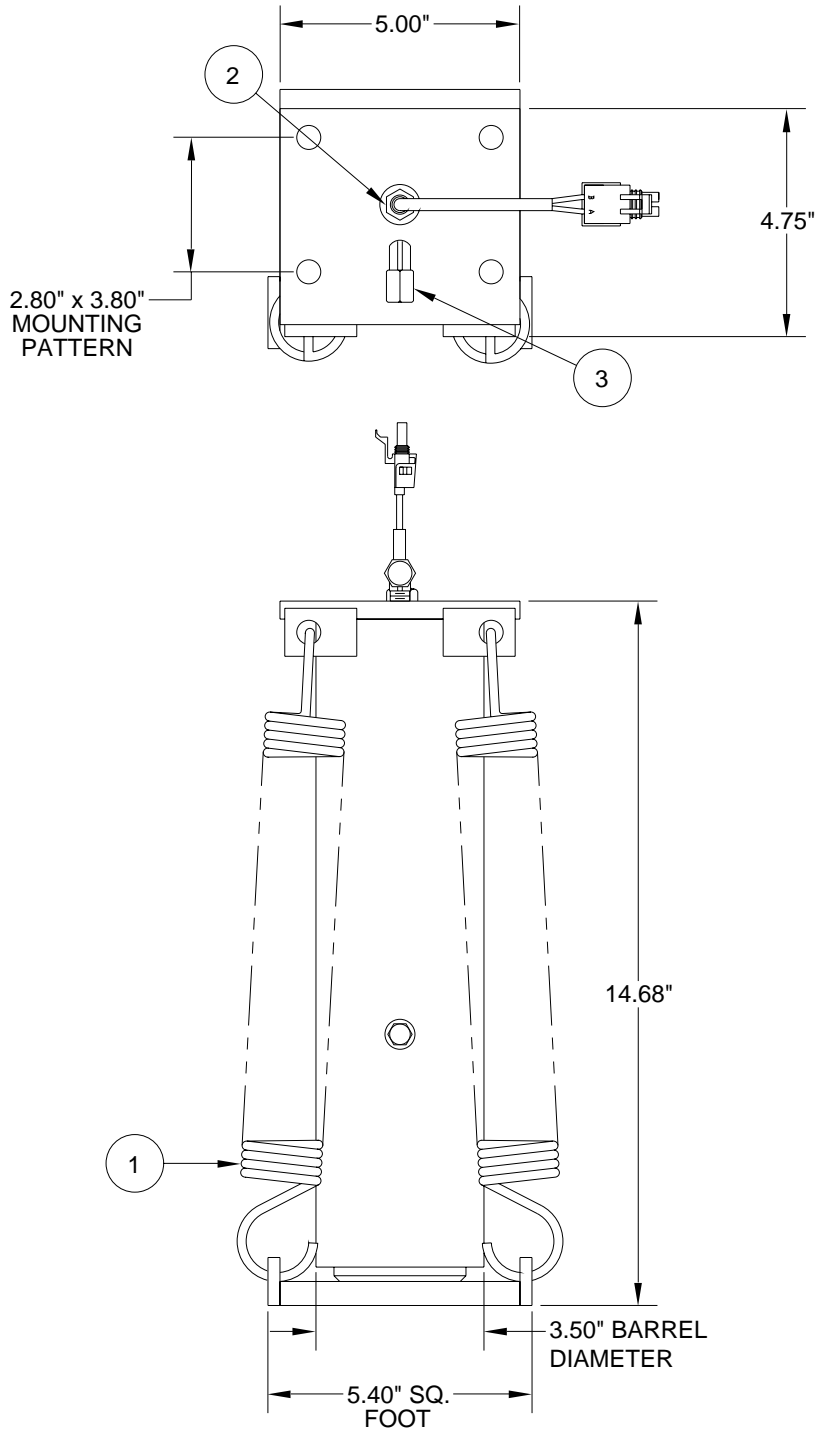


ITEM	PART	QTY	DESCRIPTION
	RAP90249		JACK 16,000 # X 6.5" FIXED (REPLACES AP1301)
1	R90248	1	SPRING KIT 1.68" X 7.75"
		2	SPRING 1.68" X 7.75"

ITEM	PART	QTY	DESCRIPTION
2	RAP1008	1	SWITCH WARNING 2-WIRE
3	RF2418	1	PIPE PLUG 1/8"
4	RF1453	1	ELBOW 1/8" X 1/4"

**NOTE:** INDENTED ITEMS ARE INCLUDED WITH PRECEDING ITEM.

**AP12277**  
**STRAIGHT-ACTING JACK, FIXED**  
**16,000 # CAPACITY; 2.750" ROD DIAMETER; 8.00" STROKE**  
**USED ON PREVOST BUS CONVERSIONS**

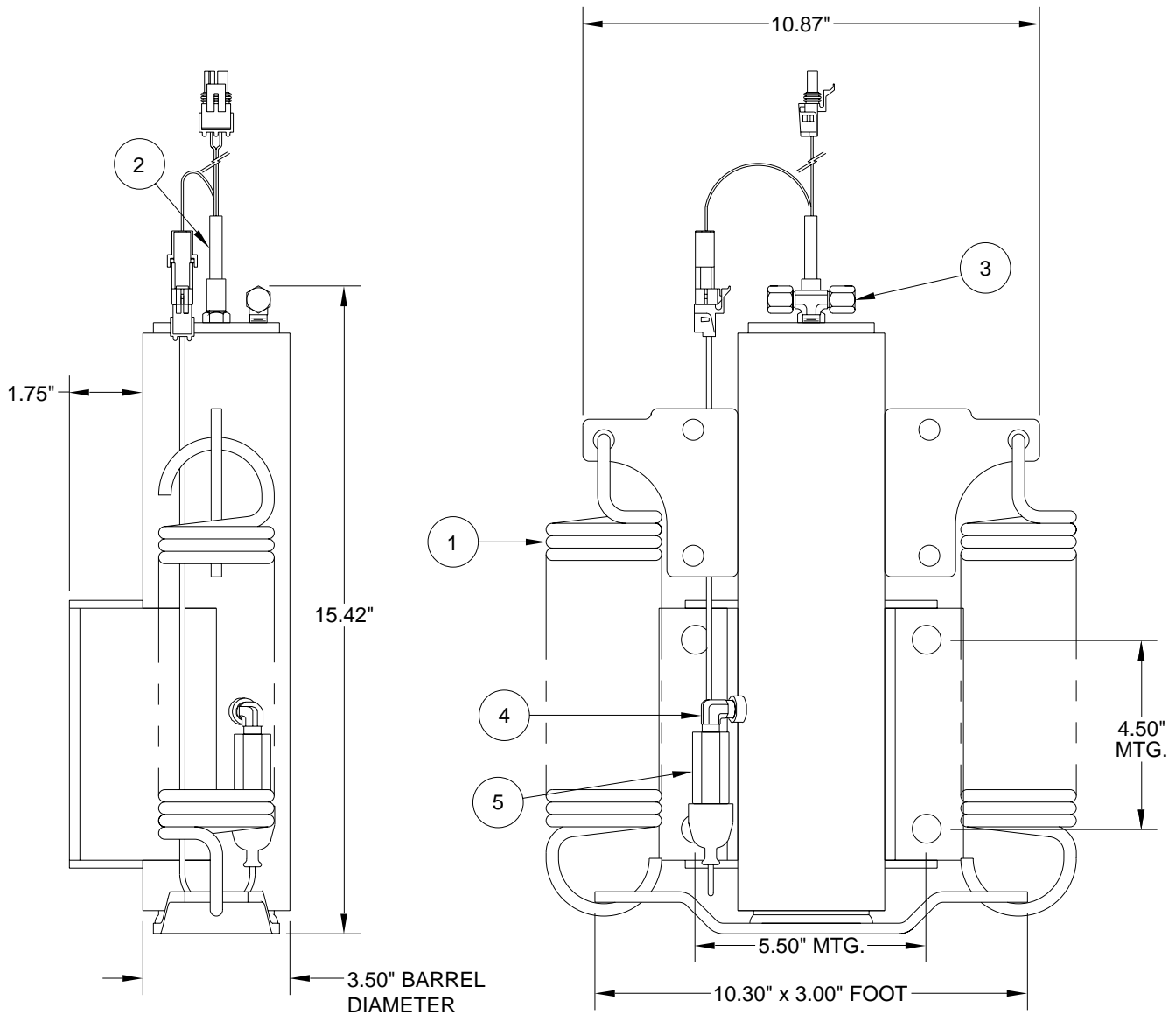


ITEM	PART	QTY	DESCRIPTION	ITEM	PART	QTY	DESCRIPTION
<b>NOTE: CONTACT HWH CORPORATION FOR JACK REPLACEMENT INFORMATION.</b>				2	RAP1008	1	SWITCH WARNING MAGNETIC
1	R1171	1	SPRING KIT 1-5/8" X 12"	3	RF1453	1	ELBOW 1/8" X 1/4"
		2	SPRING 1-5/8" X 12"				

**NOTE:** INDENTED ITEMS ARE INCLUDED WITH PRECEDING ITEM.

**MR25.6105**  
**13MAR09**

**AP20889 - STRAIGHT - ACTING JACK, FIXED**  
**16,000 # CAPACITY; 2.750" ROD DIAMETER; 8.00" STROKE**  
**WITH 3-WIRE WARNING SWITCH AND PRESSURE SWITCH**



ITEM	PART	QTY	DESCRIPTION
	RAP90998		JACK 16,000 # X 8" FIXED (REPLACES AP20889)
1	R90854	1	SPRING KIT 2.75" X 9.75"
		2	SPRING 2.75" X 9.75"
2	RAP90073	1	SWITCH WARNING 3-WIRE

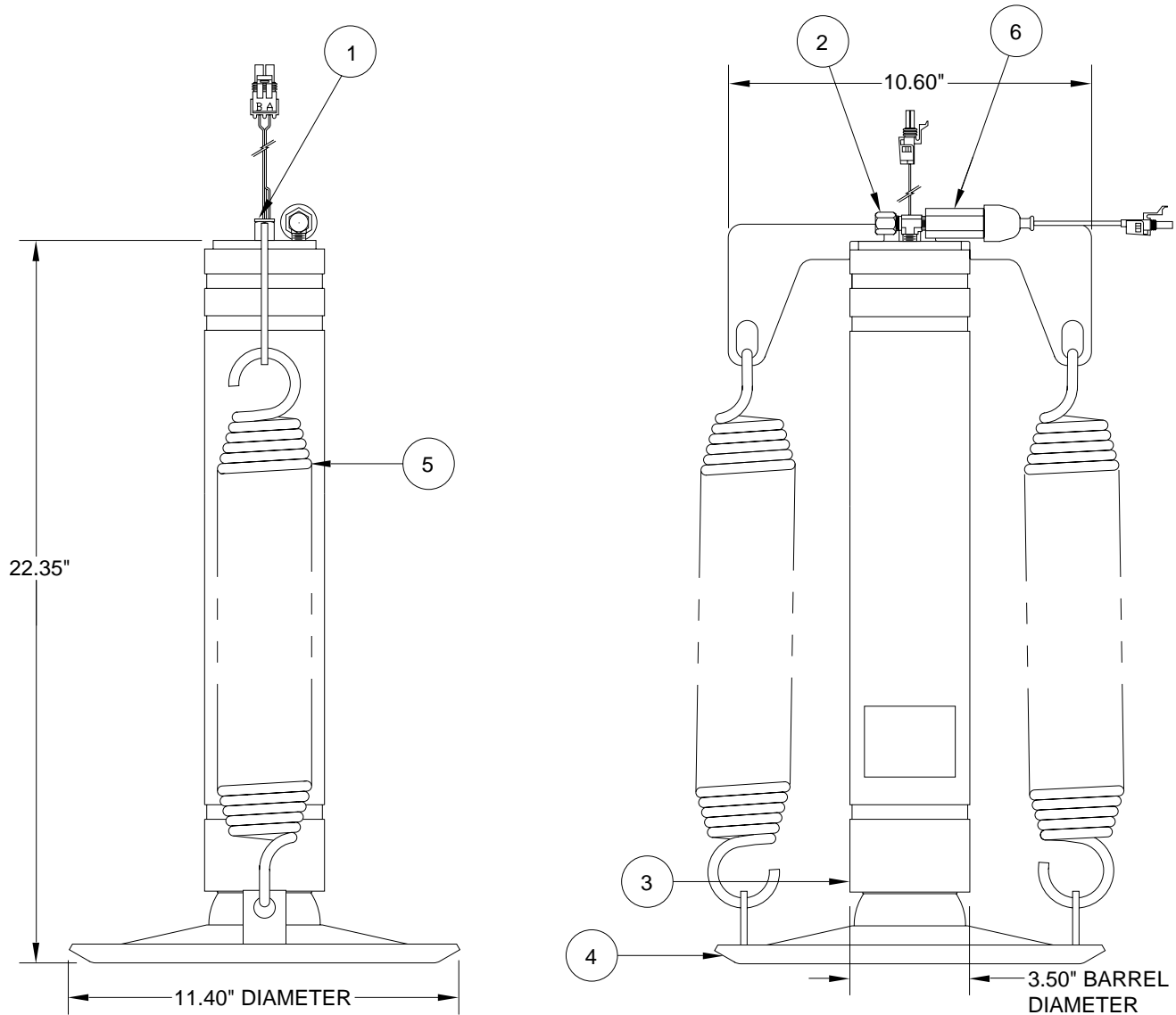
ITEM	PART	QTY	DESCRIPTION
3	RF90151	1	MALE TEE 1/8" X 1/4" X 1/4"
4	RF8143	1	ELBOW 1/8" X 1/8"
5	RAP8003	1	SWITCH PRESSURE

**NOTE:** INDENTED ITEMS ARE INCLUDED WITH PRECEDING ITEM.

**MR25.6110**  
**13MAR09**



**AP49490 - STRAIGHT-ACTING JACK, FIXED**  
**16,000 # CAPACITY; 2.750" ROD DIAMETER; 13.00" STROKE; BOLT-ON FOOT**  
**WITH MAGNETIC WARNING SWITCH AND PRESSURE SWITCH**



ITEM	PART	QTY	DESCRIPTION
1	RAP90968	1	SWITCH WARNING MAGNETIC GRAY
2	RP0734	1	MALE TEE SPECIAL
3	RAP92735	1	CYL. ASSY. 2.750" x 13" (INCLUDES ITEM 2) (EXCLUDES ITEMS 1,6)
4	RAP92632	1	FOOT 11.40" DIAMETER

ITEM	PART	QTY	DESCRIPTION
5	R2365	1	SPRING KIT 2-3/4" X 13-1/2"
		2	SPRING 2-3/4" X 13-1/2"
6	RAP8003	1	SWITCH PRESSURE

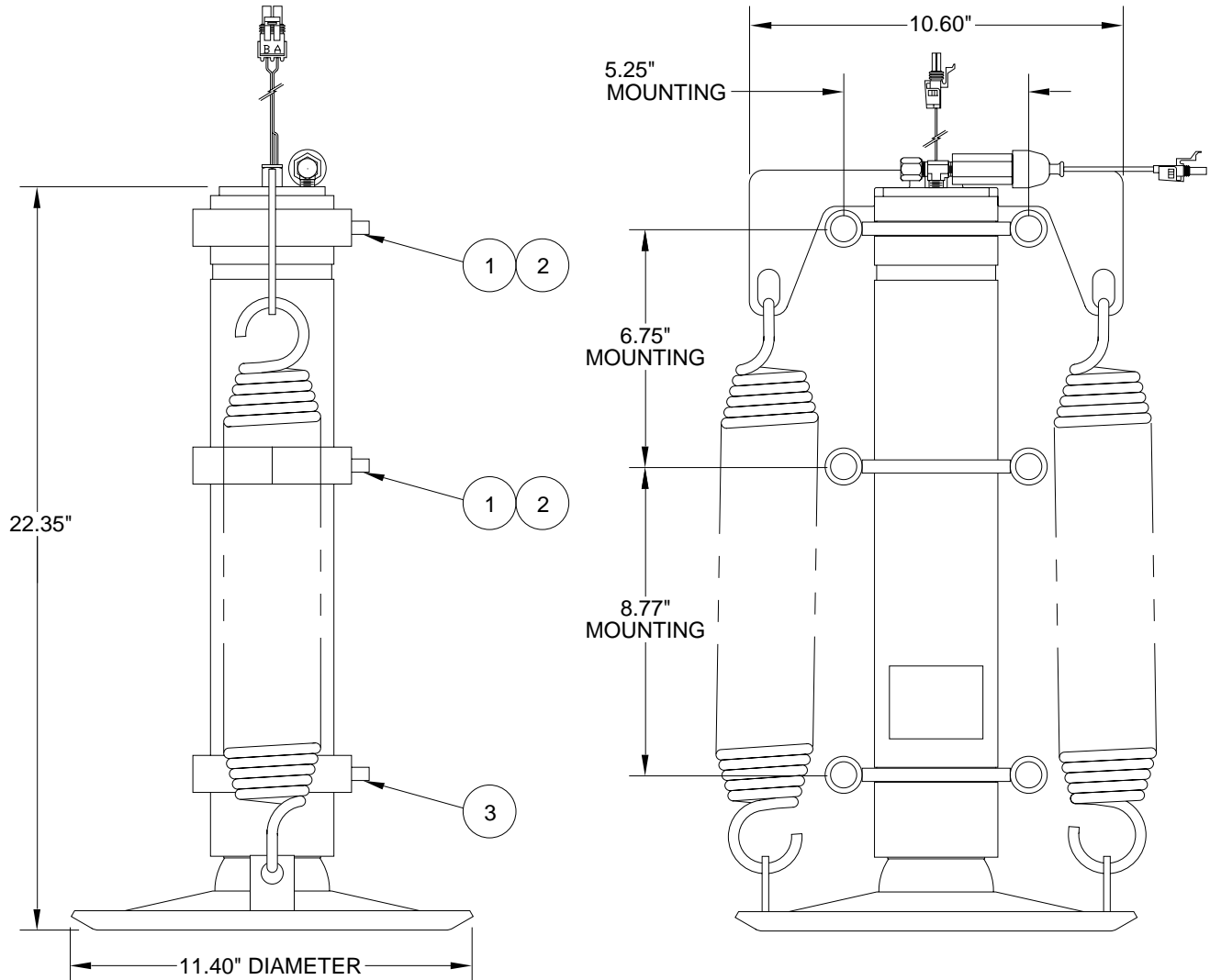
**NOTE:** INDENTED ITEMS ARE INCLUDED WITH PRECEDING ITEM.

**MR25.6115**  
**03APR12**

**AP45692 - AP46749**  
**STRAIGHT-ACTING JACK, FIXED**  
**16,000 # CAPACITY; 2.750" ROD DIAMETER; 13.00" STROKE; BOLT-ON FOOT**

JACK #	DESCRIPTION
AP45692	MAGNETIC WARNING SWITCH W/ GRAY CONNECTOR, PRESSURE SWITCH
AP46749	MAGNETIC WARNING SWITCH W/ GRAY CONNECTOR ONLY

FOR BASIC JACK INFORMATION INCLUDING CYLINDER, SWITCHES AND SPRINGS OR JACK DIMENSIONS DIMENSIONS SEE PAGE [MR25.6115](#)



ITEM	PART	QTY	DESCRIPTION
1	RAP93118	1	CLAMP KIT BOLT-THRU INCLUDES INNER CLAMPS, OUTER CLAMPS, AND HARDWARE. DOES NOT INCLUDE ITEM #3.
2	RAP93119	1	CLAMP KIT WELD INCLUDES INNER CLAMPS, OUTER CLAMPS, AND HARDWARE. DOES NOT INCLUDE ITEM #3.

ITEM	PART	QTY	DESCRIPTION
3	RAP93120	1	CROSSTIE CLAMP KIT INCLUDES INNER CLAMP, OUTER CLAMP, ANGLE BRACKET AND HARDWARE

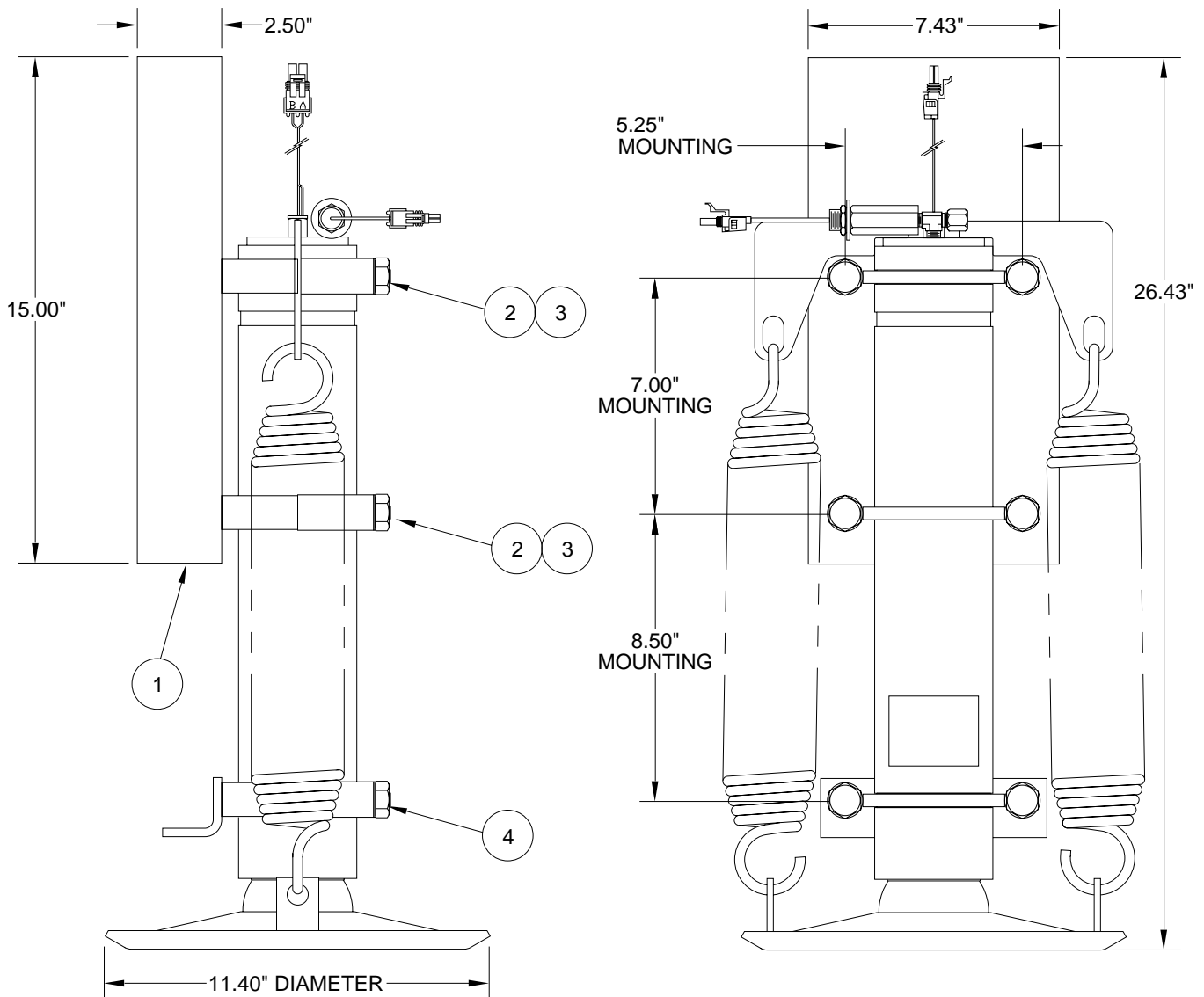
**NOTE:** INDENTED ITEMS ARE INCLUDED WITH PRECEDING ITEM.

**MR25.6115A**  
**03APR12**

# AP49520 - STRAIGHT-ACTING JACK, FIXED

**16,000 # CAPACITY; 2.750" ROD DIAMETER; 13.00" STROKE; BOLT-ON FOOT WITH MAGNETIC WARNING SWITCH AND PRESSURE SWITCH**

FOR BASIC JACK INFORMATION INCLUDING CYLINDER, SWITCHES AND SPRINGS OR JACK DIMENSIONS DIMENSIONS SEE PAGE [MR25.6115](#)



ITEM	PART	QTY	DESCRIPTION
1	RAP93049	1	MOUNTING BRACKET ASSEMBLY. INCLUDES OUTER CLAMPS AND HARDWARE. DOES NOT INCLUDE ITEM #4.
2	RAP93118	1	CLAMP KIT BOLT-THRU INCLUDES INNER CLAMPS, OUTER CLAMPS, AND HARDWARE. DOES NOT INCLUDE ITEM #4.

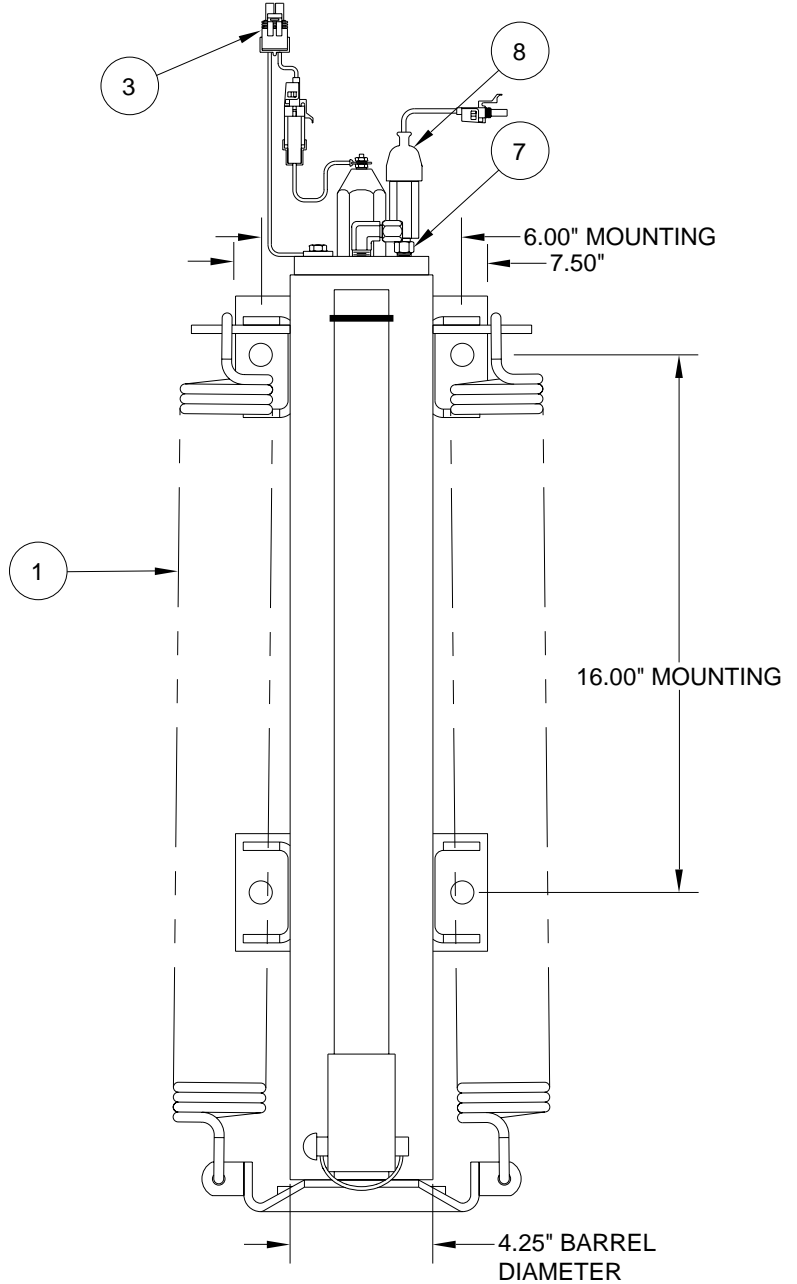
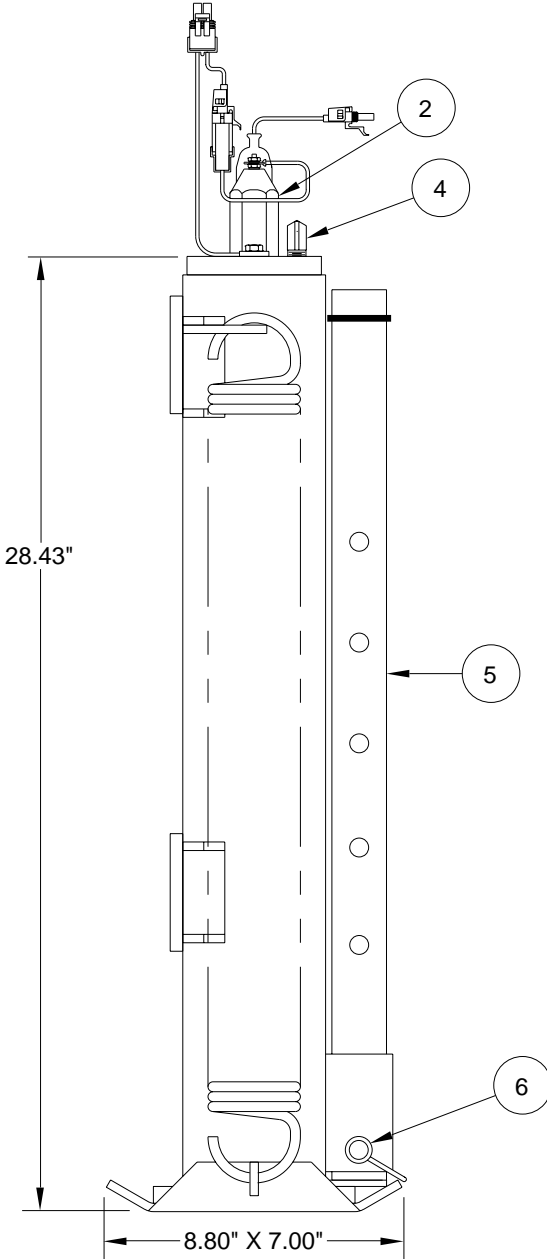
ITEM	PART	QTY	DESCRIPTION
3	RAP93119	1	CLAMP KIT WELD INCLUDES INNER CLAMPS, OUTER CLAMPS, AND HARDWARE. DOES NOT INCLUDE ITEM #4.
4	RAP93120	1	CROSSTIE CLAMP KIT INCLUDES INNER CLAMP, OUTER CLAMP, ANGLE BRACKET AND HARDWARE

**NOTE:** INDENTED ITEMS ARE INCLUDED WITH PRECEDING ITEM.

**MR25.6115B**  
**03APR12**

**AP17855 - AP34559**  
**STRAIGHT-ACTING JACK, FIXED**  
**18,000 # CAPACITY; 3.500" ROD DIAMETER; 21.00" STROKE**  
**USED ON FIFTH WHEEL COACHES**

JACK #	REPLACEMENT #	DESCRIPTION
AP17855	RAP91656	2" TRAVEL WARNING SWITCH W/ BLACK CONNECTOR ONLY
AP34559	RAP92449	2" TRAVEL WARNING SWITCH W/ GRAY CONNECTOR, PRESSURE SWITCH



ITEM	PART	QTY	DESCRIPTION
1	R1905	1	SPRING KIT 2-3/4" X 22.00"
		2	SPRING 2-3/4" X 22.00"
2	RAP4707	1	SWITCH WARNING 2" TRAVEL (AP17855, AP34559)
3	RAP92382	1	2 WIRE ADAPTER KIT
4	RF1514	1	ELBOW 1/4" X 1/4"

ITEM	PART	QTY	DESCRIPTION
5	RAP0271	1	STOP ROD
6	RAP0281	1	RETAINING PIN
7	RF9315	1	NIPPLE 1/8" X 1/8" (AP34559 ONLY)
8	RAP8003	1	SWITCH PRESSURE (AP34559 ONLY)

**NOTE:** INDENTED ITEMS ARE INCLUDED WITH PRECEDING ITEM.

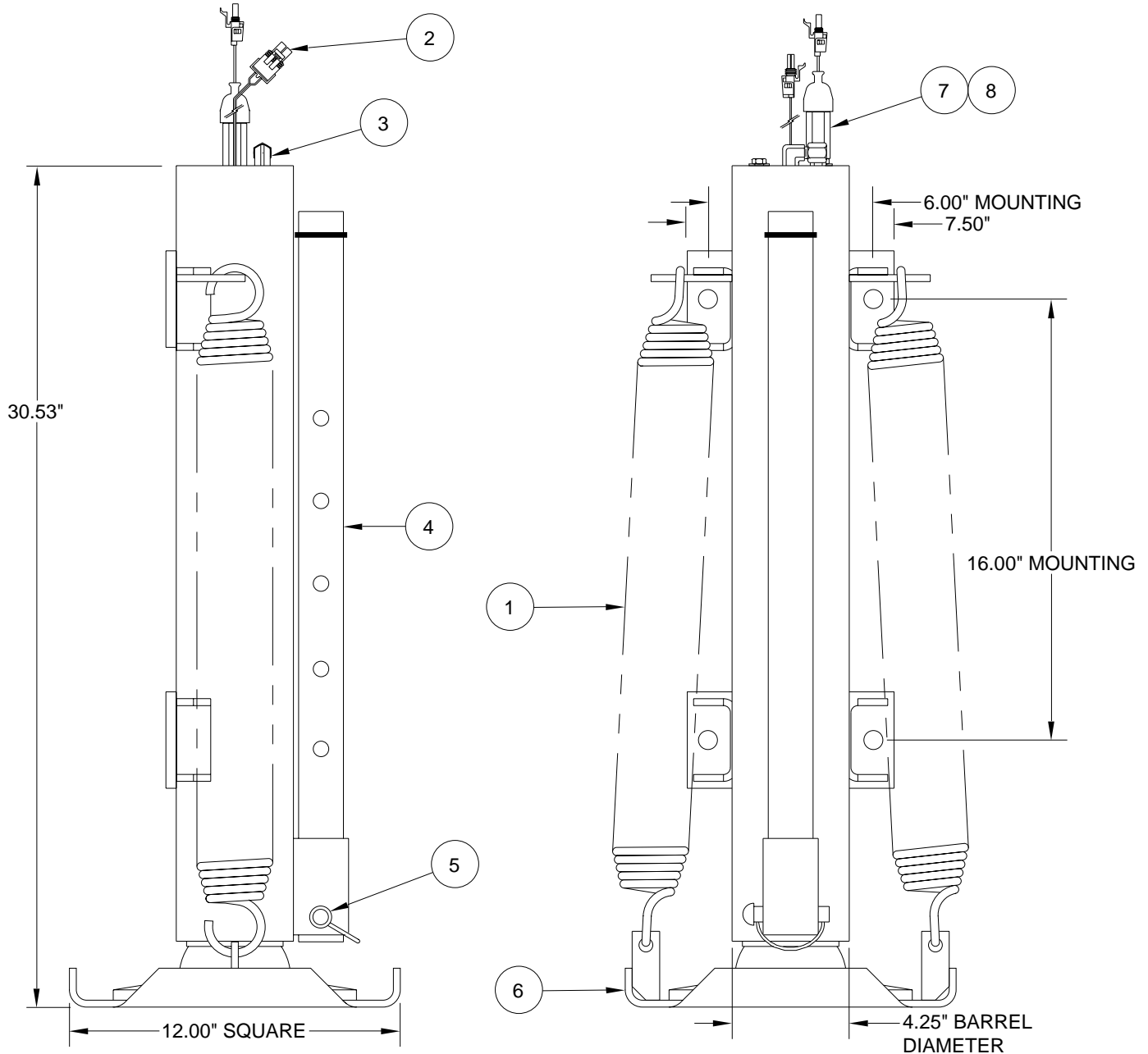
**MR25.7000**  
**13MAR09**

# AP36127 - AP37136

## STRAIGHT-ACTING JACK, FIXED

**18,000 # CAPACITY; 3.500" ROD DIAMETER; 21.00" STROKE; BOLT-ON FOOT  
USED ON FIFTH WHEEL COACHES**

JACK #	REPLACEMENT #	DESCRIPTION
AP36127	RAP92450	MAGNETIC WARN. SWITCH W/ GRAY CONNECTOR ONLY
AP37136	RAP92451	MAGNETIC WARN. SWITCH W/ GRAY CONNECTOR, PRESSURE SWITCH



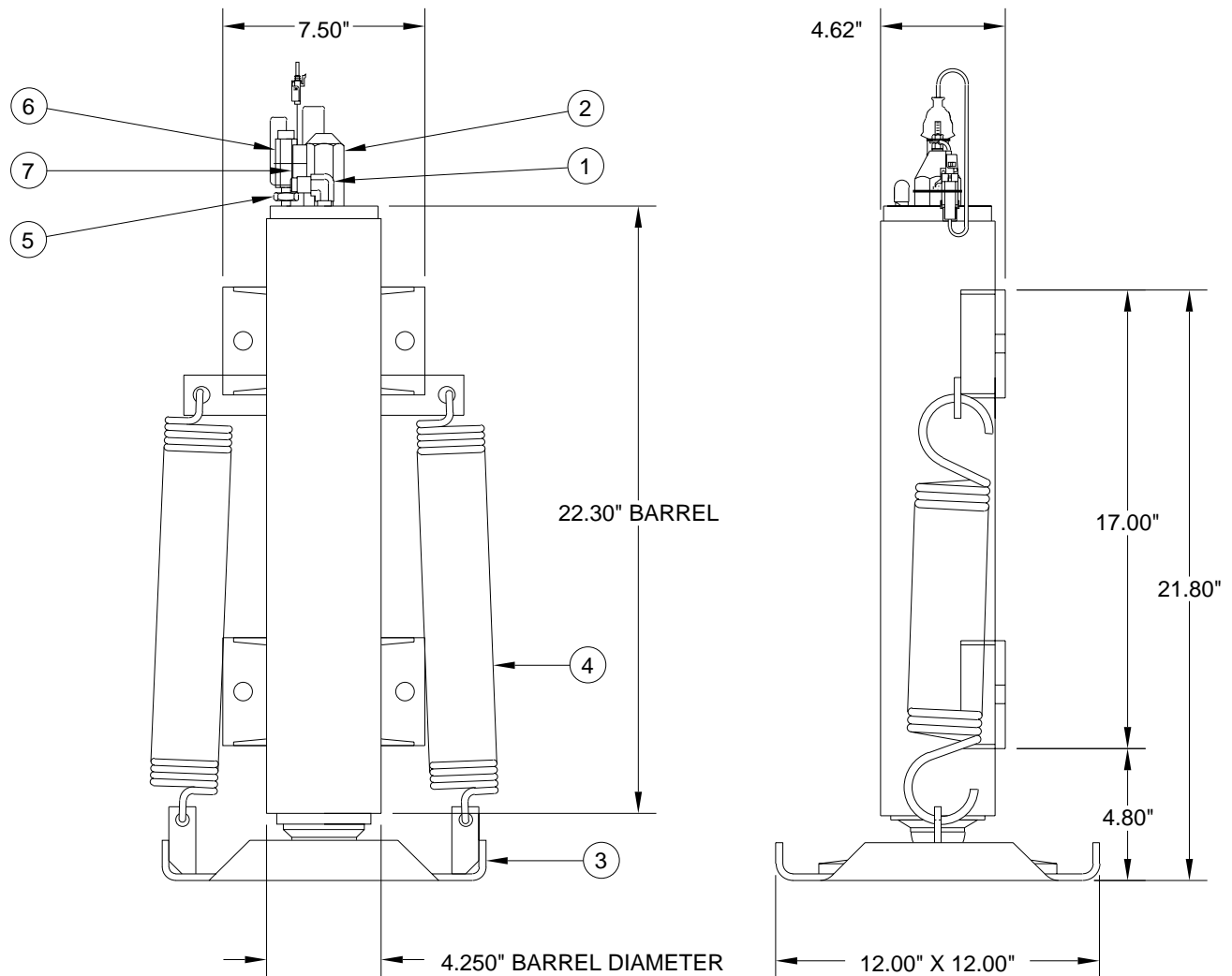
ITEM	PART	QTY	DESCRIPTION
1	R1905	1	SPRING KIT 2-3/4" X 22.00"
		2	SPRING 2-3/4" X 22.00"
2	RAP90968	1	SWITCH WARNING MAGNETIC GRAY (AP36127, AP37136)
3	RF90139	1	ELBOW 5/16" X 1/4"
4	RAP0271	1	STOP ROD

ITEM	PART	QTY	DESCRIPTION
5	RAP0281	1	RETAINING PIN
6	RAP92055	1	FOOT 12" SQUARE
7	RF9315	1	NIPPLE 1/8" X 1/8" (AP37136 ONLY)
8	RAP8003	1	SWITCH PRESSURE (AP37136 ONLY)

**NOTE:** INDENTED ITEMS ARE INCLUDED WITH PRECEDING ITEM.

**MR25.7005  
13MAR09**

**AP0465 - STRAIGHT - ACTING JACK, FIXED**  
**24,000 # CAPACITY; 3.5" ROD DIAMETER; 16.00" STROKE**  
**WITH PRESSURE SWITCH AND 2" TRAVEL WARNING SWITCH**

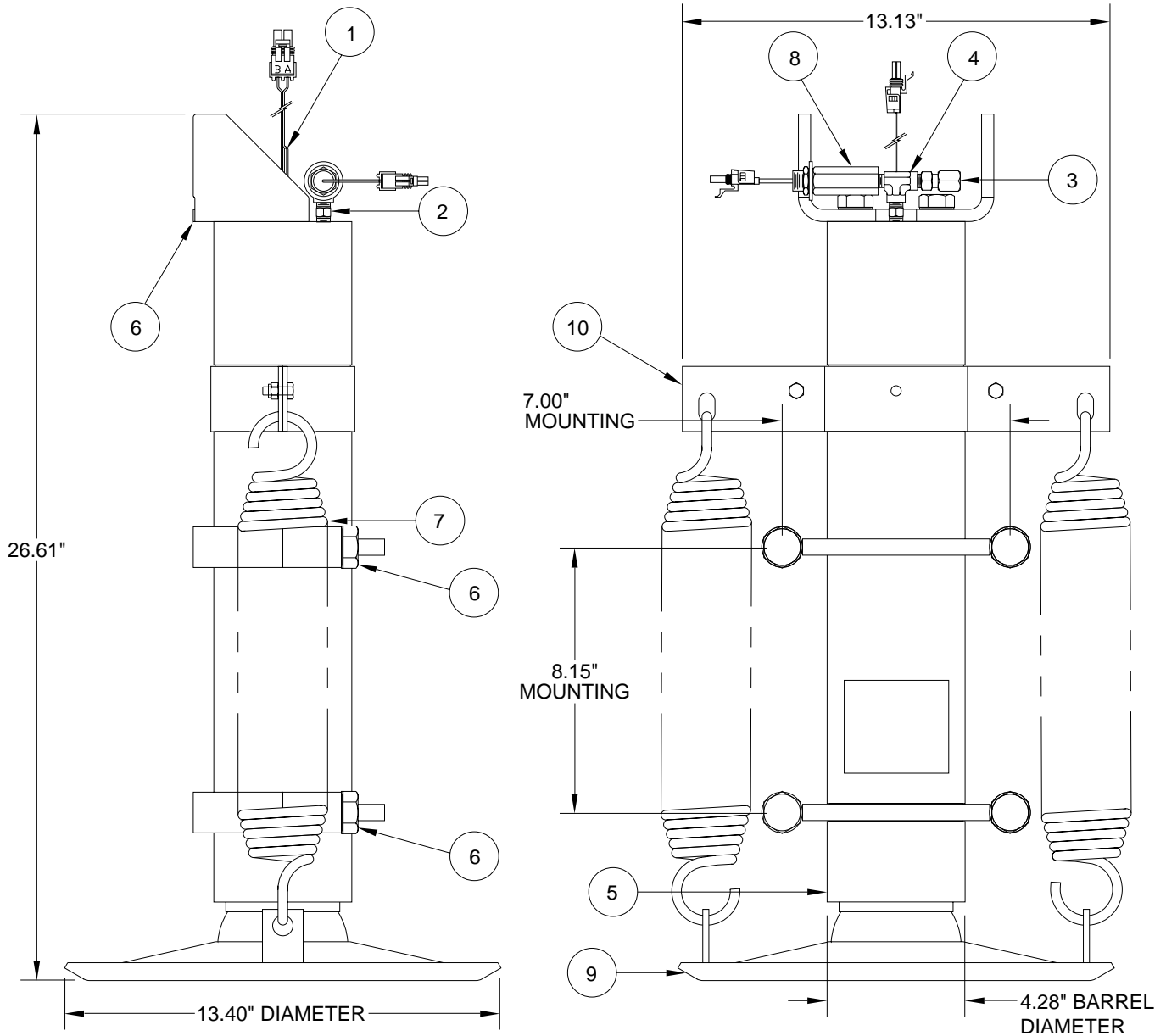


ITEM	PART	QTY	DESCRIPTION	ITEM	PART	QTY	DESCRIPTION
	RAP0465		JACK 24,000 # X 16" FIXED (REPLACES AP0465)	4	R2365	1 2	SPRING KIT 2-3/4" X 13-1/2" SPRING 2-3/4" X 13-1/2"
1	RF90139	1	ELBOW 1/4" X 5/16"	5	RF9315	1	NIPPLE 1/8" X 1/8"
2	RAP4707	1	SWITCH WARNING 2" TRAVEL	6	RAP8003	1	SWITCH PRESSURE
3	RAP5574	1	FOOT 13.40" ROUND 12" SQUARE FOOT NO LONGER AVAILABLE	7	RAP9072	1	INTERFACE WARNING/ PRESSURE SWITCH

**NOTE:** INDENTED ITEMS ARE INCLUDED WITH PRECEDING ITEM.

**MR25.8100**  
**14FEB13**

**AP48520 - STRAIGHT-ACTING JACK, FIXED**  
**24,000 # CAPACITY; 3.500" ROD DIAMETER; 13.00" STROKE; BOLT-ON FOOT**  
**WITH MAGNETIC WARNING SWITCH AND PRESSURE SWITCH**



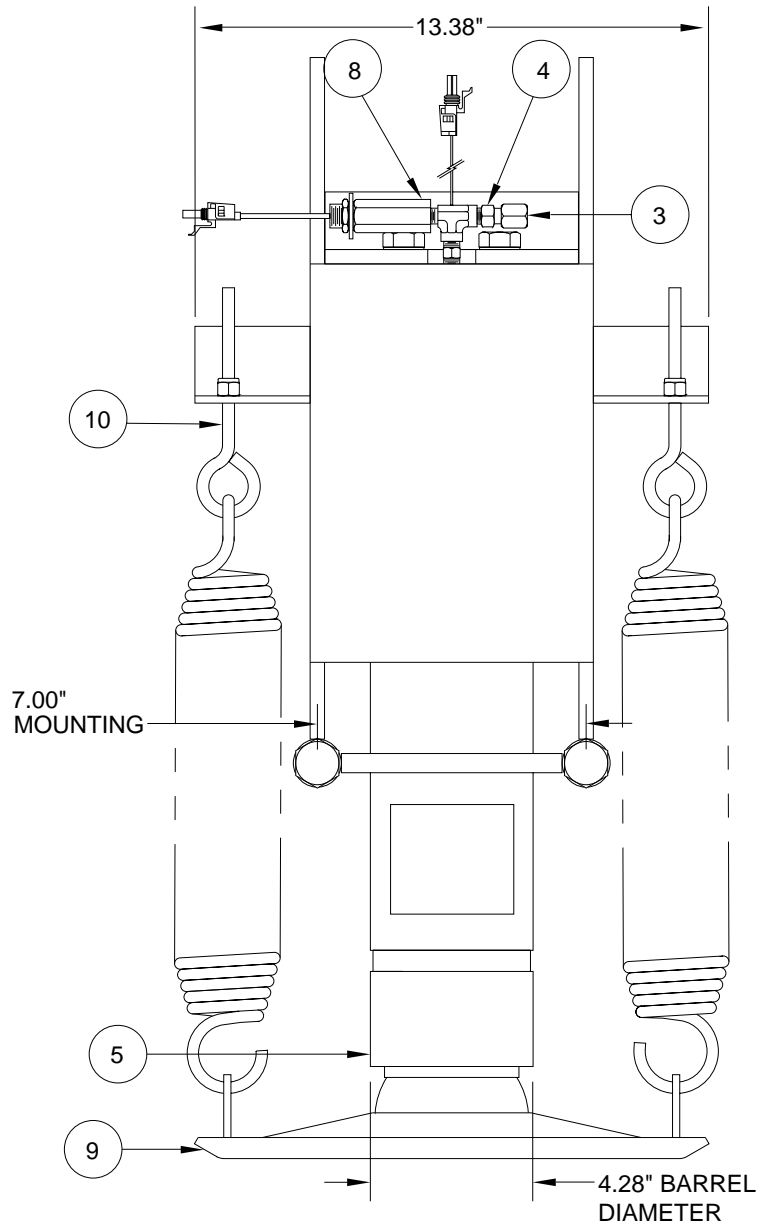
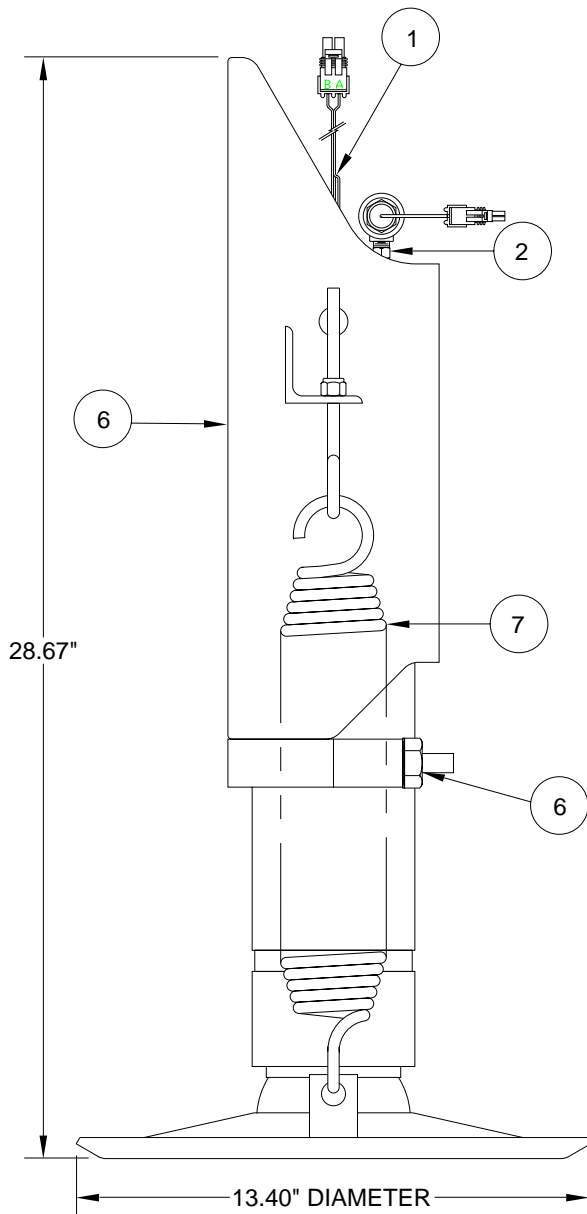
ITEM	PART	QTY	DESCRIPTION
1	RAP90968	1	SWITCH WARNING MAGNETIC GRAY
2	RF9315	1	NIPPLE 1/8"
3	RF90919	1	MALE CONNECTOR 1/8" X 5/16"
4	RF90093	1	STREET TEE 1/8"
5	RAP92872	1	CYL. ASSY. 3.50" x 13" (EXCLUDES ITEMS 1-4,6-10)

ITEM	PART	QTY	DESCRIPTION
6	RAP93050	1	MOUNTING BRACKETS (INCLUDES HARDWARE)
7	R2365	1 2	SPRING KIT 2-3/4" X 13-1/2" SPRING 2-3/4" X 13-1/2"
8	RAP8003	1	SWITCH PRESSURE
9	RAP92937	1	FOOT 13.4" DIAMETER
10	RAP93282	1	SPRING BRACKET KIT

NOTE: INDENTED ITEMS ARE INCLUDED WITH PRECEDING ITEM.

**MR25.8105**  
**12MAR13**

**AP50072 - STRAIGHT-ACTING JACK, FIXED**  
**24,000 # CAPACITY; 3.500" ROD DIAMETER; 13.00" STROKE; BOLT-ON FOOT**  
**WITH MAGNETIC WARNING SWITCH AND PRESSURE SWITCH**



ITEM	PART	QTY	DESCRIPTION
1	RAP90968	1	SWITCH WARNING MAGNETIC GRAY
2	RF9315	1	NIPPLE 1/8"
3	RF90919	1	MALE CONNECTOR 1/8" X 5/16"
4	RF90093	1	STREET TEE 1/8"
5	RAP92872	1	CYL. ASSY. 3.50" x 13" (EXCLUDES ITEMS 1-4,8)

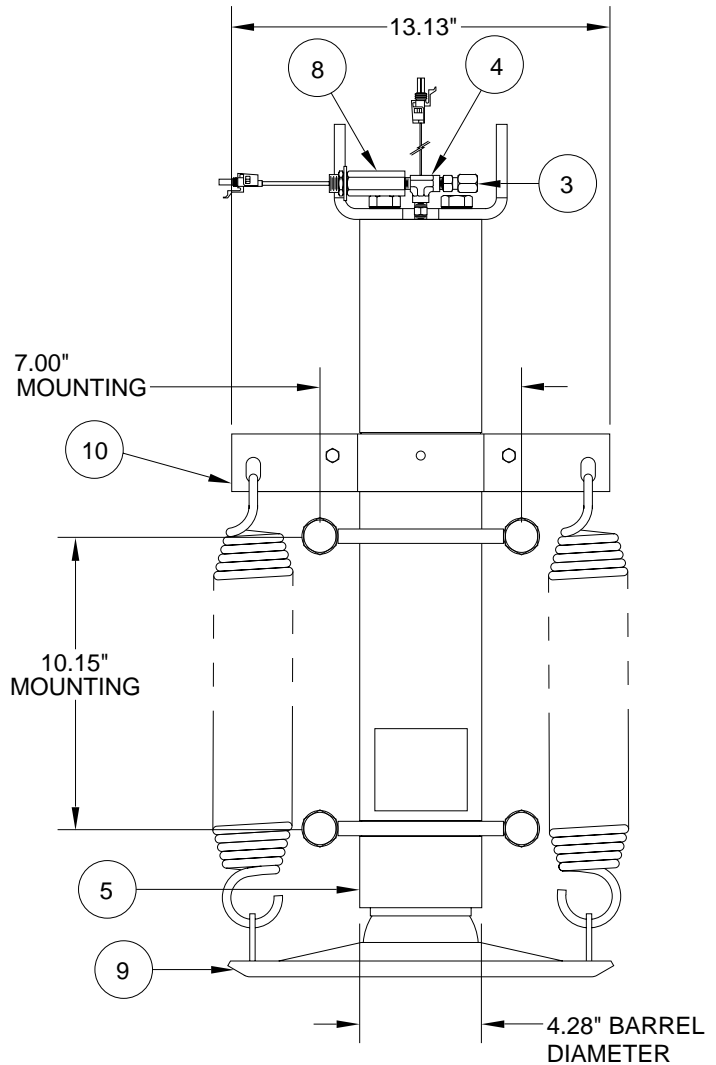
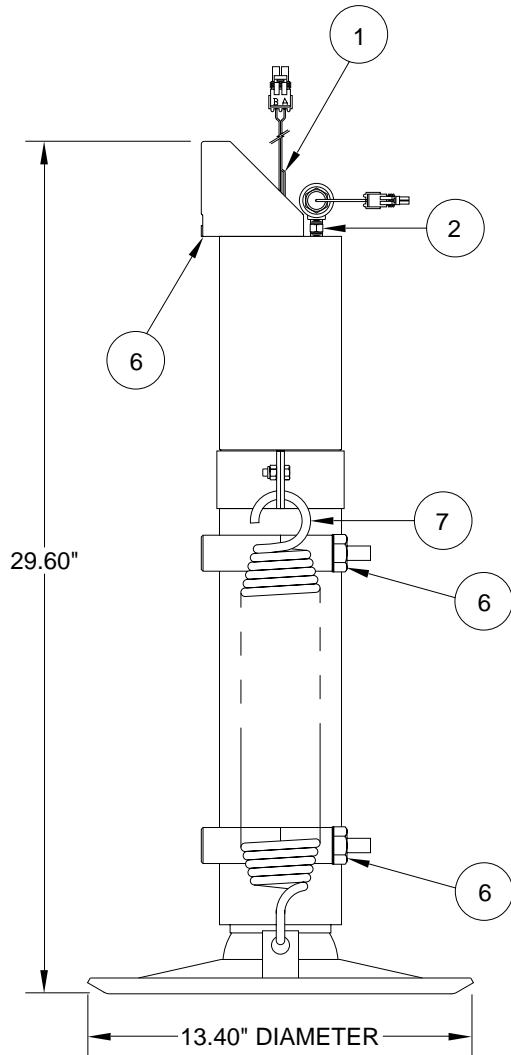
ITEM	PART	QTY	DESCRIPTION
6	RAP93129	1	MOUNTING BRACKETS (INCLUDES HARDWARE) (EXCLUDES ITEM #10)
7	R2365	1	SPRING KIT 2-3/4" X 13-1/2"
		2	SPRING 2-3/4" X 13-1/2"
8	RAP8003	1	SWITCH PRESSURE
9	RAP92937	1	FOOT 13.4" DIAMETER
10	R5491	2	EYE BOLT KIT
		1	3/8-16 X 6.00" EYE BOLT
		1	3/8-16 ESNA LOCK NUT

**NOTE:** INDENTED ITEMS ARE INCLUDED WITH PRECEDING ITEM.

**MR25.8106**  
**09APR12**



**AP50831 - STRAIGHT-ACTING JACK, FIXED**  
**24,000 # CAPACITY; 3.500" ROD DIAMETER; 16.00" STROKE; BOLT-ON FOOT**  
**WITH MAGNETIC WARNING SWITCH AND PRESSURE SWITCH**



ITEM	PART	QTY	DESCRIPTION
1	RAP90968	1	SWITCH WARNING MAGNETIC GRAY
2	RF9315	1	NIPPLE 1/8"
3	RF90919	1	MALE CONNECTOR 1/8" X 5/16"
4	RF90093	1	STREET TEE 1/8"
5	RAP93280	1	CYL. ASSY. 3.50" x 16" (EXCLUDES ITEMS 1-4,6-10)

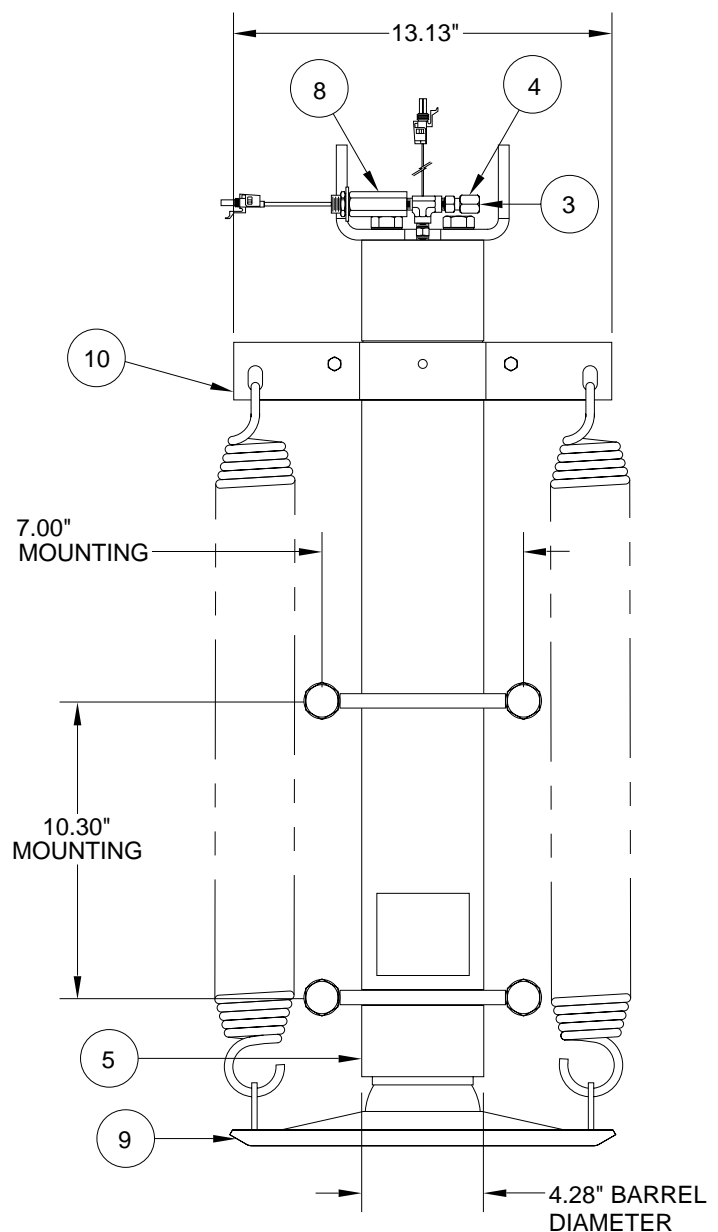
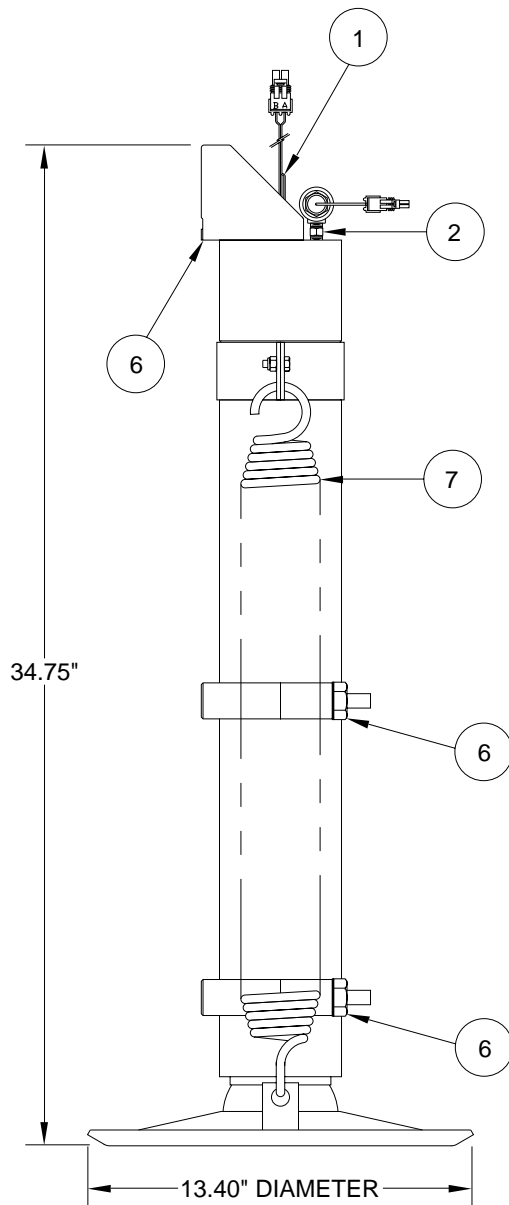
ITEM	PART	QTY	DESCRIPTION
6	RAP93050	1	MOUNTING BRACKETS (INCLUDES HARDWARE)
7	R2365	1 2	SPRING KIT 2-3/4" X 13-1/2" SPRING 2-3/4" X 13-1/2"
8	RAP8003	1	SWITCH PRESSURE
9	RAP92937	1	FOOT 13.4" DIAMETER
10	RAP93282	1	SPRING BRACKET KIT

**NOTE:** INDENTED ITEMS ARE INCLUDED WITH PRECEDING ITEM.

**MR25.8107**  
**12MAR13**

## AP50834 - STRAIGHT-ACTING JACK, FIXED

**24,000 # CAPACITY; 3.500" ROD DIAMETER; 21.00" STROKE; BOLT-ON FOOT WITH MAGNETIC WARNING SWITCH AND PRESSURE SWITCH**



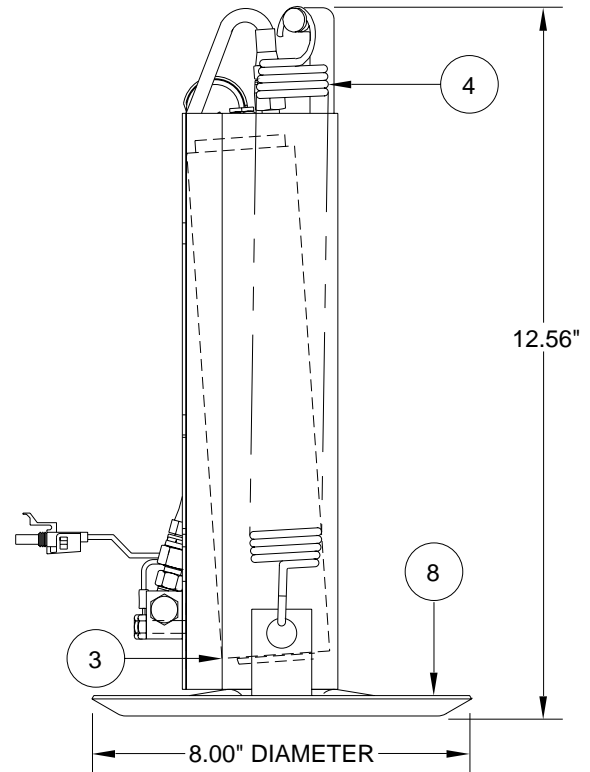
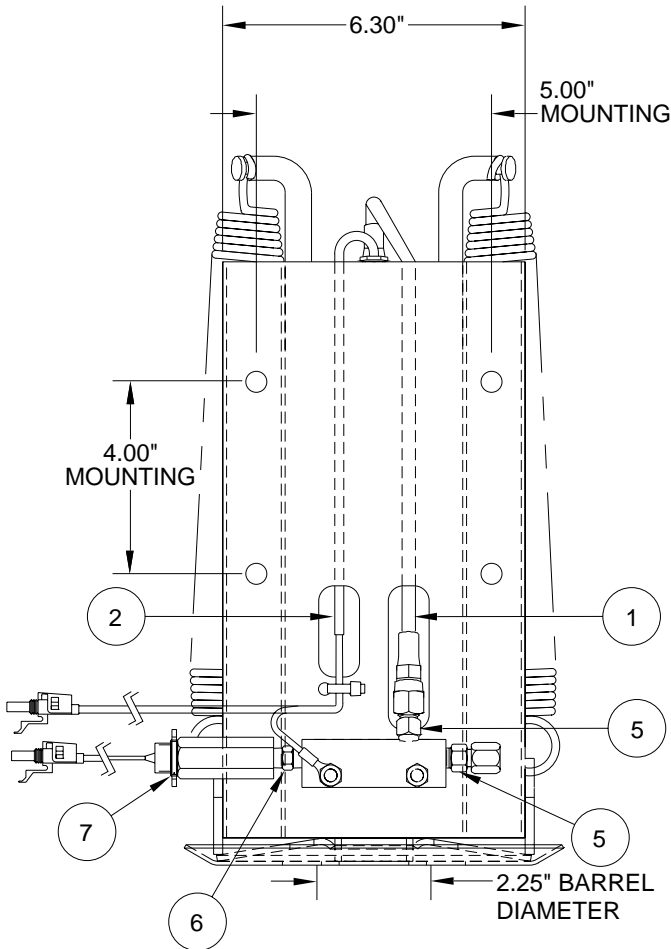
ITEM	PART	QTY	DESCRIPTION
1	RAP90968	1	SWITCH WARNING MAGNETIC GRAY
2	RF9315	1	NIPPLE 1/8"
3	RF90919	1	MALE CONNECTOR 1/8" X 5/16"
4	RF90093	1	STREET TEE 1/8"
5	RAP93281	1	CYL. ASSY. 3.50" x 21" (EXCLUDES ITEMS 1-4,6-10)

ITEM	PART	QTY	DESCRIPTION
6	RAP93050	1	MOUNTING BRACKETS (INCLUDES HARDWARE)
7	R1905	1 2	SPRING KIT 2-3/4" X 22" SPRING 2-3/4" X 22"
8	RAP8003	1	SWITCH PRESSURE
9	RAP92937	1	FOOT 13.4" DIAMETER
10	RAP93282	1	SPRING BRACKET KIT

**NOTE:** INDENTED ITEMS ARE INCLUDED WITH PRECEDING ITEM.

**MR25.8108  
12MAR13**

**AP40881 - STRAIGHT-ACTING/PIVOTING JACK, TWO STAGE, F/A SPRINGS  
 3,000 # CAPACITY; 1.625" ROD DIAMETER; 13.00" STROKE; BOLT-ON FOOT  
 WITH MAGNETIC WARNING SWITCH AND PRESSURE SWITCH**



NOTE: REAR VIEW OF JACK

ITEM	PART	QTY	DESCRIPTION
1	RAP93051	1	HOSE ASSY .125" x 12.5"
2	RAP93052	1	SWITCH WARNING MAGNETIC 3K JACK
3	RAP92245	1	CYL. ASSY. 1.625 x 6.5" (EXCLUDES ITEMS 1,2)
4	R91916	1	SPRING KIT 1.500" X 11.62"
		2	SPRING 1.500" X 11.62"

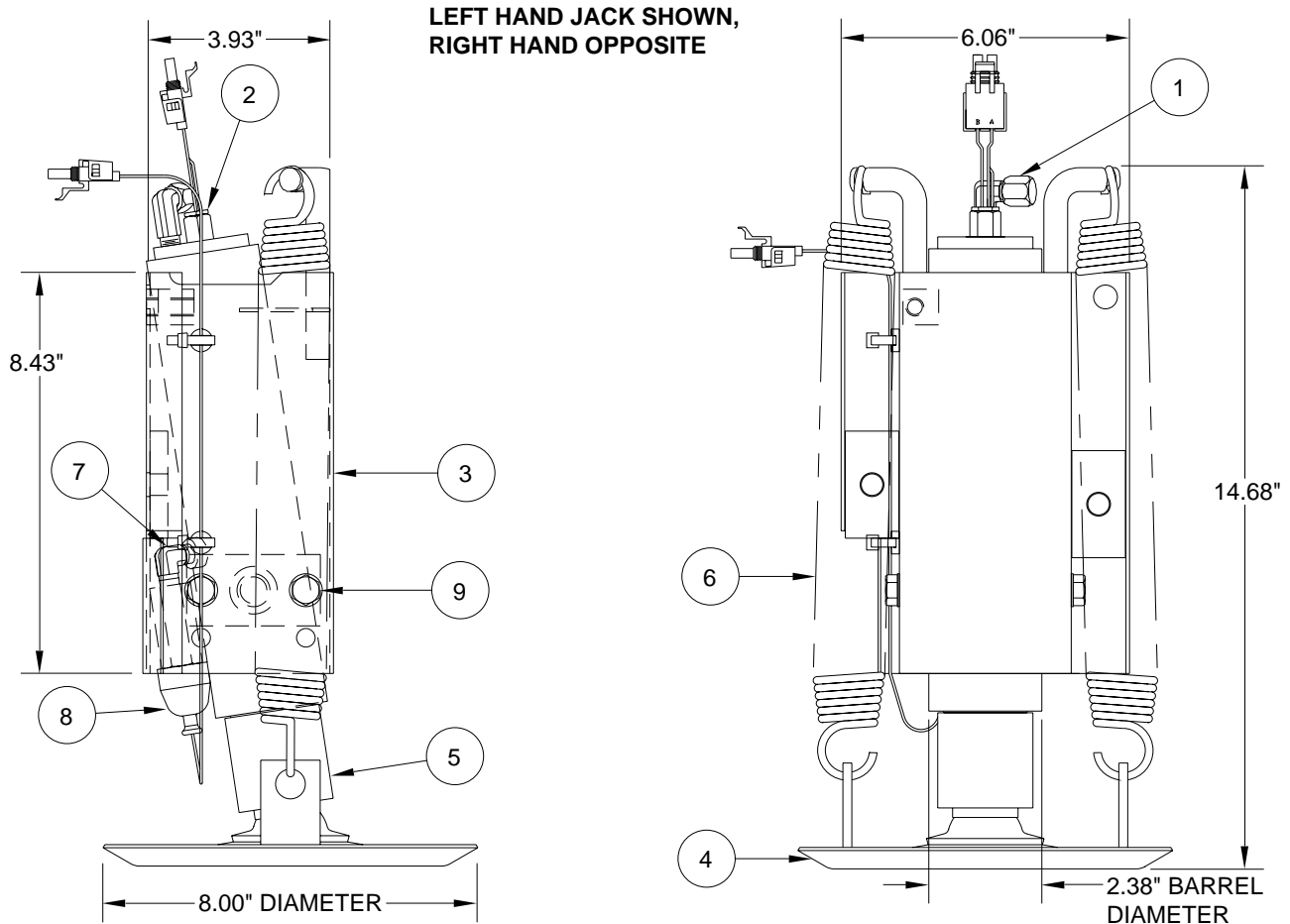
ITEM	PART	QTY	DESCRIPTION
5	RF1456	1	MALE CONNECTOR 1/8" X 1/4"
6	RF9315	1	NIPPLE 1/8" X 1/8"
7	RAP8003	1	SWITCH PRESSURE
8	RAP93127	1	FOOT / CABLE ASSY
9	RAP93138	1	PULLY KIT CONTACT HWH FOR DETAILS

NOTE: INDENTED ITEMS ARE INCLUDED WITH PRECEDING ITEM.

## AP36046 - AP36289 - AP36525 - AP36526

**STRAIGHT-ACTING JACK, 9 DEGREE PIVOT, F/A SPRINGS; BOLT-ON FOOT  
4,000 # CAPACITY; 1.750" OUTER ROD DIA.; 1.375" INNER ROD DIA.; 13.00" STROKE**

JACK #	DESCRIPTION
AP36046	MAGNETIC WARNING SWITCH W/ GRAY CONNECTOR, PRESSURE SWITCH, LEFT HAND JACK
AP36289	MAGNETIC WARNING SWITCH W/ GRAY CONNECTOR, PRESSURE SWITCH, RIGHT HAND JACK
AP36525	MAGNETIC WARNING SWITCH W/ GRAY CONNECTOR ONLY, LEFT HAND JACK
AP36526	MAGNETIC WARNING SWITCH W/ GRAY CONNECTOR ONLY, RIGHT HAND JACK



**USED PRIMARILY ON THE FRONT OF THE FORD E350/E450 CHASSIS.**

ITEM	PART	QTY	DESCRIPTION	ITEM	PART	QTY	DESCRIPTION
1	RF1511	1	LONG ELBOW 1/8" X 1/4"	6	R91916	1 2	SPRING KIT 1.500" X 11.62" SPRING 1.500" X 11.62"
2	RAP90968	1	SWITCH WARNING MAGNETIC GRAY	7	RF8143	1	ELBOW 1/8" X 1/8" (AP36046, AP36289)
3	RAP92431 RAP92430	1 1	PIVOT BRACKET-LH PIVOT BRACKET-RH	8	RAP8003	1	SWITCH PRESSURE (AP36046, AP36289)
4	RAP92048	1	8.00" DIAMETER FOOT	9	RAP92250	1	RETAINING PLATE KIT
5	RAP91855	1	CYL. ASSY. 4,000# X 13" (INCLUDES ITEM 1) (EXCLUDES ITEMS 2,7,8)	2		2	RETAINING PLATES
				4		4	HHCS 3/8-16 X 0.5"
				4		4	3/8 LOCKWASHER

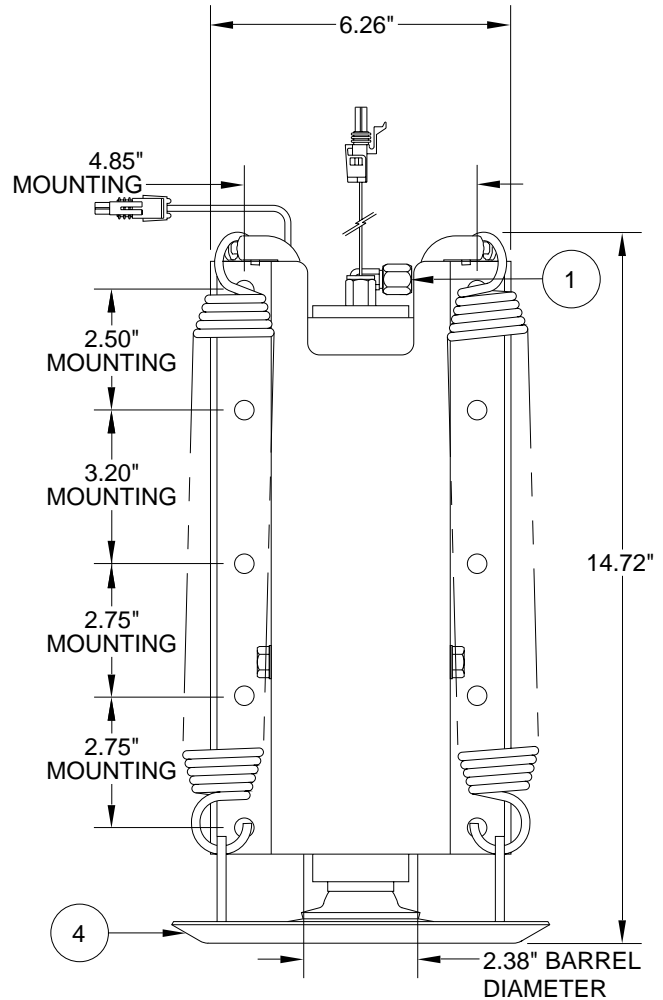
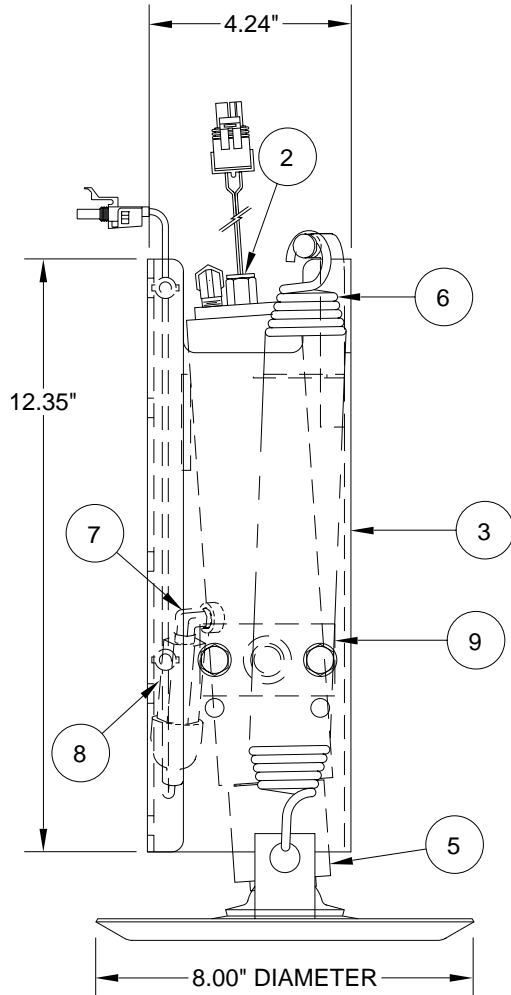
**NOTE:** INDENTED ITEMS ARE INCLUDED WITH PRECEDING ITEM.

**MR26.2000  
10MAR09**

## AP38939 - AP38940 - AP39573 - AP39574

**STRAIGHT-ACTING JACK, 4 DEGREE PIVOT, F/A SPRINGS; BOLT-ON FOOT  
4,000 # CAPACITY; 1.750" OUTER ROD DIA.; 1.375" INNER ROD DIA.; 13.00" STROKE**

JACK #	DESCRIPTION
AP39573	MAGNETIC WARNING SWITCH W/ GRAY CONNECTOR ONLY, REPLACES AP38939
AP39574	MAGNETIC WARNING SWITCH W/ GRAY CONNECTOR, PRESSURE SWITCH, REPLACES AP38940



ITEM	PART	QTY	DESCRIPTION
1	RF1511	1	LONG ELBOW 1/8" X 1/4"
2	RAP90968	1	SWITCH WARNING MAGNETIC GRAY (AP39573, AP39574)
3	RAP92432	1	PIVOT BRACKET
4	RAP92048	1	8.00" DIAMETER FOOT
5	RAP91855	1	CYL. ASSY. 4,000# X 13" (INCLUDES ITEM 1) (EXCLUDES ITEMS 2,7,8)

ITEM	PART	QTY	DESCRIPTION
6	R91916	1 2	SPRING KIT 1.500" X 11.62" SPRING 1.500" X 11.62"
7	RF8143	1	ELBOW 1/8" X 1/8" (AP39574 ONLY)
8	RAP8003	1	SWITCH PRESSURE (AP39574 ONLY)
9	RAP92250	1	RETAINING PLATE KIT
		2	RETAINING PLATES
		4	HHCS 3/8-16 X 0.5"
		4	3/8 LOCKWASHER

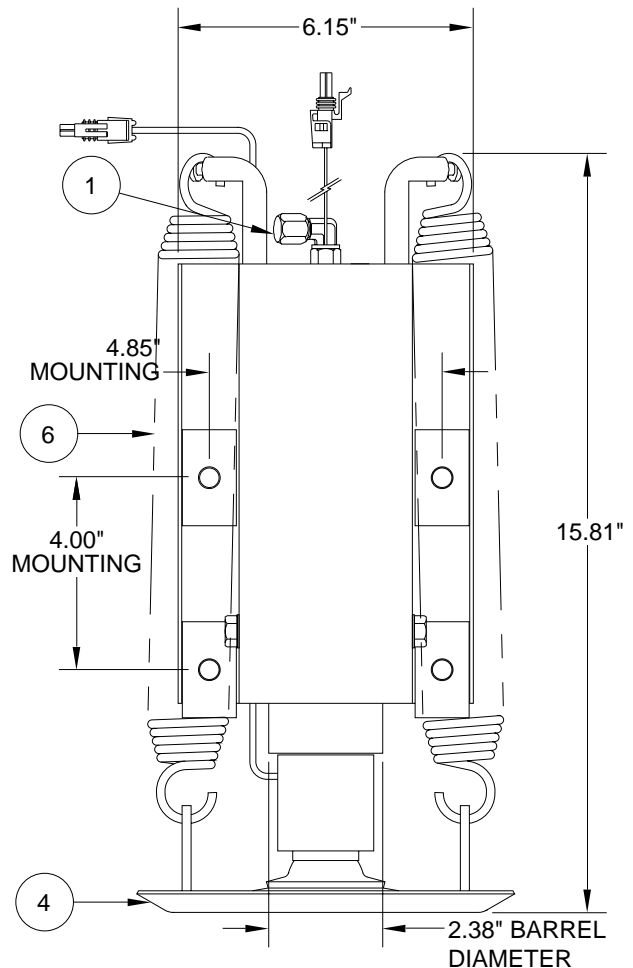
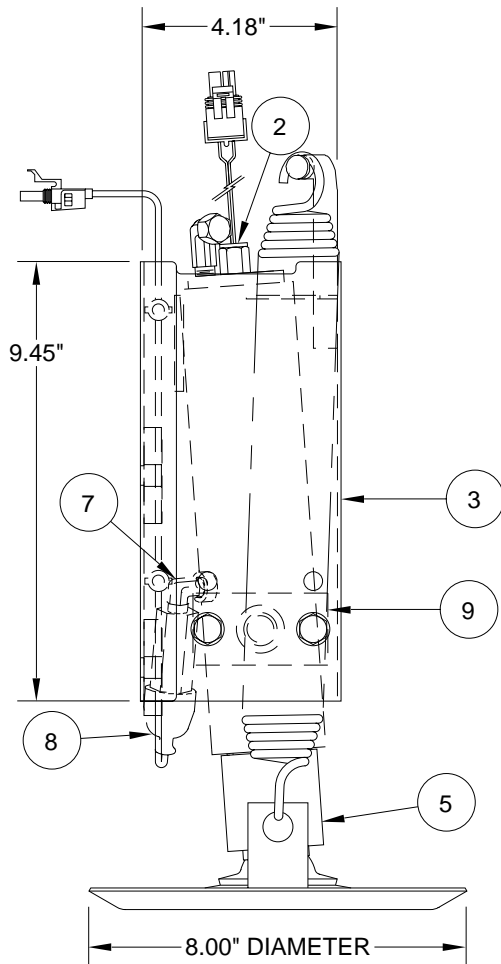
**NOTE:** INDENTED ITEMS ARE INCLUDED WITH PRECEDING ITEM.

**MR26.2010  
10MAR09**

## AP39958 - AP39959

**STRAIGHT-ACTING JACK, 4 DEGREE PIVOT, F/A SPRINGS; BOLT-ON FOOT  
4,000 # CAPACITY; 1.750" OUTER ROD DIA.; 1.375" INNER ROD DIA.; 13.00" STROKE**

JACK #	DESCRIPTION
AP39958	MAGNETIC WARNING SWITCH W/ GRAY CONNECTOR ONLY
AP39959	MAGNETIC WARNING SWITCH W/ GRAY CONNECTOR, PRESSURE SWITCH



ITEM	PART	QTY	DESCRIPTION
1	RF1511	1	LONG ELBOW 1/8" X 1/4"
2	RAP90968	1	SWITCH WARNING MAGNETIC GRAY (AP39958, AP39959)
3	RAP92433	1	PIVOT BRACKET
4	RAP92048	1	8.00" DIAMETER FOOT
5	RAP91855	1	CYL. ASSY. 4,000# X 13" (INCLUDES ITEM 1) (EXCLUDES ITEMS 2,7,8)

ITEM	PART	QTY	DESCRIPTION
6	R91916	1 2	SPRING KIT 1.500" X 11.62" SPRING 1.500" X 11.62"
7	RF8143	1	ELBOW 1/8" X 1/8" (AP39959 ONLY)
8	RAP8003	1	SWITCH PRESSURE (AP39959 ONLY)
9	RAP92250	1	RETAINING PLATE KIT
		2	RETAINING PLATES
		4	HHCS 3/8-16 X 0.5"
		4	3/8 LOCKWASHER

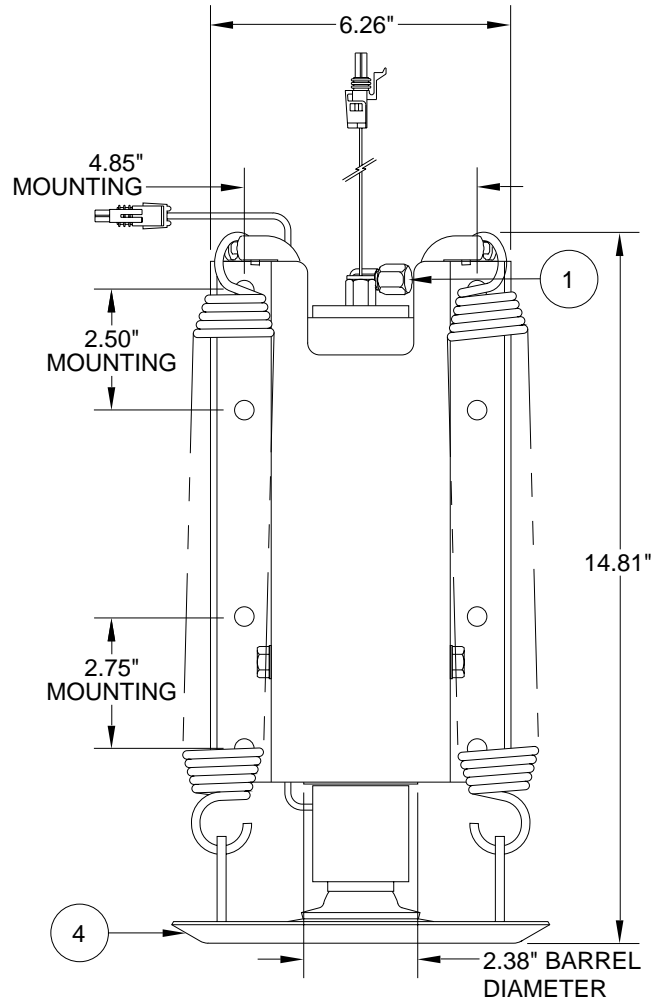
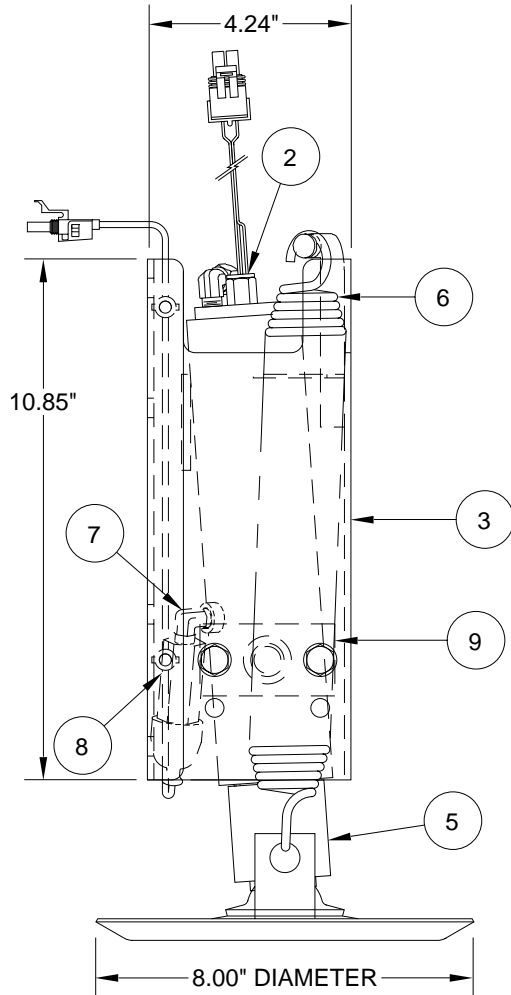
**NOTE:** INDENTED ITEMS ARE INCLUDED WITH PRECEDING ITEM.

**MR26.2020  
10MAR09**

## AP37856 - AP37857

**STRAIGHT-ACTING JACK, 4 DEGREE PIVOT, F/A SPRINGS; BOLT-ON FOOT  
4,000 # CAPACITY; 1.750" OUTER ROD DIA.; 1.375" INNER ROD DIA.; 13.00" STROKE**

JACK #	DESCRIPTION
AP37856	MAGNETIC WARNING SWITCH W/ GRAY CONNECTOR ONLY
AP37857	MAGNETIC WARNING SWITCH W/ GRAY CONNECTOR, PRESSURE SWITCH



**USED PRIMARILY ON THE REAR OF DODGE SPRINTER 2500 CHASSIS.**

ITEM	PART	QTY	DESCRIPTION
1	RF1511	1	LONG ELBOW 1/8" X 1/4"
2	RAP90968	1	SWITCH WARNING MAGNETIC GRAY (AP37856, AP37857)
3	<b>OBSELETE</b>		PIVOT BRACKET - CONTACT HWH CORPORATION FOR REPLACEMENT INFORMATION
4	RAP92048	1	8.00" DIAMETER FOOT
5	RAP91855	1	CYL. ASSY. 4,000# X 13" (INCLUDES ITEM 1) (EXCLUDES ITEMS 2,7,8)
6	R91916	1 2	SPRING KIT 1.500" X 11.62" SPRING 1.500" X 11.62"
7	RF8143	1	ELBOW 1/8" X 1/8" (AP37857 ONLY)
8	RAP8003	1	SWITCH PRESSURE (AP37857 ONLY)
9	RAP92250	1	RETAINING PLATE KIT
		2	RETAINING PLATES
		4	HHCS 3/8-16 X 0.5"
		4	3/8 LOCKWASHER

**NOTE:** INDENTED ITEMS ARE INCLUDED WITH PRECEDING ITEM.

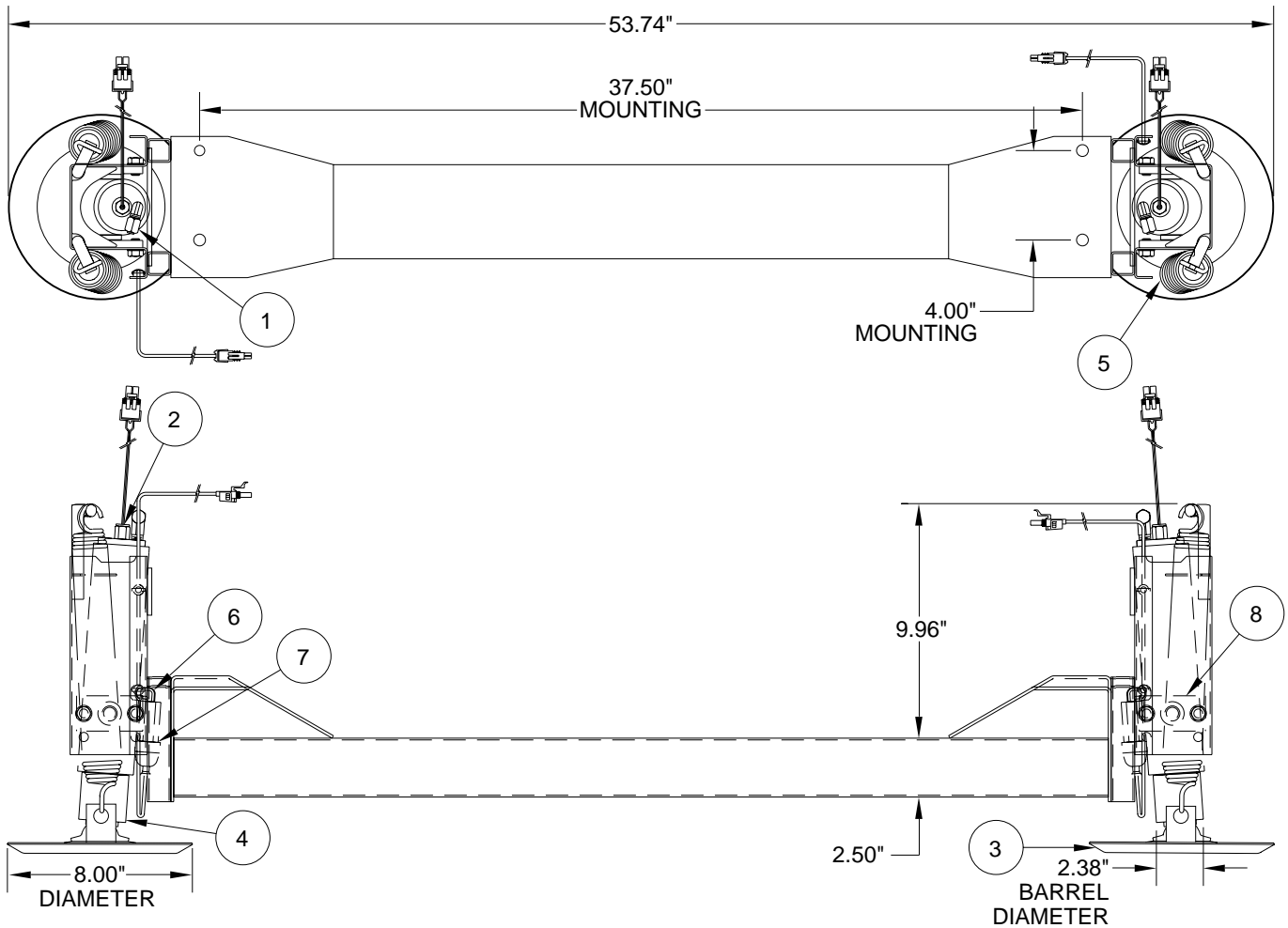
**MR26.2030  
10MAR09**

## AP37045 - AP37064

**STRAIGHT-ACTING JACK, 4 DEGREE PIVOT, F/A SPRINGS; BOLT-ON FOOT  
4,000 # CAPACITY; 1.750" OUTER ROD DIA.; 1.375" INNER ROD DIA.; 13.00" STROKE**

JACK #	DESCRIPTION
AP37045	MAGNETIC WARNING SWITCH W/ GRAY CONNECTOR, PRESSURE SWITCH
AP37064	MAGNETIC WARNING SWITCH W/ GRAY CONNECTOR ONLY

REPLACEMENT OF ENTIRE ASSEMBLY IS NOT NECESSARY. REFER TO INDIVIDUAL ITEMS BELOW FOR REPLACEMENT PARTS.



**USED PRIMARILY ON THE FRONT OF 2007 AND EARLIER DODGE SPRINTER 2500 AND 3500 CHASSIS WITH 5 CYL. ENGINE.**

ITEM	PART	QTY	DESCRIPTION	ITEM	PART	QTY	DESCRIPTION
1	RF1511	1	LONG ELBOW 1/8" X 1/4"	5	R91916	1	SPRING KIT 1.500" X 11.62"
2	RAP90968	1	SWITCH WARNING MAGNETIC GRAY (AP37045, AP37064)			2	SPRING 1.500" X 11.62"
3	RAP92048	1	8.00" DIAMETER FOOT	6	RF8143	1	ELBOW 1/8" X 1/8" (AP37045 ONLY)
4	RAP91855	1	CYL. ASSY. 4,000# X 13" (INCLUDES ITEM 1) (EXCLUDES ITEMS 2,7,8)	7	RAP8003	1	SWITCH PRESSURE (AP37045 ONLY)
				8	RAP92250	1	RETAINING PLATE KIT
						2	RETAINING PLATES
						4	HHCS 3/8-16 X 0.5"
						4	3/8 LOCKWASHER

**NOTE:** INDENTED ITEMS ARE INCLUDED WITH PRECEDING ITEM.

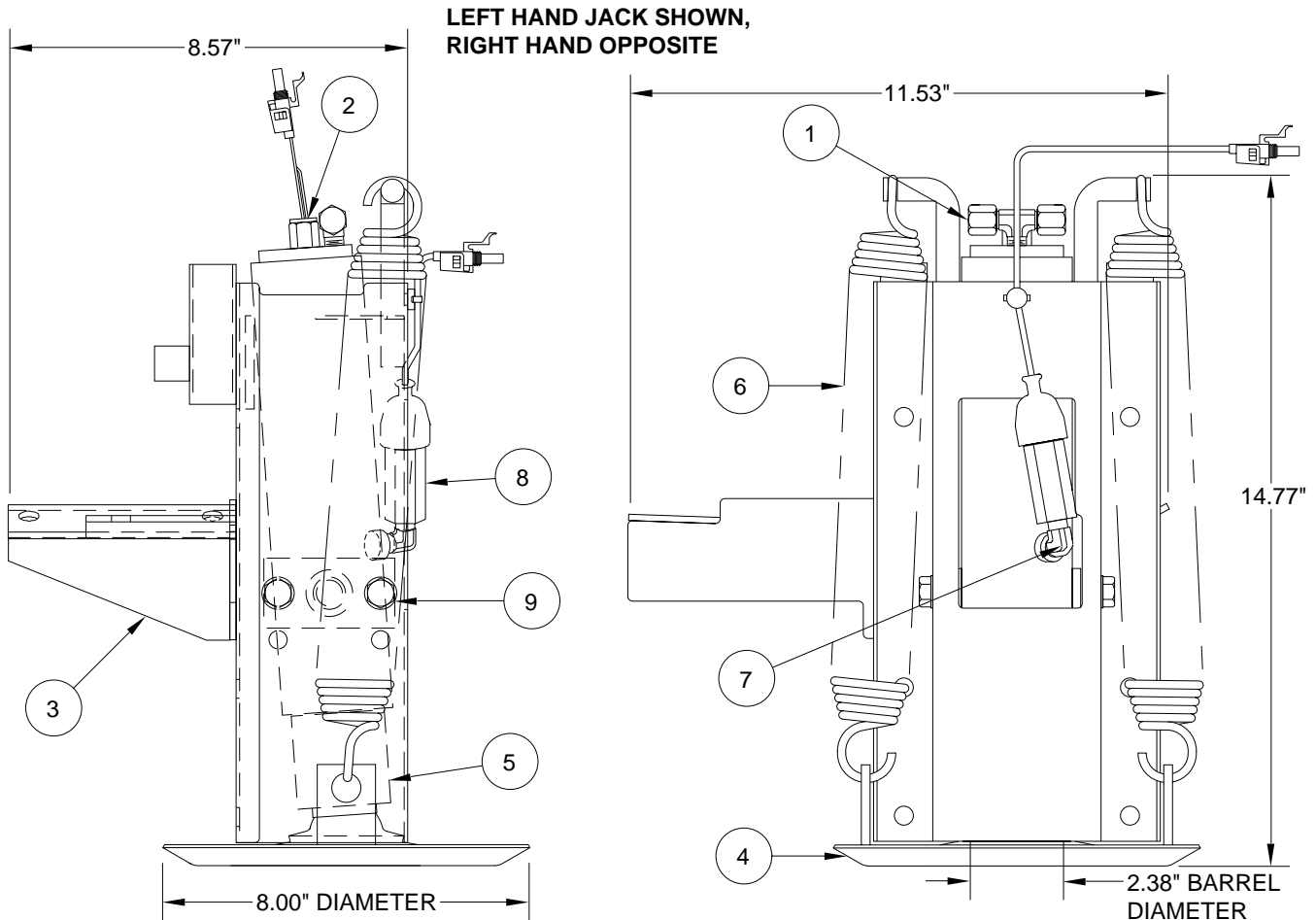
**MR26.2040  
10MAR09**



## AP40797 - AP40798 - AP40856 - AP40857

**STRAIGHT-ACTING JACK, 4 DEGREE PIVOT, F/A SPRINGS; BOLT-ON FOOT  
4,000 # CAPACITY; 1.750" OUTER ROD DIA.; 1.375" INNER ROD DIA.; 13.00" STROKE**

JACK #	DESCRIPTION
AP40797	MAGNETIC WARNING SWITCH W/ GRAY CONNECTOR, PRESSURE SWITCH, RIGHT HAND JACK
AP40798	MAGNETIC WARNING SWITCH W/ GRAY CONNECTOR, PRESSURE SWITCH, LEFT HAND JACK
AP40856	MAGNETIC WARNING SWITCH W/ GRAY CONNECTOR ONLY, RIGHT HAND JACK
AP40857	MAGNETIC WARNING SWITCH W/ GRAY CONNECTOR ONLY, LEFT HAND JACK



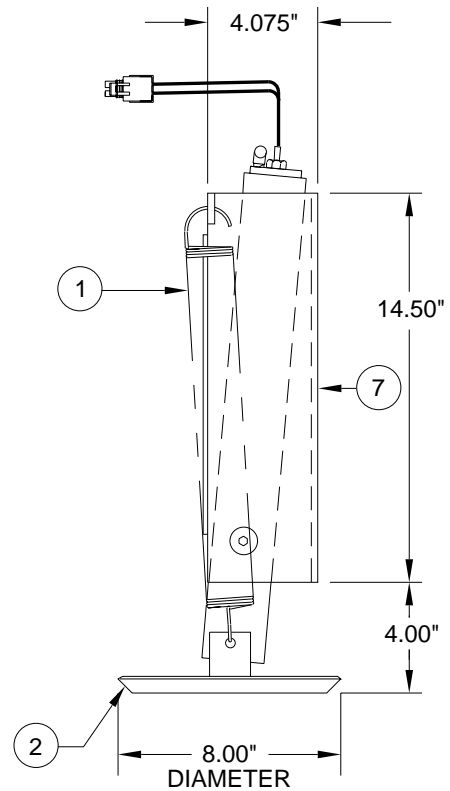
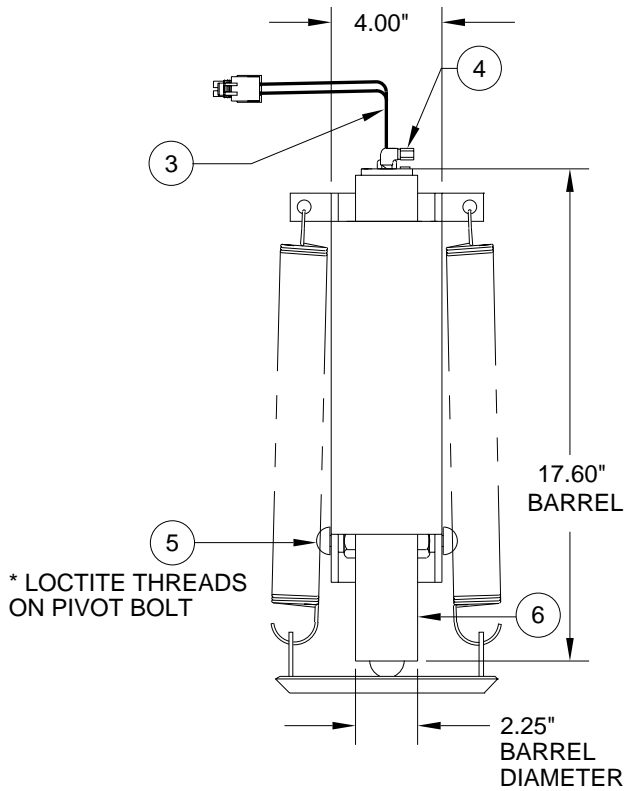
**USED PRIMARILY ON THE FRONT OF 2008 AND LATER DODGE SPRINTER 3500 CHASSIS WITH V6 ENGINE.**

ITEM	PART	QTY	DESCRIPTION	ITEM	PART	QTY	DESCRIPTION
1	RF90151	1	MALE TEE 1/8" X 1/4" X 1/4"	6	R91916	1 2	SPRING KIT 1.500" X 11.62" SPRING 1.500" X 11.62"
2	RAP90968	1	SWITCH WARNING MAGNETIC GRAY	7	RF8143	1	ELBOW 1/8" X 1/8" (AP40797, AP40798)
3	RAP92435 RAP92434	1 1	PIVOT BRACKET-LH PIVOT BRACKET-RH	8	RAP8003	1	SWITCH PRESSURE (AP40797, AP40798)
4	RAP92048	1	8.00" DIAMETER FOOT	9	RAP92250	1 2 4 4	RETAINING PLATE KIT RETAINING PLATES HHCS 3/8-16 X 0.5" 3/8 LOCKWASHER
5	RAP91855	1	CYL. ASSY. 4,000# X 13" (INCLUDES LONG ELBOW) (EXCLUDES ITEMS 1,2,7,8)				

**NOTE:** INDENTED ITEMS ARE INCLUDED WITH PRECEDING ITEM.

**MR26.2045  
10MAR09**

**AP8112 - STRAIGHT - ACTING JACK, 7 DEGREE PIVOT, F/A SPRINGS  
6,000 # CAPACITY; 1.625" ROD DIAMETER; 13.00" STROKE  
WITH PIVOT BOLT**

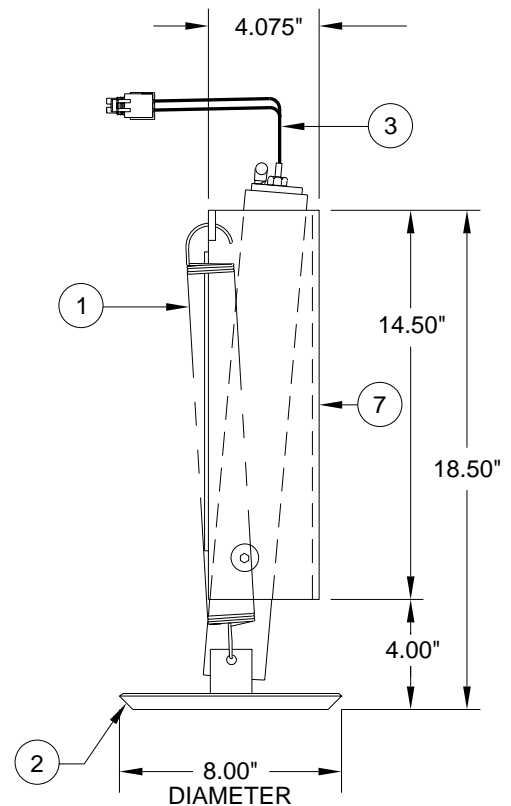
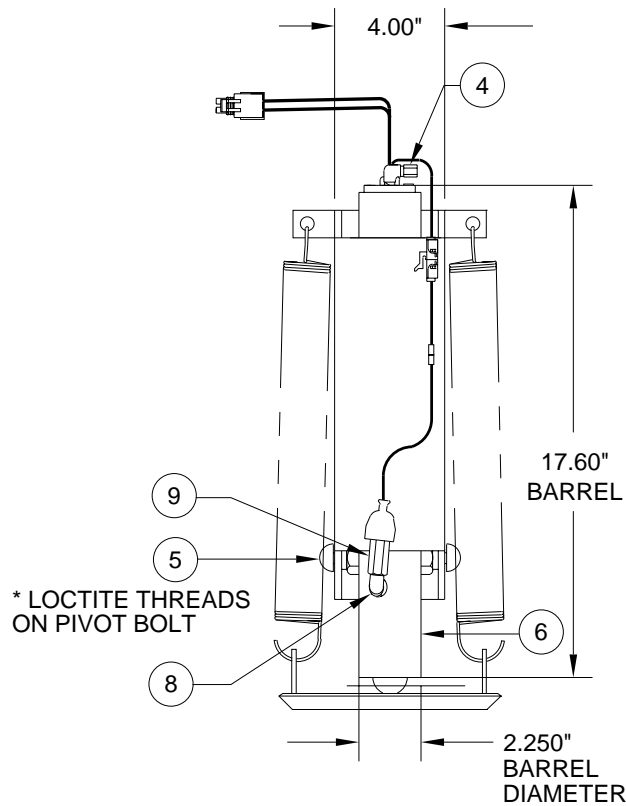


ITEM	PART	QTY	DESCRIPTION
	RAP8112		JACK 6,000 # X 13" (REPLACES AP8112)
1	R3847	1 2	SPRING KIT 1-11/16" X 14" SPRING 1-11/16" X 14"
2	RAP8126	1	8.00" DIAMETER FOOT
3	RAP1008	1	SWITCH WARNING 2-WIRE (REPLACES AP8100)
4	RF1453	1	ELBOW 90 DEGREE 1/8" X 1/4"

ITEM	PART	QTY	DESCRIPTION
5	R1280	1 2 2	PIVOT BOLT KIT BHCS 5/8-11 X 1" BUSHING 0.75" O.D.
6	RAP8164	1	CYL. ASSY. 1.625" X 13" (INCLUDES ITEM 4) (EXCLUDES ITEM 3)
7	RAP9102	1	PIVOT BRACKET

\* APPLY A THREAD LOCKING ADHESIVE SUCH AS LOCTITE #271, 277, 242 OR 569.

**AP8443 - STRAIGHT ACTING JACK, 7 DEGREE PIVOT, F/A SPRINGS**  
**6,000 # CAPACITY; 1.625" ROD DIAMETER; 13.00" STROKE**  
**WITH PRESSURE SWITCH AND 3-WIRE WARNING SWITCH**  
**WITH PIVOT BOLT**

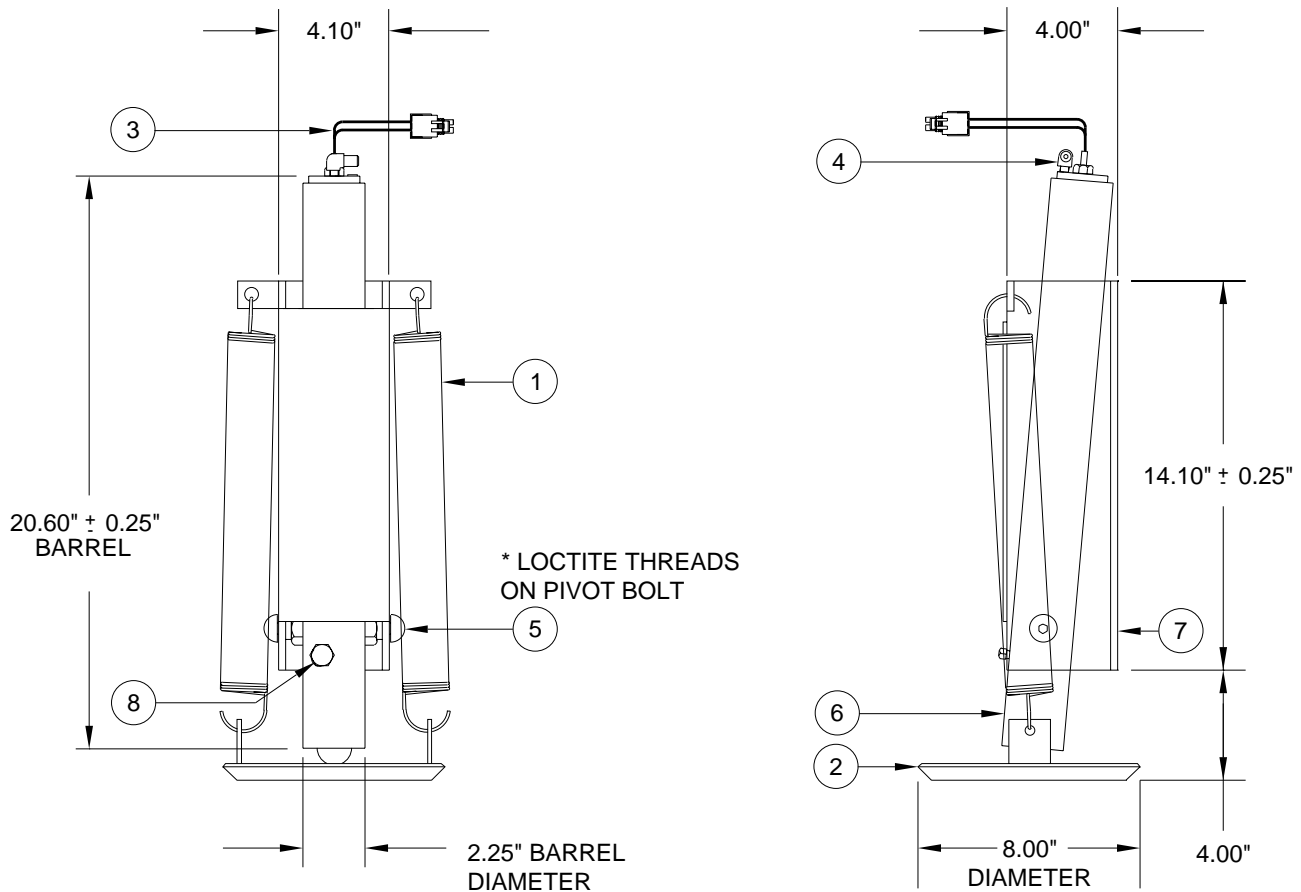


ITEM	PART	QTY	DESCRIPTION
	RAP8443		JACK 6,000 # X 13" (REPLACES AP8443)
1	R3847	1 2	SPRING KIT 1-11/16" X 14" SPRING 1-11/16" X 14"
2	RAP8126	1	8.00" DIAMETER FOOT
3	RAP90073	1	SWITCH WARNING 3-WIRE (REPLACES RAP1009)
4	RF1453	1	ELBOW 1/8" X 1/4"

ITEM	PART	QTY	DESCRIPTION
5	R1280	1 2 2	PIVOT BOLT KIT BHCS 5/8-11 X 1" BUSHING 0.75" O.D.
6	RAP8164	1	CYL. ASSY. 1.625" X 13" (INCLUDES ITEM 4) (EXCLUDES ITEMS 3,8,9)
7	RAP9102	1	PIVOT BRACKET
8	RF8143	1	ELBOW 1/8" X 1/8"
9	RAP8003	1	SWITCH PRESSURE

\* APPLY A THREAD LOCKING ADHESIVE SUCH AS LOCTITE #271, 277, 242 OR 569.

**AP9306 - STRAIGHT - ACTING JACK, 7 DEGREE PIVOT, F/A SPRINGS  
6,000 # CAPACITY; 1.625" ROD DIAMETER; 16.00" STROKE**



ITEM	PART	QTY	DESCRIPTION
	RAP90236		JACK 6,000 # X 16" F/A (REPLACES AP9306)
1	R3847	1 2	SPRING KIT 1-11/16" X 14" SPRING 1-11/16" X 14"
2	RAP8126	1	8.00" DIAMETER FOOT
3	RAP1008	1	SWITCH WARNING 2-WIRE
4	RF1453	1	ELBOW 1/8" X 1/4"

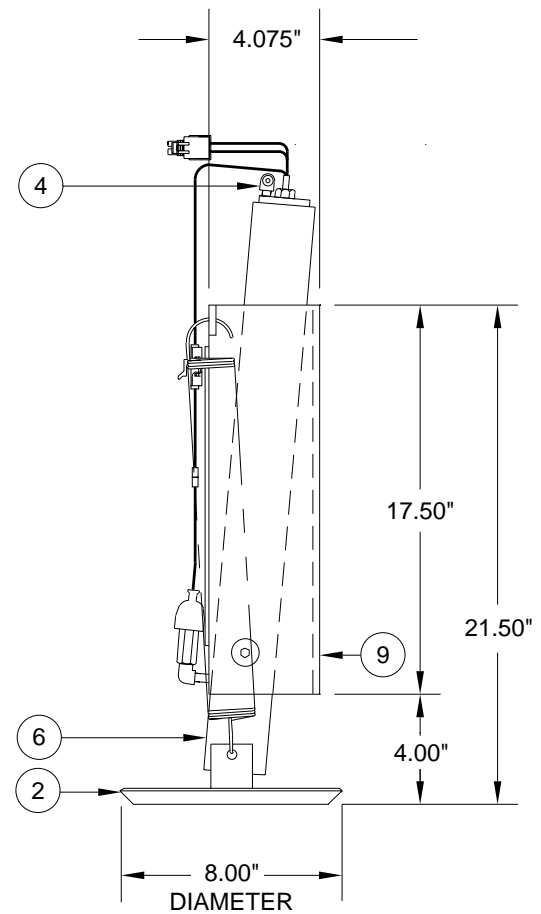
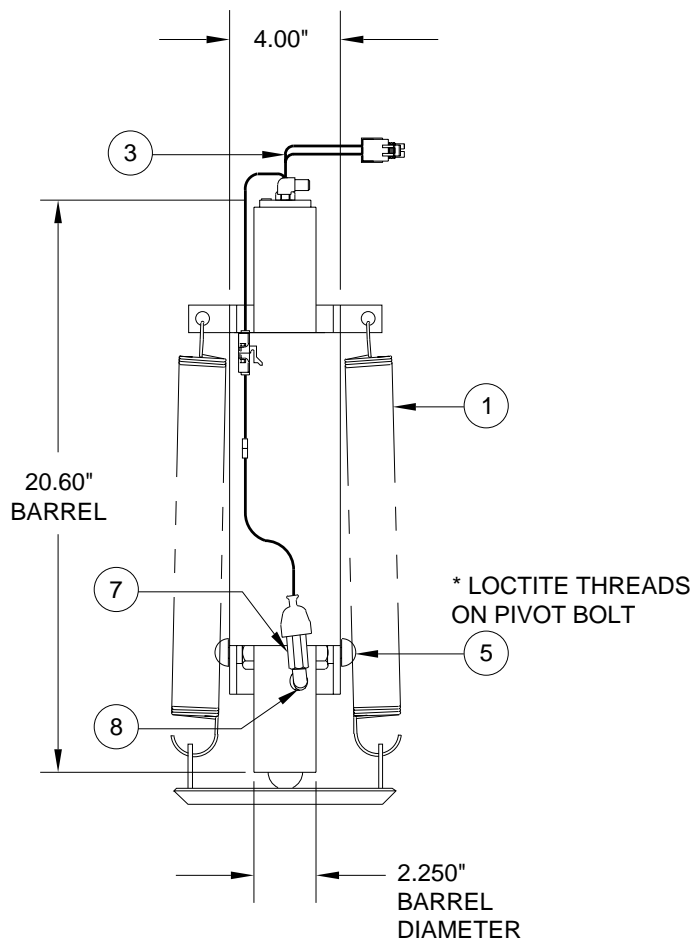
ITEM	PART	QTY	DESCRIPTION
5	R1280	1 2 2	PIVOT BOLT KIT BHCS 5/8-11 X 1" BUSHING 0.75" O.D.
6	RAP9098	1	CYL. ASSY. 1.625" X 16" (INCLUDES ITEM 4,8) (EXCLUDES ITEM 3)
7	RAP9102	1	PIVOT BRACKET
8	RF90272	1	HEX PLUG 1/8"

**NOTE :** INDENTED ITEMS ARE INCLUDED WITH PRECEDING ITEM.

\* APPLY A THREAD LOCKING ADHESIVE SUCH AS LOCTITE #271, 277, 242 OR 569.

**MR26.3045  
10MAR97**

**AP9099 - STRAIGHT ACTING JACK, 7 DEGREE PIVOT, F/A SPRINGS  
6,000 # CAPACITY; 1.625" ROD DIAMETER; 16.00" STROKE  
WITH PRESSURE SWITCH AND 3-WIRE WARNING SWITCH  
WITH PIVOT BOLT**



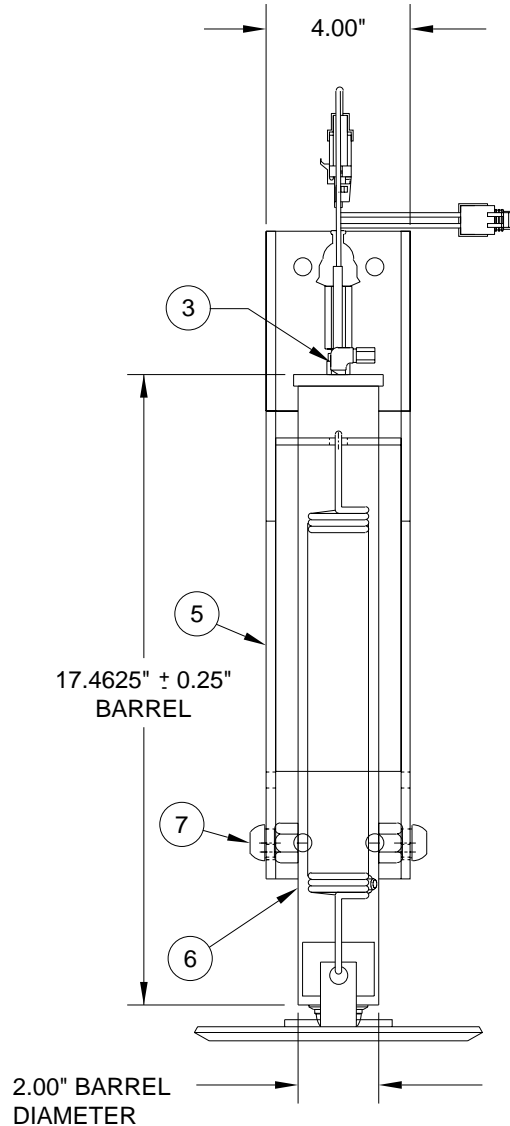
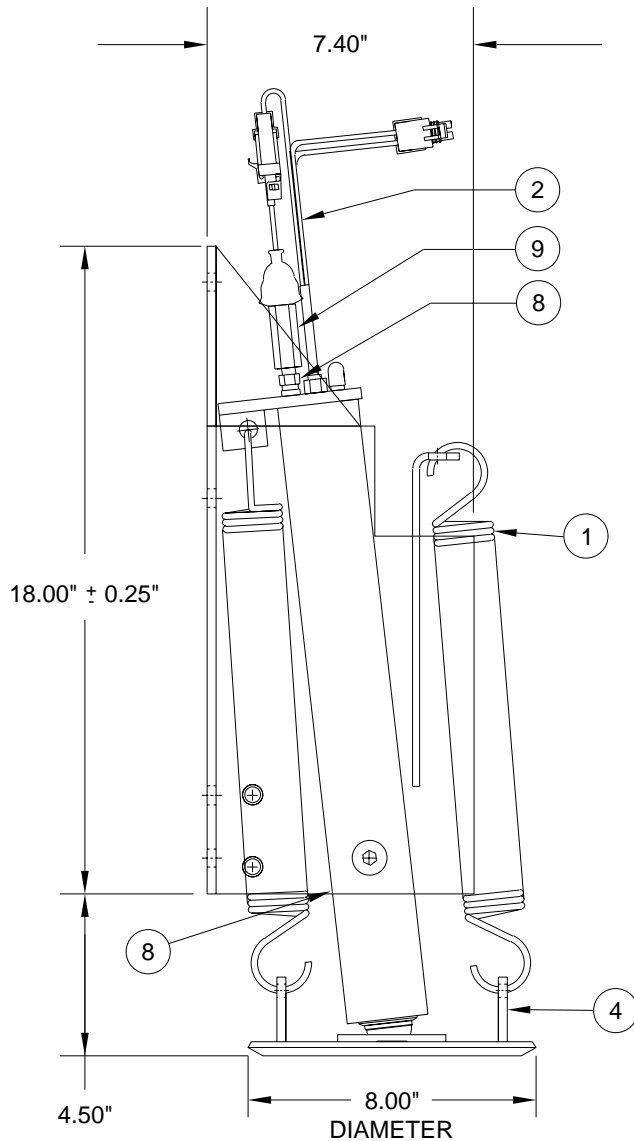
ITEM	PART	QTY	DESCRIPTION
	RAP9099		JACK 6,000 # X 16" F/A (REPLACES AP9099)
1	R3847	1	SPRING KIT 1-11/16" X 14"
		2	SPRING 1-11/16" X 14"
2	RAP8126	1	8.00" DIAMETER FOOT
3	RAP90073	1	SWITCH WARNING 3-WIRE (REPLACES RAP8442)
4	RF1453	1	ELBOW 1/8" X 1/4"

ITEM	PART	QTY	DESCRIPTION
5	R1280	1	PIVOT BOLT KIT
		2	BHCS 5/8-11 X 1"
		2	BUSHING 0.75" O.D.
6	RAP9098	1	CYL. ASSY. 1.625" X 16" (INCLUDES ITEM 4) (EXCLUDES ITEMS 3,7,8)
7	RAP8003	1	SWITCH PRESSURE
8	RF8143	1	ELBOW 1/8" X 1/8"
9	RAP9102	1	PIVOT BRACKET

\* APPLY A THREAD LOCKING ADHESIVE SUCH AS LOCTITE #271, 277, 242 OR 569.

**MR26.3050  
12SEP96**

**AP8579 - STRAIGHT - ACTING JACK, 7 DEGREE PIVOT, S/S SPRINGS  
6,000 # CAPACITY; 1.625" ROD DIAMETER; 13.00" STROKE  
WITH PRESSURE SWITCH AND 3-WIRE WARNING SWITCH**



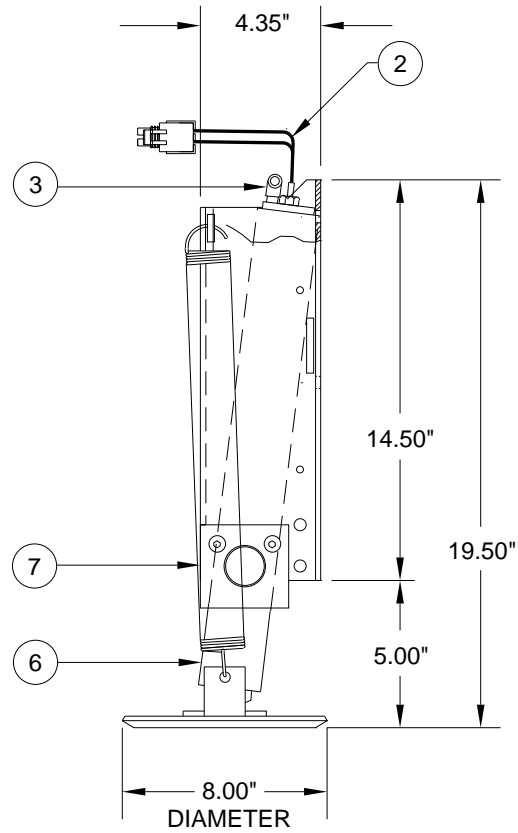
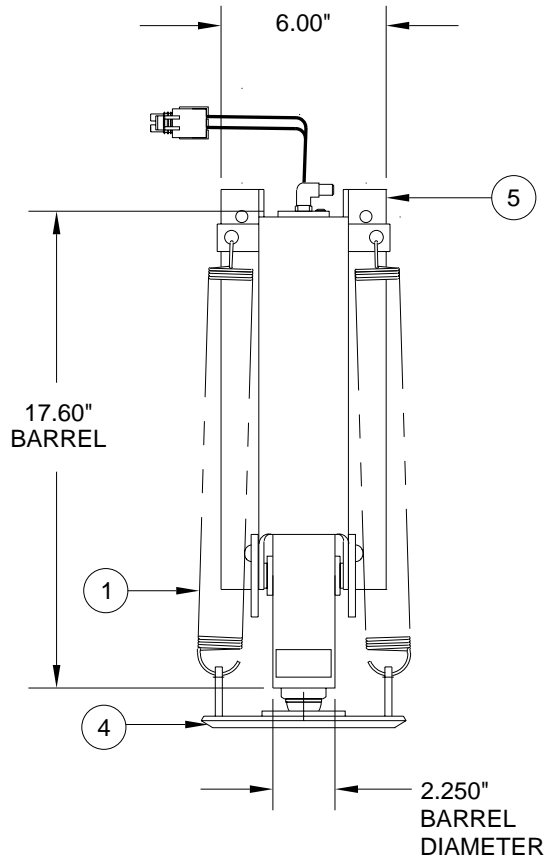
ITEM	PART	QTY	DESCRIPTION
	RAP90237		JACK 6,000 # X 13" F/A (REPLACES AP8579)
1	R3847	1 2	SPRING KIT 1-11/16" X 14" SPRING 1-11/16" X 14"
2	RAP90073	1	SWITCH WARNING 3-WIRE (REPLACES AP2198 AND AP1009)
3	RF1453	1	ELBOW 1/8" X 1/4"
4	RAP8126	1	8.00" DIAMETER FOOT

ITEM	PART	QTY	DESCRIPTION
5	RAP90270	1	PIVOT BRACKET
6	RAP90269	1	CYL. ASSY. 1.625" X 13" (INCLUDES ITEM 3) (EXCLUDES ITEM 2,8,9)
7	RP1280	1 2 2	PIVOT BOLT KIT BHCS 5/8-11 X 1" BUSHING .75 OD
8	RF9315	1	NIPPLE 1/8" X 1/8"
9	RAP8003	1	SWITCH PRESSURE

NOTE : INDENTED ITEMS ARE INCLUDED WITH PRECEDING ITEM.

**MR26.3060  
10MAR97**

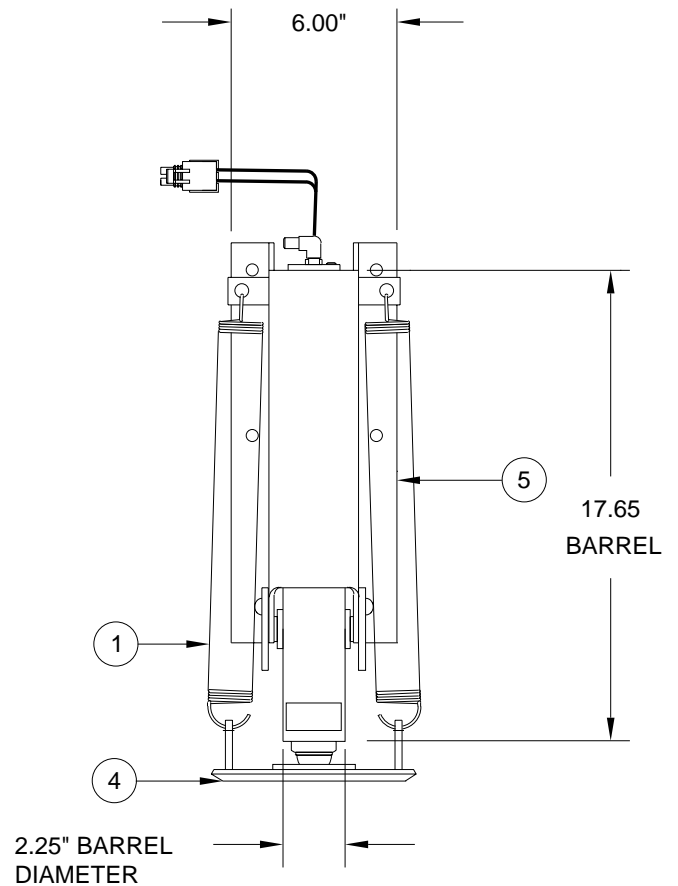
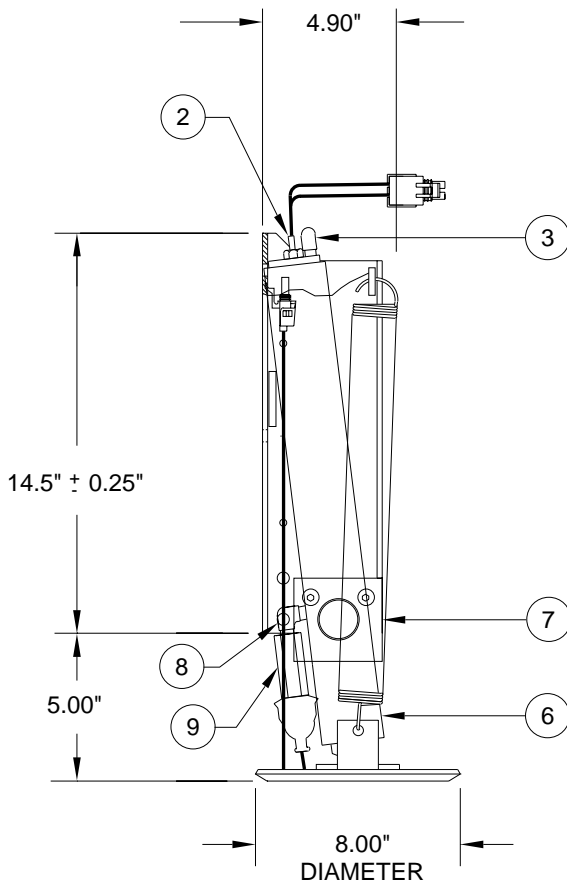
**AP0468 - STRAIGHT ACTING JACK, 7 DEGREE PIVOT, F/A SPRINGS  
6,000 # CAPACITY; 1.625" ROD DIAMETER; 13.00" STROKE  
WITH PIVOT RETAINING PLATE**



ITEM	PART	QTY	DESCRIPTION
	RAP0468		JACK 6,000 # X 13" F/A (REPLACES AP0468)
1	R3847	1 2	SPRING KIT 1-11/16" X 14" SPRING 1-11/16" X 14"
2	RAP1008	1	SWITCH WARNING 2-WIRE (REPLACES RAP8100)
3	RF1453	1	ELBOW 1/8" X 1/4"
4	RAP8126	1	8.00" DIAMETER FOOT

ITEM	PART	QTY	DESCRIPTION
5	RAP0540	1	PIVOT BRACKET
6	RAP0498	1	CYL. ASSY. 1.625" X 13" (INCLUDES ITEM 3) (EXCLUDES ITEM 2)
7	RAP10016	1 2 4 4	RETAINING PLATE KIT RETAINING PLATES HHCS 3/8-16 X 1" HEX NUT 3/8-16 LOCK DEF.

**AP1168 - STRAIGHT - ACTING JACK, 7 DEGREE PIVOT, F/A SPRINGS  
6,000 # CAPACITY; 1.625" ROD DIAMETER; 13.00" STROKE  
WITH PRESSURE SWITCH, 2-WIRE WARNING SWITCH,  
AND NARROW PIVOT BRACKET**



ITEM	PART	QTY	DESCRIPTION
	RAP90240		JACK 6,000 # X 13" F/A (REPLACES AP1168)
1	R3847	1	SPRING KIT 1-11/16" X 14"
		2	SPRING 1-11/16" X 14"
2	RAP1008	1	SWITCH WARNING 2-WIRE
3	RF1453	1	ELBOW 1/8" X 1/4"
4	RAP8126	1	8.00" DIAMETER FOOT
5	RAP0540	1	PIVOT BRACKET

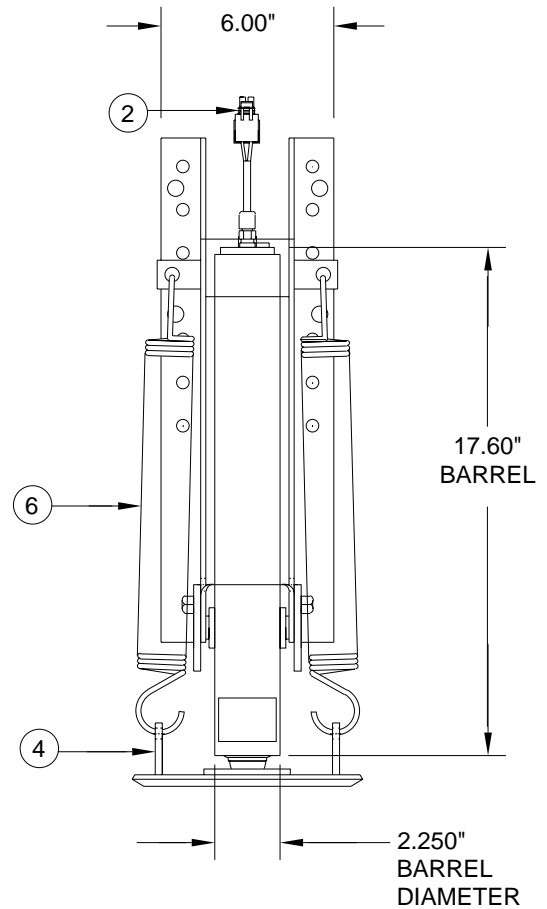
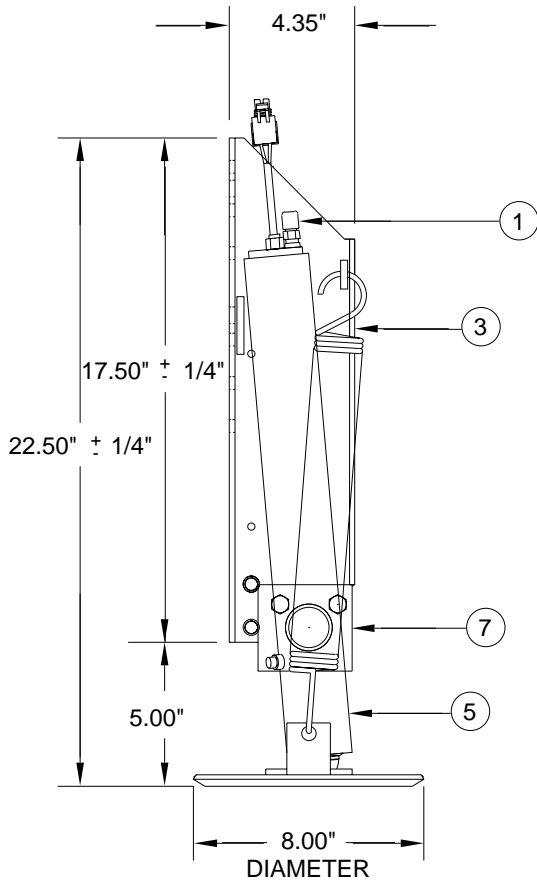
ITEM	PART	QTY	DESCRIPTION
6	RAP0498	1	CYL. ASSY. 1.625" X 13" (INCLUDES ITEM 3) (EXCLUDES ITEM 2,8,9)
7	RAP10016	1	RETAINING PLATE KIT
		2	RETAINING PLATES
		4	HHCS 3/8-16 X 1"
		4	HEX NUT 3/8-16 LOCK DEF.
8	RF8143	1	ELBOW 1/8" X 1/8"
9	RAP8003	1	SWITCH PRESSURE

NOTE : INDENTED ITEMS ARE INCLUDED WITH PRECEDING ITEM.

**MR26.3115  
10MAR97**



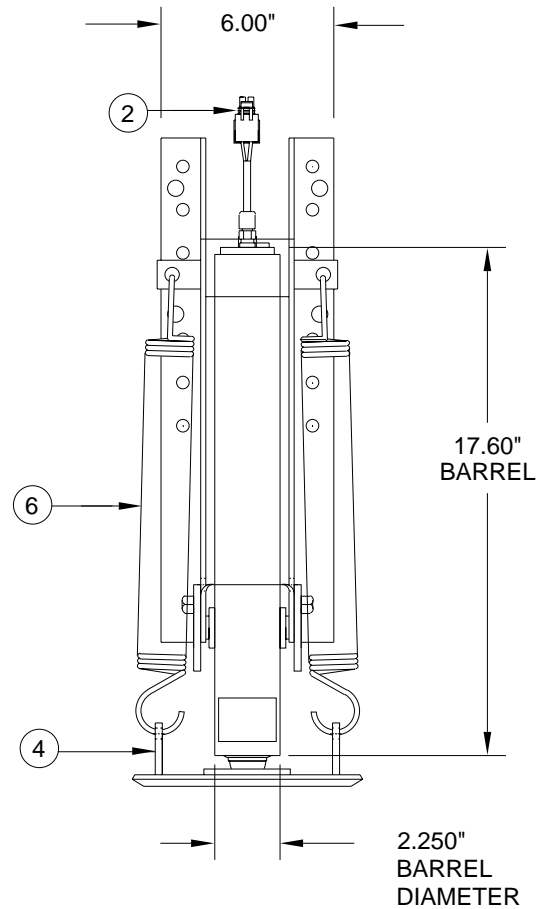
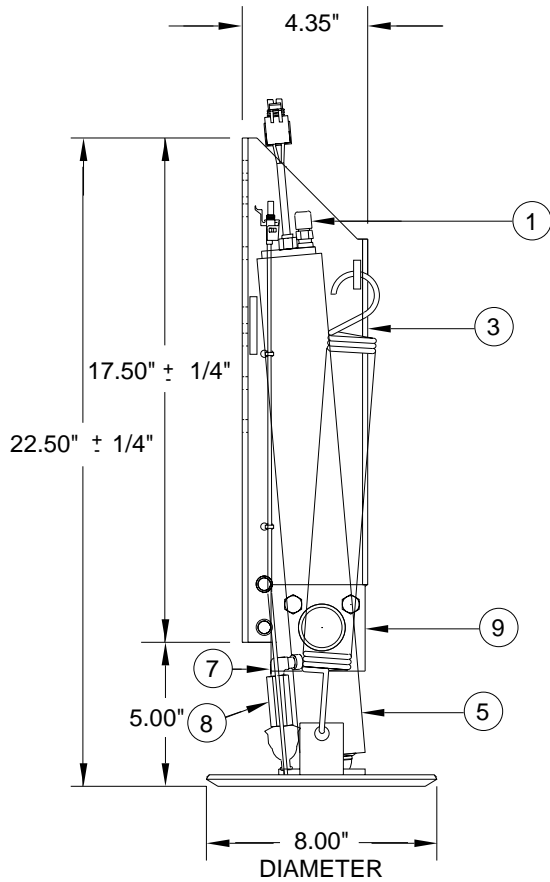
**AP1197 - STRAIGHT ACTING JACK, 7 DEGREE PIVOT, F/A SPRINGS  
6,000 # CAPACITY; 1.625" ROD DIAMETER; 13.00" STROKE  
WITH PIVOT RETAINING PLATE**



ITEM	PART	QTY	DESCRIPTION
1	RF1456	1	MALE CONNECTOR 1/8" X 1/4"
2	RAP1008	1	SWITCH WARNING 2-WIRE
3	RAP1164	1	PIVOT BRACKET
4	RAP8464	1	8.00" DIAMETER FOOT

ITEM	PART	QTY	DESCRIPTION
5	RAP0498	1	CYL. ASSY. 1.625" X 13" (INCLUDES ITEM 1) (EXCLUDES ITEM 2)
6	R3847	1 2	SPRING KIT 1-11/16" X 14" SPRING 1-11/16" X 14"
7	RAP10016	1 2 4 4	RETAINING PLATE KIT RETAINING PLATES HHCS 3/8-16 X 1" HEX NUT 3/8-16 LOCK DEF

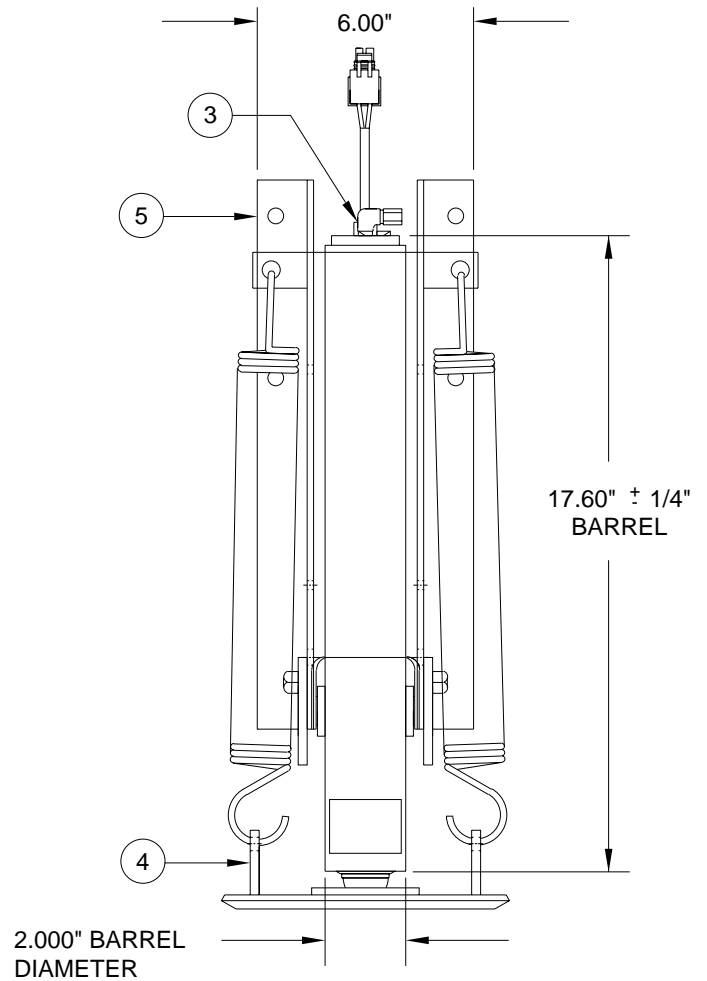
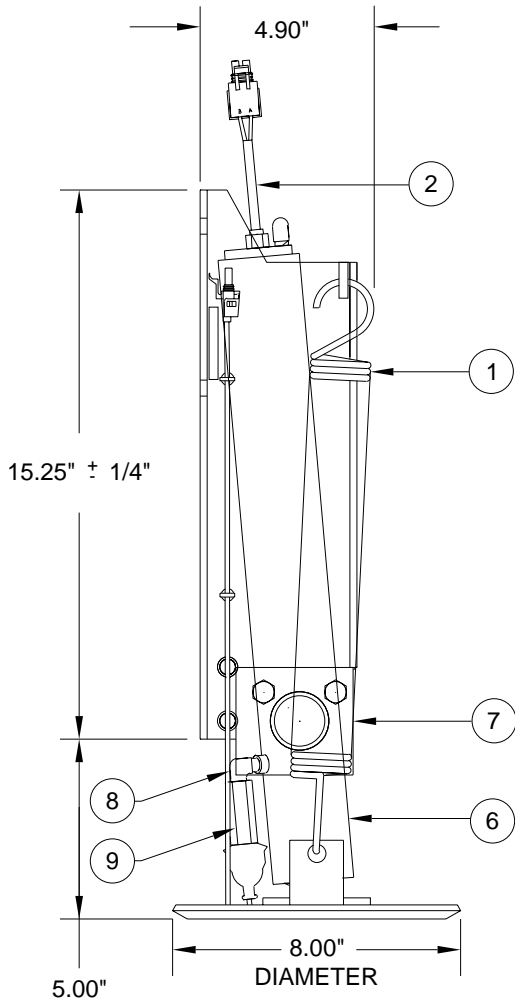
**AP1198 - STRAIGHT ACTING JACK, 7 DEGREE PIVOT, F/A SPRINGS**  
**6,000 # CAPACITY; 1.625" ROD DIAMETER; 13.00" STROKE**  
**WITH PRESSURE SWITCH, 2-WIRE WARNING SWITCH**  
**AND NARROW PIVOT BRACKET**



ITEM	PART	QTY	DESCRIPTION
	RAP90176		JACK 6,000 # X 13" F/A (REPLACES AP1198)
1	RF1456	1	MALE CONNECTOR 1/8" X 1/4"
2	RAP1008	1	SWITCH WARNING 2-WIRE
3	RAP1164	1	PIVOT BRACKET
4	RAP8126	1	8.00" DIAMETER FOOT
5	RAP0498	1	CYL. ASSY. 1.625" X 13" (INCLUDES ITEM 1) (EXCLUDES ITEMS 2,7,8)

ITEM	PART	QTY	DESCRIPTION
6	R3847	1	SPRING KIT 1-11/16" X 14"
		2	SPRING 1-11/16" X 14"
7	RF8143	1	ELBOW 1/8" X 1/8"
8	RAP8003	1	SWITCH PRESSURE
9	RAP10016	1	RETAINING PLATE KIT
		2	RETAINING PLATES
		4	HHCS 3/8-16 X 1"
		4	HEX NUT 3/8-16 LOCK DEF

**AP1930 - STRAIGHT ACTING JACK, 7 DEGREE PIVOT, F/A SPRINGS  
6,000 # CAPACITY; 1.625" ROD DIAMETER; 13.00" STROKE  
WITH PRESSURE SWITCH, 2-WIRE WARNING SWITCH,  
AND NARROW PIVOT BRACKET**



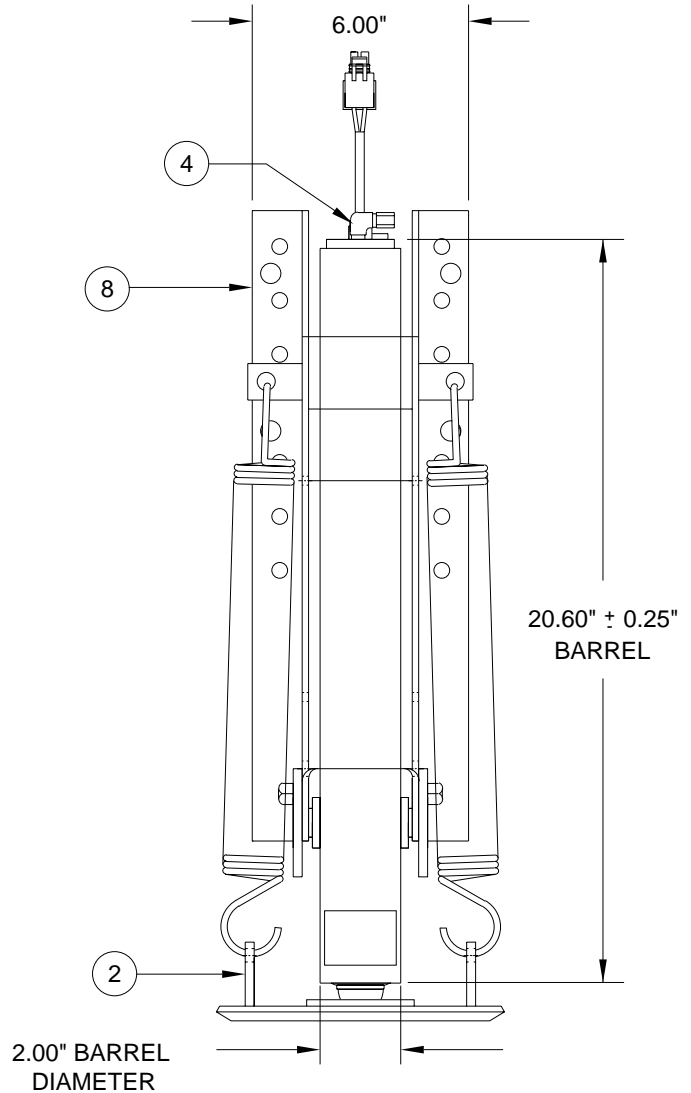
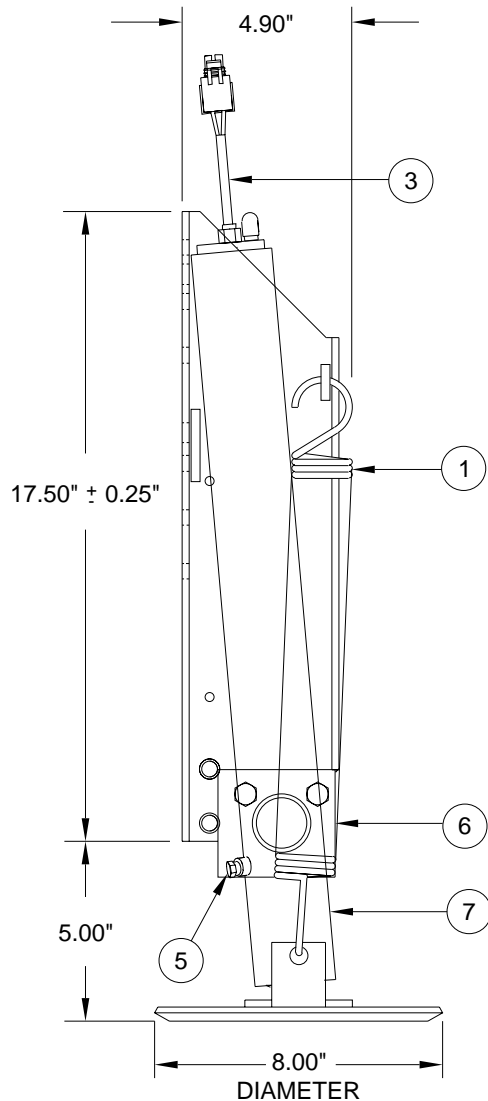
ITEM	PART	QTY	DESCRIPTION
	RAP90238		JACK 6,000 # X 13" F/A (REPLACES AP1930)
1	R3847	1	SPRING KIT 1-11/16" X 14"
		2	SPRING 1-11/16" X 14"
2	RAP1008	1	SWITCH WARNING 2-WIRE
3	RF1453	1	ELBOW 1/8" X 1/4"
4	RAP8126	1	8.00" DIAMETER FOOT
5	RAP1931	1	PIVOT BRACKET

ITEM	PART	QTY	DESCRIPTION
6	RAP0498	1	CYL. ASSY. 1.625" X 13" (INCLUDES ITEM 3) (EXCLUDES ITEM 2,8,9)
7	RAP10016	1	RETAINING PLATE KIT
		2	RETAINING PLATES
		4	HHCS 3/8-16 X 1"
		4	HEX NUT 3/8-16 LOC DEF.
8	RF8143	1	ELBOW 1/8" X 1/8"
9	RAP8003	1	SWITCH PRESSURE

NOTE : INDENTED ITEMS ARE INCLUDED WITH PRECEDING ITEM.

**MR26.3145  
26AUG96**

**AP1152 - STRAIGHT - ACTING JACK, 7 DEGREE PIVOT, F/A SPRINGS  
6,000 # CAPACITY; 1.625" ROD DIAMETER; 16.00" STROKE  
WITH NARROW PIVOT BRACKET**



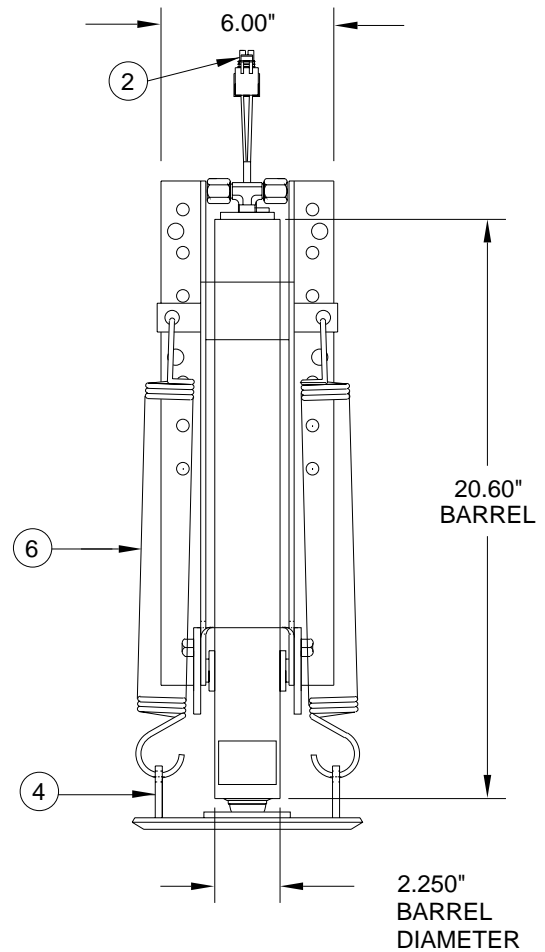
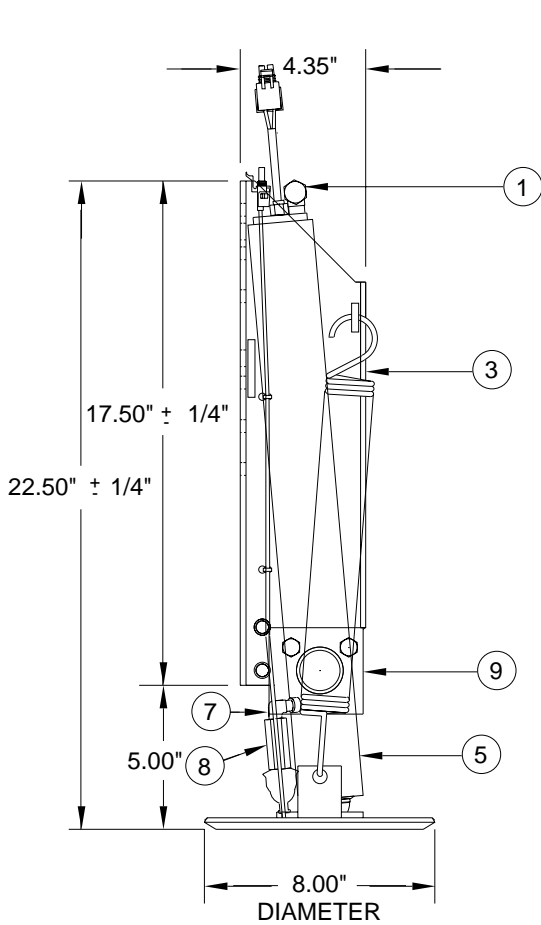
ITEM	PART	QTY	DESCRIPTION
	RAP90239		JACK 6,000 # X 16" F/A (REPLACES AP1152)
1	R3847	1	SPRING KIT 1-11/16" X 14"
		2	SPRING 1-11/16" X 14"
2	RAP8126	1	8.00" DIAMETER FOOT
3	RAP1008	1	SWITCH WARNING 2-WIRE
4	RF1453	1	ELBOW 1/8" X 1/4"

ITEM	PART	QTY	DESCRIPTION
5	RF90272	1	HEX PLUG 1/8"
6	RAP10016	1	RETAINING PLATE KIT
		2	RETAINING PLATES
		4	HHCS 3/8-16 X 1"
		4	HEX NUT 3/8-16 LOCK DEF.
7	RAP90273	1	CYL. ASSY. 1.625" X 16" (INCLUDES ITEM 4,5) (EXCLUDES ITEM 3)
8	RAP1164	1	PIVOT BRACKET

NOTE : INDENTED ITEMS ARE INCLUDED WITH PRECEDING ITEM.

**MR26.3265  
10MAR97**

**AP21986 - STRAIGHT ACTING JACK, 7 DEGREE PIVOT, F/A SPRINGS  
 6,000 # CAPACITY; 1.625" ROD DIAMETER; 16.00" STROKE  
 WITH PRESSURE SWITCH, 2-WIRE WARNING SWITCH  
 AND NARROW PIVOT BRACKET**

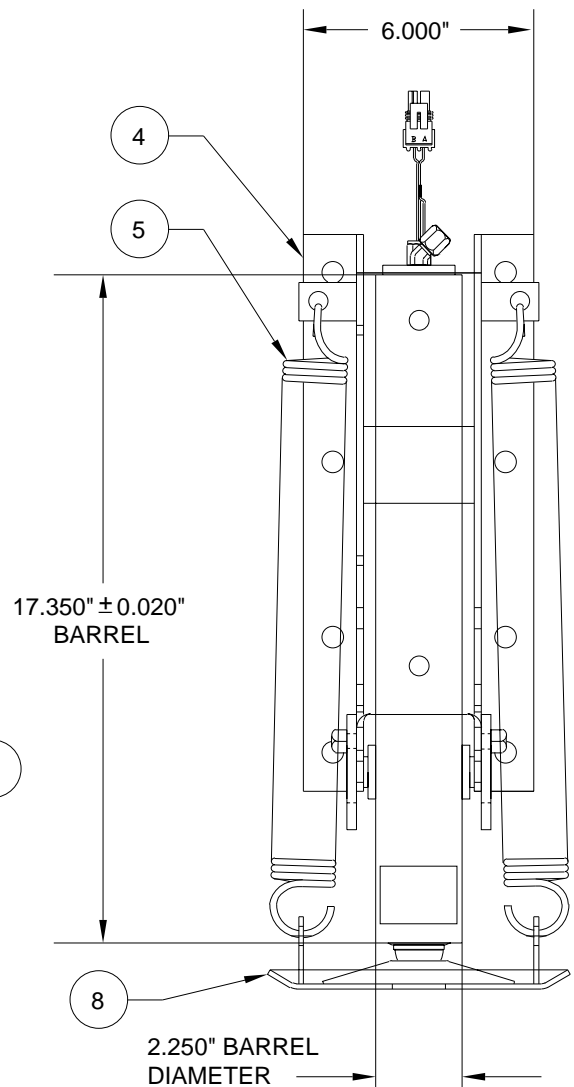
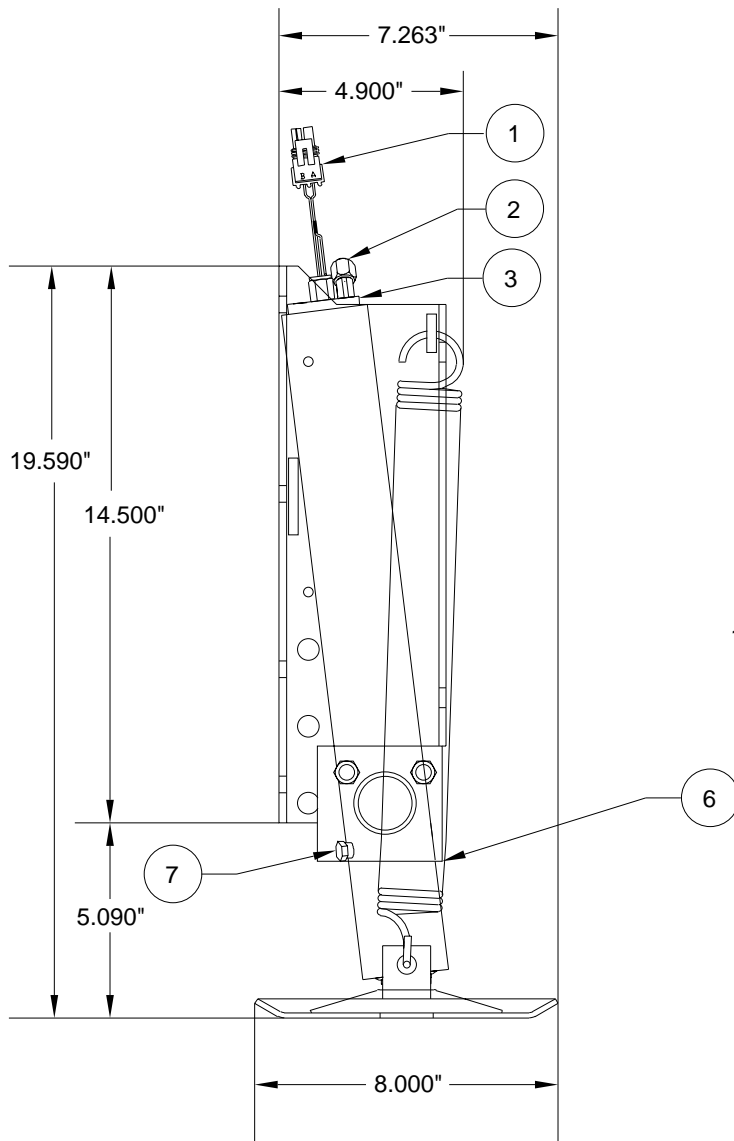


ITEM	PART	QTY	DESCRIPTION
	RAP90982		JACK 6,000 # X 16" F/A (REPLACES AP21986)
1	RF90151	1	MALE TEE 1/8" X 1/4" X 1/4"
2	RAP1008	1	SWITCH WARNING 2-WIRE
3	RAP1164	1	PIVOT BRACKET
4	RAP8126	1	8.00" DIAMETER FOOT
5	RAP90273	1	CYL. ASSY. 1.625" X 16" (INCLUDES ITEM 1) (EXCLUDES ITEMS 2,7,8)

ITEM	PART	QTY	DESCRIPTION
6	R3847	1 2	SPRING KIT 1-11/16" X 14" SPRING 1-11/16" X 14"
7	RF8143	1	ELBOW 1/8" X 1/8"
8	RAP8003	1	SWITCH PRESSURE
9	RAP10016	1 2 4 4	RETAINING PLATE KIT RETAINING PLATES HHCS 3/8-16 X 1" HEX NUT 3/8-16 LOCK DEF

# AP15196 - STRAIGHT- ACTING JACK, 7 DEG PIVOT, F/A SPRINGS

6,000 # CAPACITY; 1.625" ROD DIAMETER; 13.00" STROKE



ITEM	PART	QTY	DESCRIPTION
	RAP90757		JACK 6,000# x 13" F/A (REPLACES AP15196)
1	RAP1008	1	SWITCH WARNING 2-WIRE
2	RF5996	1	4-VTX-S MALE ELBOW
3	RAP0498	1	CYL. ASSY. 1.625" x 13"
4	RAP90756	1	PIVOT BRACKET
5	R3847	1	SPRING KIT 1-11/16" x 14"
		2	SPRING 1-11/16" x 14"

ITEM	PART	QTY	DESCRIPTION
6	RAP10016	1	RETAINING PLATE KIT
		2	RETAINING PLATES
		4	HHCS 3/8 - 16 x 1"
		4	HEX NUT 3/8 - 16 LOCK
7	RF90272	1	1/8-HP-S HEX PLUG
8	RAP8126	1	FOOT 8.000" DIAMETER

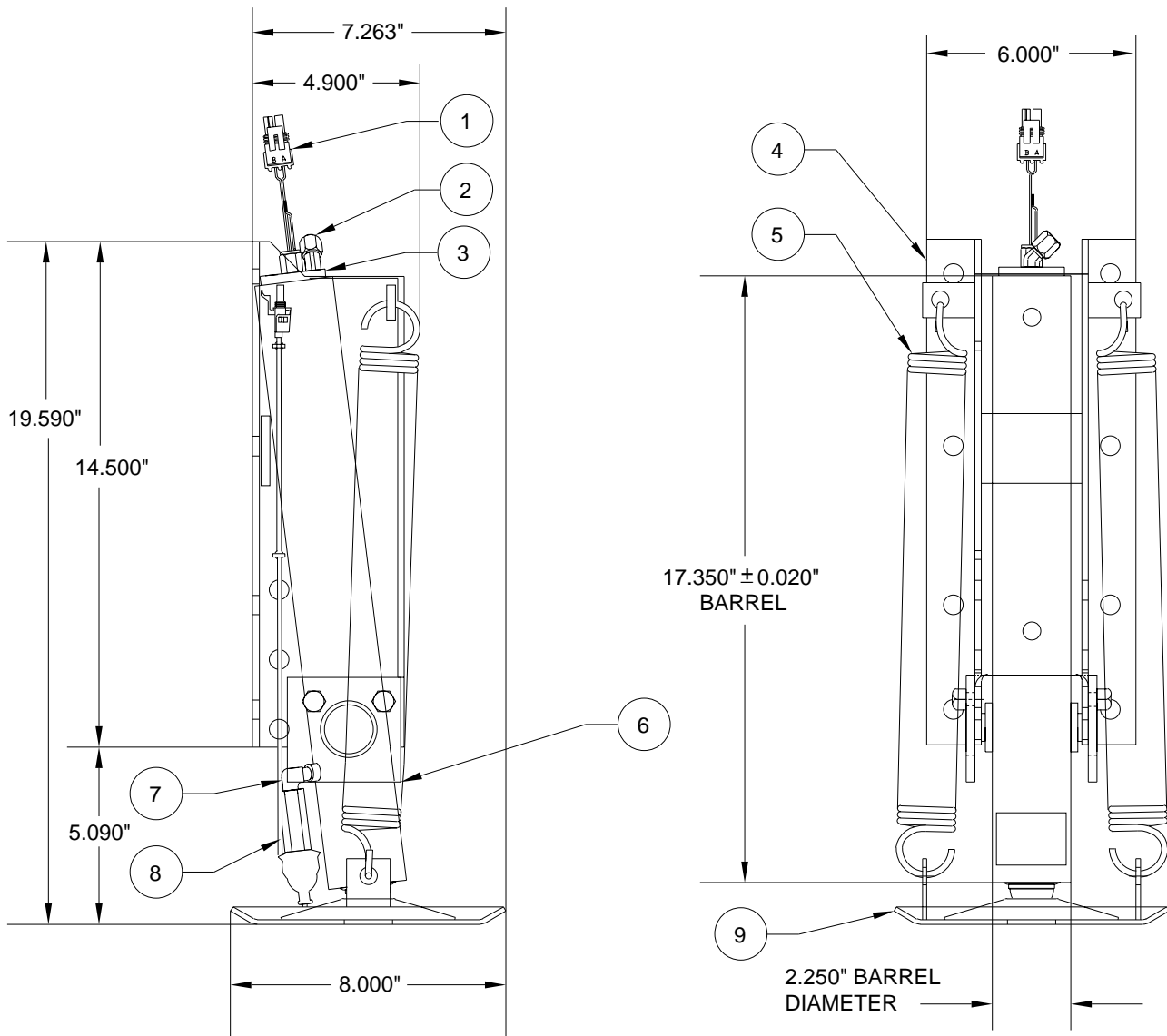
NOTE: INDENTED ITEMS ARE INCLUDED WITH PRECEDING ITEM.

MR26.3270  
06JUL00

# AP14797 - STRAIGHT- ACTING JACK, 7 DEG PIVOT, F/A SPRINGS

6,000 # CAPACITY; 1.625" ROD DIAMETER; 13.00" STROKE

WITH PRESSURE SWITCH AND 2-WIRE WARNING SWITCH



ITEM	PART	QTY	DESCRIPTION
	RAP90755		JACK 6000# x 13" F/A (REPLACES AP14797)
1	RAP1008	1	SWITCH WARNING 2-WIRE
2	RF5996	1	4-VTX-S MALE ELBOW
3	RAP0498	1	CYL. ASSY. 1.625" x 13"
4	RAP90756	1	PIVOT BRACKET
5	R3847	1	SPRING KIT 1-11/16" x 14"
		2	SPRING 1-11/16" x 14"

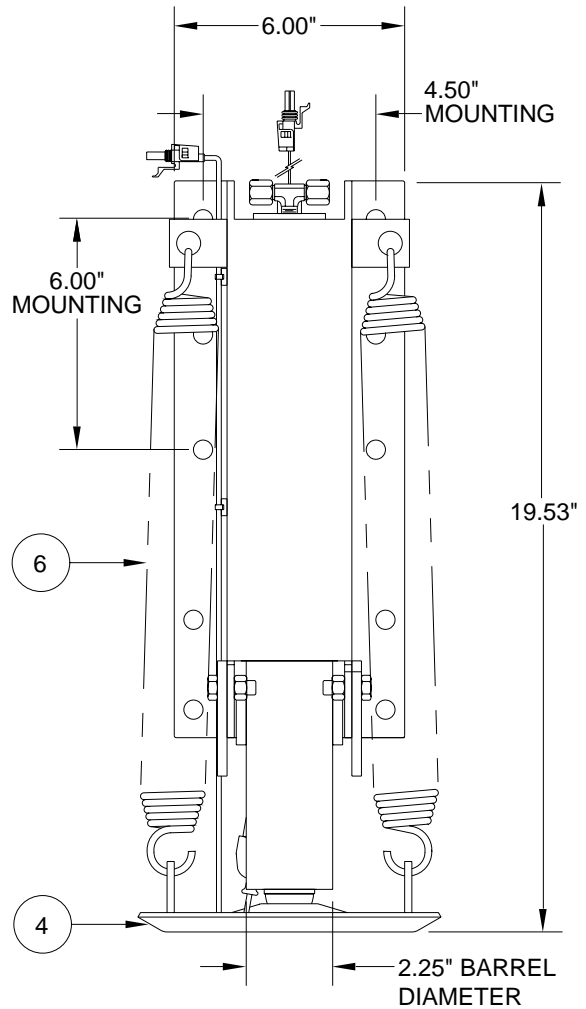
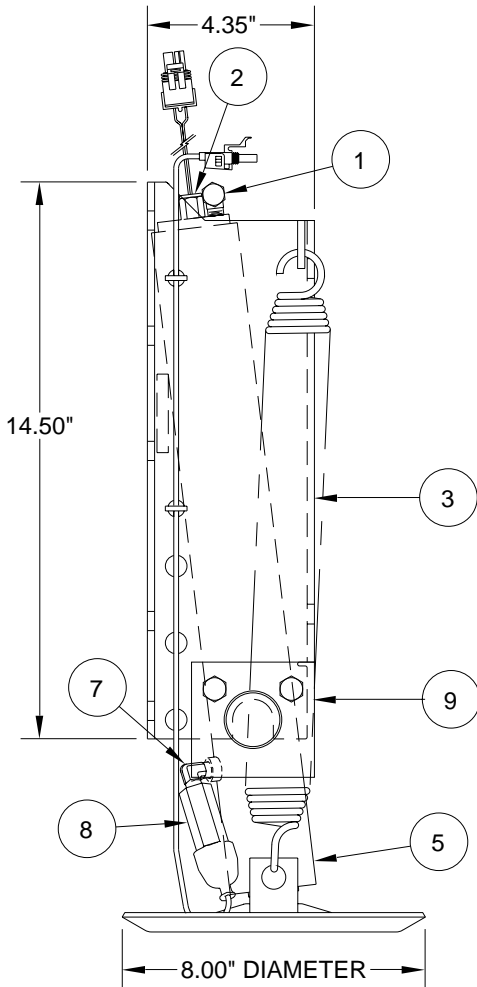
ITEM	PART	QTY	DESCRIPTION
6	RAP10016	1	RETAINING PLATE KIT
		2	RETAINING PLATES
		4	HHCS 3/8 - 16 x 1"
		4	HEX NUT 3/8 - 16 LOCK
7	RF8143	1	CR-1/8-S ELBOW
8	RAP8003	1	SWITCH PRESSURE
9	RAP8126	1	FOOT 8.000" DIAMETER

NOTE: INDENTED ITEMS ARE INCLUDED WITH PRECEDING ITEM.

MR26.3271  
06JUL00

**AP28806 - AP29620 - AP29621**  
**STRAIGHT-ACTING JACK, 8 DEGREE PIVOT, F/A SPRINGS**  
**6,000 # CAPACITY; 1.625" ROD DIAMETER; 13.00" STROKE**

JACK #	DESCRIPTION
AP28806	NO WARNING OR PRESSURE SWITCH
AP29620	MAGNETIC WARNING SWITCH W/ GRAY CONNECTOR ONLY
AP29621	MAGNETIC WARNING SWITCH W/ GRAY CONNECTOR, PRESSURE SWITCH



ITEM	PART	QTY	DESCRIPTION
1	RF90151	1	MALE TEE 1/8" X 1/4" X 1/4"
2	RAP90968	1	SWITCH WARNING MAGNETIC GRAY (AP29620, AP29621)
3	RAP0540	1	PIVOT BRACKET
4	RAP8126	1	8.00" DIAMETER FOOT
5	RAP0498	1	CYL. ASSY. 1.625" X 13" (INCLUDES ELBOW) (EXCLUDES ITEMS 1,2,7,8)

ITEM	PART	QTY	DESCRIPTION
6	R3847	1	SPRING KIT 1-11/16" X 14"
		2	SPRING 1-11/16" X 14"
7	RF8143	1	ELBOW 1/8" X 1/8" (AP29621 ONLY)
8	RAP8003	1	SWITCH PRESSURE (AP29621 ONLY)
9	RAP10016	1	RETAINING PLATE KIT
		2	RETAINING PLATES
		4	HHCS 3/8-16 X 1"
		4	HEX NUT 3/8-16 LOCK DEF

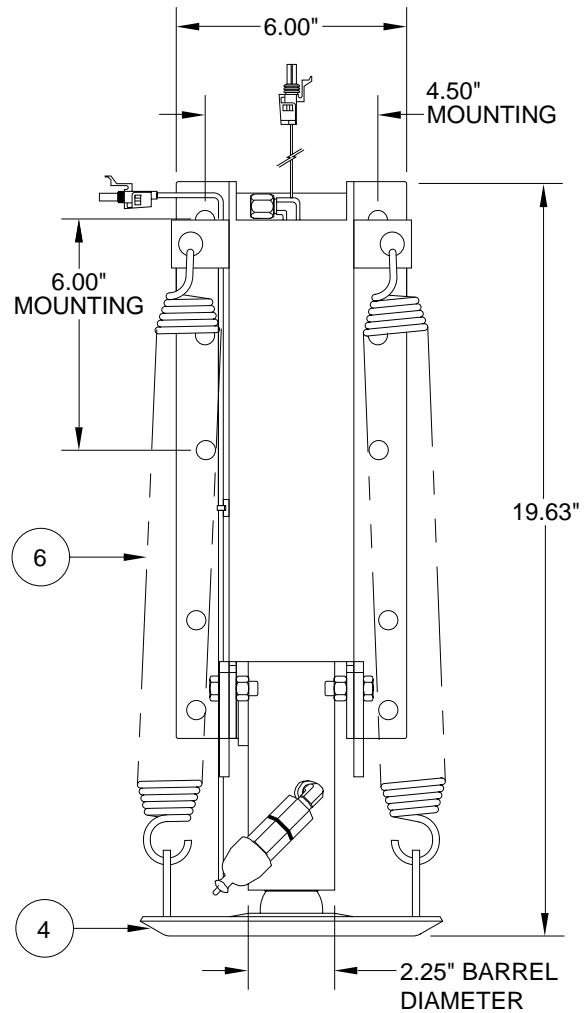
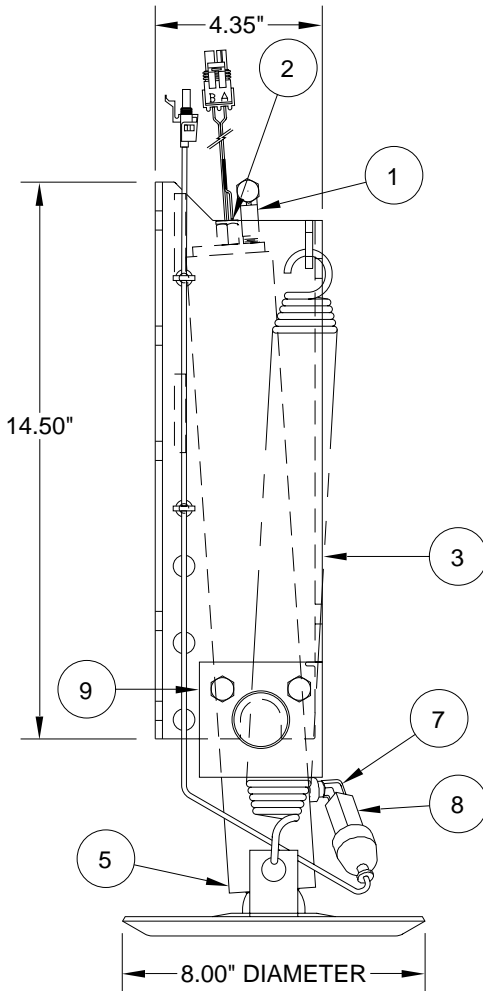
**NOTE:** INDENTED ITEMS ARE INCLUDED WITH PRECEDING ITEM.

**MR26.3300**  
**05MAR09**



**AP45002 - AP45021 - AP51592**  
**STRAIGHT-ACTING JACK, 5 DEGREE PIVOT, F/A SPRINGS, BOLT-ON FOOT**  
**6,000 # CAPACITY; 1.625" ROD DIAMETER; 13.00" STROKE**

JACK #	DESCRIPTION
AP45002	MAGNETIC WARNING SWITCH W/ GRAY CONNECTOR, PRESSURE SWITCH
AP45021	MAGNETIC WARNING SWITCH W/ GRAY CONNECTOR ONLY
AP51592	MAGNETIC WARNING SWITCH W/ GRAY CONNECTOR ONLY



ITEM	PART	QTY	DESCRIPTION
1	RF90145	1	EXTRA LONG ELBOW
2	RAP90968	1	SWITCH WARNING MAGNETIC GRAY
3	RAP0540	1	PIVOT BRACKET
4	RAP92048	1	8.00" DIAMETER FOOT
5	RAP92246	1	CYL. ASSY. 1.625" X 13" (INCLUDES TEE FITTING) (EXCLUDES ITEMS 1,2,7,8)

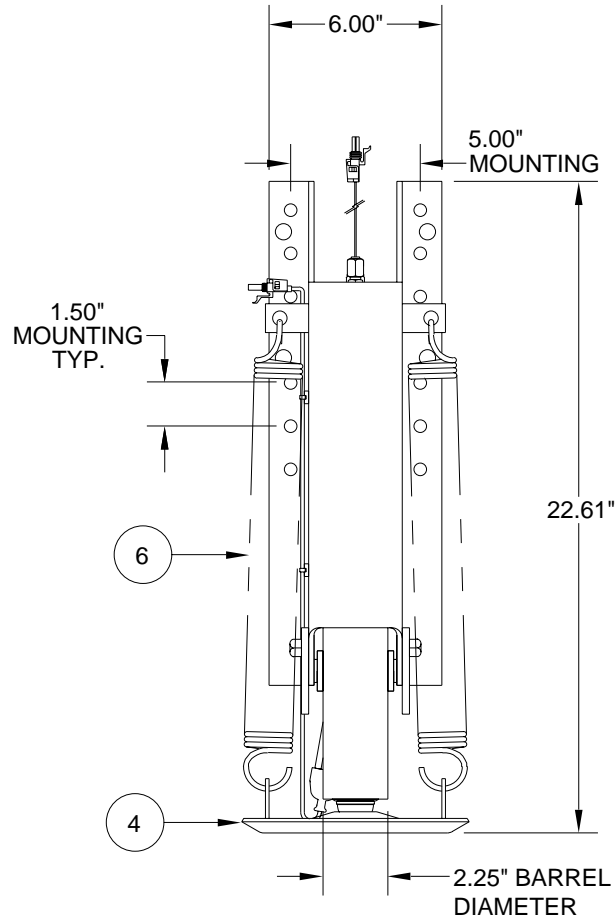
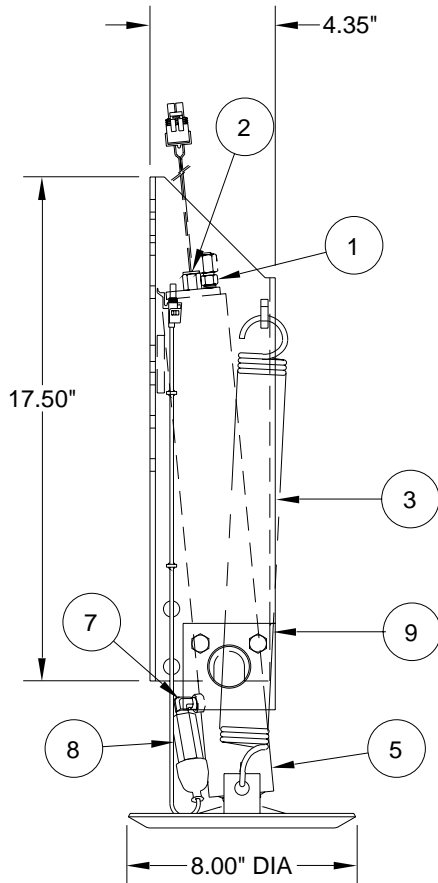
ITEM	PART	QTY	DESCRIPTION
6	R3847	1	SPRING KIT 1-11/16" X 14"
		2	SPRING 1-11/16" X 14"
7	RF8143	1	ELBOW 1/8" X 1/8" (AP45002 ONLY)
8	RAP8003	1	SWITCH PRESSURE (AP45002 ONLY)
9	RAP10016	1	RETAINING PLATE KIT
		2	RETAINING PLATES
		4	HHCS 3/8-16 X 1"
		4	HEX NUT 3/8-16 LOCK DEF

**NOTE:** INDENTED ITEMS ARE INCLUDED WITH PRECEDING ITEM.

**MR26.3301**  
**07MAY13**

**AP28808 - AP31012 - AP33954**  
**STRAIGHT-ACTING JACK, 6 DEGREE PIVOT, F/A SPRINGS**  
**6,000 # CAPACITY; 1.625" ROD DIAMETER; 13.00" STROKE**

JACK #	DESCRIPTION
AP28808	NO WARNING OR PRESSURE SWITCH
AP31012	MAGNETIC WARNING SWITCH W/ GRAY CONNECTOR, PRESSURE SWITCH
AP33954	MAGNETIC WARNING SWITCH W/ GRAY CONNECTOR ONLY



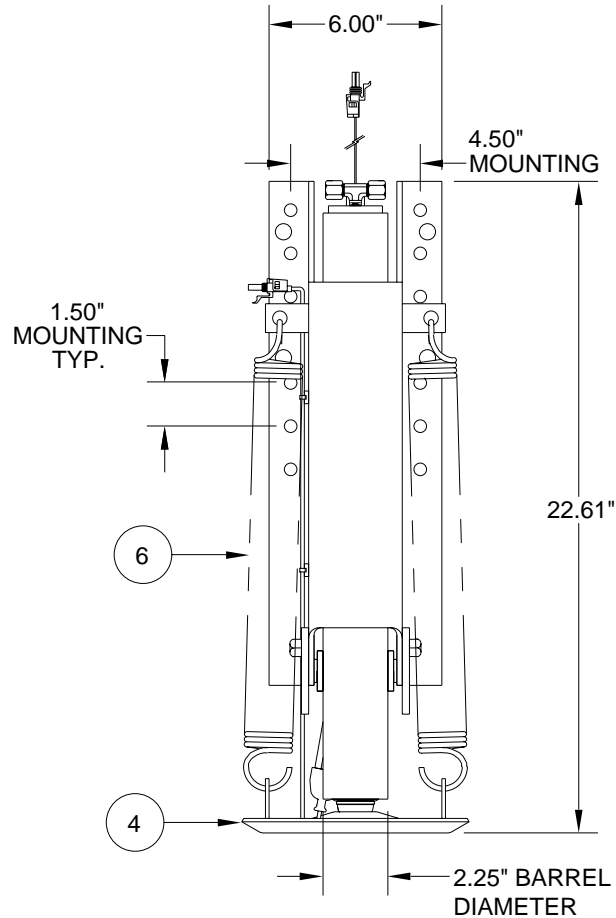
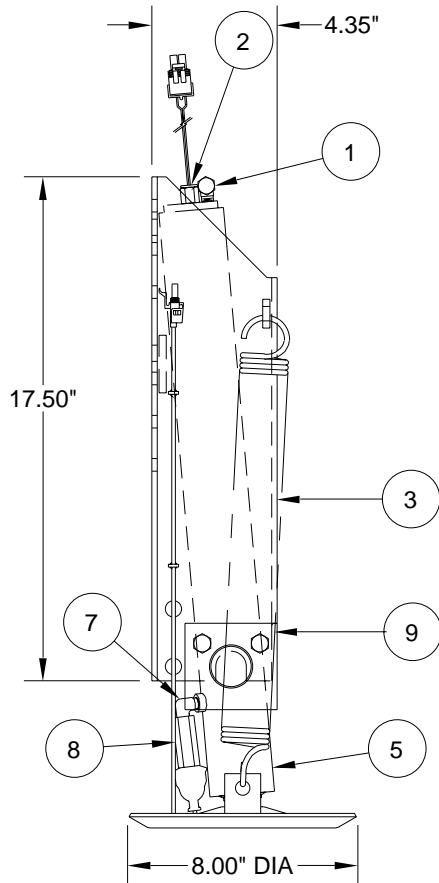
ITEM	PART	QTY	DESCRIPTION
1	RF1456	1	MALE CONNECTOR 1/8" X 1/4"
2	RAP90968	1	SWITCH WARNING MAGNETIC GRAY (AP31012, AP33954)
3	RAP1164	1	PIVOT BRACKET
4	RAP8126	1	8.00" DIAMETER FOOT
5	RAP0498	1	CYL. ASSY. 1.625" X 13" (INCLUDES ELBOW) (EXCLUDES ITEMS 1,2,7,8)

ITEM	PART	QTY	DESCRIPTION
6	R3847	1 2	SPRING KIT 1-11/16" X 14" SPRING 1-11/16" X 14"
7	RF8143	1	ELBOW 1/8" X 1/8" (AP31012 ONLY)
8	RAP8003	1	SWITCH PRESSURE (AP31012 ONLY)
9	RAP10016	1 2 4 4	RETAINING PLATE KIT RETAINING PLATES HHCS 3/8-16 X 1" HEX NUT 3/8-16 LOCK DEF

**NOTE:** INDENTED ITEMS ARE INCLUDED WITH PRECEDING ITEM.

**AP28810 - AP32536 - AP33043**  
**STRAIGHT-ACTING JACK, 6 DEGREE PIVOT, F/A SPRINGS**  
**6,000 # CAPACITY; 1.625" ROD DIAMETER; 16.00" STROKE**

JACK #	DESCRIPTION
AP28810	NO WARNING OR PRESSURE SWITCH
AP32536	MAGNETIC WARNING SWITCH W/ GRAY CONNECTOR ONLY
AP33043	MAGNETIC WARNING SWITCH W/ GRAY CONNECTOR, PRESSURE SWITCH

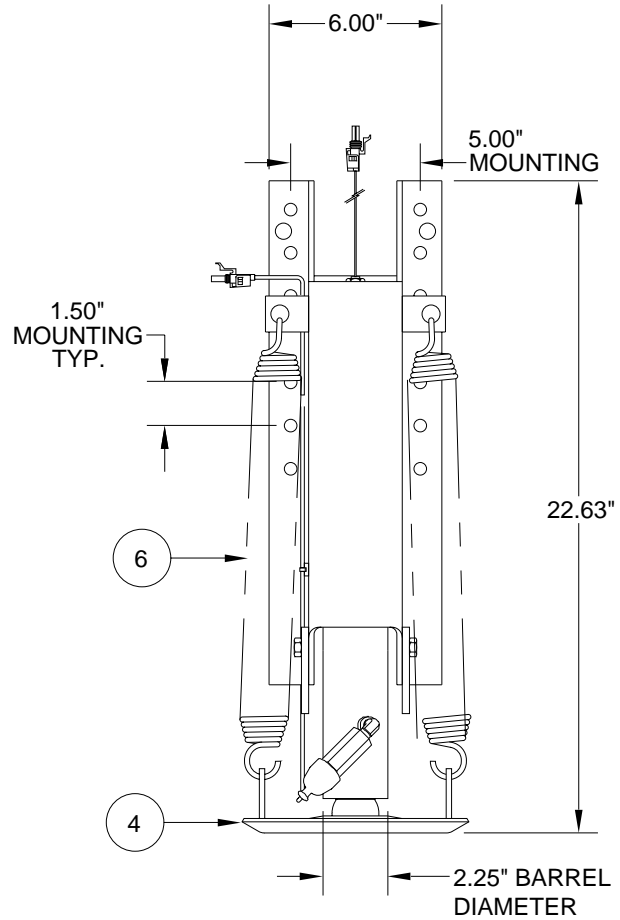
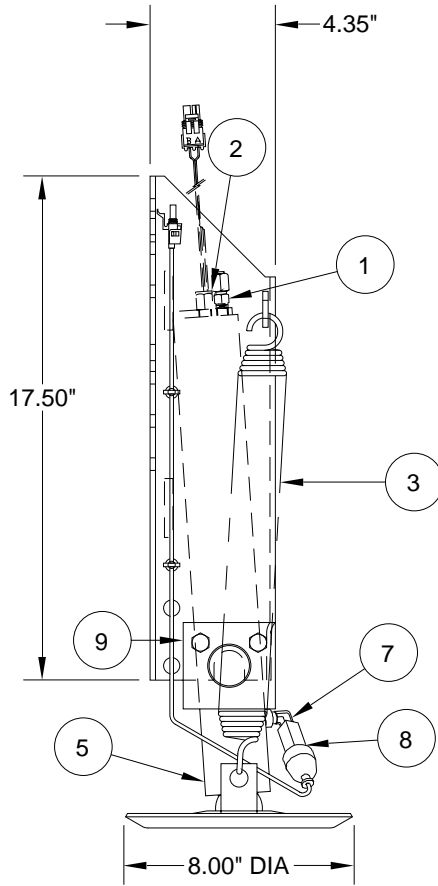


ITEM	PART	QTY	DESCRIPTION
1	RF90151	1	MALE TEE 1/8" X 1/4" X 1/4"
2	RAP90968	1	SWITCH WARNING MAGNETIC GRAY (AP32536, AP33043)
3	RAP1164	1	PIVOT BRACKET
4	RAP8126	1	8.00" DIAMETER FOOT
5	RAP90273	1	CYL. ASSY. 1.625" X 16" (INCLUDES ITEM 1) (EXCLUDES ITEMS 2,7,8)

ITEM	PART	QTY	DESCRIPTION
6	R3847	1 2	SPRING KIT 1-11/16" X 14" SPRING 1-11/16" X 14"
7	RF8143	1	ELBOW 1/8" X 1/8" (AP33043 ONLY)
8	RAP8003	1	SWITCH PRESSURE (AP33043 ONLY)
9	RAP10016	1 2 4 4	RETAINING PLATE KIT RETAINING PLATES HHCS 3/8-16 X 1" HEX NUT 3/8-16 LOCK DEF

**NOTE:** INDENTED ITEMS ARE INCLUDED WITH PRECEDING ITEM.

**AP44102 - STRAIGHT-ACTING/PIVOTING JACK, 5 DEGREE PIVOT, F/A SPRINGS  
6,000 # CAPACITY; 2.000" ROD DIAMETER; 13.00" STROKE; BOLT-ON FOOT  
WITH MAGNETIC WARNING SWITCH AND PRESSURE SWITCH**

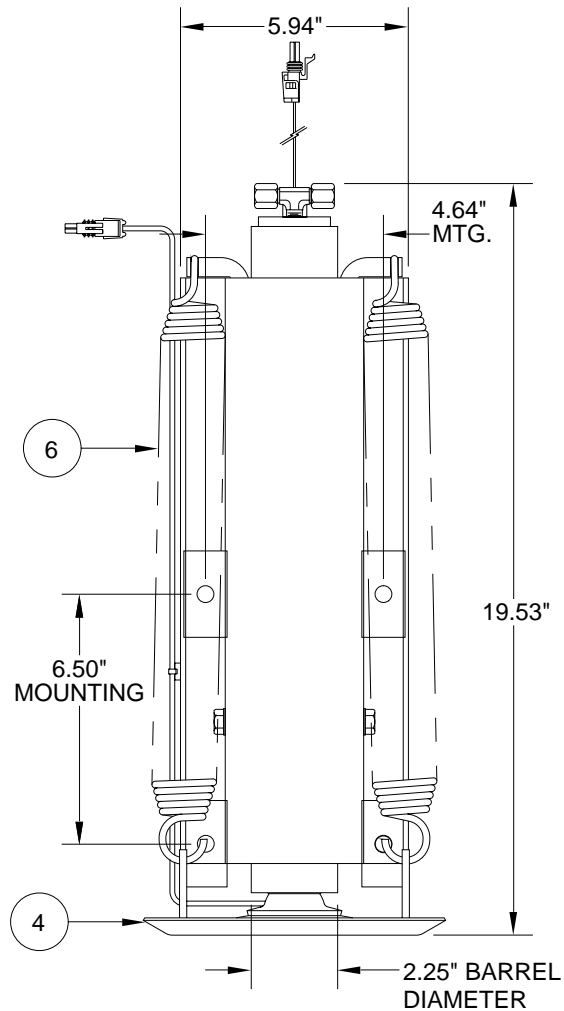
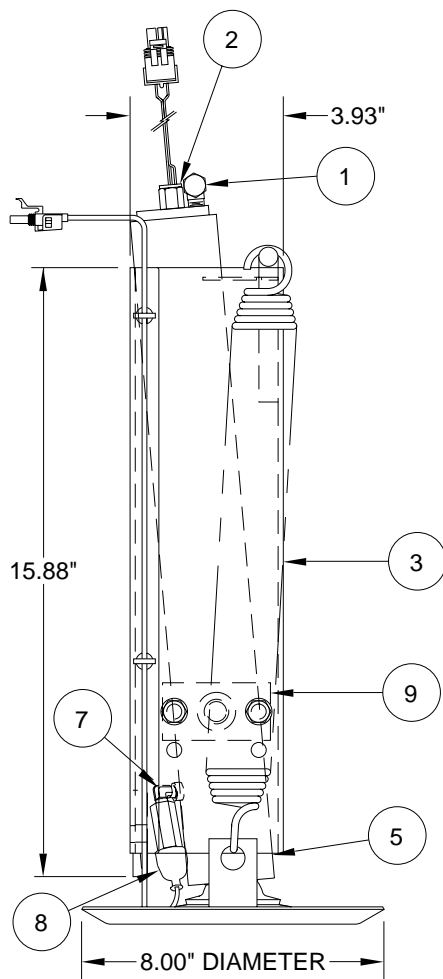


ITEM	PART	QTY	DESCRIPTION
1	RF1456	1	MALE CONNECTOR 1/8" X 1/4"
2	RAP90968	1	SWITCH WARNING MAGNETIC GRAY
3	RAP1164	1	PIVOT BRACKET
4	RAP92048	1	8.00" DIAMETER FOOT
5	RAP92246	1	CYL. ASSY. 1.625" X 13" (INCLUDES TEE) (EXCLUDES ITEMS 1,2,7,8)

ITEM	PART	QTY	DESCRIPTION
6	R3847	1 2	SPRING KIT 1-11/16" X 14" SPRING 1-11/16" X 14"
7	RF8143	1	ELBOW 1/8" X 1/8"
8	RAP8003	1	SWITCH PRESSURE
9	RAP10016	1 2 4 4	RETAINING PLATE KIT RETAINING PLATES HHCS 3/8-16 X 1" HEX NUT 3/8-16 LOCK DEF

**NOTE:** INDENTED ITEMS ARE INCLUDED WITH PRECEDING ITEM.

**AP36172 - STRAIGHT-ACTING JACK, 5 DEG PIVOT, F/A SPRINGS  
6,000 # CAPACITY; 1.625" ROD DIAMETER; 13.00" STROKE; BOLT-ON FOOT  
WITH MAGNETIC WARNING SWITCH AND PRESSURE SWITCH**



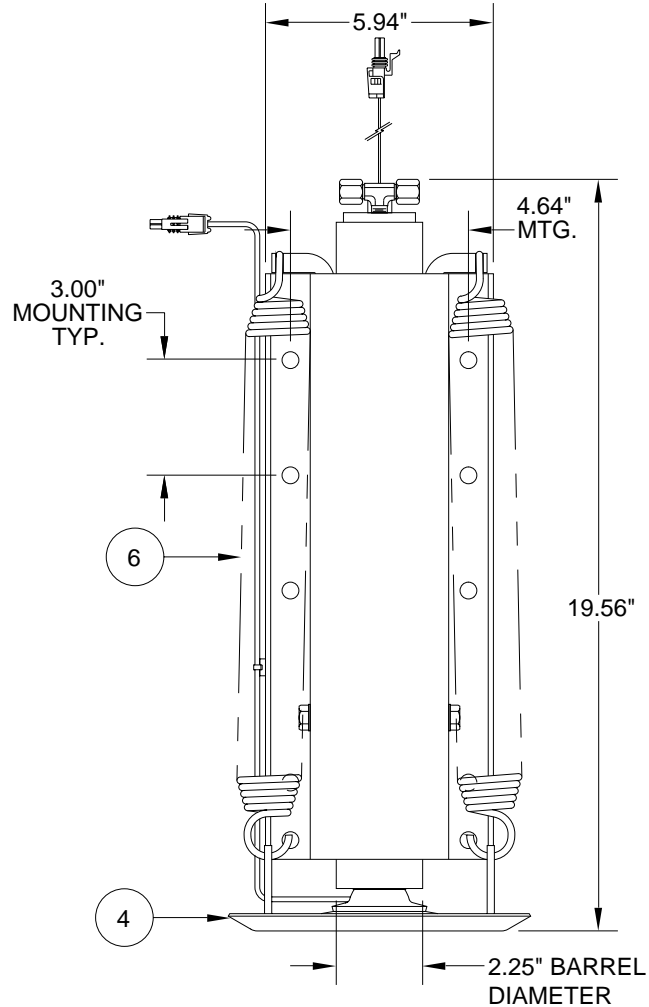
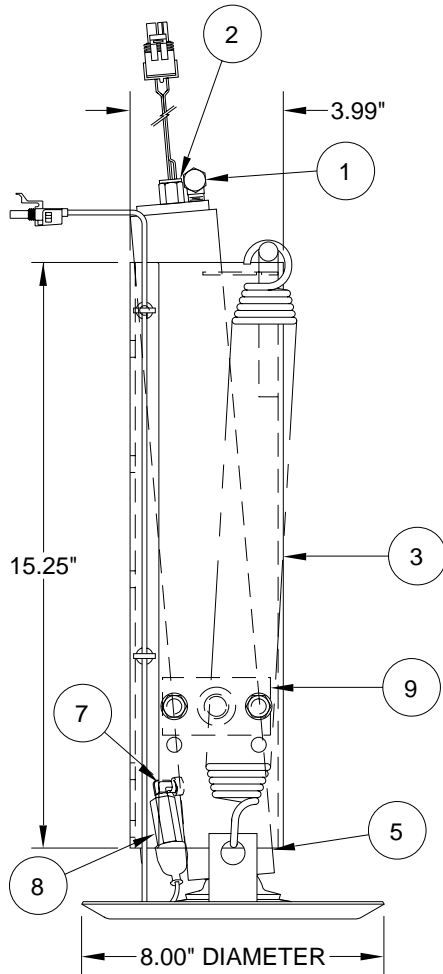
ITEM	PART	QTY	DESCRIPTION
1	RF90151	1	MALE TEE 1/8" X 1/4" X 1/4"
2	RAP90968	1	SWITCH WARNING MAGNETIC GRAY
3	RAP92420	1	PIVOT BRACKET
4	RAP92048	1	8.00" DIAMETER FOOT
5	RAP91856	1	CYL. ASSY. 1.625" X 13" (INCLUDES ITEM 1) (EXCLUDES ITEMS 2,7,8)

ITEM	PART	QTY	DESCRIPTION
6	R3847	1	SPRING KIT 1-11/16" X 14"
		2	SPRING 1-11/16" X 14"
7	RF8143	1	ELBOW 1/8" X 1/8"
8	RAP8003	1	SWITCH PRESSURE
9	RAP92250	1	RETAINING PLATE KIT
		2	RETAINING PLATES
		4	HHCS 3/8-16 X 0.5"
		4	3/8 LOCKWASHER

**NOTE:** INDENTED ITEMS ARE INCLUDED WITH PRECEDING ITEM.

**AP37148 - AP37149**  
**STRAIGHT-ACTING JACK, 5 DEGREE PIVOT, F/A SPRINGS, BOLT-ON FOOT**  
**6,000 # CAPACITY; 1.625" ROD DIAMETER; 13.00" STROKE**

JACK #	DESCRIPTION
AP37148	MAGNETIC WARNING SWITCH W/ GRAY CONNECTOR ONLY
AP37149	MAGNETIC WARNING SWITCH W/ GRAY CONNECTOR, PRESSURE SWITCH



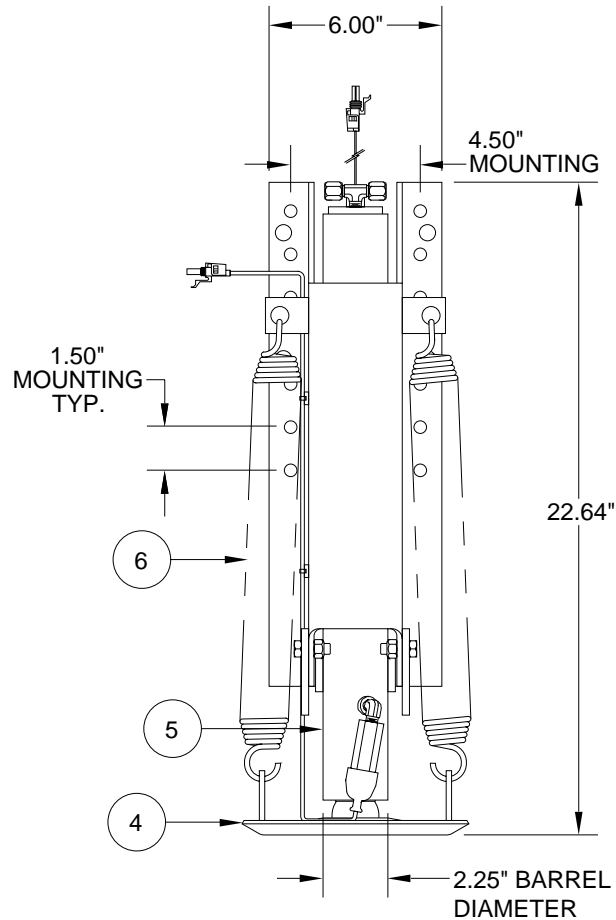
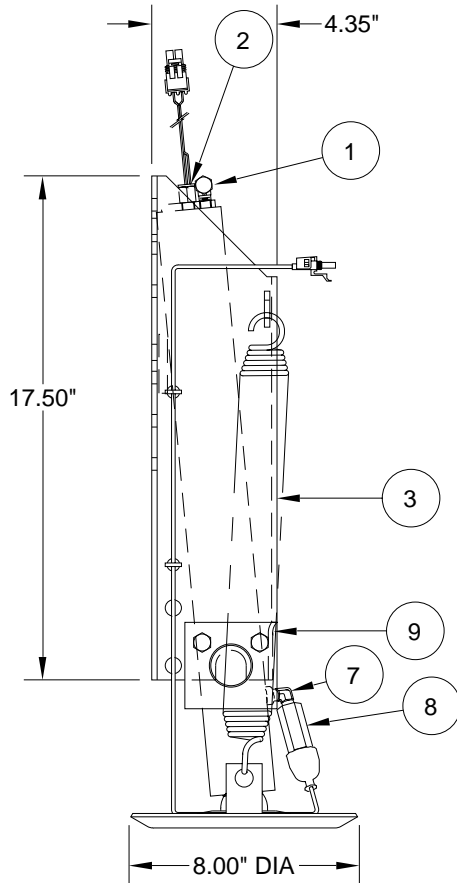
ITEM	PART	QTY	DESCRIPTION
1	RF90151	1	MALE TEE 1/8" X 1/4" X 1/4"
2	RAP90968	1	SWITCH WARNING MAGNETIC GRAY (AP37148, AP37149)
3	RAP92421	1	PIVOT BRACKET
4	RAP92048	1	8.00" DIAMETER FOOT
5	RAP91856	1	CYL. ASSY. 1.625" X 13" (INCLUDES ITEM 1) (EXCLUDES ITEMS 2,7,8)

ITEM	PART	QTY	DESCRIPTION
6	R3847	1 2	SPRING KIT 1-11/16" X 14" SPRING 1-11/16" X 14"
7	RF8143	1	ELBOW 1/8" X 1/8" (AP37149 ONLY)
8	RAP8003	1	SWITCH PRESSURE (AP37149 ONLY)
9	RAP92250	1 2 4 4	RETAINING PLATE KIT RETAINING PLATES HHCS 3/8-16 X 0.5" 3/8 LOCKWASHER

**NOTE:** INDENTED ITEMS ARE INCLUDED WITH PRECEDING ITEM.

**AP43453 - AP43454**  
**STRAIGHT-ACTING JACK, 6 DEGREE PIVOT, F/A SPRINGS, BOLT-ON FOOT**  
**6,000 # CAPACITY; 1.625" ROD DIAMETER; 16.00" STROKE**

JACK #	DESCRIPTION
AP43453	MAGNETIC WARNING SWITCH W/ GRAY CONNECTOR ONLY
AP43454	MAGNETIC WARNING SWITCH W/ GRAY CONNECTOR, PRESSURE SWITCH

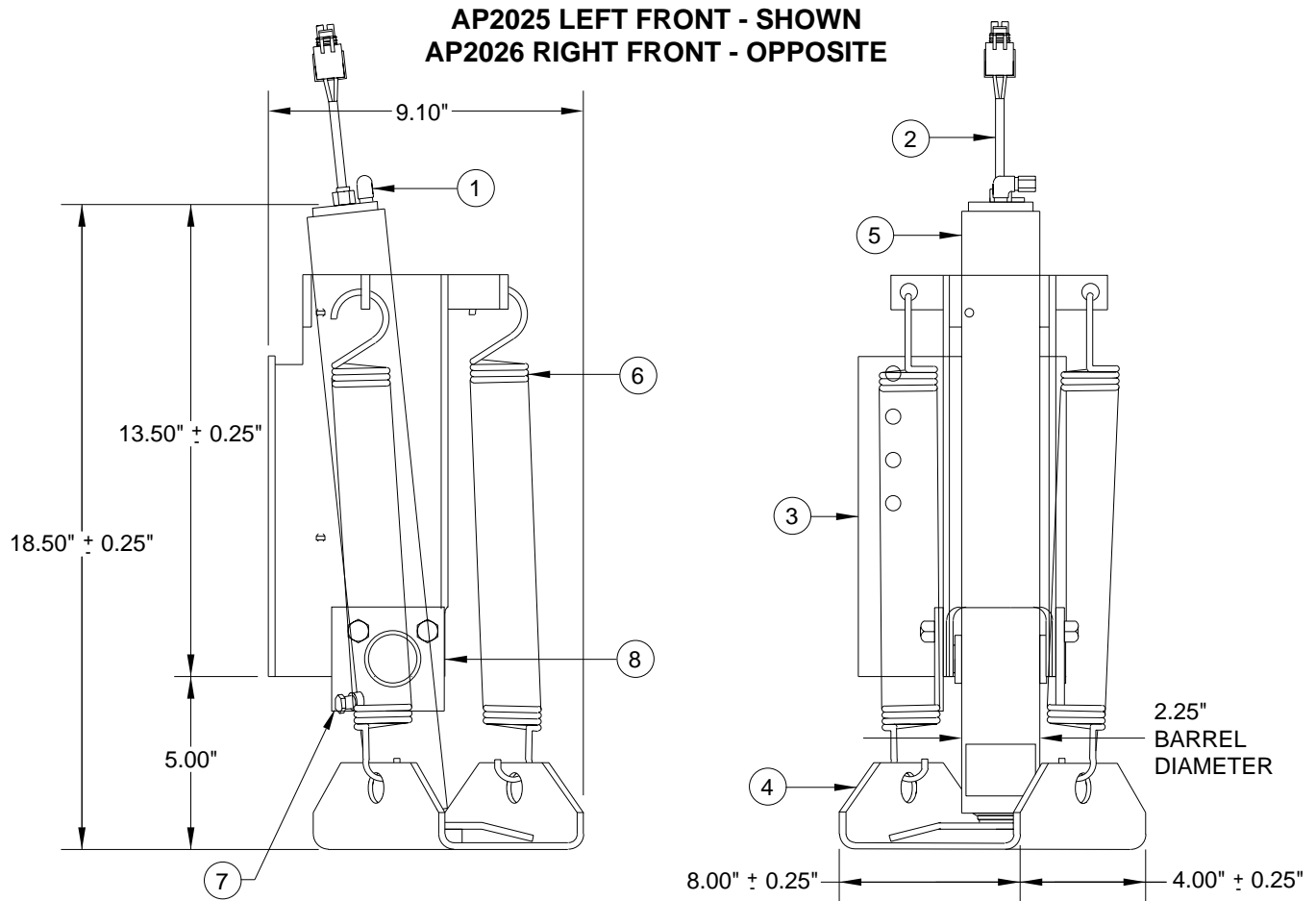


ITEM	PART	QTY	DESCRIPTION
1	RF90151	1	MALE TEE 1/8" X 1/4" X 1/4"
2	RAP90968	1	SWITCH WARNING MAGNETIC GRAY (AP43453, AP43454)
3	RAP1164	1	PIVOT BRACKET
4	RAP92048	1	8.00" DIAMETER FOOT
5	RAP92247	1	CYL. ASSY. 1.625" X 16" (INCLUDES ITEM 1) (EXCLUDES ITEMS 2,7,8)

ITEM	PART	QTY	DESCRIPTION
6	R3847	1 2	SPRING KIT 1-11/16" X 14" SPRING 1-11/16" X 14"
7	RF8143	1	ELBOW 1/8" X 1/8" (AP43454 ONLY)
8	RAP8003	1	SWITCH PRESSURE (AP43454 ONLY)
9	RAP10016	1 2 4 4	RETAINING PLATE KIT RETAINING PLATES HHCS 3/8-16 X 1" HEX NUT 3/8-16 LOCK DEF

**NOTE:** INDENTED ITEMS ARE INCLUDED WITH PRECEDING ITEM.

**AP2025 - STRAIGHT - ACTING JACK, 7 DEGREE PIVOT, LF**  
**AP2026- STRAIGHT - ACTING JACK, 7 DEGREE PIVOT, RF**  
**6,000 # CAPACITY; 1.625" ROD DIAMETER; 13.00" STROKE**



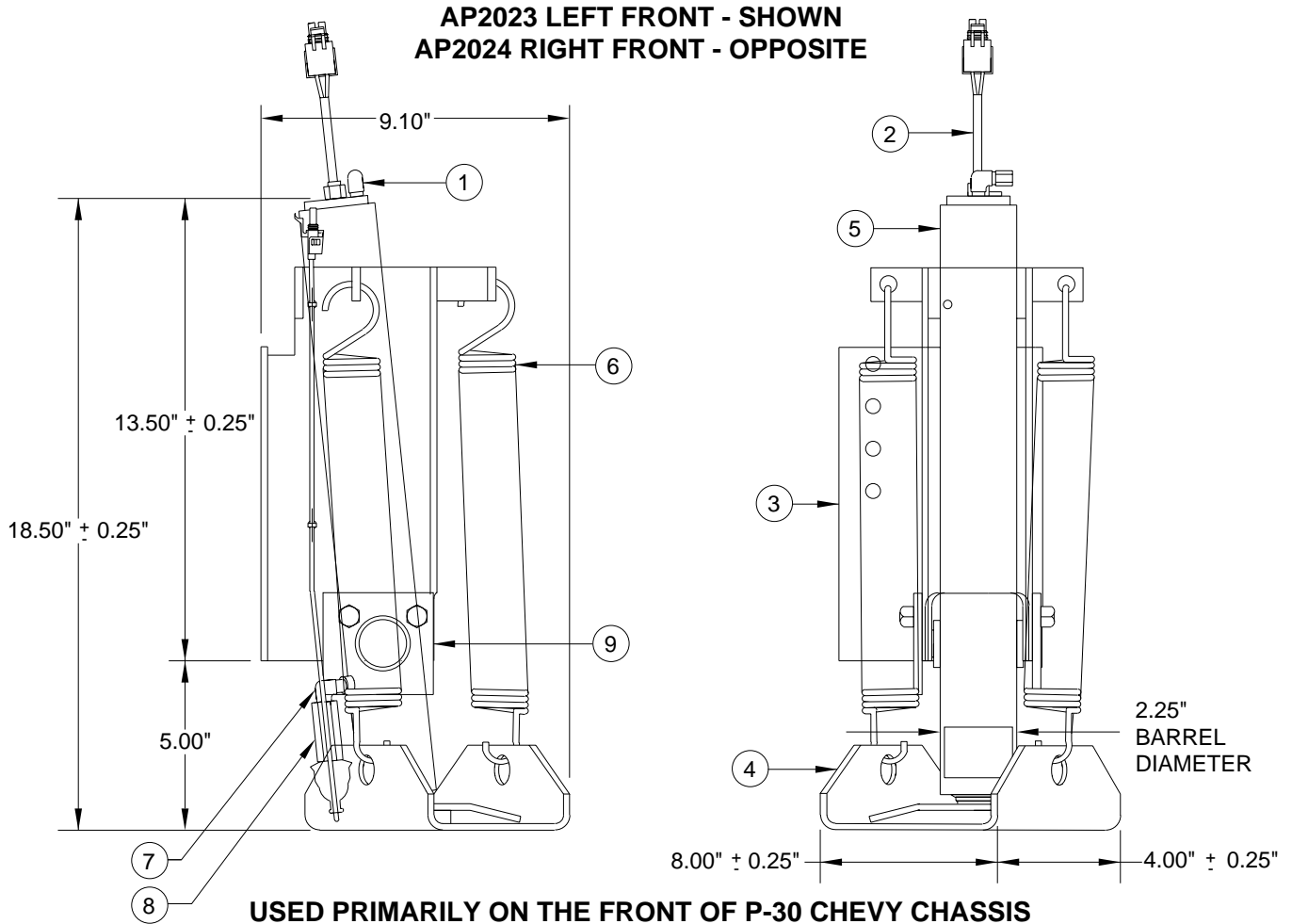
**USED PRIMARILY ON THE FRONT OF P-30 CHEVY CHASSIS**

ITEM	PART	QTY	DESCRIPTION	ITEM	PART	QTY	DESCRIPTION
1	RF1453	1	ELBOW 1/8" X 1/4"	4	RAP2004	1	FOOT P-30
2	RAP1008	1	SWITCH WARNING 2-WIRE	5	RAP0498	1	CYL. ASSY. 1.625" X 13" (INCLUDES ITEM 1) (EXCLUDES ITEM 2)
3	OBSOLETE OBSOLETE		PIVOT BRACKET LF PIVOT BRACKET RF	6	R3847	1 2	SPRING KIT 1-11/16" X 14" SPRING 1-11/16" X 14"
THE PIVOT BRACKETS SHOWN ABOVE ARE NO LONGER AVAILABLE. IF THE BRACKET MUST BE REPLACED USE THE FOLLOWING: RAP91369 2 JACK BRACKET, AND (2) RAP90500 RETAINING PLATE KITS. SEE MR26.3900 FOR VIEW OF BRACKET.				7	RF90272	1	HEX PLUG 1/8"
				8	RAP10016	1	RETAINING PLATE KIT
						2	RETAINING PLATES
						4	HHCS 3/8-16 X 1"
		4	HEX NUT 3/8-16 LOCK DEF				

**NOTE :** INDENTED ITEMS ARE INCLUDED WITH PRECEDING ITEM.



**AP2023 - STRAIGHT - ACTING JACK, 7 DEGREE PIVOT, LF**  
**AP2024 - STRAIGHT - ACTING JACK, 7 DEGREE PIVOT, RF**  
**6,000 # CAPACITY; 1.625" ROD DIAMETER; 13.00" STROKE**  
**WITH PRESSURE SWITCH, 2-WIRE WARNING SWITCH**



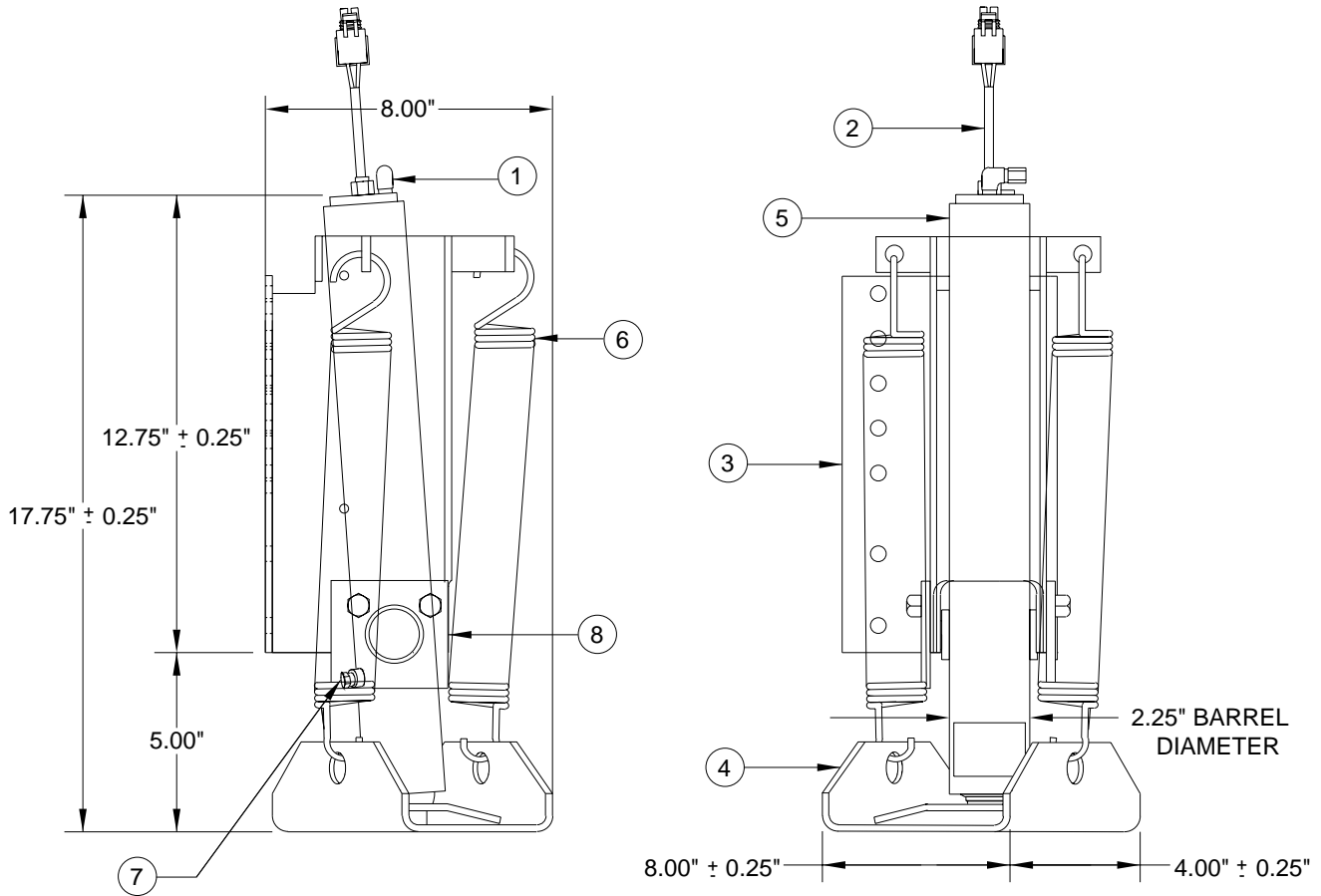
ITEM	PART	QTY	DESCRIPTION
1	RF1453	1	ELBOW 1/8" X 1/4"
2	RAP1008	1	SWITCH WARNING 2-WIRE
3	OBSOLETE OBSOLETE		PIVOT BRACKET LF PIVOT BRACKET RF
<p>THE PIVOT BRACKETS SHOWN ABOVE ARE NO LONGER AVAILABLE. IF THE BRACKET MUST BE REPLACED USE THE FOLLOWING: RAP91369 2 JACK BRACKET, AND (2) RAP90500 RETAINING PLATE KITS. SEE MR26.3900 FOR VIEW OF BRACKET.</p>			
4	RAP2004	1	FOOT P-30

ITEM	PART	QTY	DESCRIPTION
5	RAP0498	1	CYL. ASSY. 1.625" X 13" (INCLUDES ITEM 1) (EXCLUDES ITEMS 2,7,8)
6	R3847	1 2	SPRING KIT 1-11/16" X 14" SPRING 1-11/16" X 14"
7	RF8143	1	ELBOW 1/8" X 1/8"
8	RAP8003	1	SWITCH PRESSURE
9	RAP10016	1 2 4 4	RETAINING PLATE KIT RETAINING PLATES HHCS 3/8-16 X 1" HEX NUT 3/8-16 LOCK DEF

**NOTE :** INDENTED ITEMS ARE INCLUDED WITH PRECEDING ITEM.

**AP11311 - STRAIGHT - ACTING JACK, 7 DEGREE PIVOT, LF**  
**AP11312- STRAIGHT - ACTING JACK, 7 DEGREE PIVOT, RF**  
**6,000 # CAPACITY; 1.625" ROD DIAMETER; 13.00" STROKE**

**AP11311 LEFT FRONT - SHOWN**  
**AP11312 RIGHT FRONT - OPPOSITE**



**USED PRIMARILY ON THE FRONT OF P-30 CHEVY CHASSIS**

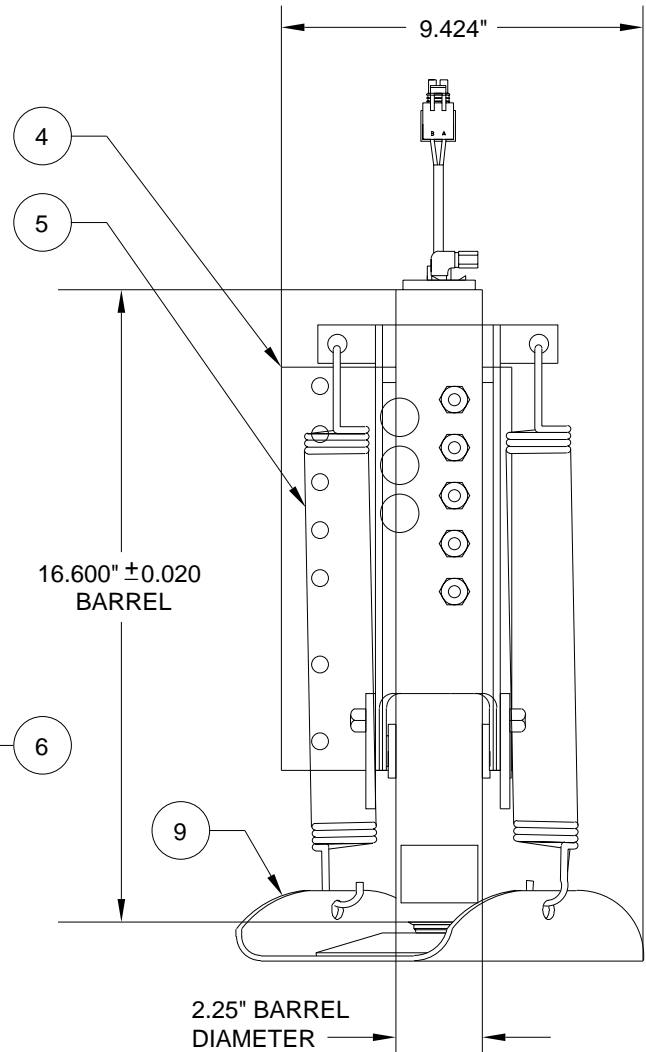
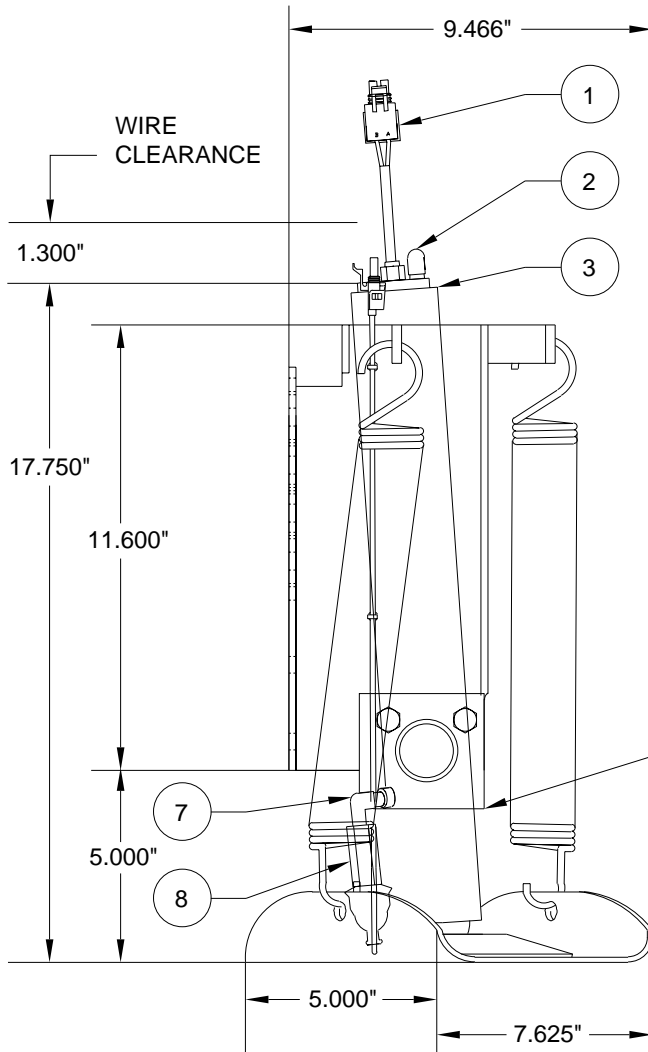
ITEM	PART	QTY	DESCRIPTION	ITEM	PART	QTY	DESCRIPTION
1	RF1453	1	ELBOW 1/8" X 1/4"	4	RAP2004	1	FOOT P-30
2	RAP1008	1	SWITCH WARNING 2-WIRE	5	RAP90252	1	CYL. ASSY. 1.625" X 13" (INCLUDES ITEM 1) (EXCLUDES ITEM 2)
3	OBSOLETE OBSOLETE		PIVOT BRACKET LF PIVOT BRACKET RF	6	R3847	1 2	SPRING KIT 1-11/16" X 14" SPRING 1-11/16" X 14"
<p>THE PIVOT BRACKETS SHOWN ABOVE ARE NO LONGER AVAILABLE. IF THE BRACKET MUST BE REPLACED USE THE FOLLOWING: RAP91369 2 JACK BRACKET, AND (2) RAP90500 RETAINING PLATE KITS. SEE MR26.3900 FOR VIEW OF BRACKET.</p>				7	RF90272	1	HEX PLUG 1/8"
				8	RAP10016	1 2 4 4	RETAINING PLATE KIT RETAINING PLATES HHCS 3/8-16 X 1" HEX NUT 3/8-16 LOCK DEF

**NOTE :** INDENTED ITEMS ARE INCLUDED WITH PRECEDING ITEM.

**MR26.3725**  
**11FEB13**

**AP14695 - STRAIGHT- ACTING JACK, 7 DEG PIVOT, LF**  
**AP14696 - STRAIGHT- ACTING JACK, 7 DEG PIVOT, RF**  
**6,000 # CAPACITY; 1.625" ROD DIAMETER; 13.00" STROKE**  
**WITH PRESSURE SWITCH AND 2-WIRE WARNING SWITCH**

**AP14695 LEFT FRONT - SHOWN**  
**AP14696 RIGHT FRONT - OPPOSITE**



ITEM	PART	QTY	DESCRIPTION
1	RAP1008	1	SWITCH WARNING 2-WIRE
2	RF1453	1	4-CTX-S MALE ELBOW
3	RAP90252	1	CYL. ASSY. 1.625" x 13"
4	OBSOLETE OBSOLETE		PIVOT BRACKET LF PIVOT BRACKET RF

ITEM	PART	QTY	DESCRIPTION
5	R3847	1 2	SPRING KIT 1-11/16" x 14" SPRING 1-11/16" x 14"
6	RAP10016	1 2 4 4	RETAINING PLATE KIT RETAINING PLATES HHCS 3/8 - 16 x 1" HEX NUT 3/8 - 16 LOCK
7	RF8143	1	CR-1/8-S ELBOW
8	RAP8003	1	SWITCH PRESSURE
9	RAP2004	1	FOOT 7.625" x 5.000"

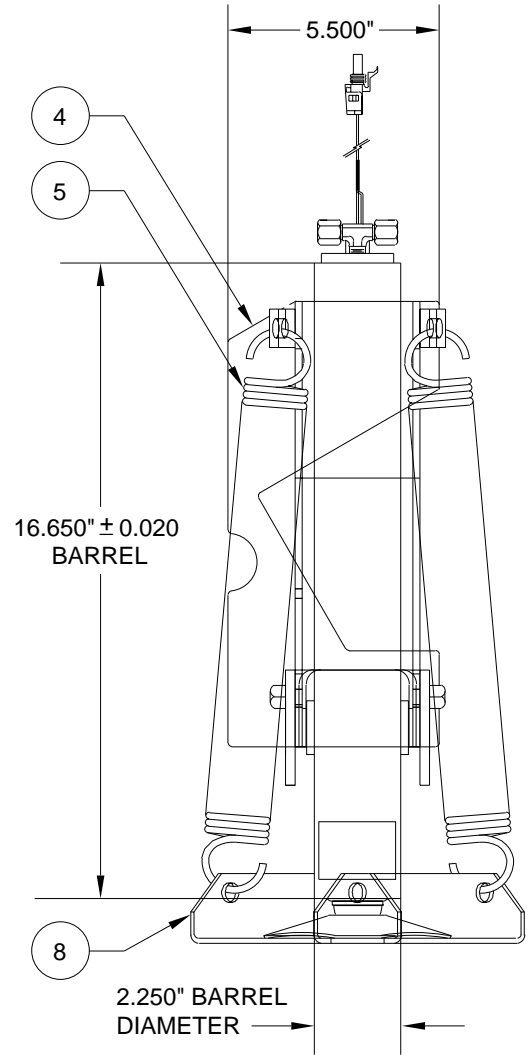
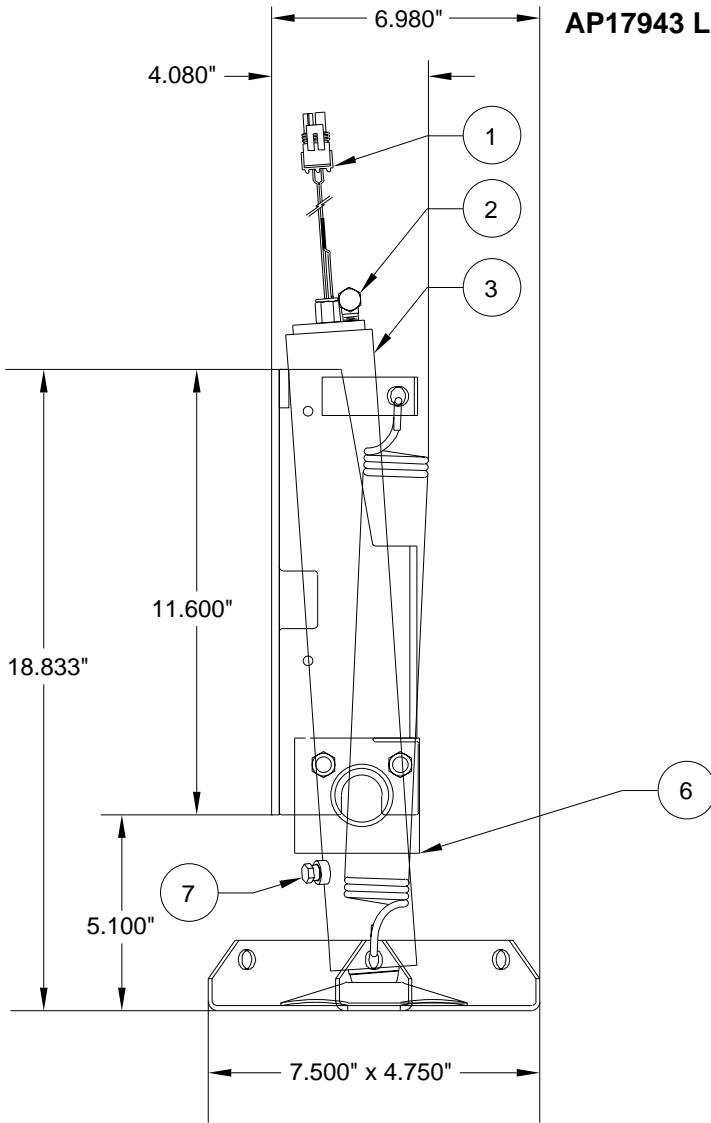
THE PIVOT BRACKETS SHOWN ABOVE ARE NO LONGER AVAILABLE. IF THE BRACKET MUST BE REPLACED USE THE FOLLOWING: RAP91369 2 JACK BRACKET, AND (2) RAP90500 RETAINING PLATE KITS. SEE MR26.3900 FOR VIEW OF BRACKET.

**NOTE:** INDENTED ITEMS ARE INCLUDED WITH PRECEDING ITEM.

**MR26.3726**  
**11FEB13**

**AP17942 - STRAIGHT- ACTING JACK, 7 DEG PIVOT, RF**  
**AP17943 - STRAIGHT- ACTING JACK, 7 DEG PIVOT, LF**  
**6,000 # CAPACITY; 1.625" ROD DIAMETER; 13.00" STROKE**

**AP17942 RIGHT FRONT - SHOWN**  
**AP17943 LEFT FRONT - OPPOSITE**



ITEM	PART	QTY	DESCRIPTION
	RAP90768		JACK 6,00# x 13" F/A (REPLACES AP17942)
	RAP90769		JACK 6,00# x 13" F/A (REPLACES AP17942)
1	RAP1008	1	SWITCH WARNING 2-WIRE
2	RF90151	1	4-STX-S MALE BRANCH TEE
3	RAP90252	1	CYL. ASSY. 1.625" x 13"
4	RAP90764	1	PIVOT BRKT - AP17944
	RAP90765	1	PIVOT BRKT - AP17945

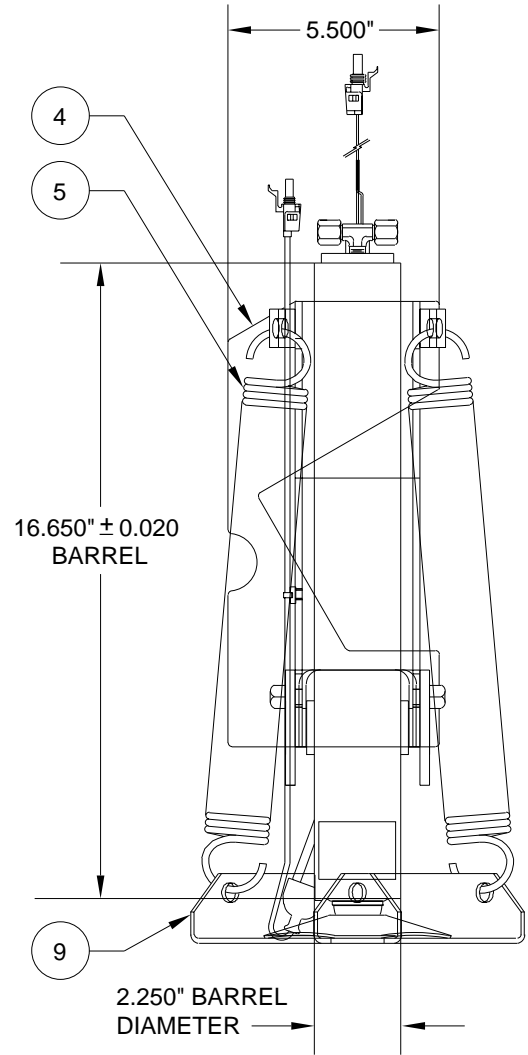
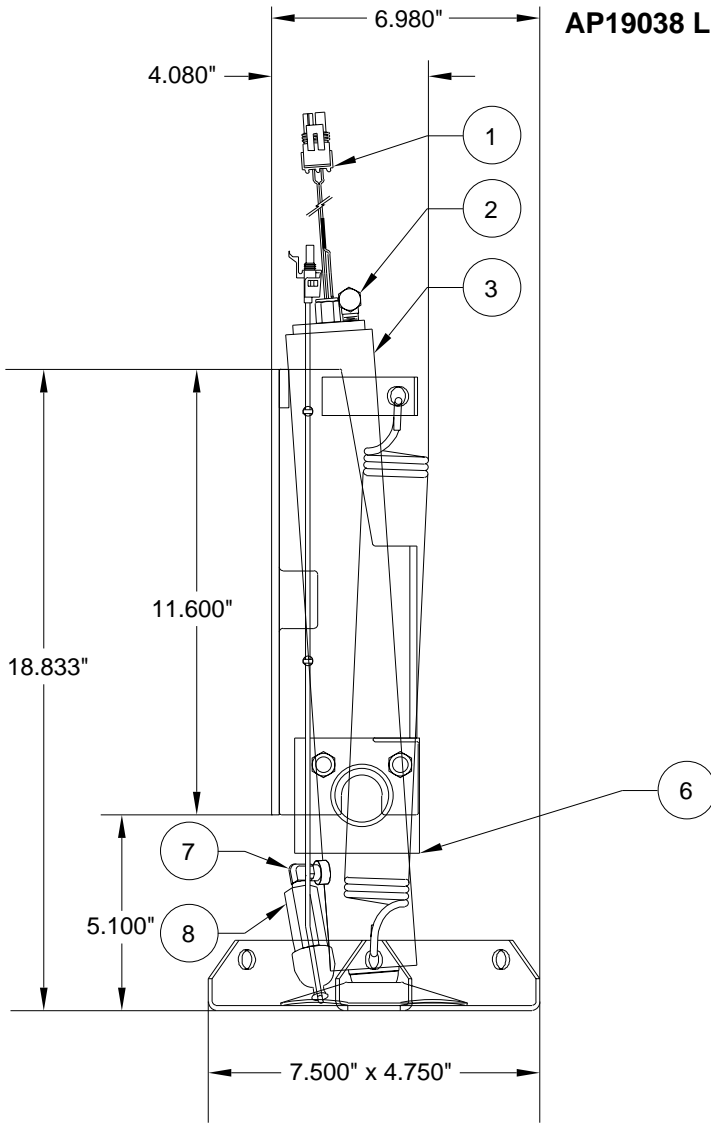
ITEM	PART	QTY	DESCRIPTION
5	R3847	1	SPRING KIT 1-11/16" x 14"
		2	SPRING 1-11/16" x 14"
6	RAP10016	1	RETAINING PLATE KIT
		2	RETAINING PLATES
		4	HHCS 3/8 - 16 x 1"
		4	HEX NUT 3/8 - 16 LOCK
7	RF90272	1	1/8- HP-S HEX PLUG
8	RAP90772	1	FOOT 7.500" x 4.750"

**NOTE:** INDENTED ITEMS ARE INCLUDED WITH PRECEDING ITEM.

**MR26.3727**  
**16AUG00**

**AP19037 - STRAIGHT- ACTING JACK, 7 DEG PIVOT, RF**  
**AP19038 - STRAIGHT- ACTING JACK, 7 DEG PIVOT, LF**  
**6,000 # CAPACITY; 1.625" ROD DIAMETER; 13.00" STROKE**  
**WITH PRESSURE SWITCH AND 2- WIRE WARNING SWITCH**

**AP19037 RIGHT FRONT - SHOWN**  
**AP19038 LEFT FRONT - OPPOSITE**

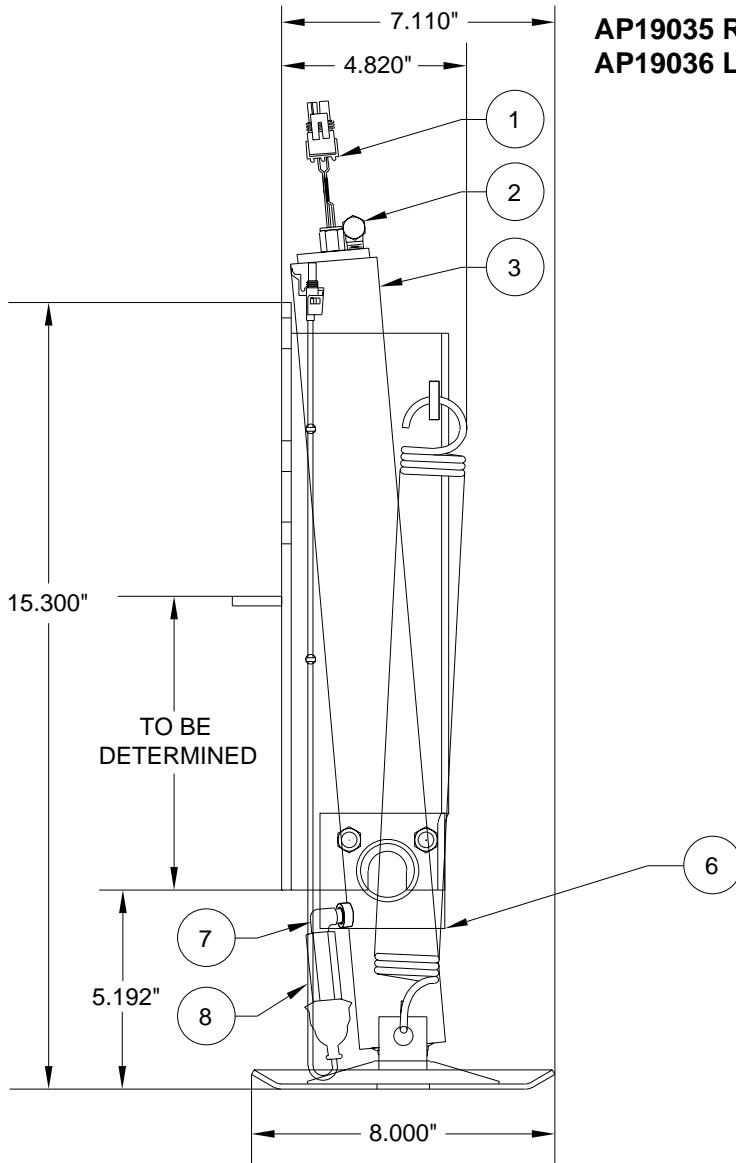


ITEM	PART	QTY	DESCRIPTION
	RAP90762		JACK 6,00# x 13" F/A (REPLACES AP19037)
	RAP90763		JACK 6,00# x 13" F/A (REPLACES AP19038)
1	RAP1008	1	SWITCH WARNING 2-WIRE
2	RF90151	1	4-STX-S MALE BRANCH TEE
3	RAP90252	1	CYL. ASSY. 1.625" x 13"
4	RAP90764	1	PIVOT BRKT - AP17944
	RAP90765	1	PIVOT BRKT - AP17945

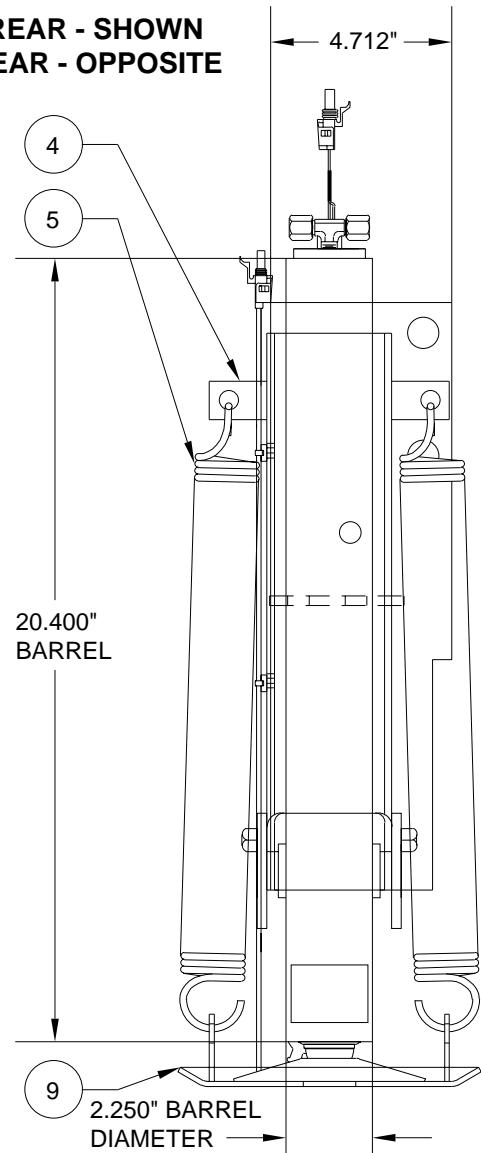
ITEM	PART	QTY	DESCRIPTION
5	R3847	1	SPRING KIT 1-11/16" x 14"
		2	SPRING 1-11/16" x 14"
6	RAP10016	1	RETAINING PLATE KIT
		2	RETAINING PLATES
		4	HHCS 3/8 - 16 x 1"
		4	HEX NUT 3/8 - 16 LOCK
7	RF8143	1	CR-1/8-S ELBOW
8	RAP8003	1	SWITCH PRESSURE
9	RAP90772	1	FOOT 7.500" x 4.750"

**NOTE:** INDENTED ITEMS ARE INCLUDED WITH PRECEDING ITEM.

**AP19035 - STRAIGHT- ACTING JACK, 7 DEG PIVOT, RR  
 AP19036 - STRAIGHT- ACTING JACK, 7 DEG PIVOT, LR  
 6,000 # CAPACITY; 1.625" ROD DIAMETER; 16.00" STROKE  
 WITH PRESSURE SWITCH AND 2-WIRE WARNING SWITCH**



**AP19035 RIGHT REAR - SHOWN  
 AP19036 LEFT REAR - OPPOSITE**

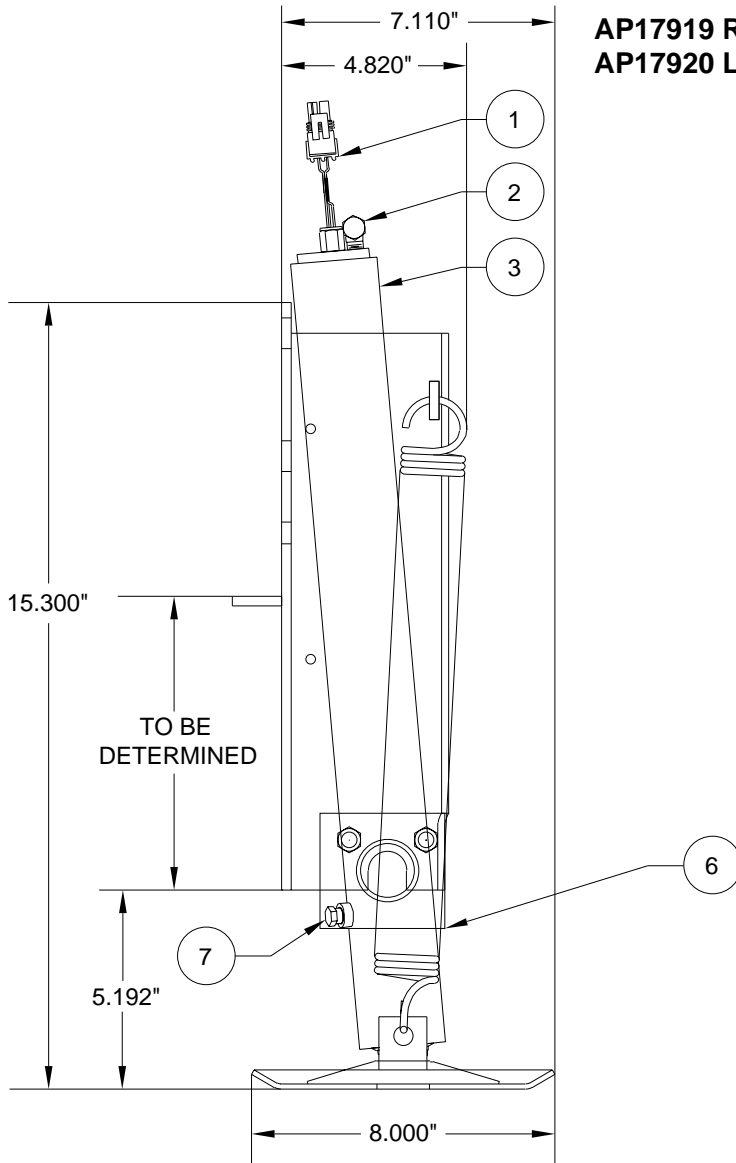


ITEM	PART	QTY	DESCRIPTION
	RAP90758		JACK 6,00# x 16" F/A (REPLACES AP19035)
	RAP90759		JACK 6,00# x 16" F/A (REPLACES AP19036)
1	RAP1008	1	SWITCH WARNING 2-WIRE
2	RF90151	1	4-STX-S MALE BRANCH TEE
3	RAP90273	1	CYL. ASSY. 1.625" x 16"
4	RAP90760	1	PIVOT BRKT - AP17921
	RAP90761	1	PIVOT BRKT - AP17922

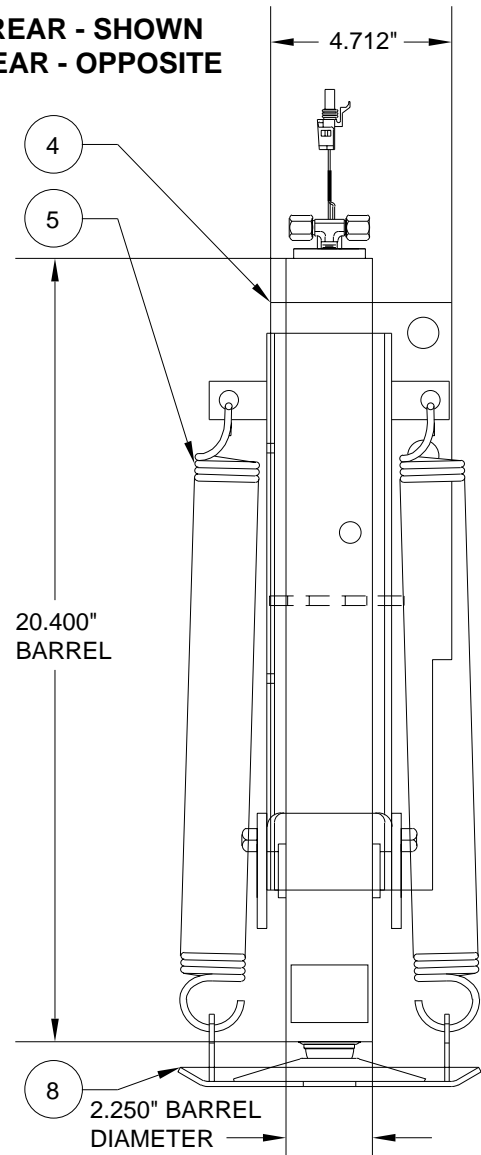
ITEM	PART	QTY	DESCRIPTION
5	R3847	1	SPRING KIT 1-11/16" x 14"
		2	SPRING 1-11/16" x 14"
6	RAP10016	1	RETAINING PLATE KIT
		2	RETAINING PLATES
		4	HHCS 3/8 - 16 x 1"
		4	HEX NUT 3/8 - 16 LOCK
7	RF8143	1	CR-1/8-2 ELBOW
8	RAP8003	1	SWITCH PRESSURE
9	RAP8126	1	FOOT 8.000" DIAMETER

**NOTE:** INDENTED ITEMS ARE INCLUDED WITH PRECEDING ITEM.

**AP17919 - STRAIGHT- ACTING JACK, 7 DEG PIVOT, RR**  
**AP17920 - STRAIGHT- ACTING JACK, 7 DEG PIVOT, LR**  
**6,000 # CAPACITY; 1.625" ROD DIAMETER; 16.00" STROKE**



**AP17919 RIGHT REAR - SHOWN**  
**AP17920 LEFT REAR - OPPOSITE**

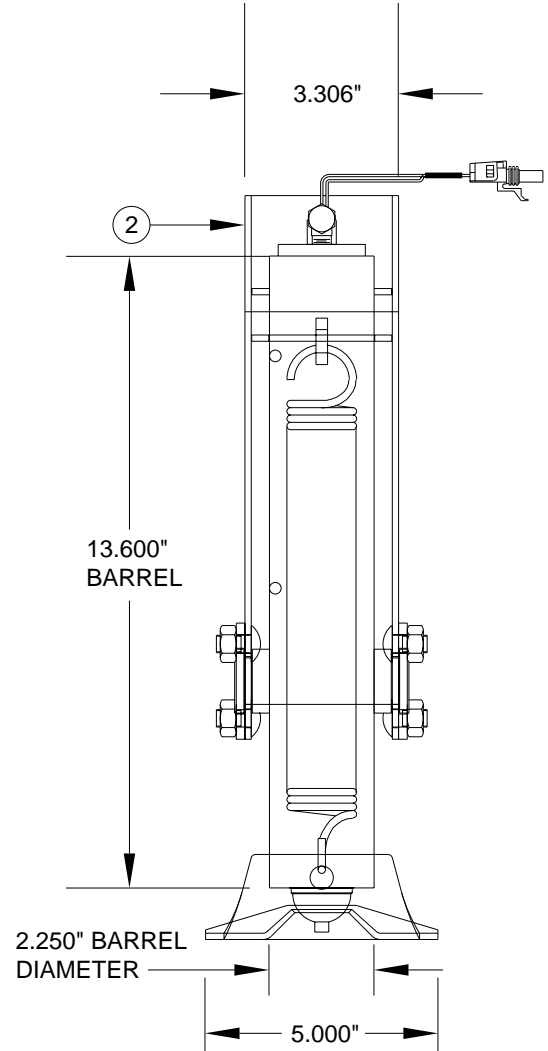
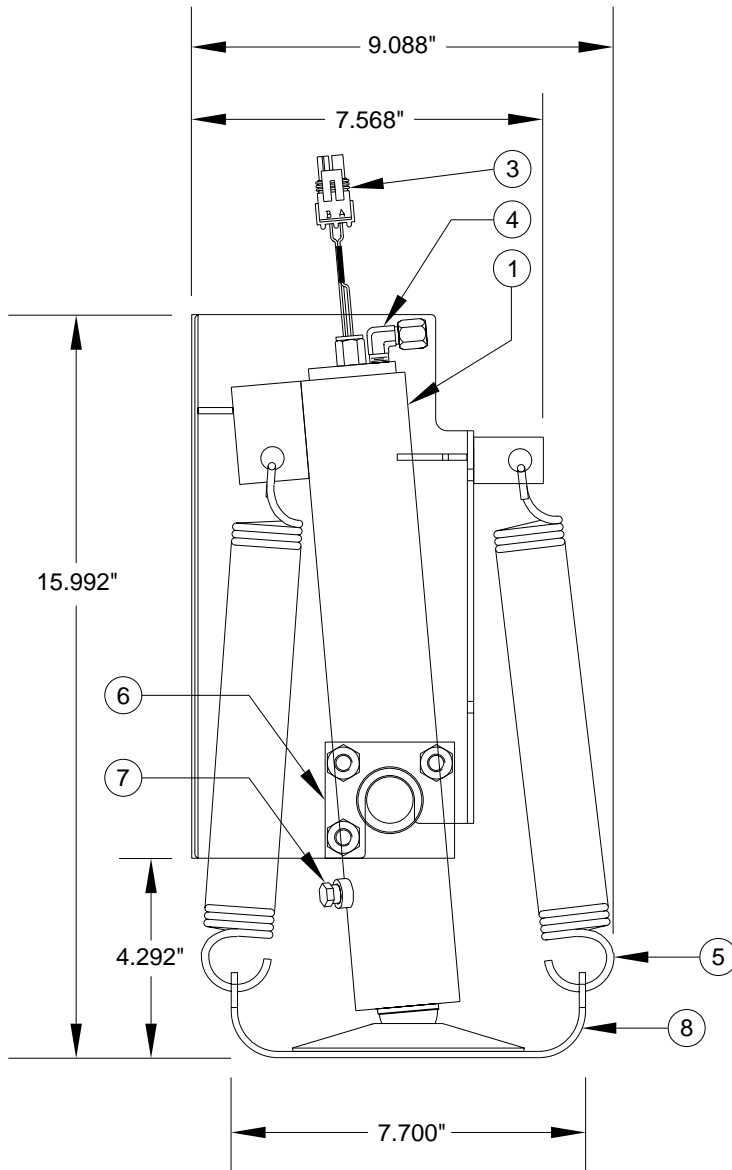


ITEM	PART	QTY	DESCRIPTION
	RAP90766		JACK 6,00# x 16" F/A (REPLACES AP17919)
	RAP90767		JACK 6,00# x 16" F/A (REPLACES AP17920)
1	RAP1008	1	SWITCH WARNING 2-WIRE
2	RF90151	1	4-STX-S MALE BRANCH TEE
3	RAP90273	1	CYL. ASSY. 1.625" x 16"
4	RAP90760	1	PIVOT BRKT - AP17921
	RAP90761	1	PIVOT BRKT - AP17922

ITEM	PART	QTY	DESCRIPTION
5	R3847	1	SPRING KIT 1-11/16" x 14"
		2	SPRING 1-11/16" x 14"
6	RAP10016	1	RETAINING PLATE KIT
		2	RETAINING PLATES
		4	HHCS 3/8 - 16 x 1"
		4	HEX NUT 3/8 - 16 LOCK
7	RF90272	1	1/8-HP-S HEX PLUG
8	RAP8126	1	FOOT 8.000" DIAMETER

**NOTE:** INDENTED ITEMS ARE INCLUDED WITH PRECEDING ITEM.

**AP22317 - STRAIGHT- ACTING JACK, 5 DEG PIVOT**  
**6000# CAPACITY; 1.625" ROD DIAMETER; 10.00" STROKE**



ITEM	PART	QTY	DESCRIPTION
	RAP90853		JACK 6000# x 10" S/S (REPLACES AP22317)
1	RAP90849	1	CYL. ASSY. 1.625" x 10" (INCLUDES ITEM 4,7) (EXCLUDES ITEM 3)
2	RAP90846	1	PIVOT BRACKET
3	RAP1008	1	SWITCH WARN. 2-WIRE
4	RF1453	1	MALE ELBOW 1/4" x 1/4"

ITEM	PART	QTY	DESCRIPTION
5	R6824	1	SPRING KIT 1.5" x 10"
		2	SPRING 1.5" x 10"
6	RAP90848	1	RETAINING PLATE KIT
		2	RETAINING PLATES
		6	HHCS 3/8"-16 x 0.75"
		6	HEX NUT 3/8" -16 LOCK
7	RF90272	1	1/8" HP-S HEX PLUG
8	RAP2004	1	FOOT 8.000" x 4.000"

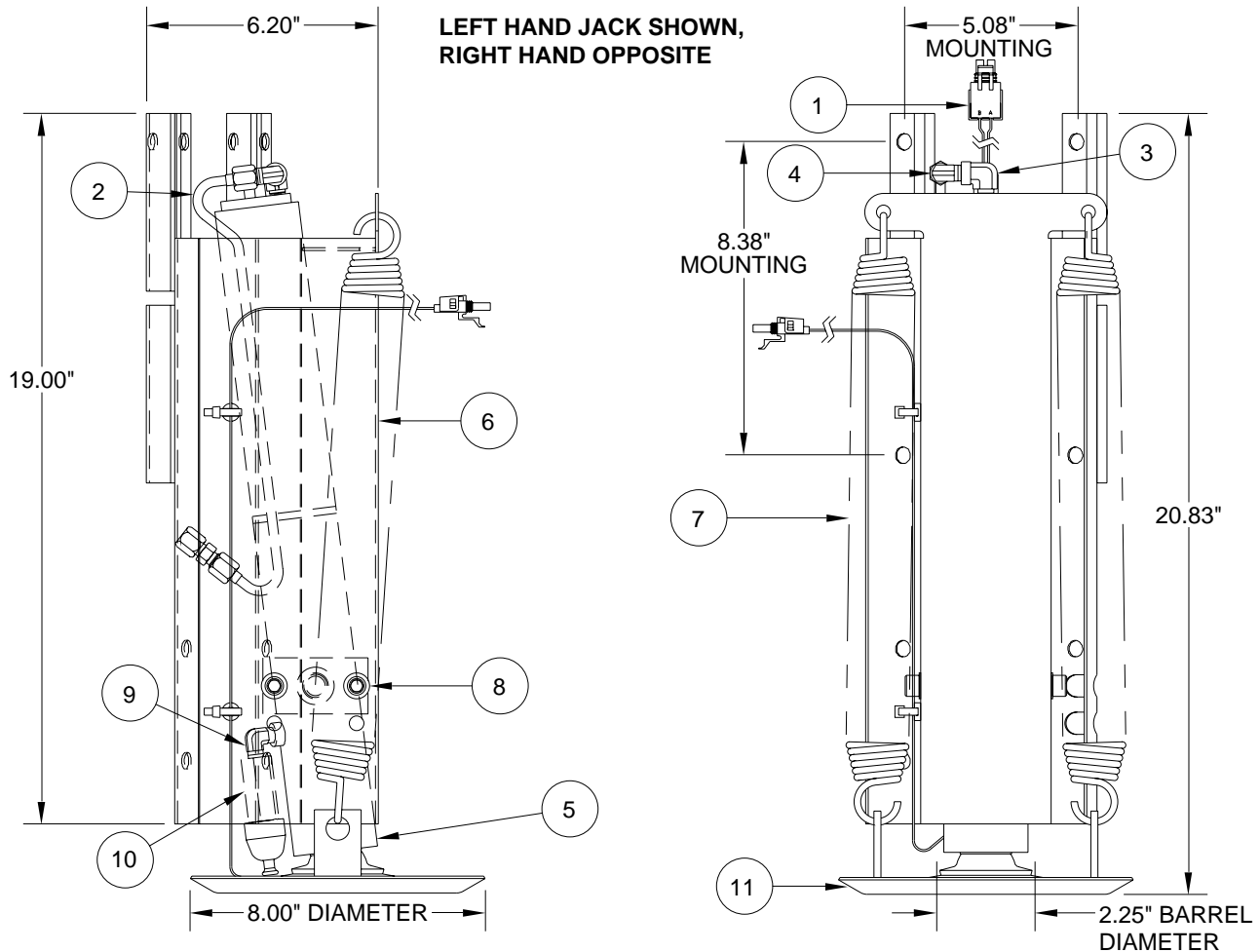
**NOTE:** INDENTED ITEMS ARE INCLUDED WITH PRECEDING ITEM.

**MR26.3820**  
**10MAY01**



**AP37056 - AP37057 - AP37065 - AP37066**  
**STRAIGHT-ACTING JACK, 7 DEGREE PIVOT, F/A SPRINGS, BOLT-ON FOOT**  
**6,000 # CAPACITY; 1.625" ROD DIAMETER; 13.00" STROKE**

JACK #	DESCRIPTION
AP37056	MAGNETIC WARNING SWITCH W/ GRAY CONNECTOR, PRESSURE SWITCH, LEFT HAND
AP37057	MAGNETIC WARNING SWITCH W/ GRAY CONNECTOR, PRESSURE SWITCH, RIGHT HAND
AP37065	MAGNETIC WARNING SWITCH W/ GRAY CONNECTOR ONLY, LEFT HAND
AP37066	MAGNETIC WARNING SWITCH W/ GRAY CONNECTOR ONLY, RIGHT HAND



**USED PRIMARILY ON THE REAR OF 2007 AND EARLIER DODGE SPRINTER 3500 CHASSIS WITH THE 5 CYLINDER DIESEL ENGINE.**

ITEM	PART	QTY	DESCRIPTION	ITEM	PART	QTY	DESCRIPTION
1	RAP90968	1	SWITCH WARNING MAGNETIC GRAY	7	R3847	1	SPRING KIT 1-11/16" X 14"
2	RAP92422	1	HYDRAULIC TUBE	2		2	SPRING 1-11/16" X 14"
3	RF90796	1	STREET ELBOW 1/8"	8	RAP92250	1	RETAINING PLATE KIT
4	RF1453	1	ELBOW 1/8" X 1/4"	2		2	RETAINING PLATES
5	RAP91856	1	CYL. ASSY. 1.625" X 13" (DOES NOT INCLUDE ITEMS 1,2,3,4,9,10)	4		4	HHCS 3/8-16 X 0.5"
6	<b>OBSOLETE</b>		PIVOT BRACKET - CONTACT HWH CORPORATION FOR REPLACEMENT INFORMATION	4		4	3/8 LOCKWASHER
				9	RF8143	1	ELBOW 1/8" X 1/8" (AP37056, AP37057)
				10	RAP8003	1	SWITCH PRESSURE (AP37056, AP37057)
				11	RAP92048	1	FOOT 8.00" DIAMETER

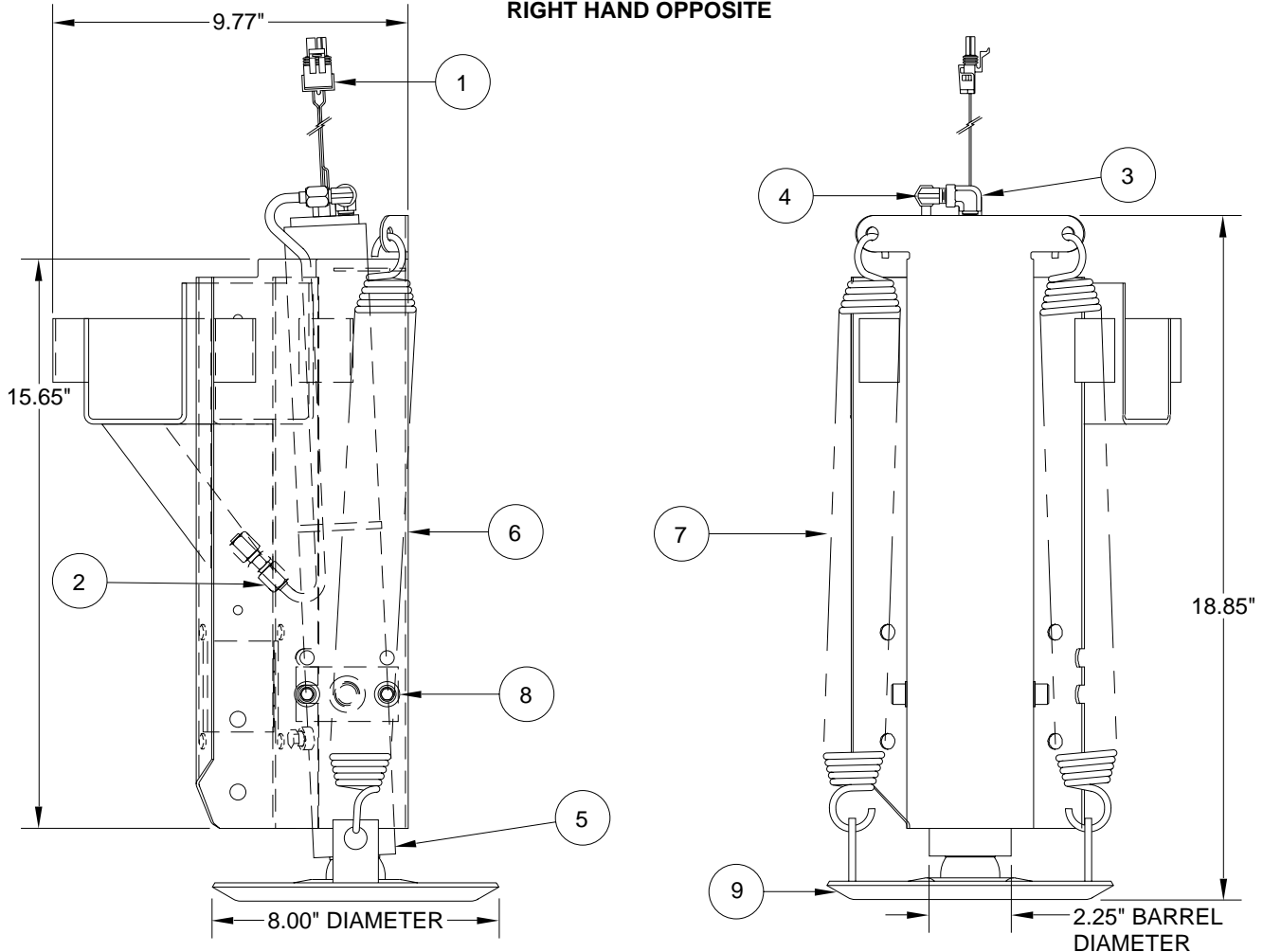
**NOTE:** INDENTED ITEMS ARE INCLUDED WITH PRECEDING ITEM.

**MR26.3830**  
**05MAR09**

**AP41998 - AP41999**  
**STRAIGHT-ACTING JACK, 3 DEGREE PIVOT, F/A SPRINGS, BOLT-ON FOOT**  
**6,000 # CAPACITY; 1.625" ROD DIAMETER; 13.00" STROKE**

JACK #	DESCRIPTION
AP41998	MAGNETIC WARNING SWITCH W/ GRAY CONNECTOR ONLY, RIGHT HAND
AP41999	MAGNETIC WARNING SWITCH W/ GRAY CONNECTOR ONLY, LEFT HAND

LEFT HAND JACK SHOWN,  
RIGHT HAND OPPOSITE



USED PRIMARILY ON THE REAR OF 2008 AND LATER DODGE SPRINTER 3500 CHASSIS WITH THE V6 ENGINE.

ITEM	PART	QTY	DESCRIPTION	ITEM	PART	QTY	DESCRIPTION
1	RAP90968	1	SWITCH WARNING MAGNETIC GRAY	6	RAP92423 RAP92424	1 1	PIVOT BRACKET - RH PIVOT BRACKET - LH
2	RAP92422	1	HYDRAULIC TUBE	7	R3847	1 2	SPRING KIT 1-11/16" X 14" SPRING 1-11/16" X 14"
3	RF90796	1	STREET ELBOW 1/8"	8	RAP92250	1 2 4 4	RETAINING PLATE KIT RETAINING PLATES HHCS 3/8-16 X 0.5" 3/8 LOCKWASHER
4	RF1453	1	ELBOW 1/8" X 1/4"	9	RAP92048	1	FOOT 8.00" DIAMETER
5	RAP91856	1	CYL. ASSY. 1.625" X 13" (DOES NOT INCLUDE ITEMS 1,2,3,4)				

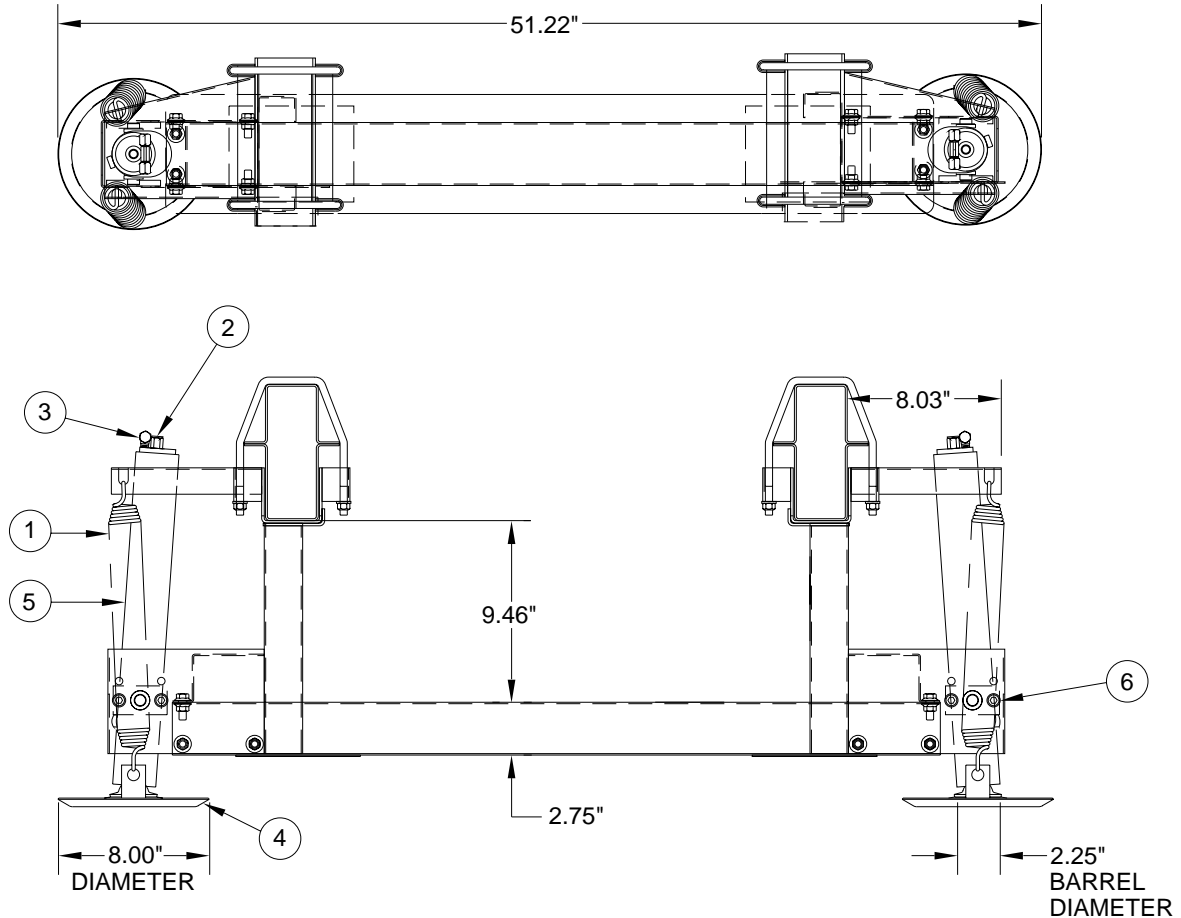
NOTE: INDENTED ITEMS ARE INCLUDED WITH PRECEDING ITEM.

**MR26.3831**  
**05MAR09**

# AP40817 REAR JACK KIT

## STRAIGHT-ACTING JACK, 4 DEGREE PIVOT, F/A SPRINGS, BOLT-ON FOOT 6,000 # CAPACITY; 1.625" ROD DIAMETER; 13.00" STROKE

REPLACEMENT OF ENTIRE ASSEMBLY IS NOT NECESSARY. REFER TO INDIVIDUAL ITEMS BELOW FOR REPLACEMENT PARTS.



USED PRIMARILY ON THE REAR OF 2008 AND LATER DODGE SPRINTER 3500 CHASSIS WITH V6 ENGINE.

ITEM	PART	QTY	DESCRIPTION	ITEM	PART	QTY	DESCRIPTION
1	R3847	1	SPRING KIT 1-11/16" X 14"	5	RAP91856	1	CYL. ASSY. 1.625" X 13" (INCLUDES ITEM 3) (EXCLUDES ITEM 1)
		2	SPRING 1-11/16" X 14"				
2	RAP90968	1	SWITCH WARNING MAGNETIC GRAY	6	RAP92250	1	RETAINING PLATE KIT
						2	RETAINING PLATES
3	RF90151	1	MALE TEE 1/8" X 1/4" X 1/4"			4	HHCS 3/8-16 X 0.5"
						4	3/8 LOCKWASHER
4	RAP92048	1	8.00" DIAMETER FOOT				

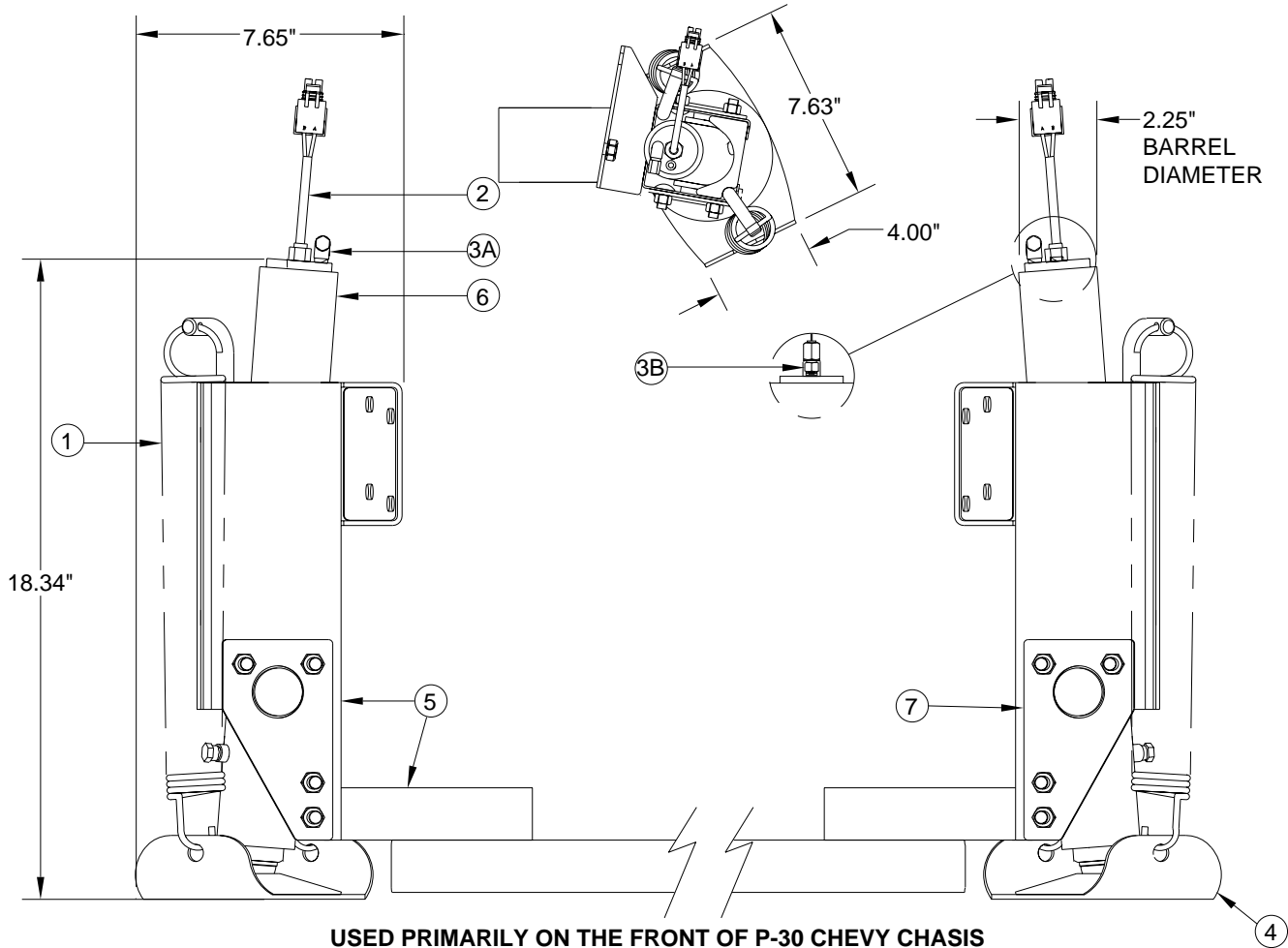
NOTE : INDENTED ITEMS ARE INCLUDED WITH PRECEDING ITEM.

**MR26.3875**  
**05MAR09**

**AP14916 - AP18817**  
**STRAIGHT-ACTING JACK, 6 DEGREE PIVOT, F/A SPRINGS**  
**6,000 # CAPACITY; 1.625" ROD DIAMETER; 13.00" STROKE**

JACK #	DESCRIPTION
AP14916	MAGNETIC WARNING SWITCH W/ BLACK CONNECTOR ONLY
AP18817	MAGNETIC WARNING SW. W/ BLACK CONNECTOR ONLY ,HAS STRAIGHT FITTING ON RH CYL.

REPLACEMENT OF ENTIRE ASSEMBLY IS NOT NECESSARY. REFER TO INDIVIDUAL ITEMS BELOW FOR REPLACEMENT PARTS.



ITEM	PART	QTY	DESCRIPTION	ITEM	PART	QTY	DESCRIPTION
1	R3847	1	SPRING KIT 1-11/16" X 14"	4	RAP2004	1	7.625" X 4.00" FOOT
		2	SPRING 1-11/16" X 14"				
2	RAP1008	1	SWITCH WARNING MAGNETIC	5	RAP91369	1	2 JACK PIVOT BRACKET
3A	RF90151	1	MALE TEE 1/8" X 1/4" X 1/4"	6	RAP90490	1	CYL. ASSY. 1.625" X 13" (INCLUDES ITEM 3A) (EXCLUDES ITEM 2,3B,7,8)
3B	RF1456	1	MALE CONNECTOR 1/8" X 1/4" (AP18817 ONLY)	7	RAP90500	1	RETAINING PLATE KIT
						2	RETAINING PLATES
						8	HHCS 3/8-16 X 1"
						8	HEX NUT 3/8-16 LOCK DEF.

**NOTE:** INDENTED ITEMS ARE INCLUDED WITH PRECEDING ITEM.

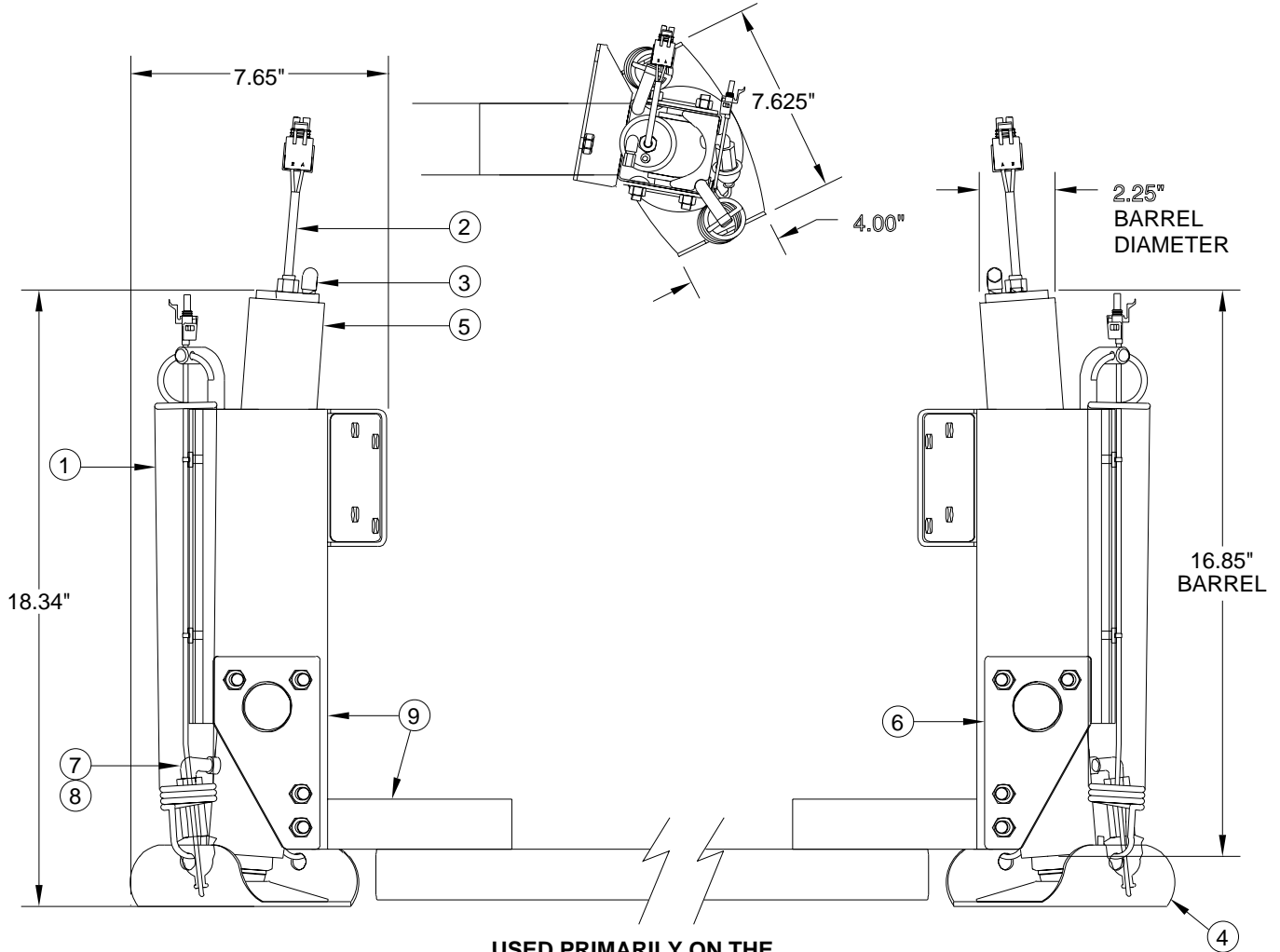
**MR26.3900**  
**30SEP10**

# AP14917 - STRAIGHT-ACTING JACK, 7 DEGREE PIVOT

## 6,000 # CAPACITY; 1.625" ROD DIAMETER; 13.00" STROKE

### WITH PRESSURE SWITCH

REPLACEMENT OF ENTIRE ASSEMBLY IS NOT NECESSARY. REFER TO INDIVIDUAL ITEMS BELOW FOR REPLACEMENT PARTS.



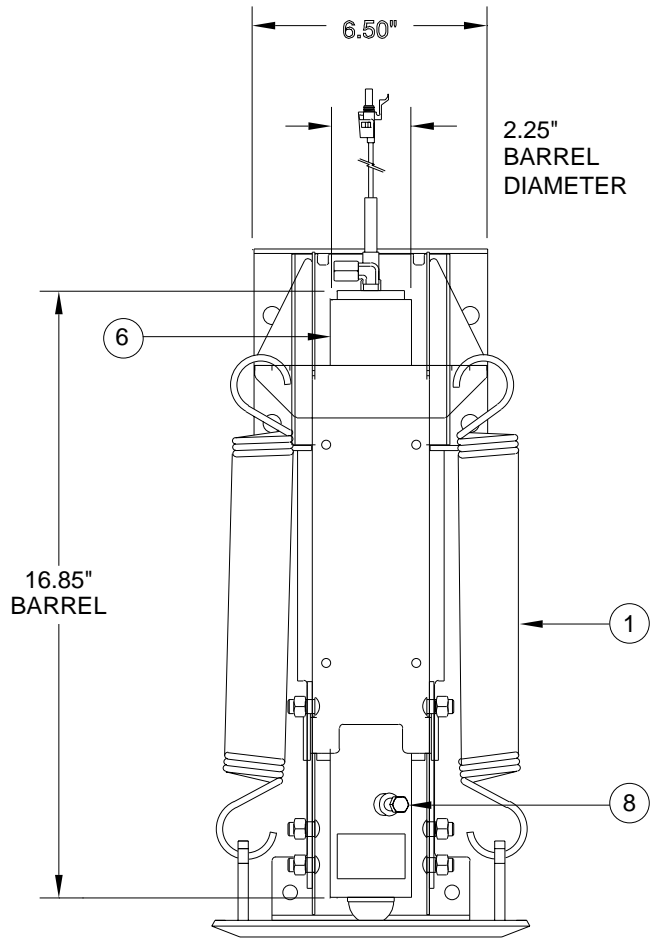
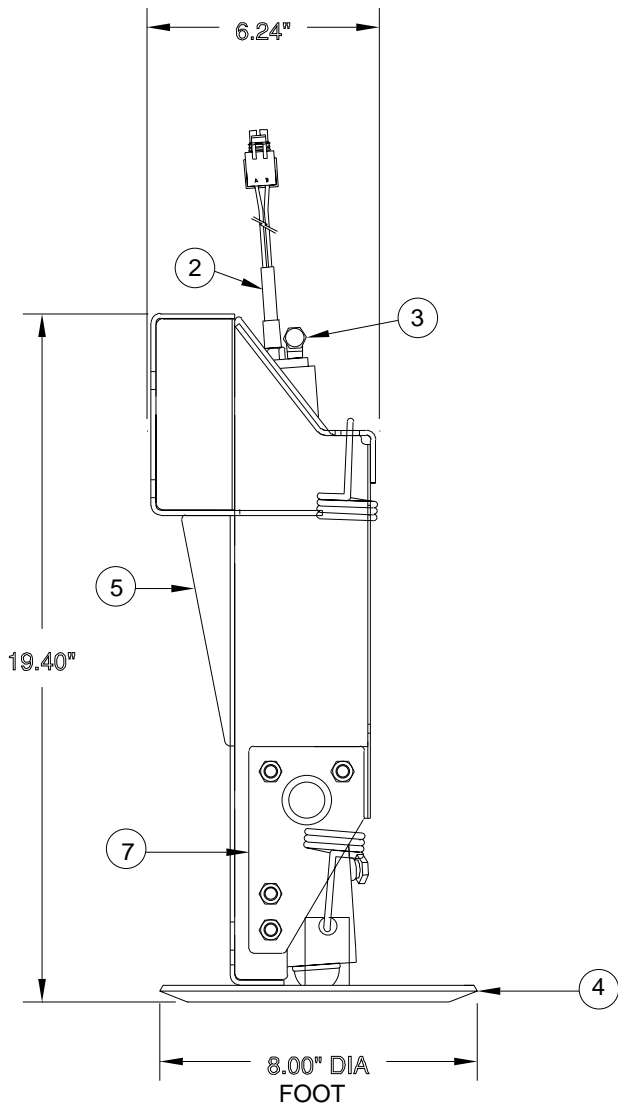
**USED PRIMARILY ON THE  
FRONT OF P-30 CHEVY CHASSIS**

ITEM	PART	QTY	DESCRIPTION	ITEM	PART	QTY	DESCRIPTION
1	R3847	1	SPRING KIT 1-11/16" X 14"	6	RAP90500	1	RETAINING PLATE KIT
		2	SPRING 1-11/16" X 14"			2	RETAINING PLATES
2	RAP1008	1	SWITCH WARNING 2-WIRE (REPLACES AP1008)			8	HHCS 3/8-16 X 1"
3	RF1453	1	ELBOW 1/8" X 1/4"			8	HEX NUT 3/8-16 LOCK DEF.
4	RAP2004	1	7.625" X 4.00" FOOT	7	RF8143	1	ELBOW 1/8" X 1/8"
5	RAP90490	1	CYL. ASSY. 1.625" X 13" (INCLUDES ITEM 3) (EXCLUDES ITEM 2)	8	RAP8003	1	SWITCH PRESSURE
				9	RAP91369	1	2 JACK PIVOT BRACKET

**NOTE:** INDENTED ITEMS ARE INCLUDED WITH PRECEDING ITEM.

**MR26.3901  
22SEP09**

**AP16076 - STRAIGHT-ACTING JACK, 7 DEGREE PIVOT  
6,000 # CAPACITY; 1.625" ROD DIAMETER; 13.00" STROKE**



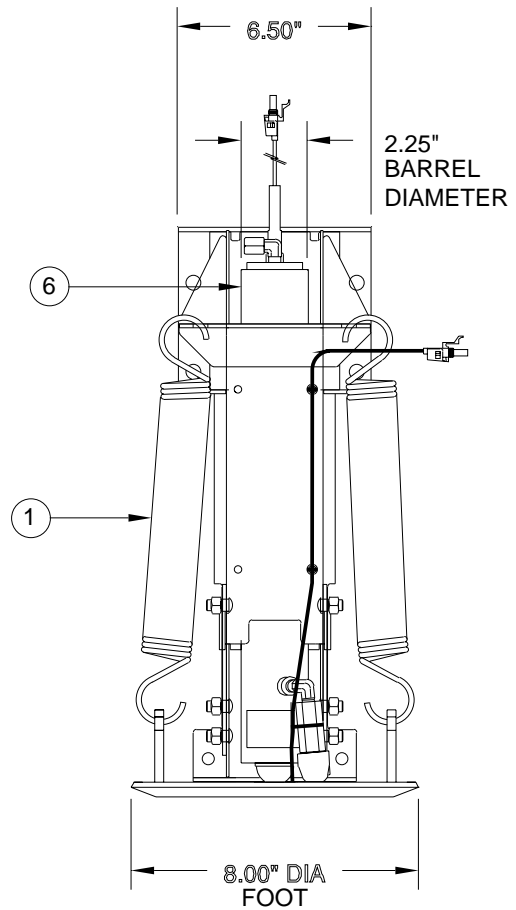
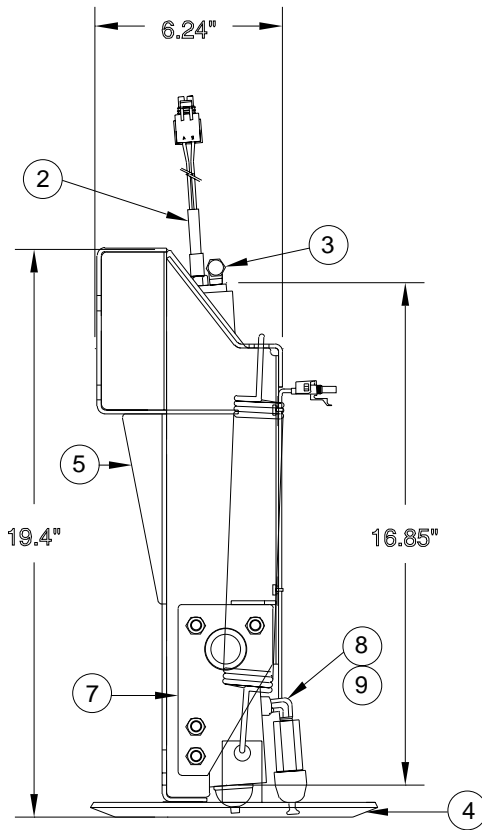
**USED PRIMARILY ON THE FRONT  
OF P-12 CHEVY CHASIS WITH 19.5" TIRES**

ITEM	PART	QTY	DESCRIPTION
	RAP90492		JACK 6,000 # X 13" F/A REPLACES AP16076
1	R3847	1 2	SPRING KIT 1-11/16" X 14" SPRING 1-11/16" X 14"
2	RAP1008	1	SWITCH WARNING 2-WIRE (REPLACES AP1008)
3	RF1453	1	ELBOW 1/8" X 1/4"
4	RAP8126	1	8.00" DIA FOOT

ITEM	PART	QTY	DESCRIPTION
5	RAP90499	1	PIVOT BRACKET
6	RAP90490		CYL. ASSY. 1.625" X 13" (INCLUDES ITEM 3) (EXCLUDES ITEM 2)
7	RAP90500	1 2 8 8	RETAINING PLATE KIT RETAINING PLATES HHCS 3/8-16 X 1" HEX NUT 3/8-16 LOCK DEF.
8	RF90272	1	HEX PLUG 1/8"

**NOTE:** INDENTED ITEMS ARE INCLUDED WITH PRECEDING ITEM.

**AP16077 - STRAIGHT-ACTING JACK, 7 DEGREE PIVOT  
6,000 # CAPACITY; 1.625" ROD DIAMETER; 13.00" STROKE  
WITH PRESSURE SWITCH**



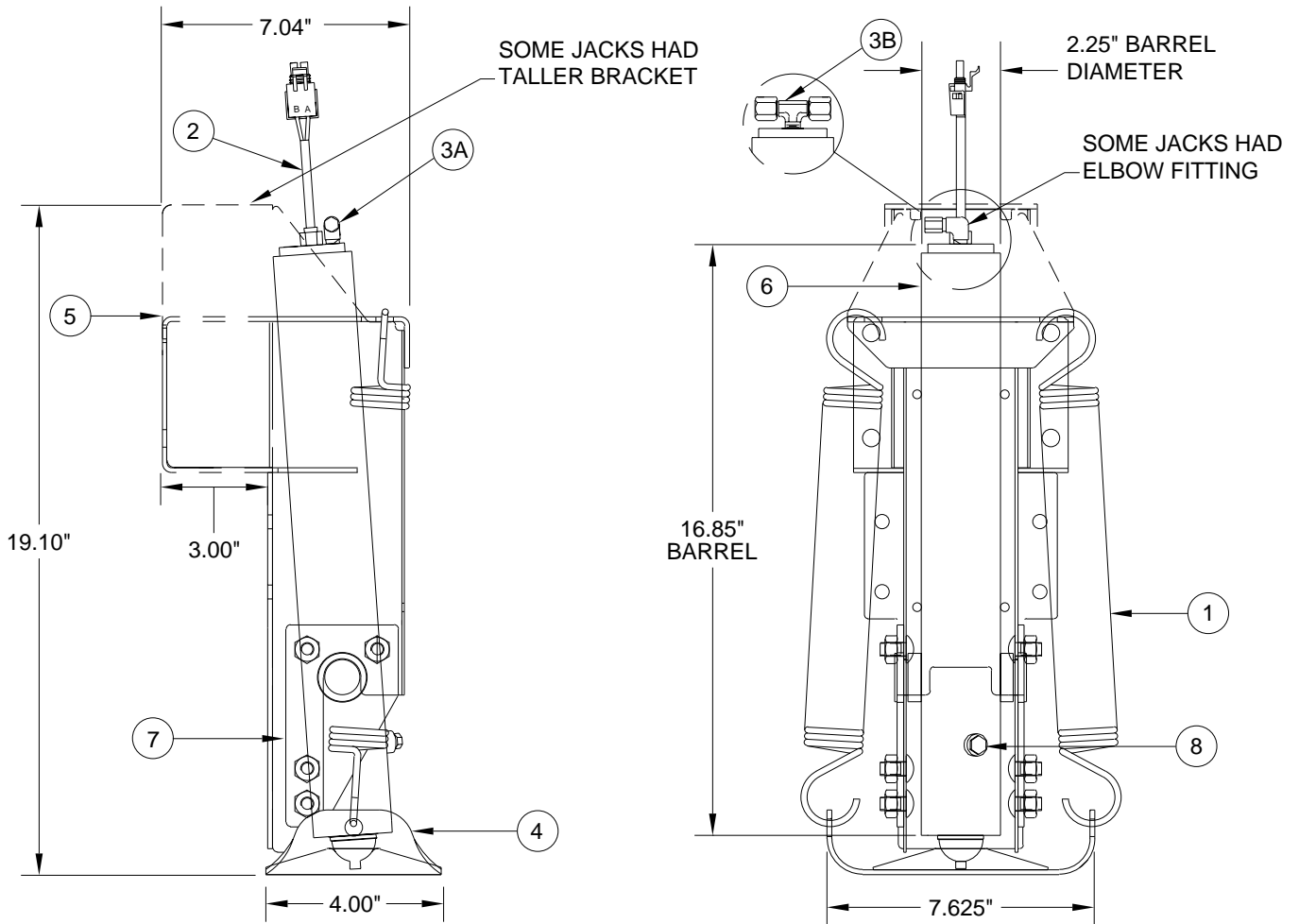
**USED PRIMARILY ON THE FRONT  
OF P-12 CHEVY CHASSIS WITH 19.5" TIRES**

ITEM	PART	QTY	DESCRIPTION	ITEM	PART	QTY	DESCRIPTION
	RAP90495		JACK 6,000 # X 13" F/A (REPLACES AP16077)	6	RAP90490	1	CYL. ASSY. 1.625" X 13" (INCLUDES ITEM 3) (EXCLUDES ITEM 2,8,9)
1	R3847	1	SPRING KIT 1-11/16" X 14"	7	RAP90500	1	RETAINING PLATE KIT
		2	SPRING 1-11/16" X 14"			2	RETAINING PLATES
2	RAP1008	1	SWITCH WARNING 2-WIRE REPLACES AP1008			8	HHCS 3/8-16 X 1"
						8	HEX NUT 3/8-16 LOCK DEF.
3	RF1453	1	ELBOW 1/8" X 1/4"	8	RF8143	1	ELBOW 1/8" X 1/8"
4	RAP8126	1	8.00" DIA FOOT	9	RAP8003	1	SWITCH PRESSURE
5	RAP90499	1	PIVOT BRACKET				

**NOTE :** INDENTED ITEMS ARE INCLUDED WITH PRECEDING ITEM.

**MR26.3903  
14APR98**

**AP16112 - STRAIGHT-ACTING JACK, 7 DEGREE PIVOT  
REPLACES AP17805, AP18811 AND AP18812  
6,000# CAPACITY; 1.625" ROD DIAMETER; 13.00" STROKE**



**USED PRIMARILY ON THE FRONT  
OF F53 FORD 1999 CHASSIS**

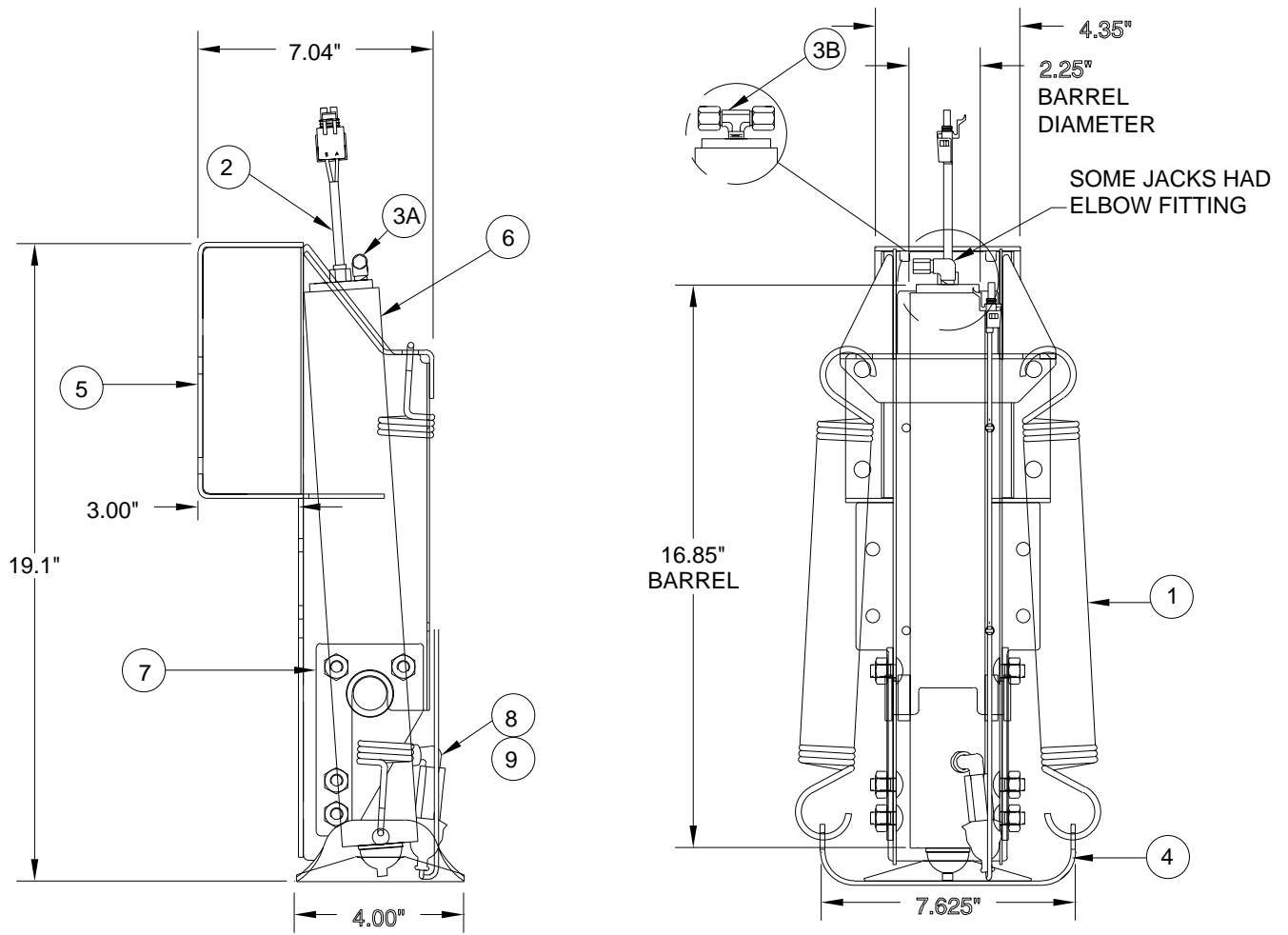
ITEM	PART	QTY	DESCRIPTION	ITEM	PART	QTY	DESCRIPTION
1	R3847	1	SPRING KIT 1-11/16" X 14"	5	RAP90504	1	PIVOT BRACKET (REPLACES BOTH TYPES OF PIVOT BRACKET)
		2	SPRING 1-11/16" X 14"				
2	RAP1008	1	SWITCH WARNING 2-WIRE (REPLACES AP1008)	6	RAP90490	1	CYL. ASSY. 1.625" X 13" (INCLUDES ITEM 3B, 8) (EXCLUDES ITEM 2)
3A	RF1453	1	ELBOW 1/8" X 1/4"				
3B	RF90151	1	MALE TEE 1/8" X 1/4" X 1/4"	7	RAP90500	1	RETAINING PLATE KIT
						2	RETAINING PLATES
4	RAP2004	1	7.625" X 4.0" FOOT			8	HHCS 3/8-16 X 1"
						8	HEX NUT 3/8-16 LOCK DEF.
				8	RF90272	1	HEX PLUG 1/8"

**NOTE :** INDENTED ITEMS ARE INCLUDED WITH PRECEDING ITEM.

**MR26.3904  
01MAR13**



**AP16113 - STRAIGHT-ACTING JACK, 7 DEGREE PIVOT  
6,000 # CAPACITY; 1.625" ROD DIAMETER; 13.00" STROKE**



**USED PRIMARILY ON THE FRONT  
OF F53 FORD 1999 CHASSIS**

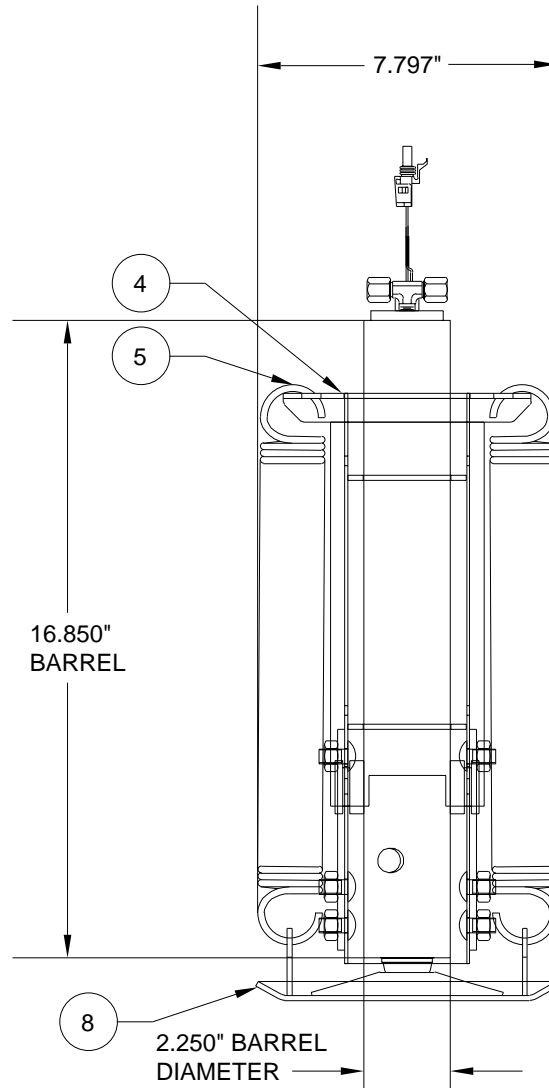
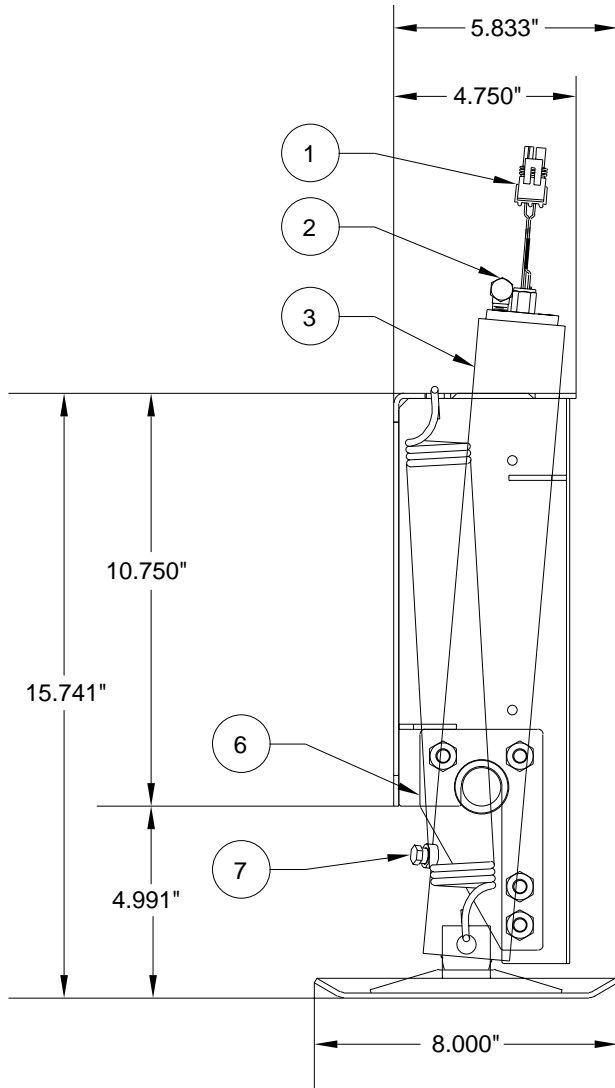
ITEM	PART	QTY	DESCRIPTION	ITEM	PART	QTY	DESCRIPTION
1	R3847	1	SPRING KIT 1-11/16" X 14"	6	RAP90490	1	CYL. ASSY. 1.625" X 13" (INCLUDES ITEM 3) (EXCLUDES ITEM 2,8,9)
		2	SPRING 1-11/16" X 14"				
2	RAP1008	1	SWITCH WARNING 2-WIRE (REPLACES AP1008)	7	RAP90500	1	RETAINING PLATE KIT
3A	RF1453	1	ELBOW 1/8" X 1/4"			2	RETAINING PLATES
3B	RF90151	1	MALE TEE 1/8" X 1/4" X 1/4"			8	HHCS 3/8-16 X 1"
						8	HEX NUT 3/8-16 LOCK DEF.
4	RAP2004	1	7.625" X 4.0" FOOT	8	RF8143	1	ELBOW 1/8" X 1/8"
5	RAP90504	1	PIVOT BRACKET	9	RAP8003	1	SWITCH PRESSURE

**NOTE :** INDENTED ITEMS ARE INCLUDED WITH PRECEDING ITEM.

**MR26.3905  
01MAR13**

# AP20955 - STRAIGHT- ACTING JACK, 7 DEG PIVOT, F/A SPRINGS

6,000 # CAPACITY; 1.625" ROD DIAMETER; 13.00" STROKE



ITEM	PART	QTY	DESCRIPTION
	RAP90770		JACK 6,000# x 13" F/A (REPLACES AP20955)
1	RAP1008	1	SWITCH WARNING 2-WIRE
2	RF90151	1	4-STX-S MALE BRANCH TEE
3	RAP90490	1	CYL. ASSY. 1.625" x 13"
4	RAP90771	1	PIVOT BRACKET

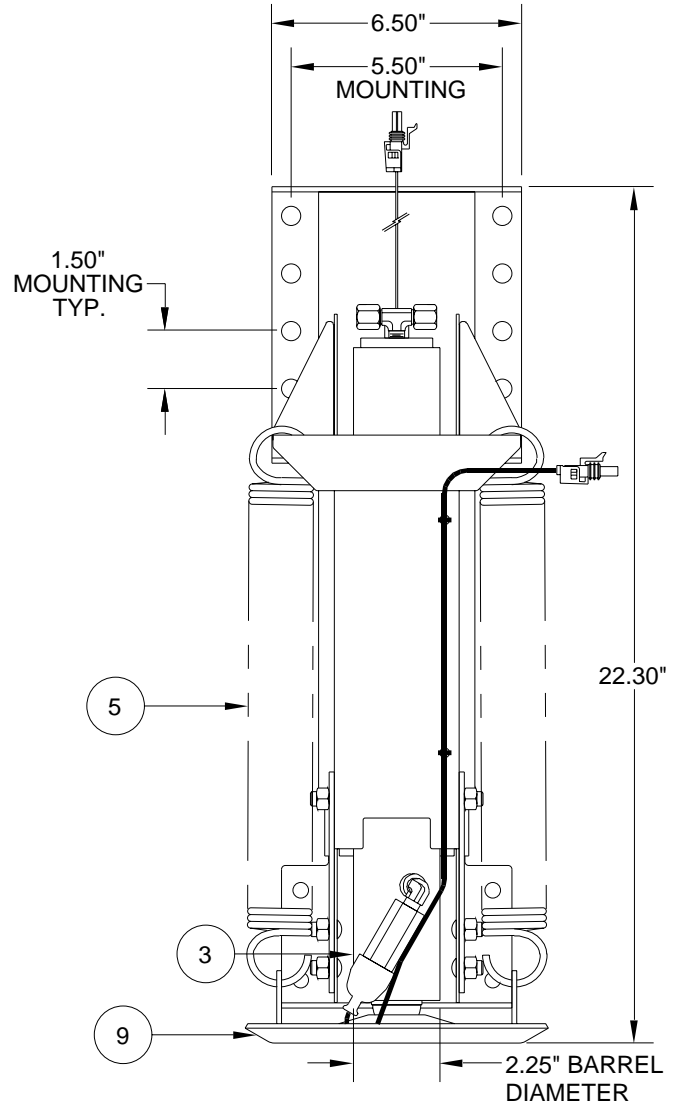
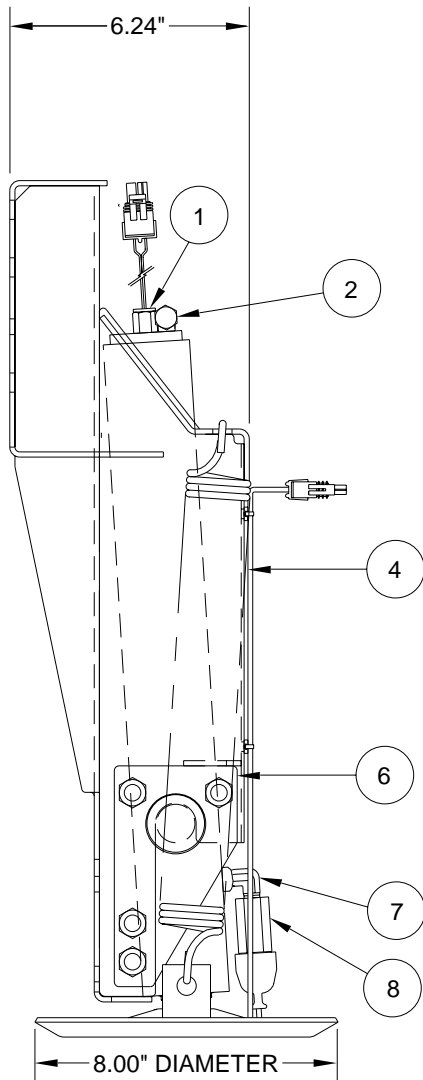
ITEM	PART	QTY	DESCRIPTION
5	R3847	1	SPRING KIT 1-11/16" x 14"
		2	SPRING 1-11/16" x 14"
6	RAP90500	1	RETAINING PLATE KIT
		2	RETAINING PLATES
		8	RHSNB 3/8 - 16 x 3/4"
		8	HEX NUT 3/8 - 16 LOCK
7	RF90272	1	1/8-HP-S HEX PLUG
8	RAP8126	1	FOOT 8.000" DIAMETER

NOTE: INDENTED ITEMS ARE INCLUDED WITH PRECEDING ITEM.

MR26.3906  
06JUL00

**AP26651 - AP26652**  
**STRAIGHT-ACTING JACK, 5 DEGREE PIVOT, F/A SPRINGS**  
**6,000 # CAPACITY; 1.625" ROD DIAMETER; 13.00" STROKE**

JACK #	DESCRIPTION
AP26651	MAGNETIC WARNING SWITCH W/ BLACK CONNECTOR ONLY
AP26652	MAGNETIC WARNING SWITCH W/ BLACK CONNECTOR, PRESSURE SWITCH



ITEM	PART	QTY	DESCRIPTION
1	RAP1008	1	SWITCH WARNING MAGNETIC (AP26651, AP26652)
2	RF90151	1	MALE TEE 1/8" X 1/4" X 1/4"
3	RAP90490	1	CYL. ASSY. 1.625" x 13" (INCLUDES ITEM 2) (EXCLUDES ITEMS 1,7,8)
4	RAP92425	1	PIVOT BRACKET

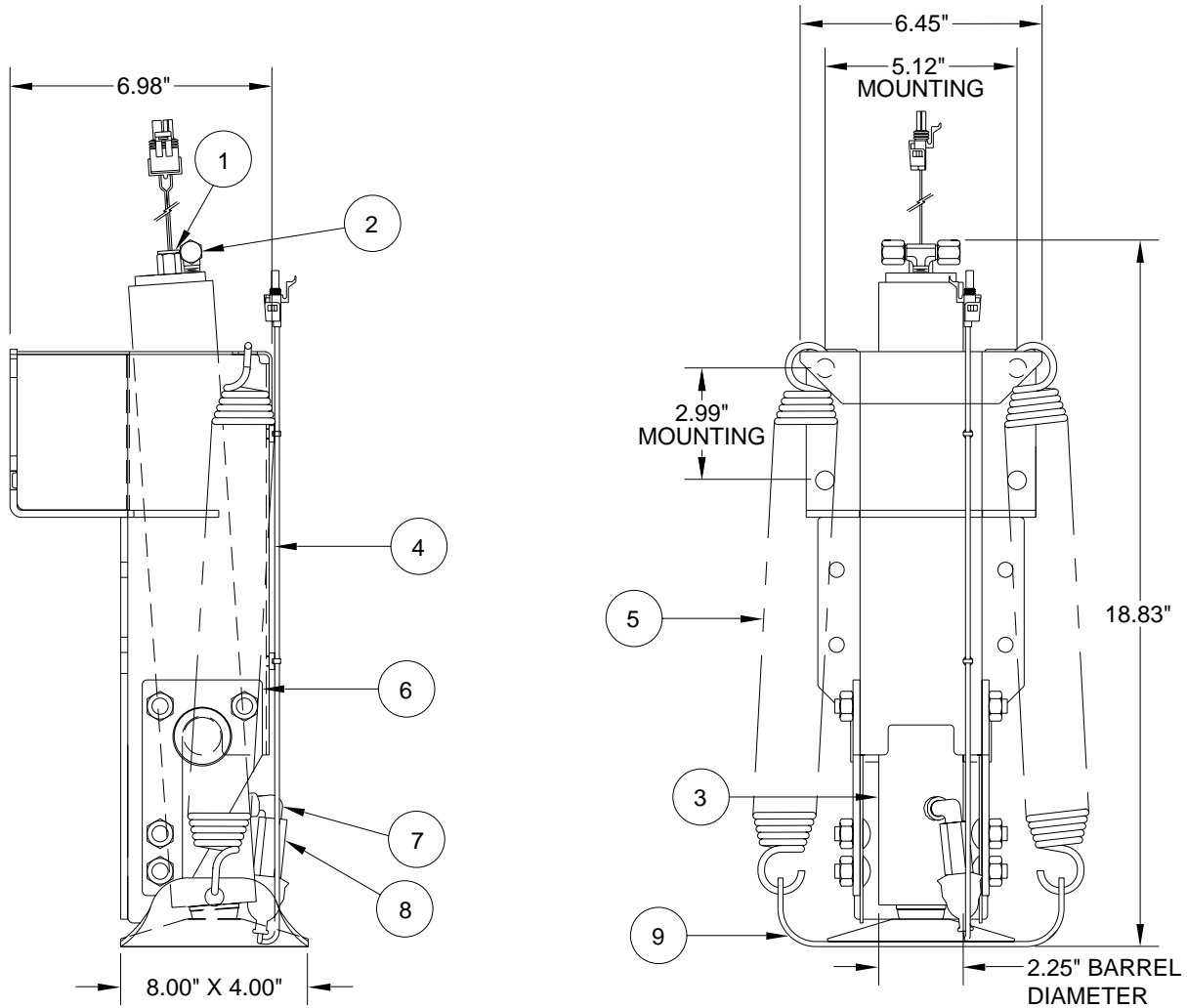
ITEM	PART	QTY	DESCRIPTION
5	R3847	2	SPRING KIT 1-11/16" X 14"
		1	SPRING 1-11/16" X 14"
6	RAP90500	1	RETAINING PLATE KIT
		2	RETAINING PLATES
		8	HHCS 3/8-16 X 1"
		8	HEX NUT 3/8-16 LOCK DEF.
7	RF8143	1	ELBOW 1/8" X 1/8" (AP26652 ONLY)
8	RAP8003	1	SWITCH PRESSURE (AP26652 ONLY)
9	RAP8126	1	FOOT 8.00" DIAMETER

NOTE: INDENTED ITEMS ARE INCLUDED WITH PRECEDING ITEM.

**MR26.3907**  
**05MAR09**

**AP26658 - AP29386 - AP29972**  
**STRAIGHT-ACTING JACK, 5 DEGREE PIVOT, F/A SPRINGS**  
**6,000 # CAPACITY; 1.625" ROD DIAMETER; 13.00" STROKE**

JACK #	DESCRIPTION
AP26658	MAGNETIC WARNING SWITCH W/ GRAY CONNECTOR ONLY
AP29386	NO WARNING OR PRESSURE SWITCH
AP29972	MAGNETIC WARNING SWITCH W/ GRAY CONNECTOR, PRESSURE SWITCH



ITEM	PART	QTY	DESCRIPTION
1	RAP90968	1	SWITCH WARNING MAGNETIC GRAY (AP26658, AP29972)
2	RF90151	1	MALE TEE 1/8" X 1/4" X 1/4"
3	RAP90490	1	CYL. ASSY. 1.625" x 13" (INCLUDES ITEM 2) (EXCLUDES ITEMS 1,7,8)
4	RAP90504	1	PIVOT BRACKET

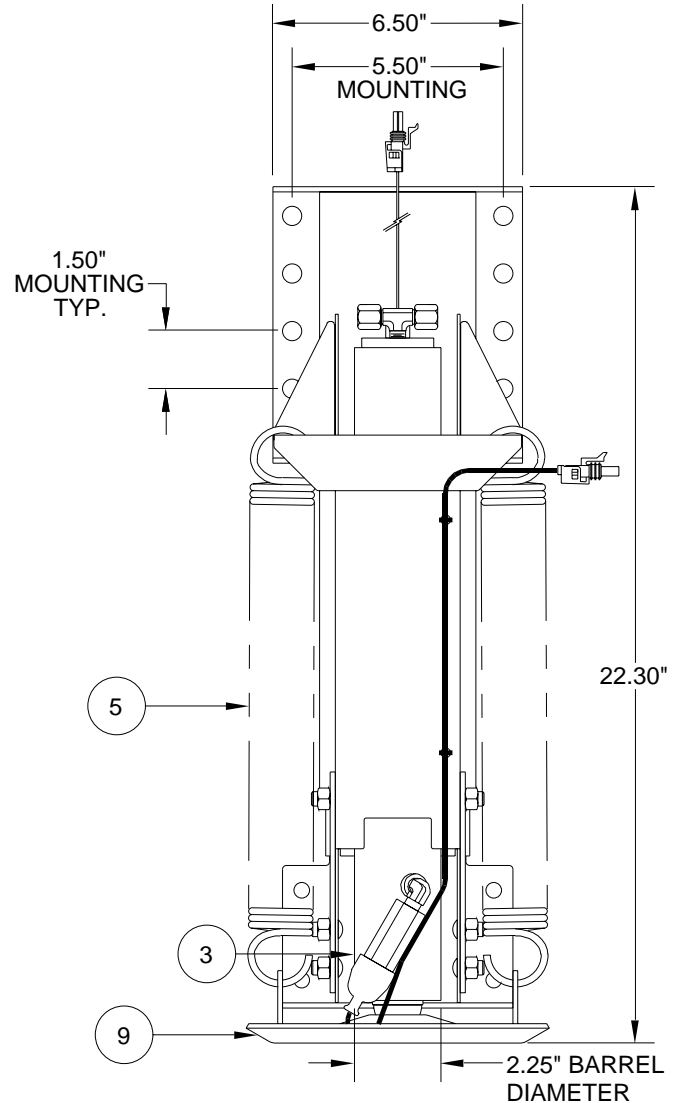
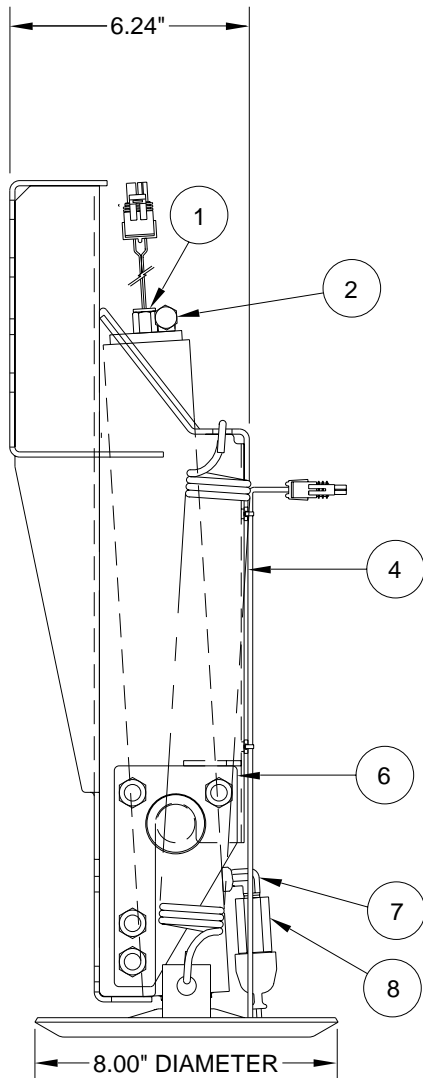
ITEM	PART	QTY	DESCRIPTION
5	R3847	2	SPRING KIT 1-11/16" X 14"
		1	SPRING 1-11/16" X 14"
6	RAP90500	1	RETAINING PLATE KIT
		2	RETAINING PLATES
		8	HHCS 3/8-16 X 1"
		8	HEX NUT 3/8-16 LOCK DEF.
7	RF8143	1	ELBOW 1/8" X 1/8" (AP29972 ONLY)
8	RAP8003	1	SWITCH PRESSURE (AP29972 ONLY)
9	RAP2004	1	FOOT 8.00" X 4.00"

NOTE: INDENTED ITEMS ARE INCLUDED WITH PRECEDING ITEM.

**MR26.3908**  
**05MAR09**

**AP27117 - AP29973**  
**STRAIGHT-ACTING JACK, 5 DEGREE PIVOT, F/A SPRINGS**  
**6,000 # CAPACITY; 1.625" ROD DIAMETER; 13.00" STROKE**

JACK #	DESCRIPTION
AP27117	MAGNETIC WARNING SWITCH W/ GRAY CONNECTOR ONLY
AP29973	MAGNETIC WARNING SWITCH W/ GRAY CONNECTOR, PRESSURE SWITCH



ITEM	PART	QTY	DESCRIPTION
1	RAP90968	1	SWITCH WARNING MAGNETIC GRAY (AP27117, AP29973)
2	RF90151	1	MALE TEE 1/8" X 1/4" X 1/4"
3	RAP90490	1	CYL. ASSY. 1.625" x 13" (INCLUDES ITEM 2) (EXCLUDES ITEMS 1,7,8)
4	RAP92425	1	PIVOT BRACKET

ITEM	PART	QTY	DESCRIPTION
5	R3847	2	SPRING KIT 1-11/16" X 14"
		1	SPRING 1-11/16" X 14"
6	RAP90500	1	RETAINING PLATE KIT
		2	RETAINING PLATES
		8	HHCS 3/8-16 X 1"
		8	HEX NUT 3/8-16 LOCK DEF.
7	RF8143	1	ELBOW 1/8" X 1/8" (AP29973 ONLY)
8	RAP8003	1	SWITCH PRESSURE (AP29973 ONLY)
9	RAP8126	1	FOOT 8.00" DIAMETER

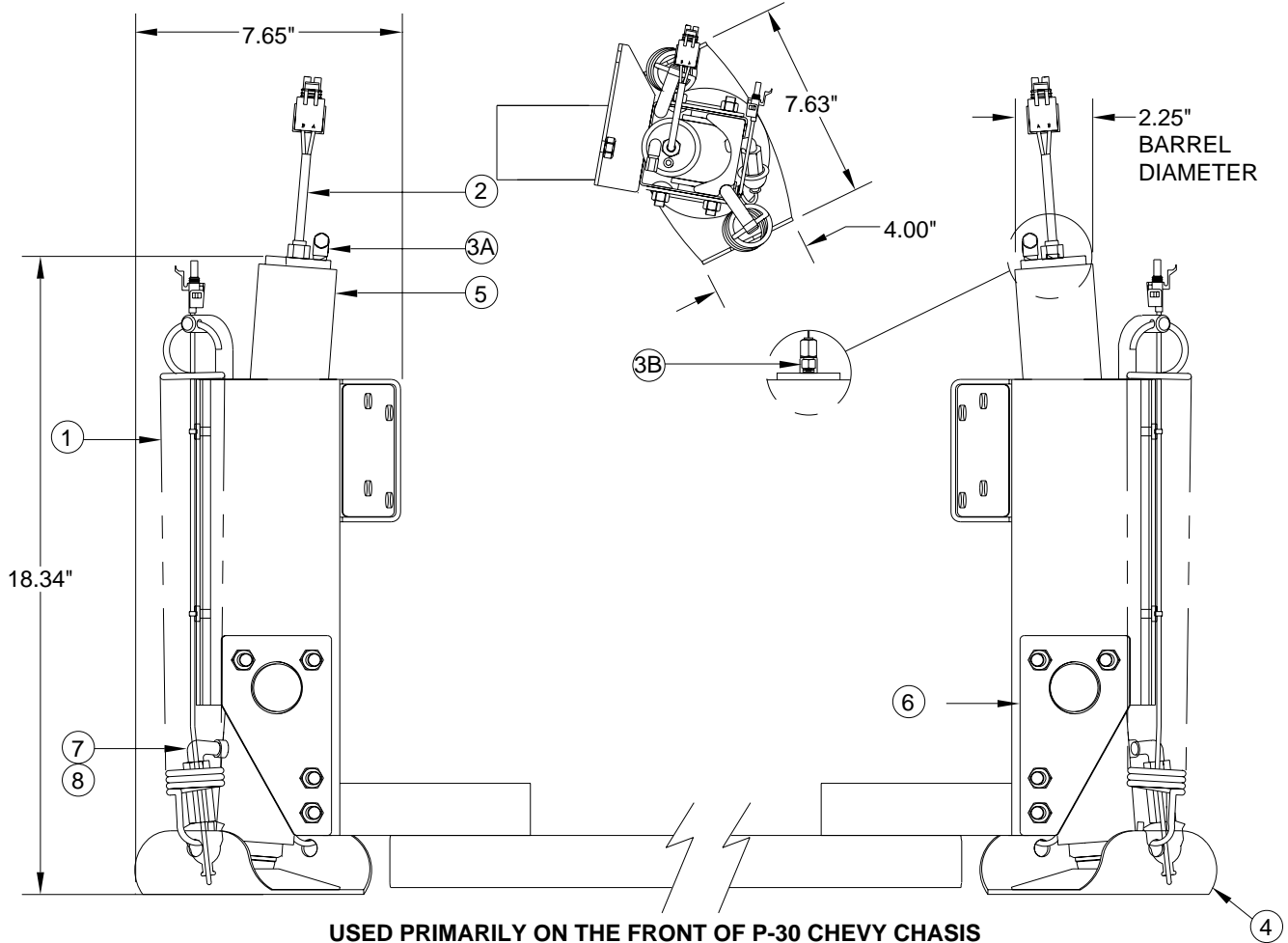
NOTE: INDENTED ITEMS ARE INCLUDED WITH PRECEDING ITEM.

**MR26.3909**  
**05MAR09**

**AP27351 - AP29382 - AP29971 - AP30386**  
**STRAIGHT-ACTING JACK, 6 DEGREE PIVOT, F/A SPRINGS**  
**6,000 # CAPACITY; 1.625" ROD DIAMETER; 13.00" STROKE**

JACK #	DESCRIPTION
AP27351	MAGNETIC WARNING SWITCH W/ GRAY CONNECTOR ONLY
AP29382	NO WARNING OR PRESSURE SWITCH
AP29971	MAGNETIC WARNING SWITCH W/ GRAY CONNECTOR, PRESSURE SWITCH
AP30386	MAGNETIC WARNING SWITCH W/ GRAY CONNECTOR ONLY, HAS STRAIGHT FITTING ON RH CYL.

REPLACEMENT OF ENTIRE ASSEMBLY IS NOT NECESSARY. REFER TO INDIVIDUAL ITEMS BELOW FOR REPLACEMENT PARTS.



USED PRIMARILY ON THE FRONT OF P-30 CHEVY CHASIS

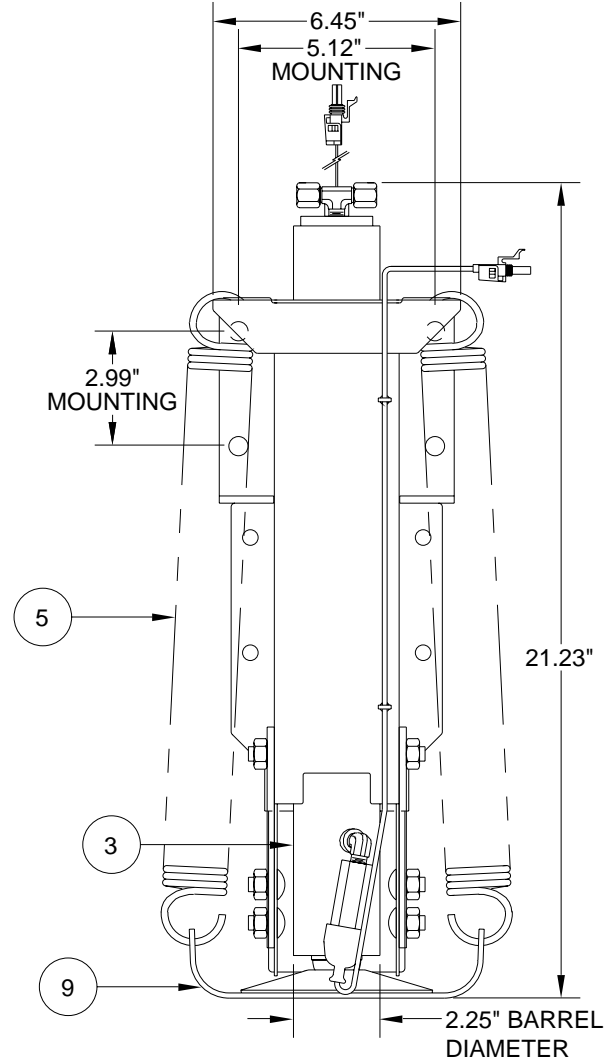
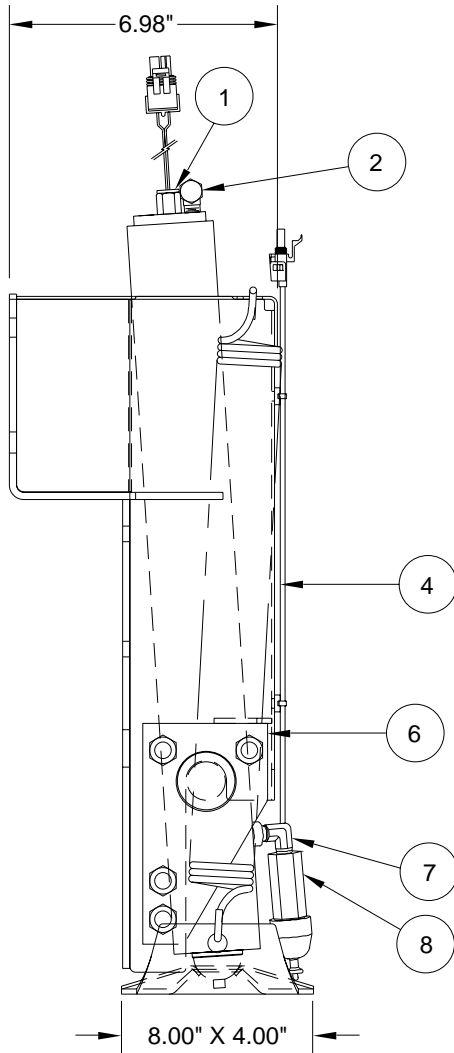
ITEM	PART	QTY	DESCRIPTION	ITEM	PART	QTY	DESCRIPTION
1	R3847	1	SPRING KIT 1-11/16" X 14"	5	RAP90490	1	CYL. ASSY. 1.625" X 13" (INCLUDES ITEM 3A) (EXCLUDES ITEM 2,3B,7,8)
		2	SPRING 1-11/16" X 14"				
2	RAP90968	1	SWITCH WARNING MAGNETIC GRAY	6	RAP90500	1	RETAINING PLATE KIT
						2	RETAINING PLATES
3A	RF90151	1	MALE TEE 1/8" X 1/4" X 1/4"			8	HHCS 3/8-16 X 1"
						8	HEX NUT 3/8-16 LOCK DEF.
3B	RF1456	1	MALE CONNECTOR 1/8" X 1/4" (AP30386 ONLY)	7	RF8143	1	ELBOW 1/8" X 1/8" (AP29971 ONLY)
4	RAP2004	1	7.625" X 4.00" FOOT	8	RAP8003	1	SWITCH PRESSURE (AP29971 ONLY)

NOTE: INDENTED ITEMS ARE INCLUDED WITH PRECEDING ITEM.

**MR26.3910**  
**05MAR09**

**AP31656 - AP31700 - AP32094**  
**STRAIGHT-ACTING JACK, 5 DEGREE PIVOT, F/A SPRINGS**  
**6,000 # CAPACITY; 1.625" ROD DIAMETER; 15.00" STROKE**

JACK #	DESCRIPTION
AP31656	MAGNETIC WARNING SWITCH W/ GRAY CONNECTOR ONLY
AP31700	MAGNETIC WARNING SWITCH W/ GRAY CONNECTOR, PRESSURE SWITCH
AP32094	NO WARNING OR PRESSURE SWITCH



USED PRIMARILY ON THE FRONT OF THE FORD 2004-F53 CHASSIS WITH 19.5" TIRES.

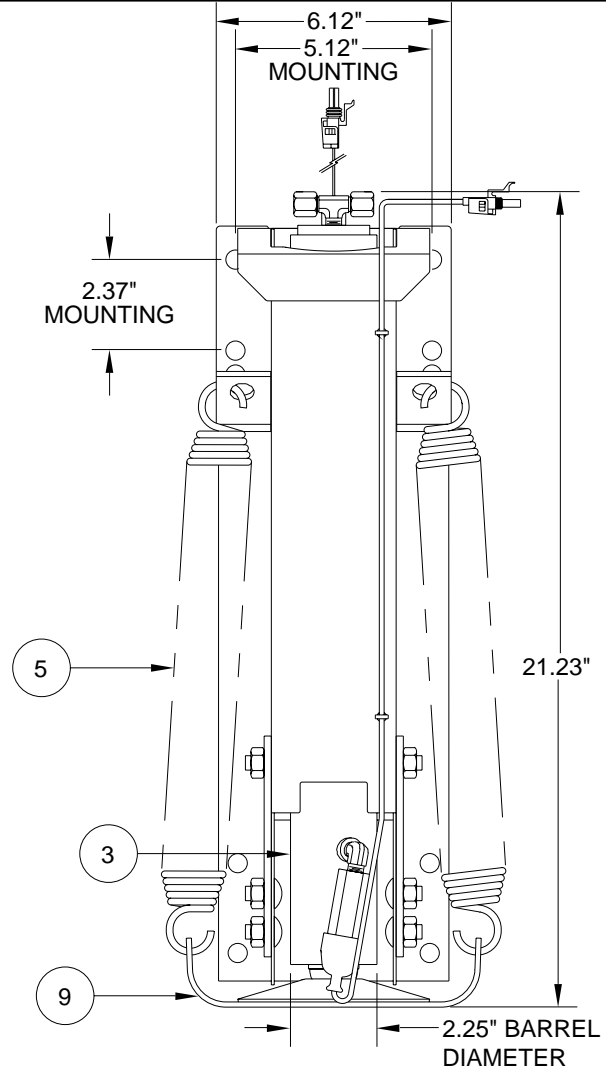
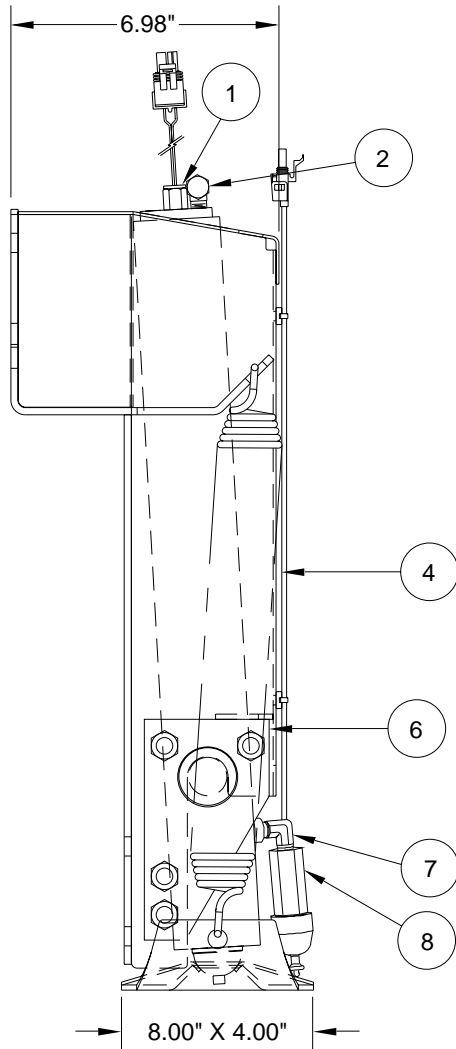
ITEM	PART	QTY	DESCRIPTION	ITEM	PART	QTY	DESCRIPTION
1	RAP90968	1	SWITCH WARNING MAGNETIC GRAY (AP31656, AP31700)	5	R3847	2	SPRING KIT 1-11/16" X 14"
2	RF90151	1	MALE TEE 1/8" X 1/4" X 1/4"	1		1	SPRING 1-11/16" X 14"
3	RAP91184	1	CYL. ASSY. 1.625" x 15" (INCLUDES ITEM 2) (EXCLUDES ITEMS 1,7,8)	6	RAP90500	1	RETAINING PLATE KIT
4	RAP91257	1	PIVOT BRACKET	2		2	RETAINING PLATES
				8		8	HHCS 3/8-16 X 1"
				8		8	HEX NUT 3/8-16 LOCK DEF.
				7	RF8143	1	ELBOW 1/8" X 1/8" (AP31700 ONLY)
				8	RAP8003	1	SWITCH PRESSURE (AP31700 ONLY)
				9	RAP2004	1	FOOT 8.00" X 4.00"

NOTE: INDENTED ITEMS ARE INCLUDED WITH PRECEDING ITEM.

**MR26.3911**  
**05MAR09**

**AP32034 - AP32035 - AP32240**  
**STRAIGHT-ACTING JACK, 5 DEGREE PIVOT, F/A SPRINGS**  
**6,000 # CAPACITY; 1.625" ROD DIAMETER; 15.00" STROKE**

JACK #	DESCRIPTION
AP32034	MAGNETIC WARNING SWITCH W/ GRAY CONNECTOR ONLY
AP32035	MAGNETIC WARNING SWITCH W/ GRAY CONNECTOR, PRESSURE SWITCH
AP32240	NO WARNING OR PRESSURE SWITCH



USED PRIMARILY ON THE FRONT OF THE FORD 2004-F53 CHASSIS WITH 22.5" TIRES.

ITEM	PART	QTY	DESCRIPTION	ITEM	PART	QTY	DESCRIPTION
1	RAP90968	1	SWITCH WARNING MAGNETIC GRAY (AP32034, AP32035)	5	R3847	2	SPRING KIT 1-11/16" X 14"
2	RF90151	1	MALE TEE 1/8" X 1/4" X 1/4"	1		1	SPRING 1-11/16" X 14"
3	RAP91184	1	CYL. ASSY. 1.625" x 15" (INCLUDES ITEM 2) (EXCLUDES ITEMS 1,7,8)	6	RAP90500	1	RETAINING PLATE KIT
4	RAP91709	1	PIVOT BRACKET	2		2	RETAINING PLATES
				8		8	HHCS 3/8-16 X 1"
				8		8	HEX NUT 3/8-16 LOCK DEF.
				7	RF8143	1	ELBOW 1/8" X 1/8" (AP32035 ONLY)
				8	RAP8003	1	SWITCH PRESSURE (AP32035 ONLY)
				9	RAP2004	1	FOOT 8.00" X 4.00"

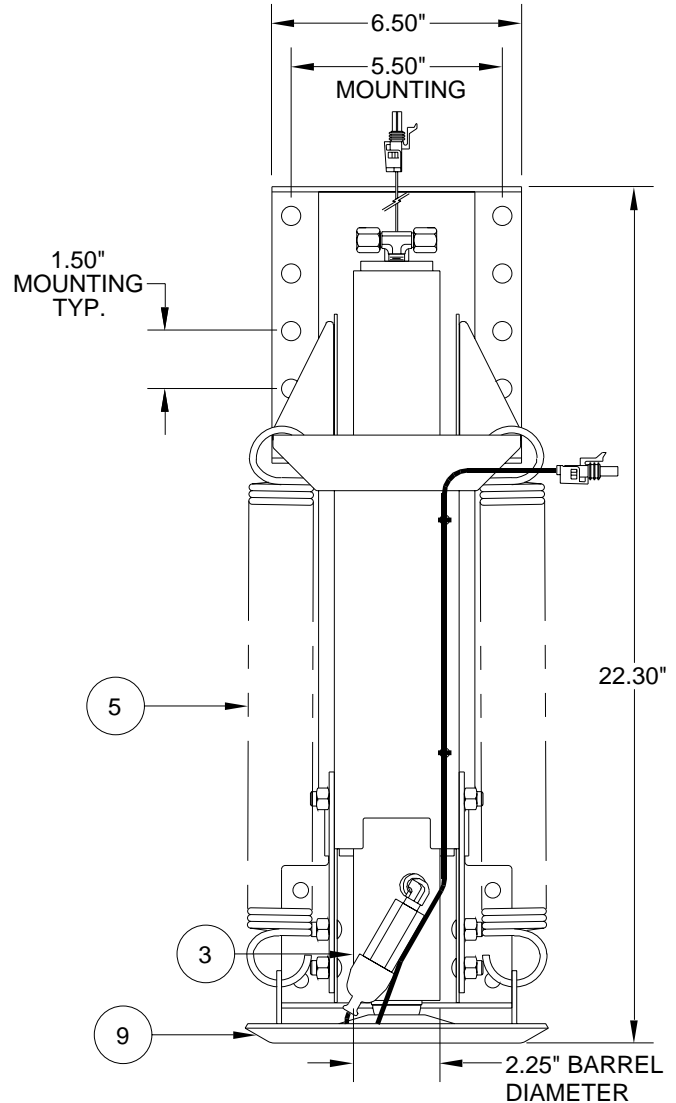
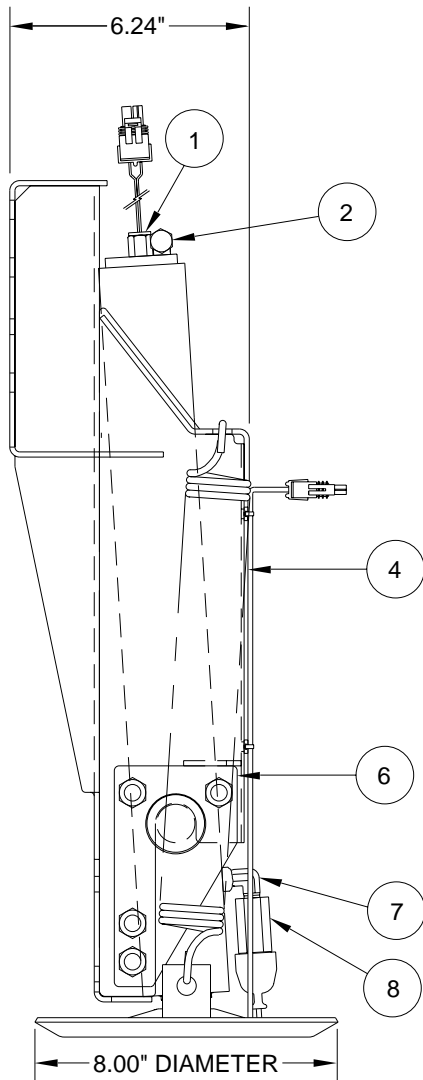
NOTE: INDENTED ITEMS ARE INCLUDED WITH PRECEDING ITEM.

**MR26.3912**  
**05MAR09**



**AP32959 - AP32961**  
**STRAIGHT-ACTING JACK, 5 DEGREE PIVOT, F/A SPRINGS**  
**6,000 # CAPACITY; 1.625" ROD DIAMETER; 15.00" STROKE**

JACK #	DESCRIPTION
AP32959	MAGNETIC WARNING SWITCH W/ GRAY CONNECTOR ONLY
AP32961	MAGNETIC WARNING SWITCH W/ GRAY CONNECTOR, PRESSURE SWITCH



ITEM	PART	QTY	DESCRIPTION
1	RAP90968	1	SWITCH WARNING MAGNETIC GRAY (AP32959, AP32961)
2	RF90151	1	MALE TEE 1/8" X 1/4" X 1/4"
3	RAP91184	1	CYL. ASSY. 1.625" x 15" (INCLUDES ITEM 2) (EXCLUDES ITEMS 1,7,8)
4	RAP92425	1	PIVOT BRACKET

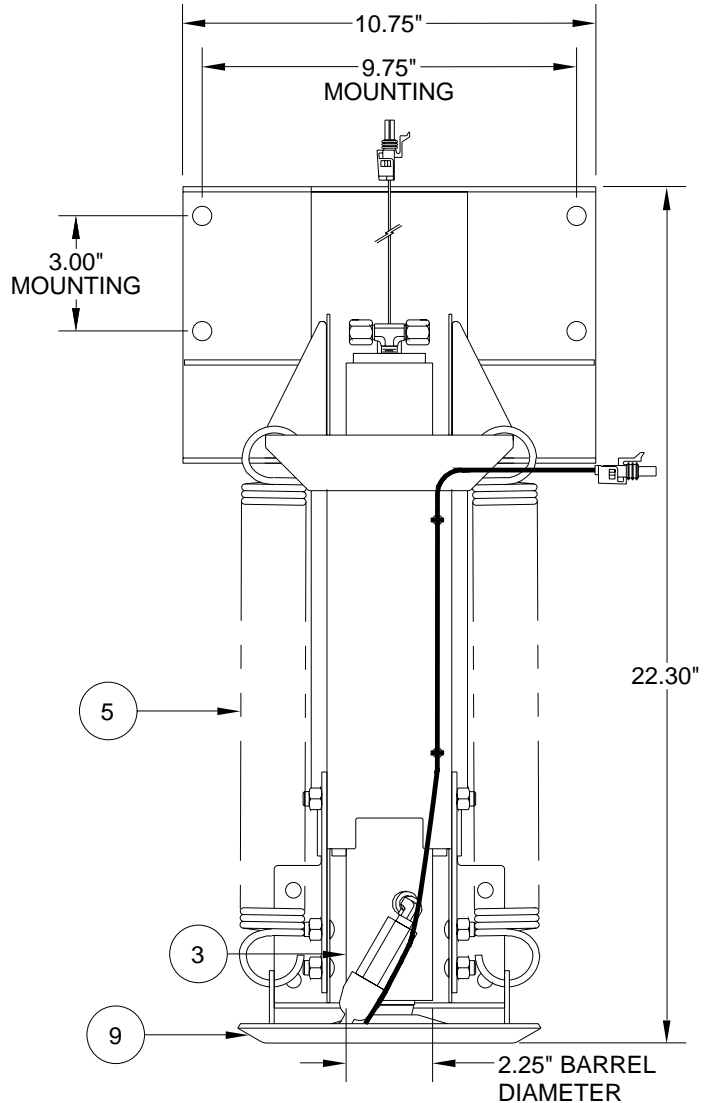
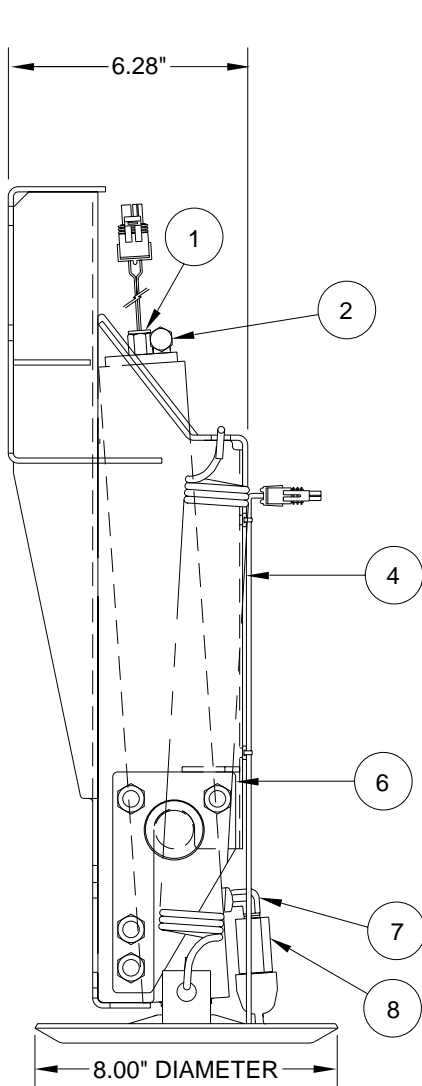
ITEM	PART	QTY	DESCRIPTION
5	R3847	2	SPRING KIT 1-11/16" X 14"
		1	SPRING 1-11/16" X 14"
6	RAP90500	1	RETAINING PLATE KIT
		2	RETAINING PLATES
		8	HHCS 3/8-16 X 1"
		8	HEX NUT 3/8-16 LOCK DEF.
7	RF8143	1	ELBOW 1/8" X 1/8" (AP32961 ONLY)
8	RAP8003	1	SWITCH PRESSURE (AP32961 ONLY)
9	RAP8126	1	FOOT 8.00" DIAMETER

NOTE: INDENTED ITEMS ARE INCLUDED WITH PRECEDING ITEM.

**MR26.3913**  
**05MAR09**

**AP33288 - AP33289**  
**STRAIGHT-ACTING JACK, 5 DEGREE PIVOT, F/A SPRINGS**  
**6,000 # CAPACITY; 1.625" ROD DIAMETER; 13.00" STROKE**

JACK #	DESCRIPTION
AP33288	MAGNETIC WARNING SWITCH W/ GRAY CONNECTOR ONLY
AP33289	MAGNETIC WARNING SWITCH W/ GRAY CONNECTOR, PRESSURE SWITCH



ITEM	PART	QTY	DESCRIPTION
1	RAP90968	1	SWITCH WARNING MAGNETIC GRAY (AP33288, AP33289)
2	RF90151	1	MALE TEE 1/8" X 1/4" X 1/4"
3	RAP90490	1	CYL. ASSY. 1.625" x 13" (INCLUDES ITEM 2) (EXCLUDES ITEMS 1,7,8)
4	RAP92426	1	PIVOT BRACKET

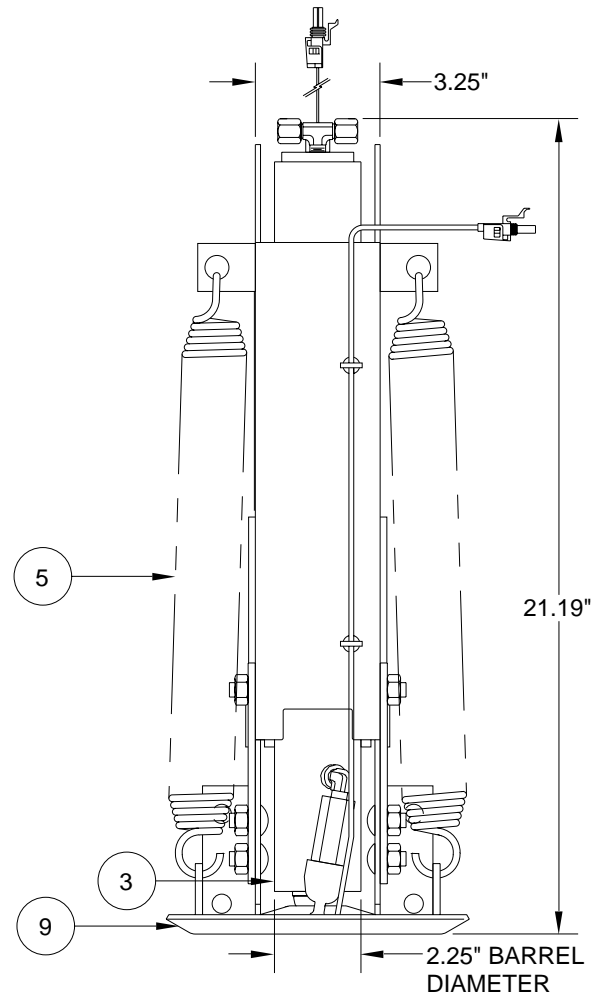
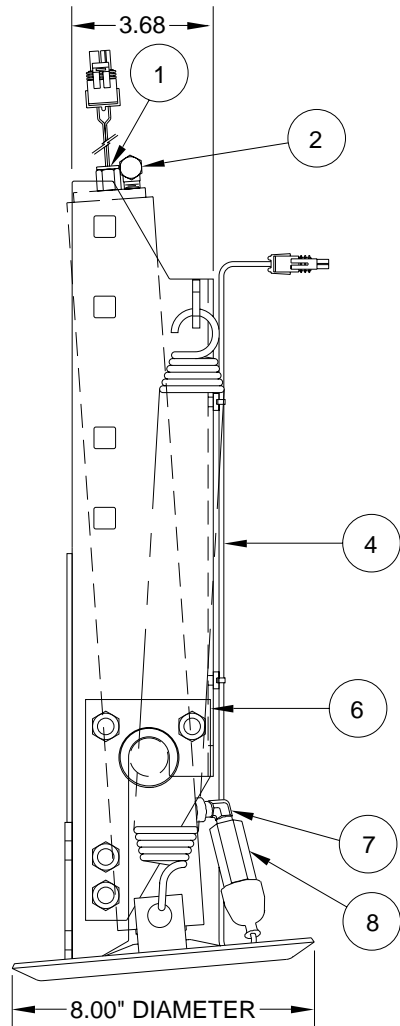
ITEM	PART	QTY	DESCRIPTION
5	R3847	2	SPRING KIT 1-11/16" X 14"
		1	SPRING 1-11/16" X 14"
6	RAP90500	1	RETAINING PLATE KIT
		2	RETAINING PLATES
		8	HHCS 3/8-16 X 1"
		8	HEX NUT 3/8-16 LOCK DEF.
7	RF8143	1	ELBOW 1/8" X 1/8" (AP33289 ONLY)
8	RAP8003	1	SWITCH PRESSURE (AP33289 ONLY)
9	RAP8126	1	FOOT 8.00" DIAMETER

NOTE: INDENTED ITEMS ARE INCLUDED WITH PRECEDING ITEM.

**MR26.3914**  
**05MAR09**

**AP34583 - AP34584**  
**STRAIGHT-ACTING JACK, 6 DEGREE PIVOT, F/A SPRINGS**  
**6,000 # CAPACITY; 1.625" ROD DIAMETER; 15.00" STROKE**

JACK #	DESCRIPTION
AP34583	MAGNETIC WARNING SWITCH W/ GRAY CONNECTOR ONLY
AP34584	MAGNETIC WARNING SWITCH W/ GRAY CONNECTOR, PRESSURE SWITCH



ITEM	PART	QTY	DESCRIPTION
1	RAP90968	1	SWITCH WARNING MAGNETIC GRAY (AP34583, AP34584)
2	RF90151	1	MALE TEE 1/8" X 1/4" X 1/4"
3	RAP91661	1	CYL. ASSY. 1.625" x 15" (INCLUDES ITEM 2) (EXCLUDES ITEMS 1,7,8)
4	RAP92427	1	PIVOT BRACKET

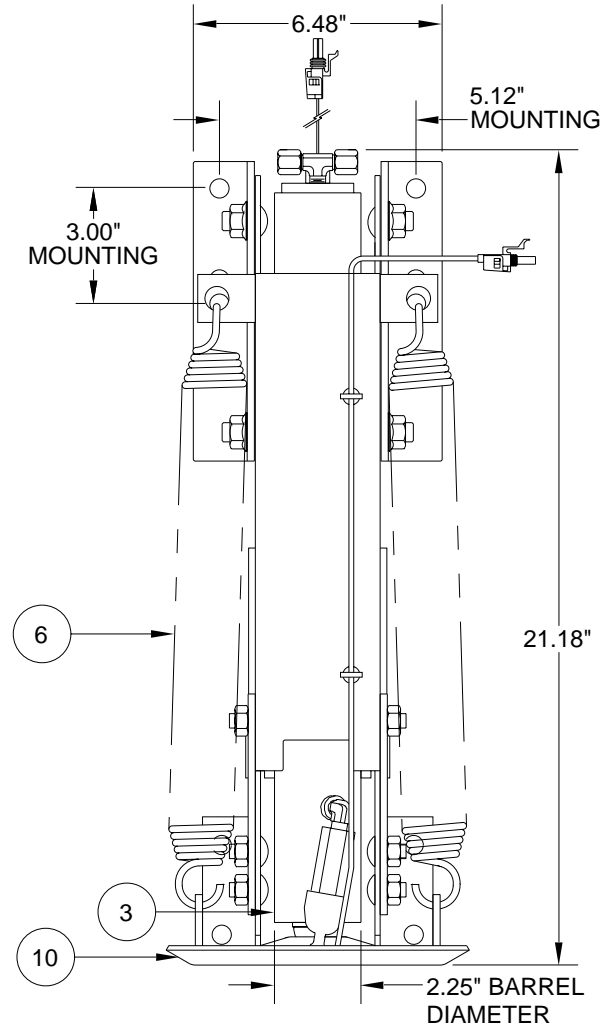
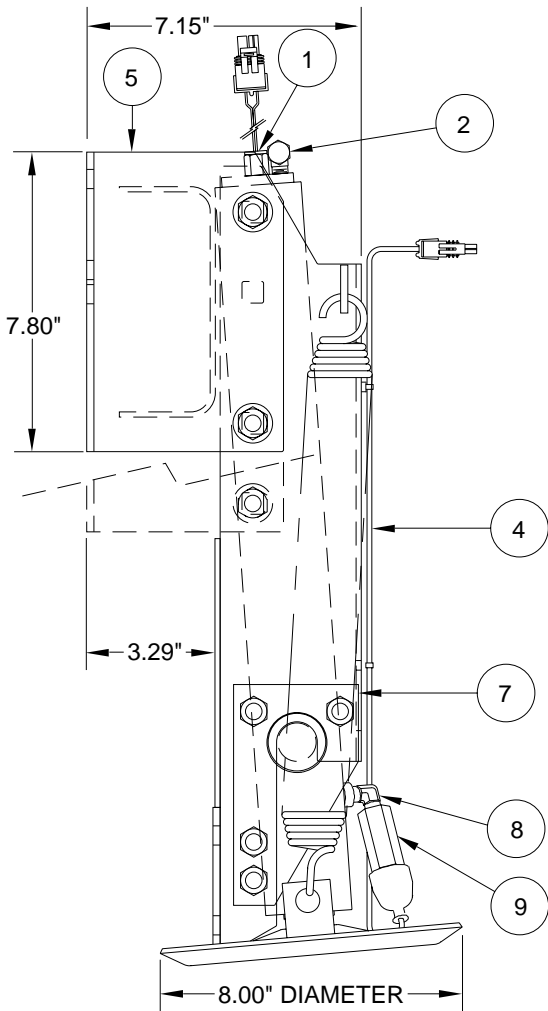
ITEM	PART	QTY	DESCRIPTION
5	R3847	2	SPRING KIT 1-11/16" X 14"
		1	SPRING 1-11/16" X 14"
6	RAP90500	1	RETAINING PLATE KIT
		2	RETAINING PLATES
		8	HHCS 3/8-16 X 1"
		8	HEX NUT 3/8-16 LOCK DEF.
7	RF8143	1	ELBOW 1/8" X 1/8" (AP34584 ONLY)
8	RAP8003	1	SWITCH PRESSURE (AP34584 ONLY)
9	RAP8126	1	FOOT 8.00" DIAMETER

NOTE: INDENTED ITEMS ARE INCLUDED WITH PRECEDING ITEM.

**MR26.3915**  
**05MAR09**

**AP35121 - AP35344 - AP35957 - AP37472**  
**STRAIGHT-ACTING JACK, 6 DEGREE PIVOT, F/A SPRINGS**  
**6,000 # CAPACITY; 1.625" ROD DIAMETER; 15.00" STROKE**

JACK #	DESCRIPTION
AP35121	MAGNETIC WARNING SWITCH W/ GRAY CONNECTOR ONLY, BRACKET IS IN LOWER POSITION
AP35344	MAGNETIC WARNING SWITCH W/ GRAY CONNECTOR, PRESSURE SWITCH, BRACKET IS IN LOWER POSITION
AP35957	MAGNETIC WARNING SWITCH W/ GRAY CONNECTOR ONLY, BRACKET IS IN UPPER POSITION
AP37472	MAGNETIC WARNING SWITCH W/ GRAY CONNECTOR, PRESSURE SWITCH, BRACKET IS IN UPPER POSITION



ITEM	PART	QTY	DESCRIPTION
1	RAP90968	1	SWITCH WARNING MAGNETIC GRAY
2	RF90151	1	MALE TEE 1/8" X 1/4" X 1/4"
3	RAP91661	1	CYL. ASSY. 1.625" x 15" (INCLUDES ITEM 2) (EXCLUDES ITEMS 1,8,9)
4	RAP92427	1	PIVOT BRACKET
5	RAP92428	1	MOUNTING BRACKET (INCLUDES HARDWARE)

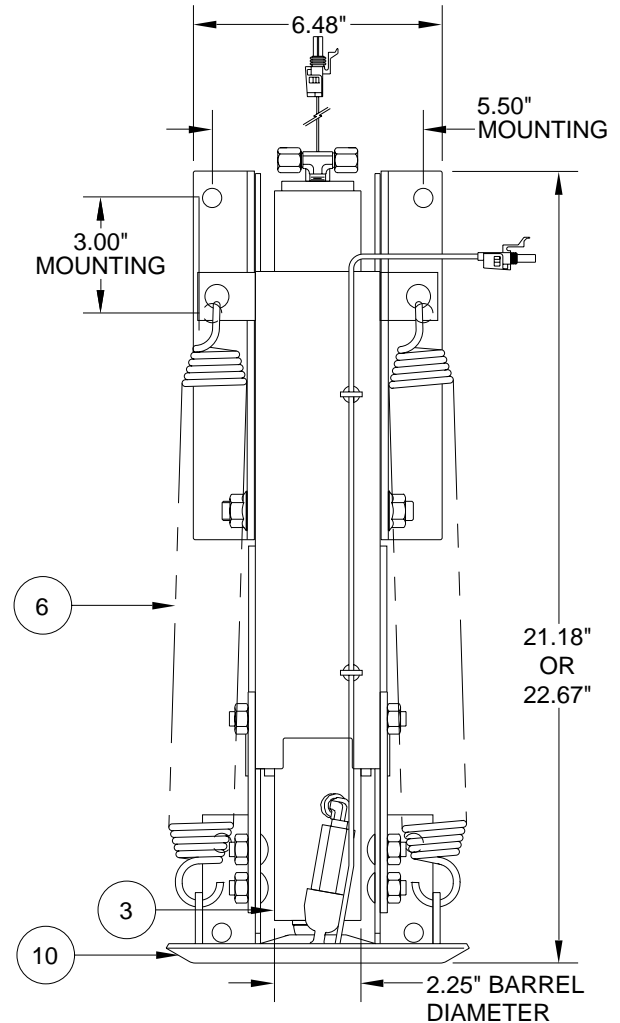
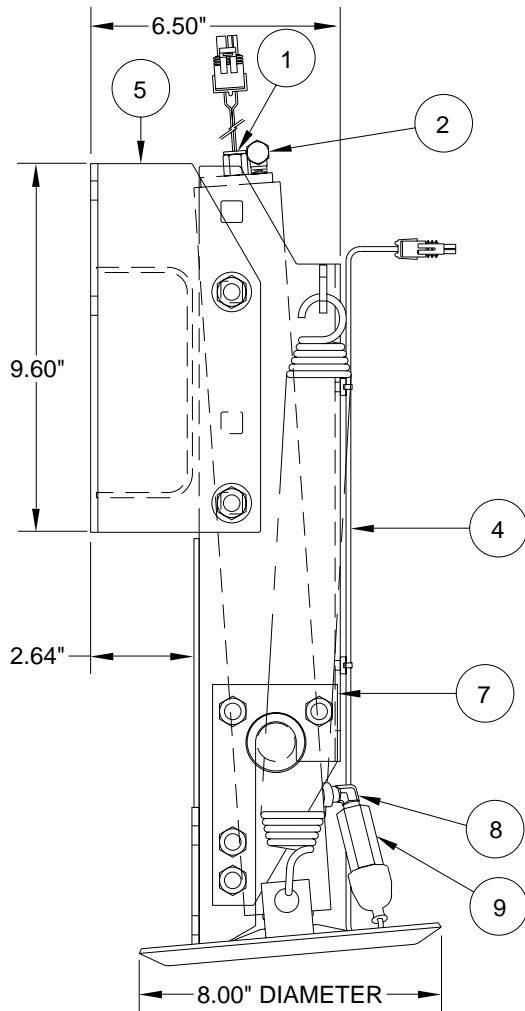
ITEM	PART	QTY	DESCRIPTION
6	R3847	2	SPRING KIT 1-11/16" X 14"
		1	SPRING 1-11/16" X 14"
7	RAP90500	1	RETAINING PLATE KIT
		2	RETAINING PLATES
		8	HHCS 3/8-16 X 1"
		8	HEX NUT 3/8-16 LOCK DEF.
8	RF8143	1	ELBOW 1/8" X 1/8" (AP35344, AP37472)
9	RAP8003	1	SWITCH PRESSURE (AP35344, AP37472)
10	RAP8126	1	FOOT 8.00" DIAMETER

NOTE: INDENTED ITEMS ARE INCLUDED WITH PRECEDING ITEM.

**MR26.3916**  
**05MAR09**

**AP35123 - AP35346 - AP37609**  
**STRAIGHT-ACTING JACK, 6 DEGREE PIVOT, F/A SPRINGS**  
**6,000 # CAPACITY; 1.625" ROD DIAMETER; 15.00" STROKE**

JACK #	DESCRIPTION
AP35123	MAGNETIC WARNING SWITCH W/ GRAY CONNECTOR ONLY, BRACKET IS IN LOWER POSITION
AP35346	MAGNETIC WARNING SWITCH W/ GRAY CONNECTOR, PRESSURE SWITCH, BRACKET IS IN LOWER POSITION
AP37609	MAGNETIC WARNING SWITCH W/ GRAY CONNECTOR, PRESSURE SWITCH, BRACKET IS IN UPPER POSITION



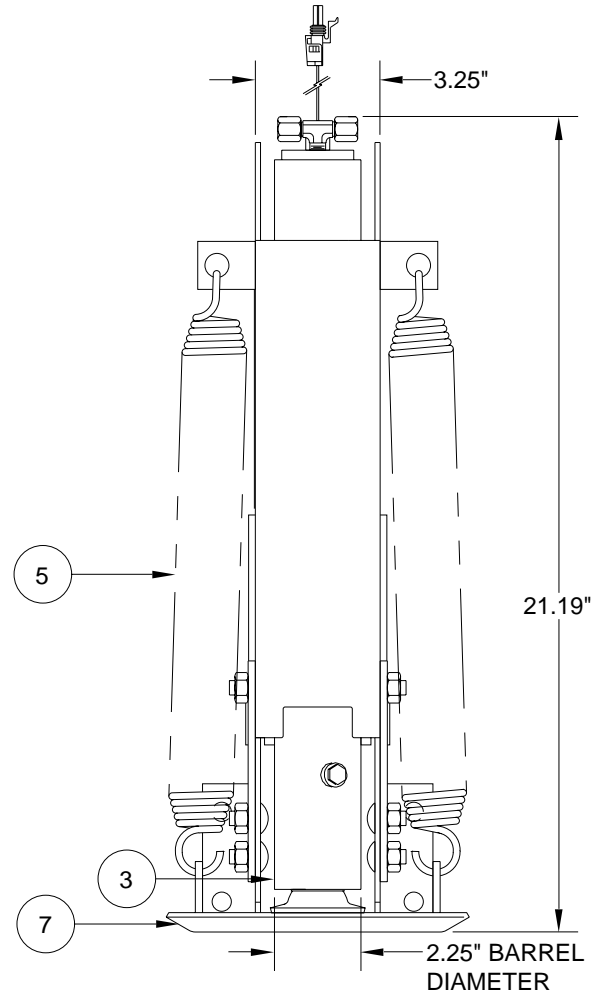
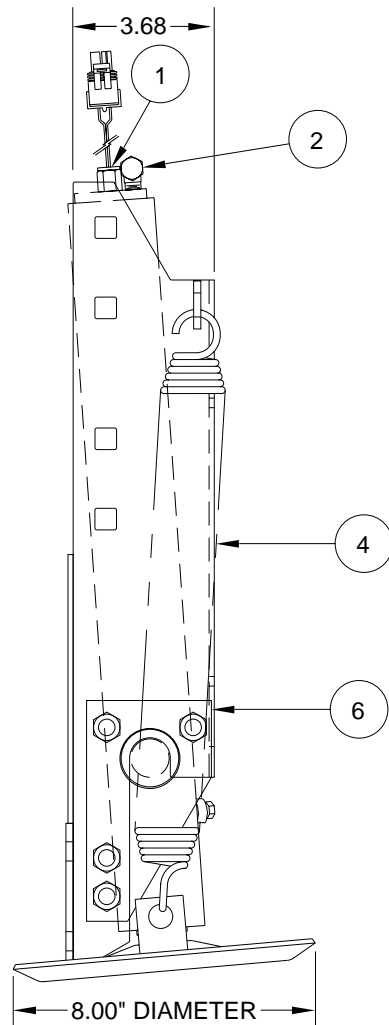
ITEM	PART	QTY	DESCRIPTION
1	RAP90968	1	SWITCH WARNING MAGNETIC GRAY
2	RF90151	1	MALE TEE 1/8" X 1/4" X 1/4"
3	RAP91661	1	CYL. ASSY. 1.625" x 15" (INCLUDES ITEM 2) (EXCLUDES ITEMS 1,8,9)
4	RAP92427	1	PIVOT BRACKET
5	RAP92266	1	MOUNTING BRACKET (INCLUDES HARDWARE)

ITEM	PART	QTY	DESCRIPTION
6	R3847	2	SPRING KIT 1-11/16" X 14"
		1	SPRING 1-11/16" X 14"
7	RAP90500	1	RETAINING PLATE KIT
		2	RETAINING PLATES
		8	HHCS 3/8-16 X 1"
		8	HEX NUT 3/8-16 LOCK DEF.
8	RF8143	1	ELBOW 1/8" X 1/8" (AP35346, AP37609)
9	RAP8003	1	SWITCH PRESSURE (AP35346, AP37609)
10	RAP8126	1	FOOT 8.00" DIAMETER

NOTE: INDENTED ITEMS ARE INCLUDED WITH PRECEDING ITEM.

**MR26.3917**  
**05MAR09**

**AP39897 - STRAIGHT-ACTING JACK, 6 DEG PIVOT, F/A SPRINGS  
6,000 # CAPACITY; 1.625" ROD DIAMETER; 15.00" STROKE; BOLT-ON FOOT  
WITH MAGNETIC WARNING SWITCH**



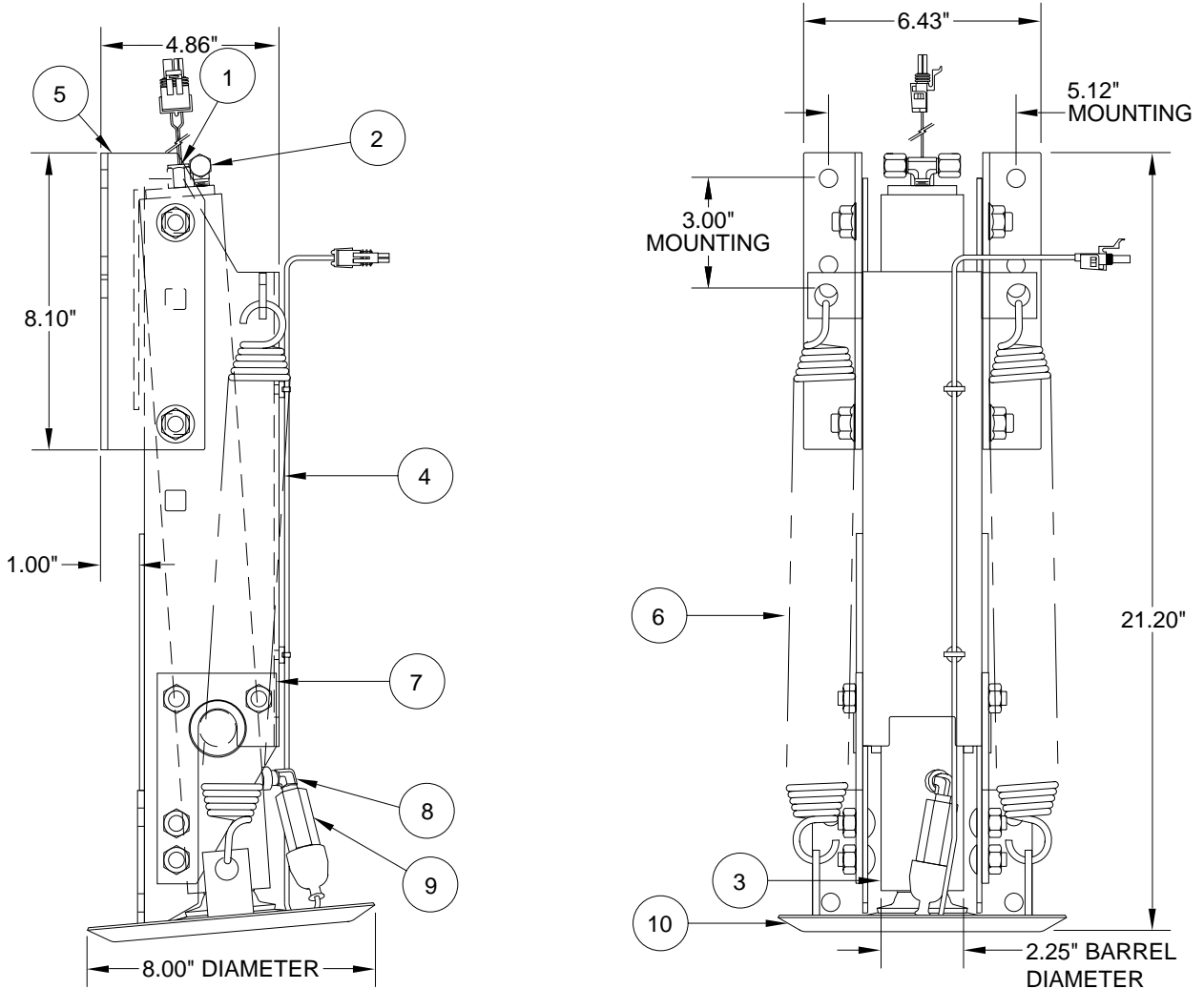
ITEM	PART	QTY	DESCRIPTION
1	RAP90968	1	SWITCH WARNING MAGNETIC GRAY
2	RF90151	1	MALE TEE 1/8" X 1/4" X 1/4"
3	RAP92045	1	CYL. ASSY. 1.625" x 15" (INCLUDES ITEM 2) (EXCLUDES ITEM 1)
4	RAP92427	1	PIVOT BRACKET

ITEM	PART	QTY	DESCRIPTION
5	R3847	2 1	SPRING KIT 1-11/16" X 14" SPRING 1-11/16" X 14"
6	RAP90500	1 2 8 8	RETAINING PLATE KIT RETAINING PLATES HHCS 3/8-16 X 1" HEX NUT 3/8-16 LOCK DEF.
7	RAP92048	1	FOOT 8.00" DIAMETER

NOTE: INDENTED ITEMS ARE INCLUDED WITH PRECEDING ITEM.

MR26.3918  
05MAR09

**AP41689 - STRAIGHT-ACTING JACK, 6 DEG PIVOT, F/A SPRINGS  
6,000 # CAPACITY; 1.625" ROD DIAMETER; 15.00" STROKE; BOLT-ON FOOT  
WITH MAGNETIC WARNING SWITCH AND PRESSURE SWITCH**



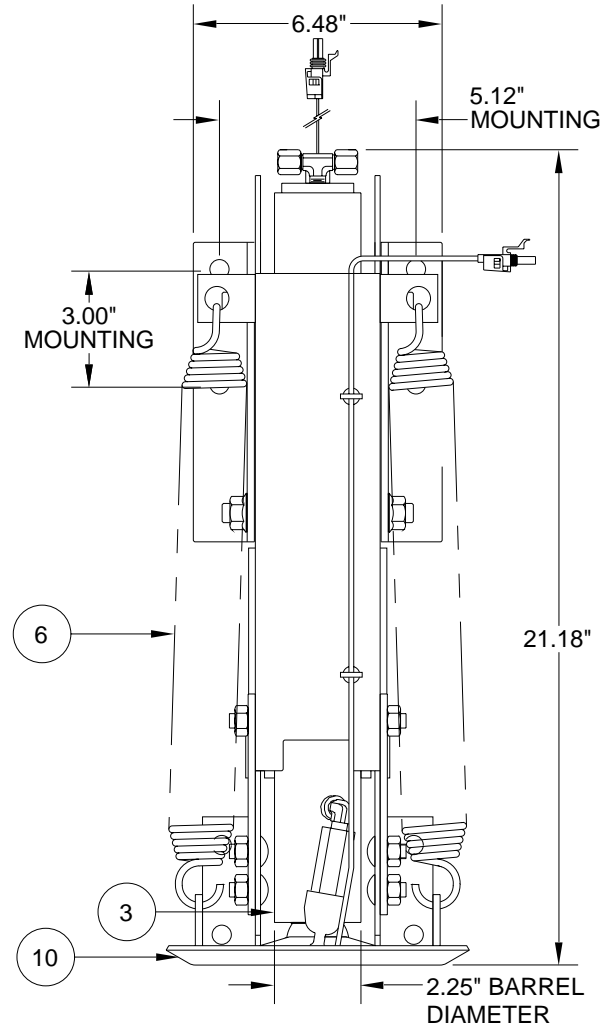
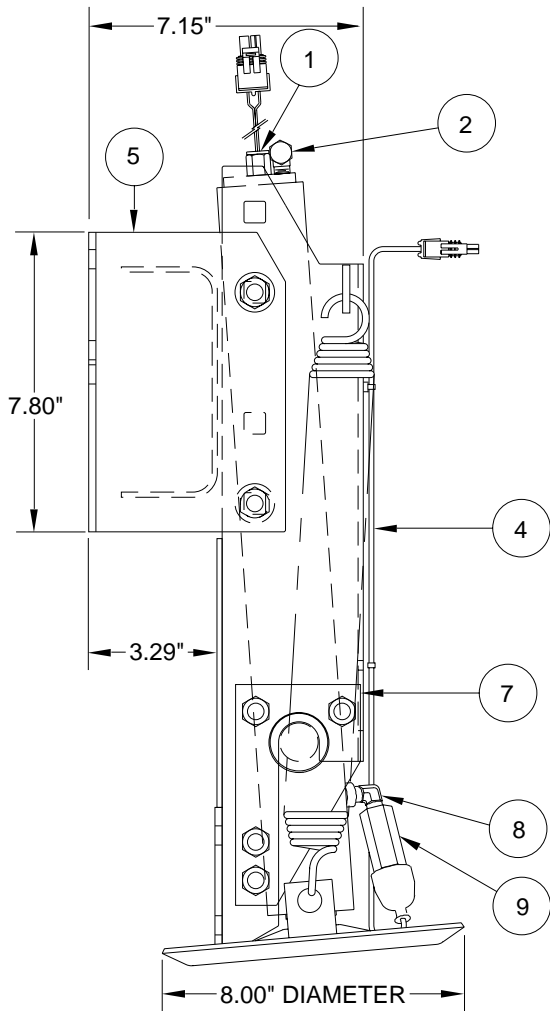
ITEM	PART	QTY	DESCRIPTION
1	RAP90968	1	SWITCH WARNING MAGNETIC GRAY
2	RF90151	1	MALE TEE 1/8" X 1/4" X 1/4"
3	RAP92045	1	CYL. ASSY. 1.625" x 15" (INCLUDES ITEM 2) (EXCLUDES ITEMS 1,8,9)
4	RAP92427	1	PIVOT BRACKET
5	RAP92429	1	MOUNTING BRACKET (INCLUDES HARDWARE)

ITEM	PART	QTY	DESCRIPTION
6	R3847	2 1	SPRING KIT 1-11/16" X 14" SPRING 1-11/16" X 14"
7	RAP90500	1	RETAINING PLATE KIT 2 RETAINING PLATES
		8	HHCS 3/8-16 X 1"
		8	HEX NUT 3/8-16 LOCK DEF.
8	RF8143	1	ELBOW 1/8" X 1/8"
9	RAP8003	1	SWITCH PRESSURE
10	RAP92048	1	FOOT 8.00" DIAMETER

NOTE: INDENTED ITEMS ARE INCLUDED WITH PRECEDING ITEM.

MR26.3919  
05MAR09

**AP44256 - STRAIGHT ACTING JACK, 6 DEGREE PIVOT, F/A SPRINGS**  
**9,000 # CAPACITY; 2.000" ROD DIAMETER; 15.00" STROKE; BOLT-ON FOOT**  
**WITH MAGNETIC WARNING SWITCH AND PRESSURE SWITCH**



ITEM	PART	QTY	DESCRIPTION
1	RAP90968	1	SWITCH WARNING MAGNETIC GRAY
2	RF90151	1	MALE TEE 1/8" X 1/4" X 1/4"
3	RAP92045	1	CYL. ASSY. 1.625" x 15" (INCLUDES ITEM 2) (EXCLUDES ITEMS 1,8,9)
4	RAP92427	1	PIVOT BRACKET
5	RAP92428	1	MOUNTING BRACKET (INCLUDES HARDWARE)

ITEM	PART	QTY	DESCRIPTION
6	R3847	2	SPRING KIT 1-11/16" X 14"
		1	SPRING 1-11/16" X 14"
7	RAP90500	1	RETAINING PLATE KIT
		2	RETAINING PLATES
		8	HHCS 3/8-16 X 1"
		8	HEX NUT 3/8-16 LOCK DEF.
8	RF8143	1	ELBOW 1/8" X 1/8"
9	RAP8003	1	SWITCH PRESSURE
10	RAP92048	1	FOOT 8.00" DIAMETER

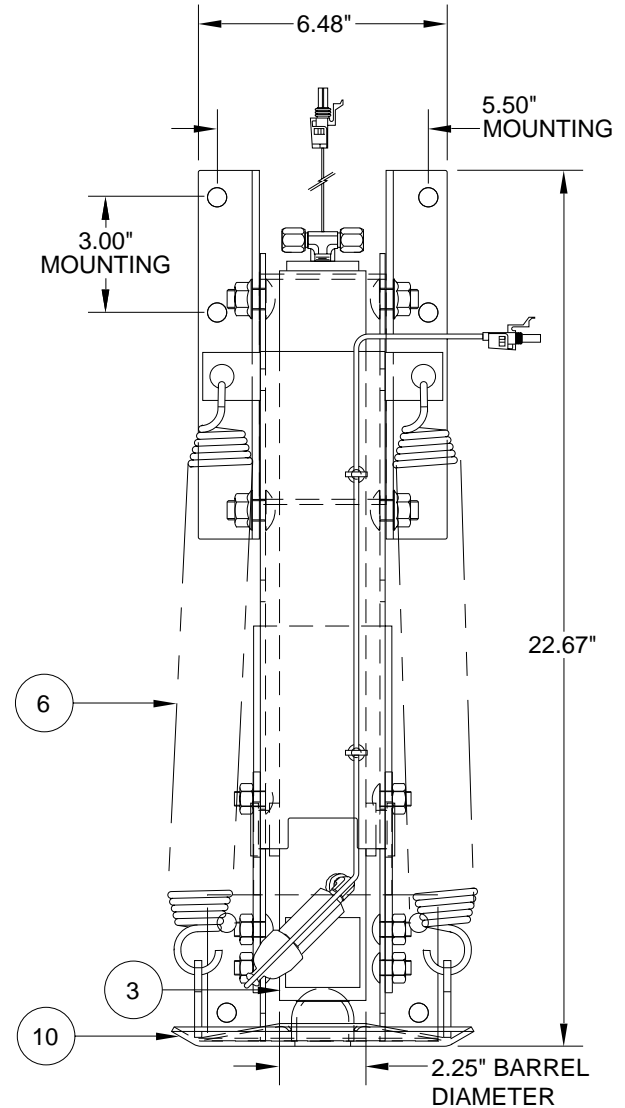
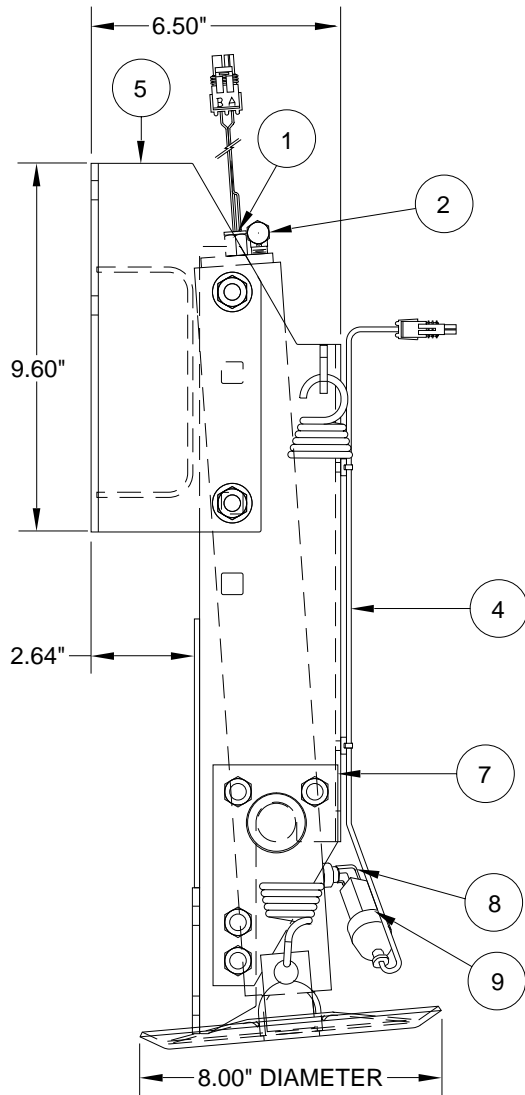
NOTE: INDENTED ITEMS ARE INCLUDED WITH PRECEDING ITEM.

MR26.3920  
09JUL09



**AP45081, AP45082**  
**STRAIGHT-ACTING JACK, 6 DEGREE PIVOT, F/A SPRINGS**  
**6,000 # CAPACITY; 1.625" ROD DIAMETER; 15.00" STROKE; BOLT-ON FOOT**

JACK #	DESCRIPTION
AP45081	MAGNETIC WARNING SWITCH W/ GRAY CONNECTOR ONLY
AP45082	MAGNETIC WARNING SWITCH W/ GRAY CONNECTOR, PRESSURE SWITCH



**USED PRIMARILY ON THE WORKHORSE 24,000LB CHASSIS WITH 22.5" TIRES**

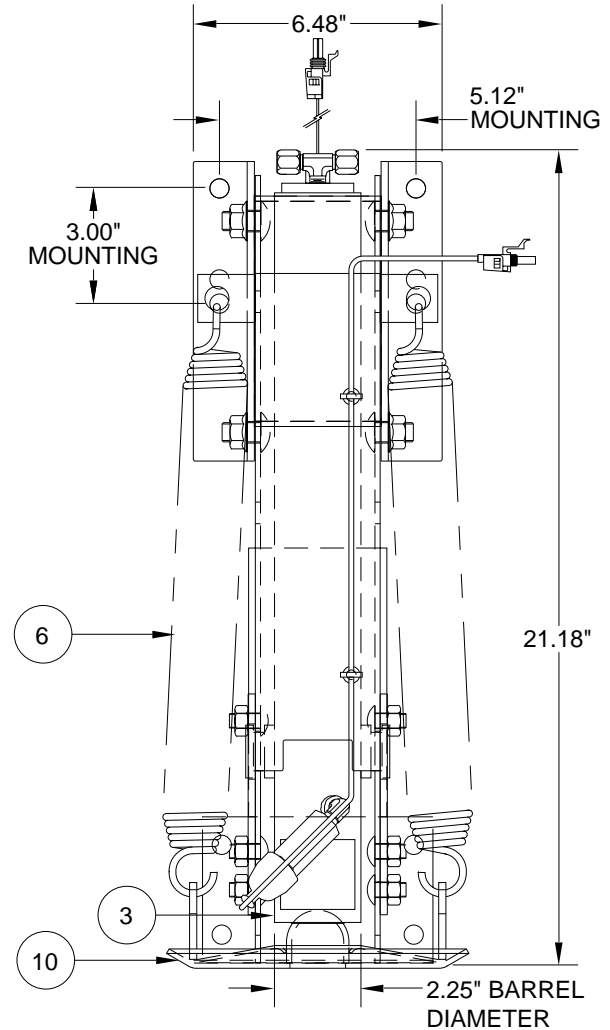
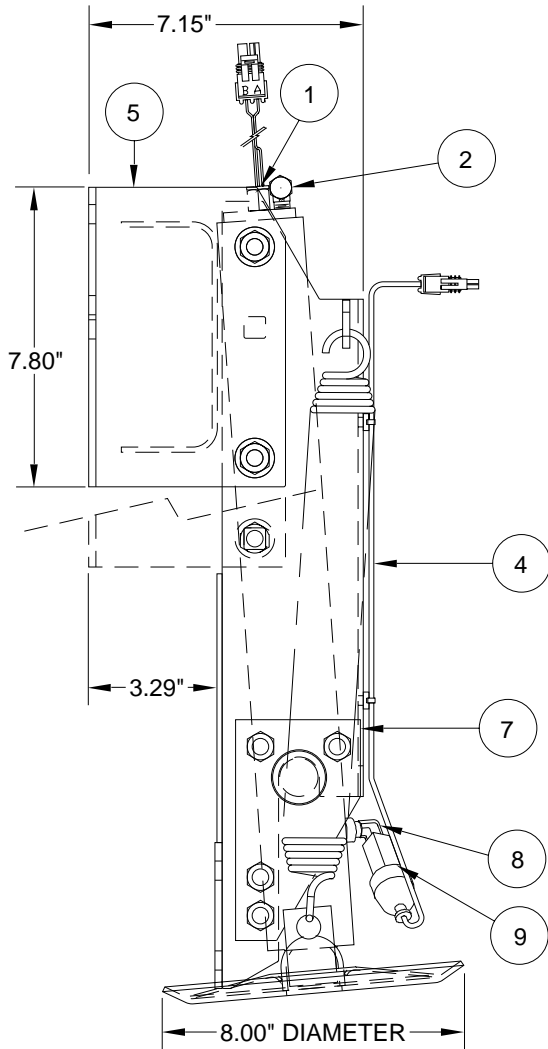
ITEM	PART	QTY	DESCRIPTION	ITEM	PART	QTY	DESCRIPTION
1	RAP90968	1	SWITCH WARNING MAGNETIC GRAY	6	R3847	2	SPRING KIT 1-11/16" X 14"
2	RF90151	1	MALE TEE 1/8" X 1/4" X 1/4"	1		1	SPRING 1-11/16" X 14"
3	RAP92045	1	CYL. ASSY. 1.625" x 15" (INCLUDES ITEM 2) (EXCLUDES ITEMS 1,8,9)	7	RAP90500	1	RETAINING PLATE KIT
4	RAP92427	1	PIVOT BRACKET	2		2	RETAINING PLATES
5	RAP92266	1	MOUNTING BRACKET (INCLUDES HARDWARE)	8		8	HHCS 3/8-16 X 1"
				8	RF8143	1	HEX NUT 3/8-16 LOCK DEF.
				8	RF8143	1	ELBOW 1/8" X 1/8" (AP45082 JACK ONLY)
				9	RAP8003	1	SWITCH PRESSURE (AP45082 JACK ONLY)
				10	RAP92048	1	FOOT 8.00" DIAMETER

**NOTE:** INDENTED ITEMS ARE INCLUDED WITH PRECEDING ITEM.

**MR26.3921**  
**03APR12**

**AP45179 - AP45180 - AP45426**  
**STRAIGHT-ACTING JACK, 6 DEGREE PIVOT, F/A SPRINGS**  
**6,000 # CAPACITY; 1.625" ROD DIAMETER; 15.00" STROKE; BOLT-ON FOOT**

JACK #	DESCRIPTION
AP45179	MAGNETIC WARNING SWITCH W/ GRAY CONNECTOR ONLY, BRACKET IS IN UPPER POSITION
AP45180	MAGNETIC WARNING SWITCH W/ GRAY CONNECTOR, PRESSURE SWITCH, BRACKET IS IN UPPER POSITION
AP45426	MAGNETIC WARNING SWITCH W/ GRAY CONNECTOR ONLY, BRACKET IS IN LOWER POSITION



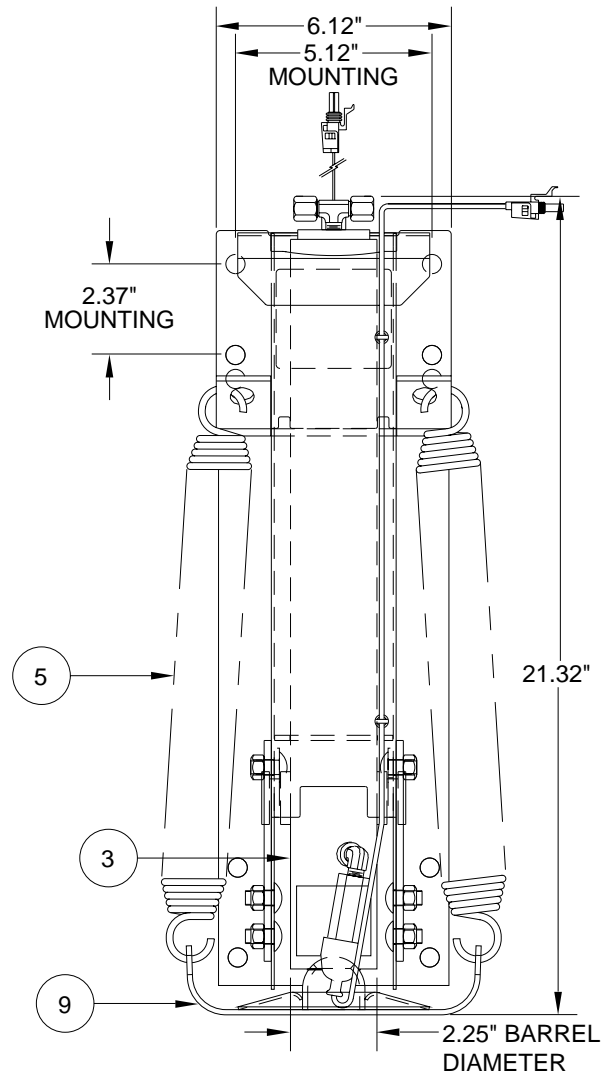
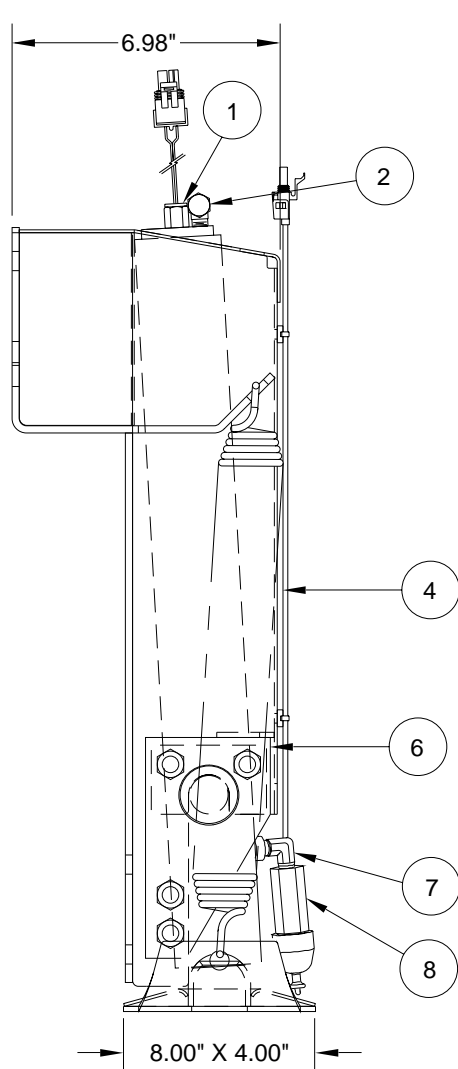
**USED PRIMARILY ON THE FORD 24,000LB-04F53 CHASSIS WITH 19.5" OR 22.5" TIRES.**

ITEM	PART	QTY	DESCRIPTION	ITEM	PART	QTY	DESCRIPTION
1	RAP90968	1	SWITCH WARNING MAGNETIC GRAY	6	R3847	2	SPRING KIT 1-11/16" X 14"
2	RF90151	1	MALE TEE 1/8" X 1/4" X 1/4"	1		1	SPRING 1-11/16" X 14"
3	RAP92045	1	CYL. ASSY. 1.625" x 15" (INCLUDES ITEM 2) (EXCLUDES ITEMS 1,8,9)	7	RAP90500	1	RETAINING PLATE KIT
4	RAP92427	1	PIVOT BRACKET	2		2	RETAINING PLATES
5	RAP92428	1	MOUNTING BRACKET (INCLUDES HARDWARE)	8		8	HHCS 3/8-16 X 1"
				8	RF8143	1	ELBOW 1/8" X 1/8" (AP45180 JACK ONLY)
				9	RAP8003	1	SWITCH PRESSURE (AP45180 JACK ONLY)
				10	RAP92048	1	FOOT 8.00" DIAMETER

**NOTE:** INDENTED ITEMS ARE INCLUDED WITH PRECEDING ITEM.

**MR26.3922**  
**03APR12**

**AP44097 - STRAIGHT-ACTING JACK, 4 DEGREE PIVOT, F/A SPRINGS  
6,000 # CAPACITY; 1.625" ROD DIAMETER; 15.00" STROKE; BOLT-ON FOOT  
WITH MAGNETIC WARNING SWITCH AND PRESSURE SWITCH**



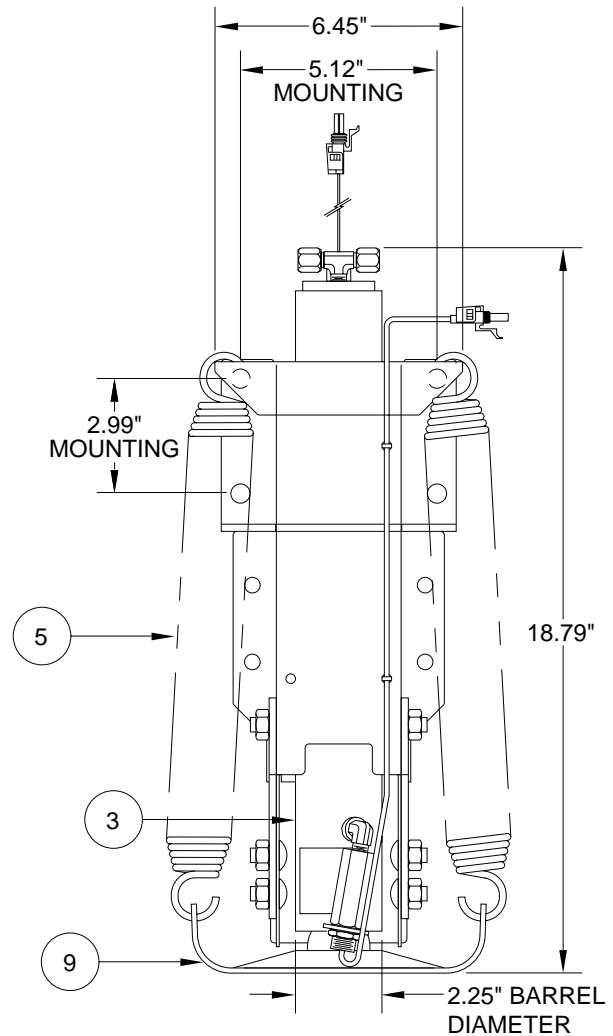
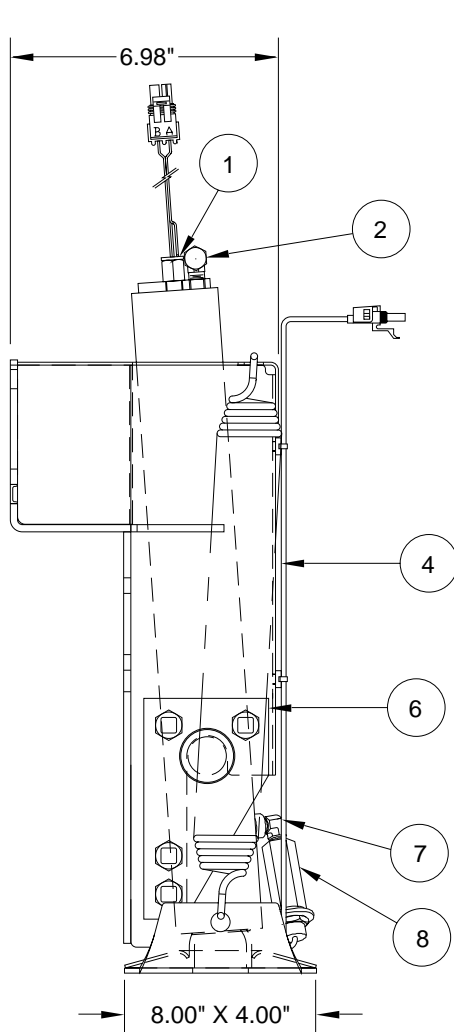
USED PRIMARILY ON THE FRONT OF THE FORD 2004-F53 CHASSIS WITH 22.5" TIRES.

ITEM	PART	QTY	DESCRIPTION	ITEM	PART	QTY	DESCRIPTION
1	RAP90968	1	SWITCH WARNING MAGNETIC GRAY	5	R3847	2	SPRING KIT 1-11/16" X 14"
2	RF90151	1	MALE TEE 1/8" X 1/4" X 1/4"	1		1	SPRING 1-11/16" X 14"
3	RAP92045	1	CYL. ASSY. 1.625" x 15" (INCLUDES ITEM 2) (EXCLUDES ITEMS 1,7,8)	6	RAP90500	1	RETAINING PLATE KIT
4	RAP91709	1	PIVOT BRACKET	2		2	RETAINING PLATES
				8		8	HHCS 3/8-16 X 1"
				8		8	HEX NUT 3/8-16 LOCK DEF.
				7	RF8143	1	ELBOW 1/8" X 1/8"
				8	RAP8003	1	SWITCH PRESSURE
				9	RAP93053	1	FOOT 8.00" X 4.00"

NOTE: INDENTED ITEMS ARE INCLUDED WITH PRECEDING ITEM.

MR26.3923  
09JAN12

**AP51524 - STRAIGHT-ACTING JACK, 5 DEG PIVOT, F/A SPRINGS  
6,000 # CAPACITY; 1.625" ROD DIAMETER; 13.00" STROKE; BOLT-ON FOOT  
WITH MAGNETIC WARNING SWITCH AND PRESSURE SWITCH**



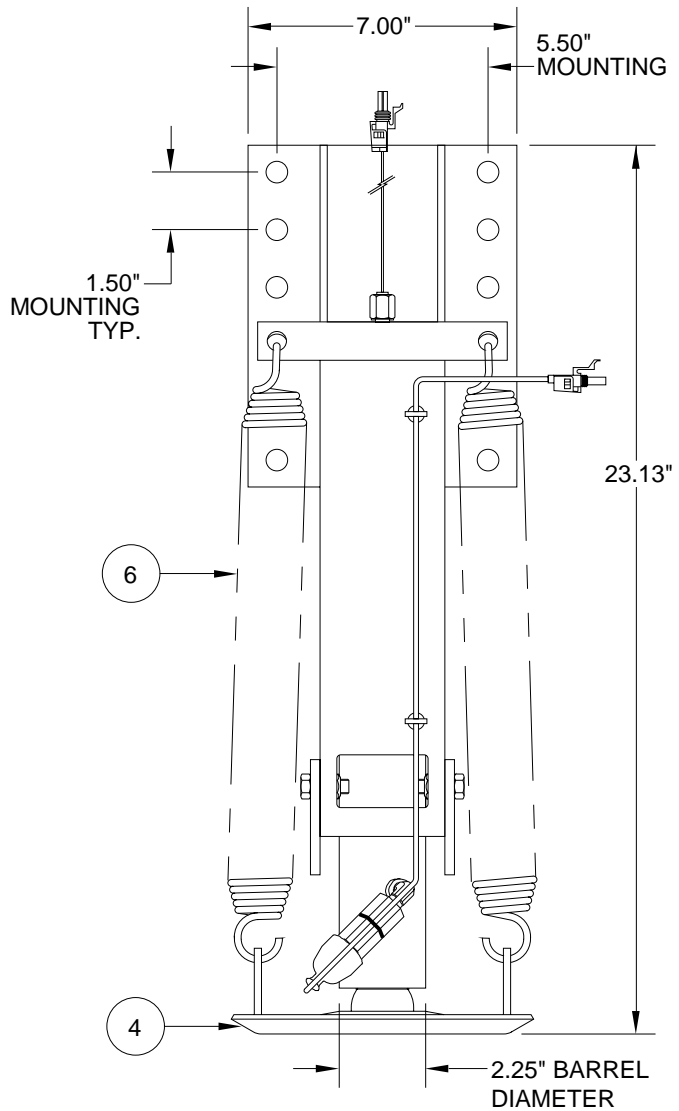
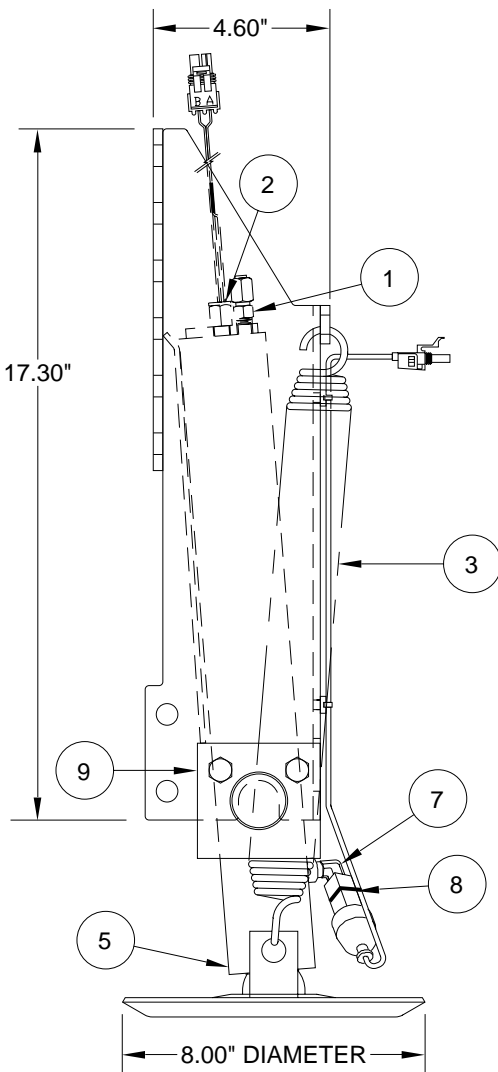
ITEM	PART	QTY	DESCRIPTION
1	RAP90968	1	SWITCH WARNING MAGNETIC GRAY
2	RF90151	1	MALE TEE 1/8" X 1/4" X 1/4"
3	RAP92246	1	CYL. ASSY. 1.625" x 13" (INCLUDES ITEM 2) (EXCLUDES ITEMS 1,7,8)
4	RAP90504	1	PIVOT BRACKET

ITEM	PART	QTY	DESCRIPTION
5	R3847	2 1	SPRING KIT 1-11/16" X 14" SPRING 1-11/16" X 14"
6	RAP90500	1	RETAINING PLATE KIT 2 RETAINING PLATES 8 HHCS 3/8-16 X 1" 8 HEX NUT 3/8-16 LOCK DEF.
7	RF8143	1	ELBOW 1/8" X 1/8"
8	RAP8003	1	SWITCH PRESSURE
9	RAP93053	1	FOOT 8.00" X 4.00"

NOTE: INDENTED ITEMS ARE INCLUDED WITH PRECEDING ITEM.

**MR26.3924  
12MAR13**

**AP43911 - STRAIGHT ACTING JACK, 6 DEGREE PIVOT, F/A SPRINGS  
 9,000 # CAPACITY; 2.000" ROD DIAMETER; 13.00" STROKE; BOLT-ON FOOT  
 WITH MAGNETIC WARNING SWITCH AND PRESSURE SWITCH**



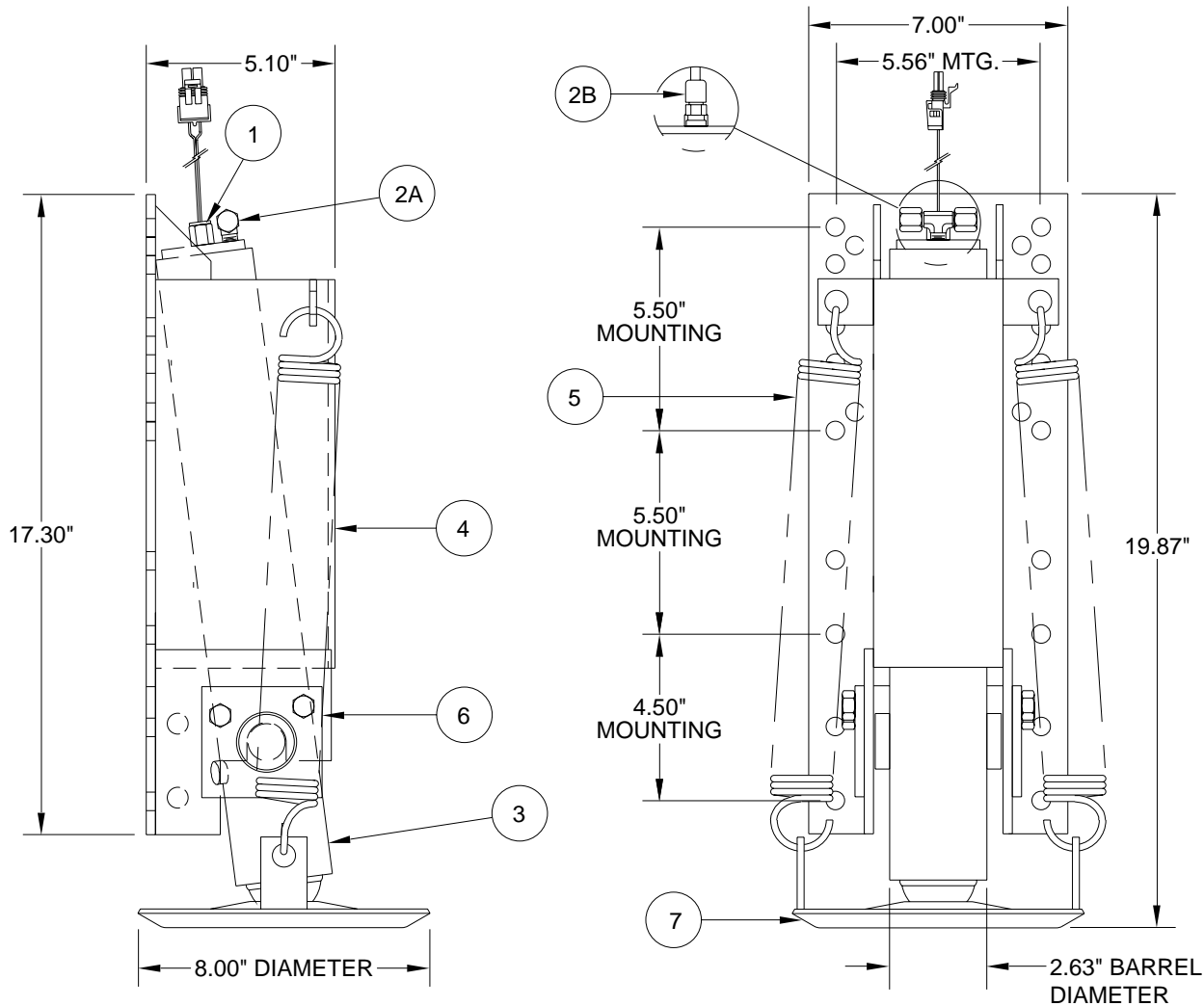
ITEM	PART	QTY	DESCRIPTION
1	RF1456	1	MALE CONNECTOR 1/8" X 1/4"
2	RAP90968	1	SWITCH WARNING MAGNETIC GRAY
3	RAP92556	1	PIVOT BRACKET
4	RAP92048	1	8.00" DIAMETER FOOT
5	RAP92246	1	CYL. ASSY. 1.625" X 13" (INCLUDES TEE) (EXCLUDES ITEMS 1,2,7,8)

ITEM	PART	QTY	DESCRIPTION
6	R3847	1 2	SPRING KIT 1-11/16" X 14" SPRING 1-11/16" X 14"
7	RF8143	1	ELBOW 1/8" X 1/8"
8	RAP8003	1	SWITCH PRESSURE
9	RAP10016	1 2 4 4	RETAINING PLATE KIT RETAINING PLATES HHCS 3/8-16 X 1" HEX NUT 3/8-16 LOCK DEF

NOTE: INDENTED ITEMS ARE INCLUDED WITH PRECEDING ITEM.

**AP1954 - AP10466 - AP10882**  
**STRAIGHT-ACTING JACK, 7 DEGREE PIVOT, F/A SPRINGS**  
**9,000 # CAPACITY; 2.000" ROD DIAMETER; 13.00" STROKE**

JACK #	DESCRIPTION
AP1954	REPLACED BY AP10466
AP10466	MAGNETIC WARNING SWITCH W/ BLACK CONNECTOR ONLY, TEE FITTING
AP10882	MAGNETIC WARNING SWITCH W/ BLACK CONNECTOR ONLY, STRAIGHT FITTING



ITEM	PART	QTY	DESCRIPTION
1	RAP1008	1	SWITCH WARNING MAGNETIC
2A	RF90151	1	MALE TEE 1/8" X 1/4" X 1/4" (AP10466 ONLY)
2B	RF1456	1	MALE CONNECTOR 1/8" X 1/4" (AP10882 ONLY)
3	RAP1927	1	CYL. ASSY. 2.000" x 13" (INCLUDES ITEM 2A) (EXCLUDES ITEMS 1, 2B)

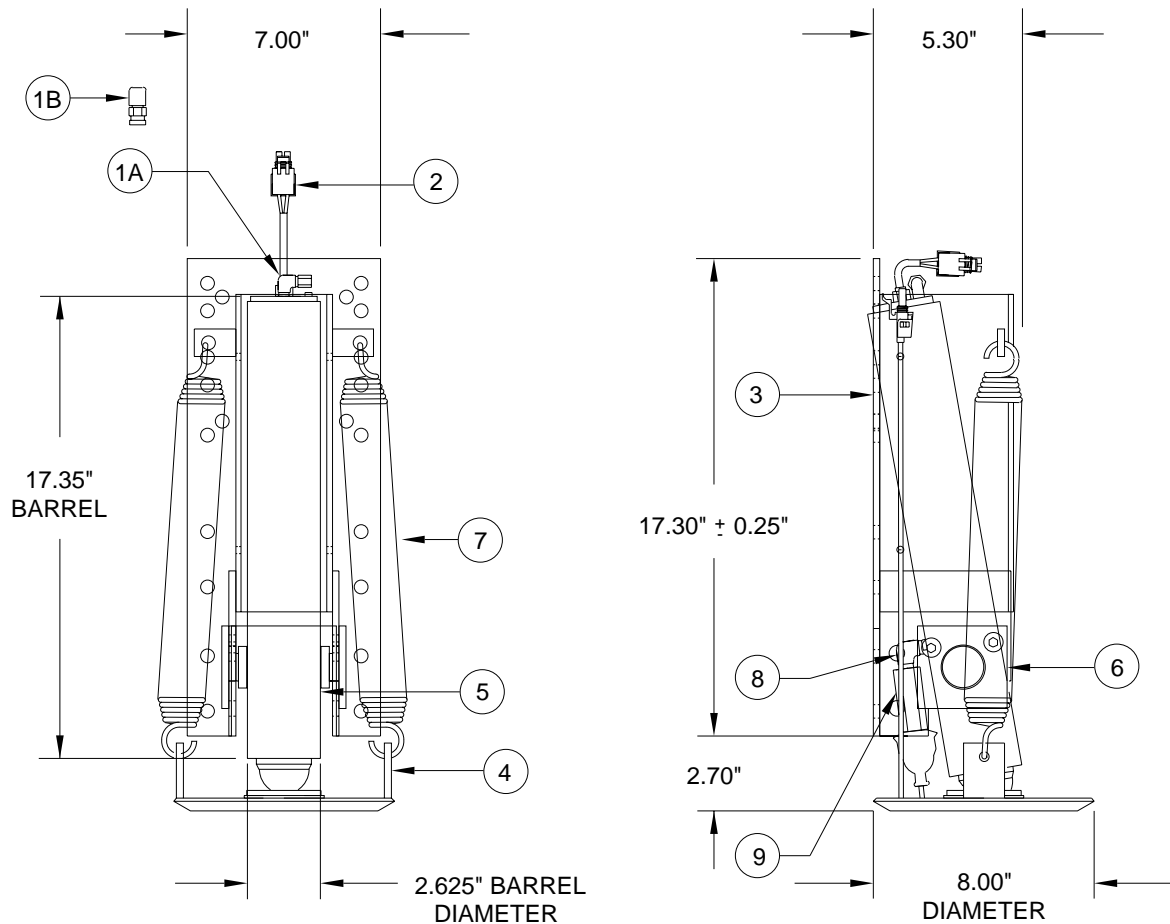
ITEM	PART	QTY	DESCRIPTION
4	RAP90185	1	PIVOT BRACKET
5	R3847	1	SPRING KIT 1-11/16" X 14"
		2	SPRING 1-11/16" X 14"
6	RAP1735	1	RETAINING PLATE KIT
		2	RETAINING PLATES
		4	HHCS 3/8 - 16 x 1"
		4	HEX NUT 3/8 - 16 LOCK
7	RAP8464	1	FOOT 8.00" DIAMETER

NOTE : INDENTED ITEMS ARE INCLUDED WITH PRECEDING ITEM.

**MR26.4110**  
**23MAR09**

# AP10717 - STRAIGHT - ACTING JACK, 7 DEGREE PIVOT, F/A SPRINGS REPLACES AP1955 AND AP11546

**9,000 # CAPACITY; 2.000" ROD DIAMETER; 13.00" STROKE  
WITH PRESSURE SWITCH AND 2-WIRE WARNING SWITCH**



ITEM	PART	QTY	DESCRIPTION
	RAP90224		JACK 9,000 # X 13" F/A (REPLACES AP10717, AP1955 AND AP11546)
1A	RF1453	1	ELBOW 1/8" X 1/4" (USED ON AP10717 AND AP1955)
1B	RF1456	1	MALE CONNECTOR 1/8" X 1/4" (USED ON AP11546)
2	RAP1008	1	SWITCH WARNING 2-WIRE
3	RAP90185	1	PIVOT BRACKET
4	RAP8464	1	8.00" DIAMETER FOOT

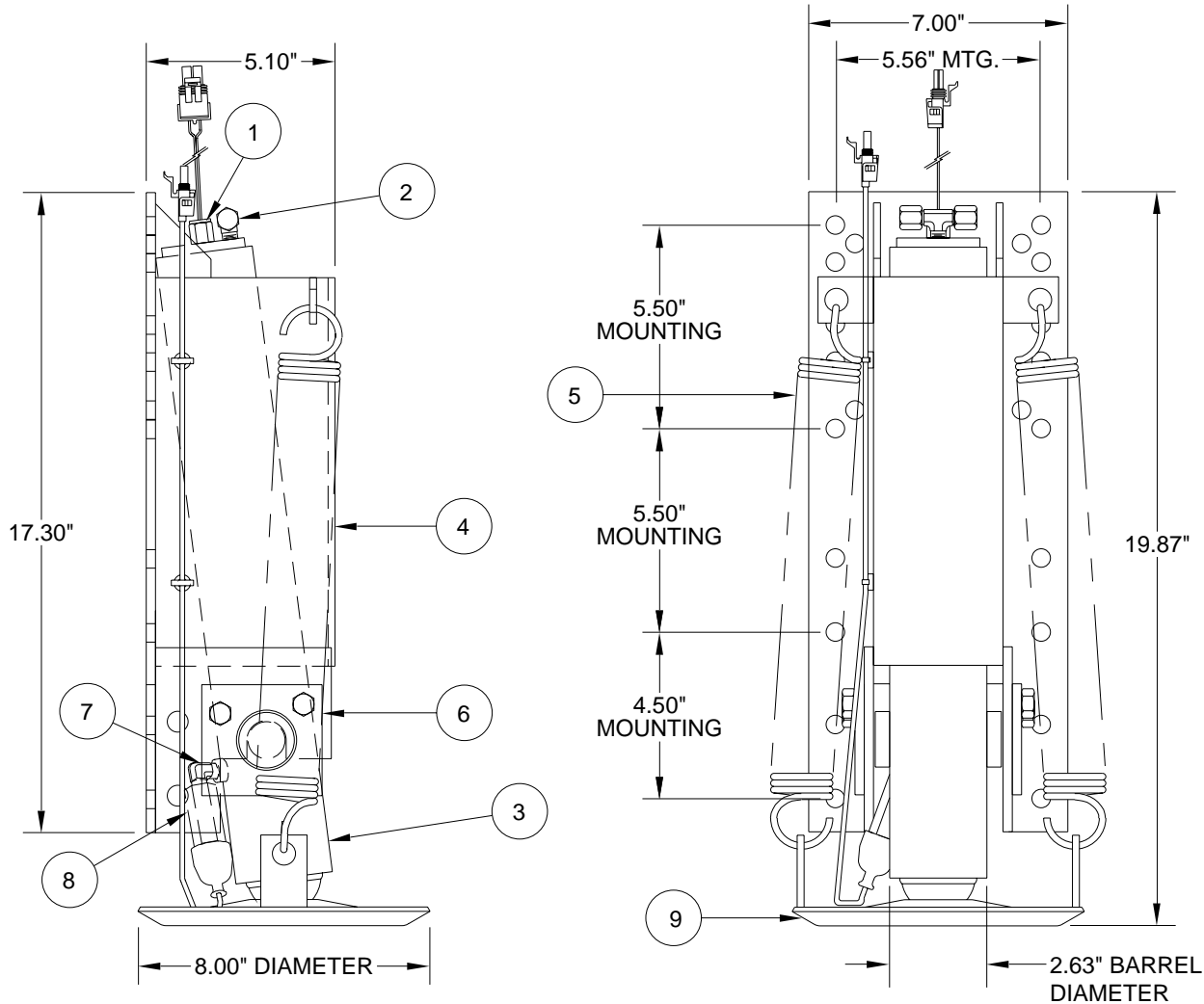
ITEM	PART	QTY	DESCRIPTION
5	RAP1927	1	CYL. ASSY. 2.000" X 13" (INCLUDES ITEM 1A) (EXCLUDES ITEM 2,8,9)
6	RAP1735	1	RETAINING PLATE KIT
		2	RETAINING PLATES
		4	HHCS 3/8-16 X 1"
		4	HEX NUT 3/8-16 LOCK DEF.
7	R3847	1	SPRING KIT 1-11/16" X 14"
		2	SPRING 1-11/16" X 14"
8	RF8143	1	ELBOW 1/8" X 1/8"
9	RAP8003	1	SWITCH PRESSURE

**NOTE :** INDENTED ITEMS ARE INCLUDED WITH PRECEDING ITEM.

**MR26.4115  
22FEB07**

**AP28812 - AP29622 - AP29623**  
**STRAIGHT-ACTING JACK, 7 DEGREE PIVOT, F/A SPRINGS**  
**9,000 # CAPACITY; 2.000" ROD DIAMETER; 13.00" STROKE**

JACK #	DESCRIPTION
AP28812	NO WARNING OR PRESSURE SWITCH
AP29622	MAGNETIC WARNING SWITCH W/ GRAY CONNECTOR ONLY
AP29623	MAGNETIC WARNING SWITCH W/ GRAY CONNECTOR, PRESSURE SWITCH



ITEM	PART	QTY	DESCRIPTION
------	------	-----	-------------

1	RAP90968	1	SWITCH WARNING MAGNETIC GRAY (AP29622, AP29623)
2	RF90151	1	MALE TEE 1/8" X 1/4" X 1/4"
3	RAP1927	1	CYL. ASSY. 2.000" x 13" (INCLUDES ITEM 2) (EXCLUDES ITEMS 1,7,8)
4	RAP90185	1	PIVOT BRACKET

ITEM	PART	QTY	DESCRIPTION
------	------	-----	-------------

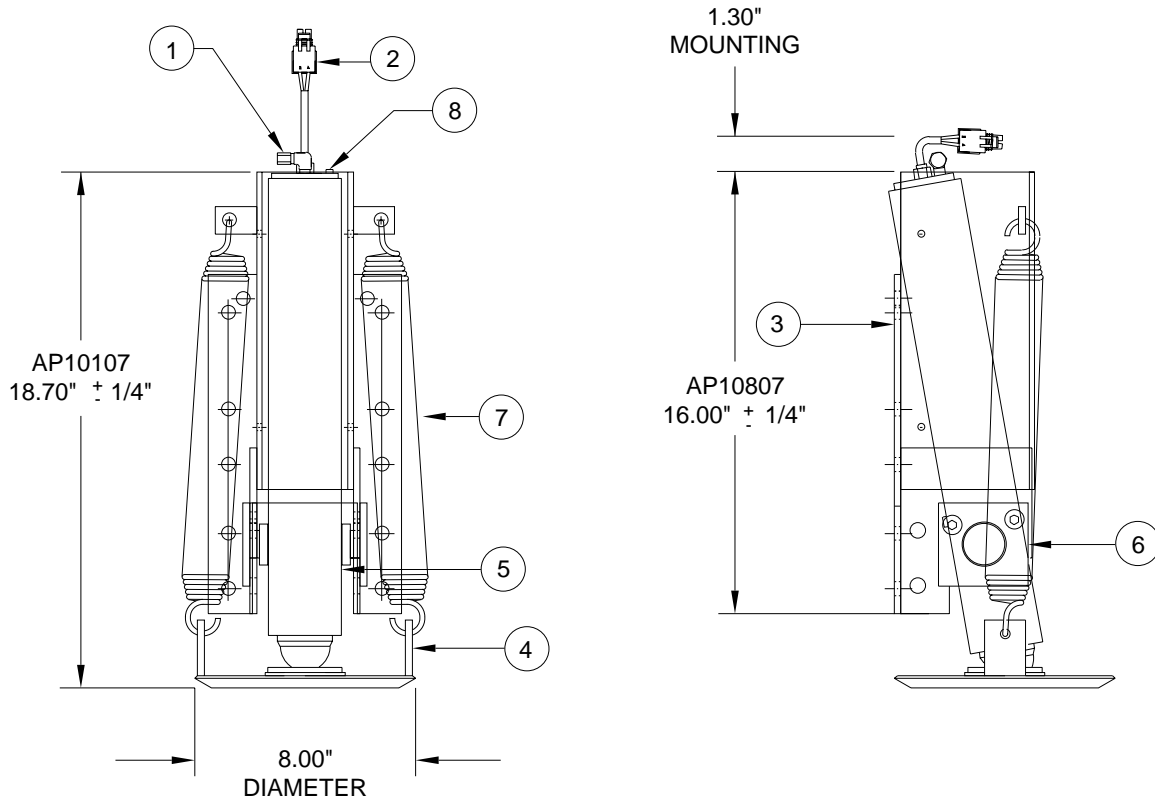
5	R3847	1	SPRING KIT 1-11/16" X 14"
		2	SPRING 1-11/16" X 14"
6	RAP1735	1	RETAINING PLATE KIT
		2	RETAINING PLATES
		4	HHCS 3/8 - 16 x 1"
		4	HEX NUT 3/8 - 16 LOCK
7	RF8143	1	ELBOW 1/8" X 1/8" (AP29623 ONLY)
8	RAP8003	1	SWITCH PRESSURE (AP29623 ONLY)
9	RAP8464	1	FOOT 8.00" DIAMETER

**NOTE:** INDENTED ITEMS ARE INCLUDED WITH PRECEDING ITEM.

**MR26.4120**  
**26FEB09**



**AP10107 - STRAIGHT ACTING JACK, 7 DEGREE PIVOT, F/A SPRINGS**  
**9,000 # CAPACITY; 2.000" ROD DIAMETER; 13.00" STROKE**  
**WITH NARROW PIVOT BRACKET**



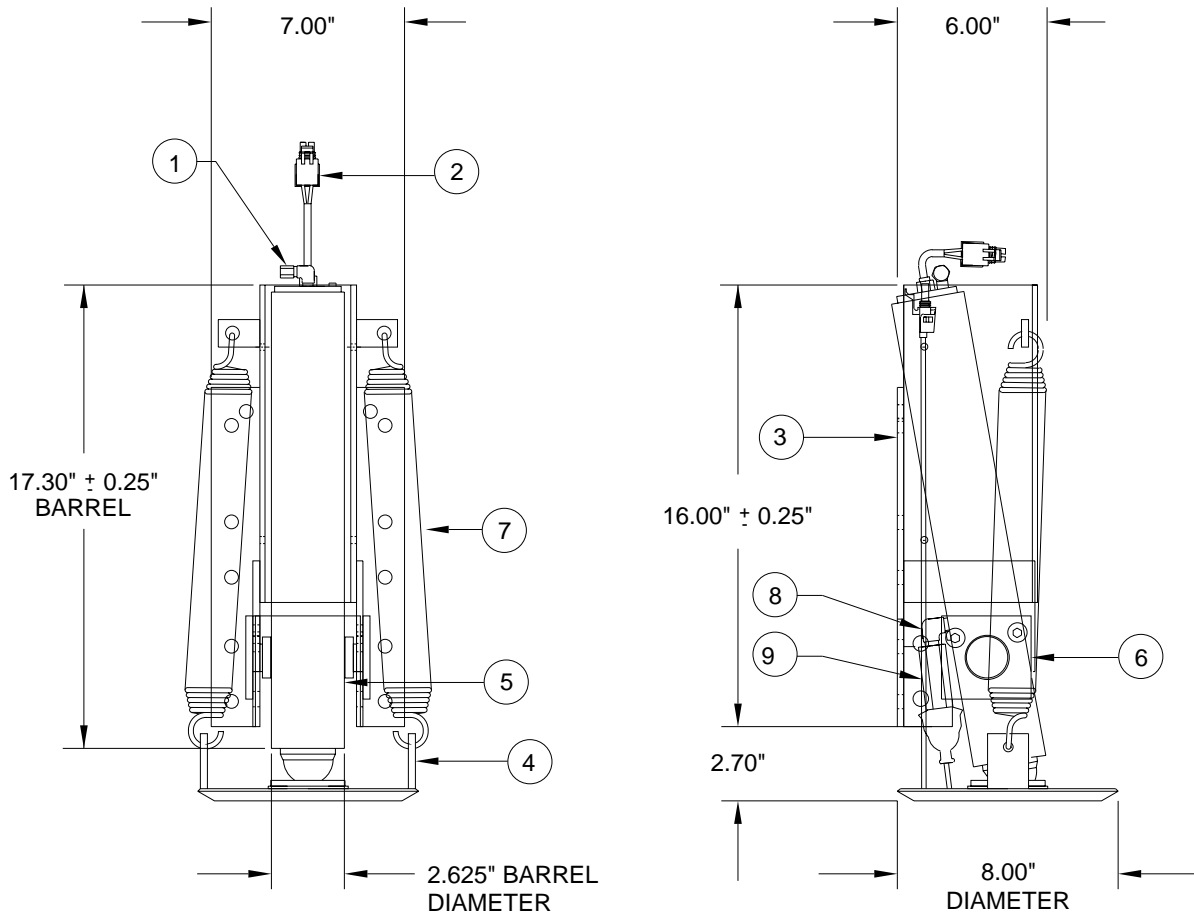
**USED PRIMARILY ON WINNEBAGO JET - TAG AXLE**

ITEM	PART	QTY	DESCRIPTION	ITEM	PART	QTY	DESCRIPTION
	RAP10107		JACK 9,000 # X 13" F/A (REPLACES AP10107)	5	RAP1927	1	CYL. ASSY. 2.000" X 13" (INCLUDES ITEM 1,8) (EXCLUDES ITEM 2)
1	RF1453	1	ELBOW 1/8" X 1/4"	6	RAP1735	1	RETAINING PLATE KIT
2	RAP1008	1	SWITCH WARNING 2-WIRE	2		2	RETAINING PLATES
3	RAP90186	1	PIVOT BRACKET	4		4	HHCS 3/8-16 X 1"
4	RAP8464	1	8.00" DIAMETER FOOT	4		4	HEX NUT 3/8-16 LOCK DEF.
				7	R3847	1	SPRING KIT 1-11/16" X 14"
				2		2	SPRING 1-11/16" X 14"
				8	RF2418	1	PIPE PLUG 1/8"

**NOTE :** INDENTED ITEMS ARE INCLUDED WITH PRECEDING ITEM.

**MR26.4125**  
**22FEB07**

**AP10793 - STRAIGHT - ACTING JACK, 7 DEGREE PIVOT, F/A SPRINGS  
 9,000 # CAPACITY; 2.000" ROD DIAMETER; 13.00" STROKE  
 WITH PRESSURE SWITCH, 2-WIRE WARNING SWITCH,  
 AND NARROW PIVOT BRACKET**



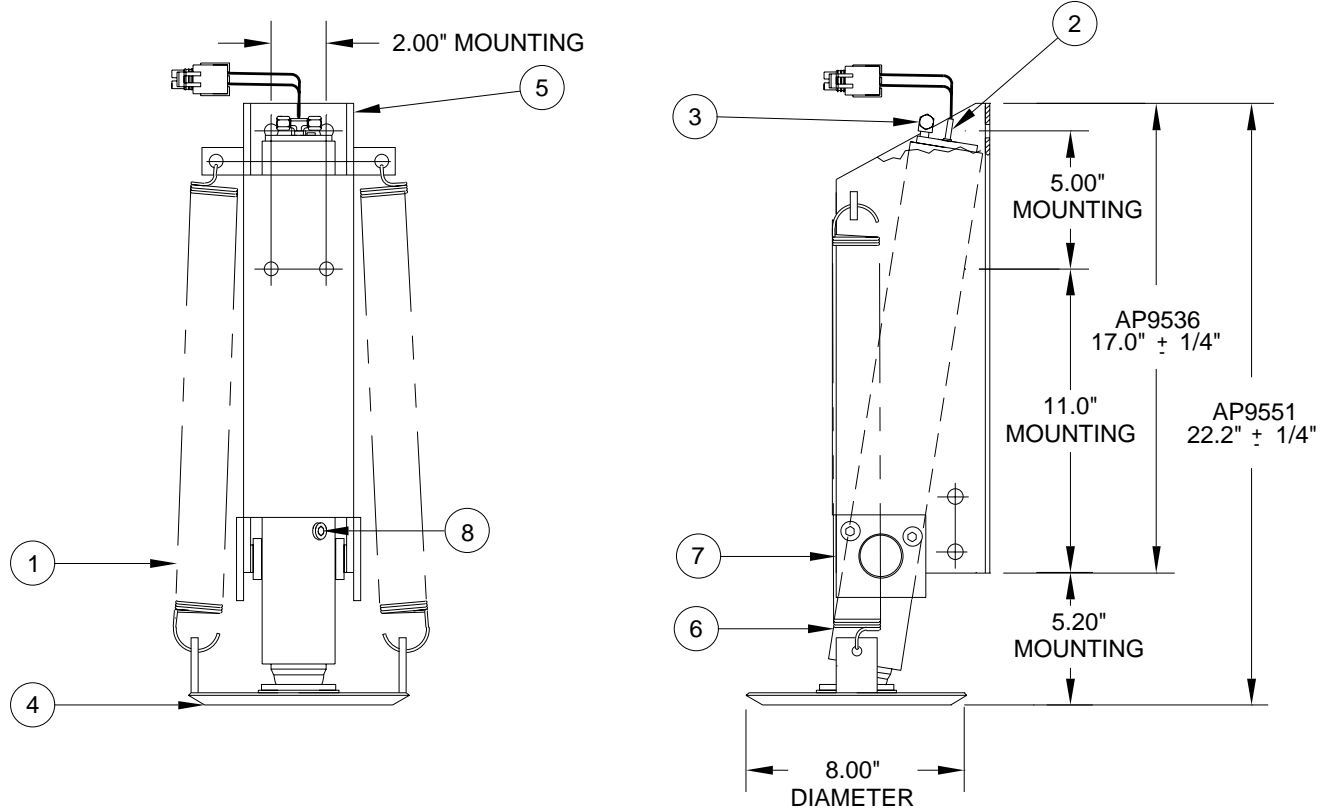
**USED PRIMARILY ON WINNEBAGO JET-AIR AXLE FORDS AND CHEVYS**

ITEM	PART	QTY	DESCRIPTION	ITEM	PART	QTY	DESCRIPTION
	RAP90223		JACK 9,000 # X 13" F/A (REPLACES AP10793)	6	RAP1735	1	RETAINING PLATE KIT
						2	RETAINING PLATES
1	RF1453	1	ELBOW 1/8" X 1/4"			4	HHCS 3/8-16 X 1"
2	RAP1008	1	SWITCH WARNING 2-WIRE			4	HEX NUT 3/8-16 LOCK DEF.
3	RAP90186	1	PIVOT BRACKET	7	R3847	1	SPRING KIT 1-11/16" X 14"
4	RAP8464	1	8.00" DIAMETER FOOT			2	SPRING 1-11/16" X 14"
5	RAP1927	1	CYL. ASSY. 2.000" X 13" (INCLUDES ITEM 1) (EXCLUDES ITEM 2,8,9)	8	RF8143	1	ELBOW 1/8" X 1/8"
				9	RAP8003	1	SWITCH PRESSURE

**NOTE :** INDENTED ITEMS ARE INCLUDED WITH PRECEDING ITEM.

**MR26.4130  
 22FEB07**

**AP9551 - STRAIGHT ACTING JACK, 7 DEGREE PIVOT, F/A SPRINGS**  
**9,000 # CAPACITY; 2.000" ROD DIAMETER; 13.00" STROKE**  
**WITH NARROW PIVOT BRACKET**  
**REPLACES AP18813**



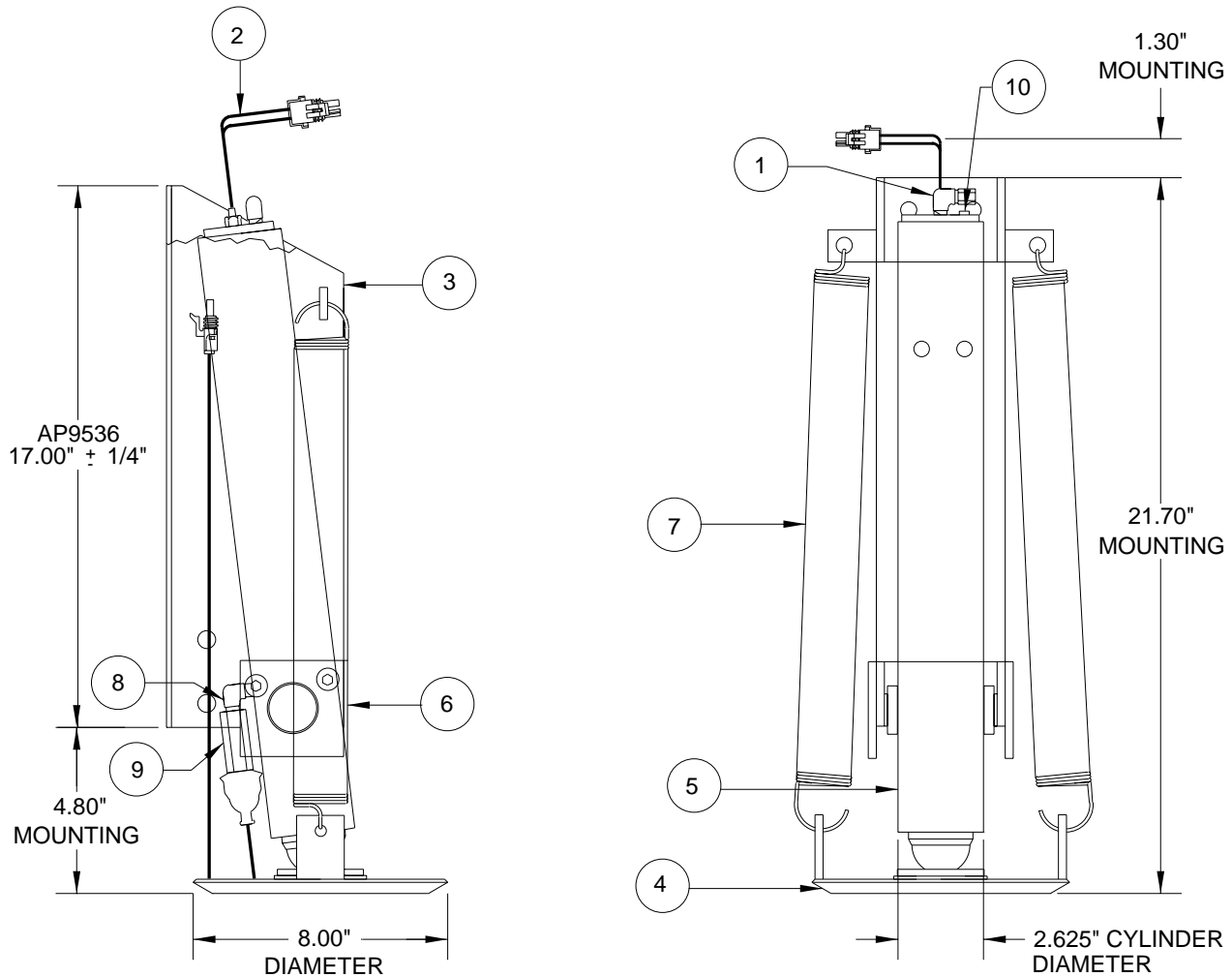
ITEM	PART	QTY	DESCRIPTION
1	R3847	1	SPRING KIT 1-11/16" X 14"
		2	SPRING 1-11/16" X 14"
2	RAP1008	1	SWITCH WARNING 2-WIRE (REPLACES RAP8100)
3	RF90151	1	TEE FITTING 1/8" X 1/4" X 1/4"
4	RAP8464	1	8.00" DIAMETER FOOT
5	<b>OBSOLETE</b>		PIVOT BRACKET - CONTACT HWH CORPORATION FOR REPLACEMENT INFORMATION

ITEM	PART	QTY	DESCRIPTION
6	RAP9567	1	CYL. ASSY. 2.00" X 13" (INCLUDES ITEM 3,8) (EXCLUDES ITEM 2)
7	RAP1735	1	RETAINING PLATE KIT
		2	RETAINING PLATE
		4	HHCS 3/8-16 X 1"
		4	HEX NUT 3/8-16 LOCK DEF
8	RF90272	1	HEX PLUG 1/8"

**NOTE :** INDENTED ITEMS ARE INCLUDED WITH PRECEDING ITEM.

**MR26.4140**  
**23MAR09**

**AP1204 - STRAIGHT ACTING JACK, 7 DEGREE PIVOT, F/A SPRINGS  
 9,000 # CAPACITY; 2.000" ROD DIAMETER; 13.00" STROKE  
 WITH PRESSURE SWITCH, 2-WIRE WARNING SWITCH  
 AND NARROW PIVOT BRACKET**



**NOTE :** ON SOME EARLY MODEL AP1204 JACKS THE PRESSURE SWITCH WAS MOUNTED ON THE TOP OF CYLINDER.

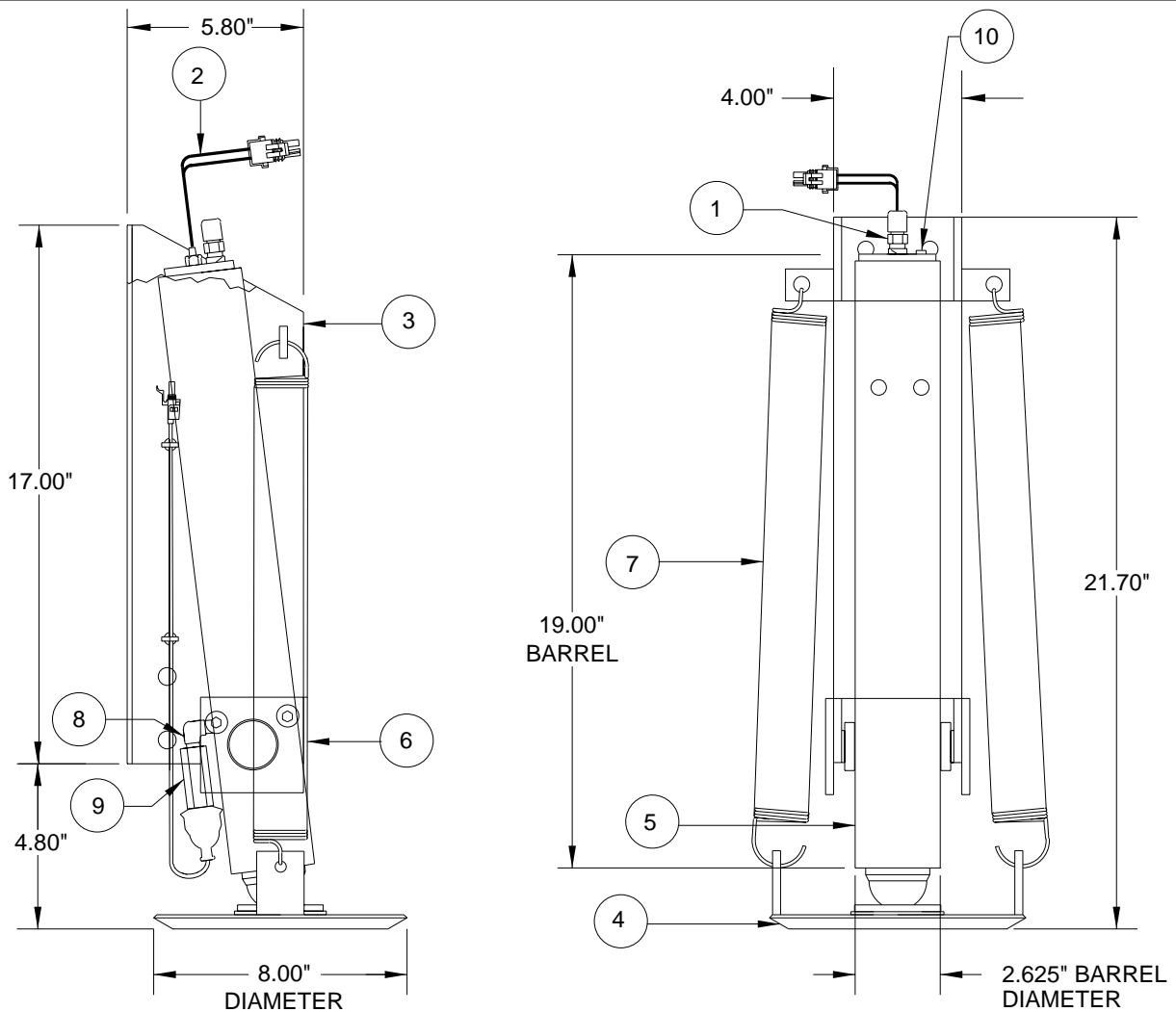
ITEM	PART	QTY	DESCRIPTION
1	RF1453	1	ELBOW 1/8" X 1/4"
2	RAP1008	1	SWITCH WARNING 2-WIRE
3	<b>OBSELETE</b>		PIVOT BRACKET - CONTACT HWH CORPORATION FOR REPLACEMENT INFORMATION
4	RAP8464	1	8.00" DIAMETER FOOT
5	RAP9567	1	CYL. ASSY. 2.00" X 13" (INCLUDES ITEMS 1,10) (EXCLUDES ITEMS 2,8,9)

ITEM	PART	QTY	DESCRIPTION
6	RAP1735	1	RETAINING PLATE KIT
		2	RETAINING PLATE
		4	HHCS 3/8-16 X 1"
		4	HEX NUT 3/8-16 LOCK DEF
7	R3847	1	SPRING KIT 1-11/16" X 14"
		2	SPRING 1-11/16" X 14"
8	RF8143	1	ELBOW 1/8" X 1/8"
9	RAP8003	1	SWITCH PRESSURE
10	RF2418	1	PIPE PLUG 1/8"

**NOTE :** INDENTED ITEMS ARE INCLUDED WITH PRECEDING ITEM.

**MR26.4142  
 23MAR09**

**AP10908 - STRAIGHT-ACTING JACK, 7 DEGREE PIVOT, F/A SPRINGS  
 9,000 # CAPACITY; 2.000" ROD DIAMETER; 13.00" STROKE  
 WITH PRESSURE SWITCH, 2-WIRE WARNING SWITCH  
 AND NARROW PIVOT BRACKET**



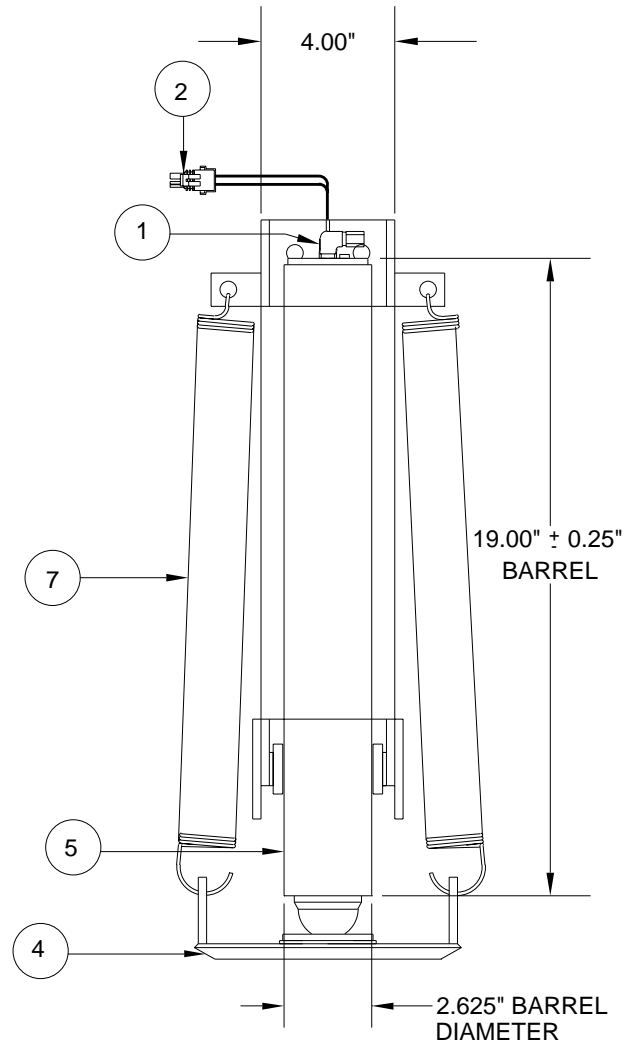
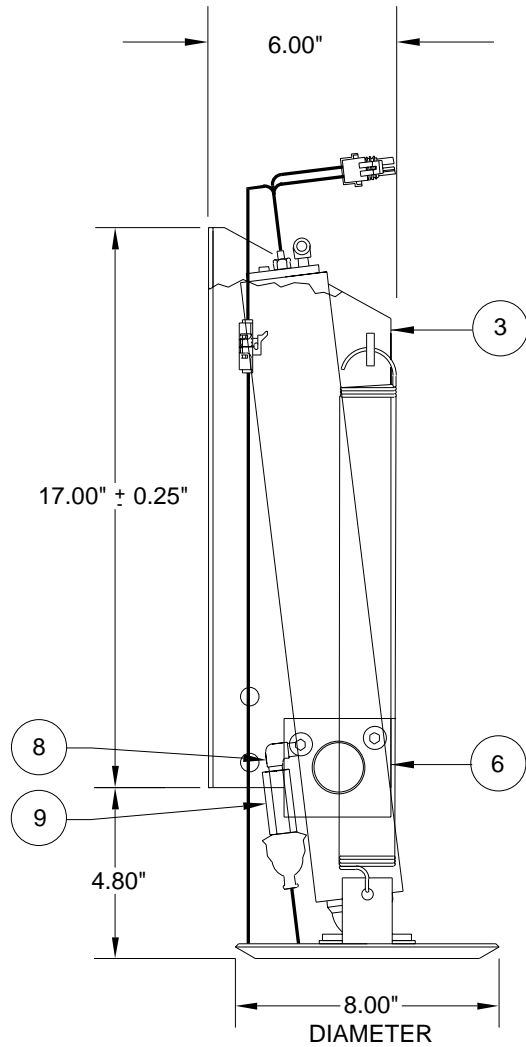
ITEM	PART	QTY	DESCRIPTION
1	RF1456	1	MALE CONNECTOR 1/8" X 1/4"
2	RAP1008	1	SWITCH WARNING 2-WIRE (REPLACES AP1008)
3	<b>OBSELETE</b>		PIVOT BRACKET - CONTACT HWH CORPORATION FOR REPLACEMENT INFORMATION
4	RAP8464	1	8.00" DIAMETER FOOT
5	RAP9567	1	CYL. ASSY. 2.00" X 13" (INCLUDES ITEMS 1,10) (EXCLUDES ITEMS 2,8,9)

ITEM	PART	QTY	DESCRIPTION
6	RAP1735	1	RETAINING PLATE KIT
		2	RETAINING PLATE
		4	HHCS 3/8-16 X 1"
		4	HEX NUT 3/8-16 LOCK
7	R3847	1	SPRING KIT 1-11/16" X 14"
		2	SPRING 1-11/16" X 14"
8	RF8143	1	ELBOW 1/8" X 1/8"
9	RAP8003	1	SWITCH PRESSURE
10	RF2418	1	PIPE PLUG 1/8"

**NOTE :** INDENTED ITEMS ARE INCLUDED WITH PRECEDING ITEM.

**MR26.4143  
 23MAR09**

**AP0585 - STRAIGHT - ACTING JACK, 7 DEGREE PIVOT, F/A SPRINGS  
 9,000 # CAPACITY; 2.000" ROD DIAMETER; 13.00" STROKE  
 WITH PRESSURE SWITCH, 3-WIRE WARNING SWITCH,  
 AND NARROW PIVOT BRACKET**



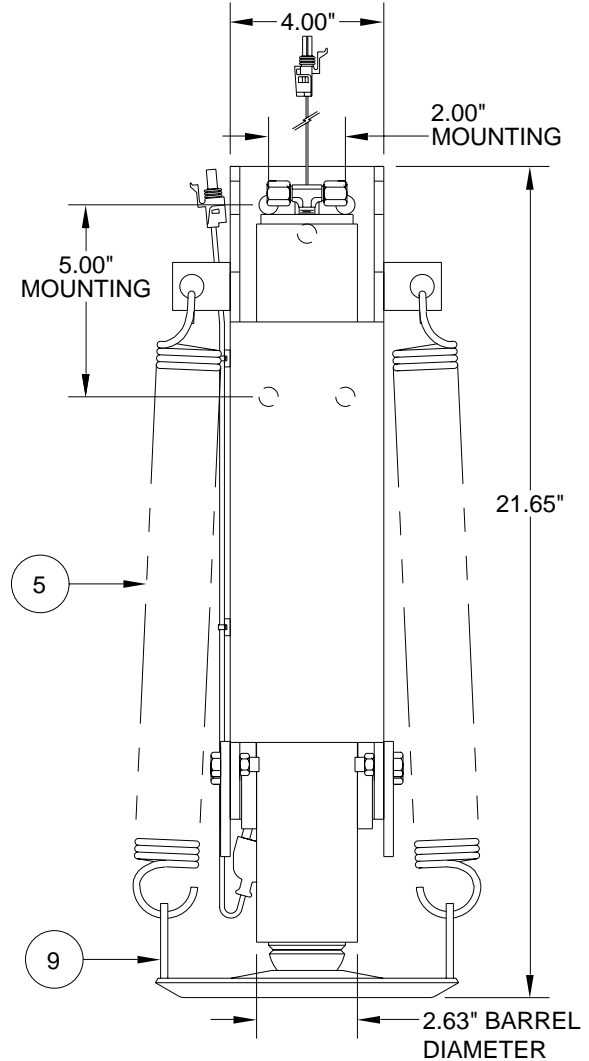
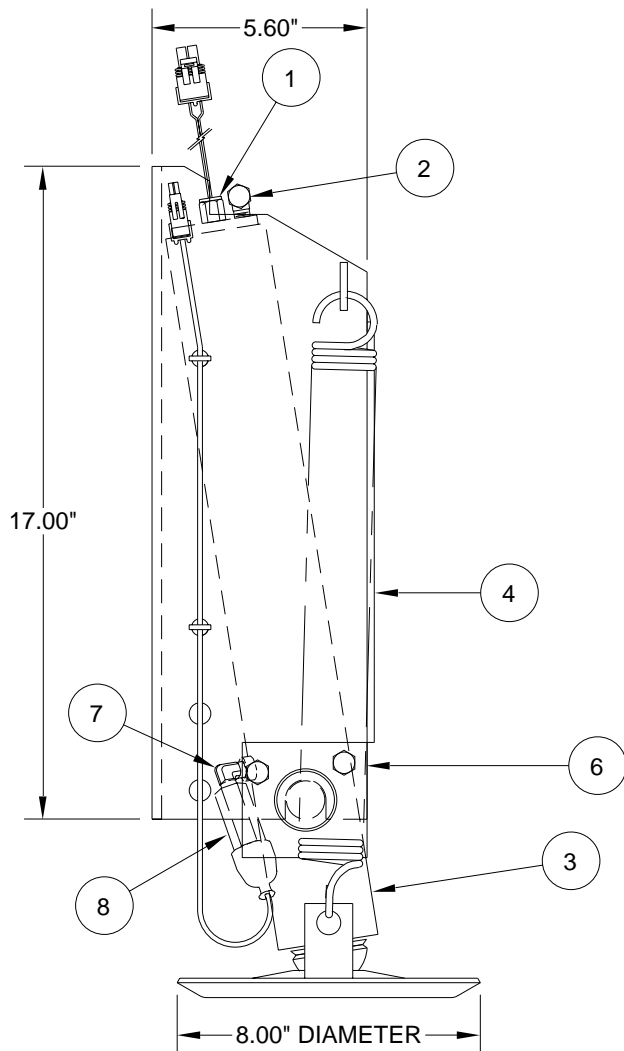
ITEM	PART	QTY	DESCRIPTION
1	RF1453	1	ELBOW 1/8" X 1/4"
2	RAP90073	1	SWITCH WARNING 3-WIRE (REPLACES AP2198 AND AP1009)
3	<b>OBSOLETE</b>		PIVOT BRACKET - CONTACT HWH CORPORATION FOR REPLACEMENT INFORMATION
4	RAP8464	1	8.00" DIAMETER FOOT

ITEM	PART	QTY	DESCRIPTION
5	RAP9567	1	CYL. ASSY. 2.00" X 13" (INCLUDES ITEM 1) (EXCLUDES ITEMS 2,8,9)
6	RAP1735	1	RETAINING PLATE KIT
		2	RETAINING PLATE
		4	HHCS 3/8-16 X 1"
		4	HEX NUT 3/8-16 LOCK DEF
7	R3847	1	SPRING KIT 1-11/16" X 14"
		2	SPRING 1-11/16" X 14"
8	RF8143	1	ELBOW 1/8" X 1/8"
9	RAP8003	1	SWITCH PRESSURE

NOTE : INDENTED ITEMS ARE INCLUDED WITH PRECEDING ITEM.

**AP28814 - AP29547 - AP29974**  
**STRAIGHT-ACTING JACK, 9 DEGREE PIVOT, F/A SPRINGS**  
**9,000 # CAPACITY; 2.000" ROD DIAMETER; 13.00" STROKE**

JACK #	DESCRIPTION
AP28814	NO WARNING OR PRESSURE SWITCH
AP29547	MAGNETIC WARNING SWITCH W/ GRAY CONNECTOR ONLY
AP29974	MAGNETIC WARNING SWITCH W/ GRAY CONNECTOR, PRESSURE SWITCH



ITEM	PART	QTY	DESCRIPTION
1	RAP90968	1	SWITCH WARNING MAGNETIC GRAY (AP29547, AP29974)
2	RF90151	1	MALE TEE 1/8" X 1/4" X 1/4"
3	RAP9567	1	CYL. ASSY. 2.000" x 13" (INCLUDES ITEM 2) (EXCLUDES ITEMS 1,7,8)
4	<b>OBSOLETE</b>		PIVOT BRACKET - CONTACT HWH CORPORATION FOR REPLACEMENT INFORMATION

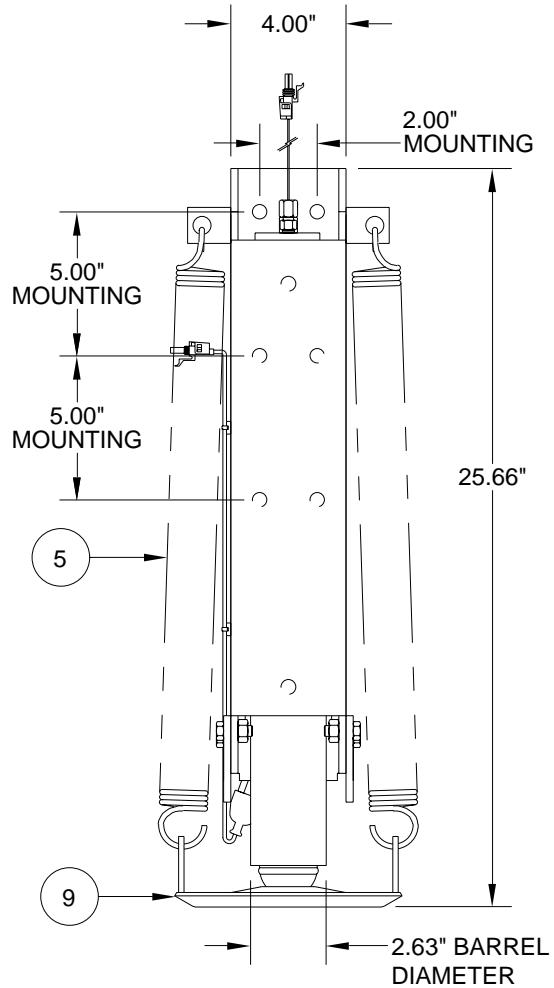
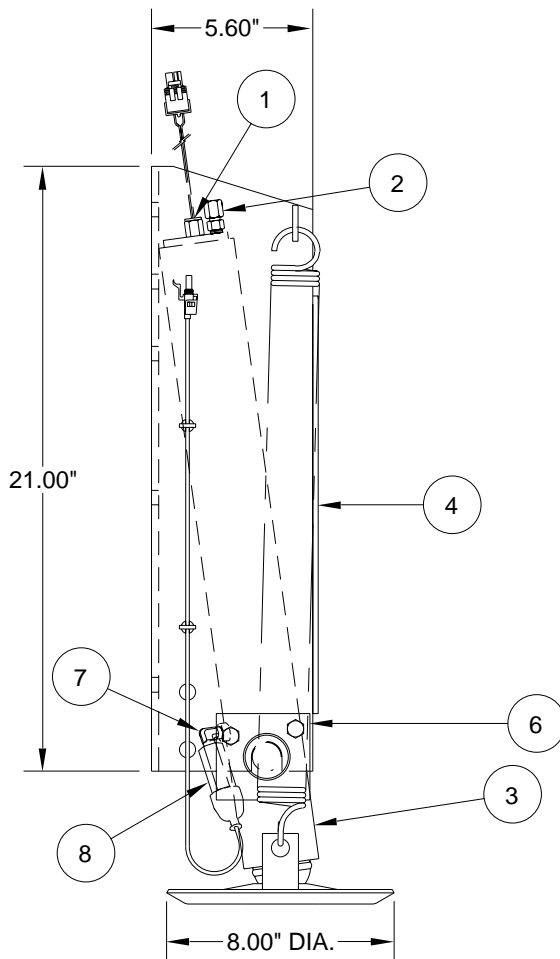
ITEM	PART	QTY	DESCRIPTION
5	R3847	1	SPRING KIT 1-11/16" X 14"
		2	SPRING 1-11/16" X 14"
6	RAP1735	1	RETAINING PLATE KIT
		2	RETAINING PLATES
		4	HHCS 3/8 - 16 x 1"
		4	HEX NUT 3/8 - 16 LOCK
7	RF8143	1	ELBOW 1/8" X 1/8" (AP29974 ONLY)
8	RAP8003	1	SWITCH PRESSURE (AP29974 ONLY)
9	RAP8464	1	FOOT 8.00" DIAMETER

NOTE: INDENTED ITEMS ARE INCLUDED WITH PRECEDING ITEM.

**MR26.4146**  
**26FEB09**

**AP28816 - AP31632 - AP32876**  
**STRAIGHT-ACTING JACK, 9 DEGREE PIVOT, F/A SPRINGS**  
**9,000 # CAPACITY; 2.000" ROD DIAMETER; 16.00" STROKE**

JACK #	DESCRIPTION
AP28816	NO WARNING OR PRESSURE SWITCH
AP31632	MAGNETIC WARNING SWITCH W/ GRAY CONNECTOR, PRESSURE SWITCH
AP32876	MAGNETIC WARNING SWITCH W/ GRAY CONNECTOR ONLY



ITEM	PART	QTY	DESCRIPTION
1	RAP90968	1	SWITCH WARNING MAGNETIC GRAY (AP31632, AP32876)
2	RF1456	1	MALE CONNECTOR 1/8" X 1/4"
3	RAP9867	1	CYL. ASSY. 2.000" x 16" (INCLUDES ITEM 2) (EXCLUDES ITEMS 1,7,8)
4	<b>OBSOLETE</b>		PIVOT BRACKET - CONTACT HWH CORPORATION FOR REPLACEMENT INFORMATION

ITEM	PART	QTY	DESCRIPTION
5	R3848	1	SPRING KIT 1-11/16" X 18"
		2	SPRING 1-11/16" X 18"
6	RAP1735	1	RETAINING PLATE KIT
		2	RETAINING PLATES
		4	HHCS 3/8 - 16 x 1"
		4	HEX NUT 3/8 - 16 LOCK
7	RF8143	1	ELBOW 1/8" X 1/8" (AP31632 ONLY)
8	RAP8003	1	SWITCH PRESSURE (AP31632 ONLY)
9	RAP8464	1	FOOT 8.00" DIAMETER

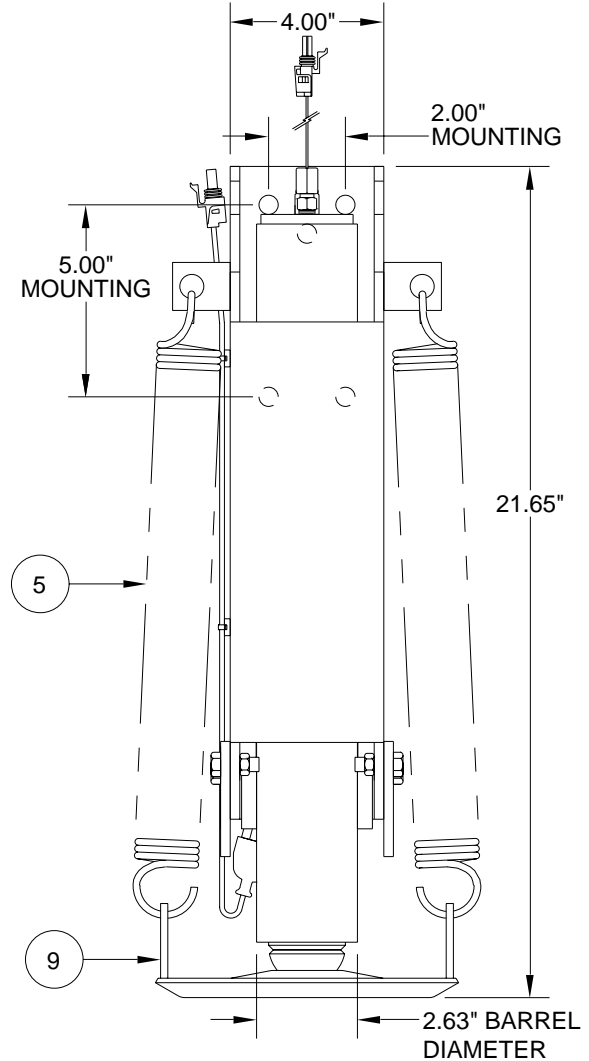
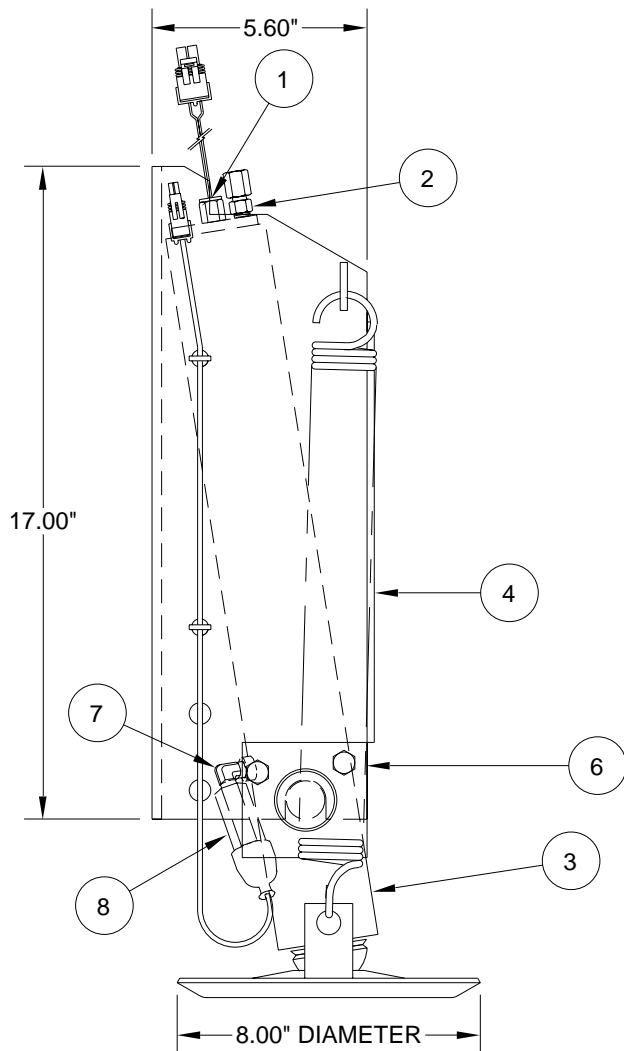
NOTE: INDENTED ITEMS ARE INCLUDED WITH PRECEDING ITEM.

**MR26.4147**  
**26FEB09**



**AP30414 - AP34641**  
**STRAIGHT-ACTING JACK, 9 DEGREE PIVOT, F/A SPRINGS**  
**9,000 # CAPACITY; 2.000" ROD DIAMETER; 13.00" STROKE**

JACK #	DESCRIPTION
AP30414	MAGNETIC WARNING SWITCH W/ GRAY CONNECTOR ONLY
AP34641	MAGNETIC WARNING SWITCH W/ GRAY CONNECTOR, PRESSURE SWITCH



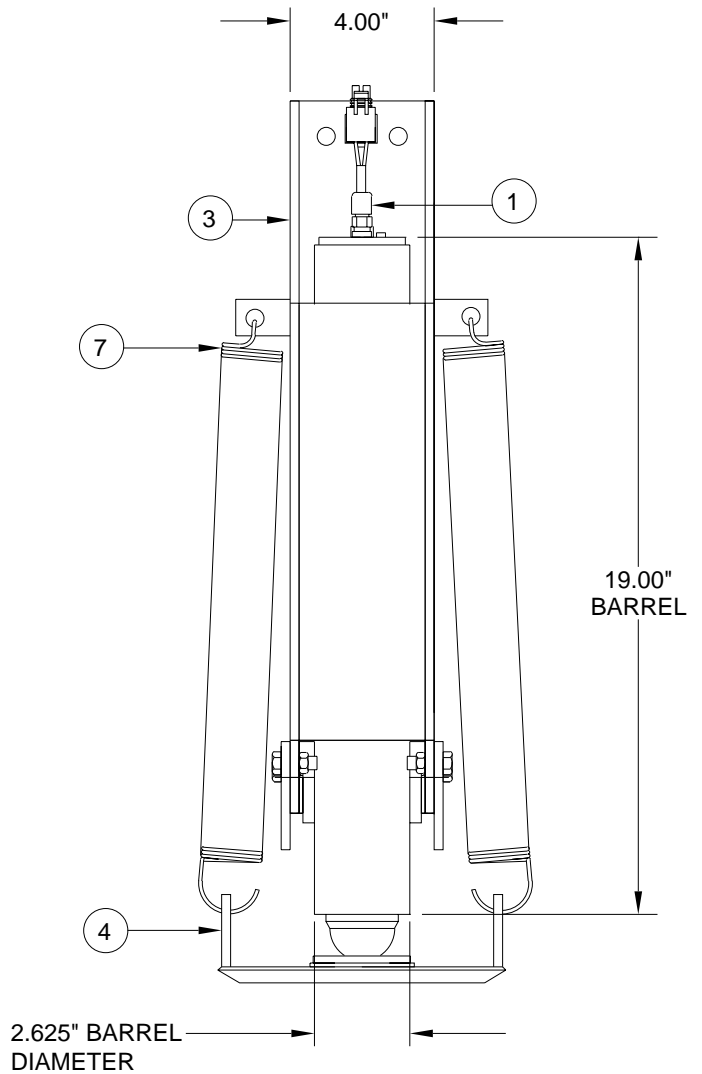
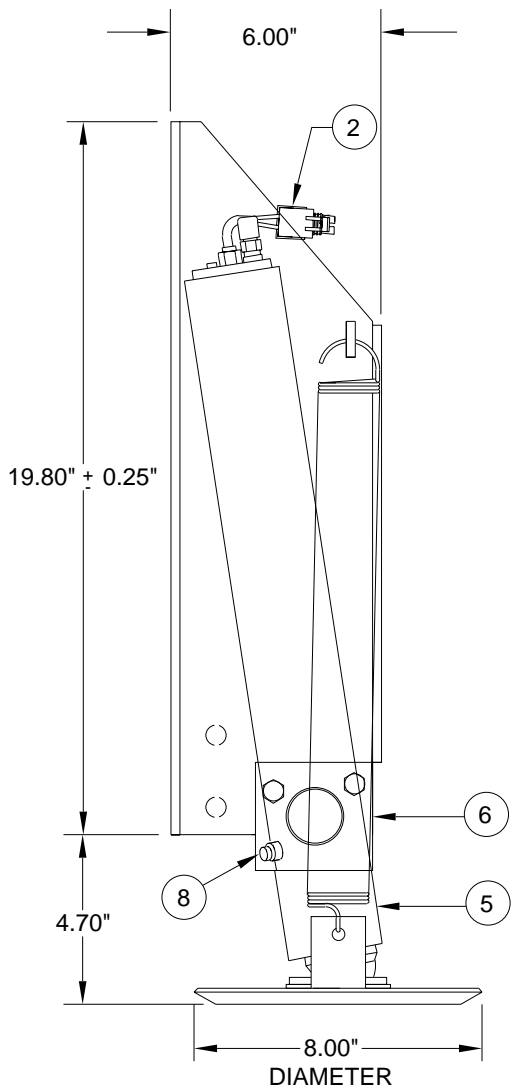
ITEM	PART	QTY	DESCRIPTION
1	RAP90968	1	SWITCH WARNING MAGNETIC GRAY (AP30414, AP34641)
2	RF1456	1	MALE CONNECTOR 1/8" X 1/4"
3	RAP9567	1	CYL. ASSY. 2.000" x 13" (INCLUDES TEE) (EXCLUDES ITEMS 1,2,7,8)
4	<b>OBSOLETE</b>		PIVOT BRACKET - CONTACT HWH CORPORATION FOR REPLACEMENT INFORMATION

ITEM	PART	QTY	DESCRIPTION
5	R3847	1	SPRING KIT 1-11/16" X 14"
		2	SPRING 1-11/16" X 14"
6	RAP1735	1	RETAINING PLATE KIT
		2	RETAINING PLATES
		4	HHCS 3/8 - 16 x 1"
		4	HEX NUT 3/8 - 16 LOCK
7	RF8143	1	ELBOW 1/8" X 1/8" (AP34641 ONLY)
8	RAP8003	1	SWITCH PRESSURE (AP34641 ONLY)
9	RAP8464	1	FOOT 8.00" DIAMETER

**NOTE:** INDENTED ITEMS ARE INCLUDED WITH PRECEDING ITEM.

**MR26.4150**  
**26FEB09**

**AP12076 - STRAIGHT - ACTING JACK, 7 DEGREE PIVOT, F/A SPRINGS**  
**9,000 # CAPACITY; 2.000" ROD DIAMETER; 13.00" STROKE**  
**WITH NARROW PIVOT BRACKET**



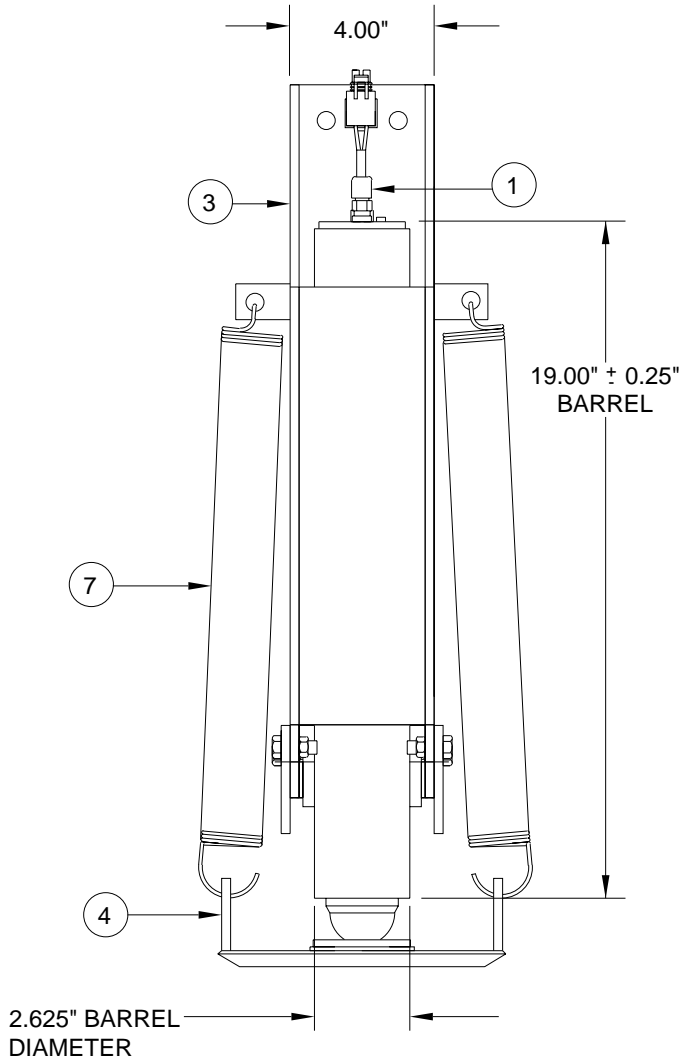
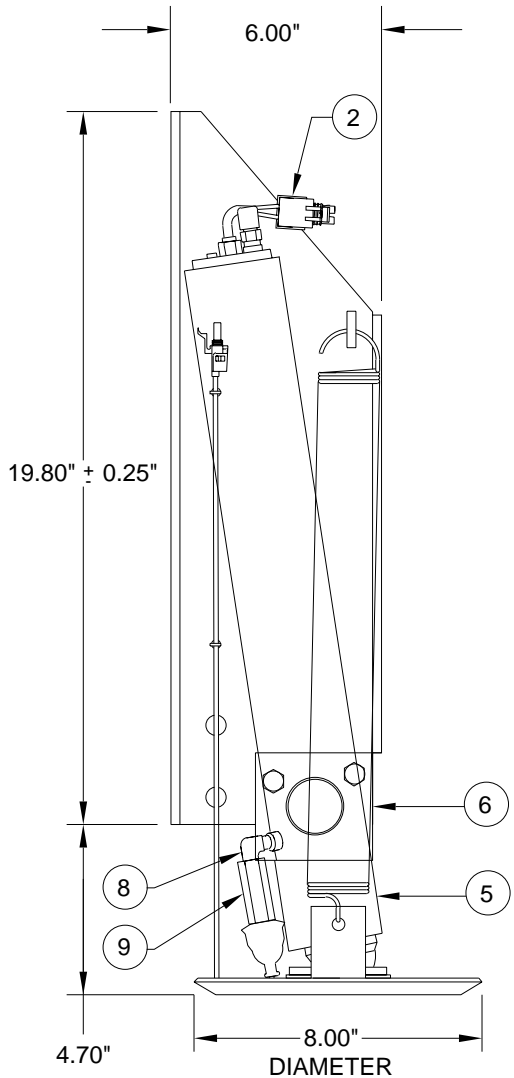
ITEM	PART	QTY	DESCRIPTION
1	RF1456	1	MALE CONNECTOR 1/8" X 1/4"
2	RAP1008	1	SWITCH WARNING 2-WIRE
3	<b>OBSELETE</b>		PIVOT BRACKET - CONTACT HWH CORPORATION FOR REPLACEMENT INFORMATION
4	RAP8464	1	8.00" DIAMETER FOOT
5	RAP9567	1	CYL. ASSY. 2.000" X 13" (INCLUDES ITEM 8) (EXCLUDES ITEM 2)

ITEM	PART	QTY	DESCRIPTION
6	RAP1735	1	RETAINING PLATE KIT
		2	RETAINING PLATES
		4	HHCS 3/8-16 X 1"
		4	HEX NUT 3/8-16 LOCK DEF.
7	R3847	1	SPRING KIT 1-11/16" X 14"
		2	SPRING 1-11/16" X 14"
8	RF90272	1	HEX PLUG 1/8"

**NOTE :** INDENTED ITEMS ARE INCLUDED WITH PRECEDING ITEM.

**MR26.4155**  
**23MAR09**

**AP1615 - STRAIGHT - ACTING JACK, 7 DEGREE PIVOT, F/A SPRINGS**  
**9,000 # CAPACITY; 2.000" ROD DIAMETER; 13.00" STROKE**  
**WITH PRESSURE SWITCH, 2-WIRE WARNING SWITCH,**  
**AND NARROW PIVOT BRACKET**

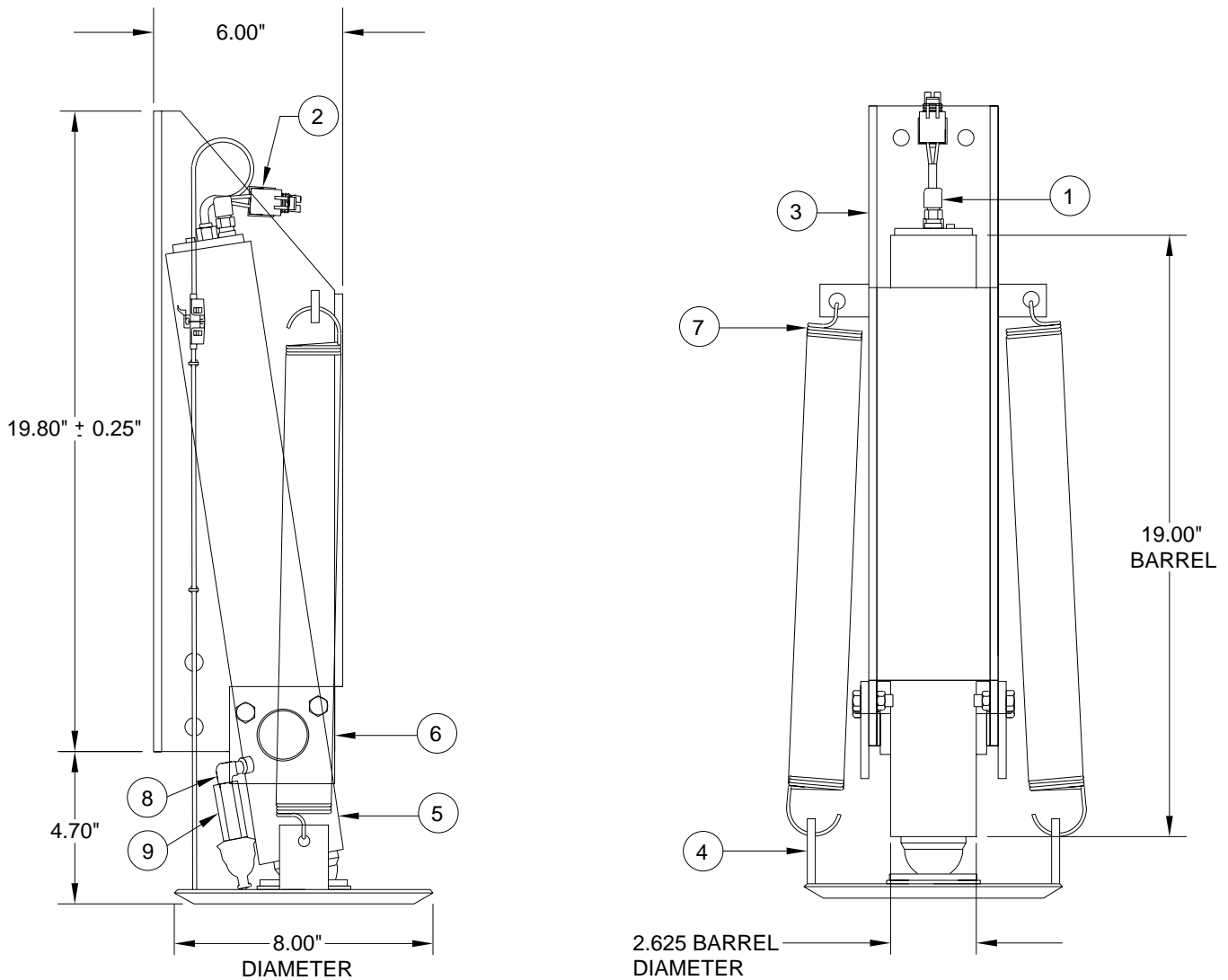


ITEM	PART	QTY	DESCRIPTION
1	RF1456	1	MALE CONNECTOR 1/8" X 1/4"
2	RAP1008	1	SWITCH WARNING 2-WIRE
3	<b>OBSELETE</b>		PIVOT BRACKET - CONTACT HWH CORPORATION FOR REPLACEMENT INFORMATION
4	RAP8464	1	8.00" DIAMETER FOOT
5	RAP9567	1	CYL. ASSY. 2.000" X 13" (INCLUDES ITEM 1) (EXCLUDES ITEM 2,8,9)

ITEM	PART	QTY	DESCRIPTION
6	RAP1735	1	RETAINING PLATE KIT
		2	RETAINING PLATES
		4	HHCS 3/8-16 X 1"
		4	HEX NUT 3/8-16 LOCK DEF.
7	R3847	1	SPRING KIT 1-11/16" X 14"
		2	SPRING 1-11/16" X 14"
8	RF8143	1	ELBOW 1/8" X 1/8"
9	RAP8003	1	SWITCH PRESSURE

**NOTE :** INDENTED ITEMS ARE INCLUDED WITH PRECEDING ITEM.

**AP0947 - STRAIGHT - ACTING JACK, 7 DEGREE PIVOT, F/A SPRINGS**  
**9,000 # CAPACITY; 2.000" ROD DIAMETER; 13.00" STROKE**  
**WITH PRESSURE SWITCH, 3-WIRE WARNING SWITCH,**  
**AND NARROW PIVOT BRACKET**



ITEM	PART	QTY	DESCRIPTION
1	RF1456	1	MALE CONNECTOR 1/8" X 1/4"
2	RAP90073	1	SWITCH WARNING 3-WIRE (REPLACES AP2198 AND AP1009)
3	<b>OBSELETE</b>		PIVOT BRACKET - CONTACT HWH CORPORATION FOR REPLACEMENT INFORMATION
4	RAP8464	1	8.00" DIAMETER FOOT
5	RAP9567	1	CYL. ASSY. 2.000" X 13" (INCLUDES ITEM 1) (EXCLUDES ITEM 2,8,9)

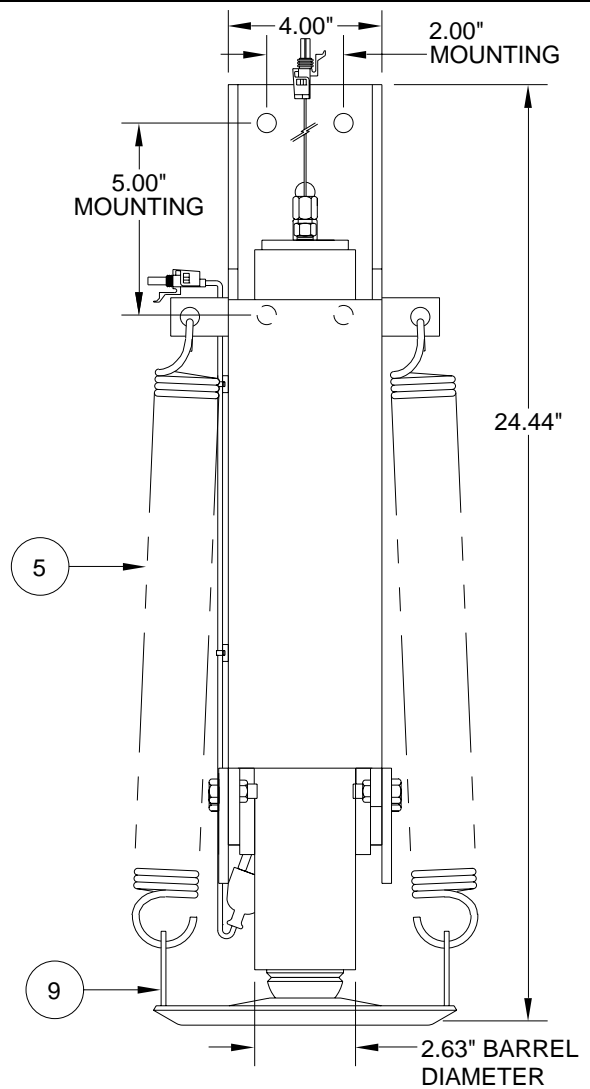
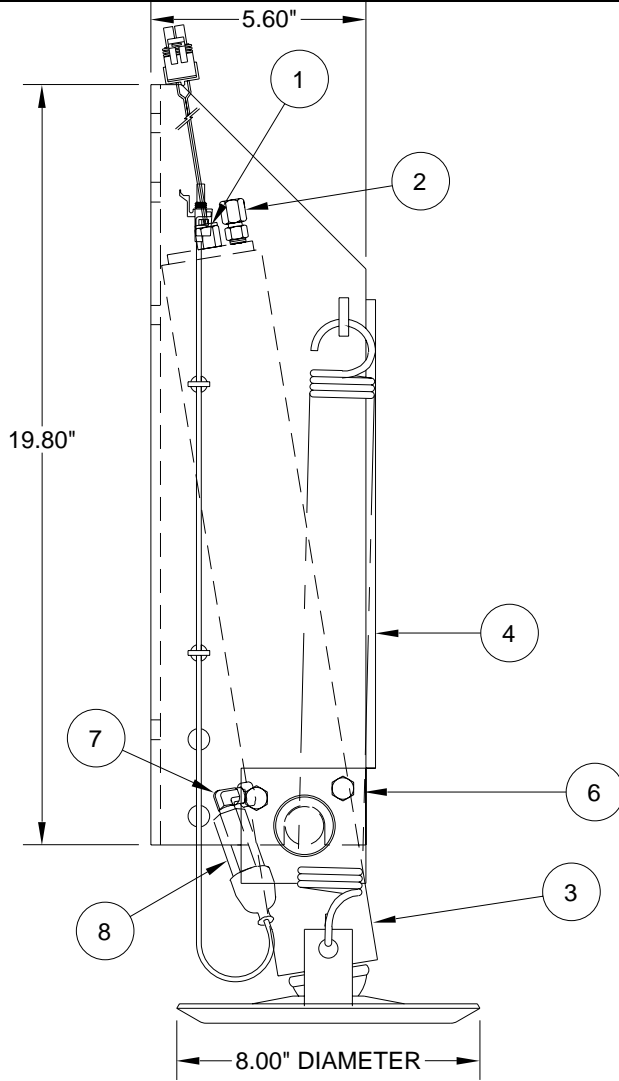
ITEM	PART	QTY	DESCRIPTION
6	RAP1735	1	RETAINING PLATE KIT
		2	RETAINING PLATES
		4	HHCS 3/8-16 X 1"
		4	HEX NUT 3/8-16 LOCK DEF.
7	R3847	1	SPRING KIT 1-11/16" X 14"
		2	SPRING 1-11/16" X 14"
8	RF8143	1	ELBOW 1/8" X 1/8"
9	RAP8003	1	SWITCH PRESSURE

**NOTE :** INDENTED ITEMS ARE INCLUDED WITH PRECEDING ITEM.

**MR26.4160**  
**23MAR09**

**AP29355 - AP29368**  
**STRAIGHT-ACTING JACK, 10 DEGREE PIVOT, F/A SPRINGS**  
**9,000 # CAPACITY; 2.000" ROD DIAMETER; 13.00" STROKE**

JACK #	DESCRIPTION
AP29355	MAGNETIC WARNING SWITCH W/ GRAY CONNECTOR ONLY
AP29368	MAGNETIC WARNING SWITCH W/ GRAY CONNECTOR, PRESSURE SWITCH



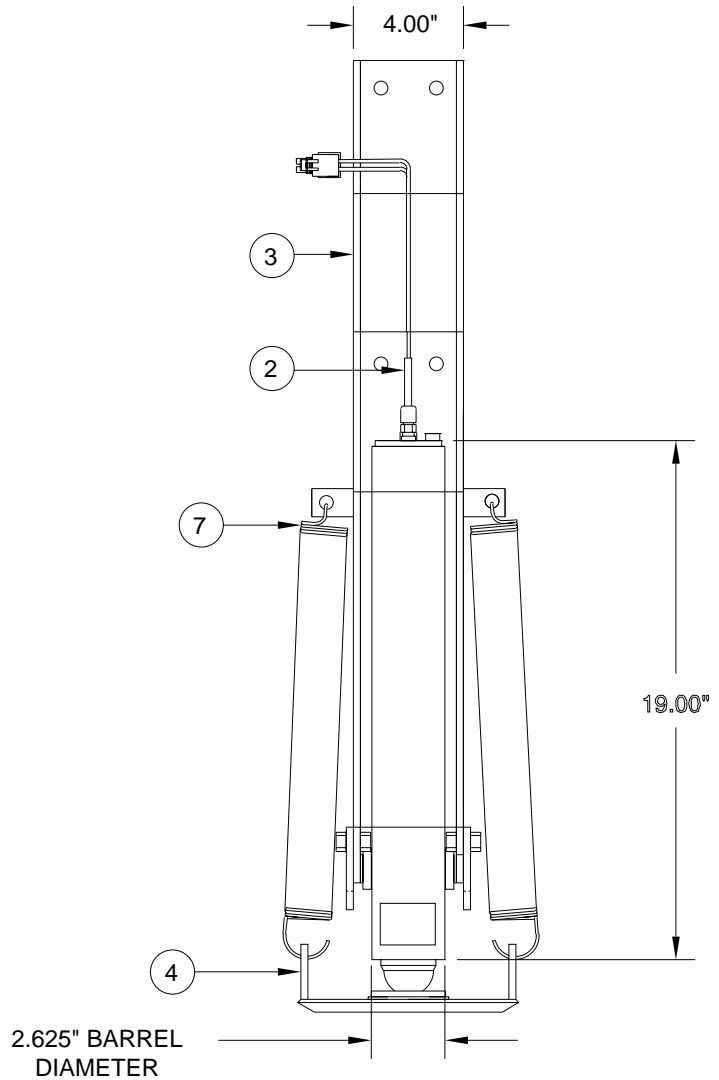
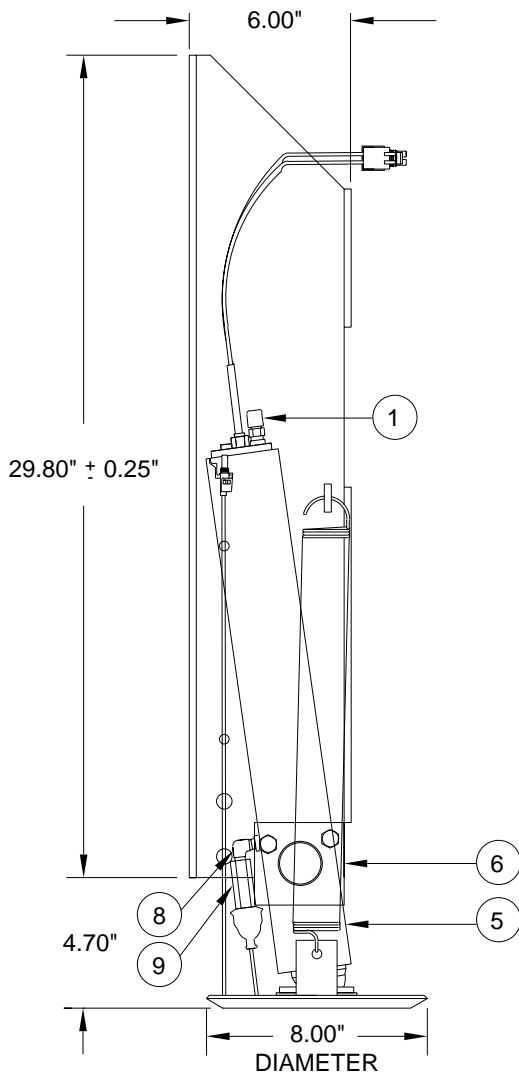
ITEM	PART	QTY	DESCRIPTION
1	RAP90968	1	SWITCH WARNING MAGNETIC GRAY (AP29355, AP29368)
2	RF1456	1	MALE CONNECTOR 1/8" X 1/4"
3	RAP9567	1	CYL. ASSY. 2.000" x 13" (INCLUDES TEE) (EXCLUDES ITEMS 1,2,7,8)
4	<b>OBSOLETE</b>		PIVOT BRACKET - CONTACT HWH CORPORATION FOR REPLACEMENT INFORMATION

ITEM	PART	QTY	DESCRIPTION
5	R3847	1	SPRING KIT 1-11/16" X 14"
		2	SPRING 1-11/16" X 14"
6	RAP1735	1	RETAINING PLATE KIT
		2	RETAINING PLATES
		4	HHCS 3/8 - 16 x 1"
		4	HEX NUT 3/8 - 16 LOCK
7	RF8143	1	ELBOW 1/8" X 1/8" (AP29368 ONLY)
8	RAP8003	1	SWITCH PRESSURE (AP29368 ONLY)
9	RAP8464	1	FOOT 8.00" DIAMETER

**NOTE:** INDENTED ITEMS ARE INCLUDED WITH PRECEDING ITEM.

**MR26.4162**  
**26FEB09**

**AP1613 - STRAIGHT - ACTING JACK, 7 DEGREE PIVOT, F/A SPRINGS**  
**9,000 # CAPACITY; 2.000" ROD DIAMETER; 13.00" STROKE**  
**WITH PRESSURE SWITCH, 2-WIRE WARNING SWITCH,**  
**AND TALL/NARROW PIVOT BRACKET**



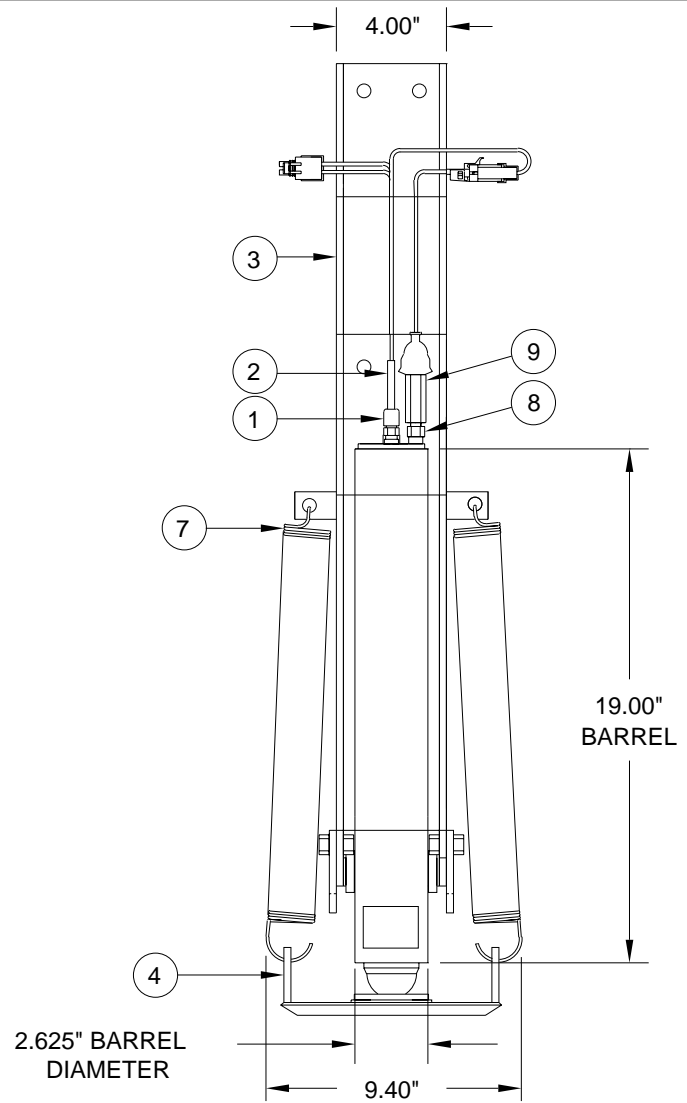
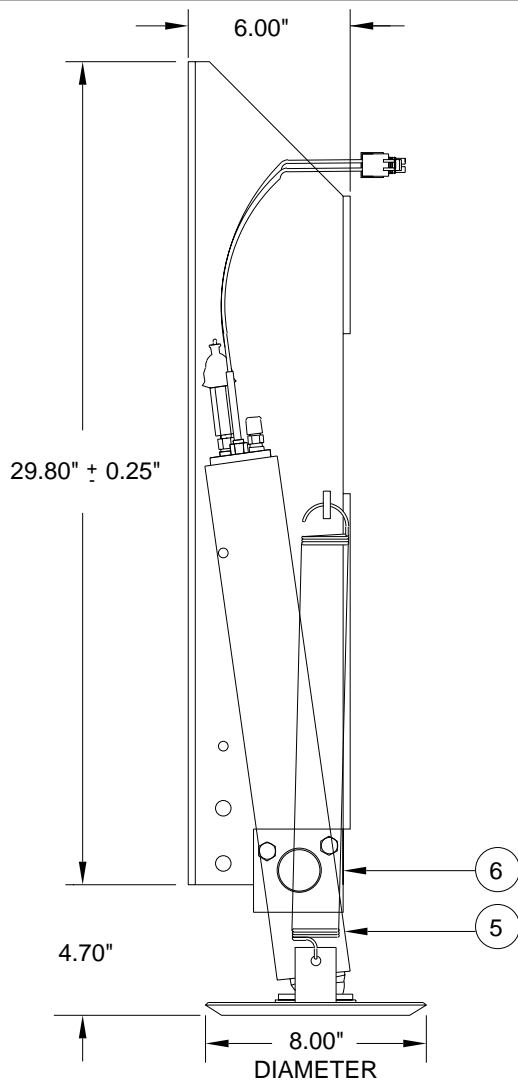
ITEM	PART	QTY	DESCRIPTION
	RAP90229		JACK 9,000 # X 13" F/A (REPLACES AP1613)
1	RF1456	1	MALE CONNECTOR 1/8" X 1/4"
2	RAP1008	1	SWITCH WARNING 2-WIRE
3	RAP90274	1	PIVOT BRACKET
4	RAP8464	1	8.00" DIAMETER FOOT
5	RAP9567	1	CYL. ASSY. 2.000" X 13" (INCLUDES ITEM 1) (EXCLUDES ITEM 2,8,9)

ITEM	PART	QTY	DESCRIPTION
6	RAP1735	1	RETAINING PLATE KIT
		2	RETAINING PLATES
		4	HHCS 3/8-16 X 1"
		4	HEX NUT 3/8-16 LOCK DEF.
7	R3847	1	SPRING KIT 1-11/16" X 14"
		2	SPRING 1-11/16" X 14"
8	RF8143	1	ELBOW 1/8" X 1/8"
9	RAP8003	1	SWITCH PRESSURE

**NOTE :** INDENTED ITEMS ARE INCLUDED WITH PRECEDING ITEM.

**MR26.4170**  
**10MAR97**

**AP1042 - STRAIGHT - ACTING JACK, 7 DEGREE PIVOT, F/A SPRINGS**  
**9,000 # CAPACITY; 2.000" ROD DIAMETER; 13.00" STROKE**  
**WITH PRESSURE SWITCH, 3-WIRE WARNING SWITCH,**  
**AND TALL/NARROW PIVOT BRACKET**



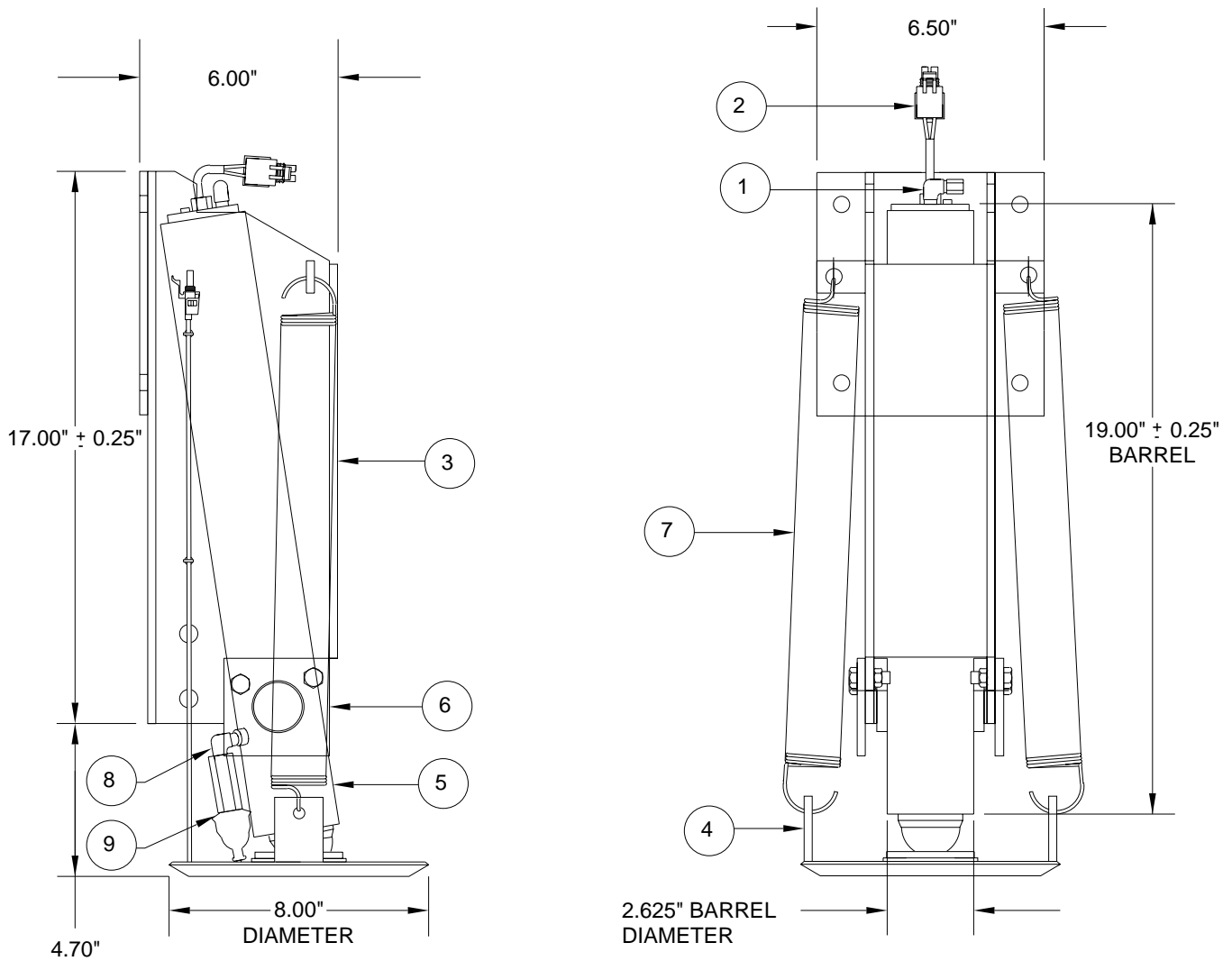
ITEM	PART	QTY	DESCRIPTION
	RAP90228		JACK 9,000 # X 13" F/A (REPLACES AP1042)
1	RF1456	1	MALE CONNECTOR 1/8" X 1/4"
2	RAP90073	1	SWITCH WARNING 3-WIRE (REPLACES RAP2198)
3	RAP90274	1	PIVOT BRACKET
4	RAP8464	1	8.00" DIAMETER FOOT
5	RAP9567	1	CYL. ASSY. 2.000" X 13" (INCLUDES ITEM 1) (EXCLUDES ITEM 2,8,9)

ITEM	PART	QTY	DESCRIPTION
6	RAP1735	1	RETAINING PLATE KIT
		2	RETAINING PLATES
		4	HHCS 3/8-16 X 1"
		4	HEX NUT 3/8-16 LOCK DEF.
7	R3847	1	SPRING KIT 1-11/16" X 14"
		2	SPRING 1-11/16" X 14"
8	RF9315	1	NIPPLE 1/8" X 1/8"
9	RAP8003	1	SWITCH PRESSURE

**NOTE :** INDENTED ITEMS ARE INCLUDED WITH PRECEDING ITEM.

**MR26.4175**  
**10MAR97**

**AP1901 - STRAIGHT - ACTING JACK, 7 DEGREE PIVOT, F/A SPRINGS**  
**9,000 # CAPACITY; 2.000" ROD DIAMETER; 13.00" STROKE**  
**WITH PRESSURE SWITCH, 2-WIRE WARNING SWITCH,**  
**AND NARROW PIVOT BRACKET WITH ADAPTOR**



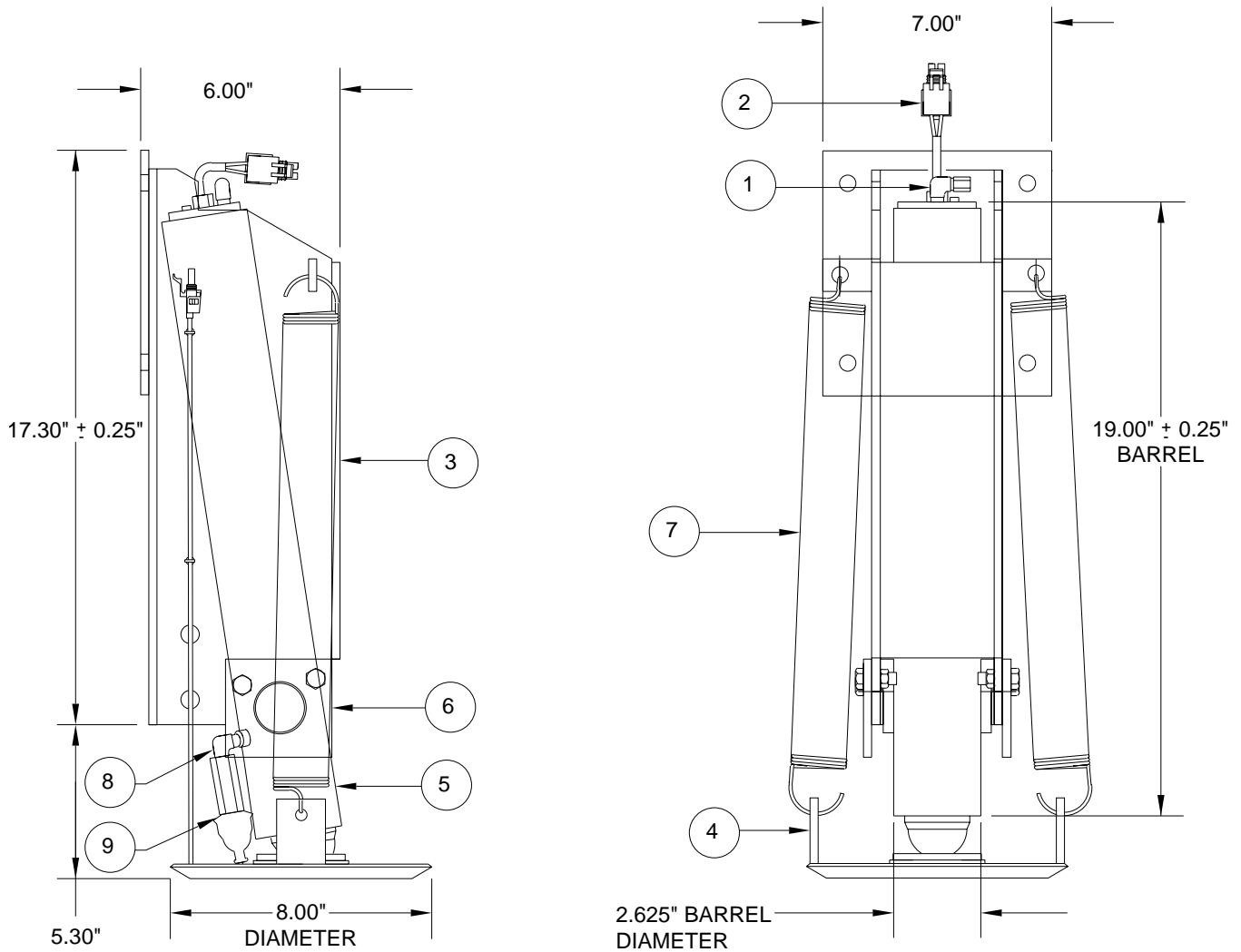
ITEM	PART	QTY	DESCRIPTION
1	RF1453	1	ELBOW 1/8" X 1/4"
2	RAP1008	1	SWITCH WARNING 2-WIRE
3	<b>OBSELETE</b>		PIVOT BRACKET - CONTACT HWH CORPORATION FOR REPLACEMENT INFORMATION
4	RAP8464	1	8.00" DIAMETER FOOT
5	RAP9567	1	CYL. ASSY. 2.00" X 13" (INCLUDES ITEM 1) (EXCLUDES ITEMS 2,8,9)

ITEM	PART	QTY	DESCRIPTION
6	RAP1735	1	RETAINING PLATE KIT
		2	RETAINING PLATE
		4	HHCS 3/8-16 X 1"
		4	HEX NUT 3/8-16 LOCK DEF
7	R3847	1	SPRING KIT 1-11/16" X 14"
		2	SPRING 1-11/16" X 14"
8	RF8143	1	ELBOW 1/8" X 1/8"
9	RAP8003	1	SWITCH PRESSURE

NOTE : INDENTED ITEMS ARE INCLUDED WITH PRECEDING ITEM.



**AP2416 - STRAIGHT - ACTING JACK, 7 DEGREE PIVOT, F/A SPRINGS**  
**9,000 # CAPACITY; 2.000" ROD DIAMETER; 13.00" STROKE**  
**WITH PRESSURE SWITCH, 2-WIRE WARNING SWITCH,**  
**AND NARROW PIVOT BRACKET WITH ADAPTOR**

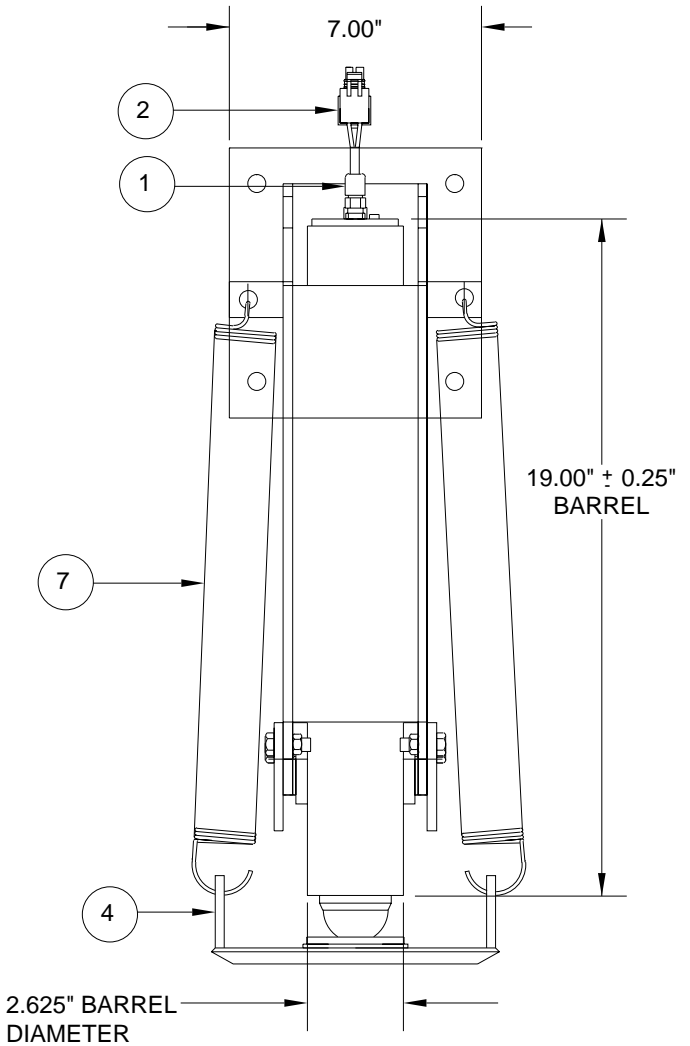
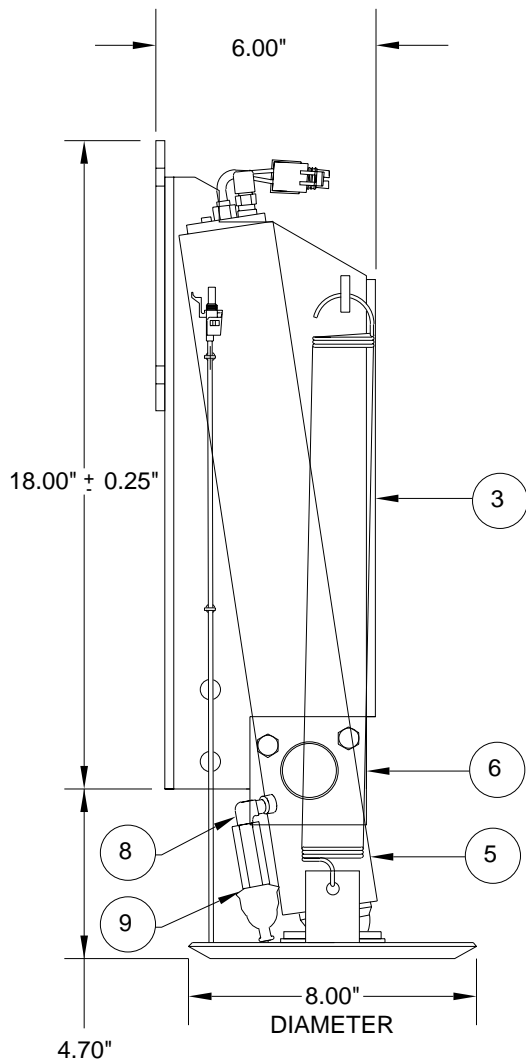


ITEM	PART	QTY	DESCRIPTION
1	RF1453	1	ELBOW 1/8" X 1/8"
2	RAP1008	1	SWITCH WARNING 2-WIRE
3	<b>OBSOLETE</b>		PIVOT BRACKET - CONTACT HWH CORPORATION FOR REPLACEMENT INFORMATION
4	RAP8464	1	8.00" DIAMETER FOOT
5	RAP9567	1	CYL. ASSY. 2.00" X 13" (INCLUDES ITEM 1) (EXCLUDES ITEMS 2,8,9)

ITEM	PART	QTY	DESCRIPTION
6	RAP1735	1	RETAINING PLATE KIT
	2		RETAINING PLATE
	4		HHCS 3/8-16 X 1"
	4		HEX NUT 3/8-16 LOCK DEF
7	R3847	1	SPRING KIT 1-11/16" X 14"
	2		SPRING 1-11/16" X 14"
8	RF8143	1	ELBOW 1/8" X 1/8"
9	RAP8003	1	SWITCH PRESSURE

**NOTE:** INDENTED ITEMS ARE INCLUDED WITH PRECEDING ITEM.

**AP11712 - STRAIGHT - ACTING JACK, 7 DEGREE PIVOT, F/A SPRINGS**  
**9,000 # CAPACITY; 2.000" ROD DIAMETER; 13.00" STROKE**  
**WITH PRESSURE SWITCH, 2-WIRE WARNING SWITCH,**  
**AND NARROW PIVOT BRACKET WITH ADAPTOR**



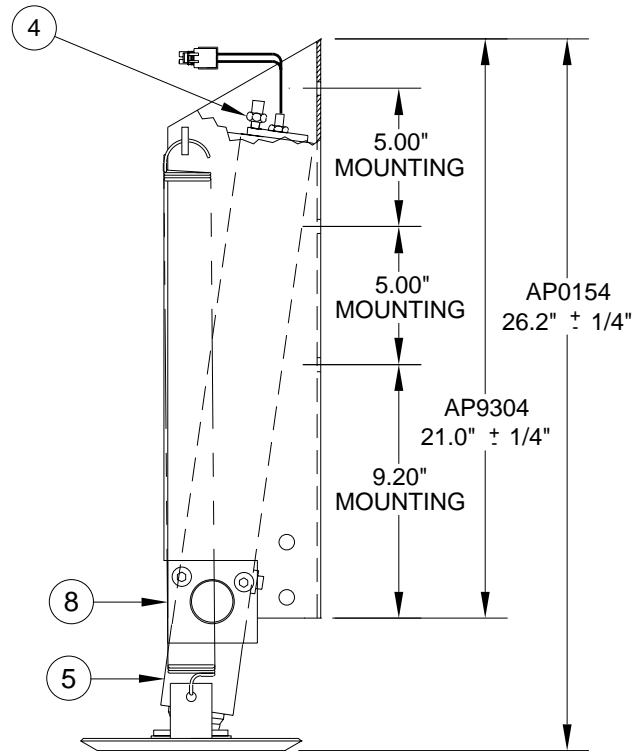
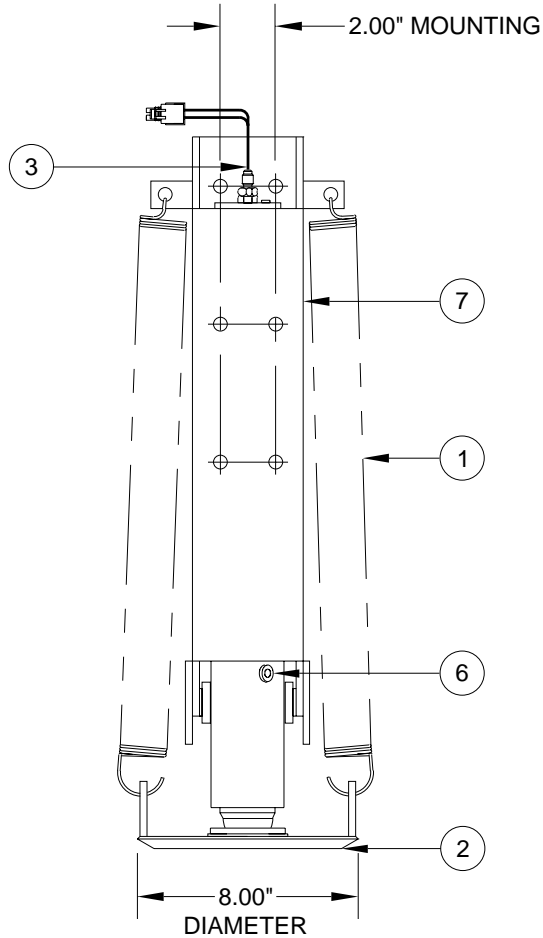
ITEM	PART	QTY	DESCRIPTION
1	RF1456	1	MALE CONNECTOR 1/8" X 1/4"
2	RAP1008	1	SWITCH WARNING 2-WIRE
3	<b>OBSOLETE</b>		PIVOT BRACKET - CONTACT HWH CORPORATION FOR REPLACEMENT INFORMATION
4	RAP8464	1	8.00" DIAMETER FOOT
5	RAP9567	1	CYL. ASSY. 2.00" X 13" (INCLUDES ITEMS 1) (EXCLUDES ITEMS 2,8,9)

ITEM	PART	QTY	DESCRIPTION
6	RAP1735	1	RETAINING PLATE KIT
		2	RETAINING PLATE
		4	HHCS 3/8-16 X 1"
		4	HEX NUT 3/8-16 LOCK DEF
7	R3847	1	SPRING KIT 1-11/16" X 14"
		2	SPRING 1-11/16" X 14"
8	RF8143	1	ELBOW 1/8" X 1/8"
9	RAP8003	1	SWITCH PRESSURE

NOTE : INDENTED ITEMS ARE INCLUDED WITH PRECEDING ITEM.

**MR26.4191**  
**23MAR09**

**AP0154 - STRAIGHT ACTING JACK, 7 DEGREE PIVOT, F/A SPRINGS**  
**9,000 # CAPACITY; 2.00" ROD DIAMETER; 16.00" STROKE**  
**WITH NARROW PIVOT BRACKET**



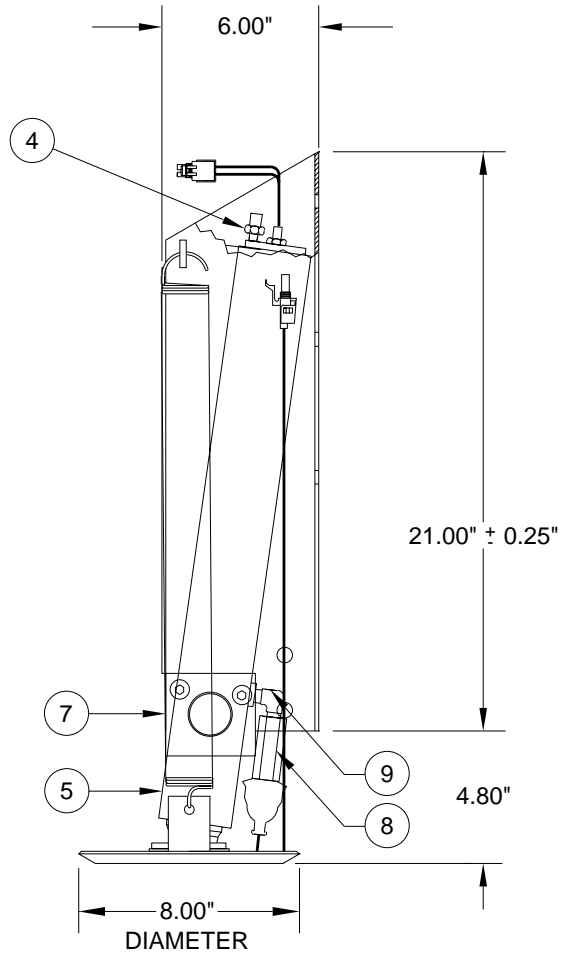
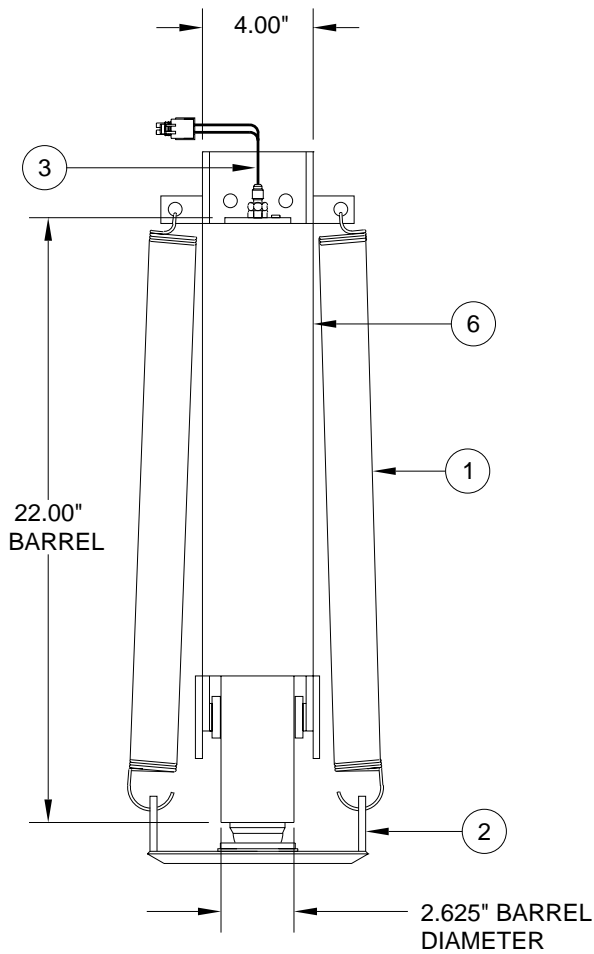
ITEM	PART	QTY	DESCRIPTION
1	R3848	1	SPRING KIT 1-11/16" X 18"
		2	SPRING 1-11/16" X 18"
2	RAP8464	1	8.00" DIAMETER FOOT
3	RAP1008	1	SWITCH WARNING 2-WIRE
4	RF1456	1	MALE CONNECTOR 1/8" X 1/4"
5	RAP9867	1	CYL. ASSY. 2.00" X 16" (INCLUDES ITEMS 4,6) (EXCLUDES ITEM 3)

ITEM	PART	QTY	DESCRIPTION
6	RF2418	1	PIPE PLUG 1/8"
7	<b>OBSOLETE</b>		PIVOT BRACKET - CONTACT HWH CORPORATION FOR REPLACEMENT INFORMATION
8	RAP1735	1	RETAINING PLATE KIT
		2	RETAINING PLATE
		4	HHCS 3/8-16 X 1"
		4	HEX NUT 3/8-16 LOCK DEF.

**NOTE :** INDENTED ITEMS ARE INCLUDED WITH PRECEDING ITEM.

**MR26.4260**  
**23MAR09**

**AP1120 - STRAIGHT - ACTING JACK, 7 DEGREE PIVOT, F/A SPRINGS  
 9,000 # CAPACITY; 2.000" ROD DIAMETER; 16.00" STROKE  
 WITH PRESSURE SWITCH, 2-WIRE WARNING SWITCH,  
 AND NARROW PIVOT BRACKET**



ITEM	PART	QTY	DESCRIPTION
1	R3848	1	SPRING KIT 1-11/16" X 18"
		2	SPRING 1-11/16" X 18"
2	RAP8464	1	8.00" DIAMETER FOOT
3	RAP1008	1	SWITCH WARNING 2-WIRE
4	RF1456	1	MALE CONNECTOR 1/8" X 1/4"
5	RAP9867	1	CYL. ASSY. 2.00" X 16" (INCLUDES ITEM 4) (EXCLUDES ITEM 3,8,9)

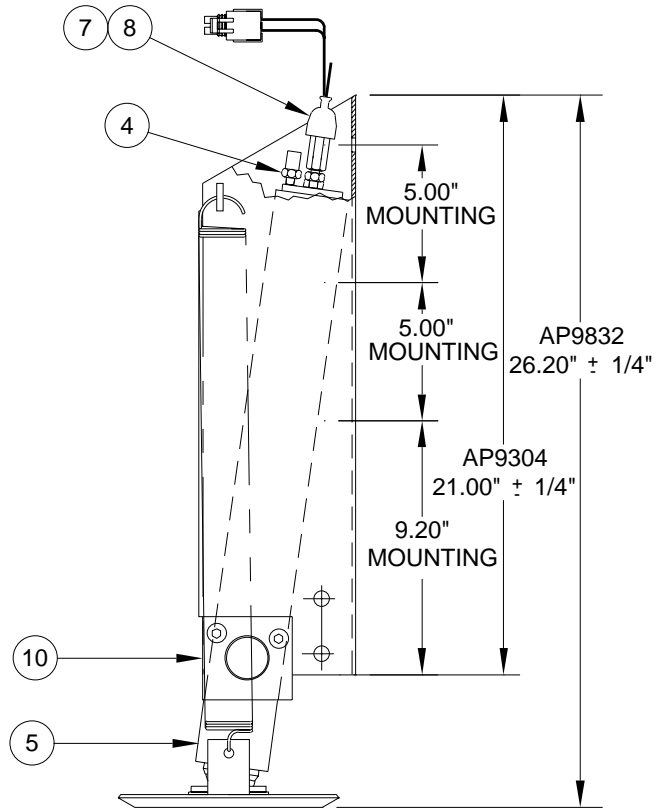
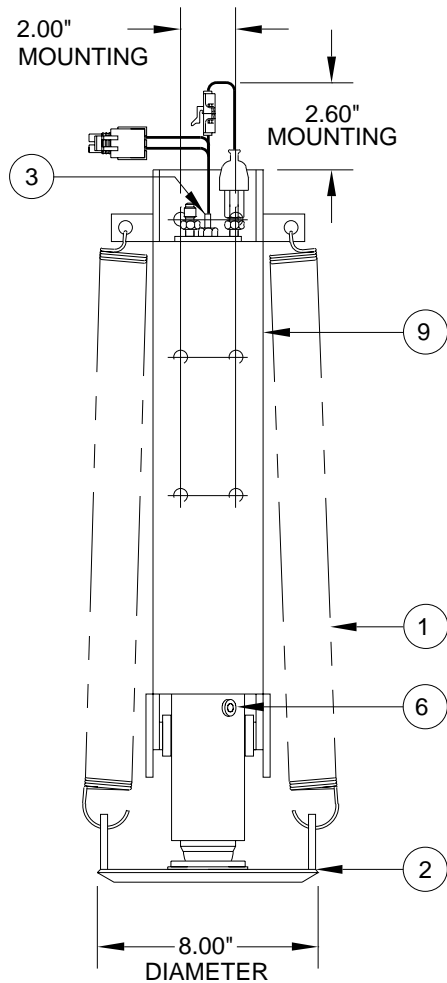
ITEM	PART	QTY	DESCRIPTION
6	<b>OBSOLETE</b>		PIVOT BRACKET - CONTACT HWH CORPORATION FOR REPLACEMENT INFORMATION
7	RAP1735	1	RETAINING PLATE KIT
		2	RETAINING PLATE
		4	HHCS 3/8-16 X 1"
		4	HEX NUT 3/8-16 LOCK DEF.
8	RAP8003	1	SWITCH PRESSURE
9	RF8143	1	ELBOW 1/8" X 1/8"

NOTE : INDENTED ITEMS ARE INCLUDED WITH PRECEDING ITEM.

# AP2199 - STRAIGHT ACTING JACK, 7 DEGREE PIVOT, F/A SPRINGS

## REPLACES AP9832

**9,000 # CAPACITY; 2.000" ROD DIAMETER; 16.00" STROKE  
WITH PRESSURE SWITCH AND 3-WIRE WARNING SWITCH**



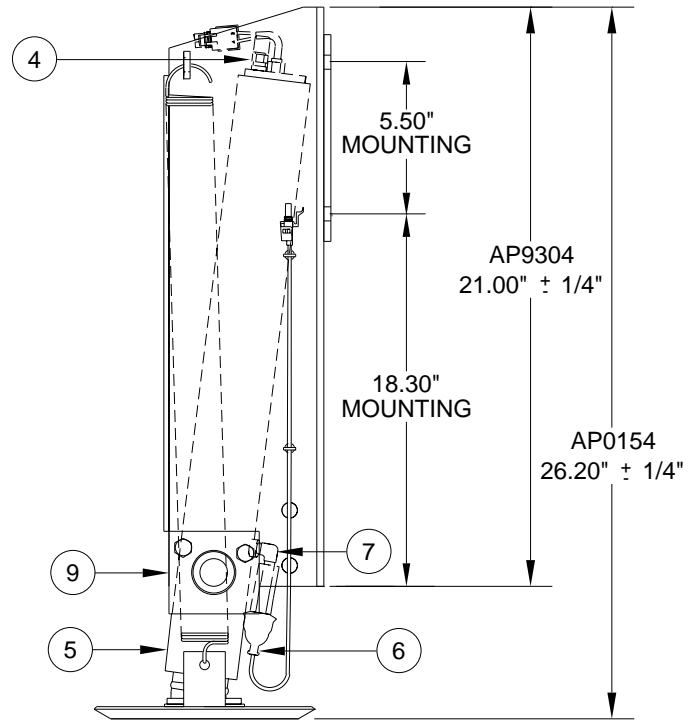
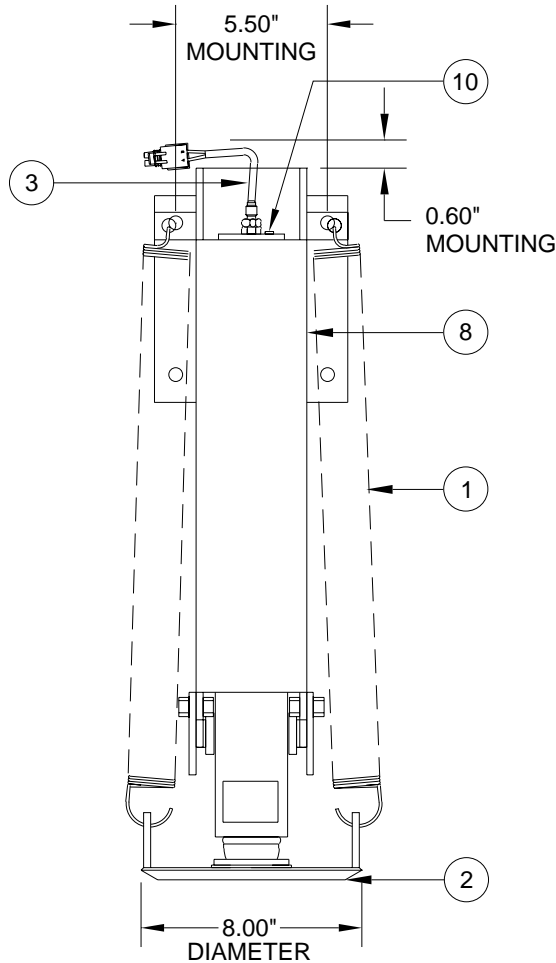
ITEM	PART	QTY	DESCRIPTION
1	R3848	1	SPRING KIT 1-11/16" X 18"
		2	SPRING 1-11/16" X 18"
2	RAP8464	1	8.00" DIAMETER FOOT
3	RAP90073	1	SWITCH WARNING 3-WIRE (REPLACES RAP8442)
4	RF1456		MALE CONNECTOR 1/8" X 1/4"
5	RAP9867	1	CYL. ASSY. 2.00" X 16" (INCLUDES ITEM 4,6) (EXCLUDES ITEMS 3,7,8)

ITEM	PART	QTY	DESCRIPTION
6	RF2418	1	PIPE PLUG 1/8"
7	RF9315	1	NIPPLE 1/8" X 1/8"
8	RAP8003	1	SWITCH PRESSURE
9	<b>OBSOLETE</b>		PIVOT BRACKET - CONTACT HWH CORPORATION FOR REPLACEMENT INFORMATION
10	RAP1735	1	RETAINING PLATE KIT
		2	RETAINING PLATE
		4	HHCS 3/8-16 X 1"
		4	HEX NUT 3/8-16 LOCK DEF.

NOTE : INDENTED ITEMS ARE INCLUDED WITH PRECEDING ITEM.

MR26.4265  
23MAR09

**AP10331 - STRAIGHT ACTING JACK, 7 DEGREE PIVOT, F/A SPRINGS**  
**9,000 # CAPACITY; 2.000" ROD DIAMETER; 16.00" STROKE**  
**WITH PRESSURE SWITCH, 2-WIRE WARNING SWITCH**  
**AND NARROW PIVOT BRACKET, ADAPTOR**



ITEM	PART	QTY	DESCRIPTION
1	R3848	1	SPRING KIT 1-11/16" X 18"
		2	SPRING 1-11/16" X 18"
2	RAP8464	1	8.00" DIAMETER FOOT
3	RAP1008	1	SWITCH WARNING 2-WIRE
4	RF1456	1	MALE CONNECTOR 1/8" X 1/4"
5	RAP9867	1	CYL. ASSY. 2.00" X 18" (INCLUDES ITEM 4,10) (EXCLUDES ITEMS 3,6,7)
6	RAP8003	1	SWITCH PRESSURE

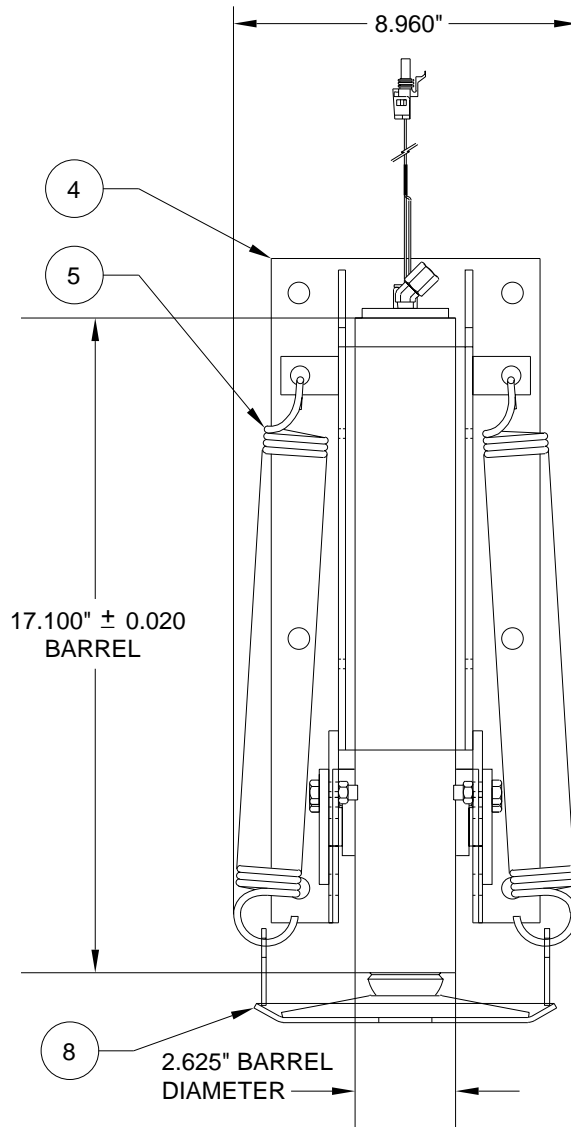
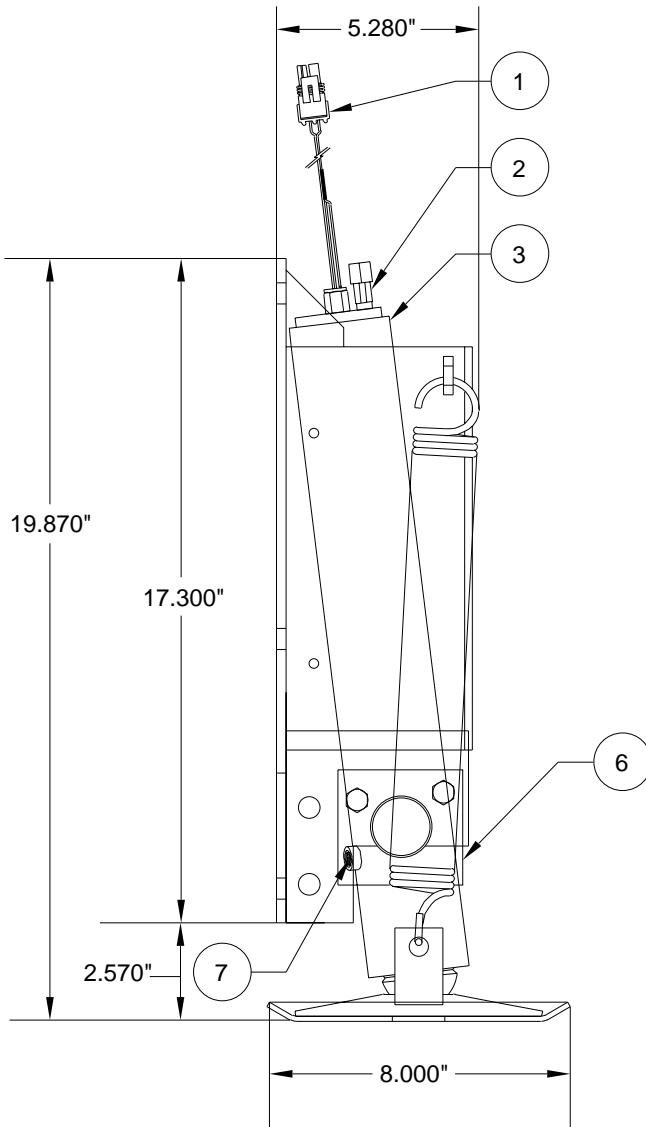
ITEM	PART	QTY	DESCRIPTION
7	RF8143	1	ELBOW 1/8" X 1/8"
8	<b>OBSOLETE</b>		PIVOT BRACKET - CONTACT HWH CORPORATION FOR REPLACEMENT INFORMATION
9	RAP1735	1	RETAINING PLATE KIT
		2	RETAINING PLATE
		4	HHCS 3/8-16 X 1"
		4	HEX NUT 3/8-16 LOCK DEF.
10	RF2418	1	PIPE PLUG 1/8"

NOTE : INDENTED ITEMS ARE INCLUDED WITH PRECEDING ITEM.

**MR26.4275**  
**23MAR09**

# AP15291 - STRAIGHT- ACTING JACK, 7 DEG PIVOT, F/A SPRINGS

9,000 # CAPACITY; 2.000" ROD DIAMETER; 13.00" STROKE



ITEM	PART	QTY	DESCRIPTION
	RAP90744		JACK 9,000# x 13" F/A (REPLACES AP15291)
1	RAP1008	1	SWITCH WARNING 2-WIRE
2	RF5996	1	4-VTX-S MALE ELBOW
3	RAP1927	1	CYL. ASSY. 2.000" x 13"
4	RAP90745	1	PIVOT BRACKET
5	R3847	1	SPRING KIT 1-11/16" x 14"
		2	SPRING 1-11/16" x 14"

ITEM	PART	QTY	DESCRIPTION
6	RAP1735	1	RETAINING PLATE KIT
		2	RETAINING PLATES
		4	HHCS 3/8 - 16 x 1"
		4	HEX NUT 3/8 - 16 LOCK
7	RF90272	1	1/8-HP-S HEX PLUG
8	RAP8464	1	FOOT 8.000" DIAMETER

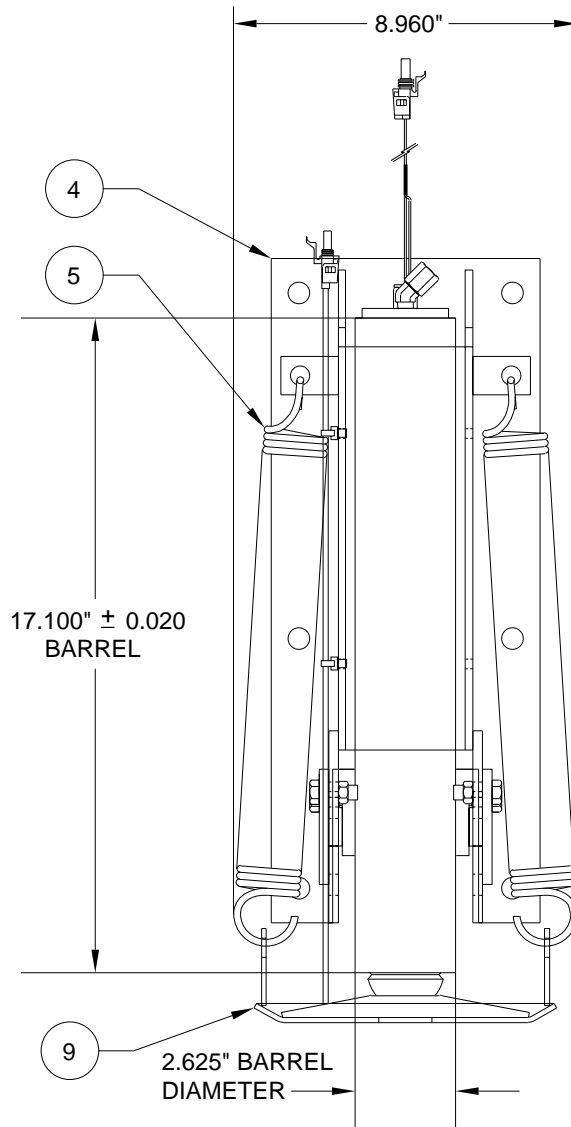
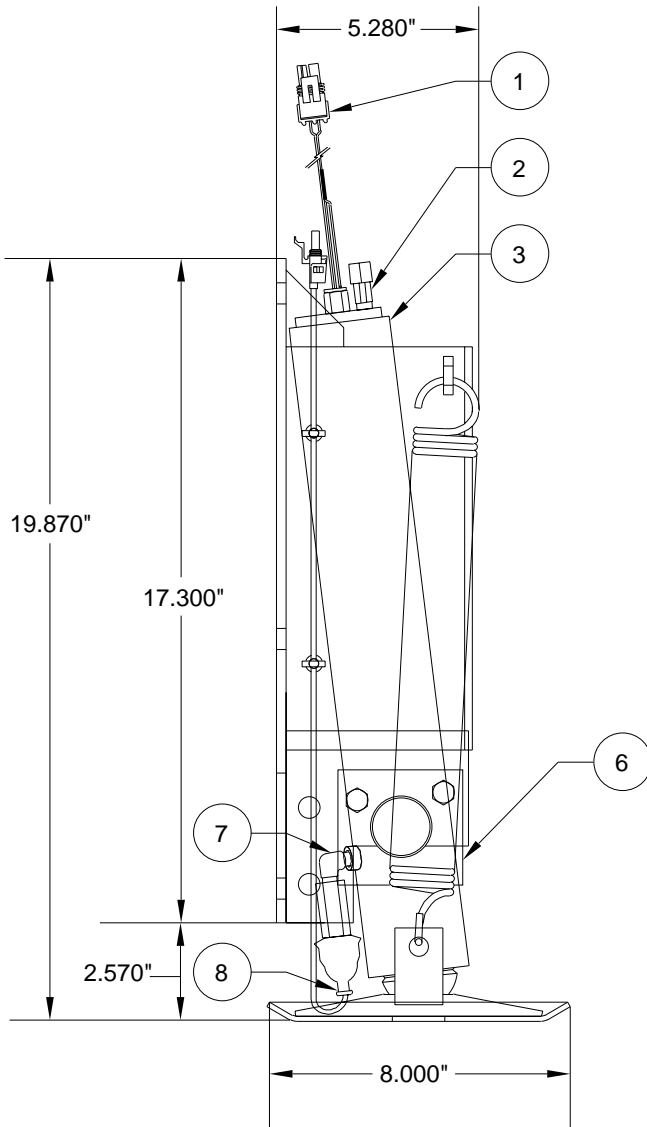
NOTE: INDENTED ITEMS ARE INCLUDED WITH PRECEDING ITEM.

MR26.4280  
06JUL00

# AP15292 - STRAIGHT- ACTING JACK, 7 DEG PIVOT, F/A SPRINGS

9,000 # CAPACITY; 2.000" ROD DIAMETER; 13.00" STROKE

WITH PRESSURE SWITCH AND 2-WIRE WARNING SWITCH



ITEM	PART	QTY	DESCRIPTION
	RAP90746		JACK 9,000# x 13" F/A (REPLACES AP15292)
1	RAP1008	1	SWITCH WARNING 2-WIRE
2	RF5996	1	4-VTX-S MALE ELBOW
3	RAP1927	1	CYL. ASSY. 2.000" x 13"
4	RAP90745	1	PIVOT BRACKET
5	R3847	1	SPRING KIT 1-11/16" x 14"
		2	SPRING 1-11/16" x 14"

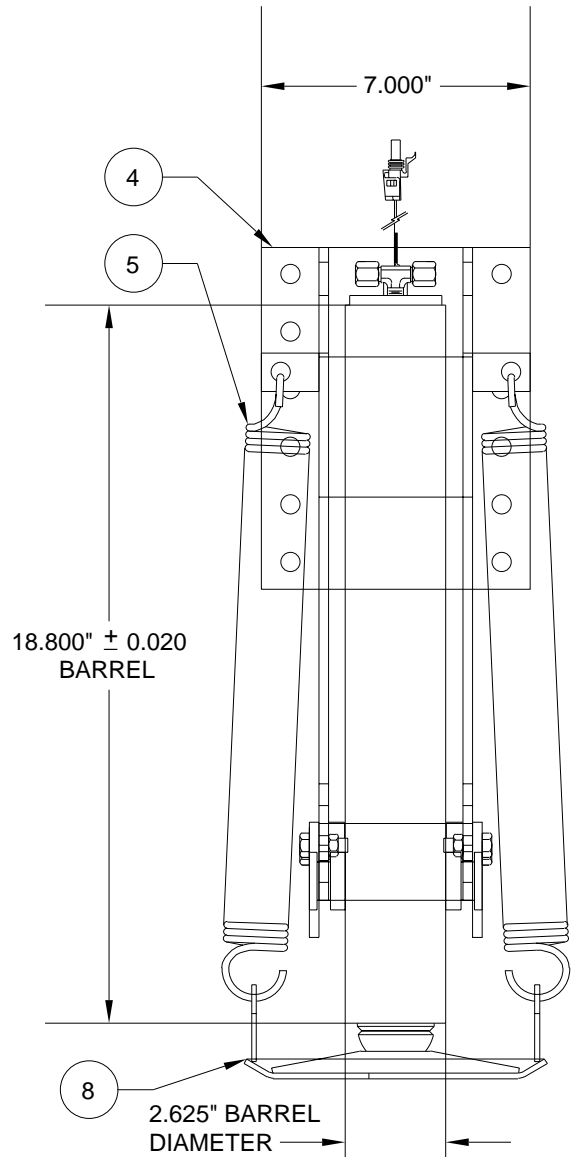
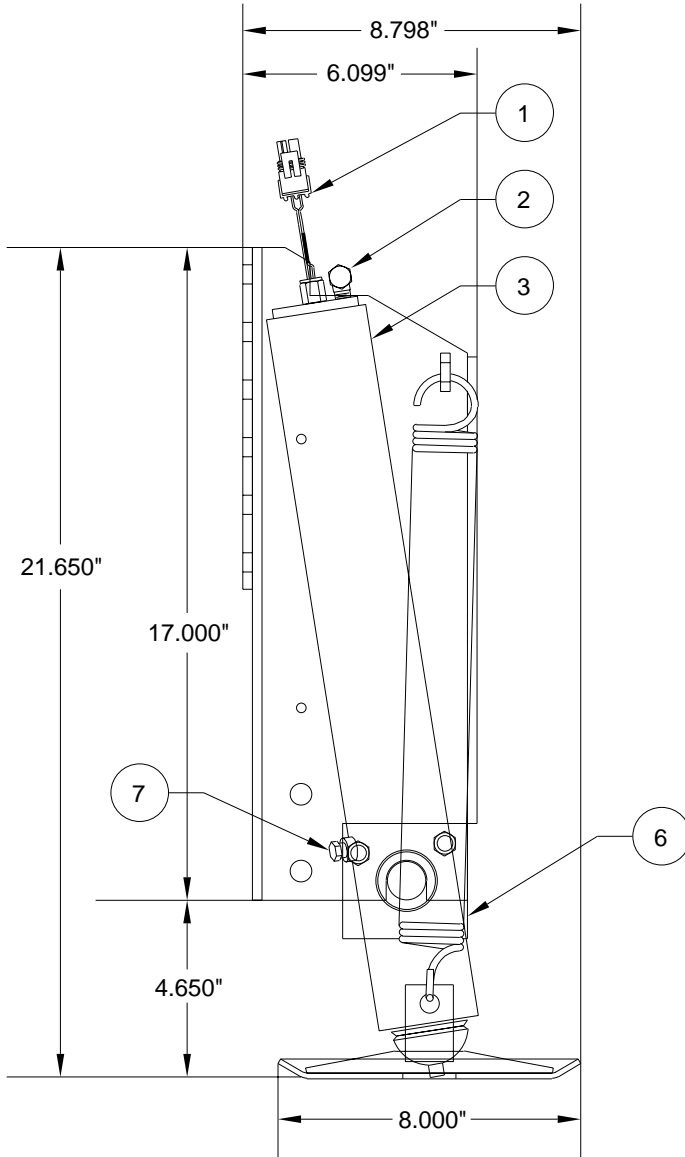
ITEM	PART	QTY	DESCRIPTION
6	RAP1735	1	RETAINING PLATE KIT
		2	RETAINING PLATES
		4	HHCS 3/8 - 16 x 1"
		4	HEX NUT 3/8 - 16 LOCK
7	RF8143	1	CR-1/8-S ELBOW
8	RAP8003	1	SWITCH PRESSURE
9	RAP8464	1	FOOT 8.000" DIAMETER

NOTE: INDENTED ITEMS ARE INCLUDED WITH PRECEDING ITEM.



# AP18307 - STRAIGHT- ACTING JACK, 7 DEG PIVOT, F/A SPRINGS

9,000 # CAPACITY; 2.000" ROD DIAMETER; 13.00" STROKE



ITEM	PART	QTY	DESCRIPTION
1	RAP1008	1	SWITCH WARNING 2-WIRE
2	RF90151	1	4-STX-S MALE BRANCH TEE
3	RAP9567	1	CYL. ASSY. 2.000" x 13"
4	<b>OBSOLETE</b>		PIVOT BRACKET - CONTACT HWH CORPORATION FOR REPLACEMENT INFORMATION
5	R3847	1	SPRING KIT 1-11/16" x 14"
		2	SPRING 1-11/16" x 14"

ITEM	PART	QTY	DESCRIPTION
6	RAP1735	1	RETAINING PLATE KIT
		2	RETAINING PLATES
		4	HHCS 3/8 - 16 x 1"
		4	HEX NUT 3/8 - 16 LOCK
7	RF90272	1	1/8-HP-S HEX PLUG
8	RAP8464	1	FOOT 8.000" DIAMETER

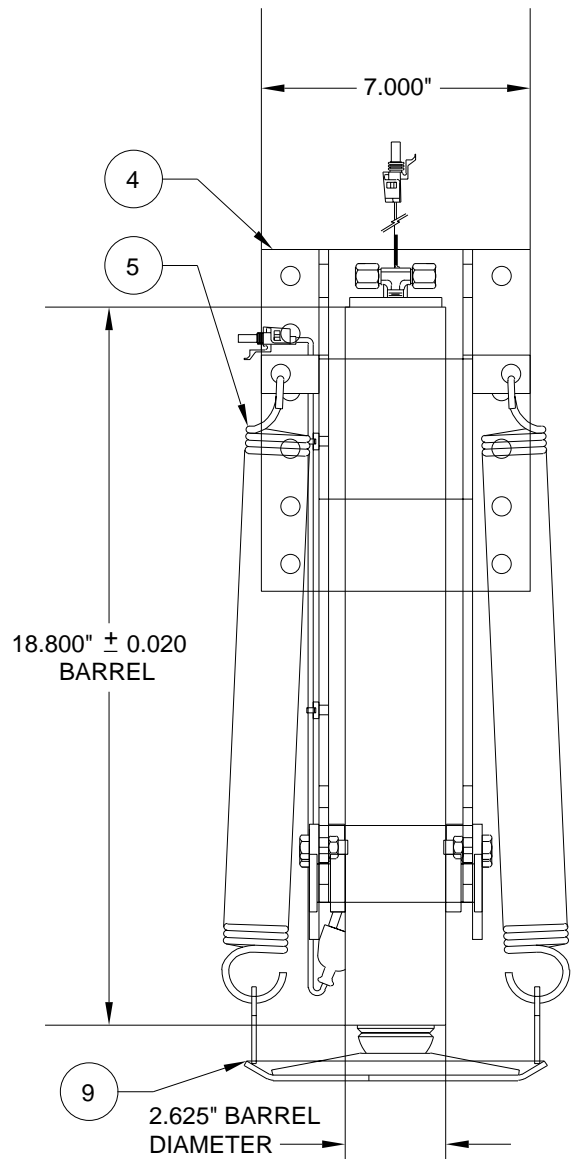
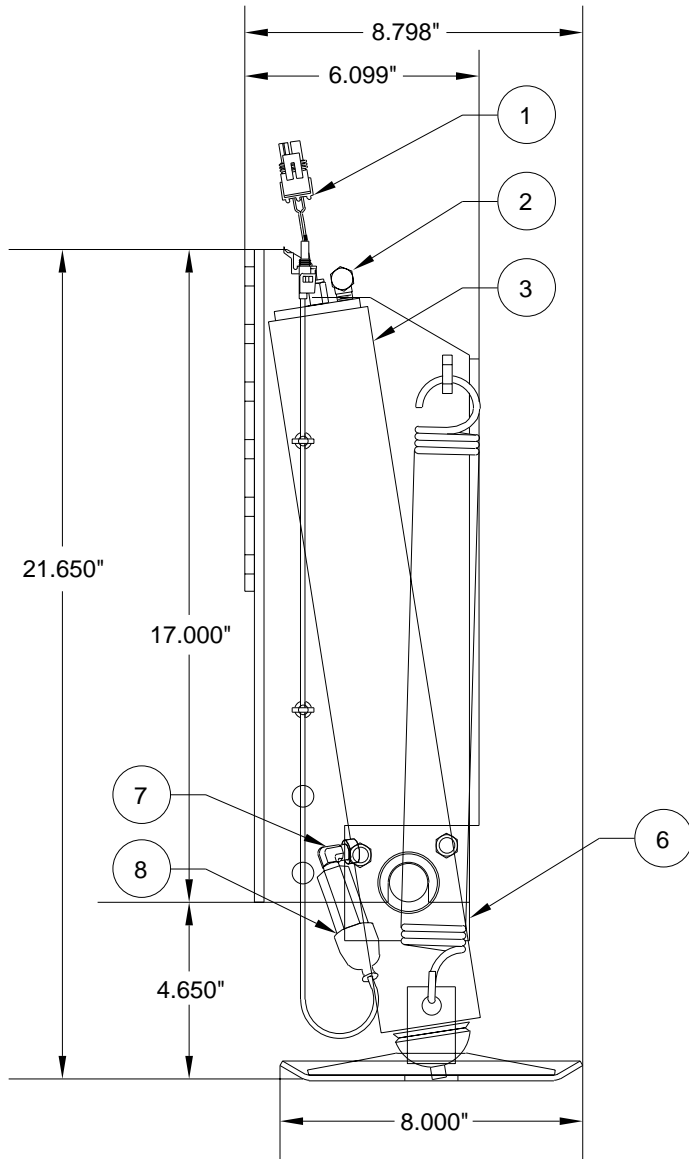
NOTE: INDENTED ITEMS ARE INCLUDED WITH PRECEDING ITEM.

MR26.4286  
23MAR09

# AP18308 - STRAIGHT- ACTING JACK, 7 DEG PIVOT, F/A SPRINGS

9,000 # CAPACITY; 2.000" ROD DIAMETER; 13.00" STROKE

WITH PRESSURE SWITCH AND 2-WIRE WARNING SWITCH



ITEM	PART	QTY	DESCRIPTION
1	RAP1008	1	SWITCH WARNING 2-WIRE
2	RF90151	1	4-STX-S MALE BRANCH TEE
3	RAP9567	1	CYL. ASSY. 2.000" x 13"
4	<b>OBSOLETE</b>		PIVOT BRACKET - CONTACT HWH CORPORATION FOR REPLACEMENT INFORMATION
5	R3847	1	SPRING KIT 1-11/16" x 14"
		2	SPRING 1-11/16" x 14"

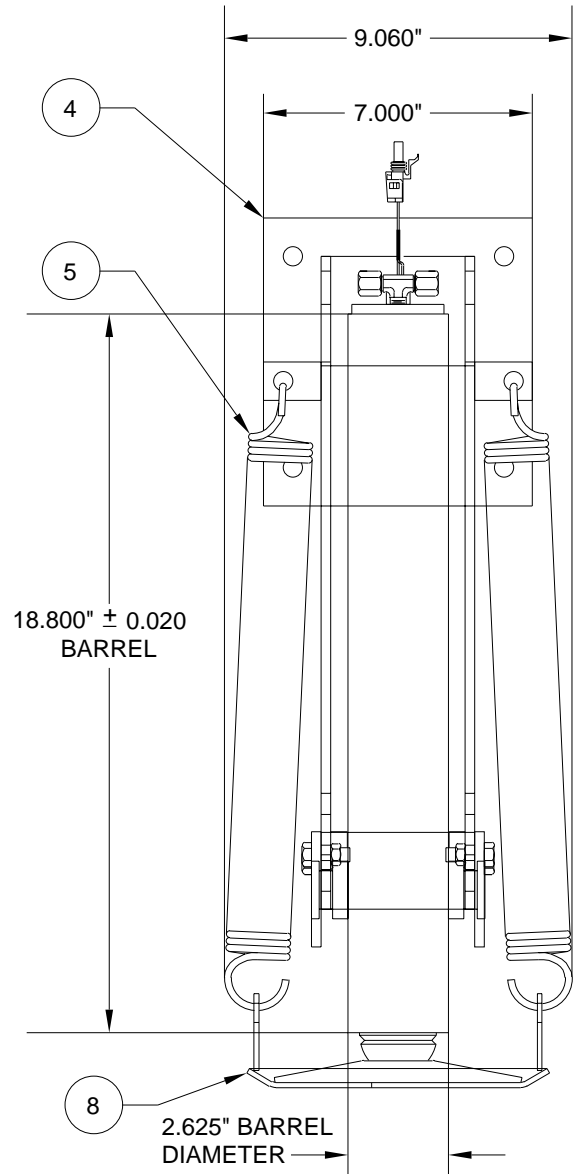
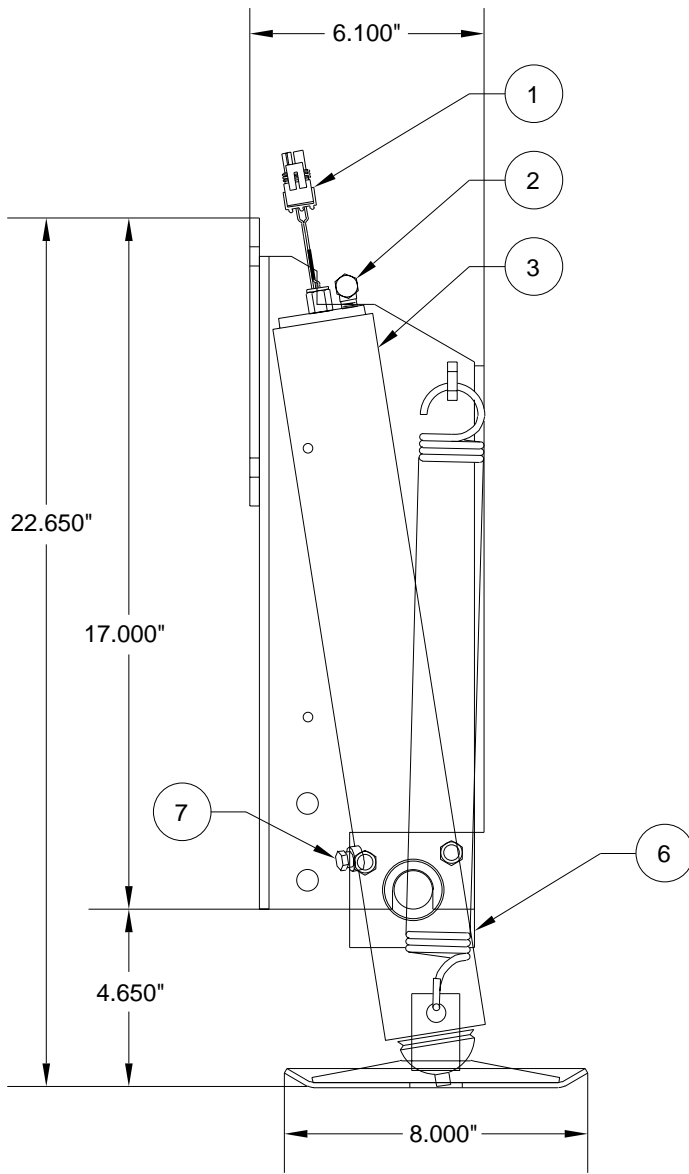
ITEM	PART	QTY	DESCRIPTION
6	RAP1735	1	RETAINING PLATE KIT
		2	RETAINING PLATES
		4	HHCS 3/8 - 16 x 1"
		4	HEX NUT 3/8 - 16 LOCK
7	RF8143	1	CR-1/8-S ELBOW
8	RAP8003	1	SWITCH PRESSURE
9	RAP8464	1	FOOT 8.000" DIAMETER

NOTE: INDENTED ITEMS ARE INCLUDED WITH PRECEDING ITEM.

MR26.4287  
23MAR09

# AP20239 - STRAIGHT- ACTING JACK, 7 DEG PIVOT, F/A SPRINGS

9,000 # CAPACITY; 2.000" ROD DIAMETER; 13.00" STROKE



ITEM	PART	QTY	DESCRIPTION
1	RAP1008	1	SWITCH WARNING 2-WIRE
2	RF90151	1	4-STX-S MALE BRANCH TEE
3	RAP9567	1	CYL. ASSY. 2.000" x 13"
4	<b>OBSOLETE</b>		PIVOT BRACKET - CONTACT HWH CORPORATION FOR REPLACEMENT INFORMATION
5	R3847	1	SPRING KIT 1-11/16" x 14"
		2	SPRING 1-11/16" x 14"

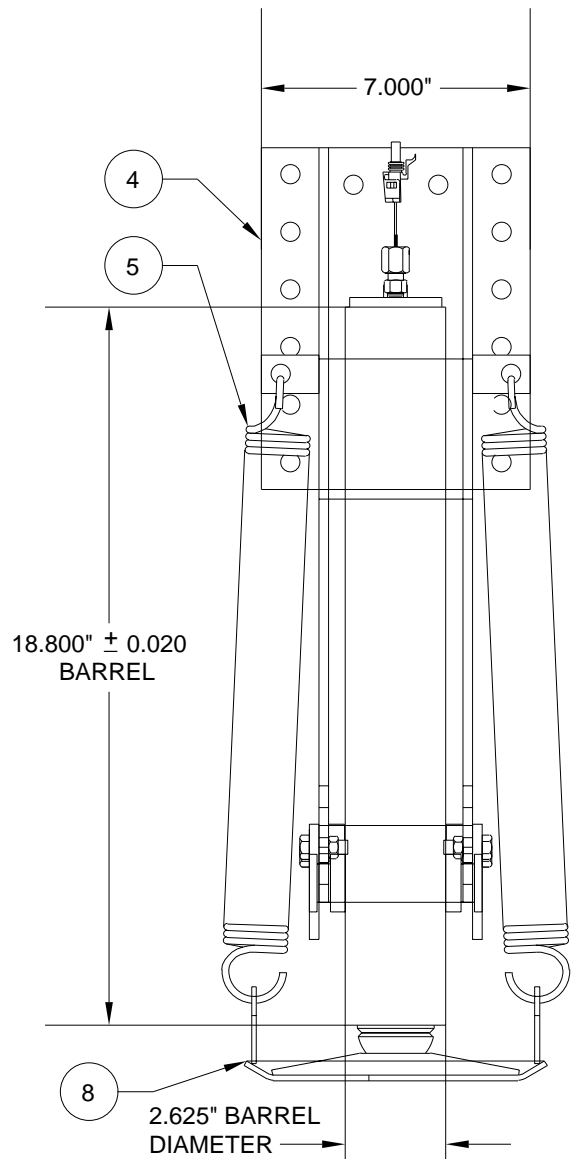
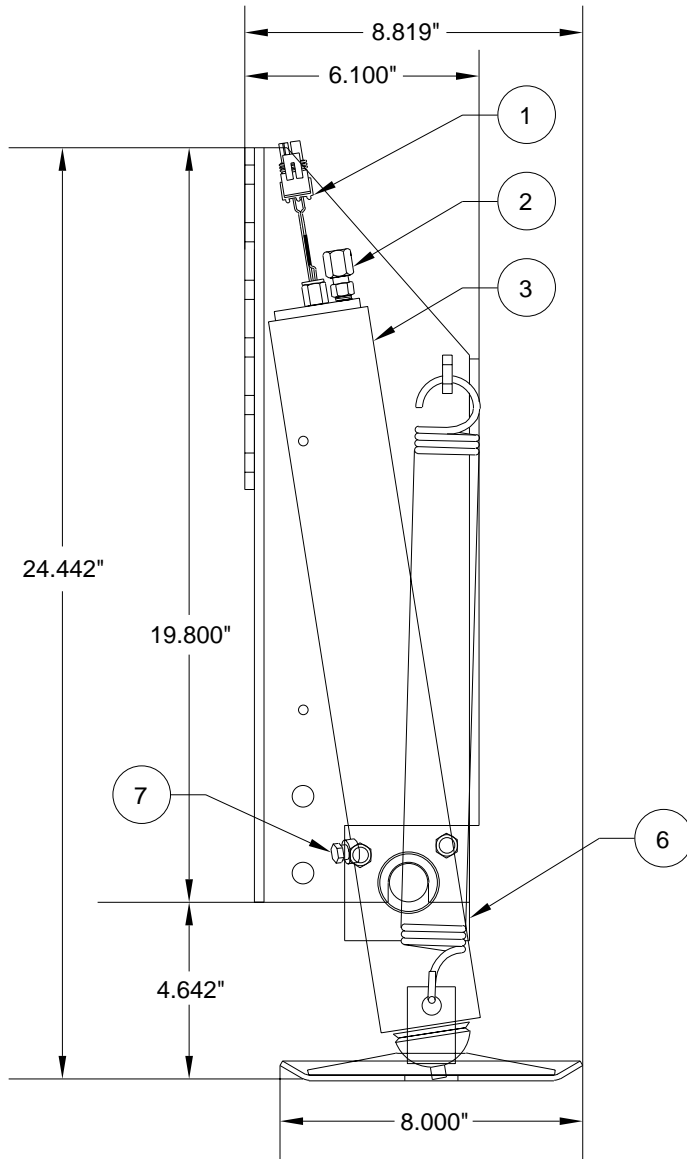
ITEM	PART	QTY	DESCRIPTION
6	RAP1735	1	RETAINING PLATE KIT
		2	RETAINING PLATES
		4	HHCS 3/8 - 16 x 1"
		4	HEX NUT 3/8 - 16 LOCK
7	RF90272	1	1/8-HP-S HEX PLUG
8	RAP8464	1	FOOT 8.000" DIAMETER

NOTE: INDENTED ITEMS ARE INCLUDED WITH PRECEDING ITEM.

MR26.4290  
23MAR09

# AP20313 - STRAIGHT- ACTING JACK, 7 DEG PIVOT, F/A SPRINGS

9,000 # CAPACITY; 2.000" ROD DIAMETER; 13.00" STROKE



ITEM	PART	QTY	DESCRIPTION
1	RAP1008	1	SWITCH WARNING 2-WIRE
2	RF1456	1	4-FTX-S MALE CONNECTOR
3	RAP9567	1	CYL. ASSY. 2.000" x 13"
4	<b>OBSOLETE</b>		PIVOT BRACKET - CONTACT HWH CORPORATION FOR REPLACEMENT INFORMATION
5	R3847	1	SPRING KIT 1-11/16" x 14"
		2	SPRING 1-11/16" x 14"

ITEM	PART	QTY	DESCRIPTION
6	RAP1735	1	RETAINING PLATE KIT
		2	RETAINING PLATES
		4	HHCS 3/8 - 16 x 1"
		4	HEX NUT 3/8 - 16 LOCK
7	RF90272	1	1/8-HP-S HEX PLUG
8	RAP8464	1	FOOT 8.000" DIAMETER

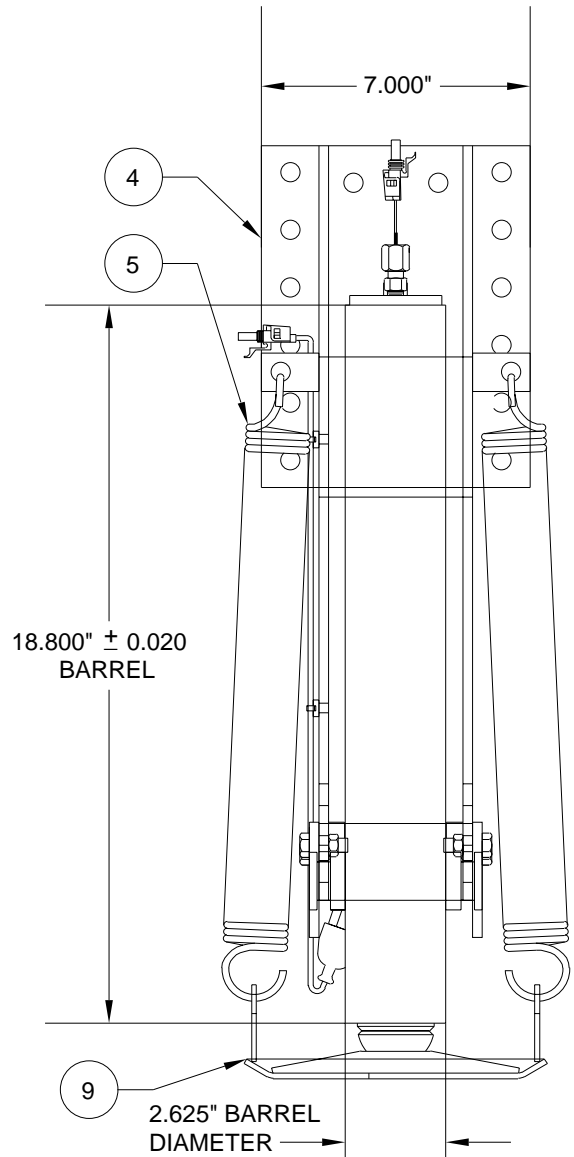
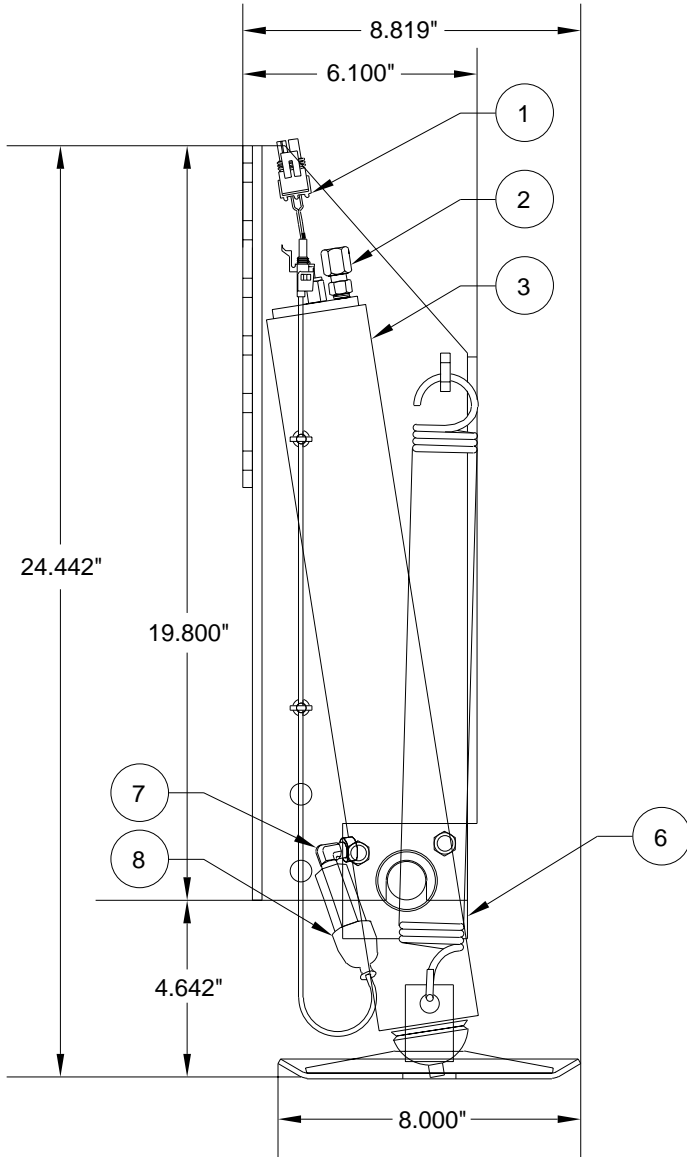
NOTE: INDENTED ITEMS ARE INCLUDED WITH PRECEDING ITEM.

MR26.4295  
23MAR09

# AP20316 - STRAIGHT- ACTING JACK, 7 DEG PIVOT, F/A SPRINGS

9,000 # CAPACITY; 2.000" ROD DIAMETER; 13.00" STROKE

WITH PRESSURE SWITCH AND 2-WIRE WARNING SWITCH



ITEM	PART	QTY	DESCRIPTION
1	RAP1008	1	SWITCH WARNING 2-WIRE
2	RF1456	1	4-FTX-S MALE CONNECTOR
3	RAP9567	1	CYL. ASSY. 2.000" x 13"
4	<b>OBSOLETE</b>		PIVOT BRACKET - CONTACT HWH CORPORATION FOR REPLACEMENT INFORMATION
5	R3847	1	SPRING KIT 1-11/16" x 14"
		2	SPRING 1-11/16" x 14"

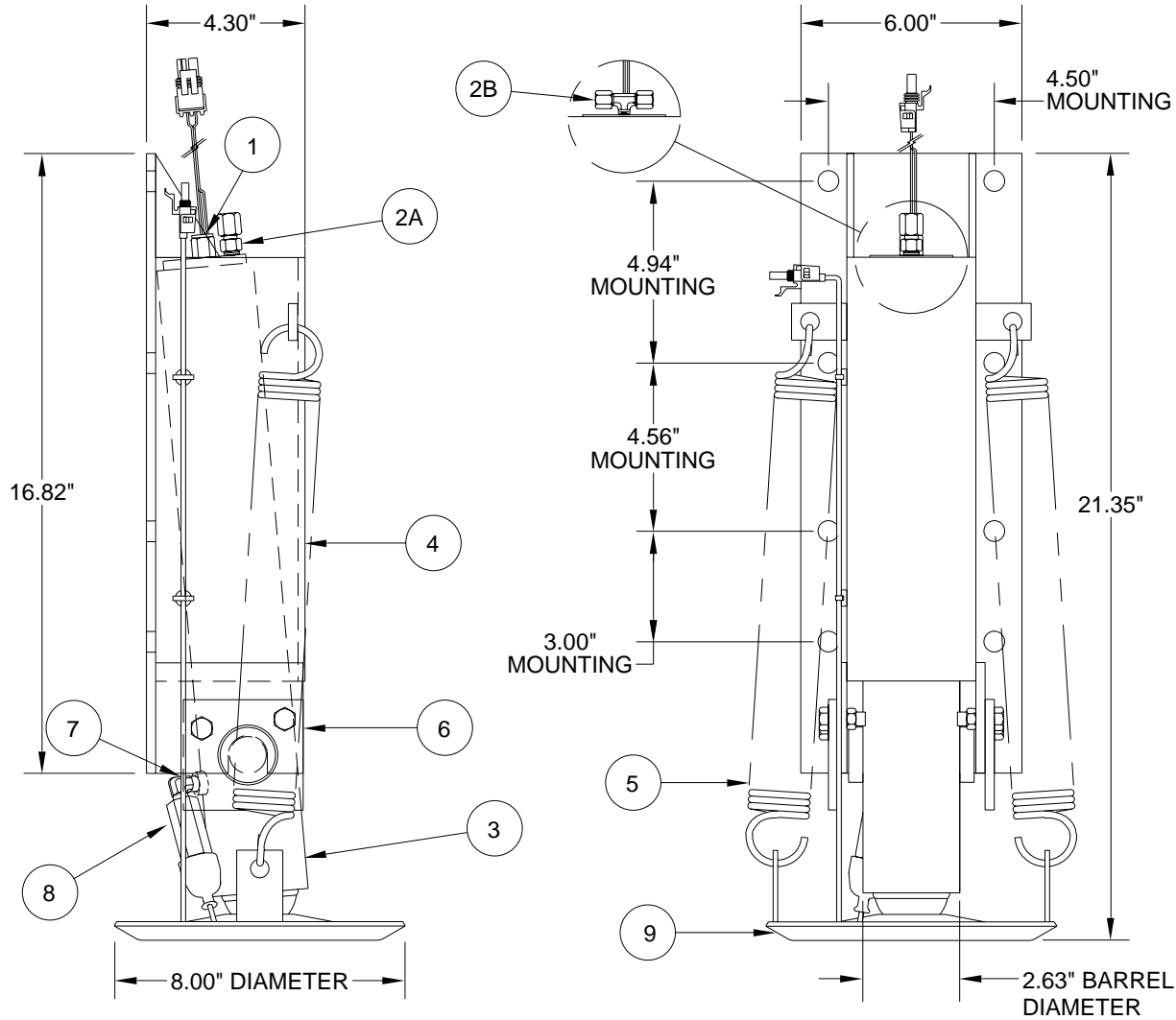
ITEM	PART	QTY	DESCRIPTION
6	RAP1735	1	RETAINING PLATE KIT
		2	RETAINING PLATES
		4	HHCS 3/8 - 16 x 1"
		4	HEX NUT 3/8 - 16 LOCK
7	RF8143	1	CR-1/8-S ELBOW
8	RAP8003	1	SWITCH PRESSURE
9	RAP8464	1	FOOT 8.000" DIAMETER

NOTE: INDENTED ITEMS ARE INCLUDED WITH PRECEDING ITEM.

MR26.4296  
23MAR09

**AP22419 - AP22420**  
**STRAIGHT-ACTING JACK, 5 DEGREE PIVOT, F/A SPRINGS**  
**9,000 # CAPACITY; 2.000" ROD DIAMETER; 13.00" STROKE**

JACK #	DESCRIPTION
AP22419	MAGNETIC WARNING SWITCH W/ BLACK CONNECTOR ONLY, TEE FITTING
AP22420	MAGNETIC WARNING SWITCH W/ BLACK CONNECTOR, PRESSURE SWITCH, STRAIGHT FITTING



ITEM	PART	QTY	DESCRIPTION
1	RAP1008	1	SWITCH WARNING MAGNETIC (AP22419, AP22420)
2A	RF1456	1	MALE CONNECTOR 1/8" X 1/4" (AP22420 JACK)
2B	RF90151	1	MALE TEE 1/8" X 1/4" X 1/4" (AP22419 JACK)
3	RAP1927	1	CYL. ASSY. 2.000" x 13" (INCLUDES ITEM 2B) (EXCLUDES ITEMS 1,2A,7,8)
4	RAP92407	1	PIVOT BRACKET

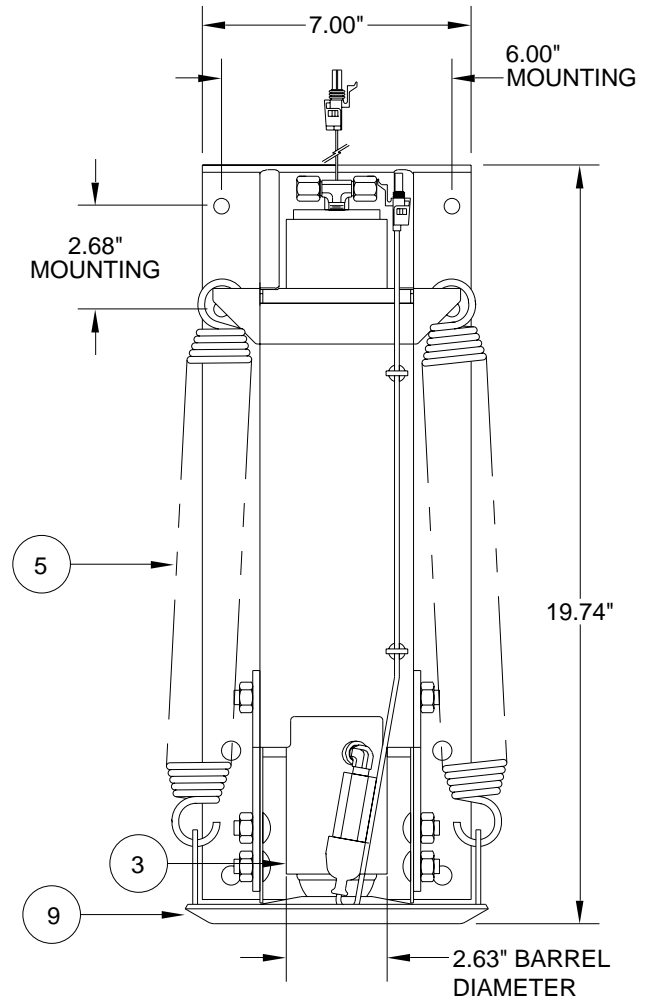
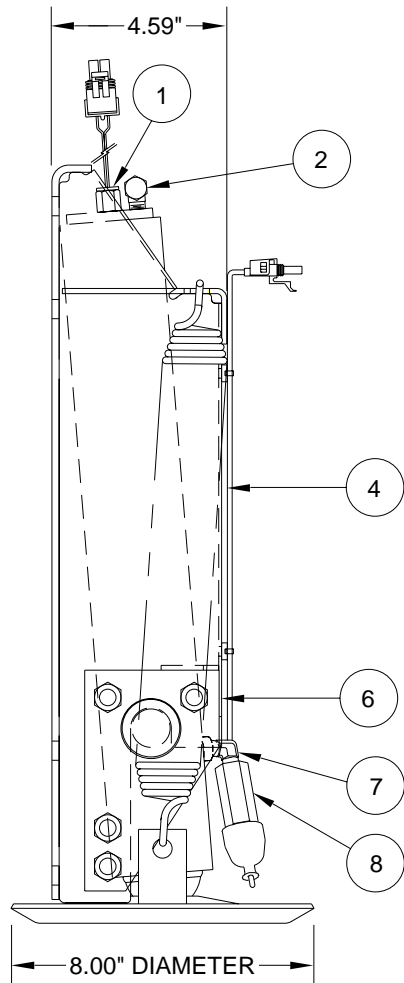
ITEM	PART	QTY	DESCRIPTION
5	R3847	1	SPRING KIT 1-11/16" X 14"
		2	SPRING 1-11/16" X 14"
6	RAP1735	1	RETAINING PLATE KIT
		2	RETAINING PLATES
		4	HHCS 3/8 - 16 x 1"
		4	HEX NUT 3/8 - 16 LOCK
7	RF8143	1	ELBOW 1/8" X 1/8" (AP22420 ONLY)
8	RAP8003	1	SWITCH PRESSURE (AP22420 ONLY)
9	RAP8464	1	FOOT 8.00" DIAMETER

**NOTE:** INDENTED ITEMS ARE INCLUDED WITH PRECEDING ITEM.

**MR26.4300**  
**26FEB09**

**AP27352 - AP29384 - AP29976**  
**STRAIGHT-ACTING JACK, 5 DEGREE PIVOT, F/A SPRINGS**  
**9,000 # CAPACITY; 2.000" ROD DIAMETER; 13.00" STROKE**

JACK #	DESCRIPTION
AP27352	MAGNETIC WARNING SWITCH W/ GRAY CONNECTOR ONLY
AP29384	NO WARNING OR PRESSURE SWITCH
AP29976	MAGNETIC WARNING SWITCH W/ GRAY CONNECTOR, PRESSURE SWITCH



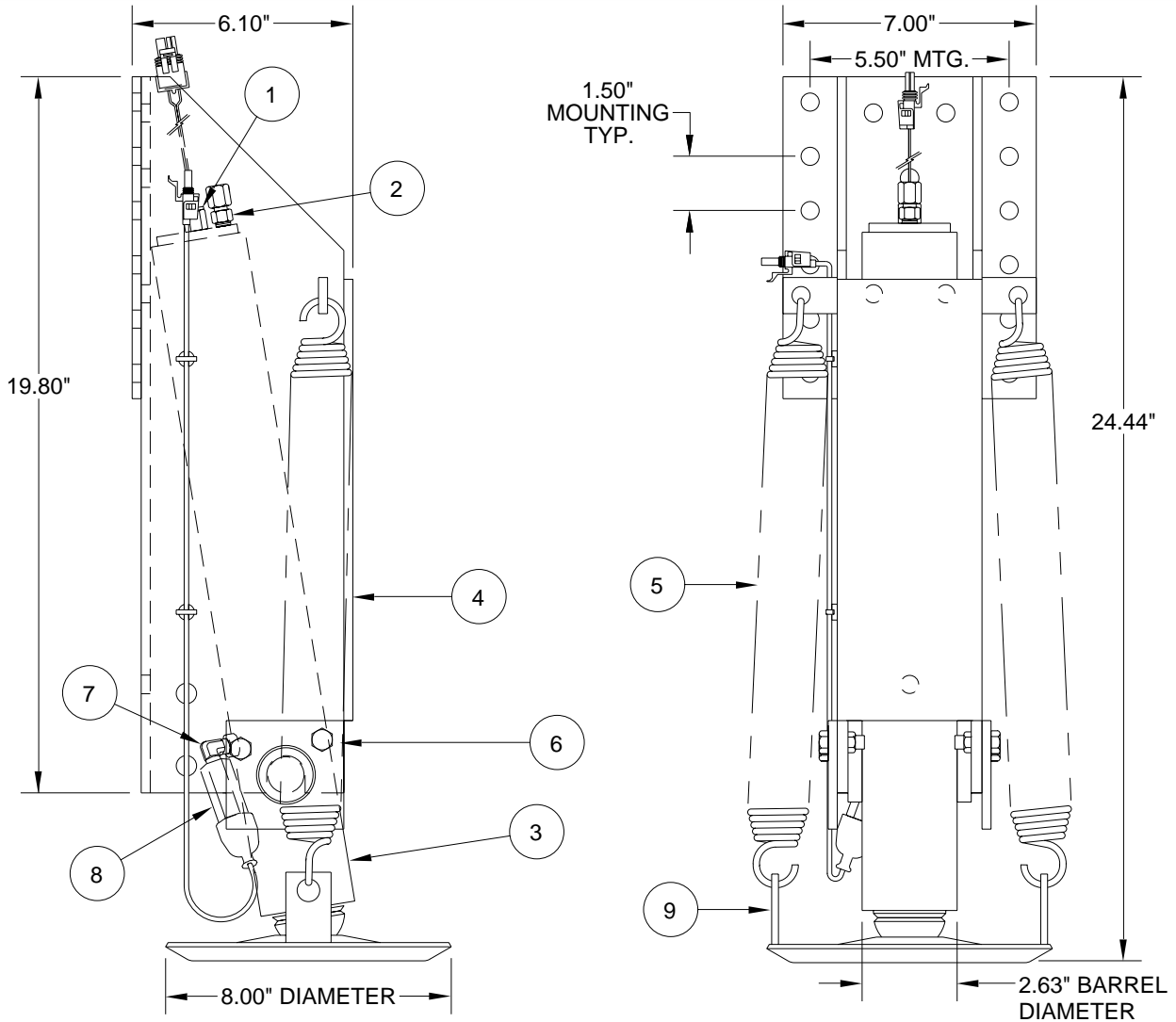
ITEM	PART	QTY	DESCRIPTION
1	RAP90968	1	SWITCH WARNING MAGNETIC GRAY (AP27352, AP29976)
2	RF90151	1	MALE TEE 1/8" X 1/4" X 1/4"
3	RAP90491	1	CYL. ASSY. 2.000" x 13" (INCLUDES ITEM 2) (EXCLUDES ITEMS 1,7,8)
4	RAP90748	1	PIVOT BRACKET

ITEM	PART	QTY	DESCRIPTION
5	R3847	1	SPRING KIT 1-11/16" X 14"
		2	SPRING 1-11/16" X 14"
6	RAP90505	1	RETAINING PLATE KIT
		2	RETAINING PLATES
		8	HHCS 3/8-16 X 1"
		8	HEX NUT 3/8-16 LOCK DEF.
7	RF8143	1	ELBOW 1/8" X 1/8" (AP29976 ONLY)
8	RAP8003	1	SWITCH PRESSURE (AP29976 ONLY)
9	RAP8464	1	FOOT 8.00" DIAMETER

**NOTE:** INDENTED ITEMS ARE INCLUDED WITH PRECEDING ITEM.

**AP30717 - AP30718**  
**STRAIGHT-ACTING JACK, 10 DEGREE PIVOT, F/A SPRINGS**  
**9,000 # CAPACITY; 2.000" ROD DIAMETER; 13.00" STROKE**

JACK #	DESCRIPTION
AP30717	MAGNETIC WARNING SWITCH W/ GRAY CONNECTOR ONLY
AP30718	MAGNETIC WARNING SWITCH W/ GRAY CONNECTOR, PRESSURE SWITCH



ITEM	PART	QTY	DESCRIPTION
1	RAP90968	1	SWITCH WARNING MAGNETIC GRAY (AP30717, AP30718)
2	RF1456	1	MALE CONNECTOR 1/8" X 1/4"
3	RAP9567	1	CYL. ASSY. 2.000" x 13" (INCLUDES TEE) (EXCLUDES ITEMS 1,2,7,8)
4	<b>OBSOLETE</b>		PIVOT BRACKET - CONTACT HWH CORPORATION FOR REPLACEMENT INFORMATION

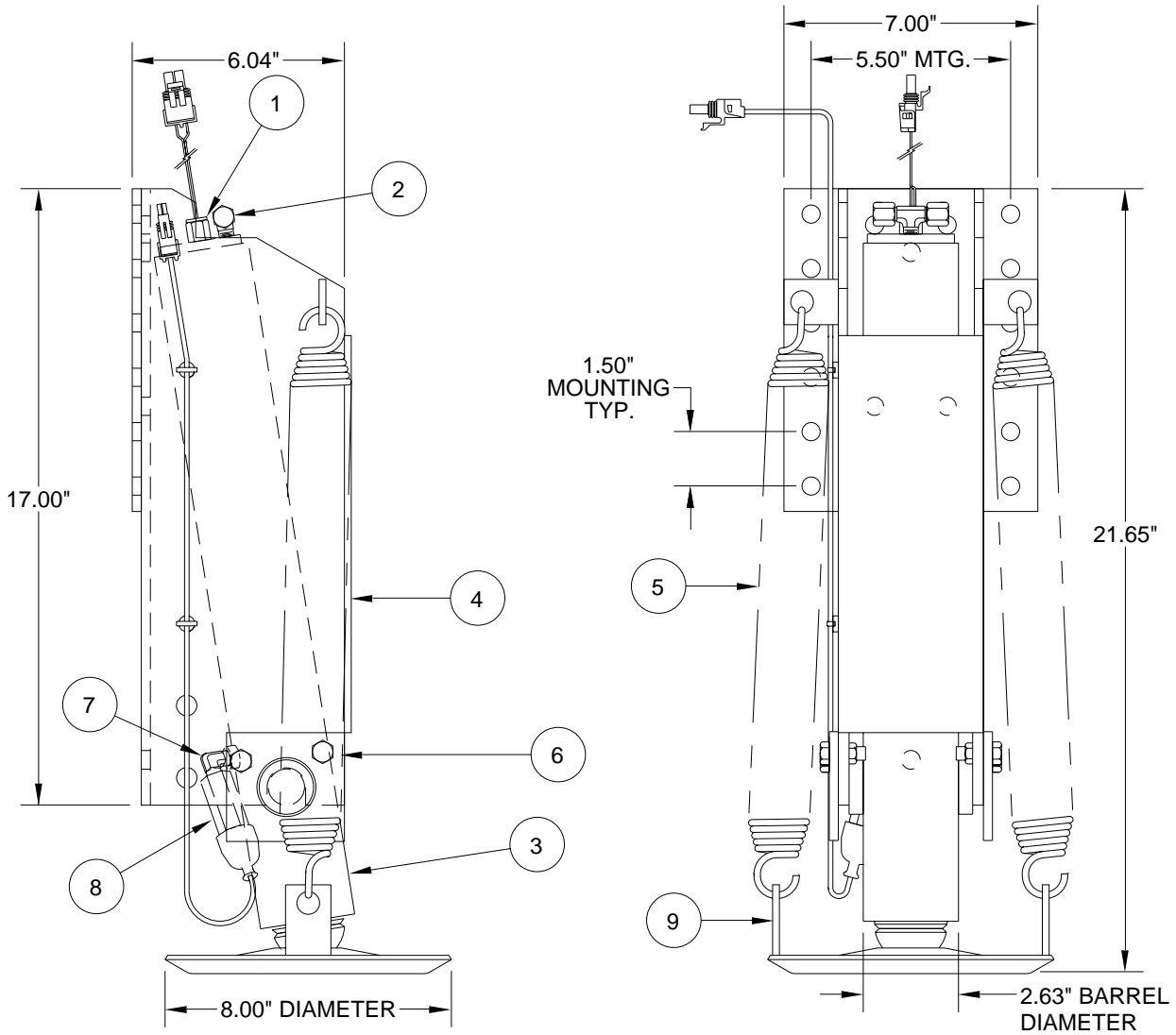
ITEM	PART	QTY	DESCRIPTION
5	R3847	1	SPRING KIT 1-11/16" X 14"
		2	SPRING 1-11/16" X 14"
6	RAP1735	1	RETAINING PLATE KIT
		2	RETAINING PLATES
		4	HHCS 3/8 - 16 x 1"
		4	HEX NUT 3/8 - 16 LOCK
7	RF8143	1	ELBOW 1/8" X 1/8" (AP30718 ONLY)
8	RAP8003	1	SWITCH PRESSURE (AP30718 ONLY)
9	RAP8464	1	FOOT 8.00" DIAMETER

**NOTE:** INDENTED ITEMS ARE INCLUDED WITH PRECEDING ITEM.



**AP35510 - AP35511**  
**STRAIGHT-ACTING JACK, 10 DEGREE PIVOT, F/A SPRINGS**  
**9,000 # CAPACITY; 2.000" ROD DIAMETER; 13.00" STROKE**

JACK #	DESCRIPTION
AP35510	MAGNETIC WARNING SWITCH W/ GRAY CONNECTOR ONLY
AP35511	MAGNETIC WARNING SWITCH W/ GRAY CONNECTOR, PRESSURE SWITCH



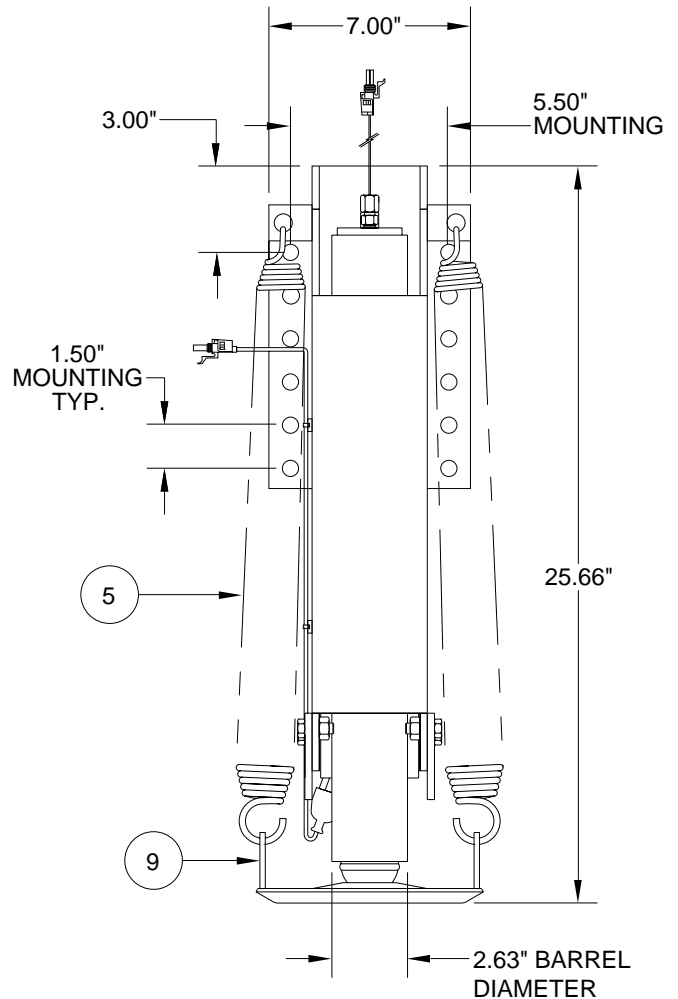
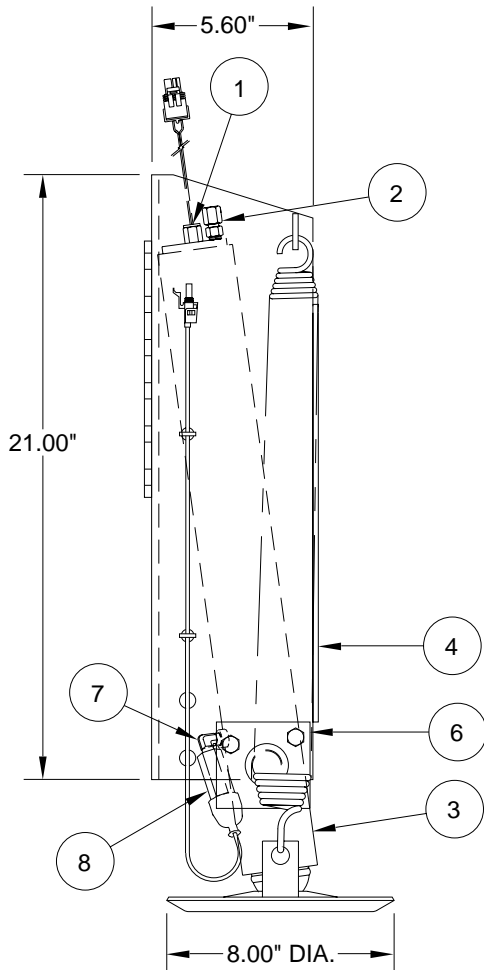
ITEM	PART	QTY	DESCRIPTION
1	RAP90968	1	SWITCH WARNING MAGNETIC GRAY (AP35510, AP35511)
2	RF90151	1	MALE TEE 1/8" X 1/4" X 1/4"
3	RAP9567	1	CYL. ASSY. 2.000" x 13" (INCLUDES ITEM 2) (EXCLUDES ITEMS 1,7,8)
4	<b>OBSOLETE</b>		PIVOT BRACKET - CONTACT HWH CORPORATION FOR REPLACEMENT INFORMATION

ITEM	PART	QTY	DESCRIPTION
5	R3847	1	SPRING KIT 1-11/16" X 14"
		2	SPRING 1-11/16" X 14"
6	RAP1735	1	RETAINING PLATE KIT
		2	RETAINING PLATES
		4	HHCS 3/8 - 16 x 1"
		4	HEX NUT 3/8 - 16 LOCK
7	RF8143	1	ELBOW 1/8" X 1/8" (AP35511 ONLY)
8	RAP8003	1	SWITCH PRESSURE (AP35511 ONLY)
9	RAP8464	1	FOOT 8.00" DIAMETER

**NOTE:** INDENTED ITEMS ARE INCLUDED WITH PRECEDING ITEM.

**AP40145 - AP40146**  
**STRAIGHT-ACTING JACK, 9 DEGREE PIVOT, F/A SPRINGS**  
**9,000 # CAPACITY; 2.000" ROD DIAMETER; 16.00" STROKE**

JACK #	DESCRIPTION
AP40145	MAGNETIC WARNING SWITCH W/ GRAY CONNECTOR ONLY
AP40146	MAGNETIC WARNING SWITCH W/ GRAY CONNECTOR, PRESSURE SWITCH



ITEM	PART	QTY	DESCRIPTION
1	RAP90968	1	SWITCH WARNING MAGNETIC GRAY (AP40145, AP40145)
2	RF1456	1	MALE CONNECTOR 1/8" X 1/4"
3	RAP9867	1	CYL. ASSY. 2.000" x 16" (INCLUDES ITEM 2) (EXCLUDES ITEMS 1,7,8)
4	<b>OBSOLETE</b>		PIVOT BRACKET - CONTACT HWH CORPORATION FOR REPLACEMENT INFORMATION

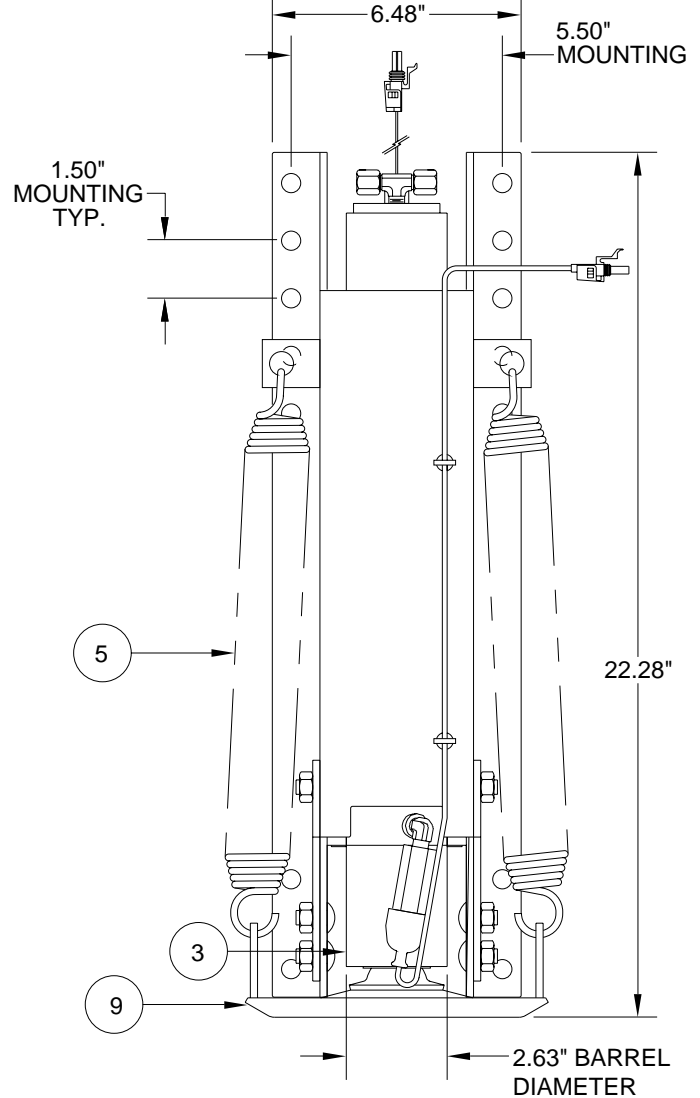
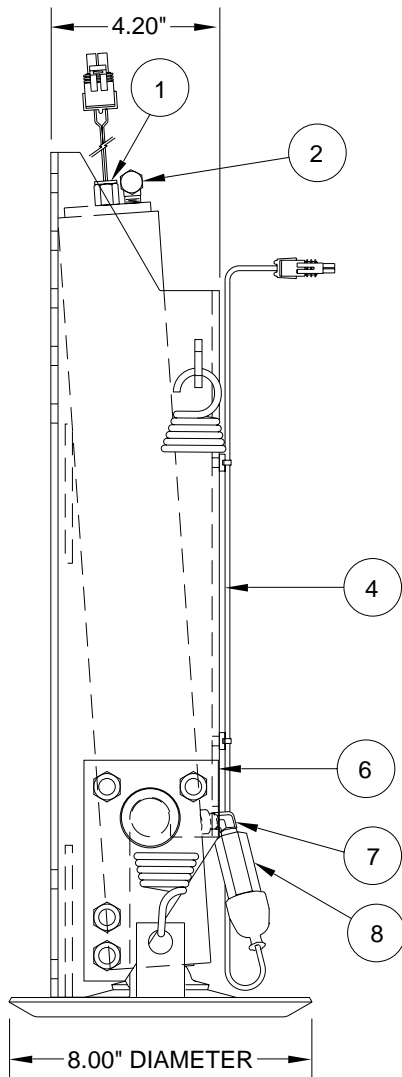
ITEM	PART	QTY	DESCRIPTION
5	R3848	1	SPRING KIT 1-11/16" X 18"
		2	SPRING 1-11/16" X 18"
6	RAP1735	1	RETAINING PLATE KIT
		2	RETAINING PLATES
		4	HHCS 3/8 - 16 x 1"
		4	HEX NUT 3/8 - 16 LOCK
7	RF8143	1	ELBOW 1/8" X 1/8" (AP40146 ONLY)
8	RAP8003	1	SWITCH PRESSURE (AP40146 ONLY)
9	RAP8464	1	FOOT 8.00" DIAMETER

**NOTE:** INDENTED ITEMS ARE INCLUDED WITH PRECEDING ITEM.

**MR26.4358**  
**26FEB09**

**AP39927 - AP39928**  
**STRAIGHT-ACTING JACK, 5 DEGREE PIVOT, F/A SPRINGS, BOLT-ON FOOT**  
**9,000 # CAPACITY; 2.000" ROD DIAMETER; 15.00" STROKE**

JACK #	DESCRIPTION
AP39927	MAGNETIC WARNING SWITCH W/ GRAY CONNECTOR ONLY
AP39928	MAGNETIC WARNING SWITCH W/ GRAY CONNECTOR, PRESSURE SWITCH

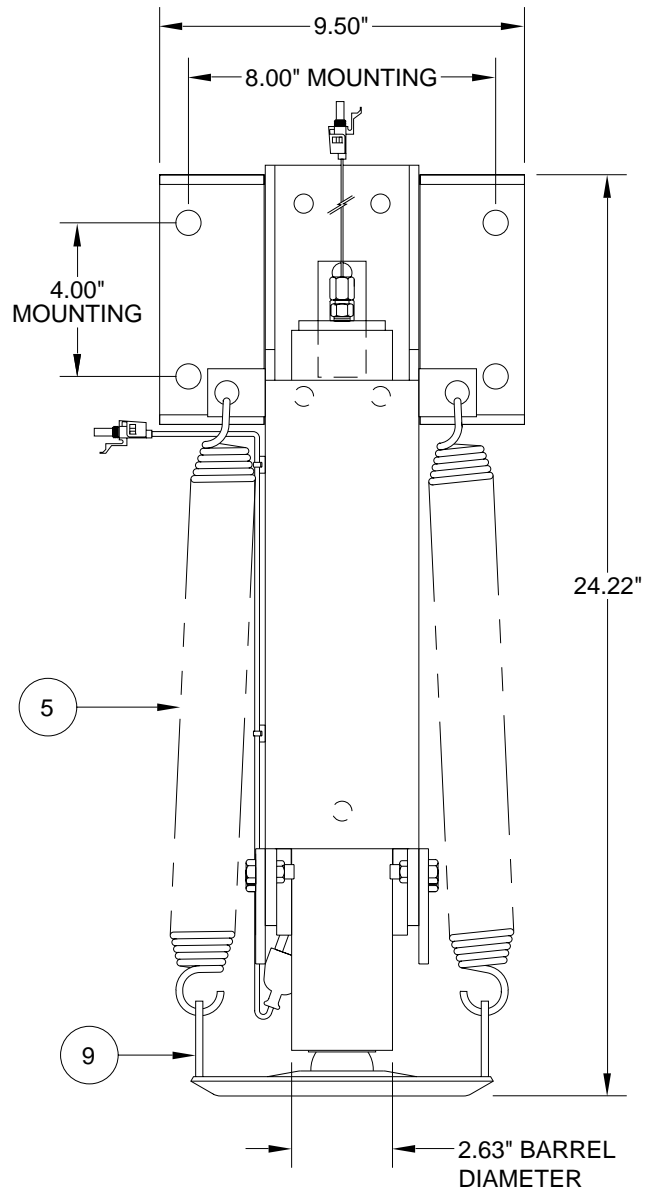
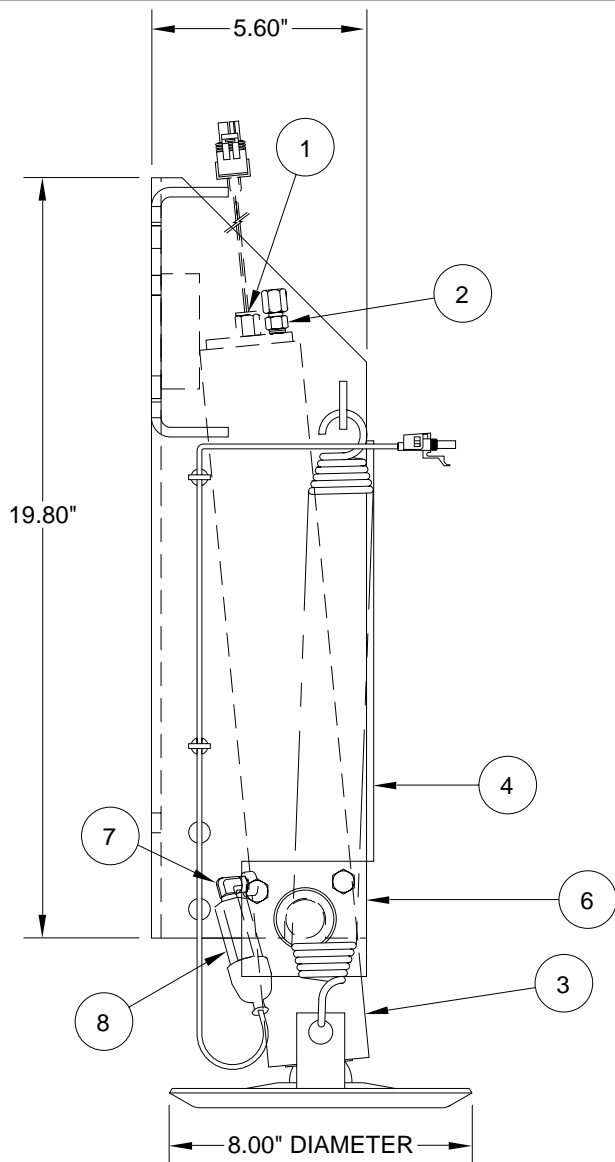


ITEM	PART	QTY	DESCRIPTION
1	RAP90968	1	SWITCH WARNING MAGNETIC GRAY (AP39927, AP39928)
2	RF90151	1	MALE TEE 1/8" X 1/4" X 1/4"
3	RAP92044	1	CYL. ASSY. 2.000" x 15" (INCLUDES ITEM 2) (EXCLUDES ITEMS 1,7,8)
4	RAP92408	1	PIVOT BRACKET

ITEM	PART	QTY	DESCRIPTION
5	R3847	1	SPRING KIT 1-11/16" X 14"
		2	SPRING 1-11/16" X 14"
6	RAP90505	1	RETAINING PLATE KIT
		2	RETAINING PLATES
		8	HHCS 3/8-16 X 1"
		8	HEX NUT 3/8-16 LOCK DEF.
7	RF8143	1	ELBOW 1/8" X 1/8" (AP39928 ONLY)
8	RAP8003	1	SWITCH PRESSURE (AP39928 ONLY)
9	RAP92406	1	FOOT 8.00" DIAMETER

**NOTE:** INDENTED ITEMS ARE INCLUDED WITH PRECEDING ITEM.

**AP41323 - STRAIGHT-ACTING JACK, 6 DEG PIVOT, F/A SPRINGS  
9,000 # CAPACITY; 2.000" ROD DIAMETER; 13.00" STROKE; BOLT-ON FOOT  
WITH MAGNETIC WARNING SWITCH AND PRESSURE SWITCH**



ITEM	PART	QTY	DESCRIPTION
1	RAP90968	1	SWITCH WARNING MAGNETIC GRAY
2	RF1456	1	MALE CONNECTOR 1/8" X 1/4"
3	RAP92240	1	CYL. ASSY. 2.000" x 13" (INCLUDES TEE) (EXCLUDES ITEMS 1,2,7,8)
4	<b>OBSOLETE</b>		PIVOT BRACKET - CONTACT HWH CORPORATION FOR REPLACEMENT INFORMATION

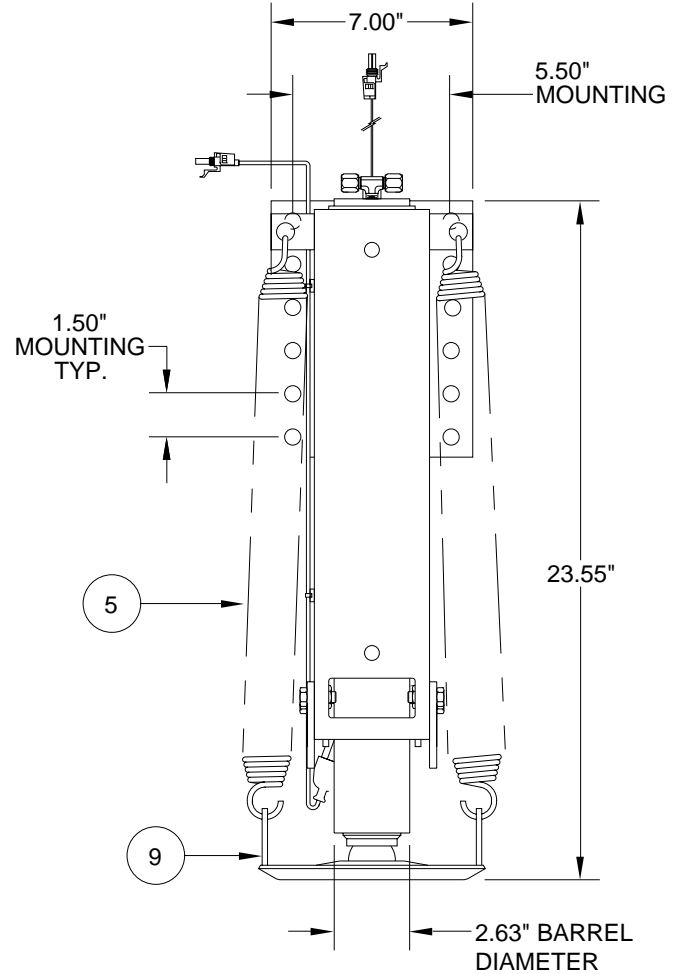
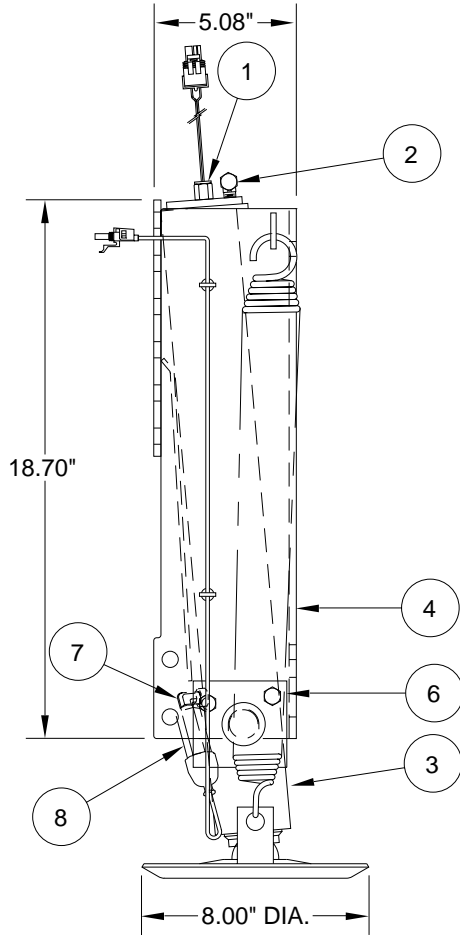
ITEM	PART	QTY	DESCRIPTION
5	R3847	1 2	SPRING KIT 1-11/16" X 14" SPRING 1-11/16" X 14"
6	RAP1735	1	RETAINING PLATE KIT
		2	RETAINING PLATES
		4	HHCS 3/8 - 16 x 1"
		4	HEX NUT 3/8 - 16 LOCK
7	RF8143	1	ELBOW 1/8" X 1/8"
8	RAP8003	1	SWITCH PRESSURE
9	RAP92406	1	FOOT 8.00" DIAMETER

**NOTE:** INDENTED ITEMS ARE INCLUDED WITH PRECEDING ITEM.

**MR26.4401  
26FEB09**

**AP42310, AP46577**  
**STRAIGHT-ACTING JACK, 6 DEGREE PIVOT, F/A SPRINGS**  
**9,000 # CAPACITY; 2.000" ROD DIAMETER; 16.00" STROKE; BOLT-ON FOOT**

JACK #	DESCRIPTION
AP42310	MAGNETIC WARNING SWITCH W/ GRAY CONNECTOR, PRESSURE SWITCH
AP46577	MAGNETIC WARNING SWITCH W/ GRAY CONNECTOR ONLY



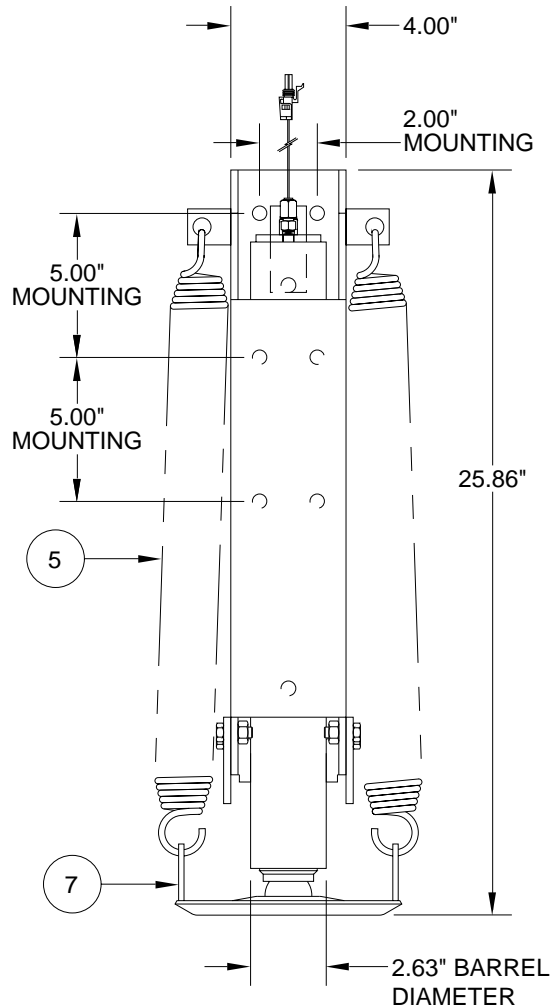
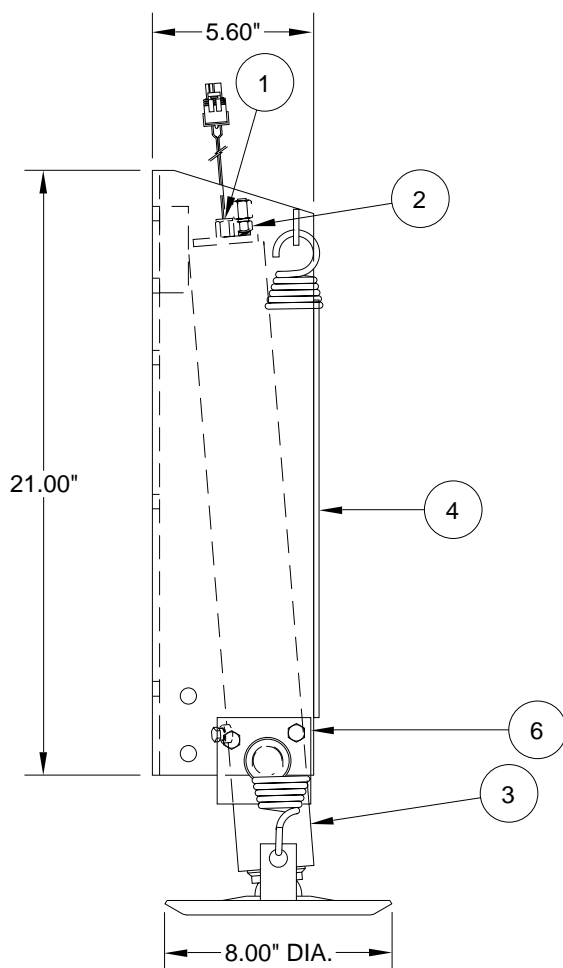
ITEM	PART	QTY	DESCRIPTION
1	RAP90968	1	SWITCH WARNING MAGNETIC GRAY
2	RF90151	1	MALE TEE 1/8" X 1/4" X 1/4"
3	RAP92241	1	CYL. ASSY. 2.000" x 16" (INCLUDES MALE FITTING) (EXCLUDES ITEMS 1,2,7,8)
4	RAP92402	1	PIVOT BRACKET

ITEM	PART	QTY	DESCRIPTION
5	R3848	1	SPRING KIT 1-11/16" X 18"
		2	SPRING 1-11/16" X 18"
6	RAP1735	1	RETAINING PLATE KIT
		2	RETAINING PLATES
		4	HHCS 3/8 - 16 x 1"
		4	HEX NUT 3/8 - 16 LOCK
7	RF8143	1	ELBOW 1/8" X 1/8" (AP42310 ONLY)
8	RAP8003	1	SWITCH PRESSURE (AP42310 ONLY)
9	RAP92406	1	FOOT 8.00" DIAMETER

NOTE: INDENTED ITEMS ARE INCLUDED WITH PRECEDING ITEM.

**MR26.4402**  
**12JAN12**

**AP42562 - STRAIGHT-ACTING JACK, 5 DEG PIVOT, F/A SPRINGS  
9,000 # CAPACITY; 2.000" ROD DIAMETER; 16.00" STROKE; BOLT-ON FOOT  
WITH MAGNETIC WARNING SWITCH**



ITEM	PART	QTY	DESCRIPTION
1	RAP1008	1	SWITCH WARNING MAGNETIC
2	RF1456	1	MALE CONNECTOR 1/8" X 1/4"
3	RAP92241	1	CYL. ASSY. 2.000" x 16" (INCLUDES ITEM 2) (EXCLUDES ITEM 1)
4	<b>OBSOLETE</b>		PIVOT BRACKET - CONTACT HWH CORPORATION FOR REPLACEMENT INFORMATION

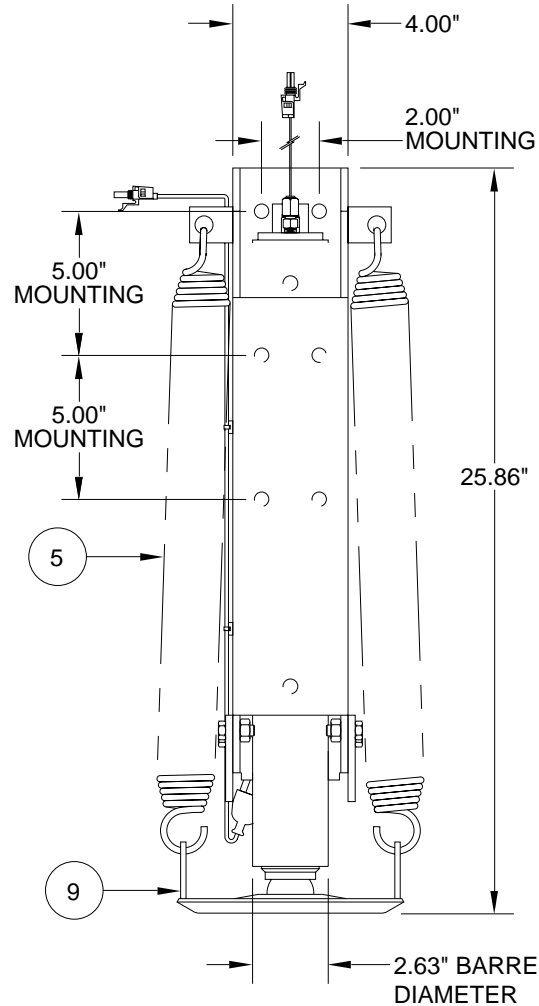
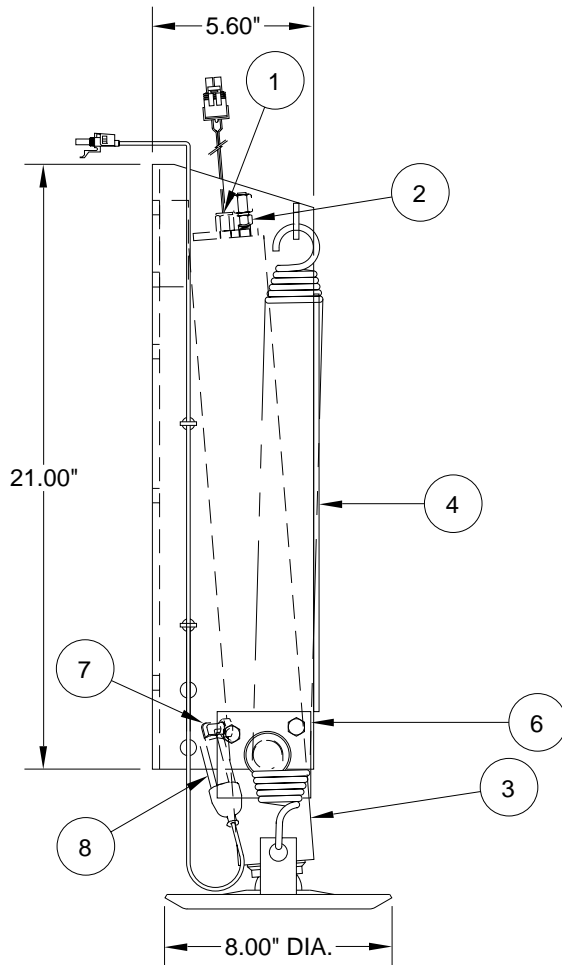
ITEM	PART	QTY	DESCRIPTION
5	R3848	1	SPRING KIT 1-11/16" X 18"
		2	SPRING 1-11/16" X 18"
6	RAP1735	1	RETAINING PLATE KIT
		2	RETAINING PLATES
		4	HHCS 3/8 - 16 x 1"
		4	HEX NUT 3/8 - 16 LOCK
7	RAP92406	1	FOOT 8.00" DIAMETER

**NOTE:** INDENTED ITEMS ARE INCLUDED WITH PRECEDING ITEM.

**MR26.4403  
26FEB09**

**AP42563 - AP42564**  
**STRAIGHT-ACTING JACK, 5 DEGREE PIVOT, F/A SPRINGS, BOLT-ON FOOT**  
**9,000 # CAPACITY; 2.000" ROD DIAMETER; 16.00" STROKE**

JACK #	DESCRIPTION
AP42563	MAGNETIC WARNING SWITCH W/ GRAY CONNECTOR ONLY
AP42564	MAGNETIC WARNING SWITCH W/ GRAY CONNECTOR, PRESSURE SWITCH



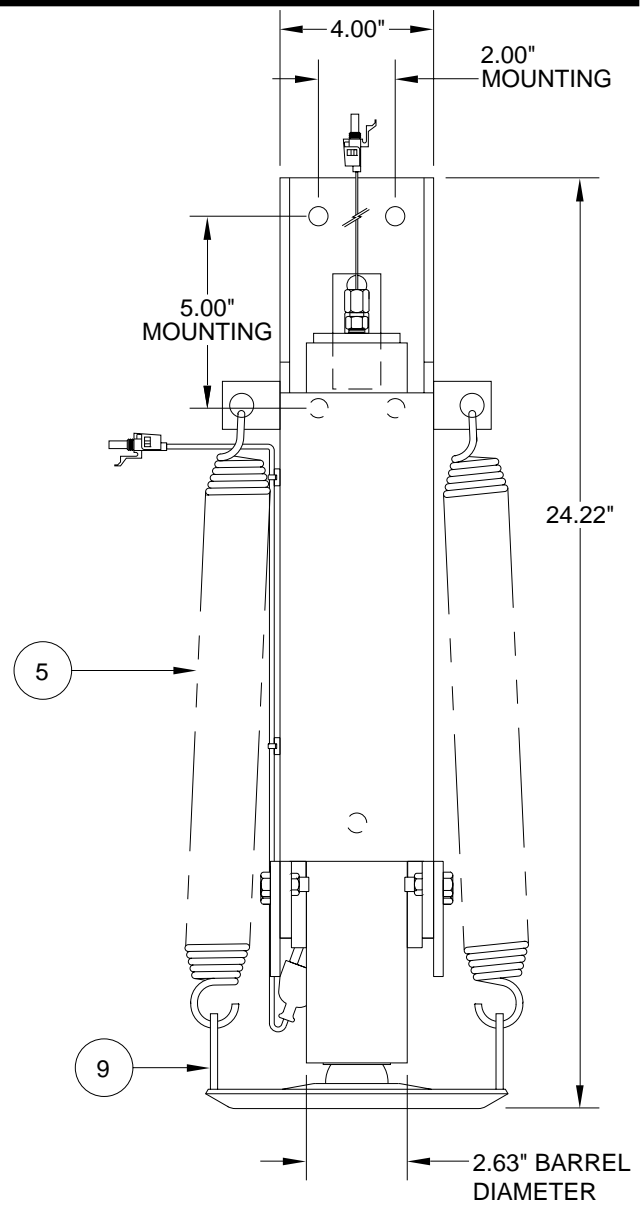
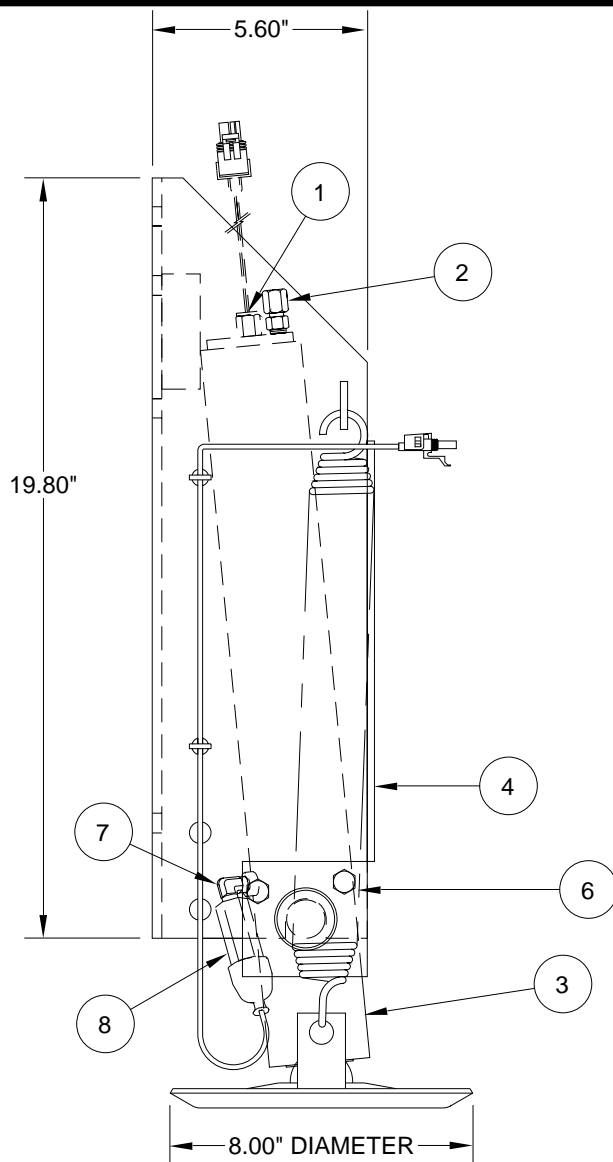
ITEM	PART	QTY	DESCRIPTION
1	RAP90968	1	SWITCH WARNING MAGNETIC GRAY (AP42563, AP42564)
2	RF1456	1	MALE CONNECTOR 1/8" X 1/4"
3	RAP92241	1	CYL. ASSY. 2.000" x 16" (INCLUDES ITEM 2) (EXCLUDES ITEMS 1,7,8)
4	<b>OBSOLETE</b>		PIVOT BRACKET - CONTACT HWH CORPORATION FOR REPLACEMENT INFORMATION

ITEM	PART	QTY	DESCRIPTION
5	R3848	1	SPRING KIT 1-11/16" X 18"
		2	SPRING 1-11/16" X 18"
6	RAP1735	1	RETAINING PLATE KIT
		2	RETAINING PLATES
		4	HHCS 3/8 - 16 x 1"
		4	HEX NUT 3/8 - 16 LOCK
7	RF8143	1	ELBOW 1/8" X 1/8" (AP42564 ONLY)
8	RAP8003	1	SWITCH PRESSURE (AP42564 ONLY)
9	RAP92406	1	FOOT 8.00" DIAMETER

**NOTE:** INDENTED ITEMS ARE INCLUDED WITH PRECEDING ITEM.

**MR26.4404**  
**26FEB09**

**AP42908 - STRAIGHT-ACTING JACK, 6 DEG PIVOT, F/A SPRINGS**  
**9,000 # CAPACITY; 2.000" ROD DIAMETER; 13.00" STROKE; BOLT-ON FOOT**  
**WITH MAGNETIC WARNING SWITCH AND PRESSURE SWITCH**



ITEM	PART	QTY	DESCRIPTION
1	RAP90968	1	SWITCH WARNING MAGNETIC GRAY
2	RF1456	1	MALE CONNECTOR 1/8" X 1/4"
3	RAP92240	1	CYL. ASSY. 2.000" x 13" (INCLUDES TEE) (EXCLUDES ITEMS 1,2,7,8)
4	<b>OBSOLETE</b>		PIVOT BRACKET - CONTACT HWH CORPORATION FOR REPLACEMENT INFORMATION

ITEM	PART	QTY	DESCRIPTION
5	R3847	1 2	SPRING KIT 1-11/16" X 14" SPRING 1-11/16" X 14"
6	RAP1735	1 2 4 4	RETAINING PLATE KIT RETAINING PLATES HHCS 3/8 - 16 x 1" HEX NUT 3/8 - 16 LOCK
7	RF8143	1	ELBOW 1/8" X 1/8"
8	RAP8003	1	SWITCH PRESSURE
9	RAP92406	1	FOOT 8.00" DIAMETER

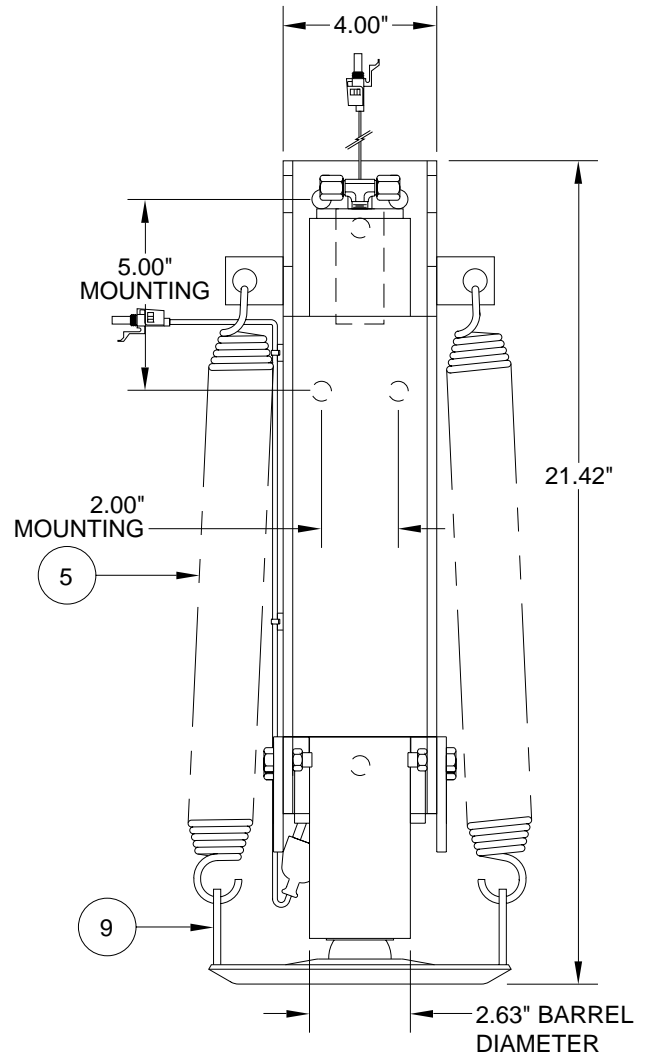
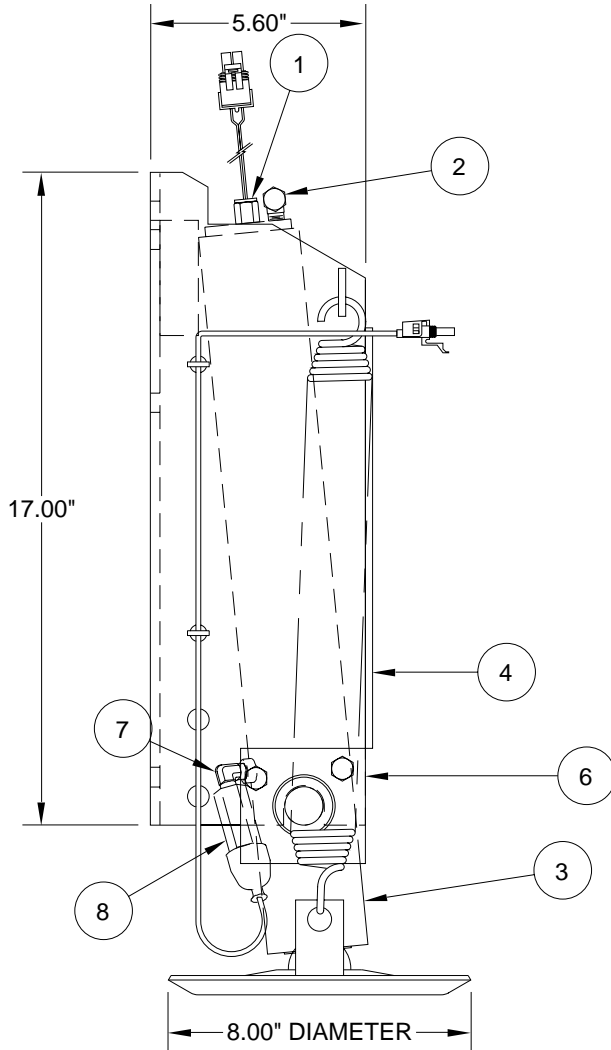
**NOTE:** INDENTED ITEMS ARE INCLUDED WITH PRECEDING ITEM.

**MR26.4405**  
**26FEB09**



**AP42917 - AP43165**  
**STRAIGHT-ACTING JACK, 6 DEGREE PIVOT, F/A SPRINGS, BOLT-ON FOOT**  
**9,000 # CAPACITY; 2.000" ROD DIAMETER; 13.00" STROKE**

JACK #	DESCRIPTION
AP42917	MAGNETIC WARNING SWITCH W/ GRAY CONNECTOR, PRESSURE SWITCH
AP43165	MAGNETIC WARNING SWITCH W/ GRAY CONNECTOR ONLY

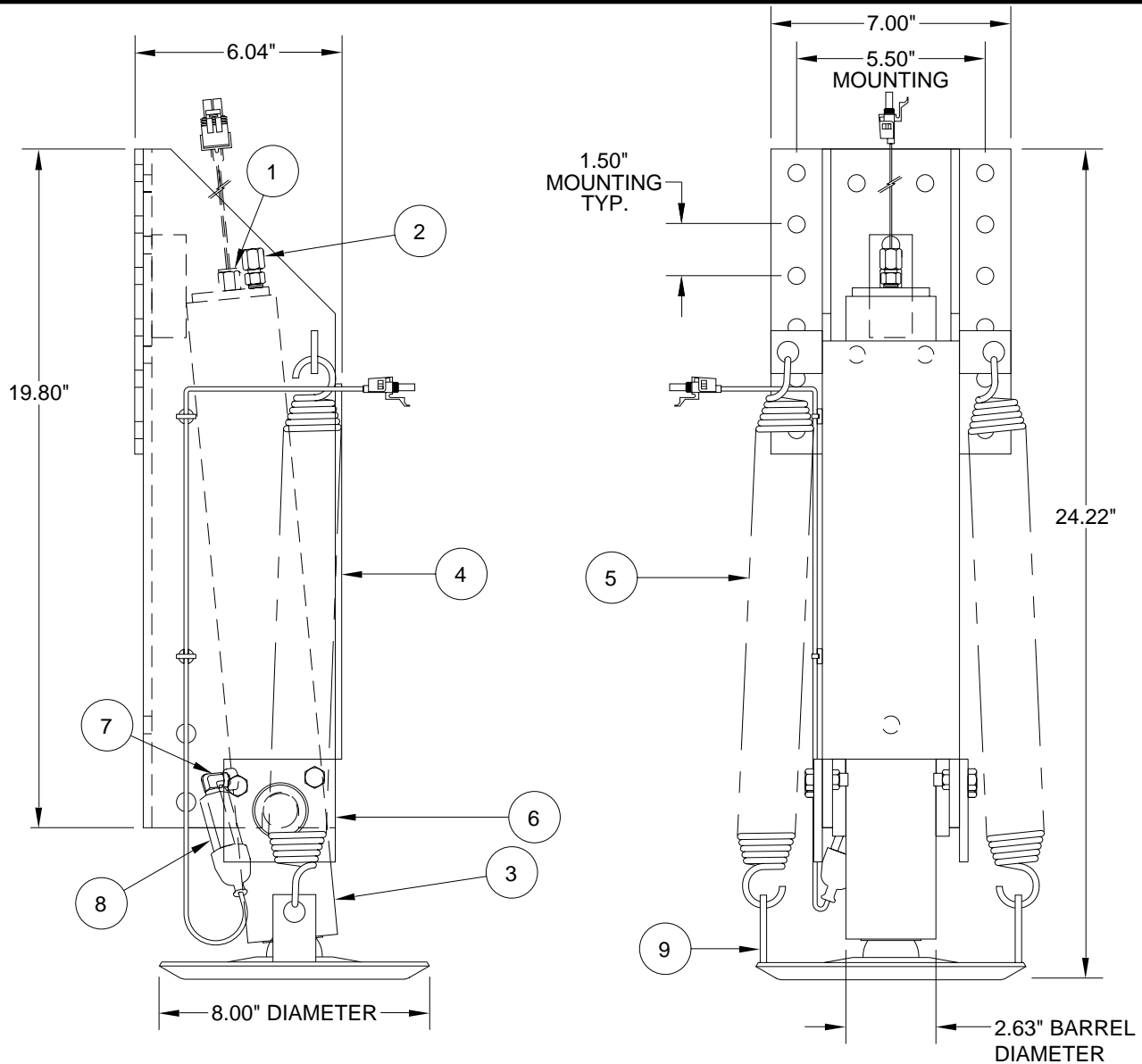


ITEM	PART	QTY	DESCRIPTION
1	RAP90968	1	SWITCH WARNING MAGNETIC GRAY (AP42917, AP43165)
2	RF90151	1	MALE TEE 1/8" X 1/4" X 1/4"
3	RAP92240	1	CYL. ASSY. 2.000" x 13" (INCLUDES ITEM 2) (EXCLUDES ITEMS 1,7,8)
4	<b>OBSOLETE</b>		PIVOT BRACKET - CONTACT HWH CORPORATION FOR REPLACEMENT INFORMATION

ITEM	PART	QTY	DESCRIPTION
5	R3847	1	SPRING KIT 1-11/16" X 14"
		2	SPRING 1-11/16" X 14"
6	RAP1735	1	RETAINING PLATE KIT
		2	RETAINING PLATES
		4	HHCS 3/8 - 16 x 1"
		4	HEX NUT 3/8 - 16 LOCK
7	RF8143	1	ELBOW 1/8" X 1/8" (AP42917 ONLY)
8	RAP8003	1	SWITCH PRESSURE (AP42917 ONLY)
9	RAP92406	1	FOOT 8.00" DIAMETER

**NOTE:** INDENTED ITEMS ARE INCLUDED WITH PRECEDING ITEM.

**AP42918 - STRAIGHT-ACTING JACK, 6 DEG PIVOT, F/A SPRINGS  
 9,000 # CAPACITY; 2.000" ROD DIAMETER; 13.00" STROKE; BOLT-ON FOOT  
 WITH MAGNETIC WARNING SWITCH AND PRESSURE SWITCH**

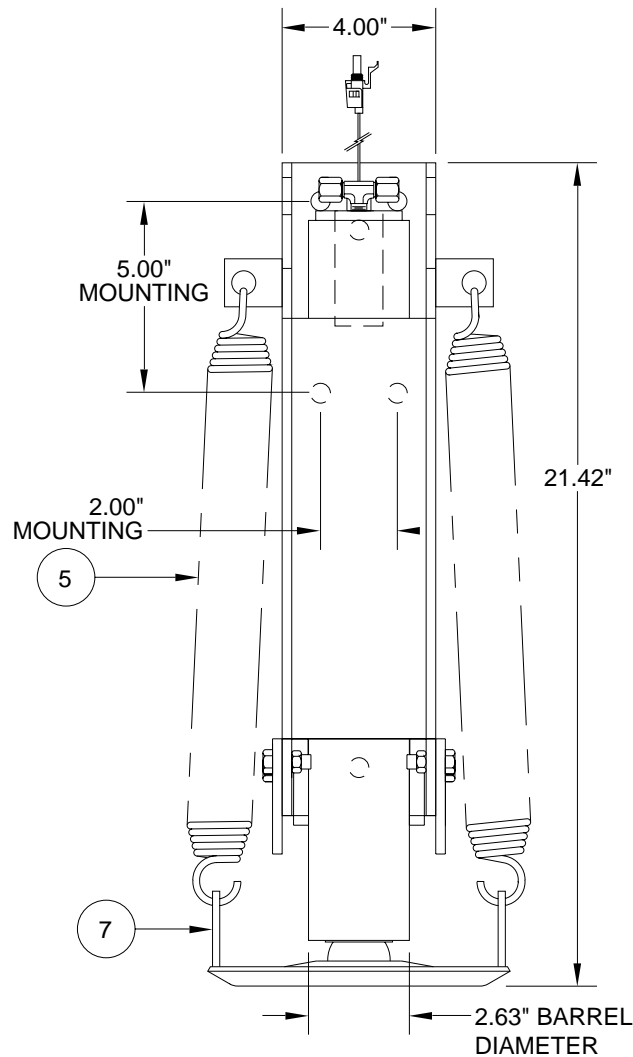
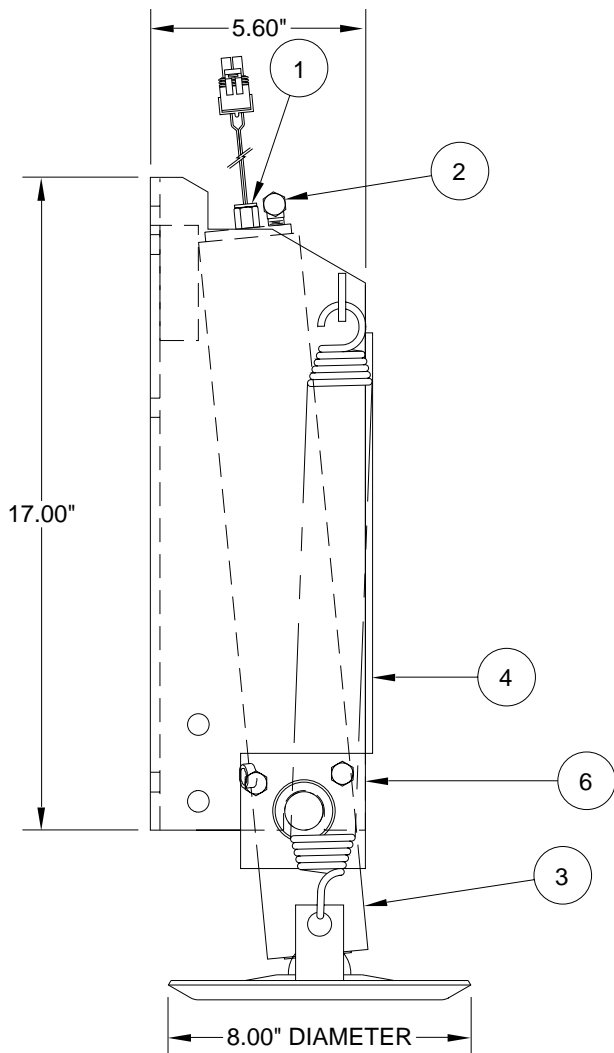


ITEM	PART	QTY	DESCRIPTION
1	RAP90968	1	SWITCH WARNING MAGNETIC GRAY
2	RF1456	1	MALE CONNECTOR 1/8" X 1/4"
3	RAP92240	1	CYL. ASSY. 2.000" x 13" (INCLUDES TEE) (EXCLUDES ITEMS 1,2,7,8)
4	<b>OBSOLETE</b>		PIVOT BRACKET - CONTACT HWH CORPORATION FOR REPLACEMENT INFORMATION

ITEM	PART	QTY	DESCRIPTION
5	R3847	1	SPRING KIT 1-11/16" X 14"
		2	SPRING 1-11/16" X 14"
6	RAP1735	1	RETAINING PLATE KIT
		2	RETAINING PLATES
		4	HHCS 3/8 - 16 x 1"
		4	HEX NUT 3/8 - 16 LOCK
7	RF8143	1	ELBOW 1/8" X 1/8"
8	RAP8003	1	SWITCH PRESSURE
9	RAP92406	1	FOOT 8.00" DIAMETER

**NOTE:** INDENTED ITEMS ARE INCLUDED WITH PRECEDING ITEM.

**AP42984 - STRAIGHT-ACTING JACK, 6 DEG PIVOT, F/A SPRINGS**  
**9,000 # CAPACITY; 2.000" ROD DIAMETER; 13.00" STROKE; BOLT-ON FOOT**  
**WITH MAGNETIC WARNING SWITCH**

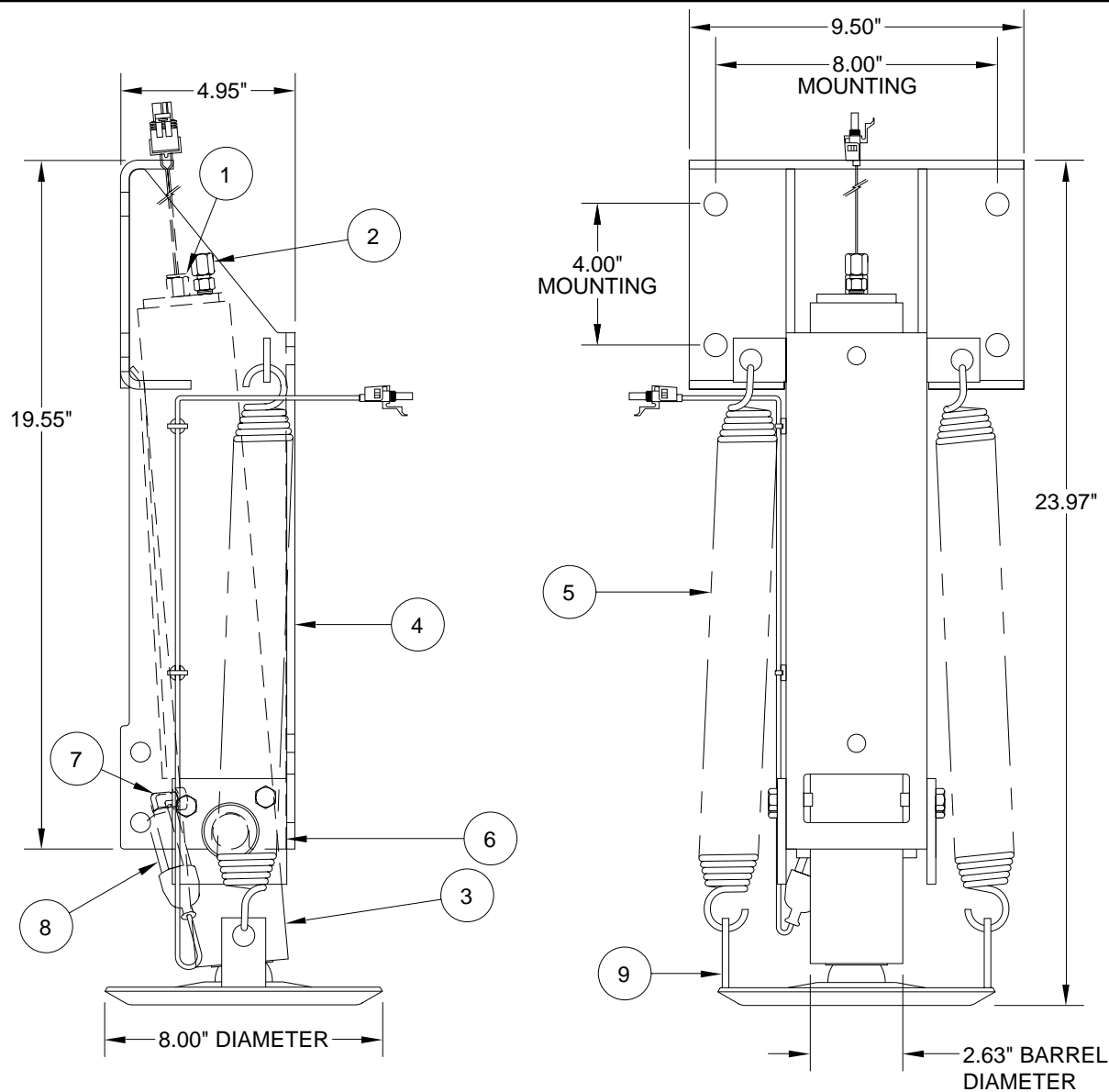


ITEM	PART	QTY	DESCRIPTION
1	RAP1008	1	SWITCH WARNING MAGNETIC
2	RF90151	1	MALE TEE 1/8" X 1/4" X 1/4"
3	RAP92240	1	CYL. ASSY. 2.000" x 13" (INCLUDES ITEM 2) (EXCLUDES ITEM 1)
4	<b>OBSOLETE</b>		PIVOT BRACKET - CONTACT HWH CORPORATION FOR REPLACEMENT INFORMATION

ITEM	PART	QTY	DESCRIPTION
5	R3847	1	SPRING KIT 1-11/16" X 14"
		2	SPRING 1-11/16" X 14"
6	RAP1735	1	RETAINING PLATE KIT
		2	RETAINING PLATES
		4	HHCS 3/8 - 16 x 1"
		4	HEX NUT 3/8 - 16 LOCK
7	RAP92406	1	FOOT 8.00" DIAMETER

**NOTE:** INDENTED ITEMS ARE INCLUDED WITH PRECEDING ITEM.

**AP43007 - STRAIGHT-ACTING JACK, 6 DEG PIVOT, F/A SPRINGS  
 9,000 # CAPACITY; 2.000" ROD DIAMETER; 13.00" STROKE; BOLT-ON FOOT  
 WITH MAGNETIC WARNING SWITCH AND PRESSURE SWITCH**

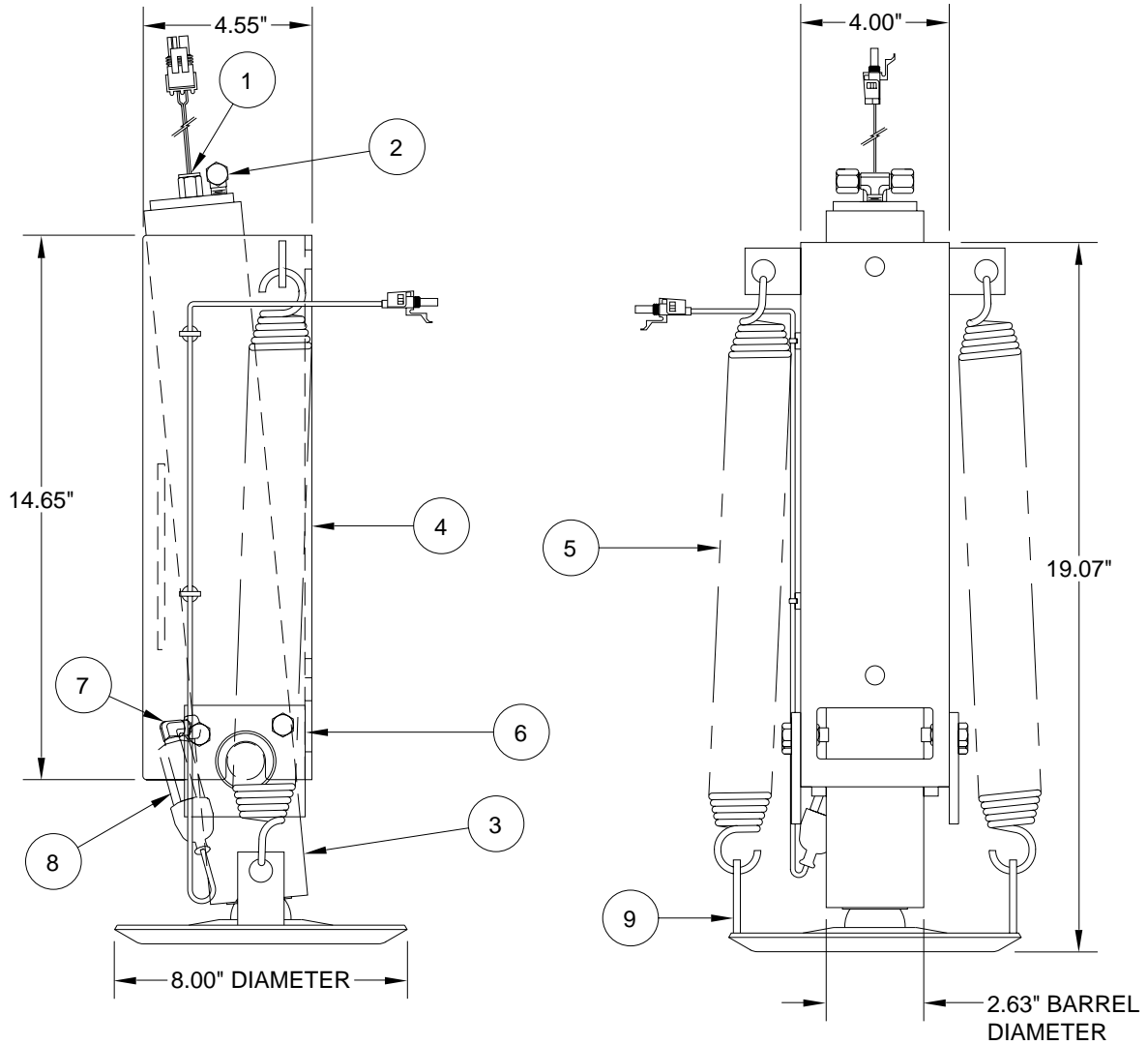


ITEM	PART	QTY	DESCRIPTION
1	RAP90968	1	SWITCH WARNING MAGNETIC GRAY
2	RF1456	1	MALE CONNECTOR 1/8" X 1/4"
3	RAP92240	1	CYL. ASSY. 2.000" x 13" (INCLUDES TEE) (EXCLUDES ITEMS 1,2,7,8)
4	RAP92403	1	PIVOT BRACKET

ITEM	PART	QTY	DESCRIPTION
5	R3847	1	SPRING KIT 1-11/16" X 14"
		2	SPRING 1-11/16" X 14"
6	RAP1735	1	RETAINING PLATE KIT
		2	RETAINING PLATES
		4	HHCS 3/8 - 16 x 1"
		4	HEX NUT 3/8 - 16 LOCK
7	RF8143	1	ELBOW 1/8" X 1/8"
8	RAP8003	1	SWITCH PRESSURE
9	RAP92406	1	FOOT 8.00" DIAMETER

**NOTE:** INDENTED ITEMS ARE INCLUDED WITH PRECEDING ITEM.

**AP43097 - STRAIGHT-ACTING JACK, 6 DEG PIVOT, F/A SPRINGS  
 9,000 # CAPACITY; 2.000" ROD DIAMETER; 13.00" STROKE; BOLT-ON FOOT  
 WITH MAGNETIC WARNING SWITCH AND PRESSURE SWITCH**

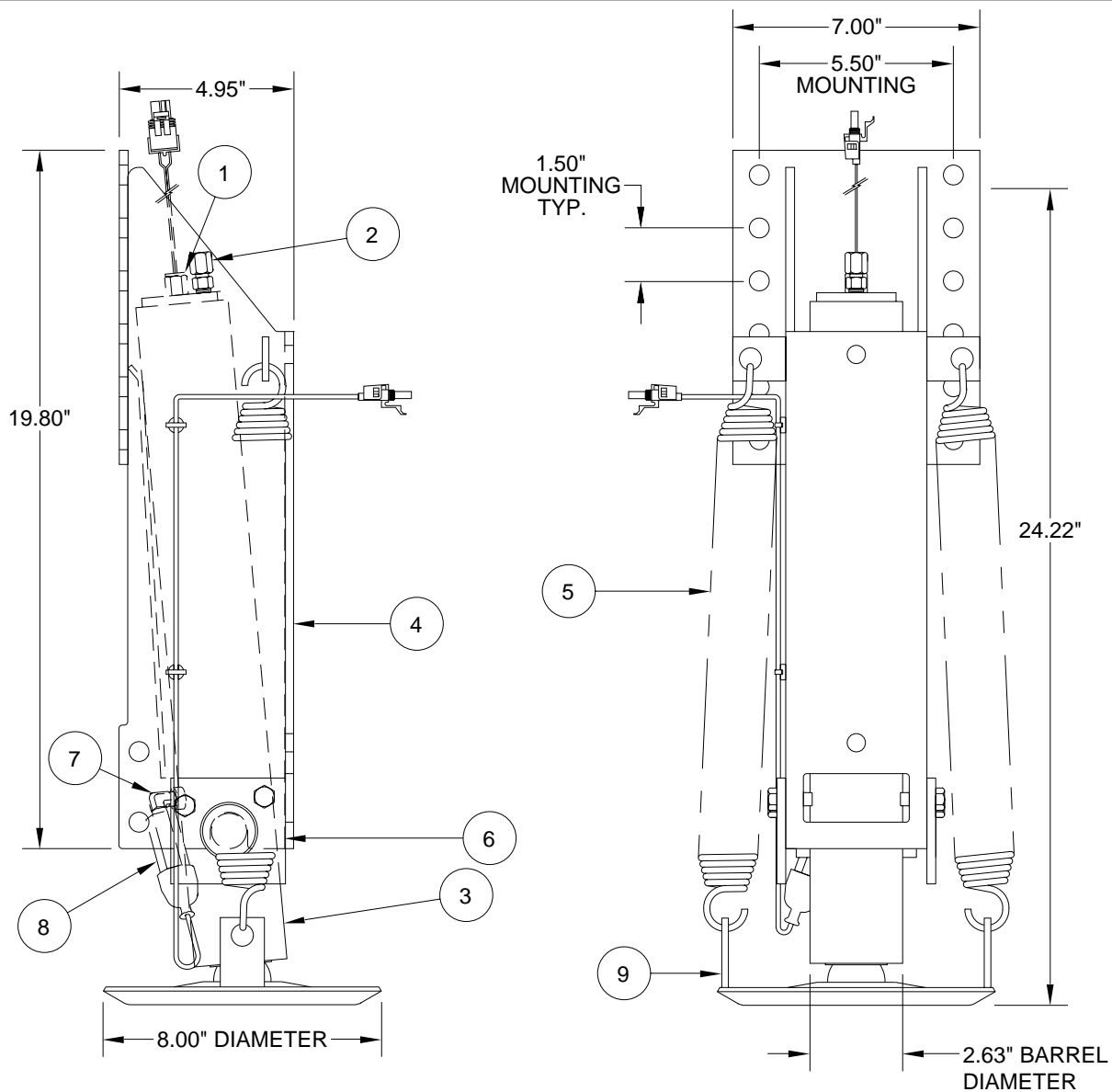


ITEM	PART	QTY	DESCRIPTION
1	RAP90968	1	SWITCH WARNING MAGNETIC GRAY
2	RF90151	1	MALE TEE 1/8" X 1/4" X 1/4"
3	RAP92240	1	CYL. ASSY. 2.000" x 13" (INCLUDES ITEM 2) (EXCLUDES ITEMS 1,7,8)
4	RAP92401	1	PIVOT BRACKET

ITEM	PART	QTY	DESCRIPTION
5	R3847	1 2	SPRING KIT 1-11/16" X 14" SPRING 1-11/16" X 14"
6	RAP1735	1 2 4 4	RETAINING PLATE KIT RETAINING PLATES HHCS 3/8 - 16 x 1" HEX NUT 3/8 - 16 LOCK
7	RF8143	1	ELBOW 1/8" X 1/8"
8	RAP8003	1	SWITCH PRESSURE
9	RAP92406	1	FOOT 8.00" DIAMETER

**NOTE:** INDENTED ITEMS ARE INCLUDED WITH PRECEDING ITEM.

**AP43099 - STRAIGHT-ACTING JACK, 6 DEG PIVOT, F/A SPRINGS  
9,000 # CAPACITY; 2.000" ROD DIAMETER; 13.00" STROKE; BOLT-ON FOOT  
WITH MAGNETIC WARNING SWITCH AND PRESSURE SWITCH**



ITEM	PART	QTY	DESCRIPTION
1	RAP90968	1	SWITCH WARNING MAGNETIC GRAY
2	RF1456	1	MALE CONNECTOR 1/8" X 1/4"
3	RAP92240	1	CYL. ASSY. 2.000" x 13" (INCLUDES TEE) (EXCLUDES ITEMS 1,2,7,8)
4	RAP92415	1	PIVOT BRACKET

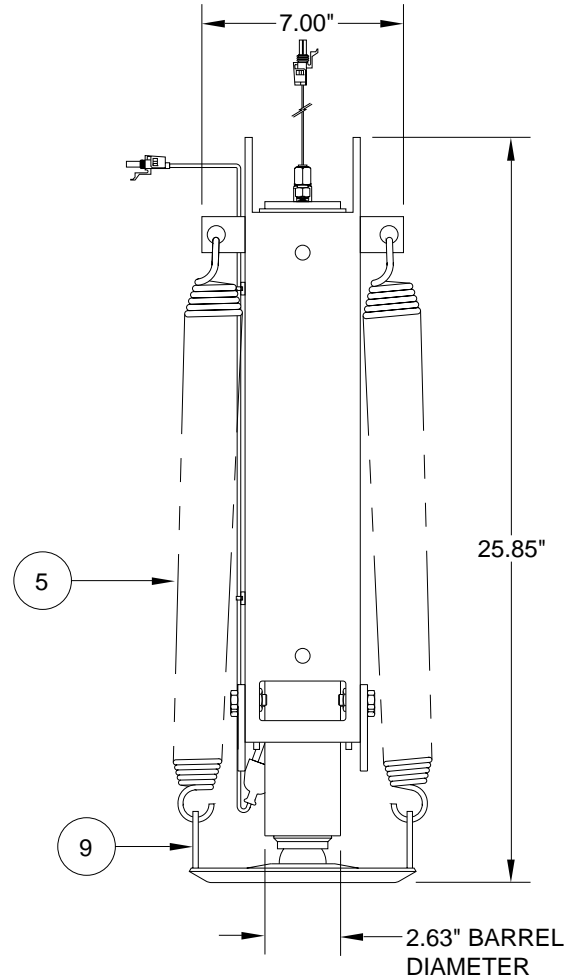
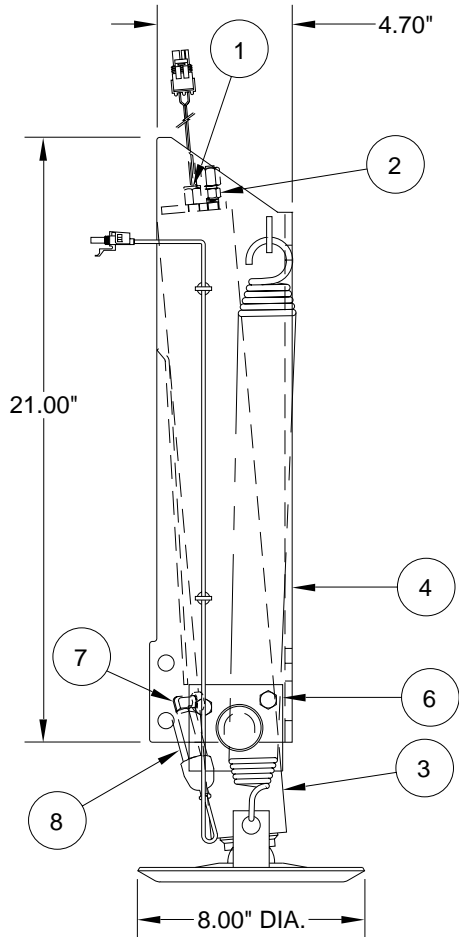
ITEM	PART	QTY	DESCRIPTION
5	R3847	1	SPRING KIT 1-11/16" X 14"
		2	SPRING 1-11/16" X 14"
6	RAP1735	1	RETAINING PLATE KIT
		2	RETAINING PLATES
		4	HHCS 3/8 - 16 x 1"
		4	HEX NUT 3/8 - 16 LOCK
7	RF8143	1	ELBOW 1/8" X 1/8"
8	RAP8003	1	SWITCH PRESSURE
9	RAP92406	1	FOOT 8.00" DIAMETER

NOTE: INDENTED ITEMS ARE INCLUDED WITH PRECEDING ITEM.

**MR26.4411  
26FEB09**

**AP43875 - AP43876**  
**STRAIGHT-ACTING JACK, 6 DEGREE PIVOT, F/A SPRINGS, BOLT-ON FOOT**  
**9,000 # CAPACITY; 2.000" ROD DIAMETER; 16.00" STROKE**

JACK #	DESCRIPTION
AP43875	MAGNETIC WARNING SWITCH W/ GRAY CONNECTOR ONLY
AP43876	MAGNETIC WARNING SWITCH W/ GRAY CONNECTOR, PRESSURE SWITCH



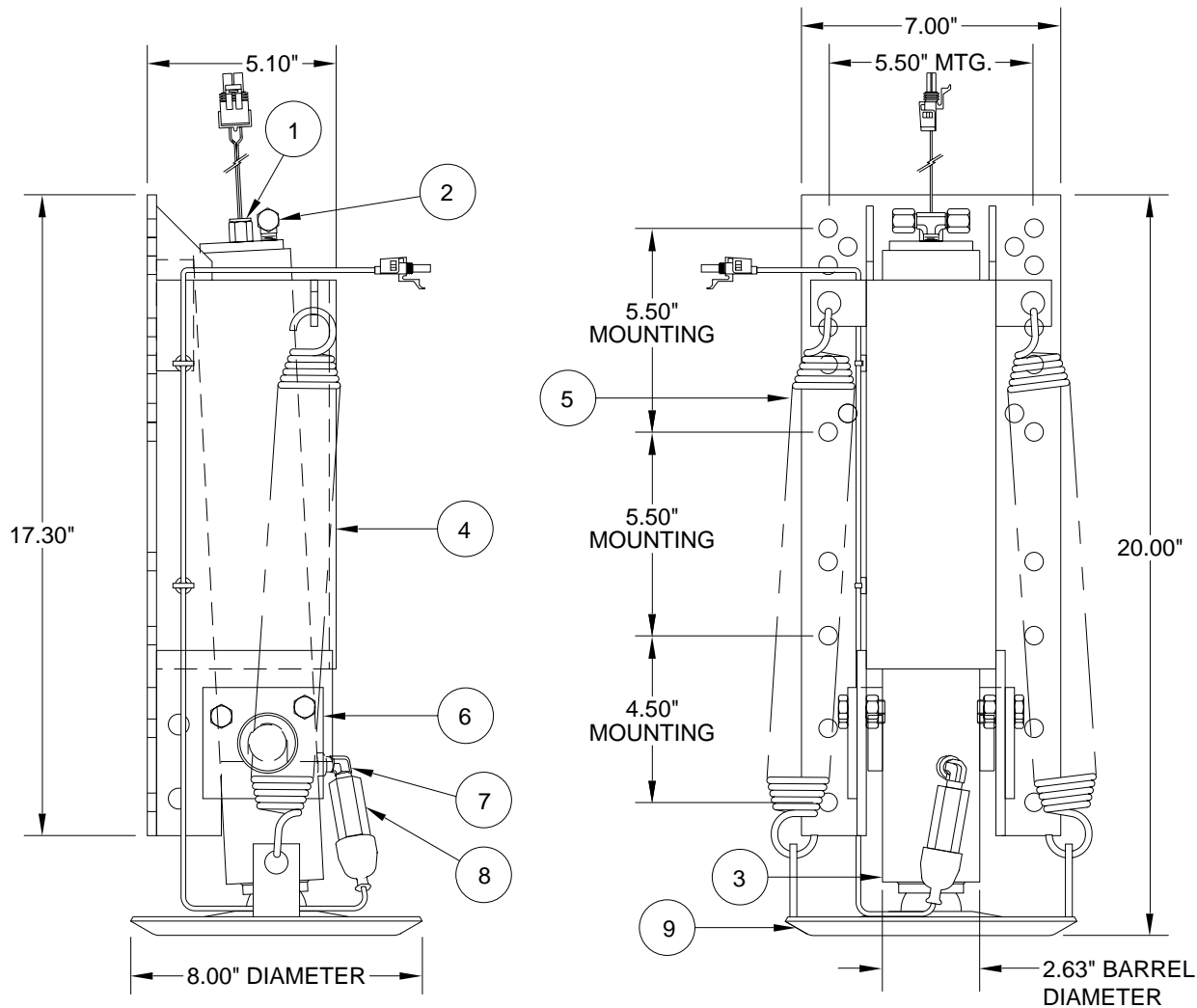
ITEM	PART	QTY	DESCRIPTION
1	RAP90968	1	SWITCH WARNING MAGNETIC GRAY (AP43875, AP43876)
2	RF1456	1	MALE CONNECTOR 1/8" X 1/4"
3	RAP92241	1	CYL. ASSY. 2.000" x 16" (INCLUDES ITEM 2) (EXCLUDES ITEMS 1,7,8)
4	RAP92405	1	PIVOT BRACKET

ITEM	PART	QTY	DESCRIPTION
5	R3848	1	SPRING KIT 1-11/16" X 18"
		2	SPRING 1-11/16" X 18"
6	RAP1735	1	RETAINING PLATE KIT
		2	RETAINING PLATES
		4	HHCS 3/8 - 16 x 1"
		4	HEX NUT 3/8 - 16 LOCK
7	RF8143	1	ELBOW 1/8" X 1/8" (AP43876 ONLY)
8	RAP8003	1	SWITCH PRESSURE (AP43876 ONLY)
9	RAP92406	1	FOOT 8.00" DIAMETER

**NOTE:** INDENTED ITEMS ARE INCLUDED WITH PRECEDING ITEM.

**AP43163 - AP43164 - AP43180**  
**STRAIGHT-ACTING JACK, 5 DEGREE PIVOT, F/A SPRINGS, BOLT-ON FOOT**  
**9,000 # CAPACITY; 2.000" ROD DIAMETER; 13.00" STROKE**

JACK #	DESCRIPTION
AP43163	NO WARNING OR PRESSURE SWITCH
AP43164	MAGNETIC WARNING SWITCH W/ GRAY CONNECTOR, PRESSURE SWITCH
AP43180	MAGNETIC WARNING SWITCH W/ GRAY CONNECTOR ONLY



ITEM	PART	QTY	DESCRIPTION
1	RAP90968	1	SWITCH WARNING MAGNETIC GRAY (AP43164, AP43180)
2	RF90151	1	MALE TEE 1/8" X 1/4" X 1/4"
3	RAP92239	1	CYL. ASSY. 2.000" x 13" (INCLUDES ITEM 2) (EXCLUDES ITEMS 1,7,8)
4	RAP92409	1	PIVOT BRACKET

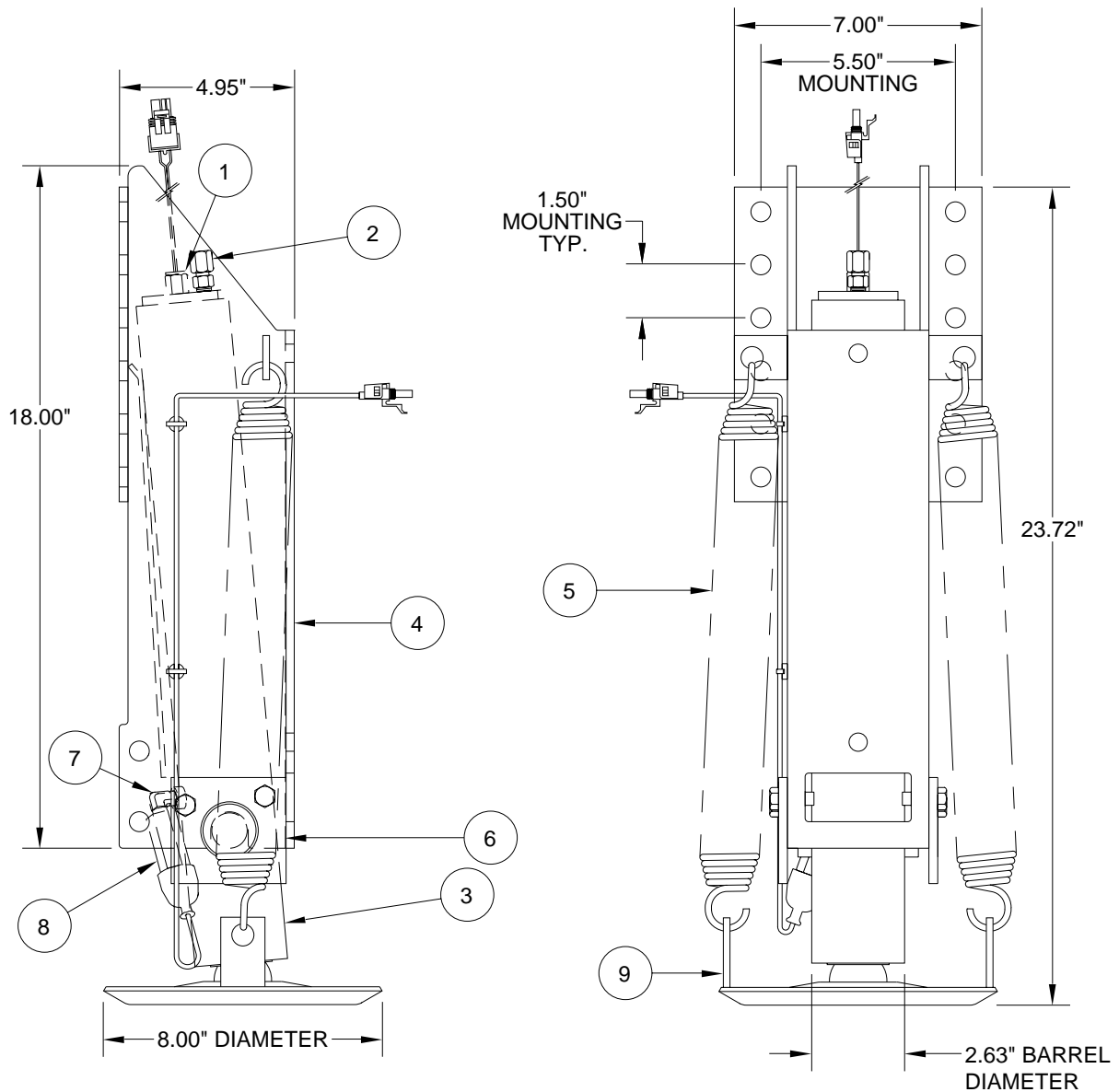
ITEM	PART	QTY	DESCRIPTION
5	R3847	1	SPRING KIT 1-11/16" X 14"
		2	SPRING 1-11/16" X 14"
6	RAP1735	1	RETAINING PLATE KIT
		2	RETAINING PLATES
		4	HHCS 3/8 - 16 x 1"
		4	HEX NUT 3/8 - 16 LOCK
7	RF8143	1	ELBOW 1/8" X 1/8" (AP43164 ONLY)
8	RAP8003	1	SWITCH PRESSURE (AP43164 ONLY)
9	RAP92406	1	FOOT 8.00" DIAMETER

NOTE: INDENTED ITEMS ARE INCLUDED WITH PRECEDING ITEM.

**MR26.4413**  
**26FEB09**



**AP43438 - STRAIGHT-ACTING JACK, 6 DEG PIVOT, F/A SPRINGS  
 9,000 # CAPACITY; 2.000" ROD DIAMETER; 13.00" STROKE; BOLT-ON FOOT  
 WITH MAGNETIC WARNING SWITCH AND PRESSURE SWITCH**

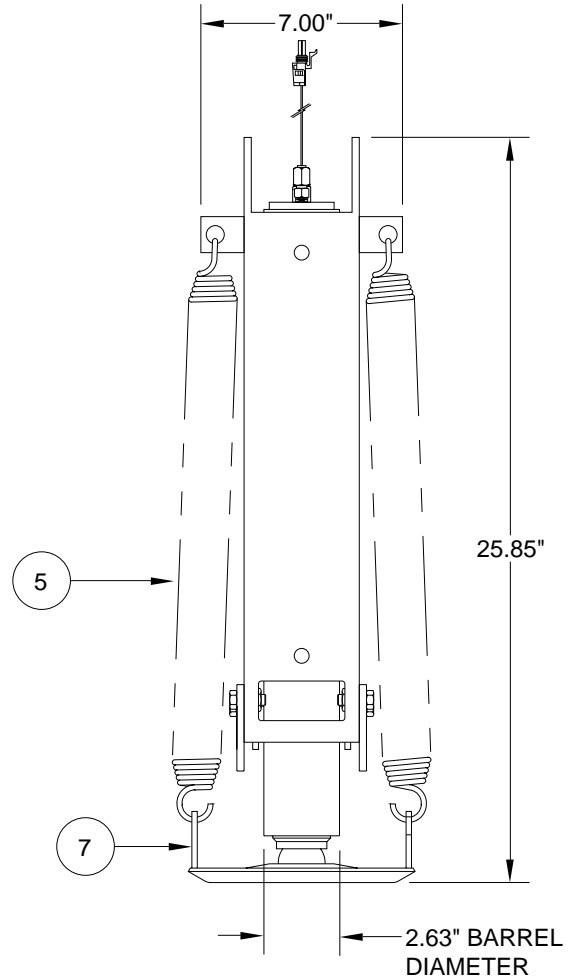
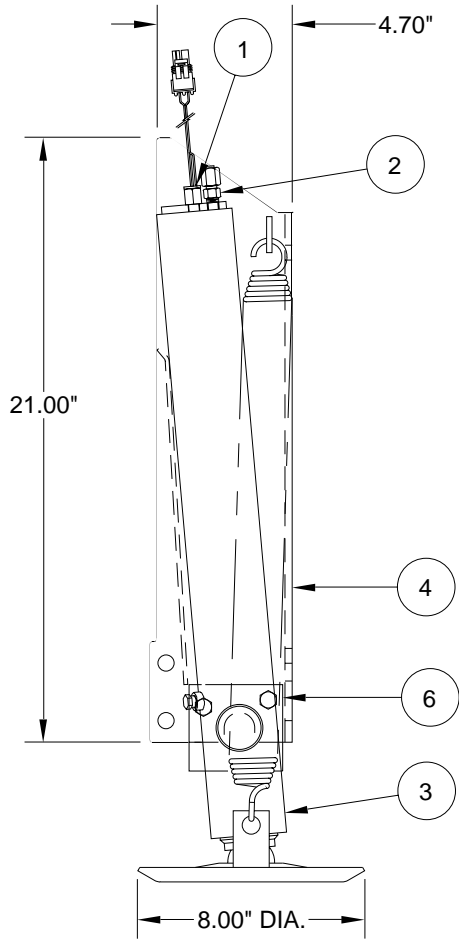


ITEM	PART	QTY	DESCRIPTION
1	RAP90968	1	SWITCH WARNING MAGNETIC GRAY
2	RF1456	1	MALE CONNECTOR 1/8" X 1/4"
3	RAP92240	1	CYL. ASSY. 2.000" x 13" (INCLUDES TEE) (EXCLUDES ITEMS 1,2,7,8)
4	RAP92404	1	PIVOT BRACKET

ITEM	PART	QTY	DESCRIPTION
5	R3847	1	SPRING KIT 1-11/16" X 14"
		2	SPRING 1-11/16" X 14"
6	RAP1735	1	RETAINING PLATE KIT
		2	RETAINING PLATES
		4	HHCS 3/8 - 16 x 1"
		4	HEX NUT 3/8 - 16 LOCK
7	RF8143	1	ELBOW 1/8" X 1/8"
8	RAP8003	1	SWITCH PRESSURE
9	RAP92406	1	FOOT 8.00" DIAMETER

**NOTE:** INDENTED ITEMS ARE INCLUDED WITH PRECEDING ITEM.

**AP43850 - STRAIGHT-ACTING JACK, 6 DEG PIVOT, F/A SPRINGS  
 9,000 # CAPACITY; 2.000" ROD DIAMETER; 16.00" STROKE; BOLT-ON FOOT  
 WITH MAGNETIC WARNING SWITCH**



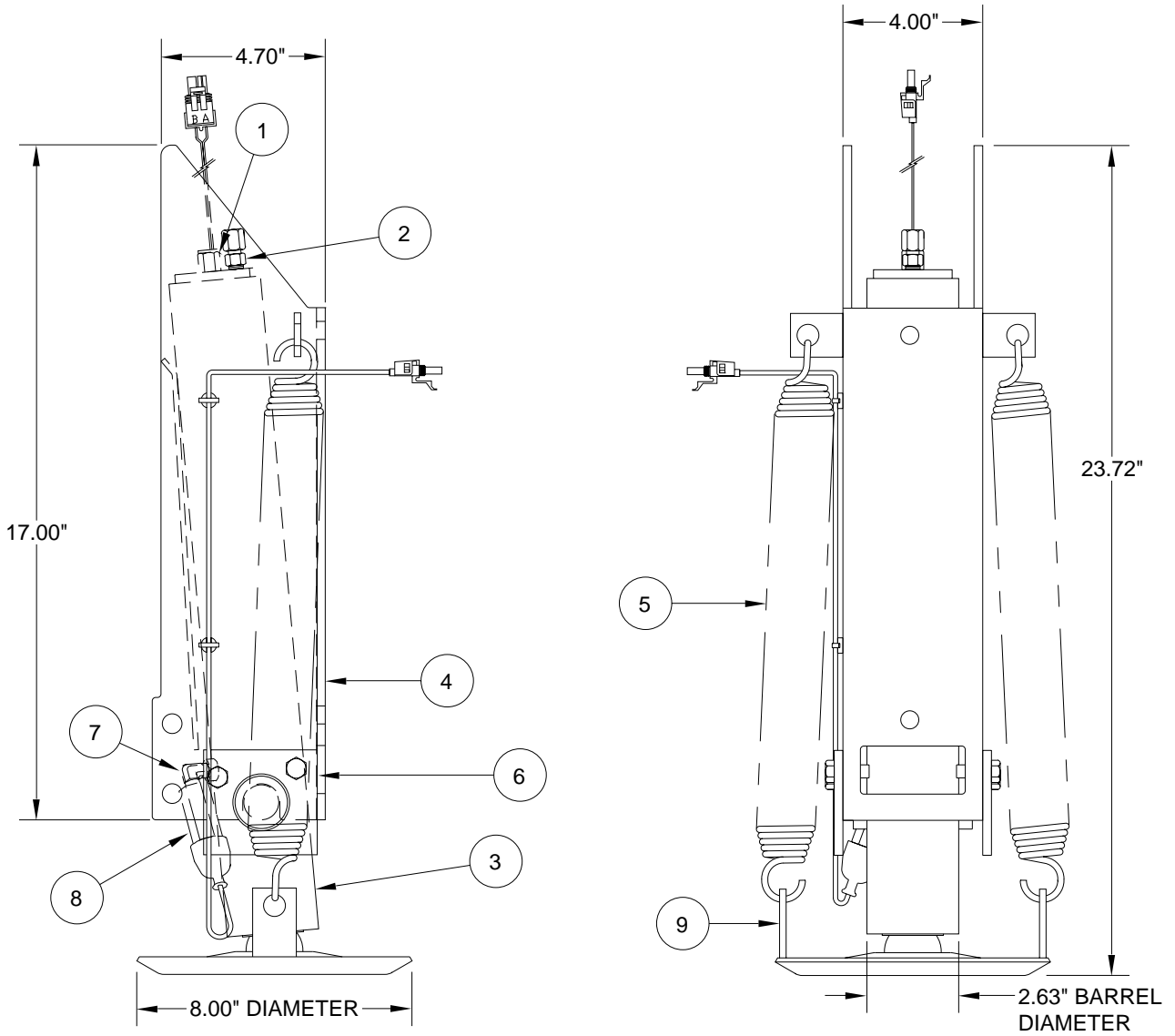
ITEM	PART	QTY	DESCRIPTION
1	RAP1008	1	SWITCH WARNING MAGNETIC
2	RF1456	1	MALE CONNECTOR 1/8" X 1/4"
3	RAP92241	1	CYL. ASSY. 2.000" x 16" (INCLUDES ITEM 2) (EXCLUDES ITEM 1)
4	RAP92405	1	PIVOT BRACKET

ITEM	PART	QTY	DESCRIPTION
5	R3848	1	SPRING KIT 1-11/16" X 18"
		2	SPRING 1-11/16" X 18"
6	RAP1735	1	RETAINING PLATE KIT
		2	RETAINING PLATES
		4	HHCS 3/8 - 16 x 1"
		4	HEX NUT 3/8 - 16 LOCK
7	RAP92406	1	FOOT 8.00" DIAMETER

**NOTE:** INDENTED ITEMS ARE INCLUDED WITH PRECEDING ITEM.

**MR26.4415  
 26FEB09**

**AP44101 - STRAIGHT ACTING JACK, 6 DEGREE PIVOT, F/A SPRINGS**  
**9,000 # CAPACITY; 2.000" ROD DIAMETER; 13.00" STROKE; BOLT-ON FOOT**  
**WITH MAGNETIC WARNING SWITCH AND PRESSURE SWITCH**

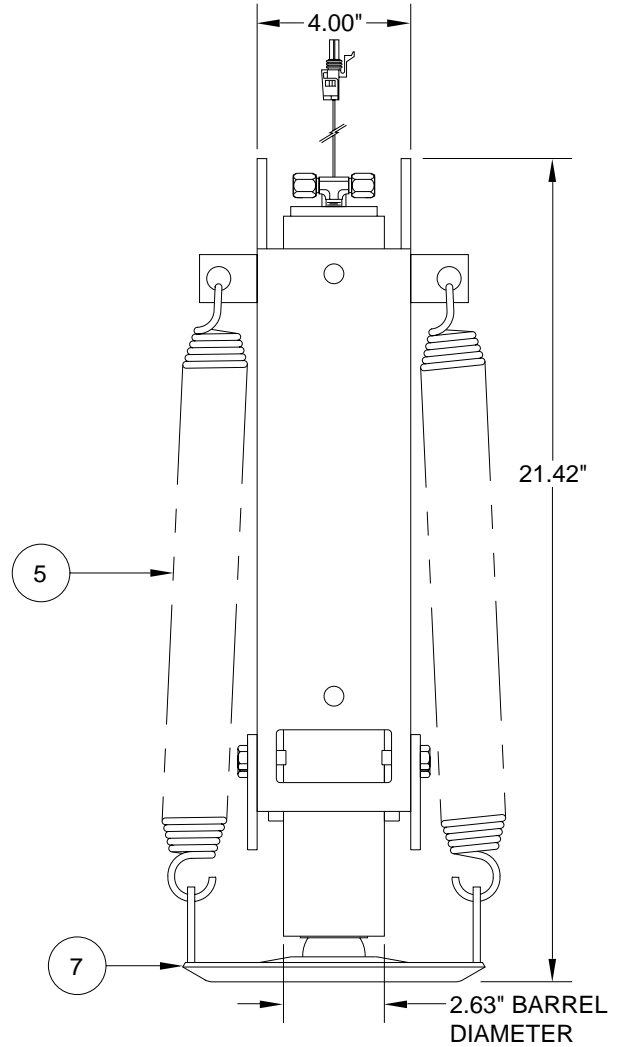
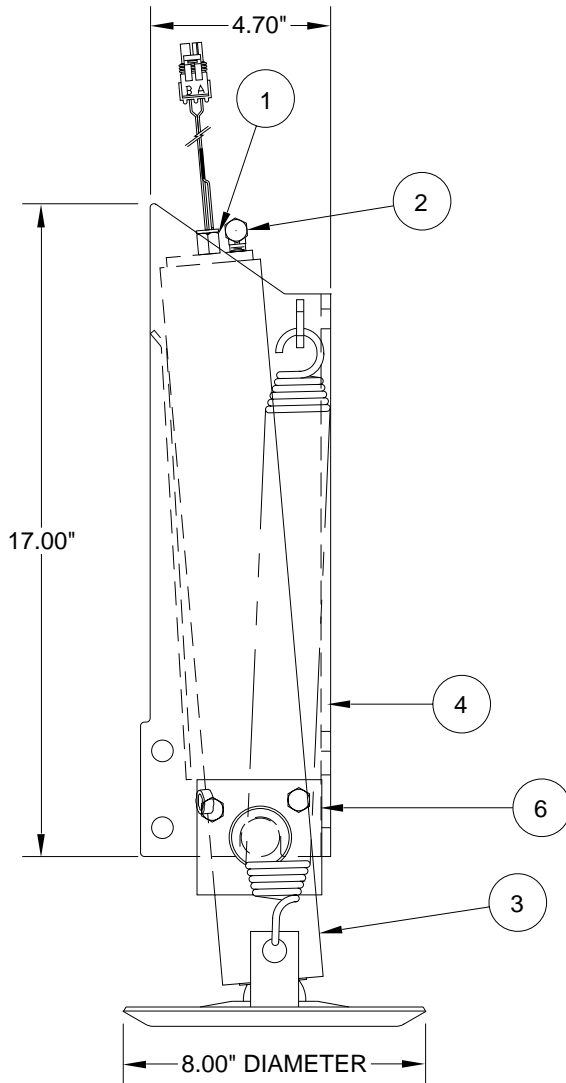


ITEM	PART	QTY	DESCRIPTION
1	RAP90968	1	SWITCH WARNING MAGNETIC GRAY
2	RF1456	1	MALE CONNECTOR 1/8" X 1/4"
3	RAP92240	1	CYL. ASSY. 2.000" x 13" (INCLUDES TEE) (EXCLUDES ITEMS 1,2,7,8)
4	RAP92553	1	PIVOT BRACKET

ITEM	PART	QTY	DESCRIPTION
5	R3847	1	SPRING KIT 1-11/16" X 14"
		2	SPRING 1-11/16" X 14"
6	RAP1735	1	RETAINING PLATE KIT
		2	RETAINING PLATES
		4	HHCS 3/8 - 16 x 1"
		4	HEX NUT 3/8 - 16 LOCK
7	RF8143	1	ELBOW 1/8" X 1/8"
8	RAP8003	1	SWITCH PRESSURE
9	RAP92406	1	FOOT 8.00" DIAMETER

**NOTE:** INDENTED ITEMS ARE INCLUDED WITH PRECEDING ITEM.

**AP44179 - STRAIGHT ACTING JACK, 6 DEGREE PIVOT, F/A SPRINGS  
 9,000 # CAPACITY; 2.000" ROD DIAMETER; 13.00" STROKE; BOLT-ON FOOT  
 WITH MAGNETIC WARNING SWITCH**



ITEM	PART	QTY	DESCRIPTION
1	RAP1008	1	SWITCH WARNING MAGNETIC
2	RF90151	1	MALE TEE 1/8" X 1/4" X 1/4"
3	RAP92240	1	CYL. ASSY. 2.000" x 13" (INCLUDES ITEM 2) (EXCLUDES ITEMS 1,7,8)
4	RAP92552	1	PIVOT BRACKET

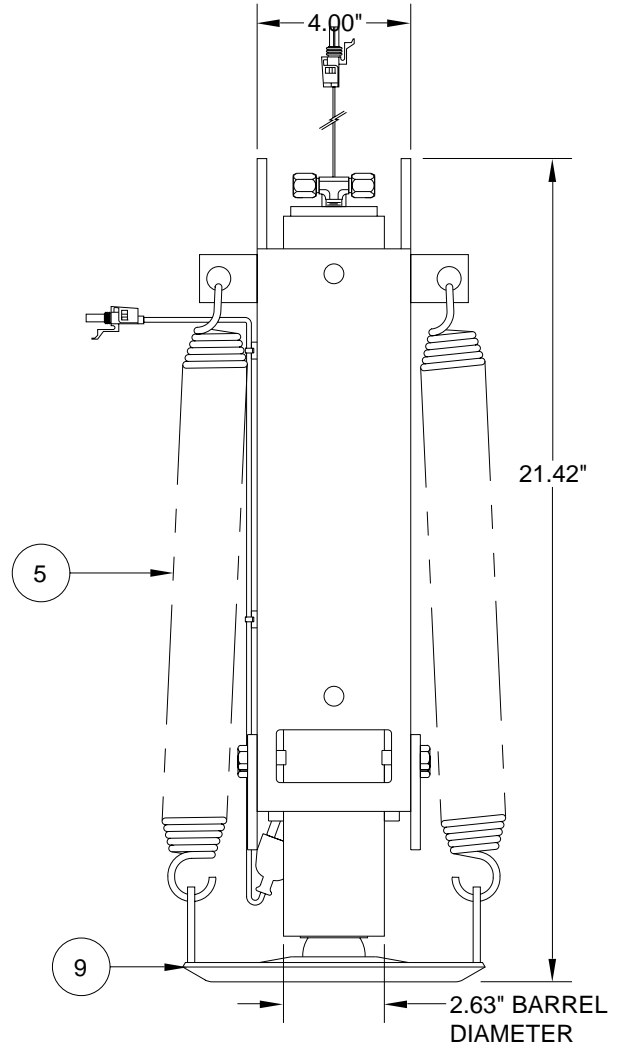
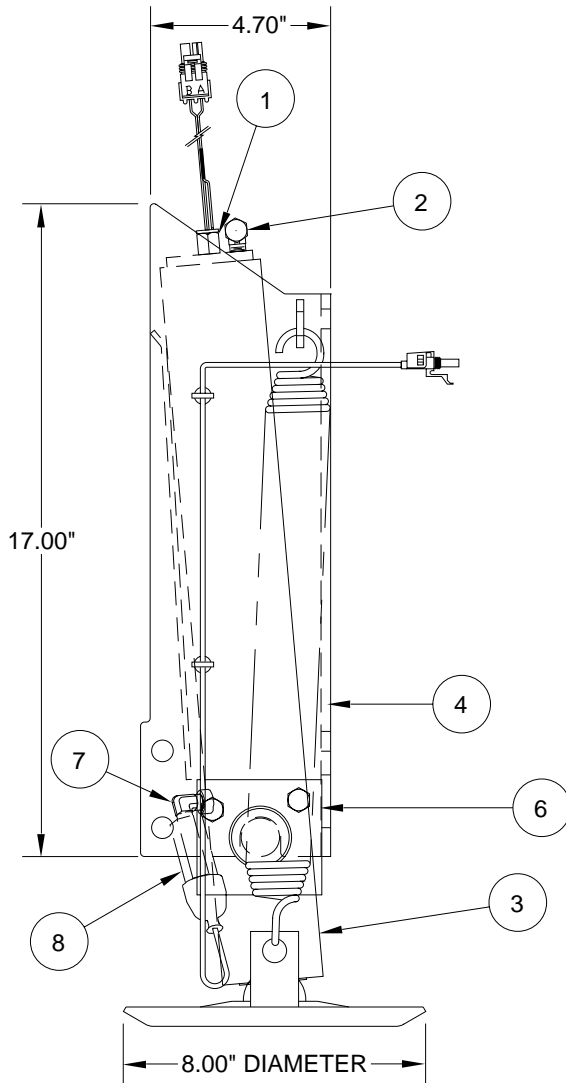
ITEM	PART	QTY	DESCRIPTION
5	R3847	1	SPRING KIT 1-11/16" X 14"
		2	SPRING 1-11/16" X 14"
6	RAP1735	1	RETAINING PLATE KIT
		2	RETAINING PLATES
		4	HHCS 3/8 - 16 x 1"
		4	HEX NUT 3/8 - 16 LOCK
7	RAP92406	1	FOOT 8.00" DIAMETER

NOTE: INDENTED ITEMS ARE INCLUDED WITH PRECEDING ITEM.

**MR26.4417  
 08JUL09**

**AP44180 - AP44181**  
**STRAIGHT-ACTING JACK, 6 DEGREE PIVOT, F/A SPRINGS, BOLT-ON FOOT**  
**9,000 # CAPACITY; 2.000" ROD DIAMETER; 13.00" STROKE**

JACK #	DESCRIPTION
AP44180	MAGNETIC WARNING SWITCH W/ GRAY CONNECTOR ONLY
AP44181	MAGNETIC WARNING SWITCH W/ GRAY CONNECTOR, PRESSURE SWITCH



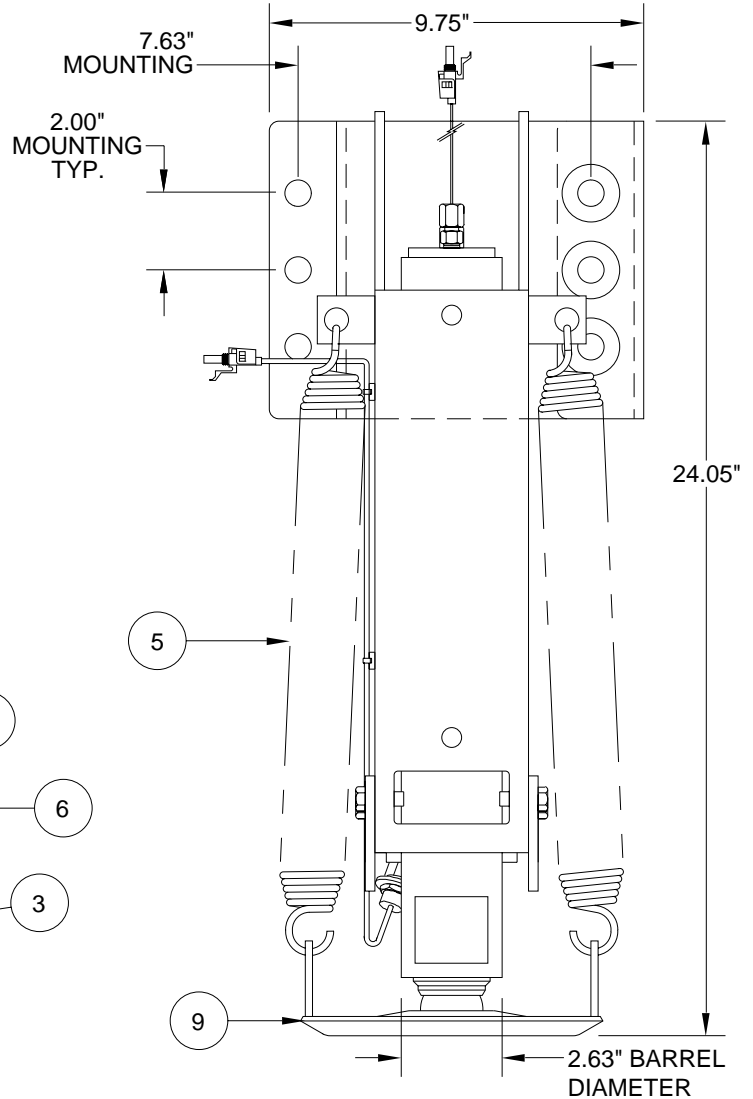
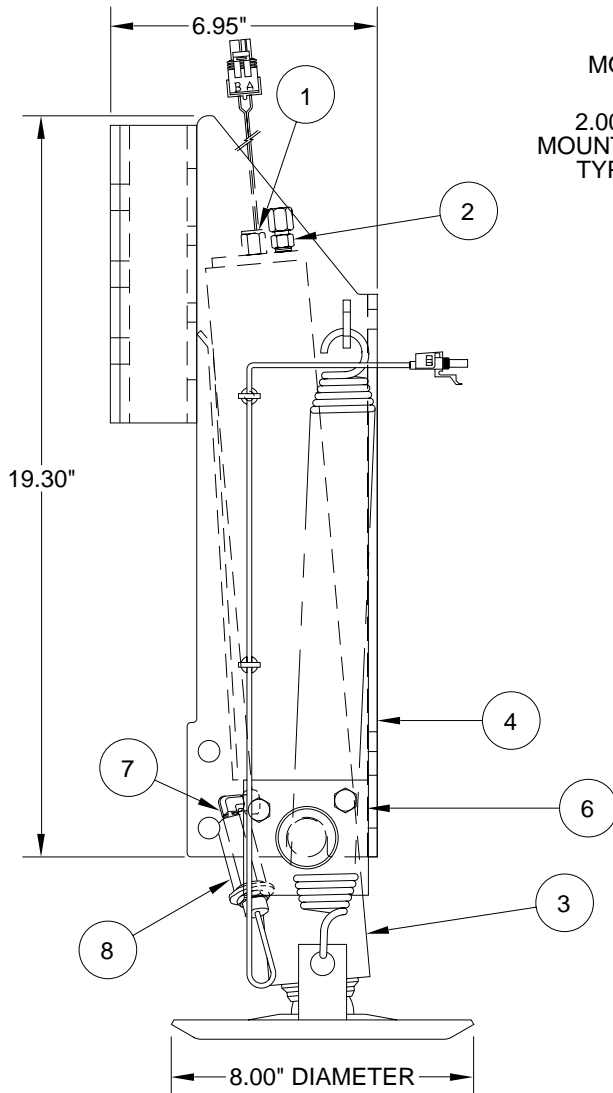
ITEM	PART	QTY	DESCRIPTION
1	RAP90968	1	SWITCH WARNING MAGNETIC GRAY (AP44180, AP44181)
2	RF90151	1	MALE TEE 1/8" X 1/4" X 1/4"
3	RAP92240	1	CYL. ASSY. 2.000" x 13" (INCLUDES ITEM 2) (EXCLUDES ITEMS 1,7,8)
4	RAP92552	1	PIVOT BRACKET

ITEM	PART	QTY	DESCRIPTION
5	R3847	1	SPRING KIT 1-11/16" X 14"
		2	SPRING 1-11/16" X 14"
6	RAP1735	1	RETAINING PLATE KIT
		2	RETAINING PLATES
		4	HHCS 3/8 - 16 x 1"
		4	HEX NUT 3/8 - 16 LOCK
7	RF8143	1	ELBOW 1/8" X 1/8" (AP44181 ONLY)
8	RAP8003	1	SWITCH PRESSURE (AP44181 ONLY)
9	RAP92406	1	FOOT 8.00" DIAMETER

**NOTE:** INDENTED ITEMS ARE INCLUDED WITH PRECEDING ITEM.

**AP50453 - AP50454**  
**STRAIGHT-ACTING JACK, 6 DEGREE PIVOT, F/A SPRINGS, BOLT-ON FOOT**  
**9,000 # CAPACITY; 2.000" ROD DIAMETER; 13.00" STROKE**

JACK #	DESCRIPTION
AP50453	MAGNETIC WARNING SWITCH W/ GRAY CONNECTOR, PRESSURE SWITCH, RIGHT HAND
AP50454	MAGNETIC WARNING SWITCH W/ GRAY CONNECTOR, PRESSURE SWITCH, LEFT HAND

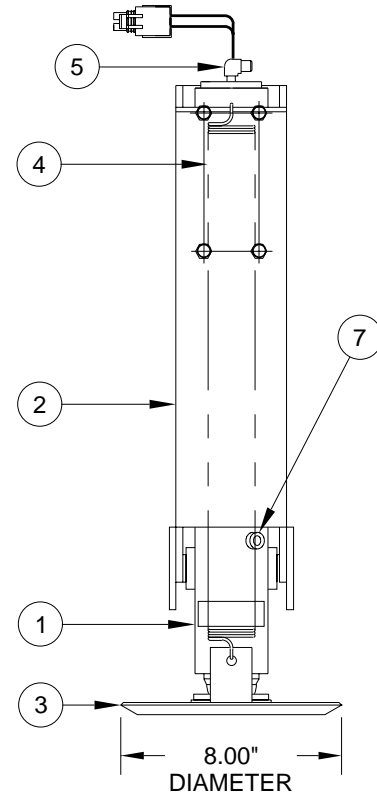
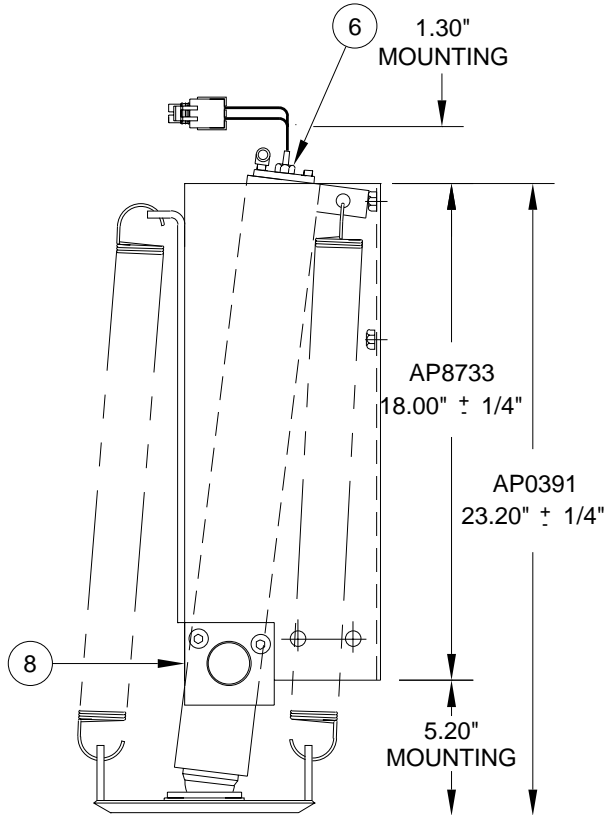


ITEM	PART	QTY	DESCRIPTION
1	RAP90968	1	SWITCH WARNING MAGNETIC GRAY
2	RF1456	1	MALE CONNECTOR 1/8" X 1/4"
3	RAP92240	1	CYL. ASSY. 2.000" x 13" (INCLUDES ITEM 2) (EXCLUDES ITEMS 1,7,8)
4	RAP93283	1	PIVOT BRACKET - RH
	RAP93284	1	PIVOT BRACKET - LH

ITEM	PART	QTY	DESCRIPTION
5	R3847	1	SPRING KIT 1-11/16" X 14"
		2	SPRING 1-11/16" X 14"
6	RAP1735	1	RETAINING PLATE KIT
		2	RETAINING PLATES
		4	HHCS 3/8 - 16 x 1"
		4	HEX NUT 3/8 - 16 LOCK
7	RF8143	1	ELBOW 1/8" X 1/8"
8	RAP8003	1	SWITCH PRESSURE
9	RAP92406	1	FOOT 8.00" DIAMETER

**NOTE:** INDENTED ITEMS ARE INCLUDED WITH PRECEDING ITEM.

**AP0391 - STRAIGHT ACTING JACK, 7 DEGREE PIVOT, S/S SPRINGS  
9,000 # CAPACITY; 2.00" ROD DIAMETER; 16.00" STROKE  
WITH NARROW PIVOT BRACKET**



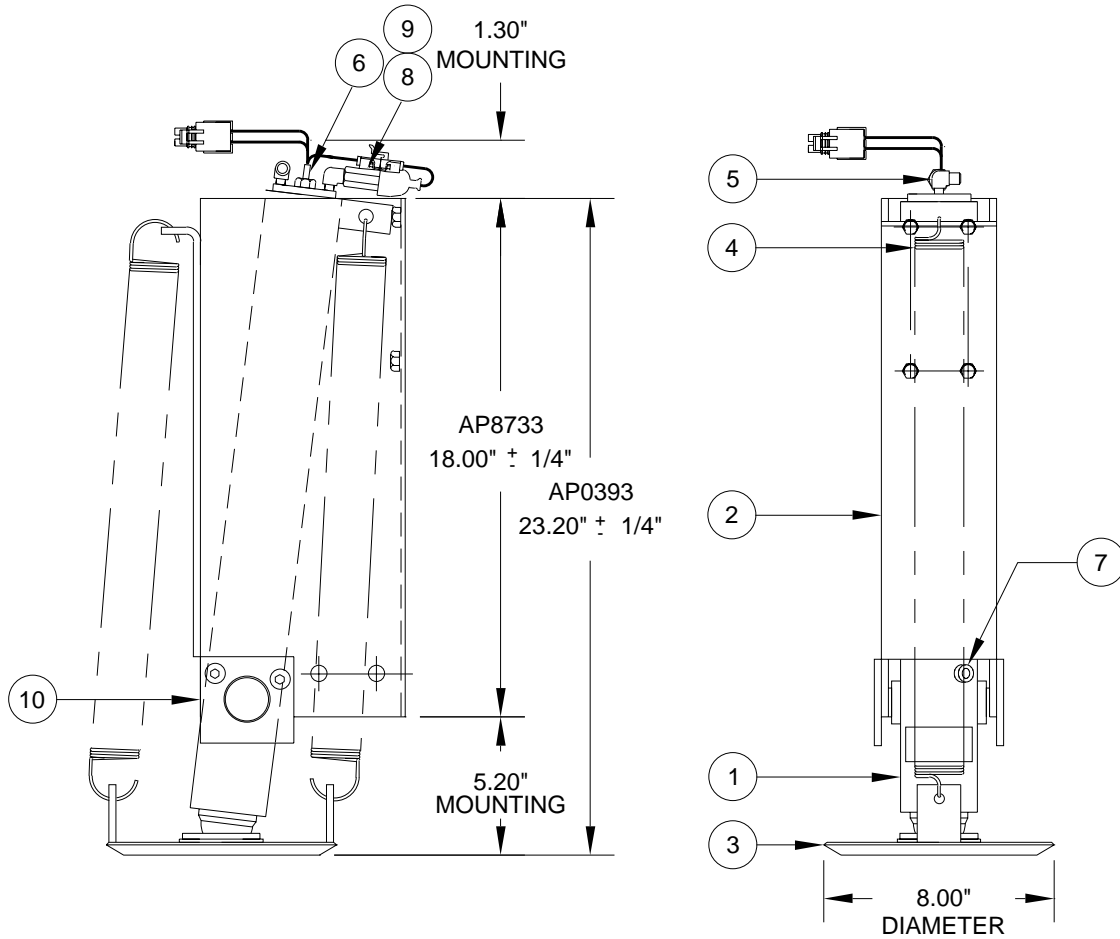
ITEM	PART	QTY	DESCRIPTION
	RAP0391		JACK 9,000 # X 16" S/S (REPLACES AP0391)
1	RAP0390	1	CYL. ASSY. 2.00" X 16" (INCLUDES ITEMS 5,7) (EXCLUDES ITEM 6)
2	RAP8733	1	PIVOT BRACKET
3	RAP8464	1	8.00" DIAMETER FOOT
4	R3848	1 2	SPRING KIT 1-11/16" X 18" SPRING 1-11/16" X 18"

ITEM	PART	QTY	DESCRIPTION
5	RF1453	1	ELBOW 1/8" X 1/4"
6	RAP1008	1	SWITCH WARNING 2-WIRE (REPLACES RAP8100)
7	RF2418	2	PIPE PLUG 1/8"
8	RAP1735	1 2 4 4	RETAINING PLATE KIT RETAINING PLATE HHCS 3/8-16 X 1" HEX NUT 3/8-16 LOCK DEF.

NOTE : INDENTED ITEMS ARE INCLUDED WITH PRECEDING ITEM.

**MR26.4560  
21MAR96**

**AP0393 - STRAIGHT ACTING JACK, 7 DEGREE PIVOT, S/S SPRINGS**  
**9,000 # CAPACITY; 2.000" ROD DIAMETER; 16.00" STROKE**  
**WITH PRESSURE SWITCH, 3-WIRE WARNING SWITCH**  
**AND NARROW PIVOT BRACKET;**



ITEM	PART	QTY	DESCRIPTION	ITEM	PART	QTY	DESCRIPTION
	RAP0393		JACK 9,000 # X 16" S/S (REPLACES AP0393)	6	RAP90073	1	SWITCH WARNING 3-WIRE (REPLACES RAP8442)
1	RAP0390	1	CYL. ASSY. 2.00" X 16" (INCLUDES ITEMS 5,7) (EXCLUDES ITEMS 6,8,9)	7	RF2418	1	PIPE PLUG 1/8"
2	RAP8733	1	PIVOT BRACKET	8	RF8143	1	ELBOW 1/8" X 1/8"
3	RAP8464	1	8.00" DIAMETER FOOT	9	RAP8003	1	SWITCH PRESSURE
4	R3848	1	SPRING KIT 1-11/16" X 18"	10	RAP1735	1	RETAINING PLATE KIT
		2	SPRING 1-11/16" X 18"			2	RETAINING PLATE
5	RF1453	1	ELBOW 1/8" X 1/4"			4	HHCS 3/8-16 X 1"
						4	HEX NUT 3/8-16 LOCK DEF.

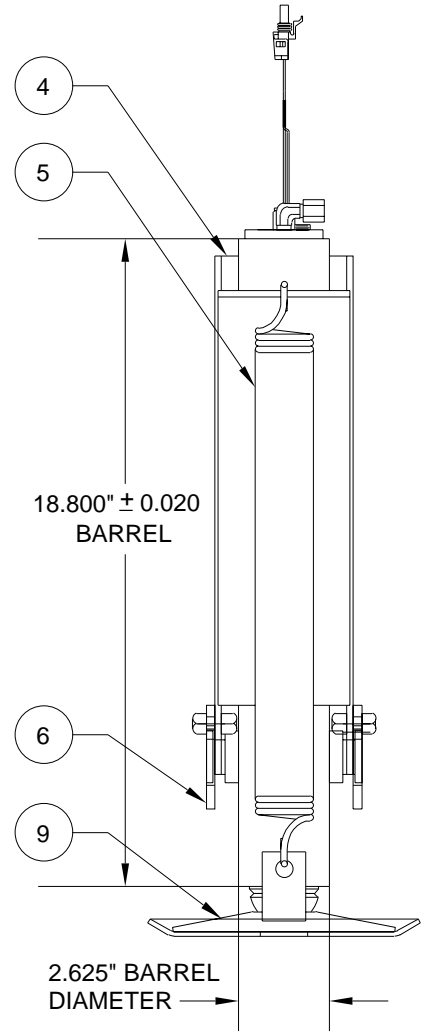
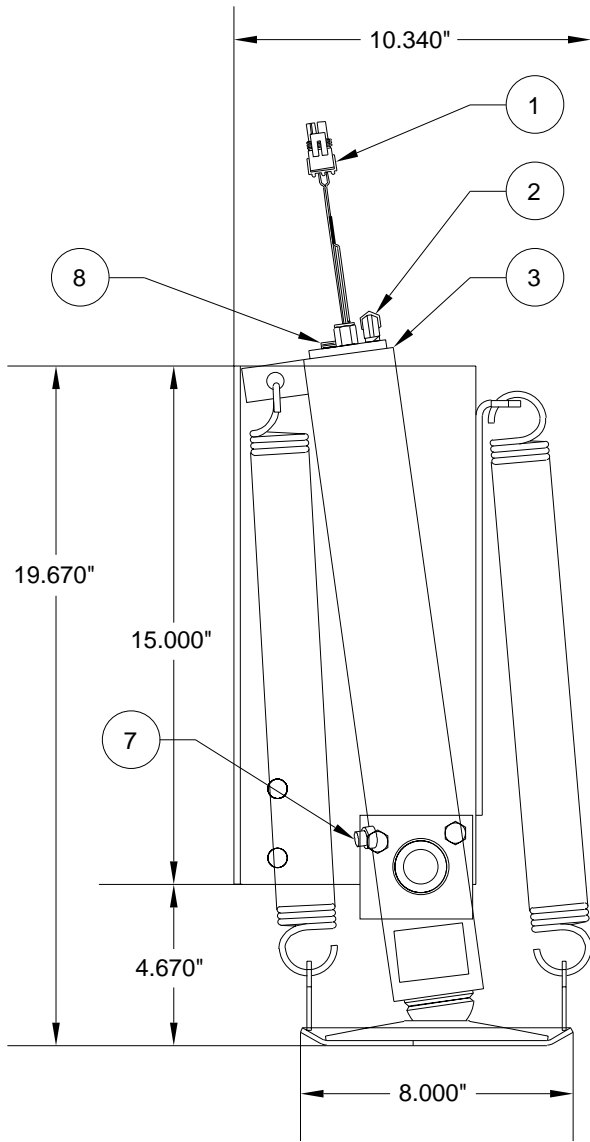
NOTE : INDENTED ITEMS ARE INCLUDED WITH PRECEDING ITEM.

**MR26.4562**  
**13MAR96**



# AP13154 - STRAIGHT- ACTING JACK, 7 DEG PIVOT, S/S SPRINGS

9,000 # CAPACITY; 2.000" ROD DIAMETER; 13.00" STROKE



ITEM	PART	QTY	DESCRIPTION
	RAP90730		JACK 9,000# x 13" S/S (REPLACES AP13154)
1	RAP1008	1	SWITCH WARNING 2-WIRE
2	RF1453	1	4-CTX-S MALE ELBOW
3	RAP90731	1	CYL. ASSY. 2.000" x 13"
4	RAP0670	1	PIVOT BRACKET
5	R3847	1	SPRING KIT 1-11/16" x 14"
		2	SPRING 1-11/16" x 14"

ITEM	PART	QTY	DESCRIPTION
6	RAP1735	1	RETAINING PLATE KIT
		2	RETAINING PLATES
		4	HHCS 3/8 - 16 x 1"
		4	HEX NUT 3/8 - 16 LOCK
7 & 8	RF2418	2	PIPE PLUG 1/8
9	RAP8464	1	FOOT 8.000" DIAMETER

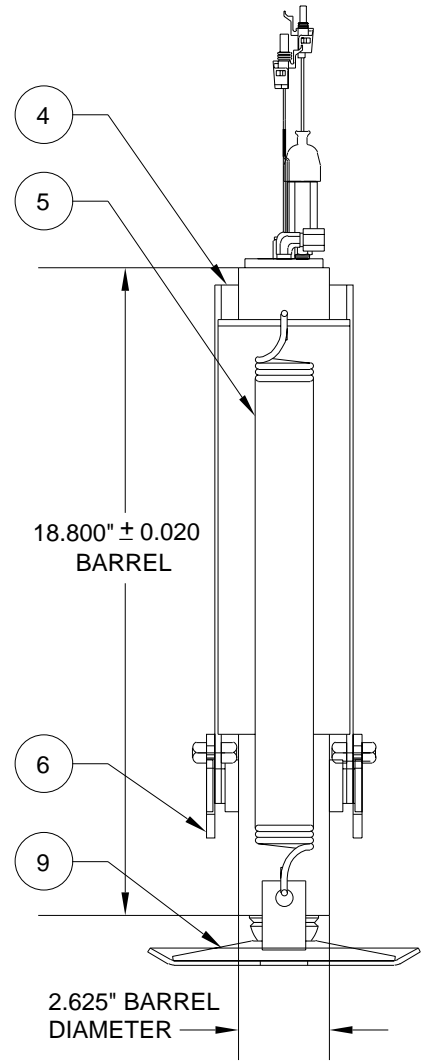
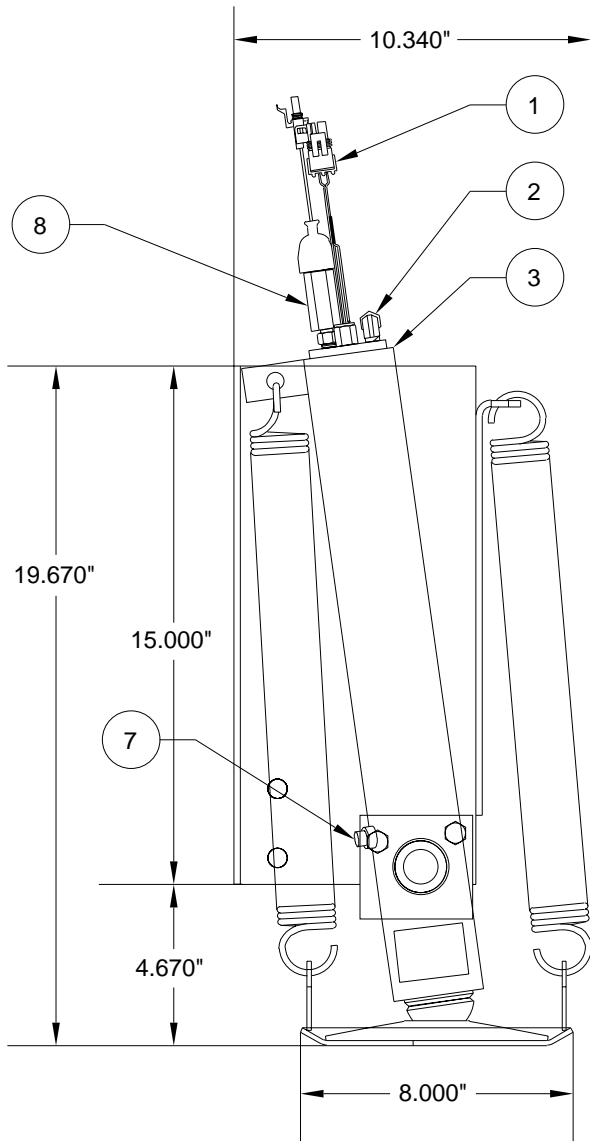
NOTE: INDENTED ITEMS ARE INCLUDED WITH PRECEDING ITEM.

MR26.4565  
06JUL00

# AP12504 - STRAIGHT- ACTING JACK, 7 DEG PIVOT, S/S SPRINGS

9,000 # CAPACITY; 2.000" ROD DIAMETER; 13.00" STROKE

WITH PRESSURE SWITCH AND 2-WIRE WARNING SWITCH



ITEM	PART	QTY	DESCRIPTION
	RAP90732		JACK 9,000# x 13" S/S (REPLACES AP12504)
1	RAP1008	1	SWITCH WARNING 2-WIRE
2	RF1453	1	4-CTX-S MALE ELBOW
3	RAP90731	1	CYL. ASSY. 2.000" x 13"
4	RAP0670	1	PIVOT BRACKET
5	R3847	1	SPRING KIT 1-11/16" x 14"
		2	SPRING 1-11/16" x 14"

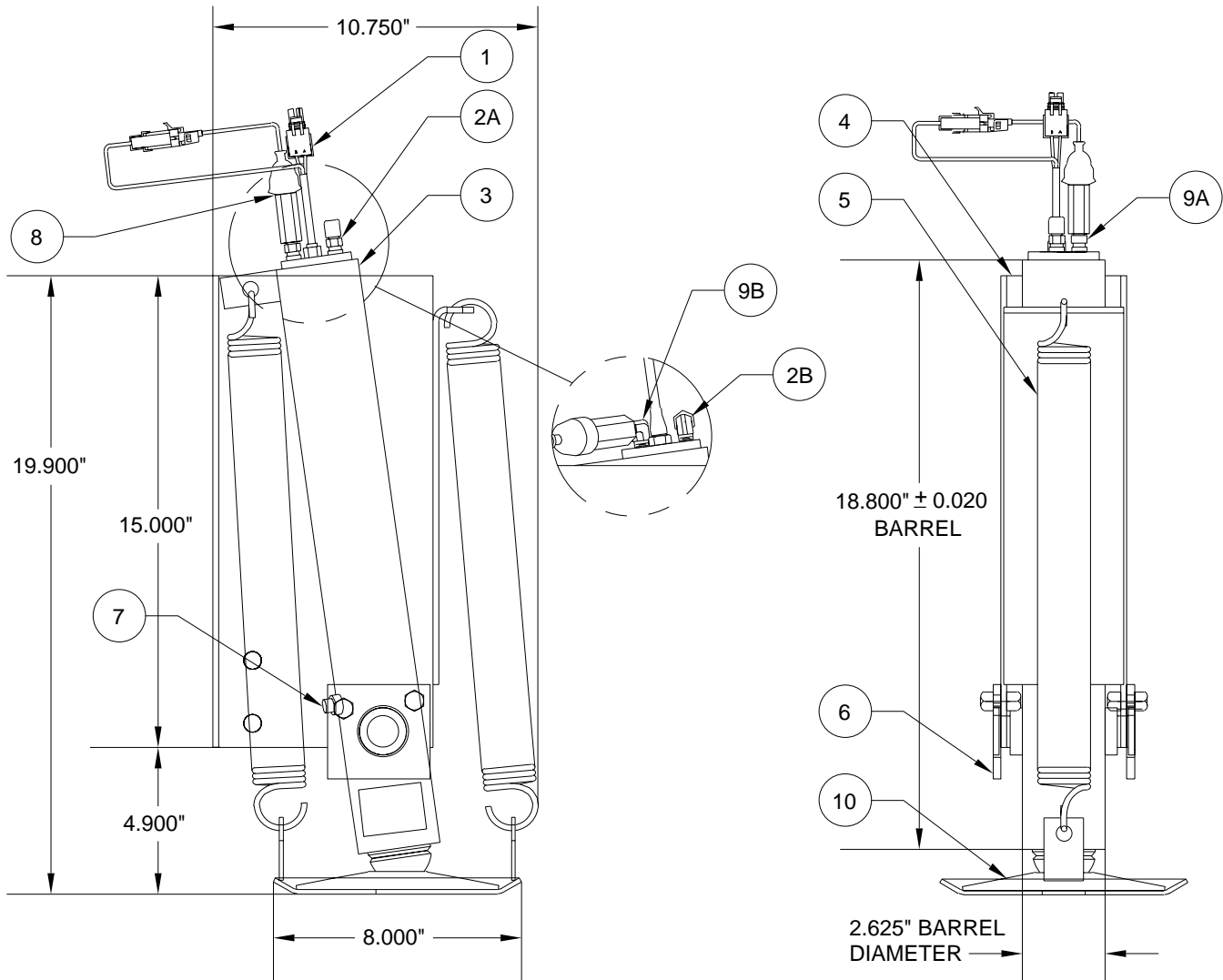
ITEM	PART	QTY	DESCRIPTION
6	RAP1735	1	RETAINING PLATE KIT
		2	RETAINING PLATES
		4	HHCS 3/8 - 16 x 1"
		4	HEX NUT 3/8 - 16 LOCK
7	RF2418	1	PIPE PLUG 1/8
8	RAP8003	1	SWITCH PRESSURE
9	RAP8464	1	FOOT 8.000" DIAMETER

NOTE: INDENTED ITEMS ARE INCLUDED WITH PRECEDING ITEM.

MR26.4566  
06JUL00

**AP15561 - AP25180**  
**STRAIGHT-ACTING JACK, 7 DEGREE PIVOT, S/S SPRINGS**  
**9,000 # CAPACITY; 2.000" ROD DIAMETER; 13.00" STROKE**

JACK #	DESCRIPTION
AP15561	3-WIRE WARNING SWITCH, PRESSURE SWITCH, STRAIGHT FITTINGS
AP25180	3-WIRE WARNING SWITCH, PRESSURE SWITCH, ELBOW FITTINGS



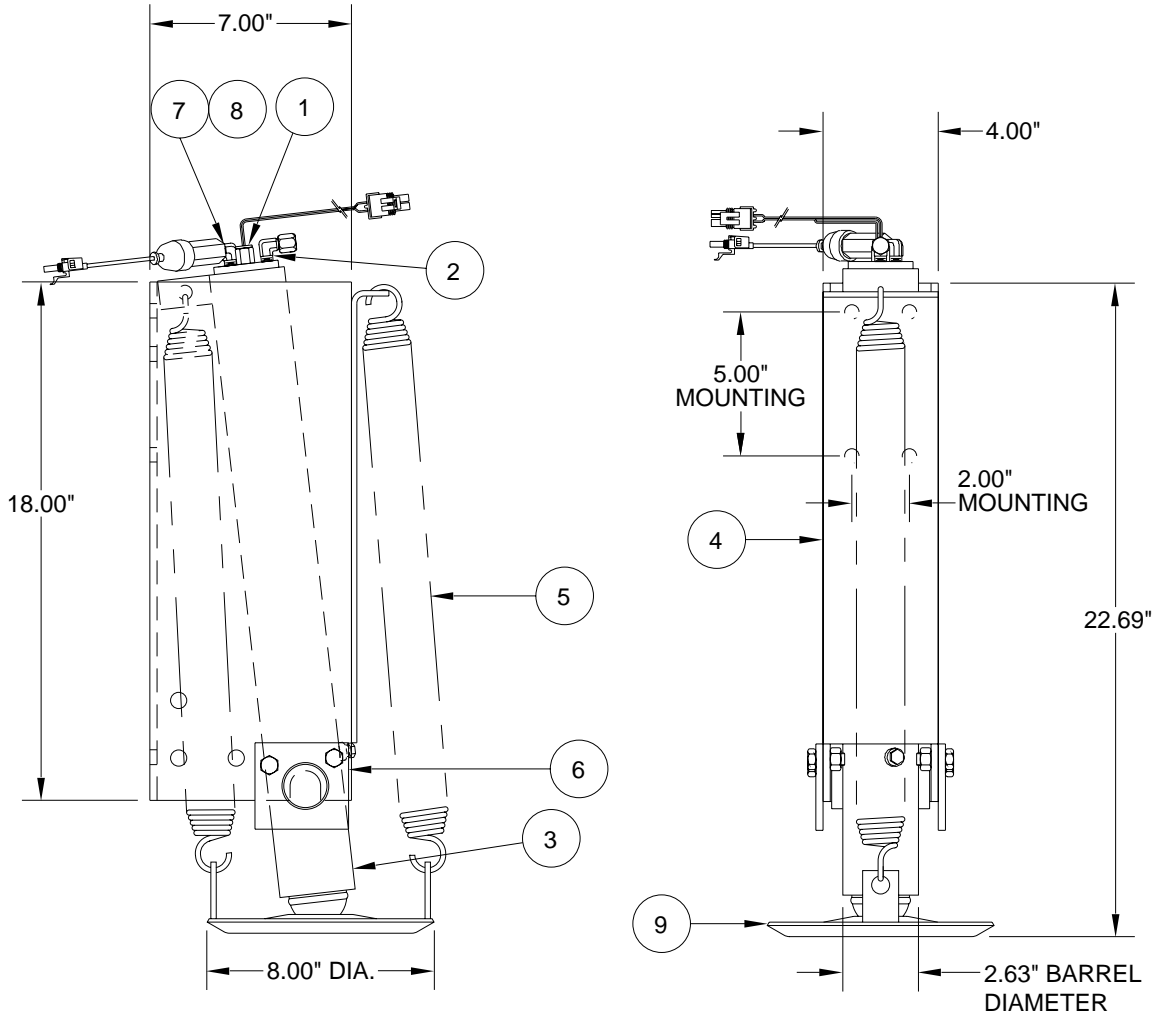
ITEM	PART	QTY	DESCRIPTION
1	RAP90073	1	SWITCH WARNING 3-WIRE
2A	RF1456	1	4-FTX-S MALE CONNECTOR (AP15561 ONLY)
2B	RF1453	1	ELBOW 1/8" X 1/4" (AP25180 ONLY)
3	RAP90731	1	CYL. ASSY. 2.000" x 13"
4	RAP0670	1	PIVOT BRACKET
5	R3847	1	SPRING KIT 1-11/16" x 14"
		2	SPRING 1-11/16" x 14"

ITEM	PART	QTY	DESCRIPTION
6	RAP1735	1	RETAINING PLATE KIT
		2	RETAINING PLATES
		4	HHCS 3/8 - 16 x 1"
		4	HEX NUT 3/8 - 16 LOCK
7	RF2418	1	PIPE PLUG 1/8
8	RAP8003	1	SWITCH PRESSURE
9A	RF9315	1	NIPPLE 1/8" X 1/8" (AP15561 ONLY)
9B	RF8143	1	ELBOW 1/8" X 1/8" (AP25180 ONLY)
10	RAP8464	1	FOOT 8.000" DIAMETER

**NOTE:** INDENTED ITEMS ARE INCLUDED WITH PRECEDING ITEM.

**AP25151 - AP27777**  
**STRAIGHT-ACTING JACK, 6 DEGREE PIVOT, S/S SPRINGS**  
**9,000 # CAPACITY; 2.000" ROD DIAMETER; 16.00" STROKE**

JACK #	DESCRIPTION
AP25151	MAGNETIC WARNING SWITCH W/ BLACK CONNECTOR, PRESSURE SWITCH
AP27777	MAGNETIC WARNING SWITCH W/ BLACK CONNECTOR ONLY



ITEM	PART	QTY	DESCRIPTION
1	RAP1008	1	SWITCH WARNING MAGNETIC (AP25151, AP27777)
2	RF1453	1	ELBOW 1/8" X 1/4"
3	RAP0390	1	CYL. ASSY. 2.000" x 16" (INCLUDES ITEM 2) (EXCLUDES ITEMS 1,7,8)
4	RAP8733	1	PIVOT BRACKET
5	R3848	1	SPRING KIT 1-11/16" X 18"
		2	SPRING 1-11/16" X 18"

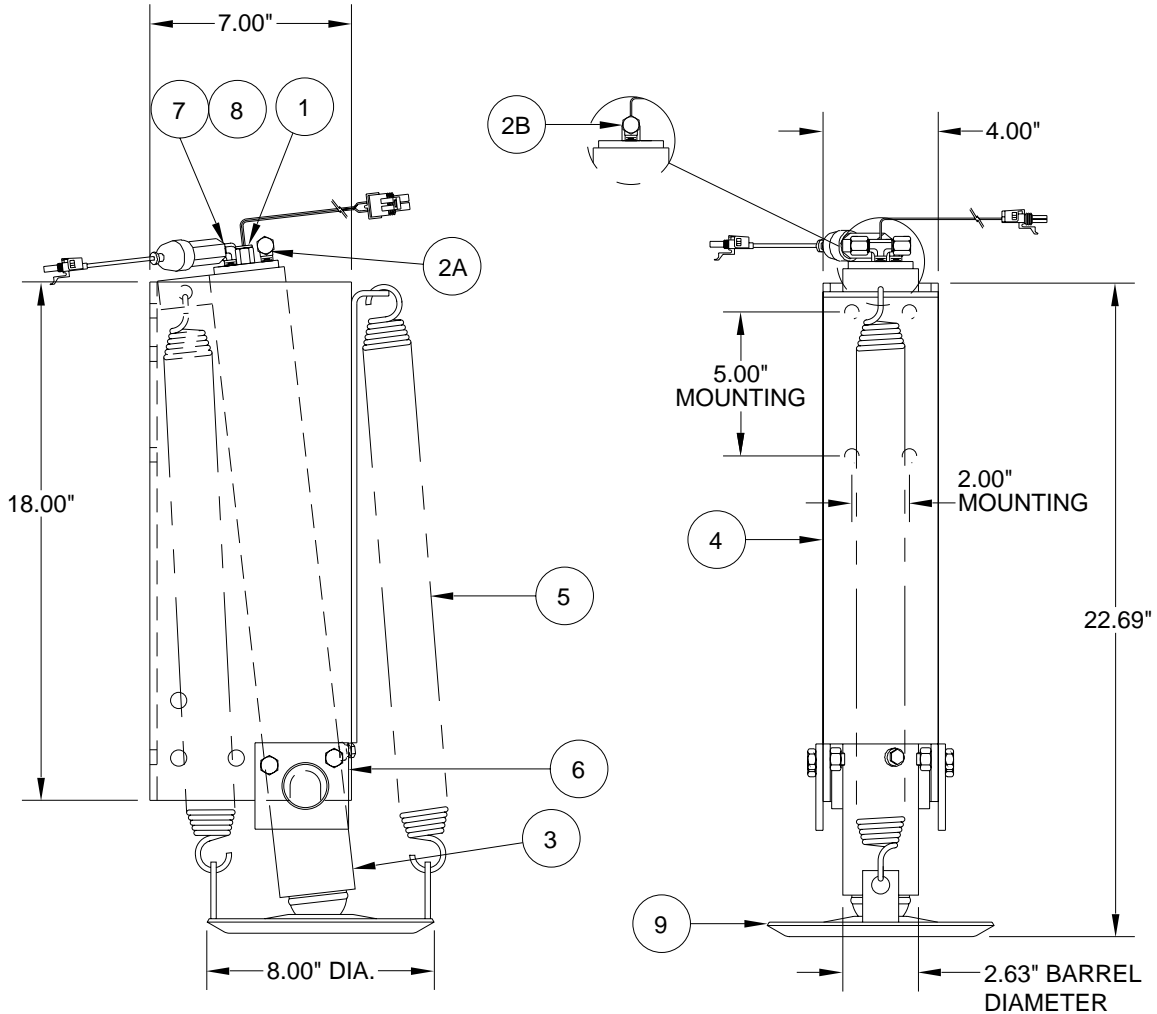
ITEM	PART	QTY	DESCRIPTION
6	RAP1735	1	RETAINING PLATE KIT
		2	RETAINING PLATES
		4	HHCS 3/8 - 16 x 1"
		4	HEX NUT 3/8 - 16 LOCK
7	RF8143	1	ELBOW 1/8" X 1/8" (AP25151 ONLY)
8	RAP8003	1	SWITCH PRESSURE (AP25151 ONLY)
9	RAP8464	1	FOOT 8.00" DIAMETER

NOTE: INDENTED ITEMS ARE INCLUDED WITH PRECEDING ITEM.

**MR26.4568**  
**26FEB09**

**AP32875 - AP33027**  
**STRAIGHT-ACTING JACK, 6 DEGREE PIVOT, S/S SPRINGS**  
**9,000 # CAPACITY; 2.000" ROD DIAMETER; 16.00" STROKE**

JACK #	DESCRIPTION
AP32875	MAGNETIC WARNING SWITCH W/ GRAY CONNECTOR ONLY, ELBOW FITTING
AP33027	MAGNETIC WARNING SWITCH W/ GRAY CONNECTOR, PRESSURE SWITCH, TEE FITTING



ITEM	PART	QTY	DESCRIPTION
1	RAP90968	1	SWITCH WARNING MAGNETIC GRAY (AP32875, AP33027)
2A	RF90151	1	MALE TEE 1/8" X 1/4" X 1/4" (AP33027 JACK)
2B	RF1453	1	ELBOW 1/8" X 1/4" (AP32875 JACK)
3	RAP0390	1	CYL. ASSY. 2.000" x 16" (INCLUDES ITEM 2B) (EXCLUDES ITEMS 1,2A,7,8)
4	RAP8733	1	PIVOT BRACKET

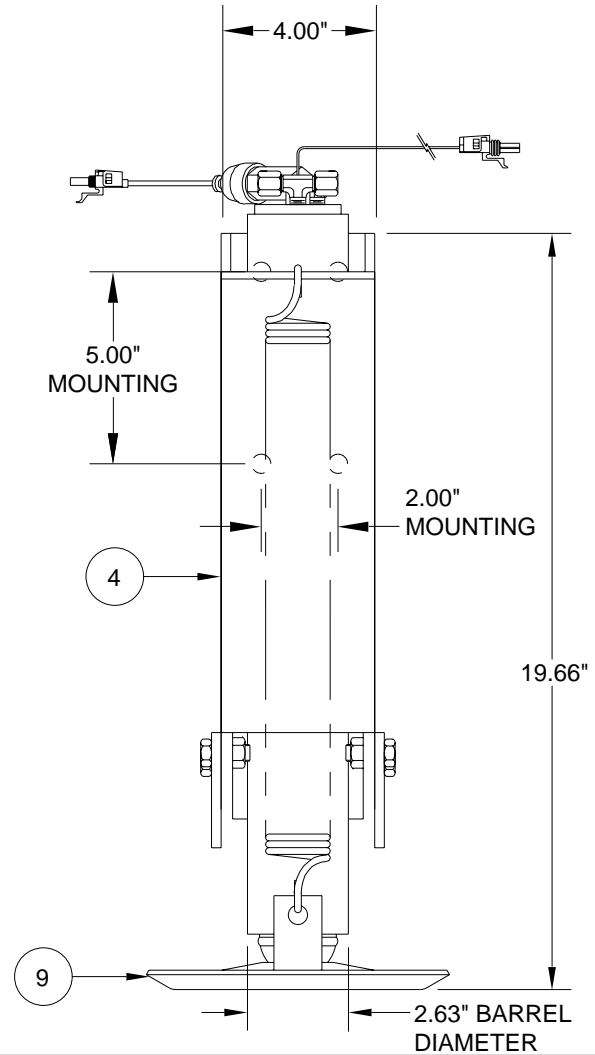
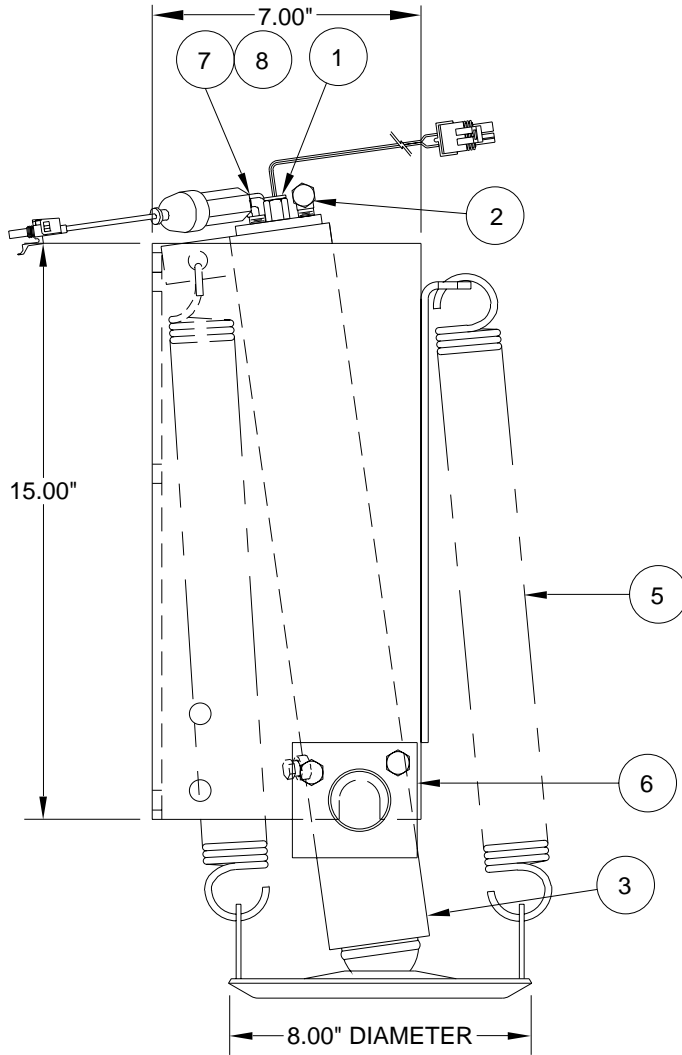
ITEM	PART	QTY	DESCRIPTION
5	R3848	1	SPRING KIT 1-11/16" X 18"
		2	SPRING 1-11/16" X 18"
6	RAP1735	1	RETAINING PLATE KIT
		2	RETAINING PLATES
		4	HHCS 3/8 - 16 x 1"
		4	HEX NUT 3/8 - 16 LOCK
7	RF8143	1	ELBOW 1/8" X 1/8" (AP33027 ONLY)
8	RAP8003	1	SWITCH PRESSURE (AP33027 ONLY)
9	RAP8464	1	FOOT 8.00" DIAMETER

**NOTE:** INDENTED ITEMS ARE INCLUDED WITH PRECEDING ITEM.

**MR26.4570**  
**26FEB09**

**AP33118 - AP33119 - AP33120**  
**STRAIGHT-ACTING JACK, 8 DEGREE PIVOT, S/S SPRINGS**  
**9,000 # CAPACITY; 2.000" ROD DIAMETER; 13.00" STROKE**

JACK #	DESCRIPTION
AP33118	NO WARNING OR PRESSURE SWITCH
AP33119	MAGNETIC WARNING SWITCH W/ GRAY CONNECTOR ONLY
AP33120	MAGNETIC WARNING SWITCH W/ GRAY CONNECTOR, PRESSURE SWITCH



ITEM	PART	QTY	DESCRIPTION
1	RAP90968	1	SWITCH WARNING MAGNETIC GRAY (AP33119, AP33120)
2	RF90151	1	MALE TEE 1/8" X 1/4" X 1/4"
3	RAP90731	1	CYL. ASSY. 2.000" x 13" (INCLUDES ITEM 2) (EXCLUDES ITEMS 1,7,8)
4	RAP0670	1	PIVOT BRACKET

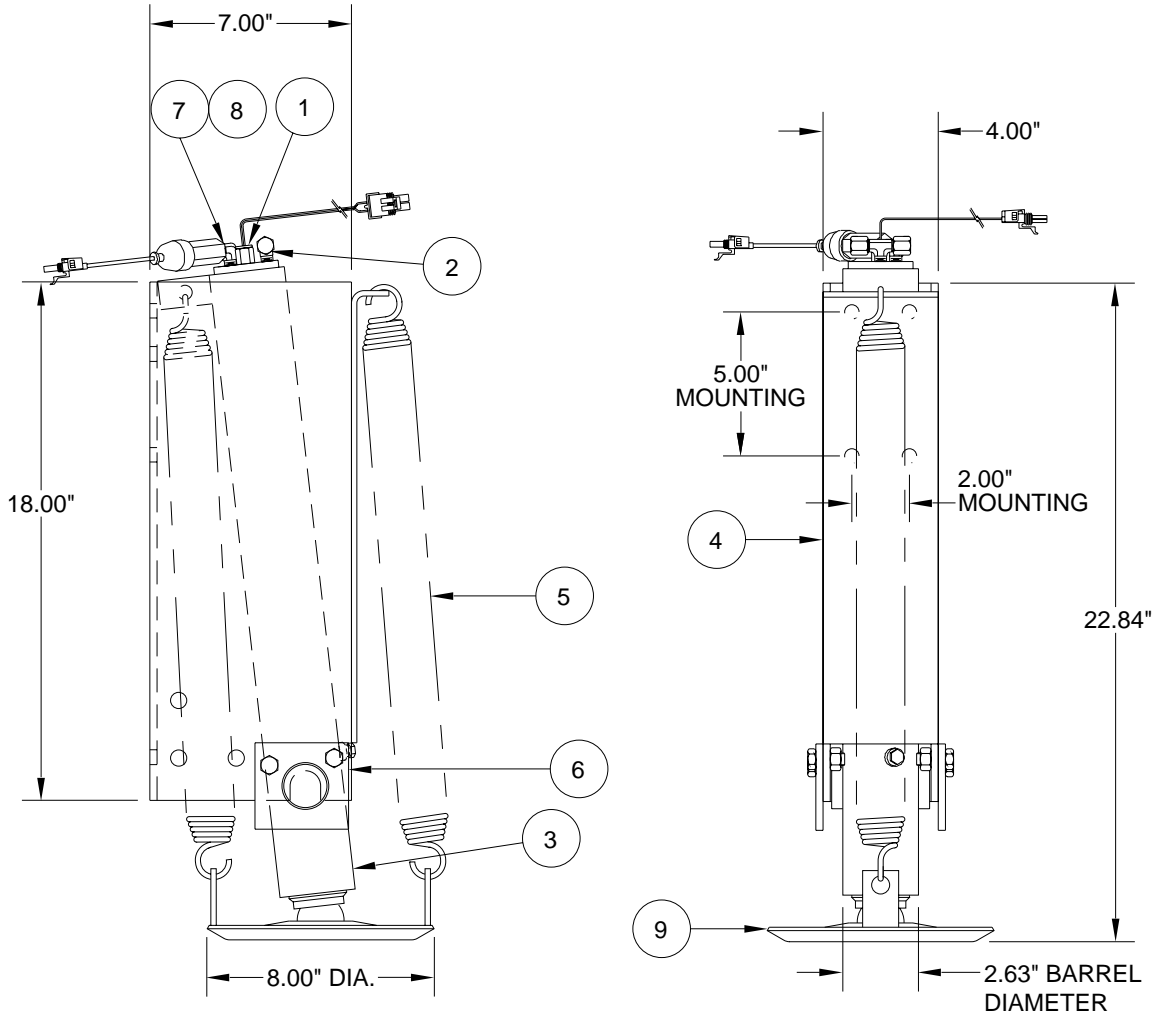
ITEM	PART	QTY	DESCRIPTION
5	R3847	1	SPRING KIT 1-11/16" X 14"
		2	SPRING 1-11/16" X 14"
6	RAP1735	1	RETAINING PLATE KIT
		2	RETAINING PLATES
		4	HHCS 3/8 - 16 x 1"
		4	HEX NUT 3/8 - 16 LOCK
7	RF8143	1	ELBOW 1/8" X 1/8" (AP33120 ONLY)
8	RAP8003	1	SWITCH PRESSURE (AP33120 ONLY)
9	RAP8464	1	FOOT 8.00" DIAMETER

**NOTE:** INDENTED ITEMS ARE INCLUDED WITH PRECEDING ITEM.

**MR26.4572**  
**03MAR09**

**AP42559 - AP42560**  
**STRAIGHT-ACTING JACK, 6 DEGREE PIVOT, S/S SPRINGS, BOLT-ON FOOT**  
**9,000 # CAPACITY; 2.000" ROD DIAMETER; 16.00" STROKE**

JACK #	DESCRIPTION
AP42559	MAGNETIC WARNING SWITCH W/ GRAY CONNECTOR ONLY
AP42560	MAGNETIC WARNING SWITCH W/ GRAY CONNECTOR, PRESSURE SWITCH

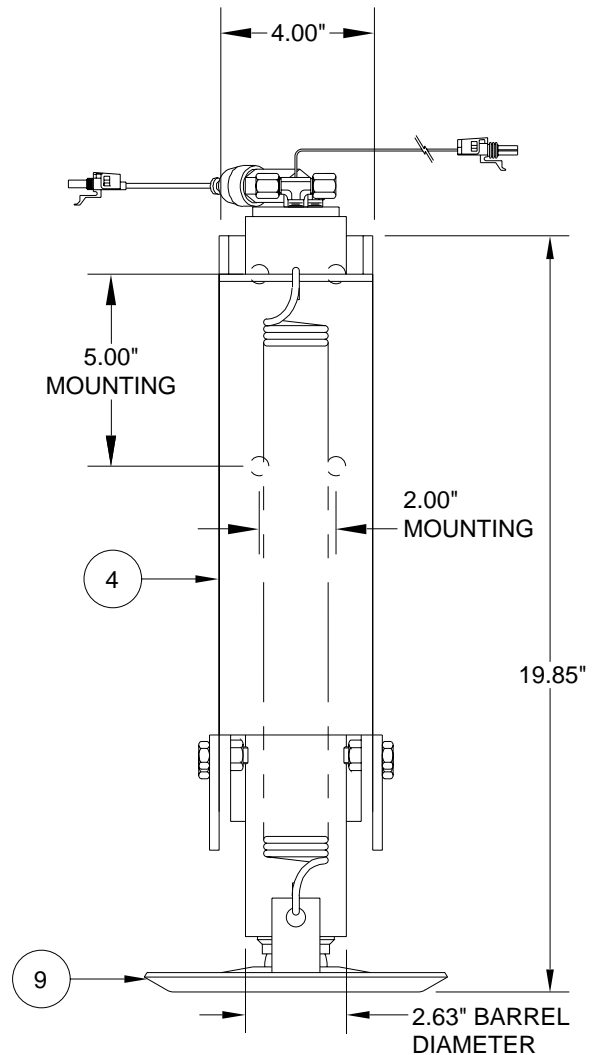
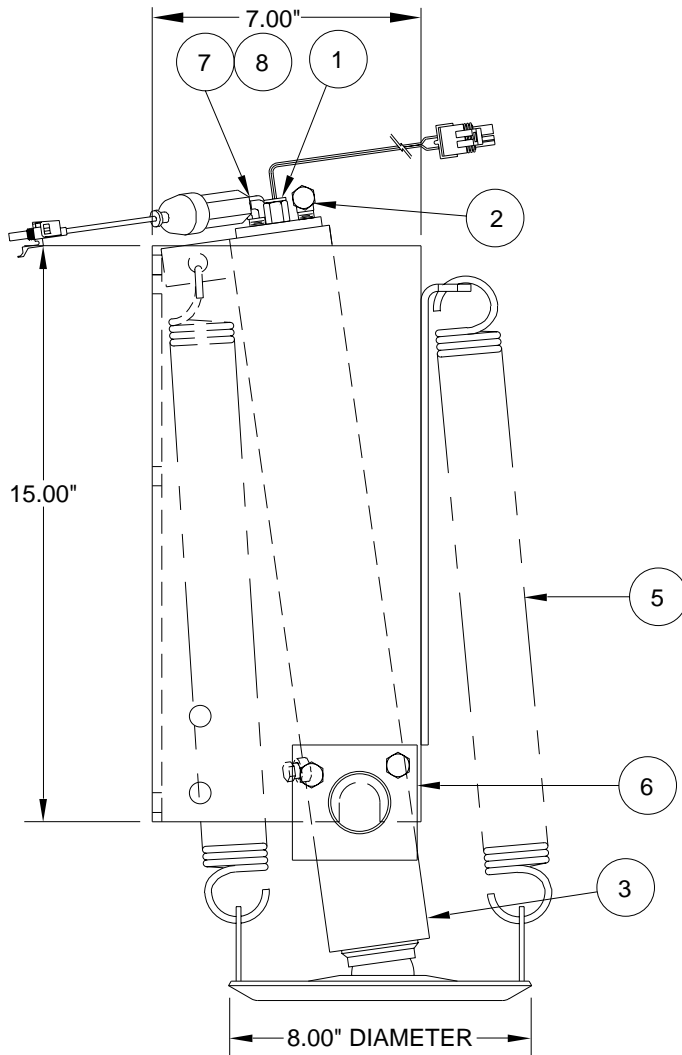


ITEM	PART	QTY	DESCRIPTION
1	RAP90968	1	SWITCH WARNING MAGNETIC GRAY (AP42559, AP42560)
2	RF90151	1	MALE TEE 1/8" X 1/4" X 1/4"
3	RAP92243	1	CYL. ASSY. 2.000" x 16" (INCLUDES ELBOW) (EXCLUDES ITEMS 1,2,7,8)
4	RAP8733	1	PIVOT BRACKET
5	R3848	1 2	SPRING KIT 1-11/16" X 18" 2 SPRING 1-11/16" X 18"

ITEM	PART	QTY	DESCRIPTION
6	RAP1735	1	RETAINING PLATE KIT
		2	RETAINING PLATES
		4	HHCS 3/8 - 16 x 1"
		4	HEX NUT 3/8 - 16 LOCK
7	RF8143	1	ELBOW 1/8" X 1/8" (AP42560 ONLY)
8	RAP8003	1	SWITCH PRESSURE (AP42560 ONLY)
9	RAP92406	1	FOOT 8.00" DIAMETER

**NOTE:** INDENTED ITEMS ARE INCLUDED WITH PRECEDING ITEM.

**AP43770 - STRAIGHT ACTING JACK, 6 DEGREE PIVOT, S/S SPRINGS**  
**9,000 # CAPACITY; 2.000" ROD DIAMETER; 13.00" STROKE; BOLT-ON FOOT**  
**WITH MAGNETIC WARNING SWITCH AND PRESSURE SWITCH**



ITEM	PART	QTY	DESCRIPTION
1	RAP90968	1	SWITCH WARNING MAGNETIC GRAY
2	RF90151	1	MALE TEE 1/8" X 1/4" X 1/4"
3	RAP92242	1	CYL. ASSY. 2.000" x 13" (INCLUDES ITEM 2) (EXCLUDES ITEMS 1,7,8)
4	RAP0670	1	PIVOT BRACKET
5	R3848	1 2	SPRING KIT 1-11/16" X 18" SPRING 1-11/16" X 18"

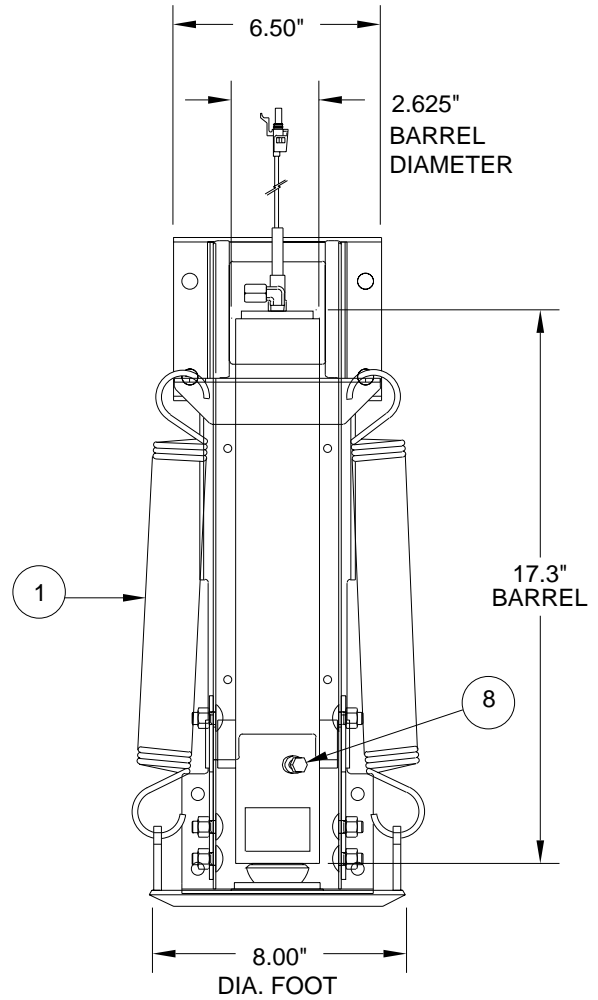
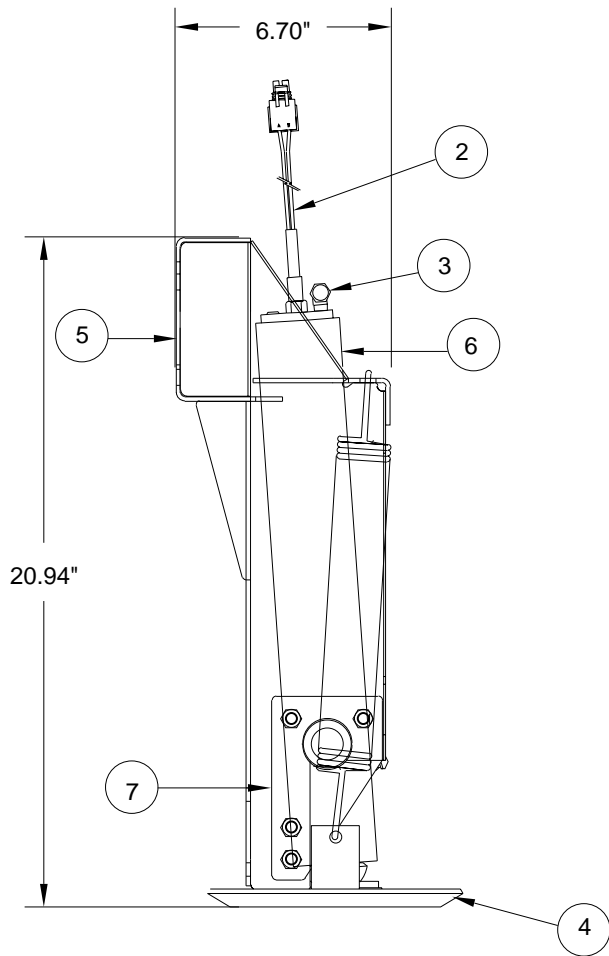
ITEM	PART	QTY	DESCRIPTION
6	RAP1735	1	RETAINING PLATE KIT
		2	RETAINING PLATES
		4	HHCS 3/8 - 16 x 1"
		4	HEX NUT 3/8 - 16 LOCK
7	RF8143	1	ELBOW 1/8" X 1/8"
8	RAP8003	1	SWITCH PRESSURE
9	RAP92406	1	FOOT 8.00" DIAMETER

**NOTE:** INDENTED ITEMS ARE INCLUDED WITH PRECEDING ITEM.

**MR26.4605**  
**08JUL09**



**AP16108 - STRAIGHT-ACTING JACK, 7 DEGREE PIVOT  
9,000 # CAPACITY; 2.00" ROD DIAMETER; 13.00" STROKE**

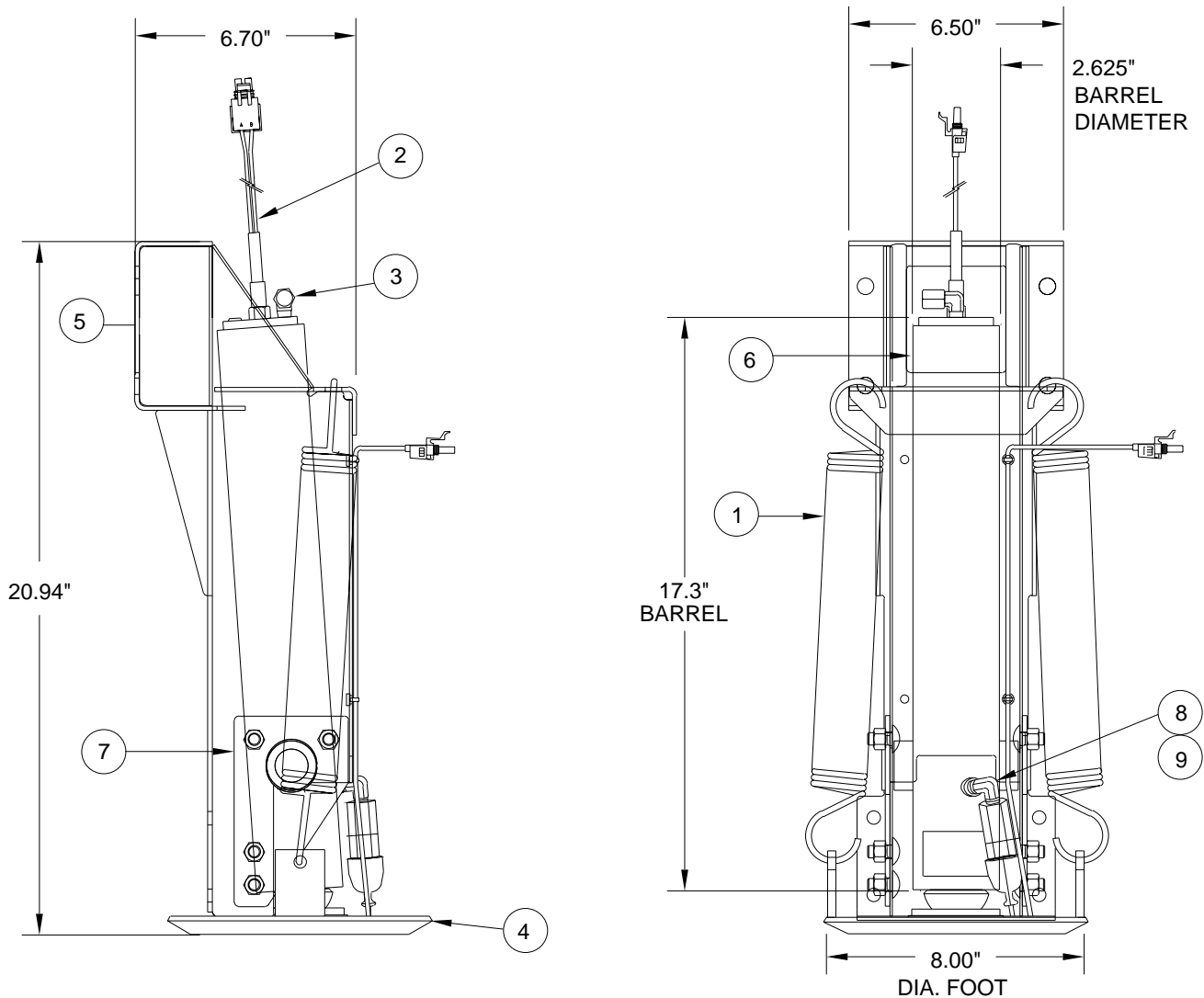


**USED PRIMARILY ON THE FRONT  
OF P-12 CHEVY CHASSIS WITH 22.5" TIRES**

ITEM	PART	QTY	DESCRIPTION
	RAP90506		JACK 9,000 # X 13" F/A (REPLACES AP16108)
1	R3847	1	SPRING KIT 1-11/16" X 14"
		2	SPRING 1-11/16" X 14"
2	RAP1008	1	SWITCH WARNING 2-WIRE (REPLACES AP1008)
3	RF1453	1	ELBOW 1/8" X 1/4"
4	RAP8464	1	8.00" DIAMETER FOOT

ITEM	PART	QTY	DESCRIPTION
5	RAP90507	1	PIVOT BRACKET
6	RAP90491	1	CYL. ASSY. 2.00" X 13" (INCLUDES ITEM 3) (EXCLUDES ITEM 2)
7	RAP90505	1	RETAINING PLATE KIT
		2	RETAINING PLATES
		8	HHCS 3/8-16 X 1"
		8	HEX NUT 3/8-16 LOCK DEF.
8	RF90272	1	HEX PLUG 1/8"

**AP16109 - STRAIGHT-ACTING JACK, 7 DEGREE PIVOT  
9,000 # CAPACITY; 2.00" ROD DIAMETER; 13.00" STROKE  
WITH PRESSURE SWITCH**



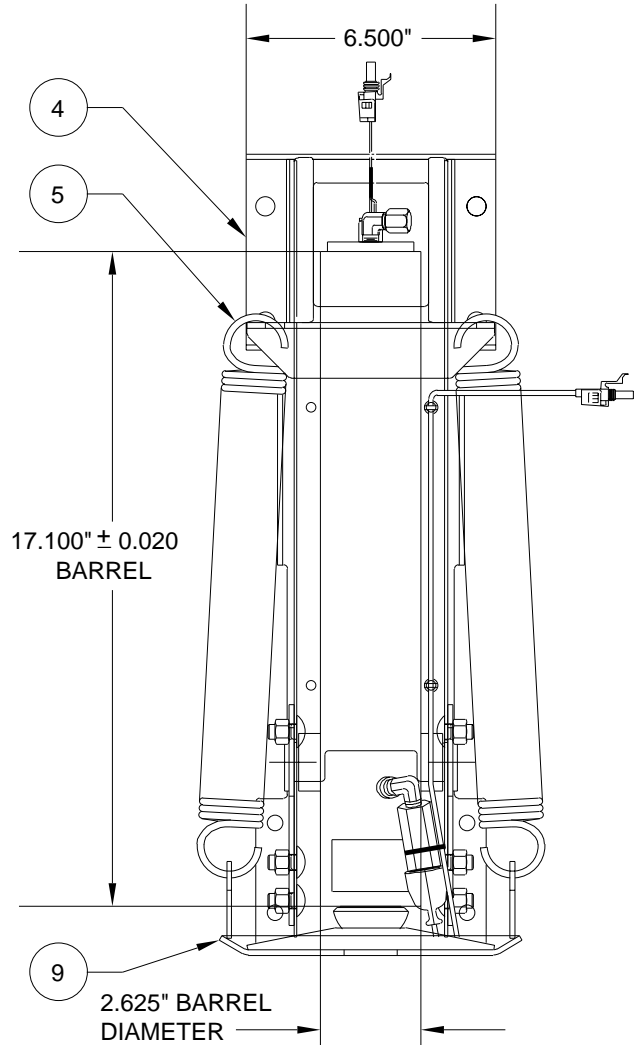
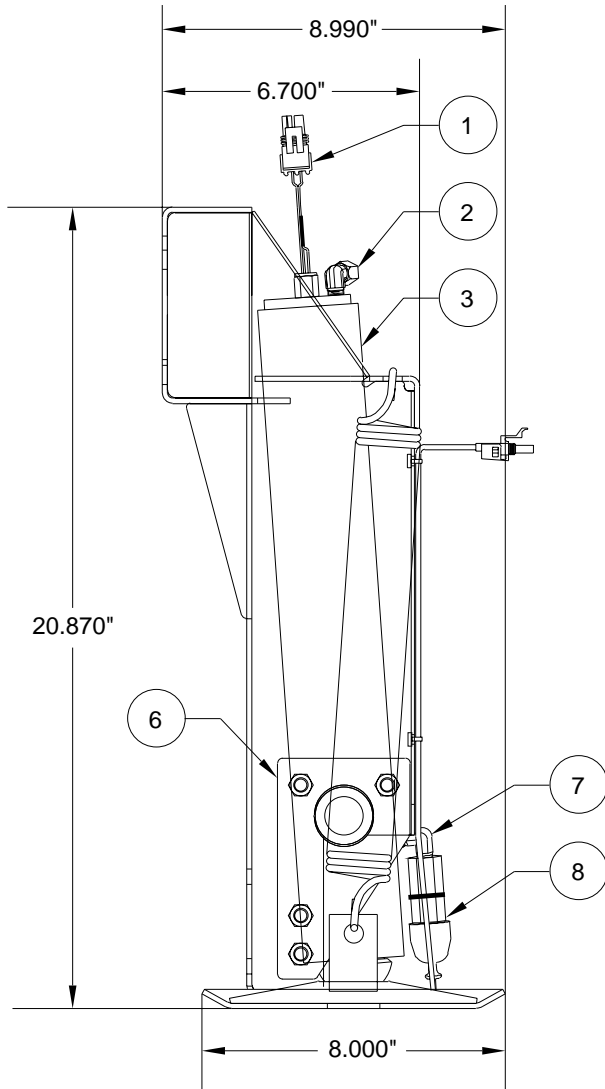
**USED PRIMARILY ON THE FRONT  
OF P-12 CHEVY CHASSIS WITH 22.5"**

ITEM	PART	QTY	DESCRIPTION	ITEM	PART	QTY	DESCRIPTION
	RAP90508		JACK 9,000 # X 13" F/A (REPLACES AP16109)	5	RAP90507	1	PIVOT BRACKET
1	R3847	1	SPRING KIT 1-11/16" X 14"	6	RAP90491	1	CYL. ASSY. 2.00" X 13" (INCLUDES ITEM 3) (EXCLUDES ITEM 2,8,9)
		2	SPRING 1-11/16" X 14"				
2	RAP1008	1	SWITCH WARNING 2-WIRE (REPLACES AP1008)	7	RAP90505	1	RETAINING PLATE KIT
						2	RETAINING PLATES
3	RF1453	1	ELBOW 1/8" X 1/4"			8	HHCS 3/8-16 X 1"
						8	HEX NUT 3/8-16 LOCK DEF.
4	RAP8464	1	8.00" DIAMETER FOOT	8	RF8143	1	ELBOW 1/8" X 1/8"
				9	RAP8003	1	SWITCH PRESSURE

**NOTE:** INDENTED ITEMS ARE INCLUDED WITH PRECEDING ITEM.

**AP18815 - STRAIGHT- ACTING JACK, 7 DEG PIVOT, RF**  
**AP18816 - STRAIGHT- ACTING JACK, 7 DEG PIVOT, LF**  
**9,000 # CAPACITY; 2.000" ROD DIAMETER; 13.00" STROKE**  
**WITH PRESSURE SWITCH AND 2-WIRE WARNING SWITCH**

**AP18815 RIGHT FRONT - SHOWN**  
**AP18816 LEFT FRONT - OPPOSITE**



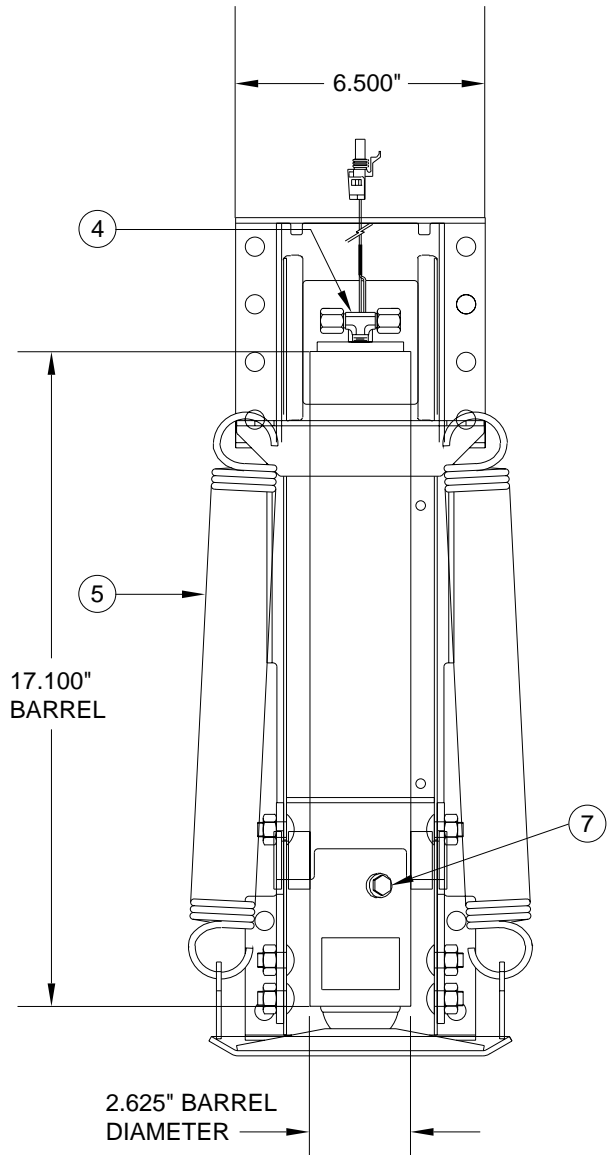
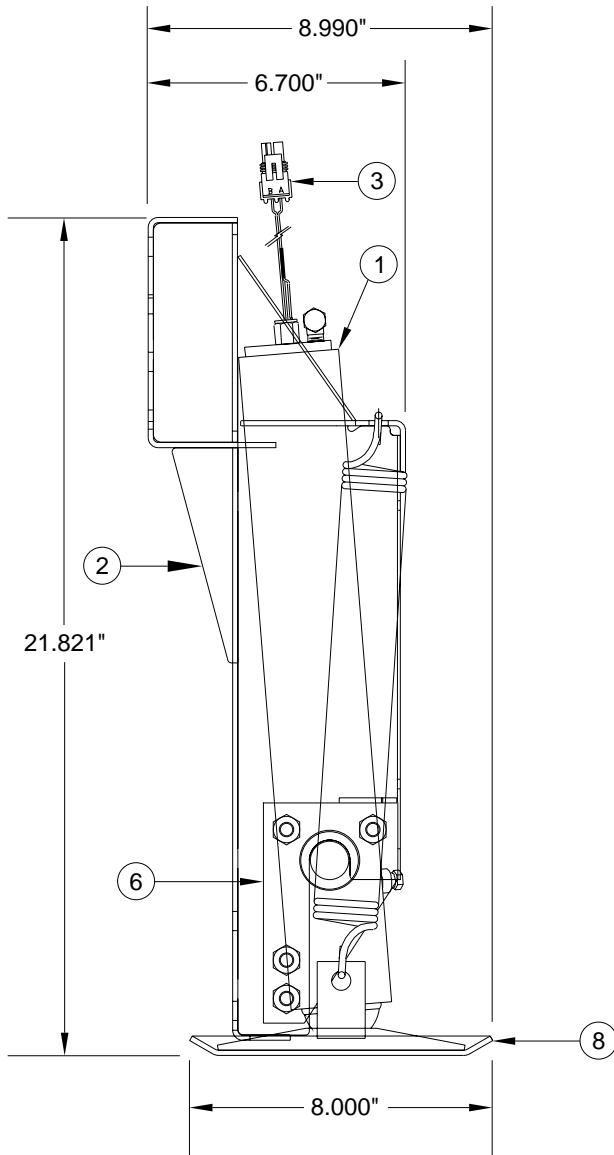
ITEM	PART	QTY	DESCRIPTION
	RAP90735		JACK 9,000# x 13" F/A (REPLACES AP18815)
	RAP90736		JACK 9,000# x 13" F/A (REPLACES AP18816)
1	RAP1008	1	SWITCH WARNING 2-WIRE
2	RF1453	1	4-CTX-S MALE ELBOW
3	RAP90491	1	CYL. ASSY. 2.000" x 13"
4	RAP90507	1	PIVOT BRACKET

ITEM	PART	QTY	DESCRIPTION
5	R3847	1	SPRING KIT 1-11/16" x 14"
		2	SPRING 1-11/16" x 14"
6	RAP90505	1	RETAINING PLATE KIT
		2	RETAINING PLATES
		8	RHSNB 3/8 - 16 x 3/4"
		8	HEX NUT 3/8 - 16 LOCK
7	RF8143	1	CR-1/8-S ELBOW
8	RAP8003	1	SWITCH PRESSURE
9	RAP8464	1	FOOT 8.000" DIAMETER

**NOTE:** INDENTED ITEMS ARE INCLUDED WITH PRECEDING ITEM.

**MR26.4702**  
**06JUL00**

**AP22808 - STRAIGHT- ACTING JACK, 5 DEG PIVOT**  
**9,000# CAPACITY; 2.000" ROD DIAMETER; 13.00" STROKE**



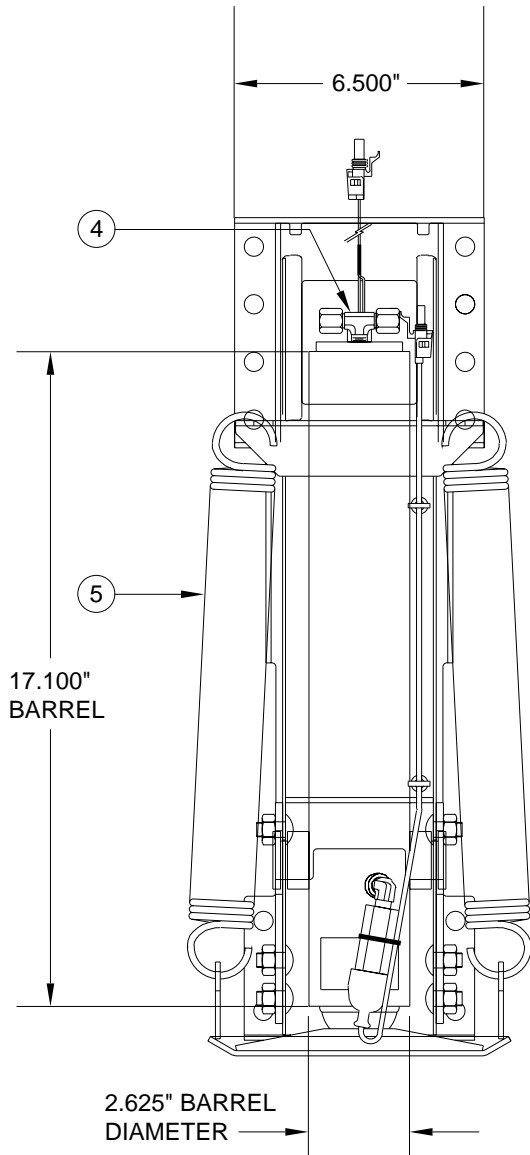
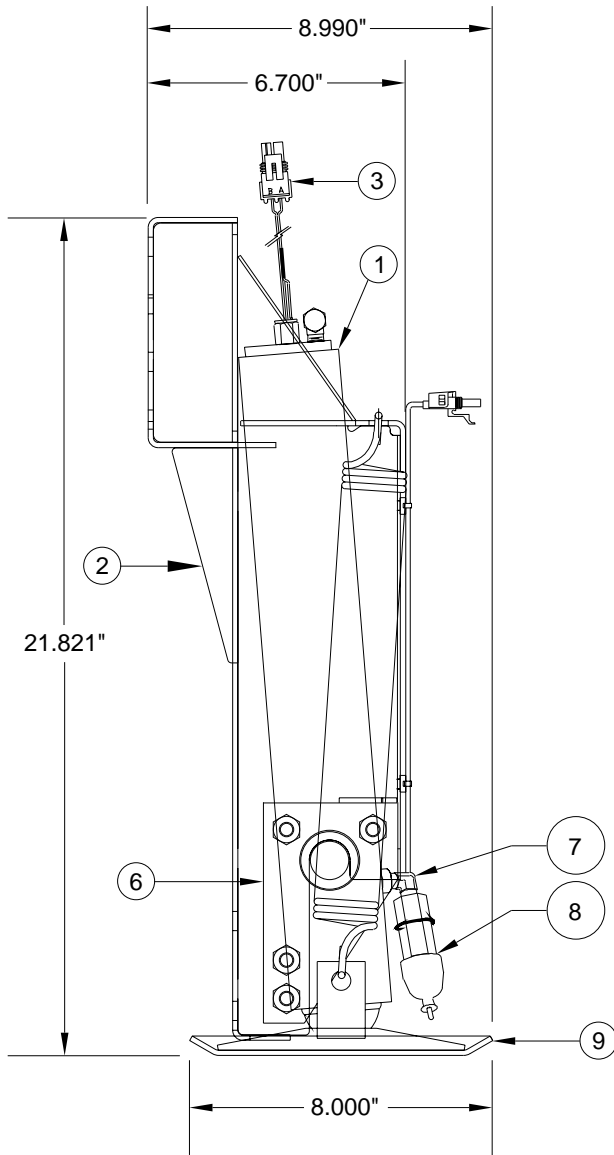
ITEM	PART	QTY	DESCRIPTION
	RAP90852		JACK 9000# x 13" F/A (REPLACES AP22808)
1	RAP90491	1	CYL. ASSY. 2.000" x 13" (INCLUDES ITEM 4,7) (EXCLUDES ITEM 3)
2	RAP90845	1	PIVOT BRACKET
3	RAP1008	1	SWITCH WARN 2-WIRE
4	RF90151	1	MALE BRANCH T 1/4" x 1/4" x 1/4"

ITEM	PART	QTY	DESCRIPTION
5	R3847	1	SPRING KIT 1-11/16" x 14"
		2	SPRING 1-11/16" x 14"
6	RAP90505	1	RETAINING PLATE KIT
		2	RETAINING PLATES
		8	RHSNB 3/8"-16 x 3/4"
		8	HEX NUT 3/8 - 16 LOCK
7	RF90272	1	1/8-HP-S HEX PLUG
8	RAP8464	1	FOOT 8.000" DIAMETER

**NOTE:** INDENTED ITEMS ARE INCLUDED WITH PRECEDING ITEM.

**MR26.4710**  
**10MAY01**

**AP22809 - STRAIGHT- ACTING JACK, 5 DEG PIVOT, F/A SPRINGS**  
**9,000# CAPACITY; 2.000" ROD DIAMETER; 13.00" STROKE**  
**WITH PRESSURE SWITCH**



ITEM	PART	QTY	DESCRIPTION
	RAP90974		JACK 9000# x 13" F/A (REPLACES AP22809)
1	RAP90491	1	CYL. ASSY. 2.000" x 13" (INCLUDES ITEM 4,7) (EXCLUDES ITEM 3)
2	RAP90845	1	PIVOT BRACKET
3	RAP1008	1	SWITCH WARN 2-WIRE
4	RF90151	1	MALE BRANCH T 1/8" x 1/4" x 1/4"

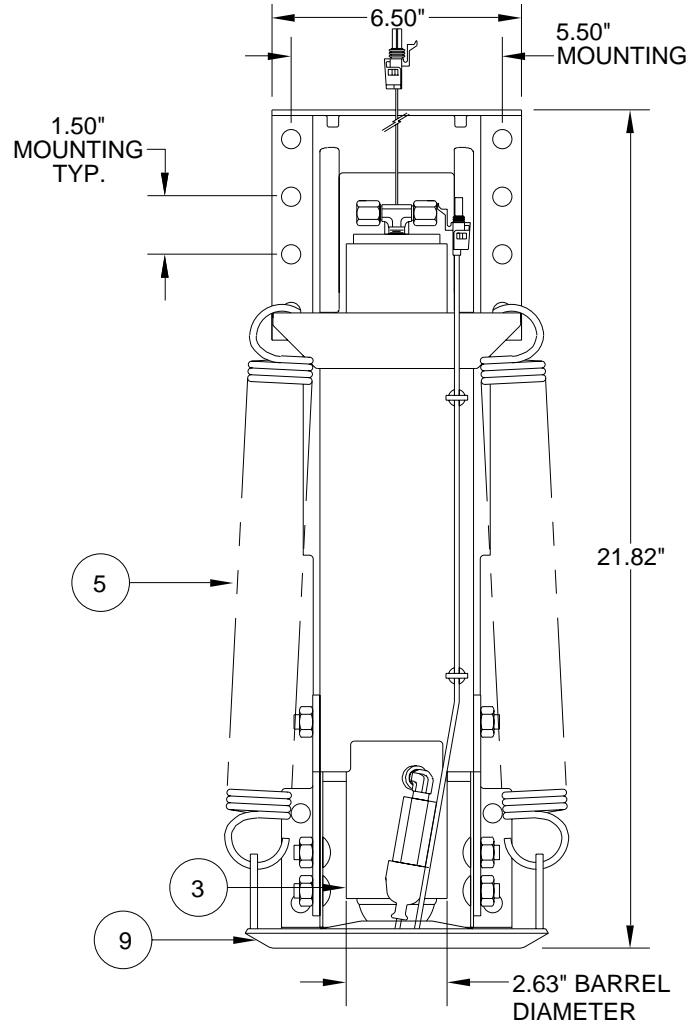
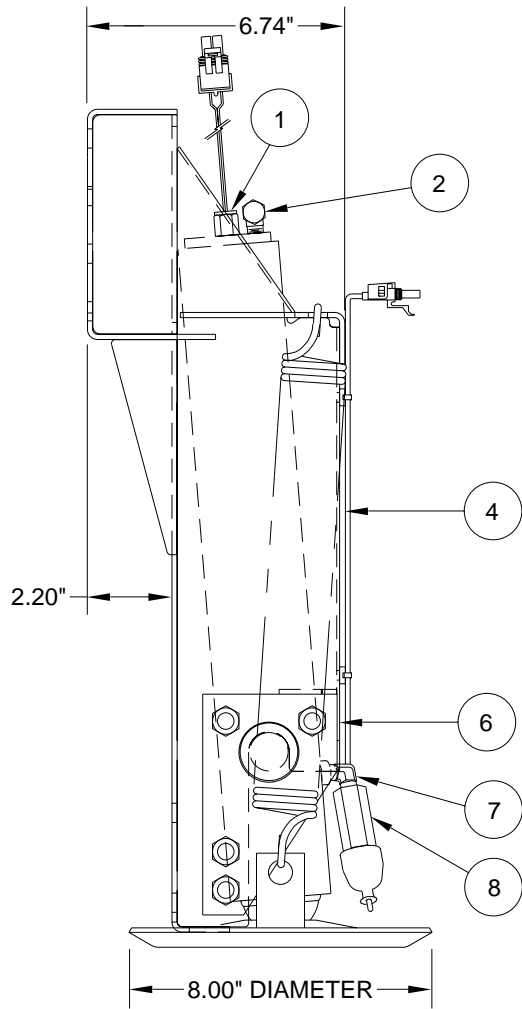
ITEM	PART	QTY	DESCRIPTION
5	R3847	1	SPRING KIT 1-11/16" x 14"
		2	SPRING 1-11/16" x 14"
6	RAP90505	1	RETAINING PLATE KIT
		2	RETAINING PLATES
		8	RHSNB 3/8"-16 x 3/4"
		8	HEX NUT 3/8 - 16 LOCK
7	RF8143	1	1/8"-CR-S ELBOW
8	RAP8003	1	PRESSURE SWITCH
9	RAP8464	1	FOOT 8.000" DIAMETER

**NOTE:** INDENTED ITEMS ARE INCLUDED WITH PRECEDING ITEM.

**MR26.4711**  
**11OCT02**

**AP29390 - AP29978 - AP29979**  
**STRAIGHT-ACTING JACK, 5 DEGREE PIVOT, F/A SPRINGS**  
**9,000 # CAPACITY; 2.000" ROD DIAMETER; 13.00" STROKE**

JACK #	DESCRIPTION
AP29390	NO WARNING OR PRESSURE SWITCH
AP29978	MAGNETIC WARNING SWITCH W/ GRAY CONNECTOR ONLY
AP29979	MAGNETIC WARNING SWITCH W/ GRAY CONNECTOR, PRESSURE SWITCH

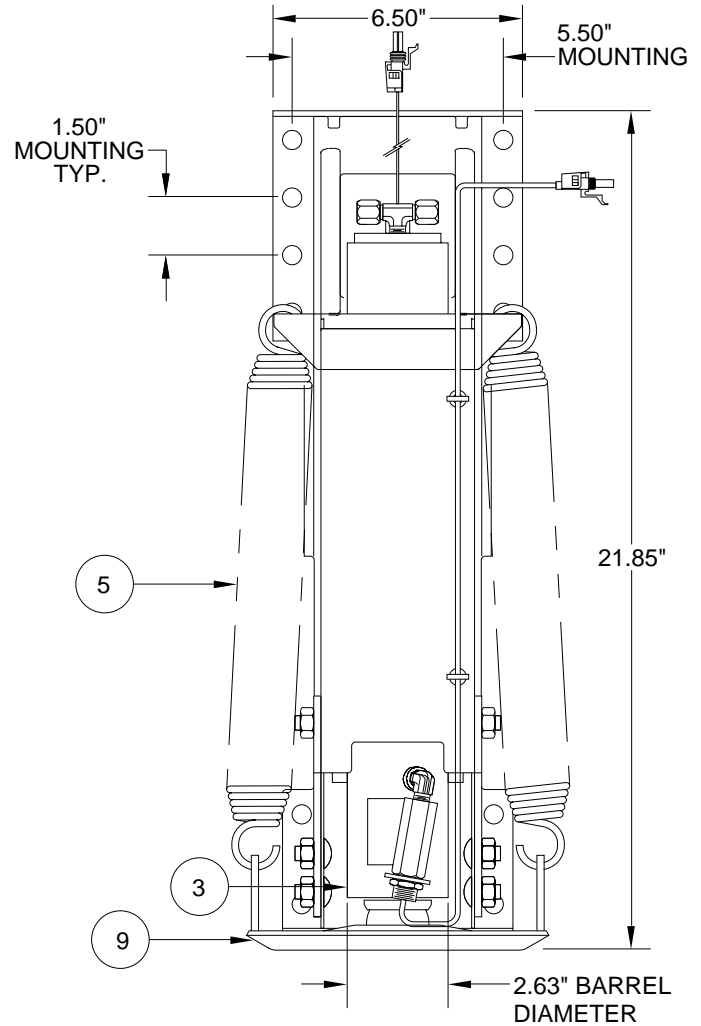
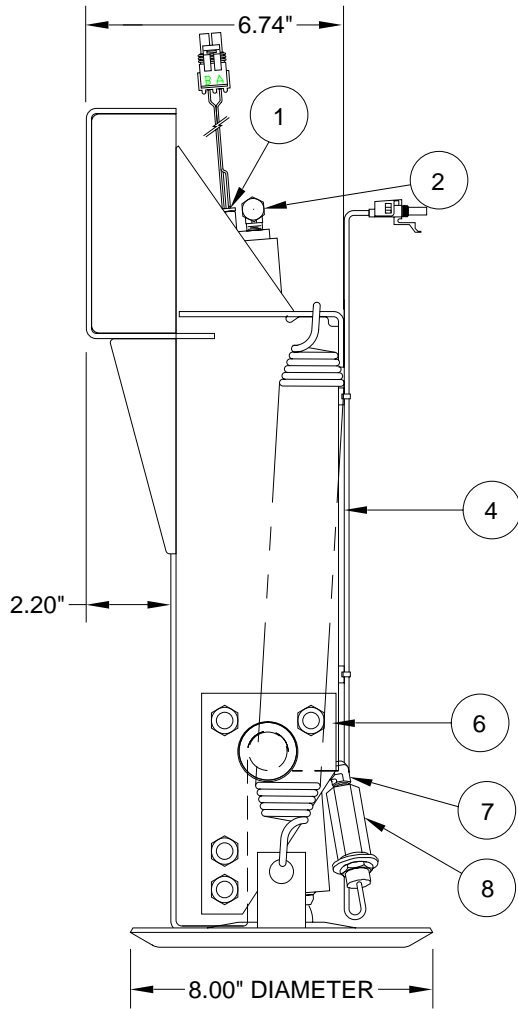


ITEM	PART	QTY	DESCRIPTION
1	RAP90968	1	SWITCH WARNING MAGNETIC GRAY (AP29978, AP29979)
2	RF90151	1	MALE TEE 1/8" X 1/4" X 1/4"
3	RAP90491	1	CYL. ASSY. 2.000" x 13" (INCLUDES ITEM 2) (EXCLUDES ITEMS 1,7,8)
4	RAP90845	1	PIVOT BRACKET

ITEM	PART	QTY	DESCRIPTION
5	R3847	1	SPRING KIT 1-11/16" X 14"
		2	SPRING 1-11/16" X 14"
6	RAP90505	1	RETAINING PLATE KIT
		2	RETAINING PLATES
		8	HHCS 3/8-16 X 1"
		8	HEX NUT 3/8-16 LOCK DEF.
7	RF8143	1	ELBOW 1/8" X 1/8" (AP29979 ONLY)
8	RAP8003	1	SWITCH PRESSURE (AP29979 ONLY)
9	RAP8464	1	FOOT 8.00" DIAMETER

**NOTE:** INDENTED ITEMS ARE INCLUDED WITH PRECEDING ITEM.

**AP51266 - STRAIGHT-ACTING JACK, 5 DEG PIVOT, F/A SPRINGS  
 9,000 # CAPACITY; 2.000" ROD DIAMETER; 13.00" STROKE; BOLT-ON FOOT  
 WITH MAGNETIC WARNING SWITCH AND PRESSURE SWITCH**



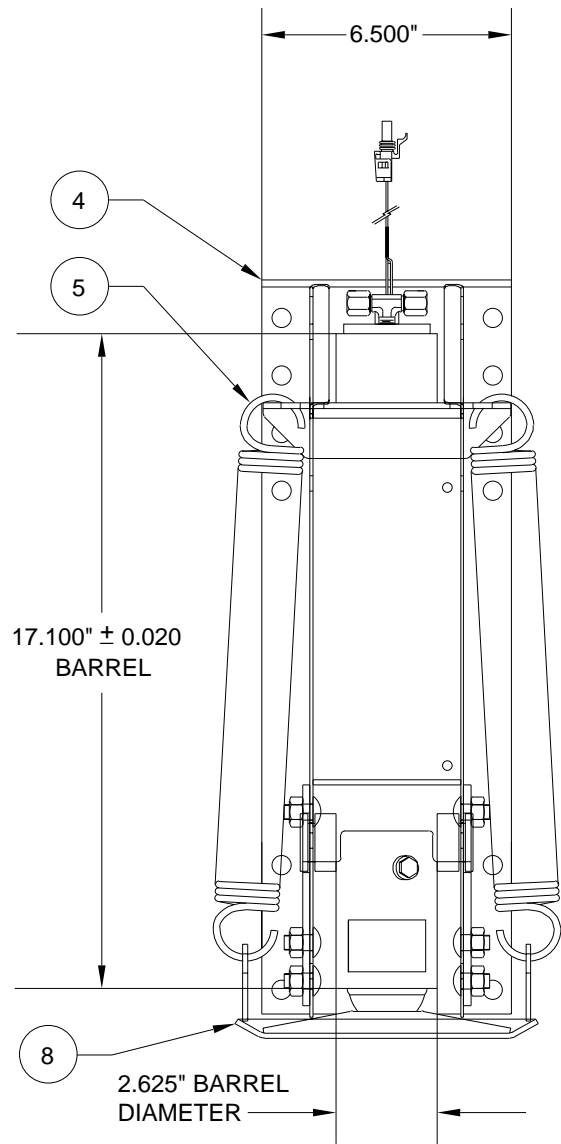
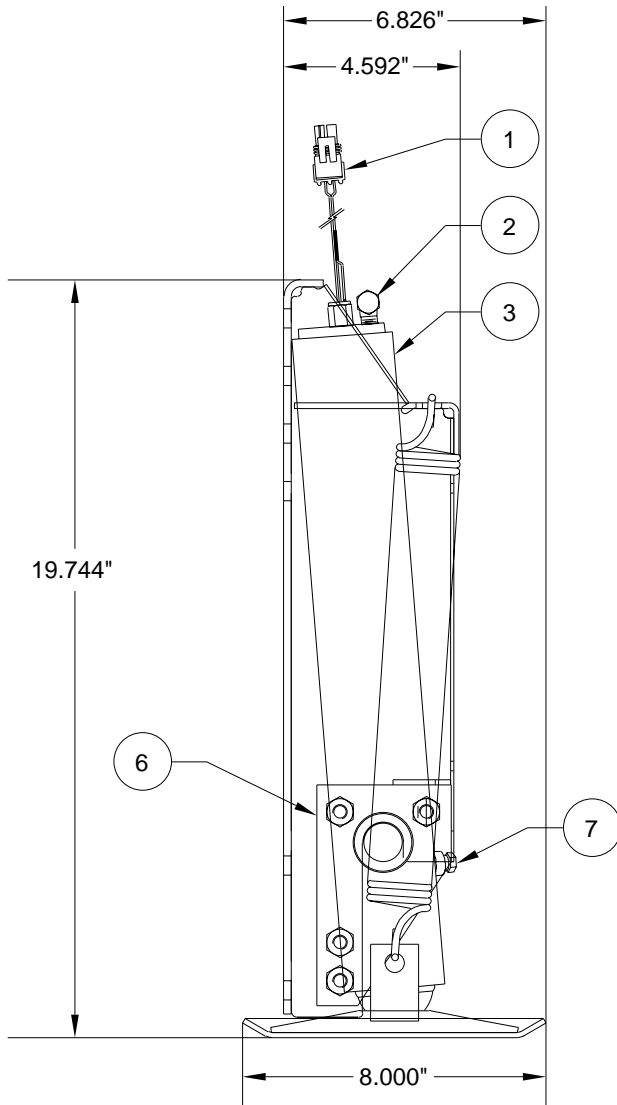
ITEM	PART	QTY	DESCRIPTION
1	RAP90968	1	SWITCH WARNING MAGNETIC GRAY
2	RF90151	1	MALE TEE 1/8" X 1/4" X 1/4"
3	RAP92239	1	CYL. ASSY. 2.000" x 13" (INCLUDES ITEM 2) (EXCLUDES ITEMS 1,7,8)
4	RAP90845	1	PIVOT BRACKET

ITEM	PART	QTY	DESCRIPTION
5	R3847	1	SPRING KIT 1-11/16" X 14"
		2	SPRING 1-11/16" X 14"
6	RAP90505	1	RETAINING PLATE KIT
		2	RETAINING PLATES
		8	HHCS 3/8-16 X 1"
		8	HEX NUT 3/8-16 LOCK DEF.
7	RF8143	1	ELBOW 1/8" X 1/8"
8	RAP8003	1	SWITCH PRESSURE
9	RAP92406	1	FOOT 8.00" DIAMETER

**NOTE:** INDENTED ITEMS ARE INCLUDED WITH PRECEDING ITEM.

# AP20770 - STRAIGHT- ACTING JACK, 7 DEG PIVOT, F/A SPRINGS

9,000 # CAPACITY; 2.000" ROD DIAMETER; 13.00" STROKE



ITEM	PART	QTY	DESCRIPTION
	RAP90750		JACK 9,000# x 13" F/A (REPLACES AP20770)
1	RAP1008	1	SWITCH WARNING 2-WIRE
2	RF90151	1	4-STX-S MALE BRANCH TEE
3	RAP90491	1	CYL. ASSY. 2.000" x 13"
4	RAP90751	1	PIVOT BRACKET
5	R3847	1	SPRING KIT 1-11/16" x 14"
		2	SPRING 1-11/16" x 14"

ITEM	PART	QTY	DESCRIPTION
6	RAP90505	1	RETAINING PLATE KIT
		2	RETAINING PLATES
		8	RHSNB 3/8 - 16 x 3/4"
		8	HEX NUT 3/8 - 16 LOCK
7	RF90272	1	1/8-HP-S HEX PLUG
8	RAP8464	1	FOOT 8.000" DIAMETER

NOTE: INDENTED ITEMS ARE INCLUDED WITH PRECEDING ITEM.

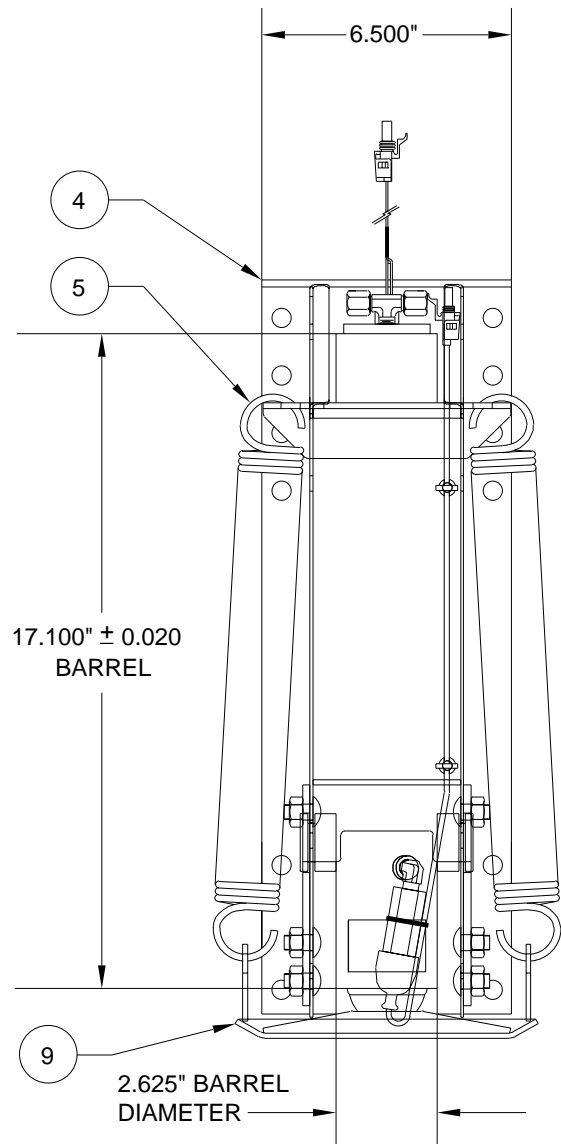
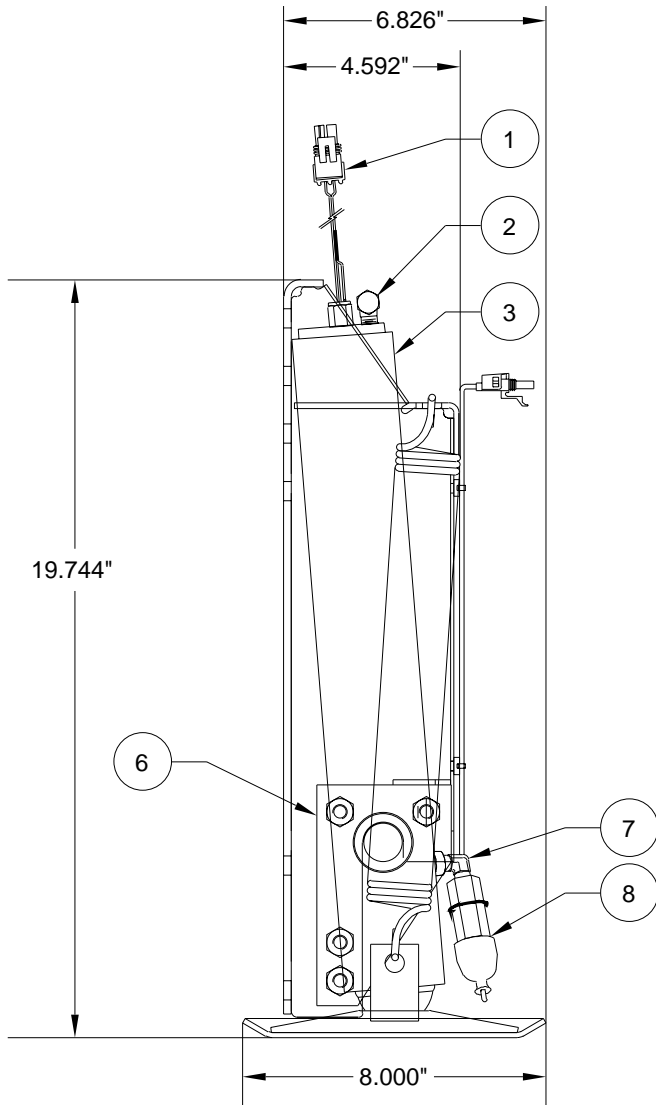
MR26.4760  
06JUL00



# AP20771 - STRAIGHT- ACTING JACK, 7 DEG PIVOT, F/A SPRINGS

9,000 # CAPACITY; 2.000" ROD DIAMETER; 13.00" STROKE

WITH PRESSURE SWITCH AND 2-WIRE WARNING SWITCH



ITEM	PART	QTY	DESCRIPTION
	RAP90752		JACK 9,000# x 13" F/A (REPLACES AP20771)
1	RAP1008	1	SWITCH WARNING 2-WIRE
2	RF90151	1	4-STX-S MALE BRANCH TEE
3	RAP90491	1	CYL. ASSY. 2.000" x 13"
4	RAP90751	1	PIVOT BRACKET
5	R3847	1	SPRING KIT 1-11/16" x 14"
		2	SPRING 1-11/16" x 14"

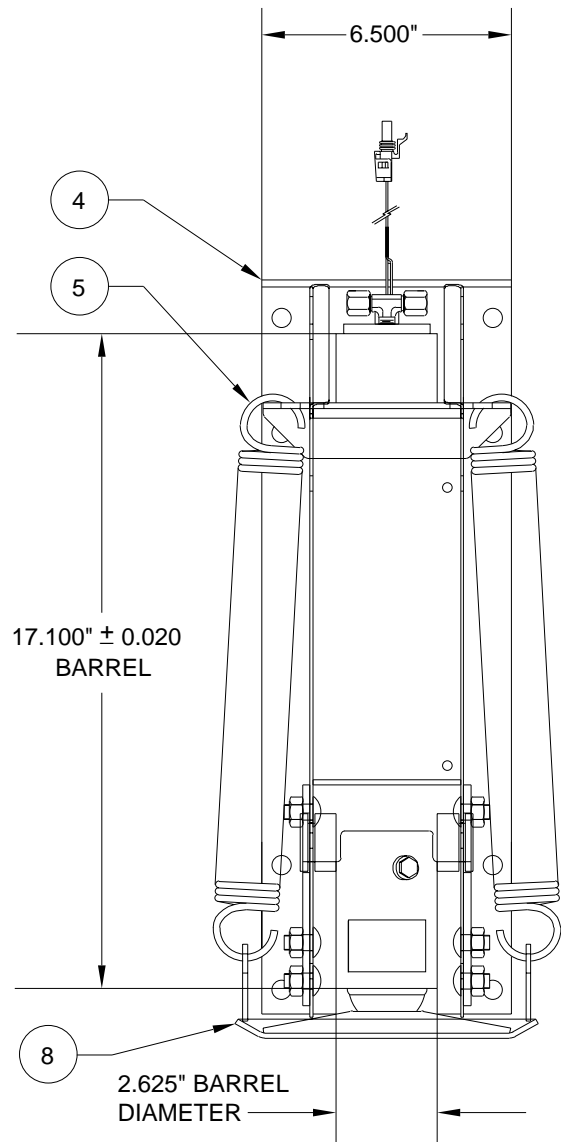
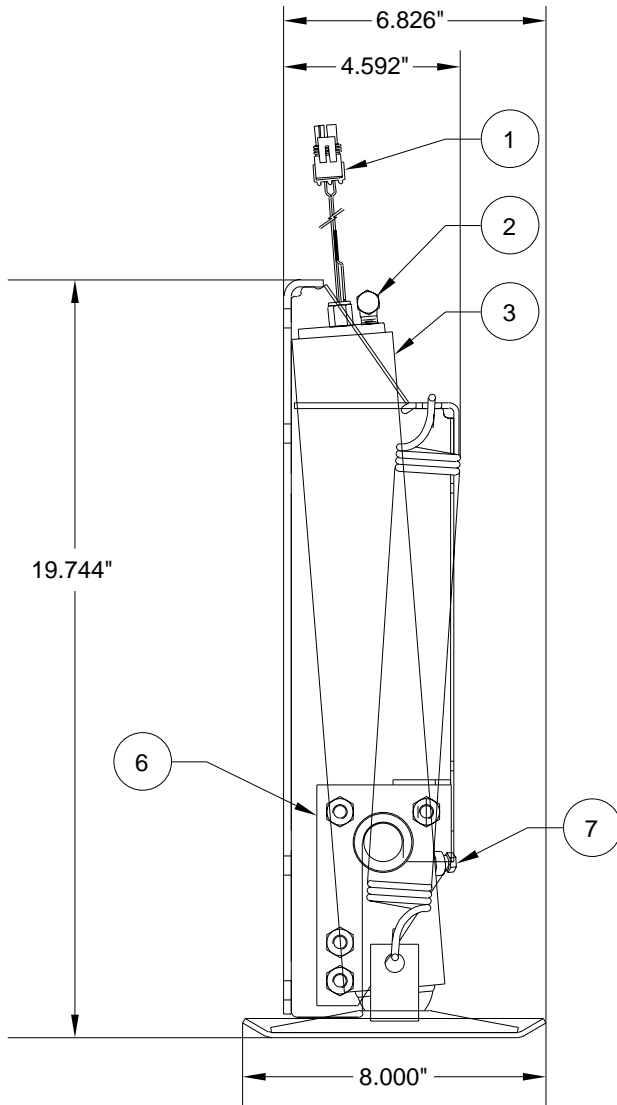
ITEM	PART	QTY	DESCRIPTION
6	RAP90505	1	RETAINING PLATE KIT
		2	RETAINING PLATES
		8	RHSNB 3/8 - 16 x 3/4"
		8	HEX NUT 3/8 - 16 LOCK
7	RF8143	1	CR-1/8-S ELBOW
8	RAP8003	1	PRESSURE SWITCH
9	RAP8464	1	FOOT 8.000" DIAMETER

NOTE: INDENTED ITEMS ARE INCLUDED WITH PRECEDING ITEM.

MR26.4761  
06JUL00

# AP21091 - STRAIGHT- ACTING JACK, 7 DEG PIVOT, F/A SPRINGS

9,000 # CAPACITY; 2.000" ROD DIAMETER; 13.00" STROKE



ITEM	PART	QTY	DESCRIPTION
	RAP90747		JACK 9,000# x 13" F/A (REPLACES AP21091)
1	RAP1008	1	SWITCH WARNING 2-WIRE
2	RF90151	1	4-STX-S MALE BRANCH TEE
3	RAP90491	1	CYL. ASSY. 2.000" x 13"
4	RAP90748	1	PIVOT BRACKET
5	R3847	1	SPRING KIT 1-11/16" x 14"
		2	SPRING 1-11/16" x 14"

ITEM	PART	QTY	DESCRIPTION
6	RAP90505	1	RETAINING PLATE KIT
		2	RETAINING PLATES
		8	RHSNB 3/8 - 16 x 3/4"
		8	HEX NUT 3/8 - 16 LOCK
7	RF90272	1	1/8-HP-S HEX PLUG
8	RAP8464	1	FOOT 8.000" DIAMETER

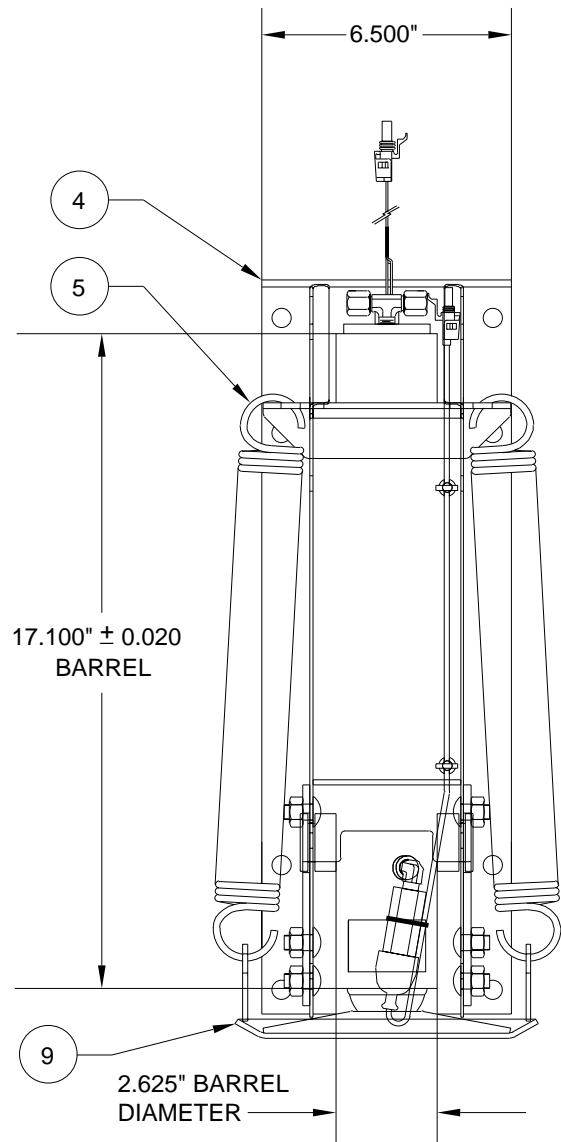
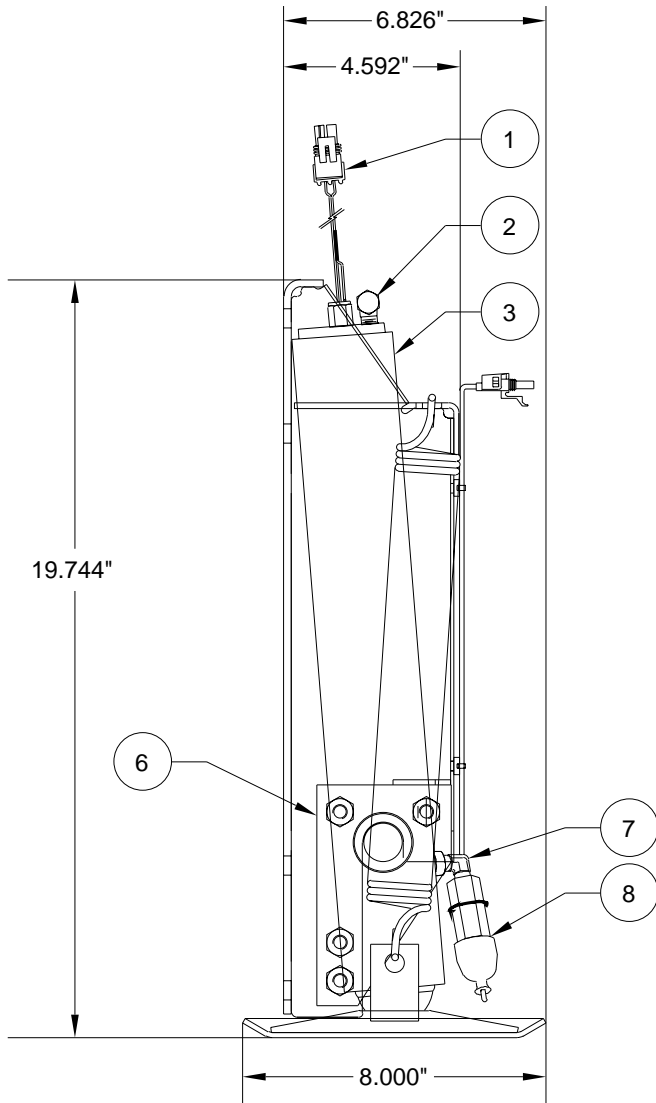
NOTE: INDENTED ITEMS ARE INCLUDED WITH PRECEDING ITEM.

MR26.4767  
06JUL00

# AP21092 - STRAIGHT- ACTING JACK, 7 DEG PIVOT, F/A SPRINGS

9,000 # CAPACITY; 2.000" ROD DIAMETER; 13.00" STROKE

WITH PRESSURE SWITCH AND 2-WIRE WARNING SWITCH



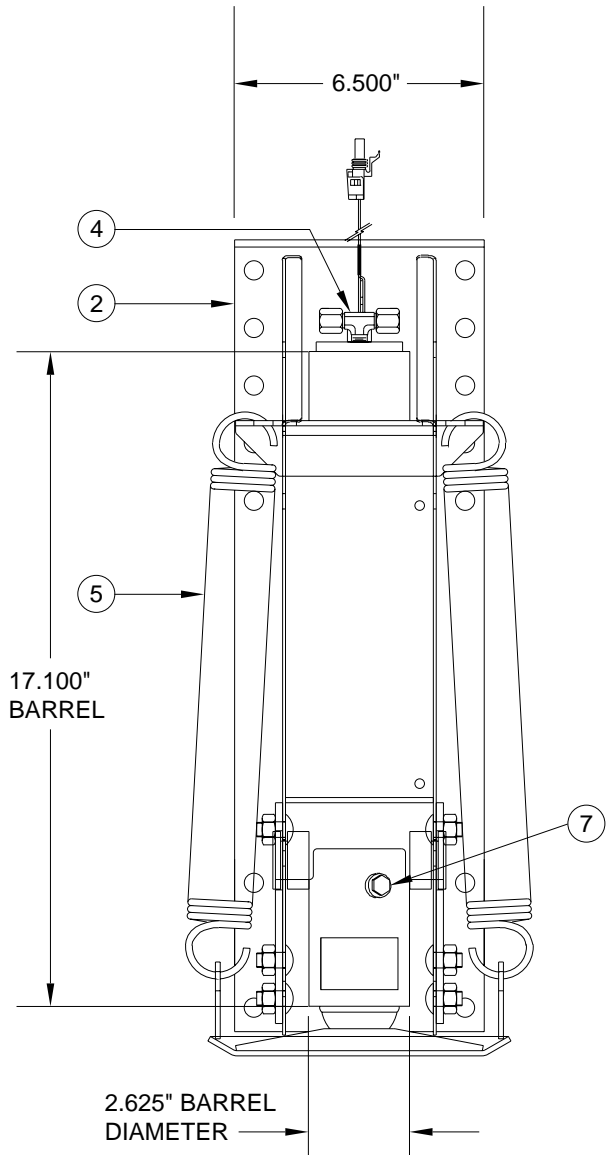
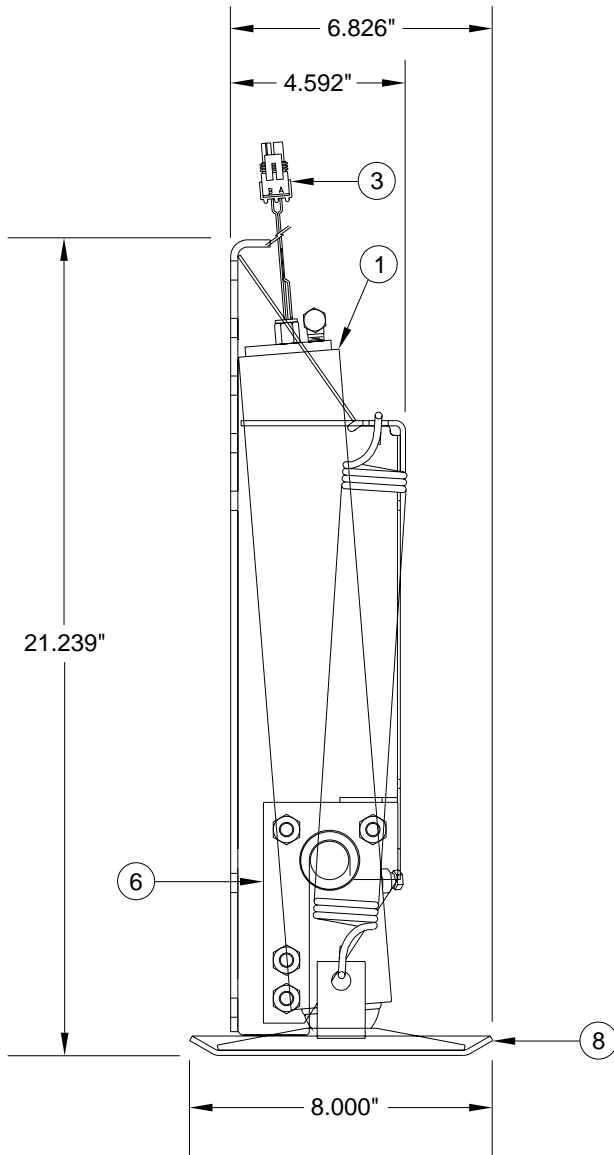
ITEM	PART	QTY	DESCRIPTION
	RAP90749		JACK 9,000# x 13" F/A (REPLACES AP21092)
1	RAP1008	1	SWITCH WARNING 2-WIRE
2	RF90151	1	4-STX-S MALE BRANCH TEE
3	RAP90491	1	CYL. ASSY. 2.000" x 13"
4	RAP90748	1	PIVOT BRACKET
5	R3847	1	SPRING KIT 1-11/16" x 14"
		2	SPRING 1-11/16" x 14"

ITEM	PART	QTY	DESCRIPTION
6	RAP90505	1	RETAINING PLATE KIT
		2	RETAINING PLATES
		8	RHSNB 3/8 - 16 x 3/4"
		8	HEX NUT 3/8 - 16 LOCK
7	RF8143	1	CR-1/8-S ELBOW
8	RAP8003	1	PRESSURE SWITCH
9	RAP8464	1	FOOT 8.000" DIAMETER

NOTE: INDENTED ITEMS ARE INCLUDED WITH PRECEDING ITEM.

MR26.4768  
06JUL00

**AP22657 - STRAIGHT- ACTING JACK, 5 DEG PIVOT**  
**9,000# CAPACITY; 2.000" ROD DIAMETER; 13.00" STROKE**

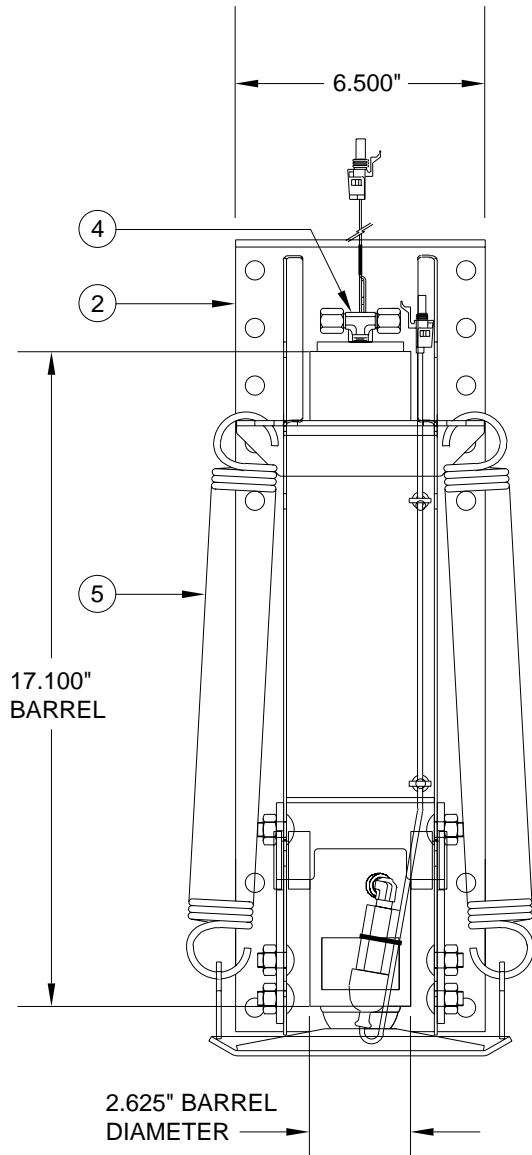
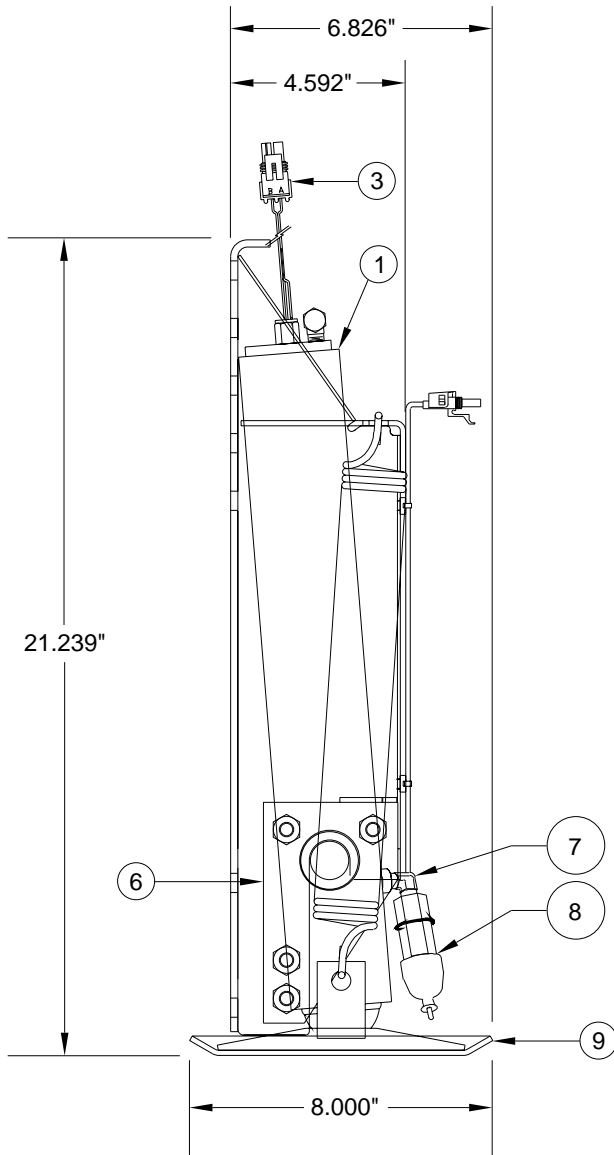


ITEM	PART	QTY	DESCRIPTION
	RAP90851		JACK 9000# x 13" F/A (REPLACES AP22657)
1	RAP90491	1	CYL. ASSY. 2.000" x 13" (INCLUDES ITEM 4,7) (EXCLUDES ITEM 3)
2	RAP90844	1	PIVOT BRACKET
3	RAP1008	1	SWITCH WARN 2-WIRE
4	RF90151	1	MALE BRANCH T 1/4" x 1/4" x 1/4"

ITEM	PART	QTY	DESCRIPTION
5	R3847	1	SPRING KIT 1-11/16" x 14"
		2	SPRING 1-11/16" x 14"
6	RAP90505	1	RETAINING PLATE KIT
		2	RETAINING PLATES
		8	RHSNB 3/8"-16 x 3/4"
		8	HEX NUT 3/8 - 16 LOCK
7	RF90272	1	1/8-HP-S HEX PLUG
8	RAP8464	1	FOOT 8.000" DIAMETER

**NOTE:** INDENTED ITEMS ARE INCLUDED WITH PRECEDING ITEM.

**AP22658 - STRAIGHT-ACTING JACK, 5 DEG PIVOT, F/A SPRINGS**  
**9,000# CAPACITY; 2.000" ROD DIAMETER; 13.00" STROKE**  
**WITH PRESSURE SWITCH**



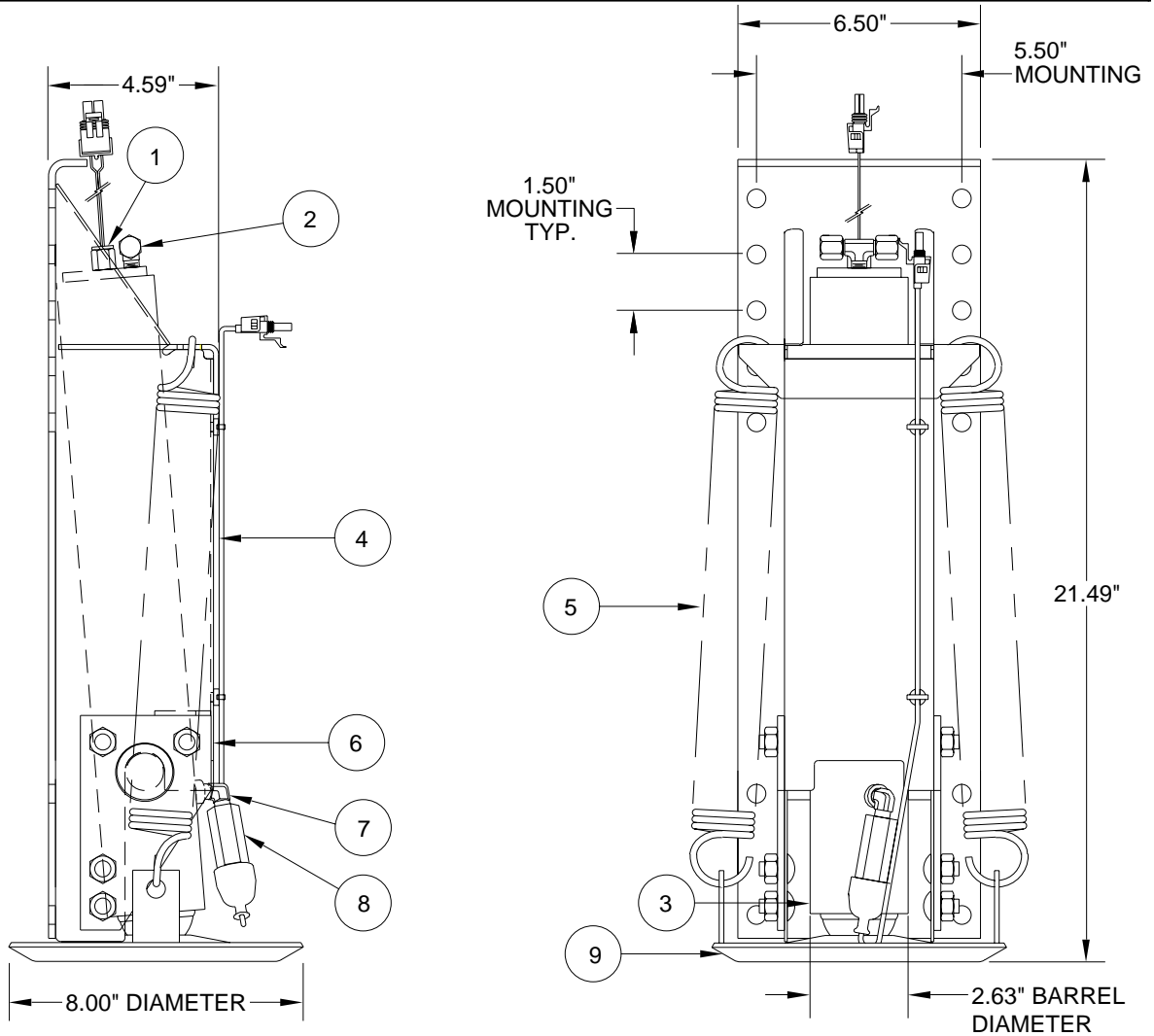
ITEM	PART	QTY	DESCRIPTION
	RAP90975		JACK 9000# x 13" F/A (REPLACES AP22658)
1	RAP90491	1	CYL. ASSY. 2.000" x 13" (INCLUDES ITEM 4,7) (EXCLUDES ITEM 3)
2	RAP90844	1	PIVOT BRACKET
3	RAP1008	1	SWITCH WARN 2-WIRE
4	RF90151	1	MALE BRANCH T 1/8" x 1/4" x 1/4"

ITEM	PART	QTY	DESCRIPTION
5	R3847	1	SPRING KIT 1-11/16" x 14"
		2	SPRING 1-11/16" x 14"
6	RAP90505	1	RETAINING PLATE KIT
		2	RETAINING PLATES
		8	RHSNB 3/8"-16 x 3/4"
		8	HEX NUT 3/8 - 16 LOCK
7	RF8143	1	1/8"-CR-S ELBOW
8	RAP8003	1	PRESSURE SWITCH
9	RAP8464	1	FOOT 8.000" DIAMETER

**NOTE:** INDENTED ITEMS ARE INCLUDED WITH PRECEDING ITEM.

**AP27118 - AP29392 - AP29975**  
**STRAIGHT-ACTING JACK, 5 DEGREE PIVOT, F/A SPRINGS**  
**9,000 # CAPACITY; 2.000" ROD DIAMETER; 13.00" STROKE**

JACK #	DESCRIPTION
AP27118	MAGNETIC WARNING SWITCH W/ GRAY CONNECTOR ONLY
AP29392	NO WARNING OR PRESSURE SWITCH
AP29975	MAGNETIC WARNING SWITCH W/ GRAY CONNECTOR, PRESSURE SWITCH



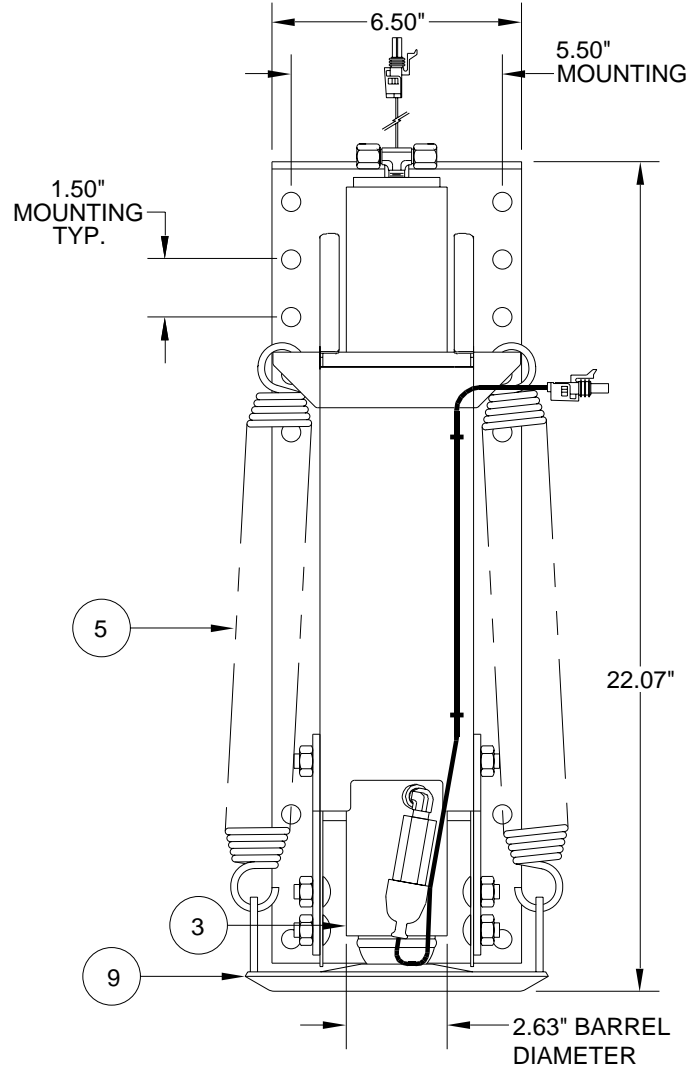
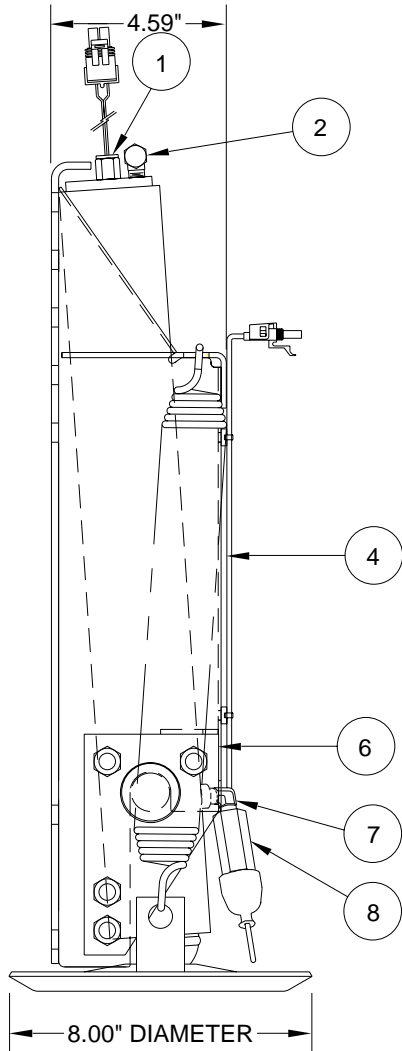
ITEM	PART	QTY	DESCRIPTION
1	RAP90968	1	SWITCH WARNING MAGNETIC GRAY (AP27118, AP29975)
2	RF90151	1	MALE TEE 1/8" X 1/4" X 1/4"
3	RAP90491	1	CYL. ASSY. 2.000" x 13" (INCLUDES ITEM 2) (EXCLUDES ITEMS 1,7,8)
4	RAP90844	1	PIVOT BRACKET

ITEM	PART	QTY	DESCRIPTION
5	R3847	1	SPRING KIT 1-11/16" X 14"
		2	SPRING 1-11/16" X 14"
6	RAP90505	1	RETAINING PLATE KIT
		2	RETAINING PLATES
		8	HHCS 3/8-16 X 1"
		8	HEX NUT 3/8-16 LOCK DEF.
7	RF8143	1	ELBOW 1/8" X 1/8" (AP29975 ONLY)
8	RAP8003	1	SWITCH PRESSURE (AP29975 ONLY)
9	RAP8464	1	FOOT 8.00" DIAMETER

**NOTE:** INDENTED ITEMS ARE INCLUDED WITH PRECEDING ITEM.

**AP32960 - AP32962**  
**STRAIGHT-ACTING JACK, 5 DEGREE PIVOT, F/A SPRINGS**  
**9,000 # CAPACITY; 2.000" ROD DIAMETER; 15.00" STROKE**

JACK #	DESCRIPTION
AP32960	MAGNETIC WARNING SWITCH W/ GRAY CONNECTOR ONLY
AP32962	MAGNETIC WARNING SWITCH W/ GRAY CONNECTOR, PRESSURE SWITCH



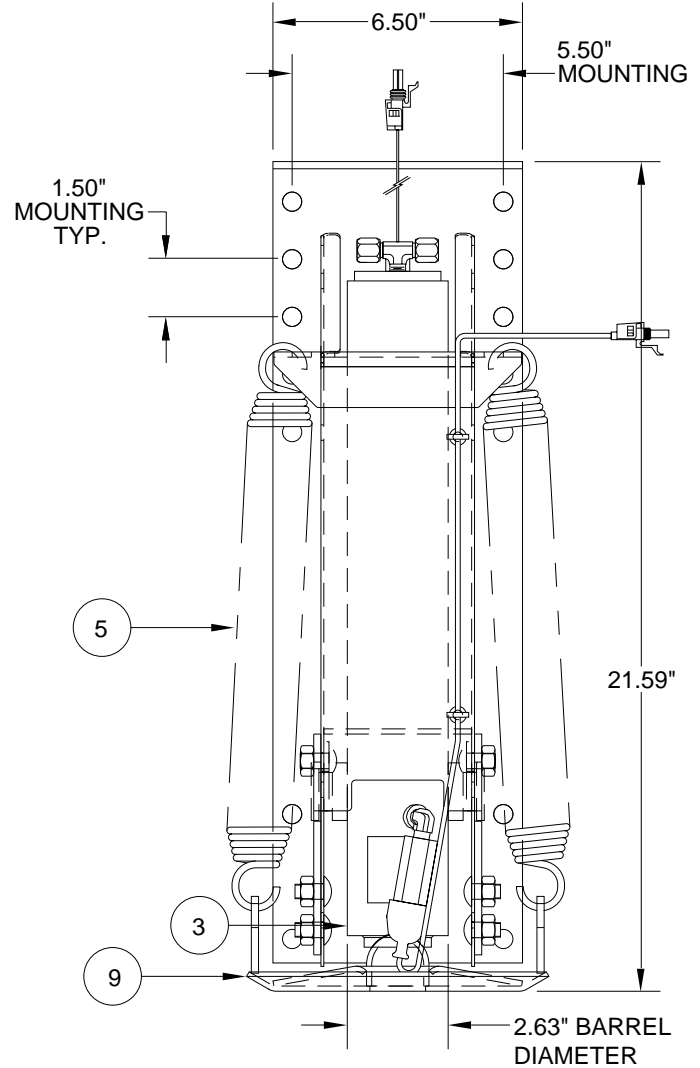
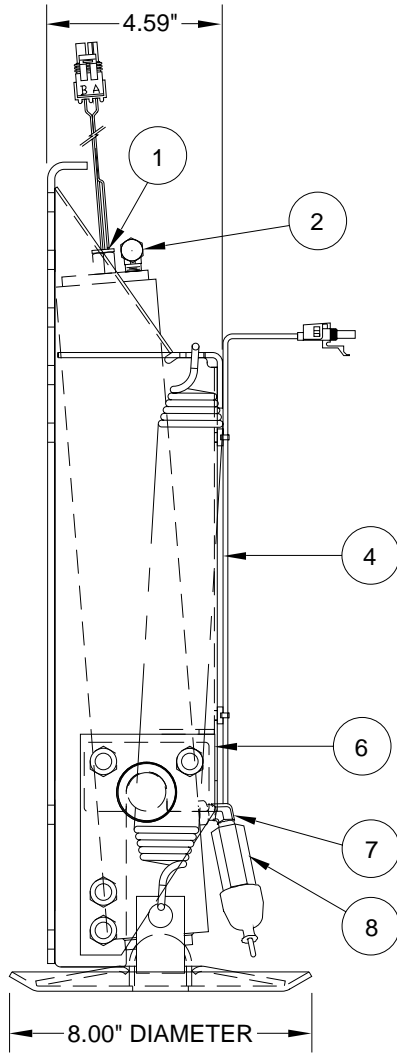
ITEM	PART	QTY	DESCRIPTION
1	RAP90968	1	SWITCH WARNING MAGNETIC GRAY (AP32960, AP32962)
2	RF90151	1	MALE TEE 1/8" X 1/4" X 1/4"
3	RAP91659	1	CYL. ASSY. 2.000" x 15" (INCLUDES ITEM 2) (EXCLUDES ITEMS 1,7,8)
4	RAP90844	1	PIVOT BRACKET

ITEM	PART	QTY	DESCRIPTION
5	R3847	1	SPRING KIT 1-11/16" X 14"
		2	SPRING 1-11/16" X 14"
6	RAP90505	1	RETAINING PLATE KIT
		2	RETAINING PLATES
		8	HHCS 3/8-16 X 1"
		8	HEX NUT 3/8-16 LOCK DEF.
7	RF8143	1	ELBOW 1/8" X 1/8" (AP32962 ONLY)
8	RAP8003	1	SWITCH PRESSURE (AP32962 ONLY)
9	RAP8464	1	FOOT 8.00" DIAMETER

**NOTE:** INDENTED ITEMS ARE INCLUDED WITH PRECEDING ITEM.

**AP45083 - AP45084**  
**STRAIGHT-ACTING JACK, 5 DEGREE PIVOT, F/A SPRINGS**  
**9,000 # CAPACITY; 2.000" ROD DIAMETER; 13.00" STROKE; BOLT-ON FOOT**

JACK #	DESCRIPTION
AP45083	MAGNETIC WARNING SWITCH W/ GRAY CONNECTOR ONLY
AP45084	MAGNETIC WARNING SWITCH W/ GRAY CONNECTOR, PRESSURE SWITCH



ITEM	PART	QTY	DESCRIPTION
1	RAP90968	1	SWITCH WARNING MAGNETIC GRAY (AP45083, AP45084)
2	RF90151	1	MALE TEE 1/8" X 1/4" X 1/4"
3	RAP92239	1	CYL. ASSY. 2.000" x 13" (INCLUDES ITEM 2) (EXCLUDES ITEMS 1,7,8)
4	RAP90844	1	PIVOT BRACKET

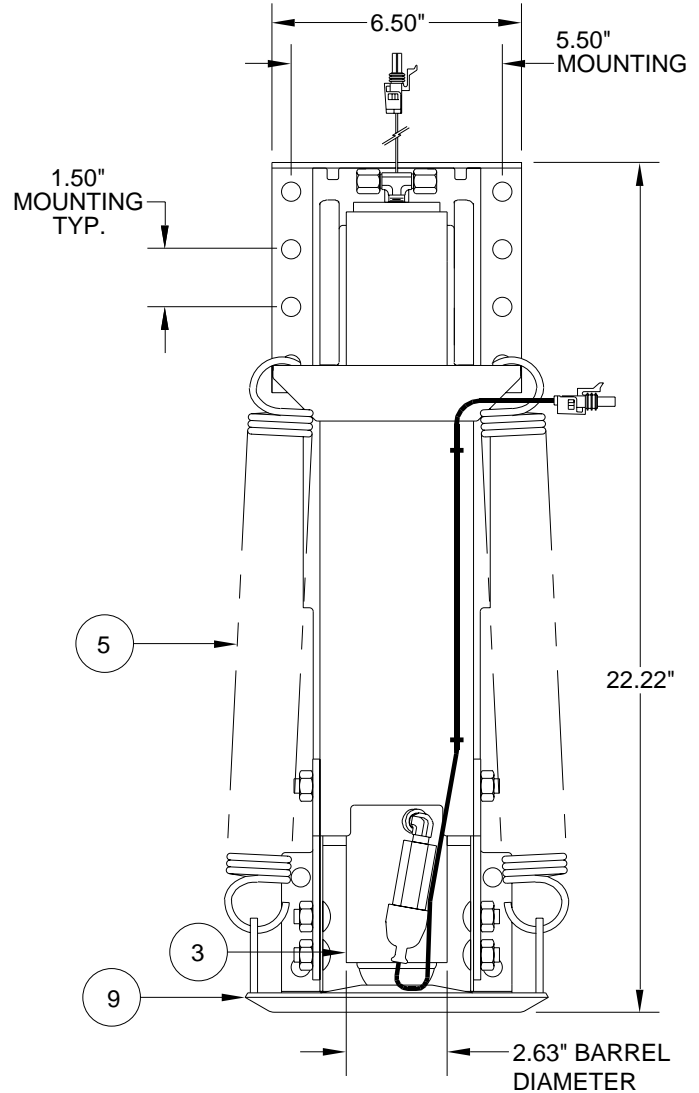
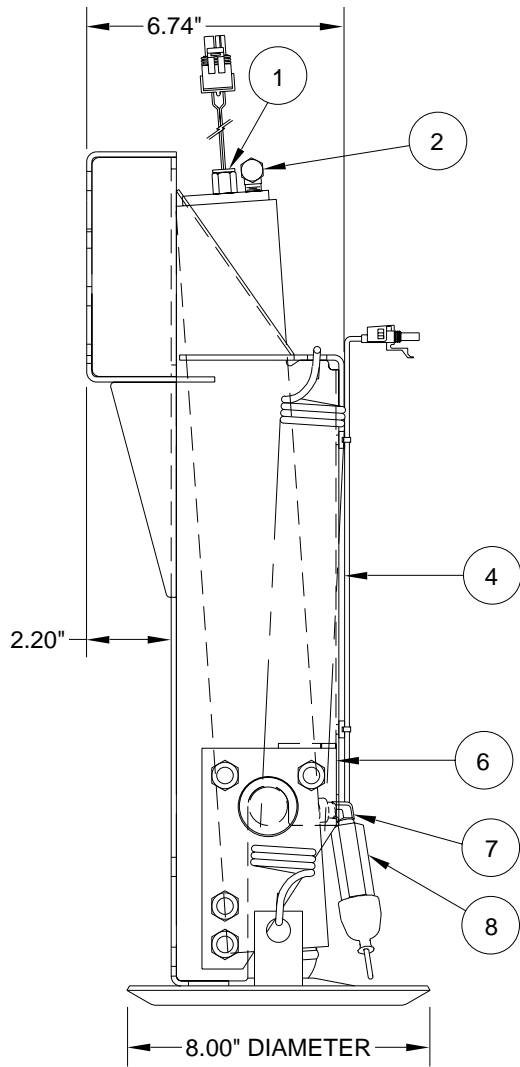
ITEM	PART	QTY	DESCRIPTION
5	R3847	1	SPRING KIT 1-11/16" X 14"
		2	SPRING 1-11/16" X 14"
6	RAP90505	1	RETAINING PLATE KIT
		2	RETAINING PLATES
		8	HHCS 3/8-16 X 1"
		8	HEX NUT 3/8-16 LOCK DEF.
7	RF8143	1	ELBOW 1/8" X 1/8" (AP45084 ONLY)
8	RAP8003	1	SWITCH PRESSURE (AP45084 ONLY)
9	RAP92406	1	FOOT 8.00" DIAMETER

**NOTE:** INDENTED ITEMS ARE INCLUDED WITH PRECEDING ITEM.



**AP32964 - AP32965**  
**STRAIGHT-ACTING JACK, 5 DEGREE PIVOT, F/A SPRINGS**  
**9,000 # CAPACITY; 2.000" ROD DIAMETER; 15.00" STROKE**

JACK #	DESCRIPTION
AP32964	MAGNETIC WARNING SWITCH W/ GRAY CONNECTOR ONLY
AP32965	MAGNETIC WARNING SWITCH W/ GRAY CONNECTOR, PRESSURE SWITCH



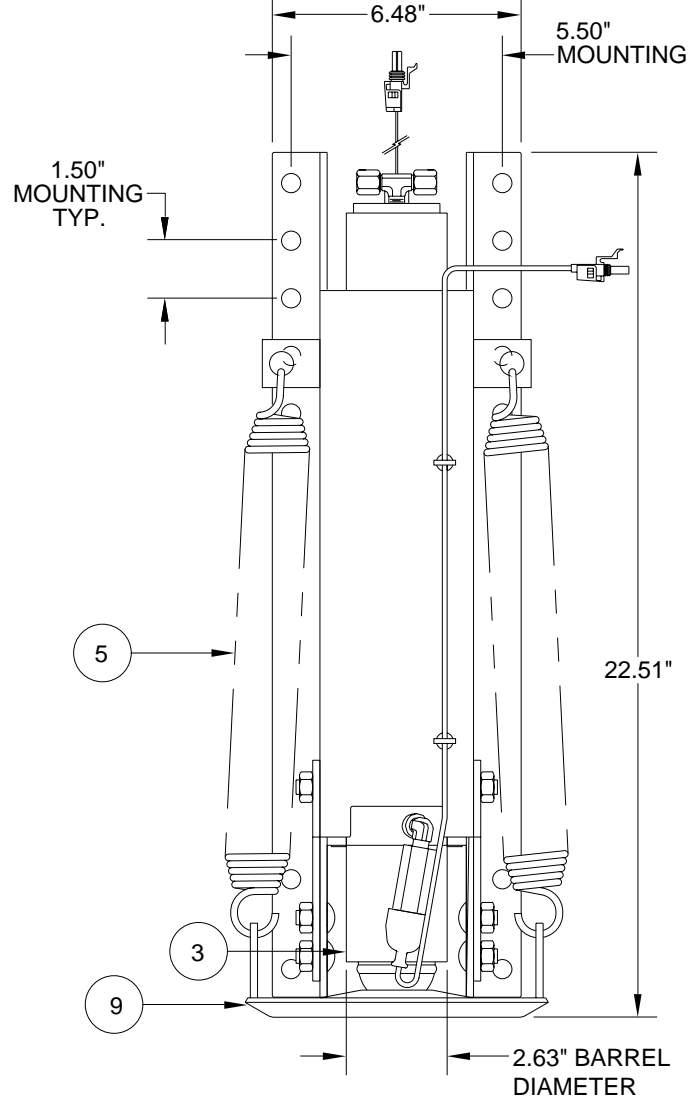
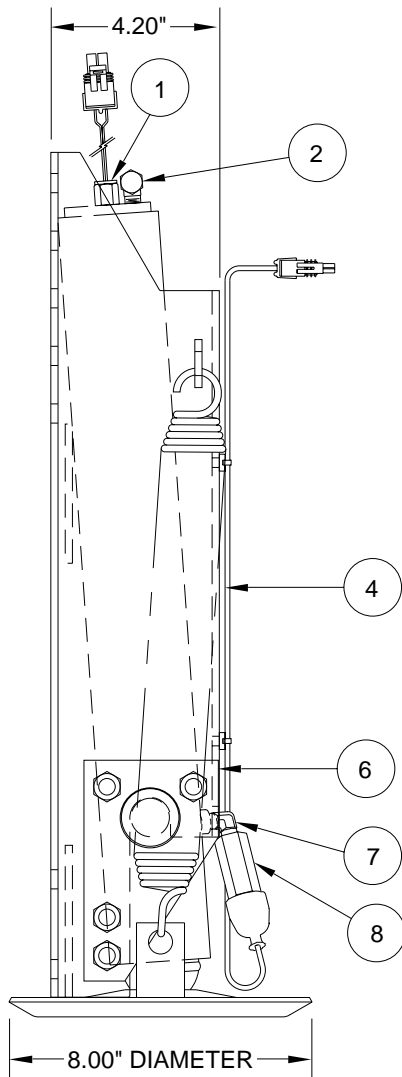
ITEM	PART	QTY	DESCRIPTION
1	RAP90968	1	SWITCH WARNING MAGNETIC GRAY (AP32964, AP32965)
2	RF90151	1	MALE TEE 1/8" X 1/4" X 1/4"
3	RAP91659	1	CYL. ASSY. 2.000" x 15" (INCLUDES ITEM 2) (EXCLUDES ITEMS 1,7,8)
4	RAP92410	1	PIVOT BRACKET

ITEM	PART	QTY	DESCRIPTION
5	R3847	1	SPRING KIT 1-11/16" X 14"
		2	SPRING 1-11/16" X 14"
6	RAP90505	1	RETAINING PLATE KIT
		2	RETAINING PLATES
		8	HHCS 3/8-16 X 1"
		8	HEX NUT 3/8-16 LOCK DEF.
7	RF8143	1	ELBOW 1/8" X 1/8" (AP32965 ONLY)
8	RAP8003	1	SWITCH PRESSURE (AP32965 ONLY)
9	RAP8464	1	FOOT 8.00" DIAMETER

**NOTE:** INDENTED ITEMS ARE INCLUDED WITH PRECEDING ITEM.

**AP34595 - AP34596**  
**STRAIGHT-ACTING JACK, 5 DEGREE PIVOT, F/A SPRINGS**  
**9,000 # CAPACITY; 2.000" ROD DIAMETER; 15.00" STROKE**

JACK #	DESCRIPTION
AP34595	MAGNETIC WARNING SWITCH W/ GRAY CONNECTOR ONLY
AP34596	MAGNETIC WARNING SWITCH W/ GRAY CONNECTOR, PRESSURE SWITCH



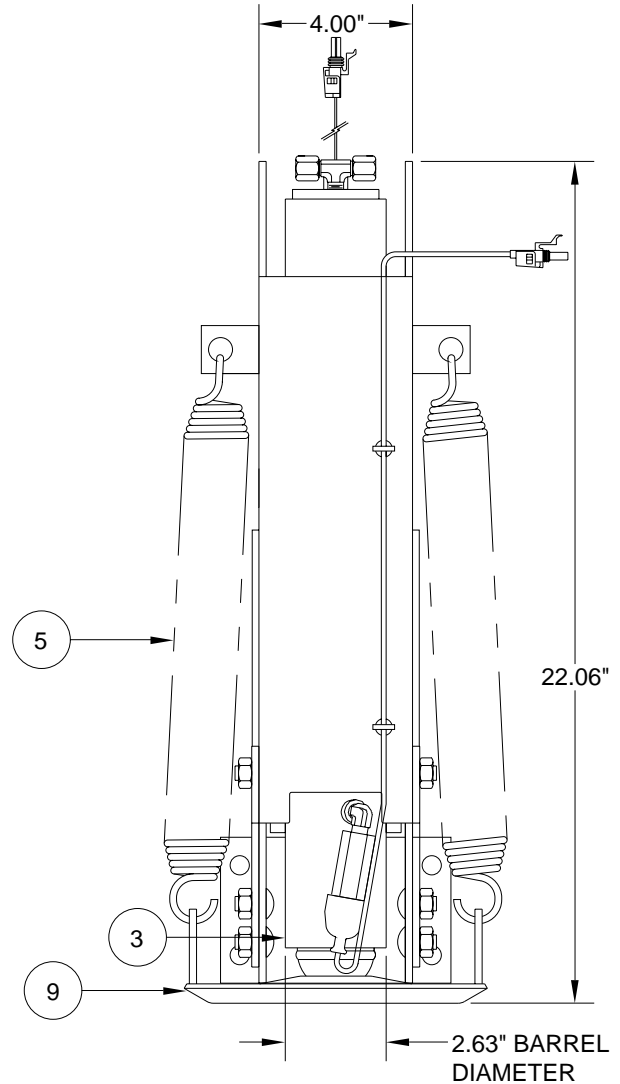
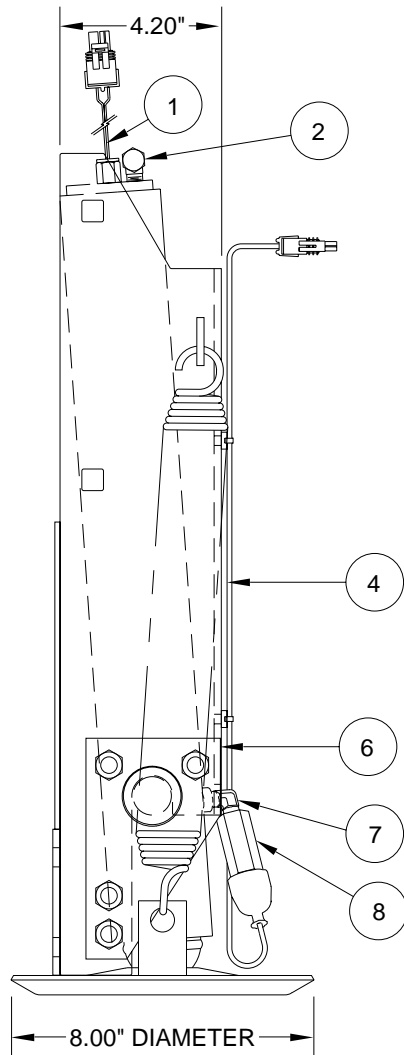
ITEM	PART	QTY	DESCRIPTION
1	RAP90968	1	SWITCH WARNING MAGNETIC GRAY (AP34595, AP34596)
2	RF90151	1	MALE TEE 1/8" X 1/4" X 1/4"
3	RAP91659	1	CYL. ASSY. 2.000" x 15" (INCLUDES ITEM 2) (EXCLUDES ITEMS 1,7,8)
4	RAP92408	1	PIVOT BRACKET

ITEM	PART	QTY	DESCRIPTION
5	R3847	1	SPRING KIT 1-11/16" X 14"
		2	SPRING 1-11/16" X 14"
6	RAP90505	1	RETAINING PLATE KIT
		2	RETAINING PLATES
		8	HHCS 3/8-16 X 1"
		8	HEX NUT 3/8-16 LOCK DEF.
7	RF8143	1	ELBOW 1/8" X 1/8" (AP34596 ONLY)
8	RAP8003	1	SWITCH PRESSURE (AP34596 ONLY)
9	RAP8464	1	FOOT 8.00" DIAMETER

**NOTE:** INDENTED ITEMS ARE INCLUDED WITH PRECEDING ITEM.

**AP34592 - AP34593**  
**STRAIGHT-ACTING JACK, 5 DEGREE PIVOT, F/A SPRINGS**  
**9,000 # CAPACITY; 2.000" ROD DIAMETER; 15.00" STROKE**

JACK #	DESCRIPTION
AP34592	MAGNETIC WARNING SWITCH W/ GRAY CONNECTOR ONLY
AP34593	MAGNETIC WARNING SWITCH W/ GRAY CONNECTOR, PRESSURE SWITCH

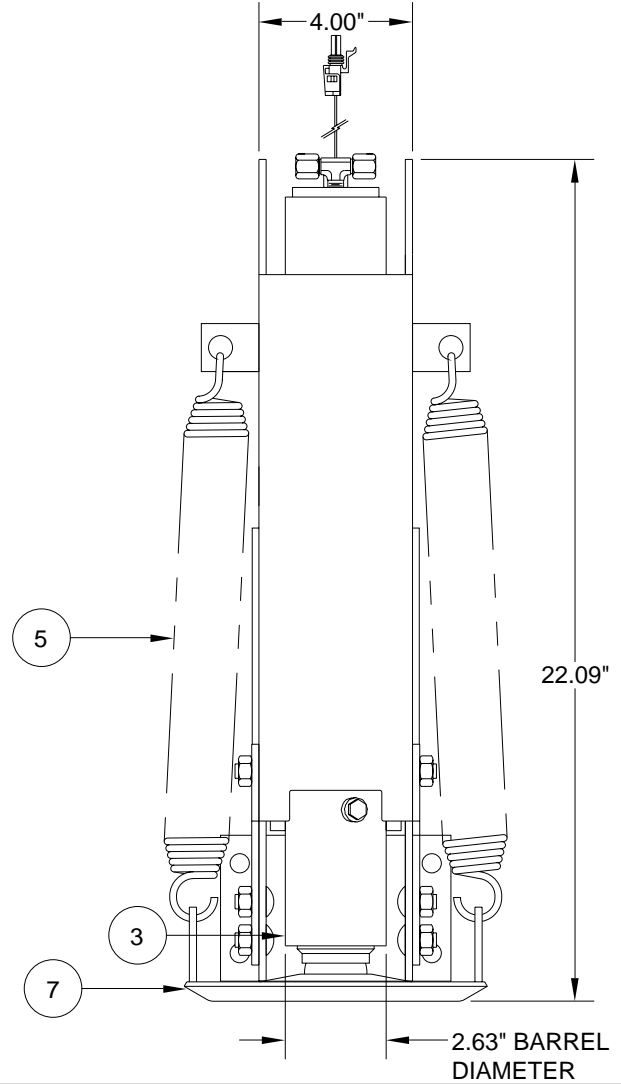
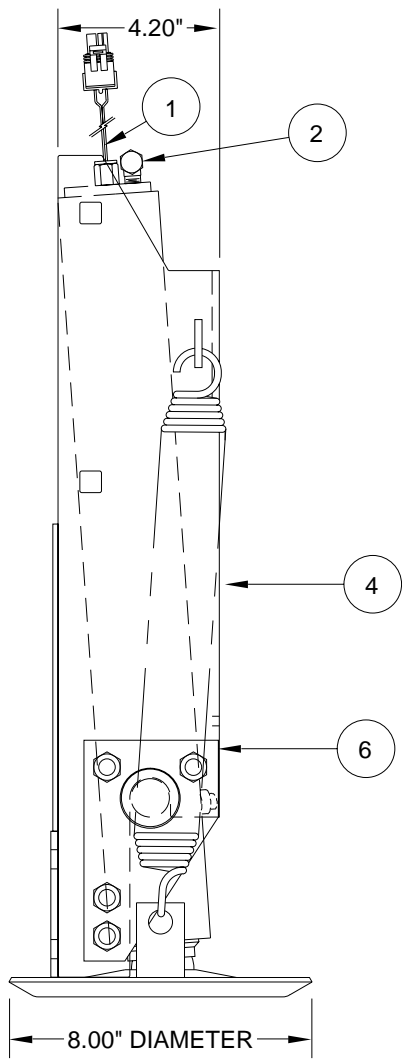


ITEM	PART	QTY	DESCRIPTION
1	RAP90968	1	SWITCH WARNING MAGNETIC GRAY (AP34592, AP34593)
2	RF90151	1	MALE TEE 1/8" X 1/4" X 1/4"
3	RAP91659	1	CYL. ASSY. 2.000" x 15" (INCLUDES ITEM 2) (EXCLUDES ITEMS 1,7,8)
4	RAP92411	1	PIVOT BRACKET

ITEM	PART	QTY	DESCRIPTION
5	R3847	1	SPRING KIT 1-11/16" X 14"
		2	SPRING 1-11/16" X 14"
6	RAP90505	1	RETAINING PLATE KIT
		2	RETAINING PLATES
		8	HHCS 3/8-16 X 1"
		8	HEX NUT 3/8-16 LOCK DEF.
7	RF8143	1	ELBOW 1/8" X 1/8" (AP34593 ONLY)
8	RAP8003	1	SWITCH PRESSURE (AP34593 ONLY)
9	RAP8464	1	FOOT 8.00" DIAMETER

**NOTE:** INDENTED ITEMS ARE INCLUDED WITH PRECEDING ITEM.

**AP44287 - STRAIGHT ACTING JACK, 5 DEGREE PIVOT, F/A SPRINGS  
 9,000 # CAPACITY; 2.000" ROD DIAMETER; 15.00" STROKE; BOLT-ON FOOT  
 WITH MAGNETIC WARNING SWITCH**



ITEM	PART	QTY	DESCRIPTION
1	RAP90968	1	SWITCH WARNING MAGNETIC GRAY
2	RF90151	1	MALE TEE 1/8" X 1/4" X 1/4"
3	RAP92044	1	CYL. ASSY. 2.000" x 15" (INCLUDES ITEM 2) (EXCLUDES ITEM 1)
4	RAP92411	1	PIVOT BRACKET

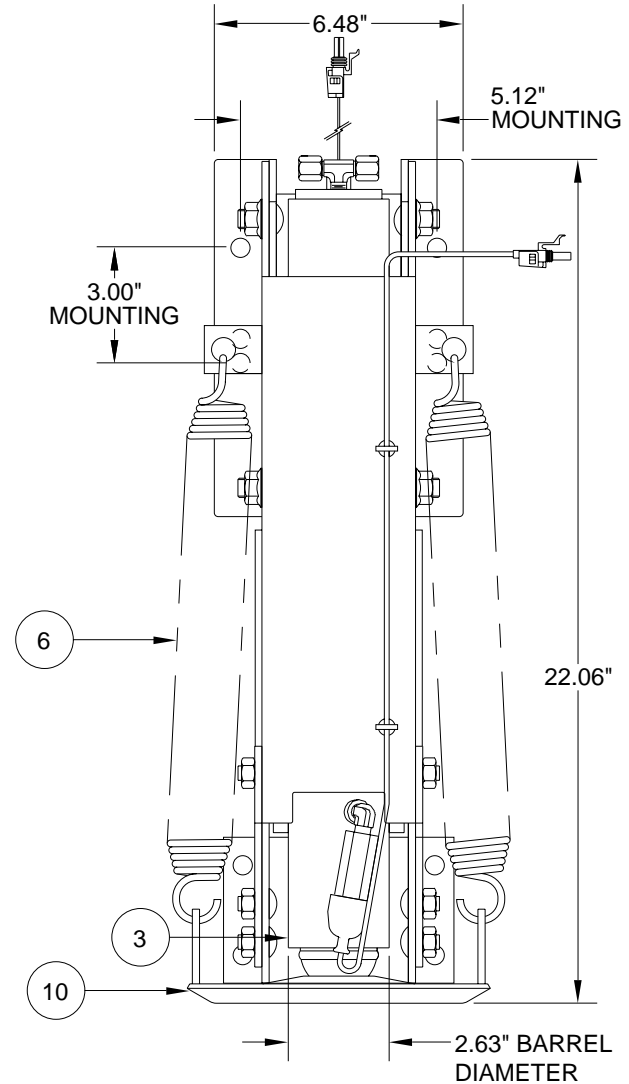
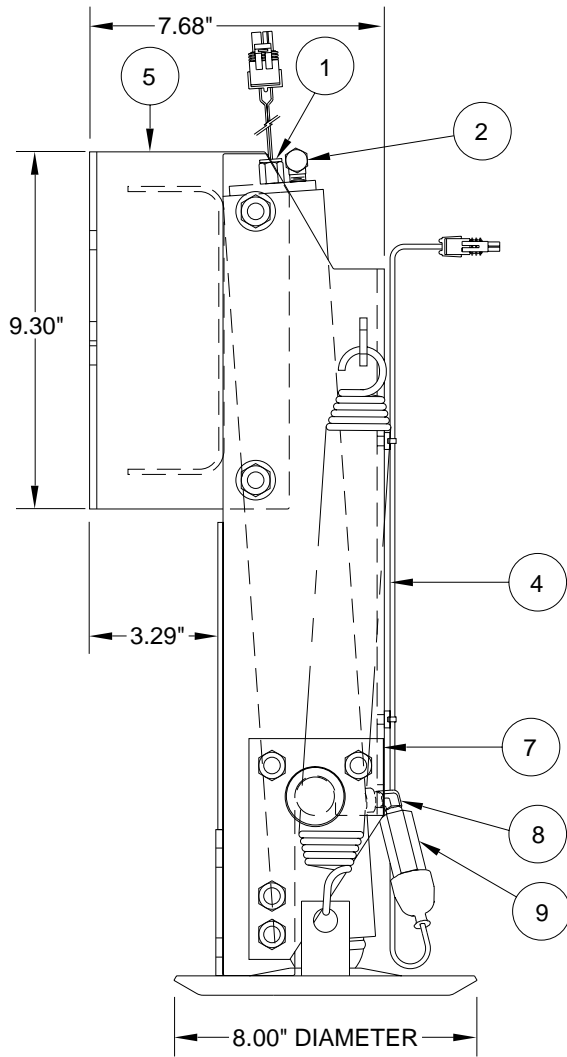
ITEM	PART	QTY	DESCRIPTION
5	R3847	1	SPRING KIT 1-11/16" X 14"
		2	SPRING 1-11/16" X 14"
6	RAP90505	1	RETAINING PLATE KIT
		2	RETAINING PLATES
		8	HHCS 3/8-16 X 1"
		8	HEX NUT 3/8-16 LOCK DEF.
7	RAP92406	1	FOOT 8.00" DIAMETER

NOTE: INDENTED ITEMS ARE INCLUDED WITH PRECEDING ITEM.

MR26.4811  
08JUL09

**AP35122 - AP35345**  
**STRAIGHT-ACTING JACK, 5 DEGREE PIVOT, F/A SPRINGS**  
**9,000 # CAPACITY; 2.000" ROD DIAMETER; 15.00" STROKE**

JACK #	DESCRIPTION
AP35122	MAGNETIC WARNING SWITCH W/ GRAY CONNECTOR ONLY
AP35345	MAGNETIC WARNING SWITCH W/ GRAY CONNECTOR, PRESSURE SWITCH



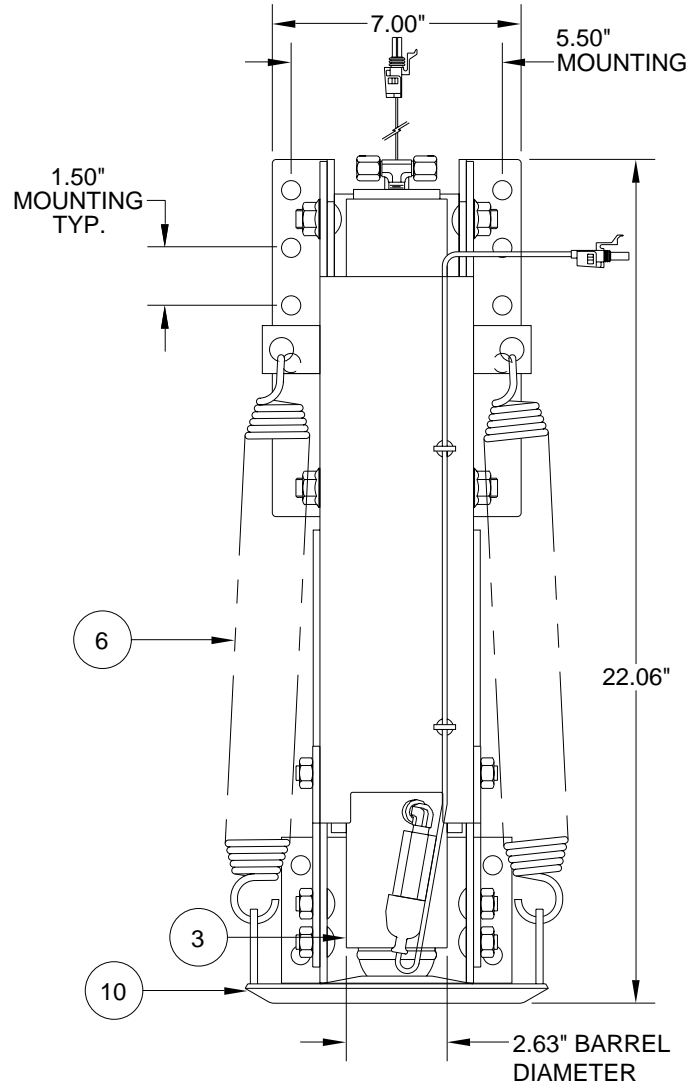
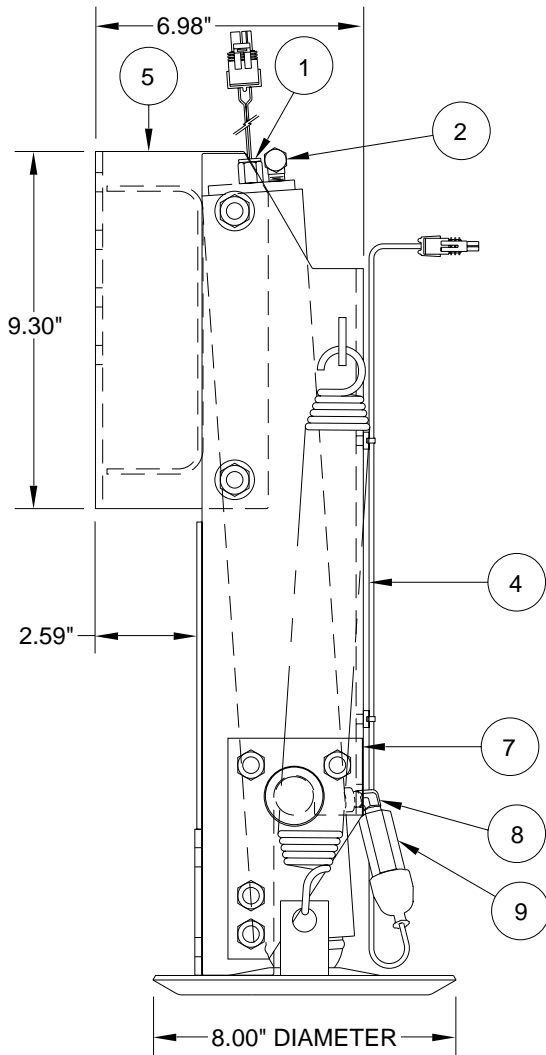
ITEM	PART	QTY	DESCRIPTION
1	RAP90968	1	SWITCH WARNING MAGNETIC GRAY (AP35122, AP35345)
2	RF90151	1	MALE TEE 1/8" X 1/4" X 1/4"
3	RAP91659	1	CYL. ASSY. 2.000" x 15" (INCLUDES ITEM 2) (EXCLUDES ITEMS 1,8,9)
4	RAP92411	1	PIVOT BRACKET
5	RAP92412	1	MOUNTING BRACKET (INCLUDES HARDWARE)

ITEM	PART	QTY	DESCRIPTION
6	R3847	1	SPRING KIT 1-11/16" X 14"
		2	SPRING 1-11/16" X 14"
7	RAP90505	1	RETAINING PLATE KIT
		2	RETAINING PLATES
		8	HHCS 3/8-16 X 1"
		8	HEX NUT 3/8-16 LOCK DEF.
8	RF8143	1	ELBOW 1/8" X 1/8" (AP35345 ONLY)
9	RAP8003	1	SWITCH PRESSURE (AP35345 ONLY)
10	RAP8464	1	FOOT 8.00" DIAMETER

**NOTE:** INDENTED ITEMS ARE INCLUDED WITH PRECEDING ITEM.

**AP35124 - AP35347**  
**STRAIGHT-ACTING JACK, 5 DEGREE PIVOT, F/A SPRINGS**  
**9,000 # CAPACITY; 2.000" ROD DIAMETER; 15.00" STROKE**

JACK #	DESCRIPTION
AP35124	MAGNETIC WARNING SWITCH W/ GRAY CONNECTOR ONLY
AP35347	MAGNETIC WARNING SWITCH W/ GRAY CONNECTOR, PRESSURE SWITCH



ITEM	PART	QTY	DESCRIPTION
1	RAP90968	1	SWITCH WARNING MAGNETIC GRAY (AP35124, AP35347)
2	RF90151	1	MALE TEE 1/8" X 1/4" X 1/4"
3	RAP91659	1	CYL. ASSY. 2.000" x 15" (INCLUDES ITEM 2) (EXCLUDES ITEMS 1,8,9)
4	RAP92411	1	PIVOT BRACKET
5	RAP92413	1	MOUNTING BRACKET (INCLUDES HARDWARE)

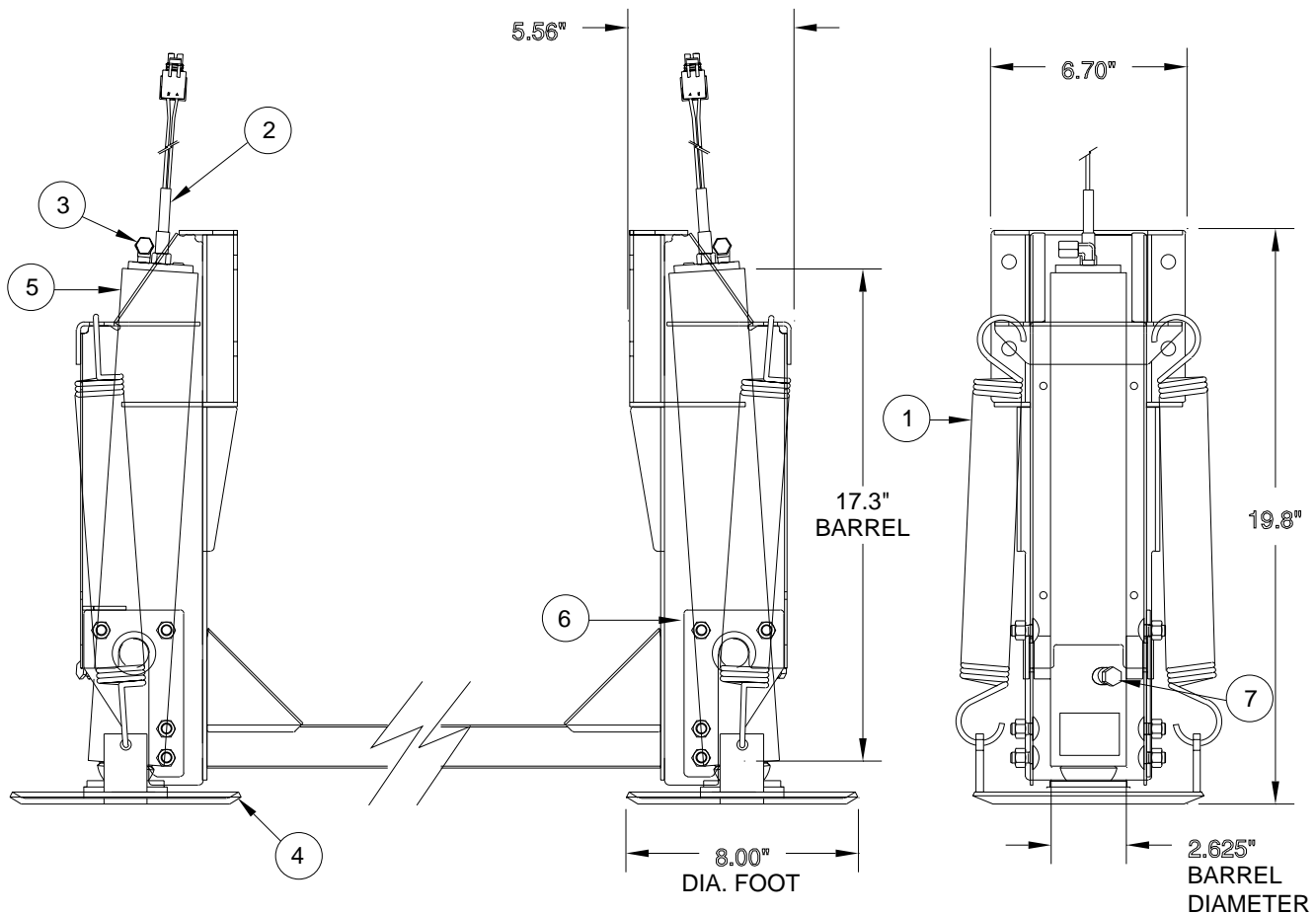
ITEM	PART	QTY	DESCRIPTION
6	R3847	1	SPRING KIT 1-11/16" X 14"
		2	SPRING 1-11/16" X 14"
7	RAP90505	1	RETAINING PLATE KIT
		2	RETAINING PLATES
		8	HHCS 3/8-16 X 1"
		8	HEX NUT 3/8-16 LOCK DEF.
8	RF8143	1	ELBOW 1/8" X 1/8" (AP35347 ONLY)
9	RAP8003	1	SWITCH PRESSURE (AP35347 ONLY)
10	RAP8464	1	FOOT 8.00" DIAMETER

**NOTE:** INDENTED ITEMS ARE INCLUDED WITH PRECEDING ITEM.

# AP15891 - STRAIGHT-ACTING JACK, 7 DEGREE PIVOT

## 9,000 # CAPACITY; 2.00" ROD DIAMETER; 13.00" STROKE

REPLACEMENT OF ENTIRE ASSEMBLY IS NOT NECESSARY. REFER TO INDIVIDUAL ITEMS BELOW FOR REPLACEMENT PARTS.



**USED PRIMARILY ON THE REAR  
OF F53 FORD 1999 MODEL CHASSIS.**

ITEM	PART	QTY	DESCRIPTION	ITEM	PART	QTY	DESCRIPTION
1	R3847	1	SPRING KIT 1-11/16" X 14"	5	RAP90491	1	CYL. ASSY. 2.000" X 13" (INCLUDES ITEM 3) (EXCLUDES ITEM 2)
		2	SPRING 1-11/16" X 14"				
2	RAP1008	1	SWITCH WARNING 2-WIRE (REPLACES AP1008)	6	RAP90505	1	RETAINING PLATE KIT
						2	RETAINING PLATES
3	RF1453	1	ELBOW 1/8" X 1/4"			8	HHCS 3/8-16 X 1"
						8	HEX NUT 3/8-16 LOCK DEF.
4	RAP8464	1	8.00" DIAMETER FOOT	7	RF90272	1	HEX PLUG 1/8"

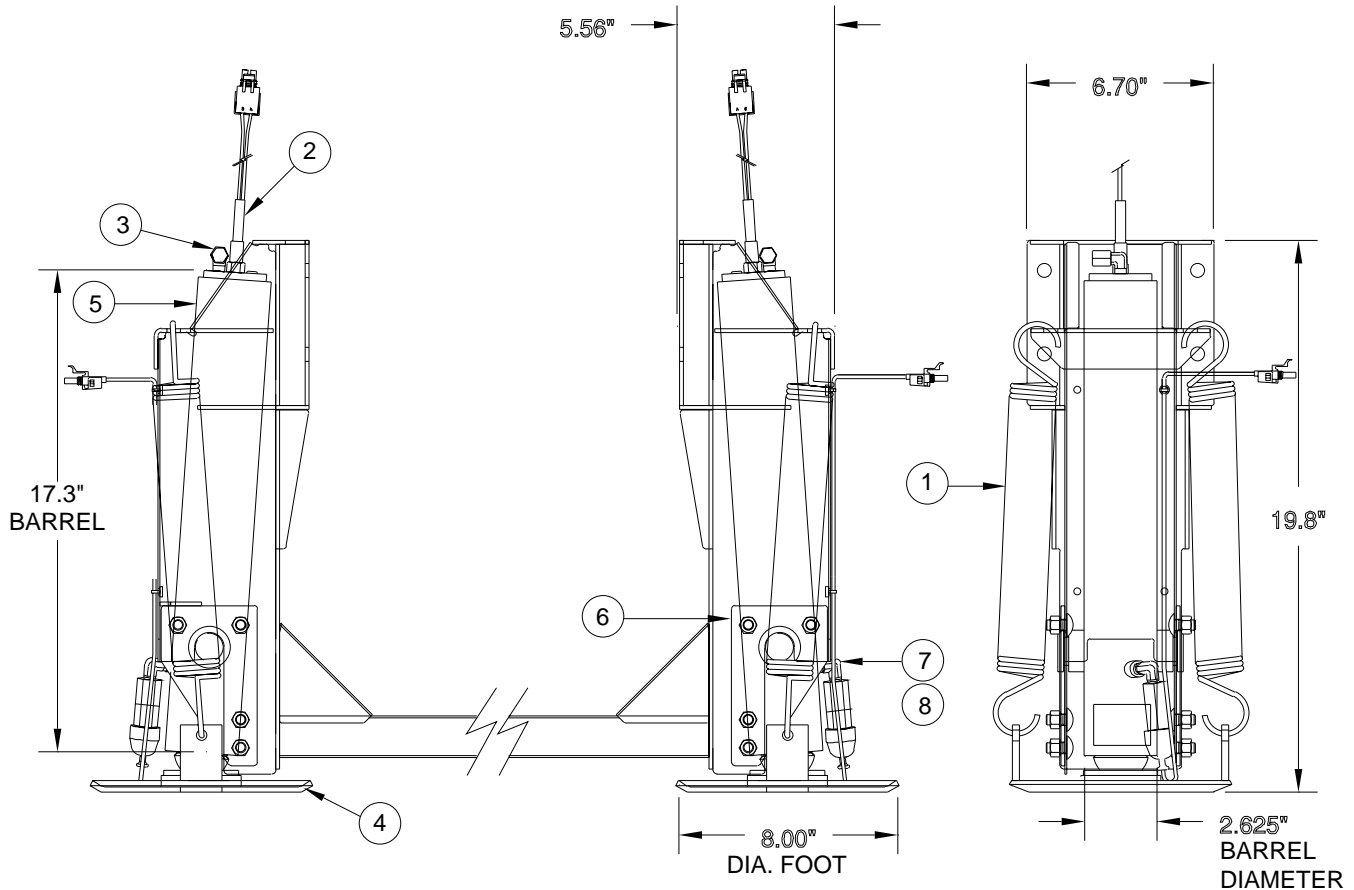
**NOTE:** INDENTED ITEMS INCLUDED WITH PRECEDING ITEM.

# AP15892 - STRAIGHT-ACTING JACK, 7 DEGREE PIVOT

## 9,000 # CAPACITY; 2.000" ROD DIAMETER; 13.00" STROKE

### WITH PRESSURE SWITCH

REPLACEMENT OF ENTIRE ASSEMBLY IS NOT NECESSARY. REFER TO INDIVIDUAL ITEMS BELOW FOR REPLACEMENT PARTS.



**USED PRIMARILY ON THE REAR  
OF F53 FORD 1999 MODEL CHASSIS**

ITEM	PART	QTY	DESCRIPTION	ITEM	PART	QTY	DESCRIPTION
1	R3847	1	SPRING KIT 1-11/16" X 14"	5	RAP90491	1	CYL. ASSY. 2.000" X 13" (INCLUDES ITEM 3) (EXCLUDES ITEM 2,7,8)
		2	SPRING 1-11/16" X 14"				
2	RAP1008	1	SWITCH WARNING 2-WIRE (REPLACES AP1008)	6	RAP90505	1	RETAINING PLATE KIT
3	RF1453	1	ELBOW 1/8" X 1/4"			2	RETAINING PLATES
4	RAP8464	1	8.00" DIAMETER FOOT			8	HHCS 3/8-16 X 1"
						8	HEX NUT 3/8-16 LOCK DEF.
				7	RF8143	1	ELBOW 1/8" X 1/8"
				8	RAP8003	1	SWITCH PRESSURE

NOTE : INDENTED ITEMS ARE INCLUDED WITH PRECEDING ITEM.

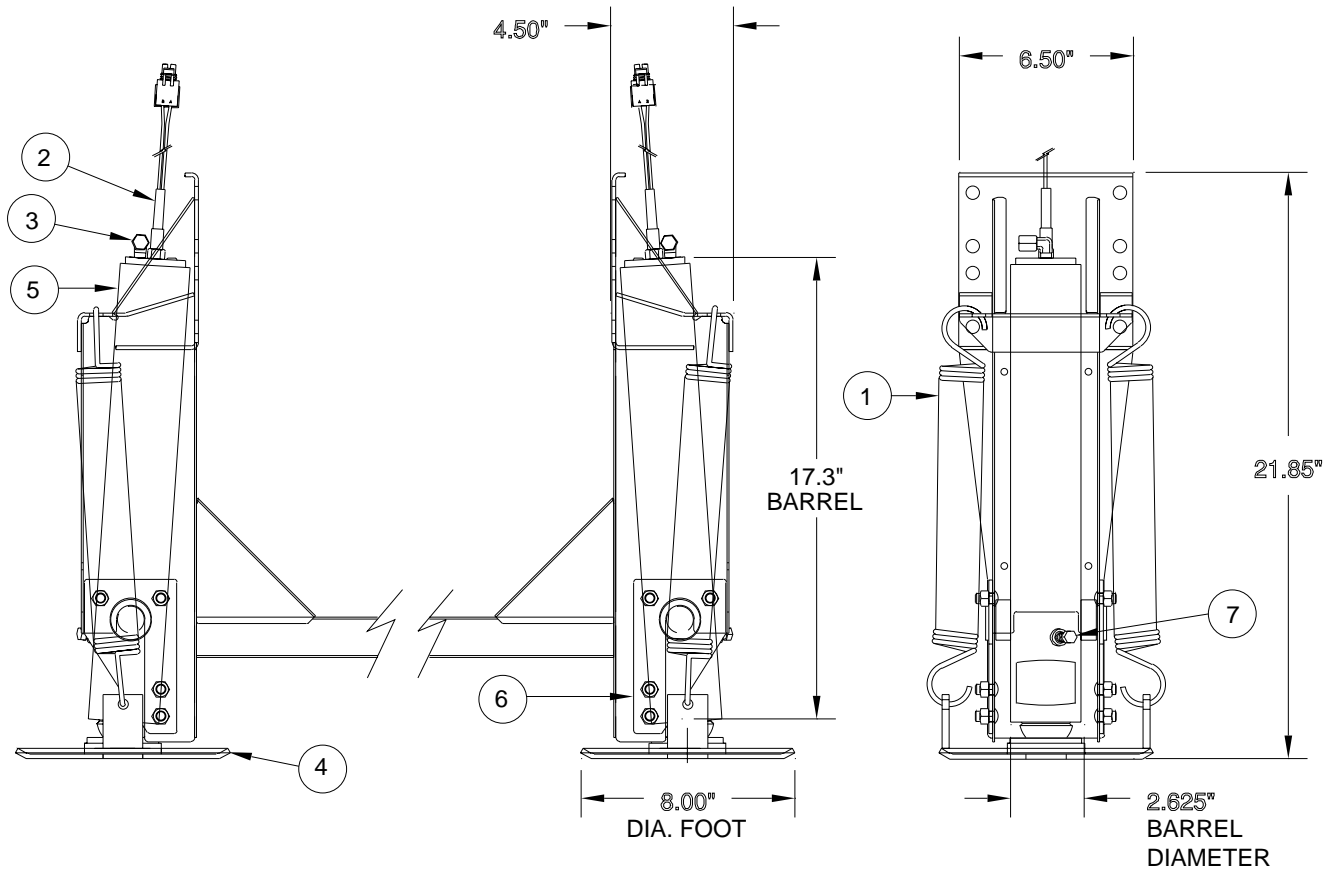
**MR26.4901  
31MAR98**



# AP16105 - STRAIGHT-ACTING JACK, 7 DEGREE PIVOT

## 9,000 # CAPACITY; 2.00" ROD DIAMETER; 13.00" STROKE

REPLACEMENT OF ENTIRE ASSEMBLY IS NOT NECESSARY. REFER TO INDIVIDUAL ITEMS BELOW FOR REPLACEMENT PARTS.



**USED PRIMARILY ON THE REAR  
OF P-12 CHEVY CHASSIS WITH EITHER 19.5" OR 22.5" TIRES**

ITEM	PART	QTY	DESCRIPTION	ITEM	PART	QTY	DESCRIPTION
1	R3847	1	SPRING KIT 1-11/16" X 14"	5	RAP90491	1	CYL. ASSY. 2.00" X 13" (INCLUDES ITEM 3) (EXCLUDES ITEM 2)
		2	SPRING 1-11/16" X 14"				
2	RAP1008	1	SWITCH WARNING 2-WIRE (REPLACES AP1008)	6	RAP90505	1	RETAINING PLATE KIT
3	RF1453	1	ELBOW 1/8" X 1/4"			2	RETAINING PLATES
4	RAP8464	1	8.00" DIAMETER FOOT			8	HHCS 3/8-16 X 1"
						8	HEX NUT 3/8-16 LOCK DEF.
				7	RF90272	1	HEX PLUG 1/8"

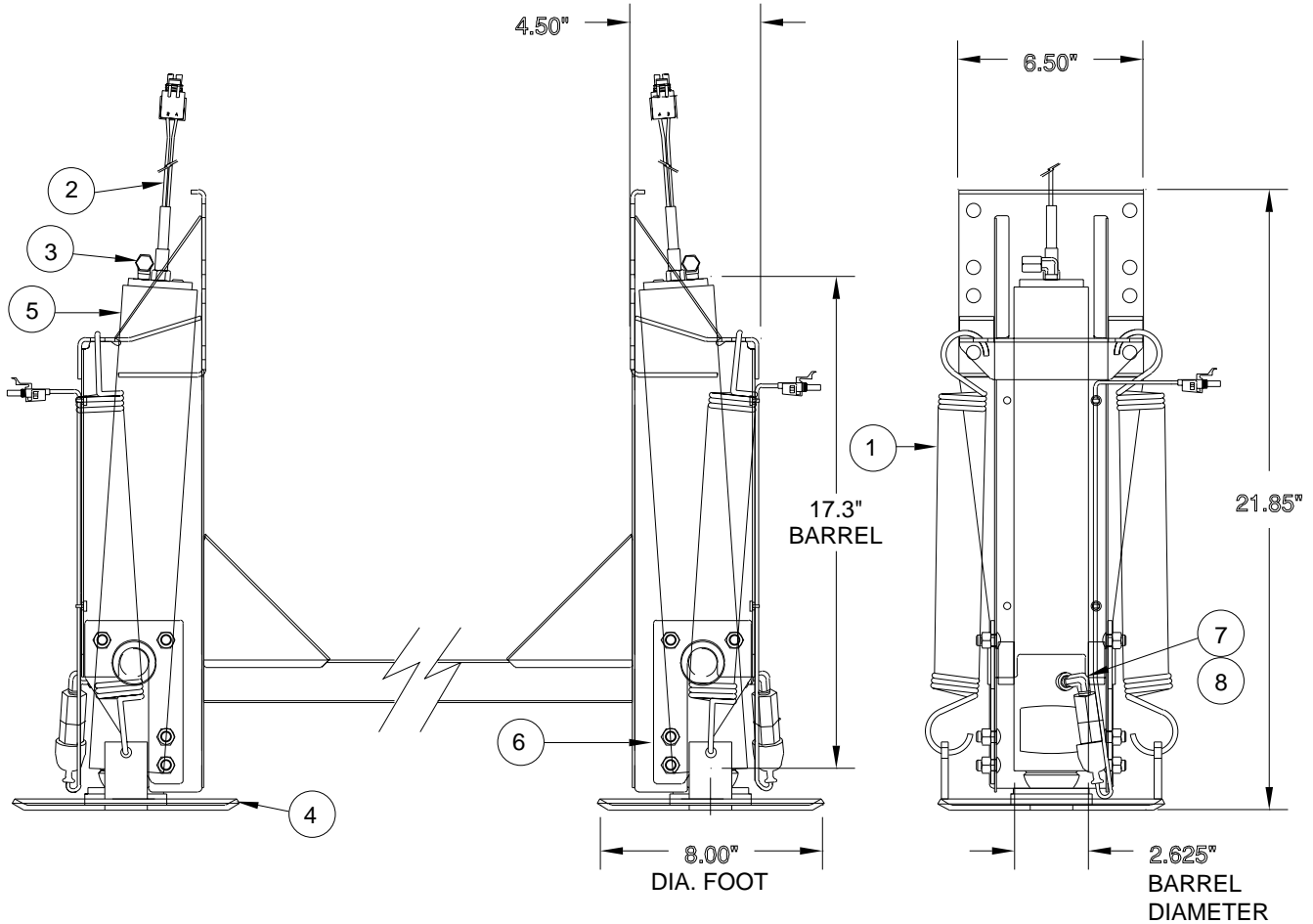
**NOTE:** INDENTED ITEMS ARE INCLUDED WITH PRECEDING ITEM.

# AP16106 - STRAIGHT-ACTING JACK, 7 DEGREE PIVOT

## 9,000 # CAPACITY; 2.00" ROD DIAMETER; 13.00" STROKE

### WITH PRESSURE SWITCH

REPLACEMENT OF ENTIRE ASSEMBLY IS NOT NECESSARY. REFER TO INDIVIDUAL ITEMS BELOW FOR REPLACEMENT PARTS.



**USED PRIMARILY ON THE REAR  
OF P-12 CHEVY CHASSIS WITH EITHER 19.5" OR 22.5" TIRES**

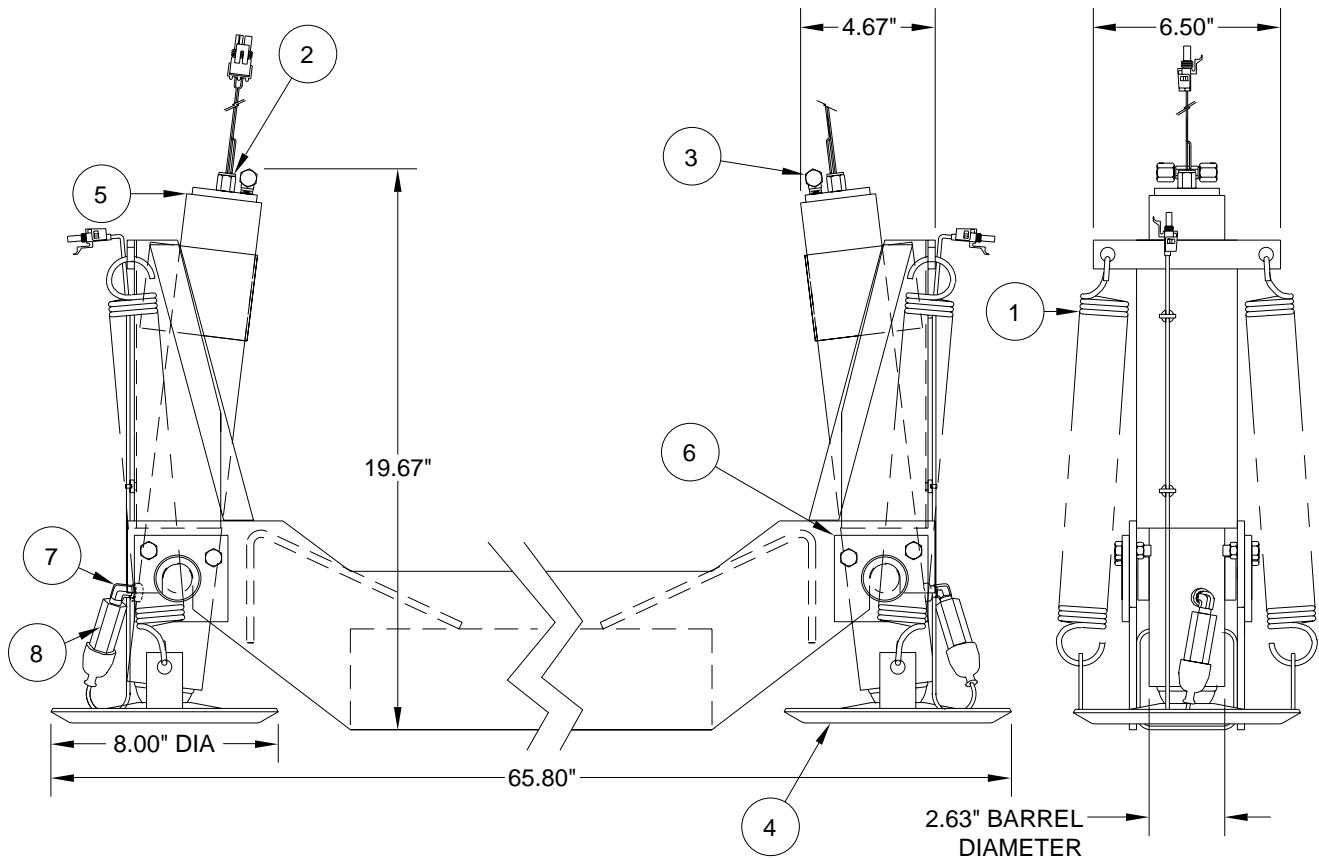
ITEM	PART	QTY	DESCRIPTION	ITEM	PART	QTY	DESCRIPTION
1	R3847	1	SPRING KIT 1-11/16" X 14"	5	RAP90491	1	CYL. ASSY. 2.00" X 13" (INCLUDES ITEM 3) (EXCLUDES ITEM 2,7,8)
		2	SPRING 1-11/16" X 14"				
2	RAP1008	1	SWITCH WARNING 2-WIRE (REPLACES AP1008)	6	RAP90505	1	RETAINING PLATE KIT
3	RF1453	1	ELBOW 1/8" X 1/4"			2	RETAINING PLATES
4	RAP8464	1	8.00" DIAMETER FOOT			8	HHCS 3/8-16 X 1"
						8	HEX NUT 3/8-16 LOCK DEF.
				7	RF8143	1	ELBOW 1/8" X 1/8"
				8	RAP8003	1	SWITCH PRESSURE

**NOTE:** INDENTED ITEMS ARE INCLUDED WITH PRECEDING ITEM.

**AP11517 - AP11703**  
**STRAIGHT-ACTING JACK, 7 DEGREE PIVOT, F/A SPRINGS**  
**9,000 # CAPACITY; 2.000" ROD DIAMETER; 13.00" STROKE**

JACK #	DESCRIPTION
AP11517	MAGNETIC WARNING SWITCH W/ BLACK CONNECTOR ONLY
AP11703	MAGNETIC WARNING SWITCH W/ BLACK CONNECTOR, PRESSURE SWITCH

REPLACEMENT OF ENTIRE ASSEMBLY IS NOT NECESSARY. REFER TO INDIVIDUAL ITEMS BELOW FOR REPLACEMENT PARTS.



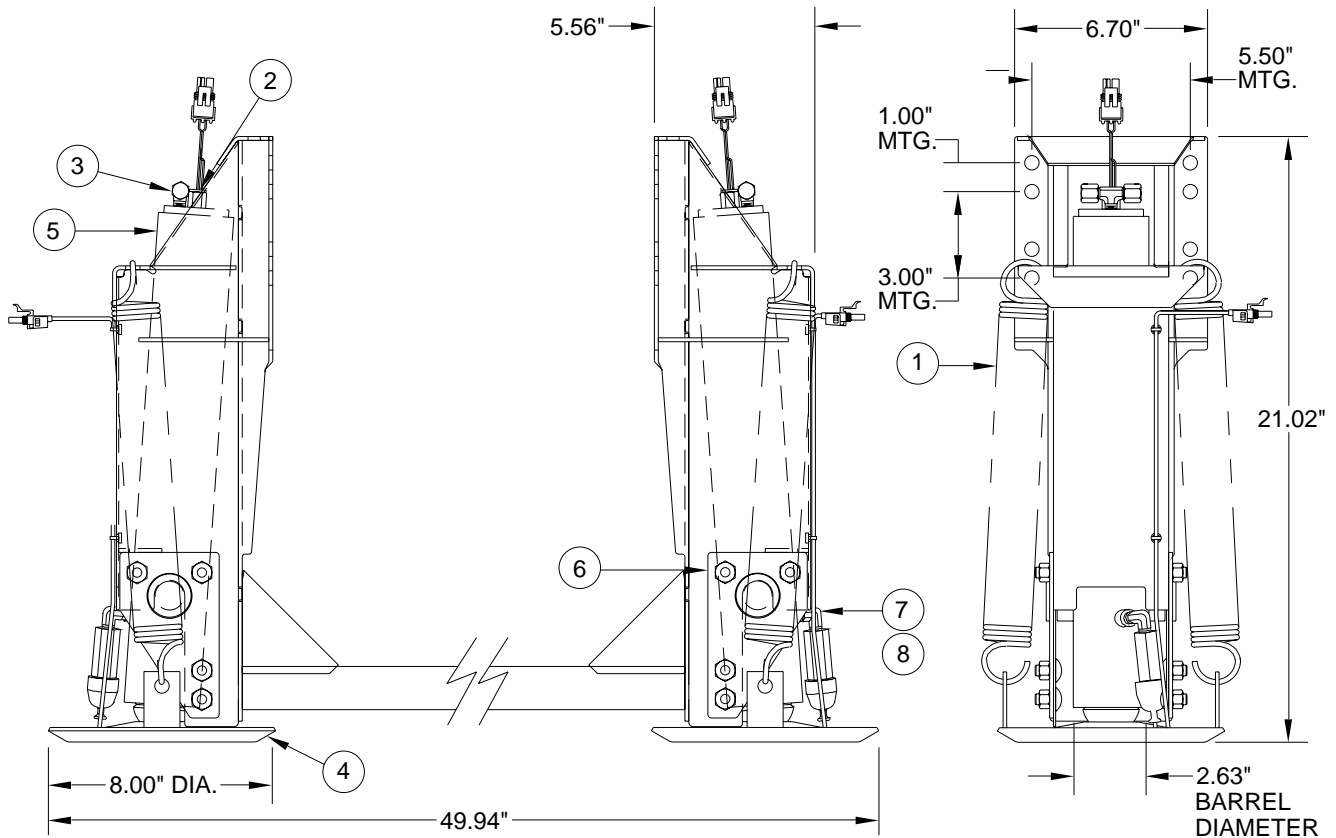
ITEM	PART	QTY	DESCRIPTION	ITEM	PART	QTY	DESCRIPTION
1	R3847	1	SPRING KIT 1-11/16" X 14"	5	RAP1927	1	CYL. ASSY. 2.000" X 13" (INCLUDES ITEM 3) (EXCLUDES ITEM 2,7,8)
		2	SPRING 1-11/16" X 14"				
2	RAP1008	1	SWITCH WARNING MAGNETIC (AP11517, AP11703)	6	RAP1735	1	RETAINING PLATE KIT
						2	RETAINING PLATES
						4	HHCS 3/8 - 16 x 1"
						4	HEX NUT 3/8 - 16 LOCK
3	RF90151	1	MALE TEE 1/8" X 1/4" X 1/4"	7	RF8143	1	ELBOW 1/8" X 1/8" (AP11703 ONLY)
4	RAP8464	1	8.00" DIAMETER FOOT	8	RAP8003	1	SWITCH PRESSURE (AP11703 ONLY)

**NOTE:** INDENTED ITEMS INCLUDED WITH PRECEDING ITEM.

**AP26327 - AP26328**  
**STRAIGHT-ACTING JACK, 5 DEGREE PIVOT, F/A SPRINGS**  
**9,000 # CAPACITY; 2.000" ROD DIAMETER; 13.00" STROKE**

JACK #	DESCRIPTION
AP26327	MAGNETIC WARNING SWITCH W/ BLACK CONNECTOR ONLY
AP26328	MAGNETIC WARNING SWITCH W/ BLACK CONNECTOR, PRESSURE SWITCH

REPLACEMENT OF ENTIRE ASSEMBLY IS NOT NECESSARY. REFER TO INDIVIDUAL ITEMS BELOW FOR REPLACEMENT PARTS.



ITEM	PART	QTY	DESCRIPTION	ITEM	PART	QTY	DESCRIPTION
1	R3847	1	SPRING KIT 1-11/16" X 14"	5	RAP90491	1	CYL. ASSY. 2.000" X 13" (INCLUDES ITEM 3) (EXCLUDES ITEM 2,7,8)
		2	SPRING 1-11/16" X 14"				
2	RAP1008	1	SWITCH WARNING MAGNETIC (AP26327, AP26328)	6	RAP90505	1	RETAINING PLATE KIT
						2	RETAINING PLATES
						8	HHCS 3/8-16 X 1"
						8	HEX NUT 3/8-16 LOCK DEF.
3	RF90151	1	MALE TEE 1/8" X 1/4" X 1/4"	7	RF8143	1	ELBOW 1/8" X 1/8" (AP26328 ONLY)
4	RAP8464	1	8.00" DIAMETER FOOT	8	RAP8003	1	SWITCH PRESSURE (AP26328 ONLY)

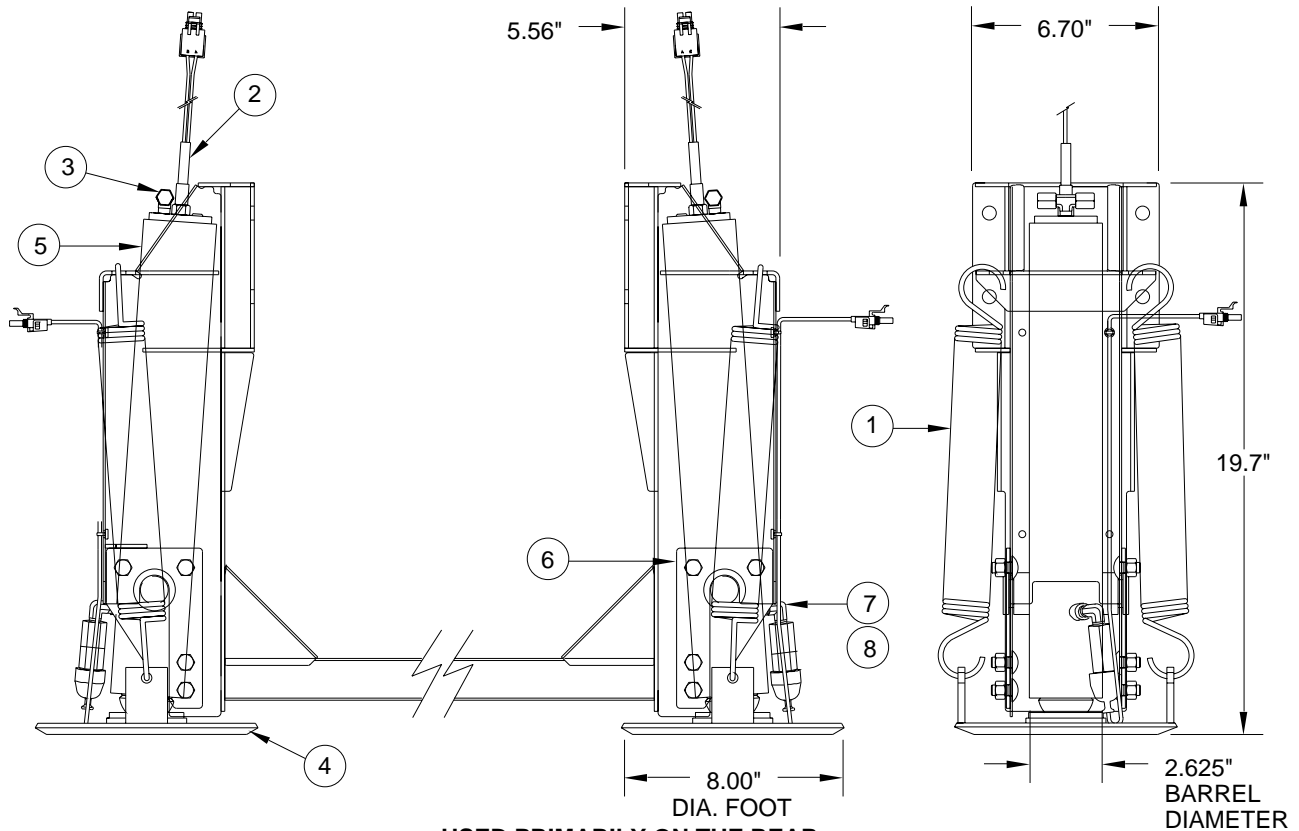
NOTE : INDENTED ITEMS ARE INCLUDED WITH PRECEDING ITEM.

**MR26.4906**  
**26FEB09**

**AP26659 - AP29388 - AP29977**  
**STRAIGHT-ACTING JACK, 7 DEGREE PIVOT, F/A SPRINGS**  
**9,000 # CAPACITY; 2.000" ROD DIAMETER; 13.00" STROKE**

JACK #	DESCRIPTION
AP26659	MAGNETIC WARNING SWITCH W/ GRAY CONNECTOR ONLY
AP29388	NO WARNING OR PRESSURE SWITCH
AP29977	MAGNETIC WARNING SWITCH W/ GRAY CONNECTOR, PRESSURE SWITCH

REPLACEMENT OF ENTIRE ASSEMBLY IS NOT NECESSARY. REFER TO INDIVIDUAL ITEMS BELOW FOR REPLACEMENT PARTS.



**USED PRIMARILY ON THE REAR  
OF F53 FORD 1999 MODEL CHASSIS**

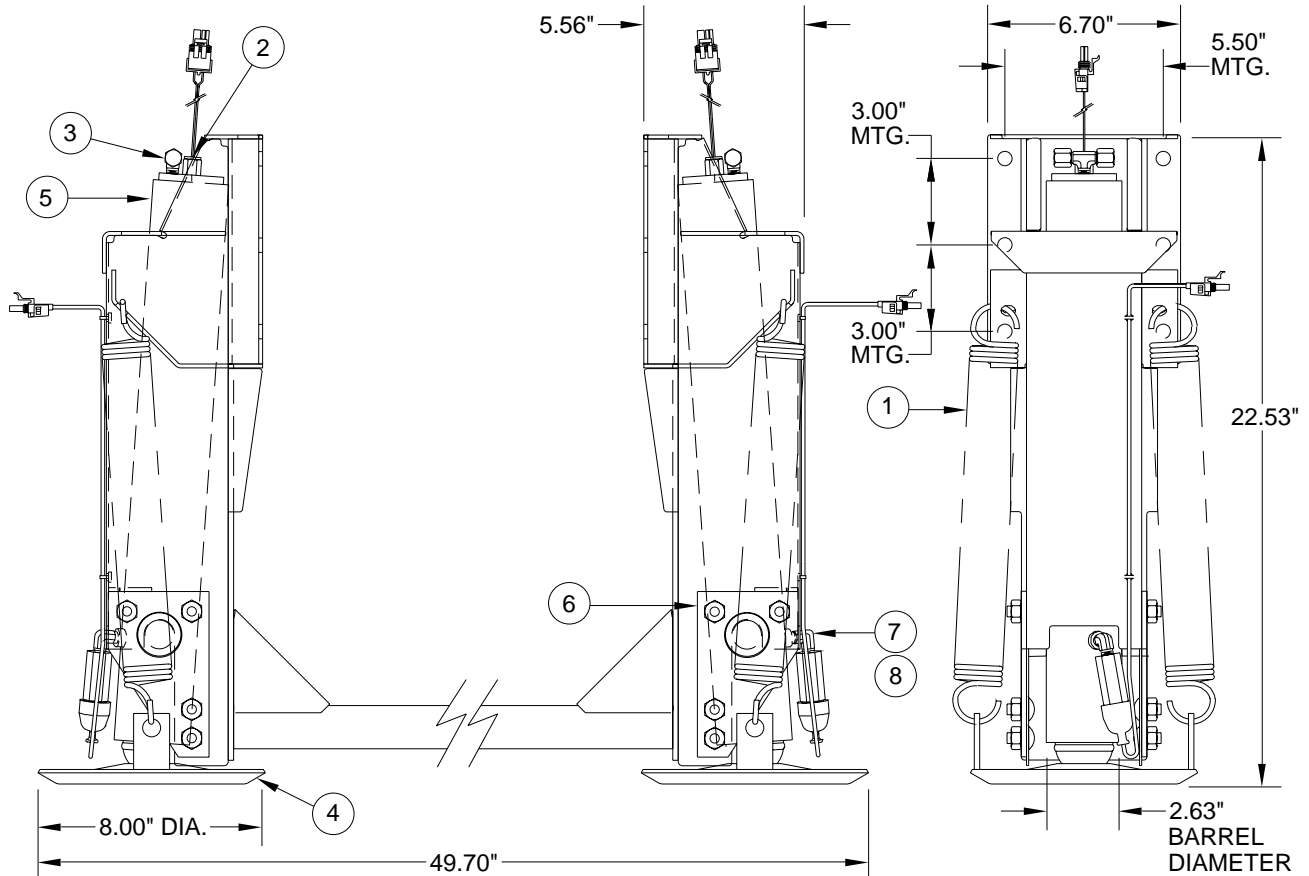
ITEM	PART	QTY	DESCRIPTION	ITEM	PART	QTY	DESCRIPTION
1	R3847	1	SPRING KIT 1-11/16" X 14"	5	RAP90491	1	CYL. ASSY. 2.000" X 13" (INCLUDES ITEM 3) (EXCLUDES ITEM 2,7,8)
		2	SPRING 1-11/16" X 14"				
2	RAP90968	1	SWITCH WARNING MAGNETIC GRAY (AP26659, AP29977)	6	RAP90505	1	RETAINING PLATE KIT
						2	RETAINING PLATES
						8	HHCS 3/8-16 X 1"
						8	HEX NUT 3/8-16 LOCK DEF.
3	RF90151	1	MALE TEE 1/8" X 1/4" X 1/4"	7	RF8143	1	ELBOW 1/8" X 1/8" (AP29977 ONLY)
4	RAP8464	1	8.00" DIAMETER FOOT	8	RAP8003	1	SWITCH PRESSURE (AP29977 ONLY)

**NOTE :** INDENTED ITEMS ARE INCLUDED WITH PRECEDING ITEM.

**AP31653 - AP31701**  
**STRAIGHT-ACTING JACK, 4 DEGREE PIVOT, F/A SPRINGS**  
**9,000 # CAPACITY; 2.000" ROD DIAMETER; 15.00" STROKE**

JACK #	DESCRIPTION
AP31653	MAGNETIC WARNING SWITCH W/ GRAY CONNECTOR ONLY
AP31701	MAGNETIC WARNING SWITCH W/ GRAY CONNECTOR, PRESSURE SWITCH

REPLACEMENT OF ENTIRE ASSEMBLY IS NOT NECESSARY. REFER TO INDIVIDUAL ITEMS BELOW FOR REPLACEMENT PARTS.



**USED PRIMARILY ON THE REAR OF F53 FORD 2004 MODEL CHASSIS WITH 19.5 INCH TIRES**

ITEM	PART	QTY	DESCRIPTION	ITEM	PART	QTY	DESCRIPTION
1	R3847	1	SPRING KIT 1-11/16" X 14"	5	RAP91185	1	CYL. ASSY. 2.000" X 15" (INCLUDES ITEM 3) (EXCLUDES ITEM 2,7,8)
		2	SPRING 1-11/16" X 14"				
2	RAP90968	1	SWITCH WARNING MAGNETIC GRAY (AP31653, AP31701)	6	RAP90505	1	RETAINING PLATE KIT
						2	RETAINING PLATES
						8	HHCS 3/8-16 X 1"
						8	HEX NUT 3/8-16 LOCK DEF.
3	RF90151	1	MALE TEE 1/8" X 1/4" X 1/4"	7	RF8143	1	ELBOW 1/8" X 1/8" (AP31701 ONLY)
4	RAP8464	1	8.00" DIAMETER FOOT	8	RAP8003	1	SWITCH PRESSURE (AP31701 ONLY)

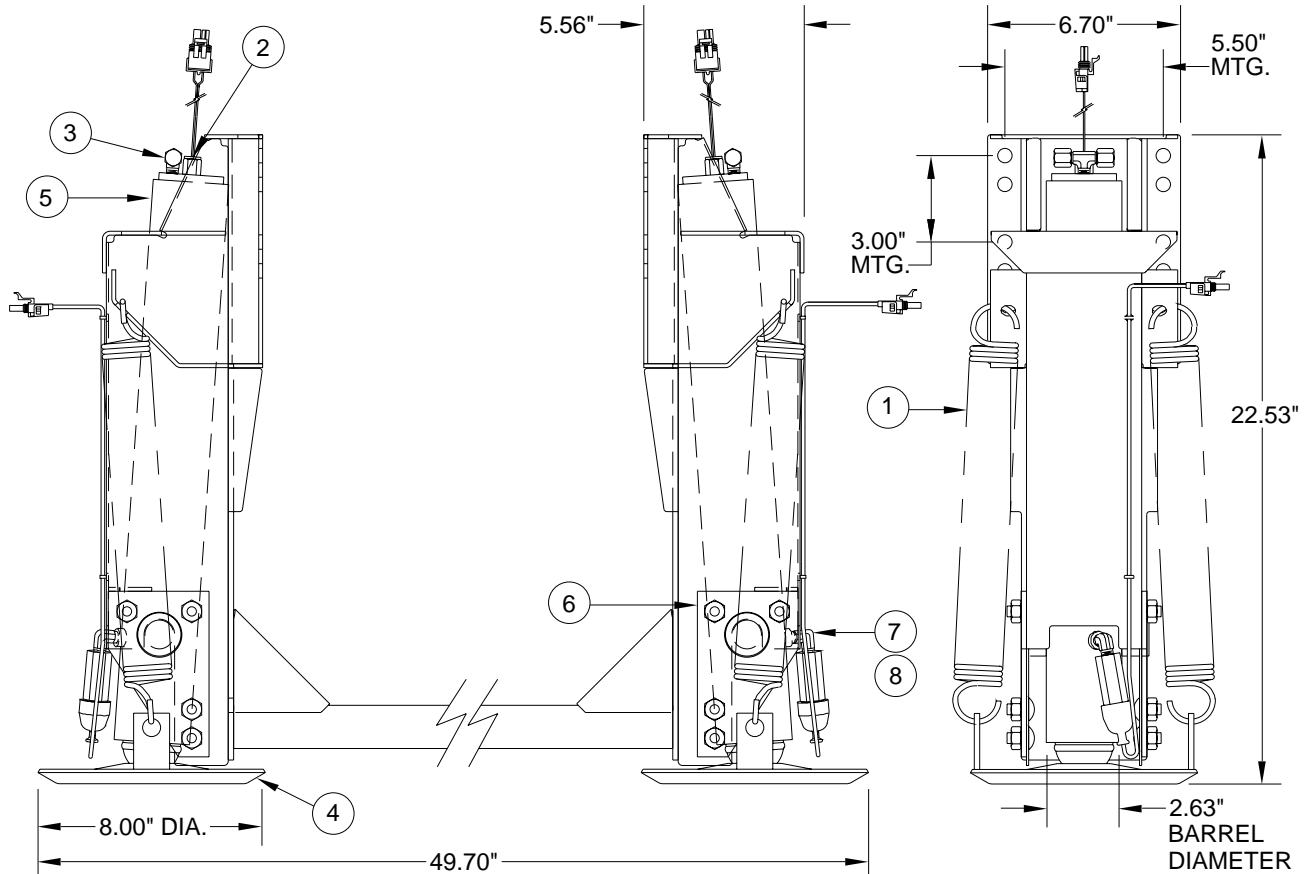
**NOTE :** INDENTED ITEMS ARE INCLUDED WITH PRECEDING ITEM.

**MR26.4908**  
**26FEB09**

**AP31982 - AP31983 - AP32241**  
**STRAIGHT-ACTING JACK, 4 DEGREE PIVOT, F/A SPRINGS**  
**9,000 # CAPACITY; 2.000" ROD DIAMETER; 15.00" STROKE**

JACK #	DESCRIPTION
AP31982	MAGNETIC WARNING SWITCH W/ GRAY CONNECTOR ONLY
AP31983	MAGNETIC WARNING SWITCH W/ GRAY CONNECTOR, PRESSURE SWITCH
AP32241	NO WARNING OR PRESSURE SWITCH

REPLACEMENT OF ENTIRE ASSEMBLY IS NOT NECESSARY. REFER TO INDIVIDUAL ITEMS BELOW FOR REPLACEMENT PARTS.



**USED PRIMARILY ON THE REAR OF F53 FORD 2004 MODEL CHASSIS WITH 22.5 INCH TIRES**

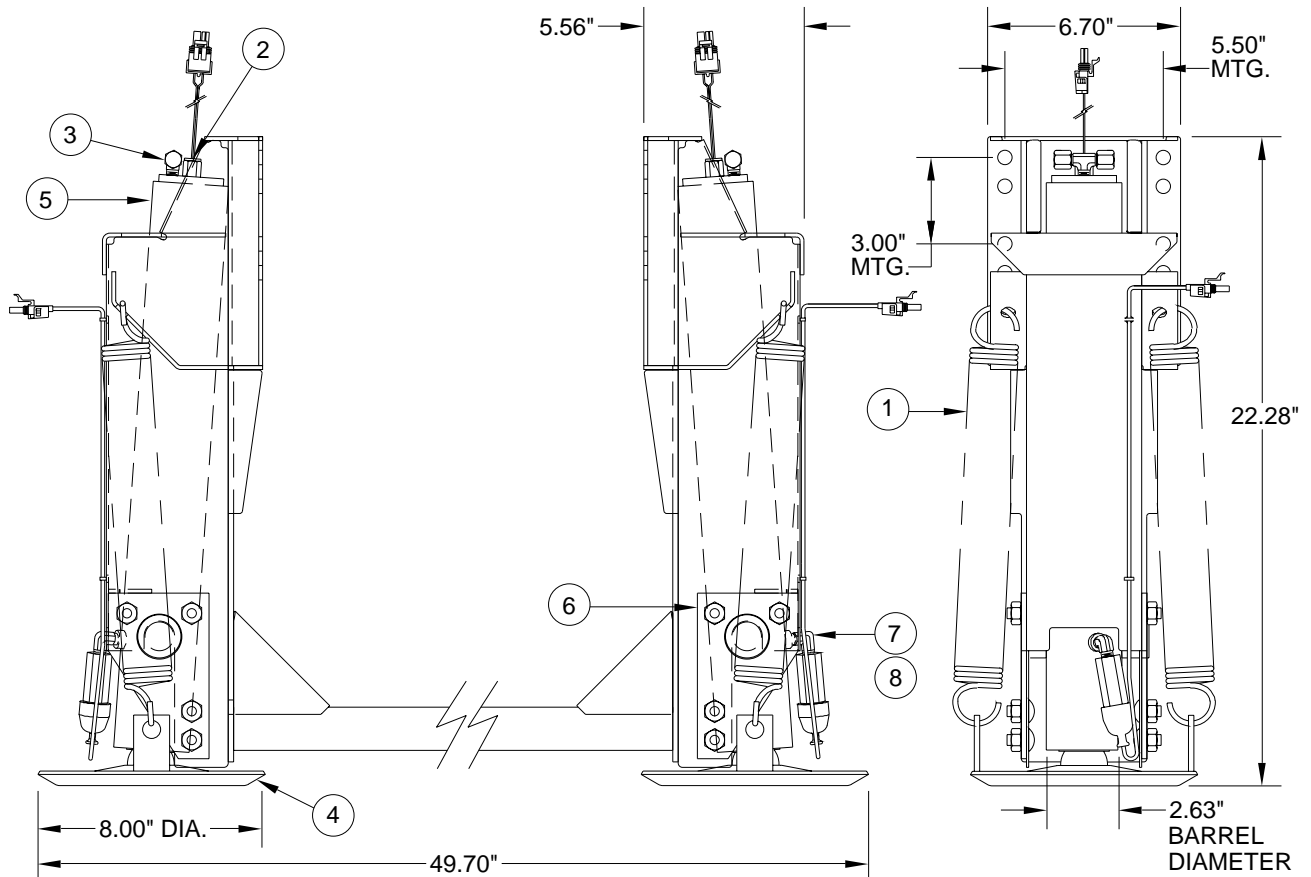
ITEM	PART	QTY	DESCRIPTION	ITEM	PART	QTY	DESCRIPTION
1	R3847	1	SPRING KIT 1-11/16" X 14"	5	RAP91185	1	CYL. ASSY. 2.000" X 15" (INCLUDES ITEM 3) (EXCLUDES ITEM 2,7,8)
		2	SPRING 1-11/16" X 14"				
2	RAP90968	1	SWITCH WARNING MAGNETIC GRAY (AP31982, AP31983)	6	RAP90505	1	RETAINING PLATE KIT
						2	RETAINING PLATES
						8	HHCS 3/8-16 X 1"
						8	HEX NUT 3/8-16 LOCK DEF.
3	RF90151	1	MALE TEE 1/8" X 1/4" X 1/4"	7	RF8143	1	ELBOW 1/8" X 1/8" (AP31983 ONLY)
4	RAP8464	1	8.00" DIAMETER FOOT	8	RAP8003	1	SWITCH PRESSURE (AP31983 ONLY)

**NOTE :** INDENTED ITEMS ARE INCLUDED WITH PRECEDING ITEM.

**MR26.4909**  
**26FEB09**

**AP41690 - STRAIGHT-ACTING JACK, 4 DEG PIVOT, F/A SPRINGS  
 9,000 # CAPACITY; 2.000" ROD DIAMETER; 15.00" STROKE; BOLT-ON FOOT  
 WITH MAGNETIC WARNING SWITCH AND PRESSURE SWITCH**

REPLACEMENT OF ENTIRE ASSEMBLY IS NOT NECESSARY. REFER TO INDIVIDUAL ITEMS BELOW FOR REPLACEMENT PARTS.



ITEM	PART	QTY	DESCRIPTION
1	R3847	1	SPRING KIT 1-11/16" X 14"
		2	SPRING 1-11/16" X 14"
2	RAP90968	1	SWITCH WARNING MAGNETIC GRAY
3	RF90151	1	MALE TEE 1/8" X 1/4" X 1/4"
4	RAP92406	1	8.00" DIAMETER FOOT
5	RAP92044	1	CYL. ASSY. 2.000" X 15" (INCLUDES ITEM 3) (EXCLUDES ITEM 2,7,8)

ITEM	PART	QTY	DESCRIPTION
6	RAP90505	1	RETAINING PLATE KIT
		2	RETAINING PLATES
		8	HHCS 3/8-16 X 1"
		8	HEX NUT 3/8-16 LOCK DEF.
7	RF8143	1	ELBOW 1/8" X 1/8"
8	RAP8003	1	SWITCH PRESSURE

NOTE : INDENTED ITEMS ARE INCLUDED WITH PRECEDING ITEM.

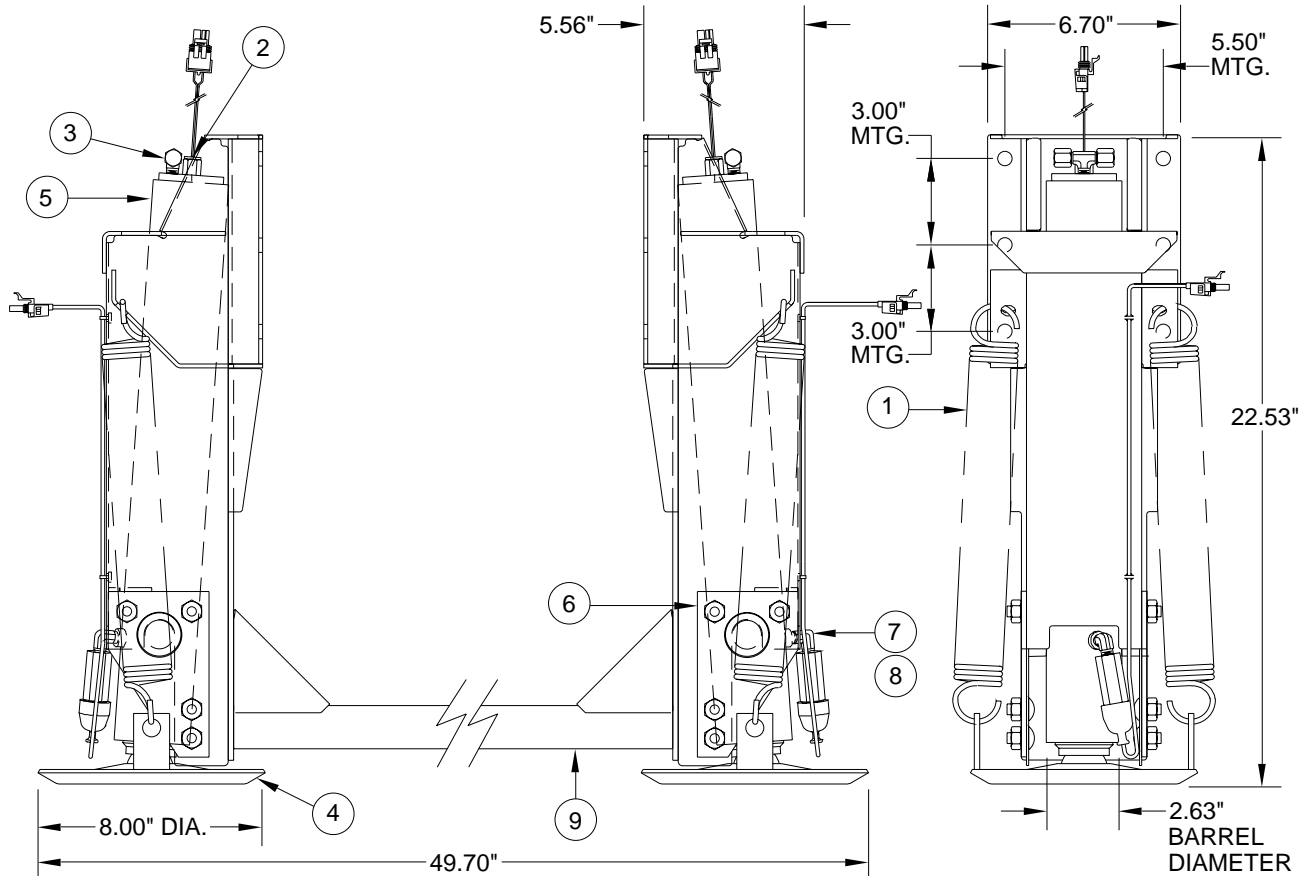
**MR26.4910  
 26FEB09**



**AP44257, AP46799**  
**STRAIGHT-ACTING JACK, 4 DEGREE PIVOT, F/A SPRINGS**  
**9,000 # CAPACITY; 2.000" ROD DIAMETER; 15.00" STROKE; BOLT-ON FOOT**

JACK #	DESCRIPTION
AP44257	MAGNETIC WARNING SWITCH W/ GRAY CONNECTOR, PRESSURE SWITCH
AP46799	MAGNETIC WARNING SWITCH W/ GRAY CONNECTOR ONLY

REPLACEMENT OF ENTIRE ASSEMBLY IS NOT NECESSARY. REFER TO INDIVIDUAL ITEMS BELOW FOR REPLACEMENT PARTS.



**USED PRIMARILY ON THE REAR OF F53 FORD 2004 MODEL CHASSIS WITH 19.5 INCH TIRES**

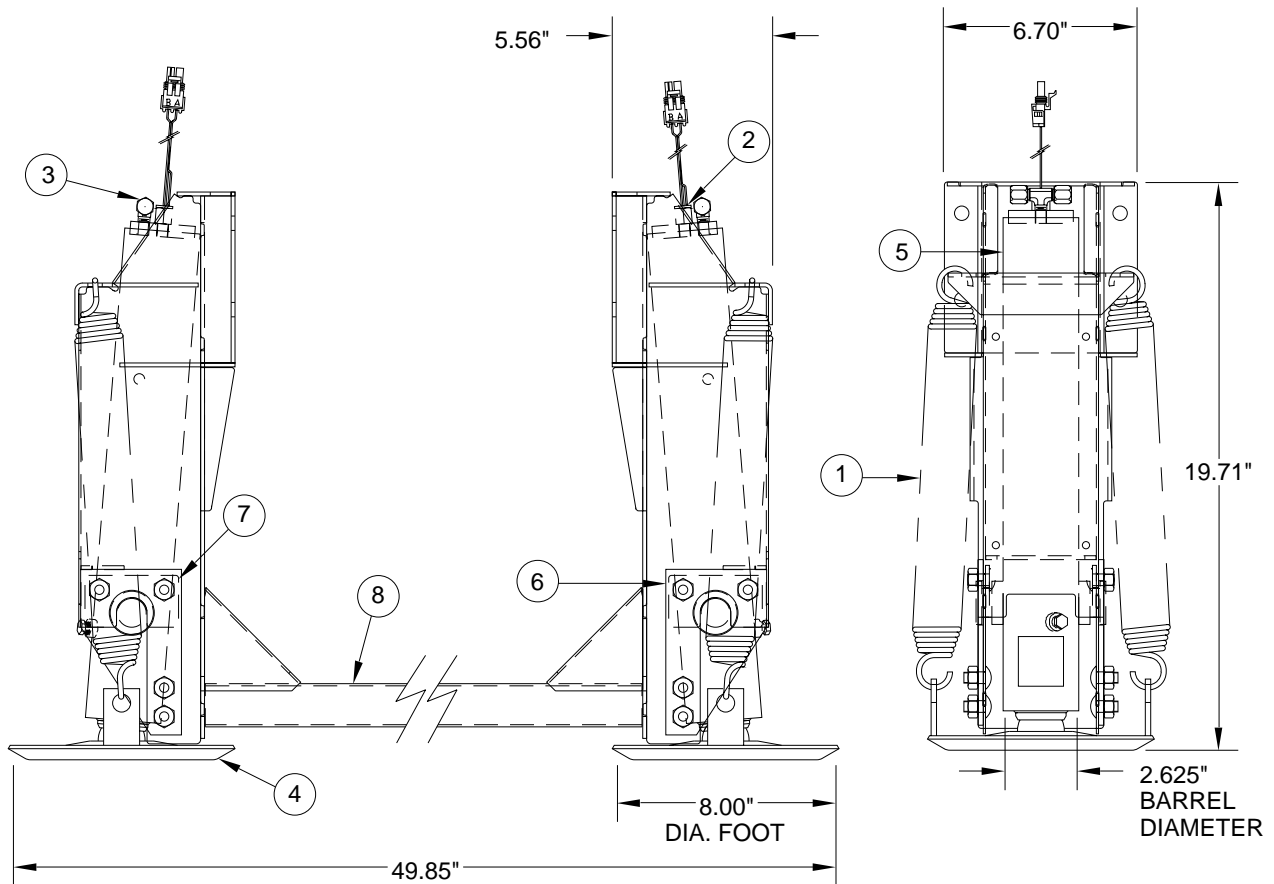
ITEM	PART	QTY	DESCRIPTION	ITEM	PART	QTY	DESCRIPTION
1	R3847	1	SPRING KIT 1-11/16" X 14"	6	RAP90505	1	RETAINING PLATE KIT
		2	SPRING 1-11/16" X 14"			2	RETAINING PLATES
2	RAP90968	1	SWITCH WARNING MAGNETIC GRAY			8	HHCS 3/8-16 X 1"
						8	HEX NUT 3/8-16 LOCK DEF.
3	RF90151	1	MALE TEE 1/8" X 1/4" X 1/4"	7	RF8143	1	ELBOW 1/8" X 1/8" (AP44257 JACK ONLY)
4	RAP92406	1	8.00" DIAMETER FOOT	8	RAP8003	1	SWITCH PRESSURE (AP44257 JACK ONLY)
5	RAP92044	1	CYL. ASSY. 2.000" X 15" (INCLUDES ITEM 3) (EXCLUDES ITEM 2,7,8)	9	RAP92385	1	PIVOT BRACKET 2-JACK ASSEMBLY

**NOTE :** INDENTED ITEMS ARE INCLUDED WITH PRECEDING ITEM.

**MR26.4911**  
**03APR12**

# AP50846 - STRAIGHT-ACTING JACK, 5 DEGREE PIVOT, F/A SPRINGS 9,000 # CAPACITY; 2.000" ROD DIAMETER; 13.00" STROKE; BOLT-ON FOOT WITH MAGNETIC WARNING SWITCH

REPLACEMENT OF ENTIRE ASSEMBLY IS NOT NECESSARY. REFER TO INDIVIDUAL ITEMS BELOW FOR REPLACEMENT PARTS.



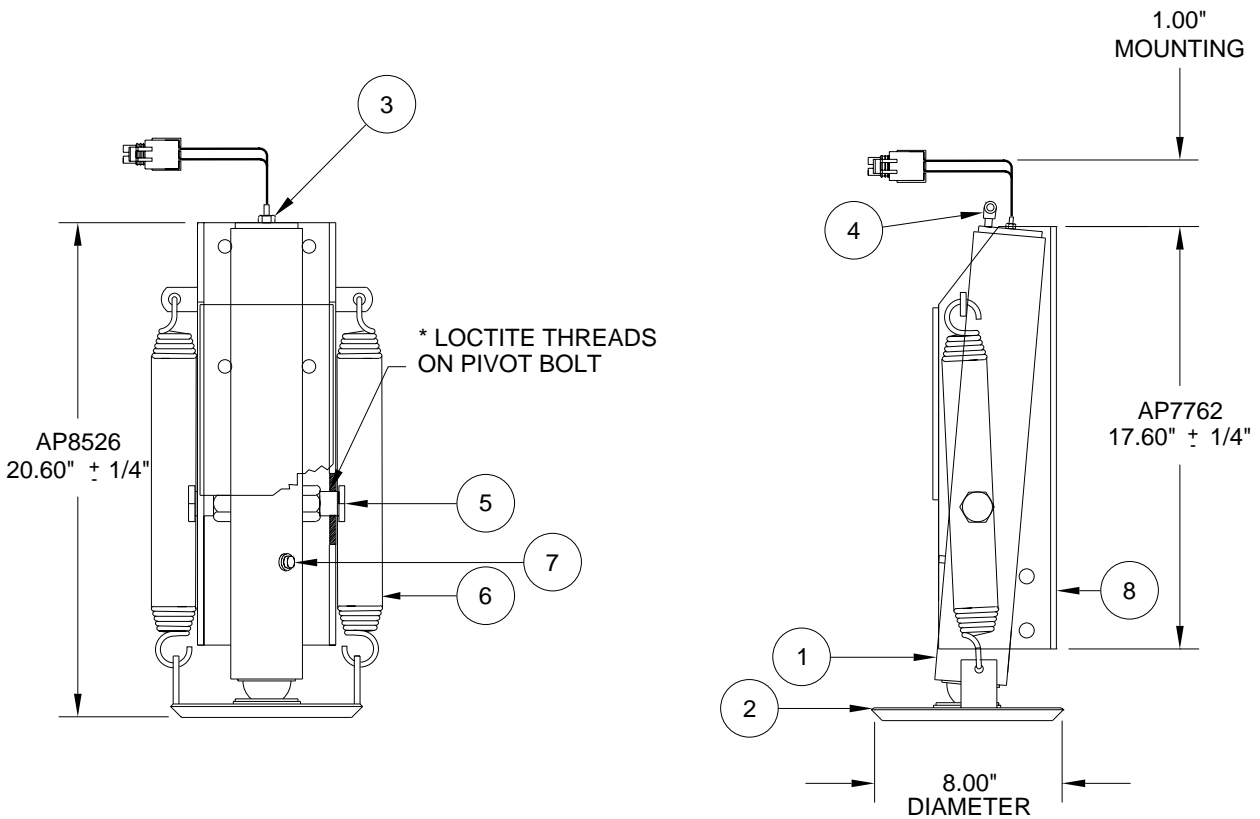
USED PRIMARILY ON THE REAR  
OF F53 FORD 1999 MODEL CHASSIS

ITEM	PART	QTY	DESCRIPTION	ITEM	PART	QTY	DESCRIPTION
1	R3847	1	SPRING KIT 1-11/16" X 14"	5	RAP92239	1	CYL. ASSY. 2.000" X 13" (INCLUDES ITEM 3) (EXCLUDES ITEM 2,4,6,7)
		2	SPRING 1-11/16" X 14"				
2	RAP1008	1	SWITCH WARNING MAGNETIC	6	RAP90505	1	RETAINING PLATE KIT
3	RF90151	1	MALE TEE 1/8" X 1/4" X 1/4"			2	RETAINING PLATES
4	RAP92406	1	8.00" DIAMETER FOOT			8	HHCS 3/8-16 X 1"
						8	HEX NUT 3/8-16 LOCK DEF.
				7	RAP92637	1	SPACER KIT
						2	SPACER
				8	RAP92386	1	PIVOT BRACKET 2-JACK ASSEMBLY

NOTE : INDENTED ITEMS ARE INCLUDED WITH PRECEDING ITEM.

MR26.4912  
12MAR13

**AP8526 - STRAIGHT ACTING JACK, 7 DEGREE PIVOT, F/A SPRINGS**  
**12,000 # CAPACITY; 2.375" ROD DIAMETER; 13.00" STROKE**



ITEM	PART	QTY	DESCRIPTION
	RAP8526		JACK 12,000 # X 13" F/A (REPLACES AP8526)
1	RAP8491	1	CYL. ASSY. 2.375" X 13" (INCLUDES ITEM 4,7) (EXCLUDES ITEM 3)
2	RAP8464	1	8.00" DIAMETER FOOT
3	RAP1008	1	SWITCH WARNING 2-WIRE (REPLACES RAP8100)
4	RF1453	1	ELBOW 1/8" X 1/4"

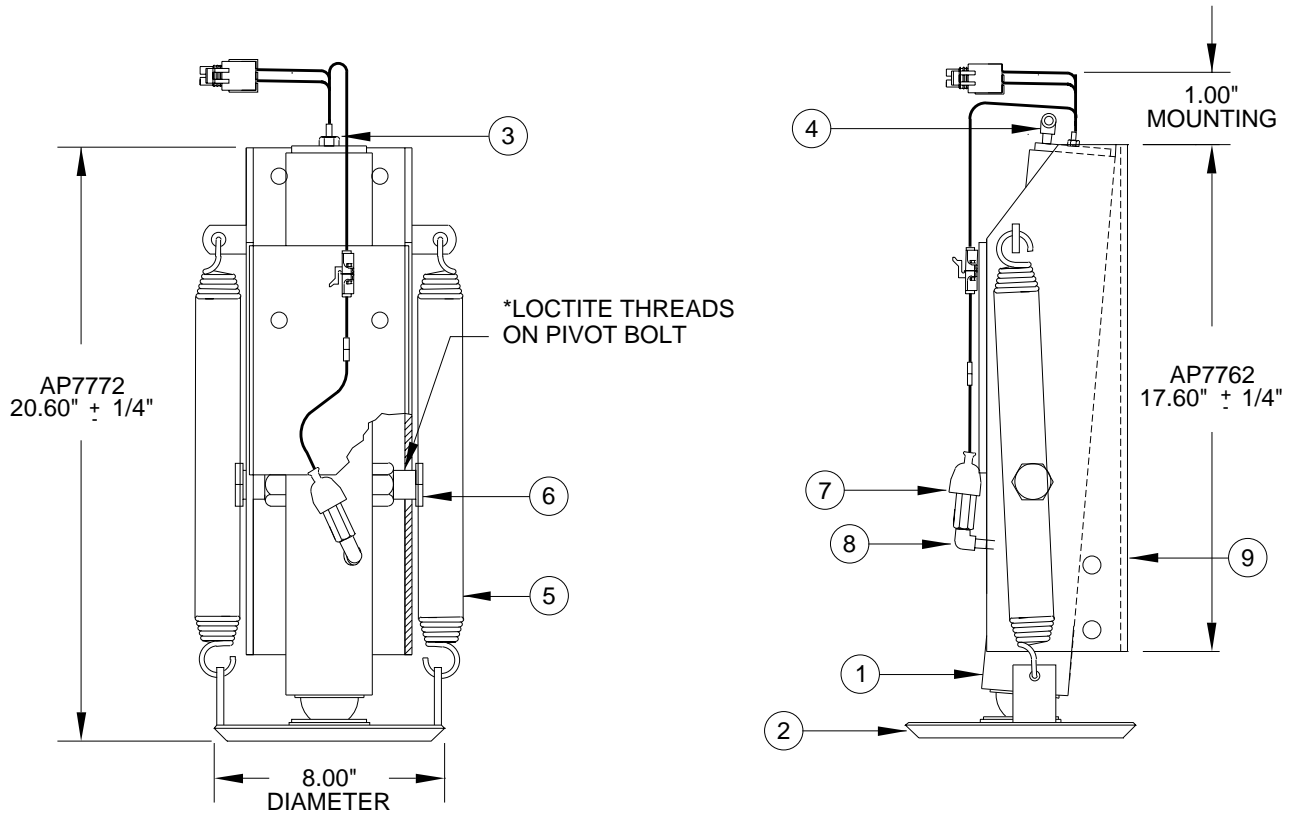
ITEM	PART	QTY	DESCRIPTION
5	R2329	1	PIVOT BOLT KIT
		2	HHCS 7/8" SPECIAL
		2	BUSHING 1-1/8" O.D.
6	R91642	1	SPRING KIT .2187" X 14.5"
		2	SPRING .2187" X 14.5"
7	RF90272	1	PIPE PLUG 1/8"
8	RAP7762	1	PIVOT BRACKET

**NOTE :** INDENTED ITEMS ARE INCLUDED WITH PRECEDING ITEM.

\* APPLY A THREAD LOCKING ADHESIVE SUCH AS LOCTITE #271, 277, 242 OR 569.

**MR26.5010**  
**05MAY05**

**AP7772 - STRAIGHT ACTING JACK, 7 DEGREE PIVOT, F/A SPRINGS**  
**12,000 # CAPACITY; 2.375" ROD DIAMETER; 13.00" STROKE**  
**WITH PRESSURE SWITCH AND 3-WIRE WARNING SWITCH**



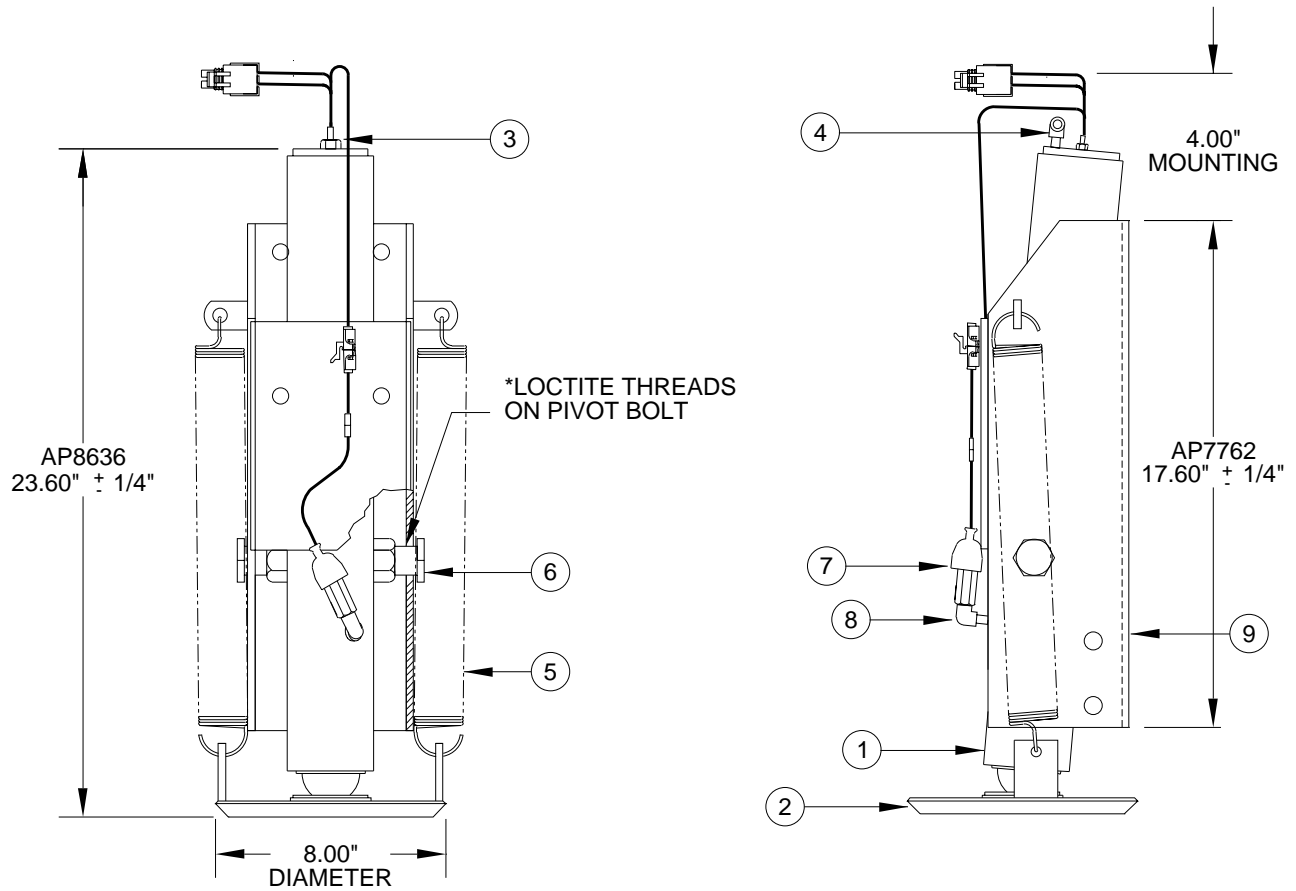
ITEM	PART	QTY	DESCRIPTION	ITEM	PART	QTY	DESCRIPTION
	RAP7772		JACK 12,000 # X 13" F/A (REPLACES AP7772)	5	R91642	1 2	SPRING KIT .2187" X 14.5" SPRING .2187" X 14.5"
1	RAP8491	1	CYL. ASSY. 2.375" X 13" (INCLUDES ITEM 4) (EXCLUDES ITEMS 3,7,8)	6	R2329	1 2 2	PIVOT BOLT KIT HHCS 7/8" SPECIAL BUSHING 1-1/8" O.D.
2	RAP8464	1	8.00" DIAMETER FOOT	7	RAP8003	1	SWITCH PRESSURE
3	RAP90073	1	SWITCH WARNING 3-WIRE (REPLACES RAP8442)	8	RF8143	1	ELBOW 1/8" X 1/8"
4	RF1453	1	ELBOW 1/8" X 1/4"	9	RAP7762	1	PIVOT BRACKET

**NOTE :** INDENTED ITEMS ARE INCLUDED WITH PRECEDING ITEM.

\* APPLY A THREAD LOCKING ADHESIVE SUCH AS LOCTITE #271, 277, 242 OR 569.

**MR26.5015**  
**03MAY05**

**AP8636 - STRAIGHT ACTING JACK, 7 DEGREE PIVOT, F/A SPRINGS**  
**12,000 # CAPACITY; 2.375" ROD DIAMETER; 16.00" STROKE**  
**WITH PRESSURE SWITCH AND 3-WIRE WARNING SWITCH**



ITEM	PART	QTY	DESCRIPTION
1	RAP8635	1	CYL. ASSY. 2.375" X 16" (INCLUDES ITEM 4) (EXCLUDES ITEMS 3,7,8)
2	RAP8464	1	8.00" DIAMETER FOOT
3	RAP90073	1	SWITCH WARNING 3-WIRE (REPLACES RAP8442)
4	RF1453	1	ELBOW 1/8" X 1/4"

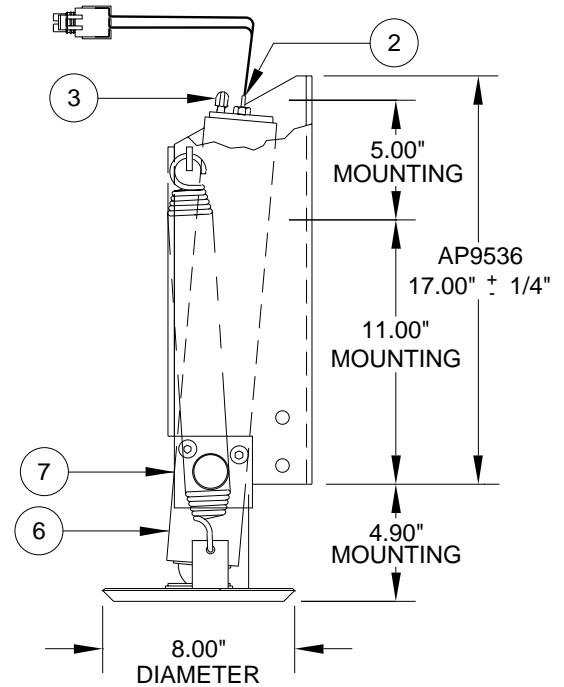
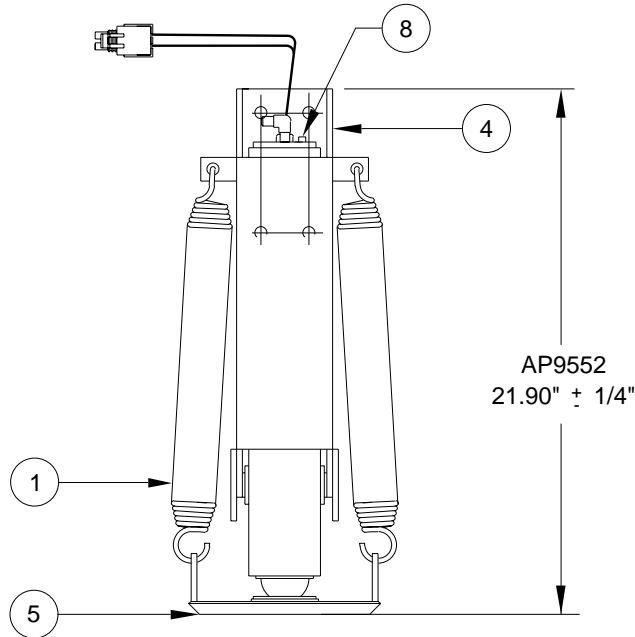
ITEM	PART	QTY	DESCRIPTION
5	R91933	1	SPRING KIT 0.218 x 17.5"
		2	SPRING 0.218 x 17.5"
6	R2329	1	PIVOT BOLT KIT
		2	HHCS 7/8" SPECIAL
		2	BUSHING 1-1/8" O.D.
7	RAP8003	1	SWITCH PRESSURE
8	RF8143	1	ELBOW 1/8" X 1/8"
9	RAP7762	1	PIVOT BRACKET

**NOTE :** INDENTED ITEMS ARE INCLUDED WITH PRECEDING ITEM.

\* APPLY A THREAD LOCKING ADHESIVE SUCH AS LOCTITE #271, 277, 242 OR 569.

**MR26.5040**  
**03MAY12**

**AP9552 - STRAIGHT ACTING JACK, 7 DEGREE PIVOT, F/A SPRINGS**  
**12,000 # CAPACITY; 2.375" ROD DIAMETER; 13.00" STROKE**  
**WITH NARROW PIVOT BRACKET**



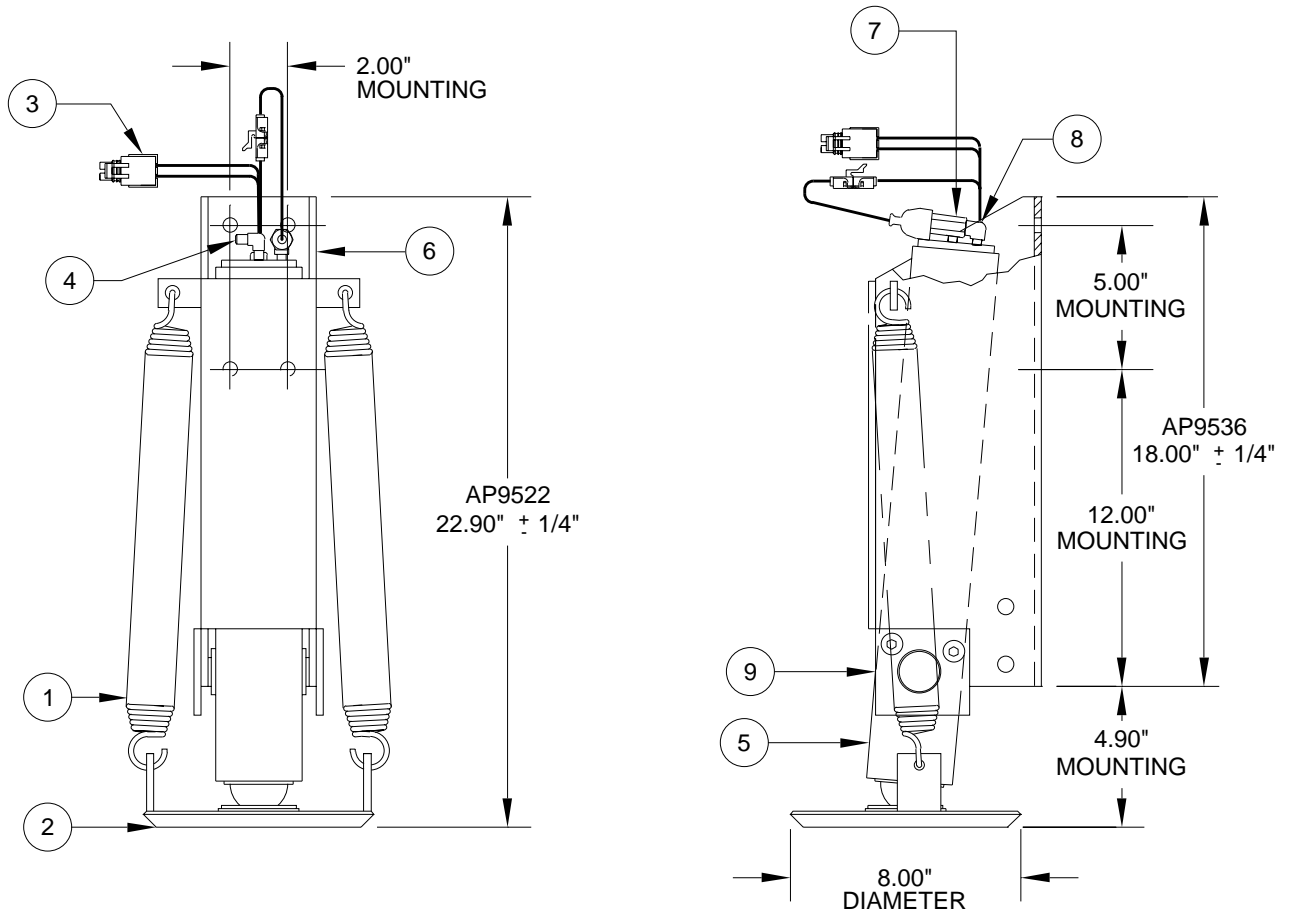
ITEM	PART	QTY	DESCRIPTION
1	R91642	1	SPRING KIT .2187" X 14.5"
		2	SPRING .2187" X 14.5"
2	RAP1008	1	SWITCH WARNING 2-WIRE (REPLACES RAP8100)
3	RF1453	1	ELBOW 1/8" X 1/4"
4	<b>OBSOLETE</b>		PIVOT BRACKET - CONTACT HWH CORPORATION FOR REPLACEMENT INFORMATION

ITEM	PART	QTY	DESCRIPTION
5	RAP8464	1	8.00" DIAMETER FOOT
6	RAP9517	1	CYL. ASSY. 2.375" X 13" (INCLUDES ITEM 3,8) (EXCLUDES ITEM 2)
7	RAP1735	1	RETAINING PLATE KIT
		2	RETAINING PLATES
		4	HHCS 3/8-16 X 1"
		4	HEX NUT 3/8-16 LOCK DEF.
8	RF90272	1	PIPE PLUG 1/8" X 1/4"

NOTE : INDENTED ITEMS ARE INCLUDED WITH PRECEDING ITEM.

**MR26.5110**  
**23MAR09**

**AP9522 - STRAIGHT ACTING JACK, 7 DEGREE PIVOT, F/A SPRINGS**  
**12,000 # CAPACITY; 2.375" ROD DIAMETER; 13.00" STROKE**  
**WITH PRESSURE SWITCH, 3-WIRE WARNING SWITCH**  
**AND NARROW PIVOT BRACKET**



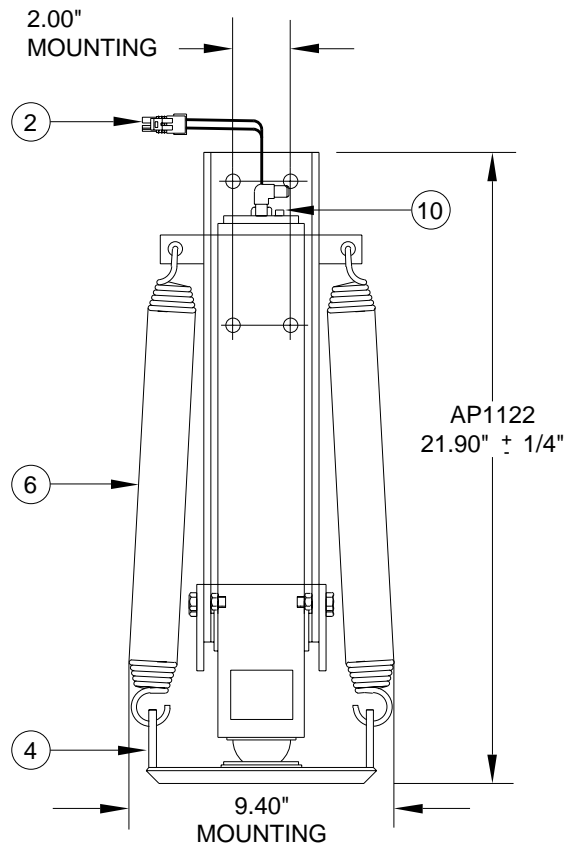
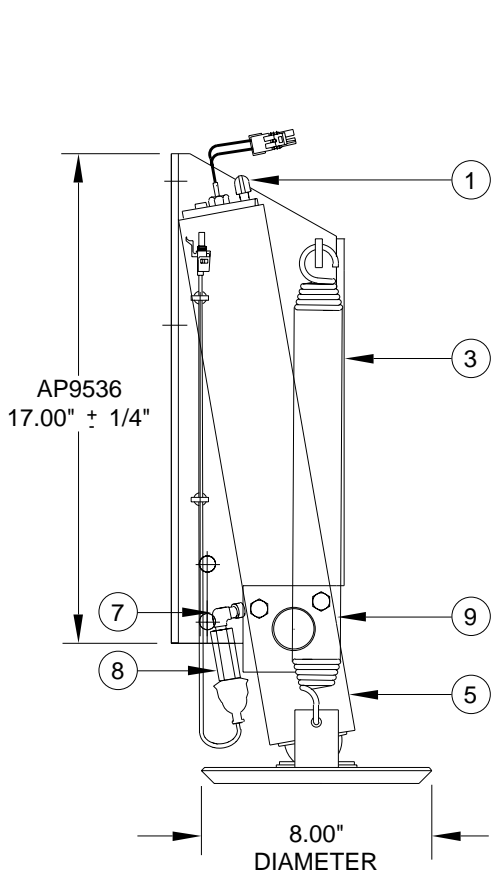
ITEM	PART	QTY	DESCRIPTION
1	R91642	1	SPRING KIT .2187" X 14.5"
		2	SPRING .2187" X 14.5"
2	RAP8464	1	8.00" DIAMETER FOOT
3	RAP90073	1	SWITCH WARNING 3-WIRE (REPLACES RAP8442)
4	RF1453	1	ELBOW 1/8" X 1/4"
5	RAP9517	1	CYL. ASSY. 2.375" X 13" (INCLUDES ITEM 4) (EXCLUDES ITEMS 3,7,8)

ITEM	PART	QTY	DESCRIPTION
6	<b>OBSOLETE</b>		PIVOT BRACKET - CONTACT HWH CORPORATION FOR REPLACEMENT INFORMATION
7	RAP8003	1	SWITCH PRESSURE
8	RF8143	1	ELBOW 1/8" X 1/8"
9	RAP1735	1	RETAINING PLATE KIT
		2	RETAINING PLATES
		4	HHCS 3/8-16 X 1"
		4	HEX NUT 3/8-16 LOCK DEF.

NOTE : INDENTED ITEMS ARE INCLUDED WITH PRECEDING ITEM.

**MR26.5112**  
**23MAR09**

**AP1122 - STRAIGHT ACTING JACK, 7 DEGREE PIVOT, F/A SPRINGS**  
**12,000 # CAPACITY; 2.375" ROD DIAMETER; 13.00" STROKE**  
**WITH PRESSURE SWITCH, 2-WIRE WARNING SWITCH**  
**AND NARROW PIVOT BRACKET**



ITEM	PART	QTY	DESCRIPTION
1	RF1453	1	ELBOW 1/8" X 1/4"
2	RAP1008	1	SWITCH WARNING 2-WIRE
3	<b>OBSOLETE</b>		PIVOT BRACKET - CONTACT HWH CORPORATION FOR REPLACEMENT INFORMATION
4	RAP8464	1	8.00" DIAMETER FOOT
5	RAP9517	1	CYL. ASSY. 2.375" X 13" (INCLUDES ITEMS 1,10) (EXCLUDES ITEMS 2,7,8)

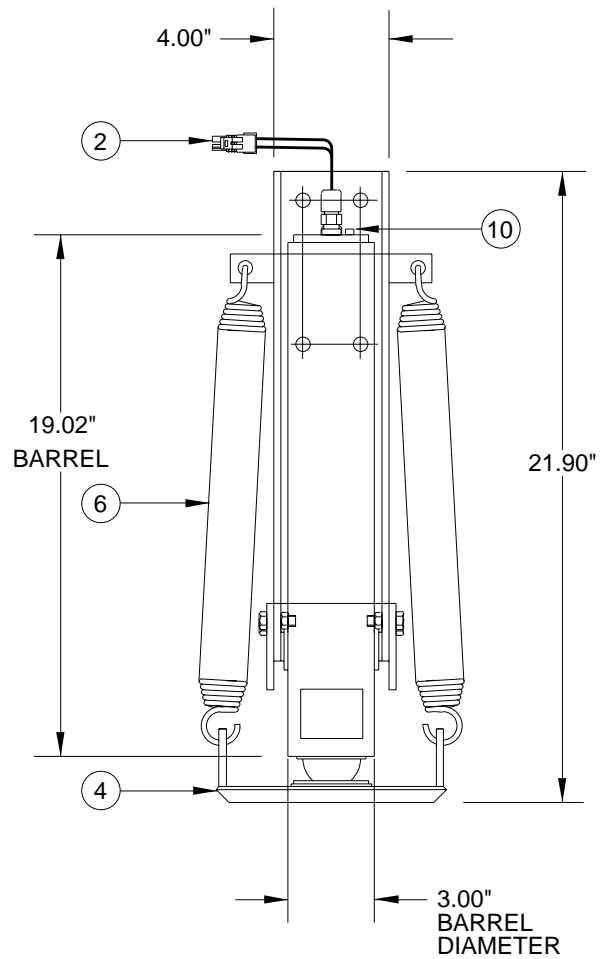
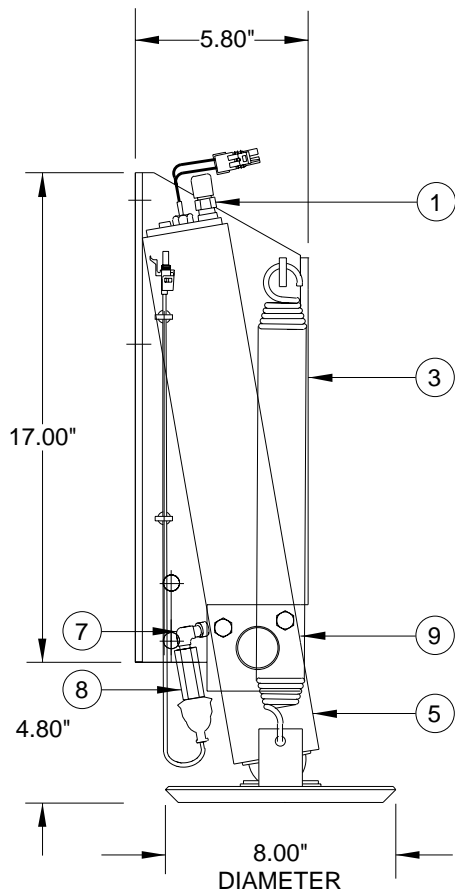
ITEM	PART	QTY	DESCRIPTION
6	R91642	1 2	SPRING KIT .2187" X 14.5" SPRING .2187" X 14.5"
7	RF8143	1	ELBOW 1/8" X 1/8"
8	RAP8003	1	SWITCH PRESSURE
9	RAP1735	1 2 4 4	RETAINING PLATE KIT RETAINING PLATES HHCS 3/8-16 X 1" HEX NUT 3/8-16 LOCK DEF
10	RF90272	1	PIPE PLUG 1/8"

NOTE : INDENTED ITEMS ARE INCLUDED WITH PRECEDING ITEM.

**MR26.5115**  
**23MAR09**



**AP13500 - STRAIGHT-ACTING JACK, 7 DEGREE PIVOT, F/A SPRINGS**  
**12,000 # CAPACITY; 2.375" ROD DIAMETER; 13.00" STROKE**  
**WITH PRESSURE SWITCH, 2-WIRE WARNING SWITCH**  
**AND NARROW PIVOT BRACKET**



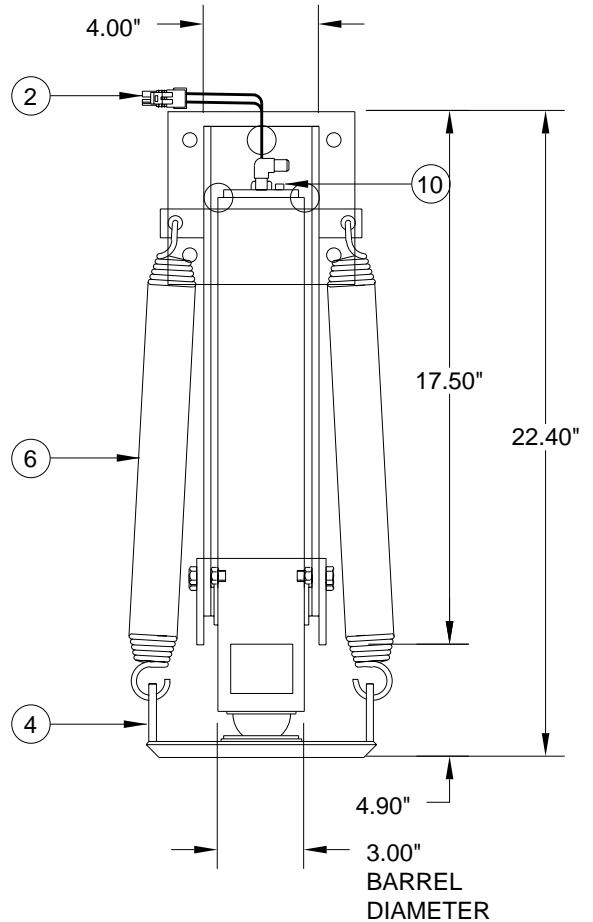
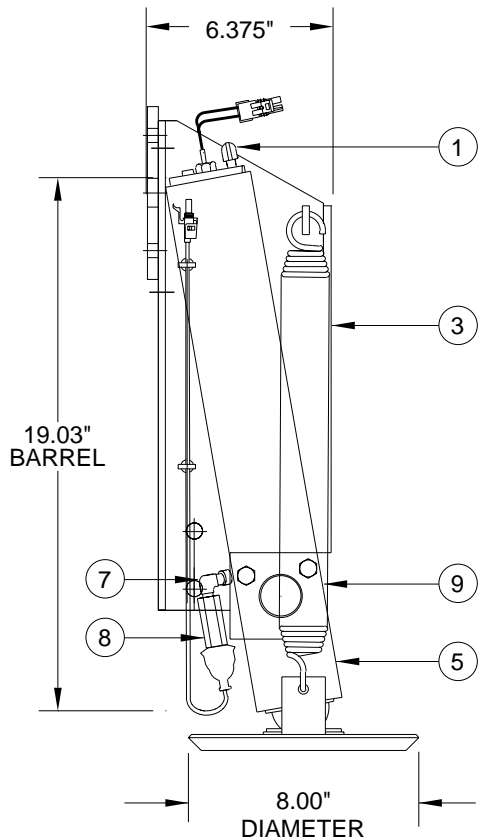
ITEM	PART	QTY	DESCRIPTION
1	RF1456	1	MALE CONNECTOR 1/8" X 1/4"
2	RAP1008	1	SWITCH WARNING 2-WIRE (REPLACES AP1008)
3	<b>OBSOLETE</b>		PIVOT BRACKET - CONTACT HWH CORPORATION FOR REPLACEMENT INFORMATION
4	RAP8464	1	8.00" DIAMETER FOOT
5	RAP9517	1	CYL. ASSY. 2.375" X 13" (INCLUDES ITEMS 1,10) (EXCLUDES ITEMS 2,7,8)

ITEM	PART	QTY	DESCRIPTION
6	R91642	1 2	SPRING KIT .2187" X 14.5" SPRING .2187" X 14.5"
7	RF8143	1	ELBOW 1/8" X 1/8"
8	RAP8003	1	SWITCH PRESSURE
9	RAP1735	1 2 4 4	RETAINING PLATE KIT RETAINING PLATES HHCS 3/8-16 X 1" HEX NUT 3/8-16 LOCK
10	RF90272	1	PIPE PLUG 1/8"

NOTE : INDENTED ITEMS ARE INCLUDED WITH PRECEDING ITEM.

**MR26.5116**  
**23MAR09**

**AP1497 - STRAIGHT-ACTING JACK, 7 DEGREE PIVOT, F/A SPRINGS**  
**12,000 # CAPACITY; 2.375" ROD DIAMETER; 13.00" STROKE**  
**WITH PRESSURE SWITCH, 2-WIRE WARNING SWITCH**  
**AND NARROW PIVOT BRACKET WITH ADAPTOR**



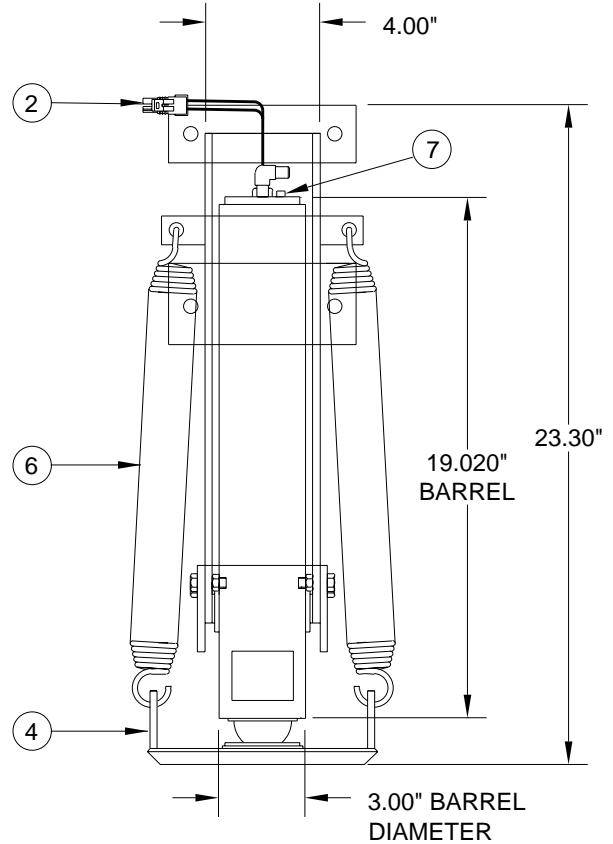
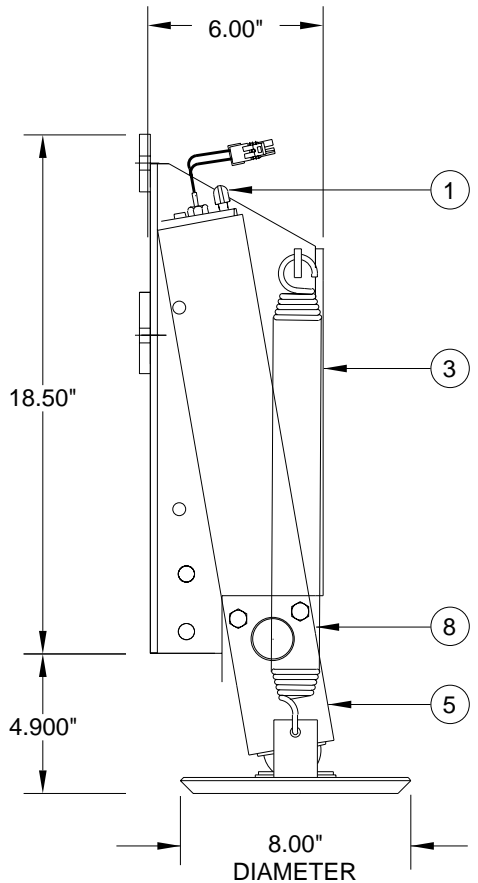
ITEM	PART	QTY	DESCRIPTION
1	RF1453	1	ELBOW 1/8" X 1/4"
2	RAP1008	1	SWITCH WARNING 2-WIRE
3	<b>OBSOLETE</b>		PIVOT BRACKET - CONTACT HWH CORPORATION FOR REPLACEMENT INFORMATION
4	RAP8464	1	8.00" DIAMETER FOOT
5	RAP9517	1	CYL. ASSY. 2.375" X 13" (INCLUDES ITEMS 1,10) (EXCLUDES ITEMS 2,7,8)

ITEM	PART	QTY	DESCRIPTION
6	R91642	1 2	SPRING KIT .2187" X 14.5" SPRING .2187" X 14.5"
7	RF8143	1	ELBOW 1/8" X 1/8"
8	RAP8003	1	SWITCH PRESSURE
9	RAP1735	1 2 4 4	RETAINING PLATE KIT RETAINING PLATES HHCS 3/8-16 X 1" HEX NUT 3/8-16 LOCK DEF
10	RF90272	1	PIPE PLUG 1/8"

NOTE : INDENTED ITEMS ARE INCLUDED WITH PRECEDING ITEM.

MR26.5120  
23MAR09

**AP10700 - STRAIGHT-ACTING JACK, 7 DEGREE PIVOT, F/A SPRINGS**  
**12,000 # CAPACITY; 2.375" ROD DIAMETER; 13.00" STROKE**  
**WITH NARROW PIVOT BRACKET WITH ADAPTOR**



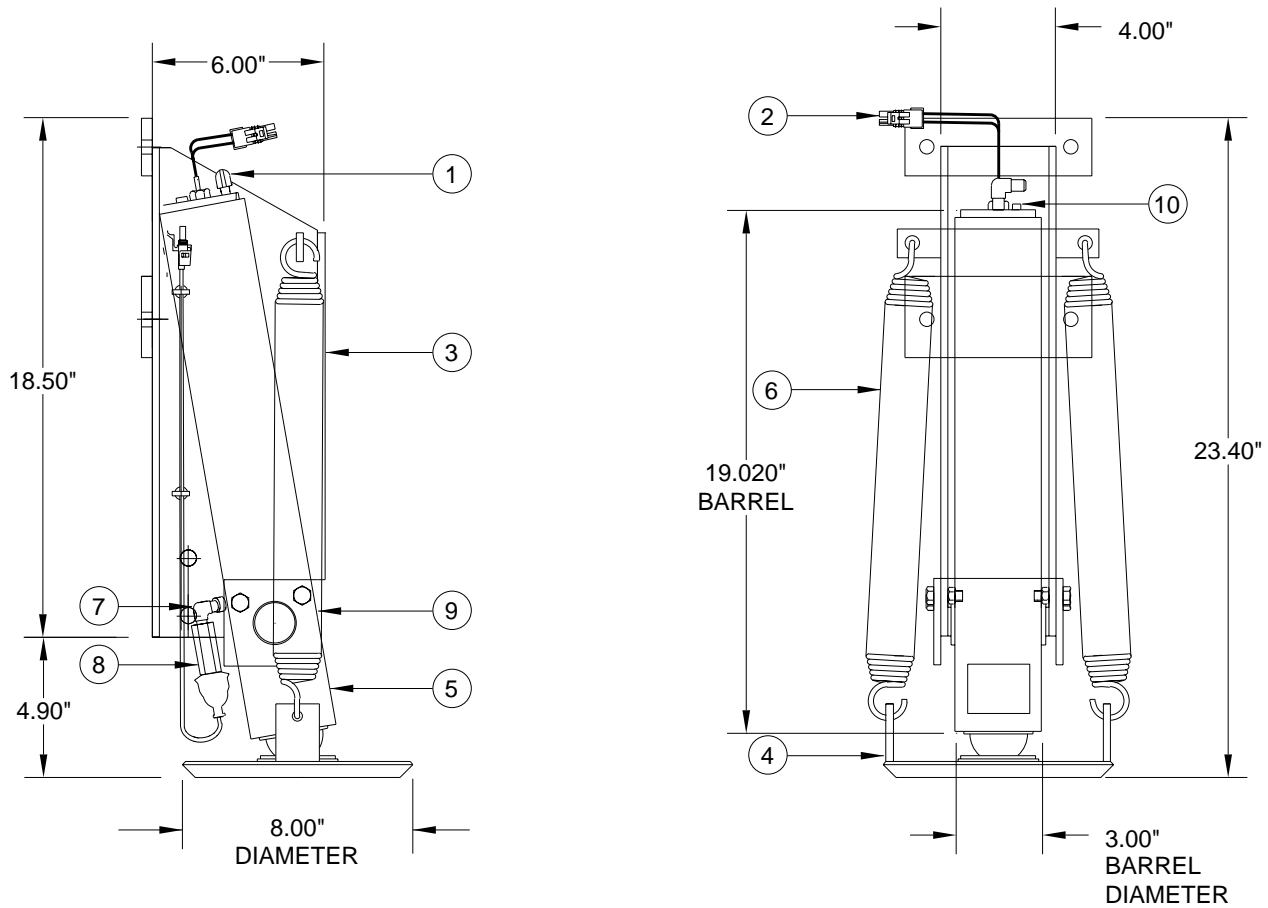
ITEM	PART	QTY	DESCRIPTION
1	RF1453	1	ELBOW 1/8" X 1/4"
2	RAP1008	1	SWITCH WARNING 2-WIRE
3	<b>OBSOLETE</b>		PIVOT BRACKET - CONTACT HWH CORPORATION FOR REPLACEMENT INFORMATION
4	RAP8464	1	8.00" DIAMETER FOOT

ITEM	PART	QTY	DESCRIPTION
5	RAP9517	1	CYL. ASSY. 2.375" X 13" (INCLUDES ITEMS 1,7,8) (EXCLUDES ITEMS 2)
6	R91642	1 2	SPRING KIT .2187" X 14.5" SPRING .2187" X 14.5"
7	RF90272	1	PIPE PLUG 1/8"
8	RAP1735	1 2 4 4	RETAINING PLATE KIT RETAINING PLATES HHCS 3/8-16 X 1" HEX NUT 3/8-16 LOCK DEF

NOTE : INDENTED ITEMS ARE INCLUDED WITH PRECEDING ITEM.

**MR26.5130**  
**23MAR09**

**AP11298 - STRAIGHT-ACTING JACK, 7 DEGREE PIVOT, F/A SPRINGS**  
**12,000 # CAPACITY; 2.375" ROD DIAMETER; 13.00" STROKE**  
**WITH PRESSURE SWITCH, 2-WIRE WARNING SWITCH**  
**AND NARROW PIVOT BRACKET WITH ADAPTOR**



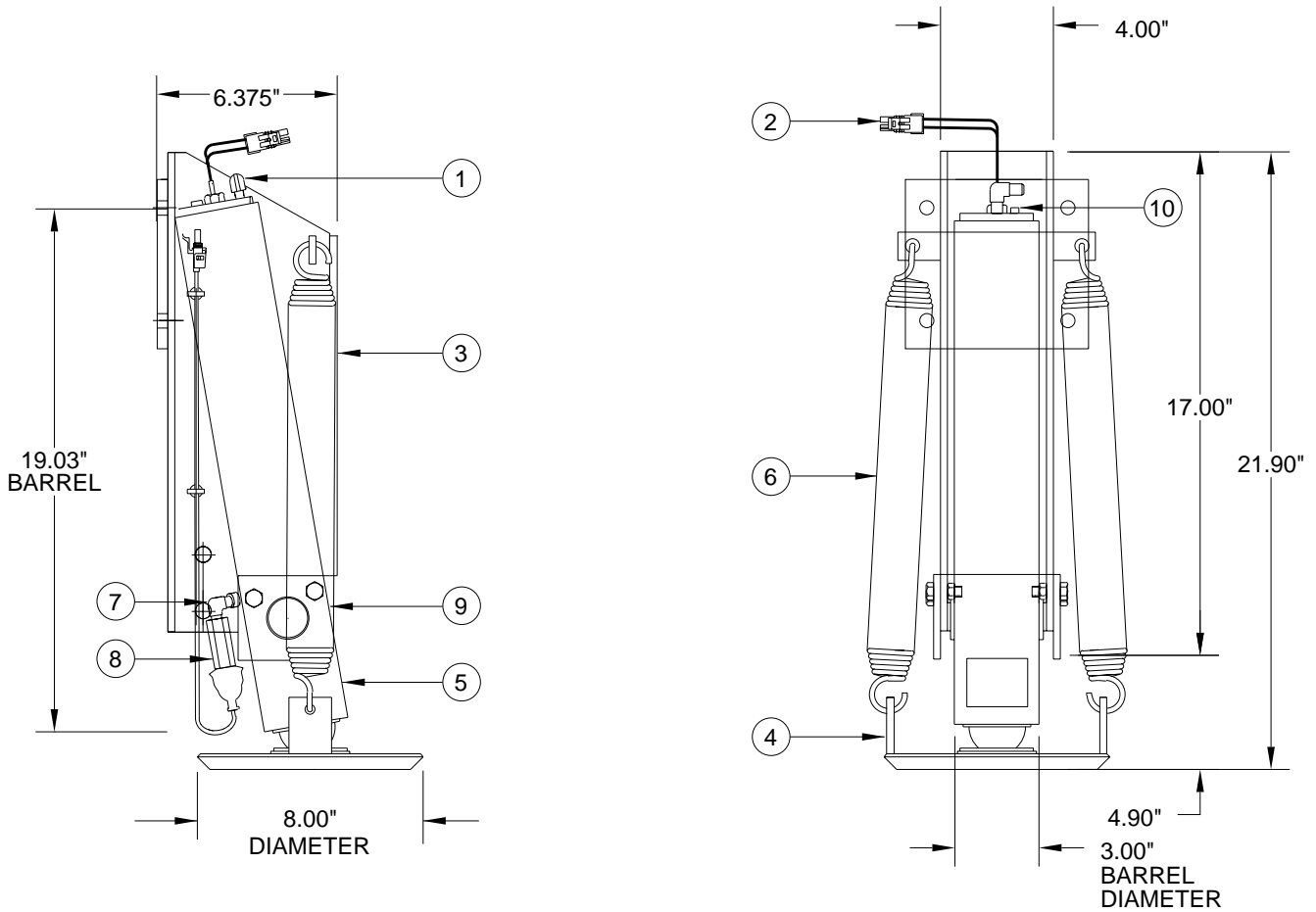
ITEM	PART	QTY	DESCRIPTION
1	RF1453	1	ELBOW 1/8" X 1/4"
2	RAP1008	1	SWITCH WARNING 2-WIRE
3	<b>OBSOLETE</b>		PIVOT BRACKET - CONTACT HWH CORPORATION FOR REPLACEMENT INFORMATION
4	RAP8464	1	8.00" DIAMETER FOOT
5	RAP9517	1	CYL. ASSY. 2.375" X 13" (INCLUDES ITEMS 1,10) (EXCLUDES ITEMS 2,7,8)

ITEM	PART	QTY	DESCRIPTION
6	R91642	1	SPRING KIT .2187" X 14.5"
		2	SPRING .2187" X 14.5"
7	RF8143	1	ELBOW 1/8" X 1/8"
8	RAP8003	1	SWITCH PRESSURE
9	RAP1735	1	RETAINING PLATE KIT
		2	RETAINING PLATES
		4	HHCS 3/8-16 X 1"
		4	HEX NUT 3/8-16 LOCK DEF
10	RF90272	1	PIPE PLUG 1/8"

NOTE : INDENTED ITEMS ARE INCLUDED WITH PRECEDING ITEM.

**MR26.5135**  
**23MAR09**

**AP11326 - STRAIGHT-ACTING JACK, 7 DEGREE PIVOT, F/A SPRINGS**  
**12,000 # CAPACITY; 2.375" ROD DIAMETER; 13.00" STROKE**  
**WITH PRESSURE SWITCH, 2-WIRE WARNING SWITCH**  
**AND NARROW PIVOT BRACKET WITH ADAPTOR**

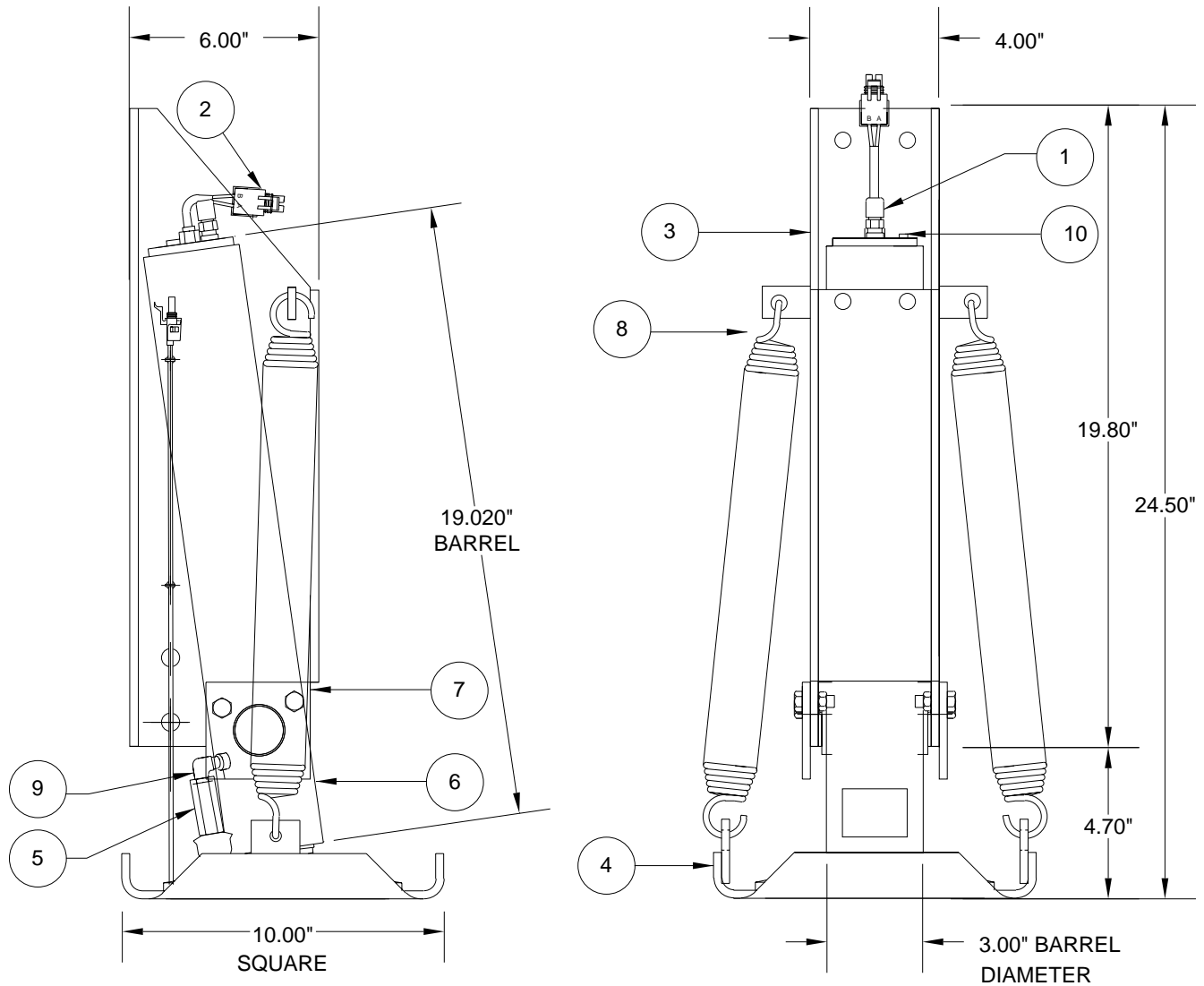


ITEM	PART	QTY	DESCRIPTION
1	RF1453	1	ELBOW 1/8" X 1/4"
2	RAP1008	1	SWITCH WARNING 2-WIRE
3	<b>OBSOLETE</b>		PIVOT BRACKET - CONTACT HWH CORPORATION FOR REPLACEMENT INFORMATION
4	RAP8464	1	8.00" DIAMETER FOOT
5	RAP9517	1	CYL. ASSY. 2.375" X 13" (INCLUDES ITEMS 1,10) (EXCLUDES ITEMS 2,7,8)

ITEM	PART	QTY	DESCRIPTION
6	R91642	1	SPRING KIT .2187" X 14.5"
		2	SPRING .2187" X 14.5"
7	RF8143	1	ELBOW 1/8" X 1/8"
8	RAP8003	1	SWITCH PRESSURE
9	RAP1735	1	RETAINING PLATE KIT
		2	RETAINING PLATES
		4	HHCS 3/8-16 X 1"
		4	HEX NUT 3/8-16 LOCK DEF
10	RF90272	1	PIPE PLUG 1/8"

NOTE : INDENTED ITEMS ARE INCLUDED WITH PRECEDING ITEM.

**AP11369 - STRAIGHT-ACTING JACK, 7 DEGREE PIVOT, F/A SPRINGS**  
**12,000 # CAPACITY; 2.375" ROD DIAMETER; 13.00" STROKE**  
**WITH PRESSURE SWITCH, 2-WIRE WARNING SWITCH**  
**AND NARROW PIVOT BRACKET**



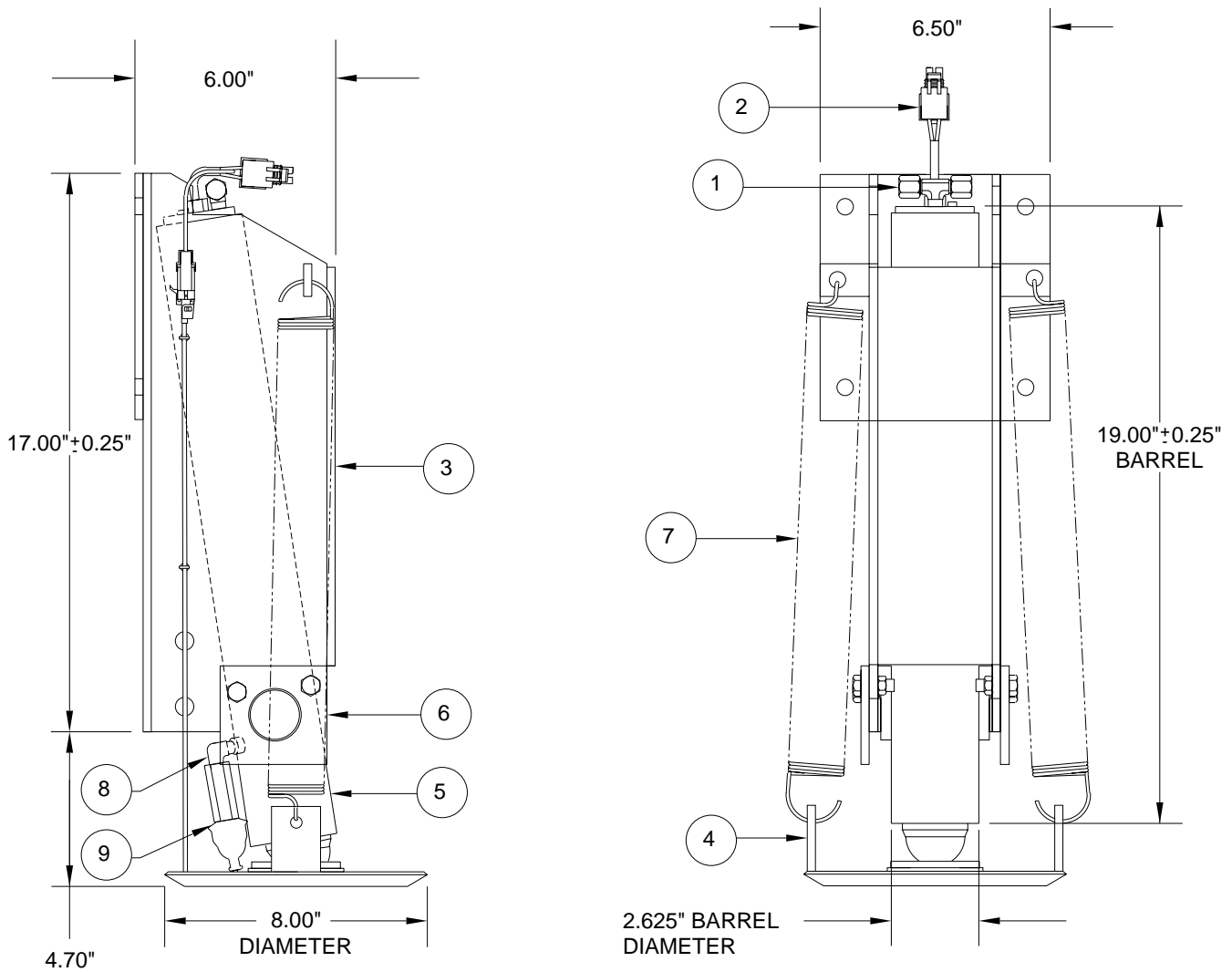
ITEM	PART	QTY	DESCRIPTION
1	RF1456	1	MALE CONNECTOR 1/8" X 1/4"
2	RAP1008	1	SWITCH WARNING 2-WIRE
3	<b>OBSELETE</b>		PIVOT BRACKET - CONTACT HWH CORPORATION FOR REPLACEMENT INFORMATION
4	RAP7754	1	FOOT 11.40" ROUND 10" SQUARE FOOT NO LONGER AVAILABLE
5	RAP8003	1	SWITCH PRESSURE

ITEM	PART	QTY	DESCRIPTION
6	RAP9517	1	CYL. ASSY. 2.375" X 13" (INCLUDES ITEM 1) (EXCLUDES ITEM 2,5,9)
7	RAP1735	1	RETAINING PLATE KIT
		2	RETAINING PLATES
		4	HHCS 3/8-16 X 1"
		4	HEX NUT 3/8-16 LOCK DEF.
8	R91642	1	SPRING KIT .2187" X 14.5"
		2	SPRING .2187" X 14.5"
9	RF8143	1	ELBOW 1/8" X 1/8"
10	RF2418	1	PLUG 1/8"

**NOTE :** INDENTED ITEMS ARE INCLUDED WITH PRECEDING ITEM.

**MR26.5155**  
**14FEB13**

**AP23471 - STRAIGHT - ACTING JACK, 7 DEGREE PIVOT, F/A SPRINGS  
 12,000 # CAPACITY; 2.375" ROD DIAMETER; 13.00" STROKE  
 WITH PRESSURE SWITCH, 3-WIRE WARNING SWITCH,  
 AND NARROW PIVOT BRACKET WITH ADAPTOR**



ITEM	PART	QTY	DESCRIPTION
1	RF90151	1	MALE BRANCH TEE 1/8" X 1/4" X 1/4"
2	RAP90073	1	SWITCH WARNING 3-WIRE
3	RAP1918	1	PIVOT BRACKET
4	RAP8464	1	8.00" DIAMETER FOOT
5	RAP9517	1	CYL. ASSY. 2.375" X 13" (INCLUDES ITEM 1) (EXCLUDES ITEMS 2,8,9)

ITEM	PART	QTY	DESCRIPTION
6	RAP1735	1	RETAINING PLATE KIT
		2	RETAINING PLATE
		4	HHCS 3/8-16 X 1"
		4	HEX NUT 3/8-16 LOCK DEF
7	R91642	1	SPRING KIT .2187" X 14.5"
		2	SPRING .2187" X 14.5"
8	RF8143	1	ELBOW 1/8" X 1/8"
9	RAP8003	1	SWITCH PRESSURE

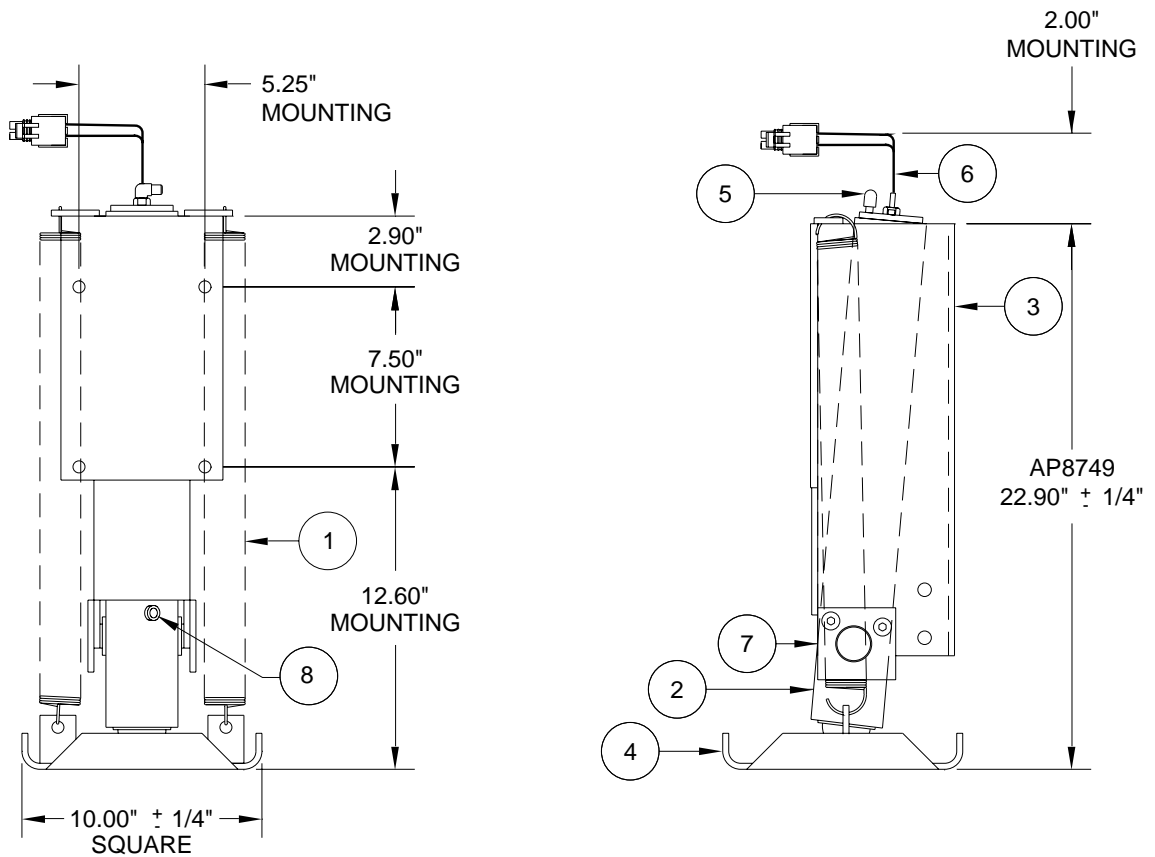
NOTE : INDENTED ITEMS ARE INCLUDED WITH PRECEDING ITEM.

MR26.5156  
 03MAY12

# AP8749 - STRAIGHT ACTING JACK, 7 DEGREE PIVOT, F/A SPRINGS

12,000 # CAPACITY; 2.375" ROD DIAMETER; 16.00" STROKE

WITH NARROW PIVOT BRACKET



ITEM	PART	QTY	DESCRIPTION
1	R91933	1	SPRING KIT 0.218 x 17.5"
		2	SPRING 0.218 x 17.5"
2	RAP8805	1	CYL. ASSY. 2.375" X 16" (INCLUDES ITEM 5,8) (EXCLUDES ITEM 6)
3	RAP8748	1	PIVOT BRACKET
4	RAP5453	1	FOOT 11.40" ROUND 10" SQUARE FOOT NO LONGER AVAILABLE

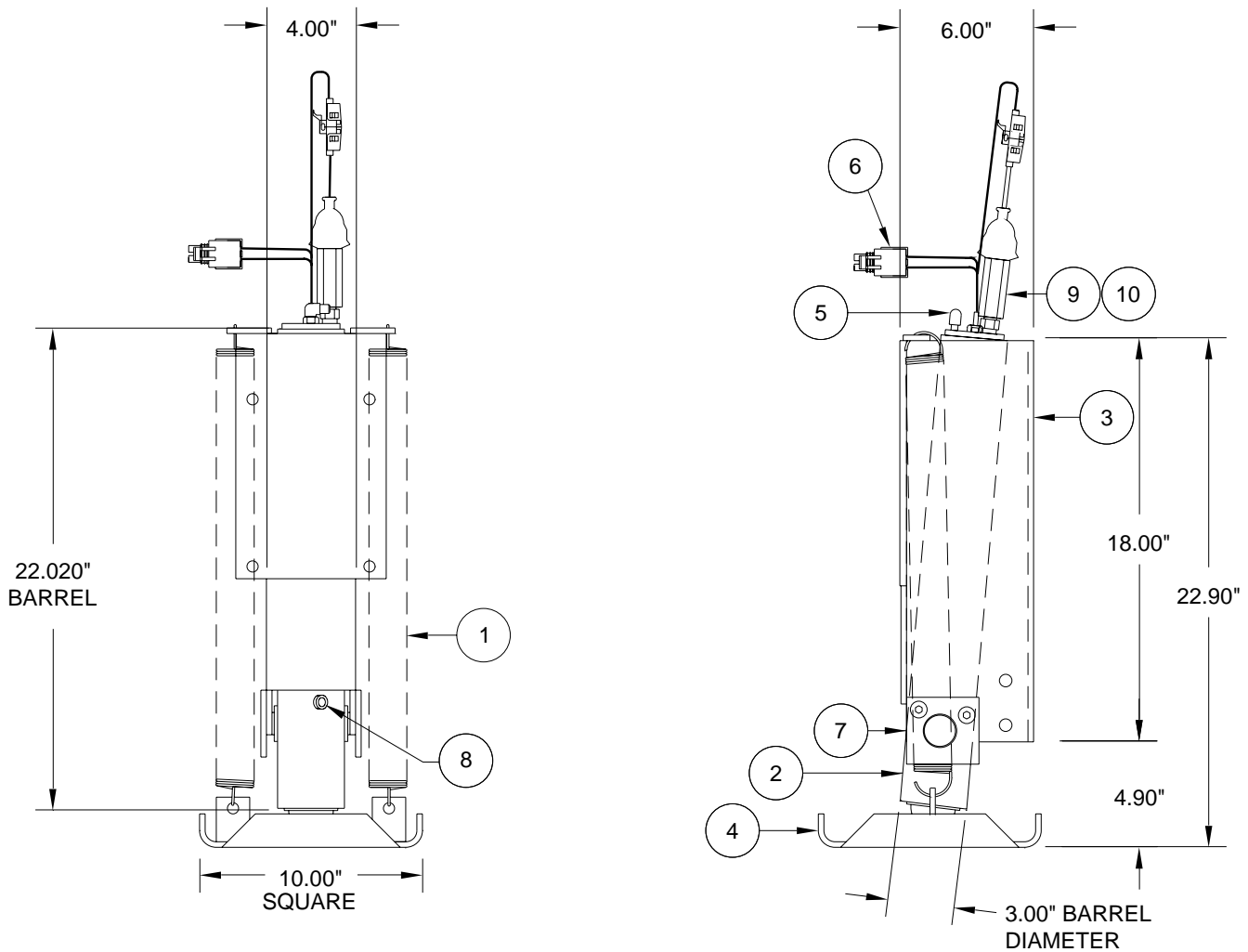
ITEM	PART	QTY	DESCRIPTION
5	RF1453	1	ELBOW 1/8" X 1/4"
6	RAP1008	1	SWITCH WARNING 2-WIRE REPLACES RAP8100)
7	RAP1735	1	RETAINING PLATE KIT
		2	RETAINING PLATES
		4	HHCS 3/8-16 X 1"
		4	HEX NUT 3/8-16 LOCK DEF.
8	RF2418	1	PIPE PLUG 1/8"

NOTE : INDENTED ITEMS ARE INCLUDED WITH PRECEDING ITEM.

MR26.5160  
12FEB13



**AP0788 - STRAIGHT-ACTING JACK, 7 DEGREE PIVOT, F/A SPRINGS**  
**12,000 # CAPACITY; 2.375" ROD DIAMETER; 16.00" STROKE**  
**WITH PRESSURE SWITCH, 3-WIRE WARNING SWITCH**  
**AND NARROW PIVOT BRACKET**



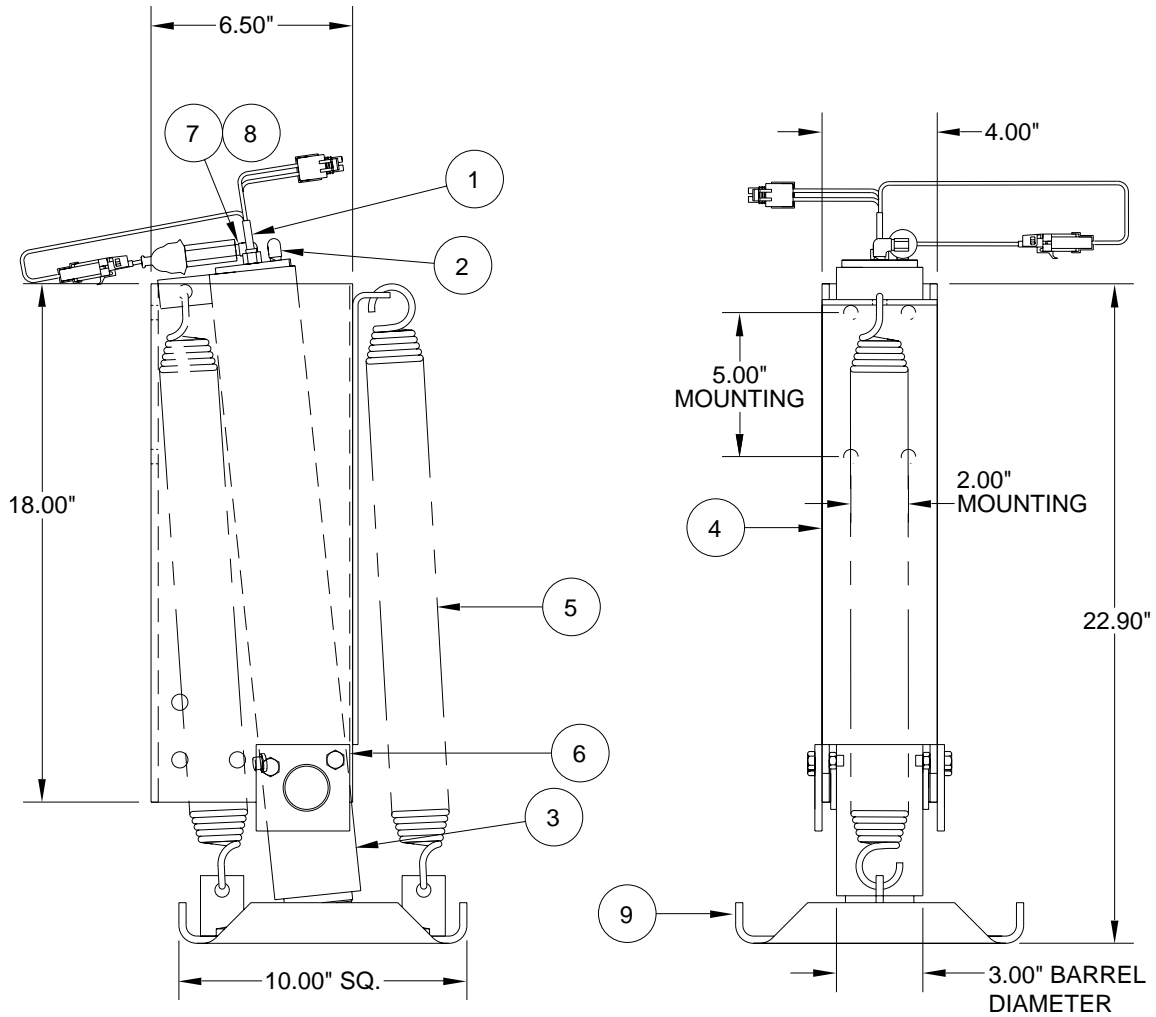
ITEM	PART	QTY	DESCRIPTION
1	R91933	1	SPRING KIT 0.218 x 17.5"
		2	SPRING 0.218 x 17.5"
2	RAP8805	1	CYL. ASSY. 2.375" X 16" (INCLUDES ITEM 5,8) (EXCLUDES ITEM 6,9,10)
3	RAP8748	1	PIVOT BRACKET
4	RAP5453	1	FOOT 11.40" ROUND 10" SQUARE FOOT NO LONGER AVAILABLE
5	RF1453	1	ELBOW 1/8" X 1/4"

ITEM	PART	QTY	DESCRIPTION
6	RAP90073	1	SWITCH WARNING 3-WIRE
7	RAP1735	1	RETAINING PLATE KIT
		2	RETAINING PLATES
		4	HHCS 3/8-16 X 1"
		4	HEX NUT 3/8-16 LOCK DEF.
8	RF2418	1	PIPE PLUG 1/8"
9	RF9315	1	NIPPLE 1/8" X 1/8"
10	RAP8003	1	SWITCH PRESSURE

NOTE : INDENTED ITEMS ARE INCLUDED WITH PRECEDING ITEM.

**MR26.5161**  
**12FEB13**

**AP0787 - STRAIGHT-ACTING JACK, 7 DEG PIVOT, S/S SPRINGS**  
**12,000 # CAPACITY; 2.375" ROD DIAMETER; 16.00" STROKE**  
**WITH 3-WIRE WARNING SWITCH AND PRESSURE SWITCH**



ITEM	PART	QTY	DESCRIPTION
1	RAP90073	1	SWITCH WARNING 3-WIRE
2	RF1453	1	ELBOW 1/8" X 1/4"
3	RAP8730	1	CYL. ASSY. 2.375" x 16" (INCLUDES TEE) (EXCLUDES ITEMS 1,2,7,8)
4	RAP8733	1	PIVOT BRACKET
5	R91933	1 2	SPRING KIT 0.218" x 17.5" SPRING 0.218" x 17.5"

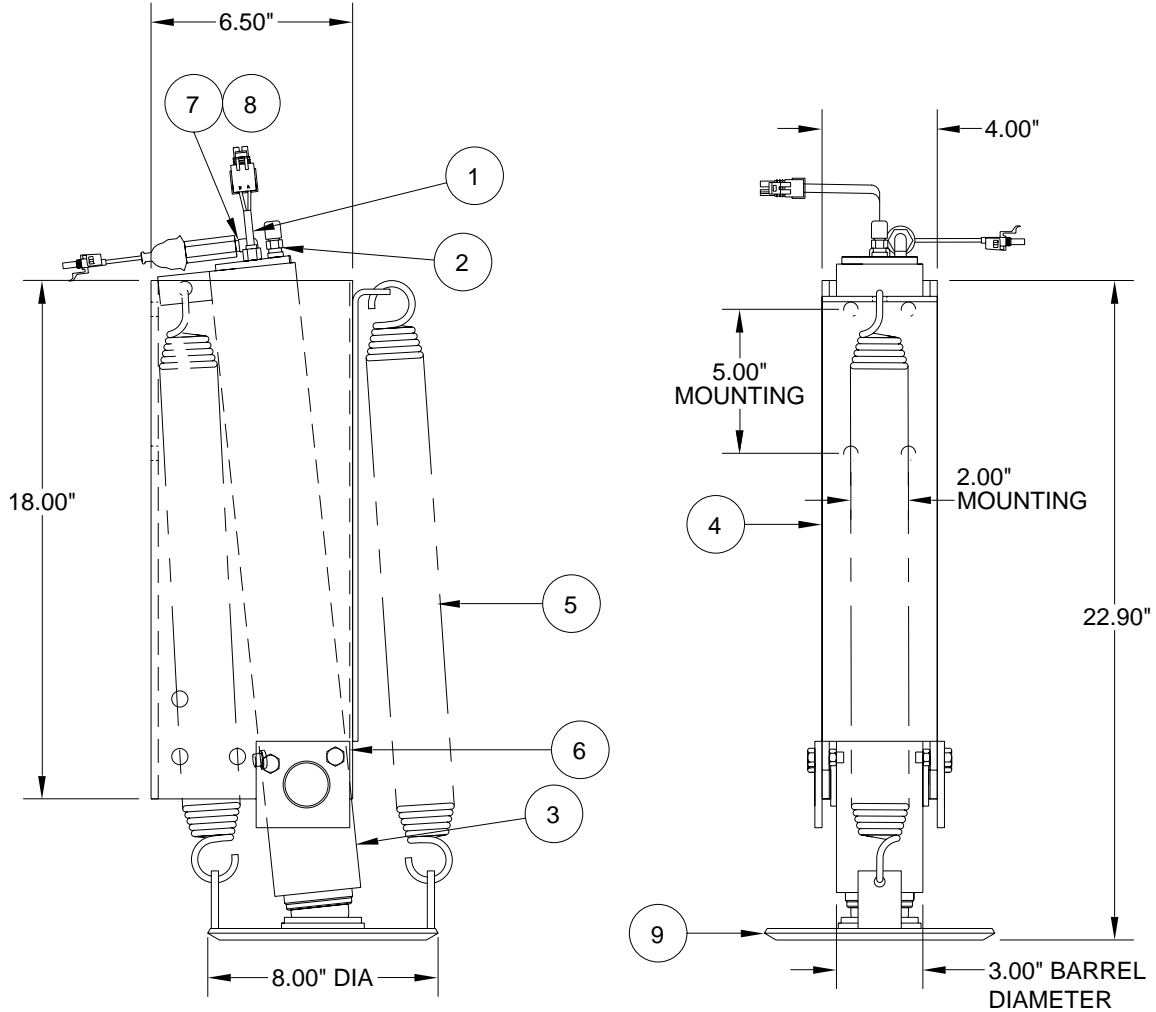
ITEM	PART	QTY	DESCRIPTION
6	RAP1735	1	RETAINING PLATE KIT
		2	RETAINING PLATES
		4	HHCS 3/8 - 16 x 1"
		4	HEX NUT 3/8 - 16 LOCK
7	RF8143	1	ELBOW 1/8" X 1/8"
8	RAP8003	1	SWITCH PRESSURE
9	RAP5453	1	FOOT 11.40" ROUND 10" SQUARE FOOT NO LONGER AVAILABLE

**NOTE:** INDENTED ITEMS ARE INCLUDED WITH PRECEDING ITEM.

**MR26.5162**  
**12FEB13**

**AP29788 - AP29789 - AP33360**  
**STRAIGHT-ACTING JACK, 6 DEGREE PIVOT, S/S SPRINGS**  
**12,000 # CAPACITY; 2.375" ROD DIAMETER; 16.00" STROKE**

JACK #	DESCRIPTION
AP29788	MAGNETIC WARNING SWITCH W/ GRAY CONNECTOR ONLY
AP29789	MAGNETIC WARNING SWITCH W/ GRAY CONNECTOR, PRESSURE SWITCH
AP33360	NO WARNING OR PRESSURE SWITCH



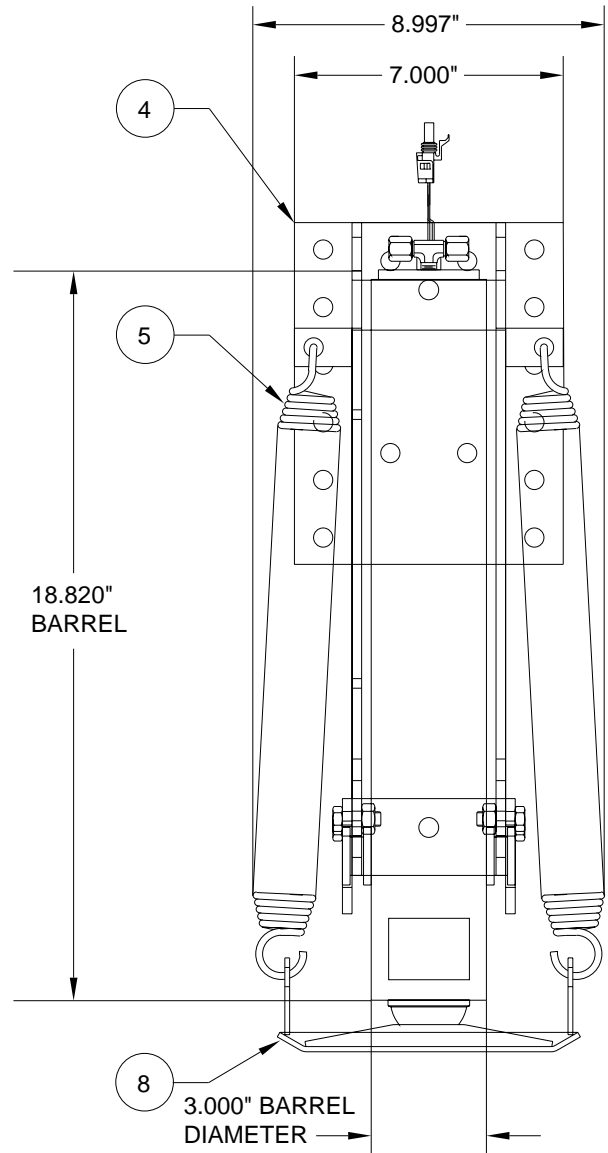
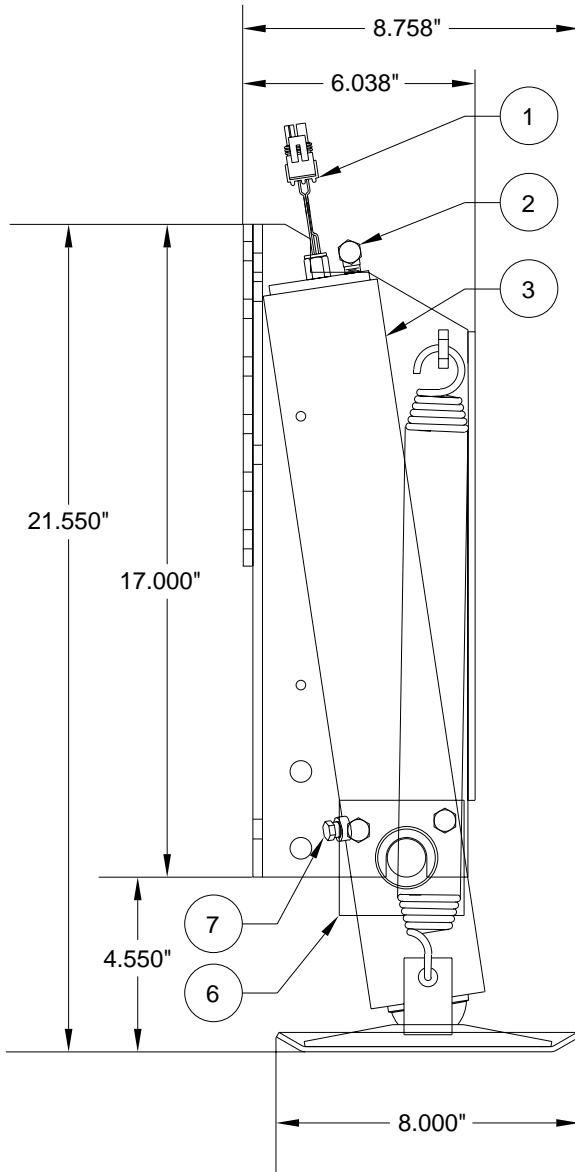
ITEM	PART	QTY	DESCRIPTION
1	RAP90968	1	SWITCH WARNING MAGNETIC GRAY (AP29788, AP29789)
2	RF1456	1	MALE CONNECTOR 1/8" X 1/4"
3	RAP8730	1	CYL. ASSY. 2.375" x 16" (INCLUDES TEE) (EXCLUDES ITEMS 1,2,7,8)
4	RAP8733	1	PIVOT BRACKET
5	R91933	1	SPRING KIT 0.218" x 17.5"
		2	SPRING 0.218" x 17.5"

ITEM	PART	QTY	DESCRIPTION
6	RAP1735	1	RETAINING PLATE KIT
		2	RETAINING PLATES
		4	HHCS 3/8 - 16 x 1"
		4	HEX NUT 3/8 - 16 LOCK
7	RF8143	1	ELBOW 1/8" X 1/8" (AP29789 ONLY)
8	RAP8003	1	SWITCH PRESSURE (AP29789 ONLY)
9	RAP8464	1	FOOT 8.00" DIAMETER

**NOTE:** INDENTED ITEMS ARE INCLUDED WITH PRECEDING ITEM.

# AP18309 - STRAIGHT- ACTING JACK, 7 DEG PIVOT, F/A SPRINGS

12,000 # CAPACITY; 2.375" ROD DIAMETER; 13.00" STROKE



ITEM	PART	QTY	DESCRIPTION
1	RAP1008	1	SWITCH WARNING 2-WIRE
2	RF90151	1	4-STX-S MALE BRANCH TEE
3	RAP9517	1	CYL. ASSY. 2.375" x 13"
4	<b>OBSOLETE</b>		PIVOT BRACKET - CONTACT HWH CORPORATION FOR REPLACEMENT INFORMATION
5	R91642	1	SPRING KIT .2187" x 14.5"
		2	SPRING .2187" x 14.5"

ITEM	PART	QTY	DESCRIPTION
6	RAP1735	1	RETAINING PLATE KIT
		2	RETAINING PLATES
		4	HHCS 3/8 - 16 x 1"
		4	HEX NUT 3/8 - 16 LOCK
7	RF90272	1	1/8 HP-S HEX PLUG
8	RAP8464	1	FOOT 8.000" DIAMETER

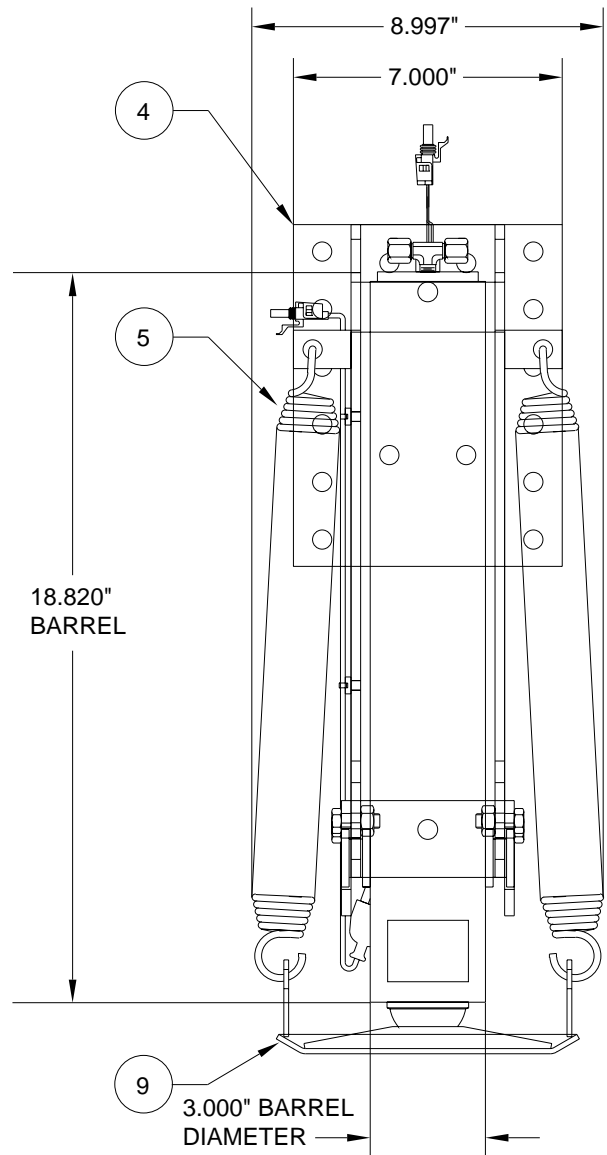
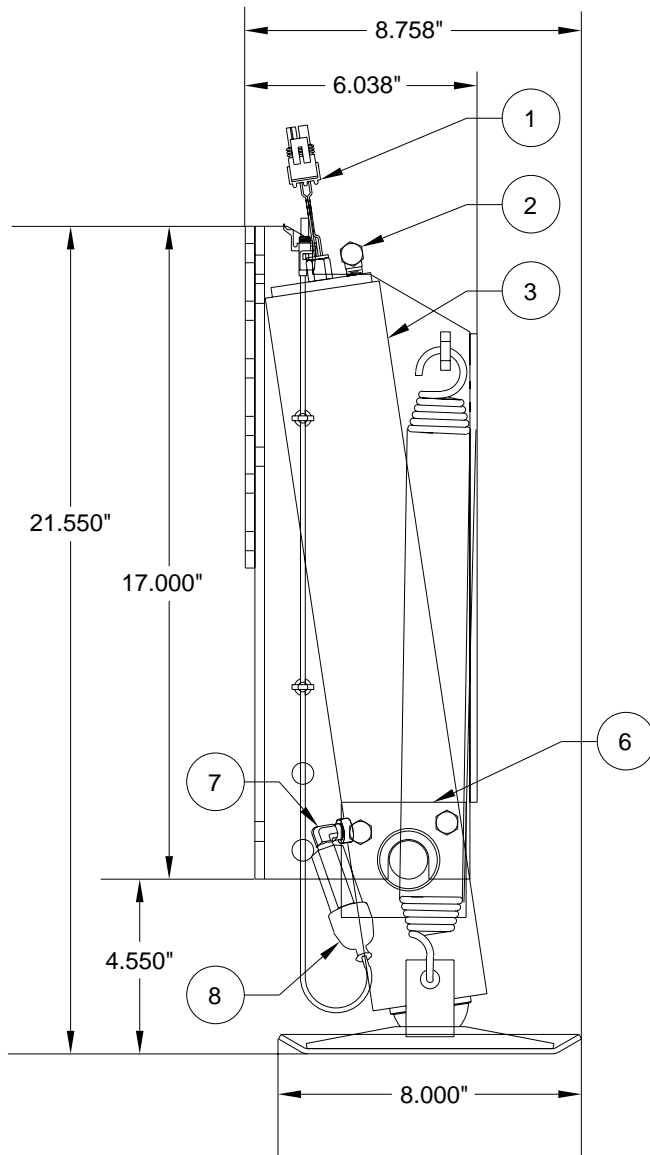
NOTE: INDENTED ITEMS ARE INCLUDED WITH PRECEDING ITEM.

MR26.5166  
23MAR09

# AP18310 - STRAIGHT- ACTING JACK, 7 DEG PIVOT, F/A SPRINGS

12,000 # CAPACITY; 2.375" ROD DIAMETER; 13.00" STROKE

WITH PRESSURE SWITCH AND 2-WIRE WARNING SWITCH



ITEM	PART	QTY	DESCRIPTION
1	RAP1008	1	SWITCH WARNING 2-WIRE
2	RF90151	1	4-STX-S MALE BRANCH TEE
3	RAP9517	1	CYL. ASSY. 2.375" x 13"
4	<b>OBSOLETE</b>		PIVOT BRACKET - CONTACT HWH CORPORATION FOR REPLACEMENT INFORMATION
5	R91642	1	SPRING KIT .2187" x 14.5"
		2	SPRING .2187" x 14.5"

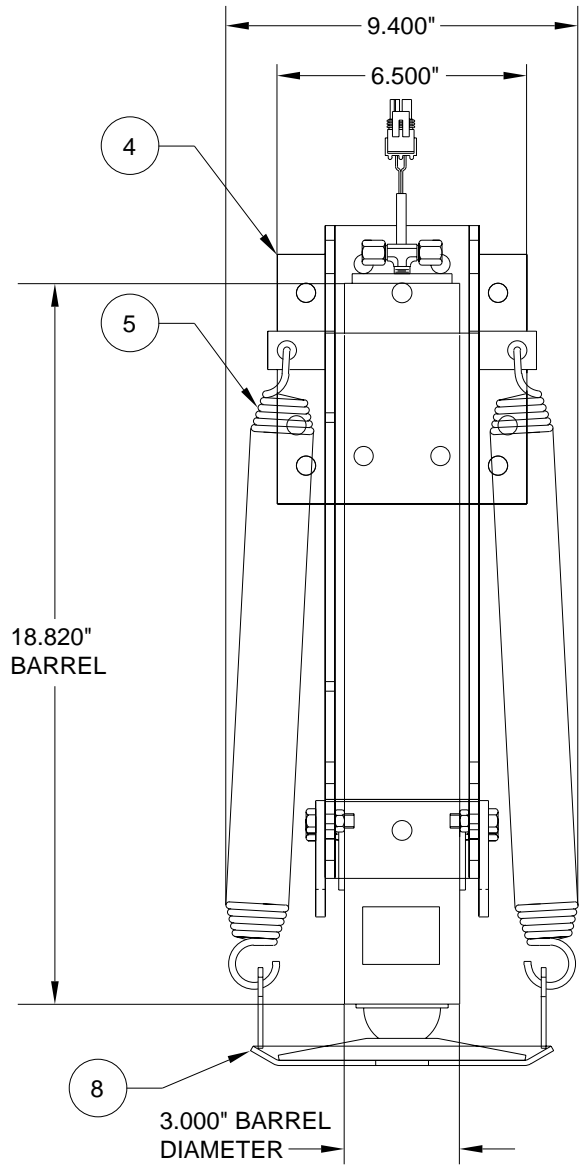
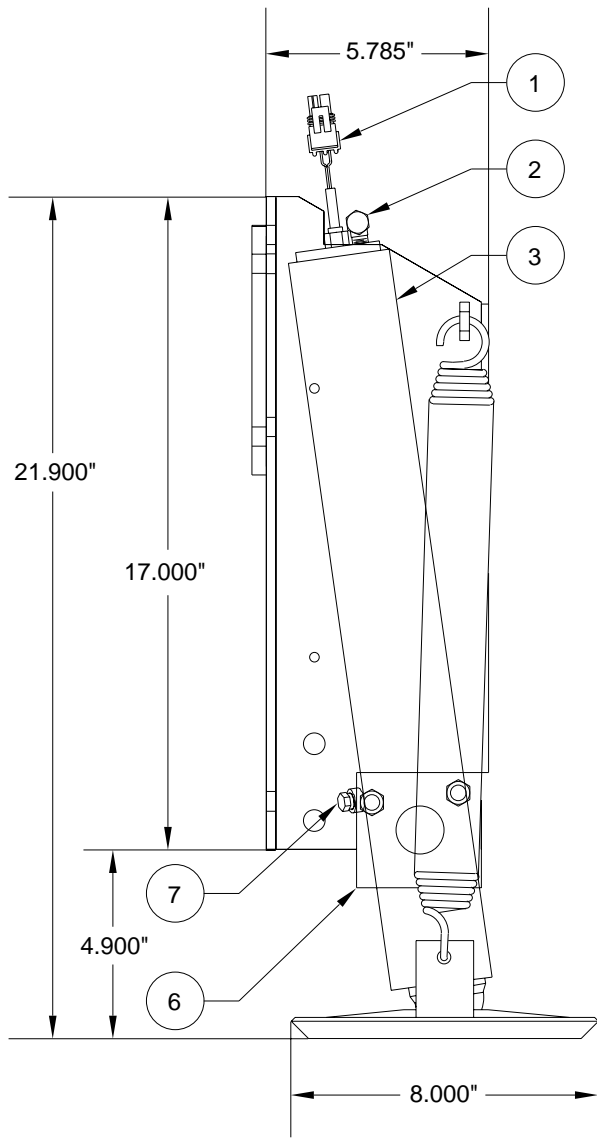
ITEM	PART	QTY	DESCRIPTION
6	RAP1735	1	RETAINING PLATE KIT
		2	RETAINING PLATES
		4	HHCS 3/8 - 16 x 1"
		4	HEX NUT 3/8 - 16 LOCK
7	RF8143	1	CR 1/8-S ELBOW
8	RAP8003	1	SWITCH PRESSURE
9	RAP8464		FOOT 8.000" DIAMETER

NOTE: INDENTED ITEMS ARE INCLUDED WITH PRECEDING ITEM.

MR26.5167  
23MAR09

# AP19670 - STRAIGHT- ACTING JACK, 7 DEG PIVOT, F/A SPRINGS

12,000 # CAPACITY; 2.375" ROD DIAMETER; 13.00" STROKE



ITEM	PART	QTY	DESCRIPTION
1	RAP1008	1	SWITCH WARNING 2-WIRE
2	RF90151	1	4-STX-S MALE BRANCH TEE
3	RAP9517	1	CYL. ASSY. 2.375" x 13"
4	<b>OBSOLETE</b>		PIVOT BRACKET - CONTACT HWH CORPORATION FOR REPLACEMENT INFORMATION
5	R91642	1	SPRING KIT .2187" x 14.5"
		2	SPRING .2187" x 14.5"

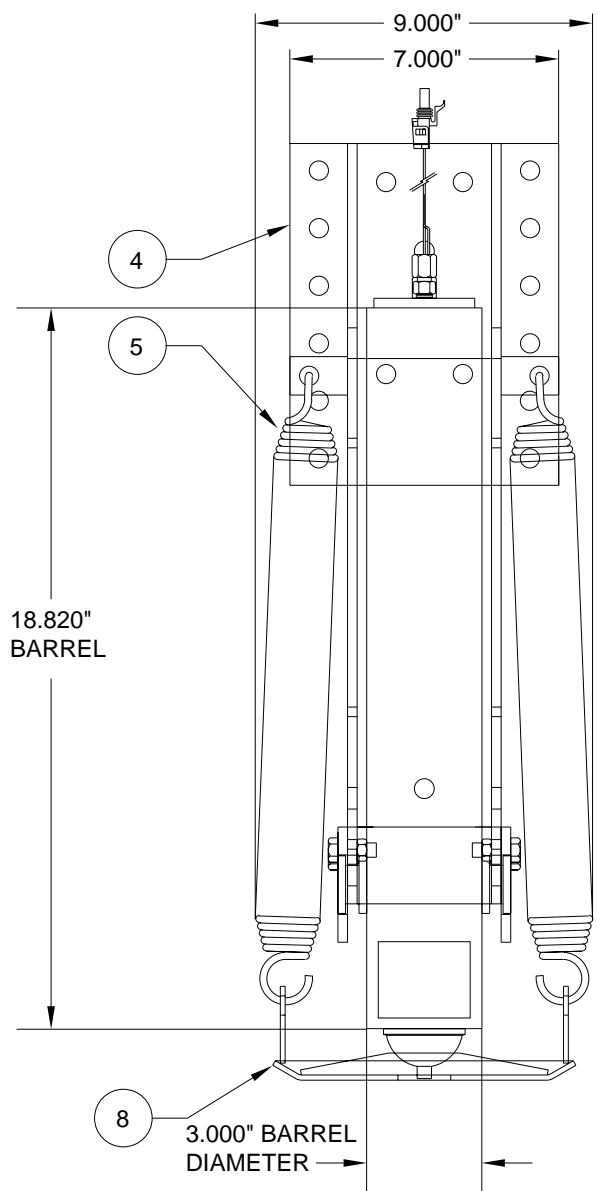
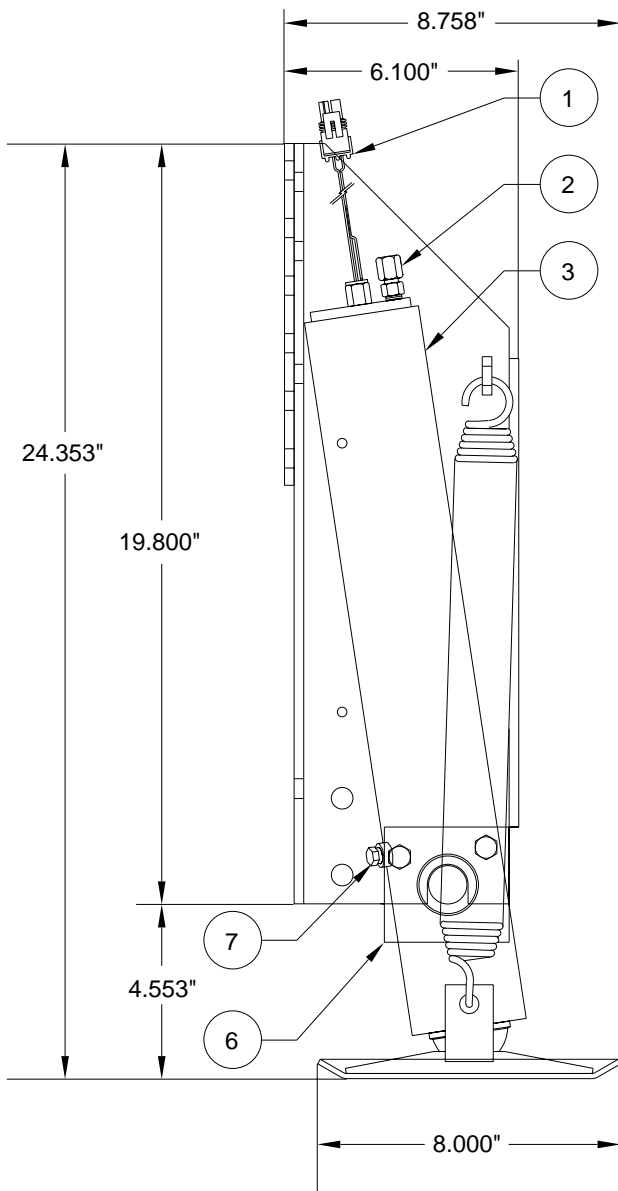
ITEM	PART	QTY	DESCRIPTION
6	1735	1	RETAINING PLATE KIT
		2	RETAINING PLATES
		4	HHCS 3/8 - 16 x 1"
		4	HEX NUT 3/8 - 16 LOCK
7	RF90272	1	1/8 HP-S HEX PLUG
8	RAP8464	1	FOOT 8.000" DIAMETER

NOTE: INDENTED ITEMS ARE INCLUDED WITH PRECEDING ITEM.

MR26.5171  
23MAR09

# AP20314 - STRAIGHT- ACTING JACK, 7 DEG PIVOT, F/A SPRINGS

12,000 # CAPACITY; 2.375" ROD DIAMETER; 13.00" STROKE



ITEM	PART	QTY	DESCRIPTION
1	RAP1008	1	SWITCH WARNING 2-WIRE
2	RF1456	1	4-FTX-S MALE CONNECTOR
3	RAP9517	1	CYL. ASSY. 2.375" x 13"
4	<b>OBSOLETE</b>		PIVOT BRACKET - CONTACT HWH CORPORATION FOR REPLACEMENT INFORMATION
5	R91642	1	SPRING KIT .2187" x 14.5"
		2	SPRING .2187" x 14.5"

ITEM	PART	QTY	DESCRIPTION
6	RAP1735	1	RETAINING PLATE KIT
		2	RETAINING PLATES
		4	HHCS 3/8 - 16 x 1"
		4	HEX NUT 3/8 - 16 LOCK
7	RF90272	1	1/8 HP-S HEX PLUG
8	RAP8464	1	FOOT 8.000" DIAMETER

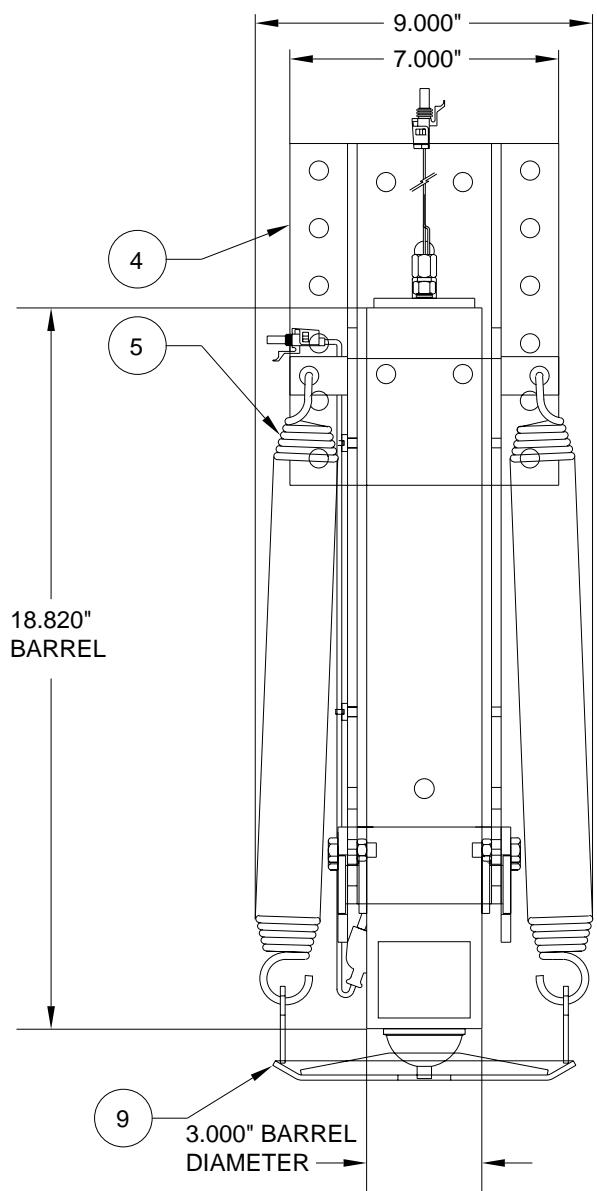
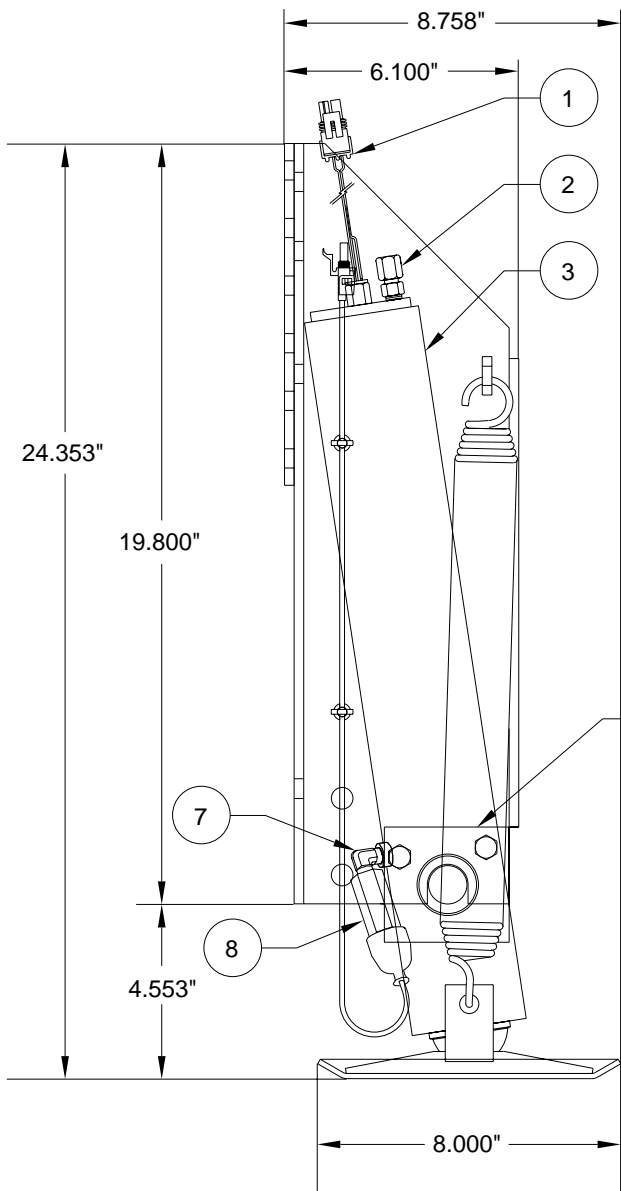
NOTE: INDENTED ITEMS ARE INCLUDED WITH PRECEDING ITEM.

MR26.5176  
23MAR09

# AP20317 - STRAIGHT- ACTING JACK, 7 DEG PIVOT, F/A SPRINGS

12,000 # CAPACITY; 2.375" ROD DIAMETER; 13.00" STROKE

WITH PRESSURE SWITCH AND 2-WIRE WARNING SWITCH



ITEM	PART	QTY	DESCRIPTION
1	RAP1008	1	SWITCH WARNING 2-WIRE
2	RF1456	1	4-FTX-S MALE CONNECTOR
3	RAP9517	1	CYL. ASSY. 2.375" x 13"
4	<b>OBSOLETE</b>		PIVOT BRACKET - CONTACT HWH CORPORATION FOR REPLACEMENT INFORMATION
5	R91642	1	SPRING KIT .2187" x 14.5"
		2	SPRING .2187" x 14.5"

ITEM	PART	QTY	DESCRIPTION
6	RAP1735	1	RETAINING PLATE KIT
		2	RETAINING PLATES
		4	HHCS 3/8 - 16 x 1"
		4	HEX NUT 3/8 - 16 LOCK
7	RF8143	1	CR-1/8-S ELBOW
8	RAP8003	1	SWITCH PRESSURE
9	RAP8464	1	FOOT 8.000" DIAMETER

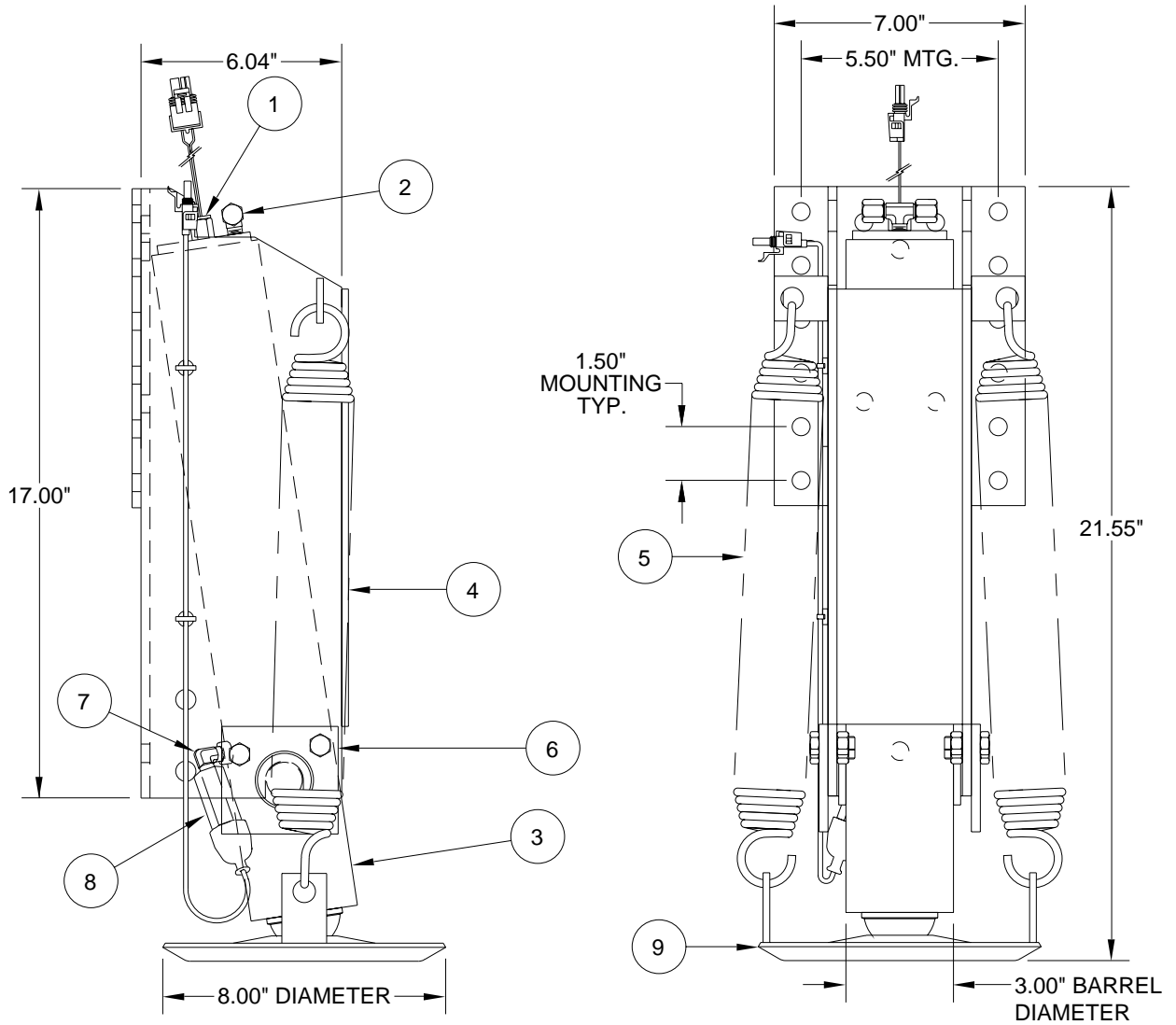
NOTE: INDENTED ITEMS ARE INCLUDED WITH PRECEDING ITEM.

MR26.5177  
01JUN09



**AP29246 - AP29373**  
**STRAIGHT-ACTING JACK, 9 DEGREE PIVOT, F/A SPRINGS**  
**12,000 # CAPACITY; 2.375" ROD DIAMETER; 13.00" STROKE**

JACK #	DESCRIPTION
AP29246	MAGNETIC WARNING SWITCH W/ GRAY CONNECTOR ONLY
AP29373	MAGNETIC WARNING SWITCH W/ GRAY CONNECTOR, PRESSURE SWITCH



ITEM	PART	QTY	DESCRIPTION
1	RAP90968	1	SWITCH WARNING MAGNETIC GRAY (AP29246, AP29373)
2	RF90151	1	MALE TEE 1/8" X 1/4" X 1/4"
3	RAP9517	1	CYL. ASSY. 2.375" x 13" (INCLUDES ITEM 2) (EXCLUDES ITEMS 1,7,8)
4	<b>OBSOLETE</b>		PIVOT BRACKET - CONTACT HWH CORPORATION FOR REPLACEMENT INFORMATION

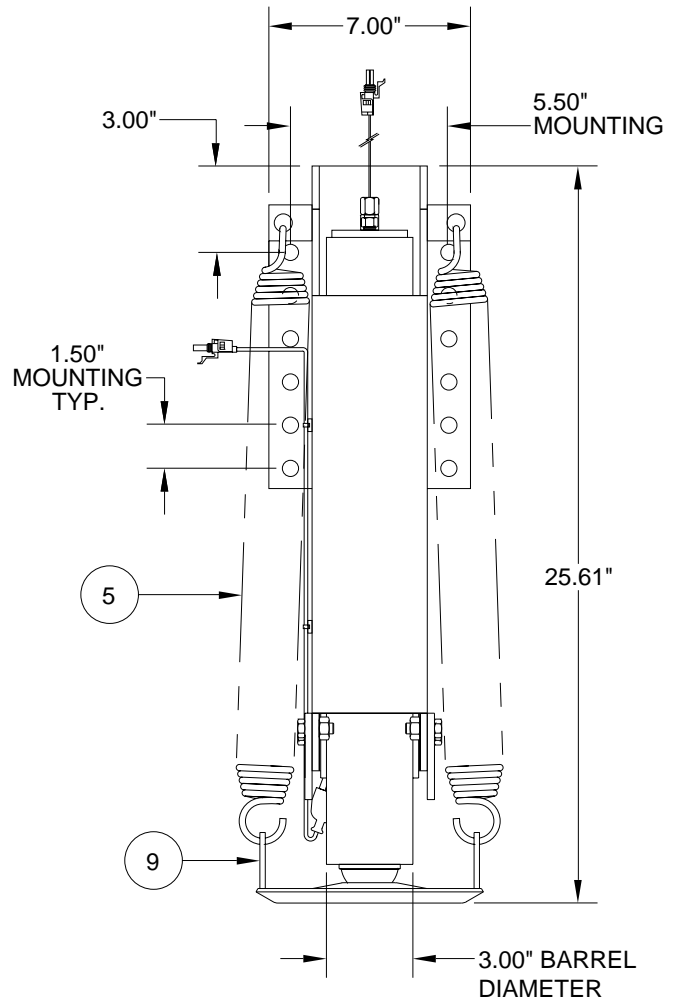
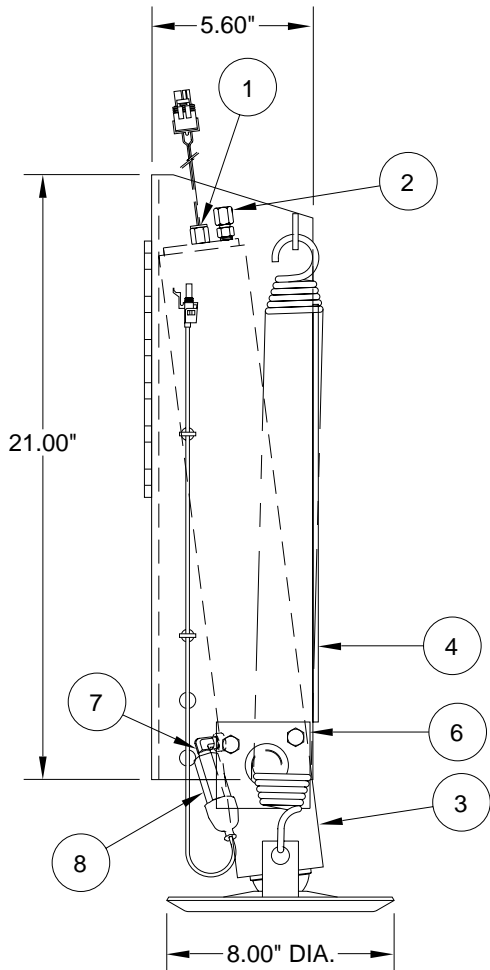
ITEM	PART	QTY	DESCRIPTION
5	R91642	1	SPRING KIT 0.2187" x 14.5"
		2	SPRING 0.2187" x 14.5"
6	RAP1735	1	RETAINING PLATE KIT
		2	RETAINING PLATES
		4	HHCS 3/8 - 16 x 1"
		4	HEX NUT 3/8 - 16 LOCK
7	RF8143	1	ELBOW 1/8" X 1/8" (AP29373 ONLY)
8	RAP8003	1	SWITCH PRESSURE (AP29373 ONLY)
9	RAP8464	1	FOOT 8.00" DIAMETER

**NOTE:** INDENTED ITEMS ARE INCLUDED WITH PRECEDING ITEM.

**MR26.5180**  
**10FEB09**

**AP40147 - AP40148**  
**STRAIGHT-ACTING JACK, 7 DEGREE PIVOT, F/A SPRINGS**  
**12,000 # CAPACITY; 2.375" ROD DIAMETER; 16.00" STROKE**

JACK #	DESCRIPTION
AP40147	MAGNETIC WARNING SWITCH W/ GRAY CONNECTOR ONLY
AP40148	MAGNETIC WARNING SWITCH W/ GRAY CONNECTOR, PRESSURE SWITCH



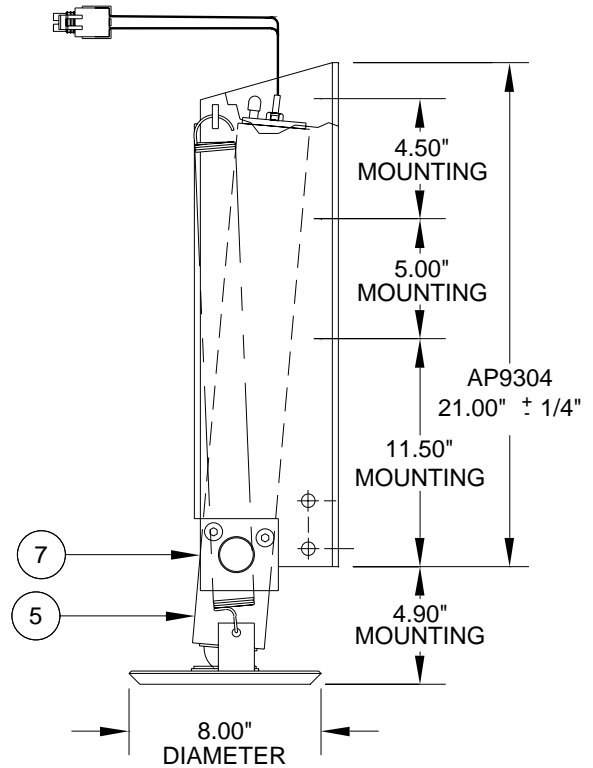
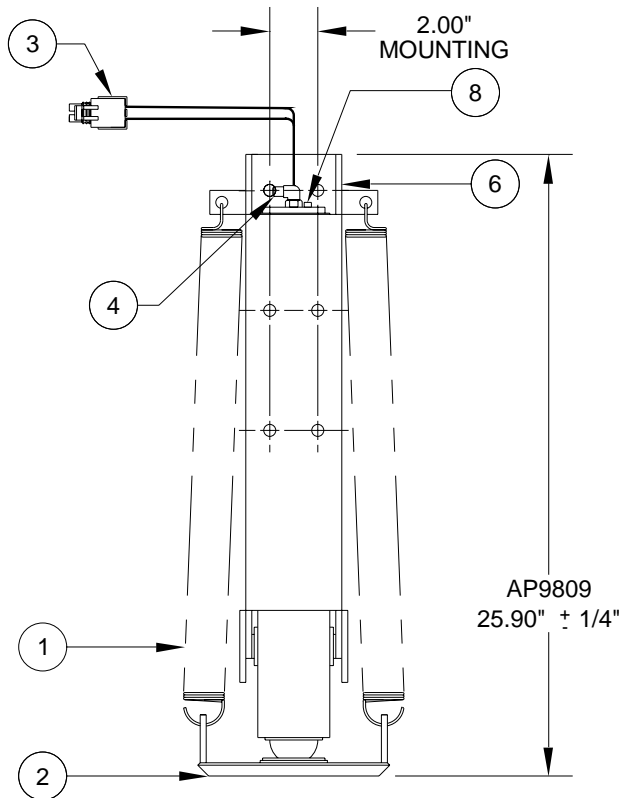
ITEM	PART	QTY	DESCRIPTION
1	RAP90968	1	SWITCH WARNING MAGNETIC GRAY (AP40147, AP40148)
2	RF1456	1	MALE CONNECTOR 1/8" X 1/4"
3	RAP8805	1	CYL. ASSY. 2.375" x 16" (INCLUDES ITEM 2) (EXCLUDES ITEMS 1,7,8)
4	<b>OBSOLETE</b>		PIVOT BRACKET - CONTACT HWH CORPORATION FOR REPLACEMENT INFORMATION

ITEM	PART	QTY	DESCRIPTION
5	R91933	1	SPRING KIT 0.218" x 17.5"
		2	SPRING 0.218" x 17.5"
6	RAP1735	1	RETAINING PLATE KIT
		2	RETAINING PLATES
		4	HHCS 3/8 - 16 x 1"
		4	HEX NUT 3/8 - 16 LOCK
7	RF8143	1	ELBOW 1/8" X 1/8" (AP40148 ONLY)
8	RAP8003	1	SWITCH PRESSURE (AP40148 ONLY)
9	RAP8464	1	FOOT 8.00" DIAMETER

**NOTE:** INDENTED ITEMS ARE INCLUDED WITH PRECEDING ITEM.

**MR26.5182**  
**10FEB09**

**AP9809 - STRAIGHT ACTING JACK, 7 DEGREE PIVOT, F/A SPRINGS**  
**12,000 # CAPACITY; 2.375" ROD DIAMETER; 16.00" STROKE**  
**WITH NARROW PIVOT BRACKET**



ITEM	PART	QTY	DESCRIPTION
1	R91933	1	SPRING KIT 0.218 x 17.5"
		2	SPRING 0.218 x 17.5"
2	RAP8464	1	8.00" DIAMETER FOOT
3	RAP1008	1	SWITCH WARNING 2-WIRE (REPLACES RAP8100)
4	RF1453	1	ELBOW 1/8" X 1/4"
5	RAP8805	1	CYL. ASSY. 2.375" X 16" (INCLUDES ITEM 4,8) (EXCLUDES ITEM 3)

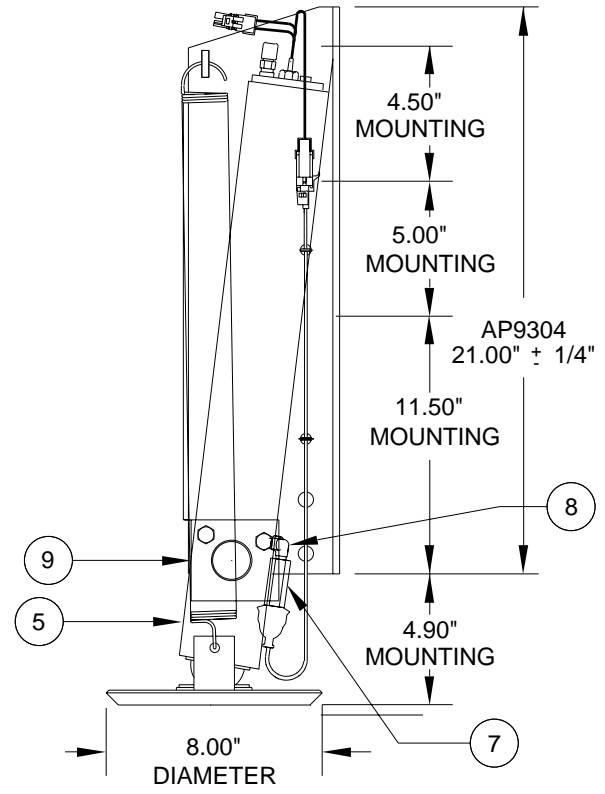
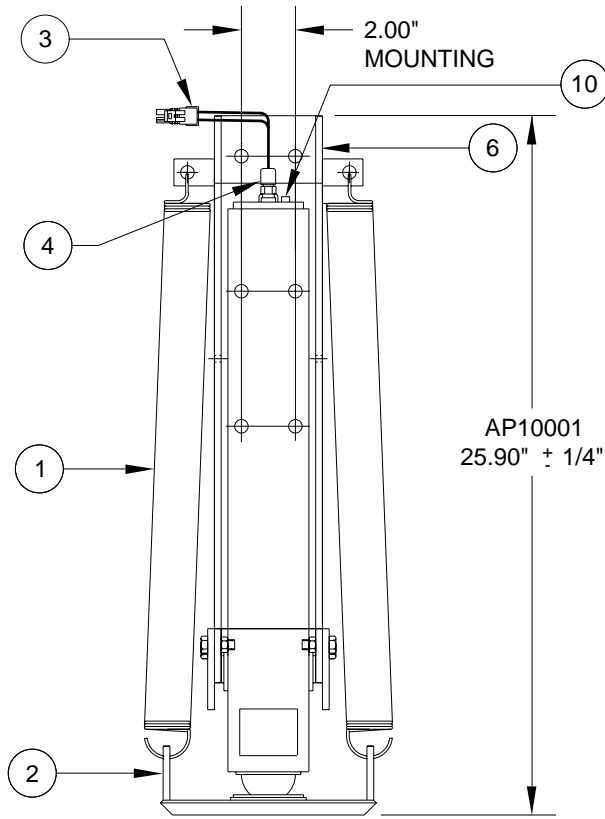
ITEM	PART	QTY	DESCRIPTION
6	<b>OBSOLETE</b>		PIVOT BRACKET - CONTACT HWH CORPORATION FOR REPLACEMENT INFORMATION
7	RAP1735	1	RETAINING PLATE KIT
		2	RETAINING PLATES
		4	HHCS 3/8-16 X 1"
		4	HEX NUT 3/8-16 LOCK DEF.
8	RF2418	1	PIPE PLUG 1/8"

**NOTE :** INDENTED ITEMS ARE INCLUDED WITH PRECEDING ITEM.

**MR26.5265**  
**23MAR09**

**AP10001 - STRAIGHT ACTING JACK, 7 DEGREE PIVOT, F/A SPRINGS  
REPLACES AP9274**

**12,000 # CAPACITY; 2.375" ROD DIAMETER; 16.00" STROKE  
WITH PRESSURE SWITCH AND 3-WIRE WARNING SWITCH**



ITEM	PART	QTY	DESCRIPTION
1	R91933	1	SPRING KIT 0.218 x 17.5"
		2	SPRING 0.218 x 17.5"
2	RAP8464	1	8.00" DIAMETER FOOT
3	RAP90073	1	SWITCH WARNING 3-WIRE (REPLACES RAP8442)
4	RF1456	1	MALE CONNECTOR 1/8" X 1/4"
5	RAP8805	1	CYL. ASSY. 2.375" X 16" (INCLUDES ITEM 4) (EXCLUDES ITEMS 7,8)

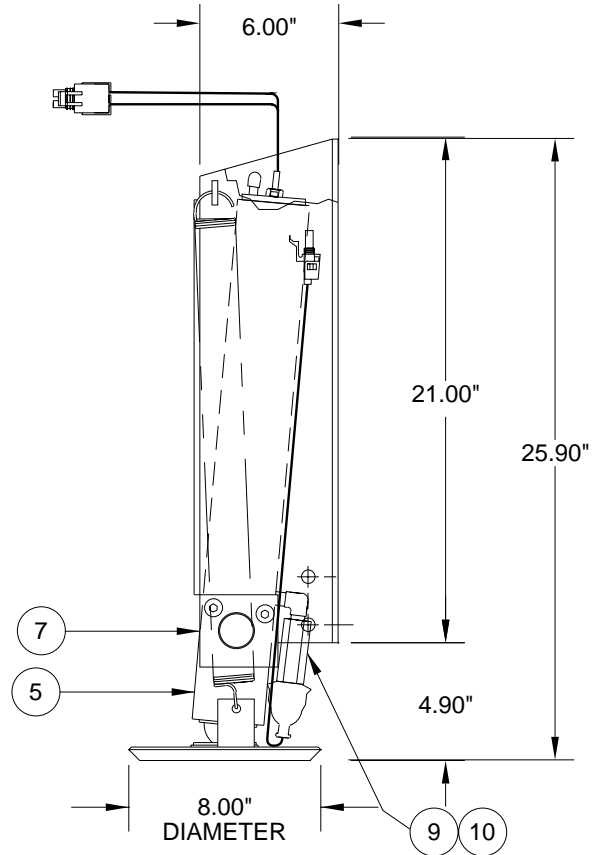
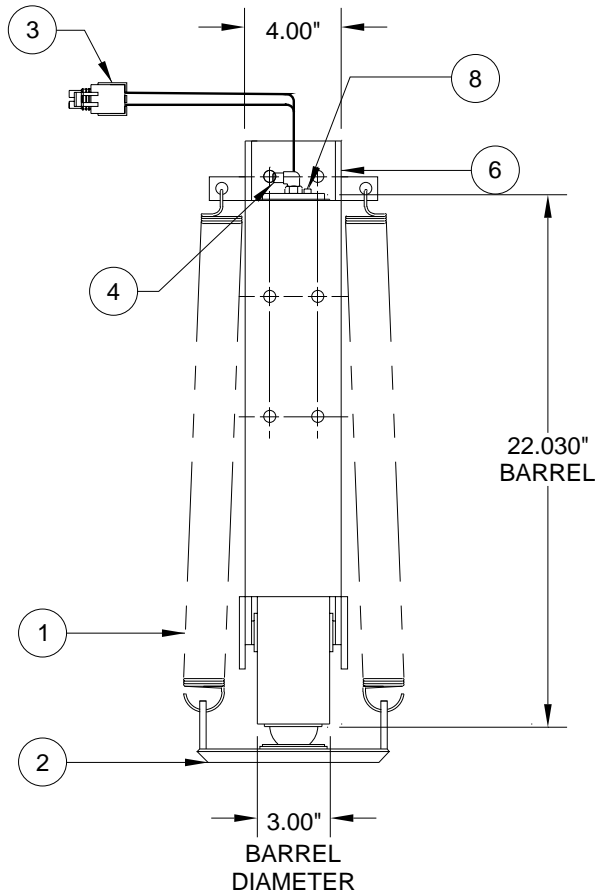
ITEM	PART	QTY	DESCRIPTION
6	<b>OBSOLETE</b>		PIVOT BRACKET - CONTACT HWH CORPORATION FOR REPLACEMENT INFORMATION
7	RAP8003	1	SWITCH PRESSURE
8	RF8143	1	ELBOW 1/8" X 1/8"
9	RAP1735	1	RETAINING PLATE KIT
		2	RETAINING PLATES
		4	HHCS 3/8-16 X 1"
		4	HEX NUT 3/8-16 LOCK DEF.
10	RF2418	1	PIPE PLUG 1/8"

NOTE : INDENTED ITEMS ARE INCLUDED WITH PRECEDING ITEM.

**MR26.5267  
23MAR09**

# AP1121 - STRAIGHT-ACTING JACK, 7 DEGREE PIVOT, F/A SPRINGS

12,000 # CAPACITY; 2.375" ROD DIAMETER; 16.00" STROKE  
WITH PRESSURE SWITCH, 2-WIRE WARNING SWITCH  
AND NARROW PIVOT BRACKET



ITEM	PART	QTY	DESCRIPTION
1	R3848	1	SPRING KIT 1-11/16" X 18"
		2	SPRING 1-11/16" X 18"
2	RAP8464	1	8.00" DIAMETER FOOT
3	RAP1008	1	SWITCH WARNING 2-WIRE (REPLACES RAP8100)
4	RF1456	1	MALE CONNECTOR 1/8" X 1/4"
5	RAP8805	1	CYL. ASSY. 2.375" X 16" (INCLUDES ITEM 4,8) (EXCLUDES ITEM 3,10,9)

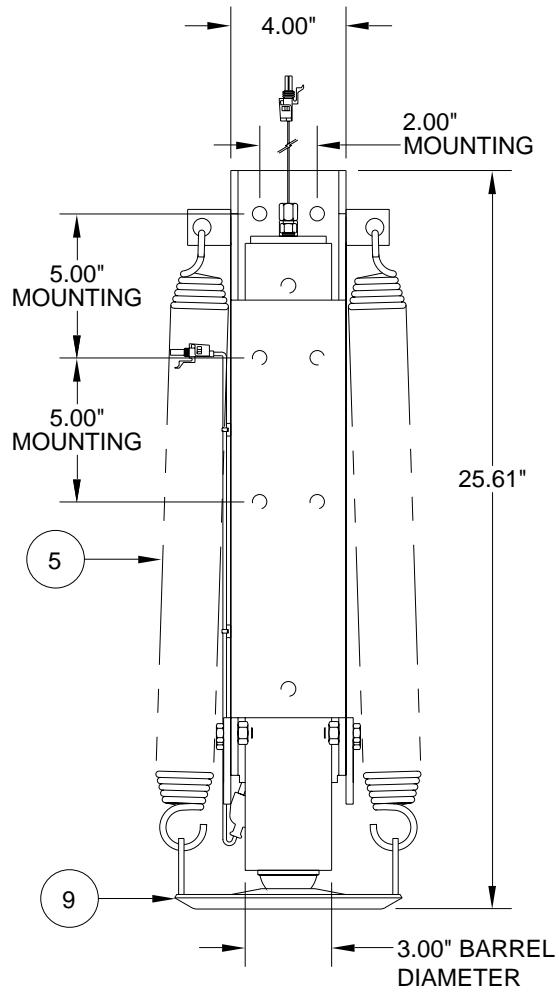
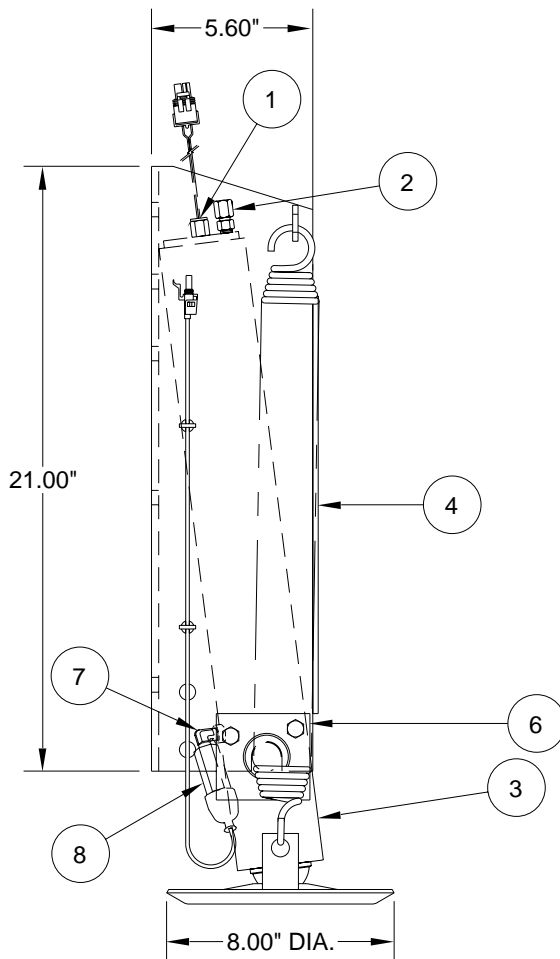
ITEM	PART	QTY	DESCRIPTION
6	<b>OBSOLETE</b>		PIVOT BRACKET - CONTACT HWH CORPORATION FOR REPLACEMENT INFORMATION
7	RAP1735	1	RETAINING PLATE KIT
		2	RETAINING PLATES
		4	HHCS 3/8-16 X 1"
		4	HEX NUT 3/8-16 LOCK DEF.
8	RF2418	1	PIPE PLUG 1/8"
9	RF8143	1	ELBOW 1/8" X 1/8"
10	RAP8003	1	SWITCH PRESSURE

NOTE : INDENTED ITEMS ARE INCLUDED WITH PRECEDING ITEM.

MR26.5270  
23MAR09

**AP28820 - AP29786 - AP29787**  
**STRAIGHT-ACTING JACK, 7 DEGREE PIVOT, F/A SPRINGS**  
**12,000 # CAPACITY; 2.375" ROD DIAMETER; 16.00" STROKE**

JACK #	DESCRIPTION
AP28820	NO WARNING OR PRESSURE SWITCH
AP29786	MAGNETIC WARNING SWITCH W/ GRAY CONNECTOR ONLY
AP29787	MAGNETIC WARNING SWITCH W/ GRAY CONNECTOR, PRESSURE SWITCH



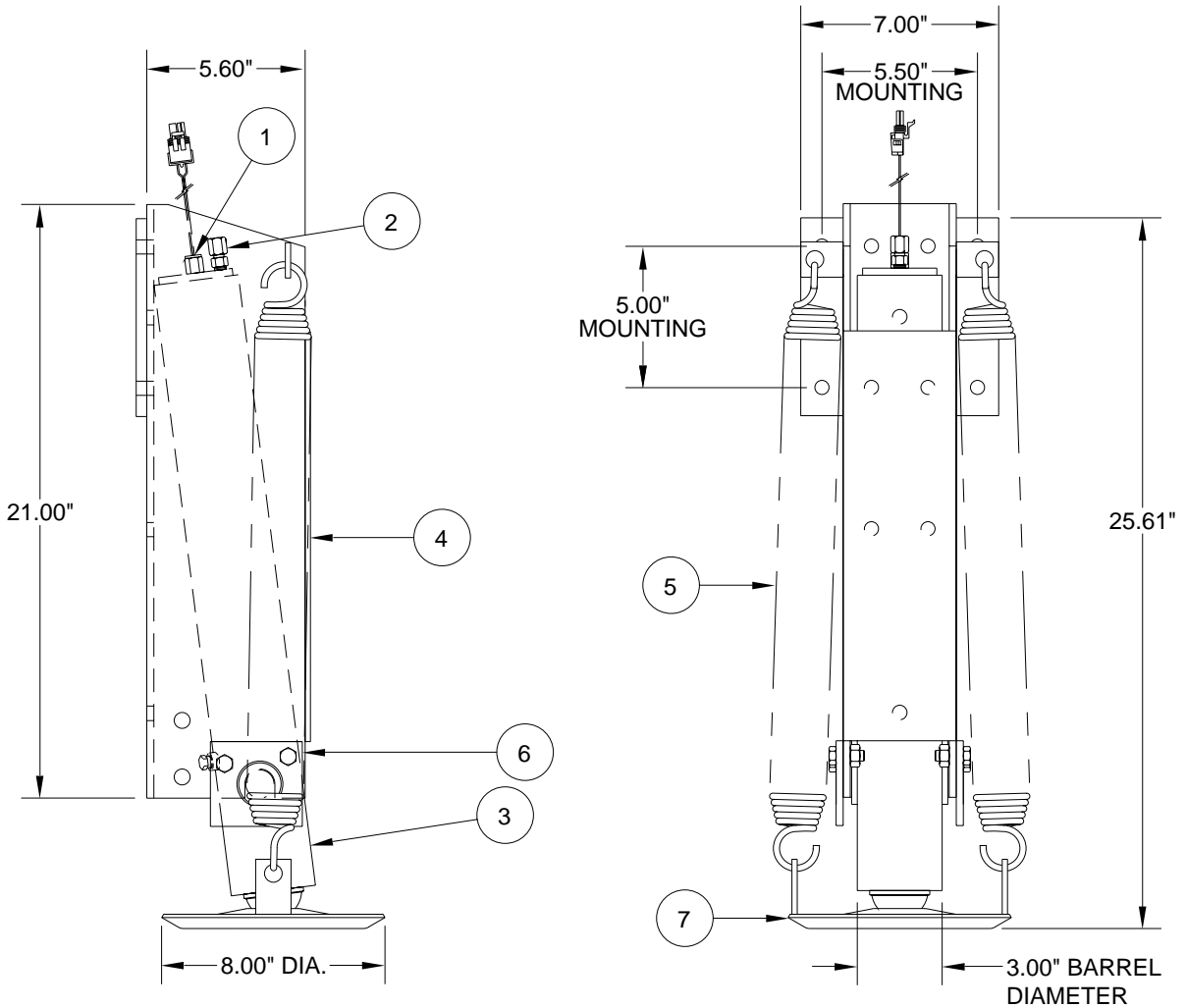
ITEM	PART	QTY	DESCRIPTION
1	RAP90968	1	SWITCH WARNING MAGNETIC GRAY (AP29786, AP29787)
2	RF1456	1	MALE CONNECTOR 1/8" X 1/4"
3	RAP8805	1	CYL. ASSY. 2.375" x 16" (INCLUDES ITEM 2) (EXCLUDES ITEMS 1,7,8)
4	<b>OBSOLETE</b>		PIVOT BRACKET - CONTACT HWH CORPORATION FOR REPLACEMENT INFORMATION

ITEM	PART	QTY	DESCRIPTION
5	R91933	1	SPRING KIT 0.218" x 17.5"
		2	SPRING 0.218" x 17.5"
6	RAP1735	1	RETAINING PLATE KIT
		2	RETAINING PLATES
		4	HHCS 3/8 - 16 x 1"
		4	HEX NUT 3/8 - 16 LOCK
7	RF8143	1	ELBOW 1/8" X 1/8" (AP29787 ONLY)
8	RAP8003	1	SWITCH PRESSURE (AP29787 ONLY)
9	RAP8464	1	FOOT 8.00" DIAMETER

**NOTE:** INDENTED ITEMS ARE INCLUDED WITH PRECEDING ITEM.

**MR26.5275**  
**16FEB09**

**AP31868 - STRAIGHT-ACTING JACK, 7 DEG PIVOT, F/A SPRINGS**  
**12,000 # CAPACITY; 2.375" ROD DIAMETER; 16.00" STROKE**  
**WITH MAGNETIC WARNING SWITCH**



ITEM	PART	QTY	DESCRIPTION
1	RAP90968	1	SWITCH WARNING MAGNETIC GRAY
2	RF1456	1	MALE CONNECTOR 1/8" X 1/4"
3	RAP8805	1	CYL. ASSY. 2.375" x 16" (INCLUDES ITEM 2) (EXCLUDES ITEM 1)
4	<b>OBSOLETE</b>		PIVOT BRACKET - CONTACT HWH CORPORATION FOR REPLACEMENT INFORMATION

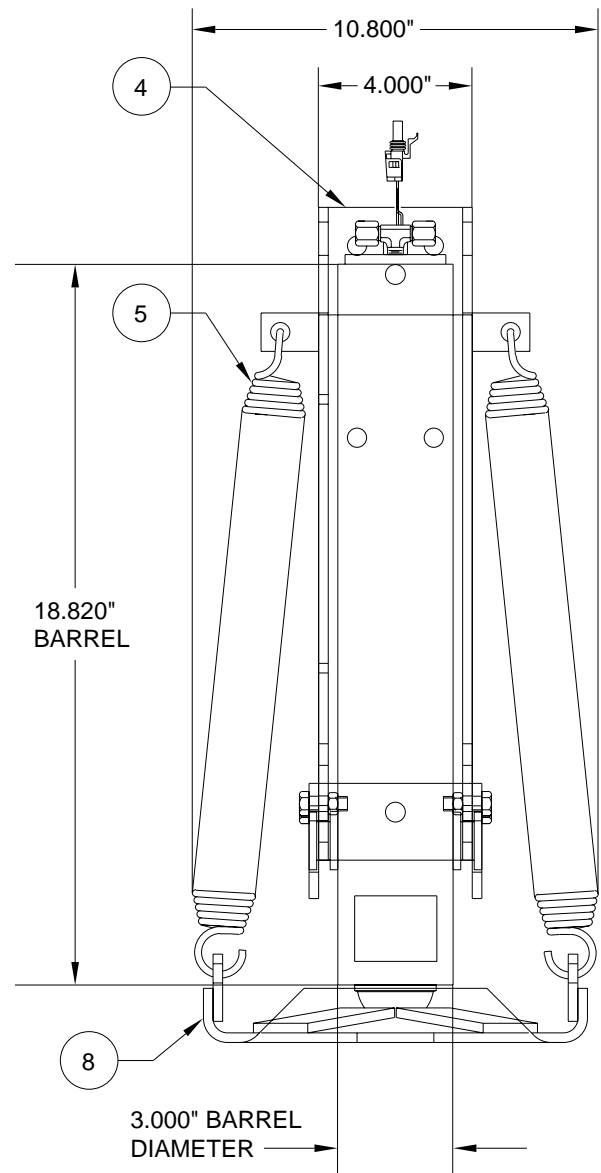
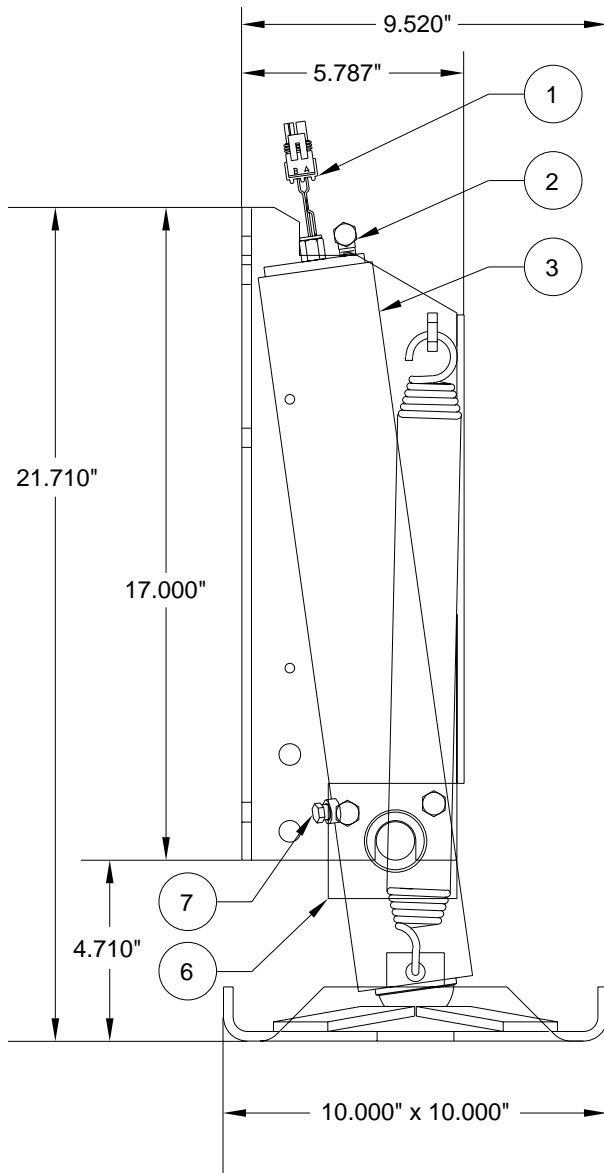
ITEM	PART	QTY	DESCRIPTION
5	R91933	1	SPRING KIT 0.218" x 17.5"
		2	SPRING 0.218" x 17.5"
6	RAP1735	1	RETAINING PLATE KIT
		2	RETAINING PLATES
		4	HHCS 3/8 - 16 x 1"
		4	HEX NUT 3/8 - 16 LOCK
7	RAP8464	1	FOOT 8.00" DIAMETER

**NOTE:** INDENTED ITEMS ARE INCLUDED WITH PRECEDING ITEM.

**MR26.5277**  
**10FEB09**

# AP16997 - STRAIGHT- ACTING JACK, 7 DEG PIVOT, F/A SPRINGS

12,000 # CAPACITY; 2.375" ROD DIAMETER; 13.00" STROKE



ITEM	PART	QTY	DESCRIPTION
1	RAP1008	1	SWITCH WARNING 2-WIRE
2	RF90151	1	4-STX-S MALE BRANCH TEE
3	RAP9517	1	CYL. ASSY. 2.375" x 13"
4	<b>OBSOLETE</b>		PIVOT BRACKET - CONTACT HWH CORPORATION FOR REPLACEMENT INFORMATION
5	R91642	1	SPRING KIT .2187" x 14.5"
		2	SPRING .2187" x 14.5"

ITEM	PART	QTY	DESCRIPTION
6	RAP1735	1	RETAINING PLATE KIT
		2	RETAINING PLATES
		4	HHCS 3/8 - 16 x 1"
		4	HEX NUT 3/8 - 16 LOCK
7	RF90272	1	1/8 HP-S HEX PLUG
8	RAP7754	1	FOOT 11.40" ROUND 10" SQUARE FOOT NO LONGER AVAILABLE

NOTE: INDENTED ITEMS ARE INCLUDED WITH PRECEDING ITEM.

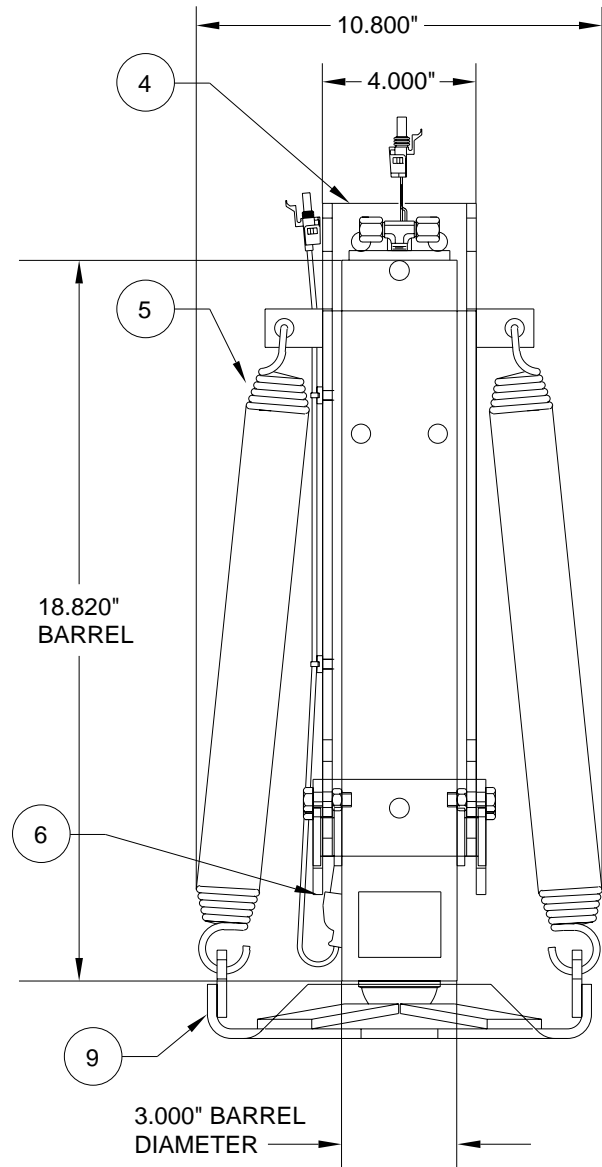
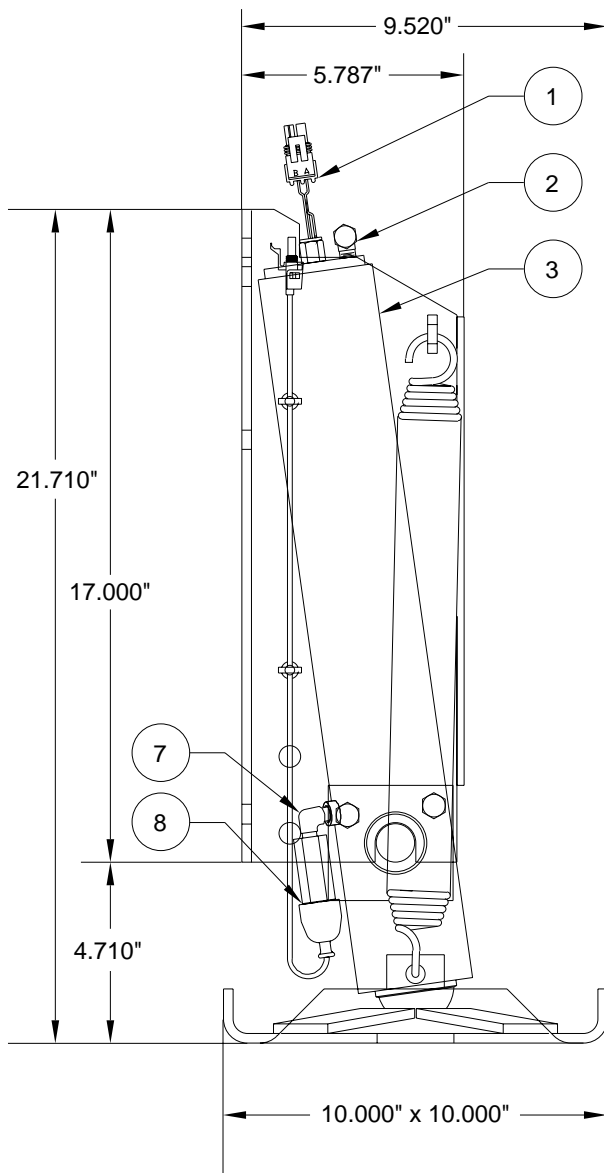
MR26.5280  
14FEB13



# AP16998 - STRAIGHT- ACTING JACK, 7 DEG PIVOT, F/A SPRINGS

12,000 # CAPACITY; 2.375" ROD DIAMETER; 13.00" STROKE

WITH PRESSURE SWITCH AND 2-WIRE WARNING SWITCH



ITEM	PART	QTY	DESCRIPTION
1	RAP1008	1	SWITCH WARNING 2-WIRE
2	RF90151	1	4-STX-S MALE BRANCH TEE
3	RAP9517	1	CYL. ASSY. 2.375" x 13"
4	<b>OBSOLETE</b>		PIVOT BRACKET - CONTACT HWH CORPORATION FOR REPLACEMENT INFORMATION
5	R91642	1	SPRING KIT .2187" x 14.5"
		2	SPRING .2187" x 14.5"

ITEM	PART	QTY	DESCRIPTION
6	RAP1735	1	RETAINING PLATE KIT
		2	RETAINING PLATES
		4	HHCS 3/8 - 16 x 1"
		4	HEX NUT 3/8 - 16 LOCK
7	RF8143	1	1/8 HP-S MALE ELBOW
8	RAP8003	1	SWITCH PRESSURE
9	RAP7754	1	FOOT 11.40" ROUND 10" SQUARE FOOT NO LONGER AVAILABLE

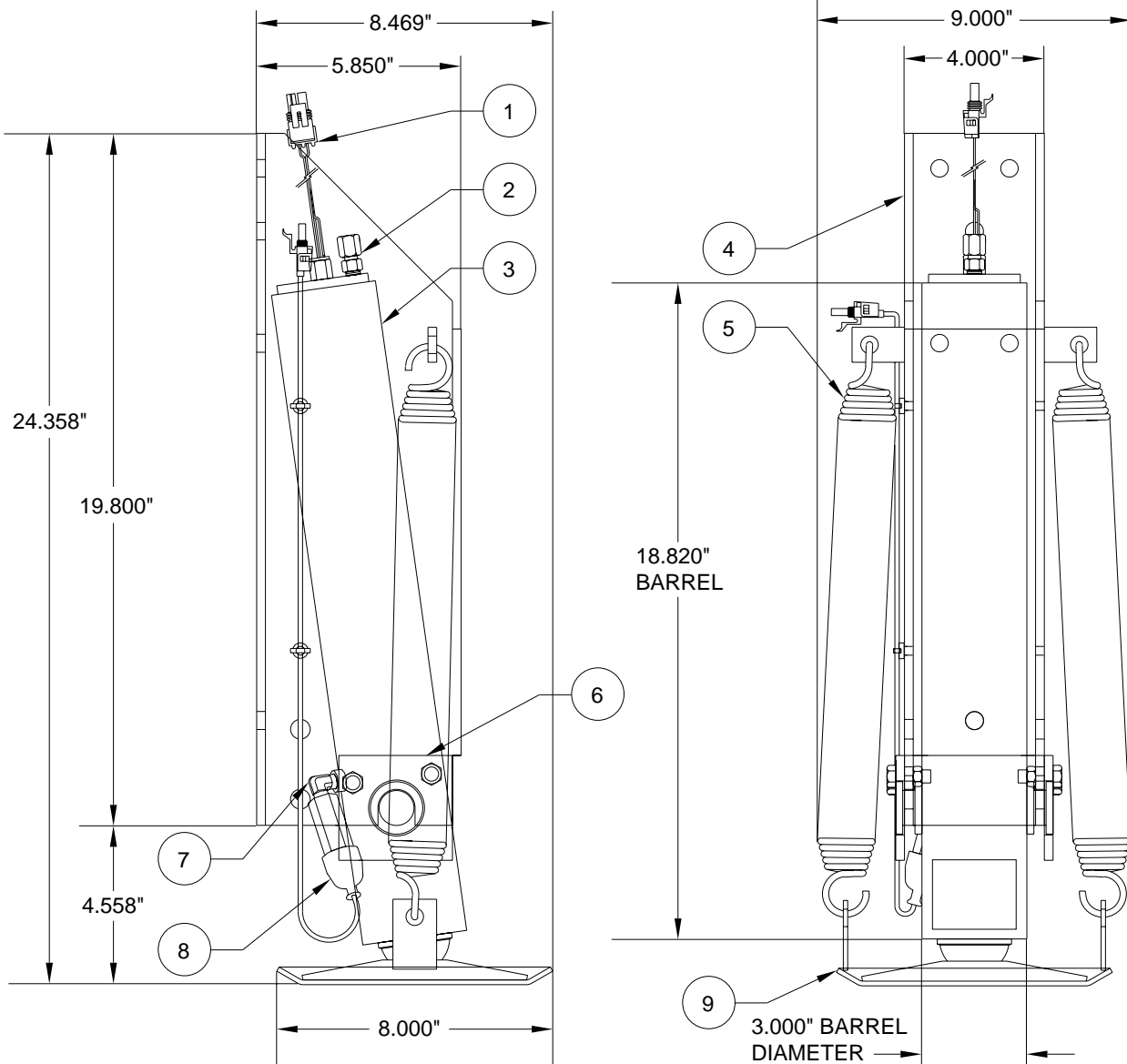
NOTE: INDENTED ITEMS ARE INCLUDED WITH PRECEDING ITEM.

MR26.5281  
14FEB13

# AP19895 - STRAIGHT- ACTING JACK, 7 DEG PIVOT, F/A SPRINGS

12,000 # CAPACITY; 2.375" ROD DIAMETER; 13.00" STROKE

WITH PRESSURE SWITCH AND 2-WIRE WARNING SWITCH



ITEM	PART	QTY	DESCRIPTION
1	RAP1008	1	SWITCH WARNING 2-WIRE
2	RF1456	1	4-FTX-S MALE CONNECTOR
3	RAP9517	1	CYL. ASSY. 2.375" x 13"
4	<b>OBSOLETE</b>		PIVOT BRACKET - CONTACT HWH CORPORATION FOR REPLACEMENT INFORMATION
5	R91642	1	SPRING KIT .2187" x 14.5"
		2	SPRING .2187" x 14.5"

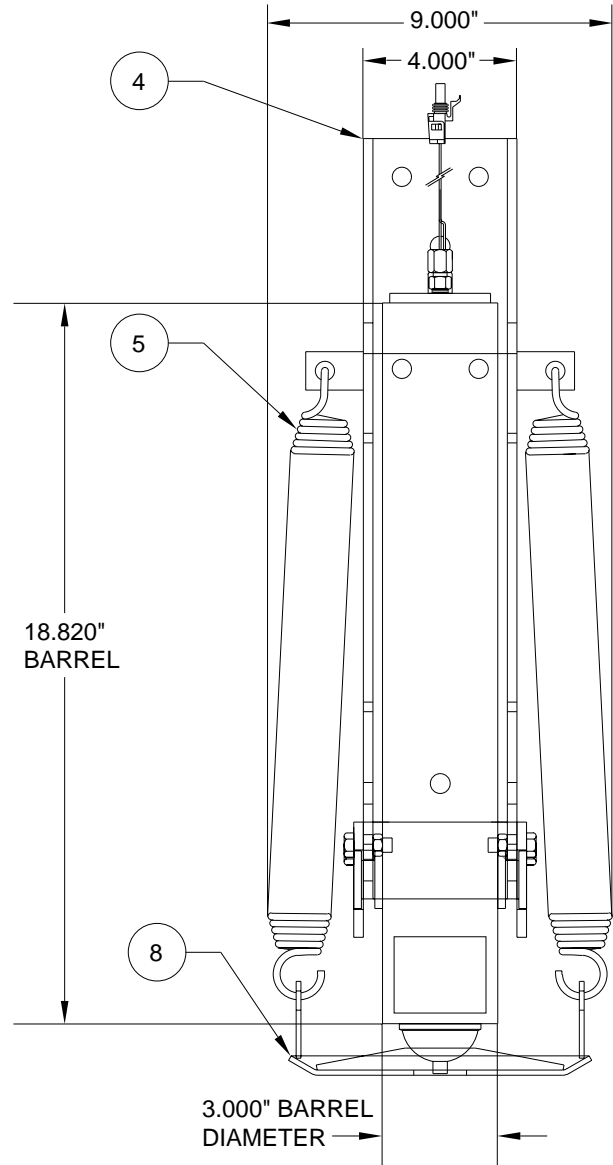
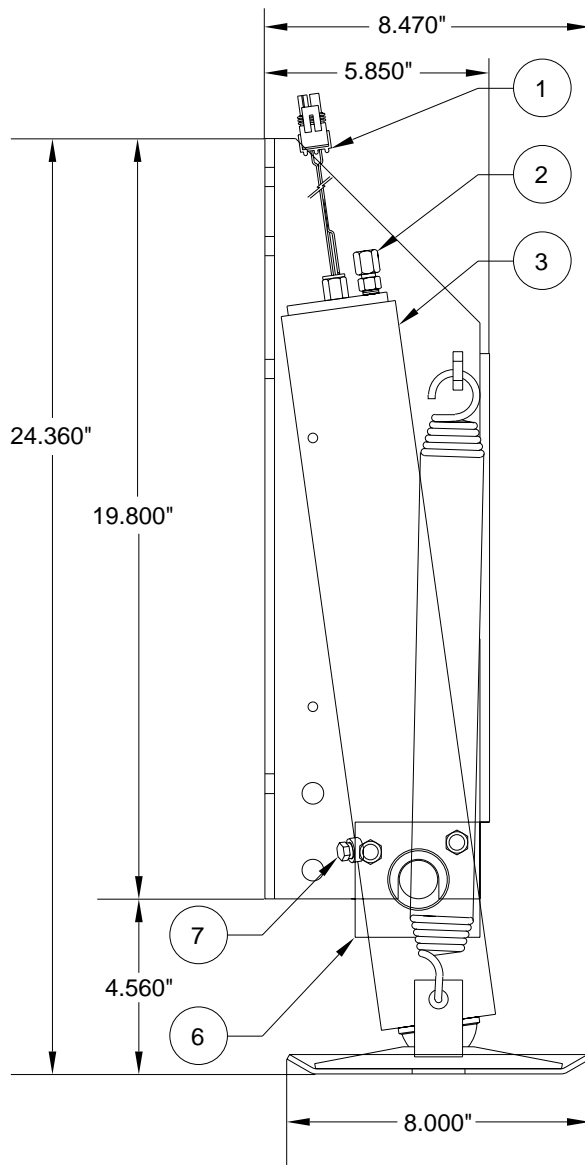
ITEM	PART	QTY	DESCRIPTION
6	RAP1735	1	RETAINING PLATE KIT
		2	RETAINING PLATES
		4	HHCS 3/8 x 16 x 1"
		4	HEX NUT 3/8 - 16 LOCK
7	RF8143	1	CR-1/8-S ELBOW
8	RAP8003	1	PRESSURE SWITCH
9	RAP8464	1	FOOT 8.000" DIAMETER

NOTE: INDENTED ITEMS ARE INCLUDED WITH PRECEDING ITEM.

MR26.5286  
23MAR09

# AP19357 - STRAIGHT- ACTING JACK, 7 DEG PIVOT, F/A SPRINGS

12,000 # CAPACITY; 2.375" ROD DIAMETER; 13.00" STROKE



ITEM	PART	QTY	DESCRIPTION
1	RAP1008	1	SWITCH WARNING 2-WIRE
2	RF1456	1	4-FTX-S MALE CONNECTION
3	RAP9517	1	CYL. ASSY. 2.375" x 13"
4	<b>OBSOLETE</b>		PIVOT BRACKET - CONTACT HWH CORPORATION FOR REPLACEMENT INFORMATION
5	R91642	1	SPRING KIT .2187" x 14.5"
		2	SPRING .2187" x 14.5"

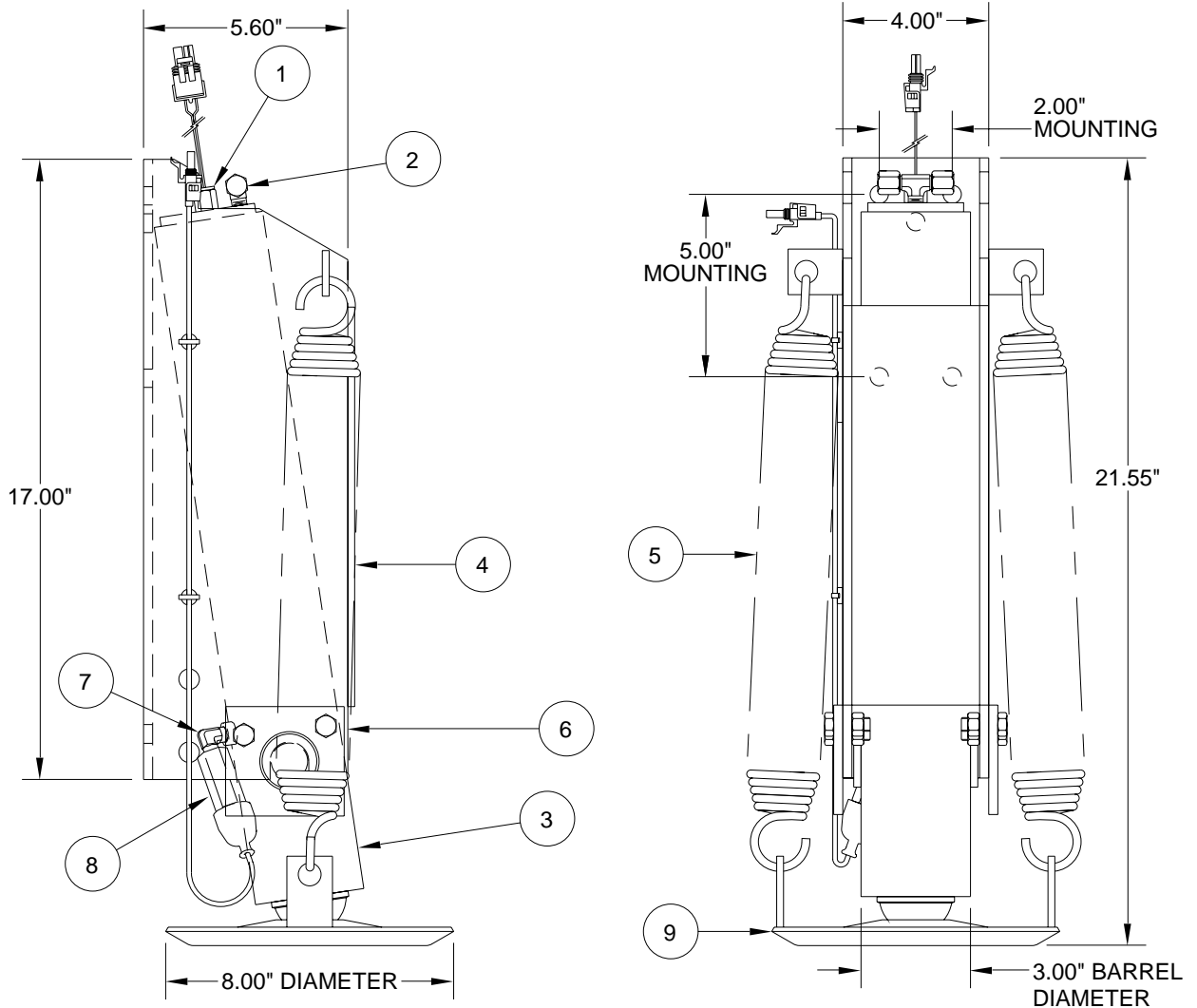
ITEM	PART	QTY	DESCRIPTION
6	RAP1735	1	RETAINING PLATE KIT
		2	RETAINING PLATES
		4	HHCS 3/8 - 16 x 1"
		4	HEX NUT 3/8 - 16 LOCK
7	RF90272	1	1/8 HP-S HEX PLUG
8	RAP8464	1	FOOT 8.000" DIAMETER

NOTE: INDENTED ITEMS ARE INCLUDED WITH PRECEDING ITEM.

MR26.5287  
23MAR09

**AP28818 - AP29405 - AP29406**  
**STRAIGHT-ACTING JACK, 9 DEGREE PIVOT, F/A SPRINGS**  
**12,000 # CAPACITY; 2.375" ROD DIAMETER; 13.00" STROKE**

JACK #	DESCRIPTION
AP28818	NO WARNING OR PRESSURE SWITCH
AP29405	MAGNETIC WARNING SWITCH W/ GRAY CONNECTOR ONLY
AP29406	MAGNETIC WARNING SWITCH W/ GRAY CONNECTOR, PRESSURE SWITCH



ITEM	PART	QTY	DESCRIPTION
1	RAP90968	1	SWITCH WARNING MAGNETIC GRAY (AP29405, AP29406)
2	RF90151	1	MALE TEE 1/8" X 1/4" X 1/4"
3	RAP9517	1	CYL. ASSY. 2.375" x 13" (INCLUDES ITEM 2) (EXCLUDES ITEMS 1,7,8)
4	<b>OBSOLETE</b>		PIVOT BRACKET - CONTACT HWH CORPORATION FOR REPLACEMENT INFORMATION

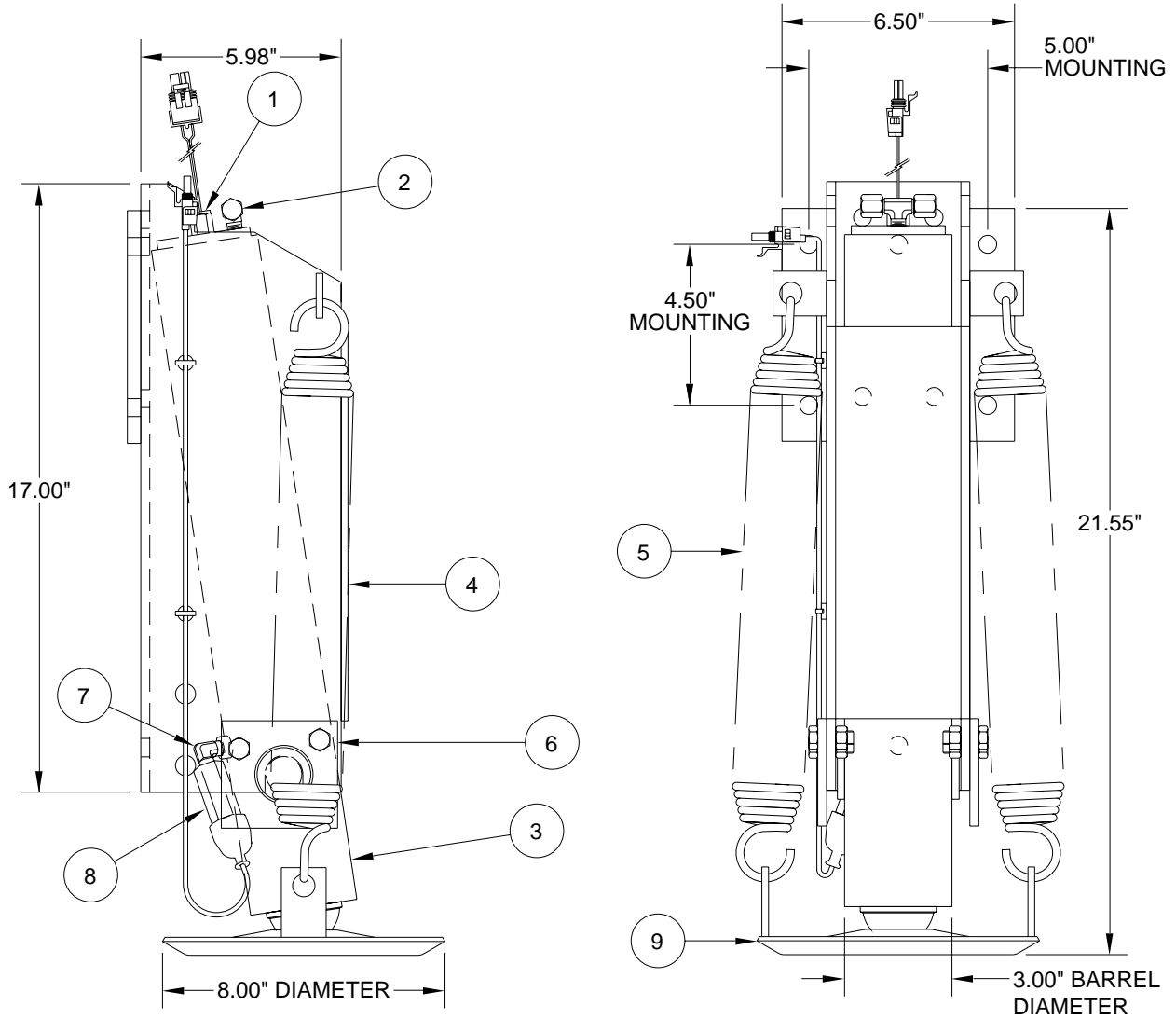
ITEM	PART	QTY	DESCRIPTION
5	R91642	1	SPRING KIT 0.2187" x 14.5"
		2	SPRING 0.2187" x 14.5"
6	RAP1735	1	RETAINING PLATE KIT
		2	RETAINING PLATES
		4	HHCS 3/8 - 16 x 1"
		4	HEX NUT 3/8 - 16 LOCK
7	RF8143	1	ELBOW 1/8" X 1/8" (AP29406 ONLY)
8	RAP8003	1	SWITCH PRESSURE (AP29406 ONLY)
9	RAP8464	1	FOOT 8.00" DIAMETER

NOTE: INDENTED ITEMS ARE INCLUDED WITH PRECEDING ITEM.

**MR26.5300**  
**10FEB09**

**AP29042 - AP29046**  
**STRAIGHT-ACTING JACK, 9 DEGREE PIVOT, F/A SPRINGS**  
**12,000 # CAPACITY; 2.375" ROD DIAMETER; 13.00" STROKE**

JACK #	DESCRIPTION
AP29042	MAGNETIC WARNING SWITCH W/ GRAY CONNECTOR ONLY
AP29046	MAGNETIC WARNING SWITCH W/ GRAY CONNECTOR, PRESSURE SWITCH



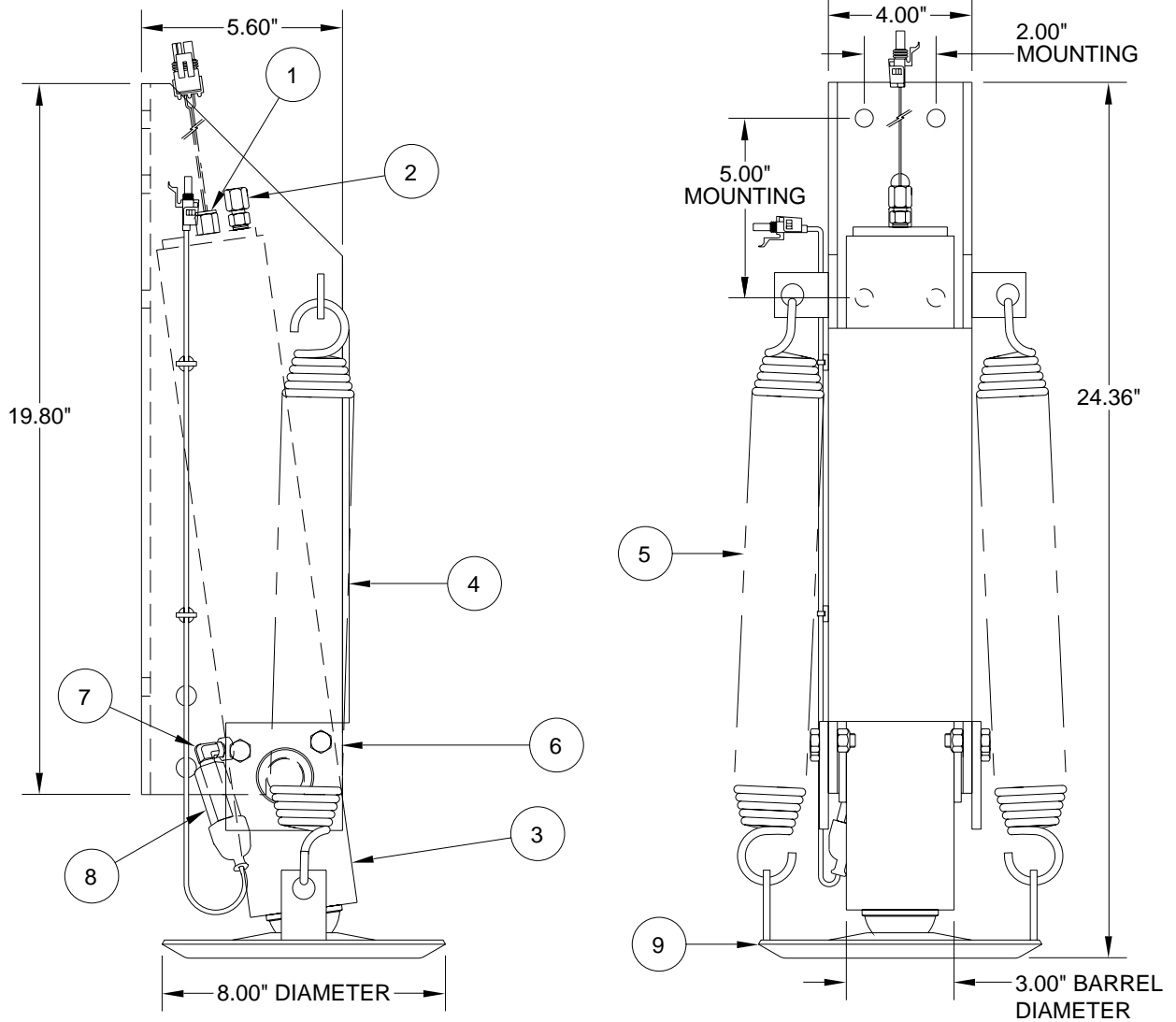
ITEM	PART	QTY	DESCRIPTION
1	RAP90968	1	SWITCH WARNING MAGNETIC GRAY (AP29042, AP29046)
2	RF90151	1	MALE TEE 1/8" X 1/4" X 1/4"
3	RAP9517	1	CYL. ASSY. 2.375" x 13" (INCLUDES ITEM 2) (EXCLUDES ITEMS 1,7,8)
4	<b>OBSOLETE</b>		PIVOT BRACKET - CONTACT HWH CORPORATION FOR REPLACEMENT INFORMATION

ITEM	PART	QTY	DESCRIPTION
5	R91642	1	SPRING KIT 0.2187" x 14.5"
		2	SPRING 0.2187" x 14.5"
6	RAP1735	1	RETAINING PLATE KIT
		2	RETAINING PLATES
		4	HHCS 3/8 - 16 x 1"
		4	HEX NUT 3/8 - 16 LOCK
7	RF8143	1	ELBOW 1/8" X 1/8" (AP29046 ONLY)
8	RAP8003	1	SWITCH PRESSURE (AP29046 ONLY)
9	RAP8464	1	FOOT 8.00" DIAMETER

**NOTE:** INDENTED ITEMS ARE INCLUDED WITH PRECEDING ITEM.

**AP29420 - AP29980**  
**STRAIGHT-ACTING JACK, 8 DEGREE PIVOT, F/A SPRINGS**  
**12,000 # CAPACITY; 2.375" ROD DIAMETER; 13.00" STROKE**

JACK #	DESCRIPTION
AP29420	MAGNETIC WARNING SWITCH W/ GRAY CONNECTOR ONLY
AP29980	MAGNETIC WARNING SWITCH W/ GRAY CONNECTOR, PRESSURE SWITCH



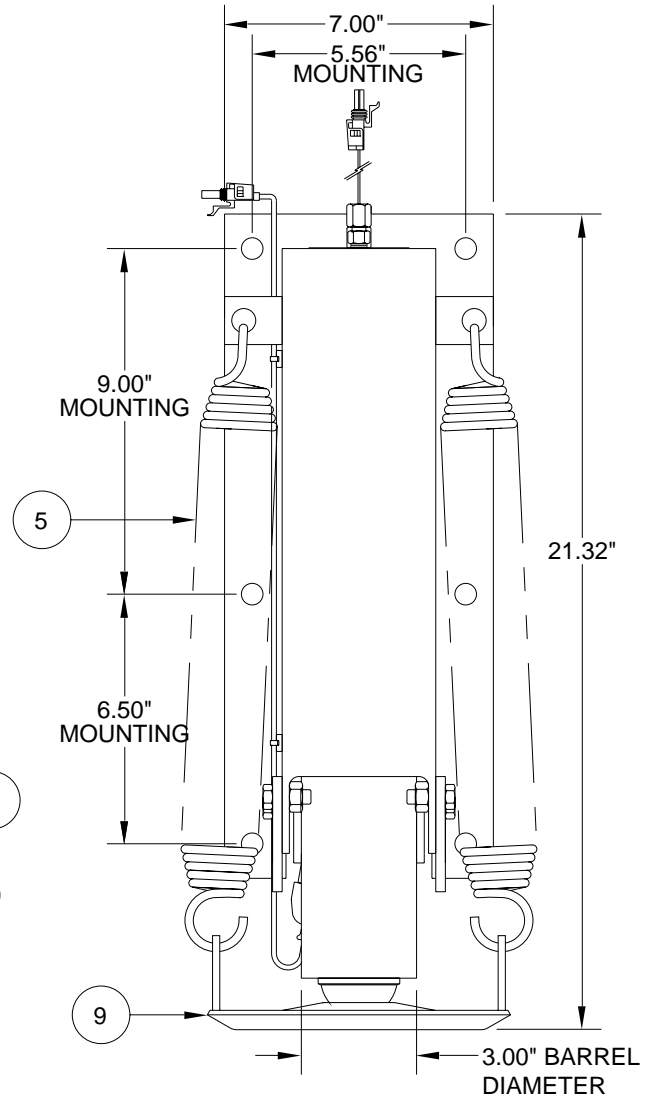
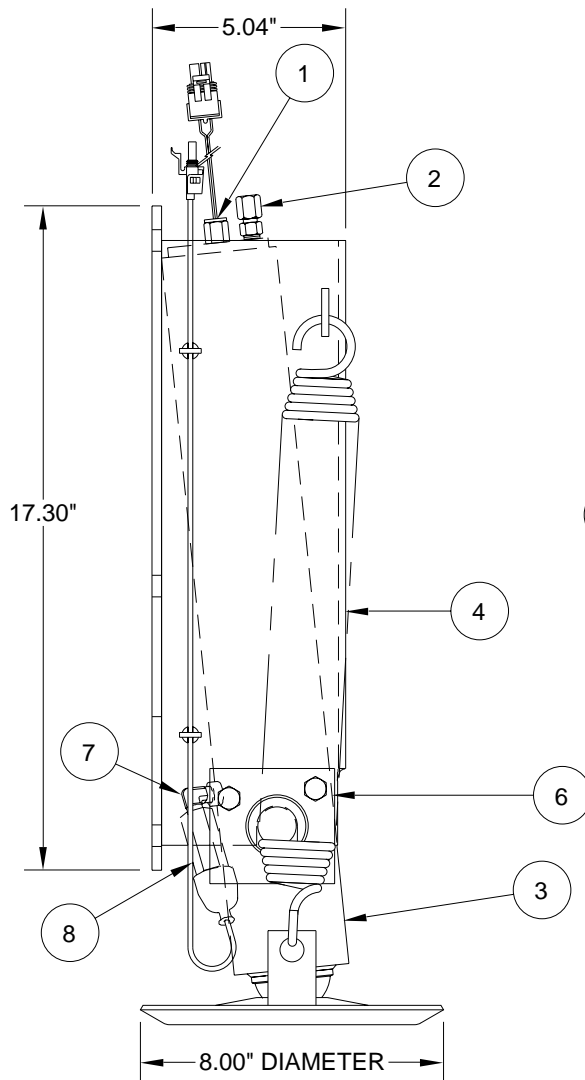
ITEM	PART	QTY	DESCRIPTION
1	RAP90968	1	SWITCH WARNING MAGNETIC GRAY (AP29420, AP29980)
2	RF1456	1	MALE CONNECTOR 1/8" X 1/4"
3	RAP9517	1	CYL. ASSY. 2.375" x 13" (INCLUDES TEE) (EXCLUDES ITEMS 1,2,7,8)
4	<b>OBSOLETE</b>		PIVOT BRACKET - CONTACT HWH CORPORATION FOR REPLACEMENT INFORMATION

ITEM	PART	QTY	DESCRIPTION
5	R91642	1	SPRING KIT 0.2187" x 14.5"
		2	SPRING 0.2187" x 14.5"
6	RAP1735	1	RETAINING PLATE KIT
		2	RETAINING PLATES
		4	HHCS 3/8 - 16 x 1"
		4	HEX NUT 3/8 - 16 LOCK
7	RF8143	1	ELBOW 1/8" X 1/8" (AP29980 ONLY)
8	RAP8003	1	SWITCH PRESSURE (AP29980 ONLY)
9	RAP8464	1	FOOT 8.00" DIAMETER

**NOTE:** INDENTED ITEMS ARE INCLUDED WITH PRECEDING ITEM.

**AP29903 - AP29904**  
**STRAIGHT-ACTING JACK, 6 DEGREE PIVOT, F/A SPRINGS**  
**12,000 # CAPACITY; 2.375" ROD DIAMETER; 13.00" STROKE**

JACK #	DESCRIPTION
AP29903	MAGNETIC WARNING SWITCH W/ GRAY CONNECTOR ONLY
AP29904	MAGNETIC WARNING SWITCH W/ GRAY CONNECTOR, PRESSURE SWITCH



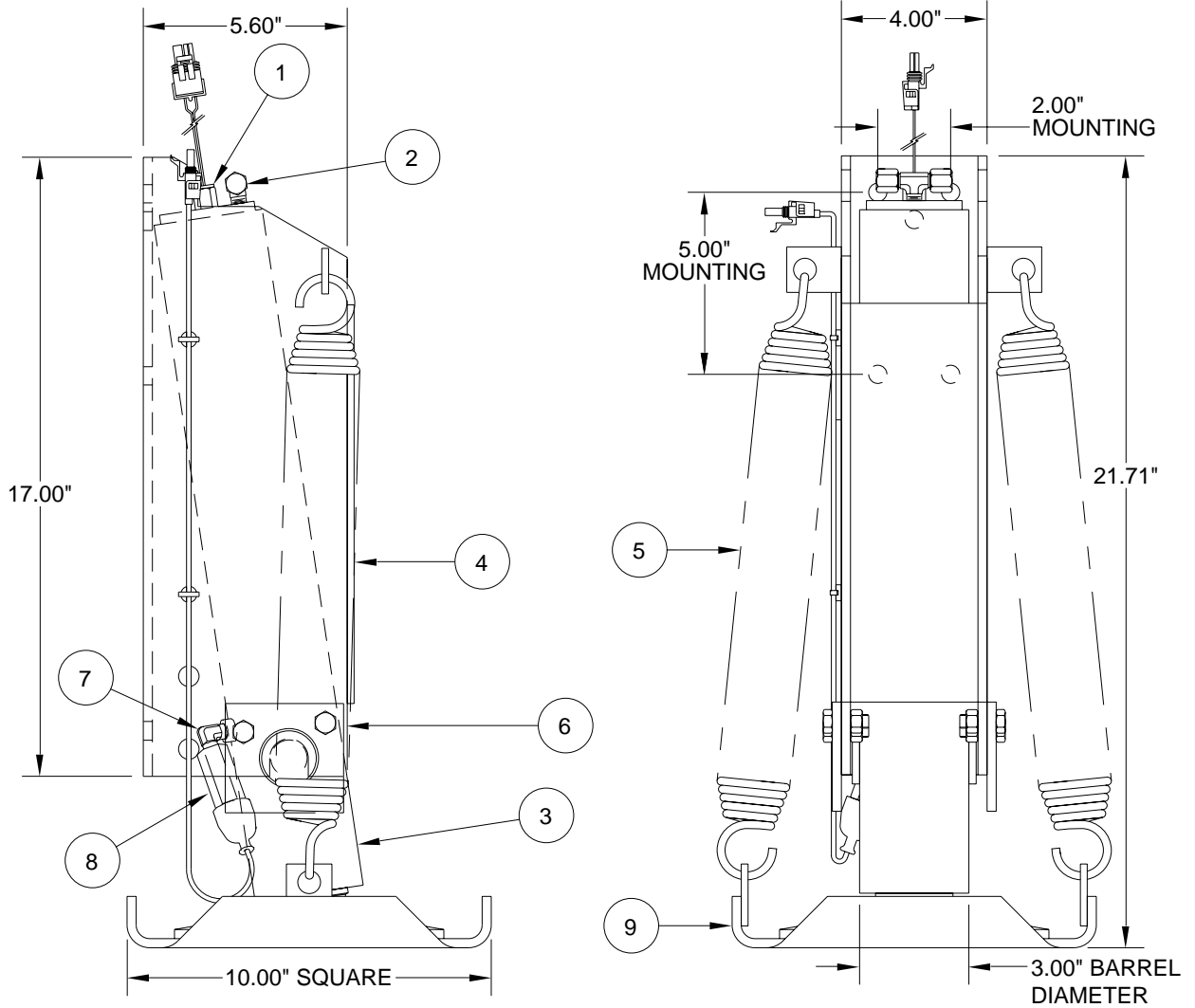
ITEM	PART	QTY	DESCRIPTION
1	RAP90968	1	SWITCH WARNING MAGNETIC GRAY (AP29903, AP29904)
2	RF1456	1	MALE CONNECTOR 1/8" X 1/4"
3	RAP9517	1	CYL. ASSY. 2.375" x 13" (INCLUDES TEE) (EXCLUDES ITEMS 1,2,7,8)
4	<b>OBSOLETE</b>		PIVOT BRACKET - CONTACT HWH CORPORATION FOR REPLACEMENT INFORMATION

ITEM	PART	QTY	DESCRIPTION
5	R91642	1	SPRING KIT 0.2187" x 14.5"
		2	SPRING 0.2187" x 14.5"
6	RAP1735	1	RETAINING PLATE KIT
		2	RETAINING PLATES
		4	HHCS 3/8 - 16 x 1"
		4	HEX NUT 3/8 - 16 LOCK
7	RF8143	1	ELBOW 1/8" X 1/8" (AP29904 ONLY)
8	RAP8003	1	SWITCH PRESSURE (AP29904 ONLY)
9	RAP8464	1	FOOT 8.00" DIAMETER

**NOTE:** INDENTED ITEMS ARE INCLUDED WITH PRECEDING ITEM.

**AP29964 - AP29965**  
**STRAIGHT-ACTING JACK, 9 DEGREE PIVOT, F/A SPRINGS**  
**12,000 # CAPACITY; 2.375" ROD DIAMETER; 13.00" STROKE**

JACK #	DESCRIPTION
AP29964	MAGNETIC WARNING SWITCH W/ GRAY CONNECTOR ONLY
AP29965	MAGNETIC WARNING SWITCH W/ GRAY CONNECTOR, PRESSURE SWITCH



ITEM	PART	QTY	DESCRIPTION
1	RAP90968	1	SWITCH WARNING MAGNETIC GRAY (AP29964, AP29965)
2	RF90151	1	MALE TEE 1/8" X 1/4" X 1/4"
3	RAP9517	1	CYL. ASSY. 2.375" x 13" (INCLUDES ITEM 2) (EXCLUDES ITEMS 1,7,8)
4	<b>OBSOLETE</b>		PIVOT BRACKET - CONTACT HWH CORPORATION FOR REPLACEMENT INFORMATION

ITEM	PART	QTY	DESCRIPTION
5	R91642	1	SPRING KIT 0.2187" x 14.5"
		2	SPRING 0.2187" x 14.5"
6	RAP1735	1	RETAINING PLATE KIT
		2	RETAINING PLATES
		4	HHCS 3/8 - 16 x 1"
		4	HEX NUT 3/8 - 16 LOCK
7	RF8143	1	ELBOW 1/8" X 1/8" (AP29965 ONLY)
8	RAP8003	1	SWITCH PRESSURE (AP29965 ONLY)
9	RAP7754	1	FOOT 11.40" ROUND 10" SQUARE FOOT NO LONGER AVAILABLE

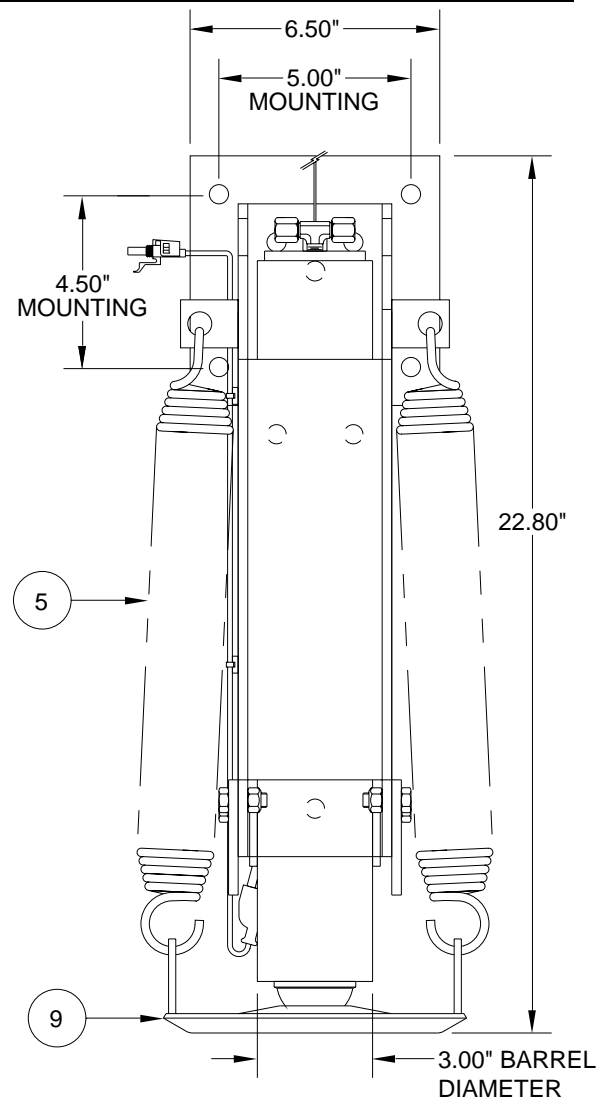
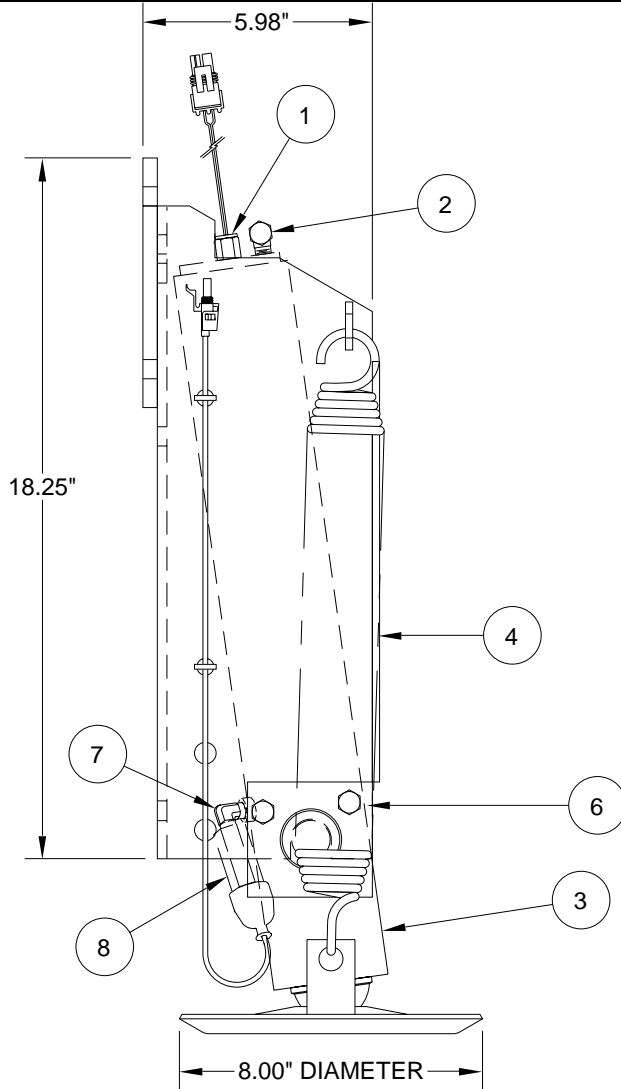
**NOTE:** INDENTED ITEMS ARE INCLUDED WITH PRECEDING ITEM.

**MR26.5320**  
**14FEB13**



**AP33344 - AP33345**  
**STRAIGHT-ACTING JACK, 9 DEGREE PIVOT, S/S SPRINGS**  
**12,000 # CAPACITY; 2.375" ROD DIAMETER; 13.00" STROKE**

JACK #	DESCRIPTION
AP33344	MAGNETIC WARNING SWITCH W/ GRAY CONNECTOR ONLY
AP33345	MAGNETIC WARNING SWITCH W/ GRAY CONNECTOR, PRESSURE SWITCH



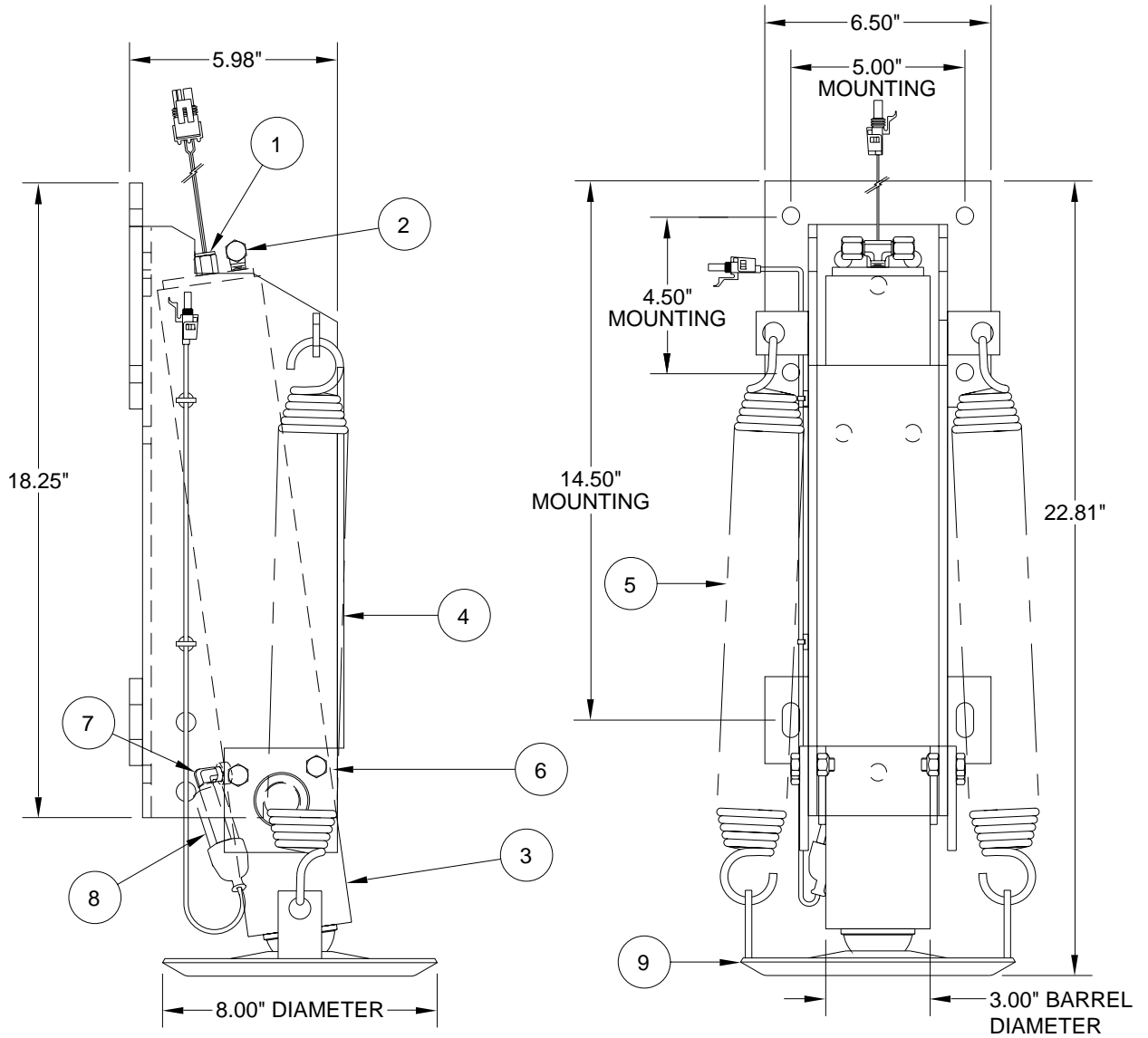
ITEM	PART	QTY	DESCRIPTION
1	RAP90968	1	SWITCH WARNING MAGNETIC GRAY (AP33344, AP33345)
2	RF90151	1	MALE TEE 1/8" X 1/4" X 1/4"
3	RAP9517	1	CYL. ASSY. 2.375" x 13" (INCLUDES ITEM 2) (EXCLUDES ITEMS 1,7,8)
4	<b>OBSOLETE</b>		PIVOT BRACKET - CONTACT HWH CORPORATION FOR REPLACEMENT INFORMATION

ITEM	PART	QTY	DESCRIPTION
5	R91642	1	SPRING KIT 0.2187" x 14.5"
		2	SPRING 0.2187" x 14.5"
6	RAP1735	1	RETAINING PLATE KIT
		2	RETAINING PLATES
		4	HHCS 3/8 - 16 x 1"
		4	HEX NUT 3/8 - 16 LOCK
7	RF8143	1	ELBOW 1/8" X 1/8" (AP33345 ONLY)
8	RAP8003	1	SWITCH PRESSURE (AP33345 ONLY)
9	RAP8464	1	FOOT 8.00" DIAMETER

**NOTE:** INDENTED ITEMS ARE INCLUDED WITH PRECEDING ITEM.

# AP38242 - STRAIGHT-ACTING JACK, 8 DEG PIVOT, F/A SPRINGS

12,000 # CAPACITY; 2.375" ROD DIAMETER; 13.00" STROKE  
WITH MAGNETIC WARNING SWITCH AND PRESSURE SWITCH



ITEM	PART	QTY	DESCRIPTION
1	RAP90968	1	SWITCH WARNING MAGNETIC GRAY
2	RF90151	1	MALE TEE 1/8" X 1/4" X 1/4"
3	RAP9517	1	CYL. ASSY. 2.375" x 13" (INCLUDES ITEM 2) (EXCLUDES ITEMS 1,7,8)
4	<b>OBSOLETE</b>		PIVOT BRACKET - CONTACT HWH CORPORATION FOR REPLACEMENT INFORMATION

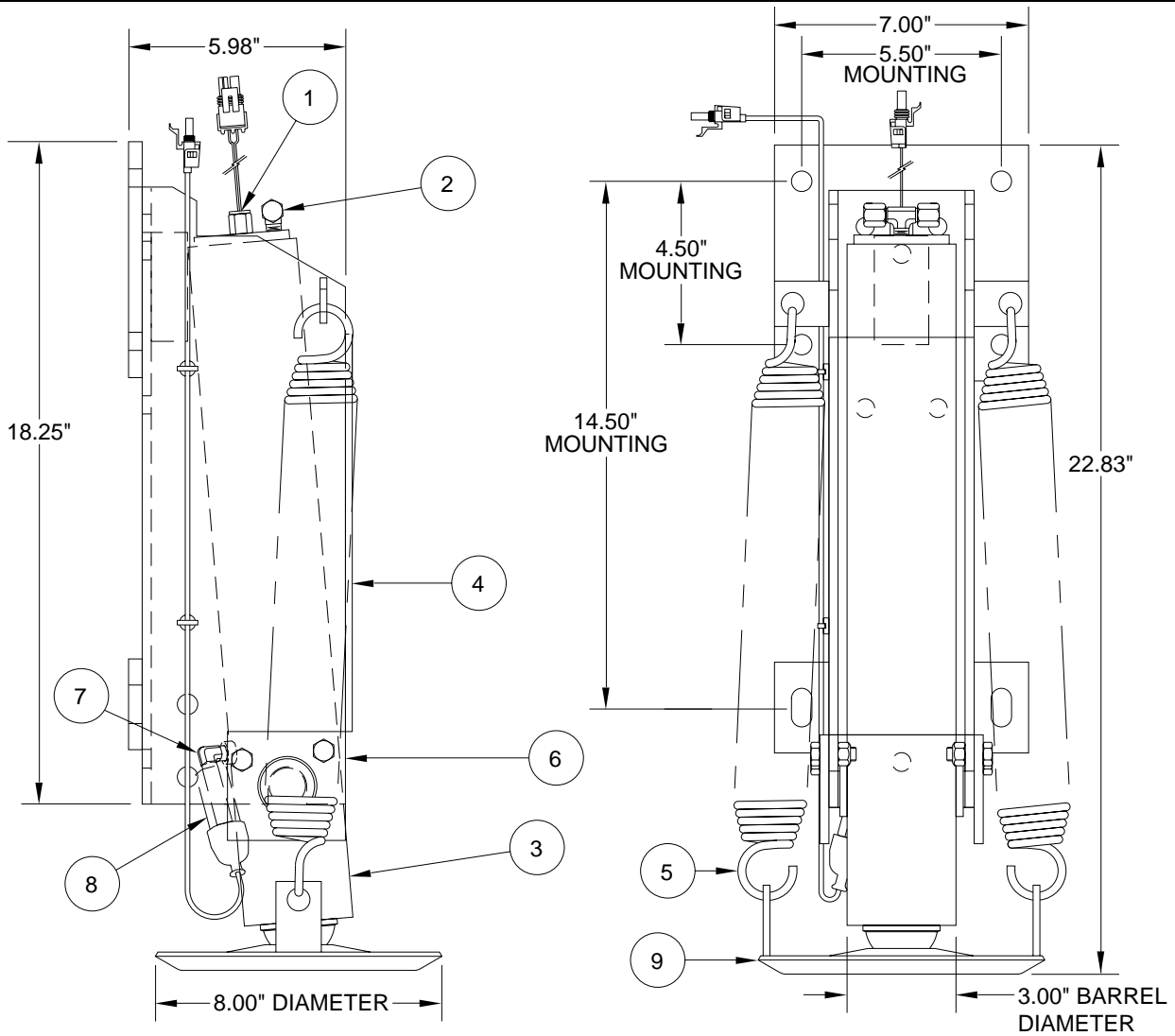
ITEM	PART	QTY	DESCRIPTION
5	R91642	1	SPRING KIT 0.2187" x 14.5"
		2	SPRING 0.2187" x 14.5"
6	RAP1735	1	RETAINING PLATE KIT
		2	RETAINING PLATES
		4	HHCS 3/8 - 16 x 1"
		4	HEX NUT 3/8 - 16 LOCK
7	RF8143	1	ELBOW 1/8" X 1/8"
8	RAP8003	1	SWITCH PRESSURE
9	RAP8464	1	FOOT 8.00" DIAMETER

NOTE: INDENTED ITEMS ARE INCLUDED WITH PRECEDING ITEM.

MR26.5330  
10FEB09

**AP40411 - AP40412**  
**STRAIGHT-ACTING JACK, 5 DEGREE PIVOT, F/A SPRINGS**  
**12,000 # CAPACITY; 2.375" ROD DIAMETER; 13.00" STROKE**

JACK #	DESCRIPTION
AP40411	MAGNETIC WARNING SWITCH W/ GRAY CONNECTOR ONLY
AP40412	MAGNETIC WARNING SWITCH W/ GRAY CONNECTOR, PRESSURE SWITCH



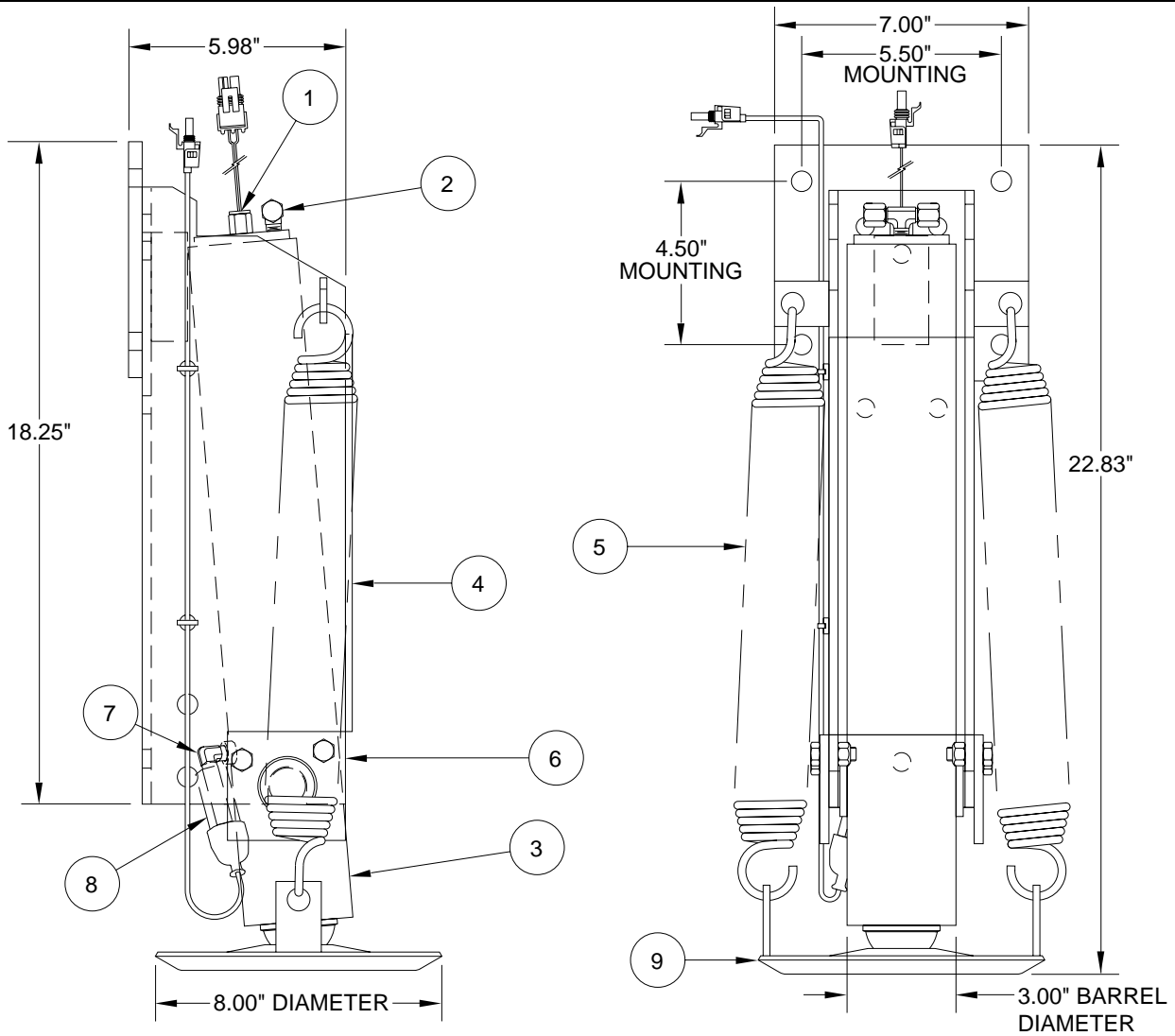
ITEM	PART	QTY	DESCRIPTION
1	RAP90968	1	SWITCH WARNING MAGNETIC GRAY (AP40411, AP40412)
2	RF90151	1	MALE TEE 1/8" X 1/4" X 1/4"
3	RAP9517	1	CYL. ASSY. 2.375" x 13" (INCLUDES ITEM 2) (EXCLUDES ITEMS 1,7,8)
4	<b>OBSOLETE</b>		PIVOT BRACKET - CONTACT HWH CORPORATION FOR REPLACEMENT INFORMATION

ITEM	PART	QTY	DESCRIPTION
5	R91642	1	SPRING KIT 0.2187" x 14.5"
		2	SPRING 0.2187" x 14.5"
6	RAP1735	1	RETAINING PLATE KIT
		2	RETAINING PLATES
		4	HHCS 3/8 - 16 x 1"
		4	HEX NUT 3/8 - 16 LOCK
7	RF8143	1	ELBOW 1/8" X 1/8" (AP40412 ONLY)
8	RAP8003	1	SWITCH PRESSURE (AP40412 ONLY)
9	RAP8464	1	FOOT 8.00" DIAMETER

**NOTE:** INDENTED ITEMS ARE INCLUDED WITH PRECEDING ITEM.

**AP40413 - AP40414**  
**STRAIGHT-ACTING JACK, 5 DEGREE PIVOT, F/A SPRINGS**  
**12,000 # CAPACITY; 2.375" ROD DIAMETER; 13.00" STROKE**

JACK #	DESCRIPTION
AP40413	MAGNETIC WARNING SWITCH W/ GRAY CONNECTOR ONLY
AP40414	MAGNETIC WARNING SWITCH W/ GRAY CONNECTOR, PRESSURE SWITCH

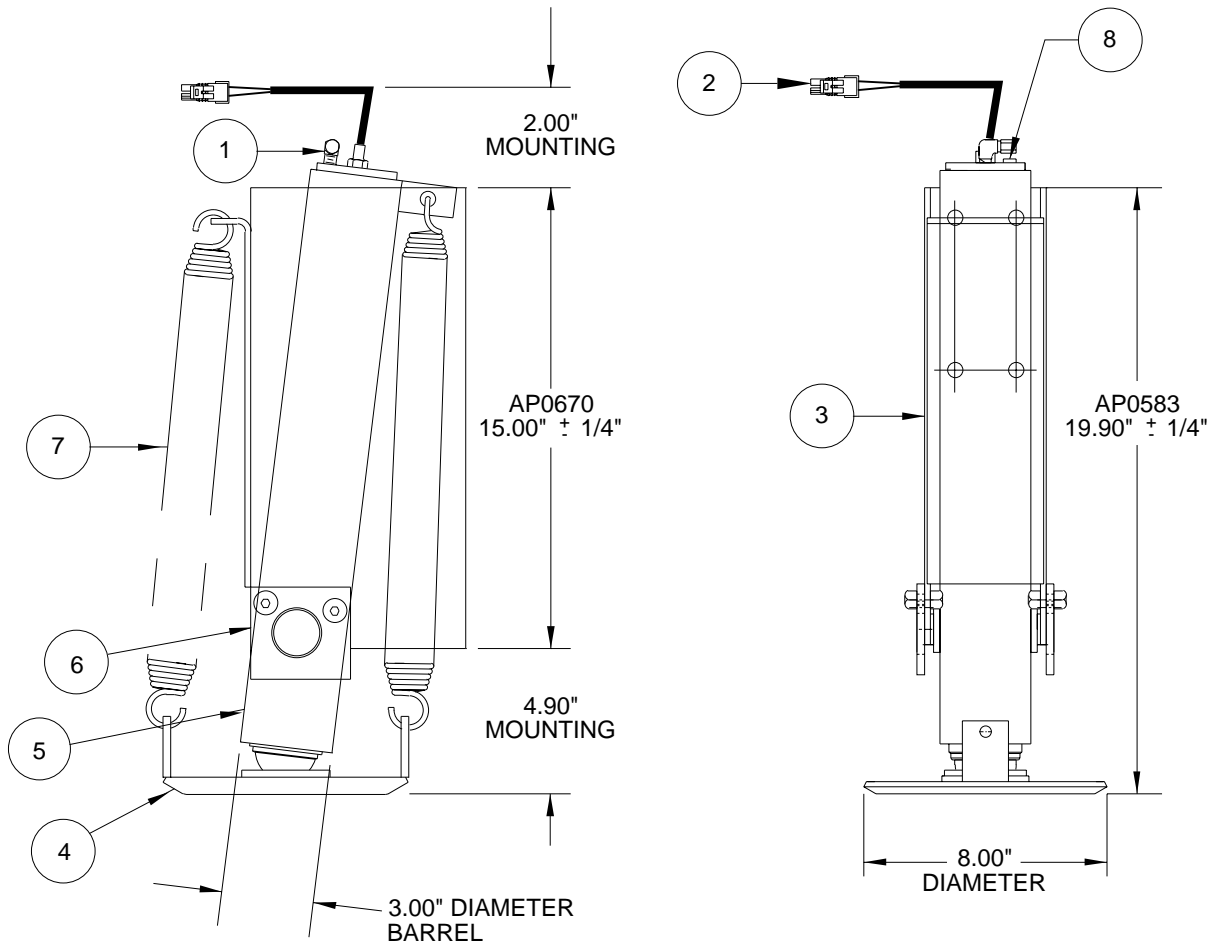


ITEM	PART	QTY	DESCRIPTION
1	RAP90968	1	SWITCH WARNING MAGNETIC GRAY (AP40413, AP40414)
2	RF90151	1	MALE TEE 1/8" X 1/4" X 1/4"
3	RAP9517	1	CYL. ASSY. 2.375" x 13" (INCLUDES ITEM 2) (EXCLUDES ITEMS 1,7,8)
4	<b>OBSOLETE</b>		PIVOT BRACKET - CONTACT HWH CORPORATION FOR REPLACEMENT INFORMATION

ITEM	PART	QTY	DESCRIPTION
5	R91642	1	SPRING KIT 0.2187" x 14.5"
		2	SPRING 0.2187" x 14.5"
6	RAP1735	1	RETAINING PLATE KIT
		2	RETAINING PLATES
		4	HHCS 3/8 - 16 x 1"
		4	HEX NUT 3/8 - 16 LOCK
7	RF8143	1	ELBOW 1/8" X 1/8" (AP40414 ONLY)
8	RAP8003	1	SWITCH PRESSURE (AP40414 ONLY)
9	RAP8464	1	FOOT 8.00" DIAMETER

**NOTE:** INDENTED ITEMS ARE INCLUDED WITH PRECEDING ITEM.

**AP0583 - STRAIGHT ACTING JACK, 7 DEGREE PIVOT, S/S SPRINGS**  
**12,000 # CAPACITY; 2.375" ROD DIAMETER; 13.00" STROKE**  
**WITH NARROW PIVOT BRACKET**



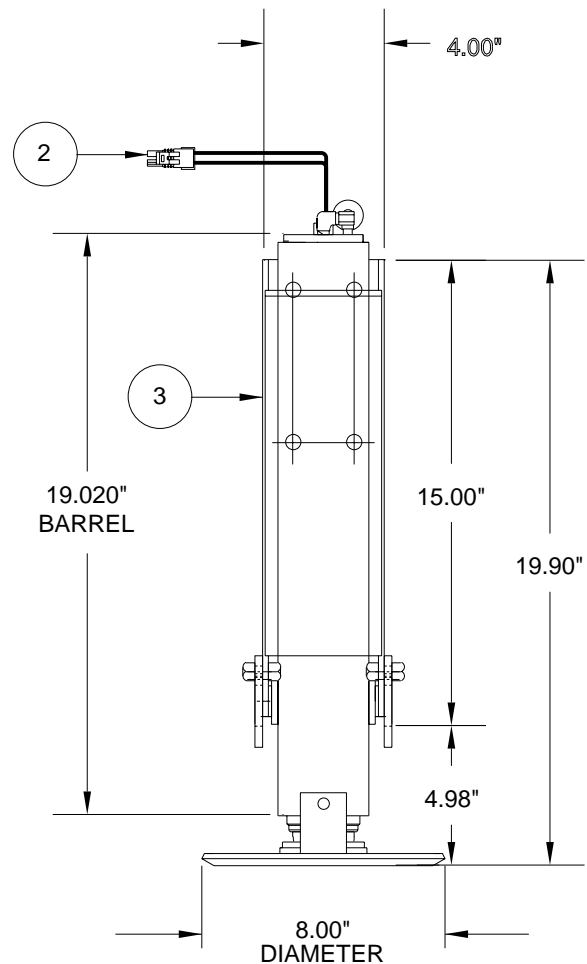
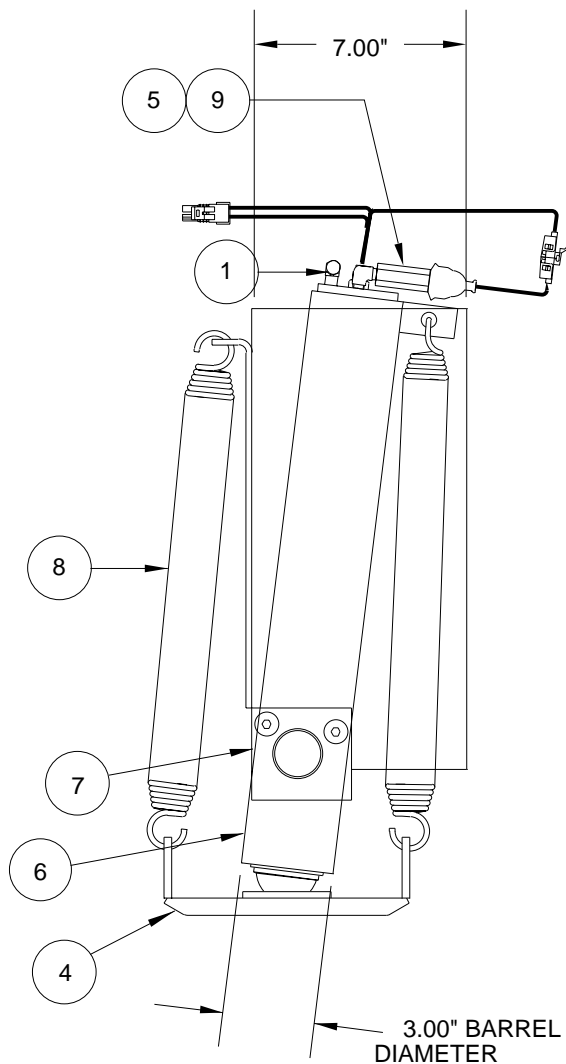
ITEM	PART	QTY	DESCRIPTION
	RAP0583		JACK 12,000 # X 13" S/S (REPLACES AP0583)
1	RF1453	1	ELBOW 1/8" X 1/4"
2	RAP1008	1	SWITCH WARNING 2-WIRE
3	RAP0670	1	PIVOT BRACKET
4	RAP8464	1	8.00" DIAMETER FOOT

ITEM	PART	QTY	DESCRIPTION
5	RAP0040	1	CYL. ASSY. 2.375" X 13" (INCLUDES ITEM 1) (EXCLUDES ITEM 2)
6	RAP1735	1	RETAINING PLATE KIT
		2	RETAINING PLATES
		4	HHCS 3/8-16 X 1"
		4	HEX NUT 3/8-16 LOCK DEF.
7	R91642	1	SPRING KIT .2187" X 14.5"
		2	SPRING .2187" X 14.5"
8	RF90272	1	PIPE PLUG 1/8"

**NOTE :** INDENTED ITEMS ARE INCLUDED WITH PRECEDING ITEM.

**MR26.5405**  
**05MAY05**

**AP0582 - STRAIGHT-ACTING JACK, 7 DEGREE PIVOT, S/S SPRINGS**  
**12,000 # CAPACITY; 2.375" ROD DIAMETER; 13.00" STROKE**  
**WITH PRESSURE SWITCH AND 3-WIRE WARNING SWITCH**  
**AND NARROW PIVOT BRACKET**



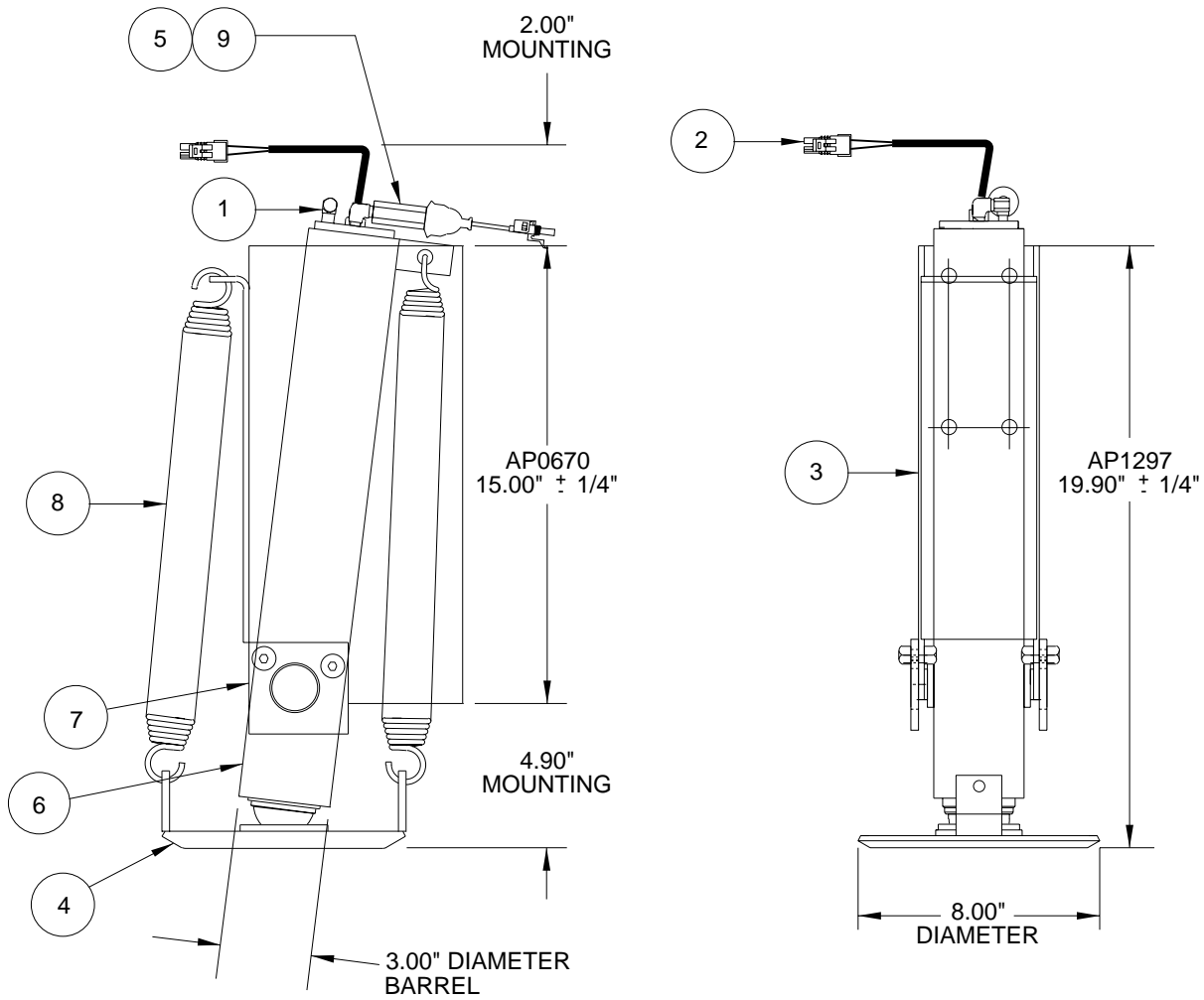
ITEM	PART	QTY	DESCRIPTION
	RAP90213		JACK 12,000 # X 13" S/S (REPLACES AP0582)
1	RF1453	1	ELBOW 1/8" X 1/4"
2	RAP90073	1	SWITCH WARNING 3-WIRE
3	RAP0670	1	PIVOT BRACKET
4	RAP8464	1	8.00" DIAMETER FOOT
5	RAP8003	1	SWITCH PRESSURE

ITEM	PART	QTY	DESCRIPTION
6	RAP0040	1	CYL. ASSY. 2.375" X 13" (INCLUDES ITEM 1) (EXCLUDES ITEM 2,5,9)
7	RAP1735	1	RETAINING PLATE KIT
		2	RETAINING PLATES
		4	HHCS 3/8-16 X 1"
		4	HEX NUT 3/8-16 LOCK DEF.
8	R91642	1	SPRING KIT .2187" X 14.5"
		2	SPRING .2187" X 14.5"
9	RF8143	1	ELBOW 1/8" X 1/8"

**NOTE :** INDENTED ITEMS ARE INCLUDED WITH PRECEDING ITEM.

**MR26.5407**  
**05MAY05**

**AP1297 - STRAIGHT ACTING JACK, 7 DEGREE PIVOT, S/S SPRINGS**  
**12,000 # CAPACITY; 2.375" ROD DIAMETER; 13.00" STROKE**  
**WITH PRESSURE SWITCH AND 2-WIRE WARNING SWITCH**  
**AND NARROW PIVOT BRACKET**



ITEM	PART	QTY	DESCRIPTION
	RAP1297		JACK 12,000 # X 13" S/S (REPLACES AP0583)
1	RF1453	1	ELBOW 1/8" X 1/4"
2	RAP1008	1	SWITCH WARNING 2-WIRE
3	RAP0670	1	PIVOT BRACKET
4	RAP8464	1	8.00" DIAMETER FOOT
5	RAP8003	1	SWITCH PRESSURE

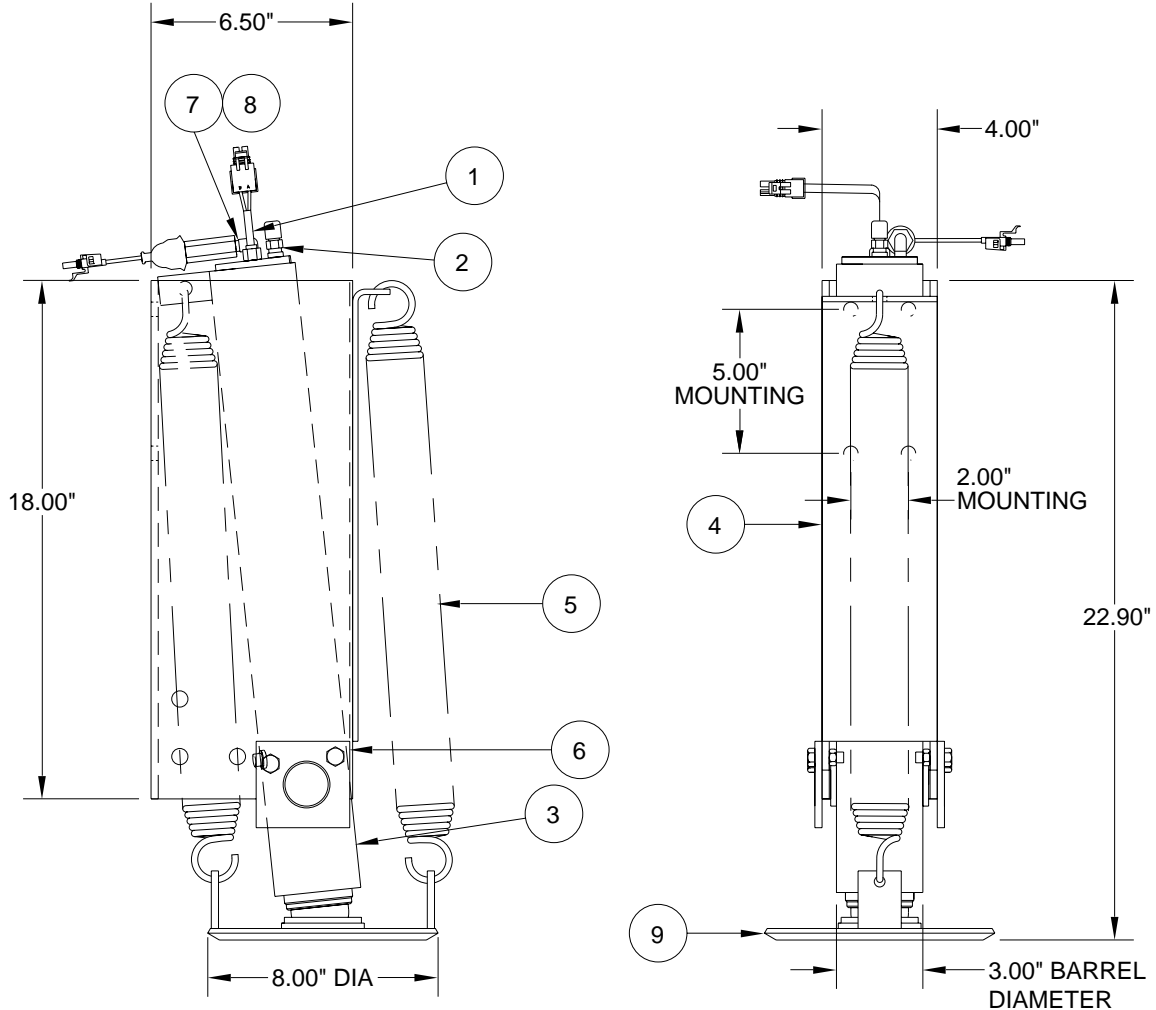
ITEM	PART	QTY	DESCRIPTION
6	RAP0040	1	CYL. ASSY. 2.375" X 13" (INCLUDES ITEM 1) (EXCLUDES ITEM 2,8,9)
7	RAP1735	1	RETAINING PLATE KIT
		2	RETAINING PLATES
		4	HHCS 3/8-16 X 1"
		4	HEX NUT 3/8-16 LOCK DEF.
8	R91642	1	SPRING KIT .2187" X 14.5"
		2	SPRING .2187" X 14.5"
9	RF8143	1	ELBOW 1/8" X 1/8"

**NOTE :** INDENTED ITEMS ARE INCLUDED WITH PRECEDING ITEM.

**MR26.5410**  
**05MAY05**

**AP11242 - AP17763**  
**STRAIGHT-ACTING JACK, 7 DEGREE PIVOT, S/S SPRINGS**  
**12,000 # CAPACITY; 2.375" ROD DIAMETER; 16.00" STROKE**

JACK #	DESCRIPTION
AP11242	MAGNETIC WARNING SWITCH W/ BLACK CONNECTOR ONLY
AP17763	MAGNETIC WARNING SWITCH W/ BLACK CONNECTOR, PRESSURE SWITCH



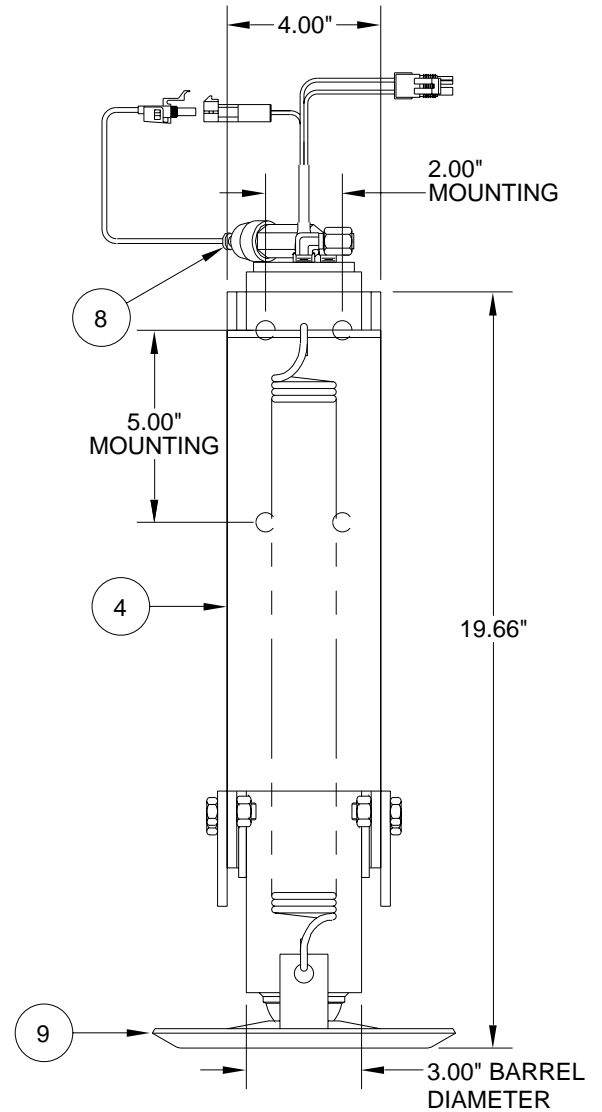
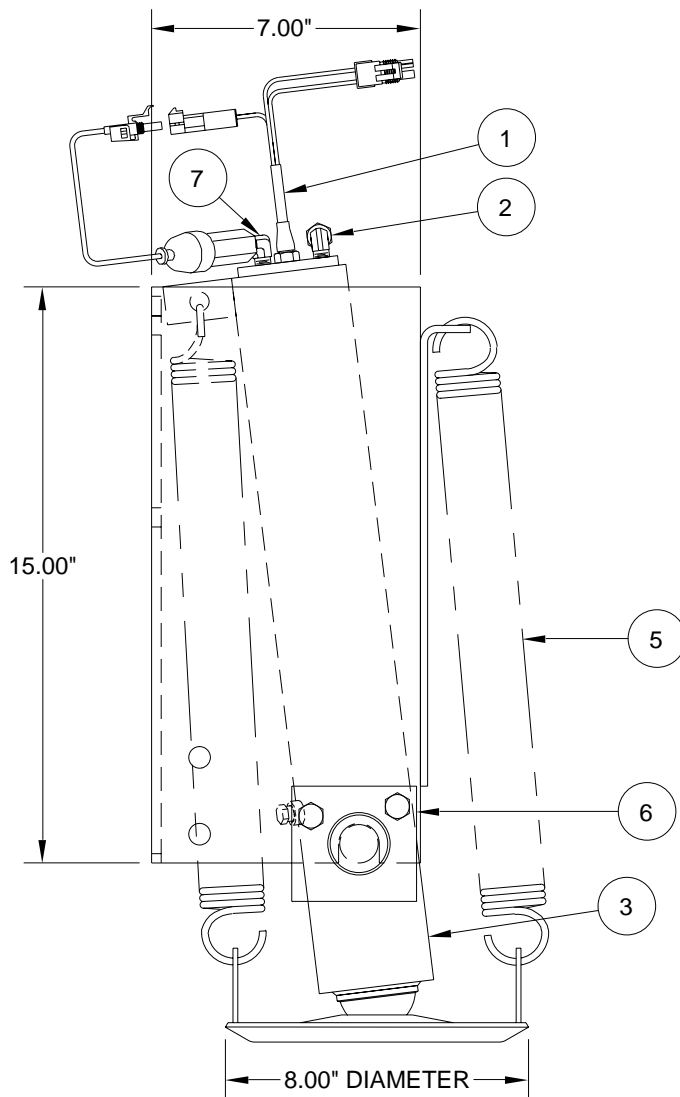
ITEM	PART	QTY	DESCRIPTION
1	RAP1008	1	SWITCH WARNING MAGNETIC (AP11242, AP17763)
2	RF1456	1	MALE CONNECTOR 1/8" X 1/4"
3	RAP8730	1	CYL. ASSY. 2.375" x 16" (INCLUDES TEE) (EXCLUDES ITEMS 1,2,7,8)
4	RAP8733	1	PIVOT BRACKET
5	R91933	1	SPRING KIT 0.218" x 17.5"
		2	SPRING 0.218" x 17.5"

ITEM	PART	QTY	DESCRIPTION
6	RAP1735	1	RETAINING PLATE KIT
		2	RETAINING PLATES
		4	HHCS 3/8 - 16 x 1"
		4	HEX NUT 3/8 - 16 LOCK
7	RF8143	1	ELBOW 1/8" X 1/8" (AP17763 ONLY)
8	RAP8003	1	SWITCH PRESSURE (AP17763 ONLY)
9	RAP8464	1	FOOT 8.00" DIAMETER

**NOTE:** INDENTED ITEMS ARE INCLUDED WITH PRECEDING ITEM.



**AP24871 - STRAIGHT-ACTING JACK, 7 DEG PIVOT, S/S SPRINGS**  
**12,000 # CAPACITY; 2.375" ROD DIAMETER; 13.00" STROKE**  
**WITH 3-WIRE WARNING SWITCH AND PRESSURE SWITCH**

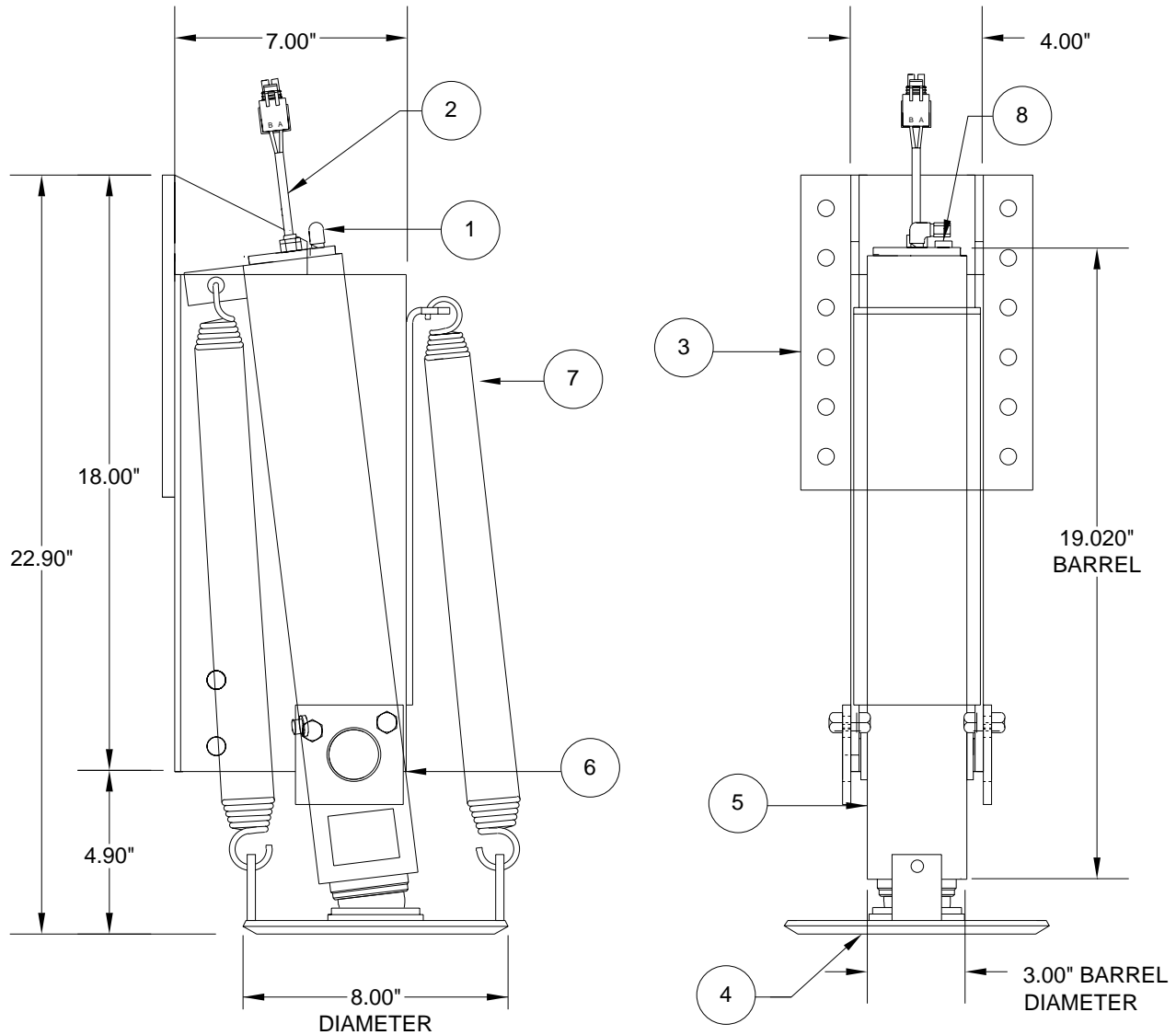


ITEM	PART	QTY	DESCRIPTION
1	RAP90073	1	SWITCH WARNING 3-WIRE
2	RF90141	1	ELBOW 1/8" X 5/16"
3	RAP0040	1	CYL. ASSY. 2.375" x 13" (INCLUDES 1/4" ELBOW) (EXCLUDES ITEMS 1,2,7,8)
4	RAP0670	1	PIVOT BRACKET
5	R91642	1 2	SPRING KIT 0.2187" x 14.5" SPRING 0.2187" x 14.5"

ITEM	PART	QTY	DESCRIPTION
6	RAP1735	1	RETAINING PLATE KIT 2 RETAINING PLATES 4 HHCS 3/8 - 16 x 1" 4 HEX NUT 3/8 - 16 LOCK
7	RF8143	1	ELBOW 1/8" X 1/8"
8	RAP8003	1	SWITCH PRESSURE
9	RAP8464	1	FOOT 8.00" DIAMETER

**NOTE:** INDENTED ITEMS ARE INCLUDED WITH PRECEDING ITEM.

**AP11804 - STRAIGHT-ACTING JACK, 7 DEGREE PIVOT, S/S SPRINGS**  
**12,000 # CAPACITY; 2.375" ROD DIAMETER; 13.00" STROKE**  
**AND NARROW PIVOT BRACKET WITH ADAPTOR**

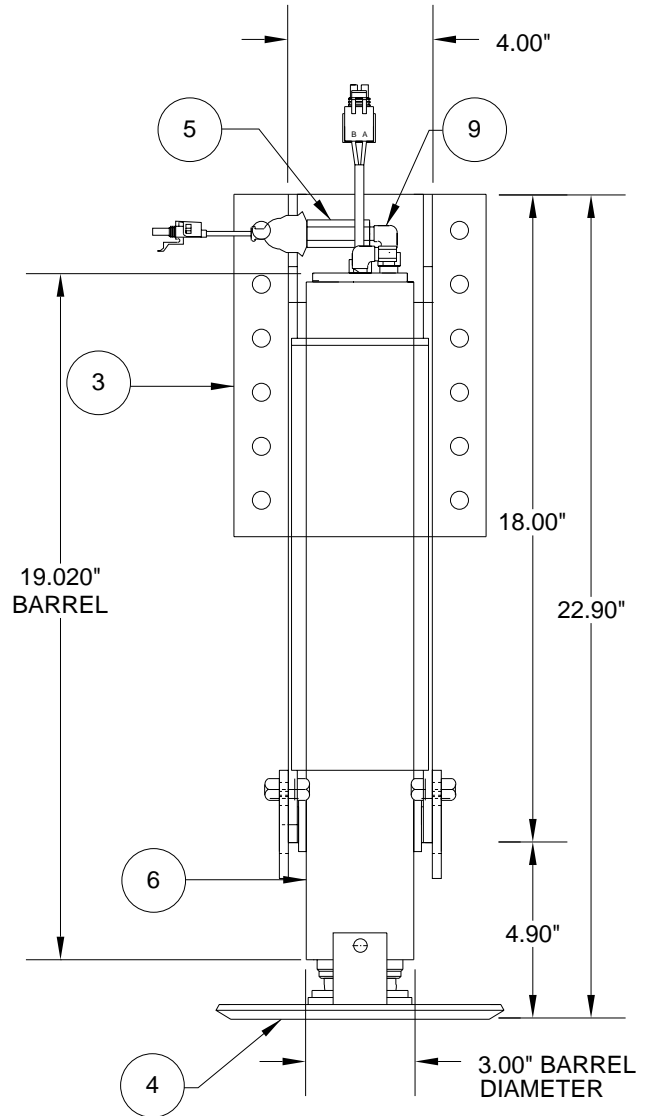
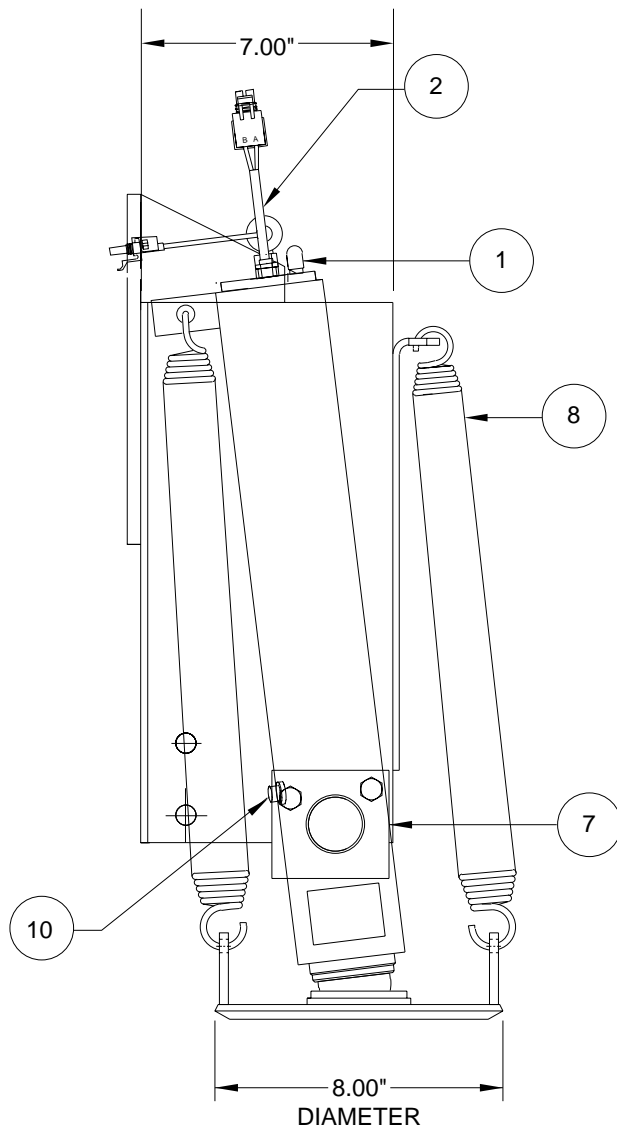


ITEM	PART	QTY	DESCRIPTION
1	RF1453	1	ELBOW 1/8" X 1/4"
2	RAP1008	1	SWITCH WARNING 2-WIRE
3	<b>OBSOLETE</b>		PIVOT BRACKET - CONTACT HWH CORPORATION FOR REPLACEMENT INFORMATION
4	RAP8464	1	8.00" DIAMETER FOOT
5	RAP0040	1	CYL. ASSY. 2.375" X 13" (INCLUDES ITEM 1,9) (EXCLUDES ITEM 2)

ITEM	PART	QTY	DESCRIPTION
6	RAP1735	1	RETAINING PLATE KIT
		2	RETAINING PLATES
		4	HHCS 3/8-16 X 1"
		4	HEX NUT 3/8-16 LOCK DEF.
7	R91642	1	SPRING KIT .2187" X 14.5"
		2	SPRING .2187" X 14.5"
8	RF90272	1	PIPE PLUG 1/8"

**NOTE :** INDENTED ITEMS ARE INCLUDED WITH PRECEDING ITEM.

**AP11375 - STRAIGHT-ACTING JACK, 7 DEGREE PIVOT, S/S SPRINGS**  
**12,000 # CAPACITY; 2.375" ROD DIAMETER; 13.00" STROKE**  
**WITH PRESSURE SWITCH AND 2-WIRE WARNING SWITCH**  
**AND NARROW PIVOT BRACKET WITH ADAPTOR**



ITEM	PART	QTY	DESCRIPTION
1	RF1453	1	ELBOW 1/8" X 1/4"
2	RAP1008	1	SWITCH WARNING 2-WIRE
3	<b>OBSELETE</b>		PIVOT BRACKET - CONTACT HWH CORPORATION FOR REPLACEMENT INFORMATION
4	RAP8464	1	8.00" DIAMETER FOOT
5	RAP8003	1	SWITCH PRESSURE

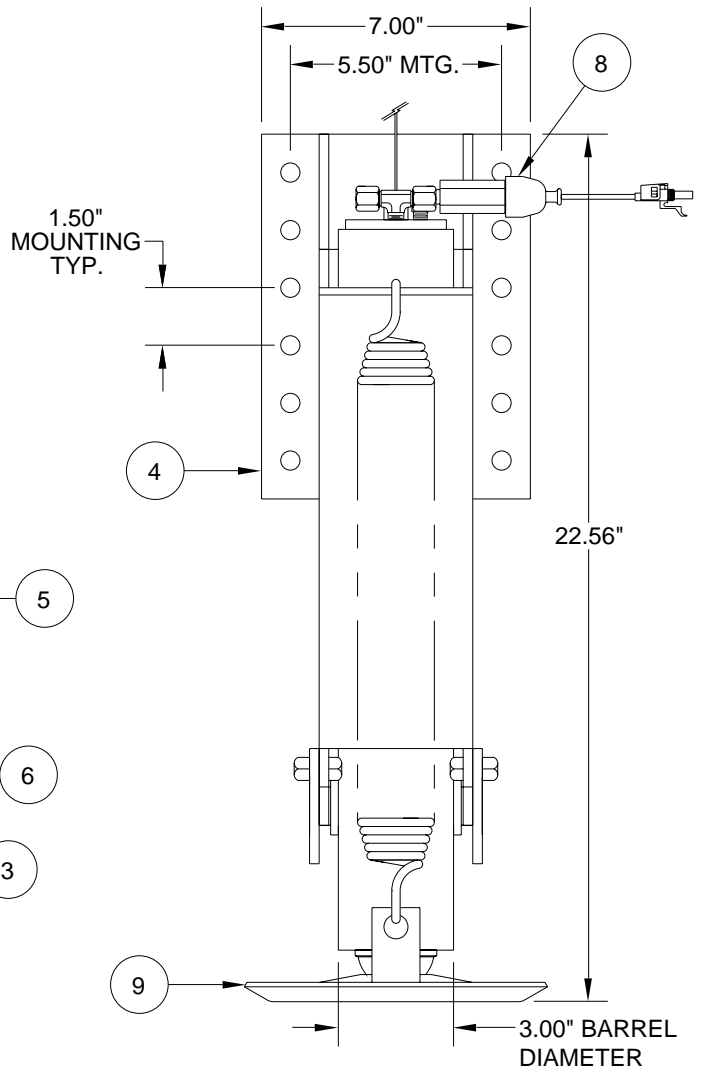
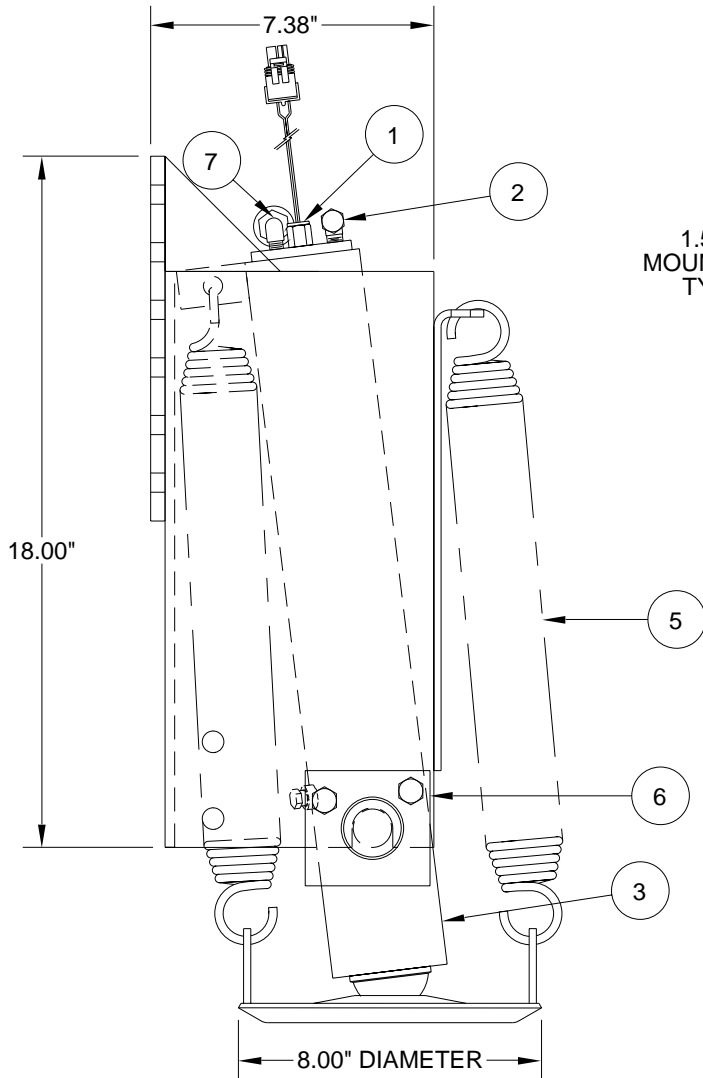
ITEM	PART	QTY	DESCRIPTION
6	RAP0040	1	CYL. ASSY. 2.375" X 13" (INCLUDES ITEM 1, 10) (EXCLUDES ITEM 2,5,9)
7	RAP1735	1	RETAINING PLATE KIT
		2	RETAINING PLATES
		4	HHCS 3/8-16 X 1"
		4	HEX NUT 3/8-16 LOCK DEF.
8	R91642	1	SPRING KIT .2187" X 14.5"
		2	SPRING .2187" X 14.5"
9	RF8143	1	ELBOW 1/8" X 1/8"
10	RF90272	1	HEX PLUG 1/8"

**NOTE :** INDENTED ITEMS ARE INCLUDED WITH PRECEDING ITEM.

**MR26.5420**  
**23MAR09**

**AP30719 - AP30720**  
**STRAIGHT-ACTING JACK, 7 DEGREE PIVOT, S/S SPRINGS**  
**12,000 # CAPACITY; 2.375" ROD DIAMETER; 13.00" STROKE**

JACK #	DESCRIPTION
AP30719	MAGNETIC WARNING SWITCH W/ GRAY CONNECTOR ONLY
AP30720	MAGNETIC WARNING SWITCH W/ GRAY CONNECTOR, PRESSURE SWITCH

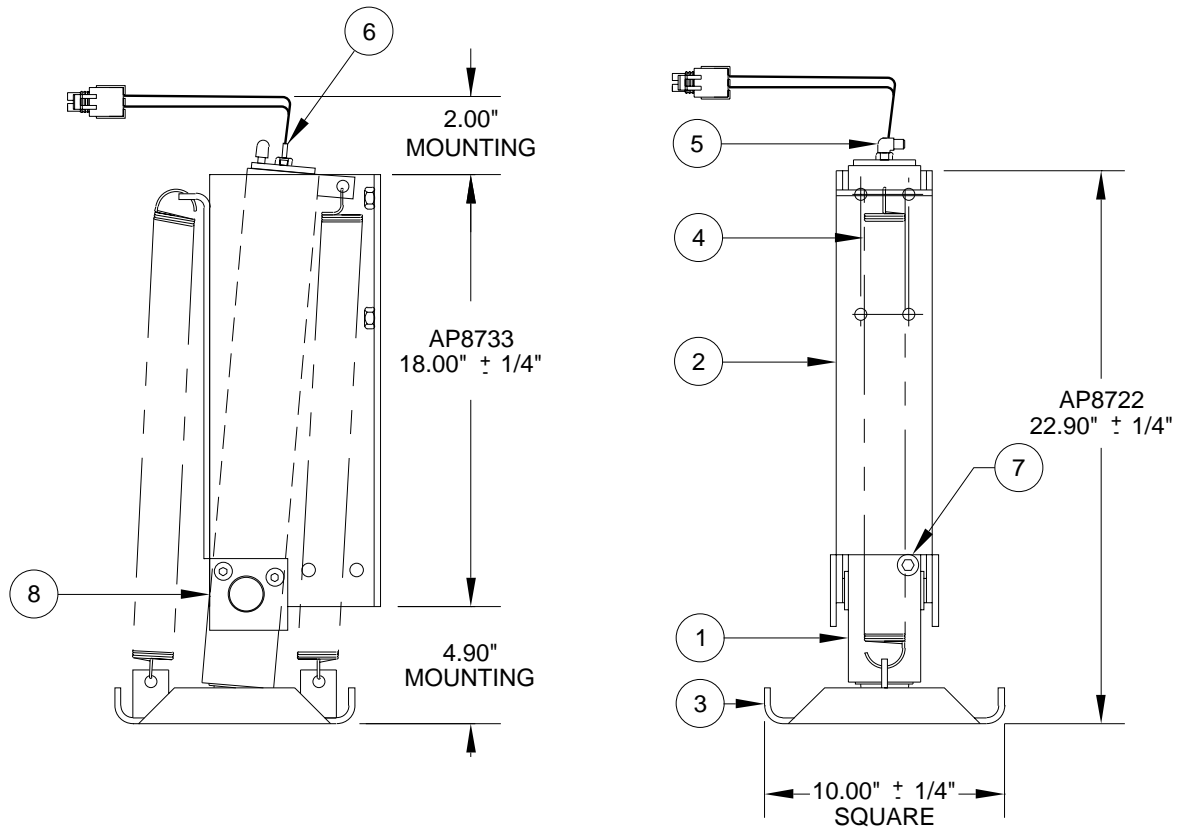


ITEM	PART	QTY	DESCRIPTION
1	RAP90968	1	SWITCH WARNING MAGNETIC GRAY (AP30719, AP30720)
2	RF90151	1	MALE TEE 1/8" X 1/4" X 1/4"
3	RAP0040	1	CYL. ASSY. 2.375" x 13" (INCLUDES ELBOW) (EXCLUDES ITEMS 1,2,7,8)
4	<b>OBSOLETE</b>		PIVOT BRACKET - CONTACT HWH CORPORATION FOR REPLACEMENT INFORMATION

ITEM	PART	QTY	DESCRIPTION
5	R91642	1	SPRING KIT 0.2187" x 14.5"
		2	SPRING 0.2187" x 14.5"
6	RAP1735	1	RETAINING PLATE KIT
		2	RETAINING PLATES
		4	HHCS 3/8 - 16 x 1"
		4	HEX NUT 3/8 - 16 LOCK
7	RF8143	1	ELBOW 1/8" X 1/8" (AP30720 ONLY)
8	RAP8003	1	SWITCH PRESSURE (AP30720 ONLY)
9	RAP8464	1	FOOT 8.00" DIAMETER

**NOTE:** INDENTED ITEMS ARE INCLUDED WITH PRECEDING ITEM.

**AP8722 - STRAIGHT ACTING JACK, 7 DEGREE PIVOT, S/S SPRINGS**  
**12,000 # CAPACITY; 2.375" ROD DIAMETER; 16.00" STROKE**  
**WITH NARROW PIVOT BRACKET**



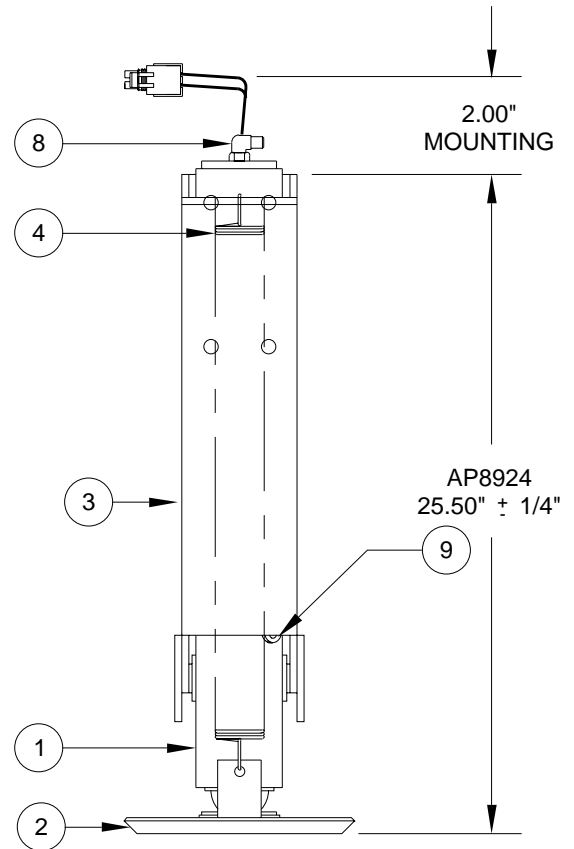
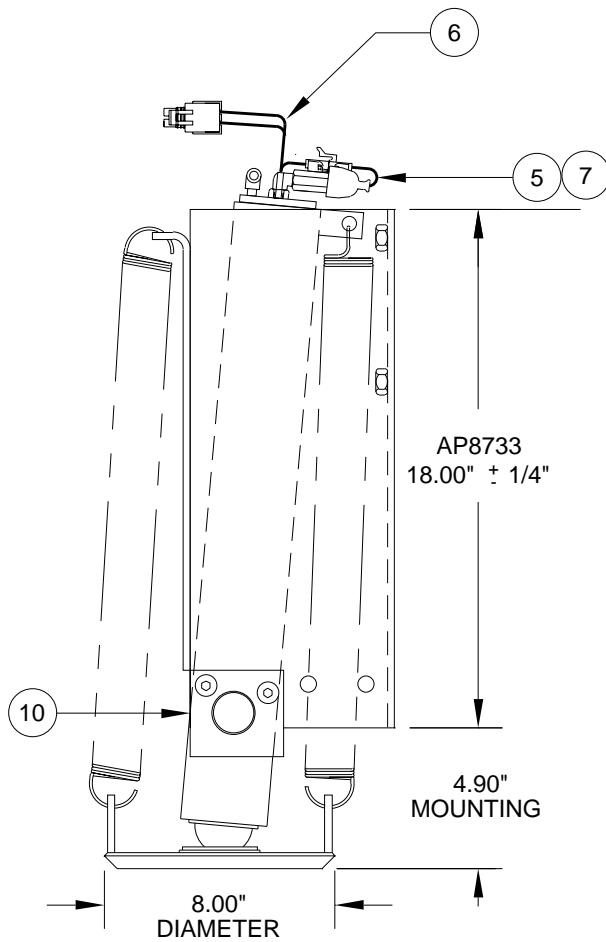
ITEM	PART	QTY	DESCRIPTION
1	RAP8730	1	CYL. ASSY. 2.375" X 16" (INCLUDES ITEMS 5,7) (EXCLUDES ITEM 6)
2	RAP8733	1	PIVOT BRACKET
3	RAP5453	1	FOOT 11.40" ROUND 10" SQUARE FOOT NO LONGER AVAILABLE
4	R3848	1 2	SPRING KIT 1-11/16" X 18" SPRING 1-11/16" X 18"

ITEM	PART	QTY	DESCRIPTION
5	RF1453	1	ELBOW 1/8" X 1/4"
6	RAP1008	1	SWITCH WARNING 2-WIRE (REPLACES RAP8100)
7	RF2418	1	PIPE PLUG 1/8"
8	RAP1735	1 2 4 4	RETAINING PLATE KIT RETAINING PLATES HHCS 3/8-16 X 1" HEX NUT 3/8-16 LOCK DEF.

NOTE : INDENTED ITEMS ARE INCLUDED WITH PRECEDING ITEM.

**MR26.5555**  
**12FEB13**

**AP8924 - STRAIGHT ACTING JACK, 7 DEGREE PIVOT, S/S SPRINGS**  
**12,000 # CAPACITY; 2.375" ROD DIAMETER; 16.00" STROKE**  
**WITH PRESSURE SWITCH AND 3-WIRE WARNING SWITCH**  
**AND NARROW PIVOT BRACKET**



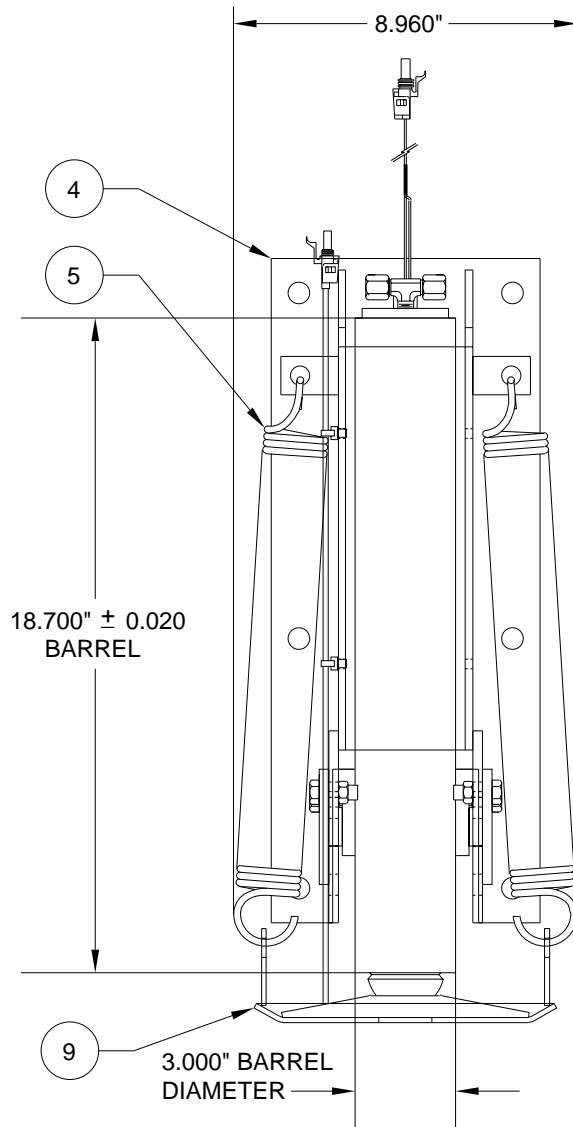
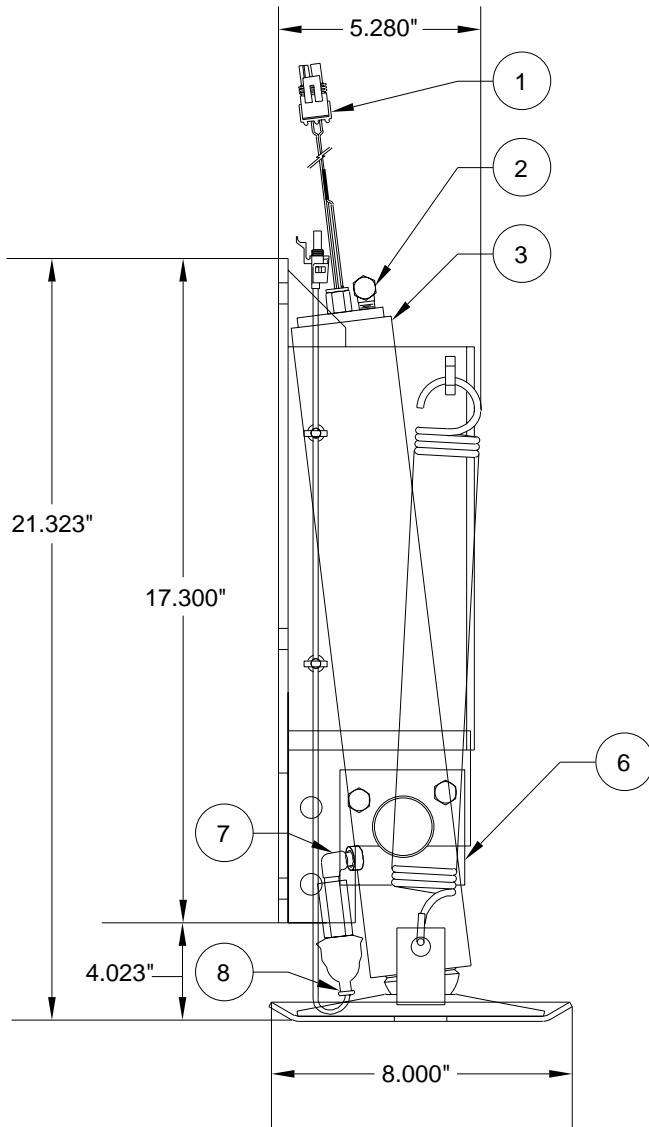
ITEM	PART	QTY	DESCRIPTION
	RAP8924		JACK 12,000 # X 16" S/S (REPLACES AP8924)
1	RAP8730	1	CYL. ASSY. 2.375" X 16" (INCLUDES ITEMS 8,9) (EXCLUDES ITEMS 5,6,7)
2	RAP8464	1	8.00" DIAMETER FOOT
3	RAP8733	1	PIVOT BRACKET
4	R3848	1 2	SPRING KIT 1-11/16" X 18" SPRING 1-11/16" X 18"
5	RAP8003	1	SWITCH PRESSURE

ITEM	PART	QTY	DESCRIPTION
6	RAP90073	1	SWITCH WARNING 3-WIRE (REPLACES RAP8442)
7	RF8143	1	ELBOW 1/8" X 1/8"
8	RF1453	1	ELBOW 1/8" X 1/4"
9	RF2418	1	PIPE PLUG 1/8"
10	RAP1735	1 2 4 4	RETAINING PLATE KIT RETAINING PLATES HHCS 3/8-16 X 1" HEX NUT 3/8-16 LOCK DEF.

NOTE : INDENTED ITEMS ARE INCLUDED WITH PRECEDING ITEM.

**MR26.5565**  
**23MAR09**

**AP22337 - STRAIGHT-ACTING JACK, 6 DEG PIVOT, F/A SPRINGS**  
**12,000# CAPACITY; 2.375" ROD DIAMETER; 13.00" STROKE**  
**WITH PRESSURE SWITCH AND 2-WIRE WARNING SWITCH**

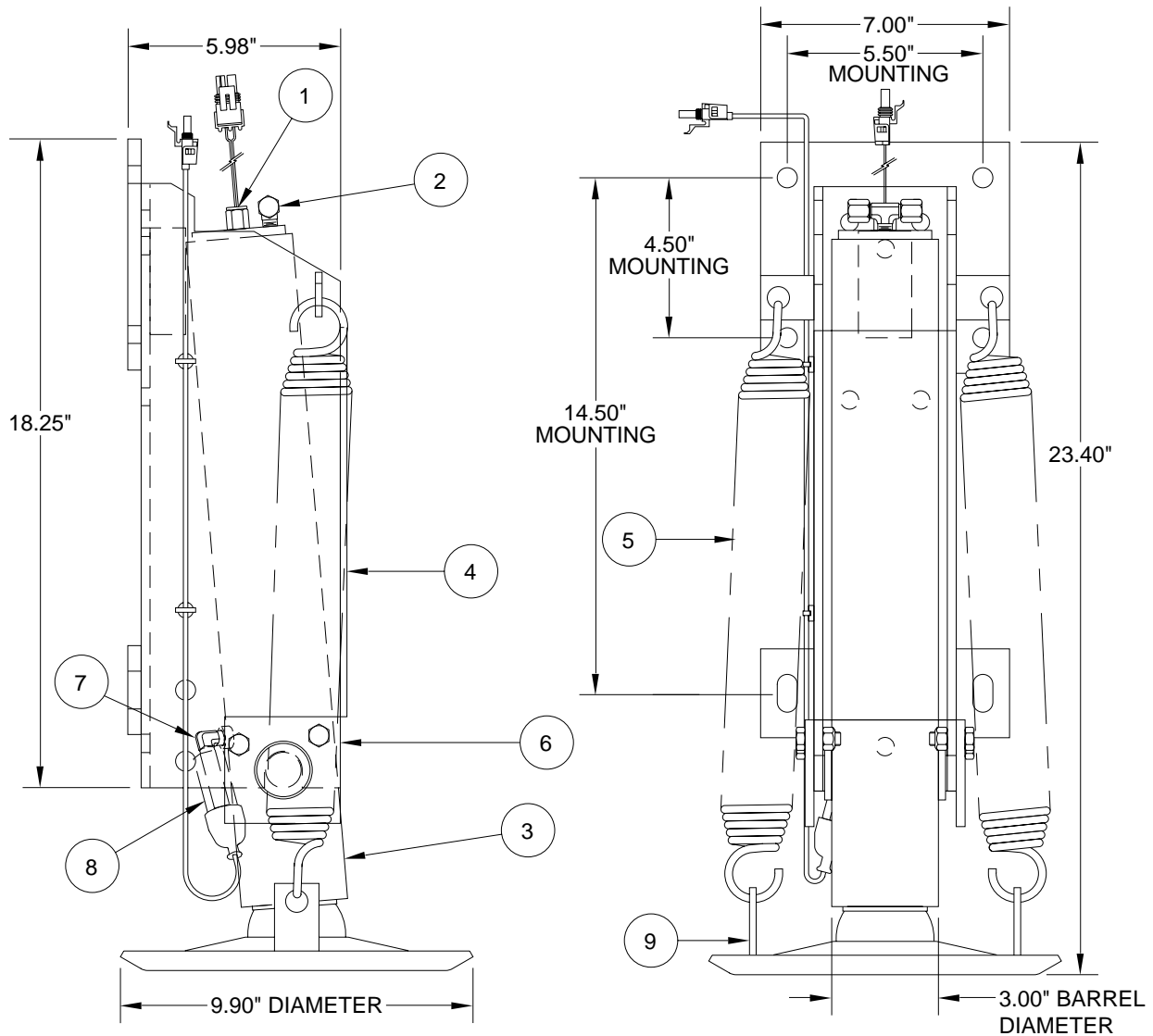


ITEM	PART	QTY	DESCRIPTION
1	RAP1008	1	SWITCH WARNING 2-WIRE
2	RF90151	1	MALE CONNECTER 1/8" X 1/4"
3	RAP9517	1	CYL. ASSY. 2.375" x 13"
4	<b>OBSOLETE</b>		PIVOT BRACKET - CONTACT HWH CORPORATION FOR REPLACEMENT INFORMATION
5	R91642	1 2	SPRING KIT .2187" X 14.5" SPRING .2187" X 14.5"

ITEM	PART	QTY	DESCRIPTION
6	RAP1735	1	RETAINING PLATE KIT
		2	RETAINING PLATES
		4	HHCS 3/8 - 16 x 1"
		4	HEX NUT 3/8 - 16 LOCK
7	RF8143	1	CR-1/8-S ELBOW
8	RAP8003	1	SWITCH PRESSURE
9	RAP8464	1	FOOT 8.000" DIAMETER

**NOTE:** INDENTED ITEMS ARE INCLUDED WITH PRECEDING ITEM.

**AP41151 - STRAIGHT-ACTING JACK, 5 DEG PIVOT, F/A SPRINGS  
12,000 # CAPACITY; 2.375" ROD DIAMETER; 13.00" STROKE; BOLT-ON FOOT  
WITH MAGNETIC WARNING SWITCH AND PRESSURE SWITCH**



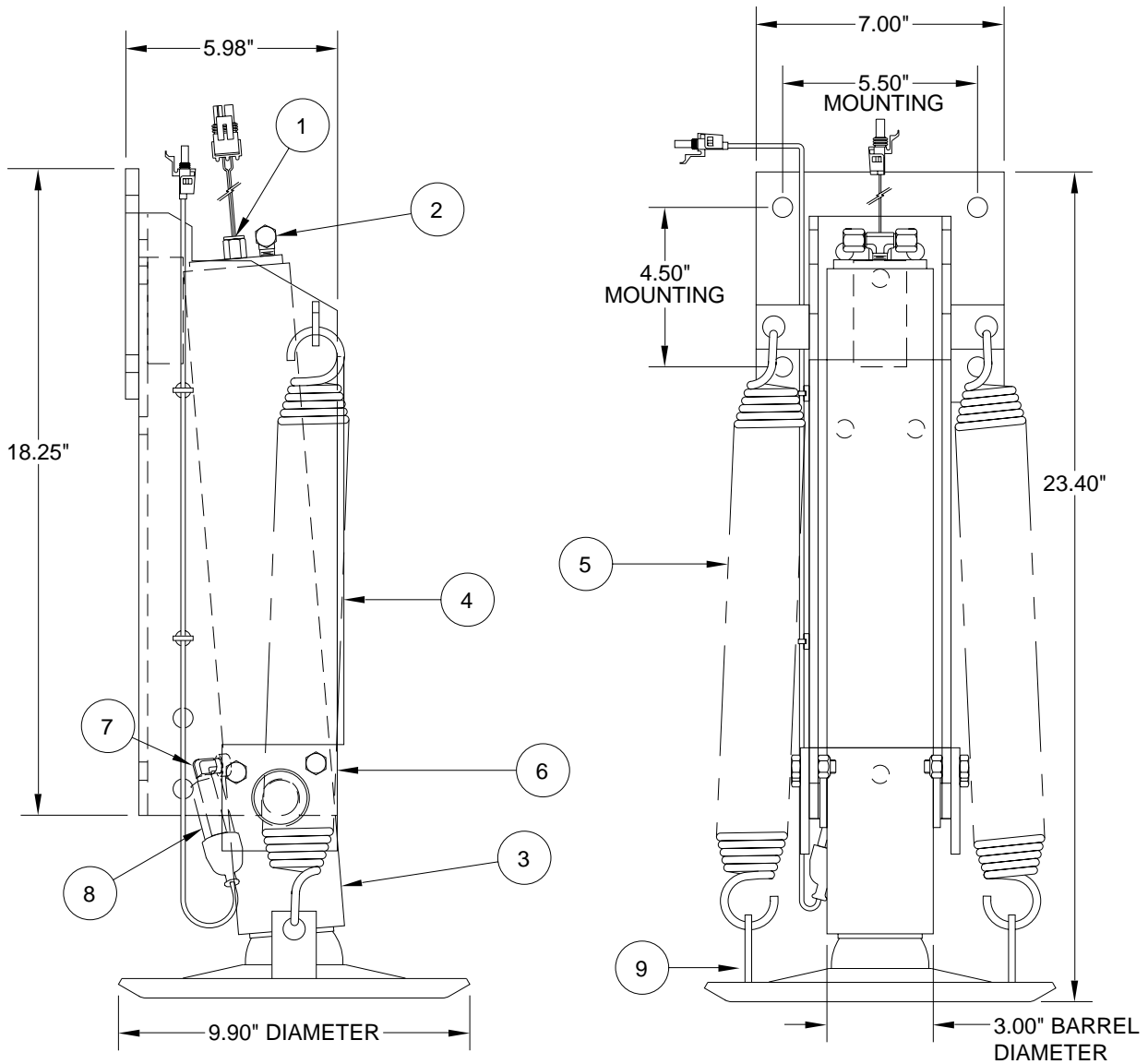
ITEM	PART	QTY	DESCRIPTION
1	RAP90968	1	SWITCH WARNING MAGNETIC GRAY
2	RF90151	1	MALE TEE 1/8" X 1/4" X 1/4"
3	RAP92124	1	CYL. ASSY. 2.375" x 13" (INCLUDES ITEM 2) (EXCLUDES ITEMS 1,7,8)
4	<b>OBSOLETE</b>		PIVOT BRACKET - CONTACT HWH CORPORATION FOR REPLACEMENT INFORMATION

ITEM	PART	QTY	DESCRIPTION
5	R91642	1	SPRING KIT 0.2187" x 14.5"
		2	SPRING 0.2187" x 14.5"
6	RAP1735	1	RETAINING PLATE KIT
		2	RETAINING PLATES
		4	HHCS 3/8 - 16 x 1"
		4	HEX NUT 3/8 - 16 LOCK
7	RF8143	1	ELBOW 1/8" X 1/8"
8	RAP8003	1	SWITCH PRESSURE
9	RAP92281	1	FOOT 9.90" DIAMETER

**NOTE:** INDENTED ITEMS ARE INCLUDED WITH PRECEDING ITEM.



**AP41152 - STRAIGHT-ACTING JACK, 5 DEG PIVOT, F/A SPRINGS  
12,000 # CAPACITY; 2.375" ROD DIAMETER; 13.00" STROKE; BOLT-ON FOOT  
WITH MAGNETIC WARNING SWITCH AND PRESSURE SWITCH**

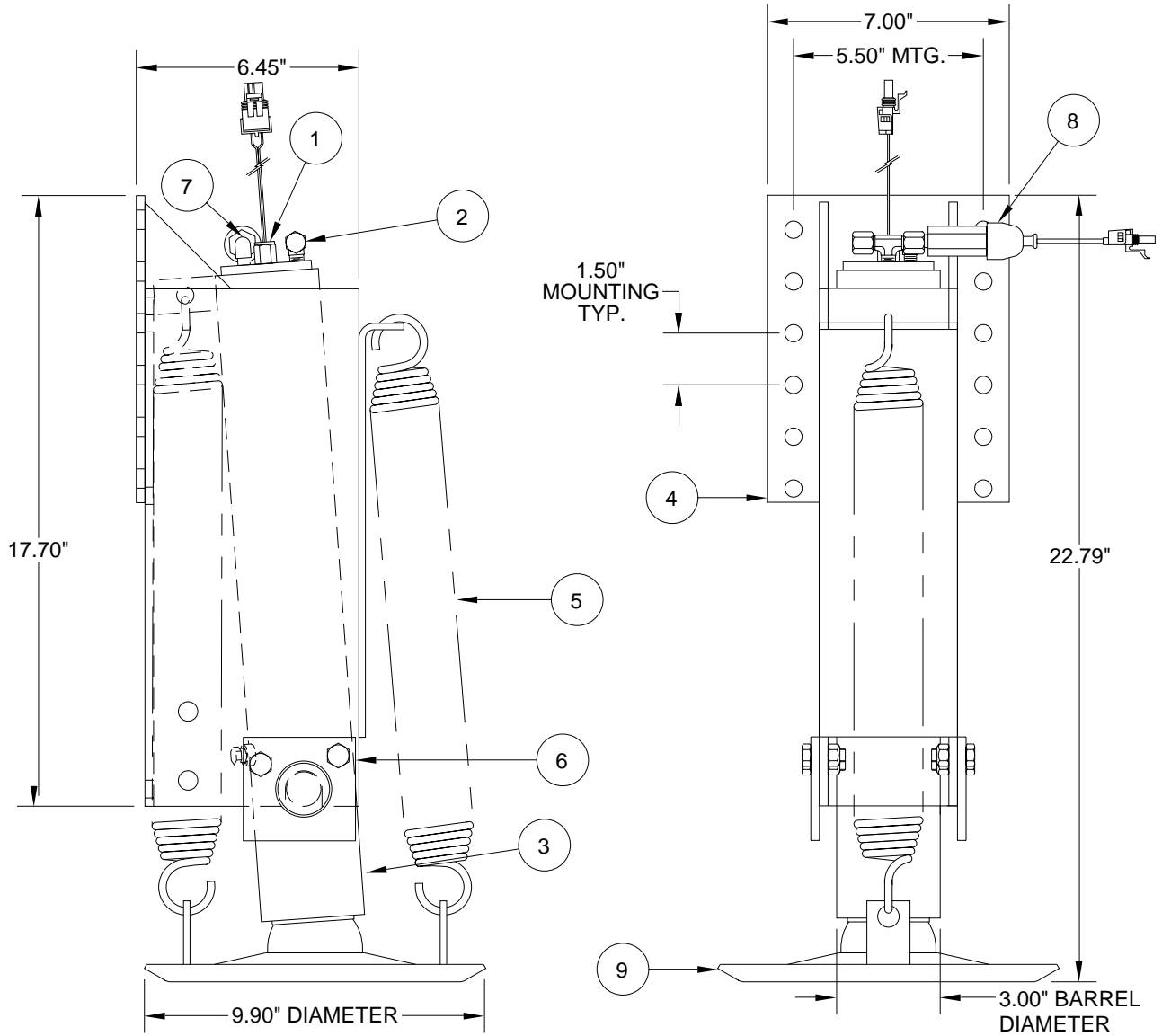


ITEM	PART	QTY	DESCRIPTION
1	RAP90968	1	SWITCH WARNING MAGNETIC GRAY
2	RF90151	1	MALE TEE 1/8" X 1/4" X 1/4"
3	RAP92124	1	CYL. ASSY. 2.375" x 13" (INCLUDES ITEM 2) (EXCLUDES ITEMS 1,7,8)
4	<b>OBSOLETE</b>		PIVOT BRACKET - CONTACT HWH CORPORATION FOR REPLACEMENT INFORMATION

ITEM	PART	QTY	DESCRIPTION
5	R91642	1	SPRING KIT 0.2187" x 14.5"
		2	SPRING 0.2187" x 14.5"
6	RAP1735	1	RETAINING PLATE KIT
		2	RETAINING PLATES
		4	HHCS 3/8 - 16 x 1"
		4	HEX NUT 3/8 - 16 LOCK
7	RF8143	1	ELBOW 1/8" X 1/8"
8	RAP8003	1	SWITCH PRESSURE
9	RAP92281	1	FOOT 9.90" DIAMETER

**NOTE:** INDENTED ITEMS ARE INCLUDED WITH PRECEDING ITEM.

**AP41170 - STRAIGHT-ACTING JACK, 5 DEG PIVOT, S/S SPRINGS**  
**12,000 # CAPACITY; 2.375" ROD DIAMETER; 13.00" STROKE; BOLT-ON FOOT**  
**WITH MAGNETIC WARNING SWITCH AND PRESSURE SWITCH**



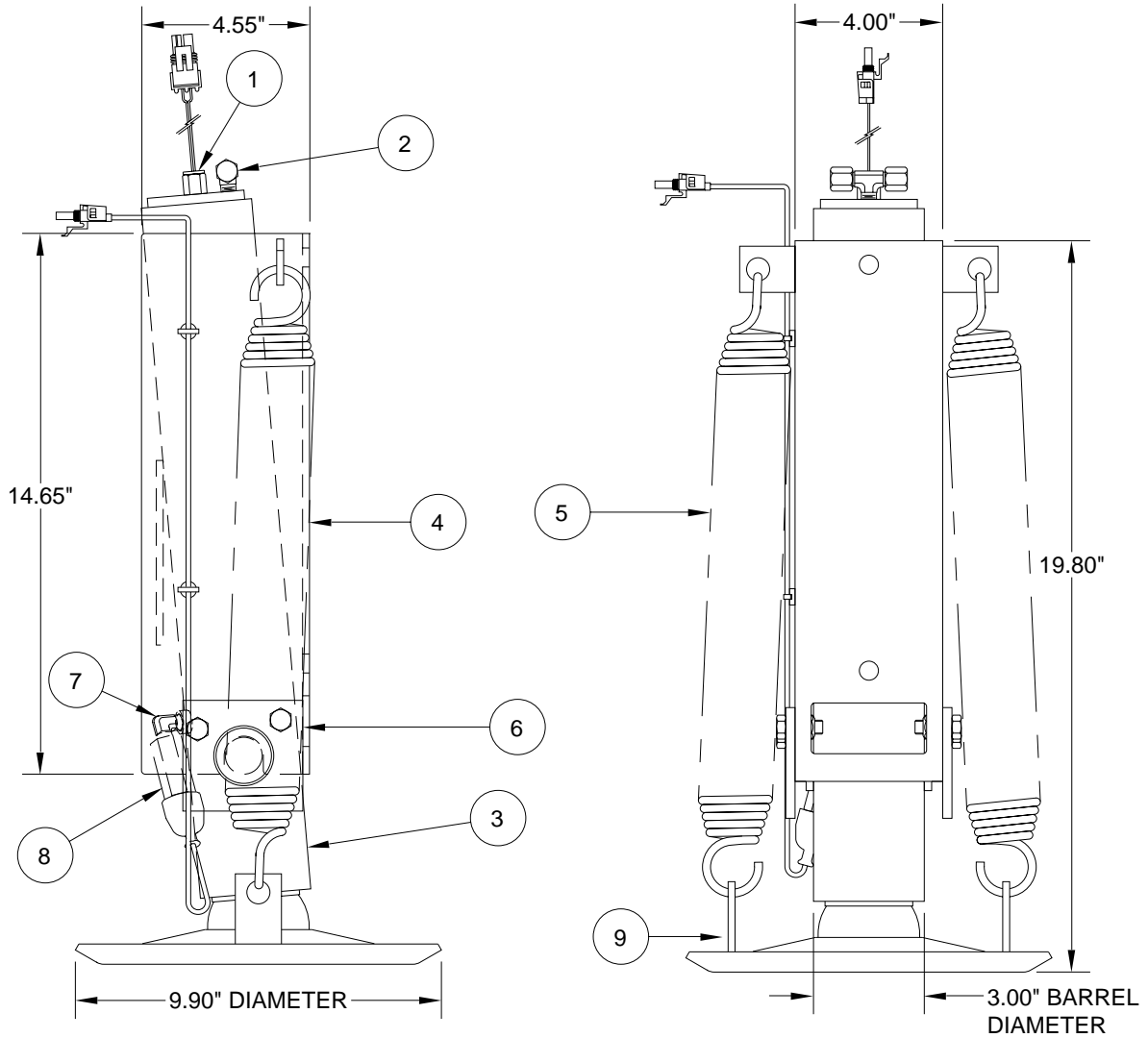
ITEM	PART	QTY	DESCRIPTION
1	RAP90968	1	SWITCH WARNING MAGNETIC GRAY
2	RF90151	1	MALE TEE 1/8" X 1/4" X 1/4"
3	RAP92125	1	CYL. ASSY. 2.375" x 13" (INCLUDES ELBOW) (EXCLUDES ITEMS 1,2,7,8)
4	RAP92400	1	PIVOT BRACKET

ITEM	PART	QTY	DESCRIPTION
5	R91642	1	SPRING KIT 0.2187" x 14.5"
		2	SPRING 0.2187" x 14.5"
6	RAP1735	1	RETAINING PLATE KIT
		2	RETAINING PLATES
		4	HHCS 3/8 - 16 x 1"
		4	HEX NUT 3/8 - 16 LOCK
7	RF8143	1	ELBOW 1/8" X 1/8"
8	RAP8003	1	SWITCH PRESSURE
9	RAP92281	1	FOOT 9.90" DIAMETER

**NOTE:** INDENTED ITEMS ARE INCLUDED WITH PRECEDING ITEM.

**AP41172 - AP50783**  
**STRAIGHT-ACTING JACK, 5 DEGREE PIVOT, F/A SPRINGS, BOLT-ON FOOT**  
**12,000 # CAPACITY; 2.375" ROD DIAMETER; 13.00" STROKE**

JACK #	DESCRIPTION
AP41172	MAGNETIC WARNING SWITCH W/ GRAY CONNECTOR, PRESSURE SWITCH
AP50783	MAGNETIC WARNING SWITCH W/ GRAY CONNECTOR ONLY



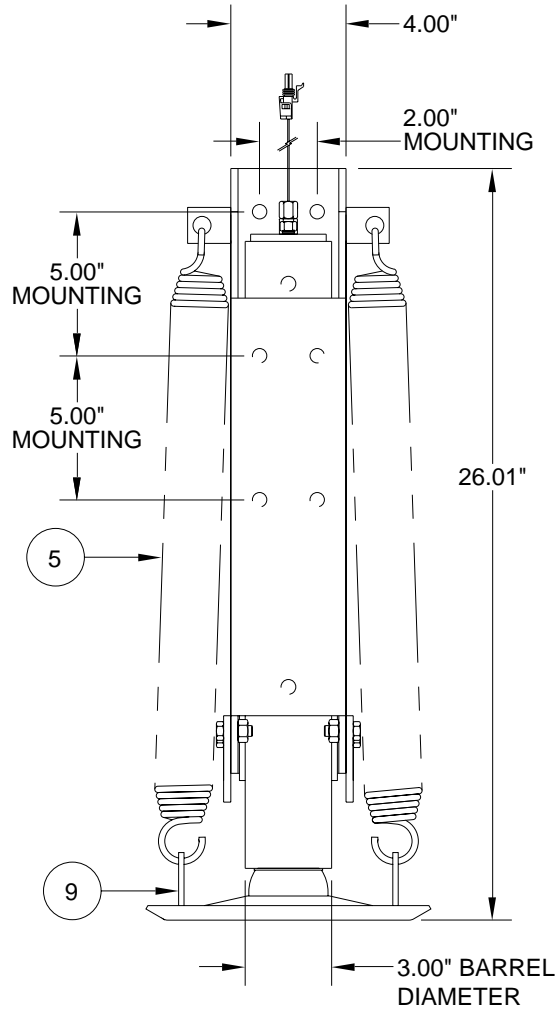
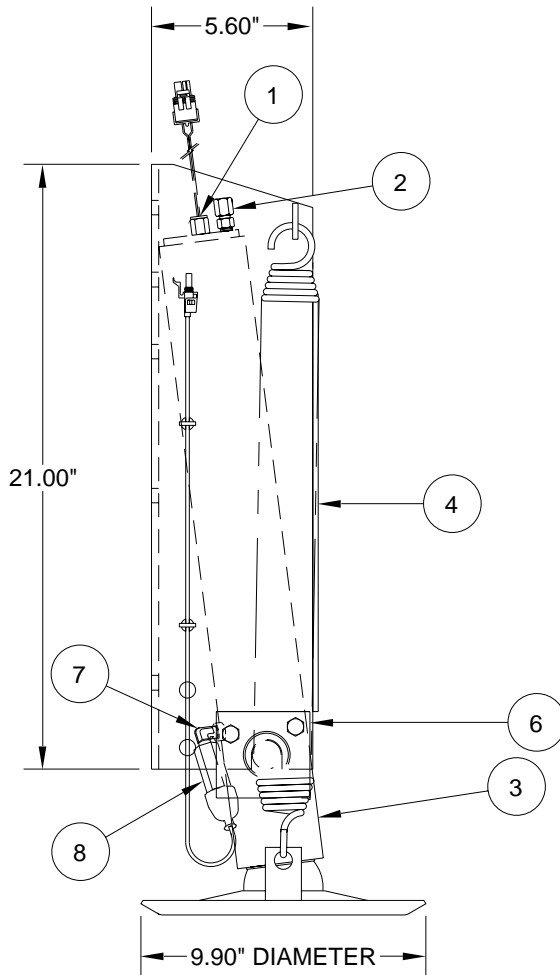
ITEM	PART	QTY	DESCRIPTION
1	RAP90968	1	SWITCH WARNING MAGNETIC GRAY
2	RF90151	1	MALE TEE 1/8" X 1/4" X 1/4"
3	RAP92124	1	CYL. ASSY. 2.375" x 13" (INCLUDES ITEM 2) (EXCLUDES ITEMS 1,7,8)
4	RAP92401	1	PIVOT BRACKET
5	R91642	1 2	SPRING KIT 0.2187" x 14.5" SPRING 0.2187" x 14.5"

ITEM	PART	QTY	DESCRIPTION
6	RAP1735	1	RETAINING PLATE KIT
		2	RETAINING PLATES
		4	HHCS 3/8 - 16 x 1"
		4	HEX NUT 3/8 - 16 LOCK
7	RF8143	1	ELBOW 1/8" X 1/8" (AP41172 ONLY)
8	RAP8003	1	SWITCH PRESSURE (AP41172 ONLY)
9	RAP92281	1	FOOT 9.90" DIAMETER

**NOTE:** INDENTED ITEMS ARE INCLUDED WITH PRECEDING ITEM.

**AP41173 - AP41174**  
**STRAIGHT-ACTING JACK, 7 DEGREE PIVOT, F/A SPRINGS, BOLT-ON FOOT**  
**12,000 # CAPACITY; 2.375" ROD DIAMETER; 16.00" STROKE**

JACK #	DESCRIPTION
AP41173	MAGNETIC WARNING SWITCH W/ GRAY CONNECTOR ONLY
AP41174	MAGNETIC WARNING SWITCH W/ GRAY CONNECTOR, PRESSURE SWITCH



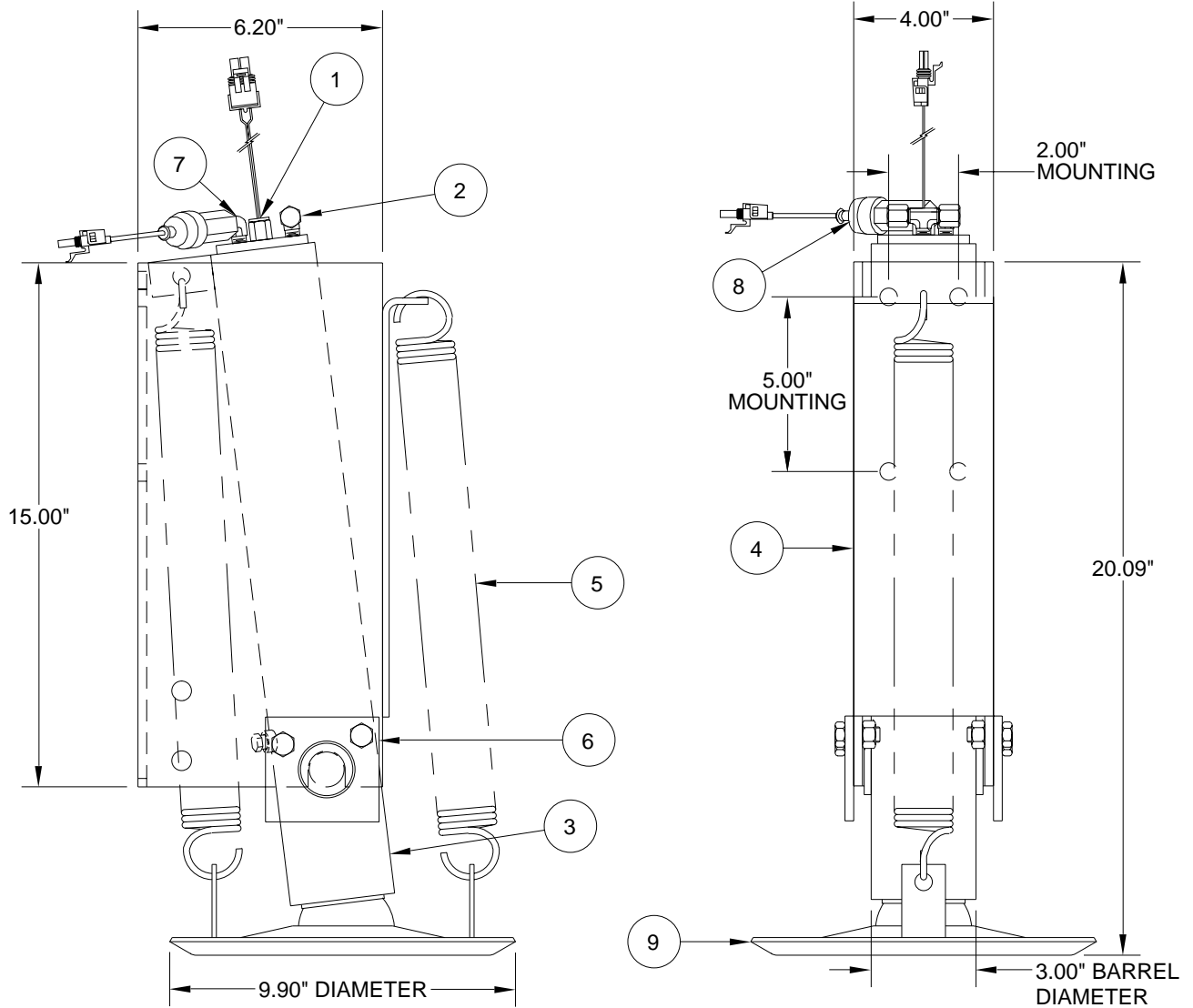
ITEM	PART	QTY	DESCRIPTION
1	RAP90968	1	SWITCH WARNING MAGNETIC GRAY (AP41173, AP41174)
2	RF1456	1	MALE CONNECTOR 1/8" X 1/4"
3	RAP92127	1	CYL. ASSY. 2.375" x 13" (INCLUDES ITEM 2) (EXCLUDES ITEMS 1,7,8)
4	<b>OBSOLETE</b>		PIVOT BRACKET - CONTACT HWH CORPORATION FOR REPLACEMENT INFORMATION

ITEM	PART	QTY	DESCRIPTION
5	R91933	1	SPRING KIT 0.218" x 17.5"
		2	SPRING 0.218" x 17.5"
6	RAP1735	1	RETAINING PLATE KIT
		2	RETAINING PLATES
		4	HHCS 3/8 - 16 x 1"
		4	HEX NUT 3/8 - 16 LOCK
7	RF8143	1	ELBOW 1/8" X 1/8" (AP41174 ONLY)
8	RAP8003	1	SWITCH PRESSURE (AP41174 ONLY)
9	RAP92281	1	FOOT 9.90" DIAMETER

NOTE: INDENTED ITEMS ARE INCLUDED WITH PRECEDING ITEM.

**MR26.5754**  
**10FEB09**

**AP41228 - STRAIGHT-ACTING JACK, 5 DEG PIVOT, S/S SPRINGS**  
**12,000 # CAPACITY; 2.375" ROD DIAMETER; 13.00" STROKE; BOLT-ON FOOT**  
**WITH MAGNETIC WARNING SWITCH AND PRESSURE SWITCH**



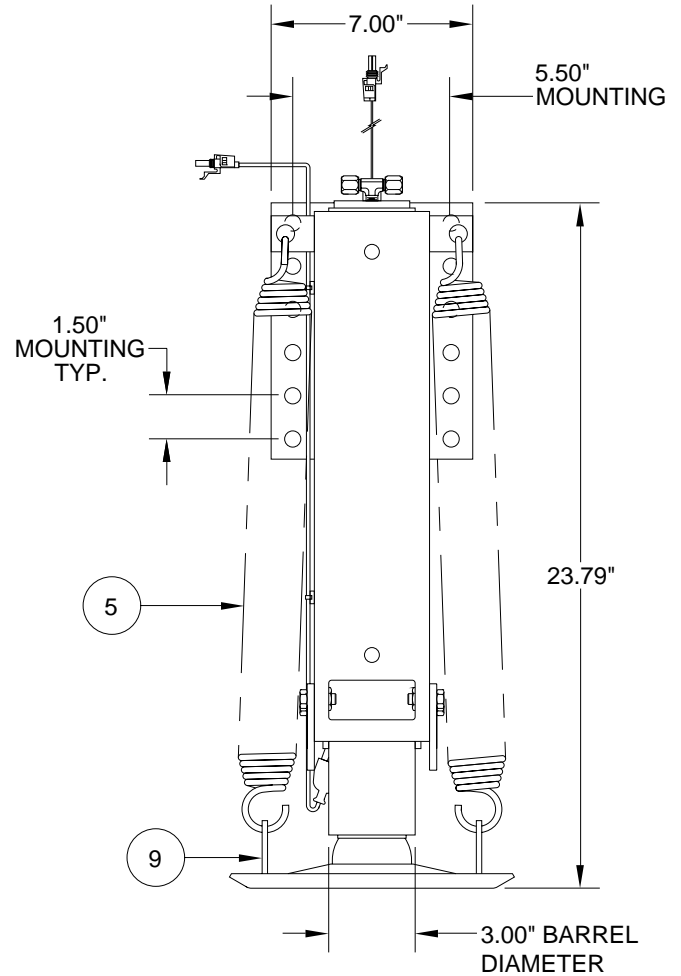
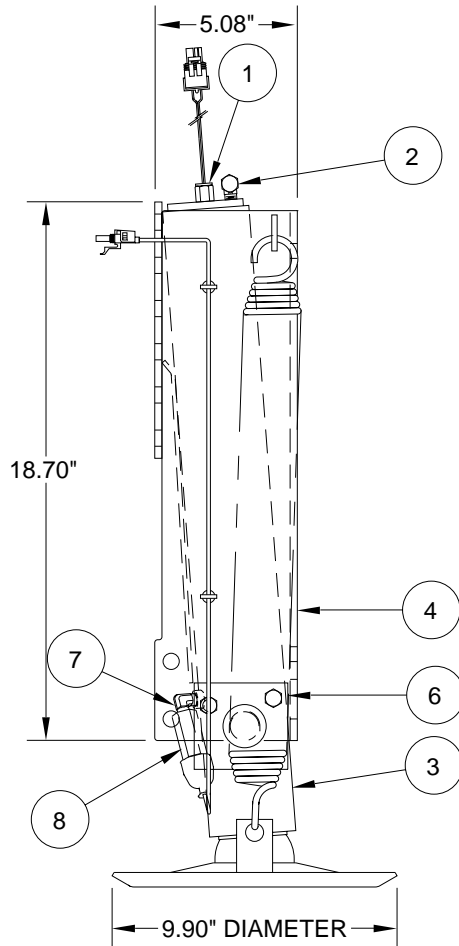
ITEM	PART	QTY	DESCRIPTION
1	RAP90968	1	SWITCH WARNING MAGNETIC GRAY
2	RF90151	1	MALE TEE 1/8" X 1/4" X 1/4"
3	RAP92125	1	CYL. ASSY. 2.375" x 13" (INCLUDES ELBOW) (EXCLUDES ITEMS 1,2,7,8)
4	RAP0670	1	PIVOT BRACKET
5	R91642	1 2	SPRING KIT 0.2187" x 14.5" SPRING 0.2187" x 14.5"

ITEM	PART	QTY	DESCRIPTION
6	RAP1735	1	RETAINING PLATE KIT
		2	RETAINING PLATES
		4	HHCS 3/8 - 16 x 1"
		4	HEX NUT 3/8 - 16 LOCK
7	RF8143	1	ELBOW 1/8" X 1/8"
8	RAP8003	1	SWITCH PRESSURE
9	RAP92281	1	FOOT 9.90" DIAMETER

**NOTE:** INDENTED ITEMS ARE INCLUDED WITH PRECEDING ITEM.

**MR26.5755**  
**10FEB09**

**AP42311 - STRAIGHT-ACTING JACK, 5 DEG PIVOT, F/A SPRINGS**  
**12,000 # CAPACITY; 2.375" ROD DIAMETER; 16.00" STROKE; BOLT-ON FOOT**  
**WITH MAGNETIC WARNING SWITCH AND PRESSURE SWITCH**



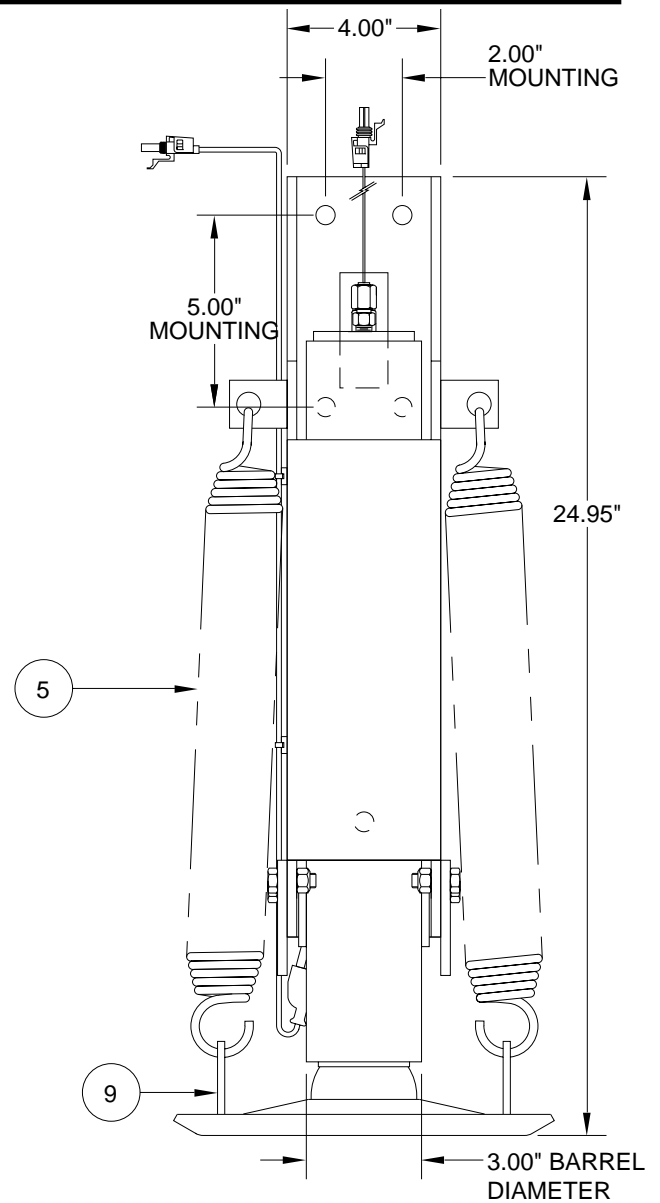
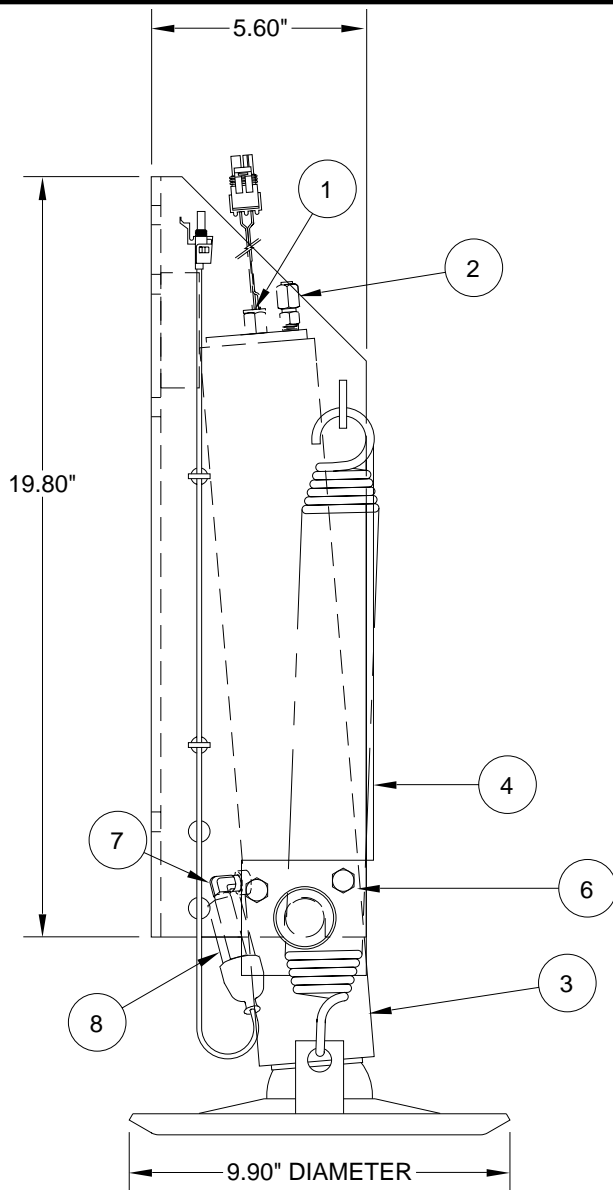
ITEM	PART	QTY	DESCRIPTION
1	RAP90968	1	SWITCH WARNING MAGNETIC GRAY
2	RF90151	1	MALE TEE 1/8" X 1/4" X 1/4"
3	RAP92127	1	CYL. ASSY. 2.375" x 16" (INCLUDES MALE FITTING) (EXCLUDES ITEMS 1,2,7,8)
4	RAP92402	1	PIVOT BRACKET

ITEM	PART	QTY	DESCRIPTION
5	R91933	1	SPRING KIT 0.218" x 17.5"
		2	SPRING 0.218" x 17.5"
6	RAP1735	1	RETAINING PLATE KIT
		2	RETAINING PLATES
		4	HHCS 3/8 - 16 x 1"
		4	HEX NUT 3/8 - 16 LOCK
7	RF8143	1	ELBOW 1/8" X 1/8"
8	RAP8003	1	SWITCH PRESSURE
9	RAP92281	1	FOOT 9.90" DIAMETER

**NOTE:** INDENTED ITEMS ARE INCLUDED WITH PRECEDING ITEM.

**MR26.5756**  
**10FEB09**

**AP42396 - STRAIGHT-ACTING JACK, 5 DEG PIVOT, F/A SPRINGS**  
**12,000 # CAPACITY; 2.375" ROD DIAMETER; 13.00" STROKE; BOLT-ON FOOT**  
**WITH MAGNETIC WARNING SWITCH AND PRESSURE SWITCH**

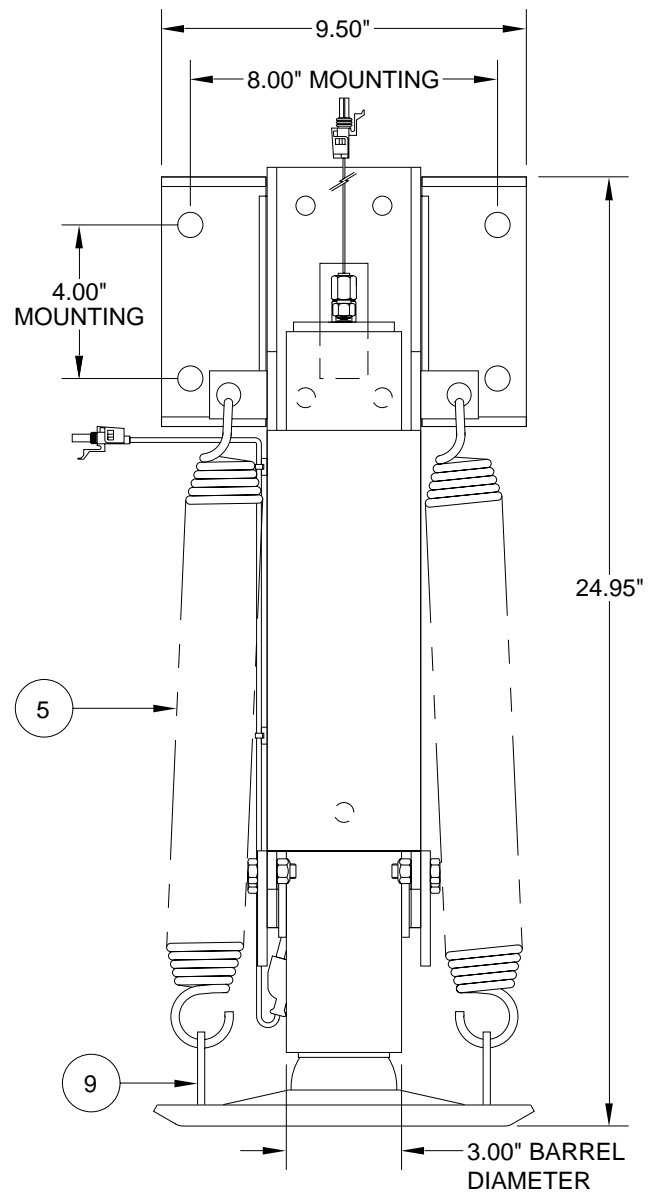
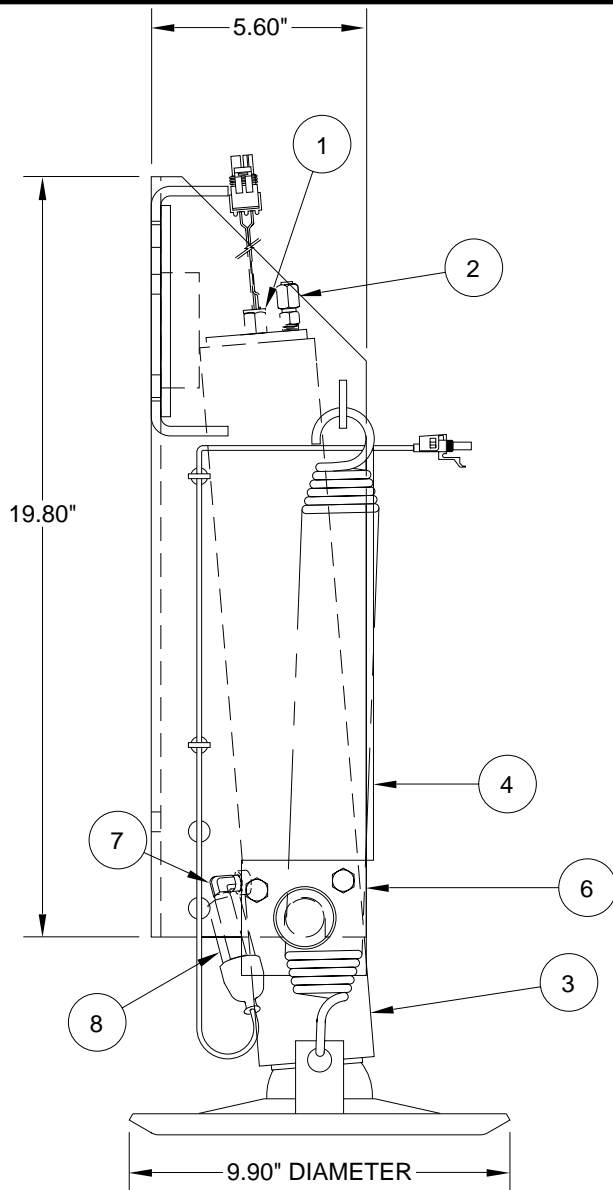


ITEM	PART	QTY	DESCRIPTION
1	RAP90968	1	SWITCH WARNING MAGNETIC GRAY
2	RF1456	1	MALE CONNECTOR 1/8" X 1/4"
3	RAP92124	1	CYL. ASSY. 2.375" x 13" (INCLUDES TEE) (EXCLUDES ITEMS 1,2,7,8)
4	<b>OBSOLETE</b>		PIVOT BRACKET - CONTACT HWH CORPORATION FOR REPLACEMENT INFORMATION

ITEM	PART	QTY	DESCRIPTION
5	R91642	1	SPRING KIT 0.2187" x 14.5"
		2	SPRING 0.2187" x 14.5"
6	RAP1735	1	RETAINING PLATE KIT
		2	RETAINING PLATES
		4	HHCS 3/8 - 16 x 1"
		4	HEX NUT 3/8 - 16 LOCK
7	RF8143	1	ELBOW 1/8" X 1/8"
8	RAP8003	1	SWITCH PRESSURE
9	RAP92281	1	FOOT 9.90" DIAMETER

**NOTE:** INDENTED ITEMS ARE INCLUDED WITH PRECEDING ITEM.

**AP42535 - STRAIGHT-ACTING JACK, 5 DEG PIVOT, F/A SPRINGS**  
**12,000 # CAPACITY; 2.375" ROD DIAMETER; 13.00" STROKE; BOLT-ON FOOT**  
**WITH MAGNETIC WARNING SWITCH AND PRESSURE SWITCH**



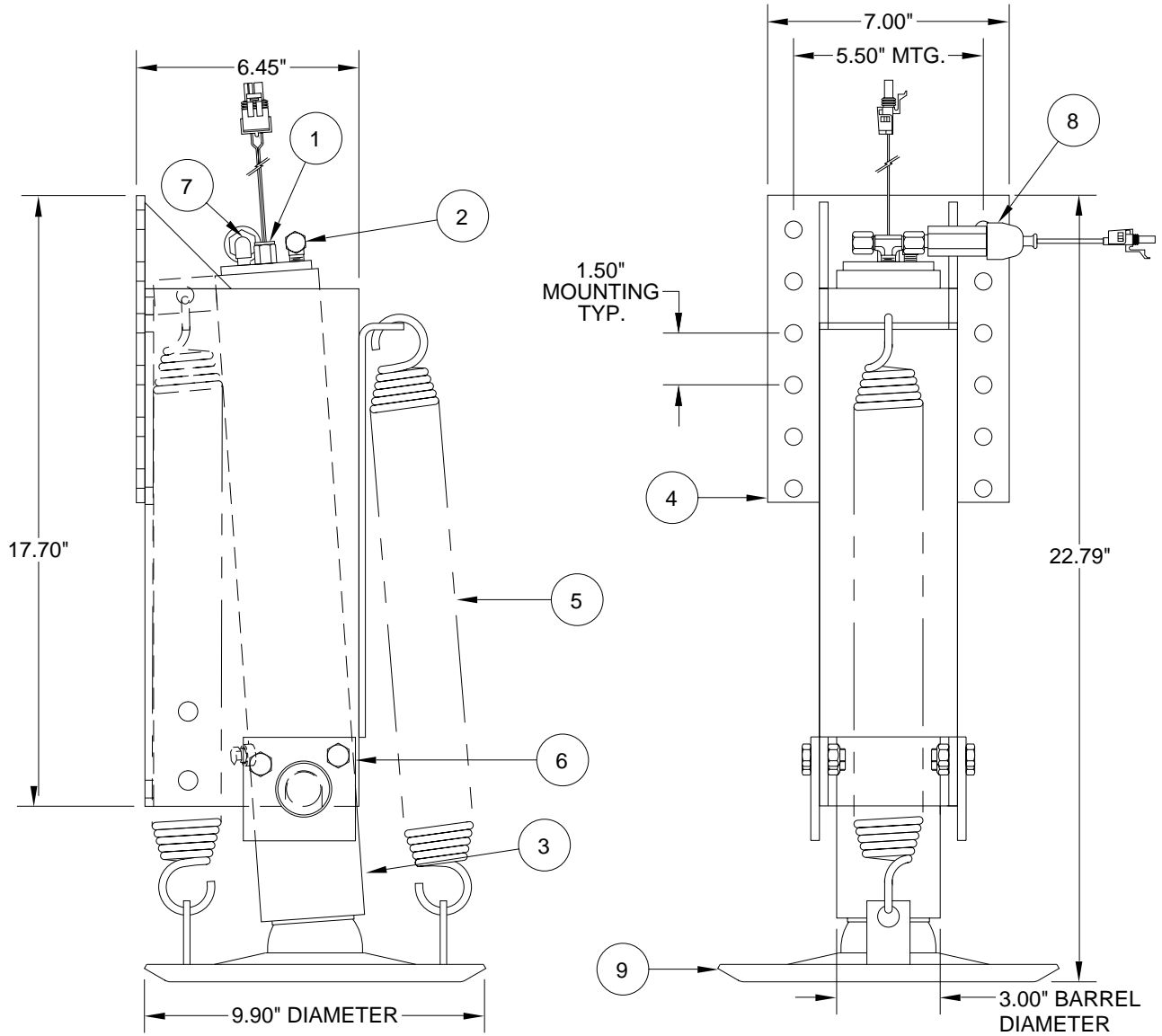
ITEM	PART	QTY	DESCRIPTION
1	RAP90968	1	SWITCH WARNING MAGNETIC GRAY
2	RF1456	1	MALE CONNECTOR 1/8" X 1/4"
3	RAP92124	1	CYL. ASSY. 2.375" x 13" (INCLUDES TEE) (EXCLUDES ITEMS 1,2,7,8)
4	<b>OBSOLETE</b>		PIVOT BRACKET - CONTACT HWH CORPORATION FOR REPLACEMENT INFORMATION

ITEM	PART	QTY	DESCRIPTION
5	R91642	1 2	SPRING KIT 0.2187" x 14.5" SPRING 0.2187" x 14.5"
6	RAP1735	1 2 4 4	RETAINING PLATE KIT RETAINING PLATES HHCS 3/8 - 16 x 1" HEX NUT 3/8 - 16 LOCK
7	RF8143	1	ELBOW 1/8" X 1/8"
8	RAP8003	1	SWITCH PRESSURE
9	RAP92281	1	FOOT 9.90" DIAMETER

**NOTE:** INDENTED ITEMS ARE INCLUDED WITH PRECEDING ITEM.



**AP41585 - STRAIGHT-ACTING JACK, 5 DEG PIVOT, S/S SPRINGS**  
**12,000 # CAPACITY; 2.375" ROD DIAMETER; 13.00" STROKE; BOLT-ON FOOT**  
**WITH MAGNETIC WARNING SWITCH AND PRESSURE SWITCH**



ITEM	PART	QTY	DESCRIPTION
------	------	-----	-------------

1	RAP1008	1	SWITCH WARNING MAGNETIC
2	RF90151	1	MALE TEE 1/8" X 1/4" X 1/4"
3	RAP92125	1	CYL. ASSY. 2.375" x 13" (INCLUDES ELBOW) (EXCLUDES ITEMS 1,2,7,8)
4	RAP92400	1	PIVOT BRACKET

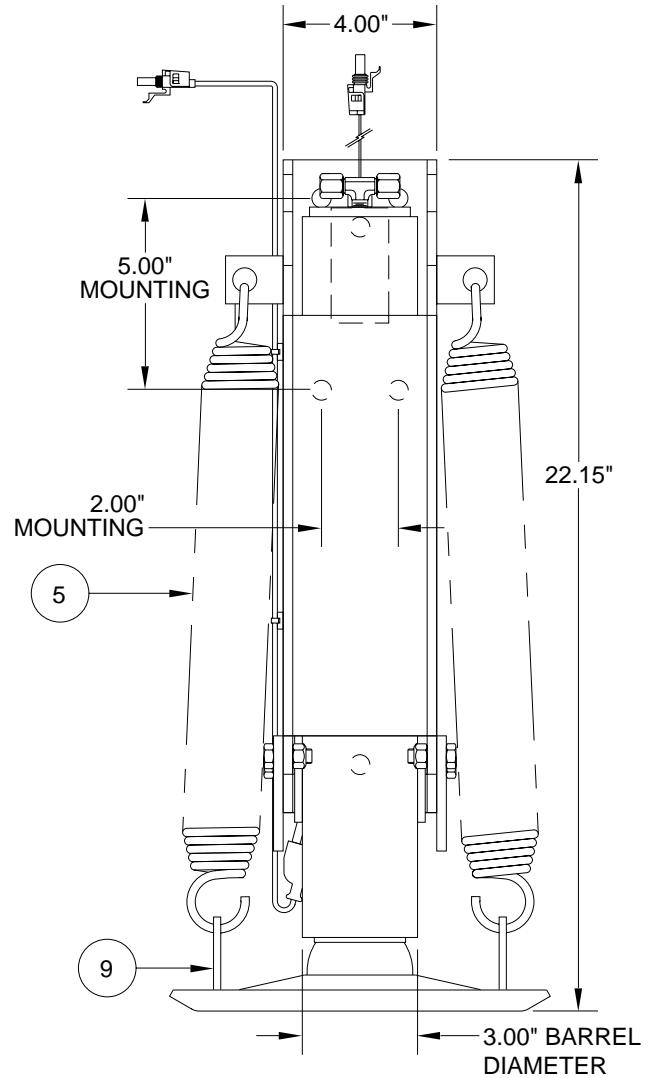
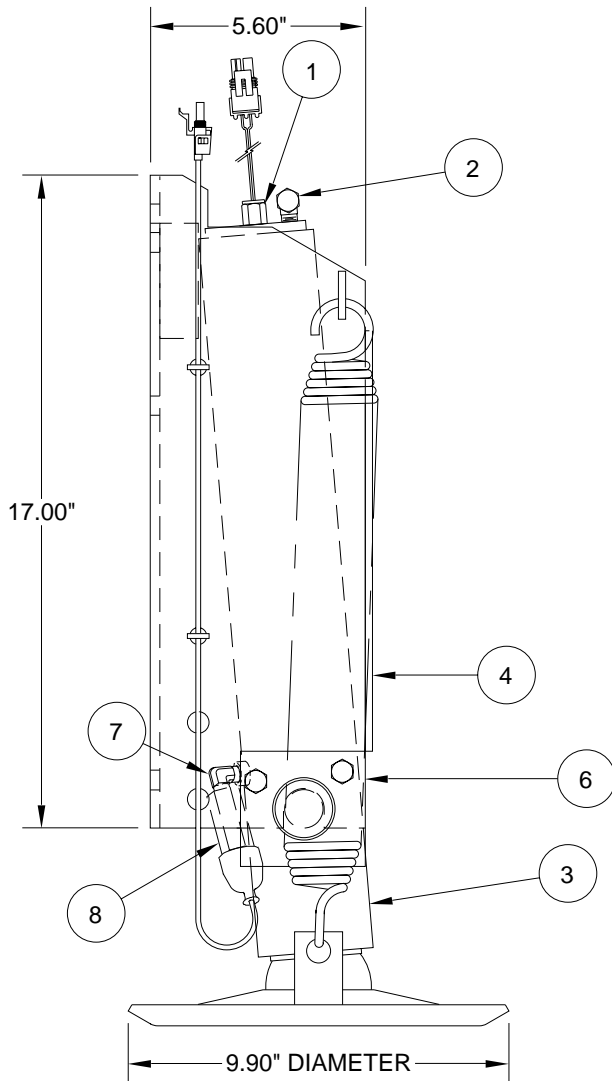
ITEM	PART	QTY	DESCRIPTION
------	------	-----	-------------

5	R91642	1	SPRING KIT 0.2187" x 14.5"
		2	SPRING 0.2187" x 14.5"
6	RAP1735	1	RETAINING PLATE KIT
		2	RETAINING PLATES
		4	HHCS 3/8 - 16 x 1"
		4	HEX NUT 3/8 - 16 LOCK
7	RF8143	1	ELBOW 1/8" X 1/8"
8	RAP8003	1	SWITCH PRESSURE
9	RAP92281	1	FOOT 9.90" DIAMETER

**NOTE:** INDENTED ITEMS ARE INCLUDED WITH PRECEDING ITEM.

**AP41586 - AP41587**  
**STRAIGHT-ACTING JACK, 5 DEGREE PIVOT, F/A SPRINGS, BOLT-ON FOOT**  
**12,000 # CAPACITY; 2.375" ROD DIAMETER; 13.00" STROKE**

JACK #	DESCRIPTION
AP41586	MAGNETIC WARNING SWITCH W/ GRAY CONNECTOR ONLY
AP41587	MAGNETIC WARNING SWITCH W/ GRAY CONNECTOR, PRESSURE SWITCH



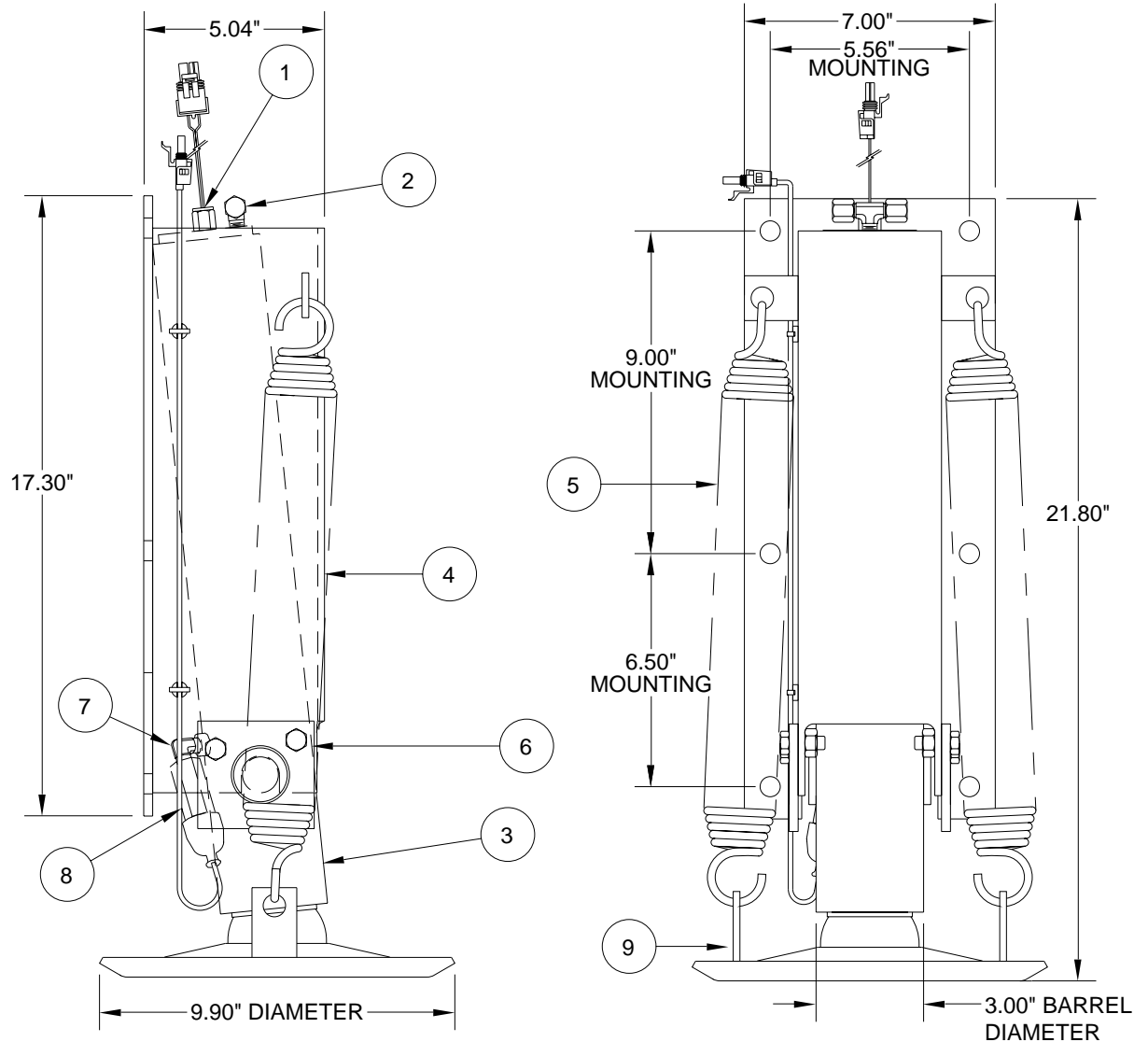
ITEM	PART	QTY	DESCRIPTION
1	RAP90968	1	SWITCH WARNING MAGNETIC GRAY (AP41586, AP41587)
2	RF90151	1	MALE TEE 1/8" X 1/4" X 1/4"
3	RAP92124	1	CYL. ASSY. 2.375" x 13" (INCLUDES ITEM 2) (EXCLUDES ITEMS 1,7,8)
4	<b>OBSOLETE</b>		PIVOT BRACKET - CONTACT HWH CORPORATION FOR REPLACEMENT INFORMATION

ITEM	PART	QTY	DESCRIPTION
5	R91642	1	SPRING KIT 0.2187" x 14.5"
		2	SPRING 0.2187" x 14.5"
6	RAP1735	1	RETAINING PLATE KIT
		2	RETAINING PLATES
		4	HHCS 3/8 - 16 x 1"
		4	HEX NUT 3/8 - 16 LOCK
7	RF8143	1	ELBOW 1/8" X 1/8" (AP41587 ONLY)
8	RAP8003	1	SWITCH PRESSURE (AP41587 ONLY)
9	RAP92281	1	FOOT 9.90" DIAMETER

**NOTE:** INDENTED ITEMS ARE INCLUDED WITH PRECEDING ITEM.

**MR26.5760**  
**10FEB09**

**AP41588 - STRAIGHT-ACTING JACK, 6 DEG PIVOT, F/A SPRINGS**  
**12,000 # CAPACITY; 2.375" ROD DIAMETER; 13.00" STROKE; BOLT-ON FOOT**  
**WITH MAGNETIC WARNING SWITCH AND PRESSURE SWITCH**

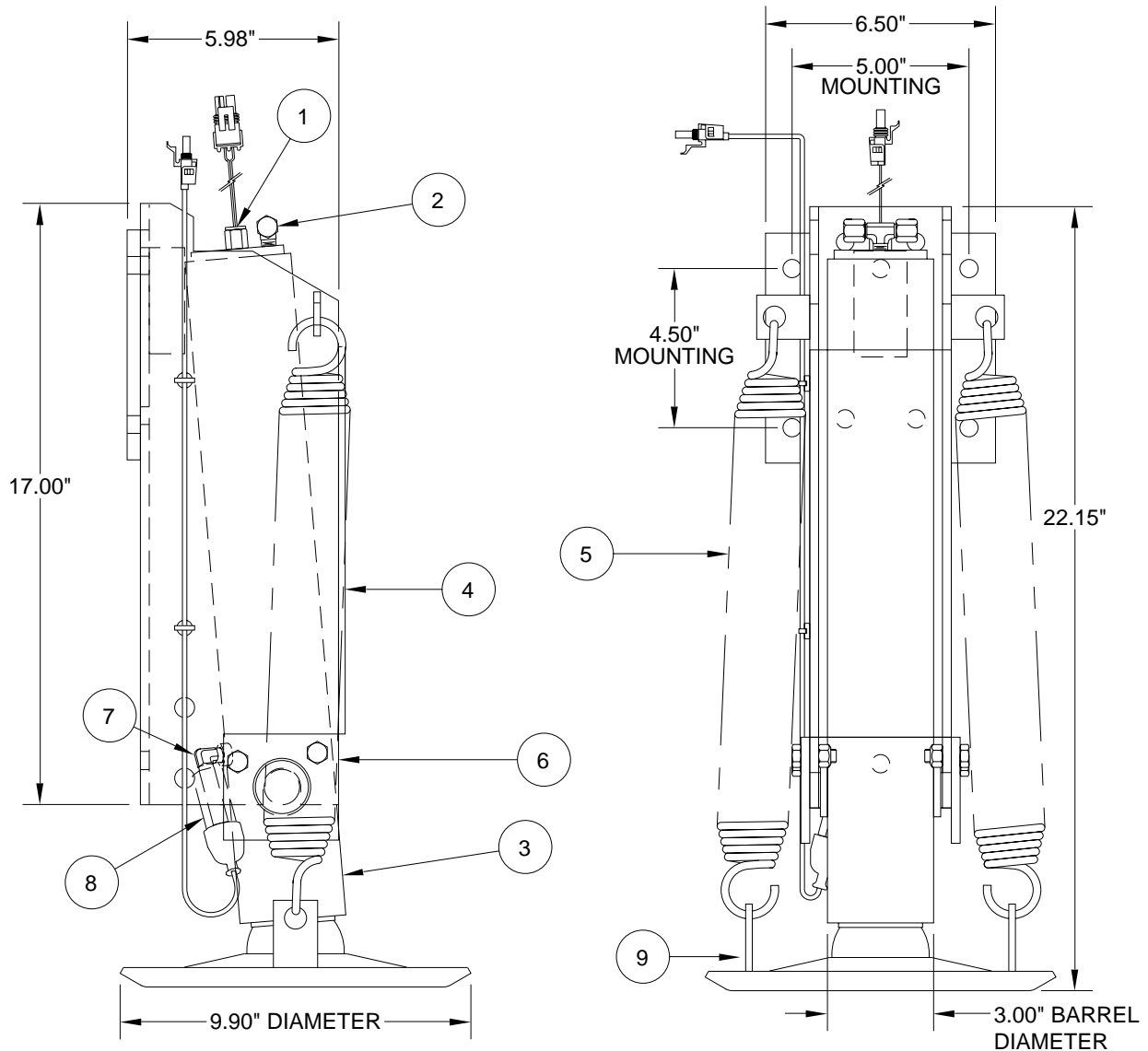


ITEM	PART	QTY	DESCRIPTION
1	RAP90968	1	SWITCH WARNING MAGNETIC GRAY
2	RF90151	1	MALE TEE 1/8" X 1/4" X 1/4"
3	RAP92124	1	CYL. ASSY. 2.375" x 13" (INCLUDES ITEM 2) (EXCLUDES ITEMS 1,7,8)
4	<b>OBSOLETE</b>		PIVOT BRACKET - CONTACT HWH CORPORATION FOR REPLACEMENT INFORMATION

ITEM	PART	QTY	DESCRIPTION
5	R91642	1 2	SPRING KIT 0.2187" x 14.5" SPRING 0.2187" x 14.5"
6	RAP1735	1 2 4 4	RETAINING PLATE KIT RETAINING PLATES HHCS 3/8 - 16 x 1" HEX NUT 3/8 - 16 LOCK
7	RF8143	1	ELBOW 1/8" X 1/8"
8	RAP8003	1	SWITCH PRESSURE
9	RAP92281	1	FOOT 9.90" DIAMETER

**NOTE:** INDENTED ITEMS ARE INCLUDED WITH PRECEDING ITEM.

**AP41859 - STRAIGHT-ACTING JACK, 5 DEG PIVOT, F/A SPRINGS**  
**12,000 # CAPACITY; 2.375" ROD DIAMETER; 13.00" STROKE; BOLT-ON FOOT**  
**WITH MAGNETIC WARNING SWITCH AND PRESSURE SWITCH**

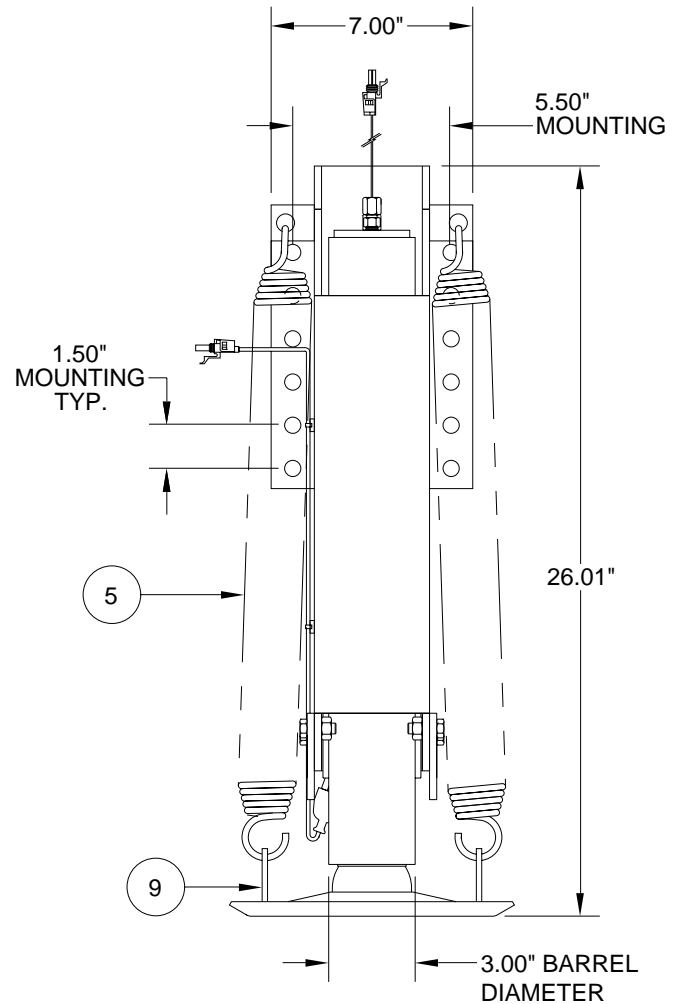
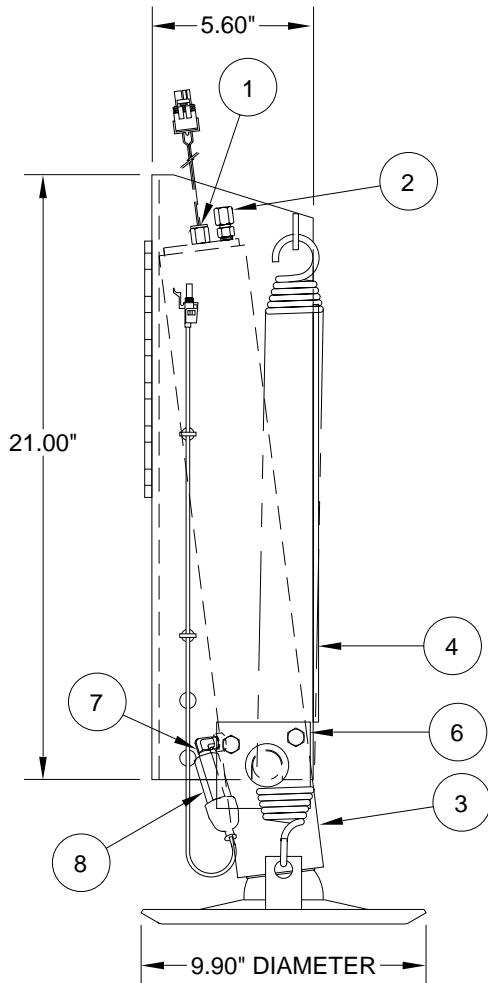


ITEM	PART	QTY	DESCRIPTION
1	RAP90968	1	SWITCH WARNING MAGNETIC GRAY
2	RF90151	1	MALE TEE 1/8" X 1/4" X 1/4"
3	RAP92124	1	CYL. ASSY. 2.375" x 13" (INCLUDES ITEM 2) (EXCLUDES ITEMS 1,7,8)
4	<b>OBSOLETE</b>		PIVOT BRACKET - CONTACT HWH CORPORATION FOR REPLACEMENT INFORMATION

ITEM	PART	QTY	DESCRIPTION
5	R91642	1	SPRING KIT 0.2187" x 14.5"
		2	SPRING 0.2187" x 14.5"
6	RAP1735	1	RETAINING PLATE KIT
		2	RETAINING PLATES
		4	HHCS 3/8 - 16 x 1"
		4	HEX NUT 3/8 - 16 LOCK
7	RF8143	1	ELBOW 1/8" X 1/8"
8	RAP8003	1	SWITCH PRESSURE
9	RAP92281	1	FOOT 9.90" DIAMETER

**NOTE:** INDENTED ITEMS ARE INCLUDED WITH PRECEDING ITEM.

**AP41893 - STRAIGHT-ACTING JACK, 7 DEG PIVOT, F/A SPRINGS**  
**12,000 # CAPACITY; 2.375" ROD DIAMETER; 16.00" STROKE; BOLT-ON FOOT**  
**WITH MAGNETIC WARNING SWITCH AND PRESSURE SWITCH**



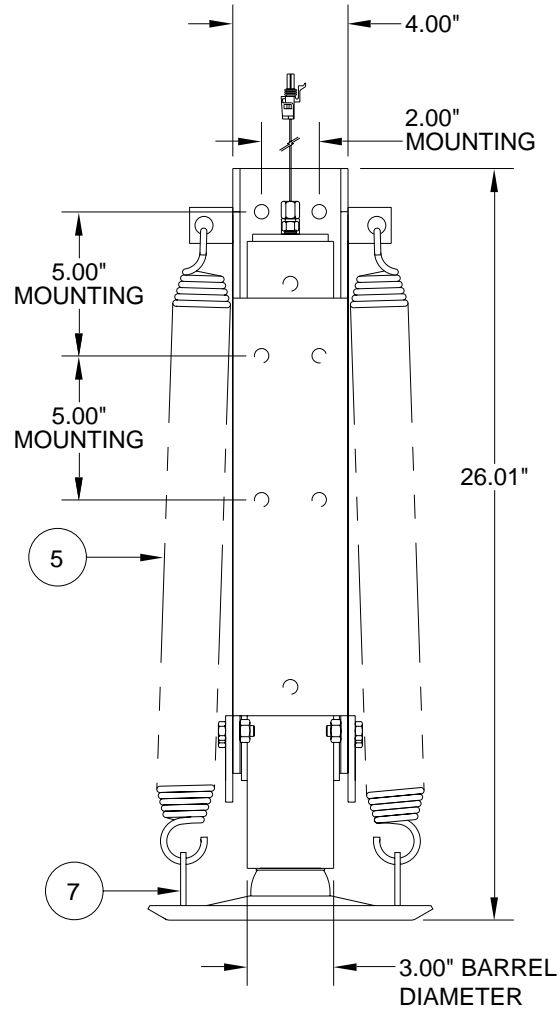
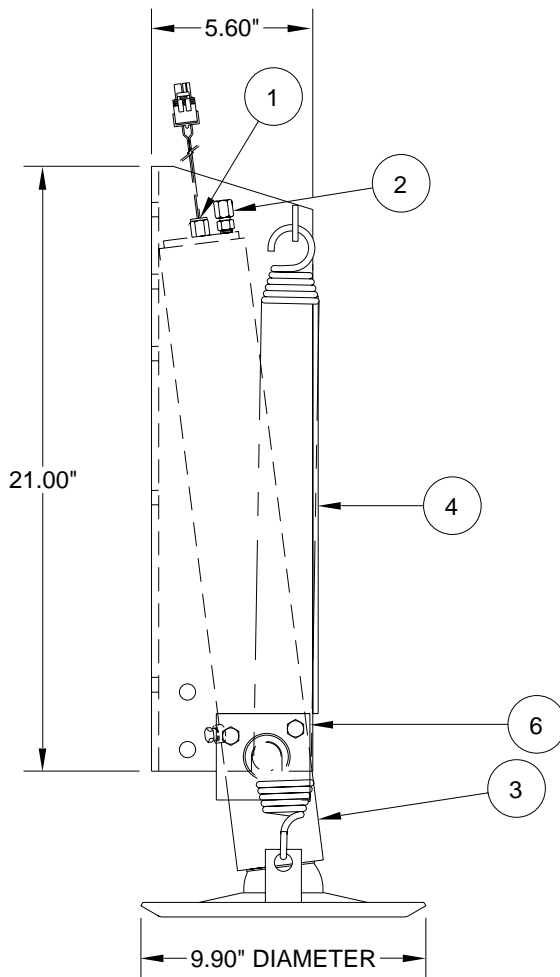
ITEM	PART	QTY	DESCRIPTION
1	RAP90968	1	SWITCH WARNING MAGNETIC GRAY
2	RF1456	1	MALE CONNECTOR 1/8" X 1/4"
3	RAP92127	1	CYL. ASSY. 2.375" x 16" (INCLUDES ITEM 2) (EXCLUDES ITEMS 1,7,8)
4	<b>OBSOLETE</b>		PIVOT BRACKET - CONTACT HWH CORPORATION FOR REPLACEMENT INFORMATION

ITEM	PART	QTY	DESCRIPTION
5	R91933	1	SPRING KIT 0.218" x 17.5"
		2	SPRING 0.218" x 17.5"
6	RAP1735	1	RETAINING PLATE KIT
		2	RETAINING PLATES
		4	HHCS 3/8 - 16 x 1"
		4	HEX NUT 3/8 - 16 LOCK
7	RF8143	1	ELBOW 1/8" X 1/8"
8	RAP8003	1	SWITCH PRESSURE
9	RAP92281	1	FOOT 9.90" DIAMETER

**NOTE:** INDENTED ITEMS ARE INCLUDED WITH PRECEDING ITEM.

**MR26.5763**  
**10FEB09**

**AP41894 - STRAIGHT-ACTING JACK, 7 DEG PIVOT, F/A SPRINGS  
12,000 # CAPACITY; 2.375" ROD DIAMETER; 16.00" STROKE; BOLT-ON FOOT  
WITH MAGNETIC WARNING SWITCH**



ITEM	PART	QTY	DESCRIPTION
1	RAP1008	1	SWITCH WARNING MAGNETIC
2	RF1456	1	MALE CONNECTOR 1/8" X 1/4"
3	RAP92127	1	CYL. ASSY. 2.375" x 16" (INCLUDES ITEM 2) (EXCLUDES ITEMS 1,7,8)
4	<b>OBSOLETE</b>		PIVOT BRACKET - CONTACT HWH CORPORATION FOR REPLACEMENT INFORMATION

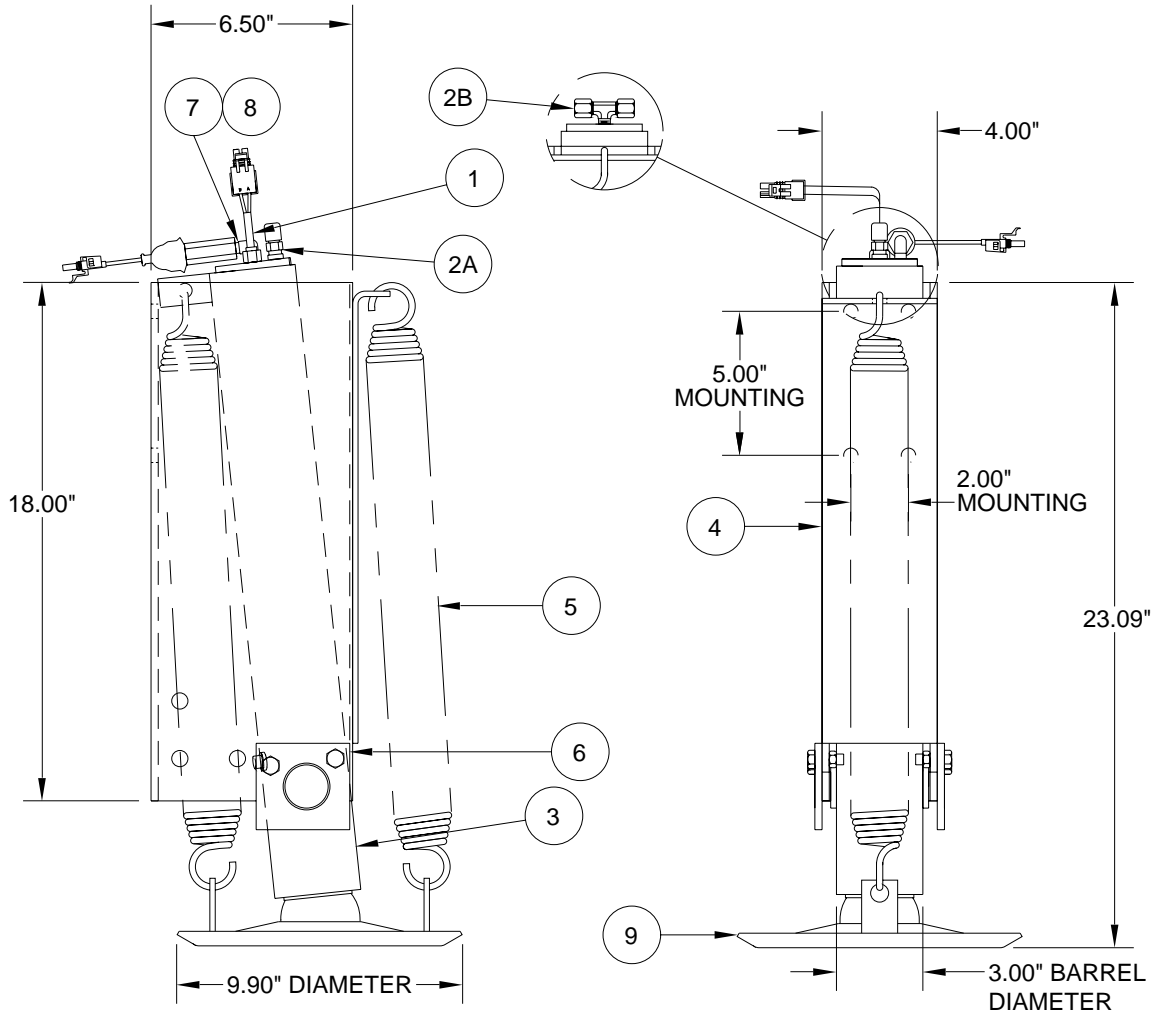
ITEM	PART	QTY	DESCRIPTION
5	R91933	1	SPRING KIT 0.218" x 17.5"
		2	SPRING 0.218" x 17.5"
6	RAP1735	1	RETAINING PLATE KIT
		2	RETAINING PLATES
		4	HHCS 3/8 - 16 x 1"
		4	HEX NUT 3/8 - 16 LOCK
7	RAP92281	1	FOOT 9.90" DIAMETER

**NOTE:** INDENTED ITEMS ARE INCLUDED WITH PRECEDING ITEM.

**MR26.5764  
10FEB09**

**AP38367 - AP41171**  
**STRAIGHT-ACTING JACK, 5 DEGREE PIVOT, S/S SPRINGS, BOLT-ON FOOT**  
**12,000 # CAPACITY; 2.375" ROD DIAMETER; 16.00" STROKE**

JACK #	DESCRIPTION
AP38367	MAGNETIC WARNING SWITCH W/ GRAY CONNECTOR, PRESSURE SWITCH, STRAIGHT FITTING
AP41171	MAGNETIC WARNING SWITCH W/ GRAY CONNECTOR, PRESSURE SWITCH, TEE FITTING

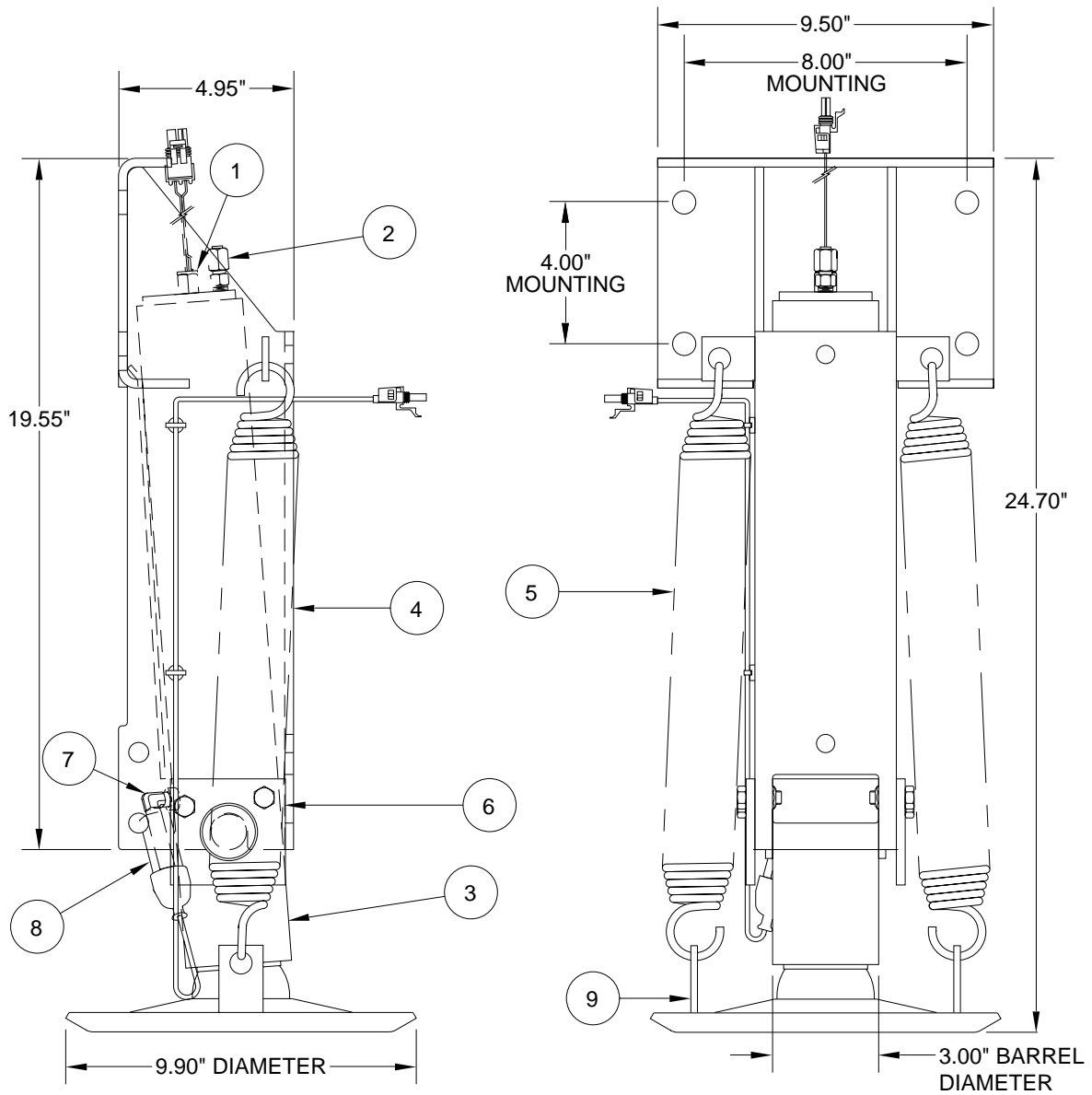


ITEM	PART	QTY	DESCRIPTION
1	RAP90968	1	SWITCH WARNING MAGNETIC GRAY
2A	RF1456	1	MALE CONNECTOR 1/8" X 1/4" (AP38367 JACK)
2B	RF90151	1	MALE TEE 1/8" X 1/4" X 1/4" (AP41171 JACK)
3	RAP92043	1	CYL. ASSY. 2.375" x 16" (INCLUDES ITEM 2B) (EXCLUDES ITEMS 1,2A,7,8)

ITEM	PART	QTY	DESCRIPTION
4	RAP8733	1	PIVOT BRACKET
5	R91933	1	SPRING KIT 0.218" x 17.5"
		2	SPRING 0.218" x 17.5"
6	RAP1735	1	RETAINING PLATE KIT
		2	RETAINING PLATES
		4	HHCS 3/8 - 16 x 1"
		4	HEX NUT 3/8 - 16 LOCK
7	RF8143	1	ELBOW 1/8" X 1/8"
8	RAP8003	1	SWITCH PRESSURE
9	RAP92281	1	FOOT 9.90" DIAMETER

**NOTE:** INDENTED ITEMS ARE INCLUDED WITH PRECEDING ITEM.

**AP43106 - STRAIGHT-ACTING JACK, 5 DEG PIVOT, F/A SPRINGS**  
**12,000 # CAPACITY; 2.375" ROD DIAMETER; 13.00" STROKE; BOLT-ON FOOT**  
**WITH MAGNETIC WARNING SWITCH AND PRESSURE SWITCH**



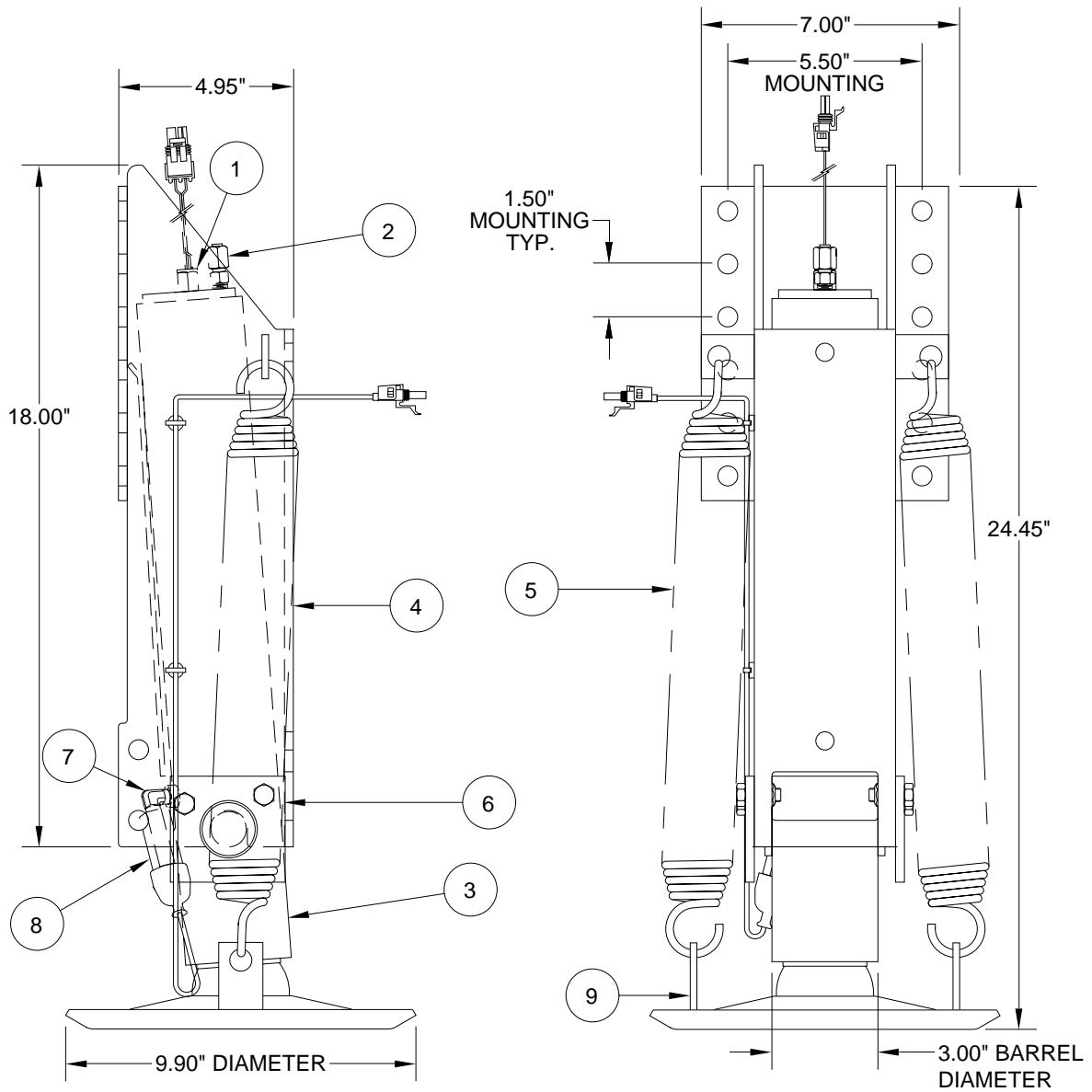
ITEM	PART	QTY	DESCRIPTION
1	RAP90968	1	SWITCH WARNING MAGNETIC GRAY
2	RF1456	1	MALE CONNECTOR 1/8" X 1/4"
3	RAP92124	1	CYL. ASSY. 2.375" x 13" (INCLUDES TEE) (EXCLUDES ITEMS 1,2,7,8)
4	RAP92403	1	PIVOT BRACKET

ITEM	PART	QTY	DESCRIPTION
5	R91642	1	SPRING KIT 0.2187" x 14.5"
		2	SPRING 0.2187" x 14.5"
6	RAP1735	1	RETAINING PLATE KIT
		2	RETAINING PLATES
		4	HHCS 3/8 - 16 x 1"
		4	HEX NUT 3/8 - 16 LOCK
7	RF8143	1	ELBOW 1/8" X 1/8"
8	RAP8003	1	SWITCH PRESSURE
9	RAP92281	1	FOOT 9.90" DIAMETER

**NOTE:** INDENTED ITEMS ARE INCLUDED WITH PRECEDING ITEM.



**AP43439 - STRAIGHT-ACTING JACK, 5 DEG PIVOT, F/A SPRINGS  
12,000 # CAPACITY; 2.375" ROD DIAMETER; 13.00" STROKE; BOLT-ON FOOT  
WITH MAGNETIC WARNING SWITCH AND PRESSURE SWITCH**



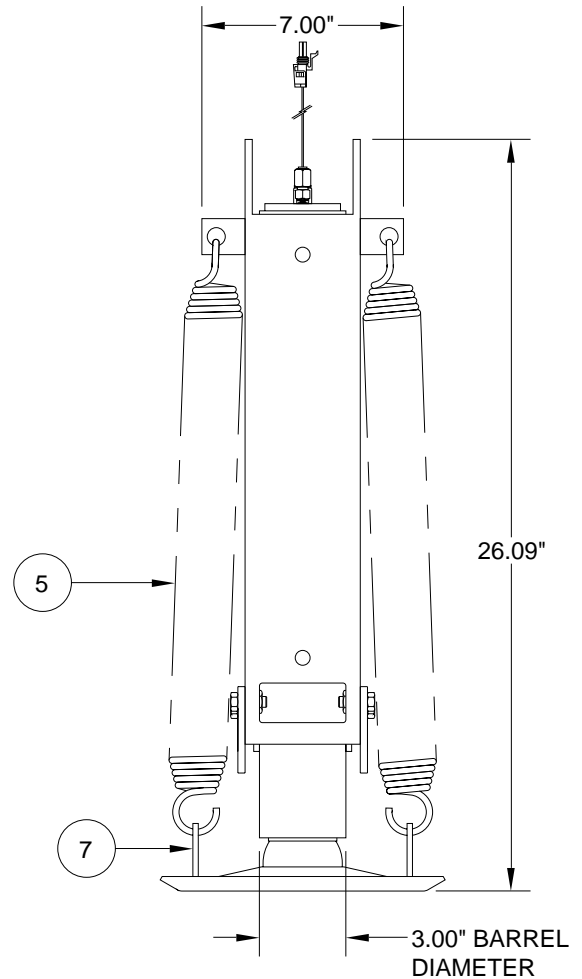
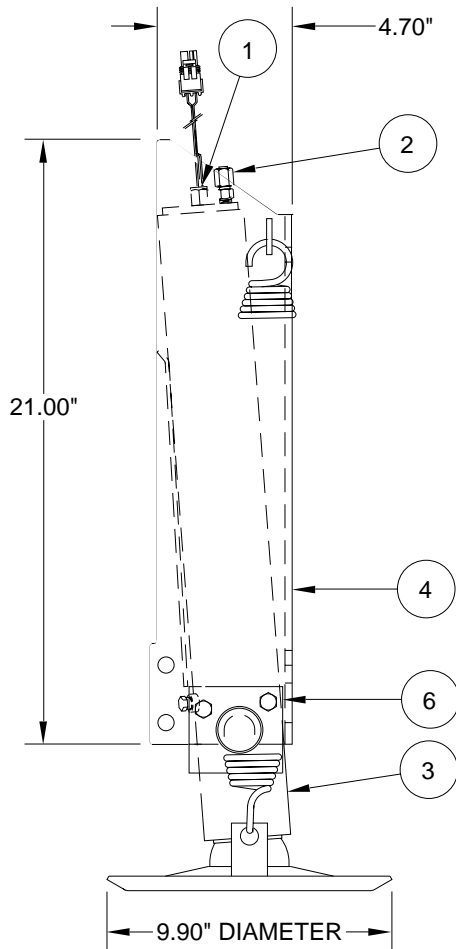
ITEM	PART	QTY	DESCRIPTION
1	RAP90968	1	SWITCH WARNING MAGNETIC GRAY
2	RF1456	1	MALE CONNECTOR 1/8" X 1/4"
3	RAP92124	1	CYL. ASSY. 2.375" x 13" (INCLUDES TEE) (EXCLUDES ITEMS 1,2,7,8)
4	RAP92404	1	PIVOT BRACKET

ITEM	PART	QTY	DESCRIPTION
5	R91642	1	SPRING KIT 0.2187" x 14.5"
		2	SPRING 0.2187" x 14.5"
6	RAP1735	1	RETAINING PLATE KIT
		2	RETAINING PLATES
		4	HHCS 3/8 - 16 x 1"
		4	HEX NUT 3/8 - 16 LOCK
7	RF8143	1	ELBOW 1/8" X 1/8"
8	RAP8003	1	SWITCH PRESSURE
9	RAP92281	1	FOOT 9.90" DIAMETER

**NOTE:** INDENTED ITEMS ARE INCLUDED WITH PRECEDING ITEM.

**MR26.5767  
10FEB09**

**AP43851 - STRAIGHT-ACTING JACK, 5 DEG PIVOT, F/A SPRINGS**  
**12,000 # CAPACITY; 2.375" ROD DIAMETER; 16.00" STROKE; BOLT-ON FOOT**  
**WITH MAGNETIC WARNING SWITCH**



ITEM	PART	QTY	DESCRIPTION
1	RAP1008	1	SWITCH WARNING MAGNETIC
2	RF1456	1	MALE CONNECTOR 1/8" X 1/4"
3	RAP92127	1	CYL. ASSY. 2.375" x 16" (INCLUDES ITEM 2) (EXCLUDES ITEM 1)
4	RAP92405	1	PIVOT BRACKET

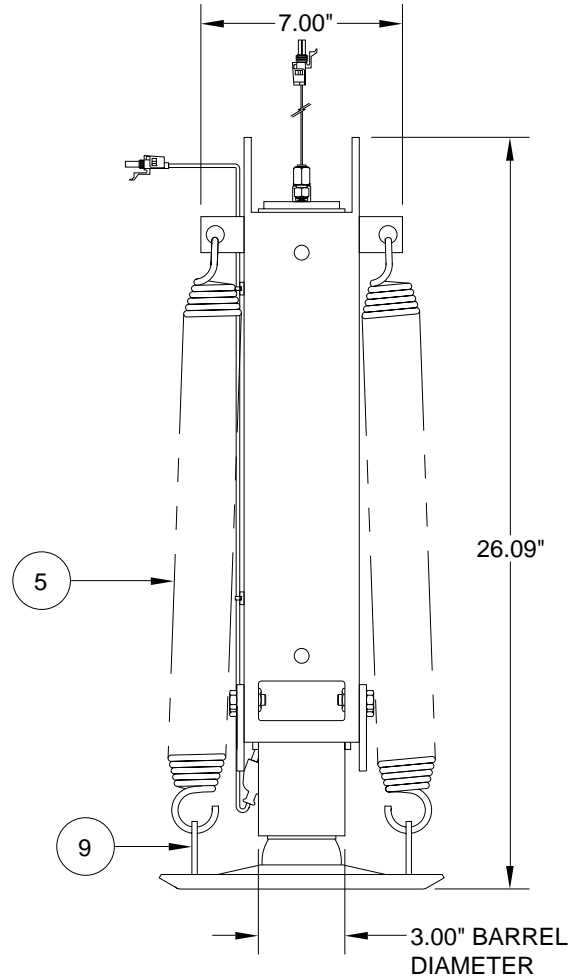
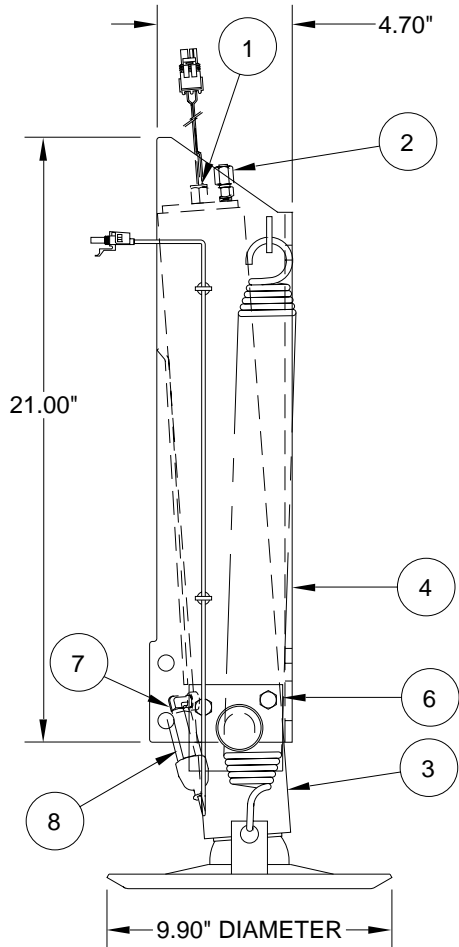
ITEM	PART	QTY	DESCRIPTION
5	R91933	1	SPRING KIT 0.218" x 17.5"
		2	SPRING 0.218" x 17.5"
6	RAP1735	1	RETAINING PLATE KIT
		2	RETAINING PLATES
		4	HHCS 3/8 - 16 x 1"
		4	HEX NUT 3/8 - 16 LOCK
7	RAP92281	1	FOOT 9.90" DIAMETER

**NOTE:** INDENTED ITEMS ARE INCLUDED WITH PRECEDING ITEM.

**MR26.5768**  
**10FEB09**

**AP43877 - AP43878**  
**STRAIGHT-ACTING JACK, 5 DEGREE PIVOT, F/A SPRINGS, BOLT-ON FOOT**  
**12,000 # CAPACITY; 2.375" ROD DIAMETER; 16.00" STROKE**

JACK #	DESCRIPTION
AP43877	MAGNETIC WARNING SWITCH W/ GRAY CONNECTOR ONLY
AP43878	MAGNETIC WARNING SWITCH W/ GRAY CONNECTOR, PRESSURE SWITCH

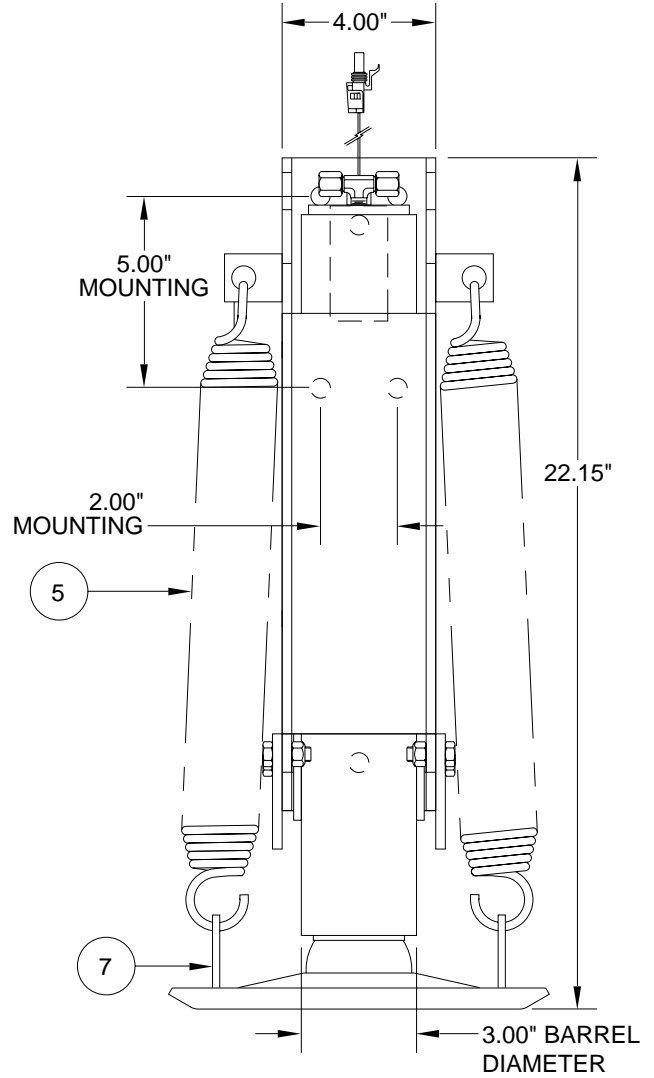
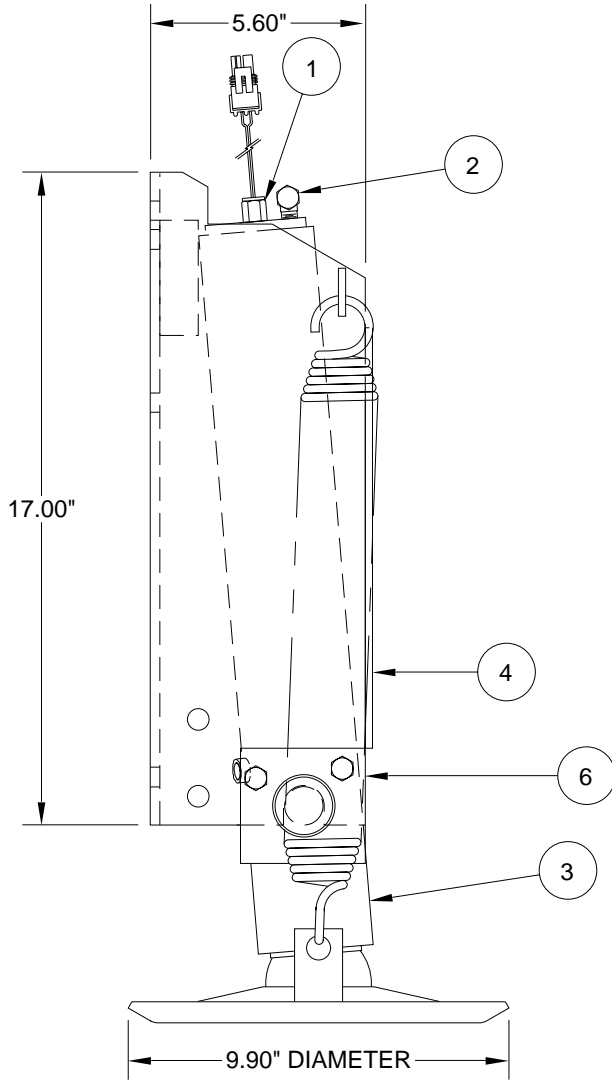


ITEM	PART	QTY	DESCRIPTION
1	RAP90968	1	SWITCH WARNING MAGNETIC GRAY (AP43877, AP43878)
2	RF1456	1	MALE CONNECTOR 1/8" X 1/4"
3	RAP92127	1	CYL. ASSY. 2.375" x 16" (INCLUDES ITEM 2) (EXCLUDES ITEMS 1,7,8)
4	RAP92405	1	PIVOT BRACKET

ITEM	PART	QTY	DESCRIPTION
5	R91933	1	SPRING KIT 0.218" x 17.5"
		2	SPRING 0.218" x 17.5"
6	RAP1735	1	RETAINING PLATE KIT
		2	RETAINING PLATES
		4	HHCS 3/8 - 16 x 1"
		4	HEX NUT 3/8 - 16 LOCK
7	RF8143	1	ELBOW 1/8" X 1/8" (AP43878 ONLY)
8	RAP8003	1	SWITCH PRESSURE (AP43878 ONLY)
9	RAP92281	1	FOOT 9.90" DIAMETER

**NOTE:** INDENTED ITEMS ARE INCLUDED WITH PRECEDING ITEM.

**AP44021 - STRAIGHT ACTING JACK, 5 DEGREE PIVOT, F/A SPRINGS  
 12,000 # CAPACITY; 2.375" ROD DIAMETER; 13.00" STROKE; BOLT-ON FOOT  
 WITH MAGNETIC WARNING SWITCH**



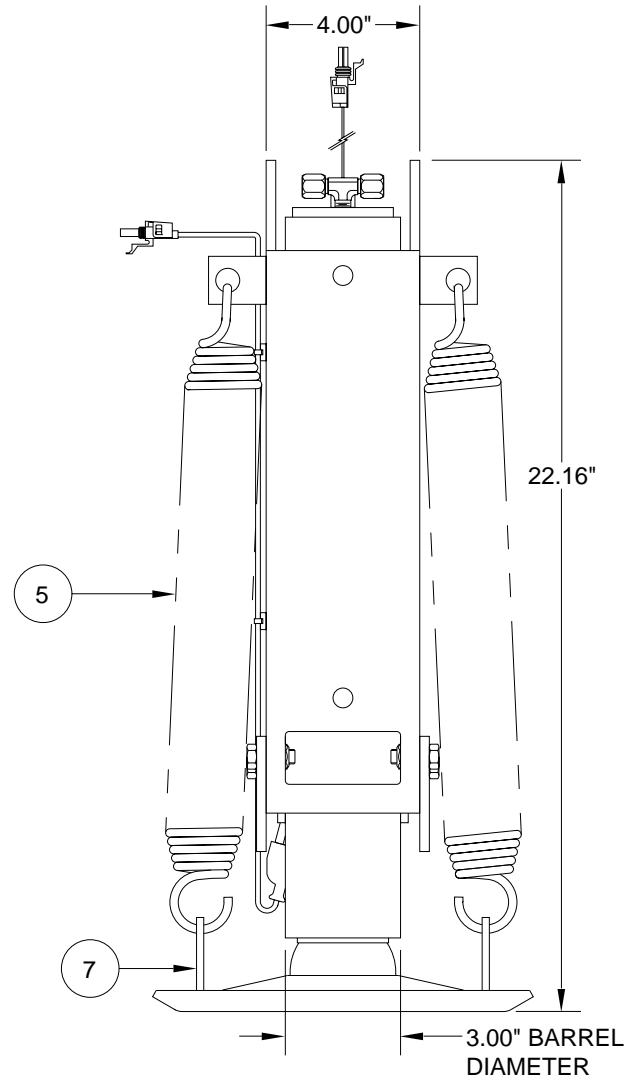
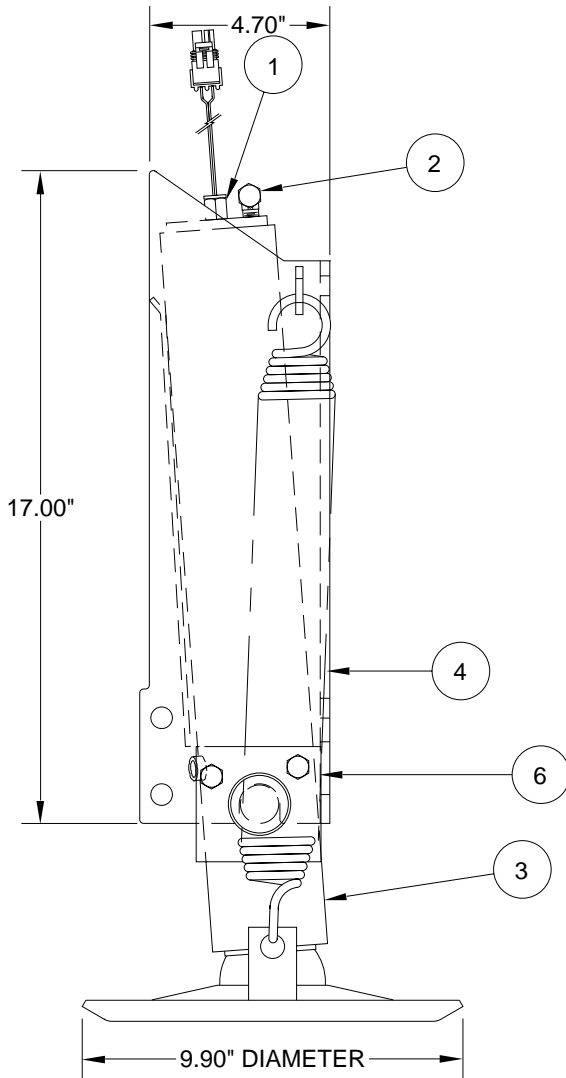
ITEM	PART	QTY	DESCRIPTION
1	RAP1008	1	SWITCH WARNING MAGNETIC
2	RF90151	1	MALE TEE 1/8" X 1/4" X 1/4"
3	RAP92124	1	CYL. ASSY. 2.375" x 13" (INCLUDES ITEM 2) (EXCLUDES ITEM 1)
4	<b>OBSOLETE</b>		PIVOT BRACKET - CONTACT HWH CORPORATION FOR REPLACEMENT INFORMATION

ITEM	PART	QTY	DESCRIPTION
5	R91642	1	SPRING KIT 0.2187" x 14.5"
		2	SPRING 0.2187" x 14.5"
6	RAP1735	1	RETAINING PLATE KIT
		2	RETAINING PLATES
		4	HHCS 3/8 - 16 x 1"
		4	HEX NUT 3/8 - 16 LOCK
7	RAP92281	1	FOOT 9.90" DIAMETER

**NOTE:** INDENTED ITEMS ARE INCLUDED WITH PRECEDING ITEM.

**MR26.5770  
 07JUL09**

**AP44186 - STRAIGHT ACTING JACK, 5 DEGREE PIVOT, F/A SPRINGS  
 12,000 # CAPACITY; 2.375" ROD DIAMETER; 13.00" STROKE; BOLT-ON FOOT  
 WITH MAGNETIC WARNING SWITCH**



ITEM	PART	QTY	DESCRIPTION
1	RAP1008	1	SWITCH WARNING MAGNETIC
2	RF90151	1	MALE TEE 1/8" X 1/4" X 1/4"
3	RAP92124	1	CYL. ASSY. 2.375" x 13" (INCLUDES ITEM 2) (EXCLUDES ITEM 1)
4	RAP92552	1	PIVOT BRACKET

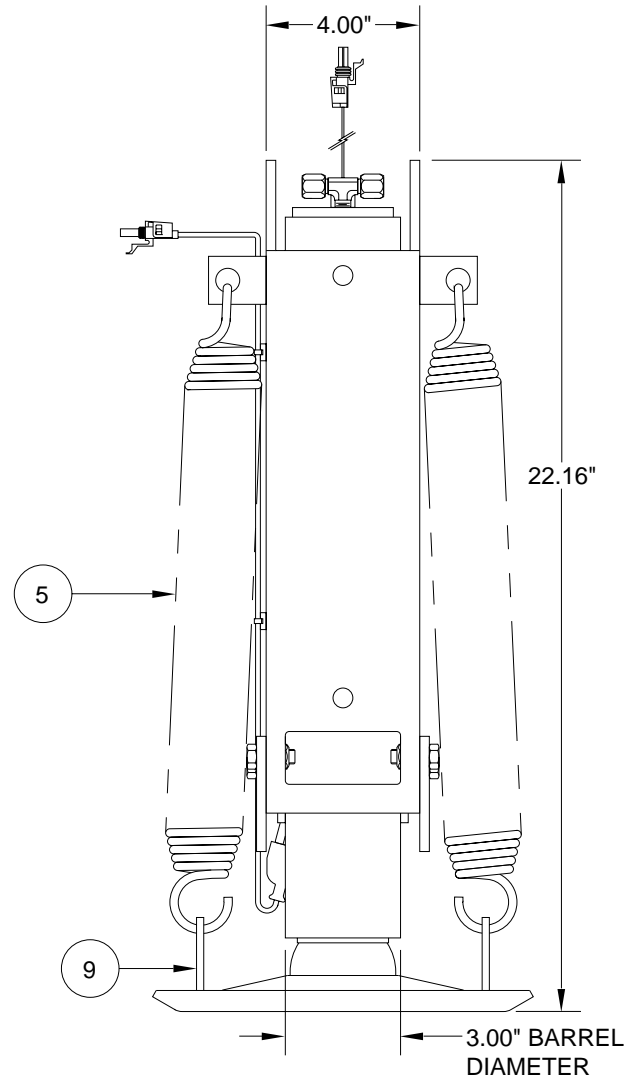
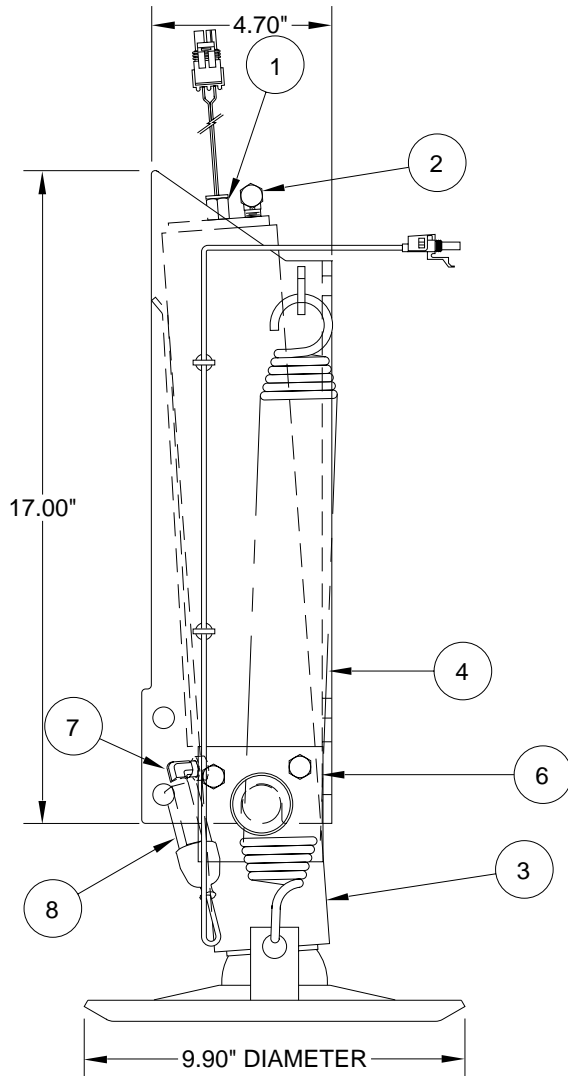
ITEM	PART	QTY	DESCRIPTION
5	R91642	1	SPRING KIT 0.2187" x 14.5"
		2	SPRING 0.2187" x 14.5"
6	RAP1735	1	RETAINING PLATE KIT
		2	RETAINING PLATES
		4	HHCS 3/8 - 16 x 1"
		4	HEX NUT 3/8 - 16 LOCK
7	RAP92281	1	FOOT 9.90" DIAMETER

NOTE: INDENTED ITEMS ARE INCLUDED WITH PRECEDING ITEM.

MR26.5771  
07JUL09

**AP44187 - AP44188**  
**STRAIGHT-ACTING JACK, 5 DEGREE PIVOT, F/A SPRINGS, BOLT-ON FOOT**  
**12,000 # CAPACITY; 2.375" ROD DIAMETER; 13.00" STROKE**

JACK #	DESCRIPTION
AP44187	MAGNETIC WARNING SWITCH W/ GRAY CONNECTOR ONLY
AP44188	MAGNETIC WARNING SWITCH W/ GRAY CONNECTOR, PRESSURE SWITCH



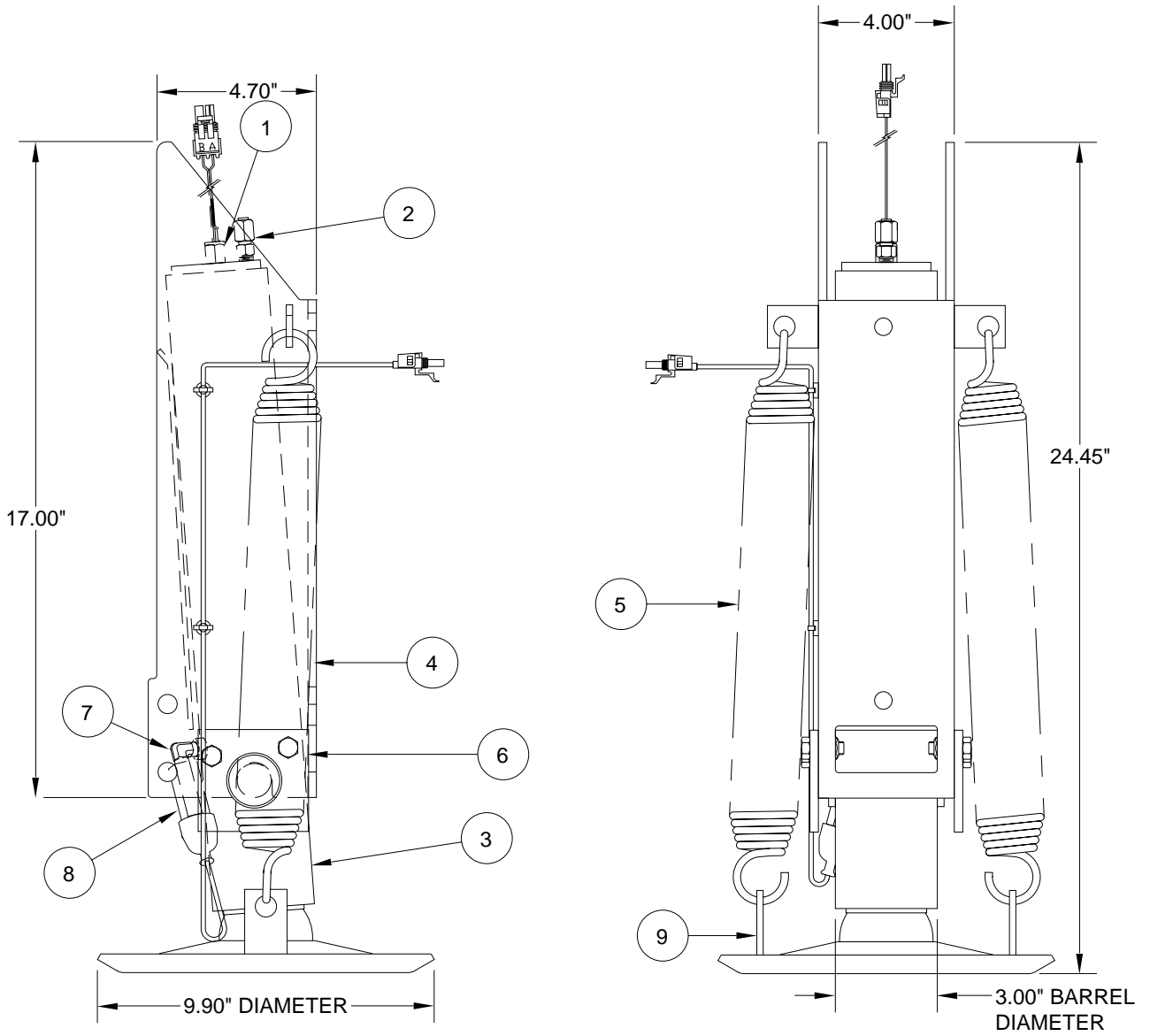
ITEM	PART	QTY	DESCRIPTION
1	RAP90968	1	SWITCH WARNING MAGNETIC GRAY (AP44187, AP44188)
2	RF90151	1	MALE TEE 1/8" X 1/4" X 1/4"
3	RAP92124	1	CYL. ASSY. 2.375" x 13" (INCLUDES ITEM 2) (EXCLUDES ITEMS 1,7,8)
4	RAP92552	1	PIVOT BRACKET

ITEM	PART	QTY	DESCRIPTION
5	R91642	1	SPRING KIT 0.2187" x 14.5"
		2	SPRING 0.2187" x 14.5"
6	RAP1735	1	RETAINING PLATE KIT
		2	RETAINING PLATES
		4	HHCS 3/8 - 16 x 1"
		4	HEX NUT 3/8 - 16 LOCK
7	RF8143	1	ELBOW 1/8" X 1/8" (AP44188 ONLY)
8	RAP8003	1	SWITCH PRESSURE (AP44188 ONLY)
9	RAP92281	1	FOOT 9.90" DIAMETER

**NOTE:** INDENTED ITEMS ARE INCLUDED WITH PRECEDING ITEM.

**MR26.5772**  
**07JUL09**

**AP44649 - STRAIGHT ACTING JACK, 5 DEGREE PIVOT, F/A SPRINGS  
 12,000 # CAPACITY; 2.375" ROD DIAMETER; 13.00" STROKE; BOLT-ON FOOT  
 WITH MAGNETIC WARNING SWITCH AND PRESSURE SWITCH**

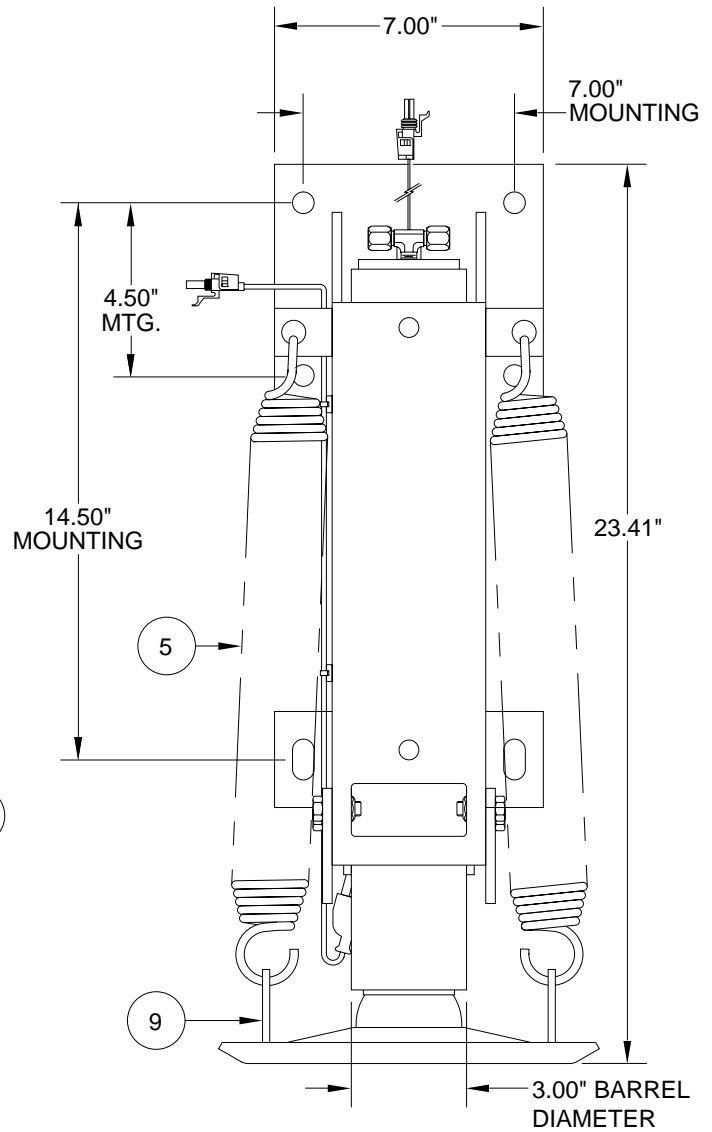
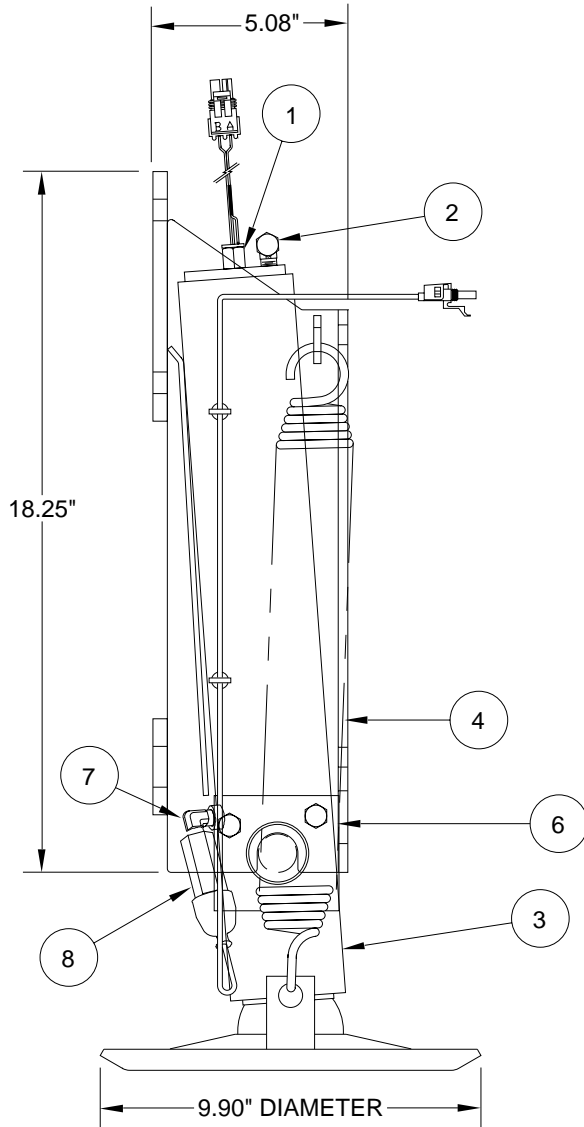


ITEM	PART	QTY	DESCRIPTION
1	RAP90968	1	SWITCH WARNING MAGNETIC GRAY
2	RF1456	1	MALE CONNECTOR 1/8" X 1/4"
3	RAP92124	1	CYL. ASSY. 2.375" x 13" (INCLUDES ITEM 2) (EXCLUDES ITEMS 1,7,8)
4	RAP92553	1	PIVOT BRACKET

ITEM	PART	QTY	DESCRIPTION
5	R91642	1	SPRING KIT 0.2187" x 14.5"
		2	SPRING 0.2187" x 14.5"
6	RAP1735	1	RETAINING PLATE KIT
		2	RETAINING PLATES
		4	HHCS 3/8 - 16 x 1"
		4	HEX NUT 3/8 - 16 LOCK
7	RF8143	1	ELBOW 1/8" X 1/8"
8	RAP8003	1	SWITCH PRESSURE
9	RAP92281	1	FOOT 9.90" DIAMETER

NOTE: INDENTED ITEMS ARE INCLUDED WITH PRECEDING ITEM.

**AP44795 - STRAIGHT ACTING JACK, 5 DEGREE PIVOT, F/A SPRINGS**  
**12,000 # CAPACITY; 2.375" ROD DIAMETER; 13.00" STROKE; BOLT-ON FOOT**  
**WITH MAGNETIC WARNING SWITCH AND PRESSURE SWITCH**



ITEM	PART	QTY	DESCRIPTION
1	RAP90968	1	SWITCH WARNING MAGNETIC GRAY
2	RF90151	1	MALE TEE 1/8" X 1/4" X 1/4"
3	RAP92124	1	CYL. ASSY. 2.375" x 13" (INCLUDES ITEM 2) (EXCLUDES ITEMS 1,7,8)
4	RAP92554	1	PIVOT BRACKET

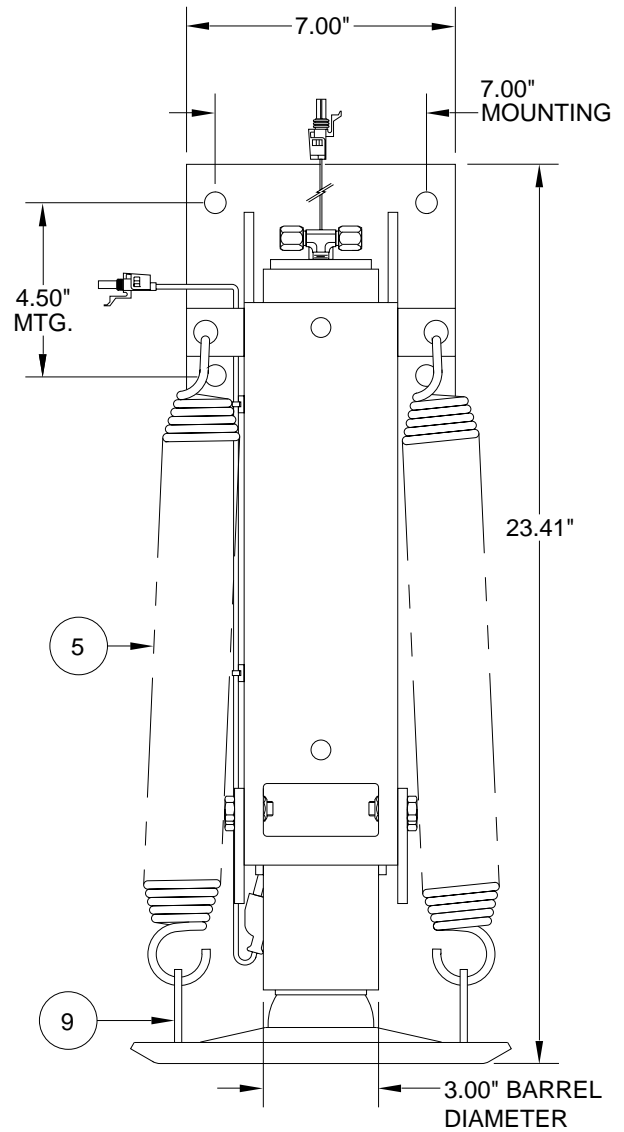
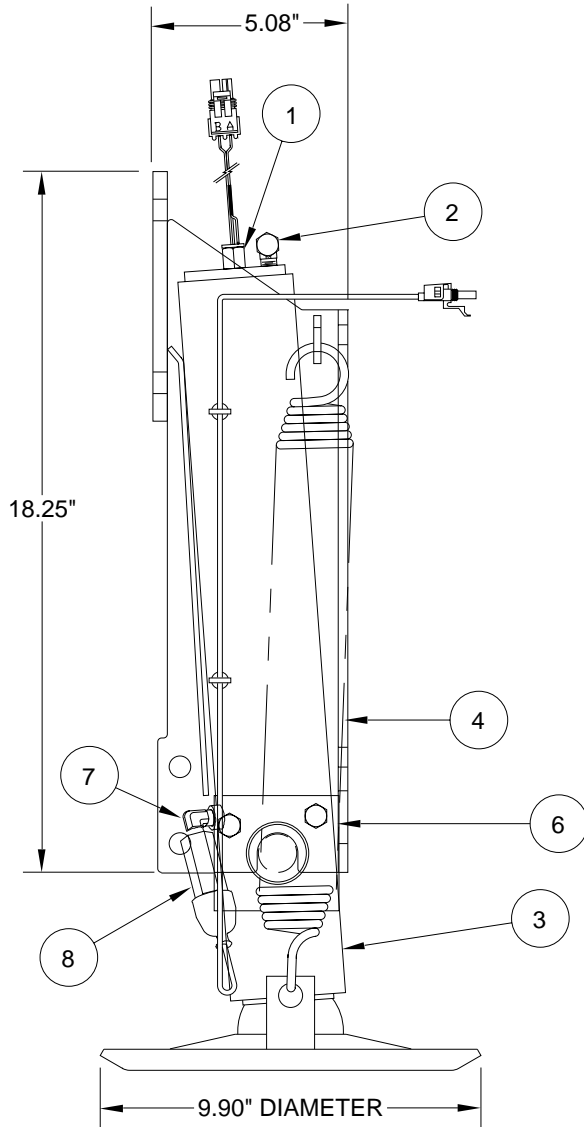
ITEM	PART	QTY	DESCRIPTION
5	R91642	1 2	SPRING KIT 0.2187" x 14.5" SPRING 0.2187" x 14.5"
6	RAP1735	1 2 4 4	RETAINING PLATE KIT RETAINING PLATES HHCS 3/8 - 16 x 1" HEX NUT 3/8 - 16 LOCK
7	RF8143	1	ELBOW 1/8" X 1/8"
8	RAP8003	1	SWITCH PRESSURE
9	RAP92281	1	FOOT 9.90" DIAMETER

**NOTE:** INDENTED ITEMS ARE INCLUDED WITH PRECEDING ITEM.

**MR26.5774**  
**07JUL09**



**AP44796 - STRAIGHT ACTING JACK, 5 DEGREE PIVOT, F/A SPRINGS**  
**12,000 # CAPACITY; 2.375" ROD DIAMETER; 13.00" STROKE; BOLT-ON FOOT**  
**WITH MAGNETIC WARNING SWITCH AND PRESSURE SWITCH**

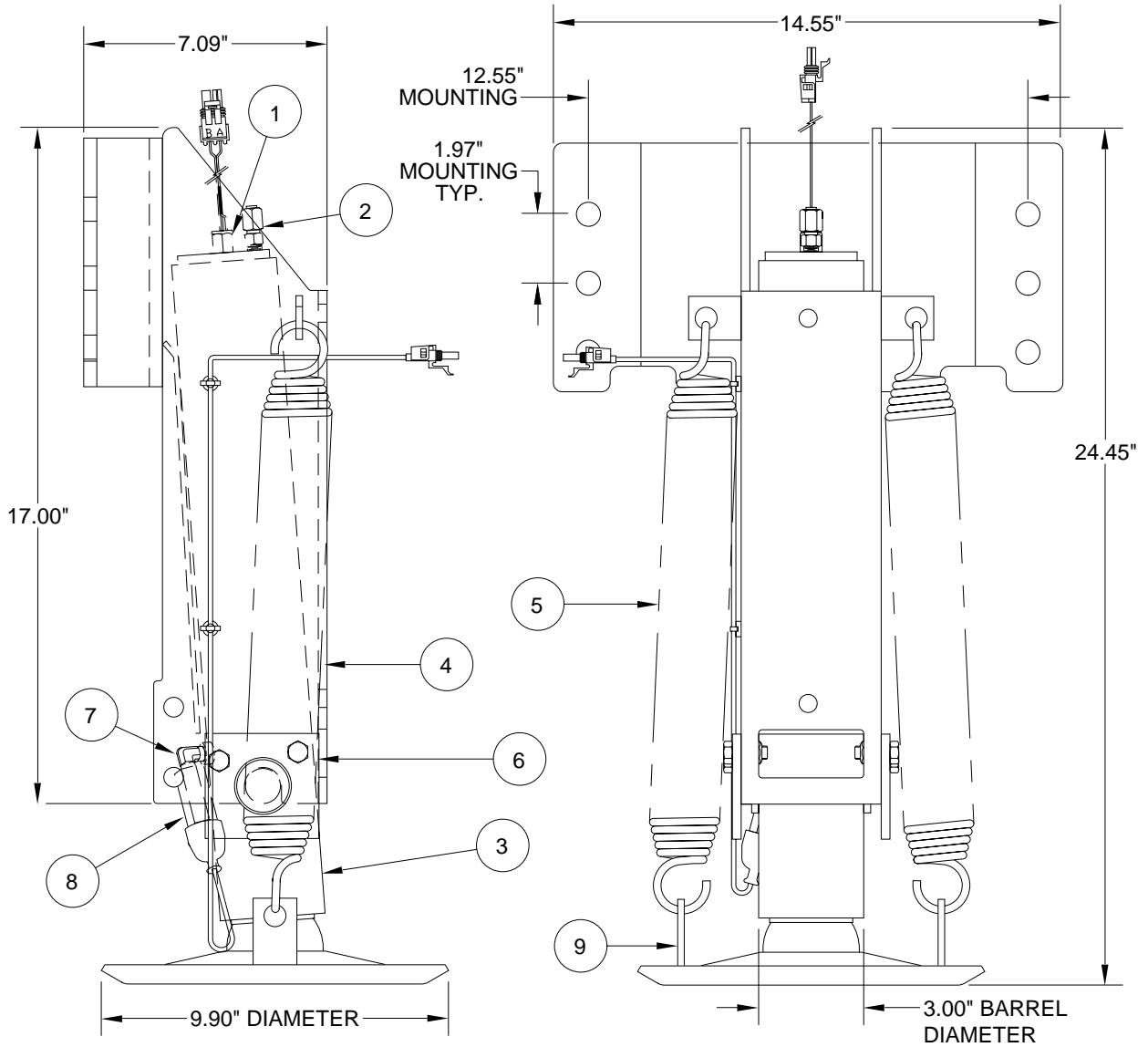


ITEM	PART	QTY	DESCRIPTION
1	RAP90968	1	SWITCH WARNING MAGNETIC GRAY
2	RF90151	1	MALE TEE 1/8" X 1/4" X 1/4"
3	RAP92124	1	CYL. ASSY. 2.375" x 13" (INCLUDES ITEM 2) (EXCLUDES ITEMS 1,7,8)
4	RAP92555	1	PIVOT BRACKET

ITEM	PART	QTY	DESCRIPTION
5	R91642	1	SPRING KIT 0.2187" x 14.5"
		2	SPRING 0.2187" x 14.5"
6	RAP1735	1	RETAINING PLATE KIT
		2	RETAINING PLATES
		4	HHCS 3/8 - 16 x 1"
		4	HEX NUT 3/8 - 16 LOCK
7	RF8143	1	ELBOW 1/8" X 1/8"
8	RAP8003	1	SWITCH PRESSURE
9	RAP92281	1	FOOT 9.90" DIAMETER

NOTE: INDENTED ITEMS ARE INCLUDED WITH PRECEDING ITEM.

**AP50457 - STRAIGHT ACTING JACK, 5 DEGREE PIVOT, F/A SPRINGS**  
**12,000 # CAPACITY; 2.375" ROD DIAMETER; 13.00" STROKE; BOLT-ON FOOT**  
**WITH MAGNETIC WARNING SWITCH AND PRESSURE SWITCH**



ITEM	PART	QTY	DESCRIPTION
1	RAP90968	1	SWITCH WARNING MAGNETIC GRAY
2	RF1456	1	MALE CONNECTOR 1/8" X 1/4"
3	RAP92124	1	CYL. ASSY. 2.375" x 13" (INCLUDES ITEM 2) (EXCLUDES ITEMS 1,7,8)
4	RAP93285	1	PIVOT BRACKET

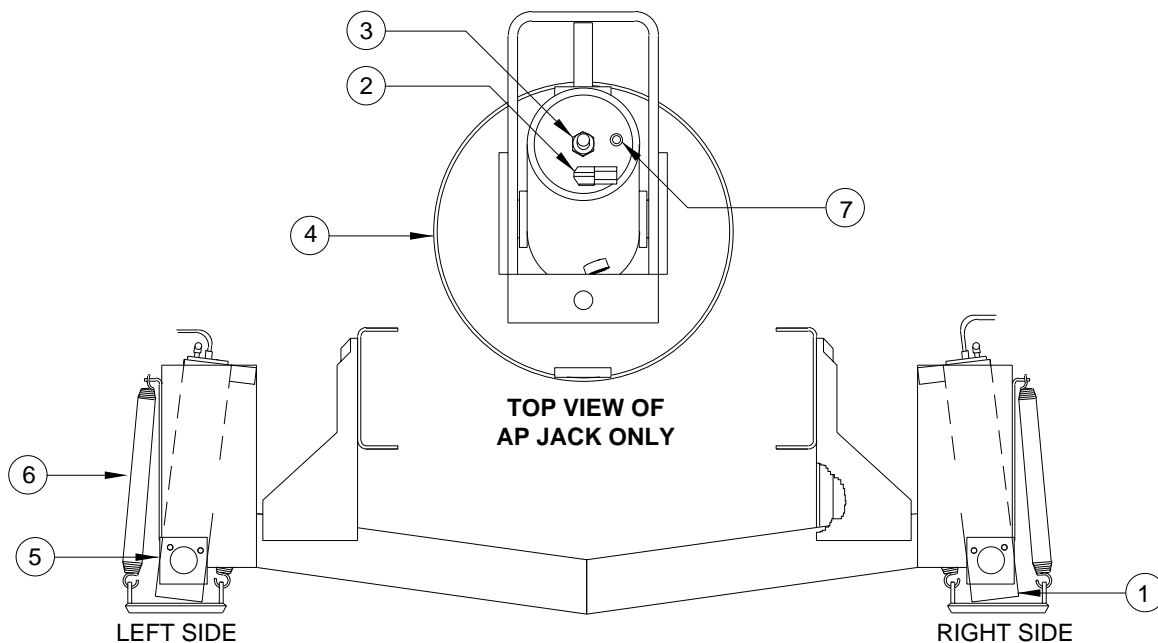
ITEM	PART	QTY	DESCRIPTION
5	R91642	1	SPRING KIT 0.2187" x 14.5"
		2	SPRING 0.2187" x 14.5"
6	RAP1735	1	RETAINING PLATE KIT
		2	RETAINING PLATES
		4	HHCS 3/8 - 16 x 1"
		4	HEX NUT 3/8 - 16 LOCK
7	RF8143	1	ELBOW 1/8" X 1/8"
8	RAP8003	1	SWITCH PRESSURE
9	RAP92281	1	FOOT 9.90" DIAMETER

NOTE: INDENTED ITEMS ARE INCLUDED WITH PRECEDING ITEM.

**AP0453 - STRAIGHT ACTING JACK, 7 DEGREE PIVOT  
12,000 # CAPACITY; 2.375" ROD DIAMETER; 13.00" STROKE  
2-JACK ASSEMBLY**

IN SOME CASES (2) JACKS ARE BUILT INTO ONE ASSEMBLY TO ACCOMMODATE MOUNTING ONTO SPECIFIC CHASSIS OR COACHES. THE FOLLOWING IS A LIST OF THOSE ASSEMBLIES AND WHERE TO FIND COMPONENT REPAIR PARTS INFORMATION. **NOTE** : COMPLETE JACK ASSEMBLIES AND PIVOT BRACKETS ARE NOT CONSIDERED AS REPAIR PARTS FOR THESE JACKS.

CONTACT HWH CORPORATION CUSTOMER SERVICE AT 1-800-321-3494, IF NEEDED.



2 - JACK ASSEMBLY				
2-JACK ASSEMBLY	JACK CAPACITY	STROKE	PRESSURE SWITCH	APPLICATION
AP0453	12,000 #	13.00"	NO	OSH KOSH X 19.5" TIRES

ITEM	PART	QTY	DESCRIPTION	ITEM	PART	QTY	DESCRIPTION
1	RAP0040	1	CYL. ASSY. 2.375" X 13"	5	RAP1735	1	RETAINING PLATE KIT
2	RF1453	1	ELBOW 1/8" X 1/4"			2	RETAINING PLATES
3	RAP1008	1	SWITCH WARNING 2-WIRE			4	HHCS 3/8-16 X 1"
4	RAP8464	1	8.00" DIAMETER FOOT			4	HEX NUT 3/8-16 LOCK DEF.
				6	R91642	1	SPRING KIT .2187" X 14.5"
						2	SPRING .2187" X 14.5"
				7	RF90272	1	PIPE PLUG 1/8"

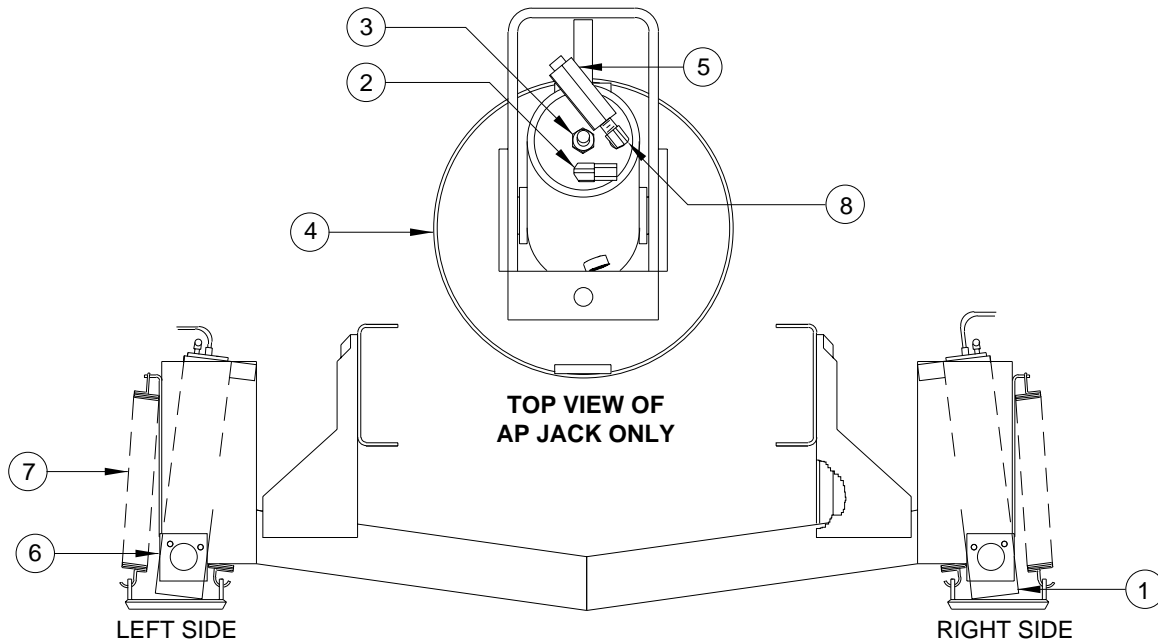
**NOTE** : INDENTED ITEMS ARE INCLUDED WITH PRECEDING ITEM.

**MR26.5950  
05MAY05**

**AP0060 - STRAIGHT ACTING JACK, 7 DEGREE PIVOT  
12,000 # CAPACITY; 2.375" ROD DIAMETER; 13.00" STROKE  
2-JACK ASSEMBLY  
WITH PRESSURE SWITCH AND 3-WIRE WARNING SWITCH**

IN SOME CASES (2) JACKS ARE BUILT INTO ONE ASSEMBLY TO ACCOMMODATE MOUNTING ONTO SPECIFIC CHASSIS OR COACHES. THE FOLLOWING IS A LIST OF THOSE ASSEMBLIES AND WHERE TO FIND COMPONENT REPAIR PARTS INFORMATION. **NOTE** : COMPLETE JACK ASSEMBLIES AND PIVOT BRACKETS ARE NOT CONSIDERED AS REPAIR PARTS FOR THESE JACKS.

CONTACT HWH CORPORATION CUSTOMER SERVICE AT 1-800-321-3494, IF NEEDED.



2 - JACK ASSEMBLY				
2-JACK ASSEMBLY	JACK CAPACITY	STROKE	PRESSURE SWITCH	APPLICATION
AP0060	12,000 #	13.00"	YES	OSH KOSH X 19.5" TIRES

ITEM	PART	QTY	DESCRIPTION	ITEM	PART	QTY	DESCRIPTION
1	RAP0040	1	CYL. ASSY. 2.375" X 13"	6	RAP1735	1	RETAINING PLATE KIT
2	RF1453	1	ELBOW 1/8" X 1/4"			2	RETAINING PLATES
3	RAP90073	1	SWITCH WARNING 3-WIRE			4	HHCS 3/8-16 X 1"
4	RAP8464	1	8.00" DIAMETER FOOT			4	HEX NUT 3/8-16 LOCK DEF.
5	RAP8003	1	SWITCH PRESSURE	7	R91642	1	SPRING KIT .2187" X 14.5"
						2	SPRING .2187" X 14.5"
				8	RF8143	1	ELBOW 1/8" X 1/8"

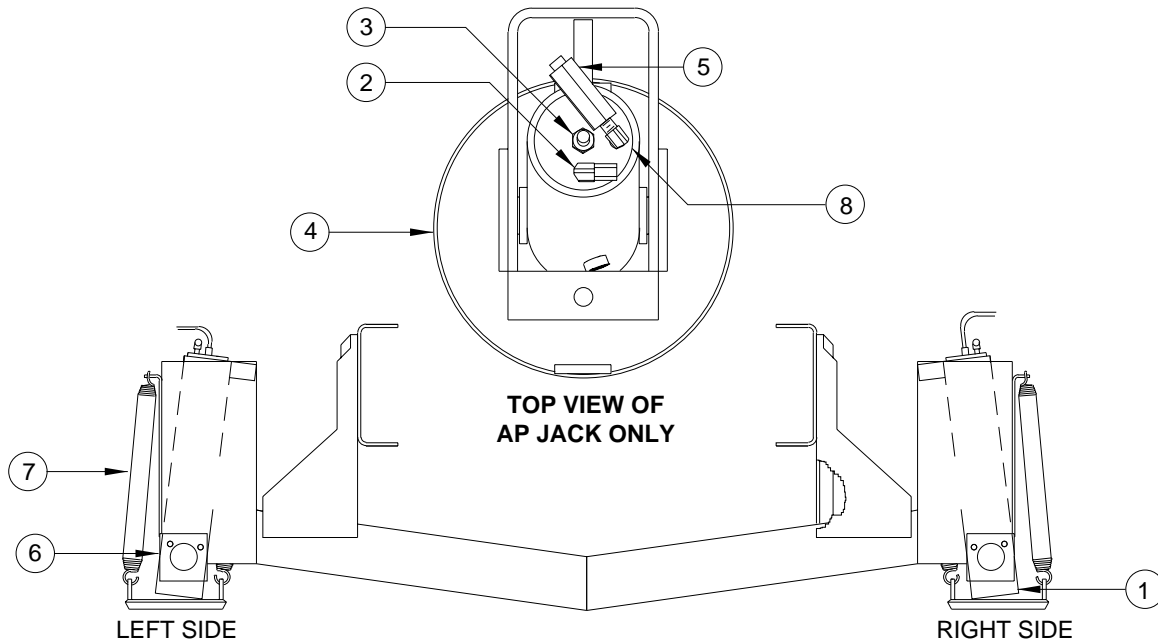
**NOTE** : INDENTED ITEMS ARE INCLUDED WITH PRECEDING ITEM.

**MR26.5952  
03MAY12**

**AP2051 - STRAIGHT ACTING JACK, 7 DEGREE PIVOT  
12,000 # CAPACITY; 2.375" ROD DIAMETER; 13.00" STROKE  
2-JACK ASSEMBLY  
WITH PRESSURE SWITCH AND 2-WIRE WARNING SWITCH**

IN SOME CASES (2) JACKS ARE BUILT INTO ONE ASSEMBLY TO ACCOMMODATE MOUNTING ONTO SPECIFIC CHASSIS OR COACHES. THE FOLLOWING IS A LIST OF THOSE ASSEMBLIES AND WHERE TO FIND COMPONENT REPAIR PARTS INFORMATION. **NOTE** : COMPLETE JACK ASSEMBLIES AND PIVOT BRACKETS ARE NOT CONSIDERED AS REPAIR PARTS FOR THESE JACKS.

CONTACT HWH CORPORATION CUSTOMER SERVICE AT 1-800-321-3494, IF NEEDED.



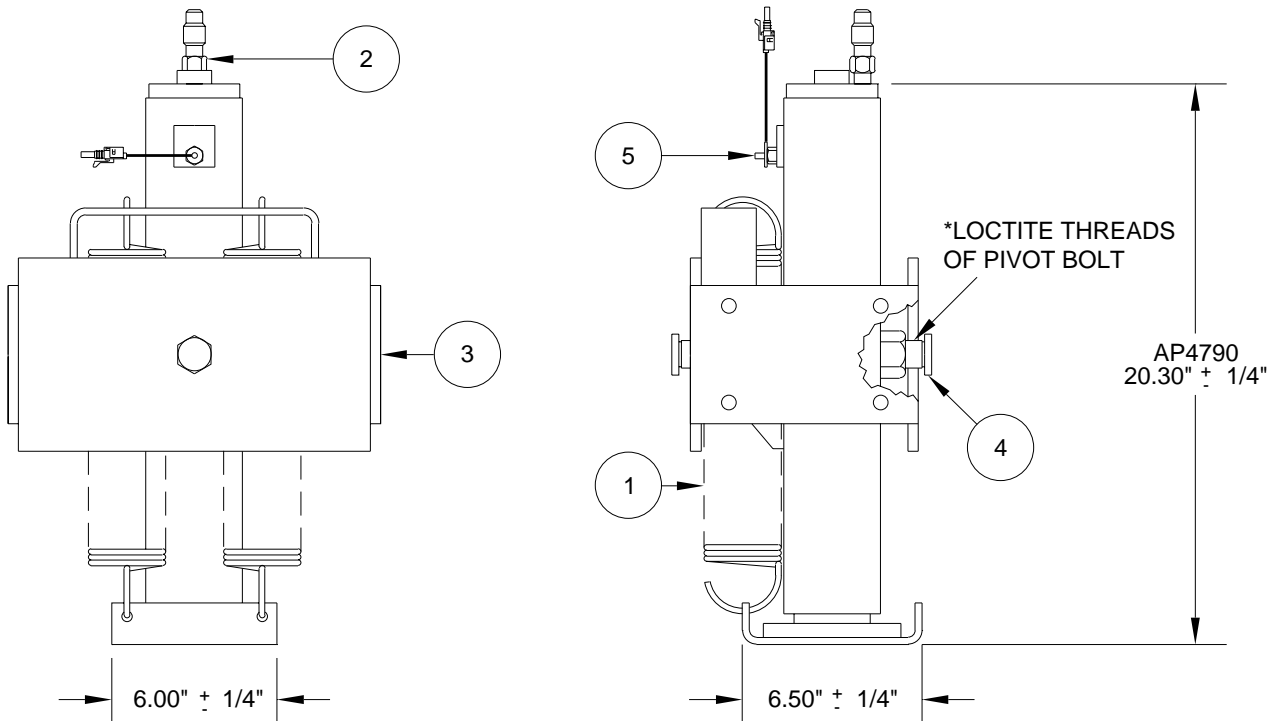
2 - JACK ASSEMBLY				
2-JACK ASSEMBLY	JACK CAPACITY	STROKE	PRESSURE SWITCH	APPLICATION
AP2051	12,000 #	13.00"	YES	OSH KOSH X 19.5" TIRES

ITEM	PART	QTY	DESCRIPTION	ITEM	PART	QTY	DESCRIPTION
1	RAP0040	1	CYL. ASSY. 2.375" X 13"	6	RAP1735	1	RETAINING PLATE KIT
2	RF1453	1	ELBOW 1/8" X 1/4"			2	RETAINING PLATES
3	RAP1008	1	SWITCH WARNING 2-WIRE			4	HHCS 3/8-16 X 1"
4	RAP8464	1	8.00" DIAMETER FOOT			4	HEX NUT 3/8-16 LOCK DEF.
5	RAP8003	1	SWITCH PRESSURE	7	R91642	1	SPRING KIT .2187" X 14.5"
						2	SPRING .2187" X 14.5"
				8	RF8143	1	ELBOW 1/8" X 1/8"

**NOTE** : INDENTED ITEMS ARE INCLUDED WITH PRECEDING ITEM.

**MR26.5955  
05MAY05**

**AP4790 - STRAIGHT ACTING JACK, 30 DEGREE PIVOT**  
**16,000 # CAPACITY; 2.750" ROD DIAMETER; 13.00" STROKE**



**2.75" STRAIGHT ACTING JACK**  
**SUPPLIED 1987 AND 1988 ON REAR OF FRONT ENGINE BLUE BIRD COACHES**

ITEM	PART	QTY	DESCRIPTION	ITEM	PART	QTY	DESCRIPTION
	RAP4790		JACK 16,000 # X 13" (REPLACES AP4790)	3	RAP5029	1	PIVOT BRACKET
1	R2365	1	SPRING KIT 2-3/4" X 13-1/2"	4	R2329	1	PIVOT BOLT KIT
		2	SPRING 2-3/4" X 13-1/2"			2	HHCS 7/8" SPECIAL
						2	BUSHING 1-1/8" OD
2	RF1477	1	MALE CONNECTOR 1/4" X 1/4"	5	RAP5027	1	SWITCH WARNING SIDE PORT

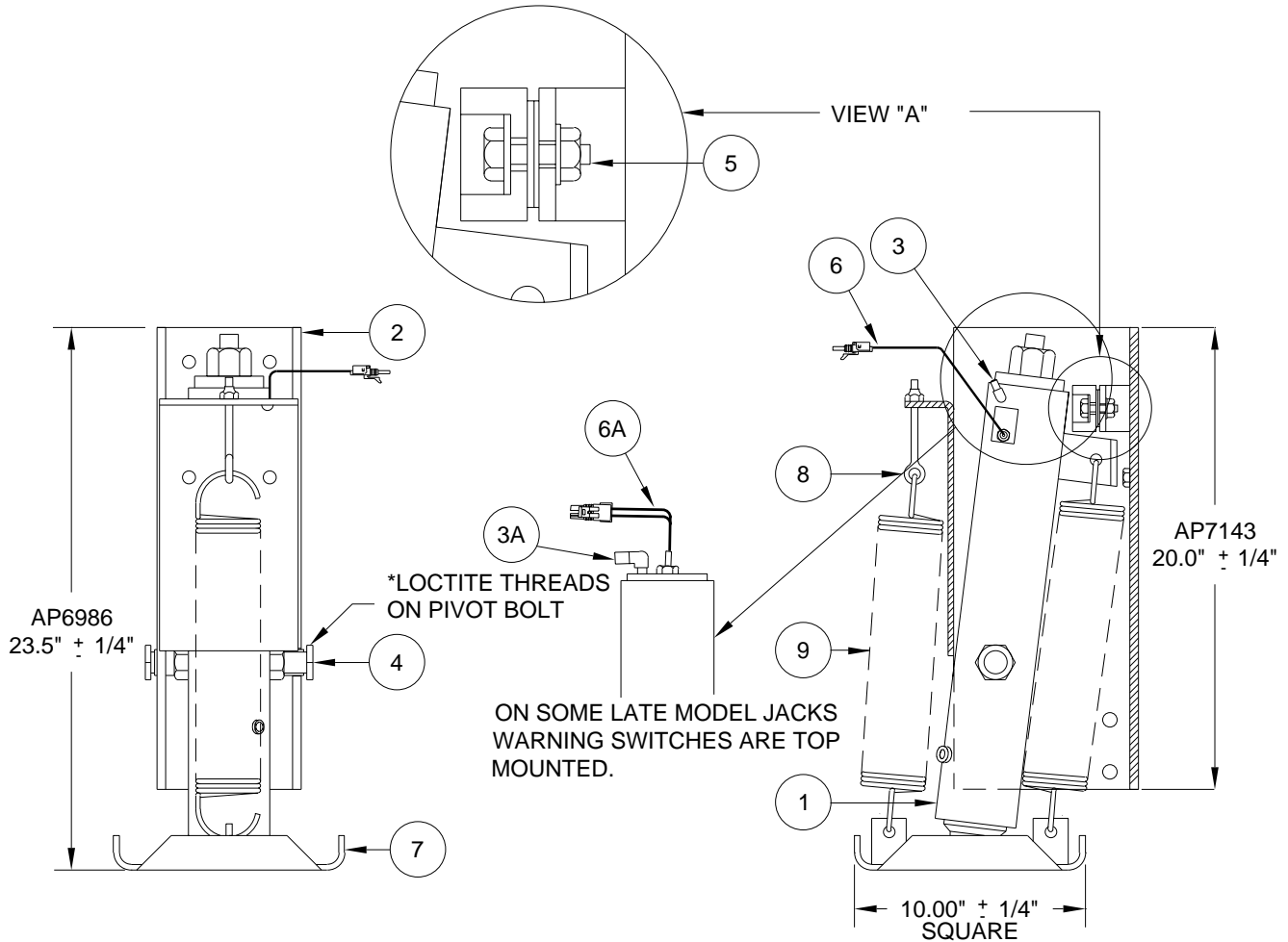
**NOTE :** INDENTED ITEMS ARE INCLUDED WITH PRECEDING ITEM.

\* APPLY A THREAD LOCKING ADHESIVE SUCH AS LOCTITE #271, 277, 242 OR 569.

**MR26.6005**  
**20MAR96**

# AP6986 - STRAIGHT ACTING JACK, 7 DEGREE PIVOT, S/S SPRINGS

## 16,000 # CAPACITY; 2.750" ROD DIAMETER; 13.00" STROKE



ITEM	PART	QTY	DESCRIPTION
1	RAP2456	1	CYL. ASSY. 2.75" X 13" (INCLUDES ITEM 3)
2	RAP7143	1	PIVOT BRACKET (INCLUDES ITEM 5)
3	RF5996	1	ELBOW 45 DEGREE 1/8" X 1/4" USED ON SOME EARLY MODEL JACKS.
3A	RF1453	1	ELBOW 1/8" X 1/4"
4	R2329	1 2 2	PIVOT BOLT KIT HHCS 7/8" SPECIAL BUSHING 1-1/8" O.D.

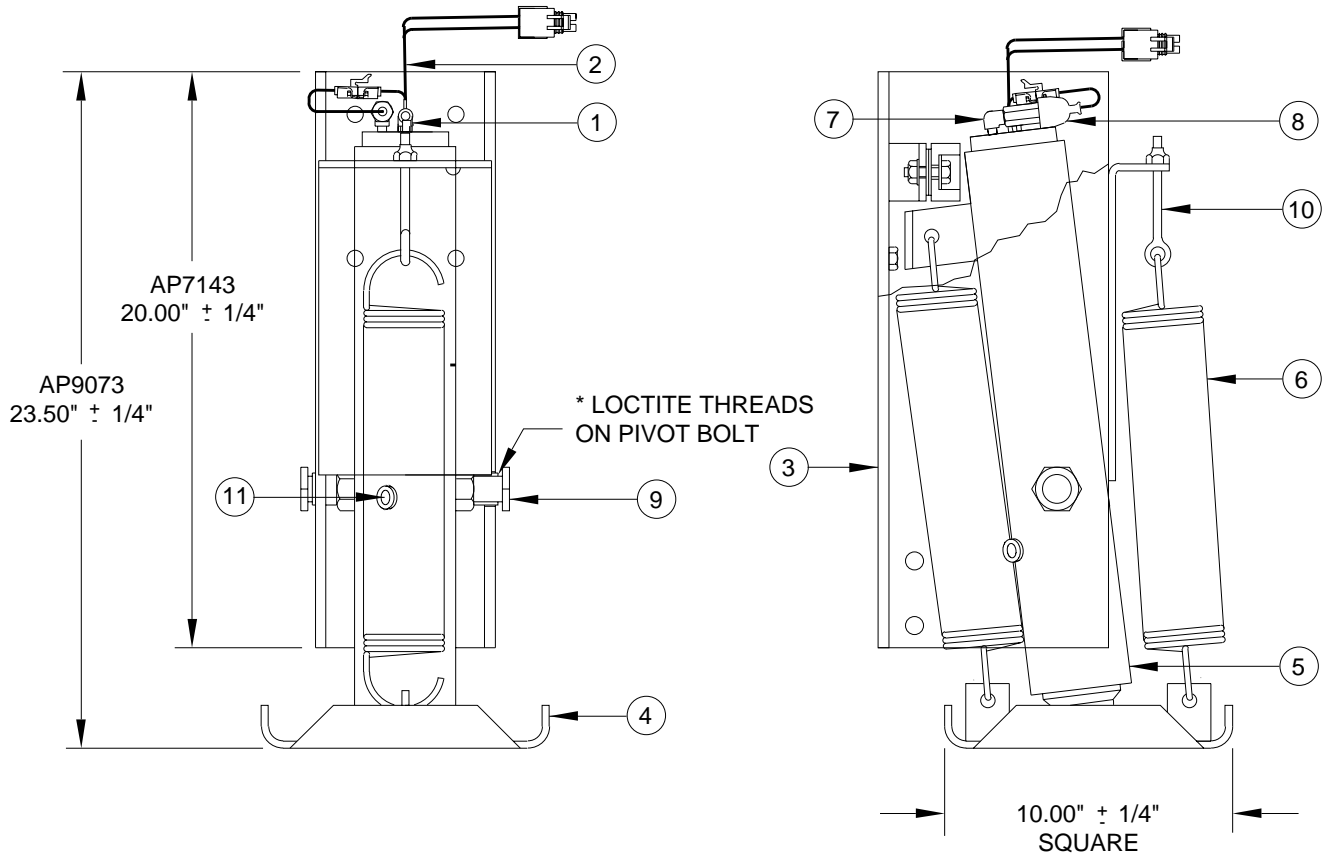
ITEM	PART	QTY	DESCRIPTION
5	R2511	1 1 1 1 2 1 1 1	STOP KIT HHCS 1/2-13 X 1/4" PLD. BUMPER URETHANE 2" WASHER STRUCTURAL 1/2" WASHER COMMON 1/2" HEX NUT 1/2-13 REGULAR LOCKWASHER 1/2" EXT. SPACER 5/8" O.D.
6	RAP5027	1	SW. WARNING SIDE PORT. USED ON SOME EARLY MODEL JACKS.
6A	RAP1008	1	SWITCH WARNING 2-WIRE
7	RAP5453	1	FOOT 11.40" ROUND 10" SQUARE FOOT NO LONGER AVAILABLE
8	R5491	1 1 1	EYE BOLT KIT 3/8-16 X 6.00" EYE BOLT 3/8-16 ESNA NUT
9	R2365	1 2	SPRING KIT 2-3/4" X 13-1/2" SPRING 2-3/4" X 13-1/2"

**NOTE :** INDENTED ITEMS ARE INCLUDED WITH PRECEDING ITEM.

\* APPLY A THREAD LOCKING ADHESIVE SUCH AS LOCTITE #271, 277, 242 OR 569.

**MR26.6007**  
**12FEB13**

**AP9073 - STRAIGHT ACTING JACK, 7 DEGREE PIVOT, S/S SPRINGS**  
**16,000 # CAPACITY; 2.750" ROD DIAMETER; 13.00" STROKE**  
**WITH PRESSURE SWITCH AND 3-WIRE WARNING SWITCH**



ITEM	PART	QTY	DESCRIPTION
1	RF1453	1	ELBOW 1/8" X 1/4"
2	RAP90073	1	SWITCH WARNING 3-WIRE (REPLACES RAP1009)
3	RAP7143	1	PIVOT BRACKET
4	RAP5453	1	FOOT 11.40" ROUND 10" SQUARE FOOT NO LONGER AVAILABLE
5	RAP2456	1	CYL. ASSY. 2.75 X 13" (INCLUDES ITEMS 1,11) (EXCLUDES ITEMS 2,7,8)

ITEM	PART	QTY	DESCRIPTION
7	RF8143	1	ELBOW 1/8" X 1/8"
8	RAP8003	1	SWITCH PRESSURE
9	R2329	1	PIVOT BOLT KIT
		2	HHCS 7/8" SPECIAL
		2	BUSHING 1-1/8" O.D.
10	R5491	1	EYE BOLT KIT
		1	3/8-16 X 6.00" EYE BOLT
		1	3/8-16 ESNA LOCK NUT
11	RF2418	1	PIPE PLUG 1/8"

**NOTE :** INDENTED ITEMS ARE INCLUDED WITH PRECEDING ITEM.

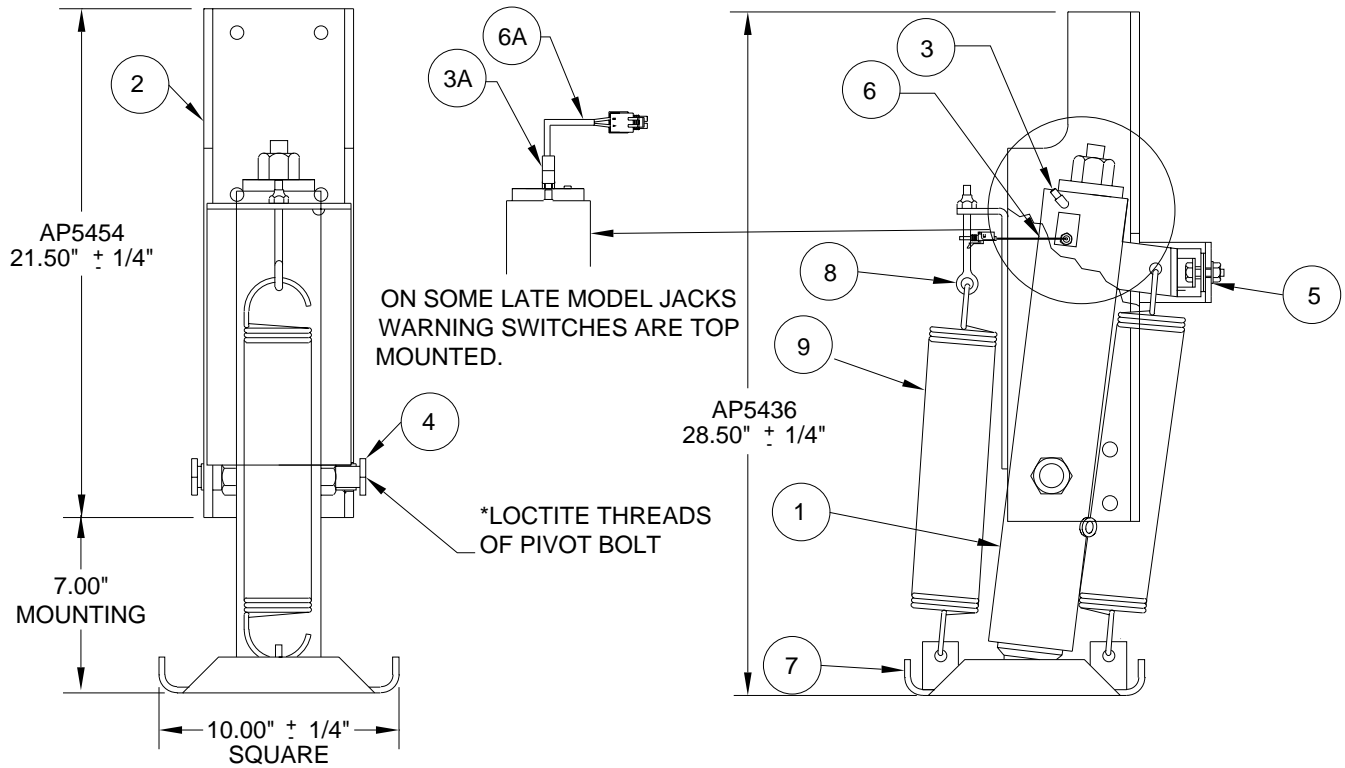
\* APPLY A THREAD LOCKING ADHESIVE SUCH AS LOCTITE #271, 277, 242 OR 569.

**MR26.6010**  
**12FEB13**



# AP5436 - STRAIGHT ACTING JACK, 7 DEGREE PIVOT, S/S SPRINGS

## 16,000 # CAPACITY; 2.750" ROD DIAMETER; 13.00" STROKE



ITEM	PART	QTY	DESCRIPTION
1	RAP2456	1	CYL. ASSY. 2.75" X 13" (INCLUDES ITEM 3)
2	RAP5454	1	PIVOT BRACKET (INCLUDES ITEM 5)
3	RF90141	1	ELBOW 1/4" X 5/16"
3A	RF3475	1	MALE CONNECTOR 1/4" X 5/16"
4	R2329	1	PIVOT BOLT KIT
		2	HHCS 7/8" SPECIAL
		2	BUSHING 1-1/8" OD
5	R2511	1	STOP KIT
		1	HHCS 1/2-13 X 1-1/4"
		1	BUMPER URETHANE 2"
		1	WASHER STRUCTURAL 1/2"
		1	SPACER 5/8" OD
		1	LOCKWASER 1/2" EXTERNAL
		1	HEX NUT 1/2-13

ITEM	PART	QTY	DESCRIPTION
6	RAP5027	1	SWITCH WARNING SIDE PORT. (USED ON SOME EARLY MODEL JACKS.)
6A	RAP1008	1	SWITCH WARNING 2-WIRE
7	RAP5453	1	FOOT 11.40" ROUND 10" SQUARE FOOT NO LONGER AVAILABLE
8	R5491	1	EYE BOLT KIT
		1	3/8-16 X 6.00" EYE BOLT
		1	3/8-16 ESNA LOCK NUT
9	R2365	1	SPRING KIT 2-3/4" X 13-1/2"
		2	SPRING 2-3/4" X 13-1/2"

**NOTE :** INDENTED ITEMS ARE INCLUDED WITH PRECEDING ITEM.

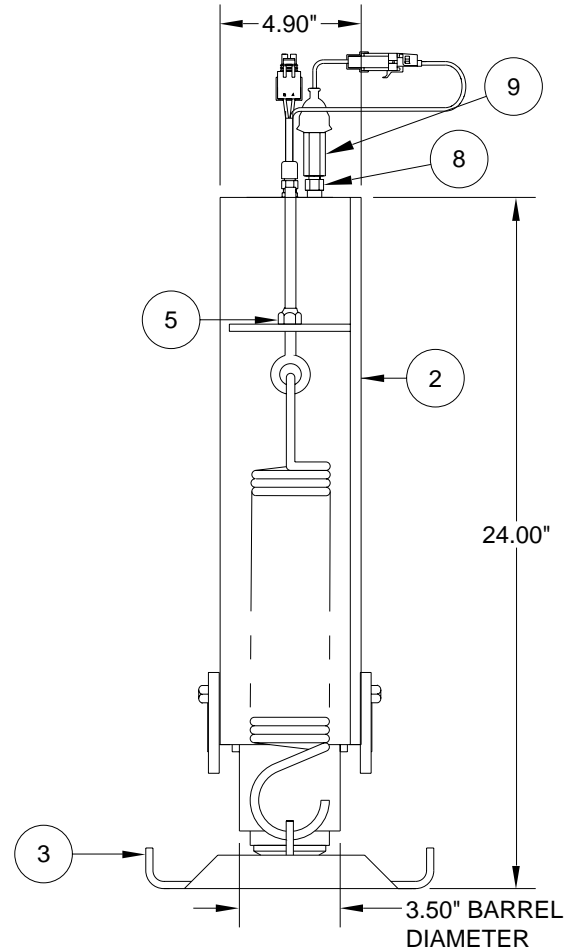
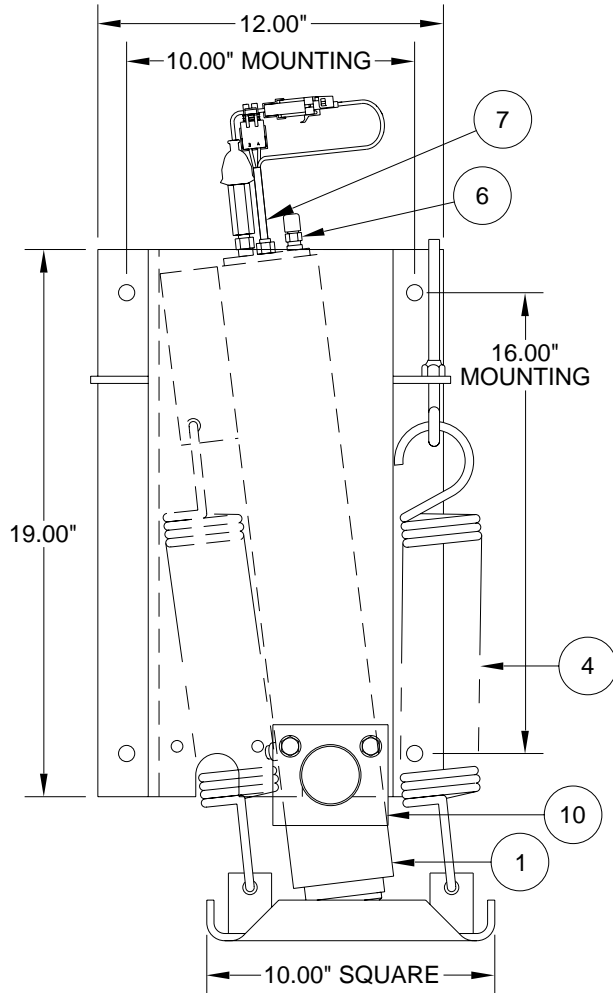
\* APPLY A THREAD LOCKING ADHESIVE SUCH AS LOCTITE #271, 277, 242 OR 569.

**MR26.6013**  
**12FEB13**

**AP11757 - AP11758 STRAIGHT ACTING JACK, 7 DEGREE PIVOT, S/S SPRINGS**  
**16,000 # CAPACITY; 2.750" ROD DIAMETER; 16.00" STROKE**  
**WITH 3-WIRE WARNING SWITCH, PRESSURE SWITCH**

JACK #	DESCRIPTION
AP11757	LEFT HAND
AP11758	RIGHT HAND

LEFT HAND SHOWN; RIGHT HAND OPPOSITE



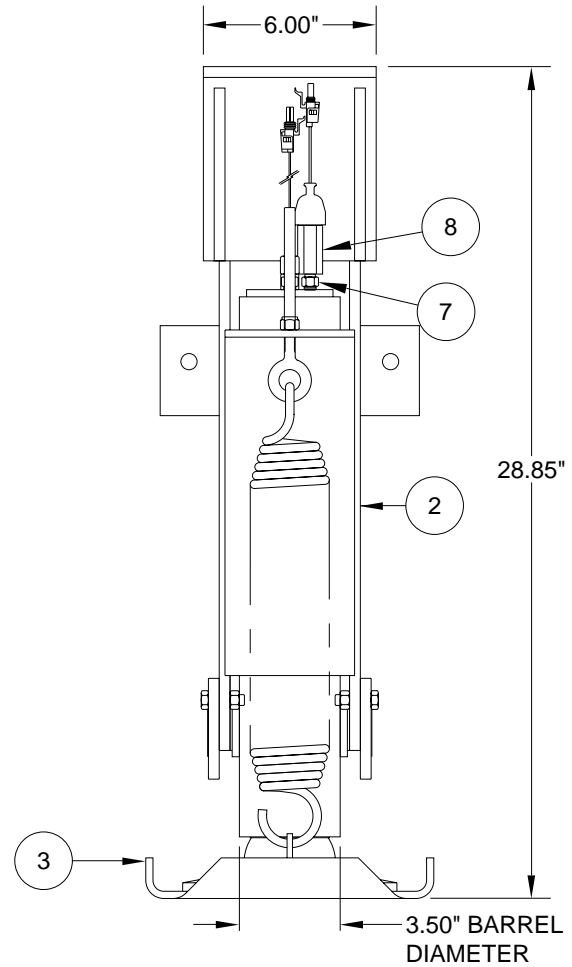
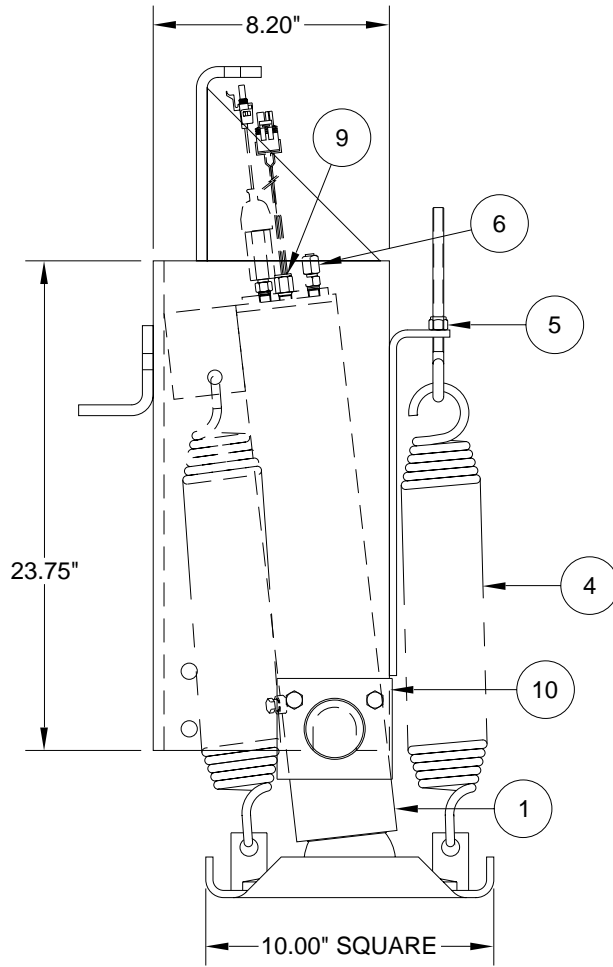
ITEM	PART	QTY	DESCRIPTION
1	RAP9261	1	CYL. ASSY. 2.75" X 16" (INCLUDES ITEM 6) (EXCLUDES ITEMS 7,8,9)
2	RAP92387	1	PIVOT BRACKET
3	RAP5453	1	FOOT 11.40" ROUND 10" SQUARE FOOT NO LONGER AVAILABLE
4	R2365	1 2	SPRING KIT 2-3/4" X 13-1/2" SPRING 2-3/4" X 13-1/2"
5	R5491	1 1 1	EYE BOLT KIT 3/8-16 X 6.00" EYE BOLT 3/8-16 ESNA LOCK NUT

ITEM	PART	QTY	DESCRIPTION
6	RF1456	1	MALE CONNECTOR 1/8" X 1/4"
7	RAP90073	1	SWITCH WARNING 3-WIRE
8	RF9315	1	NIPPLE 1/8" X 1/8"
9	RAP8003	1	SWITCH PRESSURE
10	RAP1736	1 2 4 4	RETAINING PLATE KIT RETAINING PLATES HHCS 3/8-16 X 1" HEX NUT 3/8-16

NOTE : INDENTED ITEMS ARE INCLUDED WITH PRECEDING ITEM.

MR26.6015  
12FEB13

**AP17721 - STRAIGHT ACTING JACK, 7 DEGREE PIVOT, S/S SPRINGS  
16,000 # CAPACITY; 2.750" ROD DIAMETER; 13.00" STROKE, BOLT-ON FOOT  
WITH MAGNETIC WARNING SWITCH AND PRESSURE SWITCH**



**NOTE :** JACKS BUILT BEFORE SEPTEMBER 2006 WILL HAVE A PIVOTING BALL JACK CYLINDER.

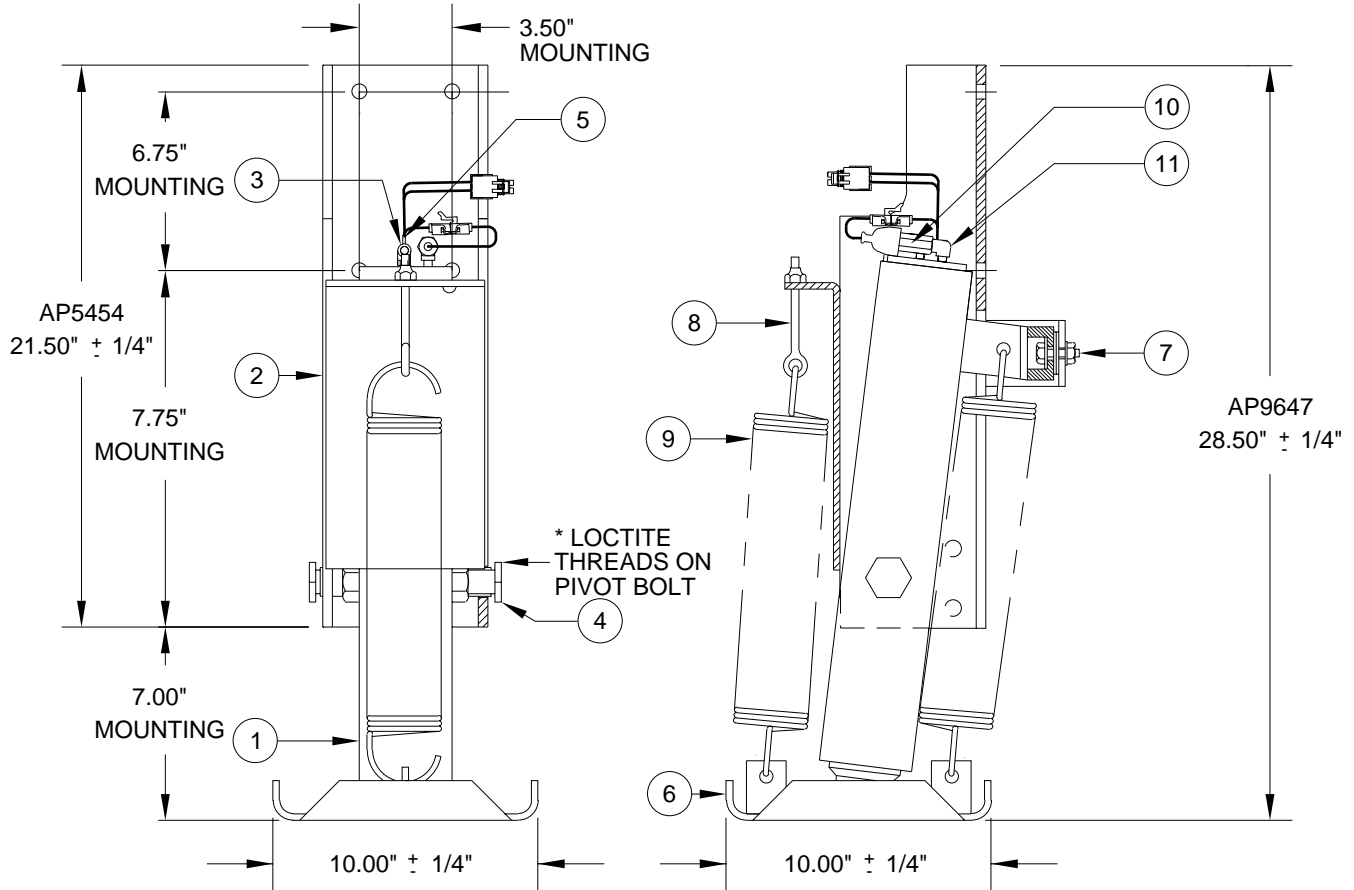
ITEM	PART	QTY	DESCRIPTION
1A	RAP92039	1	CYL. ASSY. 2.75" X 13" BOLT-ON FOOT
1B	RAP0374	1	CYL. ASSY. 2.75" X 13" PIVOTING BALL (INCLUDES ITEM 6) (EXCLUDES ITEMS 7,8,9)
2	RAP92389	1	PIVOT BRACKET
3A	RAP92073	1	FOOT 11.40" ROUND BOLT-ON
3B	RAP7754	1	FOOT 11.40" ROUND PIVOTING BALL 10" SQUARE FOOT NO LONGER AVAILABLE
4	R2365	1 2	SPRING KIT 2-3/4" X 13-1/2" SPRING 2-3/4" X 13-1/2"

ITEM	PART	QTY	DESCRIPTION
5	R5491	1	EYE BOLT KIT
		1	3/8-16 X 6.00" EYE BOLT
		1	3/8-16 ESNA LOCK NUT
6	RF1456	1	MALE CONNECTOR 1/8" X 1/4"
7	RF9315	1	NIPPLE 1/8" X 1/8"
8	RAP8003	1	SWITCH PRESSURE
9	RAP1008	1	SWITCH WARNING MAGNETIC
10	RAP1736	1	RETAINING PLATE KIT
		2	RETAINING PLATES
		4	HHCS 3/8-16 X 1"
		4	HEX NUT 3/8-16

**NOTE :** INDENTED ITEMS ARE INCLUDED WITH PRECEDING ITEM.

**MR26.6017  
14FEB13**

**AP9647 - STRAIGHT ACTING JACK, 7 DEGREE PIVOT, S/S SPRINGS**  
**16,000 # CAPACITY; 2.750" ROD DIAMETER; 13.00" STROKE**  
**WITH PRESSURE SWITCH AND 3-WIRE WARNING SWITCH**  
**USED ON FRONT OF BLUE BIRD COACHES BEGINNING IN 1993, ENDING IN 1996**



ITEM	PART	QTY	DESCRIPTION
1	RAP2456	1	CYL. ASSY. 2.75" X 13" (INCLUDES ITEMS 3) (EXCLUDES ITEMS 5, 10, 11)
2	RAP5454	1	PIVOT BRACKET (INCLUDES ITEM 5)
3	RF90919	1	MALE CONNECTOR 1/8" X 5/16"
4	R2329	1 2 2	PIVOT BOLT KIT HHCS 7/8" SPECIAL BUSHING 1-1/8" OD
5	RAP90073	1	SWITCH WARNING 3-WIRE (REPLACES RAP1009)

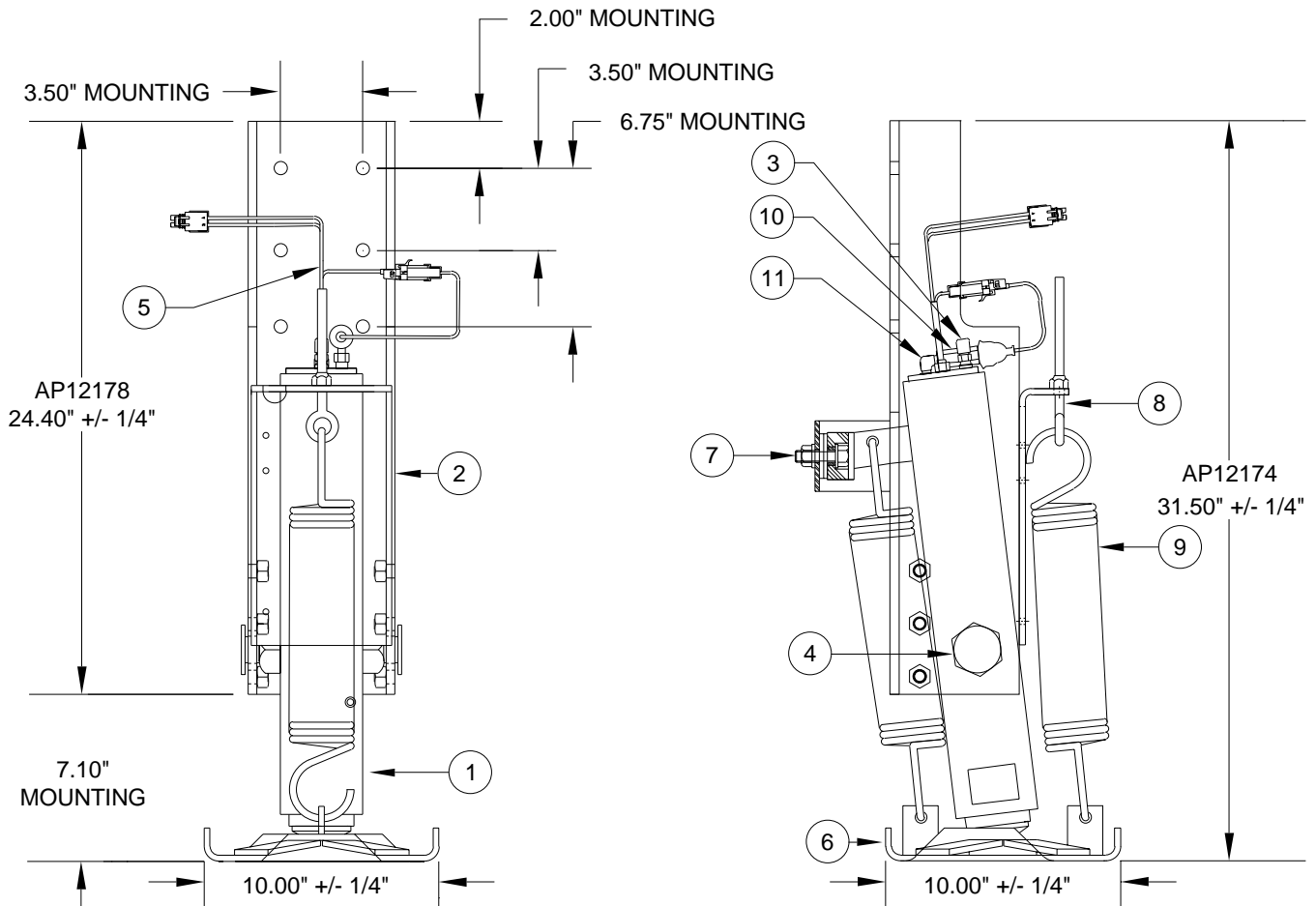
ITEM	PART	QTY	DESCRIPTION
6	RAP5453	1	FOOT 11.40" ROUND 10" SQUARE FOOT NO LONGER AVAILABLE
7	R2511	1 1 1 1 1 1	STOP KIT HHCS 1/2-13 X 1-1/4" BUMPER URETHANE WASHER STRUCTURAL 1/2" SPACER 5/8" OD HEX NUT 1/2-13 REGULAR LOCKWASHER 1/2"
8	R5491	1 1 1	EYE BOLT KIT 3/8-16 X 6.00" EYE BOLT 3/8-16 ESNA LOCK NUT
9	R2365	1 2	SPRING KIT 2-3/4" X 13-1/2" SPRING 2-3/4" X 13-1/2"
10	RAP8003	1	SWITCH PRESSURE
11	RF8143	1	ELBOW 1/8" X 1/8"

**NOTE :** INDENTED ITEMS ARE INCLUDED WITH PRECEDING ITEM.

\* APPLY A THREAD LOCKING ADHESIVE SUCH AS LOCTITE #271, 277, 242 OR 569.

**MR26.6020**  
**12FEB13**

**AP12174 - STRAIGHT ACTING JACK, 7 DEGREE PIVOT, S/S SPRINGS**  
**16,000 # CAPACITY; 2.750" ROD DIAMETER; 13.00" STROKE**  
**WITH PRESSURE SWITCH AND 3-WIRE WARNING SWITCH**  
**USED ON FRONT OF BLUE BIRD COACHES BEGINNING ON 1997'S**



ITEM	PART	QTY	DESCRIPTION
1	RAP2456	1	CYL. ASSY. 2.75" X 13" (INCLUDES ITEMS 3) (EXCLUDES ITEMS 5, 10, 11)
2	RAP90589	1	PIVOT BRACKET (INCLUDES ITEM 5)
3	RF90919	1	MALE CONNECTOR 1/8" X 5/16"
4	R2329	1	PIVOT BOLT KIT
		2	HHCS 7/8" SPECIAL
		2	BUSHING 1-1/8" OD
5	RAP90073	1	SWITCH WARNING 3-WIRE (REPLACES RAP1009)

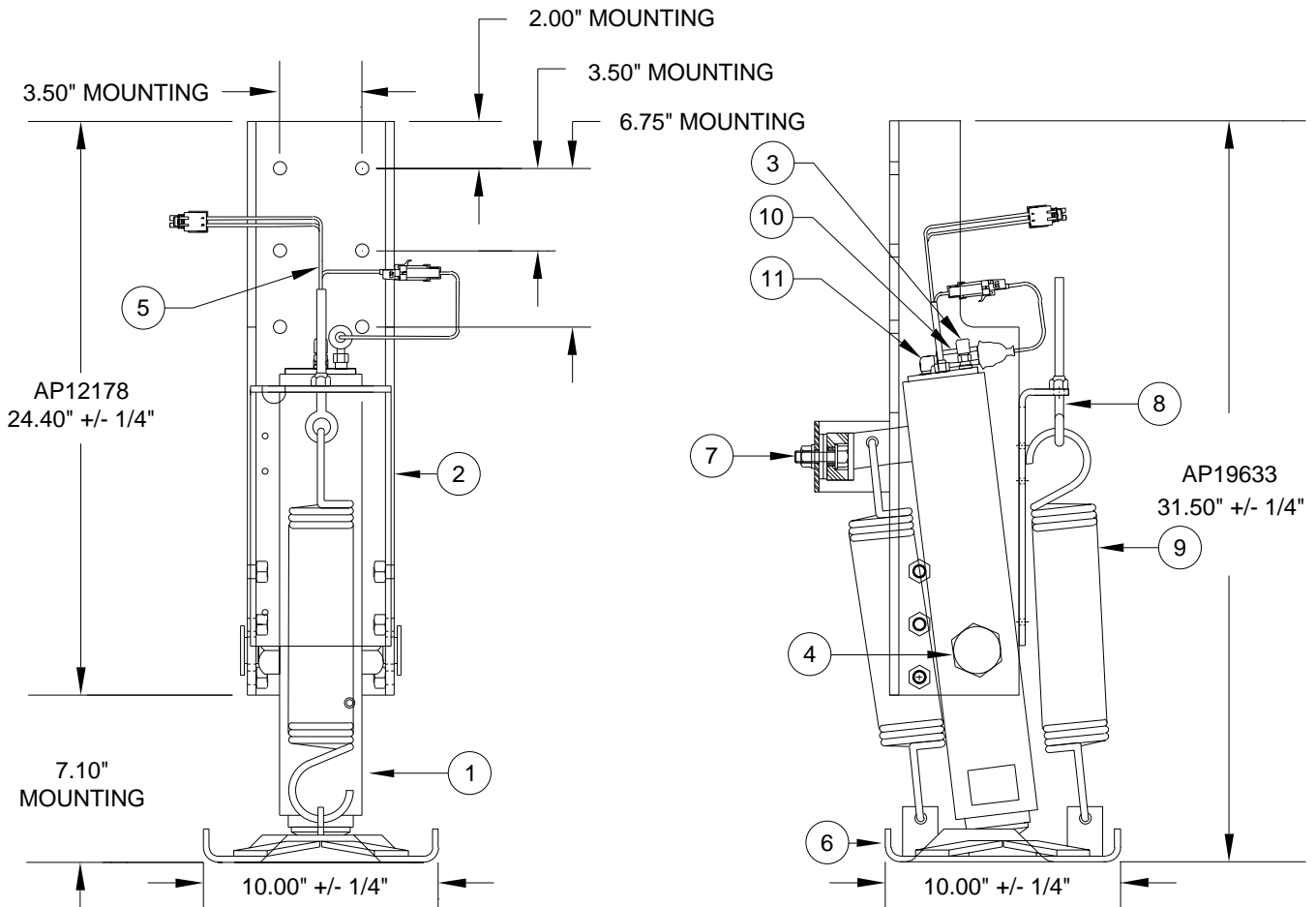
ITEM	PART	QTY	DESCRIPTION
6	RAP6262	1	FOOT 10.00" SQUARE (CLIPPED CORNERS)
7	R2511	1	STOP KIT
		1	HHCS 1/2-13 X 1-1/4"
		1	BUMPER URETHANE
		1	WASHER STRUCTURAL 1/2"
		1	SPACER 5/8" OD
		1	HEX NUT 1/2-13 REGULAR
		1	LOCKWASHER 1/2"
8	R5491	1	EYE BOLT KIT
		1	3/8-16 X 6.00" EYE BOLT
		1	3/8-16 ESNA LOCK NUT
9	R2365	1	SPRING KIT 2-3/4" X 13-1/2"
		2	SPRING 2-3/4" X 13-1/2"
10	RAP8003	1	SWITCH PRESSURE
11	RF8143	1	ELBOW 1/8" X 1/8"

**NOTE :** INDENTED ITEMS ARE INCLUDED WITH PRECEDING ITEM.

\* APPLY A THREAD LOCKING ADHESIVE SUCH AS LOCTITE #271, 277, 242 OR 569.

**MR26.6021**  
**25FEB13**

**AP19633 - STRAIGHT ACTING JACK, 7 DEGREE PIVOT, S/S SPRINGS**  
**16,000 # CAPACITY; 2.750" ROD DIAMETER; 13.00" STROKE**  
**WITH PRESSURE SWITCH AND 3-WIRE WARNING SWITCH**  
**USED ON FRONT OF BLUE BIRD COACHES BEGINNING IN 1999**



ITEM	PART	QTY	DESCRIPTION
	RAP90986		JACK 16,000 # X 2.75" S/S (REPLACES AP19633)
1	RAP2456	1	CYL. ASSY. 2.75" X 13" (INCLUDES ITEMS 3) (EXCLUDES ITEMS 5, 10, 11)
2	RAP90589	1	PIVOT BRACKET
3	RF90919	1	MALE CONNECTOR 1/8" X 5/16"
4	R2329	1	PIVOT BOLT KIT
		2	HHCS 7/8" SPECIAL
		2	BUSHING 1-1/8" OD
5	RAP90073	1	SWITCH WARNING 3-WIRE (REPLACES RAP1009)

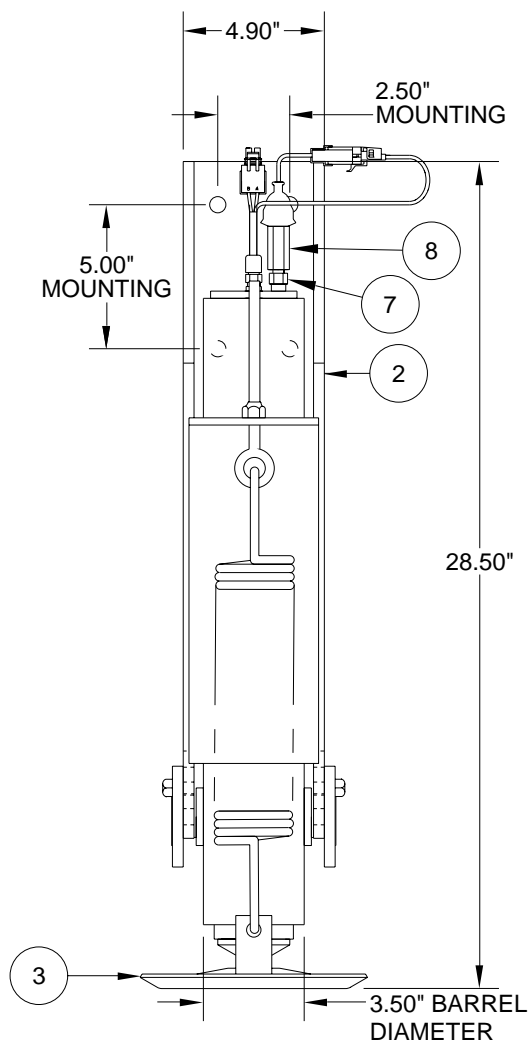
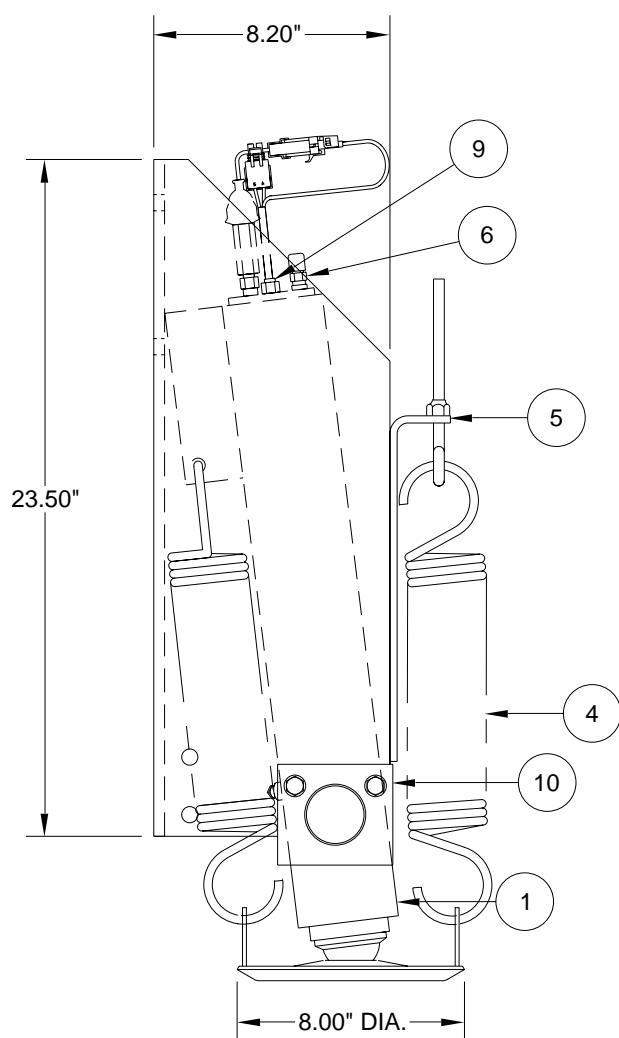
ITEM	PART	QTY	DESCRIPTION
6	RAP6262	1	FOOT 10.00" SQUARE (CLIPPED CORNERS)
7	R2511	1	STOP KIT
		1	HHCS 1/2-13 X 1-1/4"
		1	BUMPER URETHANE
		1	WASHER STRUCTURAL 1/2"
		1	SPACER 5/8" OD
		1	HEX NUT 1/2-13 REGULAR
		1	LOCKWASHER 1/2"
8	R5491	1	EYE BOLT KIT
		1	3/8-16 X 6.00" EYE BOLT
		1	3/8-16 ESNA LOCK NUT
9	R2365	1	SPRING KIT 2-3/4" X 13-1/2"
		2	SPRING 2-3/4" X 13-1/2"
10	RAP90874	1	SWITCH PRESSURE
11	RF8143	1	ELBOW 1/8" X 1/8"

**NOTE :** INDENTED ITEMS ARE INCLUDED WITH PRECEDING ITEM.

\* APPLY A THREAD LOCKING ADHESIVE SUCH AS LOCTITE #271, 277, 242 OR 569.

**MR26.6023**  
**23DEC02**

**AP19057 - STRAIGHT ACTING JACK, 7 DEGREE PIVOT, S/S SPRINGS**  
**16,000 # CAPACITY; 2.75" ROD DIAMETER; 16.00" STROKE**  
**WITH 3-WIRE WARNING SWITCH, PRESSURE SWITCH, AND NARROW PIVOT BRKT.**



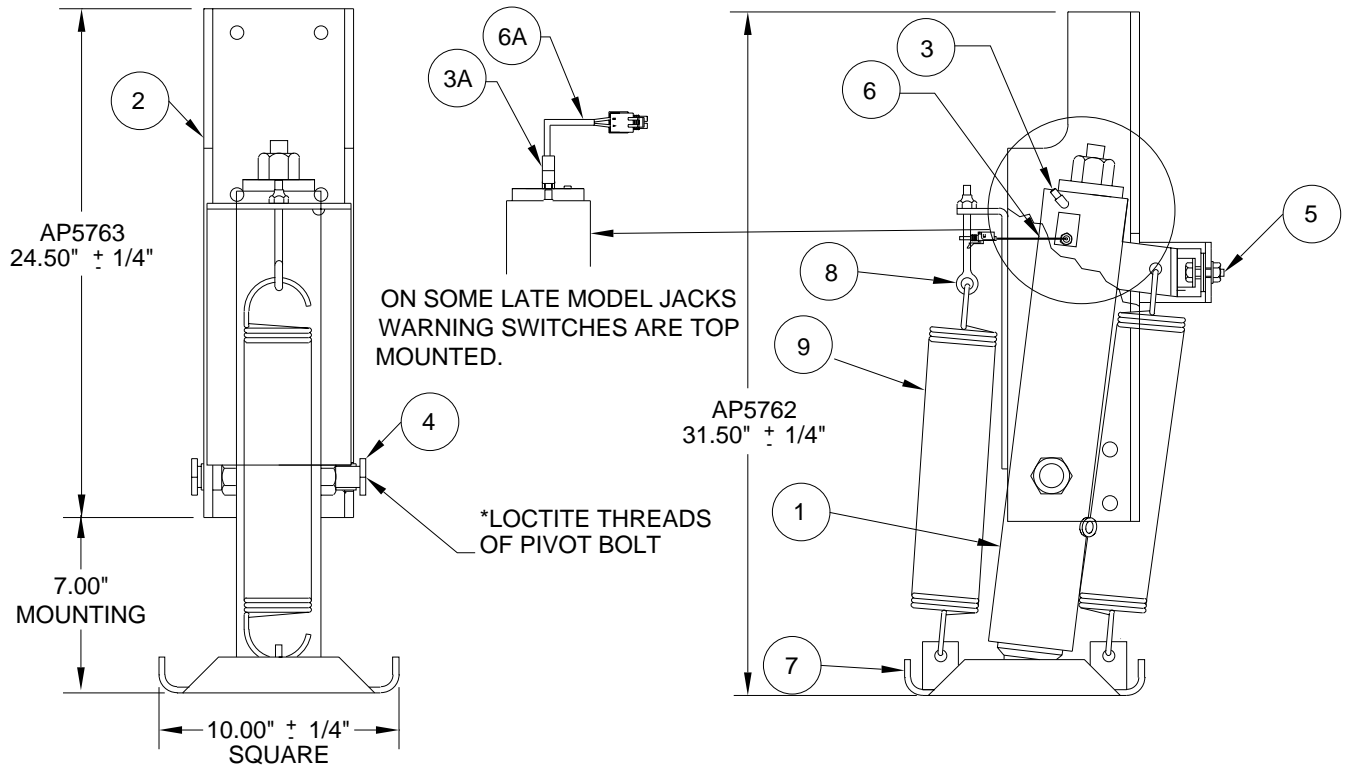
ITEM	PART	QTY	DESCRIPTION
1	RAP9261	1	CYL. ASSY. 2.75" X 16" (INCLUDES ITEM 6) (EXCLUDES ITEMS 7,8,9)
2	RAP9245	1	PIVOT BRACKET
3	RAP8464	1	FOOT 8.00" DIAMETER
4	R2365	1 2	SPRING KIT 2-3/4" X 13-1/2" SPRING 2-3/4" X 13-1/2"
5	R5491	1 1 1	EYE BOLT KIT 3/8-16 X 6.00" EYE BOLT 3/8-16 ESNA LOCK NUT

ITEM	PART	QTY	DESCRIPTION
6	RF1456	1	MALE CONNECTOR 1/8" X 1/4"
7	RF9315	1	NIPPLE 1/8" X 1/8"
8	RAP8003	1	SWITCH PRESSURE
9	RAP90073	1	SWITCH WARNING 3-WIRE
10	RAP1736	1 2 4 4	RETAINING PLATE KIT RETAINING PLATES HHCS 3/8-16 X 1" HEX NUT 3/8-16

NOTE : INDENTED ITEMS ARE INCLUDED WITH PRECEDING ITEM.

MR26.6024  
22JAN09

**AP5762 - STRAIGHT ACTING JACK, 7 DEGREE PIVOT, S/S SPRINGS**  
**16,000 # CAPACITY; 2.750" ROD DIAMETER; 13.00" STROKE**  
**WITH TALL PIVOT BRACKET**



ITEM	PART	QTY	DESCRIPTION
1	RAP2456	1	CYL. ASSY. 2.75" X 13" (INCLUDES ITEM 3)
2	RAP5763	1	PIVOT BRACKET (INCLUDES ITEM 5)
3	RF90141	1	ELBOW 1/4" X 5/16"
3A	RF3475	1	MALE CONNECTOR 1/4" X 5/16"
4	R2329	1 2 2	PIVOT BOLT KIT HHCS 7/8" SPECIAL BUSHING 1-1/8" OD
5	R2511	1 1 1 1 1 1 1	STOP KIT HHCS 1/2-13 X 1-1/4" BUMPER URETHANE 2" WASHER STRUCTURAL 1/2" SPACER 5/8" OD LOCKWASER 1/2" EXTERNAL HEX NUT 1/2-13

ITEM	PART	QTY	DESCRIPTION
6	RAP5027	1	SWITCH WARNING SIDE PORT. (USED ON SOME EARLY MODEL JACKS.)
6A	RAP1008	1	SWITCH WARNING 2-WIRE
7	RAP5453	1	FOOT 11.40" ROUND 10" SQUARE FOOT NO LONGER AVAILABLE
8	R5491	1 1 1	EYE BOLT KIT 3/8-16 X 6.00" EYE BOLT 3/8-16 ESNA LOCK NUT
9	R2365	1 2	SPRING KIT 2-3/4" X 13-1/2" SPRING 2-3/4" X 13-1/2"

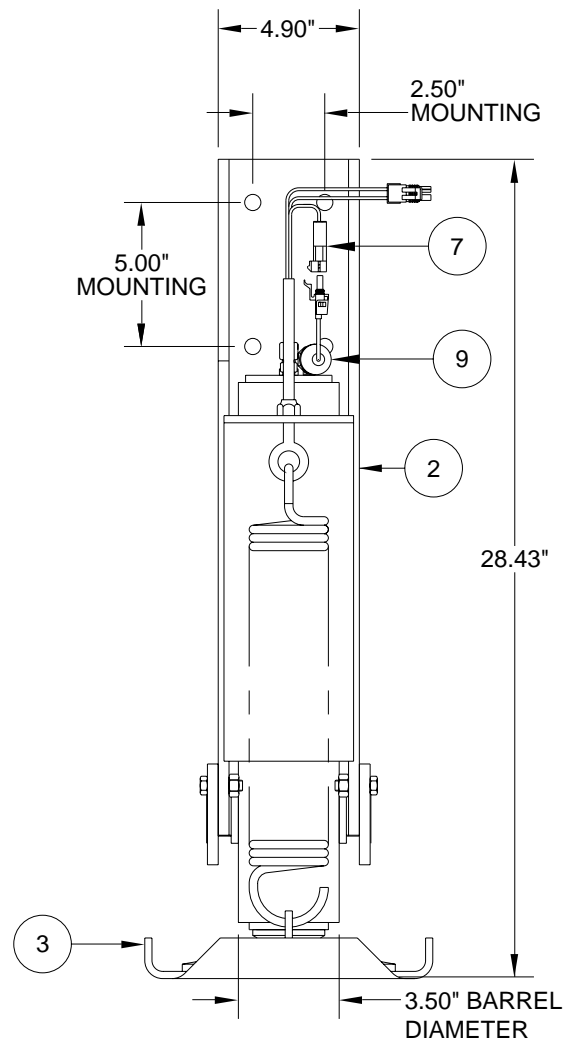
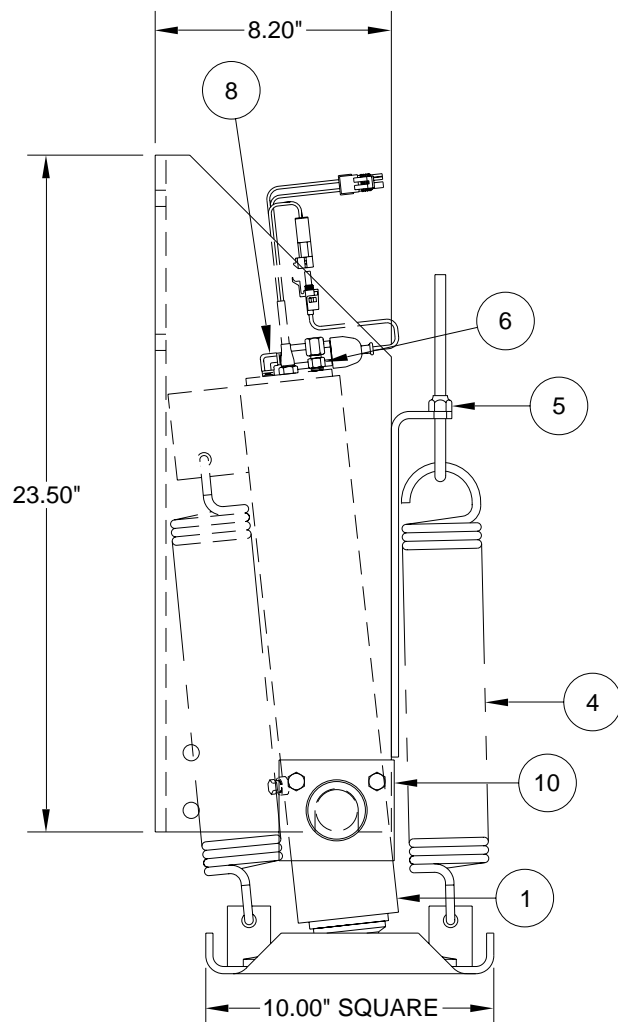
**NOTE :** INDENTED ITEMS ARE INCLUDED WITH PRECEDING ITEM.

\* APPLY A THREAD LOCKING ADHESIVE SUCH AS LOCTITE #271, 277, 242 OR 569.

**MR26.6025**  
**12FEB13**



**AP26203 - STRAIGHT ACTING JACK, 6 DEGREE PIVOT, S/S SPRINGS**  
**16,000 # CAPACITY; 2.750" ROD DIAMETER; 13.00" STROKE**  
**WITH 3-WIRE WARNING SWITCH, PRESSURE SWITCH, AND NARROW PIVOT BRKT.**



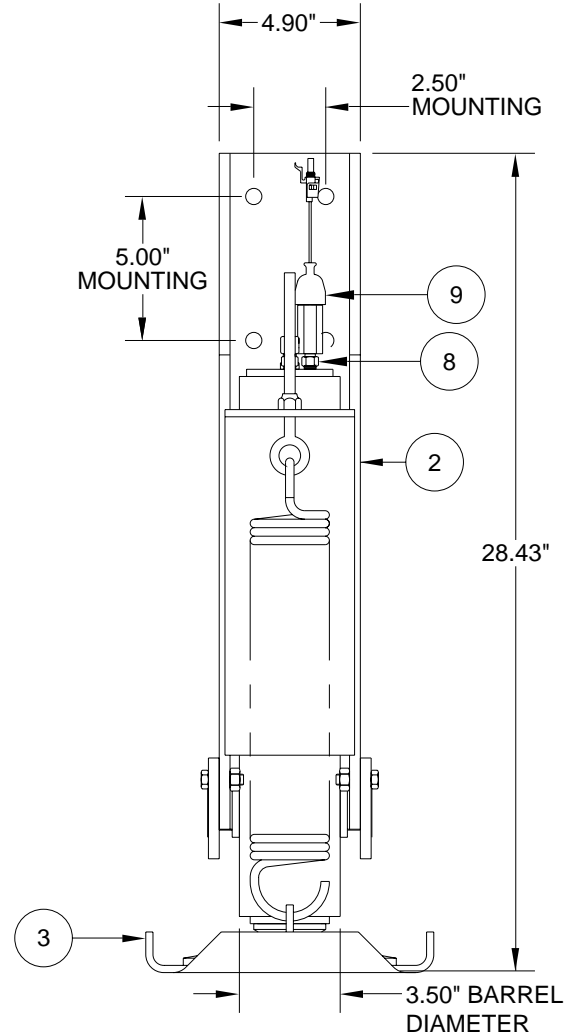
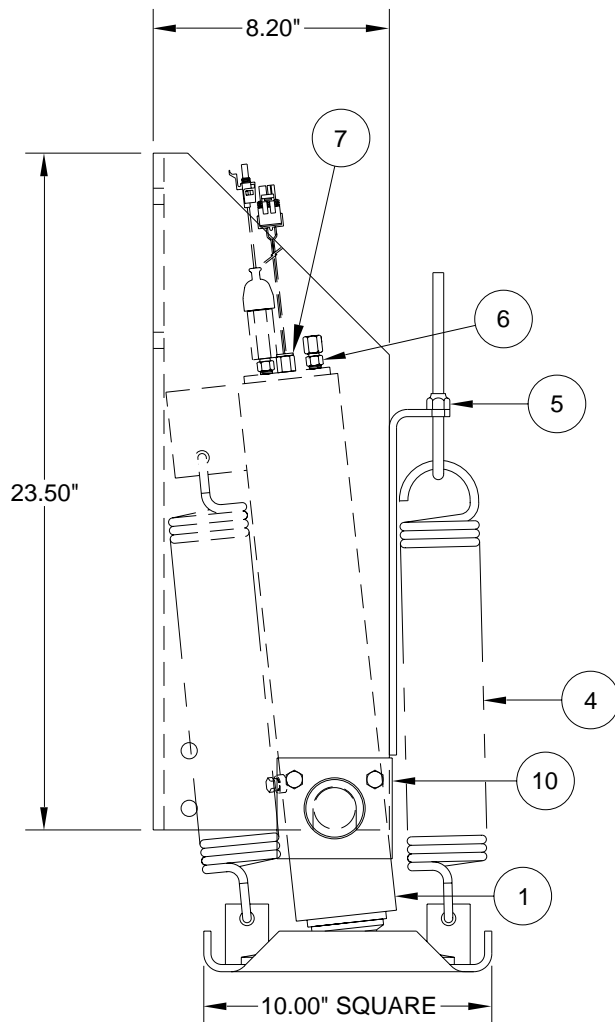
ITEM	PART	QTY	DESCRIPTION
1	RAP0374	1	CYL. ASSY. 2.75" X 13" (INCLUDES ITEM 6) (EXCLUDES ITEMS 7,8,9)
2	RAP9245	1	PIVOT BRACKET
3	RAP5453	1	FOOT 11.40" ROUND 10" SQUARE FOOT NO LONGER AVAILABLE
4	R2365	1 2	SPRING KIT 2-3/4" X 13-1/2" SPRING 2-3/4" X 13-1/2"
5	R5491	1 1 1	EYE BOLT KIT 3/8-16 X 6.00" EYE BOLT 3/8-16 ESNA LOCK NUT

ITEM	PART	QTY	DESCRIPTION
6	RF1456	1	MALE CONNECTOR 1/8" X 1/4"
7	RAP90073	1	SWITCH WARNING 3-WIRE
8	RF8143	1	ELBOW 1/8" X 1/8"
9	RAP8003	1	SWITCH PRESSURE
10	RAP1736	1 2 4 4	RETAINING PLATE KIT RETAINING PLATES HHCS 3/8-16 X 1" HEX NUT 3/8-16

NOTE : INDENTED ITEMS ARE INCLUDED WITH PRECEDING ITEM.

MR26.6030  
12FEB13

**AP32148 - STRAIGHT ACTING JACK, 6 DEGREE PIVOT, S/S SPRINGS**  
**16,000 # CAPACITY; 2.750" ROD DIAMETER; 13.00" STROKE**  
**WITH MAGNETIC WARNING SWITCH, PRESSURE SWITCH, AND NARROW PIVOT BRKT.**



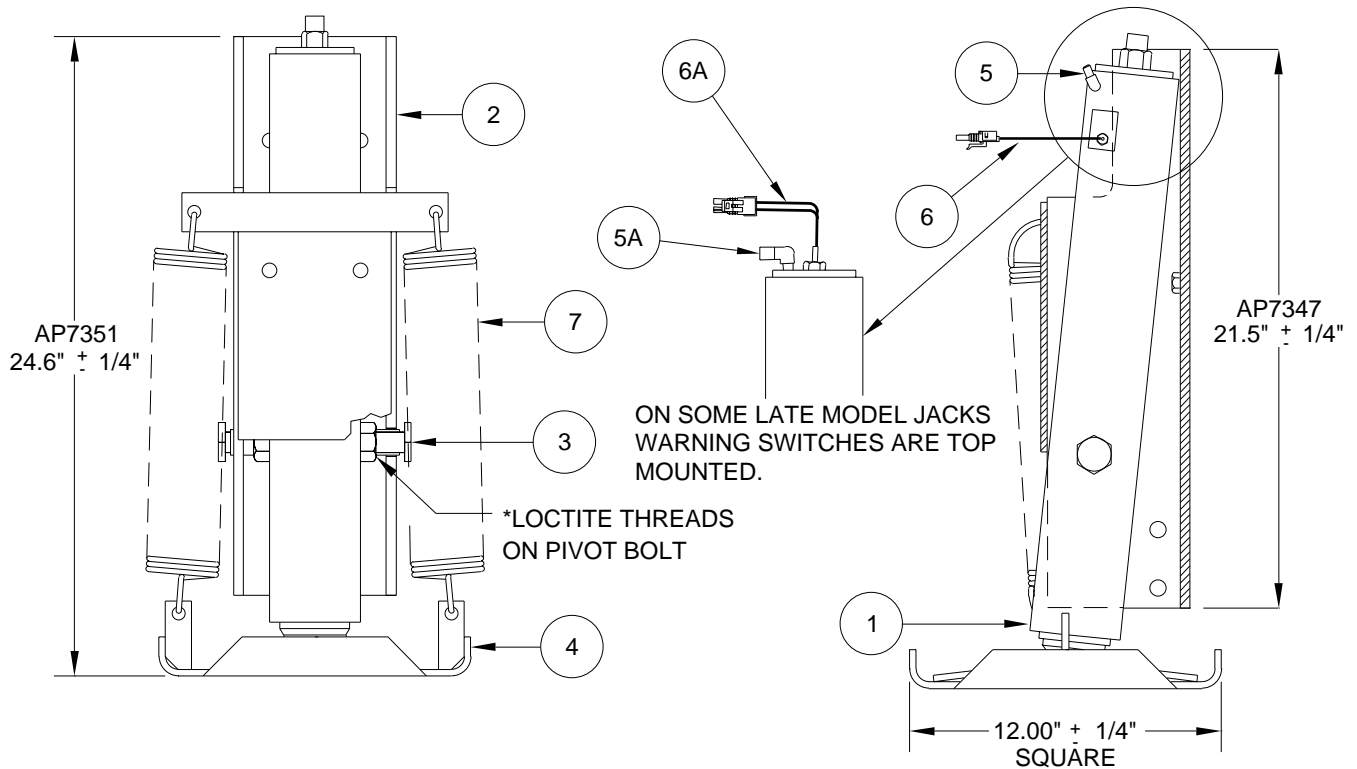
ITEM	PART	QTY	DESCRIPTION
1	RAP0374	1	CYL. ASSY. 2.75" X 13" (INCLUDES ITEM 6) (EXCLUDES ITEMS 7,8,9)
2	RAP9245	1	PIVOT BRACKET
3	RAP5453	1	FOOT 11.40" ROUND 10" SQUARE FOOT NO LONGER AVAILABLE
4	R2365	1 2	SPRING KIT 2-3/4" X 13-1/2" SPRING 2-3/4" X 13-1/2"
5	R5491	1 1 1	EYE BOLT KIT 3/8-16 X 6.00" EYE BOLT 3/8-16 ESNA LOCK NUT

ITEM	PART	QTY	DESCRIPTION
6	RF1456	1	MALE CONNECTOR 1/8" X 1/4"
7	RAP90968	1	SWITCH WARNING MAGNETIC GRAY
8	RF9315	1	NIPPLE 1/8" X 1/8"
9	RAP8003	1	SWITCH PRESSURE
10	RAP1736	1 2 4 4	RETAINING PLATE KIT RETAINING PLATES HHCS 3/8-16 X 1" HEX NUT 3/8-16

NOTE : INDENTED ITEMS ARE INCLUDED WITH PRECEDING ITEM.

**MR26.6035**  
**12FEB13**

**AP7351 - STRAIGHT-ACTING JACK, 7 DEGREE PIVOT, F/A SPRINGS**  
**16,000 # CAPACITY; 2.750" ROD DIAMETER; 16.00" STROKE**



ITEM	PART	QTY	DESCRIPTION
1	RAP10930	1	CYL. ASSY. 2.75" X 16" (INCLUDES ITEM 5)
2	RAP7347	1	PIVOT BRACKET
3	R2329	1	PIVOT BOLT KIT
		2	HHCS 7/8" SPECIAL
		2	BUSHING 1-1/8" OD
4	RAP5574	1	FOOT 13.40" ROUND 12" SQUARE FOOT NO LONGER AVAILABLE

ITEM	PART	QTY	DESCRIPTION
5	RF5996	1	ELBOW 45 DEGREE 1/8" X 1/4" USED ON SOME EARLY MODEL JACKS.
5A	RF1453	1	ELBOW 1/8" X 1/4"
6	RAP5027	1	SWITCH WARNING SIDE PORT. (USED ON SOME EARLY MODEL COACHES.)
6A	RAP1008	1	SWITCH WARNING 2-WIRE
7	R2365	1	SPRING KIT 2-3/4" X 13-1/2"
		2	SPRING 2-3/4" X 13-1/2"

**NOTE :** INDENTED ITEMS ARE INCLUDED WITH PRECEDING ITEM.

\* APPLY A THREAD LOCKING ADHESIVE SUCH AS LOCTITE #271, 277, 242 OR 569.

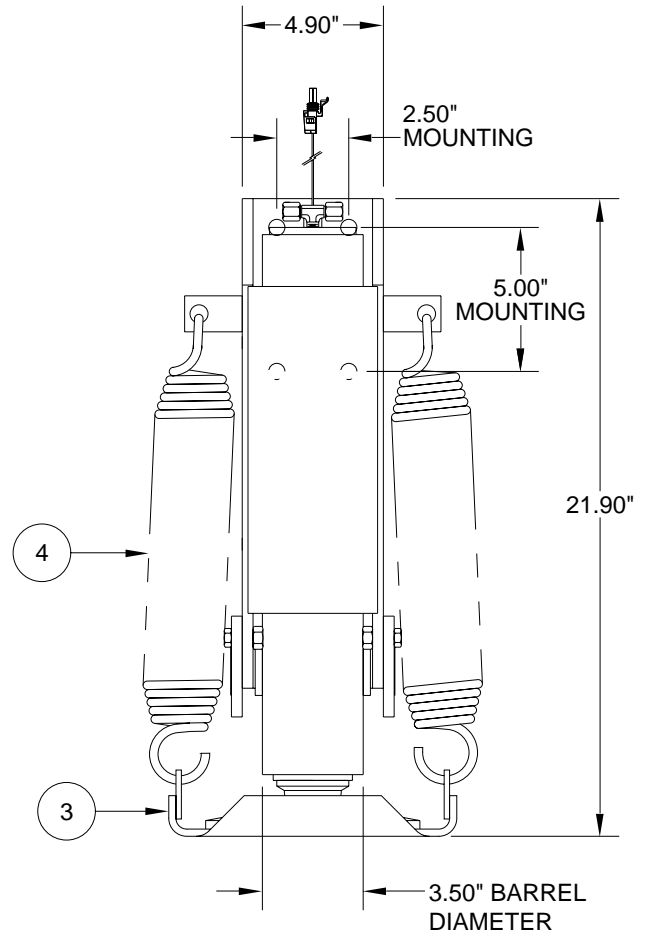
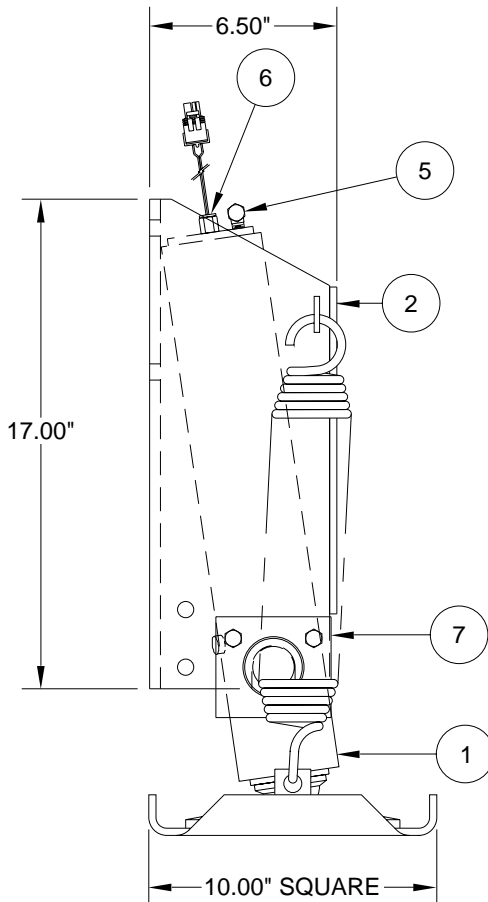
**MR26.6055**  
**14FEB13**

## AP28822 - AP29966

### STRAIGHT ACTING JACK, 9 DEGREE PIVOT, F/A SPRINGS

**16,000 # CAPACITY; 2.750" ROD DIAMETER; 13.00" STROKE; W/ NARROW PIVOT BRKT.**

JACK #	DESCRIPTION
AP28822	NO WARNING OR PRESSURE SWITCH
AP29966	MAGNETIC WARNING SWITCH W/ GRAY CONNECTOR ONLY



ITEM	PART	QTY	DESCRIPTION
1	RAP9631	1	CYL. ASSY. 2.75" X 13" (INCLUDES ITEM 5) (EXCLUDES ITEM 6)
2	RAP9634	1	PIVOT BRACKET
3	RAP7754	1	FOOT 11.40" ROUND 10" SQUARE FOOT NO LONGER AVAILABLE
4	R2365	1 2	SPRING KIT 2-3/4" X 13-1/2" SPRING 2-3/4" X 13-1/2"

ITEM	PART	QTY	DESCRIPTION
5	RF90151	1	MALE TEE 1/8" X 1/4" X 1/4"
6	RAP90968	1	SWITCH WARNING MAGNETIC GRAY (AP29966 ONLY)
7	RAP1736	1 2 4 4	RETAINING PLATE KIT RETAINING PLATES HHCS 3/8-16 X 1" HEX NUT 3/8-16

**NOTE :** INDENTED ITEMS ARE INCLUDED WITH PRECEDING ITEM.

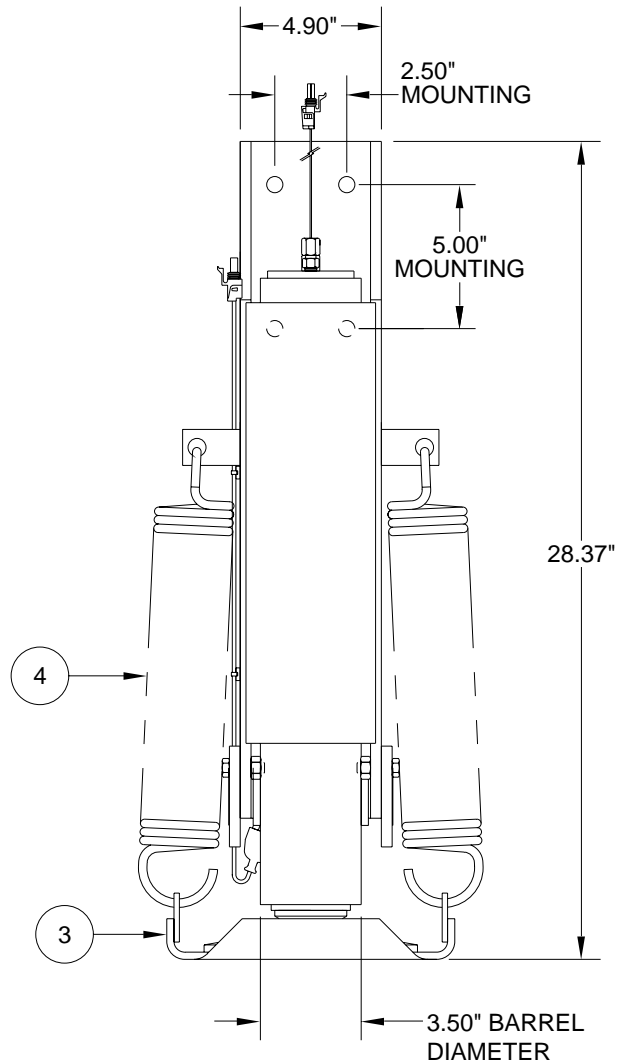
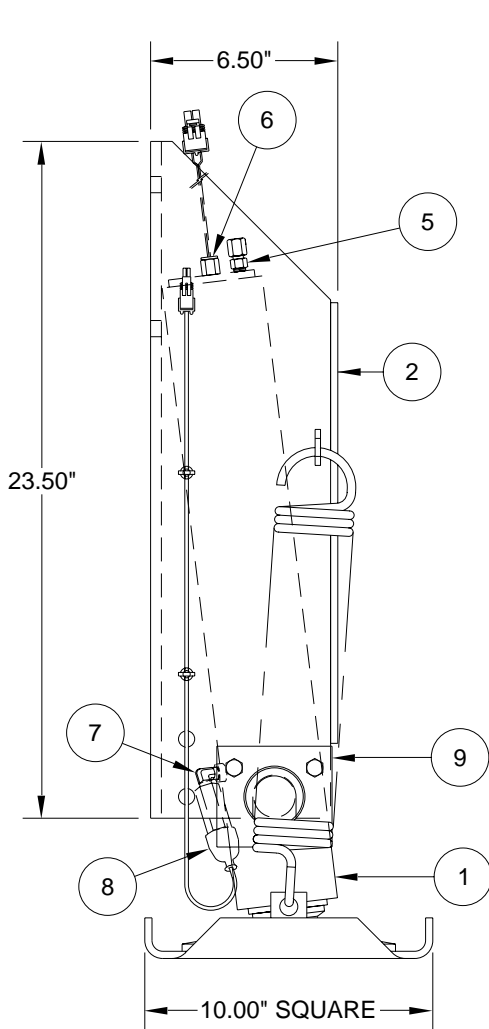
**MR26.6057  
14FEB13**

# AP28824 - AP29782 - AP29783

## STRAIGHT ACTING JACK, 7 DEGREE PIVOT, F/A SPRINGS

16,000 # CAPACITY; 2.750" ROD DIAMETER; 16.00" STROKE; W/ NARROW PIVOT BRKT.

JACK #	DESCRIPTION
AP28824	NO WARNING OR PRESSURE SWITCH
AP29782	MAGNETIC WARNING SWITCH W/ GRAY CONNECTOR ONLY
AP29783	MAGNETIC WARNING SWITCH W/ GRAY CONNECTOR, PRESSURE SWITCH



ITEM	PART	QTY	DESCRIPTION
1	RAP9829	1	CYL. ASSY. 2.75" X 16" (INCLUDES ITEM 5) (EXCLUDES ITEM 6,7,8)
2	RAP9827	1	PIVOT BRACKET
3	RAP7754	1	FOOT 11.40" ROUND 10" SQUARE FOOT NO LONGER AVAILABLE
4	R2365	1 2	SPRING KIT 2-3/4" X 13-1/2" SPRING 2-3/4" X 13-1/2"
5	RF1456	1	MALE CONNECTOR 1/8" X 1/4"

ITEM	PART	QTY	DESCRIPTION
6	RAP90968	1	SWITCH WARNING MAGNETIC GRAY (AP29782, AP29783)
7	RF8143	1	ELBOW 1/8" X 1/8" (AP29783 ONLY)
8	RAP8003	1	SWITCH PRESSURE (AP29783 ONLY)
9	RAP1736	1 2 4 4	RETAINING PLATE KIT RETAINING PLATES HHCS 3/8-16 X 1" HEX NUT 3/8-16

NOTE : INDENTED ITEMS ARE INCLUDED WITH PRECEDING ITEM.

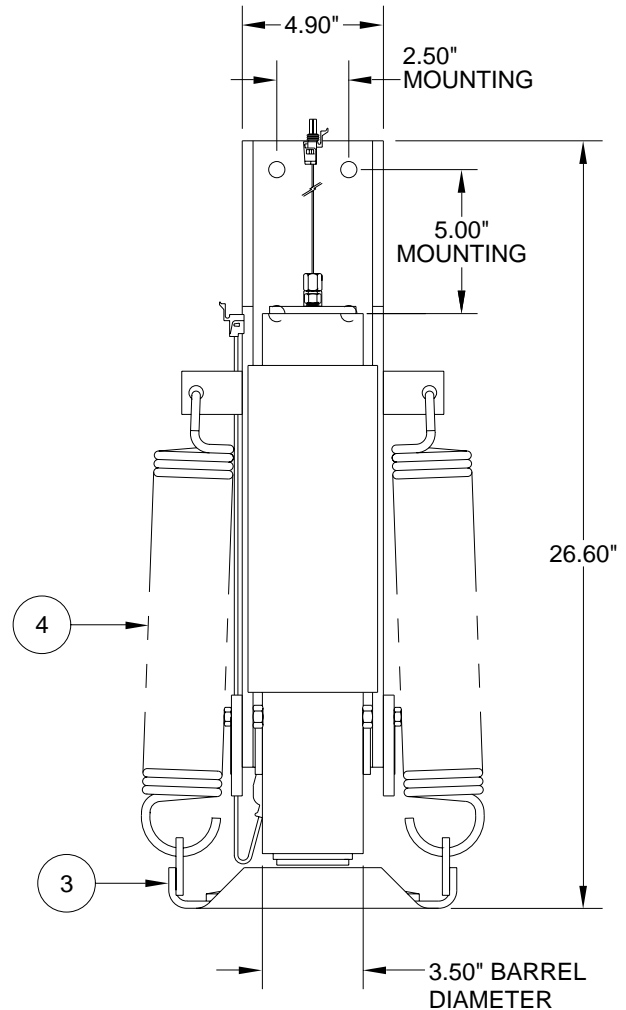
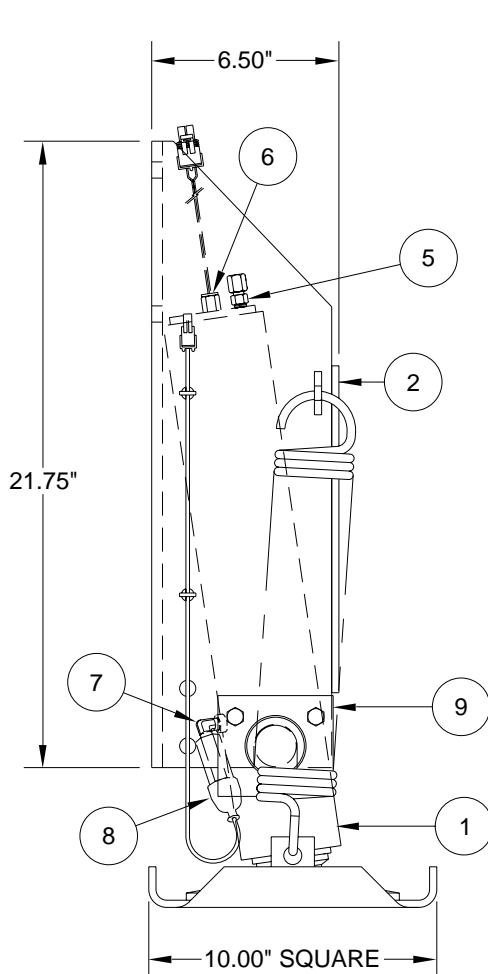
MR26.6058  
14FEB13

## AP29356 - AP29374

### STRAIGHT ACTING JACK, 9 DEGREE PIVOT, F/A SPRINGS

**16,000 # CAPACITY; 2.750" ROD DIAMETER; 13.00" STROKE; W/ NARROW PIVOT BRKT.**

JACK #	DESCRIPTION
AP29356	MAGNETIC WARNING SWITCH W/ GRAY CONNECTOR ONLY
AP29374	MAGNETIC WARNING SWITCH W/ GRAY CONNECTOR, PRESSURE SWITCH



ITEM	PART	QTY	DESCRIPTION
1	RAP9631	1	CYL. ASSY. 2.75" X 13" (INCLUDES ITEM 5) (EXCLUDES ITEM 6,7,8)
2	RAP0945	1	PIVOT BRACKET
3	RAP7754	1	FOOT 11.40" ROUND 10" SQUARE FOOT NO LONGER AVAILABLE
4	R2365	1 2	SPRING KIT 2-3/4" X 13-1/2" SPRING 2-3/4" X 13-1/2"
5	RF1456	1	MALE CONNECTOR 1/8" X 1/4"

ITEM	PART	QTY	DESCRIPTION
6	RAP90968	1	SWITCH WARNING MAGNETIC GRAY
7	RF8143	1	ELBOW 1/8" X 1/8" (AP29374 ONLY)
8	RAP8003	1	SWITCH PRESSURE (AP29374 ONLY)
9	RAP1736	1 2 4 4	RETAINING PLATE KIT RETAINING PLATES HHCS 3/8-16 X 1" HEX NUT 3/8-16

**NOTE :** INDENTED ITEMS ARE INCLUDED WITH PRECEDING ITEM.

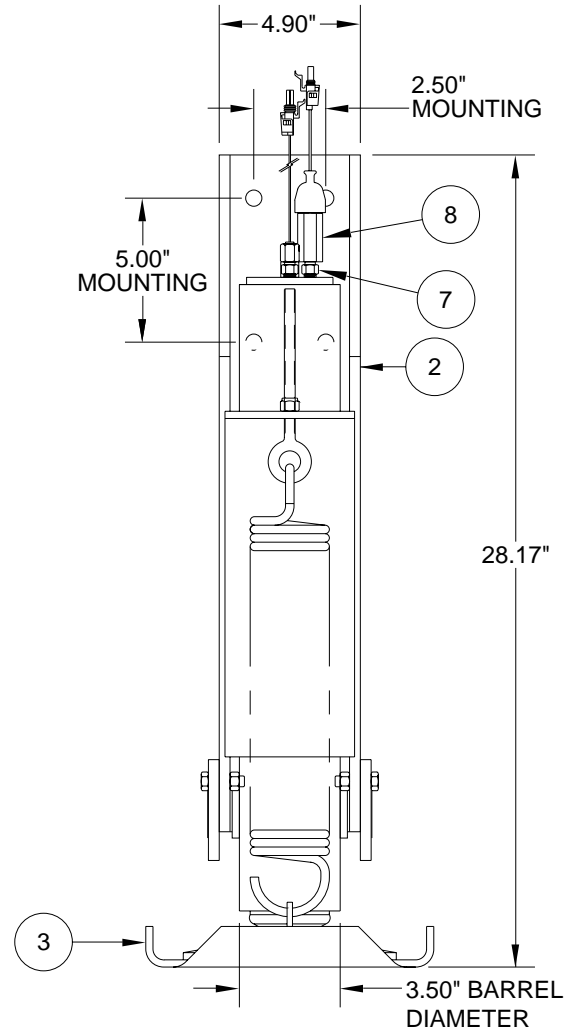
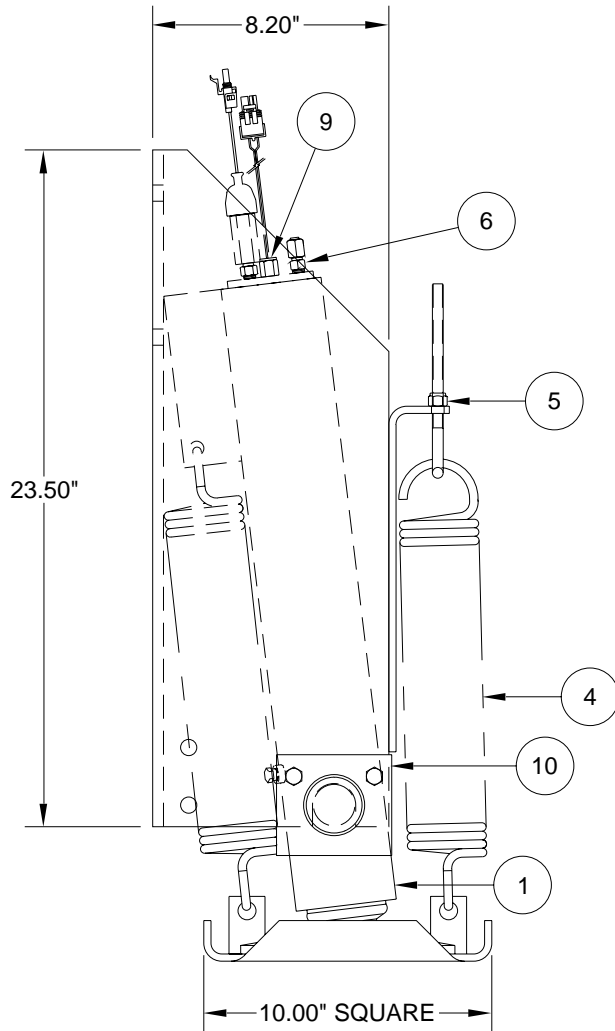
**MR26.6060  
14FEB13**

## AP29784 - AP29785

### STRAIGHT ACTING JACK, 8 DEGREE PIVOT, S/S SPRINGS

**16,000 # CAPACITY; 2.750" ROD DIAMETER; 16.00" STROKE; W/ NARROW PIVOT BRKT.**

JACK #	DESCRIPTION
AP29784	MAGNETIC WARNING SWITCH W/ GRAY CONNECTOR, PRESSURE SWITCH
AP29785	MAGNETIC WARNING SWITCH W/ GRAY CONNECTOR ONLY



ITEM	PART	QTY	DESCRIPTION
1	RAP9261	1	CYL. ASSY. 2.75" X 16" (INCLUDES ITEM 6) (EXCLUDES ITEMS 7,8,9)
2	RAP9245	1	PIVOT BRACKET
3	RAP5453	1	FOOT 11.40" ROUND 10" SQUARE FOOT NO LONGER AVAILABLE
4	R2365	1 2	SPRING KIT 2-3/4" X 13-1/2" SPRING 2-3/4" X 13-1/2"
5	R5491	1 1 1	EYE BOLT KIT 3/8-16 X 6.00" EYE BOLT 3/8-16 ESNA LOCK NUT

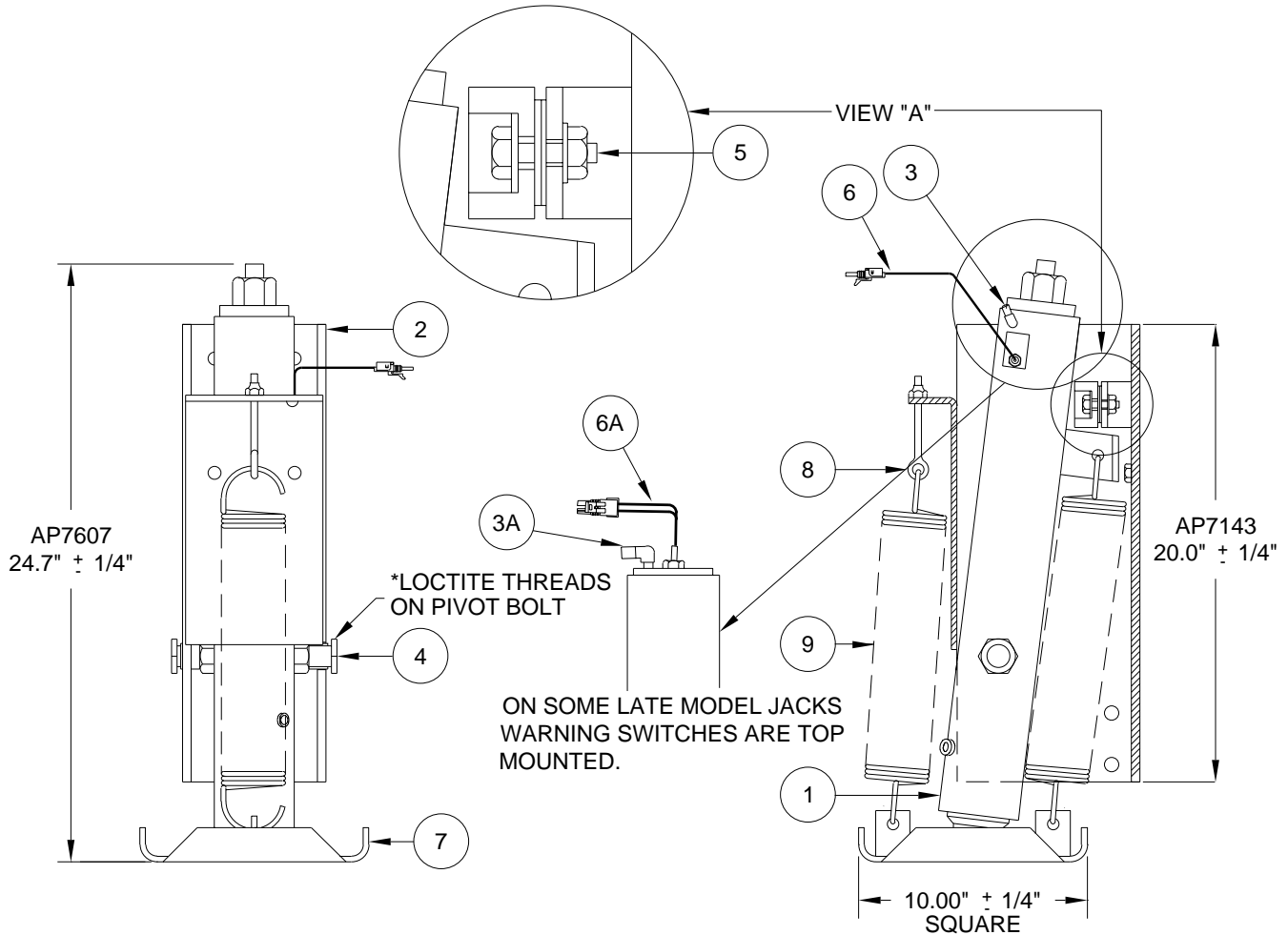
ITEM	PART	QTY	DESCRIPTION
6	RF1456	1	MALE CONNECTOR 1/8" X 1/4"
7	RF9315	1	NIPPLE 1/8" X 1/8" (AP29784 ONLY)
8	RAP8003	1	SWITCH PRESSURE (AP29784 ONLY)
9	RAP90968	1	SWITCH WARNING MAGNETIC GRAY
10	RAP1736	1 2 4 4	RETAINING PLATE KIT RETAINING PLATES HHCS 3/8-16 X 1" HEX NUT 3/8-16

**NOTE :** INDENTED ITEMS ARE INCLUDED WITH PRECEDING ITEM.

**MR26.6063  
12FEB13**

# AP7607 - STRAIGHT ACTING JACK, 7 DEGREE PIVOT, S/S SPRINGS

## 16,000 # CAPACITY; 2.750" ROD DIAMETER; 16.00" STROKE



ITEM	PART	QTY	DESCRIPTION
1	RAP10927	1	CYL. ASSY. 2.75" X 16" (INCLUDES ITEM 3)
2	RAP7143	1	PIVOT BRACKET (INCLUDES ITEM 5)
3	RF5996	1	ELBOW 45 DEGREE 1/8" X 1/4" USED ON SOME EARLY MODEL JACKS.
3A	RF1453	1	ELBOW 1/8" X 1/4"
4	R2329	1 2 2	PIVOT BOLT KIT HHCS 7/8" SPECIAL BUSHING 1-1/8" O.D.

ITEM	PART	QTY	DESCRIPTION
5	R2511	1 1 1 1 1 1 1	STOP KIT HHCS 1/2-13 X 1/4" PLD. BUMPER URETHANE 2" WASHER STRUCTURAL 1/2" WASHER COMMON 1/2" HEX NUT 1/2-13 REGULAR LOCKWASHER 1/2" EXT. SPACER 5/8" O.D.
6	RAP5027	1	SW. WARNING SIDE PORT. USED ON SOME EARLY MODEL JACKS.
6A	RAP1008	1	SWITCH WARNING 2-WIRE
7	RAP5453	1	FOOT 11.40" ROUND 10" SQUARE FOOT NO LONGER AVAILABLE
8	R5491	1 1 1	EYE BOLT KIT 3/8-16 X 6.00" EYE BOLT 3/8-16 ESNA NUT
9	R2365	1 2	SPRING KIT 2-3/4" X 13-1/2" SPRING 2-3/4" X 13-1/2"

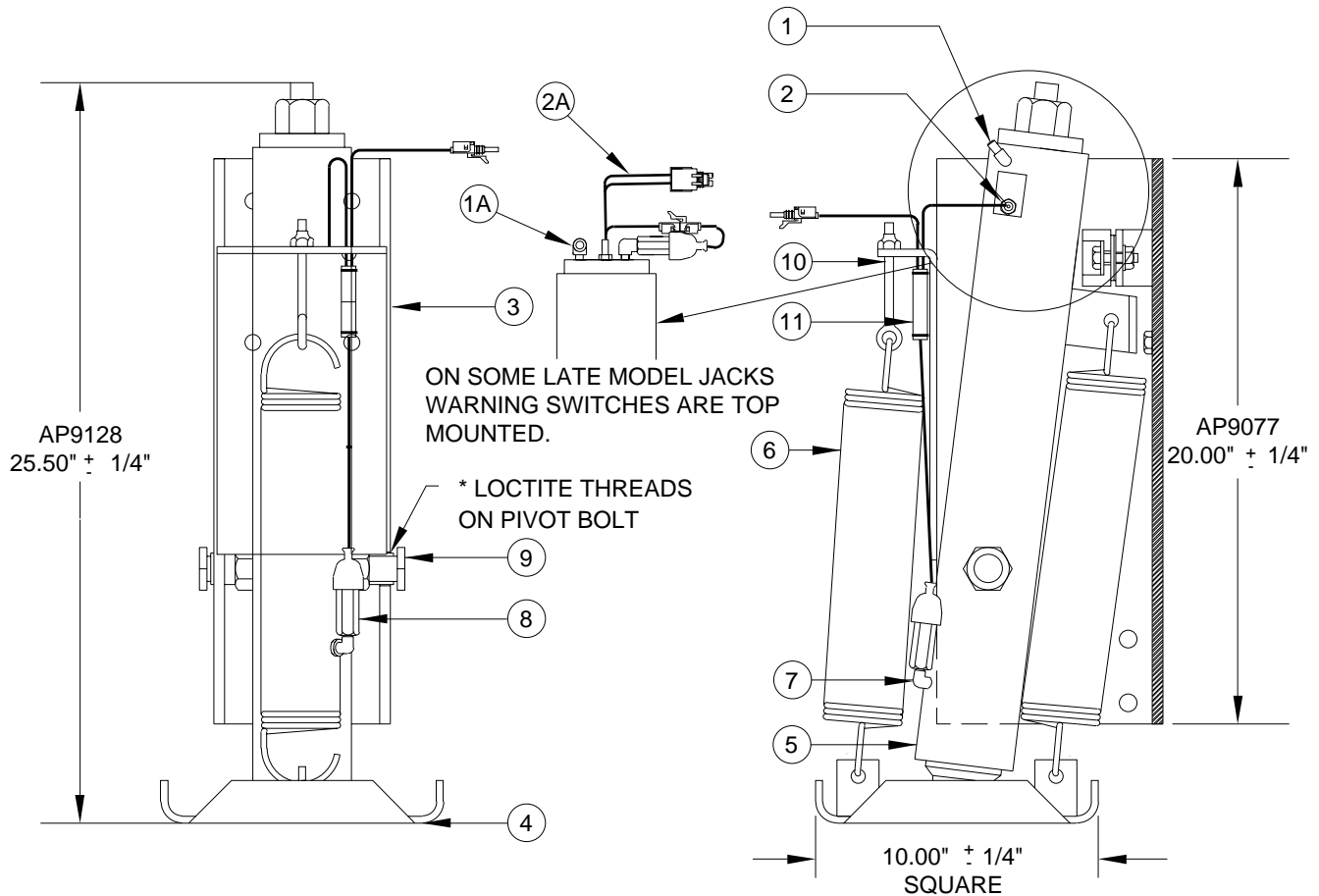
**NOTE :** INDENTED ITEMS ARE INCLUDED WITH PRECEDING ITEM.

\* APPLY A THREAD LOCKING ADHESIVE SUCH AS LOCTITE #271, 277, 242 OR 569.

**MR26.6065**  
**12FEB13**



**AP9128 - STRAIGHT ACTING JACK, 7 DEGREE PIVOT, S/S SPRINGS**  
**16,000 # CAPACITY; 2.750" ROD DIAMETER; 16.00" STROKE**  
**WITH PRESSURE SWITCH AND 3-WIRE WARNING SWITCH**



ITEM	PART	QTY	DESCRIPTION
1	RF5996	1	ELBOW 45 DEGREE 1/8" X 1/4" (USED ON SOME EARLY MODEL JACKS)
1A	RF1453	1	ELBOW 1/8" X 1/4"
2	RAP90073	1	SWITCH WARNING 3-WIRE (REPLACES RAP2198)
2A	RAP5027	1	SWITCH WARNING SIDE PORT. USED ON SOME EARLY MODEL JACKS.
3	RAP9077	1	PIVOT BRACKET
4	RAP5453	1	FOOT 11.40" ROUND 10" SQUARE FOOT NO LONGER AVAILABLE

ITEM	PART	QTY	DESCRIPTION
5	RAP10927	1	CYL. ASSY. 2.75" X 16" (INCLUDES ITEMS 1)
6	R2365	1 2	SPRING KIT 2-3/4" X 13-1/2" SPRING 2-3/4" X 13-1/2"
7	RF8143	1	ELBOW 1/8" X 1/8"
8	RAP8003	1	SWITCH PRESSURE
9	R2329	1 2 2	PIVOT BOLT KIT HHCS 7/8" SPECIAL BUSHING 1-1/8" O.D.
10	R5491	1 1 1	EYE BOLT KIT 3/8-16 X 6.00" EYE BOLT 3/8-16 ESNA NUT
11	RAP9072	1	INTERFACE PRESSURE/ WARNING SWITCH

**NOTE :** INDENTED ITEMS ARE INCLUDED WITH PRECEDING ITEM.

\* APPLY A THREAD LOCKING ADHESIVE SUCH AS LOCTITE #271, 277, 242 OR 569.

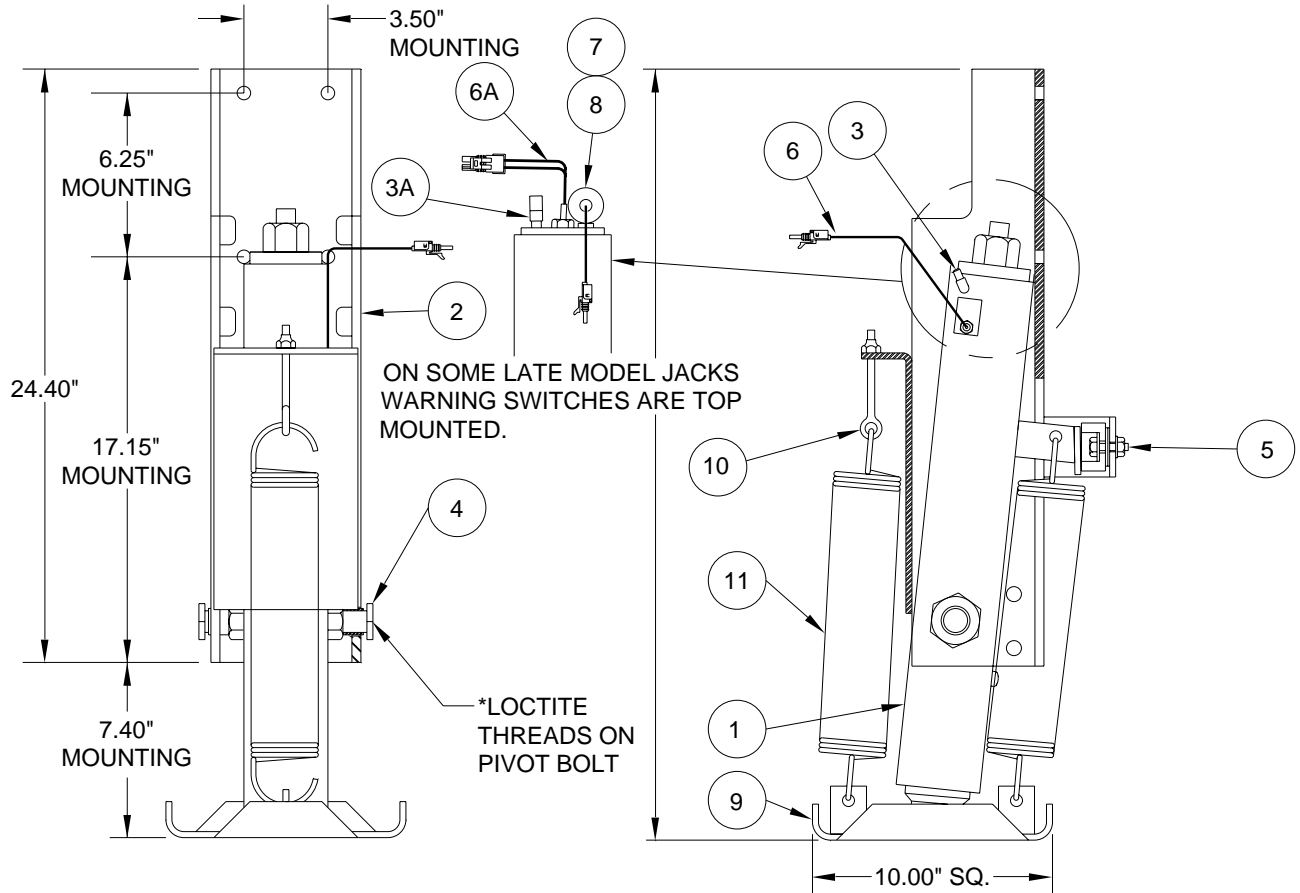
**MR26.6070**  
**12FEB13**

# AP6095 - AP11581

## STRAIGHT ACTING JACK, 7 DEGREE PIVOT, S/S SPRINGS

16,000 # CAPACITY; 2.750" ROD DIAMETER; 16.00" STROKE; W/ TALL PIVOT BRKT.

JACK #	DESCRIPTION
AP6095	WARNING SWITCH ONLY
AP11581	WARNING SWITCH, PRESSURE SWITCH



ITEM	PART	QTY	DESCRIPTION
1	RAP2338	1	CYL. ASSY. 2.75" X 16" (INCLUDES ITEM 3)
2	RAP6266	1	PIVOT BRACKET (INCLUDES ITEM 5)
3	RF5996	1	ELBOW 45 DEGREE 1/8" X 1/4". USED ON EARLY MODEL JACKS.
3A	RF1456	1	MALE CONNECTOR 1/8" X 1/4"
4	R2329	1	PIVOT BOLT KIT
		2	HHCS 7/8" SPECIAL
		2	BUSHING 1-1/8" OD
5	R2511	1	STOP KIT
		1	HHCS 1/2-13 X 1-1/4"
		1	BUMPER URETHANE
		1	WASHER STRUCTURAL 1/2"
		1	SPACER 5/8" OD
		1	HEX NUT 1/2-13 REGULAR
		1	LW 1/2" EXTERNAL STAR
		2	WASHER

ITEM	PART	QTY	DESCRIPTION
6	RAP5027	1	SWITCH WARNING SIDE PORT. USED ON SOME EARLY MODEL JACKS.
6A	RAP1008	1	SWITCH WARNING MAGNETIC
7	RF8143	1	ELBOW 1/8" X 1/8" (AP11581 ONLY)
8	RAP8003	1	SWITCH PRESSURE (AP11581 ONLY)
9	RAP6262	1	FOOT 10.00" SQUARE
10	R5491	1	EYE BOLT KIT
		1	3/8-16 X 6.00" EYE BOLT
		1	3/8-16 ESNA LOCK NUT
11	R2965	1	SPRING KIT 2-3/4" X 13-1/2"
		2	SPRING 2-3/4" X 13-1/2"

NOTE : INDENTED ITEMS ARE INCLUDED PRECEDING ITEM.

\* APPLY THREAD LOCKING ADHESIVE SUCH AS LOCTITE #271, 277, 242 OR 569.

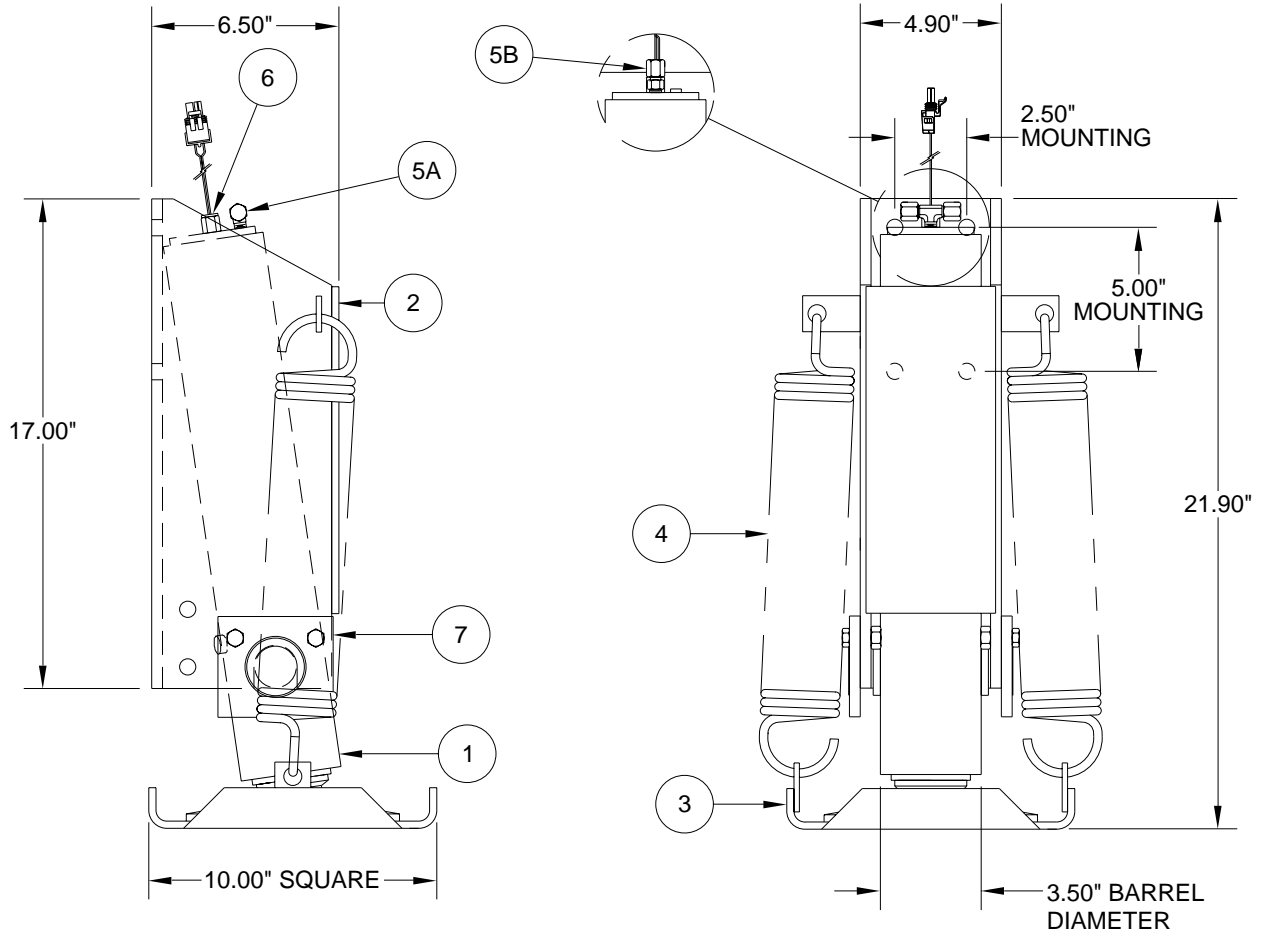
MR26.6072  
22JAN09

# AP9553 - AP13153

## STRAIGHT ACTING JACK, 9 DEGREE PIVOT, F/A SPRINGS

16,000 # CAPACITY; 2.750" ROD DIAMETER; 13.00" STROKE; W/ NARROW PIVOT BRKT.

JACK #	DESCRIPTION
AP9553	MAGNETIC WARNING SWITCH W/ BLACK CONNECTOR, TEE FITTING
AP13153	MAGNETIC WARNING SWITCH W/ BLACK CONNECTOR, STRAIGHT FITTING



ITEM	PART	QTY	DESCRIPTION
1	RAP9631	1	CYL. ASSY. 2.75" X 13" (INCLUDES ITEM 6A) (EXCLUDES ITEM 7)
2	RAP9634	1	PIVOT BRACKET
3	RAP7754	1	FOOT 11.40" ROUND 10" SQUARE FOOT NO LONGER AVAILABLE
4	R2365	1 2	SPRING KIT 2-3/4" X 13-1/2" SPRING 2-3/4" X 13-1/2"

ITEM	PART	QTY	DESCRIPTION
5A	RF90151	1	MALE TEE 1/8" X 1/4" X 1/4" (AP9553 JACK)
5B	RF1456	1	MALE CONNECTOR 1/8" X 1/4" (AP13153 JACK)
6	RAP1008	1	SWITCH WARNING MAGNETIC
7	RAP1736	1 2 4 4	RETAINING PLATE KIT RETAINING PLATES HHCS 3/8-16 X 1" HEX NUT 3/8-16

NOTE : INDENTED ITEMS ARE INCLUDED WITH PRECEDING ITEM.

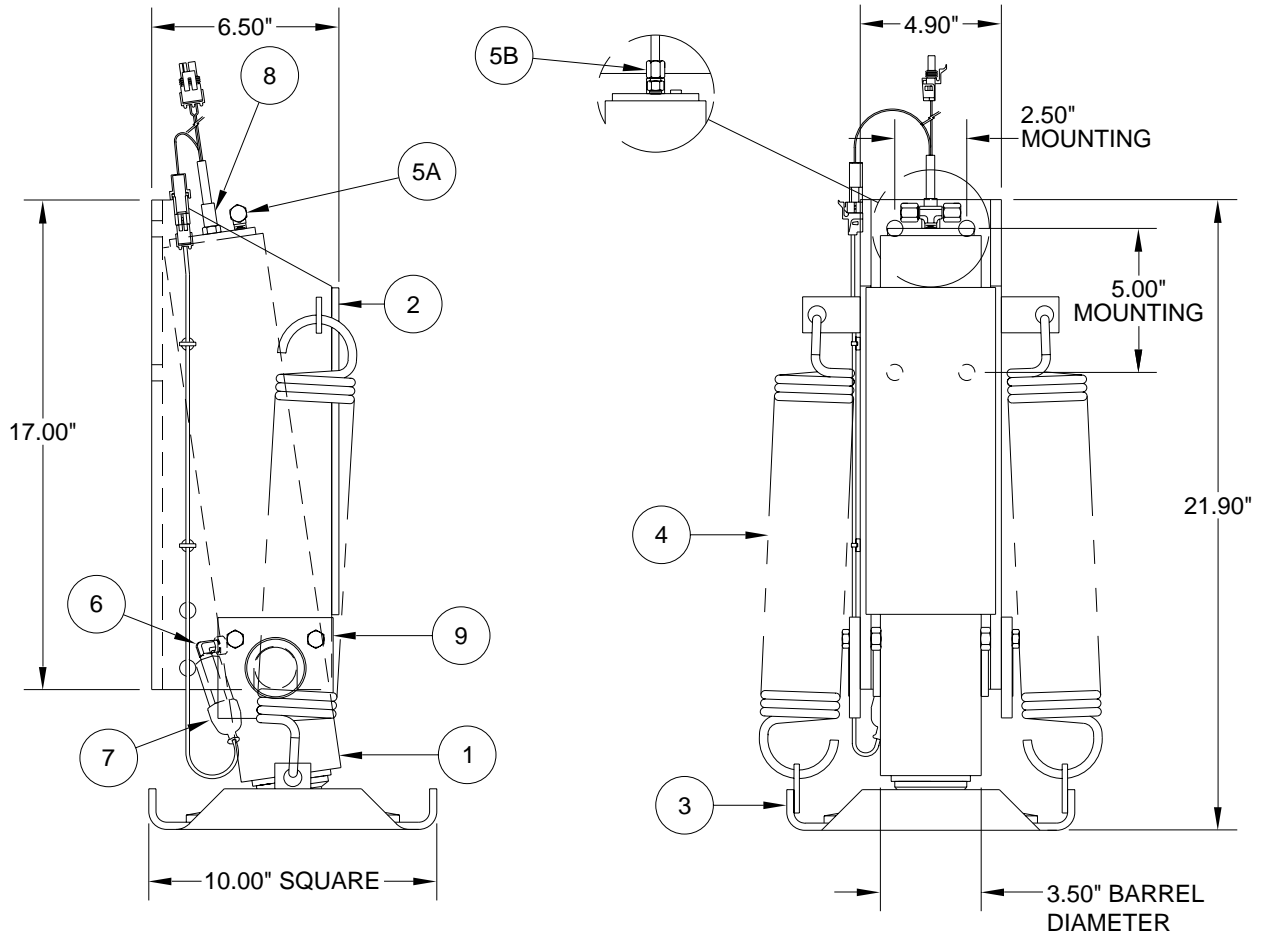
MR26.6105  
14FEB13

## AP0438 - AP15562

### STRAIGHT ACTING JACK, 9 DEGREE PIVOT, F/A SPRINGS

**16,000 # CAPACITY; 2.750" ROD DIAMETER; 13.00" STROKE; W/ NARROW PIVOT BRKT.**

JACK #	DESCRIPTION
AP0438	3-WIRE WARNING SWITCH, PRESSURE SWITCH, TEE FITTING
AP15562	3-WIRE WARNING SWITCH, PRESSURE SWITCH, STRAIGHT FITTING



ITEM	PART	QTY	DESCRIPTION
1	RAP9631	1	CYL. ASSY. 2.75" X 13" (INCLUDES ITEM 5A) (EXCLUDES ITEMS 6,7,8)
2	RAP9634	1	PIVOT BRACKET
3	RAP7754	1	FOOT 11.40" ROUND 10" SQUARE FOOT NO LONGER AVAILABLE
4	R2365	1 2	SPRING KIT 2-3/4" X 13-1/2" SPRING 2-3/4" X 13-1/2"
5A	RF90151	1	MALE TEE 1/8" X 1/4" X 1/4" (AP0438 JACK)

ITEM	PART	QTY	DESCRIPTION
5B	RF1456	1	MALE CONNECTOR 1/8" X 1/4" (AP15562 JACK)
6	RF8143	1	ELBOW 1/8" X 1/8"
7	RAP8003	1	SWITCH PRESSURE
8	RAP90073	1	SWITCH WARNING 3-WIRE
9	RAP1736	1 2 4 4	RETAINING PLATE KIT RETAINING PLATES HHCS 3/8-16 X 1" HEX NUT 3/8-16

**NOTE :** INDENTED ITEMS ARE INCLUDED WITH PRECEDING ITEM.

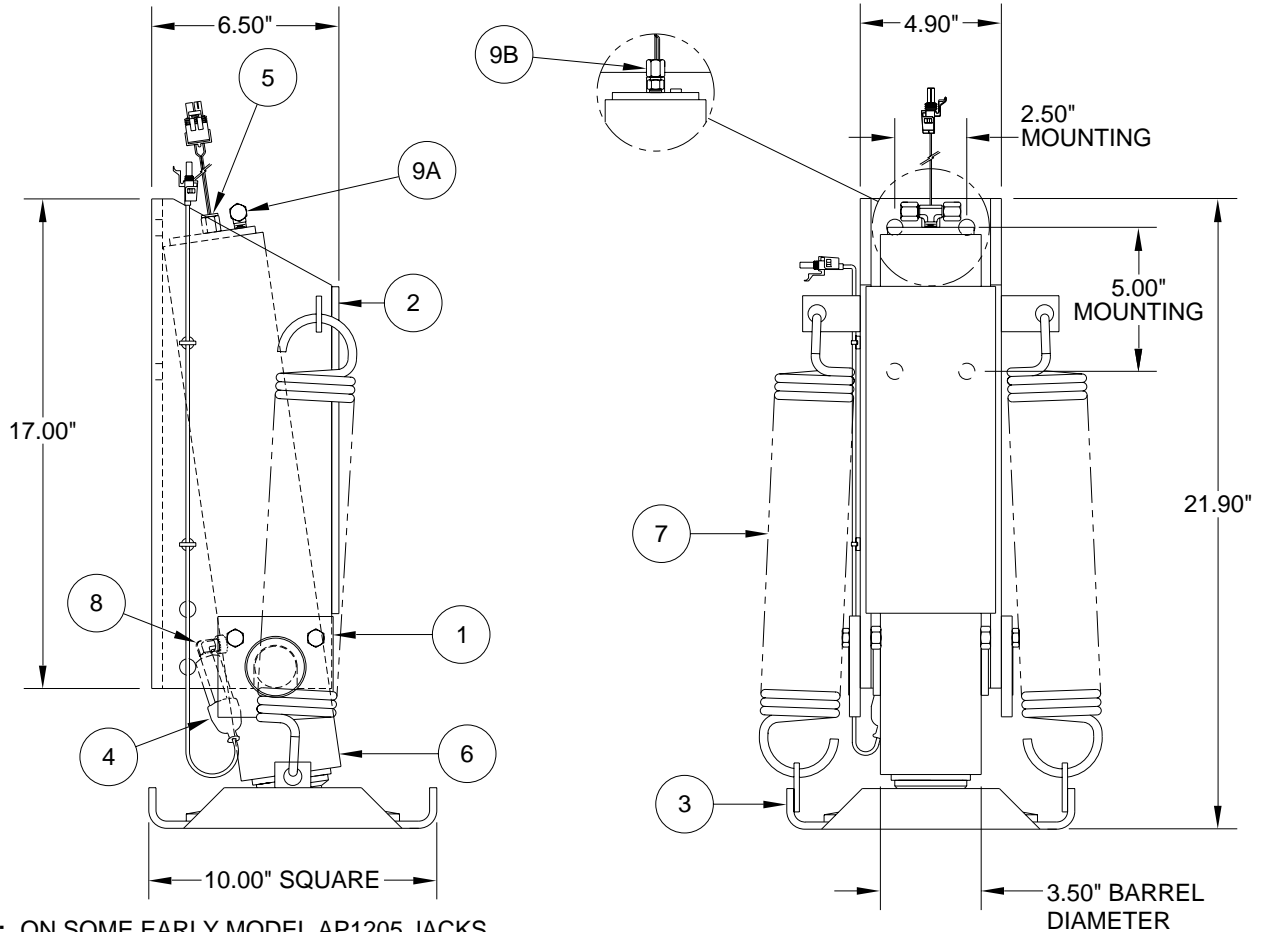
**MR26.6107  
14FEB13**

## AP1205 - AP10909

### STRAIGHT ACTING JACK, 9 DEGREE PIVOT, F/A SPRINGS

**16,000 # CAPACITY; 2.750" ROD DIAMETER; 13.00" STROKE; W/ NARROW PIVOT BRKT.**

JACK #	DESCRIPTION
AP1205	MAGNETIC WARNING SWITCH W/ BLACK CONNECTOR, PRESSURE SWITCH, TEE FITTING
AP10909	MAGNETIC WARNING SWITCH W/ BLACK CONNECTOR, PRESSURE SWITCH, STRAIGHT FITTING



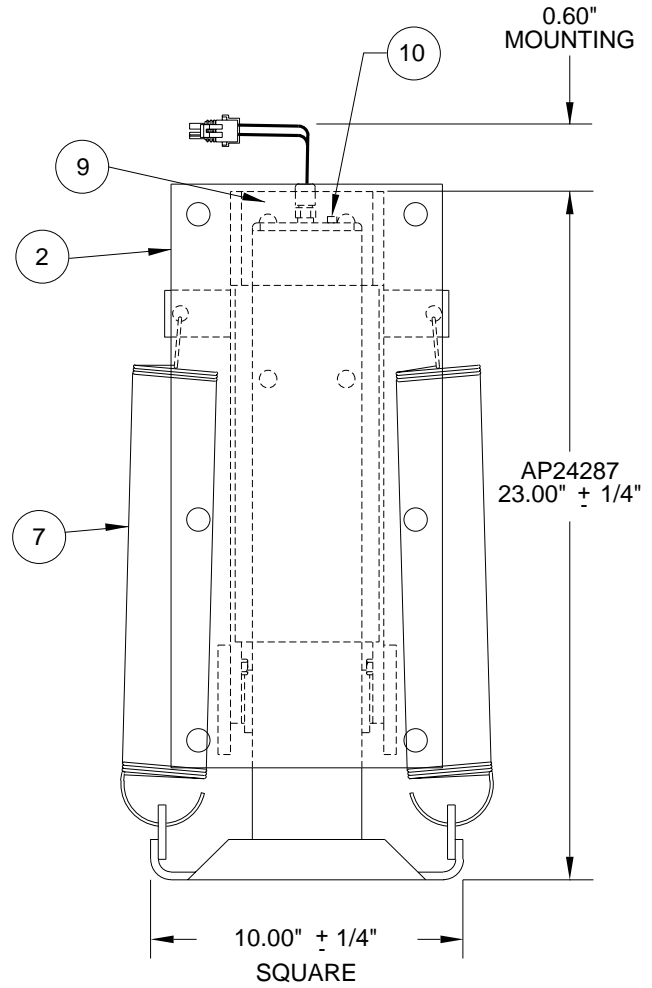
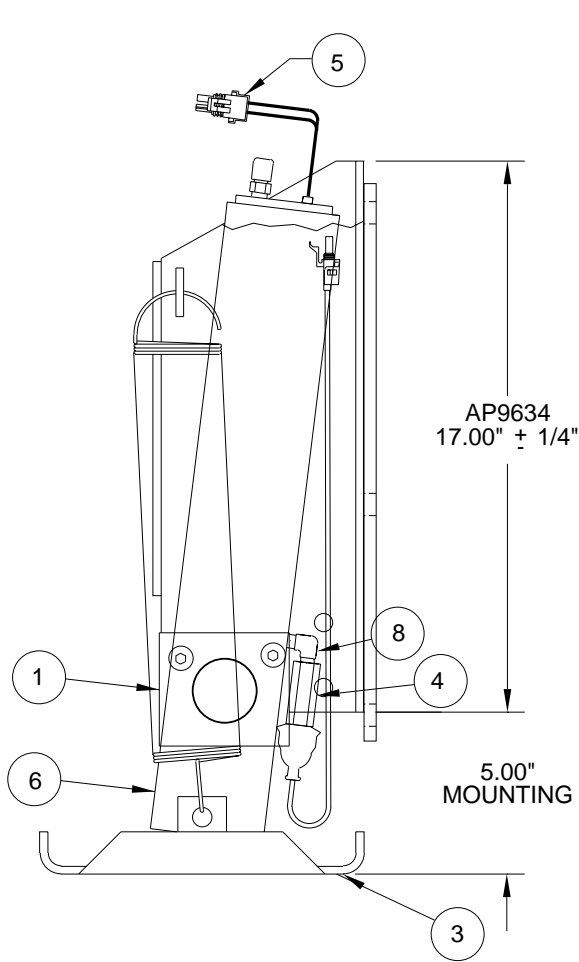
**NOTE :** ON SOME EARLY MODEL AP1205 JACKS THE PRESSURE SWITCH IS MOUNTED ON TOP OF THE CYLINDER ASSEMBLY.

ITEM	PART	QTY	DESCRIPTION
1	RAP1736	1	RETAINING PLATE KIT
		2	RETAINING PLATES
		4	HHCS 3/8-16 X 1"
		4	HEX NUT 3/8-16
2	RAP9634	1	PIVOT BRACKET
3	RAP7754	1	FOOT 11.40" ROUND
			10" SQUARE FOOT NO LONGER AVAILABLE
4	RAP8003	1	SWITCH PRESSURE
5	RAP1008	1	SWITCH WARNING MAGNETIC
6	RAP9631	1	CYL. ASSY. 2.75" X 13" (INCLUDES ITEMS 9A) (EXCLUDES ITEMS 4,5,8)
7	R2365	1	SPRING KIT 2-3/4" X 13-1/2"
		2	SPRING 2-3/4" X 13-1/2"
8	RF8143	1	ELBOW 1/8" X 1/8"
9A	RF90151	1	MALE TEE 1/8" X 1/4" X 1/4" (AP1205 JACK)
9B	RF1456	1	MALE CONNECTOR 1/8" X 1/4" (AP10909 JACK)

**NOTE :** INDENTED ITEMS ARE INCLUDED WITH PRECEDING ITEM.

**MR26.6110  
14FEB13**

**AP24287 - STRAIGHT-ACTING JACK, 8 DEG PIVOT, F/A SPRINGS  
 16,000 # CAPACITY; 2.75" ROD DIAMETER; 13.00" STROKE  
 WITH PRESSURE SWITCH, 2 WIRE WARNING SWITCH,  
 AND NARROW PIVOT BRACKET**



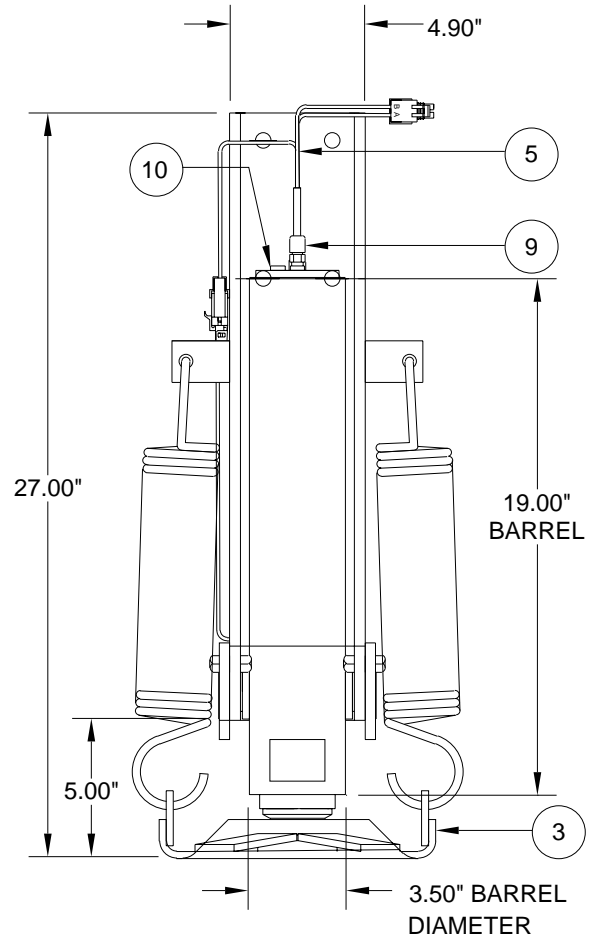
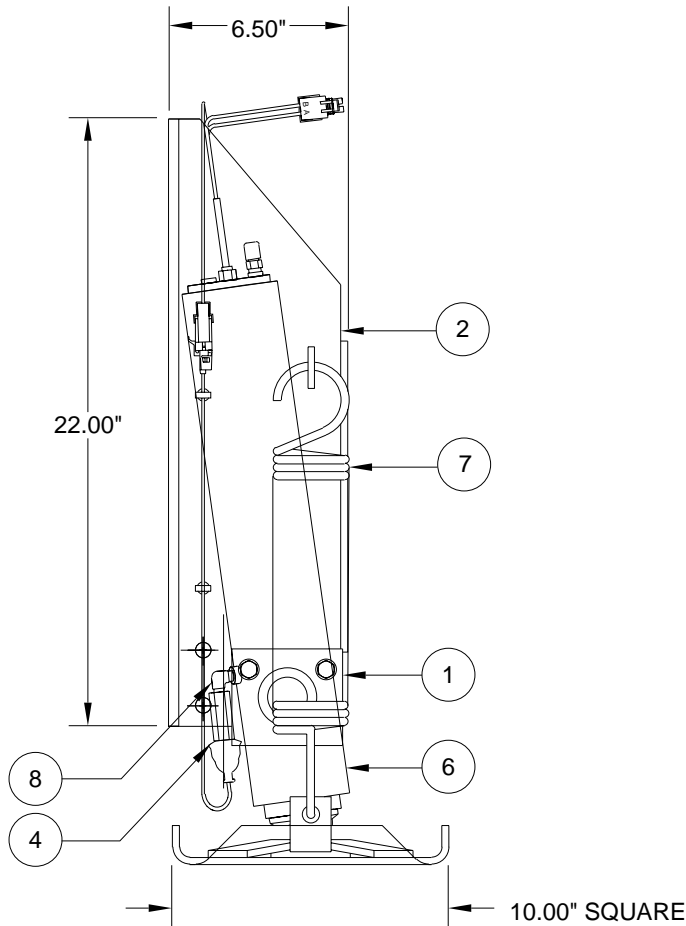
ITEM	PART	QTY	DESCRIPTION
1	RAP1736	1	RETAINING PLATE KIT
		2	RETAINING PLATES
		4	HHCS 3/8-16 X 1"
		4	HEX NUT 3/8-16
2	RAP90958	1	PIVOT BRACKET
3	RAP7754	1	FOOT 11.40" ROUND 10" SQUARE FOOT NO LONGER AVAILABLE
4	RAP8003	1	SWITCH PRESSURE
5	RAP1008	1	SWITCH WARNING 2-WIRE

ITEM	PART	QTY	DESCRIPTION
6	RAP9631	1	CYL. ASSY. 2.75" X 13" (INCLUDES ITEMS 9,10) (EXCLUDES ITEMS 4,5,8)
7	R2365	1	SPRING KIT 2-3/4" X 13-1/2"
		2	SPRING 2-3/4" X 13-1/2"
8	RF8143	1	ELBOW 1/8" X 1/8"
9	RF1456	1	MALE CONNECTER 1/8" X 1/4"
10	RF2418	1	PIPE PLUG 1/8"

NOTE : INDENTED ITEMS ARE INCLUDED WITH PRECEDING ITEM.

**MR26.6113  
14FEB13**

**AP0944 - STRAIGHT-ACTING JACK, 7 DEGREE PIVOT, F/A SPRINGS**  
**16,000 # CAPACITY; 2.750" ROD DIAMETER; 13.00" STROKE**  
**WITH PRESSURE SWITCH, 3-WIRE WARNING SWITCH**  
**AND NARROW PIVOT BRACKET**



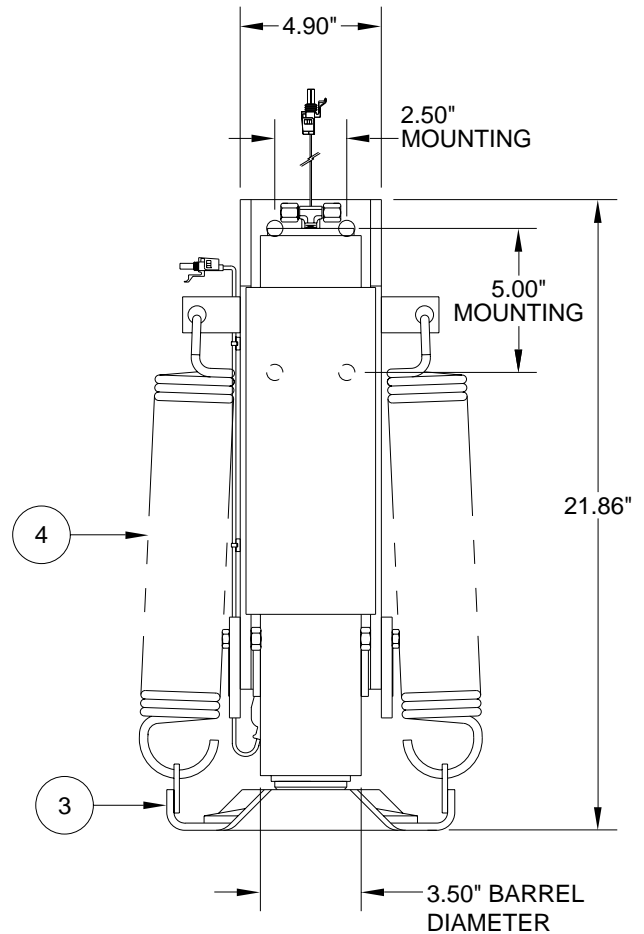
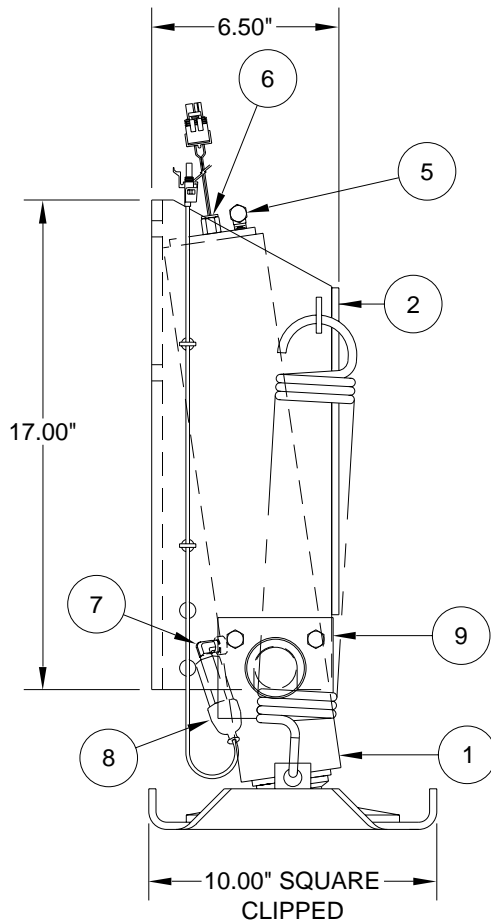
ITEM	PART	QTY	DESCRIPTION
1	RAP1736	1	RETAINING PLATE KIT
		2	RETAINING PLATES
		4	HHCS 3/8-16 X 1"
		4	HEX NUT 3/8-16
2	RAP90336	1	PIVOT BRACKET
3	RAP7754	1	FOOT 11.40" ROUND 10" SQUARE FOOT NO LONGER AVAILABLE
4	RAP8003	1	SWITCH PRESSURE
5	RAP90073	1	SWITCH WARNING 3-WIRE

ITEM	PART	QTY	DESCRIPTION
6	RAP9631	1	CYL. ASSY. 2.75" X 13" (INCLUDES ITEMS 9,10) (EXCLUDES ITEMS 4,5,8)
7	R2365	1	SPRING KIT 2-3/4" X 13-1/2"
		2	SPRING 2-3/4" X 13-1/2"
8	RF8143	1	ELBOW 1/8" X 1/8"
9	RF1456	1	MALE CONNECTOR 1/8" X 1/4"
10	RF2418	1	PIPE PLUG 1/8"

NOTE : INDENTED ITEMS ARE INCLUDED WITH PRECEDING ITEM.

**MR26.6117**  
**14FEB13**

**AP29967 - STRAIGHT ACTING JACK, 9 DEGREE PIVOT, F/A SPRINGS**  
**16,000 # CAPACITY; 2.750" ROD DIAMETER; 13.00" STROKE**  
**WITH MAGNETIC WARNING SWITCH, PRESSURE SWITCH, AND NARROW PIVOT BRKT.**



ITEM	PART	QTY	DESCRIPTION
1	RAP9631	1	CYL. ASSY. 2.75" X 13" (INCLUDES ITEM 5) (EXCLUDES ITEM 6,7,8)
2	RAP9634	1	PIVOT BRACKET
3	RAP91182	1	FOOT 10.00" SQUARE CLIPPED
4	R2365	1 2	SPRING KIT 2-3/4" X 13-1/2" SPRING 2-3/4" X 13-1/2"
5	RF90151	1	MALE TEE 1/8" X 1/4" X 1/4"

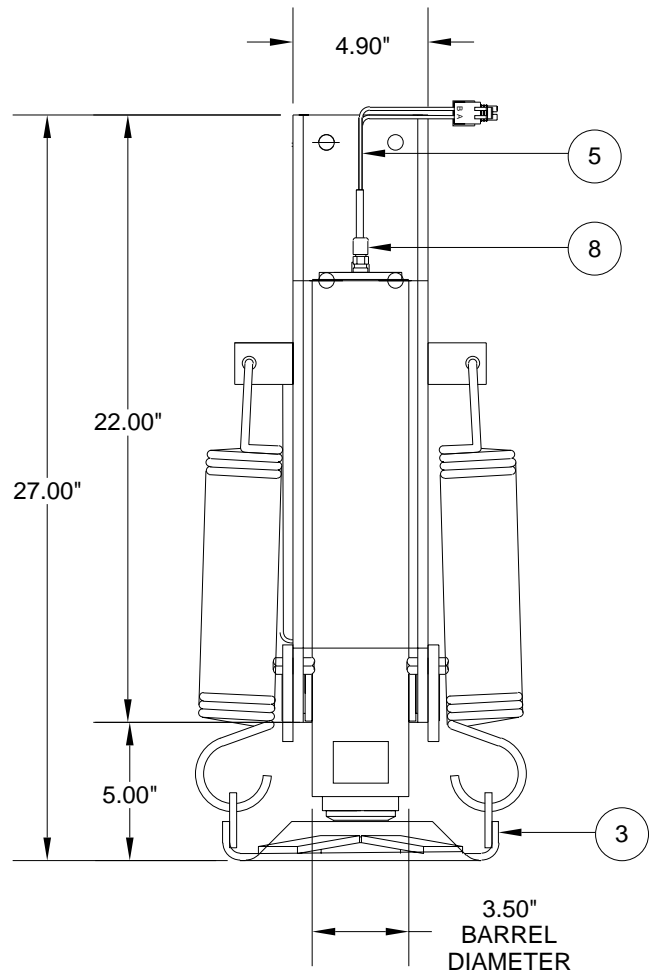
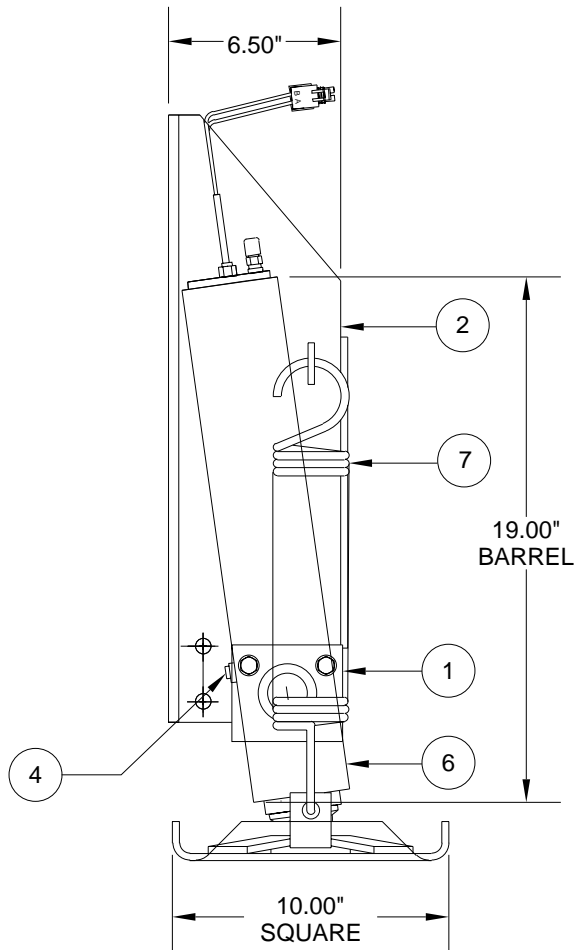
ITEM	PART	QTY	DESCRIPTION
6	RAP90968	1	SWITCH WARNING MAGNETIC GRAY
7	RF8143	1	ELBOW 1/8" X 1/8"
8	RAP8003	1	SWITCH PRESSURE
9	RAP1736	1 2 4 4	RETAINING PLATE KIT RETAINING PLATES HHCS 3/8-16 X 1" HEX NUT 3/8-16

NOTE : INDENTED ITEMS ARE INCLUDED WITH PRECEDING ITEM.

**MR26.6118**  
**23JAN09**



**AP23622 - STRAIGHT-ACTING JACK, 7 DEGREE PIVOT, F/A SPRINGS**  
**16,000 # CAPACITY; 2.750" ROD DIAMETER; 13.00" STROKE**  
**WITH 2-WIRE WARNING SWITCH,**  
**AND NARROW PIVOT BRACKET**



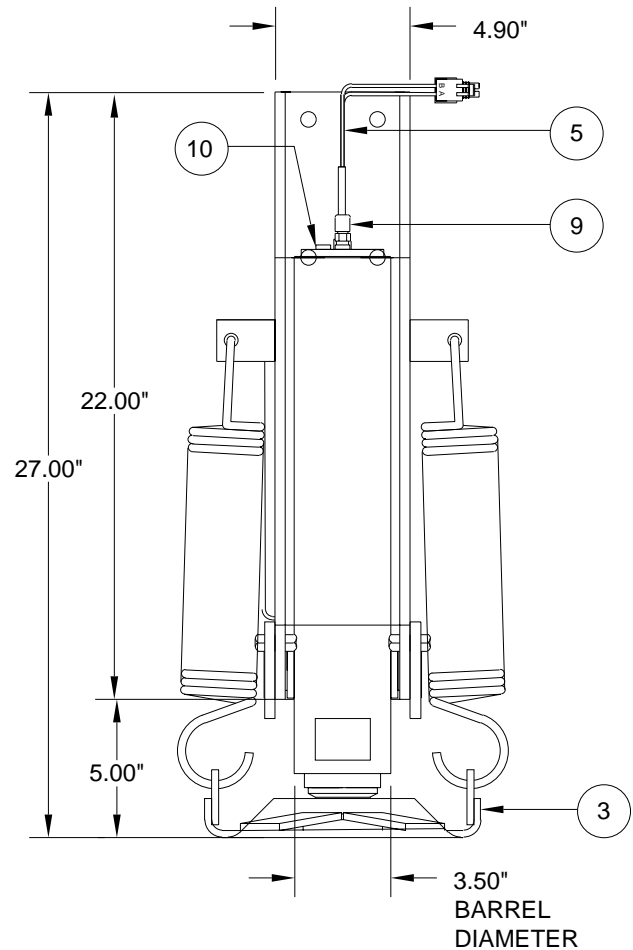
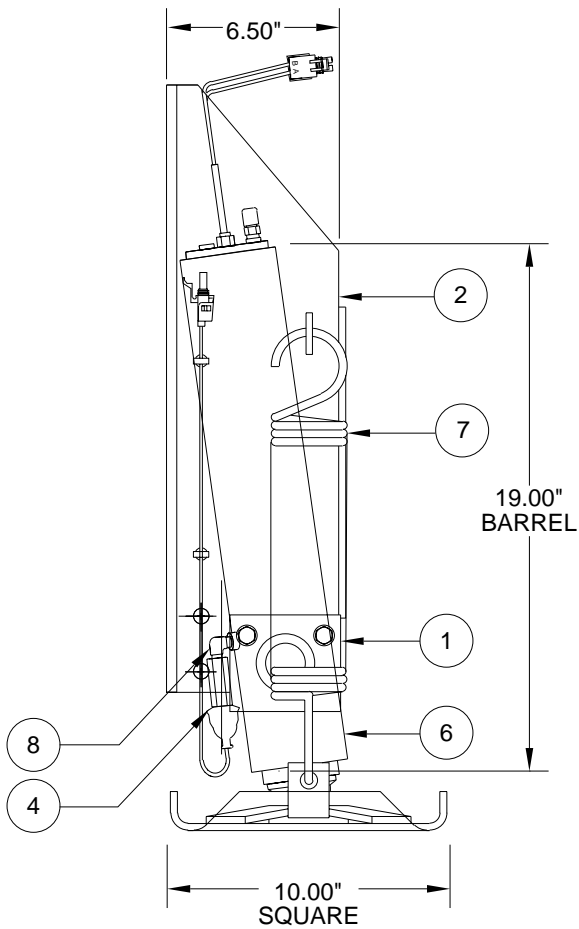
ITEM	PART	QTY	DESCRIPTION
1	RAP1736	1	RETAINING PLATE KIT
		2	RETAINING PLATES
		4	HHCS 3/8-16 X 1"
		4	HEX NUT 3/8-16
2	RAP0945	1	PIVOT BRACKET
3	RAP7754	1	FOOT 11.40" ROUND 10" SQUARE FOOT NO LONGER AVAILABLE
4	RF90272	1	1/8-HP-S HEX PLUG
5	RAP1008	1	SWITCH WARNING 2-WIRE

ITEM	PART	QTY	DESCRIPTION
6	RAP9631	1	CYL. ASSY. 2.75" X 13" (INCLUDES ITEMS 4,8) (EXCLUDES ITEM 5)
7	R2365	1	SPRING KIT 2-3/4" X 13-1/2"
		2	SPRING 2-3/4" X 13-1/2"
8	RF1456	1	MALE CONNECTOR 1/8" X 1/4"

NOTE : INDENTED ITEMS ARE INCLUDED WITH PRECEDING ITEM.

**MR26.6119**  
**14FEB13**

**AP1612 - STRAIGHT-ACTING JACK, 7 DEGREE PIVOT, F/A SPRINGS**  
**16,000 # CAPACITY; 2.750" ROD DIAMETER; 13.00" STROKE**  
**WITH PRESSURE SWITCH, 2-WIRE WARNING SWITCH**  
**AND NARROW PIVOT BRACKET**



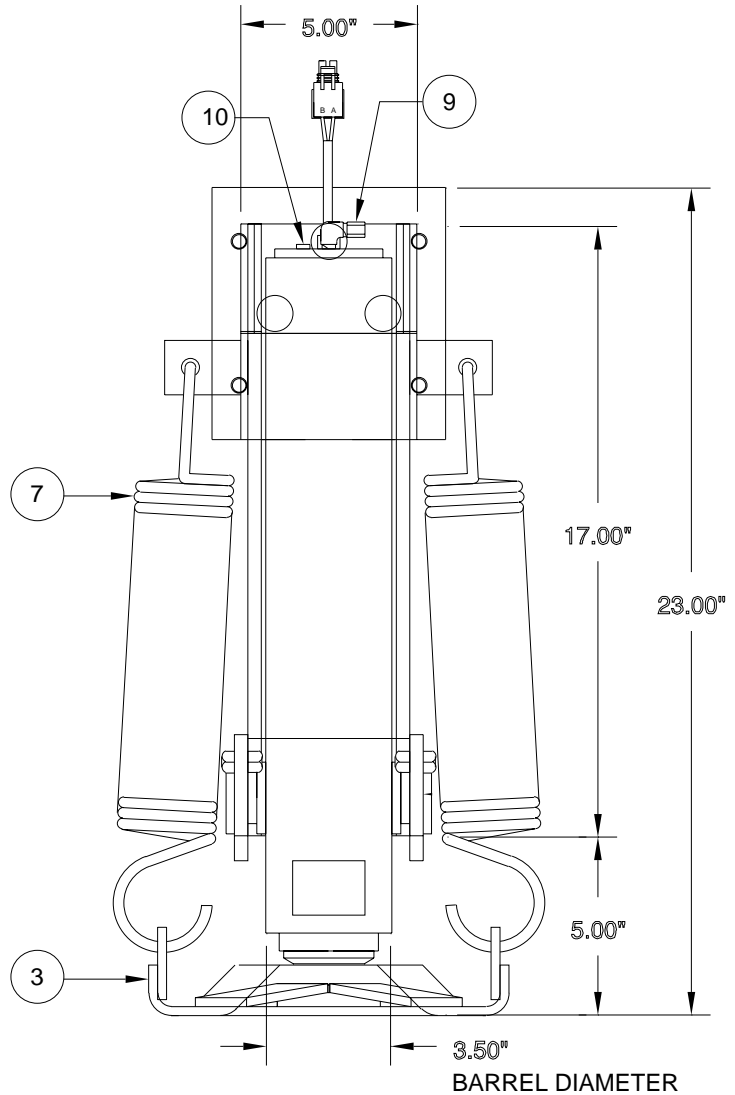
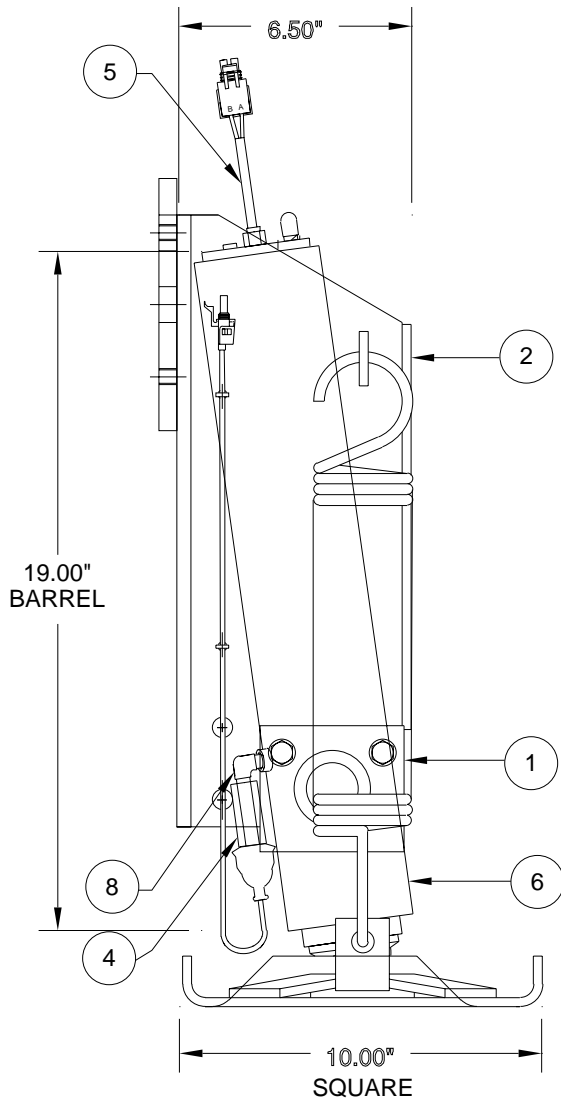
ITEM	PART	QTY	DESCRIPTION
1	RAP1736	1	RETAINING PLATE KIT
		2	RETAINING PLATES
		4	HHCS 3/8-16 X 1"
		4	HEX NUT 3/8-16
2	RAP0945	1	PIVOT BRACKET
3	RAP7754	1	FOOT 11.40" ROUND 10" SQUARE FOOT NO LONGER AVAILABLE
4	RAP8003	1	SWITCH PRESSURE
5	RAP1008	1	SWITCH WARNING 2-WIRE (REPLACES RAP1008)

ITEM	PART	QTY	DESCRIPTION
6	RAP9631	1	CYL. ASSY. 2.75" X 13" (INCLUDES ITEMS 9,10) (EXCLUDES ITEMS 4,5,8)
7	R2365	1	SPRING KIT 2-3/4" X 13-1/2"
		2	SPRING 2-3/4" X 13-1/2"
8	RF8143	1	ELBOW 1/8" X 1/8"
9	RF1456	1	MALE CONNECTOR 1/8" X 1/4"
10	RF2418	1	PIPE PLUG 1/8"

NOTE : INDENTED ITEMS ARE INCLUDED WITH PRECEDING ITEM.

**MR26.6120**  
**14FEB13**

**AP2417 - STRAIGHT-ACTING JACK, 7 DEGREE PIVOT, F/A SPRINGS**  
**16,000 # CAPACITY; 2.750" ROD DIAMETER; 13.00" STROKE**  
**WITH PRESSURE SWITCH, 2-WIRE WARNING SWITCH**  
**AND NARROW PIVOT BRACKET WITH ADAPTOR**



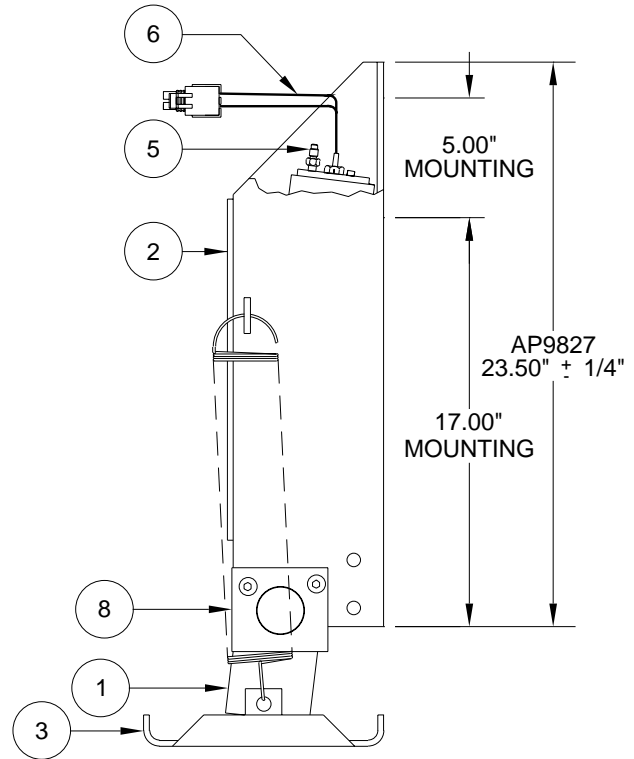
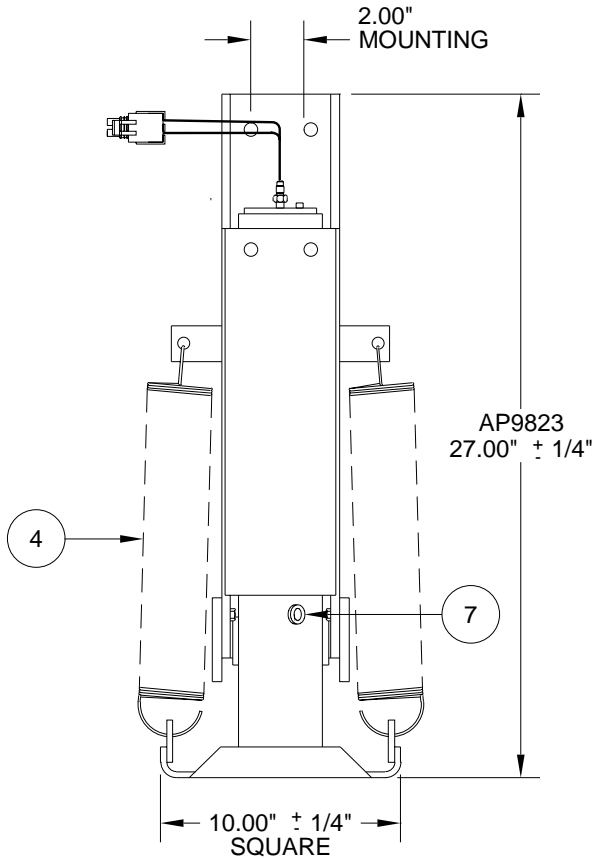
ITEM	PART	QTY	DESCRIPTION
	RAP90205		JACK 16,000 # X 13" F/A (REPLACES AP2417)
1	RAP1736	1	RETAINING PLATE KIT
		2	RETAINING PLATES
		4	HHCS 3/8-16 X 1"
		4	HEX NUT 3/8-16
2	RAP2414	1	PIVOT BRACKET
3	RAP10363	1	FOOT 10.00" SQUARE (CLIPPED CORNERS)
4	RAP8003	1	SWITCH PRESSURE

ITEM	PART	QTY	DESCRIPTION
5	RAP1008	1	SWITCH WARNING 2-WIRE (REPLACES RAP1008)
6	RAP9631	1	CYL. ASSY. 2.75" X 13" (INCLUDES ITEMS 9,10) (EXCLUDES ITEMS 4,5,8)
7	R2365	1	SPRING KIT 2-3/4" X 13-1/2"
		2	SPRING 2-3/4" X 13-1/2"
8	RF8143	1	ELBOW 1/8" X 1/8"
9	RF1453	1	ELBOW 1/8" X 1/4"
10	RF2418	1	PIPE PLUG 1/8"

NOTE : INDENTED ITEMS ARE INCLUDED WITH PRECEDING ITEM.

**MR26.6125**  
**15OCT97**

**AP9823 - STRAIGHT ACTING JACK, 7 DEGREE PIVOT, F/A SPRINGS**  
**16,000 # CAPACITY; 2.750" ROD DIAMETER; 16.00" STROKE**  
**WITH NARROW PIVOT BRACKET**



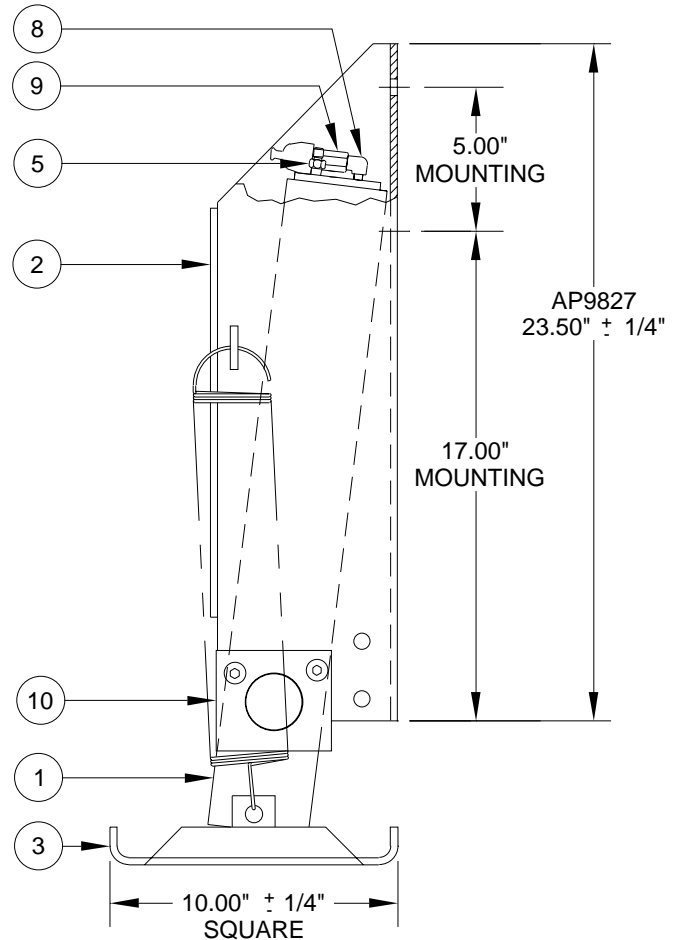
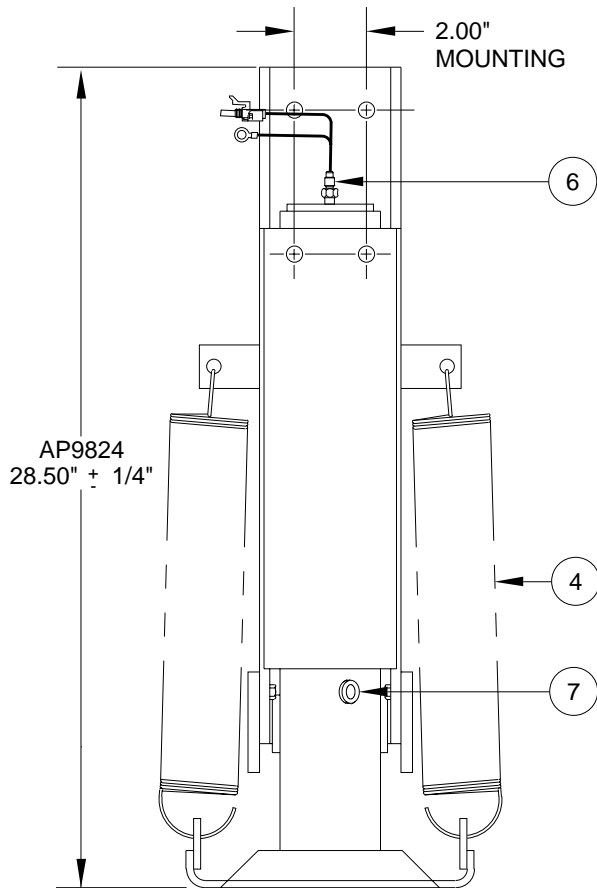
ITEM	PART	QTY	DESCRIPTION
1	RAP9829	1	CYL. ASSY. 2.75" X 16" (INCLUDES ITEMS 5,7) (EXCLUDES ITEM 6)
2	RAP9827	1	PIVOT BRACKET
3	RAP7754	1	FOOT 11.40" ROUND 10" SQUARE FOOT NO LONGER AVAILABLE
4	R2365	1 2	SPRING KIT 2-3/4" X 13-1/2" SPRING 2-3/4" X 13-1/2"

ITEM	PART	QTY	DESCRIPTION
5	RF1456	1	MALE CONNECTOR 1/8" X 1/4"
6	RAP1008	1	SWITCH WARNING 2-WIRE (REPLACES RAP8100)
7	RF2418	1	PIPE PLUG 1/8"
8	RAP1736	1 2 4 4	RETAINING PLATE KIT RETAINING PLATES HHCS 3/8-16 X 1" HEX NUT 3/8-16

NOTE : INDENTED ITEMS ARE INCLUDED WITH PRECEDING ITEM.

**MR26.6255**  
**14FEB13**

**AP9824 - STRAIGHT ACTING JACK, 7 DEGREE PIVOT, F/A SPRINGS**  
**16,000 # CAPACITY; 2.750" ROD DIAMETER; 16.00" STROKE**  
**WITH PRESSURE SWITCH, 3-WIRE WARNING SWITCH**  
**AND NARROW PIVOT BRACKET**



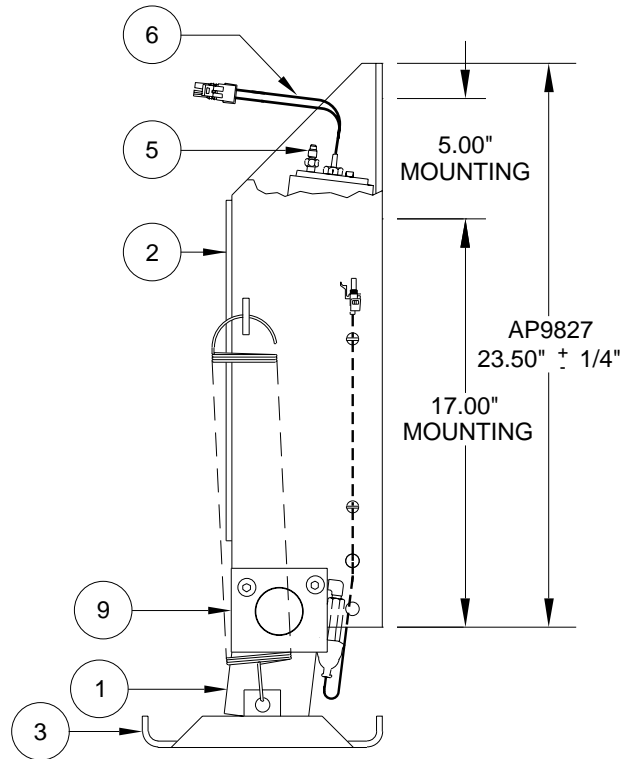
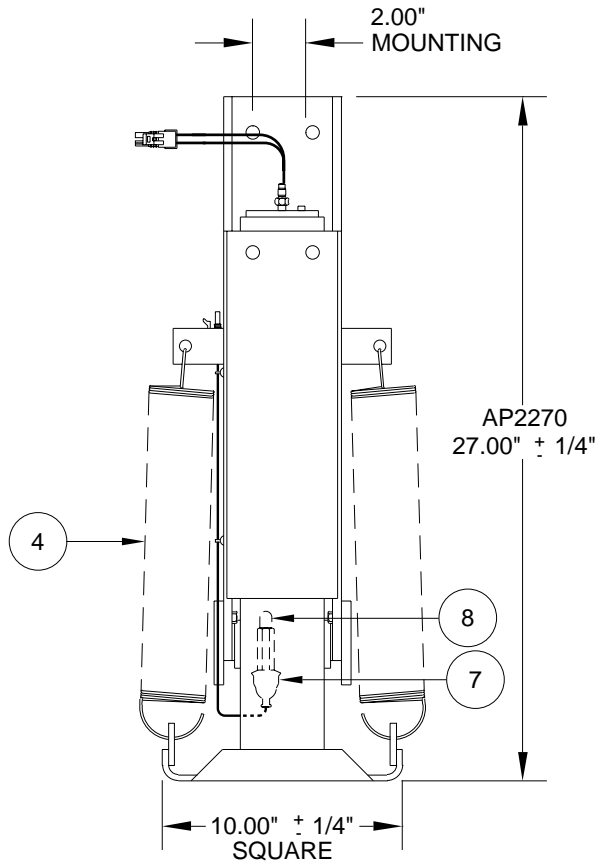
ITEM	PART	QTY	DESCRIPTION
1	RAP9829	1	CYL. ASSY. 2.75" X 16" (INCLUDES ITEMS 5,7) (EXCLUDES ITEM 6)
2	RAP9827	1	PIVOT BRACKET
3	RAP7754	1	FOOT 11.40" ROUND 10" SQUARE FOOT NO LONGER AVAILABLE
4	R2365	1 2	SPRING KIT 2-3/4" X 13-1/2" SPRING 2-3/4" X 13-1/2"
5	RF1456	1	MALE CONNECTOR 1/8" X 1/4"

ITEM	PART	QTY	DESCRIPTION
6	RAP90073	1	SWITCH WARNING 3-WIRE (REPLACES RAP8442)
7	RF2418	1	PIPE PLUG 1/8"
8	RF8143	1	ELBOW 1/8" X 1/8"
9	RAP8003	1	SWITCH PRESSURE
10	RAP1736	1 2 4 4	RETAINING PLATE KIT RETAINING PLATES HHCS 3/8-16 X 1" HEX NUT 3/8-16

NOTE : INDENTED ITEMS ARE INCLUDED WITH PRECEDING ITEM.

**MR26.6257**  
**14FEB13**

**AP2270 - STRAIGHT ACTING JACK, 7 DEGREE PIVOT, F/A SPRINGS**  
**16,000 # CAPACITY; 2.750" ROD DIAMETER; 16.00" STROKE**  
**WITH PRESSURE SWITCH, 2-WIRE WARNING SWITCH**  
**AND NARROW PIVOT BRACKET**



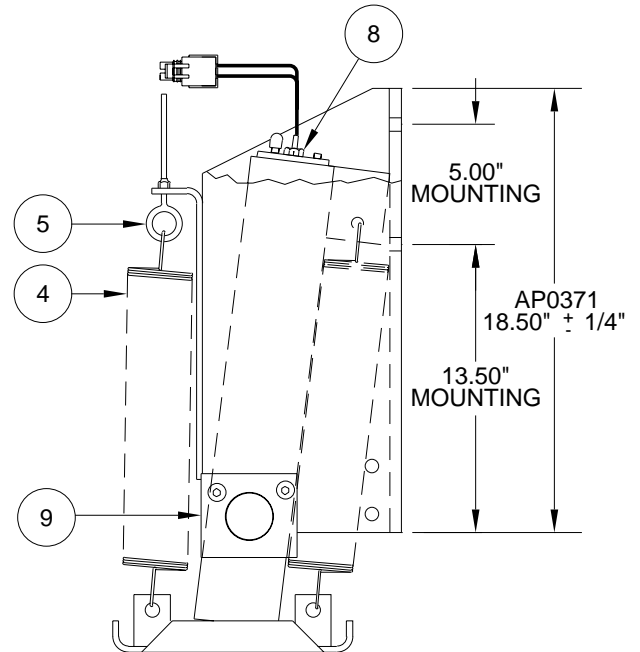
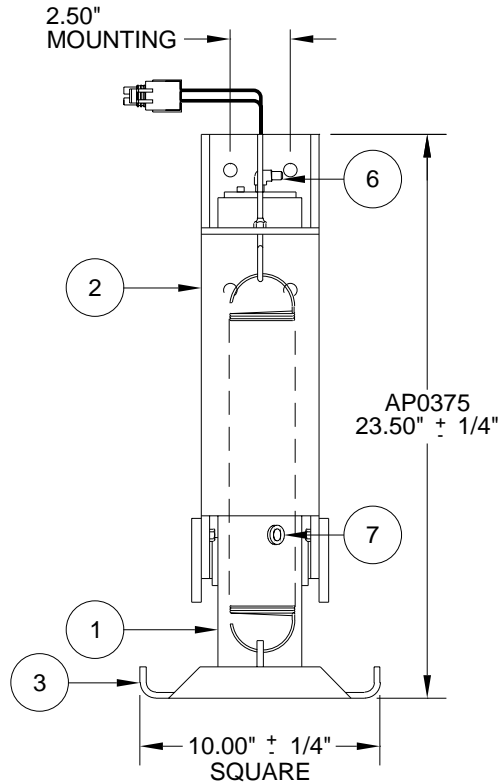
ITEM	PART	QTY	DESCRIPTION
1	RAP9829	1	CYL. ASSY. 2.75" X 16" (INCLUDES ITEM 5) (EXCLUDES ITEMS 6,7,8)
2	RAP9827	1	PIVOT BRACKET
3	RAP7754	1	FOOT 11.40" ROUND 10" SQUARE FOOT NO LONGER AVAILABLE
4	R2365	1 2	SPRING KIT 2-3/4" X 13-1/2" SPRING 2-3/4" X 13-1/2"

ITEM	PART	QTY	DESCRIPTION
5	RF1456	1	MALE CONNECTOR 1/8" X 1/4"
6	RAP1008	1	SWITCH WARNING 2-WIRE
7	RAP8003	1	SWITCH PRESSURE
8	RF8143	1	ELBOW 1/8" X 1/8"
9	RAP1736	1 2 4 4	RETAINING PLATE KIT RETAINING PLATES HHCS 3/8-16 X 1" HEX NUT 3/8-16

NOTE : INDENTED ITEMS ARE INCLUDED WITH PRECEDING ITEM.

**MR26.6260**  
**14FEB13**

**AP0375 - STRAIGHT ACTING JACK, 7 DEGREE PIVOT, S/S SPRINGS**  
**16,000 # CAPACITY; 2.750" ROD DIAMETER; 13.00" STROKE**  
**WITH NARROW PIVOT BRACKET**



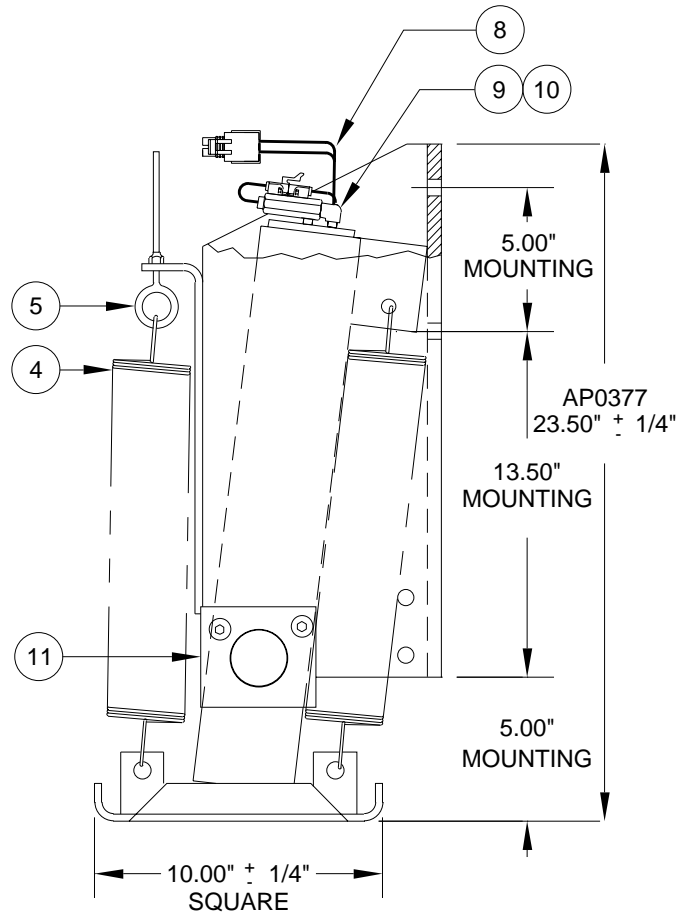
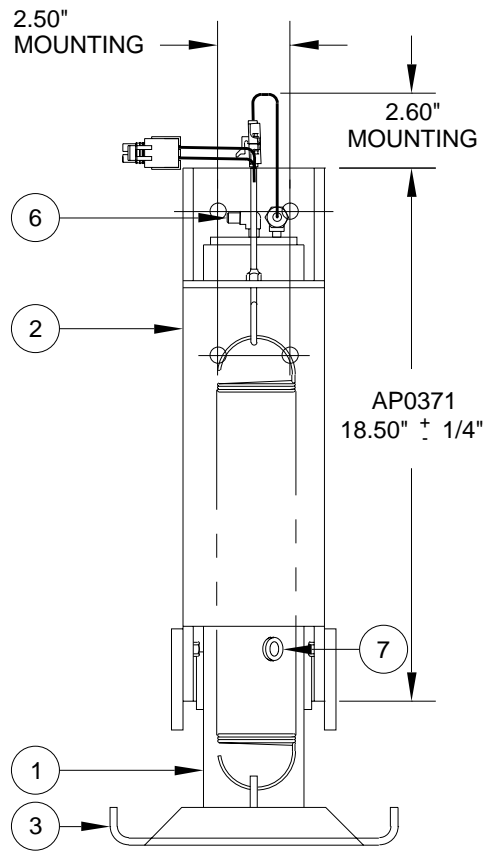
ITEM	PART	QTY	DESCRIPTION
1	RAP0374	1	CYL. ASSY. 2/75" X 13" (INCLUDES ITEM 6,7) (EXCLUDES ITEMS 6,8)
2	RAP0371	1	PIVOT BRACKET
3	RAP5453	1	FOOT 11.40" ROUND 10" SQUARE FOOT NO LONGER AVAILABLE
4	R2365	1 2	SPRING KIT 2-3/4" X 13-1/2" SPRING 2-3/4" X 13-1/2"
5	R5491	1 1 1	EYE BOLT KIT 3/8-16 X 6.00" EYE BOLT 3/8-16 ESNA LOCK NUT

ITEM	PART	QTY	DESCRIPTION
6	RF1453	1	ELBOW 1/8" X 1/4"
7	RF2418	1	PIPE PLUG 1/8"
8	RAP1008	1	SWITCH WARNING 2-WIRE (REPLACES RAP8100)
9	RAP1736	1 2 4 4	RETAINING PLATE KIT RETAINING PLATES HHCS 3/8 -16 X 1" HEX NUT 3/8-16

NOTE : INDENTED ITEMS ARE INCLUDED WITH PRECEDING ITEM.

**MR26.6405**  
**12FEB13**

**AP0377 - STRAIGHT ACTING JACK, 7 DEGREE PIVOT, S/S SPRINGS**  
**16,000 # CAPACITY; 2.750" ROD DIAMETER; 13.00" STROKE**  
**WITH PRESSURE SWITCH, 3-WIRE WARNING SWITCH**  
**AND NARROW PIVOT BRACKET**



ITEM	PART	QTY	DESCRIPTION
1	RAP0374	1	CYL. ASSY. 2.75" X 13" (INCLUDES ITEMS 6,7) (EXCLUDES ITEMS 8,9,10)
2	RAP0371	1	PIVOT BRACKET
3	RAP5453	1	FOOT 11.40" ROUND 10" SQUARE FOOT NO LONGER AVAILABLE
4	R2365	1 2	SPRING KIT 2-3/4" X 13-1/2" SPRING 2-3/4" X 13-1/2"
5	R5491	1 1 1	EYE BOLT KIT 3/8-16 X 6.00" EYE BOLT 3/8-16 ESNA LOCK NUT

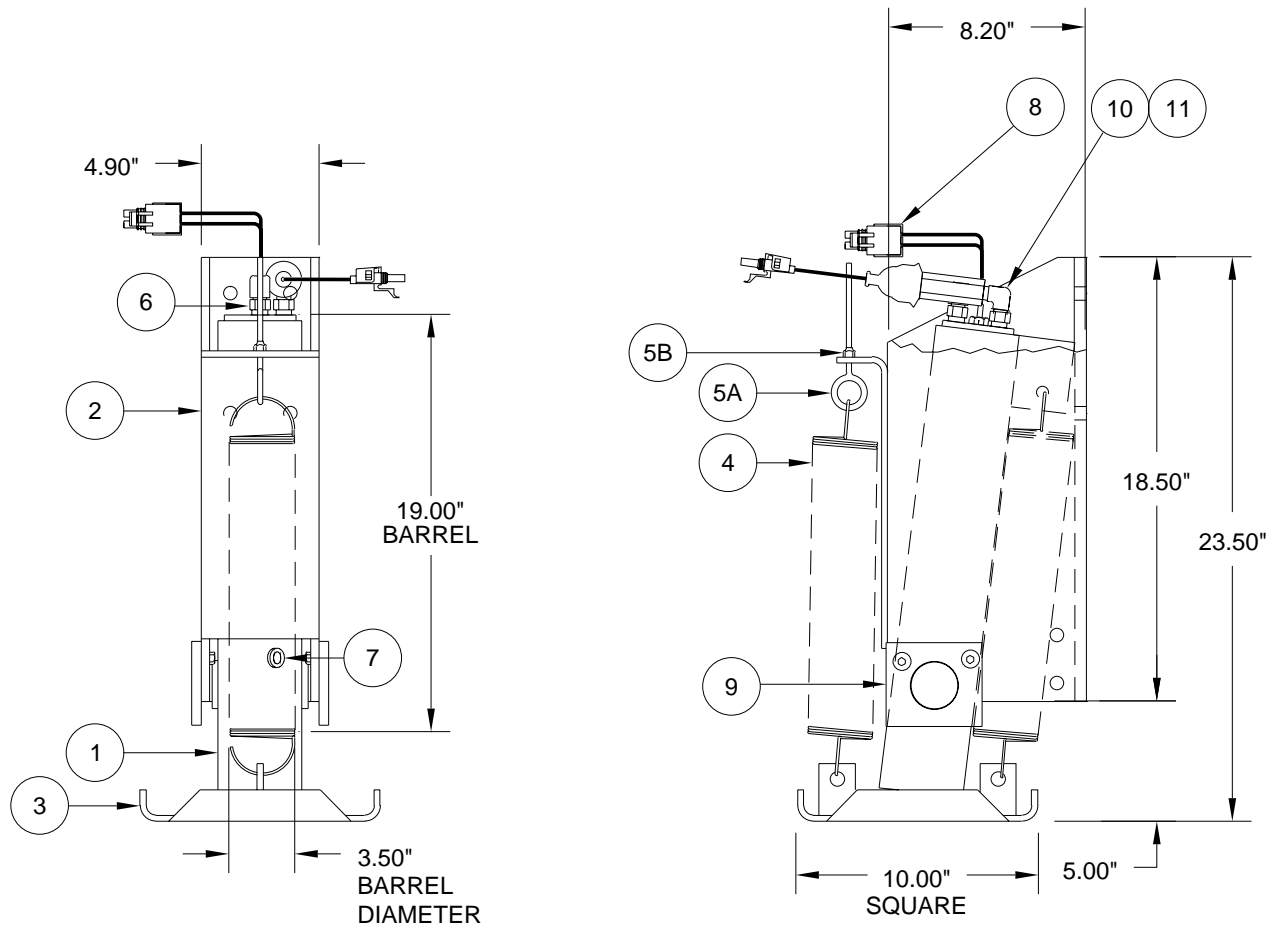
ITEM	PART	QTY	DESCRIPTION
6	RF1453	1	ELBOW 1/8" X 1/4"
7	RF2418	1	PIPE PLUG 1/8"
8	RAP90073	1	SWITCH WARNING 3-WIRE (REPLACES RAP8442)
9	RF8143	1	ELBOW 1/8" X 1/8"
10	RAP8003	1	SWITCH PRESSURE
11	RAP1736	1 2 4 4	RETAINING PLATE KIT RETAINING PLATES HHCS 3/8-16 X 1" HEX NUT 3/8-16

NOTE : INDENTED ITEMS ARE INCLUDED WITH PRECEDING ITEM.

**MR26.6407**  
**12FEB13**



**AP1123 - STRAIGHT-ACTING JACK, 7 DEGREE PIVOT, S/S SPRINGS**  
**16,000 # CAPACITY; 2.750" ROD DIAMETER; 13.00" STROKE**  
**WITH PRESSURE SWITCH, 2 WIRE WARNING SWITCH**  
**AND NARROW PIVOT BRACKET**



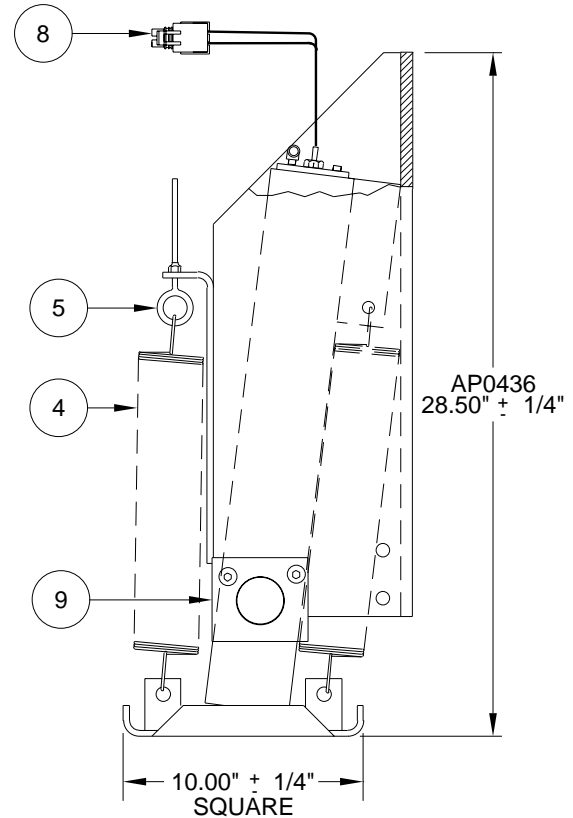
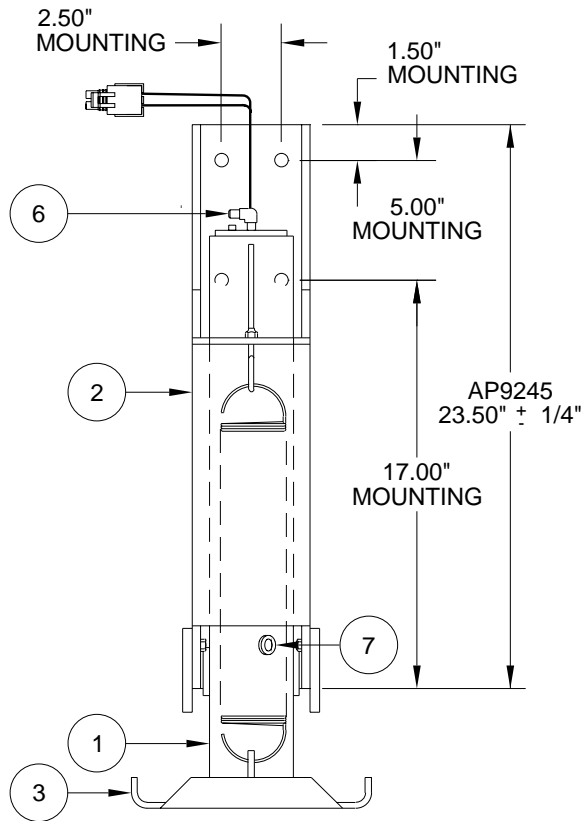
ITEM	PART	QTY	DESCRIPTION
1	RAP0374	1	CYL. ASSY. 2.75" X 13" (INCLUDES ITEM 6,7) (EXCLUDES ITEMS 8,10, 11)
2	RAP0371	1	PIVOT BRACKET
3	RAP5453	1	FOOT 11.40" ROUND 10" SQUARE FOOT NO LONGER AVAILABLE
4	R2365	1 2	SPRING KIT 2-3/4" X 13-1/2" SPRING 2-3/4" X 13-1/2"
5	R5491	1	EYE BOLT KIT
5A		1	3/8-16 X 6.00" EYE BOLT
5B		1	3/8-16 ESNA LOCK NUT

ITEM	PART	QTY	DESCRIPTION
6	RF1456	1	MALE CONNECTOR 1/8" X 1/4"
7	RF2418	1	PIPE PLUG 1/8"
8	RAP1008	1	SWITCH WARNING 2-WIRE (REPLACES RAP1008)
9	RAP1736	1 2 4 4	RETAINING PLATE KIT RETAINING PLATES HHCS 3/8 -16 X 1" HEX NUT 3/8-16
10	RF8143	1	ELBOW 1/8" X 1/8"
11	RAP8003	1	SWITCH PRESSURE

NOTE : INDENTED ITEMS ARE INCLUDED WITH PRECEDING ITEM.

**MR26.6410**  
**12FEB13**

**AP0436 - STRAIGHT ACTING JACK, 7 DEGREE PIVOT, S/S SPRINGS**  
**16,000 # CAPACITY; 2.750" ROD DIAMETER; 16.00" STROKE**  
**WITH NARROW PIVOT BRACKET**



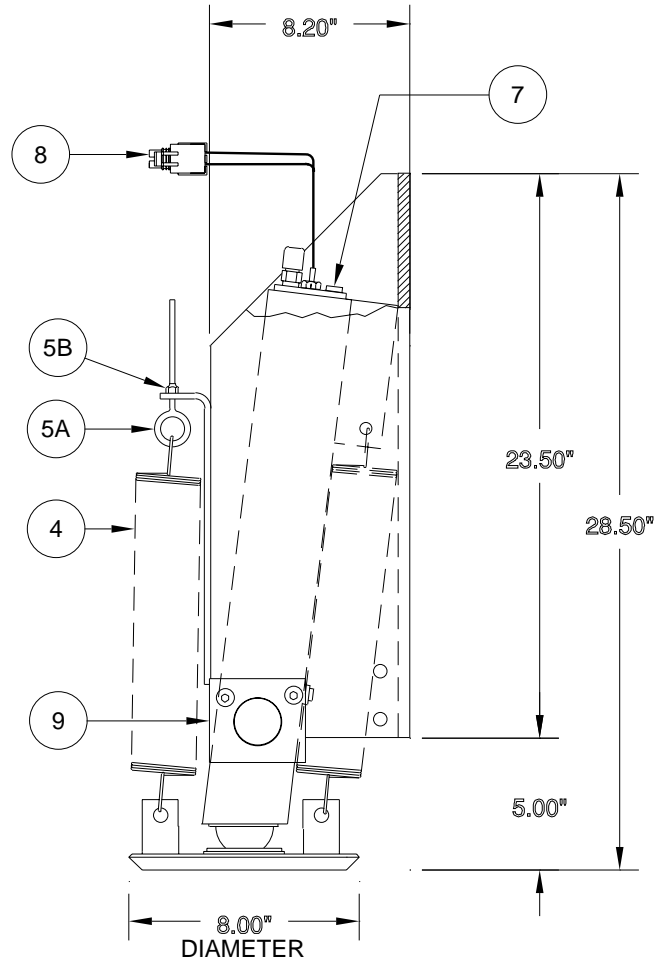
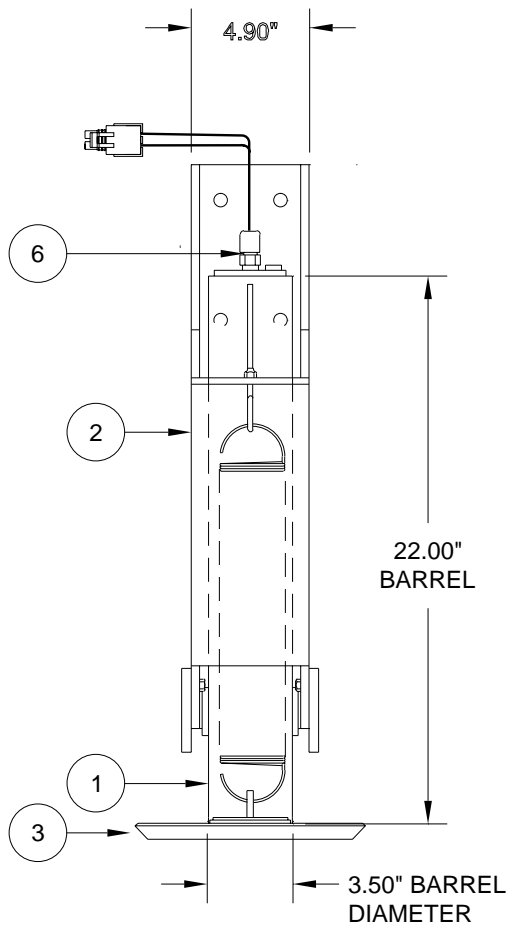
ITEM	PART	QTY	DESCRIPTION
1	RAP9261	1	CYL. ASSY. 2.75" X 16" (INCLUDES ITEMS 6,7) (EXCLUDES ITEM 8)
2	RAP9245	1	PIVOT BRACKET
3	RAP5453	1	FOOT 11.40" ROUND 10" SQUARE FOOT NO LONGER AVAILABLE
4	R2365	1 2	SPRING KIT 2-3/4" X 13-1/2" SPRING 2-3/4" X 13-1/2"
5	R5491	1 1 1	EYE BOLT KIT 3/8-16 X 6.00" EYE BOLT 3/8-16 ESNA LOCK NUT

ITEM	PART	QTY	DESCRIPTION
6	RF1453	1	ELBOW 1/8" X 1/4"
7	RF2418	1	PIPE PLUG 1/8"
8	RAP1008	1	SWITCH WARNING 2-WIRE (REPLACES RAP8100)
9	RAP1736	1 2 4 4	RETAINING PLATE KIT RETAINING PLATES HHCS 3/8-16 X 1" HEX NUT 3/8-16

NOTE : INDENTED ITEMS ARE INCLUDED WITH PRECEDING ITEM.

**MR26.6550**  
**12FEB13**

**AP10933 - STRAIGHT-ACTING JACK, 7 DEGREE PIVOT, S/S SPRINGS**  
**16,000 # CAPACITY; 2.75" ROD DIAMETER; 16.00" STROKE**  
**WITH NARROW PIVOT BRACKET**



ITEM	PART	QTY	DESCRIPTION
	RAP90207		JACK 16,000 # X 16" S/S (REPLACES AP10933)
1	RAP9261	1	CYL. ASSY. 2.75" X 16" (INCLUDES ITEMS 6,7) (INCLUDES ITEMS 8)
2	RAP9245	1	PIVOT BRACKET
3	RAP8464	1	8.00" DIAMETER FOOT
4	R2365	1 2	SPRING KIT 2-3/4" X 13-1/2" SPRING 2-3/4" X 13-1/2"

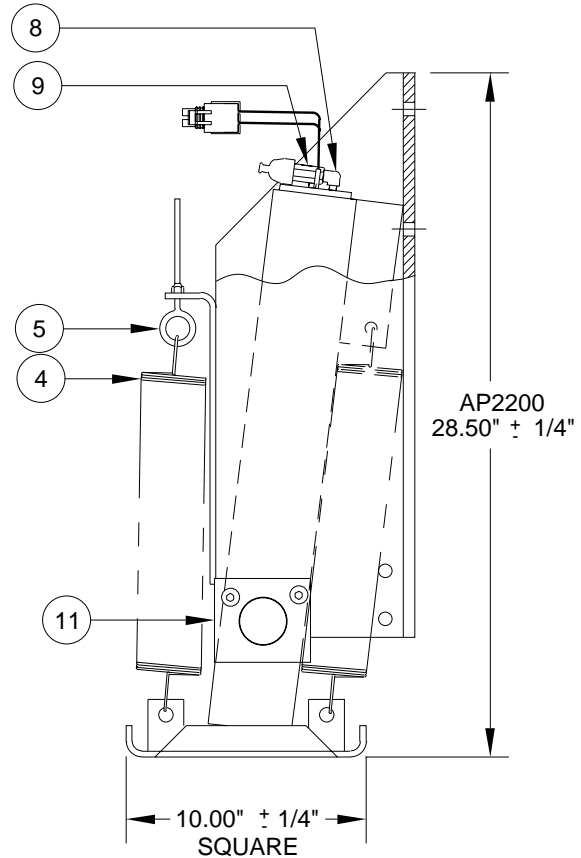
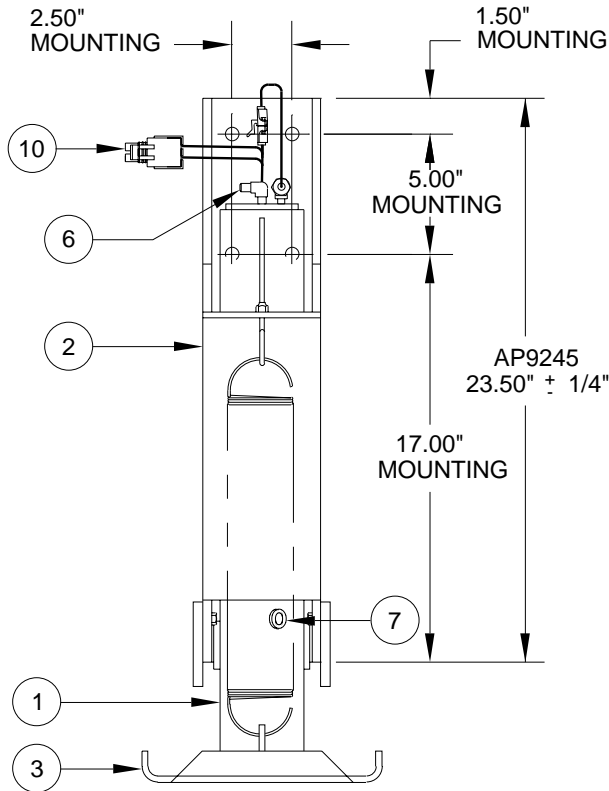
ITEM	PART	QTY	DESCRIPTION
5	R5491	1 1 1	EYE BOLT KIT 3/8-16 X 6.00" EYE BOLT 3/8-16 ESNA LOCK NUT
6	RF1456	1	MALE CONNECTOR 1/8" X 1/4"
7	RF2418	2	PIPE PLUG 1/8"
8	RAP1008	1	SWITCH WARNING 2-WIRE
9	RAP1736	1 2 4 4	RETAINING PLATE KIT RETAINING PLATES HHCS 3/8-16 X 1" HEX NUT 3/8-16

NOTE : INDENTED ITEMS ARE INCLUDED WITH PRECEDING ITEM.

**MR26.6551**  
**12SEP97**

# AP2200 - STRAIGHT ACTING JACK, 7 DEGREE PIVOT, S/S SPRINGS REPLACES AP9271 JACK

**16,000 # CAPACITY; 2.750" ROD DIAMETER; 16.00" STROKE  
WITH PRESSURE SWITCH AND 3-WIRE WARNING SWITCH**



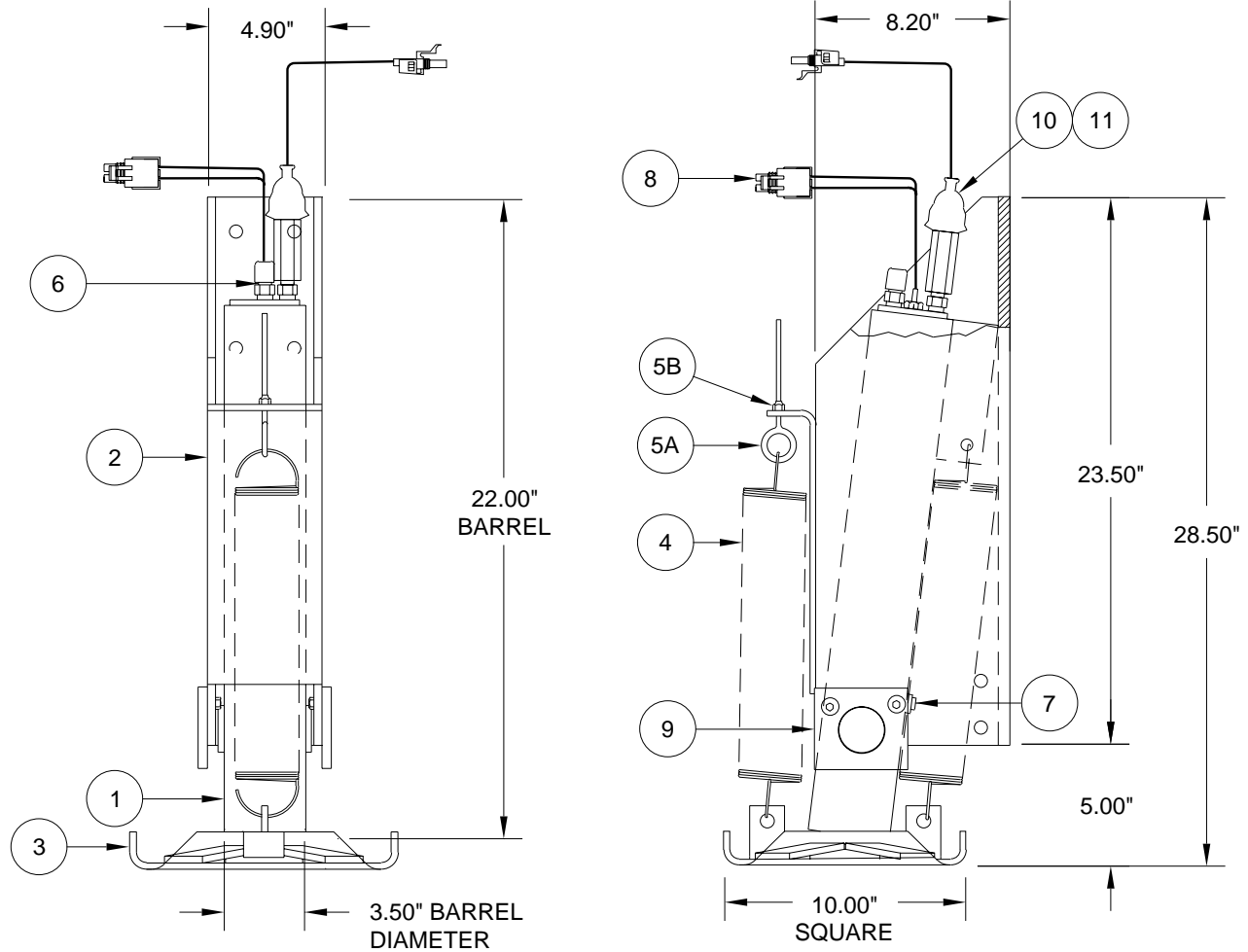
ITEM	PART	QTY	DESCRIPTION
1	RAP9261	1	CYL. ASSY. 2.75" X 16" (INCLUDES ITEMS 6,7) (EXCLUDES ITEMS 8,9,10)
2	RAP9245	1	PIVOT BRACKET
3	RAP5453	1	FOOT 11.40" ROUND 10" SQUARE FOOT NO LONGER AVAILABLE
4	R2365	1 2	SPRING KIT 2-3/4" X 13-1/2" SPRING 2-3/4" X 13-1/2"
5	R5491	1 1 1	EYE BOLT KIT 3/8-16 X 6.00" EYE BOLT 3/8-16 ESNA LOCK NUT

ITEM	PART	QTY	DESCRIPTION
6	RF1453	1	ELBOW 1/8" X 1/4"
7	RF2418	1	PIPE PLUG 1/8"
8	RF8143	1	ELBOW 1/8" X 1/8"
9	RAP8003	1	SWITCH PRESSURE
10	RAP90073	1	SWITCH WARNING 3-WIRE (REPLACES RAP8442)
11	RAP1736	1 2 4 4	RETAINING PLATE KIT RETAINING PLATES HHCS 3/8-16 X 1" HEX NUT 3/8-16

**NOTE :** INDENTED ITEMS ARE INCLUDED WITH PRECEDING ITEM.

**MR26.6552  
12FEB13**

**AP1246 - STRAIGHT-ACTING JACK, 7 DEGREE PIVOT, S/S SPRINGS**  
**16,000 # CAPACITY; 2.750" ROD DIAMETER; 16.00" STROKE**  
**WITH PRESSURE SWITCH, 2 WIRE WARNING**  
**AND NARROW PIVOT BRACKET**



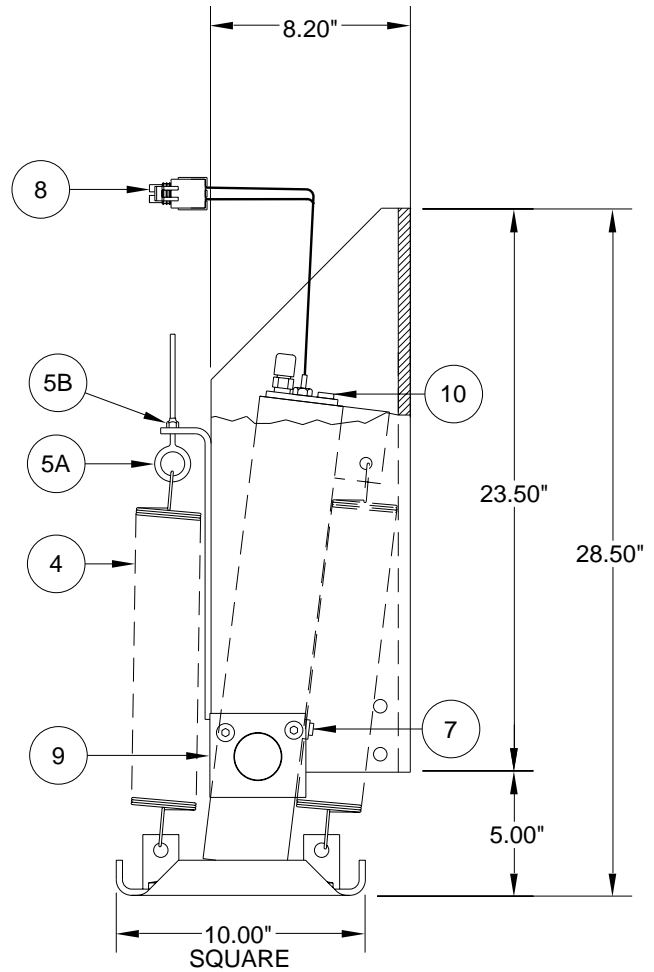
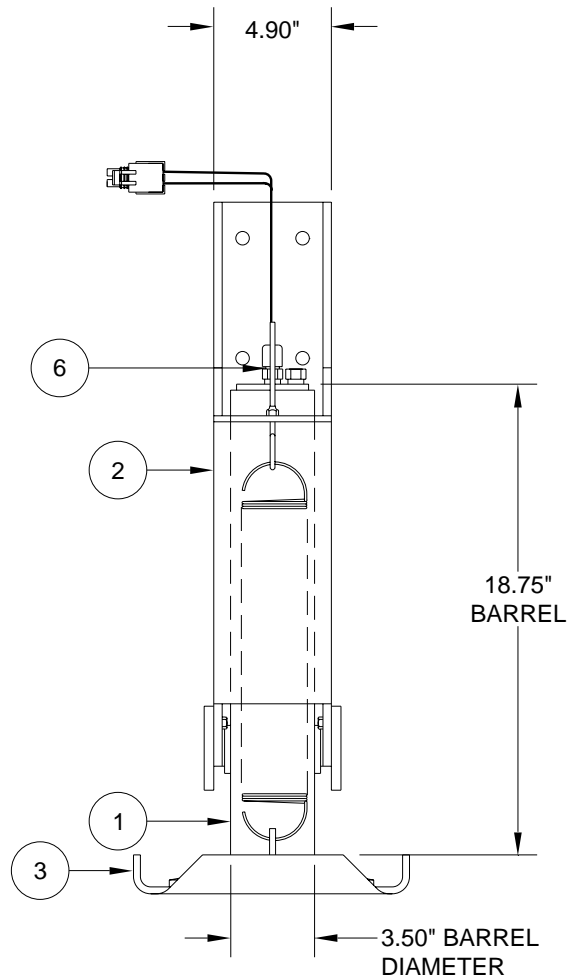
ITEM	PART	QTY	DESCRIPTION
1	RAP9261	1	CYL. ASSY. 2.75" X 16" (INCLUDES ITEMS 6,7) (EXCLUDES ITEM 8,10,11)
2	RAP9245	1	PIVOT BRACKET
3	RAP5453	1	FOOT 11.40" ROUND 10" SQUARE FOOT NO LONGER AVAILABLE
4	R2365	1 2	SPRING KIT 2-3/4" X 13-1/2" SPRING 2-3/4" X 13-1/2"
5	R5491	1 1 1	EYE BOLT KIT 3/8-16 X 6.00" EYE BOLT 3/8-16 ESNA LOCK NUT

ITEM	PART	QTY	DESCRIPTION
6	RF1456	1	MALE CONNECTOR 1/8" X 1/4"
7	RF2418	1	PIPE PLUG 1/8"
8	RAP1008	1	SWITCH WARNING 2-WIRE
9	RAP1736	1 2 4 4	RETAINING PLATE KIT RETAINING PLATES HHCS 3/8-16 X 1" HEX NUT 3/8-16
10	RF9315	1	NIPPLE 1/8" X 1/8"
11	RAP8003	1	SWITCH PRESSURE

NOTE : INDENTED ITEMS ARE INCLUDED WITH PRECEDING ITEM.

**MR26.6555**  
**12FEB13**

**AP23092 - STRAIGHT ACTING JACK, 6 DEGREE PIVOT, S/S SPRINGS**  
**16,000 # CAPACITY; 2.750" ROD DIAMETER; 13.00" STROKE**  
**WITH MAGNETIC WARNING SWITCH AND NARROW PIVOT BRKT.**



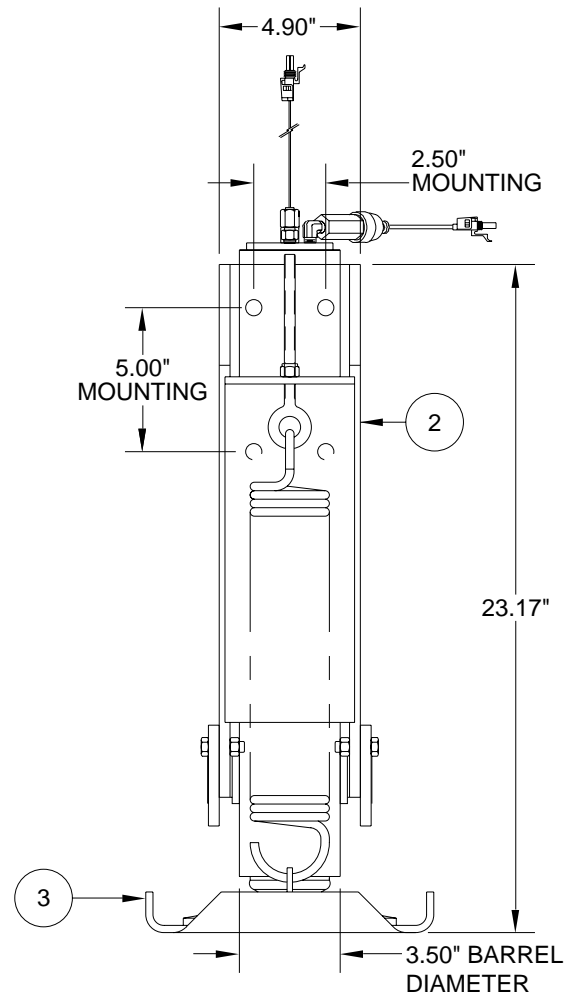
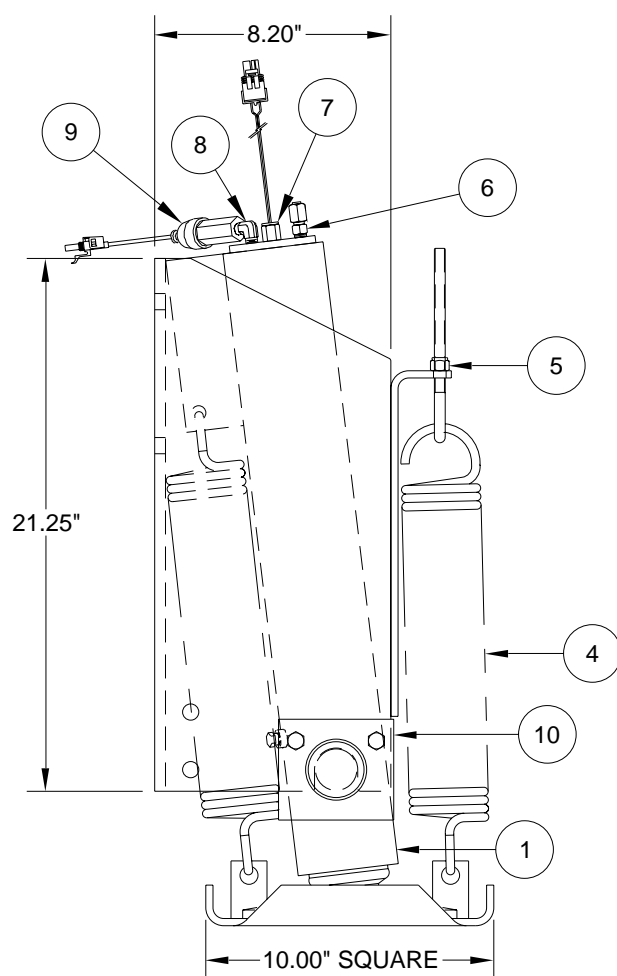
ITEM	PART	QTY	DESCRIPTION
1	RAP0374	1	CYL. ASSY. 2.75" X 13" (INCLUDES ITEMS 6,7,10) (EXCLUDES ITEM 8)
2	RAP9245	1	PIVOT BRACKET
3	RAP5453	1	FOOT 11.40" ROUND 10" SQUARE FOOT NO LONGER AVAILABLE
4	R2365	1 2	SPRING KIT 2-3/4" X 13-1/2" SPRING 2-3/4" X 13-1/2"
5	R5491	1 1 1	EYE BOLT KIT 3/8-16 X 6.00" EYE BOLT 3/8-16 ESNA LOCK NUT

ITEM	PART	QTY	DESCRIPTION
6	RF1456	1	MALE CONNECTOR 1/8" X 1/4"
7	RF90272	1	HEX PLUG 1/8"
8	RAP1008	1	SWITCH WARNING 2-WIRE
9	RAP1736	1 2 4 4	RETAINING PLATE KIT RETAINING PLATES HHCS 3/8-16 X 1" HEX NUT 3/8-16
10	RF2418	1	PIPE PLUG 1/8"

NOTE : INDENTED ITEMS ARE INCLUDED WITH PRECEDING ITEM.

**MR26.6560**  
**12FEB13**

**AP30834 - STRAIGHT ACTING JACK, 8 DEGREE PIVOT, S/S SPRINGS**  
**16,000 # CAPACITY; 2.750" ROD DIAMETER; 16.00" STROKE**  
**WITH MAGNETIC WARNING SWITCH, PRESSURE SWITCH, AND NARROW PIVOT BRKT.**



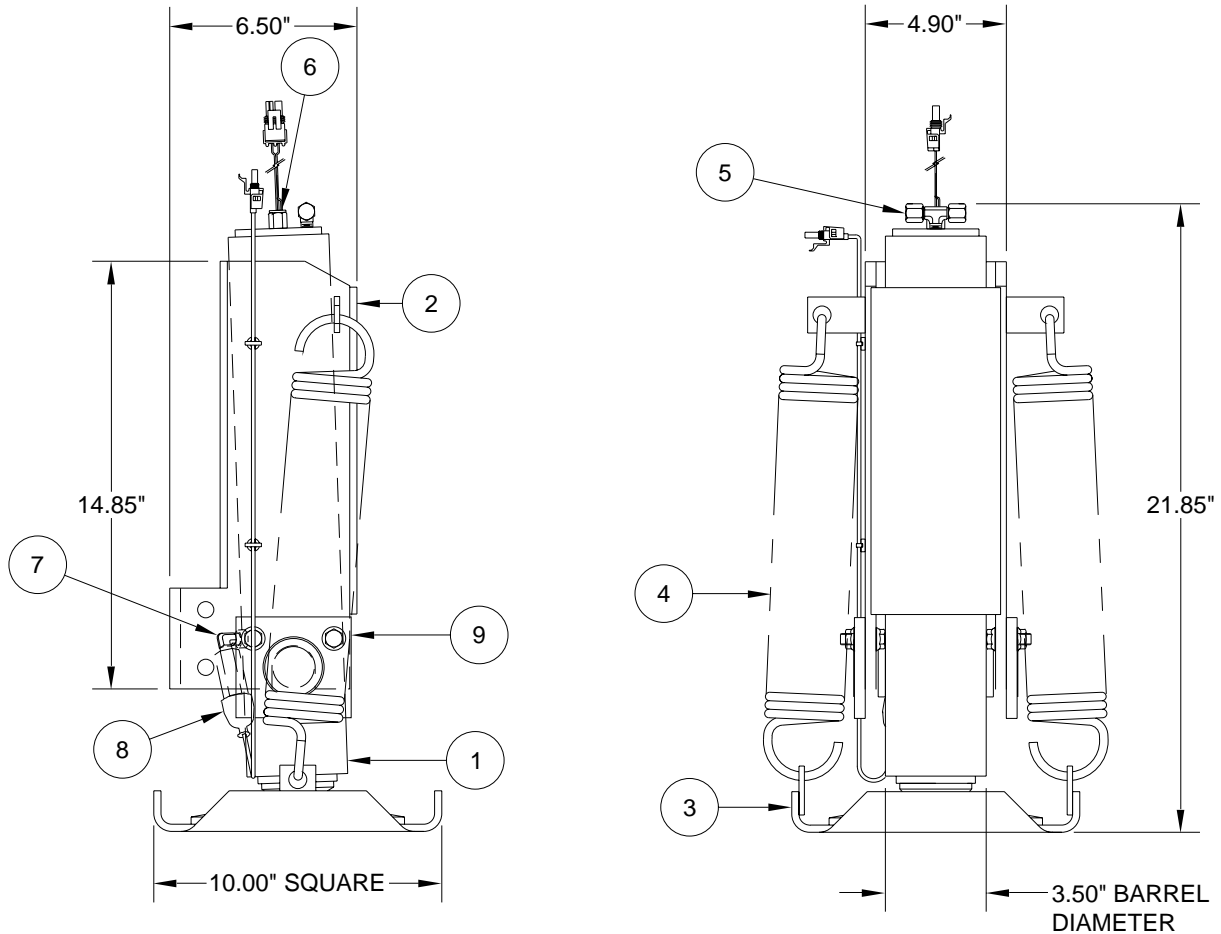
ITEM	PART	QTY	DESCRIPTION
1	RAP9261	1	CYL. ASSY. 2.75" X 16" (INCLUDES ITEM 6) (EXCLUDES ITEMS 7,8,9)
2	RAP0371	1	PIVOT BRACKET
3	RAP5453	1	FOOT 11.40" ROUND 10" SQUARE FOOT NO LONGER AVAILABLE
4	R2365	1 2	SPRING KIT 2-3/4" X 13-1/2" SPRING 2-3/4" X 13-1/2"
5	R5491	1 1 1	EYE BOLT KIT 3/8-16 X 6.00" EYE BOLT 3/8-16 ESNA LOCK NUT

ITEM	PART	QTY	DESCRIPTION
6	RF1456	1	MALE CONNECTOR 1/8" X 1/4"
7	RAP90968	1	SWITCH WARNING MAGNETIC GRAY
8	RF8143	1	ELBOW 1/8" X 1/8"
9	RAP8003	1	SWITCH PRESSURE
10	RAP1736	1 2 4 4	RETAINING PLATE KIT RETAINING PLATES HHCS 3/8-16 X 1" HEX NUT 3/8-16

NOTE : INDENTED ITEMS ARE INCLUDED WITH PRECEDING ITEM.

**MR26.6600**  
**12FEB13**

**AP31412 - STRAIGHT ACTING JACK, 2 DEGREE PIVOT, F/A SPRINGS**  
**16,000 # CAPACITY; 2.750" ROD DIAMETER; 13.00" STROKE**  
**WITH MAGNETIC WARNING SWITCH, PRESSURE SWITCH, AND NARROW PIVOT BRKT.**



ITEM	PART	QTY	DESCRIPTION
1	RAP9631	1	CYL. ASSY. 2.75" X 13" (INCLUDES ITEM 5) (EXCLUDES ITEM 6,7,8)
2	RAP92390	1	PIVOT BRACKET
3	RAP7754	1	FOOT 11.40" ROUND 10" SQUARE FOOT NO LONGER AVAILABLE
4	R2365	1 2	SPRING KIT 2-3/4" X 13-1/2" SPRING 2-3/4" X 13-1/2"
5	RF90151	1	MALE TEE 1/8" X 1/4" X 1/4"

ITEM	PART	QTY	DESCRIPTION
6	RAP1008	1	SWITCH WARNING MAGNETIC
7	RF8143	1	ELBOW 1/8" X 1/8"
8	RAP8003	1	SWITCH PRESSURE
9	RAP1736	1	RETAINING PLATE KIT
		2	RETAINING PLATES
		4	HHCS 3/8-16 X 1"
		4	HEX NUT 3/8-16

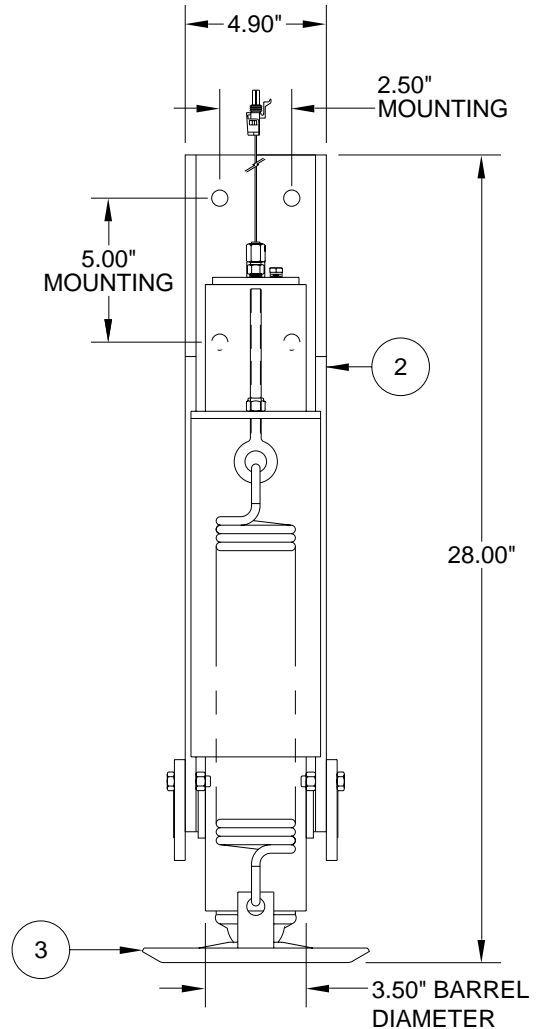
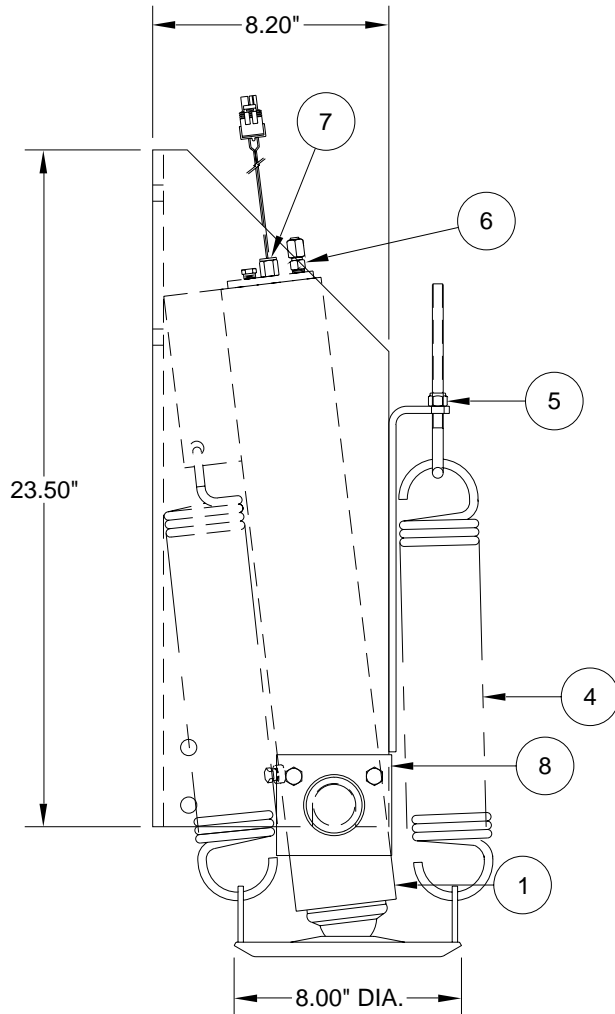
NOTE : INDENTED ITEMS ARE INCLUDED WITH PRECEDING ITEM.

**MR26.6601**  
**14FEB13**



# AP34942 - STRAIGHT ACTING JACK, 8 DEGREE PIVOT, S/S SPRINGS

**16,000 # CAPACITY; 2.750" ROD DIAMETER; 16.00" STROKE  
WITH MAGNETIC WARNING SWITCH, AND NARROW PIVOT BRACKET**



ITEM	PART	QTY	DESCRIPTION
1	RAP9261	1	CYL. ASSY. 2.75" X 16" (INCLUDES ITEM 6) (EXCLUDES ITEM 7)
2	RAP9245	1	PIVOT BRACKET
3	RAP8464	1	FOOT 8.00" DIAMETER
4	R2365	1 2	SPRING KIT 2-3/4" X 13-1/2" SPRING 2-3/4" X 13-1/2"

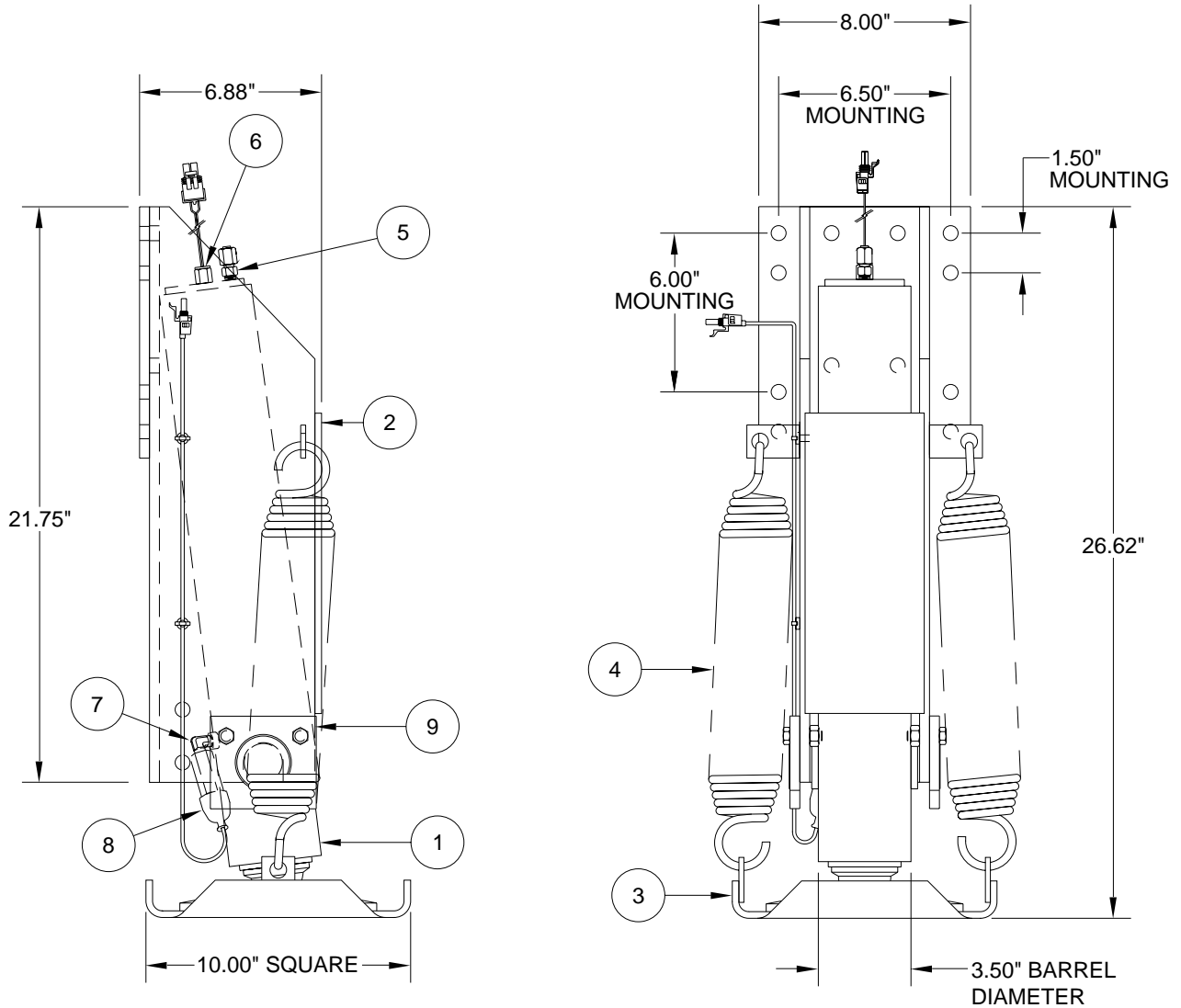
ITEM	PART	QTY	DESCRIPTION
5	R5491	1 1 1	EYE BOLT KIT 3/8-16 X 6.00" EYE BOLT 3/8-16 ESNA LOCK NUT
6	RF1456	1	MALE CONNECTOR 1/8" X 1/4"
7	RAP90968	1	SWITCH WARNING MAGNETIC GRAY
8	RAP1736	1 2 4 4	RETAINING PLATE KIT RETAINING PLATES HHCS 3/8-16 X 1" HEX NUT 3/8-16

NOTE : INDENTED ITEMS ARE INCLUDED WITH PRECEDING ITEM.

MR26.6602  
23JAN09

**AP35219 - AP35220**  
**STRAIGHT ACTING JACK, 7 DEGREE PIVOT, F/A SPRINGS**  
**16,000 # CAPACITY; 2.75" ROD DIAMETER; 16.00" STROKE**

JACK #	DESCRIPTION
AP35219	MAGNETIC WARNING SWITCH W/ GRAY CONNECTOR ONLY
AP35220	MAGNETIC WARNING SWITCH W/ GRAY CONNECTOR, PRESSURE SWITCH



ITEM	PART	QTY	DESCRIPTION
1	RAP9829	1	CYL. ASSY. 2.75" X 16" (INCLUDES ITEM 5) (EXCLUDES ITEM 6,7,8)
2	RAP92391	1	PIVOT BRACKET
3	RAP7754	1	FOOT 11.40" ROUND 10" SQUARE FOOT NO LONGER AVAILABLE
4	R2365	1 2	SPRING KIT 2-3/4" X 13-1/2" SPRING 2-3/4" X 13-1/2"
5	RF1456	1	MALE CONNECTOR 1/8" X 1/4"

ITEM	PART	QTY	DESCRIPTION
6	RAP90968	1	SWITCH WARNING MAGNETIC GRAY
7	RF8143	1	ELBOW 1/8" X 1/8" (AP35220 ONLY)
8	RAP8003	1	SWITCH PRESSURE (AP35220 ONLY)
9	RAP1736	1 2 4 4	RETAINING PLATE KIT RETAINING PLATES HHCS 3/8-16 X 1" HEX NUT 3/8-16

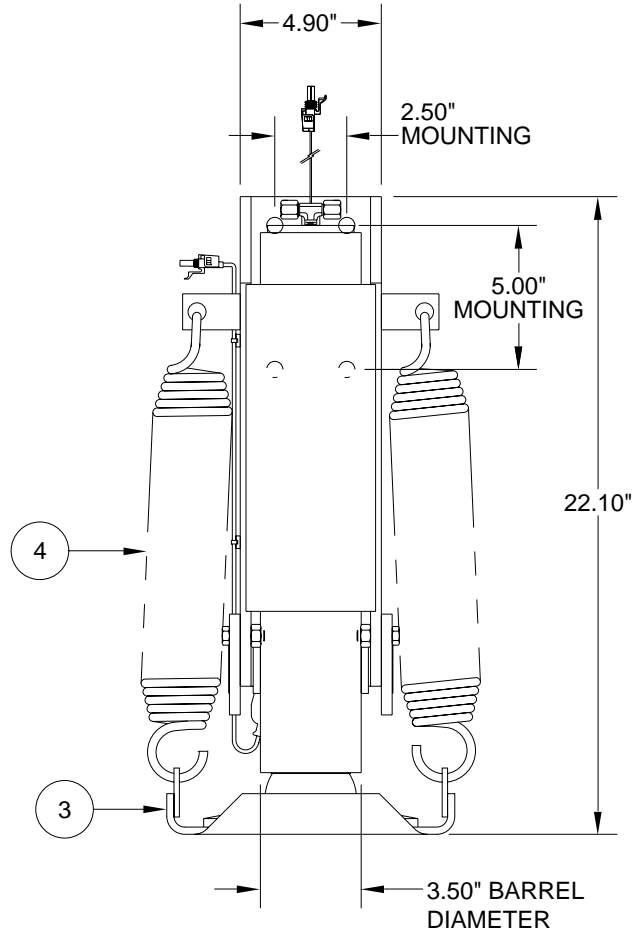
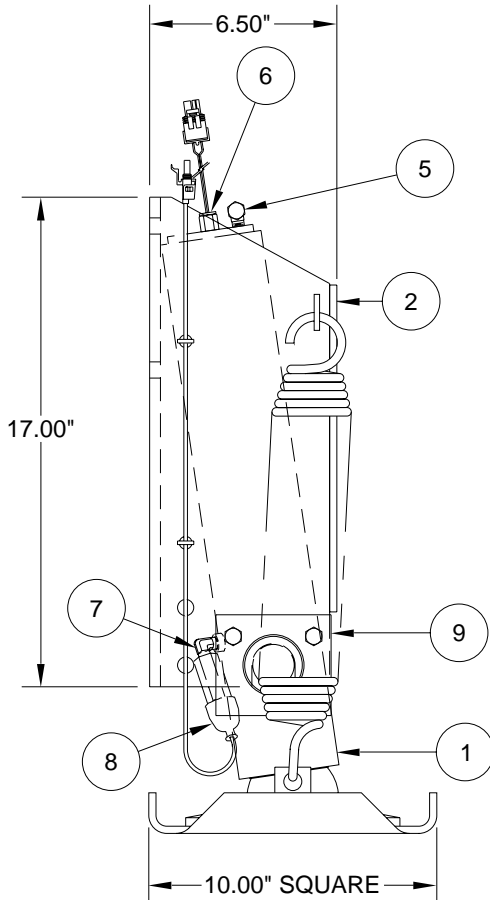
NOTE : INDENTED ITEMS ARE INCLUDED WITH PRECEDING ITEM.

**MR26.6603**  
**14FEB13**

## AP37790 - AP41229

**STRAIGHT ACTING JACK, 9 DEGREE PIVOT, F/A SPRINGS, BOLT-ON FOOT  
16,000 # CAPACITY; 2.750" ROD DIAMETER; 13.00" STROKE; W/ NARROW PIVOT BRKT.**

JACK #	DESCRIPTION
AP37790	MAGNETIC WARNING SWITCH W/ GRAY CONNECTOR ONLY
AP41229	MAGNETIC WARNING SWITCH W/ GRAY CONNECTOR, PRESSURE SWITCH



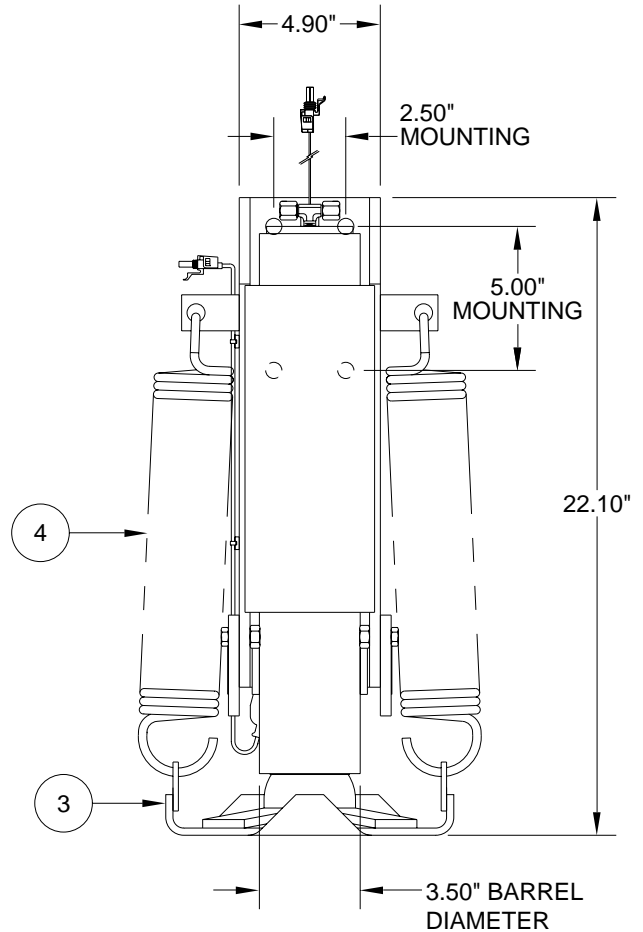
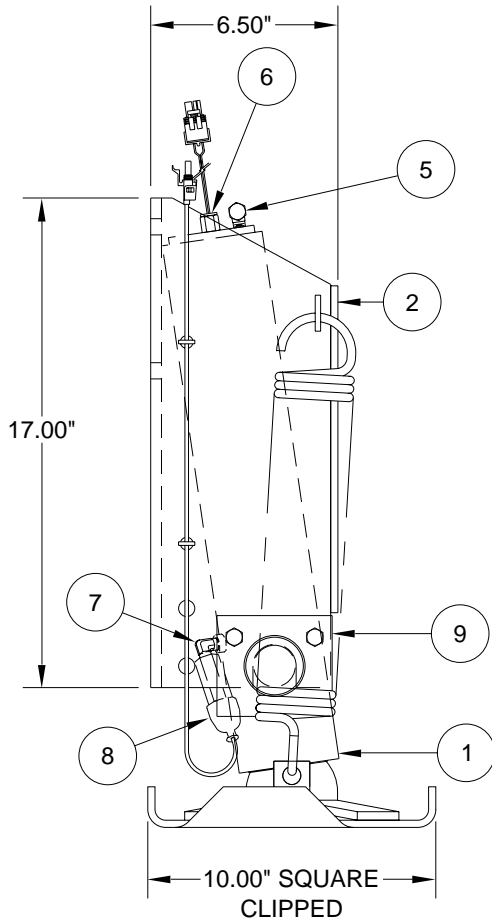
ITEM	PART	QTY	DESCRIPTION
1	RAP92038	1	CYL. ASSY. 2.75" X 13" (INCLUDES ITEM 5) (EXCLUDES ITEM 6,7,8)
2	RAP9634	1	PIVOT BRACKET
3	RAP92632	1	FOOT 11.40" ROUND 10" SQUARE FOOT NO LONGER AVAILABLE
4	R2365	1 2	SPRING KIT 2-3/4" X 13-1/2" SPRING 2-3/4" X 13-1/2"
5	RF90151	1	MALE TEE 1/8" X 1/4" X 1/4"

ITEM	PART	QTY	DESCRIPTION
6	RAP90968	1	SWITCH WARNING MAGNETIC GRAY
7	RF8143	1	ELBOW 1/8" X 1/8" (AP41229 ONLY)
8	RAP8003	1	SWITCH PRESSURE (AP41229 ONLY)
9	RAP1736	1 2 4 4	RETAINING PLATE KIT RETAINING PLATES HHCS 3/8-16 X 1" HEX NUT 3/8-16

**NOTE :** INDENTED ITEMS ARE INCLUDED WITH PRECEDING ITEM.

**MR26.6604  
14FEB13**

**AP37791 - STRAIGHT ACTING JACK, 9 DEGREE PIVOT, F/A SPRINGS**  
**16,000 # CAPACITY; 2.750" ROD DIAMETER; 13.00" STROKE, BOLT-ON FOOT**  
**WITH MAGNETIC WARNING SWITCH, PRESSURE SWITCH, AND NARROW PIVOT BRKT.**



ITEM	PART	QTY	DESCRIPTION
1	RAP92038	1	CYL. ASSY. 2.75" X 13" (INCLUDES ITEM 5) (EXCLUDES ITEM 6,7,8)
2	RAP9634	1	PIVOT BRACKET
3	RAP92062	1	FOOT 10.00" SQUARE CLIPPED
4	R2365	1 2	SPRING KIT 2-3/4" X 13-1/2" SPRING 2-3/4" X 13-1/2"
5	RF90151	1	MALE TEE 1/8" X 1/4" X 1/4"

ITEM	PART	QTY	DESCRIPTION
6	RAP90968	1	SWITCH WARNING MAGNETIC GRAY
7	RF8143	1	ELBOW 1/8" X 1/8"
8	RAP8003	1	SWITCH PRESSURE
9	RAP1736	1	RETAINING PLATE KIT
		2	RETAINING PLATES
		4	HHCS 3/8-16 X 1"
		4	HEX NUT 3/8-16

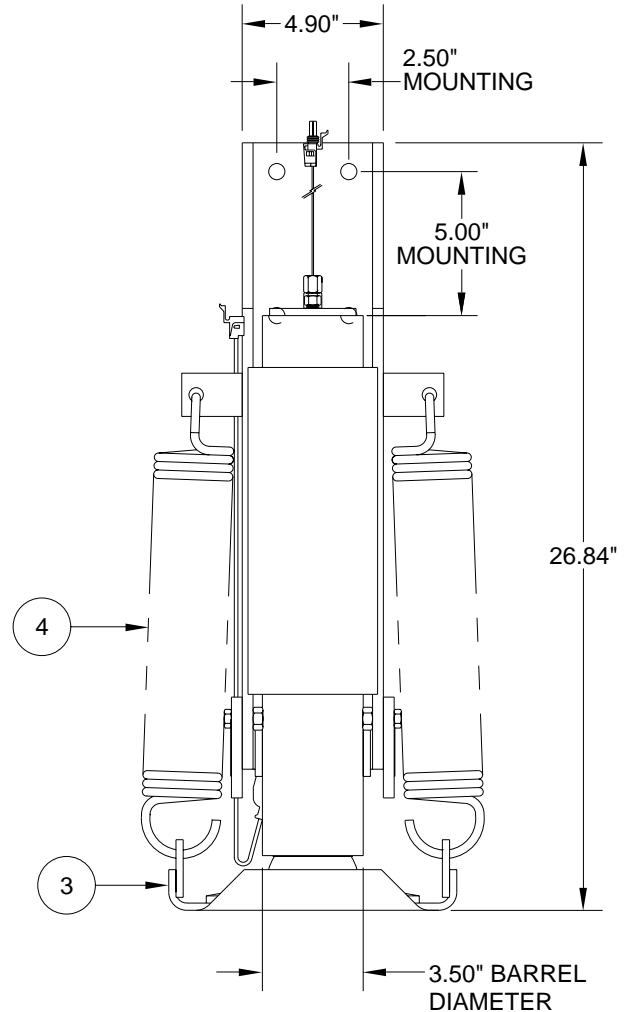
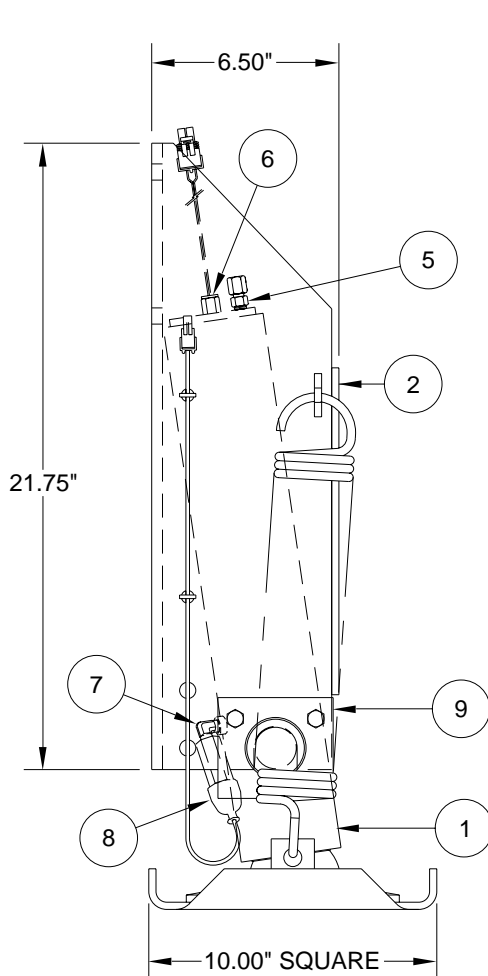
NOTE : INDENTED ITEMS ARE INCLUDED WITH PRECEDING ITEM.

MR26.6605  
23JAN09

## AP37792 - AP37793

**STRAIGHT ACTING JACK, 9 DEGREE PIVOT, F/A SPRINGS, BOLT-ON FOOT  
16,000 # CAPACITY; 2.750" ROD DIAMETER; 13.00" STROKE; W/ NARROW PIVOT BRKT.**

JACK #	DESCRIPTION
AP37792	MAGNETIC WARNING SWITCH W/ GRAY CONNECTOR ONLY
AP37793	MAGNETIC WARNING SWITCH W/ GRAY CONNECTOR, PRESSURE SWITCH



ITEM	PART	QTY	DESCRIPTION
1	RAP92038	1	CYL. ASSY. 2.75" X 13" (INCLUDES ITEM 5) (EXCLUDES ITEM 6,7,8)
2	RAP0945	1	PIVOT BRACKET
3	RAP92632	1	FOOT 11.40" ROUND 10" SQUARE FOOT NO LONGER AVAILABLE
4	R2365	1 2	SPRING KIT 2-3/4" X 13-1/2" SPRING 2-3/4" X 13-1/2"
5	RF1456	1	MALE CONNECTOR 1/8" X 1/4"

ITEM	PART	QTY	DESCRIPTION
6	RAP90968	1	SWITCH WARNING MAGNETIC GRAY
7	RF8143	1	ELBOW 1/8" X 1/8" (AP37793 ONLY)
8	RAP8003	1	SWITCH PRESSURE (AP37793 ONLY)
9	RAP1736	1 2 4 4	RETAINING PLATE KIT RETAINING PLATES HHCS 3/8-16 X 1" HEX NUT 3/8-16

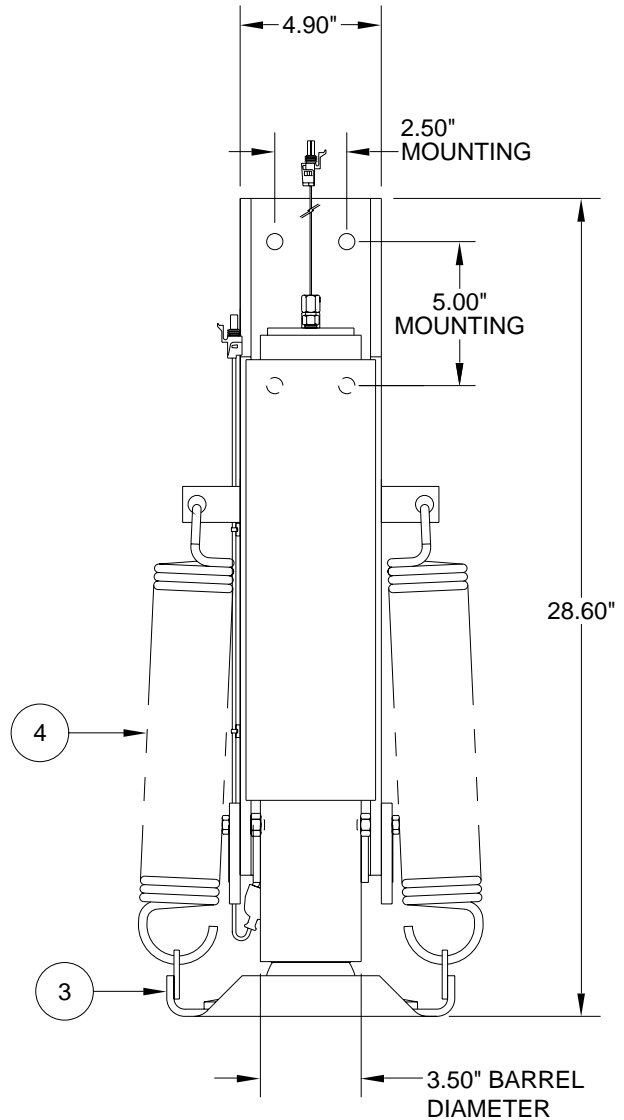
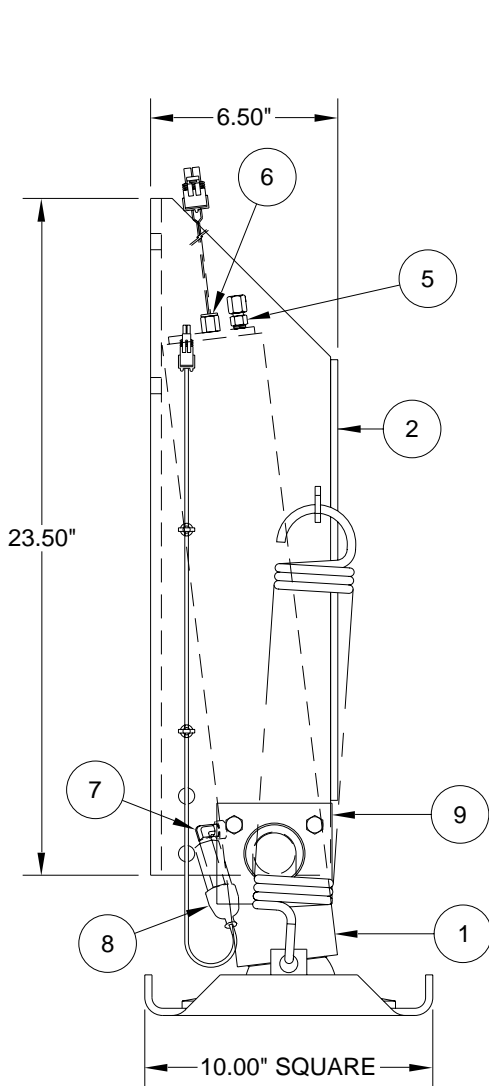
**NOTE :** INDENTED ITEMS ARE INCLUDED WITH PRECEDING ITEM.

**MR26.6606  
14FEB13**

## AP38143 - AP38144

**STRAIGHT ACTING JACK, 7 DEGREE PIVOT, F/A SPRINGS, BOLT-ON FOOT  
16,000 # CAPACITY; 2.750" ROD DIAMETER; 16.00" STROKE; W/ NARROW PIVOT BRKT.**

JACK #	DESCRIPTION
AP38143	MAGNETIC WARNING SWITCH W/ BLACK CONNECTOR ONLY
AP38144	MAGNETIC WARNING SWITCH W/ BLACK CONNECTOR, PRESSURE SWITCH



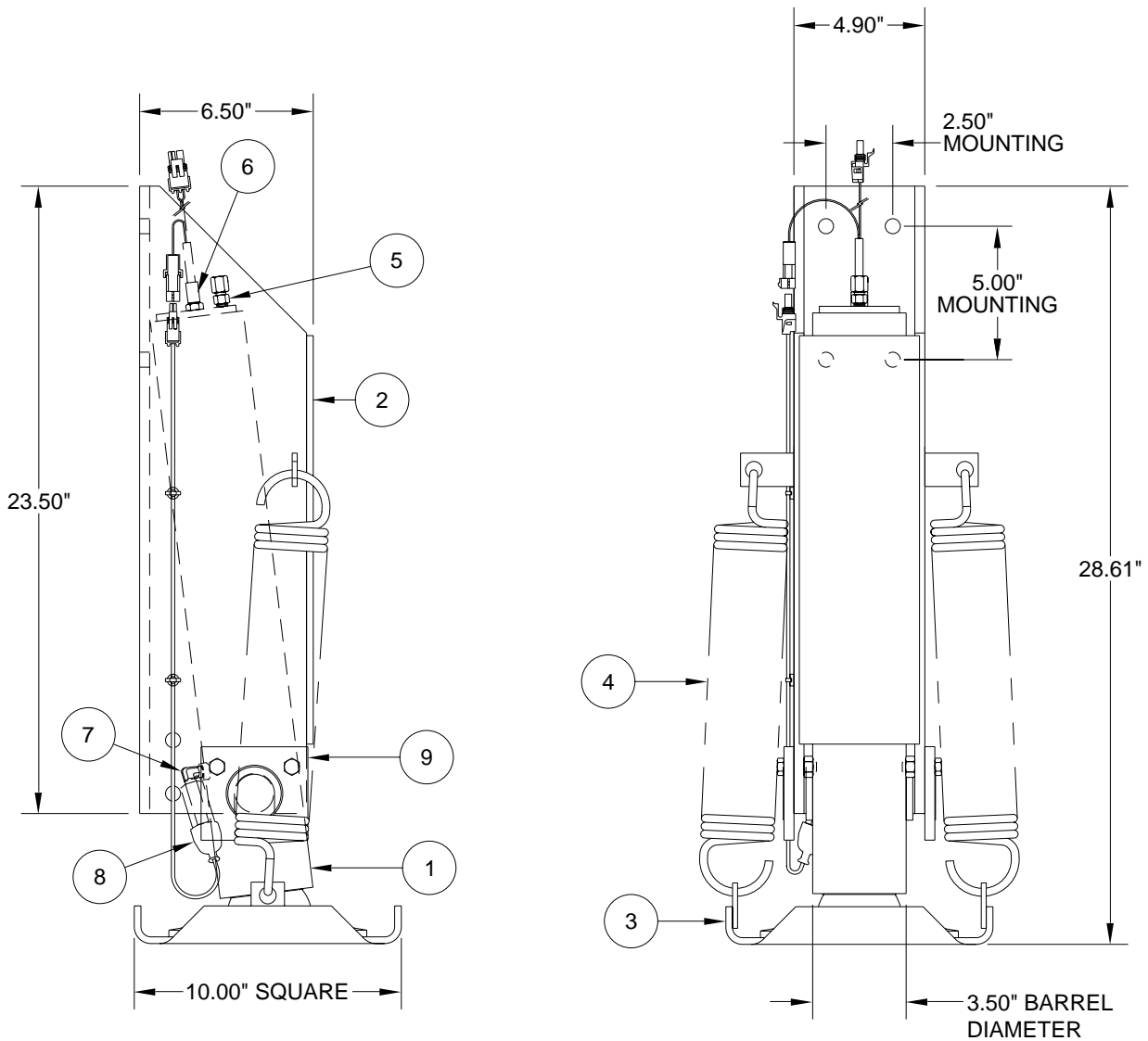
ITEM	PART	QTY	DESCRIPTION
1	RAP92040	1	CYL. ASSY. 2.75" X 16" (INCLUDES ITEM 5) (EXCLUDES ITEM 6,7,8)
2	RAP9827	1	PIVOT BRACKET
3	RAP92632	1	FOOT 11.40" ROUND 10" SQUARE FOOT NO LONGER AVAILABLE
4	R2365	1 2	SPRING KIT 2-3/4" X 13-1/2" SPRING 2-3/4" X 13-1/2"
5	RF1456	1	MALE CONNECTOR 1/8" X 1/4"

ITEM	PART	QTY	DESCRIPTION
6	RAP1008	1	SWITCH WARNING MAGNETIC
7	RF8143	1	ELBOW 1/8" X 1/8" (AP38144 ONLY)
8	RAP8003	1	SWITCH PRESSURE (AP38144 ONLY)
9	RAP1736	1 2 4 4	RETAINING PLATE KIT RETAINING PLATES HHCS 3/8-16 X 1" HEX NUT 3/8-16

**NOTE :** INDENTED ITEMS ARE INCLUDED WITH PRECEDING ITEM.

**MR26.6607  
14FEB13**

**AP38145 - STRAIGHT ACTING JACK, 7 DEGREE PIVOT, F/A SPRINGS**  
**16,000 # CAPACITY; 2.750" ROD DIAMETER; 16.00" STROKE; BOLT-ON FOOT**  
**WITH PRESSURE SWITCH AND 3 WIRE WARNING SWITCH**



ITEM	PART	QTY	DESCRIPTION
1	RAP92040	1	CYL. ASSY. 2.75" X 16" (INCLUDES ITEM 5) (EXCLUDES ITEM 6,7,8)
2	RAP9827	1	PIVOT BRACKET
3	RAP92632	1	FOOT 11.40" ROUND 10" SQUARE FOOT NO LONGER AVAILABLE
4	R2365	1 2	SPRING KIT 2-3/4" X 13-1/2" SPRING 2-3/4" X 13-1/2"
5	RF1456	1	MALE CONNECTOR 1/8" X 1/4"

ITEM	PART	QTY	DESCRIPTION
6	RAP90073	1	SWITCH WARNING MAGNETIC 3-WIRE
7	RF8143	1	ELBOW 1/8" X 1/8"
8	RAP8003	1	SWITCH PRESSURE
9	RAP1736	1	RETAINING PLATE KIT
		2	RETAINING PLATES
		4	HHCS 3/8-16 X 1"
		4	HEX NUT 3/8-16

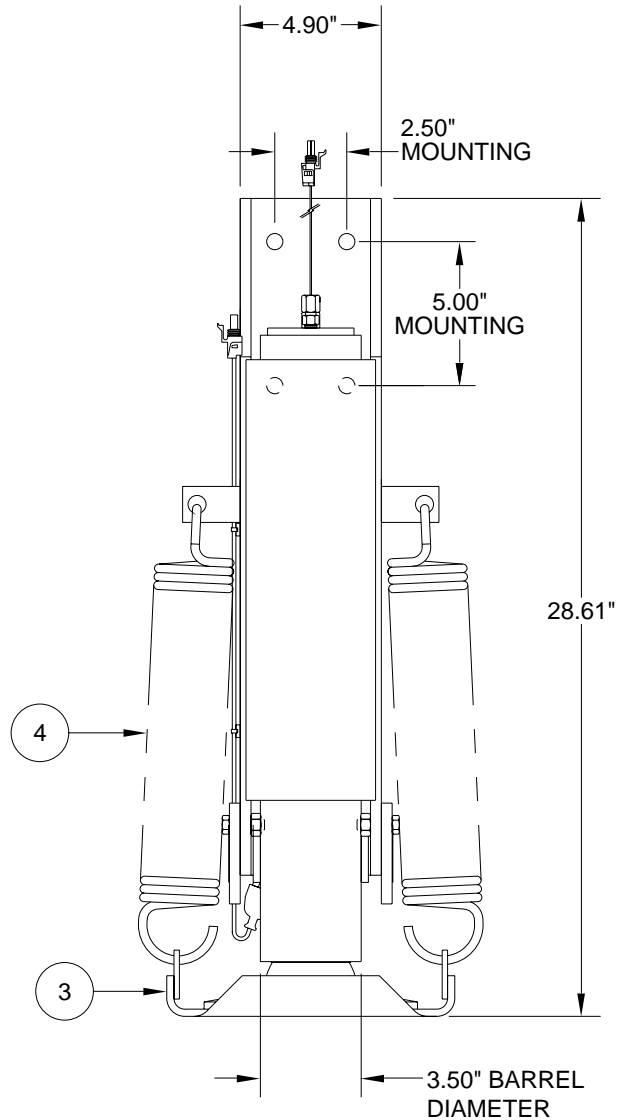
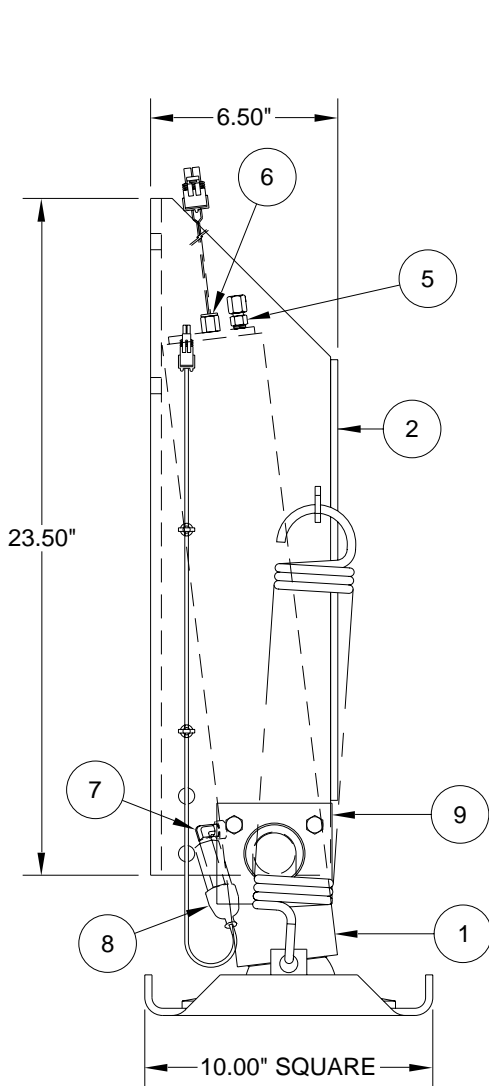
NOTE : INDENTED ITEMS ARE INCLUDED WITH PRECEDING ITEM.

MR26.6608  
14FEB13

## AP38146 - AP38147

**STRAIGHT ACTING JACK, 7 DEGREE PIVOT, F/A SPRINGS, BOLT-ON FOOT  
16,000 # CAPACITY; 2.750" ROD DIAMETER; 16.00" STROKE; W/ NARROW PIVOT BRKT.**

JACK #	DESCRIPTION
AP38146	MAGNETIC WARNING SWITCH W/ GRAY CONNECTOR ONLY
AP38147	MAGNETIC WARNING SWITCH W/ GRAY CONNECTOR, PRESSURE SWITCH



ITEM	PART	QTY	DESCRIPTION
1	RAP92040	1	CYL. ASSY. 2.75" X 16" (INCLUDES ITEM 5) (EXCLUDES ITEM 6,7,8)
2	RAP9827	1	PIVOT BRACKET
3	RAP92632	1	FOOT 11.40" ROUND 10" SQUARE FOOT NO LONGER AVAILABLE
4	R2365	1 2	SPRING KIT 2-3/4" X 13-1/2" SPRING 2-3/4" X 13-1/2"
5	RF1456	1	MALE CONNECTOR 1/8" X 1/4"

ITEM	PART	QTY	DESCRIPTION
6	RAP90968	1	SWITCH WARNING MAGNETIC GRAY
7	RF8143	1	ELBOW 1/8" X 1/8" (AP38147 ONLY)
8	RAP8003	1	SWITCH PRESSURE (AP38147 ONLY)
9	RAP1736	1 2 4 4	RETAINING PLATE KIT RETAINING PLATES HHCS 3/8-16 X 1" HEX NUT 3/8-16

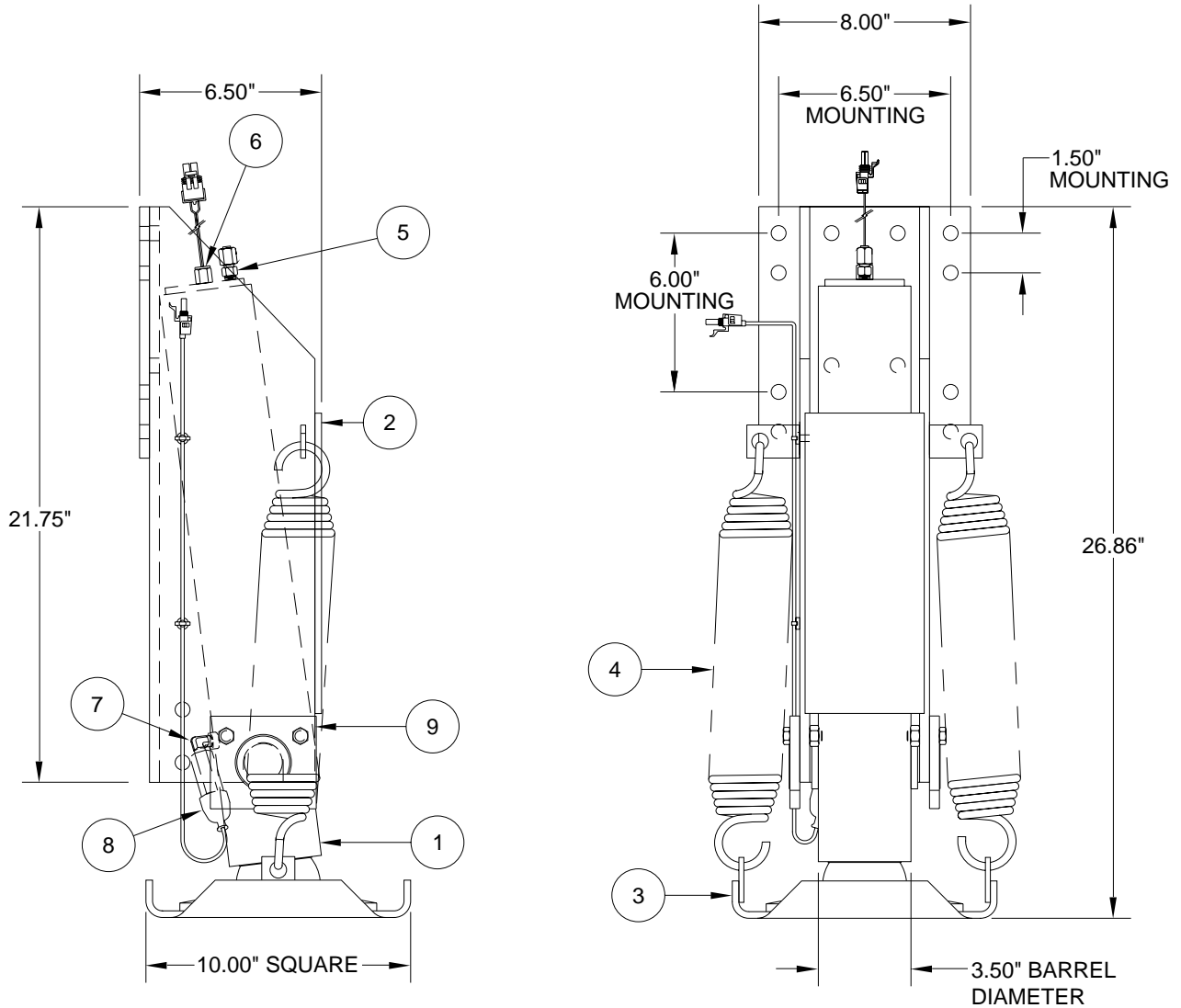
**NOTE :** INDENTED ITEMS ARE INCLUDED WITH PRECEDING ITEM.

**MR26.6609  
14FEB13**



**AP38148 - AP38149**  
**STRAIGHT ACTING JACK, 8 DEGREE PIVOT, F/A SPRINGS, BOLT-ON FOOT**  
**16,000 # CAPACITY; 2.75" ROD DIAMETER; 16.00" STROKE**

JACK #	DESCRIPTION
AP38148	MAGNETIC WARNING SWITCH W/ GRAY CONNECTOR ONLY
AP38149	MAGNETIC WARNING SWITCH W/ GRAY CONNECTOR, PRESSURE SWITCH



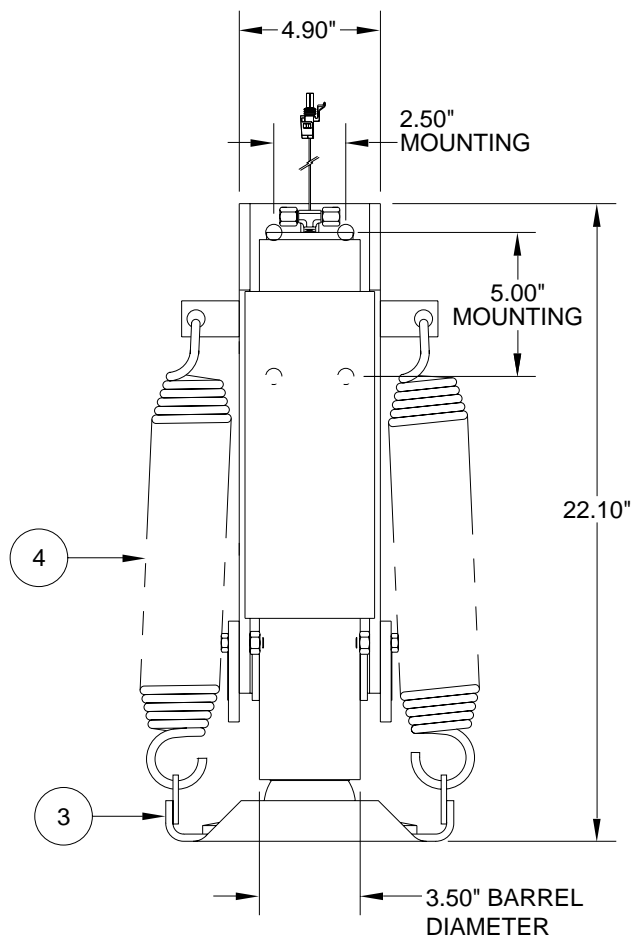
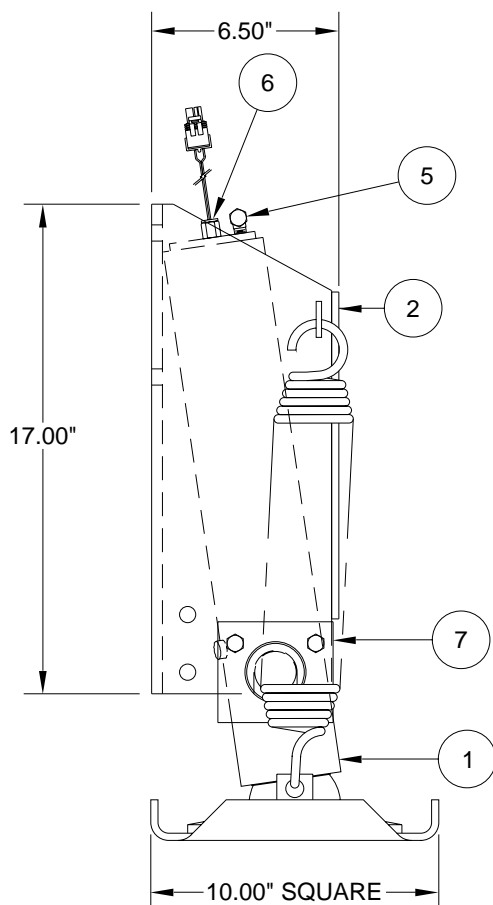
ITEM	PART	QTY	DESCRIPTION
1	RAP92040	1	CYL. ASSY. 2.75" X 16" (INCLUDES ITEM 5) (EXCLUDES ITEM 6,7,8)
2	RAP92391	1	PIVOT BRACKET
3	RAP92632	1	FOOT 11.40" ROUND 10" SQUARE FOOT NO LONGER AVAILABLE
4	R2365	1 2	SPRING KIT 2-3/4" X 13-1/2" SPRING 2-3/4" X 13-1/2"
5	RF1456	1	MALE CONNECTOR 1/8" X 1/4"

ITEM	PART	QTY	DESCRIPTION
6	RAP90968	1	SWITCH WARNING MAGNETIC GRAY
7	RF8143	1	ELBOW 1/8" X 1/8" (AP38149 ONLY)
8	RAP8003	1	SWITCH PRESSURE (AP38149 ONLY)
9	RAP1736	1 2 4 4	RETAINING PLATE KIT RETAINING PLATES HHCS 3/8-16 X 1" HEX NUT 3/8-16

NOTE : INDENTED ITEMS ARE INCLUDED WITH PRECEDING ITEM.

**MR26.6610**  
**14FEB13**

**AP38320 - STRAIGHT ACTING JACK, 9 DEGREE PIVOT, F/A SPRINGS**  
**16,000 # CAPACITY; 2.750" ROD DIAMETER; 13.00" STROKE, BOLT-ON FOOT**  
**WITH MAGNETIC WARNING SWITCH AND NARROW PIVOT BRACKET**



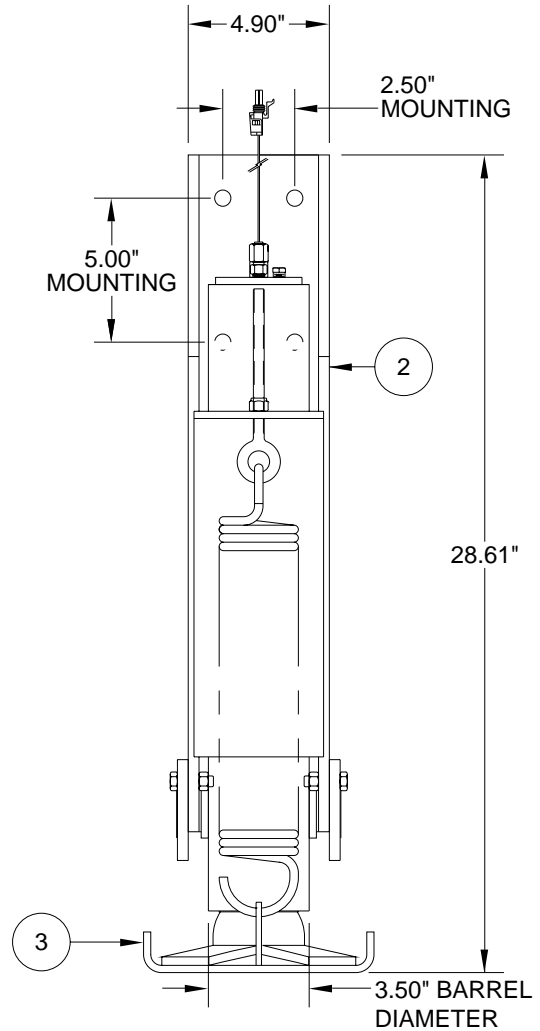
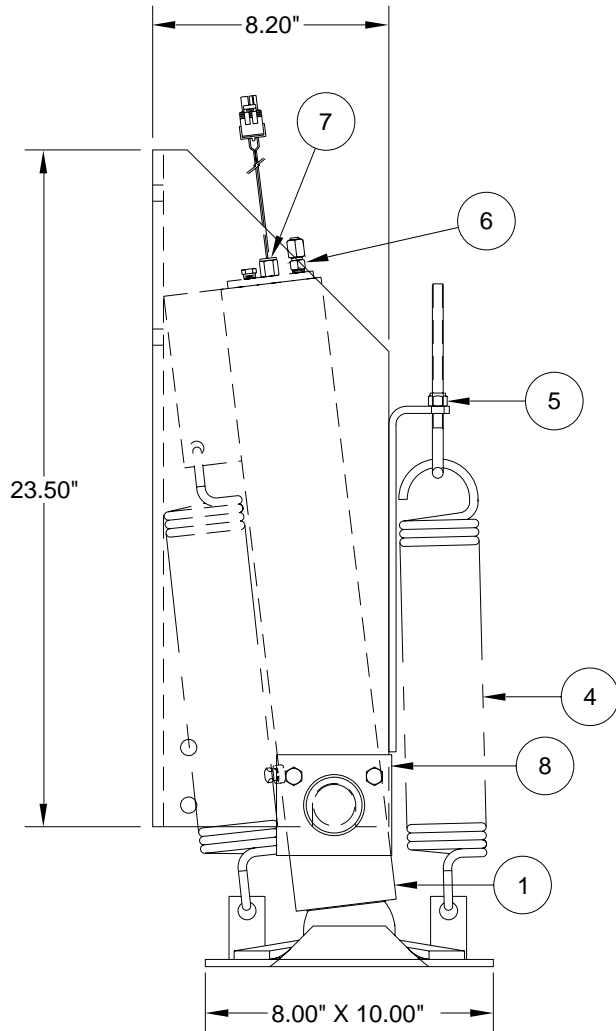
ITEM	PART	QTY	DESCRIPTION
1	RAP92038	1	CYL. ASSY. 2.75" X 13" (INCLUDES ITEM 5) (EXCLUDES ITEM 6)
2	RAP9634	1	PIVOT BRACKET
3	RAP92632	1	FOOT 11.40" ROUND 10" SQUARE FOOT NO LONGER AVAILABLE
4	R2365	1 2	SPRING KIT 2-3/4" X 13-1/2" SPRING 2-3/4" X 13-1/2"

ITEM	PART	QTY	DESCRIPTION
5	RF90151	1	MALE TEE 1/8" X 1/4" X 1/4"
6	RAP1008	1	SWITCH WARNING MAGNETIC
7	RAP1736	1	RETAINING PLATE KIT
		2	RETAINING PLATES
		4	HHCS 3/8-16 X 1"
		4	HEX NUT 3/8-16

NOTE : INDENTED ITEMS ARE INCLUDED WITH PRECEDING ITEM.

MR26.6611  
14FEB13

**AP38321 - STRAIGHT ACTING JACK, 8 DEGREE PIVOT, S/S SPRINGS**  
**16,000 # CAPACITY; 2.750" ROD DIAMETER; 16.00" STROKE; BOLT-ON FOOT**  
**WITH MAGNETIC WARNING SWITCH, AND NARROW PIVOT BRACKET**



ITEM	PART	QTY	DESCRIPTION
------	------	-----	-------------

1	RAP92041	1	CYL. ASSY. 2.75" X 16" (INCLUDES ITEM 6) (EXCLUDES ITEM 7)
2	RAP9245	1	PIVOT BRACKET
3	RAP92074	1	FOOT 8.00" X 10.00"
4	R2365	1 2	SPRING KIT 2-3/4" X 13-1/2" SPRING 2-3/4" X 13-1/2"

ITEM	PART	QTY	DESCRIPTION
------	------	-----	-------------

5	R5491	1 1 1	EYE BOLT KIT 3/8-16 X 6.00" EYE BOLT 3/8-16 ESNA LOCK NUT
6	RF1456	1	MALE CONNECTOR 1/8" X 1/4"
7	RAP1008	1	SWITCH WARNING MAGNETIC
8	RAP1736	1 2 4 4	RETAINING PLATE KIT RETAINING PLATES HHCS 3/8-16 X 1" HEX NUT 3/8-16

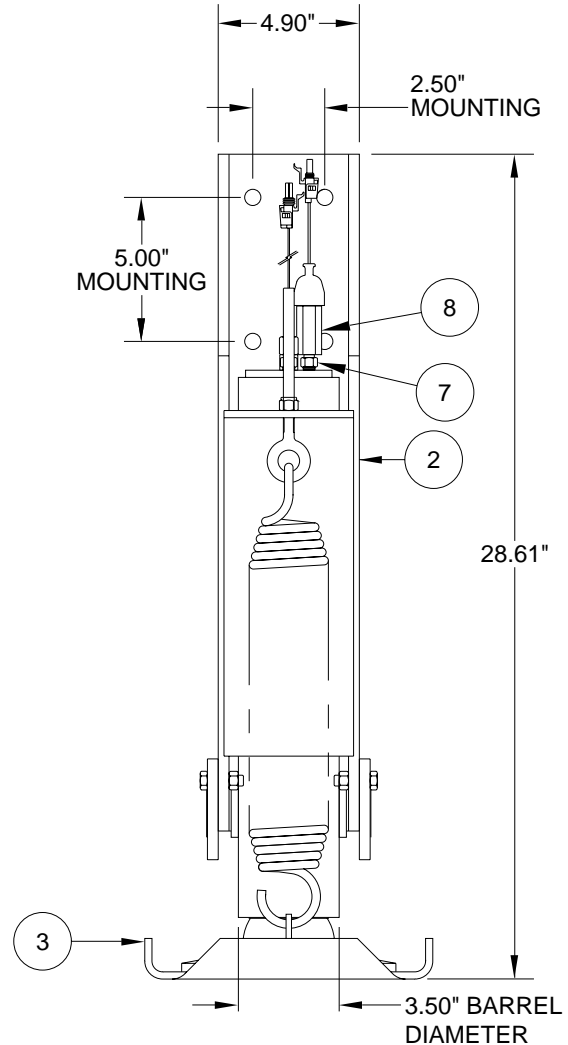
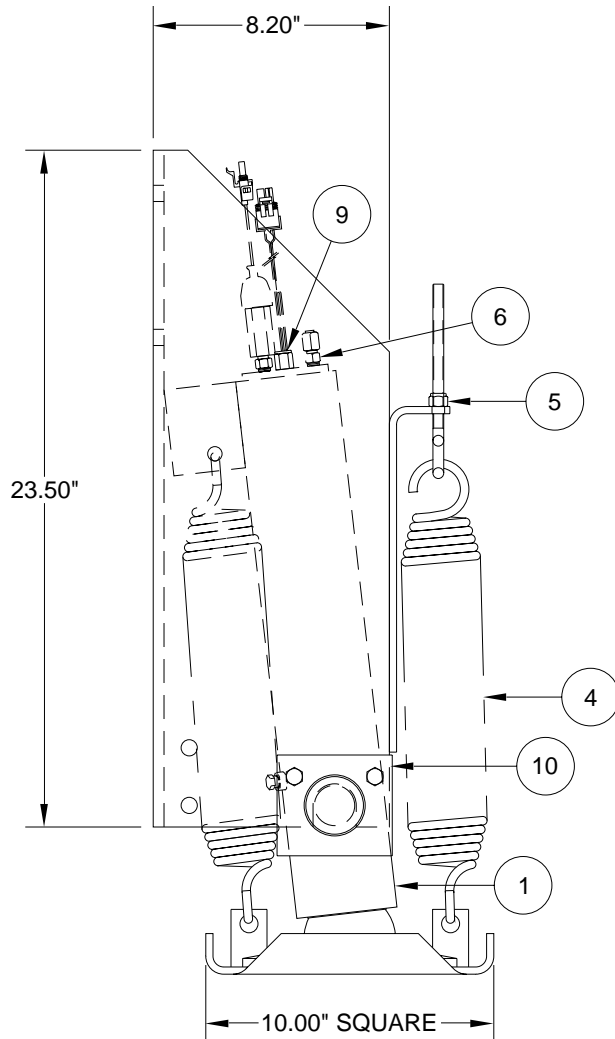
NOTE : INDENTED ITEMS ARE INCLUDED WITH PRECEDING ITEM.

MR26.6612  
23JAN09

## AP38344 - AP38345

**STRAIGHT ACTING JACK, 7 DEGREE PIVOT, S/S SPRINGS, BOLT-ON FOOT  
16,000 # CAPACITY; 2.750" ROD DIAMETER; 13.00" STROKE; W/ NARROW PIVOT BRKT.**

JACK #	DESCRIPTION
AP38344	MAGNETIC WARNING SWITCH W/ GRAY CONNECTOR ONLY
AP38345	MAGNETIC WARNING SWITCH W/ GRAY CONNECTOR, PRESSURE SWITCH



ITEM	PART	QTY	DESCRIPTION
1	RAP92039	1	CYL. ASSY. 2.75" X 13" (INCLUDES ITEM 6) (EXCLUDES ITEMS 7,8,9)
2	RAP9245	1	PIVOT BRACKET
3	RAP92073	1	FOOT 10.00" SQUARE
4	R2365	1	SPRING KIT 2-3/4" X 13-1/2"
		2	SPRING 2-3/4" X 13-1/2"
5	R5491	1	EYE BOLT KIT
		1	3/8-16 X 6.00" EYE BOLT
		1	3/8-16 ESNA LOCK NUT

ITEM	PART	QTY	DESCRIPTION
6	RF1456	1	MALE CONNECTOR 1/8" X 1/4"
7	RF9315	1	NIPPLE 1/8" X 1/8" (AP38345 ONLY)
8	RAP8003	1	SWITCH PRESSURE (AP38345 ONLY)
9	RAP90968	1	SWITCH WARNING MAGNETIC GRAY
10	RAP1736	1	RETAINING PLATE KIT
		2	RETAINING PLATES
		4	HHCS 3/8-16 X 1"
		4	HEX NUT 3/8-16

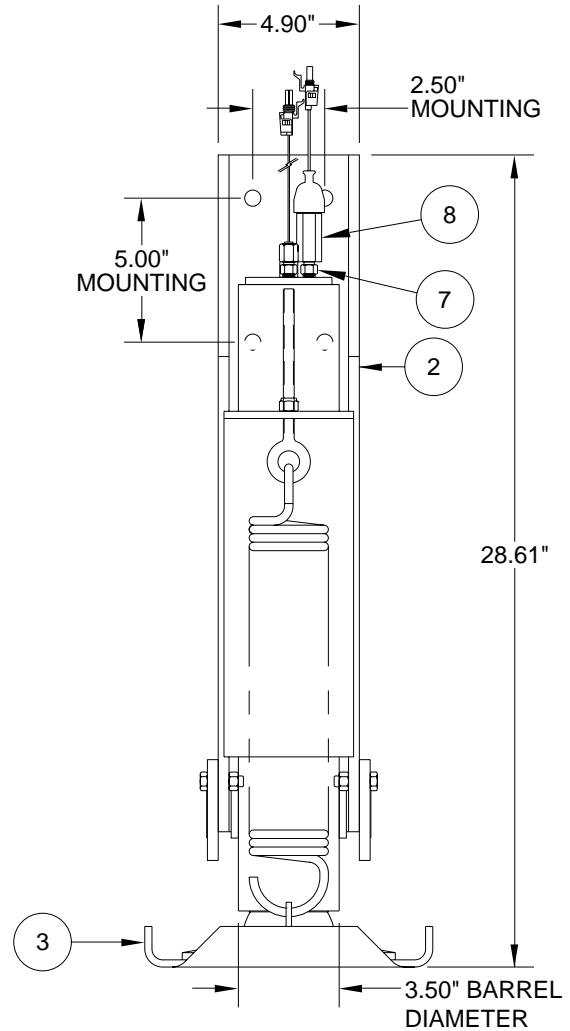
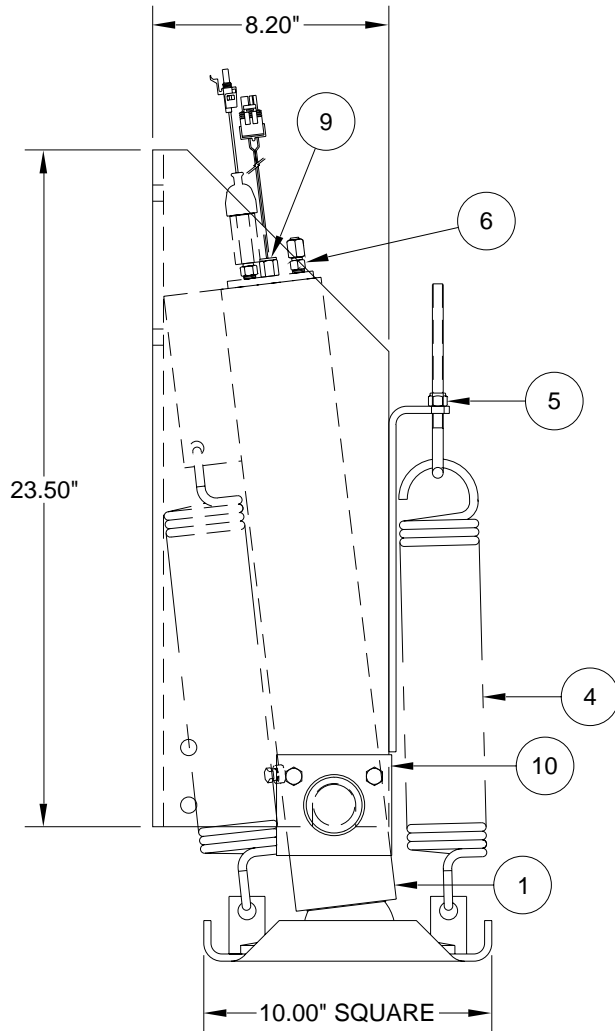
**NOTE :** INDENTED ITEMS ARE INCLUDED WITH PRECEDING ITEM.

**MR26.6613  
23JAN09**

## AP38353 - AP38354

**STRAIGHT ACTING JACK, 8 DEGREE PIVOT, S/S SPRINGS, BOLT-ON FOOT  
16,000 # CAPACITY; 2.750" ROD DIAMETER; 16.00" STROKE; W/ NARROW PIVOT BRKT.**

JACK #	DESCRIPTION
AP38353	MAGNETIC WARNING SWITCH W/ GRAY CONNECTOR ONLY
AP38354	MAGNETIC WARNING SWITCH W/ GRAY CONNECTOR, PRESSURE SWITCH



ITEM	PART	QTY	DESCRIPTION
1	RAP92041	1	CYL. ASSY. 2.75" X 16" (INCLUDES ITEM 6) (EXCLUDES ITEMS 7,8,9)
2	RAP9245	1	PIVOT BRACKET
3	RAP92073	1	FOOT 10.00" SQUARE
4	R2365	1	SPRING KIT 2-3/4" X 13-1/2"
		2	SPRING 2-3/4" X 13-1/2"
5	R5491	1	EYE BOLT KIT
		1	3/8-16 X 6.00" EYE BOLT
		1	3/8-16 ESNA LOCK NUT

ITEM	PART	QTY	DESCRIPTION
6	RF1456	1	MALE CONNECTOR 1/8" X 1/4"
7	RF9315	1	NIPPLE 1/8" X 1/8" (AP38354 ONLY)
8	RAP8003	1	SWITCH PRESSURE (AP38354 ONLY)
9	RAP90968	1	SWITCH WARNING MAGNETIC GRAY
10	RAP1736	1	RETAINING PLATE KIT
		2	RETAINING PLATES
		4	HHCS 3/8-16 X 1"
		4	HEX NUT 3/8-16

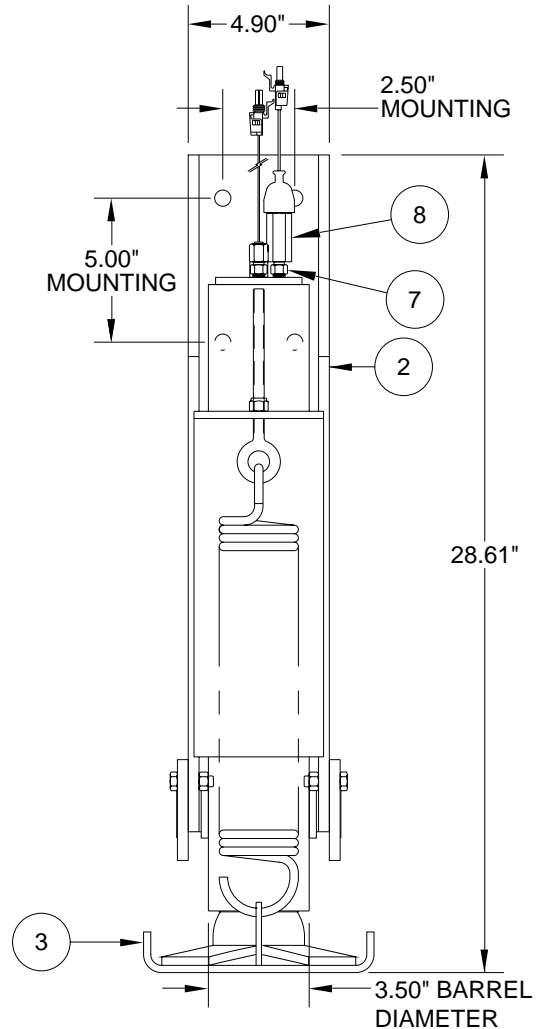
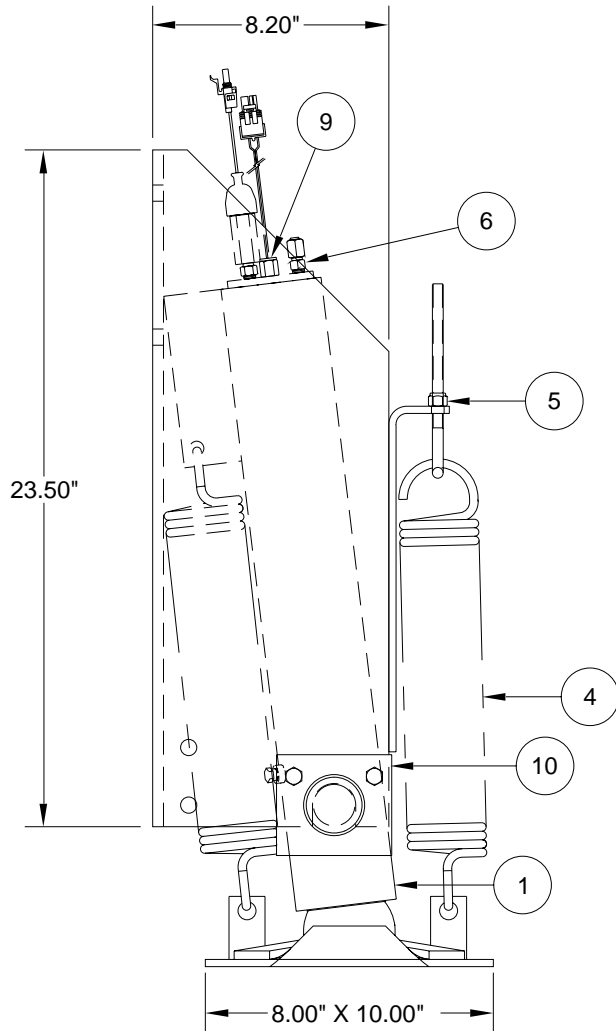
**NOTE :** INDENTED ITEMS ARE INCLUDED WITH PRECEDING ITEM.

**MR26.6614  
23JAN09**

## AP38724 - AP40214

**STRAIGHT ACTING JACK, 8 DEGREE PIVOT, S/S SPRINGS, BOLT-ON FOOT  
16,000 # CAPACITY; 2.750" ROD DIAMETER; 16.00" STROKE; W/ NARROW PIVOT BRKT.**

JACK #	DESCRIPTION
AP38724	MAGNETIC WARNING SWITCH W/ GRAY CONNECTOR, PRESSURE SWITCH
AP40214	MAGNETIC WARNING SWITCH W/ GRAY CONNECTOR ONLY



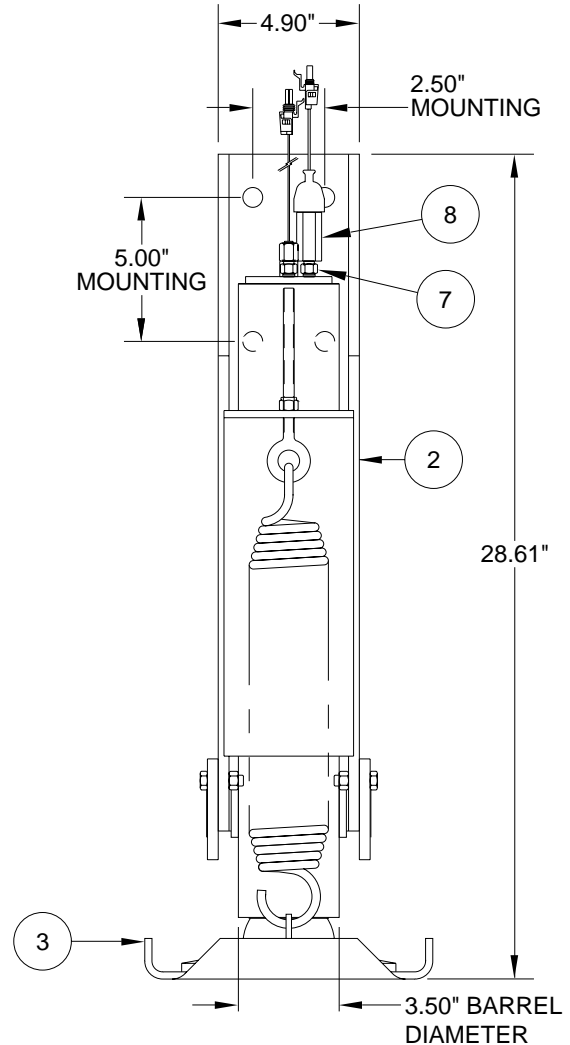
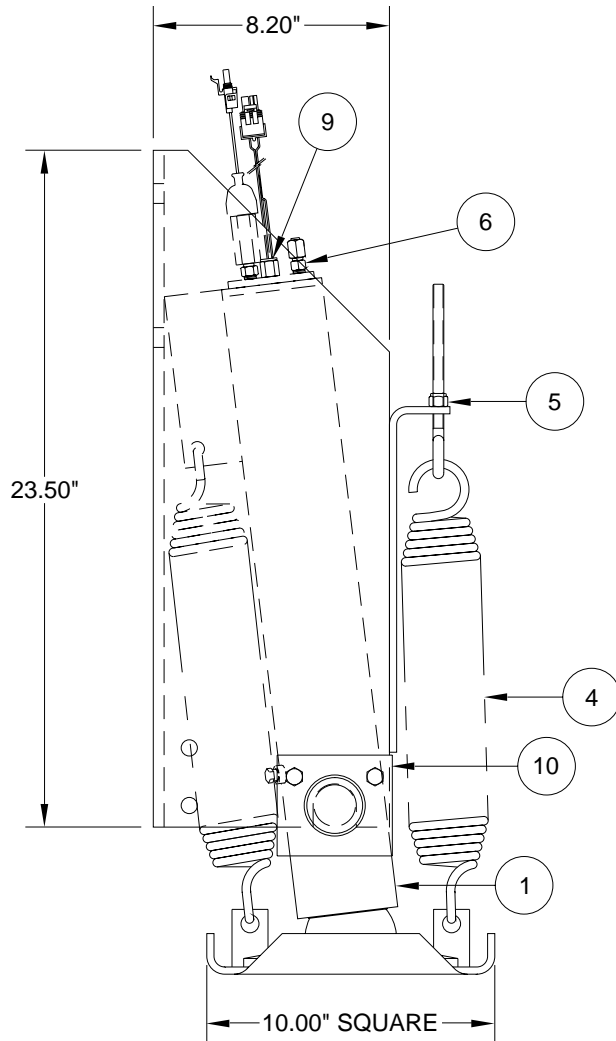
ITEM	PART	QTY	DESCRIPTION
1	RAP92041	1	CYL. ASSY. 2.75" X 16" (INCLUDES ITEM 6) (EXCLUDES ITEMS 7,8,9)
2	RAP9245	1	PIVOT BRACKET
3	RAP92074	1	FOOT 8.00" X 10.00"
4	R2365	1	SPRING KIT 2-3/4" X 13-1/2"
		2	SPRING 2-3/4" X 13-1/2"
5	R5491	1	EYE BOLT KIT
		1	3/8-16 X 6.00" EYE BOLT
		1	3/8-16 ESNA LOCK NUT

ITEM	PART	QTY	DESCRIPTION
6	RF1456	1	MALE CONNECTOR 1/8" X 1/4"
7	RF9315	1	NIPPLE 1/8" X 1/8" (AP38724 ONLY)
8	RAP8003	1	SWITCH PRESSURE (AP38724 ONLY)
9	RAP90968	1	SWITCH WARNING MAGNETIC GRAY
10	RAP1736	1	RETAINING PLATE KIT
		2	RETAINING PLATES
		4	HHCS 3/8-16 X 1"
		4	HEX NUT 3/8-16

NOTE : INDENTED ITEMS ARE INCLUDED WITH PRECEDING ITEM.

**MR26.6615  
23JAN09**

**AP38870 - STRAIGHT ACTING JACK, 8 DEGREE PIVOT, S/S SPRINGS**  
**16,000 # CAPACITY; 2.750" ROD DIAMETER; 16.00" STROKE; BOLT-ON FOOT**  
**WITH MAGNETIC WARNING SWITCH, PRESSURE SWITCH, AND NARROW PIVOT BRKT.**



ITEM	PART	QTY	DESCRIPTION
1	RAP92041	1	CYL. ASSY. 2.75" X 16" (INCLUDES ITEM 6) (EXCLUDES ITEMS 7,8,9)
2	RAP92392	1	PIVOT BRACKET
3	RAP92073	1	FOOT 10.00" SQUARE
4	R2365	1 2	SPRING KIT 2-3/4" X 13-1/2" SPRING 2-3/4" X 13-1/2"
5	R5491	1 1 1	EYE BOLT KIT 3/8-16 X 6.00" EYE BOLT 3/8-16 ESNA LOCK NUT

ITEM	PART	QTY	DESCRIPTION
6	RF1456	1	MALE CONNECTOR 1/8" X 1/4"
7	RF9315	1	NIPPLE 1/8" X 1/8"
8	RAP8003	1	SWITCH PRESSURE
9	RAP90968	1	SWITCH WARNING MAGNETIC GRAY
10	RAP1736	1 2 4 4	RETAINING PLATE KIT RETAINING PLATES HHCS 3/8-16 X 1" HEX NUT 3/8-16

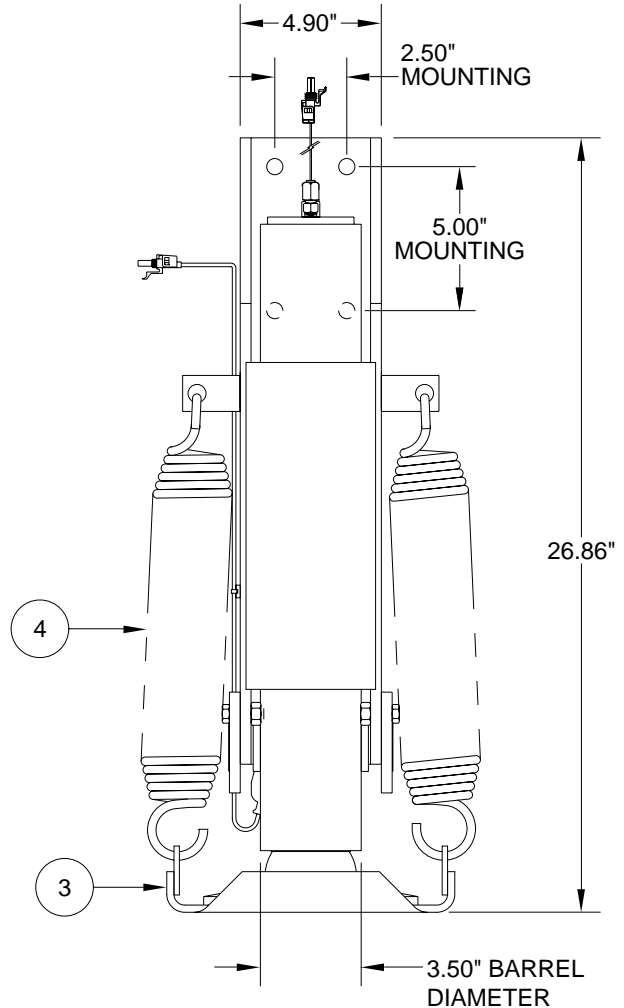
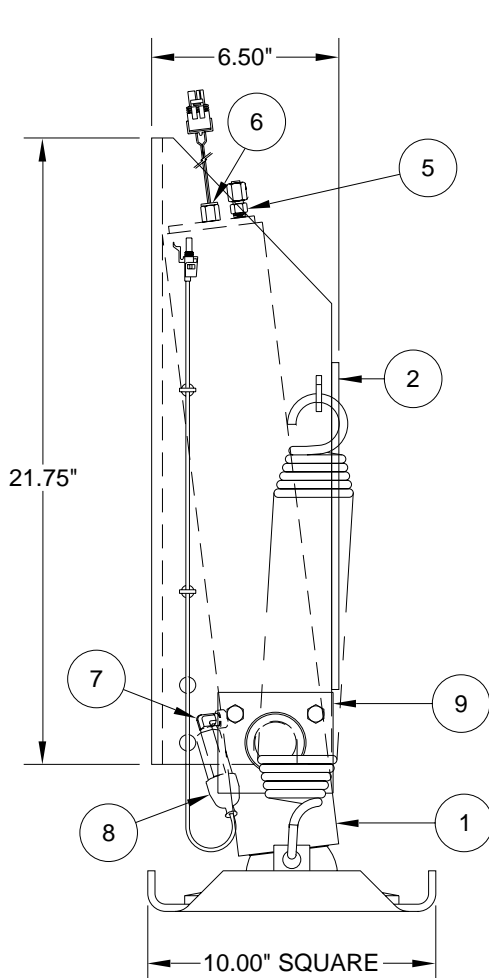
NOTE : INDENTED ITEMS ARE INCLUDED WITH PRECEDING ITEM.

MR26.6616  
23JAN09

## AP40114 - AP40115

**STRAIGHT ACTING JACK, 8 DEGREE PIVOT, F/A SPRINGS, BOLT-ON FOOT  
16,000 # CAPACITY; 2.750" ROD DIAMETER; 16.00" STROKE; W/ NARROW PIVOT BRKT.**

JACK #	DESCRIPTION
AP40114	MAGNETIC WARNING SWITCH W/ GRAY CONNECTOR ONLY
AP40115	MAGNETIC WARNING SWITCH W/ GRAY CONNECTOR, PRESSURE SWITCH



ITEM	PART	QTY	DESCRIPTION
1	RAP92040	1	CYL. ASSY. 2.75" X 16" (INCLUDES ITEM 5) (EXCLUDES ITEM 6,7,8)
2	RAP0945	1	PIVOT BRACKET
3	RAP92632	1	FOOT 11.40" ROUND 10" SQUARE FOOT NO LONGER AVAILABLE
4	R2365	1 2	SPRING KIT 2-3/4" X 13-1/2" SPRING 2-3/4" X 13-1/2"
5	RF1456	1	MALE CONNECTOR 1/8" X 1/4"

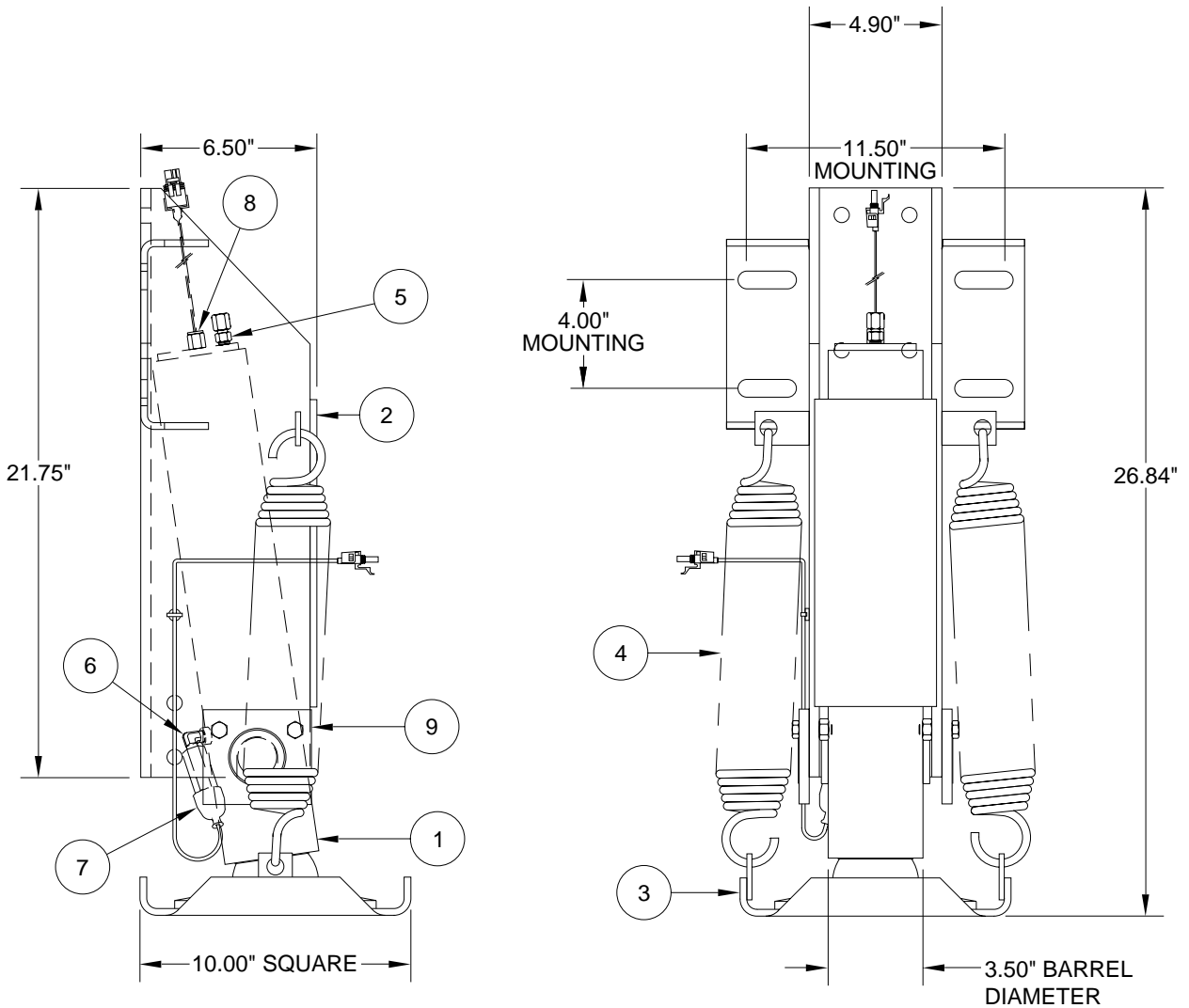
ITEM	PART	QTY	DESCRIPTION
6	RAP90968	1	SWITCH WARNING MAGNETIC GRAY
7	RF8143	1	ELBOW 1/8" X 1/8" (AP40115 ONLY)
8	RAP8003	1	SWITCH PRESSURE (AP40115 ONLY)
9	RAP1736	1 2 4 4	RETAINING PLATE KIT RETAINING PLATES HHCS 3/8-16 X 1" HEX NUT 3/8-16

**NOTE :** INDENTED ITEMS ARE INCLUDED WITH PRECEDING ITEM.

**MR26.6617  
14FEB13**



**AP41324 - STRAIGHT ACTING JACK, 9 DEGREE PIVOT, F/A SPRINGS**  
**16,000 # CAPACITY; 2.750" ROD DIAMETER; 13.00" STROKE, BOLT-ON FOOT**  
**WITH MAGNETIC WARNING SWITCH AND PRESSURE SWITCH**



ITEM	PART	QTY	DESCRIPTION
1	RAP92038	1	CYL. ASSY. 2.75" X 13" (INCLUDES ITEM 5) (EXCLUDES ITEM 6,7,8)
2	RAP92393	1	PIVOT BRACKET
3	RAP92632	1	FOOT 11.40" ROUND 10" SQUARE FOOT NO LONGER AVAILABLE
4	R2365	1 2	SPRING KIT 2-3/4" X 13-1/2" SPRING 2-3/4" X 13-1/2"
5	RF1456	1	MALE CONNECTOR 1/8" X 1/4"

ITEM	PART	QTY	DESCRIPTION
6	RF8143	1	ELBOW 1/8" X 1/8"
7	RAP8003	1	SWITCH PRESSURE
8	RAP90968	1	SWITCH WARNING MAGNETIC GRAY
9	RAP1736	1	RETAINING PLATE KIT
		2	RETAINING PLATES
		4	HHCS 3/8-16 X 1"
		4	HEX NUT 3/8-16

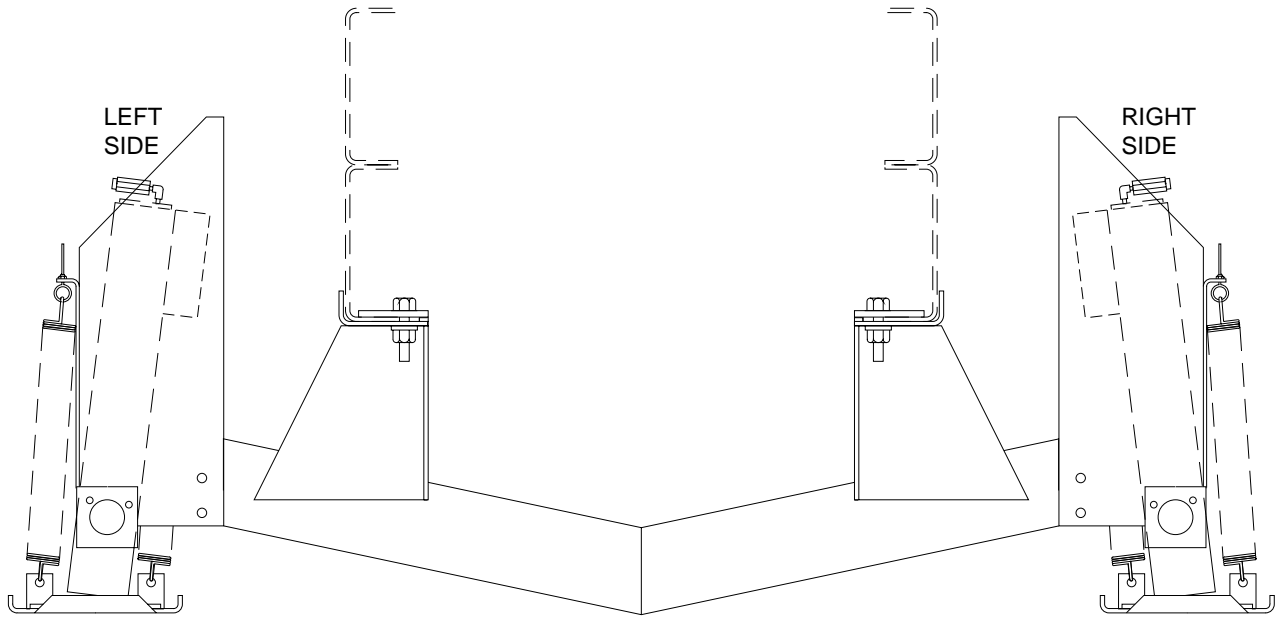
NOTE : INDENTED ITEMS ARE INCLUDED WITH PRECEDING ITEM.

**MR26.6618**  
**14FEB13**

**AP0424 - STRAIGHT ACTING JACK, 7 DEGREE PIVOT  
 16,000 # CAPACITY; 2.750" ROD DIAMETER; 16.00" STROKE  
 2-JACK ASSEMBLY  
 WITH PRESSURE SWITCH AND 3-WIRE WARNING SWITCH**

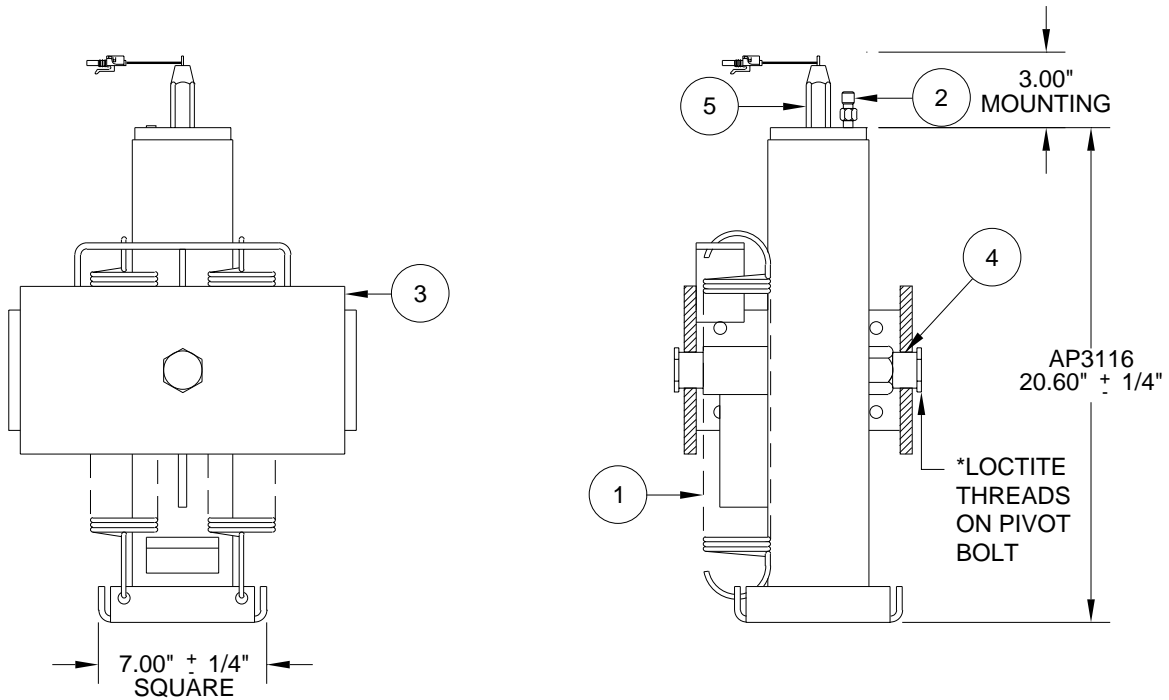
IN SOME CASES (2) JACKS ARE BUILT INTO ONE ASSEMBLY TO ACCOMMODATE MOUNTING ONTO SPECIFIC CHASSIS OR COACHES. THE FOLLOWING IS A LIST OF THOSE ASSEMBLIES AND WHERE TO FIND COMPONENT REPAIR PARTS INFORMATION. **NOTE** : COMPLETE JACK ASSEMBLIES AND PIVOT BRACKETS ARE NOT CONSIDERED AS REPAIR PARTS FOR THESE JACKS.

CONTACT HWH CORPORATION CUSTOMER SERVICE AT 1-800-321-3494, IF NEEDED.



2 - JACK ASSEMBLY					REPAIR PARTS	
2-JACK ASSEMBLY	JACK CAPACITY	STROKE	PRESSURE SWITCH	APPLICATION	JACK NUMBER	CYLINDER NUMBER
AP0424	16,000 #	16.00"	YES	OSH KOSH RAISED V	AP2200	RAP9261

**AP3116 - STRAIGHT ACTING JACK, 30 DEGREE PIVOT**  
**24,000 # CAPACITY; 3.500" ROD DIAMETER; 13.00" STROKE**



**3.500" X 13" NON KICK DOWN JACK**  
**SUPPLIED 1981 TO MID YEAR 1987**  
**USED ON REAR OF BLUE BIRD PUSHER COACHES**

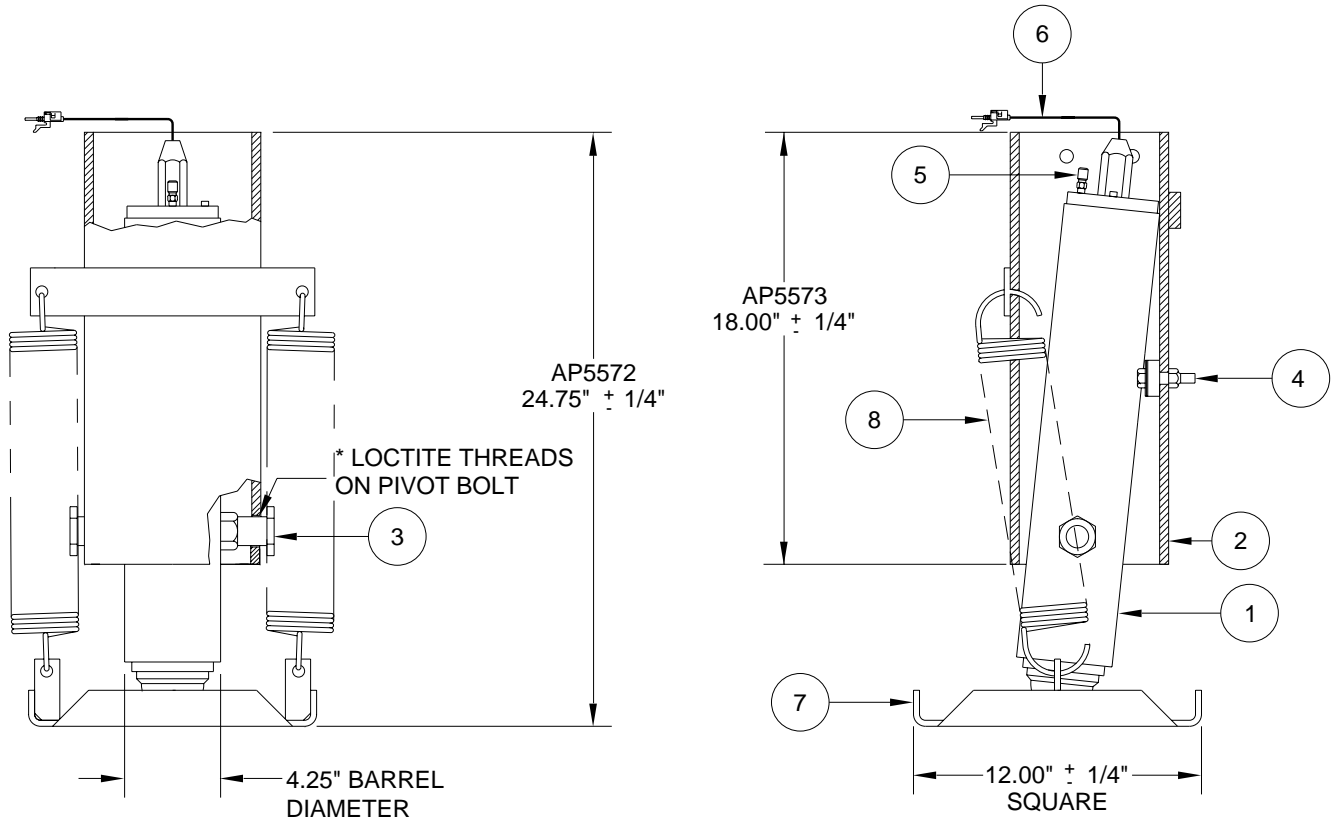
ITEM	PART	QTY	DESCRIPTION	ITEM	PART	QTY	DESCRIPTION
	RAP3116		JACK 24,000 # X 13" (REPLACES AP3116)	3	RAP3108	1	BRACKET MOUNTING
1	R2365	1	SPRING KIT 2-3/4" X 13-1/2"	4	R3003	1	PIVOT BOLT KIT
		2	SPRING 2-3/4" X 13-1/2"			2	HHCS 1" SPECIAL BUSHING 1-1/4" O.D.
2	RF3475	1	MALE CONNECTOR 1/4" X 5/16"	5	RAP4707	1	SWITCH WARNING 2" TRAVEL

**NOTE :** INDENTED ITEMS ARE INCLUDED WITH PRECEDING ITEM.

\* APPLY A THREAD LOCKING ADHESIVE SUCH AS LOCTITE #271, 277, 242 OR 569.

**MR26.8005**  
**19MAR96**

**AP5572 - STRAIGHT-ACTING JACK, 7 DEGREE PIVOT, F/A SPRINGS**  
**24,000 # CAPACITY; 3.50" ROD DIAMETER; 13.00" STROKE**  
**WITH 2" TRAVEL WARNING SWITCH**



ITEM	PART	QTY	DESCRIPTION
1	RAP5577	1	CYL. ASSY. 3.50" X 13" (INCLUDES GRAY MAGNETIC WARN. SWITCH AND ADAPTOR)
2	RAP5573	1	PIVOT BRACKET (INCLUDES ITEM 4)
3	R3003	1	PIVOT BOLT KIT
		2	HHCS 1" SPECIAL
		2	BUSHING 1-1/4" O.D.
4	R5718	1	STOP KIT
		1	URETHANE BUMPER
		2	1/4-20 ESNA LOCK NUT
		2	HHCS 1/4-20 X 1-1/4"
		2	WASHER COMMON 1/4"

ITEM	PART	QTY	DESCRIPTION
5	RF3475	1	MALE CONNECTOR 1/4" X 5/16"
6	RAP4707	1	SWITCH WARNING 2" TRAVEL
7	RAP5574	1	FOOT 13.40" ROUND 12" SQUARE FOOT NO LONGER AVAILABLE
8	R2365	1	SPRING KIT 2-3/4" X 13-1/2"
		2	SPRING 2-3/4" X 13-1/2"

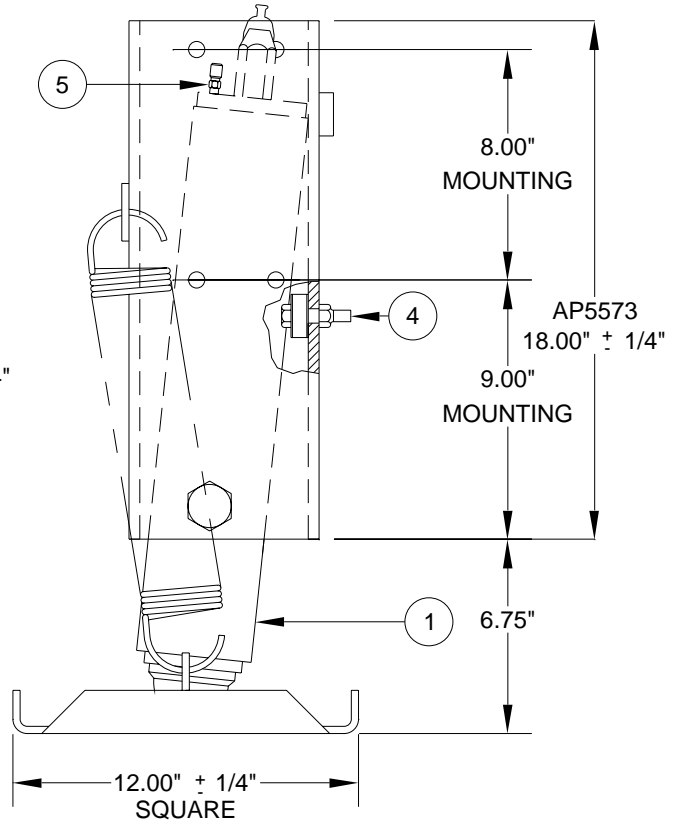
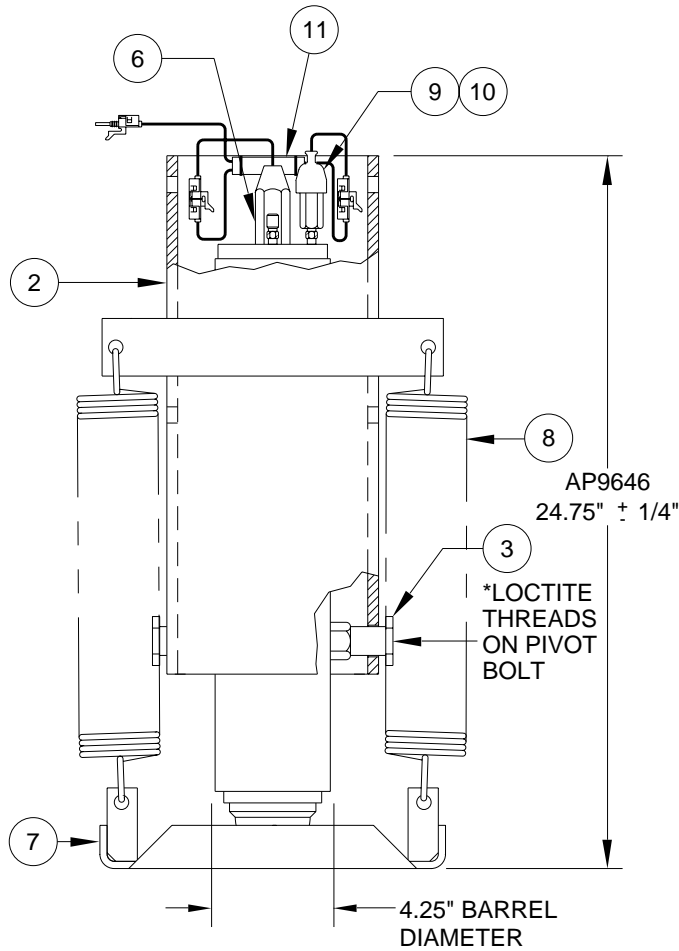
**NOTE :** INDENTED ITEMS ARE INCLUDED WITH PRECEDING ITEM.

\* APPLY A THREAD LOCKING ADHESIVE SUCH AS LOCTITE #271, 277, 242 OR 569.

**MR26.8105**  
**14FEB13**

# AP9646 - STRAIGHT ACTING JACK, 7 DEGREE PIVOT, F/A SPRINGS

**24,000 # CAPACITY; 3.50" ROD DIAMETER; 13.00" STROKE  
WITH PRESSURE SWITCH AND 2" TRAVEL WARNING SWITCH  
USED ON BLUE BIRD COACHES BEGINNING IN 1993**



ITEM	PART	QTY	DESCRIPTION
1	RAP5577	1	CYL. ASSY. 3.50" X 13" (INCLUDES GRAY MAGNETIC WARN. SWITCH AND ADAPTOR)
2	RAP5573	1	PIVOT BRACKET (INCLUDES ITEM 4)
3	R3003	1	PIVOT BOLT KIT
		2	HHCS 1" SPECIAL
		2	BUSHING 1-1/4" O.D.
4	R5718	1	STOP KIT
		1	URETHANE BUMPER
		2	1/4-20 ESNA LOCK NUT
		2	HHCS 1/4-20 X 1-1/4"
		2	WASHER COMMON 1/4"

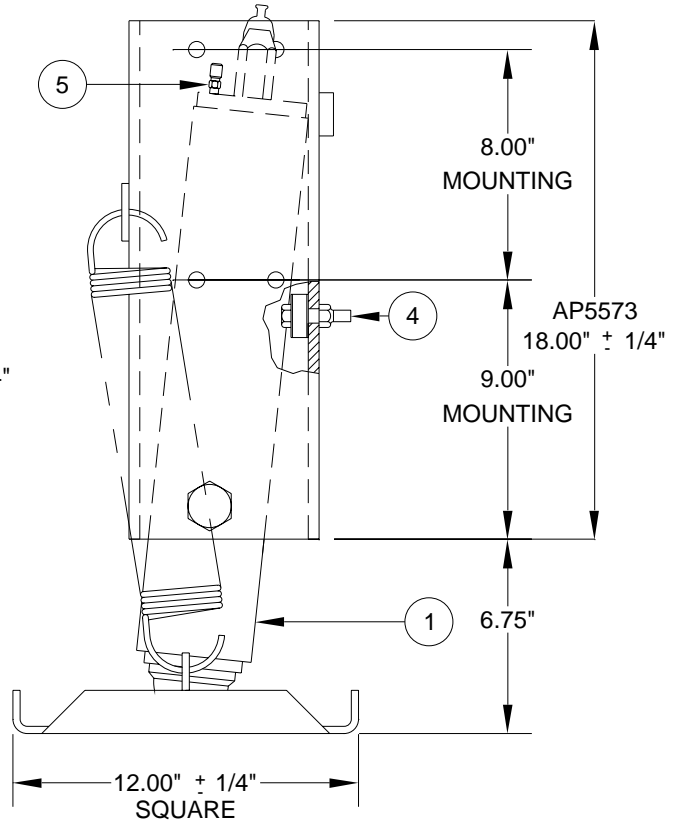
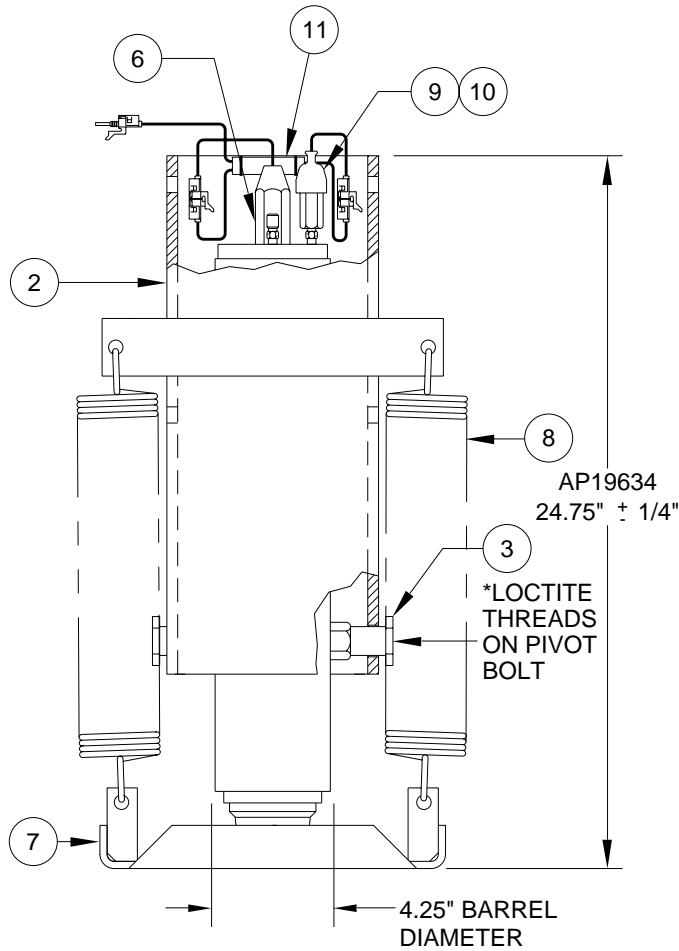
ITEM	PART	QTY	DESCRIPTION
5	RF3475	1	MALE CONNECTOR 1/4" X 5/16"
6	RAP4707	1	SWITCH WARNING 2" TRAVEL
7	RAP5574	1	FOOT 13.40" ROUND 12" SQUARE FOOT NO LONGER AVAILABLE
8	R2365	1	SPRING KIT 2-3/4" X 13-1/2"
		2	SPRING 2-3/4" X 13-1/2"
9	RF9315	1	NIPPLE 1/8"
10	RAP8003	1	SWITCH PRESSURE
11	RAP9072	1	INTERFACE PRESSURE/ WARNING SWITCH

**NOTE :** INDENTED ITEMS ARE INCLUDED WITH PRECEDING ITEM.

\* APPLY A THREAD LOCKING ADHESIVE SUCH AS

**MR26.8107  
14FEB13**

**AP19634 - STRAIGHT-ACTING JACK, 7 DEGREE PIVOT, F/A SPRINGS**  
**24,000 # CAPACITY; 3.50" ROD DIAMETER; 13.00" STROKE**  
**WITH PRESSURE SWITCH AND 2" TRAVEL WARNING SWITCH**  
**USED ON BLUE BIRD COACHES BEGINNING IN 1999**



ITEM	PART	QTY	DESCRIPTION
1	RAP5577	1	CYL. ASSY. 3.50" X 13" (INCLUDES GRAY MAGNETIC WARN. SWITCH AND ADAPTOR)
2	RAP5573	1	PIVOT BRACKET (INCLUDES ITEM 4)
3	R3003	1	PIVOT BOLT KIT
		2	HHCS 1" SPECIAL
		2	BUSHING 1-1/4" O.D.
4	R5718	1	STOP KIT
		1	URETHANE BUMPER
		2	1/4-20 ESNA LOCK NUT
		2	HHCS 1/4-20 X 1-1/4"
		2	WASHER COMMON 1/4"

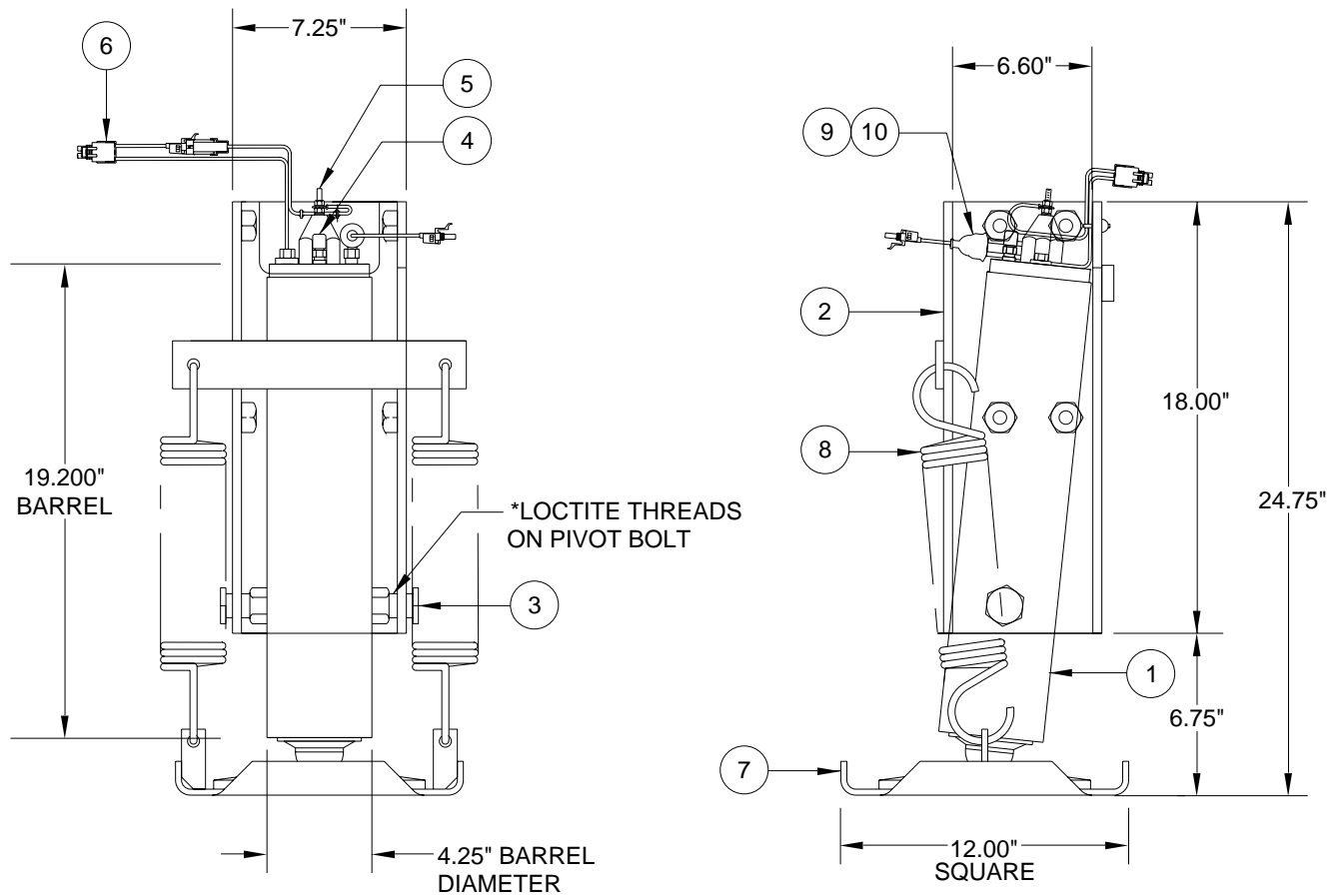
ITEM	PART	QTY	DESCRIPTION
5	RF3475	1	MALE CONNECTOR 1/4" X 5/16"
6	RAP4707	1	SWITCH WARNING 2" TRAVEL
7	RAP5574	1	FOOT 13.40" ROUND 12" SQUARE FOOT NO LONGER AVAILABLE
8	R2365	1	SPRING KIT 2-3/4" X 13-1/2"
		2	SPRING 2-3/4" X 13-1/2"
9	RF9315	1	NIPPLE 1/8"
10	RAP90874	1	SWITCH PRESSURE
11	RAP9072	1	INTERFACE PRESSURE/ WARNING SWITCH

**NOTE :** INDENTED ITEMS ARE INCLUDED WITH PRECEDING ITEM.

\* APPLY A THREAD LOCKING ADHESIVE SUCH AS

**MR26.8108**  
**14FEB13**

**AP2213 - STRAIGHT-ACTING JACK, 7 DEGREE PIVOT, F/A SPRINGS**  
**24,000 # CAPACITY; 3.50" ROD DIAMETER; 13.00" STROKE**  
**WITH PRESSURE SWITCH AND 2" TRAVEL WARNING SWITCH**



ITEM	PART	QTY	DESCRIPTION
1	RAP5577	1	CYL. ASSY. 3.50" X 16" (INCLUDES GRAY MAGNETIC WARN. SWITCH AND ADAPTOR)
2	RAP2214	1	PIVOT BRACKET
3	R3003	1	PIVOT BOLT KIT
		2	HHCS 1" SPECIAL
		2	BUSHING 1-1/4" O.D.
4	RF3475	1	MALE CONNECTOR 1/4" X 5/16"

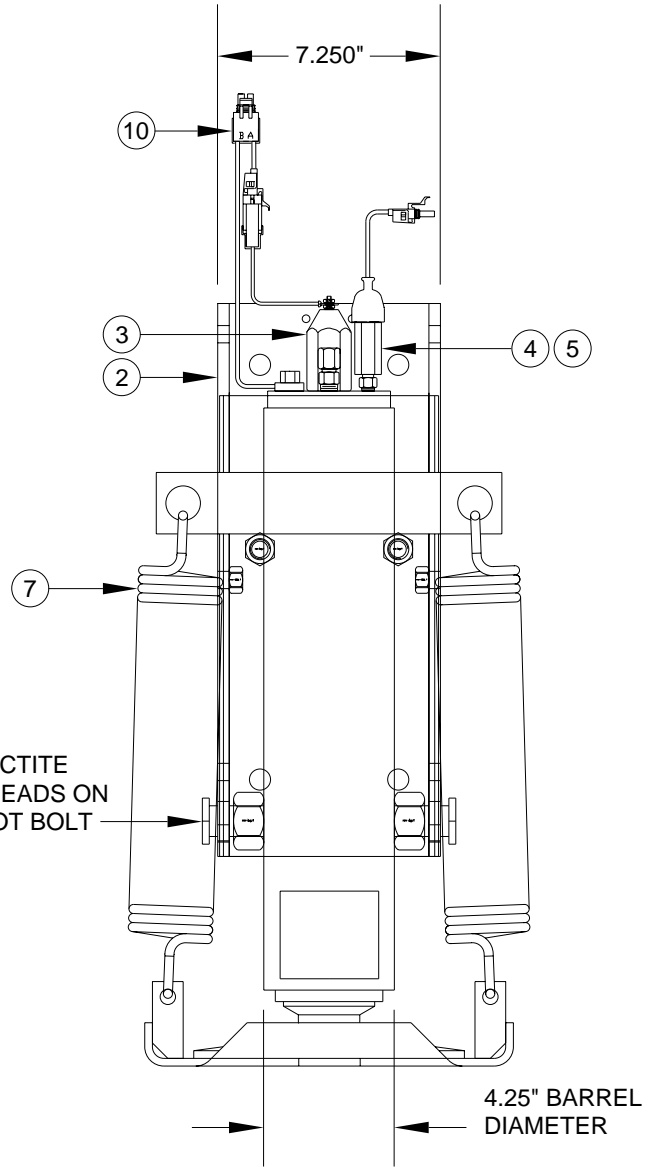
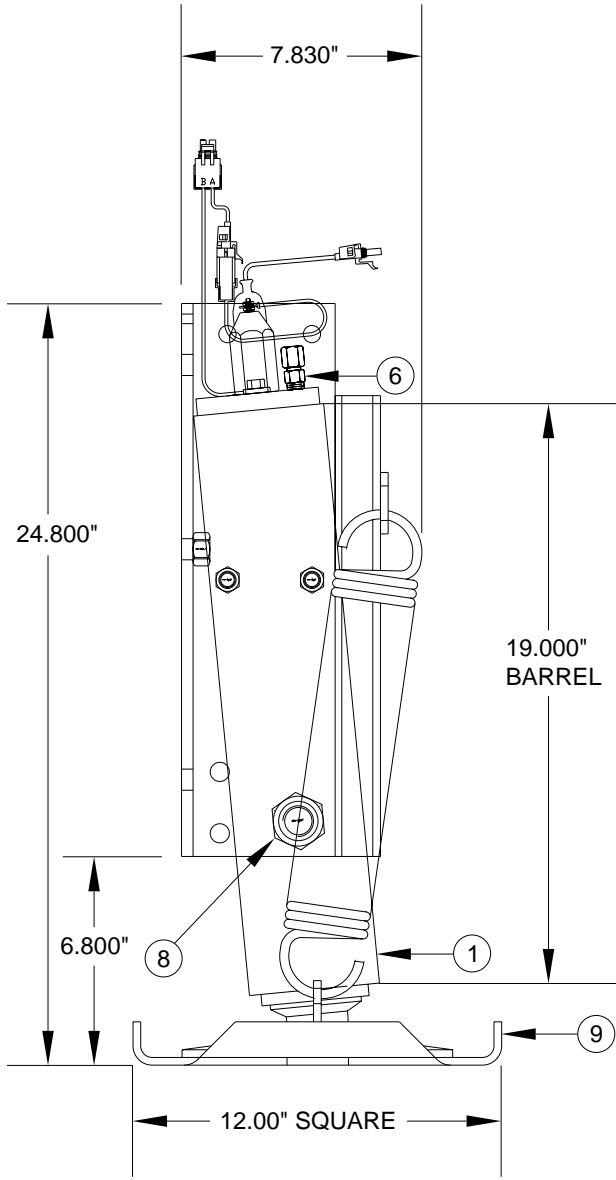
ITEM	PART	QTY	DESCRIPTION
5	RAP4707	1	SWITCH WARNING 2" TRAVEL
6	RAP92382	1	2 WIRE ADAPTER KIT
7	RAP5574	1	FOOT 13.40" ROUND 12" SQUARE FOOT NO LONGER AVAILABLE
8	R2365	1	SPRING KIT 2-3/4" X 13-1/2"
		2	SPRING 2-3/4" X 13-1/2"
9	RAP8003	1	SWITCH PRESSURE
10	RF8143	1	ELBOW 1/8" X 1/8"

**NOTE :** INDENTED ITEMS ARE INCLUDED WITH PRECEDING ITEM.

\* APPLY A LOCKING ADHESIVE SUCH AS LOCTITE # 271, 277, 242 OR 569.

**MR26.8110**  
**14FEB13**

**AP19137 - STRAIGHT-ACTING JACK, 7 DEG PIVOT**  
**24,000# CAPACITY; 3.500" ROD DIAMETER; 13.00" STROKE**



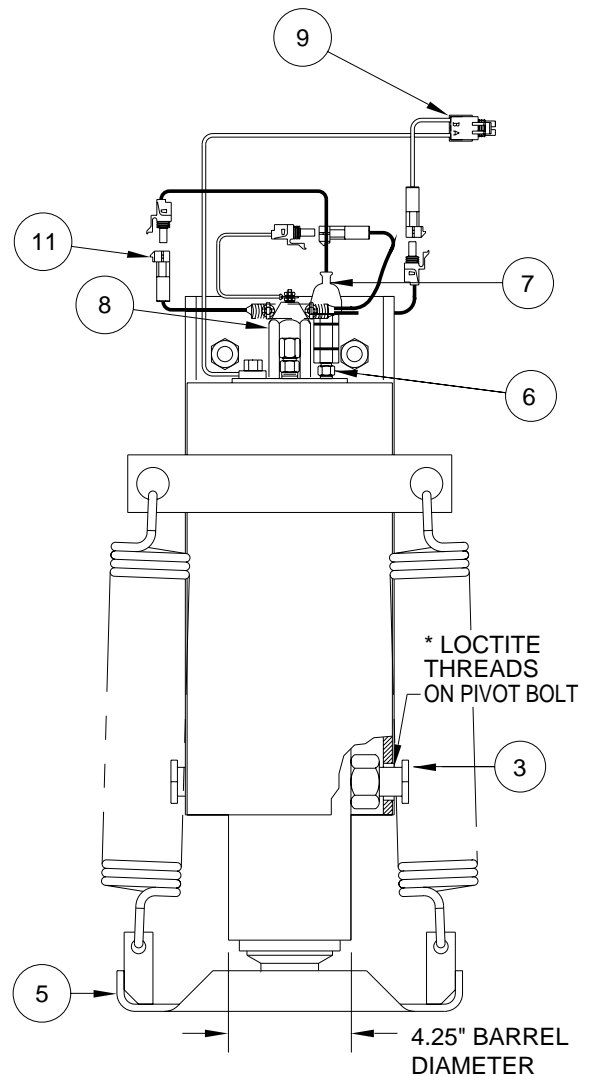
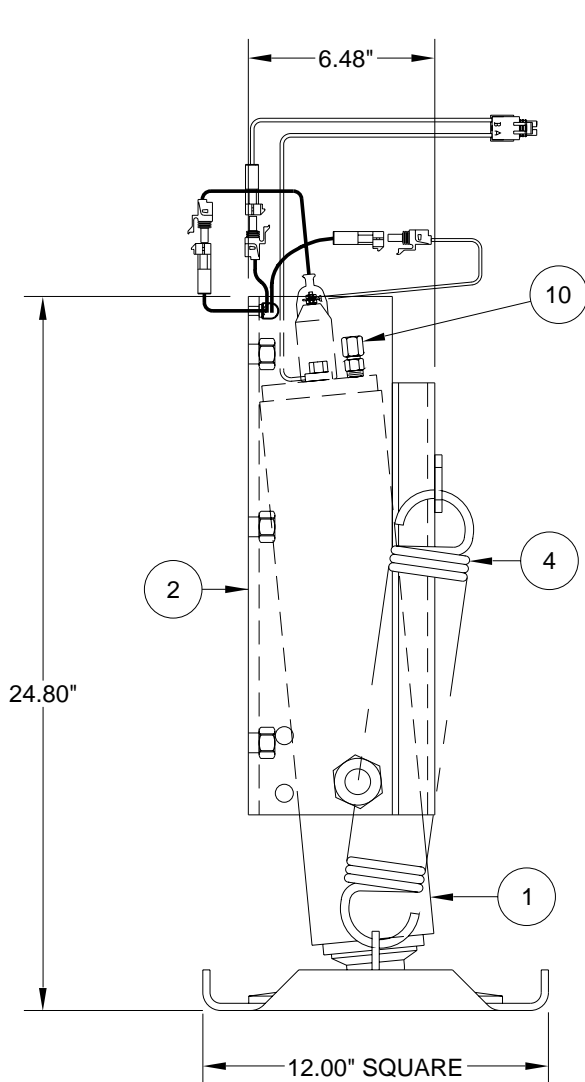
ITEM	PART	QTY	DESCRIPTION
1	RAP5577	1	CYL. ASSY. 3.500" x 13" (INCLUDES ITEM 3,6) (EXCLUDES ITEM 4,5)
2	RAP90847	1	PIVOT BRACKET
3	RAP4707	1	SWITCH WARNING 2" TRAVEL
4	RF8003	1	SWITCH PRESSURE
5	RF9315	1	NIPPLE 1/8"

ITEM	PART	QTY	DESCRIPTION
6	RF3475	1	MALE CONN. 1/4" x 5/16"
7	R2365	1	SPRING KIT 2-3/4" x 13-1/2"
		2	SPRING 2-3/4" x 13-1/2"
8	R3003	1	PIVOT BOLT KIT
		2	HHCS 1" SPECIAL BOLT
		2	BUSHING 1-1/4" O.D.
9	RAP5574	1	FOOT 13.40" ROUND 12" SQUARE FOOT NO LONGER AVAILABLE
10	RAP92382	1	2 WIRE ADAPTER KIT

**NOTE:** INDENTED ITEMS ARE INCLUDED WITH PRECEDING ITEM.  
 \* APPLY A LOCKING ADHESIVE SUCH AS LOCTITE #271, 277, 242, OR 569.



**AP26199 - STRAIGHT-ACTING JACK, 7 DEGREE PIVOT, F/A SPRINGS**  
**24,000 # CAPACITY; 3.50" ROD DIAMETER; 13.00" STROKE**  
**WITH PRESSURE SWITCH AND 2" TRAVEL WARNING SWITCH**



ITEM	PART	QTY	DESCRIPTION
1	RAP5577	1	CYL. ASSY. 3.50" X 13" (INCLUDES GRAY MAGNETIC WARN. SWITCH AND ADAPTOR)
2	RAP90847	1	PIVOT BRACKET
3	R3003	1	PIVOT BOLT KIT
		2	HHCS 1" SPECIAL
		2	BUSHING 1-1/4" O.D.
4	R2365	1	SPRING KIT 2-3/4" X 13-1/2"
		2	SPRING 2-3/4" X 13-1/2"
5	RAP5574	1	FOOT 13.40" ROUND 12" SQUARE FOOT NO LONGER AVAILABLE

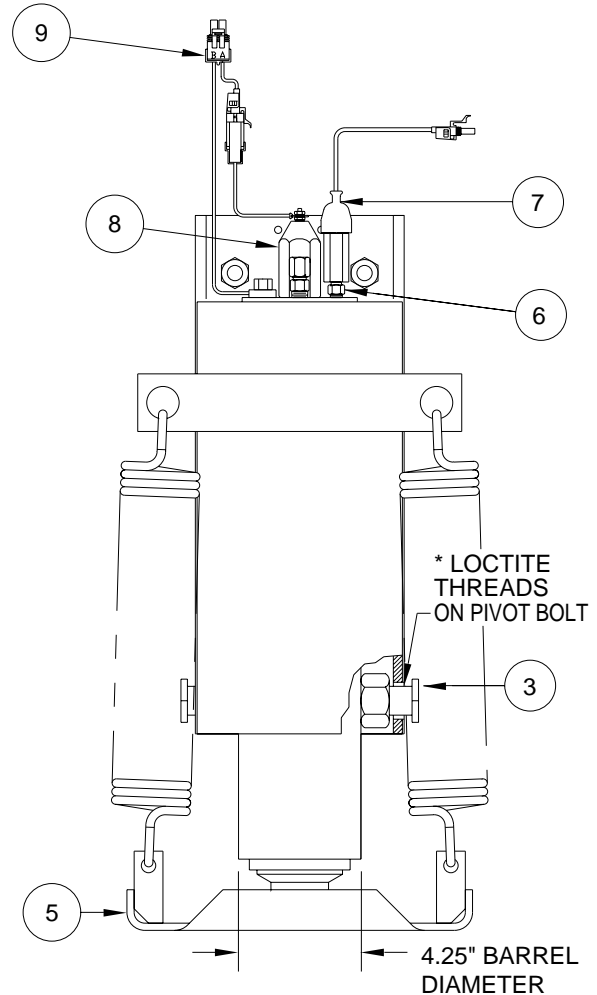
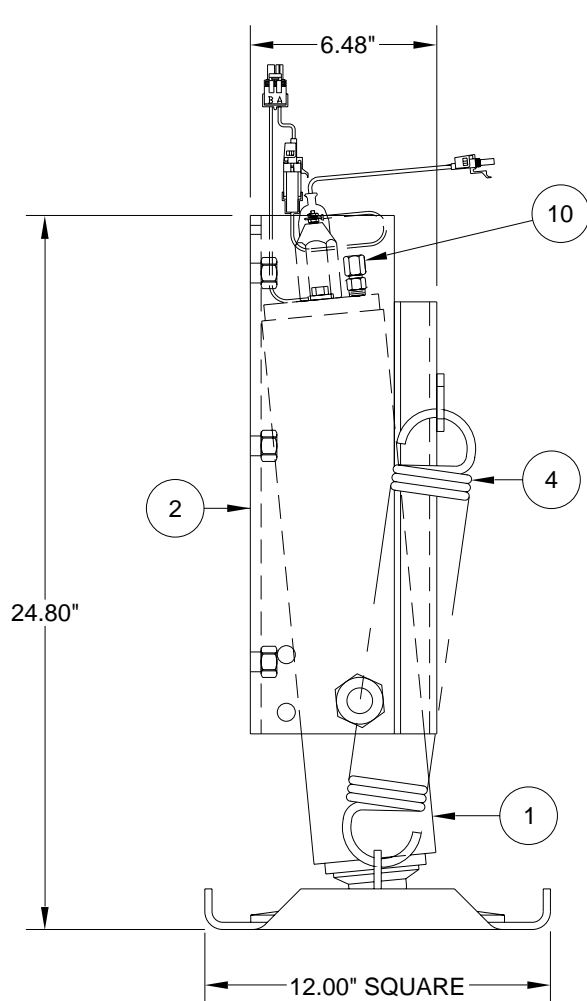
ITEM	PART	QTY	DESCRIPTION
6	RF9315	1	NIPPLE 1/8" X 1/8"
7	RAP8003	1	SWITCH PRESSURE
8	RAP4707	1	SWITCH WARNING 2" TRAVEL
9	RAP92382	1	2 WIRE ADAPTER KIT
10	RF3475	1	MALE CONNECTOR 1/4" X 5/16"
11	RAP9072	1	INTERFACE PRESSURE/ WARNING SWITCH

**NOTE :** INDENTED ITEMS ARE INCLUDED WITH PRECEDING ITEM.

\* APPLY A THREAD LOCKING ADHESIVE SUCH AS LOCTITE #271, 277, 242 OR 569.

**AP29968 - AP29969 - AP32770**  
**STRAIGHT-ACTING JACK, 7 DEGREE PIVOT, F/A SPRINGS**  
**24,000 # CAPACITY; 3.500" ROD DIAMETER; 13.00" STROKE**

JACK #	DESCRIPTION
AP29968	2" TRAVEL WARNING SWITCH W/ GRAY CONNECTOR ONLY
AP32770	2" TRAVEL WARNING SWITCH W/ GRAY CONNECTOR, PRESSURE SWITCH, REPLACES AP29969



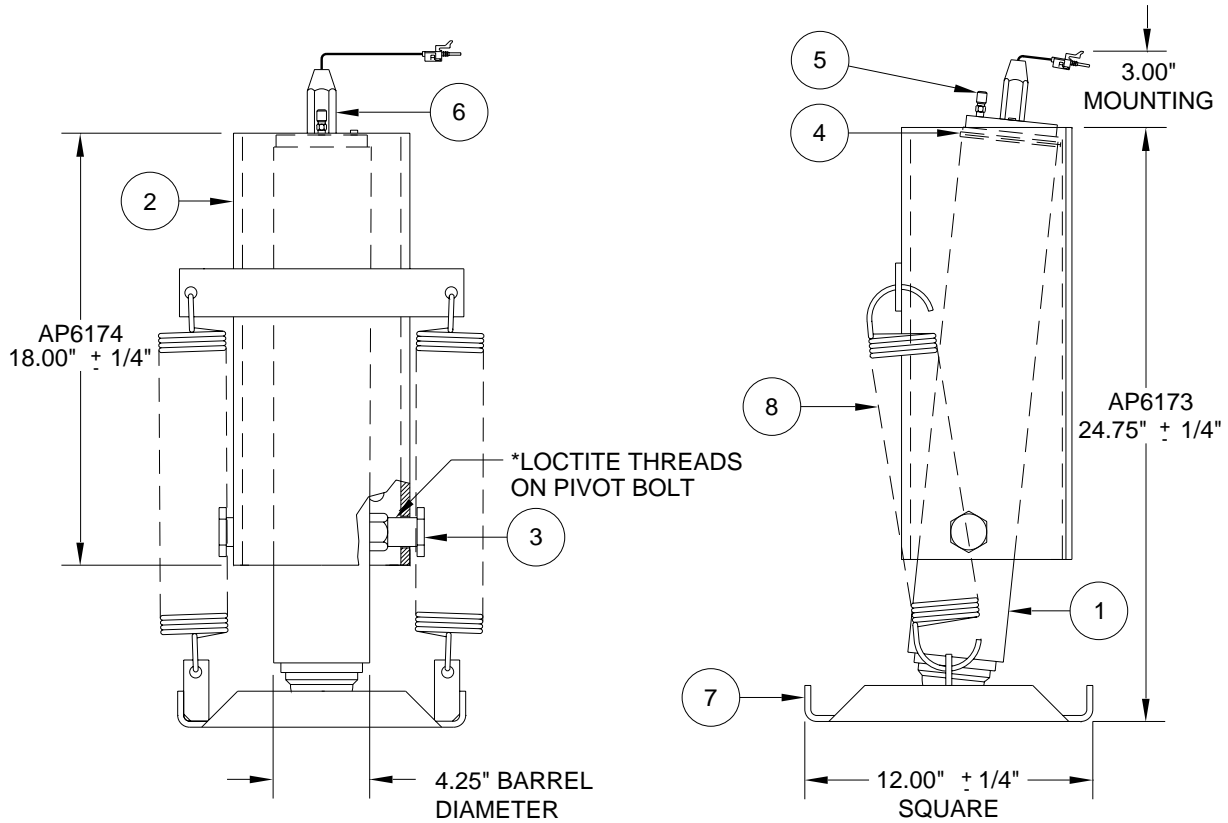
ITEM	PART	QTY	DESCRIPTION
1	RAP5577	1	CYL. ASSY. 3.50" X 13" (INCLUDES GRAY MAGNETIC WARN. SWITCH AND ADAPTOR)
2	RAP90847	1	PIVOT BRACKET
3	R3003	1	PIVOT BOLT KIT
		2	HHCS 1" SPECIAL
		2	BUSHING 1-1/4" O.D.
4	R2365	1	SPRING KIT 2-3/4" X 13-1/2"
		2	SPRING 2-3/4" X 13-1/2"

ITEM	PART	QTY	DESCRIPTION
5	RAP5574	1	FOOT 13.40" ROUND 12" SQUARE FOOT NO LONGER AVAILABLE
6	RF9315	1	NIPPLE 1/8" X 1/8" (AP29969, AP32770)
7	RAP8003	1	SWITCH PRESSURE (AP29969, AP32770)
8	RAP4707	1	SWITCH WARNING 2" TRAVEL
9	RAP92382	1	2 WIRE ADAPTER KIT
10	RF3475	1	MALE CONNECTOR 1/4" X 5/16"

**NOTE :** INDENTED ITEMS ARE INCLUDED WITH PRECEDING ITEM.

\* APPLY A THREAD LOCKING ADHESIVE SUCH AS LOCTITE #271, 277, 242 OR 569.

**AP6173 - STRAIGHT-ACTING JACK, 7 DEGREE PIVOT, F/A SPRINGS**  
**24,000 # CAPACITY; 3.500" ROD DIAMETER; 16.00" STROKE**  
**WITH 2" TRAVEL WARNING SWITCH**



ITEM	PART	QTY	DESCRIPTION
1	RAP6175	1	CYL. ASSY. 3.50" X 16" (INCLUDES GRAY MAGNETIC WARN. SWITCH AND ADAPTOR)
2	RAP6174	1	PIVOT BRACKET
3	R3003	1	PIVOT BOLT KIT
		2	HHCS 1" SPECIAL
		2	BUSHING 1-1/4" O.D.
4	RP6212	1	O-RING 4" ID SQUARE CUT

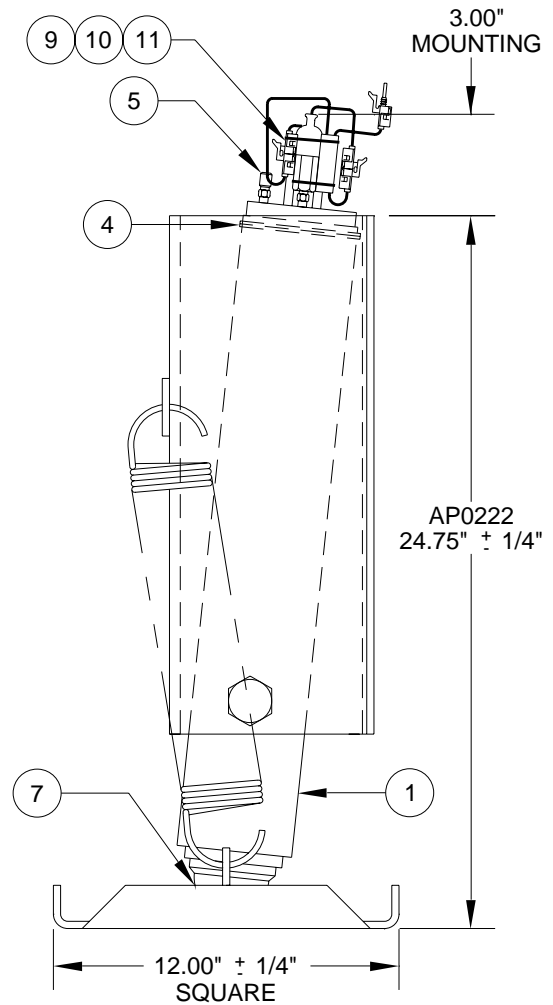
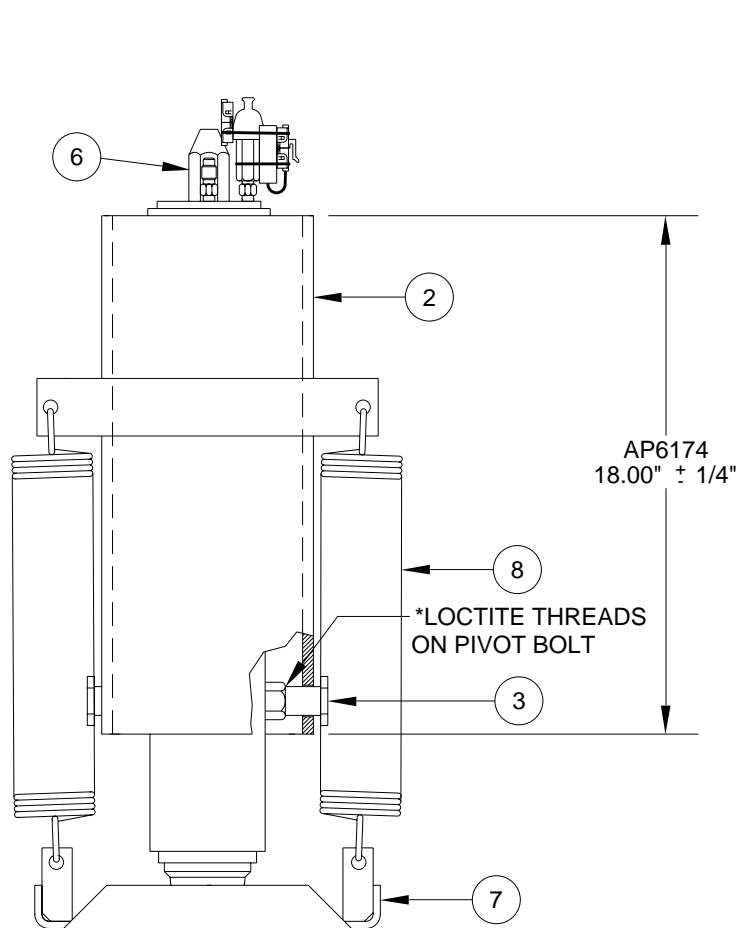
ITEM	PART	QTY	DESCRIPTION
5	RF3475	1	MALE CONNECTOR 1/4" X 5/16"
6	RAP4707	1	SWITCH WARNING 2" TRAVEL
7	RAP5574	1	FOOT 13.40" ROUND 12" SQUARE FOOT NO LONGER AVAILABLE
8	R2365	1	SPRING KIT 2-3/4" X 13-1/2"
		2	SPRING 2-3/4" X 1-1/2"

**NOTE :** INDENTED ITEMS ARE INCLUDED WITH PRECEDING ITEM.

\* APPLY A THREAD LOCKING ADHESIVE SUCH AS LOCTITE #271, 277, 242 OR 569.

**MR26.8205**  
**14FEB13**

**AP0222 - STRAIGHT-ACTING JACK, 7 DEGREE PIVOT, F/A SPRINGS**  
**24,000 # CAPACITY; 3.500" ROD DIAMETER; 16.00" STROKE**  
**WITH PRESSURE SWITCH AND 2" TRAVEL WARNING SWITCH**



ITEM	PART	QTY	DESCRIPTION
1	RAP6175	1	CYL. ASSY. 3.50" X 16" (INCLUDES GRAY MAGNETIC WARN. SWITCH AND ADAPTOR)
2	RAP6174	1	PIVOT BRACKET
3	R3003	1	PIVOT BOLT KIT
		1	HHCS 1" SPECIAL
		1	BUSHING 1-1/4" O.D.
4	RP6212	1	O-RING SQUARE CUT 4" I.D.
5	RF3475	1	MALE CONNECTOR 1/4" X 5/16"

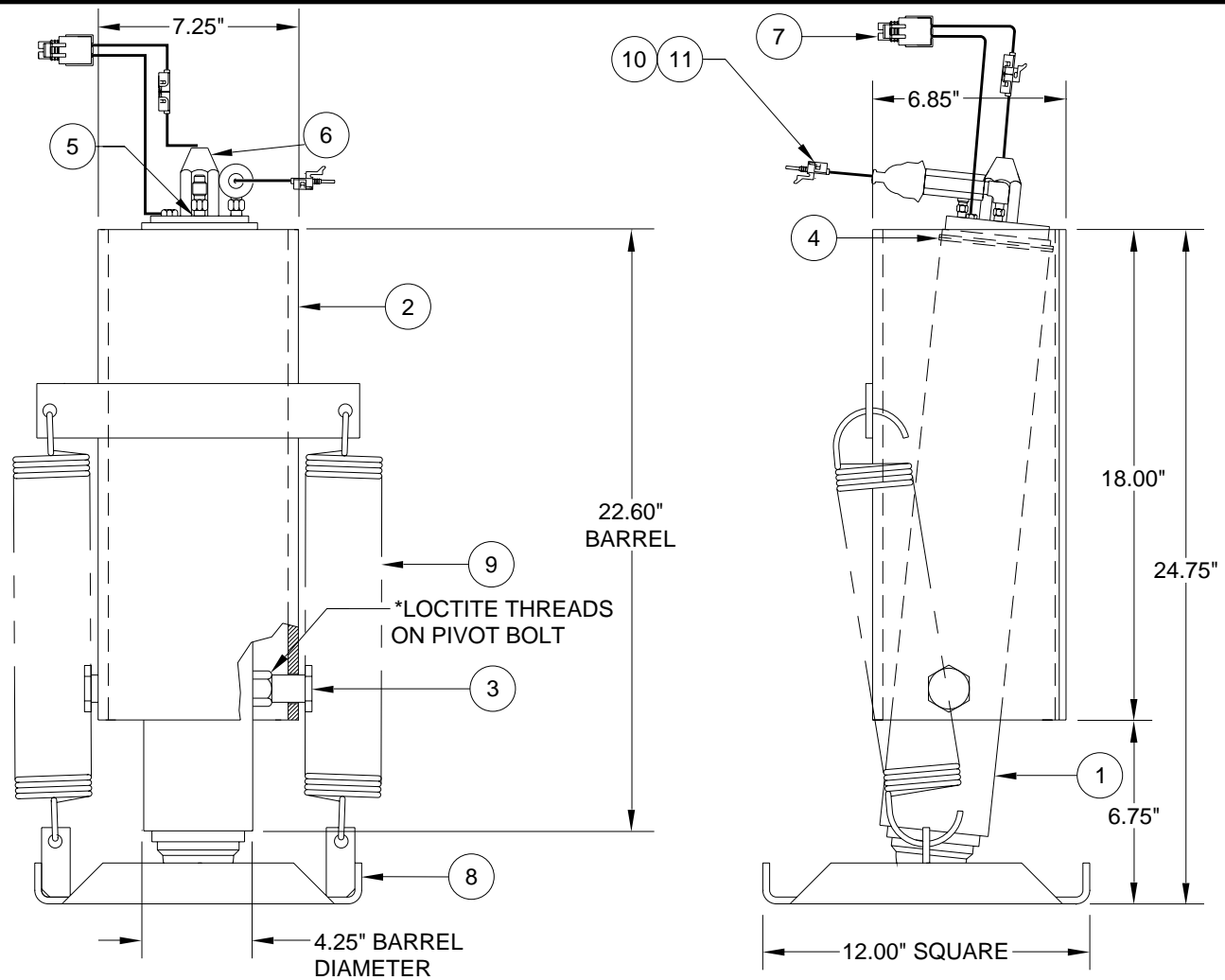
ITEM	PART	QTY	DESCRIPTION
6	RAP4707	1	SWITCH WARNING 2" TRAVEL
7	RAP5574	1	FOOT 13.40" ROUND 12" SQUARE FOOT NO LONGER AVAILABLE
8	R2365	1	SPRING KIT 2-3/4" X 13-1/2"
		2	SPRING 2-3/4" X 13-1/2"
9	RAP8003	1	SWITCH PRESSURE
10	RAP9072	1	INTERFACE PRESSURE/ WARNING SWITCH
11	RF9315	1	NIPPLE 1/8" X 1/8"

**NOTE :** INDENTED ITEMS ARE INCLUDED WITH PRECEDING ITEM.

\* APPLY A LOCKING ADHESIVE SUCH AS LOCTITE #271, 277, 242 OR 569.

**MR26.8207**  
**14FEB13**

**AP10084 - STRAIGHT-ACTING JACK, 7 DEGREE PIVOT, F/A SPRINGS**  
**24,000 # CAPACITY; 3.500" ROD DIAMETER; 16.00" STROKE**  
**WITH PRESSURE SWITCH AND 2" TRAVEL WARNING SWITCH**



ITEM	PART	QTY	DESCRIPTION
1	RAP6175	1	CYL. ASSY. 3.50" X 16" (INCLUDES GRAY MAGNETIC WARN. SWITCH AND ADAPTOR)
2	RAP6174	1	PIVOT BRACKET
3	R3003	1	PIVOT BOLT KIT
		2	HHCS 1" SPECIAL
		2	BUSHING 1-1/4" O.D.
4	RP6212	1	O-RING SQUARE CUT 4" I.D.
5	RF3475	1	MALE CONNECTOR 1/4" X 5/16"

ITEM	PART	QTY	DESCRIPTION
6	RAP4707	1	SWITCH WARNING 2" TRAVEL
7	RAP92382	1	2 WIRE ADAPTER KIT
8	RAP5574	1	FOOT 13.40" ROUND 12" SQUARE FOOT NO LONGER AVAILABLE
9	R2365	1	SPRING KIT 2-3/4" X 13-1/2"
		2	SPRING 2-3/4" X 13-1/2"
10	RAP8003	1	SWITCH PRESSURE
11	RF8143	1	ELBOW 1/8" X 1/8"

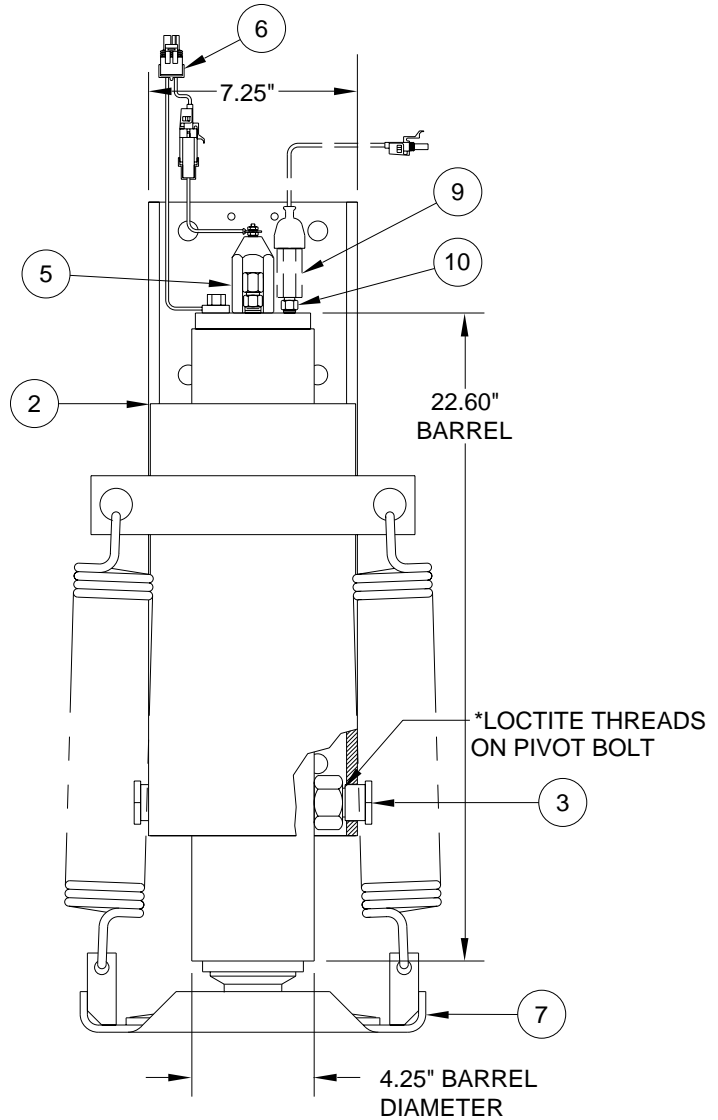
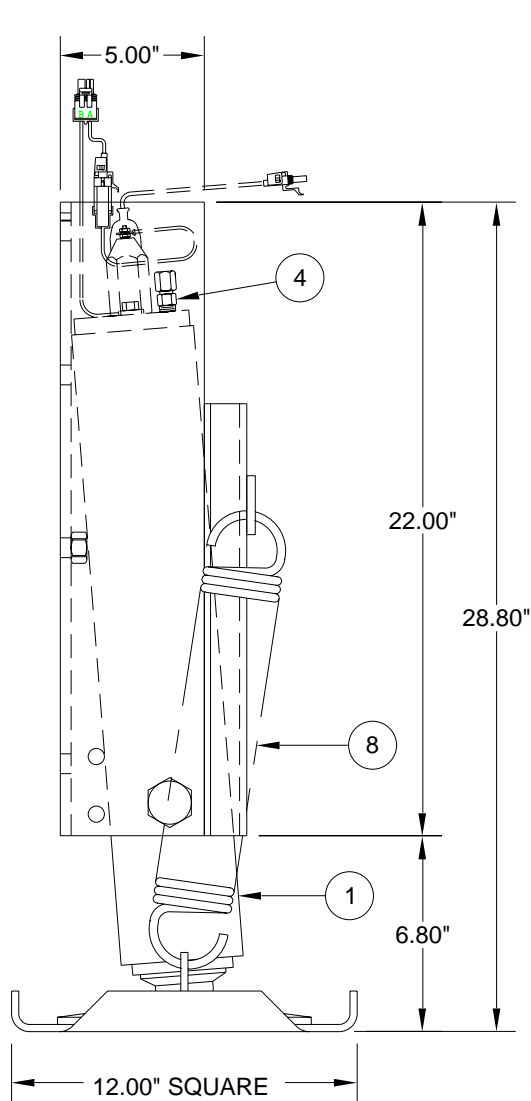
**NOTE :** INDENTED ITEMS ARE INCLUDED WITH PRECEDING ITEM.

\* APPLY A LOCKING ADHESIVE SUCH AS LOCTITE # 271, 277, 242 OR 569.

# AP30344 - AP31448

## STRAIGHT-ACTING JACK, 5 DEGREE PIVOT, F/A SPRINGS 24,000 # CAPACITY; 3.500" ROD DIAMETER; 16.00" STROKE

JACK #	DESCRIPTION
AP30344	2" TRAVEL WARNING SWITCH W/ GRAY CONNECTOR, PRESSURE SWITCH
AP31448	2" TRAVEL WARNING SWITCH W/ GRAY CONNECTOR ONLY



ITEM	PART	QTY	DESCRIPTION
1	RAP6175	1	CYL. ASSY. 3.50" X 16" (INCLUDES GRAY MAGNETIC WARN. SWITCH AND ADAPTOR)
2	RAP92377	1	PIVOT BRACKET
3	R3003	1	PIVOT BOLT KIT
		2	HHCS 1" SPECIAL
		2	BUSHING 1-1/4" O.D.
4	RF3475	1	MALE CONNECTOR 1/4" X 5/16"
5	RAP4707	1	SWITCH WARNING 2" TRAVEL

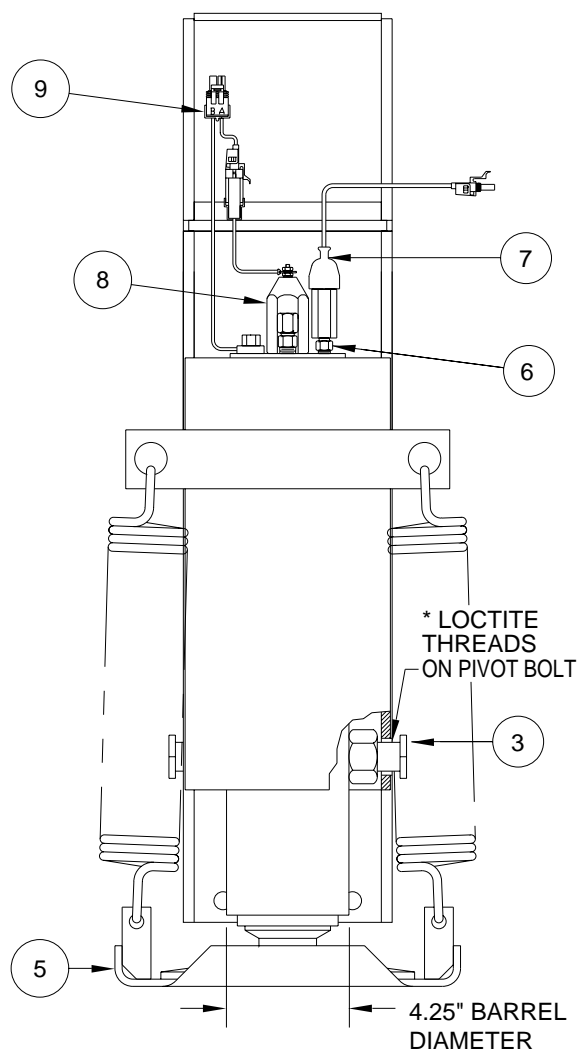
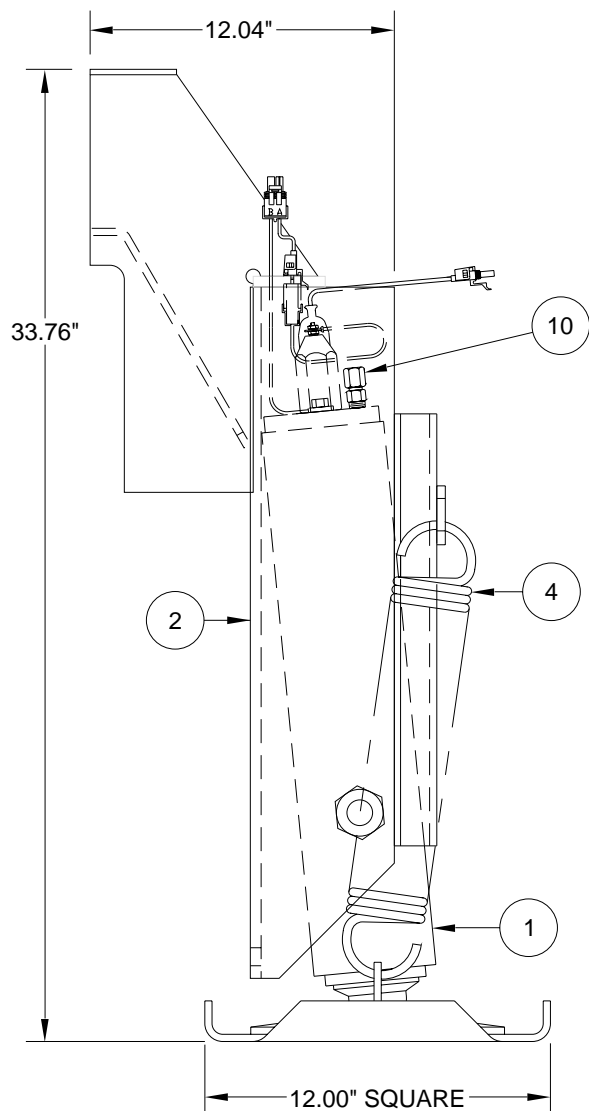
ITEM	PART	QTY	DESCRIPTION
6	RAP92382	1	2 WIRE ADAPTER KIT
7	RAP5574	1	FOOT 13.40" ROUND 12" SQUARE FOOT NO LONGER AVAILABLE
8	R2365	1	SPRING KIT 2-3/4" X 13-1/2"
		2	SPRING 2-3/4" X 13-1/2"
9	RAP8003	1	SWITCH PRESSURE (AP30344 ONLY)
10	RF9315	1	NIPPLE 1/8" X 1/8" (AP30344 ONLY)

**NOTE :** INDENTED ITEMS ARE INCLUDED WITH PRECEDING ITEM.

\* APPLY A LOCKING ADHESIVE SUCH AS LOCTITE # 271, 277, 242 OR 569.

**MR26.8215  
14FEB13**

**AP33159 - STRAIGHT-ACTING JACK, 7 DEGREE PIVOT, F/A SPRINGS**  
**24,000 # CAPACITY; 3.500" ROD DIAMETER; 13.00" STROKE**  
**WITH PRESSURE SWITCH AND 2" TRAVEL WARNING SWITCH W/ 2-WIRE GRAY ADP.**



ITEM	PART	QTY	DESCRIPTION
1	RAP5577	1	CYL. ASSY. 3.50" X 13" (INCLUDES GRAY MAGNETIC WARN. SWITCH AND ADAPTOR)
2	RAP92379	1	PIVOT BRACKET
3	R3003	1	PIVOT BOLT KIT
		2	HHCS 1" SPECIAL
		2	BUSHING 1-1/4" O.D.
4	R2365	1	SPRING KIT 2-3/4" X 13-1/2"
		2	SPRING 2-3/4" X 13-1/2"

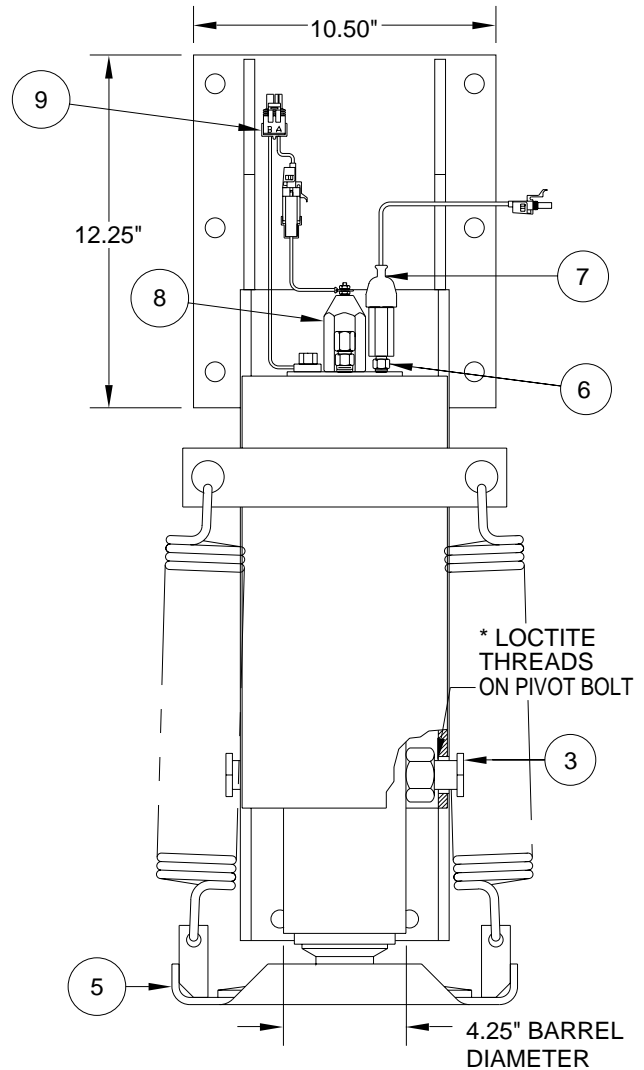
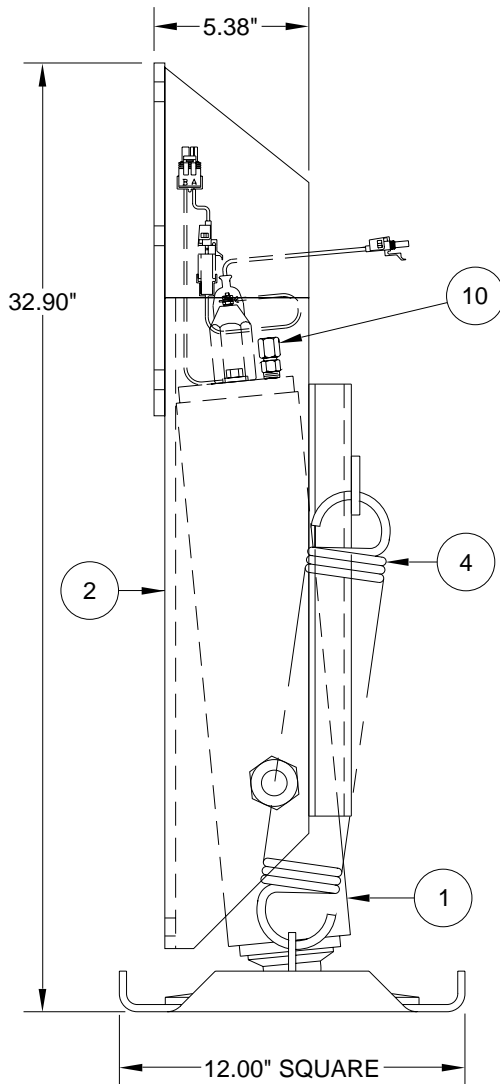
ITEM	PART	QTY	DESCRIPTION
5	RAP5574	1	FOOT 13.40" ROUND 12" SQUARE FOOT NO LONGER AVAILABLE
6	RF9315	1	NIPPLE 1/8" X 1/8"
7	RAP8003	1	SWITCH PRESSURE
8	RAP4707	1	SWITCH WARNING 2" TRAVEL
9	RAP92382	1	2 WIRE ADAPTER KIT
10	RF3475	1	MALE CONNECTOR 1/4" X 5/16"

**NOTE :** INDENTED ITEMS ARE INCLUDED WITH PRECEDING ITEM.

\* APPLY A THREAD LOCKING ADHESIVE SUCH AS LOCTITE #271, 277, 242 OR 569.

# AP33834 - STRAIGHT-ACTING JACK, 7 DEGREE PIVOT, F/A SPRINGS

**24,000 # CAPACITY; 3.500" ROD DIAMETER; 13.00" STROKE  
WITH PRESS. SWITCH, 2" TRAVEL WARN. SWITCH W/ 2-WIRE ADAPTER**



ITEM	PART	QTY	DESCRIPTION
1	RAP5577	1	CYL. ASSY. 3.50" X 13" (INCLUDES GRAY MAGNETIC WARN. SWITCH AND ADAPTOR)
2	RAP92378	1	PIVOT BRACKET
3	R3003	1	PIVOT BOLT KIT
		2	HHCS 1" SPECIAL
		2	BUSHING 1-1/4" O.D.
4	R2365	1	SPRING KIT 2-3/4" X 13-1/2"
		2	SPRING 2-3/4" X 13-1/2"

ITEM	PART	QTY	DESCRIPTION
5	RAP5574	1	FOOT 13.40" ROUND 12" SQUARE FOOT NO LONGER AVAILABLE
6	RF9315	1	NIPPLE 1/8" X 1/8"
7	RAP8003	1	SWITCH PRESSURE
8	RAP4707	1	SWITCH WARNING 2" TRAVEL
9	RAP92382	1	2 WIRE ADAPTER KIT
10	RF3475	1	MALE CONNECTOR 1/4" X 5/16"

**NOTE :** INDENTED ITEMS ARE INCLUDED WITH PRECEDING ITEM.

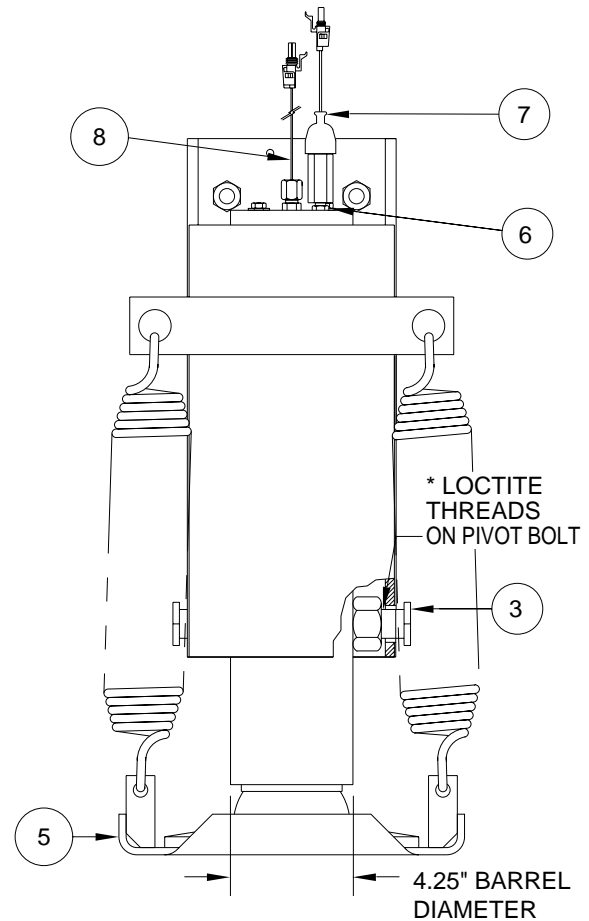
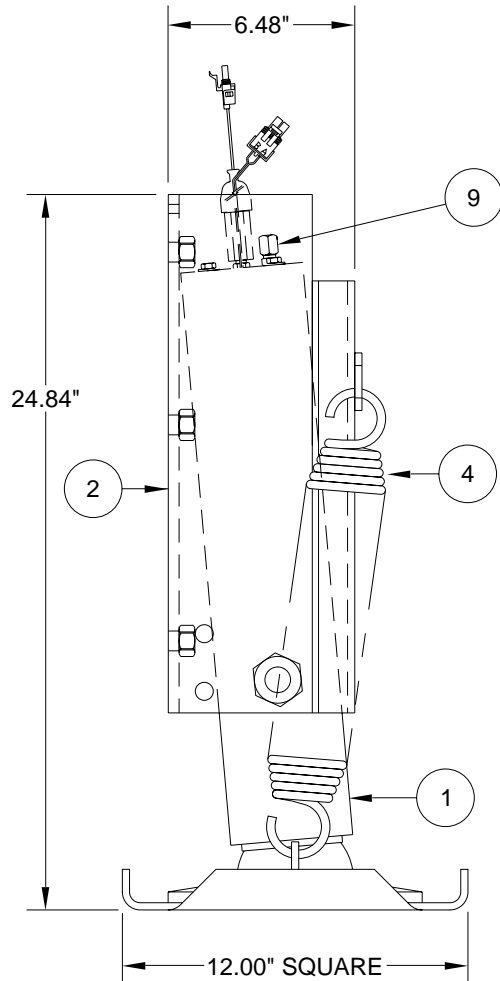
\* APPLY A THREAD LOCKING ADHESIVE SUCH AS LOCTITE #271, 277, 242 OR 569.

**MR26.8217  
14FEB13**



**AP36415 - AP38253**  
**STRAIGHT-ACTING JACK, 6 DEGREE PIVOT, F/A SPRINGS, BOLT-ON FOOT**  
**24,000 # CAPACITY; 3.500" ROD DIAMETER; 13.00" STROKE**

JACK #	DESCRIPTION
AP36415	MAGNETIC WARNING SWITCH W/ GRAY CONNECTOR, PRESSURE SWITCH
AP38253	MAGNETIC WARNING SWITCH W/ GRAY CONNECTOR ONLY



ITEM	PART	QTY	DESCRIPTION
1	RAP91853	1	CYL. ASSY. 3.50" X 13" (DOES NOT INCLUDE WARNING SWITCH)
2	RAP90847	1	PIVOT BRACKET
3	R3003	1	PIVOT BOLT KIT
		2	HHCS 1" SPECIAL
		2	BUSHING 1-1/4" O.D.
4	R2365	1	SPRING KIT 2-3/4" X 13-1/2"
		2	SPRING 2-3/4" X 13-1/2"

ITEM	PART	QTY	DESCRIPTION
5	RAP92055	1	FOOT 12.00" SQUARE BOLT-ON
6	RF9315	1	NIPPLE 1/8" X 1/8" (AP36415 ONLY)
7	RAP8003	1	SWITCH PRESSURE (AP36415 ONLY)
8	RAP90968	1	SWITCH WARNING MAGNETIC GRAY
9	RF3475	1	MALE CONNECTOR 1/4" X 5/16"

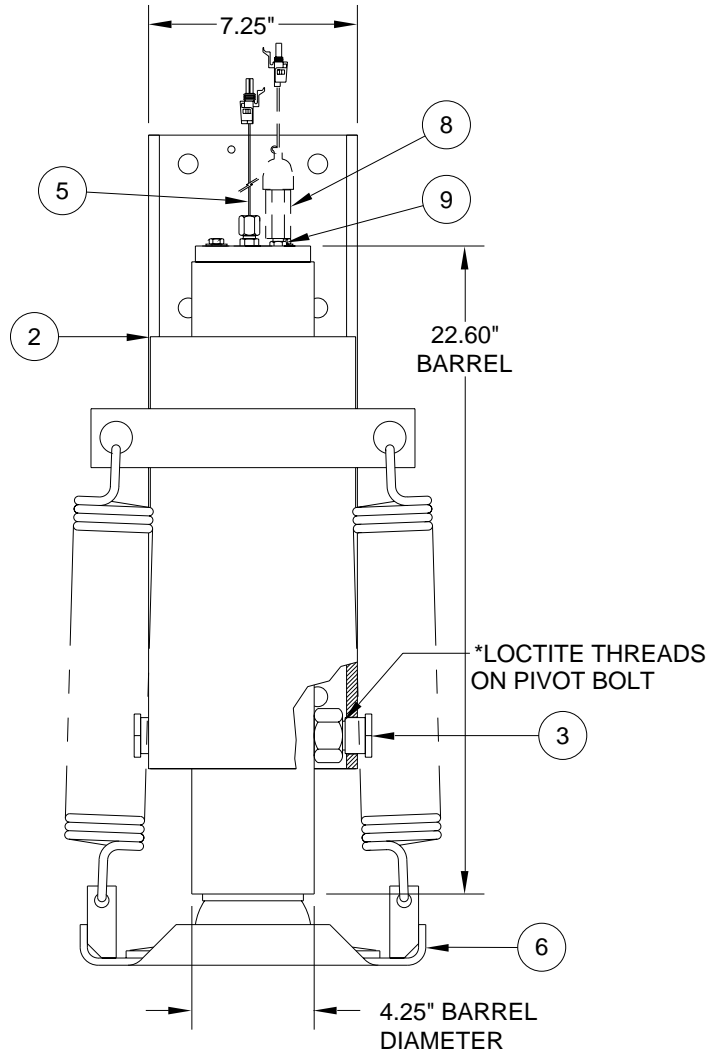
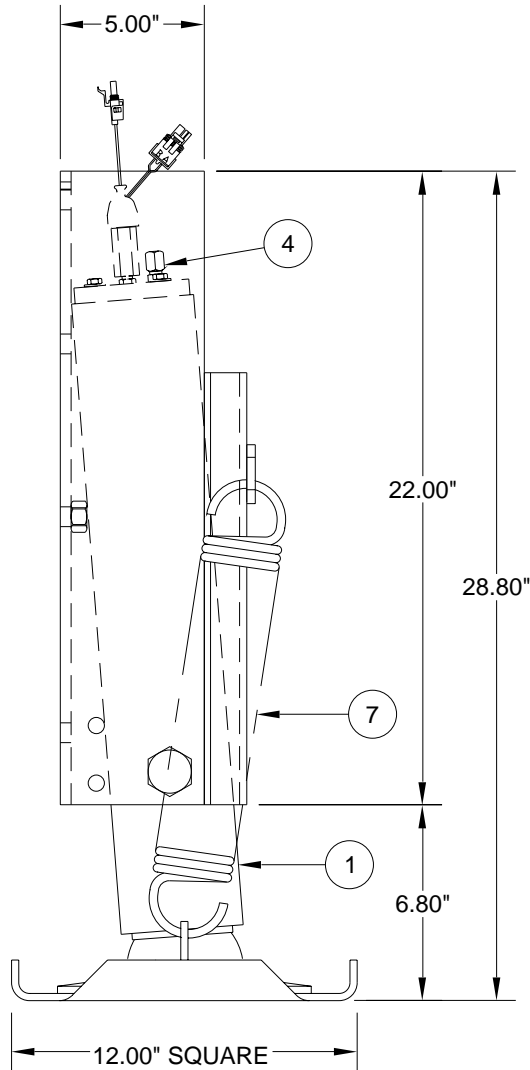
**NOTE :** INDENTED ITEMS ARE INCLUDED WITH PRECEDING ITEM.

\* APPLY A THREAD LOCKING ADHESIVE SUCH AS LOCTITE #271, 277, 242 OR 569.

**MR26.8219**  
**07JUL09**

**AP37561 - AP37562**  
**STRAIGHT-ACTING JACK, 5 DEGREE PIVOT, F/A SPRINGS, BOLT-ON FOOT**  
**24,000 # CAPACITY; 3.500" ROD DIAMETER; 16.00" STROKE**

JACK #	DESCRIPTION
AP37561	MAGNETIC WARNING SWITCH W/ GRAY CONNECTOR ONLY
AP37562	MAGNETIC WARNING SWITCH W/ GRAY CONNECTOR, PRESSURE SWITCH



ITEM	PART	QTY	DESCRIPTION
1	RAP92042	1	CYL. ASSY. 3.50" X 16" (DOES NOT INCLUDE WARNING SWITCH)
2	RAP92377	1	PIVOT BRACKET
3	R3003	1	PIVOT BOLT KIT
		2	HHCS 1" SPECIAL
		2	BUSHING 1-1/4" O.D.
4	RF3475	1	MALE CONNECTOR 1/4" X 5/16"

ITEM	PART	QTY	DESCRIPTION
5	RAP90968	1	SWITCH WARNING MAGNETIC GRAY
6	RAP92055	1	FOOT 12.00" SQUARE BOLT-ON
7	R2365	1	SPRING KIT 2-3/4" X 13-1/2"
		2	SPRING 2-3/4" X 13-1/2"
8	RAP8003	1	SWITCH PRESSURE (AP37562 ONLY)
9	RF9315	1	NIPPLE 1/8" X 1/8" (AP37562 ONLY)

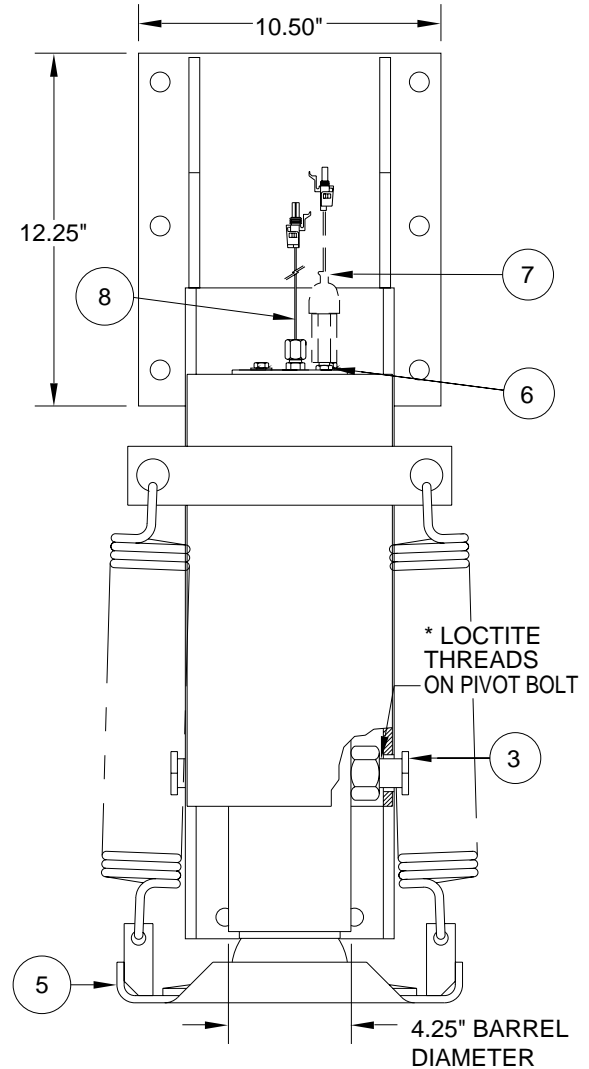
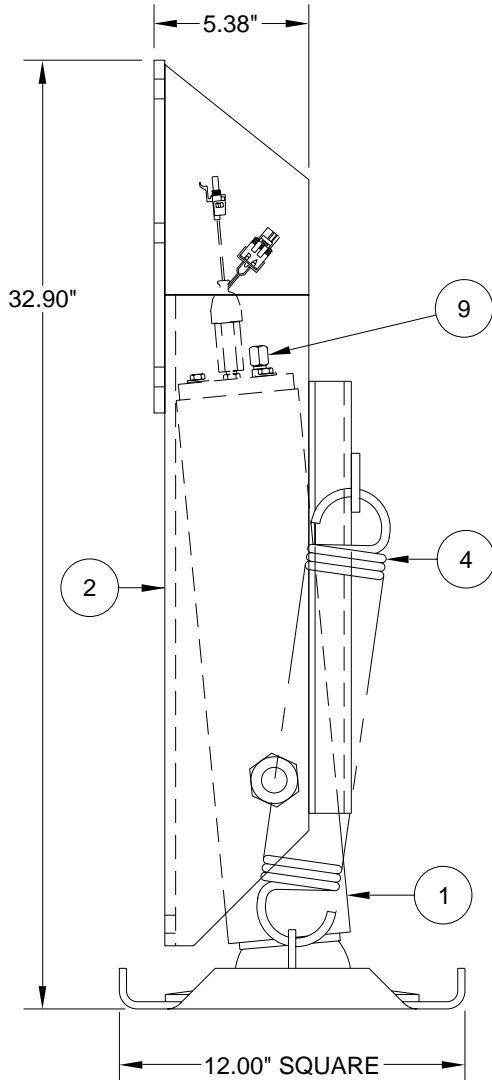
**NOTE :** INDENTED ITEMS ARE INCLUDED WITH PRECEDING ITEM.

\* APPLY A LOCKING ADHESIVE SUCH AS LOCTITE # 271, 277, 242 OR 569.

**MR26.8220**  
**15DEC08**

**AP37044 - AP38254**  
**STRAIGHT-ACTING JACK, 6 DEGREE PIVOT, F/A SPRINGS, BOLT-ON FOOT**  
**24,000 # CAPACITY; 3.500" ROD DIAMETER; 13.00" STROKE**

JACK #	DESCRIPTION
AP37044	MAGNETIC WARNING SWITCH W/ GRAY CONNECTOR, PRESSURE SWITCH
AP38254	MAGNETIC WARNING SWITCH W/ GRAY CONNECTOR ONLY



ITEM	PART	QTY	DESCRIPTION
1	RAP91853	1	CYL. ASSY. 3.50" X 13" (DOES NOT INCLUDE WARNING SWITCH)
2	RAP92378	1	PIVOT BRACKET
3	R3003	1 2 2	PIVOT BOLT KIT HHCS 1" SPECIAL BUSHING 1-1/4" O.D.
4	R2365	1 2	SPRING KIT 2-3/4" X 13-1/2" SPRING 2-3/4" X 13-1/2"

ITEM	PART	QTY	DESCRIPTION
5	RAP92055	1	FOOT 12.00" SQUARE BOLT-ON
6	RF9315	1	NIPPLE 1/8" X 1/8" (AP37044 ONLY)
7	RAP8003	1	SWITCH PRESSURE (AP37044 ONLY)
8	RAP90968	1	SWITCH WARNING MAGNETIC GRAY
9	RF3475	1	MALE CONNECTOR 1/4" X 5/16"

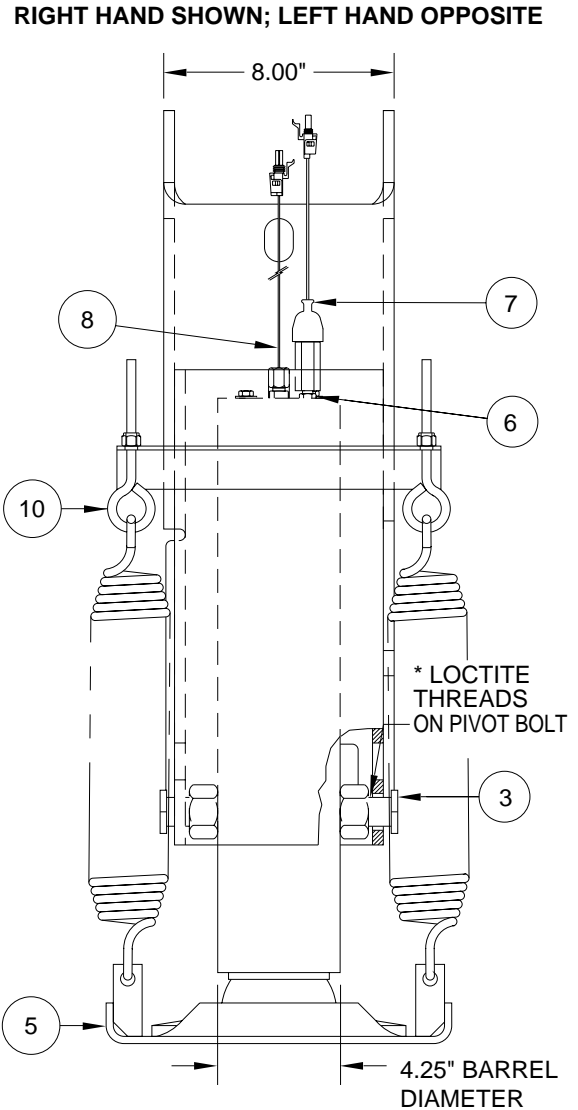
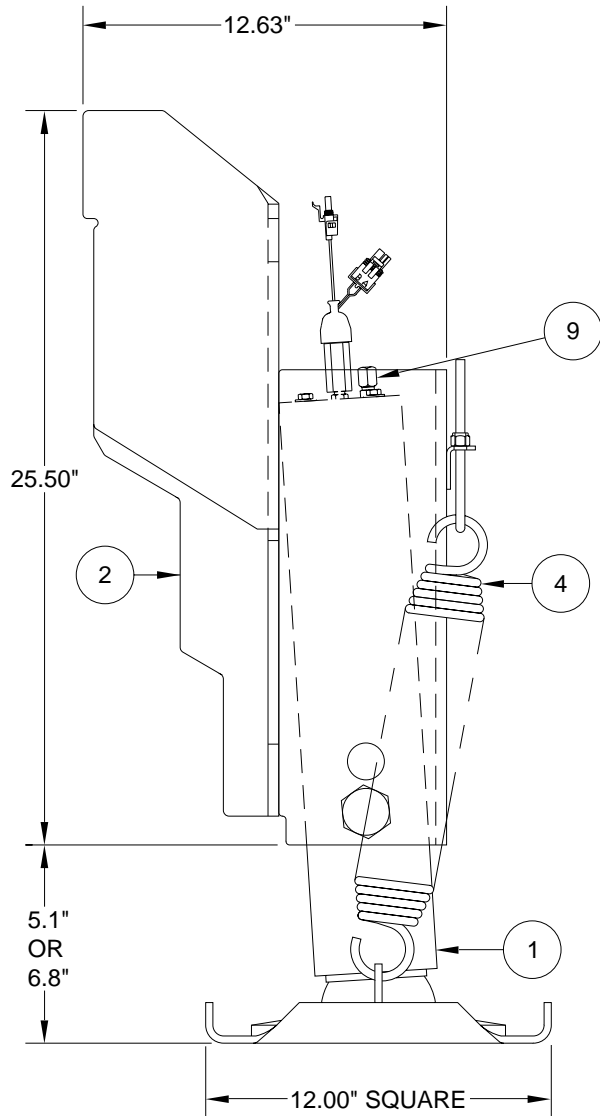
**NOTE :** INDENTED ITEMS ARE INCLUDED WITH PRECEDING ITEM.

\* APPLY A THREAD LOCKING ADHESIVE SUCH AS LOCTITE #271, 277, 242 OR 569.

**MR26.8230**  
**15DEC08**

**AP41732 - AP41733 - AP41789 - AP41790**  
**STRAIGHT-ACTING JACK, 5 DEGREE PIVOT, F/A SPRINGS, BOLT-ON FOOT**  
**24,000 # CAPACITY; 3.500" ROD DIAMETER; 13.00" STROKE**

JACK #	DESCRIPTION
AP41732	RIGHT HAND, CYLINDER IS MOUNTED IN LOWER POSITION
AP41733	LEFT HAND, CYLINDER IS MOUNTED IN LOWER POSITION
AP41789	RIGHT HAND, CYLINDER IS MOUNTED IN UPPER POSITION
AP41790	LEFT HAND, CYLINDER IS MOUNTED IN UPPER POSITION



ITEM	PART	QTY	DESCRIPTION
1	RAP91853	1	CYL. ASSY. 3.50" X 13" (DOES NOT INCLUDE WARNING SWITCH)
2	RAP92375	1	PIVOT BRACKET - RH
2	RAP92376	1	PIVOT BRACKET - LH
3	R3003	1	PIVOT BOLT KIT
		2	HHCS 1" SPECIAL
		2	BUSHING 1-1/4" O.D.
4	R2365	1	SPRING KIT 2-3/4" X 13-1/2"
		2	SPRING 2-3/4" X 13-1/2"

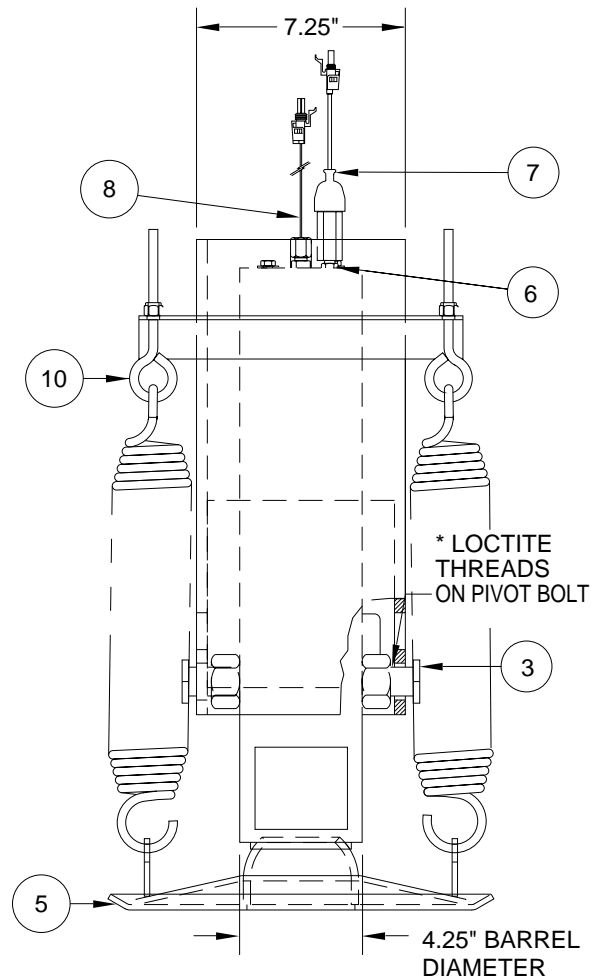
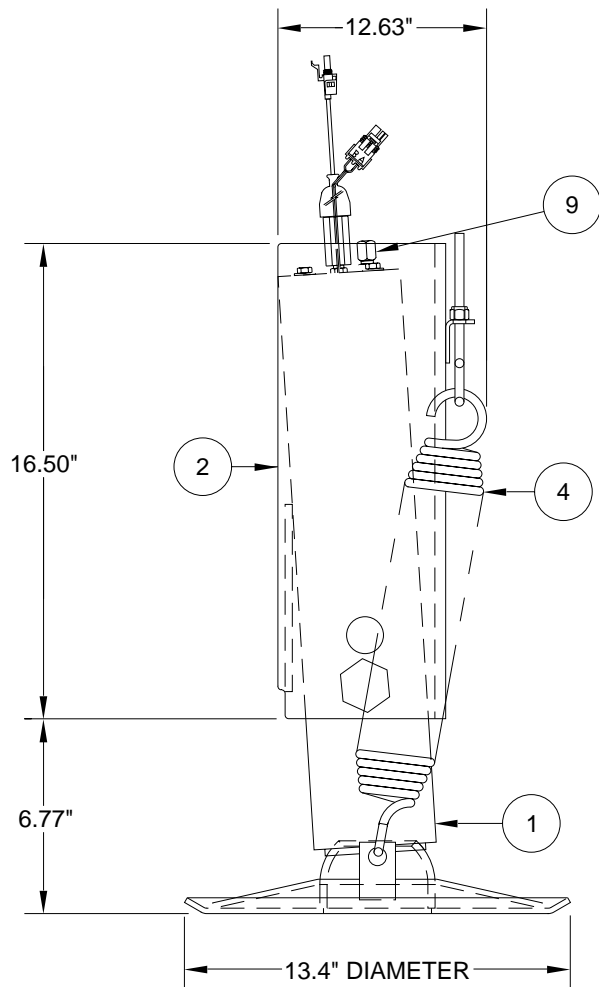
ITEM	PART	QTY	DESCRIPTION
5	RAP92055	1	FOOT 12.00" SQUARE BOLT-ON
6	RF9315	1	NIPPLE 1/8" X 1/8"
7	RAP8003	1	SWITCH PRESSURE
8	RAP90968	1	SWITCH WARNING MAGNETIC GRAY
9	RF3475	1	MALE CONNECTOR 1/4" X 5/16"
10	R5491	2	EYE BOLT KIT
		1	3/8-16 X 6.00" EYE BOLT
		1	3/8-16 ESNA LOCK NUT

**NOTE :** INDENTED ITEMS ARE INCLUDED WITH PRECEDING ITEM.

\* APPLY A THREAD LOCKING ADHESIVE SUCH AS LOCTITE #271, 277, 242 OR 569.

**MR26.8240**  
**15DEC08**

**AP46021 - STRAIGHT-ACTING JACK, 5 DEGREE PIVOT, F/A SPRINGS  
 24,000 # CAPACITY; 3.500" ROD DIAMETER; 13.00" STROKE; BOLT-ON FOOT  
 WITH MAGNETIC WARNING SWITCH AND PRESSURE SWITCH**



ITEM	PART	QTY	DESCRIPTION
1	RAP91853	1	CYL. ASSY. 3.50" X 13" (INCLUDES ITEM 9) (EXCLUDES ITEMS 6,7,8)
2	RAP93054	1	PIVOT BRACKET
3	R3003	1	PIVOT BOLT KIT
		2	HHCS 1" SPECIAL
		2	BUSHING 1-1/4" O.D.
4	R2365	1	SPRING KIT 2-3/4" X 13-1/2"
		2	SPRING 2-3/4" X 13-1/2"

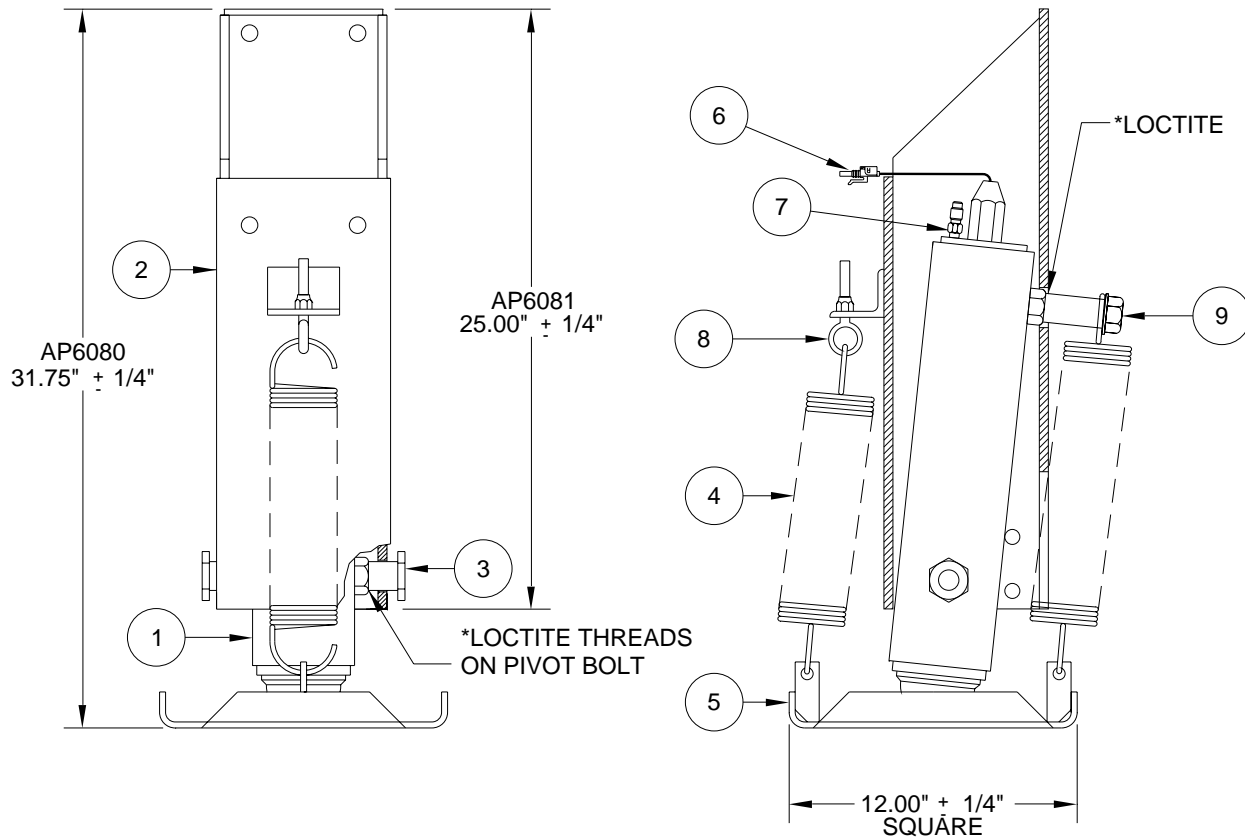
ITEM	PART	QTY	DESCRIPTION
5	RAP92937	1	FOOT 13.4" DIAMETER
6	RF9315	1	NIPPLE 1/8" X 1/8"
7	RAP8003	1	SWITCH PRESSURE
8	RAP90968	1	SWITCH WARNING MAGNETIC GRAY
9	RF3475	1	MALE CONNECTOR 1/4" X 5/16"
10	R5491	2	EYE BOLT KIT
		1	3/8-16 X 6.00" EYE BOLT
		1	3/8-16 ESNA LOCK NUT

**NOTE :** INDENTED ITEMS ARE INCLUDED WITH PRECEDING ITEM.  
 \* APPLY A THREAD LOCKING ADHESIVE SUCH AS LOCTITE #271, 277, 242 OR 569.

**MR26.8245  
 10JAN12**

# AP6080 - STRAIGHT-ACTING JACK, 7 DEGREE PIVOT, S/S SPRINGS

24,000 # CAPACITY; 3.500" ROD DIAMETER; 13.00" STROKE  
WITH 2" TRAVEL WARNING SWITCH AND TALL PIVOT BRACKET



ITEM	PART	QTY	DESCRIPTION
1	RAP6085	1	CYL. ASSY. 3.50" X 13" (INCLUDES ITEMS 6,7)
2	RAP6081	1	PIVOT BRACKET
3	R3003	1	PIVOT BOLT KIT
		2	HHCS 1" SPECIAL
		2	BUSHING 1-1/4" O.D.
4	R2365	1	SPRING KIT 2-3/4" X 13-1/2"
		2	SPRING 2-3/4" X 13-1/2"
5	RAP5574	1	FOOT 13.40" ROUND 12" SQUARE FOOT NO LONGER AVAILABLE

ITEM	PART	QTY	DESCRIPTION
6	RAP4707	1	SWITCH WARNING 2" TRAVEL
7	RF3475	1	MALE CONNECTOR 1/4" X 5/16"
8	R5491	1	EYE BOLT KIT
		1	3/8-16 X 6.00" EYE BOLT
		1	3/8-16 ESNA LOCK NUT
9	R6087	1	SPRING HANGER KIT
		1	SPACER
		1	HHCS 7/8-9 X 3.5"
		1	WASHER 7/8" FLAT

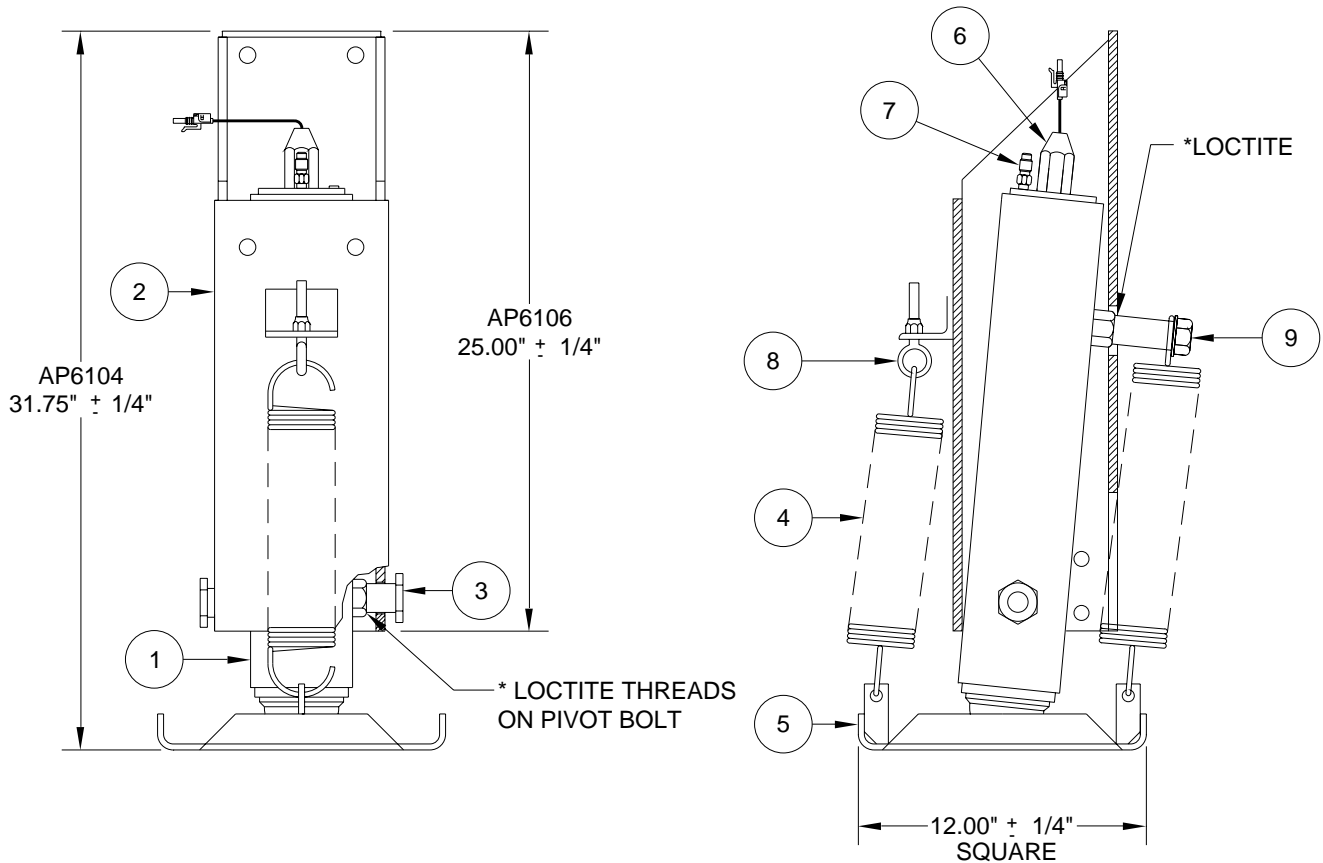
**NOTE :** INDENTED ITEMS ARE INCLUDED WITH PRECEDING ITEM.

\* APPLY A THREAD LOCKING ADHESIVE SUCH AS LOCTITE #271, 277, 242 OR 569.

**MR26.8305**  
**14FEB13**

# AP6104 - STRAIGHT ACTING JACK, 7 DEGREE PIVOT, S/S SPRINGS

**24,000 # CAPACITY; 3.500" ROD DIAMETER; 16.00" STROKE  
WITH 2" TRAVEL WARNING SWITCH AND TALL PIVOT BRACKET**



ITEM	PART	QTY	DESCRIPTION
1	RAP6105	1	CYL. ASSY. 3.50" X 16" (INCLUDES GRAY MAGNETIC WARN. SWITCH AND ADAPTOR)
2	RAP6081	1	PIVOT BRACKET
3	R3003	1	PIVOT BOLT KIT
		2	HHCS 1" SPECIAL
		2	BUSHING 1-1/4" O.D.
4	R2365	1	SPRING KIT 2-3/4" X 13-1/2"
		2	SPRING 2-3/4" X 13-1/2"
5	RAP6259	1	FOOT 12.00" SQUARE

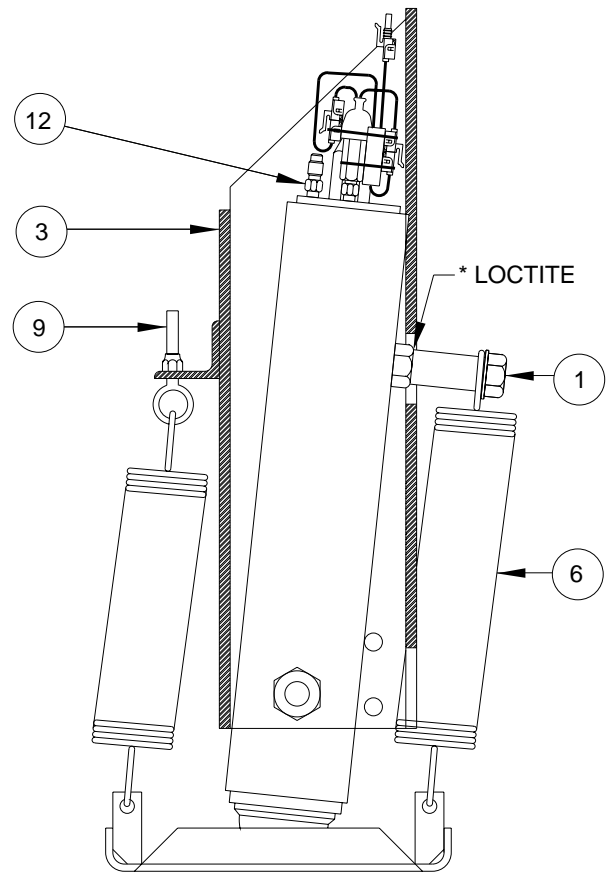
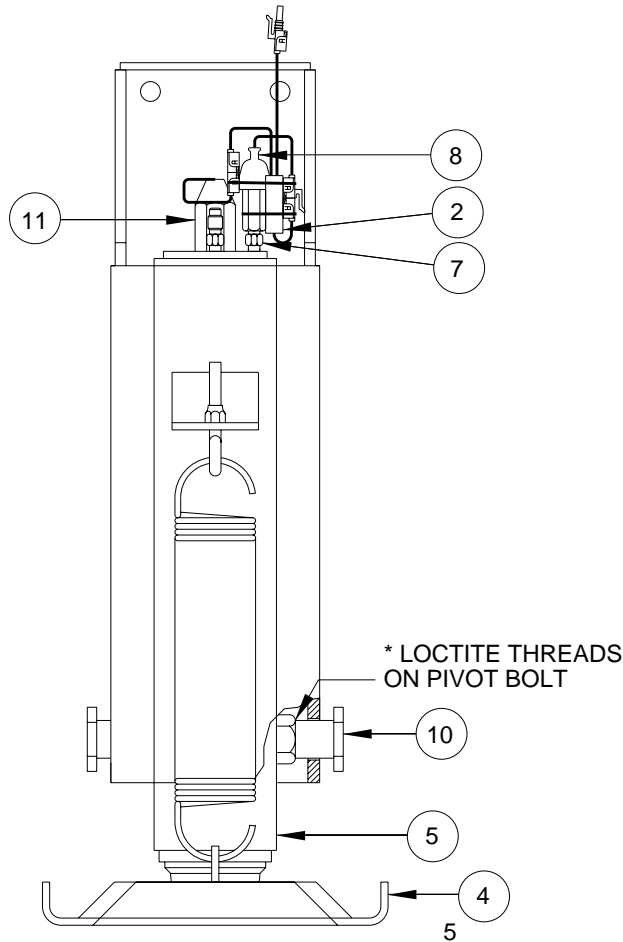
ITEM	PART	QTY	DESCRIPTION
6	RAP4707	1	SWITCH WARNING 2" TRAVEL
7	RF3475	1	MALE CONNECTOR 1/4" X 5/16"
8	R5491	1	EYE BOLT KIT
		1	3/8-16 X 6.00" EYE BOLT
		1	3/8-16 ESNA LOCK NUT
9	R6087	1	SPRING HANGER KIT
		1	SPACER
		1	HHCS 7/8-9 X 3.5"
		1	WASHER 7/8" FLAT

**NOTE :** INDENTED ITEMS ARE INCLUDED WITH PRECEDING ITEM.

\* APPLY A THREAD LOCKING ADHESIVE SUCH AS LOCTITE #271, 277, 242 OR 569.

**MR26.8405  
13JAN09**

**AP0789 - STRAIGHT ACTING JACK, 7 DEGREE PIVOT, S/S SPRINGS**  
**24,000 # CAPACITY; 3.500" ROD DIAMETER; 16.00" STROKE**  
**WITH 2" TRAVEL WARNING SWITCH AND TALL PIVOT BRACKET**



ITEM	PART	QTY	DESCRIPTION
1	R6087	1	SPRING HANGER KIT
		1	SPACER
		1	HHCS 7/8-9 X 3"
		1	WASHER FLAT 7/8"
2	RAP9072	1	INTERFACE PRESSURE/ WARNING SWITCH
3	RAP6081	1	PIVOT BRACKET
4	RAP6259	1	FOOT 12.00" SQUARE
5	RAP6105	1	CYL. ASSY. 3.50" X 16" (INCLUDES GRAY MAGNETIC WARN. SWITCH AND ADAPTOR)
6	R2365	1	SPRING KIT 2-3/4" X 13-1/2"
		2	SPRING 2-3/4" X 13-1/2"

ITEM	PART	QTY	DESCRIPTION
7	RF9315	1	NIPPLE 1/8" X 1/8"
8	RAP8003	1	SWITCH PRESSURE
9	RAP5491	1	EYE BOLT KIT
		1	3/8-16 X 6.00" EYE BOLT
		1	3/8-16 ESNA LOCK NUT
10	R3003	1	PIVOT BOLT KIT
		1	HHCS 1" SPECIAL
		1	BUSHING 1-1/4" O.D.
11	RAP4707	1	SWITCH WARNING 2" TRAVEL
12	RF3475	1	MALE CONNECTOR 1/4" X 5/16"

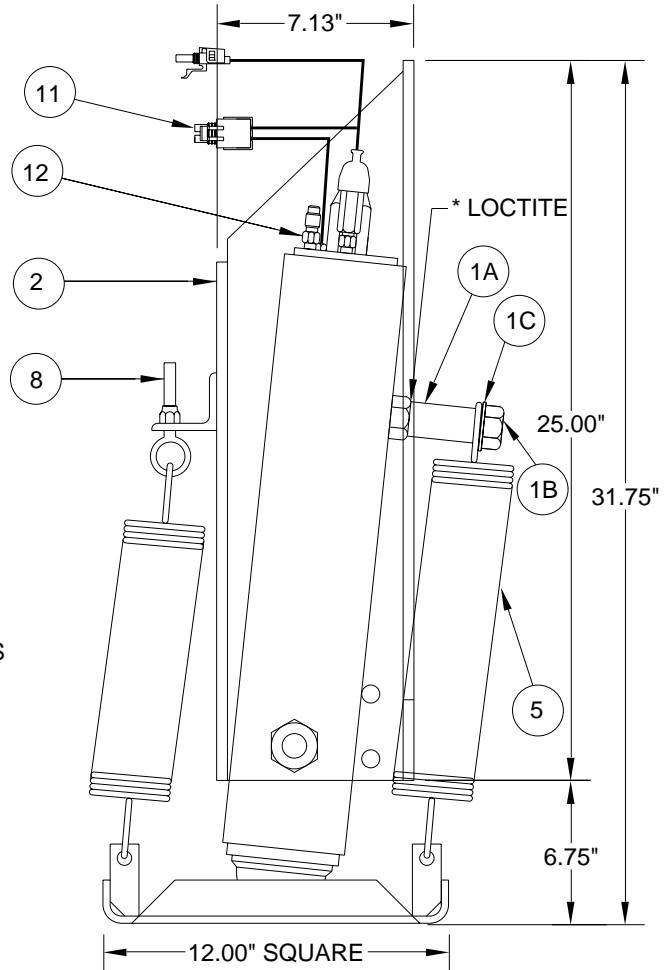
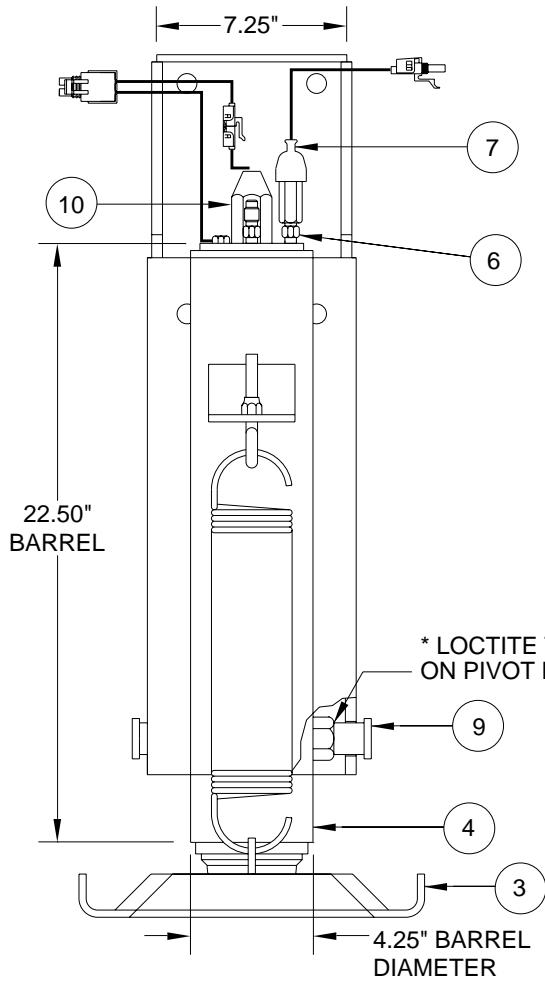
**NOTE :** INDENTED ITEMS ARE INCLUDED WITH PRECEDING ITEM.

\* APPLY A LOCKING ADHESIVE SUCH AS LOCTITE #271, 277, 242 OR 569.

**MR26.8407**  
**13JAN09**



**AP11513 - STRAIGHT-ACTING JACK, 7 DEGREE PIVOT, S/S SPRINGS**  
**24,000 # CAPACITY; 3.500" ROD DIAMETER; 16.00" STROKE**  
**WITH PRESS. SWITCH, 2" TRAVEL WARNING SWITCH AND TALL PIVOT BRACKET**



ITEM	PART	QTY	DESCRIPTION
1	R6087	1	SPRING HANGER KIT
1A		1	SPACER
1B		1	HHCS 7/8-9 X 3"
1C		1	WASHER FLAT 7/8"
2	RAP6081	1	PIVOT BRACKET
3	RAP6259	1	FOOT 12.00" SQUARE
4	RAP6105	1	CYL. ASSY. 3.50" X 16" (INCLUDES GRAY MAGNETIC WARN. SWITCH AND ADAPTOR)
5	R2365	1	SPRING KIT 2-3/4" X 13-1/2"
		2	SPRING 2-3/4" X 13-1/2"

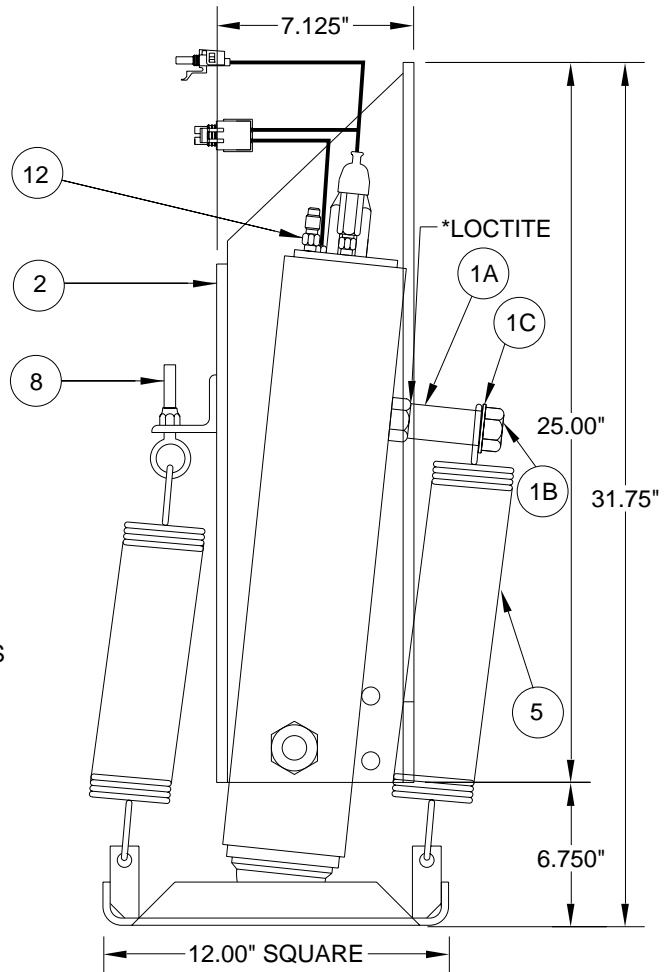
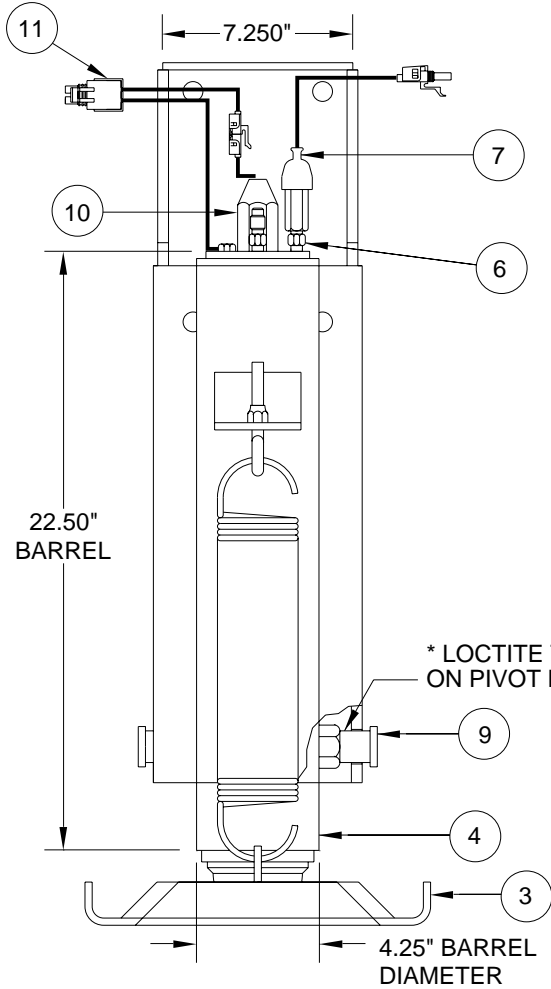
ITEM	PART	QTY	DESCRIPTION
6	RF9315	1	NIPPLE 1/8" X 1/8"
7	RAP8003	1	SWITCH PRESSURE
8	R5491	1	EYE BOLT KIT
		1	3/8-16 X 6.00" EYE BOLT
		1	3/8-16 ESNA LOCK NUT
9	R3003	1	PIVOT BOLT KIT
		2	HHCS 1" SPECIAL
		2	BUSHING 1-1/4" O.D.
10	RAP4707	1	SWITCH WARNING 2" TRAVEL
11	RAP92382	1	2 WIRE ADAPTER KIT
12	RF3475	1	MALE CONNECTOR 1/4" X 5/16"

**NOTE :** INDENTED ITEMS ARE INCLUDED WITH PRECEDING ITEM.

\* APPLY A LOCKING ADHESIVE SUCH AS # 271, 277, 242 OR 569.

**MR26.8410**  
**06JAN09**

**AP34222 - STRAIGHT-ACTING JACK, 6 DEGREE PIVOT, S/S SPRINGS**  
**24,000 # CAPACITY; 3.500" ROD DIAMETER; 16.00" STROKE**  
**WITH PRESS. SWITCH, 2" TRAVEL GRAY WARN. SWITCH AND TALL PIVOT BRACKET**



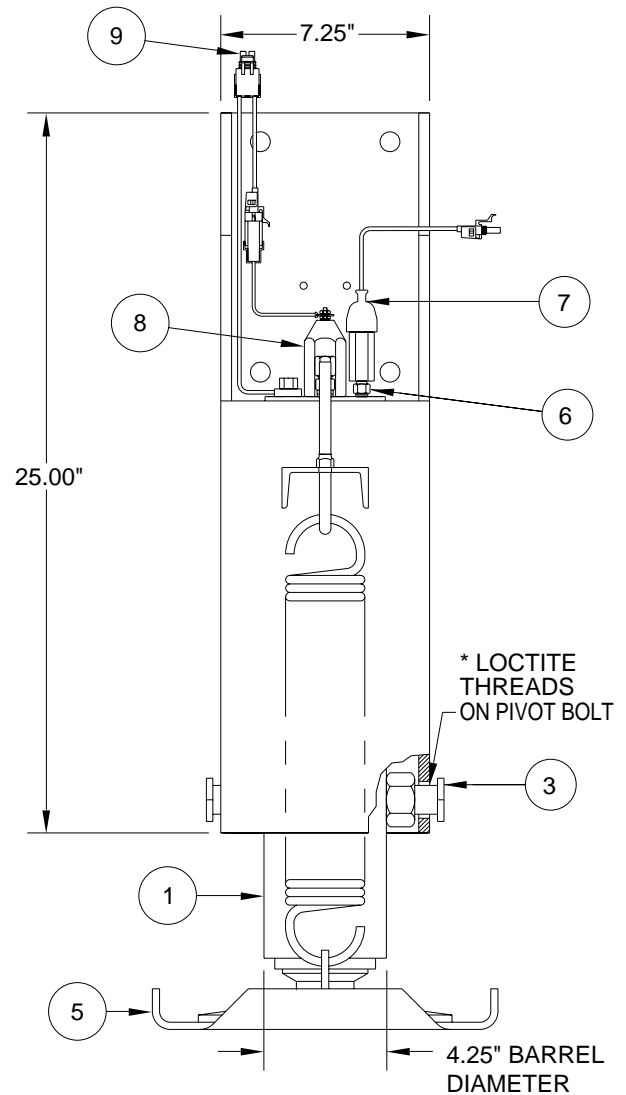
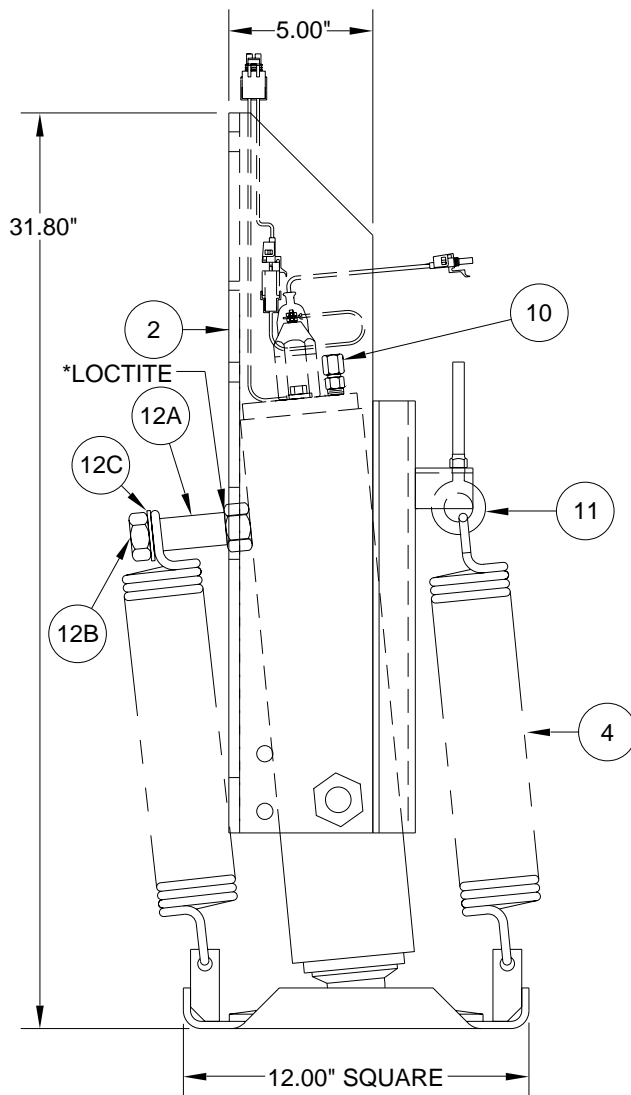
ITEM	PART	QTY	DESCRIPTION
1	R6087	1	SPRING HANGER KIT
1A		1	SPACER
1B		1	HHCS 7/8-9 X 3"
1C		1	WASHER FLAT 7/8"
2	RAP6081	1	PIVOT BRACKET
3	RAP6259	1	FOOT 12.00" SQUARE
4	RAP6105	1	CYL. ASSY. 3.50" X 16" (INCLUDES GRAY MAGNETIC WARN. SWITCH AND ADAPTOR)
5	R2365	1	SPRING KIT 2-3/4" X 13-1/2"
		2	SPRING 2-3/4" X 13-1/2"

ITEM	PART	QTY	DESCRIPTION
6	RF9315	1	NIPPLE 1/8" X 1/8"
7	RAP8003	1	SWITCH PRESSURE
8	R5491	1	EYE BOLT KIT
		1	3/8-16 X 6.00" EYE BOLT
		1	3/8-16 ESNA LOCK NUT
9	R3003	1	PIVOT BOLT KIT
		2	HHCS 1" SPECIAL
		2	BUSHING 1-1/4" O.D.
10	RAP4707	1	SWITCH WARNING 2" TRAVEL
11	RAP92382	1	2 WIRE ADAPTER KIT
12	RF3475	1	MALE CONNECTOR 1/4" X 5/16"

**NOTE :** INDENTED ITEMS ARE INCLUDED WITH PRECEDING ITEM.

\* APPLY A LOCKING ADHESIVE SUCH AS # 271, 277, 242 OR 569.

**AP18973 - STRAIGHT-ACTING JACK, 7 DEGREE PIVOT, S/S SPRINGS**  
**24,000 # CAPACITY; 3.500" ROD DIAMETER; 13.00" STROKE**  
**WITH PRESS. SWITCH, 2" TRAVEL WARNING SWITCH AND TALL PIVOT BRACKET**



ITEM	PART	QTY	DESCRIPTION
1	RAP6085	1	CYL. ASSY. 3.50" X 13" (INCLUDES ITEMS 8,9,10)
2	RAP92374	1	PIVOT BRACKET
3	R3003	1 2 2	PIVOT BOLT KIT HHCS 1" SPECIAL BUSHING 1-1/4" O.D.
4	R2365	1 2	SPRING KIT 2-3/4" X 13-1/2" SPRING 2-3/4" X 13-1/2"
5	RAP5574	1	FOOT 13.40" ROUND 12" SQUARE FOOT NO LONGER AVAILABLE
6	RF9315	1	NIPPLE 1/8" X 1/8"
7	RAP8003	1	SWITCH PRESSURE

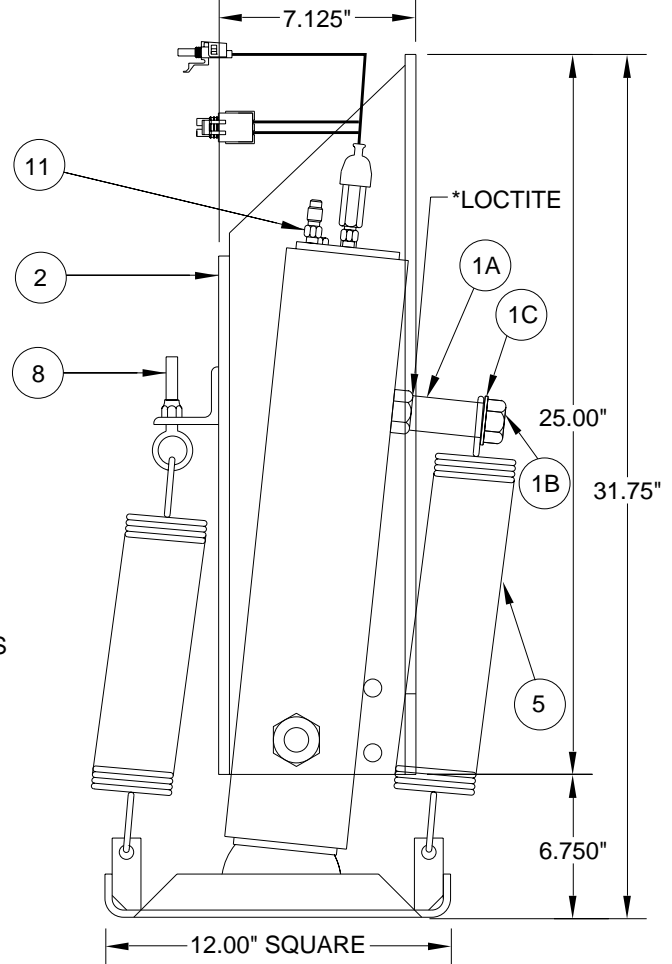
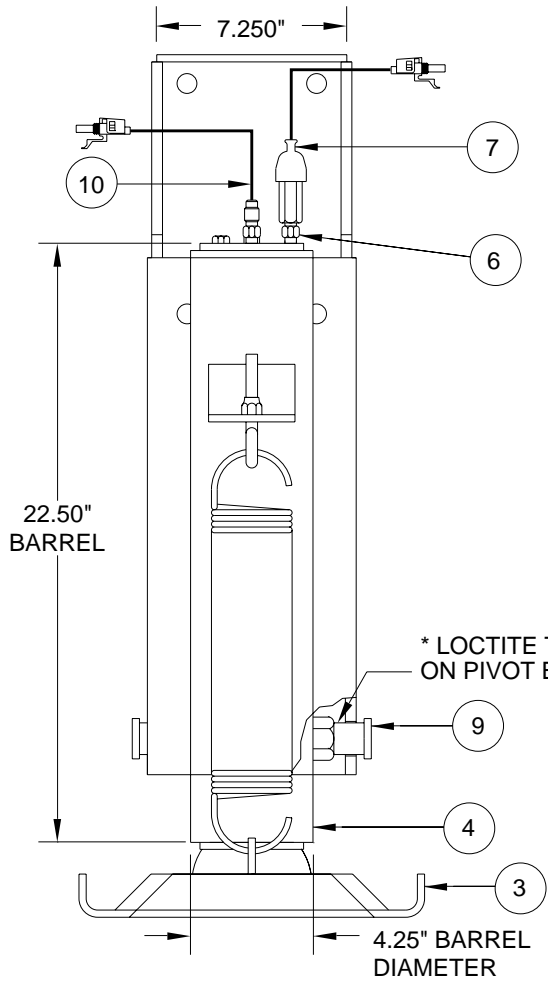
ITEM	PART	QTY	DESCRIPTION
8	RAP4707	1	SWITCH WARNING 2" TRAVEL
9	RAP92382	1	2 WIRE ADAPTER KIT
10	RF3475	1	MALE CONNECTOR 1/4" X 5/16"
11	R5491	1 1 1	EYE BOLT KIT 3/8-16 X 6.00" EYE BOLT 3/8-16 ESNA LOCK NUT
12	R6087	1	SPRING HANGER KIT
	12A	1	SPACER
	12B	1	HHCS 7/8-9 X 3.5"
	12C	1	WASHER 7/8" FLAT

**NOTE :** INDENTED ITEMS ARE INCLUDED WITH PRECEDING ITEM.

\* APPLY A THREAD LOCKING ADHESIVE SUCH AS LOCTITE #271, 277, 242 OR 569.

**MR26.8415**  
**14FEB13**

**AP38763 - STRAIGHT-ACTING JACK, 6 DEGREE PIVOT, S/S SPRINGS**  
**24,000 # CAPACITY; 3.500" ROD DIAMETER; 16.00" STROKE; BOLT-ON FOOT**  
**WITH PRESS. SWITCH, MAGNETIC WARN. SWITCH AND TALL PIVOT BRACKET**



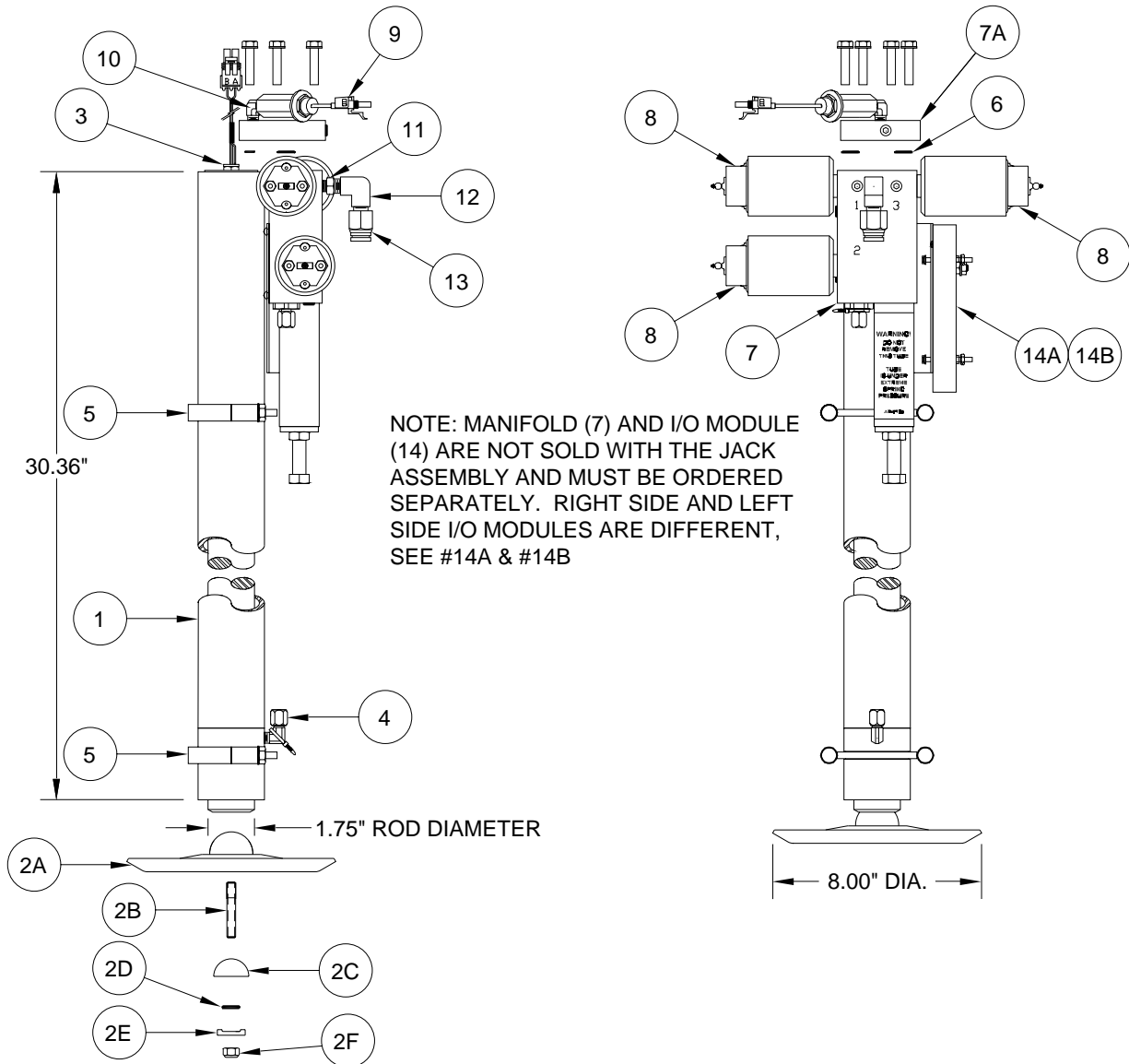
ITEM	PART	QTY	DESCRIPTION
1	R6087	1	SPRING HANGER KIT
1A		1	SPACER
1B		1	HHCS 7/8-9 X 3"
1C		1	WASHER FLAT 7/8"
2	RAP6081	1	PIVOT BRACKET
3	RAP92380	1	FOOT 12.00" CLIPPED BOLT-ON FOOT
4	RAP91658	1	CYL. ASSY. 3.50" X 16" (DOES NOT INCLUDE WARNING SWITCH)
5	R2365	1	SPRING KIT 2-3/4" X 13-1/2"
		2	SPRING 2-3/4" X 13-1/2"

ITEM	PART	QTY	DESCRIPTION
6	RF9315	1	NIPPLE 1/8" X 1/8"
7	RAP8003	1	SWITCH PRESSURE
8	R5491	1	EYE BOLT KIT
		1	3/8-16 X 6.00" EYE BOLT
		1	3/8-16 ESNA LOCK NUT
9	R3003	1	PIVOT BOLT KIT
		2	HHCS 1" SPECIAL
		2	BUSHING 1-1/4" O.D.
10	RAP90968	1	SWITCH WARNING MAGNETIC GRAY
11	RF3475	1	MALE CONNECTOR 1/4" X 5/16"

**NOTE :** INDENTED ITEMS ARE INCLUDED WITH PRECEDING ITEM.

\* APPLY A LOCKING ADHESIVE SUCH AS # 271, 277, 242 OR 569.

**AP47915 - PRECISION LEVELING JACK**  
**STRAIGHT-ACTING JACK, FIXED, DOUBLE ACTING**  
**7,000 # CAPACITY; 1.75" ROD DIAMETER; 25.00" STROKE**



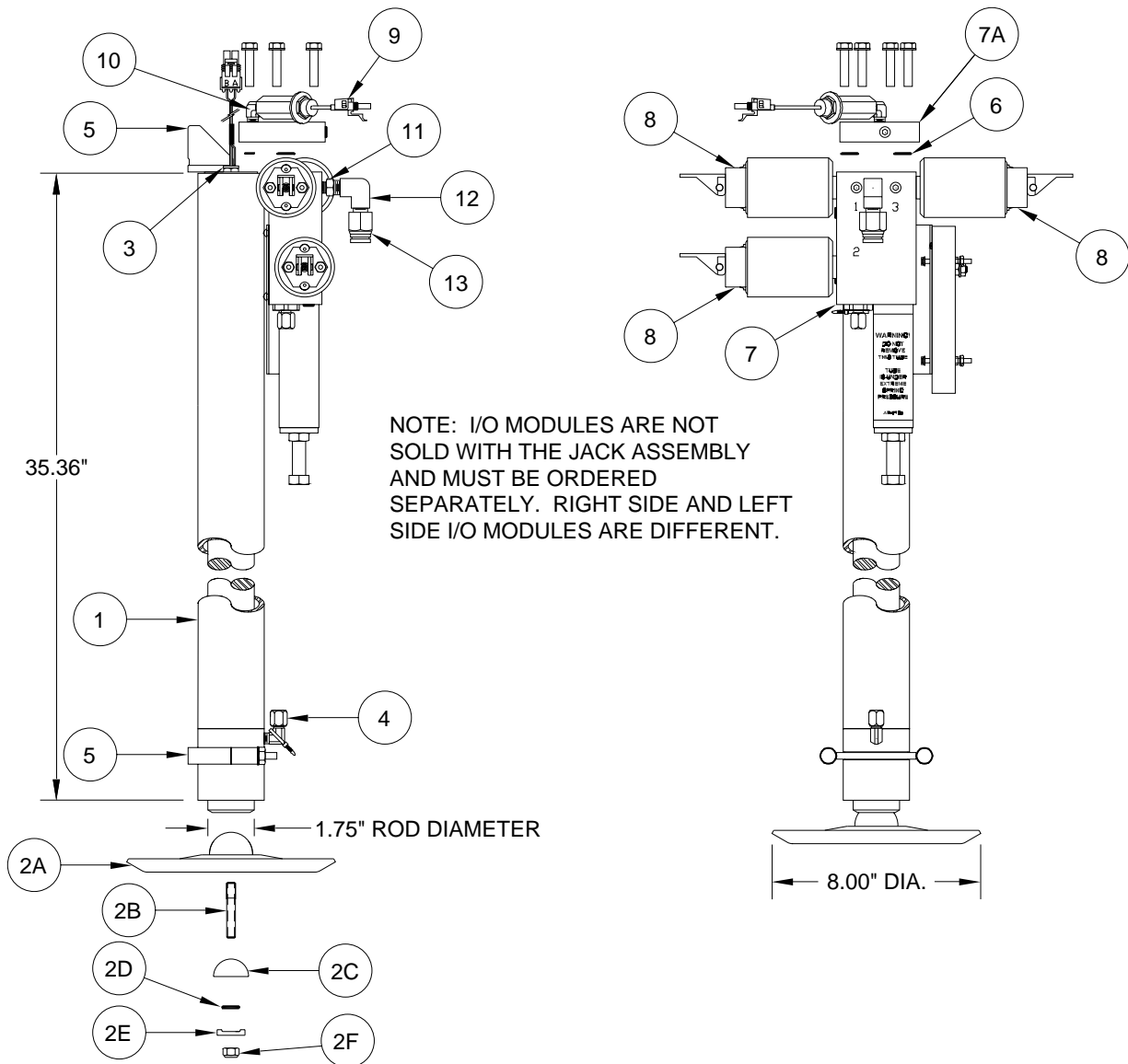
ITEM	PART	QTY	DESCRIPTION
1	RAP92813	1	JACK ASSY 7,000# X 25" DA JACK ONLY - DOES NOT INCLUDE MANIFOLD OR I/O MODULE - DOES INCLUDE FOOT-WARN. SW.-O-RING KIT
2	RAP92573	1	FOOT ASSEMBLY INCLUDES 2A THROUGH 2F
2A		1	FOOT ASSEMBLY
2B		1	STUD
2C		1	PIVOT BALL
2D		1	O-RING
2E		1	WASHER
2F		1	HEX NUT
3	RAP90968	1	SWITCH WARNING MAGNETIC GRAY
4	RF1453	1	ELBOW 1/4"
5	RAP92965	1	CLAMP KIT - INCLUDES UPPER & LOWER CLAMPS

ITEM	PART	QTY	DESCRIPTION
6	RAP93176	1	O-RING KIT MANIFOLD MTG
7	RAP93158	1	MANIFOLD ASSEMBLY DOES NOT INCLUDE I/O MODULE INCLUDES 8 THROUGH 13
7A	RAP93177	1	ADAPTER BLOCK INCLUDES ITEM #6, BOLTS AND WASHERS.
8	RAP92971	1	SOLENOID VALVE
9	RAP92960	1	SW. PRESSURE - 220 PSI
10	RF8143	1	1/8" NPT 90D ELBOW
11	RF91984	1	1/8" NPT x 1/8" NPT NIPPLE
12	RF91776	1	1/4" x 1/4" NPT BRASS ELBOW
13	RF91640	1	1/4" NPT x 1/2" TUBE PUSH FITTING
14A	RAP92961	1	I/O MODULE LEFT FRONT
14B	RAP92962	1	I/O MODULE RIGHT FRONT

**NOTE:** INDENTED ITEMS ARE INCLUDED WITH PRECEDING ITEM.

**MR27.0100**  
**12NOV12**

**AP47615 - PRECISION LEVELING JACK**  
**STRAIGHT-ACTING JACK, FIXED, DOUBLE ACTING**  
**7,000 # CAPACITY; 1.75" ROD DIAMETER; 30.00" STROKE**



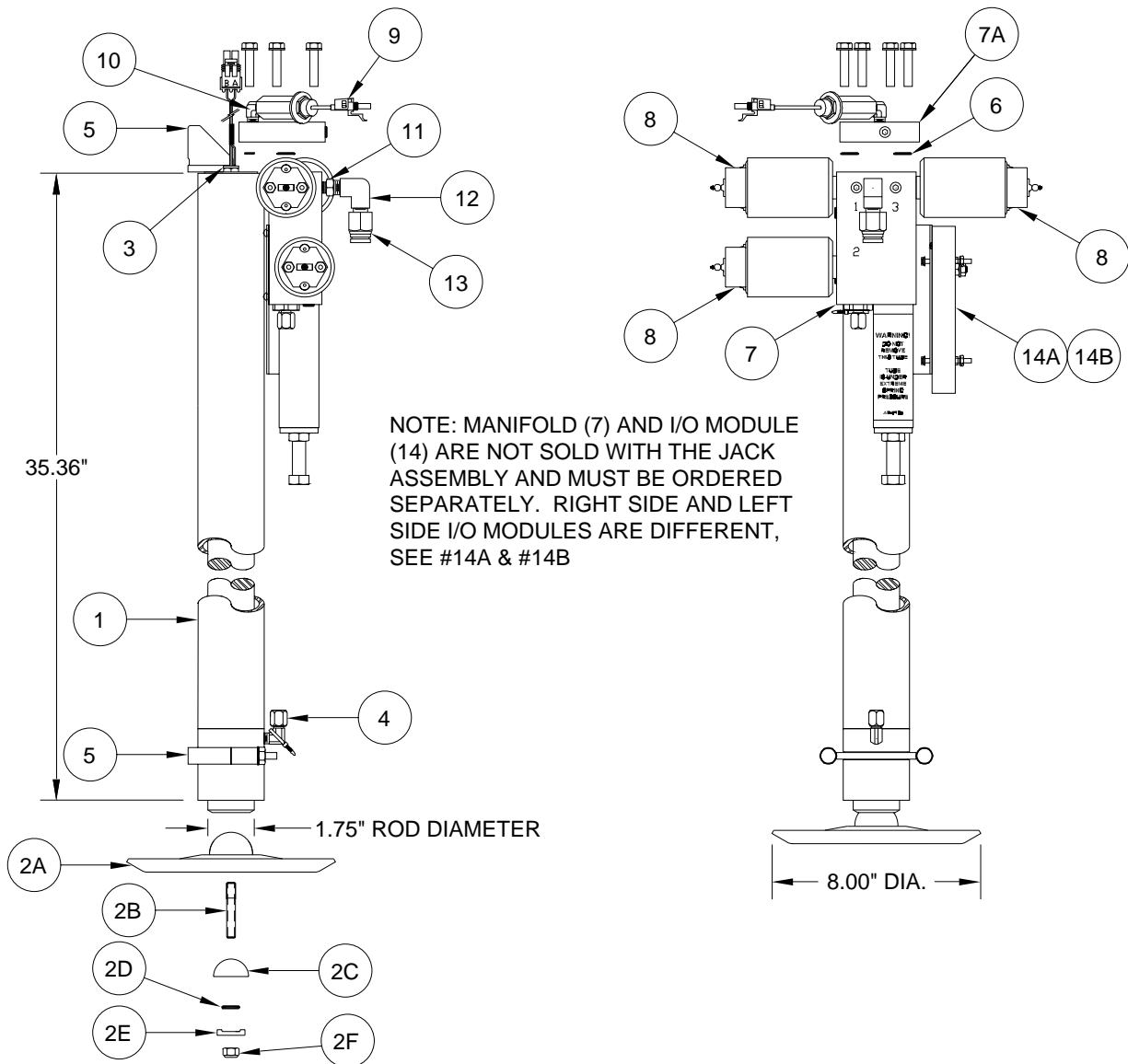
ITEM	PART	QTY	DESCRIPTION
1	RAP92809	1	JACK ASSY 7,000# X 30" DA JACK ONLY - DOES NOT INCLUDE I/O MODULE - DOES INCLUDE MANIFOLD - FOOT-WARN. SW.-O-RING KIT
2	RAP92573	1	FOOT ASSEMBLY INCLUDES 2A THROUGH 2F
2A		1	FOOT ASSEMBLY
2B		1	STUD
2C		1	PIVOT BALL
2D		1	O-RING
2E		1	WASHER
2F		1	HEX NUT
3	RAP90968	1	SWITCH WARNING MAGNETIC GRAY
4	RF1453	1	ELBOW 1/4"
5	RAP93286	1	CLAMP KIT - INCLUDES UPPER BRACKET & LOWER CLAMPS

ITEM	PART	QTY	DESCRIPTION
6	RAP93176	1	O-RING KIT MANIFOLD MTG
7	RAP93158	1	MANIFOLD ASSEMBLY DOES NOT INCLUDE I/O MODULE INCLUDES 8 THROUGH 13
7A	RAP93177	1	ADAPTER BLOCK INCLUDES ITEM #6, BOLTS AND WASHERS.
8	RAP0642	1	SOLENOID VALVE
9	RAP90874	1	SW. PRESSURE - 550 PSI
10	RF8143	1	1/8" NPT 90D ELBOW
11	RF91984	1	1/8" NPT x 1/8" NPT NIPPLE
12	RF91776	1	1/4" x 1/4" NPT BRASS ELBOW
13	RF91640	1	1/4" NPT x 1/2" TUBE PUSH FITTING

NOTE: INDENTED ITEMS ARE INCLUDED WITH PRECEDING ITEM.

**MR27.0101**  
**07MAY13**

**AP47669 - PRECISION LEVELING JACK**  
**STRAIGHT-ACTING JACK, FIXED, DOUBLE ACTING**  
**7,000 # CAPACITY; 1.75" ROD DIAMETER; 30.00" STROKE**



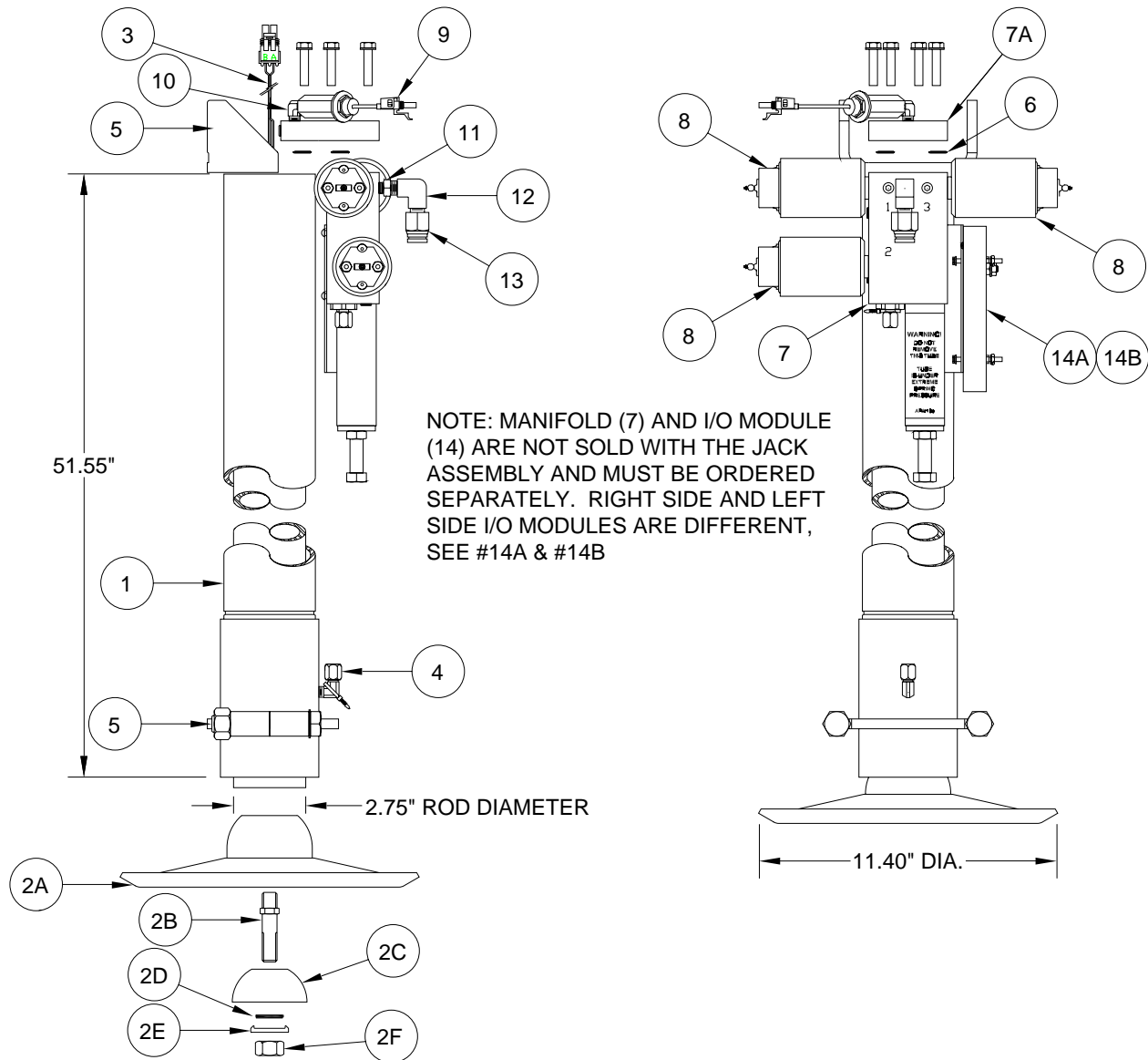
ITEM	PART	QTY	DESCRIPTION
1	RAP92811	1	JACK ASSY 7,000# X 30" DA JACK ONLY - DOES NOT INCLUDE MANIFOLD OR I/O MODULE - DOES INCLUDE FOOT-WARN. SW.-O-RING KIT
2	RAP92573	1	FOOT ASSEMBLY INCLUDES 2A THROUGH 2F
2A		1	FOOT ASSEMBLY
2B		1	STUD
2C		1	PIVOT BALL
2D		1	O-RING
2E		1	WASHER
2F		1	HEX NUT
3	RAP90968	1	SWITCH WARNING MAGNETIC GRAY
4	RF1453	1	ELBOW 1/4"
5	RAP93286	1	CLAMP KIT - INCLUDES UPPER BRACKET & LOWER CLAMPS

ITEM	PART	QTY	DESCRIPTION
6	RAP93176	1	O-RING KIT MANIFOLD MTG
7	RAP93158	1	MANIFOLD ASSEMBLY DOES NOT INCLUDE I/O MODULE INCLUDES 8 THROUGH 13
7A	RAP93177	1	ADAPTER BLOCK INCLUDES ITEM #6, BOLTS AND WASHERS.
8	RAP92971	1	SOLENOID VALVE
9	RAP92960	1	SW. PRESSURE - 220 PSI
10	RF8143	1	1/8" NPT 90D ELBOW
11	RF91984	1	1/8" NPT x 1/8" NPT NIPPLE
12	RF91776	1	1/4" x 1/4" NPT BRASS ELBOW
13	RF91640	1	1/4" NPT x 1/2" TUBE PUSH FITTING
14A	RAP92961	1	I/O MODULE LEFT FRONT
14B	RAP92962	1	I/O MODULE RIGHT FRONT

NOTE: INDENTED ITEMS ARE INCLUDED WITH PRECEDING ITEM.

**MR27.0102**  
**13MAR13**

**AP47670 - PRECISION LEVELING JACK**  
**STRAIGHT-ACTING JACK, FIXED, DOUBLE ACTING**  
**16,000 # CAPACITY; 2.75" ROD DIAMETER; 38.00" STROKE**



ITEM	PART	QTY	DESCRIPTION
1	RAP92812	1	JACK ASSY 16,000# X 38" DA JACK ONLY - DOES NOT INCLUDE MANIFOLD OR I/O MODULE - DOES INCLUDE FOOT-WARN. SW.-O-RING KIT
2	RAP92567	1	FOOT ASSEMBLY INCLUDES 2A THROUGH 2F
2A		1	FOOT ASSEMBLY
2B		1	STUD
2C		1	PIVOT BALL
2D		1	O-RING
2E		1	WASHER
2F		1	HEX NUT
3	RAP90968	1	SWITCH WARNING MAGNETIC GRAY
4	RF1453	1	ELBOW 1/4"
5	RAP92968	1	CLAMP KIT - INCLUDES UPPER & LOWER CLAMPS

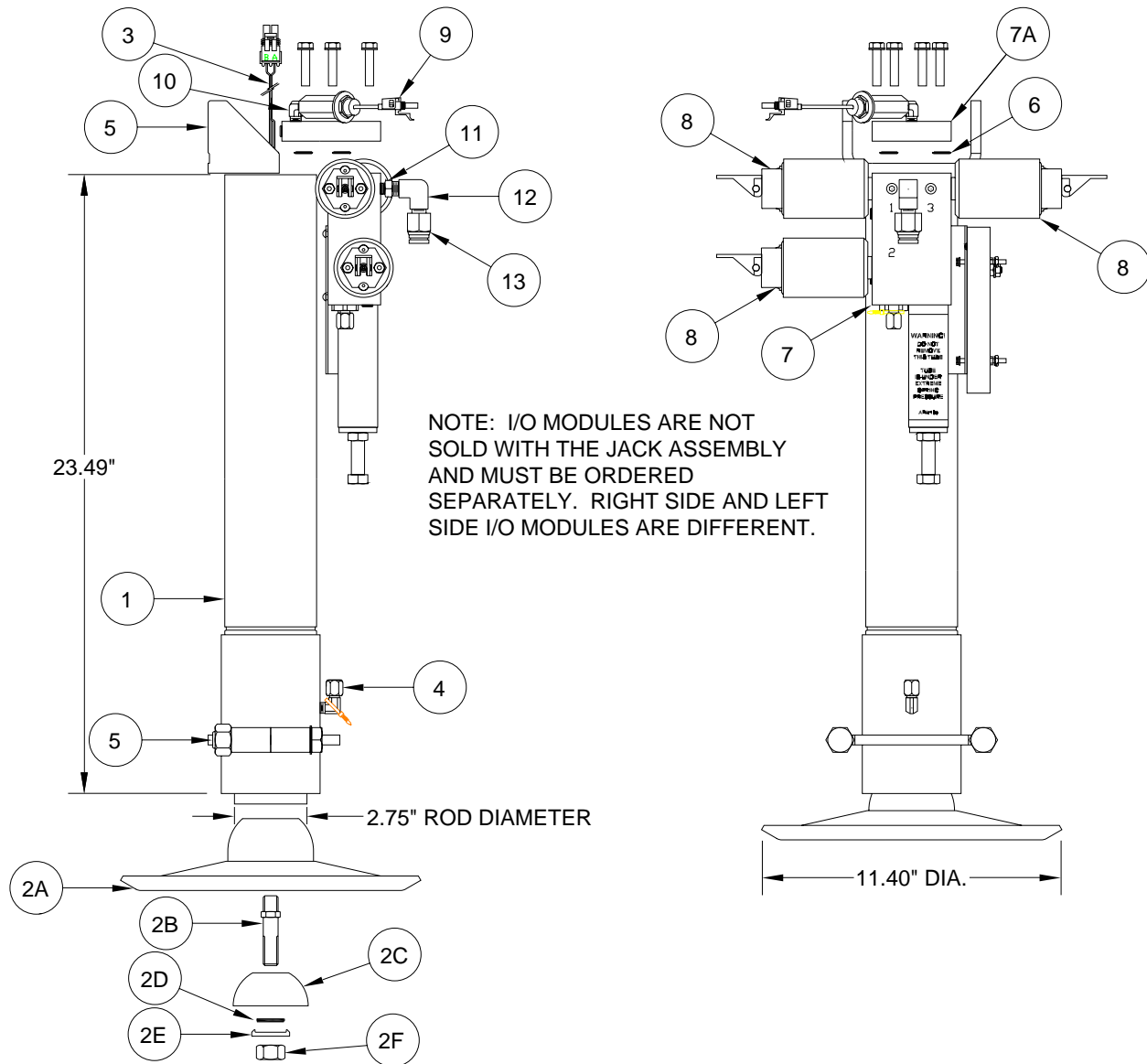
ITEM	PART	QTY	DESCRIPTION
6	RAP93176	1	O-RING KIT MANIFOLD MTG
7	RAP93175	1	MANIFOLD ASSEMBLY DOES NOT INCLUDE I/O MODULE INCLUDES 8 THROUGH 13
7A	RAP93178	1	ADAPTER BLOCK INCLUDES ITEM #6, BOLTS AND WASHERS.
8	RAP92971	1	SOLENOID VALVE
9	RAP2082	1	SW. PRESSURE - 50 PSI
10	RF8143	1	1/8" NPT 90D ELBOW
11	RF91984	1	1/8" NPT x 1/8" NPT NIPPLE
12	RF91776	1	1/4" x 1/4" NPT BRASS ELBOW
13	RF91640	1	1/4" NPT x 1/2" TUBE PUSH FITTING
14A	RAP92964	1	I/O MODULE LEFT REAR
14B	RAP92963	1	I/O MODULE RIGHT REAR

**NOTE:** INDENTED ITEMS ARE INCLUDED WITH PRECEDING ITEM.

**MR27.0300**  
**12NOV12**



**AP44724 - PRECISION LEVELING JACK**  
**STRAIGHT-ACTING JACK, FIXED, DOUBLE ACTING**  
**16,000 # CAPACITY; 2.75" ROD DIAMETER; 16.00" STROKE**



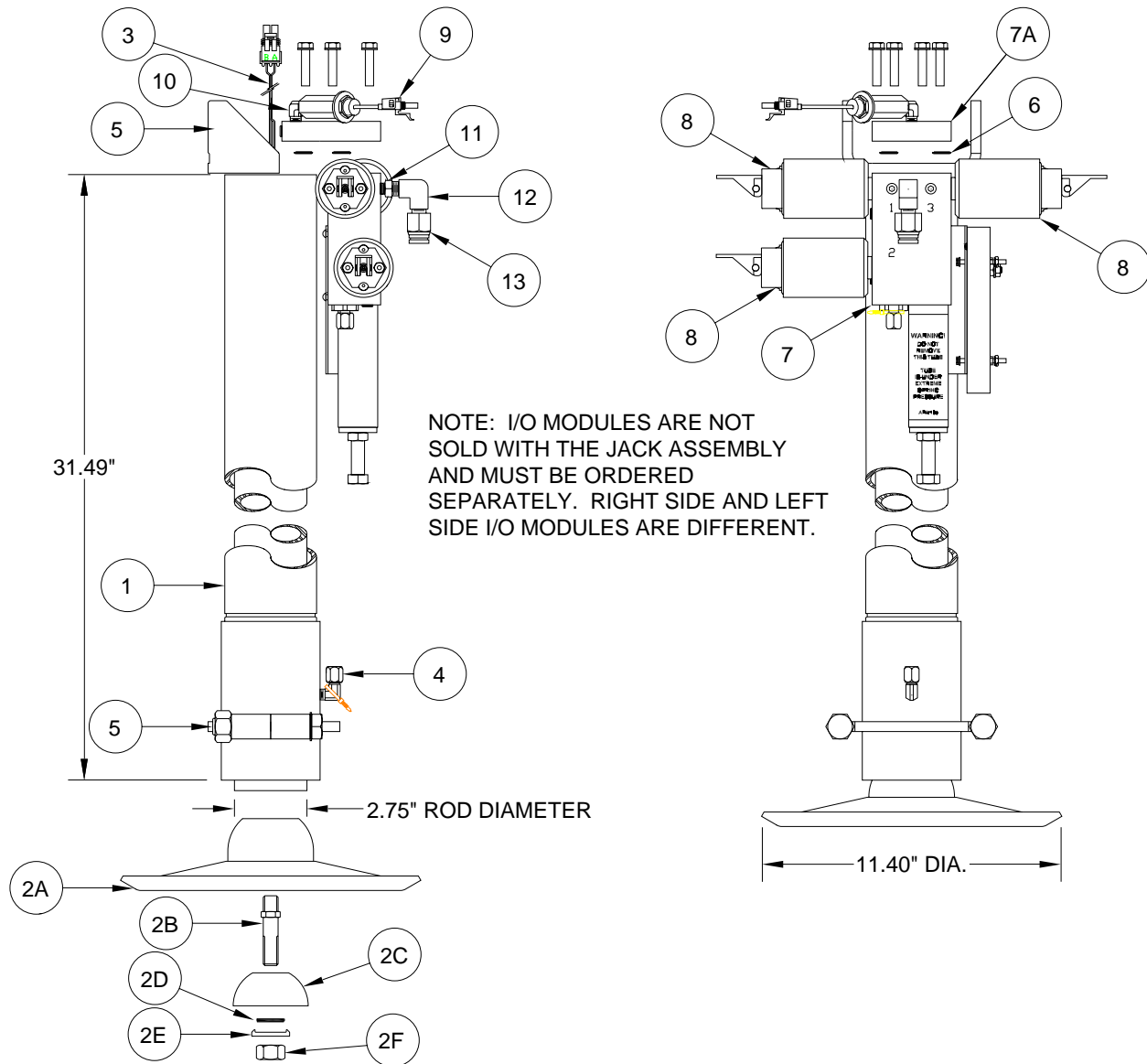
ITEM	PART	QTY	DESCRIPTION
1	RAP92814	1	JACK ASSY 16,000# X 16" DA JACK ONLY - DOES NOT INCLUDE I/O MODULE - DOES INCLUDE MANIFOLD - FOOT-WARN. SW.-O-RING KIT
2	RAP92567	1	FOOT ASSEMBLY INCLUDES 2A THROUGH 2F
2A		1	FOOT ASSEMBLY
2B		1	STUD
2C		1	PIVOT BALL
2D		1	O-RING
2E		1	WASHER
2F		1	HEX NUT
3	RAP90968	1	SWITCH WARNING MAGNETIC GRAY
4	RF1453	1	ELBOW 1/4"
5	RAP92968	1	CLAMP KIT - INCLUDES UPPER & LOWER CLAMPS

ITEM	PART	QTY	DESCRIPTION
6	RAP93176	1	O-RING KIT MANIFOLD MTG
7	RAP93157	1	MANIFOLD ASSEMBLY DOES NOT INCLUDE I/O MODULE INCLUDES 8 THROUGH 13
7A	RAP93178	1	ADAPTER BLOCK INCLUDES ITEM #6, BOLTS AND WASHERS.
8	RAP0642	1	SOLENOID VALVE
9	RAP90874	1	SW. PRESSURE - 550 PSI
10	RF8143	1	1/8" NPT 90D ELBOW
11	RF91984	1	1/8" NPT x 1/8" NPT NIPPLE
12	RF91776	1	1/4" x 1/4" NPT BRASS ELBOW
13	RF91640	1	1/4" NPT x 1/2" TUBE PUSH FITTING

NOTE: INDENTED ITEMS ARE INCLUDED WITH PRECEDING ITEM.

**MR27.0301**  
**13MAR13**

**AP47339 - PRECISION LEVELING JACK**  
**STRAIGHT-ACTING JACK, FIXED, DOUBLE ACTING**  
**16,000 # CAPACITY; 2.75" ROD DIAMETER; 24.00" STROKE**



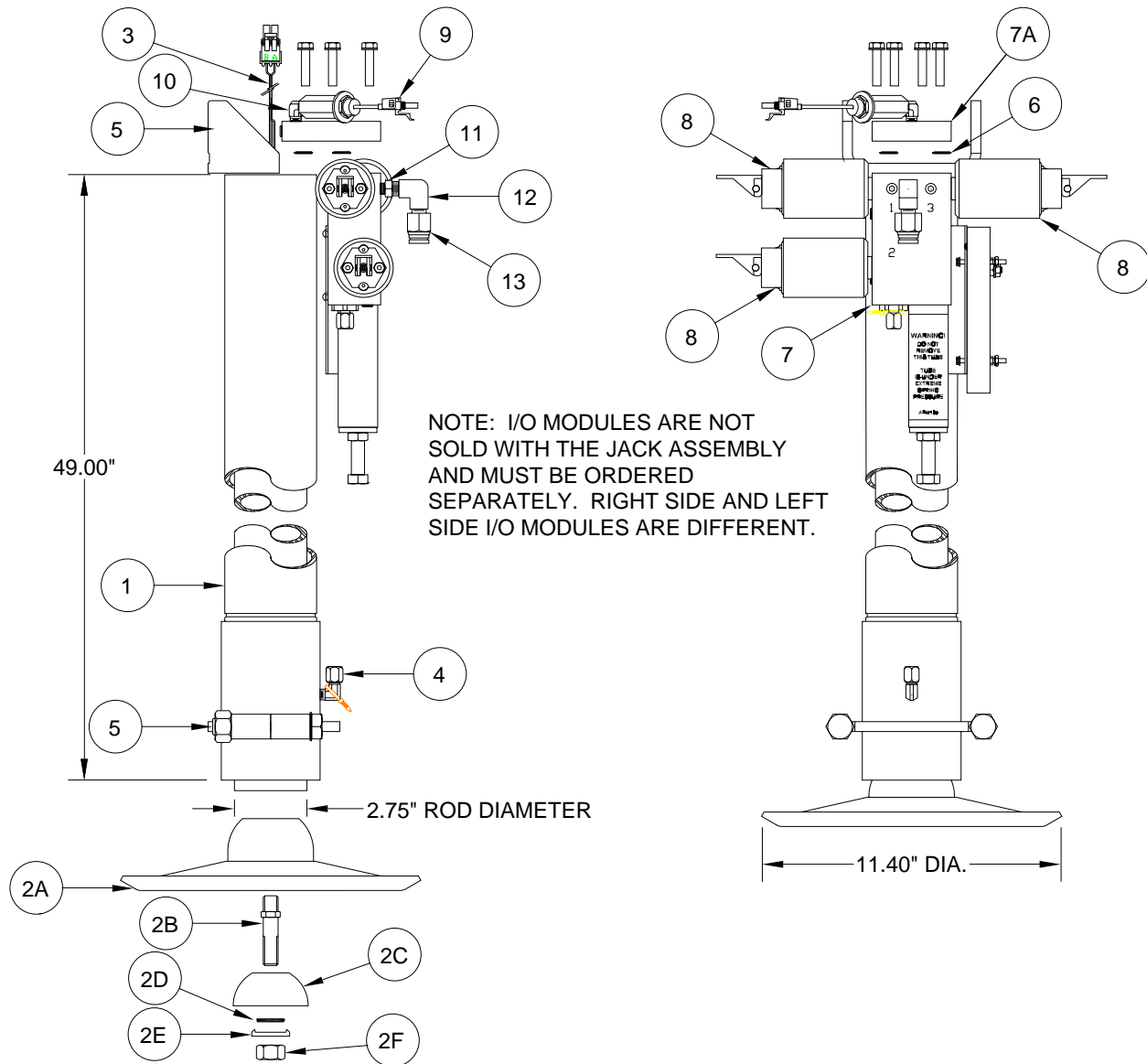
ITEM	PART	QTY	DESCRIPTION
1	RAP92808	1	JACK ASSY 16,000# X 24" DA JACK ONLY - DOES NOT INCLUDE I/O MODULE - DOES INCLUDE MANIFOLD - FOOT-WARN. SW.-O-RING KIT
2	RAP92567	1	FOOT ASSEMBLY INCLUDES 2A THROUGH 2F
2A		1	FOOT ASSEMBLY
2B		1	STUD
2C		1	PIVOT BALL
2D		1	O-RING
2E		1	WASHER
2F		1	HEX NUT
3	RAP90968	1	SWITCH WARNING MAGNETIC GRAY
4	RF1453	1	ELBOW 1/4"
5	RAP92968	1	CLAMP KIT - INCLUDES UPPER & LOWER CLAMPS

ITEM	PART	QTY	DESCRIPTION
6	RAP93176	1	O-RING KIT MANIFOLD MTG
7	RAP93157	1	MANIFOLD ASSEMBLY DOES NOT INCLUDE I/O MODULE INCLUDES 8 THROUGH 13
7A	RAP93178	1	ADAPTER BLOCK INCLUDES ITEM #6, BOLTS AND WASHERS.
8	RAP0642	1	SOLENOID VALVE
9	RAP90874	1	SW. PRESSURE - 550 PSI
10	RF8143	1	1/8" NPT 90D ELBOW
11	RF91984	1	1/8" NPT x 1/8" NPT NIPPLE
12	RF91776	1	1/4" x 1/4" NPT BRASS ELBOW
13	RF91640	1	1/4" NPT x 1/2" TUBE PUSH FITTING

NOTE: INDENTED ITEMS ARE INCLUDED WITH PRECEDING ITEM.

**MR27.0302**  
**13MAR13**

**AP47620 - PRECISION LEVELING JACK**  
**STRAIGHT-ACTING JACK, FIXED, DOUBLE ACTING**  
**16,000 # CAPACITY; 2.75" ROD DIAMETER; 38.00" STROKE**



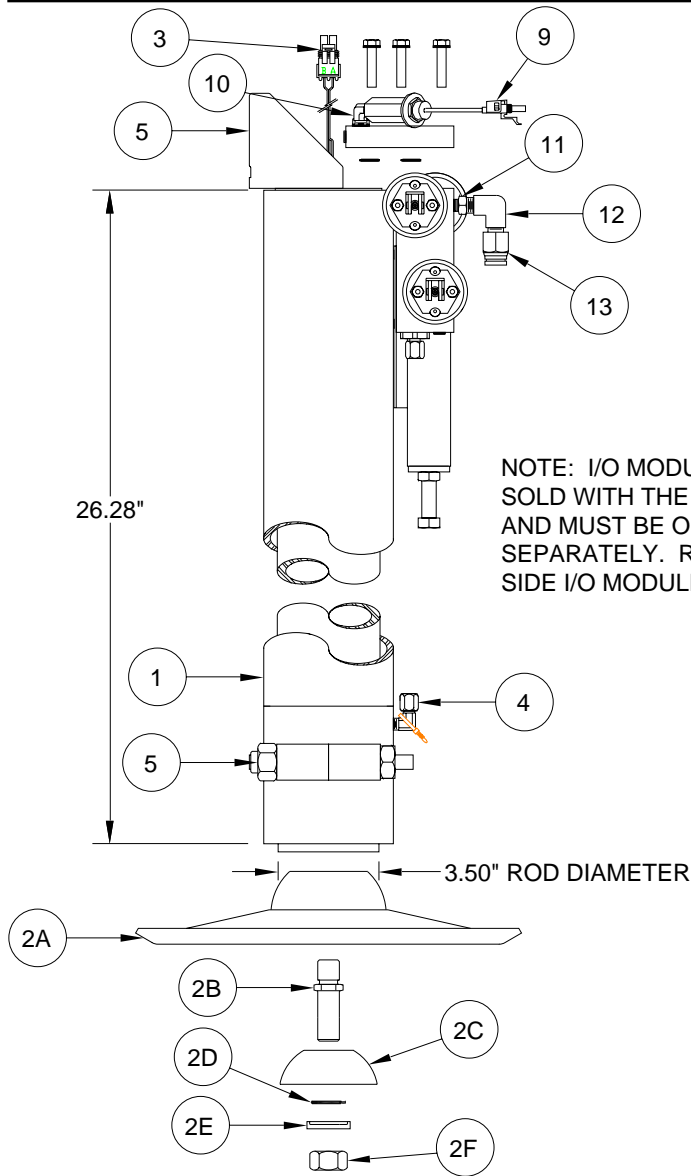
ITEM	PART	QTY	DESCRIPTION
1	RAP92810	1	JACK ASSY 16,000# X 38" DA JACK ONLY - DOES NOT INCLUDE I/O MODULE - DOES INCLUDE MANIFOLD - FOOT-WARN. SW.-O-RING KIT
2	RAP92567	1	FOOT ASSEMBLY INCLUDES 2A THROUGH 2F
2A		1	FOOT ASSEMBLY
2B		1	STUD
2C		1	PIVOT BALL
2D		1	O-RING
2E		1	WASHER
2F		1	HEX NUT
3	RAP90968	1	SWITCH WARNING MAGNETIC GRAY
4	RF1453	1	ELBOW 1/4"
5	RAP92968	1	CLAMP KIT - INCLUDES UPPER & LOWER CLAMPS

ITEM	PART	QTY	DESCRIPTION
6	RAP93176	1	O-RING KIT MANIFOLD MTG
7	RAP93157	1	MANIFOLD ASSEMBLY DOES NOT INCLUDE I/O MODULE INCLUDES 8 THROUGH 13
7A	RAP93178	1	ADAPTER BLOCK INCLUDES ITEM #6, BOLTS AND WASHERS.
8	RAP0642	1	SOLENOID VALVE
9	RAP90874	1	SW. PRESSURE - 550 PSI
10	RF8143	1	1/8" NPT 90D ELBOW
11	RF91984	1	1/8" NPT x 1/8" NPT NIPPLE
12	RF91776	1	1/4" x 1/4" NPT BRASS ELBOW
13	RF91640	1	1/4" NPT x 1/2" TUBE PUSH FITTING

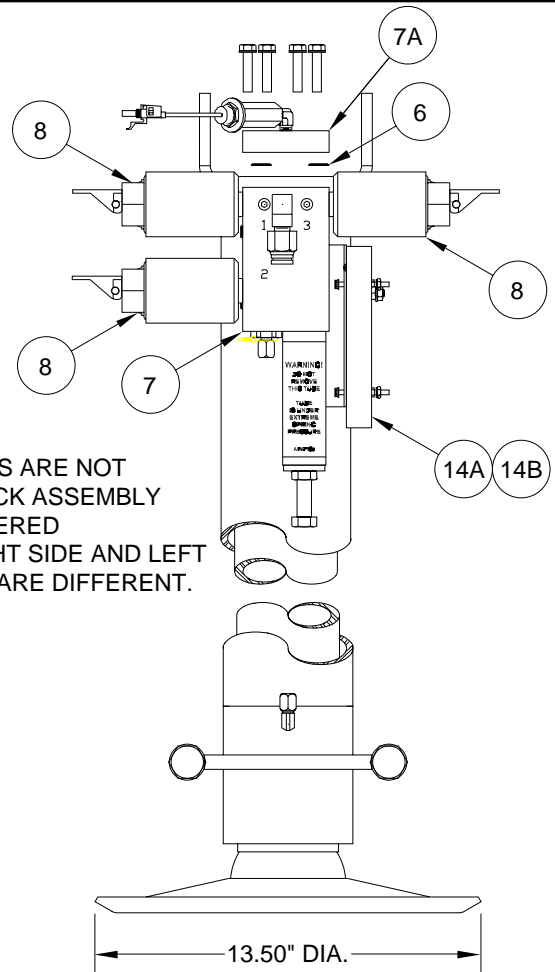
**NOTE:** INDENTED ITEMS ARE INCLUDED WITH PRECEDING ITEM.

**MR27.0303**  
**13MAR13**

**AP44699 - PRECISION LEVELING JACK**  
**STRAIGHT-ACTING JACK, FIXED, DOUBLE ACTING**  
**24,000 # CAPACITY; 3.50" ROD DIAMETER; 16.00" STROKE**



NOTE: I/O MODULES ARE NOT SOLD WITH THE JACK ASSEMBLY AND MUST BE ORDERED SEPARATELY. RIGHT SIDE AND LEFT SIDE I/O MODULES ARE DIFFERENT.



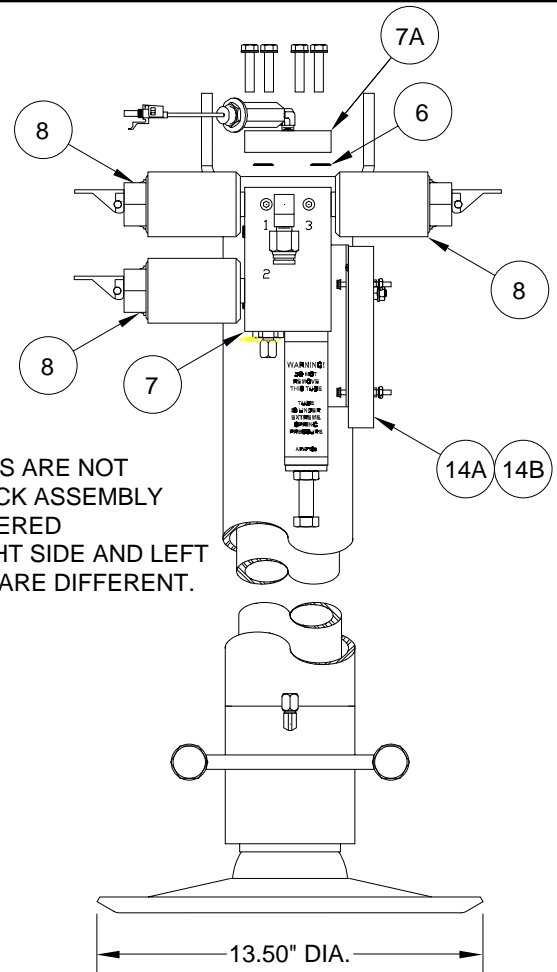
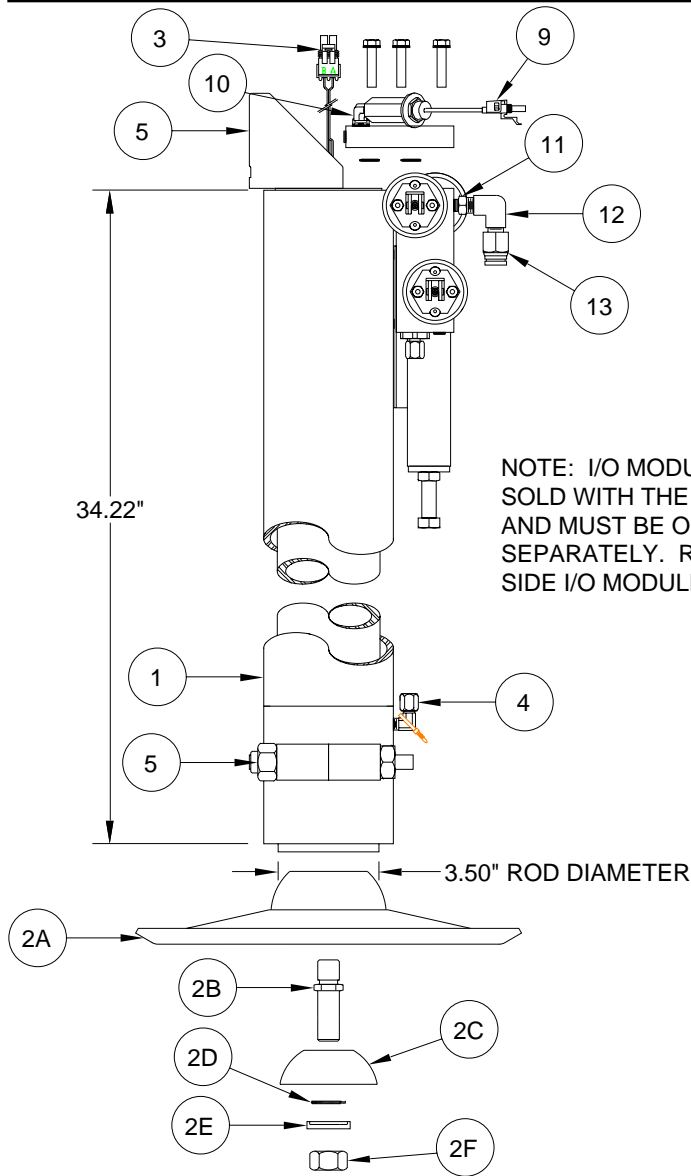
ITEM	PART	QTY	DESCRIPTION
1	RAP93159	1	JACK ASSY 24,000# X 16" DA JACK ONLY - DOES NOT INCLUDE I/O MODULE - DOES INCLUDE MANIFOLD - FOOT-WARN. SW.-O-RING KIT
2	RAP92575	1	FOOT ASSEMBLY INCLUDES 2A THROUGH 2F
2A		1	FOOT ASSEMBLY
2B		1	STUD
2C		1	PIVOT BALL
2D		1	O-RING
2E		1	WASHER
2F		1	HEX NUT
3	RAP90968	1	SWITCH WARNING MAGNETIC GRAY
4	RF1453	1	ELBOW 1/4"
5	RAP93287	1	CLAMP KIT - INCLUDES UPPER & LOWER CLAMPS

ITEM	PART	QTY	DESCRIPTION
6	RAP93176	1	O-RING KIT MANIFOLD MTG
7	RAP93157	1	MANIFOLD ASSEMBLY DOES NOT INCLUDE I/O MODULE INCLUDES 8 THROUGH 13
7A	RAP93178	1	ADAPTER BLOCK INCLUDES ITEM #6, BOLTS AND WASHERS.
8	RAP0642	1	SOLENOID VALVE
9	RAP90874	1	SW. PRESSURE - 550 PSI
10	RF8143	1	1/8" NPT 90D ELBOW
11	RF91984	1	1/8" NPT x 1/8" NPT NIPPLE
12	RF91776	1	1/4" x 1/4" NPT BRASS ELBOW
13	RF91640	1	1/4" NPT x 1/2" TUBE PUSH FITTING
14A	RAP92984	1	I/O MODULE LEFT REAR
14B	RAP92983	1	I/O MODULE RIGHT REAR

NOTE: INDENTED ITEMS ARE INCLUDED WITH PRECEDING ITEM.

**MR27.0400**  
**18MAR13**

**AP47338 - PRECISION LEVELING JACK**  
**STRAIGHT-ACTING JACK, FIXED, DOUBLE ACTING**  
**24,000 # CAPACITY; 3.50" ROD DIAMETER; 24.00" STROKE**



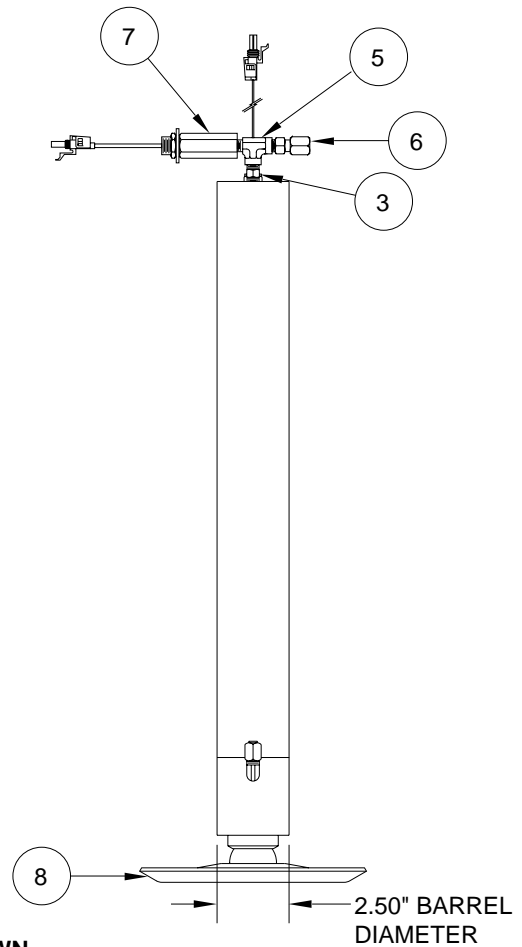
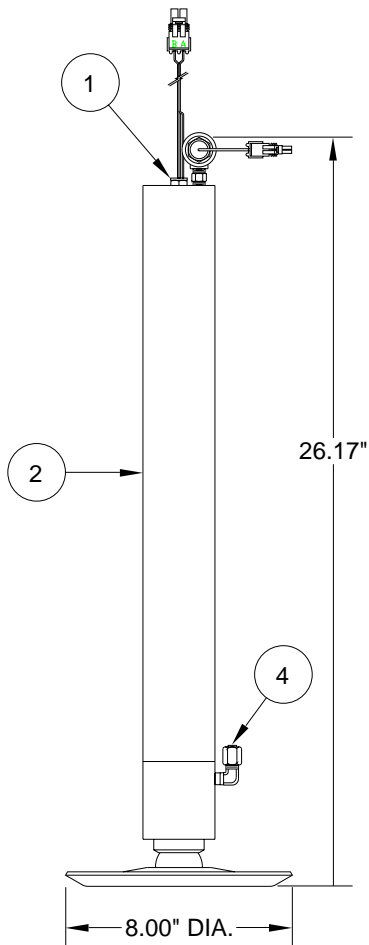
ITEM	PART	QTY	DESCRIPTION
1	RAP92807	1	JACK ASSY 24,000# X 24" DA JACK ONLY - DOES NOT INCLUDE I/O MODULE - DOES INCLUDE MANIFOLD - FOOT-WARN. SW.-O-RING KIT
2	RAP92575	1	FOOT ASSEMBLY INCLUDES 2A THROUGH 2F
2A		1	FOOT ASSEMBLY
2B		1	STUD
2C		1	PIVOT BALL
2D		1	O-RING
2E		1	WASHER
2F		1	HEX NUT
3	RAP90968	1	SWITCH WARNING MAGNETIC GRAY
4	RF1453	1	ELBOW 1/4"
5	RAP93287	1	CLAMP KIT - INCLUDES UPPER & LOWER CLAMPS

ITEM	PART	QTY	DESCRIPTION
6	RAP93176	1	O-RING KIT MANIFOLD MTG
7	RAP93157	1	MANIFOLD ASSEMBLY DOES NOT INCLUDE I/O MODULE INCLUDES 8 THROUGH 13
7A	RAP93178	1	ADAPTER BLOCK INCLUDES ITEM #6, BOLTS AND WASHERS.
8	RAP0642	1	SOLENOID VALVE
9	RAP90874	1	SW. PRESSURE - 550 PSI
10	RF8143	1	1/8" NPT 90D ELBOW
11	RF91984	1	1/8" NPT x 1/8" NPT NIPPLE
12	RF91776	1	1/4" x 1/4" NPT BRASS ELBOW
13	RF91640	1	1/4" NPT x 1/2" TUBE PUSH FITTING
14A	RAP92981	1	I/O MODULE LEFT FRONT
14B	RAP92982	1	I/O MODULE RIGHT FRONT

NOTE: INDENTED ITEMS ARE INCLUDED WITH PRECEDING ITEM.

**MR27.0401**  
**18MAR13**

**AP50836**  
**STRAIGHT-ACTING JACK, FIXED, POWER EXTEND / POWER RETRACT**  
**7,000 # CAPACITY; 1.750" ROD DIAMETER; 16.00" STROKE**



**BASIC JACK SHOWN**

ITEM	PART	QTY	DESCRIPTION
1	RAP90968	1	SWITCH WARNING MAGNETIC GRAY
2	RAP93289	1	JACK ASSY 7000# X 16" DA BASIC JACK ONLY
3	RF9315	1	NIPPLE 1/8"
4	RF1453	1	ELBOW 1/4"

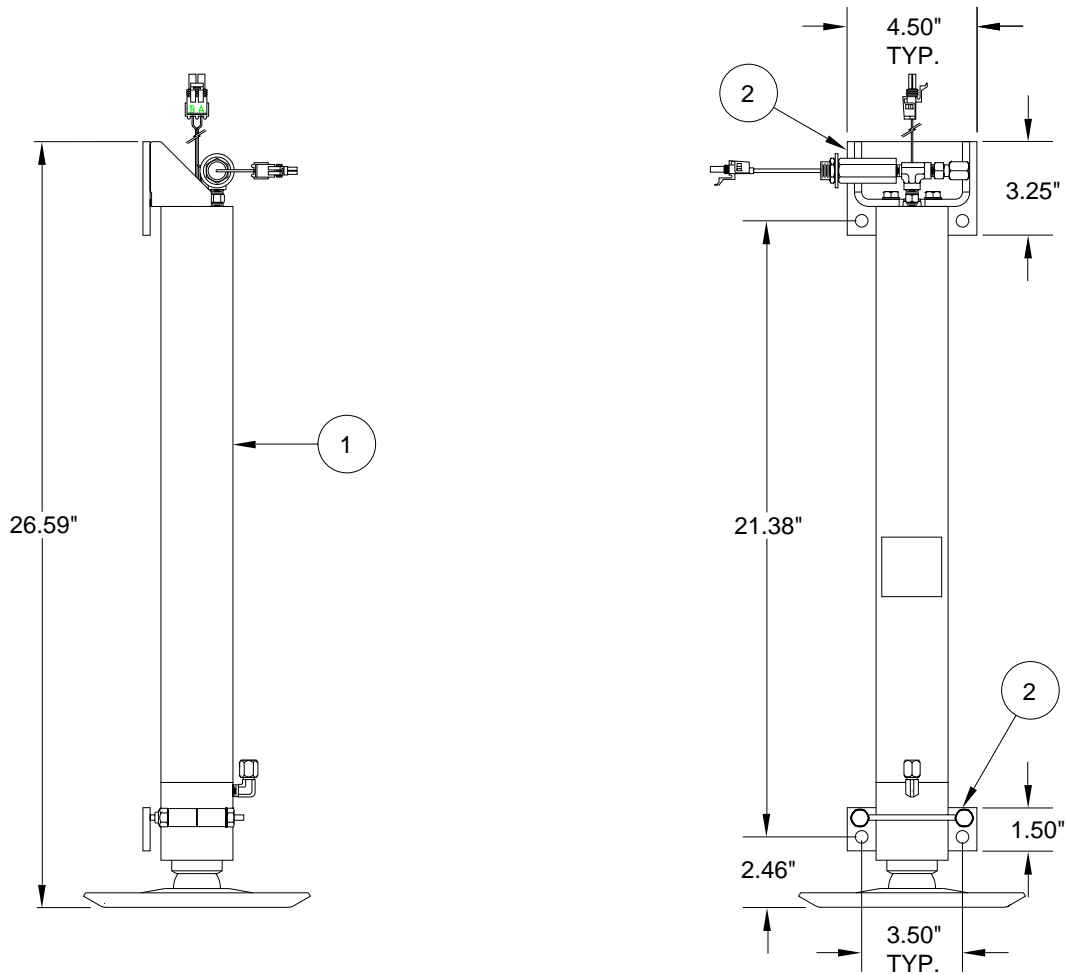
ITEM	PART	QTY	DESCRIPTION
5	RF90093	1	STREET TEE 1/8"
6	RF90919	1	MALE CONNECTOR 1/8" X 5/16"
7	RAP90874	1	SWITCH PRESS. 550 PSI
8	RAP92573	1	FOOT 8.00" DIAMETER

**NOTE:** INDENTED ITEMS ARE INCLUDED WITH PRECEDING ITEM.

**MR27.1950**  
**22MAR13**

**AP50837**  
**STRAIGHT-ACTING JACK, FIXED, POWER EXTEND / POWER RETRACT**  
**7,000 # CAPACITY; 1.750" ROD DIAMETER; 16.00" STROKE**

FOR BASIC JACK INFORMATION INCLUDING CYLINDER, SWITCHES AND SPRINGS OR JACK DIMENSIONS  
 DIMENSIONS SEE PAGE [MR27.1950](#)



ITEM	PART	QTY	DESCRIPTION
1	RAP93289	1	JACK ASSY 7000# X 16" DA BASIC JACK ONLY SEE MR27.1950 DOES NOT INCLUDE ITEM #2

ITEM	PART	QTY	DESCRIPTION
2	RAP93141	1	MTG BRKT KIT INCLUDES OUTER CLAMP AND HARDWARE

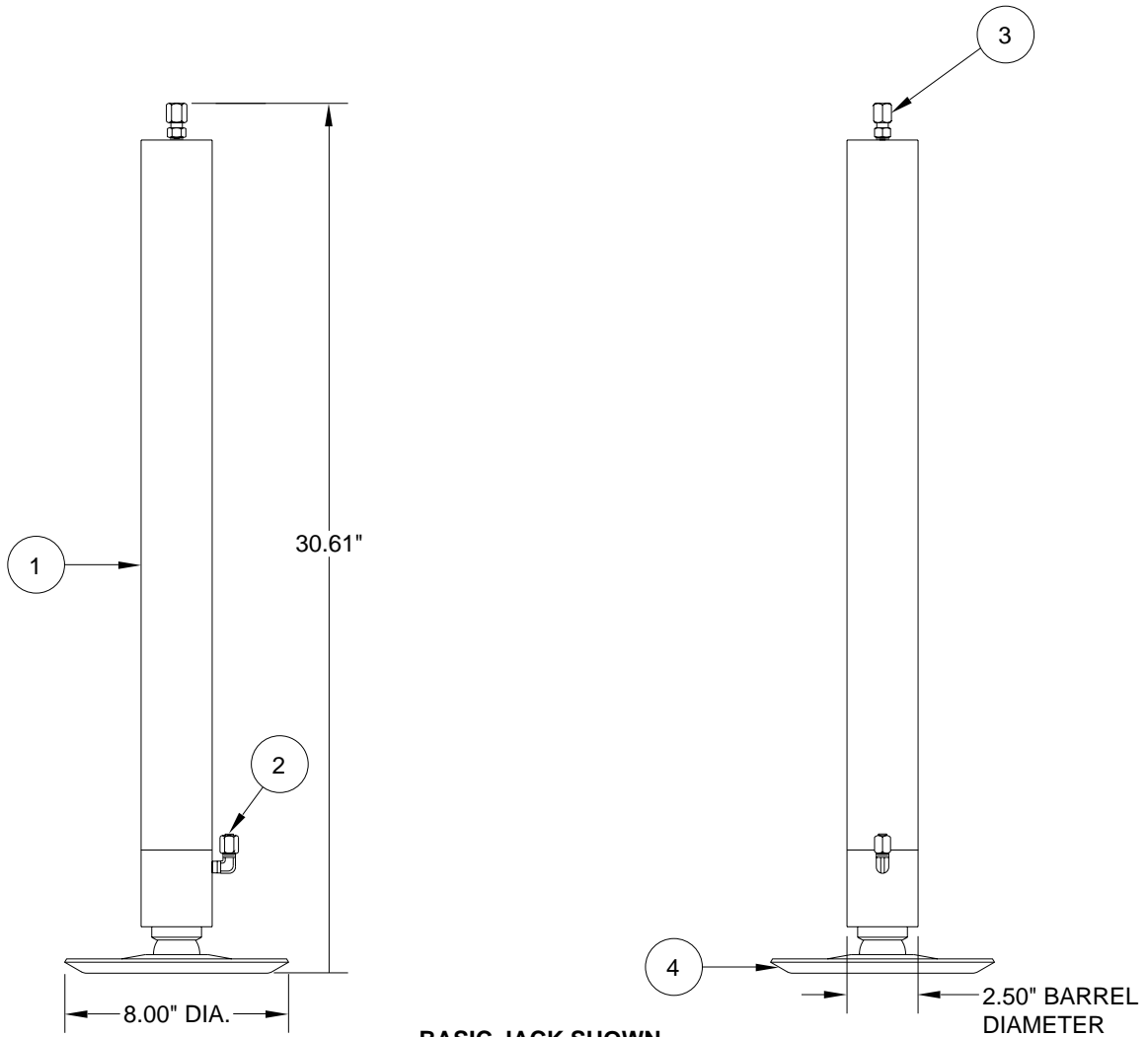
**NOTE:** INDENTED ITEMS ARE INCLUDED WITH PRECEDING ITEM.

**MR27.1950A**  
**22MAR13**

## AP43091 - AP43879

### STRAIGHT-ACTING JACK, FIXED, POWER EXTEND / POWER RETRACT 7,000 # CAPACITY; 1.750" ROD DIAMETER; 21.00" STROKE USED ON FRONT OF FIFTH WHEEL COACHES

JACK #	DESCRIPTION
AP43091	BASIC JACK WITH NO SWITCHES
AP43879	OBSOLETE - REPLACED BY AP43091



ITEM	PART	QTY	DESCRIPTION	ITEM	PART	QTY	DESCRIPTION
1	RAP92313	1	JACK ASSY 7000# X 21" DA BASIC JACK ONLY	3	RF90919	1	MALE CONNECTOR 1/8" X 5/16"
2	RF1453	1	ELBOW 1/4"	4	RAP92573	1	FOOT 8.00" DIAMETER

**NOTE:** INDENTED ITEMS ARE INCLUDED WITH PRECEDING ITEM.

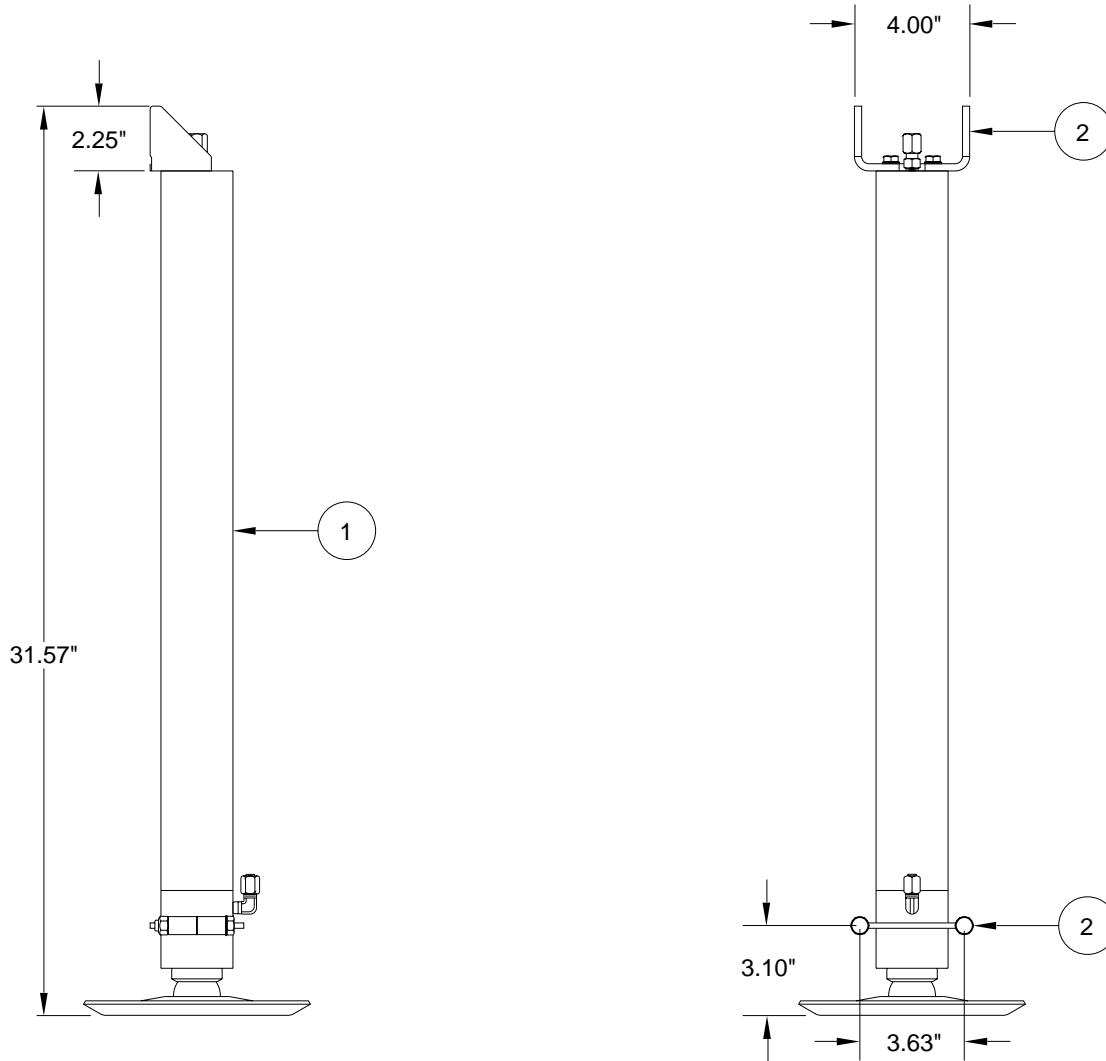
**MR27.2000**  
**17APR12**



# AP43551

## STRAIGHT-ACTING JACK, FIXED, POWER EXTEND / POWER RETRACT 7,000 # CAPACITY; 1.750" ROD DIAMETER; 21.00" STROKE USED ON FRONT OF FIFTH WHEEL COACHES

FOR BASIC JACK INFORMATION INCLUDING CYLINDER, SWITCHES AND SPRINGS OR JACK DIMENSIONS  
DIMENSIONS SEE PAGE [MR27.2000](#)



ITEM	PART	QTY	DESCRIPTION
1	RAP92313	1	JACK ASSY 7000# X 21" DA BASIC JACK ONLY SEE MR27.2000 DOES NOT INCLUDE ITEM #2

ITEM	PART	QTY	DESCRIPTION
2	RAP93142	1	MTG BRKT KIT INCLUDES OUTER CLAMP AND HARDWARE

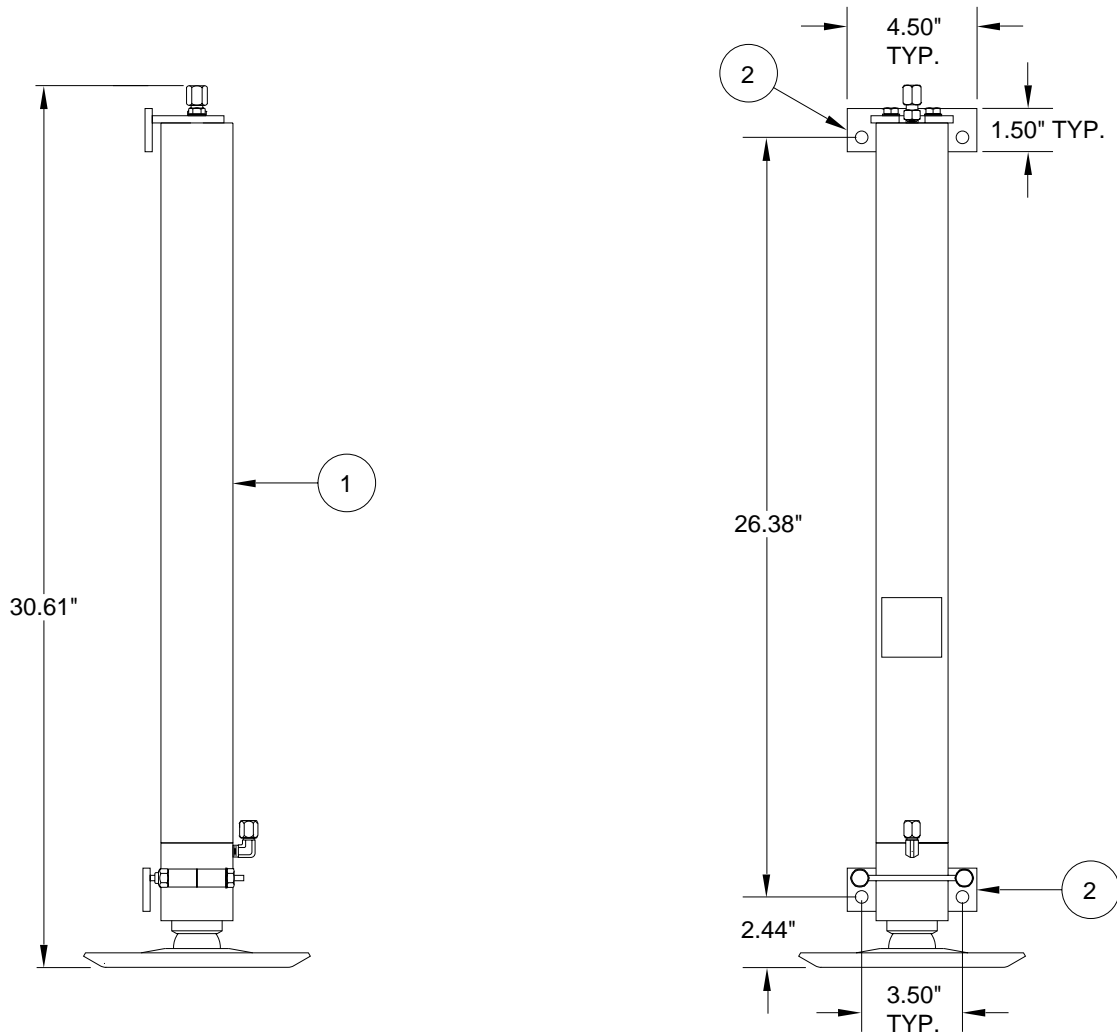
**NOTE:** INDENTED ITEMS ARE INCLUDED WITH PRECEDING ITEM.

**MR27.2000A**  
17APR12

# AP43859

## STRAIGHT-ACTING JACK, FIXED, POWER EXTEND / POWER RETRACT 7,000 # CAPACITY; 1.750" ROD DIAMETER; 21.00" STROKE USED ON FRONT OF FIFTH WHEEL COACHES

FOR BASIC JACK INFORMATION INCLUDING CYLINDER, SWITCHES AND SPRINGS OR JACK DIMENSIONS  
DIMENSIONS SEE PAGE [MR27.2000](#)



ITEM	PART	QTY	DESCRIPTION
1	RAP92313	1	JACK ASSY 7000# X 21" DA BASIC JACK ONLY SEE MR27.2000 DOES NOT INCLUDE ITEM #2

ITEM	PART	QTY	DESCRIPTION
2	RAP93143	1	MTG BRKT KIT INCLUDES OUTER CLAMP AND HARDWARE

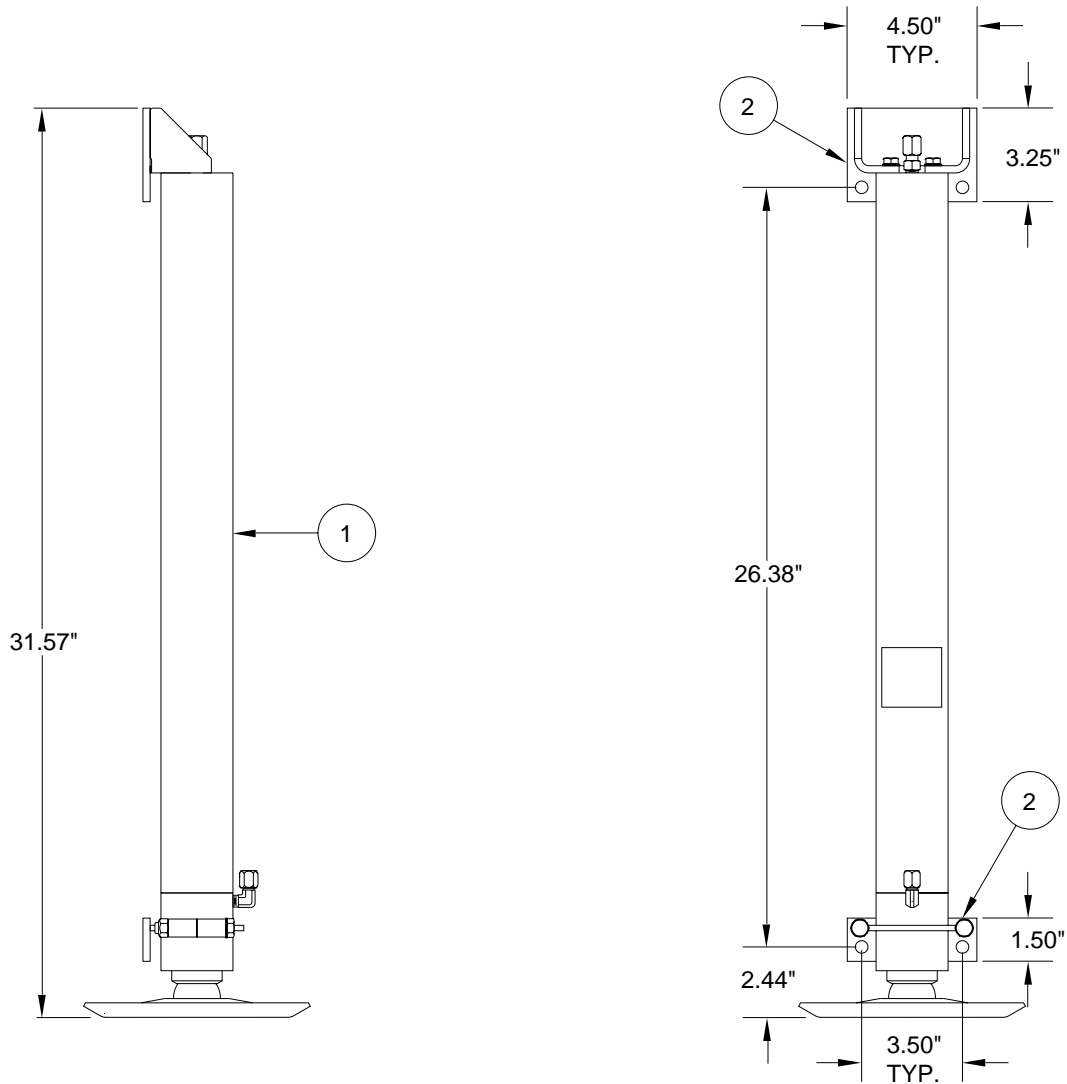
**NOTE:** INDENTED ITEMS ARE INCLUDED WITH PRECEDING ITEM.

**MR27.2000B**  
**17APR12**

# AP50191

## STRAIGHT-ACTING JACK, FIXED, POWER EXTEND / POWER RETRACT 7,000 # CAPACITY; 1.750" ROD DIAMETER; 21.00" STROKE USED ON FRONT OF FIFTH WHEEL COACHES

FOR BASIC JACK INFORMATION INCLUDING CYLINDER, SWITCHES AND SPRINGS OR JACK DIMENSIONS  
DIMENSIONS SEE PAGE [MR27.2000](#)



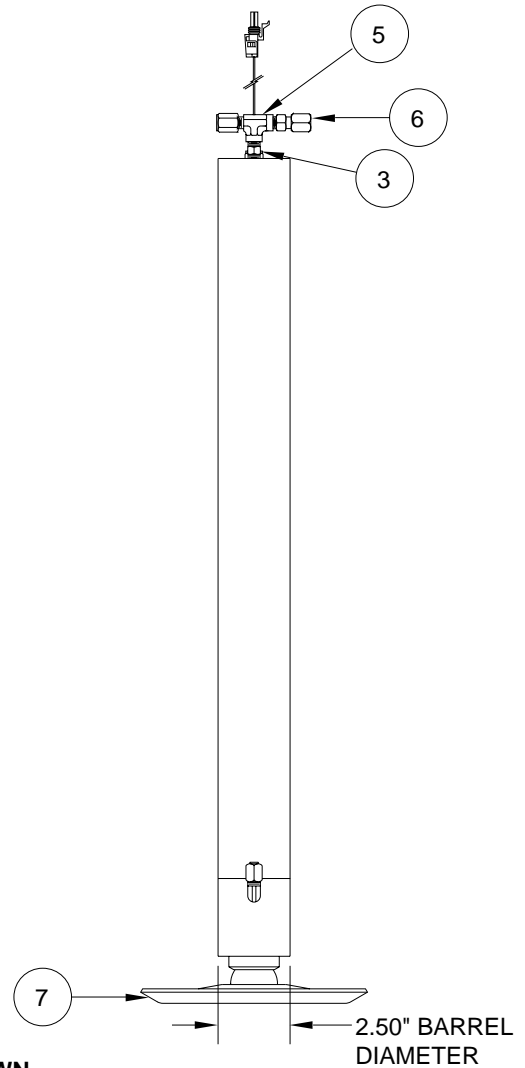
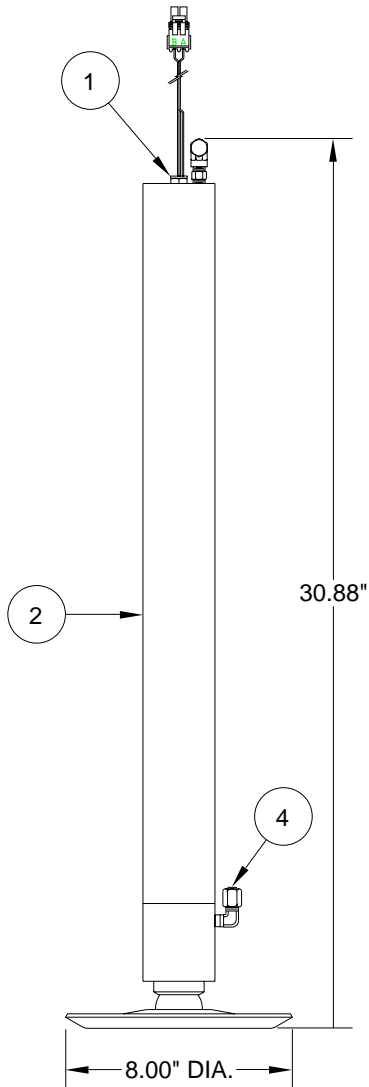
ITEM	PART	QTY	DESCRIPTION
1	RAP92313	1	JACK ASSY 7000# X 21" DA BASIC JACK ONLY SEE MR27.2000 DOES NOT INCLUDE ITEM #2

ITEM	PART	QTY	DESCRIPTION
2	RAP93141	1	MTG BRKT KIT INCLUDES OUTER CLAMP AND HARDWARE

**NOTE:** INDENTED ITEMS ARE INCLUDED WITH PRECEDING ITEM.

**MR27.2000C**  
**17APR12**

**AP50763**  
**STRAIGHT-ACTING JACK, FIXED, POWER EXTEND / POWER RETRACT**  
**7,000 # CAPACITY; 1.750" ROD DIAMETER; 21.00" STROKE**



**BASIC JACK SHOWN**

ITEM	PART	QTY	DESCRIPTION
1	RAP90968	1	SWITCH WARNING MAGNETIC GRAY
2	RAP93290	1	JACK ASSY 7000# X 21" DA BASIC JACK ONLY
3	RF9315	1	NIPPLE 1/8"
4	RF1453	1	ELBOW 1/4"

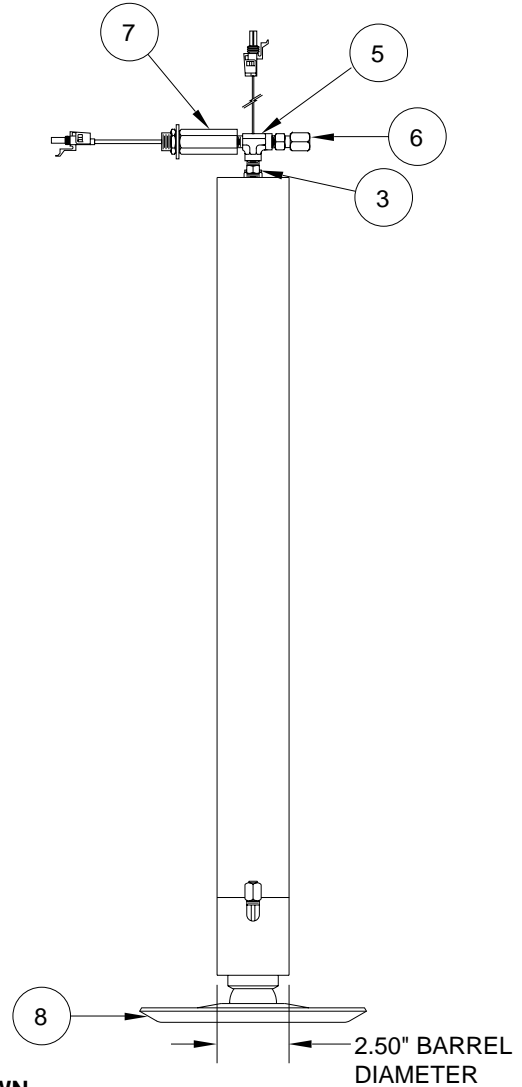
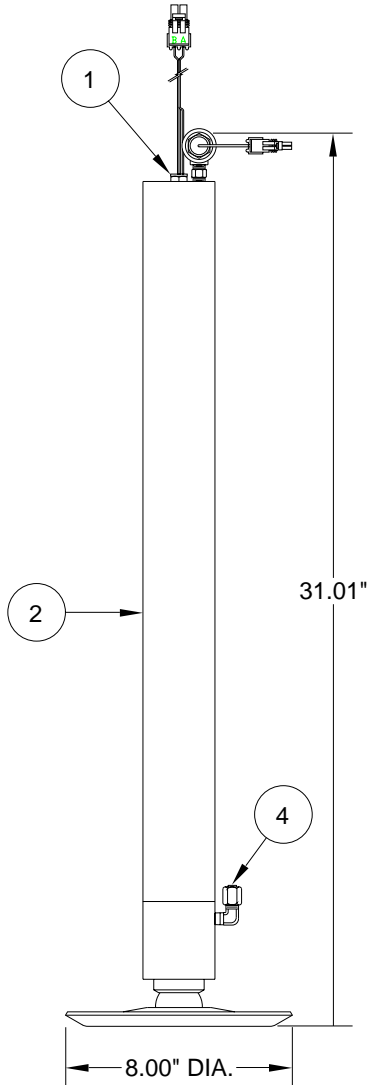
ITEM	PART	QTY	DESCRIPTION
5	RF90093	1	STREET TEE 1/8"
6	RF90919	1	MALE CONNECTOR 1/8" X 5/16"
7	RAP92573	1	FOOT 8.00" DIAMETER

**NOTE:** INDENTED ITEMS ARE INCLUDED WITH PRECEDING ITEM.

**MR27.2001**  
**22MAR13**

**AP42894 - AP43880**  
**STRAIGHT-ACTING JACK, FIXED, DOUBLE ACTING**  
**7,000 # CAPACITY; 1.750" ROD DIAMETER; 21.00" STROKE**  
**USED ON FRONT OF FIFTH WHEEL COACHES**

JACK #	DESCRIPTION
AP42894	BASIC JACK WITH WARNING AND PRESSURE SWITCH
AP43880	OBSOLETE - REPLACED BY AP42894



BASIC JACK SHOWN

ITEM	PART	QTY	DESCRIPTION
1	RAP90968	1	SWITCH WARNING MAGNETIC GRAY
2	RAP92312	1	JACK ASSY 7000# X 21" DA BASIC JACK ONLY
3	RF9315	1	NIPPLE 1/8"
4	RF1453	1	ELBOW 1/4"

ITEM	PART	QTY	DESCRIPTION
5	RF90093	1	STREET TEE 1/8"
6	RF90919	1	MALE CONNECTOR 1/8" X 5/16"
7	RAP90874	1	SWITCH PRESS. 550 PSI
8	RAP92573	1	FOOT 8.00" DIAMETER

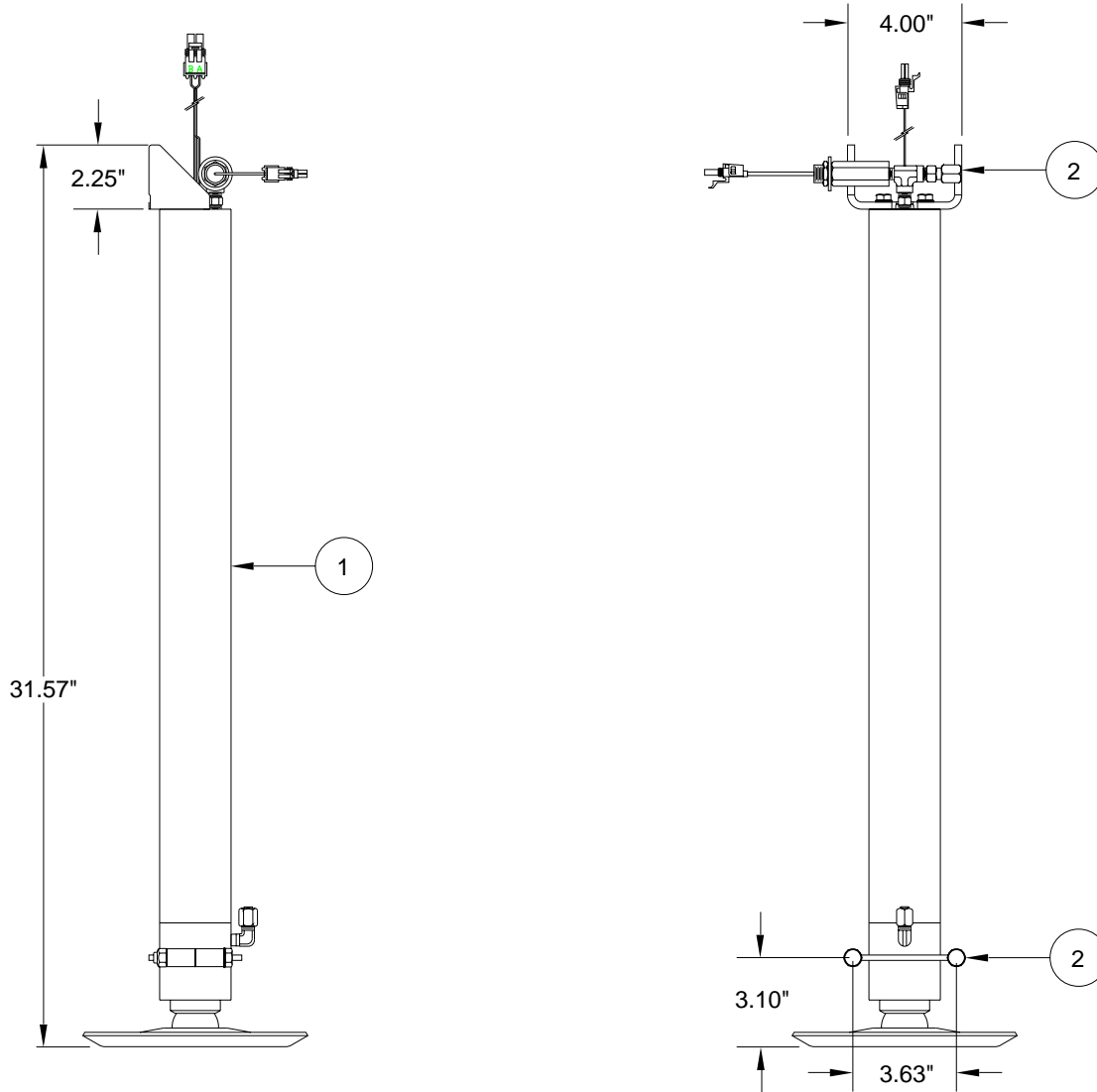
NOTE: INDENTED ITEMS ARE INCLUDED WITH PRECEDING ITEM.

**MR27.2005**  
**17APR12**

# AP43550

## STRAIGHT-ACTING JACK, FIXED, POWER EXTEND / POWER RETRACT 7,000 # CAPACITY; 1.750" ROD DIAMETER; 21.00" STROKE USED ON FRONT OF FIFTH WHEEL COACHES

FOR BASIC JACK INFORMATION INCLUDING CYLINDER, SWITCHES AND SPRINGS OR JACK DIMENSIONS  
DIMENSIONS SEE PAGE [MR27.2005](#)



ITEM	PART	QTY	DESCRIPTION
1	RAP92312	1	JACK ASSY 7000# X 21" DA BASIC JACK ONLY SEE MR27.2005 DOES NOT INCLUDE ITEM #2

ITEM	PART	QTY	DESCRIPTION
2	RAP93142	1	MTG BRKT KIT INCLUDES OUTER CLAMP AND HARDWARE

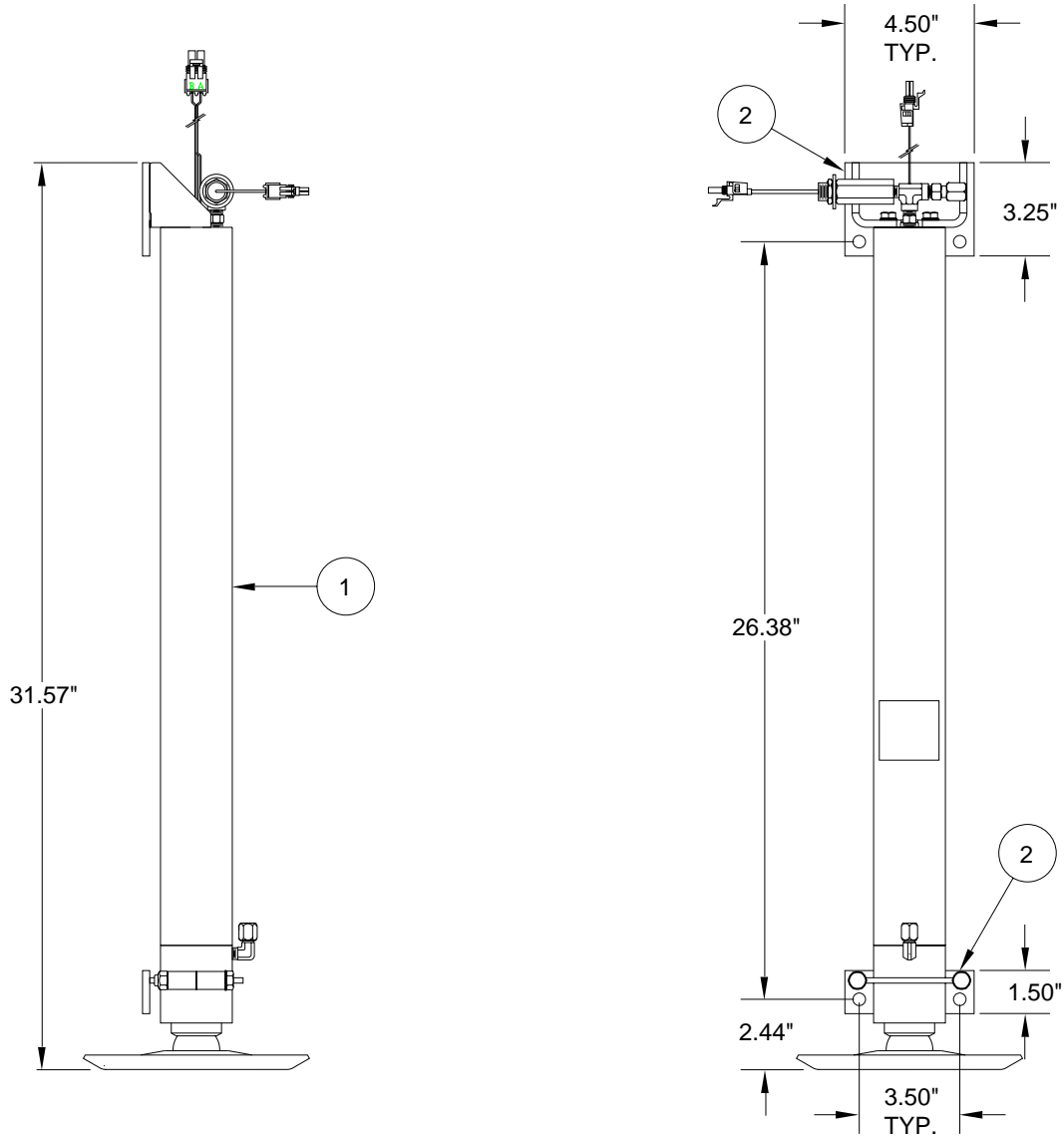
**NOTE:** INDENTED ITEMS ARE INCLUDED WITH PRECEDING ITEM.

**MR27.2005A**  
**17APR12**

# AP43860

## STRAIGHT-ACTING JACK, FIXED, POWER EXTEND / POWER RETRACT 7,000 # CAPACITY; 1.750" ROD DIAMETER; 21.00" STROKE USED ON FRONT OF FIFTH WHEEL COACHES

FOR BASIC JACK INFORMATION INCLUDING CYLINDER, SWITCHES AND SPRINGS OR JACK DIMENSIONS  
DIMENSIONS SEE PAGE [MR27.2005](#)



ITEM	PART	QTY	DESCRIPTION
1	RAP92312	1	JACK ASSY 7000# X 21" DA BASIC JACK ONLY SEE MR27.2005 DOES NOT INCLUDE ITEM #2

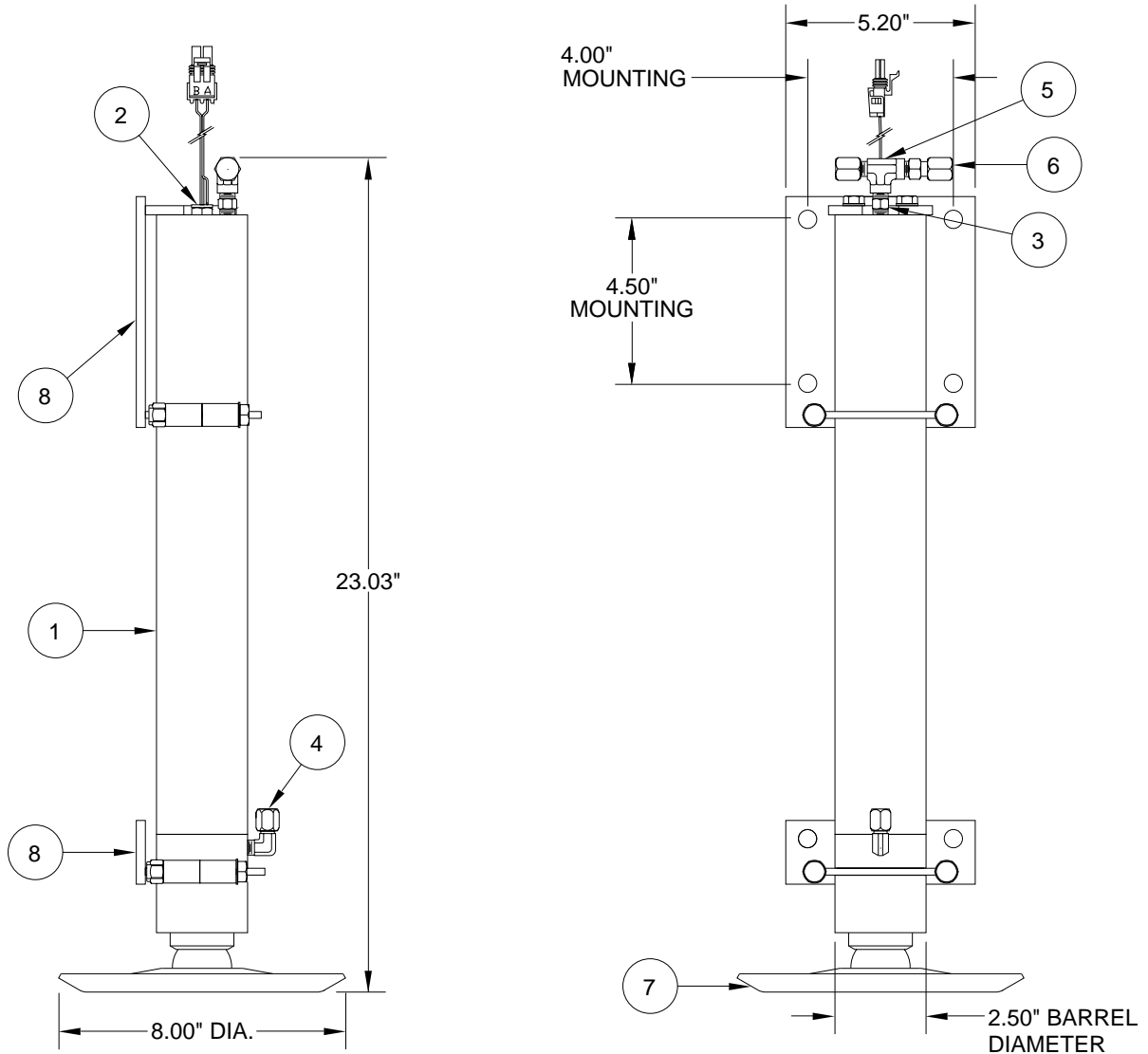
ITEM	PART	QTY	DESCRIPTION
2	RAP93141	1	MTG BRKT KIT INCLUDES OUTER CLAMP AND HARDWARE

**NOTE:** INDENTED ITEMS ARE INCLUDED WITH PRECEDING ITEM.

**MR27.2005B**  
**17APR12**

# AP44827

## STRAIGHT-ACTING JACK, FIXED, POWER EXTEND / POWER RETRACT 7,000 # CAPACITY; 1.750" ROD DIAMETER; 13.00" STROKE



ITEM	PART	QTY	DESCRIPTION
1	RAP92815	1	JACK ASSY 7,000# X 13" DA ENTIRE JACK
2	RAP90968	1	SWITCH WARNING MAGNETIC GRAY
3	RF9315	1	NIPPLE 1/8"
4	RF1453	1	ELBOW 1/4"
5	RF90093	1	STREET TEE 1/8"

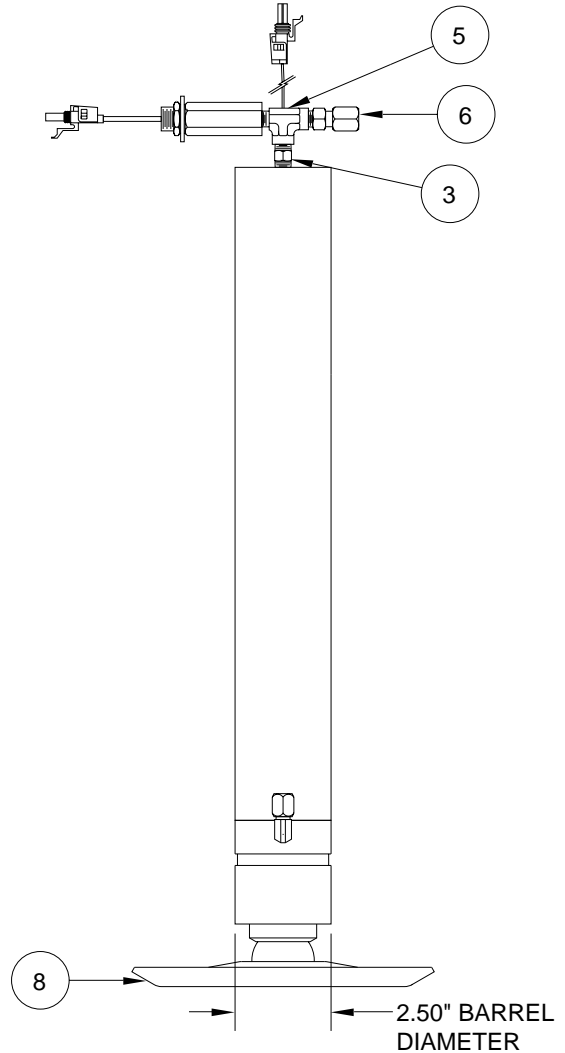
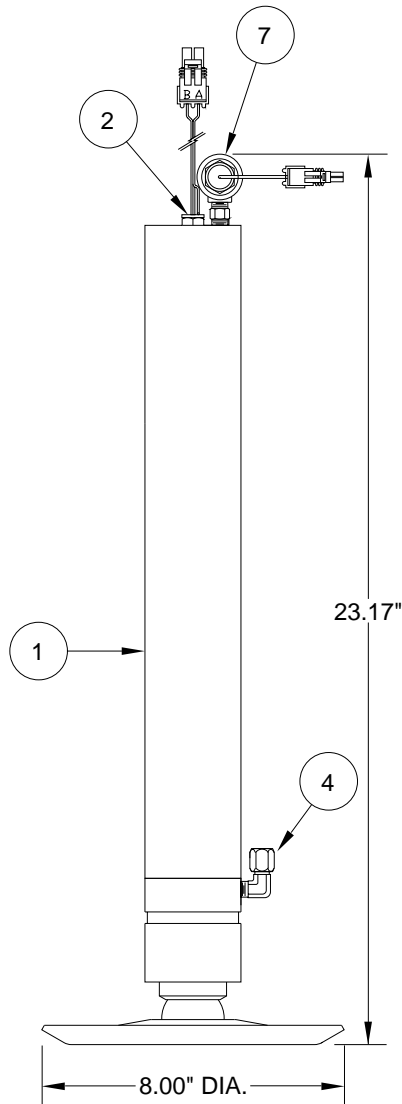
ITEM	PART	QTY	DESCRIPTION
6	RF90919	1	MALE CONNECTOR 1/8" X 5/16"
7	RAP92573	1	FOOT 8.00" DIAMETER
8	RAP93130	1	MTG BRKT KIT INCLUDES OUTER CLAMPS AND HARDWARE

NOTE: INDENTED ITEMS ARE INCLUDED WITH PRECEDING ITEM.

MR27.2010  
21MAR13



**AP50730**  
**STRAIGHT-ACTING JACK, FIXED, POWER EXTEND / POWER RETRACT**  
**7,000 # CAPACITY; 1.750" ROD DIAMETER; 13.00" STROKE**



**BASIC JACK SHOWN**

ITEM	PART	QTY	DESCRIPTION
<b>NOTE:</b> THE JACK IS AVAILABLE IN DIFFERENT COLORS. REPLACE THE "x" IN THE JACK PART NUMBER WITH A "U" FOR AN UNPAINTED PART OR LEAVE BLANK FOR A BLACK PAINTED PART.			
1	RAP93288x	1	JACK ASSY 7,000# x 13" DA BASIC JACK ONLY
2	RAP90968	1	SWITCH WARNING MAGNETIC GRAY
3	RF9315	1	NIPPLE 1/8"

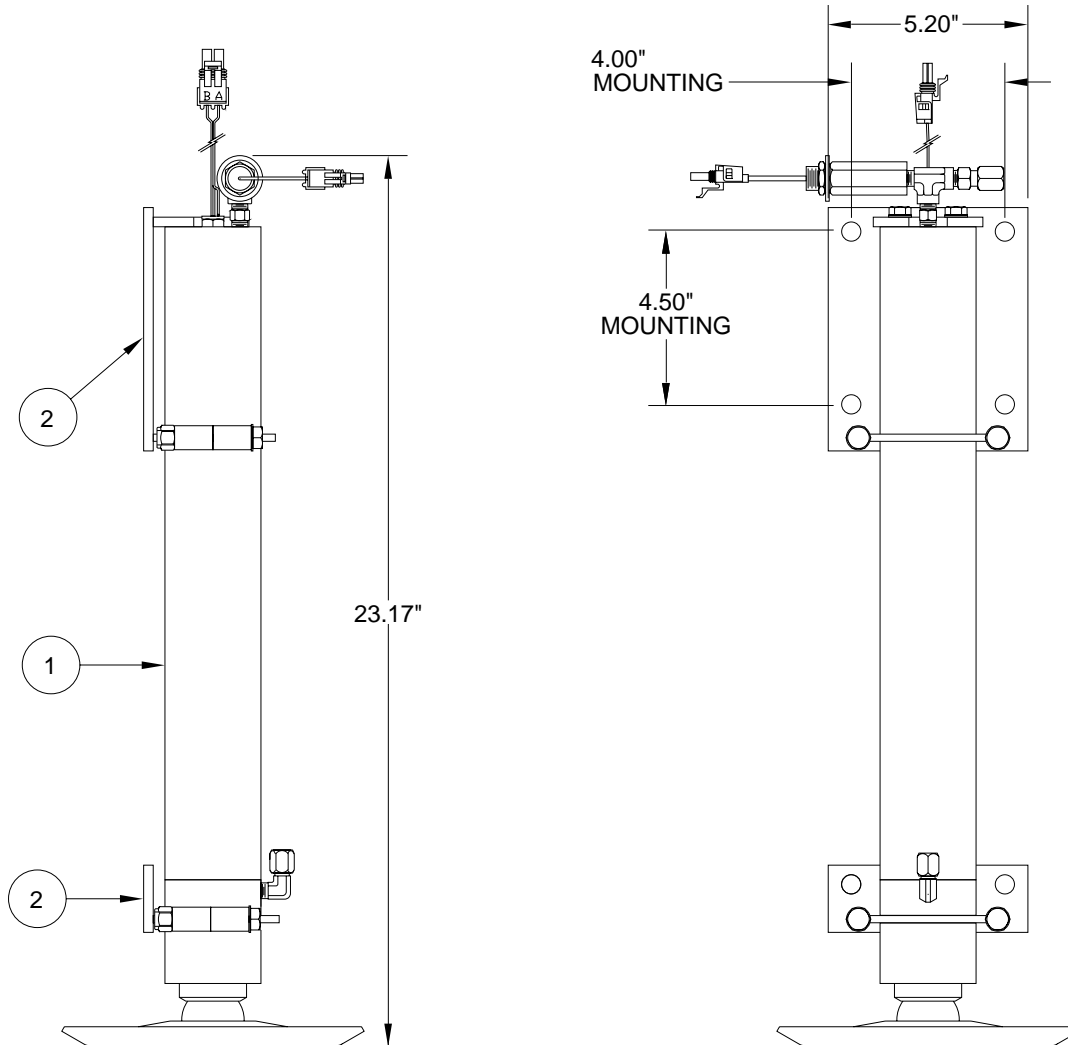
ITEM	PART	QTY	DESCRIPTION
4	RF1453	1	ELBOW 1/4"
5	RF90093	1	STREET TEE 1/8"
6	RF90919	1	MALE CONNECTOR 1/8" X 5/16"
7	RAP90874	1	SWITCH PRESS. 550 PSI
8	RAP92573	1	FOOT 8.00" DIAMETER

**NOTE:** INDENTED ITEMS ARE INCLUDED WITH PRECEDING ITEM.

**MR27.2011**  
**21MAR13**

**AP46657**  
**STRAIGHT-ACTING JACK, FIXED, POWER EXTEND / POWER RETRACT**  
**7,000 # CAPACITY; 1.750" ROD DIAMETER; 13.00" STROKE**

FOR BASIC JACK INFORMATION INCLUDING CYLINDER, SWITCHES AND SPRINGS OR JACK DIMENSIONS DIMENSIONS SEE PAGE [MR27.2011](#)



NOTE: THIS JACK CAN BE ORDERED BLACK, OR UNPAINTED. SEE [MR27.2011](#)

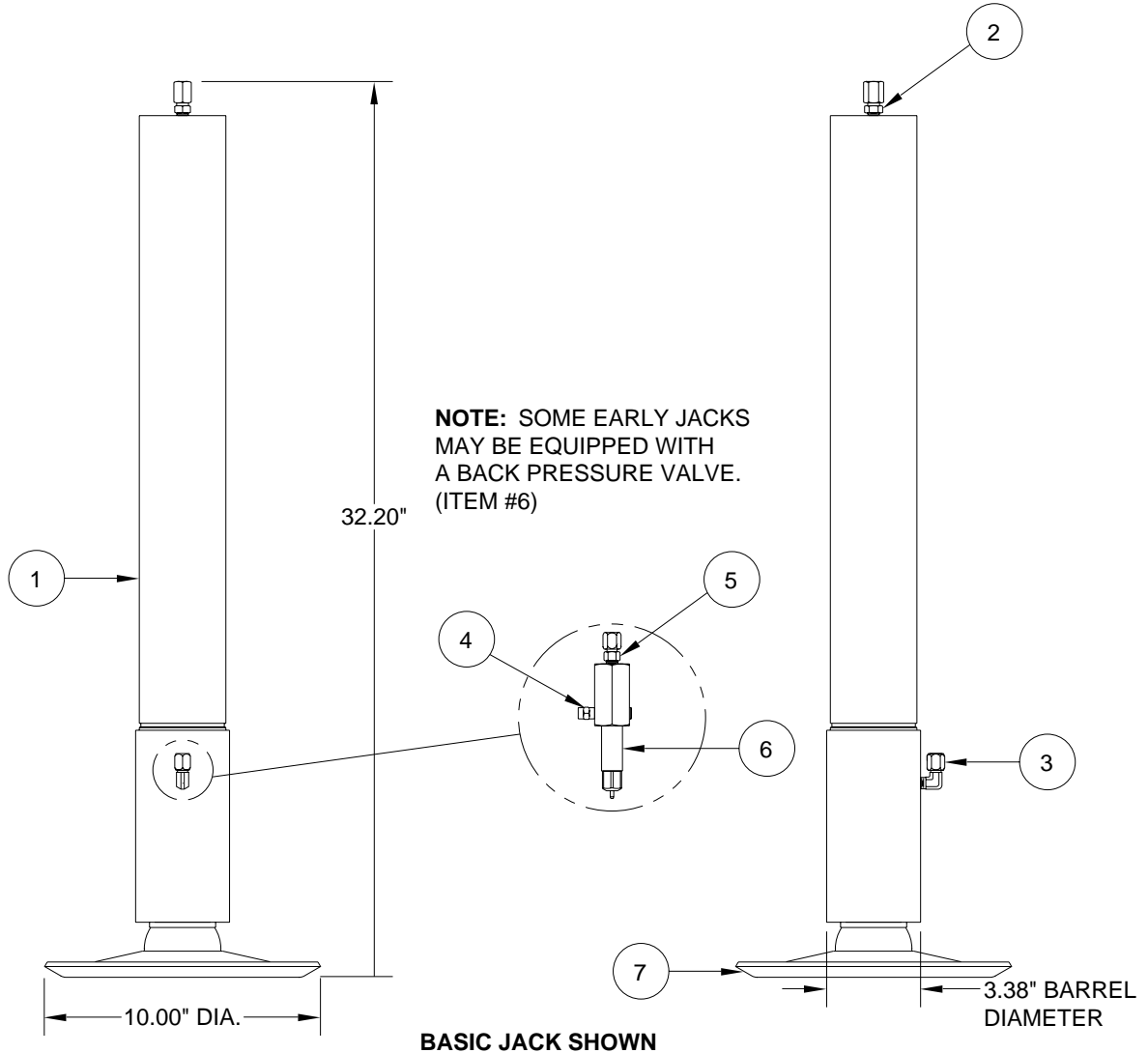
ITEM	PART	QTY	DESCRIPTION	ITEM	PART	QTY	DESCRIPTION
1	RAP93288	1	JACK ASSY 7,000# x 13" DA BASIC JACK ONLY SEE MR27.2011 DOES NOT INCLUDE ITEM #2	2	RAP93130	1	MTG BRKT KIT INCLUDES OUTER CLAMPS AND HARDWARE

NOTE: INDENTED ITEMS ARE INCLUDED WITH PRECEDING ITEM.

**MR27.2011A**  
**21MAR13**

# AP43632

## STRAIGHT-ACTING JACK, FIXED, POWER EXTEND / POWER RETRACT 12,000 # CAPACITY; 2.375" ROD DIAMETER; 21.00" STROKE USED ON FRONT OF FIFTH WHEEL COACHES



ITEM	PART	QTY	DESCRIPTION
------	------	-----	-------------

**NOTE:** ITEMS MARKED WITH AN "x" ARE AVAILABLE IN DIFFERENT COLORS. ORDER WITH A "S" FOR A SILVER PART, A "U" FOR AN UNPAINTED PART, OR LEAVE BLANK FOR A BLACK PAINTED PART.

1	RAP92468x	1	JACK ASSY 12,000# x 21" DA BASIC JACK ONLY
2	RF90919	1	MALE CONNECTOR 1/8" X 5/16"
3	RF1453	1	ELBOW 1/4"

ITEM	PART	QTY	DESCRIPTION
------	------	-----	-------------

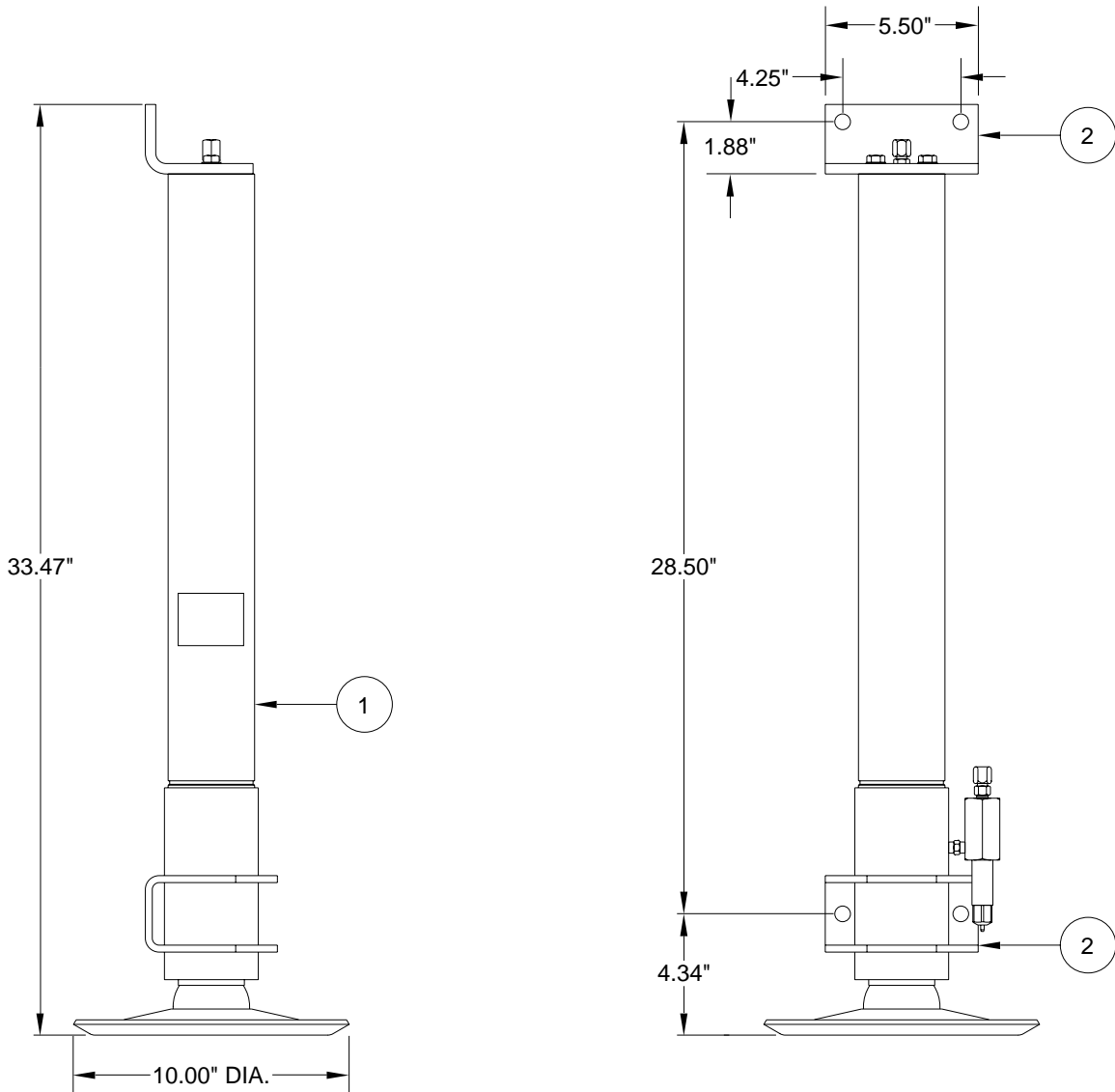
4	RF9315	1	NIPPLE 1/8"
5	RF1456	1	MALE CONNECTOR 1/8" X 1/4"
6	RAP92574	1	BACK PRESSURE VALVE (INCLUDES ITEM 4)
7	RAP92563x	1	FOOT 10.00" DIAMETER

**NOTE:** INDENTED ITEMS ARE INCLUDED WITH PRECEDING ITEM.

**MR27.4000**  
**25MAR13**

**AP40197 - OBSOLETE**  
**STRAIGHT-ACTING JACK, FIXED, POWER EXTEND / POWER RETRACT**  
**12,000 # CAPACITY; 2.375" ROD DIAMETER; 21.00" STROKE**

FOR BASIC JACK INFORMATION INCLUDING CYLINDER, SWITCHES AND SPRINGS OR JACK DIMENSIONS DIMENSIONS SEE PAGE [MR27.4000](#)



ITEM	PART	QTY	DESCRIPTION
1	RAP92468	1	JACK ASSY 12,000# x 21" DA BASIC JACK ONLY SEE MR27.4000 DOES NOT INCLUDE ITEM #2

ITEM	PART	QTY	DESCRIPTION
2	NA	1	OBSOLETE BRACKETS CONTACT HWH FOR ASSISTANCE

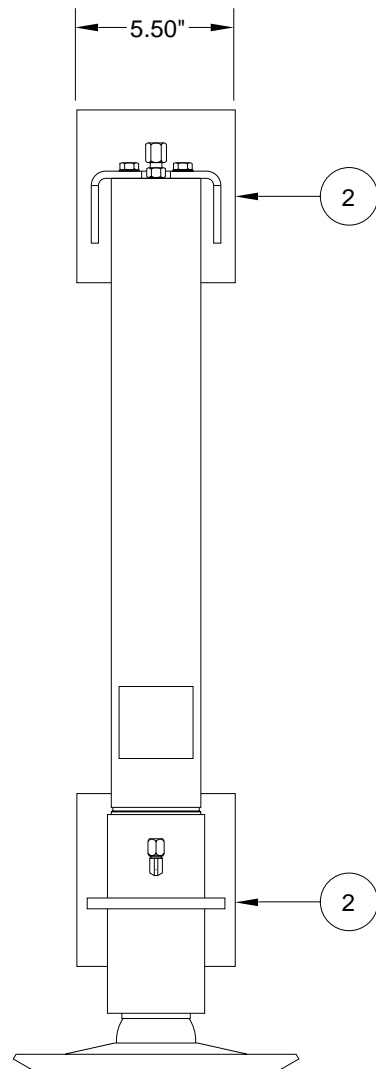
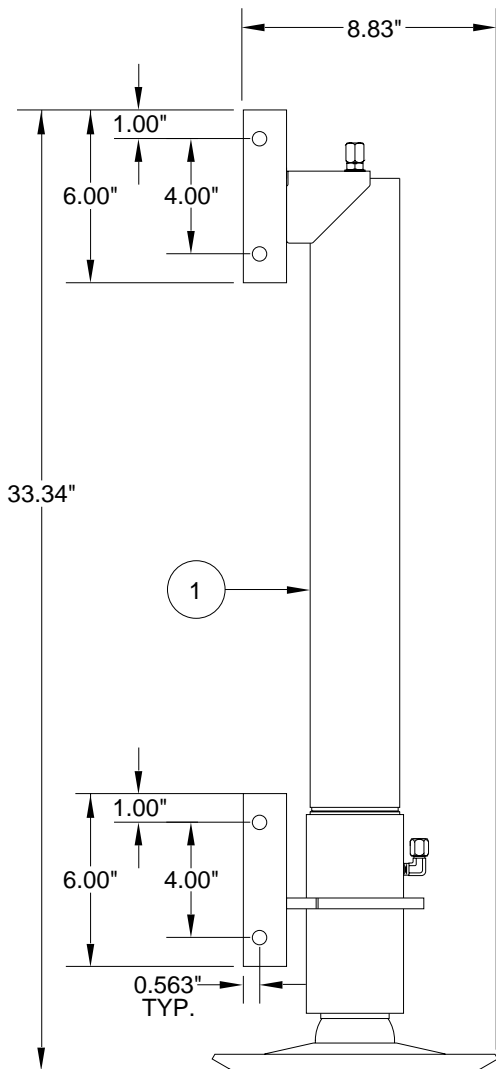
**NOTE:** INDENTED ITEMS ARE INCLUDED WITH PRECEDING ITEM.

**MR27.4000A**  
**25MAR13**

# AP43629

## STRAIGHT-ACTING JACK, FIXED, POWER EXTEND / POWER RETRACT 12,000 # CAPACITY; 2.375" ROD DIAMETER; 21.00" STROKE

FOR BASIC JACK INFORMATION INCLUDING CYLINDER, SWITCHES AND SPRINGS OR JACK DIMENSIONS  
DIMENSIONS SEE PAGE [MR27.4000](#)



NOTE: THIS JACK CAN BE ORDERED BLACK, OR SILVER. SEE [MR27.4000](#)

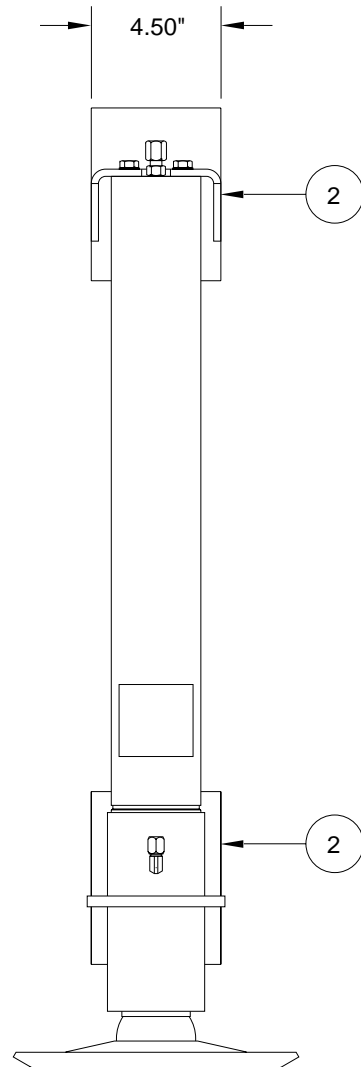
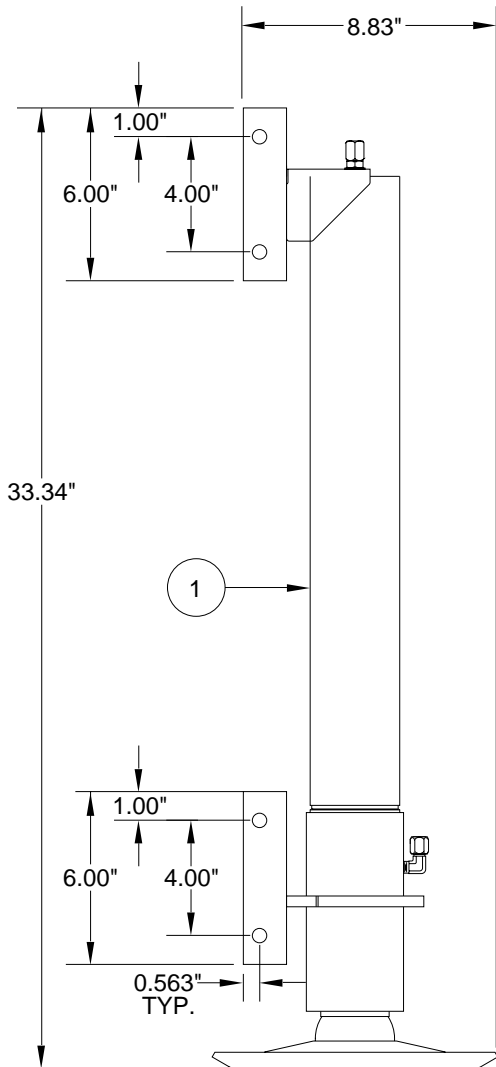
ITEM	PART	QTY	DESCRIPTION	ITEM	PART	QTY	DESCRIPTION
1	RAP92468	1	JACK ASSY 12,000# x 21" DA BASIC JACK ONLY SEE MR27.4000 DOES NOT INCLUDE ITEM #2	2	RAP93133	1	MTG BRKT KIT INCLUDES HARDWARE

NOTE: INDENTED ITEMS ARE INCLUDED WITH PRECEDING ITEM.

MR27.4000B  
25MAR13

**AP43807**  
**STRAIGHT-ACTING JACK, FIXED, POWER EXTEND / POWER RETRACT**  
**12,000 # CAPACITY; 2.375" ROD DIAMETER; 21.00" STROKE**

FOR BASIC JACK INFORMATION INCLUDING CYLINDER, SWITCHES AND SPRINGS OR JACK DIMENSIONS  
 DIMENSIONS SEE PAGE [MR27.4000](#)



ITEM	PART	QTY	DESCRIPTION
1	RAP92468	1	JACK ASSY 12,000# x 21" DA BASIC JACK ONLY SEE MR27.4000 DOES NOT INCLUDE ITEM #2

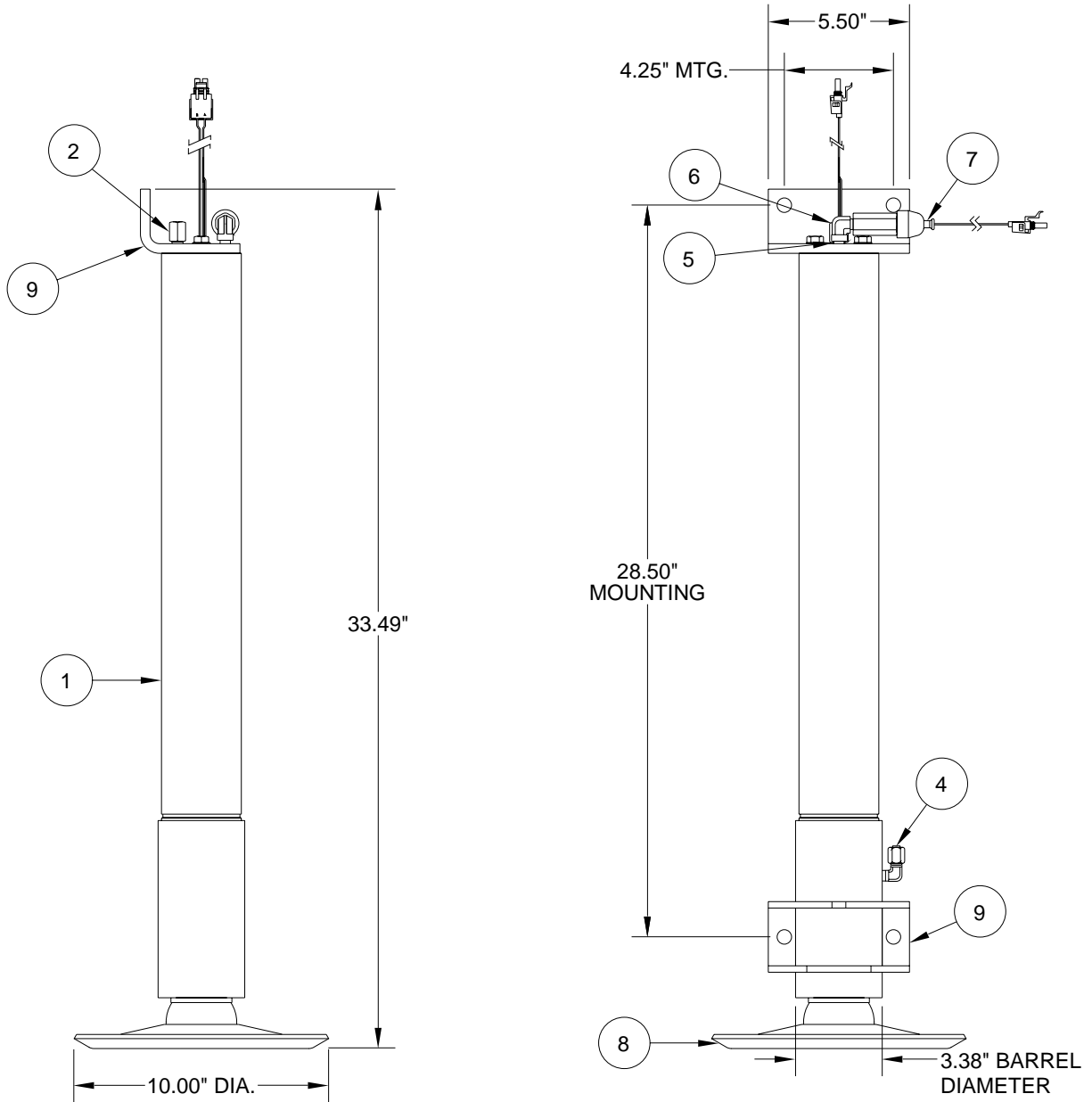
ITEM	PART	QTY	DESCRIPTION
2	RAP93134	1	MTG BRKT KIT INCLUDES HARDWARE

**NOTE:** INDENTED ITEMS ARE INCLUDED WITH PRECEDING ITEM.

**MR27.4000C**  
**25MAR13**

# AP42719 - OBSOLETE

**STRAIGHT-ACTING JACK, FIXED, POWER EXTEND / POWER RETRACT  
12,000 # CAPACITY; 2.375" ROD DIAMETER; 21.00" STROKE  
USED ON FRONT OF FIFTH WHEEL COACHES**



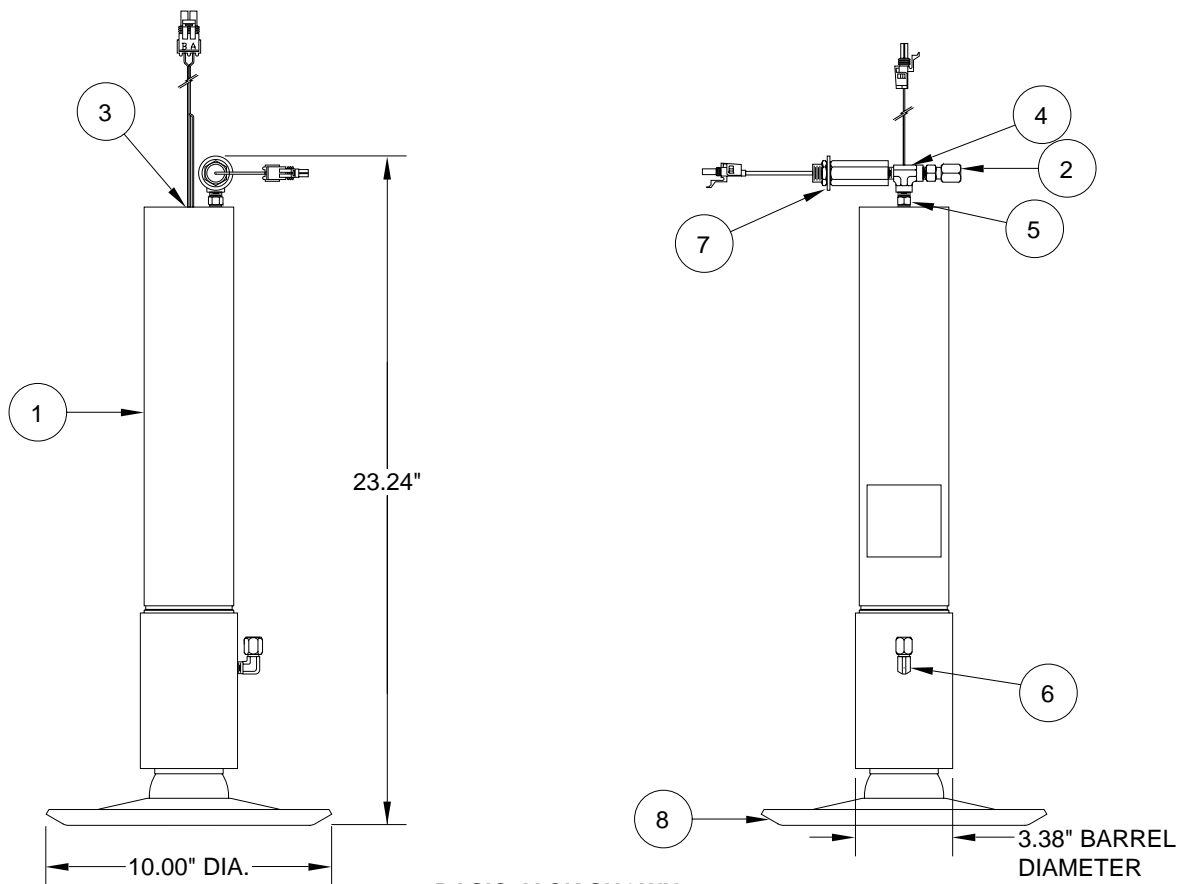
ITEM	PART	QTY	DESCRIPTION
1	<b>OBSOLETE</b>		JACK ASSY 12,000# X 21" DA CONTACT HWH FOR ASSISTANCE
2	RF90919	1	MALE CONNECTOR 1/8" X 5/16"
3	RAP90968	1	SWITCH WARNING MAGNETIC GRAY
4	RF1453	1	ELBOW 1/4"

ITEM	PART	QTY	DESCRIPTION
5	RF9315	1	NIPPLE 1/8"
6	RF90796	1	STREET ELBOW 1/8"
7	RAP8003	1	SWITCH PRESSURE
8	RAP92563	1	FOOT 10.00" DIAMETER
9	<b>OBSOLETE</b>		MTG BRACKETS CONTACT HWH FOR ASSISTANCE

**NOTE:** INDENTED ITEMS ARE INCLUDED WITH PRECEDING ITEM.

**MR27.4005  
26MAR13**

**AP46776**  
**STRAIGHT-ACTING JACK, FIXED, POWER EXTEND / POWER RETRACT**  
**12,000 # CAPACITY; 2.375" ROD DIAMETER; 13.00" STROKE**



ITEM	PART	QTY	DESCRIPTION
1	RAP92805	1	JACK ASSY 12,000# x 13" DA BASIC JACK ONLY
2	RF90919	1	MALE CONNECTOR 1/8" X 5/16"
3	RAP90968	1	SWITCH WARNING MAGNETIC GRAY
4	RF90093	1	STREET TEE 1/8"

ITEM	PART	QTY	DESCRIPTION
5	RF9315	1	NIPPLE 1/8"
6	RF1453	1	ELBOW 1/4"
7	RAP90874	1	SWITCH PRESS. 550 PSI
8	RAP92563	1	FOOT 10.00" DIAMETER

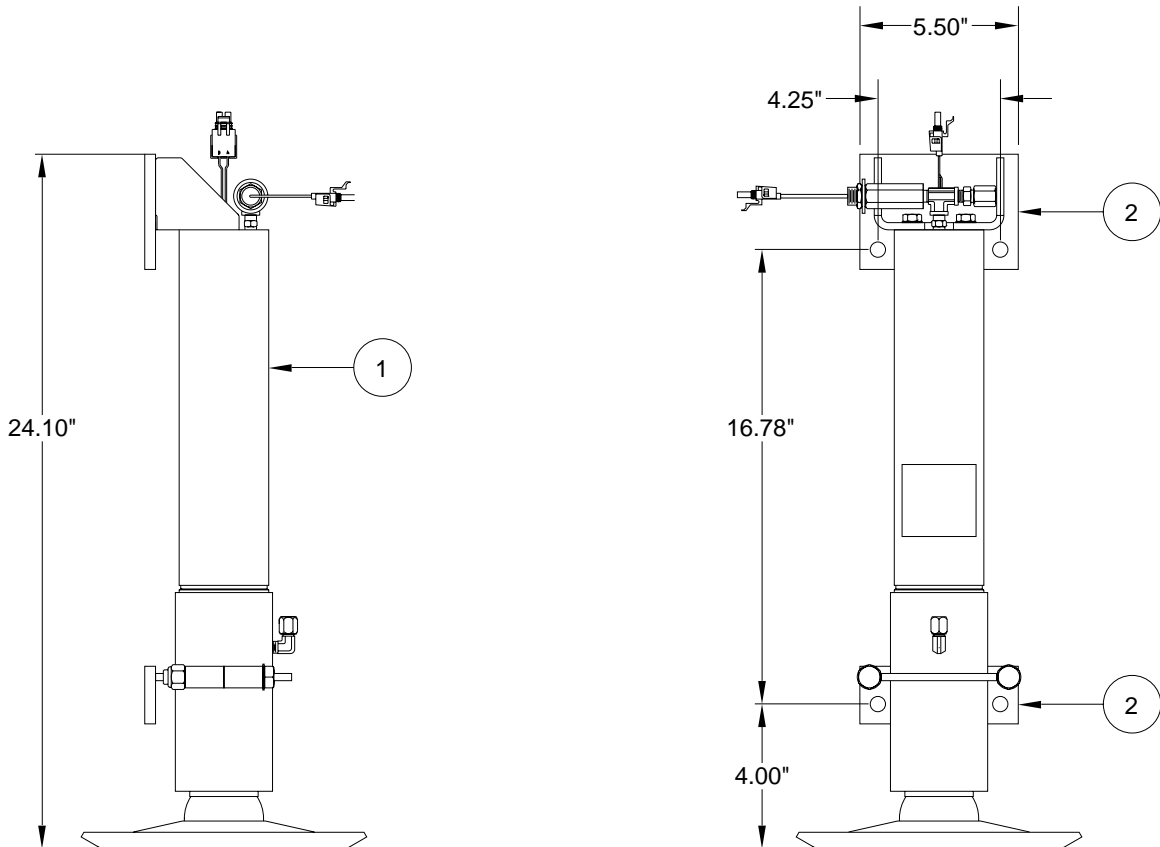
**NOTE:** INDENTED ITEMS ARE INCLUDED WITH PRECEDING ITEM.

**MR27.4010**  
**10APR12**



**AP46777**  
**STRAIGHT-ACTING JACK, FIXED, POWER EXTEND / POWER RETRACT**  
**12,000 # CAPACITY; 2.375" ROD DIAMETER; 13.00" STROKE**

FOR BASIC JACK INFORMATION INCLUDING CYLINDER, SWITCHES AND SPRINGS OR JACK DIMENSIONS DIMENSIONS SEE PAGE [MR27.4010](#)



ITEM	PART	QTY	DESCRIPTION
1	RAP92805	1	JACK ASSY 12,000# x 13" DA BASIC JACK ONLY SEE MR27.4010 DOES NOT INCLUDE ITEM #2

ITEM	PART	QTY	DESCRIPTION
2	RAP93131	1	MTG BRKT KIT INCLUDES HARDWARE

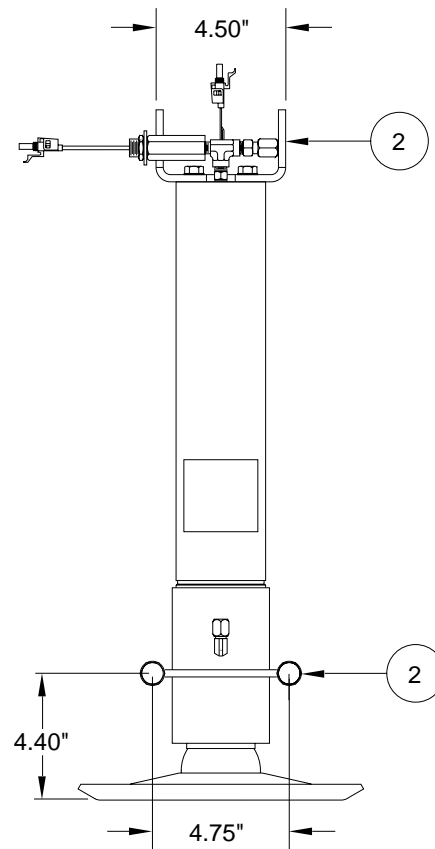
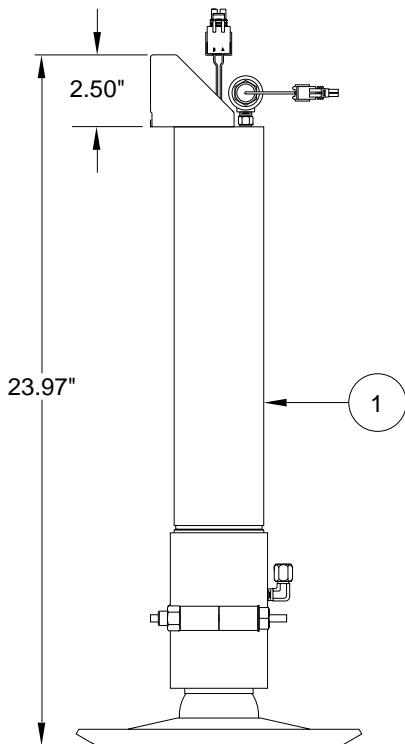
**NOTE:** INDENTED ITEMS ARE INCLUDED WITH PRECEDING ITEM.

**MR27.4010A**  
**17APR12**

# AP48549

## STRAIGHT-ACTING JACK, FIXED, POWER EXTEND / POWER RETRACT 12,000 # CAPACITY; 2.375" ROD DIAMETER; 13.00" STROKE

FOR BASIC JACK INFORMATION INCLUDING CYLINDER, SWITCHES AND SPRINGS OR JACK DIMENSIONS  
DIMENSIONS SEE PAGE [MR27.4010](#)



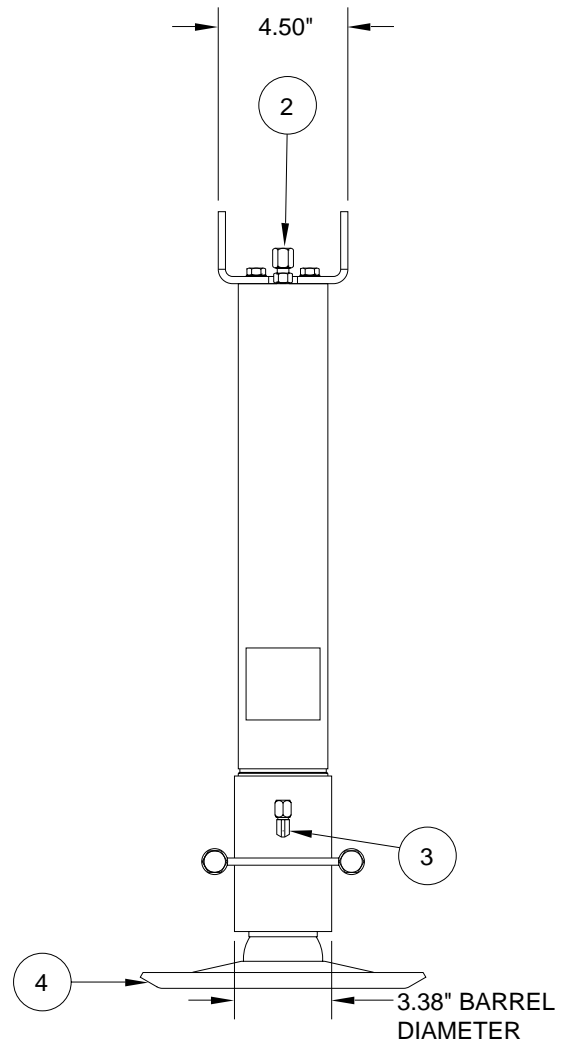
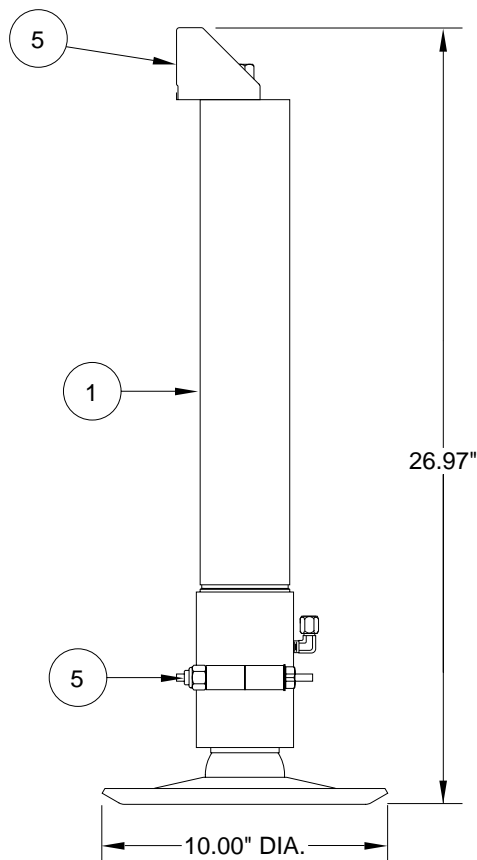
ITEM	PART	QTY	DESCRIPTION
1	RAP92805	1	JACK ASSY 12,000# x 13" DA BASIC JACK ONLY SEE MR27.4010 DOES NOT INCLUDE ITEM #2

ITEM	PART	QTY	DESCRIPTION
2	RAP93132	1	MTG BRKT KIT INCLUDES OUTER CLAMP AND HARDWARE

**NOTE:** INDENTED ITEMS ARE INCLUDED WITH PRECEDING ITEM.

**MR27.4010B**  
**16APR12**

**AP45747 - STRAIGHT-ACTING JACK, FIXED**  
**POWER EXTEND / POWER RETRACT**  
**12,000 # CAPACITY; 2.375" ROD DIAMETER; 16.00" STROKE; BOLT-ON FOOT**



ITEM	PART	QTY	DESCRIPTION
1	RAP92800	1	JACK ASSY 12,000# x 16" DA
2	RF90919	1	MALE CONNECTOR 1/8" X 5/16"

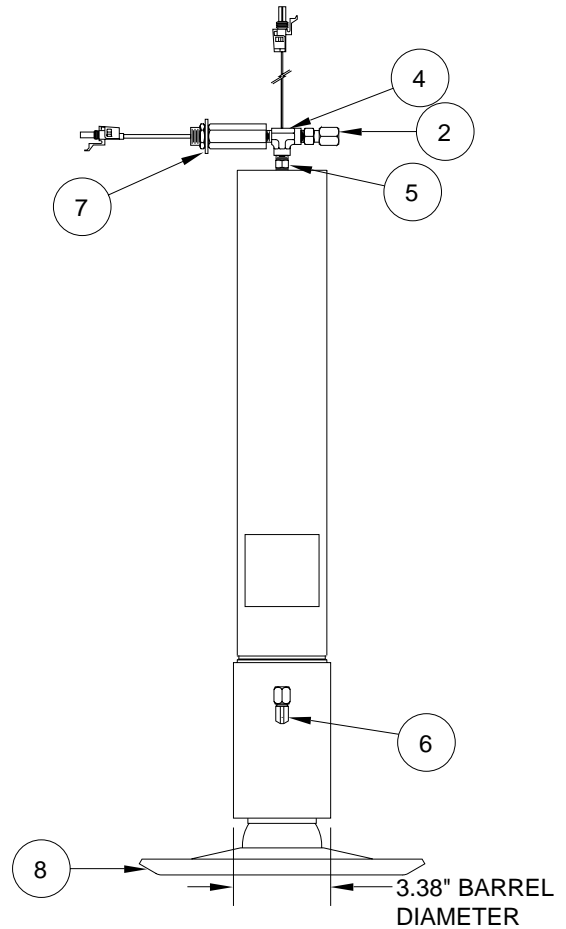
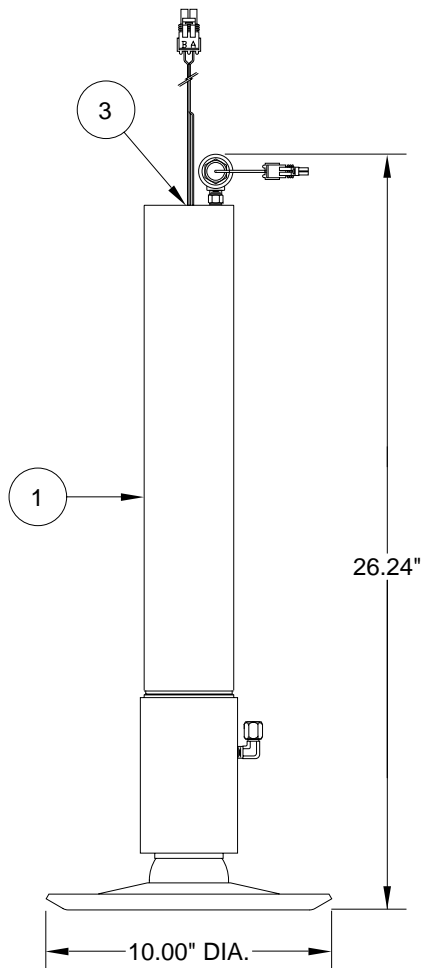
ITEM	PART	QTY	DESCRIPTION
3	RF1453	1	ELBOW 1/4"
4	RAP92563	1	FOOT 10.00" DIAMETER
5	RAP93132	1	MTG BRKT KIT INCLUDES OUTER CLAMP AND HARDWARE

**NOTE:** INDENTED ITEMS ARE INCLUDED WITH PRECEDING ITEM.

**MR27.4015**  
**10JAN12**

# AP46869

## STRAIGHT-ACTING JACK, FIXED, POWER EXTEND / POWER RETRACT 12,000 # CAPACITY; 2.375" ROD DIAMETER; 16.00" STROKE



BASIC JACK SHOWN

ITEM	PART	QTY	DESCRIPTION
<b>NOTE:</b> THE JACK IS AVAILABLE IN DIFFERENT COLORS. REPLACE THE "x" IN THE JACK PART NUMBER WITH A "S" FOR A SILVER PART, A "U" FOR AN UNPAINTED PART OR LEAVE BLANK FOR A BLACK PAINTED PART.			
1	RAP93055x	1	JACK ASSY 12,000# x 16" DA BASIC JACK ONLY
2	RF90919	1	MALE CONNECTOR 1/8" X 5/16"
3	RAP90968	1	SWITCH WARNING MAGNETIC GRAY

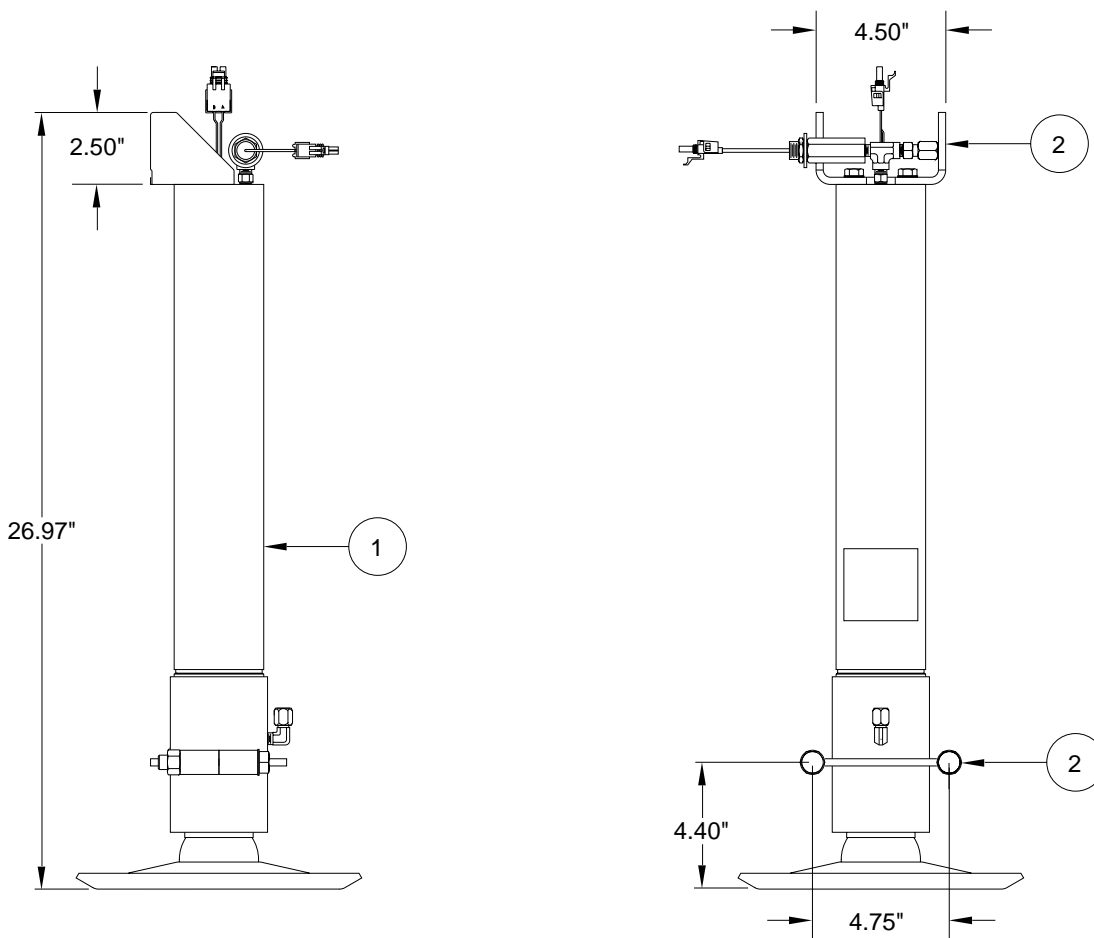
ITEM	PART	QTY	DESCRIPTION
4	RF90093	1	STREET TEE 1/8"
5	RF9315	1	NIPPLE 1/8"
6	RF1453	1	ELBOW 1/4"
7	RAP90874	1	SWITCH PRESS. 550 PSI
8	RAP92563	1	FOOT 10.00" DIAMETER

NOTE: INDENTED ITEMS ARE INCLUDED WITH PRECEDING ITEM.

MR27.4020  
11APR12

**AP46030**  
**STRAIGHT-ACTING JACK, FIXED, POWER EXTEND / POWER RETRACT**  
**12,000 # CAPACITY; 2.375" ROD DIAMETER; 16.00" STROKE**

FOR BASIC JACK INFORMATION INCLUDING CYLINDER, SWITCHES AND SPRINGS OR JACK DIMENSIONS DIMENSIONS SEE PAGE [MR27.4020](#)



NOTE: THIS JACK CAN BE ORDERED BLACK, SILVER, OR UNPAINTED. SEE [MR27.4020](#)

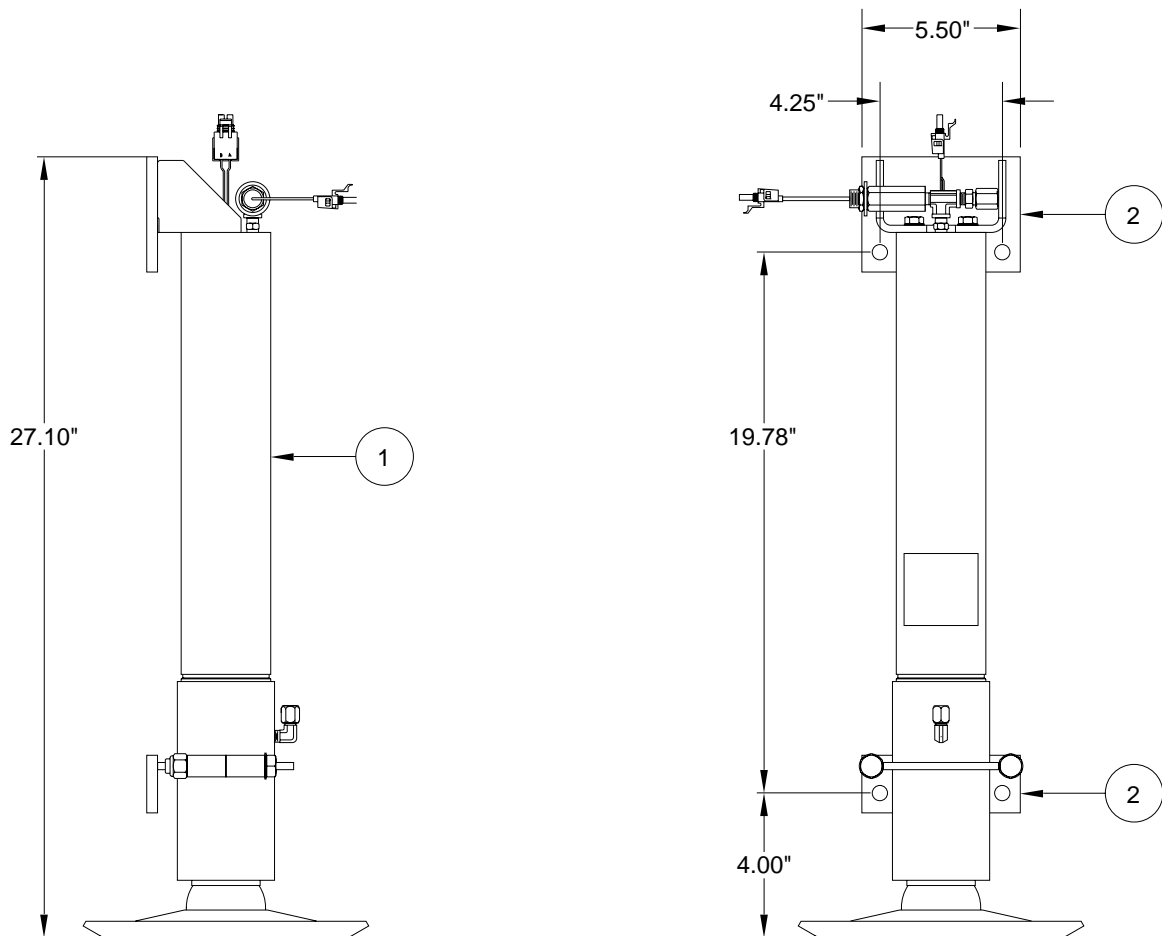
ITEM	PART	QTY	DESCRIPTION	ITEM	PART	QTY	DESCRIPTION
1	RAP93055	1	JACK ASSY 12,000# x 16" DA BASIC JACK ONLY SEE MR27.4020 DOES NOT INCLUDE ITEM #2	2	RAP93132	1	MTG BRKT KIT INCLUDES OUTER CLAMP AND HARDWARE

NOTE: INDENTED ITEMS ARE INCLUDED WITH PRECEDING ITEM.

**MR27.4020A**  
**16APR12**

**AP46868**  
**STRAIGHT-ACTING JACK, FIXED, POWER EXTEND / POWER RETRACT**  
**12,000 # CAPACITY; 2.375" ROD DIAMETER; 16.00" STROKE**

FOR BASIC JACK INFORMATION INCLUDING CYLINDER, SWITCHES AND SPRINGS OR JACK DIMENSIONS DIMENSIONS SEE PAGE [MR27.4020](#)



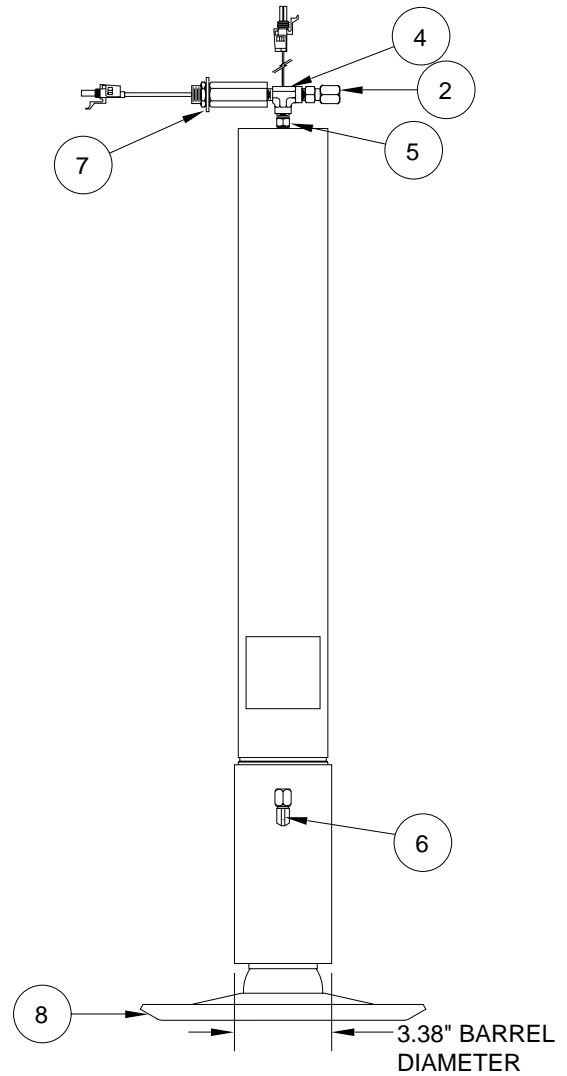
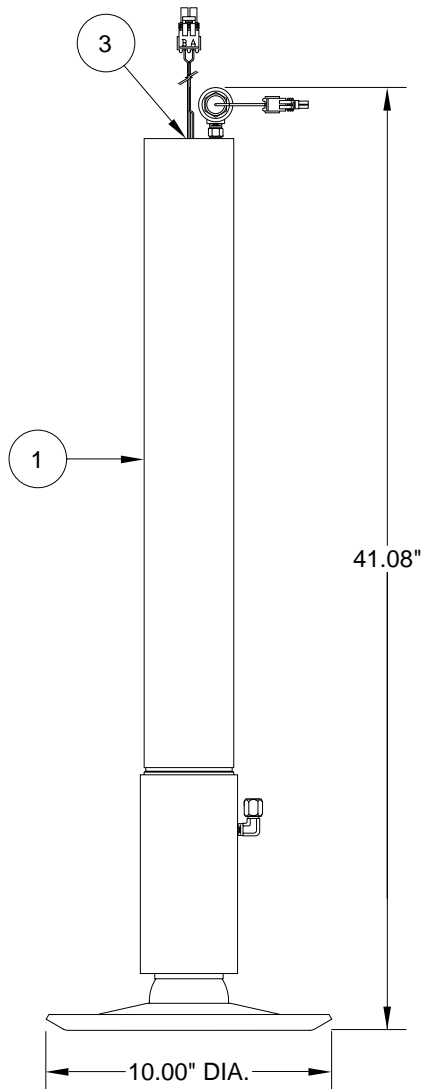
NOTE: THIS JACK CAN BE ORDERED BLACK, SILVER, OR UNPAINTED. SEE [MR27.4020](#)

ITEM	PART	QTY	DESCRIPTION	ITEM	PART	QTY	DESCRIPTION
1	RAP93055	1	JACK ASSY 12,000# x 16" DA BASIC JACK ONLY SEE MR27.4020 DOES NOT INCLUDE ITEM #2	2	RAP93131	1	MTG BRKT KIT INCLUDES HARDWARE

NOTE: INDENTED ITEMS ARE INCLUDED WITH PRECEDING ITEM.

**MR27.4020B**  
**17APR12**

**AP49592**  
**STRAIGHT-ACTING JACK, FIXED, POWER EXTEND / POWER RETRACT**  
**12,000 # CAPACITY; 2.375" ROD DIAMETER; 21.00" STROKE**



**BASIC JACK SHOWN**

ITEM	PART	QTY	DESCRIPTION
1	RAP93056	1	JACK ASSY 12,000# x 21" DA BASIC JACK ONLY
2	RF90919	1	MALE CONNECTOR 1/8" X 5/16"
3	RAP90968	1	SWITCH WARNING MAGNETIC GRAY
4	RF90093	1	STREET TEE 1/8"

ITEM	PART	QTY	DESCRIPTION
5	RF9315	1	NIPPLE 1/8"
6	RF1453	1	ELBOW 1/4"
7	RAP90874	1	SWITCH PRESS. 550 PSI
8	RAP92563	1	FOOT 10.00" DIAMETER

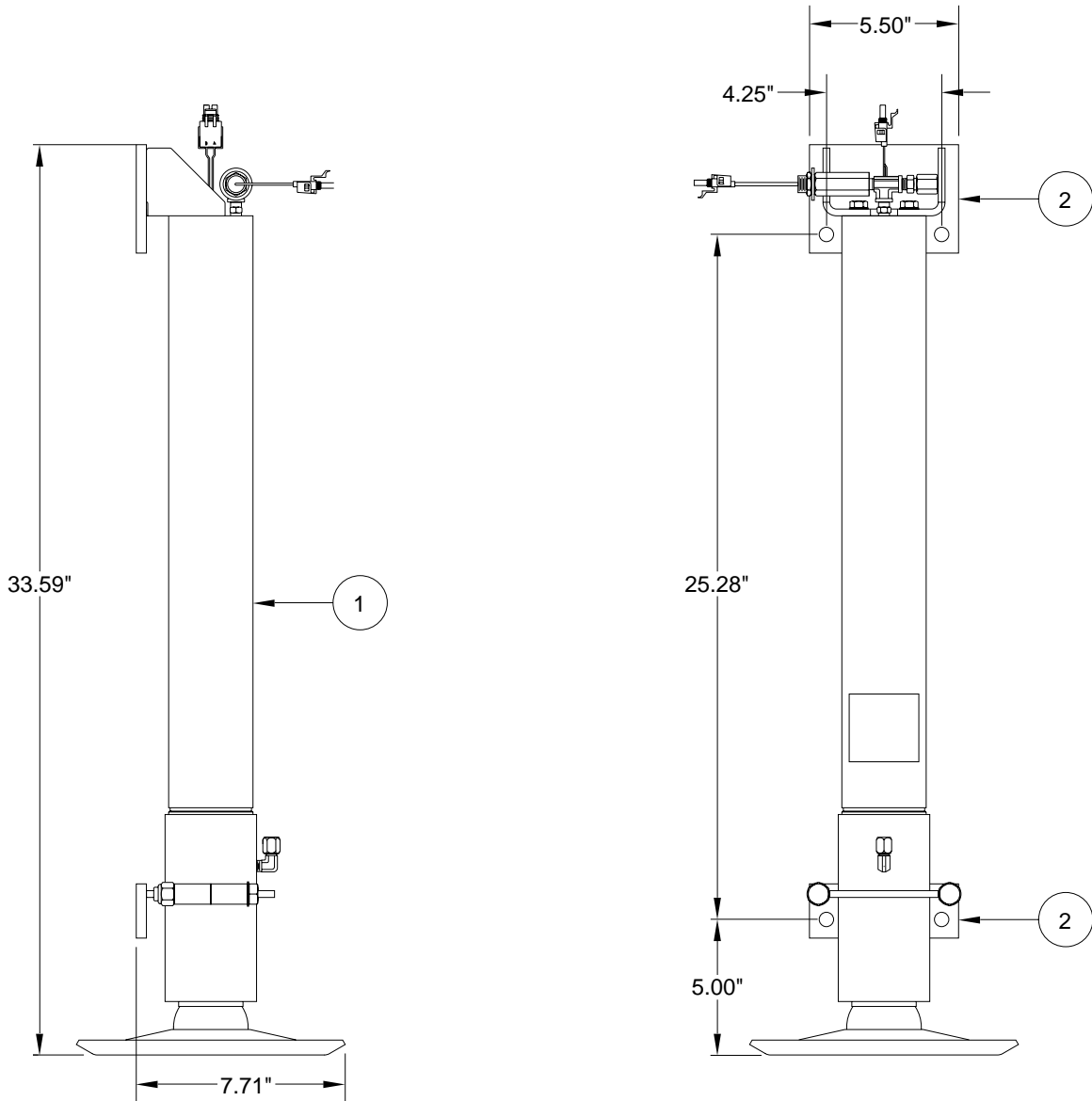
**NOTE:** INDENTED ITEMS ARE INCLUDED WITH PRECEDING ITEM.

**MR27.4400**  
**10APR12**

# AP49593

## STRAIGHT-ACTING JACK, FIXED, POWER EXTEND / POWER RETRACT 12,000 # CAPACITY; 2.375" ROD DIAMETER; 21.00" STROKE

FOR BASIC JACK INFORMATION INCLUDING CYLINDER, SWITCHES AND SPRINGS OR JACK DIMENSIONS  
DIMENSIONS SEE PAGE [MR27.4400](#)



ITEM	PART	QTY	DESCRIPTION
1	RAP93056	1	JACK ASSY 12,000# x 21" DA BASIC JACK ONLY SEE MR27.4400 DOES NOT INCLUDE ITEM #2

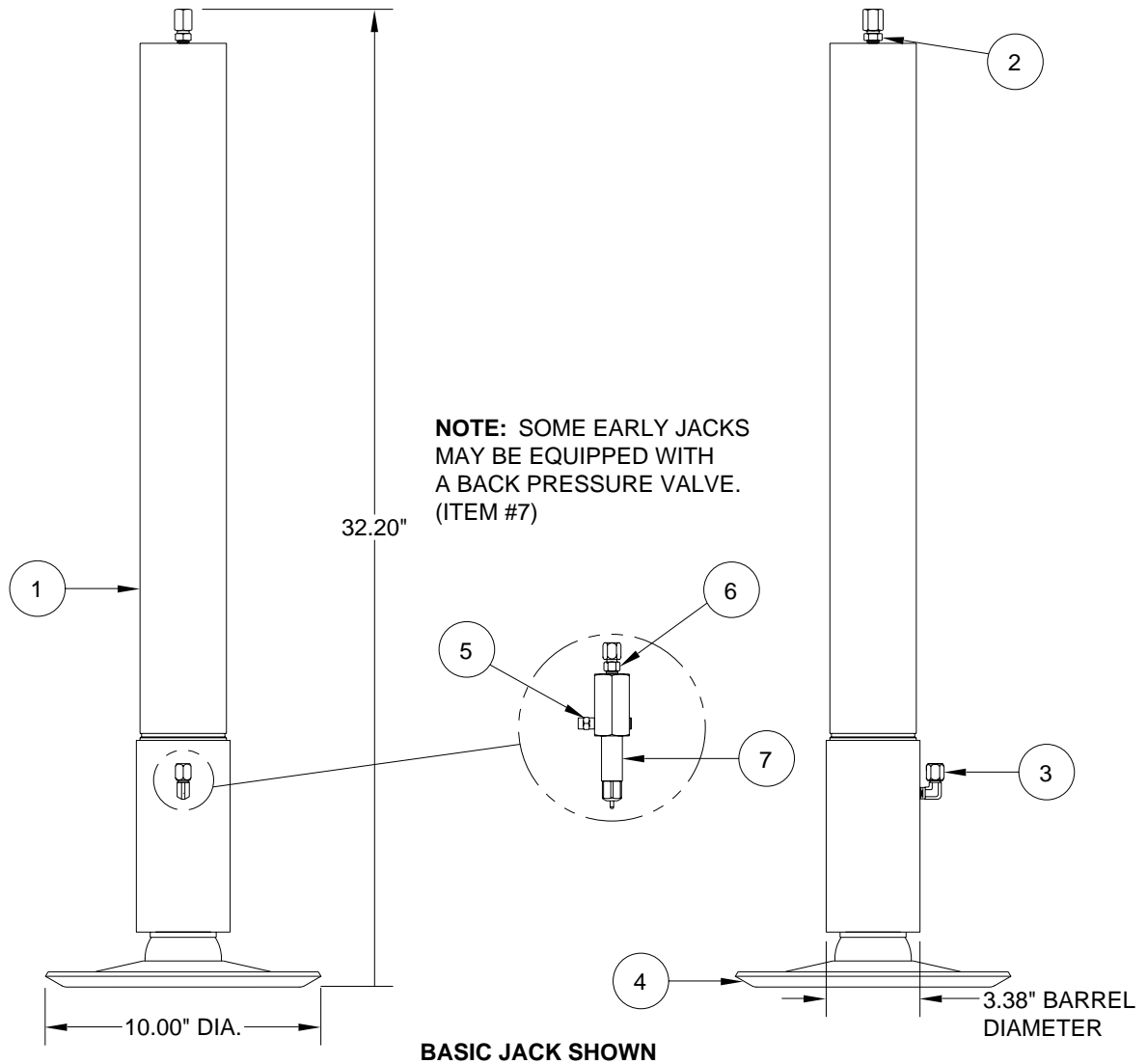
ITEM	PART	QTY	DESCRIPTION
2	RAP93131	1	MTG BRKT KIT INCLUDES HARDWARE

**NOTE:** INDENTED ITEMS ARE INCLUDED WITH PRECEDING ITEM.

**MR27.4400A**  
**17APR12**



**AP43647**  
**STRAIGHT-ACTING JACK, FIXED, POWER EXTEND / POWER RETRACT**  
**12,000 # CAPACITY; 2.375" ROD DIAMETER; 24.00" STROKE**



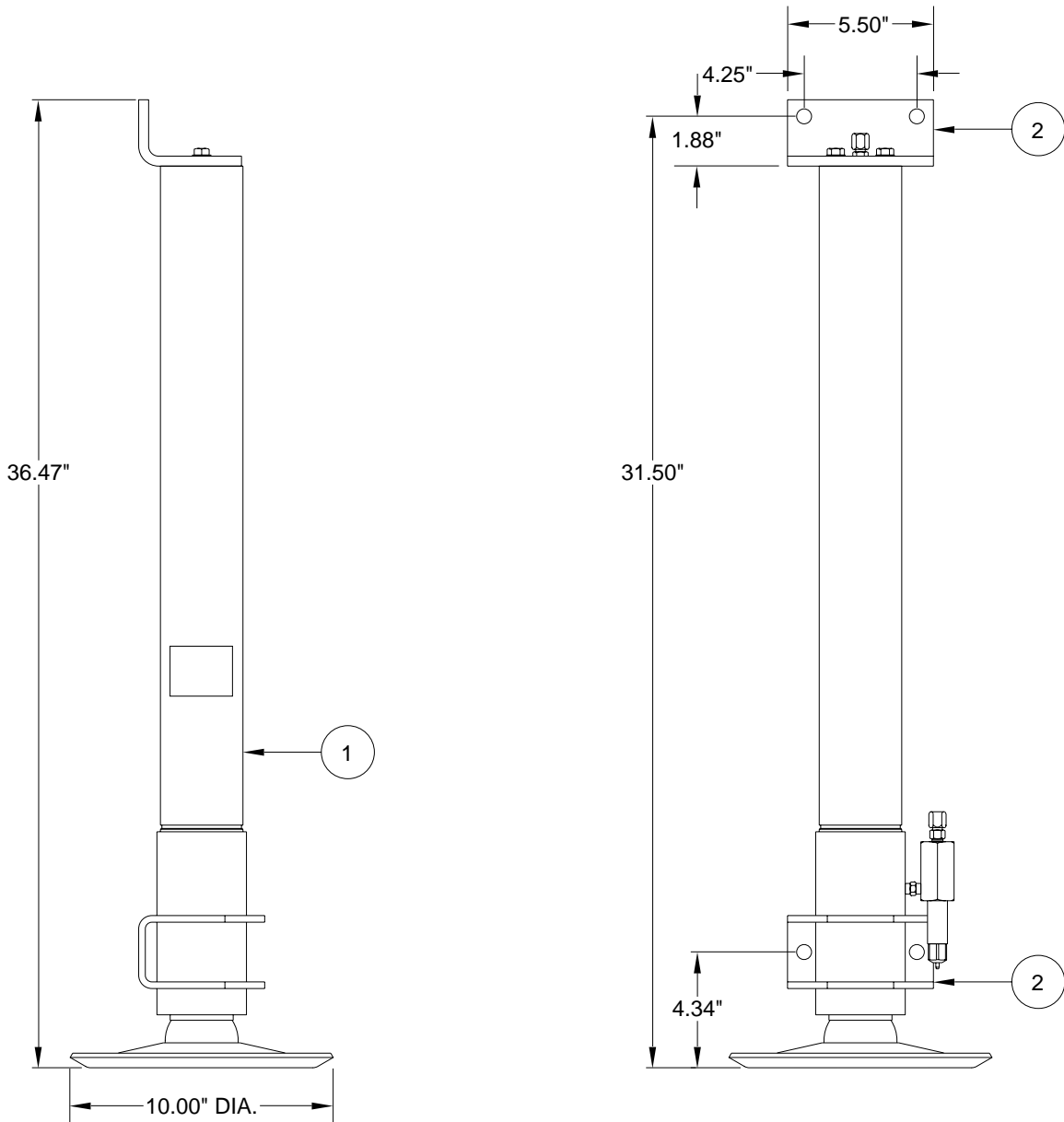
ITEM	PART	QTY	DESCRIPTION	ITEM	PART	QTY	DESCRIPTION
<b>NOTE: THE JACK IS AVAILABLE IN DIFFERENT COLORS. WHEN ORDERING A JACK, REPLACE THE "x" IN THE PART NUMBER WITH A "S" FOR A SILVER PART, A "U" FOR AN UNPAINTED PART OR LEAVE BLANK FOR A BLACK PAINTED PART.</b>							
1	RAP92512x	1	JACK ASSY 12,000# x 24" DA BASIC JACK ONLY	4	RAP92563x	1	FOOT 10.00" DIAMETER
2	RF90919	1	MALE CONNECTOR 1/8" X 5/16"	5	RF9315	1	NIPPLE 1/8"
3	RF1453	1	ELBOW 1/4"	6	RF1456	1	MALE CONNECTOR 1/8" X 1/4"
				7	RAP92574	1	BACK PRESSURE VALVE (INCLUDES ITEM 4)

**NOTE: INDENTED ITEMS ARE INCLUDED WITH PRECEDING ITEM.**

**MR27.4500**  
**10APR12**

**AP43592 - OBSOLETE**  
**STRAIGHT-ACTING JACK, FIXED, POWER EXTEND / POWER RETRACT**  
**12,000 # CAPACITY; 2.375" ROD DIAMETER; 24.00" STROKE**

FOR BASIC JACK INFORMATION INCLUDING CYLINDER, SWITCHES AND SPRINGS OR JACK DIMENSIONS DIMENSIONS SEE PAGE [MR27.4500](#)



ITEM	PART	QTY	DESCRIPTION
1	RAP92512	1	JACK ASSY 12,000# x 24" DA BASIC JACK ONLY SEE MR27.4500 DOES NOT INCLUDE ITEM #2

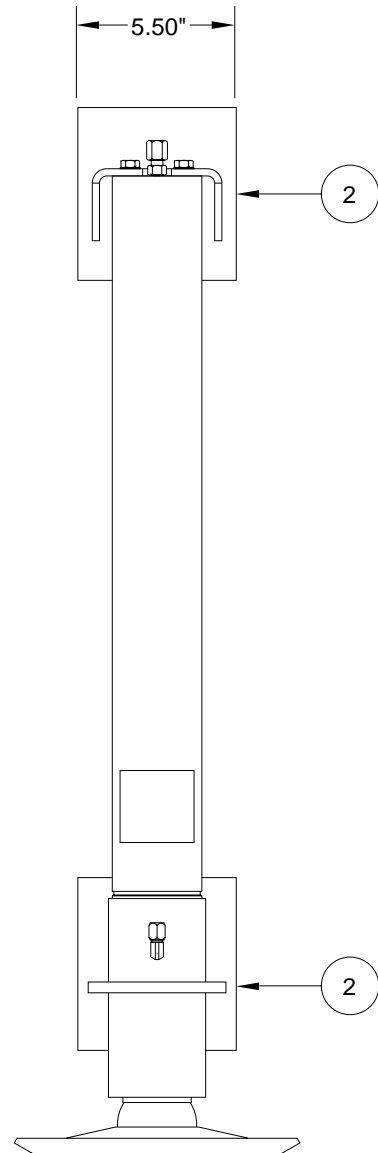
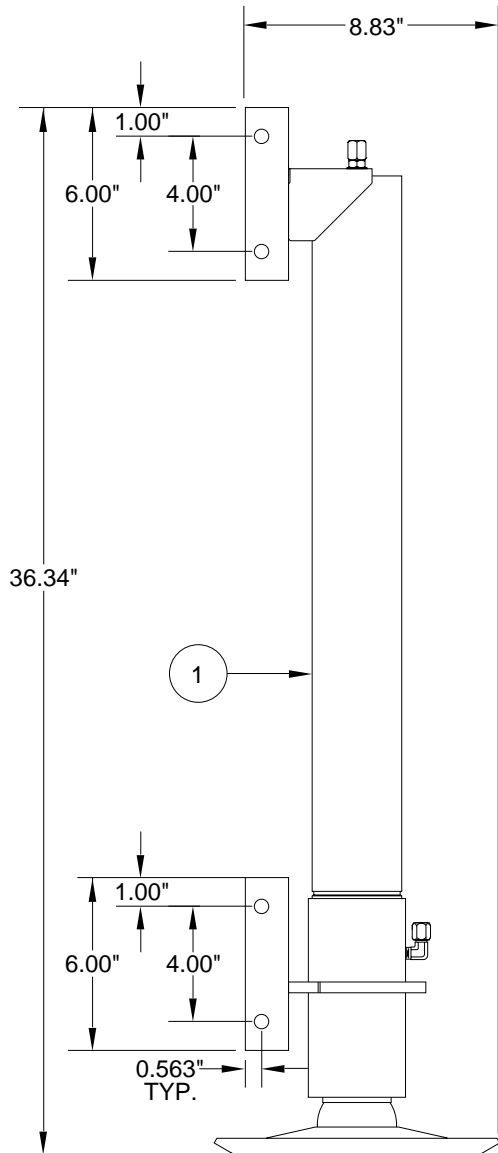
ITEM	PART	QTY	DESCRIPTION
2	NA	1	OBSOLETE BRACKETS CONTACT HWH FOR ASSISTANCE

**NOTE:** INDENTED ITEMS ARE INCLUDED WITH PRECEDING ITEM.

**MR27.4500A**  
**13APR12**

**AP43648**  
**STRAIGHT-ACTING JACK, FIXED, POWER EXTEND / POWER RETRACT**  
**12,000 # CAPACITY; 2.375" ROD DIAMETER; 24.00" STROKE**

FOR BASIC JACK INFORMATION INCLUDING CYLINDER, SWITCHES AND SPRINGS OR JACK DIMENSIONS  
 DIMENSIONS SEE PAGE [MR27.4500](#)



NOTE: THIS JACK CAN BE ORDERED BLACK, SILVER, OR UNPAINTED. SEE [MR27.4500](#)

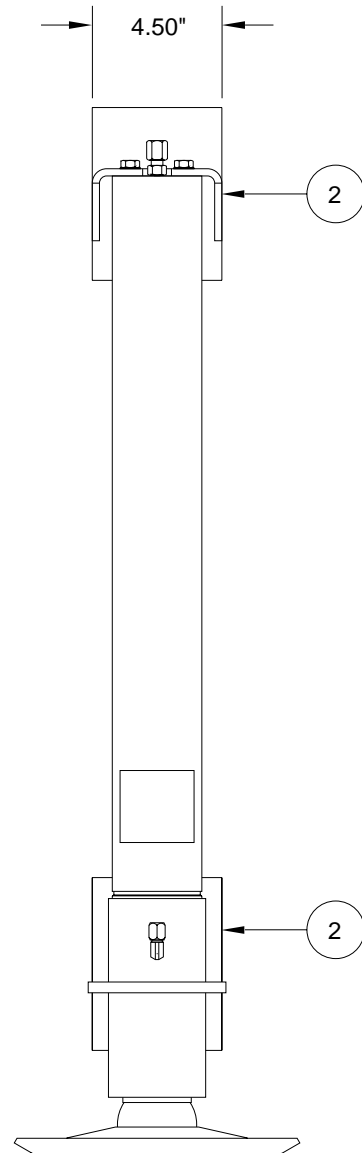
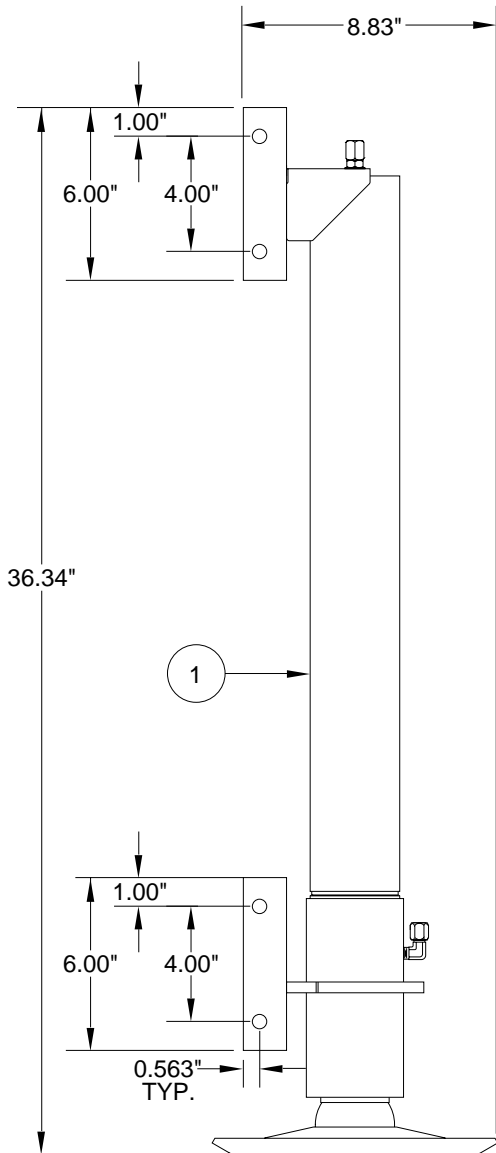
ITEM	PART	QTY	DESCRIPTION	ITEM	PART	QTY	DESCRIPTION
1	RAP92512	1	JACK ASSY 12,000# x 24" DA BASIC JACK ONLY SEE MR27.4500 DOES NOT INCLUDE ITEM #2	2	RAP93133	1	MTG BRKT KIT INCLUDES HARDWARE

NOTE: INDENTED ITEMS ARE INCLUDED WITH PRECEDING ITEM.

**MR27.4500B**  
**16APR12**

**AP43808**  
**STRAIGHT-ACTING JACK, FIXED, POWER EXTEND / POWER RETRACT**  
**12,000 # CAPACITY; 2.375" ROD DIAMETER; 24.00" STROKE**

FOR BASIC JACK INFORMATION INCLUDING CYLINDER, SWITCHES AND SPRINGS OR JACK DIMENSIONS  
 DIMENSIONS SEE PAGE [MR27.4500](#)



NOTE: THIS JACK CAN BE ORDERED BLACK, SILVER, OR UNPAINTED. SEE [MR27.4500](#)

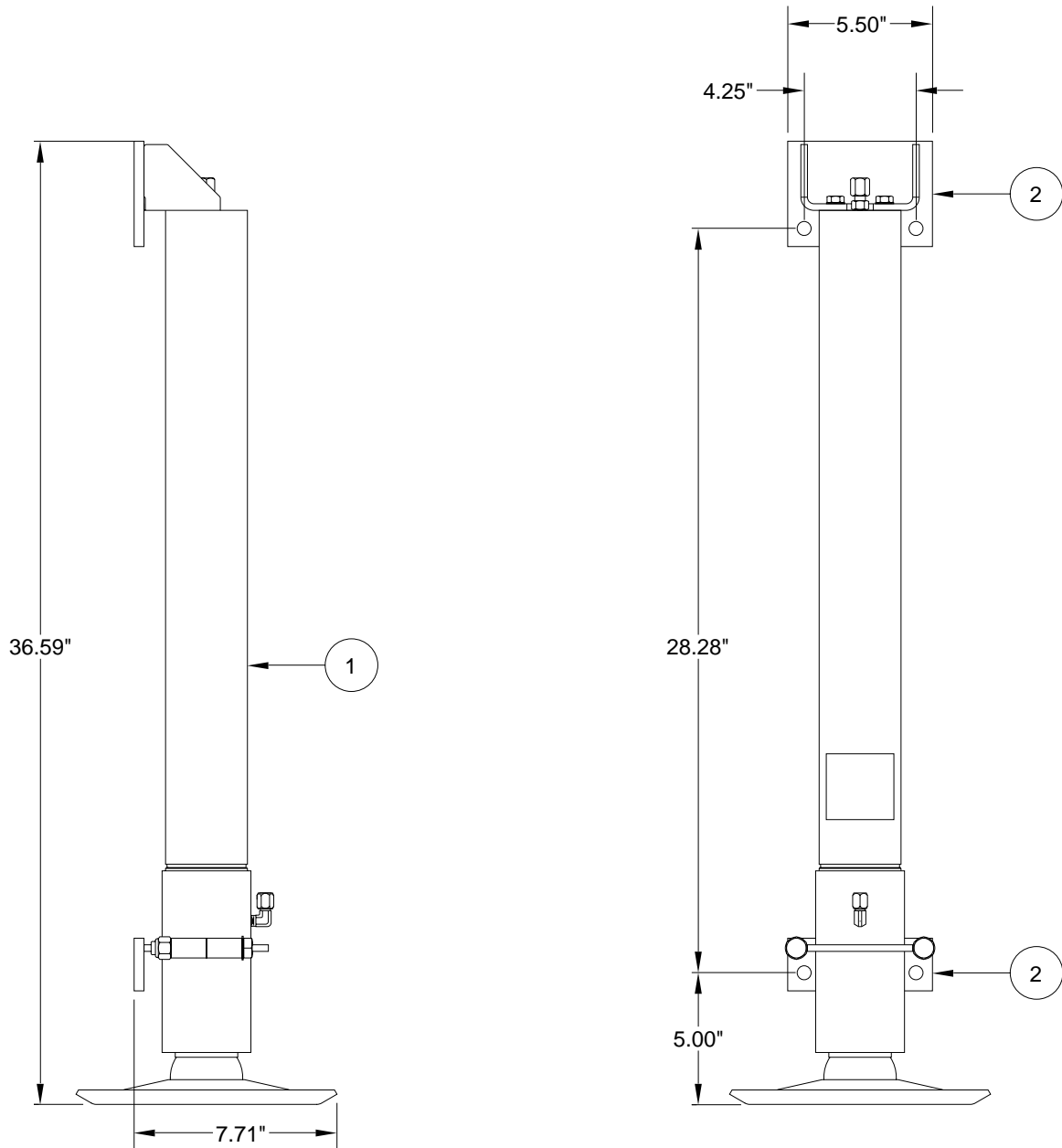
ITEM	PART	QTY	DESCRIPTION	ITEM	PART	QTY	DESCRIPTION
1	RAP92512	1	JACK ASSY 12,000# x 24" DA BASIC JACK ONLY SEE MR27.4500 DOES NOT INCLUDE ITEM #2	2	RAP93134	1	MTG BRKT KIT INCLUDES HARDWARE

NOTE: INDENTED ITEMS ARE INCLUDED WITH PRECEDING ITEM.

**MR27.4500C**  
**16APR12**

**AP44765**  
**STRAIGHT-ACTING JACK, FIXED, POWER EXTEND / POWER RETRACT**  
**12,000 # CAPACITY; 2.375" ROD DIAMETER; 24.00" STROKE**

FOR BASIC JACK INFORMATION INCLUDING CYLINDER, SWITCHES AND SPRINGS OR JACK DIMENSIONS DIMENSIONS SEE PAGE [MR27.4500](#)



NOTE: THIS JACK CAN BE ORDERED BLACK, SILVER, OR UNPAINTED. SEE [MR27.4500](#)

ITEM	PART	QTY	DESCRIPTION	ITEM	PART	QTY	DESCRIPTION
1	RAP92512	1	JACK ASSY 12,000# x 24" DA BASIC JACK ONLY SEE MR27.4500 DOES NOT INCLUDE ITEM #2	2	RAP93131	1	MTG BRKT KIT INCLUDES HARDWARE

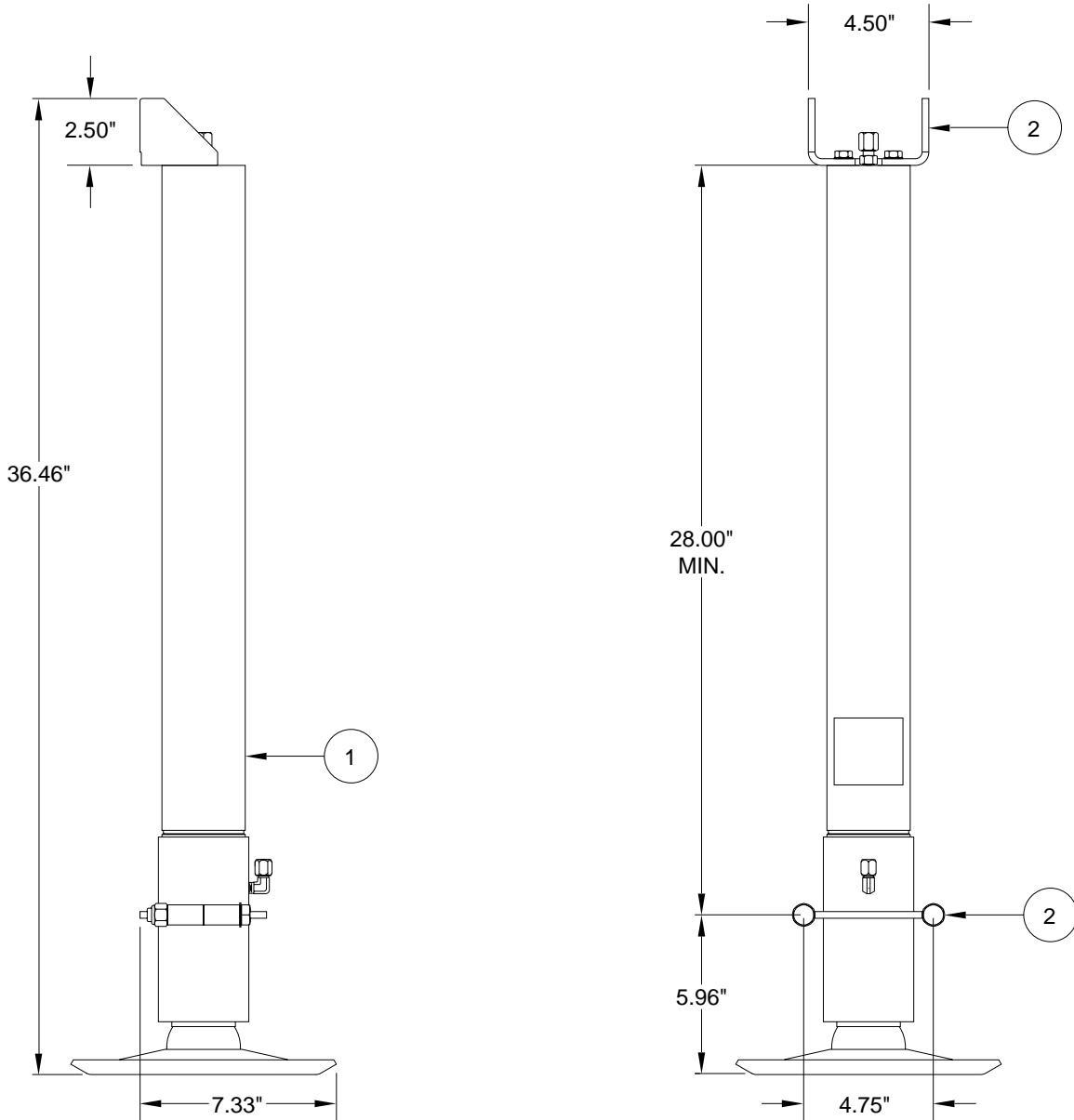
NOTE: INDENTED ITEMS ARE INCLUDED WITH PRECEDING ITEM.

**MR27.4500D**  
**17APR12**

# AP49392

## STRAIGHT-ACTING JACK, FIXED, POWER EXTEND / POWER RETRACT 12,000 # CAPACITY; 2.375" ROD DIAMETER; 24.00" STROKE

FOR BASIC JACK INFORMATION INCLUDING CYLINDER, SWITCHES AND SPRINGS OR JACK DIMENSIONS  
DIMENSIONS SEE PAGE [MR27.4500](#)



NOTE: THIS JACK CAN BE ORDERED BLACK, SILVER, OR UNPAINTED. SEE [MR27.4500](#)

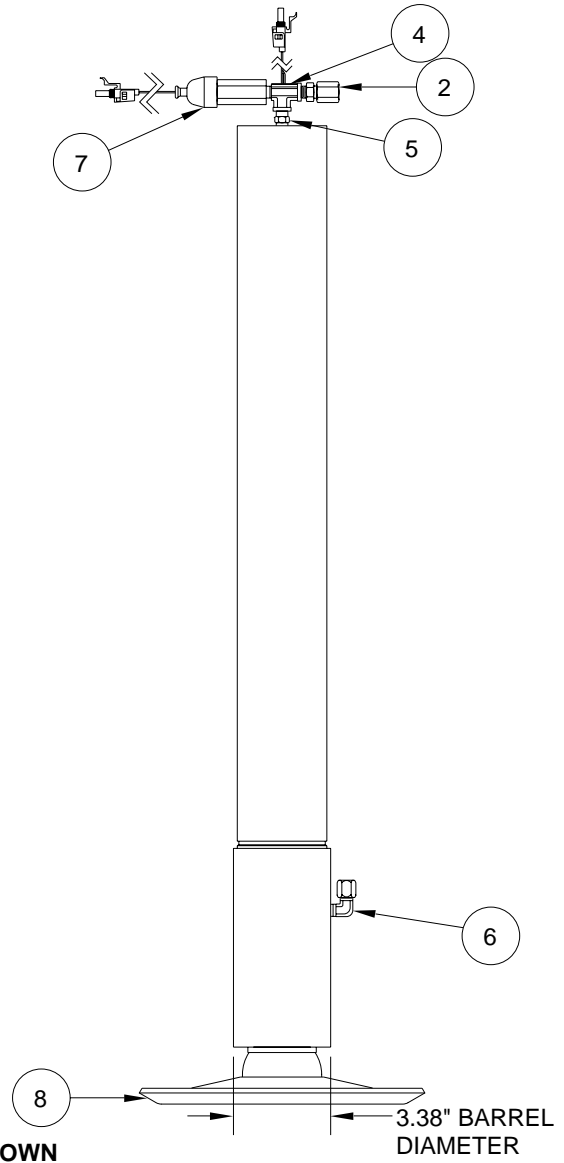
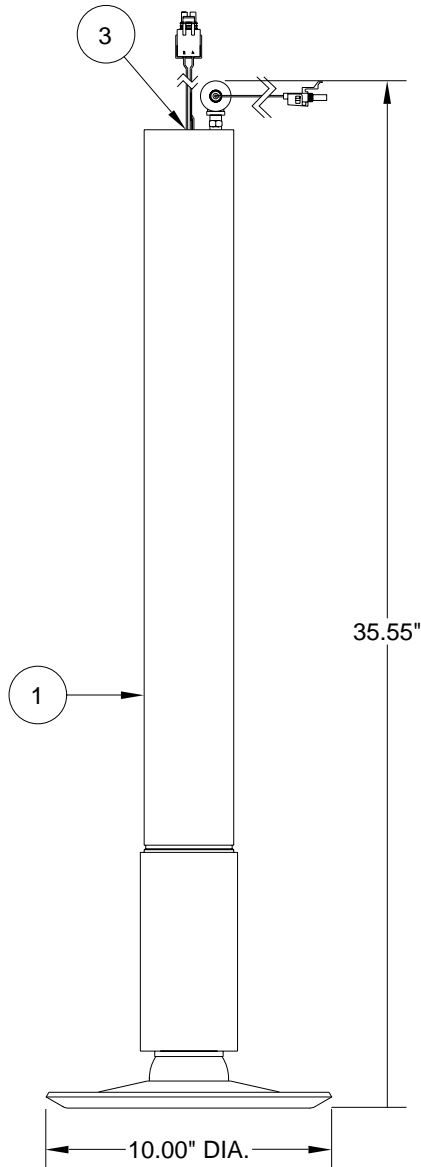
ITEM	PART	QTY	DESCRIPTION	ITEM	PART	QTY	DESCRIPTION
1	RAP92512	1	JACK ASSY 12,000# x 24" DA BASIC JACK ONLY SEE MR27.4500 DOES NOT INCLUDE ITEM #2	2	RAP93132	1	MTG BRKT KIT INCLUDES OUTER CLAMP AND HARDWARE

NOTE: INDENTED ITEMS ARE INCLUDED WITH PRECEDING ITEM.

MR27.4500E  
16APR12

# AP43997

## STRAIGHT-ACTING JACK, FIXED, POWER EXTEND / POWER RETRACT 12,000 # CAPACITY; 2.375" ROD DIAMETER; 24.00" STROKE



BASIC JACK SHOWN

ITEM	PART	QTY	DESCRIPTION
1	RAP92576	1	JACK ASSY 12,000# x 24" DA BASIC JACK ONLY
2	RF90919	1	MALE CONNECTOR 1/8" X 5/16"
3	RAP90968	1	SWITCH WARNING MAGNETIC GRAY
4	RF90093	1	STREET TEE 1/8"

ITEM	PART	QTY	DESCRIPTION
5	RF9315	1	NIPPLE 1/8"
6	RF1453	1	ELBOW 1/4"
7	RAP90874	1	SWITCH PRESS. 550 PSI
8	RAP92563	1	FOOT 10.00" DIAMETER

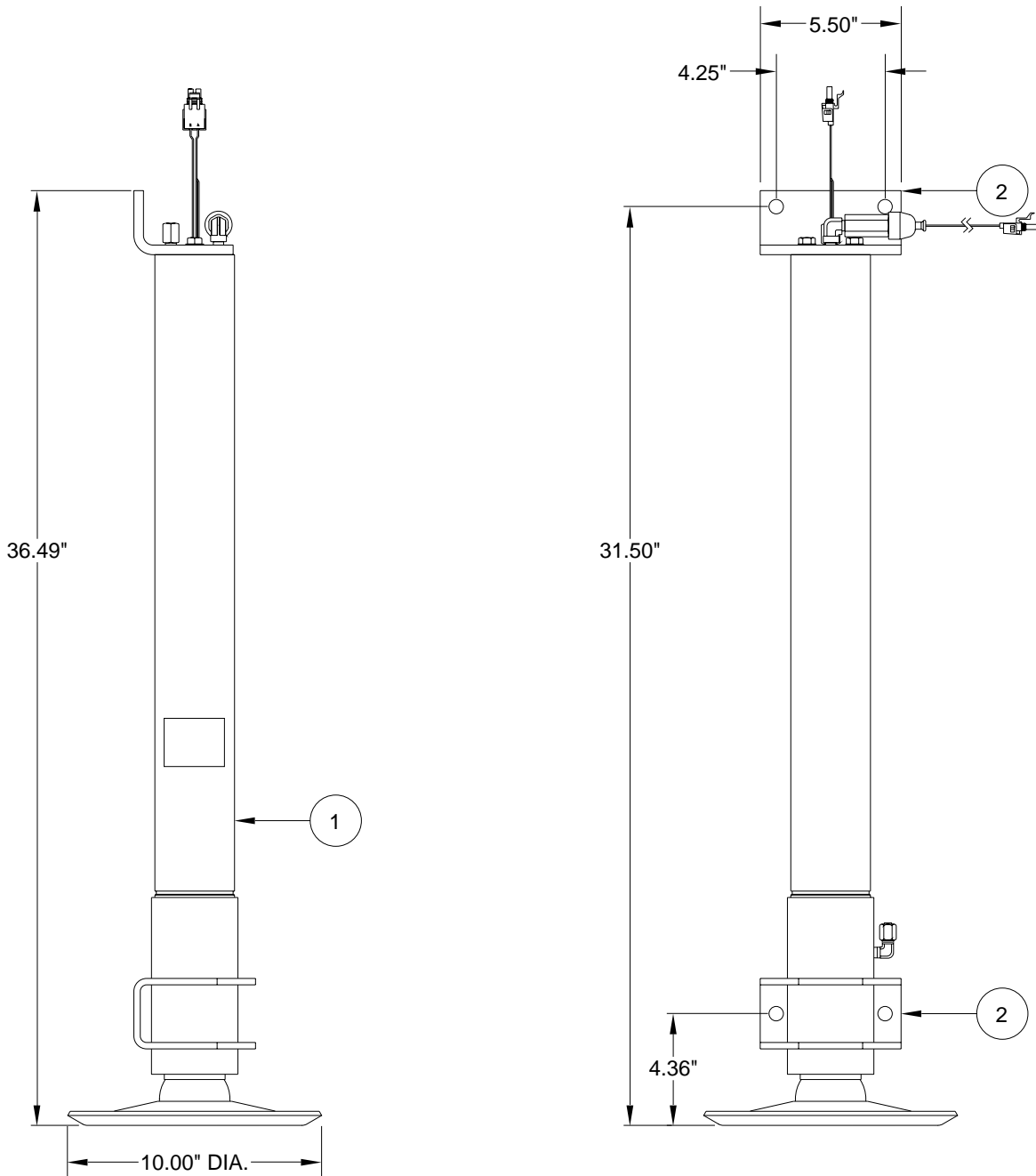
NOTE: INDENTED ITEMS ARE INCLUDED WITH PRECEDING ITEM.

MR27.4505  
10APR12

# AP43593

## STRAIGHT-ACTING JACK, FIXED, POWER EXTEND / POWER RETRACT 12,000 # CAPACITY; 2.375" ROD DIAMETER; 24.00" STROKE

FOR BASIC JACK INFORMATION INCLUDING CYLINDER, SWITCHES AND SPRINGS OR JACK DIMENSIONS  
DIMENSIONS SEE PAGE [MR27.4505](#)



ITEM	PART	QTY	DESCRIPTION
1	RAP92576	1	JACK ASSY 12,000# x 24" DA BASIC JACK ONLY SEE MR27.4505 DOES NOT INCLUDE ITEM #2

ITEM	PART	QTY	DESCRIPTION
2	NA	1	OBSOLETE BRACKETS CONTACT HWH FOR ASSISTANCE

**NOTE:** INDENTED ITEMS ARE INCLUDED WITH PRECEDING ITEM.

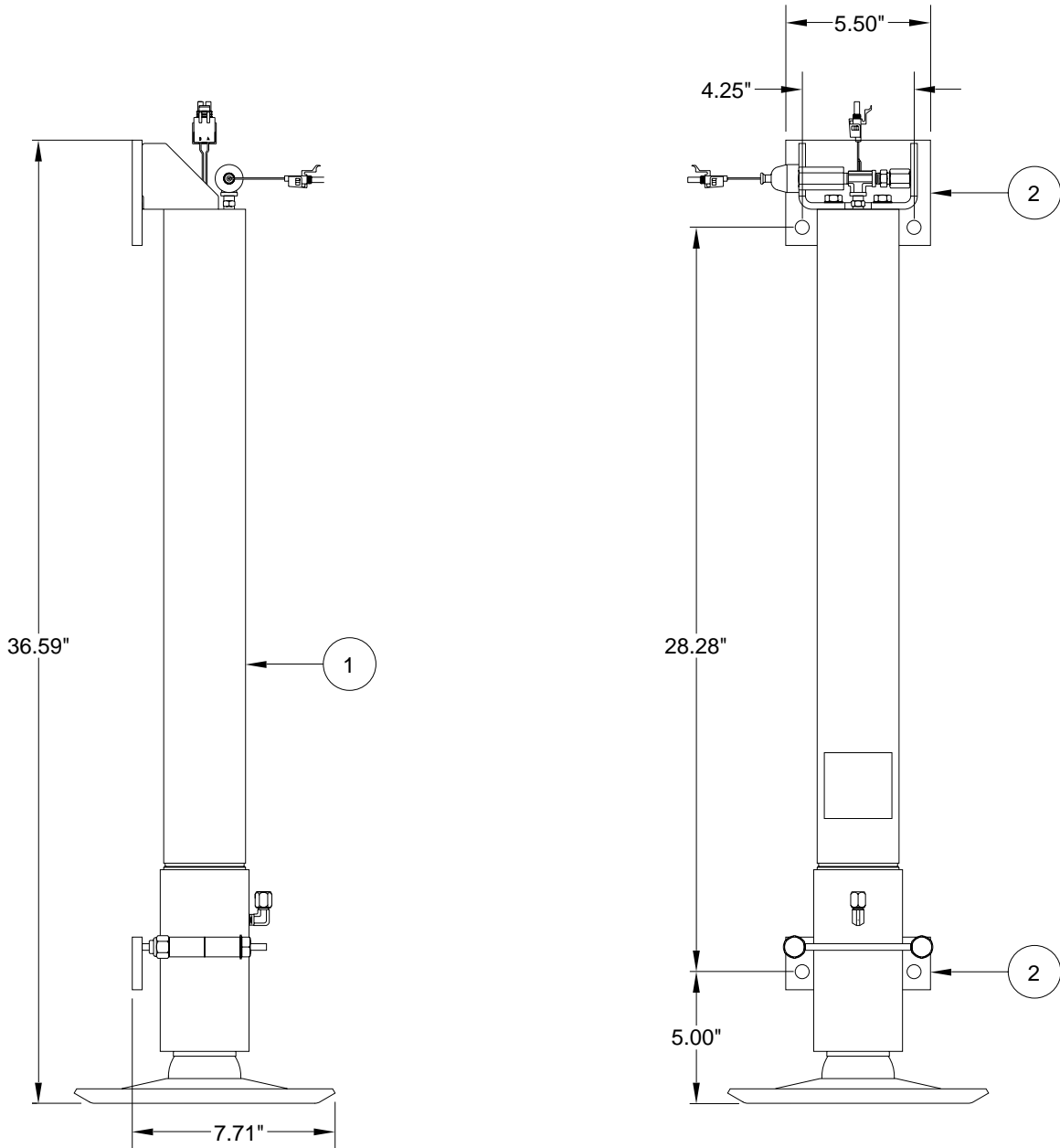
**MR27.4505A**  
**13APR12**



# AP43998

## STRAIGHT-ACTING JACK, FIXED, POWER EXTEND / POWER RETRACT 12,000 # CAPACITY; 2.375" ROD DIAMETER; 24.00" STROKE

FOR BASIC JACK INFORMATION INCLUDING CYLINDER, SWITCHES AND SPRINGS OR JACK DIMENSIONS  
DIMENSIONS SEE PAGE [MR27.4505](#)



ITEM	PART	QTY	DESCRIPTION
1	RAP92576	1	JACK ASSY 12,000# x 24" DA BASIC JACK ONLY SEE MR27.4505 DOES NOT INCLUDE ITEM #2

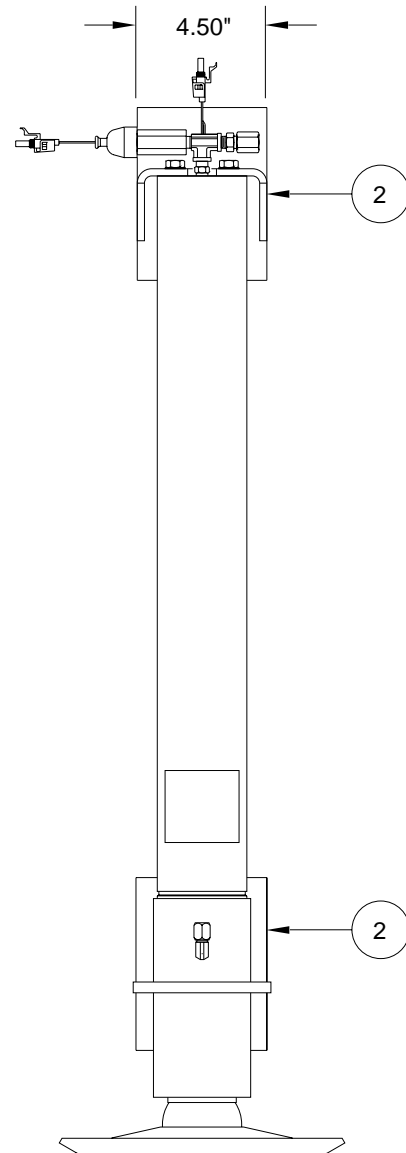
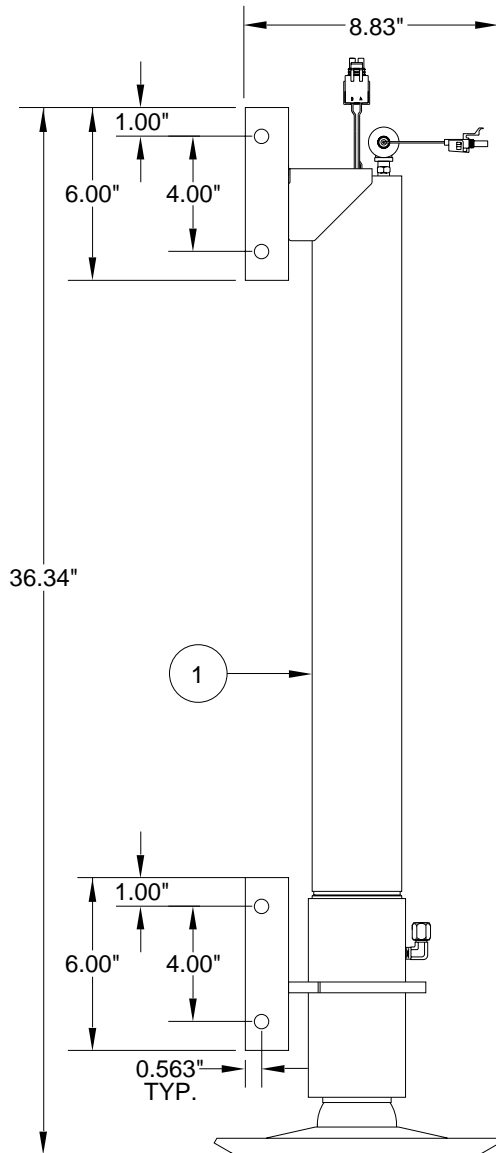
ITEM	PART	QTY	DESCRIPTION
2	RAP93131	1	MTG BRKT KIT INCLUDES HARDWARE

**NOTE:** INDENTED ITEMS ARE INCLUDED WITH PRECEDING ITEM.

**MR27.4505B**  
**17APR12**

**AP46410**  
**STRAIGHT-ACTING JACK, FIXED, POWER EXTEND / POWER RETRACT**  
**12,000 # CAPACITY; 2.375" ROD DIAMETER; 24.00" STROKE**

FOR BASIC JACK INFORMATION INCLUDING CYLINDER, SWITCHES AND SPRINGS OR JACK DIMENSIONS  
 DIMENSIONS SEE PAGE [MR27.4505](#)



ITEM	PART	QTY	DESCRIPTION
1	RAP92576	1	JACK ASSY 12,000# x 24" DA BASIC JACK ONLY SEE MR27.4505 DOES NOT INCLUDE ITEM #2

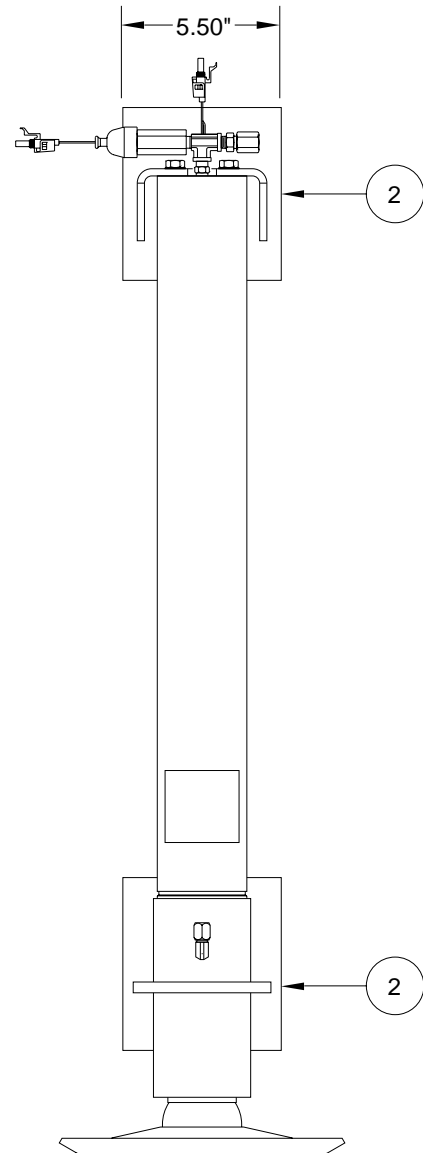
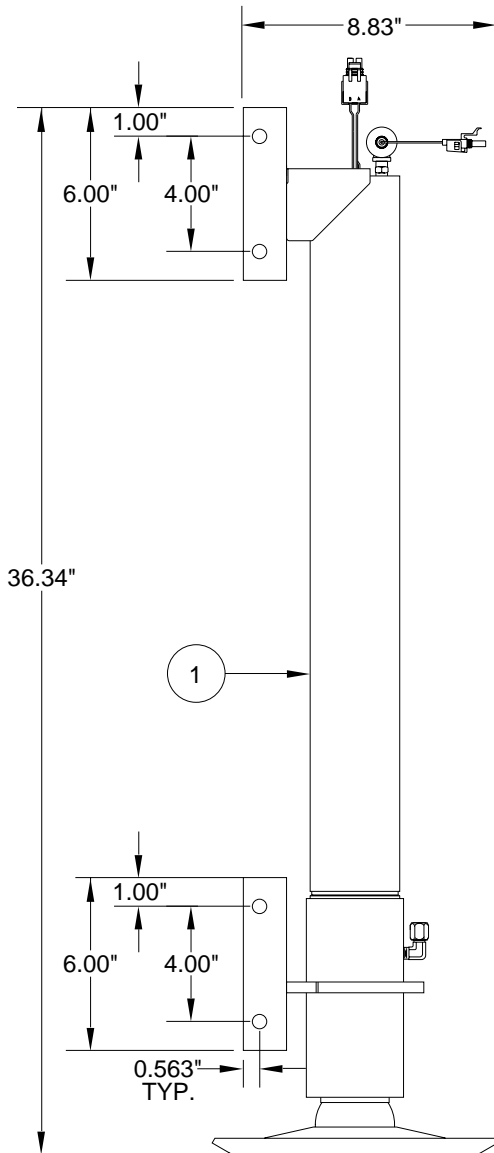
ITEM	PART	QTY	DESCRIPTION
2	RAP93134	1	MTG BRKT KIT INCLUDES HARDWARE

**NOTE:** INDENTED ITEMS ARE INCLUDED WITH PRECEDING ITEM.

**MR27.4505C**  
**16APR12**

**AP46411**  
**STRAIGHT-ACTING JACK, FIXED, POWER EXTEND / POWER RETRACT**  
**12,000 # CAPACITY; 2.375" ROD DIAMETER; 24.00" STROKE**

FOR BASIC JACK INFORMATION INCLUDING CYLINDER, SWITCHES AND SPRINGS OR JACK DIMENSIONS  
 DIMENSIONS SEE PAGE [MR27.4505](#)



ITEM	PART	QTY	DESCRIPTION
1	RAP92576	1	JACK ASSY 12,000# x 24" DA BASIC JACK ONLY SEE MR27.4505 DOES NOT INCLUDE ITEM #2

ITEM	PART	QTY	DESCRIPTION
2	RAP93133	1	MTG BRKT KIT INCLUDES HARDWARE

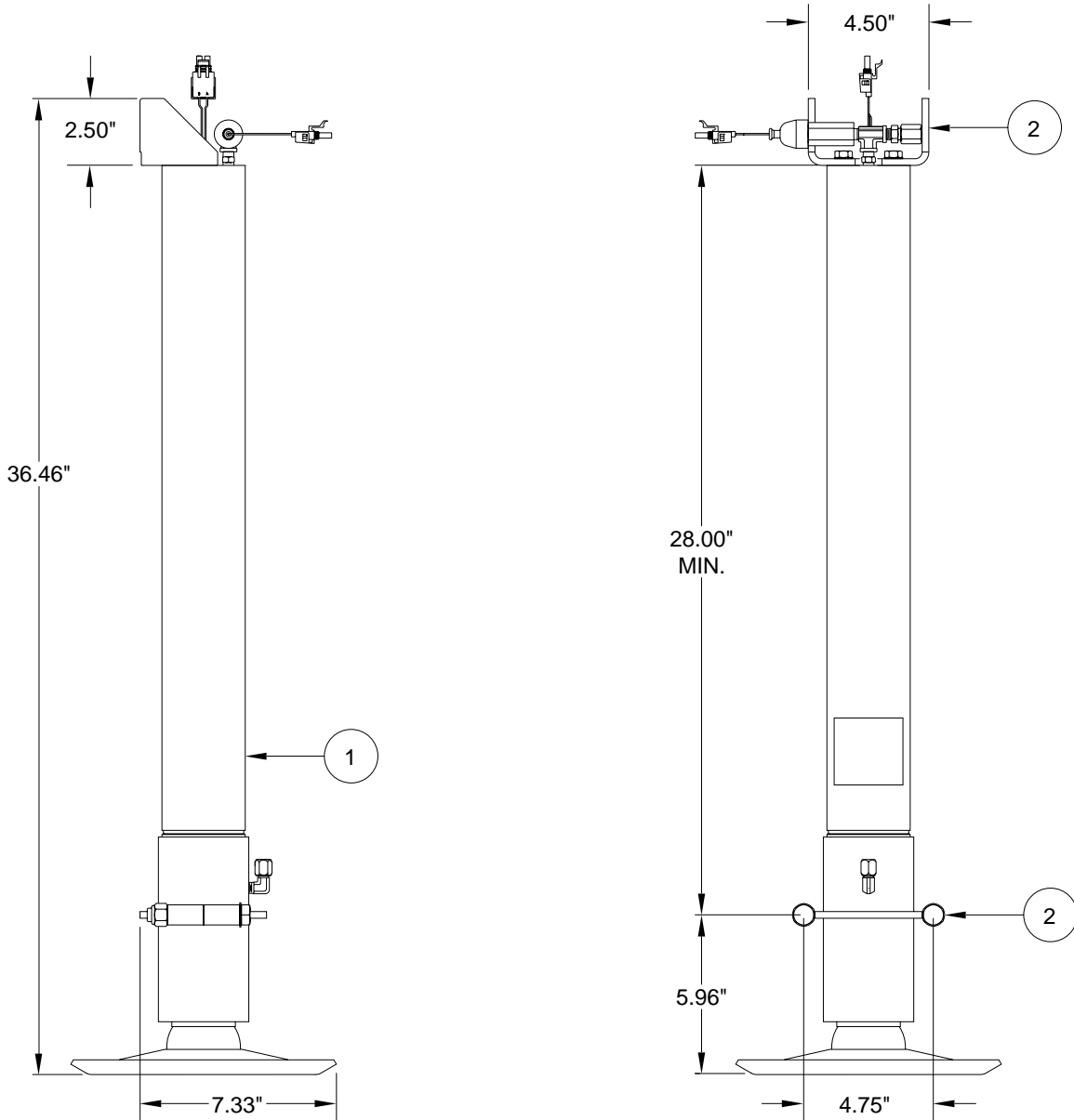
**NOTE:** INDENTED ITEMS ARE INCLUDED WITH PRECEDING ITEM.

**MR27.4505D**  
**16APR12**

# AP49391

## STRAIGHT-ACTING JACK, FIXED, POWER EXTEND / POWER RETRACT 12,000 # CAPACITY; 2.375" ROD DIAMETER; 24.00" STROKE

FOR BASIC JACK INFORMATION INCLUDING CYLINDER, SWITCHES AND SPRINGS OR JACK DIMENSIONS  
DIMENSIONS SEE PAGE [MR27.4505](#)



ITEM	PART	QTY	DESCRIPTION
1	RAP92576	1	JACK ASSY 12,000# x 24" DA BASIC JACK ONLY SEE MR27.4505 DOES NOT INCLUDE ITEM #2

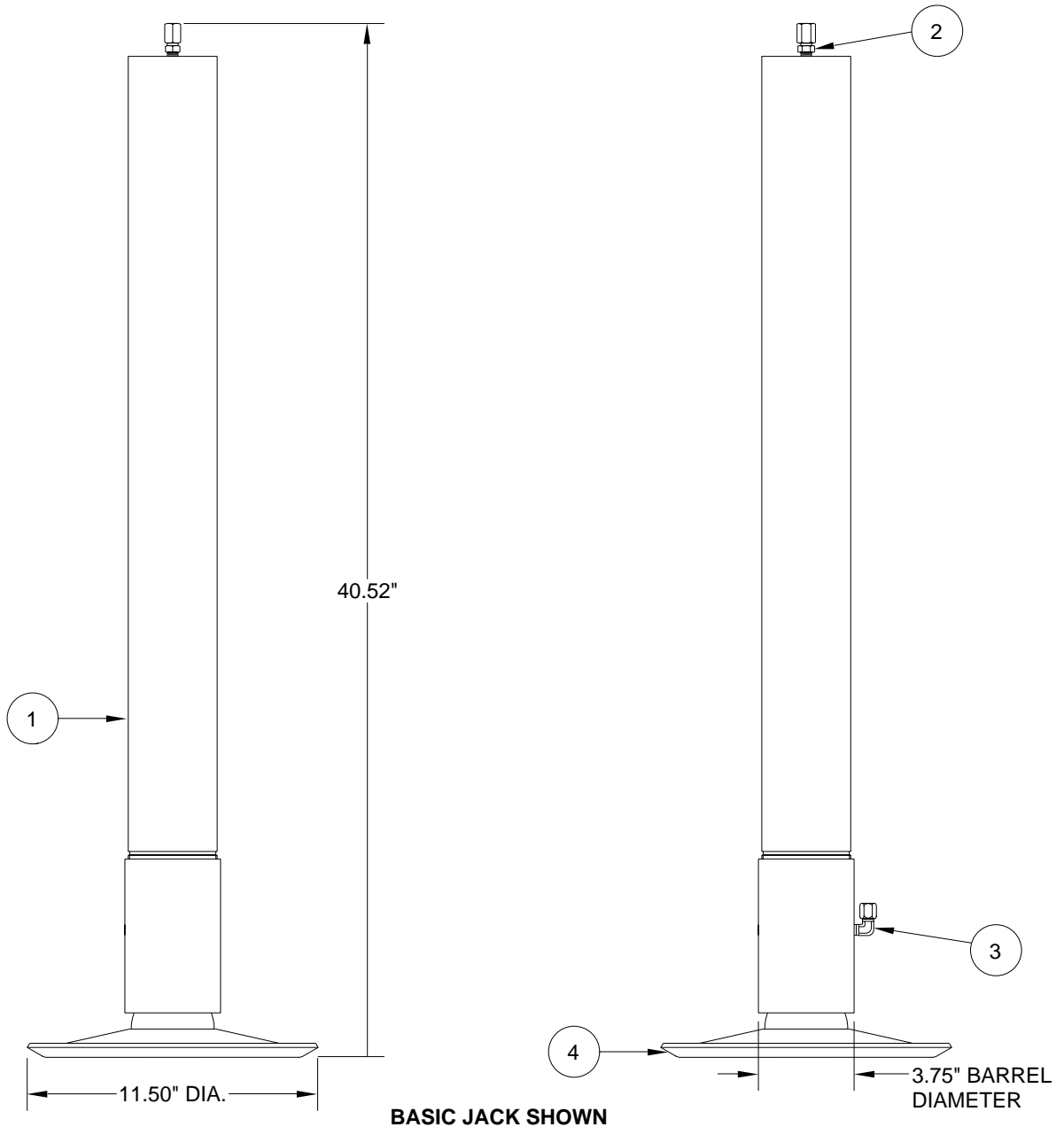
ITEM	PART	QTY	DESCRIPTION
2	RAP93132	1	MTG BRKT KIT INCLUDES OUTER CLAMP AND HARDWARE

**NOTE:** INDENTED ITEMS ARE INCLUDED WITH PRECEDING ITEM.

**MR27.4505E  
16APR12**

# AP43678

**STRAIGHT-ACTING JACK, FIXED, POWER EXTEND / POWER RETRACT  
12,000 # CAPACITY; 2.750" ROD DIAMETER; 30.00" STROKE  
USED ON FRONT OF FIFTH WHEEL COACHES**



ITEM	PART	QTY	DESCRIPTION
1	RAP92577	1	JACK ASSY 12000# x 30" DA BASIC JACK ONLY
2	RF90919	1	MALE CONNECTOR 1/8" X 5/16"

ITEM	PART	QTY	DESCRIPTION
3	RF1453	1	ELBOW 1/4"
4	RAP92567	1	FOOT 11.50" DIAMETER

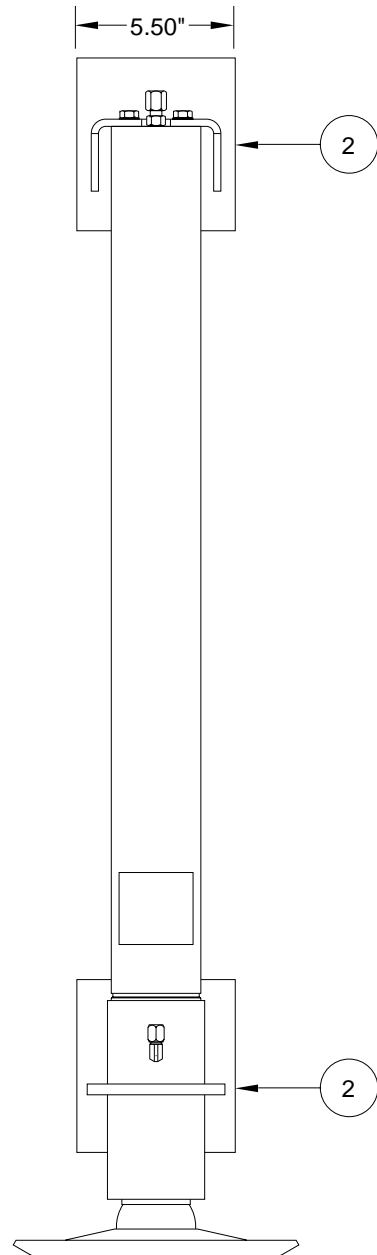
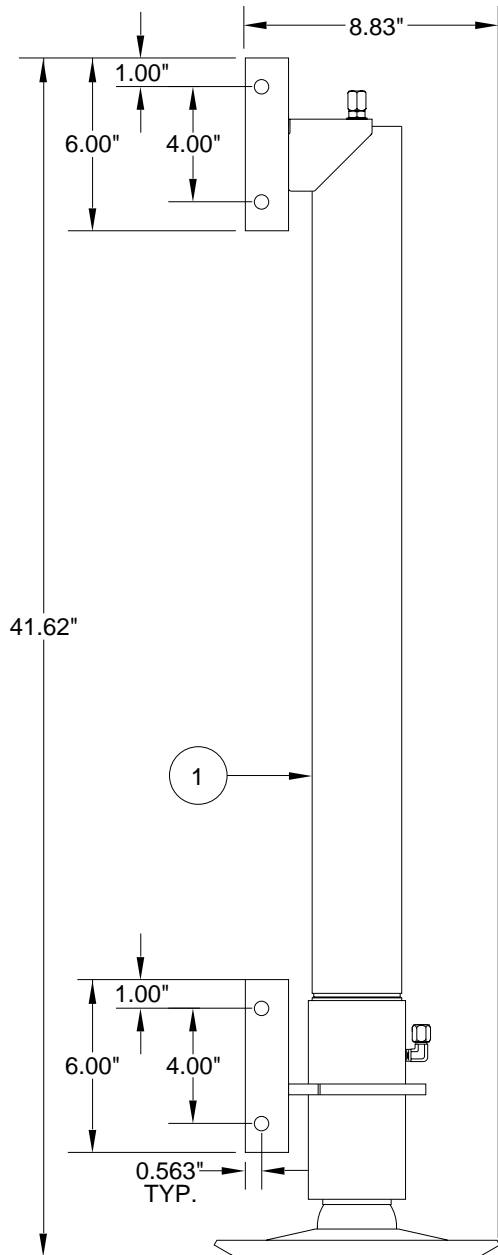
**NOTE:** INDENTED ITEMS ARE INCLUDED WITH PRECEDING ITEM.

**MR27.5000  
26MAR13**

# AP43711

## STRAIGHT-ACTING JACK, FIXED, POWER EXTEND / POWER RETRACT 12,000 # CAPACITY; 2.375" ROD DIAMETER; 30.00" STROKE

FOR BASIC JACK INFORMATION INCLUDING CYLINDER, SWITCHES AND SPRINGS OR JACK DIMENSIONS  
DIMENSIONS SEE PAGE [MR27.5000](#)



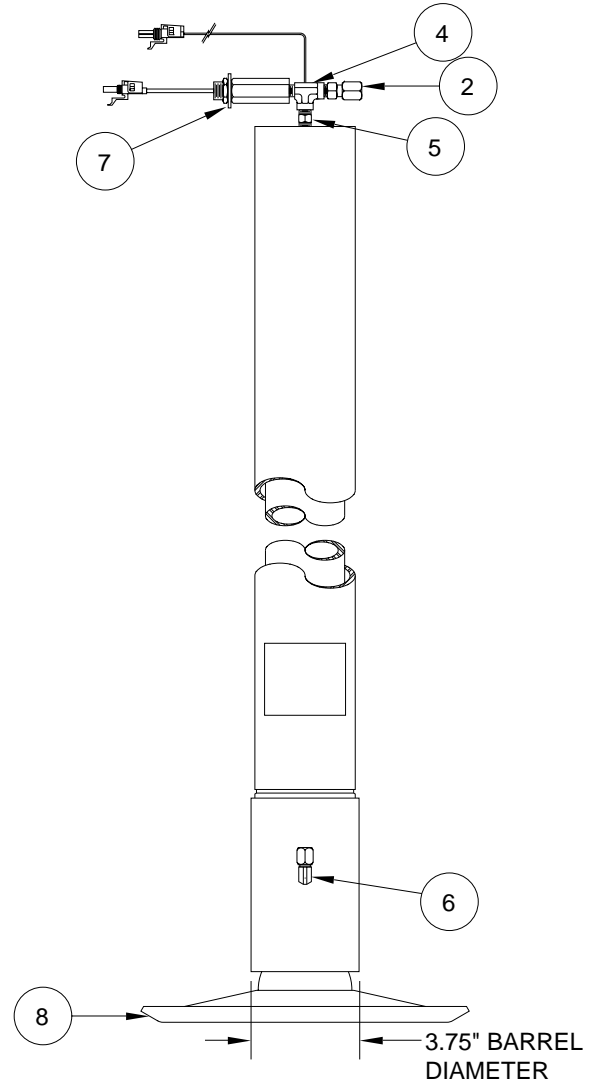
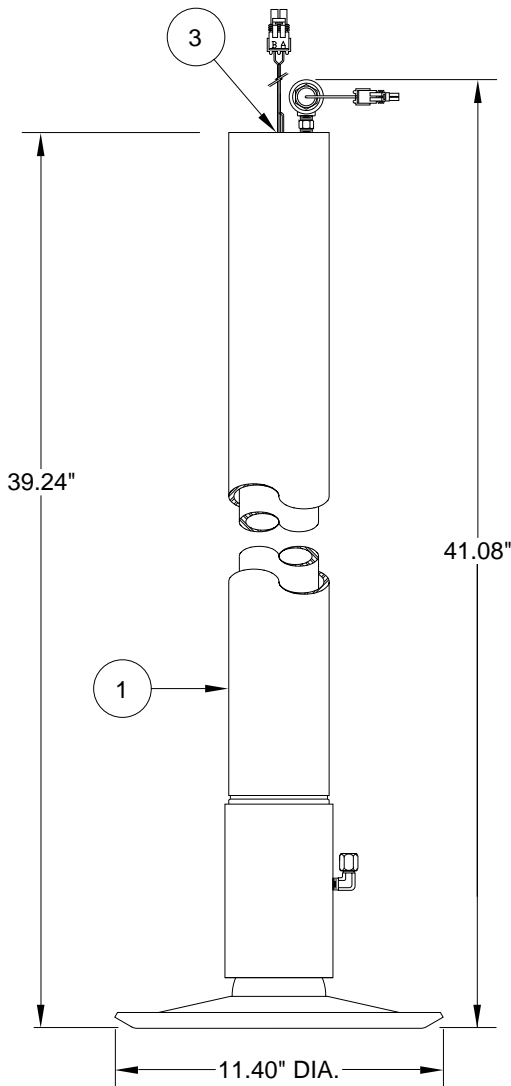
ITEM	PART	QTY	DESCRIPTION
1	RAP92577	1	JACK ASSY 12000# x 30" DA BASIC JACK ONLY SEE MR27.5000 DOES NOT INCLUDE ITEM #2

ITEM	PART	QTY	DESCRIPTION
2	RAP93133	1	MTG BRKT KIT INCLUDES HARDWARE

**NOTE:** INDENTED ITEMS ARE INCLUDED WITH PRECEDING ITEM.

**MR27.5000A**  
**26MAR13**

**AP49191**  
**STRAIGHT-ACTING JACK, FIXED, POWER EXTEND / POWER RETRACT**  
**12,000 # CAPACITY; 2.750" ROD DIAMETER; 30.00" STROKE**



**BASIC JACK SHOWN**

ITEM	PART	QTY	DESCRIPTION
1	RAP93057	1	JACK ASSY 12,000# x 30" DA BASIC JACK ONLY
2	RF90919	1	MALE CONNECTOR 1/8" X 5/16"
3	RAP90968	1	SWITCH WARNING MAGNETIC GRAY
4	RF90093	1	STREET TEE 1/8"

ITEM	PART	QTY	DESCRIPTION
5	RF9315	1	NIPPLE 1/8"
6	RF1453	1	ELBOW 1/4"
7	RAP90874	1	SWITCH PRESS. 550 PSI
8	RAP92567	1	FOOT 11.40" DIAMETER

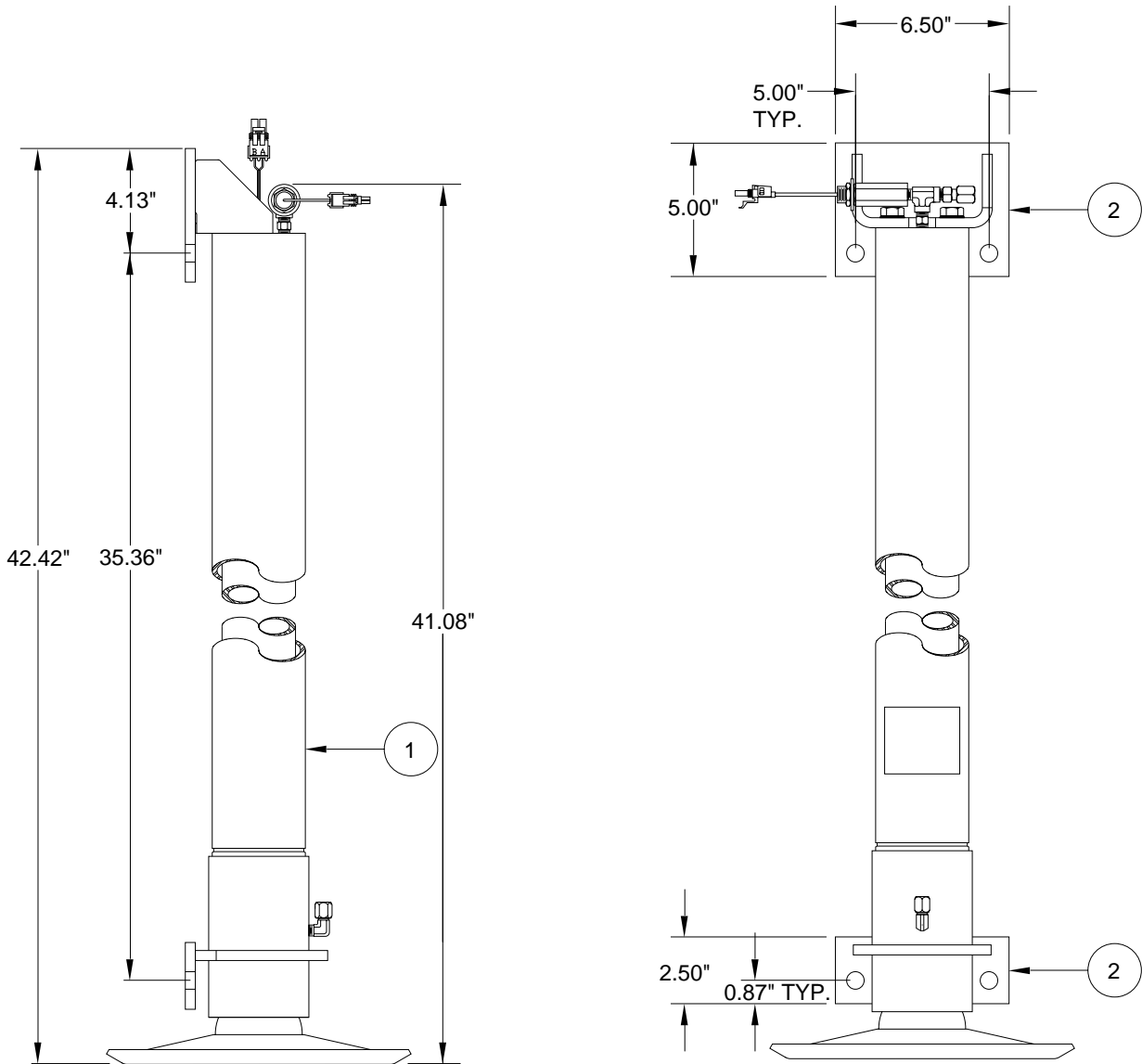
**NOTE:** INDENTED ITEMS ARE INCLUDED WITH PRECEDING ITEM.

**MR27.5005**  
**11APR12**

# AP46344

## STRAIGHT-ACTING JACK, FIXED, POWER EXTEND / POWER RETRACT 12,000 # CAPACITY; 2.750" ROD DIAMETER; 30.00" STROKE

FOR BASIC JACK INFORMATION INCLUDING CYLINDER, SWITCHES AND SPRINGS OR JACK DIMENSIONS  
DIMENSIONS SEE PAGE [MR27.5005](#)



ITEM	PART	QTY	DESCRIPTION
1	RAP93057	1	JACK ASSY 12,000# x 30" DA BASIC JACK ONLY SEE MR27.5005 DOES NOT INCLUDE ITEM #2

ITEM	PART	QTY	DESCRIPTION
2	RAP93137	1	MTG BRKT KIT HARDWARE INCLUDED

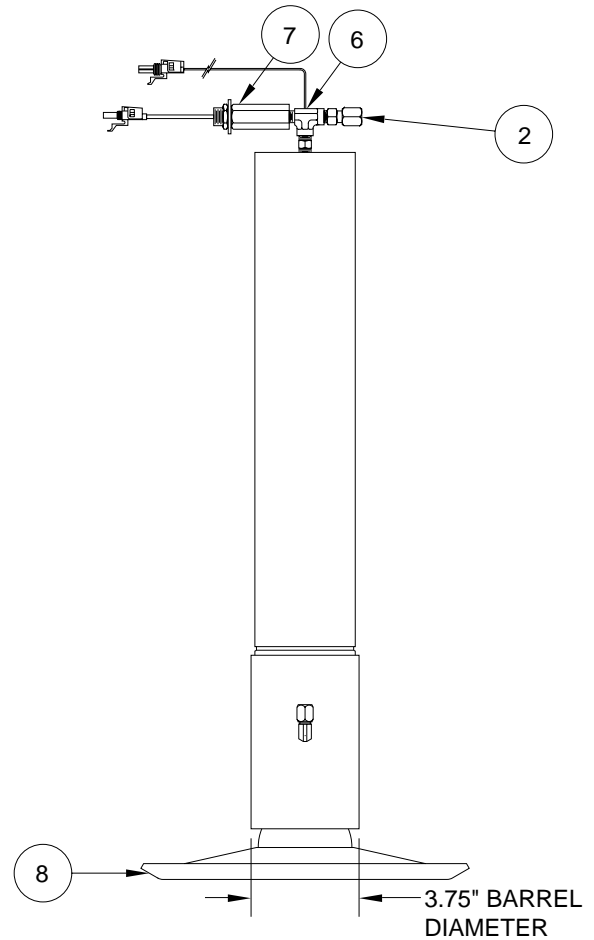
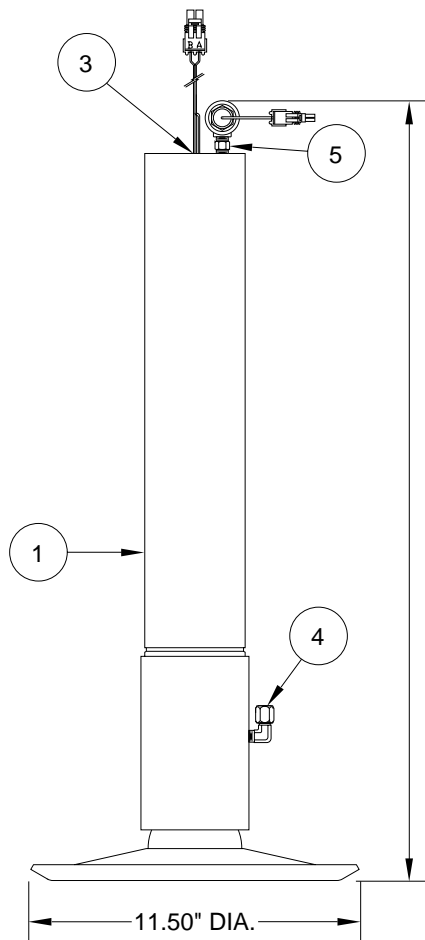
NOTE: INDENTED ITEMS ARE INCLUDED WITH PRECEDING ITEM.

MR27.5005A  
17APR12



# AP44782

**STRAIGHT-ACTING JACK, FIXED, POWER EXTEND / POWER RETRACT  
16,000 # CAPACITY; 2.750" ROD DIAMETER; 16.00" STROKE  
USED ON FRONT OF FIFTH WHEEL COACHES**



**BASIC JACK SHOWN**

ITEM	PART	QTY	DESCRIPTION
1	RAP92578	1	BASIC JACK ASSY 16,000# x 16" DA
2	RF90919	1	MALE CONNECTOR 1/8" X 5/16"
3	RAP90968	1	SWITCH WARNING MAGNETIC GRAY
4	RF1453	1	ELBOW 1/4"

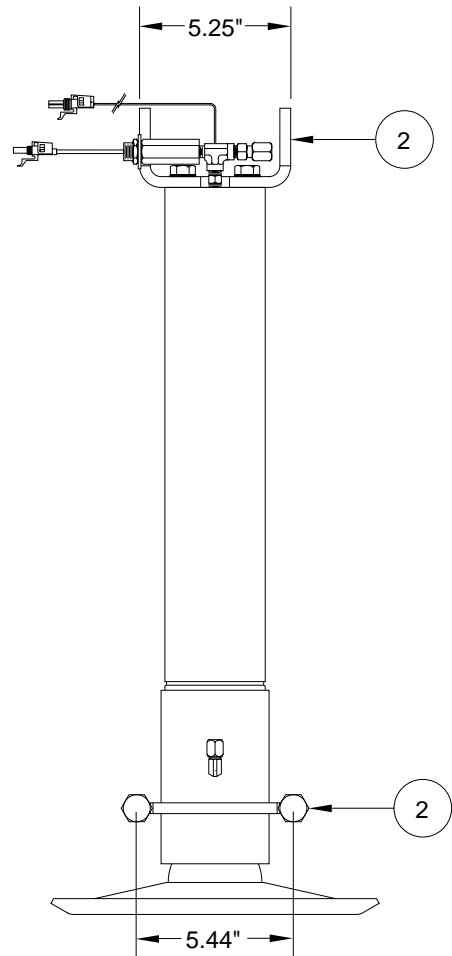
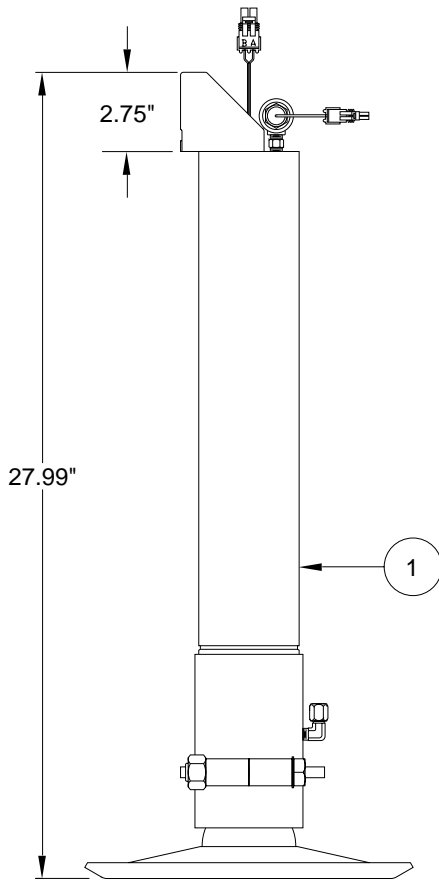
ITEM	PART	QTY	DESCRIPTION
5	RF9315	1	NIPPLE 1/8"
6	RF90093	1	STREET TEE 1/8"
7	RAP90874	1	SWITCH PRESS. 550 PSI
8	RAP92567	1	FOOT 11.50" DIAMETER

**NOTE:** INDENTED ITEMS ARE INCLUDED WITH PRECEDING ITEM.

**MR27.7000  
11APR12**

**AP45129**  
**STRAIGHT-ACTING JACK, FIXED, POWER EXTEND / POWER RETRACT**  
**16,000 # CAPACITY; 2.75" ROD DIAMETER; 16.00" STROKE**  
**USED ON FRONT OF FIFTH WHEEL COACHES**

FOR BASIC JACK INFORMATION INCLUDING CYLINDER, SWITCHES AND SPRINGS OR JACK DIMENSIONS DIMENSIONS SEE PAGE [MR27.7000](#)



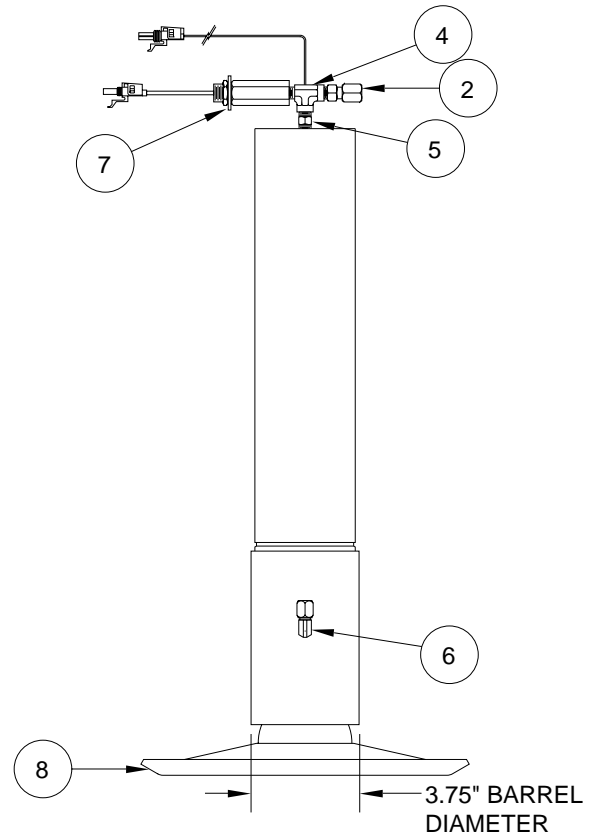
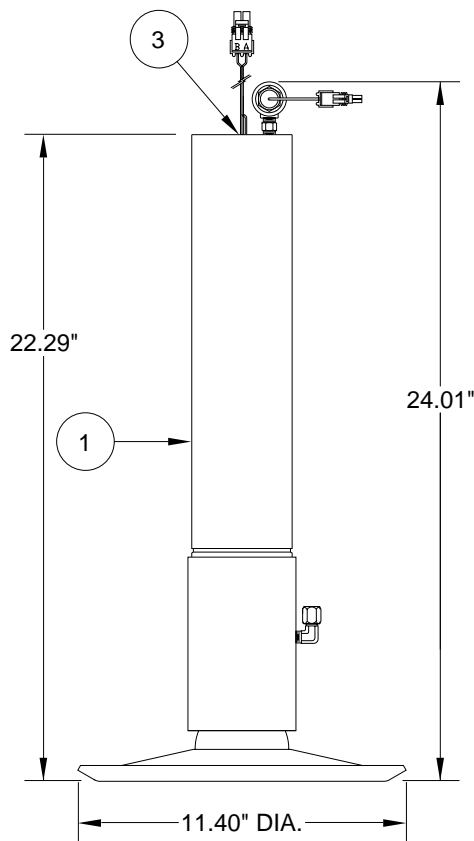
ITEM	PART	QTY	DESCRIPTION
1	RAP92578	1	JACK ASSY 16,000# x 16" DA BASIC JACK ONLY SEE MR27.7000 DOES NOT INCLUDE ITEM #2

ITEM	PART	QTY	DESCRIPTION
2	RAP93136	1	MTG BRKT KIT INCLUDES HARDWARE

**NOTE:** INDENTED ITEMS ARE INCLUDED WITH PRECEDING ITEM.

**MR27.7000A**  
**16APR12**

**AP48550**  
**STRAIGHT-ACTING JACK, FIXED, POWER EXTEND / POWER RETRACT**  
**16,000 # CAPACITY; 2.750" ROD DIAMETER; 13.00" STROKE**



**BASIC JACK SHOWN**

ITEM	PART	QTY	DESCRIPTION
1	RAP93058	1	JACK ASSY 16,000# x 13" DA BASIC JACK ONLY
2	RF90919	1	MALE CONNECTOR 1/8" X 5/16"
3	RAP90968	1	SWITCH WARNING MAGNETIC GRAY
4	RF90093	1	STREET TEE 1/8"

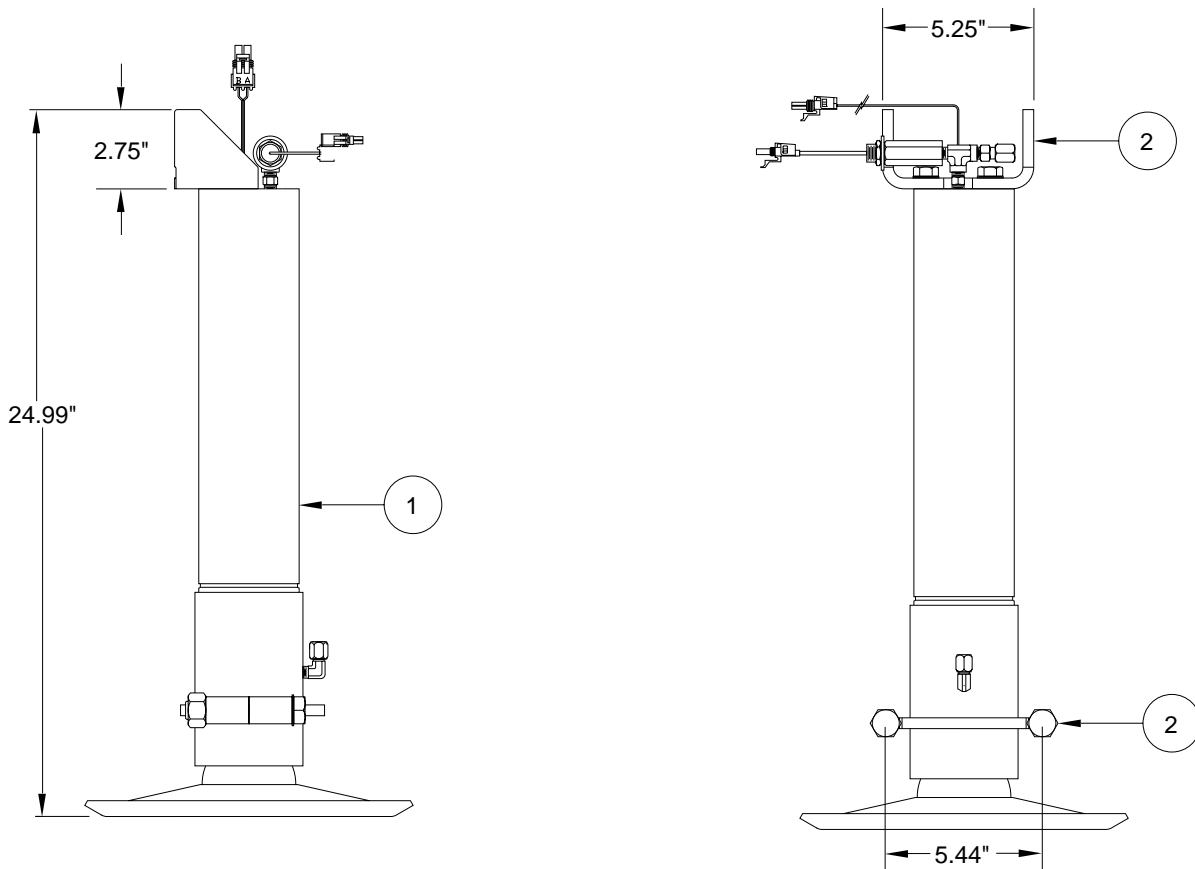
ITEM	PART	QTY	DESCRIPTION
5	RF9315	1	NIPPLE 1/8"
6	RF1453	1	ELBOW 1/4"
7	RAP90874	1	SWITCH PRESS. 550 PSI
8	RAP92567	1	FOOT 11.40" DIAMETER

**NOTE:** INDENTED ITEMS ARE INCLUDED WITH PRECEDING ITEM.

**MR27.7005**  
**10APR12**

**AP48551**  
**STRAIGHT-ACTING JACK, FIXED, POWER EXTEND / POWER RETRACT**  
**16,000 # CAPACITY; 2.750" ROD DIAMETER; 13.00" STROKE**

FOR BASIC JACK INFORMATION INCLUDING CYLINDER, SWITCHES AND SPRINGS OR JACK DIMENSIONS DIMENSIONS SEE PAGE [MR27.7005](#)



ITEM	PART	QTY	DESCRIPTION
1	RAP93058	1	JACK ASSY 16,000# x 13" DA BASIC JACK ONLY SEE MR27.7005 DOES NOT INCLUDE ITEM #2

ITEM	PART	QTY	DESCRIPTION
2	RAP93136	1	MTG BRKT KIT INCLUDES HARDWARE

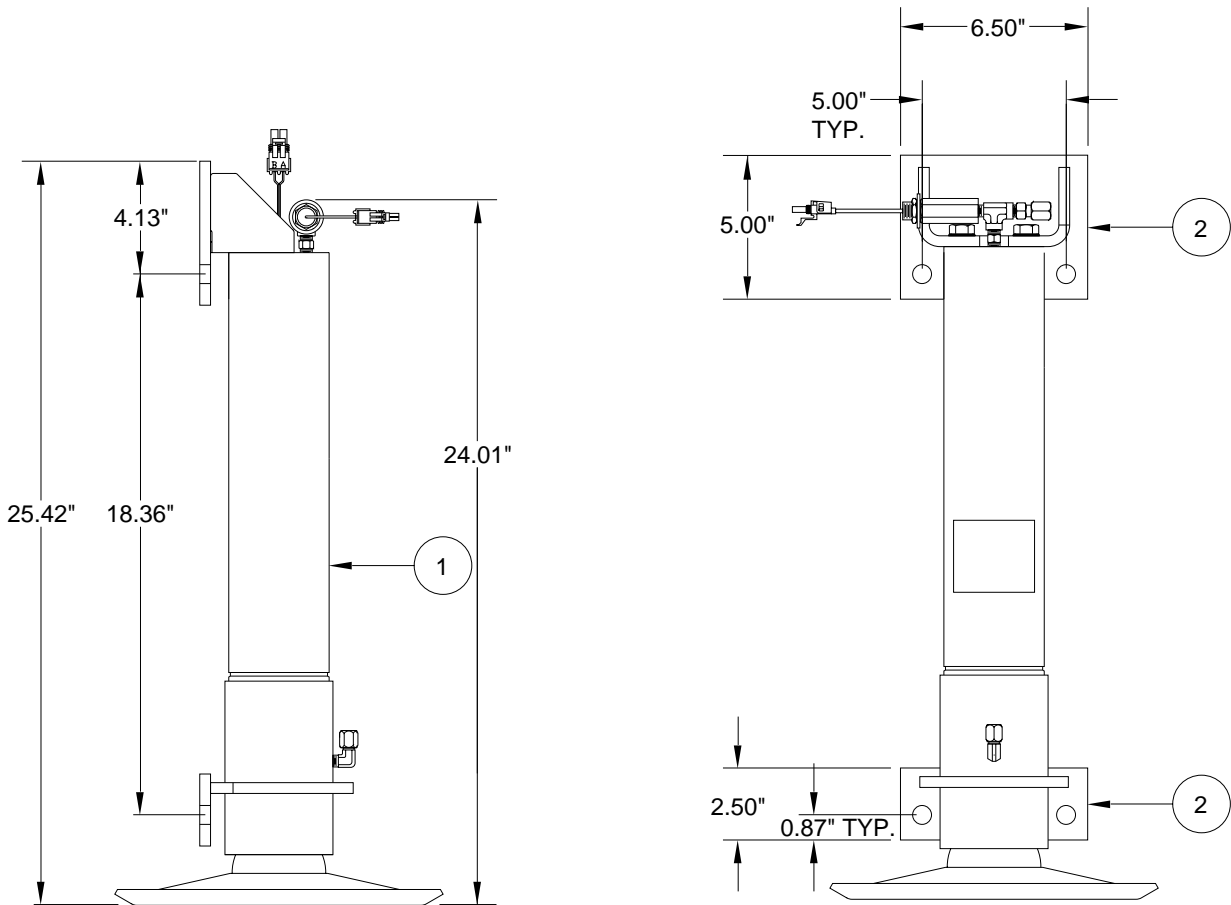
**NOTE:** INDENTED ITEMS ARE INCLUDED WITH PRECEDING ITEM.

**MR27.7005A**  
**16APR12**

# AP51141

## STRAIGHT-ACTING JACK, FIXED, POWER EXTEND / POWER RETRACT 16,000 # CAPACITY; 2.750" ROD DIAMETER; 13.00" STROKE

FOR BASIC JACK INFORMATION INCLUDING CYLINDER, SWITCHES AND SPRINGS OR JACK DIMENSIONS  
DIMENSIONS SEE PAGE [MR27.7005](#)



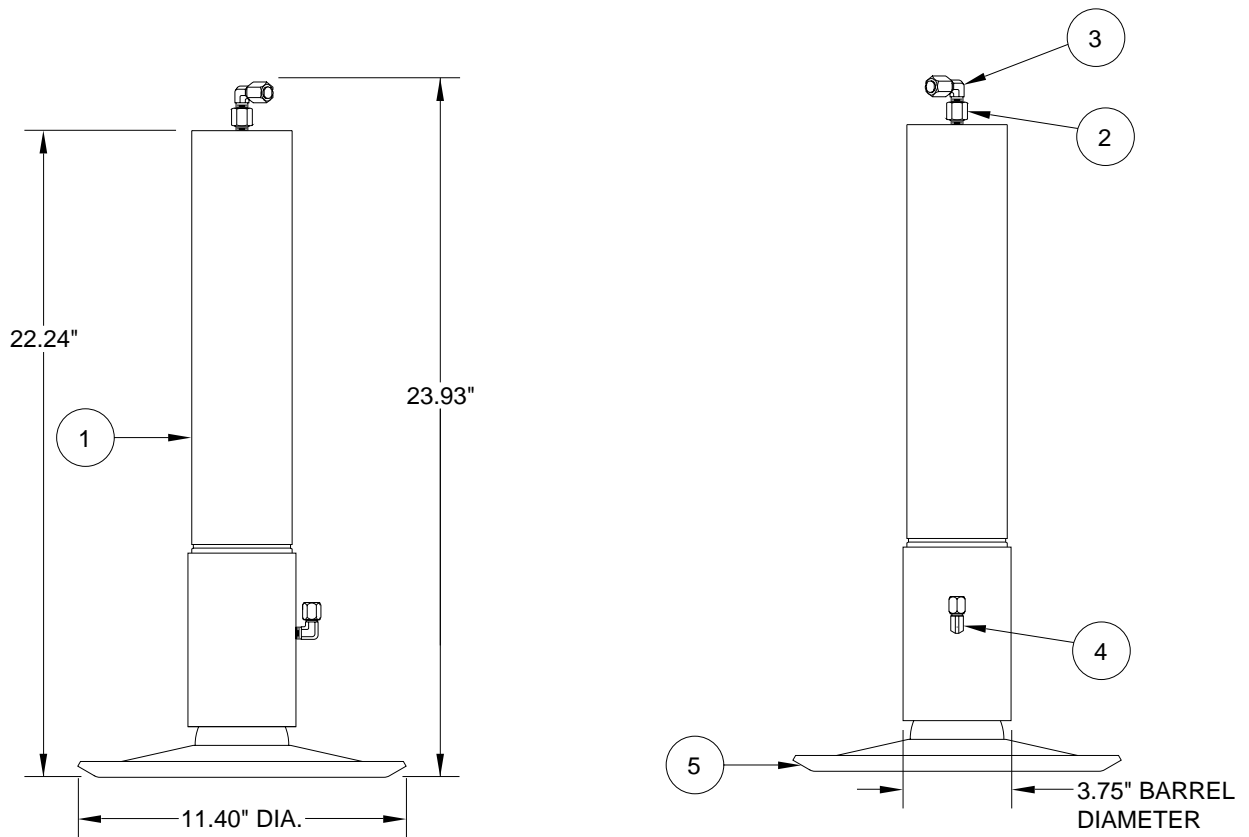
ITEM	PART	QTY	DESCRIPTION
1	RAP93058	1	JACK ASSY 16,000# x 13" DA BASIC JACK ONLY SEE MR27.7005 DOES NOT INCLUDE ITEM #2

ITEM	PART	QTY	DESCRIPTION
2	RAP93137	1	MTG BRKT KIT HARDWARE INCLUDED

NOTE: INDENTED ITEMS ARE INCLUDED WITH PRECEDING ITEM.

MR27.7005B  
22MAR13

**AP51070**  
**STRAIGHT-ACTING JACK, FIXED, POWER EXTEND / POWER RETRACT**  
**16,000 # CAPACITY; 2.750" ROD DIAMETER; 13.00" STROKE**



**BASIC JACK SHOWN**

ITEM	PART	QTY	DESCRIPTION
1	RAP93291	1	JACK ASSY 16,000# x 13" DA BASIC JACK ONLY
2	RF91983	1	ADAPTER 1/8" x 1/8"
3	RF90141	1	ELBOW 5/16"

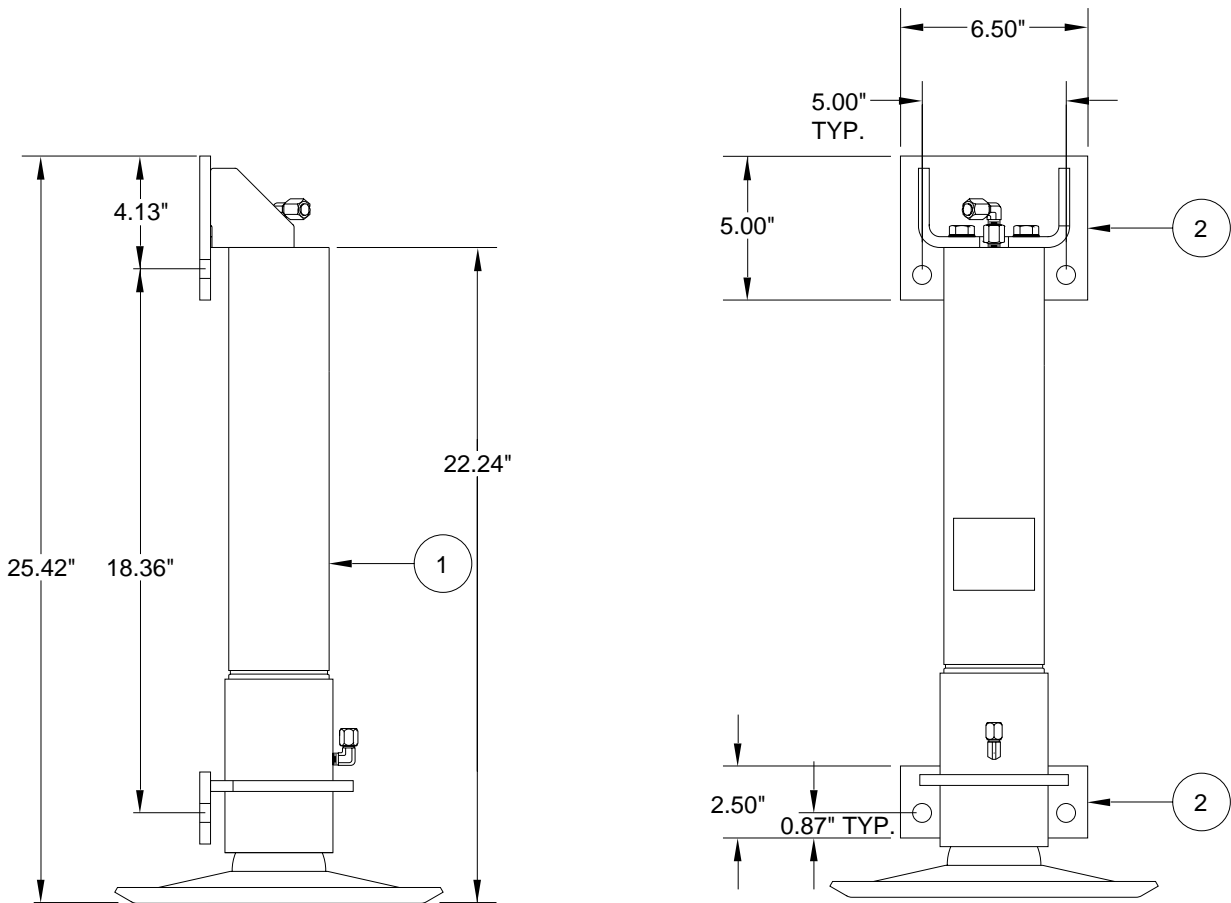
ITEM	PART	QTY	DESCRIPTION
4	RF1453	1	ELBOW 1/4"
5	RAP92567	1	FOOT 11.40" DIAMETER

**NOTE:** INDENTED ITEMS ARE INCLUDED WITH PRECEDING ITEM.

**MR27.7006**  
**22MAR13**

**AP51071**  
**STRAIGHT-ACTING JACK, FIXED, POWER EXTEND / POWER RETRACT**  
**16,000 # CAPACITY; 2.750" ROD DIAMETER; 13.00" STROKE**

FOR BASIC JACK INFORMATION INCLUDING CYLINDER, SWITCHES AND SPRINGS OR JACK DIMENSIONS  
 DIMENSIONS SEE PAGE [MR27.7006](#)



ITEM	PART	QTY	DESCRIPTION
1	RAP93291	1	JACK ASSY 16,000# x 13" DA BASIC JACK ONLY SEE MR27.7006 DOES NOT INCLUDE ITEM #2

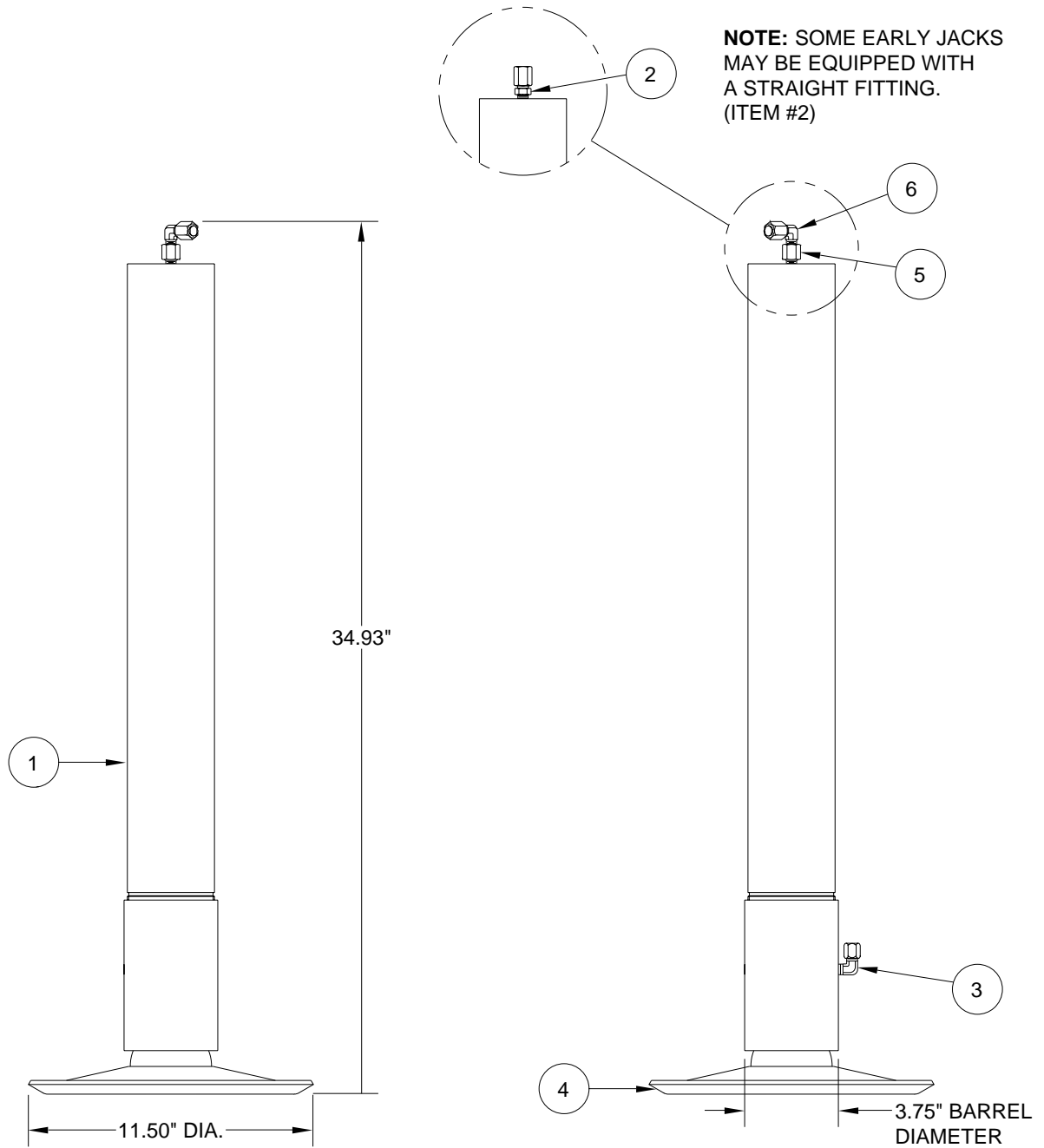
ITEM	PART	QTY	DESCRIPTION
2	RAP93137	1	MTG BRKT KIT HARDWARE INCLUDED

**NOTE:** INDENTED ITEMS ARE INCLUDED WITH PRECEDING ITEM.

**MR27.7006A**  
**22MAR13**

# AP43852

## STRAIGHT-ACTING JACK, FIXED, POWER EXTEND / POWER RETRACT 16,000 # CAPACITY; 2.750" ROD DIAMETER; 24.00" STROKE USED ON FRONT OF FIFTH WHEEL COACHES



### BASIC JACK SHOWN

ITEM	PART	QTY	DESCRIPTION	ITEM	PART	QTY	DESCRIPTION
1	RAP92579	1	JACK ASSY 16,000# x 24" DA BASIC JACK ONLY	4	RAP92567	1	FOOT 11.50" DIAMETER
2	RF90919	1	MALE CONNECTOR 1/8" X 5/16"	5	RF91983	1	ADAPTER 1/8" x 1/8"
3	RF1453	1	ELBOW 1/4"	6	RF90141	1	ELBOW 5/16"

**NOTE:** INDENTED ITEMS ARE INCLUDED WITH PRECEDING ITEM.

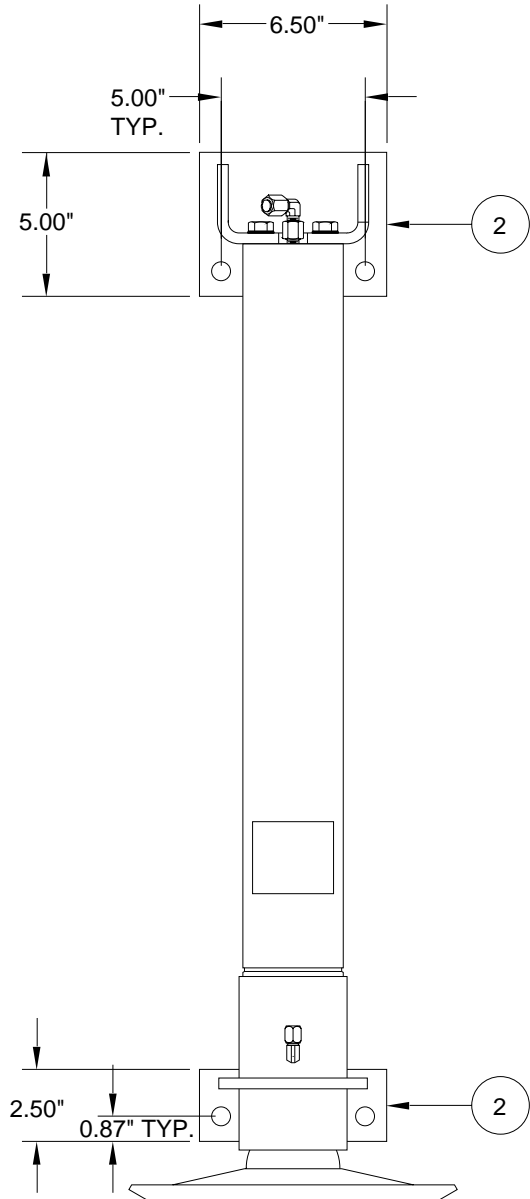
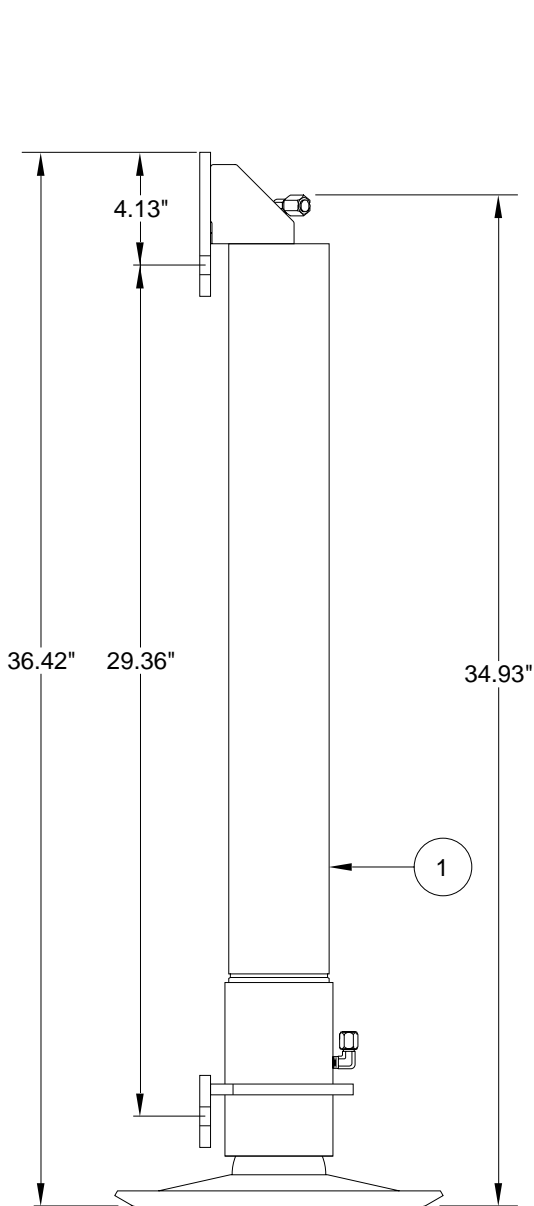
**MR27.7100  
26MAR13**



# AP43853

## STRAIGHT-ACTING JACK, FIXED, POWER EXTEND / POWER RETRACT 16,000 # CAPACITY; 2.750" ROD DIAMETER; 24.00" STROKE USED ON FRONT OF FIFTH WHEEL COACHES

FOR BASIC JACK INFORMATION INCLUDING CYLINDER, SWITCHES AND SPRINGS OR JACK DIMENSIONS  
DIMENSIONS SEE PAGE [MR27.7100](#)



ITEM	PART	QTY	DESCRIPTION
1	RAP92579	1	JACK ASSY 16,000# x 24" DA BASIC JACK ONLY SEE MR27.7100 DOES NOT INCLUDE ITEM #2

ITEM	PART	QTY	DESCRIPTION
2	RAP93137	1	MTG BRKT KIT HARDWARE INCLUDED

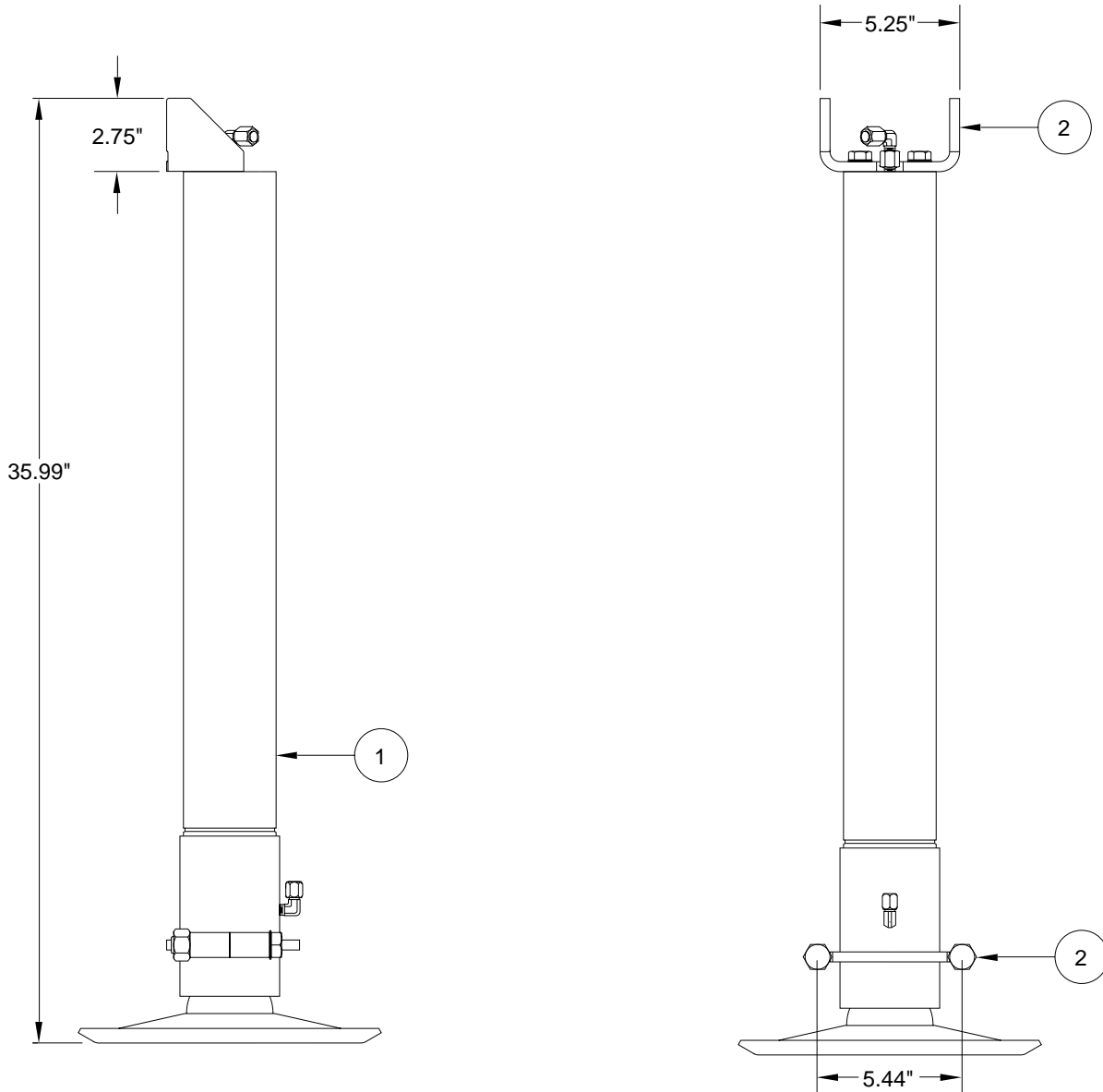
NOTE: INDENTED ITEMS ARE INCLUDED WITH PRECEDING ITEM.

MR27.7100A  
26MAR13

# AP43927

## STRAIGHT-ACTING JACK, FIXED, POWER EXTEND / POWER RETRACT 16,000 # CAPACITY; 2.750" ROD DIAMETER; 24.00" STROKE USED ON FRONT OF FIFTH WHEEL COACHES

FOR BASIC JACK INFORMATION INCLUDING CYLINDER, SWITCHES AND SPRINGS OR JACK DIMENSIONS  
DIMENSIONS SEE PAGE [MR27.7100](#)



ITEM	PART	QTY	DESCRIPTION
1	RAP92579	1	JACK ASSY 16,000# x 24" DA BASIC JACK ONLY SEE MR27.7100 DOES NOT INCLUDE ITEM #2

ITEM	PART	QTY	DESCRIPTION
2	RAP93136	1	MTG BRKT KIT INCLUDES HARDWARE

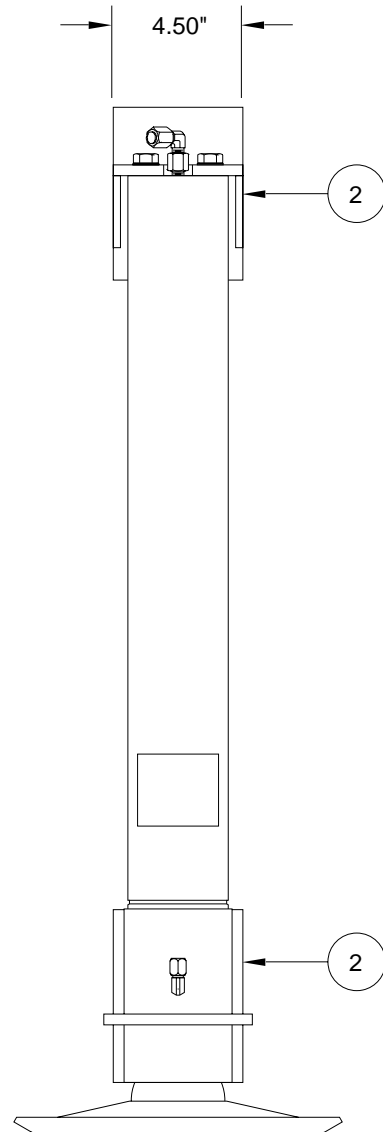
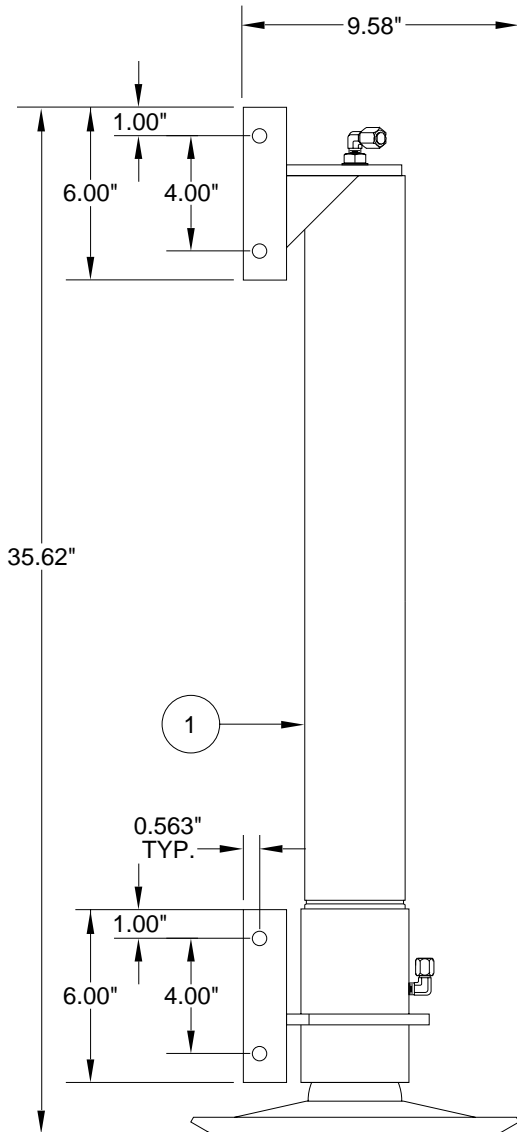
**NOTE:** INDENTED ITEMS ARE INCLUDED WITH PRECEDING ITEM.

**MR27.7100B**  
**26MAR13**

# AP44990

## STRAIGHT-ACTING JACK, FIXED, POWER EXTEND / POWER RETRACT 16,000 # CAPACITY; 2.750" ROD DIAMETER; 24.00" STROKE USED ON FRONT OF FIFTH WHEEL COACHES

FOR BASIC JACK INFORMATION INCLUDING CYLINDER, SWITCHES AND SPRINGS OR JACK DIMENSIONS  
DIMENSIONS SEE PAGE [MR27.7100](#)



ITEM	PART	QTY	DESCRIPTION
1	RAP92579	1	JACK ASSY 16,000# x 24" DA BASIC JACK ONLY SEE MR27.7100 DOES NOT INCLUDE ITEM #2

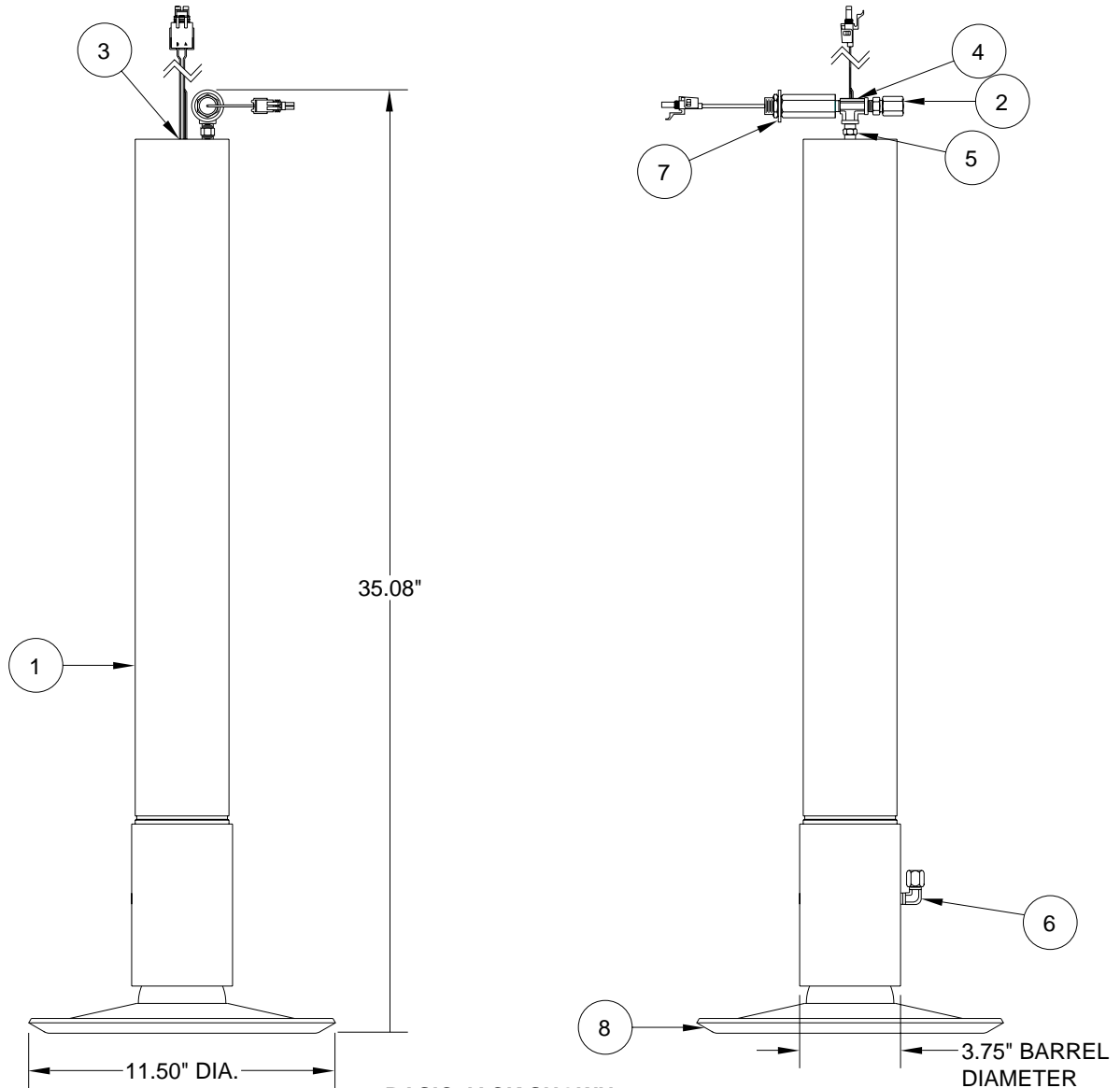
ITEM	PART	QTY	DESCRIPTION
2	RAP93294	1	MTG BRKT KIT INCLUDES HARDWARE

**NOTE:** INDENTED ITEMS ARE INCLUDED WITH PRECEDING ITEM.

**MR27.7100C**  
**26MAR13**

# AP43901

**STRAIGHT-ACTING JACK, FIXED, POWER EXTEND / POWER RETRACT**  
**16,000 # CAPACITY; 2.750" ROD DIAMETER; 24.00" STROKE**  
**USED ON FRONT OF FIFTH WHEEL COACHES**



**BASIC JACK SHOWN**

ITEM	PART	QTY	DESCRIPTION	ITEM	PART	QTY	DESCRIPTION
1	RAP92580	1	JACK ASSY 16,000# x 24" DA BASIC JACK ONLY	5	RF9315	1	NIPPLE 1/8"
2	RF90919	1	MALE CONNECTOR 1/8" X 5/16"	6	RF1453	1	ELBOW 1/4"
3	RAP90968	1	SWITCH WARNING MAGNETIC GRAY	7	RAP90874	1	SWITCH PRESS. 550 PSI
4	RF90093	1	STREET TEE 1/8"	8	RAP92567	1	FOOT 11.50" DIAMETER

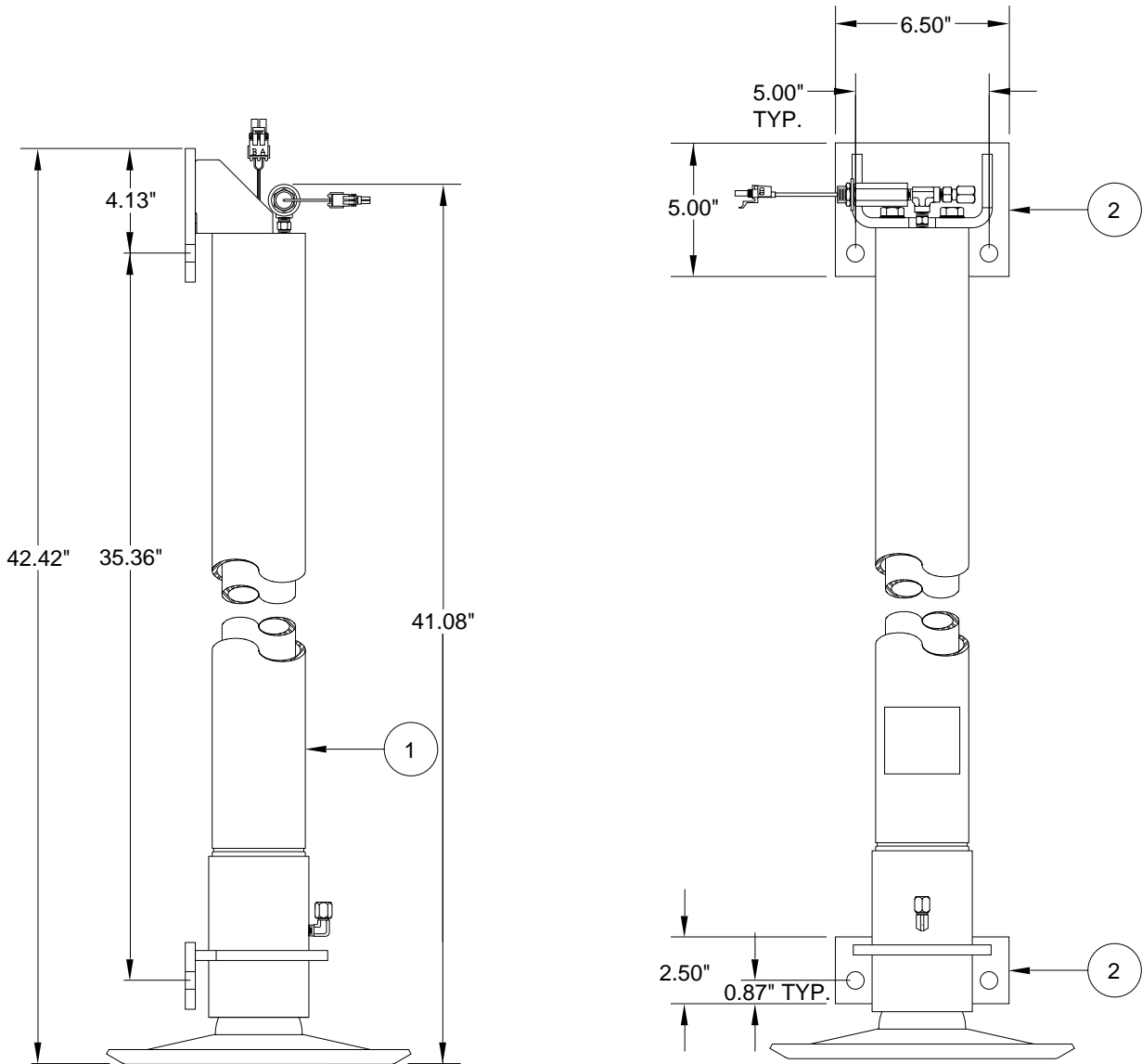
**NOTE:** INDENTED ITEMS ARE INCLUDED WITH PRECEDING ITEM.

**MR27.7105**  
**26MAR13**

# AP43900

## STRAIGHT-ACTING JACK, FIXED, POWER EXTEND / POWER RETRACT 16,000 # CAPACITY; 2.750" ROD DIAMETER; 24.00" STROKE USED ON FRONT OF FIFTH WHEEL COACHES

FOR BASIC JACK INFORMATION INCLUDING CYLINDER, SWITCHES AND SPRINGS OR JACK DIMENSIONS  
DIMENSIONS SEE PAGE [MR27.7105](#)



ITEM	PART	QTY	DESCRIPTION
1	RAP92580	1	JACK ASSY 16,000# x 24" DA BASIC JACK ONLY SEE MR27.7105 DOES NOT INCLUDE ITEM #2

ITEM	PART	QTY	DESCRIPTION
2	RAP93137	1	MTG BRKT KIT HARDWARE INCLUDED

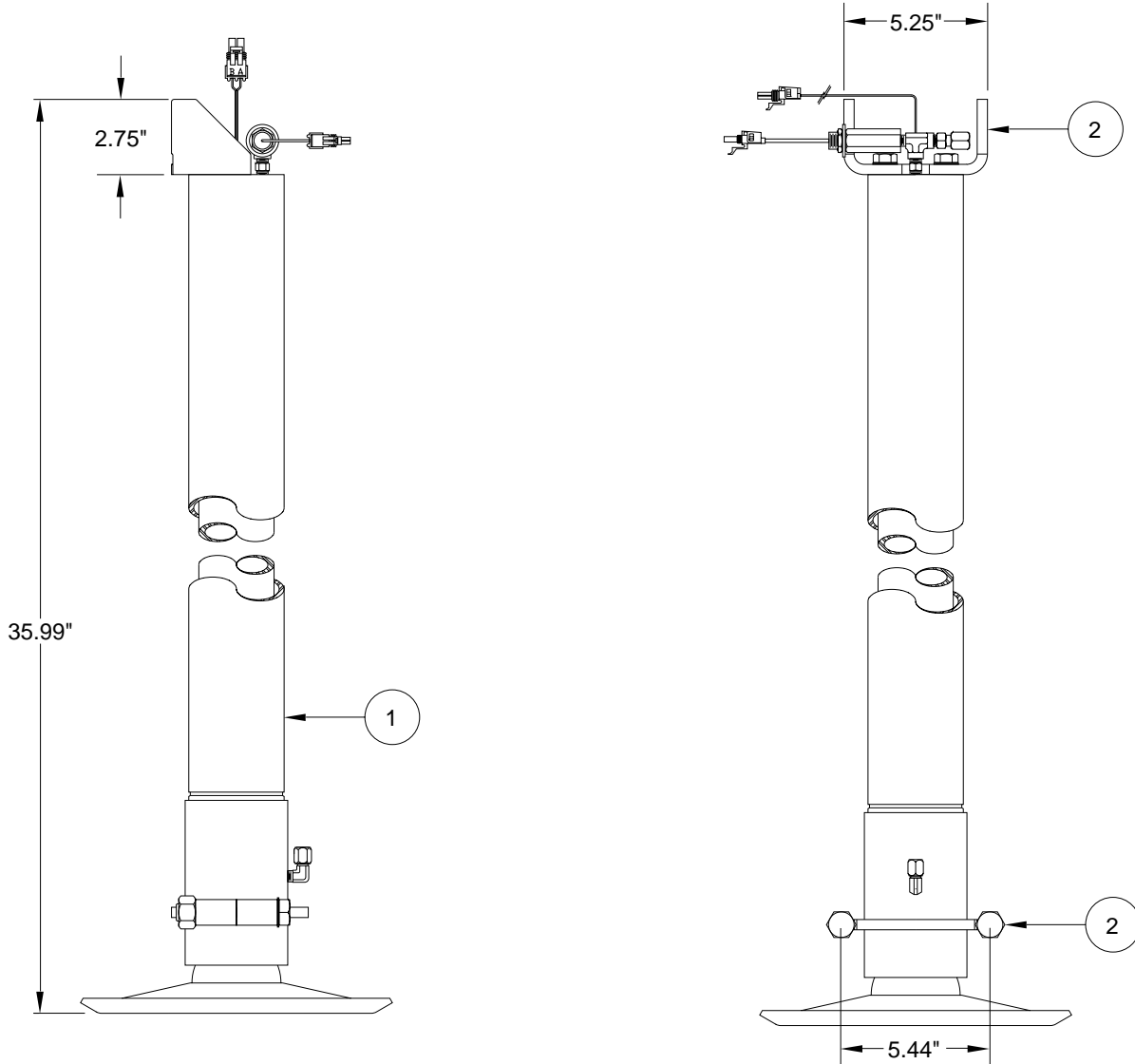
**NOTE:** INDENTED ITEMS ARE INCLUDED WITH PRECEDING ITEM.

**MR27.7105A**  
**26MAR13**

# AP45011

## STRAIGHT-ACTING JACK, FIXED, POWER EXTEND / POWER RETRACT 16,000 # CAPACITY; 2.750" ROD DIAMETER; 24.00" STROKE USED ON FRONT OF FIFTH WHEEL COACHES

FOR BASIC JACK INFORMATION INCLUDING CYLINDER, SWITCHES AND SPRINGS OR JACK DIMENSIONS  
DIMENSIONS SEE PAGE [MR27.7105](#)



ITEM	PART	QTY	DESCRIPTION
1	RAP92580	1	JACK ASSY 16,000# x 24" DA BASIC JACK ONLY SEE MR27.7105 DOES NOT INCLUDE ITEM #2

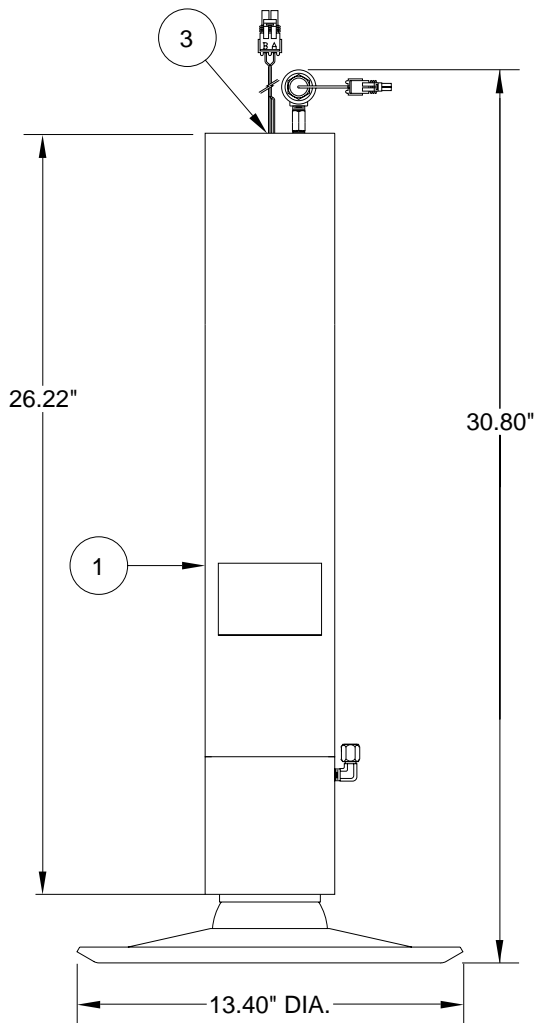
ITEM	PART	QTY	DESCRIPTION
2	RAP93136	1	MTG BRKT KIT INCLUDES HARDWARE

**NOTE:** INDENTED ITEMS ARE INCLUDED WITH PRECEDING ITEM.

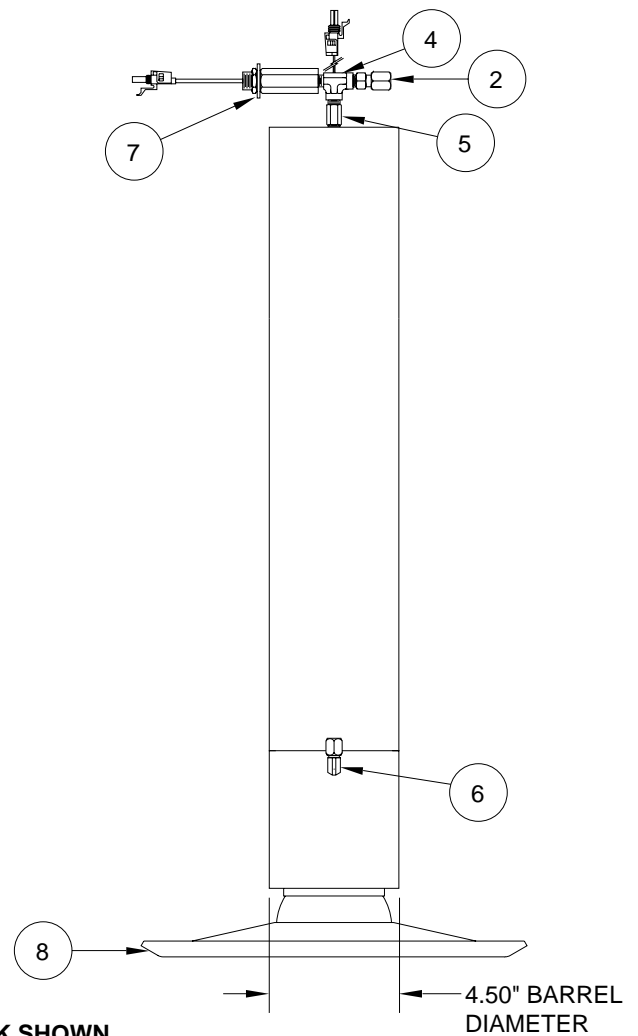
**MR27.7105B**  
**26MAR13**

# AP49607

## STRAIGHT-ACTING JACK, FIXED, POWER EXTEND / POWER RETRACT 24,000 # CAPACITY; 3.500" ROD DIAMETER; 16.00" STROKE USED ON FRONT OF FIFTH WHEEL COACHES



BASIC JACK SHOWN



4.50" BARREL DIAMETER

ITEM	PART	QTY	DESCRIPTION
1	RAP93070	1	JACK ASSY 24,000# x 16" DA BASIC JACK ONLY
2	RF90919	1	MALE CONNECTOR 1/8" X 5/16"
3	RAP90968	1	SWITCH WARNING MAGNETIC GRAY
4	RF90093	1	STREET TEE 1/8"

ITEM	PART	QTY	DESCRIPTION
5	RF93065	1	NIPPLE 1/8" x 1.5" LONG
6	RF1453	1	ELBOW 1/4"
7	RAP90874	1	SWITCH PRESS. 550 PSI
8	RAP92575	1	FOOT 13.40" DIAMETER

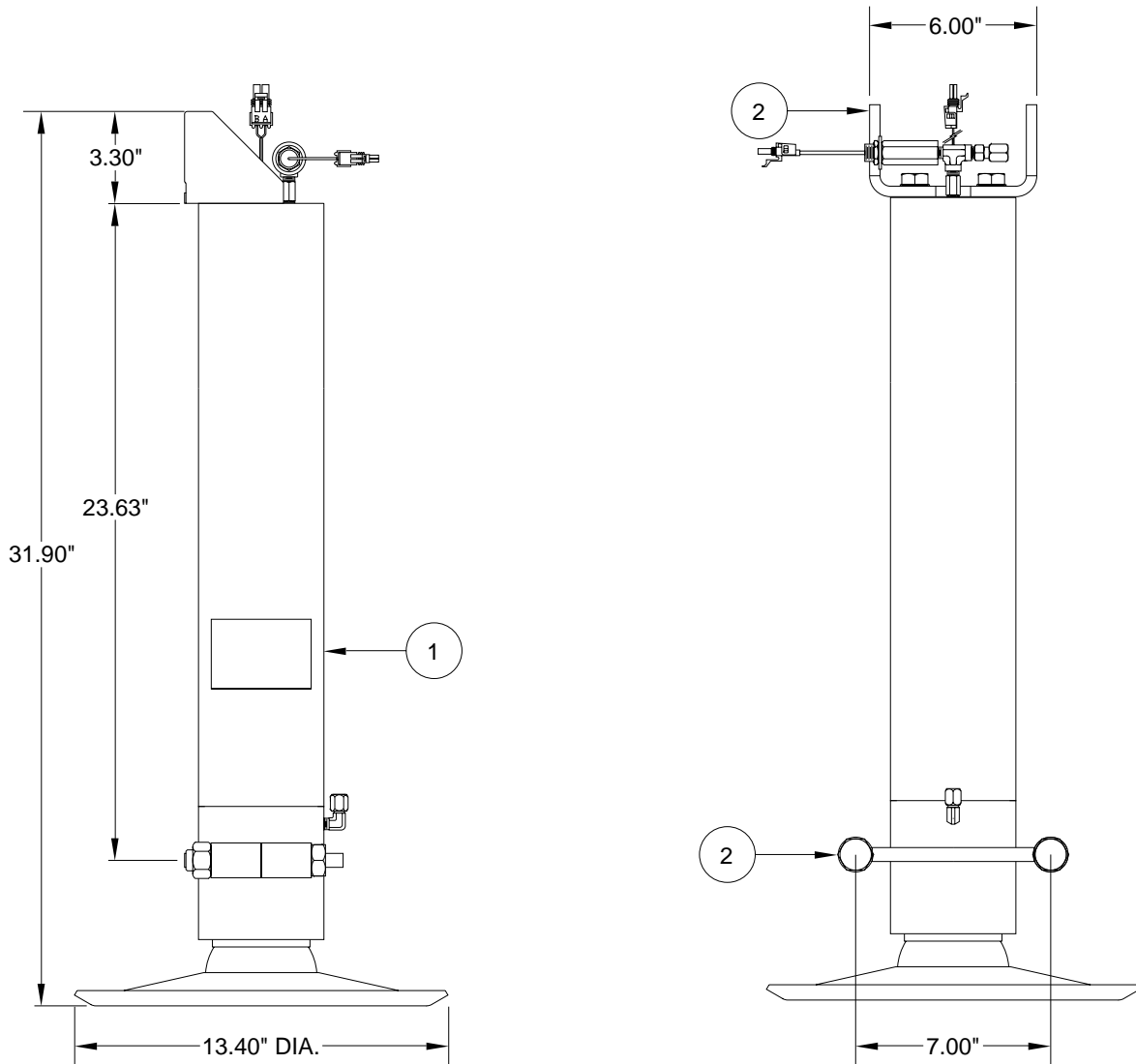
**NOTE:** INDENTED ITEMS ARE INCLUDED WITH PRECEDING ITEM.

**MR27.9000**  
**10APR12**

# AP43838

## STRAIGHT-ACTING JACK, FIXED, POWER EXTEND / POWER RETRACT 24,000 # CAPACITY; 3.500" ROD DIAMETER; 16.00" STROKE USED ON FRONT OF FIFTH WHEEL COACHES

FOR BASIC JACK INFORMATION INCLUDING CYLINDER, SWITCHES AND SPRINGS OR JACK DIMENSIONS  
DIMENSIONS SEE PAGE [MR27.9000](#)



ITEM	PART	QTY	DESCRIPTION
1	RAP93070	1	JACK ASSY 24,000# x 16" DA BASIC JACK ONLY SEE MR27.9000 DOES NOT INCLUDE ITEM #2

ITEM	PART	QTY	DESCRIPTION
2	RAP93135	1	MTG BRKT KIT HARDWARE INCLUDED

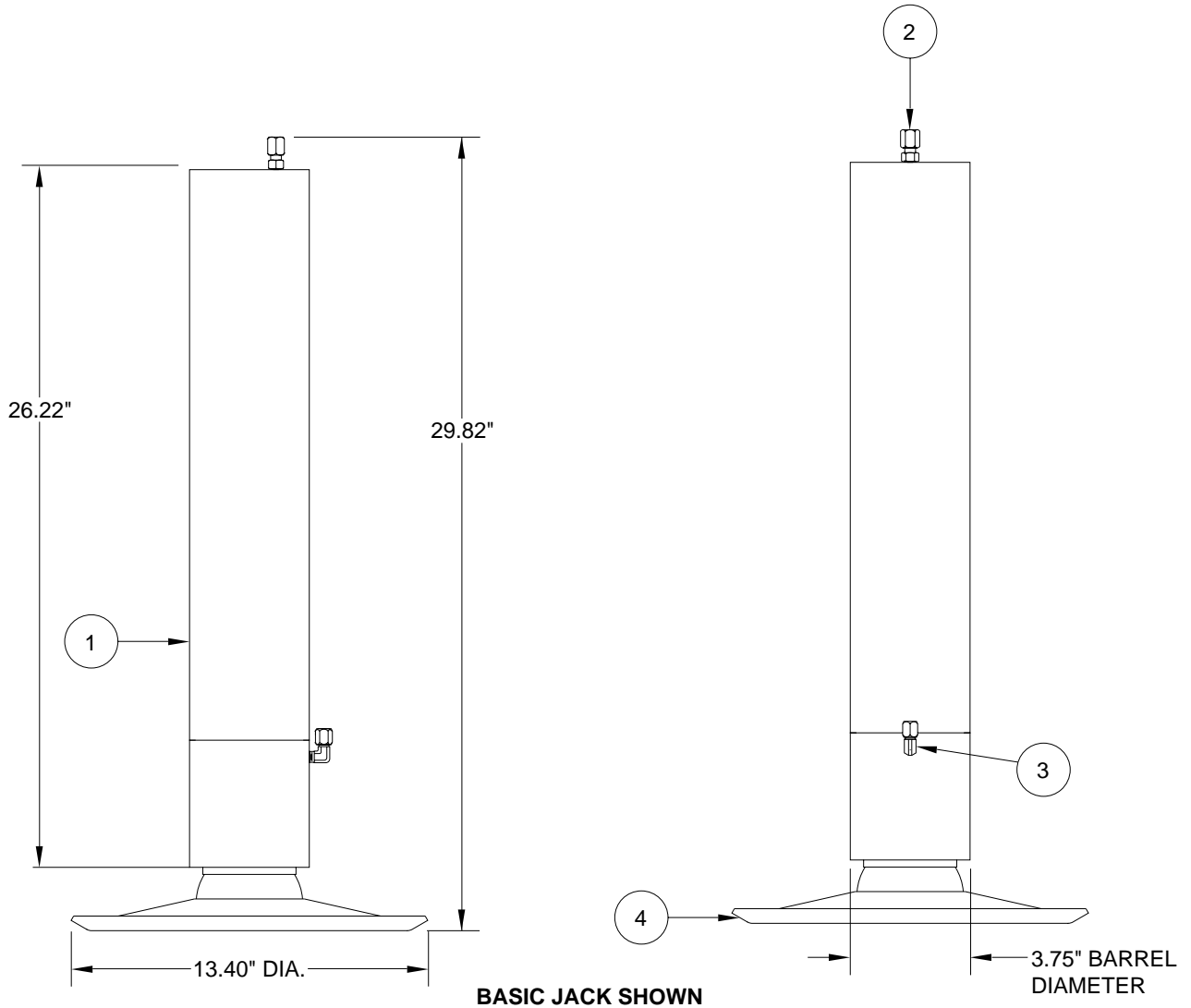
**NOTE:** INDENTED ITEMS ARE INCLUDED WITH PRECEDING ITEM.

**MR27.9000A**  
**18APR12**



# AP49676

## STRAIGHT-ACTING JACK, FIXED, POWER EXTEND / POWER RETRACT 24,000 # CAPACITY; 3.500" ROD DIAMETER; 16.00" STROKE



ITEM	PART	QTY	DESCRIPTION
1	RAP93059	1	JACK ASSY 24,000# x 16" DA BASIC JACK ONLY
2	RF90919	1	MALE CONNECTOR 1/8" X 5/16"

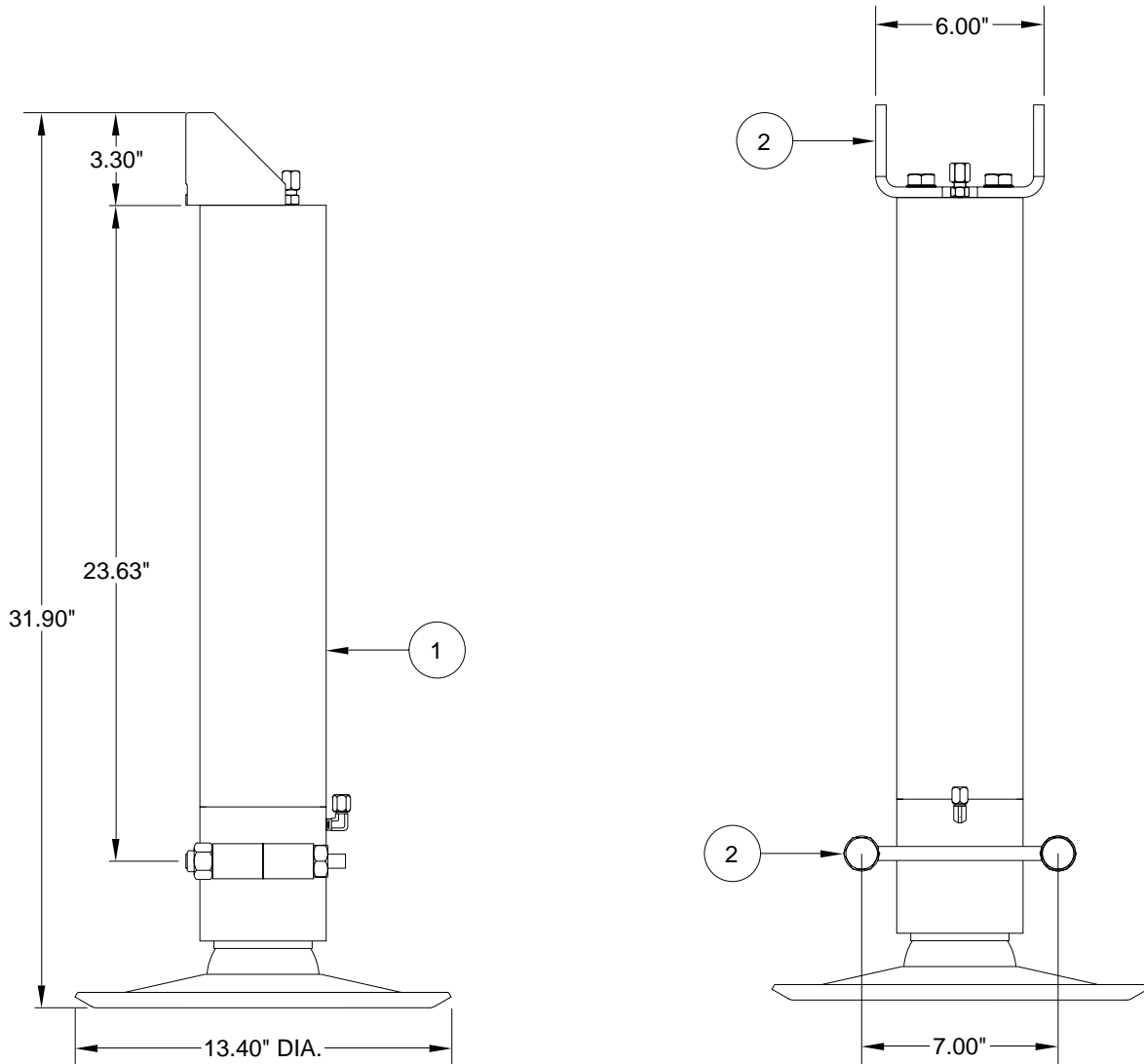
ITEM	PART	QTY	DESCRIPTION
3	RF1453	1	ELBOW 1/4"
4	RAP92575	1	FOOT 13.40" DIAMETER

**NOTE:** INDENTED ITEMS ARE INCLUDED WITH PRECEDING ITEM.

**MR27.9005  
10APR12**

**AP45206**  
**STRAIGHT-ACTING JACK, FIXED, POWER EXTEND / POWER RETRACT**  
**24,000 # CAPACITY; 3.500" ROD DIAMETER; 16.00" STROKE**

FOR BASIC JACK INFORMATION INCLUDING CYLINDER, SWITCHES AND SPRINGS OR JACK DIMENSIONS  
 DIMENSIONS SEE PAGE [MR27.9005](#)



ITEM	PART	QTY	DESCRIPTION
1	RAP93059	1	JACK ASSY 24,000# x 16" DA BASIC JACK ONLY SEE MR27.9005 DOES NOT INCLUDE ITEM #2

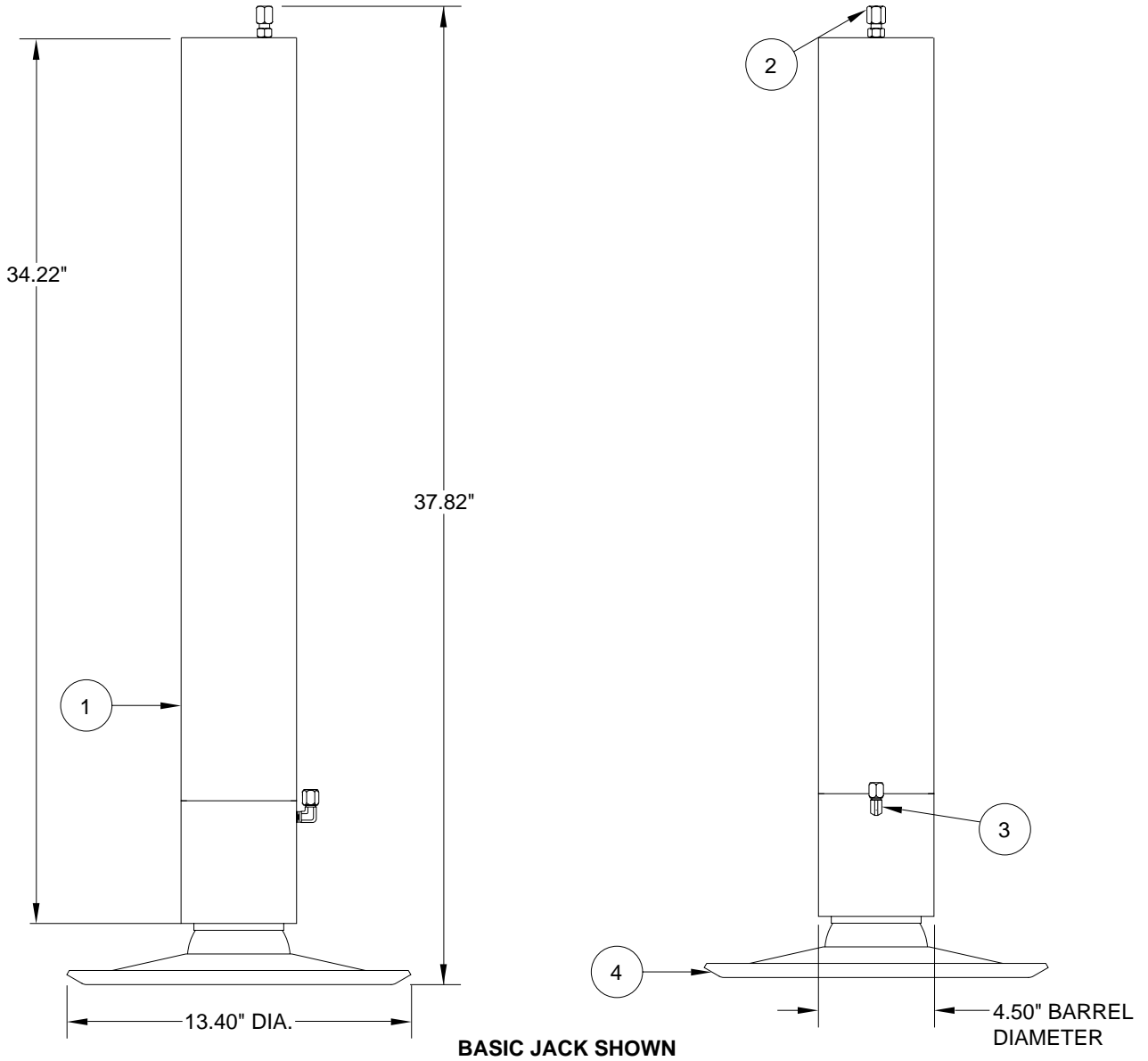
ITEM	PART	QTY	DESCRIPTION
2	RAP93135	1	MTG BRKT KIT HARDWARE INCLUDED

**NOTE:** INDENTED ITEMS ARE INCLUDED WITH PRECEDING ITEM.

**MR27.9005A**  
**18APR12**

# AP49677

**STRAIGHT-ACTING JACK, FIXED, POWER EXTEND / POWER RETRACT  
24,000 # CAPACITY; 3.500" ROD DIAMETER; 24.00" STROKE  
USED ON FRONT OF FIFTH WHEEL COACHES**



ITEM	PART	QTY	DESCRIPTION
1	RAP93071	1	JACK ASSY 24,000# x 24" DA BASIC JACK ONLY
2	RF90919	1	MALE CONNECTOR 1/8" X 5/16"

ITEM	PART	QTY	DESCRIPTION
3	RF1453	1	ELBOW 1/4"
4	RAP92575	1	FOOT 13.40" DIAMETER

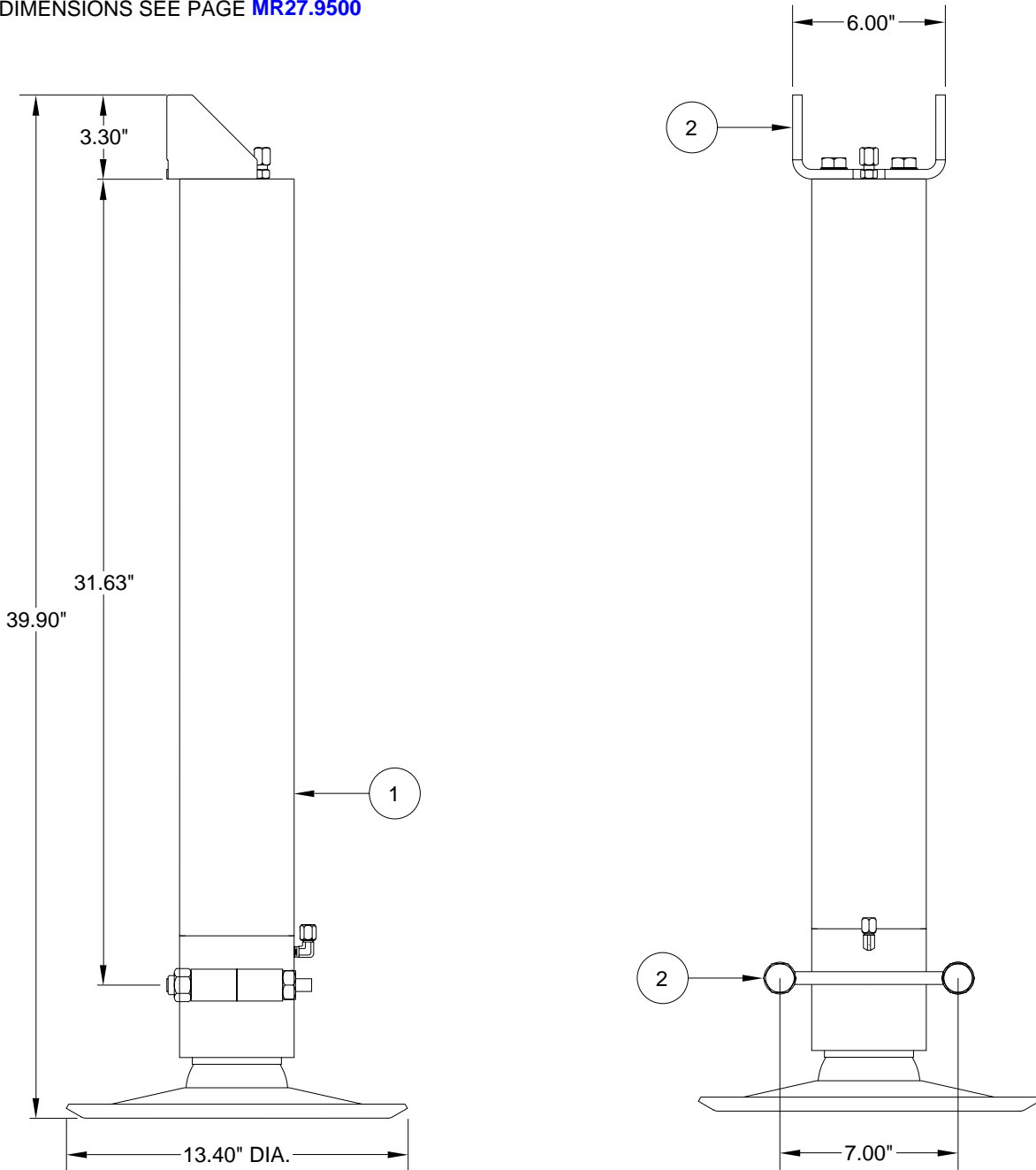
**NOTE:** INDENTED ITEMS ARE INCLUDED WITH PRECEDING ITEM.

**MR27.9500  
10APR12**

# AP43926

## STRAIGHT-ACTING JACK, FIXED, POWER EXTEND / POWER RETRACT 24,000 # CAPACITY; 3.500" ROD DIAMETER; 24.00" STROKE USED ON FRONT OF FIFTH WHEEL COACHES

FOR BASIC JACK INFORMATION INCLUDING CYLINDER, SWITCHES AND SPRINGS OR JACK DIMENSIONS  
DIMENSIONS SEE PAGE [MR27.9500](#)



ITEM	PART	QTY	DESCRIPTION
1	RAP93071	1	JACK ASSY 24,000# x 24" DA BASIC JACK ONLY SEE MR27.9500 DOES NOT INCLUDE ITEM #2

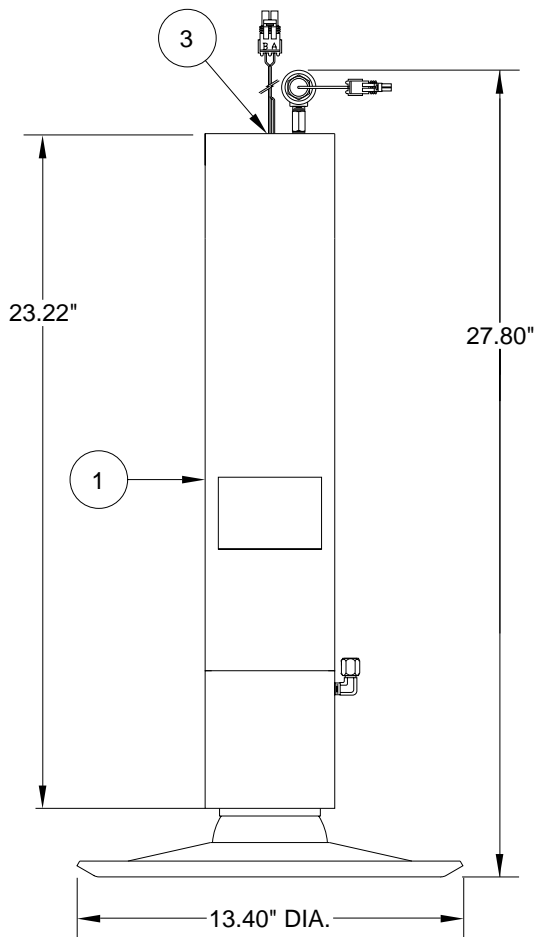
ITEM	PART	QTY	DESCRIPTION
2	RAP93135	1	MTG BRKT KIT HARDWARE INCLUDED

**NOTE:** INDENTED ITEMS ARE INCLUDED WITH PRECEDING ITEM.

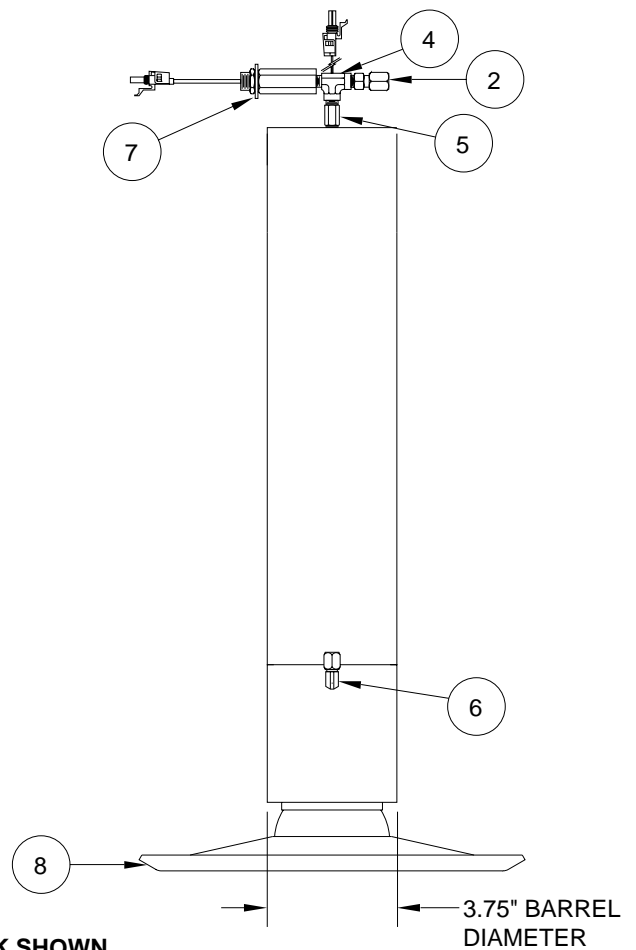
**MR27.9500A**  
**18APR12**

# AP49606

## STRAIGHT-ACTING JACK, FIXED, POWER EXTEND / POWER RETRACT 24,000 # CAPACITY; 3.500" ROD DIAMETER; 13.00" STROKE



BASIC JACK SHOWN



3.75" BARREL DIAMETER

ITEM	PART	QTY	DESCRIPTION
1	RAP93060	1	JACK ASSY 24,000# x 13" DA BASIC JACK ONLY
2	RF90919	1	MALE CONNECTOR 1/8" X 5/16"
3	RAP90968	1	SWITCH WARNING MAGNETIC GRAY
4	RF90093	1	STREET TEE 1/8"

ITEM	PART	QTY	DESCRIPTION
5	RF93065	1	NIPPLE 1/8" x 1.5" LONG
6	RF1453	1	ELBOW 1/4"
7	RAP90874	1	SWITCH PRESS. 550 PSI
8	RAP92575	1	FOOT 13.40" DIAMETER

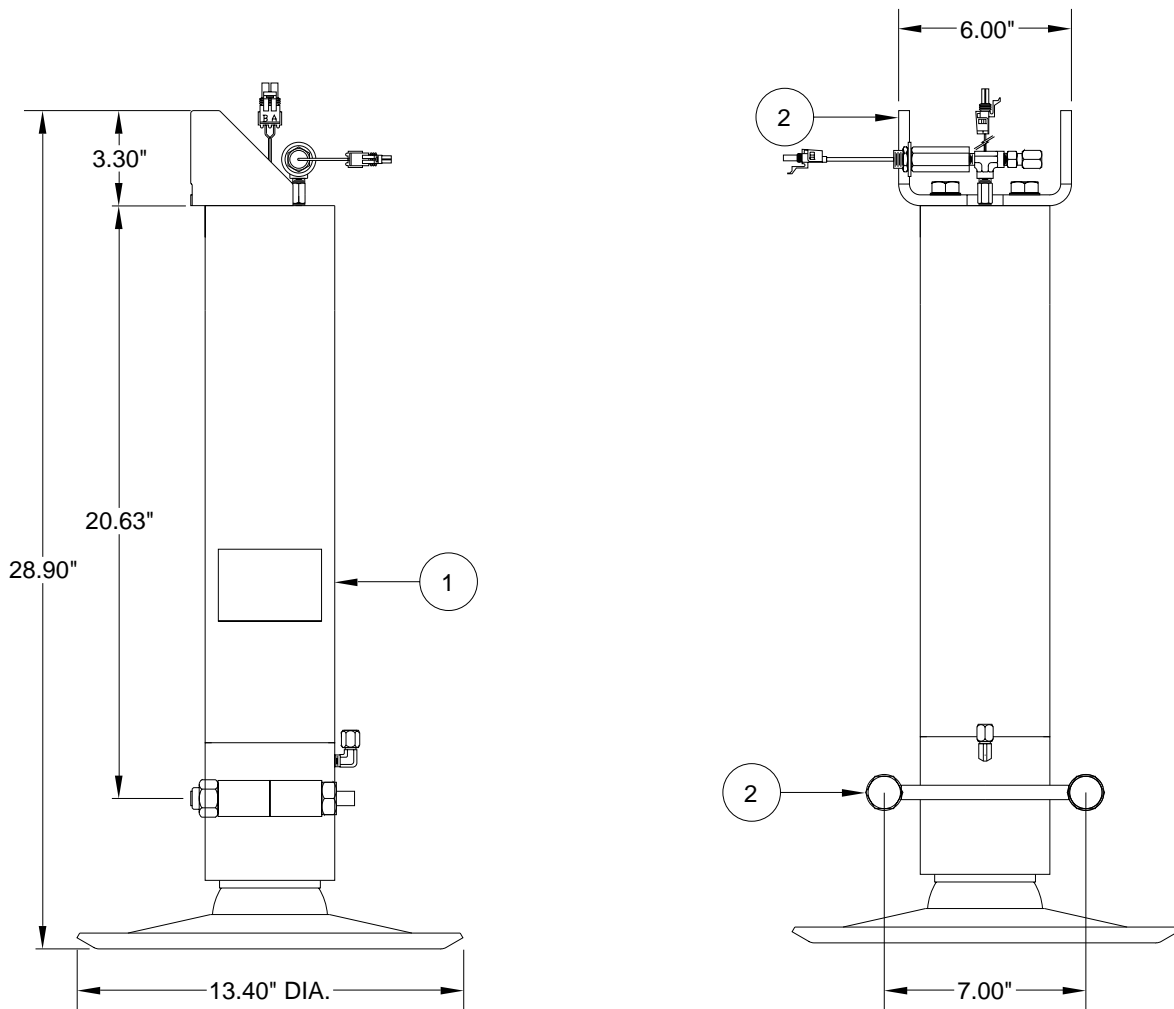
NOTE: INDENTED ITEMS ARE INCLUDED WITH PRECEDING ITEM.

MR27.9505  
10APR12

# AP48753

## STRAIGHT-ACTING JACK, FIXED, POWER EXTEND / POWER RETRACT 24,000 # CAPACITY; 3.500" ROD DIAMETER; 13.00" STROKE

FOR BASIC JACK INFORMATION INCLUDING CYLINDER, SWITCHES AND SPRINGS OR JACK DIMENSIONS  
DIMENSIONS SEE PAGE [MR25.9505](#)



ITEM	PART	QTY	DESCRIPTION
1	RAP93060	1	JACK ASSY 24,000# x 13" DA BASIC JACK ONLY SEE MR27.9505 DOES NOT INCLUDE ITEM #2

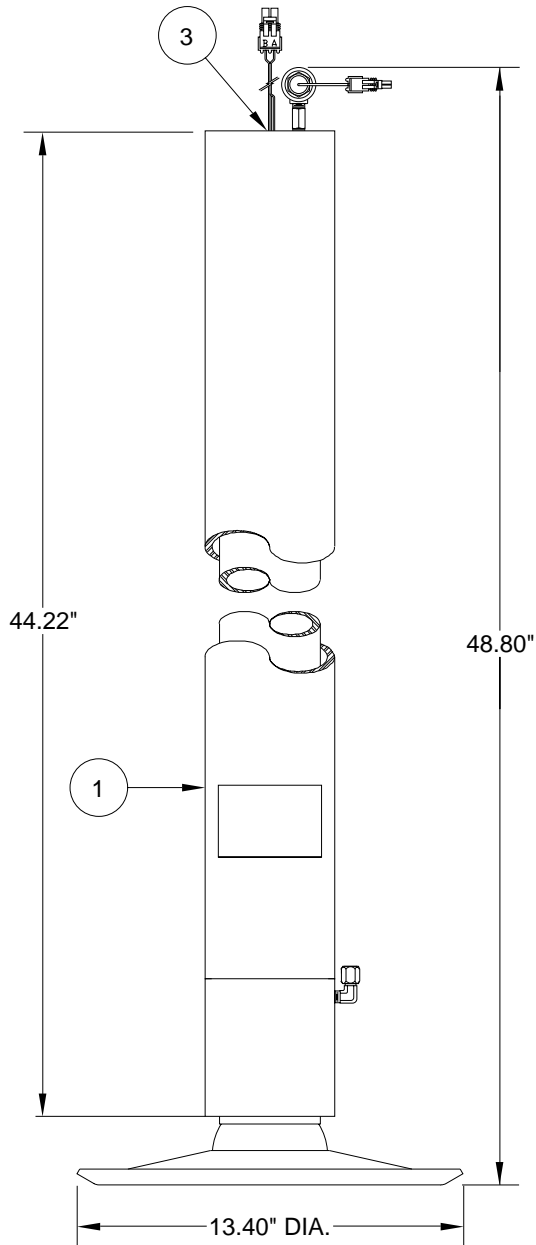
ITEM	PART	QTY	DESCRIPTION
2	RAP93135	1	MTG BRKT KIT HARDWARE INCLUDED

NOTE: INDENTED ITEMS ARE INCLUDED WITH PRECEDING ITEM.

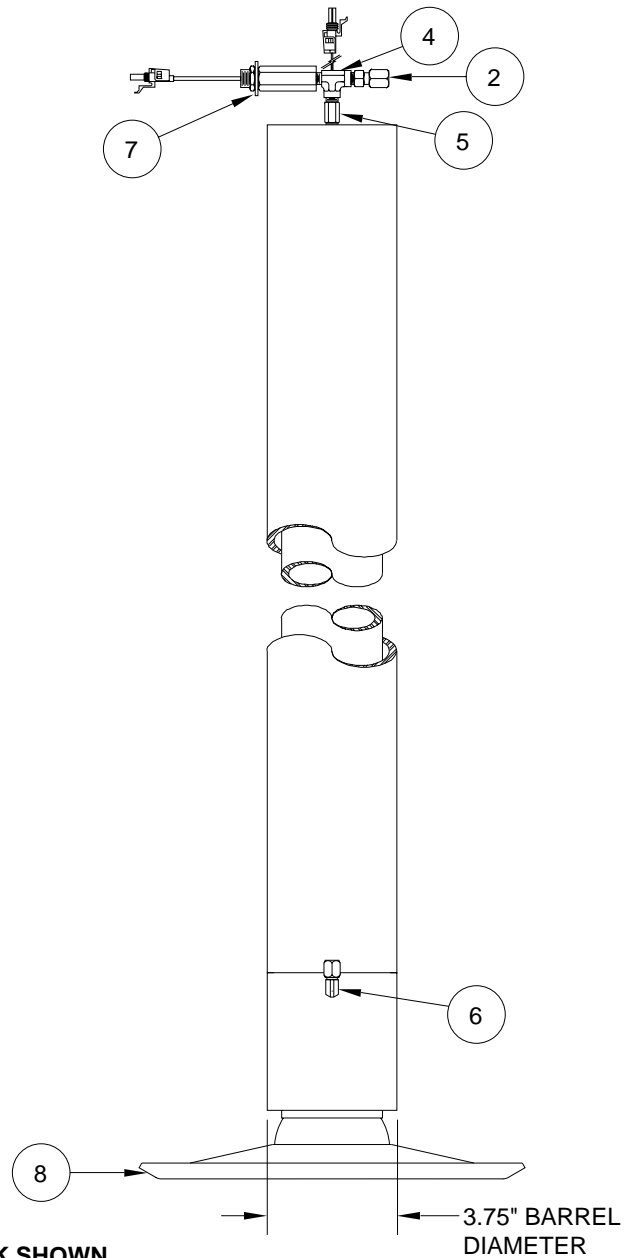
MR27.9505A  
18APR12

# AP49609

## STRAIGHT-ACTING JACK, FIXED, POWER EXTEND / POWER RETRACT 24,000 # CAPACITY; 3.500" ROD DIAMETER; 36.00" STROKE



BASIC JACK SHOWN



ITEM	PART	QTY	DESCRIPTION
1	RAP93061	1	JACK ASSY 24,000# x 36" DA BASIC JACK ONLY
2	RF90919	1	MALE CONNECTOR 1/8" X 5/16"
3	RAP90968	1	SWITCH WARNING MAGNETIC GRAY
4	RF90093	1	STREET TEE 1/8"

ITEM	PART	QTY	DESCRIPTION
5	RF93065	1	NIPPLE 1/8" x 1.5" LONG
6	RF1453	1	ELBOW 1/4"
7	RAP90874	1	SWITCH PRESS. 550 PSI
8	RAP92575	1	FOOT 13.40" DIAMETER

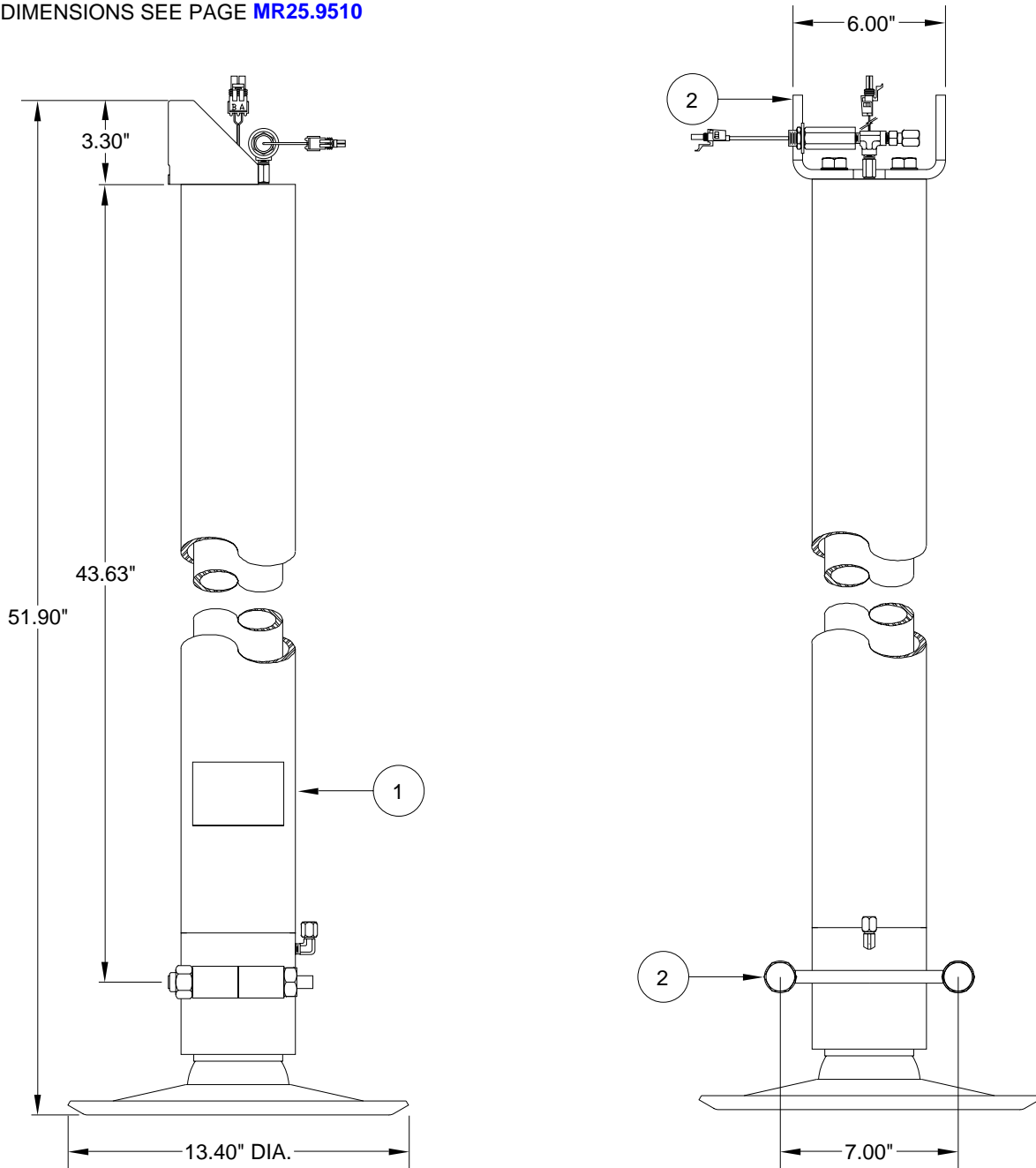
NOTE: INDENTED ITEMS ARE INCLUDED WITH PRECEDING ITEM.

MR27.9510  
10APR12

# AP45703

## STRAIGHT-ACTING JACK, FIXED, POWER EXTEND / POWER RETRACT 24,000 # CAPACITY; 3.500" ROD DIAMETER; 36.00" STROKE

FOR BASIC JACK INFORMATION INCLUDING CYLINDER, SWITCHES AND SPRINGS OR JACK DIMENSIONS  
DIMENSIONS SEE PAGE [MR25.9510](#)



ITEM	PART	QTY	DESCRIPTION
1	RAP93061	1	JACK ASSY 24,000# x 36" DA BASIC JACK ONLY SEE MR27.9510 DOES NOT INCLUDE ITEM #2

ITEM	PART	QTY	DESCRIPTION
2	RAP93135	1	MTG BRKT KIT HARDWARE INCLUDED

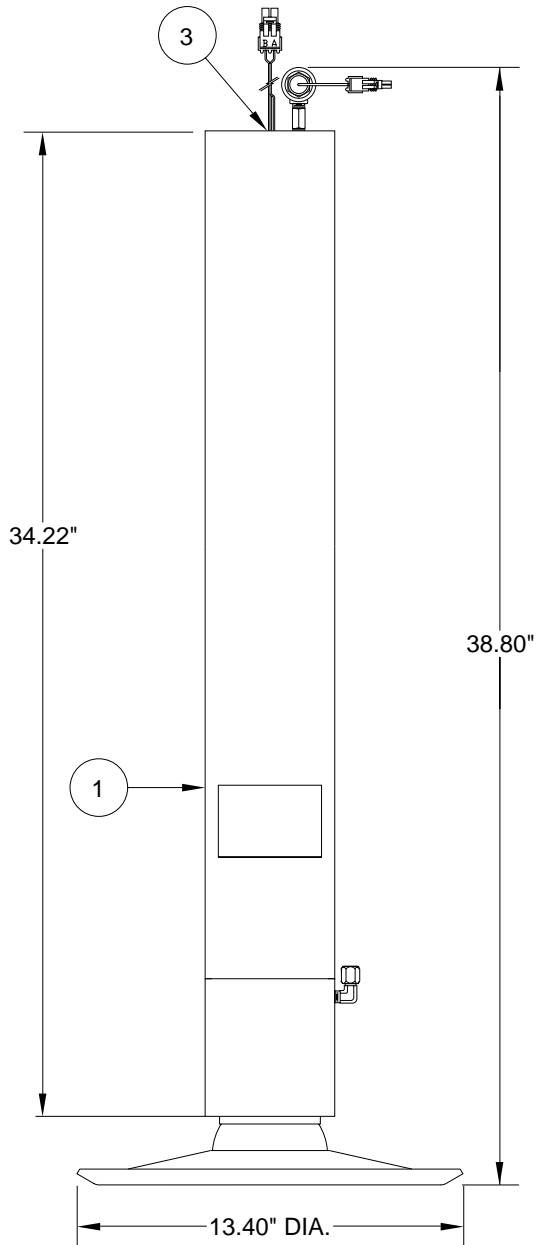
NOTE: INDENTED ITEMS ARE INCLUDED WITH PRECEDING ITEM.

MR27.9510A  
18APR12

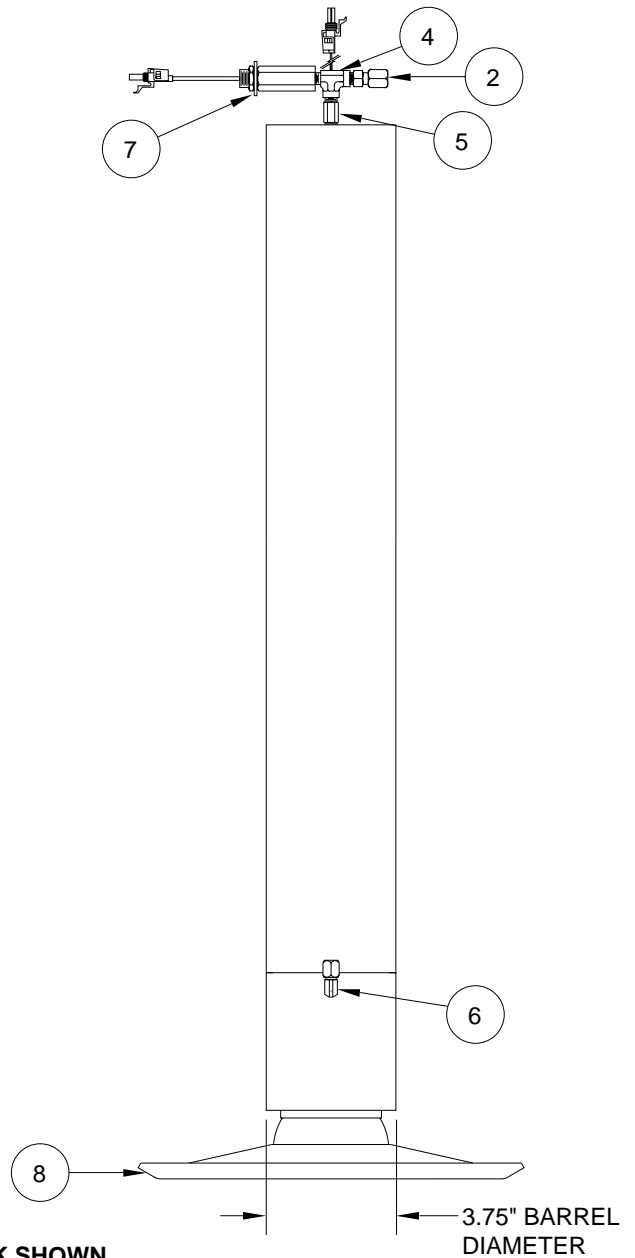


# AP49608

## STRAIGHT-ACTING JACK, FIXED, POWER EXTEND / POWER RETRACT 24,000 # CAPACITY; 3.500" ROD DIAMETER; 24.00" STROKE



BASIC JACK SHOWN



ITEM	PART	QTY	DESCRIPTION
1	RAP93062	1	JACK ASSY 24,000# x 24" DA BASIC JACK ONLY
2	RF90919	1	MALE CONNECTOR 1/8" X 5/16"
3	RAP90968	1	SWITCH WARNING MAGNETIC GRAY
4	RF90093	1	STREET TEE 1/8"

ITEM	PART	QTY	DESCRIPTION
5	RF93065	1	NIPPLE 1/8" x 1.5" LONG
6	RF1453	1	ELBOW 1/4"
7	RAP90874	1	SWITCH PRESS. 550 PSI
8	RAP92575	1	FOOT 13.40" DIAMETER

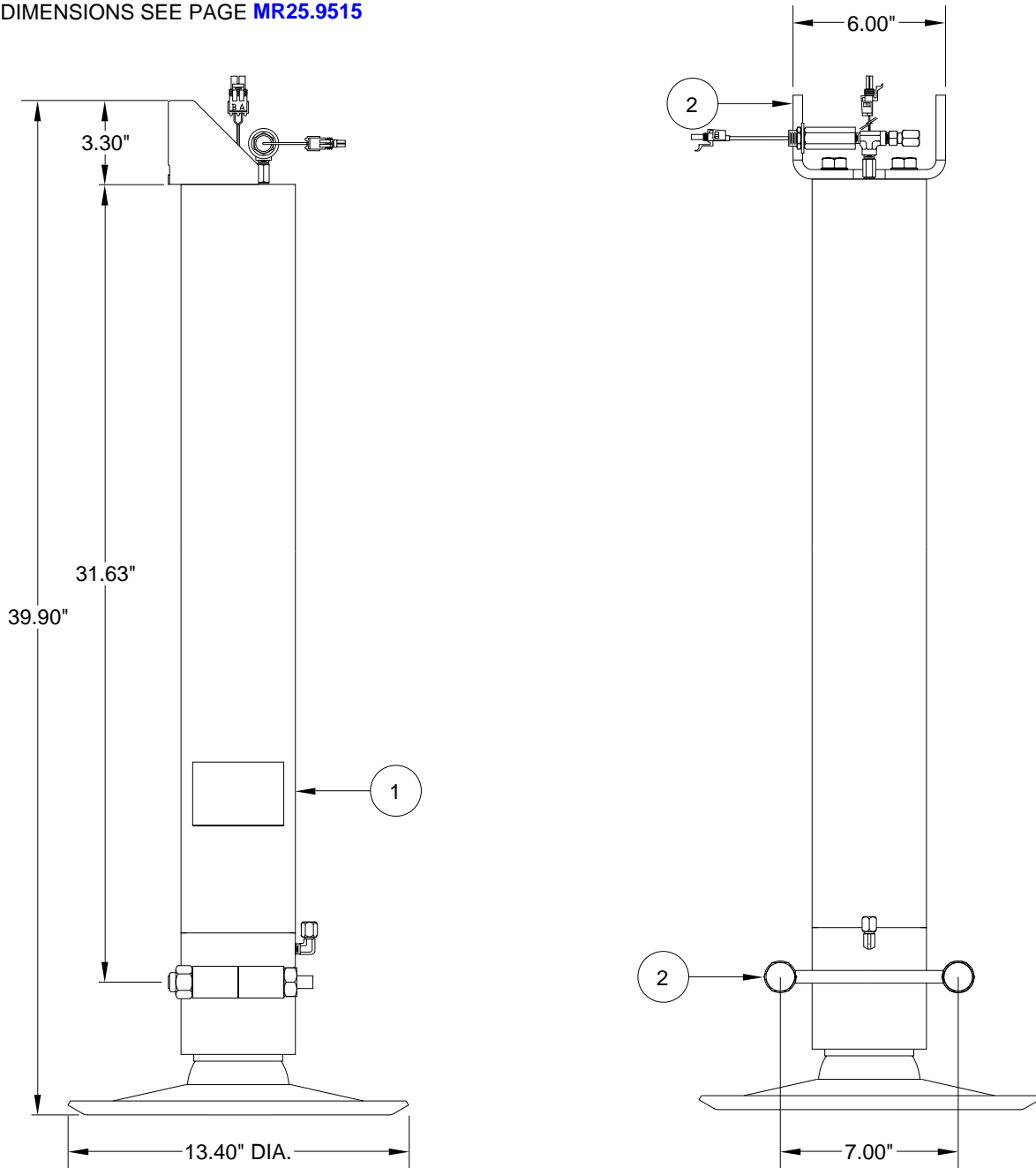
NOTE: INDENTED ITEMS ARE INCLUDED WITH PRECEDING ITEM.

MR27.9515  
10APR12

# AP43517

## STRAIGHT-ACTING JACK, FIXED, POWER EXTEND / POWER RETRACT 24,000 # CAPACITY; 3.500" ROD DIAMETER; 24.00" STROKE

FOR BASIC JACK INFORMATION INCLUDING CYLINDER, SWITCHES AND SPRINGS OR JACK DIMENSIONS  
DIMENSIONS SEE PAGE [MR25.9515](#)



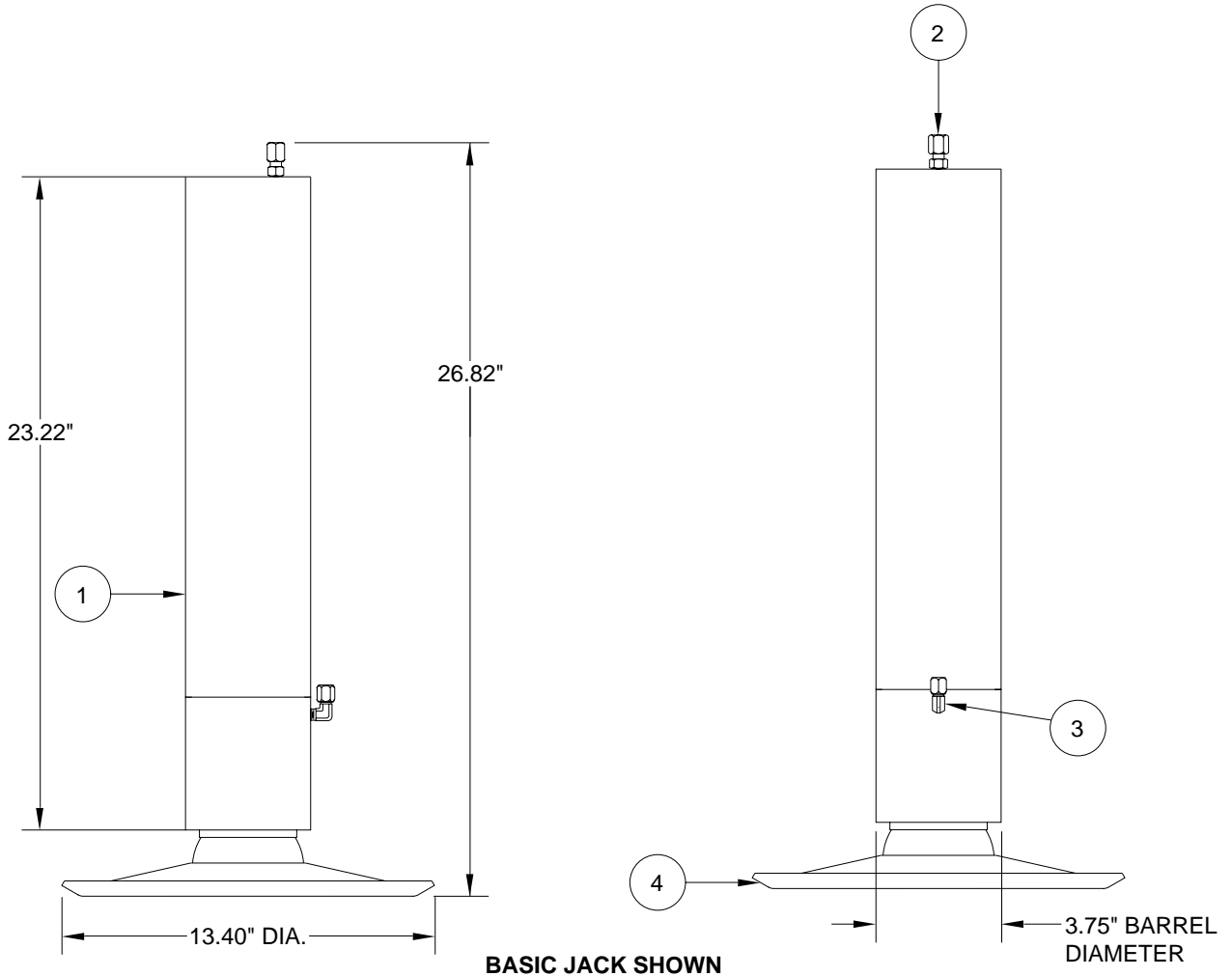
ITEM	PART	QTY	DESCRIPTION
1	RAP93062	1	JACK ASSY 24,000# x 24" DA BASIC JACK ONLY SEE MR27.9515 DOES NOT INCLUDE ITEM #2

ITEM	PART	QTY	DESCRIPTION
2	RAP93135	1	MTG BRKT KIT HARDWARE INCLUDED

NOTE: INDENTED ITEMS ARE INCLUDED WITH PRECEDING ITEM.

MR27.9515A  
18APR12

**AP49675 - STRAIGHT-ACTING JACK, FIXED**  
**POWER EXTEND / POWER RETRACT**  
**24,000 # CAPACITY; 3.500" ROD DIAMETER; 13.00" STROKE**



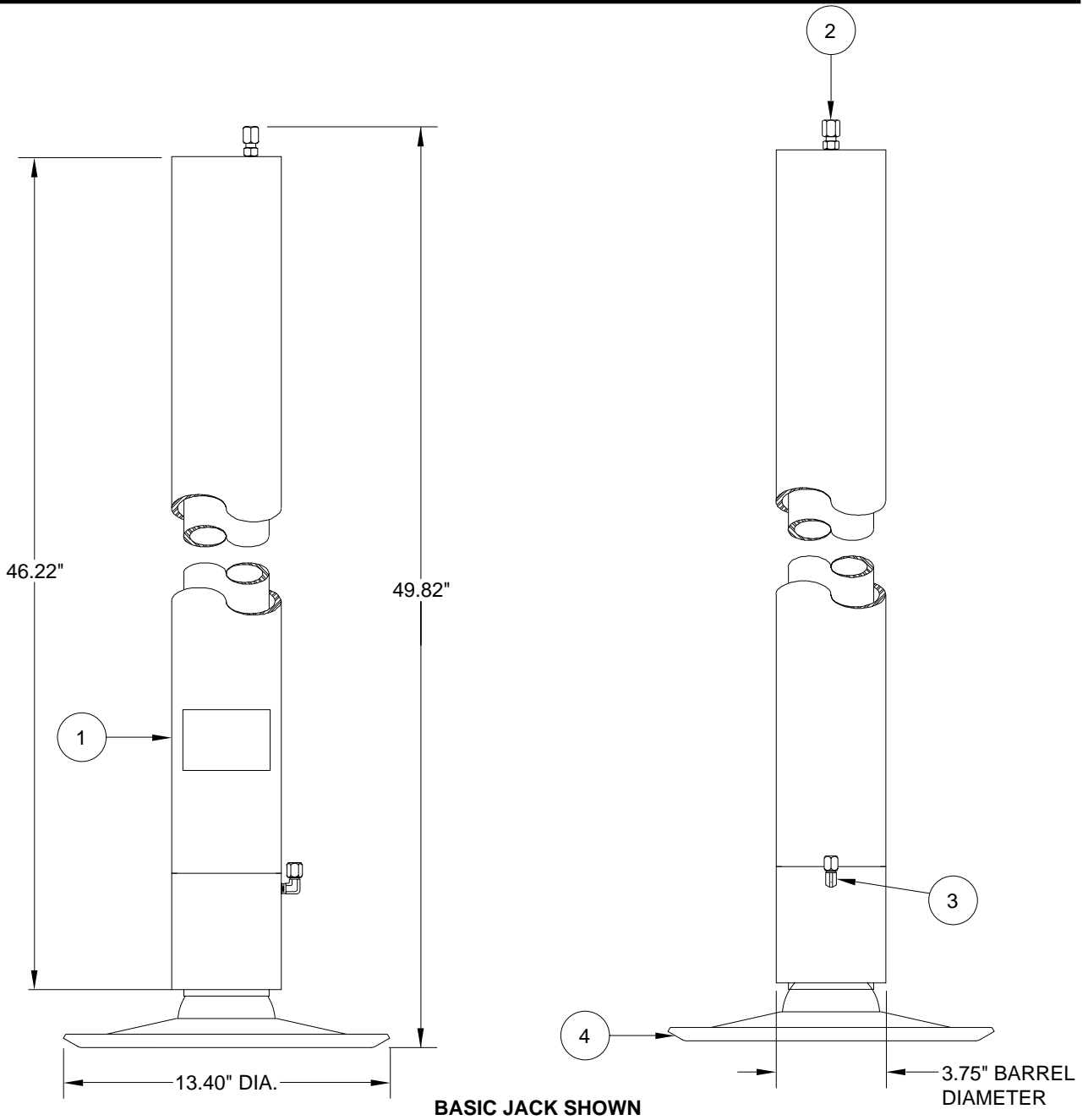
ITEM	PART	QTY	DESCRIPTION
1	RAP93063	1	JACK ASSY 24,000# x 13" DA BASIC JACK ONLY
2	RF90919	1	MALE CONNECTOR 1/8" X 5/16"

ITEM	PART	QTY	DESCRIPTION
3	RF1453	1	ELBOW 1/4"
4	RAP92575	1	FOOT 13.40" DIAMETER

**NOTE:** INDENTED ITEMS ARE INCLUDED WITH PRECEDING ITEM.

**MR27.9520**  
**10APR12**

**AP49678 - STRAIGHT-ACTING JACK, FIXED**  
**POWER EXTEND / POWER RETRACT**  
**24,000 # CAPACITY; 3.500" ROD DIAMETER; 36.00" STROKE**



ITEM	PART	QTY	DESCRIPTION
1	RAP93064	1	JACK ASSY 24,000# x 36" DA BASIC JACK ONLY
2	RF90919	1	MALE CONNECTOR 1/8" X 5/16"

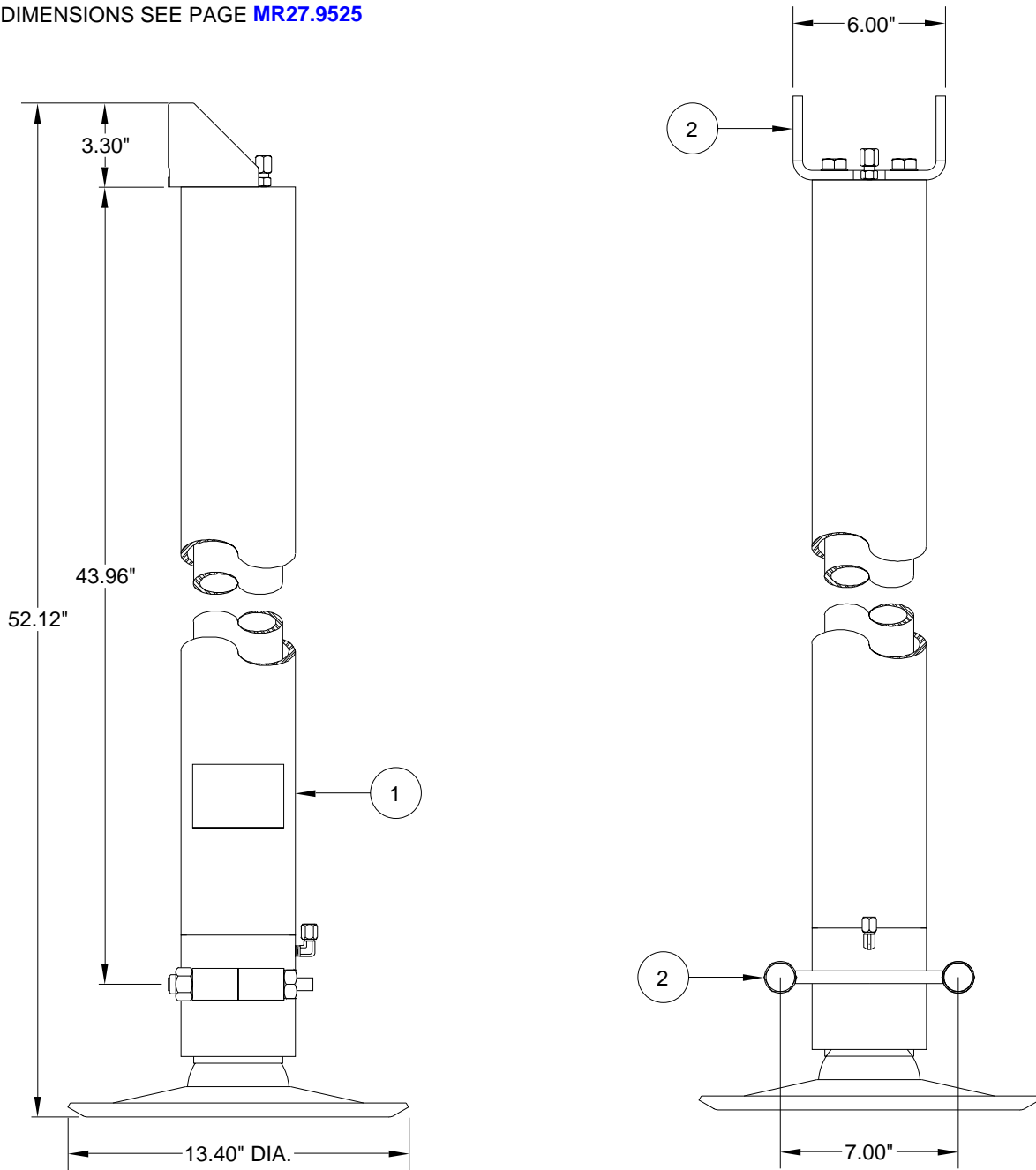
ITEM	PART	QTY	DESCRIPTION
3	RF1453	1	ELBOW 1/4"
4	RAP92575	1	FOOT 13.40" DIAMETER

**NOTE:** INDENTED ITEMS ARE INCLUDED WITH PRECEDING ITEM.

**MR27.9525**  
**10APR12**

**AP49802 - STRAIGHT-ACTING JACK, FIXED**  
**POWER EXTEND / POWER RETRACT**  
**24,000 # CAPACITY; 3.500" ROD DIAMETER; 36.00" STROKE**

FOR BASIC JACK INFORMATION INCLUDING CYLINDER, SWITCHES AND SPRINGS OR JACK DIMENSIONS  
 DIMENSIONS SEE PAGE [MR27.9525](#)



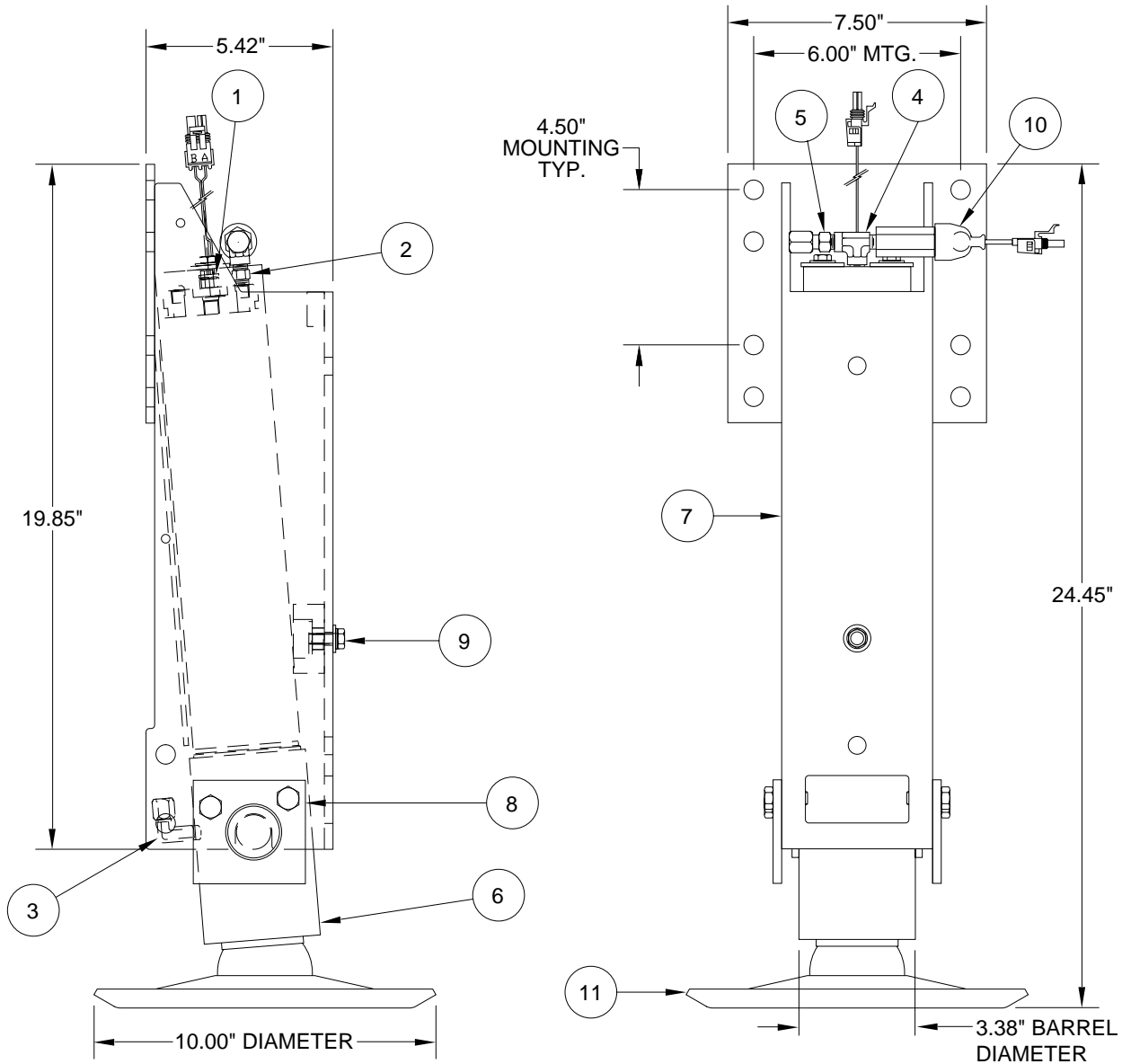
ITEM	PART	QTY	DESCRIPTION
1	RAP93064	1	JACK ASSY 24,000# x 36" DA BASIC JACK ONLY SEE MR27.9525 DOES NOT INCLUDE ITEM #2

ITEM	PART	QTY	DESCRIPTION
2	RAP93135	1	MTG BRKT KIT HARDWARE INCLUDED

**NOTE:** INDENTED ITEMS ARE INCLUDED WITH PRECEDING ITEM.

**MR27.9525A**  
**18APR12**

**AP43805 - STRAIGHT ACTING JACK, 4 DEGREE PIVOT, DOUBLE ACTING**  
**12,000 # CAPACITY; 2.375" ROD DIAMETER; 13.00" STROKE; BOLT-ON FOOT**  
**WITH MAGNETIC WARNING SWITCH AND PRESSURE SWITCH**



ITEM	PART	QTY	DESCRIPTION
1	RAP90968	1	SWITCH WARNING MAGNETIC GRAY
2	RF9315	1	NIPPLE 1/8"
3	RF1511	1	LONG ELBOW
4	RF90093	1	STREET TEE 1/8"
5	RF90919	1	MALE CONNECTOR 1/8" X 5/16"
6	RAP92238	1	CYL. ASSY. 2.375" x 13" DA (INCLUDES ITEMS 1,5) (EXCLUDES ITEMS 2,3,4,10)
7	RAP92562	1	PIVOT BRACKET

ITEM	PART	QTY	DESCRIPTION
8	RAP1735	1	RETAINING PLATE KIT
		2	RETAINING PLATES
		4	HHCS 3/8 - 16 x 1"
		4	HEX NUT 3/8 - 16 LOCK
9	R92561	1	STOP KIT
		1	HHCS 5/16-18 X 0.75"
		1	BUMPER URETHANE
		1	BUSHING
		1	LOCK WASHER 5/16"
		1	FLAT WASHER 5/16"
10	RAP90874	1	SWITCH PRESS. 550 PSI
11	RAP92563	1	FOOT 10.00" DIAMETER

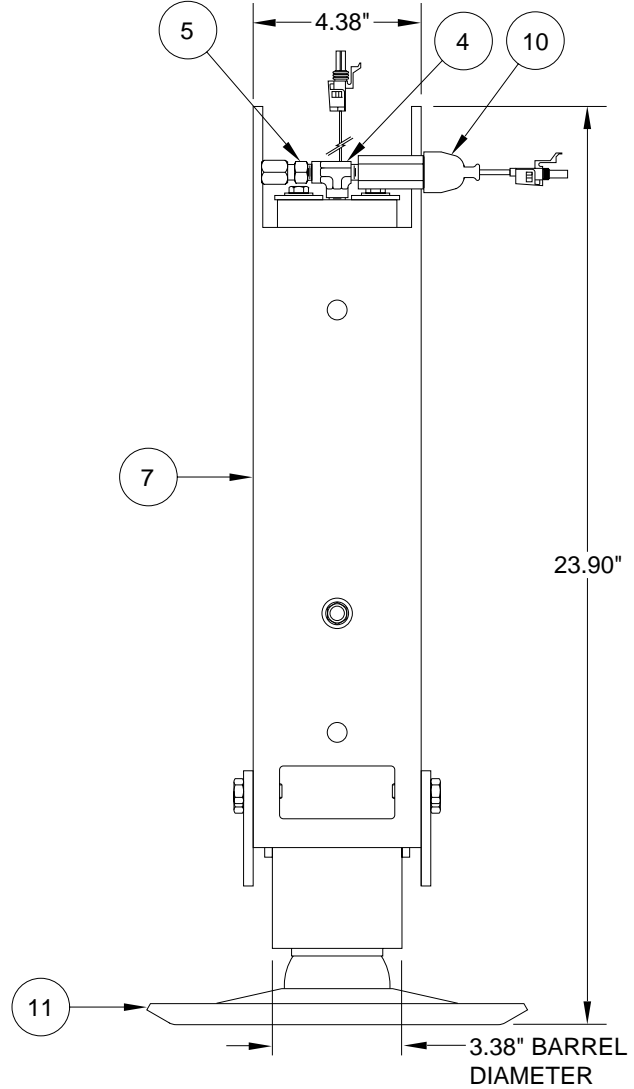
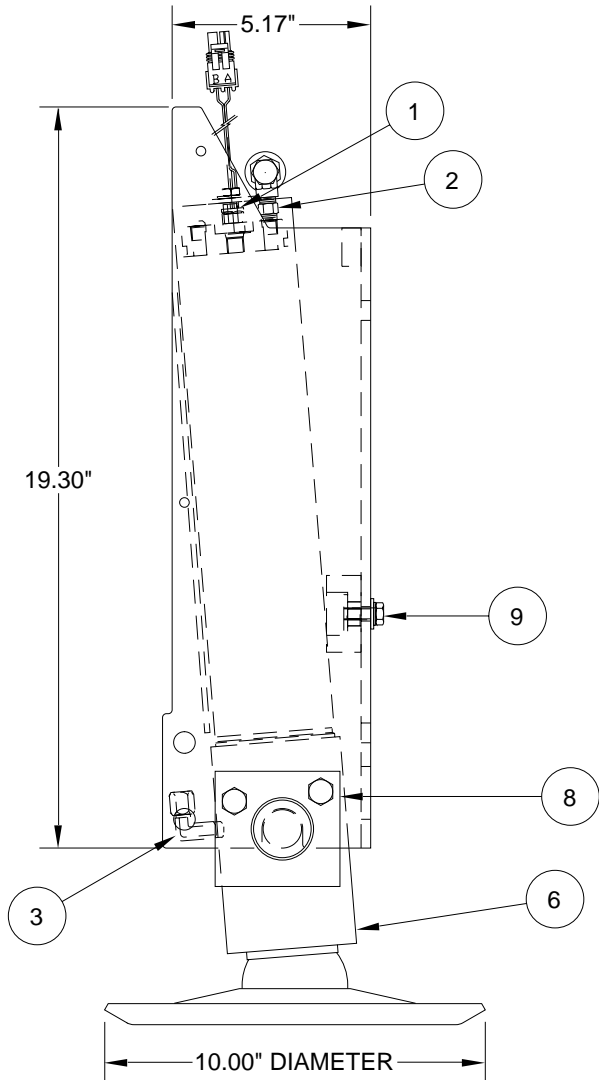
**NOTE:** INDENTED ITEMS ARE INCLUDED WITH PRECEDING ITEM.

**MR28.5000**  
**13JUL09**

## AP44191 - AP44828

### STRAIGHT ACTING JACK, 4 DEGREE PIVOT, DOUBLE ACTING 12,000 # CAPACITY; 2.375" ROD DIAMETER; 13.00" STROKE; BOLT-ON FOOT

JACK #	DESCRIPTION
AP44191	MAGNETIC WARNING SWITCH W/ GRAY CONNECTOR, PRESSURE SWITCH
AP44828	MAGNETIC WARNING SWITCH W/ GRAY CONNECTOR ONLY



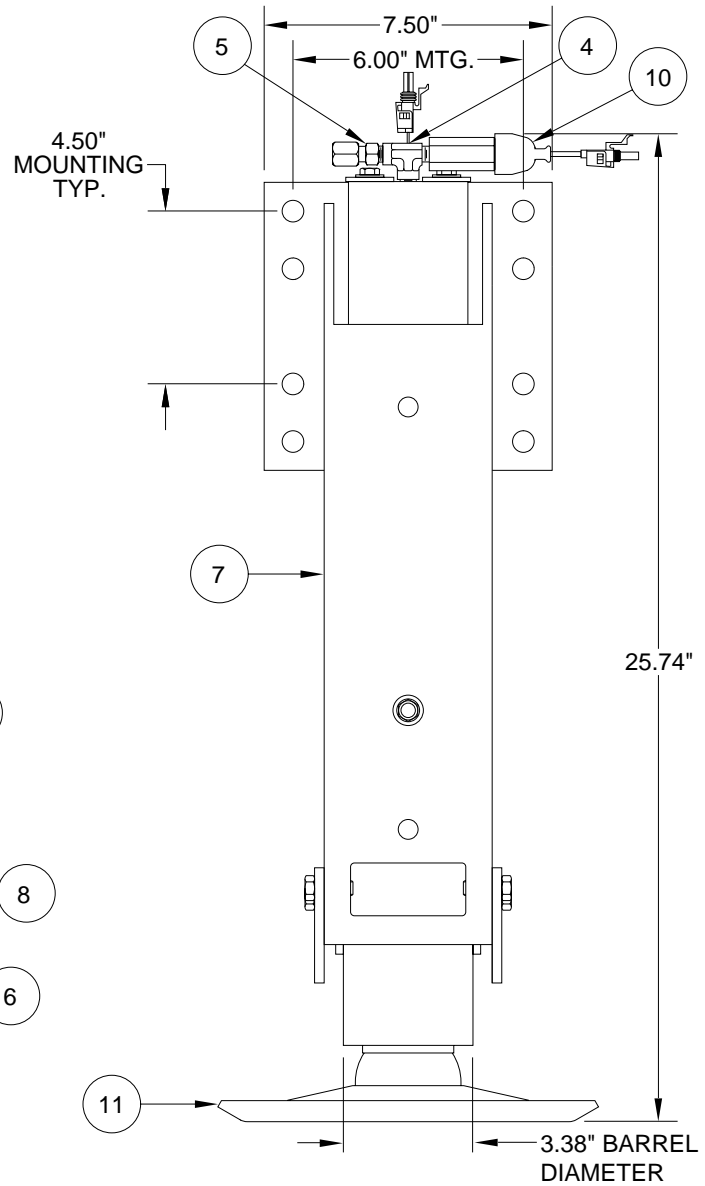
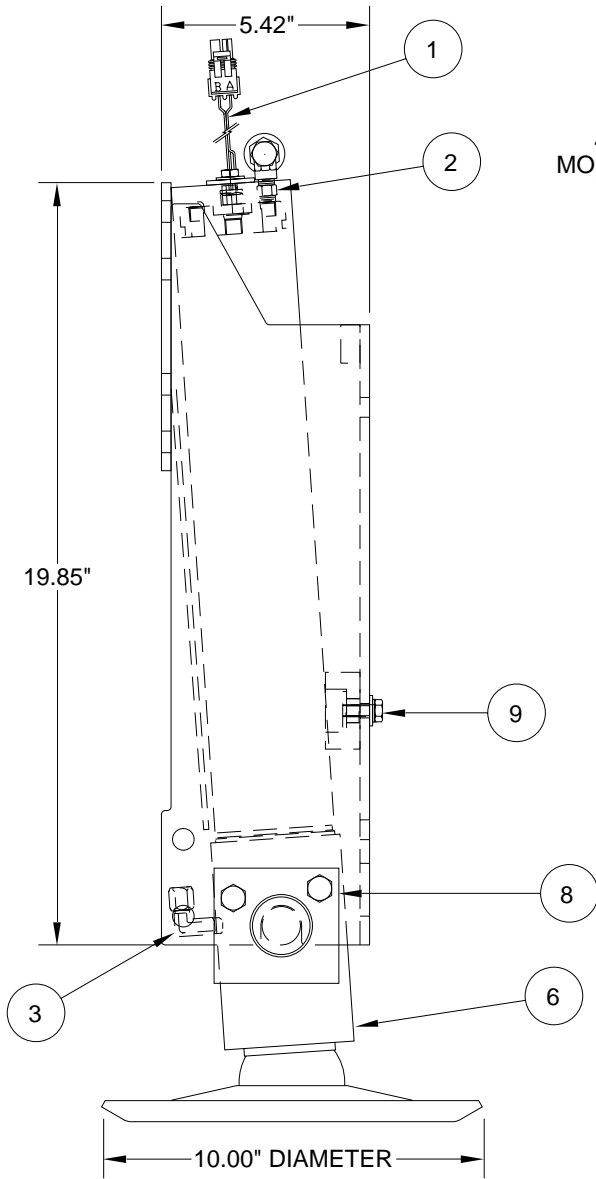
ITEM	PART	QTY	DESCRIPTION
1	RAP90968	1	SWITCH WARNING MAGNETIC GRAY
2	RF9315	1	NIPPLE 1/8"
3	RF1511	1	LONG ELBOW
4	RF90093	1	STREET TEE 1/8"
5	RF90919	1	MALE CONNECTOR 1/8" X 5/16"
6	RAP92238	1	CYL. ASSY. 2.375" x 13" DA (INCLUDES ITEMS 1,5) (EXCLUDES ITEMS 2,3,4,10)
7	RAP92564	1	PIVOT BRACKET

ITEM	PART	QTY	DESCRIPTION
8	RAP1735	1	RETAINING PLATE KIT
		2	RETAINING PLATES
		4	HHCS 3/8 - 16 x 1"
		4	HEX NUT 3/8 - 16 LOCK
9	R92561	1	STOP KIT
		1	HHCS 5/16-18 X 0.75"
		1	BUMPER URETHANE
		1	BUSHING
		1	LOCK WASHER 5/16"
		1	FLAT WASHER 5/16"
10	RAP90874	1	SWITCH PRESS. 550 PSI (AP44191 ONLY)
11	RAP92563	1	FOOT 10.00" DIAMETER

**NOTE:** INDENTED ITEMS ARE INCLUDED WITH PRECEDING ITEM.

**MR28.5010  
14JUL09**

**AP43789 - STRAIGHT ACTING JACK, 4 DEGREE PIVOT, DOUBLE ACTING**  
**12,000 # CAPACITY; 2.375" ROD DIAMETER; 16.00" STROKE; BOLT-ON FOOT**  
**WITH MAGNETIC WARNING SWITCH AND PRESSURE SWITCH**



ITEM	PART	QTY	DESCRIPTION
1	RAP90968	1	SWITCH WARNING MAGNETIC GRAY
2	RF9315	1	NIPPLE 1/8"
3	RF1511	1	LONG ELBOW
4	RF90093	1	STREET TEE 1/8"
5	RF90919	1	MALE CONNECTOR 1/8" X 5/16"
6	RAP92236	1	CYL. ASSY. 2.375" x 16" DA (INCLUDES ITEMS 1,5) (EXCLUDES ITEMS 2,3,4,10)
7	RAP92562	1	PIVOT BRACKET

ITEM	PART	QTY	DESCRIPTION
8	RAP1735	1	RETAINING PLATE KIT
		2	RETAINING PLATES
		4	HHCS 3/8 - 16 x 1"
		4	HEX NUT 3/8 - 16 LOCK
9	R92561	1	STOP KIT
		1	HHCS 5/16-18 X 0.75"
		1	BUMPER URETHANE
		1	BUSHING
		1	LOCK WASHER 5/16"
		1	FLAT WASHER 5/16"
10	RAP90874	1	SWITCH PRESS. 550 PSI
11	RAP92563	1	FOOT 10.00" DIAMETER

**NOTE:** INDENTED ITEMS ARE INCLUDED WITH PRECEDING ITEM.

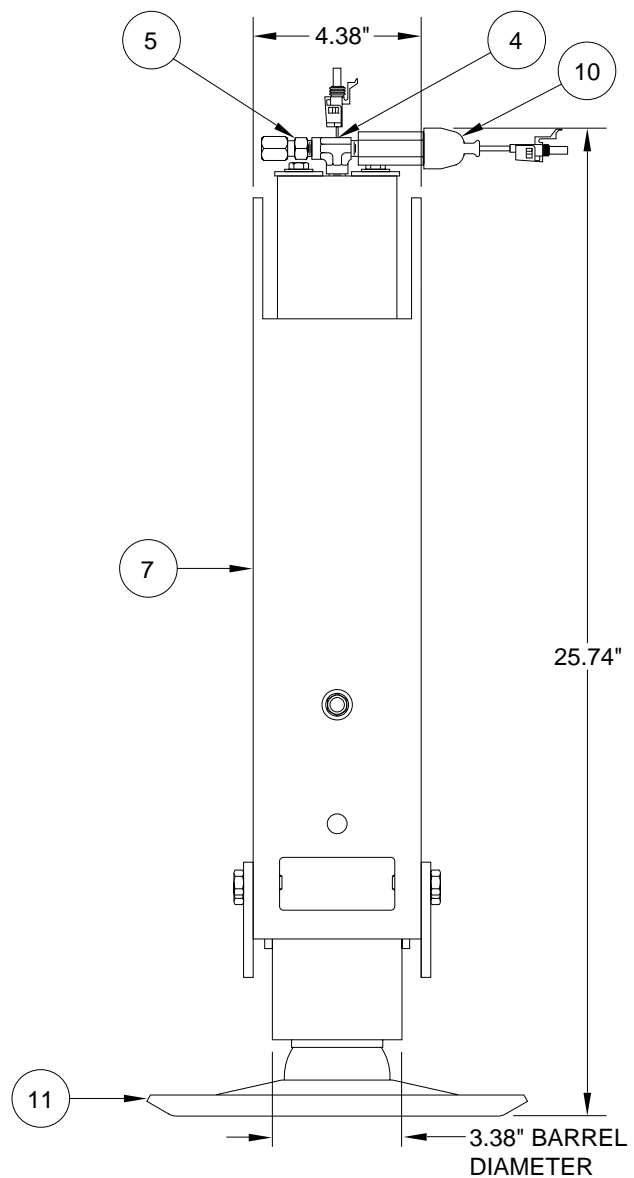
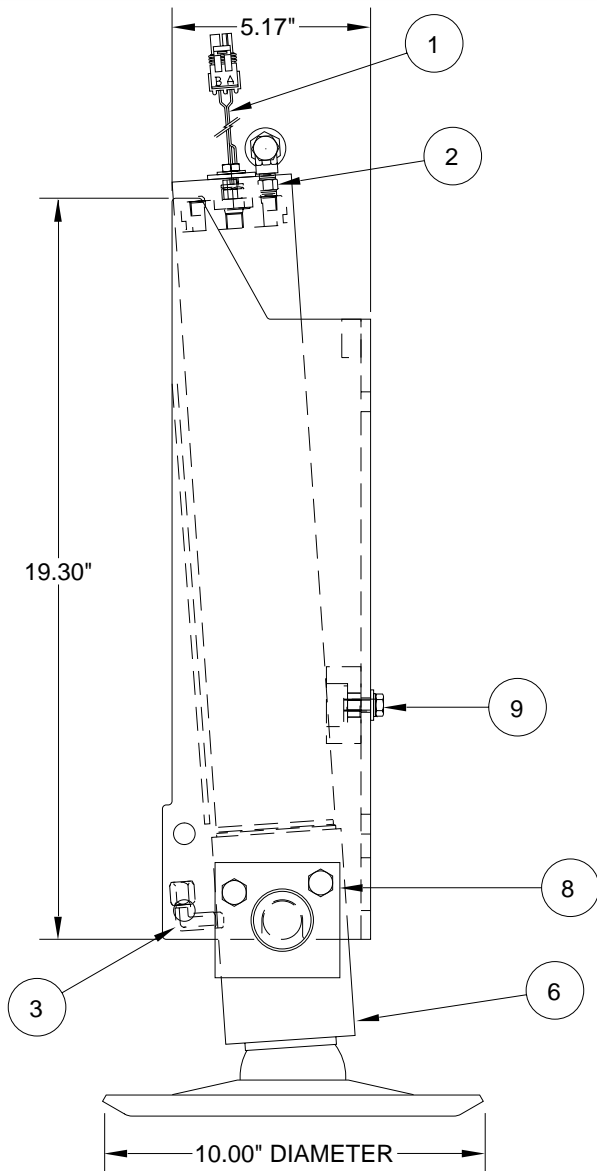
**MR28.5500**  
**14JUL09**



## AP44192 - AP44829

### STRAIGHT ACTING JACK, 4 DEGREE PIVOT, DOUBLE ACTING 12,000 # CAPACITY; 2.375" ROD DIAMETER; 16.00" STROKE; BOLT-ON FOOT

JACK #	DESCRIPTION
AP44192	MAGNETIC WARNING SWITCH W/ GRAY CONNECTOR, PRESSURE SWITCH
AP44829	MAGNETIC WARNING SWITCH W/ GRAY CONNECTOR ONLY



ITEM	PART	QTY	DESCRIPTION
1	RAP90968	1	SWITCH WARNING MAGNETIC GRAY
2	RF9315	1	NIPPLE 1/8"
3	RF1511	1	LONG ELBOW
4	RF90093	1	STREET TEE 1/8"
5	RF90919	1	MALE CONNECTOR 1/8" X 5/16"
6	RAP92236	1	CYL. ASSY. 2.375" x 16" DA (INCLUDES ITEMS 1,5) (EXCLUDES ITEMS 2,3,4,10)
7	RAP92564	1	PIVOT BRACKET

ITEM	PART	QTY	DESCRIPTION
8	RAP1735	1	RETAINING PLATE KIT
		2	RETAINING PLATES
		4	HHCS 3/8 - 16 x 1"
		4	HEX NUT 3/8 - 16 LOCK
9	R92561	1	STOP KIT
		1	HHCS 5/16-18 X 0.75"
		1	BUMPER URETHANE
		1	BUSHING
		1	LOCK WASHER 5/16"
		1	FLAT WASHER 5/16"
10	RAP90874	1	SWITCH PRESS. 550 PSI (AP44192 ONLY)
11	RAP92563	1	FOOT 10.00" DIAMETER

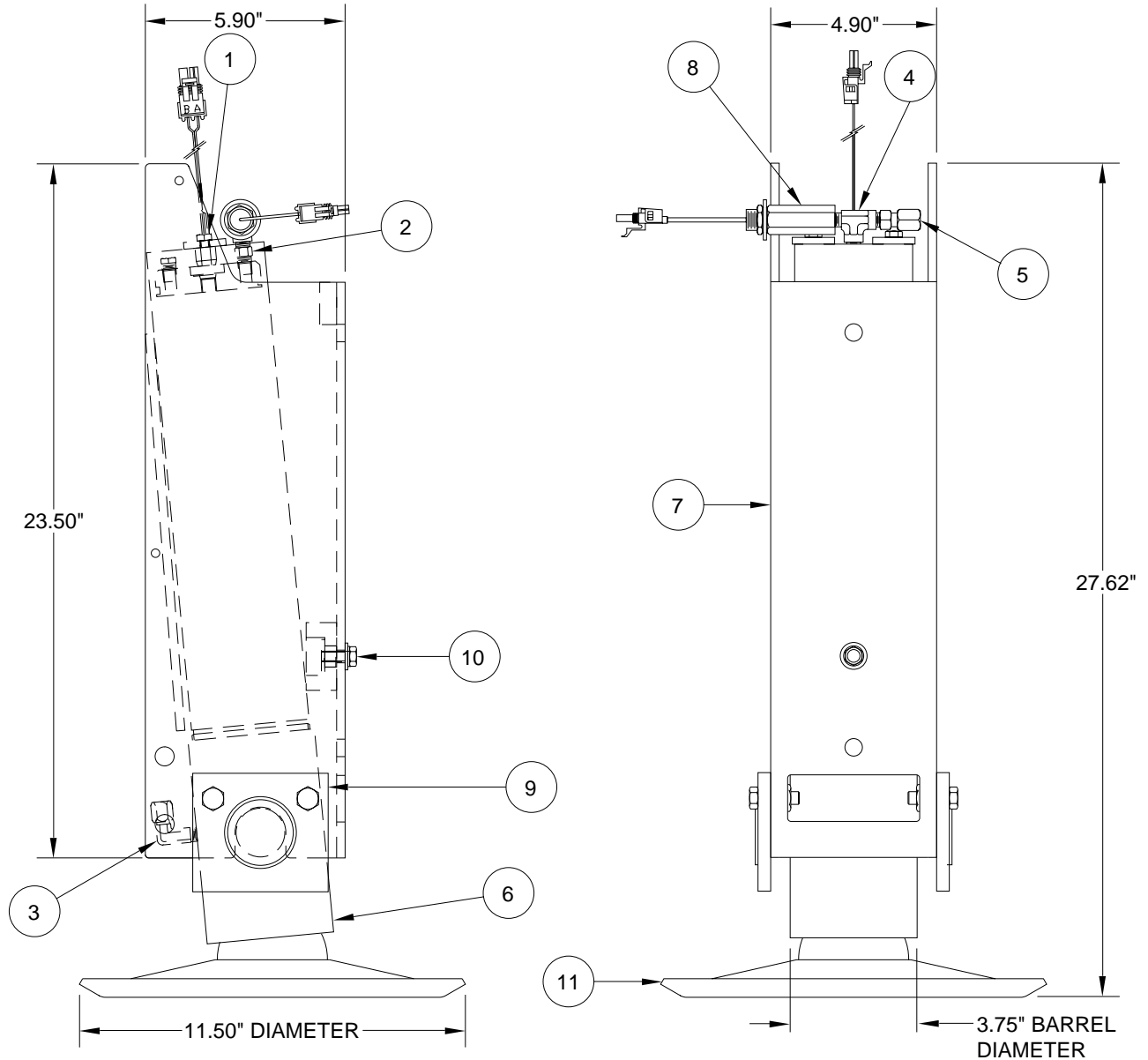
NOTE: INDENTED ITEMS ARE INCLUDED WITH PRECEDING ITEM.

**MR28.5510**  
**14JUL09**

## AP44830 - AP46241

### STRAIGHT-ACTING JACK, 5 DEGREE PIVOT, POWER EXTEND / POWER RETRACT 16,000 # CAPACITY; 2.750" ROD DIAMETER; 13.00" STROKE; BOLT-ON FOOT

JACK #	DESCRIPTION
AP44830	MAGNETIC WARNING SWITCH W/ GRAY CONNECTOR ONLY
AP46241	MAGNETIC WARNING SWITCH W/ GRAY CONNECTOR, PRESSURE SWITCH



ITEM	PART	QTY	DESCRIPTION
1	RAP90968	1	SWITCH WARNING MAGNETIC GRAY
2	RF9315	1	NIPPLE 1/8"
3	RF1511	1	LONG ELBOW
4	RF90093	1	STREET TEE 1/8"
5	RF90919	1	MALE CONNECTOR 1/8" X 5/16"
6	RAP92565	1	CYL. ASSY. 2.750" x 13" DA (INCLUDES ITEMS 1,5) (EXCLUDES ITEMS 2,3,4,8,11)
7	RAP92566	1	PIVOT BRACKET
8	RAP90874	1	SWITCH PRESS. 550 PSI (AP46241 ONLY)

ITEM	PART	QTY	DESCRIPTION
9	RAP1736	1	RETAINING PLATE KIT 2 RETAINING PLATES 4 HHCS 3/8 - 16 x 1"
10	R92561	1	STOP KIT 4 HEX NUT 3/8 - 16 LOCK 1 HHCS 5/16-18 X 0.75" 1 BUMPER URETHANE 1 BUSHING 1 LOCK WASHER 5/16"
11	RAP92567	1	FLAT WASHER 5/16" FOOT 11.5" DIAMETER

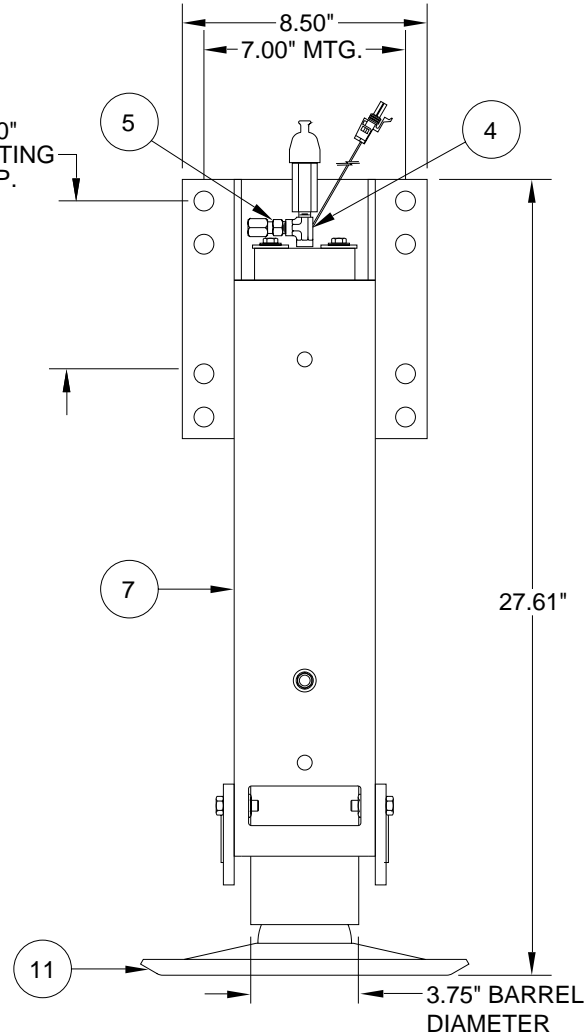
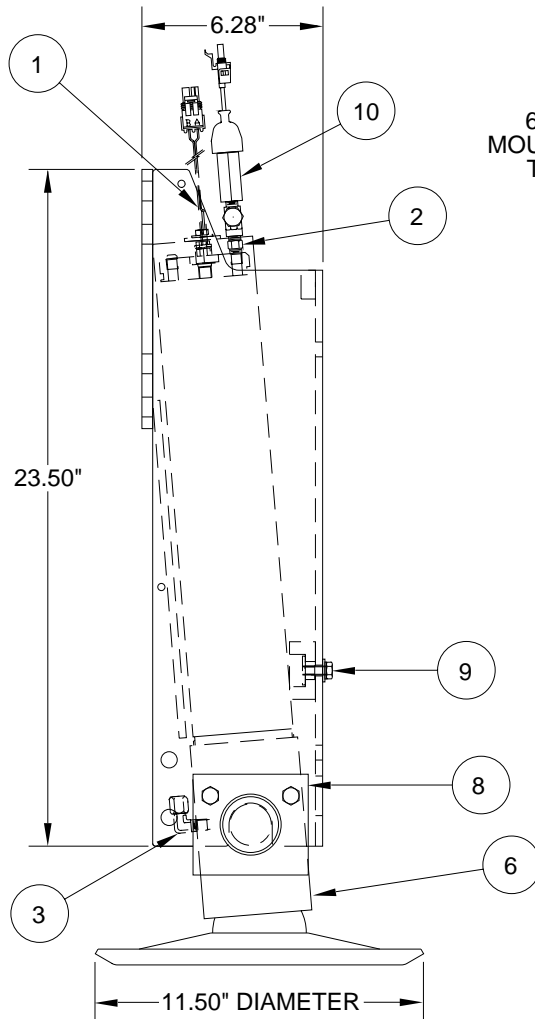
NOTE: INDENTED ITEMS ARE INCLUDED WITH PRECEDING ITEM.

**MR28.7000**  
**13JAN12**

## AP43727 - AP44831 - AP46242

### STRAIGHT-ACTING JACK, 5 DEGREE PIVOT, POWER EXTEND / POWER RETRACT 16,000 # CAPACITY; 2.750" ROD DIAMETER; 16.00" STROKE; BOLT-ON FOOT

JACK #	DESCRIPTION
AP43727	MAGNETIC WARNING SWITCH W/ GRAY CONNECTOR, PRESSURE SWITCH IS MOUNTED VERTICALLY
AP44831	MAGNETIC WARNING SWITCH W/ GRAY CONNECTOR ONLY
AP46242	MAGNETIC WARNING SWITCH W/ GRAY CONNECTOR, PRESSURE SWITCH IS MOUNTED HORIZONTALLY



ITEM	PART	QTY	DESCRIPTION
1	RAP90968	1	SWITCH WARNING MAGNETIC GRAY
2	RF9315	1	NIPPLE 1/8"
3	RF1511	1	LONG ELBOW
4	RF90093	1	STREET TEE 1/8"
5	RF90919	1	MALE CONNECTOR 1/8" X 5/16"
6	RAP92237	1	CYL. ASSY. 2.750" x 16" DA (INCLUDES ITEMS 1,5) (EXCLUDES ITEMS 2,3,4,10)
7	RAP92572	1	PIVOT BRACKET

ITEM	PART	QTY	DESCRIPTION
8	RAP1736	1	RETAINING PLATE KIT
		2	RETAINING PLATES
		4	HHCS 3/8 - 16 x 1"
		4	HEX NUT 3/8 - 16 LOCK
9	R92561	1	STOP KIT
		1	HHCS 5/16-18 X 0.75"
		1	BUMPER URETHANE
		1	BUSHING
		1	LOCK WASHER 5/16"
		1	FLAT WASHER 5/16"
10	RAP90874	1	SWITCH PRESS. 550 PSI (AP43727 AND AP46242)
11	RAP92567	1	FOOT 11.50" DIAMETER

**NOTE:** INDENTED ITEMS ARE INCLUDED WITH PRECEDING ITEM.

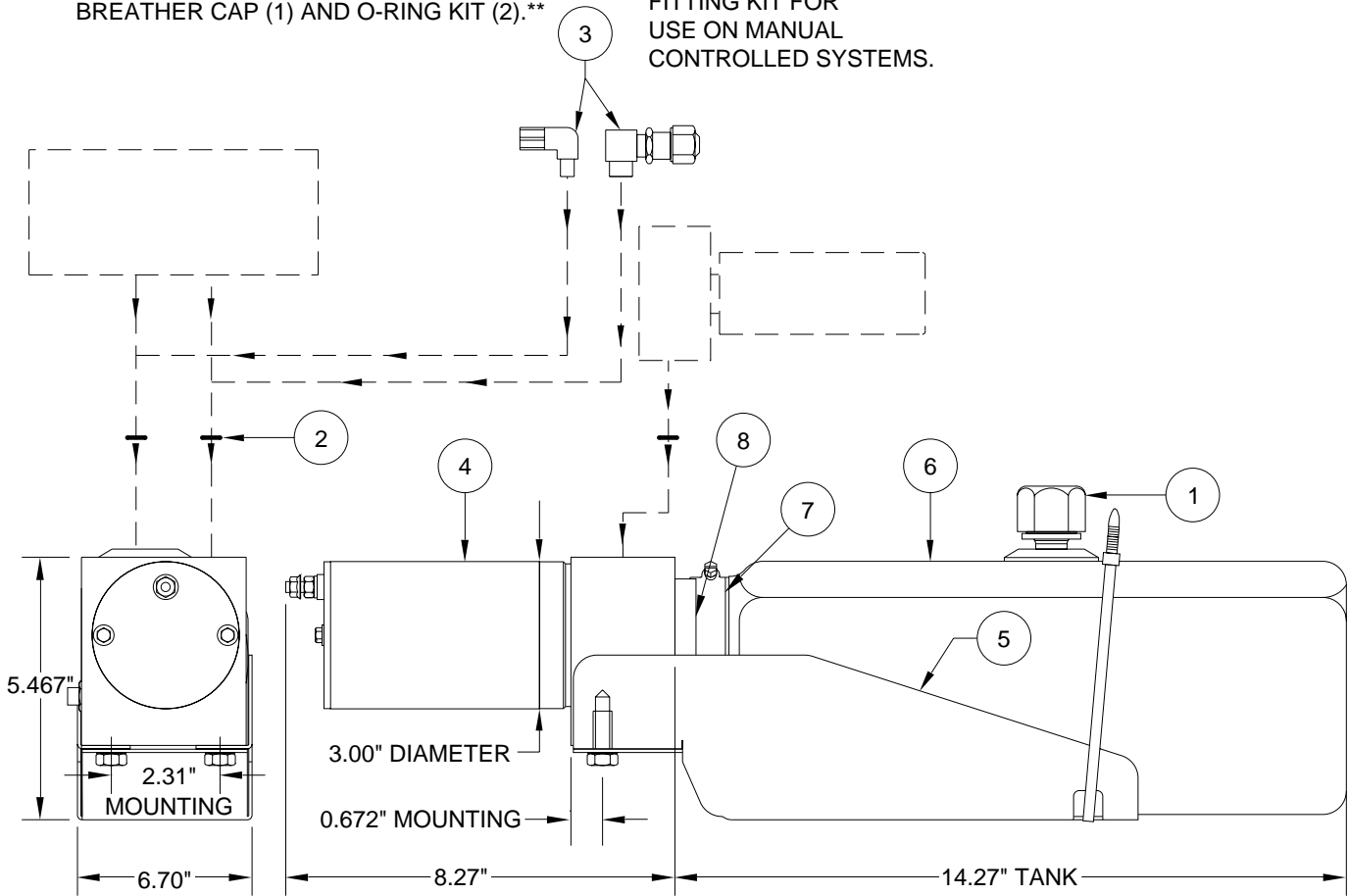
**MR28.7010  
13JAN12**

# PUMP/MOTOR/TANK ASSEMBLY AP34764 MONARCH - OBSOLETE

PUMP RELIEF IS SET AT 3500 PSI.

REPLACEMENT PUMP INCLUDES  
BREATHER CAP (1) AND O-RING KIT (2).\*\*

FITTING KIT FOR  
USE ON MANUAL  
CONTROLLED SYSTEMS.



**MONARCH  
0.7 GALLON BOTTOM MOUNT  
SUPPLIED 2005 TO 2007**

ITEM	PART	QTY	DESCRIPTION	ITEM	PART	QTY	DESCRIPTION
	RAP91912		POWER UNIT/BMM/0.7 GALLON 3" MOTOR	5	RAP91935	1	TANK SUPPORT
1	RAP7876	1	BREATHER CAP/ DIPSTICK	6	RP92029	1	TANK 0.7 GALLON 14.27" LONG
2	** R92957	1	O-RING KIT	7	RP92030	1	TANK BAND CLAMP
3	RAP0586	1	FITTING KIT	8	RP92069	1	O-RING TANK
4	RAP90311	1	MOTOR KIT 3.00"				

\*\*R92957 O-RING KIT INCLUDES (8) O2-015-9N  
O-RINGS FOR 11/16" SPOT FACE ON MANIFOLD

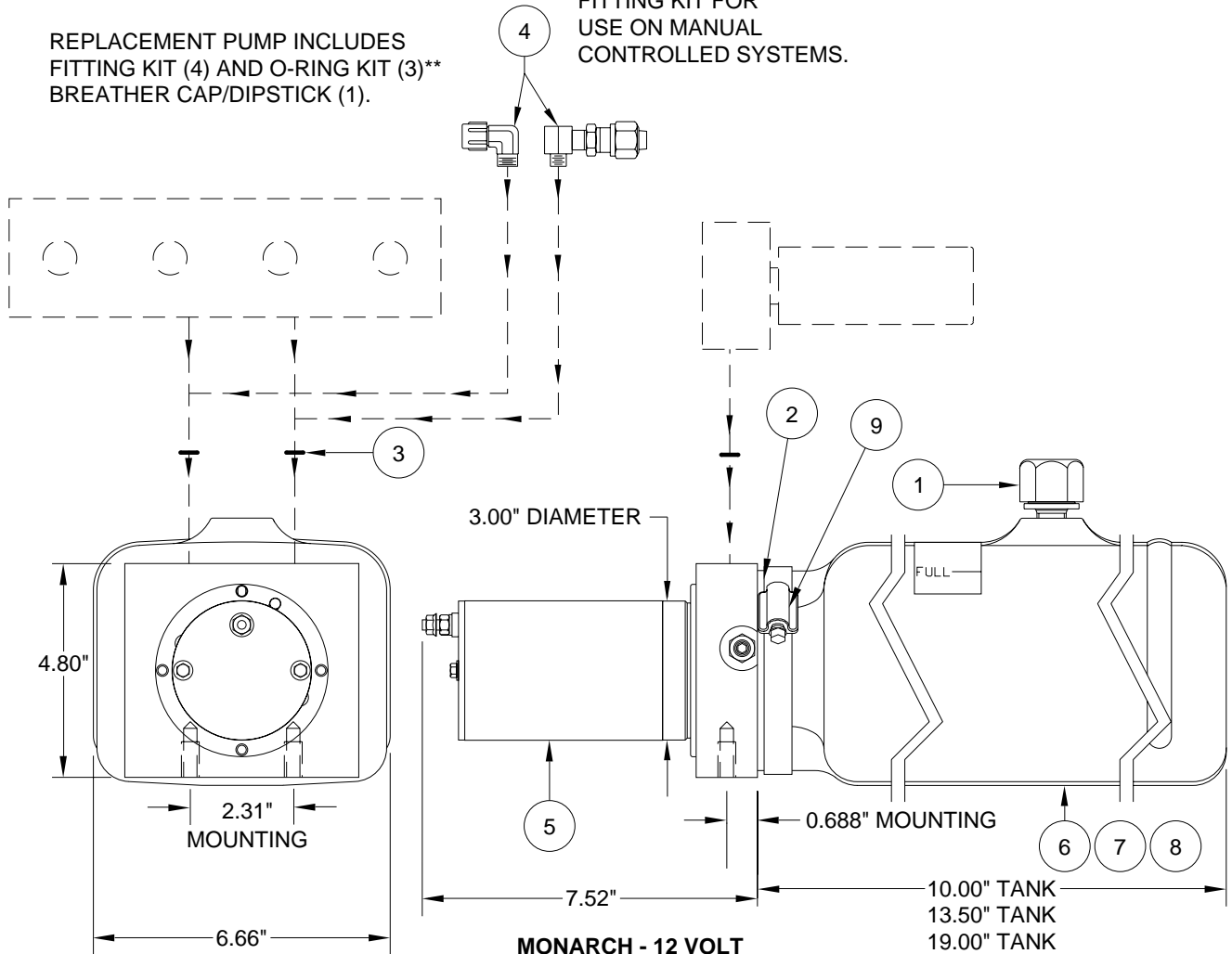
# PUMP/MOTOR/TANK ASSEMBLY

## AP40331/AP40332/AP44644 MONARCH

PUMP RELIEF IS SET AT 3500 PSI.

REPLACEMENT PUMP INCLUDES FITTING KIT (4) AND O-RING KIT (3)\*\* BREATHER CAP/DIPSTICK (1).

FITTING KIT FOR USE ON MANUAL CONTROLLED SYSTEMS.



**MONARCH - 12 VOLT  
3.00" MOTOR  
SUPPLIED 2007 TO PRESENT**

ITEM	PART	QTY	DESCRIPTION	ITEM	PART	QTY	DESCRIPTION
	RAP92088		POWER UNIT/BMM/0.8 GALLON 3.00" MOTOR (AP40331)	4	RAP0586	1	FITTING KIT
	RAP92089		POWER UNIT/BMM/1.2 GALLON 3.00" MOTOR (AP40332)	5	RAP90311	1	MOTOR KIT 3.00"
	RAP92589		POWER UNIT/BMM/1.6 GALLON 3.00" MOTOR (AP44644)	6	RP92196	1	TANK 0.8 GALLON 10.00" X 5.46" X 6.50"
1	RAP7876	1	BREATHER CAP/ DIPSTICK	7	RP92197	1	TANK 1.2 GALLON 13.50" X 5.46" X 6.50"
2	RP5008	1	O-RING TANK	8	RP92584	1	TANK 1.6 GALLON 19.00" X 5.46" X 6.50"
3	**R92957	1	O-RING KIT	9	RP92195	1	TANK BAND CLAMP 4.50"

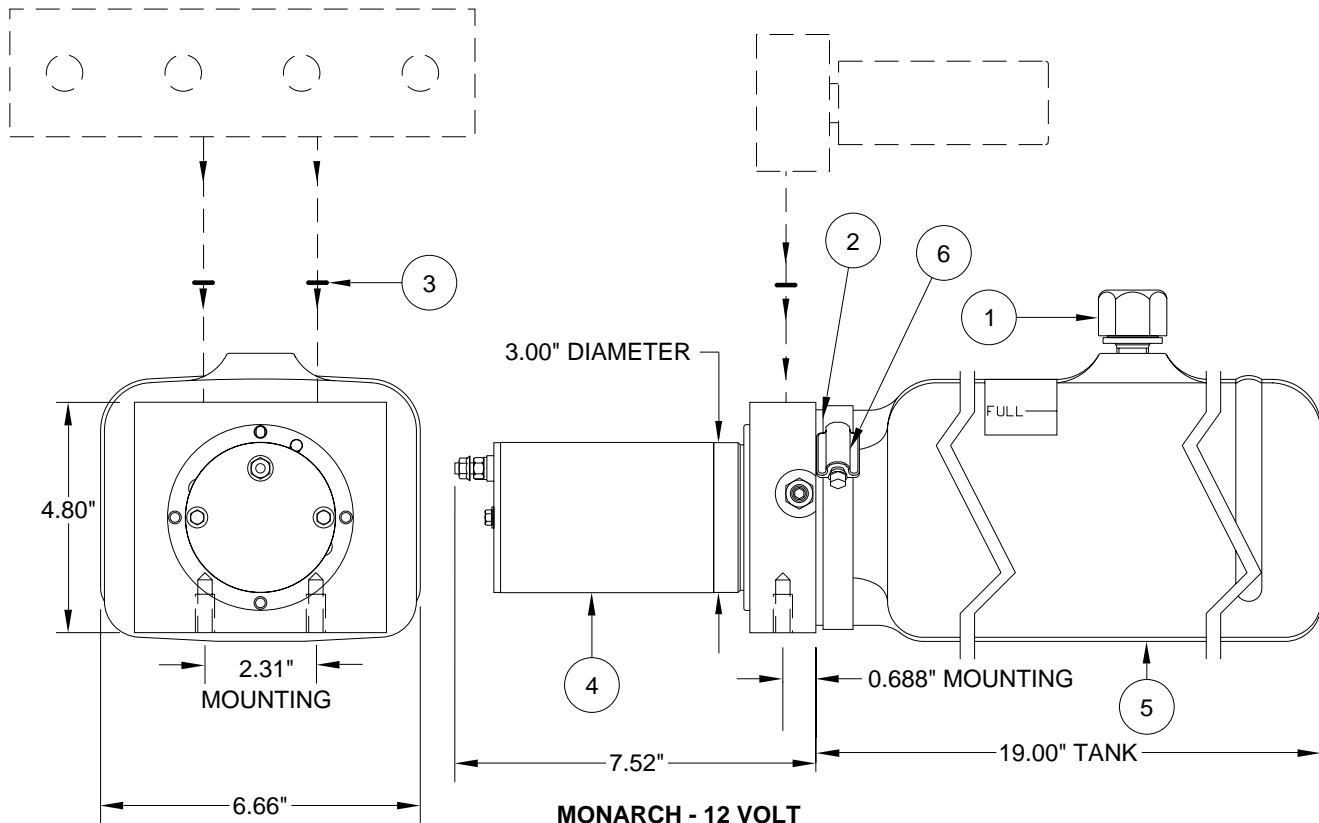
\*\*R92957 O-RING KIT INCLUDES (8) O2-015-9N O-RINGS FOR 11/16" SPOT FACE ON MANIFOLD

# PUMP/MOTOR/TANK ASSEMBLY

## AP43986 MONARCH

PUMP RELIEF IS SET AT 3000 PSI.

REPLACEMENT PUMP INCLUDES  
O-RING KIT (3)\*\* AND  
BREATHER CAP/DIPSTICK (1).



**MONARCH - 12 VOLT  
3.00" MOTOR  
SUPPLIED 2008 TO PRESENT**

ITEM	PART	QTY	DESCRIPTION	ITEM	PART	QTY	DESCRIPTION
	RAP92586		POWER UNIT/BMM/1.6 GALLON 3.00" MOTOR (AP43986)	3	**R92957	1	O-RING KIT
1	RAP7876	1	BREATHER CAP/ DIPSTICK	4	RAP90311	1	MOTOR KIT 3.00"
2	RP5008	1	O-RING TANK	5	RP92584	1	TANK 1.6 GALLON 19.00" X 5.46" X 6.50"
				6	RP92195	1	TANK BAND CLAMP 4.50"

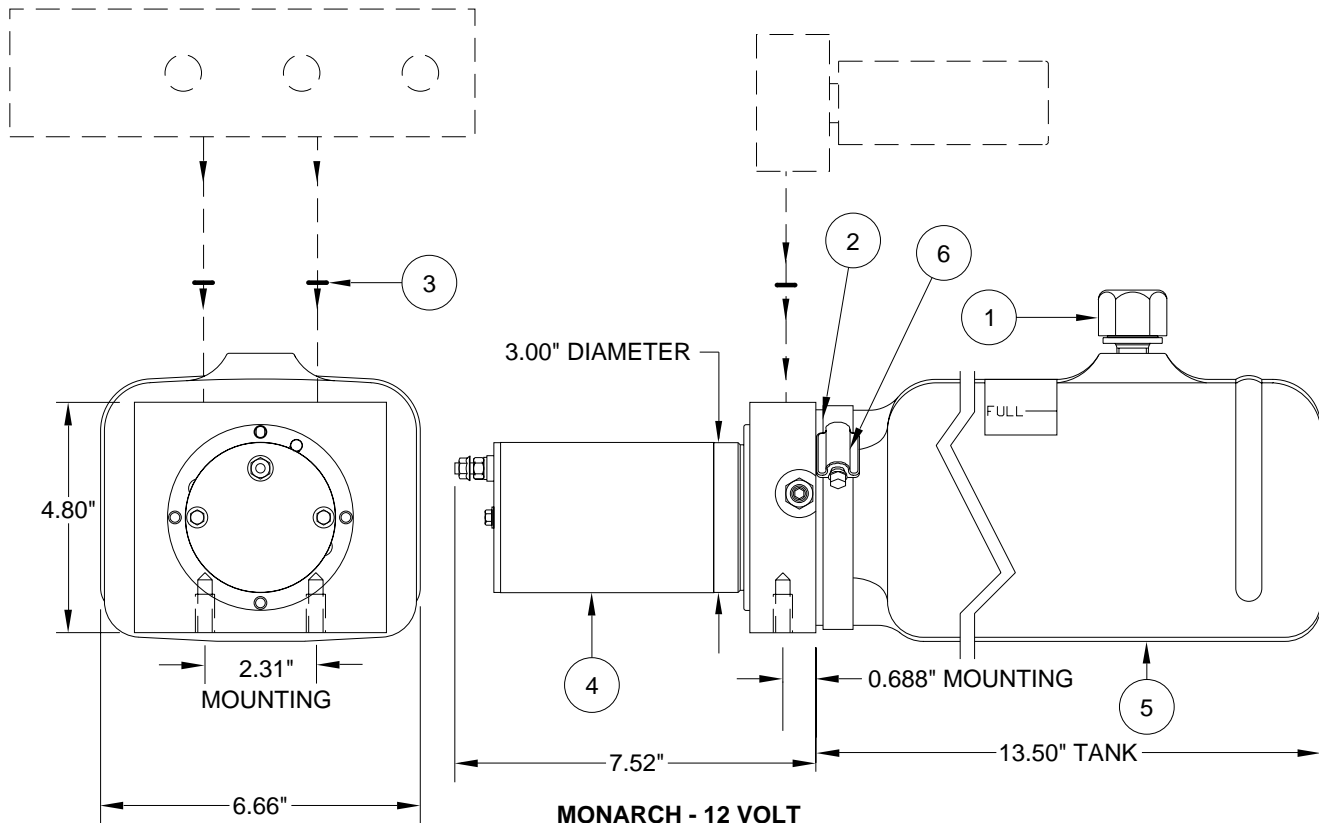
\*\*R92957 O-RING KIT INCLUDES (8) O2-015-9N O-RINGS FOR 11/16" SPOT FACE ON MANIFOLD

# PUMP/MOTOR/TANK ASSEMBLY

## AP40922 MONARCH

PUMP RELIEF IS SET AT 3000 PSI. (SOME EARLY PUMPS ARE SET AT 2500 PSI.)

REPLACEMENT PUMP INCLUDES  
O-RING KIT (3)\*\* AND  
BREATHER CAP/DIPSTICK (1).



**MONARCH - 12 VOLT  
3.00" MOTOR  
SUPPLIED 2007 TO PRESENT**

ITEM	PART	QTY	DESCRIPTION	ITEM	PART	QTY	DESCRIPTION
	RAP92090		POWER UNIT/BMM/1.2 GALLON 3.00" MOTOR	4	RAP90311	1	MOTOR KIT 3.00"
1	RAP7876	1	BREATHER CAP/ DIPSTICK	5	RP92197	1	TANK 1.2 GALLON 13.50" X 5.46" X 6.66"
2	RP5008	1	O-RING TANK	6	RP92195	1	TANK BAND CLAMP 4.50"
3	**R92957	1	O-RING KIT				

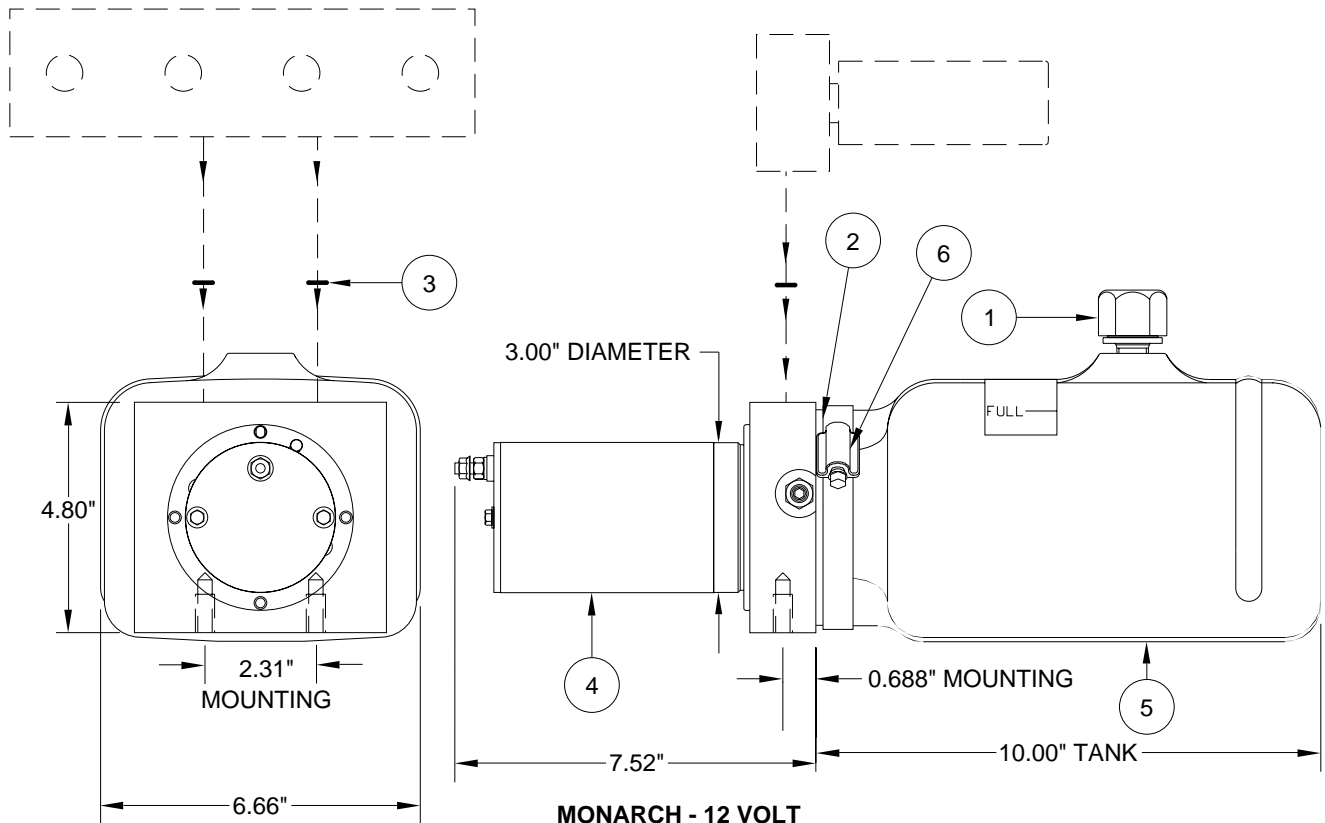
\*\*R92957 O-RING KIT INCLUDES (8) O2-015-9N  
O-RINGS FOR 11/16" SPOT FACE ON MANIFOLD

# PUMP/MOTOR/TANK ASSEMBLY

## AP43913 MONARCH

PUMP RELIEF IS SET AT 2000 PSI.

REPLACEMENT PUMP INCLUDES  
O-RING KIT (3)\*\* AND  
BREATHER CAP/DIPSTICK (1).



**MONARCH - 12 VOLT  
3.00" MOTOR  
SUPPLIED 2008 TO PRESENT**

ITEM	PART	QTY	DESCRIPTION	ITEM	PART	QTY	DESCRIPTION
	RAP92585		POWER UNIT/BMM/0.8 GALLON 3.00" MOTOR (AP43913)	3	**R92957	1	O-RING KIT
1	RAP7876	1	BREATHER CAP/ DIPSTICK	4	RAP90311	1	MOTOR KIT 3.00"
2	RP5008	1	O-RING TANK	5	RP92196	1	TANK 0.8 GALLON 10.00" X 5.46" X 6.50"
				6	RP92195	1	TANK BAND CLAMP 4.50"

\*\*R92957 O-RING KIT INCLUDES (8) O2-015-9N O-RINGS FOR 11/16" SPOT FACE ON MANIFOLD

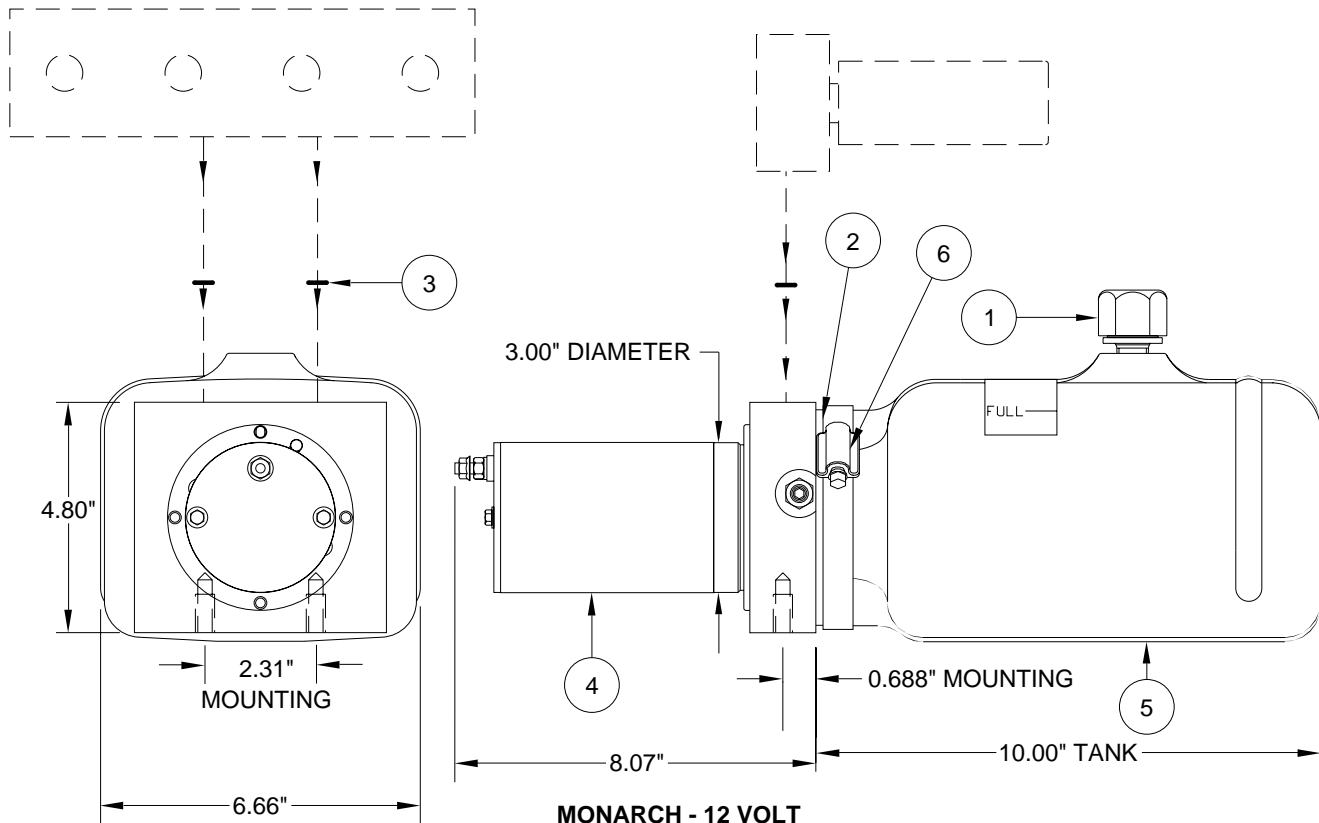


# PUMP/MOTOR/TANK ASSEMBLY

## AP48930 MONARCH

PUMP RELIEF IS SET AT 3500 PSI.

REPLACEMENT PUMP INCLUDES  
O-RING KIT (3)\*\* AND  
BREATHER CAP/DIPSTICK (1).



**MONARCH - 12 VOLT  
3.00\"/>**

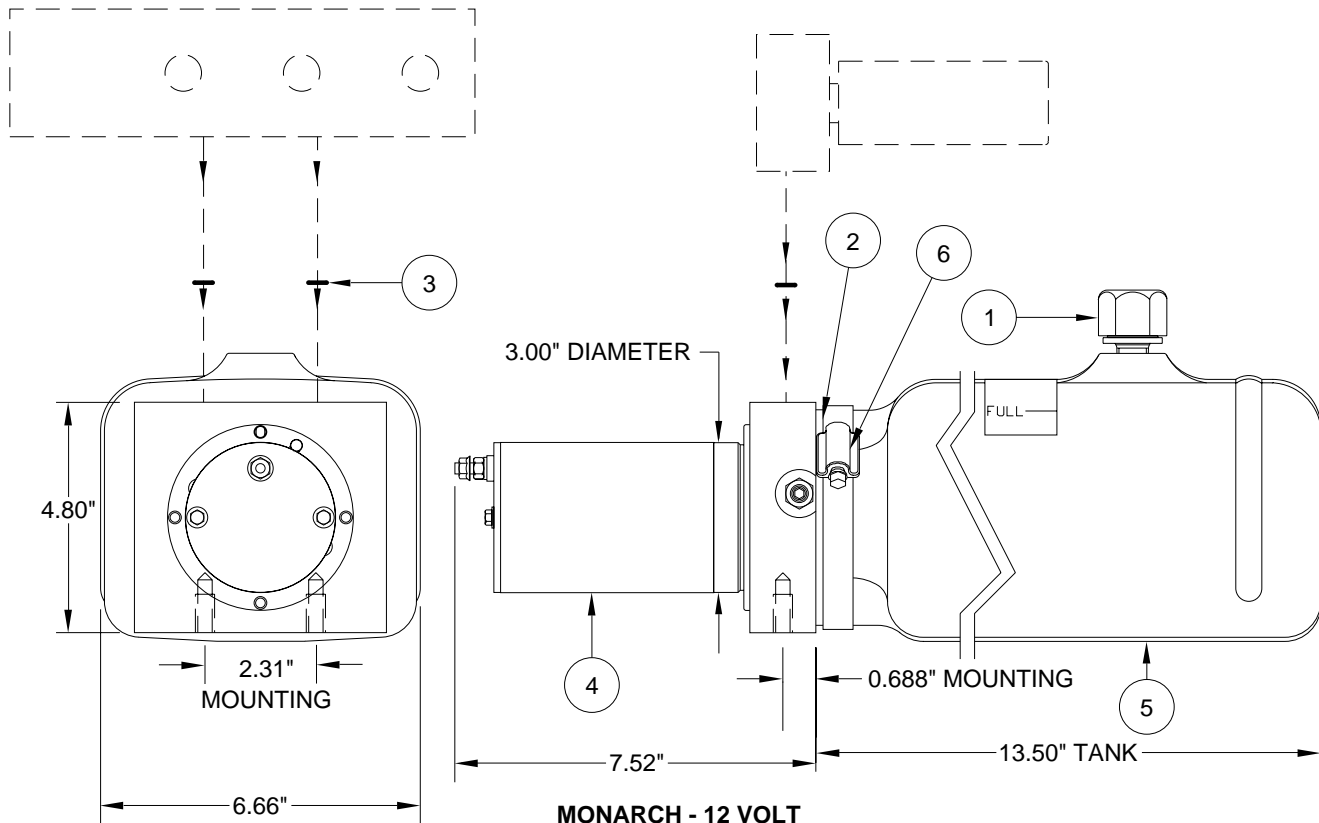
ITEM	PART	QTY	DESCRIPTION	ITEM	PART	QTY	DESCRIPTION
	RAP92953		POWER UNIT/BMM/0.8 GALLON 3.00" MOTOR SS	3	**R92957	1	O-RING KIT
1	RAP7876	1	BREATHER CAP/ DIPSTICK	4	RAP92952	1	MOTOR KIT 3.00" SS
2	RP5008	1	O-RING TANK	5	RP92196	1	TANK 0.8 GALLON 10.00" X 5.46" X 6.50"
				6	RP92195	1	TANK BAND CLAMP 4.50"

\*\*R92957 O-RING KIT INCLUDES (8) O2-015-9N O-RINGS FOR 11/16" SPOT FACE ON MANIFOLD

# PUMP/MOTOR/TANK ASSEMBLY AP49078 MONARCH

PUMP RELIEF IS SET AT 2500 PSI.

REPLACEMENT PUMP INCLUDES  
O-RING KIT (3)\*\* AND  
BREATHER CAP/DIPSTICK (1).



**MONARCH - 12 VOLT  
3.00" MOTOR  
SUPPLIED 2011 TO PRESENT**

ITEM	PART	QTY	DESCRIPTION	ITEM	PART	QTY	DESCRIPTION
	RAP93086		POWER UNIT/BMM/1.2 GALLON 3.00" MOTOR	4	RAP90311	1	MOTOR KIT 3.00"
1	RAP7876	1	BREATHER CAP/ DIPSTICK	5	RP92197	1	TANK 1.2 GALLON 13.50" X 5.46" X 6.66"
2	RP5008	1	O-RING TANK	6	RP92195	1	TANK BAND CLAMP 4.50"
3	**R92957	1	O-RING KIT				

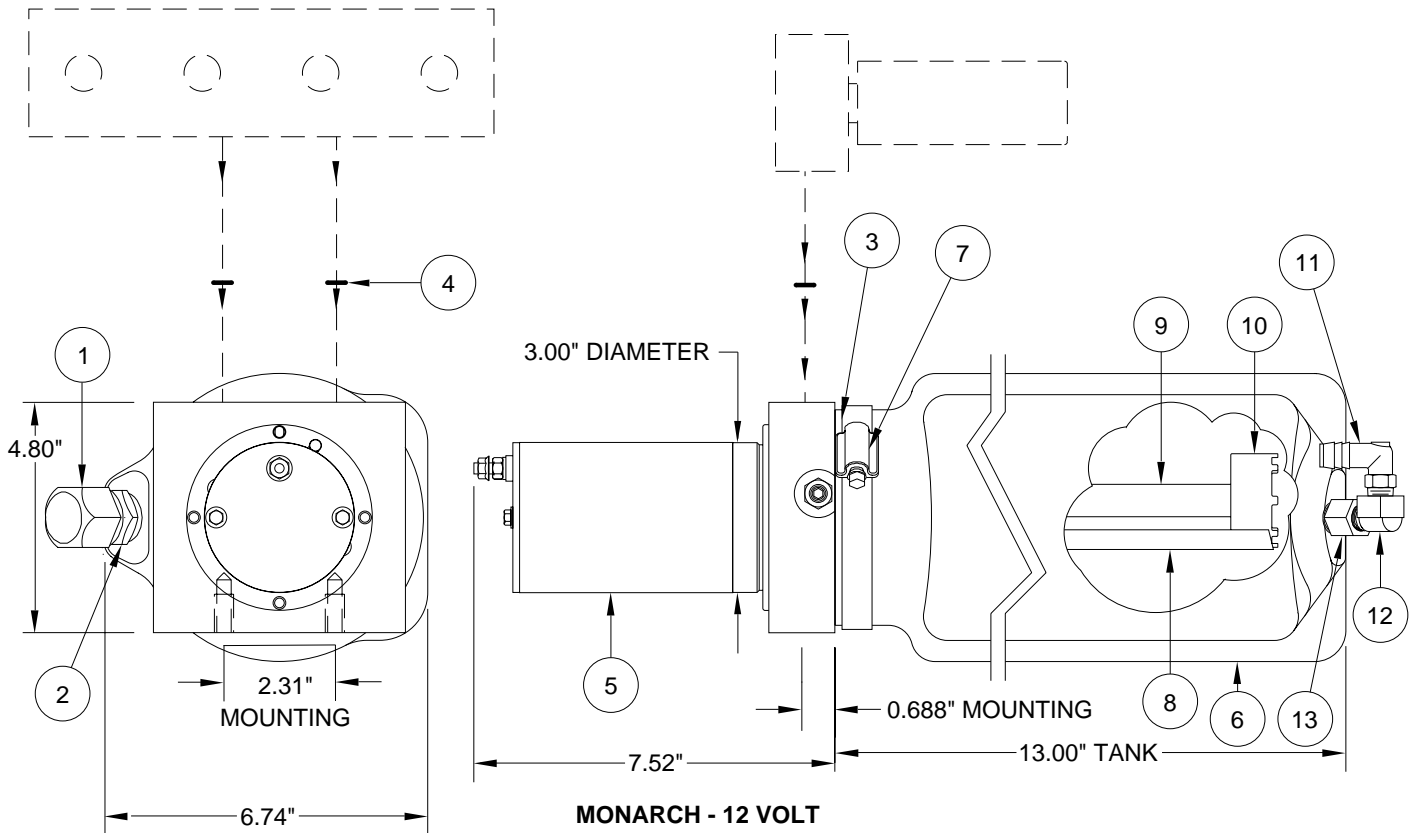
\*\*R92957 O-RING KIT INCLUDES (8) O2-015-9N  
O-RINGS FOR 11/16" SPOT FACE ON MANIFOLD

# PUMP/MOTOR/TANK ASSEMBLY

## AP49228 MONARCH

PUMP RELIEF IS SET AT 2500 PSI.

REPLACEMENT PUMP INCLUDES  
REDUCER (2), O-RING KIT (3)\*\*, AND  
BREATHER CAP/DIPSTICK (1).



ITEM	PART	QTY	DESCRIPTION	ITEM	PART	QTY	DESCRIPTION
	RAP93089		POWER UNIT/BMM/0.79 GALLON 3.00" MOTOR	7	RP92195	1	TANK BAND CLAMP 4.50"
1	RAP7876	1	BREATHER CAP/ DIPSTICK	8	RP93098	1	DROP TUBE
2	RF93096	1	REDUCER 3/4" x 3/8"	9	RP93097	1	SUCTION TUBE
3	RP5008	1	O-RING TANK	10	RP90417	1	STRAINER
4	**R92957	1	O-RING KIT	11	RF92598	1	1/4" NPT x 1/2" NYLON ELBOW
5	RAP90311	1	MOTOR KIT 3.00"	12	RF3340	1	1/4" BRASS ELBOW
6	RP93088	1	TANK 0.79 GALLON VERTICAL (INCLUDES ITEM 2)	13	RF93099	1	1/4" x 9/16" ADAPTER

\*\*R92957 O-RING KIT INCLUDES (8) O2-015-9N  
O-RINGS FOR 11/16" SPOT FACE ON MANIFOLD

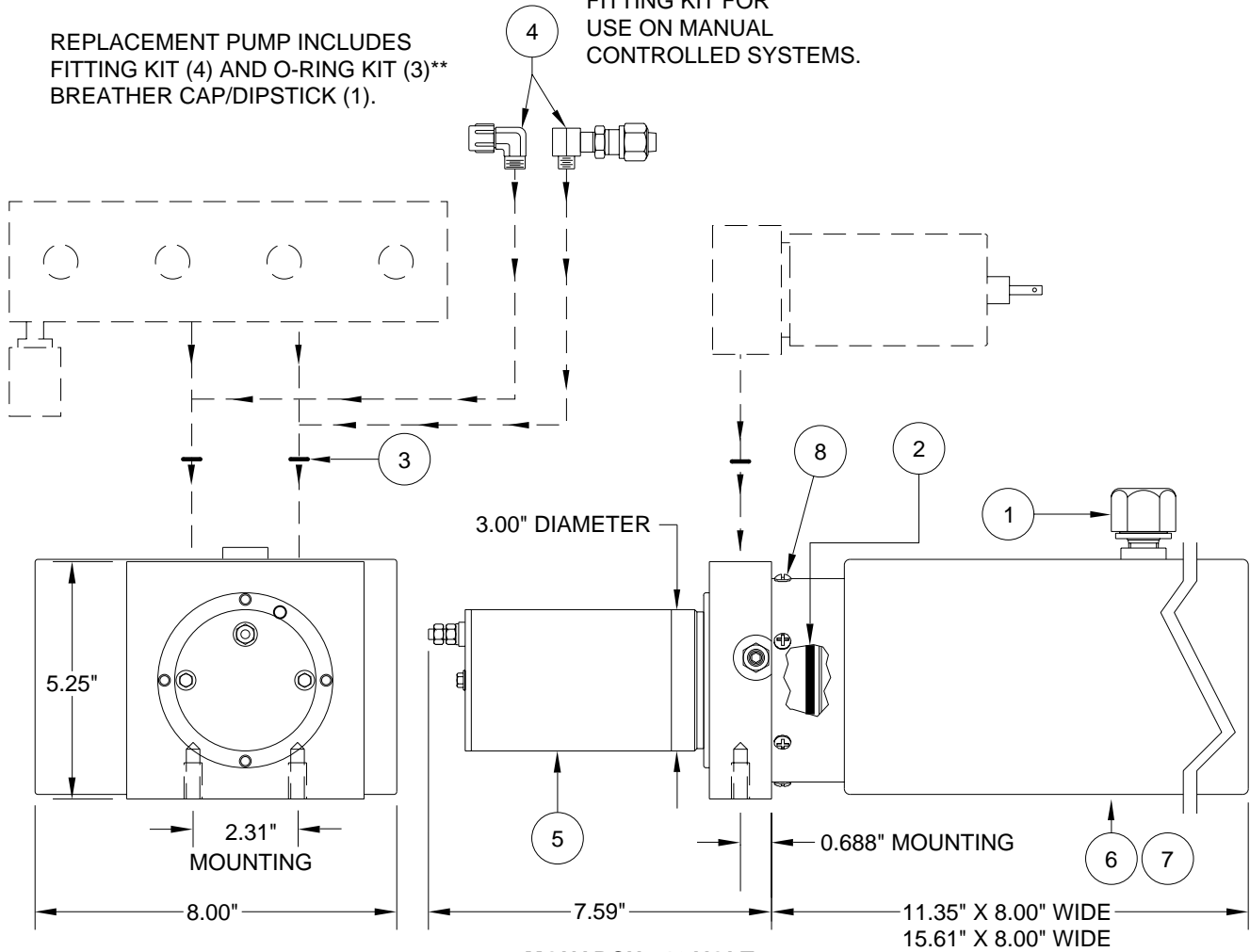
# PUMP/MOTOR/TANK ASSEMBLY

## AP21692/AP27063 MONARCH - OBSOLETE

PUMP RELIEF IS SET AT 3500 PSI.

REPLACEMENT PUMP INCLUDES FITTING KIT (4) AND O-RING KIT (3)\*\* BREATHER CAP/DIPSTICK (1).

FITTING KIT FOR USE ON MANUAL CONTROLLED SYSTEMS.



**MONARCH - 12 VOLT  
3.00" MOTOR  
SUPPLIED 2000 TO 2004**

ITEM	PART	QTY	DESCRIPTION	ITEM	PART	QTY	DESCRIPTION
	AP21692	<b>OBS</b>	POWER UNIT/BMM/1.5 GALLON 3.00" MOTOR	4	RAP0586	1	FITTING KIT
	AP27063	<b>OBS</b>	POWER UNIT/BMM/2.0 GALLON 3.00" MOTOR	5	RAP90311	1	MOTOR KIT 3.00"
1	RAP7876	1	BREATHER CAP/ DIPSTICK	6	RP91692	1	TANK 1.5 GALLON 11.35" X 5.25" X 8.00"
2	RP5008	1	O-RING TANK	7	RP91694	1	TANK 2.0 GALLON 15.61" X 5.25" X 8.00"
3	**R92957	1	O-RING KIT	8	RAP90678	1	HDWE TANK SCREWS

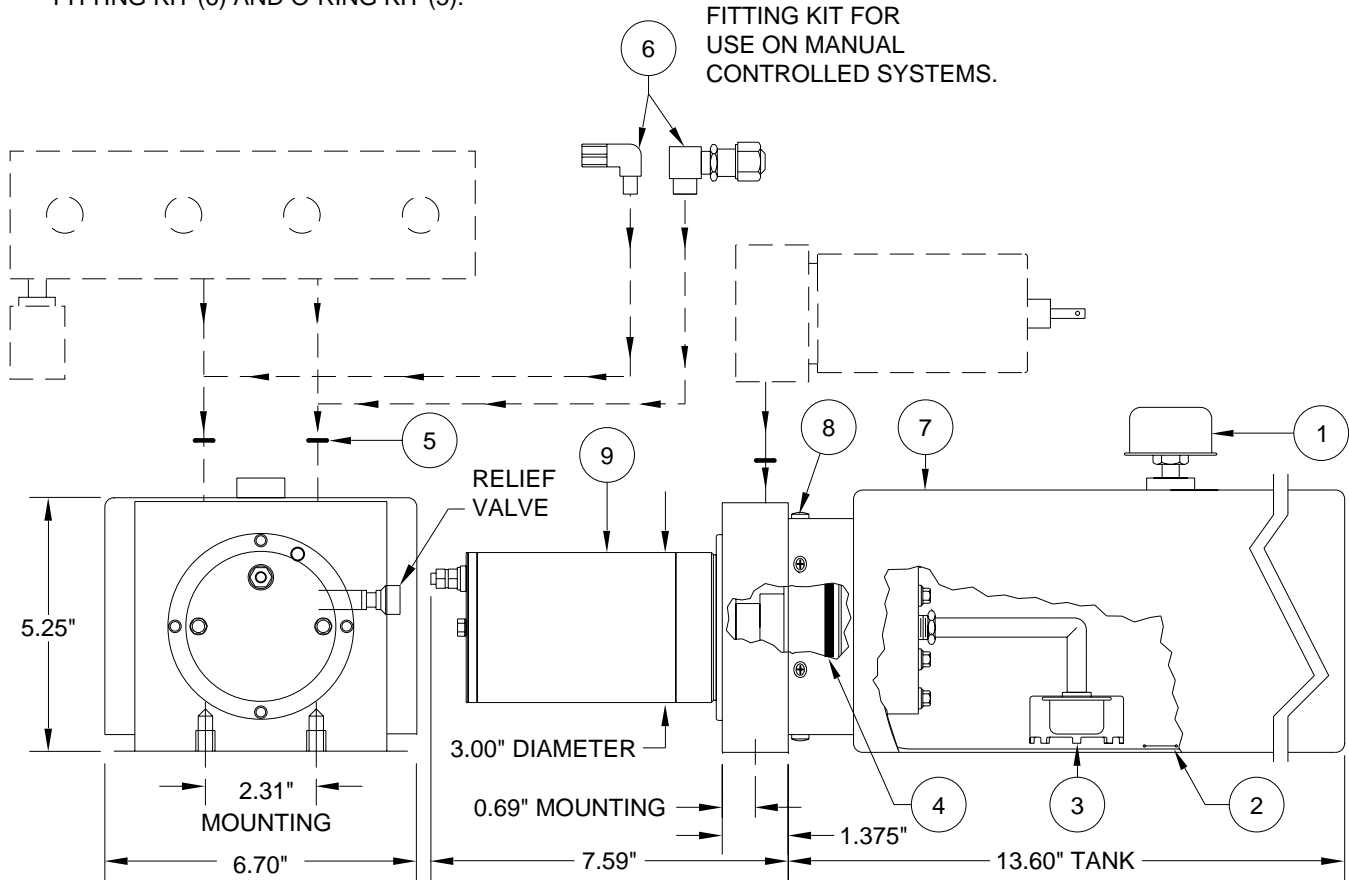
**NOTE :** THIS POWER UNIT IS NO LONGER AVAILABLE. SOME PARTS FOR REBUILDING THESE PUMPS MAY BE AVAILABLE. SEE THE REPLACEMENT INFORMATION PAGE FOR REPLACEMENT PUMP.

\*\*R92957 O-RING KIT INCLUDES (8) O2-015-9N O-RINGS FOR 11/16" SPOT FACE ON MANIFOLD

# PUMP/MOTOR/TANK ASSEMBLY AP2260 MONARCH - 12 VOLT - OBSOLETE

PUMP RELIEF IS SET AT 3500 PSI.

REPLACEMENT PUMP INCLUDES  
FITTING KIT (6) AND O-RING KIT (5).\*\*



**MONARCH - 12 VOLT (#72 GEAR)  
1.5 GALLON BOTTOM MOUNT  
SUPPLIED 1995 TO 2004**

ITEM	PART	QTY	DESCRIPTION	ITEM	PART	QTY	DESCRIPTION
	AP2260	<b>OBS</b>	POWER UNIT/ BMM/1.5 GALLON 3" MOTOR	7	RP90100	1	TANK 1.2 GAL. - PLASTIC 13.50" X 5.46" X 6.50" INCLUDES TANK MOUNTING BAND CLAMP
1	RAP7876	1	BREATHER CAP / DIPSTICK	8	RAP90678	1	HDWE TANK SCREWS
2	RP3526	1	MAGNET	9	RAP90311	1	MOTOR KIT 3.00"
3	RP5010	1	STRAINER		R5303		BRACKET KIT ADAPTS BOTTOM MOUNT PUMP TO SIDE MOUNT.
4	RP5008	1	O-RING TANK				
5	** R92957	1	O-RING KIT				
6	RAP0586	1	FITTING KIT				

**NOTE :** THIS POWER UNIT IS NO LONGER AVAILABLE. SOME PARTS FOR REBUILDING THESE PUMPS MAY BE AVAILABLE. SEE THE REPLACEMENT INFORMATION PAGE FOR REPLACEMENT PUMP.

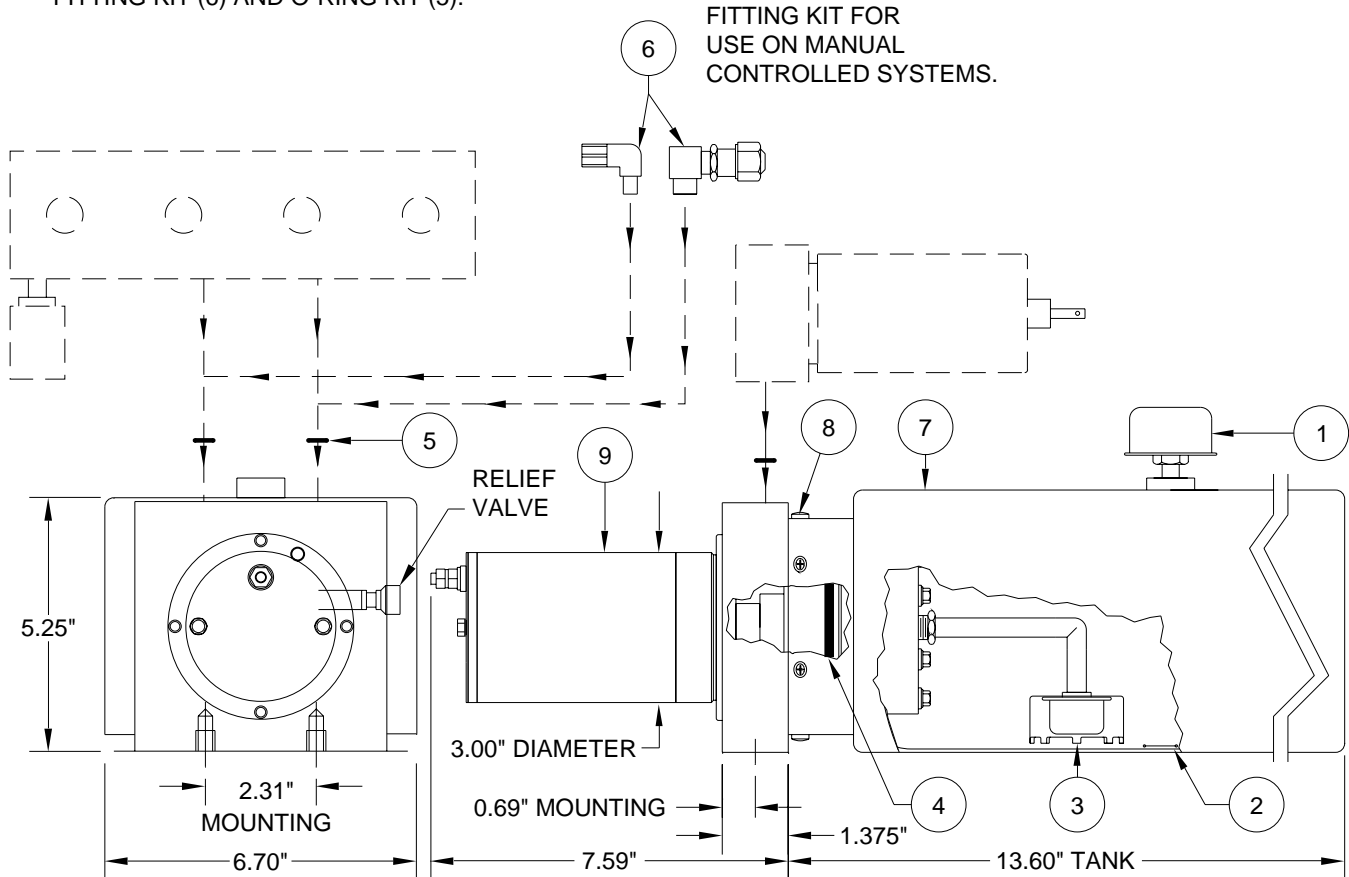
\*\*R92957 O-RING KIT INCLUDES (8) O2-015-9N O-RINGS FOR 11/16" SPOT FACE ON MANIFOLD

# PUMP/MOTOR/TANK ASSEMBLY

## AP21255 MONARCH - 12 VOLT - OBSOLETE

PUMP RELIEF IS SET AT 3500 PSI.

REPLACEMENT PUMP INCLUDES FITTING KIT (6) AND O-RING KIT (5).\*\*



**MONARCH - 12 VOLT (#71 GEAR)  
1.5 GALLON BOTTOM MOUNT  
SUPPLIED 2000 TO 2003**

ITEM	PART	QTY	DESCRIPTION	ITEM	PART	QTY	DESCRIPTION
	AP21255	<b>OBS</b>	POWER UNIT/ BMM/1.5 GALLON 3" MOTOR	7	RP90100	1	TANK 1.2 GAL. - PLASTIC 13.50" X 5.46" X 6.50" INCLUDES TANK MOUNTING BAND CLAMP
1	RAP7876	1	BREATHER CAP / DIPSTICK	8	RAP90678	1	HDWE TANK SCREWS
2	RP3526	1	MAGNET	9	RAP90311	1	MOTOR KIT 3.00"
3	RP5010	1	STRAINER		R5303		BRACKET KIT ADAPTS BOTTOM MOUNT PUMP TO SIDE MOUNT.
4	RP5008	1	O-RING TANK				
5	** R92957	1	O-RING KIT				
6	RAP0586	1	FITTING KIT				

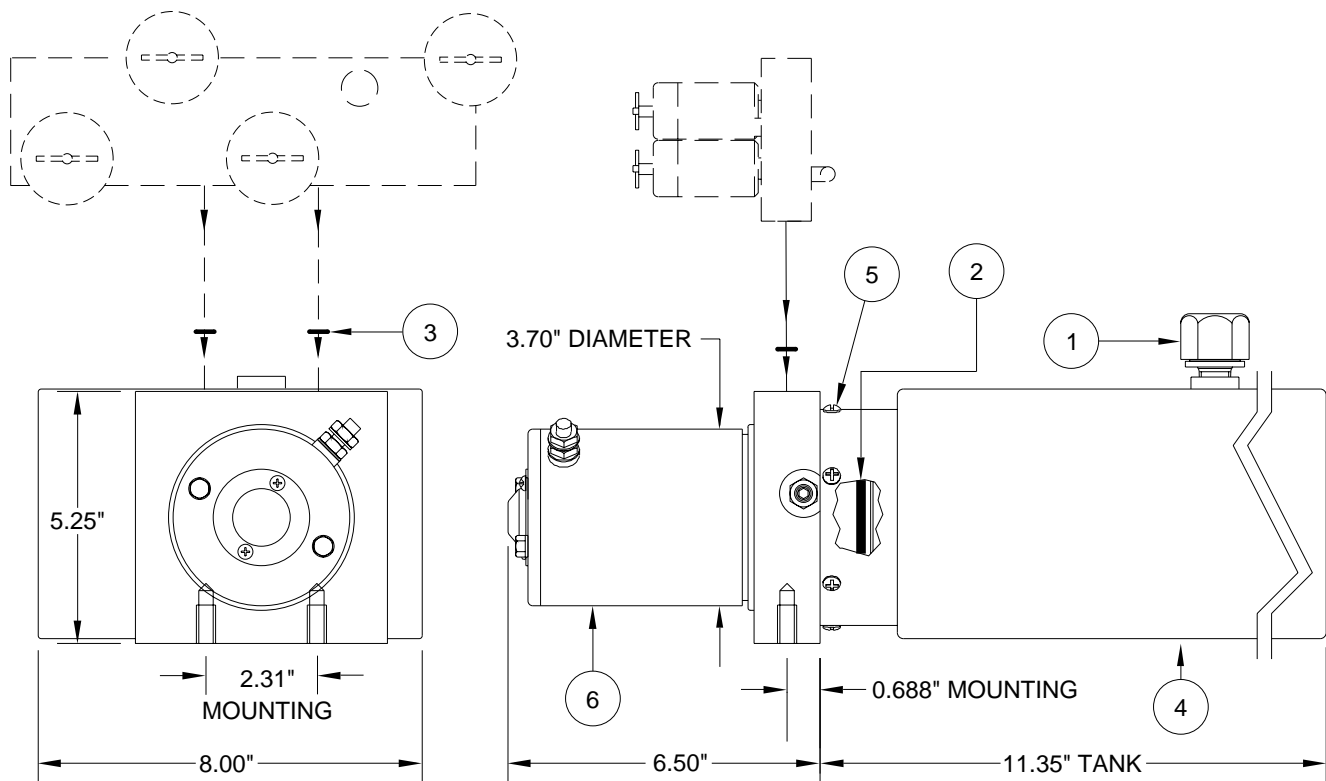
**NOTE :** THIS POWER UNIT IS NO LONGER AVAILABLE. SOME PARTS FOR REBUILDING THESE PUMPS MAY BE AVAILABLE. SEE THE REPLACEMENT INFORMATION PAGE FOR REPLACEMENT PUMP.

\*\*R92957 O-RING KIT INCLUDES (8) O2-015-9N O-RINGS FOR 11/16" SPOT FACE ON MANIFOLD

# PUMP/MOTOR/TANK ASSEMBLY AP15117 MONARCH - 12 VOLT

PUMP RELIEF IS SET AT 2000 PSI. THIS PUMP IS NOT USED WITH LEVELING SYSTEMS.

REPLACEMENT PUMP INCLUDES  
O-RING KIT (3).\*\*



### MONARCH - 12 VOLT 1.5 GALLON BOTTOM MOUNT SUPPLIED 1995 TO PRESENT

ITEM	PART	QTY	DESCRIPTION	ITEM	PART	QTY	DESCRIPTION
	RAP90400		POWER UNIT/ BMM/1.5 GALLON 3" MOTOR 2000 PSI	3	** R92957	1	O-RING KIT
1	RAP7876	1	BREATHER CAP/ DIPSTICK	4	RP91692	1	TANK 1.5 GALLON 11.35" X 5.25" X 8.00"
2	RP5008	1	O-RING TANK	5	RAP90678	1	HDWE TANK SCREWS
				6	RAP91249	1	MOTOR KIT 3.70"
					R5303		BRACKET KIT ADAPTS BOTTOM MOUNT PUMP TO SIDE MOUNT.

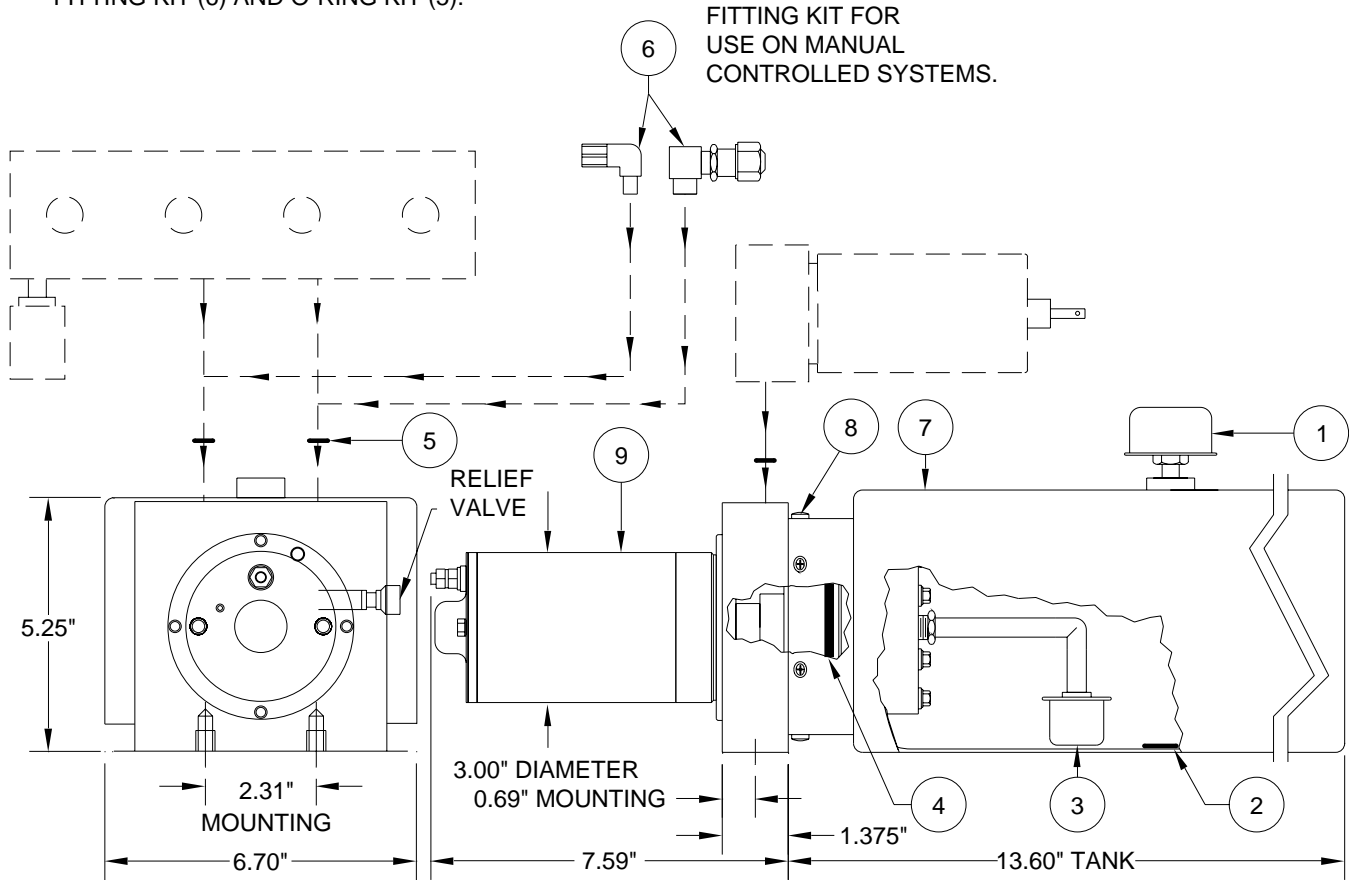
\*\*R92957 O-RING KIT INCLUDES (8) O2-015-9N O-RINGS FOR 11/16" SPOT FACE ON MANIFOLD

# PUMP/MOTOR/TANK ASSEMBLY

## AP14012 MONARCH - 24 VOLT - OBSOLETE

PUMP RELIEF IS SET AT 3500 PSI.

REPLACEMENT PUMP INCLUDES FITTING KIT (6) AND O-RING KIT (5).



**MONARCH - 24 VOLT  
1.5 GALLON BOTTOM MOUNT  
SUPPLIED 1997 TO 2004**

ITEM	PART	QTY	DESCRIPTION	ITEM	PART	QTY	DESCRIPTION
	AP14012	<b>OBS</b>	POWER UNIT/ BMM/1.5 GALLON 3" MOTOR	7	RP90100	1	TANK 1.2 GAL. - PLASTIC 13.50" X 5.46" X 6.50" INCLUDES TANK MOUNTING BAND CLAMP
1	RAP7876	1	BREATHER CAP / DIPSTICK	8	RAP90678	1	HDWE TANK SCREWS
2	RP3526	1	MAGNET	9	RAP90409	1	MOTOR KIT 3.00" 24V
3	RP5010	1	STRAINER		R5303		BRACKET KIT ADAPTS BOTTOM MOUNT PUMP TO SIDE MOUNT.
4	RP5008	1	O-RING TANK				
5	** R92957	1	O-RING KIT				
6	RAP0586	1	FITTING KIT (INCLUDES ITEM 5)				

**NOTE :** THIS POWER UNIT IS NO LONGER AVAILABLE. SOME PARTS FOR REBUILDING THESE PUMPS MAY BE AVAILABLE. SEE THE REPLACEMENT INFORMATION PAGE FOR REPLACEMENT PUMP.

\*\*R92957 O-RING KIT INCLUDES (8) O2-015-9N O-RINGS FOR 11/16" SPOT FACE ON MANIFOLD

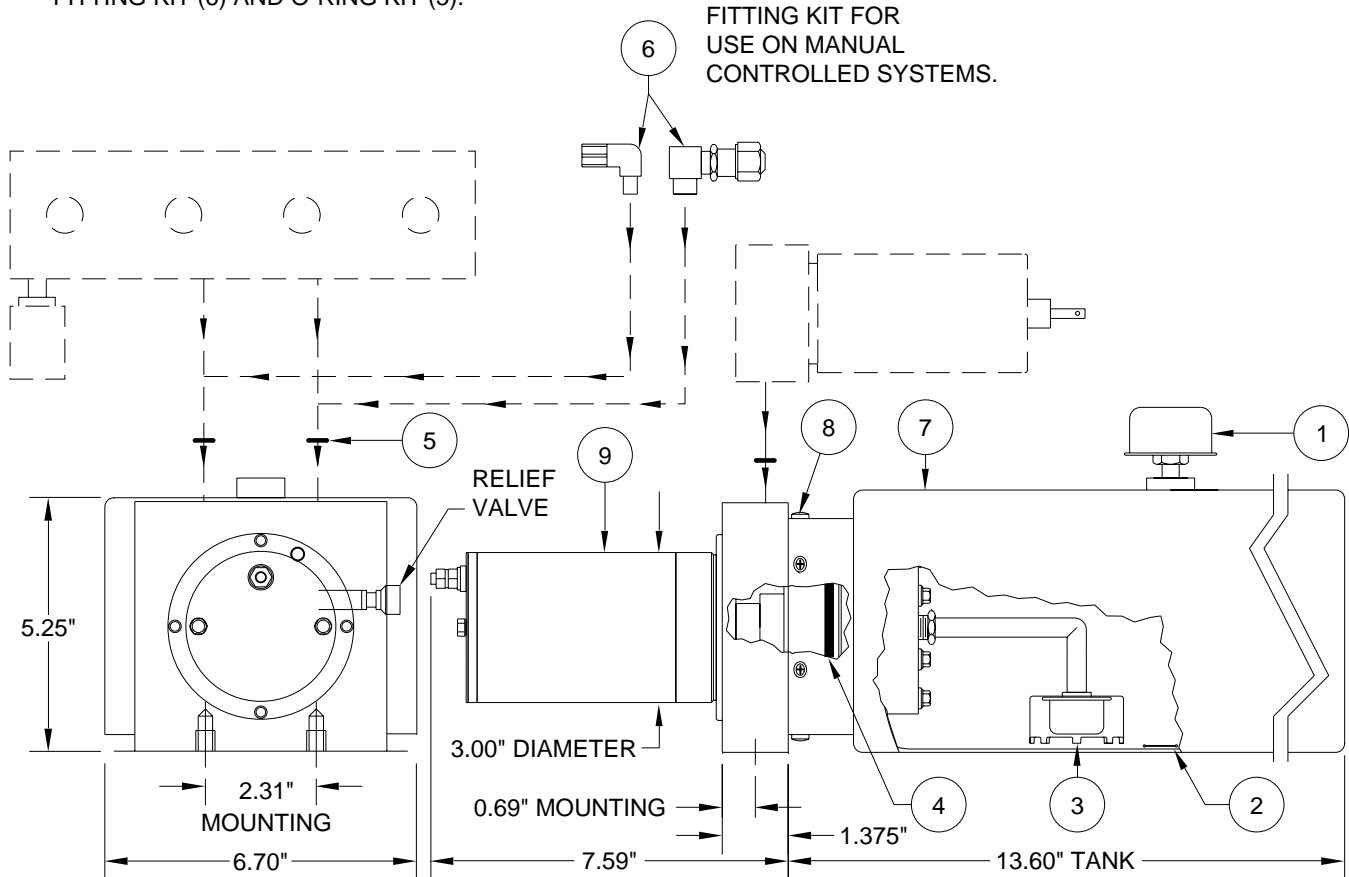


# PUMP/MOTOR/TANK ASSEMBLY

## AP28050 MONARCH - 12 VOLT - OBSOLETE

PUMP RELIEF IS SET AT 1500 PSI.

REPLACEMENT PUMP INCLUDES FITTING KIT (6) AND O-RING KIT (5).\*\*



**MONARCH - 12 VOLT (#71 GEAR)  
1.5 GALLON BOTTOM MOUNT  
SUPPLIED 2002 TO 2003**

ITEM	PART	QTY	DESCRIPTION	ITEM	PART	QTY	DESCRIPTION
	AP28050	<b>OBS</b>	POWER UNIT/ BMM/1.5 GALLON 3" MOTOR (PRESSURE SET AT 1500 PSI)	6	RAP0586	1	FITTING KIT
1	RAP7876	1	BREATHER CAP / DIPSTICK	7	RP90100	1	TANK 1.2 GAL. - PLASTIC 13.50" X 5.46" X 6.50" INCLUDES TANK MOUNTING BAND CLAMP
2	RP3526	1	MAGNET	8	RAP90678	1	HDWE TANK SCREWS
3	RP5010	1	STRAINER	9	RAP90311	1	MOTOR KIT 3.00"
4	RP5008	1	O-RING TANK		R5303		BRACKET KIT ADAPTS BOTTOM MOUNT PUMP TO SIDE MOUNT.
5	** R92957	1	O-RING KIT				

**NOTE :** THIS POWER UNIT IS NO LONGER AVAILABLE. SOME PARTS FOR REBUILDING THESE PUMPS MAY BE AVAILABLE. SEE THE REPLACEMENT INFORMATION PAGE FOR REPLACEMENT PUMP.

\*\*R92957 O-RING KIT INCLUDES (8) O2-015-9N O-RINGS FOR 11/16" SPOT FACE ON MANIFOLD

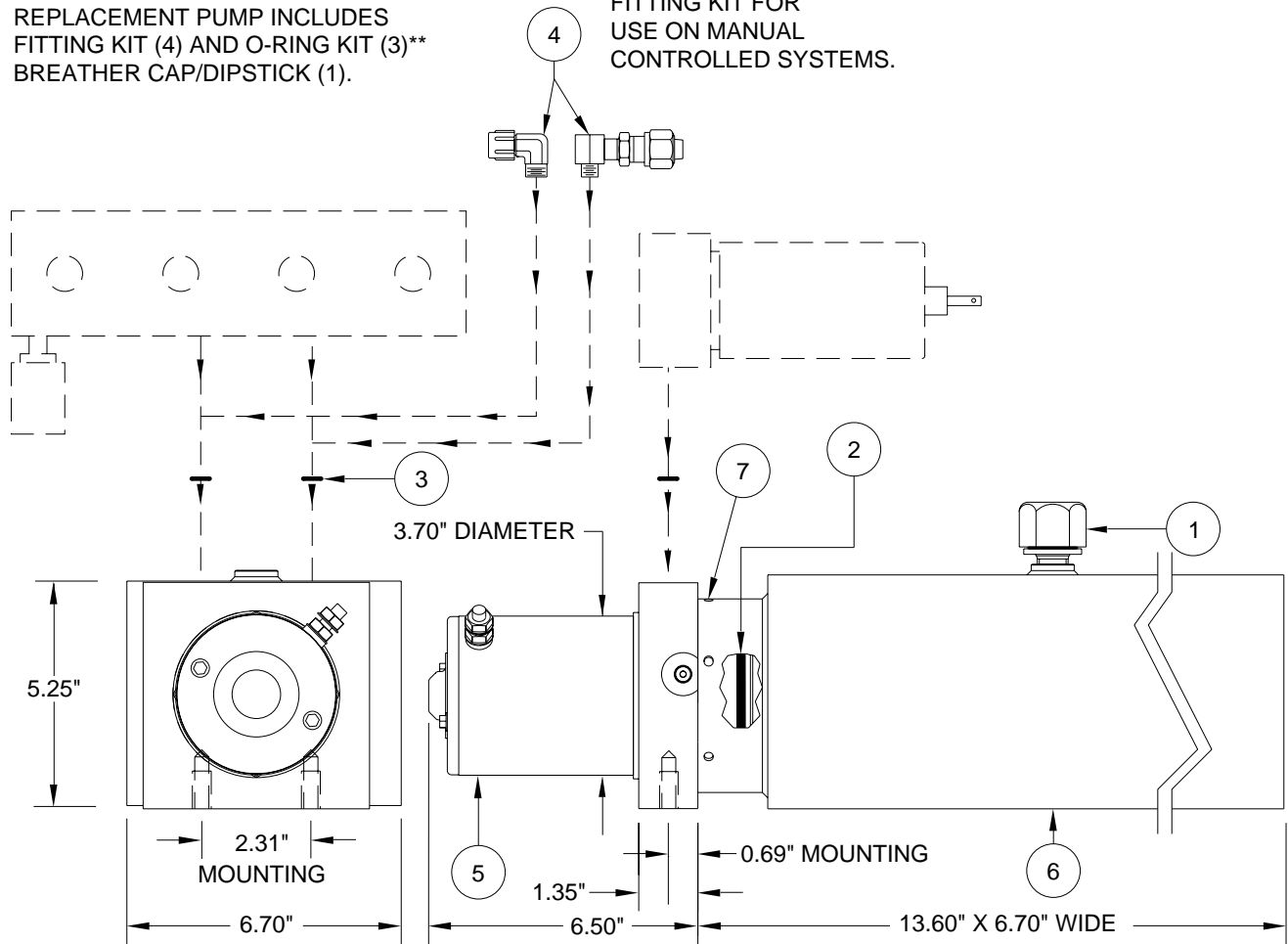
# PUMP/MOTOR/TANK ASSEMBLY

## AP29577 MONARCH - OBSOLETE

PUMP RELIEF IS SET AT 3500 PSI.

REPLACEMENT PUMP INCLUDES FITTING KIT (4) AND O-RING KIT (3)\*\* BREATHER CAP/DIPSTICK (1).

FITTING KIT FOR USE ON MANUAL CONTROLLED SYSTEMS.



**MONARCH - 12 VOLT  
1.5 GALLON BOTTOM MOUNT  
SUPPLIED 2002 TO 2006**

ITEM	PART	QTY	DESCRIPTION	ITEM	PART	QTY	DESCRIPTION
	AP29577	<b>OBS</b>	POWER UNIT/ BMM/1.5 GALLON 3.7" MOTOR	5	RAP91249	1	MOTOR 3.70"
1	RAP7876	1	BREATHER CAP/ DIPSTICK	6	RP90100	1	TANK 1.2 GAL. - PLASTIC 13.50" X 5.46" X 6.50" INCLUDES TANK MOUNTING BAND CLAMP
2	RP5008	1	O-RING TANK	7	RAP90678	1	HDWE TANK SCREWS
3	**R92957	1	O-RING KIT				
4	RAP0586	1	FITTING KIT				

**NOTE :** THIS POWER UNIT IS NO LONGER AVAILABLE. SOME PARTS FOR REBUILDING THESE PUMPS MAY BE AVAILABLE. SEE THE REPLACEMENT INFORMATION PAGE FOR REPLACEMENT PUMP.

\*\*R92957 O-RING KIT INCLUDES (8) O2-015-9N O-RINGS FOR 11/16" SPOT FACE ON MANIFOLD

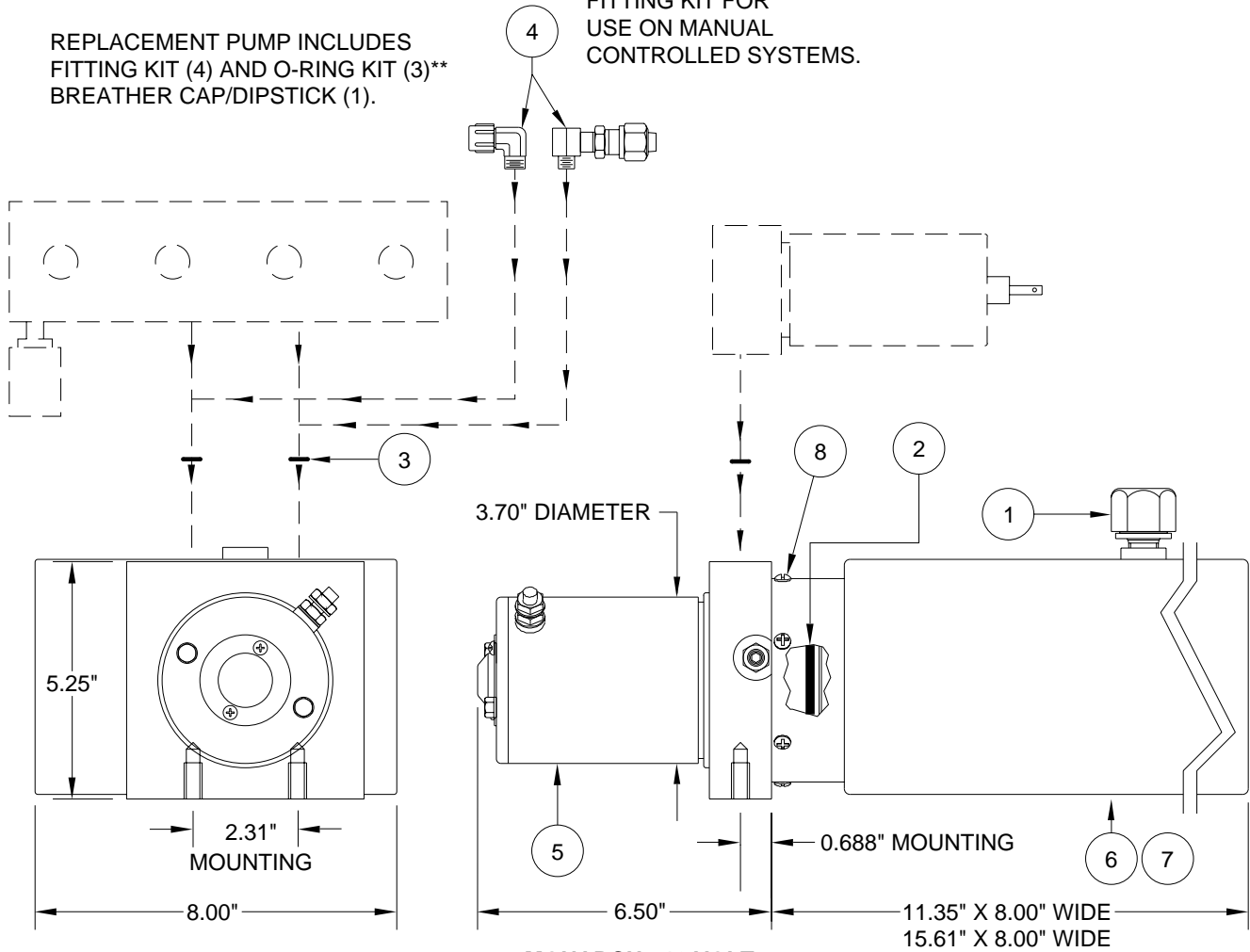
# PUMP/MOTOR/TANK ASSEMBLY

## AP29281/AP29578 MONARCH

PUMP RELIEF IS SET AT 3500 PSI.

REPLACEMENT PUMP INCLUDES FITTING KIT (4) AND O-RING KIT (3)\*\* BREATHER CAP/DIPSTICK (1).

FITTING KIT FOR USE ON MANUAL CONTROLLED SYSTEMS.



ITEM	PART	QTY	DESCRIPTION	ITEM	PART	QTY	DESCRIPTION
	RAP91281		POWER UNIT/BMM/1.5 GALLON 3.7" MOTOR (AP29281)	3	**R92957	1	O-RING KIT
	RAP91686		POWER UNIT/BMM/2.0 GALLON 3.7" MOTOR (AP29578)	4	RAP0586	1	FITTING KIT
1	RAP7876	1	BREATHER CAP/DIPSTICK	5	RAP91249	1	MOTOR KIT 3.70"
2	RP5008	1	O-RING TANK	6	RP91692	1	TANK 1.5 GALLON 11.35" X 5.25" X 8.00"
				7	RP91694	1	TANK 2.0 GALLON 15.61" X 5.25" X 8.00"
				8	RAP90678	1	HDWE TANK SCREWS

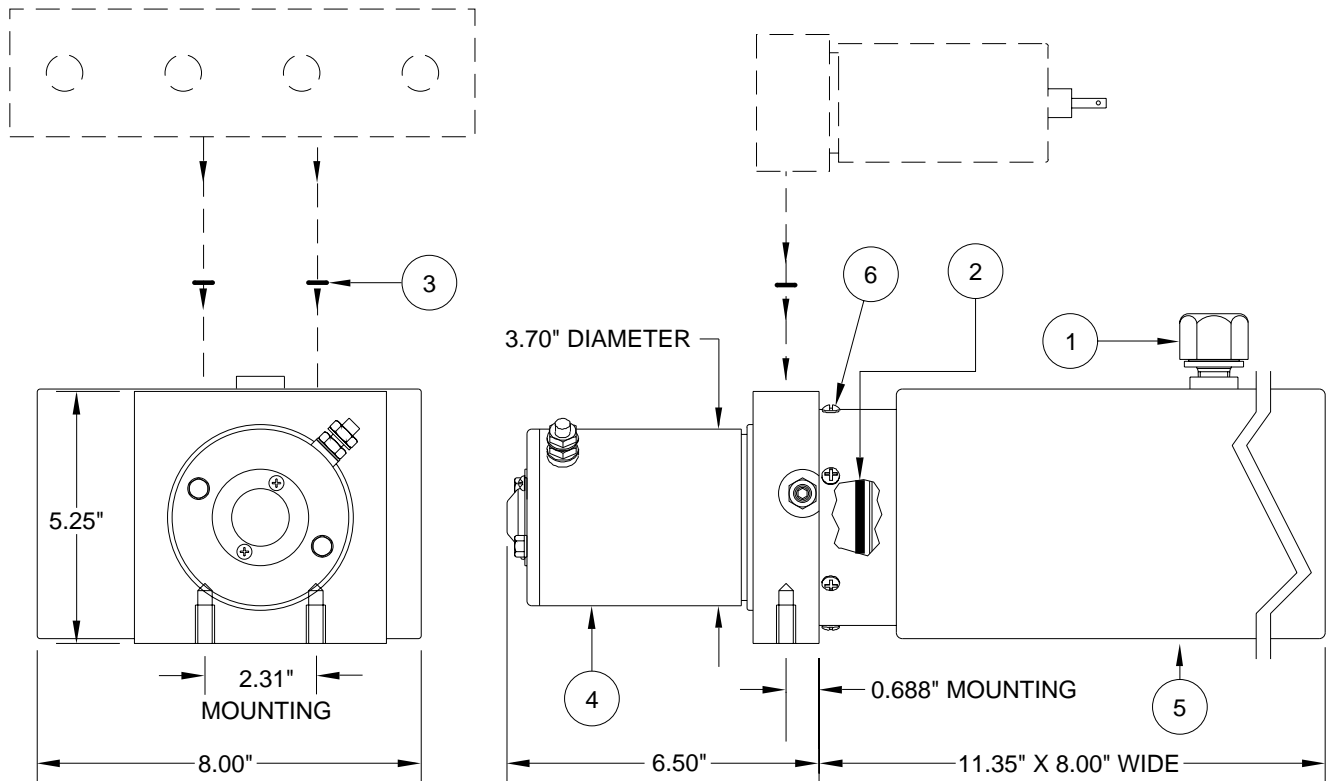
\*\*R92957 O-RING KIT INCLUDES (8) O2-015-9N O-RINGS FOR 11/16" SPOT FACE ON MANIFOLD

# PUMP/MOTOR/TANK ASSEMBLY

## AP48249 MONARCH

PUMP RELIEF IS SET AT 1600 PSI.

REPLACEMENT PUMP INCLUDES  
BREATHER CAP/DIPSTICK (1) AND  
O-RING KIT (3)\*\*.



**MONARCH - 12 VOLT  
3.70" MOTOR  
SUPPLIED 2011 TO PRESENT**

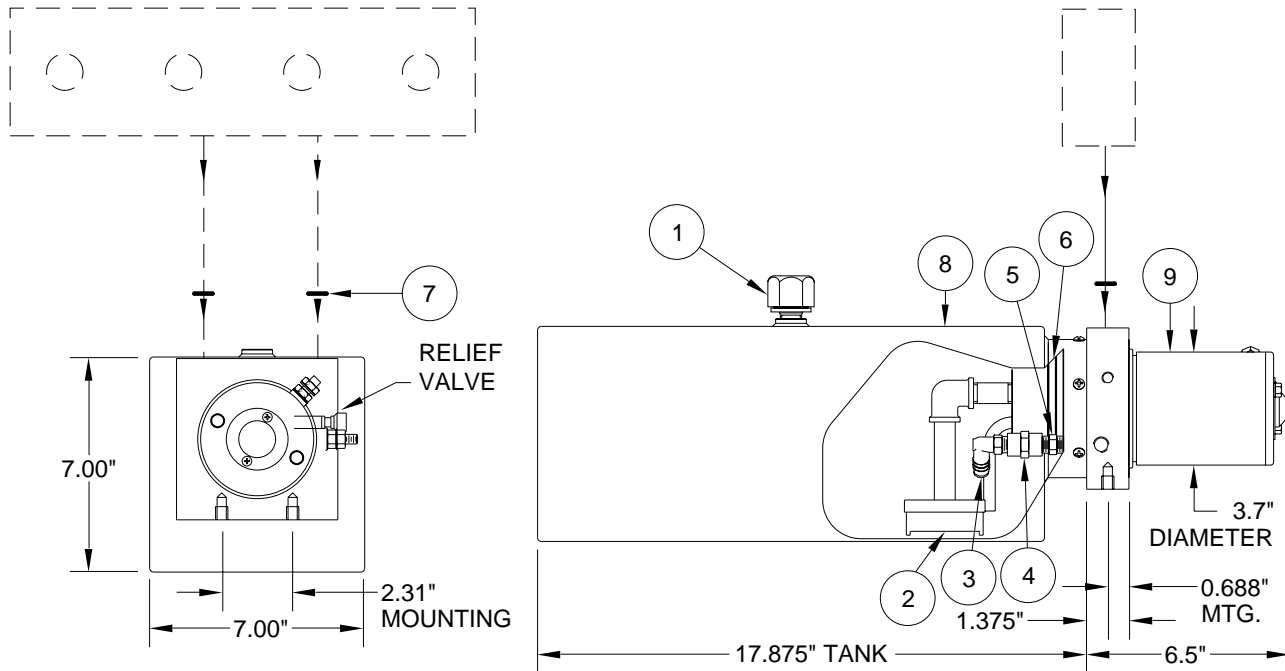
ITEM	PART	QTY	DESCRIPTION	ITEM	PART	QTY	DESCRIPTION
	RAP93085		POWER UNIT/BMM/1.5 GALLON 3.7" MOTOR	3	**R92957	1	O-RING KIT
1	RAP7876	1	BREATHER CAP/ DIPSTICK	4	RAP91249	1	MOTOR KIT 3.70"
2	RP5008	1	O-RING TANK	5	RP91692	1	TANK 1.5 GALLON 11.35" X 5.25" X 8.00"
				6	RAP90678	1	HDWE TANK SCREWS

\*\*R92957 O-RING KIT INCLUDES (8) O2-015-9N  
O-RINGS FOR 11/16" SPOT FACE ON MANIFOLD

# PUMP/MOTOR/TANK ASSEMBLY AP44296 MONARCH

PUMP RELIEF IS SET AT 3500 PSI.

REPLACEMENT PUMP INCLUDES  
O-RING KIT (5) AND  
BREATHER CAP/DIPSTICK (1).



**MONARCH - 12 VOLT  
3.5 GALLON BOTTOM MOUNT  
SUPPLIED 2009 TO PRESENT**

ITEM	PART	QTY	DESCRIPTION	ITEM	PART	QTY	DESCRIPTION
	RAP92587		POWER UNIT/BMM/3.5 GALLON 3.7" MOTOR	5	RF6011	1	1/4" NPT NIPPLE
1	RAP7876	1	BREATHER CAP/ DIPSTICK	6	RP5008	1	O-RING TANK
2	RP90417	1	STRAINER	7	** R92957	1	O-RING KIT
3	RF92598	1	1/4" NPT x 1/2" NYLON ELBOW	8	RP90418	1	TANK 3.5 GAL. 17.875" X 7.00" X 7.00" RECT.
4	RF5599	1	1/4" NPT COUPLING	9	RAP91249	1	MOTOR KIT 3.7"

\*\*R92957 O-RING KIT INCLUDES (8) O2-015-9N  
O-RINGS FOR 11/16" SPOT FACE ON MANIFOLD

**MR30.3362  
11FEB13**

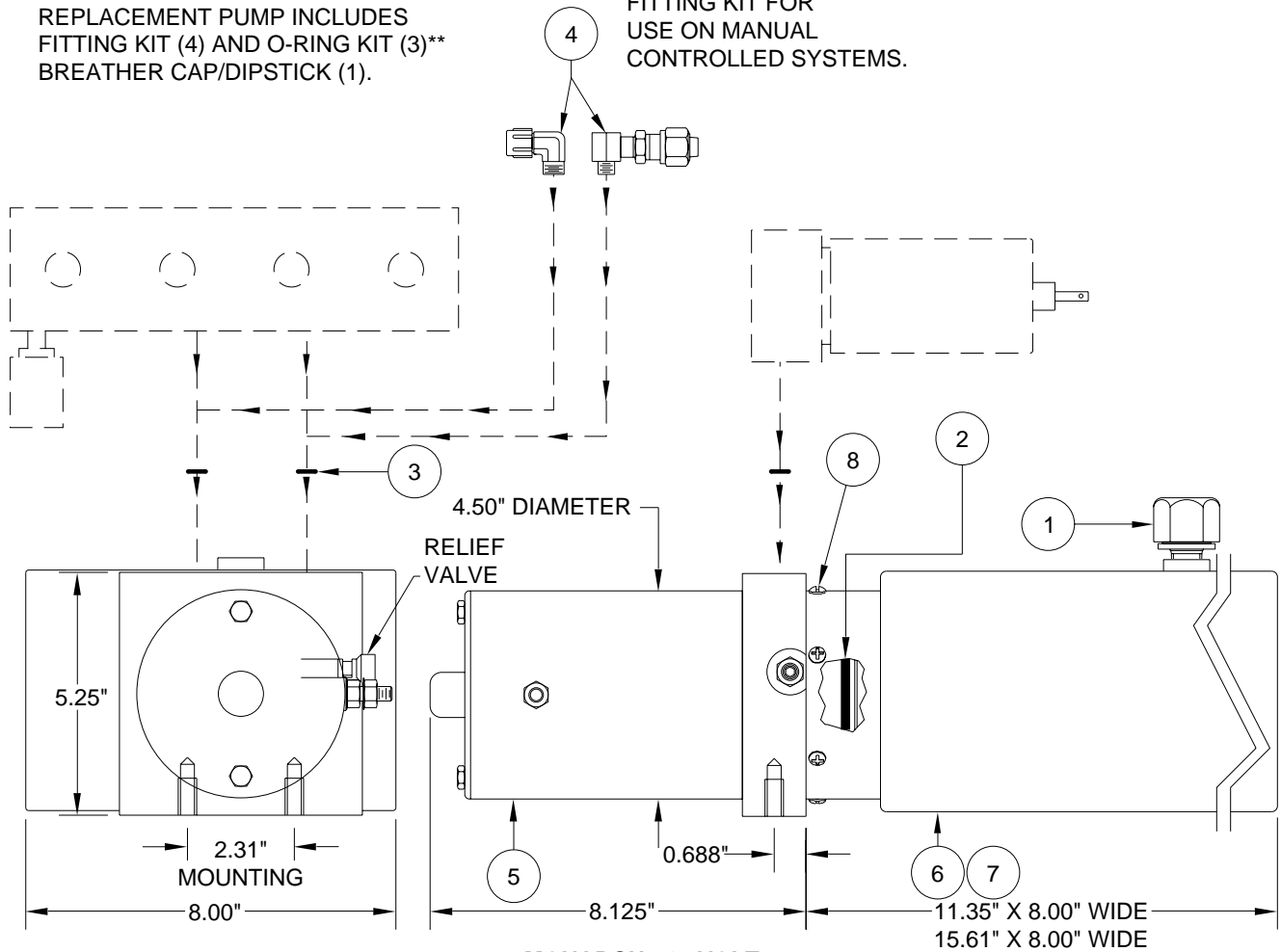
# PUMP/MOTOR/TANK ASSEMBLY

## AP30348/AP30349 MONARCH - OBSOLETE

PUMP RELIEF IS SET AT 3500 PSI.

REPLACEMENT PUMP INCLUDES FITTING KIT (4) AND O-RING KIT (3)\*\* BREATHER CAP/DIPSTICK (1).

FITTING KIT FOR USE ON MANUAL CONTROLLED SYSTEMS.



**MONARCH - 12 VOLT  
4.50" MOTOR  
SUPPLIED 2003 TO 2005**

ITEM	PART	QTY	DESCRIPTION	ITEM	PART	QTY	DESCRIPTION
	AP30348	<b>OBS</b>	POWER UNIT/BMM/1.5 GALLON 4.5" MOTOR	4	RAP0586	1	FITTING KIT
	AP30349	<b>OBS</b>	POWER UNIT/BMM/2.0 GALLON 4.5" MOTOR	5	RAP90415	1	MOTOR KIT 4.50" 12 V
1	RAP7876	1	BREATHER CAP/ DIPSTICK	6	RP91692	1	TANK 1.5 GALLON 11.35" X 5.25" X 8.00"
2	RP5008	1	O-RING TANK	7	RP91694	1	TANK 2.0 GALLON 15.61" X 5.25" X 8.00"
3	**R92957	1	O-RING KIT	8	RAP90678	1	HDWE TANK SCREWS

**NOTE :** THIS POWER UNIT IS NO LONGER AVAILABLE. SOME PARTS FOR REBUILDING THESE PUMPS MAY BE AVAILABLE. SEE THE REPLACEMENT INFORMATION PAGE FOR REPLACEMENT PUMP.

\*\*R92957 O-RING KIT INCLUDES (8) O2-015-9N O-RINGS FOR 11/16" SPOT FACE ON MANIFOLD

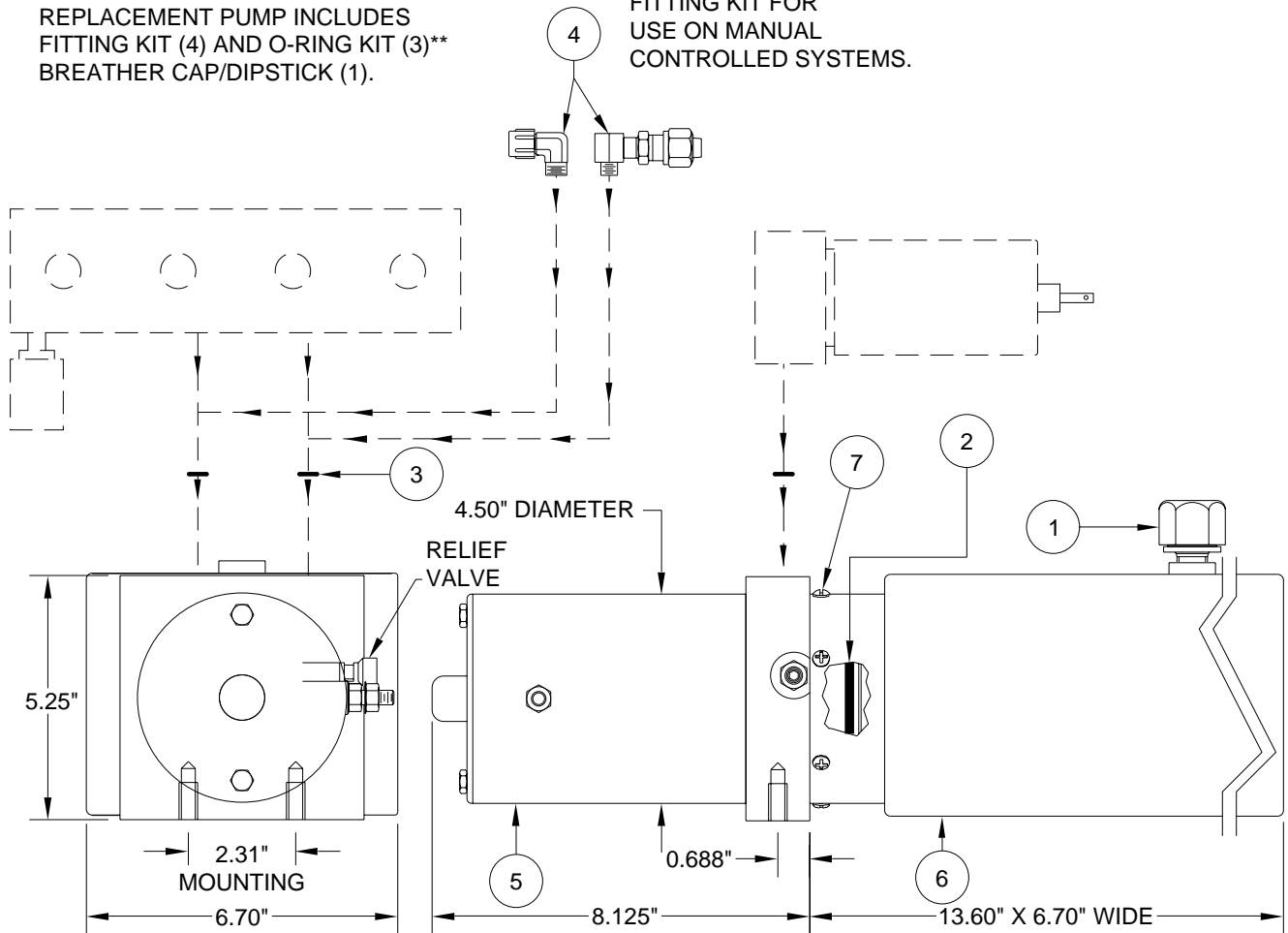
# PUMP/MOTOR/TANK ASSEMBLY

## AP23956 MONARCH - OBSOLETE

PUMP RELIEF IS SET AT 3500 PSI.

REPLACEMENT PUMP INCLUDES FITTING KIT (4) AND O-RING KIT (3)\*\* BREATHER CAP/DIPSTICK (1).

FITTING KIT FOR USE ON MANUAL CONTROLLED SYSTEMS.



**MONARCH - 12 VOLT  
4.50\"/>**

ITEM	PART	QTY	DESCRIPTION	ITEM	PART	QTY	DESCRIPTION
	AP23956	<b>OBS</b>	POWER UNIT/BMM/1.5 GALLON 4.5\"/>				
1	RAP7876	1	BREATHER CAP/DIPSTICK	4	RAP0586	1	FITTING KIT
2	RP5008	1	O-RING TANK	5	RAP90415	1	MOTOR KIT 4.50\"/>
3	**R92957	1	O-RING KIT	6	RP90100	1	TANK 1.2 GAL. - PLASTIC 13.50\"/>
				7	RAP90678	1	HDWE TANK SCREWS

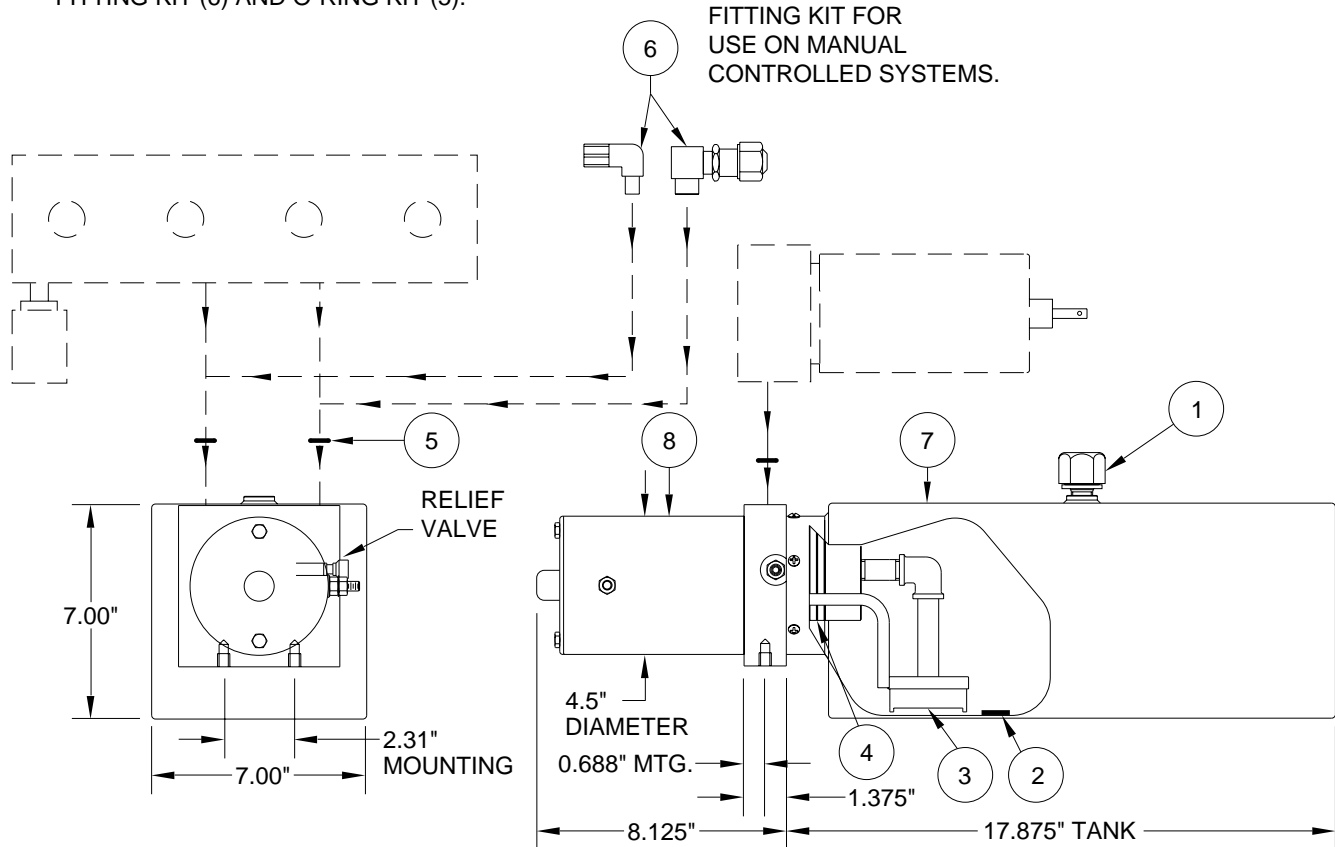
**NOTE :** THIS POWER UNIT IS NO LONGER AVAILABLE. SOME PARTS FOR REBUILDING THESE PUMPS MAY BE AVAILABLE. SEE THE REPLACEMENT INFORMATION PAGE FOR REPLACEMENT PUMP.

\*\*R92957 O-RING KIT INCLUDES (8) O2-015-9N O-RINGS FOR 11/16\"/>

# PUMP/MOTOR/TANK ASSEMBLY AP13334 MONARCH - 12 VOLT

PUMP RELIEF IS SET AT 3500 PSI.

REPLACEMENT PUMP INCLUDES  
FITTING KIT (6) AND O-RING KIT (5).



### MONARCH - 12 VOLT 3.5 GALLON BOTTOM MOUNT SUPPLIED 1997 TO PRESENT

ITEM	PART	QTY	DESCRIPTION	ITEM	PART	QTY	DESCRIPTION
	RAP90412		POWER UNIT/BMM/3.5 GALLON 4.5" MOTOR	5	** R92957	1	O-RING KIT
1	RAP7876	1	BREATHER CAP/ DIPSTICK	6	RAP0586	1	FITTING KIT
2	RP3526	1	MAGNET	7	RP90418	1	TANK 3.5 GAL. 17.875" X 7.00" X 7.00" RECT.
3	RP90417	1	STRAINER	8	RAP90415	1	MOTOR KIT 4.5" 12 VOLT
4	RP5008	1	O-RING TANK		R5303		BRACKET KIT ADAPTS BOTTOM MOUNT PUMP TO SIDE MOUNT.

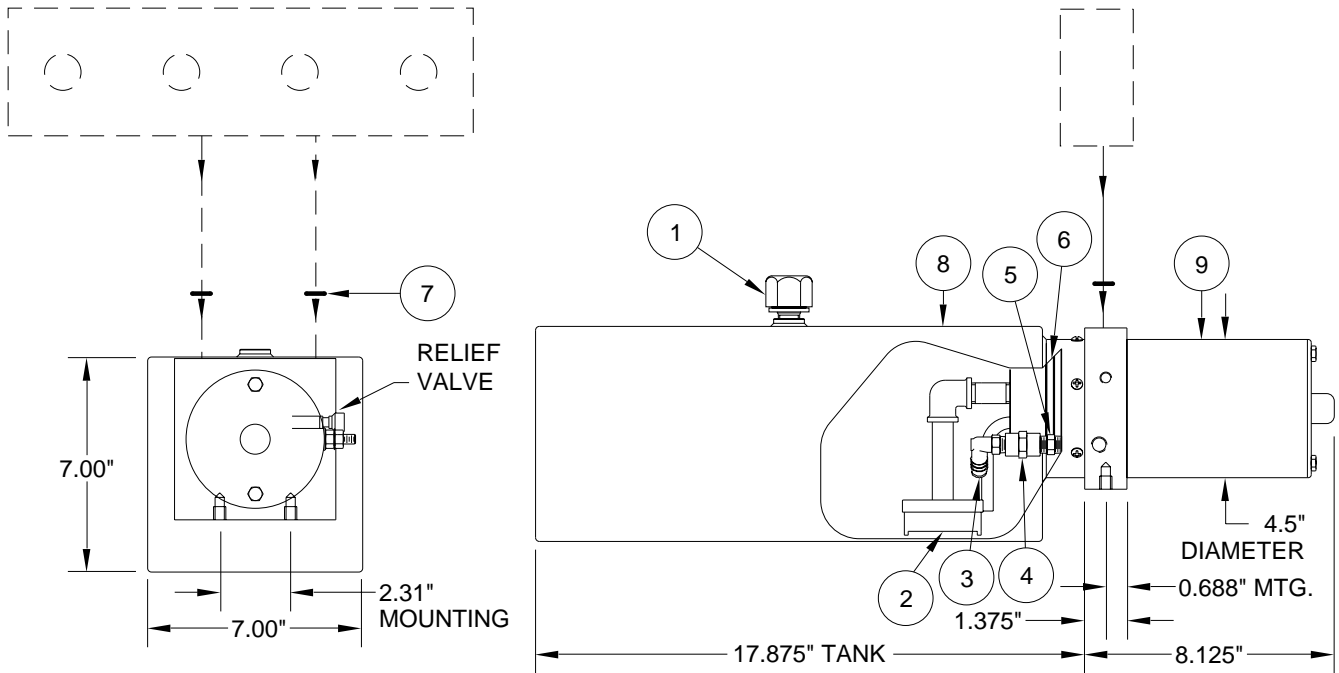
\*\*R92957 O-RING KIT INCLUDES (8) O2-015-9N  
O-RINGS FOR 11/16" SPOT FACE ON MANIFOLD



# PUMP/MOTOR/TANK ASSEMBLY AP44512 MONARCH

PUMP RELIEF IS SET AT 3500 PSI.

REPLACEMENT PUMP INCLUDES  
O-RING KIT (5) AND  
BREATHER CAP/DIPSTICK (1).



**MONARCH - 12 VOLT  
3.5 GALLON BOTTOM MOUNT  
SUPPLIED 2009 TO PRESENT**

ITEM	PART	QTY	DESCRIPTION	ITEM	PART	QTY	DESCRIPTION
	RAP92588		POWER UNIT/BMM/3.5 GALLON 4.5" MOTOR	5	RF6011	1	1/4" NPT NIPPLE
1	RAP7876	1	BREATHER CAP/ DIPSTICK	6	RP5008	1	O-RING TANK
2	RP90417	1	STRAINER	7	** R92957	1	O-RING KIT
3	RF92598	1	1/4" NPT x 1/2" NYLON ELBOW	8	RP90418	1	TANK 3.5 GAL. 17.875" X 7.00" X 7.00" RECT.
4	RF5599	1	1/4" NPT COUPLING	9	RAP90415	1	MOTOR KIT 4.5" 12 VOLT

\*\*R92957 O-RING KIT INCLUDES (8) O2-015-9N  
O-RINGS FOR 11/16" SPOT FACE ON MANIFOLD

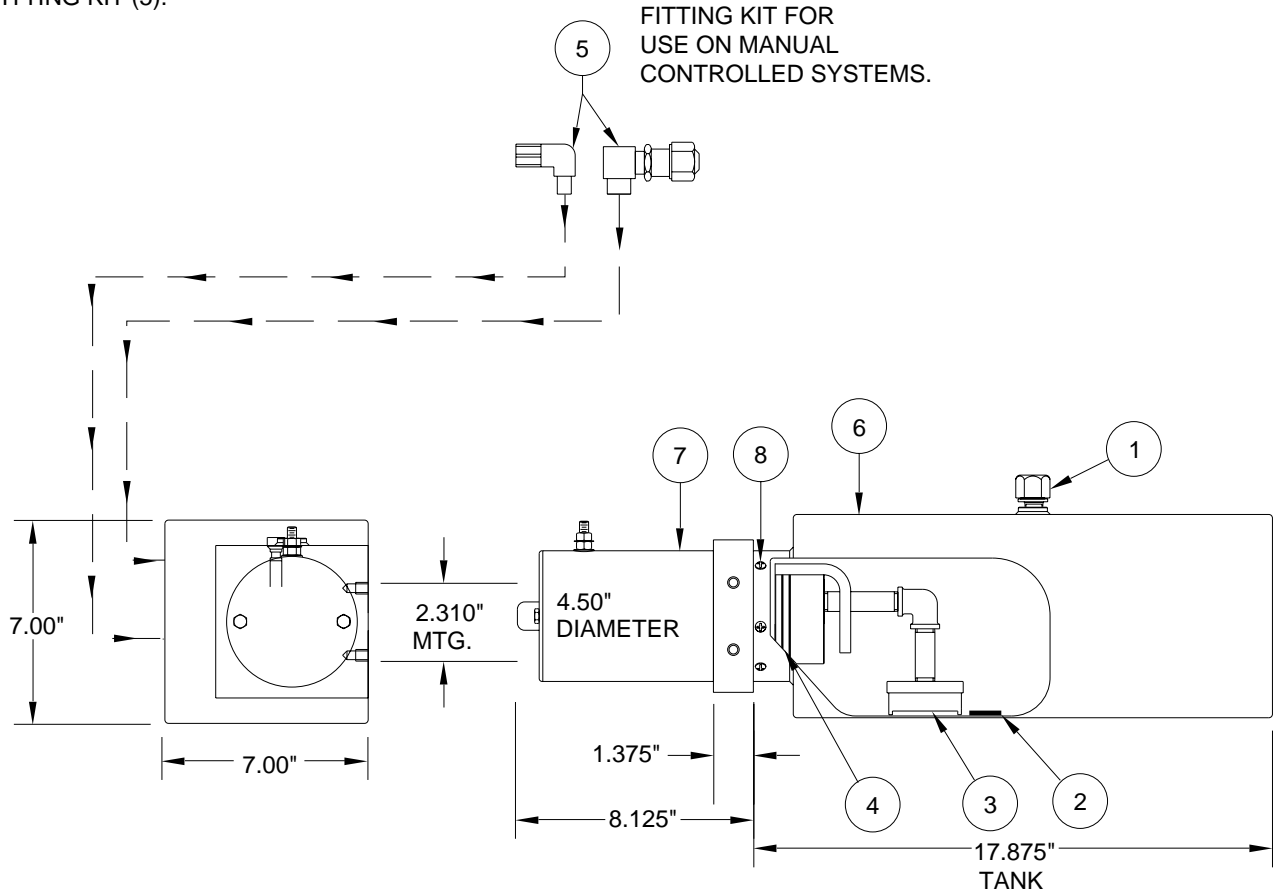
**MR30.3366  
11FEB13**

# PUMP/MOTOR/TANK ASSEMBLY

## AP13335 MONARCH - 12 VOLT - OBSOLETE

PUMP RELIEF IS SET AT 3500 PSI.

REPLACEMENT PUMP INCLUDES FITTING KIT (5).



**MONARCH - 12 VOLT  
3.5 GALLON SIDE MOUNT  
SUPPLIED 1997 TO 2002**

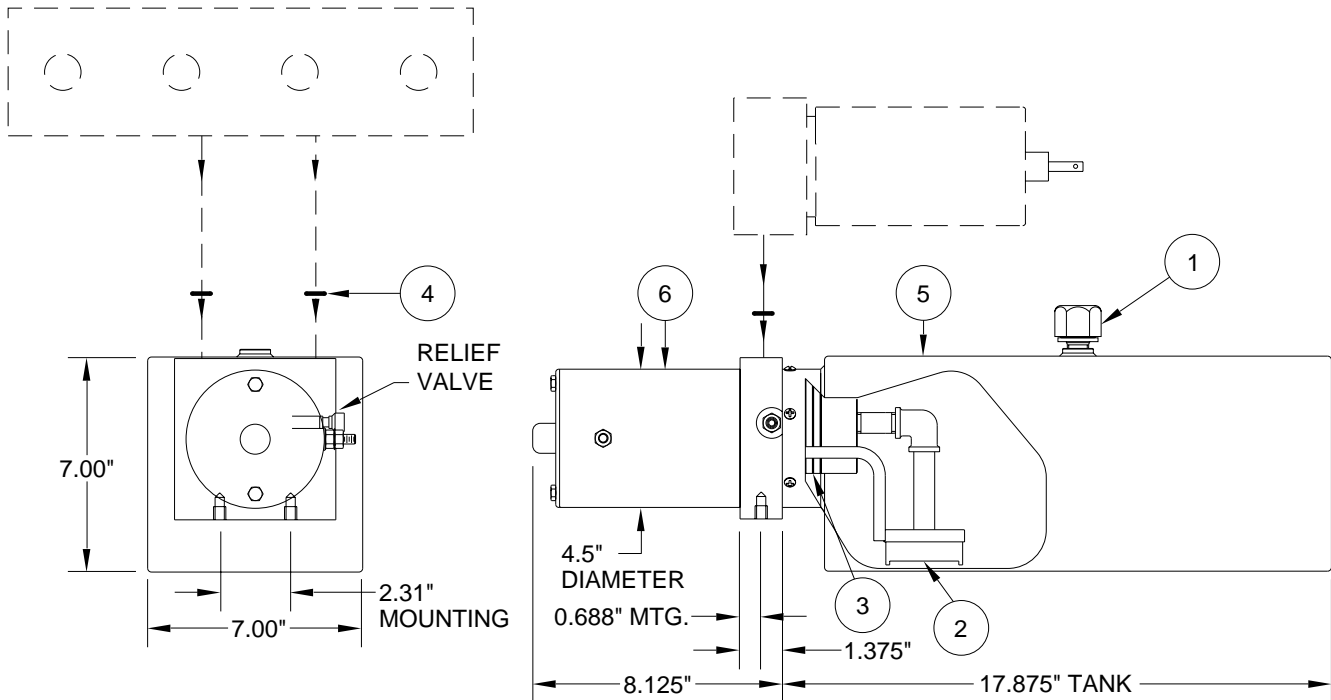
ITEM	PART	QTY	DESCRIPTION	ITEM	PART	QTY	DESCRIPTION
	AP13335	<b>OBS</b>	POWER UNIT/SMM/3.5 GALLON (4.5" MOTOR)	4	RP5008	1	O-RING TANK
1	RAP7876	1	BREATHER CAP/ DIPSTICK	5	RAP0586	1	FITTING KIT
2	RP3526	1	MAGNET	6	RP90419	1	TANK 3.5 GAL. 17.875" X 7.00" X 7.00"
3	RP90417	1	STRAINER	7	RAP90415	1	MOTOR KIT 4.5" 12 VOLT
				8	RAP90678	1	HDWE TANK SCREWS

**NOTE :** THIS POWER UNIT IS NO LONGER AVAILABLE. SOME PARTS FOR REBUILDING THESE PUMPS MAY BE AVAILABLE. SEE THE REPLACEMENT INFORMATION PAGE FOR REPLACEMENT PUMP.

# PUMP/MOTOR/TANK ASSEMBLY AP47729 MONARCH - 12 VOLT

PUMP RELIEF IS SET AT 3500 PSI.

REPLACEMENT PUMP INCLUDES  
O-RING KIT (4)\*\* AND  
BREATHER CAP/DIPSTICK (1).



### MONARCH - 12 VOLT 3.5 GALLON BOTTOM MOUNT SUPPLIED 2010 TO PRESENT

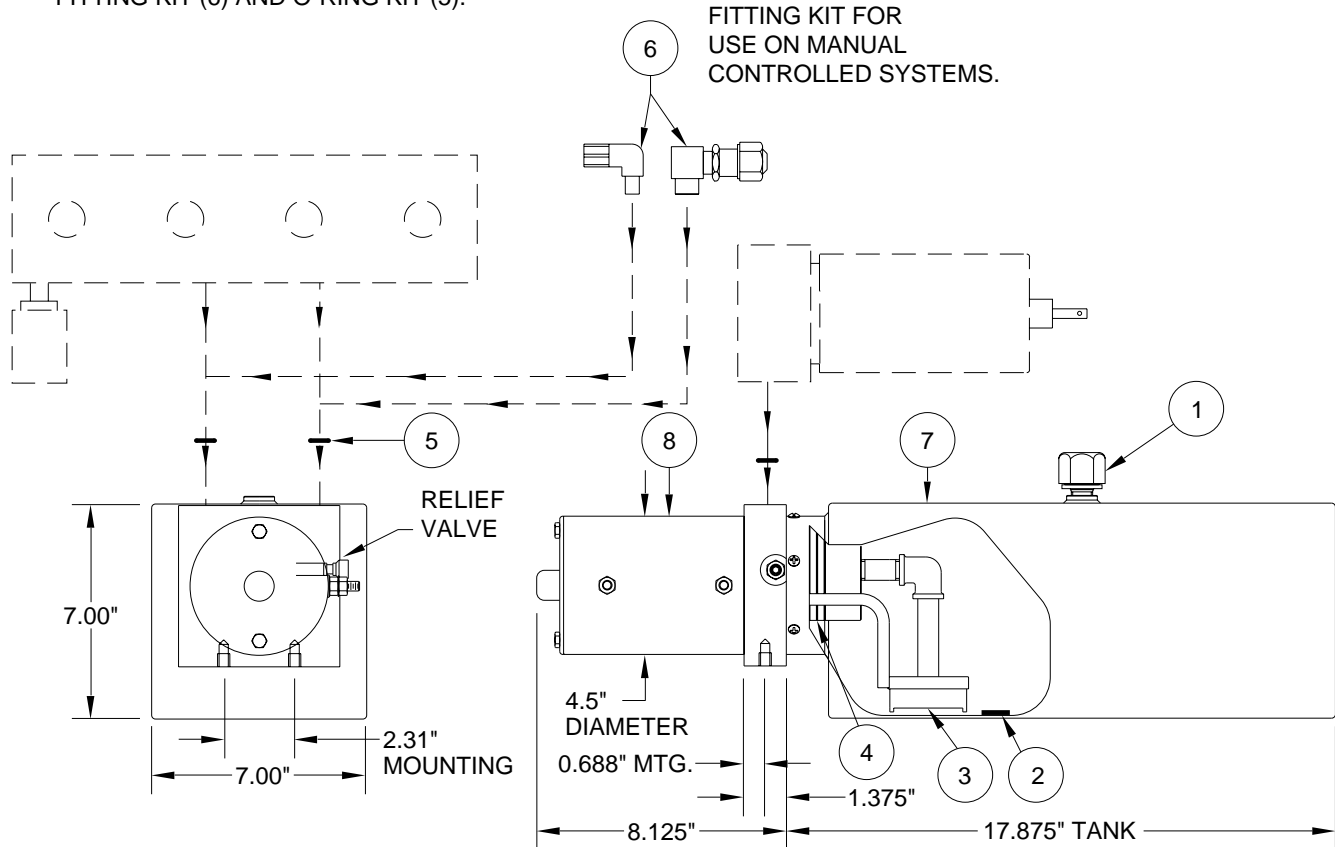
ITEM	PART	QTY	DESCRIPTION	ITEM	PART	QTY	DESCRIPTION
	RAP93092		POWER UNIT/BMM/3.5 GALLON 4.5" MOTOR	4	** R92957	1	O-RING KIT
1	RAP7876	1	BREATHER CAP/ DIPSTICK	5	RP90418	1	TANK 3.5 GAL. 17.875" X 7.00" X 7.00" RECT.
2	RP90417	1	STRAINER	6	RAP90415	1	MOTOR KIT 4.5" 12 VOLT
3	RP5008	1	O-RING TANK				

\*\*R92957 O-RING KIT INCLUDES (8) O2-015-9N  
O-RINGS FOR 11/16" SPOT FACE ON MANIFOLD

# PUMP/MOTOR/TANK ASSEMBLY AP14013 MONARCH - 24 VOLT

PUMP RELIEF IS SET AT 3500 PSI.

REPLACEMENT PUMP INCLUDES  
FITTING KIT (6) AND O-RING KIT (5).



### MONARCH - 24 VOLT 3.5 GALLON BOTTOM MOUNT SUPPLIED 1997 TO PRESENT

ITEM	PART	QTY	DESCRIPTION	ITEM	PART	QTY	DESCRIPTION
	RAP90414		POWER UNIT/BMM/3.5 GALLON 4.5" MOTOR	5	** R92957	1	O-RING KIT
1	RAP7876	1	BREATHER CAP/ DIPSTICK	6	RAP0586	1	FITTING KIT
2	RP3526	1	MAGNET	7	RP90418	1	TANK 3.5 GAL. 17.875" X 7.00" X 7.00" RECT
3	RAP90417	1	STRAINER	8	RAP90416	1	MOTOR KIT 4.5" 24 VOLT
4	RP5008	1	O-RING TANK		R5303		BRACKET KIT ADAPTS BOTTOM MOUNT PUMP TO SIDE MOUNT.

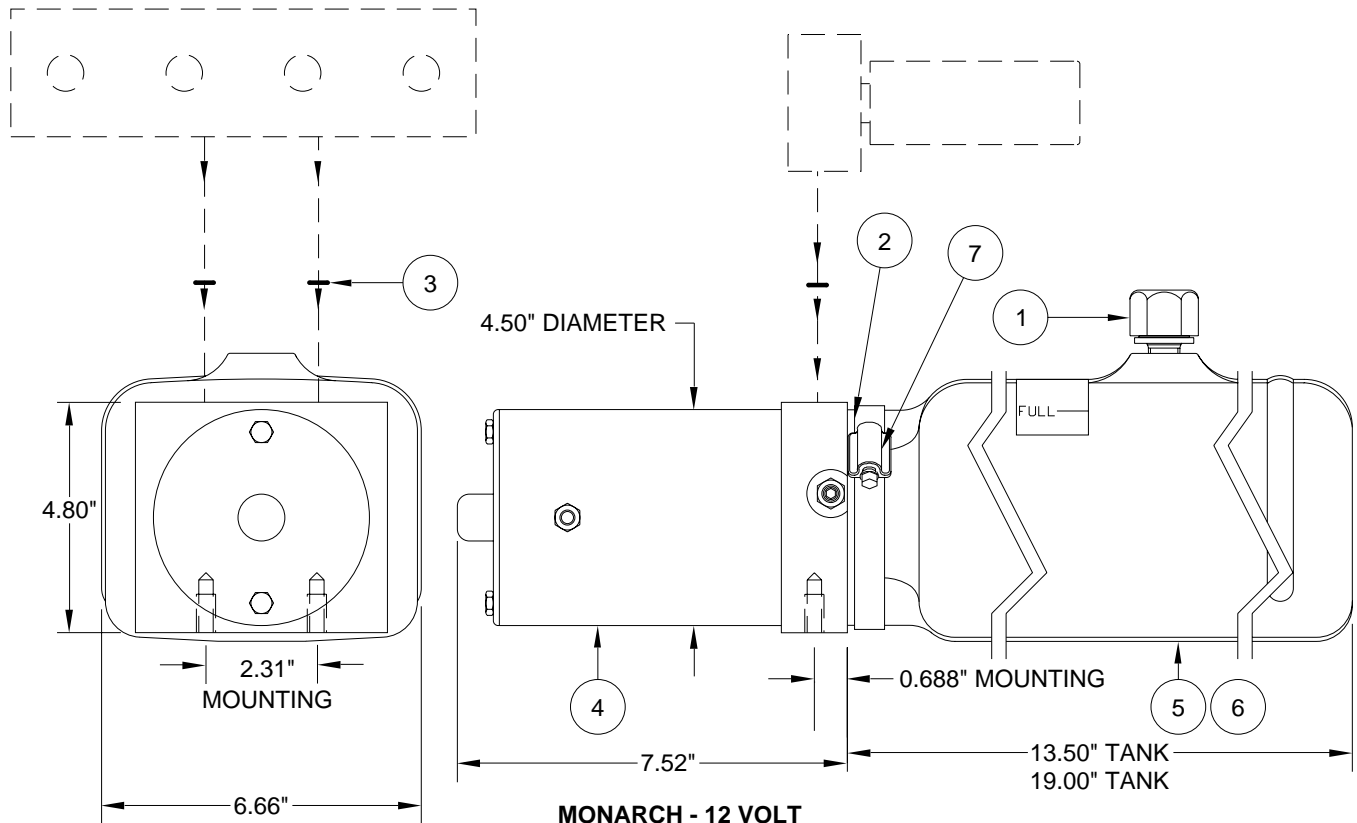
\*\*R92957 O-RING KIT INCLUDES (8) O2-015-9N  
O-RINGS FOR 11/16" SPOT FACE ON MANIFOLD

# PUMP/MOTOR/TANK ASSEMBLY

## AP49096/AP49167 MONARCH

PUMP RELIEF IS SET AT 3500 PSI.

REPLACEMENT PUMP INCLUDES BREATHER  
CAP/DIPSTICK (1) AND O-RING KIT (3)\*\*



**MONARCH - 12 VOLT  
4.50" MOTOR  
SUPPLIED 2011 TO PRESENT**

ITEM	PART	QTY	DESCRIPTION	ITEM	PART	QTY	DESCRIPTION
	RAP93093		POWER UNIT/BMM/1.2 GALLON 4.50" MOTOR (AP49096)	4	RAP90415	1	MOTOR KIT 4.50" 12 V
	RAP93094		POWER UNIT/BMM/1.6 GALLON 4.50" MOTOR (AP49167)	5	RP92197	1	TANK 1.2 GALLON 13.50" X 5.46" X 6.50"
1	RAP7876	1	BREATHER CAP/ DIPSTICK	6	RP92584	1	TANK 1.6 GALLON 19.00" X 5.46" X 6.50"
2	RP5008	1	O-RING TANK	7	RP92195	1	TANK BAND CLAMP 4.50"
3	**R92957	1	O-RING KIT				

\*\*R92957 O-RING KIT INCLUDES (8) O2-015-9N O-RINGS FOR 11/16" SPOT FACE ON MANIFOLD

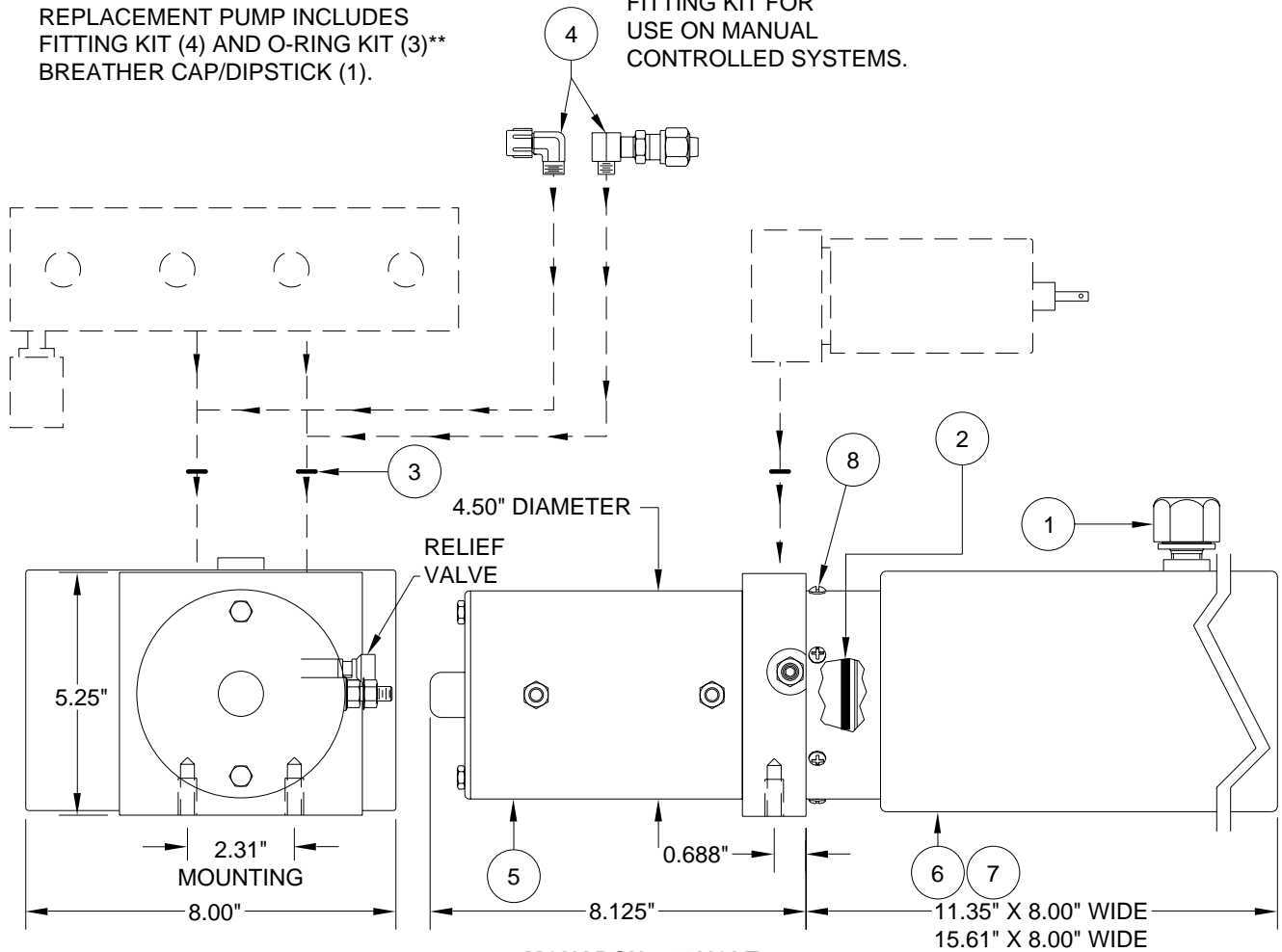
# PUMP/MOTOR/TANK ASSEMBLY

## AP30794/AP36181 MONARCH - 24V

PUMP RELIEF IS SET AT 3500 PSI.

REPLACEMENT PUMP INCLUDES FITTING KIT (4) AND O-RING KIT (3)\*\* BREATHER CAP/DIPSTICK (1).

FITTING KIT FOR USE ON MANUAL CONTROLLED SYSTEMS.



**MONARCH - 24 VOLT  
4.50" MOTOR  
SUPPLIED 2003 TO PRESENT**

ITEM	PART	QTY	DESCRIPTION	ITEM	PART	QTY	DESCRIPTION
	RAP91170		POWER UNIT/BMM/1.5 GALLON 4.5" MOTOR (AP30794)	3	**R92957	1	O-RING KIT
	RAP91934		POWER UNIT/BMM/2.0 GALLON 4.5" MOTOR (AP36181)	4	RAP0586	1	FITTING KIT
1	RAP7876	1	BREATHER CAP/DIPSTICK	5	RAP90416	1	MOTOR 4.50" 24 V
2	RP5008	1	O-RING TANK	6	RP91692	1	TANK 1.5 GALLON 11.35" X 5.25" X 8.00"
				7	RP91694	1	TANK 2.0 GALLON 15.61" X 5.25" X 8.00"
				8	RAP90678	1	HDWE TANK SCREWS

\*\*R92957 O-RING KIT INCLUDES (8) O2-015-9N O-RINGS FOR 11/16" SPOT FACE ON MANIFOLD

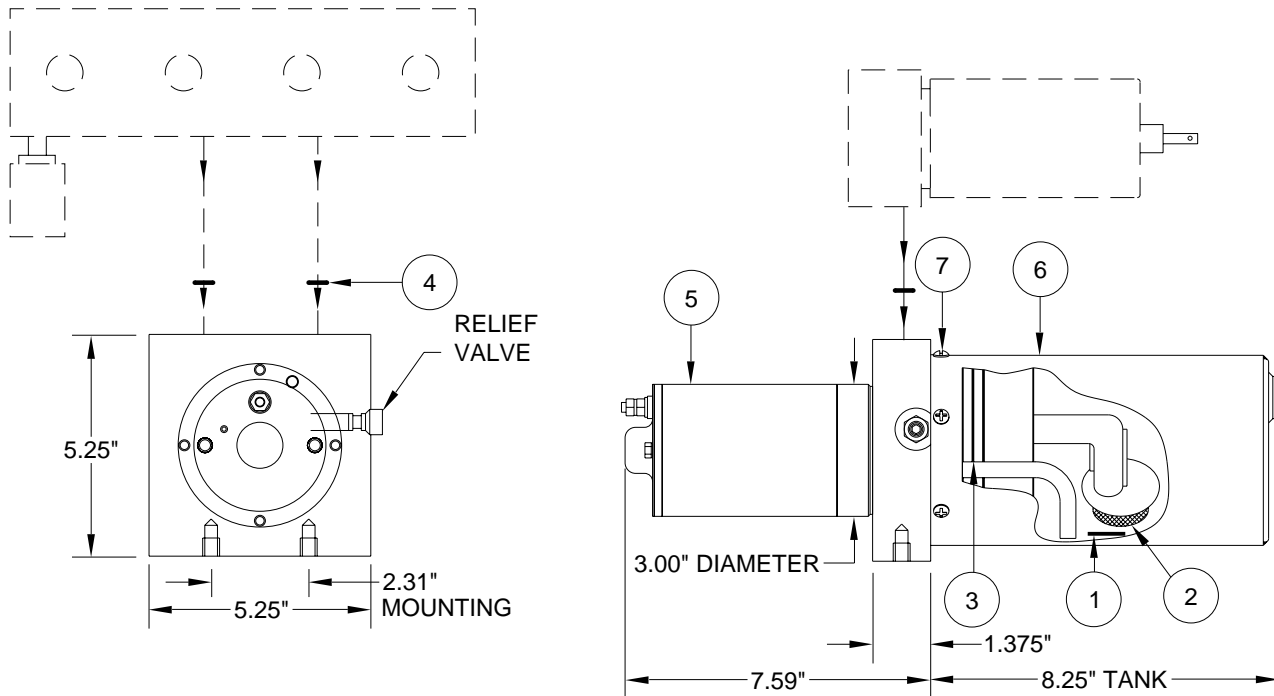
# PUMP/MOTOR/TANK ASSEMBLY

## AP13333 MONARCH - 12 VOLT - OBSOLETE

PUMP RELIEF IS SET AT 3500 PSI.

FOR USE WITH AUXILIARY TANK.

REPLACEMENT PUMP INCLUDES  
O-RING KIT (4).



**MONARCH - 12 VOLT  
.35 GALLON BOTTOM MOUNT  
SUPPLIED 1997 TO 2002**

ITEM	PART	QTY	DESCRIPTION	ITEM	PART	QTY	DESCRIPTION
	AP13333	<b>OBS</b>	POWER UNIT/BMM/.35 GALLON 3" MOTOR	4	** R92957	1	O-RING KIT
1	RP3526	1	MAGNET	5	RAP90311	1	MOTOR KIT 3.0" 12 VOLT
2	RP5010	1	STRAINER	6	RP90421	1	TANK .35 GAL 8" x 4.5" RD
3	RP5008	1	O-RING TANK	7	RAP90678	1	HDWE TANK SCREWS
					R5303		BRACKET KIT ADAPTS BOTTOM MOUNT PUMP TO SIDE MOUNT.

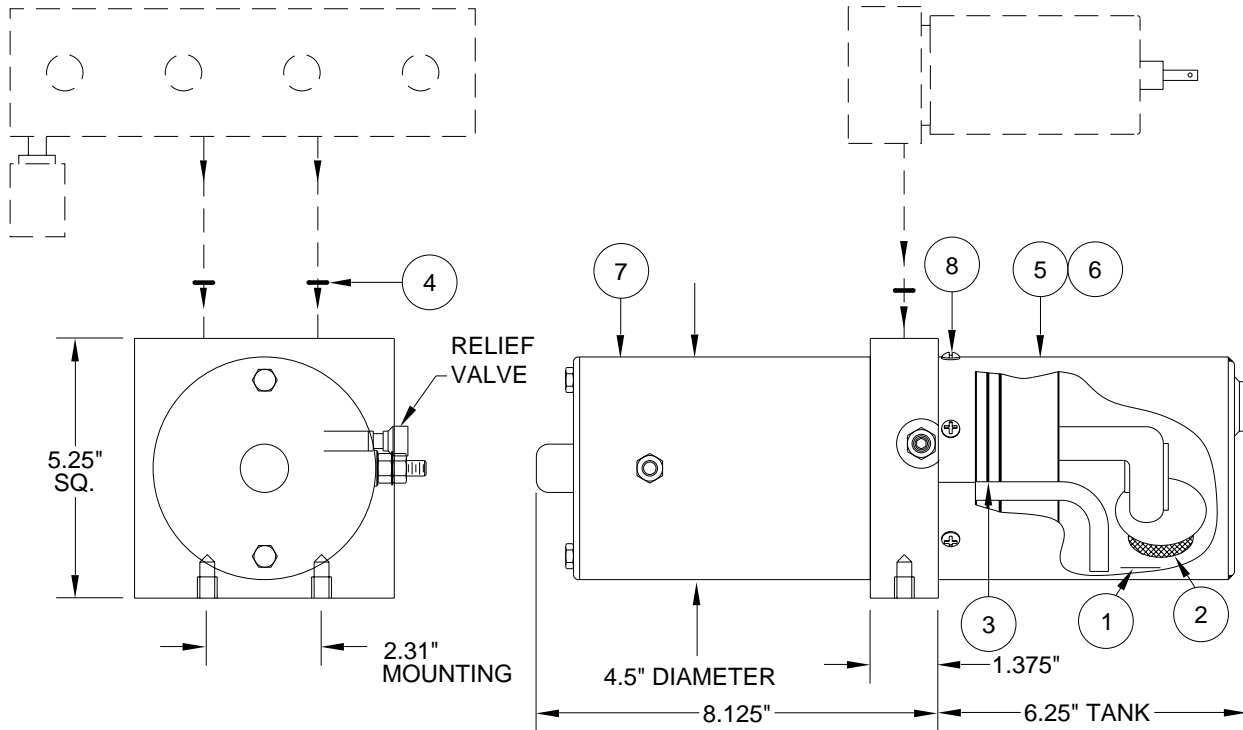
\*\*R92957 O-RING KIT INCLUDES (8) O2-015-9N  
O-RINGS FOR 11/16" SPOT FACE ON MANIFOLD

# PUMP/MOTOR/TANK ASSEMBLY AP13332 MONARCH - 12 VOLT

PUMP RELIEF IS SET AT 3500 PSI.

FOR USE WITH AUXILIARY TANK.

REPLACEMENT PUMP INCLUDES  
O-RING KIT (4).



### MONARCH - 12 VOLT .25 GALLON BOTTOM MOUNT SUPPLIED 1997 TO PRESENT

ITEM	PART	QTY	DESCRIPTION	ITEM	PART	QTY	DESCRIPTION
	RAP90411		POWER UNIT/BMM/.35 GALLON 4.5" MOTOR	4	** R92957	1	O-RING KIT
1	RP3526	1	MAGNET	5	RP90421	1	TANK .35 GAL 8" x 4.5" RD
2	RP5010	1	STRAINER	6	RP92198	1	TANK .25 GAL 6" x 4.5" RD
3	RP5008	1	O-RING TANK	7	RAP90415	1	MOTOR KIT 4.5" 12 VOLT
				8	RAP90678	1	HDWE TANK SCREWS
					R5303		BRACKET KIT ADAPTS BOTTOM MOUNT PUMP TO SIDE MOUNT.

\*\*R92957 O-RING KIT INCLUDES (8) O2-015-9N  
O-RINGS FOR 11/16" SPOT FACE ON MANIFOLD



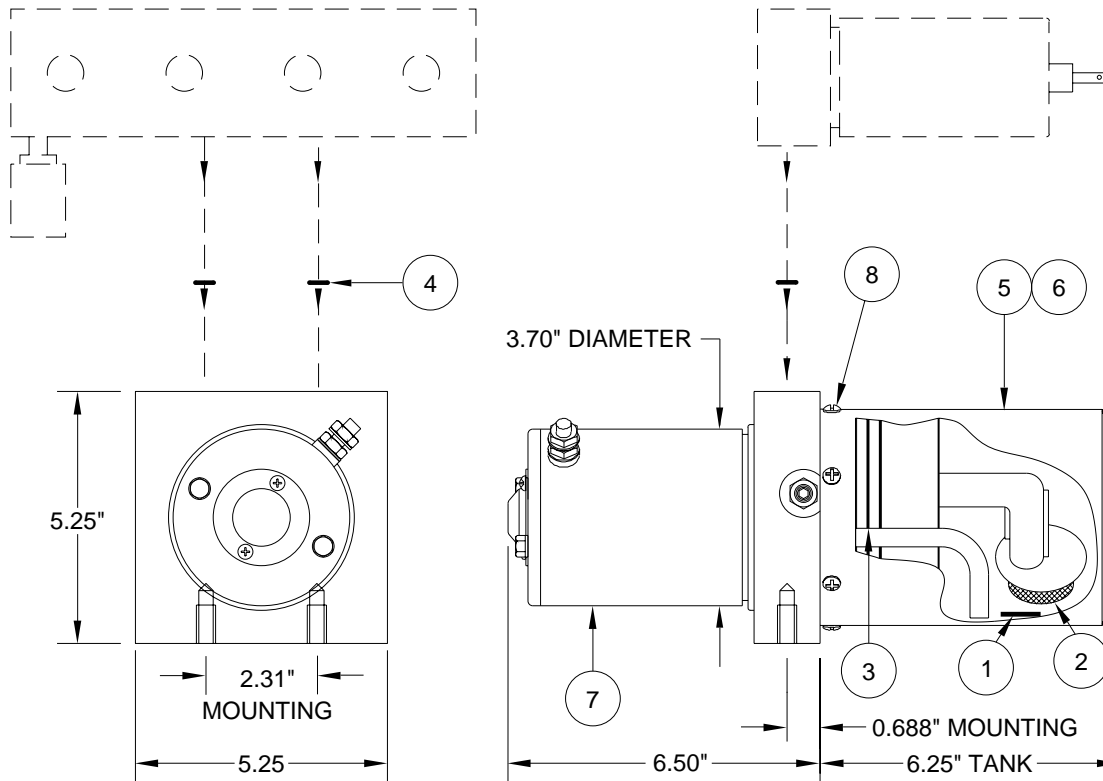
# PUMP/MOTOR/TANK ASSEMBLY

## AP36604 MONARCH

PUMP RELIEF IS SET AT 3500 PSI.

FOR USE WITH AUXILIARY TANK.

REPLACEMENT PUMP INCLUDES  
O-RING KIT (4).



**MONARCH - 12 VOLT  
.25 GALLON BOTTOM MOUNT  
SUPPLIED 2005 TO PRESENT**

ITEM	PART	QTY	DESCRIPTION	ITEM	PART	QTY	DESCRIPTION
	RAP91937		POWER UNIT/BMM/.25 GALLON 3.7" MOTOR (AP36604)	4	** R92957	1	O-RING KIT
1	RP3526	1	MAGNET	5	RP90421	1	TANK .35 GAL 8" x 4.5" RD
2	RP5010	1	STRAINER	6	RP92198	1	TANK .25 GAL 6" x 4.5" RD
3	RP5008	1	O-RING TANK	7	RAP91249	1	MOTOR KIT 3.70"
				8	RAP90678	1	HDWE TANK SCREWS

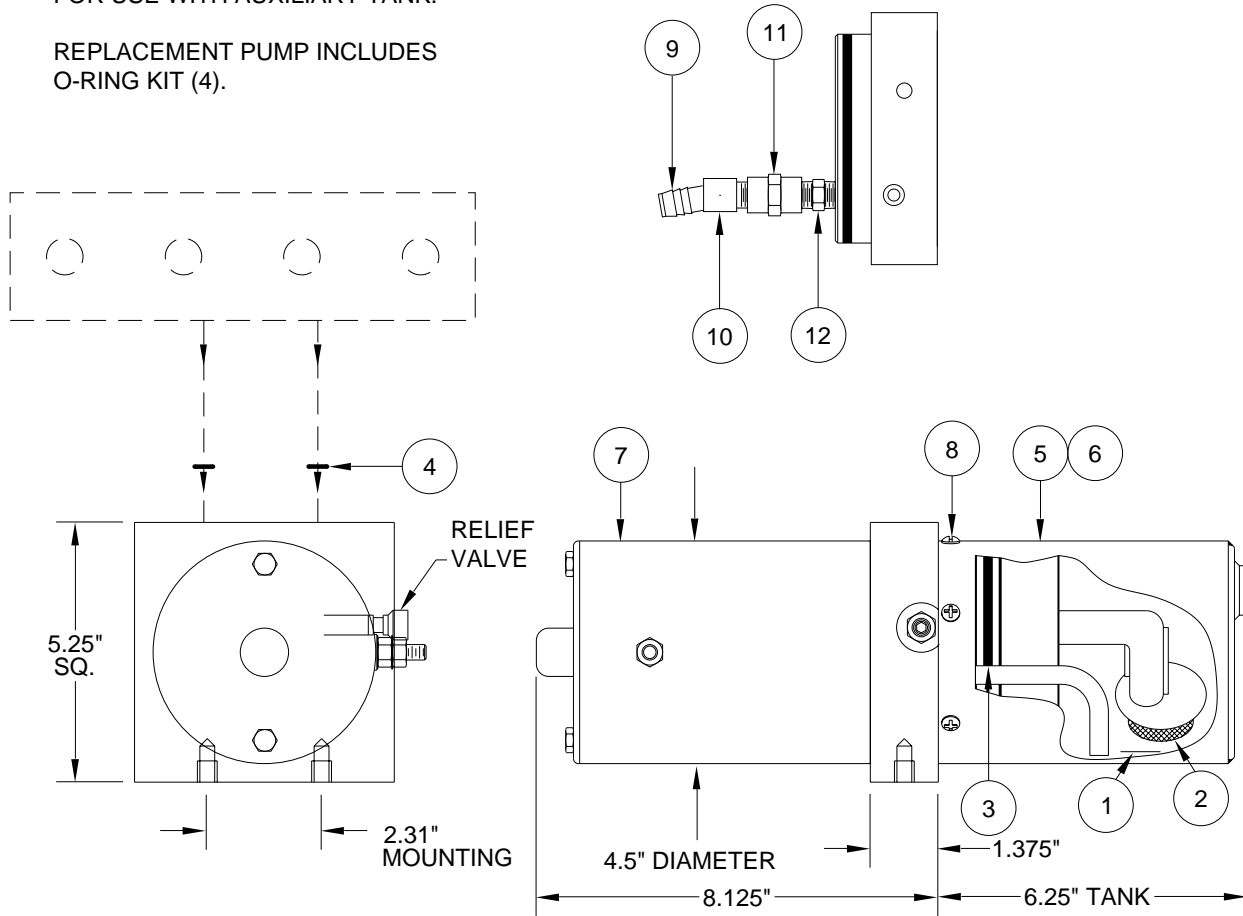
\*\*R92957 O-RING KIT INCLUDES (8) O2-015-9N O-RINGS FOR 11/16" SPOT FACE ON MANIFOLD

# PUMP/MOTOR/TANK ASSEMBLY AP45098 MONARCH - 12 VOLT

PUMP RELIEF IS SET AT 3500 PSI.

FOR USE WITH AUXILIARY TANK.

REPLACEMENT PUMP INCLUDES  
O-RING KIT (4).



## MONARCH - 12 VOLT .25 GALLON BOTTOM MOUNT SUPPLIED 2009 TO PRESENT

ITEM	PART	QTY	DESCRIPTION	ITEM	PART	QTY	DESCRIPTION
	RAP92785		POWER UNIT/BMM/.35 GALLON 4.5" MOTOR	6	RP92198	1	TANK .25 GAL 6" x 4.5" RD
1	RP3526	1	MAGNET	7	RAP90415	1	MOTOR KIT 4.5" 12 VOLT
2	RP5010	1	STRAINER	8	RAP90678	1	HDWE TANK SCREWS
3	RP5008	1	O-RING TANK	9	RF92598	1	1/4" NPT x 1/2" NYLON ELBOW
4	** R92957	1	O-RING KIT	10	RF3340	1	1/4" BRASS ELBOW
5	RP90421	1	TANK .35 GAL 8" x 4.5" RD	11	RF5599	1	1/4" NPT COUPLING
				12	RF6011	1	1/4" NPT NIPPLE

\*\*R92957 O-RING KIT INCLUDES (8) O2-015-9N O-RINGS FOR 11/16" SPOT FACE ON MANIFOLD

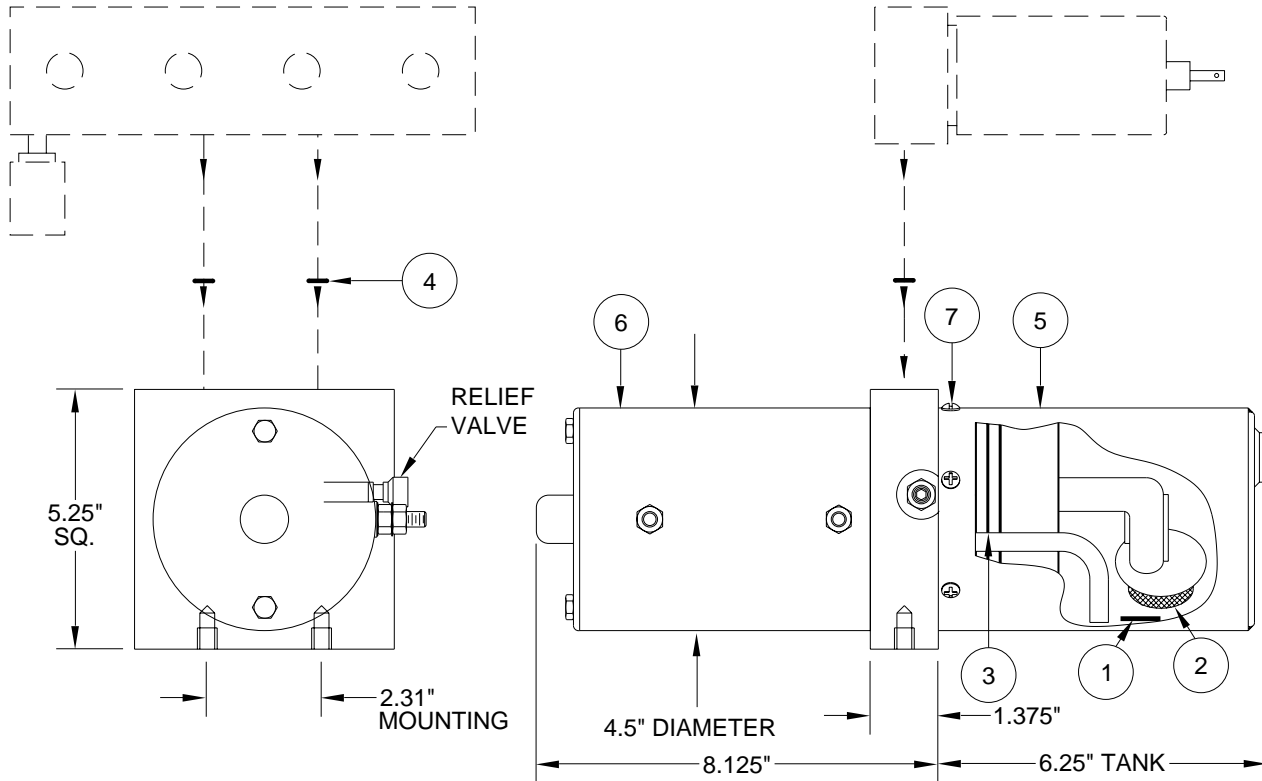
**MR30.3379  
11FEB13**

# PUMP/MOTOR/TANK ASSEMBLY AP37344 MONARCH - 24 VOLT

PUMP RELIEF IS SET AT 3500 PSI.

FOR USE WITH AUXILIARY TANK.

REPLACEMENT PUMP INCLUDES  
O-RING KIT (4).



**MONARCH - 24 VOLT  
.25 GALLON BOTTOM MOUNT  
SUPPLIED 2006 TO PRESENT**

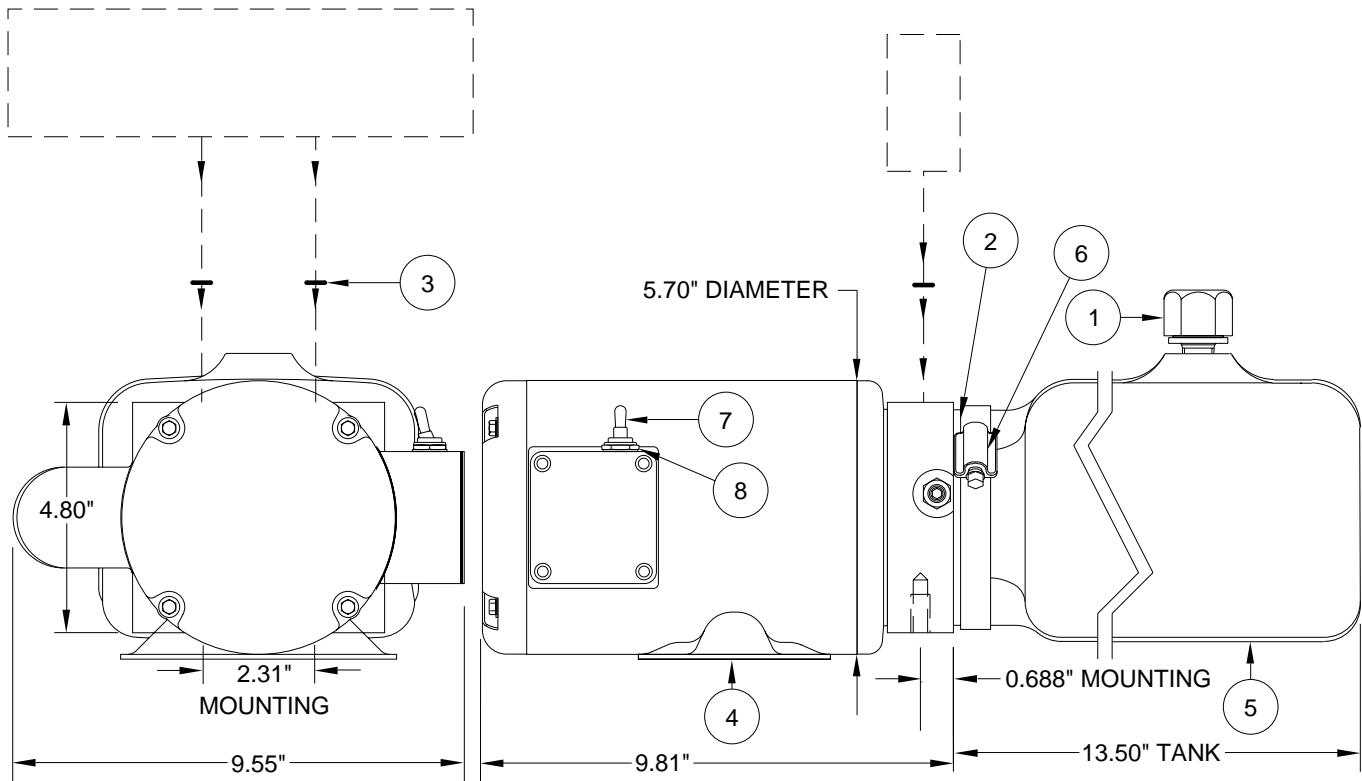
ITEM	PART	QTY	DESCRIPTION	ITEM	PART	QTY	DESCRIPTION
	RAP91936		POWER UNIT/BMM/.25 GALLON 4.5" MOTOR (AP37344)	4	** R92957	1	O-RING KIT
1	RP3526	1	MAGNET	5	RP92198	1	TANK .25 GAL 6" x 4.5" RD
2	RP5010	1	STRAINER	6	RAP90416	1	MOTOR 4.50" 24 V
3	RP5008	1	O-RING TANK	7	RAP90678	1	HDWE TANK SCREWS

\*\*R92957 O-RING KIT INCLUDES (8) O2-015-9N O-RINGS FOR 11/16" SPOT FACE ON MANIFOLD

# PUMP/MOTOR/TANK ASSEMBLY AP43190 MONARCH

PUMP RELIEF IS SET AT 3000 PSI.

REPLACEMENT PUMP INCLUDES  
O-RING KIT (3)\*\* AND  
BREATHER CAP/DIPSTICK (1).



**MONARCH - 115 VOLT  
5.70" MOTOR  
SUPPLIED 2008 TO PRESENT**

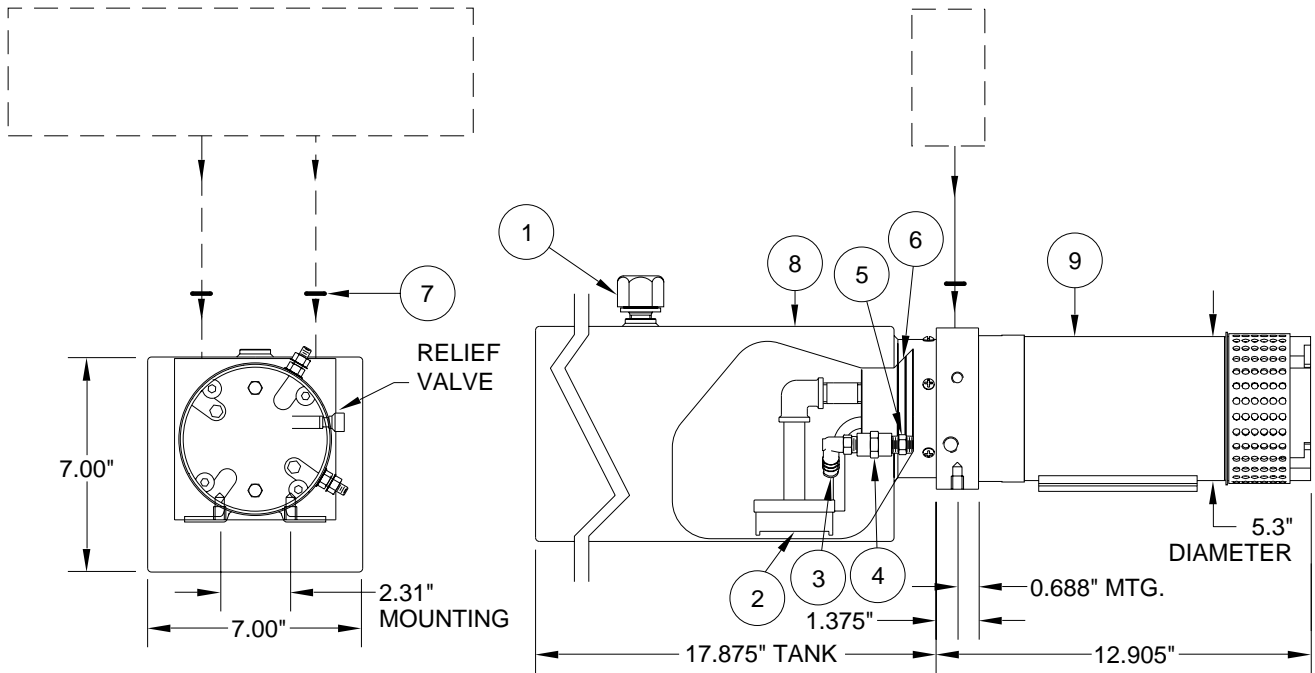
ITEM	PART	QTY	DESCRIPTION	ITEM	PART	QTY	DESCRIPTION
	RAP92583		POWER UNIT/BMM/1.2 GALLON 5.70" MOTOR	4	CONTACT HWH		MOTOR KIT 5.70"
1	RAP7876	1	BREATHER CAP/ DIPSTICK	5	RP92197	1	TANK 1.2 GALLON 13.50" X 5.46" X 6.66"
2	RP5008	1	O-RING TANK	6	RP92195	1	TANK BAND CLAMP 4.50"
3	**RAP9171	1	O-RING KIT	7	RAP92597	1	SWITCH MOM ON
				8	RP92458	1	TOGGLE SW. BOOT.

\*\*RAP9171 O-RING KIT INCLUDES (2) O2-014-9N O-RINGS FOR THE 5/8" SPOT FACE AND (2) O2-015-9N O-RINGS FOR THE 11/16" SPOT FACE ON MANIFOLD

# PUMP/MOTOR/TANK ASSEMBLY AP49003 MONARCH - 24 VOLT

PUMP RELIEF IS SET AT 2500 PSI.

REPLACEMENT PUMP INCLUDES  
O-RING KIT (5) AND  
BREATHER CAP/DIPSTICK (1).

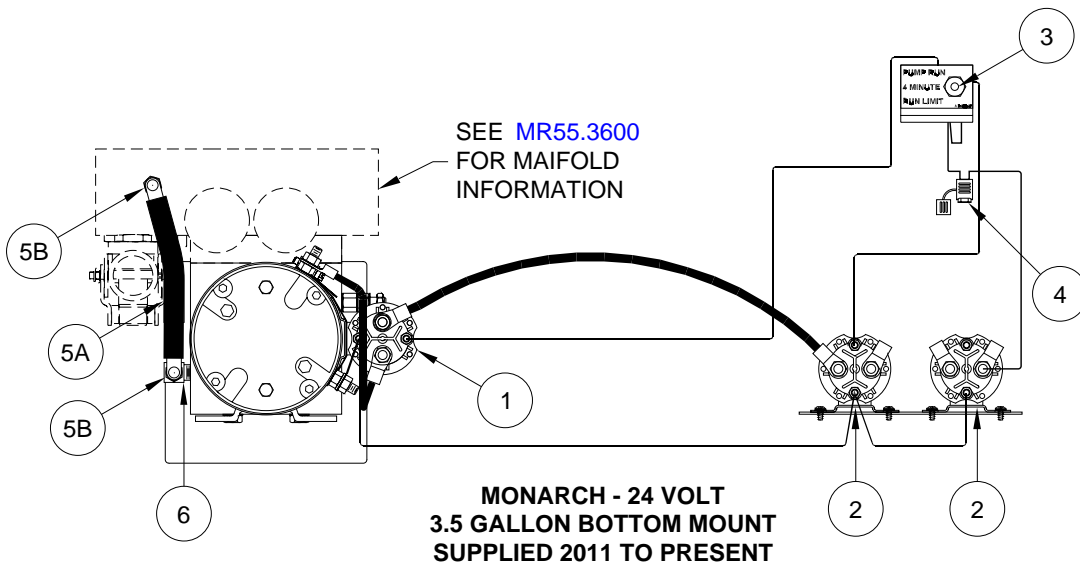
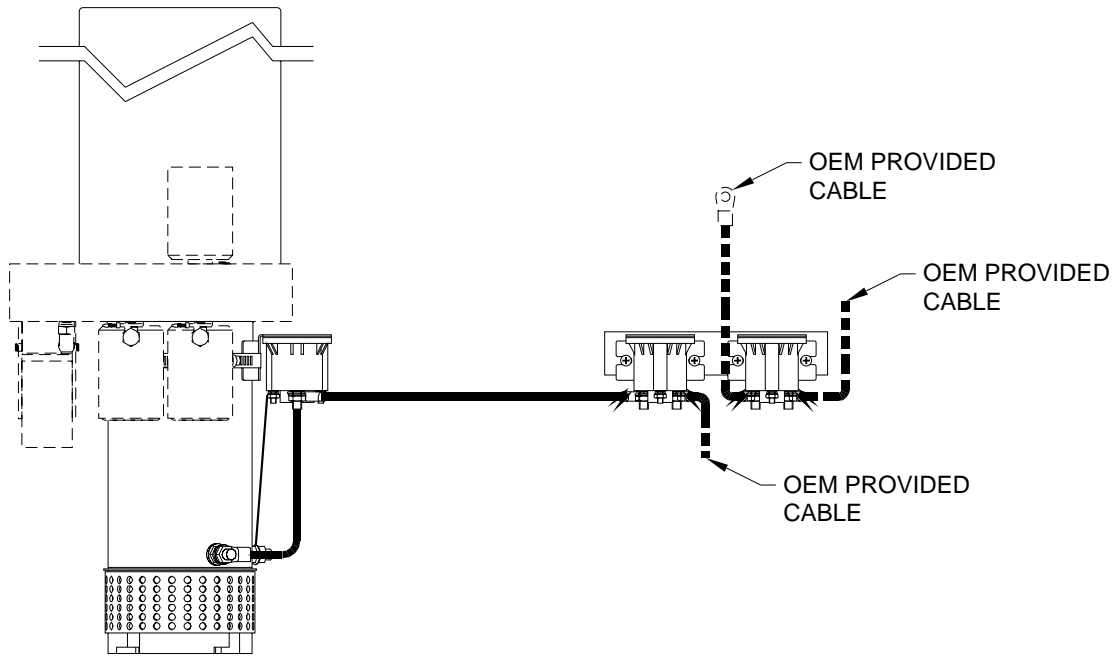


### MONARCH - 24 VOLT 3.5 GALLON BOTTOM MOUNT SUPPLIED 2011 TO PRESENT

ITEM	PART	QTY	DESCRIPTION	ITEM	PART	QTY	DESCRIPTION
	RAP93091		PUMP-MOTOR-TANK/ BMM/3.5 GAL. 5.3" MOTOR	5	RF6011	1	1/4" NPT NIPPLE
1	RAP7876	1	BREATHER CAP/ DIPSTICK	6	RP5008	1	O-RING TANK
2	RP90417	1	STRAINER	7	RAP93176	1	O-RING KIT MANIF MTG
3	RF92598	1	1/4" NPT x 1/2" NYLON ELBOW	8	RP90418	1	TANK 3.5 GAL. 17.875" X 7.00" X 7.00" RECT.
4	RF5599	1	1/4" NPT COUPLING	9	RAP93090	1	MOTOR 5.3" 24 VOLT

# POWER UNIT ASSEMBLY AP47717 MONARCH - 24 VOLT

PUMP RELIEF IS SET AT 2500 PSI.



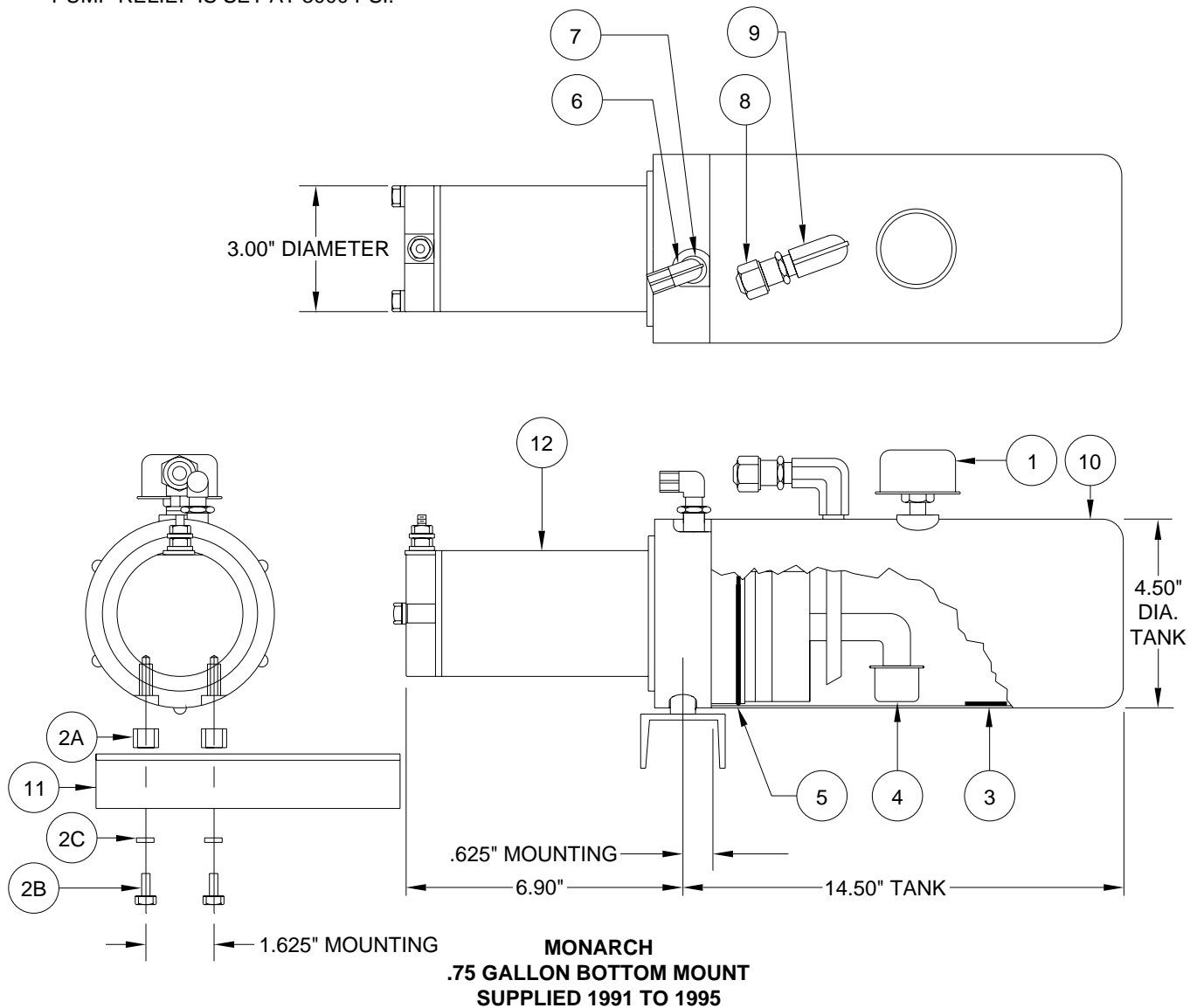
ITEM	PART	QTY	DESCRIPTION	ITEM	PART	QTY	DESCRIPTION
	RAP93220		POWER UNIT WITH RELAYS AND FITTINGS DOES NOT INCLUDE MANIFOLD	4	R90288	1	15 AMP FUSE (5 FUSES PER R90288)
1	RAP0533	1	PUMP RELAY	5	RAP93222	1	HOSE AND FITTING KIT
2	RAP7505	1	MASTER RELAY	5A		1	1/2 INCH ID HOSE
3	RAP93221	1	TOGGLE SWITCH	5B	RF92598	2	1/2" BARBED X 1/4" NPT ELBOW
				6	RF3340	1	2202-4-4 ELBOW (BRASS)

**NOTE:** INDENTED ITEMS INCLUDED WITH PRECEDING ITEM.

**MR30.3551  
10DEC12**

# PUMP/MOTOR/TANK ASSEMBLY AP8178 MONARCH - OBSOLETE

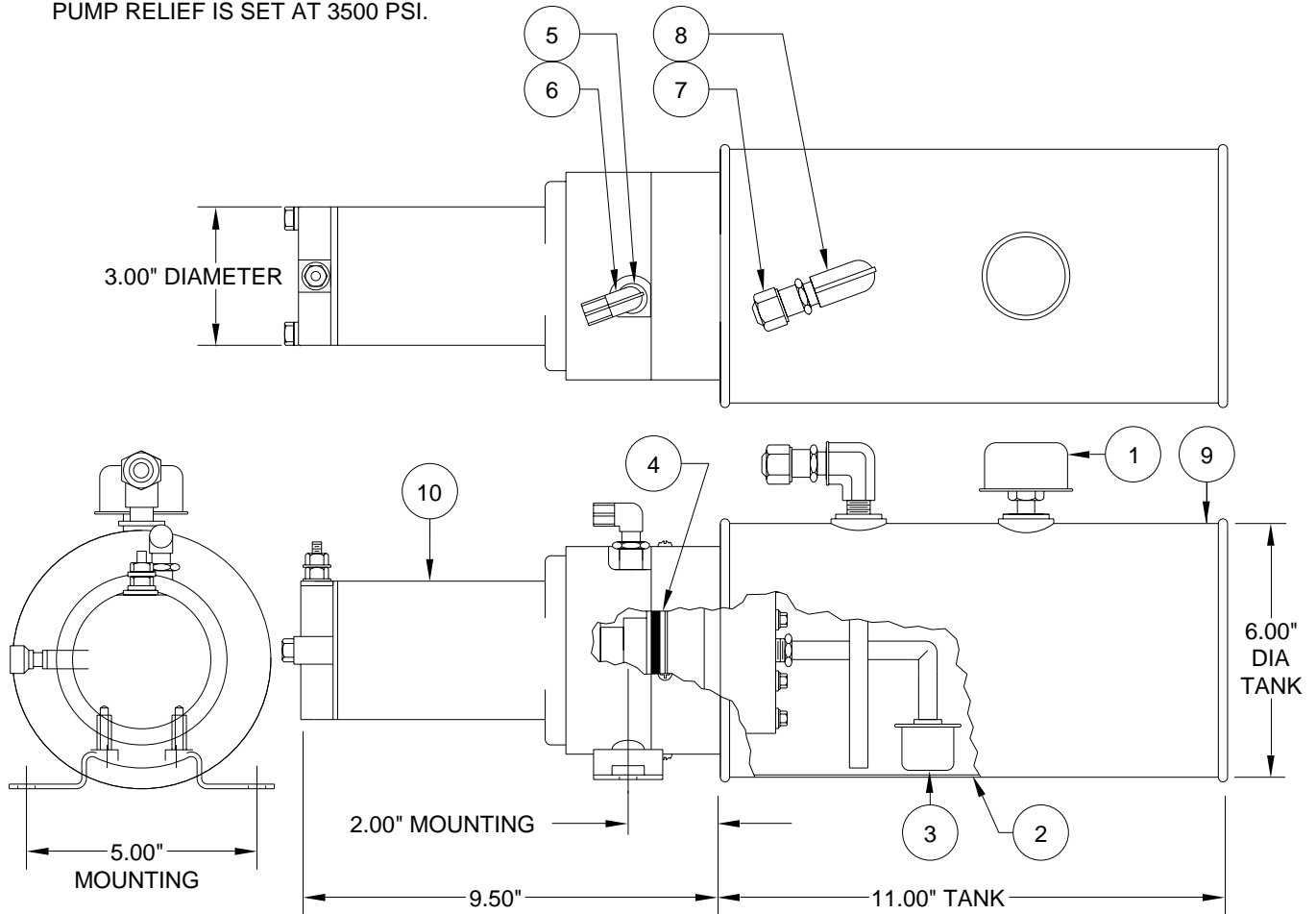
PUMP RELIEF IS SET AT 3000 PSI.



ITEM	PART	QTY	DESCRIPTION	ITEM	PART	QTY	DESCRIPTION
	AP8178	<b>OBS</b>	POWER UNIT BMM/ .75 GALLON	6	RF1514	1	ELBOW 1/4" X 1/4"
1	RAP7876	1	BREATHER CAP/ DIPSTICK	7	RF2912	1	REDUCER 3/8" X 1/4"
2	RAP8255	1	PUMP MTG. KIT	8	RF4970	1	MALE CONNECTOR 1/2" X 3/8"
2A		2	BUSHING	9	RP5011	1	ELBOW SPECIAL
2B		2	HHCS 5/16-18 X 1-1/4"	10	RP8986	1	TANK .75 GALLON
2C		2	LW 5/16" EXT.	11	RP8210	1	PUMP MTG. BRACKET
3	RP3526	1	MAGNET	12	RAP90309	1	MOTOR KIT 3.00" UT
4	RP5010	1	STRAINER				
5	RP5008	1	O-RING TANK				

# PUMP/MOTOR/TANK ASSEMBLY AP0630 MONARCH - OBSOLETE

PUMP RELIEF IS SET AT 3500 PSI.



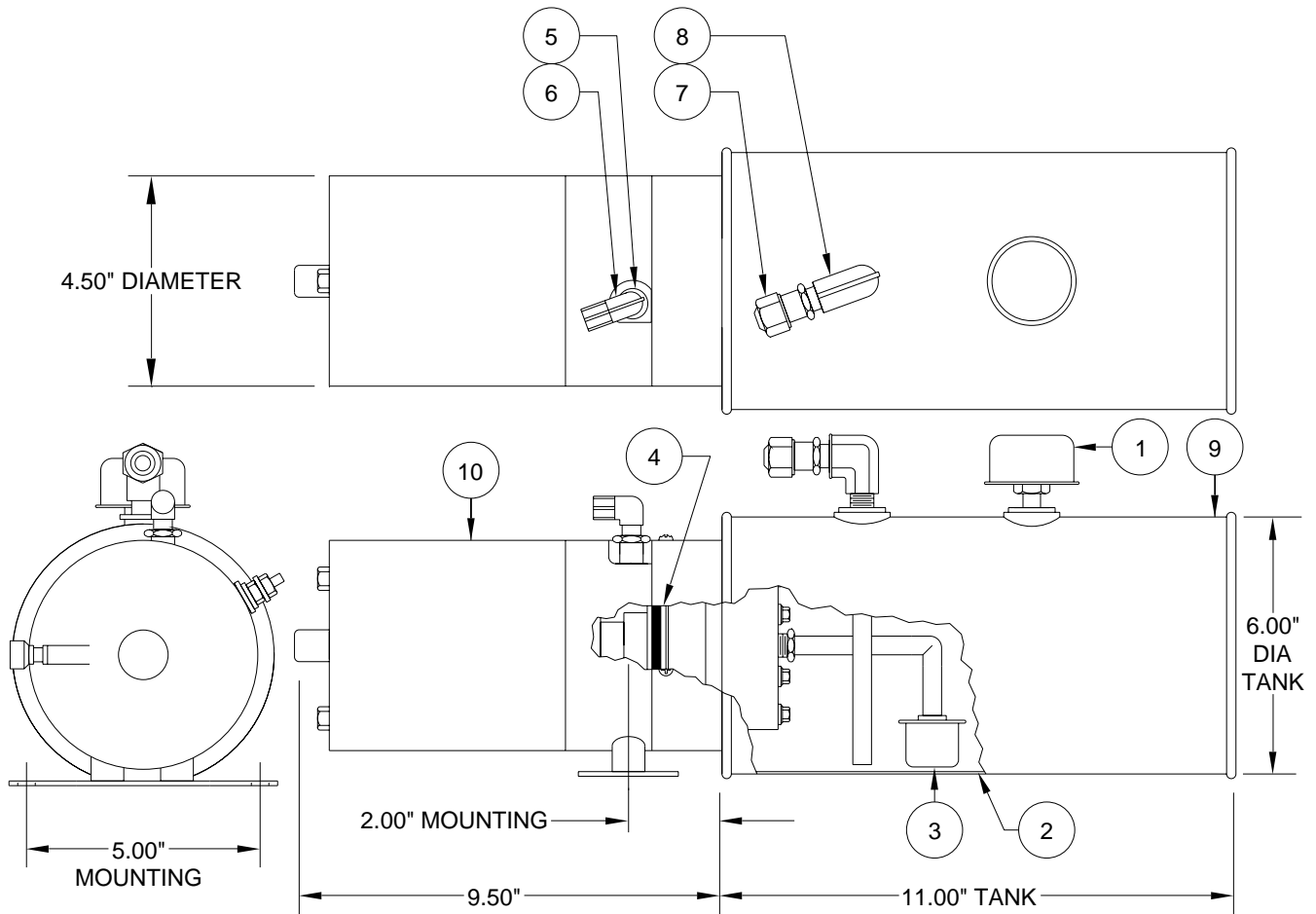
**MONARCH  
1.2 GALLON BOTTOM MOUNT  
SUPPLIED 1993 TO 1995**

ITEM	PART	QTY	DESCRIPTION	ITEM	PART	QTY	DESCRIPTION
	AP0630	<b>OBS</b>	POWER UNIT BMM/1.2 GALLON LESS SOLENOID	6	RF1514	1	ELBOW 1/4" X 1/4"
1	RAP7876	1	BREATHER CAP/ DIPSTICK	7	RF4970	1	MALE CONNECTOR 1/2" X 3/8"
2	RP3526	1	MAGNET	8	RP5011	1	ELBOW SPEC.
3	RP5010	1	STRAINER	9	RP5007	1	TANK 1.2 GALLON
4	RP5008	1	O-RING TANK	10	RAP90309	1	MOTOR KIT 3.00" UT
5	RF2912	1	REDUCER 3/8" x 1/4"				



# PUMP/MOTOR/TANK ASSEMBLY AP4931 MONARCH - OBSOLETE

PUMP RELIEF IS SET AT 3500 PSI.



**MONARCH  
1.2 GALLON BOTTOM MOUNT  
SUPPLIED 1986 TO 1993**

ITEM	PART	QTY	DESCRIPTION	ITEM	PART	QTY	DESCRIPTION
	AP4931	<b>OBS</b>	POWER UNIT BMM/1.2 GALLON	5	RF2912	1	REDUCER 3/8" x 1/4"
1	RAP7876	1	BREATHER CAP/ DIPSTICK	6	RF1514	1	ELBOW 1/4" X 1/4"
2	RP3526	1	MAGNET	7	RF4970	1	MALE CONNECTOR 1/2" X 3/8"
3	RP5010	1	STRAINER	8	RP5011	1	ELBOW SPECIAL
4	RP5008	1	O-RING TANK	9	RP5007	1	TANK 1.2 GALLON
				10	RAP90415	1	MOTOR KIT 4.50" 12 V

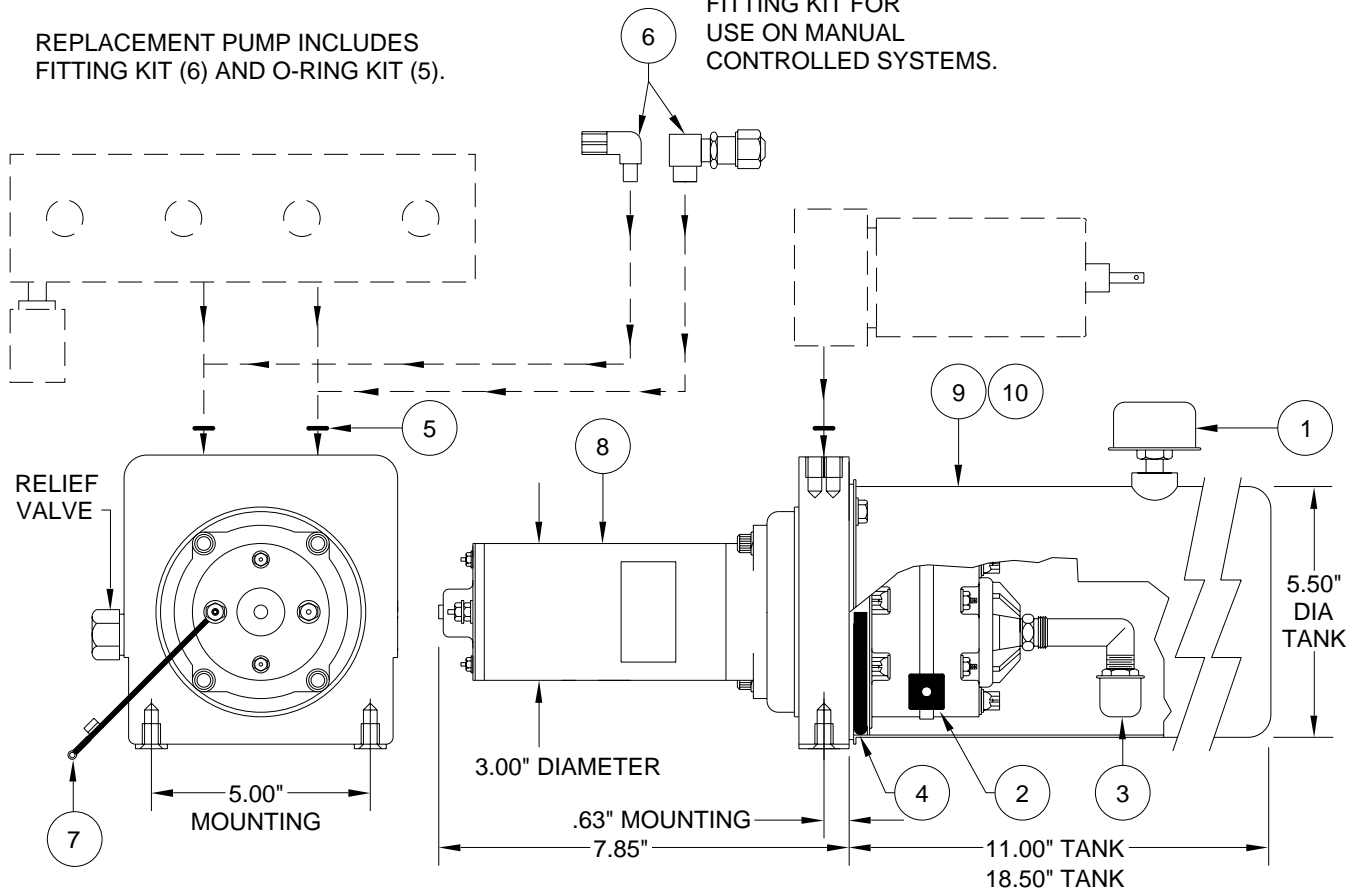
# PUMP/MOTOR/TANK ASSEMBLY

## AP0588/AP0195 FENNER STONE - OBSOLETE

PUMP RELIEF IS SET AT 3500 PSI.

REPLACEMENT PUMP INCLUDES FITTING KIT (6) AND O-RING KIT (5).

FITTING KIT FOR USE ON MANUAL CONTROLLED SYSTEMS.



**FENNER STONE  
3.00" MOTOR  
SUPPLIED 1992 TO 1998**

ITEM	PART	QTY	DESCRIPTION	ITEM	PART	QTY	DESCRIPTION
	AP0588	<b>OBS</b>	POWER UNIT/ BMS/1.7 GALLON 3" MOTOR	5	** RAP9171	1	SEAL KIT
	AP0195	<b>OBS</b>	POWER UNIT/ BMS/ .75 500w, STONE #4044 JET AIR ONLY	6	RAP0586	1	FITTING KIT (INCLUDES ITEM 5)
1	RAP7876	1	BREATHER CAP/ DIPSTICK	7	RAP0830	1	GROUND CABLE
2	RP3526	1	MAGNET	8	<b>OBS</b>	1	MOTOR 800w 3" STONE #4042
3	RP3525	1	STRAINER	9	RP9780	1	TANK .75 GALLON 11" X 5.5" ROUND
4	RP3515	1	O-RING TANK	10	RP3521	1	TANK 1.5 GALLON 16.0" X 5.5" ROUND (REPLACES THE 18.5" TANK)

**NOTE :** THIS POWER UNIT IS NO LONGER AVAILABLE. SOME PARTS FOR REBUILDING THESE PUMPS MAY BE AVAILABLE. SEE THE REPLACEMENT INFORMATION PAGE FOR REPLACEMENT PUMP.

\*\*RAP9171 O-RING KIT INCLUDES (2) O2-014-9N O-RINGS FOR THE 5/8" SPOT FACE AND (2) O2-015-9N O-RINGS FOR THE 11/16" SPOT FACE

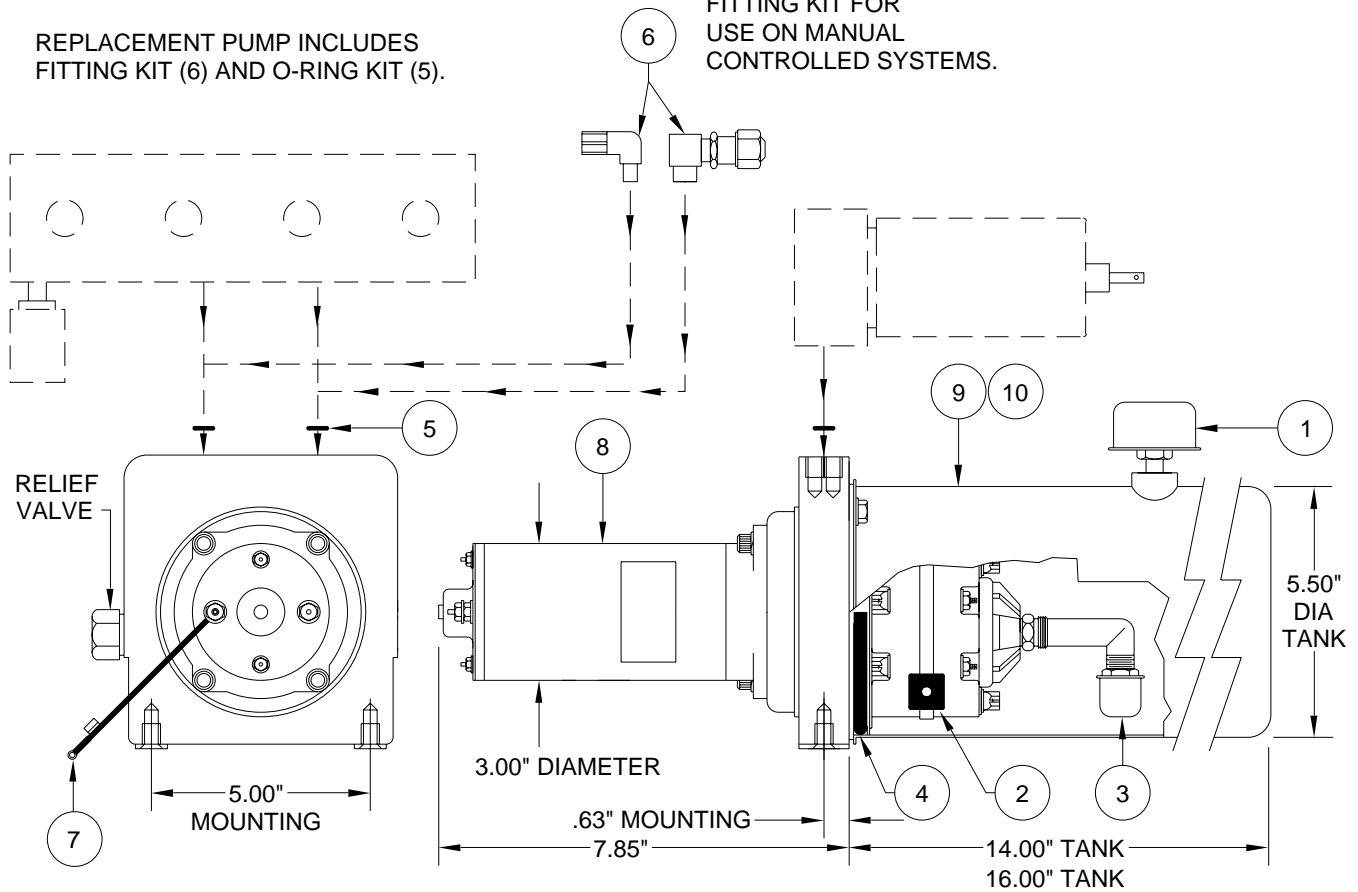
# PUMP/MOTOR/TANK ASSEMBLY

## AP0002/AP0071 FENNER STONE - OBSOLETE

PUMP RELIEF IS SET AT 3500 PSI.

REPLACEMENT PUMP INCLUDES FITTING KIT (6) AND O-RING KIT (5).

FITTING KIT FOR USE ON MANUAL CONTROLLED SYSTEMS.



**FENNER STONE  
3.00" MOTOR  
SUPPLIED 1992 TO 1995**

ITEM	PART	QTY	DESCRIPTION	ITEM	PART	QTY	DESCRIPTION
	AP0002	<b>OBS</b>	POWER UNIT/ BMS/1.0 GALLON 3" MOTOR	5	** RAP9171	1	SEAL KIT
	AP0071	<b>OBS</b>	POWER UNIT/ BMS/1.5 GALLON 3" MOTOR	6	RAP0586	1	FITTING KIT (INCLUDES ITEM 5)
1	RAP7876	1	BREATHER CAP/ DIPSTICK	7	RAP0830	1	GROUND CABLE
2	RP3526	1	MAGNET	8	<b>OBS</b>	1	MOTOR 800w 3" STONE #4042
3	RP3525	1	STRAINER	9	RP4132	1	TANK 1.0 GALLON 14" X 5.5" ROUND
4	RP3515	1	O-RING TANK	10	RP3521	1	TANK 1.5 GALLON 16" X 5.5" ROUND

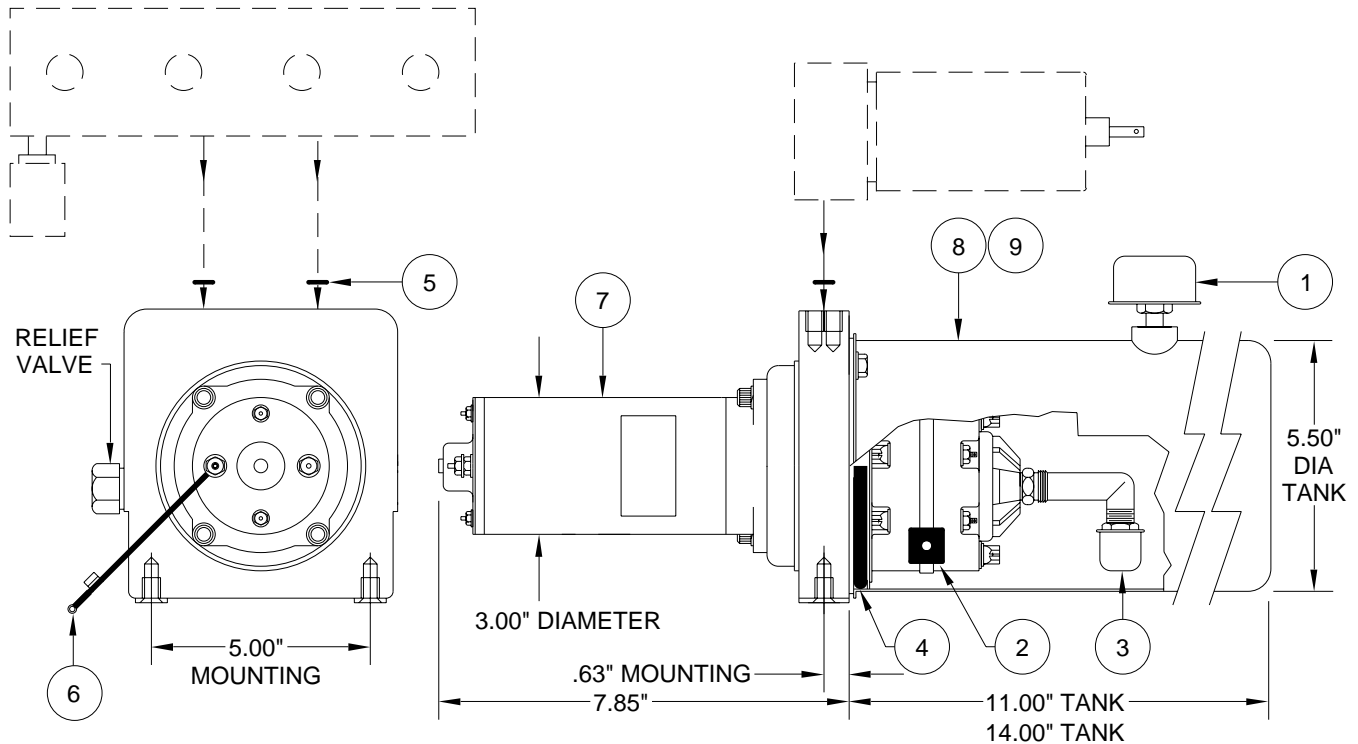
**NOTE :** THIS POWER UNIT IS NO LONGER AVAILABLE. SOME PARTS FOR REBUILDING THESE PUMPS MAY BE AVAILABLE. SEE THE REPLACEMENT INFORMATION PAGE FOR REPLACEMENT PUMP.

\*\*RAP9171 O-RING KIT INCLUDES (2) O2-014-9N O-RINGS FOR THE 5/8" SPOT FACE AND (2) O2-015-9N O-RINGS FOR THE 11/16" SPOT FACE

# PUMP/MOTOR/TANK ASSEMBLY AP9202/AP9500 FENNER STONE - OBSOLETE

PUMP RELIEF IS SET AT 3500 PSI.

REPLACEMENT PUMP INCLUDES  
FITTING KIT (6) AND O-RING KIT (5).



**FENNER STONE  
3.00" MOTOR  
SUPPLIED 1991 TO 1993**

ITEM	PART	QTY	DESCRIPTION	ITEM	PART	QTY	DESCRIPTION
	AP9202	<b>OBS</b>	POWER UNIT/ BMS/1.0 GALLON 3" MOTOR	5	** RAP9171	1	SEAL KIT
	AP9508	<b>OBS</b>	POWER UNIT/ BMS/ .75 GALLON 3" MOTOR	6	RAP0830	1	GROUND CABLE
1	RAP7876	1	BREATHER CAP/ DIPSTICK	7	<b>OBS</b>	1	MOTOR 800w 3" STONE #4042
2	RP3526	1	MAGNET	8	RP9780	1	TANK .75 GALLON 11.0" X 5.5" ROUND
3	RP3525	1	STRAINER	9	RP4132	1	TANK 1.0 GALLON 14.0" X 5.5" ROUND
4	RP3515	1	O-RING TANK				

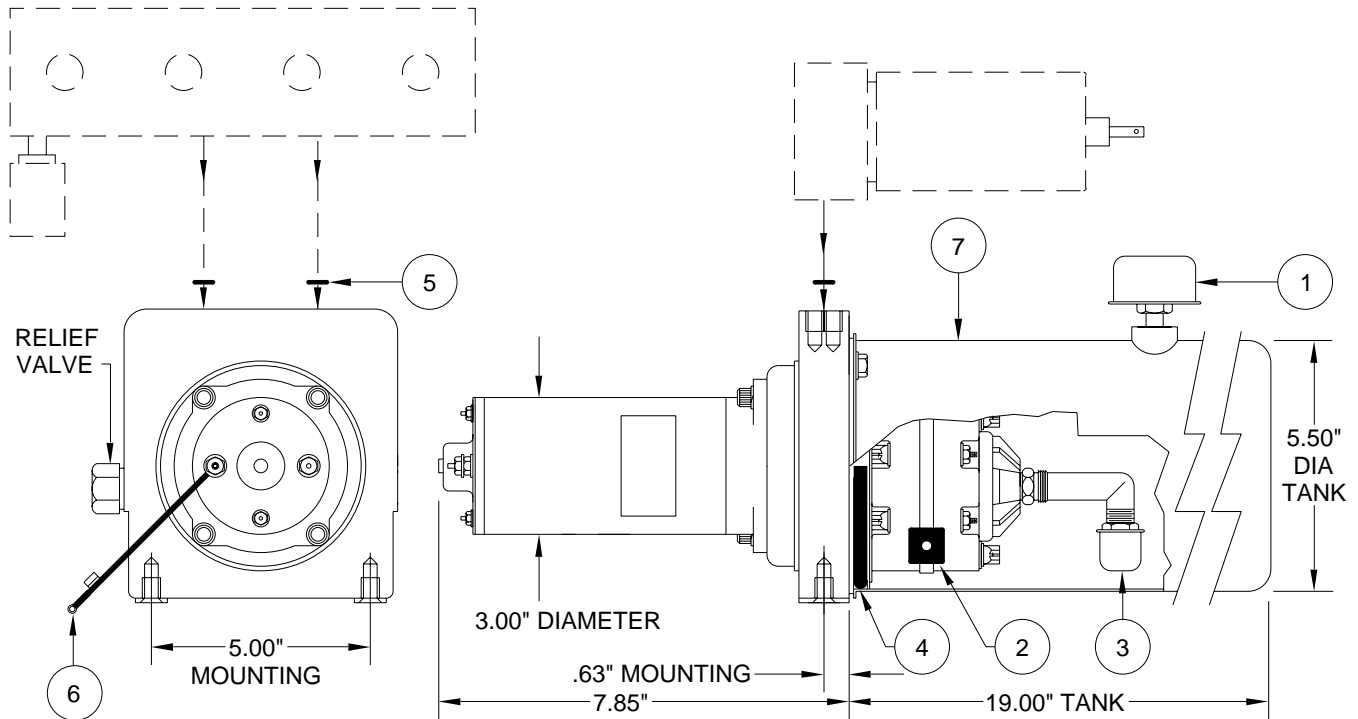
**NOTE :** THIS POWER UNIT IS NO LONGER AVAILABLE. SOME PARTS FOR REBUILDING THESE PUMPS MAY BE AVAILABLE. SEE THE REPLACEMENT INFORMATION PAGE FOR REPLACEMENT PUMP.

\*\*RAP9171 O-RING KIT INCLUDES (2) O2-014-9N O-RINGS FOR THE 5/8" SPOT FACE AND (2) O2-015-9N O-RINGS FOR THE 11/16" SPOT FACE

# PUMP/MOTOR/TANK ASSEMBLY AP11107 FENNER STONE - OBSOLETE

PUMP RELIEF IS SET AT 3500 PSI.

REPLACEMENT PUMP INCLUDES  
O-RING KIT (5).



**FENNER STONE  
3.00\"/>**

ITEM	PART	QTY	DESCRIPTION	ITEM	PART	QTY	DESCRIPTION
	AP11107	<b>OBS</b>	POWER UNIT/ BMS/1.5 GALLON 3\"/>				
1	RAP7876	1	BREATHER CAP/ DIPSTICK	5	** RAP9171	1	SEAL KIT
2	RP3526	1	MAGNET	6	RAP0830	1	GROUND CABLE
3	RP3525	1	STRAINER	7	RP3521	1	TANK 1.5 GALLON 16.0\"/>
4	RP3515	1	O-RING TANK				

**NOTE :** THIS POWER UNIT IS NO LONGER AVAILABLE. SOME PARTS FOR REBUILDING THESE PUMPS MAY BE AVAILABLE. SEE THE REPLACEMENT INFORMATION PAGE FOR REPLACEMENT PUMP.

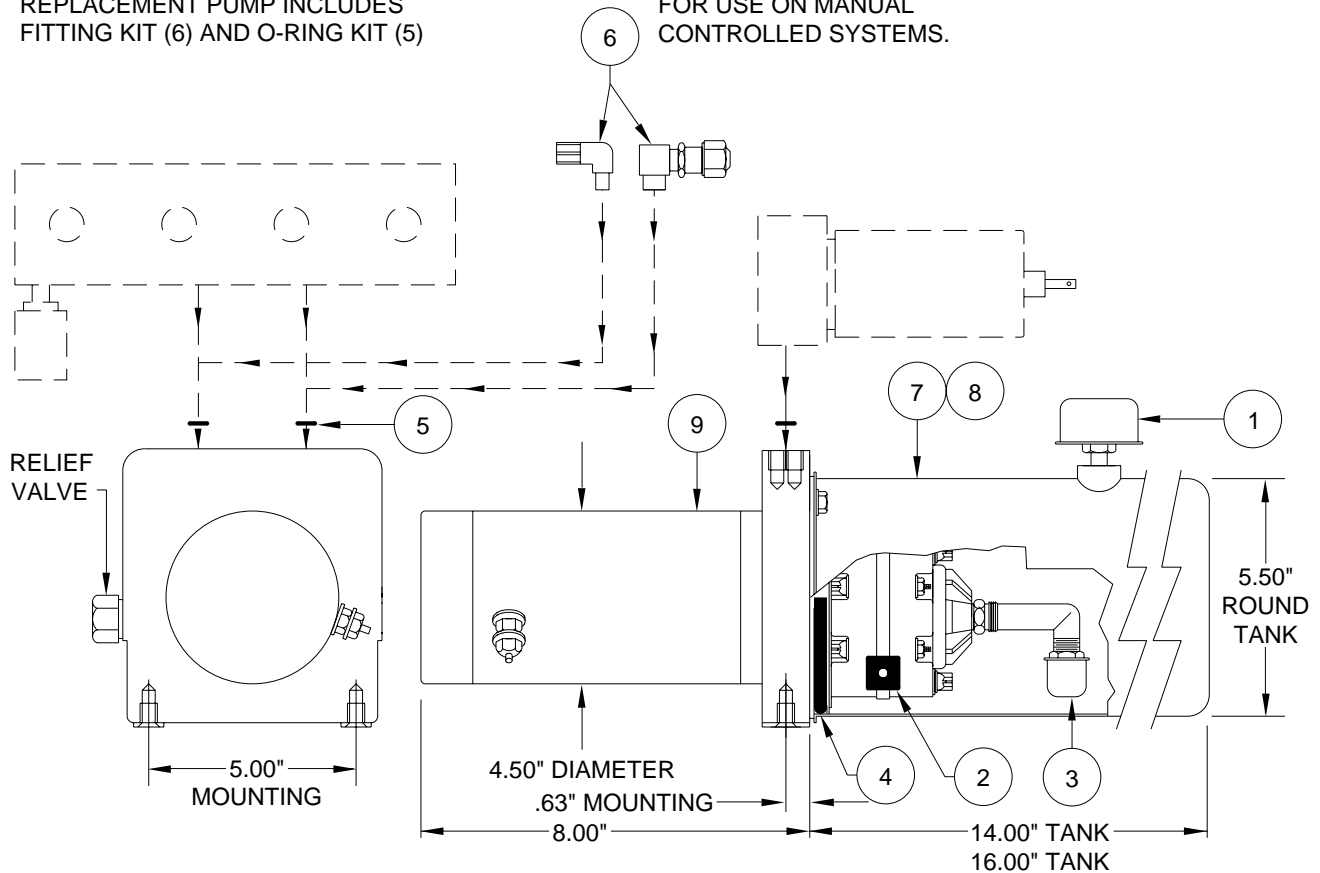
\*\*RAP9171 O-RING KIT INCLUDES (2) O2-014-9N O-RINGS FOR THE 5/8\"/>

# PUMP/MOTOR/TANK ASSEMBLY AP8086/AP8595 FENNER STONE - OBSOLETE

PUMP RELIEF IS SET AT 3500 PSI.

REPLACEMENT PUMP INCLUDES  
FITTING KIT (6) AND O-RING KIT (5)

FITTING KIT  
FOR USE ON MANUAL  
CONTROLLED SYSTEMS.



**FENNER STONE  
4.50" MOTOR  
SUPPLIED 1991 TO 1992**

ITEM	PART	QTY	DESCRIPTION	ITEM	PART	QTY	DESCRIPTION
	AP8086	<b>OBS</b>	POWER UNIT/BMS/1.0 GALLON 4.5" MOTOR	5	**RAP9171	1	SEAL KIT
	AP8595	<b>OBS</b>	POWER UNIT/BMS/1.5 GALLON 4.5" MOTOR	6	RAP0586	1	FITTING KIT (INCLUDES ITEM 5)
1	RAP7876	1	BREATHER CAP / DIPSTICK	7	RP4132	1	TANK 1.0 GALLON 14" X 5.5" ROUND
2	RP3526	1	MAGNET	8	RP3521	1	TANK 1.5 GALLON 16" X 5.5" ROUND
3	RP3525	1	STRAINER	9	RAP92175	1	MOTOR 4.5" 12V
4	RP3515	1	O-RING TANK				

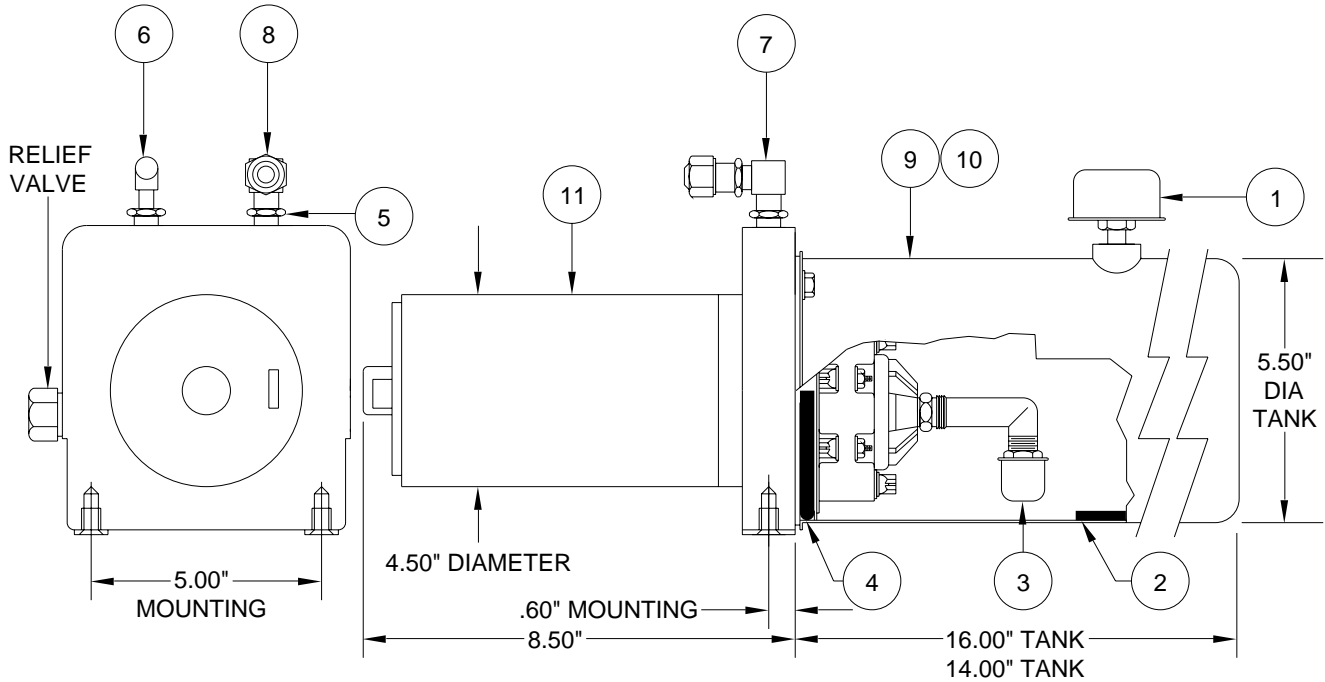
\* CONTACT HWH WHEN REPLACING ONE OF THESE POWER UNITS ON A 610 PUMP/MANIFOLD. IN MIDYEAR 1992 THE PRESSURE AND RETURN PORTS ON TOP OF THE PUMPS WERE CHANGED FROM 0.438" DIA. HOLES TO 1/4" NPT (.54" DIA.) THREADED HOLES. THUS THE O-RING SPOT FACES ON THE BOTTOM OF THE MANIFOLD WERE CHANGED FROM 5/8" DIA. TO 11/16" DIA. TO ALLOW LARGER O-RINGS TO COVER THE LARGER PUMP PORT. REPLACEMENT PUMPS HAVE THE 1/4" NPT PORTS THUS THE MANIFOLD MUST BE CHECKED TO DETERMINE IF IT HAS THE 11/16" DIA. SPOT FACES. IF THE MANIFOLD DOES NOT HAVE THE 11/16" DIA. SPOT FACES IT MUST BE RETURNED TO HWH FOR RE-SPOT FACING.

\*\* RAP9171 O-RING KIT CONTAINS (2) O2-014-9N O-RINGS FOR THE 5/8" SPOT FACE AND (2) O2-015-9N O-RINGS FOR THE 11/16" SPOT FACE.

**MR30.4600  
14JAN08**

# PUMP/MOTOR/TANK ASSEMBLY AP3913/AP4185 FENNER STONE - OBSOLETE

PUMP RELIEF IS SET AT 3500 PSI.



**STONE POWER UNIT  
4.50" MOTOR  
SUPPLIED 1983 TO 1991**

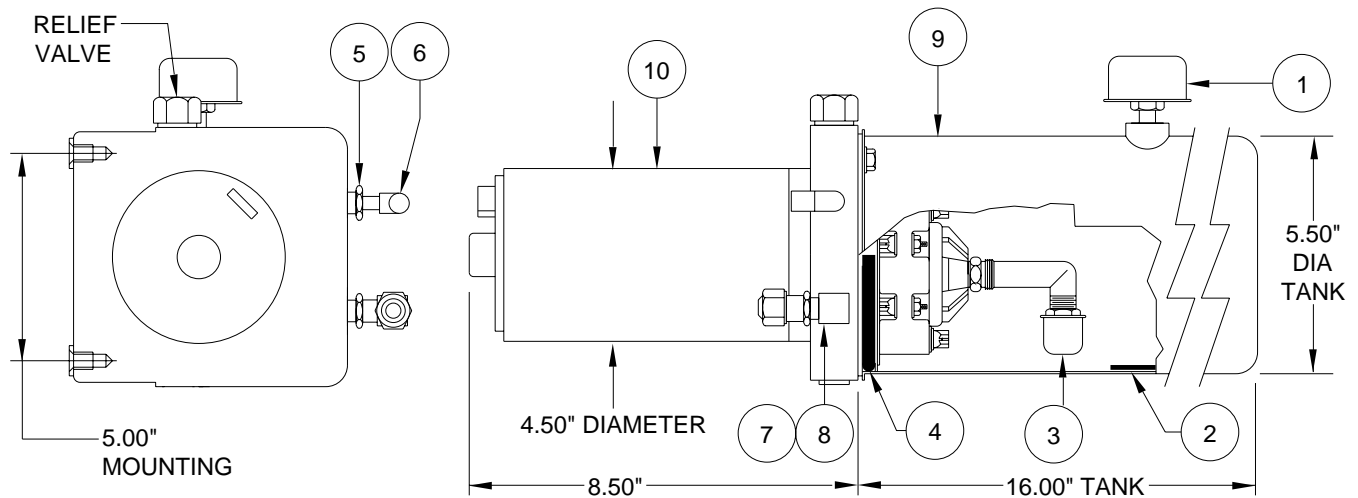
ITEM	PART	QTY	DESCRIPTION	ITEM	PART	QTY	DESCRIPTION
	AP3913	<b>OBS</b>	POWER UNIT/BMS/1.0 GALLON 4.5" MOTOR	7	RF3340	1	BRASS ELBOW 1/4" X 1/4"
	AP4185	<b>OBS</b>	POWER UNIT/BMS/1.5 GALLON 4.5" MOTOR	8	RF1458	1	MALE CONNECTOR 1/2" X 3/8"
1	RAP7876	1	BREATHER CAP/ DIPSTICK	9	RP4132	1	TANK 1.0 GALLON 14" X 5.5" ROUND
2	RP3526	1	MAGNET	10	RP3521	1	TANK 1.5 GALLON 16" X 5.5" ROUND
3	RP3525	1	STRAINER	11	RAP92175	1	MOTOR 4.5" 12V
4	RP3515	1	O-RING TANK		R5303		BRACKET KIT ADAPTS BOTTOM MOUNT PUMP TO SIDE MOUNT.
5	RF2912	2	REDUCER 3/8" X 1/4"		R3804		PUMP MTG. ADAPTOR ADAPTS 4.5" TO 5." MTG. HOLES
6	RF1514	1	ELBOW 1/4" X 1/4"				

**NOTE :** THIS POWER UNIT IS NO LONGER AVAILABLE. SOME PARTS FOR REBUILDING THESE PUMPS MAY BE AVAILABLE. SEE THE REPLACEMENT INFORMATION PAGE FOR REPLACEMENT PUMP.

**MR30.4625  
14JAN08**

# PUMP/MOTOR/TANK ASSEMBLY AP3916 FENNER STONE - OBSOLETE

PUMP RELIEF IS SET AT 3500 PSI.



### FENNER STONE 1.5 GALLON SIDE MOUNT SUPPLIED 1982 TO 1993

ITEM	PART	QTY	DESCRIPTION	ITEM	PART	QTY	DESCRIPTION
	AP3916	<b>OBS</b>	POWER UNIT/SMS/1.5 GALLON 4.5" MOTOR	6	RF1514	1	ELBOW 1/4" X 1/4"
1	RAP7876	1	BREATHER CAP/ DIPSTICK	7	RF3340	1	BRASS ELBOW 1/4" X 1/4"
2	RP3526	1	MAGNET	8	RF1458	1	MALE CONNECTOR 1/2" X 1/4"
3	RP3525	1	STRAINER	9	RP3521	1	TANK 1.5 GALLON 16" X 5.5" ROUND
4	RP3515	1	O-RING TANK	10	RAP92175	1	MOTOR 4.5" 12V
5	RF2912	2	REDUCER 3/8" X 1/4"		R5303		BRACKET KIT ADAPTS SIDE MOUNT PUMP TO BOTTOM MOUNT.

**NOTE :** THIS POWER UNIT IS NO LONGER AVAILABLE.  
SOME PARTS FOR REBUILDING THESE PUMPS  
MAY BE AVAILABLE. SEE THE REPLACEMENT  
INFORMATION PAGE FOR REPLACEMENT PUMP.

**MR30.4650  
14JAN08**

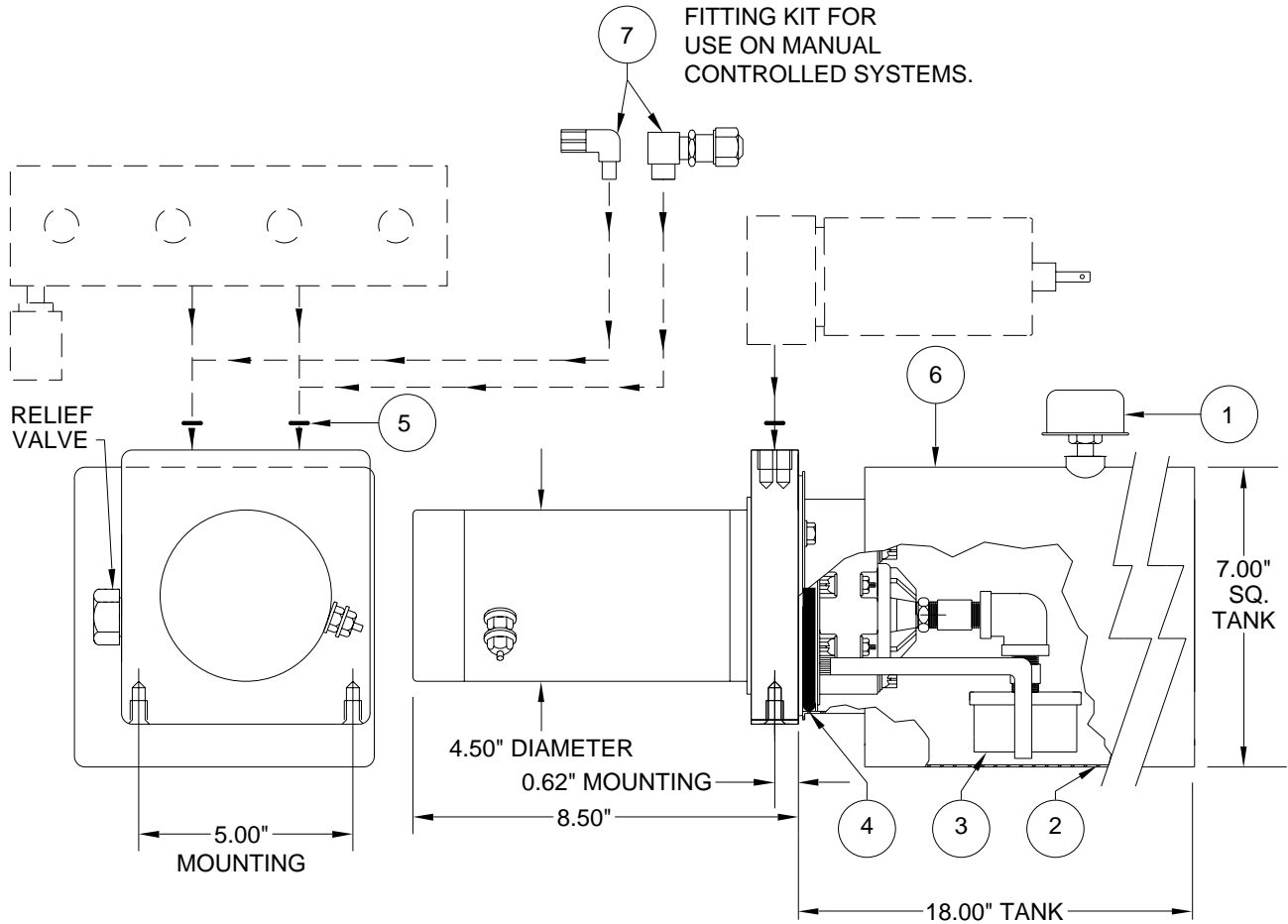


# PUMP/MOTOR/TANK ASSEMBLY

## AP8388/AP0934 FENNER STONE - OBSOLETE

PUMP RELIEF IS SET AT 3500 PSI.

REPLACEMENT PUMP INCLUDES FITTING KIT (7) AND O-RING KIT (5).



**FENNER STONE  
3.5 GALLON SQUARE TANK  
SUPPLIED 1991 TO 1997**

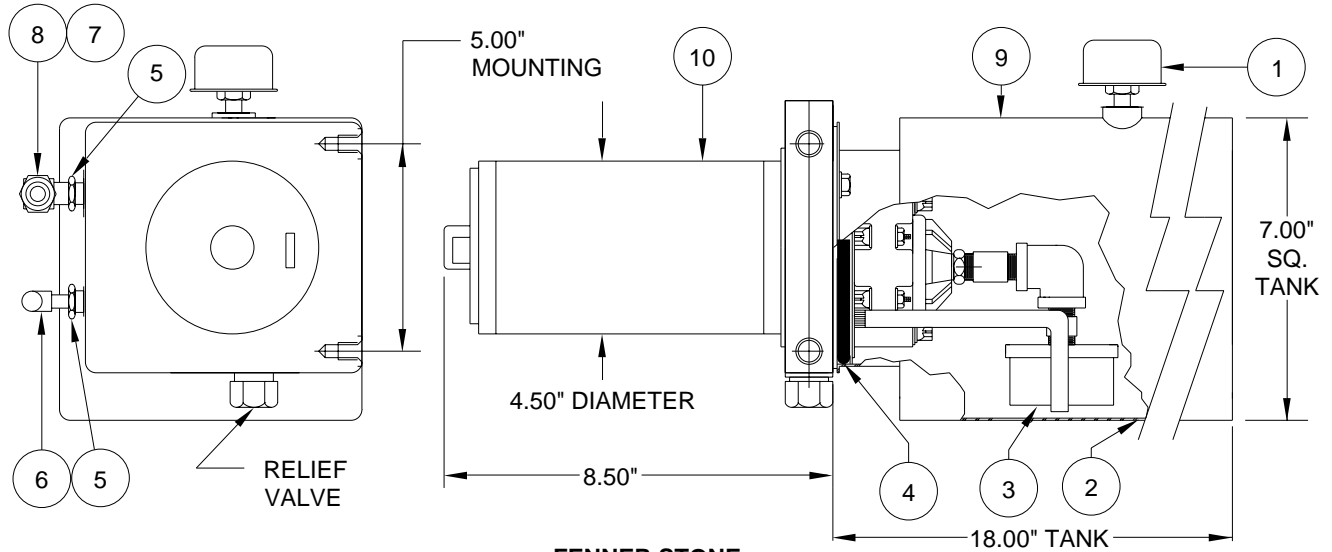
ITEM	PART	QTY	DESCRIPTION	ITEM	PART	QTY	DESCRIPTION
	AP8388	<b>OBS</b>	POWER UNIT/BMS/3.5 GALLON 4.5" MOTOR 12V	4	RP3515	1	O-RING TANK
	AP0934	<b>OBS</b>	POWER UNIT/BMS/3.5 GALLON 4.5" MOTOR 24V	5	** RAP9171	1	O-RING KIT MANIFOLD
1	RAP7876	1	BREATHER CAP/ DIPSTICK	6	RP4659	1	TANK 3.5 GALLON 18" X 7" SQUARE
2	RP3526	1	MAGNET	7	RAP0586	1	FITTING KIT (INCLUDES ITEM 5)
3	RP5292	1	STRAINER				

**NOTE :** THIS POWER UNIT IS NO LONGER AVAILABLE. SOME PARTS FOR REBUILDING THESE PUMPS MAY BE AVAILABLE. SEE THE REPLACEMENT INFORMATION PAGE FOR REPLACEMENT PUMP.

\*\*RAP9171 O-RING KIT INCLUDES (2) O2-014-9N O-RINGS FOR THE 5/8" SPOT FACE AND (2) O2-015-9N O-RINGS FOR THE 11/16" SPOT FACE ON MANIFOLD

# PUMP/MOTOR/TANK ASSEMBLY AP4702 FENNER STONE - OBSOLETE

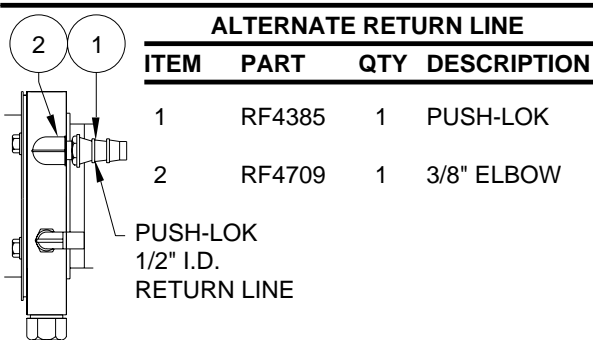
PUMP RELIEF IS SET AT 3500 PSI.



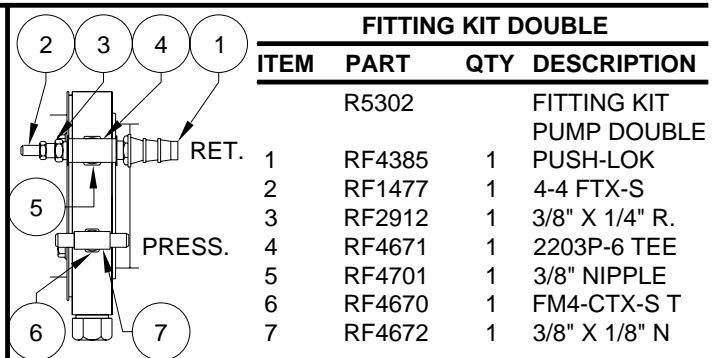
**FENNER STONE  
3.5 GALLON SIDE MOUNT  
SUPPLIED 1987 TO 1997**

ITEM	PART	QTY	DESCRIPTION	ITEM	PART	QTY	DESCRIPTION
	AP4702	<b>OB</b> S	POWER UNIT/SMS/3.5 GALLON 4.5" MOTOR	5	RF2912	2	REDUCER 3/8" X 1/4"
1	RAP7876	1	BREATHER CAP/ DIPSTICK	6	RF1514	1	ELBOW 1/4" X 1/4"
2	RP3526	1	MAGNET	7	RF3340	1	BRASS ELBOW 1/4" X 1/4"
3	RP5292	1	STRAINER/SHROUD	8	RF1458	1	MALE CONNECTOR 1/2" X 1/4"
4	RP3515	1	O-RING TANK	9	RP4659	1	TANK 3.5 GALLON 18" X 7.0" SQUARE
				10	RAP92175	1	MOTOR 4.5" 12V

SEE "ALTERNATE RETURN FITTINGS" BELOW FOR BLUE BIRD COACHES.



USED ON SOME BLUE BIRD COACHES  
BEGINING IN 1987

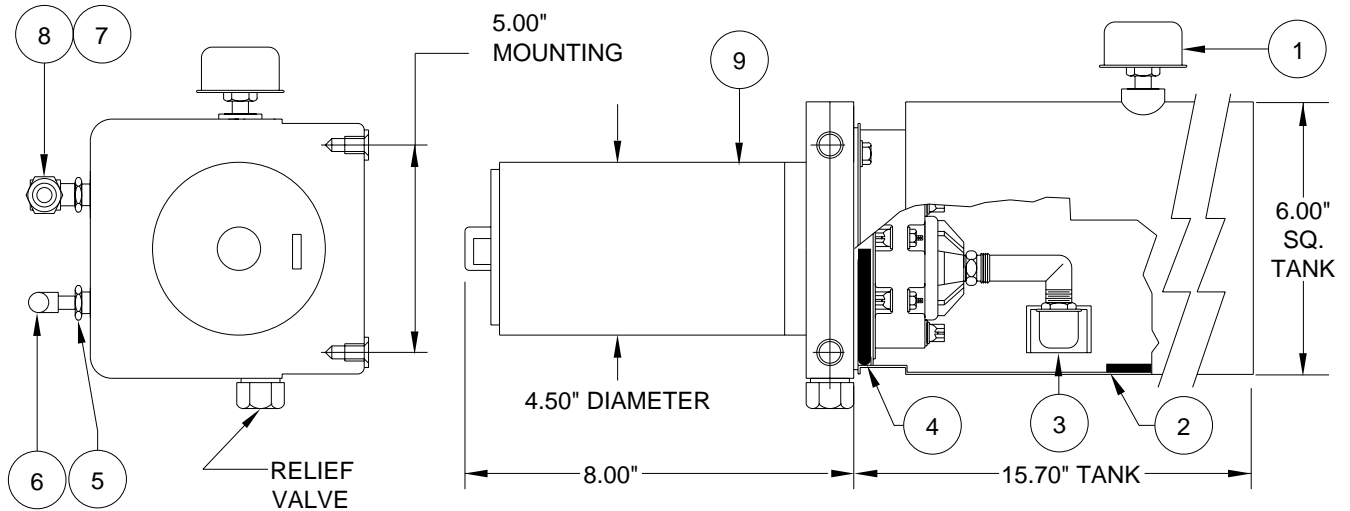


CONVERTS PUMP TO (2) PRESS. AND (2) RETURN LINES.  
USED ON BLUE BIRD PUSHERS W/HYD. GENERATOR  
SLIDE OUT.

**NOTE :** THIS POWER UNIT IS NO LONGER AVAILABLE.  
SOME PARTS FOR REBUILDING THESE PUMPS  
MAY BE AVAILABLE. SEE THE REPLACEMENT  
INFORMATION PAGE FOR REPLACEMENT PUMP.

# PUMP/MOTOR/TANK ASSEMBLY AP3910 FENNER STONE - OBSOLETE

PUMP RELIEF IS SET AT 3500 PSI.



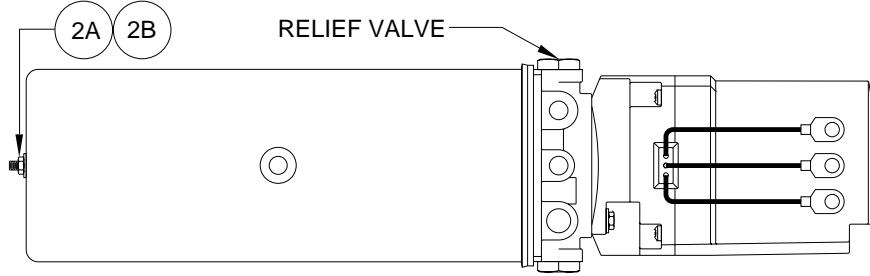
### FENNER STONE 2.0 GALLON SIDE MOUNT SUPPLIED 1987 TO 1992

ITEM	PART	QTY	DESCRIPTION	ITEM	PART	QTY	DESCRIPTION
	AP3910	<b>OBS</b>	POWER UNIT/SMS/2.0 GALLON 4.5" MOTOR	5	RF2912	2	REDUCER 3/8" X 1/4"
1	RAP7876	1	BREATHER CAP/ DIPSTICK	6	RF1514	1	ELBOW 1/4" X 1/4"
2	RP3526	1	MAGNET	7	RF3340	1	BRASS ELBOW 1/4" X 1/4"
3	RP5292	1	STRAINER/SHROUD	8	RF1548	1	MALE CONNECTOR 1/2" X 1/4"
4	RP3515	1	O-RING TANK	9	RAP92175	1	MOTOR 4.5"

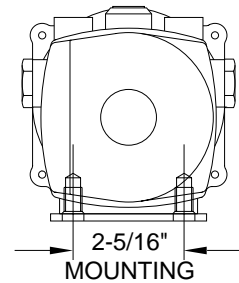
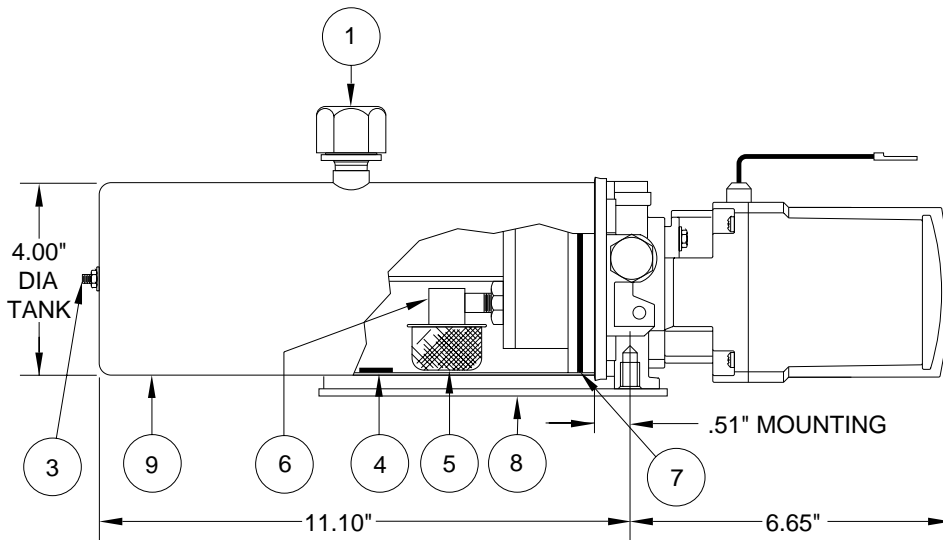
**NOTE :** THIS POWER UNIT IS NO LONGER AVAILABLE. SOME PARTS FOR REBUILDING THESE PUMPS MAY BE AVAILABLE. SEE THE REPLACEMENT INFORMATION PAGE FOR REPLACEMENT PUMP.

# PUMP/MOTOR/TANK ASSEMBLY AP11106 PARKER/OILDYNE BI-DIRECTIONAL

PUMP RELIEF IS SET AT 3000 PSI.



THIS IS A BI-DIRECTIONAL PUMP. NOTE THE THREE WIRES FOR THE MOTOR INSTEAD OF TWO. THIS PUMP CAN NOT BE USED AS A REPLACEMENT FOR ANY OTHER PUMP.

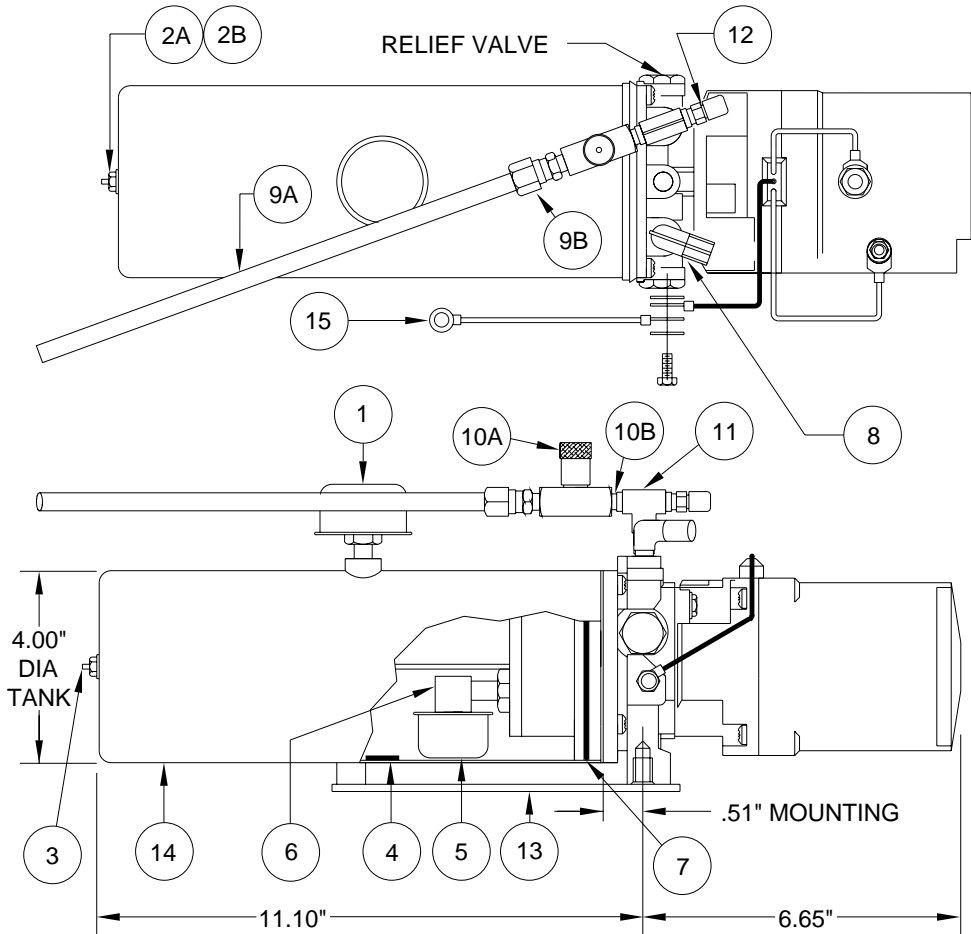


**OILDYNE  
0.57 GALLON BI-DIRECTIONAL  
SUPPLIED 1995 TO PRESENT**

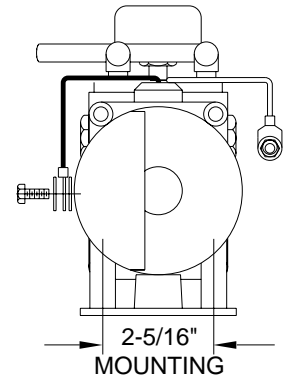
ITEM	PART	QTY	DESCRIPTION	ITEM	PART	QTY	DESCRIPTION
	RAP90090		POWER UNIT/BMO/0.57 BI-DIRECTIONAL PUMP	5	RP7532	1	STRAINER
1	RAP7876	1	BREATHER CAP/ DIPSTICK	6	RP7498	1	ELBOW
2	RAP7496	1	TANK MTG. KIT	7	RP7499	1	O-RING TANK
2A		1	HEX NUT	8	RP7533	1	TANK SUPPORT
2B		1	WASHER/SEAL	9	RAP7495	1	TANK 0.57 GALLON 10.5" X 4.0" ROUND
3	RP7497	1	TANK MTG. ROD				
4	RP3526	1	MAGNET				

# PUMP/MOTOR/TANK ASSEMBLY AP11515 PARKER/OILDYNE BI-DIRECTIONAL

PUMP RELIEF IS SET AT 3000 PSI.



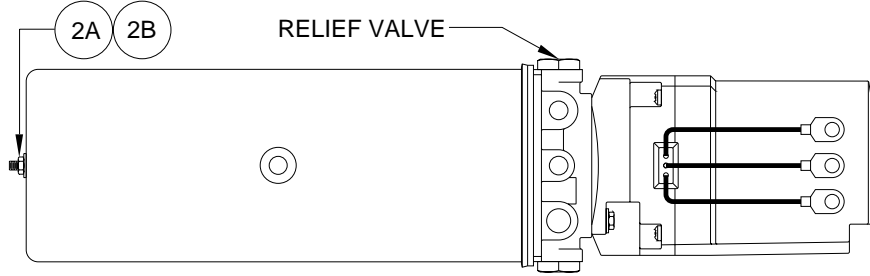
THIS IS A BI-DIRECTIONAL PUMP. NOTE THE THREE WIRES FOR THE MOTOR INSTEAD OF TWO. THIS PUMP CAN NOT BE USED AS A REPLACEMENT FOR ANY OTHER PUMP.



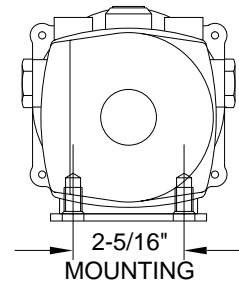
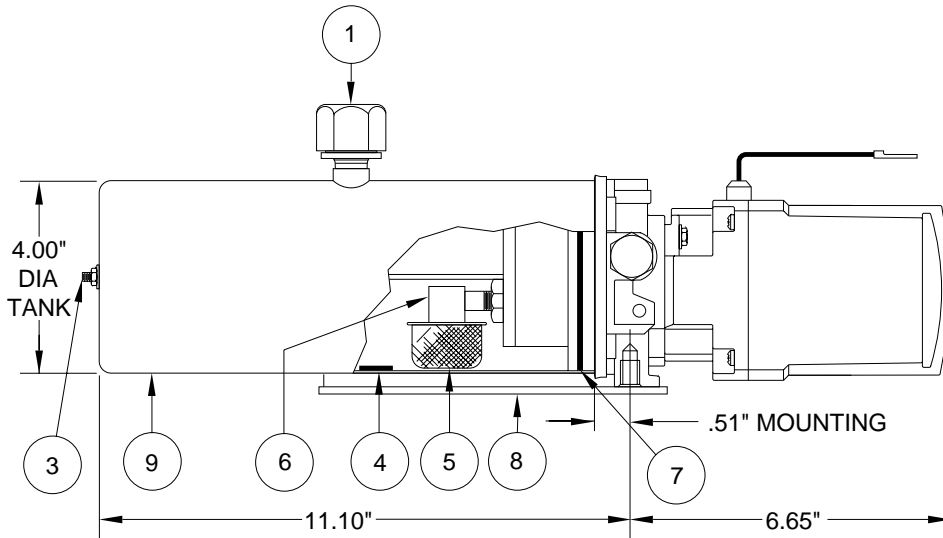
ITEM	PART	QTY	DESCRIPTION	ITEM	PART	QTY	DESCRIPTION
	RAP90090		POWER UNIT/BMO/0.57 BI-DIRECTIONAL PUMP	9	RAP90091	1	RETRACT TUBE KIT
				9A		1	3/8" X 18" TUBE
				9B		1	MALE CONNECTOR 3/8" X 1/8"
1	RAP7876	1	BREATHER CAP/ DIPSTICK	10	RAP90092	1	RETRACT VALVE KIT
2	RAP7496	1	TANK MTG. KIT	10A		1	NEEDLE VALVE
2A		1	HEX NUT	10B		1	NIPPLE 1/8"
2B		1	WASHER/SEAL	11	RF90093	1	1/8" TEE
3	RP7497	1	TANK MTG. ROD	12	RF1456	1	MALE CONNECTOR 1/8" X 1/4"
4	RP3526	1	MAGNET	13	RP7533	1	TANK SUPPORT
5	RP7532	1	STRAINER	14	RP7495	1	TANK 0.57 GALLON 10.5" X 4.0" ROUND
6	RP7498	1	ELBOW	15	RAP90275	1	GROUND WIRE (PUMP MOTOR GRND.)
7	RP7499	1	O-RING TANK				
8	RF1453	1	ELBOW 1/8" X 1/4"				

# PUMP/MOTOR/TANK ASSEMBLY AP17437 PARKER/OILDYNE BI-DIRECTIONAL

PUMP RELIEF IS SET AT 2000 PSI.



THIS IS A BI-DIRECTIONAL PUMP. NOTE THE THREE WIRES FOR THE MOTOR INSTEAD OF TWO. THIS PUMP CAN NOT BE USED AS A REPLACEMENT FOR ANY OTHER PUMP.



**OILDYNE  
0.57 GALLON BI-DIRECTIONAL  
SUPPLIED 1998 TO PRESENT**

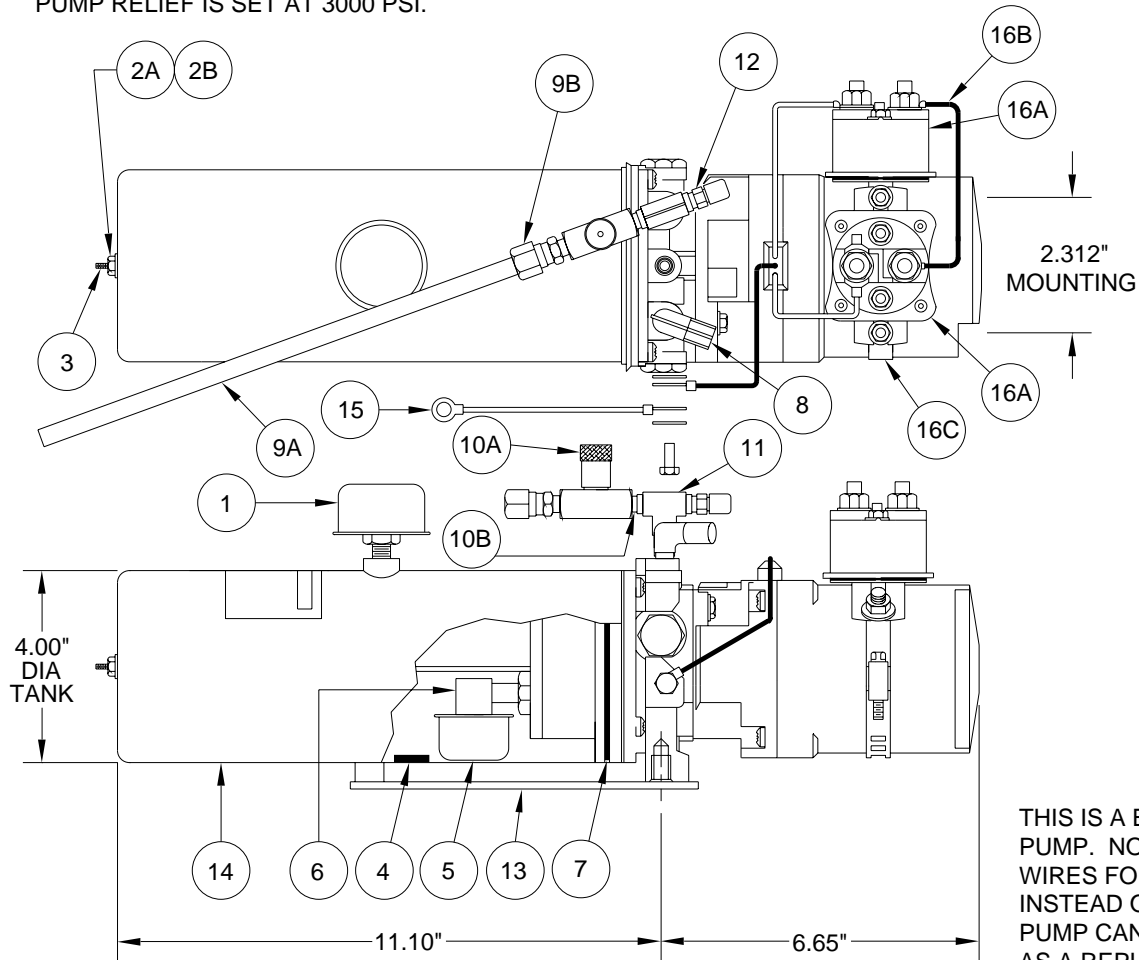
ITEM	PART	QTY	DESCRIPTION	ITEM	PART	QTY	DESCRIPTION
	RAP92192		POWER UNIT/BMO/0.57 AP11106 WITH RELIEF SET AT 2000 PSI	5	RP7532	1	STRAINER
1	RAP7876	1	BREATHER CAP/ DIPSTICK	6	RP7498	1	ELBOW
2	RAP7496	1	TANK MTG. KIT	7	RP7499	1	O-RING TANK
2A		1	HEX NUT	8	RP7533	1	TANK SUPPORT
2B		1	WASHER/SEAL	9	RAP7495	1	TANK 0.57 GALLON 10.5" X 4.0" ROUND
3	RP7497	1	TANK MTG. ROD				
4	RP3526	1	MAGNET				

# PUMP/MOTOR/TANK ASSEMBLY

## AP11101 PARKER/OILDYNE BI-DIRECTIONAL

## AP13069 PARKER/OILDYNE BI-DIRECTIONAL

PUMP RELIEF IS SET AT 3000 PSI.

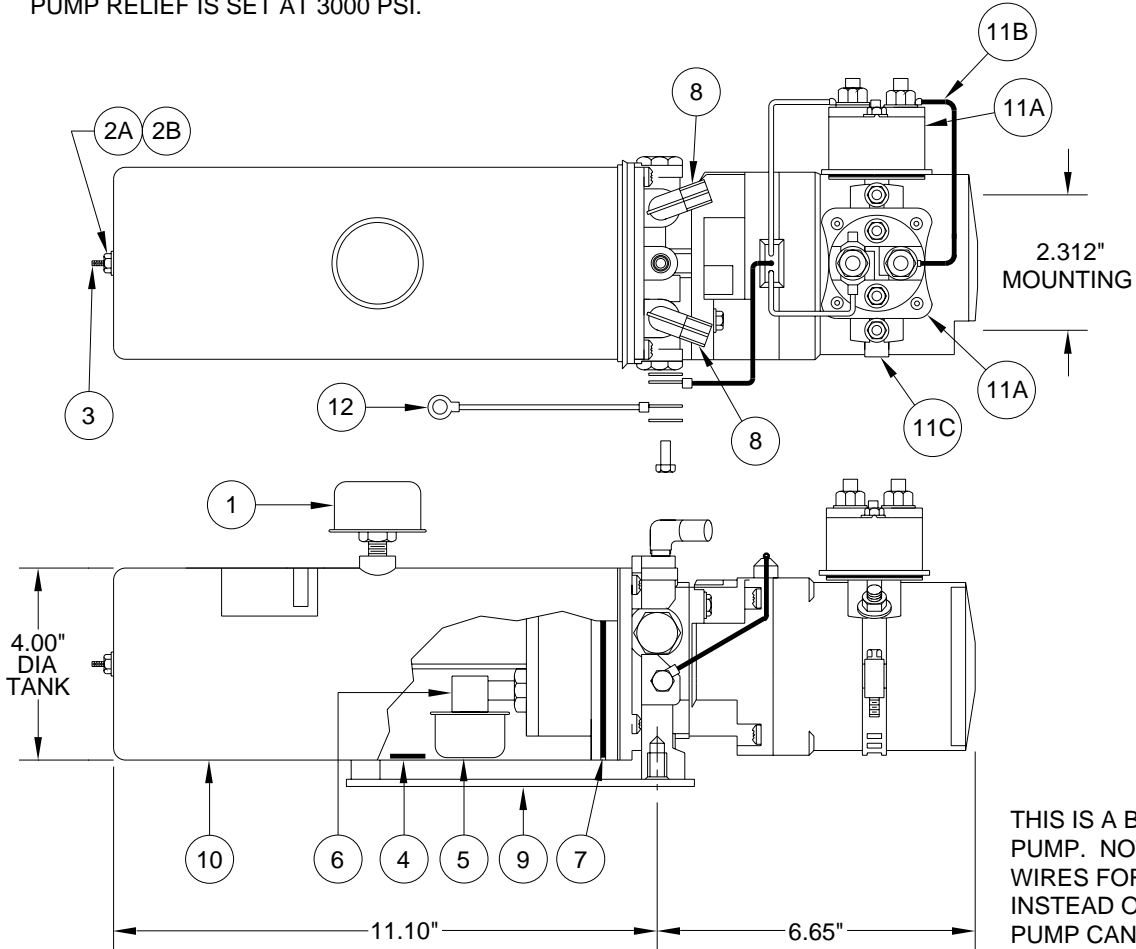


THIS IS A BI-DIRECTIONAL PUMP. NOTE THE THREE WIRES FOR THE MOTOR INSTEAD OF TWO. THIS PUMP CAN NOT BE USED AS A REPLACEMENT FOR ANY OTHER PUMP.

ITEM	PART	QTY	DESCRIPTION	ITEM	PART	QTY	DESCRIPTION
	RAP90363		POWER UNIT/BMO/0.57 COMPLETE AS SHOWN REPLACES AP11101 & AP13609	9	RAP90091	1	RETRACT TUBE KIT
	RAP90090		PUMP/MOTOR/TANK ONLY	9A		1	TUBE 3/8" X 18"
1	RAP7876	1	BREATHER CAP/ DIPSTICK	9B		1	MALE CONNECTOR 3/8" X 1/8"
2	RAP7496	1	TANK MTG. KIT	10	RAP90092	1	RETRACT VALVE KIT
2A		1	HEX NUT	10A		1	NEEDLE VALVE
2B		1	WASHER/SEAL	10B		1	NIPPLE 1/8"
3	RP7497	1	TANK MTG. ROD	11	RF90093	1	1/8" TEE
4	RP3526	1	MAGNET	12	RF1456	1	MALE CONNECTOR 1/8" X 1/4"
5	RP7532	1	STRAINER	13	RP7533	1	TANK SUPPORT
6	RP7498	1	ELBOW	14	RP7495	1	TANK 0.57 GALLON 10.5" X 4.0" ROUND
7	RP7499	1	O-RING TANK	15	RAP90275	1	GROUND WIRE (PUMP MOTOR GROUND)
8	RF1453	1	ELBOW 1/8" X 1/4"	16	RAP90372	1	RELAY KIT
				16A	RAP0533	2	RELAY INT. DUTY
				16B		1	CABLE
				16C		1	BAND CLAMP

# PUMP/MOTOR/TANK ASSEMBLY AP14195 PARKER/OILDYNE BI-DIRECTIONAL

PUMP RELIEF IS SET AT 3000 PSI.



THIS IS A BI-DIRECTIONAL PUMP. NOTE THE THREE WIRES FOR THE MOTOR INSTEAD OF TWO. THIS PUMP CAN NOT BE USED AS A REPLACEMENT FOR ANY OTHER PUMP.

ITEM	PART	QTY	DESCRIPTION	ITEM	PART	QTY	DESCRIPTION
	RAP90362		POWER UNIT/BMO/0.57 COMPLETE AS SHOWN REPLACES AP14195	8	RF1453	2	ELBOW 1/8" X 1/4"
	RAP90090		PUMP/MOTOR/TANK ONLY	9	RP7533	1	TANK SUPPORT
1	RAP7876	1	BREATHER CAP/DIPSTICK	10	RP7495	1	TANK 0.57 GALLON 10.5" X 4.0" ROUND
2	RAP7496	1	TANK MTG. KIT	11	RAP90372	1	RELAY KIT
2A		1	HEX NUT	11A	RAP0533	2	RELAY KIT INT. DUTY
2B		1	WASHER/SEAL	11B		1	CABLE
3	RP7497	1	TANK MTG. ROD	11C		1	BAND CLAMP
4	RP3526	1	MAGNET	12	RAP90275	1	GROUND WIRE (PUMP MOTOR GROUND)
5	RP7532	1	STRAINER				
6	RP7498	1	ELBOW				
7	RP7499	1	O-RING TANK				



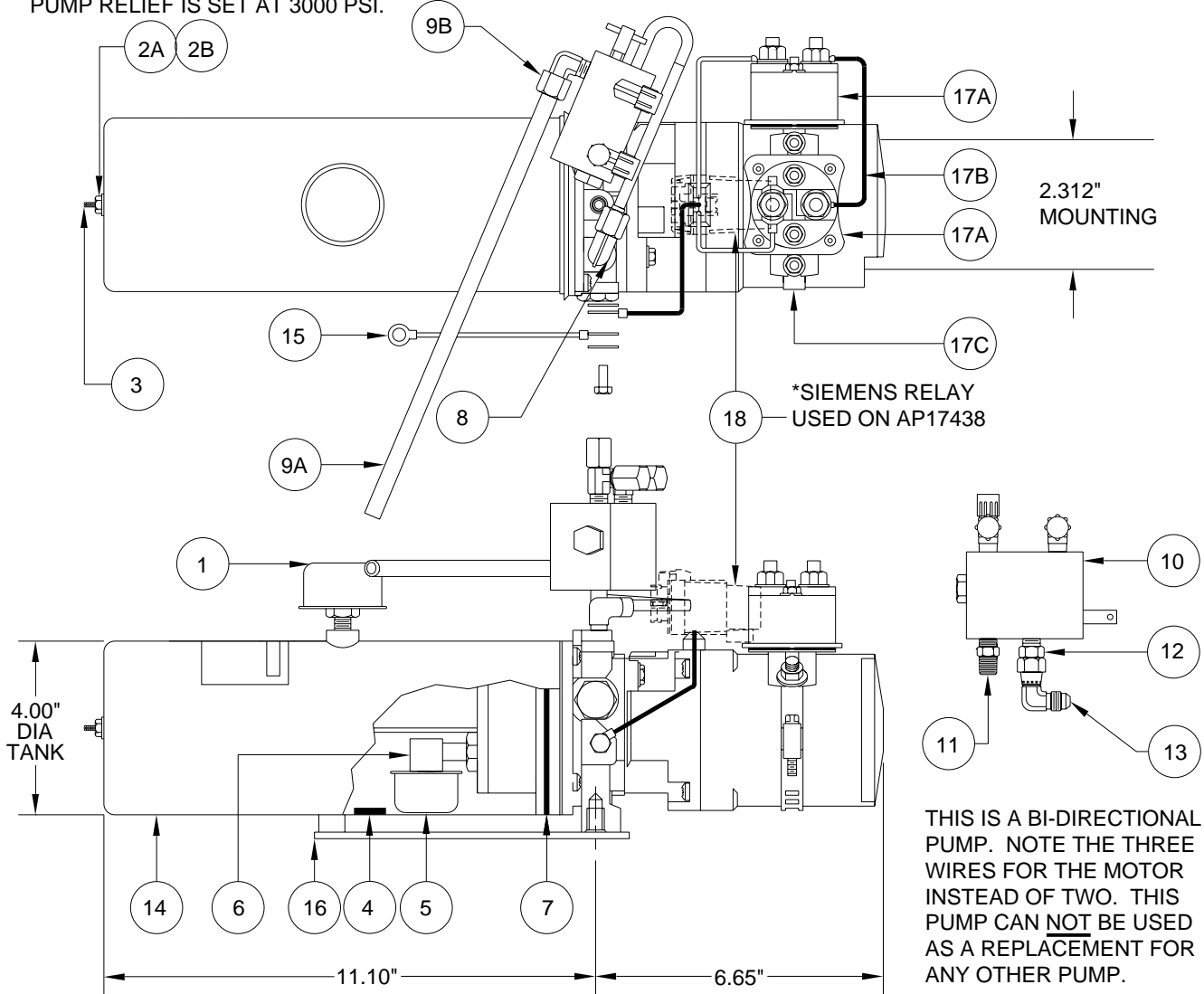
# PUMP/MOTOR/TANK ASSEMBLY

## AP12319 PARKER/OILDYNE BI-DIRECTIONAL

## AP14222 PARKER/OILDYNE BI-DIRECTIONAL

## AP17438 PARKER/OILDYNE BI-DIRECTIONAL (WITH SIEMENS RELAY)

PUMP RELIEF IS SET AT 3000 PSI.

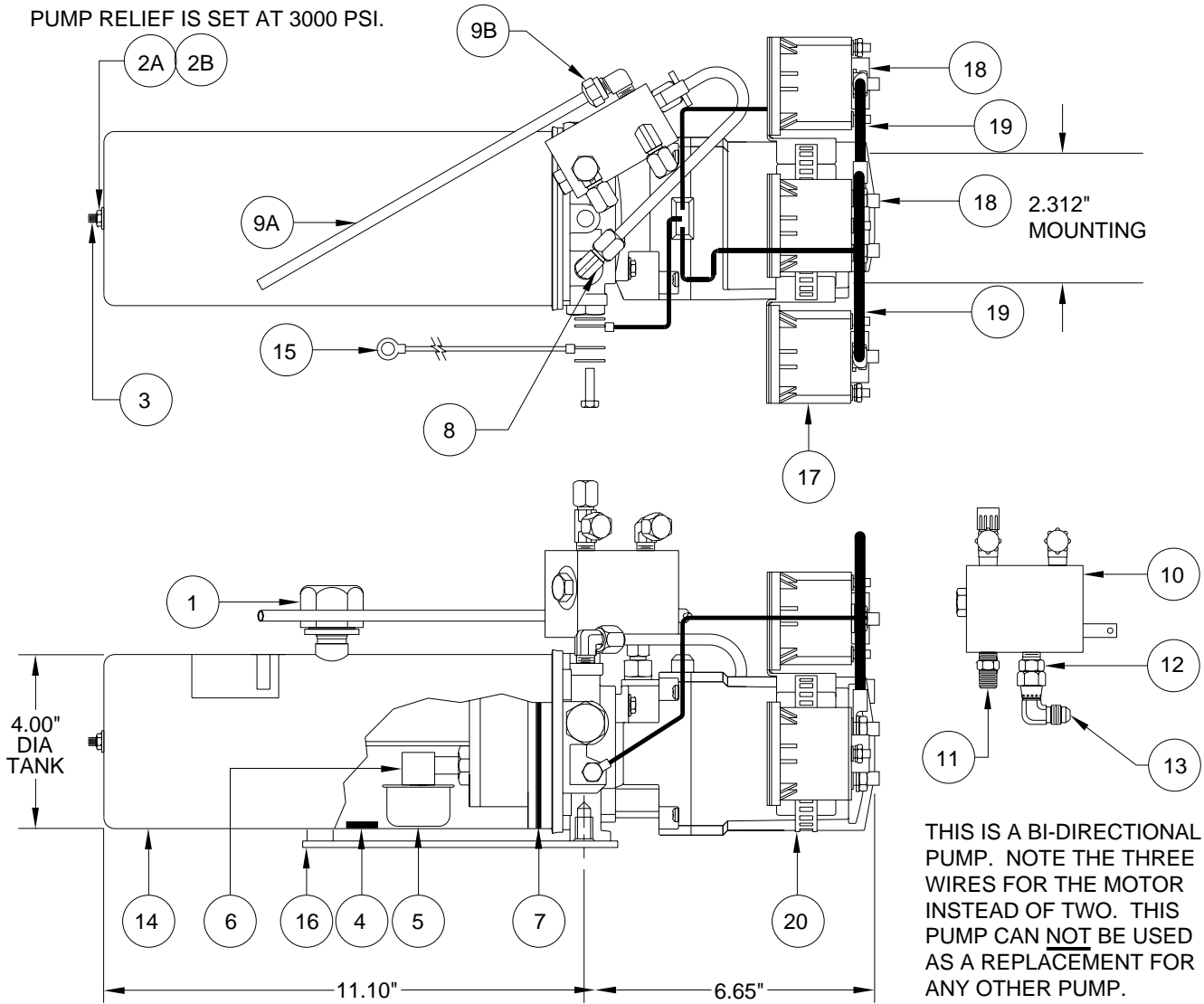


ITEM	PART	QTY	DESCRIPTION	ITEM	PART	QTY	DESCRIPTION
	RAP90651		POWER UNIT/BMO REPLACES AP17438	9A		1	TUBE 1/4" X 9"
	RAP90364		POWER UNIT/BMO/0.57 COMPLETE AS SHOWN REPLACES AP12319 & AP14222	9B		1	ELBOW 1/4" X 1/8"
	RAP90090		PUMP/MOTOR/TANK ONLY	10	RAP90376	1	BACK PRESSURE VALVE (DOES NOT CONTAIN 11, 12 OR 13)
1	RAP7876	1	BREATHER CAP/ DIPSTICK	11	RF9315	1	NIPPLE 1/8"
2	RAP7496	1	TANK MTG. KIT	12	RF1456	1	CONNECTOR 1/8" X 1/4"
2A		1	HEX NUT	13	RF90010	1	ELBOW SWIVEL 90 DEG.
2B		1	WASHER/SEAL	14	RP7495	1	TANK 0.57 GALLON 10.5" X 4.0" ROUND
3	RP7497	1	TANK MTG. ROD	15	RAP90275	1	GROUND WIRE (PUMP MOTOR GROUND)
4	RP3526	1	MAGNET	16	RP7533	1	TANK SUPPORT
5	RP7532	1	STRAINER	17	RAP90372	1	RELAY KIT
6	RP7498	1	ELBOW	17A	RAP0533	2	RELAY INT. DUTY
7	RP7499	1	O-RING TANK	17B		1	CABLE
8	RF1453	1	ELBOW 1/8" X 1/4"	17C		1	BAND CLAMP
9	RAP90373	1	TUBE KIT	18*	RAP90653	1	SIEMENS RELAY

**MR30.6420**  
**14JAN08**

# PUMP/MOTOR/TANK ASSEMBLY AP28608 PARKER/OILDYNE BI-DIRECTIONAL

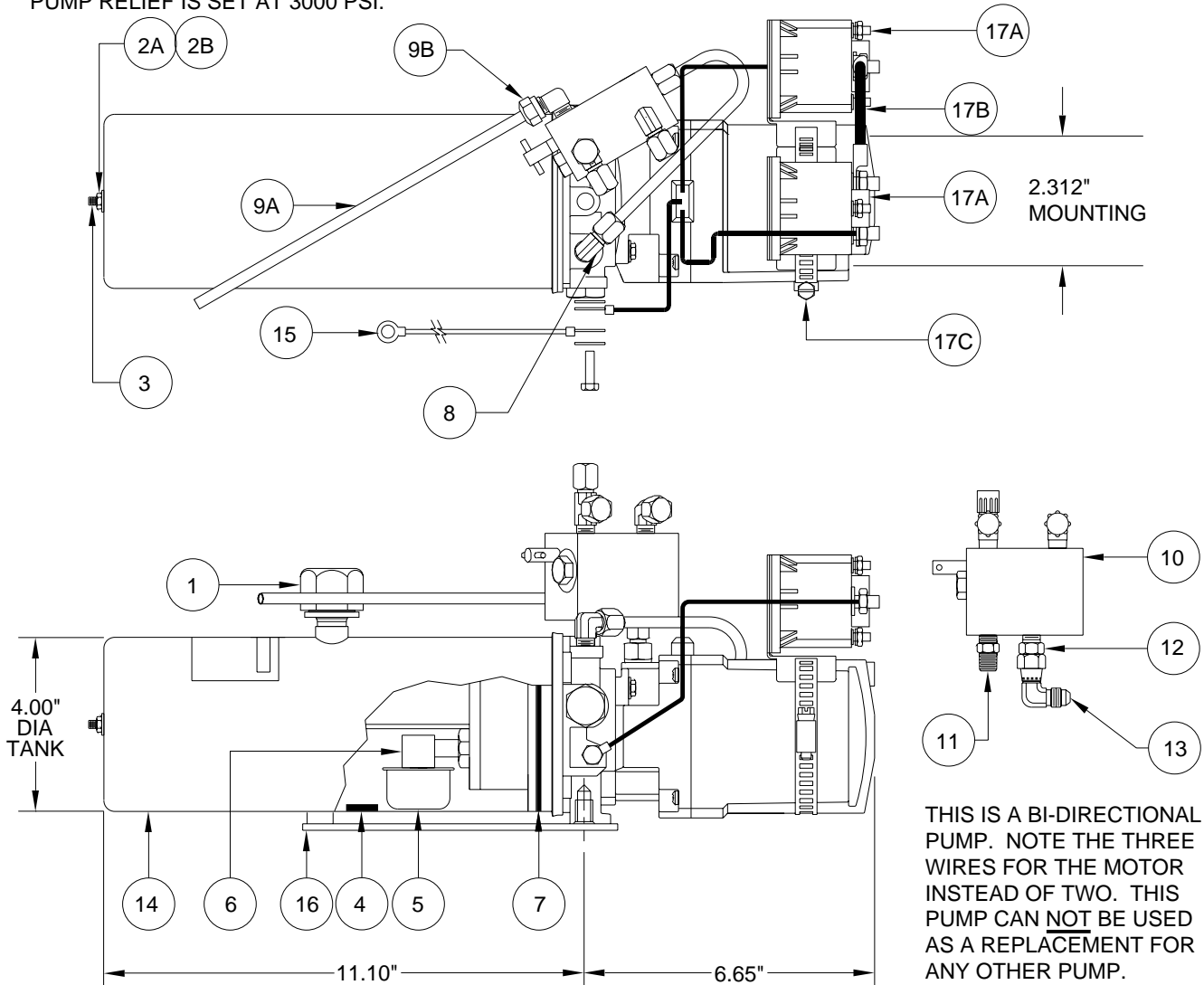
PUMP RELIEF IS SET AT 3000 PSI.



ITEM	PART	QTY	DESCRIPTION	ITEM	PART	QTY	DESCRIPTION
	RAP92199		POWER UNIT/BMO REPLACES AP28608	9A		1	TUBE 1/4" X 9"
	RAP90090		PUMP/MOTOR/TANK ONLY	9B		1	ELBOW 1/4" X 1/8"
1	RAP7876	1	BREATHER CAP/ DIPSTICK	10	RAP90376	1	BACK PRESSURE VALVE (DOES NOT CONTAIN 11, 12 OR 13)
2	RAP7496	1	TANK MTG. KIT	11	RF9315	1	NIPPLE 1/8"
2A		1	HEX NUT	12	RF1456	1	CONNECTOR 1/8" X 1/4"
2B		1	WASHER/SEAL	13	RF90010	1	ELBOW SWIVEL 90 DEG.
3	RP7497	1	TANK MTG. ROD	14	RP7495	1	TANK 0.57 GALLON 10.5" X 4.0" ROUND
4	RP3526	1	MAGNET	15	RAP90275	1	GROUND WIRE (PUMP MOTOR GROUND)
5	RP7532	1	STRAINER	16	RP7533	1	TANK SUPPORT
6	RP7498	1	ELBOW	17	RAP7505	1	RELAY CONT. DUTY
7	RP7499	1	O-RING TANK	18	RAP0533	1	RELAY INT. DUTY
8	RF1453	1	ELBOW 1/8" X 1/4"	19	RAP7112	1	CABLE
9	RAP90373	1	TUBE KIT	20	RP92200	1	BAND CLAMP

# PUMP/MOTOR/TANK ASSEMBLY AP35312 PARKER/OILDYNE BI-DIRECTIONAL

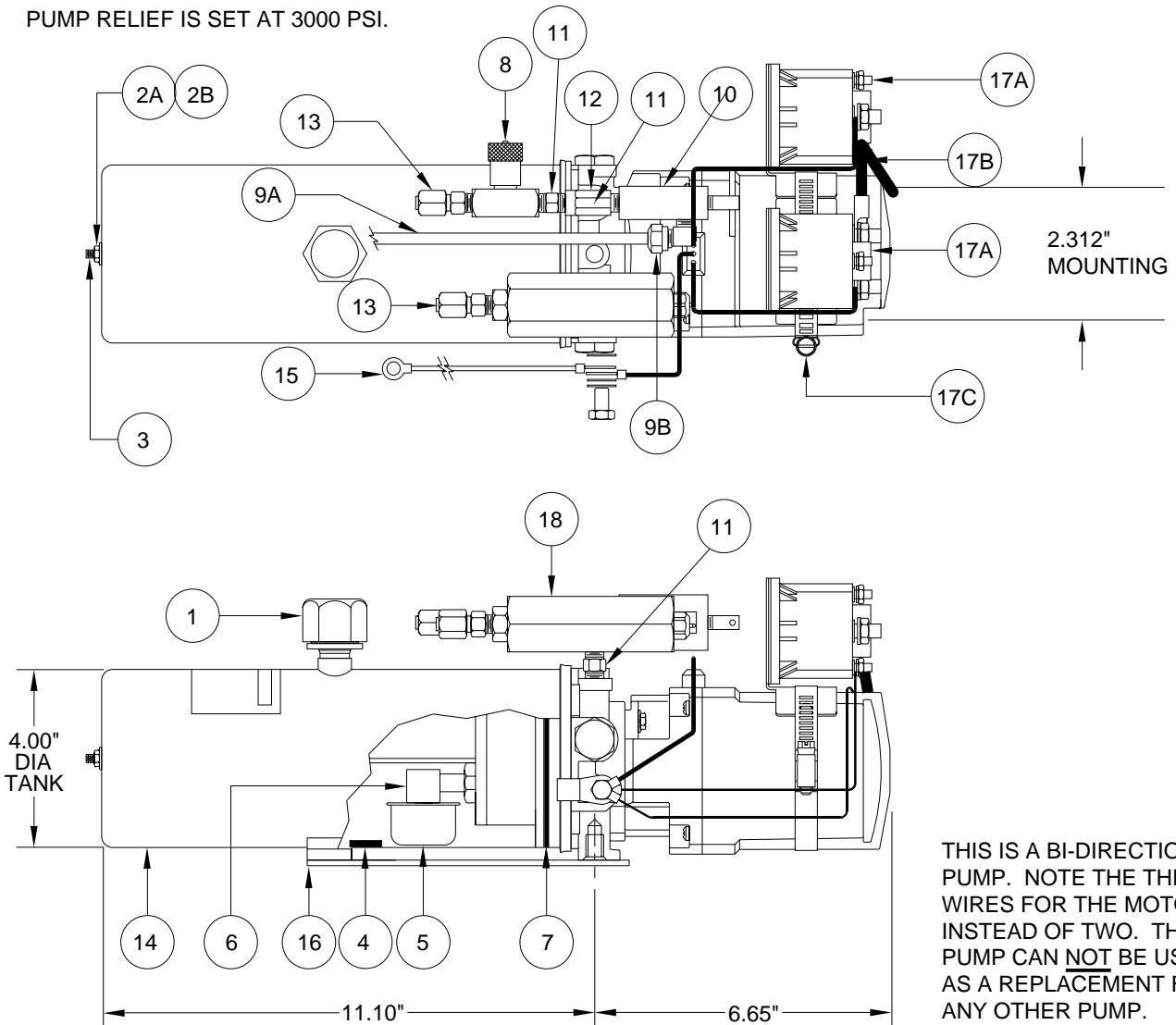
PUMP RELIEF IS SET AT 3000 PSI.



ITEM	PART	QTY	DESCRIPTION	ITEM	PART	QTY	DESCRIPTION
	RAP92201		POWER UNIT/BMO REPLACES AP35312	9A		1	TUBE 1/4" X 9"
	RAP90090		PUMP/MOTOR/TANK ONLY	9B		1	ELBOW 1/4" X 1/8"
1	RAP7876	1	BREATHER CAP/ DIPSTICK	10	RAP92202	1	BACK PRESSURE VALVE (DOES NOT CONTAIN 11, 12 OR 13)
2	RAP7496	1	TANK MTG. KIT	11	RF9315	1	NIPPLE 1/8"
2A		1	HEX NUT	12	RF1456	1	CONNECTOR 1/8" X 1/4"
2B		1	WASHER/SEAL	13	RF90010	1	ELBOW SWIVEL 90 DEG.
3	RP7497	1	TANK MTG. ROD	14	RP7495	1	TANK 0.57 GALLON 10.5" X 4.0" ROUND
4	RP3526	1	MAGNET	15	RAP90275	1	GROUND WIRE (PUMP MOTOR GROUND)
5	RP7532	1	STRAINER	16	RP7533	1	TANK SUPPORT
6	RP7498	1	ELBOW	17	RAP90372	1	RELAY KIT
7	RP7499	1	O-RING TANK	17A	RAP0533	2	RELAY INT. DUTY
8	RF1453	1	ELBOW 1/8" X 1/4"	17B		1	CABLE
9	RAP90373	1	TUBE KIT	17C		1	BAND CLAMP

# PUMP/MOTOR/TANK ASSEMBLY AP45497 PARKER/OILDYNE BI-DIRECTIONAL

PUMP RELIEF IS SET AT 3000 PSI.

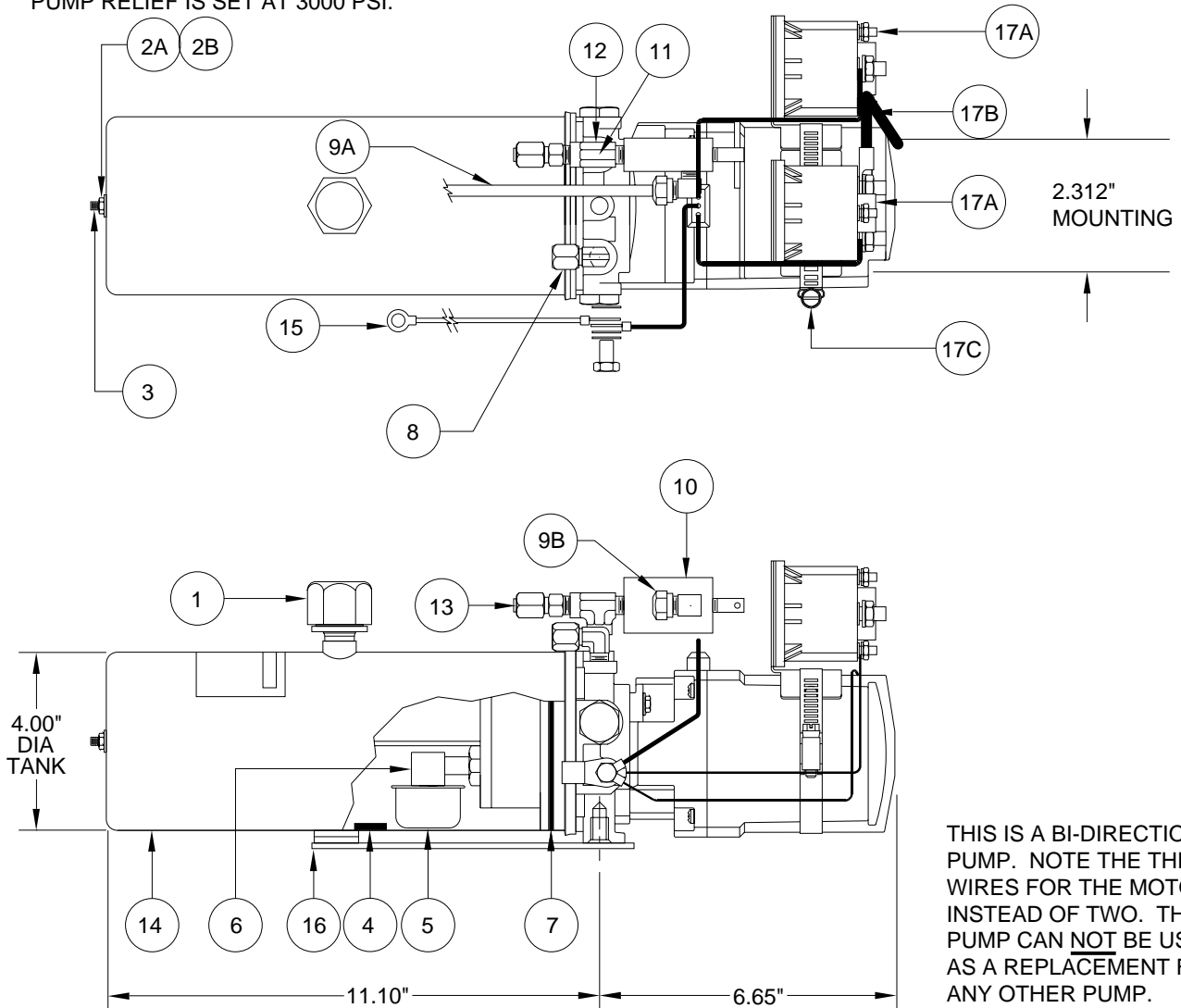


ITEM	PART	QTY	DESCRIPTION	ITEM	PART	QTY	DESCRIPTION
	RAP93100		POWER UNIT/BMO REPLACES AP45497	10	RAP93102	1	DRAIN VALVE (DOES NOT CONTAIN ITEM 9B AND 12)
	RAP90090		PUMP/MOTOR/TANK ONLY	11	RF9315	3	NIPPLE 1/8"
1	RAP7876	1	BREATHER CAP/ DIPSTICK	12	RF90093	1	STREET TEE 1/8"
2	RAP7496	1	TANK MTG. KIT	13	RF1456	2	MALE CONNECTOR 1/8"
2A		1	HEX NUT	14	RP7495	1	TANK 0.57 GALLON 10.5" X 4.0" ROUND
2B		1	WASHER/SEAL	15	RAP90275	1	GROUND WIRE (PUMP MOTOR GROUND)
3	RP7497	1	TANK MTG. ROD	16	RP7533	1	TANK SUPPORT
4	RP3526	1	MAGNET	17	RAP90372	1	RELAY KIT
5	RP7532	1	STRAINER	17A	RAP0533	2	RELAY INT. DUTY
6	RP7498	1	ELBOW	17B		1	CABLE
7	RP7499	1	O-RING TANK	17C		1	BAND CLAMP
8	RAP90092	1	RETRACT VALVE KIT (INCLUDES ITEM 11)	18	RAP93103	1	RELIEF VALVE (INCLUDES ITEM 11)
9	RAP90373	1	TUBE KIT				
9A		1	TUBE 1/4" X 9"				
9B		1	ELBOW 1/4" X 1/8"				

**MR30.6427  
14FEB12**

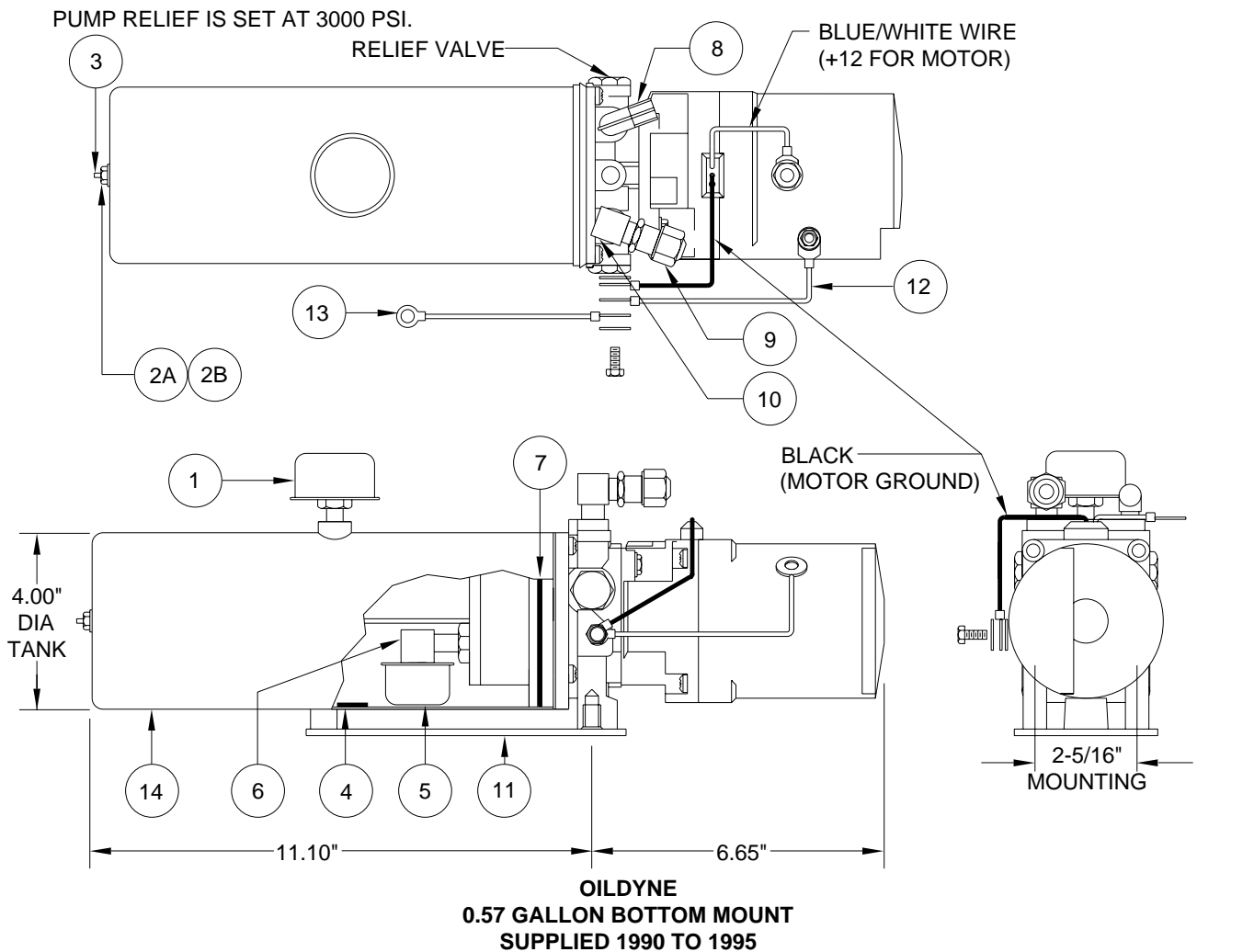
# PUMP/MOTOR/TANK ASSEMBLY AP46166 PARKER/OILDYNE BI-DIRECTIONAL

PUMP RELIEF IS SET AT 3000 PSI.



ITEM	PART	QTY	DESCRIPTION	ITEM	PART	QTY	DESCRIPTION
	RAP93101		POWER UNIT/BMO REPLACES AP46166	9A		1	TUBE 1/4" X 9"
	RAP90090		PUMP/MOTOR/TANK ONLY	9B		1	ELBOW 1/4" X 1/8"
1	RAP7876	1	BREATHER CAP/ DIPSTICK	10	RAP93102	1	DRAIN VALVE (DOES NOT CONTAIN ITEM 9B AND 12)
2	RAP7496	1	TANK MTG. KIT	11	RF9315	1	NIPPLE 1/8"
2A		1	HEX NUT	12	RF90093	1	STREET TEE 1/8"
2B		1	WASHER/SEAL	13	RF1456	1	MALE CONNECTOR 1/8"
3	RP7497	1	TANK MTG. ROD	14	RP7495	1	TANK 0.57 GALLON 10.5" X 4.0" ROUND
4	RP3526	1	MAGNET	15	RAP90275	1	GROUND WIRE (PUMP MOTOR GROUND)
5	RP7532	1	STRAINER	16	RP7533	1	TANK SUPPORT
6	RP7498	1	ELBOW	17	RAP90372	1	RELAY KIT
7	RP7499	1	O-RING TANK	17A	RAP0533	2	RELAY INT. DUTY
8	RF1453	1	ELBOW 1/8" X 1/4"	17B		1	CABLE
9	RAP90373	1	TUBE KIT	17C		1	BAND CLAMP

# PUMP/MOTOR/TANK ASSEMBLY AP7136 PARKER/OILDYNE - OBSOLETE



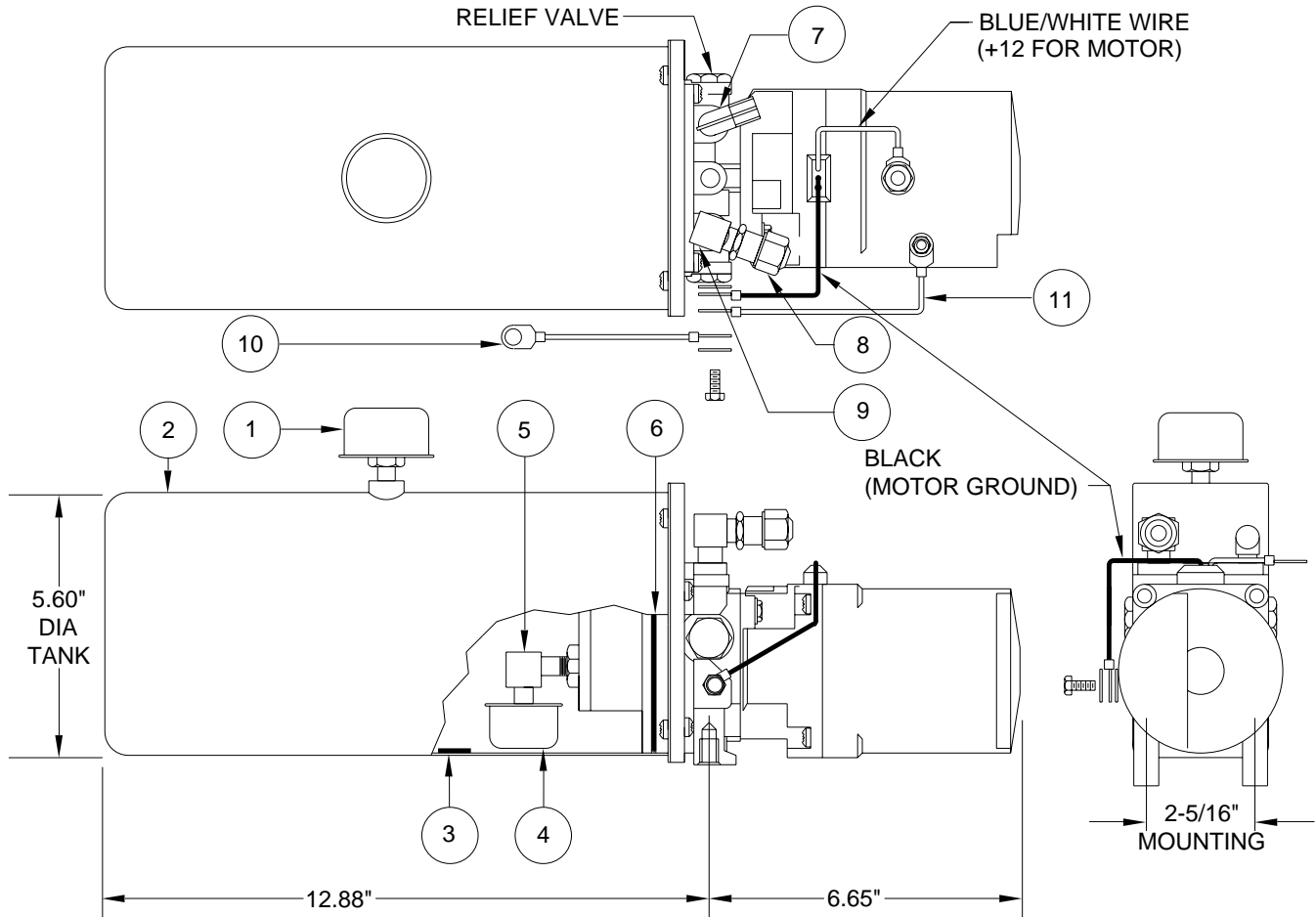
ITEM	PART	QTY	DESCRIPTION	ITEM	PART	QTY	DESCRIPTION
	AP7136	<b>OBS</b>	POWER UNIT/ BMO/ 0.57 GALLON	8	RF1453	1	ELBOW 1/8" X 1/4"
1	RAP7876	1	BREATHER CAP/ DIPSTICK	9	RF1458	1	MALE CONNECTOR 1/2" X 1/4"
2	RAP7496	1	TANK MTG. KIT	10	RF3340	1	BRASS ELBOW 1/4" X 1/4"
2A		1	HEX NUT	11	RP7533	1	TANK SUPPORT
2B		1	WASHER/SEAL	12	RAP7355	1	GROUND WIRE 7" (RELAY GROUND - NOT SUPPLIED WITH REPLACEMENT PUMP.)
3	RP7497	1	TANK MTG. ROD	13	RAP7356	1	GROUND WIRE 10" (PUMP MOTOR GROUND)
4	RP3526	1	MAGNET	14	RP7495	1	TANK .57 GALLON 10.5" x 4.0" ROUND
5	RP7532	1	STRAINER				
6	RP7498	1	ELBOW				
7	RP7499	1	O-RING TANK				

**NOTE :** SOME EARLIER MODELS HAVE A 9.00" LONG TANK WHICH IS NO LONGER AVAILABLE.

**MR30.6435  
14JAN08**

# PUMP/MOTOR/TANK ASSEMBLY AP0011 PARKER/OILDYNE - OBSOLETE

PUMP RELIEF IS SET AT 3000 PSI.



**OILDYNE  
1.0 GALLON BOTTOM MOUNT  
SUPPLIED 1992 TO 1995**

ITEM	PART	QTY	DESCRIPTION	ITEM	PART	QTY	DESCRIPTION
	RAP0011	<b>OBS</b>	POWER UNIT BMO/1.0 GALLON	7	RF1453	1	ELBOW 1/8" X 1/4"
1	RAP7876	1	BREATHER CAP/ DIPSTICK	8	RF1458	1	MALE CONNECTOR 1/2" X 1/4"
2	RP0635	1	TANK 1.0 GALLON 12.0" X 5.6" ROUND	9	RF3340	1	BRASS ELBOW 1/4" X 1/4"
3	RP3526	1	MAGNET	10	RAP7356		GROUND WIRE 10" (PUMP MOTOR GROUND)
4	RP7532	1	STRAINER	11	RAP7355		GROUND WIRE 7" (RELAY GROUND) (NOT SUPPLIED WITH REPLACEMENT PUMP)
5	RP7498	1	ELBOW				
6	RP90382	1	O-RING TANK				

**NOTE:** ITEMS 7 & 9 CAN BE REPLACED BY SEPARATING END HEAD AND RESERVOIR FROM MOTOR.

**MR30.6450  
14JAN08**

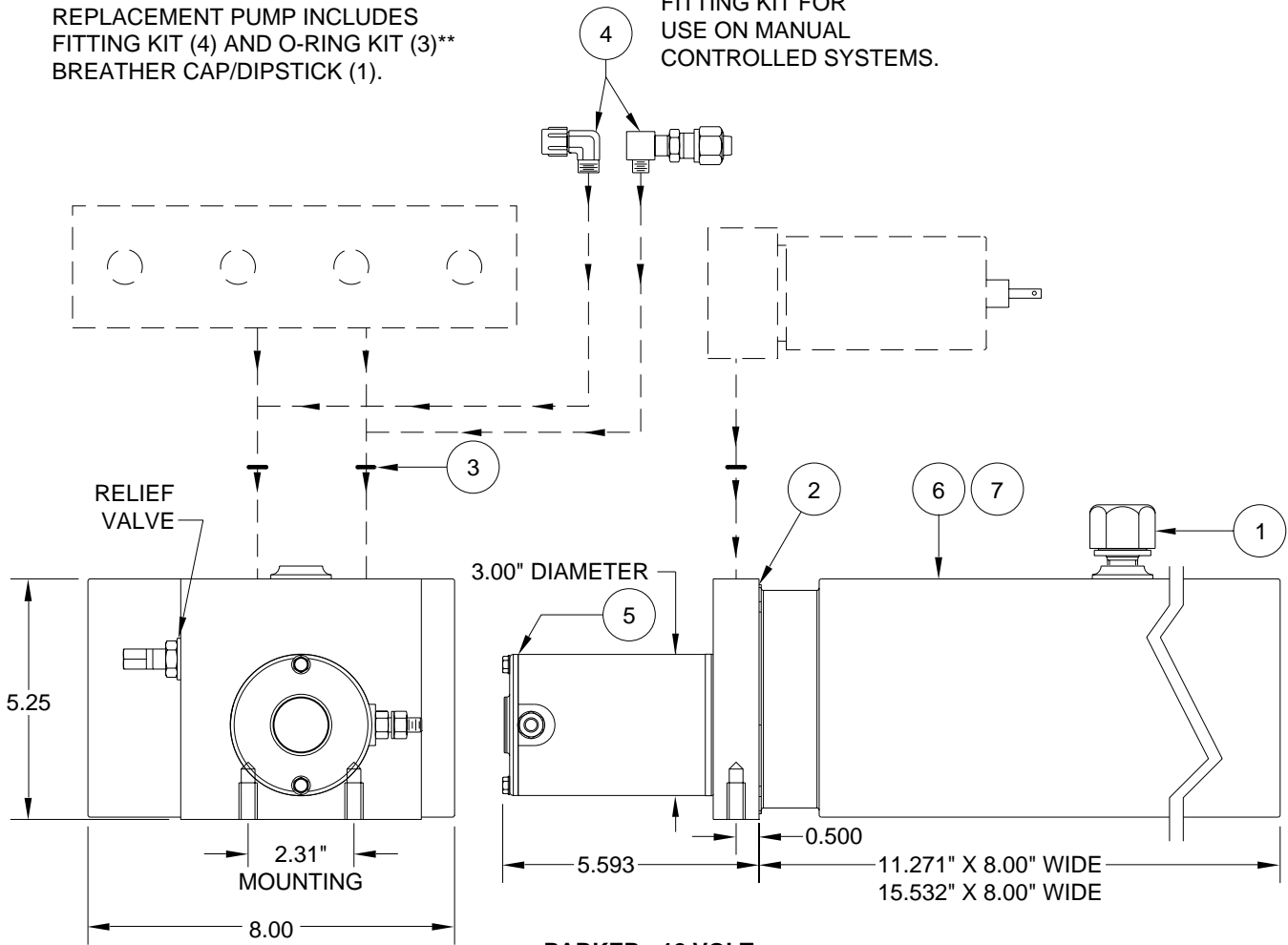
# PUMP/MOTOR/TANK ASSEMBLY

## AP29807/AP29808 PARKER

PUMP RELIEF IS SET AT 3500 PSI.

REPLACEMENT PUMP INCLUDES FITTING KIT (4) AND O-RING KIT (3)\*\* BREATHER CAP/DIPSTICK (1).

FITTING KIT FOR USE ON MANUAL CONTROLLED SYSTEMS.



**PARKER - 12 VOLT  
3.00" MOTOR  
SUPPLIED 2003 TO 2010**

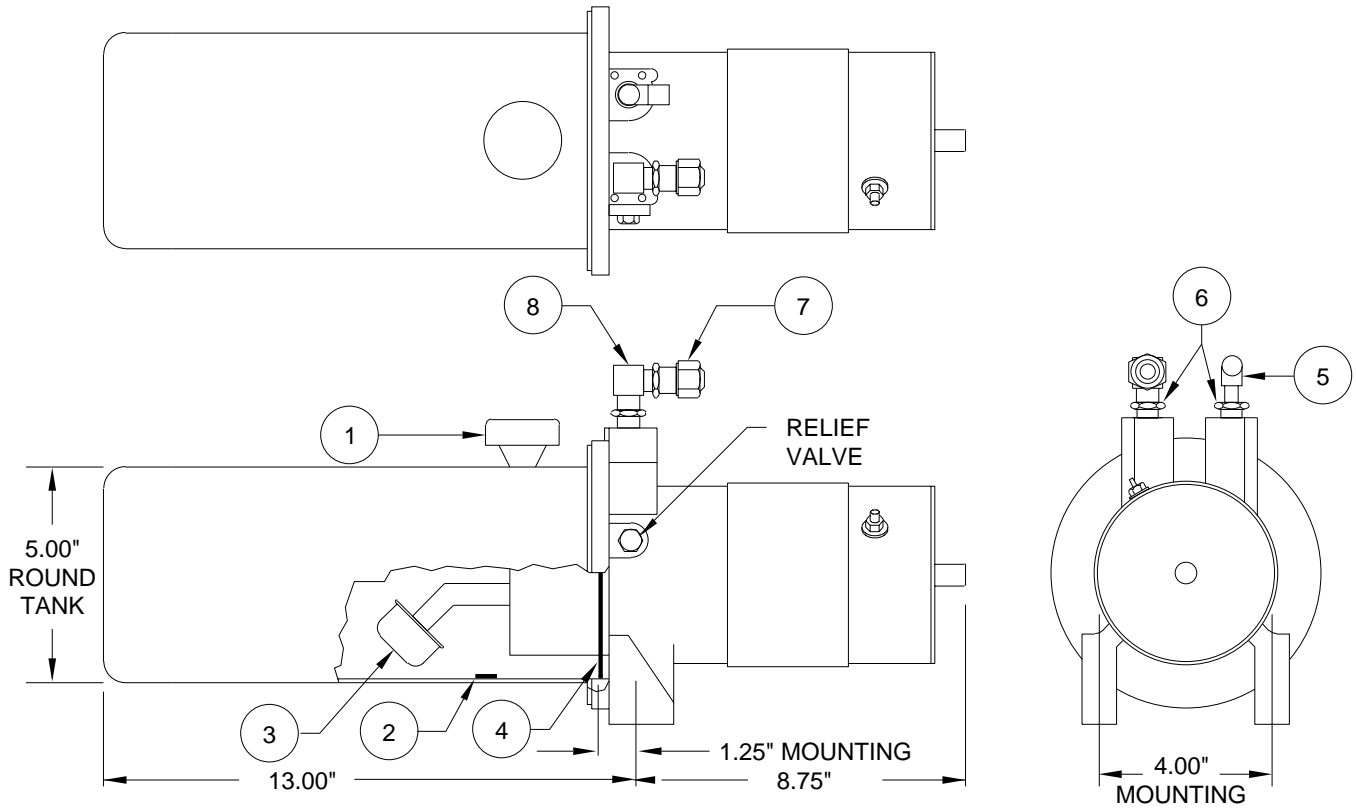
ITEM	PART	QTY	DESCRIPTION	ITEM	PART	QTY	DESCRIPTION
	AP29807	<b>OBS</b>	POWER UNIT/BMP/1.5 GALLON 3.00" MOTOR	3	**R92957	1	O-RING KIT
	AP29808	<b>OBS</b>	POWER UNIT/BMP/2.0 GALLON 3.00" MOTOR	4	RAP0586	1	FITTING KIT
1	RAP7876	1	BREATHER CAP/ DIPSTICK	5	RAP91244		MOTOR KIT 3.00"
2	RP91691	1	O-RING TANK	6	RP91689	1	TANK 1.5 GALLON 11.27" X 5.25" X 8.00"
				7	RP91690	1	TANK 2.0 GALLON 15.53" X 5.25" X 8.00"

**NOTE :** THIS POWER UNIT IS NO LONGER AVAILABLE. SOME PARTS FOR REBUILDING THESE PUMPS MAY BE AVAILABLE. SEE THE REPLACEMENT INFORMATION PAGE FOR REPLACEMENT PUMP.

\*\*R92957 O-RING KIT INCLUDES (8) O2-015-9N O-RINGS FOR 11/16" SPOT FACE ON MANIFOLD



# PUMP/MOTOR/TANK ASSEMBLY AP3349 WEBSTER - OBSOLETE



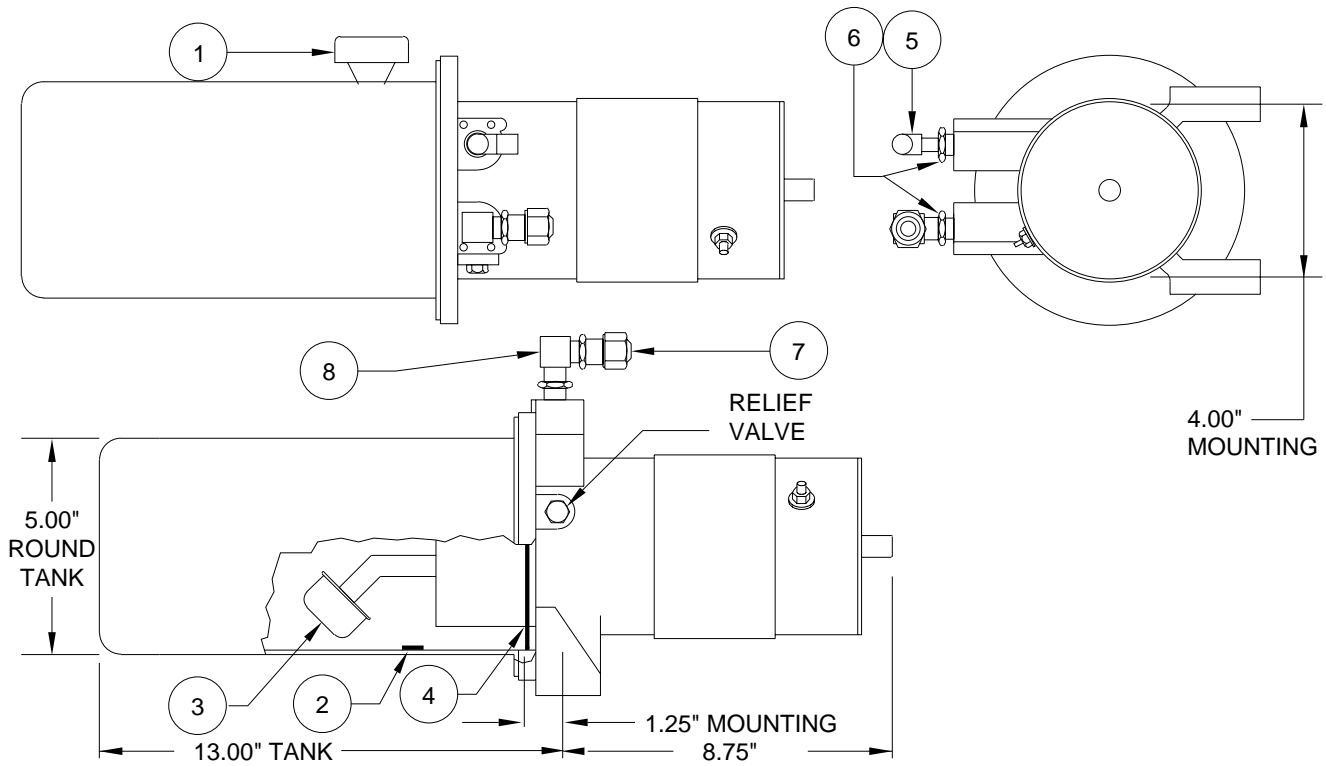
**WEBSTER  
1.0 GALLON BOTTOM MOUNT  
SUPPLIED 1981 TO 1983**

ITEM	PART	QTY	DESCRIPTION	ITEM	PART	QTY	DESCRIPTION
	AP3349	<b>OBS</b>	POWER UNIT/BMW/1.0 GALLON	5	RF1514	1	ELBOW 1/4" X 1/4"
1	RAP7876	1	BREATHER CAP/ DIPSTICK	6	RF2912	2	REDUCER 3/8" X 1/4"
2	RP3526	1	MAGNET	7	RF1458	1	MALE CONNECTOR 1/2" X 1/4"
3	RP3388	1	STRAINER	8	RF3340	1	BRASS ELBOW 1/4" X 1/4"
4	RP3389	1	O-RING TANK				

**NOTE :** THIS POWER UNIT IS NO LONGER AVAILABLE. SOME PARTS FOR REBUILDING THESE PUMPS MAY BE AVAILABLE. SEE THE REPLACEMENT INFORMATION PAGE FOR REPLACEMENT PUMP.

**MR30.9950  
28APR98**

# PUMP/MOTOR/TANK ASSEMBLY AP3348 WEBSTER - OBSOLETE



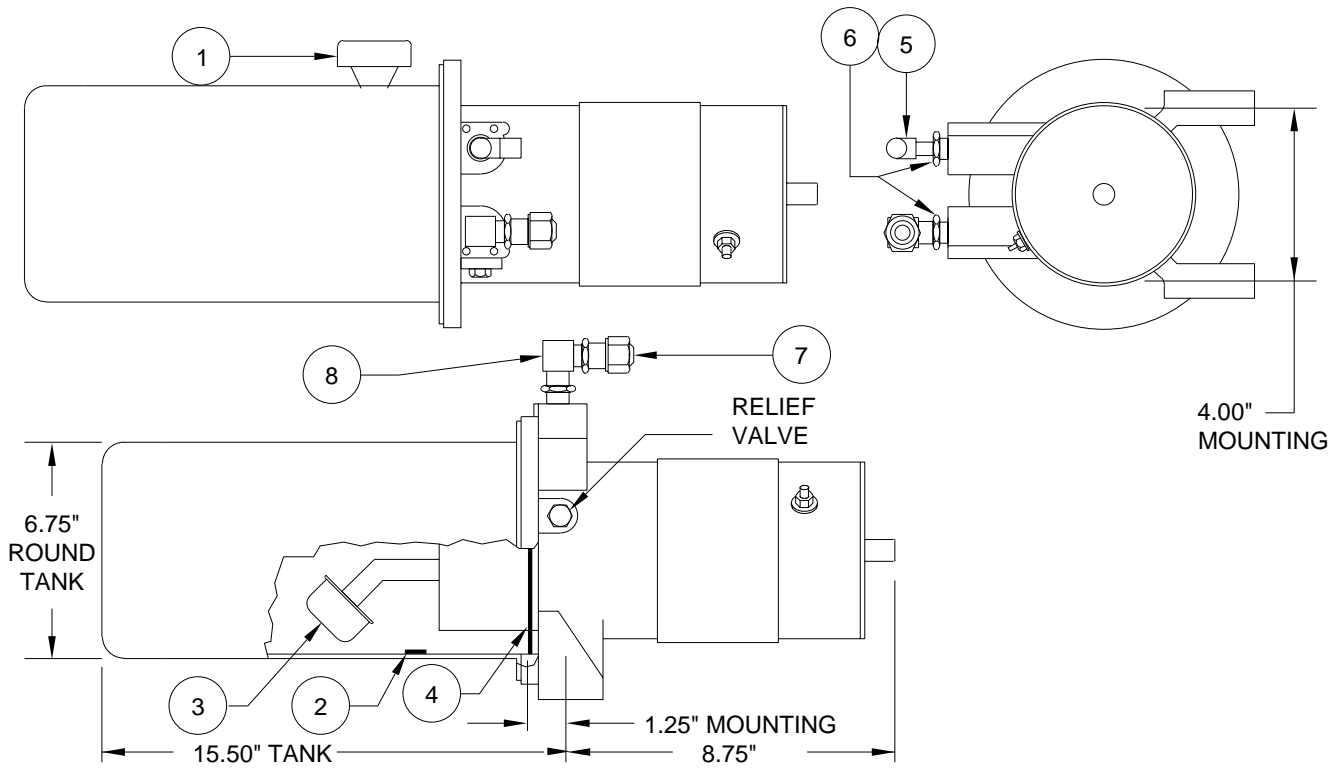
### WEBSTER 1.0 GALLON SIDE MOUNT SUPPLIED 1981 TO 1983

ITEM	PART	QTY	DESCRIPTION	ITEM	PART	QTY	DESCRIPTION
	AP3348	<b>OBS</b>	POWER UNIT/SMW/1.0 GALLON	5	RF1514	1	ELBOW 1/4" X 1/4"
1	RAP7876	1	BREATHER CAP/ DIPSTICK	6	RF2912	2	REDUCER 3/8" X 1/4"
2	RP3526	1	MAGNET	7	RF1458	1	MALE CONNECTOR 1/2" X 1/4"
3	RP3388	1	STRAINER	8	RF3340	1	BRASS ELBOW 1/4" X 1/4"
4	RP3389	1	O-RING TANK				

**NOTE :** THIS POWER UNIT IS NO LONGER AVAILABLE. SOME PARTS FOR REBUILDING THESE PUMPS MAY BE AVAILABLE. SEE THE REPLACEMENT INFORMATION PAGE FOR REPLACEMENT PUMP.

**MR30.9955  
28APR98**

# PUMP/MOTOR/TANK ASSEMBLY WEBSTER - OBSOLETE



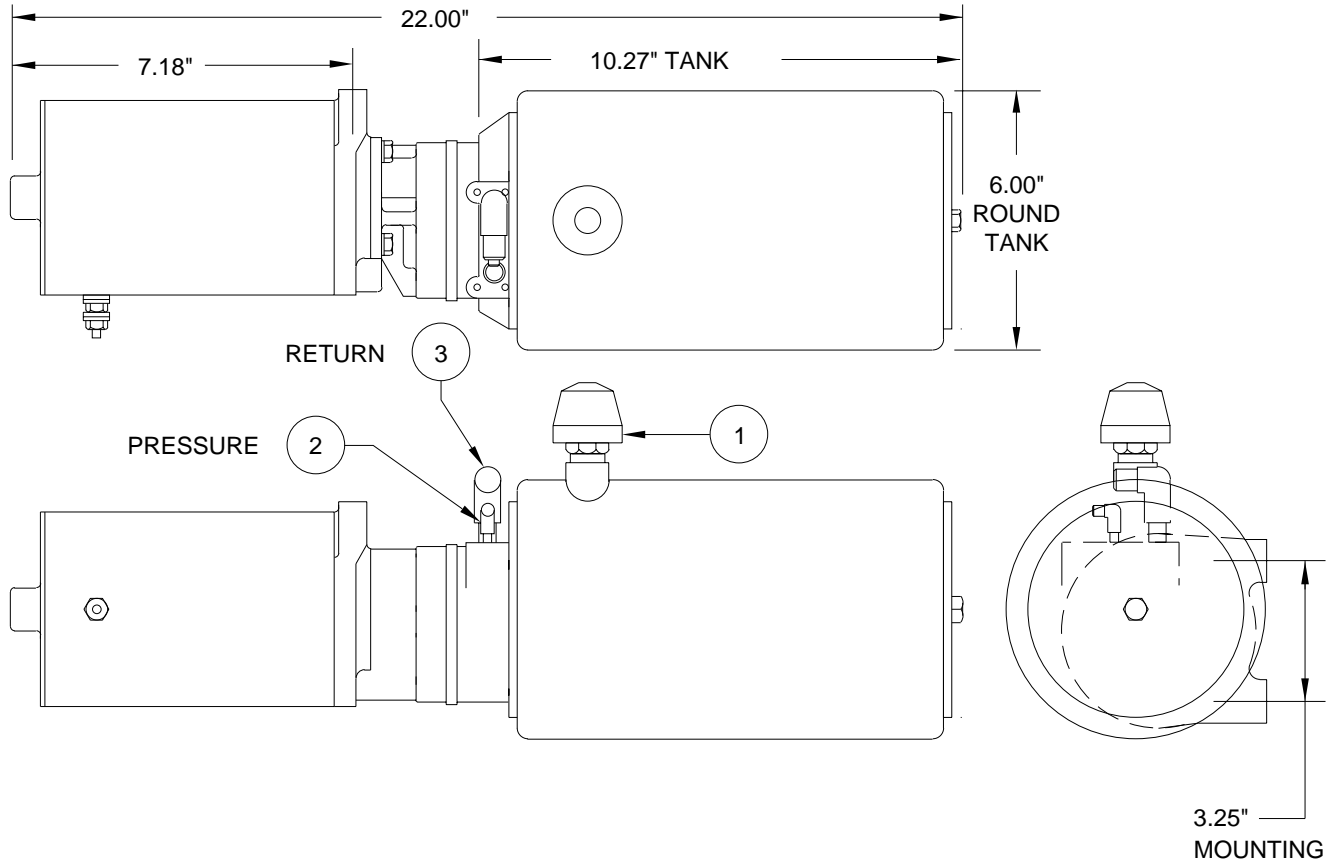
**WEBSTER  
2.0 GALLON SIDE MOUNT  
SUPPLIED 1981 TO 1983**

ITEM	PART	QTY	DESCRIPTION	ITEM	PART	QTY	DESCRIPTION
		<b>OBS</b>	POWER UNIT/SMW/2.0 GALLON	5	RF1514	1	ELBOW 1/4" X 1/4"
1	RAP7876	1	BREATHER CAP/ DIPSTICK	6	RF2912	2	REDUCER 3/8" X 1/4"
3	RP3526	1	MAGNET	7	RF1458	1	MALE CONNECTOR 1/2" X 1/4"
2	RP3388	1	STRAINER	8	RF3340	1	BRASS ELBOW 1/4" X 1/4"
4	RP3389	1	O-RING TANK				

**NOTE :** THIS POWER UNIT IS NO LONGER AVAILABLE.  
SOME PARTS FOR REBUILDING THESE PUMPS  
MAY BE AVAILABLE. SEE THE REPLACEMENT  
INFORMATION PAGE FOR REPLACEMENT PUMP.

**MR30.9960  
28APR98**

# PUMP/MOTOR/TANK ASSEMBLY AP1321 PARKER - OBSOLETE



ITEM	PART	QTY	DESCRIPTION	ITEM	PART	QTY	DESCRIPTION
	AP1321	<b>OBS</b>	POWER UNIT/SMP/1.0 GALLON	2	RF1453	1	ELBOW 1/8" X 1/4"
1	RAP7876	1	BREATHER CAP/ DIPSTICK	3	RF1511	1	ELBOW 1/8" X 1/4"

**NOTE :** PARKER POWER UNIT NOT AVAILABLE.  
USED ONLY ON SYSTEMS WITH 4-LEVER CONTROL VALVES.  
REPAIR PARTS NOT AVAILABLE. SEE THE REPLACEMENT  
INFORMATION PAGE FOR REPLACEMENT PUMP.

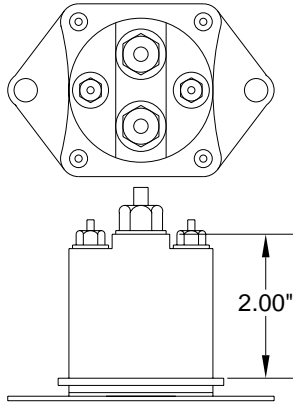
---

## RELAYS - 12 VOLT

---

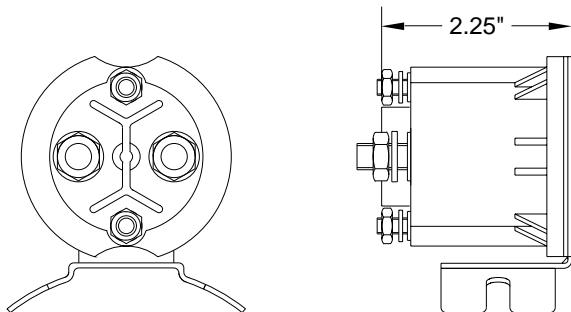
THE FOLLOWING ARE ELECTRIC RELAYS USED WITH HYDRAULIC POWER UNITS. REFER TO THE FOLLOWING PAGES FOR COMPLETE RELAY KITS. THE RELAYS ON THIS PAGE CAN BE USED FOR GROUNDED COIL APPLICATIONS OR FOR CONTROL ON GROUND SIDE OF COIL.

---



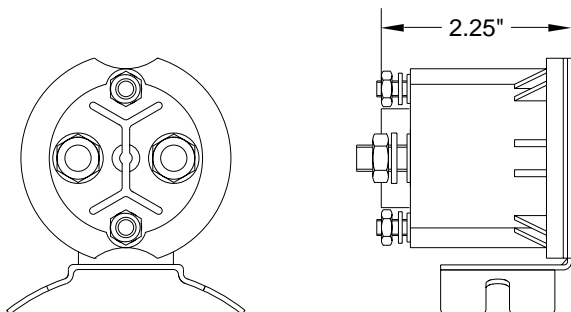
### RAP4276

RAP4276 IS A 4-POST VERTICAL MOUNT CONTINUOUS DUTY 12 VOLT RELAY. (USED ON PADDLE SWITCH SYSTEMS ONLY. DO NOT USE ON SYSTEMS USING A SINGLE RELAY ON THE POWER UNIT).



### RAP7505

RAP7505 IS A 4-POST HORIZONTAL MOUNT CONTINUOUS DUTY 12 VOLT RELAY. (USED ON TOUCH PANEL COMPUTERIZED SYSTEMS. DO NOT USE ON SYSTEMS USING A SINGLE RELAY ON THE POWER UNIT). NOTE: REPLACEMENT RELAY MAY APPEAR DIFFERENT THAN EXISTING RELAY.



### RAP0533

RAP0533 IS A 4-POST HORIZONTAL MOUNT INTERMITTENT DUTY 12 VOLT RELAY. (USED ON TOUCH PANEL AND ALL 100 AND 200 SERIES SYSTEMS INCLUDING SYSTEMS WITH ROOM EXTENSIONS). NOTE: REPLACEMENT RELAY MAY APPEAR DIFFERENT THAN EXISTING RELAY.

THIS RELAY WILL REPLACE ALL 3-POST AND 4-POST INTERMITTENT DUTY POWER UNIT RELAYS USED BY HWH.

**NOTE :** ALL REPLACEMENT RELAYS INCLUDE LOCK WASHERS AND NUTS.

**MR35.1000  
21SEP06**

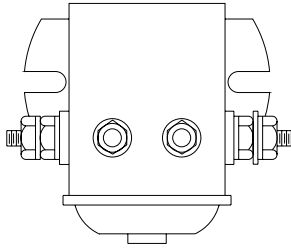
---

## RELAYS - 24 VOLT

---

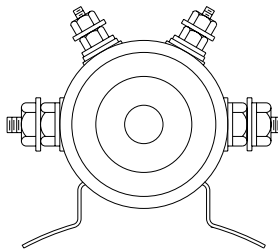
THE FOLLOWING ARE ELECTRIC RELAYS USED WITH HYDRAULIC POWER UNITS. REFER TO THE FOLLOWING PAGES FOR COMPLETE RELAY KITS. THE RELAYS ON THIS PAGE CAN BE USED FOR GROUNDED COIL APPLICATIONS OR FOR CONTROL ON GROUND SIDE OF COIL.

---



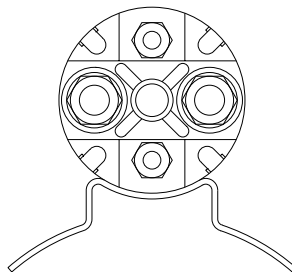
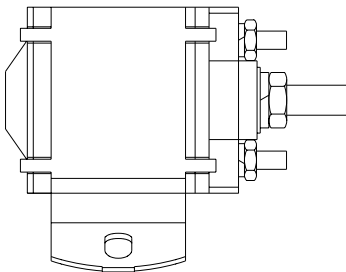
### RAP90397

RAP90397 IS A 24 VOLT 4-POST VERTICAL MOUNT INTERMITTENT DUTY RELAY. (USED ON TOUCH PANEL AND ALL 100 AND 200 SERIES 24 VOLT SYSTEMS INCLUDING SYSTEMS WITH ROOM EXTENSIONS.)



---

### RAP92056



RAP92056 IS A 24 VOLT 4-POST HORIZONTAL MOUNT CONTINUOUS DUTY RELAY. (USED ON TOUCH PANEL COMPUTERIZED SYSTEMS. DO NOT USE ON SYSTEMS USING A SINGLE RELAY ON THE POWER UNIT).

**NOTE :** ALL REPLACEMENT RELAYS INCLUDE LOCK WASHERS AND NUTS.

**MR35.1010  
21FEB12**

## RELAY KITS - 12 VOLTS

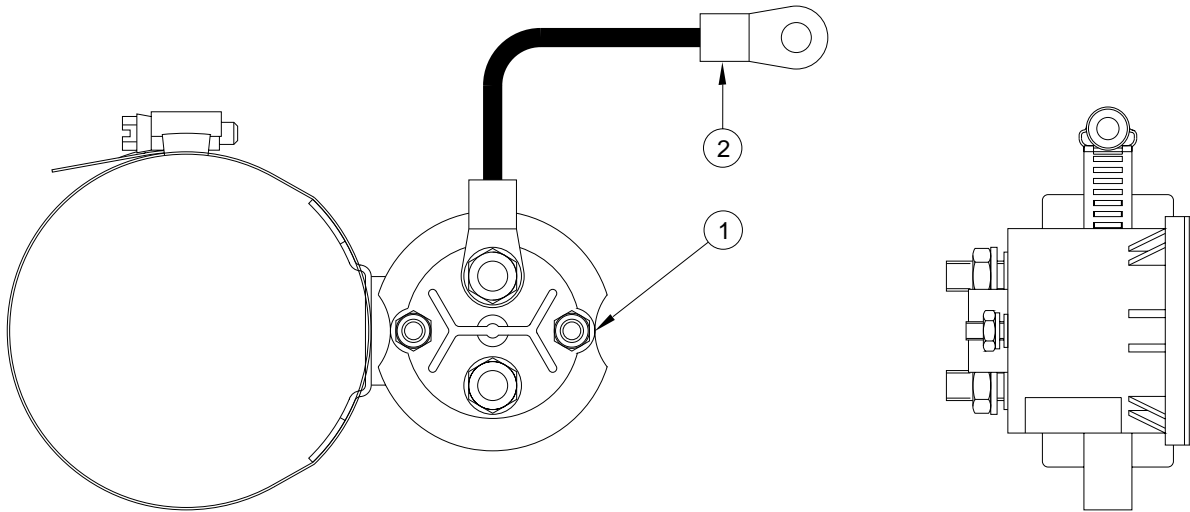
### SINGLE RELAY - INTERMITENT DUTY 4-POST

THESE KITS ARE USED WITH 100/110 SERIES LEVELING SYSTEMS, 200/225 SERIES LEVELING SYSTEMS, (INCLUDING SYSTEMS WITH HWH ROOM EXTENSIONS), 310/325 SERIES LEVELING SYSTEMS, (INCLUDING SYSTEMS WITH HWH ROOM EXTENSIONS) AND HWH ROOM EXTENSIONS WITHOUT LEVELING SYSTEMS.

THESE KITS WILL REPLACE SINGLE RELAY KITS WITH INTERMITENT DUTY 3-POST RELAYS.

THE RELAY CAN BE OPERATED WITH A GROUNDED COIL OR WITH CONTROL ON THE GROUND SIDE OF THE COIL. EITHER SIDE OF THE COIL CAN BE GROUND.

NOTE: REPLACEMENT RELAY MAY APPEAR DIFFERENT THAN EXISTING RELAY.



**NOTE :** A JUMPER WIRE FOR GROUNDING THE RELAY IN 100/110 AND 310 SERIES SYSTEMS IS SHIPPED LOOSE. REFER TO INSTRUCTIONS IN THE KITS FOR CORRECT APPLICATION.

ITEM	PART	QTY	DESCRIPTION
	RAP0494		FOR POWER UNITS WITH 3.00" TO 3.50" DIAMETER MOTORS
	RAP91941		FOR POWER UNITS WITH 3.70" DIAMETER MOTORS
	RAP5147		FOR POWER UNITS WITH 4.50" DIAMETER MOTORS
1	RAP0533	1	4-POST INTERMITENT DUTY RELAY - 12 VOLT
2	RAP91939	1	BATTERY CABLE #6 X 8.00"

**NOTE :** KIT CONTAINS ALL PARTS LISTED.

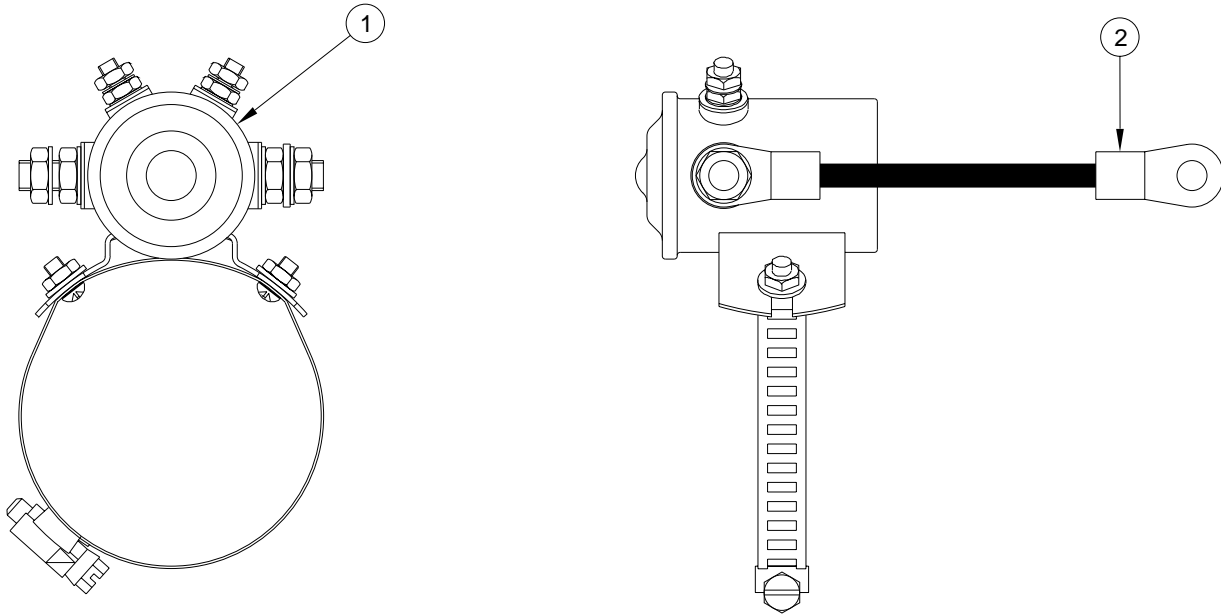
**MR35.2000**  
**04OCT06**

## RELAY KITS - 24 VOLT

### SINGLE RELAY - INTERMITTENT DUTY 4-POST

THESE KITS ARE USED WITH 100/110 SERIES LEVELING SYSTEMS, 200 SERIES LEVELING SYSTEMS, (INCLUDING SYSTEMS WITH HWH ROOM EXTENSIONS), AND HWH ROOM EXTENSIONS WITHOUT LEVELING SYSTEMS.

THE RELAY CAN BE OPERATED WITH A GROUNDED COIL OR WITH CONTROL ON THE GROUND SIDE OF THE COIL. EITHER SIDE OF THE COIL CAN BE GROUND.



**NOTE :** A JUMPER WIRE FOR GROUNDING THE RELAY IN 100/110 SYSTEMS IS SHIPPED LOOSE. REFER TO INSTRUCTIONS IN THE KITS FOR CORRECT APPLICATION.

ITEM	PART	QTY	DESCRIPTION
	RAP90396		FOR POWER UNITS WITH 3.00" TO 3.50" DIAMETER MOTORS
	RAP90395		FOR POWER UNITS WITH 4.50" DIAMETER MOTORS
1	RAP90397	1	4-POST INTERMITTENT DUTY RELAY - 24 VOLT
2	RAP91939	1	BATTERY CABLE #6 X 8.00"

**NOTE :** KIT CONTAINS ALL PARTS LISTED.

**MR35.2010**  
**05OCT06**



---

## RELAY KITS

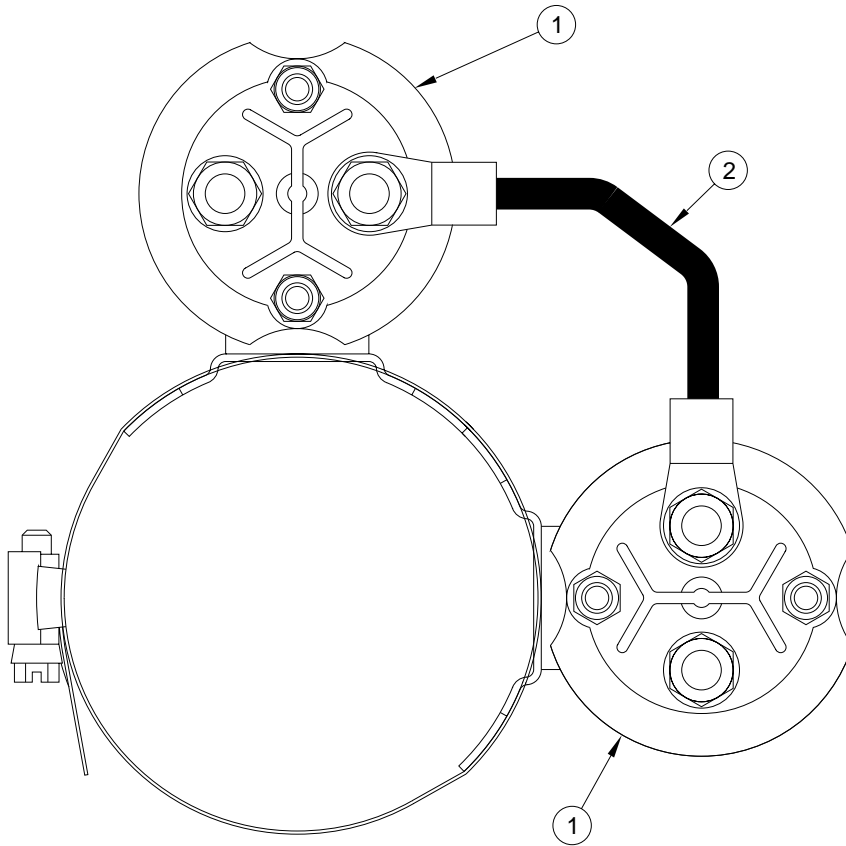
### DUAL RELAYS - TWO INTERMITTENT DUTY RELAYS

---

THIS KIT IS USED ON REVERSIBLE OILDYNE PUMPS ONLY.

DO NOT USE THIS KIT ON TOUCHPANEL OR LEVER CONTROLLED LEVELING SYSTEMS.

NOTE: REPLACEMENT RELAYS MAY APPEAR DIFFERENT THAN EXISTING RELAYS.



ITEM	PART	QTY	DESCRIPTION
	RAP90372		FOR POWER UNITS WITH REVERSIBLE PUMPS.
1	RAP0533	2	4-POST INTERMITTENT DUTY RELAY
2	RAP7112	1	BATTERY CABLE #2 X 8.00"

**NOTE :** KIT CONTAINS ALL PARTS LISTED.

**MR35.2050**  
**05OCT06**

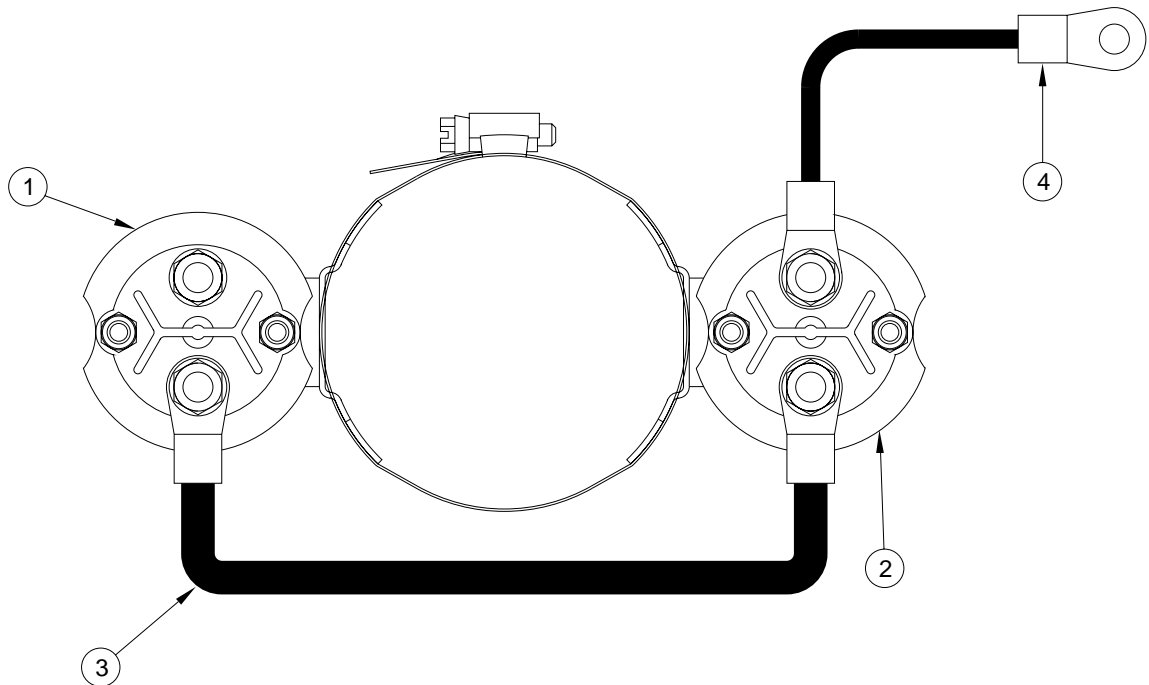
## RELAY KITS - 12 VOLT

### *DUAL RELAYS - ONE CONTINUOUS DUTY AND ONE INTERMITTENT DUTY RELAY*

THESE KITS ARE USED WITH 510 SERIES TOUCHPANEL LEVELING SYSTEMS, 610/625 SERIES TOUCHPANEL LEVELING SYSTEMS AND 610 CENTRAL GROUND LEVELING SYSTEMS. (INCLUDING SYSTEMS WITH HWH ROOM EXTENSIONS).

THESE KITS WILL REPLACE DUAL 12 VOLT RELAY KITS USING TWO CONTINUOUS DUTY RELAYS.

NOTE: REPLACEMENT RELAYS MAY APPEAR DIFFERENT THAN EXISTING RELAYS.



**NOTE :** TWO JUMPER WIRES FOR GROUNDING THE RELAYS ARE SHIPPED LOOSE. THEY ARE NEEDED FOR NON CENTRAL GROUNDED SYSTEMS. REFER TO INSTRUCTIONS IN THE KITS FOR CORRECT APPLICATION.

ITEM	PART	QTY	DESCRIPTION	ITEM	PART	QTY	DESCRIPTION
	RAP0049		FOR POWER UNITS WITH 3.00" TO 3.50" DIAMETER MOTORS 12 VOLT	1	RAP7505	1	4-POST CONTINUOUS DUTY RELAY 12 VOLT
	RAP91942		FOR POWER UNITS WITH 3.70" DIAMETER MOTORS 12 VOLT	2	RAP0533	1	4-POST INTERMITTENT DUTY RELAY 12 VOLT
	RAP7572		FOR POWER UNITS WITH 4.50" DIAMETER MOTORS 12 VOLT	3	RAP7112	1	BATTERY CABLE #2 X 8.00"
				4	RAP91939	1	BATTERY CABLE #6 X 8.00"

**NOTE :** KIT CONTAINS ALL PARTS LISTED.

**MR35.2100**  
**05OCT06**

---

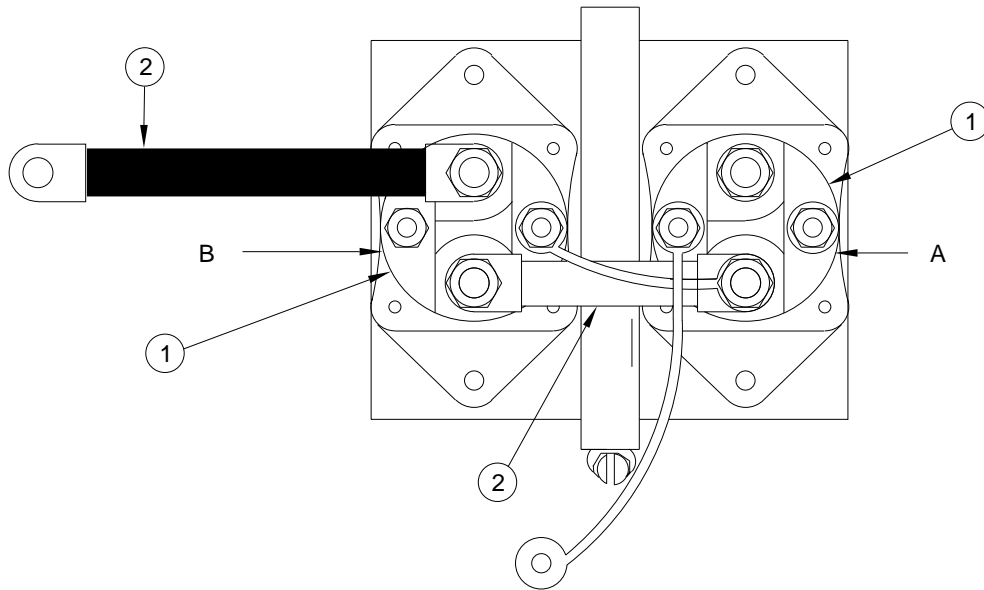
## RELAY KITS

### DUAL RELAYS - TWO CONTINUOUS DUTY RELAYS

---

THIS KIT IS USED ON 400 SERIES PADDLE SWITCH COMPUTERIZED LEVELING SYSTEMS ONLY.

DO NOT USE THIS KIT ON TOUCHPANEL OR LEVER CONTROLLED LEVELING SYSTEMS.



**NOTE :** BOTH RELAYS ARE THE SAME.  
RELAY "A" IS +12 CONTROLLED.  
RELAY "B" IS GROUND CONTROLLED.

ITEM	PART	QTY	DESCRIPTION
	RAP5231		FOR POWER UNITS WITH 4.00" DIAMETER MOTORS PADDLE SWITCH SYSTEMS.
1	RAP4276	2	4-POST CONTINUOUS DUTY RELAY
2	RAP7112	2	BATTERY CABLE #2 X 8.00"

**NOTE :** KIT CONTAINS ALL PARTS LISTED.

**MR35.2200**  
**21FEB96**

---

# ROOM EXTENSION ASSEMBLIES GUIDE PAGE "24 HOUR, LTD."

---

**PROCEDURE:**

1. Locate the HWH identification tag on the room extension mechanism to get the correct room extension part number.
2. Find the correct room extension part number in the left column below.
3. Refer to the proper parts page for general replacement parts information and item number arrangements.
4. Two cylinder room extensions with a synchronizing cylinder have two room extension part numbers. One is for the left assembly, one is for the right assembly. If the room extension assembly originally had one number, that number is listed with the new numbers.

<b>MECHANISM</b> <b>AP46436</b> <b>AP46437</b>	<b>UNIVERSAL STRAIGHT OUT - 26.0" STROKE (WITH SYNCHRONIZING CYLINDER) - AP46406 KIT</b>
	<b>SEE MR41.2685 FOR DRAWING AND PARTS INFORMATION.</b>
	<b>CYLINDER ASSEMBLY</b> _____ <b>ITEM 1 - RAP92076 (30.5" STROKE) - REPLACES AP38072</b>
	<b>SYNCHRONIZING CYLINDER</b> _____ <b>ITEM 3 - RAP92469 (9.13" STROKE) - REPLACES AP39275</b>
	<b>TUBE KIT</b> _____ <b>ITEM 2 - RAP92079 - REPLACES AP38267</b>
	<b>HOSE ASSEMBLIES</b> _____ <b>ITEM 4 - RAP90872 (AP24632) ITEM 5 - RAP91421 (AP24818)</b>

# ROOM EXTENSION ASSEMBLIES GUIDE PAGE "4 STAR TRAILERS INC."

**PROCEDURE:**

1. Locate the HWH identification tag on the room extension mechanism to get the correct room extension part number.
2. Find the correct room extension part number in the left column below.
3. Refer to the proper parts page for general replacement parts information and item number arrangements.
4. Two cylinder room extensions with a synchronizing cylinder have two room extension part numbers. One is for the left assembly, one is for the right assembly. If the room extension assembly originally had one number, that number is listed with the new numbers.

<b>MECHANISM</b> <b>AP32813</b> <b>AP32814</b>	<b>DUAL CYLINDER X-SLIDE - 32.0" STROKE (WITH SYNCHRONIZING CYLINDER) - AP32812 KIT</b>  <b>SEE MR41.2670 FOR DRAWING AND PARTS INFORMATION.</b> <b>CYLINDER ASSEMBLY</b> _____ ITEM 1 - RAP91210 - REPLACES AP29191 (14.30" STROKE) <b>SYNCHRONIZING CYLINDER</b> _____ ITEM 3 - RAP90726 - REPLACES AP15042 (5.75" STROKE) <b>TUBE KIT</b> _____ ITEM 2 - RAP91230 - REPLACES AP29192 <b>HOSE ASSEMBLIES</b> _____ ITEM 4 - RAP91574 (AP24627) ITEM 5 - RAP91573 (AP32672)
<b>MECHANISM</b> <b>AP34238</b> <b>AP34239</b>	<b>UNIVERSAL STRAIGHT OUT - 30.0" STROKE (WITH SYNCHRONIZING CYLINDER) - AP35221 KIT</b>  <b>SEE MR41.2680 FOR DRAWING AND PARTS INFORMATION.</b> <b>CYLINDER ASSEMBLY</b> _____ ITEM 1 - RAP91702 - REPLACES AP31461 (34.0" STROKE) <b>SYNCHRONIZING CYLINDER</b> _____ ITEM 3 - RAP90473 - REPLACES AP13192 (12.155" STROKE) <b>TUBE KIT</b> _____ ITEM 2 - RAP91703 - REPLACES AP31486 <b>HOSE ASSEMBLIES</b> _____ ITEM 4 - RAP90872 (AP24632) ITEM 5 - RAP91421 (AP24818)
<b>MECHANISM</b> <b>AP38251</b> <b>AP38252</b>	<b>UNIVERSAL STRAIGHT OUT - 30.0" STROKE (WITH SYNCHRONIZING CYLINDER) - AP39432 KIT</b>  <b>SEE MR41.2685 FOR DRAWING AND PARTS INFORMATION.</b> <b>CYLINDER ASSEMBLY</b> _____ ITEM 1 - RAP92076 - REPLACES AP38072 (30.5" STROKE) <b>SYNCHRONIZING CYLINDER</b> _____ ITEM 3 - RAP92077 - REPLACES AP37881 (10.540" STROKE) <b>TUBE KIT</b> _____ ITEM 2 - RAP92079 - REPLACES AP38267 <b>HOSE ASSEMBLIES</b> _____ ITEM 4 - RAP90872 (AP24632) ITEM 5 - RAP91421 (AP24818)

# ROOM EXTENSION ASSEMBLIES GUIDE PAGE "ABC INDUSTRIES/WIXOM"

**PROCEDURE:**

1. Locate the HWH identification tag on the room extension mechanism to get the correct room extension part number.
2. Find the correct room extension part number in the left column below.
3. Refer to the proper parts page for general replacement parts information and item number arrangements.
4. Two cylinder room extensions with a synchronizing cylinder have two room extension part numbers. One number is for the left assembly, one is for the right assembly. If the room extension assembly originally had one number, that number is listed with the new numbers.

<b>MECHANISM</b>	<b>DUAL CYLINDER X-SLIDE - 30.75" STROKE (WITH SYNCHRONIZING CYLINDER) - AP31744 KIT</b>
<b>AP31745</b>	
<b>AP31746</b>	<p><b>SEE MR41.2670 FOR DRAWING AND PARTS INFORMATION.</b></p> <p><b>CYLINDER ASSEMBLY</b> _____ ITEM 1 - RAP91352 - REPLACES AP27513 (13.90" STROKE)</p> <p><b>SYNCHRONIZING CYLINDER</b> _____ ITEM 3 - RAP90725 - REPLACES AP15043 (5.460" STROKE)</p> <p><b>TUBE KIT</b> _____ ITEM 2 - RAP91229 - REPLACES AP27587</p> <p><b>HOSE ASSEMBLIES</b> _____ ITEM 4 - RAP91574 (AP24627) ITEM 5 - RAP91573 (AP32672)</p>

# ROOM EXTENSION ASSEMBLIES GUIDE PAGE "ACTION RV"

**PROCEDURE:**

1. Locate the HWH identification tag on the room extension mechanism to get the correct room extension part number.
2. Find the correct room extension part number in the left column below.
3. Refer to the proper parts page for general replacement parts information and item number arrangements.
4. Two cylinder room extensions with a synchronizing cylinder have two room extension part numbers. One is for the left assembly, one is for the right assembly. If the room extension assembly originally had one number, that number is listed with the new numbers.

<b>MECHANISM AP15702</b>	<b>SINGLE CYLINDER ROOM EXTENSION - 38.0" STROKE - AP15765 KIT</b>  <a href="#">SEE MR41.1006 FOR DRAWING AND PARTS INFORMATION.</a> <b>CYLINDER ASSEMBLY</b> _____ ITEM 1 - RAP90645 - REPLACES AP15700 (39.0" STROKE) <b>TUBE KIT</b> _____ ITEM 2 - RAP90526 - REPLACES AP13592
<b>MECHANISM AP22085 AP22086</b>	<b>DUAL CYLINDER ROOM EXTENSION - 38.0" STROKE (WITH SYNCHRONIZING CYLINDER) - AP22084 KIT</b>  <a href="#">SEE MR41.2005 FOR DRAWING AND PARTS INFORMATION.</a> <b>CYLINDER ASSEMBLY</b> _____ ITEM 1 - RAP91196 - REPLACES AP22092 (38.5" STROKE) <b>SYNCHRONIZING CYLINDER</b> _____ ITEM 3 - RAP90639 - REPLACES AP17498 (15.455" STROKE) <b>TUBE KIT</b> _____ ITEM 2 - RAP90480 - REPLACES AP13252

# ROOM EXTENSION ASSEMBLIES GUIDE PAGE "ADAM TRAILERS"

**PROCEDURE:**

1. Locate the HWH identification tag on the room extension mechanism to get the correct room extension part number.
2. Find the correct room extension part number in the left column below.
3. Refer to the proper parts page for general replacement parts information and item number arrangements.
4. Two cylinder room extensions with a synchronizing cylinder have two room extension part numbers. One is for the left assembly, one is for the right assembly. If the room extension assembly originally had one number, that number is listed with the new numbers.

<b>MECHANISM</b> <b>AP38251</b> <b>AP38252</b>	<b>UNIVERSAL STRAIGHT OUT - 30.0" STROKE (WITH SYNCHRONIZING CYLINDER) - AP41411 KIT</b>  <b>SEE MR41.2685 FOR DRAWING AND PARTS INFORMATION.</b> <b>CYLINDER ASSEMBLY</b> _____ <b>ITEM 1 - RAP92076 (30.5" STROKE) - REPLACES AP38072</b> <b>SYNCHRONIZING CYLINDER</b> _____ <b>ITEM 3 - RAP92077 (10.540" STROKE) - REPLACES AP37881</b> <b>TUBE KIT</b> _____ <b>ITEM 2 - RAP92079 - REPLACES AP38267</b> <b>HOSE ASSEMBLIES</b> _____ <b>ITEM 4 - RAP90872 (AP24632) ITEM 5 - RAP91421 (AP24818)</b>
--	--



# ROOM EXTENSION ASSEMBLIES GUIDE PAGE "AGILE VEHICLE MODIFICATIONS"

**PROCEDURE:**

1. Locate the HWH identification tag on the room extension mechanism to get the correct room extension part number.
2. Find the correct room extension part number in the left column below.
3. Refer to the proper parts page for general replacement parts information and item number arrangements.
4. Two cylinder room extensions with a synchronizing cylinder have two room extension part numbers. One is for the left assembly, one is for the right assembly. If the room extension assembly originally had one number, that number is listed with the new numbers.

<b>MECHANISM AP22093</b>	<b>FOUR CYLINDER CANOPY LIFT - 38.5" STROKE (WITH SYNCHRONIZING CYLINDER)</b>  CYLINDER ASSEMBLY _____ RAP91700 - REPLACES AP22093 (38.5" STROKE) SYNCHRONIZING CYLINDER _____ RAP92915 - REPLACES AP43906 (15.455" STROKE) <a href="#">SEE MR41.8004 FOR ADDITIONAL SYNC CYL REPLACEMENT PARTS</a>
<b>MECHANISM AP38251 AP38252</b>	<b>UNIVERSAL STRAIGHT OUT - 30.0" STROKE (WITH SYNCHRONIZING CYLINDER) - AP37811 KIT</b>  <a href="#">SEE MR41.2685 FOR DRAWING AND PARTS INFORMATION.</a> CYLINDER ASSEMBLY _____ ITEM 1 - RAP92076 - REPLACES AP38072 (30.5" STROKE) SYNCHRONIZING CYLINDER _____ ITEM 3 - RAP92077 - REPLACES AP37881 (10.540" STROKE) TUBE KIT _____ ITEM 2 - RAP92079 - REPLACES AP38267 HOSE ASSEMBLIES _____ ITEM 4 - RAP90872 (AP24632) ITEM 5 - RAP91421 (AP24818)
<b>MECHANISM AP38873</b>	<b>SINGLE CYLINDER ROOM EXTENSION - 24.0" STROKE - AP38872 KIT</b>  <a href="#">SEE MR41.1100 FOR DRAWING AND PARTS INFORMATION.</a> CYLINDER ASSEMBLY _____ ITEM 1 - RAP91021 (27.0" STROKE) - REPLACES AP28682 HOSE ASSEMBLIES _____ ITEM 3 - RAP90872 (AP24632) ITEM 4 - RAP90871 (AP24628)
<b>MECHANISM AP38900 AP38901</b>	<b>UNIVERSAL STRAIGHT OUT - 24.0" STROKE (WITH SYNCHRONIZING CYLINDER) - AP41032 KIT</b>  <a href="#">SEE MR41.2685 FOR DRAWING AND PARTS INFORMATION.</a> CYLINDER ASSEMBLY _____ ITEM 1 - RAP92076 - REPLACES AP38072 (30.5" STROKE) SYNCHRONIZING CYLINDER _____ ITEM 3 - RAP92275 - REPLACES AP39271 (8.420" STROKE) TUBE KIT _____ ITEM 2 - RAP92079 - REPLACES AP38267 HOSE ASSEMBLIES _____ ITEM 4 - RAP90872 (AP24632) ITEM 5 - RAP91421 (AP24818)
<b>MECHANISM AP39182 AP39183</b>	<b>UNIVERSAL STRAIGHT OUT - 18.0" STROKE (WITH SYNCHRONIZING CYLINDER) - AP38938 KIT</b>  <a href="#">SEE MR41.2685 FOR DRAWING AND PARTS INFORMATION.</a> CYLINDER ASSEMBLY _____ ITEM 1 - RAP92076 (30.5" STROKE) - REPLACES AP38072 SYNCHRONIZING CYLINDER _____ ITEM 3 - RAP92369 (6.300" STROKE) - REPLACES AP39267 TUBE KIT _____ ITEM 2 - RAP92079 - REPLACES AP38267 HOSE ASSEMBLIES _____ ITEM 4 - RAP90872 (AP24632) ITEM 5 - RAP91421 (AP24818)
<b>MECHANISM AP48184</b>	<b>FOUR CYLINDER CANOPY LIFT - 55.0" STROKE (WITH SYNCHRONIZING CYLINDER)</b>  CYLINDER ASSEMBLY _____ RAP92914 - REPLACES AP48184 (55.0" STROKE) SYNCHRONIZING CYLINDER _____ RAP92917 - REPLACES AP48190 (13.575" STROKE) <a href="#">SEE MR41.8004 FOR ADDITIONAL SYNC CYL REPLACEMENT PARTS</a>
<b>MECHANISM AP49064</b>	<b>CYLINDER ASSEMBLY - 55.0" STROKE</b>  CYLINDER ASSEMBLY _____ RAP92914 - REPLACES AP48184 (55.0" STROKE) TUBE KIT _____ RAP90481 - REPLACES AP15379

# ROOM EXTENSION ASSEMBLIES GUIDE PAGE "ALFRED INDUSTRIES"

**PROCEDURE:**

1. Locate the HWH identification tag on the room extension mechanism to get the correct room extension part number.
2. Find the correct room extension part number in the left column below.
3. Refer to the proper parts page for general replacement parts information and item number arrangements.
4. Two cylinder room extensions with a synchronizing cylinder have two room extension part numbers. One is for the left assembly, one is for the right assembly. If the room extension assembly originally had one number, that number is listed with the new numbers.

<b>MECHANISM</b> <b>AP38251</b> <b>AP38252</b>	<b>UNIVERSAL STRAIGHT OUT - 30.0" STROKE (WITH SYNCHRONIZING CYLINDER) - AP44785 KIT</b>  <a href="#">SEE MR41.2685 FOR DRAWING AND PARTS INFORMATION.</a> <b>CYLINDER ASSEMBLY</b> _____ ITEM 1 - RAP92076 (30.5" STROKE) - REPLACES AP38072 <b>SYNCHRONIZING CYLINDER</b> _____ ITEM 3 - RAP92077 (10.540" STROKE) - REPLACES AP37881 <b>TUBE KIT</b> _____ ITEM 2 - RAP92079 - REPLACES AP38267 <b>HOSE ASSEMBLIES</b> _____ ITEM 4 - RAP90872 (AP24632) ITEM 5 - RAP91421 (AP24818)
<b>MECHANISM</b> <b>AP45900</b> <b>AP45901</b>	<b>UNIVERSAL STRAIGHT OUT - 30.0" STROKE (WITH SYNCHRONIZING CYLINDER) - AP47018 KIT</b>  <a href="#">SEE MR41.2685 FOR DRAWING AND PARTS INFORMATION.</a> <b>CYLINDER ASSEMBLY</b> _____ ITEM 1 - RAP92076 (30.5" STROKE) - REPLACES AP38072 <b>SYNCHRONIZING CYLINDER</b> _____ ITEM 3 - RAP92077 (10.540" STROKE) - REPLACES AP37881 <b>TUBE KIT</b> _____ ITEM 2 - RAP92079 - REPLACES AP38267 <b>HOSE ASSEMBLIES</b> _____ ITEM 4 - RAP90872 (AP24632) ITEM 5 - RAP91421 (AP24818)

# ROOM EXTENSION ASSEMBLIES GUIDE PAGE "ALUMINUM TRAILER CO."

**PROCEDURE:**

1. Locate the HWH identification tag on the room extension mechanism to get the correct room extension part number.
2. Find the correct room extension part number in the left column below.
3. Refer to the proper parts page for general replacement parts information and item number arrangements.
4. Two cylinder room extensions with a synchronizing cylinder have two room extension part numbers. One is for the left assembly, one is for the right assembly. If the room extension assembly originally had one number, that number is listed with the new numbers.

MECHANISM AP30637 AP30638	<p><b>DUAL CYLINDER X-SLIDE - 30.75" STROKE (WITH SYNCHRONIZING CYLINDER) - AP30636 KIT</b></p> <p><a href="#">SEE MR41.2670 FOR DRAWING AND PARTS INFORMATION.</a></p> <p>CYLINDER ASSEMBLY _____ ITEM 1 - RAP91352 - REPLACES AP27513 (13.90" STROKE)            SYNCHRONIZING CYLINDER _____ ITEM 3 - RAP90725 - REPLACES AP15043 (5.460" STROKE)            TUBE KIT _____ ITEM 2 - RAP91229 - REPLACES AP27587            HOSE ASSEMBLIES _____ ITEM 4 - RAP91574 (AP24627) ITEM 5 - RAP91573 (AP32672)</p>
MECHANISM AP32331 AP32332	<p><b>DUAL CYLINDER X-SLIDE - 25.0" STROKE (WITH SYNCHRONIZING CYLINDER) - AP32330 KIT</b></p> <p><a href="#">SEE MR41.2670 FOR DRAWING AND PARTS INFORMATION.</a></p> <p>CYLINDER ASSEMBLY _____ ITEM 1 - RAP91350 - REPLACES AP27865 (11.40" STROKE)            SYNCHRONIZING CYLINDER _____ ITEM 3 - RAP91701 - REPLACES AP30260 (4.300" STROKE)            TUBE KIT _____ ITEM 2 - RAP91229 - REPLACES AP27587            HOSE ASSEMBLIES _____ ITEM 4 - RAP91574 (AP24627) ITEM 5 - RAP91573 (AP32672)</p>
MECHANISM AP38251 AP38252	<p><b>UNIVERSAL STRAIGHT OUT - 30.0" STROKE (WITH SYNCHRONIZING CYLINDER) - AP39558 KIT</b></p> <p><a href="#">SEE MR41.2685 FOR DRAWING AND PARTS INFORMATION.</a></p> <p>CYLINDER ASSEMBLY _____ ITEM 1 - RAP92076 - REPLACES AP38072 (30.5" STROKE)            SYNCHRONIZING CYLINDER _____ ITEM 3 - RAP92077 - REPLACES AP37881 (10.540" STROKE)            TUBE KIT _____ ITEM 2 - RAP92079 - REPLACES AP38267            HOSE ASSEMBLIES _____ ITEM 4 - RAP90872 (AP24632) ITEM 5 - RAP91421 (AP24818)</p>
MECHANISM AP38900 AP38901	<p><b>UNIVERSAL STRAIGHT OUT - 24.0" STROKE (WITH SYNCHRONIZING CYLINDER) - AP43682 KIT</b></p> <p><a href="#">SEE MR41.2685 FOR DRAWING AND PARTS INFORMATION.</a></p> <p>CYLINDER ASSEMBLY _____ ITEM 1 - RAP92076 - REPLACES AP38072 (30.5" STROKE)            SYNCHRONIZING CYLINDER _____ ITEM 3 - RAP92275 - REPLACES AP39271 (8.420" STROKE)            TUBE KIT _____ ITEM 2 - RAP92079 - REPLACES AP38267            HOSE ASSEMBLIES _____ ITEM 4 - RAP90872 (AP24632) ITEM 5 - RAP91421 (AP24818)</p>
MECHANISM AP39645 AP39646	<p><b>UNIVERSAL STRAIGHT OUT - 26.0" STROKE (WITH SYNCHRONIZING CYLINDER) - AP39559 KIT</b></p> <p><a href="#">SEE MR41.2685 FOR DRAWING AND PARTS INFORMATION.</a></p> <p>CYLINDER ASSEMBLY _____ ITEM 1 - RAP92076 - REPLACES AP38072 (30.5" STROKE)            SYNCHRONIZING CYLINDER _____ ITEM 3 - RAP92469 - REPLACES AP39275 (9.130" STROKE)            TUBE KIT _____ ITEM 2 - RAP92079 - REPLACES AP38267            HOSE ASSEMBLIES _____ ITEM 4 - RAP90872 (AP24632) ITEM 5 - RAP91421 (AP24818)</p>

# ROOM EXTENSION ASSEMBLIES GUIDE PAGE "AMERA TRAILER"

**PROCEDURE:**

1. Locate the HWH identification tag on the room extension mechanism to get the correct room extension part number.
2. Find the correct room extension part number in the left column below.
3. Refer to the proper parts page for general replacement parts information and item number arrangements.
4. Two cylinder room extensions with a synchronizing cylinder have two room extension part numbers. One is for the left assembly, one is for the right assembly. If the room extension assembly originally had one number, that number is listed with the new numbers.

<b>MECHANISM</b> <b>AP39704</b> <b>AP39705</b>	<b>UNIVERSAL STRAIGHT OUT - 28.0" STROKE (WITH SYNCHRONIZING CYLINDER) - AP40100 KIT</b>  <a href="#">SEE MR41.2685 FOR DRAWING AND PARTS INFORMATION.</a> <b>CYLINDER ASSEMBLY</b> _____ ITEM 1 - RAP92076 (30.5" STROKE) - REPLACES AP38072 <b>SYNCHRONIZING CYLINDER</b> _____ ITEM 3 - RAP92526 (9.840" STROKE) - REPLACES AP39723 <b>TUBE KIT</b> _____ ITEM 2 - RAP92079 - REPLACES AP38267 <b>HOSE ASSEMBLIES</b> _____ ITEM 4 - RAP90872 (AP24632) ITEM 5 - RAP91421 (AP24818)
<b>MECHANISM</b> <b>AP39733</b> <b>AP39734</b>	<b>UNIVERSAL STRAIGHT OUT - 16.0" STROKE (WITH SYNCHRONIZING CYLINDER) - AP40099 KIT</b>  <a href="#">SEE MR41.2685 FOR DRAWING AND PARTS INFORMATION.</a> <b>CYLINDER ASSEMBLY</b> _____ ITEM 1 - RAP92075 (20.5" STROKE) - REPLACES AP39251 <b>SYNCHRONIZING CYLINDER</b> _____ ITEM 3 - RAP92494 (5.590" STROKE) - REPLACES AP39334 <b>TUBE KIT</b> _____ ITEM 2 - RAP92092 - REPLACES AP39321 <b>HOSE ASSEMBLIES</b> _____ ITEM 4 - RAP91566 (AP24631) ITEM 5 - RAP91568 (AP24637)
<b>MECHANISM</b> <b>AP40009</b> <b>AP40010</b>	<b>UNIVERSAL STRAIGHT OUT - 12.0" STROKE (WITH SYNCHRONIZING CYLINDER) - AP40098 KIT</b>  <a href="#">SEE MR41.2685 FOR DRAWING AND PARTS INFORMATION.</a> <b>CYLINDER ASSEMBLY</b> _____ ITEM 1 - RAP92075 (20.5" STROKE) - REPLACES AP39251 <b>SYNCHRONIZING CYLINDER</b> _____ ITEM 3 - RAP92493 (4.160" STROKE) - REPLACES AP39037 <b>TUBE KIT</b> _____ ITEM 2 - RAP92092 - REPLACES AP39321 <b>HOSE ASSEMBLIES</b> _____ ITEM 4 - RAP91566 (AP24631) ITEM 5 - RAP91568 (AP24637)

# ROOM EXTENSION ASSEMBLIES GUIDE PAGE "AMERI-CAN ENGINEERING"

**PROCEDURE:**

1. Locate the HWH identification tag on the room extension mechanism to get the correct room extension part number.
2. Find the correct room extension part number in the left column below.
3. Refer to the proper parts page for general replacement parts information and item number arrangements.
4. Two cylinder room extensions with a synchronizing cylinder have two room extension part numbers. One is for the left assembly, one is for the right assembly. If the room extension assembly originally had one number, that number is listed with the new numbers.

<b>MECHANISM</b> <b>AP38251</b> <b>AP38252</b>	<b>UNIVERSAL STRAIGHT OUT - 30.0" STROKE (WITH SYNCHRONIZING CYLINDER) - AP42157 KIT</b>  <a href="#">SEE MR41.2685 FOR DRAWING AND PARTS INFORMATION.</a> <b>CYLINDER ASSEMBLY</b> _____ ITEM 1 - RAP92076 (30.5" STROKE) - REPLACES AP38072 <b>SYNCHRONIZING CYLINDER</b> _____ ITEM 3 - RAP92077 (10.540" STROKE) - REPLACES AP37881 <b>TUBE KIT</b> _____ ITEM 2 - RAP92079 - REPLACES AP38267 <b>HOSE ASSEMBLIES</b> _____ ITEM 4 - RAP90872 (AP24632) ITEM 5 - RAP91421 (AP24818)
<b>MECHANISM</b> <b>AP43733</b> <b>AP43734</b>	<b>UNIVERSAL STRAIGHT OUT - 22.0" STROKE (WITH SYNCHRONIZING CYLINDER) - AP43731 KIT</b>  <a href="#">SEE MR41.2685 FOR DRAWING AND PARTS INFORMATION.</a> <b>CYLINDER ASSEMBLY</b> _____ ITEM 1 - RAP92076 (30.5" STROKE) - REPLACES AP38072 <b>SYNCHRONIZING CYLINDER</b> _____ ITEM 3 - RAP92522 (7.710" STROKE) - REPLACES AP43403 <b>TUBE KIT</b> _____ ITEM 2 - RAP92079 - REPLACES AP38267 <b>HOSE ASSEMBLIES</b> _____ ITEM 4 - RAP90872 (AP24632) ITEM 5 - RAP91421 (AP24818)

# ROOM EXTENSION ASSEMBLIES GUIDE PAGE "AMERICAN CARRIAGE"

**PROCEDURE:**

1. Locate the HWH identification tag on the room extension mechanism to get the correct room extension part number.
2. Find the correct room extension part number in the left column below.
3. Refer to the proper parts page for general replacement parts information and item number arrangements.
4. Two cylinder room extensions with a synchronizing cylinder have two room extension part numbers. One is for the left assembly, one is for the right assembly. If the room extension assembly originally had one number, that number is listed with the new numbers.

<b>MECHANISM AP15189</b>	<b>SINGLE CYLINDER ROOM EXTENSION - 22.0" STROKE - AP19603 KIT</b>
	<b>CYLINDER ASSEMBLY</b> _____ <b>RAP90520 - REPLACES AP15189 (22.0" STROKE)</b>
<b>MECHANISM AP15189</b>	<b>DUAL CYLINDER ROOM EXTENSION - 22.0" STROKE (WITH SYNCHRONIZING CYLINDER) - AP22257 KIT</b>
	<b>CYLINDER ASSEMBLY</b> _____ <b>RAP90520 - REPLACES AP15189 (22.0" STROKE)</b>
	<b>SYNCHRONIZING CYLINDER</b> _____ <b>RAP90461 - REPLACES AP14862 (8.860" STROKE)</b>
<b>MECHANISM AP15822</b>	<b>DUAL CYLINDER ROOM EXTENSION - 30.0" STROKE (WITH SYNCHRONIZING CYLINDER) - AP19602 KIT</b>
	<b>CYLINDER ASSEMBLY</b> _____ <b>RAP90467 - REPLACES AP15822 (30.0" STROKE)</b>
	<b>SYNCHRONIZING CYLINDER</b> _____ <b>RAP90473 - REPLACES AP13192 (12.155" STROKE)</b>
<b>MECHANISM AP17820</b>	<b>DUAL CYLINDER ROOM EXTENSION - 32.5" STROKE (WITH SYNCHRONIZING CYLINDER) - AP17819 KIT</b>
	<b>CYLINDER ASSEMBLY</b> _____ <b>RAP91215 - REPLACES - AP17834 (32.5" STROKE)</b>
	<b>SYNCHRONIZING CYLINDER</b> _____ <b>RAP90671 - REPLACES - AP17824 (13.190" STROKE)</b>
<b>MECHANISM AP25759</b>	<b>DUAL CYLINDER ROOM EXTENSION - 24.0" STROKE (WITH SYNCHRONIZING CYLINDER) - AP25758 KIT</b>
	<b>CYLINDER ASSEMBLY</b> _____ <b>RAP91202 - REPLACES - AP25759 (24.0" STROKE)</b>
	<b>SYNCHRONIZING CYLINDER</b> _____ <b>RAP90472 - REPLACES - AP13224 (9.685" STROKE)</b>

# ROOM EXTENSION ASSEMBLIES GUIDE PAGE "AMERICAN CUSTOM COACH"

**PROCEDURE:**

1. Locate the HWH identification tag on the room extension mechanism to get the correct room extension part number.
2. Find the correct room extension part number in the left column below.
3. Refer to the proper parts page for general replacement parts information and item number arrangements.
4. Two cylinder room extensions with a synchronizing cylinder have two room extension part numbers. One is for the left assembly, one is for the right assembly. If the room extension assembly originally had one number, that number is listed with the new numbers.

MECHANISM AP38251 AP38252	<p><b>UNIVERSAL STRAIGHT OUT - 30.0" STROKE (WITH SYNCHRONIZING CYLINDER) - AP44334 KIT</b></p> <p><a href="#">SEE MR41.2685 FOR DRAWING AND PARTS INFORMATION.</a></p> <p>CYLINDER ASSEMBLY _____ ITEM 1 - RAP92076 (30.5" STROKE) - REPLACES AP38072            SYNCHRONIZING CYLINDER _____ ITEM 3 - RAP92077 (10.540" STROKE) - REPLACES AP37881            TUBE KIT _____ ITEM 2 - RAP92079 - REPLACES AP38267            HOSE ASSEMBLIES _____ ITEM 4 - RAP90872 (AP24632) ITEM 5 - RAP91421 (AP24818)</p>
MECHANISM AP38900 AP38901	<p><b>UNIVERSAL STRAIGHT OUT - 24.0" STROKE (WITH SYNCHRONIZING CYLINDER) - AP50927 KIT</b></p> <p><a href="#">SEE MR41.2685 FOR DRAWING AND PARTS INFORMATION.</a></p> <p>CYLINDER ASSEMBLY _____ ITEM 1 - RAP92076 - REPLACES AP38072 (30.5" STROKE)            SYNCHRONIZING CYLINDER _____ ITEM 3 - RAP92275 - REPLACES AP39271 (8.420" STROKE)            TUBE KIT _____ ITEM 2 - RAP92079 - REPLACES AP38267            HOSE ASSEMBLIES _____ ITEM 4 - RAP90872 (AP24632) ITEM 5 - RAP91421 (AP24818)</p>
MECHANISM AP39704 AP39705	<p><b>UNIVERSAL STRAIGHT OUT - 28.0" STROKE (WITH SYNCHRONIZING CYLINDER) - AP49095 KIT</b></p> <p><a href="#">SEE MR41.2685 FOR DRAWING AND PARTS INFORMATION.</a></p> <p>CYLINDER ASSEMBLY _____ ITEM 1 - RAP92076 (30.5" STROKE) - REPLACES AP38072            SYNCHRONIZING CYLINDER _____ ITEM 3 - RAP92526 (9.840" STROKE) - REPLACES AP39723            TUBE KIT _____ ITEM 2 - RAP92079 - REPLACES AP38267            HOSE ASSEMBLIES _____ ITEM 4 - RAP90872 (AP24632) ITEM 5 - RAP91421 (AP24818)</p>
MECHANISM AP50839 AP50840	<p><b>UNIVERSAL STRAIGHT OUT - 14.0" STROKE (WITH SYNCHRONIZING CYLINDER) - AP50838 KIT</b></p> <p><a href="#">SEE MR41.2685 FOR DRAWING AND PARTS INFORMATION.</a></p> <p>CYLINDER ASSEMBLY _____ ITEM 1 - RAP92076 (30.5" STROKE) - REPLACES AP38072            SYNCHRONIZING CYLINDER _____ ITEM 3 -            TUBE KIT _____ ITEM 2 - RAP92079 - REPLACES AP38267            HOSE ASSEMBLIES _____ ITEM 4 - RAP90872 (AP24632) ITEM 5 - RAP91421 (AP24818)</p>

# ROOM EXTENSION ASSEMBLIES GUIDE PAGE "AMERICAN SPIRIT"

**PROCEDURE:**

1. Locate the HWH identification tag on the room extension mechanism to get the correct room extension part number.
2. Find the correct room extension part number in the left column below.
3. Refer to the proper parts page for general replacement parts information and item number arrangements.
4. Two cylinder room extensions with a synchronizing cylinder have two room extension part numbers. One is for the left assembly, one is for the right assembly. If the room extension assembly originally had one number, that number is listed with the new numbers.

<b>MECHANISM</b> <b>AP38251</b> <b>AP38252</b>	<b>UNIVERSAL STRAIGHT OUT - 30.0" STROKE (WITH SYNCHRONIZING CYLINDER) - AP39861 KIT</b>  <b>SEE MR41.2685 FOR DRAWING AND PARTS INFORMATION.</b> <b>CYLINDER ASSEMBLY</b> _____ ITEM 1 - RAP92076 (30.5" STROKE) - REPLACES AP38072 <b>SYNCHRONIZING CYLINDER</b> _____ ITEM 3 - RAP92077 (10.540" STROKE) - REPLACES AP37881 <b>TUBE KIT</b> _____ ITEM 2 - RAP92079 - REPLACES AP38267 <b>HOSE ASSEMBLIES</b> _____ ITEM 4 - RAP90872 (AP24632) ITEM 5 - RAP91421 (AP24818)
<b>MECHANISM</b> <b>AP38944</b> <b>AP38945</b>	<b>UNIVERSAL LEVEL OUT - 30.0" STROKE (WITH SYNCHRONIZING CYLINDER) - AP39901 KIT</b>  <b>SEE MR41.2690 FOR DRAWING AND PARTS INFORMATION.</b> <b>CYLINDER ASSEMBLY</b> _____ ITEM 1 - RAP92076 (30.5" STROKE) - REPLACES AP38072 <b>LIFT CYLINDER ASSEMBLY</b> _____ ITEM 14 - RAP92260 (2.75" LIFT) - REPLACES AP38604 <b>SYNCHRONIZING CYLINDER</b> _____ ITEM 3 - RAP92077 (10.540" STROKE) - REPLACES AP37881 <b>LIFT SYNCHRONIZING CYLINDER</b> _____ ITEM 15 - RAP92316 - REPLACES AP38264 <b>TUBE KIT</b> _____ ITEM 2 - RAP92079 - REPLACES AP38267 <b>HOSE ASSEMBLIES</b> _____ ITEM 4 - RAP90872 (AP24632) ITEM 5 - RAP91421 (AP24818)
<b>MECHANISM</b> <b>AP39645</b> <b>AP39646</b>	<b>UNIVERSAL STRAIGHT OUT - 26.0" STROKE (WITH SYNCHRONIZING CYLINDER) - AP39862 KIT</b>  <b>SEE MR41.2685 FOR DRAWING AND PARTS INFORMATION.</b> <b>CYLINDER ASSEMBLY</b> _____ ITEM 1 - RAP92076 (30.5" STROKE) - REPLACES AP38072 <b>SYNCHRONIZING CYLINDER</b> _____ ITEM 3 - RAP92469 (9.130" STROKE) - REPLACES AP39275 <b>TUBE KIT</b> _____ ITEM 2 - RAP92079 - REPLACES AP38267 <b>HOSE ASSEMBLIES</b> _____ ITEM 4 - RAP90872 (AP24632) ITEM 5 - RAP91421 (AP24818)



---

# ROOM EXTENSION ASSEMBLIES GUIDE PAGE "APEX ENTERPRISES"

---

**PROCEDURE:**

1. Locate the HWH identification tag on the room extension mechanism to get the correct room extension part number.
2. Find the correct room extension part number in the left column below.
3. Refer to the proper parts page for general replacement parts information and item number arrangements.
4. Two cylinder room extensions with a synchronizing cylinder have two room extension part numbers. One is for the left assembly, one is for the right assembly. If the room extension assembly originally had one number, that number is listed with the new numbers.

<b>MECHANISM</b> <b>AP21732</b> <b>AP21733</b>	<b>DUAL CYLINDER ROOM EXTENSION - 60.0" STROKE (WITH SYNCHRONIZING CYLINDER) - AP21731 KIT</b>  <b>SEE MR41.2000 FOR DRAWING AND PARTS INFORMATION.</b> <b>CYLINDER ASSEMBLY</b> _____ ITEM 1 - RAP91191 (61.0" STROKE) - REPLACES AP20585 <b>SYNCHRONIZING CYLINDER</b> _____ ITEM 3 - RAP91233 (23.10" STROKE) - REPLACES AP19966 <b>TUBE KIT</b> _____ ITEM 2 - RAP91221 - REPLACES AP17321
--	---

# ROOM EXTENSION ASSEMBLIES GUIDE PAGE "ARMOR METAL GROUP"

**PROCEDURE:**

1. Locate the HWH identification tag on the room extension mechanism to get the correct room extension part number.
2. Find the correct room extension part number in the left column below.
3. Refer to the proper parts page for general replacement parts information and item number arrangements.
4. Two cylinder room extensions with a synchronizing cylinder have two room extension part numbers. One is for the left assembly, one is for the right assembly. If the room extension assembly originally had one number, that number is listed with the new numbers.

<b>MECHANISM</b> <b>AP34238</b> <b>AP34239</b>	<b>UNIVERSAL STRAIGHT OUT - 30.0" STROKE (WITH SYNCHRONIZING CYLINDER) - AP37034 KIT</b>  <a href="#">SEE MR41.2680 FOR DRAWING AND PARTS INFORMATION.</a> <b>CYLINDER ASSEMBLY</b> _____ ITEM 1 - RAP91702 (34.0" STROKE) - REPLACES AP31461 <b>SYNCHRONIZING CYLINDER</b> _____ ITEM 3 - RAP90473 (12.155" STROKE) - REPLACES AP13192 <b>TUBE KIT</b> _____ ITEM 2 - RAP91703 - REPLACES AP31486 <b>HOSE ASSEMBLIES</b> _____ ITEM 4 - RAP90872 (AP24632) ITEM 5 - RAP91421 (AP24818)
<b>MECHANISM</b> <b>AP39645</b> <b>AP39646</b>	<b>UNIVERSAL STRAIGHT OUT - 26.0" STROKE (WITH SYNCHRONIZING CYLINDER) - AP39774 KIT</b>  <a href="#">SEE MR41.2685 FOR DRAWING AND PARTS INFORMATION.</a> <b>CYLINDER ASSEMBLY</b> _____ ITEM 1 - RAP92076 (30.5" STROKE) - REPLACES AP38072 <b>SYNCHRONIZING CYLINDER</b> _____ ITEM 3 - RAP92469 (9.130" STROKE) - REPLACES AP39275 <b>TUBE KIT</b> _____ ITEM 2 - RAP92079 - REPLACES AP38267 <b>HOSE ASSEMBLIES</b> _____ ITEM 4 - RAP90872 (AP24632) ITEM 5 - RAP91421 (AP24818)

---

# ROOM EXTENSION ASSEMBLIES GUIDE PAGE "B & B COACHWORKS INC."

---

**PROCEDURE:**

1. Locate the HWH identification tag on the room extension mechanism to get the correct room extension part number.
2. Find the correct room extension part number in the left column below.
3. Refer to the proper parts page for general replacement parts information and item number arrangements.
4. Two cylinder room extensions with a synchronizing cylinder have two room extension part numbers. One is for the left assembly, one is for the right assembly. If the room extension assembly originally had one number, that number is listed with the new numbers.

<b>MECHANISM</b> <b>AP15385</b> <b>AP15386</b>	<b>VERTICAL ARM ROOM EXTENSION - 24.0" STROKE (WITH SYNCHRONIZING CYLINDER) - AP15461 KIT</b>  <b>SEE MR41.2505 FOR DRAWING AND PARTS INFORMATION.</b> <b>CYLINDER ASSEMBLY</b> _____ ITEM 1 - RAP90426 - REPLACES AP14028 (9.689" STROKE) <b>SYNCHRONIZING CYLINDER</b> _____ ITEM 6 - RAP90427 - REPLACES AP14027 (3.815" STROKE) <b>HOSE ASSEMBLIES</b> _____ ITEM 4 - RAP90945 (AP18016) ITEM 5 - RAP91752 (AP14062)
--	---

# ROOM EXTENSION ASSEMBLIES GUIDE PAGE "BARRETT TRAILERS"

**PROCEDURE:**

1. Locate the HWH identification tag on the room extension mechanism to get the correct room extension part number.
2. Find the correct room extension part number in the left column below.
3. Refer to the proper parts page for general replacement parts information and item number arrangements.
4. Two cylinder room extensions with a synchronizing cylinder have two room extension part numbers. One is for the left assembly, one is for the right assembly. If the room extension assembly originally had one number, that number is listed with the new numbers.

<b>MECHANISM</b> <b>AP32014</b> <b>AP32015</b>	<b>DUAL CYLINDER X-SLIDE - 30.75" STROKE (WITH SYNCHRONIZING CYLINDER) - AP33694 KIT</b>  <a href="#">SEE MR41.2670 FOR DRAWING AND PARTS INFORMATION.</a> <b>CYLINDER ASSEMBLY</b> _____ ITEM 1 - RAP91352 - REPLACES AP27513 (13.90" STROKE) <b>SYNCHRONIZING CYLINDER</b> _____ ITEM 3 - RAP90725 - REPLACES AP15043 (5.460" STROKE) <b>TUBE KIT</b> _____ ITEM 2 - RAP91229 - REPLACES AP27587 <b>HOSE ASSEMBLIES</b> _____ ITEM 4 - RAP91574 (AP24627) ITEM 4 - RAP91573 (AP32672)
<b>MECHANISM</b> <b>AP38251</b> <b>AP38252</b>	<b>UNIVERSAL STRAIGHT OUT - 30.0" STROKE (WITH SYNCHRONIZING CYLINDER) - AP41856 KIT</b>  <a href="#">SEE MR41.2685 FOR DRAWING AND PARTS INFORMATION.</a> <b>CYLINDER ASSEMBLY</b> _____ ITEM 1 - RAP92076 - REPLACES AP38072 (30.5" STROKE) <b>SYNCHRONIZING CYLINDER</b> _____ ITEM 3 - RAP92077 - REPLACES AP37881 (10.540" STROKE) <b>TUBE KIT</b> _____ ITEM 2 - RAP92079 - REPLACES AP38267 <b>HOSE ASSEMBLIES</b> _____ ITEM 4 - RAP90872 (AP24632) ITEM 5 - RAP91421 (AP24818)

# ROOM EXTENSION ASSEMBLIES

## GUIDE PAGE

### "BAY HOMES"

**PROCEDURE:**

1. Locate the HWH identification tag on the room extension mechanism to get the correct room extension part number.
2. Find the correct room extension part number in the left column below.
3. Refer to the proper parts page for general replacement parts information and item number arrangements.
4. Two cylinder room extensions with a synchronizing cylinder have two room extension part numbers. One is for the left assembly, one is for the right assembly. If the room extension assembly originally had one number, that number is listed with the new numbers.

MECHANISM AP19275 AP19276	<p><b>DUAL CYLINDER ROOM EXTENSION - 30.0" STROKE (WITH SYNCHRONIZING CYLINDER) - AP42649 KIT</b></p> <p><a href="#">SEE MR41.2005 FOR DRAWING AND PARTS INFORMATION.</a></p> <p>CYLINDER ASSEMBLY _____ ITEM 1 - RAP90487 (30.5" STROKE) - REPLACES AP15184</p> <p>SYNCHRONIZING CYLINDER _____ ITEM 3 - RAP90473 (12.155" STROKE) - REPLACES AP13192</p> <p>TUBE KIT _____ ITEM 2 - RAP90480 - REPLACES AP13252</p>
MECHANISM AP21070 AP21071	<p><b>DUAL CYLINDER ROOM EXTENSION - 30" STROKE (WITH SYNCHRONIZING CYLINDER) - AP21069 KIT</b></p> <p><a href="#">SEE MR41.2011 FOR DRAWING AND PARTS INFORMATION.</a></p> <p>CYLINDER ASSEMBLY _____ ITEM 1 - RAP90629 (30.5" STROKE) - REPLACES AP17365</p> <p>SYNCHRONIZING CYLINDER _____ ITEM 3 - RAP90473 (12.155" STROKE) - REPLACES AP13192</p> <p>TUBE KIT _____ ITEM 2 - RAP90480 - REPLACES AP13252</p>
MECHANISM AP38251 AP38252	<p><b>UNIVERSAL STRAIGHT OUT - 30.0" STROKE (WITH SYNCHRONIZING CYLINDER) - AP40478 KIT</b></p> <p><a href="#">SEE MR41.2685 FOR DRAWING AND PARTS INFORMATION.</a></p> <p>CYLINDER ASSEMBLY _____ ITEM 1 - RAP92076 (30.5" STROKE) - REPLACES AP38072</p> <p>SYNCHRONIZING CYLINDER _____ ITEM 3 - RAP92077 (10.540" STROKE) - REPLACES AP37881</p> <p>TUBE KIT _____ ITEM 2 - RAP92079 - REPLACES AP38267</p> <p>HOSE ASSEMBLIES _____ ITEM 4 - RAP90872 (AP24632) ITEM 5 - RAP91421 (AP24818)</p>
MECHANISM AP38944 AP38945	<p><b>UNIVERSAL LEVEL OUT - 30.0" STROKE (WITH SYNCHRONIZING CYLINDER) - AP40477 KIT</b></p> <p><a href="#">SEE MR41.2690 FOR DRAWING AND PARTS INFORMATION.</a></p> <p>CYLINDER ASSEMBLY _____ ITEM 1 - RAP92076 (30.5" STROKE) - REPLACES AP38072</p> <p>LIFT CYLINDER ASSEMBLY _____ ITEM 14 - RAP92260 (2.75" LIFT) - REPLACES AP38604</p> <p>SYNCHRONIZING CYLINDER _____ ITEM 3 - RAP92077 (10.540" STROKE) - REPLACES AP37881</p> <p>LIFT SYNCHRONIZING CYLINDER _____ ITEM 15 - RAP92316 - REPLACES AP38264</p> <p>TUBE KIT _____ ITEM 2 - RAP92079 - REPLACES AP38267</p> <p>HOSE ASSEMBLIES _____ ITEM 4 - RAP90872 (AP24632) ITEM 5 - RAP91421 (AP24818)</p>



---

# ROOM EXTENSION ASSEMBLIES GUIDE PAGE "BECK'S MANUFACTURING"

---

**PROCEDURE:**

1. Locate the HWH identification tag on the room extension mechanism to get the correct room extension part number.
2. Find the correct room extension part number in the left column below.
3. Refer to the proper parts page for general replacement parts information and item number arrangements.
4. Two cylinder room extensions with a synchronizing cylinder have two room extension part numbers. One is for the left assembly, one is for the right assembly. If the room extension assembly originally had one number, that number is listed with the new numbers.

---

<b>MECHANISM AP16827</b>	<b>DUAL CYLINDER ROOM EXTENSION - 30.0" STROKE (WITH SYNCHRONIZING CYLINDER) - AP16826 KIT</b>  <b>SEE MR41.2005 FOR DRAWING AND PARTS INFORMATION.</b> <b>CYLINDER ASSEMBLY</b> _____ ITEM 1 - RAP90487 - REPLACES AP15184 (30.5" STROKE) <b>SYNCHRONIZING CYLINDER</b> _____ ITEM 3 - RAP90473 - REPLACES AP13192 (12.155" STROKE) <b>TUBE KIT</b> _____ ITEM 2 - RAP90480 - REPLACES AP13252
------------------------------	--

---

---

# ROOM EXTENSION ASSEMBLIES GUIDE PAGE "BENTLEY'S TRAILERS & COACHES"

---

**PROCEDURE:**

1. Locate the HWH identification tag on the room extension mechanism to get the correct room extension part number.
2. Find the correct room extension part number in the left column below.
3. Refer to the proper parts page for general replacement parts information and item number arrangements.
4. Two cylinder room extensions with a synchronizing cylinder have two room extension part numbers. One is for the left assembly, one is for the right assembly. If the room extension assembly originally had one number, that number is listed with the new numbers.

<b>MECHANISM</b> <b>AP38251</b> <b>AP38252</b>	<b>UNIVERSAL STRAIGHT OUT - 30.0" STROKE (WITH SYNCHRONIZING CYLINDER) - AP39125 KIT</b>  <b>SEE MR41.2685 FOR DRAWING AND PARTS INFORMATION.</b> <b>CYLINDER ASSEMBLY</b> _____ <b>ITEM 1 - RAP92076 (30.5" STROKE) - REPLACES AP38072</b> <b>SYNCHRONIZING CYLINDER</b> _____ <b>ITEM 3 - RAP92077 (10.540" STROKE) - REPLACES AP37881</b> <b>TUBE KIT</b> _____ <b>ITEM 2 - RAP92079 - REPLACES AP38267</b> <b>HOSE ASSEMBLIES</b> _____ <b>ITEM 4 - RAP90872 (AP24632) ITEM 5 - RAP91421 (AP24818)</b>
--	--



# ROOM EXTENSION ASSEMBLIES GUIDE PAGE "BIGFOOT INDUSTRIES"

**PROCEDURE:**

1. Locate the HWH identification tag on the room extension mechanism to get the correct room extension part number.
2. Find the correct room extension part number in the left column below.
3. Refer to the proper parts page for general replacement parts information and item number arrangements.
4. Two cylinder room extensions with a synchronizing cylinder have two room extension part numbers. One is for the left assembly, one is for the right assembly. If the room extension assembly originally had one number, that number is listed with the new numbers.

<b>MECHANISM</b> <b>AP34425</b> <b>AP34426</b>	<b>LATERAL ARM ROOM EXTENSION - 20.0" STROKE (WITH SYNCHRONIZING CYLINDER) - AP34281 KIT</b>  <b>SEE MR41.2801 FOR DRAWING AND PARTS INFORMATION.</b> <b>CYLINDER ASSEMBLY</b> _____ ITEM 1 - RAP91351 - REPLACES AP27997 (6.775" STROKE) <b>SYNCHRONIZING CYLINDER</b> _____ ITEM 3 - RAP90524 - REPLACES AP14881 (2.385" STROKE) <b>TUBE KIT</b> _____ ITEM 2 - RAP91774 - REPLACES AP28035 <b>HOSE ASSEMBLIES</b> _____ ITEM 4 - RAP91574 (AP24627) ITEM 5 - RAP91573 (AP32672)
<b>MECHANISM</b> <b>AP34411</b>	<b>SINGLE CYLINDER ROOM EXTENSION - 24.0" STROKE - AP34280 KIT</b>  <b>SEE MR41.1100 FOR DRAWING AND PARTS INFORMATION.</b> <b>CYLINDER ASSEMBLY</b> _____ ITEM 1 - RAP91021 - REPLACES AP28682 (27.0" STROKE) <b>HOSE ASSEMBLIES</b> _____ ITEM 3 - RAP90872 (AP24632) ITEM 4 - RAP90871 (AP24628)
<b>MECHANISM</b> <b>AP34456</b> <b>AP34457</b>	<b>UNIVERSAL LEVEL OUT - 26.0" STROKE (WITH SYNCHRONIZING CYLINDER) - AP34279 KIT</b>  <b>SEE MR41.2685 FOR DRAWING AND PARTS INFORMATION.</b> <b>CYLINDER ASSEMBLY</b> _____ ITEM 1 - RAP91702 - REPLACES AP31461 (34.0" STROKE) <b>LIFT CYLINDER ASSEMBLY</b> _____ ITEM 10 - RAP91992 - REPLACES AP34390 (2.75" LIFT) <b>SYNCHRONIZING CYLINDER</b> _____ ITEM 3 - RAP90722 - REPLACES AP21727 (10.610" STROKE) <b>LIFT SYNCHRONIZING CYLINDER</b> _____ ITEM 11 - RAP92473 - REPLACES AP34576 <b>TUBE KIT</b> _____ ITEM 2 - RAP91703 - REPLACES AP31486 <b>HOSE ASSEMBLIES</b> _____ ITEM 5 - RAP91561 (AP24648) ITEM 4 - RAP91528 (AP24654)

# ROOM EXTENSION ASSEMBLIES GUIDE PAGE "BISON TRAILERS"

**PROCEDURE:**

1. Locate the HWH identification tag on the room extension mechanism to get the correct room extension part number.
2. Find the correct room extension part number in the left column below.
3. Refer to the proper parts page for general replacement parts information and item number arrangements.
4. Two cylinder room extensions with a synchronizing cylinder have two room extension part numbers. One is for the left assembly, one is for the right assembly. If the room extension assembly originally had one number, that number is listed with the new numbers.

<b>MECHANISM</b> <b>AP38251</b> <b>AP38252</b>	<b>UNIVERSAL STRAIGHT OUT - 30.0" STROKE (WITH SYNCHRONIZING CYLINDER) - AP41740 KIT</b>  <b>SEE MR41.2685 FOR DRAWING AND PARTS INFORMATION.</b> <b>CYLINDER ASSEMBLY</b> _____ <b>ITEM 1 - RAP92076 (30.5" STROKE) - REPLACES AP38072</b> <b>SYNCHRONIZING CYLINDER</b> _____ <b>ITEM 3 - RAP92077 (10.540" STROKE) - REPLACES AP37881</b> <b>TUBE KIT</b> _____ <b>ITEM 2 - RAP92079 - REPLACES AP38267</b> <b>HOSE ASSEMBLIES</b> _____ <b>ITEM 4 - RAP90872 (AP24632) ITEM 5 - RAP91421 (AP24818)</b>
--	--

# ROOM EXTENSION ASSEMBLIES GUIDE PAGE "BLOOMER TRAILER MFG., INC."

**PROCEDURE:**

1. Locate the HWH identification tag on the room extension mechanism to get the correct room extension part number.
2. Find the correct room extension part number in the left column below.
3. Refer to the proper parts page for general replacement parts information and item number arrangements.
4. Two cylinder room extensions with a synchronizing cylinder have two room extension part numbers. One is for the left assembly, one is for the right assembly. If the room extension assembly originally had one number, that number is listed with the new numbers.

MECHANISM AP32014 AP32015	<p><b>DUAL CYLINDER X-SLIDE - 30.75" STROKE (WITH SYNCHRONIZING CYLINDER) - AP37735 KIT</b></p> <p><a href="#">SEE MR41.2670 FOR DRAWING AND PARTS INFORMATION.</a></p> <p>CYLINDER ASSEMBLY _____ ITEM 1 - RAP91352 (13.90" STROKE) - REPLACES AP27513            SYNCHRONIZING CYLINDER _____ ITEM 3 - RAP90725 (5.460" STROKE) - REPLACES AP15043            TUBE KIT _____ ITEM 2 - RAP91229 - REPLACES AP27587            HOSE ASSEMBLIES _____ ITEM 4 - RAP91574 (AP24627) ITEM 4 - RAP91573 (AP32672)</p>
MECHANISM AP38251 AP38252	<p><b>UNIVERSAL STRAIGHT OUT - 30.0" STROKE (WITH SYNCHRONIZING CYLINDER) - AP39551 KIT</b></p> <p><a href="#">SEE MR41.2685 FOR DRAWING AND PARTS INFORMATION.</a></p> <p>CYLINDER ASSEMBLY _____ ITEM 1 - RAP92076 (30.5" STROKE) - REPLACES AP38072            SYNCHRONIZING CYLINDER _____ ITEM 3 - RAP92077 (10.540" STROKE) - REPLACES AP37881            TUBE KIT _____ ITEM 2 - RAP92079 - REPLACES AP38267            HOSE ASSEMBLIES _____ ITEM 4 - RAP90872 (AP24632) ITEM 5 - RAP91421 (AP24818)</p>
MECHANISM AP38873	<p><b>SINGLE CYLINDER ROOM EXTENSION - 24.0" STROKE - AP42567 KIT</b></p> <p><a href="#">SEE MR41.1100 FOR DRAWING AND PARTS INFORMATION.</a></p> <p>CYLINDER ASSEMBLY _____ ITEM 1 - RAP91021 (27.0" STROKE) - REPLACES AP28682            HOSE ASSEMBLIES _____ ITEM 3 - RAP90872 (AP24632) ITEM 4 - RAP90871 (AP24628)</p>
MECHANISM AP38900 AP38901	<p><b>UNIVERSAL STRAIGHT OUT - 24.0" STROKE (WITH SYNCHRONIZING CYLINDER) - AP48424 KIT</b></p> <p><a href="#">SEE MR41.2685 FOR DRAWING AND PARTS INFORMATION.</a></p> <p>CYLINDER ASSEMBLY _____ ITEM 1 - RAP92076 - REPLACES AP38072 (30.5" STROKE)            SYNCHRONIZING CYLINDER _____ ITEM 3 - RAP92275 - REPLACES AP39271 (8.420" STROKE)            TUBE KIT _____ ITEM 2 - RAP92079 - REPLACES AP38267            HOSE ASSEMBLIES _____ ITEM 4 - RAP90872 (AP24632) ITEM 5 - RAP91421 (AP24818)</p>
MECHANISM AP40753 AP40754	<p><b>UNIVERSAL LEVEL OUT - 30.0" STROKE (WITH SYNCHRONIZING CYLINDER) - AP49444 KIT</b></p> <p><a href="#">SEE MR41.2690 FOR DRAWING AND PARTS INFORMATION.</a></p> <p>CYLINDER ASSEMBLY _____ ITEM 1 - RAP92076 (30.5" STROKE) - REPLACES AP38072            LIFT CYLINDER ASSEMBLY _____ ITEM 11 - RAP92261 (3.50" LIFT) - REPLACES AP40746            SYNCHRONIZING CYLINDER _____ ITEM 3 - RAP92077 (10.540" STROKE) - REPLACES AP37881            LIFT SYNCHRONIZING CYLINDER _____ ITEM 12 - RAP92503 - REPLACES AP40832            TUBE KIT _____ ITEM 2 - RAP92079 - REPLACES AP38267            HOSE ASSEMBLIES _____ ITEM 4 - RAP90872 (AP24632) ITEM 5 - RAP91421 (AP24818)</p>

# ROOM EXTENSION ASSEMBLIES

## GUIDE PAGE

### "BLUE BIRD"

**PROCEDURE:**

1. Locate the HWH identification tag on the room extension mechanism to get the correct room extension part number.
2. Find the correct room extension part number in the left column below.
3. Refer to the proper parts page for general replacement parts information and item number arrangements.
4. Two cylinder room extensions with a synchronizing cylinder have two room extension part numbers. One number is for the left assembly, one is for the right assembly. If the room extension assembly originally had one number, that number is listed with the new numbers.

<b>MECHANISM AP14863</b>	<b>DUAL CYLINDER ROOM EXTENSION - 22.0" STROKE (WITH SYNCHRONIZING CYLINDER)</b>  <b>SEE MR41.2001 FOR DRAWING AND PARTS INFORMATION.</b> CYLINDER ASSEMBLY _____ ITEM 1 - RAP90593 (22.5" STROKE) - REPLACES AP15384 SYNCHRONIZING CYLINDER _____ ITEM 3 - RAP90461 (8.860" STROKE) - REPLACES AP14862 TUBE KIT _____ ITEM 2 - RAP90480 - REPLACES AP13252
<b>MECHANISM AP14886 AP14887</b>	<b>VERTICAL ARM ROOM EXTENSION - (WITH SYNCHRONIZING CYLINDER) - AP14885 KIT</b>  <b>SEE MR41.2500 FOR DRAWING AND PARTS INFORMATION.</b> CYLINDER ASSEMBLY _____ ITEM 1 - RAP90523 (6.250" STROKE) - REPLACES AP14869 SYNCHRONIZING CYLINDER _____ ITEM 6 - RAP90524 (2.385" STROKE) - REPLACES AP14881 HOSE ASSEMBLIES _____ ITEM 4 - RAP90945 (AP18016)    ITEM 5 - RAP91752 (AP14062)
<b>MECHANISM AP15105</b>	<b>SINGLE CYLINDER ROOM EXTENSION - 17.0" STROKE (CYLINDER ONLY) - AP16138 KIT</b>  CYLINDER ASSEMBLY _____ RAP90873 (17.0" STROKE) - REPLACES AP15105
<b>MECHANISM AP16539</b>	<b>SINGLE CYLINDER ROOM EXTENSION - 16.0" STROKE - AP16538 KIT</b>  <b>SEE MR41.1101 FOR DRAWING AND PARTS INFORMATION.</b> CYLINDER ASSEMBLY _____ ITEM 1 - RAP90687 (19.0" STROKE) - REPLACES AP16637 HOSE ASSEMBLIES _____ ITEM 3 - RAP90872 (AP24632)    ITEM 4 - RAP90871 (AP24628)
<b>MECHANISM AP19000 AP19001</b>	<b>DUAL CYLINDER ROOM EXTENSION - 22.0" STROKE (WITH SYNCHRONIZING CYLINDER) - AP17158 KIT</b>  <b>SEE MR41.2004 FOR DRAWING AND PARTS INFORMATION.</b> CYLINDER ASSEMBLY _____ ITEM 1 - RAP90593 (22.5" STROKE) REPLACES - AP15384 SYNCHRONIZING CYLINDER _____ ITEM 3 - RAP90461 (8.860" STROKE) REPLACES - AP14862 TUBE KIT _____ ITEM 2 - RAP90480 - REPLACES AP13252
<b>MECHANISM AP19315 AP19316</b>	<b>DUAL CYLINDER ROOM EXTENSION - 24.0" STROKE (WITH SYNCHRONIZING CYLINDER) - AP13776 KIT</b>  <b>SEE MR41.2015 FOR DRAWING AND PARTS INFORMATION.</b> CYLINDER ASSEMBLY _____ ITEM 1 - RAP90484 (24.5" STROKE) - REPLACES AP15252 SYNCHRONIZING CYLINDER _____ ITEM 3 - RAP90472 (9.685" STROKE) - REPLACES AP13224 TUBE KIT _____ ITEM 2 - RAP90480 - REPLACES AP13252
<b>MECHANISM AP21992</b>	<b>DUAL CYLINDER ROOM EXTENSION - 19.5" STROKE (CYLINDERS ONLY) - AP21683 KIT</b>  CYLINDER ASSEMBLY _____ RAP91194 (19.5" STROKE) - REPLACES AP21992 LIMIT SWITCHES _____ RAP5829 - REPLACES AP5829 HOSE ASSEMBLIES _____ RAP90871 (AP24628)                      RAP90872 (AP24632)
<b>MECHANISM AP22046 AP22047</b>	<b>DUAL CYLINDER ROOM EXTENSION - 22.0" STROKE (WITH SYNCHRONIZING CYLINDER) - AP22045 KIT</b>  <b>SEE MR41.2001 FOR DRAWING AND PARTS INFORMATION.</b> CYLINDER ASSEMBLY _____ ITEM 1 - RAP90593 (22.5" STROKE) - REPLACES AP15384 SYNCHRONIZING CYLINDER _____ ITEM 3 - RAP90461 (8.860" STROKE) - REPLACES AP14862 TUBE KIT _____ ITEM 2 - RAP90480 - REPLACES AP13252

# ROOM EXTENSION ASSEMBLIES GUIDE PAGE "BLUE BIRD COACHWORKS"

**PROCEDURE:**

1. Locate the HWH identification tag on the room extension mechanism to get the correct room extension part number.
2. Find the correct room extension part number in the left column below.
3. Refer to the proper parts page for general replacement parts information and item number arrangements.
4. Two cylinder room extensions with a synchronizing cylinder have two room extension part numbers. One is for the left assembly, one is for the right assembly. If the room extension assembly originally had one number, that number is listed with the new numbers.

<b>MECHANISM</b> <b>AP38251</b> <b>AP38252</b>	<b>UNIVERSAL STRAIGHT OUT - 30.0" STROKE (WITH SYNCHRONIZING CYLINDER) - AP41500 KIT</b>  <b>SEE MR41.2685 FOR DRAWING AND PARTS INFORMATION.</b> <b>CYLINDER ASSEMBLY</b> _____ ITEM 1 - RAP92076 (30.5" STROKE) - REPLACES AP38072 <b>SYNCHRONIZING CYLINDER</b> _____ ITEM 3 - RAP92077 (10.540" STROKE) - REPLACES AP37881 <b>TUBE KIT</b> _____ ITEM 2 - RAP92079 - REPLACES AP38267 <b>HOSE ASSEMBLIES</b> _____ ITEM 4 - RAP90872 (AP24632) ITEM 5 - RAP91421 (AP24818)
<b>MECHANISM</b> <b>AP40006</b> <b>AP40007</b>	<b>UNIVERSAL STRAIGHT OUT - 20.0" STROKE (WITH SYNCHRONIZING CYLINDER) - AP41699 KIT</b>  <b>SEE MR41.2685 FOR DRAWING AND PARTS INFORMATION.</b> <b>CYLINDER ASSEMBLY</b> _____ ITEM 1 - RAP92076 (30.5" STROKE) - REPLACES AP38072 <b>SYNCHRONIZING CYLINDER</b> _____ ITEM 3 - RAP92099 (7.010" STROKE) - REPLACES AP39221 <b>TUBE KIT</b> _____ ITEM 2 - RAP92079 - REPLACES AP38267 <b>HOSE ASSEMBLIES</b> _____ ITEM 4 - RAP90872 (AP24632) ITEM 5 - RAP91421 (AP24818)
<b>MECHANISM</b> <b>AP40822</b> <b>AP40823</b>	<b>UNIVERSAL STRAIGHT OUT - 20.0" STROKE (WITH SYNCHRONIZING CYLINDER) - AP41725 KIT</b>  <b>SEE MR41.2685 FOR DRAWING AND PARTS INFORMATION.</b> <b>CYLINDER ASSEMBLY</b> _____ ITEM 1 - RAP92075 (20.5" STROKE) - REPLACES AP39251 <b>SYNCHRONIZING CYLINDER</b> _____ ITEM 3 - RAP92099 (7.010" STROKE) - REPLACES AP39221 <b>TUBE KIT</b> _____ ITEM 2 - RAP92092 - REPLACES AP39321 <b>HOSE ASSEMBLIES</b> _____ ITEM 4 - RAP91566 (AP24631) ITEM 5 - RAP91568 (AP24637)

---

# ROOM EXTENSION ASSEMBLIES GUIDE PAGE "BLUE RIBBON MOTOR COACH"

---

**PROCEDURE:**

1. Locate the HWH identification tag on the room extension mechanism to get the correct room extension part number.
2. Find the correct room extension part number in the left column below.
3. Refer to the proper parts page for general replacement parts information and item number arrangements.
4. Two cylinder room extensions with a synchronizing cylinder have two room extension part numbers. One number is for the left assembly, one is for the right assembly. If the room extension assembly originally had one number, that number is listed with the new numbers.

---

<b>MECHANISM</b> <b>AP20991</b> <b>AP20992</b>	<b>DUAL CYLINDER ROOM EXTENSION - 24.0" STROKE (WITH SYNCHRONIZING CYLINDER) - AP20990 KIT</b>  <b>SEE MR41.2003 FOR DRAWING AND PARTS INFORMATION.</b> <b>CYLINDER ASSEMBLY</b> _____ ITEM 1 - RAP90484 (24.50" STROKE) - REPLACES AP15252 <b>SYNCHRONIZING CYLINDER</b> _____ ITEM 3 - RAP90472 (9.685" STROKE) - REPLACES AP13224 <b>TUBE KIT</b> _____ ITEM 2 - RAP90480 - REPLACES AP13252
--	--

---

---

# ROOM EXTENSION ASSEMBLIES GUIDE PAGE "BLUE RIBBON TRAILERS"

---

**PROCEDURE:**

1. Locate the HWH identification tag on the room extension mechanism to get the correct room extension part number.
2. Find the correct room extension part number in the left column below.
3. Refer to the proper parts page for general replacement parts information and item number arrangements.
4. Two cylinder room extensions with a synchronizing cylinder have two room extension part numbers. One is for the left assembly, one is for the right assembly. If the room extension assembly originally had one number, that number is listed with the new numbers.

<b>MECHANISM AP30763</b>	<b>DUAL CYLINDER KIT - 30.0" STROKE (WITH SYNCHRONIZING CYLINDER) - AP48178 KIT</b>
	<b>CYLINDER ASSEMBLY</b> _____ RAP91666 - REPLACES AP30763 (30.0" STROKE)
	<b>SYNCHRONIZING CYLINDER</b> _____ RAP92077 - REPLACES AP37881 (10.540" STROKE)

# ROOM EXTENSION ASSEMBLIES GUIDE PAGE "BONAVENTURE CO., INC."

**PROCEDURE:**

1. Locate the HWH identification tag on the room extension mechanism to get the correct room extension part number.
2. Find the correct room extension part number in the left column below.
3. Refer to the proper parts page for general replacement parts information and item number arrangements.
4. Two cylinder room extensions with a synchronizing cylinder have two room extension part numbers. One is for the left assembly, one is for the right assembly. If the room extension assembly originally had one number, that number is listed with the new numbers.

<b>MECHANISM AP38251 AP38252</b>	<b>UNIVERSAL STRAIGHT OUT - 30.0" STROKE (WITH SYNCHRONIZING CYLINDER) - AP40761 KIT</b>  <b>SEE MR41.2685 FOR DRAWING AND PARTS INFORMATION.</b> <b>CYLINDER ASSEMBLY</b> _____ ITEM 1 - RAP92076 (30.5" STROKE) - REPLACES AP38072 <b>SYNCHRONIZING CYLINDER</b> _____ ITEM 3 - RAP92077 (10.540" STROKE) - REPLACES AP37881 <b>TUBE KIT</b> _____ ITEM 2 - RAP92079 - REPLACES AP38267 <b>HOSE ASSEMBLIES</b> _____ ITEM 4 - RAP90872 (AP24632) ITEM 5 - RAP91421 (AP24818)
<b>MECHANISM AP38944 AP38945</b>	<b>UNIVERSAL LEVEL OUT - 30.0" STROKE (WITH SYNCHRONIZING CYLINDER) - AP40760 KIT</b>  <b>SEE MR41.2690 FOR DRAWING AND PARTS INFORMATION.</b> <b>CYLINDER ASSEMBLY</b> _____ ITEM 1 - RAP92076 (30.5" STROKE) - REPLACES AP38072 <b>LIFT CYLINDER ASSEMBLY</b> _____ ITEM 11 - RAP92260 (2.75" LIFT) - REPLACES AP38604 <b>SYNCHRONIZING CYLINDER</b> _____ ITEM 3 - RAP92077 (10.540" STROKE) - REPLACES AP37881 <b>LIFT SYNCHRONIZING CYLINDER</b> _____ ITEM 12 - RAP92316 - REPLACES AP38264 <b>TUBE KIT</b> _____ ITEM 2 - RAP92079 - REPLACES AP38267 <b>HOSE ASSEMBLIES</b> _____ ITEM 4 - RAP90872 (AP24632) ITEM 5 - RAP91421 (AP24818)



# ROOM EXTENSION ASSEMBLIES GUIDE PAGE "BROWN CARGO VAN"

**PROCEDURE:**

1. Locate the HWH identification tag on the room extension mechanism to get the correct room extension part number.
2. Find the correct room extension part number in the left column below.
3. Refer to the proper parts page for general replacement parts information and item number arrangements.
4. Two cylinder room extensions with a synchronizing cylinder have two room extension part numbers. One is for the left assembly, one is for the right assembly. If the room extension assembly originally had one number, that number is listed with the new numbers.

<b>MECHANISM</b> <b>AP38944</b> <b>AP38945</b>	<b>UNIVERSAL LEVEL OUT - 30.0" STROKE (WITH SYNCHRONIZING CYLINDER) - AP38590 KIT</b>  <b>SEE MR41.2690 FOR DRAWING AND PARTS INFORMATION.</b> <b>CYLINDER ASSEMBLY</b> _____ ITEM 1 - RAP92076 (30.5" STROKE) - REPLACES AP38072 <b>LIFT CYLINDER ASSEMBLY</b> _____ ITEM 11 - RAP92260 (2.75" LIFT) - REPLACES AP38604 <b>SYNCHRONIZING CYLINDER</b> _____ ITEM 3 - RAP92077 (10.540" STROKE) - REPLACES AP37881 <b>LIFT SYNCHRONIZING CYLINDER</b> _____ ITEM 12 - RAP92316 - REPLACES AP38264 <b>TUBE KIT</b> _____ ITEM 2 - RAP92079 - REPLACES AP38267 <b>HOSE ASSEMBLIES</b> _____ ITEM 4 - RAP90872 (AP24632) ITEM 5 - RAP91421 (AP24818)
--	---

# ROOM EXTENSION ASSEMBLIES GUIDE PAGE "C-3 CONVERSIONS"

**PROCEDURE:**

1. Locate the HWH identification tag on the room extension mechanism to get the correct room extension part number.
2. Find the correct room extension part number in the left column below.
3. Refer to the proper parts page for general replacement parts information and item number arrangements.
4. Two cylinder room extensions with a synchronizing cylinder have two room extension part numbers. One is for the left assembly, one is for the right assembly. If the room extension assembly originally had one number, that number is listed with the new numbers.

<b>MECHANISM</b> <b>AP45900</b> <b>AP45901</b>	<b>UNIVERSAL STRAIGHT OUT - 30.0" STROKE (WITH SYNCHRONIZING CYLINDER) - AP51631 KIT</b>
	<b>SEE MR41.2685 FOR DRAWING AND PARTS INFORMATION.</b>
	<b>CYLINDER ASSEMBLY</b> _____ <b>ITEM 1 - RAP92076 (30.5" STROKE) - REPLACES AP38072</b>
	<b>SYNCHRONIZING CYLINDER</b> _____ <b>ITEM 3 - RAP92077 (10.540" STROKE) - REPLACES AP37881</b>
	<b>TUBE KIT</b> _____ <b>ITEM 2 - RAP92079 - REPLACES AP38267</b>
	<b>HOSE ASSEMBLIES</b> _____ <b>ITEM 4 - RAP90872 (AP24632) ITEM 5 - RAP91421 (AP24818)</b>

# ROOM EXTENSION ASSEMBLIES GUIDE PAGE "C & C TRAILERS"

**PROCEDURE:**

1. Locate the HWH identification tag on the room extension mechanism to get the correct room extension part number.
2. Find the correct room extension part number in the left column below.
3. Refer to the proper parts page for general replacement parts information and item number arrangements.
4. Two cylinder room extensions with a synchronizing cylinder have two room extension part numbers. One is for the left assembly, one is for the right assembly. If the room extension assembly originally had one number, that number is listed with the new numbers.

<b>MECHANISM</b> <b>AP32014</b> <b>AP32015</b>	<p><b>DUAL CYLINDER X-SLIDE - 30.75" STROKE (WITH SYNCHRONIZING CYLINDER) - AP32589 KIT</b></p> <p><a href="#">SEE MR41.2670 FOR DRAWING AND PARTS INFORMATION.</a></p> <p><b>CYLINDER ASSEMBLY</b> _____ ITEM 1 - RAP91352 (13.90" STROKE) - REPLACES AP27513</p> <p><b>SYNCHRONIZING CYLINDER</b> _____ ITEM 3 - RAP90725 (5.460" STROKE) - REPLACES AP15043</p> <p><b>TUBE KIT</b> _____ ITEM 2 - RAP91229 - REPLACES AP27587</p> <p><b>HOSE ASSEMBLIES</b> _____ ITEM 4 - RAP91574 (AP24627) ITEM 4 - RAP91573 (AP32672)</p>
<b>MECHANISM</b> <b>AP38251</b> <b>AP38252</b>	<p><b>UNIVERSAL STRAIGHT OUT - 30.0" STROKE (WITH SYNCHRONIZING CYLINDER) - AP41757 KIT</b></p> <p><a href="#">SEE MR41.2685 FOR DRAWING AND PARTS INFORMATION.</a></p> <p><b>CYLINDER ASSEMBLY</b> _____ ITEM 1 - RAP92076 (30.5" STROKE) - REPLACES AP38072</p> <p><b>SYNCHRONIZING CYLINDER</b> _____ ITEM 3 - RAP92077 (10.540" STROKE) - REPLACES AP37881</p> <p><b>TUBE KIT</b> _____ ITEM 2 - RAP92079 - REPLACES AP38267</p> <p><b>HOSE ASSEMBLIES</b> _____ ITEM 4 - RAP90872 (AP24632) ITEM 5 - RAP91421 (AP24818)</p>

---

**ROOM EXTENSION ASSEMBLIES  
GUIDE PAGE  
"C&D SALES & SERVICE, INC."**

---

**PROCEDURE:**

1. Locate the HWH identification tag on the room extension mechanism to get the correct room extension part number.
2. Find the correct room extension part number in the left column below.
3. Refer to the proper parts page for general replacement parts information and item number arrangements.
4. Two cylinder room extensions with a synchronizing cylinder have two room extension part numbers. One is for the left assembly, one is for the right assembly. If the room extension assembly originally had one number, that number is listed with the new numbers.

<b>MECHANISM AP14511</b>	<b>FOUR CYLINDER LIFT - 48.0" STROKE (WITH SYNCHRONIZING CYLINDER) - AP14503 KIT</b>
	<b>CYLINDER ASSEMBLY</b> _____ AP14511 (48.0" STROKE) - CONTACT HWH CORPORATION <b>SYNCHRONIZING CYLINDER</b> _____ RAP90728 (7.690" STROKE) - REPLACES AP14233 <b>SEE MR41.8005 FOR ADDITIONAL SYNC CYL REPLACEMENT PARTS</b>
<b>MECHANISM AP14803</b>	<b>ONE CYLINDER LIFT - 24.0" STROKE - AP14504 KIT</b>
	<b>CYLINDER ASSEMBLY</b> _____ AP14803 (24.0" STROKE) - CONTACT HWH CORPORATION

# ROOM EXTENSION ASSEMBLIES GUIDE PAGE "CALU TECH MOBILE SOLUTIONS"

**PROCEDURE:**

1. Locate the HWH identification tag on the room extension mechanism to get the correct room extension part number.
2. Find the correct room extension part number in the left column below.
3. Refer to the proper parts page for general replacement parts information and item number arrangements.
4. Two cylinder room extensions with a synchronizing cylinder have two room extension part numbers. One is for the left assembly, one is for the right assembly. If the room extension assembly originally had one number, that number is listed with the new numbers.

<b>MECHANISM</b> <b>AP38251</b> <b>AP38252</b>	<b>UNIVERSAL STRAIGHT OUT - 30.0" STROKE (WITH SYNCHRONIZING CYLINDER) - AP46170 KIT</b>  <b>SEE MR41.2685 FOR DRAWING AND PARTS INFORMATION.</b> <b>CYLINDER ASSEMBLY</b> _____ <b>ITEM 1 - RAP92076 (30.5" STROKE) - REPLACES AP38072</b> <b>SYNCHRONIZING CYLINDER</b> _____ <b>ITEM 3 - RAP92077 (10.540" STROKE) - REPLACES AP37881</b> <b>TUBE KIT</b> _____ <b>ITEM 2 - RAP92079 - REPLACES AP38267</b> <b>HOSE ASSEMBLIES</b> _____ <b>ITEM 4 - RAP90872 (AP24632) ITEM 5 - RAP91421 (AP24818)</b>
--	--

# ROOM EXTENSION ASSEMBLIES GUIDE PAGE "CAMI"

**PROCEDURE:**

1. Locate the HWH identification tag on the room extension mechanism to get the correct room extension part number.
2. Find the correct room extension part number in the left column below.
3. Refer to the proper parts page for general replacement parts information and item number arrangements.
4. Two cylinder room extensions with a synchronizing cylinder have two room extension part numbers. One number is for the left assembly, one is for the right assembly. If the room extension assembly originally had one number, that number is listed with the new numbers.

<b>MECHANISM AP29598 AP29599</b>	<p><b>LATERAL ARM ROOM EXTENSION - 20.0" STROKE (WITH SYNCHRONIZING CYLINDER) - AP29597 KIT</b></p> <p><a href="#">SEE MR41.2825 FOR DRAWING AND PARTS INFORMATION.</a></p> <p><b>CYLINDER ASSEMBLY</b> _____ ITEM 1 - RAP91351 (6.775" STROKE) - REPLACES AP27997</p> <p><b>SYNCHRONIZING CYLINDER</b> _____ ITEM 3 - RAP90524 (2.385" STROKE) - REPLACES AP14881</p> <p><b>TUBE KIT</b> _____ ITEM 2 - RAP91774 - REPLACES AP28035</p> <p><b>HOSE ASSEMBLIES</b> _____ ITEM 4 - RAP91574 (AP24627)    ITEM 5 - RAP91574 (AP24627)</p>
<b>MECHANISM AP29601</b>	<p><b>SINGLE CYLINDER ROOM EXTENSION - 30.0" STROKE - AP29600 KIT</b></p> <p><a href="#">SEE MR41.1100 FOR DRAWING AND PARTS INFORMATION.</a></p> <p><b>CYLINDER ASSEMBLY</b> _____ ITEM 1 - RAP91805 (31.00" STROKE) - REPLACES AP28687</p> <p><b>HOSE ASSEMBLIES</b> _____ ITEM 3 - RAP90872 (AP24632)    ITEM 4 - RAP90871 (AP24628)</p>



# ROOM EXTENSION ASSEMBLIES GUIDE PAGE "CARRIAGE INC."

**PROCEDURE:**

1. Locate the HWH identification tag on the room extension mechanism to get the correct room extension part number.
2. Find the correct room extension part number in the left column below.
3. Refer to the proper parts page for general replacement parts information and item number arrangements.
4. Two cylinder room extensions with a synchronizing cylinder have two room extension part numbers. One number is for the left assembly, one is for the right assembly. If the room extension assembly originally had one number, that number is listed with the new numbers.

<b>MECHANISM AP10738</b>	<p><b>SINGLE CYLINDER ROOM EXTENSION - 31.0" STROKE - AP10790 KIT</b></p> <p><b>SEE MR41.1000 FOR DRAWING AND PARTS INFORMATION.</b></p> <p><b>CYLINDER ASSEMBLY</b> _____ ITEM 1 - RAP90103 (31.0" STROKE) - REPLACES AP10740</p> <p><b>TUBE KIT</b> _____ ITEM 2 - RAP90029 - REPLACES AP2369</p>
<b>MECHANISM AP10763</b>	<p><b>DUAL CYLINDER ROOM EXTENSION - 37.0" STROKE - 4" TUBES (WITH RACK SENSING VALVE)</b></p> <p><b>SEE MR41.1534 FOR DRAWING AND PARTS INFORMATION.</b></p> <p><b>CYLINDER ASSEMBLY</b> _____ ITEM 1 - RAP90069 (37.0" STROKE) - REPLACES AP2340</p> <p><b>HOSE ASSEMBLIES</b> _____ ITEM 7 - RAP4159 (AP4159)    ITEM 9 - RAP90078 (AP4065)</p> <p>_____ ITEM 8 - RAP90110 (AP2522)    ITEM 10 - RAP4061 (AP4061)</p>
<b>MECHANISM AP10773</b>	<p><b>SINGLE CYLINDER ROOM EXTENSION - 25.0" STROKE - AP10791 KIT</b></p> <p><b>SEE MR41.1000 FOR DRAWING AND PARTS INFORMATION.</b></p> <p><b>CYLINDER ASSEMBLY</b> _____ ITEM 1 - RAP90031 (25.0" STROKE) - REPLACES AP1911</p> <p><b>TUBE KIT</b> _____ ITEM 2 - RAP90029 - REPLACES AP2369</p>



# ROOM EXTENSION ASSEMBLIES GUIDE PAGE "CDM CONVERSIONS"

**PROCEDURE:**

1. Locate the HWH identification tag on the room extension mechanism to get the correct room extension part number.
2. Find the correct room extension part number in the left column below.
3. Refer to the proper parts page for general replacement parts information and item number arrangements.
4. Two cylinder room extensions with a synchronizing cylinder have two room extension part numbers. One number is for the left assembly, one is for the right assembly. If the room extension assembly originally had one number, that number is listed with the new numbers.

<b>MECHANISM AP24702 AP24703</b>	<b>DUAL CYLINDER ROOM EXTENSION - 38.0" STROKE (WITH SYNCHRONIZING CYLINDER) - AP24701 KIT</b>  <a href="#">SEE MR41.2005 FOR DRAWING AND PARTS INFORMATION.</a> <b>CYLINDER ASSEMBLY</b> _____ ITEM 1 - RAP91196 (38.5" STROKE) - REPLACES AP22092 <b>SYNCHRONIZING CYLINDER</b> _____ ITEM 3 - RAP90639 (15.455" STROKE) - REPLACES AP17498 <b>TUBE KIT</b> _____ ITEM 2 - RAP90480 - REPLACES AP13252
<b>MECHANISM AP24705</b>	<b>SINGLE CYLINDER ROOM EXTENSION - 30.0" STROKE - AP24704 KIT</b>  <a href="#">SEE MR41.1100 FOR DRAWING AND PARTS INFORMATION.</a> <b>CYLINDER ASSEMBLY</b> _____ ITEM 1 - RAP90949 (31.0" STROKE) - REPLACES AP28727 <b>HOSE ASSEMBLIES</b> _____ ITEM 3 - RAP90872 (AP24632)    ITEM 4 - RAP90871 (AP24628)
<b>MECHANISM AP24707</b>	<b>SINGLE CYLINDER ROOM EXTENSION - 38.0" STROKE - AP24706 KIT</b>  <a href="#">SEE MR41.2011 FOR DRAWING AND PARTS INFORMATION.</a> <b>CYLINDER ASSEMBLY</b> _____ ITEM 1 - RAP91196 (38.5" STROKE) - REPLACES AP22092 <b>TUBE KIT</b> _____ ITEM 2 - RAP90480 - REPLACES AP13252



# ROOM EXTENSION ASSEMBLIES GUIDE PAGE "CHAMPION TRAILERS"

**PROCEDURE:**

1. Locate the HWH identification tag on the room extension mechanism to get the correct room extension part number.
2. Find the correct room extension part number in the left column below.
3. Refer to the proper parts page for general replacement parts information and item number arrangements.
4. Two cylinder room extensions with a synchronizing cylinder have two room extension part numbers. One number is for the left assembly, one is for the right assembly. If the room extension assembly originally had one number, that number is listed with the new numbers.

<b>MECHANISM</b> <b>AP20904</b> <b>AP20905</b>	<b>DUAL CYLINDER ROOM EXTENSION - 30.0" STROKE (WITH SYNCHRONIZING CYLINDER) - AP20903 KIT</b>  <a href="#">SEE MR41.2000 FOR DRAWING AND PARTS INFORMATION.</a> <b>CYLINDER ASSEMBLY</b> _____ ITEM 1 - RAP90487 (30.5" STROKE) - REPLACES AP15184 <b>SYNCHRONIZING CYLINDER</b> _____ ITEM 3 - RAP90473 (12.155" STROKE) - REPLACES AP13192 <b>TUBE KIT</b> _____ ITEM 2 - RAP90480 - REPLACES AP13252
<b>MECHANISM</b> <b>AP22329</b> <b>AP22330</b>	<b>DUAL CYLINDER ROOM EXTENSION - 28.0" STROKE (WITH SYNCHRONIZING CYLINDER) - AP22328 KIT</b>  <a href="#">SEE MR41.2000 FOR DRAWING AND PARTS INFORMATION.</a> <b>CYLINDER ASSEMBLY</b> _____ ITEM 1 - RAP90478 (28.5" STROKE) - REPLACES AP15322 <b>SYNCHRONIZING CYLINDER</b> _____ ITEM 3 - RAP90455 (11.335" STROKE) - REPLACES AP15320 <b>TUBE KIT</b> _____ ITEM 2 - RAP90480 - REPLACES AP13252

---

# ROOM EXTENSION ASSEMBLIES GUIDE PAGE "CHANDLER BUS CONVERSIONS"

---

**PROCEDURE:**

1. Locate the HWH identification tag on the room extension mechanism to get the correct room extension part number.
2. Find the correct room extension part number in the left column below.
3. Refer to the proper parts page for general replacement parts information and item number arrangements.
4. Two cylinder room extensions with a synchronizing cylinder have two room extension part numbers. One number is for the left assembly, one is for the right assembly. If the room extension assembly originally had one number, that number is listed with the new numbers.

---

<b>MECHANISM</b> <b>AP23149</b> <b>AP23150</b>	<b>DUAL CYLINDER ROOM EXTENSION - 32.0" STROKE (WITH SYNCHRONIZING CYLINDER) - AP23148 KIT</b>  <b>SEE MR41.2000 FOR DRAWING AND PARTS INFORMATION.</b> <b>CYLINDER ASSEMBLY</b> _____ ITEM 1 - RAP90501 (32.5" STROKE) REPLACES - AP15203 <b>SYNCHRONIZING CYLINDER</b> _____ ITEM 3 - RAP90466 (12.980" STROKE) REPLACES - AP14301 <b>TUBE KIT</b> _____ ITEM 2 - RAP90480 - REPLACES AP13252
--	--

---



# ROOM EXTENSION ASSEMBLIES GUIDE PAGE "CHEROKEE TRAILER"

**PROCEDURE:**

1. Locate the HWH identification tag on the room extension mechanism to get the correct room extension part number.
2. Find the correct room extension part number in the left column below.
3. Refer to the proper parts page for general replacement parts information and item number arrangements.
4. Two cylinder room extensions with a synchronizing cylinder have two room extension part numbers. One is for the left assembly, one is for the right assembly. If the room extension assembly originally had one number, that number is listed with the new numbers.

<b>MECHANISM AP32014 AP32015</b>	<b>DUAL CYLINDER X-SLIDE - 30.75" STROKE (WITH SYNCHRONIZING CYLINDER) - AP33709 KIT</b>  <a href="#">SEE MR41.2670 FOR DRAWING AND PARTS INFORMATION.</a> <b>CYLINDER ASSEMBLY</b> _____ ITEM 1 - RAP91352 (13.90" STROKE) - REPLACES AP27513 <b>SYNCHRONIZING CYLINDER</b> _____ ITEM 3 - RAP90725 (5.460" STROKE) - REPLACES AP15043 <b>TUBE KIT</b> _____ ITEM 2 - RAP91229 - REPLACES AP27587 <b>HOSE ASSEMBLIES</b> _____ ITEM 4 - RAP91574 (AP24627) ITEM 4 - RAP91573 (AP32672)
<b>MECHANISM AP38251 AP38252</b>	<b>UNIVERSAL STRAIGHT OUT - 30.0" STROKE (WITH SYNC. CYLINDER) - AP38426, AP41139 AND AP49135 KITS</b>  <a href="#">SEE MR41.2685 FOR DRAWING AND PARTS INFORMATION.</a> <b>CYLINDER ASSEMBLY</b> _____ ITEM 1 - RAP92076 (30.5" STROKE) - REPLACES AP38072 <b>SYNCHRONIZING CYLINDER</b> _____ ITEM 3 - RAP92077 (10.540" STROKE) - REPLACES AP37881 <b>TUBE KIT</b> _____ ITEM 2 - RAP92079 - REPLACES AP38267 <b>HOSE ASSEMBLIES</b> _____ ITEM 4 - RAP90872 (AP24632) ITEM 5 - RAP91421 (AP24818)

# ROOM EXTENSION ASSEMBLIES GUIDE PAGE "CIMARRON TRAILER" (PAGE 1 OF 2)

**PROCEDURE:**

1. Locate the HWH identification tag on the room extension mechanism to get the correct room extension part number.
2. Find the correct room extension part number in the left column below.
3. Refer to the proper parts page for general replacement parts information and item number arrangements.
4. Two cylinder room extensions with a synchronizing cylinder have two room extension part numbers. One number is for the left assembly, one is for the right assembly. If the room extension assembly originally had one number, that number is listed with the new numbers.

MECHANISM AP22227 AP22228	<p><b>DUAL CYLINDER ROOM EXTENSION - 36.0" STROKE (WITH SYNCHRONIZING CYLINDER) - AP22226 KIT</b></p> <p><a href="#">SEE MR41.2005 FOR DRAWING AND PARTS INFORMATION.</a></p> <p>CYLINDER ASSEMBLY _____ ITEM 1 - RAP90518 (36.5" STROKE) REPLACES - AP15251            SYNCHRONIZING CYLINDER _____ ITEM 3 - RAP90474 (14.630" STROKE) - REPLACES AP12484            TUBE KIT _____ ITEM 2 - RAP90480 - REPLACES AP13252</p>
MECHANISM AP30756 AP30757	<p><b>DUAL CYL. X-SLIDE ROOM EXTENSION - 25.0" STROKE (WITH SYNCHRONIZING CYLINDER) - AP36875 KIT</b></p> <p><a href="#">SEE MR41.2670 FOR DRAWING AND PARTS INFORMATION.</a></p> <p>CYLINDER ASSEMBLY _____ ITEM 1 - RAP91350 (11.400" STROKE) - REPLACES AP27865            SYNCHRONIZING CYLINDER _____ ITEM 3 - RAP91701 (4.300" STROKE) - REPLACES AP30260            TUBE KIT _____ ITEM 2 - RAP91229 - REPLACES AP27587            HOSE ASSEMBLIES _____ ITEM 4 - RAP91574 (AP24627) ITEM 5 - RAP91573 (AP32672)</p>
MECHANISM AP32014 AP32015	<p><b>DUAL CYL. X-SLIDE ROOM EXTENSION - 30.75" STROKE (WITH SYNCHRONIZING CYLINDER) - AP34801 KIT</b></p> <p><a href="#">SEE MR41.2670 FOR DRAWING AND PARTS INFORMATION.</a></p> <p>CYLINDER ASSEMBLY _____ ITEM 1 - RAP91352 (13.900" STROKE) - REPLACES AP27513            SYNCHRONIZING CYLINDER _____ ITEM 3 - RAP90725 (5.460" STROKE) - REPLACES AP15043            TUBE KIT _____ ITEM 2 - RAP91229 - REPLACES AP27587            HOSE ASSEMBLIES _____ ITEM 4 - RAP91574 (AP24627) ITEM 5 - RAP91573 (AP32672)</p>
MECHANISM AP38251 AP38252	<p><b>UNIVERSAL STRAIGHT OUT - 30.0" STROKE (WITH SYNCHRONIZING CYLINDER) - AP39514 KIT</b></p> <p><a href="#">SEE MR41.2685 FOR DRAWING AND PARTS INFORMATION.</a></p> <p>CYLINDER ASSEMBLY _____ ITEM 1 - RAP92076 - REPLACES AP38072 (30.5" STROKE)            SYNCHRONIZING CYLINDER _____ ITEM 3 - RAP92077 - REPLACES AP37881 (10.540" STROKE)            TUBE KIT _____ ITEM 2 - RAP92079 - REPLACES AP38267            HOSE ASSEMBLIES _____ ITEM 4 - RAP90872 (AP24632) ITEM 5 - RAP91421 (AP24818)</p>
MECHANISM AP38873	<p><b>SINGLE CYLINDER ROOM EXTENSION - 24.0" STROKE - AP46222 KIT</b></p> <p><a href="#">SEE MR41.1100 FOR DRAWING AND PARTS INFORMATION.</a></p> <p>CYLINDER ASSEMBLY _____ ITEM 1 - RAP91021 (27.0" STROKE) - REPLACES AP28682            HOSE ASSEMBLIES _____ ITEM 3 - RAP90872 (AP24632) ITEM 4 - RAP90871 (AP24628)</p>
MECHANISM AP38900 AP38901	<p><b>UNIVERSAL STRAIGHT OUT - 24.0" STROKE (WITH SYNCHRONIZING CYLINDER) - AP40627 KIT</b></p> <p><a href="#">SEE MR41.2685 FOR DRAWING AND PARTS INFORMATION.</a></p> <p>CYLINDER ASSEMBLY _____ ITEM 1 - RAP92076 - REPLACES AP38072 (30.5" STROKE)            SYNCHRONIZING CYLINDER _____ ITEM 3 - RAP92275 - REPLACES AP39271 (8.420" STROKE)            TUBE KIT _____ ITEM 2 - RAP92079 - REPLACES AP38267            HOSE ASSEMBLIES _____ ITEM 4 - RAP90872 (AP24632) ITEM 5 - RAP91421 (AP24818)</p>
MECHANISM AP39645 AP39646	<p><b>UNIVERSAL STRAIGHT OUT - 26.0" STROKE (WITH SYNCHRONIZING CYLINDER) - AP39513 KIT</b></p> <p><a href="#">SEE MR41.2685 FOR DRAWING AND PARTS INFORMATION.</a></p> <p>CYLINDER ASSEMBLY _____ ITEM 1 - RAP92076 - REPLACES AP38072 (30.5" STROKE)            SYNCHRONIZING CYLINDER _____ ITEM 3 - RAP92469 - REPLACES AP39275 (9.130" STROKE)            TUBE KIT _____ ITEM 2 - RAP92079 - REPLACES AP38267            HOSE ASSEMBLIES _____ ITEM 4 - RAP90872 (AP24632) ITEM 5 - RAP91421 (AP24818)</p>

**ROOM EXTENSION ASSEMBLIES  
GUIDE PAGE  
"CIMARRON TRAILER" (PAGE 2 OF 2)**

PROCEDURE: SEE "CIMARRON TRAILER" (PAGE 1 OF 2)

MECHANISM AP40822 AP40823	<p><b>UNIVERSAL STRAIGHT OUT - 20.0" STROKE (WITH SYNCHRONIZING CYLINDER) - AP48960 KIT</b></p> <p><a href="#">SEE MR41.2685 FOR DRAWING AND PARTS INFORMATION.</a></p> <p>CYLINDER ASSEMBLY _____ ITEM 1 - RAP92075 (20.5" STROKE) - REPLACES AP39251          SYNCHRONIZING CYLINDER _____ ITEM 3 - RAP92099 (7.010" STROKE) - REPLACES AP39221          TUBE KIT _____ ITEM 2 - RAP92092 - REPLACES AP39321          HOSE ASSEMBLIES _____ ITEM 4 - RAP91566 (AP24631) ITEM 5 - RAP91568 (AP24637)</p>
MECHANISM AP43166 AP43167	<p><b>UNIVERSAL STRAIGHT OUT / LEVEL OUT - 30.0" STROKE (WITH SYNC. CYLINDER) - AP51541 KIT</b></p> <p><a href="#">SEE MR41.2685 FOR DRAWING AND PARTS INFORMATION.</a></p> <p>CYLINDER ASSEMBLY _____ ITEM 1 - RAP92076 (30.5" STROKE) - REPLACES AP38072          SYNCHRONIZING CYLINDER _____ ITEM 3 - RAP93303 (10.540" STROKE) - REPLACES AP46064          TUBE KIT _____ ITEM 2 - RAP92079 - REPLACES AP38267          HOSE ASSEMBLIES _____ ITEM 4 - RAP90872 (AP24632) ITEM 5 - RAP91421 (AP24818)</p>



# ROOM EXTENSION ASSEMBLIES GUIDE PAGE "CLEGG INDUSTRIES"

**PROCEDURE:**

1. Locate the HWH identification tag on the room extension mechanism to get the correct room extension part number.
2. Find the correct room extension part number in the left column below.
3. Refer to the proper parts page for general replacement parts information and item number arrangements.
4. Two cylinder room extensions with a synchronizing cylinder have two room extension part numbers. One is for the left assembly, one is for the right assembly. If the room extension assembly originally had one number, that number is listed with the new numbers.

<b>MECHANISM</b> <b>AP19964</b> <b>AP19965</b>	<b>DUAL CYLINDER ROOM EXTENSION - 60.0" STROKE (WITH SYNCHRONIZING CYLINDER) - AP19963 KIT</b>  <a href="#">SEE MR41.2000 FOR DRAWING AND PARTS INFORMATION.</a> <b>CYLINDER ASSEMBLY</b> _____ ITEM 1 - RAP91191 (61.0" STROKE) - REPLACES AP20585 <b>SYNCHRONIZING CYLINDER</b> _____ ITEM 3 - RAP91233 (23.10" STROKE) - REPLACES AP19966 <b>TUBE KIT</b> _____ ITEM 2 - RAP91221 - REPLACES AP17321
<b>MECHANISM</b> <b>AP19281</b> <b>AP19282</b>	<b>DUAL CYLINDER ROOM EXTENSION - 70.0" STROKE (WITH SYNCHRONIZING CYLINDER) - AP39582 KIT</b>  <a href="#">SEE MR41.2000 FOR DRAWING AND PARTS INFORMATION.</a> <b>CYLINDER ASSEMBLY</b> _____ ITEM 1 - RAP91189 (71.0" STROKE) - REPLACES AP17270 <b>SYNCHRONIZING CYLINDER</b> _____ ITEM 3 - RAP91809 (26.860" STROKE) - REPLACES AP17246 <b>TUBE KIT</b> _____ ITEM 2 - RAP91221 - REPLACES AP17321
<b>MECHANISM</b> <b>AP45900</b> <b>AP45901</b>	<b>UNIVERSAL STRAIGHT OUT - 30.0" STROKE (WITH SYNCHRONIZING CYLINDER) - AP47968 KIT</b>  <a href="#">SEE MR41.2685 FOR DRAWING AND PARTS INFORMATION.</a> <b>CYLINDER ASSEMBLY</b> _____ ITEM 1 - RAP92076 (30.5" STROKE) - REPLACES AP38072 <b>SYNCHRONIZING CYLINDER</b> _____ ITEM 3 - RAP92077 (10.540" STROKE) - REPLACES AP37881 <b>TUBE KIT</b> _____ ITEM 2 - RAP92079 - REPLACES AP38267 <b>HOSE ASSEMBLIES</b> _____ ITEM 4 - RAP90872 (AP24632) ITEM 5 - RAP91421 (AP24818)

# ROOM EXTENSION ASSEMBLIES GUIDE PAGE "COACH HOUSE" (PAGE 1 OF 2)

**PROCEDURE:**

1. Locate the HWH identification tag on the room extension mechanism to get the correct room extension part number.
2. Find the correct room extension part number in the left column below.
3. Refer to the proper parts page for general replacement parts information and item number arrangements.
4. Two cylinder room extensions with a synchronizing cylinder have two room extension part numbers. One is for the left assembly, one is for the right assembly. If the room extension assembly originally had one number, that number is listed with the new numbers.

MECHANISM AP25079 AP25080	<p><b>VERTICAL ARM ROOM EXTENSION - 24.0" STROKE (WITH SYNCHRONIZING CYLINDER) - AP25078 KIT</b></p> <p><a href="#">SEE MR41.2500 FOR DRAWING AND PARTS INFORMATION.</a></p> <p>CYLINDER ASSEMBLY _____ ITEM 1 - RAP91200 (10.172" STROKE) - REPLACES AP24733            SYNCHRONIZING CYLINDER _____ ITEM 6 - RAP91019 (3.935" STROKE) - REPLACES AP13180            TUBE KIT _____ RAP91224 - REPLACES AP23196            HOSE ASSEMBLIES _____ ITEM 5 - RAP90386 (AP24643) ITEM 4 - RAP91236 (AP24647)</p>
MECHANISM AP26662 AP26663	<p><b>VERTICAL ARM ROOM EXTENSION - 24.0" STROKE (WITH SYNCHRONIZING CYLINDER) - AP26661 KIT</b></p> <p><a href="#">SEE MR41.2500 FOR DRAWING AND PARTS INFORMATION.</a></p> <p>CYLINDER ASSEMBLY _____ ITEM 1 - RAP91200 (10.172" STROKE) - REPLACES AP24733            SYNCHRONIZING CYLINDER _____ ITEM 6 - RAP91019 (3.935" STROKE) - REPLACES AP13180            TUBE KIT _____ RAP91224 - REPLACES AP23196            HOSE ASSEMBLIES _____ ITEM 5 - RAP90386 (AP24643) ITEM 4 - RAP91526 (AP24650)</p>
MECHANISM AP29354	<p><b>SINGLE CYLINDER ROOM EXTENSION - 12.0" STROKE - AP28721 KIT</b></p> <p><a href="#">SEE MR41.1150 FOR DRAWING AND PARTS INFORMATION.</a></p> <p>CYLINDER ASSEMBLY _____ ITEM 1 - RAP91788 (12.490" STROKE) - REPLACES AP29008            TUBE KIT _____ ITEM 2 - RAP91787 - REPLACES AP29010</p>
MECHANISM AP31085	<p><b>SINGLE CYLINDER ROOM EXTENSION - 18.0" STROKE - AP31023 KIT</b></p> <p><a href="#">SEE MR41.1150 FOR DRAWING AND PARTS INFORMATION.</a></p> <p>CYLINDER ASSEMBLY _____ ITEM 1 - RAP91790 (18.5" STROKE) - REPLACES AP31134            TUBE KIT _____ ITEM 2 - RAP91789 - REPLACES AP31126</p>
MECHANISM AP32562	<p><b>SINGLE CYLINDER ROOM EXTENSION - 18.0" STROKE - AP32561 KIT</b></p> <p><a href="#">SEE MR41.1100 FOR DRAWING AND PARTS INFORMATION.</a></p> <p>CYLINDER ASSEMBLY _____ ITEM 1 - RAP91021 (27.0" STROKE) - REPLACES AP28682            HOSE ASSEMBLIES _____ ITEM 3 - RAP90872 (AP24632) ITEM 4 - RAP90871 (AP24628)</p>
MECHANISM AP33080	<p><b>SINGLE CYLINDER LEVEL OUT ROOM EXTENSION - 22.0" STROKE - AP33079 KIT</b></p> <p>CYLINDER ASSEMBLY _____ RAP91791 (23.0" STROKE) REPLACES - AP33077            MANUAL RETRACT SCREW _____ RAP92675 - REPLACES AP33087</p>
MECHANISM AP33959 AP33960	<p><b>DUAL CYLINDER LEVEL OUT - 22.0" STROKE (WITH SYNCHRONIZING CYLINDER) - AP33958 KIT</b></p> <p><a href="#">SEE MR41.2005 FOR DRAWING AND PARTS INFORMATION.</a></p> <p>CYLINDER ASSEMBLY _____ ITEM 1 - RAP91792 (23.0" STROKE) - REPLACES AP34124            SYNCHRONIZING CYLINDER _____ ITEM 3 - RAP90461 (8.860" STROKE) - REPLACES AP14862            TUBE KIT _____ ITEM 2 - RAP90658 - REPLACES AP18428</p>

# ROOM EXTENSION ASSEMBLIES GUIDE PAGE "COACH HOUSE" (PAGE 2 OF 2)

PROCEDURE: SEE "COACH HOUSE" (PAGE 1 OF 2)

MECHANISM AP38047	<p><b>SINGLE CYLINDER ROOM EXTENSION - 15.0" STROKE - AP38102 KIT</b></p> <p><a href="#">SEE MR41.1150 FOR DRAWING AND PARTS INFORMATION.</a>  <b>CYLINDER ASSEMBLY</b> _____ ITEM 1 - RAP92278 (15.5" STROKE) - REPLACES AP38050  <b>TUBE KIT</b> _____ ITEM 2 - RAP92475 - REPLACES AP38058</p>
MECHANISM AP40822 AP40823	<p><b>UNIVERSAL STRAIGHT OUT - 20.0" STROKE (WITH SYNCHRONIZING CYLINDER) - AP40776 AND AP41887 KIT</b></p> <p><a href="#">SEE MR41.2685 FOR DRAWING AND PARTS INFORMATION.</a>  <b>CYLINDER ASSEMBLY</b> _____ ITEM 1 - RAP92075 - REPLACES AP39251 (20.5" STROKE)  <b>SYNCHRONIZING CYLINDER</b> _____ ITEM 3 - RAP92099 - REPLACES AP39221 (7.010" STROKE)  <b>TUBE KIT</b> _____ ITEM 2 - RAP92092 - REPLACES AP39321  <b>HOSE ASSEMBLIES</b> _____ ITEM 4 - RAP91566 (AP24631) ITEM 5 - RAP91568 (AP24637)</p>
MECHANISM AP41247	<p><b>SINGLE CYLINDER ROOM EXTENSION - 20.0" STROKE - AP41221 KIT</b></p> <p><a href="#">SEE MR41.1100 FOR DRAWING AND PARTS INFORMATION.</a>  <b>CYLINDER ASSEMBLY</b> _____ ITEM 1 - RAP91021 - REPLACES AP28682 (27.0" STROKE)  <b>HOSE ASSEMBLIES</b> _____ ITEM 3 - RAP90872 (AP24632) ITEM 4 - RAP90871 (AP24628)</p>
MECHANISM AP41358	<p><b>SINGLE CYLINDER ROOM EXTENSION - 14.0" STROKE - AP41220 KIT</b></p> <p><a href="#">SEE MR41.1100 FOR DRAWING AND PARTS INFORMATION.</a>  <b>CYLINDER ASSEMBLY</b> _____ ITEM 1 - RAP91807 - REPLACES - AP29366 (15.0" STROKE)  <b>TUBE KIT</b> _____ ITEM 3 - RAP90872 (AP24632) ITEM 4 - RAP90871 (AP24628)</p>
MECHANISM AP47881 AP47882	<p><b>DUAL CYLINDER LEVEL OUT - 22.0" STROKE (WITH SYNCHRONIZING CYLINDER) - AP47880 KIT</b></p> <p><a href="#">SEE MR41.2005 FOR DRAWING AND PARTS INFORMATION.</a>  <b>CYLINDER ASSEMBLY</b> _____ ITEM 1 - RAP93214 (33.0" STROKE) - REPLACES AP47942  <b>SYNCHRONIZING CYLINDER</b> _____ ITEM 3 - RAP92772 (11.260" STROKE) - REPLACES AP43340  <b>TUBE KIT</b> _____ ITEM 2 - RAP91024 - REPLACES AP26587</p>

# ROOM EXTENSION ASSEMBLIES GUIDE PAGE "COACHMEN" (PAGE 1 OF 2)

**PROCEDURE:**

1. Locate the HWH identification tag on the room extension mechanism to get the correct room extension part number.
2. Find the correct room extension part number in the left column below.
3. Refer to the proper parts page for general replacement parts information and item number arrangements.
4. Two cylinder room extensions with a synchronizing cylinder have two room extension part numbers. One number is for the left assembly, one is for the right assembly. If the room extension assembly originally had one number, that number is listed with the new numbers.

MECHANISM AP10963	<b>DUAL CYLINDER ROOM EXTENSION - 33.0" STROKE (WITH RACK SENSING VALVE) - AP11475 KIT</b>  <b>SEE MR41.1536 FOR DRAWING AND PARTS INFORMATION.</b> CYLINDER ASSEMBLY _____ ITEM 1 - RAP90301 (35.0" STROKE) - REPLACES AP10211 HOSE ASSEMBLIES _____ ITEM 7 - RAP90353 (AP4728) ITEM 9 - RAP4074 (AP4074) ITEM 8 - RAP90347 (AP11560) ITEM 10 - RAP6115 (AP6115)
MECHANISM AP12337	<b>DUAL CYLINDER ROOM EXTENSION - 39.0" STROKE (WITH RACK SENSING VALVE) - AP12680 KIT</b>  <b>SEE MR41.1536 FOR DRAWING AND PARTS INFORMATION.</b> CYLINDER ASSEMBLY _____ ITEM 1 - RAP90007 (39.0" STROKE) - REPLACES AP1700 HOSE ASSEMBLIES _____ ITEM 7 - RAP4073 (AP4073) ITEM 9 - RAP90348 (AP7099) ITEM 8 - RAP90003 (AP2446) ITEM 10 - RAP6115 (AP6115)
MECHANISM AP12354	<b>SINGLE CYLINDER ROOM EXTENSION - 20.5" STROKE</b>  <b>SEE MR41.1000 FOR DRAWING AND PARTS INFORMATION.</b> CYLINDER ASSEMBLY _____ ITEM 1 - RAP90303 (20.5" STROKE) - REPLACES AP12848
MECHANISM AP12709	<b>SINGLE CYLINDER ROOM EXTENSION - 37.5" STROKE</b>  <b>SEE MR41.1000 FOR DRAWING AND PARTS INFORMATION.</b> CYLINDER ASSEMBLY _____ ITEM 1 - RAP90302 (37.5" STROKE) - REPLACES AP12863
MECHANISM AP12883	<b>DUAL CYLINDER ROOM EXTENSION - 20.0" STROKE (WITH RACK SENSING VALVE) - AP12836 KIT</b>  <b>SEE MR41.1536 FOR DRAWING AND PARTS INFORMATION.</b> CYLINDER ASSEMBLY _____ ITEM 1 - RAP90300 (20.0" STROKE) - REPLACES AP12845 HOSE ASSEMBLIES _____ ITEM 7 - RAP4073 (AP4073) ITEM 9 - RAP90348 (AP7099) ITEM 8 - RAP90003 (AP2446) ITEM 10 - RAP6115 (AP6115)
MECHANISM AP13015	<b>DUAL CYLINDER ROOM EXTENSION - 39.0" STROKE (WITH RACK SENSING VALVE) - AP13014 KIT</b>  <b>SEE MR41.1536 FOR DRAWING AND PARTS INFORMATION.</b> CYLINDER ASSEMBLY _____ ITEM 1 - RAP90007 (39.0" STROKE) - REPLACES AP1700 HOSE ASSEMBLIES _____ ITEM 7 - RAP4073 (AP4073) ITEM 9 - RAP4161 (AP4161) ITEM 8 - RAP90003 (AP2446) ITEM 10 - RAP90120 (AP5965)
MECHANISM AP14718	<b>DUAL CYLINDER ROOM EXTENSION - 39.0" STROKE (WITH RACK SENSING VALVE) - AP14717 KIT</b>  <b>SEE MR41.1536 FOR DRAWING AND PARTS INFORMATION.</b> CYLINDER ASSEMBLY _____ ITEM 1 - RAP90007 (39.0" STROKE) - REPLACES AP1700 HOSE ASSEMBLIES _____ ITEM 7 - RAP4073 (AP4073) ITEM 9 - RAP4074 (AP4074) ITEM 8 - RAP90003 (AP2446) ITEM 10 - RAP90126 (AP10913)
MECHANISM AP14207 AP14208	<b>VERTICAL ARM ROOM EXTENSION - 17.0" STROKE (WITH SYNCHRONIZING CYLINDER) - AP14209 KIT</b>  <b>SEE MR41.2500 FOR DRAWING AND PARTS INFORMATION.</b> CYLINDER ASSEMBLY _____ ITEM 1 - RAP90387 (6.68" STROKE) - REPLACES AP14283 SYNCHRONIZING CYLINDER _____ ITEM 6 - RAP90383 (2.565" STROKE) - REPLACES AP14281 HOSE ASSEMBLIES _____ ITEM 4 - RAP90386 (AP24643) ITEM 5 - RAP90385 (AP24644)

# ROOM EXTENSION ASSEMBLIES GUIDE PAGE "COACHMEN" (PAGE 2 OF 2)

PROCEDURE: SEE "COACHMEN" (PAGE 1 OF 2)

MECHANISM AP25485	<p><b>SINGLE CYLINDER ROOM EXTENSION - 18.0" STROKE (6" TUBE) - AP25484 KIT</b></p> <p><a href="#">SEE MR41.1007 FOR DRAWING AND PARTS INFORMATION.</a>          CYLINDER ASSEMBLY _____ ITEM 1 - RAP90646 (19.0" STROKE) - REPLACES AP18602          TUBE KIT _____ ITEM 2 - RAP90526 - REPLACES AP13592</p>
MECHANISM AP25502	<p><b>SINGLE CYLINDER ROOM EXTENSION - 16.0" STROKE (6" TUBE) - AP25501 KIT</b></p> <p><a href="#">SEE MR41.1007 FOR DRAWING AND PARTS INFORMATION.</a>          CYLINDER ASSEMBLY _____ ITEM 1 - RAP90941 (17.0" STROKE) - REPLACES AP25807          TUBE KIT _____ ITEM 2 - RAP90526 - REPLACES AP13592</p>
MECHANISM AP26475 AP26476	<p><b>DUAL CYLINDER LATERAL ARM ROOM EXTENSION (WITH TORSION BAR) - 16.0" STROKE - AP25895 KIT</b></p> <p><a href="#">SEE MR41.2825 FOR DRAWING AND PARTS INFORMATION.</a>          CYLINDER ASSEMBLY _____ ITEM 1 - RAP90943 (6.250" STROKE) - REPLACES AP25993          TUBE KIT _____ ITEM 2 - RAP91225 - REPLACES AP26980          HOSE ASSEMBLIES _____ ITEM 4 - RAP91568 (AP24637) ITEM 5 - RAP91568 (AP24637)</p>
MECHANISM AP26159 AP26160	<p><b>VERTICAL ARM ROOM EXTENSION - 17.0" STROKE (WITH SYNCHRONIZING CYLINDER) - AP26119 KIT</b></p> <p><a href="#">SEE MR41.2500 FOR DRAWING AND PARTS INFORMATION.</a>          CYLINDER ASSEMBLY _____ ITEM 1 - RAP90942 (7.475" STROKE) - REPLACES AP26046          SYNCHRONIZING CYLINDER _____ ITEM 6 - RAP90944 (2.845" STROKE) - REPLACES AP26151          HOSE ASSEMBLIES _____ ITEM 4 - RAP90386 (AP24643) ITEM 5 - RAP90385 (AP24644)</p>
MECHANISM AP26889 AP26890	<p><b>DUAL CYLINDER ROOM EXTENSION - 36.0" STROKE (WITH SYNCHRONIZING CYLINDER) - AP26888 KIT</b></p> <p><a href="#">SEE MR41.2005 FOR DRAWING AND PARTS INFORMATION.</a>          CYLINDER ASSEMBLY _____ ITEM 1 - RAP91799 (36.5" STROKE) - REPLACES AP23577          SYNCHRONIZING CYLINDER _____ ITEM 3 - RAP90474 (14.630" STROKE) - REPLACES AP12484          TUBE KIT _____ ITEM 2 - RAP90480 - REPLACES AP13252</p>
MECHANISM AP27036 AP27037	<p><b>DUAL CYLINDER ROOM EXTENSION - AP27035 KIT</b></p> <p>NO INFORMATION AVAILABLE</p>

# ROOM EXTENSION ASSEMBLIES GUIDE PAGE "COMPETITION TRAILER"

**PROCEDURE:**

1. Locate the HWH identification tag on the room extension mechanism to get the correct room extension part number.
2. Find the correct room extension part number in the left column below.
3. Refer to the proper parts page for general replacement parts information and item number arrangements.
4. Two cylinder room extensions with a synchronizing cylinder have two room extension part numbers. One number is for the left assembly, one is for the right assembly. If the room extension assembly originally had one number, that number is listed with the new numbers.

MECHANISM AP23217 AP23218	<p><b>DUAL CYLINDER ROOM EXTENSION - 36.0" STROKE (WITH SYNCHRONIZING CYLINDER) - AP23216 KIT</b></p> <p><a href="#">SEE MR41.2000 FOR DRAWING AND PARTS INFORMATION.</a></p> <p>CYLINDER ASSEMBLY _____ ITEM 1 - RAP91799 (36.5" STROKE) - REPLACES AP23577            SYNCHRONIZING CYLINDER _____ ITEM 3 - RAP90474 (14.630" STROKE) - REPLACES AP12484            TUBE KIT _____ ITEM 2 - RAP90480 - REPLACES AP13252</p>
MECHANISM AP27770 AP27771	<p><b>DUAL CYLINDER ROOM EXTENSION - 30.0" STROKE (WITH SYNCHRONIZING CYLINDER) - AP27769 KIT</b></p> <p><a href="#">SEE MR41.2000 FOR DRAWING AND PARTS INFORMATION.</a></p> <p>CYLINDER ASSEMBLY _____ ITEM 1 - RAP90487 (30.5" STROKE) - REPLACES AP15184            SYNCHRONIZING CYLINDER _____ ITEM 3 - RAP90473 (12.155" STROKE) - REPLACES AP13192            TUBE KIT _____ ITEM 2 - RAP90480 - REPLACES AP13252</p>
MECHANISM AP28289 AP28290	<p><b>DUAL CYLINDER ROOM EXTENSION - 16.0" STROKE (WITH SYNCHRONIZING CYLINDER) - AP28288 KIT</b></p> <p><a href="#">SEE MR41.2005 FOR DRAWING AND PARTS INFORMATION.</a></p> <p>CYLINDER ASSEMBLY _____ ITEM 1 - RAP90643 (16.5" STROKE) - REPLACES AP17473            SYNCHRONIZING CYLINDER _____ ITEM 3 - RAP90644 (6.390" STROKE) - REPLACES AP17436            TUBE KIT _____ ITEM 2 - RAP90480 - REPLACES AP13252</p>
MECHANISM AP28292 AP28293	<p><b>DUAL CYLINDER ROOM EXTENSION - 28.0" STROKE (WITH SYNCHRONIZING CYLINDER) - AP28291 KIT</b></p> <p><a href="#">SEE MR41.2005 FOR DRAWING AND PARTS INFORMATION.</a></p> <p>CYLINDER ASSEMBLY _____ ITEM 1 - RAP90478 (28.5" STROKE) - REPLACES AP15322            SYNCHRONIZING CYLINDER _____ ITEM 3 - RAP90455 (11.335" STROKE) - REPLACES AP15320            TUBE KIT _____ ITEM 2 - RAP90480 - REPLACES AP13252</p>
MECHANISM AP28295 AP28296	<p><b>DUAL CYLINDER ROOM EXTENSION - 30.0" STROKE (WITH SYNCHRONIZING CYLINDER) - AP28294 KIT</b></p> <p><a href="#">SEE MR41.2000 FOR DRAWING AND PARTS INFORMATION.</a></p> <p>CYLINDER ASSEMBLY _____ ITEM 1 - RAP90487 (30.5" STROKE) - REPLACES AP15184            SYNCHRONIZING CYLINDER _____ ITEM 3 - RAP90473 (12.155" STROKE) - REPLACES AP13192            TUBE KIT _____ ITEM 2 - RAP90480 - REPLACES AP13252</p>
MECHANISM AP38251 AP38252	<p><b>UNIVERSAL STRAIGHT OUT - 30.0" STROKE (WITH SYNCHRONIZING CYLINDER) - AP40685 KIT</b></p> <p><a href="#">SEE MR41.2685 FOR DRAWING AND PARTS INFORMATION.</a></p> <p>CYLINDER ASSEMBLY _____ ITEM 1 - RAP92076 - REPLACES AP38072 (30.5" STROKE)            SYNCHRONIZING CYLINDER _____ ITEM 3 - RAP92077 - REPLACES AP37881 (10.540" STROKE)            TUBE KIT _____ ITEM 2 - RAP92079 - REPLACES AP38267            HOSE ASSEMBLIES _____ ITEM 4 - RAP90872 (AP24632) ITEM 5 - RAP91421 (AP24818)</p>
MECHANISM AP38900 AP38901	<p><b>UNIVERSAL STRAIGHT OUT - 24.0" STROKE (WITH SYNCHRONIZING CYLINDER) - AP45835 KIT</b></p> <p><a href="#">SEE MR41.2685 FOR DRAWING AND PARTS INFORMATION.</a></p> <p>CYLINDER ASSEMBLY _____ ITEM 1 - RAP92076 - REPLACES AP38072 (30.5" STROKE)            SYNCHRONIZING CYLINDER _____ ITEM 3 - RAP92275 - REPLACES AP39271 (8.420" STROKE)            TUBE KIT _____ ITEM 2 - RAP92079 - REPLACES AP38267            HOSE ASSEMBLIES _____ ITEM 4 - RAP90872 (AP24632) ITEM 5 - RAP91421 (AP24818)</p>

# ROOM EXTENSION ASSEMBLIES GUIDE PAGE "COMPETITIVE TRAILERS, INC."

**PROCEDURE:**

1. Locate the HWH identification tag on the room extension mechanism to get the correct room extension part number.
2. Find the correct room extension part number in the left column below.
3. Refer to the proper parts page for general replacement parts information and item number arrangements.
4. Two cylinder room extensions with a synchronizing cylinder have two room extension part numbers. One is for the left assembly, one is for the right assembly. If the room extension assembly originally had one number, that number is listed with the new numbers.

<b>MECHANISM</b> <b>AP38251</b> <b>AP38252</b>	<b>UNIVERSAL STRAIGHT OUT - 30.0" STROKE (WITH SYNCHRONIZING CYLINDER) - AP47862 KIT</b>
	<b>SEE MR41.2685 FOR DRAWING AND PARTS INFORMATION.</b>
	<b>CYLINDER ASSEMBLY</b> _____ ITEM 1 - RAP92076 (30.5" STROKE) - REPLACES AP38072
	<b>SYNCHRONIZING CYLINDER</b> _____ ITEM 3 - RAP92077 (10.540" STROKE) - REPLACES AP37881
	<b>TUBE KIT</b> _____ ITEM 2 - RAP92079 - REPLACES AP38267
	<b>HOSE ASSEMBLIES</b> _____ ITEM 4 - RAP90872 (AP24632) ITEM 5 - RAP91421 (AP24818)



# ROOM EXTENSION ASSEMBLIES

## GUIDE PAGE

### "COUNTRY COACH" (PAGE 1 OF 5)

**PROCEDURE:**

1. Locate the HWH identification tag on the room extension mechanism to get the correct room extension part number.
2. Find the correct room extension part number in the left column below.
3. Refer to the proper parts page for general replacement parts information and item number arrangements.
4. Two cylinder room extensions with a synchronizing cylinder have two room extension part numbers. One number is for the left assembly, one is for the right assembly. If the room extension assembly originally had one number, that number is listed with the new numbers.

MECHANISM AP10105	<b>DUAL CYLINDER ROOM EXTENSION - 39.0" STROKE (WITH RACK SENSING VALVE)</b>
	<b>SEE MR41.1536 FOR DRAWING AND PARTS INFORMATION.</b> CYLINDER ASSEMBLY _____ ITEM 1 - RAP90112 (39.0" STROKE) - REPLACES AP11105 HOSE ASSEMBLIES _____ ITEM 7 - RAP4073 (AP4073) ITEM 9 - RAP90078 (AP4065) ITEM 8 - RAP90003 (AP2446) ITEM 10 - RAP90077 (AP7832)
MECHANISM AP11121	<b>DUAL CYLINDER ROOM EXTENSION - 36.0" STROKE (WITH RACK SENSING VALVE)</b>
	<b>SEE MR41.1546 FOR DRAWING AND PARTS INFORMATION.</b> CYLINDER ASSEMBLY _____ ITEM 1 - RAP90112 (39.0" STROKE) - REPLACES AP11105 HOSE ASSEMBLIES _____ ITEM 7 - RAP90353 (AP4728) ITEM 9 - RAP4074 (AP4074) ITEM 8 - RAP90347 (AP11560) ITEM 10 - RAP90078 (AP4065)
MECHANISM AP13405	<b>SINGLE CYLINDER ROOM EXTENSION - 25.0" STROKE - AP13411 KIT</b>
	<b>SEE MR41.1000 FOR DRAWING AND PARTS INFORMATION.</b> CYLINDER ASSEMBLY _____ ITEM 1 - RAP90031 (25.0" STROKE) - REPLACES AP1911 TUBE KIT _____ ITEM 2 - RAP90029 - REPLACES AP10614
MECHANISM AP13508	<b>DUAL CYLINDER ROOM EXTENSION - 25.0" STROKE (WITH RACK SENSING VALVE) - AP13507 KIT</b>
	<b>SEE MR41.1538 FOR DRAWING AND PARTS INFORMATION.</b> CYLINDER ASSEMBLY _____ ITEM 1 - RAP90354 (25.0" STROKE) - REPLACES AP13523 HOSE ASSEMBLIES _____ ITEM 7 - RAP4073 (AP4073) ITEM 9 - RAP91472 (AP4666) ITEM 8 - RAP90003 (AP2446) ITEM 10 - RAP91476 (AP16172)
MECHANISM AP13511 AP13512	<b>VERTICAL ARM ROOM EXTENSION - 20.0" STROKE (WITH SYNCHRONIZING CYLINDER) - AP13513 KIT</b>
	<b>SEE MR41.2500 FOR DRAWING AND PARTS INFORMATION.</b> CYLINDER ASSEMBLY _____ ITEM 1 - RAP90324 (7.95" STROKE) - REPLACES AP11097 SYNCHRONIZING CYLINDER _____ ITEM 6 - RAP90326 (3.165" STROKE) - REPLACES AP11360 HOSE ASSEMBLIES _____ ITEM 4 - RAP90322 (AP24651) ITEM 5 - RAP90321 (AP24653)
MECHANISM AP14374	<b>DUAL CYLINDER ROOM EXTENSION - 39.0" STROKE (WITH RACK SENSING VALVE) - AP10261 KIT</b>
	<b>SEE MR41.1538 FOR DRAWING AND PARTS INFORMATION.</b> CYLINDER ASSEMBLY _____ ITEM 1 - RAP90112 (39.0" STROKE) - REPLACES AP11105 HOSE ASSEMBLIES _____ ITEM 7 - RAP4073 (AP4073) ITEM 9 - RAP91472 (AP4666) ITEM 8 - RAP90003 (AP2446) ITEM 10 - RAP91476 (AP16172)
MECHANISM AP16467 OR AP19262 AP19263	<b>DUAL CYLINDER ROOM EXTENSION - 32.0" STROKE (WITH SYNCHRONIZING CYLINDER) - AP16466 KIT</b>
	<b>SEE MR41.2030 FOR DRAWING AND PARTS INFORMATION.</b> CYLINDER ASSEMBLY _____ ITEM 1 - RAP90515 (38.5" STROKE) - REPLACES AP16762 SYNCHRONIZING CYLINDER _____ ITEM 3 - RAP90466 (12.98" STROKE) - REPLACES AP14301 TUBE KIT _____ ITEM 2 - RAP90480 - REPLACES AP13252



# ROOM EXTENSION ASSEMBLIES GUIDE PAGE "COUNTRY COACH" (PAGE 2 OF 5)

PROCEDURE: SEE "COUNTRY COACH" (PAGE 1 OF 5)

MECHANISM AP16469 OR AP19271 AP19272	<p><b>DUAL CYLINDER ROOM EXTENSION - 19.0" STROKE (WITH SYNCHRONIZING CYLINDER) - AP16468 KIT</b></p> <p><a href="#">SEE MR41.2030 FOR DRAWING AND PARTS INFORMATION.</a></p> <p>CYLINDER ASSEMBLY _____ ITEM 1 - RAP90516 (25.5" STROKE) - REPLACES AP16760            SYNCHRONIZING CYLINDER _____ ITEM 3 - RAP90441 (7.625" STROKE) - REPLACES AP16388            TUBE KIT _____ ITEM 2 - RAP90480 - REPLACES AP13252</p>
MECHANISM AP16672	<p><b>SINGLE CYLINDER ROOM EXTENSION - 17.0" STROKE (GUIDED) - AP16671 KIT</b></p> <p><a href="#">SEE MR41.1100 FOR DRAWING AND PARTS INFORMATION.</a></p> <p>CYLINDER ASSEMBLY _____ ITEM 1 - RAP90688 (27.0" STROKE) - REPLACES AP15818            HOSE ASSEMBLIES _____ ITEM 3 - RAP90872 (AP24632)            _____ ITEM 4 - RAP90871 (AP24628)</p>
MECHANISM AP17295 OR AP19269 AP19270	<p><b>DUAL CYLINDER ROOM EXTENSION - 24.0" STROKE (WITH SYNCHRONIZING CYLINDER) - AP17294 KIT</b></p> <p><a href="#">SEE MR41.2030 FOR DRAWING AND PARTS INFORMATION.</a></p> <p>CYLINDER ASSEMBLY _____ ITEM 1 - RAP90629 (30.5" STROKE) - REPLACES AP17365            SYNCHRONIZING CYLINDER _____ ITEM 3 - RAP90631 (9.17" STROKE) - REPLACES AP19106            TUBE KIT _____ ITEM 2 - RAP90480 - REPLACES AP13252</p>
MECHANISM AP17442 OR AP19264 AP19265	<p><b>DUAL CYLINDER ROOM EXTENSION - 17.0" STROKE (WITH SYNCHRONIZING CYLINDER) - AP17441 KIT</b></p> <p><a href="#">SEE MR41.2030 FOR DRAWING AND PARTS INFORMATION.</a></p> <p>CYLINDER ASSEMBLY _____ ITEM 1 - RAP90633 (23.5" STROKE) - REPLACES AP17444            SYNCHRONIZING CYLINDER _____ ITEM 3 - RAP90632 (6.8" STROKE) - REPLACES AP17443            TUBE KIT _____ ITEM 2 - RAP90480 - REPLACES AP13252</p>
MECHANISM AP19146 AP19147	<p><b>DUAL CYLINDER ROOM EXTENSION - 22.5" STROKE (WITH SYNCHRONIZING CYLINDER) - AP19145 KIT</b></p> <p><a href="#">SEE MR41.2030 FOR DRAWING AND PARTS INFORMATION.</a></p> <p>CYLINDER ASSEMBLY _____ ITEM 1 - RAP90659 (29.0" STROKE) - REPLACES AP19156            SYNCHRONIZING CYLINDER _____ ITEM 3 - RAP90631 (9.17" STROKE) - REPLACES AP19106            TUBE KIT _____ ITEM 2 - RAP90480 - REPLACES AP13252</p>
MECHANISM AP19783 AP19784	<p><b>VERTICAL ARM ROOM EXTENSION - 17.0" STROKE (WITH SYNCHRONIZING CYLINDER) - AP19782 KIT</b></p> <p><a href="#">SEE MR41.2505 FOR DRAWING AND PARTS INFORMATION.</a></p> <p>CYLINDER ASSEMBLY _____ ITEM 1 - RAP90387 (6.68" STROKE) - REPLACES AP14283            SYNCHRONIZING CYLINDER _____ ITEM 6 - RAP90383 (2.565" STROKE) - REPLACES AP14281            HOSE ASSEMBLIES _____ ITEM 4 - RAP90820 (AP19887) ITEM 5 - RAP90821 (AP24652)</p>
MECHANISM AP19786	<p><b>SINGLE CYLINDER ROOM EXTENSION - 17.0" STROKE (GUIDED - LIMIT SWITCHES) - AP19785 KIT</b></p> <p><a href="#">SEE MR41.1101 FOR DRAWING AND PARTS INFORMATION.</a></p> <p>CYLINDER ASSEMBLY _____ ITEM 1 - RAP90818 (28.5" STROKE) - REPLACES AP19995            HOSE ASSEMBLIES _____ ITEM 3 - RAP91750 (AP13842) ITEM 4 - RAP91751 (AP16434)</p>
KIT NUMBER AP22376	<p><b>TRAIN DRIVE ROOM EXTENSION - (4) CYLINDERS - 17.0" STROKE (WITH SYNCHRONIZING CYLINDER)</b></p> <p><a href="#">SEE MR41.2650 FOR DRAWING AND PARTS INFORMATION.</a></p> <p>CYLINDER ASSEMBLY _____ ITEM 1 - RAP90823 (17.5" STROKE) - REPLACES AP21499            SYNCHRONIZING CYLINDER _____ ITEM 5 - RAP90825 (2.40" STROKE) - REPLACES AP22187  <a href="#">SEE MR41.8001 FOR ADDITIONAL SYNC CYL REPLACEMENT PARTS</a></p> <p>HOSE ASSEMBLIES _____ ITEM 1A - RAP90871 - REPLACES AP24628            HOSE ASSEMBLIES _____ ITEM 2 - RAP91547 - REPLACES AP24671 (TOP RIGHT)            HOSE ASSEMBLIES _____ ITEM 2 - RAP91547 - REPLACES AP24671 (TOP LEFT)            HOSE ASSEMBLIES _____ ITEM 2 - RAP91535 - REPLACES AP24661 (BOTTOM LEFT)            HOSE ASSEMBLIES _____ ITEM 2 - RAP91535 - REPLACES AP24661 (BOTTOM RIGHT)</p>

# ROOM EXTENSION ASSEMBLIES GUIDE PAGE "COUNTRY COACH" (PAGE 3 OF 5)

PROCEDURE: SEE "COUNTRY COACH" (PAGE 1 OF 5)

MECHANISM AP22641	<p><b>SINGLE CYLINDER ROOM EXTENSION - 24.0" STROKE (GUIDED) - AP22640 KIT</b></p> <p><a href="#">SEE MR41.1100 FOR DRAWING AND PARTS INFORMATION.</a>  <b>CYLINDER ASSEMBLY</b> _____ ITEM 1 - RAP90688 (27.0" STROKE) - REPLACES AP15818  <b>HOSE ASSEMBLIES</b> _____ ITEM 3 - RAP90872 (AP24632) ITEM 4 - RAP90871 (AP24628)</p>
KIT NUMBER AP23935	<p><b>TRAIN DRIVE ROOM EXTENSION - (4) CYLINDERS - 17.0" STROKE (WITH SYNCHRONIZING CYLINDER)</b></p> <p><a href="#">SEE MR41.2650 FOR DRAWING AND PARTS INFORMATION.</a>  <b>CYLINDER ASSEMBLY</b> _____ ITEM 1 - RAP90823 (17.5" STROKE) - REPLACES AP21499  <b>SYNCHRONIZING CYLINDER</b> _____ ITEM 5 - RAP90825 (2.40" STROKE) - REPLACES AP22187  <a href="#">SEE MR41.8001 FOR ADDITIONAL SYNC CYL REPLACEMENT PARTS</a>  <b>HOSE ASSEMBLIES</b> _____ ITEM 1A - RAP90871 - REPLACES AP24628  <b>HOSE ASSEMBLIES</b> _____ ITEM 2 - RAP91535 - REPLACES AP24661 (TOP RIGHT)  <b>HOSE ASSEMBLIES</b> _____ ITEM 2 - RAP91535 - REPLACES AP24661 (TOP LEFT)  <b>HOSE ASSEMBLIES</b> _____ ITEM 2 - RAP90322 - REPLACES AP24651 (BOTTOM LEFT)  <b>HOSE ASSEMBLIES</b> _____ ITEM 2 - RAP90322 - REPLACES AP24651 (BOTTOM RIGHT)</p>
MECHANISM AP24353	<p><b>SINGLE ELECTRIC ACTUATOR ROOM EXTENSION - 24.0" STROKE - AP25322 KIT</b></p> <p><a href="#">SEE MR41.1105 FOR DRAWING AND PARTS INFORMATION.</a>          NOTE: REFER TO COUNTRY COACH FOR ACTUATOR REPLACEMENT AND PARTS.</p>
MECHANISM AP25748 AP25749 AP25750 AP25751	<p><b>ELECTRIC TRAIN DRIVE ROOM EXTENSION - (4) ACTUATORS - 17.0" STROKE - AP25321 KIT</b></p> <p><a href="#">SEE MR41.2651 FOR DRAWING AND PARTS INFORMATION.</a>          NOTE: REFER TO COUNTRY COACH FOR ACTUATOR REPLACEMENT AND PARTS.</p>
MECHANISM AP25907 AP25908	<p><b>DUAL CYLINDER ROOM EXTENSION - 24.0" STROKE (GUIDED) - AP25898 KIT</b></p> <p><a href="#">SEE MR41.2030 FOR DRAWING AND PARTS INFORMATION.</a>  <b>CYLINDER ASSEMBLY</b> _____ ITEM 1 - RAP90629 (30.5" STROKE) - REPLACES AP17365  <b>SYNCHRONIZING CYLINDER</b> _____ ITEM 3 - RAP90631 (9.170" STROKE) - REPLACES AP19106  <b>TUBE KIT</b> _____ ITEM 2 - RAP90480 - REPLACES AP13252</p>
MECHANISM AP26205 AP26206	<p><b>LATERAL ARM ROOM EXTENSION - 20.0" STROKE (WITH TORSION BAR) - AP26204 KIT</b></p> <p><a href="#">SEE MR41.2825 FOR DRAWING AND PARTS INFORMATION.</a>  <b>CYLINDER ASSEMBLY</b> _____ ITEM 1 - RAP91351 (6.775" STROKE) - REPLACES AP27997  <b>TUBE KIT</b> _____ ITEM 2 - RAP91774 - REPLACES AP28035  <b>HOSE ASSEMBLIES</b> _____ ITEM 4 - RAP91574 (AP24627) ITEM 5 - RAP91573 (AP32672)</p>
MECHANISM AP26776	<p><b>SINGLE CYLINDER ROOM EXTENSION - 23.0" STROKE - AP26051 KIT</b></p> <p><a href="#">SEE MR41.1100 FOR DRAWING AND PARTS INFORMATION.</a>  <b>CYLINDER ASSEMBLY</b> _____ ITEM 1 - RAP91021 (27.0" STROKE) - REPLACES AP28682  <b>HOSE ASSEMBLIES</b> _____ ITEM 3 - RAP90320 (AP24634) ITEM 4 - RAP90384 (AP24630)</p>
MECHANISM AP27371 AP27372	<p><b>DUAL CYLINDER LEVEL OUT ROOM EXTENSION - 32.0" STROKE (GUIDED) - AP26060 KIT</b></p> <p><a href="#">SEE MR41.2200 FOR DRAWING AND PARTS INFORMATION.</a>  <b>CYLINDER ASSEMBLY</b> _____ ITEM 1 - RAP91218 (33.0" STROKE) REPLACES - AP27375  <b>SYNCHRONIZING CYLINDER</b> _____ ITEM 3 - RAP90466 (12.98" STROKE) REPLACES - AP14301  <b>TUBE KIT</b> _____ ITEM 2 - RAP91024 - REPLACES AP26587</p>
MECHANISM AP27856 AP27858 OR AP28459 AP28464	<p><b>X-SLIDE ROOM EXTENSION - 20.0" STROKE (WITH SYNCHRONIZING CYLINDER) - AP28222 AND AP28880 KIT</b></p> <p><a href="#">SEE MR41.2670 FOR DRAWING AND PARTS INFORMATION.</a>  <b>CYLINDER ASSEMBLY</b> _____ ITEM 1 - RAP91208 (9.20" STROKE) REPLACES - AP27862  <b>SYNCHRONIZING CYLINDER</b> _____ ITEM 3 - RAP90587 (3.455" STROKE) REPLACES - AP17199  <b>TUBE KIT</b> _____ ITEM 2 - RAP91229 - REPLACES AP27587  <b>HOSE ASSEMBLIES</b> _____ ITEM 4 - RAP91574 (AP24627) ITEM 5 - RAP91573 (AP32672)</p>

# ROOM EXTENSION ASSEMBLIES GUIDE PAGE "COUNTRY COACH" (PAGE 4 OF 5)

PROCEDURE: SEE "COUNTRY COACH" (PAGE 1 OF 5)

MECHANISM AP27801	<p><b>SINGLE CYLINDER GENERATOR EXTENSION - 26.0" STROKE - AP26069 KIT</b></p> <p>CYLINDER ASSEMBLY _____ RAP91022 (26.5" STROKE) - REPLACES AP27546 TUBE KIT _____ RAP91023 - REPLACES AP27998</p>
MECHANISM AP28637 AP28638	<p><b>DUAL CYLINDER LEVEL OUT ROOM EXTENSION - 32.0" STROKE (WITH SYNC. CYLINDER) - AP28636 KIT</b></p> <p><a href="#">SEE MR41.2200 FOR DRAWING AND PARTS INFORMATION.</a> CYLINDER ASSEMBLY _____ ITEM 1 - RAP91218 (33.0" STROKE) - REPLACES AP27375 SYNCHRONIZING CYLINDER _____ ITEM 3 - RAP90466 (12.980" STROKE) - REPLACES AP14301 TUBE KIT _____ ITEM 2 - RAP91024 - REPLACES AP26587</p>
MECHANISM AP29183 AP29184	<p><b>X-SLIDE ROOM EXTENSION - 32.0" STROKE (WITH SYNCHRONIZING CYLINDER) - AP29289 KIT</b></p> <p><a href="#">SEE MR41.2670 FOR DRAWING AND PARTS INFORMATION.</a> CYLINDER ASSEMBLY _____ ITEM 1 - RAP91210 (14.30" STROKE) - REPLACES AP29191 SYNCHRONIZING CYLINDER _____ ITEM 3 - RAP90726 (5.750" STROKE) - REPLACES AP15042 TUBE KIT _____ ITEM 2 - RAP91230 - REPLACES AP29192 HOSE ASSEMBLY _____ ITEM 4 - RAP91574 (AP24627) ITEM 5 - RAP91573 (AP32672)</p>
MECHANISM AP30905 AP30906	<p><b>LATERAL ARM ROOM EXTENSION - 14.0" STROKE (WITH SYNCHRONIZING CYLINDER) - AP30904 KIT</b></p> <p><a href="#">SEE MR41.2825 FOR DRAWING AND PARTS INFORMATION.</a> CYLINDER ASSEMBLY _____ ITEM 1 - RAP91203 (6.150" STROKE) - REPLACES AP26255 SYNCHRONIZING CYLINDER _____ ITEM 3 - RAP91754 (1.485" STROKE) - REPLACES AP30957 TUBE KIT _____ ITEM 2 - RAP91226 - REPLACES AP27031 HOSE ASSEMBLIES _____ ITEM 4 - RAP91417 (AP24639) ITEM 5 - RAP91422 (AP24819)</p>
MECHANISM AP31905 AP31906	<p><b>X-SLIDE ROOM EXTENSION - 20.0" STROKE (WITH SYNCHRONIZING CYLINDER) - AP31904 KIT</b></p> <p><a href="#">SEE MR41.2670 FOR DRAWING AND PARTS INFORMATION.</a> CYLINDER ASSEMBLY _____ ITEM 1 - RAP91208 (9.20" STROKE) - REPLACES AP27862 SYNCHRONIZING CYLINDER _____ ITEM 3 - RAP90587 (3.455" STROKE) - REPLACES AP17199 TUBE KIT _____ ITEM 2 - RAP91229 - REPLACES AP27587 HOSE ASSEMBLIES _____ ITEM 4 - RAP91574 (AP24627) ITEM 5 - RAP91573 (AP32672)</p>
MECHANISM AP31989 AP31990	<p><b>UNIVERSIAL SLIDE OUT ROOM EXTENSION - 20.0" STROKE (WITH SYNC. CYLINDER) - AP31988 KIT</b></p> <p><a href="#">SEE MR41.2680 FOR DRAWING AND PARTS INFORMATION.</a> CYLINDER ASSEMBLY _____ ITEM 1 - RAP91702 (34.00" STROKE) - REPLACES AP31461 SYNCHRONIZING CYLINDER _____ ITEM 3 - RAP90616 (8.240" STROKE) - REPLACES AP18122 TUBE KIT _____ ITEM 2 - RAP91703 - REPLACES AP31486 HOSE ASSEMBLIES _____ ITEM 4 - RAP91421 (AP24818) ITEM 5 - RAP90872 (AP24632)</p>
MECHANISM AP32065 AP32066	<p><b>UNIVERSIAL SLIDE OUT ROOM EXTENSION - 29.175" STROKE (WITH SYNC. CYLINDER) - AP32064 KIT</b></p> <p><a href="#">SEE MR41.2680 FOR DRAWING AND PARTS INFORMATION.</a> CYLINDER ASSEMBLY _____ ITEM 1 - RAP91760 (36.00" STROKE) - REPLACES AP31645 SYNCHRONIZING CYLINDER _____ ITEM 3 - RAP90690 (11.780" STROKE) - REPLACES AP17966 TUBE KIT _____ ITEM 2 - RAP92080 - REPLACES AP31651 HOSE ASSEMBLIES _____ ITEM 4 - RAP91554 (AP24641) ITEM 5 - RAP90320 (AP24634)</p>
MECHANISM AP32114 AP32115	<p><b>LATERAL ARM ROOM EXTENSION - 14.0" STROKE (WITH SYNCHRONIZING CYLINDER) - AP32113 KIT</b></p> <p><a href="#">SEE MR41.2825 FOR DRAWING AND PARTS INFORMATION.</a> CYLINDER ASSEMBLY _____ ITEM 1 - RAP91203 (6.150" STROKE) - REPLACES AP26255 SYNCHRONIZING CYLINDER _____ ITEM 3 - RAP91754 (1.485" STROKE) - REPLACES AP30957 TUBE KIT _____ ITEM 2 - RAP91226 - REPLACES AP27031 HOSE ASSEMBLIES _____ ITEM 4 - RAP90386 (AP24643) ITEM 5 - RAP91555 (AP26472)</p>

# ROOM EXTENSION ASSEMBLIES GUIDE PAGE "COUNTRY COACH" (PAGE 5 OF 5)

PROCEDURE: SEE "COUNTRY COACH" (PAGE 1 OF 5)

MECHANISM AP33316 AP33317	<b>UNIVERSAL SLIDE OUT ROOM EXTENSION - 24.0" STROKE (WITH SYNC. CYLINDER) - AP33652 KIT</b>  <b>SEE MR41.2680 FOR DRAWING AND PARTS INFORMATION.</b> CYLINDER ASSEMBLY _____ ITEM 1 - RAP91702 (34.0" STROKE) - REPLACES AP31461 SYNCHRONIZING CYLINDER _____ ITEM 3 - RAP90472 (9.685" STROKE) - REPLACES AP13224 TUBE KIT _____ ITEM 2 - RAP91703 - REPLACES AP31486 HOSE ASSEMBLIES _____ ITEM 4 - RAP90872 (AP24632) ITEM 5 - RAP91421 (AP24818)
MECHANISM AP33322 AP33323	<b>UNIVERSAL SLIDE OUT ROOM EXTENSION - 30.0" STROKE (WITH SYNC. CYLINDER) - AP33653 KIT</b>  <b>SEE MR41.2680 FOR DRAWING AND PARTS INFORMATION.</b> CYLINDER ASSEMBLY _____ ITEM 1 - RAP91702 (34.0" STROKE) - REPLACES AP31461 SYNCHRONIZING CYLINDER _____ ITEM 3 - RAP90473 (12.155" STROKE) - REPLACES AP13192 TUBE KIT _____ ITEM 2 - RAP91703 - REPLACES AP31486 HOSE ASSEMBLIES _____ ITEM 4 - RAP90872 (AP24632) ITEM 5 - RAP91421 (AP24818)
MECHANISM AP35102	<b>SINGLE CYLINDER ROOM EXTENSION - 24.0" STROKE - AP35101 KIT</b>  <b>SEE MR41.1100 FOR DRAWING AND PARTS INFORMATION.</b> CYLINDER ASSEMBLY _____ ITEM 1 - RAP91753 (25.0" STROKE) - REPLACES AP35069 HOSE ASSEMBLIES _____ ITEM 4 - RAP90871 (AP24628) ITEM 3 - RAP90872 (AP24632)
MECHANISM AP35190 AP35191	<b>UNIVERSAL SLIDE OUT ROOM EXTENSION - 20.0" STROKE (WITH SYNC. CYLINDER) - AP40629 KIT</b>  <b>SEE MR41.2680 FOR DRAWING AND PARTS INFORMATION.</b> CYLINDER ASSEMBLY _____ ITEM 1 - RAP91702 (34.0" STROKE) - REPLACES AP31461 SYNCHRONIZING CYLINDER _____ ITEM 3 - RAP92099 (7.010" STROKE) - REPLACES AP39221 TUBE KIT _____ ITEM 2 - RAP91703 - REPLACES AP31486 HOSE ASSEMBLIES _____ ITEM 4 - RAP91421 (AP24818) ITEM 5 - RAP90872 (AP24632)
MECHANISM AP35752 AP35753	<b>UNIVERSAL SLIDE OUT ROOM EXTENSION - 24.0" STROKE (WITH SYNC. CYLINDER) - AP35758 KIT</b>  <b>SEE MR41.2680 FOR DRAWING AND PARTS INFORMATION.</b> CYLINDER ASSEMBLY _____ ITEM 1 - RAP91702 (34.0" STROKE) - REPLACES AP31461 SYNCHRONIZING CYLINDER _____ ITEM 3 - RAP90472 (9.685" STROKE) - REPLACES AP13224 TUBE KIT _____ ITEM 2 - RAP91703 - REPLACES AP31486 HOSE ASSEMBLIES _____ ITEM 4 - RAP90872 (AP24632) ITEM 5 - RAP91421 (AP24818)
MECHANISM AP36362 AP36363	<b>UNIVERSAL LEVEL OUT ROOM EXTENSION - 30.0" STROKE (WITH SYNC. CYLINDER) - AP36361 KIT</b>  <b>SEE MR41.2683 FOR DRAWING AND PARTS INFORMATION.</b> CYLINDER ASSEMBLY _____ ITEM 1 - RAP91702 (34.0" STROKE) - REPLACES AP31461 LIFT CYLINDER ASSEMBLY _____ ITEM 10 - RAP91992 - REPLACES AP34390 (2.75" LIFT) SYNCHRONIZING CYLINDER _____ ITEM 3 - RAP90473 (12.155" STROKE) - REPLACES AP13192 TUBE KIT _____ ITEM 2 - RAP91703 - REPLACES AP31486 HOSE ASSEMBLIES _____ ITEM 4 - RAP90872 (AP24632) ITEM 5 - RAP91421 (AP24818) LIFT SYNCHRONIZING CYLINDER _____ ITEM 11 - RAP92473 - REPLACES AP34576 CENTER LIFT CYLINDER _____ ITEM 12 - RAP92279 - REPLACES AP35823
MECHANISM AP39962 AP39963	<b>LATERAL ARM ROOM EXTENSION - 13.0" STROKE (WITH SYNCHRONIZING CYLINDER) - AP39944 KIT</b>  <b>SEE MR41.2825 FOR DRAWING AND PARTS INFORMATION.</b> CYLINDER ASSEMBLY _____ ITEM 1 - RAP91203 (6.150" STROKE) - REPLACES AP26255 SYNCHRONIZING CYLINDER _____ ITEM 3 - RAP92477 (1.230" STROKE) - REPLACES AP40045 TUBE KIT _____ ITEM 2 - RAP91226 - REPLACES AP27031 HOSE ASSEMBLIES _____ ITEM 4 - RAP91422 (AP24819) ITEM 5 - RAP91433 (AP23738)
MECHANISM AP42164	<b>DECK ROOM EXTENSION - 26.0" STROKE (WITH SYNCHRONIZING CYLINDER) - AP41980 KIT</b>  CYLINDER ASSEMBLY _____ RAP92478 (26.5" STROKE) - REPLACES AP42461 SYNCHRONIZING CYLINDER _____ RAP92469 (9.130" STROKE) - REPLACES AP39275 HOSE ASSEMBLIES _____ RAP91422 (AP24819) RAP91241 (AP25086) MANUAL RETRACT SCREW _____ RAP91643 - REPLACES AP29770

# ROOM EXTENSION ASSEMBLIES GUIDE PAGE "COWBOY CUSTOMS"

**PROCEDURE:**

1. Locate the HWH identification tag on the room extension mechanism to get the correct room extension part number.
2. Find the correct room extension part number in the left column below.
3. Refer to the proper parts page for general replacement parts information and item number arrangements.
4. Two cylinder room extensions with a synchronizing cylinder have two room extension part numbers. One is for the left assembly, one is for the right assembly. If the room extension assembly originally had one number, that number is listed with the new numbers.

<b>MECHANISM</b> <b>AP38251</b> <b>AP38252</b>	<b>UNIVERSAL STRAIGHT OUT - 30.0" STROKE (WITH SYNCHRONIZING CYLINDER) - AP42762 KIT</b>  <b>SEE MR41.2685 FOR DRAWING AND PARTS INFORMATION.</b> <b>CYLINDER ASSEMBLY</b> _____ <b>ITEM 1 - RAP92076 (30.5" STROKE) - REPLACES AP38072</b> <b>SYNCHRONIZING CYLINDER</b> _____ <b>ITEM 3 - RAP92077 (10.540" STROKE) - REPLACES AP37881</b> <b>TUBE KIT</b> _____ <b>ITEM 2 - RAP92079 - REPLACES AP38267</b> <b>HOSE ASSEMBLIES</b> _____ <b>ITEM 4 - RAP90872 (AP24632) ITEM 5 - RAP91421 (AP24818)</b>
--	--

# ROOM EXTENSION ASSEMBLIES GUIDE PAGE "CRAFTSMEN INDUSTRIES, INC."

**PROCEDURE:**

1. Locate the HWH identification tag on the room extension mechanism to get the correct room extension part number.
2. Find the correct room extension part number in the left column below.
3. Refer to the proper parts page for general replacement parts information and item number arrangements.
4. Two cylinder room extensions with a synchronizing cylinder have two room extension part numbers. One is for the left assembly, one is for the right assembly. If the room extension assembly originally had one number, that number is listed with the new numbers.

<b>MECHANISM AP14511</b>	<b>FOUR CYLINDER LIFT - 48.0" STROKE (WITH SYNCHRONIZING CYLINDER) - AP14503 KIT</b>  <b>CYLINDER ASSEMBLY</b> _____ AP14511 (48.0" STROKE) - CONTACT HWH CORPORATION <b>SYNCHRONIZING CYLINDER</b> _____ RAP90728 (7.690" STROKE) - REPLACES AP14233 <a href="#">SEE MR41.8005 FOR ADDITIONAL SYNC CYL REPLACEMENT PARTS</a>
<b>MECHANISM AP14803</b>	<b>SINGLE CYLINDER LIFT - 24.0" STROKE - AP14504 KIT</b>  <b>CYLINDER ASSEMBLY</b> _____ AP14803 (24.0" STROKE) - CONTACT HWH CORPORATION
<b>MECHANISM AP38251 AP38252</b>	<b>UNIVERSAL STRAIGHT OUT - 30.0" STROKE (WITH SYNCHRONIZING CYLINDER) - AP41828 KIT</b>  <a href="#">SEE MR41.2685 FOR DRAWING AND PARTS INFORMATION.</a> <b>CYLINDER ASSEMBLY</b> _____ ITEM 1 - RAP92076 (30.5" STROKE) - REPLACES AP38072 <b>SYNCHRONIZING CYLINDER</b> _____ ITEM 3 - RAP92077 (10.540" STROKE) - REPLACES AP37881 <b>TUBE KIT</b> _____ ITEM 2 - RAP92079 - REPLACES AP38267 <b>HOSE ASSEMBLIES</b> _____ ITEM 4 - RAP90872 (AP24632) ITEM 5 - RAP91421 (AP24818)



# ROOM EXTENSION ASSEMBLIES GUIDE PAGE "CT COACHWORKS"

**PROCEDURE:**

1. Locate the HWH identification tag on the room extension mechanism to get the correct room extension part number.
2. Find the correct room extension part number in the left column below.
3. Refer to the proper parts page for general replacement parts information and item number arrangements.
4. Two cylinder room extensions with a synchronizing cylinder have two room extension part numbers. One number is for the left assembly, one is for the right assembly. If the room extension assembly originally had one number, that number is listed with the new numbers.

MECHANISM AP29489 AP29490	<b>DUAL CYLINDER ROOM EXTENSION - 33.0" STROKE (WITH SYNCHRONIZING CYLINDER) - AP29488 KIT</b>  <a href="#">SEE MR41.2020 FOR DRAWING AND PARTS INFORMATION.</a> CYLINDER ASSEMBLY _____ ITEM 1 - RAP91794 (33.5" STROKE) - REPLACES AP32245 SYNCHRONIZING CYLINDER _____ ITEM 3 - RAP91793 (13.490" STROKE) - REPLACES AP30664 TUBE KIT _____ ITEM 4 - RAP90480 - REPLACES AP13252
MECHANISM AP33857	<b>CYLINDER ASSEMBLY - 36.5" STROKE</b>  CYLINDER ASSEMBLY _____ RAP92489 (36.5" STROKE) - REPLACES AP33856 TUBE KIT _____ RAP90480 - REPLACES AP13252
MECHANISM AP34879 AP34880	<b>DUAL CYLINDER ROOM EXTENSION - 33.0" STROKE (WITH SYNCHRONIZING CYLINDER) - AP34878 KIT</b>  NO INFORMATION AVAILABLE
MECHANISM AP35277 AP35278	<b>DUAL CYLINDER ROOM EXTENSION - 33.0" STROKE (WITH SYNCHRONIZING CYLINDER) - AP35276 KIT</b>  <a href="#">SEE MR41.2020 FOR DRAWING AND PARTS INFORMATION.</a> CYLINDER ASSEMBLY _____ ITEM 1 - RAP91795 (33.5" STROKE) - REPLACES AP37597 SYNCHRONIZING CYLINDER _____ ITEM 3 - RAP91793 (13.490" STROKE) - REPLACES AP30664 TUBE KIT _____ ITEM 4 - RAP91024 - REPLACES AP26587
MECHANISM AP40932	<b>SINGLE CYLINDER ROOM EXTENSION - 24.0" STROKE (GUIDED) - AP40931 KIT</b>  <a href="#">SEE MR41.1100 FOR DRAWING AND PARTS INFORMATION.</a> CYLINDER ASSEMBLY _____ ITEM 1 - RAP91021 (27.0" STROKE) - REPLACES AP28682 HOSE ASSEMBLIES _____ ITEM 3 - RAP90872 (AP24632) ITEM 4 - RAP90871 (AP24628)
MECHANISM AP38900 AP38901	<b>UNIVERSAL STRAIGHT OUT - 24.0" STROKE (WITH SYNCHRONIZING CYLINDER) - AP49568 KIT</b>  <a href="#">SEE MR41.2685 FOR DRAWING AND PARTS INFORMATION.</a> CYLINDER ASSEMBLY _____ ITEM 1 - RAP92076 - REPLACES AP38072 (30.5" STROKE) SYNCHRONIZING CYLINDER _____ ITEM 3 - RAP92275 - REPLACES AP39271 (8.420" STROKE) TUBE KIT _____ ITEM 2 - RAP92079 - REPLACES AP38267 HOSE ASSEMBLIES _____ ITEM 4 - RAP90872 (AP24632) ITEM 5 - RAP91421 (AP24818)

# ROOM EXTENSION ASSEMBLIES GUIDE PAGE "CUSTOM CONVERSIONS"

**PROCEDURE:**

1. Locate the HWH identification tag on the room extension mechanism to get the correct room extension part number.
2. Find the correct room extension part number in the left column below.
3. Refer to the proper parts page for general replacement parts information and item number arrangements.
4. Two cylinder room extensions with a synchronizing cylinder have two room extension part numbers. One is for the left assembly, one is for the right assembly. If the room extension assembly originally had one number, that number is listed with the new numbers.

<b>MECHANISM</b> <b>AP38251</b> <b>AP38252</b>	<b>UNIVERSAL STRAIGHT OUT - 30.0" STROKE (WITH SYNCHRONIZING CYLINDER) - AP39136 KIT</b>
	<b>SEE MR41.2685 FOR DRAWING AND PARTS INFORMATION.</b>
	<b>CYLINDER ASSEMBLY</b> _____ <b>ITEM 1 - RAP92076 (30.5" STROKE) - REPLACES AP38072</b>
	<b>SYNCHRONIZING CYLINDER</b> _____ <b>ITEM 3 - RAP92077 (10.540" STROKE) - REPLACES AP37881</b>
	<b>TUBE KIT</b> _____ <b>ITEM 2 - RAP92079 - REPLACES AP38267</b>
	<b>HOSE ASSEMBLIES</b> _____ <b>ITEM 4 - RAP90872 (AP24632) ITEM 5 - RAP91421 (AP24818)</b>



# ROOM EXTENSION ASSEMBLIES GUIDE PAGE "CUSTOM FIRE APPARATUS"

**PROCEDURE:**

1. Locate the HWH identification tag on the room extension mechanism to get the correct room extension part number.
2. Find the correct room extension part number in the left column below.
3. Refer to the proper parts page for general replacement parts information and item number arrangements.
4. Two cylinder room extensions with a synchronizing cylinder have two room extension part numbers. One number is for the left assembly, one is for the right assembly. If the room extension assembly originally had one number, that number is listed with the new numbers.

<b>MECHANISM</b> <b>AP40006</b> <b>AP40007</b>	<b>UNIVERSAL STRAIGHT OUT - 20.0" STROKE (WITH SYNCHRONIZING CYLINDER) - AP45698 KIT</b>
	<b>SEE MR41.2685 FOR DRAWING AND PARTS INFORMATION.</b>
	<b>CYLINDER ASSEMBLY</b> _____ <b>ITEM 1 - RAP92076 (30.5" STROKE) - REPLACES AP38072</b>
	<b>SYNCHRONIZING CYLINDER</b> _____ <b>ITEM 3 - RAP92099 (7.010" STROKE) - REPLACES AP39221</b>
	<b>TUBE KIT</b> _____ <b>ITEM 2 - RAP92079 - REPLACES AP38267</b>
	<b>HOSE ASSEMBLIES</b> _____ <b>ITEM 4 - RAP90872 (AP24632) ITEM 5 - RAP91421 (AP24818)</b>

# ROOM EXTENSION ASSEMBLIES GUIDE PAGE "CUSTOM TRAILERWERKS"

**PROCEDURE:**

1. Locate the HWH identification tag on the room extension mechanism to get the correct room extension part number.
2. Find the correct room extension part number in the left column below.
3. Refer to the proper parts page for general replacement parts information and item number arrangements.
4. Two cylinder room extensions with a synchronizing cylinder have two room extension part numbers. One number is for the left assembly, one is for the right assembly. If the room extension assembly originally had one number, that number is listed with the new numbers.

MECHANISM AP21070 AP21071	<b>DUAL CYLINDER ROOM EXTENSION - 30.0" STROKE (WITH SYNCHRONIZING CYLINDER) - AP33212 KIT</b>  <a href="#">SEE MR41.2011 FOR DRAWING AND PARTS INFORMATION.</a> CYLINDER ASSEMBLY _____ ITEM 1 - RAP90629 (30.5" STROKE) - REPLACES AP17365 SYNCHRONIZING CYLINDER _____ ITEM 3 - RAP90473 (12.155" STROKE) - REPLACES AP13192 TUBE KIT _____ ITEM 2 - RAP90480 - REPLACES AP13252
MECHANISM AP21881 AP21882	<b>DUAL CYLINDER ROOM EXTENSION - 24.0" STROKE (WITH SYNCHRONIZING CYLINDER) - AP31457 KIT</b>  <a href="#">SEE MR41.2005 FOR DRAWING AND PARTS INFORMATION.</a> CYLINDER ASSEMBLY _____ ITEM 1 - RAP90484 (24.5" STROKE) - REPLACES AP15252 SYNCHRONIZING CYLINDER _____ ITEM 3 - RAP90472 (9.685" STROKE) - REPLACES AP13224 TUBE KIT _____ ITEM 2 - RAP90480 - REPLACES AP13252
MECHANISM AP25518 AP25519	<b>DUAL CYLINDER ROOM EXTENSION - 42.0" STROKE (WITH SYNCHRONIZING CYLINDER) - AP25517 KIT</b>  <a href="#">SEE MR41.2011 FOR DRAWING AND PARTS INFORMATION.</a> CYLINDER ASSEMBLY _____ ITEM 1 - RAP90477 (43.0" STROKE) - REPLACES AP15668 SYNCHRONIZING CYLINDER _____ ITEM 3 - RAP90447 (17.100" STROKE) - REPLACES AP15687 TUBE KIT _____ ITEM 2 - RAP90481 - REPLACES AP15379
MECHANISM AP27514	<b>CYLINDER KIT - 17.0" STROKE - AP27719 KIT</b>  CYLINDER ASSEMBLY _____ RAP92482 (17.0" STROKE) - REPLACES AP27514 TUBE KIT _____ RAP92483 - REPLACES AP27673
MECHANISM AP28421	<b>CYLINDER KIT / FLOOR - 7.385" STROKE - AP28420 KIT</b>  CYLINDER ASSEMBLY _____ RAP92481 (7.385" STROKE) - REPLACES AP28421
CYLINDER AP29805	RAP92479 (30.0" STROKE) - REPLACES AP29805 TUBE KIT _____ RAP92480 - REPLACES AP20193
MECHANISM AP27970 AP27971	<b>DUAL CYLINDER ROOM EXTENSION - 65.0" STROKE - AP27969 KIT</b>  <a href="#">SEE MR41.2005 FOR DRAWING AND PARTS INFORMATION.</a> CYLINDER ASSEMBLY _____ ITEM 1 - RAP91796 (66.0" STROKE) - REPLACES AP28061 TUBE KIT _____ ITEM 2 - RAP91797 - REPLACES AP28182
MECHANISM AP34811 AP34812	<b>DUAL CYLINDER ROOM EXTENSION - 69.0" STROKE (WITH SYNCHRONIZING CYLINDER) - AP34810 KIT</b>  <a href="#">SEE MR41.2011 FOR DRAWING AND PARTS INFORMATION.</a> CYLINDER ASSEMBLY _____ ITEM 1 - RAP91784 (70.0" STROKE) - REPLACES AP34827 SYNCHRONIZING CYLINDER _____ ITEM 3 - RAP91798 (26.570" STROKE) - REPLACES AP34839 TUBE KIT _____ ITEM 2 - RAP91785 - REPLACES AP34828

# ROOM EXTENSION ASSEMBLIES GUIDE PAGE "CUSTOM TRANSPORTERS, INC."

**PROCEDURE:**

1. Locate the HWH identification tag on the room extension mechanism to get the correct room extension part number.
2. Find the correct room extension part number in the left column below.
3. Refer to the proper parts page for general replacement parts information and item number arrangements.
4. Two cylinder room extensions with a synchronizing cylinder have two room extension part numbers. One number is for the left assembly, one is for the right assembly. If the room extension assembly originally had one number, that number is listed with the new numbers.

<b>MECHANISM AP18902</b>	<b>SINGLE CYLINDER ROOM EXTENSION - 24.0" STROKE - AP37768 KIT</b>  <a href="#">SEE MR41.1100 FOR DRAWING AND PARTS INFORMATION.</a> <b>CYLINDER ASSEMBLY</b> _____ ITEM 1 - RAP91021 (27.0" STROKE) - REPLACES AP28682 <b>HOSE ASSEMBLIES</b> _____ ITEM 3 - RAP91750 (AP13842) ITEM 4 - RAP91751 (AP16434)
<b>MECHANISM AP22227 AP22228</b>	<b>DUAL CYLINDER ROOM EXTENSION - 36.0" STROKE (WITH SYNCHRONIZING CYLINDER) - AP37769 KIT</b>  <a href="#">SEE MR41.2005 FOR DRAWING AND PARTS INFORMATION.</a> <b>CYLINDER ASSEMBLY</b> _____ ITEM 1 - RAP90518 (36.5" STROKE) REPLACES - AP15251 <b>SYNCHRONIZING CYLINDER</b> _____ ITEM 3 - RAP90474 (14.630" STROKE) - REPLACES AP12484 <b>TUBE KIT</b> _____ ITEM 2 - RAP90480 - REPLACES AP13252

# ROOM EXTENSION ASSEMBLIES GUIDE PAGE "CUSTOM TRUCK & BODY WORK"

**PROCEDURE:**

1. Locate the HWH identification tag on the room extension mechanism to get the correct room extension part number.
2. Find the correct room extension part number in the left column below.
3. Refer to the proper parts page for general replacement parts information and item number arrangements.
4. Two cylinder room extensions with a synchronizing cylinder have two room extension part numbers. One is for the left assembly, one is for the right assembly. If the room extension assembly originally had one number, that number is listed with the new numbers.

<b>MECHANISM</b> <b>AP38251</b> <b>AP38252</b>	<b>UNIVERSAL STRAIGHT OUT - 30.0" STROKE (WITH SYNCHRONIZING CYLINDER) - AP43681 KIT</b>  <b>SEE MR41.2685 FOR DRAWING AND PARTS INFORMATION.</b> <b>CYLINDER ASSEMBLY</b> _____ ITEM 1 - RAP92076 (30.5" STROKE) - REPLACES AP38072 <b>SYNCHRONIZING CYLINDER</b> _____ ITEM 3 - RAP92077 (10.540" STROKE) - REPLACES AP37881 <b>TUBE KIT</b> _____ ITEM 2 - RAP92079 - REPLACES AP38267 <b>HOSE ASSEMBLIES</b> _____ ITEM 4 - RAP90872 (AP24632) ITEM 5 - RAP91421 (AP24818)
<b>MECHANISM</b> <b>AP40753</b> <b>AP40754</b>	<b>UNIVERSAL LEVEL OUT - 30.0" STROKE (WITH SYNCHRONIZING CYLINDER) - AP45673 KIT</b>  <b>SEE MR41.2690 FOR DRAWING AND PARTS INFORMATION.</b> <b>CYLINDER ASSEMBLY</b> _____ ITEM 1 - RAP92076 (30.5" STROKE) - REPLACES AP38072 <b>LIFT CYLINDER ASSEMBLY</b> _____ ITEM 14 - RAP92261 (3.50" LIFT) - REPLACES AP40746 <b>SYNCHRONIZING CYLINDER</b> _____ ITEM 3 - RAP92077 (10.540" STROKE) - REPLACES AP37881 <b>LIFT SYNCHRONIZING CYLINDER</b> _____ ITEM 15 - RAP92503 - REPLACES AP40832 <b>TUBE KIT</b> _____ ITEM 2 - RAP92079 - REPLACES AP38267 <b>HOSE ASSEMBLIES</b> _____ ITEM 4 - RAP90872 (AP24632) ITEM 5 - RAP91421 (AP24818)

# ROOM EXTENSION ASSEMBLIES GUIDE PAGE "DAC MANUFACTURING"

**PROCEDURE:**

1. Locate the HWH identification tag on the room extension mechanism to get the correct room extension part number.
2. Find the correct room extension part number in the left column below.
3. Refer to the proper parts page for general replacement parts information and item number arrangements.
4. Two cylinder room extensions with a synchronizing cylinder have two room extension part numbers. One is for the left assembly, one is for the right assembly. If the room extension assembly originally had one number, that number is listed with the new numbers.

<b>MECHANISM</b> <b>AP38251</b> <b>AP38252</b>	<b>UNIVERSAL STRAIGHT OUT - 30.0" STROKE (WITH SYNCHRONIZING CYLINDER) - AP43179 KIT</b>  <b>SEE MR41.2685 FOR DRAWING AND PARTS INFORMATION.</b> <b>CYLINDER ASSEMBLY</b> _____ <b>ITEM 1 - RAP92076 (30.5" STROKE) - REPLACES AP38072</b> <b>SYNCHRONIZING CYLINDER</b> _____ <b>ITEM 3 - RAP92077 (10.540" STROKE) - REPLACES AP37881</b> <b>TUBE KIT</b> _____ <b>ITEM 2 - RAP92079 - REPLACES AP38267</b> <b>HOSE ASSEMBLIES</b> _____ <b>ITEM 4 - RAP90872 (AP24632) ITEM 5 - RAP91421 (AP24818)</b>
--	--

# ROOM EXTENSION ASSEMBLIES GUIDE PAGE "DAMON"

**PROCEDURE:**

1. Locate the HWH identification tag on the room extension mechanism to get the correct room extension part number.
2. Find the correct room extension part number in the left column below.
3. Refer to the proper parts page for general replacement parts information and item number arrangements.
4. Two cylinder room extensions with a synchronizing cylinder have two room extension part numbers. One number is for the left assembly, one is for the right assembly. If the room extension assembly originally had one number, that number is listed with the new numbers.

MECHANISM AP14701 AP14702	<b>VERTICAL ARM ROOM EXTENSION (WITH SYNCHRONIZING CYLINDER)</b>  <a href="#">SEE MR41.2500 FOR DRAWING AND PARTS INFORMATION.</a> CYLINDER ASSEMBLY _____ ITEM 1 - RAP90324 (7.95" STROKE) - REPLACES AP11097 SYNCHRONIZING CYLINDER _____ ITEM 6 - RAP90326 (3.165" STROKE) - REPLACES AP11360 HOSE ASSEMBLIES _____ ITEM 4 - RAP90428 (AP24642) ITEM 5 - RAP90428 (AP24642)
MECHANISM AP29220 AP29221	<b>X-SLIDE ROOM EXTENSION - 40.0" STROKE (WITH SYNCHRONIZING CYLINDER) - AP30075 KIT</b>  <a href="#">SEE MR41.2670 FOR DRAWING AND PARTS INFORMATION.</a> CYLINDER ASSEMBLY _____ ITEM 1 - RAP91772 (18.10" STROKE) - REPLACES AP30151 SYNCHRONIZING CYLINDER _____ ITEM 3 - RAP90439 (7.210" STROKE) - REPLACES AP16618 TUBE KIT _____ ITEM 2 - RAP91773 - REPLACES AP30156 HOSE ASSEMBLIES _____ ITEM 4 - RAP90800 (AP24640) ITEM 5 - RAP91553 (AP27857)
MECHANISM AP30052 AP30053	<b>X-SLIDE ROOM EXTENSION - 18.0" STROKE (WITH SYNCHRONIZING CYLINDER) - AP30051 KIT</b>  <a href="#">SEE MR41.2670 FOR DRAWING AND PARTS INFORMATION.</a> CYLINDER ASSEMBLY _____ ITEM 1 - RAP91007 (8.10" STROKE) REPLACES - AP27723 SYNCHRONIZING CYLINDER _____ ITEM 3 - RAP91006 (2.970" STROKE) REPLACES - AP27302 HOSE ASSEMBLIES _____ ITEM 4 - RAP90800 (AP24640) ITEM 5 - RAP91553 (AP27857)
MECHANISM AP30055	<b>SINGLE CYLINDER ROOM EXTENSION - 30.0" STROKE - AP30054 KIT</b>  <a href="#">SEE MR41.1100 FOR DRAWING AND PARTS INFORMATION.</a> CYLINDER ASSEMBLY _____ ITEM 1 - RAP91805 (31.0" STROKE) - REPLACES AP28687 HOSE ASSEMBLIES _____ ITEM 3 - RAP90782 (AP24632) ITEM 4 - RAP90781 (AP24628)
MECHANISM AP30057 AP30058	<b>LATERAL ARM ROOM EXTENSION - 17.5" STROKE (WITH TORSION BAR) - AP30056 KIT</b>  <a href="#">SEE MR41.2825 FOR DRAWING AND PARTS INFORMATION.</a> CYLINDER ASSEMBLY _____ ITEM 1 - RAP91203 (6.150" STROKE) - REPLACES AP26255 TUBE KIT _____ ITEM 2 - RAP91226 - REPLACES AP27031 HOSE ASSEMBLIES _____ ITEM 4 - RAP91574 (AP24627) ITEM 5 - RAP91574 (AP24627)
MECHANISM AP30060	<b>SINGLE CYLINDER ROOM EXTENSION - 18.5" STROKE - AP30059 KIT</b>  <a href="#">SEE MR41.1100 FOR DRAWING AND PARTS INFORMATION.</a> CYLINDER ASSEMBLY _____ ITEM 1 - RAP91021 (27.0" STROKE) - REPLACES AP28682 HOSE ASSEMBLIES _____ ITEM 3 - RAP90872 (AP24632) ITEM 4 - RAP90871 (AP24628)
MECHANISM AP31643 AP31644	<b>UNIVERSAL FLAT OUT ROOM EXTENSION - 30.0" STROKE - AP31642 KIT</b>  NO INFORMATION AVAILABLE

# ROOM EXTENSION ASSEMBLIES GUIDE PAGE "DAVIES MOTOR CO."

**PROCEDURE:**

1. Locate the HWH identification tag on the room extension mechanism to get the correct room extension part number.
2. Find the correct room extension part number in the left column below.
3. Refer to the proper parts page for general replacement parts information and item number arrangements.
4. Two cylinder room extensions with a synchronizing cylinder have two room extension part numbers. One number is for the left assembly, one is for the right assembly. If the room extension assembly originally had one number, that number is listed with the new numbers.

<b>MECHANISM</b> <b>AP21258</b> <b>AP21259</b>	<b>VERTICAL ARM ROOM EXTENSION - 20.0" STROKE (WITH SYNC. CYLINDER) - AP21257 AND AP21260 KITS</b>  <b>SEE MR41.2505 FOR DRAWING AND PARTS INFORMATION.</b> <b>CYLINDER ASSEMBLY</b> _____ ITEM 1 - RAP90324 (7.950" STROKE) - REPLACES AP11097 <b>SYNCHRONIZING CYLINDER</b> _____ ITEM 6 - RAP90326 (3.165" STROKE) - REPLACES AP11360 <b>HOSE ASSEMBLIES</b> _____ ITEM 4 - RAP90945 (AP18016) ITEM 5 - RAP91752 (AP14062)
--	--

---

# ROOM EXTENSION ASSEMBLIES GUIDE PAGE "DOMINATOR INTERNATIONAL LIMITED"

---

**PROCEDURE:**

1. Locate the HWH identification tag on the room extension mechanism to get the correct room extension part number.
2. Find the correct room extension part number in the left column below.
3. Refer to the proper parts page for general replacement parts information and item number arrangements.
4. Two cylinder room extensions with a synchronizing cylinder have two room extension part numbers. One is for the left assembly, one is for the right assembly. If the room extension assembly originally had one number, that number is listed with the new numbers.

<b>MECHANISM AP28065</b>	<b>STEP COVER KIT - 25.0" STROKE - AP28054 KIT</b>
	<b>CYLINDER ASSEMBLY _____ RAP92492 (25.5" STROKE) - REPLACES AP28065</b>
<b>MECHANISM AP28066</b>	<b>STEP COVER KIT - 30.0" STROKE - AP25366 KIT</b>
	<b>CYLINDER ASSEMBLY _____ AP28066 (30.0" STROKE) - CONTACT HWH CORPORATION</b>
<b>MECHANISM AP28223</b>	<b>GENERATOR EXTENSION - 26.0" STROKE - AP25365 KIT</b>
	<b>NO INFORMATION AVAILABLE</b>



# ROOM EXTENSION ASSEMBLIES GUIDE PAGE "DOUBLE D DISTRIBUTORS"

**PROCEDURE:**

1. Locate the HWH identification tag on the room extension mechanism to get the correct room extension part number.
2. Find the correct room extension part number in the left column below.
3. Refer to the proper parts page for general replacement parts information and item number arrangements.
4. Two cylinder room extensions with a synchronizing cylinder have two room extension part numbers. One number is for the left assembly, one is for the right assembly. If the room extension assembly originally had one number, that

<b>MECHANISM</b> <b>AP32014</b> <b>AP32015</b>	<b>X-SLIDE ROOM EXTENSION - 30.75" STROKE (WITH SYNCHRONIZING CYLINDER) - AP36883 KIT</b>  <b>SEE MR41.2670 FOR DRAWING AND PARTS INFORMATION.</b> <b>CYLINDER ASSEMBLY</b> _____ ITEM 1 - RAP91352 - REPLACES AP27513 (13.90" STROKE) <b>SYNCHRONIZING CYLINDER</b> _____ ITEM 3 - RAP90725 - REPLACES AP15043 (5.460" STROKE) <b>TUBE KIT</b> _____ ITEM 2 - RAP91229 - REPLACES AP27587 <b>HOSE ASSEMBLIES</b> _____ ITEM 4 - RAP91574 (AP24627) ITEM 4 - RAP91573 (AP32672)
<b>MECHANISM</b> <b>AP38251</b> <b>AP38252</b>	<b>UNIVERSAL STRAIGHT OUT - 30.0" STROKE (WITH SYNCHRONIZING CYLINDER) - AP39564 KIT</b>  <b>SEE MR41.2685 FOR DRAWING AND PARTS INFORMATION.</b> <b>CYLINDER ASSEMBLY</b> _____ ITEM 1 - RAP92076 - REPLACES AP38072 (30.5" STROKE) <b>SYNCHRONIZING CYLINDER</b> _____ ITEM 3 - RAP92077 - REPLACES AP37881 (10.540" STROKE) <b>TUBE KIT</b> _____ ITEM 2 - RAP92079 - REPLACES AP38267 <b>HOSE ASSEMBLIES</b> _____ ITEM 4 - RAP90872 (AP24632) ITEM 5 - RAP91421 (AP24818)

# ROOM EXTENSION ASSEMBLIES GUIDE PAGE "DREAM COACH TRAILER CO."

**PROCEDURE:**

1. Locate the HWH identification tag on the room extension mechanism to get the correct room extension part number.
2. Find the correct room extension part number in the left column below.
3. Refer to the proper parts page for general replacement parts information and item number arrangements.
4. Two cylinder room extensions with a synchronizing cylinder have two room extension part numbers. One number is for the left assembly, one is for the right assembly. If the room extension assembly originally had one number, that number is listed with the new numbers.

<b>MECHANISM</b> <b>AP32014</b> <b>AP32015</b>	<b>X-SLIDE ROOM EXTENSION - 30.75" STROKE (WITH SYNCHRONIZING CYLINDER) - AP32013 KIT</b>  <b>SEE MR41.2670 FOR DRAWING AND PARTS INFORMATION.</b> <b>CYLINDER ASSEMBLY</b> _____ ITEM 1 - RAP91352 - REPLACES AP27513 (13.90" STROKE) <b>SYNCHRONIZING CYLINDER</b> _____ ITEM 3 - RAP90725 - REPLACES AP15043 (5.460" STROKE) <b>TUBE KIT</b> _____ ITEM 2 - RAP91229 - REPLACES AP27587 <b>HOSE ASSEMBLIES</b> _____ ITEM 4 - RAP91574 (AP24627) ITEM 4 - RAP91573 (AP32672)
<b>MECHANISM</b> <b>AP34239</b>	<b>UNIVERSAL STRAIGHT OUT - 30.0" STROKE (WITH SYNCHRONIZING CYLINDER) - AP39224 KIT</b>  <b>SEE MR41.2680 FOR DRAWING AND PARTS INFORMATION.</b> <b>CYLINDER ASSEMBLY</b> _____ ITEM 1 - RAP91702 - REPLACES AP31461 (34.0" STROKE) <b>SYNCHRONIZING CYLINDER</b> _____ ITEM 3 - RAP90473 - REPLACES AP13192 (12.155" STROKE) <b>TUBE KIT</b> _____ ITEM 2 - RAP91703 - REPLACES AP31486 <b>HOSE ASSEMBLIES</b> _____ ITEM 4 - RAP90872 (AP24632) ITEM 5 - RAP91421 (AP24818)
<b>MECHANISM</b> <b>AP38251</b> <b>AP38252</b>	<b>UNIVERSAL STRAIGHT OUT - 30.0" STROKE (WITH SYNCHRONIZING CYLINDER) - AP39194 KIT</b>  <b>SEE MR41.2685 FOR DRAWING AND PARTS INFORMATION.</b> <b>CYLINDER ASSEMBLY</b> _____ ITEM 1 - RAP92076 - REPLACES AP38072 (30.5" STROKE) <b>SYNCHRONIZING CYLINDER</b> _____ ITEM 3 - RAP92077 - REPLACES AP37881 (10.540" STROKE) <b>TUBE KIT</b> _____ ITEM 2 - RAP92079 - REPLACES AP38267 <b>HOSE ASSEMBLIES</b> _____ ITEM 4 - RAP90872 (AP24632) ITEM 5 - RAP91421 (AP24818)
<b>MECHANISM</b> <b>AP39645</b> <b>AP39646</b>	<b>UNIVERSAL STRAIGHT OUT - 26.0" STROKE (WITH SYNCHRONIZING CYLINDER) - AP42965 KIT</b>  <b>SEE MR41.2685 FOR DRAWING AND PARTS INFORMATION.</b> <b>CYLINDER ASSEMBLY</b> _____ ITEM 1 - RAP92076 - REPLACES AP38072 (30.5" STROKE) <b>SYNCHRONIZING CYLINDER</b> _____ ITEM 3 - RAP92469 - REPLACES AP39275 (9.130" STROKE) <b>TUBE KIT</b> _____ ITEM 2 - RAP92079 - REPLACES AP38267 <b>HOSE ASSEMBLIES</b> _____ ITEM 4 - RAP90872 (AP24632) ITEM 5 - RAP91421 (AP24818)

# ROOM EXTENSION ASSEMBLIES GUIDE PAGE "DYNAMAX CORPORATION" (PAGE 1 OF 2)

**PROCEDURE:**

1. Locate the HWH identification tag on the room extension mechanism to get the correct room extension part number.
2. Find the correct room extension part number in the left column below.
3. Refer to the proper parts page for general replacement parts information and item number arrangements.
4. Two cylinder room extensions with a synchronizing cylinder have two room extension part numbers. One number is for the left assembly, one is for the right assembly. If the room extension assembly originally had one number, that number is listed with the new numbers.

<b>MECHANISM AP33435</b>	<b>DUAL CYLINDER ROOM EXTENSION - 36.0" STROKE (WITH SYNCHRONIZING CYLINDER) - AP33434 KIT</b>  <b>SEE MR41.2005 FOR DRAWING AND PARTS INFORMATION.</b> CYLINDER ASSEMBLY _____ ITEM 1 - RAP91799 (36.5" STROKE) - REPLACES AP23577 SYNCHRONIZING CYLINDER _____ ITEM 3 - RAP90474 (14.630" STROKE) - REPLACES AP12484 TUBE KIT _____ ITEM 2 - RAP90480 - REPLACES AP13252
<b>MECHANISM AP36570</b>	<b>DUAL CYLINDER ROOM EXTENSION - 14.0" STROKE (WITH SYNCHRONIZING CYLINDER) - AP36569 KIT</b>  <b>SEE MR41.2005 FOR DRAWING AND PARTS INFORMATION.</b> CYLINDER ASSEMBLY _____ ITEM 1 - RAP91800 (14.5" STROKE) - REPLACES AP36644 SYNCHRONIZING CYLINDER _____ ITEM 3 - RAP90453 (5.605" STROKE) - REPLACES AP15274 TUBE KIT _____ ITEM 2 - RAP90480 - REPLACES AP13252
<b>MECHANISM AP37696 AP37697</b>	<b>DUAL CYLINDER ROOM EXTENSION - 36.0" STROKE (WITH SYNCHRONIZING CYLINDER) - AP37690 KIT</b>  <b>SEE MR41.2003 FOR DRAWING AND PARTS INFORMATION.</b> CYLINDER ASSEMBLY _____ ITEM 1 - RAP91799 (36.5" STROKE) - REPLACES AP23577 SYNCHRONIZING CYLINDER _____ ITEM 3 - RAP90474 (14.630" STROKE) - REPLACES AP12484 TUBE KIT _____ ITEM 2 - RAP90480 - REPLACES AP13252
<b>MECHANISM AP37754</b>	<b>SINGLE CYLINDER ROOM EXTENSION - 24.0" STROKE - AP37691 KIT</b>  <b>SEE MR41.1100 FOR DRAWING AND PARTS INFORMATION.</b> CYLINDER ASSEMBLY _____ ITEM 1 - RAP91021 (27.0" STROKE) - REPLACES AP28682 HOSE ASSEMBLIES _____ ITEM 3 - RAP90871 (AP24628) ITEM 4 - RAP90872 (AP24632)
<b>MECHANISM AP37978</b>	<b>SINGLE CYLINDER GENERATOR EXTENSION - 20.0" STROKE - AP37692 KIT</b>  CYLINDER ASSEMBLY _____ RAP92484 (20.5" STROKE) - REPLACES AP37979 TUBE KIT _____ RAP91023 - REPLACES AP27998
<b>MECHANISM AP39473 AP39474</b>	<b>UNIVERSAL STRAIGHT OUT - 14.0" STROKE (WITH SYNCHRONIZING CYLINDER) - AP39472 KIT</b>  <b>SEE MR41.2685 FOR DRAWING AND PARTS INFORMATION.</b> CYLINDER ASSEMBLY _____ ITEM 1 - RAP92075 (20.5" STROKE) - REPLACES AP39251 SYNCHRONIZING CYLINDER _____ ITEM 3 - RAP92485 (4.880" STROKE) - REPLACES AP39469 TUBE KIT _____ ITEM 2 - RAP92092 - REPLACES AP39321 HOSE ASSEMBLIES _____ ITEM 4 - RAP91566 (AP24631) ITEM 5 - RAP91568 (AP24637)
<b>MECHANISM AP39847 AP39848</b>	<b>UNIVERSAL STRAIGHT OUT - 18.0" STROKE (WITH SYNCHRONIZING CYLINDER) - AP39846 KIT</b>  <b>SEE MR41.2685 FOR DRAWING AND PARTS INFORMATION.</b> CYLINDER ASSEMBLY _____ ITEM 1 - RAP92075 (20.5" STROKE) - REPLACES AP39251 SYNCHRONIZING CYLINDER _____ ITEM 3 - RAP92369 (6.300" STROKE)- REPLACES AP39267 TUBE KIT _____ ITEM 2 - RAP92092 - REPLACES AP39321 HOSE ASSEMBLIES _____ ITEM 4 - RAP91566 (AP24631) ITEM 5 - RAP91568 (AP24637)

**ROOM EXTENSION ASSEMBLIES  
GUIDE PAGE  
"DYNAMAX CORPORATION" (PAGE 2 OF 2)**

PROCEDURE: SEE "DYNAMAX CORPORATION" (PAGE 1 OF 2)

<b>MECHANISM AP41482</b>	<b>SINGLE CYLINDER ROOM EXTENSION - 24.0" STROKE - AP41481 KIT</b>  <b>SEE MR41.1100 FOR DRAWING AND PARTS INFORMATION.</b> CYLINDER ASSEMBLY _____ ITEM 1 - RAP91753 (25.0" STROKE) - REPLACES AP35069 HOSE ASSEMBLIES _____ ITEM 3 - RAP90871 (AP24628) ITEM 4 - RAP90872 (AP24632)
<b>MECHANISM AP42891</b>	<b>SINGLE CYLINDER ROOM EXTENSION - 18.0" STROKE - AP41113 KIT</b>  <b>SEE MR41.1200 FOR DRAWING AND PARTS INFORMATION.</b> CYLINDER ASSEMBLY _____ ITEM 1 - RAP92486 (18.5" STROKE) - REPLACES AP42892 TUBE KIT _____ ITEM 2 - RAP90526 - REPLACES AP13592
<b>MECHANISM AP42919</b>	<b>DUAL CYLINDER ROOM EXTENSION - 36.0" STROKE - AP39687 AND AP40681 KITS</b>  <b>SEE MR41.1200 FOR DRAWING AND PARTS INFORMATION.</b> CYLINDER ASSEMBLY _____ ITEM 1 - RAP92487 (36.5" STROKE) - REPLACES AP42920 SYNCHRONIZING CYLINDER _____ ITEM 3 - RAP90474 (14.630" STROKE) - REPLACES AP12484 TUBE KIT _____ ITEM 2 - RAP91024 - REPLACES AP26587
<b>MECHANISM AP47974</b>	<b>DUAL CYLINDER ROOM EXTENSION - 30.0" STROKE - AP47973 KIT</b>  <b>SEE MR41.1200 FOR DRAWING AND PARTS INFORMATION.</b> CYLINDER ASSEMBLY _____ ITEM 1 - RAP93217 (30.5" STROKE) - REPLACES AP48026 SYNCHRONIZING CYLINDER _____ ITEM 3 - RAP92077 (10.540" STROKE) - REPLACES AP37881 TUBE KIT _____ ITEM 2 - RAP91024 - REPLACES AP26587
<b>MECHANISM AP50384</b>	<b>DUAL CYLINDER ROOM EXTENSION - 36.0" STROKE - AP50383 KIT</b>  <b>SEE MR41.1200 FOR DRAWING AND PARTS INFORMATION.</b> CYLINDER ASSEMBLY _____ ITEM 1 - RAP92487 (36.5" STROKE) - REPLACES AP42920 SYNCHRONIZING CYLINDER _____ ITEM 3 - RAP93144 (12.670" STROKE) - REPLACES AP48733 TUBE KIT _____ ITEM 2 - RAP91024 - REPLACES AP26587

---

# ROOM EXTENSION ASSEMBLIES GUIDE PAGE "EAST COAST COACH & RV"

---

**PROCEDURE:**

1. Locate the HWH identification tag on the room extension mechanism to get the correct room extension part number.
2. Find the correct room extension part number in the left column below.
3. Refer to the proper parts page for general replacement parts information and item number arrangements.
4. Two cylinder room extensions with a synchronizing cylinder have two room extension part numbers. One number is for the left assembly, one is for the right assembly. If the room extension assembly originally had one number, that number is listed with the new numbers.

<b>MECHANISM</b> <b>AP38009</b> <b>AP38010</b>	<b>DUAL CYLINDER ROOM EXTENSION - 24.0" STROKE (WITH SYNCHRONIZING CYLINDER) - AP38753 KIT</b>  <b>SEE MR41.2005 FOR DRAWING AND PARTS INFORMATION.</b> <b>CYLINDER ASSEMBLY</b> _____ ITEM 1 - RAP90456 (24.5" STROKE) - REPLACES AP15344 <b>SYNCHRONIZING CYLINDER</b> _____ ITEM 3 - RAP90472 (9.685" STROKE) - REPLACES AP13224 <b>TUBE KIT</b> _____ ITEM 2 - RAP90480 - REPLACES AP13252
--	---

# ROOM EXTENSION ASSEMBLIES GUIDE PAGE "EASTWAY EMERGENCY VEHICLES"

**PROCEDURE:**

1. Locate the HWH identification tag on the room extension mechanism to get the correct room extension part number.
2. Find the correct room extension part number in the left column below.
3. Refer to the proper parts page for general replacement parts information and item number arrangements.
4. Two cylinder room extensions with a synchronizing cylinder have two room extension part numbers. One is for the left assembly, one is for the right assembly. If the room extension assembly originally had one number, that number is listed with the new numbers.

<b>MECHANISM</b> <b>AP40753</b> <b>AP40754</b>	<p><b>UNIVERSAL LEVEL OUT - 30.0" STROKE (WITH SYNCHRONIZING CYLINDER) - AP45786 KIT</b></p> <p><b>SEE MR41.2690 FOR DRAWING AND PARTS INFORMATION.</b></p> <p><b>CYLINDER ASSEMBLY</b> _____ ITEM 1 - RAP92076 (30.5" STROKE) - REPLACES AP38072</p> <p><b>LIFT CYLINDER ASSEMBLY</b> _____ ITEM 14 - RAP92261 (3.50" LIFT) - REPLACES AP40746</p> <p><b>SYNCHRONIZING CYLINDER</b> _____ ITEM 3 - RAP92077 (10.540" STROKE) - REPLACES AP37881</p> <p><b>LIFT SYNCHRONIZING CYLINDER</b> _____ ITEM 15 - RAP92503 - REPLACES AP40832</p> <p><b>TUBE KIT</b> _____ ITEM 2 - RAP92079 - REPLACES AP38267</p> <p><b>HOSE ASSEMBLIES</b> _____ ITEM 4 - RAP90872 (AP24632) ITEM 5 - RAP91421 (AP24818)</p>
--	--

# ROOM EXTENSION ASSEMBLIES GUIDE PAGE "ELITE TRAILER MFG. LLC"

**PROCEDURE:**

1. Locate the HWH identification tag on the room extension mechanism to get the correct room extension part number.
2. Find the correct room extension part number in the left column below.
3. Refer to the proper parts page for general replacement parts information and item number arrangements.
4. Two cylinder room extensions with a synchronizing cylinder have two room extension part numbers. One is for the left assembly, one is for the right assembly. If the room extension assembly originally had one number, that number is listed with the new numbers.

<b>MECHANISM</b> <b>AP32014</b> <b>AP32015</b>	<p><b>DUAL CYLINDER X-SLIDE - 30.75" STROKE (WITH SYNCHRONIZING CYLINDER) - AP32300 KIT</b></p> <p><a href="#">SEE MR41.2670 FOR DRAWING AND PARTS INFORMATION.</a></p> <p><b>CYLINDER ASSEMBLY</b> _____ ITEM 1 - RAP91352 (13.90" STROKE) - REPLACES AP27513</p> <p><b>SYNCHRONIZING CYLINDER</b> _____ ITEM 3 - RAP90725 (5.460" STROKE) - REPLACES AP15043</p> <p><b>TUBE KIT</b> _____ ITEM 2 - RAP91229 - REPLACES AP27587</p> <p><b>HOSE ASSEMBLIES</b> _____ ITEM 4 - RAP91574 (AP24627) ITEM 4 - RAP91573 (AP32672)</p>
<b>MECHANISM</b> <b>AP38251</b> <b>AP38252</b>	<p><b>UNIVERSAL STRAIGHT OUT - 30.0" STROKE (WITH SYNCHRONIZING CYLINDER) - AP39523 KIT</b></p> <p><a href="#">SEE MR41.2685 FOR DRAWING AND PARTS INFORMATION.</a></p> <p><b>CYLINDER ASSEMBLY</b> _____ ITEM 1 - RAP92076 (30.5" STROKE) - REPLACES AP38072</p> <p><b>SYNCHRONIZING CYLINDER</b> _____ ITEM 3 - RAP92077 (10.540" STROKE) - REPLACES AP37881</p> <p><b>TUBE KIT</b> _____ ITEM 2 - RAP92079 - REPLACES AP38267</p> <p><b>HOSE ASSEMBLIES</b> _____ ITEM 4 - RAP90872 (AP24632) ITEM 5 - RAP91421 (AP24818)</p>

---

# ROOM EXTENSION ASSEMBLIES GUIDE PAGE "ELITE TRAILERS INC."

---

**PROCEDURE:**

1. Locate the HWH identification tag on the room extension mechanism to get the correct room extension part number.
2. Find the correct room extension part number in the left column below.
3. Refer to the proper parts page for general replacement parts information and item number arrangements.
4. Two cylinder room extensions with a synchronizing cylinder have two room extension part numbers. One number is for the left assembly, one is for the right assembly. If the room extension assembly originally had one number, that number is listed with the new numbers.

<b>MECHANISM</b> <b>AP19313</b> <b>AP19314</b>	<b>DUAL CYLINDER ROOM EXTENSION - 24.0" STROKE (WITH SYNCHRONIZING CYLINDER) - AP17018 KIT</b>  <b>SEE MR41.2005 FOR DRAWING AND PARTS INFORMATION.</b> <b>CYLINDER ASSEMBLY</b> _____ ITEM 1 - RAP90484 (24.5" STROKE) - REPLACES AP15252 <b>SYNCHRONIZING CYLINDER</b> _____ ITEM 3 - RAP90472 (9.685" STROKE) - REPLACES AP13224 <b>TUBE KIT</b> _____ ITEM 4 - RAP90480 - REPLACES AP13252
--	---



---

# ROOM EXTENSION ASSEMBLIES GUIDE PAGE "EMERGENCY ONE, INC."

---

**PROCEDURE:**

1. Locate the HWH identification tag on the room extension mechanism to get the correct room extension part number.
2. Find the correct room extension part number in the left column below.
3. Refer to the proper parts page for general replacement parts information and item number arrangements.
4. Two cylinder room extensions with a synchronizing cylinder have two room extension part numbers. One is for the left assembly, one is for the right assembly. If the room extension assembly originally had one number, that number is listed with the new numbers.

---

<b>MECHANISM</b> <b>AP31140</b> <b>AP31141</b>	<b>DUAL CYLINDER X-SLIDE - 30.75" STROKE (WITH SYNCHRONIZING CYLINDER) - AP30424 KIT</b>  <b>SEE MR41.2670 FOR DRAWING AND PARTS INFORMATION.</b> <b>CYLINDER ASSEMBLY</b> _____ ITEM 1 - RAP91352 (13.90" STROKE) - REPLACES AP27513 <b>SYNCHRONIZING CYLINDER</b> _____ ITEM 3 - RAP90725 (5.460" STROKE) - REPLACES AP15043 <b>TUBE KIT</b> _____ ITEM 2 - RAP91229 - REPLACES AP27587 <b>HOSE ASSEMBLIES</b> _____ ITEM 4 - RAP91574 (AP24627) ITEM 4 - RAP91573 (AP32672)
--	--

---



# ROOM EXTENSION ASSEMBLIES GUIDE PAGE "EURO LINER"

**PROCEDURE:**

1. Locate the HWH identification tag on the room extension mechanism to get the correct room extension part number.
2. Find the correct room extension part number in the left column below.
3. Refer to the proper parts page for general replacement parts information and item number arrangements.
4. Two cylinder room extensions with a synchronizing cylinder have two room extension part numbers. One is for the left assembly, one is for the right assembly. If the room extension assembly originally had one number, that number is listed with the new numbers.

MECHANISM AP21536 AP21537	<p><b>DUAL CYLINDER ROOM EXTENSION - 31.0" STROKE (WITH SYNCHRONIZING CYLINDER) - AP21535 KIT</b></p> <p><a href="#">SEE MR41.2000 FOR DRAWING AND PARTS INFORMATION.</a></p> <p>CYLINDER ASSEMBLY _____ ITEM 1 - RAP90457 (31.5" STROKE) - REPLACES AP15738            SYNCHRONIZING CYLINDER _____ ITEM 3 - RAP90442 (12.57" STROKE) - REPLACES AP16484            TUBE KIT _____ ITEM 2 - RAP90480 - REPLACES AP13252</p>
MECHANISM AP23153 AP23154	<p><b>VERTICAL ARM ROOM EXTENSION - 36.0" STROKE (WITH SYNCHRONIZING CYLINDER) - AP23152 KIT</b></p> <p><a href="#">SEE MR41.2500 FOR DRAWING AND PARTS INFORMATION.</a></p> <p>CYLINDER ASSEMBLY _____ ITEM 1 - RAP91348 (14.3" STROKE) - REPLACES AP19378            SYNCHRONIZING CYLINDER _____ ITEM 6 - RAP90726 (5.750" STROKE) - REPLACES AP15042            HOSE ASSEMBLIES _____ ITEM 4 - RAP90428 (AP24642)      ITEM 5 - RAP90428 (AP24642)</p>
MECHANISM AP28480	<p><b>SINGLE CYLINDER ROOM EXTENSION - 24.0" STROKE - AP28479 KIT</b></p> <p><a href="#">SEE MR41.1100 FOR DRAWING AND PARTS INFORMATION.</a></p> <p>CYLINDER ASSEMBLY _____ ITEM 1 - RAP91021 (27.0" STROKE) - REPLACES AP28682            HOSE ASSEMBLIES _____ ITEM 3 - RAP90872 (AP24632)      ITEM 4 - RAP90871 (AP24628)</p>
MECHANISM AP28482 AP28483	<p><b>DUAL CYLINDER X-SLIDE - 30.75" STROKE (WITH SYNCHRONIZING CYLINDER) - AP28481 KIT</b></p> <p><a href="#">SEE MR41.2670 FOR DRAWING AND PARTS INFORMATION.</a></p> <p>CYLINDER ASSEMBLY _____ ITEM 1 - RAP91352 (13.90" STROKE) - REPLACES AP27513            SYNCHRONIZING CYLINDER _____ ITEM 3 - RAP90725 (5.460" STROKE) - REPLACES AP15043            TUBE KIT _____ ITEM 2 - RAP91229 - REPLACES AP27587            HOSE ASSEMBLIES _____ ITEM 4 - RAP91574 (AP24627)      ITEM 5 - RAP91573 (AP32672)</p>
MECHANISM AP28884 AP28885	<p><b>LATERAL ARM ROOM EXTENSION - 20.0" STROKE (WITH SYNCHRONIZING CYLINDER) - AP28712 KIT</b></p> <p><a href="#">SEE MR41.2825 FOR DRAWING AND PARTS INFORMATION.</a></p> <p>CYLINDER ASSEMBLY _____ ITEM 1 - RAP91351 (6.775" STROKE) - REPLACES AP27997            SYNCHRONIZING CYLINDER _____ ITEM 3 - RAP90524 (2.385" STROKE) - REPLACES AP14881            TUBE KIT _____ ITEM 2 - RAP91774 - REPLACES AP28035            HOSE ASSEMBLIES _____ ITEM 4 - RAP91574 (AP24627)      ITEM 5 - RAP91574 (AP24627)</p>
MECHANISM AP28745	<p><b>SINGLE CYLINDER ROOM EXTENSION - 20.0" STROKE - AP28744 KIT</b></p> <p><a href="#">SEE MR41.1007 FOR DRAWING AND PARTS INFORMATION.</a></p> <p>CYLINDER ASSEMBLY _____ ITEM 1 - RAP90512 (21.0" STROKE) - REPLACES AP30188            TUBE KIT _____ ITEM 2 - RAP90526 - REPLACES AP13592</p>

# ROOM EXTENSION ASSEMBLIES GUIDE PAGE "EXISS ALUMINUM TRAILERS"

**PROCEDURE:**

1. Locate the HWH identification tag on the room extension mechanism to get the correct room extension part number.
2. Find the correct room extension part number in the left column below.
3. Refer to the proper parts page for general replacement parts information and item number arrangements.
4. Two cylinder room extensions with a synchronizing cylinder have two room extension part numbers. One number is for the left assembly, one is for the right assembly. If the room extension assembly originally had one number, that number is listed with the new numbers.

<b>MECHANISM AP22227 AP22228</b>	<b>DUAL CYLINDER ROOM EXTENSION - 36.0" STROKE (WITH SYNCHRONIZING CYLINDER) - AP22226 KIT</b>  <b>SEE MR41.2005 FOR DRAWING AND PARTS INFORMATION.</b> <b>CYLINDER ASSEMBLY</b> _____ ITEM 1 - RAP90518 (36.5" STROKE) REPLACES - AP15251 <b>SYNCHRONIZING CYLINDER</b> _____ ITEM 3 - RAP90474 (14.630" STROKE) - REPLACES AP12484 <b>TUBE KIT</b> _____ ITEM 2 - RAP90480 - REPLACES AP13252
<b>MECHANISM AP24712</b>	<b>SINGLE CYLINDER ROOM EXTENSION - 36.0" STROKE - AP24711 KIT</b>  <b>SEE MR41.1006 FOR DRAWING AND PARTS INFORMATION.</b> <b>CYLINDER ASSEMBLY</b> _____ ITEM 1 - RAP90518 (36.5" STROKE) - REPLACES AP15251 <b>TUBE KIT</b> _____ ITEM 2 - RAP90480 - REPLACES AP13252

# ROOM EXTENSION ASSEMBLIES GUIDE PAGE "FAB METALS, INC."

**PROCEDURE:**

1. Locate the HWH identification tag on the room extension mechanism to get the correct room extension part number.
2. Find the correct room extension part number in the left column below.
3. Refer to the proper parts page for general replacement parts information and item number arrangements.
4. Two cylinder room extensions with a synchronizing cylinder have two room extension part numbers. One number is for the left assembly, one is for the right assembly. If the room extension assembly originally had one number, that number is listed with the new numbers.

<b>MECHANISM AP24705</b>	<b>SINGLE CYLINDER ROOM EXTENSION - 30.0" STROKE - AP39366 KIT</b>  <a href="#">SEE MR41.1100 FOR DRAWING AND PARTS INFORMATION.</a> <b>CYLINDER ASSEMBLY</b> _____ ITEM 1 - RAP90949 (31.0" STROKE) - REPLACES AP24936 <b>HOSE ASSEMBLIES</b> _____ ITEM 3 - RAP90872 (AP24632) ITEM 4 - RAP90871 (AP24628)
<b>MECHANISM AP38251 AP38252</b>	<b>UNIVERSAL STRAIGHT OUT - 30.0" STROKE (WITH SYNCHRONIZING CYLINDER) - AP39365 KIT</b>  <a href="#">SEE MR41.2685 FOR DRAWING AND PARTS INFORMATION.</a> <b>CYLINDER ASSEMBLY</b> _____ ITEM 1 - RAP92076 (30.5" STROKE) - REPLACES AP38072 <b>SYNCHRONIZING CYLINDER</b> _____ ITEM 3 - RAP92077 (10.540" STROKE) - REPLACES AP37881 <b>TUBE KIT</b> _____ ITEM 2 - RAP92079 - REPLACES AP38267 <b>HOSE ASSEMBLIES</b> _____ ITEM 4 - RAP90872 (AP24632) ITEM 5 - RAP91421 (AP24818)

---

# ROOM EXTENSION ASSEMBLIES GUIDE PAGE "FARBER'S SPECIALTY VEHICLES"

---

**PROCEDURE:**

1. Locate the HWH identification tag on the room extension mechanism to get the correct room extension part number.
2. Find the correct room extension part number in the left column below.
3. Refer to the proper parts page for general replacement parts information and item number arrangements.
4. Two cylinder room extensions with a synchronizing cylinder have two room extension part numbers. One is for the left assembly, one is for the right assembly. If the room extension assembly originally had one number, that number is listed with the new numbers.

<b>MECHANISM</b> <b>AP32014</b> <b>AP32015</b>	<b>DUAL CYLINDER X-SLIDE - 30.75" STROKE (WITH SYNCHRONIZING CYLINDER) - AP32623 KIT</b>  <b>SEE MR41.2670 FOR DRAWING AND PARTS INFORMATION.</b> <b>CYLINDER ASSEMBLY</b> _____ ITEM 1 - RAP91352 (13.90" STROKE) - REPLACES AP27513 <b>SYNCHRONIZING CYLINDER</b> _____ ITEM 3 - RAP90725 (5.460" STROKE) - REPLACES AP15043 <b>TUBE KIT</b> _____ ITEM 2 - RAP91229 - REPLACES AP27587 <b>HOSE ASSEMBLIES</b> _____ ITEM 4 - RAP91574 (AP24627) ITEM 5 - RAP91573 (AP32672)
--	--



**ROOM EXTENSION ASSEMBLIES  
GUIDE PAGE  
"FEATHERLITE MFG. INC." (PAGE 2 OF 3)**

PROCEDURE: SEE "FEATHERLITE MFG. INC." (PAGE 1 OF 3)

MECHANISM AP16422 AP16423	<p><b>VERTICAL ARM ROOM EXTENSION - 24.0" STROKE (WITH SYNCHRONIZING CYLINDER) - AP16424 KIT</b></p> <p><a href="#">SEE MR41.2500 FOR DRAWING AND PARTS INFORMATION.</a></p> <p>CYLINDER ASSEMBLY _____ ITEM 1 - RAP90426 (9.689" STROKE) - REPLACES AP14028            SYNCHRONIZING CYLINDER _____ ITEM 6 - RAP90427 (3.815" STROKE) - REPLACES AP14027            HOSE ASSEMBLIES _____ ITEM 4 - RAP90428 (AP24642) ITEM 5 - RAP90428 (AP24642)</p>
MECHANISM AP17069 OR AP19275 AP19276	<p><b>DUAL CYLINDER ROOM EXTENSION - 30.0" STROKE (WITH SYNCHRONIZING CYLINDER) - AP17070 KIT</b></p> <p><a href="#">SEE MR41.2005 FOR DRAWING AND PARTS INFORMATION.</a></p> <p>CYLINDER ASSEMBLY _____ ITEM 1 - RAP90487 (30.5" STROKE) - REPLACES AP15184            SYNCHRONIZING CYLINDER _____ ITEM 3 - RAP90473 (12.155" STROKE) - REPLACES AP13192            TUBE KIT _____ ITEM 2 - RAP90480 - REPLACES AP13252</p>
MECHANISM AP17217 OR AP19277 AP19278	<p><b>DUAL CYLINDER ROOM EXTENSION - 20.0" STROKE (WITH SYNCHRONIZING CYLINDER) - AP17216 KIT</b></p> <p><a href="#">SEE MR41.2000 FOR DRAWING AND PARTS INFORMATION.</a></p> <p>CYLINDER ASSEMBLY _____ ITEM 1 - RAP90634 (20.5" STROKE) - REPLACES AP15903            SYNCHRONIZING CYLINDER _____ ITEM 3 - RAP90471 (8.035" STROKE) - REPLACES AP13607            TUBE KIT _____ ITEM 2 - RAP90480 - REPLACES AP13252</p>
MECHANISM AP17219 OR AP19279 AP19280	<p><b>DUAL CYLINDER ROOM EXTENSION - 44.0" STROKE (WITH SYNCHRONIZING CYLINDER) - AP17218 KIT</b></p> <p><a href="#">SEE MR41.2000 FOR DRAWING AND PARTS INFORMATION.</a></p> <p>CYLINDER ASSEMBLY _____ ITEM 1 - RAP90636 (45.0" STROKE) - REPLACES AP17232            SYNCHRONIZING CYLINDER _____ ITEM 3 - RAP90637 (17.925" STROKE) - REPLACES AP17220            TUBE KIT _____ ITEM 2 - RAP90481 - REPLACES AP15379</p>
MECHANISM AP17323 OR AP19283 AP19284	<p><b>DUAL CYLINDER ROOM EXTENSION - 36.0" STROKE (WITH SYNCHRONIZING CYLINDER) - AP12900 KIT</b></p> <p><a href="#">SEE MR41.2005 FOR DRAWING AND PARTS INFORMATION.</a></p> <p>CYLINDER ASSEMBLY _____ ITEM 1 - RAP90518 (36.5" STROKE) - REPLACES AP15251            SYNCHRONIZING CYLINDER _____ ITEM 3 - RAP90474 (14.63" STROKE) - REPLACES AP12484            TUBE KIT _____ ITEM 2 - RAP90480 - REPLACES AP13252</p>
MECHANISM AP17497 OR AP19288 AP19289	<p><b>DUAL CYLINDER ROOM EXTENSION - 38.0" STROKE (WITH SYNCHRONIZING CYLINDER) - AP17496 KIT</b></p> <p><a href="#">SEE MR41.2000 FOR DRAWING AND PARTS INFORMATION.</a></p> <p>CYLINDER ASSEMBLY _____ ITEM 1 - RAP90638 (39.0" STROKE) - REPLACES AP17567            SYNCHRONIZING CYLINDER _____ ITEM 3 - RAP90639 (15.455" STROKE) - REPLACES AP17498            TUBE KIT _____ ITEM 2 - RAP90481 - REPLACES AP15379</p>
MECHANISM AP19044 AP19045	<p><b>DUAL CYLINDER ROOM EXTENSION - 44.0" STROKE (WITH SYNCHRONIZING CYLINDER) - AP19043 KIT</b></p> <p><a href="#">SEE MR41.2002 FOR DRAWING AND PARTS INFORMATION.</a></p> <p>CYLINDER ASSEMBLY _____ ITEM 1 - RAP90636 (45.0" STROKE) - REPLACES AP17232            SYNCHRONIZING CYLINDER _____ ITEM 3 - RAP90637 (17.925" STROKE) - REPLACES AP17220            TUBE KIT _____ ITEM 2 - RAP90481 - REPLACES AP15379</p>
MECHANISM AP19281 AP19282	<p><b>DUAL CYLINDER ROOM EXTENSION - 70.0" STROKE (WITH SYNC. CYLINDER) - AP17244 AND AP36285 KITS</b></p> <p><a href="#">SEE MR41.2000 FOR DRAWING AND PARTS INFORMATION.</a></p> <p>CYLINDER ASSEMBLY _____ ITEM 1 - RAP91189 (71.0" STROKE) - REPLACES AP17270            SYNCHRONIZING CYLINDER _____ ITEM 3 - RAP91809 (26.860" STROKE) - REPLACES AP17246            TUBE KIT _____ ITEM 2 - RAP91221 - REPLACES AP17321</p>
MECHANISM AP19407 AP19408	<p><b>VERTICAL ARM ROOM EXTENSION - 24.0" STROKE (WITH SYNCHRONIZING CYLINDER) - AP19406 KIT</b></p> <p><a href="#">SEE MR41.2505 FOR DRAWING AND PARTS INFORMATION.</a></p> <p>CYLINDER ASSEMBLY _____ ITEM 1 - RAP90426 (9.689" STROKE) - REPLACES AP14028            SYNCHRONIZING CYLINDER _____ ITEM 6 - RAP90427 (3.815" STROKE) - REPLACES AP14027            HOSE ASSEMBLIES _____ ITEM 4 - RAP90820 (AP19887) ITEM 5 - RAP90821 (AP24652)</p>

**MR40.2001  
04MAY09**



**ROOM EXTENSION ASSEMBLIES  
GUIDE PAGE  
"FEATHERLITE MFG. INC." (PAGE 3 OF 3)**

PROCEDURE: SEE "FEATHERLITE MFG. INC." (PAGE 1 OF 3)

MECHANISM AP20904 AP20905	<p><b>DUAL CYLINDER ROOM EXTENSION - 30.0" STROKE (WITH SYNCHRONIZING CYLINDER) - AP36286 KIT</b></p> <p><b>SEE MR41.2000 FOR DRAWING AND PARTS INFORMATION.</b></p> <p>CYLINDER ASSEMBLY _____ ITEM 1 - RAP90487 (30.5" STROKE) - REPLACES AP15184          SYNCHRONIZING CYLINDER _____ ITEM 3 - RAP90641 (12.310" STROKE) - REPLACES AP18180          HOSE ASSEMBLIES _____ ITEM 2 - RAP90480 - REPLACES AP13252</p>
MECHANISM AP21016 AP21017	<p><b>DUAL CYLINDER ROOM EXTENSION - 102.0" STROKE (WITH SYNCHRONIZING CYLINDER) - AP21014 KIT</b></p> <p><b>SEE MR41.2000 FOR DRAWING AND PARTS INFORMATION.</b></p> <p>CYLINDER ASSEMBLY _____ ITEM 1 - RAP91192 (103.0" STROKE) - REPLACES AP21045          SYNCHRONIZING CYLINDER _____ ITEM 3 - RAP91231 (39.23" STROKE) - REPLACES AP21015          TUBE KIT _____ ITEM 2 - RAP92488 - REPLACES AP21047</p>
MECHANISM AP21946 AP21947	<p><b>DUAL CYLINDER ROOM EXTENSION - 60.0" STROKE (WITH SYNCHRONIZING CYLINDER) - AP21945 KIT</b></p> <p><b>SEE MR41.2000 FOR DRAWING AND PARTS INFORMATION.</b></p> <p>CYLINDER ASSEMBLY _____ ITEM 1 - RAP91191 (61.0" STROKE) - REPLACES AP20585          SYNCHRONIZING CYLINDER _____ ITEM 3 - RAP91233 (23.10" STROKE) - REPLACES AP19966          TUBE KIT _____ ITEM 2 - RAP91221 - REPLACES AP17321</p>
MECHANISM AP40753 AP40754	<p><b>UNIVERSAL LEVEL OUT - 30.0" STROKE (WITH SYNCHRONIZING CYLINDER) - AP45546 KIT</b></p> <p><b>SEE MR41.2690 FOR DRAWING AND PARTS INFORMATION.</b></p> <p>CYLINDER ASSEMBLY _____ ITEM 1 - RAP92076 (30.5" STROKE) - REPLACES AP38072          LIFT CYLINDER ASSEMBLY _____ ITEM 14 - RAP92261 (3.50" LIFT) - REPLACES AP40746          SYNCHRONIZING CYLINDER _____ ITEM 3 - RAP92077 (10.540" STROKE) - REPLACES AP37881          LIFT SYNCHRONIZING CYLINDER _____ ITEM 15 - RAP92503 - REPLACES AP40832          TUBE KIT _____ ITEM 2 - RAP92079 - REPLACES AP38267          HOSE ASSEMBLIES _____ ITEM 4 - RAP90872 (AP24632) ITEM 5 - RAP91421 (AP24818)</p>

# ROOM EXTENSION ASSEMBLIES GUIDE PAGE "FIRAN"

**PROCEDURE:**

1. Locate the HWH identification tag on the room extension mechanism to get the correct room extension part number.
2. Find the correct room extension part number in the left column below.
3. Refer to the proper parts page for general replacement parts information and item number arrangements.
4. Two cylinder room extensions with a synchronizing cylinder have two room extension part numbers. One number is for the left assembly, one is for the right assembly. If the room extension assembly originally had one number, that number is listed with the new numbers.

<b>MECHANISM AP10379</b>	<p><b>DUAL CYLINDER ROOM EXTENSION - 37.0" STROKE (WITH RACK SENSING VALVE) - AP10650 KIT</b></p> <p><b>SEE MR41.1530 FOR DRAWING AND PARTS INFORMATION.</b></p> <p><b>CYLINDER ASSEMBLY</b> _____ ITEM 1 - RAP90069 (37.0" STROKE) - REPLACES AP2340</p> <p><b>HOSE ASSEMBLIES</b> _____ ITEM 7 - RAP4073 (AP4073)    ITEM 9 - RAP90001 (AP2445)</p> <p style="padding-left: 150px;">ITEM 8 - RAP90003 (AP2446)    ITEM 10 - RAP90004 (AP2443)</p>
<b>MECHANISM AP12747</b>	<p><b>DUAL CYLINDER ROOM EXTENSION - 37.0" STROKE (WITH RACK SENSING VALVE) - AP12748 KIT</b></p> <p><b>SEE MR41.1530 FOR DRAWING AND PARTS INFORMATION.</b></p> <p><b>CYLINDER ASSEMBLY</b> _____ ITEM 1 - RAP90069 (37.0" STROKE) - REPLACES AP2340</p> <p><b>HOSE ASSEMBLIES</b> _____ ITEM 7 - RAP4073 (AP4073)    ITEM 9 - RAP90215 (AP10912)</p> <p style="padding-left: 150px;">ITEM 8 - RAP90003 (AP2446)    ITEM 10 - RAP90126 (AP10913)</p>
<b>MECHANISM AP12777</b>	<p><b>SINGLE CYLINDER ROOM EXTENSION - 25.0" STROKE - AP12778 KIT</b></p> <p><b>SEE MR41.1000 FOR DRAWING AND PARTS INFORMATION.</b></p> <p><b>CYLINDER ASSEMBLY</b> _____ ITEM 1 - RAP90031 (25.0" STROKE) - REPLACES AP1911</p> <p><b>TUBE KIT</b> _____ ITEM 2 - RAP90029 - REPLACES AP2369</p>
<b>MECHANISM AP13589</b>	<p><b>DUAL CYLINDER ROOM EXTENSION - 25.0" STROKE (WITH RACK SENSING VALVE) - AP13543 KIT</b></p> <p><b>SEE MR41.1530 FOR DRAWING AND PARTS INFORMATION.</b></p> <p><b>CYLINDER ASSEMBLY</b> _____ ITEM 1 - RAP90437 (25.0" STROKE) - REPLACES AP13645</p> <p><b>HOSE ASSEMBLIES</b> _____ ITEM 7 - RAP4073 (AP4073)    ITEM 9 - RAP4074 (AP4074)</p> <p style="padding-left: 150px;">ITEM 8 - RAP90003 (AP2446)    ITEM 10 - RAP90078 (AP4065)</p>
<b>MECHANISM AP15715</b>	<p><b>SINGLE CYLINDER ROOM EXTENSION - 24.0" STROKE - AP15714 KIT</b></p> <p><b>CYLINDER ASSEMBLY</b> _____ RAP90697 (24.0" STROKE) - REPLACES AP15715</p>

---

# ROOM EXTENSION ASSEMBLIES GUIDE PAGE "FIRST CUSTOM CO., LTD."

---

**PROCEDURE:**

1. Locate the HWH identification tag on the room extension mechanism to get the correct room extension part number.
2. Find the correct room extension part number in the left column below.
3. Refer to the proper parts page for general replacement parts information and item number arrangements.
4. Two cylinder room extensions with a synchronizing cylinder have two room extension part numbers. One is for the left assembly, one is for the right assembly. If the room extension assembly originally had one number, that number is listed with the new numbers.

<b>MECHANISM</b> <b>AP40822</b> <b>AP40823</b>	<b>UNIVERSAL STRAIGHT OUT - 20.0" STROKE (WITH SYNCHRONIZING CYLINDER) - AP47792 KIT</b>  <b>SEE MR41.2685 FOR DRAWING AND PARTS INFORMATION.</b> <b>CYLINDER ASSEMBLY</b> _____ <b>ITEM 1 - RAP92075 (20.5" STROKE) - REPLACES AP39251</b> <b>SYNCHRONIZING CYLINDER</b> _____ <b>ITEM 3 - RAP92099 (7.010" STROKE) - REPLACES AP39221</b> <b>TUBE KIT</b> _____ <b>ITEM 2 - RAP92092 - REPLACES AP39321</b> <b>HOSE ASSEMBLIES</b> _____ <b>ITEM 4 - RAP91566 (AP24631) ITEM 5 - RAP91568 (AP24637)</b>
--	---

# ROOM EXTENSION ASSEMBLIES GUIDE PAGE "FLEETWOOD"

**PROCEDURE:**

1. Locate the HWH identification tag on the room extension mechanism to get the correct room extension part number.
2. Find the correct room extension part number in the left column below.
3. Refer to the proper parts page for general replacement parts information and item number arrangements.
4. Two cylinder room extensions with a synchronizing cylinder have two room extension part numbers. One number is for the left assembly, one is for the right assembly. If the room extension assembly originally had one number, that number is listed with the new numbers.

<b>MECHANISM</b>	<b>VERTICAL ARM ROOM EXTENSION - 20.0" STROKE (WITH SYNCHRONIZING CYLINDER) - AP14000 KIT</b>
<b>AP14001</b>	
<b>AP14002</b>	<p><b>SEE MR41.2500 FOR DRAWING AND PARTS INFORMATION.</b></p> <p><b>CYLINDER ASSEMBLY</b> _____ ITEM 1 - RAP90324 (7.95" STROKE) - REPLACES AP11097</p> <p><b>SYNCHRONIZING CYLINDER</b> _____ ITEM 6 - RAP90326 (3.165" STROKE) - REPLACES AP11360</p> <p><b>HOSE ASSEMBLIES</b> _____ ITEM 4 - RAP90322 (AP24651) ITEM 5 - RAP90321 (AP24653)</p>

# ROOM EXTENSION ASSEMBLIES GUIDE PAGE "FLORIDA CUSTOM COACH INC."

**PROCEDURE:**

1. Locate the HWH identification tag on the room extension mechanism to get the correct room extension part number.
2. Find the correct room extension part number in the left column below.
3. Refer to the proper parts page for general replacement parts information and item number arrangements.
4. Two cylinder room extensions with a synchronizing cylinder have two room extension part numbers. One is for the left assembly, one is for the right assembly. If the room extension assembly originally had one number, that number is listed with the new numbers.

<b>MECHANISM AP18490</b>	<b>CYLINDER ASSEMBLY - 30.25" STROKE</b>
	<b>CYLINDER ASSEMBLY</b> _____ <b>RAP90946 (30.25" STROKE) - REPLACES AP18490</b>
<b>MECHANISM AP23182 AP23532</b>	<b>VERTICAL ARM ROOM EXTENSION - 20.0" STROKE (WITH SYNCHRONIZING CYLINDER)</b>
	<b>SEE MR41.2500 FOR DRAWING AND PARTS INFORMATION.</b> <b>CYLINDER ASSEMBLY</b> _____ <b>ITEM 1 - RAP91198 (9.104" STROKE) - REPLACES AP23197</b> <b>SYNCHRONIZING CYLINDER</b> _____ <b>ITEM 3 - RAP90587 (3.455" STROKE) - REPLACES AP17199</b>
<b>MECHANISM AP28958 AP28959</b>	<b>TRAIN DRIVE ROOM EXTENSION - (4) CYLINDERS - 21.0" STROKE (WITH SYNCHRONIZING CYLINDER)</b>
	<b>SEE MR41.2650 FOR DRAWING AND PARTS INFORMATION.</b>
	<b>CYLINDER ASSEMBLY</b> _____ <b>ITEM 1 - RAP92906 (21.5" STROKE) - REPLACES AP28955</b>
	<b>SYNCHRONIZING CYLINDER</b> _____ <b>ITEM 5 - RAP91011 (2.90" STROKE) - REPLACES AP28965</b>
	<b>SEE MR41.8003 FOR ADDITIONAL SYNC CYLINDER REPLACEMENT PARTS</b>
	<b>HOSE ASSEMBLIES</b> _____ <b>ITEM 1A - RAP91575 - REPLACES AP28956</b> <b>HOSE ASSEMBLIES</b> _____ <b>ITEM 2 - RAP91530 - REPLACES AP24569 (TOP)</b> <b>HOSE ASSEMBLIES</b> _____ <b>ITEM 2 - RAP91531 - REPLACES AP24568 (TOP)</b> <b>HOSE ASSEMBLIES</b> _____ <b>ITEM 2 - RAP90885 - REPLACES AP24205 (BOTTOM)</b> <b>HOSE ASSEMBLIES</b> _____ <b>ITEM 2 - RAP90885 - REPLACES AP24205 (BOTTOM)</b>
<b>MECHANISM AP40822 AP40823</b>	<b>UNIVERSAL STRAIGHT OUT - 20.0" STROKE (WITH SYNCHRONIZING CYLINDER)</b>
	<b>SEE MR41.2685 FOR DRAWING AND PARTS INFORMATION.</b>
	<b>CYLINDER ASSEMBLY</b> _____ <b>ITEM 1 - RAP92075 (20.5" STROKE) - REPLACES AP39251</b>
	<b>SYNCHRONIZING CYLINDER</b> _____ <b>ITEM 3 - RAP92907 (8.070" STROKE) - REPLACES AP48114</b> <b>TUBE KIT</b> _____ <b>ITEM 2 - RAP92092 - REPLACES AP39321</b> <b>HOSE ASSEMBLIES</b> _____ <b>ITEM 4 - RAP91566 (AP24631) ITEM 5 - RAP91568 (AP24637)</b>

# ROOM EXTENSION ASSEMBLIES GUIDE PAGE "FLOUNDER MOTOR HOMES"

**PROCEDURE:**

1. Locate the HWH identification tag on the room extension mechanism to get the correct room extension part number.
2. Find the correct room extension part number in the left column below.
3. Refer to the proper parts page for general replacement parts information and item number arrangements.
4. Two cylinder room extensions with a synchronizing cylinder have two room extension part numbers. One number is for the left assembly, one is for the right assembly. If the room extension assembly originally had one number, that number is listed with the new numbers.

MECHANISM AP29489 AP29490	<b>DUAL CYLINDER ROOM EXTENSION - 33.0" STROKE (WITH SYNCHRONIZING CYLINDER) - AP29488 KIT</b>  <a href="#">SEE MR41.2020 FOR DRAWING AND PARTS INFORMATION.</a> CYLINDER ASSEMBLY _____ ITEM 1 - RAP91794 (33.5" STROKE) - REPLACES AP32245 SYNCHRONIZING CYLINDER _____ ITEM 3 - RAP91793 (13.490" STROKE) - REPLACES AP30664 TUBE KIT _____ ITEM 4 - RAP90480 - REPLACES AP13252
MECHANISM AP33857	<b>CYLINDER ASSEMBLY - 36.5" STROKE</b>  CYLINDER ASSEMBLY _____ RAP92489 (36.5" STROKE) - REPLACES AP33856 TUBE KIT _____ RAP90480 - REPLACES AP13252
MECHANISM AP34879 AP34880	<b>DUAL CYLINDER ROOM EXTENSION - 33.0" STROKE (WITH SYNCHRONIZING CYLINDER) - AP34878 KIT</b>  NO INFORMATION AVAILABLE
MECHANISM AP35277 AP35278	<b>DUAL CYLINDER ROOM EXTENSION - 33.0" STROKE (WITH SYNCHRONIZING CYLINDER) - AP35276 KIT</b>  <a href="#">SEE MR41.2020 FOR DRAWING AND PARTS INFORMATION.</a> CYLINDER ASSEMBLY _____ ITEM 1 - RAP91795 (33.5" STROKE) - REPLACES AP37597 SYNCHRONIZING CYLINDER _____ ITEM 3 - RAP91793 (13.490" STROKE) - REPLACES AP30664 TUBE KIT _____ ITEM 4 - RAP91024 - REPLACES AP26587
MECHANISM AP40932	<b>SINGLE CYLINDER ROOM EXTENSION - 24.0" STROKE (GUIDED) - AP40931 KIT</b>  <a href="#">SEE MR41.1100 FOR DRAWING AND PARTS INFORMATION.</a> CYLINDER ASSEMBLY _____ ITEM 1 - RAP91021 (27.0" STROKE) - REPLACES AP28682 HOSE ASSEMBLIES _____ ITEM 3 - RAP90872 (AP24632) ITEM 4 - RAP90871 (AP24628)



# ROOM EXTENSION ASSEMBLIES

## GUIDE PAGE

### "FORETRAVEL INC." (PAGE 2 OF 3)

PROCEDURE: SEE "FORETRAVEL INC." (PAGE 1 OF 3)

MECHANISM AP29773	<p><b>SINGLE CYLINDER ROOM EXTENSION - 18.0" STROKE (GUIDED) - AP30411 KIT</b></p> <p><a href="#">SEE MR41.1100 FOR DRAWING AND PARTS INFORMATION.</a></p> <p>CYLINDER ASSEMBLY _____ ITEM 1 - RAP91667 (28.5" STROKE) - REPLACES AP28688            HOSE ASSEMBLIES _____ ITEM 3 - RAP90872 (AP24632) ITEM 4 - RAP90871 (AP24628)</p>
MECHANISM AP32919 AP32920	<p><b>LATERAL ARM ROOM EXTENSION - 16.0" STROKE (WITH SYNCHRONIZING CYLINDER) - AP32918 KIT</b></p> <p><a href="#">SEE MR41.2825 FOR DRAWING AND PARTS INFORMATION.</a></p> <p>CYLINDER ASSEMBLY _____ ITEM 1 - RAP91203 (6.150" STROKE) - REPLACES AP26255            SYNCHRONIZING CYLINDER _____ ITEM 3 - RAP91013 (1.810" STROKE) - REPLACES AP28566            TUBE KIT _____ ITEM 2 - RAP91226 - REPLACES AP27031            HOSE ASSEMBLIES _____ ITEM 4 - RAP91346 (AP24633) ITEM 5 - RAP90320 (AP24634)</p>
MECHANISM AP37882	<p><b>CYLINDER ASSEMBLY - 25.0" STROKE</b></p> <p>CYLINDER ASSEMBLY _____ RAP92491 (25.0" STROKE) - REPLACES AP37882</p>
MECHANISM AP37900 AP37901	<p><b>UNIVERSAL STRAIGHT OUT - 30.0" STROKE - AP37499 KIT</b></p> <p><a href="#">SEE MR41.2680 FOR DRAWING AND PARTS INFORMATION.</a></p> <p>CYLINDER ASSEMBLY _____ ITEM 1 - RAP91702 (34.0" STROKE) - REPLACES AP31461            TUBE KIT _____ ITEM 2 - RAP91703 - REPLACES AP31486            HOSE ASSEMBLIES _____ ITEM 4 - RAP90872 (AP24632) ITEM 5 - RAP91421 (AP24818)</p>
MECHANISM AP39080	<p><b>SINGLE CYLINDER ROOM EXTENSION - 22.0" STROKE (GUIDED) - AP39081 KIT</b></p> <p><a href="#">SEE MR41.1100 FOR DRAWING AND PARTS INFORMATION.</a></p> <p>CYLINDER ASSEMBLY _____ ITEM 1 - RAP92490 (23.6" STROKE) - REPLACES AP39075            HOSE ASSEMBLIES _____ ITEM 3 - RAP90872 (AP24632) ITEM 4 - RAP91562 (AP25677)            RAP90871 (AP24628)</p>
MECHANISM AP39718 AP39719	<p><b>UNIVERSAL STRAIGHT OUT - 30.0" STROKE (WITH SYNCHRONIZING CYLINDER) - AP39553 KIT</b></p> <p><a href="#">SEE MR41.2685 FOR DRAWING AND PARTS INFORMATION.</a></p> <p>CYLINDER ASSEMBLY _____ ITEM 1 - RAP92076 (30.5" STROKE) - REPLACES AP38072            SYNCHRONIZING CYLINDER _____ ITEM 3 - RAP92077 (10.540" STROKE) - REPLACES AP37881            TUBE KIT _____ ITEM 2 - RAP92079 - REPLACES AP38267            HOSE ASSEMBLIES _____ ITEM 4 - RAP90872 (AP24632) ITEM 5 - RAP91421 (AP24818)</p>
MECHANISM AP39726 AP39727	<p><b>UNIVERSAL STRAIGHT OUT - 20.0" STROKE (WITH SYNCHRONIZING CYLINDER) - AP39725 KIT</b></p> <p><a href="#">SEE MR41.2685 FOR DRAWING AND PARTS INFORMATION.</a></p> <p>CYLINDER ASSEMBLY _____ ITEM 1 - RAP92076 (30.5" STROKE) - REPLACES AP38072            SYNCHRONIZING CYLINDER _____ ITEM 3 - RAP92099 (7.010" STROKE) - REPLACES AP39221            TUBE KIT _____ ITEM 2 - RAP92079 - REPLACES AP38267            HOSE ASSEMBLIES _____ ITEM 4 - RAP90872 (AP24632) ITEM 5 - RAP91421 (AP24818)</p>
MECHANISM AP39847 AP39848	<p><b>UNIVERSAL STRAIGHT OUT - 18.0" STROKE (WITH SYNCHRONIZING CYLINDER) - AP44279 KIT</b></p> <p><a href="#">SEE MR41.2685 FOR DRAWING AND PARTS INFORMATION.</a></p> <p>CYLINDER ASSEMBLY _____ ITEM 1 - RAP92075 (20.5" STROKE) - REPLACES AP39251            SYNCHRONIZING CYLINDER _____ ITEM 3 - RAP92369 (6.300" STROKE) - REPLACES AP39267            TUBE KIT _____ ITEM 2 - RAP92092 - REPLACES AP39321            HOSE ASSEMBLIES _____ ITEM 4 - RAP91566 (AP24631) ITEM 5 - RAP91568 (AP24637)</p>
MECHANISM AP40212 AP40213	<p><b>UNIVERSAL STRAIGHT OUT - 16.0" STROKE (WITH SYNCHRONIZING CYLINDER) - AP39732 KIT</b></p> <p><a href="#">SEE MR41.2685 FOR DRAWING AND PARTS INFORMATION.</a></p> <p>CYLINDER ASSEMBLY _____ ITEM 1 - RAP92075 (20.5" STROKE) - REPLACES AP39251            SYNCHRONIZING CYLINDER _____ ITEM 3 - RAP92494 (5.590" STROKE) - REPLACES AP39334            TUBE KIT _____ ITEM 2 - RAP92092 - REPLACES AP39321            HOSE ASSEMBLIES _____ ITEM 4 - RAP91241 (AP25086) ITEM 5 - RAP91422 (AP24819)</p>



# ROOM EXTENSION ASSEMBLIES GUIDE PAGE "FORETRAVEL INC." (PAGE 3 OF 3)

PROCEDURE: SEE "FORETRAVEL INC." (PAGE 1 OF 3)

MECHANISM AP40221 AP40222	UNIVERSAL STRAIGHT OUT - 12.0" STROKE (WITH SYNCHRONIZING CYLINDER) - AP40008 KIT  <a href="#">SEE MR41.2685 FOR DRAWING AND PARTS INFORMATION.</a> CYLINDER ASSEMBLY _____ ITEM 1 - RAP92075 - REPLACES AP39251 (20.5" STROKE) SYNCHRONIZING CYLINDER _____ ITEM 3 - RAP92493 - REPLACES AP39037 (4.160" STROKE) TUBE KIT _____ ITEM 2 - RAP92092 - REPLACES AP39321 HOSE ASSEMBLIES _____ ITEM 4 - RAP91241 (AP25086) ITEM 5 - RAP91422 (AP24819)
MECHANISM AP41382 AP41383	UNIVERSAL STRAIGHT OUT - 26.0" STROKE (WITH SYNCHRONIZING CYLINDER) - AP41381 KIT  <a href="#">SEE MR41.2685 FOR DRAWING AND PARTS INFORMATION.</a> CYLINDER ASSEMBLY _____ ITEM 1 - RAP92076 (30.5" STROKE) - REPLACES AP38072 SYNCHRONIZING CYLINDER _____ ITEM 3 - RAP92077 (10.540" STROKE) - REPLACES AP37881 TUBE KIT _____ ITEM 2 - RAP92079 - REPLACES AP38267 HOSE ASSEMBLIES _____ ITEM 4 - RAP90872 (AP24632) ITEM 5 - RAP91421 (AP24818)

# ROOM EXTENSION ASSEMBLIES GUIDE PAGE "FOREST RIVER"

**PROCEDURE:**

1. Locate the HWH identification tag on the room extension mechanism to get the correct room extension part number.
2. Find the correct room extension part number in the left column below.
3. Refer to the proper parts page for general replacement parts information and item number arrangements.
4. Two cylinder room extensions with a synchronizing cylinder have two room extension part numbers. One number is for the left assembly, one is for the right assembly. If the room extension assembly originally had one number, that number is listed with the new numbers.

MECHANISM AP10379	<b>DUAL CYLINDER ROOM EXTENSION - 37.0" STROKE (WITH RACK SENSING VALVE)</b>
	<p><a href="#">SEE MR41.1530 FOR DRAWING AND PARTS INFORMATION.</a></p> <p>CYLINDER ASSEMBLY _____ ITEM 1 - RAP90069 (37.0" STROKE) - REPLACES AP2340</p> <p>HOSE ASSEMBLIES _____ ITEM 7 - RAP4073 (AP4073)    ITEM 9 - RAP90001 (AP2445)</p> <p style="padding-left: 150px;">ITEM 8 - RAP90003 (AP2446)    ITEM 10 - RAP90004 (AP2443)</p>
MECHANISM AP12747	<b>DUAL CYLINDER ROOM EXTENSION - 37.0" STROKE (WITH RACK SENSING VALVE)</b>
	<p><a href="#">SEE MR41.1530 FOR DRAWING AND PARTS INFORMATION.</a></p> <p>CYLINDER ASSEMBLY _____ ITEM 1 - RAP90069 (37.0" STROKE) - REPLACES AP2340</p> <p>HOSE ASSEMBLIES _____ ITEM 7 - RAP4073 (AP4073)    ITEM 9 - RAP90215 (AP10912)</p> <p style="padding-left: 150px;">ITEM 8 - RAP90003 (AP2446)    ITEM 10 - RAP90126 (AP10913)</p>
MECHANISM AP12777	<b>SINGLE CYLINDER ROOM EXTENSION - 25.0" STROKE - AP12778 KIT</b>
	<p><a href="#">SEE MR41.1000 FOR DRAWING AND PARTS INFORMATION.</a></p> <p>CYLINDER ASSEMBLY _____ ITEM 1 - RAP90031 (25.0" STROKE) - REPLACES AP1911</p> <p>TUBE KIT _____ ITEM 2 - RAP90029 - REPLACES AP2369</p>
MECHANISM AP15715	<b>SINGLE CYLINDER ROOM EXTENSION - 24.0" STROKE - AP15714 KIT</b>
	<p>CYLINDER ASSEMBLY _____ RAP90697 (24.0" STROKE) - REPLACES AP15715</p>
MECHANISM AP27247 AP27248	<b>LATERAL ARM (GUIDED) ROOM EXTENSION - 16.0" STROKE (WITH TORSION BAR) - AP27246 KIT</b>
	<p><a href="#">SEE MR41.2825 FOR DRAWING AND PARTS INFORMATION.</a></p> <p>CYLINDER ASSEMBLY _____ ITEM 1 - RAP91203 (6.150" STROKE) - REPLACES AP26255</p> <p>TUBE KIT _____ ITEM 2 - RAP91226 - REPLACES AP27031</p> <p>HOSE ASSEMBLIES _____ ITEM 4 - RAP91241 (AP25086)    ITEM 5 - RAP91240 (AP24636)</p>
MECHANISM AP28189 AP28190	<b>FLAT FLOOR ROOM EXTENSION - 29.125" STROKE</b>
	<p><a href="#">SEE MR41.2200 FOR DRAWING AND PARTS INFORMATION.</a></p> <p>CYLINDER ASSEMBLY _____ ITEM 1 - RAP90696 (36.0" STROKE) - REPLACES AP19256</p> <p>SYNCHRONIZING CYLINDER _____ ITEM 3 - RAP90690 (11.780" STROKE) - REPLACES AP17966</p> <p>HOSE ASSEMBLIES _____ ITEM 2 - RAP91566 - REPLACES AP24631</p>
MECHANISM AP28191	<b>SINGLE CYLINDER ROOM EXTENSION - 20.0" STROKE (GUIDED) - AP28090 KIT</b>
	<p><a href="#">SEE MR41.1100 FOR DRAWING AND PARTS INFORMATION.</a></p> <p>CYLINDER ASSEMBLY _____ ITEM 1 - RAP91021 (27.0" STROKE) - REPLACES AP28682</p> <p>HOSE ASSEMBLIES _____ ITEM 3 - RAP90872 (AP24632)    ITEM 4 - RAP90871 (AP24628)</p>
MECHANISM AP28879	<b>CYLINDER ASSEMBLY - 20.0" STROKE</b>
	<p>CYLINDER ASSEMBLY _____ RAP91627 (20.0" STROKE) - REPLACES AP28879</p>
MECHANISM AP31594 AP31595	<b>DUAL CYLINDER LEVEL OUT ROOM EXTENSION - 29.125" STROKE (WITH SYNC. CYLINDER) - AP28085 KIT</b>
	<p><a href="#">SEE MR41.2200 FOR DRAWING AND PARTS INFORMATION.</a></p> <p>CYLINDER ASSEMBLY _____ ITEM 1 - RAP90696 (36.0" STROKE) - REPLACES AP19256</p> <p>SYNCHRONIZING CYLINDER _____ ITEM 3 - RAP90690 (11.780" STROKE) - REPLACES AP17966</p> <p>HOSE ASSEMBLIES _____ ITEM 2 - RAP91566 - REPLACES AP24631</p>

---

# ROOM EXTENSION ASSEMBLIES GUIDE PAGE "FORMOSA MOBILE TECH"

---

**PROCEDURE:**

1. Locate the HWH identification tag on the room extension mechanism to get the correct room extension part number.
2. Find the correct room extension part number in the left column below.
3. Refer to the proper parts page for general replacement parts information and item number arrangements.
4. Two cylinder room extensions with a synchronizing cylinder have two room extension part numbers. One number is for the left assembly, one is for the right assembly. If the room extension assembly originally had one number, that number is listed with the new numbers.

<b>MECHANISM</b> <b>AP36166</b> <b>AP36167</b>	<b>DUAL CYLINDER ROOM EXTENSION - 28.0" STROKE (WITH SYNCHRONIZING CYLINDER) - AP35740 KIT</b>  <b>SEE MR41.2005 FOR DRAWING AND PARTS INFORMATION.</b> <b>CYLINDER ASSEMBLY</b> _____ <b>ITEM 1 - RAP90478 (28.5" STROKE) - REPLACES AP15322</b> <b>SYNCHRONIZING CYLINDER</b> _____ <b>ITEM 3 - RAP90455 (11.335" STROKE) - REPLACES AP15320</b> <b>TUBE KIT</b> _____ <b>ITEM 2 - RAP90480 - REPLACES AP13252</b>
--	---

# ROOM EXTENSION ASSEMBLIES

## GUIDE PAGE

### "FOUR WINDS" (PAGE 1 OF 2)

**PROCEDURE:**

1. Locate the HWH identification tag on the room extension mechanism to get the correct room extension part number.
2. Find the correct room extension part number in the left column below.
3. Refer to the proper parts page for general replacement parts information and item number arrangements.
4. Two cylinder room extensions with a synchronizing cylinder have two room extension part numbers. One number is for the left assembly, one is for the right assembly. If the room extension assembly originally had one number, that number is listed with the new numbers.

MECHANISM AP15488 AP15489	<b>VERTICAL ARM ROOM EXTENSION - 24.0" STROKE (WITH SYNCHRONIZING CYLINDER) - AP15487 KIT</b>  <a href="#">SEE MR41.2500 FOR DRAWING AND PARTS INFORMATION.</a> CYLINDER ASSEMBLY _____ ITEM 1 - RAP90426 (9.689" STROKE) - REPLACES AP14028 SYNCHRONIZING CYLINDER _____ ITEM 6 - RAP90427 (3.815" STROKE) - REPLACES AP14027 HOSE ASSEMBLIES _____ ITEM 4 - RAP90428 (AP24642)      ITEM 5 - RAP90428 (AP24642)
MECHANISM AP19059 AP19060	<b>VERTICAL ARM ROOM EXTENSION - 36.0" STROKE (WITH SYNCHRONIZING CYLINDER) - AP19058 KIT</b>  <a href="#">SEE MR41.2500 FOR DRAWING AND PARTS INFORMATION.</a> CYLINDER ASSEMBLY _____ ITEM 1 - RAP91348 (14.3" STROKE) - REPLACES AP19378 SYNCHRONIZING CYLINDER _____ ITEM 6 - RAP90726 (5.750" STROKE) - REPLACES AP15042 HOSE ASSEMBLIES _____ ITEM 4 - RAP90428 (AP24642)      ITEM 5 - RAP90428 (AP24642)
MECHANISM AP25819	<b>SINGLE CYLINDER GENERATOR EXTENSION - 30.0" STROKE - AP25818 KIT</b>  CYLINDER ASSEMBLY _____ RAP91337 (30.5" STROKE) - REPLACES AP25935 TUBE KIT _____ RAP91023 - REPLACES AP27998
MECHANISM AP26042 AP26045	<b>VERTICAL ARM ROOM EXTENSION - 24.0" STROKE (WITH SYNCHRONIZING CYLINDER) - AP26044 KIT</b>  <a href="#">SEE MR41.2500 FOR DRAWING AND PARTS INFORMATION.</a> CYLINDER ASSEMBLY _____ ITEM 1 - RAP91347 (10.172" STROKE) - REPLACES AP26043 SYNCHRONIZING CYLINDER _____ ITEM 6 - RAP91019 (3.935" STROKE) - REPLACES AP13180 HOSE ASSEMBLIES _____ ITEM 4 - RAP90428 (AP24642)      ITEM 5 - RAP90428 (AP24642)
MECHANISM AP27018	<b>SINGLE CYLINDER ROOM EXTENSION - 18.0" STROKE - AP26810 KIT</b>  <a href="#">SEE MR41.1200 FOR DRAWING AND PARTS INFORMATION.</a> CYLINDER ASSEMBLY _____ ITEM 1 - RAP91706 (18.5" STROKE) - REPLACES AP27466 TUBE KIT _____ ITEM 2 - RAP90526 - REPLACES AP13592
MECHANISM AP27019	<b>SINGLE CYLINDER ROOM EXTENSION - 36.0" STROKE - AP25893 KIT</b>  <a href="#">SEE MR41.1200 FOR DRAWING AND PARTS INFORMATION.</a> CYLINDER ASSEMBLY _____ ITEM 1 - RAP91610 (36.5" STROKE) - REPLACES AP26238 TUBE KIT _____ ITEM 2 - RAP91024 - REPLACES AP26587
MECHANISM AP26895 AP26896	<b>DUAL CYLINDER ROOM EXTENSION - 36.0" STROKE (WITH SYNCHRONIZING CYLINDER) - AP26894 KIT</b>  <a href="#">SEE MR41.2005 FOR DRAWING AND PARTS INFORMATION.</a> CYLINDER ASSEMBLY _____ ITEM 1 - RAP91799 (36.5" STROKE) - REPLACES AP23577 SYNCHRONIZING CYLINDER _____ ITEM 3 - RAP90474 (14.630" STROKE) - REPLACES AP12484 TUBE KIT _____ ITEM 2 - RAP90480 - REPLACES AP13252
MECHANISM AP27073 AP27074	<b>LATERAL ARM ROOM EXTENSION - 20.0" STROKE (WITH TORSION BAR) - AP27072 KIT</b>  <a href="#">SEE MR41.2825 FOR DRAWING AND PARTS INFORMATION.</a> CYLINDER ASSEMBLY _____ ITEM 1 - RAP91351 (6.775" STROKE) - REPLACES AP27997 TUBE KIT _____ ITEM 2 - RAP91774 - REPLACES AP28035 HOSE ASSEMBLIES _____ ITEM 4 - RAP91574 (AP24627)      ITEM 5 - RAP91573 (AP32672)

# ROOM EXTENSION ASSEMBLIES GUIDE PAGE "FOUR WINDS" (PAGE 2 OF 2)

PROCEDURE: SEE "FOUR WINDS " (PAGE 1 OF 2)

MECHANISM AP27217 AP27218	<p><b>DUAL CYLINDER X-SLIDE - 30.75" STROKE (WITH SYNCHRONIZING CYLINDER) - AP27163 KIT</b></p> <p><a href="#">SEE MR41.2670 FOR DRAWING AND PARTS INFORMATION.</a></p> <p>CYLINDER ASSEMBLY _____ ITEM 1 - RAP91352 (13.90" STROKE) - REPLACES AP27513          SYNCHRONIZING CYLINDER _____ ITEM 3 - RAP90725 (5.46" STROKE) - REPLACES AP15043          TUBE KIT _____ ITEM 2 - RAP91229 - REPLACES AP27587          HOSE ASSEMBLIES _____ ITEM 4 - RAP91553 (AP27857) ITEM 5 - RAP90800 (AP24640)</p>
MECHANISM AP27411	<p><b>CYLINDER ASSEMBLY - 20.0" STROKE</b></p> <p>CYLINDER ASSEMBLY _____ RAP91627 (20.0" STROKE) - REPLACES AP27411</p>
MECHANISM AP27836 AP27837	<p><b>DUAL CYLINDER X-SLIDE - 20.0" STROKE (WITH SYNCHRONIZING CYLINDER) - AP27835 KIT</b></p> <p><a href="#">SEE MR41.2670 FOR DRAWING AND PARTS INFORMATION.</a></p> <p>CYLINDER ASSEMBLY _____ ITEM 1 - RAP91208 (9.20" STROKE) - REPLACES AP27862          SYNCHRONIZING CYLINDER _____ ITEM 3 - RAP90587 (3.455" STROKE) - REPLACES AP17199          TUBE KIT _____ ITEM 2 - RAP91229 - REPLACES AP27587          HOSE ASSEMBLIES _____ ITEM 4 - RAP91553 (AP27857) ITEM 5 - RAP90800 (AP24640)</p>
MECHANISM AP27841 AP27842	<p><b>DUAL CYLINDER X-SLIDE - 18.0" STROKE - AP27840 KIT</b></p> <p>NO INFORMATION AVAILABLE.</p>
MECHANISM AP28473 AP28474	<p><b>DUAL CYLINDER X-SLIDE - 30.75" STROKE (WITH SYNCHRONIZING CYLINDER) - AP28472 KIT</b></p> <p><a href="#">SEE MR41.2670 FOR DRAWING AND PARTS INFORMATION.</a></p> <p>CYLINDER ASSEMBLY _____ ITEM 1 - RAP91352 (13.90" STROKE) - REPLACES AP27513          SYNCHRONIZING CYLINDER _____ ITEM 3 - RAP90725 (5.46" STROKE) - REPLACES AP15043          TUBE KIT _____ ITEM 2 - RAP91229 - REPLACES AP27587          HOSE ASSEMBLIES _____ ITEM 4 - RAP91553 (AP27857) ITEM 5 - RAP90800 (AP24640)</p>
MECHANISM AP28504 AP28505	<p><b>LATERAL ARM ROOM EXTENSION - 20.0" STROKE (WITH TORSION BAR) - AP28503 KIT</b></p> <p><a href="#">SEE MR41.2825 FOR DRAWING AND PARTS INFORMATION.</a></p> <p>CYLINDER ASSEMBLY _____ ITEM 1 - RAP91351 (6.775" STROKE) - REPLACES AP27997          TUBE KIT _____ ITEM 2 - RAP91774 - REPLACES AP28035          HOSE ASSEMBLIES _____ ITEM 4 - RAP91574 (AP24627) ITEM 5 - RAP91573 (AP32672)</p>
MECHANISM AP38533	<p><b>SINGLE CYLINDER ROOM EXTENSION - 24.0" STROKE - AP38532 KIT</b></p> <p><a href="#">SEE MR41.1200 FOR DRAWING AND PARTS INFORMATION.</a></p> <p>CYLINDER ASSEMBLY _____ ITEM 1 - RAP92495 (24.5" STROKE) - REPLACES AP38628          TUBE KIT _____ ITEM 2 - RAP92496 - REPLACES AP39008</p>

# ROOM EXTENSION ASSEMBLIES GUIDE PAGE "FRONTLINE COMM. CORP."

**PROCEDURE:**

1. Locate the HWH identification tag on the room extension mechanism to get the correct room extension part number.
2. Find the correct room extension part number in the left column below.
3. Refer to the proper parts page for general replacement parts information and item number arrangements.
4. Two cylinder room extensions with a synchronizing cylinder have two room extension part numbers. One is for the left assembly, one is for the right assembly. If the room extension assembly originally had one number, that number is listed with the new numbers.

<b>MECHANISM</b> <b>AP38251</b> <b>AP38252</b>	<b>UNIVERSAL STRAIGHT OUT - 30.0" STROKE (WITH SYNCHRONIZING CYLINDER) - AP43482 KIT</b>
	<b>SEE MR41.2685 FOR DRAWING AND PARTS INFORMATION.</b>
	<b>CYLINDER ASSEMBLY</b> _____ <b>ITEM 1 - RAP92076 (30.5" STROKE) - REPLACES AP38072</b>
	<b>SYNCHRONIZING CYLINDER</b> _____ <b>ITEM 3 - RAP92077 (10.540" STROKE) - REPLACES AP37881</b>
	<b>TUBE KIT</b> _____ <b>ITEM 2 - RAP92079 - REPLACES AP38267</b>
	<b>HOSE ASSEMBLIES</b> _____ <b>ITEM 4 - RAP90872 (AP24632) ITEM 5 - RAP91421 (AP24818)</b>

# ROOM EXTENSION ASSEMBLIES GUIDE PAGE "FUSION CUSTOM TRAILERS"

**PROCEDURE:**

1. Locate the HWH identification tag on the room extension mechanism to get the correct room extension part number.
2. Find the correct room extension part number in the left column below.
3. Refer to the proper parts page for general replacement parts information and item number arrangements.
4. Two cylinder room extensions with a synchronizing cylinder have two room extension part numbers. One is for the left assembly, one is for the right assembly. If the room extension assembly originally had one number, that number is listed with the new numbers.

<b>MECHANISM</b> <b>AP45900</b> <b>AP45901</b>	<b>UNIVERSAL STRAIGHT OUT - 30.0" STROKE (WITH SYNCHRONIZING CYLINDER) - AP49385 KIT</b>
	<b>SEE MR41.2685 FOR DRAWING AND PARTS INFORMATION.</b>
	<b>CYLINDER ASSEMBLY</b> _____ <b>ITEM 1 - RAP92076 (30.5" STROKE) - REPLACES AP38072</b>
	<b>SYNCHRONIZING CYLINDER</b> _____ <b>ITEM 3 - RAP92077 (10.540" STROKE) - REPLACES AP37881</b>
	<b>TUBE KIT</b> _____ <b>ITEM 2 - RAP92079 - REPLACES AP38267</b>
	<b>HOSE ASSEMBLIES</b> _____ <b>ITEM 4 - RAP90872 (AP24632) ITEM 5 - RAP91421 (AP24818)</b>

# ROOM EXTENSION ASSEMBLIES GUIDE PAGE "GAUTIER FABRICATION INC."

**PROCEDURE:**

1. Locate the HWH identification tag on the room extension mechanism to get the correct room extension part number.
2. Find the correct room extension part number in the left column below.
3. Refer to the proper parts page for general replacement parts information and item number arrangements.
4. Two cylinder room extensions with a synchronizing cylinder have two room extension part numbers. One is for the left assembly, one is for the right assembly. If the room extension assembly originally had one number, that number is listed with the new numbers.

<b>MECHANISM</b> <b>AP45900</b> <b>AP45901</b>	<b>UNIVERSAL STRAIGHT OUT - 30.0" STROKE (WITH SYNCHRONIZING CYLINDER) - AP47744 KIT</b>
	<b>SEE MR41.2685 FOR DRAWING AND PARTS INFORMATION.</b>
	<b>CYLINDER ASSEMBLY</b> _____ <b>ITEM 1 - RAP92076 (30.5" STROKE) - REPLACES AP38072</b>
	<b>SYNCHRONIZING CYLINDER</b> _____ <b>ITEM 3 - RAP92077 (10.540" STROKE) - REPLACES AP37881</b>
	<b>TUBE KIT</b> _____ <b>ITEM 2 - RAP92079 - REPLACES AP38267</b>
	<b>HOSE ASSEMBLIES</b> _____ <b>ITEM 4 - RAP90872 (AP24632) ITEM 5 - RAP91421 (AP24818)</b>



---

# ROOM EXTENSION ASSEMBLIES GUIDE PAGE "GENERAL BODY & EQUIPMENT"

---

**PROCEDURE:**

1. Locate the HWH identification tag on the room extension mechanism to get the correct room extension part number.
2. Find the correct room extension part number in the left column below.
3. Refer to the proper parts page for general replacement parts information and item number arrangements.
4. Two cylinder room extensions with a synchronizing cylinder have two room extension part numbers. One number is for the left assembly, one is for the right assembly. If the room extension assembly originally had one number, that number is listed with the new numbers.

<b>MECHANISM</b> <b>AP42136</b> <b>AP42137</b>	<b>DUAL CYLINDER ROOM EXTENSION - 30.0" STROKE (WITH SYNCHRONIZING CYLINDER) - AP41561 KIT</b>
	<b>SEE MR41.2005 FOR DRAWING AND PARTS INFORMATION.</b>
	<b>CYLINDER ASSEMBLY</b> _____ <b>ITEM 1 - RAP90629 (30.5" STROKE) - REPLACES AP17365</b>
	<b>SYNCHRONIZING CYLINDER</b> _____ <b>ITEM 3 - RAP92077 (10.540" STROKE) - REPLACES AP37881</b>
	<b>TUBE KIT</b> _____ <b>ITEM 2 - RAP90480 - REPLACES AP13252</b>

# ROOM EXTENSION ASSEMBLIES GUIDE PAGE "GENERAL TRUCK BODY"

**PROCEDURE:**

1. Locate the HWH identification tag on the room extension mechanism to get the correct room extension part number.
2. Find the correct room extension part number in the left column below.
3. Refer to the proper parts page for general replacement parts information and item number arrangements.
4. Two cylinder room extensions with a synchronizing cylinder have two room extension part numbers. One number is for the left assembly, one is for the right assembly. If the room extension assembly originally had one number, that number is listed with the new numbers.

<b>MECHANISM</b> <b>AP34238</b> <b>AP34239</b>	<b>UNIVERSAL STRAIGHT OUT - 30.0" STROKE (WITH SYNCHRONIZING CYLINDER) - AP36036 KIT</b>  <b>SEE MR41.2680 FOR DRAWING AND PARTS INFORMATION.</b> <b>CYLINDER ASSEMBLY</b> _____ ITEM 1 - RAP91702 - REPLACES AP31461 (34.0" STROKE) <b>SYNCHRONIZING CYLINDER</b> _____ ITEM 3 - RAP90473 - REPLACES AP13192 (12.155" STROKE) <b>TUBE KIT</b> _____ ITEM 2 - RAP91703 - REPLACES AP31486 <b>HOSE ASSEMBLIES</b> _____ ITEM 4 - RAP90872 (AP24632) ITEM 5 - RAP91421 (AP24818)
<b>MECHANISM</b> <b>AP38251</b> <b>AP38252</b>	<b>UNIVERSAL STRAIGHT OUT - 30.0" STROKE (WITH SYNCHRONIZING CYLINDER) - AP38542 KIT</b>  <b>SEE MR41.2685 FOR DRAWING AND PARTS INFORMATION.</b> <b>CYLINDER ASSEMBLY</b> _____ ITEM 1 - RAP92076 - REPLACES AP38072 (30.5" STROKE) <b>SYNCHRONIZING CYLINDER</b> _____ ITEM 3 - RAP92077 - REPLACES AP37881 (10.540" STROKE) <b>TUBE KIT</b> _____ ITEM 2 - RAP92079 - REPLACES AP38267 <b>HOSE ASSEMBLIES</b> _____ ITEM 4 - RAP90872 (AP24632) ITEM 5 - RAP91421 (AP24818)
<b>MECHANISM</b> <b>AP38900</b> <b>AP38901</b>	<b>UNIVERSAL STRAIGHT OUT - 24.0" STROKE (WITH SYNCHRONIZING CYLINDER) - AP41517 KIT</b>  <b>SEE MR41.2685 FOR DRAWING AND PARTS INFORMATION.</b> <b>CYLINDER ASSEMBLY</b> _____ ITEM 1 - RAP92076 - REPLACES AP38072 (30.5" STROKE) <b>SYNCHRONIZING CYLINDER</b> _____ ITEM 3 - RAP92275 - REPLACES AP39271 (8.420" STROKE) <b>TUBE KIT</b> _____ ITEM 2 - RAP92079 - REPLACES AP38267 <b>HOSE ASSEMBLIES</b> _____ ITEM 4 - RAP90872 (AP24632) ITEM 5 - RAP91421 (AP24818)

# ROOM EXTENSION ASSEMBLIES GUIDE PAGE "GENERAL SAFETY EQUIPMENT"

**PROCEDURE:**

1. Locate the HWH identification tag on the room extension mechanism to get the correct room extension part number.
2. Find the correct room extension part number in the left column below.
3. Refer to the proper parts page for general replacement parts information and item number arrangements.
4. Two cylinder room extensions with a synchronizing cylinder have two room extension part numbers. One is for the left assembly, one is for the right assembly. If the room extension assembly originally had one number, that number is listed with the new numbers.

<b>MECHANISM</b> <b>AP38251</b> <b>AP38252</b>	<b>UNIVERSAL STRAIGHT OUT - 30.0" STROKE (WITH SYNCHRONIZING CYLINDER) - AP38332 KIT</b>
	<b>SEE MR41.2685 FOR DRAWING AND PARTS INFORMATION.</b>
	<b>CYLINDER ASSEMBLY</b> _____ ITEM 1 - RAP92076 (30.5" STROKE) - REPLACES AP38072
	<b>SYNCHRONIZING CYLINDER</b> _____ ITEM 3 - RAP92077 (10.540" STROKE) - REPLACES AP37881
	<b>TUBE KIT</b> _____ ITEM 2 - RAP92079 - REPLACES AP38267
	<b>HOSE ASSEMBLIES</b> _____ ITEM 4 - RAP90872 (AP24632) ITEM 5 - RAP91421 (AP24818)



# ROOM EXTENSION ASSEMBLIES GUIDE PAGE "GLOBAL EXPEDITION VEHICLES"

**PROCEDURE:**

1. Locate the HWH identification tag on the room extension mechanism to get the correct room extension part number.
2. Find the correct room extension part number in the left column below.
3. Refer to the proper parts page for general replacement parts information and item number arrangements.
4. Vertical Arm Room Extension assemblies have two room extension part numbers. One number is for the left arm, one is for the right arm.
5. As of 1999, two cylinder room extensions with a synchronizing cylinder have two room extension part numbers. One number is for the left assembly, one is for the right assembly. If the room extension assembly originally had one number, that number is listed with the new numbers.

**ROOM  
EXTENSION  
PART NO.**

<b>MECHANISM AP48476</b>	<b>SINGLE CYLINDER ROOM EXTENSION - 29.125" STROKE - AP48397 KIT</b>  <a href="#">SEE MR41.1100 FOR DRAWING AND PARTS INFORMATION.</a> CYLINDER ASSEMBLY _____ ITEM 1 - RAP91582 (30.125" STROKE) - REPLACES AP30339 HOSE ASSEMBLIES _____ ITEM 3 - RAP91424 (AP24635)      ITEM 4 - RAP91240 (AP24636)
<b>MECHANISM AP49798</b>	<b>FOUR CYLINDER ROOM EXTENSION - 36.5" STROKE (WITH SYNCHRONIZING CYLINDER) - AP49637 KIT</b>  <a href="#">SEE MR41.2005 FOR DRAWING AND PARTS INFORMATION.</a> CYLINDER ASSEMBLY _____ ITEM 1 - RAP93209 (37.0" STROKE) - REPLACES AP50938 SYNCHRONIZING CYLINDER _____ ITEM 3 - RAP93206 (14.735" STROKE) - REPLACES AP30140 <a href="#">SEE MR41.8005 FOR ADDITIONAL SYNC CYL REPLACEMENT PARTS</a> TUBE KIT _____ ITEM 2 - RAP91024 - REPLACES AP26587
<b>MECHANISM AP51288</b>	<b>FOUR CYLINDER ROOM EXTENSION - 30.0" STROKE (WITH SYNCHRONIZING CYLINDER) - AP51104 KIT</b>  CYLINDER ASSEMBLY _____ RAP93311 (30.5" STROKE) - REPLACES AP51293 SYNCHRONIZING CYLINDER _____ RAP93313 (4.050" STROKE) - REPLACES AP51304 <a href="#">SEE MR41.8006 FOR ADDITIONAL SYNC CYL REPLACEMENT PARTS</a>
<b>MECHANISM AP51289</b>	<b>FOUR CYLINDER ROOM EXTENSION - 40.0" STROKE (WITH SYNCHRONIZING CYLINDER) - AP51060 KIT</b>  CYLINDER ASSEMBLY _____ RAP93312 (40.5" STROKE) - REPLACES AP51297 SYNCHRONIZING CYLINDER _____ RAP93315 (5.330" STROKE) - REPLACES AP51305 <a href="#">SEE MR41.8006 FOR ADDITIONAL SYNC CYL REPLACEMENT PARTS</a> TUBE KIT _____ RAP90480 - REPLACES AP13252

# ROOM EXTENSION ASSEMBLIES GUIDE PAGE "GOLD RUSH, INC."

**PROCEDURE:**

1. Locate the HWH identification tag on the room extension mechanism to get the correct room extension part number.
2. Find the correct room extension part number in the left column below.
3. Refer to the proper parts page for general replacement parts information and item number arrangements.
4. Two cylinder room extensions with a synchronizing cylinder have two room extension part numbers. One number is for the left assembly, one is for the right assembly. If the room extension assembly originally had one number, that number is listed with the new numbers.

<b>MECHANISM</b>	<b>UNIVERSAL STRAIGHT OUT - 24.0" STROKE (WITH SYNCHRONIZING CYLINDER) - AP49153 KIT</b>
<b>AP46691</b>	<p style="color: blue; margin: 0;"><b>SEE MR41.2685 FOR DRAWING AND PARTS INFORMATION.</b></p> <p><b>CYLINDER ASSEMBLY</b> _____ ITEM 1 - RAP92076 (30.5" STROKE) - REPLACES AP38072</p> <p><b>SYNCHRONIZING CYLINDER</b> _____ ITEM 3 - RAP92275 (8.420" STROKE) - REPLACES AP39271</p> <p><b>TUBE KIT</b> _____ ITEM 2 - RAP92079 - REPLACES AP38267</p> <p><b>HOSE ASSEMBLIES</b> _____ ITEM 4 - RAP90872 (AP24632) ITEM 5 - RAP91421 (AP24818)</p>
<b>AP46692</b>	

# ROOM EXTENSION ASSEMBLIES GUIDE PAGE "GORE TRAILER MFG."

**PROCEDURE:**

1. Locate the HWH identification tag on the room extension mechanism to get the correct room extension part number.
2. Find the correct room extension part number in the left column below.
3. Refer to the proper parts page for general replacement parts information and item number arrangements.
4. Two cylinder room extensions with a synchronizing cylinder have two room extension part numbers. One is for the left assembly, one is for the right assembly. If the room extension assembly originally had one number, that number is listed with the new numbers.

<b>MECHANISM</b> <b>AP38251</b> <b>AP38252</b>	<b>UNIVERSAL STRAIGHT OUT - 30.0" STROKE (WITH SYNCHRONIZING CYLINDER) - AP41857 KIT</b>  <b>SEE MR41.2685 FOR DRAWING AND PARTS INFORMATION.</b> <b>CYLINDER ASSEMBLY</b> _____ ITEM 1 - RAP92076 (30.5" STROKE) - REPLACES AP38072 <b>SYNCHRONIZING CYLINDER</b> _____ ITEM 3 - RAP92077 (10.540" STROKE) - REPLACES AP37881 <b>TUBE KIT</b> _____ ITEM 2 - RAP92079 - REPLACES AP38267 <b>HOSE ASSEMBLIES</b> _____ ITEM 4 - RAP90872 (AP24632) ITEM 5 - RAP91421 (AP24818)
--	--

# ROOM EXTENSION ASSEMBLIES GUIDE PAGE "GREAT WEST VAN CONVERSIONS"

**PROCEDURE:**

1. Locate the HWH identification tag on the room extension mechanism to get the correct room extension part number.
2. Find the correct room extension part number in the left column below.
3. Refer to the proper parts page for general replacement parts information and item number arrangements.
4. Two cylinder room extensions with a synchronizing cylinder have two room extension part numbers. One number is for the left assembly, one is for the right assembly. If the room extension assembly originally had one number, that number is listed with the new numbers.

<b>MECHANISM AP15466</b>	<b>SINGLE CYLINDER ROOM EXTENSION - 31.0" STROKE - AP15465 KIT</b>  <b>SEE MR41.1000 FOR DRAWING AND PARTS INFORMATION.</b> <b>CYLINDER ASSEMBLY</b> _____ <b>ITEM 1 - RAP90103 (31.0" STROKE) - REPLACES AP10740</b> <b>TUBE KIT</b> _____ <b>ITEM 2 - RAP90029 - REPLACES AP2369</b>
<b>MECHANISM AP15475 AP15476</b>	<b>VERTICAL ARM ROOM EXTENSION - 30.0" STROKE (WITH SYNCHRONIZING CYLINDER) - AP15469 KIT</b>  <b>NO INFORMATION AVAILABLE.</b>
<b>MECHANISM AP18748</b>	<b>SINGLE CYLINDER ROOM EXTENSION - 36.0" STROKE - AP18747 KIT</b>  <b>NO INFORMATION AVAILABLE.</b>



# ROOM EXTENSION ASSEMBLIES GUIDE PAGE "H&H TRAILER COMPANY"

**PROCEDURE:**

1. Locate the HWH identification tag on the room extension mechanism to get the correct room extension part number.
2. Find the correct room extension part number in the left column below.
3. Refer to the proper parts page for general replacement parts information and item number arrangements.
4. Two cylinder room extensions with a synchronizing cylinder have two room extension part numbers. One number is for the left assembly, one is for the right assembly. If the room extension assembly originally had one number, that number is listed with the new numbers.

<b>MECHANISM AP33637</b>	<b>SINGLE CYLINDER ROOM EXTENSION - 24.0" STROKE - AP33557 KIT</b>  <b>SEE MR41.1100 FOR DRAWING AND PARTS INFORMATION.</b> CYLINDER ASSEMBLY _____ ITEM 1 - RAP91021 (27.0" STROKE) - REPLACES AP28682 HOSE ASSEMBLIES _____ ITEM 3 - RAP90872 (AP24632) ITEM 4 - RAP90871 (AP24628)
<b>MECHANISM AP33654 AP33655</b>	<b>UNIVERSAL SLIDE OUT ROOM EXTENSION - 24.0" STROKE (WITH SYNC. CYLINDER) - AP33556 KIT</b>  <b>SEE MR41.2680 FOR DRAWING AND PARTS INFORMATION.</b> CYLINDER ASSEMBLY _____ ITEM 1 - RAP91702 (34.0" STROKE) - REPLACES AP31461 SYNCHRONIZING CYLINDER _____ ITEM 3 - RAP90472 (9.685" STROKE) - REPLACES AP13224 TUBE KIT _____ ITEM 2 - RAP91703 - REPLACES AP31486 HOSE ASSEMBLIES _____ ITEM 4 - RAP90872 (AP24632) ITEM 5 - RAP91421 (AP24818)
<b>MECHANISM AP38251 AP38252</b>	<b>UNIVERSAL STRAIGHT OUT - 30.0" STROKE (WITH SYNCHRONIZING CYLINDER) - AP38513 KIT</b>  <b>SEE MR41.2685 FOR DRAWING AND PARTS INFORMATION.</b> CYLINDER ASSEMBLY _____ ITEM 1 - RAP92076 (30.5" STROKE) - REPLACES AP38072 SYNCHRONIZING CYLINDER _____ ITEM 3 - RAP92077 (10.540" STROKE) - REPLACES AP37881 TUBE KIT _____ ITEM 2 - RAP92079 - REPLACES AP38267 HOSE ASSEMBLIES _____ ITEM 4 - RAP90872 (AP24632) ITEM 5 - RAP91421 (AP24818)
<b>MECHANISM AP41349</b>	<b>CYLINDER ASSEMBLY - 30.0" STROKE</b>  CYLINDER ASSEMBLY _____ RAP92248 (30.0" STROKE) - REPLACES AP41349 TUBE KIT _____ RAP91703 - REPLACES AP31486

# ROOM EXTENSION ASSEMBLIES GUIDE PAGE "HARMAR, INC."

**PROCEDURE:**

1. Locate the HWH identification tag on the room extension mechanism to get the correct room extension part number.
2. Find the correct room extension part number in the left column below.
3. Refer to the proper parts page for general replacement parts information and item number arrangements.
4. Two cylinder room extensions with a synchronizing cylinder have two room extension part numbers. One number is for the left assembly, one is for the right assembly. If the room extension assembly originally had one number, that number is listed with the new numbers.

<b>MECHANISM</b> <b>AP17637</b> <b>AP18164</b>	<b>DUAL CYLINDER ROOM EXTENSION - 36.0" STROKE (WITH SYNCHRONIZING CYLINDER) - AP17636 KIT</b>  <a href="#">SEE MR41.2005 FOR DRAWING AND PARTS INFORMATION.</a> <b>CYLINDER ASSEMBLY</b> _____ ITEM 1 - RAP90518 (36.5" STROKE) - REPLACES AP15251 <b>SYNCHRONIZING CYLINDER</b> _____ ITEM 3 - RAP90474 (14.63" STROKE) - REPLACES AP12484 <b>TUBE KIT</b> _____ ITEM 2 - RAP90480 - REPLACES AP13252
<b>MECHANISM</b> <b>AP18166</b> <b>AP18167</b>	<b>DUAL CYLINDER ROOM EXTENSION - 24.0" STROKE (WITH SYNCHRONIZING CYLINDER) - AP18165 KIT</b>  <a href="#">SEE MR41.2005 FOR DRAWING AND PARTS INFORMATION.</a> <b>CYLINDER ASSEMBLY</b> _____ ITEM 1 - RAP90484 (24.5" STROKE) - REPLACES AP15252 <b>SYNCHRONIZING CYLINDER</b> _____ ITEM 3 - RAP90472 (9.685" STROKE) - REPLACES AP13224 <b>TUBE KIT</b> _____ ITEM 2 - RAP90480 - REPLACES AP13252

# ROOM EXTENSION ASSEMBLIES GUIDE PAGE "HART MFG. INC."

**PROCEDURE:**

1. Locate the HWH identification tag on the room extension mechanism to get the correct room extension part number.
2. Find the correct room extension part number in the left column below.
3. Refer to the proper parts page for general replacement parts information and item number arrangements.
4. Two cylinder room extensions with a synchronizing cylinder have two room extension part numbers. One is for the left assembly, one is for the right assembly. If the room extension assembly originally had one number, that number is listed with the new numbers.

<b>MECHANISM</b> <b>AP32014</b> <b>AP32015</b>	<b>DUAL CYLINDER X-SLIDE - 30.75" STROKE (WITH SYNCHRONIZING CYLINDER) - AP33764 KIT</b>  <a href="#">SEE MR41.2670 FOR DRAWING AND PARTS INFORMATION.</a> <b>CYLINDER ASSEMBLY</b> _____ ITEM 1 - RAP91352 (13.90" STROKE) - REPLACES AP27513 <b>SYNCHRONIZING CYLINDER</b> _____ ITEM 3 - RAP90725 (5.460" STROKE) - REPLACES AP15043 <b>TUBE KIT</b> _____ ITEM 2 - RAP91229 - REPLACES AP27587 <b>HOSE ASSEMBLIES</b> _____ ITEM 4 - RAP91574 (AP24627) ITEM 5 - RAP91573 (AP32672)
<b>MECHANISM</b> <b>AP38251</b> <b>AP38252</b>	<b>UNIVERSAL STRAIGHT OUT - 30.0" STROKE (WITH SYNCHRONIZING CYLINDER) - AP38591 KIT</b>  <a href="#">SEE MR41.2685 FOR DRAWING AND PARTS INFORMATION.</a> <b>CYLINDER ASSEMBLY</b> _____ ITEM 1 - RAP92076 (30.5" STROKE) - REPLACES AP38072 <b>SYNCHRONIZING CYLINDER</b> _____ ITEM 3 - RAP92077 (10.540" STROKE) - REPLACES AP37881 <b>TUBE KIT</b> _____ ITEM 2 - RAP92079 - REPLACES AP38267 <b>HOSE ASSEMBLIES</b> _____ ITEM 4 - RAP90872 (AP24632) ITEM 5 - RAP91421 (AP24818)

---

# ROOM EXTENSION ASSEMBLIES GUIDE PAGE "HOST INDUSTRIES"

---

**PROCEDURE:**

1. Locate the HWH identification tag on the room extension mechanism to get the correct room extension part number.
2. Find the correct room extension part number in the left column below.
3. Refer to the proper parts page for general replacement parts information and item number arrangements.
4. Two cylinder room extensions with a synchronizing cylinder have two room extension part numbers. One number is for the left assembly, one is for the right assembly. If the room extension assembly originally had one number, that number is listed with the new numbers.

<b>MECHANISM AP36955</b>	<b>SINGLE CYLINDER ROOM EXTENSION - 14.0" STROKE - AP36929 KIT</b>  <b>SEE MR41.1100 FOR DRAWING AND PARTS INFORMATION.</b> <b>CYLINDER ASSEMBLY</b> _____ ITEM 1 - RAP91807 (15.0" STROKE) - REPLACES AP29366 <b>HOSE ASSEMBLIES</b> _____ ITEM 3 - RAP90872 (AP24632) ITEM 4 - RAP90871 (AP24628)
<b>MECHANISM AP36956</b>	<b>SINGLE CYLINDER ROOM EXTENSION - 24.0" STROKE - AP36930 KIT</b>  <b>SEE MR41.1100 FOR DRAWING AND PARTS INFORMATION.</b> <b>CYLINDER ASSEMBLY</b> _____ ITEM 1 - RAP91021 (27.0" STROKE) - REPLACES AP28682 <b>HOSE ASSEMBLIES</b> _____ ITEM 3 - RAP90872 (AP24632) ITEM 4 - RAP90871 (AP24628)

# ROOM EXTENSION ASSEMBLIES GUIDE PAGE "HWH EUROPE" (PAGE 1 OF 3)

**PROCEDURE:**

1. Locate the HWH identification tag on the room extension mechanism to get the correct room extension part number.
2. Find the correct room extension part number in the left column below.
3. Refer to the proper parts page for general replacement parts information and item number arrangements.
4. Two cylinder room extensions with a synchronizing cylinder have two room extension part numbers. One number is for the left assembly, one is for the right assembly. If the room extension assembly originally had one number, that number is listed with the new numbers.

MECHANISM AP12796	<p><b>DUAL CYLINDER ROOM EXTENSION - 39.0" STROKE (WITH RACK SENSING VALVE) - AP12795 KIT</b></p> <p><a href="#">SEE MR41.1536 FOR DRAWING AND PARTS INFORMATION.</a></p> <p>CYLINDER ASSEMBLY _____ ITEM 1 - RAP90007 (39.0" STROKE) - REPLACES AP1700</p> <p>HOSE ASSEMBLIES _____ ITEM 6 - RAP4073 (AP4073)      ITEM 8 - RAP90120 (AP5965)</p> <p style="padding-left: 150px;">ITEM 7 - RAP90003 (AP2446)      ITEM 9 - RAP6116 (AP6116)</p>
MECHANISM AP18960 AP18961	<p><b>DUAL CYLINDER ROOM EXTENSION - 35.5" STROKE (WITH SYNCHRONIZING CYLINDER) - AP41444 KIT</b></p> <p><a href="#">SEE MR41.2000 FOR DRAWING AND PARTS INFORMATION.</a></p> <p>CYLINDER ASSEMBLY _____ ITEM 1 - RAP90476 (36.0" STROKE) - REPLACES AP15824</p> <p>SYNCHRONIZING CYLINDER _____ ITEM 3 - RAP90446 (14.425" STROKE) - REPLACES AP15763</p> <p>TUBE ASSEMBLIES _____ ITEM 6 - RAP90480 - REPLACES AP13252</p>
MECHANISM AP19281 AP19282	<p><b>DUAL CYLINDER ROOM EXTENSION - 70.0" STROKE (WITH SYNCHRONIZING CYLINDER) - AP37139 KIT</b></p> <p><a href="#">SEE MR41.2000 FOR DRAWING AND PARTS INFORMATION.</a></p> <p>CYLINDER ASSEMBLY _____ ITEM 1 - RAP91189 (71.0" STROKE) - REPLACES AP17270</p> <p>SYNCHRONIZING CYLINDER _____ ITEM 3 - RAP91809 (26.860" STROKE) - REPLACES AP17246</p> <p>TUBE KIT _____ ITEM 2 - RAP91221 - REPLACES AP17321</p>
MECHANISM AP20904 AP20905	<p><b>DUAL CYLINDER ROOM EXTENSION - 30.0" STROKE (WITH SYNCHRONIZING CYLINDER) - AP20903 KIT</b></p> <p><a href="#">SEE MR41.2000 FOR DRAWING AND PARTS INFORMATION.</a></p> <p>CYLINDER ASSEMBLY _____ ITEM 1 - RAP90487 (30.5" STROKE) - REPLACES AP15184</p> <p>SYNCHRONIZING CYLINDER _____ ITEM 3 - RAP90473 (12.155" STROKE) - REPLACES AP13192</p> <p>TUBE ASSEMBLIES _____ ITEM 6 - RAP90480 - REPLACES AP13252</p>
MECHANISM AP21070 AP21071	<p><b>DUAL CYLINDER ROOM EXTENSION - 30" STROKE (WITH SYNCHRONIZING CYLINDER) - AP21069 KIT</b></p> <p><a href="#">SEE MR41.2011 FOR DRAWING AND PARTS INFORMATION.</a></p> <p>CYLINDER ASSEMBLY _____ ITEM 1 - RAP90629 (30.5" STROKE) - REPLACES AP17365</p> <p>SYNCHRONIZING CYLINDER _____ ITEM 3 - RAP90473 (12.155" STROKE) - REPLACES AP13192</p> <p>TUBE ASSEMBLIES _____ ITEM 6 - RAP90480 - REPLACES AP13252</p>
MECHANISM AP21155	<p><b>SINGLE CYLINDER GENERATOR EXTENSION - 18.0" STROKE</b></p> <p>CYLINDER ASSEMBLY _____ RAP92498 (18.5" STROKE) - REPLACES AP21222</p> <p>HOSE ASSEMBLIES _____ RAP4059 - REPLACES AP4059</p>
MECHANISM AP22013 AP22014	<p><b>DUAL CYLINDER ROOM EXTENSION - 24.0" STROKE (WITH SYNCHRONIZING CYLINDER) - AP22012 KIT</b></p> <p><a href="#">SEE MR41.2000 FOR DRAWING AND PARTS INFORMATION.</a></p> <p>CYLINDER ASSEMBLY _____ ITEM 1 - RAP90484 (24.5" STROKE) - REPLACES AP15252</p> <p>SYNCHRONIZING CYLINDER _____ ITEM 3 - RAP90472 (9.685" STROKE) - REPLACES AP13224</p> <p>TUBE ASSEMBLIES _____ ITEM 6 - RAP90480 - REPLACES AP13252</p>

# ROOM EXTENSION ASSEMBLIES GUIDE PAGE "HWH EUROPE" (PAGE 2 OF 3)

PROCEDURE: SEE "HWH EUROPE" (PAGE 1 OF 3)

MECHANISM AP24083 AP24084	<p><b>DUAL CYLINDER ROOM EXTENSION - 39.5" STROKE (WITH SYNCHRONIZING CYLINDER) - AP24082 KIT</b></p> <p><a href="#">SEE MR41.2000 FOR DRAWING AND PARTS INFORMATION.</a></p> <p>CYLINDER ASSEMBLY _____ ITEM 1 - RAP91239 (40.5" STROKE) - REPLACES AP24107          SYNCHRONIZING CYLINDER _____ ITEM 3 - RAP91018 (16.175" STROKE) - REPLACES AP24085          TUBE ASSEMBLIES _____ ITEM 2 - RAP90481 - REPLACES AP15379</p>
MECHANISM AP27408 AP27409	<p><b>DUAL CYLINDER ROOM EXTENSION - 48.0" STROKE (WITH SYNCHRONIZING CYLINDER) - AP27407 KIT</b></p> <p><a href="#">SEE MR41.2005 FOR DRAWING AND PARTS INFORMATION.</a></p> <p>CYLINDER ASSEMBLY _____ ITEM 1 - RAP90479 (49.0" STROKE) - REPLACES AP15317          SYNCHRONIZING CYLINDER _____ ITEM 3 - RAP90462 (19.575" STROKE) - REPLACES AP14500          TUBE ASSEMBLIES _____ ITEM 2 - RAP90481 - REPLACES AP15379</p>
MECHANISM AP27591 AP27592	<p><b>DUAL CYLINDER ROOM EXTENSION - 18.0" STROKE (WITH SYNCHRONIZING CYLINDER) - AP27590 KIT</b></p> <p><a href="#">SEE MR41.2011 FOR DRAWING AND PARTS INFORMATION.</a></p> <p>CYLINDER ASSEMBLY _____ ITEM 1 - RAP90488 (35.0" STROKE) - REPLACES AP15224          SYNCHRONIZING CYLINDER _____ ITEM 3 - RAP90439 (7.210" STROKE) - REPLACES AP16618          TUBE ASSEMBLIES _____ ITEM 2 - RAP90480 - REPLACES AP13252</p>
MECHANISM AP27853 AP27854	<p><b>X-SLIDE ROOM EXTENSION - 20.0" STROKE (WITH SYNCHRONIZING CYLINDER) - AP28167 KIT</b></p> <p><a href="#">SEE MR41.2670 FOR DRAWING AND PARTS INFORMATION.</a></p> <p>CYLINDER ASSEMBLY _____ ITEM 1 - RAP91208 (9.20" STROKE) - REPLACES AP27862          SYNCHRONIZING CYLINDER _____ ITEM 3 - RAP90587 (3.455" STROKE) - REPLACES AP17199          TUBE ASSEMBLIES _____ ITEM 2 - RAP91229 - REPLACES AP27587          HOSE ASSEMBLIES _____ ITEM 4 - RAP91574 (AP24627) ITEM 5 - RAP91573 (AP32672)</p>
MECHANISM AP30504 AP30505	<p><b>X-SLIDE ROOM EXTENSION - 32.0" STROKE (WITH SYNCHRONIZING CYLINDER) - AP30502 KIT</b></p> <p><a href="#">SEE MR41.2670 FOR DRAWING AND PARTS INFORMATION.</a></p> <p>CYLINDER ASSEMBLY _____ ITEM 1 - RAP91210 (14.3" STROKE) - REPLACES AP29191          SYNCHRONIZING CYLINDER _____ ITEM 3 - RAP90726 (5.750" STROKE) - REPLACES AP15042          TUBE ASSEMBLIES _____ ITEM 2 - RAP91230 - REPLACES AP29192          HOSE ASSEMBLIES _____ ITEM 4 - RAP91574 (AP24627) ITEM 5 - RAP91573 (AP32672)</p>
MECHANISM AP32077 AP32078	<p><b>DUAL CYLINDER ROOM EXTENSION - 39.5" STROKE (WITH SYNCHRONIZING CYLINDER) - AP32076 KIT</b></p> <p><a href="#">SEE MR41.2011 FOR DRAWING AND PARTS INFORMATION.</a></p> <p>CYLINDER ASSEMBLY _____ ITEM 1 - RAP91239 (45.0" STROKE) - REPLACES AP24107          SYNCHRONIZING CYLINDER _____ ITEM 3 - RAP91018 (16.175" STROKE) - REPLACES AP24085          TUBE ASSEMBLIES _____ ITEM 2 - RAP90481 - REPLACES AP15379</p>
MECHANISM AP33037	<p><b>SINGLE CYLINDER ROOM EXTENSION - 30.0" STROKE (WITH SYNCHRONIZING CYLINDER) - AP33036 KIT</b></p> <p><a href="#">SEE MR41.1008 FOR DRAWING AND PARTS INFORMATION.</a></p> <p>CYLINDER ASSEMBLY _____ ITEM 1 - RAP90629 (30.5" STROKE) - REPLACES AP17365          TUBE ASSEMBLIES _____ ITEM 2 - RAP90480 - REPLACES AP13252</p>
MECHANISM AP33123 AP33124	<p><b>X-SLIDE ROOM EXTENSION KIT - 18.0" STROKE (WITH SYNCHRONIZING CYLINDER) - AP33122 KIT</b></p> <p><a href="#">SEE MR41.2670 FOR DRAWING AND PARTS INFORMATION.</a></p> <p>CYLINDER ASSEMBLY _____ ITEM 1 - RAP91007 (8.10" STROKE) - REPLACES AP27723          SYNCHRONIZING CYLINDER _____ ITEM 3 - RAP91006 (2.970" STROKE) - REPLACES AP27302          TUBE ASSEMBLIES _____ ITEM 2 - RAP91229 - REPLACES AP27587          HOSE ASSEMBLIES _____ ITEM 4 - RAP91574 (AP24627) ITEM 5 - RAP91573 (AP32672)</p>

# ROOM EXTENSION ASSEMBLIES GUIDE PAGE "HWH EUROPE" (PAGE 3 OF 3)

PROCEDURE: SEE "HWH EUROPE" (PAGE 1 OF 3)

MECHANISM AP35182 AP35183	<b>X-SLIDE ROOM EXTENSION - 25.0" STROKE (WITH SYNCHRONIZING CYLINDER) - AP35188 KIT</b>  <a href="#">SEE MR41.2670 FOR DRAWING AND PARTS INFORMATION.</a> CYLINDER ASSEMBLY _____ ITEM 1 - RAP91350 (11.40" STROKE) REPLACES - AP27865 SYNCHRONIZING CYLINDER _____ ITEM 3 - RAP91701 (4.300" STROKE) REPLACES - AP30260 TUBE KIT _____ ITEM 2 - RAP91229 - REPLACES AP27587 HOSE ASSEMBLIES _____ ITEM 4 - RAP91574 (AP24627) ITEM 5 - RAP91573 (AP32672)
MECHANISM AP35406 AP35407	<b>DUAL CYLINDER ROOM EXTENSION - 42.0" STROKE (WITH SYNCHRONIZING CYLINDER)</b>  <a href="#">SEE MR41.2011 FOR DRAWING AND PARTS INFORMATION.</a> CYLINDER ASSEMBLY _____ ITEM 1 - RAP92501 (42.5" STROKE) - REPLACES AP35408 SYNCHRONIZING CYLINDER _____ ITEM 3 - RAP90447 (17.100" STROKE) - REPLACES AP15687 TUBE KIT _____ ITEM 2 - RAP90480 - REPLACES AP13252
MECHANISM AP35967 AP35968	<b>DUAL CYLINDER ROOM EXTENSION - 32.0" STROKE (WITH SYNCHRONIZING CYLINDER) - AP35966 KIT</b>  <a href="#">SEE MR41.2005 FOR DRAWING AND PARTS INFORMATION.</a> CYLINDER ASSEMBLY _____ ITEM 1 - RAP92909 (33.0" STROKE) - REPLACES AP35970 SYNCHRONIZING CYLINDER _____ ITEM 3 - RAP90466 (12.980" STROKE) - REPLACES AP14301 TUBE KIT _____ ITEM 2 - RAP90481 - REPLACES AP15379
MECHANISM AP38944 AP38945	<b>UNIVERSAL LEVEL OUT - 30.0" STROKE (WITH SYNCHRONIZING CYLINDER) - AP41775 KIT</b>  <a href="#">SEE MR41.2690 FOR DRAWING AND PARTS INFORMATION.</a> CYLINDER ASSEMBLY _____ ITEM 1 - RAP92076 (30.5" STROKE) - REPLACES AP38072 LIFT CYLINDER ASSEMBLY _____ ITEM 11 - RAP92260 (2.75" LIFT) - REPLACES AP38604 SYNCHRONIZING CYLINDER _____ ITEM 3 - RAP92077 (10.540" STROKE) - REPLACES AP37881 LIFT SYNCHRONIZING CYLINDER _____ ITEM 12 - RAP92316 - REPLACES AP38264 TUBE KIT _____ ITEM 2 - RAP92079 - REPLACES AP38267 HOSE ASSEMBLIES _____ ITEM 4 - RAP90872 (AP24632) ITEM 5 - RAP91421 (AP24818)
MECHANISM AP41437 AP41438	<b>DUAL CYLINDER ROOM EXTENSION - 43.5" STROKE (WITH SYNCHRONIZING CYLINDER) - AP41436 KIT</b>  <a href="#">SEE MR41.2000 FOR DRAWING AND PARTS INFORMATION.</a> CYLINDER ASSEMBLY _____ ITEM 1 - RAP92499 (44.5" STROKE) - REPLACES AP40624 SYNCHRONIZING CYLINDER _____ ITEM 3 - RAP92500 (17.795" STROKE) - REPLACES AP40571 TUBE ASSEMBLIES _____ ITEM 2 - RAP90481 - REPLACES AP15379
MECHANISM AP45018	<b>FOUR CYLINDER ROOM EXTENSION - 17.5" STROKE (WITH SYNCHRONIZING CYLINDER) - AP45022 KIT</b>  CYLINDER ASSEMBLY _____ RAP92910 (17.5" STROKE) - REPLACES AP45018 SYNCHRONIZING CYLINDER _____ RAP91014 (2.40" STROKE) - REPLACES AP25695 <a href="#">SEE MR41.8001 FOR ADDITIONAL SYNC CYL REPLACEMENT PARTS</a>

# ROOM EXTENSION ASSEMBLIES GUIDE PAGE "HWH - GENERIC"

**PROCEDURE:**

1. Locate the HWH identification tag on the room extension mechanism to get the correct room extension part number.
2. Find the correct room extension part number in the left column below.
3. Refer to the proper parts page for general replacement parts information and item number arrangements.
4. Two cylinder room extensions with a synchronizing cylinder have two room extension part numbers. One number is for the left assembly, one is for the right assembly. If the room extension assembly originally had one number, that number is listed with the new numbers.

<b>MECHANISM AP10265</b>	<b>DUAL CYLINDER ROOM EXTENSION - 34.0" STROKE - AP10754 KIT</b>
	<b>CYLINDER ASSEMBLY</b> _____ AP2113 - CONTACT HWH CORPORATION FOR REPLACEMENT
<b>MECHANISM AP12228</b>	<b>DUAL CYLINDER ROOM EXTENSION - 39.0" STROKE (WITH RACK SENSING VALVE) - AP12227 KIT</b>
	<p><b>SEE MR41.1536 FOR DRAWING AND PARTS INFORMATION.</b></p> <p><b>CYLINDER ASSEMBLY</b> _____ ITEM 1 - RAP90007 (39.0" STROKE) - REPLACES AP1700</p> <p><b>HOSE ASSEMBLIES</b> _____ ITEM 7 - RAP4073 (AP4073)    ITEM 9 - RAP90215 (AP10912)</p> <p style="padding-left: 150px;">ITEM 8 - RAP90003 (AP2446)    ITEM 10 - RAP90126 (AP10913)</p>
<b>MECHANISM AP15190</b>	<b>CYLINDER ASSEMBLY - 21.0" STROKE - REPLACED BY AP30188</b>
	<b>CYLINDER ASSEMBLY</b> _____ RAP90512 (21.0" STROKE) - REPLACES AP15190
<b>MECHANISM AP17326</b>	<b>CYLINDER ASSEMBLY - 29.67" STROKE</b>
	<b>CYLINDER ASSEMBLY</b> _____ RAP92497 (29.67" STROKE) - REPLACES AP17326
<b>MECHANISM AP24705</b>	<b>SINGLE CYLINDER ROOM EXTENSION - 30.0" STROKE - AP24704 KIT</b>
	<p><b>SEE MR41.1100 FOR DRAWING AND PARTS INFORMATION.</b></p> <p><b>CYLINDER ASSEMBLY</b> _____ ITEM 1 - RAP90949 (31.0" STROKE) - REPLACES AP28727</p> <p><b>HOSE ASSEMBLIES</b> _____ ITEM 3 - RAP90872 (AP24632)    ITEM 4 - RAP90871 (AP24628)</p>
<b>MECHANISM AP28685</b>	<b>CYLINDER ASSEMBLY - 30.25" STROKE</b>
	<b>CYLINDER ASSEMBLY</b> _____ CONTACT HWH CORPORATION FOR REPLACEMENT
<b>MECHANISM AP38251 AP38252</b>	<b>UNIVERSAL STRAIGHT OUT - 30.0" STROKE (WITH SYNCHRONIZING CYLINDER) - AP39558 KIT</b>
	<p><b>SEE MR41.2685 FOR DRAWING AND PARTS INFORMATION.</b></p> <p><b>CYLINDER ASSEMBLY</b> _____ ITEM 1 - RAP92076 (30.5" STROKE) - REPLACES AP38072</p> <p><b>SYNCHRONIZING CYLINDER</b> _____ ITEM 3 - RAP92077 (10.540" STROKE) - REPLACES AP37881</p> <p><b>TUBE KIT</b> _____ ITEM 2 - RAP92079 - REPLACES AP38267</p> <p><b>HOSE ASSEMBLIES</b> _____ ITEM 4 - RAP90872 (AP24632)    ITEM 5 - RAP91421 (AP24818)</p>



# ROOM EXTENSION ASSEMBLIES GUIDE PAGE "IDEAL TRAILERS"

**PROCEDURE:**

1. Locate the HWH identification tag on the room extension mechanism to get the correct room extension part number.
2. Find the correct room extension part number in the left column below.
3. Refer to the proper parts page for general replacement parts information and item number arrangements.
4. Two cylinder room extensions with a synchronizing cylinder have two room extension part numbers. One is for the left assembly, one is for the right assembly. If the room extension assembly originally had one number, that number is listed with the new numbers.

<b>MECHANISM</b> <b>AP38251</b> <b>AP38252</b>	<b>UNIVERSAL STRAIGHT OUT - 30.0" STROKE (WITH SYNCHRONIZING CYLINDER) - AP47127 KIT</b>  <b>SEE MR41.2685 FOR DRAWING AND PARTS INFORMATION.</b> <b>CYLINDER ASSEMBLY</b> _____ <b>ITEM 1 - RAP92076 (30.5" STROKE) - REPLACES AP38072</b> <b>SYNCHRONIZING CYLINDER</b> _____ <b>ITEM 3 - RAP92077 (10.540" STROKE) - REPLACES AP37881</b> <b>TUBE KIT</b> _____ <b>ITEM 2 - RAP92079 - REPLACES AP38267</b> <b>HOSE ASSEMBLIES</b> _____ <b>ITEM 4 - RAP90872 (AP24632) ITEM 5 - RAP91421 (AP24818)</b>
--	--

# ROOM EXTENSION ASSEMBLIES GUIDE PAGE "IMPORDAU"

**PROCEDURE:**

1. Locate the HWH identification tag on the room extension mechanism to get the correct room extension part number.
2. Find the correct room extension part number in the left column below.
3. Refer to the proper parts page for general replacement parts information and item number arrangements.
4. Two cylinder room extensions with a synchronizing cylinder have two room extension part numbers. One is for the left assembly, one is for the right assembly. If the room extension assembly originally had one number, that number is listed with the new numbers.

<b>MECHANISM</b> <b>AP38251</b> <b>AP38252</b>	<b>UNIVERSAL STRAIGHT OUT - 30.0" STROKE (WITH SYNCHRONIZING CYLINDER) - AP49776 KIT</b>  <b>SEE MR41.2685 FOR DRAWING AND PARTS INFORMATION.</b> <b>CYLINDER ASSEMBLY</b> _____ ITEM 1 - RAP92076 (30.5" STROKE) - REPLACES AP38072 <b>SYNCHRONIZING CYLINDER</b> _____ ITEM 3 - RAP92077 (10.540" STROKE) - REPLACES AP37881 <b>TUBE KIT</b> _____ ITEM 2 - RAP92079 - REPLACES AP38267 <b>HOSE ASSEMBLIES</b> _____ ITEM 4 - RAP90872 (AP24632) ITEM 5 - RAP91421 (AP24818)
--	--

# ROOM EXTENSION ASSEMBLIES GUIDE PAGE "INCIDENT COMMUNICATION SOLUTIONS"

**PROCEDURE:**

1. Locate the HWH identification tag on the room extension mechanism to get the correct room extension part number.
2. Find the correct room extension part number in the left column below.
3. Refer to the proper parts page for general replacement parts information and item number arrangements.
4. Two cylinder room extensions with a synchronizing cylinder have two room extension part numbers. One number is for the left assembly, one is for the right assembly. If the room extension assembly originally had one number, that number is listed with the new numbers.

<b>MECHANISM</b> <b>AP38251</b> <b>AP38252</b>	<b>UNIVERSAL STRAIGHT OUT - 30.0" STROKE (WITH SYNCHRONIZING CYLINDER) - AP50469 KIT</b>
	<p><b>SEE MR41.2685 FOR DRAWING AND PARTS INFORMATION.</b></p> <p><b>CYLINDER ASSEMBLY</b> _____ ITEM 1 - RAP92076 (30.5" STROKE) - REPLACES AP38072</p> <p><b>SYNCHRONIZING CYLINDER</b> _____ ITEM 3 - RAP92077 (10.540" STROKE) - REPLACES AP37881</p> <p><b>TUBE KIT</b> _____ ITEM 2 - RAP92079 - REPLACES AP38267</p> <p><b>HOSE ASSEMBLIES</b> _____ ITEM 4 - RAP90872 (AP24632) ITEM 5 - RAP91421 (AP24818)</p>

# ROOM EXTENSION ASSEMBLIES GUIDE PAGE "INDIANA CUSTOM TRUCKS"

**PROCEDURE:**

1. Locate the HWH identification tag on the room extension mechanism to get the correct room extension part number.
2. Find the correct room extension part number in the left column below.
3. Refer to the proper parts page for general replacement parts information and item number arrangements.
4. Two cylinder room extensions with a synchronizing cylinder have two room extension part numbers. One number is for the left assembly, one is for the right assembly. If the room extension assembly originally had one number, that number is listed with the new numbers.

<b>MECHANISM</b> <b>AP38900</b> <b>AP38901</b>	<b>UNIVERSAL STRAIGHT OUT - 24.0" STROKE (WITH SYNCHRONIZING CYLINDER) - AP45095 KIT</b>
	<b>SEE MR41.2685 FOR DRAWING AND PARTS INFORMATION.</b>
	<b>CYLINDER ASSEMBLY</b> _____ ITEM 1 - RAP92076 (30.5" STROKE) - REPLACES AP38072
	<b>SYNCHRONIZING CYLINDER</b> _____ ITEM 3 - RAP92275 (8.420" STROKE) - REPLACES AP39271
	<b>TUBE KIT</b> _____ ITEM 2 - RAP92079 - REPLACES AP38267
	<b>HOSE ASSEMBLIES</b> _____ ITEM 4 - RAP90872 (AP24632) ITEM 5 - RAP91421 (AP24818)

---

# ROOM EXTENSION ASSEMBLIES GUIDE PAGE "INFINITY COACH"

---

**PROCEDURE:**

1. Locate the HWH identification tag on the room extension mechanism to get the correct room extension part number.
2. Find the correct room extension part number in the left column below.
3. Refer to the proper parts page for general replacement parts information and item number arrangements.
4. Two cylinder room extensions with a synchronizing cylinder have two room extension part numbers. One number is for the left assembly, one is for the right assembly. If the room extension assembly originally had one number, that number is listed with the new numbers.

---

<b>MECHANISM</b> <b>AP25279</b> <b>AP25280</b>	<b>VERTICAL ARM ROOM EXTENSION - 24.0" STROKE (WITH SYNCHRONIZING CYLINDER) - AP25278 KIT</b>  <b>SEE MR41.2500 FOR DRAWING AND PARTS INFORMATION.</b> <b>CYLINDER ASSEMBLY</b> _____ ITEM 1 - RAP91200 (10.172" STROKE) - REPLACES AP24733 <b>SYNCHRONIZING CYLINDER</b> _____ ITEM 6 - RAP91019 (3.935" STROKE) - REPLACES AP13180 <b>TUBE KIT</b> _____ RAP91224 - REPLACES AP23196 <b>HOSE ASSEMBLIES</b> _____ ITEM 4 - RAP90386 (AP24643) ITEM 5 - RAP91236 (AP24647)
--	---

---

# ROOM EXTENSION ASSEMBLIES GUIDE PAGE "INTEGRITY TRAILERS"

**PROCEDURE:**

1. Locate the HWH identification tag on the room extension mechanism to get the correct room extension part number.
2. Find the correct room extension part number in the left column below.
3. Refer to the proper parts page for general replacement parts information and item number arrangements.
4. Two cylinder room extensions with a synchronizing cylinder have two room extension part numbers. One is for the left assembly, one is for the right assembly. If the room extension assembly originally had one number, that number is listed with the new numbers.

<b>MECHANISM</b> <b>AP38251</b> <b>AP38252</b>	<b>UNIVERSAL STRAIGHT OUT - 30.0" STROKE (WITH SYNCHRONIZING CYLINDER) - AP40563 KIT</b>  <b>SEE MR41.2685 FOR DRAWING AND PARTS INFORMATION.</b> <b>CYLINDER ASSEMBLY</b> _____ <b>ITEM 1 - RAP92076 (30.5" STROKE) - REPLACES AP38072</b> <b>SYNCHRONIZING CYLINDER</b> _____ <b>ITEM 3 - RAP92077 (10.540" STROKE) - REPLACES AP37881</b> <b>TUBE KIT</b> _____ <b>ITEM 2 - RAP92079 - REPLACES AP38267</b> <b>HOSE ASSEMBLIES</b> _____ <b>ITEM 4 - RAP90872 (AP24632) ITEM 5 - RAP91421 (AP24818)</b>
--	--

# ROOM EXTENSION ASSEMBLIES GUIDE PAGE "INTERCONTINENTAL TRUCK"

**PROCEDURE:**

1. Locate the HWH identification tag on the room extension mechanism to get the correct room extension part number.
2. Find the correct room extension part number in the left column below.
3. Refer to the proper parts page for general replacement parts information and item number arrangements.
4. Two cylinder room extensions with a synchronizing cylinder have two room extension part numbers. One number is for the left assembly, one is for the right assembly. If the room extension assembly originally had one number, that number is listed with the new numbers.

<b>MECHANISM</b> <b>AP22227</b> <b>AP22228</b>	<b>DUAL CYLINDER ROOM EXTENSION - 36.0" STROKE (WITH SYNCHRONIZING CYLINDER) - AP32858 KIT</b>  <b>SEE MR41.2005 FOR DRAWING AND PARTS INFORMATION.</b> <b>CYLINDER ASSEMBLY</b> _____ ITEM 1 - RAP90518 (36.5" STROKE) - REPLACES AP15251 <b>SYNCHRONIZING CYLINDER</b> _____ ITEM 3 - RAP90474 (14.630" STROKE) - REPLACES AP12484 <b>TUBE KIT</b> _____ ITEM 2 - RAP90480 - REPLACES AP13252
<b>MECHANISM</b> <b>AP45063</b> <b>AP45064</b> <b>AP45073</b>	<b>FOUR CYLINDER ROOM EXTENSION - 43.5" STROKE (WITH SYNCHRONIZING CYLINDER) - AP44693 KIT</b>  <b>SEE MR41.2000 FOR DRAWING AND PARTS INFORMATION.</b> <b>CYLINDER ASSEMBLY</b> _____ ITEM 1 - RAP92499 (44.5" STROKE) - REPLACES AP40624 <b>SYNCHRONIZING CYLINDER</b> _____ ITEM 3 - RAP92923 (30.560" STROKE) - REPLACES AP45062 <b>TUBE KIT</b> _____ ITEM 2 - RAP90481 - REPLACES AP15379

---

# ROOM EXTENSION ASSEMBLIES GUIDE PAGE "INTERNATIONAL DISASTER SERVICES"

---

**PROCEDURE:**

1. Locate the HWH identification tag on the room extension mechanism to get the correct room extension part number.
2. Find the correct room extension part number in the left column below.
3. Refer to the proper parts page for general replacement parts information and item number arrangements.
4. Two cylinder room extensions with a synchronizing cylinder have two room extension part numbers. One number is for the left assembly, one is for the right assembly. If the room extension assembly originally had one number, that number is listed with the new numbers.

<b>MECHANISM</b> <b>AP38900</b> <b>AP38901</b>	<b>UNIVERSAL STRAIGHT OUT - 24.0" STROKE (WITH SYNCHRONIZING CYLINDER) - AP43688 KIT</b>
	<b>SEE MR41.2685 FOR DRAWING AND PARTS INFORMATION.</b>
	<b>CYLINDER ASSEMBLY</b> _____ <b>ITEM 1 - RAP92076 (30.5" STROKE) - REPLACES AP38072</b>
	<b>SYNCHRONIZING CYLINDER</b> _____ <b>ITEM 3 - RAP92275 (8.420" STROKE) - REPLACES AP39271</b>
	<b>TUBE KIT</b> _____ <b>ITEM 2 - RAP92079 - REPLACES AP38267</b>
	<b>HOSE ASSEMBLIES</b> _____ <b>ITEM 4 - RAP90872 (AP24632) ITEM 5 - RAP91421 (AP24818)</b>



---

# ROOM EXTENSION ASSEMBLIES GUIDE PAGE "JD SUTHERLAND CUSTOMS"

---

**PROCEDURE:**

1. Locate the HWH identification tag on the room extension mechanism to get the correct room extension part number.
2. Find the correct room extension part number in the left column below.
3. Refer to the proper parts page for general replacement parts information and item number arrangements.
4. Two cylinder room extensions with a synchronizing cylinder have two room extension part numbers. One is for the left assembly, one is for the right assembly. If the room extension assembly originally had one number, that number is listed with the new numbers.

---

<b>MECHANISM</b> <b>AP30637</b> <b>AP30638</b>	<b>DUAL CYLINDER X-SLIDE - 30.75" STROKE (WITH SYNCHRONIZING CYLINDER) - AP30636 KIT</b>  <b>SEE MR41.2670 FOR DRAWING AND PARTS INFORMATION.</b> <b>CYLINDER ASSEMBLY</b> _____ ITEM 1 - RAP91352 (13.90" STROKE) - REPLACES AP27513 <b>SYNCHRONIZING CYLINDER</b> _____ ITEM 3 - RAP90725 (5.460" STROKE) - REPLACES AP15043 <b>TUBE KIT</b> _____ ITEM 2 - RAP91229 - REPLACES AP27587 <b>HOSE ASSEMBLIES</b> _____ ITEM 4 - RAP91574 (AP24627)    ITEM 5 - RAP91573 (AP32672)
--	---

---

# ROOM EXTENSION ASSEMBLIES GUIDE PAGE "JENSEN TRAILER"

**PROCEDURE:**

1. Locate the HWH identification tag on the room extension mechanism to get the correct room extension part number.
2. Find the correct room extension part number in the left column below.
3. Refer to the proper parts page for general replacement parts information and item number arrangements.
4. Two cylinder room extensions with a synchronizing cylinder have two room extension part numbers. One is for the left assembly, one is for the right assembly. If the room extension assembly originally had one number, that number is listed with the new numbers.

<b>MECHANISM</b>	<b>UNIVERSAL STRAIGHT OUT - 30.0" STROKE (WITH SYNCHRONIZING CYLINDER) - AP41751 KIT</b>
<b>AP38251</b>	
<b>AP38252</b>	<b>SEE MR41.2685 FOR DRAWING AND PARTS INFORMATION.</b>
	<b>CYLINDER ASSEMBLY</b> _____ <b>ITEM 1 - RAP92076 (30.5" STROKE) - REPLACES AP38072</b>
	<b>SYNCHRONIZING CYLINDER</b> _____ <b>ITEM 3 - RAP92077 (10.540" STROKE) - REPLACES AP37881</b>
	<b>TUBE KIT</b> _____ <b>ITEM 2 - RAP92079 - REPLACES AP38267</b>
	<b>HOSE ASSEMBLIES</b> _____ <b>ITEM 4 - RAP90872 (AP24632) ITEM 5 - RAP91421 (AP24818)</b>

# ROOM EXTENSION ASSEMBLIES GUIDE PAGE "K & C CONVERSIONS" (PAGE 1 OF 2)

**PROCEDURE:**

1. Locate the HWH identification tag on the room extension mechanism to get the correct room extension part number.
2. Find the correct room extension part number in the left column below.
3. Refer to the proper parts page for general replacement parts information and item number arrangements.
4. Two cylinder room extensions with a synchronizing cylinder have two room extension part numbers. One number is for the left assembly, one is for the right assembly. If the room extension assembly originally had one number, that number is listed with the new numbers.

MECHANISM AP19275 AP19276	<p><b>DUAL CYLINDER ROOM EXTENSION - 30.0" STROKE (WITH SYNCHRONIZING CYLINDER) - AP40941 KIT</b></p> <p><a href="#">SEE MR41.2005 FOR DRAWING AND PARTS INFORMATION.</a></p> <p>CYLINDER ASSEMBLY _____ ITEM 1 - RAP90487 (30.5" STROKE) - REPLACES AP15184            SYNCHRONIZING CYLINDER _____ ITEM 3 - RAP90473 (12.155" STROKE) - REPLACES AP13192            TUBE KIT _____ ITEM 2 - RAP90480 - REPLACES AP13252</p>
MECHANISM AP19286 AP19287	<p><b>DUAL CYLINDER ROOM EXTENSION - 46.0" STROKE (WITH SYNCHRONIZING CYLINDER) - AP17035 KIT</b></p> <p><a href="#">SEE MR41.2000 FOR DRAWING AND PARTS INFORMATION.</a></p> <p>CYLINDER ASSEMBLY _____ ITEM 1 - RAP91698 (47.0" STROKE) - REPLACES AP17332            SYNCHRONIZING CYLINDER _____ ITEM 3 - RAP91699 (17.585" STROKE) - REPLACES AP17253            TUBE KIT _____ ITEM 2 - RAP90481 - REPLACES AP15379</p>
MECHANISM AP19630 AP19631	<p><b>DUAL CYLINDER ROOM EXTENSION - 17.5" STROKE (WITH SYNCHRONIZING CYLINDER) - AP35211 KIT</b></p> <p><a href="#">SEE MR41.2005 FOR DRAWING AND PARTS INFORMATION.</a></p> <p>CYLINDER ASSEMBLY _____ ITEM 1 - RAP90456 (24.5" STROKE) - REPLACES AP15344            SYNCHRONIZING CYLINDER _____ ITEM 3 - RAP90439 (7.21" STROKE) - REPLACES AP16618            TUBE KIT _____ ITEM 2 - RAP90480 - REPLACES AP13252</p>
MECHANISM AP24705	<p><b>SINGLE CYLINDER ROOM EXTENSION - 30.0" STROKE - AP24704 KIT</b></p> <p><a href="#">SEE MR41.1100 FOR DRAWING AND PARTS INFORMATION.</a></p> <p>CYLINDER ASSEMBLY _____ ITEM 1 - RAP90949 (31.0" STROKE) - REPLACES AP24936            HOSE ASSEMBLIES _____ ITEM 3 - RAP90872 (AP24632) ITEM 4 - RAP90871 (AP24628)</p>
MECHANISM AP25828 AP25829	<p><b>DUAL CYLINDER ROOM EXTENSION - 24.0" STROKE (WITH SYNCHRONIZING CYLINDER) - AP36797 KIT</b></p> <p><a href="#">SEE MR41.2005 FOR DRAWING AND PARTS INFORMATION.</a></p> <p>CYLINDER ASSEMBLY _____ ITEM 1 - RAP90484 (24.5" STROKE) - REPLACES AP15252            SYNCHRONIZING CYLINDER _____ ITEM 3 - RAP90472 (9.685" STROKE) - REPLACES AP13224            TUBE KIT _____ ITEM 2 - RAP90480 - REPLACES AP13252</p>
MECHANISM AP25857 AP25858	<p><b>DUAL CYLINDER ROOM EXTENSION - 28.0" STROKE (WITH SYNCHRONIZING CYLINDER) - AP25856 KIT</b></p> <p><a href="#">SEE MR41.2005 FOR DRAWING AND PARTS INFORMATION.</a></p> <p>CYLINDER ASSEMBLY _____ ITEM 1 - RAP90478 (28.5" STROKE) - REPLACES AP15322            SYNCHRONIZING CYLINDER _____ ITEM 3 - RAP90455 (11.335" STROKE) - REPLACES AP15320            TUBE KIT _____ ITEM 2 - RAP90480 - REPLACES AP13252</p>
MECHANISM AP27470	<p><b>SINGLE CYLINDER ROOM EXTENSION - 38.0" STROKE - AP27469 KIT</b></p> <p><a href="#">SEE MR41.1006 FOR DRAWING AND PARTS INFORMATION.</a></p> <p>CYLINDER ASSEMBLY _____ ITEM 1 - RAP91196 (36.5" STROKE) - REPLACES AP22092            TUBE KIT _____ ITEM 4 - RAP90480 - REPLACES AP13252</p>

# ROOM EXTENSION ASSEMBLIES GUIDE PAGE "K & C CONVERSIONS" (PAGE 2 OF 2)

PROCEDURE: "K & C CONVERSIONS" (PAGE 1 OF 2)

MECHANISM AP27472 AP27473	<p><b>DUAL CYLINDER ROOM EXTENSION - 38.0" STROKE (WITH SYNCHRONIZING CYLINDER) - AP27471 KIT</b></p> <p><a href="#">SEE MR41.2005 FOR DRAWING AND PARTS INFORMATION.</a></p> <p>CYLINDER ASSEMBLY _____ ITEM 1 - RAP91196 (28.50" STROKE) - REPLACES AP22092            SYNCHRONIZING CYLINDER _____ ITEM 3 - RAP90639 (15.455" STROKE) - REPLACES AP17498            TUBE KIT _____ ITEM 4 - RAP90480 - REPLACES AP13252</p>
MECHANISM AP32530	<p><b>SINGLE CYLINDER ROOM EXTENSION - 28.0" STROKE - AP32529 KIT</b></p> <p><a href="#">SEE MR41.1006 FOR DRAWING AND PARTS INFORMATION.</a></p> <p>CYLINDER ASSEMBLY _____ ITEM 1 - RAP90478 (28.5" STROKE) - REPLACES AP15322            TUBE KIT _____ ITEM 2 - RAP90480 - REPLACES AP13252</p>
MECHANISM AP35233 AP35234	<p><b>UNIVERSAL LEVEL OUT ROOM EXTENSION - 30.0" STROKE (WITH SYNC. CYLINDER) - AP35216 KIT</b></p> <p><a href="#">SEE MR41.2683 FOR DRAWING AND PARTS INFORMATION.</a></p> <p>CYLINDER ASSEMBLY _____ ITEM 1 - RAP91702 (34.0" STROKE) - REPLACES AP31461            LIFT CYLINDER ASSEMBLY _____ ITEM 10 - RAP91992 - REPLACES AP34390 (2.75" LIFT)            SYNCHRONIZING CYLINDER _____ ITEM 3 - RAP90473 (12.155" STROKE) - REPLACES AP13192            TUBE KIT _____ ITEM 2 - RAP91703 - REPLACES AP31486            HOSE ASSEMBLIES _____ ITEM 4 - RAP90872 (AP24632) ITEM 5 - RAP91421 (AP24818)            LIFT SYNCHRONIZING CYLINDER _____ ITEM 11 - RAP92473 - REPLACES AP34576</p>
MECHANISM AP35513	<p><b>FOUR CYLINDER LIFT KIT - 60.5" STROKE - AP35414 KIT</b></p> <p>CYLINDER ASSEMBLY _____ AP35512 (34.0" STROKE) - CONTACT HWH CORPORATION            TUBE KIT _____ RAP91797 - REPLACES AP28182</p>
MECHANISM AP36799	<p><b>SINGLE CYLINDER ROOM EXTENSION - 24.0" STROKE - AP36798 KIT</b></p> <p><a href="#">SEE MR41.1006 FOR DRAWING AND PARTS INFORMATION.</a></p> <p>CYLINDER ASSEMBLY _____ ITEM 1 - RAP90484 (24.5" STROKE) - REPLACES AP15252            TUBE KIT _____ ITEM 2 - RAP90480 - REPLACES AP13252</p>
MECHANISM AP38191	<p><b>DOOR LIFT ASSEMBLY - AP35415 KIT</b></p> <p>CYLINDER ASSEMBLY _____ RAP92538 (17.004" STROKE) - REPLACES AP35076            HOSE ASSEMBLIES _____ RAP90872 (CAP END) RAP91569 (ROD END)</p>
MECHANISM AP40395 AP40396	<p><b>UNIVERSAL LEVEL OUT - 24.0" STROKE (WITH SYNCHRONIZING CYLINDER) - AP40388 KIT</b></p> <p><a href="#">SEE MR41.2690 FOR DRAWING AND PARTS INFORMATION.</a></p> <p>CYLINDER ASSEMBLY _____ ITEM 1 - RAP92076 (30.5" STROKE) - REPLACES AP38072            LIFT CYLINDER ASSEMBLY _____ ITEM 11 - RAP92260 (2.75" LIFT) - REPLACES AP38604            SYNCHRONIZING CYLINDER _____ ITEM 3 - RAP92275 (8.420" STROKE) - REPLACES AP39271            LIFT SYNCHRONIZING CYLINDER _____ ITEM 12 - RAP92316 - REPLACES AP38264            TUBE KIT _____ ITEM 2 - RAP92079 - REPLACES AP38267            HOSE ASSEMBLIES _____ ITEM 4 - RAP90872 (AP24632) ITEM 5 - RAP91421 (AP24818)</p>
MECHANISM AP40943	<p><b>SINGLE CYLINDER ROOM EXTENSION - 30.0" STROKE - AP40942 KIT</b></p> <p><a href="#">SEE MR41.1006 FOR DRAWING AND PARTS INFORMATION.</a></p> <p>CYLINDER ASSEMBLY _____ ITEM 1 - RAP90629 (30.5" STROKE) - REPLACES AP17365            TUBE KIT _____ ITEM 2 - RAP90480 - REPLACES AP13252</p>

# ROOM EXTENSION ASSEMBLIES GUIDE PAGE "K & D CUSTOM COACH INC."

**PROCEDURE:**

1. Locate the HWH identification tag on the room extension mechanism to get the correct room extension part number.
2. Find the correct room extension part number in the left column below.
3. Refer to the proper parts page for general replacement parts information and item number arrangements.
4. Two cylinder room extensions with a synchronizing cylinder have two room extension part numbers. One number is for the left assembly, one is for the right assembly. If the room extension assembly originally had one number, that number is listed with the new numbers.

MECHANISM AP30756 AP30757	<p><b>X-SLIDE ROOM EXTENSION - 25.0" STROKE (WITH SYNCHRONIZING CYLINDER) - AP30755 KIT</b></p> <p><a href="#">SEE MR41.2670 FOR DRAWING AND PARTS INFORMATION.</a></p> <p>CYLINDER ASSEMBLY _____ ITEM 1 - RAP91350 (11.400" STROKE) - REPLACES AP27865            SYNCHRONIZING CYLINDER _____ ITEM 3 - RAP91701 (4.300" STROKE) - REPLACES AP30260            TUBE KIT _____ ITEM 2 - RAP91229 - REPLACES AP27587            HOSE ASSEMBLIES _____ ITEM 4 - RAP91574 (AP24627) ITEM 4 - RAP91573 (AP32672)</p>
MECHANISM AP31151 AP31152	<p><b>X-SLIDE ROOM EXTENSION - 18.0" STROKE (WITH SYNCHRONIZING CYLINDER) - AP31150 KIT</b></p> <p><a href="#">SEE MR41.2670 FOR DRAWING AND PARTS INFORMATION.</a></p> <p>CYLINDER ASSEMBLY _____ ITEM 1 - RAP91007 (8.100" STROKE) - REPLACES AP27723            SYNCHRONIZING CYLINDER _____ ITEM 3 - RAP91006 (2.970" STROKE) - REPLACES AP27302            TUBE KIT _____ ITEM 2 - RAP91229 - REPLACES AP27587            HOSE ASSEMBLIES _____ ITEM 4 - RAP91574 (AP24627) ITEM 4 - RAP91573 (AP32672)</p>
MECHANISM AP32014 AP32015	<p><b>X-SLIDE ROOM EXTENSION - 30.75" STROKE (WITH SYNCHRONIZING CYLINDER) - AP36142 KIT</b></p> <p><a href="#">SEE MR41.2670 FOR DRAWING AND PARTS INFORMATION.</a></p> <p>CYLINDER ASSEMBLY _____ ITEM 1 - RAP91352 (13.90" STROKE) - REPLACES AP27513            SYNCHRONIZING CYLINDER _____ ITEM 3 - RAP90725 (5.460" STROKE) - REPLACES AP15043            TUBE KIT _____ ITEM 2 - RAP91229 - REPLACES AP27587            HOSE ASSEMBLIES _____ ITEM 4 - RAP91574 (AP24627) ITEM 4 - RAP91573 (AP32672)</p>
MECHANISM AP38251 AP38252	<p><b>UNIVERSAL STRAIGHT OUT - 30.0" STROKE (WITH SYNCHRONIZING CYLINDER) - AP41378 KIT</b></p> <p><a href="#">SEE MR41.2685 FOR DRAWING AND PARTS INFORMATION.</a></p> <p>CYLINDER ASSEMBLY _____ ITEM 1 - RAP92076 (30.5" STROKE) - REPLACES AP38072            SYNCHRONIZING CYLINDER _____ ITEM 3 - RAP92077 (10.540" STROKE) - REPLACES AP37881            TUBE KIT _____ ITEM 2 - RAP92079 - REPLACES AP38267            HOSE ASSEMBLIES _____ ITEM 4 - RAP90872 (AP24632) ITEM 5 - RAP91421 (AP24818)</p>
MECHANISM AP40006 AP40007	<p><b>UNIVERSAL STRAIGHT OUT - 20.0" STROKE (WITH SYNCHRONIZING CYLINDER) - AP41377 KIT</b></p> <p><a href="#">SEE MR41.2685 FOR DRAWING AND PARTS INFORMATION.</a></p> <p>CYLINDER ASSEMBLY _____ ITEM 1 - RAP92076 (30.5" STROKE) - REPLACES AP38072            SYNCHRONIZING CYLINDER _____ ITEM 3 - RAP92099 (7.010" STROKE) - REPLACES AP39221            TUBE KIT _____ ITEM 2 - RAP92079 - REPLACES AP38267            HOSE ASSEMBLIES _____ ITEM 4 - RAP90872 (AP24632) ITEM 5 - RAP91421 (AP24818)</p>

# ROOM EXTENSION ASSEMBLIES GUIDE PAGE "KC CUSTOMS"

**PROCEDURE:**

1. Locate the HWH identification tag on the room extension mechanism to get the correct room extension part number.
2. Find the correct room extension part number in the left column below.
3. Refer to the proper parts page for general replacement parts information and item number arrangements.
4. Two cylinder room extensions with a synchronizing cylinder have two room extension part numbers. One number is for the left assembly, one is for the right assembly. If the room extension assembly originally had one number, that number is listed with the new numbers.

<b>MECHANISM AP27470</b>	<b>SINGLE CYLINDER ROOM EXTENSION - 38.0" STROKE - AP27469 KIT</b>  <a href="#">SEE MR41.1006 FOR DRAWING AND PARTS INFORMATION.</a> <b>CYLINDER ASSEMBLY</b> _____ ITEM 1 - RAP91196 (36.5" STROKE) - REPLACES AP22092 <b>TUBE KIT</b> _____ ITEM 4 - RAP90480 - REPLACES AP13252
<b>MECHANISM AP27472 AP27473</b>	<b>DUAL CYLINDER ROOM EXTENSION - 38.0" STROKE (WITH SYNCHRONIZING CYLINDER) - AP27471 KIT</b>  <a href="#">SEE MR41.2005 FOR DRAWING AND PARTS INFORMATION.</a> <b>CYLINDER ASSEMBLY</b> _____ ITEM 1 - RAP91196 (28.50" STROKE) - REPLACES AP22092 <b>SYNCHRONIZING CYLINDER</b> _____ ITEM 3 - RAP90639 (15.455" STROKE) - REPLACES AP17498 <b>TUBE KIT</b> _____ ITEM 4 - RAP90480 - REPLACES AP13252

# ROOM EXTENSION ASSEMBLIES GUIDE PAGE "KIEFERBUILT, INC."

**PROCEDURE:**

1. Locate the HWH identification tag on the room extension mechanism to get the correct room extension part number.
2. Find the correct room extension part number in the left column below.
3. Refer to the proper parts page for general replacement parts information and item number arrangements.
4. Two cylinder room extensions with a synchronizing cylinder have two room extension part numbers. One is for the left assembly, one is for the right assembly. If the room extension assembly originally had one number, that number is listed with the new numbers.

<b>MECHANISM</b> <b>AP38251</b> <b>AP38252</b>	<b>UNIVERSAL STRAIGHT OUT - 30.0" STROKE (WITH SYNCHRONIZING CYLINDER) - AP41750 KIT</b>  <b>SEE MR41.2685 FOR DRAWING AND PARTS INFORMATION.</b> <b>CYLINDER ASSEMBLY</b> _____ ITEM 1 - RAP92076 (30.5" STROKE) - REPLACES AP38072 <b>SYNCHRONIZING CYLINDER</b> _____ ITEM 3 - RAP92077 (10.540" STROKE) - REPLACES AP37881 <b>TUBE KIT</b> _____ ITEM 2 - RAP92079 - REPLACES AP38267 <b>HOSE ASSEMBLIES</b> _____ ITEM 4 - RAP90872 (AP24632) ITEM 5 - RAP91421 (AP24818)
--	--

---

# ROOM EXTENSION ASSEMBLIES GUIDE PAGE "KILLER OFFROAD"

---

**PROCEDURE:**

1. Locate the HWH identification tag on the room extension mechanism to get the correct room extension part number.
2. Find the correct room extension part number in the left column below.
3. Refer to the proper parts page for general replacement parts information and item number arrangements.
4. Two cylinder room extensions with a synchronizing cylinder have two room extension part numbers. One number is for the left assembly, one is for the right assembly. If the room extension assembly originally had one number, that number is listed with the new numbers.

---

<b>MECHANISM AP15317</b>	<b>CYLINDER ASSEMBLY - 49.0" STROKE</b>
	<b>CYLINDER ASSEMBLY _____ RAP90479 (49.0" STROKE) - REPLACES AP15317</b>

---



# ROOM EXTENSION ASSEMBLIES GUIDE PAGE "KINGSLEY COACH" (PAGE 1 OF 2)

**PROCEDURE:**

1. Locate the HWH identification tag on the room extension mechanism to get the correct room extension part number.
2. Find the correct room extension part number in the left column below.
3. Refer to the proper parts page for general replacement parts information and item number arrangements.
4. Two cylinder room extensions with a synchronizing cylinder have two room extension part numbers. One number is for the left assembly, one is for the right assembly. If the room extension assembly originally had one number, that number is listed with the new numbers.

MECHANISM AP13309	<b>CYLINDER KIT - 24.0" STROKE - AP41031 KIT</b>
	CYLINDER ASSEMBLY _____ RAP90900 (24.0" STROKE) - REPLACES AP13309
MECHANISM AP26889 AP26890	<b>DUAL CYLINDER ROOM EXTENSION - 36.0" STROKE (WITH SYNCHRONIZING CYLINDER) - AP37531 KIT</b>
	<p><b>SEE MR41.2005 FOR DRAWING AND PARTS INFORMATION.</b></p> CYLINDER ASSEMBLY _____ ITEM 1 - RAP91799 (36.5" STROKE) - REPLACES AP23577 SYNCHRONIZING CYLINDER _____ ITEM 3 - RAP90474 (14.630" STROKE) - REPLACES AP12484 TUBE KIT _____ ITEM 2 - RAP90480 - REPLACES AP13252
MECHANISM AP30763	<b>DOOR CYLINDER KIT - 30.0" STROKE - AP38972 KIT</b>
	CYLINDER ASSEMBLY _____ RAP91666 - REPLACES AP30763 (30.0" STROKE)
MECHANISM AP35406 AP35407	<b>DUAL CYLINDER ROOM EXTENSION - 42.0" STROKE (WITH SYNCHRONIZING CYLINDER) - AP41319 KIT</b>
	<p><b>SEE MR41.2011 FOR DRAWING AND PARTS INFORMATION.</b></p> CYLINDER ASSEMBLY _____ ITEM 1 - RAP92501 (42.5" STROKE) - REPLACES AP35408 SYNCHRONIZING CYLINDER _____ ITEM 3 - RAP90447 (17.100" STROKE) - REPLACES AP15687 TUBE KIT _____ ITEM 2 - RAP90480 - REPLACES AP13252
MECHANISM AP37382	<b>SINGLE CYLINDER ROOM EXTENSION - 24.0" STROKE - AP37532 KIT</b>
	<p><b>SEE MR41.1100 FOR DRAWING AND PARTS INFORMATION.</b></p> CYLINDER ASSEMBLY _____ ITEM 1 - RAP91021 (27.0" STROKE) - REPLACES AP28682 HOSE ASSEMBLIES _____ ITEM 3 - RAP90872 (AP24632) ITEM 4 - RAP90871 (AP24628)
MECHANISM AP37555 AP37556	<b>DUAL CYLINDER ROOM EXTENSION - 18.0" STROKE (WITH SYNCHRONIZING CYLINDER) - AP37554 KIT</b>
	<p><b>SEE MR41.2005 FOR DRAWING AND PARTS INFORMATION.</b></p> CYLINDER ASSEMBLY _____ ITEM 1 - RAP92537 (18.5" STROKE) - REPLACES AP37559 SYNCHRONIZING CYLINDER _____ ITEM 3 - RAP90439 (7.210" STROKE) - REPLACES AP16618 TUBE KIT _____ ITEM 2 - RAP90480 - REPLACES AP13252
MECHANISM AP38009 AP38010	<b>DUAL CYLINDER ROOM EXTENSION - 24.0" STROKE (WITH SYNCHRONIZING CYLINDER) - AP38003 KIT</b>
	<p><b>SEE MR41.2005 FOR DRAWING AND PARTS INFORMATION.</b></p> CYLINDER ASSEMBLY _____ ITEM 1 - RAP90456 (24.5" STROKE) - REPLACES AP15344 SYNCHRONIZING CYLINDER _____ ITEM 3 - RAP90472 (9.685" STROKE) - REPLACES AP13224 TUBE KIT _____ ITEM 2 - RAP90480 - REPLACES AP13252
MECHANISM AP38251 AP38252	<b>UNIVERSAL STRAIGHT OUT - 30.0" STROKE (WITH SYNCHRONIZING CYLINDER) - AP40850 KIT</b>
	<p><b>SEE MR41.2685 FOR DRAWING AND PARTS INFORMATION.</b></p> CYLINDER ASSEMBLY _____ ITEM 1 - RAP92076 (30.5" STROKE) - REPLACES AP38072 SYNCHRONIZING CYLINDER _____ ITEM 3 - RAP92077 (10.540" STROKE) - REPLACES AP37881 TUBE KIT _____ ITEM 2 - RAP92079 - REPLACES AP38267 HOSE ASSEMBLIES _____ ITEM 4 - RAP90872 (AP24632) ITEM 5 - RAP91421 (AP24818)

# ROOM EXTENSION ASSEMBLIES GUIDE PAGE "KINGSLEY COACH" (PAGE 2 OF 2)

PROCEDURE: "KINGSLEY COACH" (PAGE 1 OF 2)

MECHANISM AP38900 AP38901	<b>UNIVERSAL STRAIGHT OUT - 24.0" STROKE (WITH SYNCHRONIZING CYLINDER) - AP41032 KIT</b>  <a href="#">SEE MR41.2685 FOR DRAWING AND PARTS INFORMATION.</a> CYLINDER ASSEMBLY _____ ITEM 1 - RAP92076 (30.5" STROKE) - REPLACES AP38072 SYNCHRONIZING CYLINDER _____ ITEM 3 - RAP92275 (8.420" STROKE) - REPLACES AP39271 TUBE KIT _____ ITEM 2 - RAP92079 - REPLACES AP38267 HOSE ASSEMBLIES _____ ITEM 4 - RAP90872 (AP24632) ITEM 5 - RAP91421 (AP24818)
MECHANISM AP38944 AP38945	<b>UNIVERSAL LEVEL OUT - 30.0" STROKE (WITH SYNCHRONIZING CYLINDER) - AP40851 KIT</b>  <a href="#">SEE MR41.2690 FOR DRAWING AND PARTS INFORMATION.</a> CYLINDER ASSEMBLY _____ ITEM 1 - RAP92076 (30.5" STROKE) - REPLACES AP38072 LIFT CYLINDER ASSEMBLY _____ ITEM 14 - RAP92260 (2.75" LIFT) - REPLACES AP38604 SYNCHRONIZING CYLINDER _____ ITEM 3 - RAP92077 (10.540" STROKE) - REPLACES AP37881 LIFT SYNCHRONIZING CYLINDER _____ ITEM 15 - RAP92316 - REPLACES AP38264 TUBE KIT _____ ITEM 2 - RAP92079 - REPLACES AP38267 HOSE ASSEMBLIES _____ ITEM 4 - RAP90872 (AP24632) ITEM 5 - RAP91421 (AP24818)
MECHANISM AP40022 AP40023	<b>DUAL CYLINDER ROOM EXTENSION - 18.0" STROKE (WITH SYNCHRONIZING CYLINDER) - AP39882 KIT</b>  <a href="#">SEE MR41.2005 FOR DRAWING AND PARTS INFORMATION.</a> CYLINDER ASSEMBLY _____ ITEM 1 - RAP92537 (18.5" STROKE) - REPLACES AP37559 SYNCHRONIZING CYLINDER _____ ITEM 3 - RAP92369 (6.300" STROKE) - REPLACES AP39267 TUBE KIT _____ ITEM 2 - RAP90480 - REPLACES AP13252
MECHANISM AP40025 AP40026	<b>DUAL CYLINDER ROOM EXTENSION - 30.0" STROKE (WITH SYNCHRONIZING CYLINDER) - AP39883 KIT</b>  <a href="#">SEE MR41.2005 FOR DRAWING AND PARTS INFORMATION.</a> CYLINDER ASSEMBLY _____ ITEM 1 - RAP90629 (30.5" STROKE) - REPLACES AP17365 SYNCHRONIZING CYLINDER _____ ITEM 3 - RAP92077 (10.540" STROKE) - REPLACES AP37881 TUBE KIT _____ ITEM 2 - RAP90480 - REPLACES AP13252
MECHANISM AP40395 AP40396	<b>UNIVERSAL LEVEL OUT - 24.0" STROKE (WITH SYNCHRONIZING CYLINDER) - AP41867 KIT</b>  <a href="#">SEE MR41.2690 FOR DRAWING AND PARTS INFORMATION.</a> CYLINDER ASSEMBLY _____ ITEM 1 - RAP92076 (30.5" STROKE) - REPLACES AP38072 LIFT CYLINDER ASSEMBLY _____ ITEM 14 - RAP92260 (2.75" LIFT) - REPLACES AP38604 SYNCHRONIZING CYLINDER _____ ITEM 3 - RAP92275 (8.420" STROKE) - REPLACES AP39271 LIFT SYNCHRONIZING CYLINDER _____ ITEM 15 - RAP92316 - REPLACES AP38264 TUBE KIT _____ ITEM 2 - RAP92079 - REPLACES AP38267 HOSE ASSEMBLIES _____ ITEM 4 - RAP90872 (AP24632) ITEM 5 - RAP91421 (AP24818)

# ROOM EXTENSION ASSEMBLIES GUIDE PAGE "KIOWA CREEK CONVERSIONS"

**PROCEDURE:**

1. Locate the HWH identification tag on the room extension mechanism to get the correct room extension part number.
2. Find the correct room extension part number in the left column below.
3. Refer to the proper parts page for general replacement parts information and item number arrangements.
4. Two cylinder room extensions with a synchronizing cylinder have two room extension part numbers. One is for the left assembly, one is for the right assembly. If the room extension assembly originally had one number, that number is listed with the new numbers.

<b>MECHANISM</b>	<b>DUAL CYLINDER X-SLIDE - 30.75" STROKE (WITH SYNCHRONIZING CYLINDER) - AP35463 KIT</b>
<b>AP35464</b>	
<b>AP35465</b>	<p style="color: blue; margin: 0;"><b>SEE MR41.2670 FOR DRAWING AND PARTS INFORMATION.</b></p> <p><b>CYLINDER ASSEMBLY</b> _____ ITEM 1 - RAP91352 (13.90" STROKE) - REPLACES AP27513</p> <p><b>SYNCHRONIZING CYLINDER</b> _____ ITEM 3 - RAP90725 (5.460" STROKE) - REPLACES AP15043</p> <p><b>TUBE KIT</b> _____ ITEM 2 - RAP91229 - REPLACES AP27587</p> <p><b>HOSE ASSEMBLIES</b> _____ ITEM 4 - RAP91574 (AP24627) ITEM 5 - RAP91573 (AP32672)</p>



# ROOM EXTENSION ASSEMBLIES GUIDE PAGE "KRYSTAL ENTERPRISES"

**PROCEDURE:**

1. Locate the HWH identification tag on the room extension mechanism to get the correct room extension part number.
2. Find the correct room extension part number in the left column below.
3. Refer to the proper parts page for general replacement parts information and item number arrangements.
4. Two cylinder room extensions with a synchronizing cylinder have two room extension part numbers. One number is for the left assembly, one is for the right assembly. If the room extension assembly originally had one number, that number is listed with the new numbers.

<b>MECHANISM</b> <b>AP35431</b> <b>AP35432</b>	<b>UNIVERSAL SLIDE OUT - 22.0" STROKE (WITH SYNCHRONIZING CYLINDER) - AP35439 KIT</b>  <b>SEE MR41.2680 FOR DRAWING AND PARTS INFORMATION.</b> <b>CYLINDER ASSEMBLY</b> _____ ITEM 1 - RAP91702 (34.0" STROKE) - REPLACES AP31461 <b>SYNCHRONIZING CYLINDER</b> _____ ITEM 3 - RAP90461 (8.860" STROKE) - REPLACES AP14862 <b>TUBE KIT</b> _____ ITEM 2 - RAP91703 - REPLACES AP31486 <b>HOSE ASSEMBLIES</b> _____ ITEM 4 - RAP91421 (AP24818) ITEM 5 - RAP90872 (AP24632)
<b>MECHANISM</b> <b>AP35537</b>	<b>SINGLE CYLINDER ROOM EXTENSION - 22.0" STROKE - AP35536 KIT</b>  <b>SEE MR41.1100 FOR DRAWING AND PARTS INFORMATION.</b> <b>CYLINDER ASSEMBLY</b> _____ ITEM 1 - RAP91667 (28.5" STROKE) - REPLACES AP28688 <b>HOSE ASSEMBLIES</b> _____ ITEM 3 - RAP90872 (AP24632) ITEM 4 - RAP90871 (AP24628)
<b>MECHANISM</b> <b>AP38251</b> <b>AP38252</b>	<b>UNIVERSAL STRAIGHT OUT - 30.0" STROKE (WITH SYNCHRONIZING CYLINDER) - AP41160 KIT</b>  <b>SEE MR41.2685 FOR DRAWING AND PARTS INFORMATION.</b> <b>CYLINDER ASSEMBLY</b> _____ ITEM 1 - RAP92076 - REPLACES AP38072 (30.5" STROKE) <b>SYNCHRONIZING CYLINDER</b> _____ ITEM 3 - RAP92077 - REPLACES AP37881 (10.540" STROKE) <b>TUBE KIT</b> _____ ITEM 2 - RAP92079 - REPLACES AP38267 <b>HOSE ASSEMBLIES</b> _____ ITEM 4 - RAP90872 (AP24632) ITEM 5 - RAP91421 (AP24818)
<b>MECHANISM</b> <b>AP38944</b> <b>AP38945</b>	<b>UNIVERSAL LEVEL OUT - 30.0" STROKE (WITH SYNCHRONIZING CYLINDER) - AP43942 KIT</b>  <b>SEE MR41.2690 FOR DRAWING AND PARTS INFORMATION.</b> <b>CYLINDER ASSEMBLY</b> _____ ITEM 1 - RAP92076 (30.5" STROKE) - REPLACES AP38072 <b>LIFT CYLINDER ASSEMBLY</b> _____ ITEM 11 - RAP92260 (2.75" LIFT) - REPLACES AP38604 <b>SYNCHRONIZING CYLINDER</b> _____ ITEM 3 - RAP92077 (10.540" STROKE) - REPLACES AP37881 <b>LIFT SYNCHRONIZING CYLINDER</b> _____ ITEM 12 - RAP92316 - REPLACES AP38264 <b>TUBE KIT</b> _____ ITEM 2 - RAP92079 - REPLACES AP38267 <b>HOSE ASSEMBLIES</b> _____ ITEM 4 - RAP90872 (AP24632) ITEM 5 - RAP91421 (AP24818)

---

# ROOM EXTENSION ASSEMBLIES GUIDE PAGE "LANDMARK MOTORSPORTS"

---

**PROCEDURE:**

1. Locate the HWH identification tag on the room extension mechanism to get the correct room extension part number.
2. Find the correct room extension part number in the left column below.
3. Refer to the proper parts page for general replacement parts information and item number arrangements.
4. Two cylinder room extensions with a synchronizing cylinder have two room extension part numbers. One number is for the left assembly, one is for the right assembly. If the room extension assembly originally had one number, that number is listed with the new numbers.

---

<b>MECHANISM AP21944</b>	<b>SINGLE ROOM EXTENSION - 34.5" STROKE - AP34339 KIT</b>
	<b>SEE MR41.1008 FOR DRAWING AND PARTS INFORMATION.</b>
	<b>CYLINDER ASSEMBLY _____ ITEM 1 - RAP90488 (35.0" STROKE) - REPLACES AP15224</b>
	<b>TUBE KIT _____ ITEM 2 - RAP90480 - REPLACES AP13252</b>

---

# ROOM EXTENSION ASSEMBLIES GUIDE PAGE "LDS SYSTEMS INC" (PAGE 1 OF 2)

**PROCEDURE:**

1. Locate the HWH identification tag on the room extension mechanism to get the correct room extension part number.
2. Find the correct room extension part number in the left column below.
3. Refer to the proper parts page for general replacement parts information and item number arrangements.
4. Two cylinder room extensions with a synchronizing cylinder have two room extension part numbers. One number is for the left assembly, one is for the right assembly. If the room extension assembly originally had one number, that number is listed with the new numbers.

MECHANISM AP15317	<b>CYLINDER ASSEMBLY - 49.0" STROKE - AP48519 KIT</b>
	CYLINDER ASSEMBLY _____ RAP90479 (49.0" STROKE) - REPLACES AP15317 SYNCHRONIZING CYLINDER _____ RAP90462 (19.575" STROKE) - REPLACES AP14500
MECHANISM AP15322	<b>CYLINDER ASSEMBLY - 28.0" STROKE - AP48382 KIT</b>
	CYLINDER ASSEMBLY _____ RAP90478 (28.5" STROKE) - REPLACES AP15322 SYNCHRONIZING CYLINDER _____ RAP92526 (9.840" STROKE) - REPLACES AP39723
MECHANISM AP18960 AP18961	<b>DUAL CYLINDER ROOM EXTENSION - 35.5" STROKE (WITH SYNCHRONIZING CYLINDER) - AP39454 KIT</b>
	<b>SEE MR41.2000 FOR DRAWING AND PARTS INFORMATION.</b> CYLINDER ASSEMBLY _____ ITEM 1 - RAP90476 (36.0" STROKE) - REPLACES AP15824 SYNCHRONIZING CYLINDER _____ ITEM 3 - RAP90446 (14.425" STROKE) - REPLACES AP15763 TUBE ASSEMBLIES _____ ITEM 2 - RAP90480 - REPLACES AP13252
MECHANISM AP19201	<b>CYLINDER ASSEMBLY - 34.5" STROKE - AP44772 KIT</b>
	CYLINDER ASSEMBLY _____ RAP90663 (34.5" STROKE) - REPLACES AP19201 SYNCHRONIZING CYLINDER _____ RAP90664 (13.910" STROKE) - REPLACES AP19186
MECHANISM AP19333 AP19334	<b>DUAL CYLINDER ROOM EXTENSION - 29.5" STROKE (WITH SYNCHRONIZING CYLINDER) - AP39453 KIT</b>
	<b>SEE MR41.2000 FOR DRAWING AND PARTS INFORMATION.</b> CYLINDER ASSEMBLY _____ ITEM 1 - RAP90467 (30.0" STROKE) - REPLACES AP15822 SYNCHRONIZING CYLINDER _____ ITEM 3 - RAP90444 (11.950" STROKE) - REPLACES AP15762 TUBE ASSEMBLIES _____ ITEM 2 - RAP90480 - REPLACES AP13252
MECHANISM AP20511 AP20512	<b>DUAL CYLINDER ROOM EXTENSION - 44.0" STROKE (WITH SYNCHRONIZING CYLINDER) - AP39455 KIT</b>
	<b>SEE MR41.2000 FOR DRAWING AND PARTS INFORMATION.</b> CYLINDER ASSEMBLY _____ ITEM 1 - RAP90636 (45.0" STROKE) - REPLACES AP17232 SYNCHRONIZING CYLINDER _____ ITEM 3 - RAP90637 (17.925" STROKE) - REPLACES AP17220 TUBE KIT _____ ITEM 2 - RAP90481 - REPLACES AP15379
MECHANISM AP23149 AP23150	<b>DUAL CYLINDER ROOM EXTENSION - 32.0" STROKE (WITH SYNCHRONIZING CYLINDER) - AP37767 KIT</b>
	<b>SEE MR41.2000 FOR DRAWING AND PARTS INFORMATION.</b> CYLINDER ASSEMBLY _____ ITEM 1 - RAP90501 (32.5" STROKE) - REPLACES AP15203 SYNCHRONIZING CYLINDER _____ ITEM 3 - RAP90466 (12.980" STROKE) - REPLACES AP14301 TUBE KIT _____ ITEM 2 - RAP90480 - REPLACES AP13252
MECHANISM AP23213	<b>CYLINDER ASSEMBLY - 36.0" STROKE - AP49192 KIT</b>
	CYLINDER ASSEMBLY _____ RAP90696 (36.0" STROKE) - REPLACES AP19256 SYNCHRONIZING CYLINDER _____ RAP93144 (12.670" STROKE) - REPLACES AP48733
MECHANISM AP30763	<b>DOOR CYLINDER KIT - AP35568 - 30.0" STROKE</b>
	CYLINDER ASSEMBLY _____ RAP91666 (30.0" STROKE) - REPLACES AP30763
MECHANISM AP32245	<b>CYLINDER ASSEMBLY - 33.5" STROKE - AP44743 KIT</b>
	CYLINDER ASSEMBLY _____ RAP91794 (33.5" STROKE) - REPLACES AP32245 SYNCHRONIZING CYLINDER _____ RAP91793 (13.490" STROKE) - REPLACES AP30664

# ROOM EXTENSION ASSEMBLIES GUIDE PAGE "LDS SYSTEMS INC" (PAGE 2 OF 2)

PROCEDURE: SEE "LDS SYSTEMS INC" (PAGE 1 OF 2)

MECHANISM AP32909 AP32910	<b>LATERAL ARM ROOM EXTENSION - 20.0" STROKE (WITH SYNCHRONIZING CYLINDER) - AP32911 KIT</b>  <a href="#">SEE MR41.2825 FOR DRAWING AND PARTS INFORMATION.</a> CYLINDER ASSEMBLY _____ ITEM 1 - RAP91351 (6.775" STROKE) - REPLACES AP27997 SYNCHRONIZING CYLINDER _____ ITEM 3 - RAP90524 (2.385" STROKE) - REPLACES AP14881 TUBE KIT _____ ITEM 2 - RAP91774 - REPLACES AP28035 HOSE ASSEMBLIES _____ ITEM 4 - RAP91574 (AP24627) ITEM 5 - RAP91562 (AP25677)
MECHANISM AP35576 AP35577	<b>DUAL CYLINDER ROOM EXTENSION - 55.0" STROKE (WITH SYNCHRONIZING CYLINDER) - AP35500 KIT</b>  <a href="#">SEE MR41.2000 FOR DRAWING AND PARTS INFORMATION.</a> CYLINDER ASSEMBLY _____ ITEM 1 - RAP91803 (56.0" STROKE) - REPLACES AP35634 SYNCHRONIZING CYLINDER _____ ITEM 3 - RAP91802 (21.160" STROKE) - REPLACES AP35668 TUBE KIT _____ ITEM 2 - RAP91804 - REPLACES AP35628
MECHANISM AP32886 AP32887	<b>X-SLIDE ROOM EXTENSION - 25.0" STROKE (WITH SYNCHRONIZING CYLINDER) - AP32885 KIT</b>  <a href="#">SEE MR41.2670 FOR DRAWING AND PARTS INFORMATION.</a> CYLINDER ASSEMBLY _____ ITEM 1 - RAP91350 (11.40" STROKE) - REPLACES AP27865 SYNCHRONIZING CYLINDER _____ ITEM 3 - RAP91701 (4.300" STROKE) - REPLACES AP30260 TUBE KIT _____ ITEM 2 - RAP91229 - REPLACES AP27587 HOSE ASSEMBLIES _____ ITEM 4 - RAP91574 (AP24627) ITEM 5 - RAP91573 (AP32672)
MECHANISM AP35634	<b>CYLINDER ASSEMBLY - 56.0" STROKE - AP47168 KIT</b>  CYLINDER ASSEMBLY _____ RAP91803 (56.0" STROKE) - REPLACES AP35634 SYNCHRONIZING CYLINDER _____ RAP91802 (21.160" STROKE) - REPLACES AP35668
MECHANISM AP45492	<b>CYLINDER ASSEMBLY - 47.25" STROKE - AP45481 KIT</b>  CYLINDER ASSEMBLY _____ RAP92925 (47.25" STROKE) - REPLACES AP45492 SYNCHRONIZING CYLINDER _____ RAP92927 (16.570" STROKE) - REPLACES AP45490
MECHANISM AP48668	<b>CYLINDER ASSEMBLY - 33.5" STROKE - AP48663 KIT</b>  CYLINDER ASSEMBLY _____ RAP92926 (39.5" STROKE) - REPLACES AP48668 SYNCHRONIZING CYLINDER _____ RAP92928 (13.910" STROKE) - REPLACES AP48667



# ROOM EXTENSION ASSEMBLIES GUIDE PAGE "LDV, INC."

**PROCEDURE:**

1. Locate the HWH identification tag on the room extension mechanism to get the correct room extension part number.
2. Find the correct room extension part number in the left column below.
3. Refer to the proper parts page for general replacement parts information and item number arrangements.
4. Two cylinder room extensions with a synchronizing cylinder have two room extension part numbers. One is for the left assembly, one is for the right assembly. If the room extension assembly originally had one number, that number is listed with the new numbers.

MECHANISM AP38251 AP38252	<b>UNIVERSAL STRAIGHT OUT - 30.0" STROKE (WITH SYNCHRONIZING CYLINDER) - AP43801 KIT</b>  <a href="#">SEE MR41.2685 FOR DRAWING AND PARTS INFORMATION.</a> CYLINDER ASSEMBLY _____ ITEM 1 - RAP92076 (30.5" STROKE) - REPLACES AP38072 SYNCHRONIZING CYLINDER _____ ITEM 3 - RAP92077 (10.540" STROKE) - REPLACES AP37881 TUBE KIT _____ ITEM 2 - RAP92079 - REPLACES AP38267 HOSE ASSEMBLIES _____ ITEM 4 - RAP90872 (AP24632) ITEM 5 - RAP91421 (AP24818)
MECHANISM AP38383 AP38384	<b>UNIVERSAL LEVEL OUT - 26.0" STROKE (WITH SYNCHRONIZING CYLINDER) - AP38392 KIT</b>  <a href="#">SEE MR41.2690 FOR DRAWING AND PARTS INFORMATION.</a> CYLINDER ASSEMBLY _____ ITEM 1 - RAP92076 (30.5" STROKE) - REPLACES AP38072 LIFT CYLINDER ASSEMBLY _____ ITEM 11 - RAP92260 (2.75" LIFT) - REPLACES AP38604 SYNCHRONIZING CYLINDER _____ ITEM 3 - RAP92469 (9.130" STROKE) - REPLACES AP39275 LIFT SYNCHRONIZING CYLINDER _____ ITEM 12 - RAP92316 - REPLACES AP38264 TUBE KIT _____ ITEM 2 - RAP92079 - REPLACES AP38267 HOSE ASSEMBLIES _____ ITEM 4 - RAP90872 (AP24632) ITEM 5 - RAP91421 (AP24818)
MECHANISM AP39645 AP39646	<b>UNIVERSAL STRAIGHT OUT - 26.0" STROKE (WITH SYNCHRONIZING CYLINDER) - AP43800 KIT</b>  <a href="#">SEE MR41.2685 FOR DRAWING AND PARTS INFORMATION.</a> CYLINDER ASSEMBLY _____ ITEM 1 - RAP92076 (30.5" STROKE) - REPLACES AP38072 SYNCHRONIZING CYLINDER _____ ITEM 3 - RAP92469 (9.130" STROKE) - REPLACES AP39275 TUBE KIT _____ ITEM 2 - RAP92079 - REPLACES AP38267 HOSE ASSEMBLIES _____ ITEM 4 - RAP90872 (AP24632) ITEM 5 - RAP91421 (AP24818)
MECHANISM AP40753 AP40754	<b>UNIVERSAL LEVEL OUT - 30.0" STROKE (WITH SYNCHRONIZING CYLINDER) - AP43624 KIT</b>  <a href="#">SEE MR41.2690 FOR DRAWING AND PARTS INFORMATION.</a> CYLINDER ASSEMBLY _____ ITEM 1 - RAP92076 (30.5" STROKE) - REPLACES AP38072 LIFT CYLINDER ASSEMBLY _____ ITEM 11 - RAP92261 (3.50" LIFT) - REPLACES AP40746 SYNCHRONIZING CYLINDER _____ ITEM 3 - RAP92077 (10.540" STROKE) - REPLACES AP37881 LIFT SYNCHRONIZING CYLINDER _____ ITEM 12 - RAP92503 - REPLACES AP40832 TUBE KIT _____ ITEM 2 - RAP92079 - REPLACES AP38267 HOSE ASSEMBLIES _____ ITEM 4 - RAP90872 (AP24632) ITEM 5 - RAP91421 (AP24818) CENTER LIFT CYLINDER _____ ITEM 13 - RAP92506 - REPLACES AP39601
MECHANISM AP43797 AP43798	<b>UNIVERSAL LEVEL OUT - 26.0" STROKE (WITH SYNCHRONIZING CYLINDER) - AP43796 KIT</b>  <a href="#">SEE MR41.2690 FOR DRAWING AND PARTS INFORMATION.</a> CYLINDER ASSEMBLY _____ ITEM 1 - RAP92076 (30.5" STROKE) - REPLACES AP38072 LIFT CYLINDER ASSEMBLY _____ ITEM 11 - RAP92261 (3.50" LIFT) - REPLACES AP40746 SYNCHRONIZING CYLINDER _____ ITEM 3 - RAP92469 (9.130" STROKE) - REPLACES AP39275 LIFT SYNCHRONIZING CYLINDER _____ ITEM 12 - RAP92503 - REPLACES AP40832 TUBE KIT _____ ITEM 2 - RAP92079 - REPLACES AP38267 HOSE ASSEMBLIES _____ ITEM 4 - RAP90872 (AP24632) ITEM 5 - RAP91421 (AP24818) CENTER LIFT CYLINDER _____ ITEM 13 - RAP92506 - REPLACES AP39601

# ROOM EXTENSION ASSEMBLIES GUIDE PAGE "LEISURE TRAVEL VANS"

**PROCEDURE:**

1. Locate the HWH identification tag on the room extension mechanism to get the correct room extension part number.
2. Find the correct room extension part number in the left column below.
3. Refer to the proper parts page for general replacement parts information and item number arrangements.
4. Two cylinder room extensions with a synchronizing cylinder have two room extension part numbers. One number is for the left assembly, one is for the right assembly. If the room extension assembly originally had one number, that number is listed with the new numbers.

<b>MECHANISM AP15466</b>	<b>SINGLE CYLINDER ROOM EXTENSION - 31.0" STROKE - AP15465 KIT</b>  <b>SEE MR41.1000 FOR DRAWING AND PARTS INFORMATION.</b> <b>CYLINDER ASSEMBLY</b> _____ <b>ITEM 1 - RAP90103 (31.0" STROKE) - REPLACES AP10740</b> <b>TUBE KIT</b> _____ <b>ITEM 2 - RAP90029 - REPLACES AP2369</b>
<b>MECHANISM AP15475 AP15476</b>	<b>VERTICAL ARM ROOM EXTENSION - 30.0" STROKE (WITH SYNCHRONIZING CYLINDER) - AP15469 KIT</b>  <b>NO INFORMATION AVAILABLE.</b>

# ROOM EXTENSION ASSEMBLIES GUIDE PAGE "LIFELINE SHELTER SYSTEMS"

**PROCEDURE:**

1. Locate the HWH identification tag on the room extension mechanism to get the correct room extension part number.
2. Find the correct room extension part number in the left column below.
3. Refer to the proper parts page for general replacement parts information and item number arrangements.
4. Two cylinder room extensions with a synchronizing cylinder have two room extension part numbers. One number is for the left assembly, one is for the right assembly. If the room extension assembly originally had one number, that number is listed with the new numbers.

MECHANISM AP13738	<p><b>DUAL CYLINDER ROOM EXTENSION - 39.0" STROKE (WITH RACK SENSING VALVE) - AP13737 KIT</b></p> <p><a href="#">SEE MR41.1536 FOR DRAWING AND PARTS INFORMATION.</a></p> <p>CYLINDER ASSEMBLY _____ ITEM 1 - RAP90007 (39.0" STROKE) - REPLACES AP1700</p> <p>HOSE ASSEMBLIES _____ ITEM 6 - RAP4073 (AP4073)    ITEM 8 - RAP90215 (AP10912)</p> <p style="padding-left: 150px;">ITEM 7 - RAP90003 (AP2446)    ITEM 9 - RAP90126 (AP10913)</p>
MECHANISM AP16588 OR AP19290 AP19291	<p><b>DUAL CYLINDER ROOM EXTENSION - 18.0" STROKE (WITH SYNCHRONIZING CYLINDER) - AP16587 KIT</b></p> <p><a href="#">SEE MR41.2000 FOR DRAWING AND PARTS INFORMATION.</a></p> <p>CYLINDER ASSEMBLY _____ ITEM 1 - RAP90517 (18.5" STROKE) - REPLACES AP16641</p> <p>SYNCHRONIZING CYLINDER _____ ITEM 3 - RAP90439 (7.21" STROKE) - REPLACES AP16618</p> <p>TUBE KIT _____ ITEM 2 - RAP90480 - REPLACES AP13252</p>
MECHANISM AP19221 AP19222	<p><b>DUAL CYLINDER ROOM EXTENSION - 25.0" STROKE (WITH SYNCHRONIZING CYLINDER) - AP19220 KIT</b></p> <p><a href="#">SEE MR41.2005 FOR DRAWING AND PARTS INFORMATION.</a></p> <p>CYLINDER ASSEMBLY _____ ITEM 1 - RAP90666 (25.5" STROKE) - REPLACES AP19232</p> <p>SYNCHRONIZING CYLINDER _____ ITEM 3 - RAP90440 (10.095" STROKE) - REPLACES AP16509</p> <p>TUBE KIT _____ ITEM 2 - RAP90480 - REPLACES AP13252</p>
MECHANISM AP20511 AP20512	<p><b>DUAL CYLINDER ROOM EXTENSION - 44.0" STROKE (WITH SYNCHRONIZING CYLINDER) - AP20510 KIT</b></p> <p><a href="#">SEE MR41.2000 FOR DRAWING AND PARTS INFORMATION.</a></p> <p>CYLINDER ASSEMBLY _____ ITEM 1 - RAP90636 (45.0" STROKE) - REPLACES AP17232</p> <p>SYNCHRONIZING CYLINDER _____ ITEM 3 - RAP90637 (17.925" STROKE) - REPLACES AP17220</p> <p>TUBE KIT _____ ITEM 2 - RAP90481 - REPLACES AP15379</p>
MECHANISM AP36683	<p><b>GENERATOR EXTENSION - AP40082 KIT</b></p> <p>NO INFORMATION AVAILABLE.</p>
MECHANISM AP38944 AP38945	<p><b>UNIVERSAL LEVEL OUT - 30.0" STROKE (WITH SYNCHRONIZING CYLINDER) - AP40013 KIT</b></p> <p><a href="#">SEE MR41.2690 FOR DRAWING AND PARTS INFORMATION.</a></p> <p>CYLINDER ASSEMBLY _____ ITEM 1 - RAP92076 (30.5" STROKE) - REPLACES AP38072</p> <p>LIFT CYLINDER ASSEMBLY _____ ITEM 14 - RAP92260 (2.75" LIFT) - REPLACES AP38604</p> <p>SYNCHRONIZING CYLINDER _____ ITEM 3 - RAP92077 (10.540" STROKE) - REPLACES AP37881</p> <p>LIFT SYNCHRONIZING CYLINDER _____ ITEM 15 - RAP92316 - REPLACES AP38264</p> <p>TUBE KIT _____ ITEM 2 - RAP92079 - REPLACES AP38267</p> <p>HOSE ASSEMBLIES _____ ITEM 4 - RAP90872 (AP24632)    ITEM 5 - RAP91421 (AP24818)</p>
MECHANISM AP47875 AP47876	<p><b>UNIVERSAL STRAIGHT OUT - 20.0" STROKE (WITH SYNCHRONIZING CYLINDER) - AP47906 KIT</b></p> <p><a href="#">SEE MR41.2685 FOR DRAWING AND PARTS INFORMATION.</a></p> <p>CYLINDER ASSEMBLY _____ ITEM 1 - RAP92929 (20.5" STROKE) - REPLACES AP47873</p> <p>SYNCHRONIZING CYLINDER _____ ITEM 3 - RAP92931 (5.100" STROKE) - REPLACES AP46924</p> <p>TUBE KIT _____ ITEM 2 - RAP92930 - REPLACES AP47044</p> <p>HOSE ASSEMBLIES _____ ITEM 4 - RAP91566 (AP24631)    ITEM 5 - RAP91568 (AP24637)</p>

# ROOM EXTENSION ASSEMBLIES GUIDE PAGE "LIGHTNIN PRODUCTION"

**PROCEDURE:**

1. Locate the HWH identification tag on the room extension mechanism to get the correct room extension part number.
2. Find the correct room extension part number in the left column below.
3. Refer to the proper parts page for general replacement parts information and item number arrangements.
4. Two cylinder room extensions with a synchronizing cylinder have two room extension part numbers. One number is for the left assembly, one is for the right assembly. If the room extension assembly originally had one number, that number is listed with the new numbers.

MECHANISM AP40006 AP40007	<b>UNIVERSAL STRAIGHT OUT - 20.0" STROKE (WITH SYNCHRONIZING CYLINDER) - AP45723 KIT</b>  <a href="#">SEE MR41.2685 FOR DRAWING AND PARTS INFORMATION.</a> CYLINDER ASSEMBLY _____ ITEM 1 - RAP92076 (30.5" STROKE) - REPLACES AP38072 SYNCHRONIZING CYLINDER _____ ITEM 3 - RAP92099 (7.010" STROKE) - REPLACES AP39221 TUBE KIT _____ ITEM 2 - RAP92079 - REPLACES AP38267 HOSE ASSEMBLIES _____ ITEM 4 - RAP90872 (AP24632) ITEM 5 - RAP91421 (AP24818)
MECHANISM AP45804 AP45805	<b>UNIVERSAL STRAIGHT OUT - 20.0" STROKE (WITH SYNCHRONIZING CYLINDER) - AP45803 KIT</b>  <a href="#">SEE MR41.2685 FOR DRAWING AND PARTS INFORMATION.</a> CYLINDER ASSEMBLY _____ ITEM 1 - RAP92076 (30.5" STROKE) - REPLACES AP38072 SYNCHRONIZING CYLINDER _____ ITEM 3 - RAP92099 (7.010" STROKE) - REPLACES AP39221 TUBE KIT _____ ITEM 2 - RAP92079 - REPLACES AP38267 HOSE ASSEMBLIES _____ ITEM 4 - RAP90872 (AP24632) ITEM 5 - RAP91421 (AP24818)
MECHANISM AP45900 AP45901	<b>UNIVERSAL STRAIGHT OUT - 30.0" STROKE (WITH SYNCHRONIZING CYLINDER) - AP45889 KIT</b>  <a href="#">SEE MR41.2685 FOR DRAWING AND PARTS INFORMATION.</a> CYLINDER ASSEMBLY _____ ITEM 1 - RAP92076 (30.5" STROKE) - REPLACES AP38072 SYNCHRONIZING CYLINDER _____ ITEM 3 - RAP92077 (10.540" STROKE) - REPLACES AP37881 TUBE KIT _____ ITEM 2 - RAP92079 - REPLACES AP38267 HOSE ASSEMBLIES _____ ITEM 4 - RAP90872 (AP24632) ITEM 5 - RAP91421 (AP24818)
MECHANISM AP45940 AP45941	<b>UNIVERSAL STRAIGHT OUT - 22.0" STROKE (WITH SYNCHRONIZING CYLINDER) - AP45927 KIT</b>  <a href="#">SEE MR41.2685 FOR DRAWING AND PARTS INFORMATION.</a> CYLINDER ASSEMBLY _____ ITEM 1 - RAP92076 (30.5" STROKE) - REPLACES AP38072 SYNCHRONIZING CYLINDER _____ ITEM 3 - RAP92522 (7.710" STROKE) - REPLACES AP43403 TUBE KIT _____ ITEM 2 - RAP92079 - REPLACES AP38267 HOSE ASSEMBLIES _____ ITEM 4 - RAP90872 (AP24632) ITEM 5 - RAP91421 (AP24818)
MECHANISM AP46691 AP46692	<b>UNIVERSAL STRAIGHT OUT - 24.0" STROKE (WITH SYNCHRONIZING CYLINDER) - AP45773 KIT</b>  <a href="#">SEE MR41.2685 FOR DRAWING AND PARTS INFORMATION.</a> CYLINDER ASSEMBLY _____ ITEM 1 - RAP92076 (30.5" STROKE) - REPLACES AP38072 SYNCHRONIZING CYLINDER _____ ITEM 3 - RAP92275 (8.420" STROKE) - REPLACES AP39271 TUBE KIT _____ ITEM 2 - RAP92079 - REPLACES AP38267 HOSE ASSEMBLIES _____ ITEM 4 - RAP90872 (AP24632) ITEM 5 - RAP91421 (AP24818)

# ROOM EXTENSION ASSEMBLIES GUIDE PAGE "LOGAN COACH"

**PROCEDURE:**

1. Locate the HWH identification tag on the room extension mechanism to get the correct room extension part number.
2. Find the correct room extension part number in the left column below.
3. Refer to the proper parts page for general replacement parts information and item number arrangements.
4. Two cylinder room extensions with a synchronizing cylinder have two room extension part numbers. One is for the left assembly, one is for the right assembly. If the room extension assembly originally had one number, that number is listed with the new numbers.

<b>MECHANISM</b> <b>AP38251</b> <b>AP38252</b>	<b>UNIVERSAL STRAIGHT OUT - 30.0" STROKE (WITH SYNCHRONIZING CYLINDER) - AP38352 KIT</b>  <b>SEE MR41.2685 FOR DRAWING AND PARTS INFORMATION.</b> <b>CYLINDER ASSEMBLY</b> _____ <b>ITEM 1 - RAP92076 (30.5" STROKE) - REPLACES AP38072</b> <b>SYNCHRONIZING CYLINDER</b> _____ <b>ITEM 3 - RAP92077 (10.540" STROKE) - REPLACES AP37881</b> <b>TUBE KIT</b> _____ <b>ITEM 2 - RAP92079 - REPLACES AP38267</b> <b>HOSE ASSEMBLIES</b> _____ <b>ITEM 4 - RAP90872 (AP24632) ITEM 5 - RAP91421 (AP24818)</b>
--	--

# ROOM EXTENSION ASSEMBLIES GUIDE PAGE "LOYALTY MOBILE"

**PROCEDURE:**

1. Locate the HWH identification tag on the room extension mechanism to get the correct room extension part number.
2. Find the correct room extension part number in the left column below.
3. Refer to the proper parts page for general replacement parts information and item number arrangements.
4. Two cylinder room extensions with a synchronizing cylinder have two room extension part numbers. One is for the left assembly, one is for the right assembly. If the room extension assembly originally had one number, that number is listed with the new numbers.

MECHANISM AP38251 AP38252	<p><b>UNIVERSAL STRAIGHT OUT - 30.0" STROKE (WITH SYNCHRONIZING CYLINDER) - AP40850 KIT</b></p> <p><a href="#">SEE MR41.2685 FOR DRAWING AND PARTS INFORMATION.</a></p> <p>CYLINDER ASSEMBLY _____ ITEM 1 - RAP92076 (30.5" STROKE) - REPLACES AP38072            SYNCHRONIZING CYLINDER _____ ITEM 3 - RAP92077 (10.540" STROKE) - REPLACES AP37881            TUBE KIT _____ ITEM 2 - RAP92079 - REPLACES AP38267            HOSE ASSEMBLIES _____ ITEM 4 - RAP90872 (AP24632) ITEM 5 - RAP91421 (AP24818)</p>
MECHANISM AP38900 AP38901	<p><b>UNIVERSAL STRAIGHT OUT - 24.0" STROKE (WITH SYNCHRONIZING CYLINDER) - AP45436 AND AP48216 KITS</b></p> <p><a href="#">SEE MR41.2685 FOR DRAWING AND PARTS INFORMATION.</a></p> <p>CYLINDER ASSEMBLY _____ ITEM 1 - RAP92076 - REPLACES AP38072 (30.5" STROKE)            SYNCHRONIZING CYLINDER _____ ITEM 3 - RAP92275 - REPLACES AP39271 (8.420" STROKE)            TUBE KIT _____ ITEM 2 - RAP92079 - REPLACES AP38267            HOSE ASSEMBLIES _____ ITEM 4 - RAP90872 (AP24632) ITEM 5 - RAP91421 (AP24818)</p>
MECHANISM AP39182 AP39183	<p><b>UNIVERSAL STRAIGHT OUT - 18.0" STROKE (WITH SYNCHRONIZING CYLINDER) - AP46936 KIT</b></p> <p><a href="#">SEE MR41.2685 FOR DRAWING AND PARTS INFORMATION.</a></p> <p>CYLINDER ASSEMBLY _____ ITEM 1 - RAP92076 (30.5" STROKE) - REPLACES AP38072            SYNCHRONIZING CYLINDER _____ ITEM 3 - RAP92369 (6.300" STROKE) - REPLACES AP39267            TUBE KIT _____ ITEM 2 - RAP92079 - REPLACES AP38267            HOSE ASSEMBLIES _____ ITEM 4 - RAP90872 (AP24632) ITEM 5 - RAP91421 (AP24818)</p>
MECHANISM AP40395 AP40396	<p><b>UNIVERSAL LEVEL OUT - 24.0" STROKE (WITH SYNCHRONIZING CYLINDER) - AP41867 KIT</b></p> <p><a href="#">SEE MR41.2690 FOR DRAWING AND PARTS INFORMATION.</a></p> <p>CYLINDER ASSEMBLY _____ ITEM 1 - RAP92076 (30.5" STROKE) - REPLACES AP38072            LIFT CYLINDER ASSEMBLY _____ ITEM 14 - RAP92260 (2.75" LIFT) - REPLACES AP38604            SYNCHRONIZING CYLINDER _____ ITEM 3 - RAP92275 (8.420" STROKE) - REPLACES AP39271            LIFT SYNCHRONIZING CYLINDER _____ ITEM 15 - RAP92316 - REPLACES AP38264            TUBE KIT _____ ITEM 2 - RAP92079 - REPLACES AP38267            HOSE ASSEMBLIES _____ ITEM 4 - RAP90872 (AP24632) ITEM 5 - RAP91421 (AP24818)</p>
MECHANISM AP42937 AP42938	<p><b>UNIVERSAL LEVEL OUT - 24.0" STROKE (WITH SYNCHRONIZING CYLINDER) - AP42936 KIT</b></p> <p><a href="#">SEE MR41.2690 FOR DRAWING AND PARTS INFORMATION.</a></p> <p>CYLINDER ASSEMBLY _____ ITEM 1 - RAP92076 (30.5" STROKE) - REPLACES AP38072            LIFT CYLINDER ASSEMBLY _____ ITEM 14 - RAP92261 (3.50" LIFT) - REPLACES AP40746            SYNCHRONIZING CYLINDER _____ ITEM 3 - RAP92275 (8.420" STROKE) - REPLACES AP39271            LIFT SYNCHRONIZING CYLINDER _____ ITEM 15 - RAP92503 - REPLACES AP40832            TUBE KIT _____ ITEM 2 - RAP92079 - REPLACES AP38267            HOSE ASSEMBLIES _____ ITEM 4 - RAP90872 (AP24632) ITEM 5 - RAP91421 (AP24818)</p>

# ROOM EXTENSION ASSEMBLIES GUIDE PAGE "LPD TRAILERS"

**PROCEDURE:**

1. Locate the HWH identification tag on the room extension mechanism to get the correct room extension part number.
2. Find the correct room extension part number in the left column below.
3. Refer to the proper parts page for general replacement parts information and item number arrangements.
4. Two cylinder room extensions with a synchronizing cylinder have two room extension part numbers. One is for the left assembly, one is for the right assembly. If the room extension assembly originally had one number, that number is listed with the new numbers.

<b>MECHANISM</b> <b>AP38251</b> <b>AP38252</b>	<b>UNIVERSAL STRAIGHT OUT - 30.0" STROKE (WITH SYNCHRONIZING CYLINDER) - AP44230 KIT</b>  <b>SEE MR41.2685 FOR DRAWING AND PARTS INFORMATION.</b> <b>CYLINDER ASSEMBLY</b> _____ <b>ITEM 1 - RAP92076 (30.5" STROKE) - REPLACES AP38072</b> <b>SYNCHRONIZING CYLINDER</b> _____ <b>ITEM 3 - RAP92077 (10.540" STROKE) - REPLACES AP37881</b> <b>TUBE KIT</b> _____ <b>ITEM 2 - RAP92079 - REPLACES AP38267</b> <b>HOSE ASSEMBLIES</b> _____ <b>ITEM 4 - RAP90872 (AP24632) ITEM 5 - RAP91421 (AP24818)</b>
--	--

---

# ROOM EXTENSION ASSEMBLIES GUIDE PAGE "MAGNUM MFG"

---

**PROCEDURE:**

1. Locate the HWH identification tag on the room extension mechanism to get the correct room extension part number.
2. Find the correct room extension part number in the left column below.
3. Refer to the proper parts page for general replacement parts information and item number arrangements.
4. Two cylinder room extensions with a synchronizing cylinder have two room extension part numbers. One number is for the left assembly, one is for the right assembly. If the room extension assembly originally had one number, that number is listed with the new numbers.

<b>MECHANISM AP21503 AP21504</b>	<b>DUAL CYLINDER FLAT FLOOR ROOM EXTENSION - 26.0" STROKE (WITH SYNC. CYLINDER) - AP21502 KIT</b>
	<b>CYLINDER ASSEMBLY _____ RAP91190 (36.0" STROKE) - REPLACES AP20301</b> <b>SYNCHRONIZING CYLINDER _____ RAP90722 (10.610" STROKE) - REPLACES AP21727</b>



# ROOM EXTENSION ASSEMBLIES GUIDE PAGE "MAJESTIC COACH"

**PROCEDURE:**

1. Locate the HWH identification tag on the room extension mechanism to get the correct room extension part number.
2. Find the correct room extension part number in the left column below.
3. Refer to the proper parts page for general replacement parts information and item number arrangements.
4. Two cylinder room extensions with a synchronizing cylinder have two room extension part numbers. One number is for the left assembly, one is for the right assembly. If the room extension assembly originally had one number, that number is listed with the new numbers.

<b>MECHANISM AP14239</b>	<b>SINGLE CYLINDER ROOM EXTENSION - 25.0" STROKE - AP14238 KIT</b>  <a href="#">SEE MR41.1000 FOR DRAWING AND PARTS INFORMATION.</a> <b>CYLINDER ASSEMBLY</b> _____ ITEM 1 - RAP90031 (25.0" STROKE) - REPLACES AP1911 <b>TUBE KIT</b> _____ ITEM 2 - RAP90029 - REPLACES AP2369
<b>MECHANISM AP19317 AP19318</b>	<b>DUAL CYLINDER ROOM EXTENSION - 32.0" STROKE (WITH SYNCHRONIZING CYLINDER) - AP14236 KIT</b>  <a href="#">SEE MR41.2005 FOR DRAWING AND PARTS INFORMATION.</a> <b>CYLINDER ASSEMBLY</b> _____ ITEM 1 - RAP90501 (32.5" STROKE) - REPLACES AP15203 <b>SYNCHRONIZING CYLINDER</b> _____ ITEM 3 - RAP90466 (12.98" STROKE) - REPLACES AP14301 <b>TUBE KIT</b> _____ ITEM 2 - RAP90480 - REPLACES AP13252

# ROOM EXTENSION ASSEMBLIES GUIDE PAGE "MARATHON COACH CORP."

**PROCEDURE:**

1. Locate the HWH identification tag on the room extension mechanism to get the correct room extension part number.
2. Find the correct room extension part number in the left column below.
3. Refer to the proper parts page for general replacement parts information and item number arrangements.
4. Two cylinder room extensions with a synchronizing cylinder have two room extension part numbers. One is for the left assembly, one is for the right assembly. If the room extension assembly originally had one number, that number is listed with the new numbers.

<b>MECHANISM AP12328</b>	<b>CYLINDER ASSEMBLY - 13.8" STROKE</b>
	<b>CYLINDER ASSEMBLY</b> _____ <b>RAP91212 (13.8" STROKE) - REPLACES AP12328</b>
<b>MECHANISM AP16984</b>	<b>CYLINDER ASSEMBLY - 29.875" STROKE</b>
	<b>CYLINDER ASSEMBLY</b> _____ <b>RAP92911 (29.875" STROKE) - REPLACES AP16984</b>
	<b>TUBE KIT</b> _____ <b>RAP92480 - REPLACES AP20193</b>
<b>MECHANISM AP18490</b>	<b>CYLINDER ASSEMBLY - 30.25" STROKE</b>
	<b>CYLINDER ASSEMBLY</b> _____ <b>RAP90946 (30.25" STROKE) - REPLACES AP18490</b>
<b>MECHANISM AP25958 AP25959</b>	<b>TRAIN DRIVE ROOM EXTENSION - (4) CYLINDERS - 17.5" STROKE (WITH SYNCHRONIZING CYLINDER)</b>
	<b>SEE MR41.2650 FOR DRAWING AND PARTS INFORMATION.</b>
	<b>CYLINDER ASSEMBLY</b> _____ <b>ITEM 1 - RAP92913 (17.5" STROKE) - REPLACES AP25952</b>
	<b>SYNCHRONIZING CYLINDER</b> _____ <b>ITEM 5 - RAP91014 (2.4" STROKE) - REPLACES AP25695</b>
	<b>SEE MR41.8001 FOR ADDITIONAL SYNC CYLINDER REPLACEMENT PARTS</b>
	<b>HOSE ASSEMBLIES</b> _____ <b>ITEM 1A - RAP - REPLACES AP25957</b>
	<b>HOSE ASSEMBLIES</b> _____ <b>ITEM 2 - RAP91540 - REPLACES AP24570 (TOP)</b>
	<b>HOSE ASSEMBLIES</b> _____ <b>ITEM 2 - RAP91538 - REPLACES AP24571 (TOP)</b>
<b>HOSE ASSEMBLIES</b> _____ <b>ITEM 2 - RAP91531 - REPLACES AP24568 (BOTTOM)</b>	
<b>HOSE ASSEMBLIES</b> _____ <b>ITEM 2 - RAP91530 - REPLACES AP24569 (BOTTOM )</b>	
<b>MECHANISM AP28144 AP28145</b>	<b>VERTICAL ARM ROOM EXTENSION - 30.0" STROKE (WITH SYNCHRONIZING CYLINDER)</b>
	<b>SEE MR41.2500 FOR DRAWING AND PARTS INFORMATION.</b>
	<b>CYLINDER ASSEMBLY</b> _____ <b>ITEM 1 - RAP91197 (12.18" STROKE) - REPLACES AP23170</b>
	<b>SYNCHRONIZING CYLINDER</b> _____ <b>ITEM 3 - RAP90450 (5.005" STROKE) - REPLACES AP15416</b>

# ROOM EXTENSION ASSEMBLIES GUIDE PAGE "MARATHON INDUSTRIES, INC."

**PROCEDURE:**

1. Locate the HWH identification tag on the room extension mechanism to get the correct room extension part number.
2. Find the correct room extension part number in the left column below.
3. Refer to the proper parts page for general replacement parts information and item number arrangements.
4. Two cylinder room extensions with a synchronizing cylinder have two room extension part numbers. One is for the left assembly, one is for the right assembly. If the room extension assembly originally had one number, that number is listed with the new numbers.

<b>MECHANISM</b> <b>AP40753</b> <b>AP40754</b>	<b>UNIVERSAL LEVEL OUT - 30.0" STROKE (WITH SYNCHRONIZING CYLINDER) - AP44710 KIT</b>
	<b>SEE MR41.2690 FOR DRAWING AND PARTS INFORMATION.</b>
	<b>CYLINDER ASSEMBLY</b> _____ <b>ITEM 1 - RAP92076 (30.5" STROKE) - REPLACES AP38072</b>
	<b>LIFT CYLINDER ASSEMBLY</b> _____ <b>ITEM 11 - RAP92261 (3.50" LIFT) - REPLACES AP40746</b>
	<b>SYNCHRONIZING CYLINDER</b> _____ <b>ITEM 3 - RAP92077 (10.540" STROKE) - REPLACES AP37881</b>
	<b>LIFT SYNCHRONIZING CYLINDER</b> _____ <b>ITEM 12 - RAP92503 - REPLACES AP40832</b>
	<b>TUBE KIT</b> _____ <b>ITEM 2 - RAP92079 - REPLACES AP38267</b>
	<b>HOSE ASSEMBLIES</b> _____ <b>ITEM 4 - RAP90872 (AP24632) ITEM 5 - RAP91421 (AP24818)</b>

# ROOM EXTENSION ASSEMBLIES GUIDE PAGE "MARSHALL MACHINE SHOP"

**PROCEDURE:**

1. Locate the HWH identification tag on the room extension mechanism to get the correct room extension part number.
2. Find the correct room extension part number in the left column below.
3. Refer to the proper parts page for general replacement parts information and item number arrangements.
4. Two cylinder room extensions with a synchronizing cylinder have two room extension part numbers. One number is for the left assembly, one is for the right assembly. If the room extension assembly originally had one number, that number is listed with the new numbers.

<b>MECHANISM AP18902</b>	<b>SINGLE CYLINDER ROOM EXTENSION - 24.0" STROKE - AP37752 KIT</b>  <a href="#">SEE MR41.1100 FOR DRAWING AND PARTS INFORMATION.</a> <b>CYLINDER ASSEMBLY</b> _____ ITEM 1 - RAP91021 (27.0" STROKE) - REPLACES AP28682 <b>HOSE ASSEMBLIES</b> _____ ITEM 3 - RAP91750 (AP13842) ITEM 4 - RAP91751 (AP16434)
<b>MECHANISM AP25142 AP25143</b>	<b>DUAL CYLINDER ROOM EXTENSION - 30.5" STROKE (WITH SYNCHRONIZING CYLINDER) - AP37751 KIT</b>  <a href="#">SEE MR41.2005 FOR DRAWING AND PARTS INFORMATION.</a> <b>CYLINDER ASSEMBLY</b> _____ ITEM 1 - RAP90971 (37.5" STROKE) - REPLACES AP25201 <b>SYNCHRONIZING CYLINDER</b> _____ ITEM 3 - RAP90442 (12.570" STROKE) - REPLACES AP16484 <b>TUBE KIT</b> _____ ITEM 2 - RAP90480 - REPLACES AP13252

# ROOM EXTENSION ASSEMBLIES GUIDE PAGE "MATTHEWS SPECIALTY (PAGE 1 OF 2)"

**PROCEDURE:**

1. Locate the HWH identification tag on the room extension mechanism to get the correct room extension part number.
2. Find the correct room extension part number in the left column below.
3. Refer to the proper parts page for general replacement parts information and item number arrangements.
4. Two cylinder room extensions with a synchronizing cylinder have two room extension part numbers. One number is for the left assembly, one is for the right assembly. If the room extension assembly originally had one number, that number is listed with the new numbers.

MECHANISM AP22227 AP22228	<p><b>DUAL CYLINDER ROOM EXTENSION - 36.0" STROKE (WITH SYNCHRONIZING CYLINDER) - AP35282 KIT</b></p> <p><a href="#">SEE MR41.2005 FOR DRAWING AND PARTS INFORMATION.</a></p> <p>CYLINDER ASSEMBLY _____ ITEM 1 - RAP90518 (36.5" STROKE) - REPLACES AP15251            SYNCHRONIZING CYLINDER _____ ITEM 3 - RAP90474 (14.630" STROKE) - REPLACES AP12484            TUBE KIT _____ ITEM 2 - RAP90480 - REPLACES AP13252</p>
MECHANISM AP38383 AP38384	<p><b>UNIVERSAL LEVEL OUT - 26.0" STROKE (WITH SYNCHRONIZING CYLINDER) - AP38106 KIT</b></p> <p><a href="#">SEE MR41.2690 FOR DRAWING AND PARTS INFORMATION.</a></p> <p>CYLINDER ASSEMBLY _____ ITEM 1 - RAP92076 (30.5" STROKE) - REPLACES AP38072            LIFT CYLINDER ASSEMBLY _____ ITEM 11 - RAP92260 (2.75" LIFT) - REPLACES AP38604            SYNCHRONIZING CYLINDER _____ ITEM 3 - RAP92469 (9.130" STROKE) - REPLACES AP39275            LIFT SYNCHRONIZING CYLINDER _____ ITEM 12 - RAP92316 - REPLACES AP38264            TUBE KIT _____ ITEM 2 - RAP92079 - REPLACES AP38267            HOSE ASSEMBLIES _____ ITEM 4 - RAP90872 (AP24632) ITEM 5 - RAP91421 (AP24818)</p>
MECHANISM AP38251 AP38252	<p><b>UNIVERSAL STRAIGHT OUT - 30.0" STROKE (WITH SYNCHRONIZING CYLINDER) - AP50319 KIT</b></p> <p><a href="#">SEE MR41.2685 FOR DRAWING AND PARTS INFORMATION.</a></p> <p>CYLINDER ASSEMBLY _____ ITEM 1 - RAP92076 (30.5" STROKE) - REPLACES AP38072            SYNCHRONIZING CYLINDER _____ ITEM 3 - RAP92077 (10.540" STROKE) - REPLACES AP37881            TUBE KIT _____ ITEM 2 - RAP92079 - REPLACES AP38267            HOSE ASSEMBLIES _____ ITEM 4 - RAP90872 (AP24632) ITEM 5 - RAP91421 (AP24818)</p>
MECHANISM AP38944 AP38945	<p><b>UNIVERSAL LEVEL OUT - 30.0" STROKE (WITH SYNCHRONIZING CYLINDER) - AP40480 KIT</b></p> <p><a href="#">SEE MR41.2690 FOR DRAWING AND PARTS INFORMATION.</a></p> <p>CYLINDER ASSEMBLY _____ ITEM 1 - RAP92076 (30.5" STROKE) - REPLACES AP38072            LIFT CYLINDER ASSEMBLY _____ ITEM 11 - RAP92260 (2.75" LIFT) - REPLACES AP38604            SYNCHRONIZING CYLINDER _____ ITEM 3 - RAP92077 (10.540" STROKE) - REPLACES AP37881            LIFT SYNCHRONIZING CYLINDER _____ ITEM 12 - RAP92316 - REPLACES AP38264            TUBE KIT _____ ITEM 2 - RAP92079 - REPLACES AP38267            HOSE ASSEMBLIES _____ ITEM 4 - RAP90872 (AP24632) ITEM 5 - RAP91421 (AP24818)</p>
MECHANISM AP40395 AP40396	<p><b>UNIVERSAL LEVEL OUT - 24.0" STROKE (WITH SYNCHRONIZING CYLINDER) - AP50303 KIT</b></p> <p><a href="#">SEE MR41.2690 FOR DRAWING AND PARTS INFORMATION.</a></p> <p>CYLINDER ASSEMBLY _____ ITEM 1 - RAP92076 (30.5" STROKE) - REPLACES AP38072            LIFT CYLINDER ASSEMBLY _____ ITEM 11 - RAP92260 (2.75" LIFT) - REPLACES AP38604            SYNCHRONIZING CYLINDER _____ ITEM 3 - RAP92275 (8.420" STROKE) - REPLACES AP39271            LIFT SYNCHRONIZING CYLINDER _____ ITEM 12 - RAP92316 - REPLACES AP38264            TUBE KIT _____ ITEM 2 - RAP92079 - REPLACES AP38267            HOSE ASSEMBLIES _____ ITEM 4 - RAP90872 (AP24632) ITEM 5 - RAP91421 (AP24818)</p>
MECHANISM AP43271 AP43272	<p><b>DUAL CYLINDER ROOM EXTENSION - 18.0" STROKE (WITH SYNCHRONIZING CYLINDER) - AP43270 KIT</b></p> <p><a href="#">SEE MR41.2005 FOR DRAWING AND PARTS INFORMATION.</a></p> <p>CYLINDER ASSEMBLY _____ ITEM 1 - RAP90517 (18.5" STROKE) - REPLACES AP16641            SYNCHRONIZING CYLINDER _____ ITEM 3 - RAP92369 (6.300" STROKE) - REPLACES AP39267            TUBE KIT _____ ITEM 2 - RAP90480 - REPLACES AP13252</p>

# ROOM EXTENSION ASSEMBLIES GUIDE PAGE "MATTHEWS SPECIALTY (PAGE 2 OF 2)"

PROCEDURE: SEE "MATTHEWS SPECIALTY (PAGE 1 OF 2)"

MECHANISM AP43354 AP43355	<b>UNIVERSAL LEVEL OUT - 18.0" STROKE (WITH SYNCHRONIZING CYLINDER) - AP43341 KIT</b>  <b>SEE MR41.2690 FOR DRAWING AND PARTS INFORMATION.</b> CYLINDER ASSEMBLY _____ ITEM 1 - RAP92076 (30.5" STROKE) - REPLACES AP38072 LIFT CYLINDER ASSEMBLY _____ ITEM 11 - RAP92260 (2.75" LIFT) - REPLACES AP38604 SYNCHRONIZING CYLINDER _____ ITEM 3 - RAP92369 (6.300" STROKE) - REPLACES AP39267 LIFT SYNCHRONIZING CYLINDER _____ ITEM 12 - RAP92316 - REPLACES AP38264 TUBE KIT _____ ITEM 2 - RAP92079 - REPLACES AP38267 HOSE ASSEMBLIES _____ ITEM 4 - RAP90872 (AP24632) ITEM 5 - RAP91421 (AP24818)
MECHANISM AP44727 AP44728	<b>UNIVERSAL LEVEL OUT - 20.0" STROKE (WITH SYNCHRONIZING CYLINDER) - AP42188 KIT</b>  <b>SEE MR41.2690 FOR DRAWING AND PARTS INFORMATION.</b> CYLINDER ASSEMBLY _____ ITEM 1 - RAP92076 (30.5" STROKE) - REPLACES AP38072 LIFT CYLINDER ASSEMBLY _____ ITEM 11 - RAP92260 (2.75" LIFT) - REPLACES AP38604 SYNCHRONIZING CYLINDER _____ ITEM 3 - RAP92099 (7.010" STROKE) - REPLACES AP39221 LIFT SYNCHRONIZING CYLINDER _____ ITEM 12 - RAP92316 - REPLACES AP38264 TUBE KIT _____ ITEM 2 - RAP92079 - REPLACES AP38267 HOSE ASSEMBLIES _____ ITEM 4 - RAP90872 (AP24632) ITEM 5 - RAP91421 (AP24818)
MECHANISM AP50298 AP50299	<b>UNIVERSAL LEVEL OUT - 28.0" STROKE (WITH SYNCHRONIZING CYLINDER) - AP50302 KIT</b>  <b>SEE MR41.2690 FOR DRAWING AND PARTS INFORMATION.</b> CYLINDER ASSEMBLY _____ ITEM 1 - RAP92076 (30.5" STROKE) - REPLACES AP38072 LIFT CYLINDER ASSEMBLY _____ ITEM 11 - RAP92260 (2.75" LIFT) - REPLACES AP38604 SYNCHRONIZING CYLINDER _____ ITEM 3 - RAP92526 (9.840" STROKE) - REPLACES AP39723 LIFT SYNCHRONIZING CYLINDER _____ ITEM 12 - RAP92316 - REPLACES AP38264 TUBE KIT _____ ITEM 2 - RAP92079 - REPLACES AP38267 HOSE ASSEMBLIES _____ ITEM 4 - RAP90872 (AP24632) ITEM 5 - RAP91421 (AP24818)

# ROOM EXTENSION ASSEMBLIES GUIDE PAGE "MATTMAN COMPANY"

**PROCEDURE:**

1. Locate the HWH identification tag on the room extension mechanism to get the correct room extension part number.
2. Find the correct room extension part number in the left column below.
3. Refer to the proper parts page for general replacement parts information and item number arrangements.
4. Two cylinder room extensions with a synchronizing cylinder have two room extension part numbers. One number is for the left assembly, one is for the right assembly. If the room extension assembly originally had one number, that number is listed with the new numbers.

<b>MECHANISM</b> <b>AP34238</b> <b>AP34239</b>	<b>UNIVERSAL STRAIGHT OUT - 30.0" STROKE (WITH SYNCHRONIZING CYLINDER) - AP34640 KIT</b>  <b>SEE MR41.2680 FOR DRAWING AND PARTS INFORMATION.</b> <b>CYLINDER ASSEMBLY</b> _____ ITEM 1 - RAP91702 - REPLACES AP31461 (34.0" STROKE) <b>SYNCHRONIZING CYLINDER</b> _____ ITEM 3 - RAP90473 - REPLACES AP13192 (12.155" STROKE) <b>TUBE KIT</b> _____ ITEM 2 - RAP91703 - REPLACES AP31486 <b>HOSE ASSEMBLIES</b> _____ ITEM 4 - RAP90872 (AP24632) ITEM 5 - RAP91421 (AP24818)
<b>MECHANISM</b> <b>AP35233</b> <b>AP35234</b>	<b>UNIVERSAL LEVEL OUT ROOM EXTENSION - 30.0" STROKE (WITH SYNC. CYLINDER) - AP37464 KIT</b>  <b>SEE MR41.2683 FOR DRAWING AND PARTS INFORMATION.</b> <b>CYLINDER ASSEMBLY</b> _____ ITEM 1 - RAP91702 (34.0" STROKE) - REPLACES AP31461 <b>LIFT CYLINDER ASSEMBLY</b> _____ ITEM 10 - RAP91992 - REPLACES AP34390 (2.75" LIFT) <b>SYNCHRONIZING CYLINDER</b> _____ ITEM 3 - RAP90473 (12.155" STROKE) - REPLACES AP13192 <b>TUBE KIT</b> _____ ITEM 2 - RAP91703 - REPLACES AP31486 <b>HOSE ASSEMBLIES</b> _____ ITEM 4 - RAP90872 (AP24632) ITEM 5 - RAP91421 (AP24818) <b>LIFT SYNCHRONIZING CYLINDER</b> _____ ITEM 11 - RAP92473 - REPLACES AP34576

# ROOM EXTENSION ASSEMBLIES

## GUIDE PAGE

### "MCL"

**PROCEDURE:**

1. Locate the HWH identification tag on the room extension mechanism to get the correct room extension part number.
2. Find the correct room extension part number in the left column below.
3. Refer to the proper parts page for general replacement parts information and item number arrangements.
4. Two cylinder room extensions with a synchronizing cylinder have two room extension part numbers. One number is for the left assembly, one is for the right assembly. If the room extension assembly originally had one number, that number is listed with the new numbers.

<b>MECHANISM</b> <b>AP35182</b> <b>AP35183</b>	<b>X-SLIDE ROOM EXTENSION - 25.0" STROKE (WITH SYNCHRONIZING CYLINDER) - AP35188 KIT</b>  <a href="#">SEE MR41.2670 FOR DRAWING AND PARTS INFORMATION.</a> <b>CYLINDER ASSEMBLY</b> _____ ITEM 1 - RAP91350 (11.40" STROKE) REPLACES - AP27865 <b>SYNCHRONIZING CYLINDER</b> _____ ITEM 3 - RAP91701 (4.300" STROKE) REPLACES - AP30260 <b>TUBE KIT</b> _____ ITEM 2 - RAP91229 - REPLACES AP27587 <b>HOSE ASSEMBLIES</b> _____ ITEM 4 - RAP91574 (AP24627) ITEM 5 - RAP91573 (AP32672)
<b>MECHANISM</b> <b>AP39529</b> <b>AP39530</b>	<b>X-SLIDE ROOM EXTENSION - 30.75" STROKE (WITH SYNCHRONIZING CYLINDER) - AP37895 KIT</b>  <a href="#">SEE MR41.2670 FOR DRAWING AND PARTS INFORMATION.</a> <b>CYLINDER ASSEMBLY</b> _____ ITEM 1 - RAP91352 - REPLACES AP27513 (13.90" STROKE) <b>SYNCHRONIZING CYLINDER</b> _____ ITEM 3 - RAP90725 - REPLACES AP15043 (5.460" STROKE) <b>TUBE KIT</b> _____ ITEM 2 - RAP91229 - REPLACES AP27587 <b>HOSE ASSEMBLIES</b> _____ ITEM 4 - RAP91574 (AP24627) ITEM 5 - RAP91573 (AP32672)



# ROOM EXTENSION ASSEMBLIES GUIDE PAGE "MDW INC" (PAGE 1 OF 2)

**PROCEDURE:**

1. Locate the HWH identification tag on the room extension mechanism to get the correct room extension part number.
2. Find the correct room extension part number in the left column below.
3. Refer to the proper parts page for general replacement parts information and item number arrangements.
4. Two cylinder room extensions with a synchronizing cylinder have two room extension part numbers. One number is for the left assembly, one is for the right assembly. If the room extension assembly originally had one number, that number is listed with the new numbers.

MECHANISM AP18908 AP18909	<p><b>DUAL CYLINDER ROOM EXTENSION - 32.0" STROKE (WITH SYNCHRONIZING CYLINDER) - AP44349 KIT</b></p> <p><a href="#">SEE MR41.2005 FOR DRAWING AND PARTS INFORMATION.</a></p> <p>CYLINDER ASSEMBLY _____ ITEM 1 - RAP90665 (32.5" STROKE) - REPLACES AP18131            SYNCHRONIZING CYLINDER _____ ITEM 3 - RAP90466 (12.980" STROKE) - REPLACES AP14301            TUBE KIT _____ ITEM 2 - RAP90480 - REPLACES AP13252</p>
MECHANISM AP23149 AP23150	<p><b>DUAL CYLINDER ROOM EXTENSION - 32.0" STROKE (WITH SYNCHRONIZING CYLINDER) - AP36663 KIT</b></p> <p><a href="#">SEE MR41.2000 FOR DRAWING AND PARTS INFORMATION.</a></p> <p>CYLINDER ASSEMBLY _____ ITEM 1 - RAP90501 (32.5" STROKE) - REPLACES AP15203            SYNCHRONIZING CYLINDER _____ ITEM 3 - RAP90466 (12.980" STROKE) - REPLACES AP14301            TUBE KIT _____ ITEM 2 - RAP90480 - REPLACES AP13252</p>
MECHANISM AP32280	<p><b>SINGLE CYLINDER ROOM EXTENSION - 30.0" STROKE - AP32279 KIT</b></p> <p><a href="#">SEE MR41.1100 FOR DRAWING AND PARTS INFORMATION.</a></p> <p>CYLINDER ASSEMBLY _____ ITEM 1 - RAP91805 (31.0" STROKE) - REPLACES AP28687            HOSE ASSEMBLIES _____ ITEM 3 - RAP90872 (AP24632) ITEM 4 - RAP90871 (AP24628)</p>
MECHANISM AP32284 AP32285	<p><b>X-SLIDE ROOM EXTENSION - 30.75" STROKE (WITH SYNCHRONIZING CYLINDER) - AP32283 KIT</b></p> <p><a href="#">SEE MR41.2670 FOR DRAWING AND PARTS INFORMATION.</a></p> <p>CYLINDER ASSEMBLY _____ ITEM 1 - RAP91352 (13.90" STROKE) - REPLACES AP27513            SYNCHRONIZING CYLINDER _____ ITEM 3 - RAP90725 (5.460" STROKE) - REPLACES AP15043            TUBE KIT _____ ITEM 2 - RAP91229 - REPLACES AP27587            HOSE ASSEMBLIES _____ ITEM 4 - RAP91574 (AP24627) ITEM 5 - RAP91573 (AP32672)</p>
MECHANISM AP32886 AP32887	<p><b>X-SLIDE ROOM EXTENSION - 25.0" STROKE (WITH SYNCHRONIZING CYLINDER) - AP38011 KIT</b></p> <p><a href="#">SEE MR41.2670 FOR DRAWING AND PARTS INFORMATION.</a></p> <p>CYLINDER ASSEMBLY _____ ITEM 1 - RAP91350 (11.40" STROKE) - REPLACES AP27865            SYNCHRONIZING CYLINDER _____ ITEM 3 - RAP91701 (4.300" STROKE) - REPLACES AP30260            TUBE KIT _____ ITEM 2 - RAP91229 - REPLACES AP27587            HOSE ASSEMBLIES _____ ITEM 4 - RAP91574 (AP24627) ITEM 5 - RAP91573 (AP32672)</p>
MECHANISM AP32922	<p><b>SINGLE CYLINDER ROOM EXTENSION - 24.0" STROKE - AP32921 KIT</b></p> <p><a href="#">SEE MR41.1007 FOR DRAWING AND PARTS INFORMATION.</a></p> <p>CYLINDER ASSEMBLY _____ ITEM 1 - RAP91806 (25.0" STROKE) - REPLACES AP15191            TUBE KIT _____ ITEM 2 - RAP90526 - REPLACES AP13592</p>
MECHANISM AP38251 AP38252	<p><b>UNIVERSAL STRAIGHT OUT - 30.0" STROKE (WITH SYNCHRONIZING CYLINDER) - AP40108 KIT</b></p> <p><a href="#">SEE MR41.2685 FOR DRAWING AND PARTS INFORMATION.</a></p> <p>CYLINDER ASSEMBLY _____ ITEM 1 - RAP92076 (30.5" STROKE) - REPLACES AP38072            SYNCHRONIZING CYLINDER _____ ITEM 3 - RAP92077 (10.540" STROKE) - REPLACES AP37881            TUBE KIT _____ ITEM 2 - RAP92079 - REPLACES AP38267            HOSE ASSEMBLIES _____ ITEM 4 - RAP90872 (AP24632) ITEM 5 - RAP91421 (AP24818)</p>

# ROOM EXTENSION ASSEMBLIES GUIDE PAGE "MDW INC" (PAGE 2 OF 2)

PROCEDURE: SEE "MDW INC" (PAGE 1 OF 2)

MECHANISM AP40753 AP40754	<b>UNIVERSAL LEVEL OUT - 30.0" STROKE (WITH SYNCHRONIZING CYLINDER) - AP44505 KIT</b>  <a href="#">SEE MR41.2690 FOR DRAWING AND PARTS INFORMATION.</a> CYLINDER ASSEMBLY _____ ITEM 1 - RAP92076 (30.5" STROKE) - REPLACES AP38072 LIFT CYLINDER ASSEMBLY _____ ITEM 11 - RAP92261 (3.50" LIFT) - REPLACES AP40746 SYNCHRONIZING CYLINDER _____ ITEM 3 - RAP92077 (10.540" STROKE) - REPLACES AP37881 LIFT SYNCHRONIZING CYLINDER _____ ITEM 12 - RAP92503 - REPLACES AP40832 TUBE KIT _____ ITEM 2 - RAP92079 - REPLACES AP38267 HOSE ASSEMBLIES _____ ITEM 4 - RAP90872 (AP24632) ITEM 5 - RAP91421 (AP24818) CENTER LIFT CYLINDER _____ ITEM 13 - RAP92506 - REPLACES AP39601
MECHANISM AP47135 AP47136	<b>GENERATOR EXTENSION - 31.0" STROKE - AP47131 KIT</b>  <a href="#">SEE MR41.2003 FOR DRAWING AND PARTS INFORMATION.</a> CYLINDER ASSEMBLY _____ ITEM 1 - RAP90657 (32.0" STROKE) - REPLACES AP18257 SYNCHRONIZING CYLINDER _____ ITEM 3 - RAP90442 (12.570" STROKE) - REPLACES AP16484 TUBE KIT _____ ITEM 2 - RAP90658 - REPLACES AP18428

# ROOM EXTENSION ASSEMBLIES GUIDE PAGE "MICKEY TRUCK BODIES"

**PROCEDURE:**

1. Locate the HWH identification tag on the room extension mechanism to get the correct room extension part number.
2. Find the correct room extension part number in the left column below.
3. Refer to the proper parts page for general replacement parts information and item number arrangements.
4. Two cylinder room extensions with a synchronizing cylinder have two room extension part numbers. One is for the left assembly, one is for the right assembly. If the room extension assembly originally had one number, that number is listed with the new numbers.

<b>MECHANISM</b> <b>AP38251</b> <b>AP38252</b>	<p><b>UNIVERSAL STRAIGHT OUT - 30.0" STROKE (WITH SYNCHRONIZING CYLINDER) - AP47998 KIT</b></p> <p><b>SEE MR41.2685 FOR DRAWING AND PARTS INFORMATION.</b></p> <p><b>CYLINDER ASSEMBLY</b> _____ ITEM 1 - RAP92076 (30.5" STROKE) - REPLACES AP38072</p> <p><b>SYNCHRONIZING CYLINDER</b> _____ ITEM 3 - RAP92077 (10.540" STROKE) - REPLACES AP37881</p> <p><b>TUBE KIT</b> _____ ITEM 2 - RAP92079 - REPLACES AP38267</p> <p><b>HOSE ASSEMBLIES</b> _____ ITEM 4 - RAP90872 (AP24632) ITEM 5 - RAP91421 (AP24818)</p>
<b>MECHANISM</b> <b>AP38944</b> <b>AP38945</b>	<p><b>UNIVERSAL LEVEL OUT - 30.0" STROKE (WITH SYNCHRONIZING CYLINDER) - AP41480 KIT</b></p> <p><b>SEE MR41.2690 FOR DRAWING AND PARTS INFORMATION.</b></p> <p><b>CYLINDER ASSEMBLY</b> _____ ITEM 1 - RAP92076 (30.5" STROKE) - REPLACES AP38072</p> <p><b>LIFT CYLINDER ASSEMBLY</b> _____ ITEM 14 - RAP92260 (2.75" LIFT) - REPLACES AP38604</p> <p><b>SYNCHRONIZING CYLINDER</b> _____ ITEM 3 - RAP92077 (10.540" STROKE) - REPLACES AP37881</p> <p><b>LIFT SYNCHRONIZING CYLINDER</b> _____ ITEM 15 - RAP92316 - REPLACES AP38264</p> <p><b>TUBE KIT</b> _____ ITEM 2 - RAP92079 - REPLACES AP38267</p> <p><b>HOSE ASSEMBLIES</b> _____ ITEM 4 - RAP90872 (AP24632) ITEM 5 - RAP91421 (AP24818)</p>



---

# ROOM EXTENSION ASSEMBLIES GUIDE PAGE "MIDWEST SPECIALTY EVENT TRAILERS"

---

**PROCEDURE:**

1. Locate the HWH identification tag on the room extension mechanism to get the correct room extension part number.
2. Find the correct room extension part number in the left column below.
3. Refer to the proper parts page for general replacement parts information and item number arrangements.
4. Two cylinder room extensions with a synchronizing cylinder have two room extension part numbers. One is for the left assembly, one is for the right assembly. If the room extension assembly originally had one number, that number is listed with the new numbers.

---

<b>MECHANISM AP48967</b>	<b>FOUR CYLINDER CANOPY LIFT - 49.0" STROKE (WITH SYNCHRONIZING CYLINDER)</b>
	<b>CYLINDER ASSEMBLY _____ RAP93207 (49.0" STROKE) - REPLACES AP48955</b>
	<b>SYNCHRONIZING CYLINDER _____ RAP90728 (7.690" STROKE) - REPLACES AP14233</b>
	<b><a href="#">SEE MR41.8005 FOR ADDITIONAL SYNC CYL REPLACEMENT PARTS</a></b>

---

---

# ROOM EXTENSION ASSEMBLIES GUIDE PAGE "MITCHELL MOTOR COACH"

---

**PROCEDURE:**

1. Locate the HWH identification tag on the room extension mechanism to get the correct room extension part number.
2. Find the correct room extension part number in the left column below.
3. Refer to the proper parts page for general replacement parts information and item number arrangements.
4. Two cylinder room extensions with a synchronizing cylinder have two room extension part numbers. One number is for the left assembly, one is for the right assembly. If the room extension assembly originally had one number, that number is listed with the new numbers.

<b>MECHANISM</b> <b>AP17214</b> <b>AP17215</b>	<b>VERTICAL ARM ROOM EXTENSION - 22.0" STROKE (WITH SYNCHRONIZING CYLINDER) - AP18368 KIT</b>  <b>SEE MR41.2505 FOR DRAWING AND PARTS INFORMATION.</b> <b>CYLINDER ASSEMBLY</b> _____ ITEM 1 - RAP90586 (8.825" STROKE) - REPLACES AP17191 <b>SYNCHRONIZING CYLINDER</b> _____ ITEM 6 - RAP90587 (3.455" STROKE) - REPLACES AP17199 <b>HOSE ASSEMBLIES</b> _____ ITEM 4 - RAP90945 (AP18016) ITEM 5 - RAP91752 (AP14062)
--	---



# ROOM EXTENSION ASSEMBLIES GUIDE PAGE

## "MONACO COACH CORPORATION" (PAGE 2 OF 4)

PROCEDURE: SEE "MONACO COACH CORPORATION" (PAGE 1 OF 4)

MECHANISM AP25142 AP25143	<b>DUAL CYLINDER ROOM EXTENSION - 30.5" STROKE (WITH SYNCHRONIZING CYLINDER) - AP25141 KIT</b>  <b>SEE MR41.2005 FOR DRAWING AND PARTS INFORMATION.</b> CYLINDER ASSEMBLY _____ ITEM 1 - RAP90971 (37.5" STROKE) - REPLACES AP25201 SYNCHRONIZING CYLINDER _____ ITEM 3 - RAP90442 (12.570" STROKE) - REPLACES AP16484 TUBE KIT _____ ITEM 2 - RAP90480 - REPLACES AP13252
MECHANISM AP26892 AP26893	<b>LATERAL ARM ROOM EXTENSION - 18.0" STROKE (WITH TORSION BAR) - AP26891 KIT</b>  <b>SEE MR41.2825 FOR DRAWING AND PARTS INFORMATION.</b> CYLINDER ASSEMBLY _____ ITEM 1 - RAP91203 (6.150" STROKE) - REPLACES AP26255 TUBE KIT _____ ITEM 2 - RAP91226 - REPLACES AP27031 HOSE ASSEMBLIES _____ ITEM 4 - RAP91574 (AP24627) ITEM 5 - RAP91573 (AP32672)
MECHANISM AP27707 AP27708	<b>X-SLIDE ROOM EXTENSION - 17.75" STROKE - AP27706 KIT</b>  <b>SEE MR41.2670 FOR DRAWING AND PARTS INFORMATION.</b> CYLINDER ASSEMBLY _____ ITEM 1 - RAP91007 (8.10" STROKE) - REPLACES AP27723 TUBE KIT _____ ITEM 2 - RAP91229 - REPLACES AP27587 HOSE ASSEMBLIES _____ ITEM 4 - RAP91528 (AP24654) ITEM 5 - RAP90321 (AP24653)
MECHANISM AP28586 AP28587	<b>LATERAL ARM ROOM EXTENSION - 16.0" STROKE - AP28585 KIT</b>  <b>SEE MR41.2825 FOR DRAWING AND PARTS INFORMATION.</b> CYLINDER ASSEMBLY _____ ITEM 1 - RAP91203 (6.150" STROKE) - REPLACES AP26255 TUBE KIT _____ ITEM 2 - RAP91226 - REPLACES AP27031 HOSE ASSEMBLIES _____ ITEM 4 - RAP91554 (AP24641) ITEM5 - RAP90428 (AP24642)
MECHANISM AP28776 AP28777	<b>LATERAL ARM ROOM EXTENSION - 17.25" STROKE - AP28775 KIT</b>  <b>SEE MR41.2825 FOR DRAWING AND PARTS INFORMATION.</b> CYLINDER ASSEMBLY _____ ITEM 1 - RAP91203 (6.150" STROKE) - REPLACES AP26255 TUBE KIT _____ ITEM 2 - RAP91226 - REPLACES AP27031 HOSE ASSEMBLIES _____ ITEM 4 - RAP91554 (AP24641) ITEM 5 - RAP90428 (AP24642)
MECHANISM AP28781 AP28782	<b>LATERAL ARM ROOM EXTENSION - 17.625" STROKE - AP28780 KIT</b>  <b>SEE MR41.2825 FOR DRAWING AND PARTS INFORMATION.</b> CYLINDER ASSEMBLY _____ ITEM 1 - RAP91203 (6.150" STROKE) - REPLACES AP26255 TUBE KIT _____ ITEM 2 - RAP91226 - REPLACES AP27031 HOSE ASSEMBLIES _____ ITEM 4 - RAP90322 (AP24651) ITEM 5 - RAP90821 (AP24652)
MECHANISM AP29855	<b>GENERATOR SLIDE - 24.0" STROKE (CYLINDER ONLY) - AP29856 KIT</b>  CYLINDER ASSEMBLY _____ RAP92507 (24.0" STROKE) - REPLACES AP29855
MECHANISM AP30761	<b>CYLINDER ASSEMBLY - 16.0" STROKE</b>  CYLINDER ASSEMBLY _____ RAP92470 (16.0" STROKE) - REPLACES AP30761
MECHANISM AP30763	<b>CYLINDER ASSEMBLY - 30.0" STROKE</b>  CYLINDER ASSEMBLY _____ RAP91666 (30.0" STROKE) - REPLACES AP30763
MECHANISM AP30948 AP30949 OR AP31226	<b>LATERAL ARM ROOM EXTENSION - 17.625" STROKE - AP30947 AND AP31225 KITS</b>  <b>SEE MR41.2825 FOR DRAWING AND PARTS INFORMATION.</b> CYLINDER ASSEMBLY _____ ITEM 1 - RAP91203 (6.150" STROKE) - REPLACES AP26255 TUBE KIT _____ ITEM 2 - RAP91226 - REPLACES AP27031 HOSE ASSEMBLIES _____ ITEM 4 - RAP91528 (AP24654) ITEM 5 - RAP90321 (AP24653)



# ROOM EXTENSION ASSEMBLIES GUIDE PAGE

## "MONACO COACH CORPORATION" (PAGE 3 OF 4)

PROCEDURE: SEE "MONACO COACH CORPORATION" (PAGE 1 OF 4)

MECHANISM AP31690 AP31691	<p><b>LATERAL ARM ROOM EXTENSION - 16.0" STROKE - AP31689 KIT</b></p> <p><a href="#">SEE MR41.2825 FOR DRAWING AND PARTS INFORMATION.</a></p> <p>CYLINDER ASSEMBLY _____ ITEM 1 - RAP91203 (6.150" STROKE) - REPLACES AP26255            TUBE KIT _____ ITEM 2 - RAP91226 - REPLACES AP27031            HOSE ASSEMBLIES _____ ITEM 4 - RAP91561 (AP24648) ITEM 5 - RAP91526 (AP24650)</p>
MECHANISM AP32165	<p><b>SINGLE CYLINDER ROOM EXTENSION - 24.0" STROKE - AP32164 KIT</b></p> <p><a href="#">SEE MR41.1100 FOR DRAWING AND PARTS INFORMATION.</a></p> <p>CYLINDER ASSEMBLY _____ ITEM 1 - RAP91021 (27.0" STROKE) - REPLACES AP28682            HOSE ASSEMBLIES _____ ITEM 4 - RAP90871 (AP24628) ITEM 3 - RAP90872 (AP24632)</p>
MECHANISM AP32003 AP32004	<p><b>UNIVERSAL SLIDE OUT - 17.625" STROKE (WITH SYNCHRONIZING CYLINDER) - AP32002 KIT</b></p> <p><a href="#">SEE MR41.2680 FOR DRAWING AND PARTS INFORMATION.</a></p> <p>CYLINDER ASSEMBLY _____ ITEM 1 - RAP91702 (34.0" STROKE) - REPLACES AP31461            SYNCHRONIZING CYLINDER _____ ITEM 3 - RAP90439 (7.21" STROKE) - REPLACES AP16618            TUBE KIT _____ ITEM 2 - RAP91703 - REPLACES AP31486            HOSE ASSEMBLIES _____ ITEM 4 - RAP91421 (AP24818) ITEM 5 - RAP90872 (AP24632)</p>
MECHANISM AP32006	<p><b>SINGLE CYLINDER ROOM EXTENSION - 23.125" STROKE - AP32005 KIT</b></p> <p><a href="#">SEE MR41.1100 FOR DRAWING AND PARTS INFORMATION.</a></p> <p>CYLINDER ASSEMBLY _____ ITEM 1 - RAP91021 (27.0" STROKE) - REPLACES AP28682            HOSE ASSEMBLIES _____ ITEM 4 - RAP90384 (AP24630) ITEM 3 - RAP90320 (AP24634)</p>
MECHANISM AP32008 AP32009	<p><b>UNIVERSAL FLAT OUT - AP32007 KIT</b></p> <p>NO INFORMATION AVAILABLE.</p>
MECHANISM AP35083 AP35084	<p><b>X-SLIDE ROOM EXTENSION - 17.75" STROKE - AP35082 KIT</b></p> <p><a href="#">SEE MR41.2670 FOR DRAWING AND PARTS INFORMATION.</a></p> <p>CYLINDER ASSEMBLY _____ ITEM 1 - RAP91007 (8.100" STROKE) - REPLACES AP27723            TUBE KIT _____ ITEM 2 - RAP91229 - REPLACES AP27587            HOSE ASSEMBLIES _____ ITEM 4 - RAP90321 (AP24653) ITEM 5 - RAP91528 (AP24654)</p>
MECHANISM AP35907 AP35908	<p><b>X-SLIDE ROOM EXTENSION - 30.75" STROKE - AP35906 KIT</b></p> <p><a href="#">SEE MR41.2670 FOR DRAWING AND PARTS INFORMATION.</a></p> <p>CYLINDER ASSEMBLY _____ ITEM 1 - RAP91352 (13.90" STROKE) - REPLACES AP27513            TUBE KIT _____ ITEM 2 - RAP91229 - REPLACES AP27587            HOSE ASSEMBLIES _____ ITEM 4 - RAP90321 (AP24653) ITEM 5 - RAP91528 (AP24654)</p>
MECHANISM AP39096 AP39097	<p><b>DUAL CYLINDER ROOM EXTENSION - 24.0" STROKE (WITH SYNCHRONIZING CYLINDER) - AP39095 KIT</b></p> <p><a href="#">SEE MR41.2005 FOR DRAWING AND PARTS INFORMATION.</a></p> <p>CYLINDER ASSEMBLY _____ ITEM 1 - RAP92509 (31.0" STROKE) - REPLACES AP39933            SYNCHRONIZING CYLINDER _____ ITEM 3 - RAP92275 (8.42" STROKE) - REPLACES AP39271            TUBE KIT _____ ITEM 2 - RAP90480 - REPLACES AP13252</p>
MECHANISM AP39507 AP39508	<p><b>UNIVERSAL LEVEL OUT - 30.0" STROKE - AP39435 KIT</b></p> <p><a href="#">SEE MR41.2690 FOR DRAWING AND PARTS INFORMATION.</a></p> <p>CYLINDER ASSEMBLY _____ ITEM 1 - RAP92076 (30.5" STROKE) - REPLACES AP38072            LIFT CYLINDER ASSEMBLY _____ ITEM 14 - CONTACT HWH CORPORATION            TUBE KIT _____ ITEM 2 - RAP92079 - REPLACES AP38267            HOSE ASSEMBLIES _____ ITEM 4 - RAP90872 (AP24632) ITEM 5 - RAP91421 (AP24818)            CENTER LIFT CYLINDER _____ ITEM 16 - CONTACT HWH CORPORATION</p>

**ROOM EXTENSION ASSEMBLIES  
GUIDE PAGE  
"MONACO COACH CORPORATION" (PAGE 4 OF 4)**

PROCEDURE: SEE "MONACO COACH CORPORATION" (PAGE 1 OF 4)

MECHANISM AP40226 AP40227	UNIVERSAL STRAIGHT OUT - 18.0" STROKE - AP40172 KIT  <a href="#">SEE MR41.2685 FOR DRAWING AND PARTS INFORMATION.</a> CYLINDER ASSEMBLY _____ ITEM 1 - RAP92075 (20.5" STROKE) - REPLACES AP39251 TUBE KIT _____ ITEM 2 - RAP92092 - REPLACES AP39321 HOSE ASSEMBLIES _____ ITEM 4 - RAP91535 (AP24661) ITEM 5 - RAP92510 (AP24664)
MECHANISM AP41642 AP41643	UNIVERSAL STRAIGHT OUT - 18.0" STROKE - AP41534 KIT  <a href="#">SEE MR41.2685 FOR DRAWING AND PARTS INFORMATION.</a> CYLINDER ASSEMBLY _____ ITEM 1 - RAP92076 (30.5" STROKE) - REPLACES AP38072 TUBE KIT _____ ITEM 2 - RAP92079 - REPLACES AP38267 HOSE ASSEMBLIES _____ ITEM 4 - RAP91531 (AP24657) ITEM 5 - RAP91420 (AP24659)

---

# ROOM EXTENSION ASSEMBLIES GUIDE PAGE "MONARCH SPECIALTIES"

---

**PROCEDURE:**

1. Locate the HWH identification tag on the room extension mechanism to get the correct room extension part number.
2. Find the correct room extension part number in the left column below.
3. Refer to the proper parts page for general replacement parts information and item number arrangements.
4. Two cylinder room extensions with a synchronizing cylinder have two room extension part numbers. One number is for the left assembly, one is for the right assembly. If the room extension assembly originally had one number, that number is listed with the new numbers.

<b>MECHANISM</b> <b>AP18926</b> <b>AP18927</b>	<b>DUAL CYLINDER ROOM EXTENSION - 24.0" STROKE (WITH SYNCHRONIZING CYLINDER) - AP18925 KIT</b>  <b>SEE MR41.2000 FOR DRAWING AND PARTS INFORMATION.</b> <b>CYLINDER ASSEMBLY</b> _____ <b>ITEM 1 - RAP90484 (24.5" STROKE) - REPLACES AP15252</b> <b>SYNCHRONIZING CYLINDER</b> _____ <b>ITEM 3 - RAP90472 (9.685" STROKE) - REPLACES AP13224</b> <b>TUBE KIT</b> _____ <b>ITEM 2 - RAP90480 - REPLACES AP13252</b>
--	--

# ROOM EXTENSION ASSEMBLIES GUIDE PAGE "MONTANA COACH"

**PROCEDURE:**

1. Locate the HWH identification tag on the room extension mechanism to get the correct room extension part number.
2. Find the correct room extension part number in the left column below.
3. Refer to the proper parts page for general replacement parts information and item number arrangements.
4. Two cylinder room extensions with a synchronizing cylinder have two room extension part numbers. One number is for the left assembly, one is for the right assembly. If the room extension assembly originally had one number, that number is listed with the new numbers.

MECHANISM AP15533 AP15534	<b>VERTICAL ARM ROOM EXTENSION - 24.0" STROKE (WITH SYNCHRONIZING CYLINDER) - AP15532 KIT</b>  <b>SEE MR41.2505 FOR DRAWING AND PARTS INFORMATION.</b> CYLINDER ASSEMBLY _____ ITEM 1 - RAP90426 (9.689" STROKE) - REPLACES AP14028 SYNCHRONIZING CYLINDER _____ ITEM 6 - RAP90427 (3.815" STROKE) - REPLACES AP14027 HOSE ASSEMBLIES _____ ITEM 4 - RAP90945 (AP18016) ITEM 5 - RAP91752 (AP14062)
MECHANISM AP16385 OR AP19307 AP19308	<b>DUAL CYLINDER ROOM EXTENSION - 24.0" STROKE (WITH SYNCHRONIZING CYLINDER) - AP16383 KIT</b>  <b>SEE MR41.2019 FOR DRAWING AND PARTS INFORMATION.</b> CYLINDER ASSEMBLY _____ ITEM 1 - RAP90484 (24.5" STROKE) - REPLACES AP15252 SYNCHRONIZING CYLINDER _____ ITEM 3 - RAP90472 (9.685" STROKE) - REPLACES AP13224 TUBE KIT _____ ITEM 2 - RAP90480 - REPLACES AP13252
MECHANISM AP19556	<b>SINGLE CYLINDER ROOM EXTENSION - 24.0" STROKE - AP19955 KIT</b>  <b>SEE MR41.1101 FOR DRAWING AND PARTS INFORMATION.</b> CYLINDER ASSEMBLY _____ ITEM 1 - RAP91667 (28.5" STROKE) - REPLACES AP28688 HOSE ASSEMBLIES _____ ITEM 3 - RAP91750 (AP13842) ITEM 4 - RAP91751 (AP16434)
MECHANISM AP27273 AP27274	<b>VERTICAL ARM ROOM EXTENSION - 24.0" STROKE (WITH SYNCHRONIZING CYLINDER) - AP27272 KIT</b>  <b>SEE MR41.2500 FOR DRAWING AND PARTS INFORMATION.</b> CYLINDER ASSEMBLY _____ ITEM 1 - RAP91200 (10.172" STROKE) - REPLACES AP24733 SYNCHRONIZING CYLINDER _____ ITEM 3 - RAP91019 (3.935" STROKE) - REPLACES AP13180 TUBE KIT _____ RAP91224 - REPLACES AP23196 HOSE ASSEMBLIES _____ ITEM 4 - RAP90386 (AP24643) ITEM 5 - RAP91236 (AP24647)
MECHANISM AP27388	<b>SINGLE CYLINDER ROOM EXTENSION - 24.0" STROKE - AP27387 KIT</b>  <b>SEE MR41.1101 FOR DRAWING AND PARTS INFORMATION.</b> CYLINDER ASSEMBLY _____ ITEM 1 - RAP91021 (27.0" STROKE) - REPLACES AP28682 HOSE ASSEMBLIES _____ ITEM 3 - RAP90871 (AP24628) ITEM 4 - RAP90872 (AP24632)

# ROOM EXTENSION ASSEMBLIES GUIDE PAGE "MOODY ENTERPRISES"

**PROCEDURE:**

1. Locate the HWH identification tag on the room extension mechanism to get the correct room extension part number.
2. Find the correct room extension part number in the left column below.
3. Refer to the proper parts page for general replacement parts information and item number arrangements.
4. Two cylinder room extensions with a synchronizing cylinder have two room extension part numbers. One number is for the left assembly, one is for the right assembly. If the room extension assembly originally had one number, that number is listed with the new numbers.

<b>MECHANISM</b> <b>AP29538</b> <b>AP29539</b>	<b>X-SLIDE ROOM EXTENSION - 30.75" STROKE (WITH SYNCHRONIZING CYLINDER) - AP29537 KIT</b>  <b>SEE MR41.2670 FOR DRAWING AND PARTS INFORMATION.</b> <b>CYLINDER ASSEMBLY</b> _____ ITEM 1 - RAP91352 (13.900" STROKE) - REPLACES AP27513 <b>SYNCHRONIZING CYLINDER</b> _____ ITEM 3 - RAP90725 (5.460" STROKE) - REPLACES AP15043 <b>TUBE KIT</b> _____ ITEM 2 - RAP91229 - REPLACES AP27587 <b>HOSE ASSEMBLIES</b> _____ ITEM 4 - RAP91574 (AP24627) ITEM 5 - RAP91573 (AP32672)
--	--

# ROOM EXTENSION ASSEMBLIES GUIDE PAGE "MORRISON VIP COACH" (PAGE 1 OF 5)

**PROCEDURE:**

1. Locate the HWH identification tag on the room extension mechanism to get the correct room extension part number.
2. Find the correct room extension part number in the left column below.
3. Refer to the proper parts page for general replacement parts information and item number arrangements.
4. Two cylinder room extensions with a synchronizing cylinder have two room extension part numbers. One number is for the left assembly, one is for the right assembly. If the room extension assembly originally had one number, that number is listed with the new numbers.

MECHANISM AP1700	<b>CYLINDER ASSEMBLY - 39.0" STROKE (CYLINDER ONLY) - AP1993 AND AP2262 KITS</b>
	CYLINDER ASSEMBLY _____ RAP90007 (39.0" STROKE) - REPLACES AP1700
MECHANISM AP10066	<b>CYLINDER ASSEMBLY - 34.0" STROKE (CYLINDER ONLY)</b>
	CYLINDER ASSEMBLY _____ RAP90351 (34.0" STROKE) - REPLACES AP10066
MECHANISM AP14766 AP14767	<b>VERTICAL ARM ROOM EXTENSION - 24.0" STROKE (WITH SYNCHRONIZING CYLINDER) - AP14765 KIT</b>
	<b>SEE MR41.2500 FOR DRAWING AND PARTS INFORMATION.</b>
	CYLINDER ASSEMBLY _____ ITEM 1 - RAP90426 (9.689" STROKE) - REPLACES AP14028
	SYNCHRONIZING CYLINDER _____ ITEM 6 - RAP90427 (3.815" STROKE) - REPLACES AP14027 HOSE ASSEMBLIES _____ ITEM 4 - RAP91752 (AP14062) ITEM 5 - RAP90945 (AP18016)
MECHANISM AP15030 AP15031	<b>VERTICAL ARM ROOM EXTENSION - 35.0" STROKE (WITH SYNCHRONIZING CYLINDER) - AP14929 KIT</b>
	NO INFORMATION AVAILABLE.
MECHANISM AP15033 AP15034	<b>VERTICAL ARM ROOM EXTENSION - 33.0" STROKE (WITH SYNCHRONIZING CYLINDER) - AP15032 KIT</b>
	<b>SEE MR41.2500 FOR DRAWING AND PARTS INFORMATION.</b>
	CYLINDER ASSEMBLY _____ ITEM 1 - AP22902 (13.225" STROKE) - CONTACT HWH CORPORATION
	SYNCHRONIZING CYLINDER _____ ITEM 6 - RAP90454 (5.310" STROKE) - REPLACES AP15282
	TUBE KIT _____ RAP91223 - REPLACES AP19936 HOSE ASSEMBLIES _____ ITEM 4 - RAP90792 (AP19028) ITEM 5 - RAP90321 (AP24653)
MECHANISM AP16190 AP16191	<b>VERTICAL ARM ROOM EXTENSION - 17.0" STROKE (WITH SYNCHRONIZING CYLINDER)</b>
	<b>SEE MR41.2500 FOR DRAWING AND PARTS INFORMATION.</b>
	CYLINDER ASSEMBLY _____ ITEM 1 - RAP90387 (6.68" STROKE) - REPLACES AP14283
	SYNCHRONIZING CYLINDER _____ ITEM 6 - RAP90383 (2.565" STROKE) - REPLACES AP14281 HOSE ASSEMBLIES _____ ITEM 4 - RAP91752 (AP14062) ITEM 5 - RAP90428 (AP24642)
MECHANISM AP16195 OR AP19296 AP19297	<b>DUAL CYLINDER ROOM EXTENSION - 39.0" STROKE (WITH SYNCHRONIZING CYLINDER) - AP16163 KIT</b>
	<b>SEE MR41.2005 FOR DRAWING AND PARTS INFORMATION.</b>
	CYLINDER ASSEMBLY _____ ITEM 1 - RAP90521 (40.0" STROKE) - REPLACES AP16202
	SYNCHRONIZING CYLINDER _____ ITEM 3 - RAP90443 (15.865" STROKE) - REPLACES AP16196 TUBE KIT _____ ITEM 2 - RAP90481 - REPLACES AP15379
MECHANISM AP17359	<b>SINGLE CYLINDER ROOM EXTENSION - 24.0" STROKE - AP17358 KIT</b>
	<b>SEE MR41.1100 FOR DRAWING AND PARTS INFORMATION.</b> CYLINDER ASSEMBLY _____ ITEM 1 - RAP91021 (27.0" STROKE) - REPLACES AP28682 HOSE ASSEMBLIES _____ ITEM 3 - RAP91750 (AP13842) ITEM 4 - RAP91751 (AP16434)

# ROOM EXTENSION ASSEMBLIES GUIDE PAGE "MORRISON VIP COACH" (PAGE 2 OF 5)

PROCEDURE: SEE "MORRISON VIP COACH" (PAGE 1 OF 5)

MECHANISM AP17400 AP17851 AP17852	<p><b>FOUR CYLINDER ROOM EXTENSION - 20.5" STROKE (WITH SYNCHRONIZING CYLINDER) - AP22398 KIT</b></p> <p><a href="#">SEE MR41.2601 FOR DRAWING AND PARTS INFORMATION.</a></p> <p>CYLINDER ASSEMBLY _____ ITEM 1 - RAP90647 (20.5" STROKE) - REPLACES AP17851  ITEM 2 - RAP90648 (20.5" STROKE) - REPLACES AP17400  ITEM 3 - RAP90650 (20.5" STROKE) - REPLACES AP17852</p> <p>SYNCHRONIZING CYLINDER _____ ITEM 4 - RAP90875 (2.780" STROKE) - REPLACES AP25558</p> <p><a href="#">SEE MR41.8002 FOR ADDITIONAL SYNC CYL REPLACEMENT PARTS</a></p>
MECHANISM AP19151 AP19152	<p><b>FLAT FLOOR ROOM EXTENSION - 32.0" STROKE (WITH SYNCHRONIZING CYLINDER) - AP19150 KIT</b></p> <p><a href="#">SEE MR41.2200 FOR DRAWING AND PARTS INFORMATION.</a></p> <p>CYLINDER ASSEMBLY _____ ITEM 1 - RAP90696 (36.0" STROKE) - REPLACES AP19256  SYNCHRONIZING CYLINDER _____ ITEM 3 - RAP90466 (12.980" STROKE) - REPLACES AP14301  HOSE ASSEMBLIES _____ ITEM 2 - RAP91561 - REPLACES AP24648</p>
MECHANISM AP21881 AP21882	<p><b>DUAL CYLINDER ROOM EXTENSION - 24.0" STROKE (WITH SYNCHRONIZING CYLINDER) - AP21880 KIT</b></p> <p><a href="#">SEE MR41.2005 FOR DRAWING AND PARTS INFORMATION.</a></p> <p>CYLINDER ASSEMBLY _____ ITEM 1 - RAP90484 (24.5" STROKE) - REPLACES AP15252  SYNCHRONIZING CYLINDER _____ ITEM 3 - RAP90472 (9.685" STROKE) - REPLACES AP13224  TUBE KIT _____ ITEM 2 - RAP90480 - REPLACES AP13252</p>
MECHANISM AP22945	<p><b>FOUR CYLINDER ROOM EXTENSION - 24.0" STROKE - AP22944 KIT</b></p> <p>NO INFORMATION AVAILABLE.</p>
MECHANISM AP26889 AP26890	<p><b>DUAL CYLINDER ROOM EXTENSION - 36.0" STROKE (WITH SYNCHRONIZING CYLINDER) - AP39957 KIT</b></p> <p><a href="#">SEE MR41.2005 FOR DRAWING AND PARTS INFORMATION.</a></p> <p>CYLINDER ASSEMBLY _____ ITEM 1 - RAP91799 (36.5" STROKE) - REPLACES AP23577  SYNCHRONIZING CYLINDER _____ ITEM 3 - RAP90474 (14.630" STROKE) - REPLACES AP12484  TUBE KIT _____ ITEM 2 - RAP90480 - REPLACES AP13252</p>
MECHANISM AP27131 AP27132	<p><b>VERTICAL ARM ROOM EXTENSION - 24.0" STROKE (WITH SYNCHRONIZING CYLINDER) - AP27130 KIT</b></p> <p><a href="#">SEE MR41.2500 FOR DRAWING AND PARTS INFORMATION.</a></p> <p>CYLINDER ASSEMBLY _____ ITEM 1 - RAP91200 (10.172" STROKE) - REPLACES AP24733  SYNCHRONIZING CYLINDER _____ ITEM 6 - RAP91019 (3.935" STROKE) - REPLACES AP13180  TUBE KIT _____ RAP91224 - REPLACES AP23196  HOSE ASSEMBLIES _____ ITEM 4 - RAP90386 (AP24643) ITEM 5 - RAP91236 (AP24647)</p>
MECHANISM AP27137 AP27138	<p><b>LATERAL ARM ROOM EXTENSION - 20.0" STROKE - AP27136 KIT</b></p> <p><a href="#">SEE MR41.2825 FOR DRAWING AND PARTS INFORMATION.</a></p> <p>CYLINDER ASSEMBLY _____ ITEM 1 - RAP91351 (6.775" STROKE) - REPLACES AP27997  TUBE KIT _____ ITEM 2 - RAP91774 - REPLACES AP28035  HOSE ASSEMBLIES _____ ITEM 4 - RAP91574 (AP24627) ITEM 5 - RAP91573 (AP32672)</p>
MECHANISM AP27140 AP27141	<p><b>VERTICAL ARM ROOM EXTENSION - 32.0" STROKE (WITH SYNCHRONIZING CYLINDER) - AP27139 KIT</b></p> <p><a href="#">SEE MR41.2500 FOR DRAWING AND PARTS INFORMATION.</a></p> <p>CYLINDER ASSEMBLY _____ ITEM 1 - RAP91197 (12.18" STROKE) - REPLACES AP23170  SYNCHRONIZING CYLINDER _____ ITEM 6 - AP23400 (5.115" STROKE) - CONTACT HWH CORPORATION  HOSE ASSEMBLIES _____ ITEM 4 - RAP90428 (AP24642) ITEM 5 - RAP91554 (AP24641)</p>
MECHANISM AP27339 AP27340	<p><b>LATERAL ARM ROOM EXTENSION - 16.0" STROKE - AP27338 KIT</b></p> <p><a href="#">SEE MR41.2825 FOR DRAWING AND PARTS INFORMATION.</a></p> <p>CYLINDER ASSEMBLY _____ ITEM 1 - RAP91203 (6.150" STROKE) - REPLACES AP26255  TUBE KIT _____ ITEM 2 - RAP91226 - REPLACES AP27031  HOSE ASSEMBLIES _____ ITEM 4 - RAP91574 (AP24627) ITEM 5 - RAP91574 (AP24627)</p>



# ROOM EXTENSION ASSEMBLIES GUIDE PAGE "MORRISON VIP COACH" (PAGE 3 OF 5)

PROCEDURE: SEE "MORRISON VIP COACH" (PAGE 1 OF 5)

MECHANISM AP27836 AP27837	<p><b>X-SLIDE ROOM EXTENSION - 20.0" STROKE (WITH SYNCHRONIZING CYLINDER) - AP36357 KIT</b></p> <p><a href="#">SEE MR41.2670 FOR DRAWING AND PARTS INFORMATION.</a></p> <p>CYLINDER ASSEMBLY _____ ITEM 1 - RAP91208 (9.20" STROKE) - REPLACES AP27862            SYNCHRONIZING CYLINDER _____ ITEM 3 - RAP90587 (3.455" STROKE) - REPLACES AP17199            TUBE KIT _____ ITEM 2 - RAP91229 - REPLACES AP27587            HOSE ASSEMBLIES _____ ITEM 4 - RAP91553 (AP27857) ITEM 5 - RAP90800 (AP24640)</p>
MECHANISM AP28280 AP28281	<p><b>VERTICAL ARM ROOM EXTENSION - 21.0" STROKE (WITH SYNCHRONIZING CYLINDER) - AP28279 KIT</b></p> <p><a href="#">SEE MR41.2500 FOR DRAWING AND PARTS INFORMATION.</a></p> <p>CYLINDER ASSEMBLY _____ ITEM 1 - RAP91198 (9.104" STROKE) - REPLACES AP23197            SYNCHRONIZING CYLINDER _____ ITEM 6 - RAP90587 (3.455" STROKE) - REPLACES AP17199            TUBE KIT _____ RAP91224 - REPLACES AP23196            HOSE ASSEMBLIES _____ ITEM 4 - RAP90386 (AP24643) ITEM 5 - RAP91236 (AP24647)</p>
MECHANISM AP32027 AP32028	<p><b>X-SLIDE ROOM EXTENSION - 25.0" STROKE (WITH SYNCHRONIZING CYLINDER) - AP32026 KIT</b></p> <p><a href="#">SEE MR41.2670 FOR DRAWING AND PARTS INFORMATION.</a></p> <p>CYLINDER ASSEMBLY _____ ITEM 1 - RAP91350 (11.400" STROKE) - REPLACES AP27865            SYNCHRONIZING CYLINDER _____ ITEM 3 - RAP91701 (4.300" STROKE) - REPLACES AP30260            TUBE KIT _____ ITEM 2 - RAP91229 - REPLACES AP27587            HOSE ASSEMBLIES _____ ITEM 4 - RAP91574 (AP24627) ITEM 5 - RAP91573 (AP32672)</p>
MECHANISM AP32030 AP32031	<p><b>X-SLIDE ROOM EXTENSION - 32.0" STROKE (WITH SYNCHRONIZING CYLINDER) - AP32029 KIT</b></p> <p><a href="#">SEE MR41.2670 FOR DRAWING AND PARTS INFORMATION.</a></p> <p>CYLINDER ASSEMBLY _____ ITEM 1 - RAP91210 (14.300" STROKE) - REPLACES AP29191            SYNCHRONIZING CYLINDER _____ ITEM 3 - RAP90726 (5.750" STROKE) - REPLACES AP15042            TUBE KIT _____ ITEM 2 - RAP91230 - REPLACES AP29192            HOSE ASSEMBLIES _____ ITEM 4 - RAP91574 (AP24627) ITEM 5 - RAP91573 (AP32672)</p>
MECHANISM AP32431 AP32432	<p><b>UNIVERSAL SLIDE OUT ROOM EXTENSION - 25.0" STROKE (WITH SYNC. CYLINDER) - AP33847 KIT</b></p> <p><a href="#">SEE MR41.2680 FOR DRAWING AND PARTS INFORMATION.</a></p> <p>CYLINDER ASSEMBLY _____ ITEM 1 - RAP91702 (34.0" STROKE) - REPLACES AP31461            SYNCHRONIZING CYLINDER _____ ITEM 3 - RAP90473 (12.155" STROKE) - REPLACES AP13192            TUBE KIT _____ ITEM 2 - RAP91703 - REPLACES AP31486            HOSE ASSEMBLIES _____ ITEM 4 - RAP90872 (AP24632) ITEM 5 - RAP91421 (AP24818)</p>
MECHANISM AP32870 AP32871	<p><b>UNIVERSAL SLIDE OUT ROOM EXTENSION - 30.0" STROKE (WITH SYNC. CYLINDER) - AP32869 KIT</b></p> <p><a href="#">SEE MR41.2680 FOR DRAWING AND PARTS INFORMATION.</a></p> <p>CYLINDER ASSEMBLY _____ ITEM 1 - RAP91702 (34.0" STROKE) - REPLACES AP31461            SYNCHRONIZING CYLINDER _____ ITEM 3 - RAP90473 (12.155" STROKE) - REPLACES AP13192            TUBE KIT _____ ITEM 2 - RAP91703 - REPLACES AP31486            HOSE ASSEMBLIES _____ ITEM 4 - RAP90872 (AP24632) ITEM 5 - RAP91421 (AP24818)</p>
MECHANISM AP33322 AP33323	<p><b>UNIVERSAL SLIDE OUT ROOM EXTENSION - 30.0" STROKE (WITH SYNC. CYLINDER) - AP51526 KIT</b></p> <p><a href="#">SEE MR41.2680 FOR DRAWING AND PARTS INFORMATION.</a></p> <p>CYLINDER ASSEMBLY _____ ITEM 1 - RAP91702 (34.0" STROKE) - REPLACES AP31461            SYNCHRONIZING CYLINDER _____ ITEM 3 - RAP92077 (10.540" STROKE) - REPLACES AP37881            TUBE KIT _____ ITEM 2 - RAP91703 - REPLACES AP31486            HOSE ASSEMBLIES _____ ITEM 4 - RAP90872 (AP24632) ITEM 5 - RAP91421 (AP24818)</p>



# ROOM EXTENSION ASSEMBLIES

## GUIDE PAGE

### "MORRISON VIP COACH" (PAGE 4 OF 5)

PROCEDURE: SEE "MORRISON VIP COACH" (PAGE 1 OF 5)

MECHANISM AP36205 AP36206	<p><b>UNIVERSAL LEVEL OUT ROOM EXTENSION - 25.0" STROKE (WITH SYNC. CYLINDER) - AP35154 KIT</b></p> <p><a href="#">SEE MR41.2683 FOR DRAWING AND PARTS INFORMATION.</a></p> <p>CYLINDER ASSEMBLY _____ ITEM 1 - RAP91702 (34.0" STROKE) - REPLACES AP31461            LIFT CYLINDER ASSEMBLY _____ ITEM 10 - RAP91992 (2.75" LIFT) - REPLACES AP34390            SYNCHRONIZING CYLINDER _____ ITEM 3 - RAP90440 (10.095" STROKE) - REPLACES AP16509            LIFT SYNCHRONIZING CYLINDER _____ ITEM 11 - RAP92473 - REPLACES AP34576            TUBE KIT _____ ITEM 2 - RAP91703 - REPLACES AP31486            HOSE ASSEMBLIES _____ ITEM 4 - RAP90872 (AP24632) ITEM 5 - RAP91421 (AP24818)</p>
MECHANISM AP36590 AP36591	<p><b>LATERAL ARM ROOM EXTENSION - 20.0" STROKE (WITH SYNCHRONIZING CYLINDER) - AP36589 KIT</b></p> <p><a href="#">SEE MR41.2825 FOR DRAWING AND PARTS INFORMATION.</a></p> <p>CYLINDER ASSEMBLY _____ ITEM 1 - RAP91351 (6.775" STROKE) - REPLACES AP27997            SYNCHRONIZING CYLINDER _____ ITEM 3 - RAP90524 (2.385" STROKE) - REPLACES AP14881            TUBE KIT _____ ITEM 2 - RAP91774 - REPLACES AP28035            HOSE ASSEMBLIES _____ ITEM 4 - RAP91574 (AP24627) ITEM 5 - RAP91573 (AP32672)</p>
MECHANISM AP36593 AP36594	<p><b>LATERAL ARM ROOM EXTENSION - 16.0" STROKE (WITH SYNCHRONIZING CYLINDER) - AP36592 KIT</b></p> <p><a href="#">SEE MR41.2825 FOR DRAWING AND PARTS INFORMATION.</a></p> <p>CYLINDER ASSEMBLY _____ ITEM 1 - RAP91203 (6.150" STROKE) - REPLACES AP26255            SYNCHRONIZING CYLINDER _____ ITEM 3 - RAP91013 (1.810" STROKE) - REPLACES AP28566            TUBE KIT _____ ITEM 2 - RAP91226 - REPLACES AP27031            HOSE ASSEMBLIES _____ ITEM 4 - RAP91574 (AP24627) ITEM 5 - RAP91573 (AP32672)</p>
MECHANISM AP36598 AP36599	<p><b>LATERAL ARM ROOM EXTENSION - 16.0" STROKE (WITH SYNCHRONIZING CYLINDER) - AP36597 KIT</b></p> <p><a href="#">SEE MR41.2825 FOR DRAWING AND PARTS INFORMATION.</a></p> <p>CYLINDER ASSEMBLY _____ ITEM 1 - RAP91203 (6.150" STROKE) - REPLACES AP26255            SYNCHRONIZING CYLINDER _____ ITEM 3 - RAP91013 (1.810" STROKE) - REPLACES AP28566            TUBE KIT _____ ITEM 2 - RAP91226 - REPLACES AP27031            HOSE ASSEMBLIES _____ ITEM 4 - RAP91574 (AP24627) ITEM 5 - RAP91573 (AP32672)</p>
MECHANISM AP36608 AP36609	<p><b>LATERAL ARM ROOM EXTENSION - 20.0" STROKE (WITH SYNCHRONIZING CYLINDER) - AP36607 KIT</b></p> <p><a href="#">SEE MR41.2825 FOR DRAWING AND PARTS INFORMATION.</a></p> <p>CYLINDER ASSEMBLY _____ ITEM 1 - RAP91351 (6.775" STROKE) - REPLACES AP27997            SYNCHRONIZING CYLINDER _____ ITEM 3 - RAP90524 (2.385" STROKE) - REPLACES AP14881            TUBE KIT _____ ITEM 2 - RAP91774 - REPLACES AP28035            HOSE ASSEMBLIES _____ ITEM 4 - RAP91574 (AP24627) ITEM 5 - RAP91573 (AP32672)</p>
MECHANISM AP38251 AP38252	<p><b>UNIVERSAL STRAIGHT OUT - 30.0" STROKE (WITH SYNCHRONIZING CYLINDER) - AP42236 KIT</b></p> <p><a href="#">SEE MR41.2685 FOR DRAWING AND PARTS INFORMATION.</a></p> <p>CYLINDER ASSEMBLY _____ ITEM 1 - RAP92076 (30.5" STROKE) - REPLACES AP38072            SYNCHRONIZING CYLINDER _____ ITEM 3 - RAP92077 (10.540" STROKE) - REPLACES AP37881            TUBE KIT _____ ITEM 2 - RAP92079 - REPLACES AP38267            HOSE ASSEMBLIES _____ ITEM 4 - RAP90872 (AP24632) ITEM 5 - RAP91421 (AP24818)</p>
MECHANISM AP38383 AP38384	<p><b>UNIVERSAL LEVEL OUT - 26.0" STROKE (WITH SYNCHRONIZING CYLINDER) - AP40756 KIT</b></p> <p><a href="#">SEE MR41.2690 FOR DRAWING AND PARTS INFORMATION.</a></p> <p>CYLINDER ASSEMBLY _____ ITEM 1 - RAP92076 (30.5" STROKE) - REPLACES AP38072            LIFT CYLINDER ASSEMBLY _____ ITEM 11 - RAP92260 (2.75" LIFT) - REPLACES AP38604            SYNCHRONIZING CYLINDER _____ ITEM 3 - RAP92469 (9.130" STROKE) - REPLACES AP39275            LIFT SYNCHRONIZING CYLINDER _____ ITEM 12 - RAP92316 - REPLACES AP38264            TUBE KIT _____ ITEM 2 - RAP92079 - REPLACES AP38267            HOSE ASSEMBLIES _____ ITEM 4 - RAP90872 (AP24632) ITEM 5 - RAP91421 (AP24818)</p>

**ROOM EXTENSION ASSEMBLIES  
GUIDE PAGE  
"MORRISON VIP COACH" (PAGE 5 OF 5)**

PROCEDURE: SEE "MORRISON VIP COACH" (PAGE 1 OF 5)

MECHANISM AP38944 AP38945	<p><b>UNIVERSAL LEVEL OUT - 30.0" STROKE (WITH SYNCHRONIZING CYLINDER) - AP40757 KIT</b></p> <p><a href="#">SEE MR41.2690 FOR DRAWING AND PARTS INFORMATION.</a></p> <p>CYLINDER ASSEMBLY _____ ITEM 1 - RAP92076 (30.5" STROKE) - REPLACES AP38072  LIFT CYLINDER ASSEMBLY _____ ITEM 11 - RAP92260 (2.75" LIFT) - REPLACES AP38604  SYNCHRONIZING CYLINDER _____ ITEM 3 - RAP92077 (10.540" STROKE) - REPLACES AP37881  LIFT SYNCHRONIZING CYLINDER _____ ITEM 12 - RAP92316 - REPLACES AP38264  TUBE KIT _____ ITEM 2 - RAP92079 - REPLACES AP38267  HOSE ASSEMBLIES _____ ITEM 4 - RAP90872 (AP24632) ITEM 5 - RAP91421 (AP24818)</p>
MECHANISM AP39645 AP39646	<p><b>UNIVERSAL STRAIGHT OUT - 26.0" STROKE (WITH SYNC. CYLINDER) - AP40755 AND AP49898 KITS</b></p> <p><a href="#">SEE MR41.2685 FOR DRAWING AND PARTS INFORMATION.</a></p> <p>CYLINDER ASSEMBLY _____ ITEM 1 - RAP92076 (30.5" STROKE) - REPLACES AP38072  SYNCHRONIZING CYLINDER _____ ITEM 3 - RAP92469 (9.130" STROKE) - REPLACES AP39275  TUBE KIT _____ ITEM 2 - RAP92079 - REPLACES AP38267  HOSE ASSEMBLIES _____ ITEM 4 - RAP90872 (AP24632) ITEM 5 - RAP91421 (AP24818)</p>
MECHANISM AP40822 AP40823	<p><b>UNIVERSAL STRAIGHT OUT - 20.0" STROKE (WITH SYNCHRONIZING CYLINDER) - AP48831 KIT</b></p> <p><a href="#">SEE MR41.2685 FOR DRAWING AND PARTS INFORMATION.</a></p> <p>CYLINDER ASSEMBLY _____ ITEM 1 - RAP92075 (20.5" STROKE) - REPLACES AP39251  SYNCHRONIZING CYLINDER _____ ITEM 3 - RAP92099 (7.010" STROKE) - REPLACES AP39221  TUBE KIT _____ ITEM 2 - RAP92092 - REPLACES AP39321  HOSE ASSEMBLIES _____ ITEM 4 - RAP91566 (AP24631) ITEM 5 - RAP91568 (AP24637)</p>

# ROOM EXTENSION ASSEMBLIES GUIDE PAGE "MOUNTAIN HIGH COACHWORKS"

**PROCEDURE:**

1. Locate the HWH identification tag on the room extension mechanism to get the correct room extension part number.
2. Find the correct room extension part number in the left column below.
3. Refer to the proper parts page for general replacement parts information and item number arrangements.
4. Two cylinder room extensions with a synchronizing cylinder have two room extension part numbers. One number is for the left assembly, one is for the right assembly. If the room extension assembly originally had one number, that number is listed with the new numbers.

<b>MECHANISM AP19456</b>	<b>SINGLE CYLINDER ROOM EXTENSION - 24.0" STROKE - AP19455 KIT</b>  <b>SEE MR41.1101 FOR DRAWING AND PARTS INFORMATION.</b> <b>CYLINDER ASSEMBLY</b> _____ <b>ITEM 1 - RAP91021 (27.0" STROKE) - REPLACES AP28682</b> <b>HOSE ASSEMBLIES</b> _____ <b>ITEM 3 - RAP91750 (AP13842) ITEM 4 - RAP91751 (AP16434)</b>
<b>MECHANISM AP19458 AP19459</b>	<b>DUAL CYLINDER ROOM EXTENSION - 36.0" STROKE - AP19457 KIT</b>  <b>NO INFORMATION AVAILABLE.</b>
<b>MECHANISM AP19461 AP19462</b>	<b>DUAL CYLINDER ROOM EXTENSION - 18.0" STROKE - AP19460 KIT</b>  <b>NO INFORMATION AVAILABLE.</b>

# ROOM EXTENSION ASSEMBLIES GUIDE PAGE "MVP TECHNOLOGIES"

**PROCEDURE:**

1. Locate the HWH identification tag on the room extension mechanism to get the correct room extension part number.
2. Find the correct room extension part number in the left column below.
3. Refer to the proper parts page for general replacement parts information and item number arrangements.
4. Two cylinder room extensions with a synchronizing cylinder have two room extension part numbers. One is for the left assembly, one is for the right assembly. If the room extension assembly originally had one number, that number is listed with the new numbers.

<b>MECHANISM</b> <b>AP38251</b> <b>AP38252</b>	<b>UNIVERSAL STRAIGHT OUT - 30.0" STROKE (WITH SYNCHRONIZING CYLINDER) - AP39422 KIT</b>  <b>SEE MR41.2685 FOR DRAWING AND PARTS INFORMATION.</b> <b>CYLINDER ASSEMBLY</b> _____ <b>ITEM 1 - RAP92076 (30.5" STROKE) - REPLACES AP38072</b> <b>SYNCHRONIZING CYLINDER</b> _____ <b>ITEM 3 - RAP92077 (10.540" STROKE) - REPLACES AP37881</b> <b>TUBE KIT</b> _____ <b>ITEM 2 - RAP92079 - REPLACES AP38267</b> <b>HOSE ASSEMBLIES</b> _____ <b>ITEM 4 - RAP90872 (AP24632) ITEM 5 - RAP91421 (AP24818)</b>
--	--

---

# ROOM EXTENSION ASSEMBLIES GUIDE PAGE "NASHVILLE COACH WORKS"

---

**PROCEDURE:**

1. Locate the HWH identification tag on the room extension mechanism to get the correct room extension part number.
2. Find the correct room extension part number in the left column below.
3. Refer to the proper parts page for general replacement parts information and item number arrangements.
4. Two cylinder room extensions with a synchronizing cylinder have two room extension part numbers. One number is for the left assembly, one is for the right assembly. If the room extension assembly originally had one number, that number is listed with the new numbers.

<b>MECHANISM AP10265</b>	<b>DUAL CYLINDER ROOM EXTENSION - 34.0" STROKE - AP10468 KIT</b>
	<b>CYLINDER ASSEMBLY</b> _____ AP2113 - CONTACT HWH CORPORATION FOR REPLACEMENT
<b>MECHANISM AP10476</b>	<b>CYLINDER ASSEMBLY - 12.0" STROKE</b>
	<b>CYLINDER ASSEMBLY</b> _____ AP10476 - CONTACT HWH CORPORATION FOR REPLACEMENT

# ROOM EXTENSION ASSEMBLIES GUIDE PAGE "NATIONAL RV" (PAGE 1 OF 2)

**PROCEDURE:**

1. Locate the HWH identification tag on the room extension mechanism to get the correct room extension part number.
2. Find the correct room extension part number in the left column below.
3. Refer to the proper parts page for general replacement parts information and item number arrangements.
4. Two cylinder room extensions with a synchronizing cylinder have two room extension part numbers. One number is for the left assembly, one is for the right assembly. If the room extension assembly originally had one number, that number is listed with the new numbers.

<b>MECHANISM AP1680</b>	<b>DUAL CYLINDER ROOM EXTENSION - 44.0" STROKE (WITH RACK SENSING VALVE)</b>
	<p><a href="#">SEE MR41.1530 FOR DRAWING AND PARTS INFORMATION.</a></p> <p><b>CYLINDER ASSEMBLY</b> _____ ITEM 1 - RAP90025 (44.0" STROKE) - REPLACES AP10124</p> <p><b>HOSE ASSEMBLIES</b> _____ ITEM 7 - RAP4159 (AP4159)    ITEM 9 - RAP4827 (AP4827)</p> <p style="padding-left: 300px;">ITEM 8 - RAP90024 (AP2517)    ITEM 10 - RAP4061 (AP4061)</p>
<b>MECHANISM AP1934</b>	<b>SINGLE CYLINDER ROOM EXTENSION - 25.0" STROKE</b>
	<p><a href="#">SEE MR41.1000 FOR DRAWING AND PARTS INFORMATION.</a></p> <p><b>CYLINDER ASSEMBLY</b> _____ ITEM 1 - RAP90031 (25.0" STROKE) - REPLACES AP1911</p> <p><b>TUBE KIT</b> _____ ITEM 2 - RAP90029 - REPLACES AP2369</p>
<b>MECHANISM AP10119</b>	<b>DUAL CYLINDER ROOM EXTENSION - 37.0" STROKE (WITH RACK SENSING VALVE)</b>
	<p><a href="#">SEE MR41.1530 FOR DRAWING AND PARTS INFORMATION.</a></p> <p><b>CYLINDER ASSEMBLY</b> _____ ITEM 1 - RAP90069 (37.0" STROKE) - REPLACES AP2340</p> <p><b>HOSE ASSEMBLIES</b> _____ ITEM 7 - RAP4073 (AP4073)    ITEM 9 - RAP90001 (AP2445)</p> <p style="padding-left: 300px;">ITEM 8 - RAP90003 (AP2446)    ITEM 10 - RAP90004 (AP2443)</p>
<b>MECHANISM AP10202</b>	<b>DUAL CYLINDER ROOM EXTENSION - 44.0" STROKE (WITH RACK SENSING VALVE)</b>
	<p><a href="#">SEE MR41.1530 FOR DRAWING AND PARTS INFORMATION.</a></p> <p><b>CYLINDER ASSEMBLY</b> _____ ITEM 1 - RAP90025 (44.0" STROKE) - REPLACES AP10124</p> <p><b>HOSE ASSEMBLIES</b> _____ ITEM 7 - RAP4159 (AP4159)    ITEM 9 - RAP6115 (AP6115)</p> <p style="padding-left: 300px;">ITEM 8 - RAP90024 (AP2517)    ITEM 10 - RAP6116 (AP6116)</p>
<b>MECHANISM AP26776</b>	<b>SINGLE CYLINDER ROOM EXTENSION - 23.0" STROKE - AP26051 KIT</b>
	<p><a href="#">SEE MR41.1100 FOR DRAWING AND PARTS INFORMATION.</a></p> <p><b>CYLINDER ASSEMBLY</b> _____ ITEM 1 - RAP91021 (27.0" STROKE) - REPLACES AP28682</p> <p><b>HOSE ASSEMBLIES</b> _____ ITEM 3 - RAP90384 (AP24630)    ITEM 4 - RAP90320 (AP24634)</p>
<b>MECHANISM AP26941 AP26942</b>	<b>DUAL CYLINDER ROOM EXTENSION - 32.0" STROKE (WITH SYNCHRONIZING CYLINDER) - AP26940 KIT</b>
	<p><a href="#">SEE MR41.2005 FOR DRAWING AND PARTS INFORMATION.</a></p> <p><b>CYLINDER ASSEMBLY</b> _____ ITEM 1 - RAP90501 (32.5" STROKE) - REPLACES AP15203</p> <p><b>SYNCHRONIZING CYLINDER</b> _____ ITEM 3 - RAP90466 (12.980" STROKE) - REPLACES AP14301</p> <p><b>TUBE KIT</b> _____ ITEM 2 - RAP90480 - REPLACES AP13252</p>
<b>MECHANISM AP27371 AP27372</b>	<b>DUAL CYLINDER LEVEL OUT ROOM EXTENSION - 32.0" STROKE (WITH SYNC. CYLINDER) - AP26060 KIT</b>
	<p><a href="#">SEE MR41.2200 FOR DRAWING AND PARTS INFORMATION.</a></p> <p><b>CYLINDER ASSEMBLY</b> _____ ITEM 1 - RAP91218 (33.0" STROKE) - REPLACES AP27375</p> <p><b>SYNCHRONIZING CYLINDER</b> _____ ITEM 3 - RAP90466 (12.980" STROKE) - REPLACES AP14301</p> <p><b>TUBE KIT</b> _____ ITEM 2 - RAP91024 - REPLACES AP26587</p>
<b>MECHANISM AP27801</b>	<b>GENERATOR SLIDE - 26.0" STROKE - AP26069 KIT</b>
	<p><b>CYLINDER ASSEMBLY</b> _____ RAP91022 (26.5" STROKE) - REPLACES AP27546</p> <p><b>TUBE KIT</b> _____ RAP91023 - REPLACES AP27998</p>

# ROOM EXTENSION ASSEMBLIES GUIDE PAGE "NATIONAL RV" (PAGE 2 OF 2)

PROCEDURE: SEE "NATIONAL RV" (PAGE 1 OF 2)

MECHANISM AP28740 AP28741	<p><b>DUAL CYLINDER ROOM EXTENSION - 32.0" STROKE (WITH SYNCHRONIZING CYLINDER) - AP28739 KIT</b></p> <p><a href="#">SEE MR41.2005 FOR DRAWING AND PARTS INFORMATION.</a>            CYLINDER ASSEMBLY _____ ITEM 1 - RAP90665 (32.5" STROKE) - REPLACES AP18131            SYNCHRONIZING CYLINDER _____ ITEM 3 - RAP90466 (12.980" STROKE) - REPLACES AP14301            TUBE KIT _____ ITEM 2 - RAP90480 - REPLACES AP13252</p>
MECHANISM AP28745	<p><b>SINGLE CYLINDER ROOM EXTENSION - 20.0" STROKE - AP28744 KIT</b></p> <p><a href="#">SEE MR41.1007 FOR DRAWING AND PARTS INFORMATION.</a>            CYLINDER ASSEMBLY _____ ITEM 1 - RAP90512 (21.0" STROKE) - REPLACES AP30188            TUBE KIT _____ ITEM 2 - RAP90526 - REPLACES AP13592</p>
MECHANISM AP31049 AP31050	<p><b>UNIVERSAL FLAT OUT ROOM EXTENSION - 34.0" STROKE (WITH SYNC. CYLINDER) - AP30983 KIT</b></p> <p><a href="#">SEE MR41.2680 FOR DRAWING AND PARTS INFORMATION.</a>            CYLINDER ASSEMBLY _____ ITEM 1 - RAP91760 (36.0" STROKE) - REPLACES AP31645            SYNCHRONIZING CYLINDER _____ ITEM 3 - RAP90664 (13.910" STROKE) - REPLACES AP19186            TUBE KIT _____ ITEM 2 - RAP92080 - REPLACES AP31651            HOSE ASSEMBLIES _____ ITEM 4 - RAP90320 (AP24634) ITEM 5 - RAP91554 (AP24641)</p>
MECHANISM AP31093	<p><b>SINGLE CYLINDER ROOM EXTENSION - 24.0" STROKE - AP31092 KIT</b></p> <p><a href="#">SEE MR41.1100 FOR DRAWING AND PARTS INFORMATION.</a>            CYLINDER ASSEMBLY _____ ITEM 1 - RAP91021 (27.0" STROKE) - REPLACES AP28682            HOSE ASSEMBLIES _____ ITEM 3 - RAP90320 (AP24634) ITEM 4 - RAP90384 (AP24630)</p>
MECHANISM AP31511 AP31512	<p><b>UNIVERSAL SLIDE OUT ROOM EXTENSION - 19.5" STROKE (WITH SYNC. CYLINDER) - AP31040 KIT</b></p> <p><a href="#">SEE MR41.2680 FOR DRAWING AND PARTS INFORMATION.</a>            CYLINDER ASSEMBLY _____ ITEM 1 - RAP91702 (34.0" STROKE) - REPLACES AP31461            SYNCHRONIZING CYLINDER _____ ITEM 3 - RAP90471 (8.035" STROKE) - REPLACES AP13607            TUBE KIT _____ ITEM 2 - RAP91703 - REPLACES AP31486            HOSE ASSEMBLIES _____ ITEM 4 - RAP90872 (AP24632) ITEM 5 - RAP91421 (AP24818)</p>

# ROOM EXTENSION ASSEMBLIES GUIDE PAGE "NEWELL" (PAGE 1 OF 5)

**PROCEDURE:**

1. Locate the HWH identification tag on the room extension mechanism to get the correct room extension part number.
2. Find the correct room extension part number in the left column below.
3. Refer to the proper parts page for general replacement parts information and item number arrangements.
4. Two cylinder room extensions with a synchronizing cylinder have two room extension part numbers. One number is for the left assembly, one is for the right assembly. If the room extension assembly originally had one number, that number is listed with the new numbers.

<b>MECHANISM AP10816</b>	<b>LEVEL FLOOR ROOM EXTENSION - 30.0" STROKE W/LOCK &amp; RACK SENSING VALE - AP11842 KIT</b>
	<b>CYLINDER ASSEMBLY</b> _____ RAP91213 (29.875" STROKE) - REPLACES AP15845
	<b>ROOM LOCK</b> _____ RAP90592 - REPLACES AP16701
	<b>FLOOR CYLINDER</b> _____ RAP91212 (13.8" STROKE) - REPLACES AP12328
<b>MECHANISM AP12327</b>	<b>CYLINDER ASSEMBLY - 29.875" STROKE</b>
	<b>CYLINDER ASSEMBLY</b> _____ AP12327 - CONTACT HWH CORPORATION FOR REPLACEMENT
<b>MECHANISM AP12328</b>	<b>CYLINDER ASSEMBLY - 13.8" STROKE - USED IN MULTIPLE KITS</b>
	<b>CYLINDER ASSEMBLY</b> _____ RAP91212 (13.8" STROKE) - REPLACES AP15845
<b>MECHANISM AP15818</b>	<b>CYLINDER ONLY ROOM EXTENSION - 27.0" STROKE - AP16621 KIT</b>
	<b>CYLINDER ASSEMBLY</b> _____ RAP90688 (27.0" STROKE) - REPLACES AP15818
<b>MECHANISM AP16045</b>	<b>SINGLE CYLINDER ROOM EXTENSION - 24.0" STROKE - AP15484 KIT</b>
	<b>SEE MR41.1101 FOR DRAWING AND PARTS INFORMATION.</b>
	<b>CYLINDER ASSEMBLY</b> _____ ITEM 1 - RAP90688 (27.0" STROKE) - REPLACES AP15818
	<b>HOSE ASSEMBLIES</b> _____ ITEM 3 - RAP91750 (AP13842) ITEM 4 - RAP91751 (AP16434)
<b>MECHANISM AP16416</b>	<b>SINGLE CYLINDER ROOM EXTENSION - 24.0" STROKE - AP16339 KIT</b>
	<b>SEE MR41.1101 FOR DRAWING AND PARTS INFORMATION.</b>
	<b>CYLINDER ASSEMBLY</b> _____ ITEM 1 - RAP90688 (27.0" STROKE) - REPLACES AP15818
	<b>HOSE ASSEMBLIES</b> _____ ITEM 3 - RAP91750 (AP13842) ITEM 4 - RAP91751 (AP16434)
<b>MECHANISM AP16549</b>	<b>SINGLE CYLINDER ROOM EXTENSION - 24.0" STROKE - AP16548 KIT</b>
	<b>SEE MR41.1101 FOR DRAWING AND PARTS INFORMATION.</b>
	<b>CYLINDER ASSEMBLY</b> _____ ITEM 1 - RAP90688 (27.0" STROKE) - REPLACES AP15818
	<b>HOSE ASSEMBLIES</b> _____ ITEM 3 - RAP91750 (AP13842) ITEM 4 - RAP91751 (AP16434)
<b>MECHANISM AP16627</b>	<b>SINGLE CYLINDER ROOM EXTENSION - 24.0" STROKE - AP16626 KIT</b>
	<b>SEE MR41.1101 FOR DRAWING AND PARTS INFORMATION.</b>
	<b>CYLINDER ASSEMBLY</b> _____ ITEM 1 - RAP90688 (27.0" STROKE) - REPLACES AP15818
	<b>HOSE ASSEMBLIES</b> _____ ITEM 3 - RAP91750 (AP13842) ITEM 4 - RAP91751 (AP16434)
<b>MECHANISM AP16904</b>	<b>SINGLE CYLINDER ROOM EXTENSION - 24.0" STROKE - AP16903 KIT</b>
	<b>SEE MR41.1101 FOR DRAWING AND PARTS INFORMATION.</b>
	<b>CYLINDER ASSEMBLY</b> _____ ITEM 1 - RAP90688 (27.0" STROKE) - REPLACES AP15818
	<b>HOSE ASSEMBLIES</b> _____ ITEM 3 - RAP91750 (AP13842) ITEM 4 - RAP91751 (AP16434)
<b>MECHANISM AP17144</b>	<b>SINGLE CYLINDER ROOM EXTENSION - 24.0" STROKE - AP17143 KIT</b>
	<b>SEE MR41.1101 FOR DRAWING AND PARTS INFORMATION.</b>
	<b>CYLINDER ASSEMBLY</b> _____ ITEM 1 - RAP90688 (27.0" STROKE) - REPLACES AP15818
	<b>HOSE ASSEMBLIES</b> _____ ITEM 3 - RAP91750 (AP13842) ITEM 4 - RAP91751 (AP16434)



# ROOM EXTENSION ASSEMBLIES

## GUIDE PAGE

### "NEWELL" (PAGE 2 OF 5)

PROCEDURE: SEE: "NEWELL" (PAGE 1 OF 5)

MECHANISM AP17448	<p><b>SINGLE CYLINDER ROOM EXTENSION - 24.0" STROKE - AP17447 KIT</b></p> <p><a href="#">SEE MR41.1101 FOR DRAWING AND PARTS INFORMATION.</a>          CYLINDER ASSEMBLY _____ ITEM 1 - RAP90688 (27.0" STROKE) - REPLACES AP15818          HOSE ASSEMBLIES _____ ITEM 3 - RAP91750 (AP13842) ITEM 4 - RAP91751 (AP16434)</p>
MECHANISM AP17657	<p><b>SINGLE CYLINDER ROOM EXTENSION - 24.0" STROKE - AP17656 KIT</b></p> <p><a href="#">SEE MR41.1101 FOR DRAWING AND PARTS INFORMATION.</a>          CYLINDER ASSEMBLY _____ ITEM 1 - RAP90688 (27.0" STROKE) - REPLACES AP15818          HOSE ASSEMBLIES _____ ITEM 3 - RAP91750 (AP13842) ITEM 4 - RAP91751 (AP16434)</p>
MECHANISM AP17698	<p><b>SINGLE CYLINDER ROOM EXTENSION - 24.0" STROKE - AP17697 KIT</b></p> <p><a href="#">SEE MR41.1101 FOR DRAWING AND PARTS INFORMATION.</a>          CYLINDER ASSEMBLY _____ ITEM 1 - RAP90688 (27.0" STROKE) - REPLACES AP15818          HOSE ASSEMBLIES _____ ITEM 3 - RAP91750 (AP13842) ITEM 4 - RAP91751 (AP16434)</p>
MECHANISM AP18331 AP18332	<p><b>VERTICAL ARM ROOM EXTENSION - 24.0" STROKE (WITH SYNCHRONIZING CYLINDER) - AP18708 KIT</b></p> <p><a href="#">SEE MR41.2505 FOR DRAWING AND PARTS INFORMATION.</a>          CYLINDER ASSEMBLY _____ ITEM 1 - RAP90426 (9.689" STROKE) - REPLACES AP14028          SYNCHRONIZING CYLINDER _____ ITEM 6 - RAP90427 (3.815" STROKE) - REPLACES AP14027          HOSE ASSEMBLIES _____ ITEM 4 - RAP91536 (AP24662) ITEM 5 - RAP90321 (AP24653)</p>
MECHANISM AP18365	<p><b>SINGLE CYLINDER ROOM EXTENSION - 24.0" STROKE - AP18364 KIT</b></p> <p><a href="#">SEE MR41.1101 FOR DRAWING AND PARTS INFORMATION.</a>          CYLINDER ASSEMBLY _____ ITEM 1 - RAP90688 (27.0" STROKE) - REPLACES AP15818          HOSE ASSEMBLIES _____ ITEM 3 - RAP91750 (AP13842) ITEM 4 - RAP91751 (AP16434)</p>
MECHANISM AP18423	<p><b>SINGLE CYLINDER GENERATOR EXTENSION - 28.0" STROKE - AP18460 KIT</b></p> <p>CYLINDER ASSEMBLY _____ RAP91597 (28.0" STROKE) - REPLACES AP18365</p>
MECHANISM AP18704	<p><b>SINGLE CYLINDER ROOM EXTENSION - 24.0" STROKE - AP18703 KIT</b></p> <p><a href="#">SEE MR41.1101 FOR DRAWING AND PARTS INFORMATION.</a>          CYLINDER ASSEMBLY _____ ITEM 1 - RAP90688 (27.0" STROKE) - REPLACES AP15818          HOSE ASSEMBLIES _____ ITEM 3 - RAP91750 (AP13842) ITEM 4 - RAP91751 (AP16434)</p>
MECHANISM AP19103	<p><b>SINGLE CYLINDER ROOM EXTENSION - 24.0" STROKE - AP19102 KIT</b></p> <p><a href="#">SEE MR41.1101 FOR DRAWING AND PARTS INFORMATION.</a>          CYLINDER ASSEMBLY _____ ITEM 1 - RAP90688 (27.0" STROKE) - REPLACES AP15818          HOSE ASSEMBLIES _____ ITEM 3 - RAP91750 (AP13842) ITEM 4 - RAP91751 (AP16434)</p>
MECHANISM AP19351 AP19352	<p><b>VERTICAL ARM ROOM EXTENSION - 22.0" STROKE (WITH SYNC. CYLINDER) - AP19350 AND AP20391 KITS</b></p> <p><a href="#">SEE MR41.2505 FOR DRAWING AND PARTS INFORMATION.</a>          CYLINDER ASSEMBLY _____ ITEM 1 - RAP90586 (8.825" STROKE) - REPLACES AP17191          SYNCHRONIZING CYLINDER _____ ITEM 6 - RAP90587 (3.455" STROKE) - REPLACES AP17199          HOSE ASSEMBLIES _____ ITEM 4 - RAP90790 (AP20751) ITEM 5 - RAP90321 (AP24653)</p>
MECHANISM AP19598	<p><b>SINGLE CYLINDER ROOM EXTENSION - 24.0" STROKE - AP19597 KIT</b></p> <p><a href="#">SEE MR41.1101 FOR DRAWING AND PARTS INFORMATION.</a>          CYLINDER ASSEMBLY _____ ITEM 1 - RAP90688 (27.0" STROKE) - REPLACES AP15818          HOSE ASSEMBLIES _____ ITEM 3 - RAP91750 (AP13842) ITEM 4 - RAP91751 (AP16434)</p>
MECHANISM AP19899	<p><b>SINGLE CYLINDER ROOM EXTENSION - 24.0" STROKE - AP19897 KIT</b></p> <p>NO INFORMATION AVAILABLE</p>

# ROOM EXTENSION ASSEMBLIES

## GUIDE PAGE

### "NEWELL" (PAGE 3 OF 5)

PROCEDURE: SEE: "NEWELL" (PAGE 1 OF 5)

MECHANISM AP20248	<p><b>SINGLE CYLINDER ROOM EXTENSION - 24.0" STROKE - AP20247 KIT</b></p> <p><a href="#">SEE MR41.1101 FOR DRAWING AND PARTS INFORMATION.</a>            CYLINDER ASSEMBLY _____ ITEM 1 - RAP90688 (27.0" STROKE) - REPLACES AP15818            HOSE ASSEMBLIES _____ ITEM 3 - RAP91750 (AP13842) ITEM 4 - RAP91751 (AP16434)</p>
MECHANISM AP20385	<p><b>SINGLE CYLINDER ROOM EXTENSION - 24.0" STROKE - AP20384 KIT</b></p> <p><a href="#">SEE MR41.1101 FOR DRAWING AND PARTS INFORMATION.</a>            CYLINDER ASSEMBLY _____ ITEM 1 - RAP90688 (27.0" STROKE) - REPLACES AP15818            HOSE ASSEMBLIES _____ ITEM 3 - RAP90872 (AP24632) ITEM 4 - RAP90871 (AP24628)</p>
MECHANISM AP20389	<p><b>SINGLE CYLINDER ROOM EXTENSION - 24.0" STROKE - AP20388 KIT</b></p> <p>NO INFORMATION AVAILABLE</p>
MECHANISM AP20531	<p><b>SINGLE CYLINDER ROOM EXTENSION - 24.0" STROKE - AP20530 KIT</b></p> <p><a href="#">SEE MR41.1101 FOR DRAWING AND PARTS INFORMATION.</a>            CYLINDER ASSEMBLY _____ ITEM 1 - RAP90688 (27.0" STROKE) - REPLACES AP15818            HOSE ASSEMBLIES _____ ITEM 3 - RAP91750 (AP13842) ITEM 4 - RAP91751 (AP16434)</p>
MECHANISM AP20702	<p><b>SINGLE CYLINDER ROOM EXTENSION - 24.0" STROKE - AP17885 KIT</b></p> <p><a href="#">SEE MR41.1101 FOR DRAWING AND PARTS INFORMATION.</a>            CYLINDER ASSEMBLY _____ ITEM 1 - RAP90688 (27.0" STROKE) - REPLACES AP15818            HOSE ASSEMBLIES _____ ITEM 3 - RAP90872 (AP24632) ITEM 4 - RAP90871 (AP24628)</p>
MECHANISM AP20704	<p><b>SINGLE CYLINDER ROOM EXTENSION - 24.0" STROKE - AP18169 KIT</b></p> <p><a href="#">SEE MR41.1101 FOR DRAWING AND PARTS INFORMATION.</a>            CYLINDER ASSEMBLY _____ ITEM 1 - RAP90688 (27.0" STROKE) - REPLACES AP15818            HOSE ASSEMBLIES _____ ITEM 3 - RAP90872 (AP24632) ITEM 4 - RAP90871 (AP24628)</p>
MECHANISM AP21177	<p><b>SINGLE CYLINDER ROOM EXTENSION - 24.0" STROKE - AP21176 KIT</b></p> <p><a href="#">SEE MR41.1101 FOR DRAWING AND PARTS INFORMATION.</a>            CYLINDER ASSEMBLY _____ ITEM 1 - RAP90688 (27.0" STROKE) - REPLACES AP15818            HOSE ASSEMBLIES _____ ITEM 3 - RAP90872 (AP24632) ITEM 4 - RAP90871 (AP24628)</p>
MECHANISM AP21180	<p><b>SINGLE CYLINDER ROOM EXTENSION - 24.0" STROKE - AP21179 KIT</b></p> <p><a href="#">SEE MR41.1101 FOR DRAWING AND PARTS INFORMATION.</a>            CYLINDER ASSEMBLY _____ ITEM 1 - RAP90688 (27.0" STROKE) - REPLACES AP15818            HOSE ASSEMBLIES _____ ITEM 3 - RAP90872 (AP24632) ITEM 4 - RAP90871 (AP24628)</p>
MECHANISM AP21245 AP21246	<p><b>VERTICAL ARM ROOM EXTENSION - 22.0" STROKE (WITH SYNC. CYL.) - AP21236, AP22671 AND AP22936 KITS</b></p> <p><a href="#">SEE MR41.2505 FOR DRAWING AND PARTS INFORMATION.</a>            CYLINDER ASSEMBLY _____ ITEM 1 - RAP90586 (8.825" STROKE) - REPLACES AP17191            SYNCHRONIZING CYLINDER _____ ITEM 6 - RAP90587 (3.455" STROKE) - REPLACES AP17199            HOSE ASSEMBLIES _____ ITEM 4 - RAP90790 (AP20751) ITEM 5 - RAP90321 (AP24653)</p>
MECHANISM AP21556	<p><b>SINGLE CYLINDER ROOM EXTENSION - 24.0" STROKE - AP21550 KIT</b></p> <p><a href="#">SEE MR41.1101 FOR DRAWING AND PARTS INFORMATION.</a>            CYLINDER ASSEMBLY _____ ITEM 1 - RAP90688 (27.0" STROKE) - REPLACES AP15818            HOSE ASSEMBLIES _____ ITEM 3 - RAP90872 (AP24632) ITEM 4 - RAP90871 (AP24628)</p>
MECHANISM AP21570	<p><b>SINGLE CYLINDER ROOM EXTENSION - 24.0" STROKE - AP21569 KIT</b></p> <p><a href="#">SEE MR41.1101 FOR DRAWING AND PARTS INFORMATION.</a>            CYLINDER ASSEMBLY _____ ITEM 1 - RAP90688 (27.0" STROKE) - REPLACES AP15818            HOSE ASSEMBLIES _____ ITEM 3 - RAP91750 (AP13842) ITEM 4 - RAP91751 (AP16434)</p>

# ROOM EXTENSION ASSEMBLIES

## GUIDE PAGE

### "NEWELL" (PAGE 4 OF 5)

PROCEDURE: SEE: "NEWELL" (PAGE 1 OF 5)

MECHANISM AP21642	<p><b>SINGLE CYLINDER ROOM EXTENSION - 24.0" STROKE - AP21641 KIT</b></p> <p><a href="#">SEE MR41.1101 FOR DRAWING AND PARTS INFORMATION.</a>            CYLINDER ASSEMBLY _____ ITEM 1 - RAP90688 (27.0" STROKE) - REPLACES AP15818            HOSE ASSEMBLIES _____ ITEM 3 - RAP91750 (AP13842) ITEM 4 - RAP91751 (AP16434)</p>
MECHANISM AP21674 AP21675	<p><b>VERTICAL ARM ROOM EXTENSION - 24.0" STROKE (WITH SYNCHRONIZING CYLINDER) - AP21643 KIT</b></p> <p><a href="#">SEE MR41.2505 FOR DRAWING AND PARTS INFORMATION.</a>            CYLINDER ASSEMBLY _____ ITEM 1 - RAP90426 (9.689" STROKE) - REPLACES AP14028            SYNCHRONIZING CYLINDER _____ ITEM 6 - RAP90427 (3.815" STROKE) - REPLACES AP14027            HOSE ASSEMBLIES _____ ITEM 4 - RAP90790 (AP20751) ITEM 5 - RAP90321 (AP24653)</p>
MECHANISM AP22030	<p><b>SINGLE CYLINDER ROOM EXTENSION - 24.0" STROKE - AP22029 KIT</b></p> <p><a href="#">SEE MR41.1101 FOR DRAWING AND PARTS INFORMATION.</a>            CYLINDER ASSEMBLY _____ ITEM 1 - RAP90688 (27.0" STROKE) - REPLACES AP15818            HOSE ASSEMBLIES _____ ITEM 3 - RAP90872 (AP24632) ITEM 4 - RAP90871 (AP24628)</p>
MECHANISM AP22034	<p><b>SINGLE CYLINDER ROOM EXTENSION - 24.0" STROKE - AP22033 KIT</b></p> <p><a href="#">SEE MR41.1101 FOR DRAWING AND PARTS INFORMATION.</a>            CYLINDER ASSEMBLY _____ ITEM 1 - RAP90688 (27.0" STROKE) - REPLACES AP15818            HOSE ASSEMBLIES _____ ITEM 3 - RAP90872 (AP24632) ITEM 4 - RAP90871 (AP24628)</p>
MECHANISM AP22124	<p><b>SINGLE CYLINDER ROOM EXTENSION - 24.0" STROKE - AP22123 KIT</b></p> <p><a href="#">SEE MR41.1101 FOR DRAWING AND PARTS INFORMATION.</a>            CYLINDER ASSEMBLY _____ ITEM 1 - RAP90688 (27.0" STROKE) - REPLACES AP15818            HOSE ASSEMBLIES _____ ITEM 3 - RAP90872 (AP24632) ITEM 4 - RAP90871 (AP24628)</p>
MECHANISM AP23086	<p><b>SINGLE CYLINDER ROOM EXTENSION - 24.0" STROKE - AP23085 KIT</b></p> <p><a href="#">SEE MR41.1101 FOR DRAWING AND PARTS INFORMATION.</a>            CYLINDER ASSEMBLY _____ ITEM 1 - RAP90688 (27.0" STROKE) - REPLACES AP15818            HOSE ASSEMBLIES _____ ITEM 3 - RAP90872 (AP24632) ITEM 4 - RAP90871 (AP24628)</p>
MECHANISM AP23750 AP24579	<p><b>TRAIN DRIVE ROOM EXTENSION - (4) CYLINDERS - 20.0" STROKE (WITH SYNCHRONIZING CYLINDER)            AP23012, AP25585, AP24892, AND AP25709 KITS</b></p> <p><a href="#">SEE MR41.2650 FOR DRAWING AND PARTS INFORMATION.</a>            CYLINDER ASSEMBLY _____ ITEM 1 - AP25500 - CONTACT HWH CORPORATION FOR REPLACEMENT            SYNCHRONIZING CYLINDER _____ RAP90857 (2.78" STROKE) - REPLACES AP23247  <a href="#">SEE MR41.8000 FOR ADDITIONAL SYNC CYL REPLACEMENT PARTS</a>            HOSE ASSEMBLIES _____ ITEM 1A - RAP91237 - REPLACES AP25732            HOSE ASSEMBLIES _____ ITEM 2 - RAP91531 - REPLACES AP24568 (TOP ROD END)            HOSE ASSEMBLIES _____ ITEM 2 - RAP91530 - REPLACES AP24569 (TOP CAP END)            HOSE ASSEMBLIES _____ ITEM 2 - RAP91540 - REPLACES AP24570 (BOTTOM ROD END)            HOSE ASSEMBLIES _____ ITEM 2 - RAP91538 - REPLACES AP24571 (BOTTOM CAP END)</p>
MECHANISM AP24054	<p><b>SINGLE CYLINDER ROOM EXTENSION - 24.0" STROKE - AP24053 KIT</b></p> <p><a href="#">SEE MR41.1101 FOR DRAWING AND PARTS INFORMATION.</a>            CYLINDER ASSEMBLY _____ ITEM 1 - RAP90688 (27.0" STROKE) - REPLACES AP15818            HOSE ASSEMBLIES _____ ITEM 3 - RAP90872 (AP24632) ITEM 4 - RAP90871 (AP24628)</p>
MECHANISM AP24342	<p><b>SINGLE CYLINDER ROOM EXTENSION - 24.0" STROKE - AP23325 KIT</b></p> <p><a href="#">SEE MR41.1101 FOR DRAWING AND PARTS INFORMATION.</a>            CYLINDER ASSEMBLY _____ ITEM 1 - RAP90688 (27.0" STROKE) - REPLACES AP15818            HOSE ASSEMBLIES _____ ITEM 3 - RAP90872 (AP24632) ITEM 4 - RAP90871 (AP24628)</p>

# ROOM EXTENSION ASSEMBLIES GUIDE PAGE "NEWELL" (PAGE 5 OF 5)

PROCEDURE: SEE: "NEWELL" (PAGE 1 OF 5)

MECHANISM AP21674 AP21675	<p><b>VERTICAL ARM ROOM EXTENSION - 22.0" STROKE (WITH SYNCHRONIZING CYLINDER)</b> AP24602, AP24841, AND AP26533 KITS</p> <hr/> <p><b>SEE MR41.2505 FOR DRAWING AND PARTS INFORMATION.</b>  <b>CYLINDER ASSEMBLY</b> _____ ITEM 1 - AP24522 (9.689" STROKE) - CONTACT HWH CORPORATION  <b>SYNCHRONIZING CYLINDER</b> _____ ITEM 6 - RAP91016 (3.600" STROKE) - REPLACES AP24532  <b>HOSE ASSEMBLIES</b> _____ ITEM 4 - RAP90801 (AP24658) ITEM 5 - RAP90321 (AP24653)</p>
MECHANISM AP24583	<p><b>SINGLE CYLINDER ROOM EXTENSION - 24.0" STROKE - AP24582 KIT</b></p> <hr/> <p><b>SEE MR41.1101 FOR DRAWING AND PARTS INFORMATION.</b>  <b>CYLINDER ASSEMBLY</b> _____ ITEM 1 - RAP90688 (27.0" STROKE) - REPLACES AP15818  <b>HOSE ASSEMBLIES</b> _____ ITEM 3 - RAP91750 (AP13842) ITEM 4 - RAP91751 (AP16434)</p>
MECHANISM AP24830	<p><b>SINGLE CYLINDER ROOM EXTENSION - 24.0" STROKE - AP21546 KIT</b></p> <hr/> <p><b>SEE MR41.1101 FOR DRAWING AND PARTS INFORMATION.</b>  <b>CYLINDER ASSEMBLY</b> _____ ITEM 1 - RAP90688 (27.0" STROKE) - REPLACES AP15818  <b>HOSE ASSEMBLIES</b> _____ ITEM 3 - RAP90872 (AP24632) ITEM 4 - RAP90871 (AP24628)</p>
MECHANISM AP25597	<p><b>SINGLE CYLINDER ROOM EXTENSION - 24.0" STROKE - AP25587 KIT</b></p> <hr/> <p><b>SEE MR41.1101 FOR DRAWING AND PARTS INFORMATION.</b>  <b>CYLINDER ASSEMBLY</b> _____ ITEM 1 - RAP90688 (27.0" STROKE) - REPLACES AP15818  <b>HOSE ASSEMBLIES</b> _____ ITEM 3 - RAP90872 (AP24632) ITEM 4 - RAP90871 (AP24628)</p>
MECHANISM AP26228	<p><b>SINGLE CYLINDER ROOM EXTENSION - 24.0" STROKE - AP24810 KIT</b></p> <hr/> <p><b>SEE MR41.1101 FOR DRAWING AND PARTS INFORMATION.</b>  <b>CYLINDER ASSEMBLY</b> _____ ITEM 1 - RAP90688 (27.0" STROKE) - REPLACES AP15818  <b>HOSE ASSEMBLIES</b> _____ ITEM 3 - RAP90872 (AP24632) ITEM 4 - RAP90871 (AP24628)</p>
MECHANISM AP26541	<p><b>SINGLE CYLINDER ROOM EXTENSION - 24.0" STROKE - AP22364 KIT</b></p> <hr/> <p><b>SEE MR41.1101 FOR DRAWING AND PARTS INFORMATION.</b>  <b>CYLINDER ASSEMBLY</b> _____ ITEM 1 - RAP90688 (27.0" STROKE) - REPLACES AP15818  <b>HOSE ASSEMBLIES</b> _____ ITEM 3 - RAP90872 (AP24632) ITEM 4 - RAP90871 (AP24628)</p>

# ROOM EXTENSION ASSEMBLIES GUIDE PAGE "NEWMAR"

**PROCEDURE:**

1. Locate the HWH identification tag on the room extension mechanism to get the correct room extension part number.
2. Find the correct room extension part number in the left column below.
3. Refer to the proper parts page for general replacement parts information and item number arrangements.
4. Two cylinder room extensions with a synchronizing cylinder have two room extension part numbers. One number is for the left assembly, one is for the right assembly. If the room extension assembly originally had one number, that number is listed with the new numbers.

<b>MECHANISM AP15128</b>	<b>GENERATOR EXTENSION - 20.0" STROKE - AP15127 KIT</b>
	<b>NO INFORMATION AVAILABLE.</b>
<b>MECHANISM AP15130</b>	<b>GENERATOR EXTENSION - 20.0" STROKE - AP15129 KIT</b>
	<b>NO INFORMATION AVAILABLE.</b>
<b>MECHANISM AP33893 AP33894</b>	<b>CAP EXTENSION - 30.0" STROKE - AP33864 KIT</b>
	<b>SEE MR41.2003 FOR DRAWING AND PARTS INFORMATION.</b>
	<b>CYLINDER ASSEMBLY</b> _____ <b>ITEM 1 - RAP91337 (30.5" STROKE) - REPLACES AP25935</b>
	<b>SYNCHRONIZING CYLINDER</b> _____ <b>ITEM 3 - RAP91019 (3.935" STROKE) - REPLACES AP13180</b>
	<b>TUBE KIT</b> _____ <b>ITEM 2 - RAP91023 - REPLACES AP27998</b>
<b>MECHANISM AP35175</b>	<b>DOOR LIFT ASSEMBLY - AP35131 KIT</b>
	<b>CYLINDER ASSEMBLY</b> _____ <b>RAP92538 (17.004" STROKE) - REPLACES AP35076</b>
	<b>HOSE ASSEMBLIES</b> _____ <b>RAP91573 (CAP END)                      RAP91852 (ROD END)</b>

# ROOM EXTENSION ASSEMBLIES GUIDE PAGE "NOMAD TECHNOLOGIES"

**PROCEDURE:**

1. Locate the HWH identification tag on the room extension mechanism to get the correct room extension part number.
2. Find the correct room extension part number in the left column below.
3. Refer to the proper parts page for general replacement parts information and item number arrangements.
4. Two cylinder room extensions with a synchronizing cylinder have two room extension part numbers. One number is for the left assembly, one is for the right assembly. If the room extension assembly originally had one number, that number is listed with the new numbers.

<b>MECHANISM</b> <b>AP36205</b> <b>AP36206</b>	<b>UNIVERSAL LEVEL OUT ROOM EXTENSION - 30.0" STROKE (WITH SYNC. CYLINDER) - AP36209 KIT</b>  <b>SEE MR41.2683 FOR DRAWING AND PARTS INFORMATION.</b> <b>CYLINDER ASSEMBLY</b> _____ ITEM 1 - RAP91702 (34.0" STROKE) - REPLACES AP31461 <b>LIFT CYLINDER ASSEMBLY</b> _____ ITEM 10 - RAP91992 (2.75" LIFT) - REPLACES AP34390 <b>SYNCHRONIZING CYLINDER</b> _____ ITEM 3 - RAP90473 (12.155" STROKE) - REPLACES AP13192 <b>LIFT SYNCHRONIZING CYLINDER</b> ____ ITEM 11 - RAP92473 - REPLACES AP34576 <b>TUBE KIT</b> _____ ITEM 2 - RAP91703 - REPLACES AP31486 <b>HOSE ASSEMBLIES</b> _____ ITEM 4 - RAP90872 (AP24632) ITEM 5 - RAP91421 (AP24818)
<b>MECHANISM</b> <b>AP38944</b> <b>AP38945</b>	<b>UNIVERSAL LEVEL OUT - 30.0" STROKE (WITH SYNCHRONIZING CYLINDER) - AP40124 KIT</b>  <b>SEE MR41.2690 FOR DRAWING AND PARTS INFORMATION.</b> <b>CYLINDER ASSEMBLY</b> _____ ITEM 1 - RAP92076 (30.5" STROKE) - REPLACES AP38072 <b>LIFT CYLINDER ASSEMBLY</b> _____ ITEM 14 - RAP92260 (2.75" LIFT) - REPLACES AP38604 <b>SYNCHRONIZING CYLINDER</b> _____ ITEM 3 - RAP92077 (10.540" STROKE) - REPLACES AP37881 <b>LIFT SYNCHRONIZING CYLINDER</b> ____ ITEM 15 - RAP92316 - REPLACES AP38264 <b>TUBE KIT</b> _____ ITEM 2 - RAP92079 - REPLACES AP38267 <b>HOSE ASSEMBLIES</b> _____ ITEM 4 - RAP90872 (AP24632) ITEM 5 - RAP91421 (AP24818)
<b>MECHANISM</b> <b>AP40753</b> <b>AP40754</b>	<b>UNIVERSAL LEVEL OUT - 30.0" STROKE (WITH SYNCHRONIZING CYLINDER) - AP43554 KIT</b>  <b>SEE MR41.2690 FOR DRAWING AND PARTS INFORMATION.</b> <b>CYLINDER ASSEMBLY</b> _____ ITEM 1 - RAP92076 (30.5" STROKE) - REPLACES AP38072 <b>LIFT CYLINDER ASSEMBLY</b> _____ ITEM 14 - RAP92261 (3.50" LIFT) - REPLACES AP40746 <b>SYNCHRONIZING CYLINDER</b> _____ ITEM 3 - RAP92077 (10.540" STROKE) - REPLACES AP37881 <b>LIFT SYNCHRONIZING CYLINDER</b> ____ ITEM 15 - RAP92503 - REPLACES AP40832 <b>TUBE KIT</b> _____ ITEM 2 - RAP92079 - REPLACES AP38267 <b>HOSE ASSEMBLIES</b> _____ ITEM 4 - RAP90872 (AP24632) ITEM 5 - RAP91421 (AP24818)

# ROOM EXTENSION ASSEMBLIES GUIDE PAGE "OBS, INC."

**PROCEDURE:**

1. Locate the HWH identification tag on the room extension mechanism to get the correct room extension part number.
2. Find the correct room extension part number in the left column below.
3. Refer to the proper parts page for general replacement parts information and item number arrangements.
4. Two cylinder room extensions with a synchronizing cylinder have two room extension part numbers. One number is for the left assembly, one is for the right assembly. If the room extension assembly originally had one number, that number is listed with the new numbers.

<b>MECHANISM AP38900 AP38901</b>	<b>UNIVERSAL STRAIGHT OUT - 24.0" STROKE (WITH SYNCHRONIZING CYLINDER) - AP39679 KIT</b>
	<b>SEE MR41.2685 FOR DRAWING AND PARTS INFORMATION.</b>
	<b>CYLINDER ASSEMBLY</b> _____ ITEM 1 - RAP92076 (30.5" STROKE) - REPLACES AP38072
	<b>SYNCHRONIZING CYLINDER</b> _____ ITEM 3 - RAP92275 (8.420" STROKE) - REPLACES AP39271
	<b>TUBE KIT</b> _____ ITEM 2 - RAP92079 - REPLACES AP38267
	<b>HOSE ASSEMBLIES</b> _____ ITEM 4 - RAP90872 (AP24632) ITEM 5 - RAP91421 (AP24818)

---

# ROOM EXTENSION ASSEMBLIES GUIDE PAGE "ODESSA INDUSTRIES"

---

**PROCEDURE:**

1. Locate the HWH identification tag on the room extension mechanism to get the correct room extension part number.
2. Find the correct room extension part number in the left column below.
3. Refer to the proper parts page for general replacement parts information and item number arrangements.
4. Two cylinder room extensions with a synchronizing cylinder have two room extension part numbers. One number is for the left assembly, one is for the right assembly. If the room extension assembly originally had one number, that number is listed with the new numbers.

---

<b>MECHANISM</b> <b>AP16061</b> <b>AP16062</b>	<b>VERTICAL ARM ROOM EXTENSION - 24.0" STROKE (WITH SYNCHRONIZING CYLINDER) - AP16063 KIT</b>  <b>SEE MR41.2500 FOR DRAWING AND PARTS INFORMATION.</b> <b>CYLINDER ASSEMBLY</b> _____ ITEM 1 - RAP90426 (9.689" STROKE) - REPLACES AP14028 <b>SYNCHRONIZING CYLINDER</b> _____ ITEM 6 - RAP90427 (3.815" STROKE) - REPLACES AP14027 <b>HOSE ASSEMBLIES</b> _____ ITEM 4 - RAP91752 (AP14062) ITEM 5 - RAP90428 (AP24642)
--	---

---



---

# ROOM EXTENSION ASSEMBLIES GUIDE PAGE "OLYMPUS TECHNOLOGIES, INC."

---

**PROCEDURE:**

1. Locate the HWH identification tag on the room extension mechanism to get the correct room extension part number.
2. Find the correct room extension part number in the left column below.
3. Refer to the proper parts page for general replacement parts information and item number arrangements.
4. Two cylinder room extensions with a synchronizing cylinder have two room extension part numbers. One is for the left assembly, one is for the right assembly. If the room extension assembly originally had one number, that number is listed with the new numbers.

<b>MECHANISM</b> <b>AP38251</b> <b>AP38252</b>	<b>UNIVERSAL STRAIGHT OUT - 30.0" STROKE (WITH SYNCHRONIZING CYLINDER) - AP41580 KIT</b>
	<b>SEE MR41.2685 FOR DRAWING AND PARTS INFORMATION.</b>
	<b>CYLINDER ASSEMBLY</b> _____ ITEM 1 - RAP92076 (30.5" STROKE) - REPLACES AP38072
	<b>SYNCHRONIZING CYLINDER</b> _____ ITEM 3 - RAP92077 (10.540" STROKE) - REPLACES AP37881
	<b>TUBE KIT</b> _____ ITEM 2 - RAP92079 - REPLACES AP38267
	<b>HOSE ASSEMBLIES</b> _____ ITEM 4 - RAP90872 (AP24632) ITEM 5 - RAP91421 (AP24818)

# ROOM EXTENSION ASSEMBLIES GUIDE PAGE "OSHKOSH SPECIALTY VEHICLES"

**PROCEDURE:**

1. Locate the HWH identification tag on the room extension mechanism to get the correct room extension part number.
2. Find the correct room extension part number in the left column below.
3. Refer to the proper parts page for general replacement parts information and item number arrangements.
4. Two cylinder room extensions with a synchronizing cylinder have two room extension part numbers. One is for the left assembly, one is for the right assembly. If the room extension assembly originally had one number, that number is listed with the new numbers.

<b>MECHANISM AP38251 AP38252</b>	<b>UNIVERSAL STRAIGHT OUT - 30.0" STROKE (WITH SYNCHRONIZING CYLINDER) - AP44250 KIT</b>  <b>SEE MR41.2685 FOR DRAWING AND PARTS INFORMATION.</b> <b>CYLINDER ASSEMBLY</b> _____ ITEM 1 - RAP92076 (30.5" STROKE) - REPLACES AP38072 <b>SYNCHRONIZING CYLINDER</b> _____ ITEM 3 - RAP92077 (10.540" STROKE) - REPLACES AP37881 <b>TUBE KIT</b> _____ ITEM 2 - RAP92079 - REPLACES AP38267 <b>HOSE ASSEMBLIES</b> _____ ITEM 4 - RAP90872 (AP24632) ITEM 5 - RAP91421 (AP24818)
<b>MECHANISM AP38900 AP38901</b>	<b>UNIVERSAL STRAIGHT OUT - 24.0" STROKE (WITH SYNCHRONIZING CYLINDER) - AP47235 KIT</b>  <b>SEE MR41.2685 FOR DRAWING AND PARTS INFORMATION.</b> <b>CYLINDER ASSEMBLY</b> _____ ITEM 1 - RAP92076 (30.5" STROKE) - REPLACES AP38072 <b>SYNCHRONIZING CYLINDER</b> _____ ITEM 3 - RAP92275 (8.420" STROKE) - REPLACES AP39271 <b>TUBE KIT</b> _____ ITEM 2 - RAP92079 - REPLACES AP38267 <b>HOSE ASSEMBLIES</b> _____ ITEM 4 - RAP90872 (AP24632) ITEM 5 - RAP91421 (AP24818)
<b>MECHANISM AP43447 AP43448</b>	<b>UNIVERSAL STRAIGHT OUT - 22.0" STROKE (WITH SYNCHRONIZING CYLINDER) - AP43398 KIT</b>  <b>SEE MR41.2685 FOR DRAWING AND PARTS INFORMATION.</b> <b>CYLINDER ASSEMBLY</b> _____ ITEM 1 - RAP92540 (30.5" STROKE) - REPLACES AP43446 <b>SYNCHRONIZING CYLINDER</b> _____ ITEM 3 - RAP92522 (7.710" STROKE) - REPLACES AP43403 <b>HOSE ASSEMBLIES</b> _____ ITEM 4 - RAP90872 (AP24632) ITEM 5 - RAP4827 (AP4827)

# ROOM EXTENSION ASSEMBLIES GUIDE PAGE "OTTERBACHER MFG."

**PROCEDURE:**

1. Locate the HWH identification tag on the room extension mechanism to get the correct room extension part number.
2. Find the correct room extension part number in the left column below.
3. Refer to the proper parts page for general replacement parts information and item number arrangements.
4. Two cylinder room extensions with a synchronizing cylinder have two room extension part numbers. One number is for the left assembly, one is for the right assembly. If the room extension assembly originally had one number, that number is listed with the new numbers.

<b>MECHANISM</b> <b>AP15749</b> OR <b>AP19331</b> <b>AP19332</b>	<b>DUAL CYLINDER ROOM EXTENSION - 41.5" STROKE (WITH SYNCHRONIZING CYLINDER) - AP15748 KIT</b>  <a href="#">SEE MR41.2000 FOR DRAWING AND PARTS INFORMATION.</a> <b>CYLINDER ASSEMBLY</b> _____ ITEM 1 - RAP90475 (42.5" STROKE) - REPLACES AP15821 <b>SYNCHRONIZING CYLINDER</b> _____ ITEM 3 - RAP90445 (16.895" STROKE) - REPLACES AP15764 <b>TUBE KIT</b> _____ ITEM 2 - RAP90481 - REPLACES AP15379
<b>MECHANISM</b> <b>AP15755</b> OR <b>AP19324</b> <b>AP19325</b>	<b>DUAL CYLINDER ROOM EXTENSION - 35.5" STROKE (WITH SYNCHRONIZING CYLINDER) - AP15754 KIT</b>  <a href="#">SEE MR41.2000 FOR DRAWING AND PARTS INFORMATION.</a> <b>CYLINDER ASSEMBLY</b> _____ ITEM 1 - RAP90476 (36.0" STROKE) - REPLACES AP15824 <b>SYNCHRONIZING CYLINDER</b> _____ ITEM 3 - RAP90446 (14.425" STROKE) - REPLACES AP15763 <b>TUBE KIT</b> _____ ITEM 2 - RAP90480 - REPLACES AP13252
<b>MECHANISM</b> <b>AP15757</b> OR <b>AP19300</b> <b>AP19301</b>	<b>DUAL CYLINDER ROOM EXTENSION - 41.5" STROKE (WITH SYNCHRONIZING CYLINDER) - AP15756 KIT</b>  <a href="#">SEE MR41.2005 FOR DRAWING AND PARTS INFORMATION.</a> <b>CYLINDER ASSEMBLY</b> _____ ITEM 1 - RAP90475 (42.5" STROKE) - REPLACES AP15821 <b>SYNCHRONIZING CYLINDER</b> _____ ITEM 3 - RAP90445 (16.895" STROKE) - REPLACES AP15764 <b>TUBE KIT</b> _____ ITEM 2 - RAP90481 - REPLACES AP15379
<b>MECHANISM</b> <b>AP15758</b> OR <b>AP19333</b> <b>AP19334</b>	<b>DUAL CYLINDER ROOM EXTENSION - 29.5" STROKE (WITH SYNCHRONIZING CYLINDER) - AP15752 KIT</b>  <a href="#">SEE MR41.2000 FOR DRAWING AND PARTS INFORMATION.</a> <b>CYLINDER ASSEMBLY</b> _____ ITEM 1 - RAP90467 (30.0" STROKE) - REPLACES AP15822 <b>SYNCHRONIZING CYLINDER</b> _____ ITEM 3 - RAP90444 (11.950" STROKE) - REPLACES AP15762 <b>TUBE KIT</b> _____ ITEM 2 - RAP90480 - REPLACES AP13252
<b>MECHANISM</b> <b>AP17080</b>	<b>DUAL CYLINDER BED LIFT - 24.0" STROKE - AP15753 KIT</b>  <b>CYLINDER ASSEMBLY</b> _____ AP17080 (24.0" STROKE) - CONTACT HWH CORPORATON
<b>MECHANISM</b> <b>AP18611</b> <b>AP18612</b>	<b>DUAL CYLINDER ROOM EXTENSION - 48.0" STROKE (WITH SYNCHRONIZING CYLINDER) - AP18610 KIT</b>  <a href="#">SEE MR41.2005 FOR DRAWING AND PARTS INFORMATION.</a> <b>CYLINDER ASSEMBLY</b> _____ ITEM 1 - RAP90479 (49.0" STROKE) - REPLACES AP15317 <b>SYNCHRONIZING CYLINDER</b> _____ ITEM 3 - RAP90462 (19.575" STROKE) - REPLACES AP14500 <b>TUBE KIT</b> _____ ITEM 2 - RAP90481 - REPLACES AP15379
<b>MECHANISM</b> <b>AP18614</b> <b>AP18615</b>	<b>DUAL CYLINDER ROOM EXTENSION - 48.0" STROKE (WITH SYNCHRONIZING CYLINDER) - AP18613 KIT</b>  <a href="#">SEE MR41.2000 FOR DRAWING AND PARTS INFORMATION.</a> <b>CYLINDER ASSEMBLY</b> _____ ITEM 1 - RAP90479 (49.0" STROKE) - REPLACES AP15317 <b>SYNCHRONIZING CYLINDER</b> _____ ITEM 3 - RAP90462 (19.575" STROKE) - REPLACES AP14500 <b>TUBE KIT</b> _____ ITEM 2 - RAP90481 - REPLACES AP15379

# ROOM EXTENSION ASSEMBLIES GUIDE PAGE "OUTLAW WELDING & MECHANICAL"

**PROCEDURE:**

1. Locate the HWH identification tag on the room extension mechanism to get the correct room extension part number.
2. Find the correct room extension part number in the left column below.
3. Refer to the proper parts page for general replacement parts information and item number arrangements.
4. Two cylinder room extensions with a synchronizing cylinder have two room extension part numbers. One number is for the left assembly, one is for the right assembly. If the room extension assembly originally had one number, that number is listed with the new numbers.

<b>MECHANISM AP18902</b>	<b>SINGLE CYLINDER ROOM EXTENSION - 24.0" STROKE - AP42302 KIT</b>  <a href="#">SEE MR41.1100 FOR DRAWING AND PARTS INFORMATION.</a> <b>CYLINDER ASSEMBLY</b> _____ ITEM 1 - RAP91021 (27.0" STROKE) - REPLACES AP28682 <b>HOSE ASSEMBLIES</b> _____ ITEM 3 - RAP91750 (AP13842) ITEM 4 - RAP91751 (AP16434)
<b>MECHANISM AP38251 AP38252</b>	<b>UNIVERSAL STRAIGHT OUT - 30.0" STROKE (WITH SYNCHRONIZING CYLINDER) - AP42301 KIT</b>  <a href="#">SEE MR41.2685 FOR DRAWING AND PARTS INFORMATION.</a> <b>CYLINDER ASSEMBLY</b> _____ ITEM 1 - RAP92076 (30.5" STROKE) - REPLACES AP38072 <b>SYNCHRONIZING CYLINDER</b> _____ ITEM 3 - RAP92077 (10.540" STROKE) - REPLACES AP37881 <b>TUBE KIT</b> _____ ITEM 2 - RAP92079 - REPLACES AP38267 <b>HOSE ASSEMBLIES</b> _____ ITEM 4 - RAP90872 (AP24632) ITEM 5 - RAP91421 (AP24818)

---

# ROOM EXTENSION ASSEMBLIES GUIDE PAGE "OWEN TRAILERS"

---

**PROCEDURE:**

1. Locate the HWH identification tag on the room extension mechanism to get the correct room extension part number.
2. Find the correct room extension part number in the left column below.
3. Refer to the proper parts page for general replacement parts information and item number arrangements.
4. Two cylinder room extensions with a synchronizing cylinder have two room extension part numbers. One number is for the left assembly, one is for the right assembly. If the room extension assembly originally had one number, that number is listed with the new numbers.

<b>MECHANISM AP24059</b>	<b>SINGLE CYLINDER ROOM EXTENSION - 34.5" STROKE (WITH SYNC. CYLINDER) - AP24058 KIT</b>  <b>SEE MR41.1008 FOR DRAWING AND PARTS INFORMATION.</b> <b>CYLINDER ASSEMBLY _____ ITEM 1 - RAP90488 (34.5" STROKE) - REPLACES AP15224</b> <b>TUBE KIT _____ ITEM 2 - RAP90480 - REPLACES AP13252</b>
------------------------------	---

# ROOM EXTENSION ASSEMBLIES GUIDE PAGE "PACE AMERICAN/OPTIMA (PAGE 1 OF 2)"

**PROCEDURE:**

1. Locate the HWH identification tag on the room extension mechanism to get the correct room extension part number.
2. Find the correct room extension part number in the left column below.
3. Refer to the proper parts page for general replacement parts information and item number arrangements.
4. Two cylinder room extensions with a synchronizing cylinder have two room extension part numbers. One number is for the left assembly, one is for the right assembly. If the room extension assembly originally had one number, that number is listed with the new numbers.

MECHANISM AP26895 AP26896	<p><b>DUAL CYLINDER ROOM EXTENSION - 36.0" STROKE (WITH SYNCHRONIZING CYLINDER) - AP37233 KIT</b></p> <p><a href="#">SEE MR41.2005 FOR DRAWING AND PARTS INFORMATION.</a></p> <p>CYLINDER ASSEMBLY _____ ITEM 1 - RAP91799 (36.5" STROKE) - REPLACES AP23577            SYNCHRONIZING CYLINDER _____ ITEM 3 - RAP90474 (14.630" STROKE) - REPLACES AP12484            TUBE KIT _____ ITEM 2 - RAP90480 - REPLACES AP13252</p>
MECHANISM AP31531 AP31532	<p><b>X-SLIDE ROOM EXTENSION - 30.75" STROKE (WITH SYNCHRONIZING CYLINDER) - AP31530 KIT</b></p> <p><a href="#">SEE MR41.2670 FOR DRAWING AND PARTS INFORMATION.</a></p> <p>CYLINDER ASSEMBLY _____ ITEM 1 - RAP91352 (13.900" STROKE) - REPLACES AP27513            SYNCHRONIZING CYLINDER _____ ITEM 3 - RAP90725 (5.460" STROKE) - REPLACES AP15043            TUBE KIT _____ ITEM 2 - RAP91229 - REPLACES AP27587            HOSE ASSEMBLIES _____ ITEM 4 - RAP90384 (AP24630) ITEM 5 - RAP91852 (AP34246)</p>
MECHANISM AP32618 AP32619	<p><b>X-SLIDE ROOM EXTENSION - 18.0" STROKE (WITH SYNCHRONIZING CYLINDER) - AP32617 KIT</b></p> <p><a href="#">SEE MR41.2670 FOR DRAWING AND PARTS INFORMATION.</a></p> <p>CYLINDER ASSEMBLY _____ ITEM 1 - RAP91007 (8.100" STROKE) - REPLACES - AP27723            SYNCHRONIZING CYLINDER _____ ITEM 3 - RAP91006 (2.970" STROKE) - REPLACES - AP27302            TUBE KIT _____ ITEM 2 - RAP91229 - REPLACES AP27587            HOSE ASSEMBLIES _____ ITEM 4 - RAP90384 (AP24630) ITEM 5 - RAP91852 (AP34246)</p>
MECHANISM AP38251 AP38252	<p><b>UNIVERSAL STRAIGHT OUT - 30.0" STROKE (WITH SYNCHRONIZING CYLINDER) - AP41217 KIT</b></p> <p><a href="#">SEE MR41.2685 FOR DRAWING AND PARTS INFORMATION.</a></p> <p>CYLINDER ASSEMBLY _____ ITEM 1 - RAP92076 (30.5" STROKE) - REPLACES AP38072            SYNCHRONIZING CYLINDER _____ ITEM 3 - RAP92077 (10.540" STROKE) - REPLACES AP37881            TUBE KIT _____ ITEM 2 - RAP92079 - REPLACES AP38267            HOSE ASSEMBLIES _____ ITEM 4 - RAP90872 (AP24632) ITEM 5 - RAP91421 (AP24818)</p>
MECHANISM AP38944 AP38945	<p><b>UNIVERSAL LEVEL OUT - 30.0" STROKE (WITH SYNCHRONIZING CYLINDER) - AP38545 AND AP40674 KITS</b></p> <p><a href="#">SEE MR41.2690 FOR DRAWING AND PARTS INFORMATION.</a></p> <p>CYLINDER ASSEMBLY _____ ITEM 1 - RAP92076 (30.5" STROKE) - REPLACES AP38072            LIFT CYLINDER ASSEMBLY _____ ITEM 11 - RAP92260 (2.75" LIFT) - REPLACES AP38604            SYNCHRONIZING CYLINDER _____ ITEM 3 - RAP92077 (10.540" STROKE) - REPLACES AP37881            LIFT SYNCHRONIZING CYLINDER _____ ITEM 12 - RAP92316 - REPLACES AP38264            TUBE KIT _____ ITEM 2 - RAP92079 - REPLACES AP38267            HOSE ASSEMBLIES _____ ITEM 4 - RAP90872 (AP24632) ITEM 5 - RAP91421 (AP24818)            CENTER LIFT CYLINDER _____ ITEM 13 - RAP92279 - REPLACES AP35823</p>
MECHANISM AP39182 AP39183	<p><b>UNIVERSAL STRAIGHT OUT - 18.0" STROKE (WITH SYNCHRONIZING CYLINDER) - AP38938 KIT</b></p> <p><a href="#">SEE MR41.2685 FOR DRAWING AND PARTS INFORMATION.</a></p> <p>CYLINDER ASSEMBLY _____ ITEM 1 - RAP92076 (30.5" STROKE) - REPLACES AP38072            SYNCHRONIZING CYLINDER _____ ITEM 3 - RAP92369 (6.300" STROKE) - REPLACES AP39267            TUBE KIT _____ ITEM 2 - RAP92079 - REPLACES AP38267            HOSE ASSEMBLIES _____ ITEM 4 - RAP90872 (AP24632) ITEM 5 - RAP91421 (AP24818)</p>

**ROOM EXTENSION ASSEMBLIES  
GUIDE PAGE  
"PACE AMERICAN/OPTIMA (PAGE 2 OF 2)"**

PROCEDURE: SEE "PACE AMERICAN/OPTIMA (PAGE 1 OF 2)"

MECHANISM AP39159	<p><b>SINGLE CYLINDER ROOM EXTENSION - 18.0" STROKE - AP38546 KIT</b></p> <p><b>SEE MR41.1100 FOR DRAWING AND PARTS INFORMATION.</b>  <b>CYLINDER ASSEMBLY</b> _____ ITEM 1 - RAP91021 (27.0" STROKE) - REPLACES AP28682  <b>HOSE ASSEMBLIES</b> _____ ITEM 3 - RAP90872 (AP24632) ITEM 4 - RAP90871 (AP24628)</p>
MECHANISM AP40753 AP40754	<p><b>UNIVERSAL LEVEL OUT - 30.0" STROKE (WITH SYNCHRONIZING CYLINDER) - AP40682 AND AP42344 KITS</b></p> <p><b>SEE MR41.2690 FOR DRAWING AND PARTS INFORMATION.</b>  <b>CYLINDER ASSEMBLY</b> _____ ITEM 1 - RAP92076 (30.5" STROKE) - REPLACES AP38072  <b>LIFT CYLINDER ASSEMBLY</b> _____ ITEM 11 - RAP92261 (3.50" LIFT) - REPLACES AP40746  <b>SYNCHRONIZING CYLINDER</b> _____ ITEM 3 - RAP92077 (10.540" STROKE) - REPLACES AP37881  <b>LIFT SYNCHRONIZING CYLINDER</b> _____ ITEM 12 - RAP92503 - REPLACES AP40832  <b>TUBE KIT</b> _____ ITEM 2 - RAP92079 - REPLACES AP38267  <b>HOSE ASSEMBLIES</b> _____ ITEM 4 - RAP90872 (AP24632) ITEM 5 - RAP91421 (AP24818)  <b>CENTER LIFT CYLINDER</b> _____ ITEM 13 - RAP92506 - REPLACES AP39601</p>
MECHANISM AP43166 AP43167	<p><b>UNIVERSAL STRAIGHT OUT / LEVEL OUT - 30.0" STROKE (WITH SYNC. CYLINDER) - AP43092 KIT</b></p> <p><b>SEE MR41.2685 FOR DRAWING AND PARTS INFORMATION.</b>  <b>CYLINDER ASSEMBLY</b> _____ ITEM 1 - RAP92076 (30.5" STROKE) - REPLACES AP38072  <b>SYNCHRONIZING CYLINDER</b> _____ ITEM 3 - RAP92513 (10.540" STROKE) - REPLACES AP39500  <b>TUBE KIT</b> _____ ITEM 2 - RAP92079 - REPLACES AP38267  <b>HOSE ASSEMBLIES</b> _____ ITEM 4 - RAP90872 (AP24632) ITEM 5 - RAP91421 (AP24818)  <b>ROOM LIFT CYLINDERS</b> _____ RAP92514 (4.00" STROKE) - REPLACES AP43168</p>
MECHANISM AP43733 AP43734	<p><b>UNIVERSAL STRAIGHT OUT - 22.0" STROKE (WITH SYNCHRONIZING CYLINDER) - AP44731 KIT</b></p> <p><b>SEE MR41.2685 FOR DRAWING AND PARTS INFORMATION.</b>  <b>CYLINDER ASSEMBLY</b> _____ ITEM 1 - RAP92076 (30.5" STROKE) - REPLACES AP38072  <b>SYNCHRONIZING CYLINDER</b> _____ ITEM 3 - RAP92522 (7.710" STROKE) - REPLACES AP43403  <b>TUBE KIT</b> _____ ITEM 2 - RAP92079 - REPLACES AP38267  <b>HOSE ASSEMBLIES</b> _____ ITEM 4 - RAP90872 (AP24632) ITEM 5 - RAP91421 (AP24818)</p>

# ROOM EXTENSION ASSEMBLIES GUIDE PAGE "PACLIGHT ELECTRONICS"

**PROCEDURE:**

1. Locate the HWH identification tag on the room extension mechanism to get the correct room extension part number.
2. Find the correct room extension part number in the left column below.
3. Refer to the proper parts page for general replacement parts information and item number arrangements.
4. Two cylinder room extensions with a synchronizing cylinder have two room extension part numbers. One number is for the left assembly, one is for the right assembly. If the room extension assembly originally had one number, that number is listed with the new numbers.

<b>MECHANISM AP19309 AP19310</b>	<b>DUAL CYLINDER ROOM EXTENSION - 48.0" STROKE (WITH SYNCHRONIZING CYLINDER) - AP39729 KIT</b>  <b>SEE MR41.2000 FOR DRAWING AND PARTS INFORMATION.</b> <b>CYLINDER ASSEMBLY</b> _____ ITEM 1 - RAP90479 (49.0" STROKE) - REPLACES AP15317 <b>SYNCHRONIZING CYLINDER</b> _____ ITEM 3 - RAP90462 (19.575" STROKE) - REPLACES AP14500 <b>TUBE KIT</b> _____ ITEM 2 - RAP90481 - REPLACES AP15379
<b>MECHANISM AP23213</b>	<b>CYLINDER KIT - 36.0" STROKE (WITH SYNCHRONIZING CYLINDER) - AP43237 KIT</b>  <b>CYLINDER ASSEMBLY</b> _____ RAP90696 (36.0" STROKE) - REPLACES AP19256 <b>SYNCHRONIZING CYLINDER</b> _____ RAP90474 (14.630" STROKE) - REPLACES AP12484
<b>MECHANISM AP35844</b>	<b>CYLINDER KIT - 34.0" STROKE (WITH SYNCHRONIZING CYLINDER) - AP35850 KIT</b>  <b>CYLINDER ASSEMBLY</b> _____ RAP92541 (34.0" STROKE) - REPLACES AP35855 <b>SYNCHRONIZING CYLINDER</b> _____ RAP90664 (13.910" STROKE) - REPLACES AP19186



# ROOM EXTENSION ASSEMBLIES GUIDE PAGE "PERFORMANCE TRAILERS INC"

**PROCEDURE:**

1. Locate the HWH identification tag on the room extension mechanism to get the correct room extension part number.
2. Find the correct room extension part number in the left column below.
3. Refer to the proper parts page for general replacement parts information and item number arrangements.
4. Two cylinder room extensions with a synchronizing cylinder have two room extension part numbers. One number is for the left assembly, one is for the right assembly. If the room extension assembly originally had one number, that number is listed with the new numbers.

<b>MECHANISM</b> <b>AP23217</b> <b>AP23218</b>	<b>DUAL CYLINDER ROOM EXTENSION - 36.0" STROKE (WITH SYNCHRONIZING CYLINDER) - AP23216 KIT</b>  <a href="#">SEE MR41.2000 FOR DRAWING AND PARTS INFORMATION.</a> <b>CYLINDER ASSEMBLY</b> _____ ITEM 1 - RAP91799 (36.5" STROKE) - REPLACES AP23577 <b>SYNCHRONIZING CYLINDER</b> _____ ITEM 3 - RAP90474 (14.630" STROKE) - REPLACES AP12484 <b>TUBE KIT</b> _____ ITEM 2 - RAP90480 - REPLACES AP13252
<b>MECHANISM</b> <b>AP25857</b> <b>AP25858</b>	<b>DUAL CYLINDER ROOM EXTENSION - 28.0" STROKE (WITH SYNCHRONIZING CYLINDER) - AP25856 KIT</b>  <a href="#">SEE MR41.2005 FOR DRAWING AND PARTS INFORMATION.</a> <b>CYLINDER ASSEMBLY</b> _____ ITEM 1 - RAP90478 (28.5" STROKE) - REPLACES AP15322 <b>SYNCHRONIZING CYLINDER</b> _____ ITEM 3 - RAP90455 (11.335" STROKE) - REPLACES AP15320 <b>TUBE KIT</b> _____ ITEM 2 - RAP90480 - REPLACES AP13252

**ROOM EXTENSION ASSEMBLIES  
GUIDE PAGE  
"PERSPECTIVE ENTERPRISES"**

**PROCEDURE:**

1. Locate the HWH identification tag on the room extension mechanism to get the correct room extension part number.
2. Find the correct room extension part number in the left column below.
3. Refer to the proper parts page for general replacement parts information and item number arrangements.
4. Two cylinder room extensions with a synchronizing cylinder have two room extension part numbers. One number is for the left assembly, one is for the right assembly. If the room extension assembly originally had one number, that number is listed with the new numbers.

<b>MECHANISM AP12109</b>	<b>SINGLE CYLINDER ROOM EXTENSION - 37.0" STROKE - AP12108 KIT</b>
	<p><b>SEE MR41.1000 FOR DRAWING AND PARTS INFORMATION.</b></p> <p><b>CYLINDER ASSEMBLY</b> _____ ITEM 1 - AP12113 (37.0" STROKE) - CONTACT HWH CORPORATION</p> <p><b>TUBE KIT</b> _____ ITEM 2 - RAP90345 - REPLACES AP12112</p>
<b>MECHANISM AP13016</b>	<b>DUAL CYLINDER ROOM EXTENSION - 39.0" STROKE (WITH RACK SENSING VALVE) - AP13017 KIT</b>
	<p><b>SEE MR41.1536 FOR DRAWING AND PARTS INFORMATION.</b></p> <p><b>CYLINDER ASSEMBLY</b> _____ ITEM 1 - RAP90007 (39.0" STROKE) - REPLACES AP1700</p> <p><b>HOSE ASSEMBLIES</b> _____ ITEM 6 - RAP4073 (AP4073)    ITEM 8 - RAP90348 (AP7099)</p> <p style="padding-left: 350px;">ITEM 7 - RAP90003 (AP2446)    ITEM 9 - RAP6115 (AP6115)</p>

---

# ROOM EXTENSION ASSEMBLIES GUIDE PAGE "PICKARD CONVERSIONS"

---

**PROCEDURE:**

1. Locate the HWH identification tag on the room extension mechanism to get the correct room extension part number.
2. Find the correct room extension part number in the left column below.
3. Refer to the proper parts page for general replacement parts information and item number arrangements.
4. Two cylinder room extensions with a synchronizing cylinder have two room extension part numbers. One number is for the left assembly, one is for the right assembly. If the room extension assembly originally had one number, that number is listed with the new numbers.

<b>MECHANISM</b> <b>AP15969</b> <b>OR</b> <b>AP19298</b> <b>AP19299</b>	<b>DUAL CYLINDER ROOM EXTENSION - 30.0" STROKE (WITH SYNCHRONIZING CYLINDER) - AP15968 KIT</b>  <b>SEE MR41.2005 FOR DRAWING AND PARTS INFORMATION.</b> <b>CYLINDER ASSEMBLY</b> _____ ITEM 1 - RAP90487 (30.5" STROKE) - REPLACES AP15184 <b>SYNCHRONIZING CYLINDER</b> _____ ITEM 3 - RAP90473 (12.155" STROKE) - REPLACES AP13192 <b>TUBE KIT</b> _____ ITEM 2 - RAP90480 - REPLACES AP13252
---	--

# ROOM EXTENSION ASSEMBLIES GUIDE PAGE "PK VAN BODIES"

**PROCEDURE:**

1. Locate the HWH identification tag on the room extension mechanism to get the correct room extension part number.
2. Find the correct room extension part number in the left column below.
3. Refer to the proper parts page for general replacement parts information and item number arrangements.
4. Two cylinder room extensions with a synchronizing cylinder have two room extension part numbers. One number is for the left assembly, one is for the right assembly. If the room extension assembly originally had one number, that number is listed with the new numbers.

<b>MECHANISM</b> <b>AP35233</b> <b>AP35234</b>	<b>UNIVERSAL LEVEL OUT ROOM EXTENSION - 30.0" STROKE (WITH SYNC. CYLINDER) - AP37330 KIT</b>  <b>SEE MR41.2683 FOR DRAWING AND PARTS INFORMATION.</b> <b>CYLINDER ASSEMBLY</b> _____ ITEM 1 - RAP91702 (34.0" STROKE) - REPLACES AP31461 <b>LIFT CYLINDER ASSEMBLY</b> _____ ITEM 10 - RAP91992 - REPLACES AP34390 (2.75" LIFT) <b>SYNCHRONIZING CYLINDER</b> _____ ITEM 3 - RAP90473 (12.155" STROKE) - REPLACES AP13192 <b>TUBE KIT</b> _____ ITEM 2 - RAP91703 - REPLACES AP31486 <b>HOSE ASSEMBLIES</b> _____ ITEM 4 - RAP90872 (AP24632) ITEM 5 - RAP91421 (AP24818) <b>LIFT SYNCHRONIZING CYLINDER</b> ____ ITEM 11 - RAP92473 - REPLACES AP34576
<b>MECHANISM</b> <b>AP38251</b> <b>AP38252</b>	<b>UNIVERSAL STRAIGHT OUT - 30.0" STROKE (WITH SYNCHRONIZING CYLINDER) - AP41418 KIT</b>  <b>SEE MR41.2685 FOR DRAWING AND PARTS INFORMATION.</b> <b>CYLINDER ASSEMBLY</b> _____ ITEM 1 - RAP92076 (30.5" STROKE) - REPLACES AP38072 <b>SYNCHRONIZING CYLINDER</b> _____ ITEM 3 - RAP92077 (10.540" STROKE) - REPLACES AP37881 <b>TUBE KIT</b> _____ ITEM 2 - RAP92079 - REPLACES AP38267 <b>HOSE ASSEMBLIES</b> _____ ITEM 4 - RAP90872 (AP24632) ITEM 5 - RAP91421 (AP24818)
<b>MECHANISM</b> <b>AP38944</b> <b>AP38945</b>	<b>UNIVERSAL LEVEL OUT - 30.0" STROKE (WITH SYNCHRONIZING CYLINDER) - AP42244 KIT</b>  <b>SEE MR41.2690 FOR DRAWING AND PARTS INFORMATION.</b> <b>CYLINDER ASSEMBLY</b> _____ ITEM 1 - RAP92076 (30.5" STROKE) - REPLACES AP38072 <b>LIFT CYLINDER ASSEMBLY</b> _____ ITEM 14 - RAP92260 (2.75" LIFT) - REPLACES AP38604 <b>SYNCHRONIZING CYLINDER</b> _____ ITEM 3 - RAP92077 (10.540" STROKE) - REPLACES AP37881 <b>LIFT SYNCHRONIZING CYLINDER</b> ____ ITEM 15 - RAP92316 - REPLACES AP38264 <b>TUBE KIT</b> _____ ITEM 2 - RAP92079 - REPLACES AP38267 <b>HOSE ASSEMBLIES</b> _____ ITEM 4 - RAP90872 (AP24632) ITEM 5 - RAP91421 (AP24818)

# ROOM EXTENSION ASSEMBLIES GUIDE PAGE "PLATINUM MFG"

**PROCEDURE:**

1. Locate the HWH identification tag on the room extension mechanism to get the correct room extension part number.
2. Find the correct room extension part number in the left column below.
3. Refer to the proper parts page for general replacement parts information and item number arrangements.
4. Two cylinder room extensions with a synchronizing cylinder have two room extension part numbers. One number is for the left assembly, one is for the right assembly. If the room extension assembly originally had one number, that number is listed with the new numbers.

<b>MECHANISM</b> <b>AP31283</b> <b>AP31284</b>	<b>X-SLIDE ROOM EXTENSION - 30.75" STROKE (WITH SYNCHRONIZING CYLINDER) - AP31282 KIT</b>  <b>SEE MR41.2670 FOR DRAWING AND PARTS INFORMATION.</b> <b>CYLINDER ASSEMBLY</b> _____ ITEM 1 - RAP91352 (13.900" STROKE) - REPLACES AP27513 <b>SYNCHRONIZING CYLINDER</b> _____ ITEM 3 - RAP90725 (5.460" STROKE) - REPLACES AP15043 <b>TUBE KIT</b> _____ ITEM 2 - RAP91229 - REPLACES AP27587 <b>HOSE ASSEMBLIES</b> _____ ITEM 4 - RAP91574 (AP24627) ITEM 5 - RAP91573 (AP32672)
<b>MECHANISM</b> <b>AP38251</b> <b>AP38252</b>	<b>UNIVERSAL STRAIGHT OUT - 30.0" STROKE (WITH SYNCHRONIZING CYLINDER) - AP39509 KIT</b>  <b>SEE MR41.2685 FOR DRAWING AND PARTS INFORMATION.</b> <b>CYLINDER ASSEMBLY</b> _____ ITEM 1 - RAP92076 (30.5" STROKE) - REPLACES AP38072 <b>SYNCHRONIZING CYLINDER</b> _____ ITEM 3 - RAP92077 (10.540" STROKE) - REPLACES AP37881 <b>TUBE KIT</b> _____ ITEM 2 - RAP92079 - REPLACES AP38267 <b>HOSE ASSEMBLIES</b> _____ ITEM 4 - RAP90872 (AP24632) ITEM 5 - RAP91421 (AP24818)

# ROOM EXTENSION ASSEMBLIES GUIDE PAGE "POWER IN MOTION"

**PROCEDURE:**

1. Locate the HWH identification tag on the room extension mechanism to get the correct room extension part number.
2. Find the correct room extension part number in the left column below.
3. Refer to the proper parts page for general replacement parts information and item number arrangements.
4. Two cylinder room extensions with a synchronizing cylinder have two room extension part numbers. One number is for the left assembly, one is for the right assembly. If the room extension assembly originally had one number, that number is listed with the new numbers.

<b>MECHANISM</b> <b>AP18605</b> <b>AP18606</b>	<b>DUAL CYLINDER ROOM EXTENSION - 46.0" STROKE (WITH SYNCHRONIZING CYLINDER) - AP18604 KIT</b>  <a href="#">SEE MR41.2005 FOR DRAWING AND PARTS INFORMATION.</a> <b>CYLINDER ASSEMBLY</b> _____ ITEM 1 - RAP90660 (47.0" STROKE) - REPLACES AP18626 <b>SYNCHRONIZING CYLINDER</b> _____ ITEM 3 - RAP90661 (18.75" STROKE) - REPLACES AP18607 <b>TUBE KIT</b> _____ ITEM 2 - RAP90481 - REPLACES AP15379
<b>MECHANISM</b> <b>AP19286</b> <b>AP19287</b>	<b>DUAL CYLINDER ROOM EXTENSION - 46.0" STROKE (WITH SYNCHRONIZING CYLINDER) - AP17035 KIT</b>  <a href="#">SEE MR41.2000 FOR DRAWING AND PARTS INFORMATION.</a> <b>CYLINDER ASSEMBLY</b> _____ ITEM 1 - RAP91698 (47.0" STROKE) - REPLACES AP17332 <b>SYNCHRONIZING CYLINDER</b> _____ ITEM 3 - RAP91699 (17.585" STROKE) - REPLACES AP17253 <b>TUBE KIT</b> _____ ITEM 2 - RAP90481 - REPLACES AP15379

---

# ROOM EXTENSION ASSEMBLIES GUIDE PAGE "QUALITY VANS"

---

**PROCEDURE:**

1. Locate the HWH identification tag on the room extension mechanism to get the correct room extension part number.
2. Find the correct room extension part number in the left column below.
3. Refer to the proper parts page for general replacement parts information and item number arrangements.
4. Two cylinder room extensions with a synchronizing cylinder have two room extension part numbers. One is for the left assembly, one is for the right assembly. If the room extension assembly originally had one number, that number is listed with the new numbers.

---

<b>MECHANISM AP22093</b>	<b>FOUR CYLINDER CANOPY LIFT - 38.5" STROKE (WITH SYNCHRONIZING CYLINDER) - AP45710 KIT</b>  <b>CYLINDER ASSEMBLY</b> _____ RAP91700 - REPLACES AP22093 (38.5" STROKE) <b>SYNCHRONIZING CYLINDER</b> _____ RAP92915 - REPLACES AP43906 (15.455" STROKE) <b>SEE MR41.8004 FOR ADDITIONAL SYNC CYL REPLACEMENT PARTS</b>
------------------------------	--

---

# ROOM EXTENSION ASSEMBLIES GUIDE PAGE "QUIXOTE STUDIOS"

**PROCEDURE:**

1. Locate the HWH identification tag on the room extension mechanism to get the correct room extension part number.
2. Find the correct room extension part number in the left column below.
3. Refer to the proper parts page for general replacement parts information and item number arrangements.
4. Two cylinder room extensions with a synchronizing cylinder have two room extension part numbers. One number is for the left assembly, one is for the right assembly. If the room extension assembly originally had one number, that number is listed with the new numbers.

<b>MECHANISM</b> <b>AP31378</b> <b>AP31379</b>	<b>X-SLIDE ROOM EXTENSION - 30.75" STROKE (WITH SYNCHRONIZING CYLINDER) - AP31377 KIT</b>
	<b>SEE MR41.2670 FOR DRAWING AND PARTS INFORMATION.</b>
	<b>CYLINDER ASSEMBLY</b> _____ ITEM 1 - RAP91352 (13.900" STROKE) - REPLACES AP27513
	<b>SYNCHRONIZING CYLINDER</b> _____ ITEM 3 - RAP90725 (5.460" STROKE) - REPLACES AP15043
	<b>TUBE KIT</b> _____ ITEM 2 - RAP91229 - REPLACES AP27587
	<b>HOSE ASSEMBLIES</b> _____ ITEM 4 - RAP91574 (AP24627) ITEM 5 - RAP91573 (AP32672)



---

# ROOM EXTENSION ASSEMBLIES GUIDE PAGE "R & A MANUFACTURING, LLC"

---

**PROCEDURE:**

1. Locate the HWH identification tag on the room extension mechanism to get the correct room extension part number.
2. Find the correct room extension part number in the left column below.
3. Refer to the proper parts page for general replacement parts information and item number arrangements.
4. Two cylinder room extensions with a synchronizing cylinder have two room extension part numbers. One is for the left assembly, one is for the right assembly. If the room extension assembly originally had one number, that number is listed with the new numbers.

<b>MECHANISM</b> <b>AP38251</b> <b>AP38252</b>	<b>UNIVERSAL STRAIGHT OUT - 30.0" STROKE (WITH SYNCHRONIZING CYLINDER) - AP44154 KIT</b>
	<b>SEE MR41.2685 FOR DRAWING AND PARTS INFORMATION.</b>
	<b>CYLINDER ASSEMBLY</b> _____ <b>ITEM 1 - RAP92076 (30.5" STROKE) - REPLACES AP38072</b>
	<b>SYNCHRONIZING CYLINDER</b> _____ <b>ITEM 3 - RAP92077 (10.540" STROKE) - REPLACES AP37881</b>
	<b>TUBE KIT</b> _____ <b>ITEM 2 - RAP92079 - REPLACES AP38267</b>
	<b>HOSE ASSEMBLIES</b> _____ <b>ITEM 4 - RAP90872 (AP24632) ITEM 5 - RAP91421 (AP24818)</b>

# ROOM EXTENSION ASSEMBLIES GUIDE PAGE "RACE COACHES"

**PROCEDURE:**

1. Locate the HWH identification tag on the room extension mechanism to get the correct room extension part number.
2. Find the correct room extension part number in the left column below.
3. Refer to the proper parts page for general replacement parts information and item number arrangements.
4. Two cylinder room extensions with a synchronizing cylinder have two room extension part numbers. One number is for the left assembly, one is for the right assembly. If the room extension assembly originally had one number, that number is listed with the new numbers.

<b>MECHANISM AP24705</b>	<b>SINGLE CYLINDER ROOM EXTENSION - 30.0" STROKE - AP38114 KIT</b>  <a href="#">SEE MR41.1100 FOR DRAWING AND PARTS INFORMATION.</a> <b>CYLINDER ASSEMBLY</b> _____ ITEM 1 - RAP90949 (31.0" STROKE) - REPLACES AP24936 <b>HOSE ASSEMBLIES</b> _____ ITEM 3 - RAP90872 (AP24632) ITEM 4 - RAP90871 (AP24628)
<b>MECHANISM AP38298 AP38299</b>	<b>UNIVERSAL STRAIGHT OUT - 30.0" STROKE (WITH SYNCHRONIZING CYLINDER) - AP38113 KIT</b>  <a href="#">SEE MR41.2685 FOR DRAWING AND PARTS INFORMATION.</a> <b>CYLINDER ASSEMBLY</b> _____ ITEM 1 - RAP92076 (30.5" STROKE) - REPLACES AP38072 <b>SYNCHRONIZING CYLINDER</b> _____ ITEM 3 - RAP92077 (10.540" STROKE) - REPLACES AP37881 <b>TUBE KIT</b> _____ ITEM 2 - RAP92079 - REPLACES AP38267 <b>HOSE ASSEMBLIES</b> _____ ITEM 4 - RAP90872 (AP24632) ITEM 5 - RAP91421 (AP24818)

# ROOM EXTENSION ASSEMBLIES GUIDE PAGE "RACE TRAILER PARTS"

**PROCEDURE:**

1. Locate the HWH identification tag on the room extension mechanism to get the correct room extension part number.
2. Find the correct room extension part number in the left column below.
3. Refer to the proper parts page for general replacement parts information and item number arrangements.
4. Two cylinder room extensions with a synchronizing cylinder have two room extension part numbers. One is for the left assembly, one is for the right assembly. If the room extension assembly originally had one number, that number is listed with the new numbers.

<b>MECHANISM</b> <b>AP38251</b> <b>AP38252</b>	<b>UNIVERSAL STRAIGHT OUT - 30.0" STROKE (WITH SYNCHRONIZING CYLINDER) - AP44688 KIT</b>  <a href="#">SEE MR41.2685 FOR DRAWING AND PARTS INFORMATION.</a> <b>CYLINDER ASSEMBLY</b> _____ ITEM 1 - RAP92076 (30.5" STROKE) - REPLACES AP38072 <b>SYNCHRONIZING CYLINDER</b> _____ ITEM 3 - RAP92077 (10.540" STROKE) - REPLACES AP37881 <b>TUBE KIT</b> _____ ITEM 2 - RAP92079 - REPLACES AP38267 <b>HOSE ASSEMBLIES</b> _____ ITEM 4 - RAP90872 (AP24632) ITEM 5 - RAP91421 (AP24818)
<b>MECHANISM</b> <b>AP39182</b> <b>AP39183</b>	<b>UNIVERSAL STRAIGHT OUT - 18.0" STROKE (WITH SYNCHRONIZING CYLINDER) - AP49350 KIT</b>  <a href="#">SEE MR41.2685 FOR DRAWING AND PARTS INFORMATION.</a> <b>CYLINDER ASSEMBLY</b> _____ ITEM 1 - RAP92076 (30.5" STROKE) - REPLACES AP38072 <b>SYNCHRONIZING CYLINDER</b> _____ ITEM 3 - RAP92369 (6.300" STROKE) - REPLACES AP39267 <b>TUBE KIT</b> _____ ITEM 2 - RAP92079 - REPLACES AP38267 <b>HOSE ASSEMBLIES</b> _____ ITEM 4 - RAP90872 (AP24632) ITEM 5 - RAP91421 (AP24818)
<b>MECHANISM</b> <b>AP40753</b> <b>AP40754</b>	<b>UNIVERSAL LEVEL OUT - 30.0" STROKE (WITH SYNCHRONIZING CYLINDER) - AP44299 KIT</b>  <a href="#">SEE MR41.2690 FOR DRAWING AND PARTS INFORMATION.</a> <b>CYLINDER ASSEMBLY</b> _____ ITEM 1 - RAP92076 (30.5" STROKE) - REPLACES AP38072 <b>LIFT CYLINDER ASSEMBLY</b> _____ ITEM 11 - RAP92261 (3.50" LIFT) - REPLACES AP40746 <b>SYNCHRONIZING CYLINDER</b> _____ ITEM 3 - RAP92077 (10.540" STROKE) - REPLACES AP37881 <b>LIFT SYNCHRONIZING CYLINDER</b> _____ ITEM 12 - RAP92503 - REPLACES AP40832 <b>TUBE KIT</b> _____ ITEM 2 - RAP92079 - REPLACES AP38267 <b>HOSE ASSEMBLIES</b> _____ ITEM 4 - RAP90872 (AP24632) ITEM 5 - RAP91421 (AP24818) <b>CENTER LIFT CYLINDER</b> _____ ITEM 13 - RAP92506 - REPLACES AP39601

---

# ROOM EXTENSION ASSEMBLIES GUIDE PAGE "RACO COMMERCIAL SYSTEMS"

---

**PROCEDURE:**

1. Locate the HWH identification tag on the room extension mechanism to get the correct room extension part number.
2. Find the correct room extension part number in the left column below.
3. Refer to the proper parts page for general replacement parts information and item number arrangements.
4. Two cylinder room extensions with a synchronizing cylinder have two room extension part numbers. One number is for the left assembly, one is for the right assembly. If the room extension assembly originally had one number, that number is listed with the new numbers.

<b>MECHANISM</b> <b>AP22878</b> <b>AP22879</b>	<b>DUAL CYLINDER ROOM EXTENSION - 48.0" STROKE (WITH SYNCHRONIZING CYLINDER) - AP22877 KIT</b>  <b>SEE MR41.2005 FOR DRAWING AND PARTS INFORMATION.</b> <b>CYLINDER ASSEMBLY</b> _____ ITEM 1 - RAP90479 (49.0" STROKE) - REPLACES AP15317 <b>SYNCHRONIZING CYLINDER</b> _____ ITEM 3 - RAP90462 (19.575" STROKE) - REPLACES AP14500 <b>TUBE ASSEMBLIES</b> _____ ITEM 2 - RAP90481 - REPLACES AP15379
--	---

# ROOM EXTENSION ASSEMBLIES GUIDE PAGE "RB COMPONENTS"

**PROCEDURE:**

1. Locate the HWH identification tag on the room extension mechanism to get the correct room extension part number.
2. Find the correct room extension part number in the left column below.
3. Refer to the proper parts page for general replacement parts information and item number arrangements.
4. Two cylinder room extensions with a synchronizing cylinder have two room extension part numbers. One number is for the left assembly, one is for the right assembly. If the room extension assembly originally had one number, that number is listed with the new numbers.

<b>MECHANISM</b> <b>AP19309</b> <b>AP19310</b>	<b>DUAL CYLINDER ROOM EXTENSION - 48.0" STROKE (WITH SYNCHRONIZING CYLINDER) - AP42409 KIT</b>  <b>SEE MR41.2000 FOR DRAWING AND PARTS INFORMATION.</b> <b>CYLINDER ASSEMBLY</b> _____ ITEM 1 - RAP90479 (49.0" STROKE) - REPLACES AP15317 <b>SYNCHRONIZING CYLINDER</b> _____ ITEM 3 - RAP93208 (16.920" STROKE) - REPLACES AP49845 <b>TUBE KIT</b> _____ ITEM 2 - RAP90481 - REPLACES AP15379
<b>MECHANISM</b> <b>AP32922</b>	<b>SINGLE CYLINDER ROOM EXTENSION - 24.0" STROKE - AP49160 KIT</b>  <b>SEE MR41.1007 FOR DRAWING AND PARTS INFORMATION.</b> <b>CYLINDER ASSEMBLY</b> _____ ITEM 1 - RAP91806 (25.0" STROKE) - REPLACES AP15191 <b>TUBE KIT</b> _____ ITEM 2 - RAP90526 - REPLACES AP13592
<b>MECHANISM</b> <b>AP45900</b> <b>AP45901</b>	<b>UNIVERSAL STRAIGHT OUT - 30.0" STROKE (WITH SYNCHRONIZING CYLINDER) - AP47744 KIT</b>  <b>SEE MR41.2685 FOR DRAWING AND PARTS INFORMATION.</b> <b>CYLINDER ASSEMBLY</b> _____ ITEM 1 - RAP92076 (30.5" STROKE) - REPLACES AP38072 <b>SYNCHRONIZING CYLINDER</b> _____ ITEM 3 - RAP92077 (10.540" STROKE) - REPLACES AP37881 <b>TUBE KIT</b> _____ ITEM 2 - RAP92079 - REPLACES AP38267 <b>HOSE ASSEMBLIES</b> _____ ITEM 4 - RAP90872 (AP24632) ITEM 5 - RAP91421 (AP24818)

# ROOM EXTENSION ASSEMBLIES GUIDE PAGE "REED ENTERPRISES"

**PROCEDURE:**

1. Locate the HWH identification tag on the room extension mechanism to get the correct room extension part number.
2. Find the correct room extension part number in the left column below.
3. Refer to the proper parts page for general replacement parts information and item number arrangements.
4. Two cylinder room extensions with a synchronizing cylinder have two room extension part numbers. One is for the left assembly, one is for the right assembly. If the room extension assembly originally had one number, that number is listed with the new numbers.

<b>MECHANISM</b> <b>AP38251</b> <b>AP38252</b>	<b>UNIVERSAL STRAIGHT OUT - 30.0" STROKE (WITH SYNCHRONIZING CYLINDER) - AP39464 KIT</b>  <b>SEE MR41.2685 FOR DRAWING AND PARTS INFORMATION.</b> <b>CYLINDER ASSEMBLY</b> _____ <b>ITEM 1 - RAP92076 (30.5" STROKE) - REPLACES AP38072</b> <b>SYNCHRONIZING CYLINDER</b> _____ <b>ITEM 3 - RAP92077 (10.540" STROKE) - REPLACES AP37881</b> <b>TUBE KIT</b> _____ <b>ITEM 2 - RAP92079 - REPLACES AP38267</b> <b>HOSE ASSEMBLIES</b> _____ <b>ITEM 4 - RAP90872 (AP24632) ITEM 5 - RAP91421 (AP24818)</b>
--	--

---

# ROOM EXTENSION ASSEMBLIES GUIDE PAGE "RENEGADE / KIBBI"

---

**PROCEDURE:**

1. Locate the HWH identification tag on the room extension mechanism to get the correct room extension part number.
2. Find the correct room extension part number in the left column below.
3. Refer to the proper parts page for general replacement parts information and item number arrangements.
4. Two cylinder room extensions with a synchronizing cylinder have two room extension part numbers. One number is for the left assembly, one is for the right assembly. If the room extension assembly originally had one number, that number is listed with the new numbers.

---

<b>MECHANISM</b> <b>AP19170</b> <b>AP19171</b>	<b>DUAL CYLINDER ROOM EXTENSION - 34.0" STROKE (WITH SYNCHRONIZING CYLINDER) - AP19169 KIT</b>  <b>SEE MR41.2005 FOR DRAWING AND PARTS INFORMATION.</b> <b>CYLINDER ASSEMBLY</b> _____ ITEM 1 - RAP90663 (34.5" STROKE) - REPLACES AP19201 <b>SYNCHRONIZING CYLINDER</b> _____ ITEM 3 - RAP90664 (13.91" STROKE) - REPLACES AP19186 <b>TUBE KIT</b> _____ ITEM 2 - RAP90480 - REPLACES AP13252
--	---

---

# ROOM EXTENSION ASSEMBLIES GUIDE PAGE "RESCUE VEHICLES, INC."

**PROCEDURE:**

1. Locate the HWH identification tag on the room extension mechanism to get the correct room extension part number.
2. Find the correct room extension part number in the left column below.
3. Refer to the proper parts page for general replacement parts information and item number arrangements.
4. Two cylinder room extensions with a synchronizing cylinder have two room extension part numbers. One is for the left assembly, one is for the right assembly. If the room extension assembly originally had one number, that number is listed with the new numbers.

<b>MECHANISM</b> <b>AP38944</b> <b>AP38945</b>	<b>UNIVERSAL LEVEL OUT - 30.0" STROKE (WITH SYNCHRONIZING CYLINDER) - AP41376 KIT</b>
	<b>SEE MR41.2690 FOR DRAWING AND PARTS INFORMATION.</b>
	<b>CYLINDER ASSEMBLY _____</b> ITEM 1 - RAP92076 (30.5" STROKE) - REPLACES AP38072
	<b>LIFT CYLINDER ASSEMBLY _____</b> ITEM 11 - RAP92260 (2.75" LIFT) - REPLACES AP38604
	<b>SYNCHRONIZING CYLINDER _____</b> ITEM 3 - RAP92077 (10.540" STROKE) - REPLACES AP37881
	<b>LIFT SYNCHRONIZING CYLINDER _____</b> ITEM 12 - RAP92316 - REPLACES AP38264
	<b>TUBE KIT _____</b> ITEM 2 - RAP92079 - REPLACES AP38267
	<b>HOSE ASSEMBLIES _____</b> ITEM 4 - RAP90872 (AP24632) ITEM 5 - RAP91421 (AP24818)



# ROOM EXTENSION ASSEMBLIES GUIDE PAGE "REXHALL EAST"

**PROCEDURE:**

1. Locate the HWH identification tag on the room extension mechanism to get the correct room extension part number.
2. Find the correct room extension part number in the left column below.
3. Refer to the proper parts page for general replacement parts information and item number arrangements.
4. Two cylinder room extensions with a synchronizing cylinder have two room extension part numbers. One number is for the left assembly, one is for the right assembly. If the room extension assembly originally had one number, that number is listed with the new numbers.

<b>MECHANISM AP11433</b>	<b>DUAL CYLINDER ROOM EXTENSION - 39.0" STROKE (WITH RACK SENSING VALVE) - AP11434 KIT</b>
	<b>SEE MR41.1536 FOR DRAWING AND PARTS INFORMATION.</b> CYLINDER ASSEMBLY _____ ITEM 1 - RAP90007 (39.0" STROKE) - REPLACES AP1700 HOSE ASSEMBLIES _____ ITEM 7 - RAP4159 (AP4159) ITEM 9 - RAP4827 (AP4827) ITEM 8 - RAP90110 (AP2522) ITEM 10 - RAP90119 (AP11212)
<b>MECHANISM AP13572</b>	<b>SINGLE CYLINDER ROOM EXTENSION - 25.0" STROKE - AP13571 KIT</b>
	<b>SEE MR41.1000 FOR DRAWING AND PARTS INFORMATION.</b> CYLINDER ASSEMBLY _____ ITEM 1 - RAP90031 (25.0" STROKE) - REPLACES AP1911 TUBE KIT _____ ITEM 2 - RAP90029 - REPLACES AP2369
<b>MECHANISM AP13908</b>	<b>DUAL CYLINDER ROOM EXTENSION - 39.0" STROKE (WITH RACK SENSING VALVE) - AP13907 KIT</b>
	<b>SEE MR41.1536 FOR DRAWING AND PARTS INFORMATION.</b> CYLINDER ASSEMBLY _____ ITEM 1 - RAP90112 (39.0" STROKE) - REPLACES AP11105 HOSE ASSEMBLIES _____ ITEM 7 - RAP4159 (AP4159) ITEM 9 - RAP4827 (AP4827) ITEM 8 - RAP90110 (AP2522) ITEM 10 - RAP90119 (AP11212)
<b>MECHANISM AP19251 AP19252</b>	<b>DUAL CYLINDER ROOM EXTENSION - 41.5" STROKE (WITH SYNCHRONIZING CYLINDER) - AP15211 KIT</b>
	<b>SEE MR41.2015 FOR DRAWING AND PARTS INFORMATION.</b> CYLINDER ASSEMBLY _____ ITEM 1 - RAP90488 (35.0" STROKE) - REPLACES AP15224 SYNCHRONIZING CYLINDER _____ ITEM 3 - RAP90464 (14.01" STROKE) - REPLACES AP14368 TUBE KIT _____ ITEM 2 - RAP90480 - REPLACES AP13252
<b>MECHANISM AP19257 AP19258</b>	<b>DUAL CYLINDER ROOM EXTENSION - 25.0" STROKE (WITH SYNCHRONIZING CYLINDER) - AP16496 KIT</b>
	<b>SEE MR41.2015 FOR DRAWING AND PARTS INFORMATION.</b> CYLINDER ASSEMBLY _____ ITEM 1 - RAP90488 (35.0" STROKE) - REPLACES AP15224 SYNCHRONIZING CYLINDER _____ ITEM 3 - RAP90440 (10.095" STROKE) - REPLACES AP16509 TUBE KIT _____ ITEM 2 - RAP90480 - REPLACES AP13252

# ROOM EXTENSION ASSEMBLIES GUIDE PAGE "REXHALL WEST" (PAGE 1 OF 4)

**PROCEDURE:**

1. Locate the HWH identification tag on the room extension mechanism to get the correct room extension part number.
2. Find the correct room extension part number in the left column below.
3. Refer to the proper parts page for general replacement parts information and item number arrangements.
4. Two cylinder room extensions with a synchronizing cylinder have two room extension part numbers. One number is for the left assembly, one is for the right assembly. If the room extension assembly originally had one number, that number is listed with the new numbers.

<b>MECHANISM AP11036</b>	<b>DUAL CYLINDER ROOM EXTENSION - 39.0" STROKE (WITH RACK SENSING VALVE) - AP11035 KIT</b>
	<p><b>SEE MR41.1536 FOR DRAWING AND PARTS INFORMATION.</b></p> <p>CYLINDER ASSEMBLY _____ ITEM 1 - RAP90007 (39.0" STROKE) - REPLACES AP1700</p> <p>HOSE ASSEMBLIES _____ ITEM 7 - RAP4159 (AP4159)    ITEM 9 - RAP4074 (AP4074)</p> <p style="padding-left: 150px;">ITEM 8 - RAP90110 (AP2522)    ITEM 10 - RAP6115 (AP6115)</p>
<b>MECHANISM AP13572</b>	<b>SINGLE CYLINDER ROOM EXTENSION - 25.0" STROKE - AP13571 KIT</b>
	<p><b>SEE MR41.1000 FOR DRAWING AND PARTS INFORMATION.</b></p> <p>CYLINDER ASSEMBLY _____ ITEM 1 - RAP90031 (25.0" STROKE) - REPLACES AP1911</p> <p>TUBE KIT _____ ITEM 2 - RAP90029 - REPLACES AP2369</p>
<b>MECHANISM AP14345</b>	<b>DUAL CYLINDER ROOM EXTENSION - 39.0" STROKE (WITH RACK SENSING VALVE) - AP14344 KIT</b>
	<p><b>SEE MR41.1536 FOR DRAWING AND PARTS INFORMATION.</b></p> <p>CYLINDER ASSEMBLY _____ ITEM 1 - RAP90112 (39.0" STROKE) - REPLACES AP11105</p> <p>HOSE ASSEMBLIES _____ ITEM 7 - RAP4159 (AP4159)    ITEM 9 - RAP4074 (AP4074)</p> <p style="padding-left: 150px;">ITEM 8 - RAP90110 (AP2522)    ITEM 10 - RAP6115 (AP6115)</p>
<b>MECHANISM AP15344</b>	<b>CYLINDER ASSEMBLY - 24.5" STROKE</b>
	CYLINDER ASSEMBLY _____ RAP90456 (24.5" STROKE) - REPLACES AP15344
<b>MECHANISM AP17957 AP17988</b>	<b>DUAL CYLINDER ROOM EXTENSION - 18.0" STROKE (WITH SYNCHRONIZING CYLINDER) - AP17956 KIT</b>
	<p><b>SEE MR41.2015 FOR DRAWING AND PARTS INFORMATION.</b></p> <p>CYLINDER ASSEMBLY _____ ITEM 1 - RAP90488 (35.0" STROKE) - REPLACES AP15224</p> <p>SYNCHRONIZING CYLINDER _____ ITEM 3 - RAP90439 (7.210" STROKE) - REPLACES AP16618</p> <p>TUBE KIT _____ ITEM 2 - RAP90480 - REPLACES AP13252</p>
<b>MECHANISM AP18095 AP18096</b>	<b>DUAL CYLINDER ROOM EXTENSION - 32.0" STROKE (WITH SYNCHRONIZING CYLINDER) - AP18094 KIT</b>
	<p><b>SEE MR41.2015 FOR DRAWING AND PARTS INFORMATION.</b></p> <p>CYLINDER ASSEMBLY _____ ITEM 1 - RAP90667 (32.5" STROKE) - REPLACES AP18131</p> <p>SYNCHRONIZING CYLINDER _____ ITEM 3 - RAP90466 (12.98" STROKE) - REPLACES AP14301</p> <p>TUBE KIT _____ ITEM 2 - RAP90480 - REPLACES AP13252</p>
<b>MECHANISM AP18095 AP18096 AP18608</b>	<b>TRIPLE CYLINDER ROOM EXTENSION - 32.0" &amp; 18.0" STROKE (WITH SYNC. CYLINDER) - AP18609 KIT</b>
	<p><b>SEE MR41.2015 AND MR41.1007 FOR DRAWING AND PARTS INFORMATION.</b></p> <p>CYLINDER ASSEMBLY _____ RAP90667 (32.5" STROKE) - REPLACES AP18131</p> <p style="padding-left: 150px;">RAP90646 (19.0" STROKE) - REPLACES AP18602</p> <p>SYNCHRONIZING CYLINDER _____ RAP90668 (12.98" STROKE) - 3 CYLINDER - REPLACES AP18356</p> <p>SYNC. CYLINDER PRESS. SWITCH _____ RAP90654 - 4000 PSI PRESSURE SWITCH - REPLACES AP18676</p> <p>TUBE KIT _____ RAP90480 (AP13252) AND RAP90526 (AP13592)</p>

# ROOM EXTENSION ASSEMBLIES GUIDE PAGE "REXHALL WEST" (PAGE 2 OF 4)

PROCEDURE: SEE "REXHALL WEST" (PAGE 1 OF 4)

MECHANISM AP19251 AP19252	<p><b>DUAL CYLINDER ROOM EXTENSION - 34.5" STROKE (WITH SYNCHRONIZING CYLINDER) - AP15211 KIT</b></p> <p><a href="#">SEE MR41.2015 FOR DRAWING AND PARTS INFORMATION.</a></p> <p>CYLINDER ASSEMBLY _____ ITEM 1 - RAP90488 (35.0" STROKE) - REPLACES AP15224            SYNCHRONIZING CYLINDER _____ ITEM 3 - RAP90464 (14.01" STROKE) - REPLACES AP14368            TUBE KIT _____ ITEM 2 - RAP90480 - REPLACES AP13252</p>
MECHANISM AP19257 AP19258	<p><b>DUAL CYLINDER ROOM EXTENSION - 25.0" STROKE (WITH SYNCHRONIZING CYLINDER) - AP16496 KIT</b></p> <p><a href="#">SEE MR41.2015 FOR DRAWING AND PARTS INFORMATION.</a></p> <p>CYLINDER ASSEMBLY _____ ITEM 1 - RAP90488 (35.0" STROKE) - REPLACES AP15224            SYNCHRONIZING CYLINDER _____ ITEM 3 - RAP90440 (10.095" STROKE) - REPLACES AP16509            TUBE KIT _____ ITEM 2 - RAP90480 - REPLACES AP13252</p>
MECHANISM AP19392	<p><b>SINGLE CYLINDER ROOM EXTENSION - 24.0" STROKE - AP19391 KIT</b></p> <p><a href="#">SEE MR41.1100 FOR DRAWING AND PARTS INFORMATION.</a></p> <p>CYLINDER ASSEMBLY _____ ITEM 1 - RAP91021 (27.0" STROKE) - REPLACES AP28682            HOSE ASSEMBLY _____ ITEM 3 - RAP90872 (AP24632) ITEM 4 - RAP90871 (AP24628)</p>
MECHANISM AP19409 AP19410	<p><b>DUAL CYLINDER ROOM EXTENSION - 34.5" STROKE (WITH SYNCHRONIZING CYLINDER) - AP14371 KIT</b></p> <p><a href="#">SEE MR41.2010 FOR DRAWING AND PARTS INFORMATION.</a></p> <p>CYLINDER ASSEMBLY _____ ITEM 1 - RAP90488 (35.0" STROKE) - REPLACES AP15224            SYNCHRONIZING CYLINDER _____ ITEM 3 - RAP90464 (14.01" STROKE) - REPLACES AP14368            TUBE KIT _____ ITEM 2 - RAP90480 - REPLACES AP13252</p>
MECHANISM AP19926 AP19927	<p><b>DUAL CYLINDER ROOM EXTENSION - 25.0" STROKE (WITH SYNCHRONIZING CYLINDER) - AP19925 KIT</b></p> <p><a href="#">SEE MR41.2005 FOR DRAWING AND PARTS INFORMATION.</a></p> <p>CYLINDER ASSEMBLY _____ ITEM 1 - RAP90488 (35.0" STROKE) - REPLACES AP15224            SYNCHRONIZING CYLINDER _____ ITEM 3 - RAP90440 (10.095" STROKE) - REPLACES AP16509            TUBE KIT _____ ITEM 2 - RAP90480 - REPLACES AP13252</p>
MECHANISM AP19929 AP19930	<p><b>DUAL CYLINDER ROOM EXTENSION - 34.5" STROKE (WITH SYNCHRONIZING CYLINDER) - AP19928 KIT</b></p> <p><a href="#">SEE MR41.2005 FOR DRAWING AND PARTS INFORMATION.</a></p> <p>CYLINDER ASSEMBLY _____ ITEM 1 - RAP90488 (35.0" STROKE) - REPLACES AP15224            SYNCHRONIZING CYLINDER _____ ITEM 3 - RAP90464 (14.01" STROKE) - REPLACES AP14368            TUBE KIT _____ ITEM 2 - RAP90480 - REPLACES AP13252</p>
MECHANISM AP20618 AP20619	<p><b>DUAL CYLINDER ROOM EXTENSION - 34.5" STROKE (WITH SYNCHRONIZING CYLINDER) - AP20581 KIT</b></p> <p><a href="#">SEE MR41.2011 FOR DRAWING AND PARTS INFORMATION.</a></p> <p>CYLINDER ASSEMBLY _____ ITEM 1 - RAP90488 (35.0" STROKE) - REPLACES AP15224            SYNCHRONIZING CYLINDER _____ ITEM 3 - RAP90464 (14.01" STROKE) - REPLACES AP14368            TUBE KIT _____ ITEM 2 - RAP90480 - REPLACES AP13252</p>
MECHANISM AP20620 AP20621	<p><b>DUAL CYLINDER ROOM EXTENSION - 25.0" STROKE (WITH SYNCHRONIZING CYLINDER) - AP20580 KIT</b></p> <p><a href="#">SEE MR41.2011 FOR DRAWING AND PARTS INFORMATION.</a></p> <p>CYLINDER ASSEMBLY _____ ITEM 1 - RAP90488 (35.0" STROKE) - REPLACES AP15224            SYNCHRONIZING CYLINDER _____ ITEM 3 - RAP90440 (10.095" STROKE) - REPLACES AP16509            TUBE KIT _____ ITEM 2 - RAP90480 - REPLACES AP13252</p>
MECHANISM AP20867 AP20868	<p><b>DUAL CYLINDER LEVEL OUT ROOM EXTENSION - 32.0" STROKE (WITH SYNC. CYLINDER) - AP20866 KIT</b></p> <p><a href="#">SEE MR41.2200 FOR DRAWING AND PART INFORMATION.</a></p> <p>CYLINDER ASSEMBLY _____ ITEM 1 - RAP90696 (36.0" STROKE) - REPLACES AP19256            SYNCHRONIZING CYLINDER _____ ITEM 3 - RAP90466 (12.98" STROKE) - REPLACES AP14301            HOSE ASSEMBLY _____ ITEM 2 - RAP91561 - REPLACES AP24648</p>

# ROOM EXTENSION ASSEMBLIES GUIDE PAGE "REXHALL WEST" (PAGE 3 OF 4)

PROCEDURE: SEE "REXHALL WEST" (PAGE 1 OF 4)

MECHANISM AP20870 AP20871	DUAL CYLINDER LEVEL OUT ROOM EXTENSION - 34.5" STROKE (WITH SYNC. CYLINDER) - AP20869 KIT  <b>SEE MR41.2200 FOR DRAWING AND PART INFORMATION.</b> CYLINDER ASSEMBLY _____ ITEM 1 - RAP90696 (36.0" STROKE) - REPLACES AP19256 SYNCHRONIZING CYLINDER _____ ITEM 3 - RAP90464 (14.01" STROKE) - REPLACES AP14368 HOSE ASSEMBLY _____ ITEM 2 - RAP91561 - REPLACES AP24648
MECHANISM AP20978 AP20979	DUAL CYLINDER ROOM EXTENSION - 18.0" STROKE (WITH SYNCHRONIZING CYLINDER) - AP20977 KIT  <b>SEE MR41.2011 FOR DRAWING AND PART INFORMATION.</b> CYLINDER ASSEMBLY _____ ITEM 1 - RAP90488 (35.0" STROKE) - REPLACES AP15224 SYNCHRONIZING CYLINDER _____ ITEM 3 - RAP90439 (7.21" STROKE) - REPLACES AP16618 TUBE KIT _____ ITEM 2 - RAP90480 - REPLACES AP13252
MECHANISM AP21156	CYLINDER ASSEMBLY - 24.5" STROKE  CYLINDER ASSEMBLY _____ AP21156 (24.5" STROKE) - CONTACT HWH CORPORATION
MECHANISM AP21944	SINGLE CYLINDER ROOM EXTENSION - 34.5" STROKE - AP21943 KIT  <b>SEE MR41.1008 FOR DRAWING AND PART INFORMATION.</b> CYLINDER ASSEMBLY _____ ITEM 1 - RAP90488 (35.0" STROKE) - REPLACES AP15224 TUBE KIT _____ ITEM 2 - RAP90480 - REPLACES AP13252
MECHANISM AP22788	SINGLE CYLINDER ROOM EXTENSION - 25.0" STROKE - AP22787 KIT  <b>SEE MR41.1008 FOR DRAWING AND PART INFORMATION.</b> CYLINDER ASSEMBLY _____ ITEM 1 - RAP90488 (35.0" STROKE) - REPLACES AP15224 TUBE KIT _____ ITEM 2 - RAP90480 - REPLACES AP13252
MECHANISM AP22919 AP22920	DUAL CYLINDER LEVEL OUT ROOM EXTENSION - 34.5" STROKE (WITH SYNC. CYLINDER) - AP22918 KIT  <b>SEE MR41.2200 FOR DRAWING AND PART INFORMATION.</b> CYLINDER ASSEMBLY _____ ITEM 1 - RAP90696 (36.0" STROKE) - REPLACES AP19256 SYNCHRONIZING CYLINDER _____ ITEM 3 - RAP90464 (14.01" STROKE) - REPLACES AP14368
MECHANISM AP24307	SINGLE CYLINDER ROOM EXTENSION - 25.0" STROKE - AP24336 KIT  <b>SEE MR41.1100 FOR DRAWING AND PART INFORMATION.</b> CYLINDER ASSEMBLY _____ ITEM 1 - RAP91021 (27.0" STROKE) - REPLACES AP28682 HOSE ASSEMBLY _____ ITEM 3 - RAP91424 (AP24635) ITEM 4 - RAP90872 (AP24632)
MECHANISM AP27070 AP27071	LATERAL ARM ROOM EXTENSION - 21.0" STROKE (WITH TORSION BAR) - AP27069 KIT  NO INFORMATION AVAILABLE.
MECHANISM AP29218 AP29219	X-SLIDE ROOM EXTENSION - 25.0" STROKE (WITH SYNCHRONIZING CYLINDER) - AP30099 KIT  <b>SEE MR41.2670 FOR DRAWING AND PART INFORMATION.</b> CYLINDER ASSEMBLY _____ ITEM 1 - RAP91350 (11.40" STROKE) - REPLACES AP27865 SYNCHRONIZING CYLINDER _____ ITEM 3 - RAP91701 (4.300" STROKE) - REPLACES AP30260 TUBE KIT _____ ITEM 2 - RAP91229 - REPLACES AP27587 HOSE ASSEMBLIES _____ ITEM 5 - RAP90800 (AP24640) ITEM 6 - RAP91553 (AP27857)
MECHANISM AP29415	SINGLE CYLINDER ROOM EXTENSION - 18.0" STROKE - AP29414 KIT  <b>SEE MR41.1008 FOR DRAWING AND PART INFORMATION.</b> CYLINDER ASSEMBLY _____ ITEM 1 - RAP90488 (35.0" STROKE) - REPLACES AP15224 TUBE KIT _____ ITEM 2 - RAP90480 - REPLACES AP13252
MECHANISM AP29841	SINGLE CYLINDER ROOM EXTENSION - 18.0" STROKE - AP29840 KIT  <b>SEE MR41.1100 FOR DRAWING AND PART INFORMATION.</b> CYLINDER ASSEMBLY _____ ITEM 1 - RAP91021 (27.0" STROKE) - REPLACES AP28682 HOSE ASSEMBLY _____ ITEM 3 - RAP90872 (AP24632) ITEM 4 - RAP91424 (AP24635)

# ROOM EXTENSION ASSEMBLIES GUIDE PAGE "REXHALL WEST" (PAGE 4 OF 4)

PROCEDURE: SEE "REXHALL WEST" (PAGE 1 OF 4)

MECHANISM AP30563 AP30564	<p><b>DUAL CYLINDER LEVEL OUT ROOM EXTENSION - 34.5" STROKE (WITH SYNC. CYLINDER) - AP30562 KIT</b></p> <p><a href="#">SEE MR41.2200 FOR DRAWING AND PART INFORMATION.</a></p> <p>CYLINDER ASSEMBLY _____ ITEM 1 - RAP90696 (36.0" STROKE) - REPLACES AP19256          SYNCHRONIZING CYLINDER _____ ITEM 3 - RAP90464 (14.01" STROKE) - REPLACES AP14368          HOSE ASSEMBLIES _____ ITEM 2 - RAP91708 - REPLACES AP20533</p>
MECHANISM AP31319 AP31320	<p><b>UNIVERSAL SLIDE OUT ROOM EXTENSION - 25.0" STROKE (WITH SYNC. CYLINDER) - AP31307 KIT</b></p> <p><a href="#">SEE MR41.2680 FOR DRAWING AND PART INFORMATION.</a></p> <p>CYLINDER ASSEMBLY _____ ITEM 1 - RAP91702 (34.0" STROKE) - REPLACES AP31461          SYNCHRONIZING CYLINDER _____ ITEM 3 - RAP90440 (10.905" STROKE) - REPLACES AP16509          TUBE KIT _____ ITEM 2 - RAP91703 - REPLACES AP31486          HOSE ASSEMBLIES _____ ITEM 4 - RAP90872 (AP24632) ITEM 5 - RAP91421 (AP24818)</p>
MECHANISM AP32275 AP32276	<p><b>UNIVERSAL SLIDE OUT ROOM EXTENSION - 21.0" STROKE (WITH SYNC. CYLINDER) - AP32274 KIT</b></p> <p>NO INFORMATION AVAILABLE.</p>
MECHANISM AP32334 AP32335	<p><b>UNIVERSAL SLIDE OUT ROOM EXTENSION - 20.0" STROKE (WITH SYNC. CYLINDER) - AP32333 KIT</b></p> <p><a href="#">SEE MR41.2680 FOR DRAWING AND PART INFORMATION.</a></p> <p>CYLINDER ASSEMBLY _____ ITEM 1 - RAP91702 (34.0" STROKE) - REPLACES AP31461          SYNCHRONIZING CYLINDER _____ ITEM 3 - RAP90616 (8.240" STROKE) - REPLACES AP18122          TUBE KIT _____ ITEM 2 - RAP91703 - REPLACES AP31486          HOSE ASSEMBLIES _____ ITEM 4 - RAP90872 (AP24632) ITEM 5 - RAP91421 (AP24818)</p>
MECHANISM AP32989	<p><b>DUAL CYLINDER ROOM EXTENSION - 25.0" STROKE (WITH SYNCHRONIZING CYLINDER) - AP32988 KIT</b></p> <p>CYLINDER ASSEMBLY _____ RAP91705 (26.0" STROKE) - REPLACES AP35228 - TWO USED          SYNCHRONIZING CYLINDER _____ RAP90440 (10.095" STROKE) - REPLACES AP16509          HOSE ASSEMBLIES _____ RAP90872 (AP24632) - TWO USED</p>
MECHANISM AP36317	<p><b>SINGLE CYLINDER ROOM EXTENSION - 20.0" STROKE - AP36280 KIT</b></p> <p><a href="#">SEE MR41.1200 FOR DRAWING AND PART INFORMATION.</a></p> <p>CYLINDER ASSEMBLY _____ ITEM 1 - RAP91854 (22.5" STROKE) - REPLACES AP36318          TUBE KIT _____ ITEM 2 - RAP90526 - REPLACES AP13592</p>
MECHANISM AP36319	<p><b>SINGLE CYLINDER ROOM EXTENSION - 20.0" STROKE - AP36281 KIT</b></p> <p><a href="#">SEE MR41.1100 FOR DRAWING AND PART INFORMATION.</a></p> <p>CYLINDER ASSEMBLY _____ ITEM 1 - RAP91021 (27.0" STROKE) - REPLACES AP28682          HOSE ASSEMBLIES _____ ITEM 3 - RAP90872 (AP24632) ITEM 4 - RAP91424 (AP24635)</p>
MECHANISM AP37835	<p><b>CYLINDER ASSEMBLY - 24.5" STROKE</b></p> <p>CYLINDER ASSEMBLY _____ RAP92516 (24.5" STROKE) - REPLACES AP37835</p>
MECHANISM AP38251 AP38252	<p><b>UNIVERSAL STRAIGHT OUT - 30.0" STROKE (WITH SYNCHRONIZING CYLINDER) - AP50576 KIT</b></p> <p><a href="#">SEE MR41.2685 FOR DRAWING AND PARTS INFORMATION.</a></p> <p>CYLINDER ASSEMBLY _____ ITEM 1 - RAP92076 (30.5" STROKE) - REPLACES AP38072          SYNCHRONIZING CYLINDER _____ ITEM 3 - RAP92077 (10.540" STROKE) - REPLACES AP37881          TUBE KIT _____ ITEM 2 - RAP92079 - REPLACES AP38267          HOSE ASSEMBLIES _____ ITEM 4 - RAP90872 (AP24632) ITEM 5 - RAP91421 (AP24818)</p>

# ROOM EXTENSION ASSEMBLIES GUIDE PAGE "ROADMASTER CUSTOM MOTOR COACH"

**PROCEDURE:**

1. Locate the HWH identification tag on the room extension mechanism to get the correct room extension part number.
2. Find the correct room extension part number in the left column below.
3. Refer to the proper parts page for general replacement parts information and item number arrangements.
4. Two cylinder room extensions with a synchronizing cylinder have two room extension part numbers. One number is for the left assembly, one is for the right assembly. If the room extension assembly originally had one number, that number is listed with the new numbers.

<b>MECHANISM</b> <b>AP25730</b> <b>AP25731</b>	<b>VERTICAL ARM ROOM EXTENSION - 24.0" STROKE (WITH SYNCHRONIZING CYLINDER) - AP25729 KIT</b>  <b>SEE MR41.2500 FOR DRAWING AND PARTS INFORMATION.</b> <b>CYLINDER ASSEMBLY</b> _____ ITEM 1 - RAP91200 (10.172" STROKE) - REPLACES AP24733 <b>SYNCHRONIZING CYLINDER</b> _____ ITEM 6 - RAP91019 (3.935" STROKE) - REPLACES AP13180 <b>TUBE KIT</b> _____ RAP91224 - REPLACES AP23196 <b>HOSE ASSEMBLIES</b> _____ ITEM 4 - RAP90386 (AP24643) ITEM 5 - RAP91236 (AP24647)
<b>MECHANISM</b> <b>AP32458</b> <b>AP32459</b>	<b>LATERAL ARM ROOM EXTENSION - 20.0" STROKE (WITH SYNCHRONIZING CYLINDER) - AP32457 KIT</b>  <b>SEE MR41.2825 FOR DRAWING AND PARTS INFORMATION.</b> <b>CYLINDER ASSEMBLY</b> _____ ITEM 1 - RAP91351 (6.775" STROKE) - REPLACES AP27997 <b>SYNCHRONIZING CYLINDER</b> _____ ITEM 3 - RAP90524 (2.385" STROKE) - REPLACES AP14881 <b>TUBE KIT</b> _____ ITEM 2 - RAP91774 - REPLACES AP28035 <b>HOSE ASSEMBLIES</b> _____ ITEM 4 - RAP91574 (AP24627) ITEM 5 - RAP91574 (AP24627)
<b>MECHANISM</b> <b>AP32572</b> <b>AP32573</b>	<b>UNIVERSAL SLIDE OUT ROOM EXTENSION - 25.0" STROKE (WITH SYNC. CYLINDER) - AP32571 KIT</b>  <b>SEE MR41.2680 FOR DRAWING AND PARTS INFORMATION.</b> <b>CYLINDER ASSEMBLY</b> _____ ITEM 1 - RAP91702 (34.0" STROKE) - REPLACES AP31461 <b>SYNCHRONIZING CYLINDER</b> _____ ITEM 3 - RAP90440 (10.095" STROKE) - REPLACES AP16509 <b>TUBE KIT</b> _____ ITEM 2 - RAP91703 - REPLACES AP31486 <b>HOSE ASSEMBLIES</b> _____ ITEM 4 - RAP91421 (AP24818) ITEM 5 - RAP90872 (AP24632)



# ROOM EXTENSION ASSEMBLIES GUIDE PAGE "ROELOFSEN HEESWEG 41"

**PROCEDURE:**

1. Locate the HWH identification tag on the room extension mechanism to get the correct room extension part number.
2. Find the correct room extension part number in the left column below.
3. Refer to the proper parts page for general replacement parts information and item number arrangements.
4. Two cylinder room extensions with a synchronizing cylinder have two room extension part numbers. One number is for the left assembly, one is for the right assembly. If the room extension assembly originally had one number, that number is listed with the new numbers.

MECHANISM AP18960 AP18961	<b>DUAL CYLINDER ROOM EXTENSION - 35.5" STROKE (WITH SYNCHRONIZING CYLINDER) - AP41444 KIT</b>  <a href="#">SEE MR41.2000 FOR DRAWING AND PARTS INFORMATION.</a> CYLINDER ASSEMBLY _____ ITEM 1 - RAP90476 (36.0" STROKE) - REPLACES AP15824 SYNCHRONIZING CYLINDER _____ ITEM 3 - RAP90446 (14.425" STROKE) - REPLACES AP15763 TUBE ASSEMBLIES _____ ITEM 2 - RAP90480 - REPLACES AP13252
MECHANISM AP40238 AP40239	<b>DUAL CYLINDER ROOM EXTENSION - 35.5" STROKE (WITH SYNCHRONIZING CYLINDER) - AP39362 KIT</b>  <a href="#">SEE MR41.2011 FOR DRAWING AND PARTS INFORMATION.</a> CYLINDER ASSEMBLY _____ ITEM 1 - RAP92542 (36.5" STROKE) - REPLACES AP40622 SYNCHRONIZING CYLINDER _____ ITEM 3 - RAP90446 (14.425" STROKE) - REPLACES AP15763 TUBE ASSEMBLIES _____ ITEM 2 - RAP90481 - REPLACES AP15379
MECHANISM AP40241 AP40242	<b>DUAL CYLINDER ROOM EXTENSION - 43.5" STROKE (WITH SYNCHRONIZING CYLINDER) - AP40240 KIT</b>  <a href="#">SEE MR41.2011 FOR DRAWING AND PARTS INFORMATION.</a> CYLINDER ASSEMBLY _____ ITEM 1 - RAP92499 (44.5" STROKE) - REPLACES AP40624 SYNCHRONIZING CYLINDER _____ ITEM 3 - RAP92500 (17.795" STROKE) - REPLACES AP40571 TUBE ASSEMBLIES _____ ITEM 2 - RAP90481 - REPLACES AP15379
MECHANISM AP41437 AP41438	<b>DUAL CYLINDER ROOM EXTENSION - 43.5" STROKE (WITH SYNCHRONIZING CYLINDER) - AP41436 KIT</b>  <a href="#">SEE MR41.2000 FOR DRAWING AND PARTS INFORMATION.</a> CYLINDER ASSEMBLY _____ ITEM 1 - RAP92499 (44.5" STROKE) - REPLACES AP40624 SYNCHRONIZING CYLINDER _____ ITEM 3 - RAP92500 (17.795" STROKE) - REPLACES AP40571 TUBE ASSEMBLIES _____ ITEM 2 - RAP90481 - REPLACES AP15379

# ROOM EXTENSION ASSEMBLIES GUIDE PAGE "ROGUE COACH CONVERTERS"

**PROCEDURE:**

1. Locate the HWH identification tag on the room extension mechanism to get the correct room extension part number.
2. Find the correct room extension part number in the left column below.
3. Refer to the proper parts page for general replacement parts information and item number arrangements.
4. Two cylinder room extensions with a synchronizing cylinder have two room extension part numbers. One number is for the left assembly, one is for the right assembly. If the room extension assembly originally had one number, that number is listed with the new numbers.

MECHANISM AP10137	<b>DUAL CYLINDER ROOM EXTENSION - 37.0" STROKE (WITH RACK SENSING VALVE) - AP10145 KIT</b>
	<p><a href="#">SEE MR41.1534 FOR DRAWING AND PARTS INFORMATION.</a></p> <p>CYLINDER ASSEMBLY _____ ITEM 1 - RAP90069 (37.0" STROKE) - REPLACES AP2340</p> <p>HOSE ASSEMBLIES _____ ITEM 7 - RAP4073 (AP4073)    ITEM 9 - RAP4074 (AP4074)</p> <p style="padding-left: 150px;">ITEM 8 - RAP90003 (AP2446)    ITEM 10 - RAP90078 (AP4065)</p>
MECHANISM AP11399	<b>SINGLE CYLINDER ROOM EXTENSION - 24.0" STROKE - AP11565 KIT</b>
	<p><a href="#">SEE MR41.1005 FOR DRAWING AND PARTS INFORMATION.</a></p> <p>CYLINDER ASSEMBLY _____ ITEM 1 - RAP90355 (24.4" STROKE) - REPLACES AP11400</p> <p>HOSE ASSEMBLIES _____ ITEM 4 - RAP4059 (AP4059)    ITEM 5 - RAP90356 (AP5351)</p>
MECHANISM AP11405	<b>CYLINDER ASSEMBLY - 80.0" STROKE</b>
	CYLINDER ASSEMBLY _____ RAP90655 (80.0" STROKE) - REPLACES AP11405
MECHANISM AP11447	<b>DUAL CYLINDER ROOM EXTENSION - 36.0" STROKE (WITH RACK SENSING VALVE) - AP11448 AND AP11565 KITS</b>
	<p><a href="#">SEE MR40.1534 FOR DRAWING AND PARTS INFORMATION.</a></p> <p>CYLINDER ASSEMBLY _____ ITEM 1 - RAP90112 (39.0" STROKE) - REPLACES AP11105</p> <p>HOSE ASSEMBLIES _____ ITEM 7 - RAP90353 (AP4728)    ITEM 9 - RAP4074 (AP4074)</p> <p style="padding-left: 150px;">ITEM 8 - RAP90347 (AP11560)    ITEM 10 - RAP90078 (AP4065)</p>
MECHANISM AP13149	<b>DUAL CYLINDER ROOM EXTENSION - 36.0" STROKE (WITH RACK SENSING VALVE) - AP13148 KIT</b>
	<p><a href="#">SEE MR41.1536 FOR DRAWING AND PARTS INFORMATION.</a></p> <p>CYLINDER ASSEMBLY _____ ITEM 1 - RAP90112 (39.0" STROKE) - REPLACES AP11105</p> <p>HOSE ASSEMBLIES _____ ITEM 7 - RAP90353 (AP4728)    ITEM 9 - RAP4074 (AP4074)</p> <p style="padding-left: 150px;">ITEM 8 - RAP90347 (AP11560)    ITEM 10 - RAP90078 (AP4065)</p>
MECHANISM AP13309	<b>COMPARTMENT DOOR ADD ON KIT - 24.0" STROKE - AP12622 KIT</b>
	CYLINDER ASSEMBLY _____ RAP90900 (24.0" STROKE) - REPLACES AP13309
MECHANISM AP18902	<b>SINGLE CYLINDER ROOM EXTENSION - 24.0" STROKE - AP18901 KIT</b>
	<p><a href="#">SEE MR41.1100 FOR DRAWING AND PARTS INFORMATION.</a></p> <p>CYLINDER ASSEMBLY _____ ITEM 1 - RAP91021 (27.0" STROKE) - REPLACES AP28682</p> <p>HOSE ASSEMBLIES _____ ITEM 3 - RAP91750 (AP13842)    ITEM 4 - RAP91751 (AP16434)</p>
MECHANISM AP18908 AP18909	<b>DUAL CYLINDER ROOM EXTENSION - 32.0" STROKE (WITH SYNCHRONIZING CYLINDER) - AP18907 KIT</b>
	<p><a href="#">SEE MR41.2005 FOR DRAWING AND PARTS INFORMATION.</a></p> <p>CYLINDER ASSEMBLY _____ ITEM 1 - RAP90665 (32.5" STROKE) - REPLACES AP18131</p> <p>SYNCHRONIZING CYLINDER _____ ITEM 3 - RAP90466 (12.980" STROKE) - REPLACES AP14301</p> <p>TUBE KIT _____ ITEM 2 - RAP90480 - REPLACES AP13252</p>
MECHANISM AP18911 AP18912	<b>DUAL CYLINDER FLAT FLOOR ROOM EXTENSION - 32.0" STROKE (WITH SYNC. CYLINDER) - AP18910 KIT</b>
	<p><a href="#">SEE MR41.2200 FOR DRAWING AND PARTS INFORMATION.</a></p> <p>CYLINDER ASSEMBLY _____ ITEM 1 - RAP90696 (36.0" STROKE) - REPLACES AP19256</p> <p>SYNCHRONIZING CYLINDER _____ ITEM 3 - RAP90466 (12.980" STROKE) - REPLACES AP14301</p> <p>HOSE ASSEMBLIES _____ ITEM 2 - RAP91561 - REPLACES AP24648</p>
MECHANISM AP21465	<b>CYLINDER ASSEMBLY - 45.4" STROKE</b>
	CYLINDER ASSEMBLY _____ AP21465 (45.4" STROKE) - CONTACT HWH CORPORATION
MECHANISM AP21467	<b>CYLINDER ASSEMBLY - 40.0" STROKE</b>
	CYLINDER ASSEMBLY _____ AP21467 (40.0" STROKE) - CONTACT HWH CORPORATION



# ROOM EXTENSION ASSEMBLIES GUIDE PAGE "ROLLING STAR MFG."

**PROCEDURE:**

1. Locate the HWH identification tag on the room extension mechanism to get the correct room extension part number.
2. Find the correct room extension part number in the left column below.
3. Refer to the proper parts page for general replacement parts information and item number arrangements.
4. Two cylinder room extensions with a synchronizing cylinder have two room extension part numbers. One number is for the left assembly, one is for the right assembly. If the room extension assembly originally had one number, that number is listed with the new numbers.

<b>MECHANISM</b> <b>AP19281</b> <b>AP19282</b>	<b>DUAL CYLINDER ROOM EXTENSION - 70.0" STROKE (WITH SYNCHRONIZING CYLINDER) - AP39582 KIT</b>  <b>SEE MR41.2000 FOR DRAWING AND PARTS INFORMATION.</b> <b>CYLINDER ASSEMBLY</b> _____ ITEM 1 - RAP91189 (71.0" STROKE) - REPLACES AP17270 <b>SYNCHRONIZING CYLINDER</b> _____ ITEM 3 - RAP91809 (26.860" STROKE) - REPLACES AP17246 <b>TUBE KIT</b> _____ ITEM 2 - RAP91221 - REPLACES AP17321
<b>MECHANISM</b> <b>AP35721</b> <b>AP35722</b>	<b>UNIVERSAL LEVEL OUT ROOM EXTENSION - 30.0" STROKE (WITH SYNC. CYLINDER) - AP35638 KIT</b>  <b>SEE MR41.2683 FOR DRAWING AND PARTS INFORMATION.</b> <b>CYLINDER ASSEMBLY</b> _____ ITEM 1 - RAP91702 (34.0" STROKE) - REPLACES AP31461 <b>LIFT CYLINDER ASSEMBLY</b> _____ ITEM 10 - RAP91992 - REPLACES AP34390 (2.75" LIFT) <b>SYNCHRONIZING CYLINDER</b> _____ ITEM 3 - RAP90473 (12.155" STROKE) - REPLACES AP13192 <b>TUBE KIT</b> _____ ITEM 2 - RAP91703 - REPLACES AP31486 <b>HOSE ASSEMBLIES</b> _____ ITEM 4 - RAP90872 (AP24632) ITEM 5 - RAP91421 (AP24818) <b>LIFT SYNCHRONIZING CYLINDER</b> _____ ITEM 11 - RAP92473 - REPLACES AP34576 <b>CENTER LIFT CYLINDER</b> _____ ITEM 12 - RAP92279 - REPLACES AP35823
<b>MECHANISM</b> <b>AP38944</b> <b>AP38945</b>	<b>UNIVERSAL LEVEL OUT - 30.0" STROKE (WITH SYNCHRONIZING CYLINDER) - AP39948 KIT</b>  <b>SEE MR41.2690 FOR DRAWING AND PARTS INFORMATION.</b> <b>CYLINDER ASSEMBLY</b> _____ ITEM 1 - RAP92076 (30.5" STROKE) - REPLACES AP38072 <b>LIFT CYLINDER ASSEMBLY</b> _____ ITEM 14 - RAP92260 (2.75" LIFT) - REPLACES AP38604 <b>SYNCHRONIZING CYLINDER</b> _____ ITEM 3 - RAP92077 (10.540" STROKE) - REPLACES AP37881 <b>LIFT SYNCHRONIZING CYLINDER</b> _____ ITEM 15 - RAP92316 - REPLACES AP38264 <b>TUBE KIT</b> _____ ITEM 2 - RAP92079 - REPLACES AP38267 <b>HOSE ASSEMBLIES</b> _____ ITEM 4 - RAP90872 (AP24632) ITEM 5 - RAP91421 (AP24818)

# ROOM EXTENSION ASSEMBLIES GUIDE PAGE "RS MOTORHOMES"

**PROCEDURE:**

1. Locate the HWH identification tag on the room extension mechanism to get the correct room extension part number.
2. Find the correct room extension part number in the left column below.
3. Refer to the proper parts page for general replacement parts information and item number arrangements.
4. Two cylinder room extensions with a synchronizing cylinder have two room extension part numbers. One number is for the left assembly, one is for the right assembly. If the room extension assembly originally had one number, that number is listed with the new numbers.

<b>MECHANISM AP21070 AP21071</b>	<b>DUAL CYLINDER ROOM EXTENSION - 24.0" STROKE (WITH SYNCHRONIZING CYLINDER) - AP21069 KIT</b>  <b>SEE MR41.2011 FOR DRAWING AND PARTS INFORMATION.</b> <b>CYLINDER ASSEMBLY</b> _____ ITEM 1 - RAP90629 (30.5" STROKE) - REPLACES AP17365 <b>SYNCHRONIZING CYLINDER</b> _____ ITEM 3 - RAP90473 (12.155" STROKE) - REPLACES AP13192 <b>TUBE KIT</b> _____ ITEM 2 - RAP90480 - REPLACES AP13252
<b>MECHANISM AP30055</b>	<b>SINGLE CYLINDER ROOM EXTENSION - 30.0" STROKE - AP30054 KIT</b>  <b>SEE MR41.1100 FOR DRAWING AND PARTS INFORMATION.</b> <b>CYLINDER ASSEMBLY</b> _____ ITEM 1 - RAP91805 (31.0" STROKE) - REPLACES AP28687 <b>HOSE ASSEMBLIES</b> _____ ITEM 3 - RAP90781 (AP24628) ITEM 4 - RAP90872 (AP24632)

# ROOM EXTENSION ASSEMBLIES GUIDE PAGE "RV INTERIORS"

**PROCEDURE:**

1. Locate the HWH identification tag on the room extension mechanism to get the correct room extension part number.
2. Find the correct room extension part number in the left column below.
3. Refer to the proper parts page for general replacement parts information and item number arrangements.
4. Two cylinder room extensions with a synchronizing cylinder have two room extension part numbers. One number is for the left assembly, one is for the right assembly. If the room extension assembly originally had one number, that number is listed with the new numbers.

<b>MECHANISM AP24705</b>	<b>SINGLE CYLINDER ROOM EXTENSION - 30.0" STROKE - AP31687 KIT</b>  <a href="#">SEE MR41.1100 FOR DRAWING AND PARTS INFORMATION.</a> CYLINDER ASSEMBLY _____ ITEM 1 - RAP90949 (31.0" STROKE) - REPLACES AP24936 HOSE ASSEMBLIES _____ ITEM 3 - RAP90781 (AP24628) ITEM 4 - RAP90872 (AP24632)
<b>MECHANISM AP25279 AP25280</b>	<b>VERTICAL ARM ROOM EXTENSION - 24.0" STROKE (WITH SYNCHRONIZING CYLINDER) - AP32488 KIT</b>  <a href="#">SEE MR41.2500 FOR DRAWING AND PARTS INFORMATION.</a> CYLINDER ASSEMBLY _____ ITEM 1 - RAP91200 (10.172" STROKE) - REPLACES AP24733 SYNCHRONIZING CYLINDER _____ ITEM 6 - RAP91019 (3.935" STROKE) - REPLACES AP13180 TUBE KIT _____ RAP91224 - REPLACES AP23196 HOSE ASSEMBLIES _____ ITEM 4 - RAP90386 (AP24643) ITEM 5 - RAP91236 (AP24647)
<b>MECHANISM AP32014 AP32015</b>	<b>X-SLIDE ROOM EXTENSION - 30.75" STROKE (WITH SYNCHRONIZING CYLINDER) - AP31680 KIT</b>  <a href="#">SEE MR41.2670 FOR DRAWING AND PARTS INFORMATION.</a> CYLINDER ASSEMBLY _____ ITEM 1 - RAP91352 (13.900" STROKE) - REPLACES AP27513 SYNCHRONIZING CYLINDER _____ ITEM 3 - RAP90725 (5.460" STROKE) - REPLACES AP15043 TUBE KIT _____ ITEM 2 - RAP91229 - REPLACES AP27587 HOSE ASSEMBLIES _____ ITEM 4 - RAP91574 (AP24627) ITEM 5 - RAP91573 (AP32672)
<b>MECHANISM AP32722 AP32723</b>	<b>VERTICAL ARM ROOM EXTENSION - 36.0" STROKE (WITH SYNCHRONIZING CYLINDER) - AP32721 KIT</b>  <a href="#">SEE MR41.2500 FOR DRAWING AND PARTS INFORMATION.</a> CYLINDER ASSEMBLY _____ ITEM 1 - RAP91348 (14.3" STROKE) - REPLACES AP19378 SYNCHRONIZING CYLINDER _____ ITEM 6 - RAP90726 (5.750" STROKE) - REPLACES AP15042 TUBE KIT _____ RAP91223 - REPLACES AP19936 HOSE ASSEMBLIES _____ ITEM 4 - RAP90428 (AP24642) ITEM 5 - RAP90428 (AP24642)

---

# ROOM EXTENSION ASSEMBLIES GUIDE PAGE "SAFARI"

---

**PROCEDURE:**

1. Locate the HWH identification tag on the room extension mechanism to get the correct room extension part number.
2. Find the correct room extension part number in the left column below.
3. Refer to the proper parts page for general replacement parts information and item number arrangements.
4. Two cylinder room extensions with a synchronizing cylinder have two room extension part numbers. One number is for the left assembly, one is for the right assembly. If the room extension assembly originally had one number, that number is listed with the new numbers.

---

<b>MECHANISM</b> <b>AP21503</b> <b>AP21504</b>	<b>DUAL CYLINDER FLAT FLOOR ROOM EXTENSION - 26.0" STROKE (WITH SYNC. CYLINDER) - AP21502 KIT</b>  <b>SEE MR41.2200 FOR DRAWING AND PARTS INFORMATION.</b> <b>CYLINDER ASSEMBLY</b> _____ ITEM 1 - RAP91190 (36.0" STROKE) - REPLACES AP20301 <b>SYNCHRONIZING CYLINDER</b> _____ ITEM 3 - RAP90722 (10.610" STROKE) - REPLACES AP21727 <b>HOSE ASSEMBLY</b> _____ ITEM 2 - RAP91561 - REPLACES AP24648
--	--

---

# ROOM EXTENSION ASSEMBLIES GUIDE PAGE "SCHANTZ AND SONS INC."

**PROCEDURE:**

1. Locate the HWH identification tag on the room extension mechanism to get the correct room extension part number.
2. Find the correct room extension part number in the left column below.
3. Refer to the proper parts page for general replacement parts information and item number arrangements.
4. Two cylinder room extensions with a synchronizing cylinder have two room extension part numbers. One number is for the left assembly, one is for the right assembly. If the room extension assembly originally had one number, that number is listed with the new numbers.

<b>MECHANISM</b> <b>AP27780</b> <b>AP27781</b>	<b>LATERAL ARM ROOM EXTENSION - 20.0" STROKE (WITH SYNCHRONIZING CYLINDER) - AP27779 KIT</b>  <b>SEE MR41.2825 FOR DRAWING AND PARTS INFORMATION.</b> <b>CYLINDER ASSEMBLY</b> _____ ITEM 1 - RAP91351 (6.775" STROKE) - REPLACES AP27997 <b>SYNCHRONIZING CYLINDER</b> _____ ITEM 3 - RAP90524 (2.385" STROKE) - REPLACES AP14881 <b>TUBE KIT</b> _____ ITEM 2 - RAP91774 - REPLACES AP28035 <b>HOSE ASSEMBLIES</b> _____ ITEM 4 - RAP91574 (AP24627) ITEM 5 - RAP91574 (AP24627)
<b>MECHANISM</b> <b>AP30629</b> <b>AP30630</b>	<b>X-SLIDE ROOM EXTENSION - 30.75" STROKE (WITH SYNCHRONIZING CYLINDER) - AP30628 KIT</b>  <b>SEE MR41.2670 FOR DRAWING AND PARTS INFORMATION.</b> <b>CYLINDER ASSEMBLY</b> _____ ITEM 1 - RAP91352 (13.900" STROKE) - REPLACES AP27513 <b>SYNCHRONIZING CYLINDER</b> _____ ITEM 3 - RAP90725 (5.460" STROKE) - REPLACES AP15043 <b>TUBE KIT</b> _____ ITEM 2 - RAP91229 - REPLACES AP27587 <b>HOSE ASSEMBLIES</b> _____ ITEM 4 - RAP91574 (AP24627) ITEM 5 - RAP91573 (AP32672)

# ROOM EXTENSION ASSEMBLIES GUIDE PAGE "SCHEID RECREATION"

**PROCEDURE:**

1. Locate the HWH identification tag on the room extension mechanism to get the correct room extension part number.
2. Find the correct room extension part number in the left column below.
3. Refer to the proper parts page for general replacement parts information and item number arrangements.
4. Two cylinder room extensions with a synchronizing cylinder have two room extension part numbers. One number is for the left assembly, one is for the right assembly. If the room extension assembly originally had one number, that number is listed with the new numbers.

<b>MECHANISM</b> <b>AP18941</b> <b>AP18942</b>	<b>DUAL CYLINDER ROOM EXTENSION - 36.0" STROKE (WITH SYNCHRONIZING CYLINDER) - AP18940 KIT</b>  <a href="#">SEE MR41.2000 FOR DRAWING AND PARTS INFORMATION.</a> <b>CYLINDER ASSEMBLY</b> _____ ITEM 1 - RAP90518 (36.5" STROKE) - REPLACES AP15251 <b>SYNCHRONIZING CYLINDER</b> _____ ITEM 3 - RAP90474 (14.63" STROKE) - REPLACES AP12484 <b>TUBE KIT</b> _____ ITEM 2 - RAP90480 - REPLACES AP13252
<b>MECHANISM</b> <b>AP22013</b> <b>AP22014</b>	<b>DUAL CYLINDER ROOM EXTENSION - 24.0" STROKE (WITH SYNCHRONIZING CYLINDER) - AP22012 KIT</b>  <a href="#">SEE MR41.2000 FOR DRAWING AND PARTS INFORMATION.</a> <b>CYLINDER ASSEMBLY</b> _____ ITEM 1 - RAP90484 (24.5" STROKE) - REPLACES AP15252 <b>SYNCHRONIZING CYLINDER</b> _____ ITEM 3 - RAP90472 (9.685" STROKE) - REPLACES AP13224 <b>TUBE KIT</b> _____ ITEM 2 - RAP90480 - REPLACES AP13252

# ROOM EXTENSION ASSEMBLIES GUIDE PAGE "SCHUCK ENTERPRISES"

**PROCEDURE:**

1. Locate the HWH identification tag on the room extension mechanism to get the correct room extension part number.
2. Find the correct room extension part number in the left column below.
3. Refer to the proper parts page for general replacement parts information and item number arrangements.
4. Two cylinder room extensions with a synchronizing cylinder have two room extension part numbers. One number is for the left assembly, one is for the right assembly. If the room extension assembly originally had one number, that number is listed with the new numbers.

<b>MECHANISM AP37382</b>	<b>SINGLE CYLINDER ROOM EXTENSION - 24.0" STROKE - AP39382 KIT</b>  <b>SEE MR41.1100 FOR DRAWING AND PARTS INFORMATION.</b> <b>CYLINDER ASSEMBLY</b> _____ ITEM 1 - RAP91021 (27.0" STROKE) - REPLACES AP28682 <b>HOSE ASSEMBLIES</b> _____ ITEM 3 - RAP90872 (AP24632) ITEM 4 - RAP90871 (AP24628)
<b>MECHANISM AP38251 AP38252</b>	<b>UNIVERSAL STRAIGHT OUT - 30.0" STROKE (WITH SYNCHRONIZING CYLINDER) - AP39381 KIT</b>  <b>SEE MR41.2685 FOR DRAWING AND PARTS INFORMATION.</b> <b>CYLINDER ASSEMBLY</b> _____ ITEM 1 - RAP92076 (30.5" STROKE) - REPLACES AP38072 <b>SYNCHRONIZING CYLINDER</b> _____ ITEM 3 - RAP92077 (10.540" STROKE) - REPLACES AP37881 <b>TUBE KIT</b> _____ ITEM 2 - RAP92079 - REPLACES AP38267 <b>HOSE ASSEMBLIES</b> _____ ITEM 4 - RAP90872 (AP24632) ITEM 5 - RAP91421 (AP24818)

---

# ROOM EXTENSION ASSEMBLIES GUIDE PAGE "SCOTT MEDICAL"

---

**PROCEDURE:**

1. Locate the HWH identification tag on the room extension mechanism to get the correct room extension part number.
2. Find the correct room extension part number in the left column below.
3. Refer to the proper parts page for general replacement parts information and item number arrangements.
4. Two cylinder room extensions with a synchronizing cylinder have two room extension part numbers. One number is for the left assembly, one is for the right assembly. If the room extension assembly originally had one number, that number is listed with the new numbers.

<b>MECHANISM</b> <b>AP25828</b> <b>AP25829</b>	<b>DUAL CYLINDER ROOM EXTENSION - 24.0" STROKE (WITH SYNCHRONIZING CYLINDER) - AP34919 KIT</b>  <b>SEE MR41.2005 FOR DRAWING AND PARTS INFORMATION.</b> <b>CYLINDER ASSEMBLY</b> _____ <b>ITEM 1 - RAP90484 (24.5" STROKE) - REPLACES AP15252</b> <b>SYNCHRONIZING CYLINDER</b> _____ <b>ITEM 3 - RAP90472 (9.685" STROKE) - REPLACES AP13224</b> <b>TUBE KIT</b> _____ <b>ITEM 2 - RAP90480 - REPLACES AP13252</b>
--	--



# ROOM EXTENSION ASSEMBLIES

## GUIDE PAGE

### "SELLERS MFG. INC."

**PROCEDURE:**

1. Locate the HWH identification tag on the room extension mechanism to get the correct room extension part number.
2. Find the correct room extension part number in the left column below.
3. Refer to the proper parts page for general replacement parts information and item number arrangements.
4. Two cylinder room extensions with a synchronizing cylinder have two room extension part numbers. One number is for the left assembly, one is for the right assembly. If the room extension assembly originally had one number, that number is listed with the new numbers.

<b>MECHANISM AP11232</b>	<p><b>SINGLE CYLINDER ROOM EXTENSION - 25.0" STROKE - AP11231 KIT</b></p> <p><a href="#">SEE MR41.1000 FOR DRAWING AND PARTS INFORMATION.</a></p> <p>CYLINDER ASSEMBLY _____ ITEM 1 - RAP90031 (25.0" STROKE) - REPLACES AP1911</p> <p>TUBE KIT _____ ITEM 2 - RAP90029 - REPLACES AP2369</p>
<b>MECHANISM AP11285</b>	<p><b>DUAL CYLINDER ROOM EXTENSION - 39.0" STROKE (WITH RACK SENSING VALVE) - AP11283 KIT</b></p> <p><a href="#">SEE MR41.1530 FOR DRAWING AND PARTS INFORMATION.</a></p> <p>CYLINDER ASSEMBLY _____ ITEM 1 - RAP90007 (39.0" STROKE) - REPLACES AP1700</p> <p>HOSE ASSEMBLIES _____ ITEM 7 - RAP4159 (AP4159)    ITEM 9 - RAP4827 (AP4827)</p> <p style="padding-left: 150px;">ITEM 8 - RAP90110 (AP2522)    ITEM 10 - RAP90119 (AP11212)</p>
<b>MECHANISM AP11289</b>	<p><b>DUAL CYLINDER ROOM EXTENSION - 49.0" STROKE (WITH RACK SENSING VALVE) - AP11288 KIT</b></p> <p><a href="#">SEE MR41.1530 FOR DRAWING AND PARTS INFORMATION.</a></p> <p>CYLINDER ASSEMBLY _____ ITEM 1 - RAP90113 (49.0" STROKE) - REPLACES AP1054</p> <p>HOSE ASSEMBLIES _____ ITEM 7 - RAP4159 (AP4159)    ITEM 9 - RAP90120 (AP5965)</p> <p style="padding-left: 150px;">ITEM 8 - RAP90024 (AP2517)    ITEM 10 - RAP90121 (AP7385)</p>
<b>MECHANISM AP11645</b>	<p><b>DUAL CYLINDER ROOM EXTENSION - 49.0" STROKE (WITH RACK SENSING VALVE) - AP11644 KIT</b></p> <p><a href="#">SEE MR41.1530 FOR DRAWING AND PARTS INFORMATION.</a></p> <p>CYLINDER ASSEMBLY _____ ITEM 1 - RAP90113 (49.0" STROKE) - REPLACES AP1054</p> <p>HOSE ASSEMBLIES _____ ITEM 7 - RAP90346 (AP4664)    ITEM 9 - RAP4059 (AP4059)</p> <p style="padding-left: 150px;">ITEM 8 - RAP90347 (AP11560)    ITEM 10 - RAP4074 (AP4074)</p>

# ROOM EXTENSION ASSEMBLIES GUIDE PAGE "SHORT GO, INCORPORATED"

**PROCEDURE:**

1. Locate the HWH identification tag on the room extension mechanism to get the correct room extension part number.
2. Find the correct room extension part number in the left column below.
3. Refer to the proper parts page for general replacement parts information and item number arrangements.
4. Two cylinder room extensions with a synchronizing cylinder have two room extension part numbers. One is for the left assembly, one is for the right assembly. If the room extension assembly originally had one number, that number is listed with the new numbers.

<b>MECHANISM</b> <b>AP38251</b> <b>AP38252</b>	<b>UNIVERSAL STRAIGHT OUT - 30.0" STROKE (WITH SYNCHRONIZING CYLINDER) - AP39444 KIT</b>  <b>SEE MR41.2685 FOR DRAWING AND PARTS INFORMATION.</b> <b>CYLINDER ASSEMBLY</b> _____ <b>ITEM 1 - RAP92076 (30.5" STROKE) - REPLACES AP38072</b> <b>SYNCHRONIZING CYLINDER</b> _____ <b>ITEM 3 - RAP92077 (10.540" STROKE) - REPLACES AP37881</b> <b>TUBE KIT</b> _____ <b>ITEM 2 - RAP92079 - REPLACES AP38267</b> <b>HOSE ASSEMBLIES</b> _____ <b>ITEM 4 - RAP90872 (AP24632) ITEM 5 - RAP91421 (AP24818)</b>
--	--

# ROOM EXTENSION ASSEMBLIES GUIDE PAGE "SHOW HAULER TRUCKS"

**PROCEDURE:**

1. Locate the HWH identification tag on the room extension mechanism to get the correct room extension part number.
2. Find the correct room extension part number in the left column below.
3. Refer to the proper parts page for general replacement parts information and item number arrangements.
4. Two cylinder room extensions with a synchronizing cylinder have two room extension part numbers. One is for the left assembly, one is for the right assembly. If the room extension assembly originally had one number, that number is listed with the new numbers.

<b>MECHANISM</b> <b>AP38944</b> <b>AP38945</b>	<b>UNIVERSAL LEVEL OUT - 30.0" STROKE (WITH SYNCHRONIZING CYLINDER) - AP39504 KIT</b>  <b>SEE MR41.2690 FOR DRAWING AND PARTS INFORMATION.</b> <b>CYLINDER ASSEMBLY</b> _____ ITEM 1 - RAP92076 (30.5" STROKE) - REPLACES AP38072 <b>LIFT CYLINDER ASSEMBLY</b> _____ ITEM 11 - RAP92260 (2.75" LIFT) - REPLACES AP38604 <b>SYNCHRONIZING CYLINDER</b> _____ ITEM 3 - RAP92077 (10.540" STROKE) - REPLACES AP37881 <b>LIFT SYNCHRONIZING CYLINDER</b> _____ ITEM 12 - RAP92316 - REPLACES AP38264 <b>TUBE KIT</b> _____ ITEM 2 - RAP92079 - REPLACES AP38267 <b>HOSE ASSEMBLIES</b> _____ ITEM 4 - RAP90872 (AP24632) ITEM 5 - RAP91421 (AP24818)
--	---

# ROOM EXTENSION ASSEMBLIES GUIDE PAGE "SIDEKICK TRAILERS"

**PROCEDURE:**

1. Locate the HWH identification tag on the room extension mechanism to get the correct room extension part number.
2. Find the correct room extension part number in the left column below.
3. Refer to the proper parts page for general replacement parts information and item number arrangements.
4. Two cylinder room extensions with a synchronizing cylinder have two room extension part numbers. One is for the left assembly, one is for the right assembly. If the room extension assembly originally had one number, that number is listed with the new numbers.

<b>MECHANISM</b> <b>AP38251</b> <b>AP38252</b>	<b>UNIVERSAL STRAIGHT OUT - 30.0" STROKE (WITH SYNCHRONIZING CYLINDER) - AP41681 KIT</b>  <b>SEE MR41.2685 FOR DRAWING AND PARTS INFORMATION.</b> <b>CYLINDER ASSEMBLY</b> _____ ITEM 1 - RAP92076 (30.5" STROKE) - REPLACES AP38072 <b>SYNCHRONIZING CYLINDER</b> _____ ITEM 3 - RAP92077 (10.540" STROKE) - REPLACES AP37881 <b>TUBE KIT</b> _____ ITEM 2 - RAP92079 - REPLACES AP38267 <b>HOSE ASSEMBLIES</b> _____ ITEM 4 - RAP90872 (AP24632) ITEM 5 - RAP91421 (AP24818)
--	--

# ROOM EXTENSION ASSEMBLIES GUIDE PAGE "SILVER CROWN, LLC"

**PROCEDURE:**

1. Locate the HWH identification tag on the room extension mechanism to get the correct room extension part number.
2. Find the correct room extension part number in the left column below.
3. Refer to the proper parts page for general replacement parts information and item number arrangements.
4. Two cylinder room extensions with a synchronizing cylinder have two room extension part numbers. One is for the left assembly, one is for the right assembly. If the room extension assembly originally had one number, that number is listed with the new numbers.

<b>MECHANISM</b> <b>AP38251</b> <b>AP38252</b>	<b>UNIVERSAL STRAIGHT OUT - 30.0" STROKE (WITH SYNCHRONIZING CYLINDER) - AP39017 KIT</b>  <a href="#">SEE MR41.2685 FOR DRAWING AND PARTS INFORMATION.</a> <b>CYLINDER ASSEMBLY</b> _____ ITEM 1 - RAP92076 (30.5" STROKE) - REPLACES AP38072 <b>SYNCHRONIZING CYLINDER</b> _____ ITEM 3 - RAP92077 (10.540" STROKE) - REPLACES AP37881 <b>TUBE KIT</b> _____ ITEM 2 - RAP92079 - REPLACES AP38267 <b>HOSE ASSEMBLIES</b> _____ ITEM 4 - RAP90872 (AP24632) ITEM 5 - RAP91421 (AP24818)
<b>MECHANISM</b> <b>AP38961</b> <b>AP38962</b>	<b>UNIVERSAL STRAIGHT OUT - 12.0" STROKE (WITH SYNCHRONIZING CYLINDER) - AP38911 KIT</b>  <a href="#">SEE MR41.2685 FOR DRAWING AND PARTS INFORMATION.</a> <b>CYLINDER ASSEMBLY</b> _____ ITEM 1 - RAP92076 (30.5" STROKE) - REPLACES AP38072 <b>SYNCHRONIZING CYLINDER</b> _____ ITEM 3 - RAP92493 (4.160" STROKE) - REPLACES AP39037 <b>TUBE KIT</b> _____ ITEM 2 - RAP92079 - REPLACES AP38267 <b>HOSE ASSEMBLIES</b> _____ ITEM 4 - RAP90872 (AP24632) ITEM 5 - RAP91421 (AP24818)

---

# ROOM EXTENSION ASSEMBLIES GUIDE PAGE "SKIPPERLINER IND. INC."

---

**PROCEDURE:**

1. Locate the HWH identification tag on the room extension mechanism to get the correct room extension part number.
2. Find the correct room extension part number in the left column below.
3. Refer to the proper parts page for general replacement parts information and item number arrangements.
4. Two cylinder room extensions with a synchronizing cylinder have two room extension part numbers. One number is for the left assembly, one is for the right assembly. If the room extension assembly originally had one number, that number is listed with the new numbers.

<b>MECHANISM</b> <b>AP13666</b> <b>OR</b> <b>AP19321</b> <b>AP19322</b>	<b>DUAL CYLINDER ROOM EXTENSION - 36.5" STROKE (WITH SYNCHRONIZING CYLINDER) - AP13667 KIT</b>  <b>SEE MR41.2026 FOR DRAWING AND PARTS INFORMATION.</b> <b>CYLINDER ASSEMBLY</b> _____ <b>ITEM 1 - RAP90518 (36.50" STROKE) - REPLACES AP15251</b> <b>SYNCHRONIZING CYLINDER</b> _____ <b>ITEM 3 - RAP90474 (14.630" STROKE) - REPLACES AP12484</b> <b>HOSE ASSEMBLIES</b> _____ <b>ITEM 2 - RAP90480 - REPLACES AP13252</b>
---	---

# ROOM EXTENSION ASSEMBLIES GUIDE PAGE "SMI & HYDRAULICS, INC."

**PROCEDURE:**

1. Locate the HWH identification tag on the room extension mechanism to get the correct room extension part number.
2. Find the correct room extension part number in the left column below.
3. Refer to the proper parts page for general replacement parts information and item number arrangements.
4. Two cylinder room extensions with a synchronizing cylinder have two room extension part numbers. One is for the left assembly, one is for the right assembly. If the room extension assembly originally had one number, that number is listed with the new numbers.

<b>MECHANISM</b>	<b>UNIVERSAL STRAIGHT OUT - 30.0" STROKE (WITH SYNCHRONIZING CYLINDER) - AP45209 KIT</b>
<b>AP38251</b>	<p style="color: blue; margin: 0;"><b>SEE MR41.2685 FOR DRAWING AND PARTS INFORMATION.</b></p> <p><b>CYLINDER ASSEMBLY</b> _____ ITEM 1 - RAP92076 (30.5" STROKE) - REPLACES AP38072</p> <p><b>SYNCHRONIZING CYLINDER</b> _____ ITEM 3 - RAP92077 (10.540" STROKE) - REPLACES AP37881</p> <p><b>TUBE KIT</b> _____ ITEM 2 - RAP92079 - REPLACES AP38267</p> <p><b>HOSE ASSEMBLIES</b> _____ ITEM 4 - RAP90872 (AP24632) ITEM 5 - RAP91421 (AP24818)</p>
<b>AP38252</b>	

# ROOM EXTENSION ASSEMBLIES GUIDE PAGE "SOONER TRAILER MFG. CO."

**PROCEDURE:**

1. Locate the HWH identification tag on the room extension mechanism to get the correct room extension part number.
2. Find the correct room extension part number in the left column below.
3. Refer to the proper parts page for general replacement parts information and item number arrangements.
4. Two cylinder room extensions with a synchronizing cylinder have two room extension part numbers. One number is for the left assembly, one is for the right assembly. If the room extension assembly originally had one number, that number is listed with the new numbers.

MECHANISM AP19905 AP19906	DUAL CYLINDER LEVEL OUT ROOM EXTENSION - 32.0" STROKE (WITH SYNC. CYLINDER) - AP19904 KIT  NO INFORMATION AVAILABLE.
MECHANISM AP28406 AP28407	X-SLIDE ROOM EXTENSION - 30.75" STROKE (WITH SYNCHRONIZING CYLINDER) - AP28405 KIT  <a href="#">SEE MR41.2670 FOR DRAWING AND PARTS INFORMATION.</a> CYLINDER ASSEMBLY _____ ITEM 1 - RAP91352 (13.900" STROKE) - REPLACES AP27513 SYNCHRONIZING CYLINDER _____ ITEM 3 - RAP90725 (5.460" STROKE) - REPLACES AP15043 TUBE KIT _____ ITEM 2 - RAP91229 - REPLACES AP27587 HOSE ASSEMBLIES _____ ITEM 4 - RAP91424 (AP24635) ITEM 5 - RAP91241 (AP25086)



# ROOM EXTENSION ASSEMBLIES GUIDE PAGE "SOUTHWESTERN CONVERSIONS"

**PROCEDURE:**

1. Locate the HWH identification tag on the room extension mechanism to get the correct room extension part number.
2. Find the correct room extension part number in the left column below.
3. Refer to the proper parts page for general replacement parts information and item number arrangements.
4. Two cylinder room extensions with a synchronizing cylinder have two room extension part numbers. One is for the left assembly, one is for the right assembly. If the room extension assembly originally had one number, that number is listed with the new numbers.

<b>MECHANISM</b> <b>AP38251</b> <b>AP38252</b>	<b>UNIVERSAL STRAIGHT OUT - 30.0" STROKE (WITH SYNCHRONIZING CYLINDER) - AP41226 KIT</b>
	<b>SEE MR41.2685 FOR DRAWING AND PARTS INFORMATION.</b>
	<b>CYLINDER ASSEMBLY</b> _____ ITEM 1 - RAP92076 (30.5" STROKE) - REPLACES AP38072
	<b>SYNCHRONIZING CYLINDER</b> _____ ITEM 3 - RAP92077 (10.540" STROKE) - REPLACES AP37881
	<b>TUBE KIT</b> _____ ITEM 2 - RAP92079 - REPLACES AP38267
	<b>HOSE ASSEMBLIES</b> _____ ITEM 4 - RAP90872 (AP24632) ITEM 5 - RAP91421 (AP24818)

# ROOM EXTENSION ASSEMBLIES GUIDE PAGE "SPECIALTY VEHICLE SERVICE"

**PROCEDURE:**

1. Locate the HWH identification tag on the room extension mechanism to get the correct room extension part number.
2. Find the correct room extension part number in the left column below.
3. Refer to the proper parts page for general replacement parts information and item number arrangements.
4. Two cylinder room extensions with a synchronizing cylinder have two room extension part numbers. One number is for the left assembly, one is for the right assembly. If the room extension assembly originally had one number, that number is listed with the new numbers.

<b>MECHANISM</b>	<b>DUAL CYLINDER X-SLIDE - 30.75" STROKE (WITH SYNCHRONIZING CYLINDER) - AP31744 KIT</b>
<b>AP31745</b>	
<b>AP31746</b>	<p><b>SEE MR41.2670 FOR DRAWING AND PARTS INFORMATION.</b></p> <p><b>CYLINDER ASSEMBLY</b> _____ ITEM 1 - RAP91352 (13.90" STROKE) - REPLACES AP27513</p> <p><b>SYNCHRONIZING CYLINDER</b> _____ ITEM 3 - RAP90725 (5.460" STROKE) - REPLACES AP15043</p> <p><b>TUBE KIT</b> _____ ITEM 2 - RAP91229 - REPLACES AP27587</p> <p><b>HOSE ASSEMBLIES</b> _____ ITEM 4 - RAP91574 (AP24627) ITEM 5 - RAP91573 (AP32672)</p>

# ROOM EXTENSION ASSEMBLIES GUIDE PAGE "STAR WAGGONS"

**PROCEDURE:**

1. Locate the HWH identification tag on the room extension mechanism to get the correct room extension part number.
2. Find the correct room extension part number in the left column below.
3. Refer to the proper parts page for general replacement parts information and item number arrangements.
4. Two cylinder room extensions with a synchronizing cylinder have two room extension part numbers. One number is for the left assembly, one is for the right assembly. If the room extension assembly originally had one number, that number is listed with the new numbers.

MECHANISM AP22019 AP22020	<p><b>DUAL CYLINDER ROOM EXTENSION - 34.5" STROKE (WITH SYNCHRONIZING CYLINDER) - AP22018 KIT</b></p> <p><a href="#">SEE MR41.2011 FOR DRAWING AND PARTS INFORMATION.</a></p> <p>CYLINDER ASSEMBLY _____ ITEM 1 - RAP90488 (35.0" STROKE) - REPLACES AP15224</p> <p>SYNCHRONIZING CYLINDER _____ ITEM 3 - RAP90464 (14.010" STROKE) - REPLACES AP14368</p> <p>TUBE KIT _____ ITEM 2 - RAP90480 - REPLACES AP13252</p>
MECHANISM AP22025 AP22026	<p><b>DUAL CYLINDER ROOM EXTENSION - 25.0" STROKE (WITH SYNCHRONIZING CYLINDER) - AP22024 KIT</b></p> <p><a href="#">SEE MR41.2011 FOR DRAWING AND PARTS INFORMATION.</a></p> <p>CYLINDER ASSEMBLY _____ ITEM 1 - RAP90488 (35.0" STROKE) - REPLACES AP15224</p> <p>SYNCHRONIZING CYLINDER _____ ITEM 3 - RAP90440 (10.095" STROKE) - REPLACES AP16509</p> <p>TUBE KIT _____ ITEM 2 - RAP90480 - REPLACES AP13252</p>
MECHANISM AP33037	<p><b>SINGLE CYLINDER ROOM EXTENSION - 30.0" STROKE - AP44037 KIT</b></p> <p><a href="#">SEE MR41.1008 FOR DRAWING AND PARTS INFORMATION.</a></p> <p>CYLINDER ASSEMBLY _____ ITEM 1 - RAP90629 (30.5" STROKE) - REPLACES AP17365</p> <p>TUBE ASSEMBLIES _____ ITEM 2 - RAP90480 - REPLACES AP13252</p>
MECHANISM AP40943	<p><b>SINGLE CYLINDER ROOM EXTENSION - 30.0" STROKE - AP43929 KIT</b></p> <p><a href="#">SEE MR41.1006 FOR DRAWING AND PARTS INFORMATION.</a></p> <p>CYLINDER ASSEMBLY _____ ITEM 1 - RAP90629 (30.5" STROKE) - REPLACES AP17365</p> <p>TUBE ASSEMBLIES _____ ITEM 2 - RAP90480 - REPLACES AP13252</p>
MECHANISM AP42510	<p><b>SINGLE CYLINDER SLIM LINE ROOM EXTENSION - 30.0" STROKE - AP43299 KIT</b></p> <p>NO INFORMATION AVAILABLE.</p>
MECHANISM AP44654 AP44655	<p><b>DUAL CYLINDER ROOM EXTENSION - 34.5" STROKE (WITH SYNCHRONIZING CYLINDER) - AP44653 KIT</b></p> <p><a href="#">SEE MR41.2005 FOR DRAWING AND PARTS INFORMATION.</a></p> <p>CYLINDER ASSEMBLY _____ ITEM 1 - RAP90488 (35.0" STROKE) - REPLACES AP15224</p> <p>SYNCHRONIZING CYLINDER _____ ITEM 3 - RAP90464 (14.010" STROKE) - REPLACES AP14368</p> <p>TUBE KIT _____ ITEM 2 - RAP90480 - REPLACES AP13252</p>

# ROOM EXTENSION ASSEMBLIES GUIDE PAGE "STERLING COACH"

**PROCEDURE:**

1. Locate the HWH identification tag on the room extension mechanism to get the correct room extension part number.
2. Find the correct room extension part number in the left column below.
3. Refer to the proper parts page for general replacement parts information and item number arrangements.
4. Two cylinder room extensions with a synchronizing cylinder have two room extension part numbers. One number is for the left assembly, one is for the right assembly. If the room extension assembly originally had one number, that number is listed with the new numbers.

MECHANISM AP30637 AP30638	<p><b>DUAL CYLINDER X-SLIDE - 30.75" STROKE (WITH SYNCHRONIZING CYLINDER) - AP34101 KIT</b></p> <p><b>SEE MR41.2670 FOR DRAWING AND PARTS INFORMATION.</b></p> <p>CYLINDER ASSEMBLY _____ ITEM 1 - RAP91352 (13.90" STROKE) - REPLACES AP27513            SYNCHRONIZING CYLINDER _____ ITEM 3 - RAP90725 (5.460" STROKE) - REPLACES AP15043            TUBE KIT _____ ITEM 2 - RAP91229 - REPLACES AP27587            HOSE ASSEMBLIES _____ ITEM 4 - RAP91574 (AP24627) ITEM 5 - RAP91573 (AP32672)</p>
MECHANISM AP38251 AP38252	<p><b>UNIVERSAL STRAIGHT OUT - 30.0" STROKE (WITH SYNCHRONIZING CYLINDER) - AP39999 KIT</b></p> <p><b>SEE MR41.2685 FOR DRAWING AND PARTS INFORMATION.</b></p> <p>CYLINDER ASSEMBLY _____ ITEM 1 - RAP92076 (30.5" STROKE) - REPLACES AP38072            SYNCHRONIZING CYLINDER _____ ITEM 3 - RAP92077 (10.540" STROKE) - REPLACES AP37881            TUBE KIT _____ ITEM 2 - RAP92079 - REPLACES AP38267            HOSE ASSEMBLIES _____ ITEM 4 - RAP90872 (AP24632) ITEM 5 - RAP91421 (AP24818)</p>
MECHANISM AP38900 AP38901	<p><b>UNIVERSAL STRAIGHT OUT - 24.0" STROKE (WITH SYNCHRONIZING CYLINDER) - AP40531 KIT</b></p> <p><b>SEE MR41.2685 FOR DRAWING AND PARTS INFORMATION.</b></p> <p>CYLINDER ASSEMBLY _____ ITEM 1 - RAP92076 (30.5" STROKE) - REPLACES AP38072            SYNCHRONIZING CYLINDER _____ ITEM 3 - RAP92275 (8.420" STROKE) - REPLACES AP39271            TUBE KIT _____ ITEM 2 - RAP92079 - REPLACES AP38267            HOSE ASSEMBLIES _____ ITEM 4 - RAP90872 (AP24632) ITEM 5 - RAP91421 (AP24818)</p>
MECHANISM AP39645 AP39646	<p><b>UNIVERSAL STRAIGHT OUT - 26.0" STROKE (WITH SYNCHRONIZING CYLINDER) - AP40532 KIT</b></p> <p><b>SEE MR41.2685 FOR DRAWING AND PARTS INFORMATION.</b></p> <p>CYLINDER ASSEMBLY _____ ITEM 1 - RAP92076 (30.5" STROKE) - REPLACES AP38072            SYNCHRONIZING CYLINDER _____ ITEM 3 - RAP92469 (9.130" STROKE) - REPLACES AP39275            TUBE KIT _____ ITEM 2 - RAP92079 - REPLACES AP38267            HOSE ASSEMBLIES _____ ITEM 4 - RAP90872 (AP24632) ITEM 5 - RAP91421 (AP24818)</p>
MECHANISM AP40006 AP40007	<p><b>UNIVERSAL STRAIGHT OUT - 20.0" STROKE (WITH SYNCHRONIZING CYLINDER) - AP39996 KIT</b></p> <p><b>SEE MR41.2685 FOR DRAWING AND PARTS INFORMATION.</b></p> <p>CYLINDER ASSEMBLY _____ ITEM 1 - RAP92076 (30.5" STROKE) - REPLACES AP38072            SYNCHRONIZING CYLINDER _____ ITEM 3 - RAP92099 (7.010" STROKE) - REPLACES AP39221            TUBE KIT _____ ITEM 2 - RAP92079 - REPLACES AP38267            HOSE ASSEMBLIES _____ ITEM 4 - RAP90872 (AP24632) ITEM 5 - RAP91421 (AP24818)</p>

---

# ROOM EXTENSION ASSEMBLIES GUIDE PAGE "STIDHAM BROTHERS MFG. INC."

---

**PROCEDURE:**

1. Locate the HWH identification tag on the room extension mechanism to get the correct room extension part number.
2. Find the correct room extension part number in the left column below.
3. Refer to the proper parts page for general replacement parts information and item number arrangements.
4. Two cylinder room extensions with a synchronizing cylinder have two room extension part numbers. One is for the left assembly, one is for the right assembly. If the room extension assembly originally had one number, that number is listed with the new numbers.

<b>MECHANISM</b> <b>AP38251</b> <b>AP38252</b>	<b>UNIVERSAL STRAIGHT OUT - 30.0" STROKE (WITH SYNCHRONIZING CYLINDER) - AP40641 KIT</b>  <b>SEE MR41.2685 FOR DRAWING AND PARTS INFORMATION.</b> <b>CYLINDER ASSEMBLY</b> _____ ITEM 1 - RAP92076 (30.5" STROKE) - REPLACES AP38072 <b>SYNCHRONIZING CYLINDER</b> _____ ITEM 3 - RAP92077 (10.540" STROKE) - REPLACES AP37881 <b>TUBE KIT</b> _____ ITEM 2 - RAP92079 - REPLACES AP38267 <b>HOSE ASSEMBLIES</b> _____ ITEM 4 - RAP90872 (AP24632) ITEM 5 - RAP91421 (AP24818)
--	--

# ROOM EXTENSION ASSEMBLIES GUIDE PAGE "SUNDANCE COACH"

**PROCEDURE:**

1. Locate the HWH identification tag on the room extension mechanism to get the correct room extension part number.
2. Find the correct room extension part number in the left column below.
3. Refer to the proper parts page for general replacement parts information and item number arrangements.
4. Two cylinder room extensions with a synchronizing cylinder have two room extension part numbers. One number is for the left assembly, one is for the right assembly. If the room extension assembly originally had one number, that number is listed with the new numbers.

<b>MECHANISM</b> <b>AP15770</b> <b>OR</b> <b>AP19305</b> <b>AP19306</b>	<b>DUAL CYLINDER ROOM EXTENSION - 36.0" STROKE (WITH SYNCHRONIZING CYLINDER) - AP15769 KIT</b>  <a href="#">SEE MR41.2000 FOR DRAWING AND PARTS INFORMATION.</a> <b>CYLINDER ASSEMBLY</b> _____ ITEM 1 - RAP90518 (36.5" STROKE) - REPLACES AP15251 <b>SYNCHRONIZING CYLINDER</b> _____ ITEM 3 - RAP90474 (14.63" STROKE) - REPLACES AP12484 <b>TUBE KIT</b> _____ ITEM 2 - RAP90480 - REPLACES AP13252
<b>MECHANISM</b> <b>AP17019</b> <b>OR</b> <b>AP19313</b> <b>AP19314</b>	<b>DUAL CYLINDER ROOM EXTENSION - 24.0" STROKE (WITH SYNCHRONIZING CYLINDER) - AP17018 KIT</b>  <a href="#">SEE MR41.2005 FOR DRAWING AND PARTS INFORMATION.</a> <b>CYLINDER ASSEMBLY</b> _____ ITEM 1 - RAP90484 (24.5" STROKE) - REPLACES AP15252 <b>SYNCHRONIZING CYLINDER</b> _____ ITEM 3 - RAP90472 (9.685" STROKE) - REPLACES AP13224 <b>TUBE KIT</b> _____ ITEM 2 - RAP90480 - REPLACES AP13252
<b>MECHANISM</b> <b>AP22862</b>	<b>SINGLE CYLINDER ROOM EXTENSION - 18.0" STROKE - AP22861 KIT</b>  <a href="#">SEE MR41.1100 FOR DRAWING AND PARTS INFORMATION.</a> <b>CYLINDER ASSEMBLY</b> _____ ITEM 1 - RAP91021 (27.0" STROKE) - REPLACES AP28682 <b>HOSE ASSEMBLIES</b> _____ ITEM 3 - RAP90872 (AP24632) ITEM 4 - RAP90871 (AP24628)
<b>MECHANISM</b> <b>AP23091</b>	<b>SINGLE CYLINDER ROOM EXTENSION - 24.0" STROKE - AP23090 KIT</b>  <a href="#">SEE MR41.1100 FOR DRAWING AND PARTS INFORMATION.</a> <b>CYLINDER ASSEMBLY</b> _____ ITEM 1 - RAP91021 (27.0" STROKE) - REPLACES AP28682 <b>HOSE ASSEMBLIES</b> _____ ITEM 3 - RAP90872 (AP24632) ITEM 4 - RAP90871 (AP24628)
<b>MECHANISM</b> <b>AP25194</b> <b>AP25195</b>	<b>VERTICAL ARM ROOM EXTENSION - 24.0" STROKE (WITH SYNCHRONIZING CYLINDER) - AP25193 KIT</b>  <a href="#">SEE MR41.2505 FOR DRAWING AND PARTS INFORMATION.</a> <b>CYLINDER ASSEMBLY</b> _____ ITEM 1 - RAP91201 (10.172" STROKE) - REPLACES AP25030 <b>SYNCHRONIZING CYLINDER</b> _____ ITEM 6 - RAP91019 (3.935" STROKE) - REPLACES AP13180 <b>HOSE ASSEMBLIES</b> _____ ITEM 4 - RAP90386 (AP24643) ITEM 5 - RAP91236 (AP24647)

# ROOM EXTENSION ASSEMBLIES GUIDE PAGE "SUNSWEEP DESIGN"

**PROCEDURE:**

1. Locate the HWH identification tag on the room extension mechanism to get the correct room extension part number.
2. Find the correct room extension part number in the left column below.
3. Refer to the proper parts page for general replacement parts information and item number arrangements.
4. Two cylinder room extensions with a synchronizing cylinder have two room extension part numbers. One number is for the left assembly, one is for the right assembly. If the room extension assembly originally had one number, that number is listed with the new numbers.

<b>MECHANISM</b> <b>AP18605</b> <b>AP18606</b>	<b>DUAL CYLINDER ROOM EXTENSION - 46.0" STROKE (WITH SYNCHRONIZING CYLINDER) - AP18604 KIT</b>  <a href="#">SEE MR41.2005 FOR DRAWING AND PARTS INFORMATION.</a> <b>CYLINDER ASSEMBLY</b> _____ ITEM 1 - RAP90660 (47.0" STROKE) - REPLACES AP18626 <b>SYNCHRONIZING CYLINDER</b> _____ ITEM 3 - RAP90661 (18.75" STROKE) - REPLACES AP18607 <b>TUBE KIT</b> _____ ITEM 2 - RAP90481 - REPLACES AP15379
<b>MECHANISM</b> <b>AP19286</b> <b>AP19287</b>	<b>DUAL CYLINDER ROOM EXTENSION - 46.0" STROKE (WITH SYNCHRONIZING CYLINDER) - AP17035 KIT</b>  <a href="#">SEE MR41.2000 FOR DRAWING AND PARTS INFORMATION.</a> <b>CYLINDER ASSEMBLY</b> _____ ITEM 1 - RAP91698 (47.0" STROKE) - REPLACES AP17332 <b>SYNCHRONIZING CYLINDER</b> _____ ITEM 3 - RAP91699 (17.585" STROKE) - REPLACES AP17253 <b>TUBE KIT</b> _____ ITEM 2 - RAP90481 - REPLACES AP15379

# ROOM EXTENSION ASSEMBLIES GUIDE PAGE "SVI TRUCKS"

**PROCEDURE:**

1. Locate the HWH identification tag on the room extension mechanism to get the correct room extension part number.
2. Find the correct room extension part number in the left column below.
3. Refer to the proper parts page for general replacement parts information and item number arrangements.
4. Two cylinder room extensions with a synchronizing cylinder have two room extension part numbers. One is for the left assembly, one is for the right assembly. If the room extension assembly originally had one number, that number is listed with the new numbers.

<b>MECHANISM</b> <b>AP38944</b> <b>AP38945</b>	<b>UNIVERSAL LEVEL OUT - 30.0" STROKE (WITH SYNC. CYLINDER) - AP40346 AND AP42509 KITS</b>
	<b>SEE MR41.2690 FOR DRAWING AND PARTS INFORMATION.</b>
	<b>CYLINDER ASSEMBLY _____</b> ITEM 1 - RAP92076 (30.5" STROKE) - REPLACES AP38072
	<b>LIFT CYLINDER ASSEMBLY _____</b> ITEM 14 - RAP92260 (2.75" LIFT) - REPLACES AP38604
	<b>SYNCHRONIZING CYLINDER _____</b> ITEM 3 - RAP92077 (10.540" STROKE) - REPLACES AP37881
	<b>LIFT SYNCHRONIZING CYLINDER _____</b> ITEM 15 - RAP92316 - REPLACES AP38264
	<b>TUBE KIT _____</b> ITEM 2 - RAP92079 - REPLACES AP38267
	<b>HOSE ASSEMBLIES _____</b> ITEM 4 - RAP90872 (AP24632) ITEM 5 - RAP91421 (AP24818)



# ROOM EXTENSION ASSEMBLIES GUIDE PAGE "SWAGMAN MOTORHOMES"

**PROCEDURE:**

1. Locate the HWH identification tag on the room extension mechanism to get the correct room extension part number.
2. Find the correct room extension part number in the left column below.
3. Refer to the proper parts page for general replacement parts information and item number arrangements.
4. Two cylinder room extensions with a synchronizing cylinder have two room extension part numbers. One is for the left assembly, one is for the right assembly. If the room extension assembly originally had one number, that number is listed with the new numbers.

<b>MECHANISM</b> <b>AP40395</b> <b>AP40396</b>	<b>UNIVERSAL LEVEL OUT - 24.0" STROKE (WITH SYNCHRONIZING CYLINDER) - AP41104 KIT</b>  <b>SEE MR41.2690 FOR DRAWING AND PARTS INFORMATION.</b> <b>CYLINDER ASSEMBLY</b> _____ <b>ITEM 1 - RAP92076 (30.5" STROKE) - REPLACES AP38072</b> <b>LIFT CYLINDER ASSEMBLY</b> _____ <b>ITEM 11 - RAP92260 (2.75" LIFT) - REPLACES AP38604</b> <b>SYNCHRONIZING CYLINDER</b> _____ <b>ITEM 3 - RAP92275 (8.420" STROKE) - REPLACES AP39271</b> <b>LIFT SYNCHRONIZING CYLINDER</b> _____ <b>ITEM 12 - RAP92316 - REPLACES AP38264</b> <b>TUBE KIT</b> _____ <b>ITEM 2 - RAP92079 - REPLACES AP38267</b> <b>HOSE ASSEMBLIES</b> _____ <b>ITEM 4 - RAP90872 (AP24632) ITEM 5 - RAP91421 (AP24818)</b>
--	--

---

# ROOM EXTENSION ASSEMBLIES GUIDE PAGE "T&E ENTERPRISES"

---

**PROCEDURE:**

1. Locate the HWH identification tag on the room extension mechanism to get the correct room extension part number.
2. Find the correct room extension part number in the left column below.
3. Refer to the proper parts page for general replacement parts information and item number arrangements.
4. Two cylinder room extensions with a synchronizing cylinder have two room extension part numbers. One number is for the left assembly, one is for the right assembly. If the room extension assembly originally had one number, that number is listed with the new numbers.

---

<b>MECHANISM AP26416</b>	<b>SINGLE CYLINDER ROOM EXTENSION - 34.5" STROKE - AP26415 KIT</b>
	<b>SEE MR41.1008 FOR DRAWING AND PARTS INFORMATION.</b>
	<b>CYLINDER ASSEMBLY _____ ITEM 1 - RAP90488 (35.0" STROKE) - REPLACES AP15224</b>
	<b>TUBE KIT _____ ITEM 2 - RAP90480 - REPLACES AP13252</b>

---

---

# ROOM EXTENSION ASSEMBLIES GUIDE PAGE "TALEN CARROSSERIEBOUW"

---

**PROCEDURE:**

1. Locate the HWH identification tag on the room extension mechanism to get the correct room extension part number.
2. Find the correct room extension part number in the left column below.
3. Refer to the proper parts page for general replacement parts information and item number arrangements.
4. Two cylinder room extensions with a synchronizing cylinder have two room extension part numbers. One number is for the left assembly, one is for the right assembly. If the room extension assembly originally had one number, that number is listed with the new numbers.

<b>MECHANISM</b> <b>AP19281</b> <b>AP19282</b>	<b>DUAL CYLINDER ROOM EXTENSION - 70.0" STROKE (WITH SYNCHRONIZING CYLINDER) - AP37139 KIT</b>  <b>SEE MR41.2000 FOR DRAWING AND PARTS INFORMATION.</b> <b>CYLINDER ASSEMBLY</b> _____ ITEM 1 - RAP91189 (71.0" STROKE) - REPLACES AP17270 <b>SYNCHRONIZING CYLINDER</b> _____ ITEM 3 - RAP91809 (26.860" STROKE) - REPLACES AP17246 <b>TUBE KIT</b> _____ ITEM 2 - RAP91221 - REPLACES AP17321
--	--

# ROOM EXTENSION ASSEMBLIES GUIDE PAGE "TAZWELL COACHES"

**PROCEDURE:**

1. Locate the HWH identification tag on the room extension mechanism to get the correct room extension part number.
2. Find the correct room extension part number in the left column below.
3. Refer to the proper parts page for general replacement parts information and item number arrangements.
4. Two cylinder room extensions with a synchronizing cylinder have two room extension part numbers. One number is for the left assembly, one is for the right assembly. If the room extension assembly originally had one number, that number is listed with the new numbers.

<b>MECHANISM</b> <b>AP20614</b> <b>AP20615</b>	<b>VERTICAL ARM ROOM EXTENSION - 36.0" STROKE (WITH SYNCHRONIZING CYLINDER) - AP20613 KIT</b>  <a href="#">SEE MR41.2500 FOR DRAWING AND PARTS INFORMATION.</a> <b>CYLINDER ASSEMBLY</b> _____ ITEM 1 - RAP91348 (14.30" STROKE) - REPLACES AP19378 <b>SYNCHRONIZING CYLINDER</b> _____ ITEM 6 - RAP90726 (5.75" STROKE) - REPLACES AP15042 <b>TUBE KIT</b> _____ RAP91223 - REPLACES AP19936 <b>HOSE ASSEMBLIES</b> _____ ITEM 4 - RAP90945 (AP18016) ITEM 5 - RAP91752 (AP14062)
<b>MECHANISM</b> <b>AP26333</b> <b>AP26334</b>	<b>VERTICAL ARM ROOM EXTENSION - 24.0" STROKE (WITH SYNCHRONIZING CYLINDER) - AP26332 KIT</b>  <a href="#">SEE MR41.2500 FOR DRAWING AND PARTS INFORMATION.</a> <b>CYLINDER ASSEMBLY</b> _____ ITEM 1 - RAP91200 (10.172" STROKE) - REPLACES AP24733 <b>SYNCHRONIZING CYLINDER</b> _____ ITEM 6 - RAP91019 (3.935" STROKE) - REPLACES AP13180 <b>TUBE KIT</b> _____ RAP91224 - REPLACES AP23196 <b>HOSE ASSEMBLIES</b> _____ ITEM 4 - RAP90386 (AP24643) ITEM 5 - RAP90428 (AP24642)

# ROOM EXTENSION ASSEMBLIES GUIDE PAGE "TESCHNER MOTORHOMES MFG."

**PROCEDURE:**

1. Locate the HWH identification tag on the room extension mechanism to get the correct room extension part number.
2. Find the correct room extension part number in the left column below.
3. Refer to the proper parts page for general replacement parts information and item number arrangements.
4. Two cylinder room extensions with a synchronizing cylinder have two room extension part numbers. One number is for the left assembly, one is for the right assembly. If the room extension assembly originally had one number, that number is listed with the new numbers.

<b>MECHANISM AP30055</b>	<b>SINGLE CYLINDER ROOM EXTENSION - 30.0" STROKE - AP30054 KIT</b>  <a href="#">SEE MR41.1100 FOR DRAWING AND PARTS INFORMATION.</a> <b>CYLINDER ASSEMBLY</b> _____ ITEM 1 - RAP91805 (31.0" STROKE) - REPLACES AP28687 <b>HOSE ASSEMBLIES</b> _____ ITEM 4 - RAP90781 (AP24628) ITEM 3 - RAP90782 (AP24632)
<b>MECHANISM AP36873 AP36874</b>	<b>UNIVERSAL STRAIGHT OUT - 24.0" STROKE (WITH SYNCHRONIZING CYLINDER) - AP36020 KIT</b>  <a href="#">SEE MR41.2680 FOR DRAWING AND PARTS INFORMATION.</a> <b>CYLINDER ASSEMBLY</b> _____ ITEM 1 - RAP91702 (34.0" STROKE) - REPLACES AP31461 <b>SYNCHRONIZING CYLINDER</b> _____ ITEM 3 - RAP90472 (9.685" STROKE) - REPLACES AP13224 <b>TUBE KIT</b> _____ ITEM 2 - RAP91703 - REPLACES AP31486 <b>HOSE ASSEMBLIES</b> _____ ITEM 4 - RAP90872 (AP24632) ITEM 5 - RAP91421 (AP24818)

# ROOM EXTENSION ASSEMBLIES GUIDE PAGE "TETON HOMES"

**PROCEDURE:**

1. Locate the HWH identification tag on the room extension mechanism to get the correct room extension part number.
2. Find the correct room extension part number in the left column below.
3. Refer to the proper parts page for general replacement parts information and item number arrangements.
4. Two cylinder room extensions with a synchronizing cylinder have two room extension part numbers. One number is for the left assembly, one is for the right assembly. If the room extension assembly originally had one number, that number is listed with the new numbers.

<b>MECHANISM AP25518 AP25519</b>	<b>DUAL CYLINDER ROOM EXTENSION - 42.0" STROKE (WITH SYNCHRONIZING CYLINDER) - AP42751 KIT</b>  <b>SEE MR41.2011 FOR DRAWING AND PARTS INFORMATION.</b> <b>CYLINDER ASSEMBLY</b> _____ ITEM 1 - RAP90477 (43.0" STROKE) - REPLACES AP15668 <b>SYNCHRONIZING CYLINDER</b> _____ ITEM 3 - RAP90447 (17.100" STROKE) - REPLACES AP15687 <b>TUBE KIT</b> _____ ITEM 2 - RAP90481 - REPLACES AP15379
<b>MECHANISM AP42740</b>	<b>SINGLE CYLINDER ROOM EXTENSION - 28.0" STROKE - AP42374 KIT</b>  <b>SEE MR41.1100 FOR DRAWING AND PARTS INFORMATION.</b> <b>CYLINDER ASSEMBLY</b> _____ ITEM 1 - RAP91209 (30.125" STROKE) - REPLACES AP28686 <b>HOSE ASSEMBLIES</b> _____ ITEM 3 - RAP91117 (AP24635) ITEM 4 - RAP91178 (AP24636)

# ROOM EXTENSION ASSEMBLIES GUIDE PAGE "THE TRAILER SHOP"

**PROCEDURE:**

1. Locate the HWH identification tag on the room extension mechanism to get the correct room extension part number.
2. Find the correct room extension part number in the left column below.
3. Refer to the proper parts page for general replacement parts information and item number arrangements.
4. Two cylinder room extensions with a synchronizing cylinder have two room extension part numbers. One number is for the left assembly, one is for the right assembly. If the room extension assembly originally had one number, that number is listed with the new numbers.

<b>MECHANISM</b>	<b>X-SLIDE ROOM EXTENSION - 30.75" STROKE (WITH SYNCHRONIZING CYLINDER) - AP32265 KIT</b>
<b>AP32266</b>	<p><b>SEE MR41.2670 FOR DRAWING AND PARTS INFORMATION.</b></p> <p><b>CYLINDER ASSEMBLY</b> _____ ITEM 1 - RAP91352 (13.90" STROKE) - REPLACES AP27513</p> <p><b>SYNCHRONIZING CYLINDER</b> _____ ITEM 3 - RAP90725 (5.460" STROKE) - REPLACES AP15043</p> <p><b>TUBE KIT</b> _____ ITEM 2 - RAP91229 - REPLACES AP27587</p> <p><b>HOSE ASSEMBLIES</b> _____ ITEM 4 - RAP91574 (AP24627) ITEM 5 - RAP91573 (AP32672)</p>
<b>AP32267</b>	

# ROOM EXTENSION ASSEMBLIES GUIDE PAGE "THOR INDUSTRIES WEST"

**PROCEDURE:**

1. Locate the HWH identification tag on the room extension mechanism to get the correct room extension part number.
2. Find the correct room extension part number in the left column below.
3. Refer to the proper parts page for general replacement parts information and item number arrangements.
4. Two cylinder room extensions with a synchronizing cylinder have two room extension part numbers. One number is for the left assembly, one is for the right assembly. If the room extension assembly originally had one number, that number is listed with the new numbers.

MECHANISM AP10515	<b>SINGLE CYLINDER ROOM EXTENSION - 25.0" STROKE</b>
	<a href="#">SEE MR41.1000 FOR DRAWING AND PARTS INFORMATION.</a> CYLINDER ASSEMBLY _____ ITEM 1 - RAP90031 (25.0" STROKE) - REPLACES AP1911 TUBE KIT _____ ITEM 2 - RAP90029 - REPLACES AP2369
MECHANISM AP10516	<b>DUAL CYLINDER ROOM EXTENSION - 37.0" STROKE (WITH RACK SENSING VALVE) - AP10518 KIT</b>
	<a href="#">SEE MR41.1530 FOR DRAWING AND PARTS INFORMATION.</a> CYLINDER ASSEMBLY _____ ITEM 1 - RAP90069 (37.0" STROKE) - REPLACES AP2340 HOSE ASSEMBLIES _____ ITEM 7 - RAP4073 (AP4073) ITEM 9 - RAP90509 (AP10566) ITEM 8 - RAP90003 (AP2446) ITEM 10 - RAP90435 (AP10565)
MECHANISM AP10541	<b>SINGLE CYLINDER ROOM EXTENSION - 29.0" STROKE - AP10550 KIT</b>
	<a href="#">SEE MR41.1000 FOR DRAWING AND PARTS INFORMATION.</a> CYLINDER ASSEMBLY _____ ITEM 1 - RAP90358 (29.0" STROKE) - REPLACES AP10542 TUBE KIT _____ ITEM 2 - RAP90029 - REPLACES AP2369
MECHANISM AP15662	<b>DUAL CYLINDER ROOM EXTENSION - 42.0" STROKE (WITH SYNCHRONIZING CYLINDER) - AP15661 KIT</b>
	<a href="#">SEE MR41.2000 FOR DRAWING AND PARTS INFORMATION.</a> CYLINDER ASSEMBLY _____ ITEM 1 - RAP90477 (43.0" STROKE) - REPLACES AP15668 SYNCHRONIZING CYLINDER _____ ITEM 3 - RAP90447 (17.1" STROKE) - REPLACES AP15687 TUBE KIT _____ ITEM 2 - RAP90481 - REPLACES AP15379
MECHANISM AP15664	<b>CYLINDER ASSEMBLY - 35.5" STROKE</b>
	CYLINDER ASSEMBLY _____ RAP90519 (35.5" STROKE) - REPLACES AP15665 TUBE KIT _____ RAP90480 - REPLACES AP13252
MECHANISM AP15751 OR AP19303 AP19304	<b>DUAL CYLINDER ROOM EXTENSION - 24.0" STROKE (WITH SYNCHRONIZING CYLINDER) - AP15750 KIT</b>
	<a href="#">SEE MR41.2000 FOR DRAWING AND PARTS INFORMATION.</a> CYLINDER ASSEMBLY _____ ITEM 1 - RAP90484 (24.5" STROKE) - REPLACES AP15252 SYNCHRONIZING CYLINDER _____ ITEM 3 - RAP90472 (9.685" STROKE) - REPLACES AP13224 TUBE KIT _____ ITEM 2 - RAP90480 - REPLACES AP13252
MECHANISM AP16384 OR AP19335 AP19336	<b>DUAL CYLINDER ROOM EXTENSION - 35.0" STROKE (WITH SYNCHRONIZING CYLINDER)</b>
	<a href="#">SEE MR41.2000 FOR DRAWING AND PARTS INFORMATION.</a> CYLINDER ASSEMBLY _____ ITEM 1 - RAP90519 (35.5" STROKE) - REPLACES AP15665 SYNCHRONIZING CYLINDER _____ ITEM 3 - RAP90449 (14.22" STROKE) - REPLACES AP15679 TUBE KIT _____ ITEM 2 - RAP90480 - REPLACES AP13252
MECHANISM AP17511 OR AP19238 AP19239	<b>DUAL CYLINDER ROOM EXTENSION - 18.0" STROKE (WITH SYNCHRONIZING CYLINDER) - AP17510 KIT</b>
	<a href="#">SEE MR41.2000 FOR DRAWING AND PARTS INFORMATION.</a> CYLINDER ASSEMBLY _____ ITEM 1 - RAP90517 (18.5" STROKE) - REPLACES AP16641 SYNCHRONIZING CYLINDER _____ ITEM 3 - RAP90439 (7.21" STROKE) - REPLACES AP16618 TUBE KIT _____ ITEM 2 - RAP90480 - REPLACES AP13252
MECHANISM AP17816	<b>SINGLE CYLINDER ROOM EXTENSION - 24.0" STROKE - AP17815 KIT</b>
	<a href="#">SEE MR41.1007 FOR DRAWING AND PARTS INFORMATION.</a> CYLINDER ASSEMBLY _____ ITEM 1 - RAP91806 (25.0" STROKE) - REPLACES AP15191 TUBE KIT _____ ITEM 2 - RAP90526 - REPLACES AP13592



# ROOM EXTENSION ASSEMBLIES GUIDE PAGE "TIFFIN" (PAGE 1 OF 2)

**PROCEDURE:**

1. Locate the HWH identification tag on the room extension mechanism to get the correct room extension part number.
2. Find the correct room extension part number in the left column below.
3. Refer to the proper parts page for general replacement parts information and item number arrangements.
4. Two cylinder room extensions with a synchronizing cylinder have two room extension part numbers. One is for the left assembly, one is for the right assembly. If the room extension assembly originally had one number, that number is listed with the new numbers.

MECHANISM AP24213 AP24214	<p><b>DUAL CYLINDER LEVEL OUT ROOM EXTENSION - 29.125" STROKE (WITH SYNC. CYLINDER) - AP24212 KIT</b></p> <p><a href="#">SEE MR41.2200 FOR DRAWING AND PARTS INFORMATION.</a></p> <p>CYLINDER ASSEMBLY _____ ITEM 1 - RAP90696 (36.0" STROKE) - REPLACES AP19256            SYNCHRONIZING CYLINDER _____ ITEM 3 - RAP90690 (11.780" STROKE) - REPLACES AP17966            HOSE ASSEMBLIES _____ RAP91707 (AP18996)                      RAP91708 (AP20533)</p>
MECHANISM AP25819	<p><b>GENERATOR EXTENSION - 30.0" STROKE - AP37145 KIT</b></p> <p>CYLINDER ASSEMBLY _____ RAP91337 (30.5" STROKE) - REPLACES AP25935            TUBE KIT _____ RAP91023 - REPLACES AP27998</p>
MECHANISM AP32165	<p><b>SINGLE CYLINDER ROOM EXTENSION - 24.0" STROKE - AP35484 KIT</b></p> <p><a href="#">SEE MR41.1100 FOR DRAWING AND PARTS INFORMATION.</a></p> <p>CYLINDER ASSEMBLY _____ ITEM 1 - RAP91021 (27.0" STROKE) - REPLACES AP28682            HOSE ASSEMBLIES _____ ITEM 4 - RAP90871 (AP24628)    ITEM 3 - RAP90872 (AP24632)</p>
MECHANISM AP32192 AP32193	<p><b>UNIVERSAL STRAIGHT OUT - 15.5" STROKE (WITH SYNCHRONIZING CYLINDER) - AP32191 KIT</b></p> <p><a href="#">SEE MR41.2680 FOR DRAWING AND PARTS INFORMATION.</a></p> <p>CYLINDER ASSEMBLY _____ ITEM 1 - RAP91702 (34.0" STROKE) - REPLACES AP31461            SYNCHRONIZING CYLINDER _____ ITEM 3 - RAP90632 (6.800" STROKE) - REPLACES AP17443            TUBE KIT _____ ITEM 2 - RAP91703 - REPLACES AP31486            HOSE ASSEMBLIES _____ ITEM 4 - RAP90872 (AP24632)    ITEM 5 - RAP91421 (AP24818)</p>
MECHANISM AP33192 AP33193	<p><b>LATERAL ARM ROOM EXTENSION - 16.0" STROKE (WITH SYNCHRONIZING CYLINDER) - AP33191 KIT</b></p> <p><a href="#">SEE MR41.2825 FOR DRAWING AND PARTS INFORMATION.</a></p> <p>CYLINDER ASSEMBLY _____ ITEM 1 - RAP91203 (6.150" STROKE) - REPLACES AP26255            SYNCHRONIZING CYLINDER _____ ITEM 3 - RAP91013 (1.810" STROKE) - REPLACES AP28566            TUBE KIT _____ ITEM 2 - RAP91226 - REPLACES AP27031            HOSE ASSEMBLIES _____ ITEM 4 - RAP91574 (AP24627)    ITEM 5 - RAP91573 (AP32672)</p>
MECHANISM AP35090 AP35091	<p><b>UNIVERSAL STRAIGHT OUT - 20.0" STROKE (WITH SYNCHRONIZING CYLINDER) - AP35089 KIT</b></p> <p><a href="#">SEE MR41.2680 FOR DRAWING AND PARTS INFORMATION.</a></p> <p>CYLINDER ASSEMBLY _____ ITEM 1 - RAP91702 (34.0" STROKE) - REPLACES AP31461            SYNCHRONIZING CYLINDER _____ ITEM 3 - RAP90616 (8.240" STROKE) - REPLACES AP18122            TUBE KIT _____ ITEM 2 - RAP91703 - REPLACES AP31486            HOSE ASSEMBLIES _____ ITEM 4 - RAP90872 (AP24632)    ITEM 5 - RAP91421 (AP24818)</p>
MECHANISM AP35118 AP35119	<p><b>LATERAL ARM ROOM EXTENSION - 18.0" STROKE (WITH SYNCHRONIZING CYLINDER) - AP35117 KIT</b></p> <p>NO INFORMATION AVAILABLE.</p>
MECHANISM AP35750 AP35751	<p><b>LATERAL ARM ROOM EXTENSION - 16.0" STROKE (WITH SYNCHRONIZING CYLINDER) - AP35759 KIT</b></p> <p><a href="#">SEE MR41.2825 FOR DRAWING AND PARTS INFORMATION.</a></p> <p>CYLINDER ASSEMBLY _____ ITEM 1 - RAP91203 (6.150" STROKE) - REPLACES AP26255            SYNCHRONIZING CYLINDER _____ ITEM 3 - RAP91013 (1.810" STROKE) - REPLACES AP28566            TUBE KIT _____ ITEM 2 - RAP91226 - REPLACES AP27031            HOSE ASSEMBLIES _____ ITEM 4 - RAP91574 (AP24627)    ITEM 5 - RAP91573 (AP32672)</p>

# ROOM EXTENSION ASSEMBLIES

## GUIDE PAGE

### "TIFFIN" (PAGE 2 OF 2)

PROCEDURE: SEE "TIFFIN" (PAGE 1 OF 2)

MECHANISM AP36479 AP36480	<b>UNIVERSAL STRAIGHT OUT - 28.0" STROKE (WITH SYNCHRONIZING CYLINDER) - AP36489 KIT</b>  <b>SEE MR41.2680 FOR DRAWING AND PARTS INFORMATION.</b> CYLINDER ASSEMBLY _____ ITEM 1 - RAP91702 (34.0" STROKE) - REPLACES AP31461 SYNCHRONIZING CYLINDER _____ ITEM 3 - RAP90455 (11.335" STROKE) - REPLACES AP15320 TUBE KIT _____ ITEM 2 - RAP91703 - REPLACES AP31486 HOSE ASSEMBLIES _____ ITEM 4 - RAP90872 (AP24632) ITEM 5 - RAP91421 (AP24818)
MECHANISM AP35179 AP35180	<b>X-SLIDE ROOM EXTENSION - 20.0" STROKE (WITH SYNCHRONIZING CYLINDER) - AP35178 KIT</b>  <b>SEE MR41.2670 FOR DRAWING AND PARTS INFORMATION.</b> CYLINDER ASSEMBLY _____ ITEM 1 - RAP91208 (9.20" STROKE) - REPLACES AP27862 SYNCHRONIZING CYLINDER _____ ITEM 3 - RAP90587 (3.455" STROKE) - REPLACES AP17199 TUBE KIT _____ ITEM 2 - RAP91229 - REPLACES AP27587 HOSE ASSEMBLIES _____ ITEM 4 - RAP91574 (AP24627) ITEM 5 - RAP91573 (AP32672)
MECHANISM AP39244 AP39245	<b>UNIVERSAL STRAIGHT OUT - 20.0" STROKE (WITH SYNCHRONIZING CYLINDER) - AP39243 KIT</b>  <b>SEE MR41.2685 FOR DRAWING AND PARTS INFORMATION.</b> CYLINDER ASSEMBLY _____ ITEM 1 - RAP92075 (20.5" STROKE) - REPLACES AP39251 SYNCHRONIZING CYLINDER _____ ITEM 3 - RAP90455 (11.335" STROKE) - REPLACES AP15320 TUBE KIT _____ ITEM 2 - RAP92092 - REPLACES AP39321 HOSE ASSEMBLIES _____ ITEM 4 - RAP91566 (AP24631) ITEM 5 - RAP91568 (AP24637)
MECHANISM AP39327 AP39328	<b>UNIVERSAL STRAIGHT OUT - 16.0" STROKE (WITH SYNCHRONIZING CYLINDER) - AP39323 KIT</b>  <b>SEE MR41.2685 FOR DRAWING AND PARTS INFORMATION.</b> CYLINDER ASSEMBLY _____ ITEM 1 - RAP92075 (20.5" STROKE) - REPLACES AP39251 SYNCHRONIZING CYLINDER _____ ITEM 3 - RAP92099 (7.010" STROKE) - REPLACES AP39221 TUBE KIT _____ ITEM 2 - RAP92092 - REPLACES AP39321 HOSE ASSEMBLIES _____ ITEM 4 - RAP91566 (AP24631) ITEM 5 - RAP91568 (AP24637)
MECHANISM AP40875 AP40876	<b>UNIVERSAL STRAIGHT OUT - 16.0" STROKE (WITH SYNCHRONIZING CYLINDER) - AP40853 KIT</b>  <b>SEE MR41.2685 FOR DRAWING AND PARTS INFORMATION.</b> CYLINDER ASSEMBLY _____ ITEM 1 - RAP92075 (20.5" STROKE) - REPLACES AP39251 SYNCHRONIZING CYLINDER _____ ITEM 3 - RAP92099 (7.010" STROKE) - REPLACES AP39221 TUBE KIT _____ ITEM 2 - RAP92092 - REPLACES AP39321 HOSE ASSEMBLIES _____ ITEM 4 - RAP91554 (AP24641) ITEM 5 - RAP91571 (AP24638)
MECHANISM AP41141	<b>SINGLE CYLINDER ROOM EXTENSION - 24.0" STROKE - AP41140 KIT</b>  <b>SEE MR41.1100 FOR DRAWING AND PARTS INFORMATION.</b> CYLINDER ASSEMBLY _____ ITEM 1 - RAP91021 (27.0" STROKE) - REPLACES AP28682 HOSE ASSEMBLIES _____ ITEM 4 - RAP90320 (AP24634) ITEM 3 - RAP90384 (AP24630)
MECHANISM AP42712	<b>SINGLE CYLINDER ROOM EXTENSION - 26.0" STROKE - AP42711 KIT</b>  <b>SEE MR41.1100 FOR DRAWING AND PARTS INFORMATION.</b> CYLINDER ASSEMBLY _____ ITEM 1 - RAP91667 (28.5" STROKE) - REPLACES AP28688 HOSE ASSEMBLIES _____ ITEM 4 - RAP91559 (AP24646) ITEM 3 - RAP90322 (AP24651)
MECHANISM AP43188 AP43189	<b>UNIVERSAL STRAIGHT OUT - 12.0" STROKE (WITH SYNCHRONIZING CYLINDER) - AP43412 KIT</b>  <b>SEE MR41.2685 FOR DRAWING AND PARTS INFORMATION.</b> CYLINDER ASSEMBLY _____ ITEM 1 - RAP92075 (20.5" STROKE) - REPLACES AP39251 SYNCHRONIZING CYLINDER _____ ITEM 3 - RAP92100 (5.590" STROKE) - REPLACES AP39961 TUBE KIT _____ ITEM 2 - RAP92092 - REPLACES AP39321 HOSE ASSEMBLIES _____ ITEM 4 - RAP91566 (AP24631) ITEM 5 - RAP91568 (AP24637)

# ROOM EXTENSION ASSEMBLIES GUIDE PAGE "TITAN TRAILER MFG."

**PROCEDURE:**

1. Locate the HWH identification tag on the room extension mechanism to get the correct room extension part number.
2. Find the correct room extension part number in the left column below.
3. Refer to the proper parts page for general replacement parts information and item number arrangements.
4. Two cylinder room extensions with a synchronizing cylinder have two room extension part numbers. One is for the left assembly, one is for the right assembly. If the room extension assembly originally had one number, that number is listed with the new numbers.

<b>MECHANISM AP38251 AP38252</b>	<b>UNIVERSAL STRAIGHT OUT - 30.0" STROKE (WITH SYNCHRONIZING CYLINDER) - AP41684 KIT</b>  <b>SEE MR41.2685 FOR DRAWING AND PARTS INFORMATION.</b> <b>CYLINDER ASSEMBLY</b> _____ ITEM 1 - RAP92076 (30.5" STROKE) - REPLACES AP38072 <b>SYNCHRONIZING CYLINDER</b> _____ ITEM 3 - RAP92077 (10.540" STROKE) - REPLACES AP37881 <b>TUBE KIT</b> _____ ITEM 2 - RAP92079 - REPLACES AP38267 <b>HOSE ASSEMBLIES</b> _____ ITEM 4 - RAP90872 (AP24632) ITEM 5 - RAP91421 (AP24818)
<b>MECHANISM AP38944 AP38945</b>	<b>UNIVERSAL LEVEL OUT - 30.0" STROKE (WITH SYNCHRONIZING CYLINDER) - AP41826 KIT</b>  <b>SEE MR41.2690 FOR DRAWING AND PARTS INFORMATION.</b> <b>CYLINDER ASSEMBLY</b> _____ ITEM 1 - RAP92076 (30.5" STROKE) - REPLACES AP38072 <b>LIFT CYLINDER ASSEMBLY</b> _____ ITEM 14 - RAP92260 (2.75" LIFT) - REPLACES AP38604 <b>SYNCHRONIZING CYLINDER</b> _____ ITEM 3 - RAP92077 (10.540" STROKE) - REPLACES AP37881 <b>LIFT SYNCHRONIZING CYLINDER</b> _____ ITEM 15 - RAP92316 - REPLACES AP38264 <b>TUBE KIT</b> _____ ITEM 2 - RAP92079 - REPLACES AP38267 <b>HOSE ASSEMBLIES</b> _____ ITEM 4 - RAP90872 (AP24632) ITEM 5 - RAP91421 (AP24818)

# ROOM EXTENSION ASSEMBLIES GUIDE PAGE "TOP DECK TRAILERS"

**PROCEDURE:**

1. Locate the HWH identification tag on the room extension mechanism to get the correct room extension part number.
2. Find the correct room extension part number in the left column below.
3. Refer to the proper parts page for general replacement parts information and item number arrangements.
4. Two cylinder room extensions with a synchronizing cylinder have two room extension part numbers. One number is for the left assembly, one is for the right assembly. If the room extension assembly originally had one number, that number is listed with the new numbers.

<b>MECHANISM</b>	<b>UNIVERSAL SLIDE OUT ROOM EXTENSION - 25.0" STROKE (WITH SYNC. CYLINDER) - AP32430 KIT</b>
<b>AP32431</b>	<p><b>SEE MR41.2680 FOR DRAWING AND PARTS INFORMATION.</b></p> <p><b>CYLINDER ASSEMBLY</b> _____ ITEM 1 - RAP91702 (34.0" STROKE) - REPLACES AP31461</p> <p><b>SYNCHRONIZING CYLINDER</b> _____ ITEM 3 - RAP90440 (10.095" STROKE) - REPLACES AP16509</p> <p><b>TUBE KIT</b> _____ ITEM 2 - RAP91703 - REPLACES AP31486</p> <p><b>HOSE ASSEMBLIES</b> _____ ITEM 4 - RAP90872 (AP24632) ITEM 5 - RAP91421 (AP24818)</p>
<b>AP32432</b>	

# ROOM EXTENSION ASSEMBLIES GUIDE PAGE "TPD TRAILERS"

**PROCEDURE:**

1. Locate the HWH identification tag on the room extension mechanism to get the correct room extension part number.
2. Find the correct room extension part number in the left column below.
3. Refer to the proper parts page for general replacement parts information and item number arrangements.
4. Two cylinder room extensions with a synchronizing cylinder have two room extension part numbers. One is for the left assembly, one is for the right assembly. If the room extension assembly originally had one number, that number is listed with the new numbers.

<b>MECHANISM</b> <b>AP38251</b> <b>AP38252</b>	<b>UNIVERSAL STRAIGHT OUT - 30.0" STROKE (WITH SYNCHRONIZING CYLINDER) - AP45643 KIT</b>  <b>SEE MR41.2685 FOR DRAWING AND PARTS INFORMATION.</b> <b>CYLINDER ASSEMBLY</b> _____ ITEM 1 - RAP92076 (30.5" STROKE) - REPLACES AP38072 <b>SYNCHRONIZING CYLINDER</b> _____ ITEM 3 - RAP92077 (10.540" STROKE) - REPLACES AP37881 <b>TUBE KIT</b> _____ ITEM 2 - RAP92079 - REPLACES AP38267 <b>HOSE ASSEMBLIES</b> _____ ITEM 4 - RAP90872 (AP24632) ITEM 5 - RAP91421 (AP24818)
<b>MECHANISM</b> <b>AP40006</b> <b>AP40007</b>	<b>UNIVERSAL STRAIGHT OUT - 20.0" STROKE (WITH SYNCHRONIZING CYLINDER) - AP50404 KIT</b>  <b>SEE MR41.2685 FOR DRAWING AND PARTS INFORMATION.</b> <b>CYLINDER ASSEMBLY</b> _____ ITEM 1 - RAP92076 (30.5" STROKE) - REPLACES AP38072 <b>SYNCHRONIZING CYLINDER</b> _____ ITEM 3 - RAP92099 (7.010" STROKE) - REPLACES AP39221 <b>TUBE KIT</b> _____ ITEM 2 - RAP92079 - REPLACES AP38267 <b>HOSE ASSEMBLIES</b> _____ ITEM 4 - RAP90872 (AP24632) ITEM 5 - RAP91421 (AP24818)

# ROOM EXTENSION ASSEMBLIES GUIDE PAGE "TRAIL-ET INC."

**PROCEDURE:**

1. Locate the HWH identification tag on the room extension mechanism to get the correct room extension part number.
2. Find the correct room extension part number in the left column below.
3. Refer to the proper parts page for general replacement parts information and item number arrangements.
4. Two cylinder room extensions with a synchronizing cylinder have two room extension part numbers. One is for the left assembly, one is for the right assembly. If the room extension assembly originally had one number, that number is listed with the new numbers.

<b>MECHANISM</b> <b>AP32014</b> <b>AP32015</b>	<b>DUAL CYLINDER X-SLIDE - 30.75" STROKE (WITH SYNCHRONIZING CYLINDER) - AP32084 KIT</b>  <a href="#">SEE MR41.2670 FOR DRAWING AND PARTS INFORMATION.</a> <b>CYLINDER ASSEMBLY</b> _____ ITEM 1 - RAP91352 (13.90" STROKE) - REPLACES AP27513 <b>SYNCHRONIZING CYLINDER</b> _____ ITEM 3 - RAP90725 (5.460" STROKE) - REPLACES AP15043 <b>TUBE KIT</b> _____ ITEM 2 - RAP91229 - REPLACES AP27587 <b>HOSE ASSEMBLIES</b> _____ ITEM 4 - RAP91574 (AP24627) ITEM 5 - RAP91573 (AP32672)
<b>MECHANISM</b> <b>AP38251</b> <b>AP38252</b>	<b>UNIVERSAL STRAIGHT OUT - 30.0" STROKE (WITH SYNCHRONIZING CYLINDER) - AP41849 KIT</b>  <a href="#">SEE MR41.2685 FOR DRAWING AND PARTS INFORMATION.</a> <b>CYLINDER ASSEMBLY</b> _____ ITEM 1 - RAP92076 (30.5" STROKE) - REPLACES AP38072 <b>SYNCHRONIZING CYLINDER</b> _____ ITEM 3 - RAP92077 (10.540" STROKE) - REPLACES AP37881 <b>TUBE KIT</b> _____ ITEM 2 - RAP92079 - REPLACES AP38267 <b>HOSE ASSEMBLIES</b> _____ ITEM 4 - RAP90872 (AP24632) ITEM 5 - RAP91421 (AP24818)

# ROOM EXTENSION ASSEMBLIES GUIDE PAGE "TRAIL WAGONS INC."

**PROCEDURE:**

1. Locate the HWH identification tag on the room extension mechanism to get the correct room extension part number.
2. Find the correct room extension part number in the left column below.
3. Refer to the proper parts page for general replacement parts information and item number arrangements.
4. Two cylinder room extensions with a synchronizing cylinder have two room extension part numbers. One number is for the left assembly, one is for the right assembly. If the room extension assembly originally had one number, that number is listed with the new numbers.

<b>MECHANISM AP24338</b>	<b>SINGLE CYLINDER ROOM EXTENSION - 14.0" STROKE - AP24337 KIT</b>  <b>SEE MR41.1101 FOR DRAWING AND PARTS INFORMATION.</b> <b>CYLINDER ASSEMBLY</b> _____ ITEM 1 - RAP91807 (15.0" STROKE) - REPLACES AP29366 <b>HOSE ASSEMBLIES</b> _____ ITEM 4 - RAP90871 (AP24628) ITEM 3 - RAP90872 (AP24632)
<b>MECHANISM AP29278</b>	<b>SINGLE CYLINDER ROOM EXTENSION - 24.0" STROKE - AP29277 KIT</b>  <b>SEE MR41.1101 FOR DRAWING AND PARTS INFORMATION.</b> <b>CYLINDER ASSEMBLY</b> _____ ITEM 1 - RAP91021 (27.0" STROKE) - REPLACES AP28682 <b>HOSE ASSEMBLIES</b> _____ ITEM 4 - RAP90871 (AP24628) ITEM 3 - RAP90872 (AP24632)

# ROOM EXTENSION ASSEMBLIES GUIDE PAGE "TRANSPORT DESIGNS, INC." (PAGE 1 OF 2)

**PROCEDURE:**

1. Locate the HWH identification tag on the room extension mechanism to get the correct room extension part number.
2. Find the correct room extension part number in the left column below.
3. Refer to the proper parts page for general replacement parts information and item number arrangements.
4. Two cylinder room extensions with a synchronizing cylinder have two room extension part numbers. One number is for the left assembly, one is for the right assembly. If the room extension assembly originally had one number, that number is listed with the new numbers.

<b>MECHANISM AP18902</b>	<b>SINGLE CYLINDER ROOM EXTENSION - 24.0" STROKE - AP33794 KIT</b>  <b>SEE MR41.1100 FOR DRAWING AND PARTS INFORMATION.</b> CYLINDER ASSEMBLY _____ ITEM 1 - RAP91021 (27.0" STROKE) - REPLACES AP28682 HOSE ASSEMBLIES _____ ITEM 4 - RAP91750 (AP13842) ITEM 5 - RAP91751 (AP16434)
<b>MECHANISM AP21881 AP21882</b>	<b>DUAL CYLINDER ROOM EXTENSION - 24.0" STROKE (WITH SYNCHRONIZING CYLINDER) - AP33795 KIT</b>  <b>SEE MR41.2005 FOR DRAWING AND PARTS INFORMATION.</b> CYLINDER ASSEMBLY _____ ITEM 1 - RAP90484 (24.5" STROKE) - REPLACES AP15252 SYNCHRONIZING CYLINDER _____ ITEM 3 - RAP90472 (9.685" STROKE) - REPLACES AP13224 TUBE KIT _____ ITEM 2 - RAP90480 - REPLACES AP13252
<b>MECHANISM AP26253</b>	<b>SINGLE CYLINDER ROOM EXTENSION - 36.0" STROKE - AP26252 KIT</b>  <b>SEE MR41.1006 FOR DRAWING AND PARTS INFORMATION.</b> CYLINDER ASSEMBLY _____ ITEM 1 - RAP90518 (36.5" STROKE) - REPLACES AP15251 TUBE KIT _____ ITEM 2 - RAP90480 - REPLACES AP13252
<b>MECHANISM AP30756 AP30757</b>	<b>X-SLIDE ROOM EXTENSION - 25.0" STROKE (WITH SYNCHRONIZING CYLINDER) - AP34148 KIT</b>  <b>SEE MR41.2670 FOR DRAWING AND PARTS INFORMATION.</b> CYLINDER ASSEMBLY _____ ITEM 1 - RAP91350 (11.400" STROKE) - REPLACES AP27865 SYNCHRONIZING CYLINDER _____ ITEM 3 - RAP91701 (4.300" STROKE) - REPLACES AP30260 TUBE KIT _____ ITEM 2 - RAP91229 - REPLACES AP27587 HOSE ASSEMBLIES _____ ITEM 4 - RAP91574 (AP24627) ITEM 5 - RAP91573 (AP32672)
<b>MECHANISM AP32030 AP32031</b>	<b>X-SLIDE ROOM EXTENSION - 32.0" STROKE (WITH SYNCHRONIZING CYLINDER) - AP35388 KIT</b>  <b>SEE MR41.2670 FOR DRAWING AND PARTS INFORMATION.</b> CYLINDER ASSEMBLY _____ ITEM 1 - RAP91210 (14.300" STROKE) - REPLACES AP29191 SYNCHRONIZING CYLINDER _____ ITEM 3 - RAP90726 (5.750" STROKE) - REPLACES AP15042 TUBE KIT _____ ITEM 2 - RAP91230 - REPLACES AP29192 HOSE ASSEMBLIES _____ ITEM 4 - RAP91574 (AP24627) ITEM 5 - RAP91573 (AP32672)
<b>MECHANISM AP32572 AP32573</b>	<b>UNIVERSAL SLIDE OUT ROOM EXTENSION - 25.0" STROKE (WITH SYNC. CYLINDER) - AP34147 KIT</b>  <b>SEE MR41.2680 FOR DRAWING AND PARTS INFORMATION.</b> CYLINDER ASSEMBLY _____ ITEM 1 - RAP91702 (34.0" STROKE) - REPLACES AP31461 SYNCHRONIZING CYLINDER _____ ITEM 3 - RAP90440 (10.095" STROKE) - REPLACES AP16509 TUBE KIT _____ ITEM 2 - RAP91703 - REPLACES AP31486 HOSE ASSEMBLIES _____ ITEM 4 - RAP91421 (AP24818) ITEM 5 - RAP90872 (AP24632)
<b>MECHANISM AP34238 AP34239</b>	<b>UNIVERSAL SLIDE OUT ROOM EXTENSION - 30.0" STROKE (WITH SYNC. CYLINDER) - AP35679 KIT</b>  <b>SEE MR41.2680 FOR DRAWING AND PARTS INFORMATION.</b> CYLINDER ASSEMBLY _____ ITEM 1 - RAP91702 (34.0" STROKE) - REPLACES AP31461 SYNCHRONIZING CYLINDER _____ ITEM 3 - RAP90473 (12.155" STROKE) - REPLACES AP13192 TUBE KIT _____ ITEM 2 - RAP91703 - REPLACES AP31486 HOSE ASSEMBLIES _____ ITEM 4 - RAP91421 (AP24818) ITEM 5 - RAP90872 (AP24632)



# ROOM EXTENSION ASSEMBLIES GUIDE PAGE "TRANSPORT DESIGNS, INC." (PAGE 2 OF 2)

PROCEDURE: SEE "TRANSPORT DESIGNS, INC." (PAGE 1 OF 2)

<b>MECHANISM</b> <b>AP38251</b> <b>AP38252</b>	<b>UNIVERSAL STRAIGHT OUT - 30.0" STROKE (WITH SYNCHRONIZING CYLINDER) - AP40725 KIT</b>  <b>SEE MR41.2685 FOR DRAWING AND PARTS INFORMATION.</b> <b>CYLINDER ASSEMBLY</b> _____ ITEM 1 - RAP92076 (30.5" STROKE) - REPLACES AP38072 <b>SYNCHRONIZING CYLINDER</b> _____ ITEM 3 - RAP92077 (10.540" STROKE) - REPLACES AP37881 <b>TUBE KIT</b> _____ ITEM 2 - RAP92079 - REPLACES AP38267 <b>HOSE ASSEMBLIES</b> _____ ITEM 4 - RAP90872 (AP24632) ITEM 5 - RAP91421 (AP24818)
<b>MECHANISM</b> <b>AP38944</b> <b>AP38945</b>	<b>UNIVERSAL LEVEL OUT - 30.0" STROKE (WITH SYNCHRONIZING CYLINDER) - AP40617 KIT</b>  <b>SEE MR41.2690 FOR DRAWING AND PARTS INFORMATION.</b> <b>CYLINDER ASSEMBLY</b> _____ ITEM 1 - RAP92076 (30.5" STROKE) - REPLACES AP38072 <b>LIFT CYLINDER ASSEMBLY</b> _____ ITEM 14 - RAP92260 (2.75" LIFT) - REPLACES AP38604 <b>SYNCHRONIZING CYLINDER</b> _____ ITEM 3 - RAP92077 (10.540" STROKE) - REPLACES AP37881 <b>LIFT SYNCHRONIZING CYLINDER</b> _____ ITEM 15 - RAP92316 - REPLACES AP38264 <b>TUBE KIT</b> _____ ITEM 2 - RAP92079 - REPLACES AP38267 <b>HOSE ASSEMBLIES</b> _____ ITEM 4 - RAP90872 (AP24632) ITEM 5 - RAP91421 (AP24818)

# ROOM EXTENSION ASSEMBLIES GUIDE PAGE "TRAVEL UNITS"

**PROCEDURE:**

1. Locate the HWH identification tag on the room extension mechanism to get the correct room extension part number.
2. Find the correct room extension part number in the left column below.
3. Refer to the proper parts page for general replacement parts information and item number arrangements.
4. Two cylinder room extensions with a synchronizing cylinder have two room extension part numbers. One number is for the left assembly, one is for the right assembly. If the room extension assembly originally had one number, that number is listed with the new numbers.

MECHANISM AP10594	<b>DUAL CYLINDER ROOM EXTENSION - 73.0" STROKE (WITH RACK SENSING VALVE) - AP10573 KIT</b>
	<p><a href="#">SEE MR41.1532 FOR DRAWING AND PARTS INFORMATION.</a></p> <p>CYLINDER ASSEMBLY _____ ITEM 1 - RAP90115 (73.0" STROKE) - REPLACES AP1662</p> <p>HOSE ASSEMBLIES _____ ITEM 6 - RAP5352 (AP5352)    ITEM 8 - RAP6115 (AP6115)</p> <p style="padding-left: 150px;">ITEM 7 - RAP90003 (AP2446)    ITEM 9 - RAP6216 (AP6216)</p>
MECHANISM AP10632	<b>DUAL CYLINDER ROOM EXTENSION - 39.0" STROKE (WITH RACK SENSING VALVE) - AP10576 KIT</b>
	<p><a href="#">SEE MR41.1530 FOR DRAWING AND PARTS INFORMATION.</a></p> <p>CYLINDER ASSEMBLY _____ ITEM 1 - RAP90007 (39.0" STROKE) - REPLACES AP1700</p> <p>HOSE ASSEMBLIES _____ ITEM 7 - RAP4159 (AP4159)    ITEM 9 - RAP4827 (AP4827)</p> <p style="padding-left: 150px;">ITEM 8 - RAP90024 (AP2517)    ITEM 10 - RAP4061 (AP4061)</p>
MECHANISM AP10663 AP10664	<b>DUAL CYLINDER ROOM EXTENSION - 61.0" STROKE (WITH RACK SENSING VALVE) - AP10574 AND AP10575 KITS</b>
	<p><a href="#">SEE MR41.1532 FOR DRAWING AND PARTS INFORMATION.</a></p> <p>CYLINDER ASSEMBLY _____ ITEM 1 - RAP90114 (61.0" STROKE) - REPLACES AP10659</p> <p>HOSE ASSEMBLIES _____ ITEM 6 - RAP5352 (AP5352)    ITEM 8 - RAP6115 (AP6115)</p> <p style="padding-left: 150px;">ITEM 7 - RAP90003 (AP2446)    ITEM 9 - RAP6216 (AP6216)</p>
MECHANISM AP10777	<b>DUAL CYLINDER ROOM EXTENSION - 44.0" STROKE (WITH RACK SENSING VALVE) - AP10778 KIT</b>
	<p><a href="#">SEE MR41.1530 FOR DRAWING AND PARTS INFORMATION.</a></p> <p>CYLINDER ASSEMBLY _____ ITEM 1 - RAP90025 (44.0" STROKE) - REPLACES AP10124</p> <p>HOSE ASSEMBLIES _____ ITEM 7 - RAP4159 (AP4159)    ITEM 9 - RAP90120 (AP5965)</p> <p style="padding-left: 150px;">ITEM 8 - RAP90024 (AP2517)    ITEM 10 - RAP90121 (AP7385)</p>
MECHANISM AP11243	<b>DUAL CYLINDER ROOM EXTENSION - 49.0" STROKE (WITH RACK SENSING VALVE) - AP11244 KIT</b>
	<p><a href="#">SEE MR41.1530 FOR DRAWING AND PARTS INFORMATION.</a></p> <p>CYLINDER ASSEMBLY _____ ITEM 1 - RAP90113 (49.0" STROKE) - REPLACES AP1054</p> <p>HOSE ASSEMBLIES _____ ITEM 7 - RAP4159 (AP4159)    ITEM 9 - RAP90120 (AP5965)</p> <p style="padding-left: 150px;">ITEM 8 - RAP90024 (AP2517)    ITEM 10 - RAP90121 (AP7385)</p>
MECHANISM AP12169	<b>DUAL CYLINDER ROOM EXTENSION - 44.0" STROKE (WITH RACK SENSING VALVE) - AP12164 KIT</b>
	<p><a href="#">SEE MR41.1530 FOR DRAWING AND PARTS INFORMATION.</a></p> <p>CYLINDER ASSEMBLY _____ ITEM 1 - RAP90025 (44.0" STROKE) - REPLACES AP10124</p> <p>HOSE ASSEMBLIES _____ ITEM 7 - RAP4159 (AP4159)    ITEM 9 - RAP90120 (AP5965)</p> <p style="padding-left: 150px;">ITEM 8 - RAP90024 (AP2517)    ITEM 10 - RAP90121 (AP7385)</p>
MECHANISM AP14805 AP19750	<b>DUAL CYLINDER ROOM EXTENSION - 31.0" STROKE (WITH RACK SENSING VALVE) - AP14804 AND AP19749 KITS</b>
	<p><a href="#">SEE MR41.1530 FOR DRAWING AND PARTS INFORMATION.</a></p> <p>CYLINDER ASSEMBLY _____ ITEM 1 - RAP90109 (31.0" STROKE) - REPLACES AP2490</p> <p>HOSE ASSEMBLIES _____ ITEM 7 - RAP4159 (AP4159)    ITEM 9 - RAP90120 (AP5965)</p> <p style="padding-left: 150px;">ITEM 8 - RAP90110 (AP2522)    ITEM 10 - RAP90121 (AP7385)</p>
MECHANISM AP21075	<b>DUAL CYLINDER ROOM EXTENSION - 50.0" STROKE (WITH RACK SENSING VALVE) - AP21074 KIT</b>
	<p><a href="#">SEE MR41.1530 FOR DRAWING AND PARTS INFORMATION.</a></p> <p>CYLINDER ASSEMBLY _____ ITEM 1 - RAP91697 (52.0" STROKE) - REPLACES AP21076</p> <p>HOSE ASSEMBLIES _____ ITEM 7 - RAP1412 (AP1412)    ITEM 9 - RAP5352 (AP5352)</p> <p style="padding-left: 150px;">ITEM 8 - RAP90003 (AP2446)    ITEM 10 - RAP90120 (AP5965)</p>

# ROOM EXTENSION ASSEMBLIES GUIDE PAGE "TRIPLE E MFG." (PAGE 1 OF 3)

**PROCEDURE:**

1. Locate the HWH identification tag on the room extension mechanism to get the correct room extension part number.
2. Find the correct room extension part number in the left column below.
3. Refer to the proper parts page for general replacement parts information and item number arrangements.
4. Two cylinder room extensions with a synchronizing cylinder have two room extension part numbers. One number is for the left assembly, one is for the right assembly. If the room extension assembly originally had one number, that number is listed with the new numbers.

MECHANISM AP10530	<p><b>DUAL CYLINDER ROOM EXTENSION - 39.0" STROKE (WITH RACK SENSING VALVE) - AP10531 KIT</b></p> <p><a href="#">SEE MR41.1530 FOR DRAWING AND PARTS INFORMATION.</a></p> <p>CYLINDER ASSEMBLY _____ ITEM 1 - RAP90007 (39.0" STROKE) - REPLACES AP1700</p> <p>HOSE ASSEMBLIES _____ ITEM 6 - RAP4073 (AP4073)    ITEM 8 - RAP90077 (AP7832)</p> <p style="padding-left: 150px;">ITEM 7 - RAP90003 (AP2446)    ITEM 9 - RAP90078 (AP4065)</p>
MECHANISM AP15092 OR AP19236 AP19237	<p><b>DUAL CYLINDER ROOM EXTENSION - 31.0" STROKE (WITH SYNCHRONIZING CYLINDER) - AP15091 KIT</b></p> <p><a href="#">SEE MR41.2000 FOR DRAWING AND PARTS INFORMATION.</a></p> <p>CYLINDER ASSEMBLY _____ ITEM 1 - RAP90457 (31.5" STROKE) - REPLACES AP15738</p> <p>SYNCHRONIZING CYLINDER _____ ITEM 3 - RAP90442 (12.57" STROKE) - REPLACES AP16484</p> <p>TUBE KIT _____ ITEM 2 - RAP90480 - REPLACES AP13252</p>
MECHANISM AP17427 OR AP19234 AP19235	<p><b>DUAL CYLINDER ROOM EXTENSION - 16.0" STROKE (WITH SYNCHRONIZING CYLINDER) - AP17426 KIT</b></p> <p><a href="#">SEE MR41.2000 FOR DRAWING AND PARTS INFORMATION.</a></p> <p>CYLINDER ASSEMBLY _____ ITEM 1 - RAP90643 (16.5" STROKE) - REPLACES AP17473</p> <p>SYNCHRONIZING CYLINDER _____ ITEM 3 - RAP90644 (6.39" STROKE) - REPLACES AP17436</p> <p>TUBE KIT _____ ITEM 2 - RAP90480 - REPLACES AP13252</p>
MECHANISM AP19971 AP19972	<p><b>DUAL CYLINDER LEVEL OUT ROOM EXTENSION - 32.0" STROKE (WITH SYNC. CYLINDER) - AP19970 KIT</b></p> <p><a href="#">SEE MR41.2200 FOR DRAWING AND PARTS INFORMATION.</a></p> <p>CYLINDER ASSEMBLY _____ ITEM 1 - RAP91190 (36.0" STROKE) - REPLACES AP20301</p> <p>SYNCHRONIZING CYLINDER _____ ITEM 3 - RAP90466 (12.980" STROKE) - REPLACES AP14301</p> <p>HOSE ASSEMBLIES _____ ITEM 2 - RAP91561 - REPLACES AP24648</p>
MECHANISM AP19974 AP19975	<p><b>DUAL CYLINDER LEVEL OUT ROOM EXTENSION - 16.0" STROKE (WITH SYNC. CYLINDER) - AP19973 KIT</b></p> <p>NO INFORMATION AVAILABLE.</p>
MECHANISM AP20554 AP20555	<p><b>DUAL CYLINDER "HAT" ROOM EXTENSION - 16.0" STROKE (WITH SYNC. CYLINDER) - AP20553 KIT</b></p> <p><a href="#">SEE MR41.2050 FOR DRAWING AND PARTS INFORMATION.</a></p> <p>CYLINDER ASSEMBLY _____ ITEM 1 - RAP90643 (16.5" STROKE) - REPLACES AP17473</p> <p>SYNCHRONIZING CYLINDER _____ ITEM 3 - RAP90644 (6.390" STROKE) - REPLACES AP17436</p> <p>TUBE KIT _____ ITEM 2 - RAP90480 - REPLACES AP13252</p>
MECHANISM AP21482 AP21483	<p><b>DUAL CYLINDER "HAT" ROOM EXTENSION - 31.0" STROKE (WITH SYNC. CYLINDER) - AP21476 KIT</b></p> <p><a href="#">SEE MR41.2050 FOR DRAWING AND PARTS INFORMATION.</a></p> <p>CYLINDER ASSEMBLY _____ ITEM 1 - RAP90457 (31.5" STROKE) - REPLACES AP15738</p> <p>SYNCHRONIZING CYLINDER _____ ITEM 3 - RAP90442 (12.57" STROKE) - REPLACES AP16484</p> <p>TUBE KIT _____ ITEM 2 - RAP90480 - REPLACES AP13252</p>
MECHANISM AP24857 AP24858	<p><b>DUAL CYLINDER LEVEL OUT ROOM EXTENSION - 31.0" STROKE (WITH SYNC. CYLINDER) - AP24364 KIT</b></p> <p><a href="#">SEE MR41.2200 FOR DRAWING AND PARTS INFORMATION.</a></p> <p>CYLINDER ASSEMBLY _____ ITEM 1 - RAP91199 (32.0" STROKE) - REPLACES AP24262</p> <p>SYNCHRONIZING CYLINDER _____ ITEM 3 - RAP90466 (12.980" STROKE) - REPLACES AP14301</p> <p>TUBE KIT _____ ITEM 2 - RAP91024 - REPLACES AP26587</p>

# ROOM EXTENSION ASSEMBLIES GUIDE PAGE "TRIPLE E MFG." (PAGE 2 OF 3)

PROCEDURE: SEE "TRIPPLE E MFG." (PAGE 1 OF 3)

MECHANISM AP27483 AP27484	<b>DUAL CYLINDER LEVEL OUT ROOM EXTENSION - 31.0" STROKE (WITH SYNC. CYLINDER) - AP27482 KIT</b>  <b>SEE MR41.2200 FOR DRAWING AND PARTS INFORMATION.</b> CYLINDER ASSEMBLY _____ ITEM 1 - RAP91199 (32.0" STROKE) - REPLACES AP24262 SYNCHRONIZING CYLINDER _____ ITEM 3 - RAP90442 (12.570" STROKE) - REPLACES AP16484 TUBE KIT _____ ITEM 2 - RAP91024 - REPLACES AP26587
MECHANISM AP33254 AP33255	<b>DUAL CYLINDER ROOM EXTENSION - 29.125" STROKE (WITH SYNCHRONIZING CYLINDER)</b>  <b>SEE MR41.2020 FOR DRAWING AND PARTS INFORMATION.</b> CYLINDER ASSEMBLY _____ ITEM 1 - RAP90689 (32.0" STROKE) - REPLACES AP19616 SYNCHRONIZING CYLINDER _____ ITEM 3 - RAP90690 (11.780" STROKE) - REPLACES AP17966 TUBE KIT _____ ITEM 2 - RAP91222 - REPLACES AP19736
MECHANISM AP33429 AP33430	<b>DUAL CYLINDER ROOM EXTENSION - 16.0" STROKE (WITH SYNCHRONIZING CYLINDER) - AP33428 KIT</b>  <b>SEE MR41.2020 FOR DRAWING AND PARTS INFORMATION.</b> CYLINDER ASSEMBLY _____ ITEM 1 - RAP91607 (17.0" STROKE) - REPLACES AP33519 SYNCHRONIZING CYLINDER _____ ITEM 3 - RAP90644 (6.390" STROKE) - REPLACES AP17436 TUBE KIT _____ ITEM 2 - RAP90658 - REPLACES AP18428
MECHANISM AP33776	<b>DUAL CYLINDER ROOM EXTENSION - 31.0" STROKE (WITH SYNCHRONIZING CYLINDER) - AP34108 KIT</b>  <b>SEE MR41.2200 FOR DRAWING AND PARTS INFORMATION.</b> CYLINDER ASSEMBLY _____ ITEM 1 - RAP91199 (32.0" STROKE) - REPLACES AP24262 SYNCHRONIZING CYLINDER _____ ITEM 3 - RAP90442 (12.570" STROKE) - REPLACES AP16484 TUBE KIT _____ ITEM 2 - RAP91024 - REPLACES AP26587
MECHANISM AP35843	<b>CYLINDER ASSEMBLY - 26.0" STROKE</b>  CYLINDER ASSEMBLY _____ RAP92523 (26.0" STROKE) - REPLACES AP35843
MECHANISM AP39182 AP39183	<b>UNIVERSAL STRAIGHT OUT - 18.0" STROKE (WITH SYNCHRONIZING CYLINDER) - AP41598 KIT</b>  <b>SEE MR41.2685 FOR DRAWING AND PARTS INFORMATION.</b> CYLINDER ASSEMBLY _____ ITEM 1 - RAP92076 (30.5" STROKE) - REPLACES AP38072 SYNCHRONIZING CYLINDER _____ ITEM 3 - RAP92369 (6.30" STROKE) - REPLACES AP39267 TUBE KIT _____ ITEM 2 - RAP92079 - REPLACES AP38267 HOSE ASSEMBLIES _____ ITEM 4 - RAP90872 (AP24632) ITEM 5 - RAP91421 (AP24818)
MECHANISM AP40528 AP40529	<b>DUAL CYLINDER "HAT" ROOM EXTENSION - 24.0" STROKE (WITH SYNC. CYLINDER) - AP40527 KIT</b>  <b>SEE MR41.2050 FOR DRAWING AND PARTS INFORMATION.</b> CYLINDER ASSEMBLY _____ ITEM 1 - RAP90484 (24.5" STROKE) - REPLACES AP15252 SYNCHRONIZING CYLINDER _____ ITEM 3 - RAP92275 (8.420" STROKE) - REPLACES AP39271 TUBE KIT _____ ITEM 2 - RAP90480 - REPLACES AP13252
MECHANISM AP40753 AP40754	<b>UNIVERSAL LEVEL OUT - 30.0" STROKE (WITH SYNCHRONIZING CYLINDER) - AP41597 KIT</b>  <b>SEE MR41.2690 FOR DRAWING AND PARTS INFORMATION.</b> CYLINDER ASSEMBLY _____ ITEM 1 - RAP92076 (30.5" STROKE) - REPLACES AP38072 LIFT CYLINDER ASSEMBLY _____ ITEM 14 - RAP92261 (3.50" LIFT) - REPLACES AP40746 SYNCHRONIZING CYLINDER _____ ITEM 3 - RAP92077 (10.540" STROKE) - REPLACES AP37881 LIFT SYNCHRONIZING CYLINDER _____ ITEM 15 - RAP92503 - REPLACES AP40832 TUBE KIT _____ ITEM 2 - RAP92079 - REPLACES AP38267 HOSE ASSEMBLIES _____ ITEM 4 - RAP90872 (AP24632) ITEM 5 - RAP91421 (AP24818)
MECHANISM AP43112 AP43113	<b>DUAL CYLINDER ROOM EXTENSION - 29.125" STROKE (WITH SYNC. CYLINDER) - AP33253 KIT</b>  <b>SEE MR41.2020 FOR DRAWING AND PARTS INFORMATION.</b> CYLINDER ASSEMBLY _____ ITEM 1 - RAP92524 (30.125" STROKE) - REPLACES AP43107 SYNCHRONIZING CYLINDER _____ ITEM 3 - RAP90690 (11.780" STROKE) - REPLACES AP17966 TUBE KIT _____ ITEM 2 - RAP90658 - REPLACES AP18428

**ROOM EXTENSION ASSEMBLIES  
GUIDE PAGE  
"TRIPLE E MFG." (PAGE 3 OF 3)**

PROCEDURE: SEE "TRIPPLE E MFG." (PAGE 1 OF 3)

MECHANISM AP43994 AP43995	DUAL CYLINDER "HAT" ROOM EXTENSION - 22.0" STROKE (WITH SYNC. CYLINDER) - AP43993 KIT
	<a href="#">SEE MR41.2050 FOR DRAWING AND PARTS INFORMATION.</a> CYLINDER ASSEMBLY _____ ITEM 1 - RAP90593 (22.5" STROKE) - REPLACES AP15384 SYNCHRONIZING CYLINDER _____ ITEM 3 - RAP92522 (7.710" STROKE) - REPLACES AP43403 TUBE KIT _____ ITEM 2 - RAP90480 - REPLACES AP13252

# ROOM EXTENSION ASSEMBLIES GUIDE PAGE "TRIVAN TRUCK BODY"

**PROCEDURE:**

1. Locate the HWH identification tag on the room extension mechanism to get the correct room extension part number.
2. Find the correct room extension part number in the left column below.
3. Refer to the proper parts page for general replacement parts information and item number arrangements.
4. Two cylinder room extensions with a synchronizing cylinder have two room extension part numbers. One number is for the left assembly, one is for the right assembly. If the room extension assembly originally had one number, that number is listed with the new numbers.

<b>MECHANISM AP26043</b>	<b>FLOOR CYLINDER LIFT - 10.172" STROKE - AP46460 KIT</b>
	<b>CYLINDER ASSEMBLY</b> _____ RAP91347 (10.172" STROKE) - REPLACES AP26043
<b>MECHANISM AP26889 AP26890</b>	<b>DUAL CYLINDER ROOM EXTENSION - 36.0" STROKE (WITH SYNCHRONIZING CYLINDER) - AP39048 KIT</b>
	<b>SEE MR41.2005 FOR DRAWING AND PARTS INFORMATION.</b>
	<b>CYLINDER ASSEMBLY</b> _____ ITEM 1 - RAP91799 (36.5" STROKE) - REPLACES AP23577
	<b>SYNCHRONIZING CYLINDER</b> _____ ITEM 3 - RAP90474 (14.630" STROKE) - REPLACES AP12484
	<b>TUBE KIT</b> _____ ITEM 2 - RAP90480 - REPLACES AP13252

---

# ROOM EXTENSION ASSEMBLIES GUIDE PAGE "TRIVAN TRUCK BODY TEXAS"

---

**PROCEDURE:**

1. Locate the HWH identification tag on the room extension mechanism to get the correct room extension part number.
2. Find the correct room extension part number in the left column below.
3. Refer to the proper parts page for general replacement parts information and item number arrangements.
4. Two cylinder room extensions with a synchronizing cylinder have two room extension part numbers. One number is for the left assembly, one is for the right assembly. If the room extension assembly originally had one number, that number is listed with the new numbers.

---

<b>MECHANISM</b> <b>AP19281</b> <b>AP19282</b>	<b>FOUR CYLINDER ROOM EXTENSION - 70.0" STROKE (WITH SYNCHRONIZING CYLINDER) - AP46339 KIT</b>  <b>SEE MR41.2000 FOR DRAWING AND PARTS INFORMATION.</b> <b>CYLINDER ASSEMBLY</b> _____ ITEM 1 - RAP91189 (71.0" STROKE) - REPLACES AP17270 <b>SYNCHRONIZING CYLINDER</b> _____ ITEM 3 - RAP92916 (13.730" STROKE) - REPLACES AP46340 <b>SEE MR41.8004 FOR ADDITIONAL SYNC CYL REPLACEMENT PARTS</b> <b>TUBE KIT</b> _____ ITEM 2 - RAP91221 - REPLACES AP17321
--	--

---

# ROOM EXTENSION ASSEMBLIES GUIDE PAGE "TRUCK AND LIVESTOCK CONCEPTS"

## PROCEDURE:

1. Locate the HWH identification tag on the room extension mechanism to get the correct room extension part number.
2. Find the correct room extension part number in the left column below.
3. Refer to the proper parts page for general replacement parts information and item number arrangements.
4. Two cylinder room extensions with a synchronizing cylinder have two room extension part numbers. One number is for the left assembly, one is for the right assembly. If the room extension assembly originally had one number, that number is listed with the new numbers.



# ROOM EXTENSION ASSEMBLIES GUIDE PAGE "TURN KEY INDUSTRIES"

**PROCEDURE:**

1. Locate the HWH identification tag on the room extension mechanism to get the correct room extension part number.
2. Find the correct room extension part number in the left column below.
3. Refer to the proper parts page for general replacement parts information and item number arrangements.
4. Two cylinder room extensions with a synchronizing cylinder have two room extension part numbers. One number is for the left assembly, one is for the right assembly. If the room extension assembly originally had one number, that number is listed with the new numbers.

MECHANISM AP38251 AP38252	<b>UNIVERSAL STRAIGHT OUT - 30.0" STROKE (WITH SYNCHRONIZING CYLINDER) - AP42609 KIT</b>  <a href="#">SEE MR41.2685 FOR DRAWING AND PARTS INFORMATION.</a> CYLINDER ASSEMBLY _____ ITEM 1 - RAP92076 (30.5" STROKE) - REPLACES AP38072 SYNCHRONIZING CYLINDER _____ ITEM 3 - RAP92077 (10.540" STROKE) - REPLACES AP37881 TUBE KIT _____ ITEM 2 - RAP92079 - REPLACES AP38267 HOSE ASSEMBLIES _____ ITEM 4 - RAP90872 (AP24632) ITEM 5 - RAP91421 (AP24818)
MECHANISM AP38383 AP38384	<b>UNIVERSAL LEVEL OUT - 26.0" STROKE (WITH SYNCHRONIZING CYLINDER) - AP40434 KIT</b>  <a href="#">SEE MR41.2690 FOR DRAWING AND PARTS INFORMATION.</a> CYLINDER ASSEMBLY _____ ITEM 1 - RAP92076 (30.5" STROKE) - REPLACES AP38072 LIFT CYLINDER ASSEMBLY _____ ITEM 11 - RAP92260 (2.75" LIFT) - REPLACES AP38604 SYNCHRONIZING CYLINDER _____ ITEM 3 - RAP92469 (9.130" STROKE) - REPLACES AP39275 LIFT SYNCHRONIZING CYLINDER _____ ITEM 12 - RAP92316 - REPLACES AP38264 TUBE KIT _____ ITEM 2 - RAP92079 - REPLACES AP38267 HOSE ASSEMBLIES _____ ITEM 4 - RAP90872 (AP24632) ITEM 5 - RAP91421 (AP24818)
MECHANISM AP38944 AP38945	<b>UNIVERSAL LEVEL OUT - 30.0" STROKE (WITH SYNCHRONIZING CYLINDER) - AP40774 KIT</b>  <a href="#">SEE MR41.2690 FOR DRAWING AND PARTS INFORMATION.</a> CYLINDER ASSEMBLY _____ ITEM 1 - RAP92076 (30.5" STROKE) - REPLACES AP38072 LIFT CYLINDER ASSEMBLY _____ ITEM 11 - RAP92260 (2.75" LIFT) - REPLACES AP38604 SYNCHRONIZING CYLINDER _____ ITEM 3 - RAP92077 (10.540" STROKE) - REPLACES AP37881 LIFT SYNCHRONIZING CYLINDER _____ ITEM 12 - RAP92316 - REPLACES AP38264 TUBE KIT _____ ITEM 2 - RAP92079 - REPLACES AP38267 HOSE ASSEMBLIES _____ ITEM 4 - RAP90872 (AP24632) ITEM 5 - RAP91421 (AP24818)
MECHANISM AP40822 AP40823	<b>UNIVERSAL STRAIGHT OUT - 20.0" STROKE (WITH SYNCHRONIZING CYLINDER) - AP47756 KIT</b>  <a href="#">SEE MR41.2685 FOR DRAWING AND PARTS INFORMATION.</a> CYLINDER ASSEMBLY _____ ITEM 1 - RAP92075 (20.5" STROKE) - REPLACES AP39251 SYNCHRONIZING CYLINDER _____ ITEM 3 - RAP92099 (7.010" STROKE) - REPLACES AP39221 TUBE KIT _____ ITEM 2 - RAP92092 - REPLACES AP39321 HOSE ASSEMBLIES _____ ITEM 4 - RAP91566 (AP24631) ITEM 5 - RAP91568 (AP24637)
MECHANISM AP44727 AP44728	<b>UNIVERSAL LEVEL OUT - 20.0" STROKE (WITH SYNCHRONIZING CYLINDER) - AP42188 KIT</b>  <a href="#">SEE MR41.2690 FOR DRAWING AND PARTS INFORMATION.</a> CYLINDER ASSEMBLY _____ ITEM 1 - RAP92076 (30.5" STROKE) - REPLACES AP38072 LIFT CYLINDER ASSEMBLY _____ ITEM 11 - RAP92260 (2.75" LIFT) - REPLACES AP38604 SYNCHRONIZING CYLINDER _____ ITEM 3 - RAP92099 (7.010" STROKE) - REPLACES AP39221 LIFT SYNCHRONIZING CYLINDER _____ ITEM 12 - RAP92316 - REPLACES AP38264 TUBE KIT _____ ITEM 2 - RAP92079 - REPLACES AP38267 HOSE ASSEMBLIES _____ ITEM 4 - RAP90872 (AP24632) ITEM 5 - RAP91421 (AP24818)

# ROOM EXTENSION ASSEMBLIES GUIDE PAGE "UNIVERSAL SPECIALTY VEHICLES"

**PROCEDURE:**

1. Locate the HWH identification tag on the room extension mechanism to get the correct room extension part number.
2. Find the correct room extension part number in the left column below.
3. Refer to the proper parts page for general replacement parts information and item number arrangements.
4. Two cylinder room extensions with a synchronizing cylinder have two room extension part numbers. One number is for the left assembly, one is for the right assembly. If the room extension assembly originally had one number, that number is listed with the new numbers.

<b>MECHANISM AP38251 AP38252</b>	<b>UNIVERSAL STRAIGHT OUT - 30.0" STROKE (WITH SYNCHRONIZING CYLINDER) - AP41814 KIT</b>  <a href="#">SEE MR41.2685 FOR DRAWING AND PARTS INFORMATION.</a> <b>CYLINDER ASSEMBLY</b> _____ ITEM 1 - RAP92076 (30.5" STROKE) - REPLACES AP38072 <b>SYNCHRONIZING CYLINDER</b> _____ ITEM 3 - RAP92077 (10.540" STROKE) - REPLACES AP37881 <b>TUBE KIT</b> _____ ITEM 2 - RAP92079 - REPLACES AP38267 <b>HOSE ASSEMBLIES</b> _____ ITEM 4 - RAP90872 (AP24632) ITEM 5 - RAP91421 (AP24818)
<b>MECHANISM AP38944 AP38945</b>	<b>UNIVERSAL LEVEL OUT - 30.0" STROKE (WITH SYNCHRONIZING CYLINDER) - AP41813 KIT</b>  <a href="#">SEE MR41.2690 FOR DRAWING AND PARTS INFORMATION.</a> <b>CYLINDER ASSEMBLY</b> _____ ITEM 1 - RAP92076 (30.5" STROKE) - REPLACES AP38072 <b>LIFT CYLINDER ASSEMBLY</b> _____ ITEM 14 - RAP92260 (2.75" LIFT) - REPLACES AP38604 <b>SYNCHRONIZING CYLINDER</b> _____ ITEM 3 - RAP92077 (10.540" STROKE) - REPLACES AP37881 <b>LIFT SYNCHRONIZING CYLINDER</b> _____ ITEM 15 - RAP92316 - REPLACES AP38264 <b>TUBE KIT</b> _____ ITEM 2 - RAP92079 - REPLACES AP38267 <b>HOSE ASSEMBLIES</b> _____ ITEM 4 - RAP90872 (AP24632) ITEM 5 - RAP91421 (AP24818)

**ROOM EXTENSION ASSEMBLIES  
GUIDE PAGE  
"VAN AMERICA / ROCKWOOD"**

**PROCEDURE:**

1. Locate the HWH identification tag on the room extension mechanism to get the correct room extension part number.
2. Find the correct room extension part number in the left column below.
3. Refer to the proper parts page for general replacement parts information and item number arrangements.
4. Two cylinder room extensions with a synchronizing cylinder have two room extension part numbers. One number is for the left assembly, one is for the right assembly. If the room extension assembly originally had one number, that number is listed with the new numbers.

<b>MECHANISM AP10378</b>	<p><b>DUAL CYLINDER ROOM EXTENSION - 39.0" STROKE (WITH RACK SENSING VALVE) - AP10560 KIT</b></p> <p><b>SEE MR41.1530 FOR DRAWING AND PARTS INFORMATION.</b></p> <p><b>CYLINDER ASSEMBLY</b> _____ ITEM 1 - RAP90007 (39.0" STROKE) - REPLACES AP1700</p> <p><b>HOSE ASSEMBLIES</b> _____ ITEM 7 - RAP4073 (AP4073)    ITEM 9 - RAP90001 (AP2445)</p> <p style="padding-left: 150px;">ITEM 8 - RAP90003 (AP2446)    ITEM 10 - RAP90004 (AP2443)</p>
------------------------------	---

# ROOM EXTENSION ASSEMBLIES GUIDE PAGE "VANTARE INTERNATIONAL"

**PROCEDURE:**

1. Locate the HWH identification tag on the room extension mechanism to get the correct room extension part number.
2. Find the correct room extension part number in the left column below.
3. Refer to the proper parts page for general replacement parts information and item number arrangements.
4. Two cylinder room extensions with a synchronizing cylinder have two room extension part numbers. One number is for the left assembly, one is for the right assembly. If the room extension assembly originally had one number, that number is listed with the new numbers.

<b>MECHANISM AP12355</b>	<p><b>DUAL CYLINDER ROOM EXTENSION - 39.0" STROKE (WITH RACK SENSING VALVE)</b></p> <p><b>SEE MR41.1536 FOR DRAWING AND PARTS INFORMATION.</b></p> <p>CYLINDER ASSEMBLY _____ ITEM 1 - RAP90112 (39.0" STROKE) - REPLACES AP11105</p> <p>HOSE ASSEMBLIES _____ ITEM 7 - RAP4073 (AP4073)    ITEM 9 - RAP90215 (AP10912)</p> <p style="padding-left: 100px;">ITEM 8 - RAP90003 (AP2446)    ITEM 10 - RAP90126 (AP10913)</p>
<b>MECHANISM AP12356</b>	<p><b>DUAL CYLINDER ROOM EXTENSION - 36.0" STROKE (WITH RACK SENSING VALVE) - AP12361 KIT</b></p> <p><b>SEE MR41.1534 FOR DRAWING AND PARTS INFORMATION.</b></p> <p>CYLINDER ASSEMBLY _____ ITEM 1 - RAP90112 (39.0" STROKE) - REPLACES AP11105</p> <p>HOSE ASSEMBLIES _____ ITEM 7 - RAP90353 (AP4728)    ITEM 9 - RAP4074 (AP4074)</p> <p style="padding-left: 100px;">ITEM 8 - RAP90347 (AP11560)    ITEM 10 - RAP90078 (AP4065)</p>
<b>MECHANISM AP13210</b>	<p><b>SINGLE CYLINDER ROOM EXTENSION - 25.0" STROKE - AP13211 KIT</b></p> <p><b>SEE MR41.1000 FOR DRAWING AND PARTS INFORMATION.</b></p> <p>CYLINDER ASSEMBLY _____ ITEM 1 - RAP90031 (25.0" STROKE) - REPLACES AP1911</p> <p>TUBE KIT _____ ITEM 2 - RAP90029 - REPLACES AP2369</p>
<b>MECHANISM AP14143</b>	<p><b>ROOM EXTENSION - 25.0" STROKE (CYLINDER ONLY) - AP14141 KIT</b></p> <p>CYLINDER ASSEMBLY _____ RAP90673 (25.0" STROKE) - REPLACES AP14143</p>
<b>MECHANISM AP16046 OR AP19294 AP19295</b>	<p><b>DUAL CYLINDER ROOM EXTENSION - 30.0" STROKE (WITH SYNCHRONIZING CYLINDER) - AP14423 KIT</b></p> <p><b>SEE MR41.2017 FOR DRAWING AND PARTS INFORMATION.</b></p> <p>CYLINDER ASSEMBLY _____ ITEM 1 - RAP90487 (30.5" STROKE) - REPLACES AP15184</p> <p>SYNCHRONIZING CYLINDER _____ ITEM 3 - RAP90641 (12.312" STROKE) - REPLACES AP18180</p> <p>TUBE KIT _____ ITEM 2 - RAP90480 - REPLACES AP13252</p>
<b>MECHANISM AP13121 OR AP16047 OR AP19292 AP19293</b>	<p><b>DUAL CYLINDER ROOM EXTENSION - 30.0" STROKE (WITH SYNCHRONIZING CYLINDER) - AP13120 KIT</b></p> <p><b>SEE MR41.2016 FOR DRAWING AND PARTS INFORMATION.</b></p> <p>CYLINDER ASSEMBLY _____ ITEM 1 - RAP90487 (30.5" STROKE) - REPLACES AP15184</p> <p>SYNCHRONIZING CYLINDER _____ ITEM 3 - RAP90641 (12.312" STROKE) - REPLACES AP18180</p> <p>TUBE KIT _____ ITEM 2 - RAP90480 - REPLACES AP13252</p>
<b>MECHANISM AP18288 AP18289</b>	<p><b>VERTICAL ARM ROOM EXTENSION - 24.0" STROKE (WITH SYNCHRONIZING CYLINDER) - AP18287 KIT</b></p> <p><b>SEE MR41.2505 FOR DRAWING AND PARTS INFORMATION.</b></p> <p>CYLINDER ASSEMBLY _____ ITEM 1 - RAP90426 (9.689" STROKE) - REPLACES AP14028</p> <p>SYNCHRONIZING CYLINDER _____ ITEM 6 - RAP90427 (3.815" STROKE) - REPLACES AP14027</p> <p>HOSE ASSEMBLIES _____ ITEM 4 - RAP90945 (AP18016)    ITEM 5 - RAP91752 (AP14062)</p>
<b>MECHANISM AP19230 AP19231</b>	<p><b>DUAL CYLINDER ROOM EXTENSION - 30.0" STROKE (WITH SYNCHRONIZING CYLINDER) - AP13690 KIT</b></p> <p><b>SEE MR41.2018 FOR DRAWING AND PARTS INFORMATION.</b></p> <p>CYLINDER ASSEMBLY _____ ITEM 1 - RAP90487 (30.5" STROKE) - REPLACES AP15184</p> <p>SYNCHRONIZING CYLINDER _____ ITEM 3 - RAP90473 (12.155" STROKE) - REPLACES AP13192</p> <p>TUBE KIT _____ ITEM 2 - RAP90480 - REPLACES AP13252</p>

# ROOM EXTENSION ASSEMBLIES GUIDE PAGE "VARIO MOBILE"

**PROCEDURE:**

1. Locate the HWH identification tag on the room extension mechanism to get the correct room extension part number.
2. Find the correct room extension part number in the left column below.
3. Refer to the proper parts page for general replacement parts information and item number arrangements.
4. Two cylinder room extensions with a synchronizing cylinder have two room extension part numbers. One number is for the left assembly, one is for the right assembly. If the room extension assembly originally had one number, that number is listed with the new numbers.

<b>MECHANISM</b> <b>AP27853</b> <b>AP27854</b>	<b>X-SLIDE ROOM EXTENSION - 20.0" STROKE (WITH SYNCHRONIZING CYLINDER) - AP28167 KIT</b>  <b>SEE MR41.2670 FOR DRAWING AND PARTS INFORMATION.</b> <b>CYLINDER ASSEMBLY</b> _____ ITEM 1 - RAP91208 (9.20" STROKE) - REPLACES AP27862 <b>SYNCHRONIZING CYLINDER</b> _____ ITEM 3 - RAP90587 (3.455" STROKE) - REPLACES AP17199 <b>TUBE ASSEMBLIES</b> _____ ITEM 2 - RAP91229 - REPLACES AP27587 <b>HOSE ASSEMBLIES</b> _____ ITEM 4 - RAP91574 (AP24627) ITEM 5 - RAP91573 (AP32672)
<b>MECHANISM</b> <b>AP33123</b> <b>AP33124</b>	<b>X-SLIDE ROOM EXTENSION KIT - 18.0" STROKE (WITH SYNCHRONIZING CYLINDER) - AP33122 KIT</b>  <b>SEE MR41.2670 FOR DRAWING AND PARTS INFORMATION.</b> <b>CYLINDER ASSEMBLY</b> _____ ITEM 1 - RAP91007 (8.10" STROKE) - REPLACES AP27723 <b>SYNCHRONIZING CYLINDER</b> _____ ITEM 3 - RAP91006 (2.970" STROKE) - REPLACES AP27302 <b>TUBE ASSEMBLIES</b> _____ ITEM 2 - RAP91229 - REPLACES AP27587 <b>HOSE ASSEMBLIES</b> _____ ITEM 4 - RAP91574 (AP24627) ITEM 5 - RAP91573 (AP32672)
<b>MECHANISM</b> <b>AP37665</b>	<b>SINGLE CYLINDER ROOM EXTENSION - 18.0" STROKE - AP37664 KIT</b>  <b>SEE MR41.1100 FOR DRAWING AND PARTS INFORMATION.</b> <b>CYLINDER ASSEMBLY</b> _____ ITEM 1 - RAP91667 (28.5" STROKE) - REPLACES AP28688 <b>HOSE ASSEMBLIES</b> _____ ITEM 3 - RAP91750 (AP13842) ITEM 4 - RAP91751 (AP16434)

# ROOM EXTENSION ASSEMBLIES GUIDE PAGE "VETTURA MOTOR HOMES"

**PROCEDURE:**

1. Locate the HWH identification tag on the room extension mechanism to get the correct room extension part number.
2. Find the correct room extension part number in the left column below.
3. Refer to the proper parts page for general replacement parts information and item number arrangements.
4. Two cylinder room extensions with a synchronizing cylinder have two room extension part numbers. One number is for the left assembly, one is for the right assembly. If the room extension assembly originally had one number, that number is listed with the new numbers.

<b>MECHANISM AP12218</b>	<p><b>DUAL CYLINDER ROOM EXTENSION - 44.0" STROKE (WITH RACK SENSING VALVE) - AP12219 KIT</b></p> <p><b>SEE MR41.1536 FOR DRAWING AND PARTS INFORMATION.</b></p> <p><b>CYLINDER ASSEMBLY</b> _____ ITEM 1 - RAP90025 (44.0" STROKE) - REPLACES AP10124</p> <p><b>HOSE ASSEMBLIES</b> _____ ITEM 6 - RAP4159 (AP4159)    ITEM 8 - RAP90121 (AP7385)</p> <p style="padding-left: 150px;">ITEM 7 - RAP90024 (AP2517)    ITEM 9 - RAP90120 (AP5965)</p>
------------------------------	---

# ROOM EXTENSION ASSEMBLIES GUIDE PAGE "VILLESSE SRL"

**PROCEDURE:**

1. Locate the HWH identification tag on the room extension mechanism to get the correct room extension part number.
2. Find the correct room extension part number in the left column below.
3. Refer to the proper parts page for general replacement parts information and item number arrangements.
4. Two cylinder room extensions with a synchronizing cylinder have two room extension part numbers. One number is for the left assembly, one is for the right assembly. If the room extension assembly originally had one number, that number is listed with the new numbers.

<b>MECHANISM AP20401</b>	<b>BED LIFT CYLINDER - 8.0" STROKE - AP20338 KIT</b>
	<b>CYLINDER ASSEMBLY</b> _____ AP20401 (8.0" STROKE) - CONTACT HWH CORPORATION
<b>MECHANISM AP20405</b>	<b>DOOR RAMP CYLINDER - 24.0" STROKE - AP20339 KIT</b>
	<b>CYLINDER ASSEMBLY</b> _____ AP20405 (24.0" STROKE) - CONTACT HWH CORPORATION
<b>MECHANISM AP20344</b>	<b>SINGLE CYLINDER ROOM EXTENSION - 32.0" STROKE - AP20343 KIT</b>
	<b>SEE MR41.1006 FOR DRAWING AND PARTS INFORMATION.</b>
	<b>CYLINDER ASSEMBLY</b> _____ ITEM 1 - RAP90665 (32.5" STROKE) - REPLACES AP18131 <b>TUBE KIT</b> _____ ITEM 2 - RAP90480 - REPLACES AP13252

---

# ROOM EXTENSION ASSEMBLIES GUIDE PAGE "VIRGINIA CUSTOM COACH"

---

**PROCEDURE:**

1. Locate the HWH identification tag on the room extension mechanism to get the correct room extension part number.
2. Find the correct room extension part number in the left column below.
3. Refer to the proper parts page for general replacement parts information and item number arrangements.
4. Two cylinder room extensions with a synchronizing cylinder have two room extension part numbers. One number is for the left assembly, one is for the right assembly. If the room extension assembly originally had one number, that number is listed with the new numbers.

<b>MECHANISM</b> <b>AP20968</b> <b>AP20969</b>	<b>DUAL CYLINDER ROOM EXTENSION - 24.0" STROKE (WITH SYNCHRONIZING CYLINDER) - AP20967 KIT</b>  <b>SEE MR41.2017 FOR DRAWING AND PARTS INFORMATION.</b> <b>CYLINDER ASSEMBLY</b> _____ ITEM 1 - RAP90456 (24.5" STROKE) - REPLACES AP15344 <b>SYNCHRONIZING CYLINDER</b> _____ ITEM 3 - RAP90472 (9.685" STROKE) - REPLACES AP13224 <b>TUBE KIT</b> _____ ITEM 2 - RAP90480 - REPLACES AP13252
--	---



# ROOM EXTENSION ASSEMBLIES GUIDE PAGE "VISTA MOBILE TECHNOLOGY"

**PROCEDURE:**

1. Locate the HWH identification tag on the room extension mechanism to get the correct room extension part number.
2. Find the correct room extension part number in the left column below.
3. Refer to the proper parts page for general replacement parts information and item number arrangements.
4. Two cylinder room extensions with a synchronizing cylinder have two room extension part numbers. One number is for the left assembly, one is for the right assembly. If the room extension assembly originally had one number, that number is listed with the new numbers.

<b>MECHANISM</b> <b>AP22227</b> <b>AP22228</b>	<b>DUAL CYLINDER ROOM EXTENSION - 36.0" STROKE (WITH SYNCHRONIZING CYLINDER) - AP43260 KIT</b>  <b>SEE MR41.2005 FOR DRAWING AND PARTS INFORMATION.</b> <b>CYLINDER ASSEMBLY</b> _____ ITEM 1 - RAP90518 (36.5" STROKE) REPLACES - AP15251 <b>SYNCHRONIZING CYLINDER</b> _____ ITEM 3 - RAP90474 (14.630" STROKE) - REPLACES AP12484 <b>TUBE KIT</b> _____ ITEM 2 - RAP90480 - REPLACES AP13252
<b>MECHANISM</b> <b>AP26889</b> <b>AP26890</b>	<b>DUAL CYLINDER ROOM EXTENSION - 36.0" STROKE (WITH SYNCHRONIZING CYLINDER) - AP43259 KIT</b>  <b>SEE MR41.2005 FOR DRAWING AND PARTS INFORMATION.</b> <b>CYLINDER ASSEMBLY</b> _____ ITEM 1 - RAP91799 (36.5" STROKE) - REPLACES AP23577 <b>SYNCHRONIZING CYLINDER</b> _____ ITEM 3 - RAP90474 (14.630" STROKE) - REPLACES AP12484 <b>TUBE KIT</b> _____ ITEM 2 - RAP90480 - REPLACES AP13252

---

# ROOM EXTENSION ASSEMBLIES GUIDE PAGE "VOSS & CO. INC."

---

**PROCEDURE:**

1. Locate the HWH identification tag on the room extension mechanism to get the correct room extension part number.
2. Find the correct room extension part number in the left column below.
3. Refer to the proper parts page for general replacement parts information and item number arrangements.
4. Two cylinder room extensions with a synchronizing cylinder have two room extension part numbers. One number is for the left assembly, one is for the right assembly. If the room extension assembly originally had one number, that number is listed with the new numbers.

<b>MECHANISM</b> <b>AP23217</b> <b>AP23218</b>	<b>DUAL CYLINDER ROOM EXTENSION - 36.0" STROKE (WITH SYNCHRONIZING CYLINDER) - AP23216 KIT</b>  <b>SEE MR41.2000 FOR DRAWING AND PARTS INFORMATION.</b> <b>CYLINDER ASSEMBLY</b> _____ ITEM 1 - RAP91799 (36.5" STROKE) - REPLACES AP23577 <b>SYNCHRONIZING CYLINDER</b> _____ ITEM 3 - RAP90474 (14.630" STROKE) - REPLACES AP12484 <b>TUBE KIT</b> _____ ITEM 2 - RAP90480 - REPLACES AP13252
--	--

# ROOM EXTENSION ASSEMBLIES GUIDE PAGE "WAKERLEY MOTORHOMES"

**PROCEDURE:**

1. Locate the HWH identification tag on the room extension mechanism to get the correct room extension part number.
2. Find the correct room extension part number in the left column below.
3. Refer to the proper parts page for general replacement parts information and item number arrangements.
4. Two cylinder room extensions with a synchronizing cylinder have two room extension part numbers. One number is for the left assembly, one is for the right assembly. If the room extension assembly originally had one number, that number is listed with the new numbers.

<b>MECHANISM</b> <b>AP18960</b> <b>AP18961</b>	<b>DUAL CYLINDER ROOM EXTENSION - 35.5" STROKE (WITH SYNCHRONIZING CYLINDER) - AP18959 KIT</b>  <b>SEE MR41.2000 FOR DRAWING AND PARTS INFORMATION.</b> <b>CYLINDER ASSEMBLY</b> _____ ITEM 1 - RAP90476 (36.0" STROKE) - REPLACES AP15824 <b>SYNCHRONIZING CYLINDER</b> _____ ITEM 3 - RAP90446 (14.425" STROKE) - REPLACES AP15763 <b>TUBE KIT</b> _____ ITEM 2 - RAP90480 - REPLACES AP13252
<b>MECHANISM</b> <b>AP22394</b> <b>AP22395</b>	<b>DUAL CYLINDER ROOM EXTENSION - 36.0" STROKE (WITH SYNCHRONIZING CYLINDER) - AP22393 KIT</b>  <b>SEE MR41.2005 FOR DRAWING AND PARTS INFORMATION.</b> <b>CYLINDER ASSEMBLY</b> _____ ITEM 1 - RAP90518 (36.5" STROKE) - REPLACES AP15251 <b>SYNCHRONIZING CYLINDER</b> _____ ITEM 3 - RAP90474 (14.630" STROKE) - REPLACES AP12484 <b>TUBE KIT</b> _____ ITEM 2 - RAP90480 - REPLACES AP13252
<b>MECHANISM</b> <b>AP24472</b> <b>AP24473</b>	<b>DUAL CYLINDER ROOM EXTENSION - 23.5" STROKE (WITH SYNCHRONIZING CYLINDER) - AP24471 KIT</b>  <b>SEE MR41.2005 FOR DRAWING AND PARTS INFORMATION.</b> <b>CYLINDER ASSEMBLY</b> _____ ITEM 1 - RAP92525 (24.0" STROKE) - REPLACES AP24476 <b>SYNCHRONIZING CYLINDER</b> _____ ITEM 3 - RAP91017 (9.580" STROKE) - REPLACES AP24474 <b>TUBE KIT</b> _____ ITEM 2 - RAP90480 - REPLACES AP13252
<b>MECHANISM</b> <b>AP27489</b> <b>AP27490</b>	<b>DUAL CYLINDER ROOM EXTENSION - 23.5" STROKE (WITH SYNCHRONIZING CYLINDER) - AP27488 KIT</b>  <b>SEE MR41.2000 FOR DRAWING AND PARTS INFORMATION.</b> <b>CYLINDER ASSEMBLY</b> _____ ITEM 1 - RAP92525 (24.0" STROKE) - REPLACES AP24476 <b>SYNCHRONIZING CYLINDER</b> _____ ITEM 3 - RAP91017 (9.580" STROKE) - REPLACES AP24474 <b>TUBE KIT</b> _____ ITEM 2 - RAP90480 - REPLACES AP13252

# ROOM EXTENSION ASSEMBLIES GUIDE PAGE "WEBER HORSE TRAILERS"

**PROCEDURE:**

1. Locate the HWH identification tag on the room extension mechanism to get the correct room extension part number.
2. Find the correct room extension part number in the left column below.
3. Refer to the proper parts page for general replacement parts information and item number arrangements.
4. Two cylinder room extensions with a synchronizing cylinder have two room extension part numbers. One is for the left assembly, one is for the right assembly. If the room extension assembly originally had one number, that number is listed with the new numbers.

<b>MECHANISM</b> <b>AP38251</b> <b>AP38252</b>	<b>UNIVERSAL STRAIGHT OUT - 30.0" STROKE (WITH SYNCHRONIZING CYLINDER) - AP43502 KIT</b>
	<b>SEE MR41.2685 FOR DRAWING AND PARTS INFORMATION.</b>
	<b>CYLINDER ASSEMBLY</b> _____ <b>ITEM 1 - RAP92076 (30.5" STROKE) - REPLACES AP38072</b>
	<b>SYNCHRONIZING CYLINDER</b> _____ <b>ITEM 3 - RAP92077 (10.540" STROKE) - REPLACES AP37881</b>
	<b>TUBE KIT</b> _____ <b>ITEM 2 - RAP92079 - REPLACES AP38267</b>
	<b>HOSE ASSEMBLIES</b> _____ <b>ITEM 4 - RAP90872 (AP24632) ITEM 5 - RAP91421 (AP24818)</b>

# ROOM EXTENSION ASSEMBLIES GUIDE PAGE "WESTERN RECREATIONAL VEHICLES" (PAGE 1 OF 2)

**PROCEDURE:**

1. Locate the HWH identification tag on the room extension mechanism to get the correct room extension part number.
2. Find the correct room extension part number in the left column below.
3. Refer to the proper parts page for general replacement parts information and item number arrangements.
4. Two cylinder room extensions with a synchronizing cylinder have two room extension part numbers. One is for the left assembly, one is for the right assembly. If the room extension assembly originally had one number, that number is listed with the new numbers.

MECHANISM AP13754 OR AP19249 AP19250	<p><b>DUAL CYLINDER ROOM EXTENSION - 21.0" STROKE (WITH SYNCHRONIZING CYLINDER) - AP13753 KIT</b></p> <p><a href="#">SEE MR41.2000 FOR DRAWING AND PARTS INFORMATION.</a></p> <p>CYLINDER ASSEMBLY _____ ITEM 1 - RAP90458 (21.5" STROKE) - REPLACES AP15324            SYNCHRONIZING CYLINDER _____ ITEM 3 - RAP90470 (8.45" STROKE) - REPLACES AP14101            TUBE KIT _____ ITEM 2 - RAP90480 - REPLACES AP13252</p>
MECHANISM AP13992 OR AP19228 AP19229	<p><b>DUAL CYLINDER GENERATOR SLIDE - 21.0" STROKE (WITH SYNCHRONIZING CYLINDER) - AP13991 KIT</b></p> <p><a href="#">SEE MR41.2003 FOR DRAWING AND PARTS INFORMATION.</a></p> <p>CYLINDER ASSEMBLY _____ ITEM 1 - RAP90520 (22.0" STROKE) - REPLACES AP15189            SYNCHRONIZING CYLINDER _____ ITEM 3 - RAP90470 (8.45" STROKE) - REPLACES AP14101            TUBE KIT _____ ITEM 2 - RAP90526 - REPLACES AP13592</p>
MECHANISM AP14270	<p><b>BAY DOOR CYLINDER KIT - 4.5" STROKE - AP14757 KIT</b></p> <p>CYLINDER ASSEMBLY _____ RAP90482 - REPLACES AP14270 (4.5" STROKE)</p>
MECHANISM AP16921	<p><b>BAY DOOR CYLINDER KIT - 4.5" STROKE - AP16954 KIT</b></p> <p>CYLINDER ASSEMBLY _____ AP16921 (4.5" STROKE) - CONTACT HWH CORPORATION</p>
MECHANISM AP18234 AP18235	<p><b>DUAL CYLINDER GENERATOR SLIDE - 31.0" STROKE (WITH SYNCHRONIZING CYLINDER) - AP18233 KIT</b></p> <p><a href="#">SEE MR41.2003 FOR DRAWING AND PARTS INFORMATION.</a></p> <p>CYLINDER ASSEMBLY _____ ITEM 1 - RAP90657 (32.0" STROKE) - REPLACES AP18257            SYNCHRONIZING CYLINDER _____ ITEM 3 - RAP90442 (12.57" STROKE) - REPLACES AP16484            TUBE KIT _____ ITEM 2 - RAP90658 - REPLACES AP18428</p>
MECHANISM AP19951 AP19952	<p><b>DUAL CYLINDER ROOM EXTENSION - 21.0" STROKE (WITH SYNCHRONIZING CYLINDER) - AP19950 KIT</b></p> <p><a href="#">SEE MR41.2005 FOR DRAWING AND PARTS INFORMATION.</a></p> <p>CYLINDER ASSEMBLY _____ ITEM 1 - RAP90458 (21.5" STROKE) - REPLACES AP15324            SYNCHRONIZING CYLINDER _____ ITEM 3 - RAP90470 (8.450" STROKE) - REPLACES AP14101            TUBE KIT _____ ITEM 2 - RAP90480 - REPLACES AP13252</p>
MECHANISM AP20515	<p><b>SINGLE CYLINDER ROOM EXTENSION - 21.0" STROKE - AP20514 KIT</b></p> <p><a href="#">SEE MR41.1100 FOR DRAWING AND PARTS INFORMATION.</a></p> <p>CYLINDER ASSEMBLY _____ ITEM 1 - RAP90688 (27.0" STROKE) - REPLACES AP15818            HOSE ASSEMBLIES _____ ITEM 4 - RAP91751 (AP16434) ITEM 3 - RAP91750 (AP13842)</p>
MECHANISM AP24032 AP24033	<p><b>LATERAL ARM (WARDROBE) ROOM EXTENSION - 14.5" STROKE (WITH SYNC. CYLINDER) - AP23998 KIT</b></p> <p><a href="#">SEE MR41.2800 FOR DRAWING AND PARTS INFORMATION.</a></p> <p>CYLINDER ASSEMBLY _____ ITEM 1 - RAP90901 (11.39" STROKE) - REPLACES AP23672            SYNCHRONIZING CYLINDER _____ ITEM 4 - RAP90904 (1.57" STROKE) - REPLACES AP23696            HOSE ASSEMBLIES _____ ITEM 2 - RAP91240 (ROD END) RAP91241 (CAP END)</p>
MECHANISM AP24252	<p><b>SINGLE CYLINDER ROOM EXTENSION - 24.0" STROKE - AP24251 KIT</b></p> <p><a href="#">SEE MR41.1100 FOR DRAWING AND PARTS INFORMATION.</a></p> <p>CYLINDER ASSEMBLY _____ ITEM 1 - RAP91021 (27.0" STROKE) - REPLACES AP28682            HOSE ASSEMBLIES _____ ITEM 4 - RAP91424 (AP24635) ITEM 3 - RAP91417 (AP24639)</p>

# ROOM EXTENSION ASSEMBLIES GUIDE PAGE

## "WESTERN RECREATIONAL VEHICLES" (PAGE 2 OF 2)

PROCEDURE: SEE: "WESTERN RECREATIONAL VEHICLES" (PAGE 1 OF 2)

MECHANISM AP26584 AP26585	<p><b>DUAL CYLINDER LEVEL OUT ROOM EXTENSION - 31.0" STROKE (WITH SYNC. CYLINDER) - AP26583 KIT</b></p> <p><a href="#">SEE MR41.2200 FOR DRAWING AND PARTS INFORMATION.</a></p> <p>CYLINDER ASSEMBLY _____ ITEM 1 - RAP91199 (32.0" STROKE) - REPLACES AP24262            SYNCHRONIZING CYLINDER _____ ITEM 3 - RAP90442 (12.570" STROKE) - REPLACES AP16484            TUBE KIT _____ ITEM 2 - RAP91024 - REPLACES AP26587</p>
MECHANISM AP31677 AP31678	<p><b>UNIVERSAL FLAT OUT - 25.0" STROKE (WITH SYNCHRONIZING CYLINDER) - AP31676 KIT</b></p> <p><a href="#">SEE MR41.2687 FOR DRAWING AND PARTS INFORMATION.</a></p> <p>CYLINDER ASSEMBLY _____ ITEM 1 - RAP91760 (36.0" STROKE) - REPLACES AP31645            SYNCHRONIZING CYLINDER _____ ITEM 3 - RAP90440 (10.095" STROKE) - REPLACES AP16509            TUBE KIT _____ ITEM 2 - RAP92080 - REPLACES AP31651            HOSE ASSEMBLIES _____ ITEM 4 - RAP90321 (AP24653) ITEM 5 - RAP91560 (AP25680)            LIFT MECHANISMS _____ ITEM 10 - RAP91746 (AP32555) ITEM 11 - RAP91748 (AP32556)</p>
MECHANISM AP33348 AP33349	<p><b>LATERAL ARM ROOM EXTENSION - 16.0" STROKE (WITH SYNCHRONIZING CYLINDER) - AP33347 KIT</b></p> <p><a href="#">SEE MR41.2825 FOR DRAWING AND PARTS INFORMATION.</a></p> <p>CYLINDER ASSEMBLY _____ ITEM 1 - RAP91203 (6.150" STROKE) - REPLACES AP26255            SYNCHRONIZING CYLINDER _____ ITEM 3 - RAP91013 (1.810" STROKE) - REPLACES AP28566            TUBE KIT _____ ITEM 2 - RAP91226 - REPLACES AP27031            HOSE ASSEMBLIES _____ ITEM 4 - RAP91422 (AP24819) ITEM 5 - RAP91433 (AP23738)</p>
MECHANISM AP34218 AP34219	<p><b>UNIVERSAL LEVEL OUT ROOM EXTENSION - 25.0" STROKE (WITH SYNCH. CYLINDER) - AP34217 KIT</b></p> <p><a href="#">SEE MR41.2683 FOR DRAWING AND PARTS INFORMATION.</a></p> <p>CYLINDER ASSEMBLY _____ ITEM 1 - RAP91702 (34.0" STROKE) - REPLACES AP31461            LIFT CYLINDER ASSEMBLY _____ ITEM 10 - RAP91992 (2.75" LIFT) - REPLACES AP34390            SYNCHRONIZING CYLINDER _____ ITEM 3 - RAP90440 (10.095" STROKE) - REPLACES AP16509            LIFT SYNCHRONIZING CYLINDER _____ ITEM 11 - RAP92316 - REPLACES AP38264            TUBE KIT _____ ITEM 2 - RAP91703 - REPLACES AP31486            HOSE ASSEMBLIES _____ ITEM 5 - RAP90872 (AP24632) ITEM 4 - RAP91421 (AP24818)</p>
MECHANISM AP35776	<p><b>CYLINDER ASSEMBLY - 60.0" STROKE - AP35775 KIT</b></p> <p>CYLINDER ASSEMBLY _____ RAP92037 (60.0" STROKE) - REPLACES AP35775</p>
MECHANISM AP36890	<p><b>CYLINDER ASSEMBLY - 30.0" STROKE - AP36889 KIT</b></p> <p>CYLINDER ASSEMBLY _____ RAP92372 (30.0" STROKE) - REPLACES AP36890</p>
MECHANISM AP38383 AP38384	<p><b>UNIVERSAL LEVEL OUT - 26.0" STROKE (WITH SYNC. CYLINDER) - AP38677 AND AP42484 KIT</b></p> <p><a href="#">SEE MR41.2690 FOR DRAWING AND PARTS INFORMATION.</a></p> <p>CYLINDER ASSEMBLY _____ ITEM 1 - RAP92076 (30.5" STROKE) - REPLACES AP38072            LIFT CYLINDER ASSEMBLY _____ ITEM 14 - RAP92260 (2.75" LIFT) - REPLACES AP38604            SYNCHRONIZING CYLINDER _____ ITEM 3 - RAP92469 (9.130" STROKE) - REPLACES AP39275            LIFT SYNCHRONIZING CYLINDER _____ ITEM 15 - RAP92316 - REPLACES AP38264            TUBE KIT _____ ITEM 2 - RAP92079 - REPLACES AP38267            HOSE ASSEMBLIES _____ ITEM 4 - RAP90872 (AP24632) ITEM 5 - RAP91421 (AP24818)</p>
MECHANISM AP41562 AP41563	<p><b>DUAL CYLINDER ROOM EXTENSION - 30.0" STROKE (WITH SYNCHRONIZING CYLINDER) - AP41601 KIT</b></p> <p><a href="#">SEE MR41.2005 FOR DRAWING AND PARTS INFORMATION.</a></p> <p>CYLINDER ASSEMBLY _____ ITEM 1 - RAP90629 (30.5" STROKE) - REPLACES AP17365            SYNCHRONIZING CYLINDER _____ ITEM 3 - RAP92077 (10.540" STROKE) - REPLACES AP37881            TUBE KIT _____ ITEM 2 - RAP90480 - REPLACES AP13252</p>

# ROOM EXTENSION ASSEMBLIES GUIDE PAGE "WESTERN SHELTER MOBILITY"

**PROCEDURE:**

1. Locate the HWH identification tag on the room extension mechanism to get the correct room extension part number.
2. Find the correct room extension part number in the left column below.
3. Refer to the proper parts page for general replacement parts information and item number arrangements.
4. Two cylinder room extensions with a synchronizing cylinder have two room extension part numbers. One is for the left assembly, one is for the right assembly. If the room extension assembly originally had one number, that number is listed with the new numbers.

<b>MECHANISM AP28421</b>	<b>CYLINDER KIT / FLOOR - 7.385" STROKE - AP28420 KIT</b>
	<b>CYLINDER ASSEMBLY</b> _____ <b>RAP92481 (7.385" STROKE) - REPLACES AP28421</b>
<b>MECHANISM AP34811 AP34812</b>	<b>DUAL CYLINDER ROOM EXTENSION - 69.0" STROKE (WITH SYNCHRONIZING CYLINDER) - AP34810 KIT</b>
	<b>SEE MR41.2011 FOR DRAWING AND PARTS INFORMATION.</b> <b>CYLINDER ASSEMBLY</b> _____ <b>ITEM 1 - RAP91784 (70.0" STROKE) - REPLACES AP34827</b> <b>SYNCHRONIZING CYLINDER</b> _____ <b>ITEM 3 - RAP91798 (26.570" STROKE) - REPLACES AP34839</b> <b>TUBE KIT</b> _____ <b>ITEM 2 - RAP91785 - REPLACES AP34828</b>
<b>MECHANISM AP40753 AP40754</b>	<b>UNIVERSAL LEVEL OUT - 30.0" STROKE (WITH SYNCHRONIZING CYLINDER) - AP45666 KIT</b>
	<b>SEE MR41.2690 FOR DRAWING AND PARTS INFORMATION.</b> <b>CYLINDER ASSEMBLY</b> _____ <b>ITEM 1 - RAP92076 (30.5" STROKE) - REPLACES AP38072</b> <b>LIFT CYLINDER ASSEMBLY</b> _____ <b>ITEM 11 - RAP92261 (3.50" LIFT) - REPLACES AP40746</b> <b>SYNCHRONIZING CYLINDER</b> _____ <b>ITEM 3 - RAP92077 (10.540" STROKE) - REPLACES AP37881</b> <b>LIFT SYNCHRONIZING CYLINDER</b> _____ <b>ITEM 12 - RAP92503 - REPLACES AP40832</b> <b>TUBE KIT</b> _____ <b>ITEM 2 - RAP92079 - REPLACES AP38267</b> <b>HOSE ASSEMBLIES</b> _____ <b>ITEM 4 - RAP90872 (AP24632) ITEM 5 - RAP91421 (AP24818)</b>
<b>MECHANISM AP47632 AP47633</b>	<b>DUAL CYLINDER ROOM EXTENSION - 44.0" STROKE (WITH SYNCHRONIZING CYLINDER) - AP47631 KIT</b>
	<b>SEE MR41.2000 FOR DRAWING AND PARTS INFORMATION.</b> <b>CYLINDER ASSEMBLY</b> _____ <b>ITEM 1 - RAP92918 (45.0" STROKE) - REPLACES AP47655</b> <b>SYNCHRONIZING CYLINDER</b> _____ <b>ITEM 3 - RAP92919 (15.510" STROKE) - REPLACES AP47639</b> <b>TUBE KIT</b> _____ <b>ITEM 2 - RAP90481 - REPLACES AP15379</b>
<b>MECHANISM AP48852 AP48853</b>	<b>UNIVERSAL LEVEL OUT - 20.0" STROKE (WITH SYNCHRONIZING CYLINDER) - AP48603 KIT</b>
	<b>SEE MR41.2690 FOR DRAWING AND PARTS INFORMATION.</b> <b>CYLINDER ASSEMBLY</b> _____ <b>ITEM 1 - RAP92076 (30.5" STROKE) - REPLACES AP38072</b> <b>LIFT CYLINDER ASSEMBLY</b> _____ <b>ITEM 11 - RAP92261 (3.50" LIFT) - REPLACES AP40746</b> <b>SYNCHRONIZING CYLINDER</b> _____ <b>ITEM 3 - RAP92099 (7.010" STROKE) - REPLACES AP39221</b> <b>LIFT SYNCHRONIZING CYLINDER</b> _____ <b>ITEM 12 - RAP92503 - REPLACES AP40832</b> <b>TUBE KIT</b> _____ <b>ITEM 2 - RAP92079 - REPLACES AP38267</b> <b>HOSE ASSEMBLIES</b> _____ <b>ITEM 4 - RAP90872 (AP24632) ITEM 5 - RAP91421 (AP24818)</b>

# ROOM EXTENSION ASSEMBLIES GUIDE PAGE "WHITTAKER COACHBUILDERS"

**PROCEDURE:**

1. Locate the HWH identification tag on the room extension mechanism to get the correct room extension part number.
2. Find the correct room extension part number in the left column below.
3. Refer to the proper parts page for general replacement parts information and item number arrangements.
4. Two cylinder room extensions with a synchronizing cylinder have two room extension part numbers. One is for the left assembly, one is for the right assembly. If the room extension assembly originally had one number, that number is listed with the new numbers.

MECHANISM AP24083 AP24084	<p><b>DUAL CYLINDER ROOM EXTENSION - 39.5" STROKE (WITH SYNCHRONIZING CYLINDER) -AP24082 KIT</b></p> <p><a href="#">SEE MR41.2000 FOR DRAWING AND PARTS INFORMATION.</a></p> <p>CYLINDER ASSEMBLY _____ ITEM 1 - RAP91239 (40.5" STROKE) - REPLACES AP24107            SYNCHRONIZING CYLINDER _____ ITEM 3 - RAP91018 (16.175" STROKE) - REPLACES AP24085            TUBE ASSEMBLIES _____ ITEM 2 - RAP90481 - REPLACES AP15379</p>
MECHANISM AP38251 AP38252	<p><b>UNIVERSAL STRAIGHT OUT - 30.0" STROKE (WITH SYNCHRONIZING CYLINDER) - AP40019 KIT</b></p> <p><a href="#">SEE MR41.2685 FOR DRAWING AND PARTS INFORMATION.</a></p> <p>CYLINDER ASSEMBLY _____ ITEM 1 - RAP92076 (30.5" STROKE) - REPLACES AP38072            SYNCHRONIZING CYLINDER _____ ITEM 3 - RAP92077 (10.540" STROKE) - REPLACES AP37881            TUBE KIT _____ ITEM 2 - RAP92079 - REPLACES AP38267            HOSE ASSEMBLIES _____ ITEM 4 - RAP90872 (AP24632) ITEM 5 - RAP91421 (AP24818)</p>
MECHANISM AP41437 AP41438	<p><b>DUAL CYLINDER ROOM EXTENSION - 43.5" STROKE (WITH SYNCHRONIZING CYLINDER) - AP41436 KIT</b></p> <p><a href="#">SEE MR41.2000 FOR DRAWING AND PARTS INFORMATION.</a></p> <p>CYLINDER ASSEMBLY _____ ITEM 1 - RAP92499 (44.5" STROKE) - REPLACES AP40624            SYNCHRONIZING CYLINDER _____ ITEM 3 - RAP92500 (17.795" STROKE) - REPLACES AP40571            TUBE ASSEMBLIES _____ ITEM 2 - RAP90481 - REPLACES AP15379</p>
MECHANISM AP45559 AP45560	<p><b>DUAL CYLINDER ROOM EXTENSION - 30.0" STROKE (WITH SYNCHRONIZING CYLINDER) - AP45558 KIT</b></p> <p><a href="#">SEE MR41.2000 FOR DRAWING AND PARTS INFORMATION.</a></p> <p>CYLINDER ASSEMBLY _____ ITEM 1 - RAP92920 (31.0" STROKE) - REPLACES AP45561            SYNCHRONIZING CYLINDER _____ ITEM 3 - RAP92077 (10.540" STROKE) - REPLACES AP37881            TUBE KIT _____ ITEM 2 - RAP90481 - REPLACES AP15379</p>
MECHANISM AP45905 AP45906	<p><b>DUAL CYLINDER ROOM EXTENSION - 18.0" STROKE (WITH SYNCHRONIZING CYLINDER) - AP45882 KIT</b></p> <p><a href="#">SEE MR41.2005 FOR DRAWING AND PARTS INFORMATION.</a></p> <p>CYLINDER ASSEMBLY _____ ITEM 1 - RAP92921 (23.875" STROKE) - REPLACES AP45903            SYNCHRONIZING CYLINDER _____ ITEM 3 - RAP92369 (6.300" STROKE) - REPLACES AP39267            TUBE KIT _____ ITEM 2 - RAP90480 - REPLACES AP13252</p>
MECHANISM AP47442 AP47443	<p><b>DUAL CYLINDER ROOM EXTENSION - 20.0" STROKE (WITH SYNCHRONIZING CYLINDER) - AP47441 KIT</b></p> <p><a href="#">SEE MR41.2005 FOR DRAWING AND PARTS INFORMATION.</a></p> <p>CYLINDER ASSEMBLY _____ ITEM 1 - RAP92922 (25.875" STROKE) - REPLACES AP47464            SYNCHRONIZING CYLINDER _____ ITEM 3 - RAP92099 (7.010" STROKE) - REPLACES AP39221            TUBE KIT _____ ITEM 2 - RAP90480 - REPLACES AP13252</p>
MECHANISM AP50953 AP50954	<p><b>DUAL CYLINDER ROOM EXTENSION - 30.0" STROKE (WITH SYNCHRONIZING CYLINDER) - AP50952 KIT</b></p> <p><a href="#">SEE MR41.2011 FOR DRAWING AND PARTS INFORMATION.</a></p> <p>CYLINDER ASSEMBLY _____ ITEM 1 - RAP91239 (45.0" STROKE) - REPLACES AP24107            SYNCHRONIZING CYLINDER _____ ITEM 3 - RAP92077 (10.540" STROKE) - REPLACES AP37881            TUBE ASSEMBLIES _____ ITEM 2 - RAP90481 - REPLACES AP15379</p>



# ROOM EXTENSION ASSEMBLIES GUIDE PAGE "WILD SIDE LLC" (PAGE 1 OF 2)

**PROCEDURE:**

1. Locate the HWH identification tag on the room extension mechanism to get the correct room extension part number.
2. Find the correct room extension part number in the left column below.
3. Refer to the proper parts page for general replacement parts information and item number arrangements.
4. Two cylinder room extensions with a synchronizing cylinder have two room extension part numbers. One number is for the left assembly, one is for the right assembly. If the room extension assembly originally had one number, that number is listed with the new numbers.

MECHANISM AP19309 AP19310	<p><b>DUAL CYLINDER ROOM EXTENSION - 48.0" STROKE (WITH SYNCHRONIZING CYLINDER) - AP42409 KIT</b></p> <p><a href="#">SEE MR41.2000 FOR DRAWING AND PARTS INFORMATION.</a></p> <p>CYLINDER ASSEMBLY _____ ITEM 1 - RAP90479 (49.0" STROKE) - REPLACES AP15317            SYNCHRONIZING CYLINDER _____ ITEM 3 - RAP90462 (19.575" STROKE) - REPLACES AP14500            TUBE KIT _____ ITEM 2 - RAP90481 - REPLACES AP15379</p>
MECHANISM AP22013 AP22014	<p><b>DUAL CYLINDER ROOM EXTENSION - 24.0" STROKE (WITH SYNCHRONIZING CYLINDER) - AP39557 KIT</b></p> <p><a href="#">SEE MR41.2000 FOR DRAWING AND PARTS INFORMATION.</a></p> <p>CYLINDER ASSEMBLY _____ ITEM 1 - RAP90484 (24.5" STROKE) - REPLACES AP15252            SYNCHRONIZING CYLINDER _____ ITEM 3 - RAP90472 (9.685" STROKE) - REPLACES AP13224            TUBE ASSEMBLIES _____ ITEM 2 - RAP90480 - REPLACES AP13252</p>
MECHANISM AP24705	<p><b>SINGLE CYLINDER ROOM EXTENSION - 30.0" STROKE - AP24704 KIT</b></p> <p><a href="#">SEE MR41.1100 FOR DRAWING AND PARTS INFORMATION.</a></p> <p>CYLINDER ASSEMBLY _____ ITEM 1 - RAP90949 (31.0" STROKE) - REPLACES AP24936            HOSE ASSEMBLIES _____ ITEM 3 - RAP90872 (AP24632) ITEM 4 - RAP90871 (AP24628)</p>
MECHANISM AP30139	<p><b>DUAL CYLINDER LEVEL OUT ROOM EXTENSION - 36.0" STROKE (WITH SYNC. CYLINDER) - AP30137 KIT</b></p> <p><a href="#">SEE MR41.2200 FOR DRAWING AND PARTS INFORMATION.</a></p> <p>CYLINDER ASSEMBLY _____ ITEM 1 - RAP91808 (36.0" STROKE) - REPLACES AP30251            SYNCHRONIZING CYLINDER _____ ITEM 3 - RAP90474 (14.630" STROKE) - REPLACES AP12484            TUBE KIT _____ ITEM 2 - RAP91024 - REPLACES AP26587</p>
MECHANISM AP30643 AP30644	<p><b>X-SLIDE ROOM EXTENSION - 32.0" STROKE (WITH SYNCHRONIZING CYLINDER) - AP30642 KIT</b></p> <p><a href="#">SEE MR41.2670 FOR DRAWING AND PARTS INFORMATION.</a></p> <p>CYLINDER ASSEMBLY _____ ITEM 1 - RAP91210 (14.3" STROKE) - REPLACES AP29191            SYNCHRONIZING CYLINDER _____ ITEM 3 - RAP90726 (5.750" STROKE) - REPLACES AP15042            TUBE KIT _____ ITEM 2 - RAP91230 - REPLACES AP29192            HOSE ASSEMBLIES _____ ITEM 4 - RAP91424 (AP24635) ITEM 5 - RAP91241 (AP25086)</p>
MECHANISM AP34238 AP34239	<p><b>UNIVERSAL SLIDE OUT ROOM EXTENSION - 30.0" STROKE (WITH SYNC. CYLINDER) - AP36845 KIT</b></p> <p><a href="#">SEE MR41.2680 FOR DRAWING AND PARTS INFORMATION.</a></p> <p>CYLINDER ASSEMBLY _____ ITEM 1 - RAP91702 (34.0" STROKE) - REPLACES AP31461            SYNCHRONIZING CYLINDER _____ ITEM 3 - RAP90473 (12.155" STROKE) REPLACES AP13192            TUBE KIT _____ ITEM 2 - RAP91703 - REPLACES AP31486            HOSE ASSEMBLIES _____ ITEM 4 - RAP91421 (AP24818) ITEM 5 - RAP90872 (AP24632)</p>
MECHANISM AP38251 AP38252	<p><b>UNIVERSAL STRAIGHT OUT - 30.0" STROKE (WITH SYNCHRONIZING CYLINDER) - AP41150 KIT</b></p> <p><a href="#">SEE MR41.2685 FOR DRAWING AND PARTS INFORMATION.</a></p> <p>CYLINDER ASSEMBLY _____ ITEM 1 - RAP92076 (30.5" STROKE) - REPLACES AP38072            SYNCHRONIZING CYLINDER _____ ITEM 3 - RAP92077 (10.540" STROKE) - REPLACES AP37881            TUBE KIT _____ ITEM 2 - RAP92079 - REPLACES AP38267            HOSE ASSEMBLIES _____ ITEM 4 - RAP90872 (AP24632) ITEM 5 - RAP91421 (AP24818)</p>

**ROOM EXTENSION ASSEMBLIES  
GUIDE PAGE  
"WILD SIDE LLC" (PAGE 2 OF 2)**

PROCEDURE: SEE: "WILD SIDE LLC" (PAGE 1 OF 2)

<b>MECHANISM AP39704 AP39705</b>	<b>UNIVERSAL STRAIGHT OUT - 28.0" STROKE (WITH SYNCHRONIZING CYLINDER) - AP39638 KIT</b>  <a href="#">SEE MR41.2685 FOR DRAWING AND PARTS INFORMATION.</a> <b>CYLINDER ASSEMBLY</b> _____ ITEM 1 - RAP92076 (30.5" STROKE) - REPLACES AP38072 <b>SYNCHRONIZING CYLINDER</b> _____ ITEM 3 - RAP92526 (9.840" STROKE) - REPLACES AP39723 <b>TUBE KIT</b> _____ ITEM 2 - RAP92079 - REPLACES AP38267 <b>HOSE ASSEMBLIES</b> _____ ITEM 4 - RAP90872 (AP24632) ITEM 5 - RAP91421 (AP24818)
<b>MECHANISM AP38900 AP38901</b>	<b>UNIVERSAL STRAIGHT OUT - 24.0" STROKE (WITH SYNCHRONIZING CYLINDER) - AP38812 KIT</b>  <a href="#">SEE MR41.2685 FOR DRAWING AND PARTS INFORMATION.</a> <b>CYLINDER ASSEMBLY</b> _____ ITEM 1 - RAP92076 (30.5" STROKE) - REPLACES AP38072 <b>SYNCHRONIZING CYLINDER</b> _____ ITEM 3 - RAP92275 (8.420" STROKE) - REPLACES AP39271 <b>TUBE KIT</b> _____ ITEM 2 - RAP92079 - REPLACES AP38267 <b>HOSE ASSEMBLIES</b> _____ ITEM 4 - RAP90872 (AP24632) ITEM 5 - RAP91421 (AP24818)

# ROOM EXTENSION ASSEMBLIES GUIDE PAGE "WINNEBAGO INDUSTRIES" (PAGE 1 OF 7)

**PROCEDURE:**

1. Locate the HWH identification tag on the room extension mechanism to get the correct room extension part number.
2. Find the correct room extension part number in the left column below.
3. Refer to the proper parts page for general replacement parts information and item number arrangements.
4. Two cylinder room extensions with a synchronizing cylinder have two room extension part numbers. One number is for the left assembly, one is for the right assembly. If the room extension assembly originally had one number, that number is listed with the new numbers.

MECHANISM AP1643	<b>DUAL CYLINDER ROOM EXTENSION - 39.0" STROKE (WITH RACK SENSING VALVE)</b>
	<p><b>SEE MR41.1550 FOR DRAWING AND PARTS INFORMATION.</b></p> <p><b>CYLINDER ASSEMBLY</b> _____ ITEM 1 - RAP90007 (39.0" STROKE) - REPLACES AP1700</p> <p><b>HOSE ASSEMBLIES</b> _____ ITEM 7 - RAP4073 (AP4073)      ITEM 9 - RAP90001 (AP2445)</p> <p style="padding-left: 300px;">ITEM 8 - RAP90003 (AP2446)      ITEM 10 - RAP90004 (AP2443)</p>
MECHANISM AP10903	<b>DUAL CYLINDER ROOM EXTENSION - 39.0" STROKE (WITH RACK SENSING VALVE) - AP10900 KIT</b>
	<p><b>SEE MR41.1536 FOR DRAWING AND PARTS INFORMATION.</b></p> <p><b>CYLINDER ASSEMBLY</b> _____ ITEM 1 - RAP90007 (39.0" STROKE) - REPLACES AP1700</p> <p><b>HOSE ASSEMBLIES</b> _____ ITEM 7 - RAP4073 (AP4073)      ITEM 9 - RAP90215 (AP10912)</p> <p style="padding-left: 300px;">ITEM 8 - RAP90003 (AP2446)      ITEM 10 - RAP90126 (AP10913)</p>
MECHANISM AP12346 AP12347	<b>VERTICAL ARM ROOM EXTENSION - 20.0" STROKE (WITH SYNCHRONIZING CYLINDER) - AP11467 KIT</b>
	<p><b>SEE MR41.2500 FOR DRAWING AND PARTS INFORMATION.</b></p> <p><b>CYLINDER ASSEMBLY</b> _____ ITEM 1 - RAP90324 (7.950" STROKE) - REPLACES AP11097</p> <p><b>SYNCHRONIZING CYLINDER</b> _____ ITEM 3 - RAP90326 (3.165" STROKE) - REPLACES AP11360</p> <p><b>HOSE ASSEMBLIES</b> _____ ITEM 4 - RAP90322 (AP24651)      ITEM 5 - RAP90321 (AP24653)</p>
MECHANISM AP12688	<b>DUAL CYLINDER ROOM EXTENSION - 39.0" STROKE (WITH RACK SENSING VALVE AND ALUMINUM INNER TUBE)</b>
	<p><b>SEE MR41.1550 FOR DRAWING AND PARTS INFORMATION.</b></p> <p><b>CYLINDER ASSEMBLY</b> _____ ITEM 1 - RAP90007 (39.0" STROKE) - REPLACES AP1700</p> <p><b>HOSE ASSEMBLIES</b> _____ ITEM 7 - RAP4073 (AP4073)      ITEM 9 - RAP90001 (AP2445)</p> <p style="padding-left: 300px;">ITEM 8 - RAP90003 (AP2446)      ITEM 10 - RAP90004 (AP2443)</p>
MECHANISM AP13510 OR AP17847 AP17848 OR AP24718 AP24719	<b>DUAL CYLINDER ROOM EXTENSION - 20" STROKE (WITH SYNC. CYLINDER) - AP13701 AND AP24780 KITS</b>
	<p><b>SEE MR41.2020 FOR DRAWING AND PARTS INFORMATION.</b></p> <p><b>CYLINDER ASSEMBLY</b> _____ ITEM 1 - RAP90512 (21.0" STROKE) REPLACES AP15190 AND AP30188</p> <p><b>SYNCHRONIZING CYLINDER</b> _____ ITEM 3 - RAP90471 (8.035" STROKE) - REPLACES AP13607</p> <p><b>TUBE KIT</b> _____ ITEM 2 - RAP90526 - REPLACES AP13592</p>
MECHANISM AP14086	<b>DUAL CYLINDER ROOM EXTENSION - 39.0" STROKE (WITH RACK SENSING VALVE AND ALUMINUM INNER TUBE)</b>
	<p><b>SEE MR41.1536 FOR DRAWING AND PARTS INFORMATION.</b></p> <p><b>CYLINDER ASSEMBLY</b> _____ ITEM 1 - RAP90007 (39.0" STROKE) - REPLACES AP1700</p> <p><b>HOSE ASSEMBLIES</b> _____ ITEM 7 - RAP4073 (AP4073)      ITEM 9 - RAP90215 (AP10912)</p> <p style="padding-left: 300px;">ITEM 8 - RAP90003 (AP2446)      ITEM 10 - RAP90126 (AP10913)</p>
MECHANISM AP14919	<b>SINGLE CYLINDER ROOM EXTENSION - 25.0" STROKE - AP15248 KIT</b>
	<p><b>SEE MR41.1000 FOR DRAWING AND PARTS INFORMATION.</b></p> <p><b>CYLINDER ASSEMBLY</b> _____ ITEM 1 - RAP90031 (25.0" STROKE) - REPLACES AP1911</p> <p><b>TUBE KIT</b> _____ ITEM 2 - RAP90029 - REPLACES AP2369</p>

# ROOM EXTENSION ASSEMBLIES GUIDE PAGE "WINNEBAGO INDUSTRIES" (PAGE 2 OF 7)

PROCEDURE: SEE "WINNEBAGO INDUSTRIES" (PAGE 1 OF 7)

MECHANISM AP16692	<p><b>SINGLE CYLINDER ROOM EXTENSION - 24.0" STROKE - AP16160 KIT</b></p> <p><a href="#">SEE MR41.1100 FOR DRAWING AND PARTS INFORMATION.</a>  <b>CYLINDER ASSEMBLY</b> _____ ITEM 1 - RAP91021 (27.0" STROKE) - REPLACES AP28682            (FOR AP16692 - BUILT AFTER JULY 2002)  <b>HOSE ASSEMBLIES</b> _____ ITEM 3 - RAP91117 (AP24635) ITEM 4 - RAP91178 (AP24636)</p>
MECHANISM AP17400 AP17851 AP17852 OBS.	<p><b>FOUR CYLINDER ROOM EXTENSION - 20.5" STROKE (WITH SYNC. CYLINDER) - AP17420 AND AP24362 KITS</b></p> <p><a href="#">SEE MR41.2601 FOR DRAWING AND PARTS INFORMATION</a>  <b>CYLINDER ASSEMBLY</b> _____ ITEM 1 - LOWER - RAP90650 (20.5" STROKE) - REPLACES AP17852            UPPER FRONT - RAP90647 (20.5" STROKE) - REPLACES AP17851            UPPER REAR - RAP90648 (20.5" STROKE) - REPLACES AP17400  <b>SYNCHRONIZING CYLINDER</b> _____ ITEM 3 - RAP90649 (2.780" STROKE) - REPLACES AP18543  <a href="#">SEE MR41.8002 FOR ADDITIONAL SYNC CYL REPLACEMENT PARTS</a>  <b>HOSE ASSEMBLIES</b> _____ ITEM 2 - SEE PAGE: MR41.2601</p>
MECHANISM AP17996 AP17997	<p><b>DUAL CYLINDER LEVEL OUT ROOM EXTENSION - 29.125" STROKE (WITH SYNC. CYLINDER) - AP17995 KIT</b></p> <p><a href="#">SEE MR41.2200 FOR DRAWING AND PARTS INFORMATION.</a>  <b>CYLINDER ASSEMBLY</b> _____ ITEM 1 - RAP90696 (36.0" STROKE) - REPLACES AP19256  <b>SYNCHRONIZING CYLINDER</b> _____ ITEM 3 - RAP90690 (11.780" STROKE) - REPLACES AP17966  <b>HOSE ASSEMBLIES</b> _____ ITEM 2 - RAP91566 - REPLACES AP24631</p>
MECHANISM AP18728 OBS.	<p><b>FOUR CYLINDER ROOM EXTENSION - 20.5" STROKE (WITH SYNCHRONIZING CYLINDER)</b></p> <p><b>CYLINDER ASSEMBLY</b> _____ RAP90685 (20.5" STROKE) - REPLACES AP18729  <b>SYNCHRONIZING CYLINDER</b> _____ RAP90649 (2.780" STROKE) - REPLACES AP18543  <a href="#">SEE MR41.8002 FOR ADDITIONAL SYNC CYL REPLACEMENT PARTS</a></p>
MECHANISM AP19079	<p><b>SINGLE CYLINDER ROOM EXTENSION - 24.0" STROKE - AP19506 KIT</b></p> <p><a href="#">SEE MR41.1100 FOR DRAWING AND PARTS INFORMATION.</a>  <b>CYLINDER ASSEMBLY</b> _____ ITEM 1 - RAP91021 (27.0" STROKE) - REPLACES AP28682  <b>HOSE ASSEMBLIES</b> _____ ITEM 3 - RAP91117 (AP24635) ITEM 4 - RAP91178 (AP24636)</p>
MECHANISM AP19394 AP19395	<p><b>DUAL CYLINDER ROOM EXTENSION - 29.125" STROKE (WITH SYNCHRONIZING CYLINDER) - AP19393 KIT</b></p> <p><a href="#">SEE MR41.2021 FOR DRAWING AND PARTS INFORMATION.</a>  <b>CYLINDER ASSEMBLY</b> _____ ITEM 1 - RAP90689 (32.0" STROKE) - REPLACES AP19616  <b>SYNCHRONIZING CYLINDER</b> _____ ITEM 3 - RAP90690 (11.780" STROKE) - REPLACES AP17966  <b>TUBE KIT</b> _____ ITEM 2 - RAP91222 - REPLACES AP19736</p>
MECHANISM AP20790 OBS.	<p><b>FOUR CYLINDER ROOM EXTENSION - 20.5" STROKE (WITH SYNCHRONIZING CYLINDER) - AP20788 KIT</b></p> <p><a href="#">SEE MR41.2600 FOR DRAWING AND PARTS INFORMATION.</a>  <b>CYLINDER ASSEMBLY</b> _____ ITEM 1 - FRONT - RAP90784 (20.5" STROKE) - REPLACES AP22096            REAR - RAP90784 (20.5" STROKE) - REPLACES AP22097  <b>SYNCHRONIZING CYLINDER</b> _____ ITEM 3 - RAP90783 - (2.780" STROKE) - REPLACES AP21543  <a href="#">SEE MR41.8002 FOR ADDITIONAL SYNC CYL REPLACEMENT PARTS</a>  <b>HOSE ASSEMBLIES</b> _____ ITEM 2 - SEE PAGE: MR41.2600</p>
MECHANISM AP23209	<p><b>SINGLE CYLINDER ROOM EXTENSION - 29.125" STROKE - AP23412 KIT</b></p> <p><a href="#">SEE MR41.1100 FOR DRAWING AND PARTS INFORMATION.</a>  <b>CYLINDER ASSEMBLY</b> _____ ITEM 1 - RAP91209 (30.125" STROKE) - REPLACES AP28686  <b>HOSE ASSEMBLIES</b> _____ ITEM 3 - RAP91117 (AP24635) ITEM 4 - RAP91178 (AP24636)</p>
MECHANISM AP23063 AP23064	<p><b>DUAL CYLINDER ROOM EXTENSION - 20.0" STROKE (WITH SYNCHRONIZING CYLINDER) - AP23062 KIT</b></p> <p><a href="#">SEE MR41.2020 FOR DRAWING AND PARTS INFORMATION.</a>  <b>CYLINDER ASSEMBLY</b> _____ ITEM 1 - RAP90512 (21.0" STROKE) - REPLACES AP15190 &amp; AP30188  <b>SYNCHRONIZING CYLINDER</b> _____ ITEM 3 - RAP90471 (8.035" STROKE) - REPLACES AP13607  <b>TUBE KIT</b> _____ ITEM 2 - RAP90526 - REPLACES AP13592</p>

**MR40.9251  
07JAN14**

# ROOM EXTENSION ASSEMBLIES GUIDE PAGE "WINNEBAGO INDUSTRIES" (PAGE 3 OF 7)

PROCEDURE: SEE "WINNEBAGO INDUSTRIES" (PAGE 1 OF 7)

MECHANISM AP23283	<b>SINGLE OR DUAL CYLINDER ROOM EXTENSION - 20.0" STROKE - AP22009 AND AP24835 KITS</b>  <a href="#">SEE MR41.2020 FOR DRAWING AND PARTS INFORMATION.</a> CYLINDER ASSEMBLY _____ ITEM 1 - RAP90877 (24.0" STROKE) - REPLACES AP23286 TUBE KIT _____ ITEM 2 - RAP90526 - REPLACES AP13592 SYNCHRONIZING CYLINDER _____ RAP90879 (2.780" STROKE) - REPLACES AP24825 - USED WITH AP24835 KIT NOTE: AP25743 CYLINDER ASSEMBLY IS USED WITH AP24835 KIT
MECHANISM AP24929	<b>FOUR CYLINDER ROOM EXTENSION - 20.5" STROKE (WITH SYNCHRONIZING CYLINDER) - AP24928 KIT</b>  <a href="#">SEE MR41.2600 FOR DRAWING AND PARTS INFORMATION.</a> CYLINDER ASSEMBLY _____ ITEM 1 - FRONT - RAP90784 (20.5" STROKE) - REPLACES AP22096 REAR - RAP90785 (20.5" STROKE) - REPLACES AP22097 SYNCHRONIZING CYLINDER _____ ITEM 3 - RAP90649 (3.50" STROKE) - REPLACES AP21543 <a href="#">SEE MR41.8002 FOR ADDITIONAL SYNC CYL REPLACEMENT PARTS</a>
MECHANISM AP25261 AP25262	<b>DUAL CYLINDER ROOM EXTENSION - 29.125" STROKE (WITH SYNCHRONIZING CYLINDER) - AP25260 KIT</b>  <a href="#">SEE MR41.2021 FOR DRAWING AND PARTS INFORMATION.</a> CYLINDER ASSEMBLY _____ ITEM 1 - RAP90689 (32.0" STROKE) - REPLACES AP19616 SYNCHRONIZING CYLINDER _____ ITEM 3 - RAP90690 (11.780" STROKE) - REPLACES AP17966 TUBE KIT _____ ITEM 2 - RAP91222 - REPLACES AP19736
MECHANISM AP25264 AP25265	<b>DUAL CYLINDER ROOM EXTENSION - 20.0" STROKE (WITH SYNCHRONIZING CYLINDER) - AP25263 KIT</b>  <a href="#">SEE MR41.2021 FOR DRAWING AND PARTS INFORMATION.</a> CYLINDER ASSEMBLY _____ ITEM 1 - RAP90512 (21.0" STROKE) - REPLACES AP15190 & AP30188 SYNCHRONIZING CYLINDER _____ ITEM 3 - RAP90471 (8.035" STROKE) - REPLACES AP13607 TUBE KIT _____ ITEM 2 - RAP90526 - REPLACES AP13592
MECHANISM AP25743	<b>CYLINDER ASSEMBLY - 20.5" STROKE - AP24835, AP27791, AP35641, AND AP39590 KITS</b>  CYLINDER ASSEMBLY _____ RAP90878 (20.5" STROKE) - REPLACES AP25743
MECHANISM AP26931 AP26932	<b>LATERAL ARM ROOM EXTENSION - 18.0" STROKE (WITH TORSION TUBE) - AP25896 KIT</b>  <a href="#">SEE MR41.2825 FOR DRAWING AND PARTS INFORMATION.</a> CYLINDER ASSEMBLY _____ ITEM 1 - RAP91203 (6.015" STROKE) - REPLACES AP26255 TUBE KIT _____ ITEM 2 - RAP91226 - REPLACES AP27031 HOSE ASSEMBLIES _____ ITEM 4 - RAP91175 (AP24627) ITEM 5 - RAP91175 (AP24627)
MECHANISM AP26933 AP26934	<b>LATERAL ARM ROOM EXTENSION - 18.0" STROKE (WITH TORSION TUBE) - AP26930 KIT</b>  <a href="#">SEE MR41.2825 FOR DRAWING AND PARTS INFORMATION.</a> CYLINDER ASSEMBLY _____ ITEM 1 - RAP91203 (6.015" STROKE) - REPLACES AP26255 TUBE KIT _____ ITEM 2 - RAP91226 - REPLACES AP27031 HOSE ASSEMBLIES _____ ITEM 4 - RAP91175 (AP24621) ITEM 5 - RAP91175 (AP24640)
MECHANISM AP27504 AP27505	<b>DUAL CYLINDER LEVEL OUT ROOM EXTENSION - 29.125" STROKE (WITH SYNC. CYLINDER) - AP27503 KIT</b>  <a href="#">SEE MR41.2200 FOR DRAWING AND PARTS INFORMATION.</a> CYLINDER ASSEMBLY _____ ITEM 1 - RAP90696 (36.0" STROKE) - REPLACES AP19256 SYNCHRONIZING CYLINDER _____ ITEM 3 - RAP90690 (11.780" STROKE) - REPLACES AP17966 HOSE ASSEMBLIES _____ ITEM 2 - RAP91566 - REPLACES AP24631
MECHANISM AP27647 AP27648	<b>X-SLIDE ROOM EXTENSION - 18.0" STROKE (WITH SYNCHRONIZING CYLINDER) - AP27613 KIT</b>  <a href="#">SEE MR41.2670 FOR DRAWING AND PARTS INFORMATION.</a> CYLINDER ASSEMBLY _____ ITEM 1 - RAP91007 (8.100" STROKE) - REPLACES AP27723 SYNCHRONIZING CYLINDER _____ ITEM 3 - RAP91006 (2.970" STROKE) - REPLACES AP27302 TUBE KIT _____ ITEM 2 - RAP91229 - REPLACES AP27587 HOSE ASSEMBLIES _____ ITEM 4 - RAP91175 (AP24627) ITEM 5 - RAP91573 (AP32672)

# ROOM EXTENSION ASSEMBLIES

## GUIDE PAGE

### "WINNEBAGO INDUSTRIES" (PAGE 4 OF 7)

PROCEDURE: SEE "WINNEBAGO INDUSTRIES" (PAGE 1 OF 7)

MECHANISM AP27792	<p><b>DUAL CYLINDER ROOM EXTENSION - 20" STROKE (WITH SYNC. CYLINDER) - AP27791 AND AP35641 KITS</b></p> <p><b>SEE MR41.2021 FOR DRAWING AND PARTS INFORMATION.</b>  <b>CYLINDER ASSEMBLY</b> _____ ITEM 1 - RAP91913 (24.0" STROKE) - REPLACES AP38935  <b>TUBE KIT</b> _____ ITEM 2 - RAP90526 - REPLACES AP13592  <b>SYNCHRONIZING CYLINDER</b> _____ ITEM 3 - RAP90879 (2.780" STROKE) - REPLACES AP24825  <b>NOTE:</b> AP25743 CYLINDER ASSEMBLY IS ALSO USED WITH THIS MECHANISM.</p>
MECHANISM AP29204 AP29205	<p><b>X-SLIDE ROOM EXTENSION - 14.0" STROKE (WITH SYNCHRONIZING CYLINDER) - AP29744 KIT</b></p> <p><b>SEE MR41.2670 FOR DRAWING AND PARTS INFORMATION.</b>  <b>CYLINDER ASSEMBLY</b> _____ ITEM 1 - RAP91211 (6.485" STROKE) - REPLACES AP29203  <b>SYNCHRONIZING CYLINDER</b> _____ ITEM 3 - RAP90524 (2.385" STROKE) - REPLACES AP14881  <b>TUBE KIT</b> _____ ITEM 2 - RAP91229 - REPLACES AP27587  <b>HOSE ASSEMBLIES</b> _____ ITEM 4 - RAP91175 (AP24627)     ITEM 5 - RAP91573 (AP32672)</p>
MECHANISM AP29548	<p><b>DUAL CYLINDER LEVEL OUT ROOM EXTENSION - 29.125" STROKE (WITH SYNC. CYLINDER) - AP29550 KIT</b></p> <p><b>SEE MR41.2200 FOR DRAWING AND PARTS INFORMATION.</b>  <b>CYLINDER ASSEMBLY</b> _____ ITEM 1 - RAP91371 (30.0" STROKE) - REPLACES AP28614  <b>SYNCHRONIZING CYLINDER</b> _____ ITEM 3 - RAP90690 (11.780" STROKE) - REPLACES AP17966  <b>TUBE KIT</b> _____ ITEM 2 - RAP91222 - REPLACES AP19736</p>
MECHANISM AP29780 AP29781	<p><b>DUAL CYLINDER ROOM EXTENSION - 20.0" STROKE (WITH SYNCHRONIZING CYLINDER)</b></p> <p><b>SEE MR41.2075 FOR DRAWING AND PARTS INFORMATION.</b>  <b>CYLINDER ASSEMBLY</b> _____ ITEM 1 - RAP90512 (21.0" STROKE) - REPLACES AP15190 &amp; AP30188  <b>SYNCHRONIZING CYLINDER</b> _____ ITEM 3 - RAP90471 (8.035" STROKE) - REPLACES AP13607  <b>TUBE KIT</b> _____ ITEM 2 - RAP90526 - REPLACES AP13592</p>
MECHANISM AP30694 AP30695	<p><b>DUAL CYLINDER ROOM EXTENSION - 20.0" STROKE (WITH SYNCHRONIZING CYLINDER)</b></p> <p><b>SEE MR41.2075 FOR DRAWING AND PARTS INFORMATION.</b>  <b>CYLINDER ASSEMBLY</b> _____ ITEM 1 - RAP90512 (21.0" STROKE) - REPLACES AP15190 &amp; AP30188  <b>SYNCHRONIZING CYLINDER</b> _____ ITEM 3 - RAP90471 (8.035" STROKE) - REPLACES AP13607  <b>TUBE KIT</b> _____ ITEM 2 - RAP90526 - REPLACES AP13592</p>
MECHANISM AP30875	<p><b>SINGLE CYLINDER ROOM EXTENSION - 29.125" STROKE - AP30873 KIT</b></p> <p><b>SEE MR41.1100 FOR DRAWING AND PARTS INFORMATION.</b>  <b>CYLINDER ASSEMBLY</b> _____ ITEM 1 - RAP91582 (30.125" STROKE) - REPLACES AP30339  <b>HOSE ASSEMBLIES</b> _____ ITEM 3 - RAP91562 (AP25677)     ITEM 4 - RAP91240 (AP24636)  RAP90320 (AP24634) - ATTACHED TO AP25677</p>
MECHANISM AP31775 AP31776	<p><b>DUAL CYLINDER LEVEL OUT ROOM EXTENSION - 20.0" STROKE (WITH SYNCHRONIZING CYLINDER)</b></p> <p><b>SEE MR41.2200 FOR DRAWING AND PARTS INFORMATION.</b>  <b>CYLINDER ASSEMBLY</b> _____ ITEM 1 - RAP91660 (20.5" STROKE) - REPLACES AP32547  <b>SYNCHRONIZING CYLINDER</b> _____ ITEM 3 - RAP90471 (8.035" STROKE) - REPLACES AP13607  <b>TUBE KIT</b> _____ ITEM 2 - RAP90526 - REPLACES AP13592</p>
MECHANISM AP32729 AP32730	<p><b>DUAL CYLINDER ROOM EXTENSION - 20.0" STROKE (WITH SYNCHRONIZING CYLINDER)</b></p> <p><b>SEE MR41.2075 FOR DRAWING AND PARTS INFORMATION.</b>  <b>CYLINDER ASSEMBLY</b> _____ ITEM 1 - RAP90512 (21.0" STROKE) - REPLACES AP13713 &amp; AP30188  <b>SYNCHRONIZING CYLINDER</b> _____ ITEM 3 - RAP90471 (8.035" STROKE) - REPLACES AP13607  <b>TUBE KIT</b> _____ ITEM 2 - RAP90526 - REPLACES AP13592</p>
MECHANISM AP32767 AP32768	<p><b>LATERAL ARM ROOM EXTENSION - 20.0" STROKE (WITH SYNCHRONIZING CYLINDER) - AP32769 KIT</b></p> <p><b>SEE MR41.2825 FOR DRAWING AND PARTS INFORMATION.</b>  <b>CYLINDER ASSEMBLY</b> _____ ITEM 1 - RAP91351 (6.775" STROKE) - REPLACES AP27997  <b>TUBE KIT</b> _____ ITEM 2 - RAP91774 - REPLACES AP28035  <b>HOSE ASSEMBLIES</b> _____ ITEM 4 - RAP91424 (AP24635)     ITEM 5 - RAP91241 (AP25086)</p>



# ROOM EXTENSION ASSEMBLIES GUIDE PAGE "WINNEBAGO INDUSTRIES" (PAGE 5 OF 7)

PROCEDURE: SEE "WINNEBAGO INDUSTRIES" (PAGE 1 OF 7)

MECHANISM AP33137 AP33138	<b>DUAL CYLINDER ROOM EXTENSION - 20.0" STROKE (WITH SYNCHRONIZING CYLINDER)</b>
	<p><a href="#">SEE MR41.2075 FOR DRAWING AND PARTS INFORMATION.</a></p> <p>CYLINDER ASSEMBLY _____ ITEM 1 - RAP90512 (21.0" STROKE) - REPLACES AP30188            SYNCHRONIZING CYLINDER _____ ITEM 3 - RAP90471 (8.035" STROKE) - REPLACES AP13607            TUBE KIT _____ ITEM 2 - RAP90526 - REPLACES AP13592</p>
MECHANISM AP33725 AP33726	<b>DUAL CYLINDER ROOM EXTENSION - 29.125" STROKE (WITH SYNCHRONIZING CYLINDER)</b>
	<p><a href="#">SEE MR41.1007 FOR DRAWING AND PARTS INFORMATION.</a></p> <p>CYLINDER ASSEMBLY _____ ITEM 1 - RAP91755 (30.125" STROKE) - REPLACES AP33998            SYNCHRONIZING CYLINDER _____ RAP90690 (11.780" STROKE) - REPLACES AP17966            TUBE KIT _____ ITEM 2 - RAP90658 - REPLACES AP18428</p>
MECHANISM AP33808 AP33809	<b>DUAL CYLINDER LEVEL OUT ROOM EXTENSION - 20.0" STROKE (WITH SYNCHRONIZING CYLINDER)</b>
	<p><a href="#">SEE MR41.2200 FOR DRAWING AND PARTS INFORMATION.</a></p> <p>CYLINDER ASSEMBLY _____ ITEM 1 - RAP91660 (20.5" STROKE) - REPLACES AP32547            SYNCHRONIZING CYLINDER _____ ITEM 3 - RAP90471 (8.035" STROKE) - REPLACES AP13607            TUBE KIT _____ ITEM 2 - RAP90526 - REPLACES AP13592</p>
MECHANISM AP33810 AP33811	<b>DUAL CYLINDER LEVEL OUT ROOM EXTENSION - 29.125" STROKE (WITH SYNCHRONIZING CYLINDER)</b>
	<p><a href="#">SEE MR41.2200 FOR DRAWING AND PARTS INFORMATION.</a></p> <p>CYLINDER ASSEMBLY _____ ITEM 1 - RAP91371 (30.0" STROKE) - REPLACES AP28614            SYNCHRONIZING CYLINDER _____ ITEM 2 - RAP90690 (11.780" STROKE) - REPLACES AP17966            TUBE KIT _____ ITEM 2 - RAP91222 - REPLACES AP19736</p>
MECHANISM AP34767 AP34768	<b>LATERAL ARM ROOM EXTENSION - 14.0" STROKE (WITH TORSION TUBE) - AP34769 KIT</b>
	<p><a href="#">SEE MR41.2825 FOR DRAWING AND PARTS INFORMATION.</a></p> <p>CYLINDER ASSEMBLY _____ ITEM 1 - RAP91351 (6.775" STROKE) - REPLACES AP27997            TUBE KIT _____ ITEM 2 - RAP91774 - REPLACES AP28035            HOSE ASSEMBLIES _____ ITEM 4 - RAP91424 (AP24635) ITEM 5 - RAP91241 (AP25086)</p>
MECHANISM AP35141 AP35142	<b>DUAL CYLINDER ROOM EXTENSION - 20.0" STROKE (WITH SYNCHRONIZING CYLINDER)</b>
	<p><a href="#">SEE MR41.2075 FOR DRAWING AND PARTS INFORMATION.</a></p> <p>CYLINDER ASSEMBLY _____ ITEM 1 - RAP90512 (21.0" STROKE) - REPLACES AP30188            SYNCHRONIZING CYLINDER _____ ITEM 3 - RAP90471 (8.035" STROKE) - REPLACES AP13607            TUBE KIT _____ ITEM 2 - RAP90526 - REPLACES AP13592</p>
MECHANISM AP35952 AP35953	<b>DUAL CYLINDER ROOM EXTENSION - 24.0" STROKE (WITH SYNCHRONIZING CYLINDER)</b>
	<p><a href="#">SEE MR41.1007 FOR DRAWING AND PARTS INFORMATION.</a></p> <p>CYLINDER ASSEMBLY _____ ITEM 1 - RAP92263 (25.0" STROKE) - REPLACES AP36028            SYNCHRONIZING CYLINDER _____ RAP90472 (9.685" STROKE) - REPLACES AP13224            TUBE KIT _____ ITEM 2 - RAP90658 - REPLACES AP18428</p>
MECHANISM AP38859 AP38860 AP38861 AP38862	<b>DUAL CYLINDER ROOM EXTENSION - 20.0" STROKE (WITH SYNCHRONIZING CYLINDER)</b>
	<p><a href="#">SEE MR41.2075 FOR DRAWING AND PARTS INFORMATION.</a></p> <p>CYLINDER ASSEMBLY _____ ITEM 1 - RAP90512 (21.0" STROKE) - REPLACES AP30188            SYNCHRONIZING CYLINDER _____ ITEM 3 - RAP90471 (8.035" STROKE) - REPLACES AP13607            TUBE KIT _____ ITEM 2 - RAP90526 - REPLACES AP13592</p>
MECHANISM AP38863 AP38864	<b>DUAL CYLINDER ROOM EXTENSION - 29.125" STROKE (WITH SYNCHRONIZING CYLINDER)</b>
	<p><a href="#">SEE MR41.1007 FOR DRAWING AND PARTS INFORMATION.</a></p> <p>CYLINDER ASSEMBLY _____ ITEM 1 - RAP91755 (30.125" STROKE) - REPLACES AP33998            SYNCHRONIZING CYLINDER _____ RAP90690 (11.780" STROKE) - REPLACES AP17966            TUBE KIT _____ ITEM 2 - RAP90658 - REPLACES AP18428</p>

# ROOM EXTENSION ASSEMBLIES GUIDE PAGE "WINNEBAGO INDUSTRIES" (PAGE 6 OF 7)

PROCEDURE: SEE "WINNEBAGO INDUSTRIES" (PAGE 1 OF 7)

MECHANISM AP39495 AP39496	<b>DUAL CYLINDER ROOM EXTENSION - 24.0" STROKE (WITH SYNCHRONIZING CYLINDER)</b>  <b>SEE MR41.1007 FOR DRAWING AND PARTS INFORMATION.</b> CYLINDER ASSEMBLY _____ ITEM 1 - RAP92263 (25.0" STROKE) - REPLACES AP36028 SYNCHRONIZING CYLINDER _____ RAP90472 (9.685" STROKE) - REPLACES AP13224 TUBE KIT _____ ITEM 2 - RAP90658 - REPLACES AP18428
MECHANISM AP39497 AP39498	<b>DUAL CYLINDER ROOM EXTENSION - 29.125" STROKE (WITH SYNCHRONIZING CYLINDER)</b>  <b>SEE MR41.1007 FOR DRAWING AND PARTS INFORMATION.</b> CYLINDER ASSEMBLY _____ ITEM 1 - RAP91755 (30.125" STROKE) - REPLACES AP33998 SYNCHRONIZING CYLINDER _____ RAP90690 (11.780" STROKE) - REPLACES AP17966 TUBE KIT _____ ITEM 2 - RAP90658 - REPLACES AP18428
MECHANISM AP39499	<b>DUAL CYLINDER ROOM EXTENSION - 20" STROKE (WITH SYNCHRONIZING CYLINDER) - AP39590 KIT</b>  <b>SEE MR41.2021 FOR DRAWING AND PARTS INFORMATION.</b> CYLINDER ASSEMBLY _____ ITEM 1 - RAP91913 (24.0" STROKE) - REPLACES AP38935 TUBE KIT _____ ITEM 2 - RAP90526 - REPLACES AP13592 SYNCHRONIZING CYLINDER _____ ITEM 3 - RAP90879 (2.780" STROKE) - REPLACES AP24825 NOTE: AP25743 CYLINDER ASSEMBLY IS ALSO USED WITH THIS MECHANISM.
MECHANISM AP39797 AP39798	<b>DUAL CYLINDER ROOM EXTENSION - 24.0" STROKE (WITH SYNCHRONIZING CYLINDER)</b>  <b>SEE MR41.1007 FOR DRAWING AND PARTS INFORMATION.</b> CYLINDER ASSEMBLY _____ ITEM 1 - RAP92263 (25.0" STROKE) - REPLACES AP36028 SYNCHRONIZING CYLINDER _____ RAP90472 (9.685" STROKE) - REPLACES AP13224 TUBE KIT _____ ITEM 2 - RAP90658 - REPLACES AP18428
MECHANISM AP40375 AP40376	<b>DUAL CYLINDER ROOM EXTENSION - 24.0" STROKE (WITH SYNCHRONIZING CYLINDER)</b>  <b>SEE MR41.2075 FOR DRAWING AND PARTS INFORMATION.</b> CYLINDER ASSEMBLY _____ ITEM 1 - RAP92263 (25.0" STROKE) - REPLACES AP36028 SYNCHRONIZING CYLINDER _____ ITEM 3 - RAP90472 (9.685" STROKE) - REPLACES AP13224 TUBE KIT _____ ITEM 2 - RAP90658 - REPLACES AP18428
MECHANISM AP40753 AP40754	<b>UNIVERSAL LEVEL OUT - 30.0" STROKE (WITH SYNCHRONIZING CYLINDER) - AP42432 KIT</b>  <b>SEE MR41.2690 FOR DRAWING AND PARTS INFORMATION.</b> CYLINDER ASSEMBLY _____ ITEM 1 - RAP92076 (30.5" STROKE) - REPLACES AP38072 LIFT CYLINDER ASSEMBLY _____ ITEM 14 - RAP92261 (3.50" LIFT) - REPLACES AP40746 SYNCHRONIZING CYLINDER _____ ITEM 3 - RAP92077 (10.540" STROKE) - REPLACES AP37881 LIFT SYNCHRONIZING CYLINDER _____ ITEM 15 - RAP92503 - REPLACES AP40832 TUBE KIT _____ ITEM 2 - RAP92079 - REPLACES AP38267 HOSE ASSEMBLIES _____ ITEM 4 - RAP90872 (AP24632) ITEM 5 - RAP91421 (AP24818) CENTER LIFT CYLINDER _____ ITEM 16 - RAP92506 - REPLACES AP39601
MECHANISM AP42013 AP42014	<b>DUAL CYLINDER ROOM EXTENSION - 16.0" STROKE (WITH SYNCHRONIZING CYLINDER)</b>  <b>SEE MR41.2075 FOR DRAWING AND PARTS INFORMATION.</b> CYLINDER ASSEMBLY _____ ITEM 1 - RAP92529 (17.0" STROKE) - REPLACES AP42007 SYNCHRONIZING CYLINDER _____ ITEM 3 - RAP92494 (5.590" STROKE) - REPLACES AP39334 TUBE KIT _____ ITEM 2 - RAP90526 - REPLACES AP13592
MECHANISM AP42368	<b>CYLINDER ASSEMBLY - 24.0" STROKE</b>  CYLINDER ASSEMBLY _____ AP42902 (24.0" STROKE) - CONTACT HWH CORPORATION
MECHANISM AP42511	<b>SINGLE CYLINDER ROOM EXTENSION - 24.0" STROKE</b>  <b>SEE MR41.1150 FOR DRAWING AND PARTS INFORMATION.</b> CYLINDER ASSEMBLY _____ ITEM 1 - RAP92530 (25.0" STROKE) - REPLACES AP42631 TUBE KIT _____ ITEM 2 - RAP92531 - REPLACES AP42859



---

**ROOM EXTENSION ASSEMBLIES  
GUIDE PAGE  
"WINNEBAGO INDUSTRIES" (PAGE 7 OF 7)**

---

PROCEDURE: SEE "WINNEBAGO INDUSTRIES" (PAGE 1 OF 7)

---

<b>MECHANISM AP43012</b>	<b>CYLINDER ASSEMBLY - 29.625" STROKE</b>
------------------------------	---

---

	<b>CYLINDER ASSEMBLY _____ AP43012 (29.625" STROKE) - CONTACT HWH CORPORATION</b>
--	---

---

# ROOM EXTENSION ASSEMBLIES GUIDE PAGE "WOLF COACH"

**PROCEDURE:**

1. Locate the HWH identification tag on the room extension mechanism to get the correct room extension part number.
2. Find the correct room extension part number in the left column below.
3. Refer to the proper parts page for general replacement parts information and item number arrangements.
4. Two cylinder room extensions with a synchronizing cylinder have two room extension part numbers. One number is for the left assembly, one is for the right assembly. If the room extension assembly originally had one number, that number is listed with the new numbers.

<b>MECHANISM</b> <b>AP24083</b> <b>AP24084</b>	<b>DUAL CYLINDER ROOM EXTENSION - 39.5" STROKE (WITH SYNCHRONIZING CYLINDER) -AP45774 KIT</b>  <b>SEE MR41.2000 FOR DRAWING AND PARTS INFORMATION.</b> <b>CYLINDER ASSEMBLY</b> _____ ITEM 1 - RAP91239 (40.5" STROKE) - REPLACES AP24107 <b>SYNCHRONIZING CYLINDER</b> _____ ITEM 3 - RAP91018 (16.175" STROKE) - REPLACES AP24085 <b>TUBE ASSEMBLIES</b> _____ ITEM 6 - RAP90481 - REPLACES AP15379
<b>MECHANISM</b> <b>AP38251</b> <b>AP38252</b>	<b>UNIVERSAL STRAIGHT OUT - 30.0" STROKE (WITH SYNC. CYLINDER) - AP39594 AND AP41975 KITS</b>  <b>SEE MR41.2685 FOR DRAWING AND PARTS INFORMATION.</b> <b>CYLINDER ASSEMBLY</b> _____ ITEM 1 - RAP92076 (30.5" STROKE) - REPLACES AP38072 <b>SYNCHRONIZING CYLINDER</b> _____ ITEM 3 - RAP92077 (10.540" STROKE) - REPLACES AP37881 <b>TUBE KIT</b> _____ ITEM 2 - RAP92079 - REPLACES AP38267 <b>HOSE ASSEMBLIES</b> _____ ITEM 4 - RAP90872 (AP24632) ITEM 5 - RAP91421 (AP24818)
<b>MECHANISM</b> <b>AP38944</b> <b>AP38945</b>	<b>UNIVERSAL LEVEL OUT - 30.0" STROKE (WITH SYNCHRONIZING CYLINDER) - AP41976 KIT</b>  <b>SEE MR41.2690 FOR DRAWING AND PARTS INFORMATION.</b> <b>CYLINDER ASSEMBLY</b> _____ ITEM 1 - RAP92076 (30.5" STROKE) - REPLACES AP38072 <b>LIFT CYLINDER ASSEMBLY</b> _____ ITEM 11 - RAP92260 (2.75" LIFT) - REPLACES AP38604 <b>SYNCHRONIZING CYLINDER</b> _____ ITEM 3 - RAP92077 (10.540" STROKE) - REPLACES AP37881 <b>LIFT SYNCHRONIZING CYLINDER</b> _____ ITEM 12 - RAP92316 - REPLACES AP38264 <b>TUBE KIT</b> _____ ITEM 2 - RAP92079 - REPLACES AP38267 <b>HOSE ASSEMBLIES</b> _____ ITEM 4 - RAP90872 (AP24632) ITEM 5 - RAP91421 (AP24818)

# ROOM EXTENSION ASSEMBLIES GUIDE PAGE "WSI CORPORATION"

**PROCEDURE:**

1. Locate the HWH identification tag on the room extension mechanism to get the correct room extension part number.
2. Find the correct room extension part number in the left column below.
3. Refer to the proper parts page for general replacement parts information and item number arrangements.
4. Two cylinder room extensions with a synchronizing cylinder have two room extension part numbers. One is for the left assembly, one is for the right assembly. If the room extension assembly originally had one number, that number is listed with the new numbers.

<b>MECHANISM</b> <b>AP40822</b> <b>AP40823</b>	<b>UNIVERSAL STRAIGHT OUT - 20.0" STROKE (WITH SYNCHRONIZING CYLINDER) - AP51663 KIT</b>  <b>SEE MR41.2685 FOR DRAWING AND PARTS INFORMATION.</b> <b>CYLINDER ASSEMBLY</b> _____ <b>ITEM 1 - RAP92075 (20.5" STROKE) - REPLACES AP39251</b> <b>SYNCHRONIZING CYLINDER</b> _____ <b>ITEM 3 - RAP92099 (7.010" STROKE) - REPLACES AP39221</b> <b>TUBE KIT</b> _____ <b>ITEM 2 - RAP92092 - REPLACES AP39321</b> <b>HOSE ASSEMBLIES</b> _____ <b>ITEM 4 - RAP91566 (AP24631) ITEM 5 - RAP91568 (AP24637)</b>
--	---

---

# ROOM EXTENSION ASSEMBLIES GUIDE PAGE "ZOLDAN CORPORATION"

---

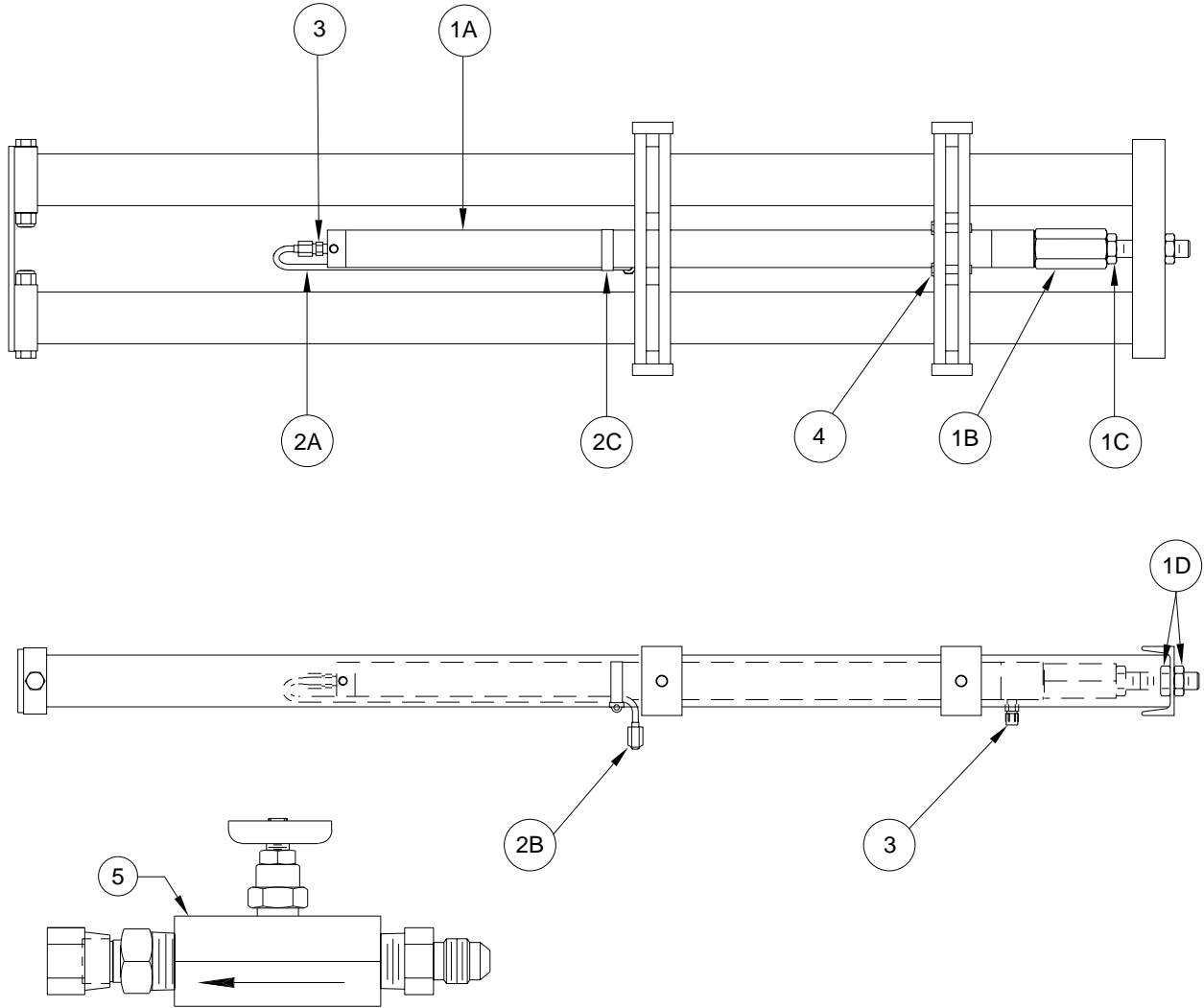
**PROCEDURE:**

1. Locate the HWH identification tag on the room extension mechanism to get the correct room extension part number.
2. Find the correct room extension part number in the left column below.
3. Refer to the proper parts page for general replacement parts information and item number arrangements.
4. Two cylinder room extensions with a synchronizing cylinder have two room extension part numbers. One number is for the left assembly, one is for the right assembly. If the room extension assembly originally had one number, that number is listed with the new numbers.

<b>MECHANISM AP38900 AP38901</b>	<b>UNIVERSAL STRAIGHT OUT - 24.0" STROKE (WITH SYNCHRONIZING CYLINDER) - AP43884 KIT</b>
	<b>SEE MR41.2685 FOR DRAWING AND PARTS INFORMATION.</b>
	<b>CYLINDER ASSEMBLY _____ ITEM 1 - RAP92076 (30.5" STROKE) - REPLACES AP38072</b>
	<b>SYNCHRONIZING CYLINDER _____ ITEM 3 - RAP92275 (8.420" STROKE) - REPLACES AP39271</b>
	<b>TUBE KIT _____ ITEM 2 - RAP92079 - REPLACES AP38267</b>
	<b>HOSE ASSEMBLIES _____ ITEM 4 - RAP90872 (AP24632) ITEM 5 - RAP91421 (AP24818)</b>

# ROOM EXTENSION ASSEMBLY SINGLE CYLINDER ROOM EXTENSION

\* REFER TO SPECIFIC MANUFACTURER'S GUIDE PAGE IN THIS SECTION FOR CORRECT CYLINDER AND TUBE ASSEMBLY REPLACEMENT PART NUMBERS.



NOTE: THIS VALVE IS NOT USED WITH ALL SYSTEMS.

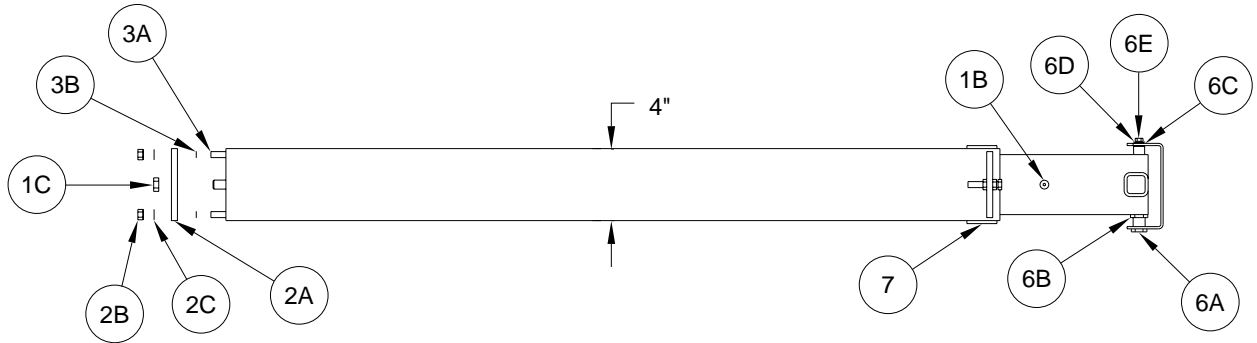
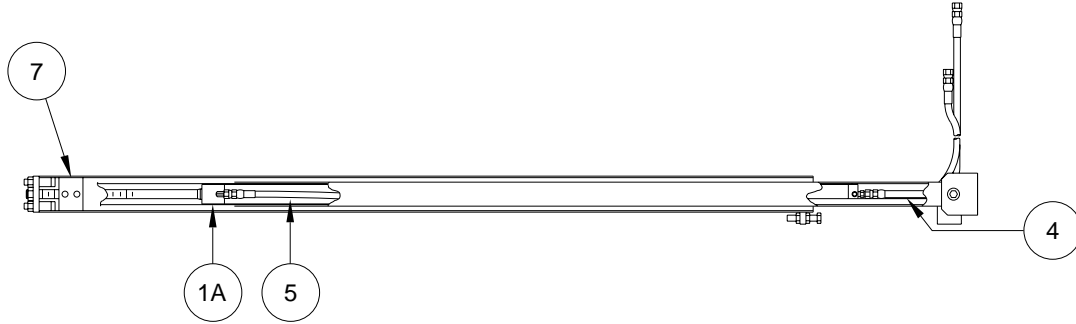
ITEM	PART	QTY	DESCRIPTION
1*		1	CYLINDER ASSY.
	1A	1	CYLINDER
	1B	1	STOP NUT
	1C	1	LOCKNUT
	1D	2	ADJUSTING NUT
2*		1	TUBE KIT
	2A	1	TUBE ASSY.
	2B	1	90 DEG. X 1/2" HOSE UNION
	2C	1	BAND CLAMP

ITEM	PART	QTY	DESCRIPTION
3	RF1456	2	1/4" MALE CONNECTOR (INCLUDED W/CYL. ASSY.)
4	RAP90030	1	CYL. MTG. HDWE. KIT
5	RAP90819	1	NEEDLE VALVE ASSY

NOTE: INDENTED ITEMS INCLUDED WITH PRECEDING ITEM.

# ROOM EXTENSION ASSEMBLY SINGLE CYLINDER ROOM EXTENSION 4" TUBE WITH PIVOT BRACKET

\*REFER TO SPECIFIC MANUFACTURER'S GUIDE PAGE IN THIS SECTION FOR CORRECT CYLINDER AND HOSE ASSEMBLY REPLACEMENT PART NUMBERS.



ITEM	PART	QTY	DESCRIPTION
1*		1	CYLINDER ASSY
1A		1	CYLINDER
1B		2	CYLINDER MTG. BOLTS
1C		1	CYLINDER ADJUSTING LOCKNUT
2	RAP90106	1	CYL. MTG. PLATE KIT
2A		1	MOUNTING PLATE
2B		2	MOUNTING NUT
2C		2	LOCK WASHER
3	RAP90005	1	CYL. MTG. PLATE BOLT KIT
3A		2	MOUNTING BOLT
3B		2	O-RING
4*		1	HOSE ASSY CAP SIDE
5*		1	HOSE ASSY ROD SIDE

ITEM	PART	QTY	DESCRIPTION
6	RAP90107	1	PIVOT BOLT KIT
6A		1	PIVOT BOLT (SPECIAL)
6B		1	SPANNER NUT
6C		1	3/8" FLAT WASHER
6D		1	3/8" STAR WASHER
6E		1	3/8-16 X 1/2" BOLT
7	RAP91975	1	BEARING PAD KIT
7A		2	#10 LOCKWASHER
7B		2	FENDER WASHER
7C		2	#10 SCREW
7D		7	BEARING PAD 2" x 2.6"
7E		2	BEARING PLATE 2" x 2.6"
7F		10	SHIM 2" x 2.6"
7G		2	BEARING PAD 2" x 0.8"
7H		4	BEARING PIN
7I		6	SHIM 0.8" x 2.6"
7J		2	BEARING PLATE 2" x 0.8"

NOTE: INDENTED ITEMS INCLUDED WITH PRECEDING ITEM.

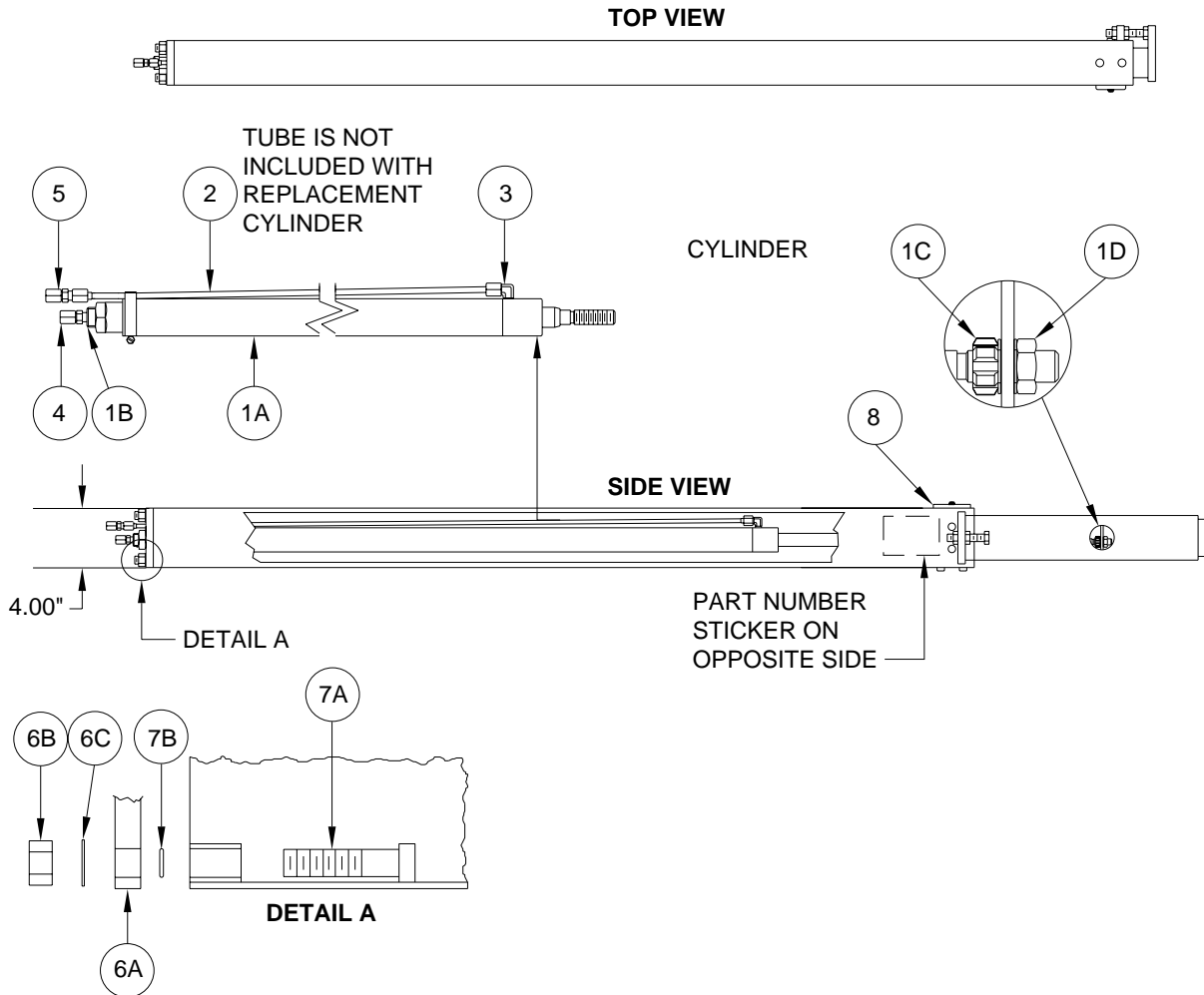
**MR41.1005  
25OCT12**

# ROOM EXTENSION ASSEMBLY

## SINGLE CYLINDER ROOM EXTENSION

### 4" TUBE WITH FIXED MOUNTING BRACKET

\*REFER TO SPECIFIC MANUFACTURER'S GUIDE PAGE IN THIS SECTION FOR CORRECT CYLINDER AND HOSE ASSEMBLY REPLACEMENT PART NUMBERS.



ITEM	PART	QTY	DESCRIPTION
1*		1	CYLINDER ASSY
1A		1	CYLINDER
1B		2	CYLINDER MTG. BOLTS
1C		1	CYLINDER ADJUSTING NUT - INNER
1D		1	CYLINDER ADJUSTING NUT - OUTER
2*		1	TUBE ASSEMBLY
3	RF1453	1	1/4" ELBOW 90 DEG.
4	RF1456	1	1/4" MALE CONNECTOR
5	RF2539	1	1/4" UNION
6	RAP90486	1	CYL. MTG. PLATE KIT
6A		1	MOUNTING PLATE
6B		2	MOUNTING NUT
6C		2	LOCKWASHER

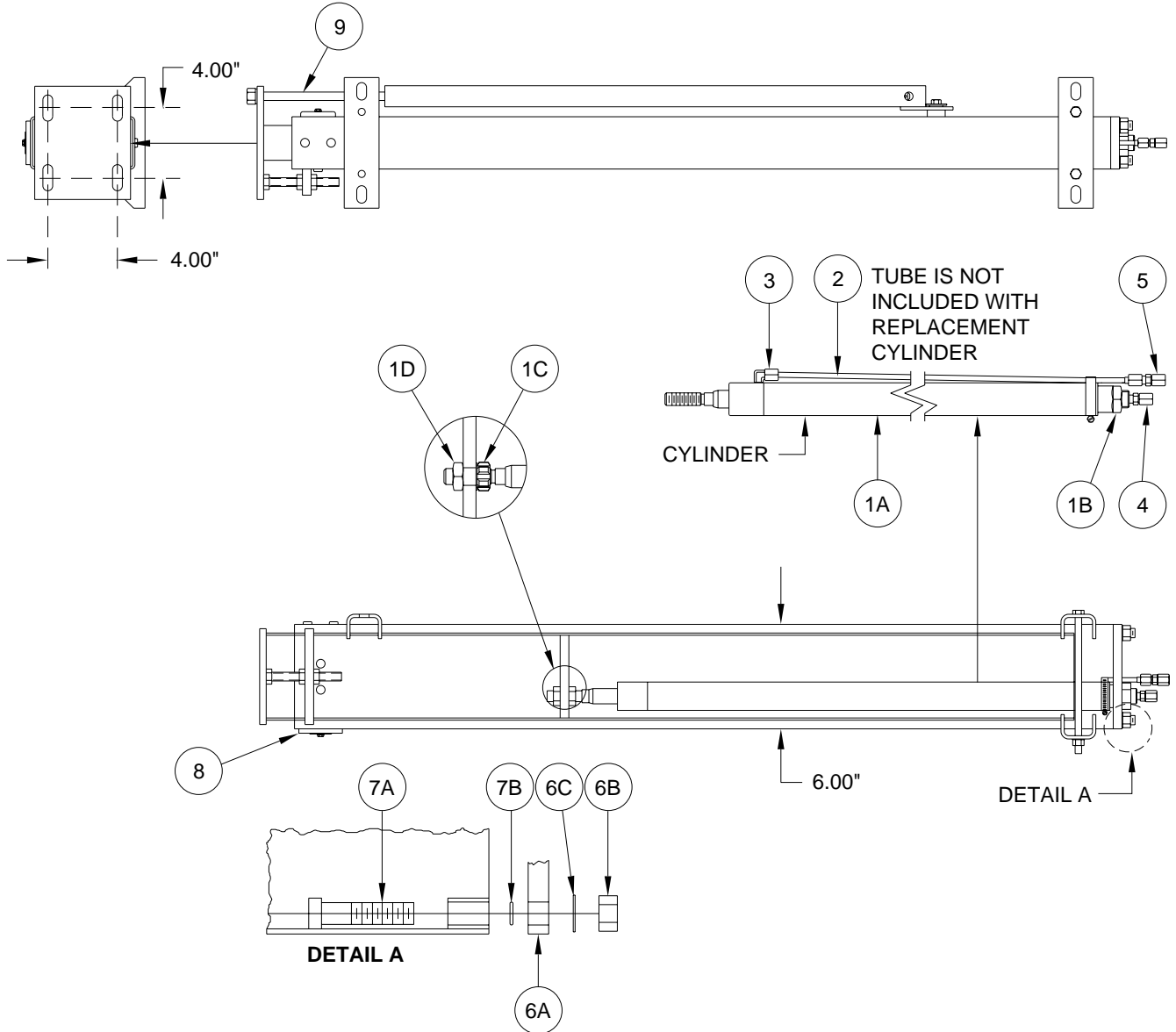
ITEM	PART	QTY	DESCRIPTION
7	RAP90005	1	CYL. MTG. PLATE BOLT KIT
7A		2	MOUNTING BOLT
7B		2	O-RING
8	RAP91975	1	BEARING PAD KIT
8A		2	#10 LOCKWASHER
8B		2	FENDER WASHER
8C		2	#10 SCREW
8D		7	BEARING PAD 2" x 2.6"
8E		2	BEARING PLATE 2" x 2.6"
8F		10	SHIM 2" x 2.6"
8G		2	BEARING PAD 2" x 0.8"
8H		4	BEARING PIN
8I		6	SHIM 0.8" x 2.6"
8J		2	BEARING PLATE 2" x 0.8"

**NOTE:** INDENTED ITEMS INCLUDED WITH PRECEDING ITEM.

**MR41.1006**  
**25OCT12**

# ROOM EXTENSION ASSEMBLY DUAL CYLINDER ROOM EXTENSION 6" TUBE - FIXED MOUNTING BRACKET

\*REFER TO SPECIFIC MANUFACTURER'S GUIDE PAGE IN THIS SECTION FOR CORRECT CYLINDER - SYNCHRONIZING CYLINDER - TUBE ASSEMBLY AND HOSE ASSEMBLY REPLACEMENT.



ITEM	PART	QTY	DESCRIPTION
1*		1	CYLINDER ASSY
1A		1	CYLINDER
1B		1	CYLINDER MTG. NUT
1C		1	CYLINDER ADJUSTING NUT - INNER
1D		1	CYLINDER ADJUSTING NUT - OUTER
2*		1	TUBE ASSEMBLY
3	RF1453	1	1/4" ELBOW 90 DEG.
4	RF1456	1	1/4" MALE CONNECTOR
5	RF2539	1	1/4" UNION
6	RAP90483	1	CYL MTG PLATE KIT
6A		1	MOUNTING PLATE
6B		2	MOUNTING NUT
6C		2	LOCKWASHER

ITEM	PART	QTY	DESCRIPTION
7	RAP90005	1	CYL MTG PLATE BOLT KIT
7A		2	MOUNTING BOLT
7B		2	O-RING
8	RAP91975	1	BEARING PAD KIT
8A		2	#10 LOCKWASHER
8B		2	FENDER WASHER
8C		2	#10 SCREW
8D		7	BEARING PAD 2" x 2.6"
8E		2	BEARING PLATE 2" x 2.6"
8F		10	SHIM 2" x 2.6"
8G		2	BEARING PAD 2" x 0.8"
8H		4	BEARING PIN
8I		6	SHIM 0.8" x 2.6"
8J		2	BEARING PLATE 2" x 0.8"
9	RAP91357	1	MANUAL RET. SCREW 39"

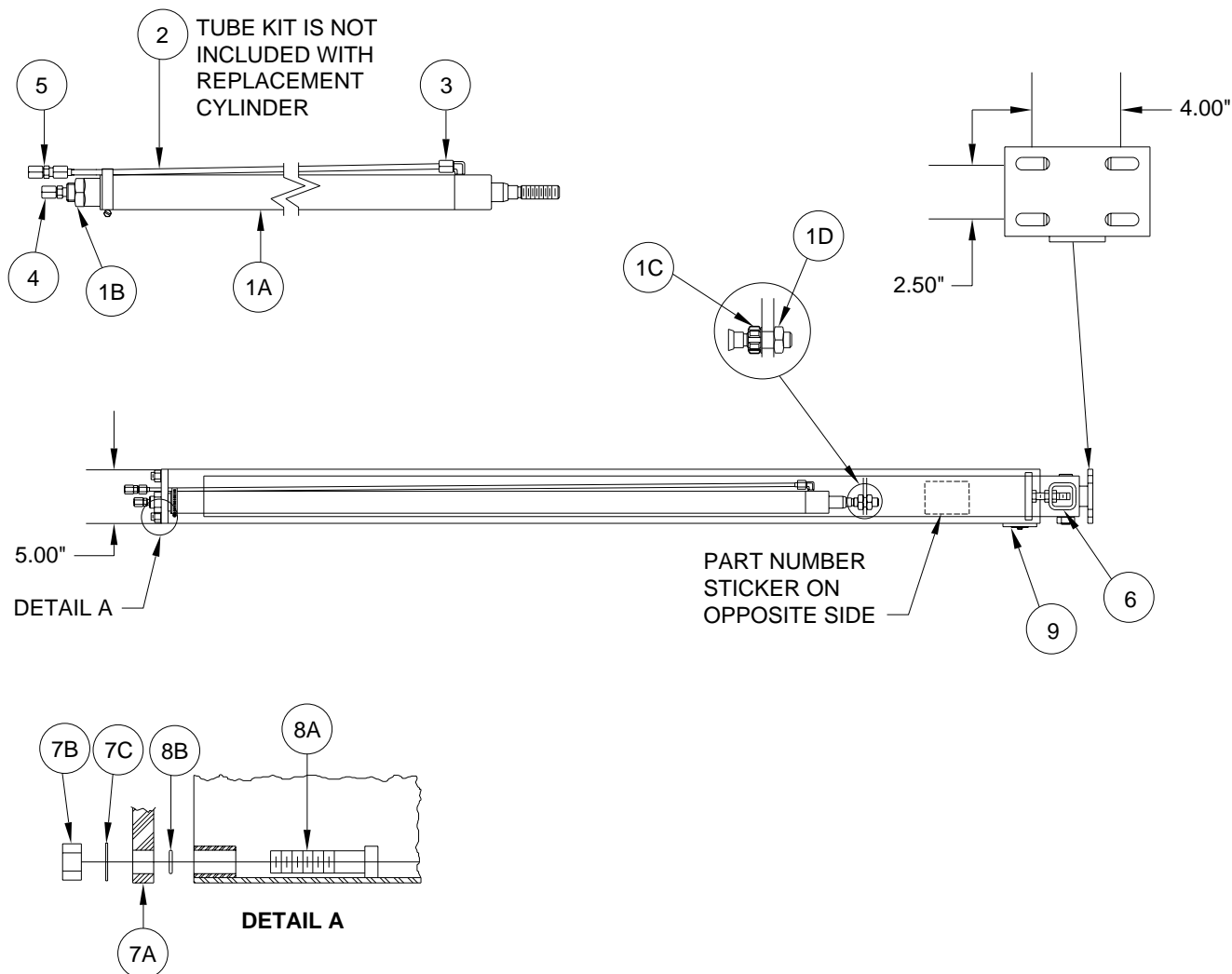
NOTE: INDENTED ITEMS INCLUDED WITH PRECEDING ITEM.

**MR41.1007  
03JAN14**



# ROOM EXTENSION ASSEMBLY SINGLE CYLINDER ROOM EXTENSION 5" TUBE - FLAT PIVOT BRACKET

\*REFER TO SPECIFIC MANUFACTURER'S GUIDE PAGE IN THIS SECTION FOR CORRECT CYLINDER - TUBE ASSEMBLY AND HOSE ASSEMBLY REPLACEMENT.



ITEM	PART	QTY	DESCRIPTION
1*		1	CYLINDER ASSY
1A		1	CYLINDER
1B		1	CYLINDER MTG. NUT
1C		1	CYLINDER ADJUSTING NUT - INNER
1D		1	CYLINDER ADJUSTING NUT - OUTER
2*		1	TUBE ASSEMBLY
3	RF1453	1	1/4" ELBOW 90 DEG.
4	RF1456	1	1/4" MALE CONNECTOR
5	RF2539	1	1/4" UNION
6	RAP90694	1	PIVOT BOLT KIT (INCLUDES JAM NUT AND LOCKWASHER)
7	RAP90695	1	CYL MTG PLATE KIT
7A		1	MOUNTING PLATE
7B		2	MOUNTING NUT
7C		2	LOCKWASHER

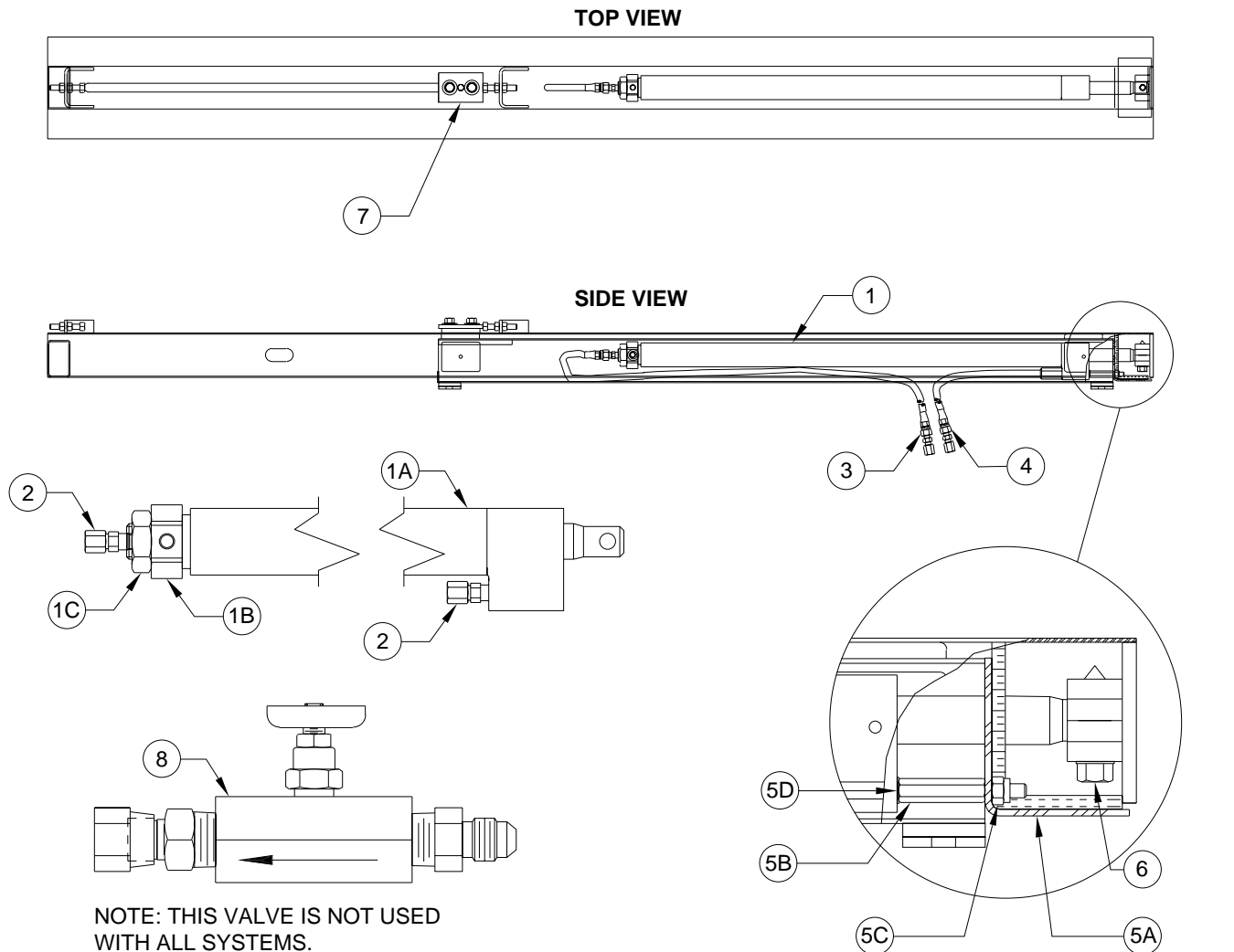
ITEM	PART	QTY	DESCRIPTION
8	RAP90005	1	CYL MTG PLATE BOLT KIT
8A		2	MOUNTING BOLT
8B		2	O-RING
9	RAP91975	1	BEARING PAD KIT
9A		2	#10 LOCKWASHER
9B		2	FENDER WASHER
9C		2	#10 SCREW
9D		7	BEARING PAD 2" x 2.6"
9E		2	BEARING PLATE 2" x 2.6"
9F		10	SHIM 2" x 2.6"
9G		2	BEARING PAD 2" x 0.8"
9H		4	BEARING PIN
9I		6	SHIM 0.8" x 2.6"
9J		2	BEARING PLATE 2" x 0.8"

**NOTE:** INDENTED ITEMS INCLUDED WITH PRECEDING ITEM.

# ROOM EXTENSION ASSEMBLY SINGLE CYLINDER ROOM EXTENSION

## GUIDED

\* REFER TO SPECIFIC MANUFACTURER'S PAGE IN THIS SECTION  
FOR CORRECT CYLINDER AND HOSE ASSEMBLY REPLACEMENT



ITEM	PART	QTY	DESCRIPTION
1*		1	CYLINDER ASSY
	1A	1	CYLINDER
	1B	1	CYLINDER MTG NUT
	1C	1	JAM NUT 7/8"
2	RF1456	1	1/4" MALE CONNECTOR
3*		1	HOSE ASSY CAP END
4*		1	HOSE ASSY ROD END
5	RAP90699	1	SEAL KIT
	5A	1	SEAL
	5B	1	SEAL MTG STUD
	5C	1	HEX NUT 1/4" x 20
	5D	1	LOCK WASHER 1/4"

ITEM	PART	QTY	DESCRIPTION
6	RAP90700	1	ROD MTG BOLT KIT
7	RAP90698	1	STOP PLATE / BEARING PAD KIT ( CONTAINS ALL PADS, SHIMS, PLATE AND HARDWARE TO FIX COMPLETE SLIDE ASSEMBLY )
8	RAP90819	1	NEEDLE VALVE ASSY

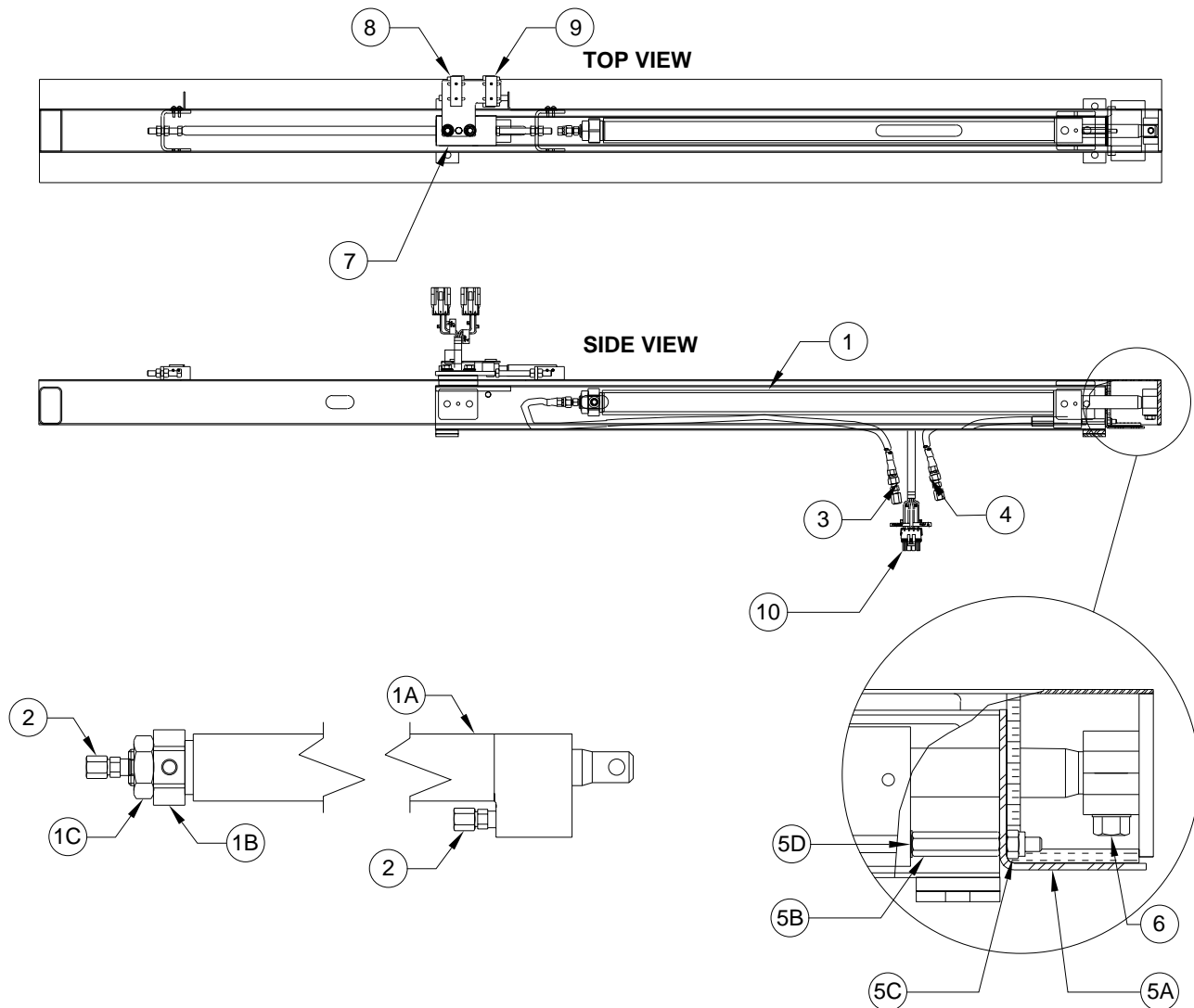
NOTE: INDENTED ITEMS ARE INCLUDED WITH PRECEDING ITEM.

# ROOM EXTENSION ASSEMBLY

## SINGLE CYLINDER ROOM EXTENSION

### GUIDED

\* REFER TO SPECIFIC MANUFACTURER'S PAGE IN THIS SECTION  
FOR CORRECT CYLINDER AND HOSE ASSEMBLY REPLACEMENT



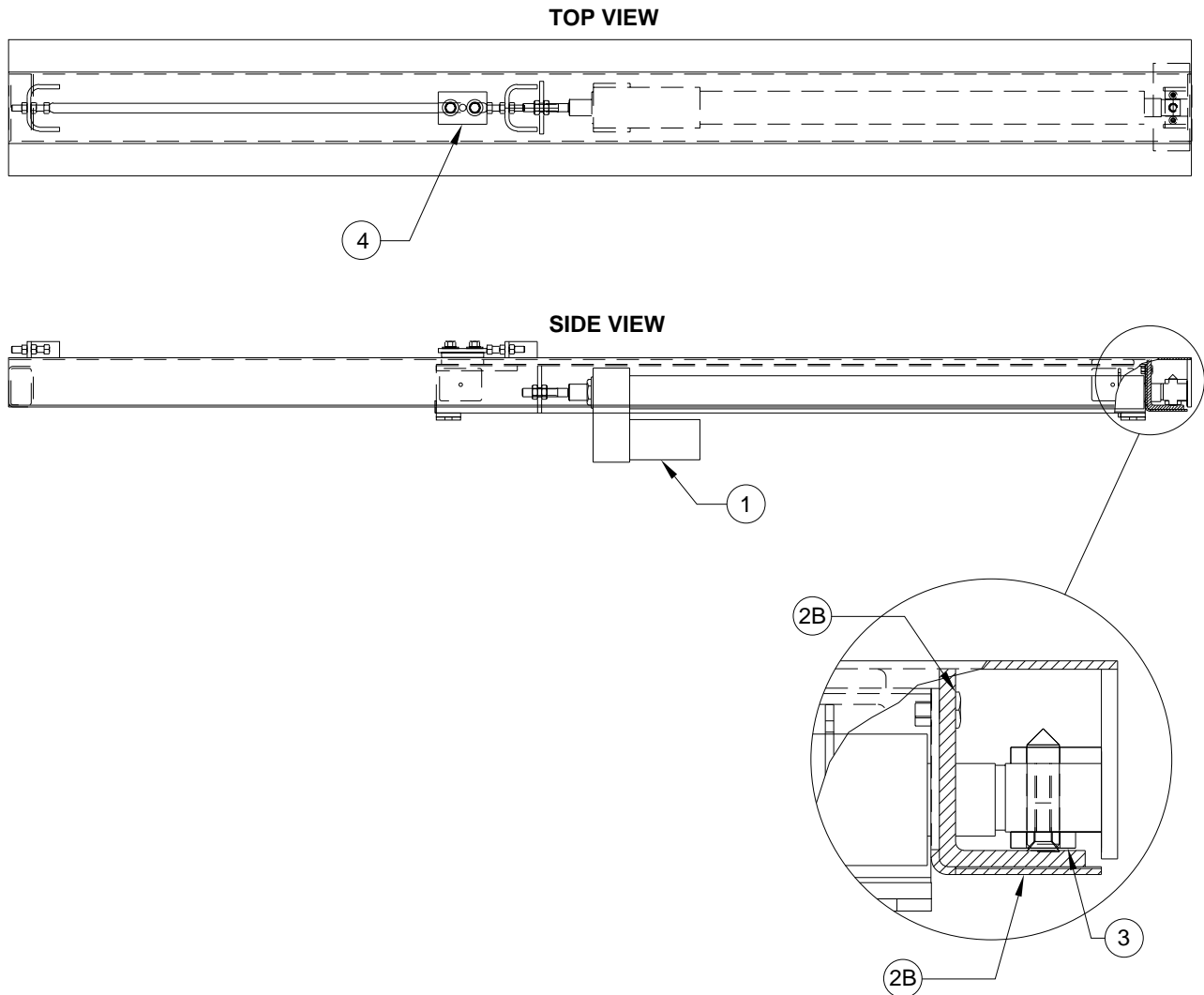
ITEM	PART	QTY	DESCRIPTION
1*		1	CYLINDER ASSY
	1A	1	CYLINDER
	1B	1	CYLINDER MTG NUT
	1C	1	JAM NUT 7/8"
2	RF1456	1	1/4" MALE CONNECTOR
3*		1	HOSE ASSEMBLY
4*		1	HOSE ASSEMBLY
5	RAP90699	1	SEAL KIT
	5A	1	SEAL
	5B	1	SEAL MTG STUD
	5C	1	HEX NUT 1/4" x 20
	5D	1	LOCK WASHER 1/4"

ITEM	PART	QTY	DESCRIPTION
6	RAP90700	1	ROD MTG BOLT KIT
7	RAP90698	1	STOP PLATE / BEARING PAD KIT ( CONTAINS ALL PADS, SHIMS, PLATE AND HARDWARE TO FIX COMPLETE SLIDE ASSEMBLY )
8	RAP5829	1	ROOM OUT LIMIT SW
9	RAP5829	1	ROOM IN LIMIT SW
10	RAP90822	1	LIMIT SW HARNESS

NOTE: INDENTED ITEMS ARE INCLUDED WITH PRECEDING ITEM.

# ROOM EXTENSION ASSEMBLY

## SINGLE ACTUATOR ROOM EXTENSION



ITEM	PART	QTY	DESCRIPTION
1	<b>NOT AVAILABLE</b>		ELECTRIC ACTUATOR CONTACT COUNTRY COACH FOR REPAIR INFO.
2	RAP90699	1	SEAL KIT
	2A	1	SEAL
	2B	1	HHCS 1/4" x 20

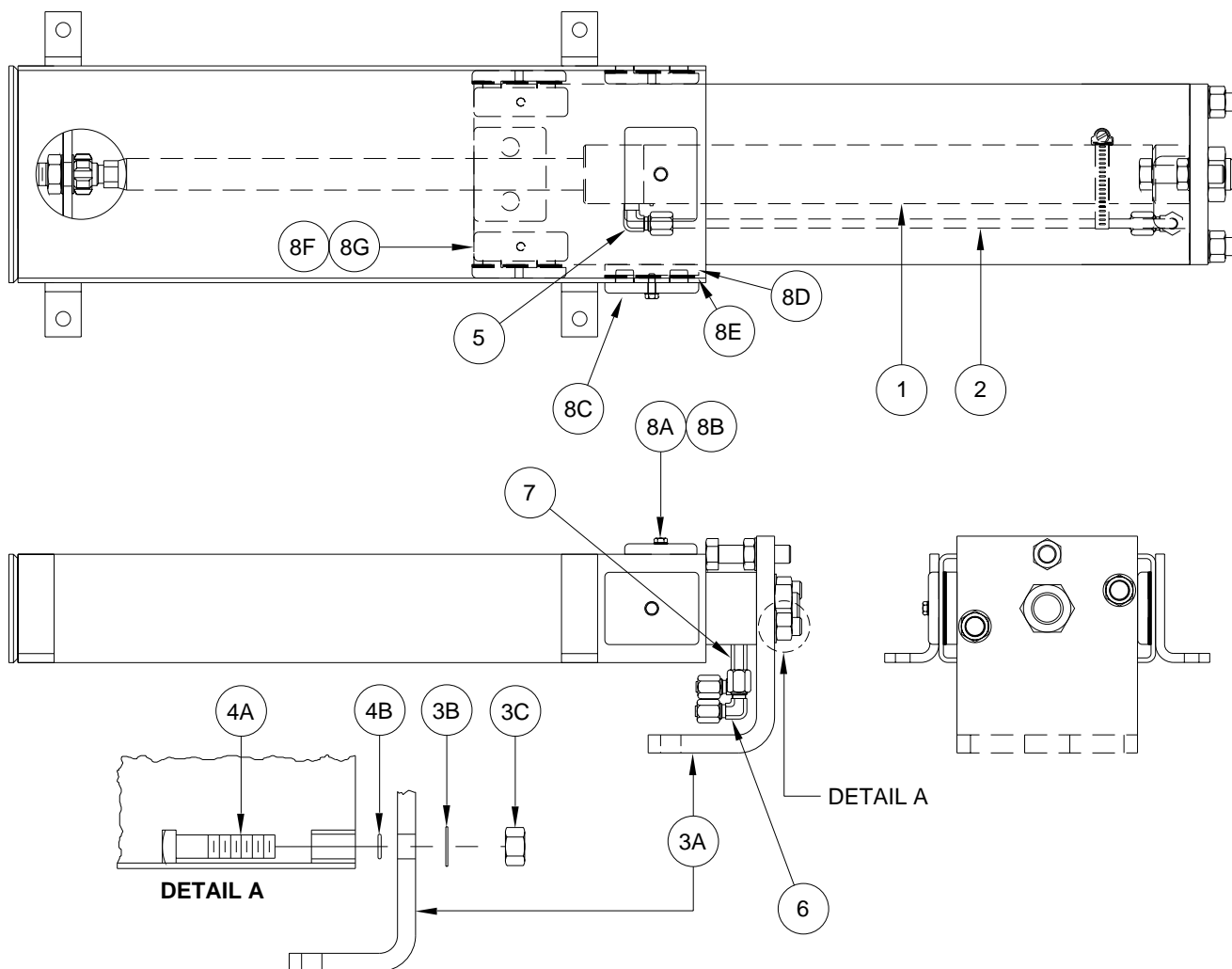
ITEM	PART	QTY	DESCRIPTION
3	RAP92547	1	ROD MOUNTING KIT
4	RAP90698	1	STOP PLATE / BEARING PAD KIT ( CONTAINS ALL PADS, SHIMS, PLATE AND HARDWARE TO FIX COMPLETE SLIDE ASSEMBLY )

**NOTE:** INDENTED ITEMS ARE INCLUDED WITH PRECEDING ITEM.

**MR41.1105**  
**25JUN09**

# ROOM EXTENSION ASSEMBLY SINGLE CYLINDER ROOM EXTENSION COUCH / BED

\* REFER TO SPECIFIC MANUFACTURER'S GUIDE PAGE IN THIS SECTION FOR CORRECT CYLINDER AND TUBE ASSEMBLY REPLACEMENT PART NUMBERS.



ITEM	PART	QTY	DESCRIPTION
1*		1	CYLINDER ASSY
2*		1	TUBE ASSEMBLY
3	RAP92549	1	CYL. MTG. PLATE KIT
3A		1	MOUNTING PLATE
3B		2	MOUNTING NUT
3C		2	LOCKWASHER
4	RAP90005	1	CYL. MTG. PLT. BOLT KIT
4A		2	MOUNTING BOLT
4B		2	O-RING
5	RF1453	1	1/4" ELBOW 90 DEG.

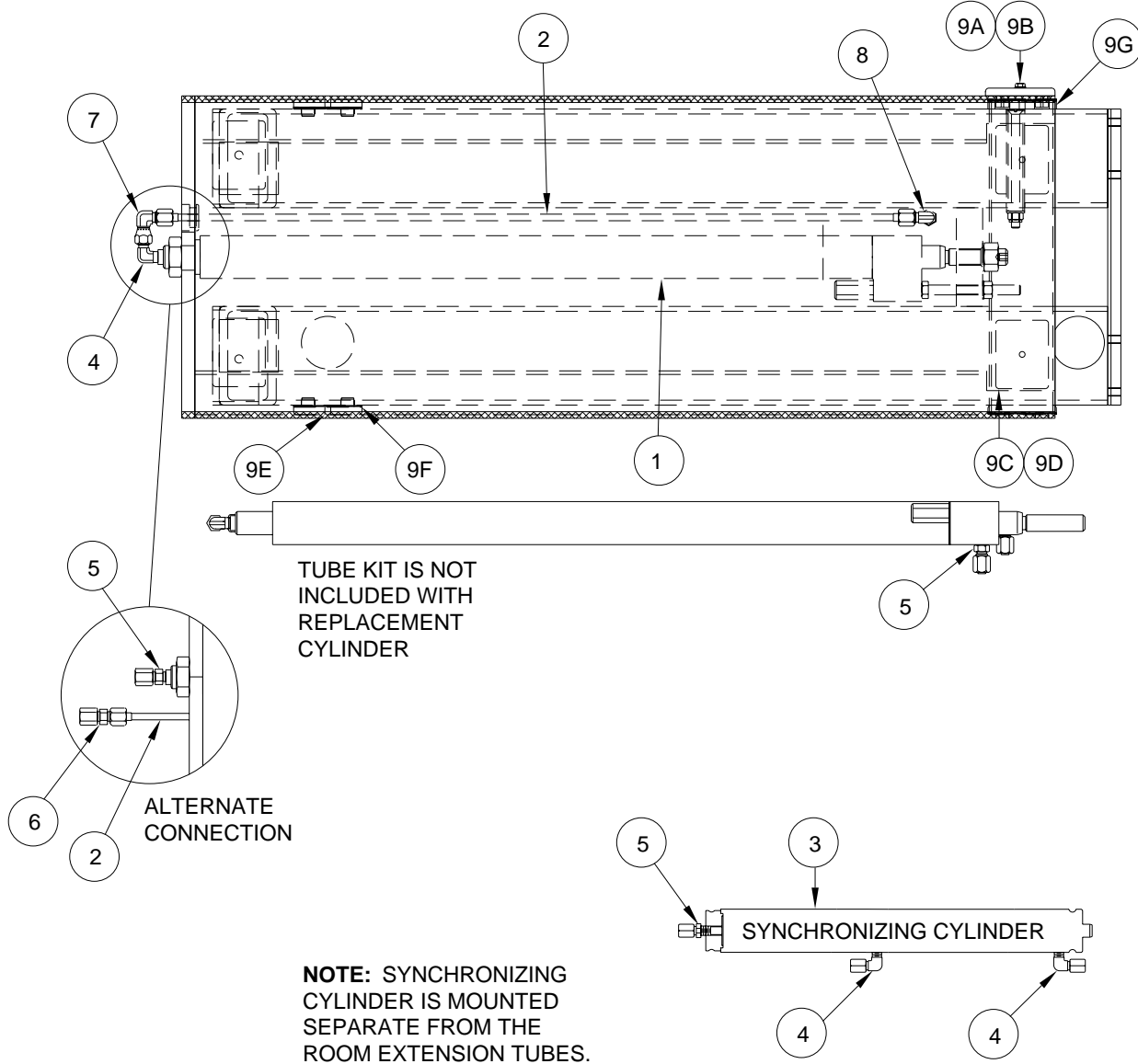
ITEM	PART	QTY	DESCRIPTION
6	RF90146	1	1/4" UNION ELBOW
7	RF90145	1	1/4" EX. LONG ELBOW
8	RAP91975	1	BEARING PAD KIT
8A		2	#10 LOCKWASHER
8B		2	#10 SCREW
8C		7	BEARING PAD 2" x 2.6"
8D		2	BEARING PLATE 2" x 2.6"
8E		10	SHIM 2" x 2.6"
8F		2	BEARING PAD 2" x 0.8"
8G		6	SHIM 0.8" x 2.6"

NOTE: INDENTED ITEMS ARE INCLUDED WITH PRECEDING ITEM.

**MR41.1150**  
**25OCT12**

# ROOM EXTENSION ASSEMBLY SINGLE OR DUAL CYLINDER ROOM EXTENSION IN COACH FLOOR

\*REFER TO SPECIFIC MANUFACTURER'S GUIDE PAGE IN THIS SECTION FOR CORRECT CYLINDER - SYNCHRONIZING CYLINDER - TUBE ASSEMBLY AND HOSE ASSEMBLY REPLACEMENT.



ITEM	PART	QTY	DESCRIPTION
1*		1	CYLINDER ASSY
2*		1	TUBE ASSEMBLY
3*		1	SYNCHRONIZING CYL (INCLUDES 4 & 5) (NOT USED WITH SINGLE CYLINDER ROOM EXT.)
4	RF1453	1	1/4" ELBOW 90 DEG.
5	RF1456	1	1/4" MALE CONNECTOR
6	RF2539	1	1/4" UNION

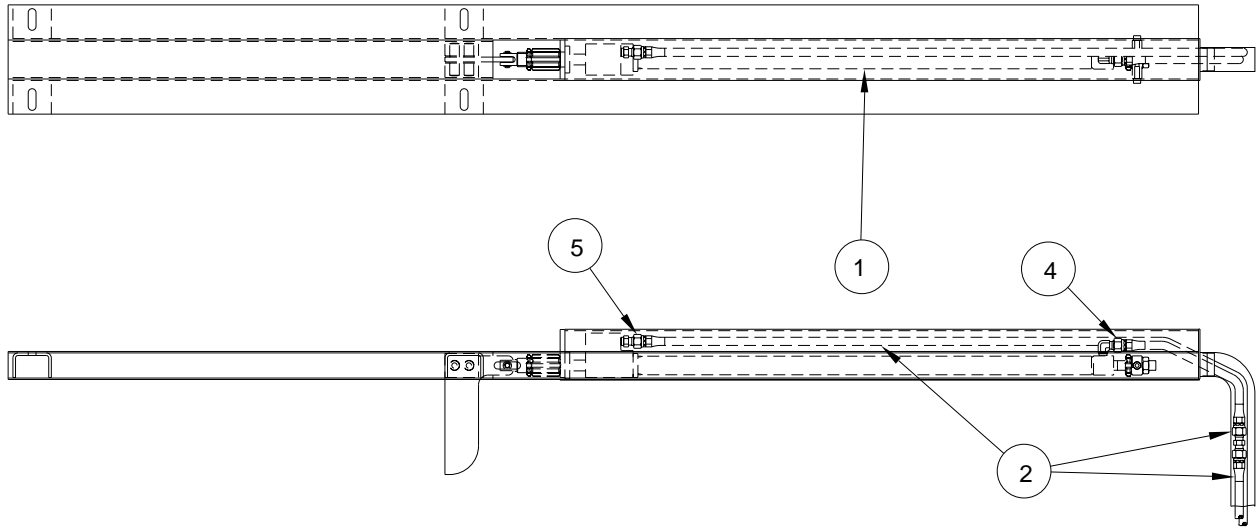
ITEM	PART	QTY	DESCRIPTION
7	RF90010	1	1/4" ELBOW SWIVEL
8	RF90146	1	1/4" UNION ELBOW
9	RAP93213	1	BEARING PAD KIT
9A		1	#10 LOCKWASHER
9B		1	#10 SCREW
9C		4	BEARING PAD 2" x 2.6"
9D		12	SHIM 2" x 2.6"
9E		6	BEARING PAD 2" x 0.8"
9F		20	SHIM 0.8" x 2.6"
9G		1	BEARING PLATE 2" x 0.8"

**NOTE:** INDENTED ITEMS INCLUDED WITH PRECEDING ITEM.

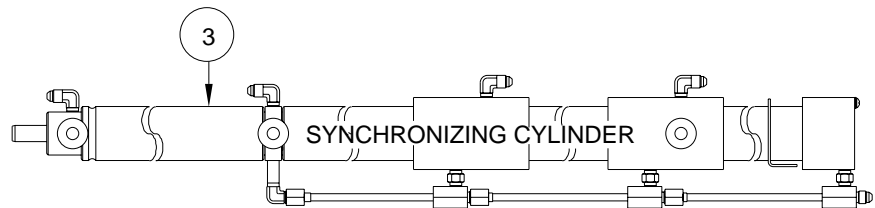
**MR41.1200  
25OCT12**

# ROOM EXTENSION ASSEMBLY FIVE CYLINDER ROOM EXTENSION IN COACH ROOF

\*REFER TO SPECIFIC MANUFACTURER'S GUIDE PAGE IN THIS SECTION FOR CORRECT CYLINDER - SYNCHRONIZING CYLINDER - TUBE ASSEMBLY AND HOSE ASSEMBLY REPLACEMENT.



**NOTE:** SYNCHRONIZING CYLINDER IS MOUNTED SEPARATE FROM THE ROOM EXTENSION TUBES.



ITEM	PART	QTY	DESCRIPTION
1*		1	CYLINDER ASSY
2*		1	HOSE ASSEMBLIES
3*		1	SYNCHRONIZING CYL

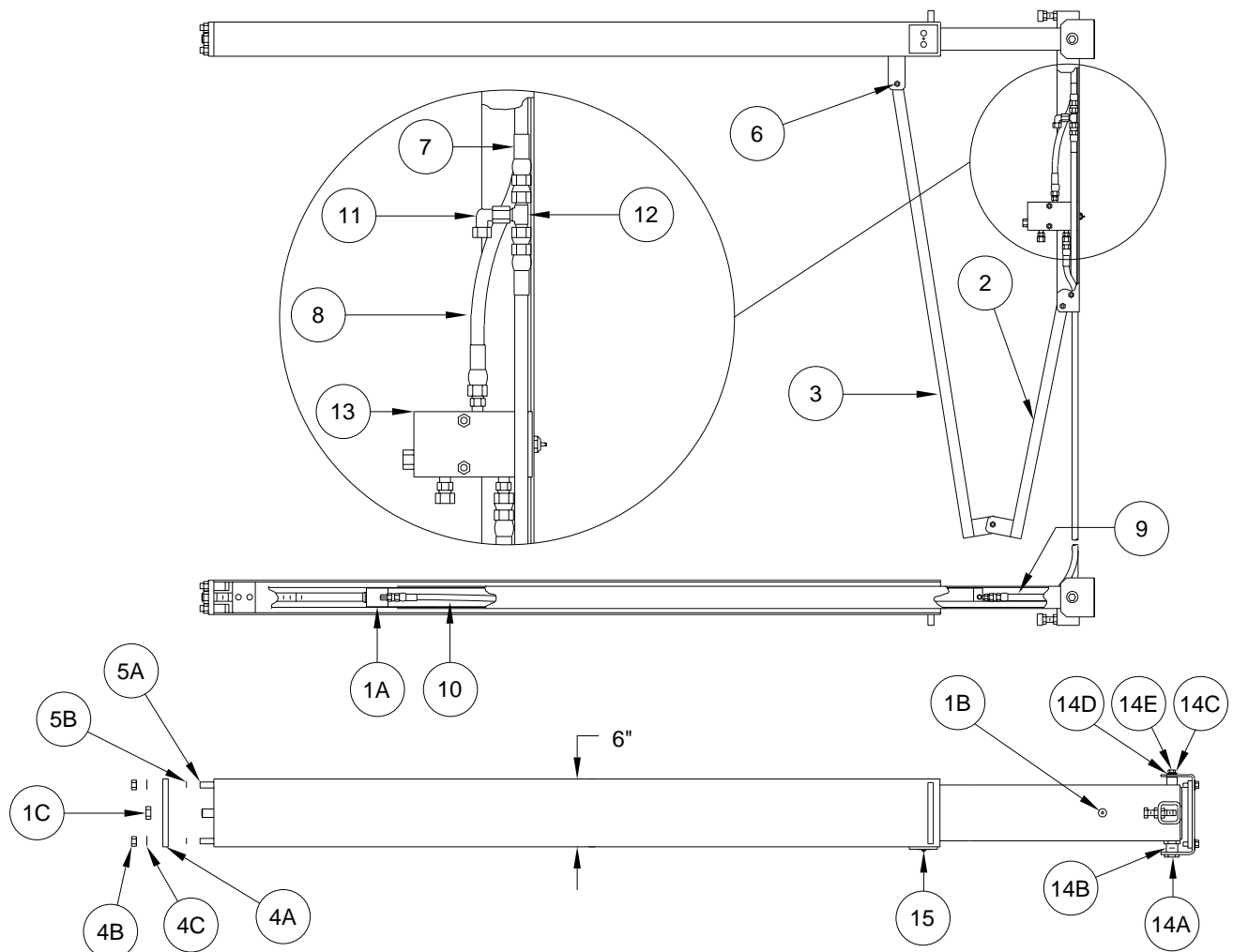
ITEM	PART	QTY	DESCRIPTION
4	RF1453	1	1/4" ELBOW 90 DEG.
5	RF1456	1	1/4" MALE CONNECTOR

# ROOM EXTENSION ASSEMBLY

## DUAL CYLINDER ROOM EXTENSION (WITH RACK SENSING VALVE)

### 6" TUBE - NARROW PIVOT BRACKET

\*REFER TO SPECIFIC MANUFACTURER'S GUIDE PAGE IN THIS SECTION FOR CORRECT CYLINDER AND HOSE ASSEMBLY REPLACEMENT PART NUMBERS.



ITEM	PART	QTY	DESCRIPTION	ITEM	PART	QTY	DESCRIPTION
1*		1	CYLINDER ASSY	11	RF90010	1	1/4" SWIVEL 90 DEG.
1A		1	CYLINDER	12	RF3680	1	1/4" UNION TEE
1B		2	CYLINDER MTG. BOLTS	13	RAP90012	1	RACK SENSING VALVE
1C		1	CYLINDER ADJ. LOCKNUT	14	RAP90076	1	PIVOT BOLT KIT
2	RAP90008	1	HOSE GUIDE OUTER	14A		1	PIVOT BOLT (SPECIAL)
3	RAP90009	1	HOSE GUIDE INNER	14B		1	SPANNER NUT
4	RAP90006	1	CYL. MTG. PLATE KIT	14C		1	3/8" FLAT WASHER
4A		1	MOUNTING PLATE	14D		1	3/8" STAR WASHER
4B		2	MOUNTING NUT	14E		1	3/8-16 X 1/2" BOLT
4C		2	LOCK WASHER	15	RAP91975	1	BEARING PAD KIT
5	RAP90005	1	CYL. MTG. PLATE BOLT KIT	15A		2	#10 LOCKWASHER
5A		2	MOUNTING BOLT	15B		2	FENDER WASHER
5B		2	O-RING	15C		2	#10 SCREW
6	RAP90013	1	HDWE KIT HOSE GUIDE (INCLUDES 4 BOLTS, 4 NUTS, 6 BUSHINGS)	15D		7	BEARING PAD 2" x 2.6"
7*		1	HOSE ASSY	15E		2	BEARING PLATE 2" x 2.6"
8*		1	HOSE ASSY	15F		10	SHIM 2" x 2.6"
9*		1	HOSE ASSY	15G		2	BEARING PAD 2" x 0.8"
10*		1	HOSE ASSY	15H		4	BEARING PIN
				15I		6	SHIM 0.8" x 2.6"
				15J		2	BEARING PLATE 2" x 0.8"

NOTE: INDENTED ITEMS INCLUDED WITH PRECEDING ITEM.

**MR41.1530**  
**25OCT12**

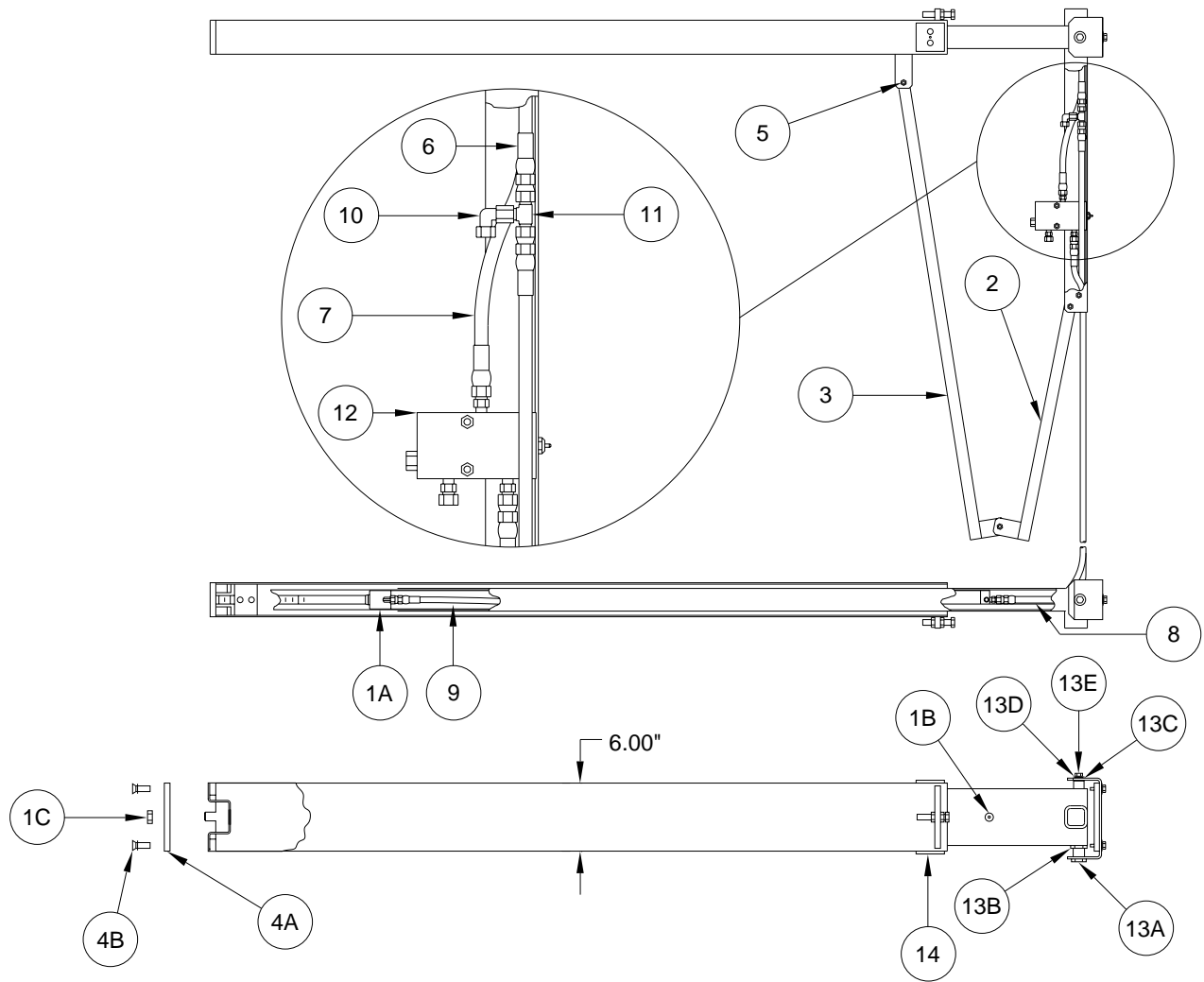


# ROOM EXTENSION ASSEMBLY

## DUAL CYLINDER ROOM EXTENSION (WITH RACK SENSING VALVE)

### 6" TUBE - 50" OR GREATER STROKE

\* REFER TO SPECIFIC MANUFACTURER'S GUIDE PAGE IN THIS SECTION FOR CORRECT CYLINDER AND HOSE ASSEMBLY REPLACEMENT PART NUMBERS.



ITEM	PART	QTY	DESCRIPTION	ITEM	PART	QTY	DESCRIPTION
1*		1	CYLINDER ASSY	12	RAP90012	1	RACK SENSING VALVE
1A		1	CYLINDER	13	RAP90076	1	PIVOT BOLT KIT
1B		2	CYLINDER MTG. BOLTS	13A		1	PIVOT BOLT (SPECIAL)
1C		1	CYLINDER ADJUSTING LOCKNUT	13B		1	SPANNER NUT
2	RAP90118	1	HOSE GUIDE OUTER	13C		1	3/8" FLAT WASHER
3	RAP90117	1	HOSE GUIDE INNER	13D		1	3/8" STAR WASHER
4	RAP90116	1	CYL. MTG. PLATE KIT	13E		1	3/8-16 X 1/2" BOLT
4A		1	MOUNTING PLATE	14	RAP91975	1	BEARING PAD KIT
4B		4	MOUNTING BOLTS	14A		2	#10 LOCKWASHER
5	RAP90013	1	HDWE KIT HOSE GUIDE (INCLUDES 4 BOLTS, 4 NUTS, 6 BUSHINGS)	14B		2	FENDER WASHER
6*		1	HOSE ASSY	14C		2	#10 SCREW
7*		1	HOSE ASSY	14D		7	BEARING PAD 2" x 2.6"
8*		1	HOSE ASSY	14E		2	BEARING PLATE 2" x 2.6"
9*		1	HOSE ASSY	14F		10	SHIM 2" x 2.6"
10	RF90010	1	1/4" SWIVEL 90 DEG.	14G		2	BEARING PAD 2" x 0.8"
11	RF3680	1	1/4" UNION TEE	14H		4	BEARING PIN
				14I		6	SHIM 0.8" x 2.6"
				14J		2	BEARING PLATE 2" x 0.8"

NOTE: INDENTED ITEMS INCLUDED WITH PRECEDING ITEM.

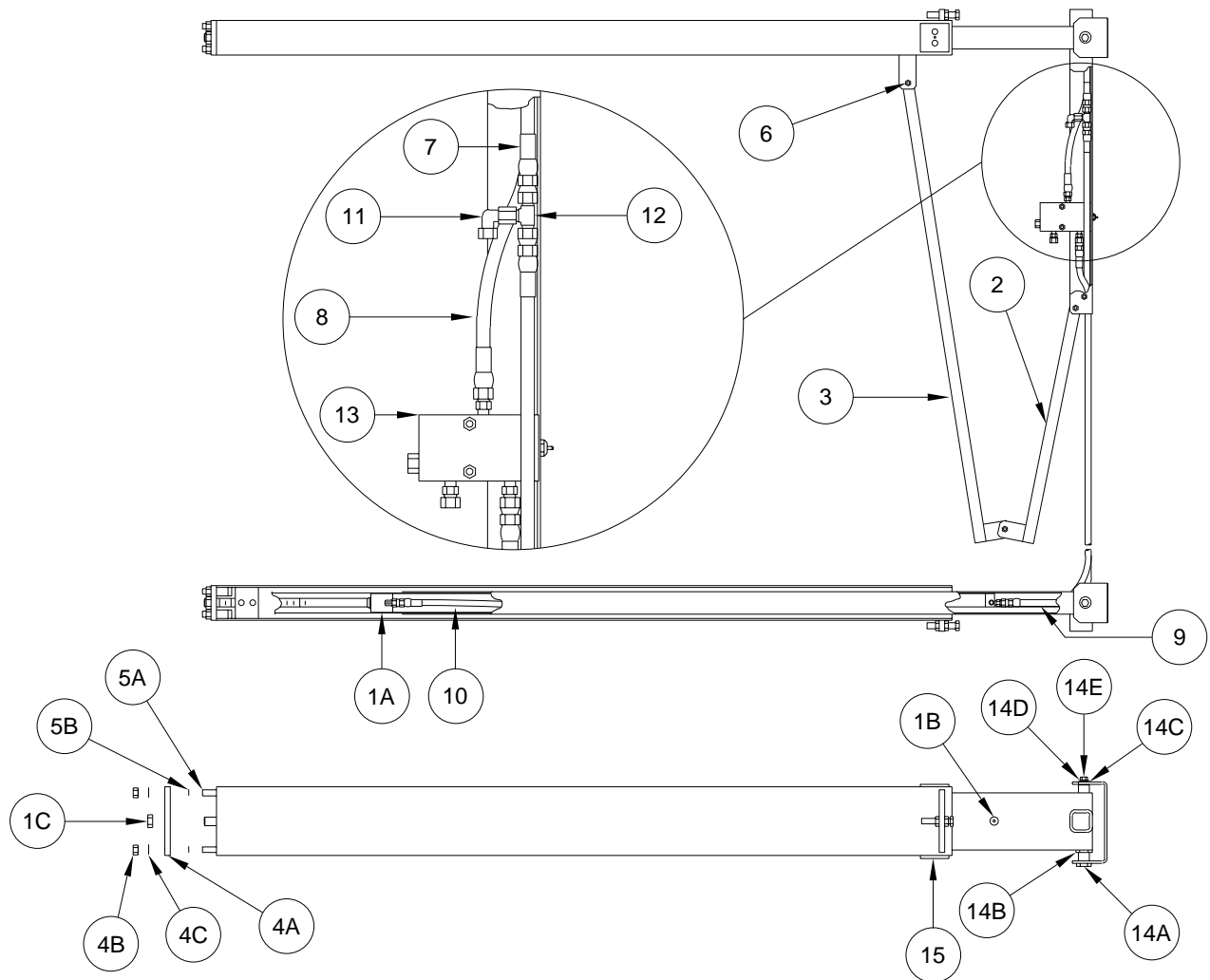
**MR41.1532**  
**25OCT12**

# ROOM EXTENSION ASSEMBLY

## DUAL CYLINDER ROOM EXTENSION (WITH RACK SENSING VALVE)

### 4" TUBE - NARROW PIVOT BRACKET

\* REFER TO SPECIFIC MANUFACTURER'S GUIDE PAGE IN THIS SECTION FOR CORRECT CYLINDER AND HOSE ASSEMBLY REPLACEMENT PART NUMBERS.



ITEM	PART	QTY	DESCRIPTION	ITEM	PART	QTY	DESCRIPTION
1*		1	CYLINDER ASSY	11	RF90010	1	1/4" SWIVEL 90 DEG.
1A		1	CYLINDER	12	RF3680	1	1/4" UNION TEE
1B		2	CYLINDER MTG. BOLTS	13	RAP90012	1	RACK SENSING VALVE
1C		1	CYLINDER ADJ. LOCKNUT	14	RAP90107	1	PIVOT BOLT KIT
2	RAP90008	1	HOSE GUIDE OUTER	14A		1	PIVOT BOLT (SPECIAL)
3	RAP90009	1	HOSE GUIDE INNER	14B		1	SPANNER NUT
4	RAP90106	1	CYL. MTG. PLATE KIT	14C		1	3/8" FLAT WASHER
4A		1	MOUNTING PLATE	14D		1	3/8" STAR WASHER
4B		2	MOUNTING NUT	14E		1	3/8-16 X 1/2" BOLT
4C		2	LOCK WASHER	15	RAP91975	1	BEARING PAD KIT
5	RAP90005	1	CYL. MTG. PLATE BOLT KIT	15A		2	#10 LOCKWASHER
5A		2	MOUNTING BOLT	15B		2	FENDER WASHER
5B		2	O-RING	15C		2	#10 SCREW
6	RAP90013	1	HDWE KIT HOSE GUIDE (INCLUDES 4 BOLTS, 4 NUTS, 6 BUSHINGS)	15D		7	BEARING PAD 2" x 2.6"
7*		1	HOSE ASSY	15E		2	BEARING PLATE 2" x 2.6"
8*		1	HOSE ASSY	15F		10	SHIM 2" x 2.6"
9*		1	HOSE ASSY	15G		2	BEARING PAD 2" x 0.8"
10*		1	HOSE ASSY	15H		4	BEARING PIN
				15I		6	SHIM 0.8" x 2.6"
				15J		2	BEARING PLATE 2" x 0.8"

**MR41.1534**  
**25OCT12**

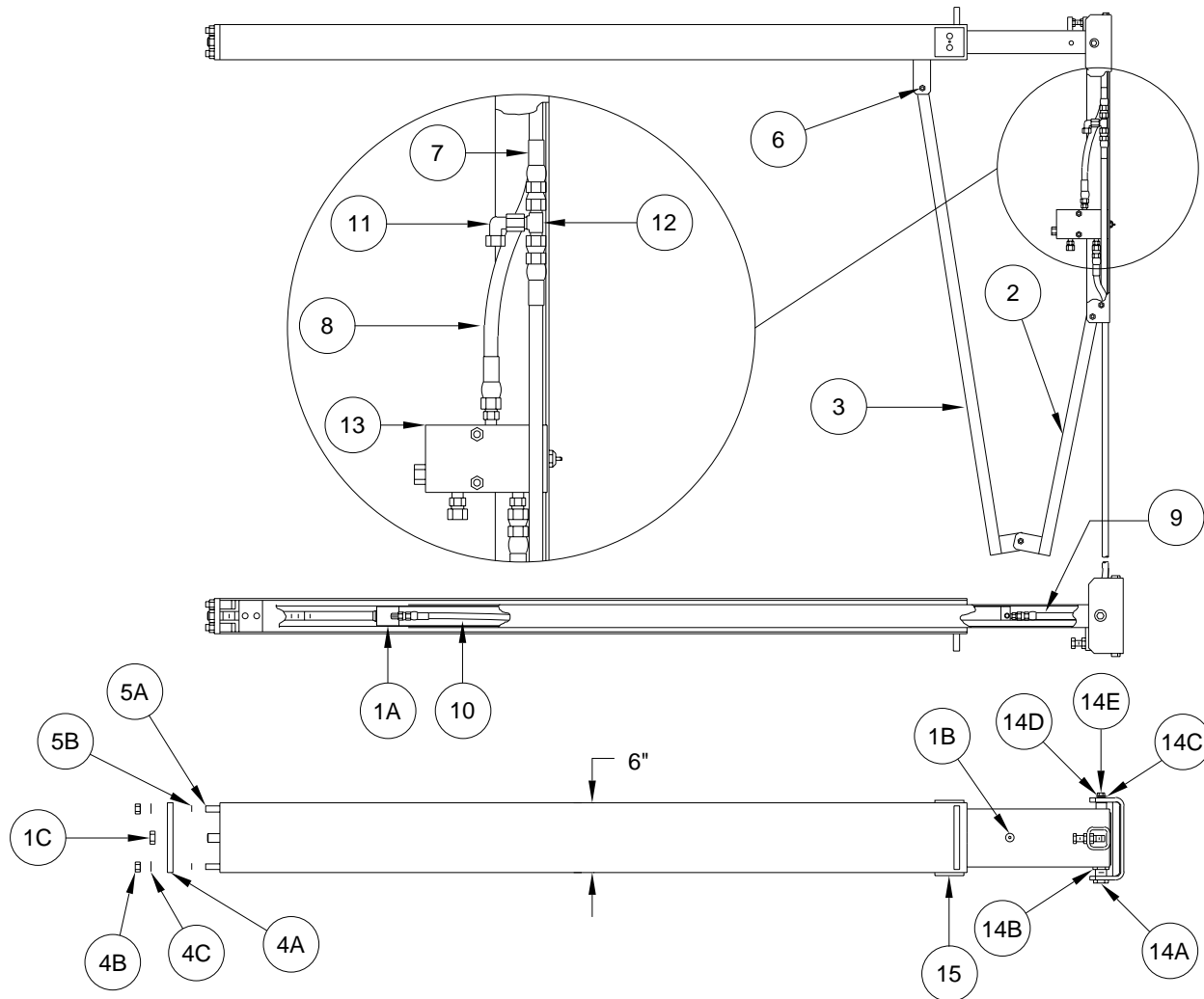
**NOTE:** INDENTED ITEMS INCLUDED WITH PRECEDING ITEM.

# ROOM EXTENSION ASSEMBLY

## DUAL CYLINDER ROOM EXTENSION (WITH RACK SENSING VALVE)

### 6" TUBE - WIDE PIVOT BRACKET

\* REFER TO SPECIFIC MANUFACTURER'S GUIDE PAGE IN THIS SECTION FOR CORRECT CYLINDER AND HOSE ASSEMBLY REPLACEMENT PART NUMBERS.



ITEM	PART	QTY	DESCRIPTION	ITEM	PART	QTY	DESCRIPTION
1*		1	CYLINDER ASSY	11	RF90010	1	1/4" SWIVEL 90 DEG.
1A		1	CYLINDER	12	RF3680	1	1/4" UNION TEE
1B		2	CYLINDER MTG. BOLTS	13	RAP90012	1	RACK SENSING VALVE
1C		1	CYLINDER ADJ. LOCKNUT	14	RAP90076	1	PIVOT BOLT KIT
2	RAP90008	1	HOSE GUIDE OUTER	14A		1	PIVOT BOLT (SPECIAL)
3	RAP90009	1	HOSE GUIDE INNER	14B		1	SPANNER NUT
4	RAP90006	1	CYL. MTG. PLATE KIT	14C		1	3/8" FLAT WASHER
4A		1	MOUNTING PLATE	14D		1	3/8" STAR WASHER
4B		2	MOUNTING NUT	14E		1	3/8-16 X 1/2" BOLT
4C		2	LOCK WASHER	15	RAP91975	1	BEARING PAD KIT
5	RAP90005	1	CYL. MTG. PLATE BOLT KIT	15A		2	#10 LOCKWASHER
5A		2	MOUNTING BOLT	15B		2	FENDER WASHER
5B		2	O-RING	15C		2	#10 SCREW
6	RAP90013	1	HDWE KIT HOSE GUIDE (INCLUDES 4 BOLTS, 4 NUTS, 6 BUSHINGS)	15D		7	BEARING PAD 2" x 2.6"
7*		1	HOSE ASSY	15E		2	BEARING PLATE 2" x 2.6"
8*		1	HOSE ASSY	15F		10	SHIM 2" x 2.6"
9*		1	HOSE ASSY	15G		2	BEARING PAD 2" x 0.8"
10*		1	HOSE ASSY	15H		4	BEARING PIN
				15I		6	SHIM 0.8" x 2.6"
				15J		2	BEARING PLATE 2" x 0.8"

**MR41.1536**  
**25OCT12**

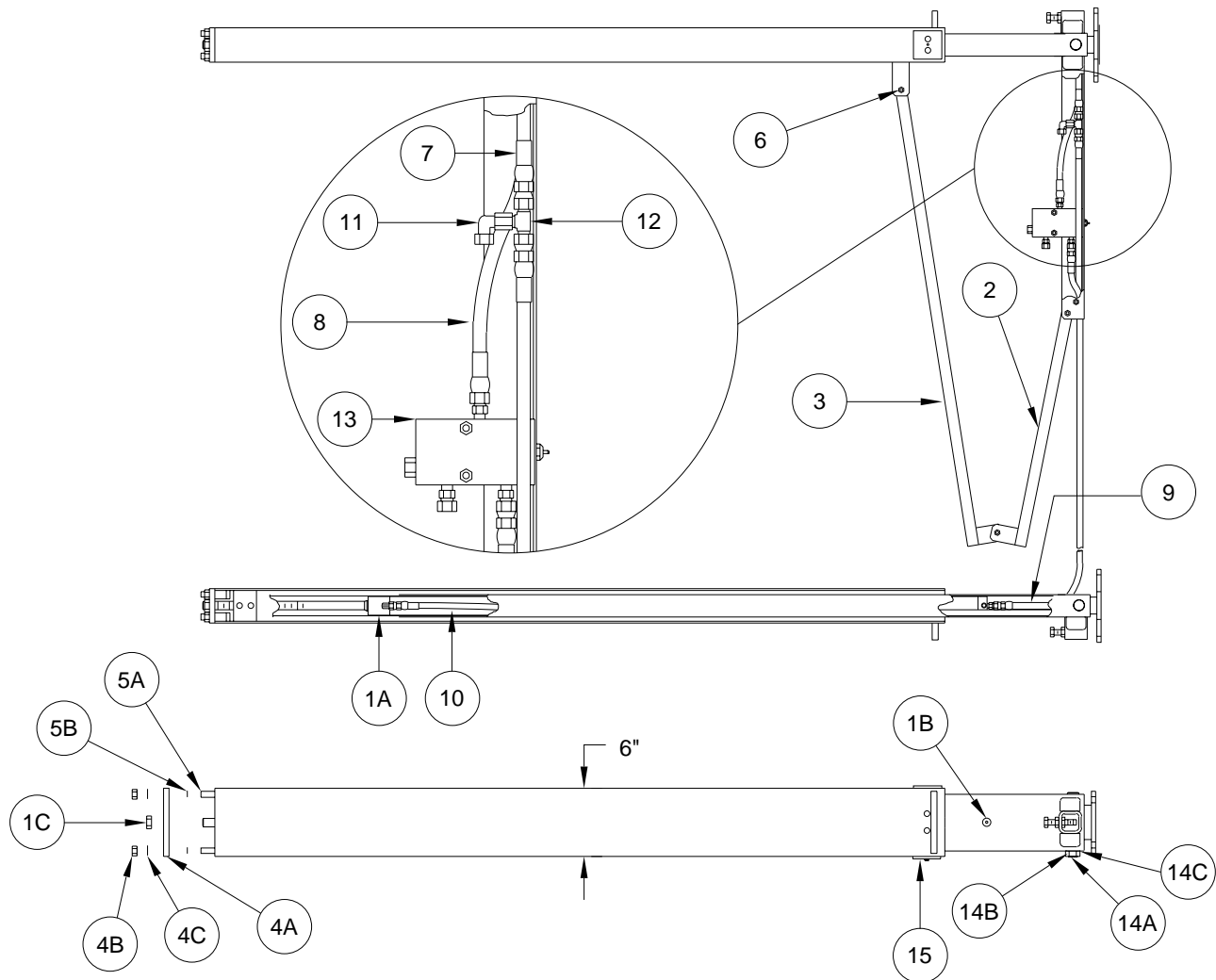
**NOTE:** INDENTED ITEMS INCLUDED WITH PRECEDING ITEM.

# ROOM EXTENSION ASSEMBLY

## DUAL CYLINDER ROOM EXTENSION (WITH RACK SENSING VALVE)

### 6" TUBE - FLAT PIVOT BRACKET

\* REFER TO SPECIFIC MANUFACTURER'S GUIDE PAGE IN THIS SECTION FOR CORRECT CYLINDER AND HOSE ASSEMBLY REPLACEMENT PART NUMBERS.



ITEM	PART	QTY	DESCRIPTION	ITEM	PART	QTY	DESCRIPTION
1*		1	CYLINDER ASSY	11	RF90010	1	1/4" SWIVEL 90 DEG.
1A		1	CYLINDER	12	RF3680	1	1/4" UNION TEE
1B		2	CYLINDER MTG. BOLTS	13	RAP90012	1	RACK SENSING VALVE
1C		1	CYLINDER ADJ. LOCKNUT	14	RAP90343	1	PIVOT BOLT KIT
2	RAP90008	1	HOSE GUIDE OUTER	14A			PIVOT BOLT (SPECIAL)
3	RAP90009	1	HOSE GUIDE INNER	14B			JAM NUT
4	RAP90006	1	CYL. MTG. PLATE KIT	14C			STAR WASHER
4A		1	MOUNTING PLATE	15	RAP91975	1	BEARING PAD KIT
4B		2	MOUNTING NUT	15A		2	#10 LOCKWASHER
4C		2	LOCK WASHER	15B		2	FENDER WASHER
5	RAP90005	1	CYL. MTG. PLATE BOLT KIT	15C		2	#10 SCREW
5A		2	MOUNTING BOLT	15D		7	BEARING PAD 2" x 2.6"
5B		2	O-RING	15E		2	BEARING PLATE 2" x 2.6"
6	RAP90013	1	HDWE KIT HOSE GUIDE (INCLUDES 4 BOLTS, 4 NUTS, 6 BUSHINGS)	15F		10	SHIM 2" x 2.6"
7*		1	HOSE ASSY	15G		2	BEARING PAD 2" x 0.8"
8*		1	HOSE ASSY	15H		4	BEARING PIN
9*		1	HOSE ASSY	15I		6	SHIM 0.8" x 2.6"
10*		1	HOSE ASSY	15J		2	BEARING PLATE 2" x 0.8"

NOTE: INDENTED ITEMS INCLUDED WITH PRECEDING ITEM.

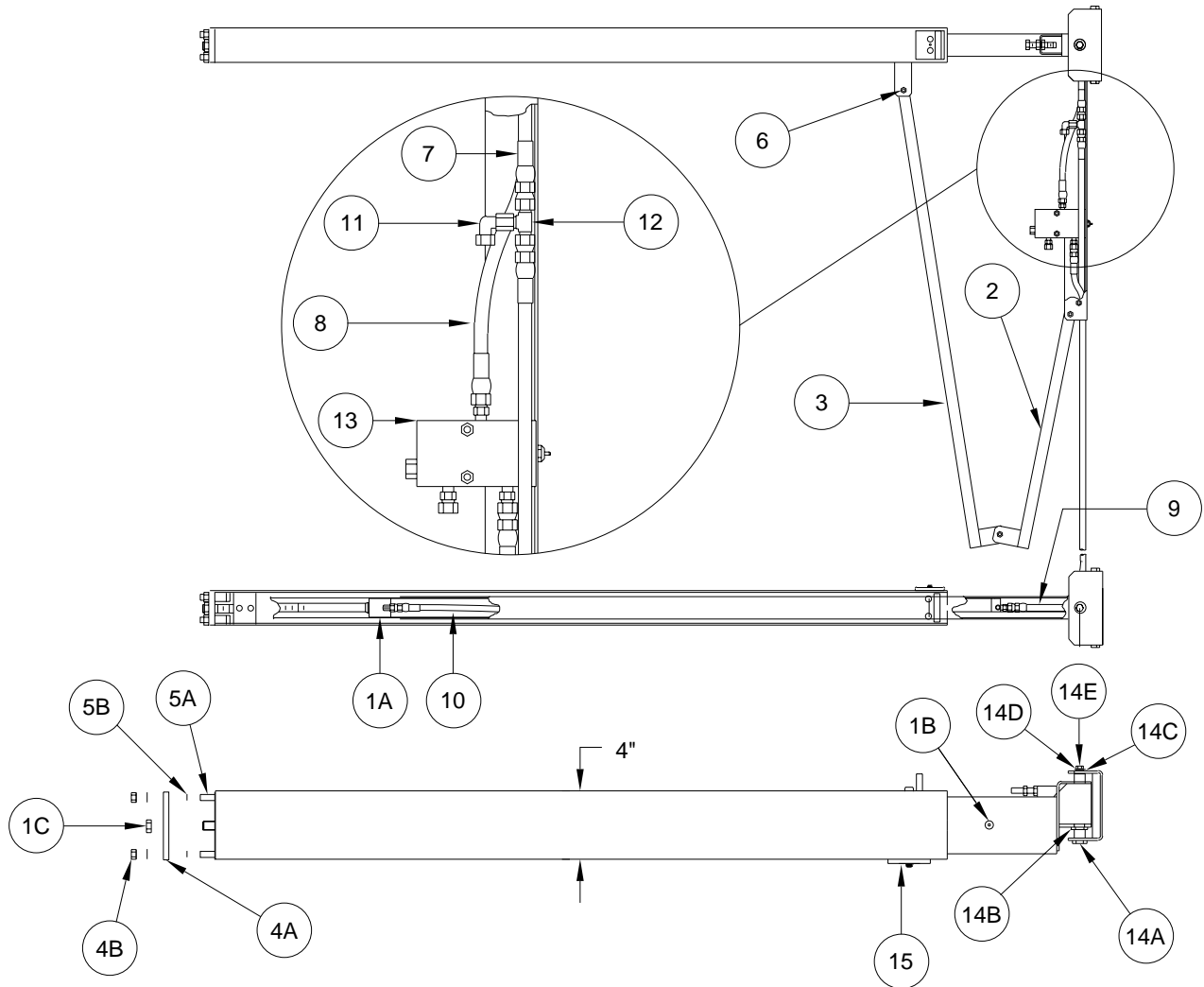
**MR41.1538**  
**25OCT12**

# ROOM EXTENSION ASSEMBLY

## DUAL CYLINDER ROOM EXTENSION (WITH RACK SENSING VALVE)

### 4" TUBE - RAISED PIVOT BRACKET

\* REFER TO SPECIFIC MANUFACTURER'S GUIDE PAGE IN THIS SECTION FOR CORRECT CYLINDER AND HOSE ASSEMBLY REPLACEMENT PART NUMBERS.



ITEM	PART	QTY	DESCRIPTION	ITEM	PART	QTY	DESCRIPTION
1*		1	CYLINDER ASSY	11	RF90010	1	1/4" SWIVEL 90 DEG.
1A		1	CYLINDER	12	RF3680	1	1/4" UNION TEE
1B		2	CYLINDER MTG. BOLTS	13	RAP90012	1	RACK SENSING VALVE
1C		1	CYLINDER ADJ. LOCKNUT	14	RAP90107	1	PIVOT BOLT KIT
2	RAP90008	1	HOSE GUIDE OUTER	14A		1	PIVOT BOLT (SPECIAL)
3	RAP90009	1	HOSE GUIDE INNER	14B		1	SPANNER NUT
4	RAP90106	1	CYL. MTG. PLATE KIT	14C		1	3/8" FLAT WASHER
4A		1	MOUNTING PLATE	14D		1	3/8" STAR WASHER
4B		2	MOUNTING NUT	14E		1	3/8-16 X 1/2" BOLT
4C		2	LOCK WASHER	15	RAP91975	1	BEARING PAD KIT
5	RAP90005	1	CYL. MTG. PLATE BOLT KIT	15A		2	#10 LOCKWASHER
5A		2	MOUNTING BOLT	15B		2	FENDER WASHER
5B		2	O-RING	15C		2	#10 SCREW
6	RAP90013	1	HDWE KIT HOSE GUIDE (INCLUDES 4 BOLTS, 4 NUTS, 6 BUSHINGS)	15D		7	BEARING PAD 2" x 2.6"
7*		1	HOSE ASSY	15E		2	BEARING PLATE 2" x 2.6"
8*		1	HOSE ASSY	15F		10	SHIM 2" x 2.6"
9*		1	HOSE ASSY	15G		2	BEARING PAD 2" x 0.8"
10*		1	HOSE ASSY	15H		4	BEARING PIN
				15I		6	SHIM 0.8" x 2.6"
				15J		2	BEARING PLATE 2" x 0.8"

**MR41.1546**  
**25OCT12**

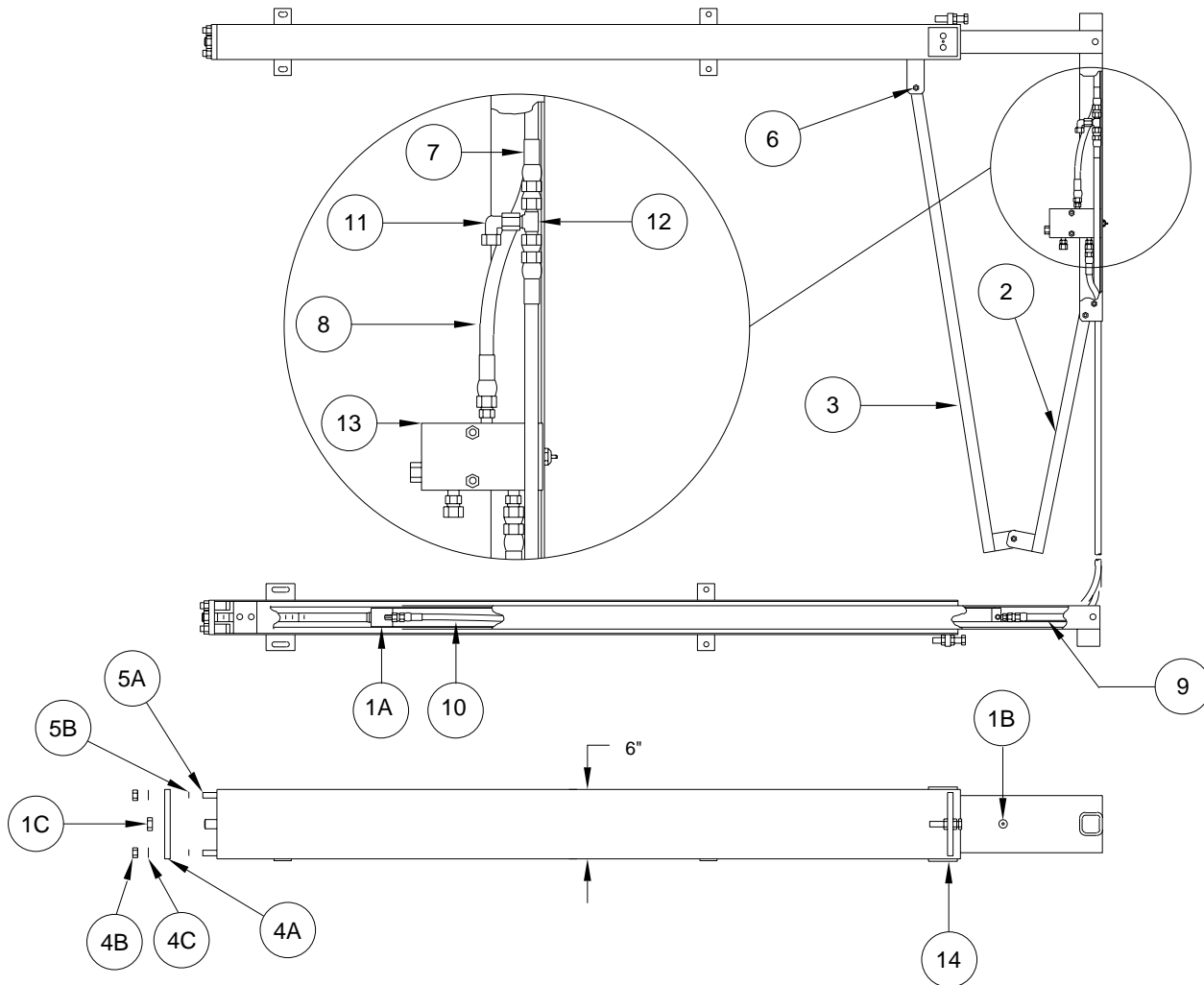
NOTE: INDENTED ITEMS INCLUDED WITH PRECEDING ITEM.

# ROOM EXTENSION ASSEMBLY

## DUAL CYLINDER ROOM EXTENSION (WITH RACK SENSING VALVE)

### 6" TUBE - NO PIVOT BRACKET

\* REFER TO SPECIFIC MANUFACTURER'S GUIDE PAGE IN THIS SECTION FOR CORRECT CYLINDER AND HOSE ASSEMBLY REPLACEMENT PART NUMBERS.



ITEM	PART	QTY	DESCRIPTION
1*		1	CYLINDER ASSY
1A		1	CYLINDER
1B		2	CYLINDER MTG. BOLTS
1C		1	CYLINDER ADJUSTING LOCKNUT
2	RAP90008	1	HOSE GUIDE OUTER
3	RAP90009	1	HOSE GUIDE INNER
4	RAP90006	1	CYL. MTG. PLATE KIT
4A		1	MOUNTING PLATE
4B		2	MOUNTING NUT
4C		2	LOCK WASHER
5	RAP90005	1	CYL. MTG. PLATE BOLT KIT
5A		2	MOUNTING BOLT
5B		2	O-RING
6	RAP90013	1	HDWE KIT HOSE GUIDE (INCLUDES 4 BOLTS, 4 NUTS, 6 BUSHINGS)
7*		1	HOSE ASSY
8*		1	HOSE ASSY

ITEM	PART	QTY	DESCRIPTION
9*		1	HOSE ASSY
10*		1	HOSE ASSY
11	RF90010	1	1/4" SWIVEL 90 DEG.
12	RF3680	1	1/4" UNION TEE
13	RAP90012	1	RACK SENSING VALVE
14	RAP91975	1	BEARING PAD KIT
14A		2	#10 LOCKWASHER
14B		2	FENDER WASHER
14C		2	#10 SCREW
14D		7	BEARING PAD 2" x 2.6"
14E		2	BEARING PLATE 2" x 2.6"
14F		10	SHIM 2" x 2.6"
14G		2	BEARING PAD 2" x 0.8"
14H		4	BEARING PIN
14I		6	SHIM 0.8" x 2.6"
14J		2	BEARING PLATE 2" x 0.8"

NOTE: INDENTED ITEMS INCLUDED WITH PRECEDING ITEM.

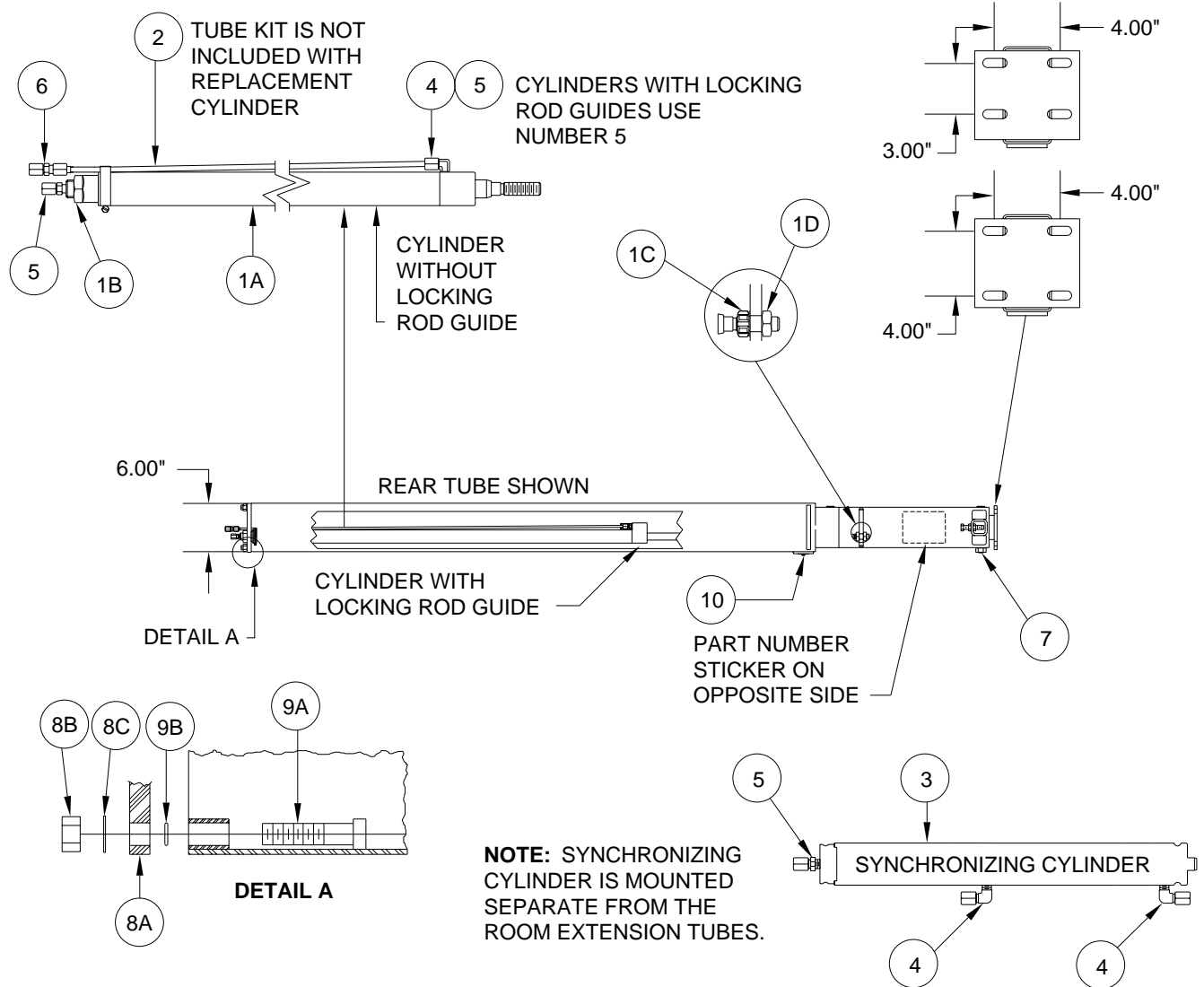
**MR41.1550**  
**25OCT12**

# ROOM EXTENSION ASSEMBLY

## DUAL CYLINDER ROOM EXTENSION (WITH SYNCHRONIZING CYLINDER)

### 6" TUBE - FLAT PIVOT BRACKET

\*REFER TO SPECIFIC MANUFACTURER'S GUIDE PAGE IN THIS SECTION FOR CORRECT CYLINDER - SYNCHRONIZING CYLINDER - TUBE ASSEMBLY AND HOSE ASSEMBLY REPLACEMENT.



ITEM	PART	QTY	DESCRIPTION
1*		1	CYLINDER ASSY
1A		1	CYLINDER
1B		1	CYLINDER MTG. NUT
1C		1	CYL. ADJ. NUT - INNER
1D		1	CYL. ADJ. NUT - OUTER
2*		1	TUBE ASSEMBLY
3*		1	SYNCHRONIZING CYL (INCLUDES 4 & 5)
4	RF1453	1	1/4" ELBOW 90 DEG.
5	RF1456	1	1/4" MALE CONNECTOR
6	RF2539	1	1/4" UNION
7	RAP90343	1	PIVOT BOLT KIT (INCLUDES JAM NUT AND LOCKWASHER)
8	RAP90483	1	CYL MTG PLATE KIT
8A		1	MOUNTING PLATE
8B		2	MOUNTING NUT
8C		2	LOCKWASHER

ITEM	PART	QTY	DESCRIPTION
9	RAP90005	1	CYL MTG PLATE BOLT KIT
9A		2	MOUNTING BOLT
9B		2	O-RING
10	RAP91975	1	BEARING PAD KIT
10A		2	#10 LOCKWASHER
10B		2	FENDER WASHER
10C		2	#10 SCREW
10D		7	BEARING PAD 2" x 2.6"
10E		2	BEARING PLATE 2" x 2.6"
10F		10	SHIM 2" x 2.6"
10G		2	BEARING PAD 2" x 0.8"
10H		4	BEARING PIN
10I		6	SHIM 0.8" x 2.6"
10J		2	BEARING PLATE 2" x 0.8"

**NOTE:** INDENTED ITEMS INCLUDED WITH PRECEDING ITEM.

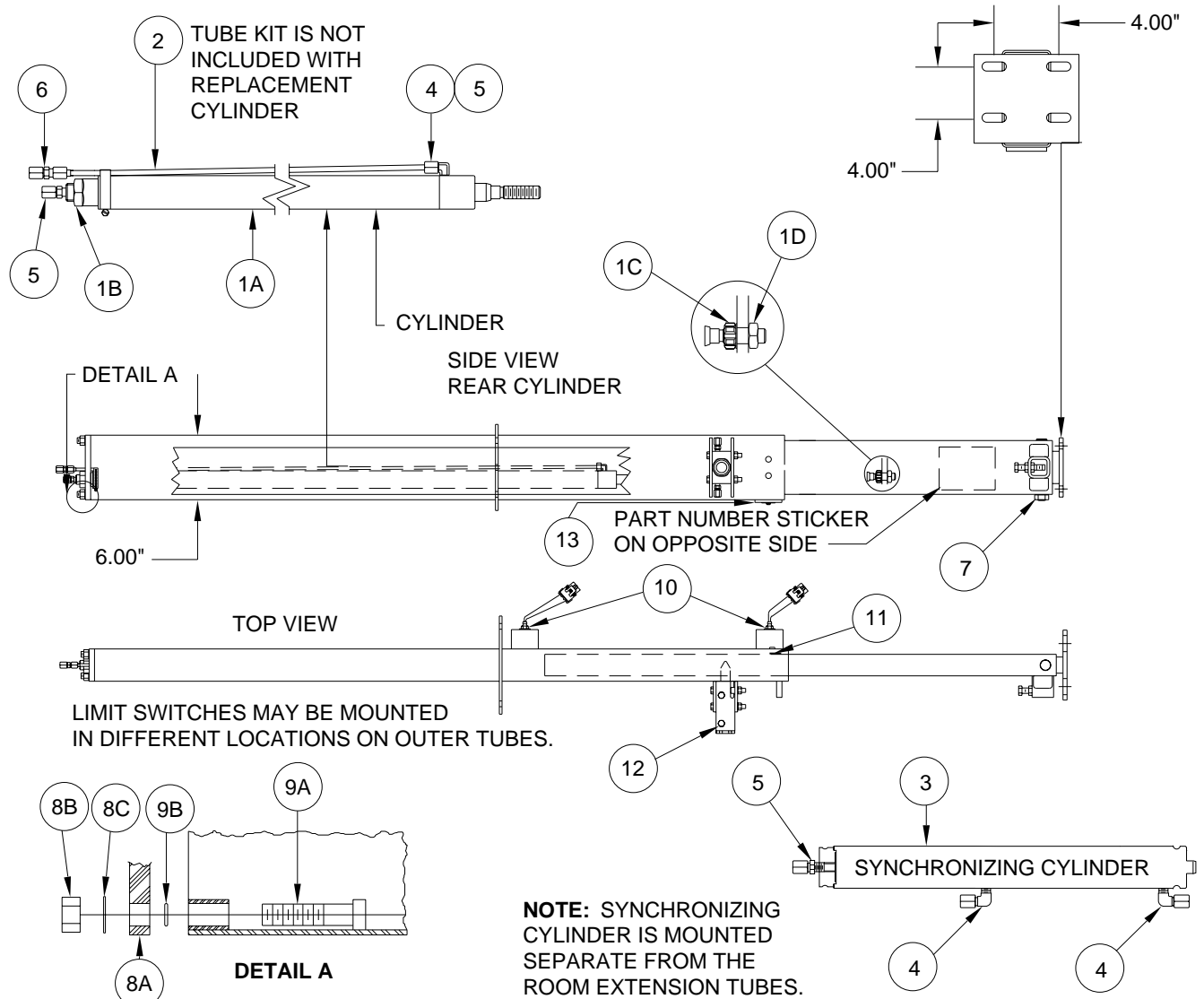
**MR41.2000**  
**07NOV12**

# ROOM EXTENSION ASSEMBLY

## DUAL CYLINDER ROOM EXTENSION (WITH SYNCHRONIZING CYLINDER)

### 6" TUBE - FLAT PIVOT BRACKET - ROOM LOCKS

\*REFER TO SPECIFIC MANUFACTURER'S GUIDE PAGE IN THIS SECTION FOR CORRECT CYLINDER - SYNCHRONIZING CYLINDER - TUBE ASSEMBLY AND HOSE ASSEMBLY REPLACEMENT.



ITEM	PART	QTY	DESCRIPTION	ITEM	PART	QTY	DESCRIPTION
1*		1	CYLINDER ASSY	9	RAP90005	1	CYL MTG PLATE BOLT KIT
1A		1	CYLINDER	9A		2	MOUNTING BOLT
1B		1	CYLINDER MTG. NUT	9B		2	O-RING
1C		1	CYL.ADJ. NUT - INNER	10	RAP90590	1	LIMIT SW. ROOM IN/OUT
1D		1	CYL. ADJ. NUT - OUTER	11	RAP90591	1	MAGNET KIT
2*		1	TUBE ASSEMBLY	12	RAP90592	1	ROOM LOCK
3*		1	SYNCHRONIZING CYL (INCLUDES 4 & 5)	13	RAP91975	1	BEARING PAD KIT
4	RF1453	1	1/4" ELBOW 90 DEG.	13A		2	#10 LOCKWASHER
5	RF1456	1	1/4" MALE CONNECTOR	13B		2	FENDER WASHER
6	RF2539	1	1/4" UNION	13C		2	#10 SCREW
7	RAP90343	1	PIVOT BOLT KIT (INCLUDES JAM NUT AND LOCKWASHER)	13D		7	BEARING PAD 2" x 2.6"
8	RAP90483	1	CYL MTG PLATE KIT	13E		2	BEARING PLATE 2" x 2.6"
8A		1	MOUNTING PLATE	13F		10	SHIM 2" x 2.6"
8B		2	MOUNTING NUT	13G		2	BEARING PAD 2" x 0.8"
8C		2	LOCKWASHER	13H		4	BEARING PIN
				13I		6	SHIM 0.8" x 2.6"
				13J		2	BEARING PLATE 2" x 0.8"

NOTE: INDENTED ITEMS INCLUDED WITH PRECEDING ITEM.

**MR41.2001**  
**25OCT12**

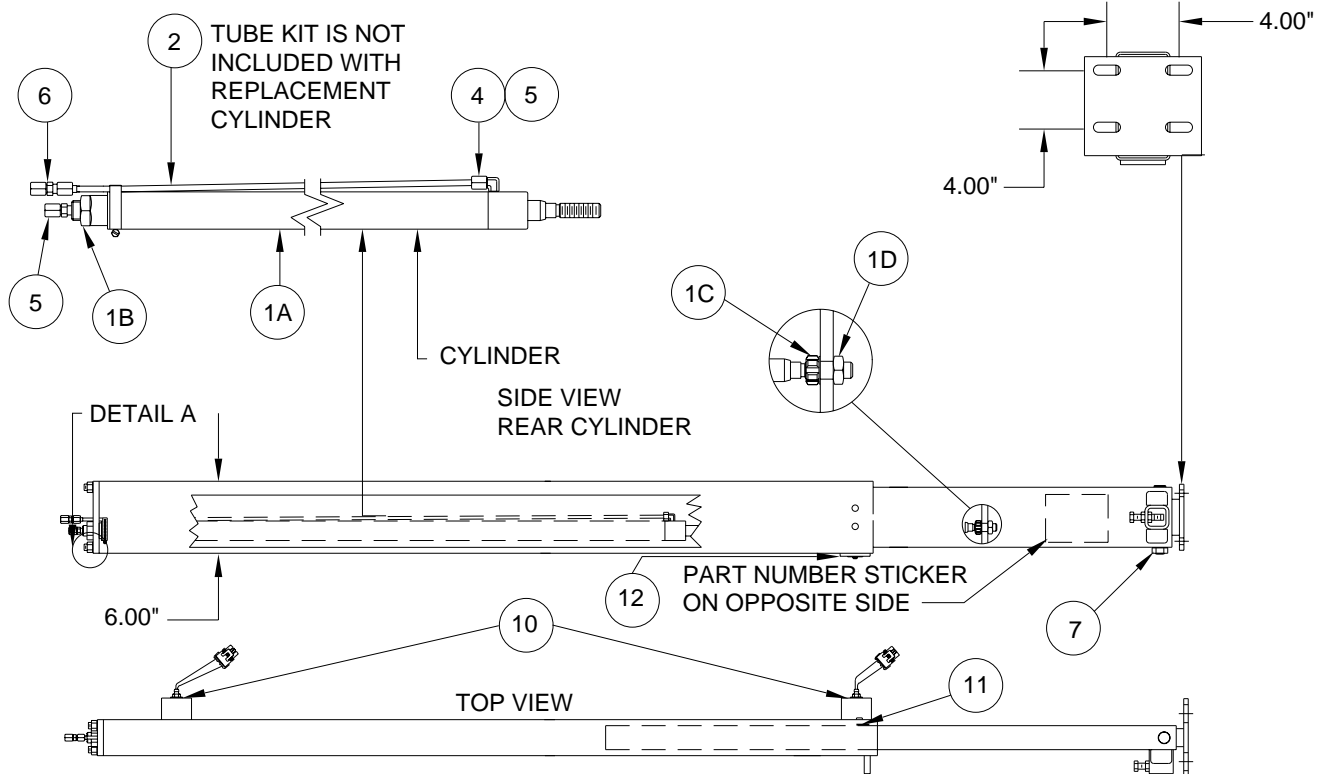


# ROOM EXTENSION ASSEMBLY

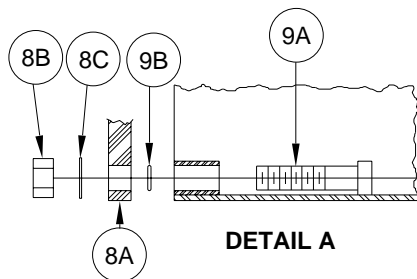
## DUAL CYLINDER ROOM EXTENSION (WITH SYNCHRONIZING CYLINDER)

### 6" TUBE - FLAT PIVOT BRACKET - LIMIT SWITCHES

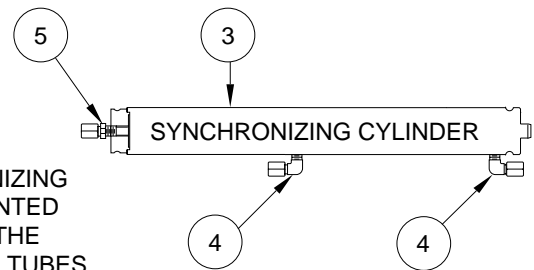
\*REFER TO SPECIFIC MANUFACTURER'S GUIDE PAGE IN THIS SECTION FOR CORRECT CYLINDER - SYNCHRONIZING CYLINDER - TUBE ASSEMBLY AND HOSE ASSEMBLY REPLACEMENT.



LIMIT SWITCHES MAY BE MOUNTED  
IN DIFFERENT LOCATIONS ON OUTER TUBES.



**NOTE:** SYNCHRONIZING CYLINDER IS MOUNTED SEPARATE FROM THE ROOM EXTENSION TUBES.



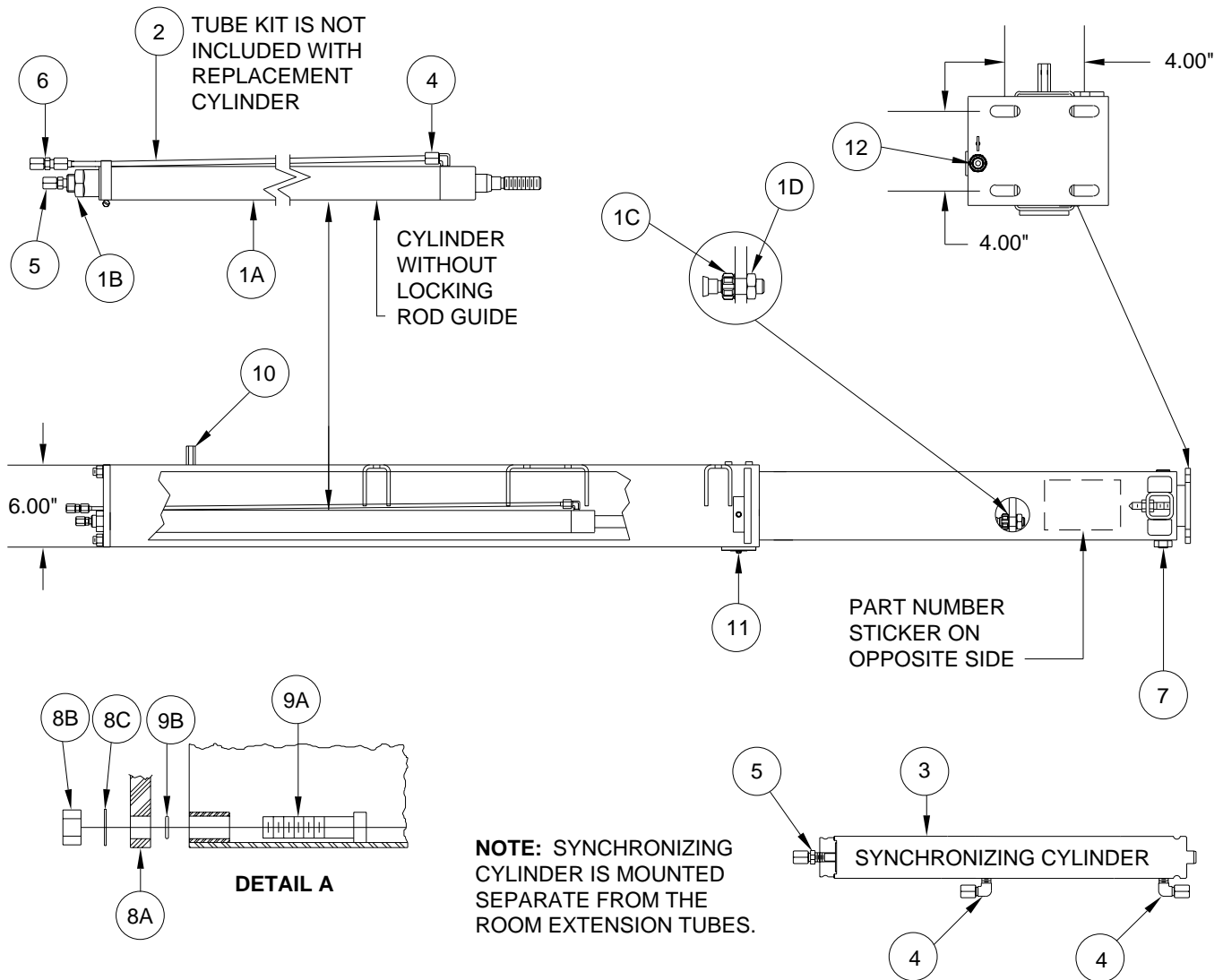
ITEM	PART	QTY	DESCRIPTION	ITEM	PART	QTY	DESCRIPTION
1*		1	CYLINDER ASSY	9	RAP90005	1	CYL MTG PLATE BOLT KIT
1A		1	CYLINDER	9A		2	MOUNTING BOLT
1B		1	CYLINDER MTG. NUT	9B		2	O-RING
1C		1	CYL.ADJ. NUT - INNER	10	RAP90590	1	LIMIT SW. ROOM IN/OUT
1D		1	CYL. ADJ. NUT - OUTER	11	RAP90591	1	MAGNET KIT
2*		1	TUBE ASSEMBLY	12	RAP91975	1	BEARING PAD KIT
3*		1	SYNCHRONIZING CYL (INCLUDES 4 & 5)	12A		2	#10 LOCKWASHER
4	RF1453	1	1/4" ELBOW 90 DEG.	12B		2	FENDER WASHER
5	RF1456	1	1/4" MALE CONNECTOR	12C		2	#10 SCREW
6	RF2539	1	1/4" UNION	12D		7	BEARING PAD 2" x 2.6"
7	RAP90343	1	PIVOT BOLT KIT (INCLUDES JAM NUT AND LOCKWASHER)	12E		2	BEARING PLATE 2" x 2.6"
8	RAP90483	1	CYL MTG PLATE KIT	12F		10	SHIM 2" x 2.6"
8A		1	MOUNTING PLATE	12G		2	BEARING PAD 2" x 0.8"
8B		2	MOUNTING NUT	12H		4	BEARING PIN
8C		2	LOCKWASHER	12I		6	SHIM 0.8" x 2.6"
				12J		2	BEARING PLATE 2" x 0.8"

**NOTE:** INDENTED ITEMS INCLUDED WITH PRECEDING ITEM.

**MR41.2002  
25OCT12**

# ROOM EXTENSION ASSEMBLY DUAL CYLINDER GENERATOR SLIDE (WITH SYNCHRONIZING CYLINDER) 6" TUBE - FLAT PIVOT BRACKET

\*REFER TO SPECIFIC MANUFACTURER'S GUIDE PAGE IN THIS SECTION FOR CORRECT CYLINDER - SYNCHRONIZING CYLINDER - TUBE ASSEMBLY AND HOSE ASSEMBLY REPLACEMENT.



ITEM	PART	QTY	DESCRIPTION
1*		1	CYLINDER ASSY
1A		1	CYLINDER
1B		1	CYLINDER MTG. NUT
1C		1	CYL. ADJ. NUT - INNER
1D		1	CYL. ADJ. NUT - OUTER
2*		1	TUBE ASSEMBLY
3*		1	SYNCHRONIZING CYL
4	RF1453	1	1/4" ELBOW 90 DEG.
5	RF1456	1	1/4" MALE CONNECTOR
6	RF2539	1	1/4" UNION
7	RAP90343	1	PIVOT BOLT KIT (INCLUDES JAM NUT AND LOCKWASHER)
8	RAP90483	1	CYL MTG PLATE KIT
8A		1	MOUNTING PLATE
8B		2	MOUNTING NUT
8C		2	LOCKWASHER

ITEM	PART	QTY	DESCRIPTION
9	RAP90005	1	CYL MTG PLATE BOLT KIT
9A		2	MOUNTING BOLT
9B		2	O-RING
10	RAP90656	1	COMPARTMENT MTG. BOLT (CONTAINS 2)
11	RAP91975	1	BEARING PAD KIT
11A		2	#10 LOCKWASHER
11B		2	FENDER WASHER
11C		2	#10 SCREW
11D		7	BEARING PAD 2" x 2.6"
11E		2	BEARING PLATE 2" x 2.6"
11F		10	SHIM 2" x 2.6"
11G		2	BEARING PAD 2" x 0.8"
11H		4	BEARING PIN
11I		6	SHIM 0.8" x 2.6"
11J		2	BEARING PLATE 2" x 0.8"
12	RAP93508	1	MANUAL RET. SCREW 43"

NOTE: INDENTED ITEMS INCLUDED WITH PRECEDING ITEM.

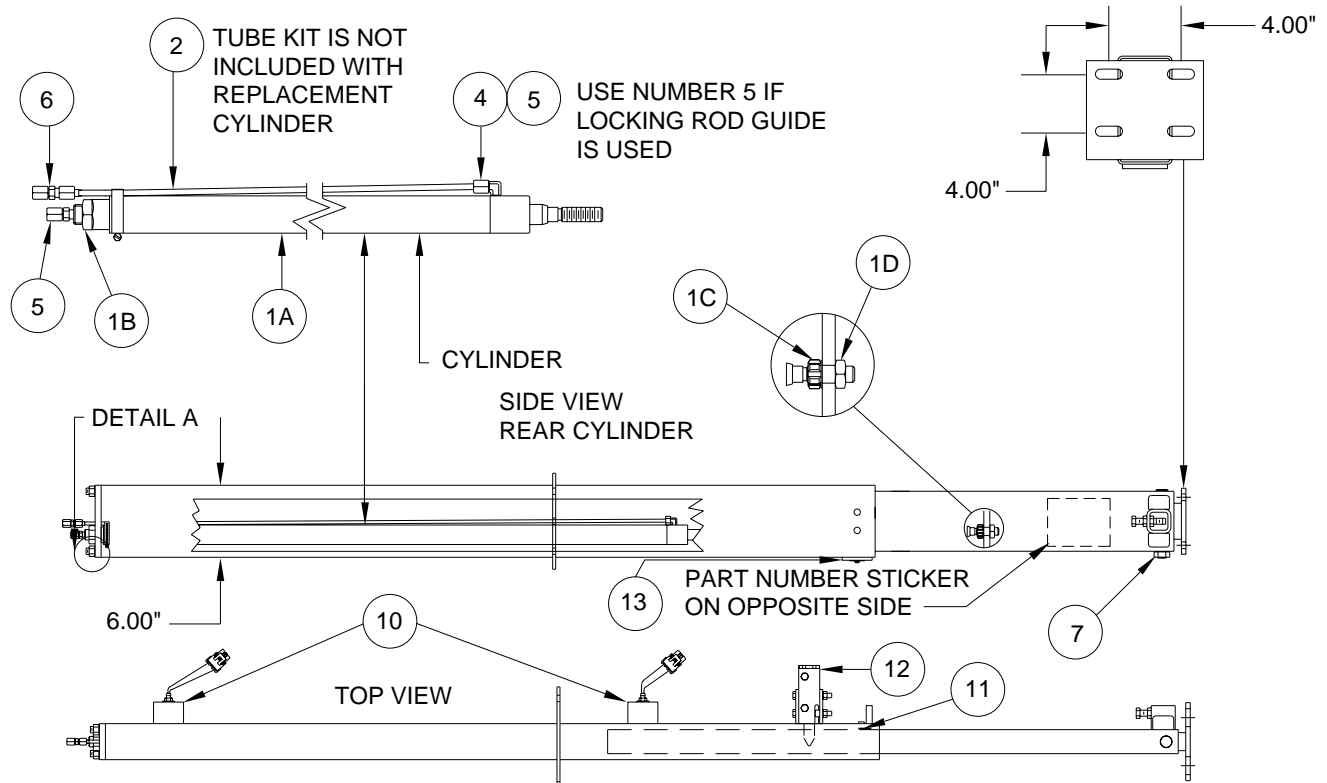
**MR41.2003  
03JAN14**

# ROOM EXTENSION ASSEMBLY

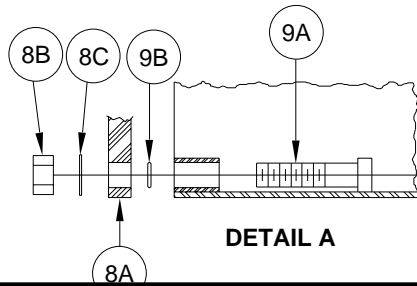
## DUAL CYLINDER ROOM EXTENSION (WITH SYNCHRONIZING CYLINDER)

### 6" TUBE - FLAT PIVOT BRACKET - ROOM LOCKS

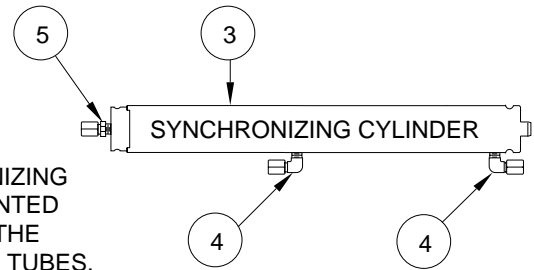
\*REFER TO SPECIFIC MANUFACTURER'S GUIDE PAGE IN THIS SECTION FOR CORRECT CYLINDER - SYNCHRONIZING CYLINDER - TUBE ASSEMBLY AND HOSE ASSEMBLY REPLACEMENT.



LIMIT SWITCHES MAY BE MOUNTED IN DIFFERENT LOCATIONS ON OUTER TUBES.



**NOTE:** SYNCHRONIZING CYLINDER IS MOUNTED SEPARATE FROM THE ROOM EXTENSION TUBES.



ITEM	PART	QTY	DESCRIPTION	ITEM	PART	QTY	DESCRIPTION
1*		1	CYLINDER ASSY	9	RAP90005	1	CYL MTG PLATE BOLT KIT
1A		1	CYLINDER	9A		2	MOUNTING BOLT
1B		1	CYLINDER MTG. NUT	9B		2	O-RING
1C		1	CYL. ADJ. NUT - INNER	10	RAP90590	1	LIMIT SW. ROOM IN/OUT
1D		1	CYL. ADJ. NUT - OUTER	11	RAP90591	1	MAGNET KIT
2*		1	TUBE ASSEMBLY	12	RAP90669	1	ROOM LOCK
3*		1	SYNCHRONIZING CYL (INCLUDES 4 & 5)	13	RAP91975	1	BEARING PAD KIT
4	RF1453	1	1/4" ELBOW 90 DEG.	13A		2	#10 LOCKWASHER
5	RF1456	1	1/4" MALE CONNECTOR	13B		2	FENDER WASHER
6	RF2539	1	1/4" UNION	13C		2	#10 SCREW
7	RAP90343	1	PIVOT BOLT KIT (INCLUDES JAM NUT AND LOCKWASHER)	13D		7	BEARING PAD 2" x 2.6"
8	RAP90483	1	CYL MTG PLATE KIT	13E		2	BEARING PLATE 2" x 2.6"
8A		1	MOUNTING PLATE	13F		10	SHIM 2" x 2.6"
8B		2	MOUNTING NUT	13G		2	BEARING PAD 2" x 0.8"
8C		2	LOCKWASHER	13H		4	BEARING PIN
				13I		6	SHIM 0.8" x 2.6"
				13J		2	BEARING PLATE 2" x 0.8"

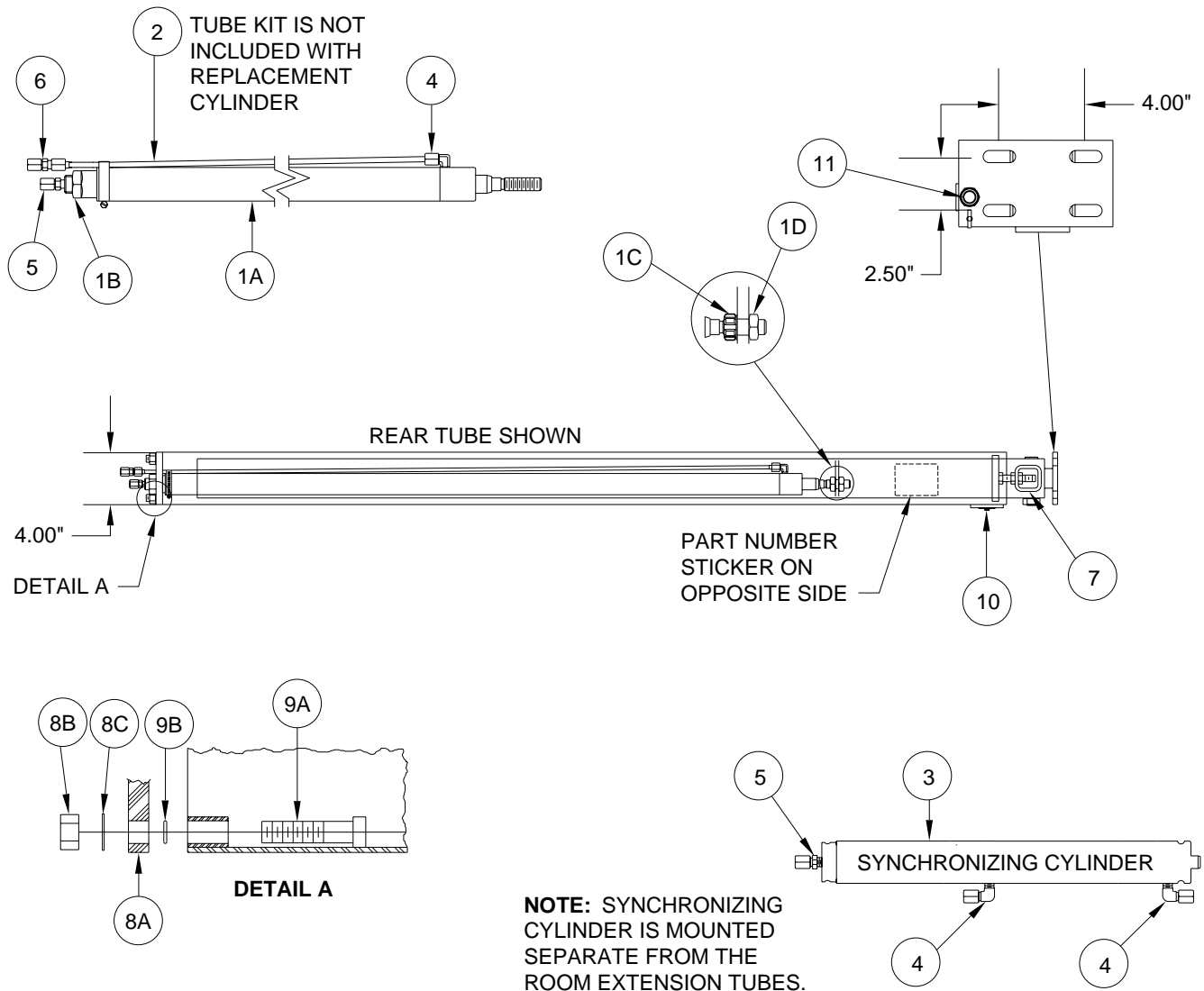
**NOTE:** INDENTED ITEMS INCLUDED WITH PRECEDING ITEM.

# ROOM EXTENSION ASSEMBLY

## DUAL CYLINDER ROOM EXTENSION (WITH SYNCHRONIZING CYLINDER)

### 4" TUBE - FLAT PIVOT BRACKET

\*REFER TO SPECIFIC MANUFACTURER'S GUIDE PAGE IN THIS SECTION FOR CORRECT CYLINDER - SYNCHRONIZING CYLINDER - TUBE ASSEMBLY AND HOSE ASSEMBLY REPLACEMENT.



ITEM	PART	QTY	DESCRIPTION
1*		1	CYLINDER ASSY
1A		1	CYLINDER
1B		1	CYLINDER MTG. NUT
1C		1	CYL. ADJ. NUT - INNER
1D		1	CYL. ADJ. NUT - OUTER
2*		1	TUBE ASSEMBLY
3*		1	SYNCHRONIZING CYL (INCLUDES 4 & 5)
4	RF1453	1	1/4" ELBOW 90 DEG.
5	RF1456	1	1/4" MALE CONNECTOR
6	RF2539	1	1/4" UNION
7	RAP90485	1	PIVOT BOLT KIT (INCLUDES JAM NUT AND LOCKWASHER)
8	RAP90486	1	CYL MTG PLATE KIT
8A		1	MOUNTING PLATE
8B		2	MOUNTING NUT
8C		2	LOCKWASHER

ITEM	PART	QTY	DESCRIPTION
9	RAP90005	1	CYL MTG PLATE BOLT KIT
9A		2	MOUNTING BOLT
9B		2	O-RING
10	RAP91975	1	BEARING PAD KIT
10A		2	#10 LOCKWASHER
10B		2	FENDER WASHER
10C		2	#10 SCREW
10D		7	BEARING PAD 2" x 2.6"
10E		2	BEARING PLATE 2" x 2.6"
10F		10	SHIM 2" x 2.6"
10G		2	BEARING PAD 2" x 0.8"
10H		4	BEARING PIN
10I		6	SHIM 0.8" x 2.6"
10J		2	BEARING PLATE 2" x 0.8"
11	RAP91357	1	MANUAL RET. SCREW 39"

**NOTE:** INDENTED ITEMS INCLUDED WITH PRECEDING ITEM.

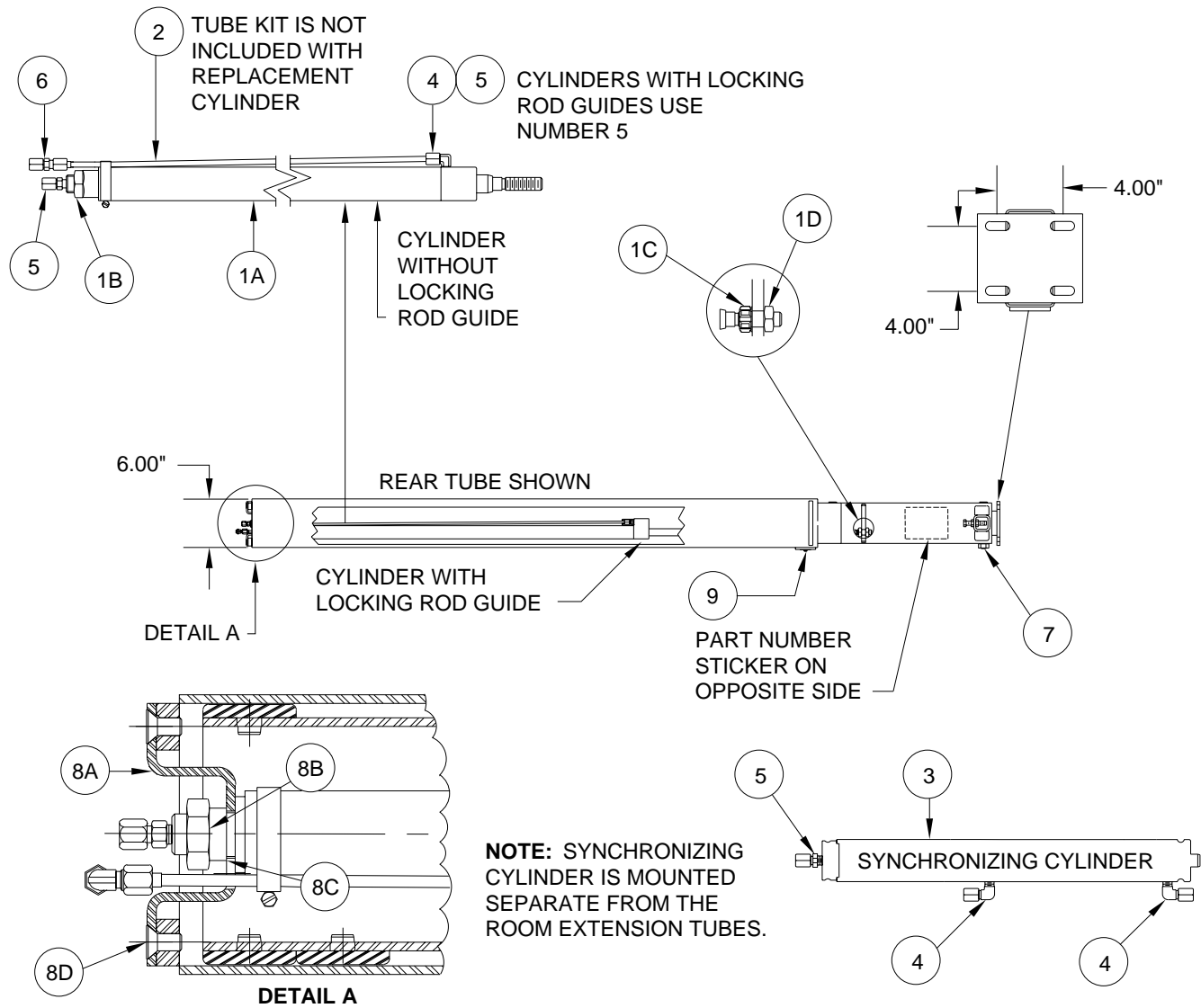
**MR41.2005**  
**03JAN14**

# ROOM EXTENSION ASSEMBLY

## DUAL CYLINDER ROOM EXTENSION (WITH SYNCHRONIZING CYLINDER)

### 6" TUBE - FLAT PIVOT BRACKET

\*REFER TO SPECIFIC MANUFACTURER'S GUIDE PAGE IN THIS SECTION FOR CORRECT CYLINDER - SYNCHRONIZING CYLINDER - TUBE ASSEMBLY AND HOSE ASSEMBLY REPLACEMENT.



**NOTE:** SYNCHRONIZING CYLINDER IS MOUNTED SEPARATE FROM THE ROOM EXTENSION TUBES.

ITEM	PART	QTY	DESCRIPTION
1*		1	CYLINDER ASSY
1A		1	CYLINDER
1B		1	CYLINDER MTG. NUT
1C		1	CYL. ADJ. NUT - INNER
1D		1	CYL. ADJ. NUT - OUTER
2*		1	TUBE ASSEMBLY
3*		1	SYNCHRONIZING CYL (INCLUDES 4 & 5)
4	RF1453	1	1/4" ELBOW 90 DEG.
5	RF1456	1	1/4" MALE CONNECTOR
6	RF2539	1	1/4" UNION
7	RAP90343	1	PIVOT BOLT KIT (INCLUDES JAM NUT AND LOCKWASHER)

ITEM	PART	QTY	DESCRIPTION
8	RAP93357	1	CYL MTG PLATE KIT
8A		1	MOUNTING PLATE
8B		1	MOUNTING NUT
8C		1	SPACER
8D		4	FLAT HEAD MTG. SCREW
9	RAP91975	1	BEARING PAD KIT
9A		2	#10 LOCKWASHER
9B		2	FENDER WASHER
9C		2	#10 SCREW
9D		7	BEARING PAD 2" x 2.6"
9E		2	BEARING PLATE 2" x 2.6"
9F		10	SHIM 2" x 2.6"
9G		2	BEARING PAD 2" x 0.8"
9H		4	BEARING PIN
9I		6	SHIM 0.8" x 2.6"
9J		2	BEARING PLATE 2" x 0.8"

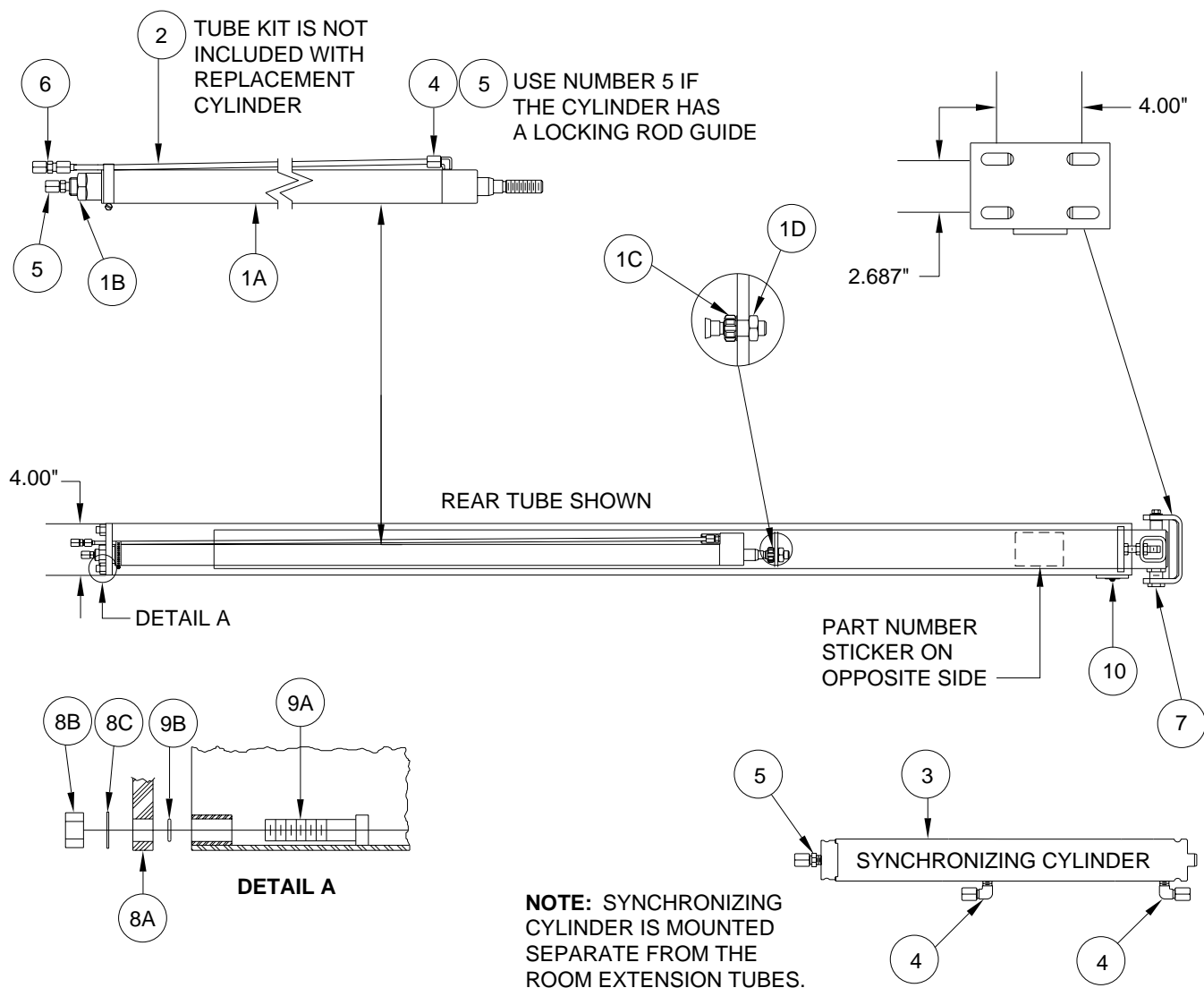
**NOTE:** INDENTED ITEMS INCLUDED WITH PRECEDING ITEM.

# ROOM EXTENSION ASSEMBLY

## DUAL CYLINDER ROOM EXTENSION (WITH SYNCHRONIZING CYLINDER)

### 4" TUBE - FORMED PIVOT BRACKET

\*REFER TO SPECIFIC MANUFACTURER'S GUIDE PAGE IN THIS SECTION FOR CORRECT CYLINDER - SYNCHRONIZING CYLINDER - TUBE ASSEMBLY AND HOSE ASSEMBLY REPLACEMENT.



ITEM	PART	QTY	DESCRIPTION
1*		1	CYLINDER ASSY
1A		1	CYLINDER
1B		1	CYLINDER MTG. NUT
1C		1	CYL.ADJ. NUT - INNER
1D		1	CYL. ADJ. NUT - OUTER
2*		1	TUBE ASSEMBLY
3*		1	SYNCHRONIZING CYL (INCLUDES 4 & 5)
4	RF1453	1	1/4" ELBOW 90 DEG.
5	RF1456	1	1/4" MALE CONNECTOR
6	RF2539	1	1/4" UNION
7	RAP90107	1	PIVOT BOLT KIT (INCLUDES JAM NUT AND LOCKWASHER)
8	RAP90486	1	CYL MTG PLATE KIT
8A		1	MOUNTING PLATE
8B		2	MOUNTING NUT
8C		2	LOCKWASHER

ITEM	PART	QTY	DESCRIPTION
9	RAP90005	1	CYL MTG PLATE BOLT KIT
9A		2	MOUNTING BOLT
9B		2	O-RING
10	RAP91975	1	BEARING PAD KIT
10A		2	#10 LOCKWASHER
10B		2	FENDER WASHER
10C		2	#10 SCREW
10D		7	BEARING PAD 2" x 2.6"
10E		2	BEARING PLATE 2" x 2.6"
10F		10	SHIM 2" x 2.6"
10G		2	BEARING PAD 2" x 0.8"
10H		4	BEARING PIN
10I		6	SHIM 0.8" x 2.6"
10J		2	BEARING PLATE 2" x 0.8"

**NOTE:** INDENTED ITEMS INCLUDED WITH PRECEDING ITEM.

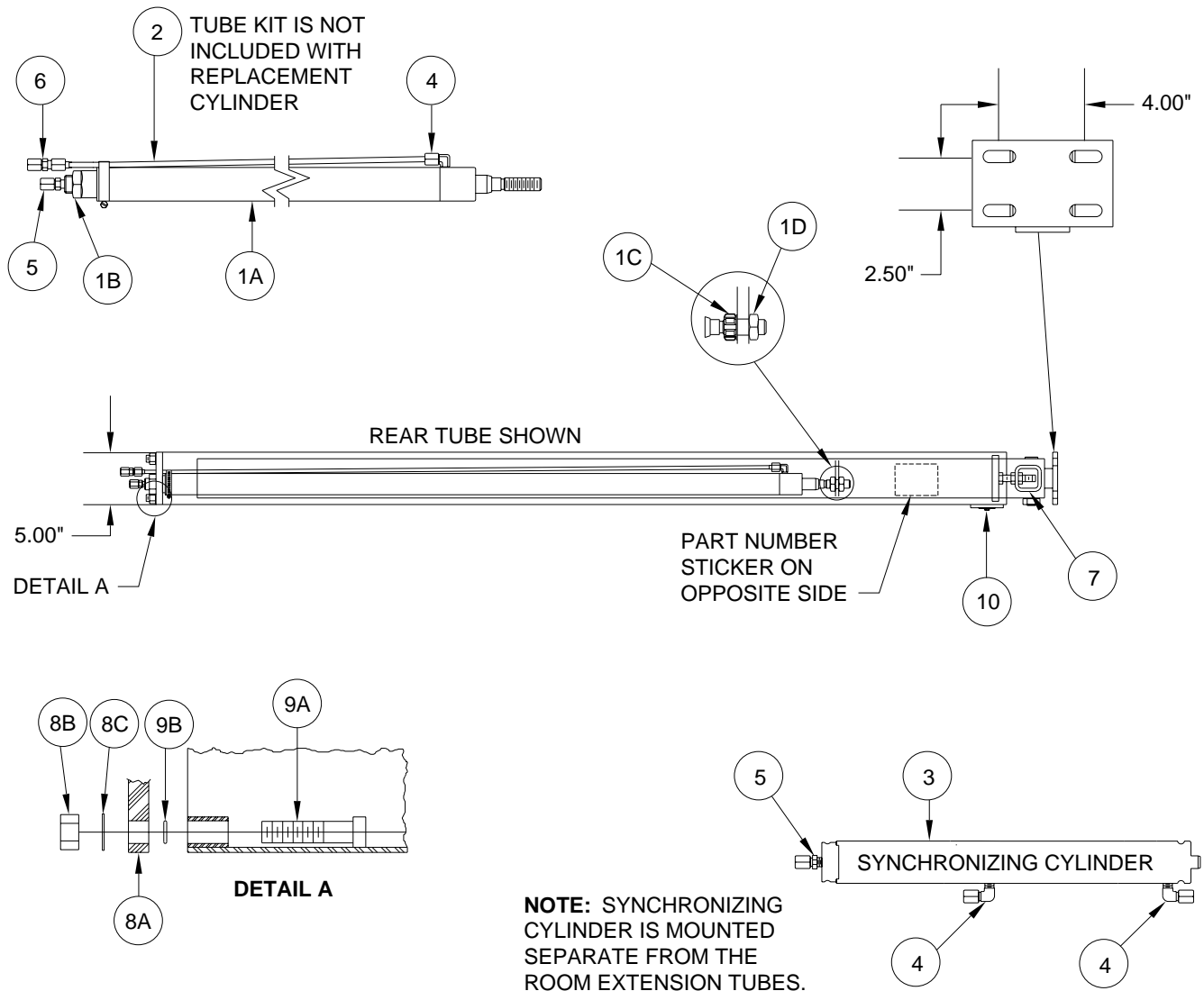
**MR41.2010**  
**25OCT12**

# ROOM EXTENSION ASSEMBLY

## DUAL CYLINDER ROOM EXTENSION (WITH SYNCHRONIZING CYLINDER)

### 5" TUBE - FLAT PIVOT BRACKET

\*REFER TO SPECIFIC MANUFACTURER'S GUIDE PAGE IN THIS SECTION FOR CORRECT CYLINDER - SYNCHRONIZING CYLINDER - TUBE ASSEMBLY AND HOSE ASSEMBLY REPLACEMENT.



**NOTE:** SYNCHRONIZING CYLINDER IS MOUNTED SEPARATE FROM THE ROOM EXTENSION TUBES.

ITEM	PART	QTY	DESCRIPTION
1*		1	CYLINDER ASSY
1A		1	CYLINDER
1B		1	CYLINDER MTG. NUT
1C		1	CYL. ADJ. NUT - INNER
1D		1	CYL. ADJ. NUT - OUTER
2*		1	TUBE ASSEMBLY
3*		1	SYNCHRONIZING CYL (INCLUDES 4 & 5)
4	RF1453	1	1/4" ELBOW 90 DEG.
5	RF1456	1	1/4" MALE CONNECTOR
6	RF2539	1	1/4" UNION
7	RAP90694	1	PIVOT BOLT KIT (INCLUDES JAM NUT AND LOCKWASHER)
8	RAP90695	1	CYL MTG PLATE KIT
8A		1	MOUNTING PLATE
8B		2	MOUNTING NUT
8C		2	LOCKWASHER

ITEM	PART	QTY	DESCRIPTION
9	RAP90005	1	CYL MTG PLATE BOLT KIT
9A		2	MOUNTING BOLT
9B		2	O-RING
10	RAP91975	1	BEARING PAD KIT
10A		2	#10 LOCKWASHER
10B		2	FENDER WASHER
10C		2	#10 SCREW
10D		7	BEARING PAD 2" x 2.6"
10E		2	BEARING PLATE 2" x 2.6"
10F		10	SHIM 2" x 2.6"
10G		2	BEARING PAD 2" x 0.8"
10H		4	BEARING PIN
10I		6	SHIM 0.8" x 2.6"
10J		2	BEARING PLATE 2" x 0.8"

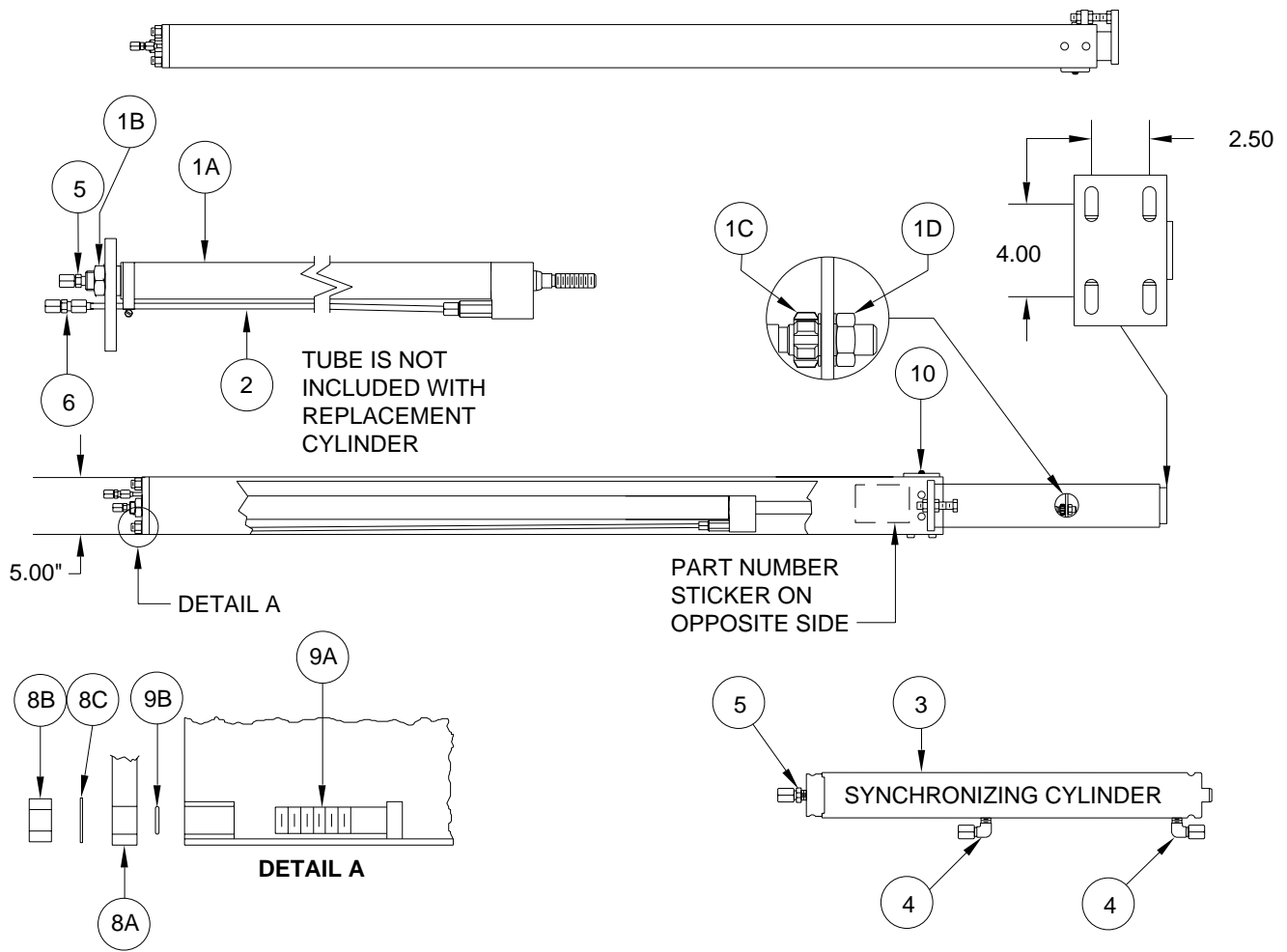
**NOTE:** INDENTED ITEMS INCLUDED WITH PRECEDING ITEM.

# ROOM EXTENSION ASSEMBLY

## SINGLE OR DUAL CYLINDER ROOM EXTENSION

### 5" TUBE WITH FIXED MOUNTING BRACKET & LOCK

\*REFER TO SPECIFIC MANUFACTURER'S GUIDE PAGE IN THIS SECTION FOR CORRECT CYLINDER AND HOSE ASSEMBLY REPLACEMENT PART NUMBERS.



ITEM	PART	QTY	DESCRIPTION
1*		1	CYLINDER ASSY
1A		1	CYLINDER
1B		2	CYLINDER MTG. BOLTS
1C		1	CYLINDER ADJUSTING NUT - INNER
1D		1	CYLINDER ADJUSTING NUT - OUTER
2*		1	TUBE ASSEMBLY
3		1	SYNCHRONIZING CYL
4	RF1453	1	1/4" ELBOW 90 DEG.
5	RF1456	1	1/4" MALE CONNECTOR
6	RF2539	1	1/4" UNION
7	RAP90694	1	PIVOT BOLT KIT (INCLUDES JAM NUT AND LOCKWASHER)

ITEM	PART	QTY	DESCRIPTION
8	RAP90695	1	CYL MTG PLATE KIT
8A		1	MOUNTING PLATE
8B		2	MOUNTING NUT
8C		2	LOCK WASHER
9	RAP90005	1	CYL MTG PLATE BOLT KIT
9A		1	MOUNTING BOLT
9B		2	O-RING
10	RAP91975	1	BEARING PAD KIT
10A		2	#10 LOCKWASHER
10B		2	FENDER WASHER
10C		2	#10 SCREW
10D		7	BEARING PAD 2" x 2.6"
10E		2	BEARING PLATE 2" x 2.6"
10F		10	SHIM 2" x 2.6"
10G		2	BEARING PAD 2" x 0.8"
10H		4	BEARING PIN
10I		6	SHIM 0.8" x 2.6"
10J		2	BEARING PLATE 2" x 0.8"

NOTE: INDENTED ITEMS INCLUDED WITH PRECEDING ITEM.

**MR41.2012**  
**25OCT12**

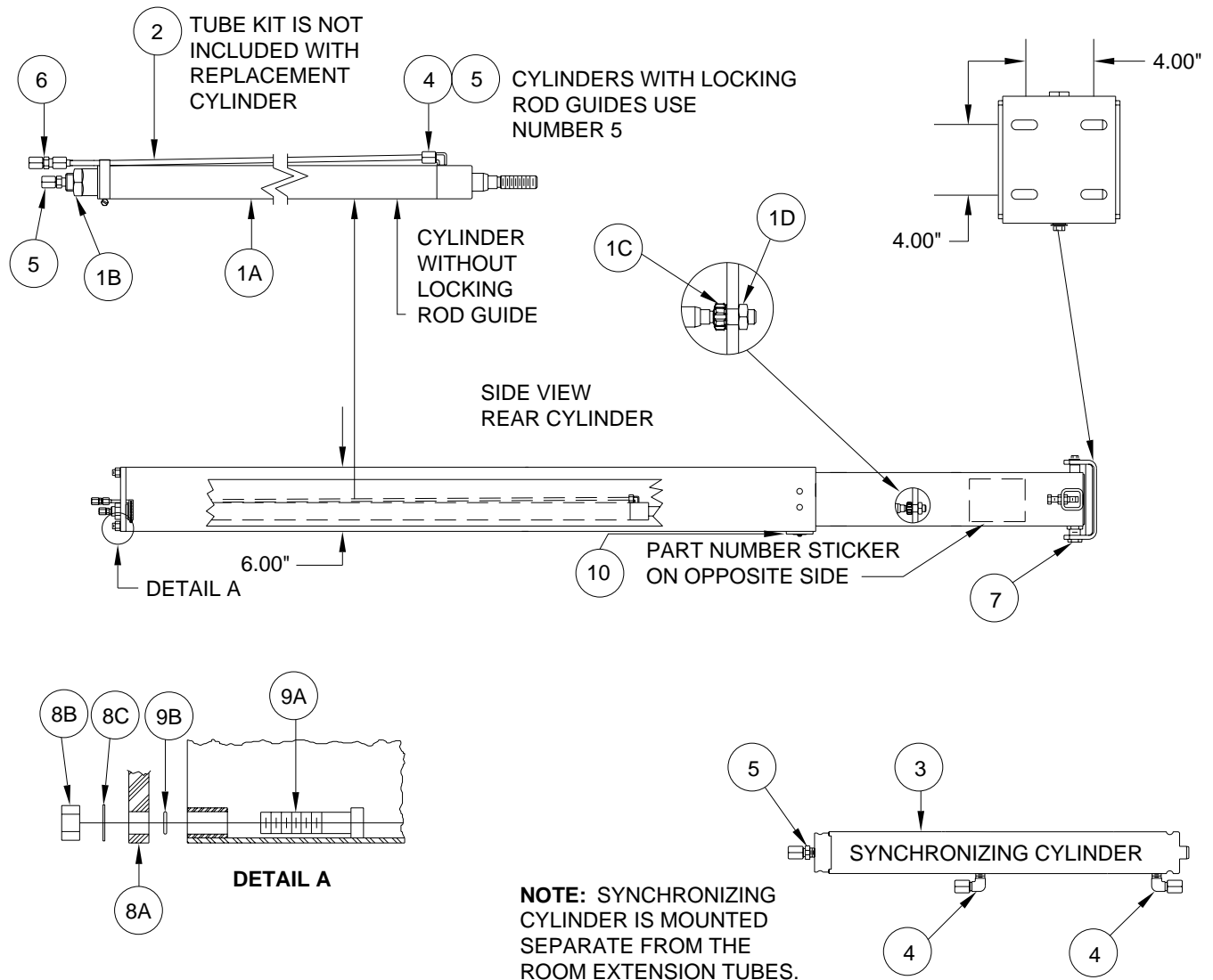


# ROOM EXTENSION ASSEMBLY

## DUAL CYLINDER ROOM EXTENSION (WITH SYNCHRONIZING CYLINDER)

### 6" TUBE - FORMED PIVOT BRACKET

\*REFER TO SPECIFIC MANUFACTURER'S GUIDE PAGE IN THIS SECTION FOR CORRECT CYLINDER - SYNCHRONIZING CYLINDER - TUBE ASSEMBLY AND HOSE ASSEMBLY REPLACEMENT.



ITEM	PART	QTY	DESCRIPTION
1*		1	CYLINDER ASSY
1A		1	CYLINDER
1B		1	CYLINDER MTG. NUT
1C		1	CYL. ADJ. NUT - INNER
1D		1	CYL. ADJ. NUT - OUTER
2*		1	TUBE ASSEMBLY
3*		1	SYNCHRONIZING CYL (INCLUDES 4 & 5)
4	RF1453	1	1/4" ELBOW 90 DEG.
5	RF1456	1	1/4" MALE CONNECTOR
6	RF2539	1	1/4" UNION
7	RAP90076	1	PIVOT BOLT KIT (INCLUDES JAM NUT AND LOCKWASHER)
8	RAP90483	1	CYL MTG PLATE KIT
8A		1	MOUNTING PLATE
8B		2	MOUNTING NUT
8C		2	LOCKWASHER

ITEM	PART	QTY	DESCRIPTION
9	RAP90005	1	CYL MTG PLATE BOLT KIT
9A		2	MOUNTING BOLT
9B		2	O-RING
10	RAP91975	1	BEARING PAD KIT
10A		2	#10 LOCKWASHER
10B		2	FENDER WASHER
10C		2	#10 SCREW
10D		7	BEARING PAD 2" x 2.6"
10E		2	BEARING PLATE 2" x 2.6"
10F		10	SHIM 2" x 2.6"
10G		2	BEARING PAD 2" x 0.8"
10H		4	BEARING PIN
10I		6	SHIM 0.8" x 2.6"
10J		2	BEARING PLATE 2" x 0.8"

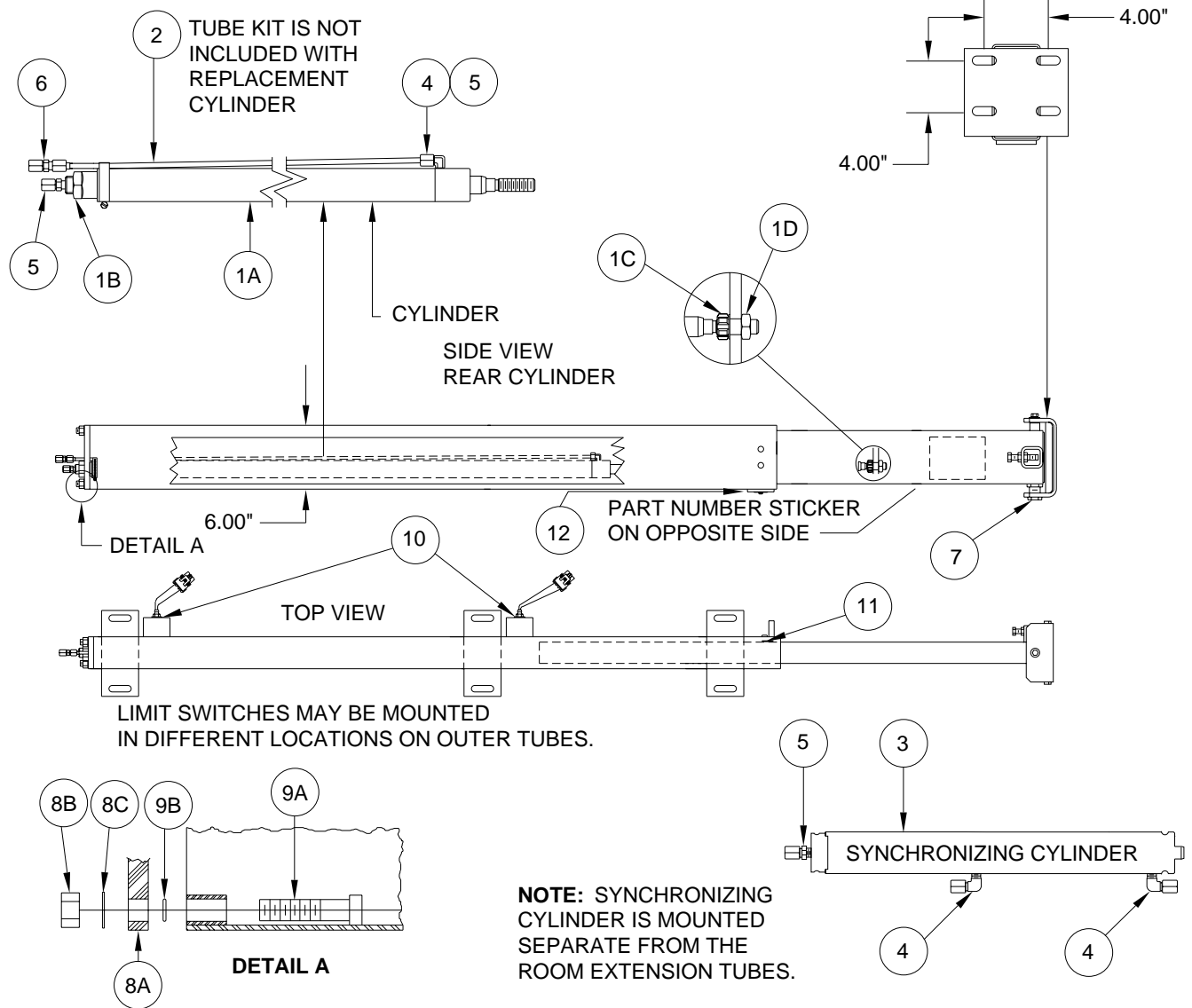
**NOTE:** INDENTED ITEMS INCLUDED WITH PRECEDING ITEM.

# ROOM EXTENSION ASSEMBLY

## DUAL CYLINDER ROOM EXTENSION (WITH SYNCHRONIZING CYLINDER)

### 6" TUBE - FORMED PIVOT BRACKET - LIMIT SWITCHES

\*REFER TO SPECIFIC MANUFACTURER'S GUIDE PAGE IN THIS SECTION FOR CORRECT CYLINDER - SYNCHRONIZING CYLINDER - TUBE ASSEMBLY AND HOSE ASSEMBLY REPLACEMENT.



**NOTE:** SYNCHRONIZING CYLINDER IS MOUNTED SEPARATE FROM THE ROOM EXTENSION TUBES.

ITEM	PART	QTY	DESCRIPTION
1*		1	CYLINDER ASSY
1A		1	CYLINDER
1B		1	CYLINDER MTG. NUT
1C		1	CYL. ADJ. NUT - INNER
1D		1	CYL. ADJ. NUT - OUTER
2*		1	TUBE ASSEMBLY
3*		1	SYNCHRONIZING CYL (INCLUDES 4 & 5)
4	RF1453	1	1/4" ELBOW 90 DEG.
5	RF1456	1	1/4" MALE CONNECTOR
6	RF2539	1	1/4" UNION
7	RAP90076	1	PIVOT BOLT KIT (INCLUDES JAM NUT AND LOCKWASHER)
8	RAP90483	1	CYL MTG PLATE KIT
8A		1	MOUNTING PLATE
8B		2	MOUNTING NUT
8C		2	LOCKWASHER

ITEM	PART	QTY	DESCRIPTION
9	RAP90005	1	CYL MTG PLATE BOLT KIT
9A		2	MOUNTING BOLT
9B		2	O-RING
10	RAP90590	1	LIMIT SW. ROOM IN/OUT
11	RAP90591	1	MAGNET KIT
12	RAP91975	1	BEARING PAD KIT
12A		2	#10 LOCKWASHER
12B		2	FENDER WASHER
12C		2	#10 SCREW
12D		7	BEARING PAD 2" x 2.6"
12E		2	BEARING PLATE 2" x 2.6"
12F		10	SHIM 2" x 2.6"
12G		2	BEARING PAD 2" x 0.8"
12H		4	BEARING PIN
12I		6	SHIM 0.8" x 2.6"
12J		2	BEARING PLATE 2" x 0.8"

**NOTE:** INDENTED ITEMS INCLUDED WITH PRECEDING ITEM.

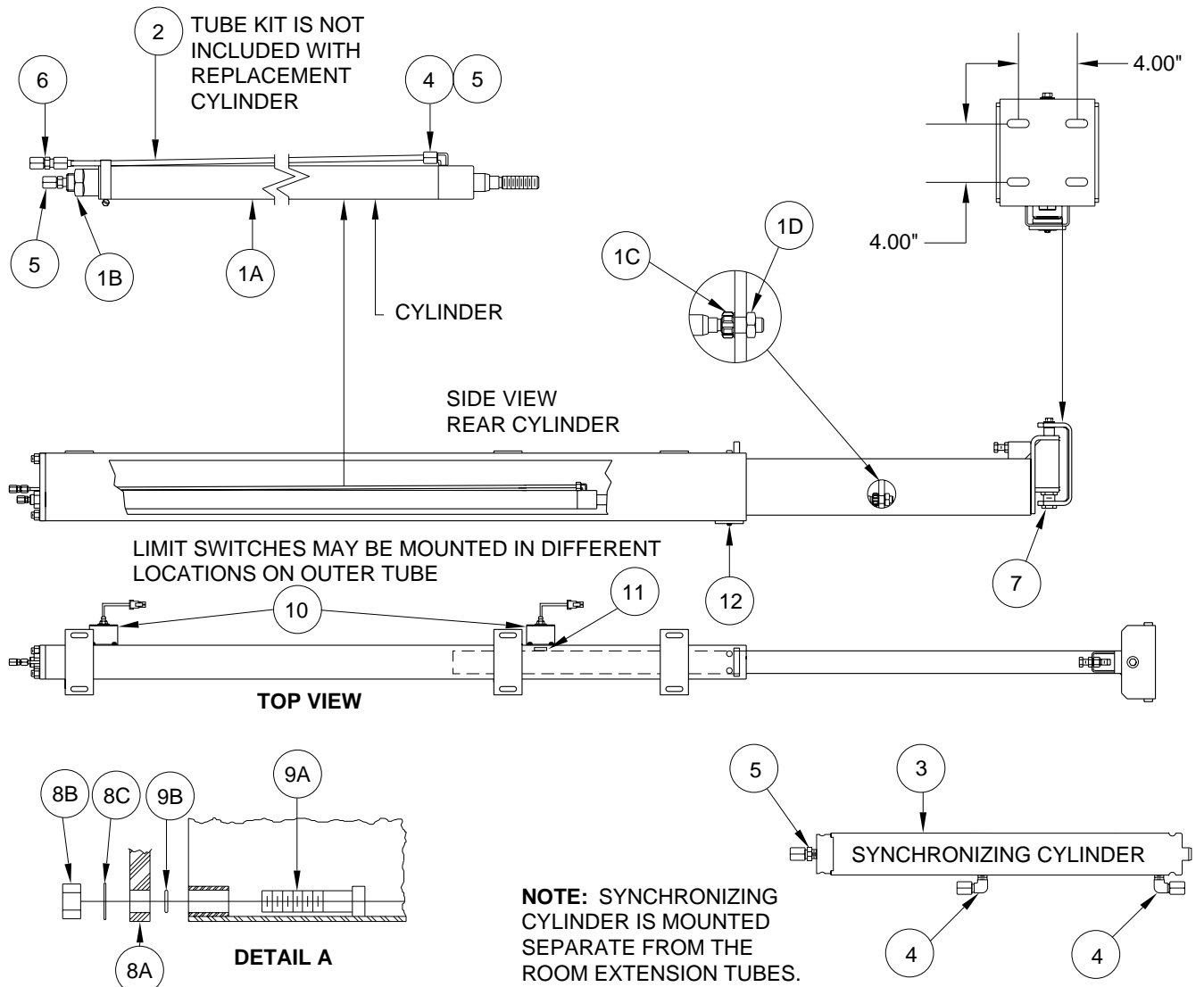
**MR41.2016**  
**25OCT12**

# ROOM EXTENSION ASSEMBLY

## DUAL CYLINDER ROOM EXTENSION (WITH SYNCHRONIZING CYLINDER)

### 6" TUBE - RAISED PIVOT BRACKET - LIMIT SWITCHES

\*REFER TO SPECIFIC MANUFACTURER'S GUIDE PAGE IN THIS SECTION FOR CORRECT CYLINDER - SYNCHRONIZING CYLINDER - TUBE ASSEMBLY AND HOSE ASSEMBLY REPLACEMENT.



ITEM	PART	QTY	DESCRIPTION	ITEM	PART	QTY	DESCRIPTION
1*		1	CYLINDER ASSY	9	RAP90005	1	CYL MTG PLATE BOLT KIT
1A		1	CYLINDER	9A		2	MOUNTING BOLT
1B		1	CYLINDER MTG. NUT	9B		2	O-RING
1C		1	CYL.ADJ. NUT - INNER	10	RAP90590	1	LIMIT SW. ROOM IN/OUT
1D		1	CYL. ADJ. NUT - OUTER	11	RAP90591	1	MAGNET KIT
2*		1	TUBE ASSEMBLY	12	RAP91975	1	BEARING PAD KIT
3*		1	SYNCHRONIZING CYL (INCLUDES 4 & 5)	12A		2	#10 LOCKWASHER
4	RF1453	1	1/4" ELBOW 90 DEG.	12B		2	FENDER WASHER
5	RF1456	1	1/4" MALE CONNECTOR	12C		2	#10 SCREW
6	RF2539	1	1/4" UNION	12D		7	BEARING PAD 2" x 2.6"
7	RAP90076	1	PIVOT BOLT KIT (INCLUDES JAM NUT AND LOCKWASHER)	12E		2	BEARING PLATE 2" x 2.6"
8	RAP90483	1	CYL MTG PLATE KIT	12F		10	SHIM 2" x 2.6"
8A		1	MOUNTING PLATE	12G		2	BEARING PAD 2" x 0.8"
8B		2	MOUNTING NUT	12H		4	BEARING PIN
8C		2	LOCKWASHER	12I		6	SHIM 0.8" x 2.6"
				12J		2	BEARING PLATE 2" x 0.8"

**NOTE:** INDENTED ITEMS INCLUDED WITH PRECEDING ITEM.

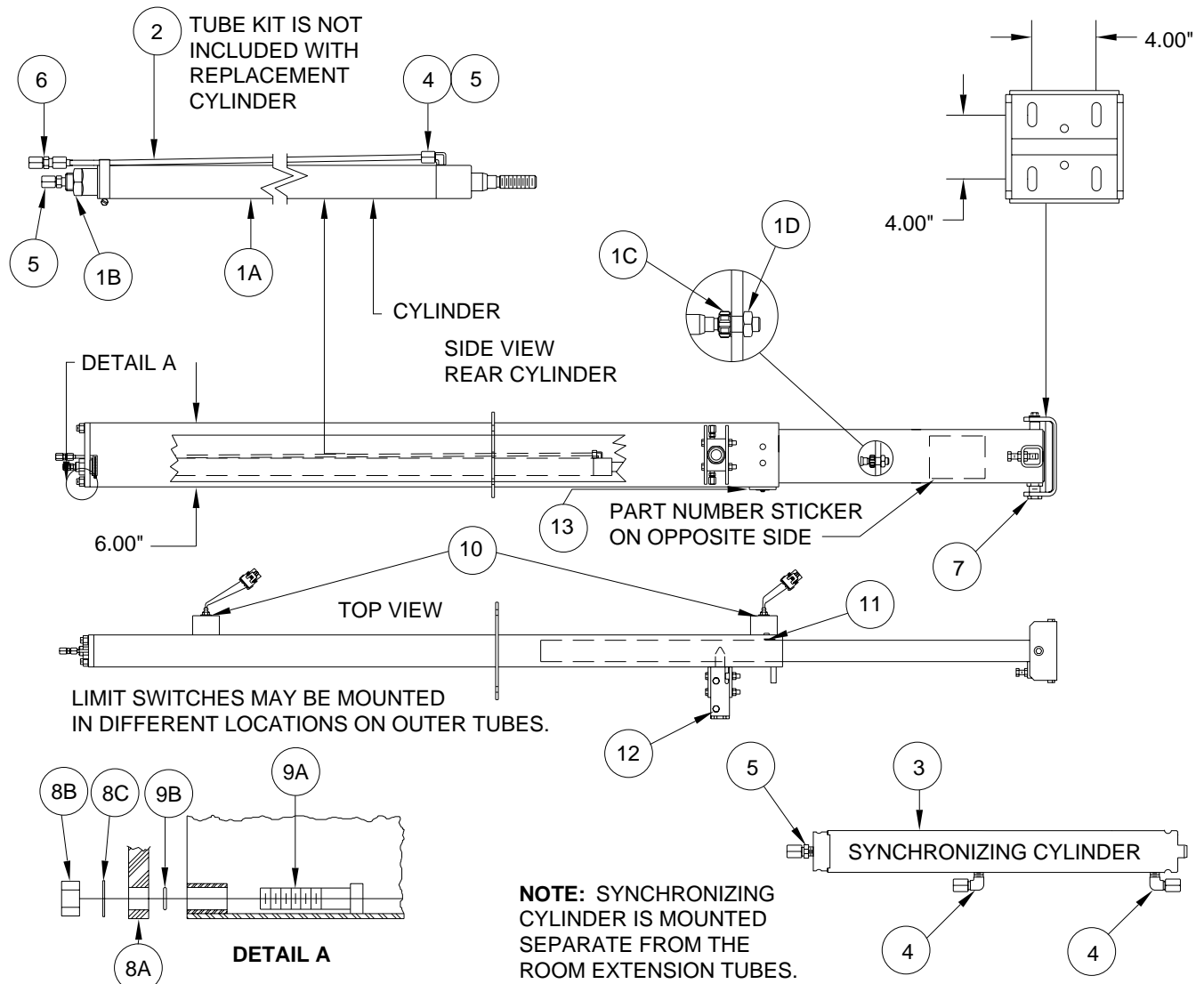
**MR41.2017  
25OCT12**

# ROOM EXTENSION ASSEMBLY

## DUAL CYLINDER ROOM EXTENSION (WITH SYNCHRONIZING CYLINDER)

### 6" TUBE - FORMED PIVOT BRACKET - ROOM LOCKS

\*REFER TO SPECIFIC MANUFACTURER'S GUIDE PAGE IN THIS SECTION FOR CORRECT CYLINDER - SYNCHRONIZING CYLINDER - TUBE ASSEMBLY AND HOSE ASSEMBLY REPLACEMENT.



ITEM	PART	QTY	DESCRIPTION	ITEM	PART	QTY	DESCRIPTION
1*		1	CYLINDER ASSY	9	RAP90005	1	CYL MTG PLATE BOLT KIT
1A		1	CYLINDER	9A		2	MOUNTING BOLT
1B		1	CYLINDER MTG. NUT	9B		2	O-RING
1C		1	CYL. ADJ. NUT - INNER	10	RAP90590	1	LIMIT SW. ROOM IN/OUT
1D		1	CYL. ADJ. NUT - OUTER	11	RAP90591	1	MAGNET KIT
2*		1	TUBE ASSEMBLY	12	RAP90592	1	ROOM LOCK
3*		1	SYNCHRONIZING CYL (INCLUDES 4 & 5)	13	RAP91975	1	BEARING PAD KIT
4	RF1453	1	1/4" ELBOW 90 DEG.	13A		2	#10 LOCKWASHER
5	RF1456	1	1/4" MALE CONNECTOR	13B		2	FENDER WASHER
6	RF2539	1	1/4" UNION	13C		2	#10 SCREW
7	RAP90076	1	PIVOT BOLT KIT (INCLUDES JAM NUT AND LOCKWASHER)	13D		7	BEARING PAD 2" x 2.6"
8	RAP90483	1	CYL MTG PLATE KIT	13E		2	BEARING PLATE 2" x 2.6"
8A		1	MOUNTING PLATE	13F		10	SHIM 2" x 2.6"
8B		2	MOUNTING NUT	13G		2	BEARING PAD 2" x 0.8"
8C		2	LOCKWASHER	13H		4	BEARING PIN
				13I		6	SHIM 0.8" x 2.6"
				13J		2	BEARING PLATE 2" x 0.8"

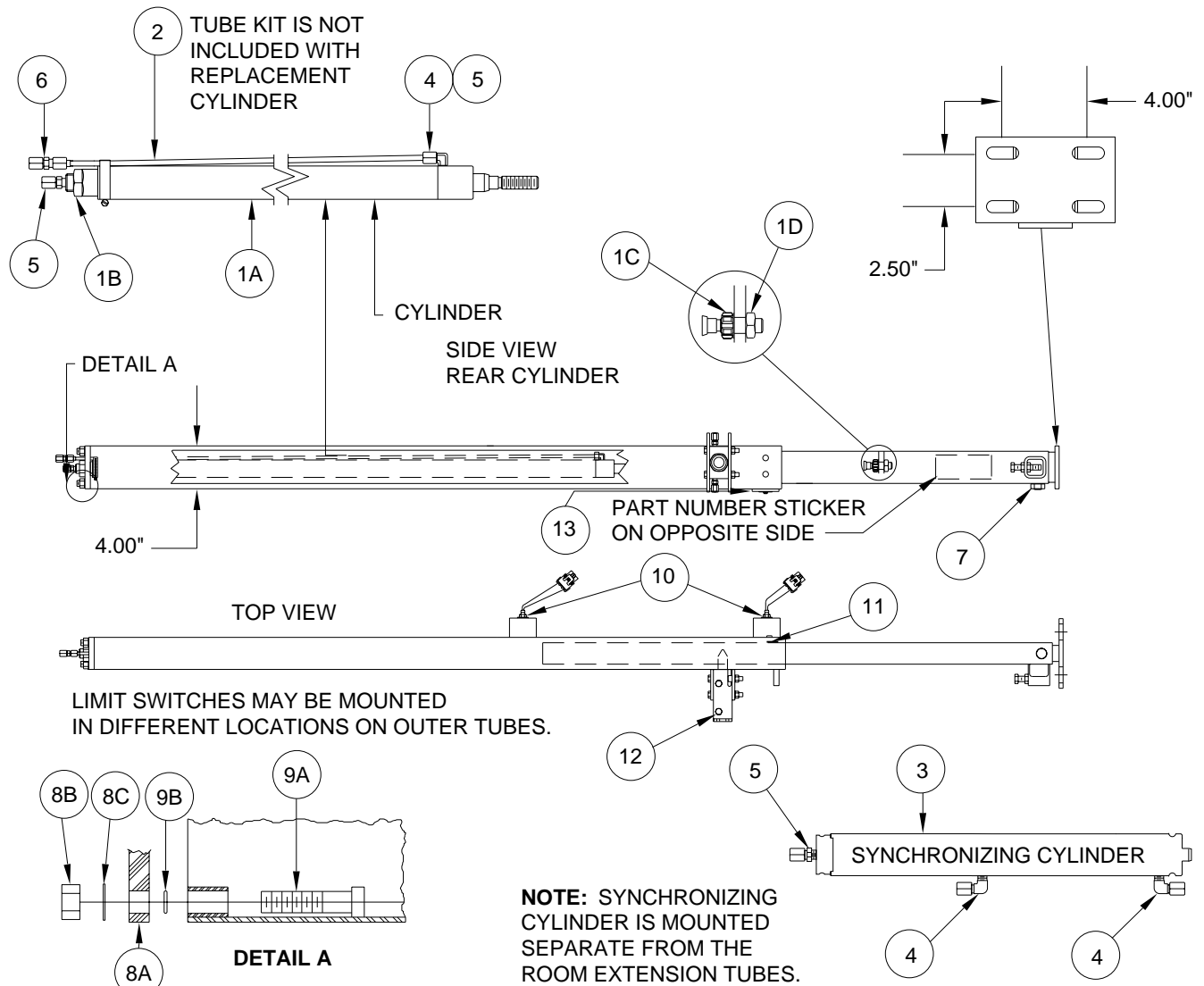
**NOTE:** INDENTED ITEMS INCLUDED WITH PRECEDING ITEM.

# ROOM EXTENSION ASSEMBLY

## DUAL CYLINDER ROOM EXTENSION (WITH SYNCHRONIZING CYLINDER)

### 4" TUBE - FLAT PIVOT BRACKET - ROOM LOCKS

\*REFER TO SPECIFIC MANUFACTURER'S GUIDE PAGE IN THIS SECTION FOR CORRECT CYLINDER - SYNCHRONIZING CYLINDER - TUBE ASSEMBLY AND HOSE ASSEMBLY REPLACEMENT.



ITEM	PART	QTY	DESCRIPTION	ITEM	PART	QTY	DESCRIPTION
1*		1	CYLINDER ASSY	9	RAP90005	1	CYL MTG PLATE BOLT KIT
1A		1	CYLINDER	9A		2	MOUNTING BOLT
1B		1	CYLINDER MTG. NUT	9B		2	O-RING
1C		1	CYL. ADJ. NUT - INNER	10	RAP90590	1	LIMIT SW. ROOM IN/OUT
1D		1	CYL. ADJ. NUT - OUTER	11	RAP90591	1	MAGNET KIT
2*		1	TUBE ASSEMBLY	12	RAP91903	1	ROOM LOCK
3*		1	SYNCHRONIZING CYL (INCLUDES 4 & 5)	13	RAP91975	1	BEARING PAD KIT
4	RF1453	1	1/4" ELBOW 90 DEG.	13A		2	#10 LOCKWASHER
5	RF1456	1	1/4" MALE CONNECTOR	13B		2	FENDER WASHER
6	RF2539	1	1/4" UNION	13C		2	#10 SCREW
7	RAP90485	1	PIVOT BOLT KIT (INCLUDES JAM NUT AND LOCKWASHER)	13D		7	BEARING PAD 2" x 2.6"
8	RAP90486	1	CYL MTG PLATE KIT	13E		2	BEARING PLATE 2" x 2.6"
8A		1	MOUNTING PLATE	13F		10	SHIM 2" x 2.6"
8B		2	MOUNTING NUT	13G		2	BEARING PAD 2" x 0.8"
8C		2	LOCKWASHER	13H		4	BEARING PIN
				13I		6	SHIM 0.8" x 2.6"
				13J		2	BEARING PLATE 2" x 0.8"

NOTE: INDENTED ITEMS INCLUDED WITH PRECEDING ITEM.

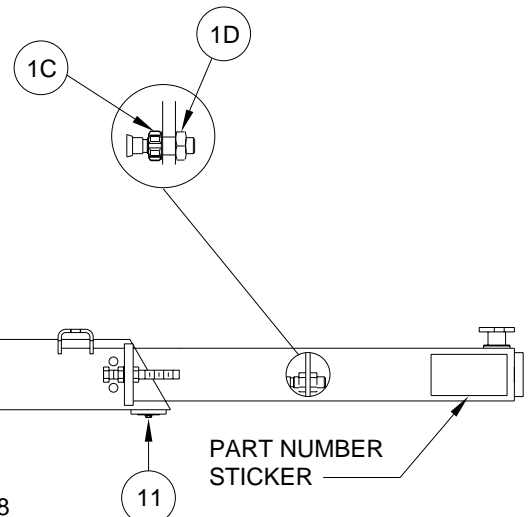
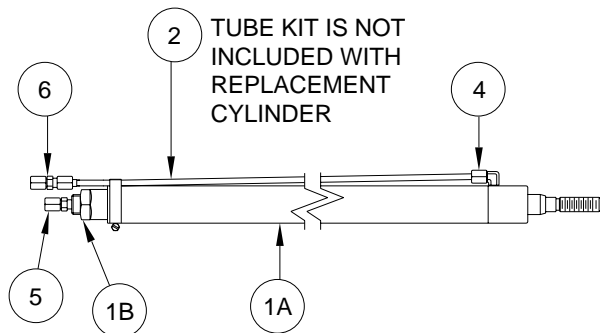
**MR41.2019**  
**25OCT12**

# ROOM EXTENSION ASSEMBLY

## DUAL CYLINDER ROOM EXTENSION (WITH SYNCHRONIZING CYLINDER)

### 4" TUBE - TOP MOUNT PIVOT BRACKET

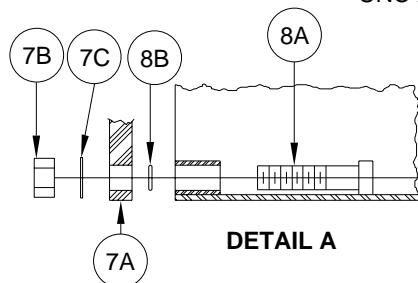
\*REFER TO SPECIFIC MANUFACTURER'S GUIDE PAGE IN THIS SECTION FOR CORRECT CYLINDER - SYNCHRONIZING CYLINDER - TUBE ASSEMBLY AND HOSE ASSEMBLY REPLACEMENT.



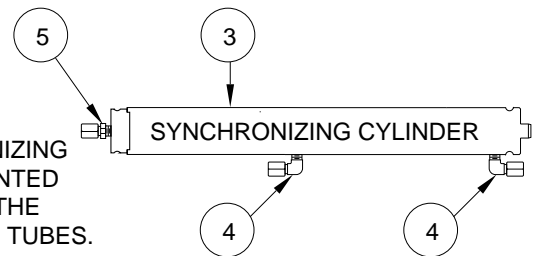
FRONT TUBE SHOWN

UNITS BUILT BEFORE MAY 1, 1998  
USE THE RAP90540 3/8" UNC X 3/8"  
UNF BOLT KIT. UNITS BUILT AFTER  
MAY 1, 1998 USE THE RAP90530 3/8"  
UNC X 1/2" UNF BOLT KIT.

**NOTE:** FRONT AND REAR  
ASSEMBLIES WILL HAVE  
DIFFERENT MODEL NUMBERS.



**NOTE:** SYNCHRONIZING  
CYLINDER IS MOUNTED  
SEPARATE FROM THE  
ROOM EXTENSION TUBES.



ITEM	PART	QTY	DESCRIPTION
1*		1	CYLINDER ASSY
1A		1	CYLINDER
1B		1	CYLINDER MTG. NUT
1C		1	CYL. ADJ. NUT - INNER
1D		1	CYL. ADJ. NUT - OUTER
2*		1	TUBE ASSEMBLY
3*		1	SYNCHRONIZING CYL (INCLUDES 4 & 5)
4	RF1453	1	1/4" ELBOW 90 DEG.
5	RF1456	1	1/4" MALE CONNECTOR
6	RF2539	1	1/4" UNION
7	RAP90486	1	CYL MTG PLATE KIT
7A		1	MOUNTING PLATE
7B		2	MOUNTING NUT
7C		2	LOCKWASHER
8	RAP90005	1	CYL MTG PLATE BOLT KIT
8A		2	MOUNTING BOLT
8B		2	O-RING

ITEM	PART	QTY	DESCRIPTION
9	RAP90530	1	COMPARTMENT MTG BOLT (CONTAINS 2 3/8" UNC X 1/2" UNF BOLTS)
10	RAP90540	1	COMPARTMENT MTG BOLT (CONTAINS 2 3/8" UNC X 3/8" UNF BOLTS)
11	RAP91975	1	BEARING PAD KIT
11A		2	#10 LOCKWASHER
11B		2	FENDER WASHER
11C		2	#10 SCREW
11D		7	BEARING PAD 2" x 2.6"
11E		2	BEARING PLATE 2" x 2.6"
11F		10	SHIM 2" x 2.6"
11G		2	BEARING PAD 2" x 0.8"
11H		4	BEARING PIN
11I		6	SHIM 0.8" x 2.6"
11J		2	BEARING PLATE 2" x 0.8"

**NOTE:** INDENTED ITEMS INCLUDED WITH PRECEDING ITEM.

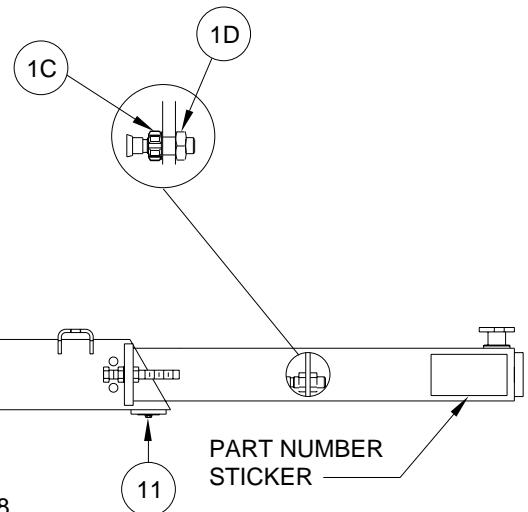
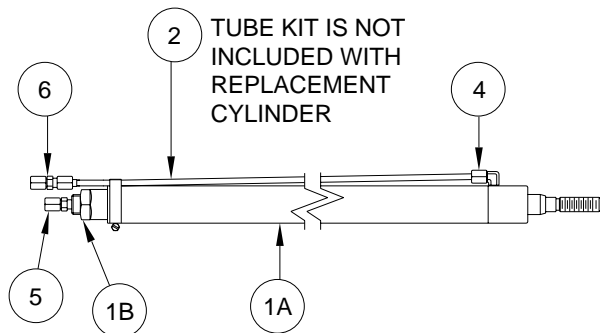
**MR41.2020**  
**25OCT12**

# ROOM EXTENSION ASSEMBLY

## DUAL CYLINDER ROOM EXTENSION (WITH SYNCHRONIZING CYLINDER)

### 6" TUBE - TOP MOUNT PIVOT BRACKET

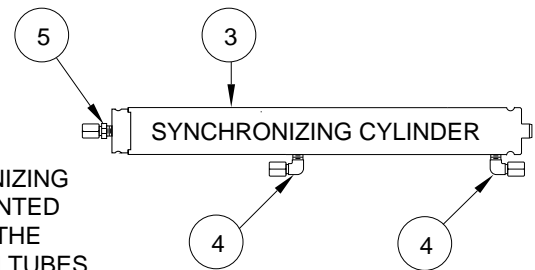
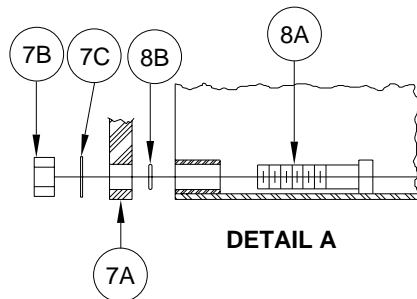
\*REFER TO SPECIFIC MANUFACTURER'S GUIDE PAGE IN THIS SECTION FOR CORRECT CYLINDER - SYNCHRONIZING CYLINDER - TUBE ASSEMBLY AND HOSE ASSEMBLY REPLACEMENT.



FRONT TUBE SHOWN

UNITS BUILT BEFORE MAY 1, 1998  
USE THE RAP90540 3/8" UNC X 3/8"  
UNF BOLT KIT. UNITS BUILT AFTER  
MAY 1, 1998 USE THE RAP90530 3/8"  
UNC X 1/2" UNF BOLT KIT.

**NOTE:** FRONT AND REAR  
ASSEMBLIES WILL HAVE  
DIFFERENT MODEL NUMBERS.



**NOTE:** SYNCHRONIZING  
CYLINDER IS MOUNTED  
SEPARATE FROM THE  
ROOM EXTENSION TUBES.

ITEM	PART	QTY	DESCRIPTION
1*		1	CYLINDER ASSY
1A		1	CYLINDER
1B		1	CYLINDER MTG. NUT
1C		1	CYL. ADJ. NUT - INNER
1D		1	CYL. ADJ. NUT - OUTER
2*		1	TUBE ASSEMBLY
3*		1	SYNCHRONIZING CYL (INCLUDES 4 & 5)
4	RF1453	1	1/4" ELBOW 90 DEG.
5	RF1456	1	1/4" MALE CONNECTOR
6	RF2539	1	1/4" UNION
7	RAP90483	1	CYL MTG PLATE KIT
7A		1	MOUNTING PLATE
7B		2	MOUNTING NUT
7C		2	LOCKWASHER
8	RAP90005	1	CYL MTG PLATE BOLT KIT
8A		2	MOUNTING BOLT
8B		2	O-RING

ITEM	PART	QTY	DESCRIPTION
9	RAP90530	1	COMPARTMENT MTG BOLT (CONTAINS 2 3/8" UNC X 1/2" UNF BOLTS)
10	RAP90540	1	COMPARTMENT MTG BOLT (CONTAINS 2 3/8" UNC X 3/8" UNF BOLTS)
11	RAP91975	1	BEARING PAD KIT
11A		2	#10 LOCKWASHER
11B		2	FENDER WASHER
11C		2	#10 SCREW
11D		7	BEARING PAD 2" x 2.6"
11E		2	BEARING PLATE 2" x 2.6"
11F		10	SHIM 2" x 2.6"
11G		2	BEARING PAD 2" x 0.8"
11H		4	BEARING PIN
11I		6	SHIM 0.8" x 2.6"
11J		2	BEARING PLATE 2" x 0.8"

**NOTE:** INDENTED ITEMS INCLUDED WITH PRECEDING ITEM.

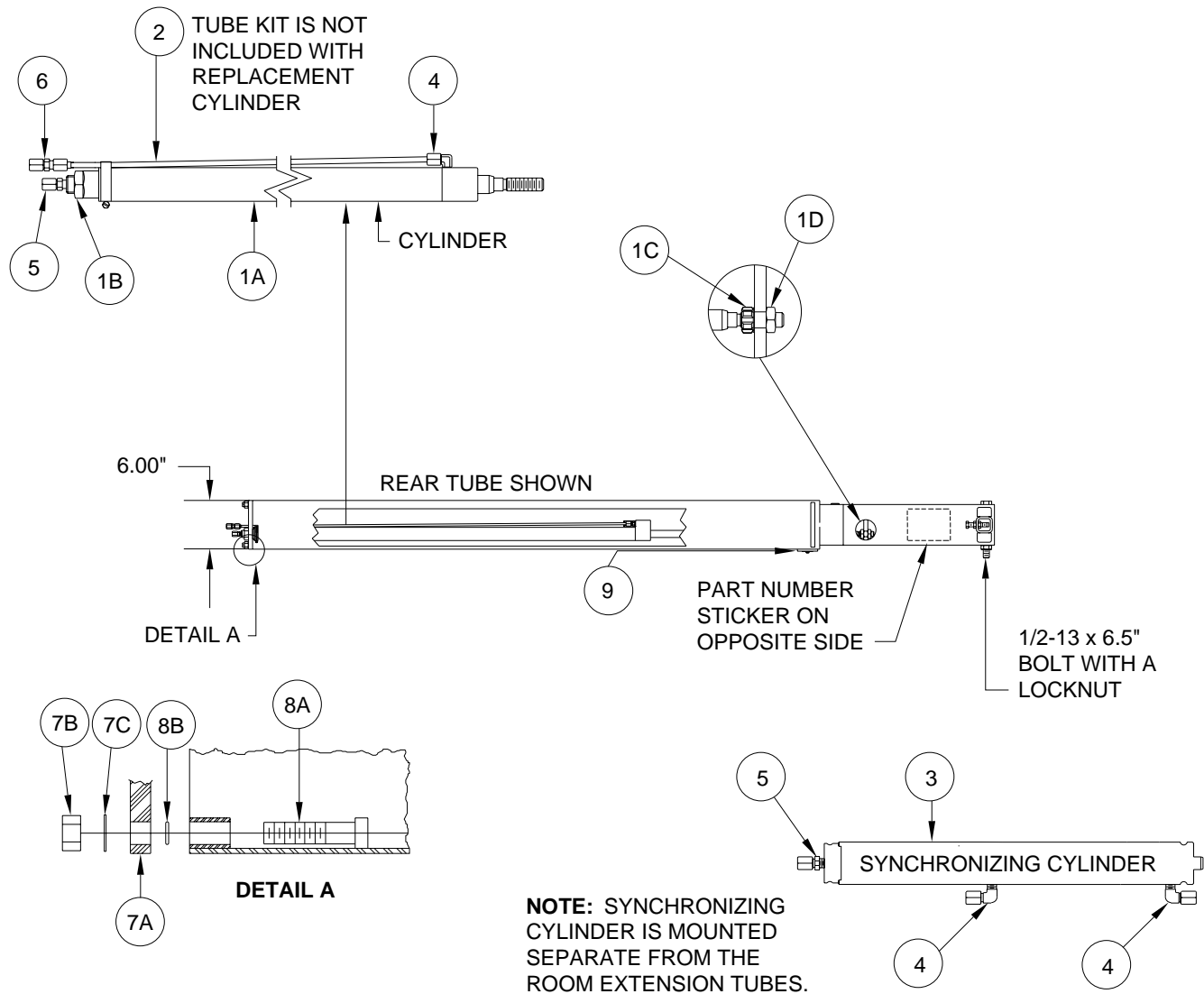
**MR41.2021**  
**25OCT12**

# ROOM EXTENSION ASSEMBLY

## DUAL CYLINDER ROOM EXTENSION (WITH SYNCHRONIZING CYLINDER)

### 6" TUBE - NO PIVOT BRACKET

\*REFER TO SPECIFIC MANUFACTURER'S GUIDE PAGE IN THIS SECTION FOR CORRECT CYLINDER - SYNCHRONIZING CYLINDER - TUBE ASSEMBLY AND HOSE ASSEMBLY REPLACEMENT.



ITEM	PART	QTY	DESCRIPTION
1*		1	CYLINDER ASSY
1A		1	CYLINDER
1B		1	CYLINDER MTG. NUT
1C		1	CYL. ADJ. NUT - INNER
1D		1	CYL. ADJ. NUT - OUTER
2*		1	TUBE ASSEMBLY
3*		1	SYNCHRONIZING CYL (INCLUDES 4 & 5)
4	RF1453	1	1/4" ELBOW 90 DEG.
5	RF1456	1	1/4" MALE CONNECTOR
6	RF2539	1	1/4" UNION
7	RAP90483	1	CYL MTG PLATE KIT
7A		1	MOUNTING PLATE
7B		2	MOUNTING NUT
7C		2	LOCKWASHER

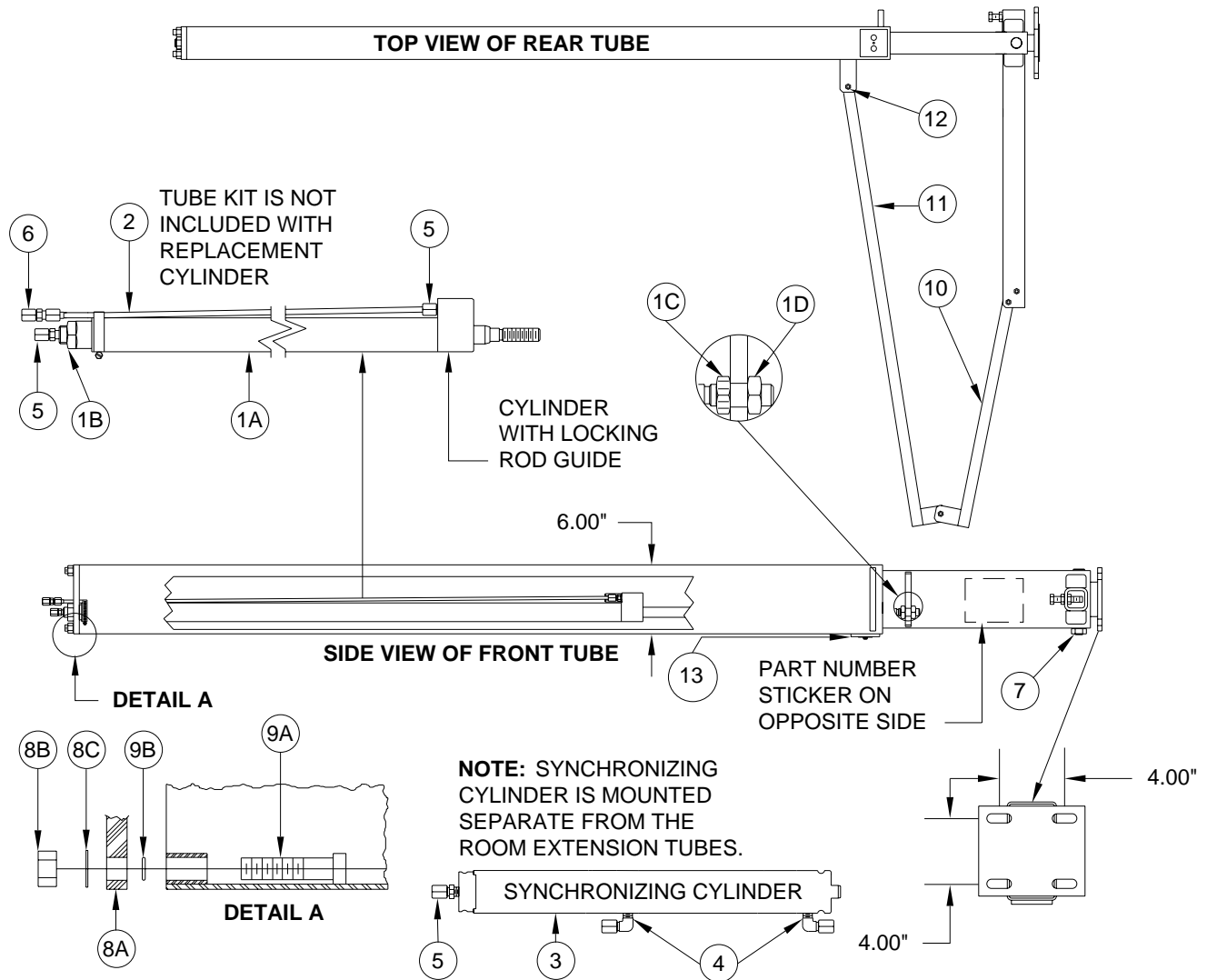
ITEM	PART	QTY	DESCRIPTION
8	RAP90005	1	CYL MTG PLATE BOLT KIT
8A		2	MOUNTING BOLT
8B		2	O-RING
9	RAP91975	1	BEARING PAD KIT
9A		2	#10 LOCKWASHER
9B		2	FENDER WASHER
9C		2	#10 SCREW
9D		7	BEARING PAD 2" x 2.6"
9E		2	BEARING PLATE 2" x 2.6"
9F		10	SHIM 2" x 2.6"
9G		2	BEARING PAD 2" x 0.8"
9H		4	BEARING PIN
9I		6	SHIM 0.8" x 2.6"
9J		2	BEARING PLATE 2" x 0.8"

NOTE: INDENTED ITEMS INCLUDED WITH PRECEDING ITEM.



# ROOM EXTENSION ASSEMBLY DUAL CYLINDER ROOM EXTENSION WITH SYNCHRONIZING CYLINDER 6" TUBE-FLAT PIVOT BRACKET

\*REFER TO SPECIFIC MANUFACTURER'S GUIDE PAGE IN THIS SECTION FOR CORRECT CYLINDER AND HOSE ASSEMBLY REPLACEMENT PART NUMBERS.



ITEM	PART	QTY	DESCRIPTION
1*		1	CYLINDER ASSEMBLY
1A		1	CYLINDER
1B		1	CYLINDER MTG. NUT
1C		1	CYL. ADJ. NUT - INNER
1D		1	CYL. ADJ. NUT - OUTER
2*		1	TUBE ASSEMBLY
3*		1	SYNCHRONIZING CYL. (INCLUDES 4&5)
4	RF1453	1	1/4" ELBOW 90 DEGREE
5	RF1456	1	1/4" MALE CONNECTOR
6	RF2539	1	1/4" UNION
7	RAP90343	1	PIVOT BOLT KIT (INCLUDES JAM NUT AND LOCKWASHER)
8	RAP90483	1	CYL. MOUNTING PLT. KIT
8A		1	MOUNTING PLATE
8B		2	MOUNTING NUT
8C		2	LOCKWASHER

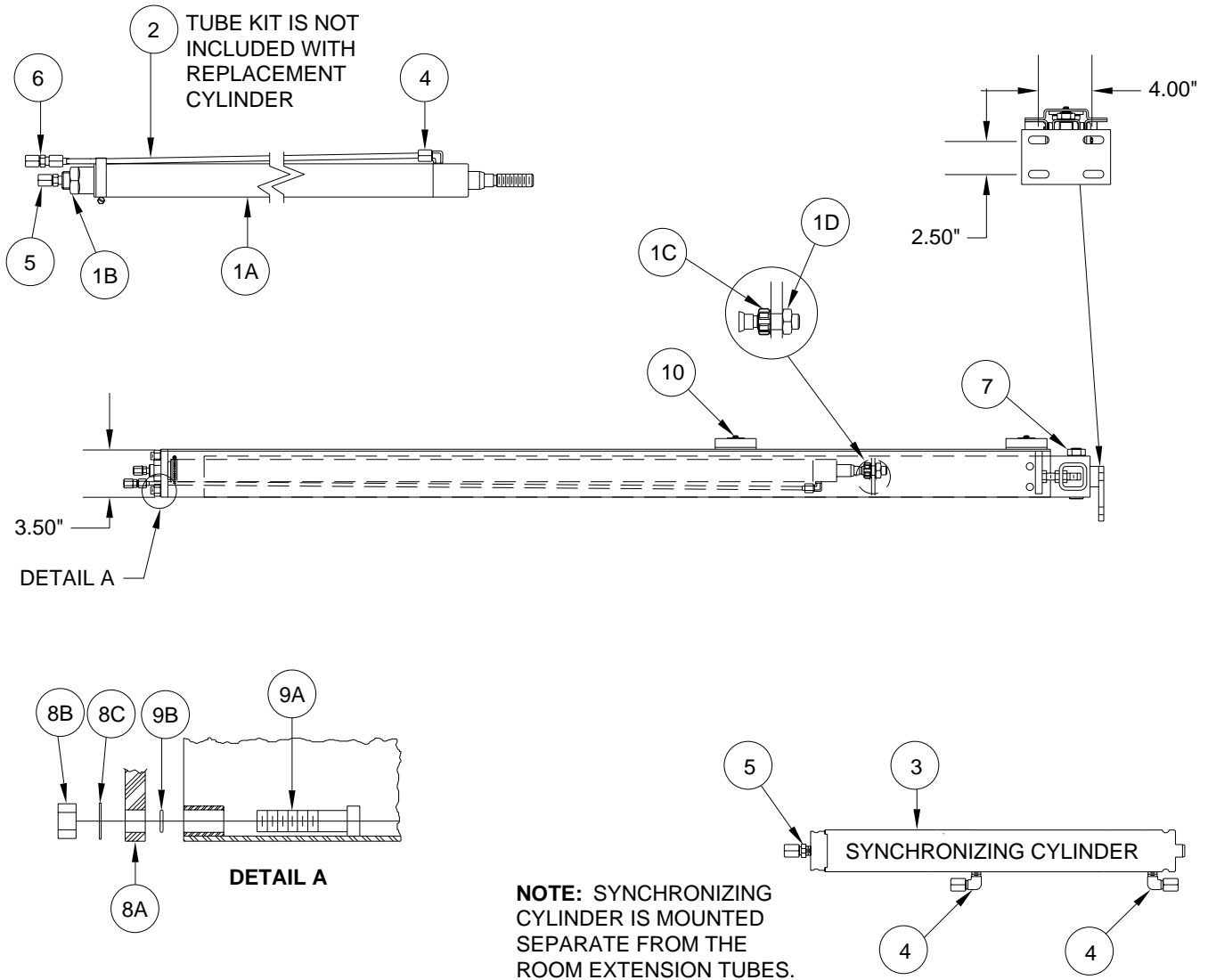
ITEM	PART	QTY	DESCRIPTION
9	RAP90005	1	CYL. MTG. PLT. BOLT KIT
9A		2	MOUNTING BOLT
9B		2	O-RING
10	RAP90008	1	HOSE GUIDE OUTER
11	RAP90009	1	HOSE GUIDE INNER
12	RAP90013	1	HDWE. KIT HOSE GUIDE (INCLUDES 4 BOLTS, 4NUTS, 6 BUSHINGS)
13	RAP91975	1	BEARING PAD KIT
13A		2	#10 LOCKWASHER
13B		2	FENDER WASHER
13C		2	#10 SCREW
13D		7	BEARING PAD 2" x 2.6"
13E		2	BEARING PLATE 2" x 2.6"
13F		10	SHIM 2" x 2.6"
13G		2	BEARING PAD 2" x 0.8"
13H		4	BEARING PIN
13I		6	SHIM 0.8" x 2.6"
13J		2	BEARING PLATE 2" x 0.8"

**NOTE:** INDENTED ITEMS INCLUDED WITH PRECEDING ITEM.

**MR41.2030  
25OCT12**

# ROOM EXTENSION ASSEMBLY DUAL CYLINDER "HAT" ROOM EXTENSION WITH SYNCHRONIZING CYLINDER

\*REFER TO SPECIFIC MANUFACTURER'S GUIDE PAGE IN THIS SECTION FOR CORRECT CYLINDER - SYNCHRONIZING CYLINDER - TUBE ASSEMBLY AND HOSE ASSEMBLY REPLACEMENT.



**NOTE:** SYNCHRONIZING CYLINDER IS MOUNTED SEPARATE FROM THE ROOM EXTENSION TUBES.

ITEM	PART	QTY	DESCRIPTION
1*		1	CYLINDER ASSY
1A		1	CYLINDER
1B		1	CYLINDER MTG. NUT
1C		1	CYL.ADJ. NUT - INNER
1D		1	CYL. ADJ. NUT - OUTER
2*		1	TUBE ASSEMBLY
3*		1	SYNCHRONIZING CYL (INCLUDES 4 & 5)
4	RF1453	1	1/4" ELBOW 90 DEG.
5	RF1456	1	1/4" MALE CONNECTOR
6	RF2539	1	1/4" UNION
7	RAP90485	1	PIVOT BOLT KIT (INCLUDES JAM NUT AND LOCKWASHER)
8	RAP92551	1	CYL MTG PLATE KIT
8A		1	MOUNTING PLATE
8B		2	MOUNTING NUT
8C		2	LOCKWASHER

ITEM	PART	QTY	DESCRIPTION
9	RAP90005	1	CYL MTG PLATE BOLT KIT
9A		2	MOUNTING BOLT
9B		2	O-RING
10	RAP91975	1	BEARING PAD KIT
10A		2	#10 LOCKWASHER
10B		2	FENDER WASHER
10C		2	#10 SCREW
10D		7	BEARING PAD 2" x 2.6"
10E		2	BEARING PLATE 2" x 2.6"
10F		10	SHIM 2" x 2.6"
10G		2	BEARING PAD 2" x 0.8"
10H		4	BEARING PIN
10I		6	SHIM 0.8" x 2.6"
10J		2	BEARING PLATE 2" x 0.8"

**NOTE:** INDENTED ITEMS INCLUDED WITH PRECEDING ITEM.

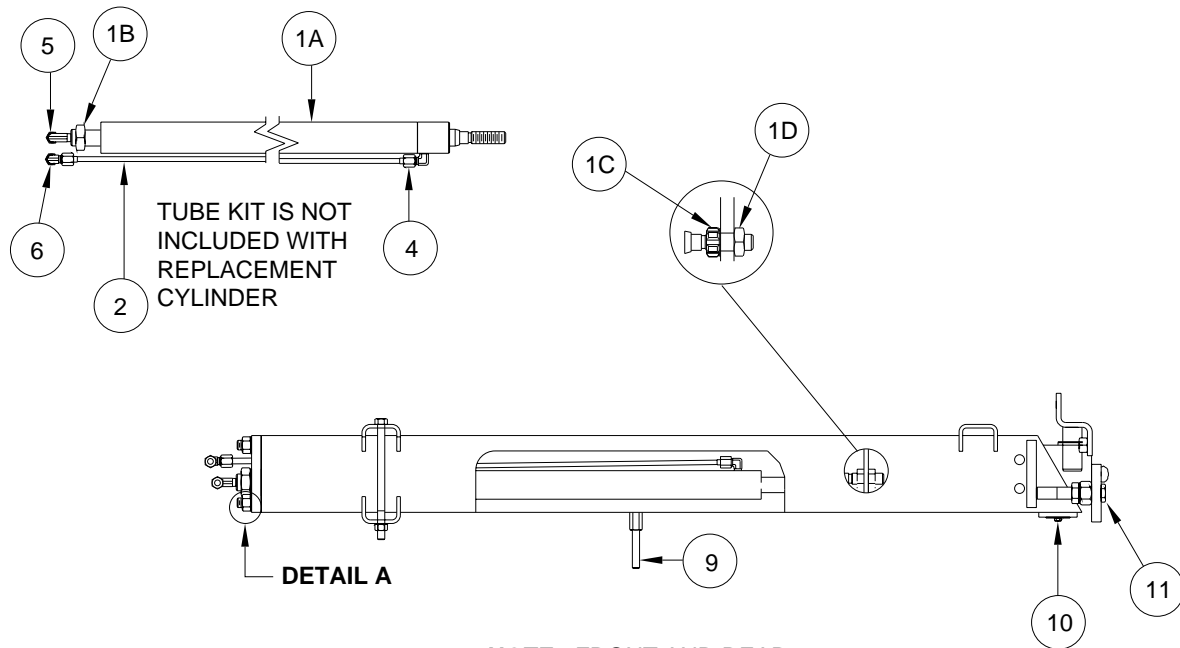
**MR41.2050  
25OCT12**

# ROOM EXTENSION ASSEMBLY

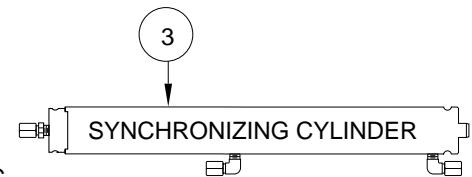
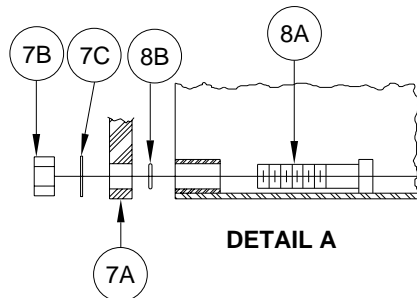
## DUAL CYLINDER ROOM EXTENSION (WITH SYNCHRONIZING CYLINDER)

### 4" TUBE

\*REFER TO SPECIFIC MANUFACTURER'S GUIDE PAGE IN THIS SECTION FOR CORRECT CYLINDER - SYNCHRONIZING CYLINDER - TUBE ASSEMBLY AND HOSE ASSEMBLY REPLACEMENT.



**NOTE:** FRONT AND REAR ASSEMBLIES WILL HAVE DIFFERENT MODEL NUMBERS.



**NOTE:** SYNCHRONIZING CYLINDER IS MOUNTED SEPARATE FROM THE ROOM EXTENSION TUBES.

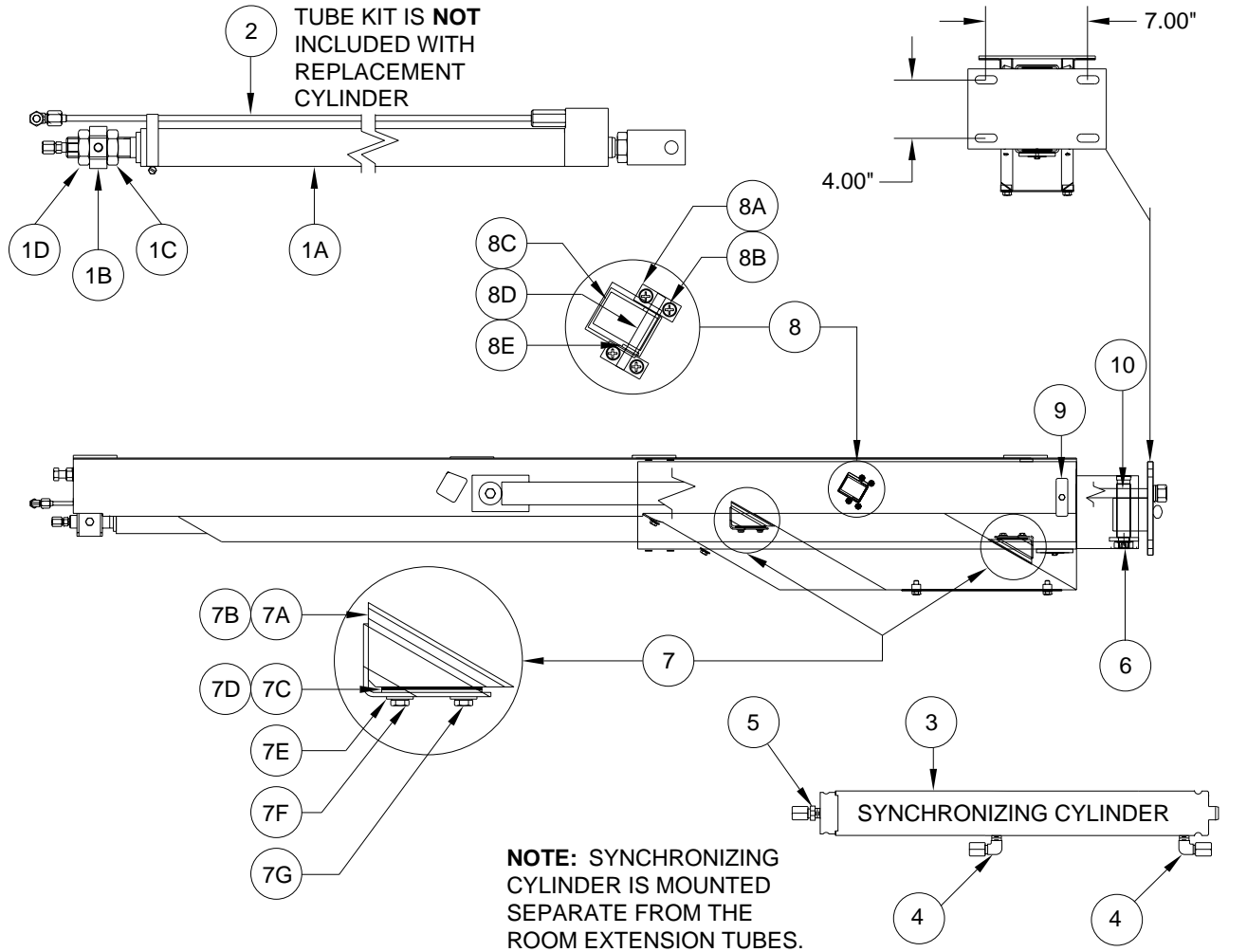
ITEM	PART	QTY	DESCRIPTION	ITEM	PART	QTY	DESCRIPTION
1*		1	CYLINDER ASSY	9	RAP90530	1	COMPARTMENT MTG BOLT (CONTAINS 2 3/8" UNC X 1/2" UNF BOLTS)
1A		1	CYLINDER	10	RAP91975	1	BEARING PAD KIT
1B		1	CYLINDER MTG. NUT	10A		2	#10 LOCKWASHER
1C		1	CYL. ADJ. NUT - INNER	10B		2	FENDER WASHER
1D		1	CYL. ADJ. NUT - OUTER	10C		2	#10 SCREW
2*		1	TUBE ASSEMBLY	10D		7	BEARING PAD 2" x 2.6"
3*		1	SYNCHRONIZING CYL (INCLUDES 4 & 5)	10E		2	BEARING PLATE 2" x 2.6"
4	RF1453	1	1/4" ELBOW 90 DEG.	10F		10	SHIM 2" x 2.6"
5	RF1511	1	1/4" LONG ELBOW	10G		2	BEARING PAD 2" x 0.8"
6	RF90146	1	1/4" UNION ELBOW	10H		4	BEARING PIN
7	RAP90486	1	CYL MTG PLATE KIT	10I		6	SHIM 0.8" x 2.6"
7A		1	MOUNTING PLATE	10J		2	BEARING PLATE 2" x 0.8"
7B		2	MOUNTING NUT	11	RAP91643	1	MANUAL RET. SCREW 30.5"
7C		2	LOCKWASHER		RAP91758	1	MANUAL RET. SCREW 30.6"
8	RAP90005	1	CYL MTG PLATE BOLT KIT		RAP92675	1	MANUAL RET. SCREW 32.6"
8A		2	MOUNTING BOLT				
8B		2	O-RING				

**NOTE:** INDENTED ITEMS INCLUDED WITH PRECEDING ITEM.

# ROOM EXTENSION ASSEMBLY

## DUAL CYLINDER "LEVEL OUT" ROOM EXTENSION (WITH SYNCHRONIZING CYLINDER)

\*REFER TO SPECIFIC MANUFACTURER'S GUIDE PAGE IN THIS SECTION FOR CORRECT CYLINDER - SYNCHRONIZING CYLINDER - TUBE ASSEMBLY AND HOSE ASSEMBLY REPLACEMENT.



ITEM	PART	QTY	DESCRIPTION	ITEM	PART	QTY	DESCRIPTION
1*		1	CYLINDER ASSY	8	RAP91027	1	CATCH KIT
1A		1	CYLINDER	8A		4	MOUNTING BRACKET
1B		1	CYLINDER MTG. NUT	8B		8	SCREW 10-24 x 3/8"
1C		1	DROP ADJ. NUT - INNER	8C		2	CATCH
1D		1	DROP ADJ. NUT - OUTER	8D		2	MOUNTING PIN
2*		1	TUBE ASSEMBLY	8E		4	SPACERS
3*		1	SYNCHRONIZING CYL (INCLUDES 4 & 5)	9	RAP91975	1	BEARING PAD KIT
4	RF1453	1	1/4" ELBOW 90 DEG.	9A		2	#10 LOCKWASHER
5	RF1456	1	1/4" MALE CONNECTOR	9B		2	FENDER WASHER
6	RAP91026	1	PIVOT BOLT KIT (INCLUDES JAM NUT AND LOCKWASHER)	9C		2	#10 SCREW
7	RAP91028	1	PLASTIC SLIDE KIT	9D		7	BEARING PAD 2" x 2.6"
7A		2	SLIDE LEFT	9E		2	BEARING PLATE 2" x 2.6"
7B		2	SLIDE RIGHT	9F		10	SHIM 2" x 2.6"
7C		4	SHIM 2.75 x 0.7 x 0.075	9G		2	BEARING PAD 2" x 0.8"
7D		16	SHIM 2.75 x 0.7 x 0.020	9H		4	BEARING PIN
7E		8	1/4" LOCKWASHER	9I		6	SHIM 0.8" x 2.6"
7F		4	SCREW 1/4" - 8 x 1.25	9J		2	BEARING PLATE 2" x 0.8"
7G		4	SCREW 1/4" - 8 x 0.75	10	RAP91357	1	MANUAL RET. SCREW 39"
					RAP93508	1	MANUAL RET. SCREW 43"

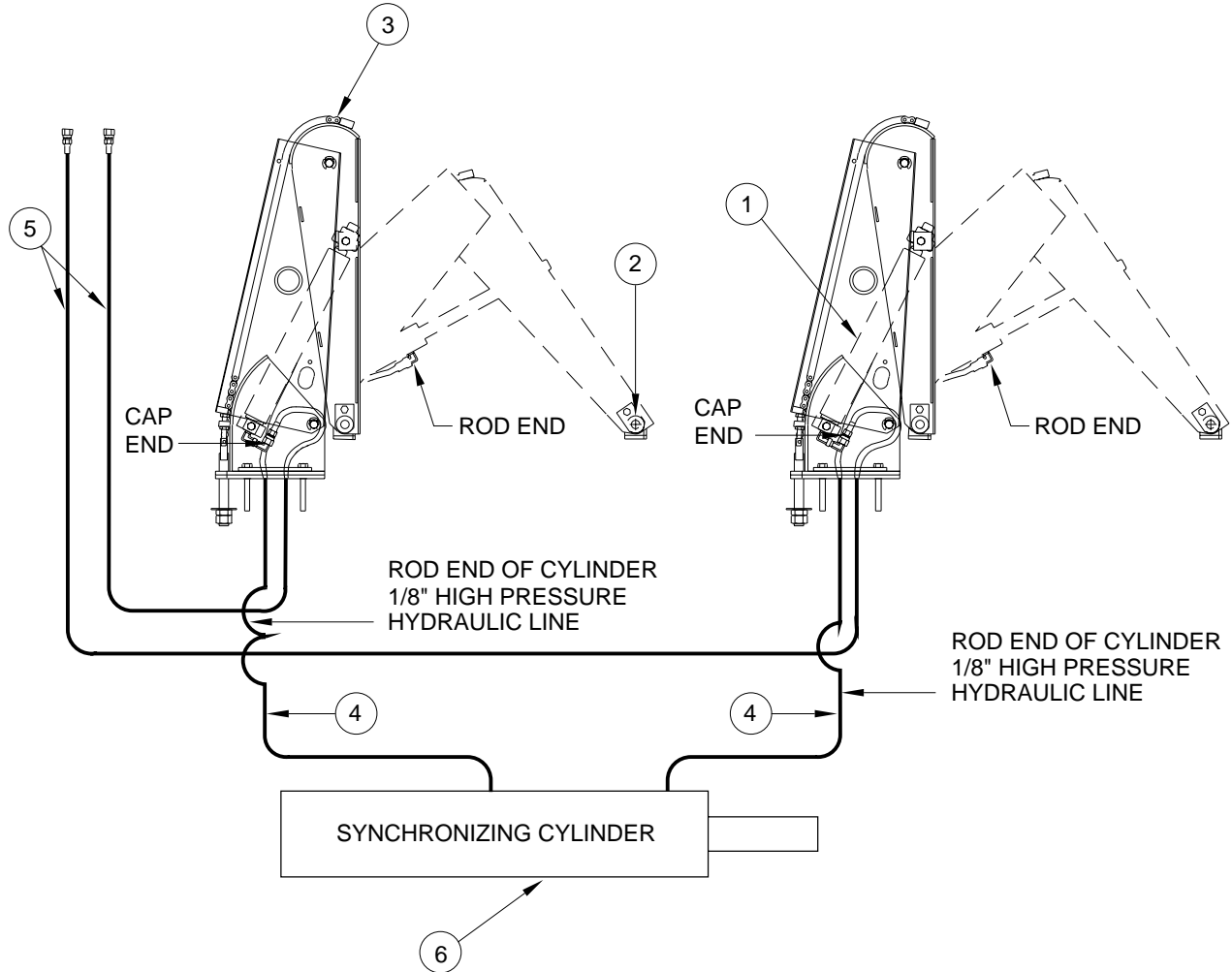
**NOTE:** INDENTED ITEMS INCLUDED WITH PRECEDING ITEM.

**MR41.2200**  
**07JAN14**

# ROOM EXTENSION

## "VERTICAL ARM" ROOM EXTENSION W/SYNCHRONIZING CYLINDER

\*REFER TO SPECIFIC MANUFACTURER'S GUIDE PAGE FOR CORRECT CYLINDER, SYNCHRONIZING CYLINDER AND HOSE ASSEMBLY REPLACEMENT.

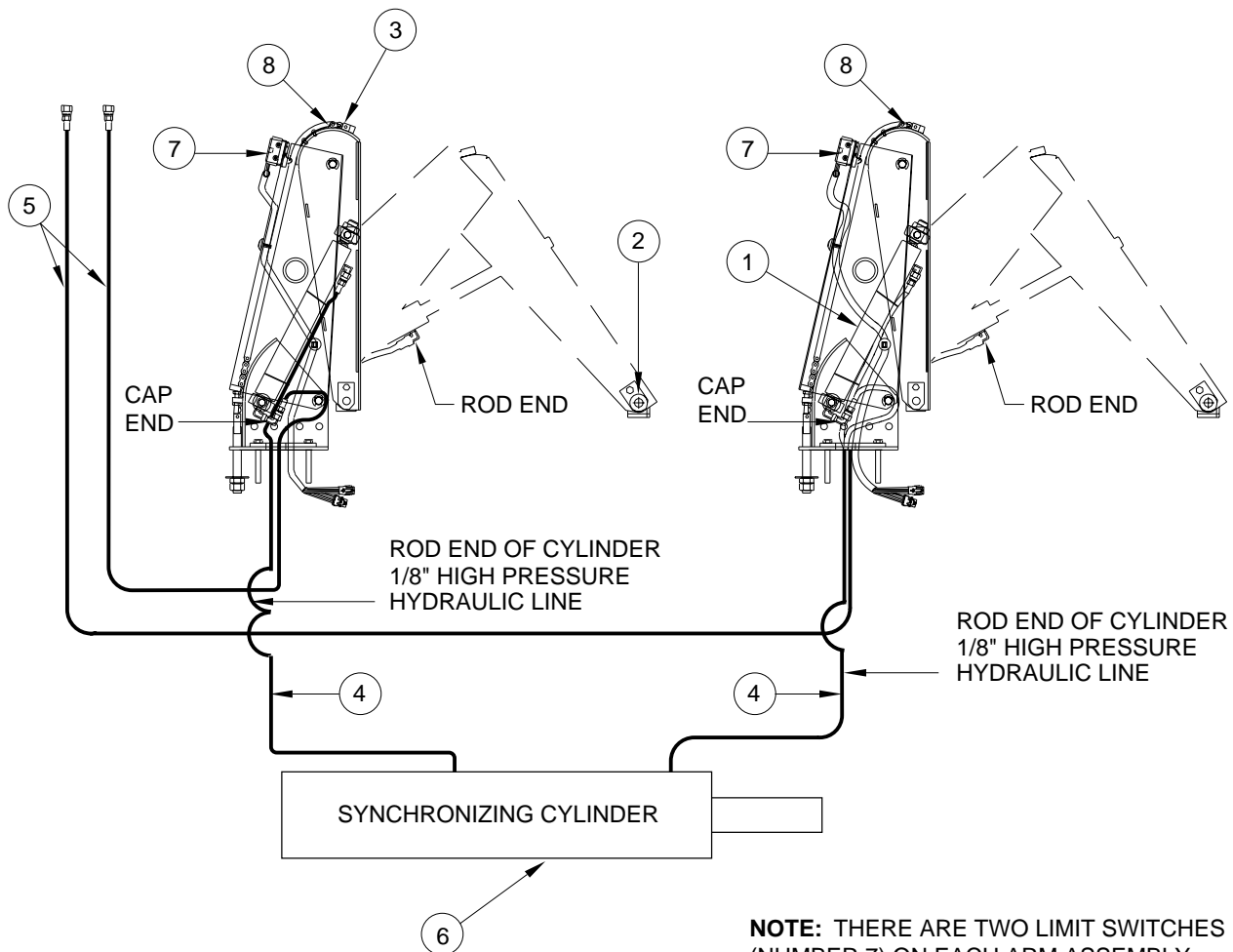


ITEM	PART	QTY	DESCRIPTION	ITEM	PART	QTY	DESCRIPTION
1*		1	CYLINDER ASSEMBLY (INCLUDES MTG BOLTS)	5*		2	HOSE ASSEMBLY .125"
2	RAP90325	1	PIN PLATE KIT	6*		1	SYNCHRONIZING CYL
3	RAP90323	1	CLEVIS PIN KIT				
4*		2	HOSE ASSEMBLY .125" HP				

# ROOM EXTENSION

## "VERTICAL ARM" ROOM EXTENSION W/SYNCHRONIZING CYLINDER AND LIMIT SWITCHES

\*REFER TO SPECIFIC MANUFACTURER'S GUIDE PAGE FOR CORRECT CYLINDER, SYNCHRONIZING CYLINDER AND HOSE ASSEMBLY REPLACEMENT.



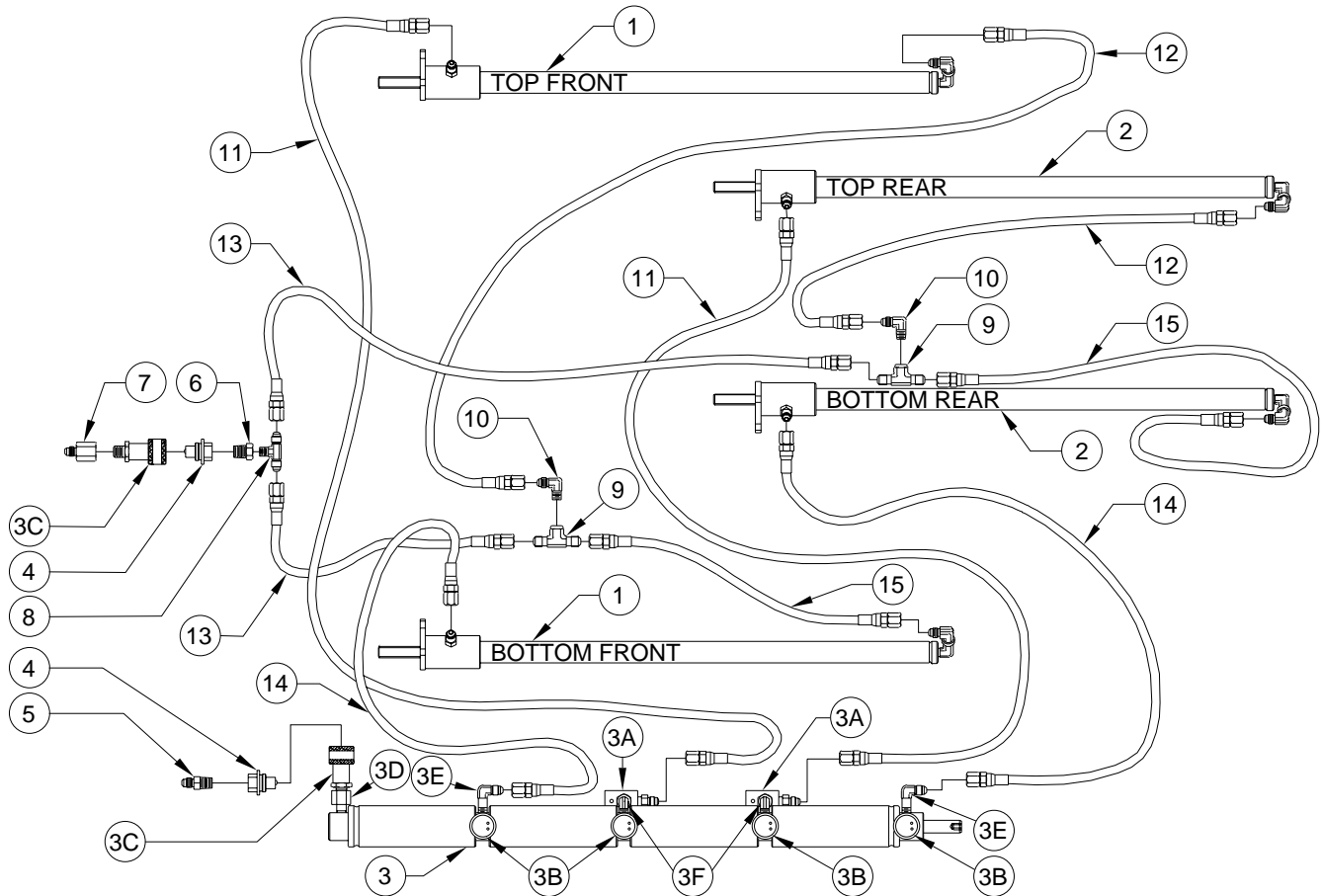
ITEM	PART	QTY	DESCRIPTION
1*		1	CYLINDER ASSEMBLY (INCLUDES MTG BOLTS)
2	RAP90325	1	PIN PLATE KIT
3	RAP90323	1	CLEVIS PIN KIT
4*		1	HOSE ASSEMBLY .125" HP
5*		1	HOSE ASSEMBLY .125"

ITEM	PART	QTY	DESCRIPTION
6*		1	SYNCHRONIZING CYL
7	RAP90584	2	ROOM IN/OUT LIMIT SW KIT (INCLUDES 1 SW WITH MOUNTING HARDWARE)
8	RAP90585	1	SWITCH CAM KIT (INCLUDES 2 CAMS, SCREWS AND LOCK-WASHERS.)

# ROOM EXTENSION

## FOUR CYLINDER ROOM EXTENSION (WITH SYNCHRONIZING CYLINDER)

**IMPORTANT: PROPER HOSE LENGTH AND SIZE MUST BE MAINTAINED WHEN REPLACING HOSES.**



**USED ON WINNEBAGO CLASS A MOTORHOMES STARTING IN 1999**

ITEM	PART	QTY	DESCRIPTION	ITEM	PART	QTY	DESCRIPTION
1	RAP90784	2	CYL ASSY FRONT .750" x 20.5" (REPLACES AP22096)	5	RF1477	1	1/4" x 1/4" MALE CONN.
2	RAP90785	2	CYL ASSY REAR .750" x 20.5" (REPLACES AP22097)	6	RF90795	1	1/4" x 1/8" REDUCER
3	RAP90783	1	SYNC CYLINDER 1.5" x 2.780" (REPLACES AP21543)	7	RF90152	1	1/4" x 1/4" FM CONN.
3A	RAP90652	2	PRESS. REDUCING VALVE	8	RF90151	1	1/4" MALE BRANCH TEE
3B	RAP90787	4	PRESS. SWITCH 5000 P.S.I.	9	RF4670	2	1/4" FM BRANCH TEE
3C	RAP90788	2	QUICK COUPLER FM	10	RF1453	2	1/4" x 1/8" 90 DEG CONN.
3D	RF90794	1	1/4" x 1/8" ADAPTER	11	RAP90790	2	.188 x 240" HOSE HP
3E	RF1511	2	1/4" x 1/8" 90 DEG COUPLER	12	RAP90077	2	.25 x 100" HOSE
3F	RF8143	2	1/8" 90 DEG MALE PIPE	13	RAP90791	2	.25 x 130" HOSE
4	RAP90789	2	QUICK COUPLER MALE	14	RAP90792	2	.188 x 180" HOSE HP
				15	RAP90347	2	.25 x 11" HOSE

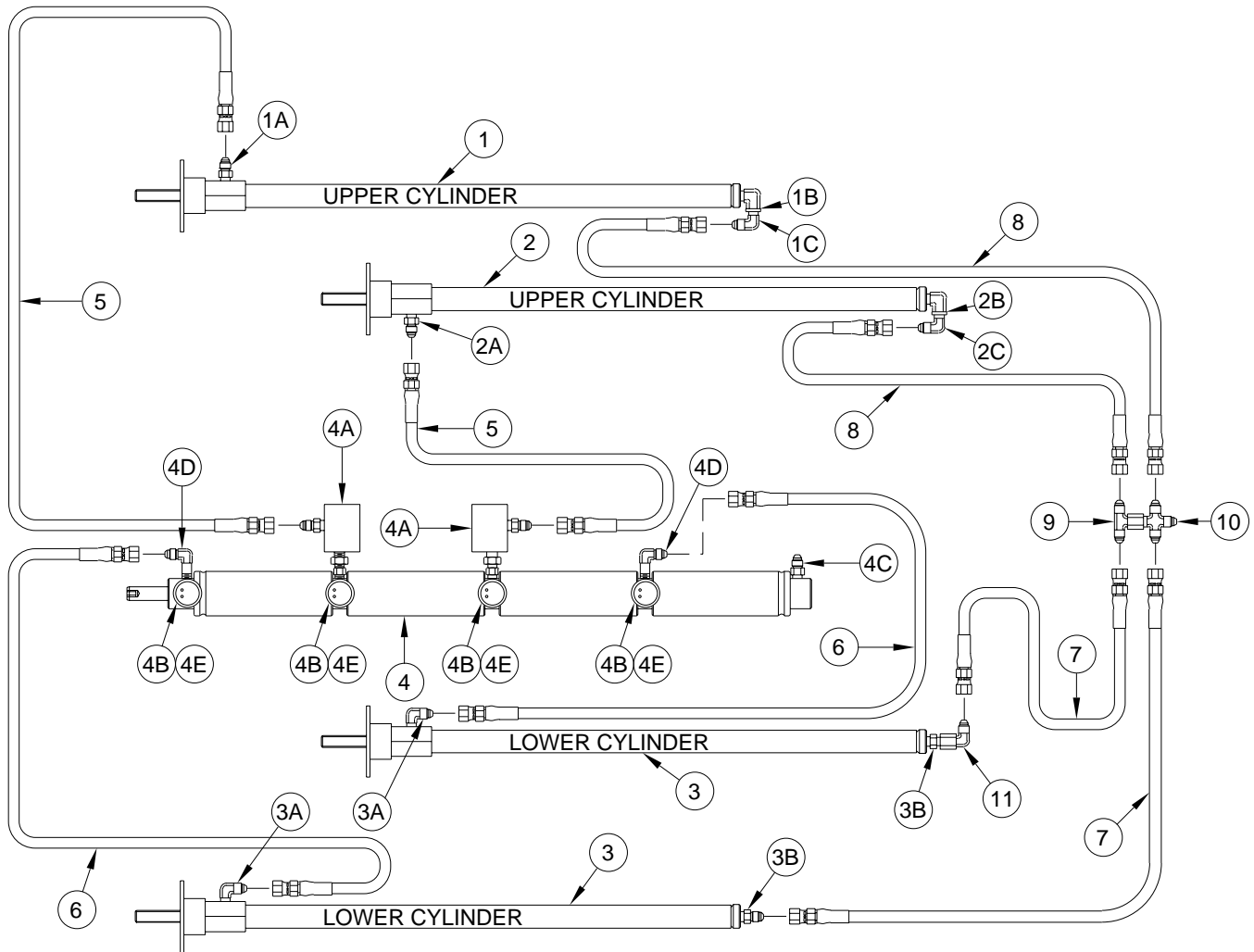
**IMPORTANT:** CLASS A MOTOR HOMES USING AN AP18543 SYNCHRONIZING CYLINDER WITHOUT QUICK COUPLERS MUST ORDER AN RAP90753 SYNCHRONIZING CYLINDER AND 1 EACH ITEMS 4 AND 5 WHEN REPLACING A SYNC CYLINDER.

**NOTE:** INDENTED ITEMS ARE INCLUDED WITH PRECEDING ITEM.

# ROOM EXTENSION

## FOUR CYLINDER ROOM EXTENSION (WITH SYNCHRONIZING CYLINDER)

**IMPORTANT:** PROPER HOSE LENGTH AND SIZE MUST BE MAINTAINED WHEN REPLACING HOSES.



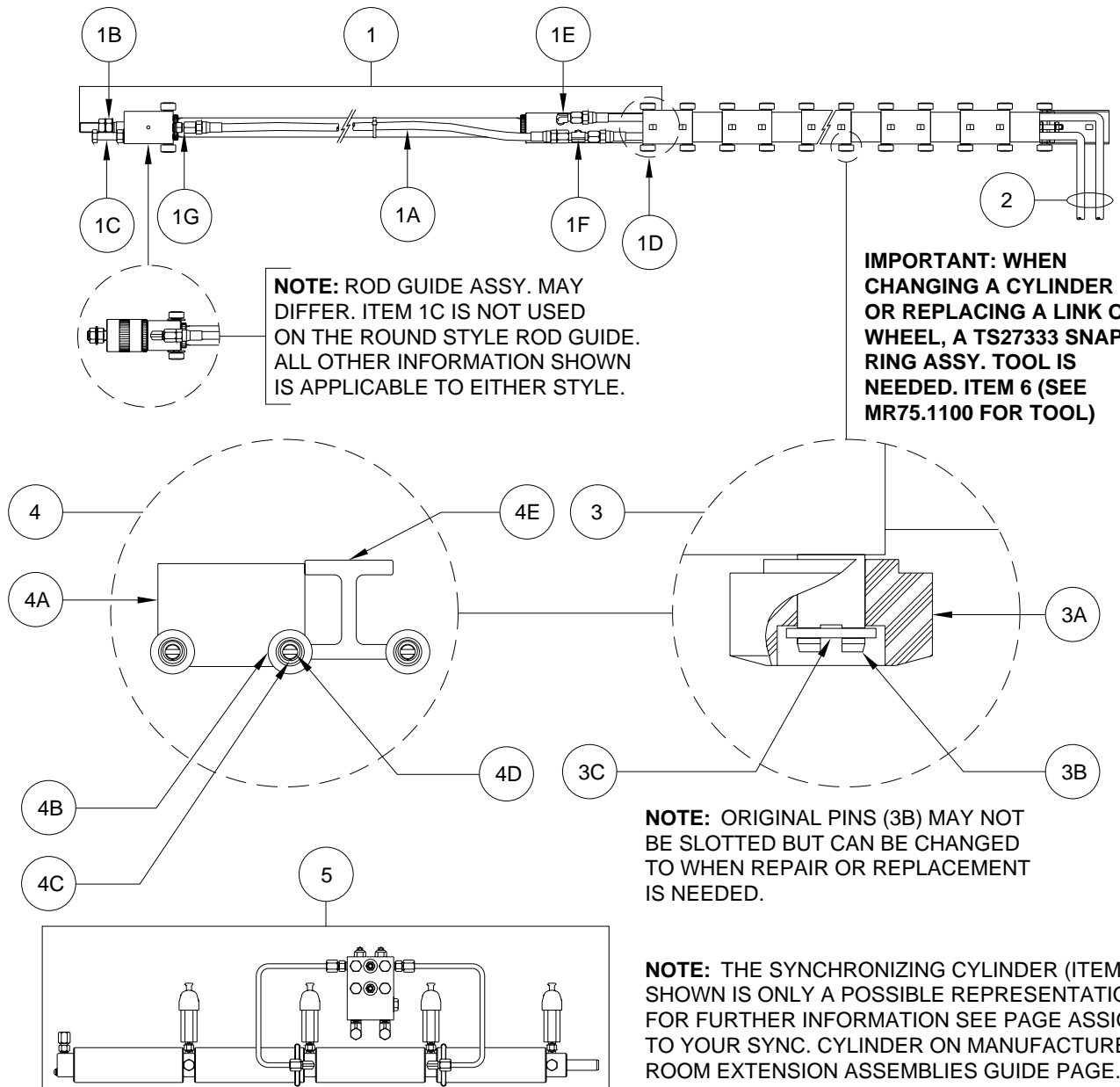
**USED ON WINNEBAGO CLASS A MOTOR HOMES STARTING IN 1999**

ITEM	PART	QTY	DESCRIPTION	ITEM	PART	QTY	DESCRIPTION
1	RAP90647	1	CYL. ASSY UPPER FRONT .750" x 20.5" (Replaces AP17851)	4	RAP90649	1	SYNCHRONIZING CYL. 1.5" x 2.780" (Replaces AP18543)
1A	RF5996	1	1/4" x 1/8" 45DEG CONN.	4A	RAP90652	2	PRESS. REDUCING VALVE
1B	RF90796	1	1/8" x 1/8" STREET 90DEG	4B	RAP90654	4	PRESS. SW. 4000PSI
1C	RF1453	1	1/4" x 1/8" 90DEG CONN.	4C	RF1456	1	1/4" x 1/4" MALE CONN.
2	RAP90648	1	CYL. ASSY UPPER REAR .750" x 20.5" (Replaces AP17400)	4D	RF1511	1	1/4" x 1/8" 90DEG CONN.
2A	RF5996	1	1/4" x 1/8" 45DEG CONN.	4E	RF9315	6	1/8" NIPPLE
2B	RF90796	1	1/8" x 1/8" STREET 90DEG	5	RAP90798	2	.188" x 211" HOSE ASSY HP
2C	RF1453	1	1/4" x 1/8" 90DEG CONN.	6	RAP90799	2	.188" x 132" HOSE ASSY HP
3	RAP90650	1	CYL. ASSY LOWER .750" x 20.5" (Replaces AP17852)	7	RAP90800	2	.125" x 108" HOSE ASSY
3A	RF1453	1	1/4" x 1/8" 90DEG CONN.	8	RAP90801	2	.125" x 240" HOSE ASSY
3B	RF1456	1	1/4" x 1/8" MALE CONN.	9	RF90150	1	1/4" NUT BRANCH TEE
				10	RF90147	1	1/4" UNION CROSS
				11	RF90010	1	1/4" 90DEG SWIVEL

**NOTE:** INDENTED ITEMS ARE INCLUDED WITH PRECEDING ITEM.



# TRAIN DRIVE - ROOM EXTENSION ASSEMBLY FOUR CYLINDER ROOM EXTENSION (WITH SYNCHRONIZING CYLINDER)



ITEM	PART	QTY	DESCRIPTION
1*		1	CYLINDER ASSY
1A*		1	HOSE ASSY
1B		2	HEX NUT 1/2-13 JAM PLD
		2	WASHER 1/2 INT STAR
1C		1	HHCS 3/8-16x2 GR5
		1	HEX NUT 3/8-16 PLD
		1	WASHER 3/8 INT STAR
1D*		1	ROLLER KIT TRAIN
		2	ROLLER
		1	PIN-LINK SLOTTED
		4	SNAP RING
1E	RF1453	1	4-CTX-S MALE ELBOW
1F	RF90151	1	4-STX-S MALE BRANCH T
1G	RF1456	1	4-FTX-S MALE CONN

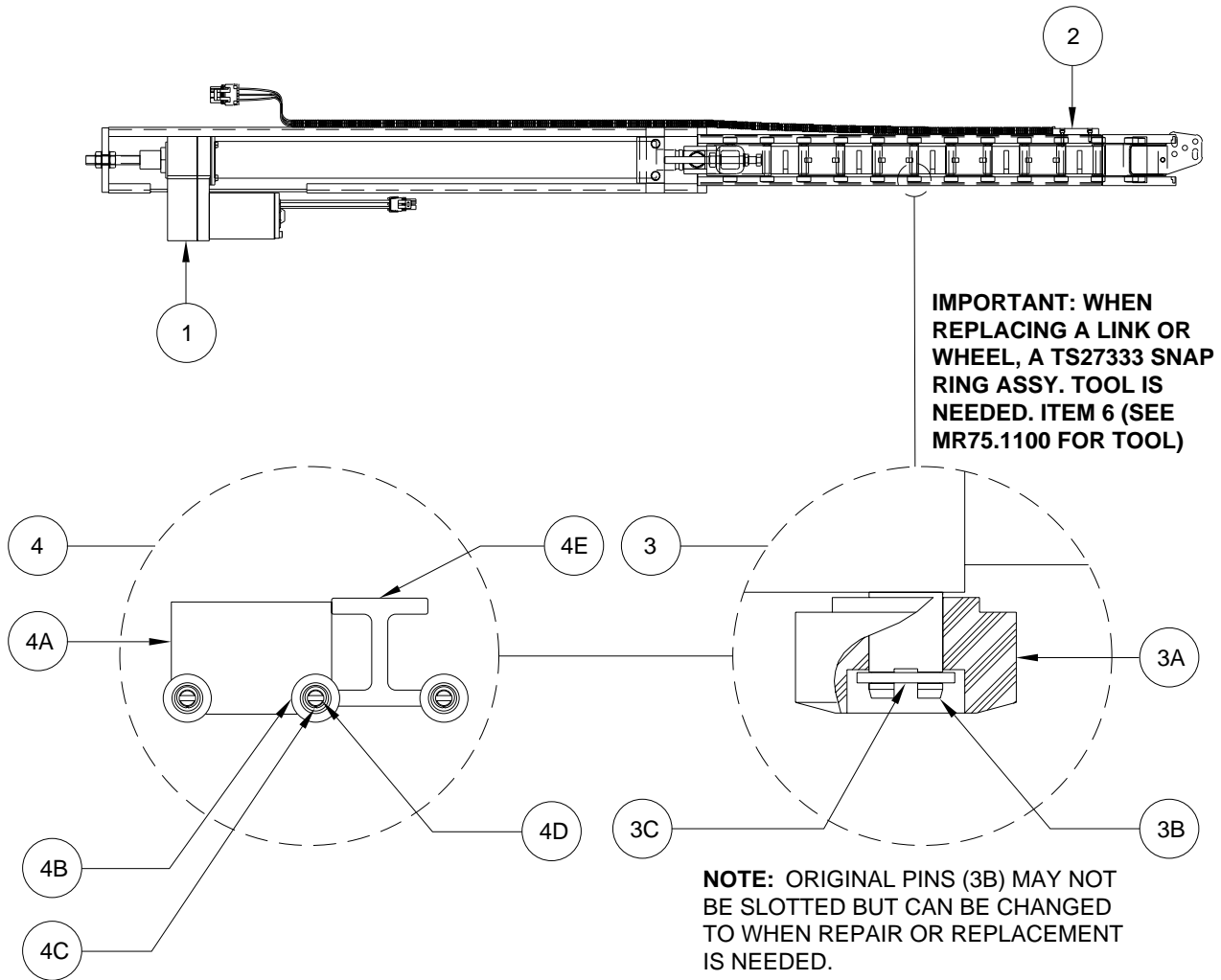
ITEM	PART	QTY	DESCRIPTION
2*		2	HOSE-COVER ASSY.
3*		1	ROLLER KIT REPAIR
3A		4	ROLLER
3B		2	PIN-LINK SLOTTED
3C		8	SNAP RING
4*		1	LINK KIT REPAIR
4A		1	LINK OUTER
4B		6	ROLLER
4C		12	SNAP RING
4D		3	PIN-LINK SLOTTED
4E		1	LINK INNER
5*		1	SYNC. CYLINDER
6	TS27333	1	SNAP RING ASSY. TOOL

NOTE: INDENTED ITEMS INCLUDED WITH PRECEDING ITEM.

\*SEE SPECIFIC MANUFACTURER'S GUIDE PAGE IN THIS SECTION FOR REPLACEMENT PART NUMBERS.

# ELECTRIC TRAIN DRIVE - ROOM EXTENSION ASSEMBLY

## FOUR ACTUATOR ROOM EXTENSION



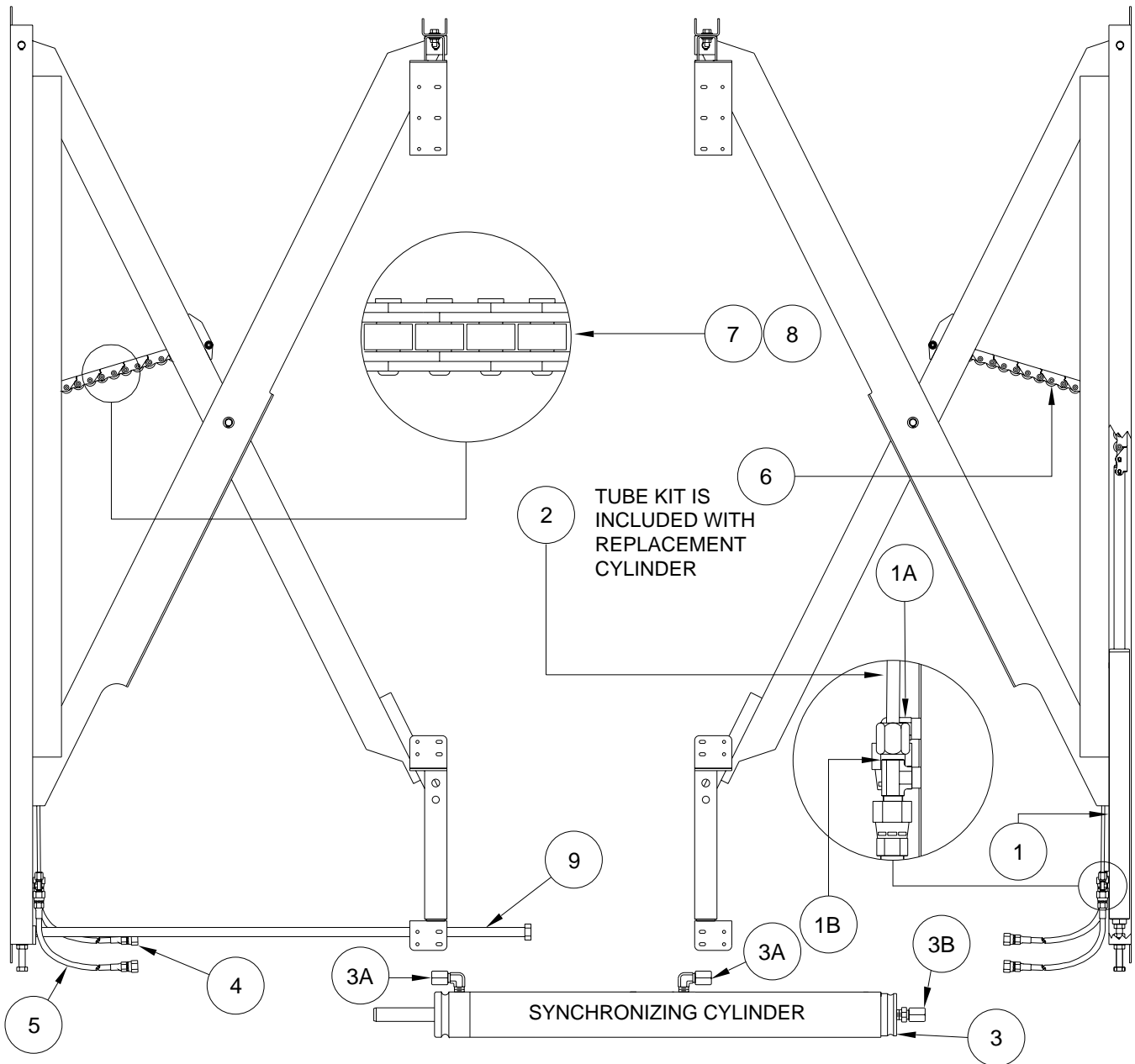
ITEM	PART	QTY	DESCRIPTION
1	<b>NOT AVAILABLE</b>		ELECTRIC ACTUATOR CONTACT COUNTRY COACH FOR REPAIR INFO.
2	RAP92548	1	SENSOR TRAIN DRIVE
3	RAP90826	1	ROLLER KIT REPAIR
3A		2	ROLLER
3B		1	PIN-LINK SLOTTED
3C		4	SNAP RING

ITEM	PART	QTY	DESCRIPTION
4		1	LINK KIT REPAIR
4A		1	LINK OUTER
4B		2	ROLLER
4C		4	SNAP RING
4D		1	PIN-LINK SLOTTED
4E		1	LINK INNER
5	TS27333	1	SNAP RING ASSY. TOOL

NOTE: INDENTED ITEMS INCLUDED WITH PRECEDING ITEM.

**MR41.2651**  
**29JUN09**

# "X" SLIDE - ROOM EXTENSION ASSEMBLY TWO CYLINDER ROOM EXTENSION (WITH SYNCHRONIZING CYLINDER)

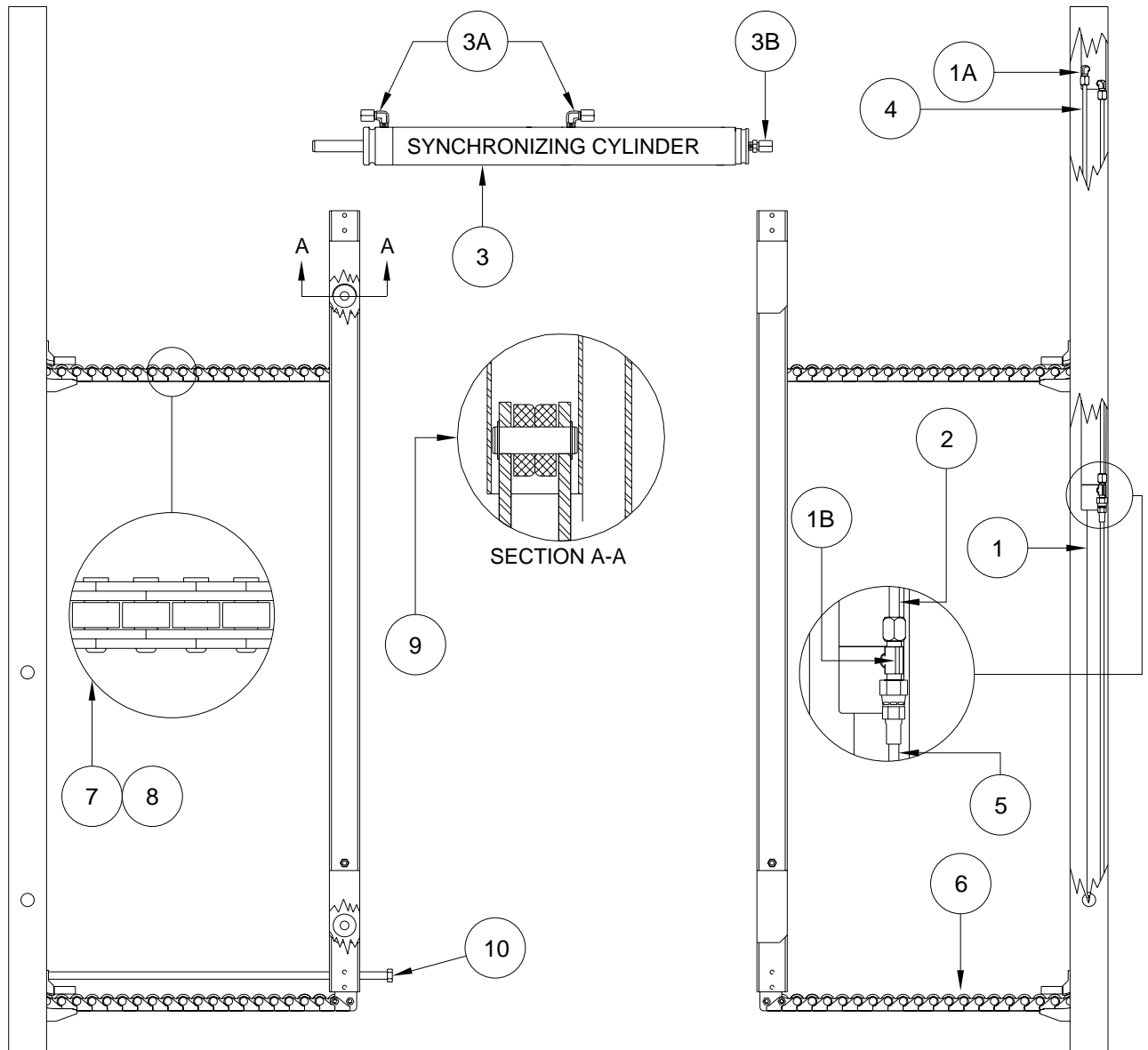


ITEM	PART	QTY	DESCRIPTION	ITEM	PART	QTY	DESCRIPTION
1*		1	CYLINDER ASSY	7	RAP91670	1	LINK & ROLLER REPAIR
1A	RF1453	1	4-CTX-S 90D MALE	8		12	CHAIN LINK
1B	RF90151	1	4-STX-S MALE BRANCH T	4		4	PIN
2	RAP91229	1	TUBE ASSEMBLY	4		4	ROLLER
3*		1	SYNC CYLINDER	8	RAP91644	1	ROLLER KIT
3A	RF1453	2	4-CTX-S MALE ELBOW	4		4	PIN
3B	RF1456	1	4-FTX-S MALE CONN	4		4	ROLLER
4*		1	HOSE ASSEMBLY (CAP END)	9	RAP92464	1	MANUAL RET. SCREW 40"
5*		1	HOSE ASSEMBLY (ROD END)		RAP93505	1	MANUAL RET. SCREW 32"
6	RAP91695	1	CHAIN ASSEMBLY (CONTACT HWH FOR CHAIN REPLACEMENT IF EXISTING CHAIN HAS PINS AND CLIPS, NOT RIVETS.)				

\*SEE SPECIFIC MANUFACTURER'S GUIDE PAGE IN THIS SECTION FOR REPLACEMENT PART NUMBERS.

**MR41.2670  
02JAN14**

# USO SLIDE - ROOM EXTENSION ASSEMBLY TWO CYLINDER ROOM EXTENSION (WITH SYNCHRONIZING CYLINDER)



ITEM	PART	QTY	DESCRIPTION
1*		1	CYLINDER ASSY
1A	RF1453	1	4-CTX-S 90D MALE
1B	RF90151	1	4-STX-S MALE BRANCH T
2	RAP91229	1	TUBE ASSEMBLIES
3*		1	SYNC CYLINDER
3A	RF1453	2	4-CTX-S MALE ELBOW
3B	RF1456	1	4-FTX-S MALE CONN
4*		1	HOSE ASSEMBLY (CAP END)
5*		1	HOSE ASSEMBLY (ROD END)
6	RAP91695	1	CHAIN ASSEMBLY
7	RAP91644	1	ROLLER REPAIR
		4	PIN
		4	ROLLER
		12	SNAP RING

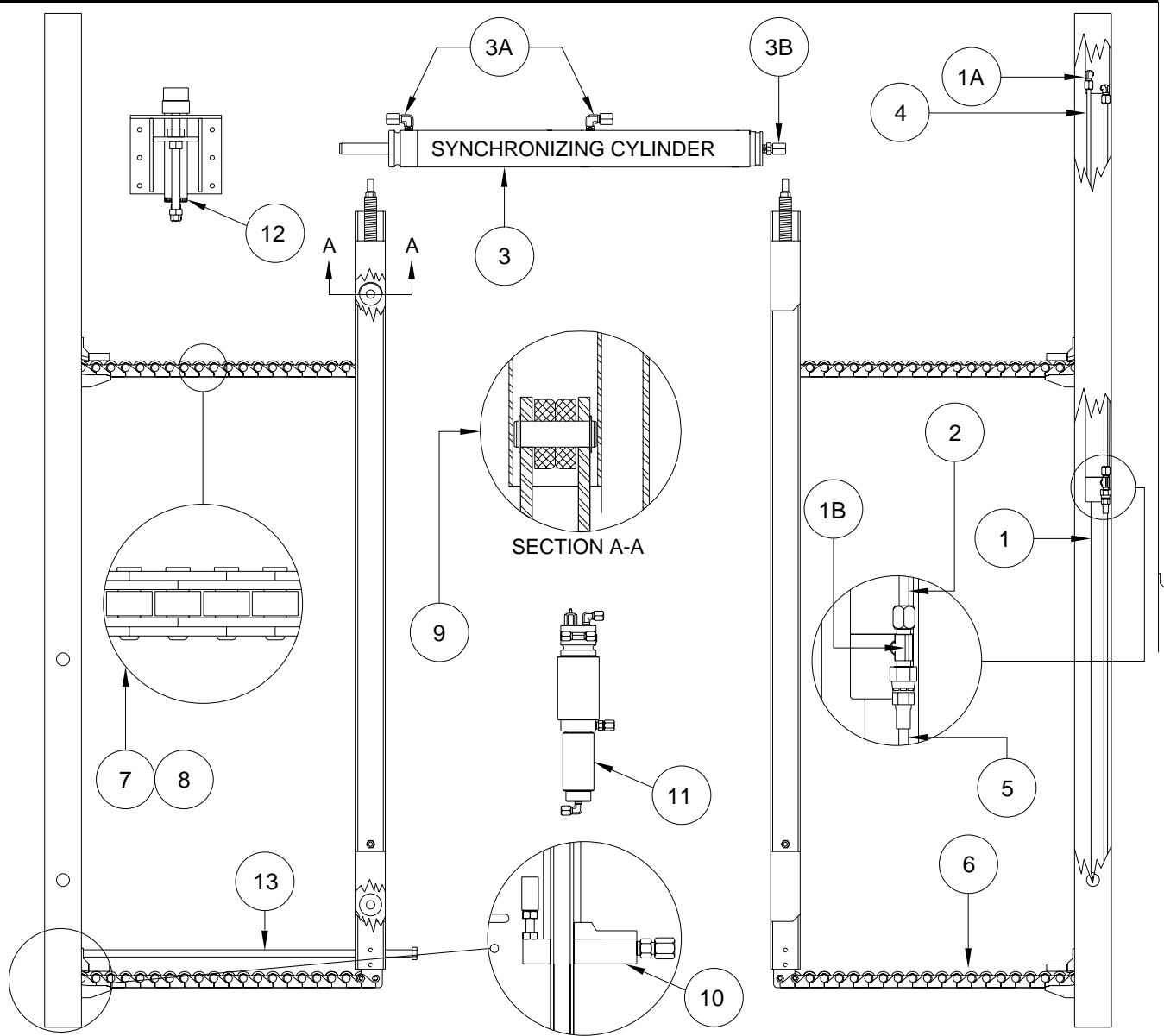
ITEM	PART	QTY	DESCRIPTION
8	RAP91670	1	LINK & ROLLER REPAIR
		8	CHAIN LINK
		4	PIN
		4	ROLLER
		12	SNAP RING
9	RP91596	4	ROLLER 1.500 X 0.600
		4	ROLLER 1.500 X 0.443
		8	WASHER 0.813 X 0.031
		4	WASHER 0.840 X 0.325
		4	WASHER 0.840 X 0.125
		4	SNAP RING
		4	SNAP RING
10	RAP92464	1	MANUAL RET. SCREW 40"

\*SEE SPECIFIC MANUFACTURER'S GUIDE PAGE  
IN THIS SECTION FOR REPLACEMENT

**NOTE:** INDENTED ITEMS INCLUDED WITH PRECEDING ITEM. PART NUMBERS.

**MR41.2680  
02JAN14**

# ULO SLIDE - ROOM EXTENSION ASSEMBLY TWO CYLINDER ROOM EXTENSION (WITH SYNCHRONIZING CYLINDER)

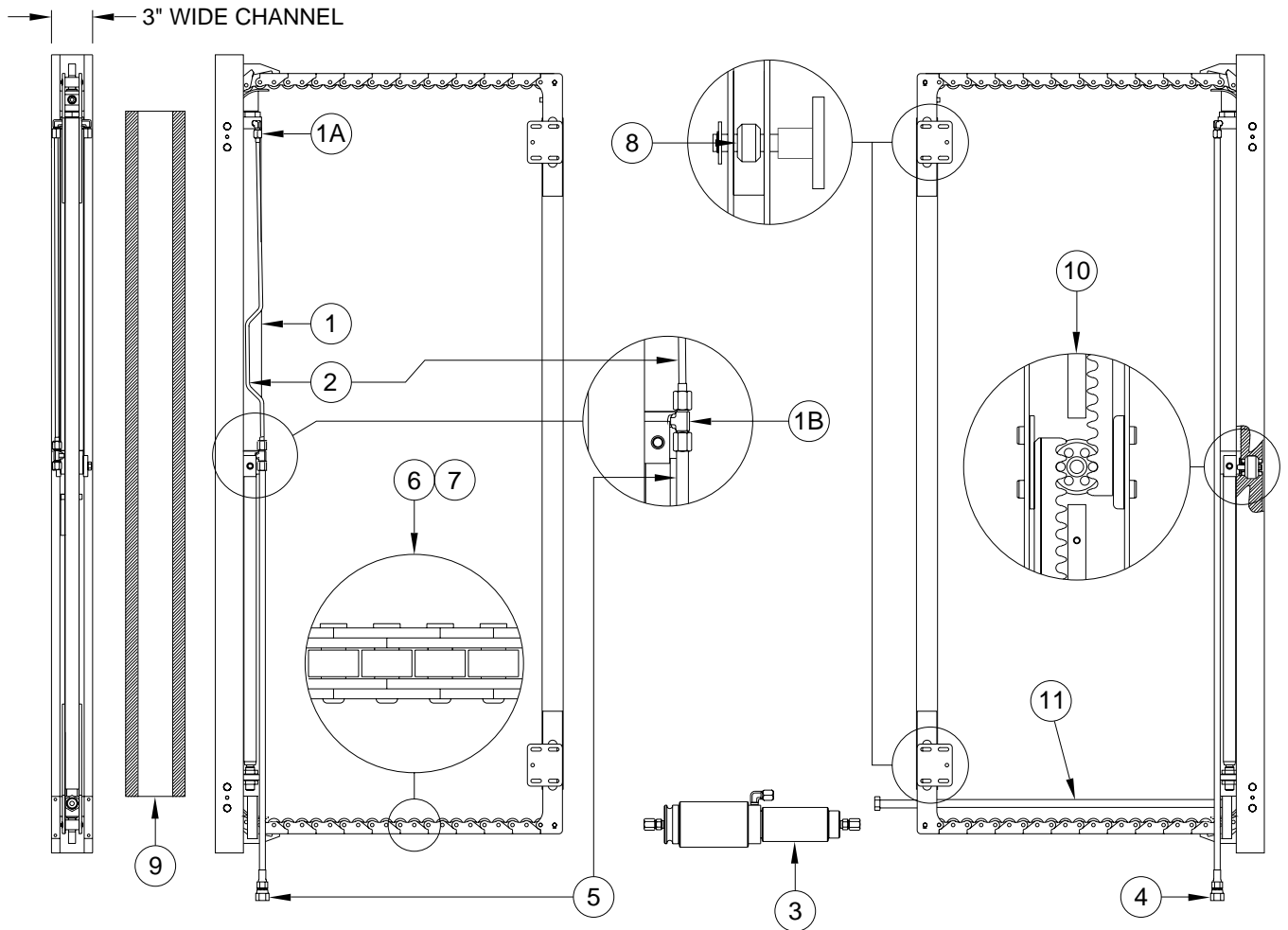


ITEM	PART	QTY	DESCRIPTION	ITEM	PART	QTY	DESCRIPTION
1*		1	CYLINDER ASSY	8	RAP91670	1	LINK & ROLLER REPAIR
1A	RF1453	1	4-CTX-S 90D MALE	8		8	CHAIN LINK
1B	RF90151	1	4-STX-S MALE BRANCH T	4		4	PIN
2*		1	TUBE ASSEMBLIES	4		4	ROLLER
3*		1	SYNC CYLINDER	12		12	SNAP RING
3A	RF1453	2	4-CTX-S MALE ELBOW	9	RP91596	4	ROLLER 1.500 X 0.600
3B	RF1456	1	4-FTX-S MALE CONN	4		4	ROLLER 1.500 X 0.443
4*		1	HOSE ASSEMBLY (CAP END)	8		8	WASHER 0.813 X 0.031
5*		1	HOSE ASSEMBLY (ROD END)	4		4	WASHER 0.840 X 0.325
6	RAP91695	1	CHAIN ASSEMBLY	4		4	WASHER 0.840 X 0.125
7	RAP91644	1	ROLLER REPAIR	4		4	SNAP RING
		4	PIN	4		4	SNAP RING
		4	ROLLER	10*		1	LIFT CYLINDER
		12	SNAP RING	11*		1	LIFT SYNC. CYLINDER
				12*		1	CENTER LIFT CYLINDER (IF USED)
				13	RAP92464	1	MANUAL RET. SCREW 40"

**NOTE:** INDENTED ITEMS INCLUDED WITH PRECEDING ITEM.  
\*SEE SPECIFIC MANUFACTURER'S GUIDE PAGE IN THIS SECTION FOR REPLACEMENT PART NUMBERS.

# USO SLIDE - ROOM EXTENSION ASSEMBLY (3" WIDE CHANNEL) TWO CYLINDER ROOM EXTENSION WITH SYNCHRONIZING CYLINDER

THESE DIAGRAMS REPRESENT THE BASE MODEL UNIVERSAL STRAIGHT OUT MECHANISM WITH A 3" WIDE CHANNEL. THE INFORMATION ON THIS PAGE IS SIMILAR IN ALL ADAPTATIONS OF THE BASE MODEL. PARTS THAT HAVE BEEN ADAPTED TO O.E.M. SPECIFICATIONS CAN BE FOUND IN THE MR40 (O.E.M. SPECIFIC) SECTION OF THIS PARTS MANUAL.



ITEM	PART	QTY	DESCRIPTION
1*			CYLINDER ASSEMBLY
1A	RF1453	1	90DEG MALE ELBOW
1B	RF90151	1	MALE BRANCH T
2*			STEEL TUBE ASSEMBLY
3*			SYNC. CYLINDER
4*			HOSE ASSY. OR STEEL TUBE ASSY. (CAP END)
5*			HOSE ASSY. OR STEEL TUBE ASSY. (ROD END)
6	RAP91644	1	ROLLER REPAIR
		4	PIN
		4	ROLLER
		12	SNAP RING

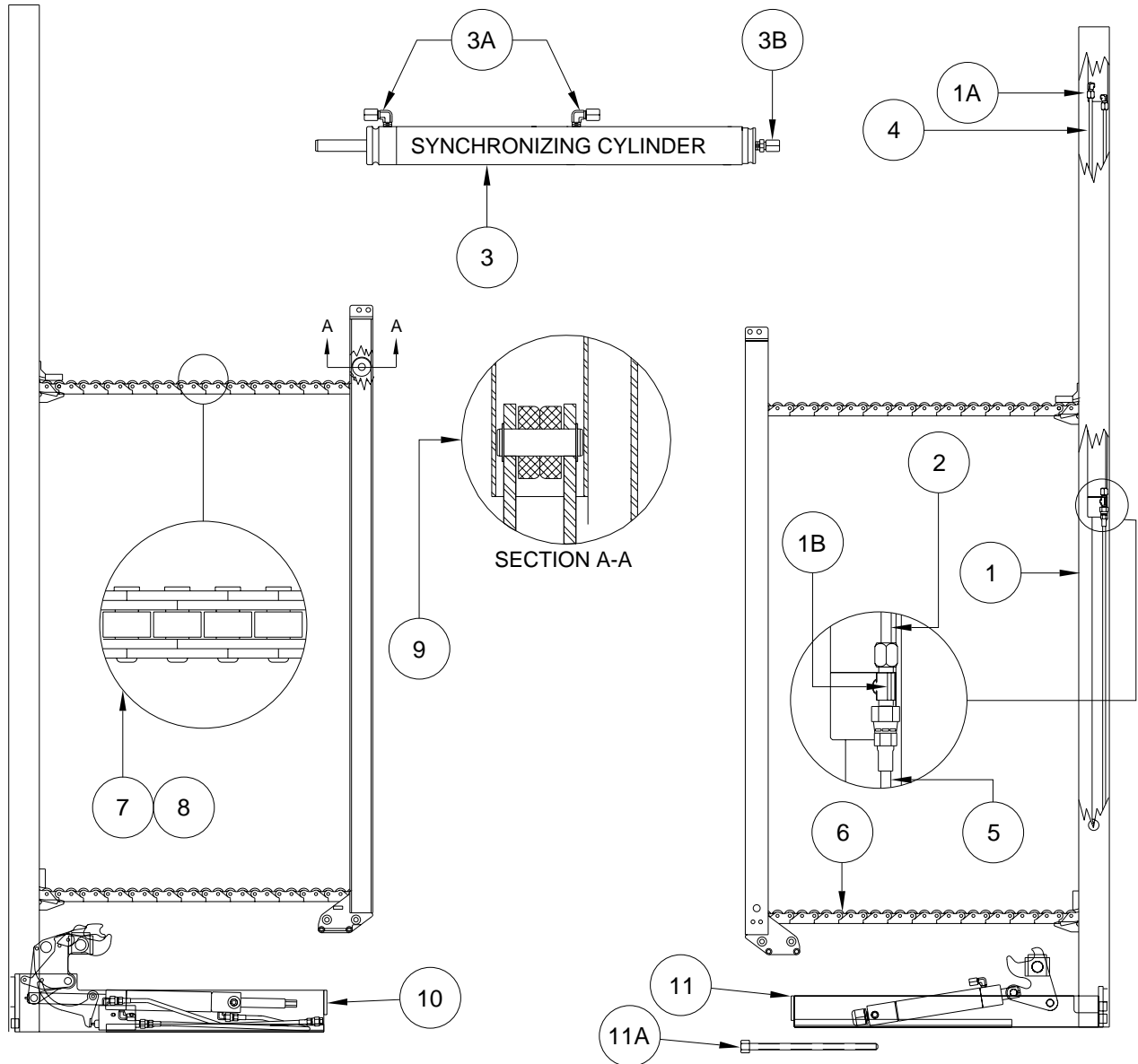
ITEM	PART	QTY	DESCRIPTION
7	RAP91670	1	LINK & ROLLER REPAIR
8		8	CHAIN LINK
		4	PIN
		4	ROLLER
		12	SNAP RING
8	RAP92091	1	ROLLER REPAIR 1.23DIA
		1	ROLLER
		1	RETAINER CLIP
9	RAP92550		VINYL COVER ASSEMBLY
10			FOR REPLACEMENT INFORMATION ON ALL RACK RELATED ITEMS CONTACT HWH CORPORATION
11	RAP92464	1	MANUAL RET. SCREW 40"

**NOTE: INDENTED ITEMS INCLUDED WITH PRECEDING ITEM.**

\*SEE SPECIFIC MANUFACTURER'S GUIDE PAGE IN MR40 SECTION FOR REPLACEMENT PART NUMBERS.

**MR41.2685  
02JAN14**

# UFO SLIDE - ROOM EXTENSION ASSEMBLY TWO CYLINDER ROOM EXTENSION (WITH SYNCHRONIZING CYLINDER)



ITEM	PART	QTY	DESCRIPTION
1*		1	CYLINDER ASSY
1A	RF1453	1	4-CTX-S 90D MALE
1B	RF90151	1	4-STX-S MALE BRANCH T
2	RAP91229	1	TUBE ASSEMBLIES
3*		1	SYNC CYLINDER
3A	RF1453	2	4-CTX-S MALE ELBOW
3B	RF1456	1	4-FTX-S MALE CONN
4*		1	HOSE ASSEMBLY (CAP END)
5*		1	HOSE ASSEMBLY (ROD END)
6	RAP91695	1	CHAIN ASSEMBLY
7	RAP91644	1	ROLLER REPAIR
		4	PIN
		4	ROLLER
		12	SNAP RING

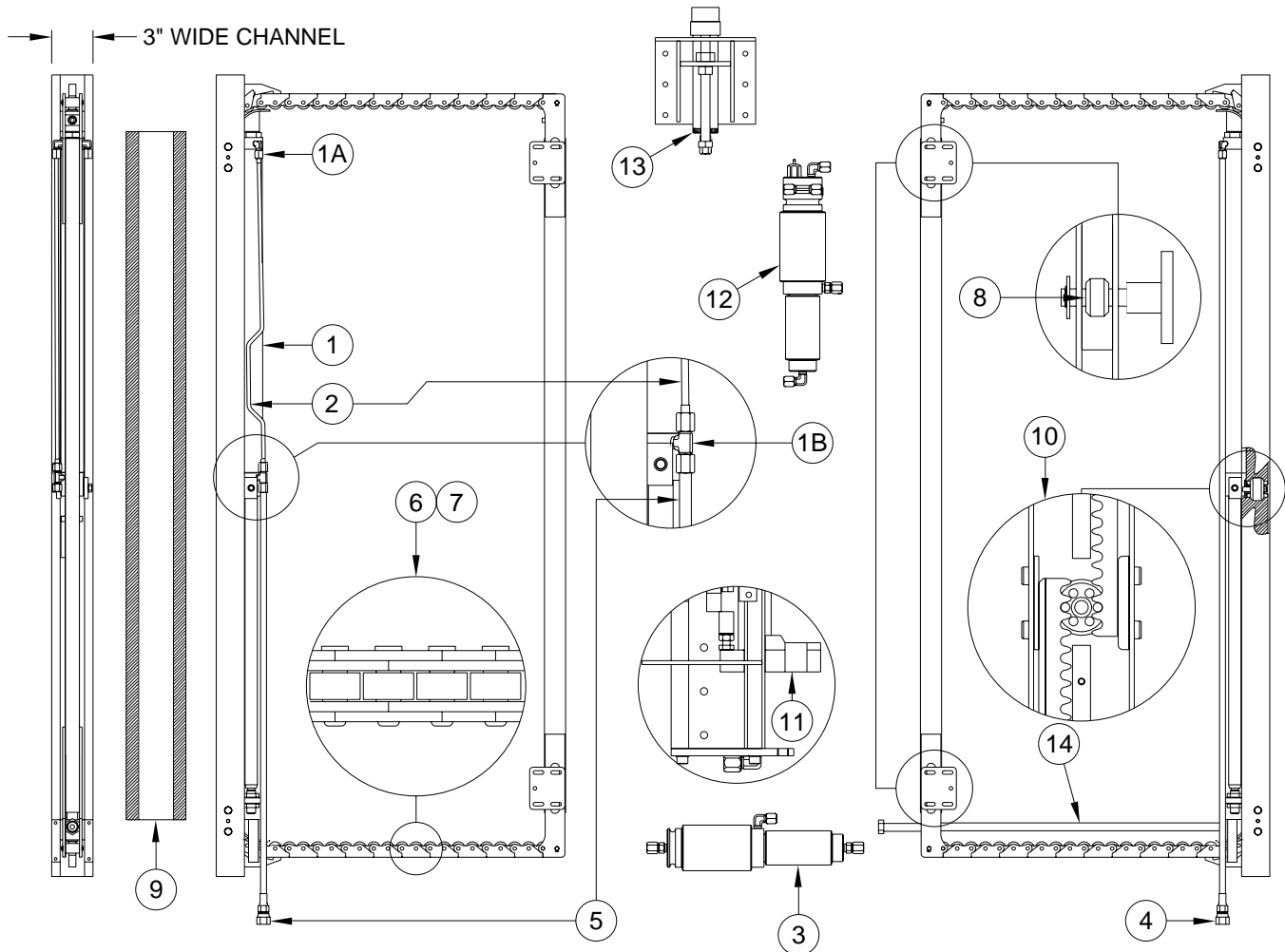
ITEM	PART	QTY	DESCRIPTION
8	RAP91670	1	LINK & ROLLER REPAIR
		8	CHAIN LINK
		4	PIN
		4	ROLLER
		12	SNAP RING
9	RP91596	4	ROLLER 1.500 X 0.600
		4	ROLLER 1.500 X 0.443
		8	WASHER 0.813 X 0.031
		4	WASHER 0.840 X 0.325
		4	WASHER 0.840 X 0.125
		4	SNAP RING
		4	SNAP RING
10*		1	LEFT HAND TOGGLE
11*		1	RIGHT HAND TOGGLE
11A	RAP93506	1	MANUAL RET. SCREW

\*SEE SPECIFIC MANUFACTURER'S GUIDE PAGE  
IN THIS SECTION FOR REPLACEMENT

**NOTE:** INDENTED ITEMS INCLUDED WITH PRECEDING ITEM. PART NUMBERS.

# ULO SLIDE - ROOM EXTENSION ASSEMBLY (3" WIDE CHANNEL) TWO CYLINDER ROOM EXTENSION WITH SYNCHRONIZING CYLINDER

THESE DIAGRAMS REPRESENT THE BASE MODEL UNIVERSAL LEVEL OUT MECHANISM WITH A 3" WIDE CHANNEL. THE INFORMATION ON THIS PAGE IS SIMILAR IN ALL ADAPTATIONS OF THE BASE MODEL. PARTS THAT HAVE BEEN ADAPTED TO O.E.M. SPECIFICATIONS CAN BE FOUND IN THE MR40 (O.E.M. SPECIFIC) SECTION OF THIS PARTS MANUAL.



ITEM	PART	QTY	DESCRIPTION
1*			CYLINDER ASSEMBLY
1A	RF1453	1	90DEG MALE ELBOW
1B	RF90151	1	MALE BRANCH T
2*			STEEL TUBE ASSEMBLY
3*			SYNC. CYLINDER
4*			HOSE ASSY. OR STEEL TUBE ASSY. (CAP END)
5*			HOSE ASSY. OR STEEL TUBE ASSY. (ROD END)
6	RAP91644	1	ROLLER REPAIR
		4	PIN
		4	ROLLER
		12	SNAP RING

ITEM	PART	QTY	DESCRIPTION
7	RAP91670	1	LINK & ROLLER REPAIR
8		8	CHAIN LINK
		4	PIN
		4	ROLLER
		12	SNAP RING
8	RAP92091	1	ROLLER REPAIR 1.23DIA
		1	ROLLER
		1	RETAINER CLIP
9	RAP92550		VINYL COVER ASSEMBLY
10			FOR REPLACEMENT INFORMATION ON ALL RACK RELATED ITEMS CONTACT HWH CORPORATION
11*			LIFT CYLINDER
12*			LIFT SYNC. CYLINDER
13*			CENTER LIFT CYLINDER (IF USED)
14	RAP92464	1	MANUAL RET. SCREW 40"

NOTE: INDENTED ITEMS INCLUDED WITH PRECEDING ITEM.

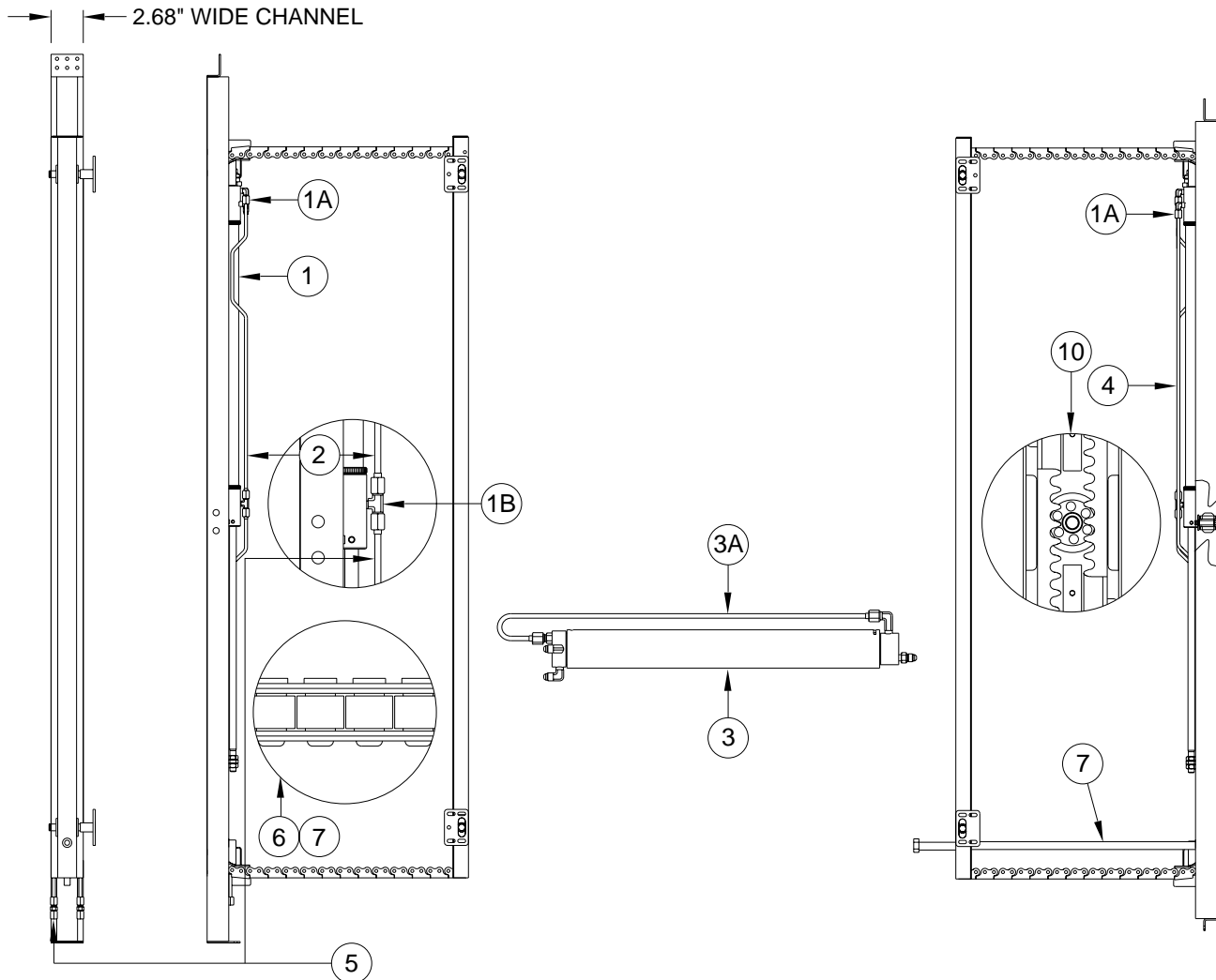
\*SEE SPECIFIC MANUFACTURER'S GUIDE PAGE IN MR40 SECTION FOR REPLACEMENT PART NUMBERS.

**MR41.2690**  
**03FEB13**



# USO SLIDE - ROOM EXTENSION ASSEMBLY (2.68" WIDE CHANNEL) TWO CYLINDER ROOM EXTENSION WITH SYNCHRONIZING CYLINDER

THESE DIAGRAMS REPRESENT THE BASE MODEL UNIVERSAL STRAIGHT OUT MECHANISM WITH A 2.68" WIDE CHANNEL. THE INFORMATION ON THIS PAGE IS SIMILAR IN ALL ADAPTATIONS OF THE BASE MODEL. PARTS THAT HAVE BEEN ADAPTED TO O.E.M. SPECIFICATIONS CAN BE FOUND IN THE MR40 (O.E.M. SPECIFIC) SECTION OF THIS PARTS MANUAL.



ITEM	PART	QTY	DESCRIPTION
1*			CYLINDER ASSEMBLY
1A	RF1453	1	90DEG MALE ELBOW
1B	RF90151	1	MALE BRANCH T
2*			STEEL TUBE ASSEMBLY
3*			SYNC. CYLINDER
3A*			TUBE ASSY. SYNC CYL. (IF USED)

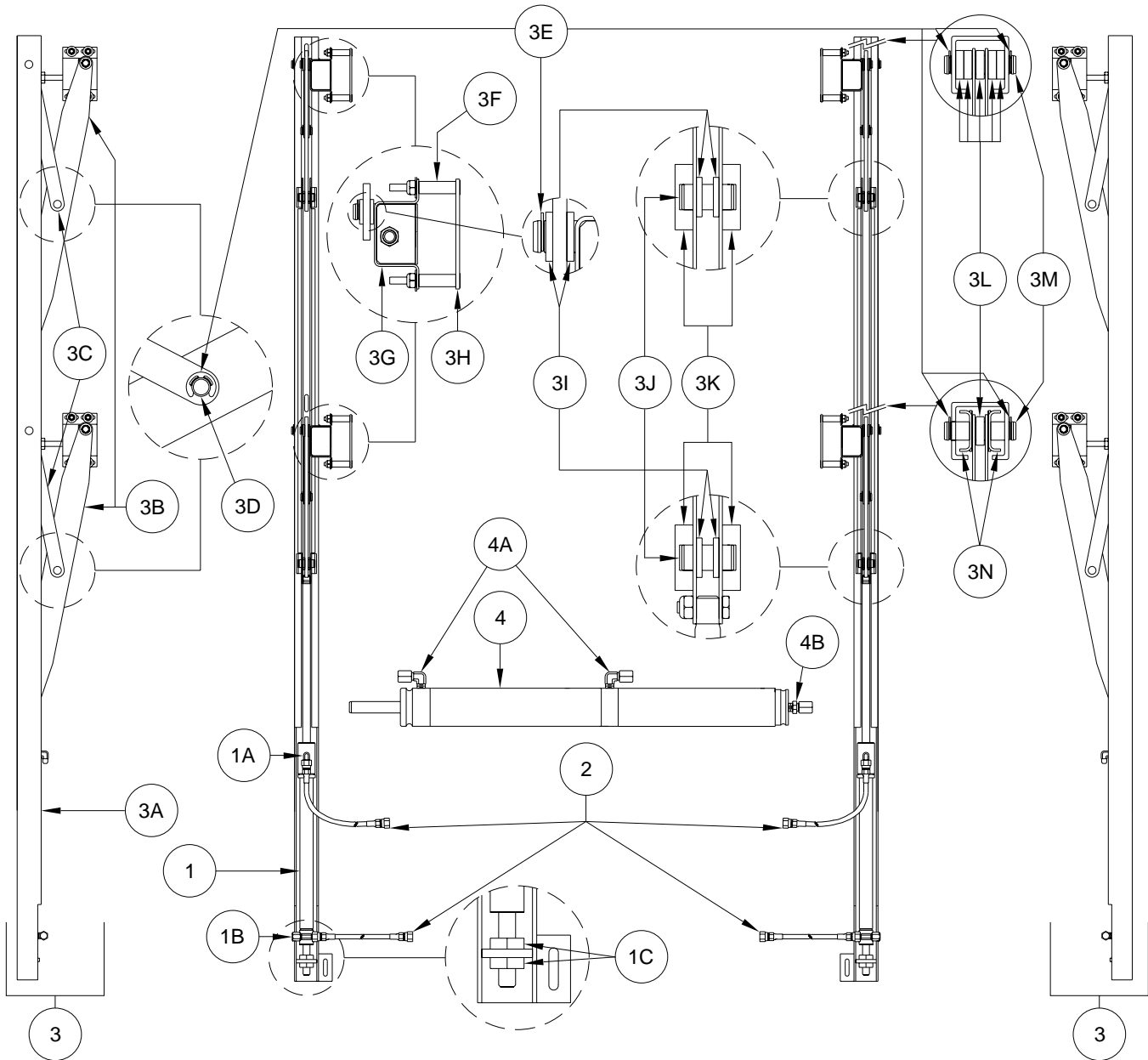
ITEM	PART	QTY	DESCRIPTION
4*			HOSE ASSY. OR STEEL TUBE ASSY. (CAP END)
5*			HOSE ASSY. OR STEEL TUBE ASSY. (ROD END)
6			FOR REPLACEMENT INFORMATION ON ALL RACK RELATED ITEMS CONTACT HWH CORPORATION
7	RAP91357	1	MANUAL RET. SCREW 39"
	RAP91643	1	MANUAL RET. SCREW 30"

**NOTE: INDENTED ITEMS INCLUDED WITH PRECEDING ITEM.**

\*SEE SPECIFIC MANUFACTURER'S GUIDE PAGE IN MR40 SECTION FOR REPLACEMENT PART NUMBERS.

**MR41.2693  
03JAN14**

# LATERAL ARM - ROOM EXTENSION ASSEMBLY TWO CYLINDER ROOM EXTENSION (WITH SYNCHRONIZING CYLINDER)



ITEM	PART	QTY	DESCRIPTION
1*		1	CYLINDER ASSY
1A	RF1453	1	4-CTX-S 90D MALE
1B	RF90151	1	4-STX-S MALE BRANCH T
1C	H115002	2	HEX NUT 1/2-13 JAM PLD
2*		2	HOSE ASSY
3*		1	LATERAL ARM ASSY LH
		1	LATERAL ARM ASSY RH
3A		1	SLIDE POST ASSY LH
		1	SLIDE POST ASSY RH
3B		2	LONG ARM
3C		2	SHORT ARM ASSY
3D		2	PIN 0.563 X 0.842
3E		10	SNAP RING
3F		8	WALL SPACER
3G		2	BRKT ASSY LH
		2	BRKT ASSY RH

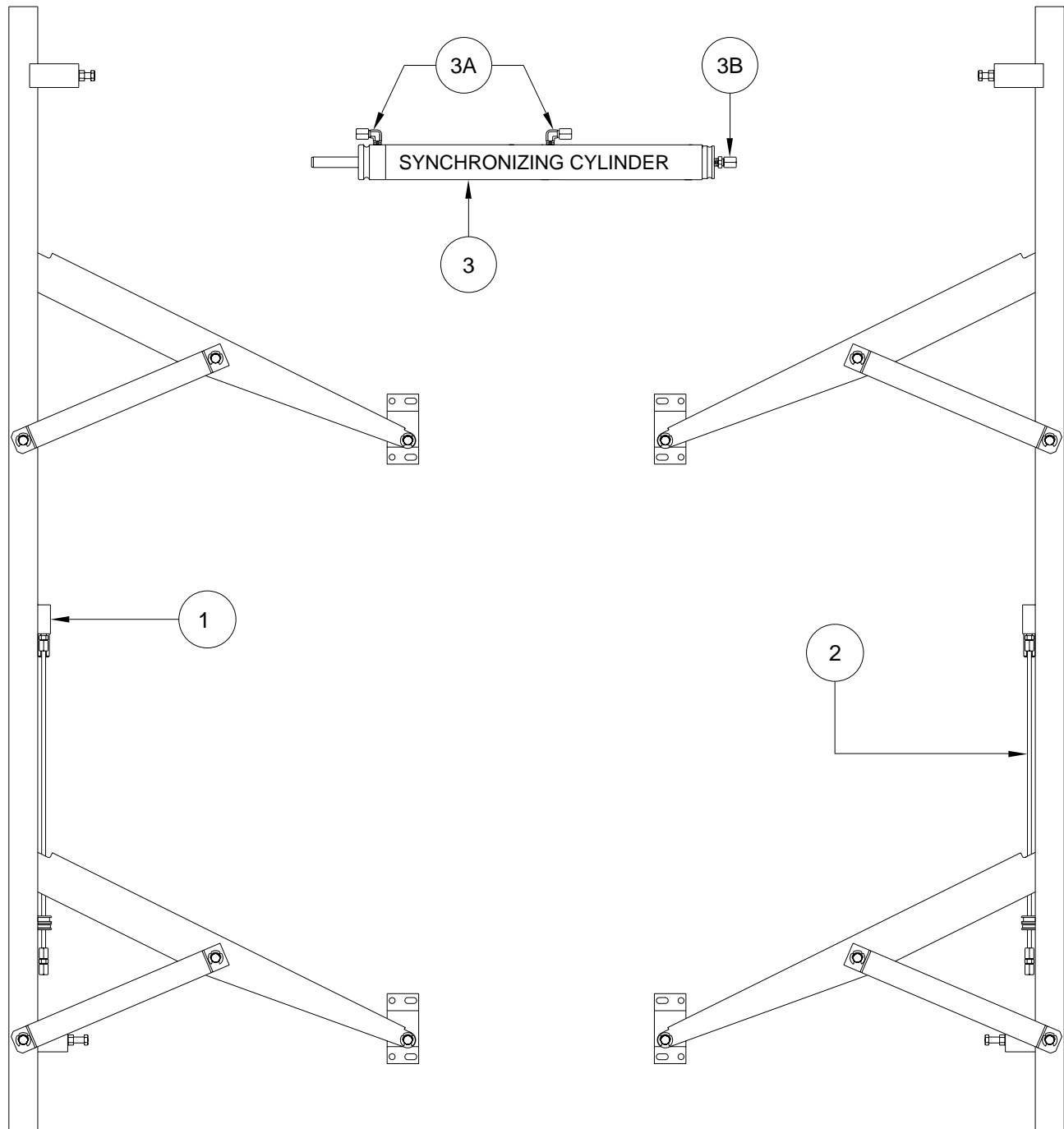
ITEM	PART	QTY	DESCRIPTION
3H		2	BRKT PLATE
3I		8	WASHER 0.875 X 0.125
3J		2	PIN 0.563 X 1.150
3K		4	BEARING PAD 1.5 X 1.5
3L		6	WASHER 0.875 X 0.250
3M		2	PIN 0.563 X 2.192
3N		2	CHANNEL SLIDER
4*		1	SYNC CYLINDER
4A	RF1453	2	4-CTX-S MALE ELBOW
4B	RF1456	1	4-FTX-S MALE CONN

\*SEE SPECIFIC MANUFACTURER'S GUIDE PAGE  
IN THIS SECTION FOR REPLACEMENT  
PART NUMBERS.

**NOTE:** INDENTED ITEMS INCLUDED WITH PRECEDING ITEM.  
MR40.6800

**MR41.2800  
30AUG05**

# LATERAL ARM - ROOM EXTENSION ASSEMBLY TWO CYLINDER ROOM EXTENSION WITH SYNCHRONIZING CYLINDER



ITEM	PART	QTY	DESCRIPTION
1*		1	CYLINDER ASSY
2*		1	TUBE ASSY

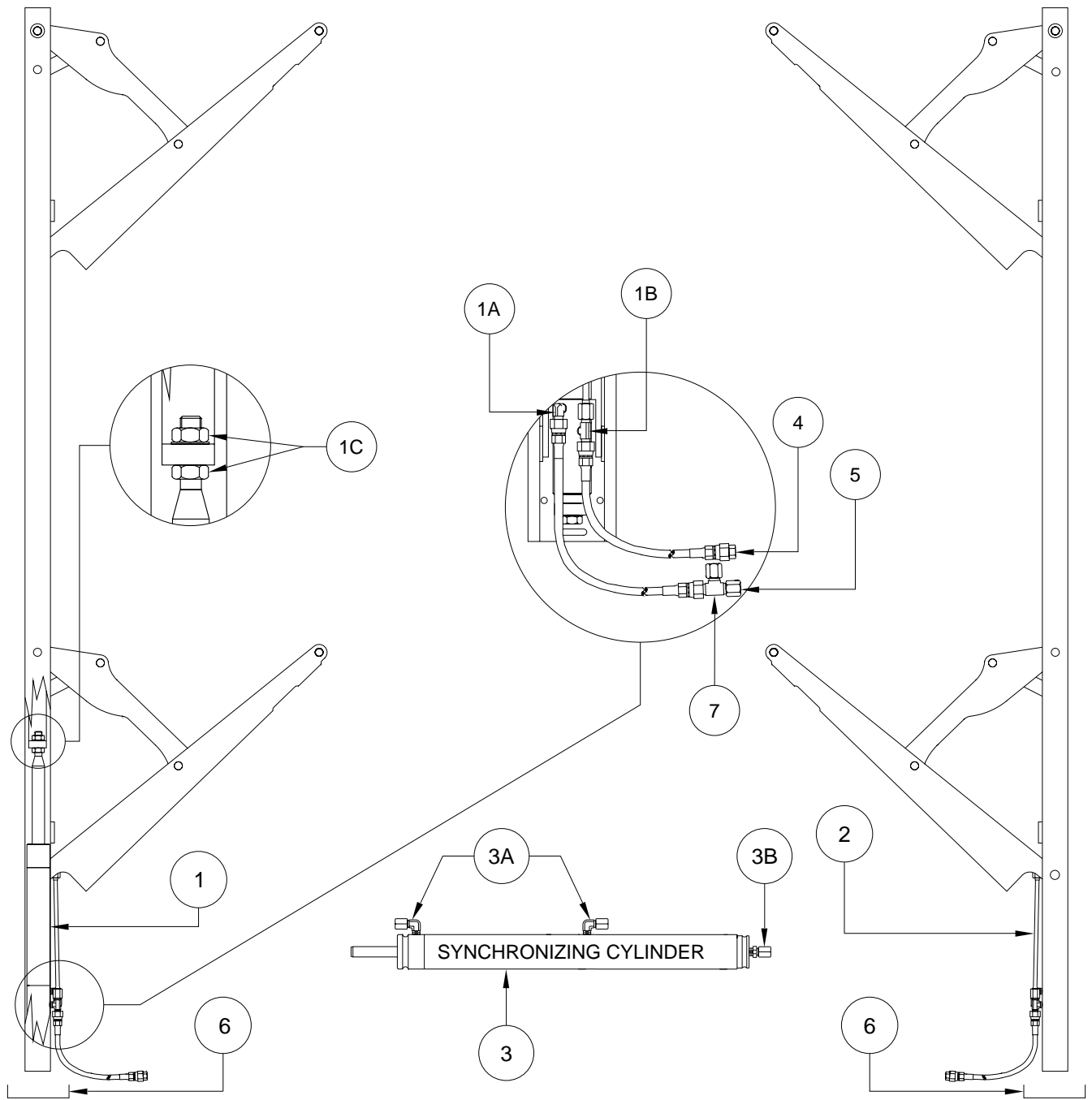
ITEM	PART	QTY	DESCRIPTION
3*		1	SYNC CYLINDER
3A	RF1453	2	4-CTX-S MALE ELBOW
3B	RF1456	1	4-FTX-S MALE CONN

\*SEE SPECIFIC MANUFACTURER'S GUIDE PAGE  
IN THIS SECTION FOR REPLACEMENT  
PART NUMBERS.

**NOTE:** INDENTED ITEMS INCLUDED WITH PRECEDING ITEM.

**MR41.2805  
29JUN09**

# LATERAL ARM - ROOM EXTENSION ASSEMBLY TWO CYLINDER ROOM EXTENSION WITH SYNCHRONIZING CYLINDER OR TORSION BAR



ITEM	PART	QTY	DESCRIPTION
1*		1	CYLINDER ASSY
1A	RF1453	1	4-CTX-S 90D MALE
1B	RF90151	1	4-STX-S MALE BRANCH T
1C	H115002	2	HEX NUT 1/2-13 JAM PLD
2*		1	TUBE ASSY
3*		1	SYNC CYLINDER
3A	RF1453	2	4-CTX-S MALE ELBOW
3B	RF1456	1	4-FTX-S MALE CONN

ITEM	PART	QTY	DESCRIPTION
4*		1	HOSE ASSY
5*		1	HOSE ASSY
6		1	LATERAL ARM ASSY LH
		1	LATERAL ARM ASSY RH
7	RF3680	1	4-JTX-S UNION T

NOTE: ITEM 7 ONLY INCLUDED IN ROOM EXTENSION KITS CONTAINING TORSION BARS.

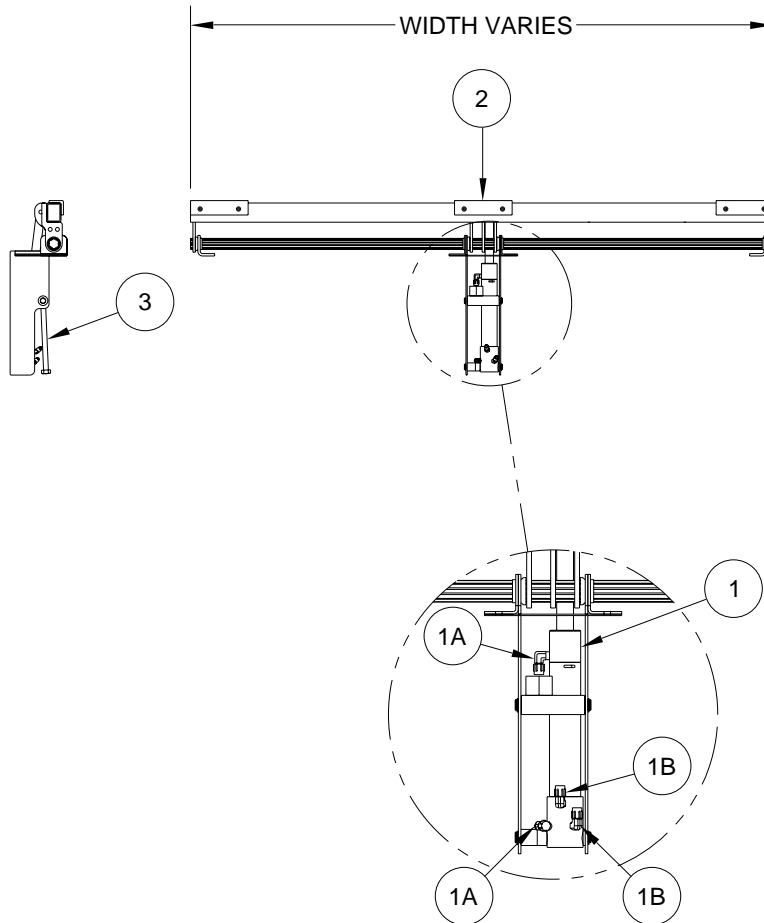
\*SEE SPECIFIC MANUFACTURER'S GUIDE PAGE IN THIS SECTION FOR REPLACEMENT PART NUMBERS.

NOTE: INDENTED ITEMS INCLUDED WITH PRECEDING ITEM.

**MR41.2825  
07OCT09**

# PLATFORM LIFT ASSEMBLY ONE CYLINDER

THESE DIAGRAMS REPRESENT A TYPICAL PLATFORM LIFT ASSEMBLY. THE INFORMATION ON THIS PAGE IS SIMILAR IN ALL ADAPTATIONS OF THE BASE MODEL. LOCATIONS AND ORIENTATION OF ITEM ONE WILL VARY. PARTS THAT HAVE BEEN ADAPTED TO O.E.M. SPECIFICATIONS CAN BE FOUND IN THE MR40 (O.E.M. SPECIFIC) SECTION OF THIS PARTS MANUAL.



ITEM	PART	QTY	DESCRIPTION
1*		1	CYLINDER ASSY SEQ.
1A	RF1453	2	4 CTX-S 90D ELBOW
1B	RF5996	2	4 VTX-S 45D ELBOW

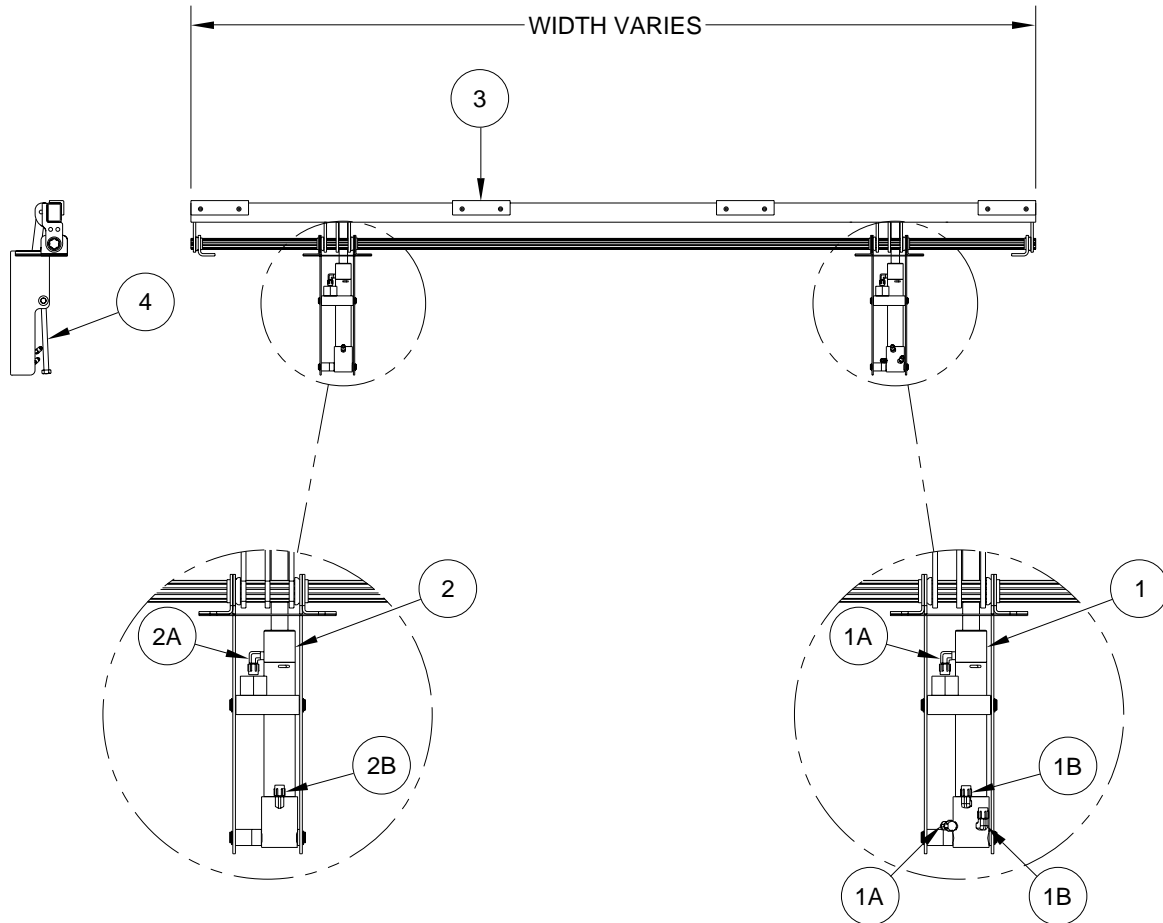
ITEM	PART	QTY	DESCRIPTION
2	RAP93210	1	ANGLE BEARING PAD KIT
2A		1	BEARING PAD
2B		4	3/16" RIVETS
3	RAP93507	1	MANUAL RET. SCREW

\*REFER TO SPECIFIC MANUFACTURER'S GUIDE PAGE IN THIS SECTION FOR CORRECT CYLINDER REPLACEMENT PART NUMBERS.

**NOTE:** INDENTED ITEMS INCLUDED WITH PRECEDING ITEM.

# PLATFORM LIFT ASSEMBLY TWO CYLINDERS

THESE DIAGRAMS REPRESENT A TYPICAL PLATFORM LIFT ASSEMBLY. THE INFORMATION ON THIS PAGE IS SIMILAR IN ALL ADAPTATIONS OF THE BASE MODEL. LOCATIONS AND ORIENTATION OF ITEMS ONE AND TWO WILL VARY. PARTS THAT HAVE BEEN ADAPTED TO O.E.M. SPECIFICATIONS CAN BE FOUND IN THE MR40 (O.E.M. SPECIFIC) SECTION OF THIS PARTS MANUAL.



ITEM	PART	QTY	DESCRIPTION
1*		1	CYLINDER ASSY SEQ.
1A	RF1453	2	4 CTX-S 90D ELBOW
1B	RF5996	2	4 VTX-S 45D ELBOW
2*		1	CYLINDER ASSY
1A	RF1453	1	4 CTX-S 90D ELBOW
1B	RF5996	1	4 VTX-S 45D ELBOW

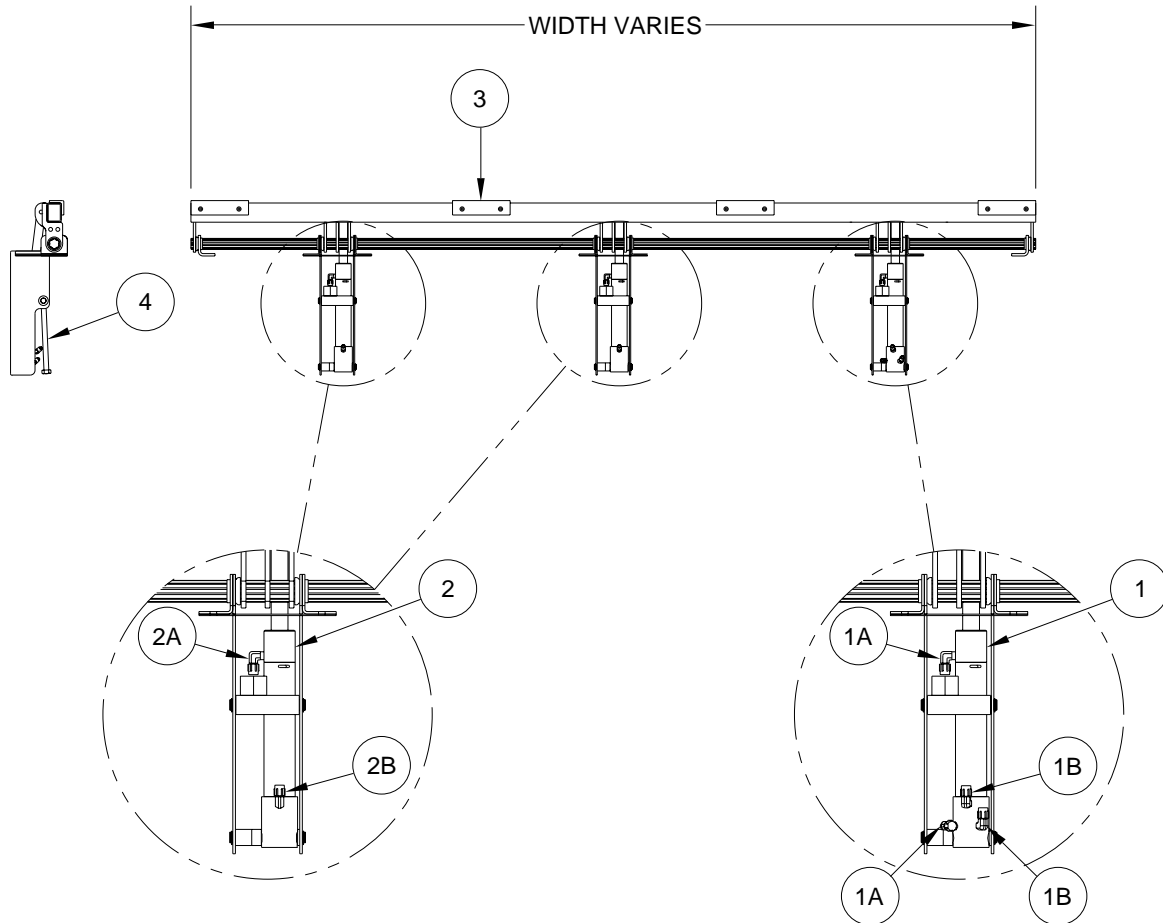
ITEM	PART	QTY	DESCRIPTION
3	RAP93210	1	ANGLE BEARING PAD KIT
3A		1	BEARING PAD
3B		4	3/16" RIVETS
4	RAP93507	1	MANUAL RET. SCREW

\*REFER TO SPECIFIC MANUFACTURER'S GUIDE PAGE IN THIS SECTION FOR CORRECT CYLINDER REPLACEMENT PART NUMBERS.

**NOTE:** INDENTED ITEMS INCLUDED WITH PRECEDING ITEM.

# PLATFORM LIFT ASSEMBLY THREE CYLINDERS

THESE DIAGRAMS REPRESENT A TYPICAL PLATFORM LIFT ASSEMBLY. THE INFORMATION ON THIS PAGE IS SIMILAR IN ALL ADAPTATIONS OF THE BASE MODEL. LOCATIONS AND ORIENTATION OF ITEMS ONE AND TWO WILL VARY. PARTS THAT HAVE BEEN ADAPTED TO O.E.M. SPECIFICATIONS CAN BE FOUND IN THE MR40 (O.E.M. SPECIFIC) SECTION OF THIS PARTS MANUAL.



ITEM	PART	QTY	DESCRIPTION
1*		1	CYLINDER ASSY SEQ.
1A	RF1453	2	4 CTX-S 90D ELBOW
1B	RF5996	2	4 VTX-S 45D ELBOW
2*		1	CYLINDER ASSY
1A	RF1453	1	4 CTX-S 90D ELBOW
1B	RF5996	1	4 VTX-S 45D ELBOW

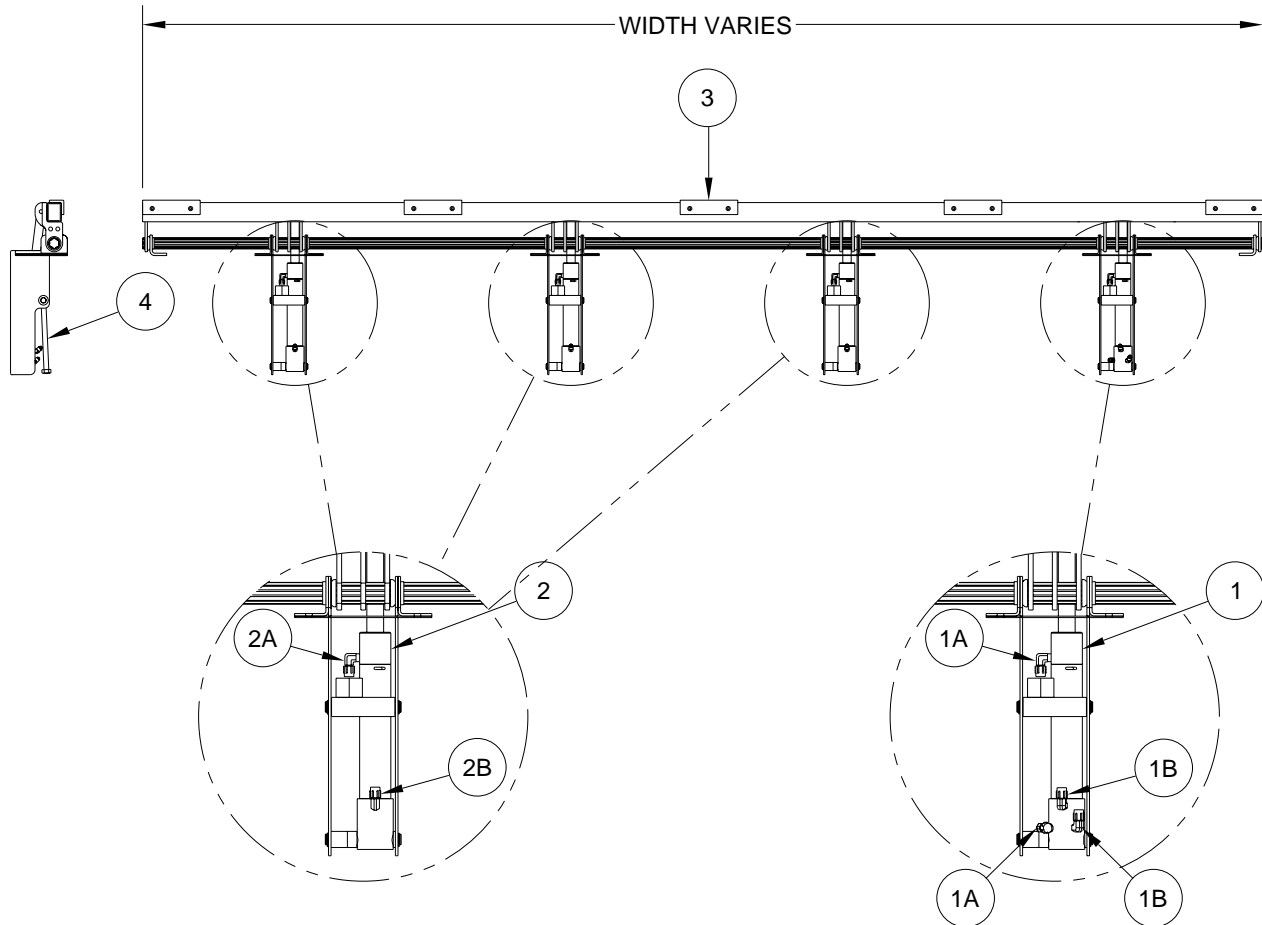
ITEM	PART	QTY	DESCRIPTION
3	RAP93210	1	ANGLE BEARING PAD KIT
3A		1	BEARING PAD
3B		4	3/16" RIVETS
4	RAP93507	1	MANUAL RET. SCREW

\*REFER TO SPECIFIC MANUFACTURER'S GUIDE PAGE IN THIS SECTION FOR CORRECT CYLINDER REPLACEMENT PART NUMBERS.

**NOTE:** INDENTED ITEMS INCLUDED WITH PRECEDING ITEM.

# PLATFORM LIFT ASSEMBLY FOUR CYLINDERS

THESE DIAGRAMS REPRESENT A TYPICAL PLATFORM LIFT ASSEMBLY. THE INFORMATION ON THIS PAGE IS SIMILAR IN ALL ADAPTATIONS OF THE BASE MODEL. LOCATIONS AND ORIENTATION OF ITEMS ONE AND TWO WILL VARY. PARTS THAT HAVE BEEN ADAPTED TO O.E.M. SPECIFICATIONS CAN BE FOUND IN THE MR40 (O.E.M. SPECIFIC) SECTION OF THIS PARTS MANUAL.



ITEM	PART	QTY	DESCRIPTION
1*		1	CYLINDER ASSY SEQ.
1A	RF1453	2	4 CTX-S 90D ELBOW
1B	RF5996	2	4 VTX-S 45D ELBOW
2*		1	CYLINDER ASSY
1A	RF1453	1	4 CTX-S 90D ELBOW
1B	RF5996	1	4 VTX-S 45D ELBOW

ITEM	PART	QTY	DESCRIPTION
3	RAP93210	1	ANGLE BEARING PAD KIT
3A		1	BEARING PAD
3B		4	3/16" RIVETS
4	RAP93507	1	MANUAL RET. SCREW

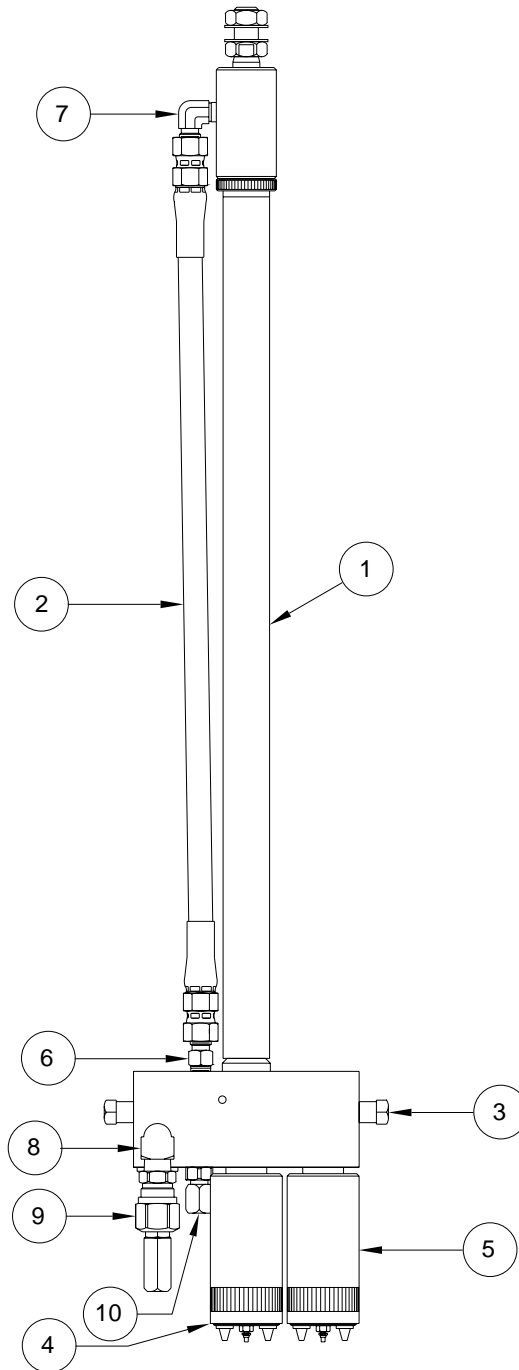
\*REFER TO SPECIFIC MANUFACTURER'S GUIDE PAGE IN THIS SECTION FOR CORRECT CYLINDER REPLACEMENT PART NUMBERS.

**NOTE:** INDENTED ITEMS INCLUDED WITH PRECEDING ITEM.

**MR41.4015  
03JAN14**



# STEP COVER CYLINDER WITH MANIFOLD ASSEMBLY

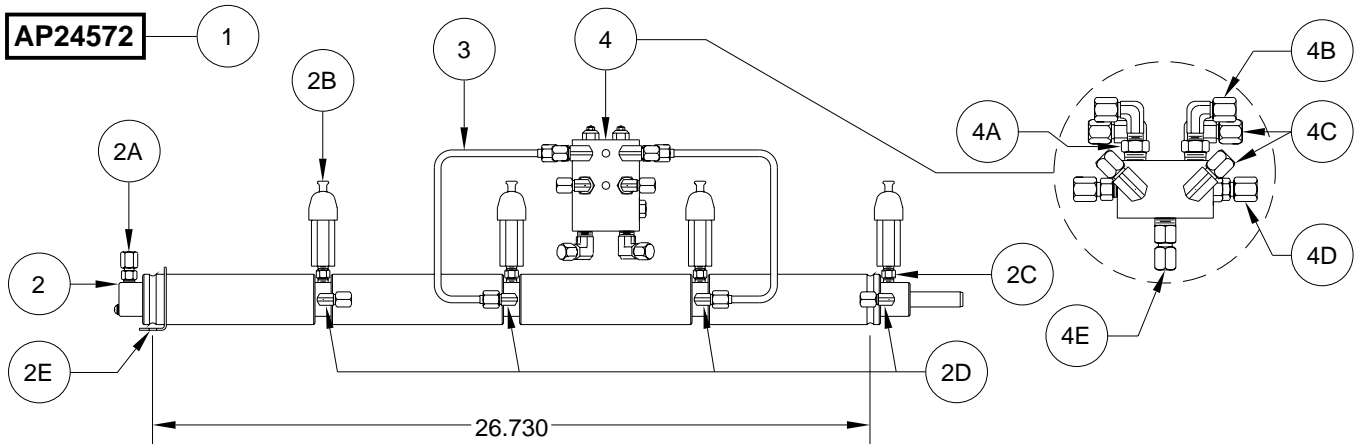


ITEM	PART	QTY	DESCRIPTION	ITEM	PART	QTY	DESCRIPTION
1*		1	CYLINDER ASSY. REPLACEMENT CYLINDER INCLUDES ALL ITEMS ON THIS PAGE	6	RF1456	1	4-FTX-S MALE CONN.
2*		1	HOSE ASSY.	7	RF1453	1	4-CTX-S ELBOW
3	RP92112	2	TRUNION BOLT KIT	8	RF3474	1	2202P-4-2 ELBOW (BRASS)
4	RAP90729	1	SOLENOID VALVE	9	RF1458	1	68NTA-8-4 1/2" TUBE X 1/4" NPT BRASS
5	RAP92108	1	SOLENOID VALVE HI-FLOW	10	RAP92110	1	CHECKED MALE CONN.

\* REFER TO SPECIFIC MANUFACTURER'S GUIDE PAGE  
IN THIS SECTION FOR CORRECT CYLINDER AND HOSE  
ASSEMBLY REPLACEMENT PART NUMBERS.

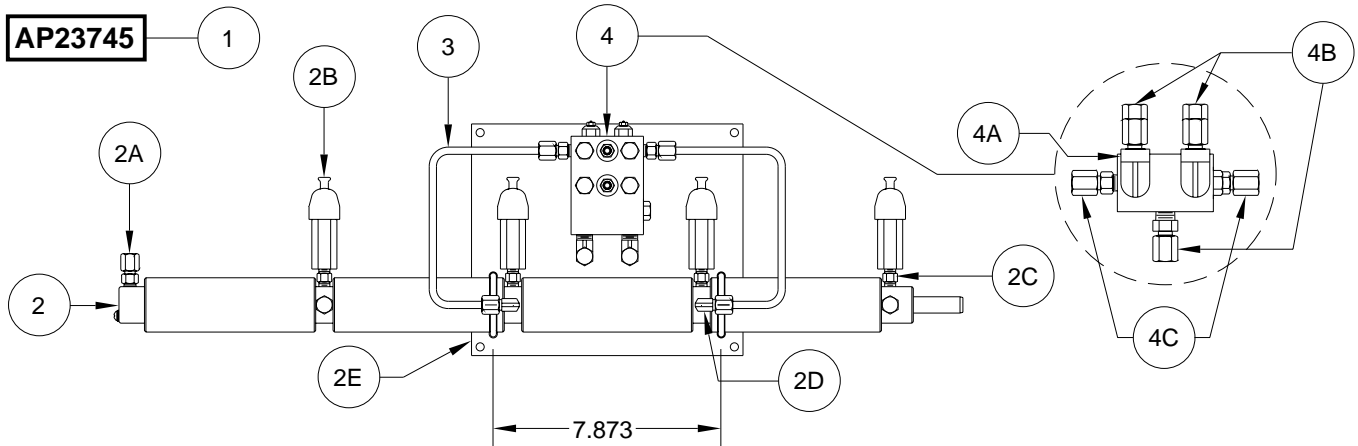
**MR41.5000**  
**27JUN13**

# SYNCHRONIZING CYLINDER FOUR CYLINDER ROOM EXTENSION



USED BY FORETRAVEL

ITEM	PART	QTY	DESCRIPTION	ITEM	PART	QTY	DESCRIPTION
1	RAP90862	1	ASSEMBLY 1 THRU 4	3	RAP90898	2	TUBE ASSY HYD
2	RAP90858	1	SYNCHRONIZING CYL STROKE - 3.290 REPLACES AP23022	4	RAP90866	1	BACK PRESS VALVE REPLACES AP25796
2A	RF1456	1	4-FTX-S MALE CONN	4A	RF90795	2	1/4 x 1/8 REDUCER
2B	RAP90787	4	PRESSURE SW 5000 PSI	4B	RF1453	2	4-CTX-S MALE ELBOW
2C	RF9315	4	NIPPLE 1/8"	4C	RF1514	4	4-4CTX-S MALE ELBOW
2D	RF1511	4	4-CCTX-S MALE ELBOW	4D	RF1456	2	4-FTX-S MALE CONN
2E		1	MTG BRKT SYNC CYL	4E	RF1477	1	4-4FTX-S MALE CONN

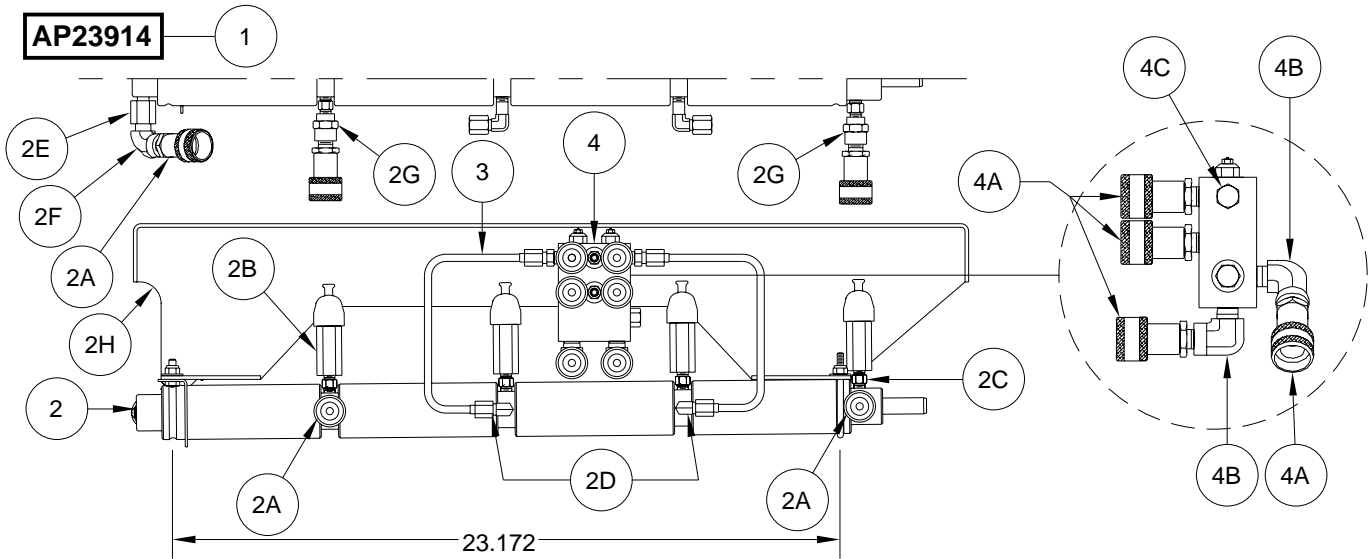


USED BY NEWELL COACH

ITEM	PART	QTY	DESCRIPTION	ITEM	PART	QTY	DESCRIPTION
1	RAP90861	1	ASSEMBLY 1 THRU 4	3	RAP90899	2	TUBE ASSY HYD
2	RAP90857	1	SYNCHRONIZING CYL STROKE - 2.780 REPLACES AP23247	4	RAP90859	1	BACK PRESS VALVE REPLACES AP22932
2A	RF1456	3	4-FTX-S MALE CONN	4A	RF1514	2	4-4CTX-S MALE ELBOW
2B	RAP90787	4	PRESSURE SW 5000 PSI	4B	RF1477	5	4-4FTX-S MALE CONN
2C	RF9315	4	NIPPLE 1/8"	4C	RF1456	2	4-FTX-S MALE CONN
2D	RF1511	2	4-CCTX-S MALE ELBOW				
2E		1	MTG BRKT SYNC CYL				

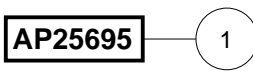
**NOTE:** INDENTED ITEMS INCLUDED WITH PRECEDING ITEM.

# SYNCHRONIZING CYLINDER FOUR CYLINDER ROOM EXTENSION



USED BY COUNTRY COACH

ITEM	PART	QTY	DESCRIPTION	ITEM	PART	QTY	DESCRIPTION
1	RAP90860	1	ASSEMBLY 1 THRU 4	2G	RF91986	2	1/4" x 1/8" ADAPTER
2	RAP90825	1	SYNCHRONIZING CYL STROKE - 2.400 REPLACES AP22187	2H		1	MTG BRKT SYNC CYL
2A	RAP90788	3	QC COUPLER FEMALE	3	RAP90827	2	TUBE ASSY HYD
2B	RAP90787	4	PRESSURE SW 5000 PSI	4	RAP90828	1	BACK PRESS VALVE REPLACES AP22730
2C	RF9315	6	NIPPLE 1/8"	4A	RAP90788	7	QC COUPLER FEMALE
2D	RF1511	2	4-CCTX-S MALE ELBOW	4B	RF90432	2	90 DEG STREET ELBOW
2E	RF90794	1	1/4" x 1/8" ADAPTER	4C	RF1456	2	4-FTX-S MALE CONN
2F	RF90432	1	90 DEG STREET ELBOW				



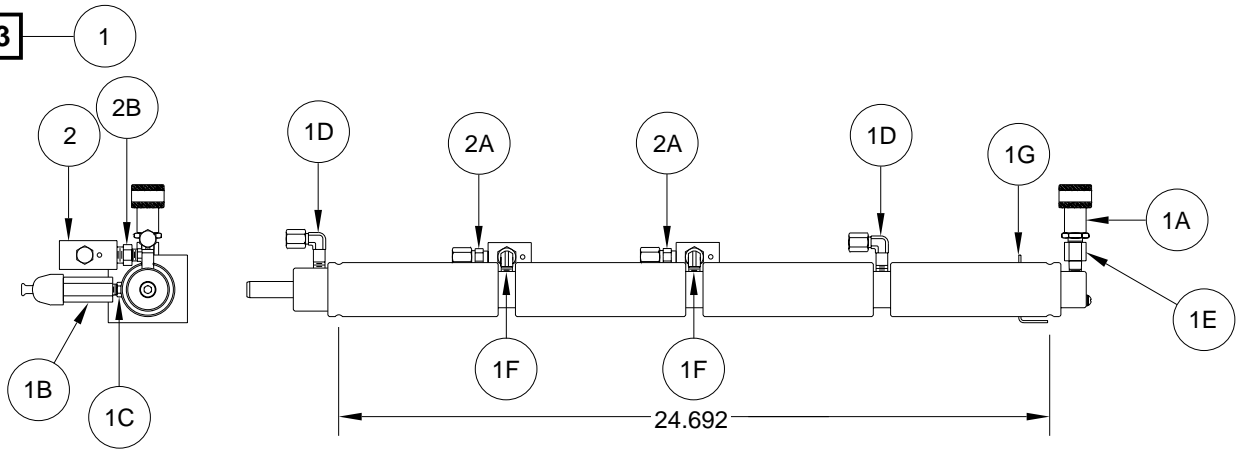
USED BY MARATHON COACH CORP. AND HWH EUROPE

ITEM	PART	QTY	DESCRIPTION	ITEM	PART	QTY	DESCRIPTION
1	RAP91014	1	SYNCHRONIZING CYL STROKE - 2.400 REPLACES AP25695	1C	RF9315	4	NIPPLE 1/8"
1A	RF1456	1	4-FTX-S MALE CONN	1D	RF1511	4	4-CCTX-S MALE ELBOW
1B	RAP90787	4	PRESSURE SW 5000 PSI	1E		1	MTG BRKT SYNC CYL

NOTE: INDENTED ITEMS INCLUDED WITH PRECEDING ITEM.

# SYNCHRONIZING CYLINDER FOUR CYLINDER ROOM EXTENSION

**AP21543**

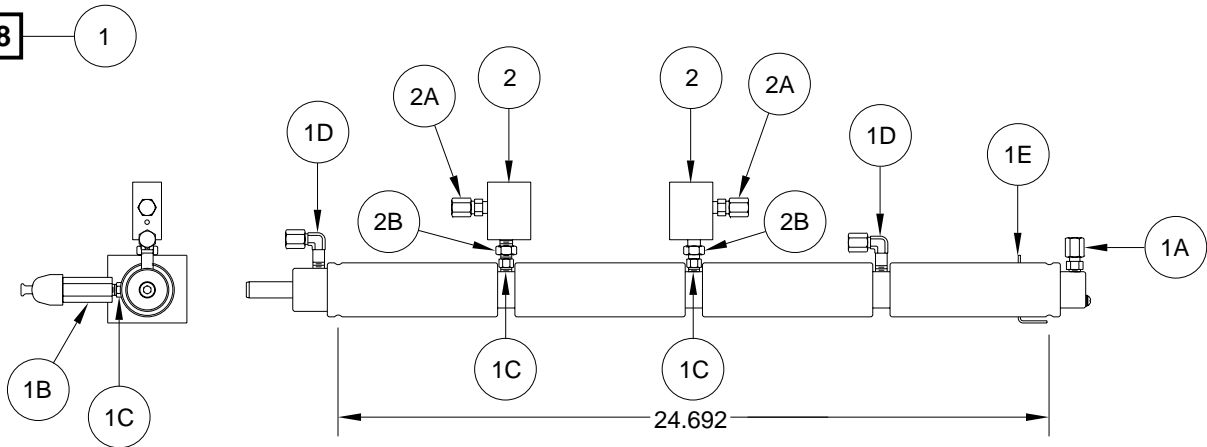


USED BY WINNEBAGO

ITEM	PART	QTY	DESCRIPTION
1	RAP90783	1	SYNCHRONIZING CYL STROKE - 2.780 REPLACES AP21543
1A	RAP90788	1	QC COUPLER FEMALE
1B	RAP90787	4	PRESSURE SW 5000 PSI
1C	RF9315	4	NIPPLE 1/8"
1D	RF1511	2	4-CCTX-S MALE ELBOW

ITEM	PART	QTY	DESCRIPTION
1E	RF90794	1	1/4" x 1/8" ADAPTER
1F	RF8143	2	1/8" ELBOW
1G		1	MTG BRKT SYNC CYL
2	RAP90652	2	VALVE PRESS. REDUCER
2A	RF1456	2	4-FTX-S MALE CONN
2B	RF90795	2	1/4 x 1/8 REDUCER

**AP25558**



USED BY MORRISON V.I.P. AND WINNEBAGO

ITEM	PART	QTY	DESCRIPTION
1	RAP90875	1	SYNCHRONIZING CYL STROKE - 2.780 REPLACES AP25558
1A	RF1456	1	4-FTX-S MALE CONN
1B	RAP90787	4	PRESSURE SW 5000 PSI
1C	RF9315	6	NIPPLE 1/8"

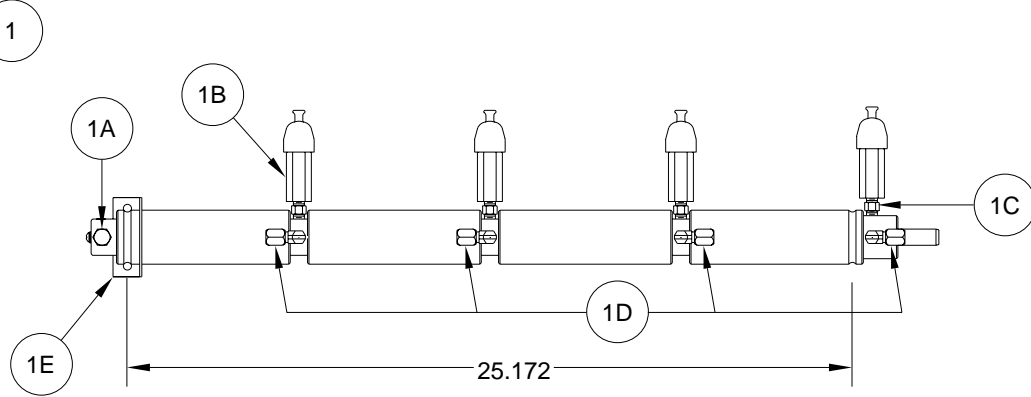
ITEM	PART	QTY	DESCRIPTION
1D	RF1511	2	4-CCTX-S MALE ELBOW
1E		1	MTG BRKT SYNC CYL
2	RAP90652	2	VALVE PRESS. REDUCER
2A	RF1456	2	4-FTX-S MALE CONN
2B	RF8143	2	1/8" ELBOW

NOTE: INDENTED ITEMS INCLUDED WITH PRECEDING ITEM.

**MR41.8002  
08JUN11**

# SYNCHRONIZING CYLINDER FOUR CYLINDER ROOM EXTENSION

**AP28965**

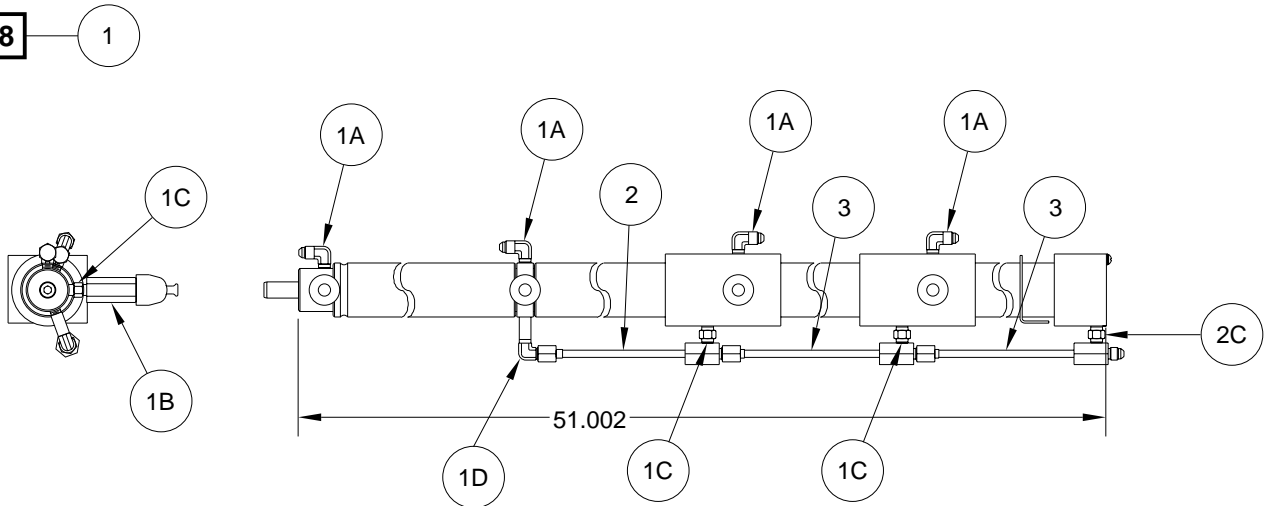


USED BY FLORIDA CUSTOM COACH

ITEM	PART	QTY	DESCRIPTION
1	RAP91011	1	SYNCHRONIZING CYL STROKE - 2.900 REPLACES AP28965
1A	RF1456	1	4-FTX-S MALE CONN
1B	RAP90787	4	PRESSURE SW 5000 PSI

ITEM	PART	QTY	DESCRIPTION
1C	RF9315	4	NIPPLE 1/8"
1D	RF1511	4	4-CCTX-S MALE ELBOW
1E		1	MTG BRKT SYNC CYL

**AP36888**



USED BY CHARIOT VANS

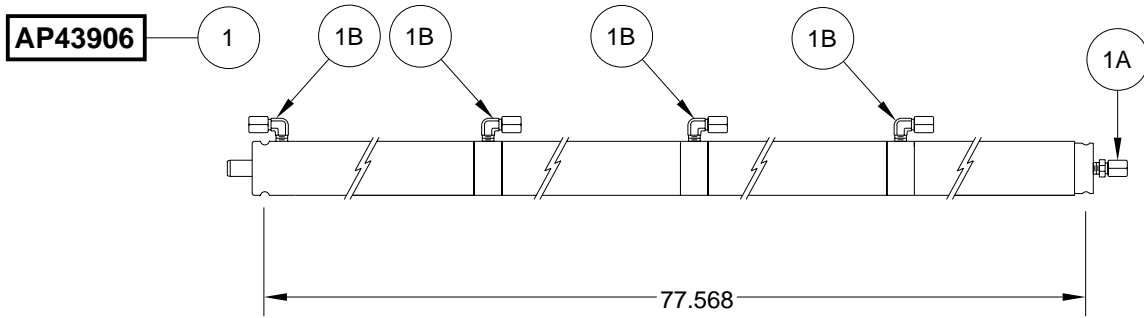
ITEM	PART	QTY	DESCRIPTION
1	RAP92188	1	SYNCHRONIZING CYL STROKE - 8.960 REPLACES AP36888
1A	RF1453	4	4-CTX-S MALE ELBOW
1B	RAP90787	4	PRESSURE SW 5000 PSI
1C	RF9315	7	NIPPLE 1/8"

ITEM	PART	QTY	DESCRIPTION
1D	RF90145	1	4-CCCTX-S LG. ELBOW
1E		1	MTG BRKT SYNC CYL
2	RAP92904	1	TUBE ASSY HYD: 11.000
3	RAP92905	2	TUBE ASSY HYD: 11.250

**NOTE:** INDENTED ITEMS INCLUDED WITH PRECEDING ITEM.

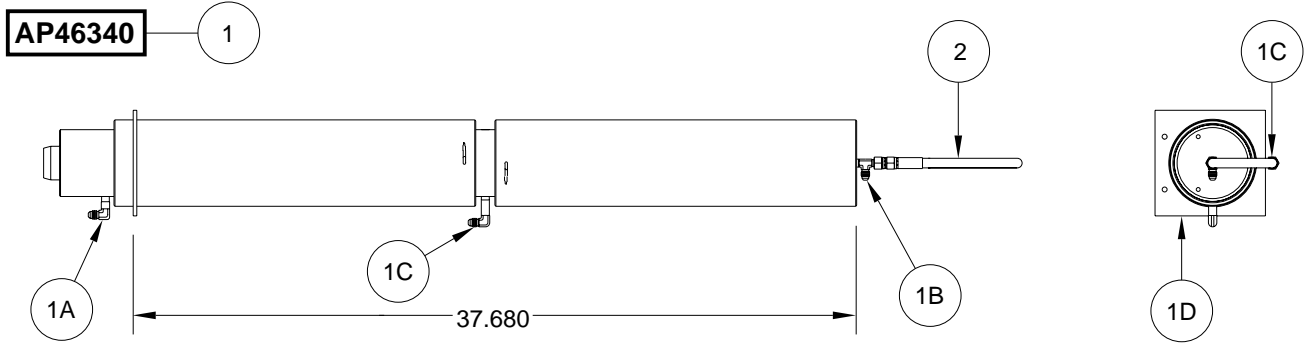
**MR41.8003  
08JUN11**

# SYNCHRONIZING CYLINDER FOUR CYLINDER ROOM EXTENSION



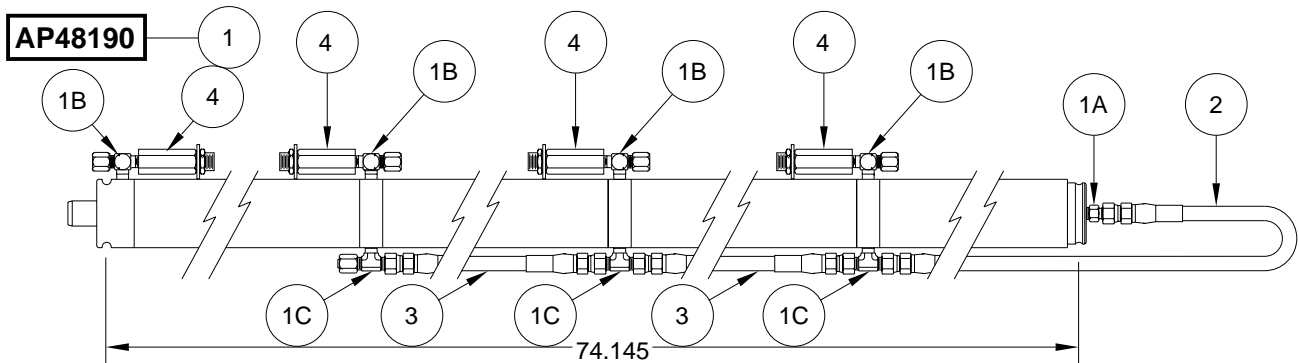
USED BY AGILE VEHICLE MODIFICATIONS AND QUALITY VANS

ITEM	PART	QTY	DESCRIPTION	ITEM	PART	QTY	DESCRIPTION
1	RAP92915	1	SYNCHRONIZING CYL STROKE - 15.455 REPLACES AP43906	1A	RF1456	1	4-FTX-S MALE CONN
				1B	RF1453	4	4-CTX-S MALE ELBOW



USED BY TRIVAN TRUCK BODY TEXAS

ITEM	PART	QTY	DESCRIPTION	ITEM	PART	QTY	DESCRIPTION
1	RAP92916	1	SYNCHRONIZING CYL STROKE - 13.730 REPLACES AP46340	1B	RF91978	1	4-RTX-S MALE RUN TEE
1A	RF1511	1	4-CCTX-S MALE ELBOW	1C	RF90145	2	4-CCCTX-S LG. ELBOW
				1D	RAP4059	1	MTG BRKT SYNC CYL
				2	RAP4059	1	HOSE ASSY .25" x 36"



USED BY AGILE VEHICLE MODIFICATIONS

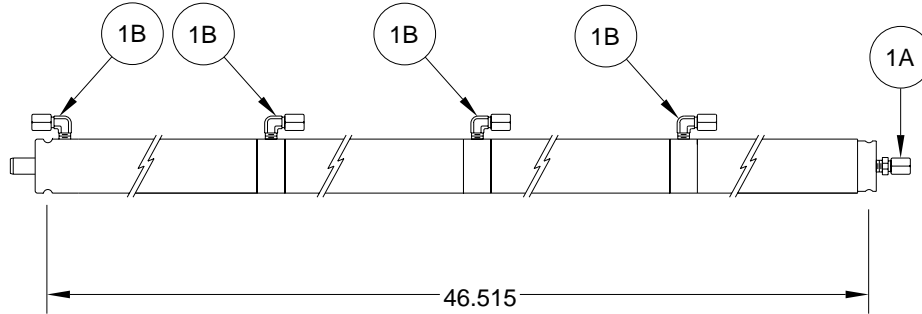
ITEM	PART	QTY	DESCRIPTION	ITEM	PART	QTY	DESCRIPTION
1	RAP92917	1	SYNCHRONIZING CYL STROKE - 13.575 REPLACES AP48190	1C	RF90151	3	4-STX-S MALE BRANCH T
1A	RF1456	1	4-FTX-S MALE CONN	2	RAP91452	1	HOSE ASSY .25" x 30"
1B	RP0734	4	TEE FITTING SPECIAL	3	RAP91451	2	HOSE ASSY .25" x 20"
				4	RAP90787	4	PRESS. SW. 5000 PSI

NOTE: INDENTED ITEMS INCLUDED WITH PRECEDING ITEM.

**MR41.8004  
28JUN11**

# SYNCHRONIZING CYLINDER FOUR CYLINDER ROOM EXTENSION

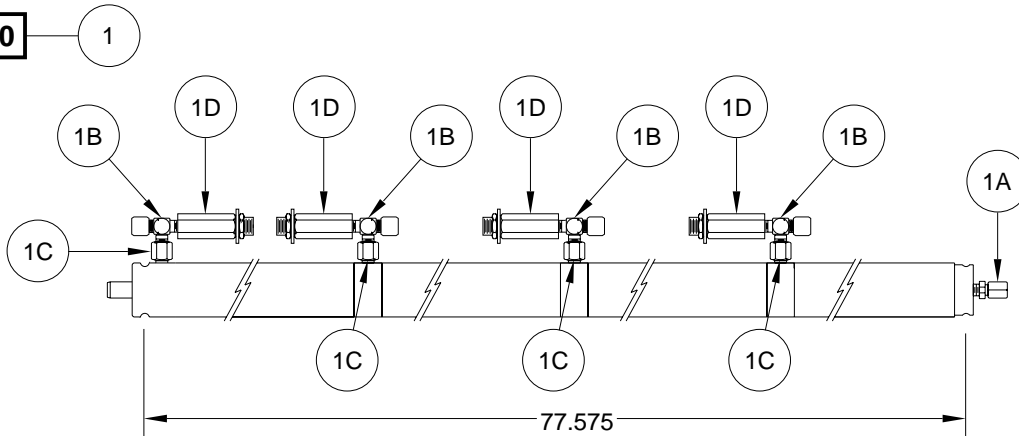
**AP14233**



USED BY C&D SALES AND SERVICE, CRAFTSMEN INDUSTRIES, AND MIDWEST SPECIALTY EVENT TRAILERS

ITEM	PART	QTY	DESCRIPTION	ITEM	PART	QTY	DESCRIPTION
1	RAP90728	1	SYNCHRONIZING CYL STROKE - 7.690 REPLACES AP14233	1A	RF1456	1	4-FTX-S MALE CONN
				1B	RF1453	4	4-CTX-S MALE ELBOW

**AP30140**



USED BY GLOBAL EXPEDITION VEHICLES

ITEM	PART	QTY	DESCRIPTION	ITEM	PART	QTY	DESCRIPTION
1	RAP93206	1	SYNCHRONIZING CYL STROKE - 14.735 REPLACES AP30140	1B	RP0734	4	TEE FITTING SPECIAL
				1C	RF91983	4	1/8 FG-S EXPANDER
				1D	RAP90787	4	PRESS. SW. 5000 PSI
1A	RF1456	1	4-FTX-S MALE CONN				

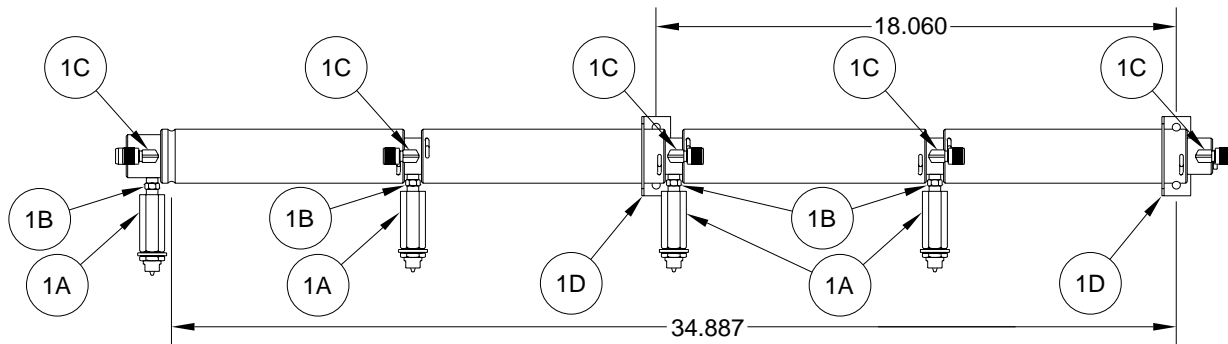
**NOTE:** INDENTED ITEMS INCLUDED WITH PRECEDING ITEM.

**MR41.8005  
18OCT12**

# SYNCHRONIZING CYLINDER FOUR CYLINDER ROOM EXTENSION

**AP51304**

1

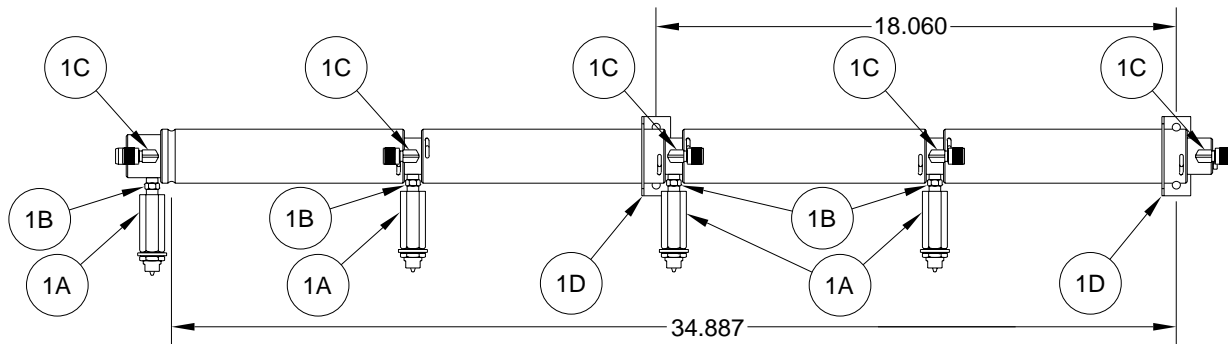


USED BY GLOBAL EXPEDITION VEHICLES - 30" STROKE ROOM

ITEM	PART	QTY	DESCRIPTION	ITEM	PART	QTY	DESCRIPTION
1	RAP93313	1	SYNCHRONIZING CYL STROKE - 4.05" REPLACES AP51304	1B	RF9315	4	NIPPLE 1/8"
				1C	RF1511	4	4-CCTX-S MALE ELBOW
				1D		1	MTG BRKT SYNC CYL
1A	RAP90787	4	PRESSURE SW 5000 PSI				

**AP51305**

1



USED BY GLOBAL EXPEDITION VEHICLES - 40" STROKE ROOM

ITEM	PART	QTY	DESCRIPTION	ITEM	PART	QTY	DESCRIPTION
1	RAP93315	1	SYNCHRONIZING CYL STROKE - 5.33" REPLACES AP51305	1B	RF9315	4	NIPPLE 1/8"
				1C	RF1511	4	4-CCTX-S MALE ELBOW
				1D		1	MTG BRKT SYNC CYL
1A	RAP90787	4	PRESSURE SW 5000 PSI				

NOTE: INDENTED ITEMS INCLUDED WITH PRECEDING ITEM.

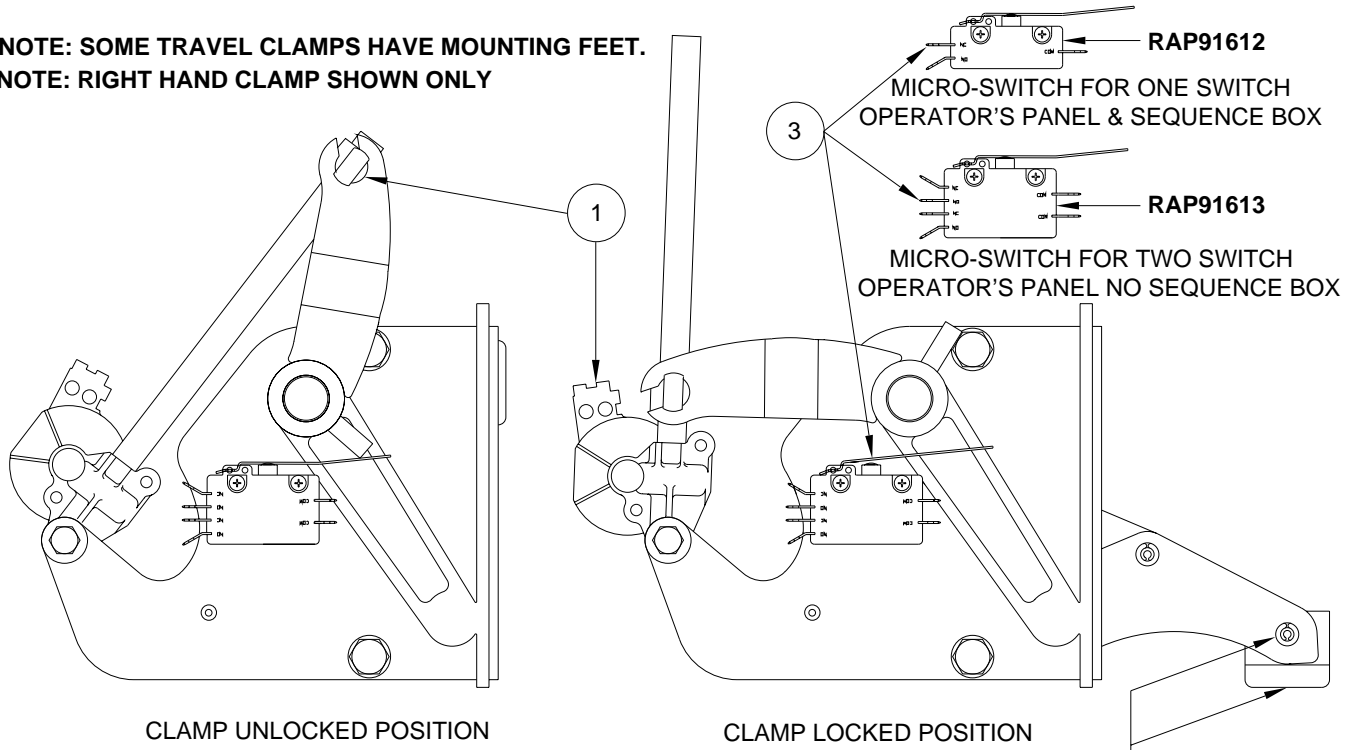
MR41.8006  
02MAY13



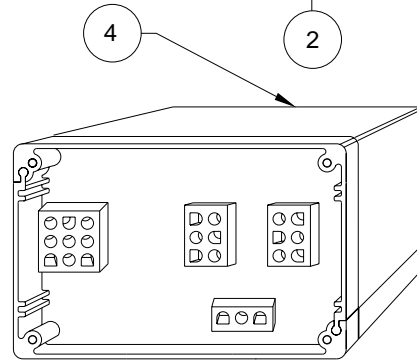
# TRAVEL CLAMP

## FOR ONE SWITCH AND TWO SWITCH PANEL OPERATION WITH SEQUENCE BOX (AS APPLICABLE)

**NOTE: SOME TRAVEL CLAMPS HAVE MOUNTING FEET.  
NOTE: RIGHT HAND CLAMP SHOWN ONLY**



ITEM	PART	QTY	DESCRIPTION
1	RAP91234	1	GEAR MOTOR
		1	GEAR MOTOR SADDLE
2	RAP91625	1	FOOT KIT
		1	FOOT HDPE
		1	ROLL PIN 3/8 X 0.75
		1	ROLL PIN 7/32 X 0.75
3	SEE TABLE BELOW		MICRO SWITCH
4	RAP91581	1	SEQUENCE BOX REPLACES AP29038



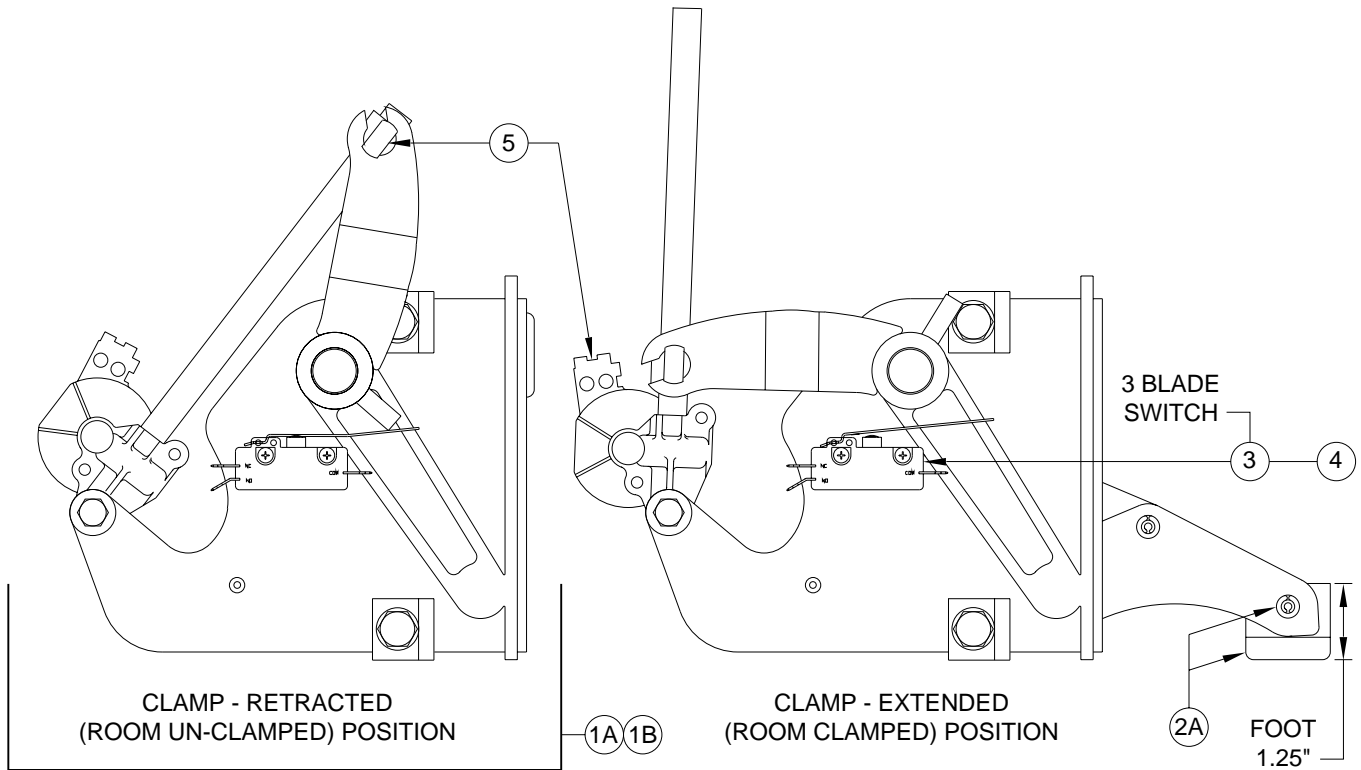
**NOTE: NOT ALL TRAVEL CLAMPS USE SEQUENCE BOX. SEQUENCE BOX TYPICALLY USED WITH ONE SWITCH OPERATOR'S PANEL.**

CLAMP NUMBER	REPLACEMENT CLAMP	REPLACEMENT SWITCH (ITEM 3)	MTG FEET
AP29000 - LH	RAP91614 - LH	RAP91612	NO
AP29001 - RH	RAP91615 - RH	RAP91612	NO
AP30989 - LH	RAP91618 - LH	RAP91613	NO
AP30990 - RH	RAP91619 - RH	RAP91613	NO
AP31260 - LH	RAP91620 - LH	RAP91613	YES
AP31261 - RH	RAP91621 - RH	RAP91613	YES
AP29625 - LH	RAP91616 - LH	RAP91612	YES
AP29626 - RH	RAP91617 - RH	RAP91612	YES
AP42912 - VERT.	RAP92300 - VERT.	RAP91613	YES
AP42913 - VERT.	RAP92301 - VERT.	RAP91612	YES

# CLAMP, TRAVEL - FLEETWOOD

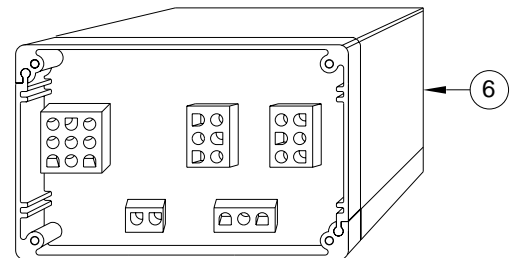
FOR SYSTEMS USING A ONE ROCKER SWITCH OPERATOR'S PANEL  
TWO TRAVEL CLAMPS AND A SEQUENCE BOX  
KEY IDENTIFICATION FEATURES - SEE DIAGRAM ITEMS 2 & 3

NOTE: RIGHT HAND CLAMP SHOWN ONLY



ITEM "1" IS FOR COMPLETE ASSY REPLACEMENT ONLY  
REFER TO HWH PART LABEL FOR AP-ASSY NUMBER

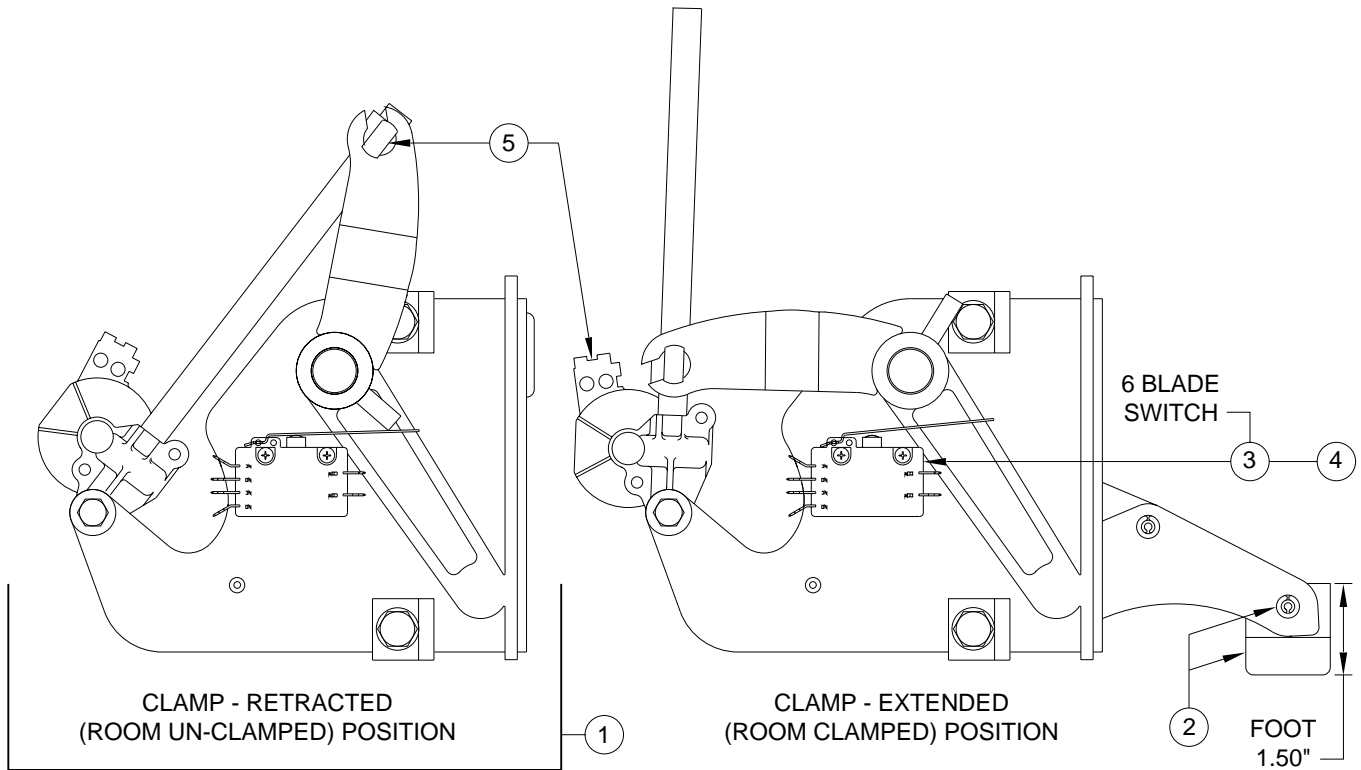
ITEM	ORDER	QTY - DESCRIPTION
1A	<b>RAP91622 - LH ASSY</b> NARROW FOOT <b>RAP91623 - RH ASSY</b> NARROW FOOT	1 - CLAMP, TRAVEL - LH <b>REPLACES AP32955</b> 1 - CLAMP, TRAVEL - RH <b>REPLACES AP32956</b>
2A	<b>RAP91625</b>	1 - FOOT 1.25" X 1.375" 1 - ROLL PIN 3/8 X 0.75 1 - ROLL PIN 7/32 X 0.75
1B	<b>RAP92057 - LH ASSY</b> WIDE FOOT <b>RAP92058 - RH ASSY</b> WIDE FOOT	1 - CLAMP, TRAVEL - LH <b>REPLACES AP39486</b> 1 - CLAMP, TRAVEL - RH <b>REPLACES AP39487</b>
2B	<b>RAP92059</b>	1 - FOOT 1.50" X 1.375" 1 - ROLL PIN 3/8 X 0.75 1 - ROLL PIN 7/32 X 0.75
3	<b>RAP91612</b>	1 - SWITCH, 3 BLADE
4	<b>RAP91652</b>	1 - PIGTAIL, NOT SHOWN <b>REPLACES AP29572</b>
5	<b>RAP91234</b>	1 - GEAR MOTOR 1 - SADDLE, THREADED
6	<b>RAP91650</b>	1 - BOX, SEQUENCE <b>REPLACES AP34567</b>



SEQUENCE BOX

# CLAMP, TRAVEL - FLEETWOOD

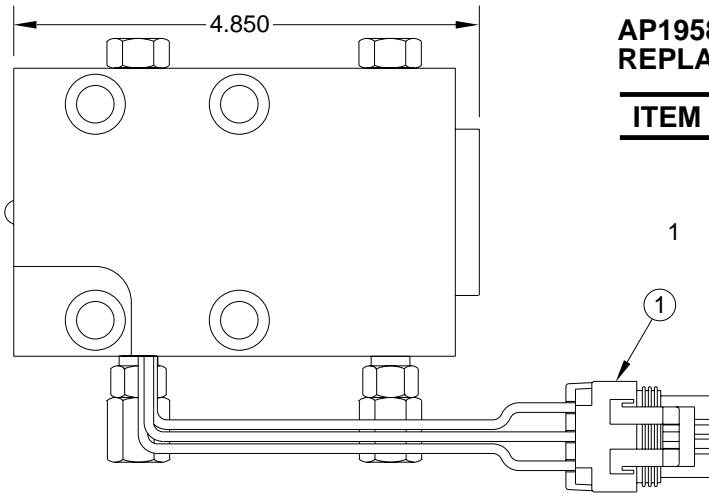
FOR SYSTEMS USING A TWO ROCKER SWITCH OPERATOR'S PANEL  
AND A SINGLE TRAVEL CLAMP  
KEY IDENTIFICATION FEATURES - SEE DIAGRAM ITEMS 2 & 3



ITEM "1" IS FOR COMPLETE ASSY REPLACEMENT ONLY  
REFER TO HWH PART LABEL FOR AP-ASSY NUMBER

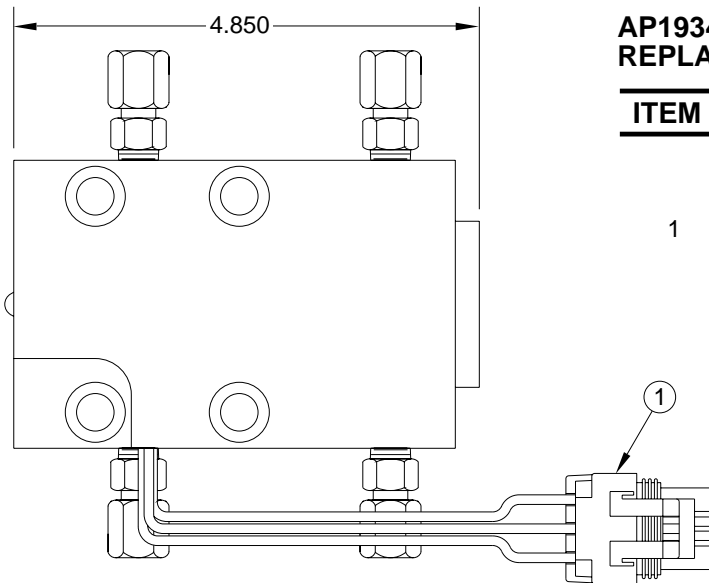
ITEM	ORDER	QTY - DESCRIPTION
1	RAP92060	1 - CLAMP, TRAVEL <b>REPLACES AP38825</b>
2	RAP92059	1 - FOOT 1.50" X 1.375" 1 - ROLL PIN 3/8 X 0.75 1 - ROLL PIN 7/32 X 0.75
3	RAP91613	1 - SWITCH, 6 BLADE
4	RAP92061	1 - PIGTAIL, NOT SHOWN <b>REPLACES AP39131</b>
5	RAP91234	1 - GEAR MOTOR 1 - SADDLE, THREADED

# ROOM LOCKING CYLINDERS FOR HYDRAULIC ROOM EXTENSIONS



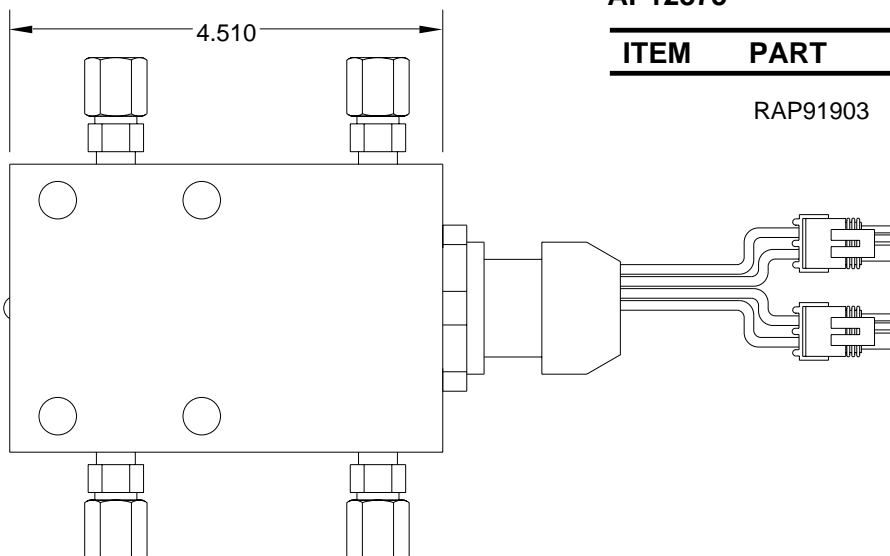
## AP19581 REPLACEMENT PARTS

ITEM	PART	DESCRIPTION
1	RAP90669	LOCK CYLINDER COMPLETE
	RAP90692	REED SWITCH



## AP19340 REPLACEMENT PARTS

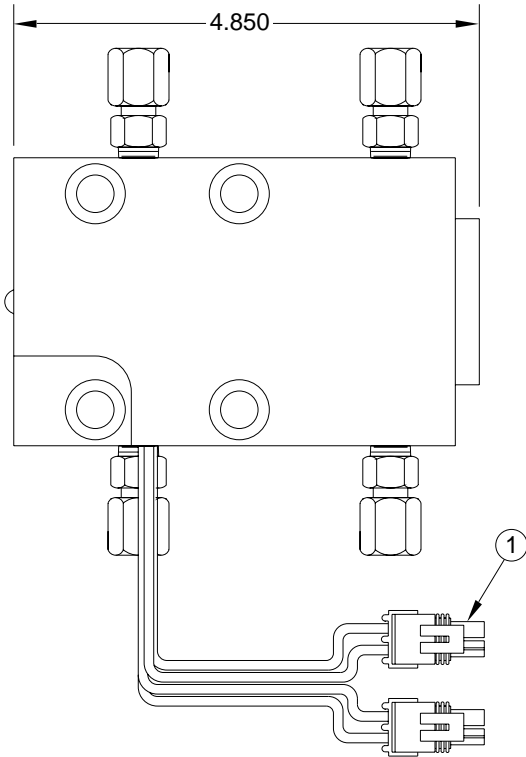
ITEM	PART	DESCRIPTION
1	RAP91906	LOCK CYLINDER COMPLETE
	RAP90692	REED SWITCH



## AP12875

ITEM	PART	DESCRIPTION
1	RAP91903	LOCK CYLINDER COMPLETE

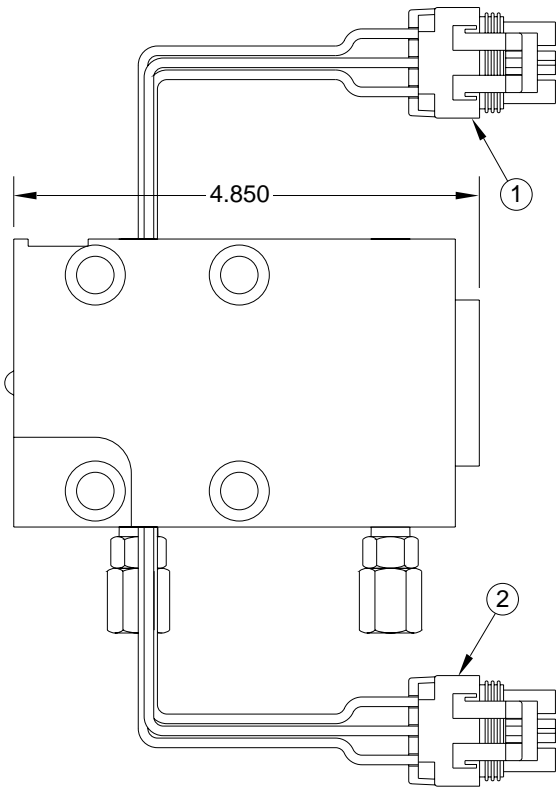
# ROOM LOCKING CYLINDERS FOR HYDRAULIC ROOM EXTENSIONS



## AP16701 REPLACEMENT PARTS

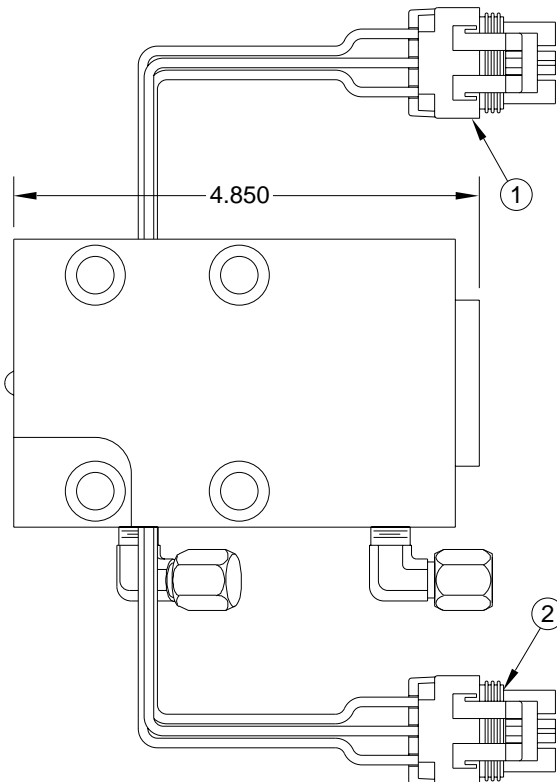
ITEM	PART	DESCRIPTION
	RAP90592	LOCK CYLINDER COMPLETE
1	RAP90691	REED SWITCH

# ROOM LOCKING CYLINDERS FOR HYDRAULIC ROOM EXTENSIONS



## AP19920 REPLACEMENT PARTS

ITEM	PART	DESCRIPTION
	RAP91411	LOCK CYLINDER COMPLETE
1	RAP90693	MICRO SWITCH
2	RAP90692	REED SWITCH



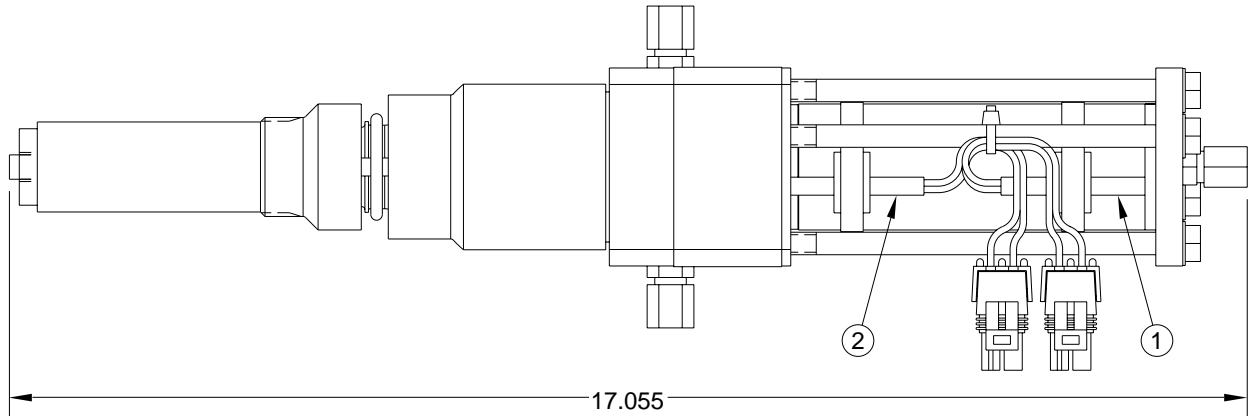
## AP22749 REPLACEMENT PARTS

ITEM	PART	DESCRIPTION
	RAP91910	LOCK CYLINDER COMPLETE
1	RAP90693	MICRO SWITCH
2	RAP90692	REED SWITCH

# ROOM LOCKING CYLINDERS FOR HYDRAULIC ROOM EXTENSIONS

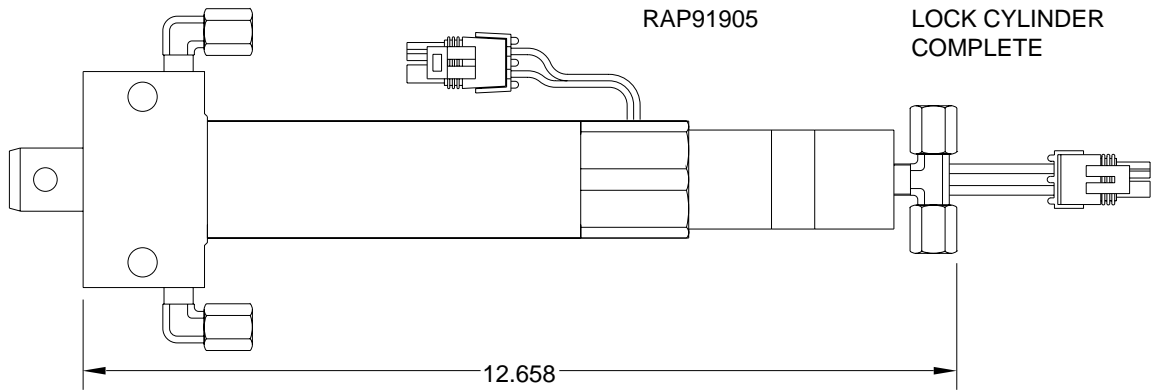
## AP15440 REPLACEMENT PARTS

ITEM	PART	DESCRIPTION
	RAP91909	LOCK CYLINDER COMPLETE
1	RAP91907	REED SWITCH UNLOCK
2	RAP91904	REED SWITCH LOCK



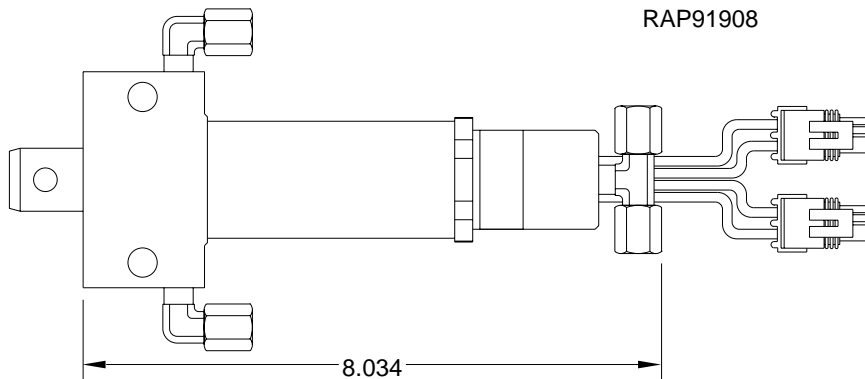
## AP14292

ITEM	PART	DESCRIPTION
	RAP91905	LOCK CYLINDER COMPLETE



## AP15658

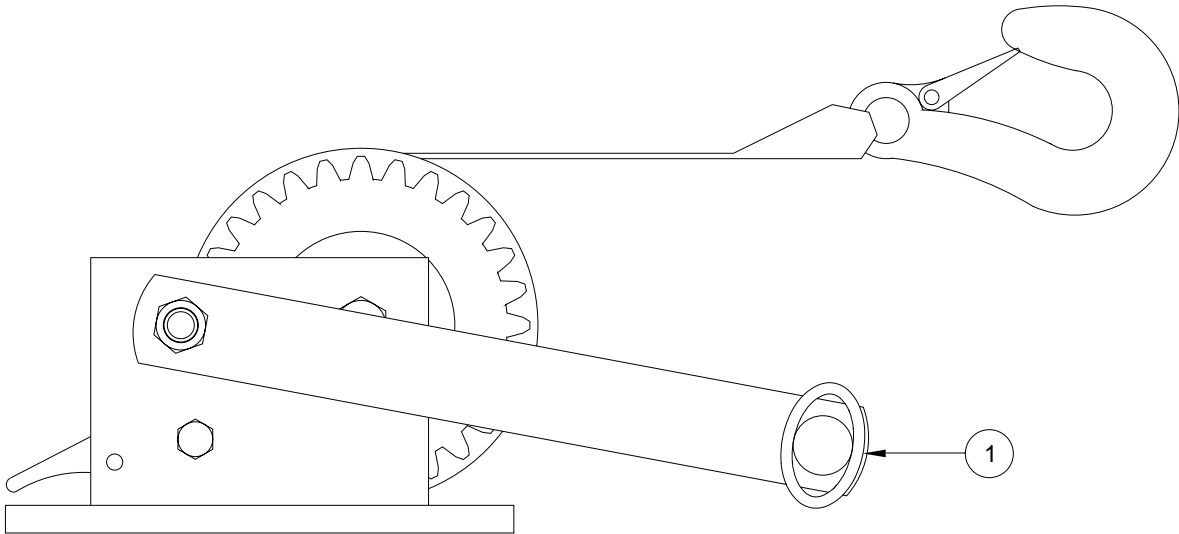
ITEM	PART	DESCRIPTION
	RAP91908	LOCK CYLINDER COMPLETE



---

## MANUAL RETRACT ROOM WINCHES

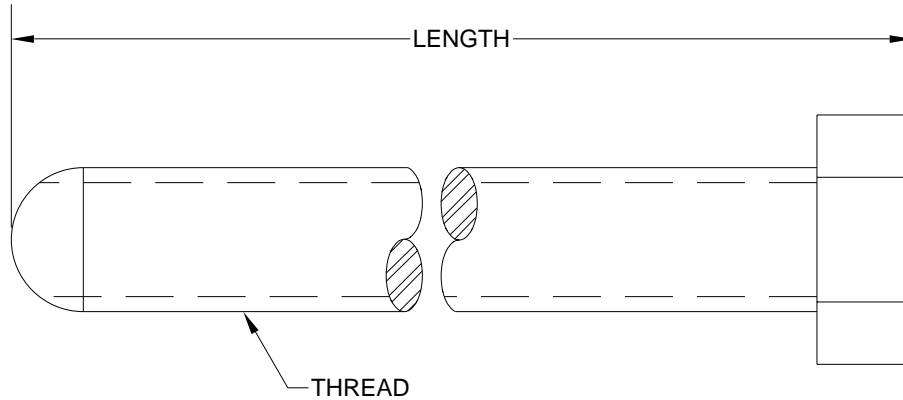
---



ITEM	PART	QTY	DESCRIPTION
	RAP90511 REPLACES AP13831	1	10' LONG
	AP10921 - <b>OBSOLETE</b> SEE RAP90511	1	8' LONG - FOR WINNEBAGO
	AP12799 SEE RAP90511	1	10' LONG - FOR EUROPE
1	RAP90813	1	REPLACEMENT HANDLE AND NUT



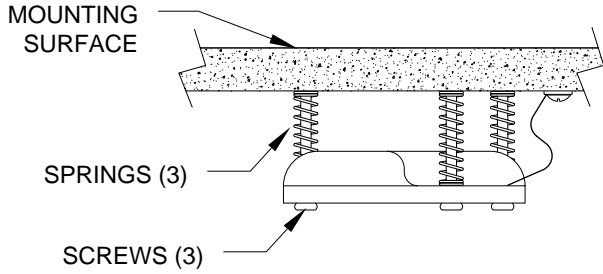
# MANUAL RETRACT ROOM SCREWS



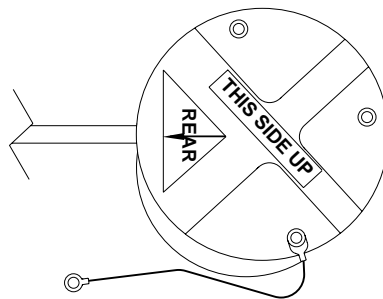
PART	LENGTH	THREAD	REPLACEMENT PART
AP27277	39.250"	1/2"-10 ACME	RAP91357
AP29770	30.500"	1/2"-10 ACME	RAP91643
AP30001	40.000"	3/4"-6 ACME	RAP92464
AP30316	42.250"	1/2"-10 ACME	RAP93508
AP31895	30.625"	1/2"-10 ACME	RAP91758
AP31909	32.000"	3/4"-6 ACME	RAP93505
AP32717	7.950"	3/8"-10 ACME	RAP93506
AP33087	32.625"	1/2"-10 ACME	RAP92675
AP43182	19.000"	3/4"-6 ACME	RAP93509
AP46136	10.000"	1/2"-10 ACME	RAP93507
AP48305	26.800"	1/2"-10 ACME	RAP93510
AP48560	43.750"	1/2"-10 ACME	RAP93511
AP50181	31.500"	1/2"-10 ACME	RAP93512
AP51812	28.500"	1/2"-10 ACME	RAP93513
AP52096	37.400"	1/2"-10 ACME	RAP93514
AP52270	54.000"	1/2"-10 ACME	RAP93516

# MERCURY SENSING UNITS AS OF JULY 2005

## SENSING UNIT MOUNTING HARDWARE (FOR STANDARD OR BI-AXIS UNITS)



ITEM	PART	QTY	DESCRIPTION
	RAP3905		HARDWARE KIT FOR SENSOR (CONSISTS OF 3 SPRINGS AND 3 SCREWS)



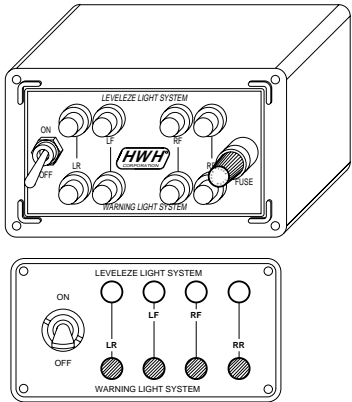
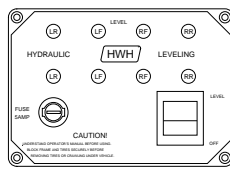
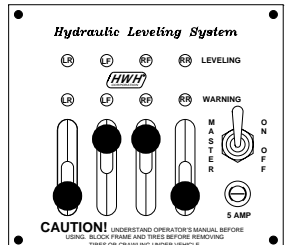
**ALL MERCURY SENSING UNITS ARE OBSOLETE AND CAN NOT BE ORDERED. THEY MUST BE REPLACED WITH AN ELECTRIC SENSING UNIT SEE PAGES MR45.1570 THRU MR45.1573 FOR RETROFIT KITS AND REPLACEMENT SENSING UNITS.**

# SENSING UNIT RETROFIT KITS FOR CONVERTING MERCURY UNITS TO ELECTRONIC UNITS

**TO CONVERT FROM A MERCURY SENSING UNIT TO AN ELECTRONIC SENSING UNIT, FIRST DETERMINE WHICH TYPE OF LEVELING SYSTEM IS IN VEHICLE. REFER TO TABLE BELOW FOR THE PROPER CONVERSION KIT AND ELECTRONIC SENSING UNIT.**

**NOTE: IF YOU ARE REPLACING A LEVEL SENSOR FOR A 1985 E. I. I. 400 SERIES LEVELING SYSTEM, A COUNTRY COACH PREVOST WITH THE AP8045 CONTROL BOARD, OR A 300 SERIES MANUAL AIR LEVELING SYSTEM, PLEASE CONTACT HWH CORPORATION FOR ASSISTANCE.**

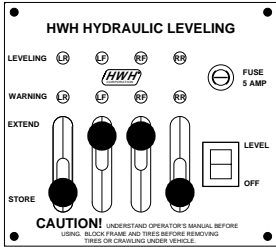
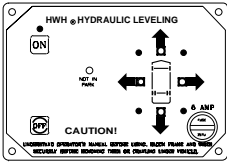
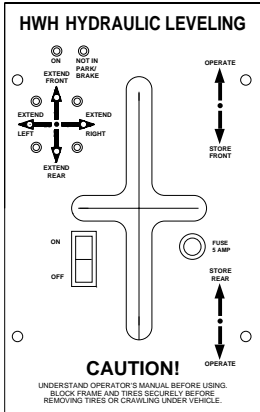
**THE RETROFIT KIT DOES NOT INCLUDE A SENSING UNIT. THE SENSING UNIT MUST BE ORDERED SEPARATELY. SEE PAGE MR 45.2000 FOR SENSING UNIT DETAILS.**

TYPE OF LEVELING SYSTEM	HARNES CONVERSION KIT (INCLUDES 21' CABLE, ADAPTER PIGTAILS AND / OR CONNECTORS, AND INSTRUCTION SHEET)
<p style="text-align: center;">100 SERIES (LEVEZE LIGHT BOX AND PANEL)</p> 	<p>RETROFIT KIT - RAP91740</p> <p>SENSING UNIT - RAP91696</p>
<p style="text-align: center;">100 SERIES</p> 	<p>RETROFIT KIT - RAP91734</p> <p>SENSING UNIT - RAP91696</p>
<p style="text-align: center;">110 SERIES (WITH TOGGLE SWITCH)</p> 	<p>RETROFIT KIT - RAP91741</p> <p>SENSING UNIT - RAP91696</p>

# SENSING UNIT RETROFIT KITS FOR CONVERTING MERCURY UNITS TO ELECTRONIC UNITS

**TO CONVERT FROM A MERCURY SENSING UNIT TO AN ELECTRONIC SENSING UNIT, FIRST DETERMINE WHICH TYPE OF LEVELING SYSTEM IS IN VEHICLE. REFER TO TABLE BELOW FOR THE PROPER CONVERSION KIT AND ELECTRONIC SENSING UNIT.**

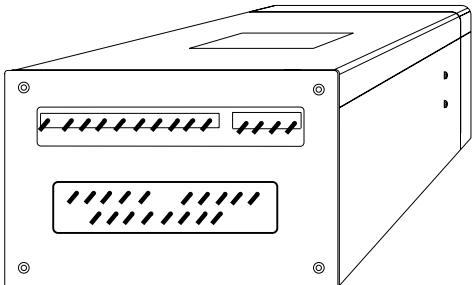
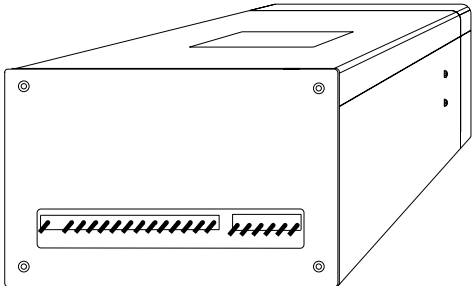
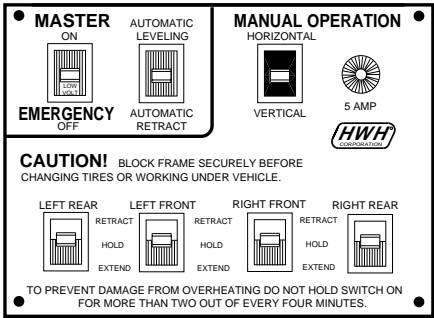
**THE RETROFIT KIT DOES NOT INCLUDE A SENSING UNIT. THE SENSING UNIT MUST BE ORDERED SEPARATELY. SEE PAGE MR 45.2000 FOR SENSING UNIT DETAILS.**

TYPE OF LEVELING SYSTEM	HARNESS CONVERSION KIT (INCLUDES 21' CABLE, ADAPTER PIGTAILS AND / OR CONNECTORS, AND INSTRUCTION SHEET)
<p style="text-align: center;">110 SERIES (INCLUDES 3 JACK SYSTEMS)</p> 	<p style="text-align: center;">RETROFIT KIT - RAP91734</p> <p style="text-align: center;">SENSING UNIT - RAP91696</p>
<p style="text-align: center;">200 SERIES</p> 	<p style="text-align: center;">RETROFIT KIT - RAP91734</p> <p style="text-align: center;">SENSING UNIT SPRING SUSPENSION - RAP91032 AIR SUSPENSION - RAP91031</p>
<p style="text-align: center;">210 SERIES</p> 	<p style="text-align: center;">RETROFIT KIT - RAP91737</p> <p style="text-align: center;">SENSING UNIT SPRING SUSPENSION - RAP91032 AIR SUSPENSION - RAP91031</p>

# SENSING UNIT RETROFIT KITS FOR CONVERTING MERCURY UNITS TO ELECTRONIC UNITS

**TO CONVERT FROM A MERCURY SENSING UNIT TO AN ELECTRONIC SENSING UNIT, FIRST DETERMINE WHICH TYPE OF LEVELING SYSTEM IS IN VEHICLE. REFER TO TABLE BELOW FOR THE PROPER CONVERSION KIT AND ELECTRONIC SENSING UNIT.**

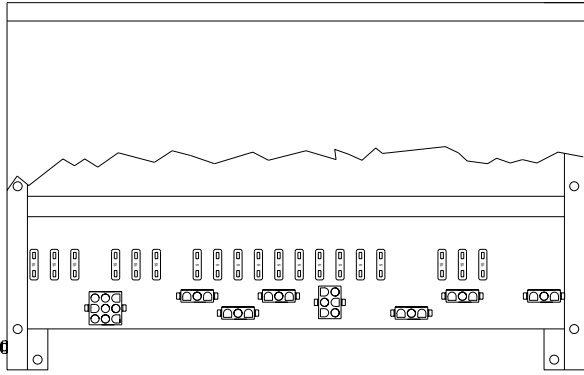
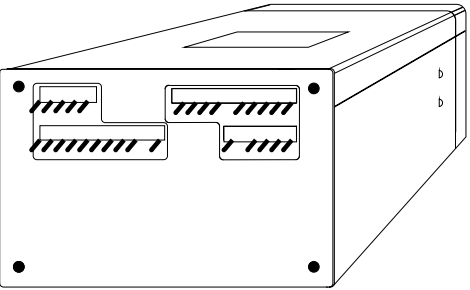
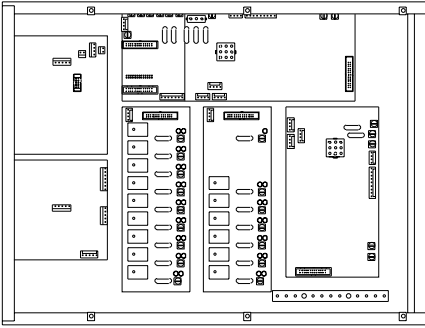
**THE RETROFIT KIT DOES NOT INCLUDE A SENSING UNIT. THE SENSING UNIT MUST BE ORDERED SEPARATELY. SEE PAGE MR 45.2000 FOR SENSING UNIT DETAILS.**

TYPE OF LEVELING SYSTEM	HARNESS CONVERSION KIT (INCLUDES 21' CABLE, ADAPTER PIGTAILS AND / OR CONNECTORS, AND INSTRUCTION SHEET)
<p>310 SERIES (NON-MOTORIZED)</p> 	<p>RETROFIT KIT - RAP91738</p> <p>SENSING UNIT - RAP91032</p>
<p>310 SERIES</p> 	<p>RETROFIT KIT - RAP91734</p> <p>SENSING UNIT SPRING SUSPENSION - RAP91032 AIR SUSPENSION - RAP91031</p>
<p>400 SERIES (INCLUDES BI-AXIS PANEL)</p> 	<p>RETROFIT KIT - RAP91742</p> <p>SENSING UNIT STANDARD PANEL - RAP91696 BI-AXIS PANEL - RAP91031</p>

# SENSING UNIT RETROFIT KITS FOR CONVERTING MERCURY UNITS TO ELECTRONIC UNITS

**TO CONVERT FROM A MERCURY SENSING UNIT TO AN ELECTRONIC SENSING UNIT, FIRST DETERMINE WHICH TYPE OF LEVELING SYSTEM IS IN VEHICLE. REFER TO TABLE BELOW FOR THE PROPER CONVERSION KIT AND ELECTRONIC SENSING UNIT.**

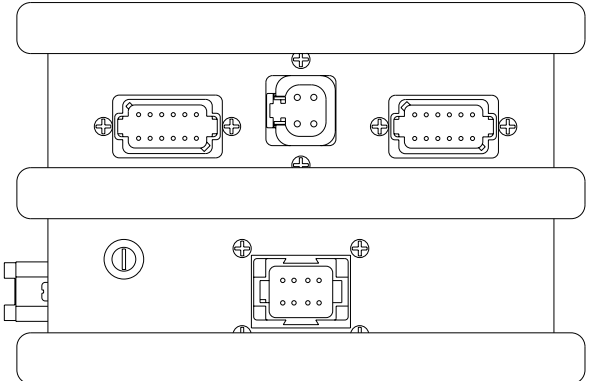
**THE RETROFIT KIT DOES NOT INCLUDE A SENSING UNIT. THE SENSING UNIT MUST BE ORDERED SEPARATELY. SEE PAGE MR 45.2000 FOR SENSING UNIT DETAILS.**

TYPE OF LEVELING SYSTEM	HARNESS CONVERSION KIT (INCLUDES 21' CABLE, ADAPTER PIGTAILS AND / OR CONNECTORS, AND INSTRUCTION SHEET)
<p style="text-align: center;">500/600 SERIES</p> 	<p style="text-align: center;">RETROFIT KIT - RAP91734</p> <p style="text-align: center;">SENSING UNIT            SPRING SUSPENSION - RAP91032            AIR SUSPENSION - RAP91031</p>
<p style="text-align: center;">510/610 SERIES (INCLUDES CENTRALLY GROUNDED SYSTEMS)</p> 	<p style="text-align: center;">RETROFIT KIT - RAP91738</p> <p style="text-align: center;">SENSING UNIT            SPRING SUSPENSION - RAP91032            AIR SUSPENSION - RAP91031</p>
<p style="text-align: center;">680 SERIES</p> 	<p style="text-align: center;">RETROFIT KIT - RAP91739</p> <p style="text-align: center;">SENSING UNIT - RAP91031</p>

# SENSING UNIT RETROFIT KITS FOR CONVERTING MERCURY UNITS TO ELECTRONIC UNITS

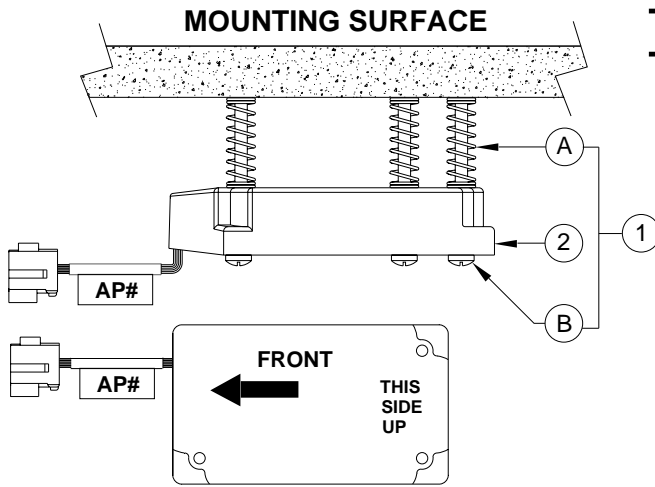
**TO CONVERT FROM A MERCURY SENSING UNIT TO AN ELECTRONIC SENSING UNIT, FIRST DETERMINE WHICH TYPE OF LEVELING SYSTEM IS IN VEHICLE. REFER TO TABLE BELOW FOR THE PROPER CONVERSION KIT AND ELECTRONIC SENSING UNIT.**

**THE RETROFIT KIT DOES NOT INCLUDE A SENSING UNIT. THE SENSING UNIT MUST BE ORDERED SEPARATELY. SEE PAGE MR 45.2000 FOR SENSING UNIT DETAILS.**

TYPE OF LEVELING SYSTEM	HARNESS CONVERSION KIT (INCLUDES 21' CABLE, ADAPTER PIGTAILS AND / OR CONNECTORS, AND INSTRUCTION SHEET)
<p>EARLY 2000 SERIES</p> 	<p><b>*RETROFIT KIT - RAP92618</b></p> <p><b>SENSING UNIT</b>  <b>SPRING SUSPENSION - RAP91032</b>  <b>AIR SUSPENSION - RAP91031</b></p> <p><b>*NOTE: THE CONTROL BOX MUST HAVE A SIX PIN SENSING UNIT CONNECTOR ON THE MOTHERBOARD. IF THE MOTHERBOARD HAS A FIVE PIN CONNECTOR, IT MUST BE SENT TO HWH CORPORATION FOR REWORK OR REPLACED WITH A NEW CONTROL BOX.</b></p>

# POTTED - ELECTRONIC SENSING UNITS AS OF JANUARY 2003

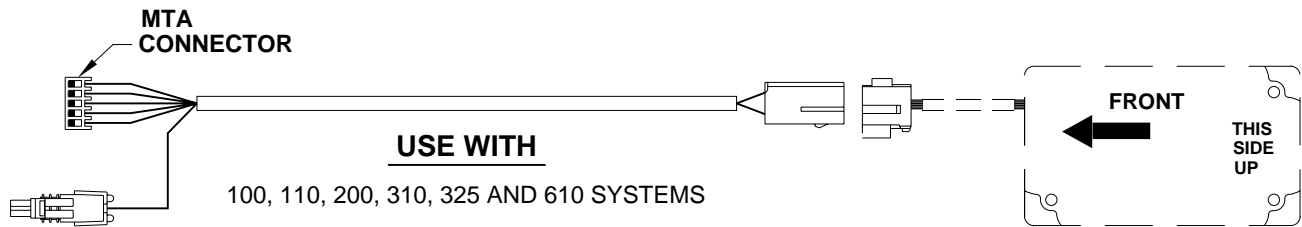
## ELECTRONIC SENSING UNIT- HYDRAULIC OR AIR LEVELING AND MOUNTING HARDWARE



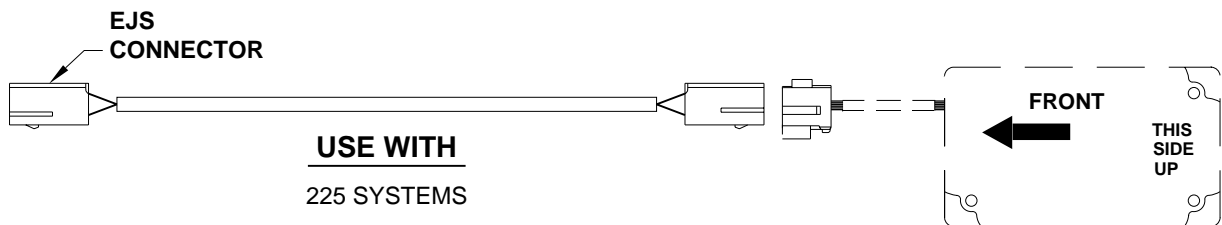
ITEM	PART	QTY	DESCRIPTION
1	RAP90969	1	HARDWARE KIT
1A		3	SPRINGS
1B		3	SCREWS
2	RAP91032 REPLACES-AP28576	1	SENSING UNIT BI-AXIS SYSTEMS (FOR VEHICLES WITH SPRING SUSPENSION)
2	RAP91031 REPLACES-AP30618	1	SENSING UNIT BI-AXIS SYSTEMS (FOR VEHICLES WITH AIR SUSPENSION)
2	RAP91696 REPLACES-AP36075	1	SENSING UNIT NON-BI-AXIS 4-LEVER AND 400 SERIES PADDLE SWITCH SYSTEMS (ALL SUSPENSIONS)
2	RAP92616 REPLACES-AP43118	1	SENSING UNIT LEVELEZE (FOR HYDRAULIC SWITCH HAND PUMP SYSTEMS)



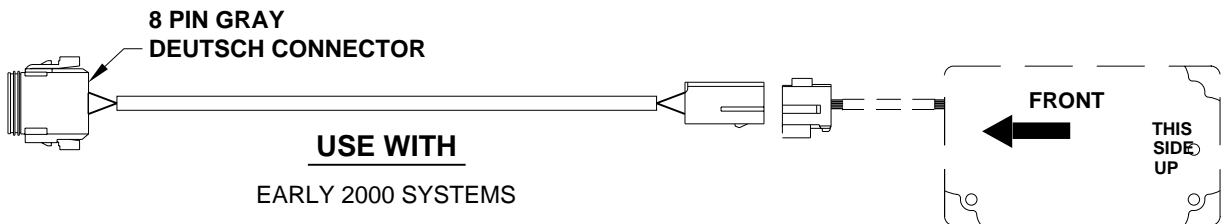
# CABLE REPLACEMENT ELECTRONIC LEVEL SENSOR



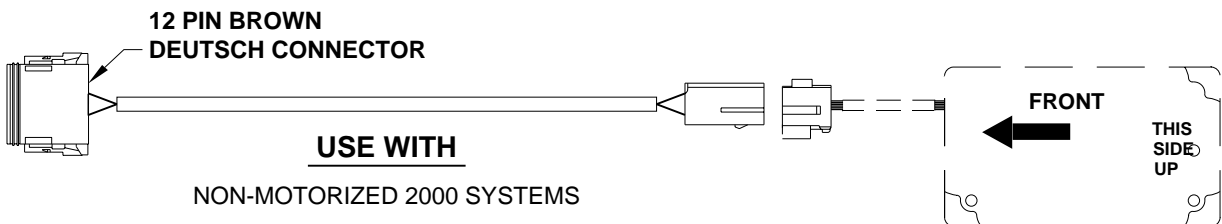
EXISTING NUMBER	DESCRIPTION	REPLACEMENT NUMBER
ALL SENSING UNIT CABLES OF THIS STYLE	21' CABLE WITH MTA CONNECTOR 33' CABLE WITH MTA CONNECTOR	RAP91033 RAP91034



EXISTING NUMBER	DESCRIPTION	REPLACEMENT NUMBER
ALL SENSING UNIT CABLES OF THIS STYLE	21' CABLE WITH EJS CONNECTOR	RAP91035

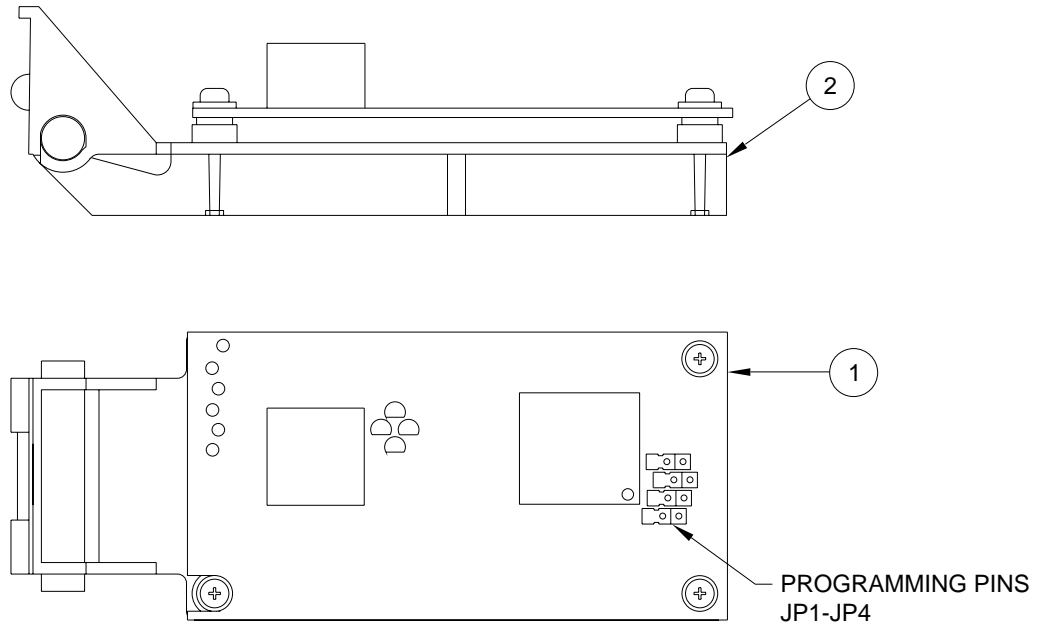


EXISTING NUMBER	DESCRIPTION	REPLACEMENT NUMBER
ALL SENSING UNIT CABLES OF THIS STYLE	21' CABLE WITH DEUTSCH CONNECTOR	RAP92608



EXISTING NUMBER	DESCRIPTION	REPLACEMENT NUMBER
ALL SENSING UNIT CABLES OF THIS STYLE	15' CABLE WITH DEUTSCH CONNECTOR 20' CABLE WITH DEUTSCH CONNECTOR	RAP92617 RAP93077

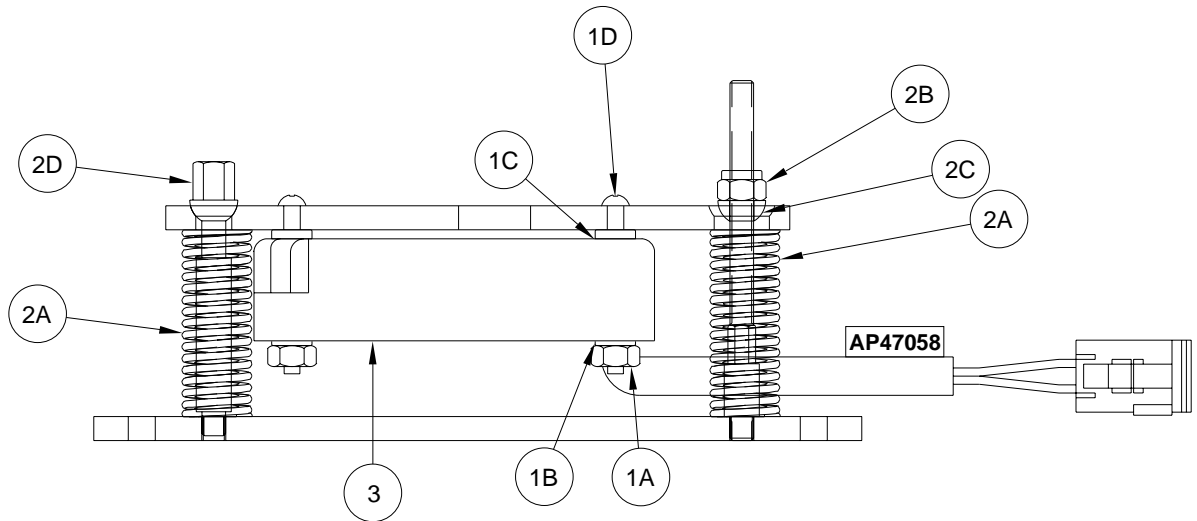
**ELECTRONIC SENSING UNITS**  
**225 SERIES - 305/325 SERIES - 625 SERIES - 625S SERIES - 2000 SERIES**  
**ACTIVE AIR SYSTEMS**



ITEM	PART	QTY	DESCRIPTION
1	RAP91172 REPLACES AP29522	1	PROGRAMMABLE SENSING UNIT
1	RAP92304 REPLACES AP37325	1	PROGRAMMABLE SENSING UNIT FOR ACTIVE AIR SYSTEMS ONLY
1	RAP91349 REPLACES AP30006	1	SENSING UNIT FOR 225 CONSOLE SYSTEMS ONLY
2	RAP91593	*1	MOUNTING PLATE KIT <b>OBSOLETE - DO NOT ORDER</b>
2	RAP92302	*1	MOUNTING PLATE KIT (INCLUDES MTG. SCREWS, SPRING, CROSS BAR, ALL WASHERS, AND ADJUSTING NUT) DO NOT ORDER WITHOUT CONTACTING HWH CUSTOMER SERVICE FIRST. THE CONTROL BOX MUST BE RETURNED TO HWH FOR MODIFICATION.

**POTTED - ELECTRONIC SENSING UNITS  
PRECISION LEVELING  
OSHKOSH SPECIALTY VEHICLES / STANTON DYNAMICS**

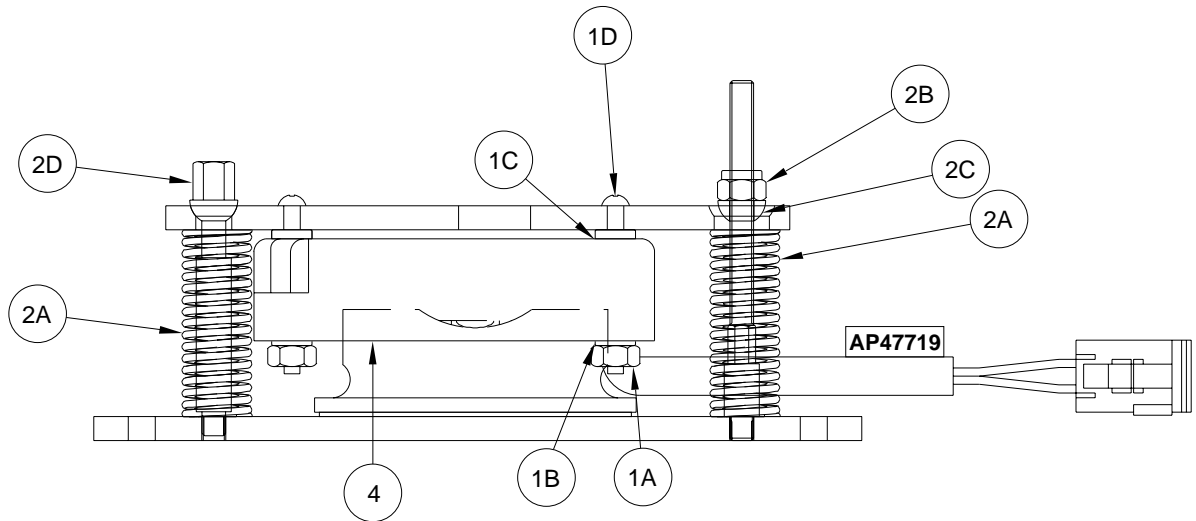
**ELECTRONIC SENSING UNIT- PRECISION LEVELING AND MOUNTING HARDWARE**



ITEM	PART	QTY	DESCRIPTION
1	RAP93066	1	HARDWARE KIT SENSOR
1A		3	HEX NUT
1B		3	LOCK WASHER
1C		3	FLAT WASHER
1D		3	MACHINE SCREW
NOTE: EXISTING HARDWARE MAY VARY FROM THAT SHOWN.			
2	RAP93067	1	HARDWARE KIT BRACKET
2A		3	SPRING
2B		2	ESNA NUT
2C		2	SPHERICAL WASHER
2D		1	PIN
3	RAP93068	1	SENSING UNIT REPLACES AP47058
NOTE: ITEM 3 INCLUDES ITEM 1			

**POTTED - ELECTRONIC SENSING UNITS  
PRECISION LEVELING  
LDV INC. / 4D**

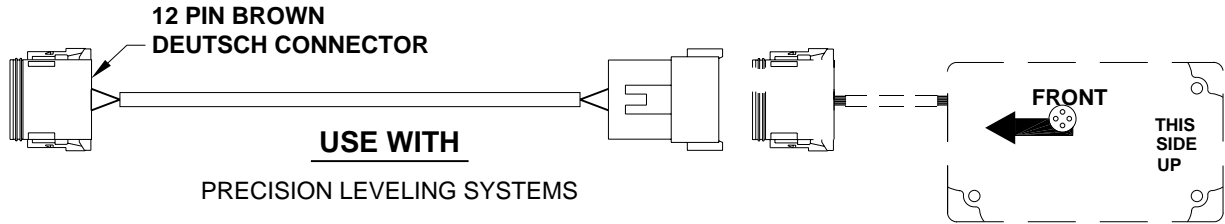
**ELECTRONIC SENSING UNIT- PRECISION LEVELING AND MOUNTING HARDWARE**



ITEM	PART	QTY	DESCRIPTION
1	RAP93066	1	HARDWARE KIT SENSOR
1A		3	HEX NUT
1B		3	LOCK WASHER
1C		3	FLAT WASHER
1D		3	MACHINE SCREW
2	RAP93067	1	HARDWARE KIT BRACKET
2A		3	SPRING
2B		2	ESNA NUT
2C		2	SPHERICAL WASHER
2D		1	PIN
3	RAP93226	1	SENSING UNIT W/ BRACKET FRONT - NO BUBBLE LEVEL REPLACES AP49012
3	RAP93227	1	SENSING UNIT W/ BRACKET FORE & AFT - W/ BUBBLE LEVEL REPLACES AP49013
3	RAP93228	1	SENSING UNIT W/ BRACKET REAR - W/ BUBBLE LEVEL REPLACES AP49014
4	RAP93069	1	SENSING UNIT ONLY REPLACES AP47719

NOTE: ITEM 4 INCLUDES ITEM 1

# CABLE REPLACEMENT ELECTRONIC LEVEL SENSOR



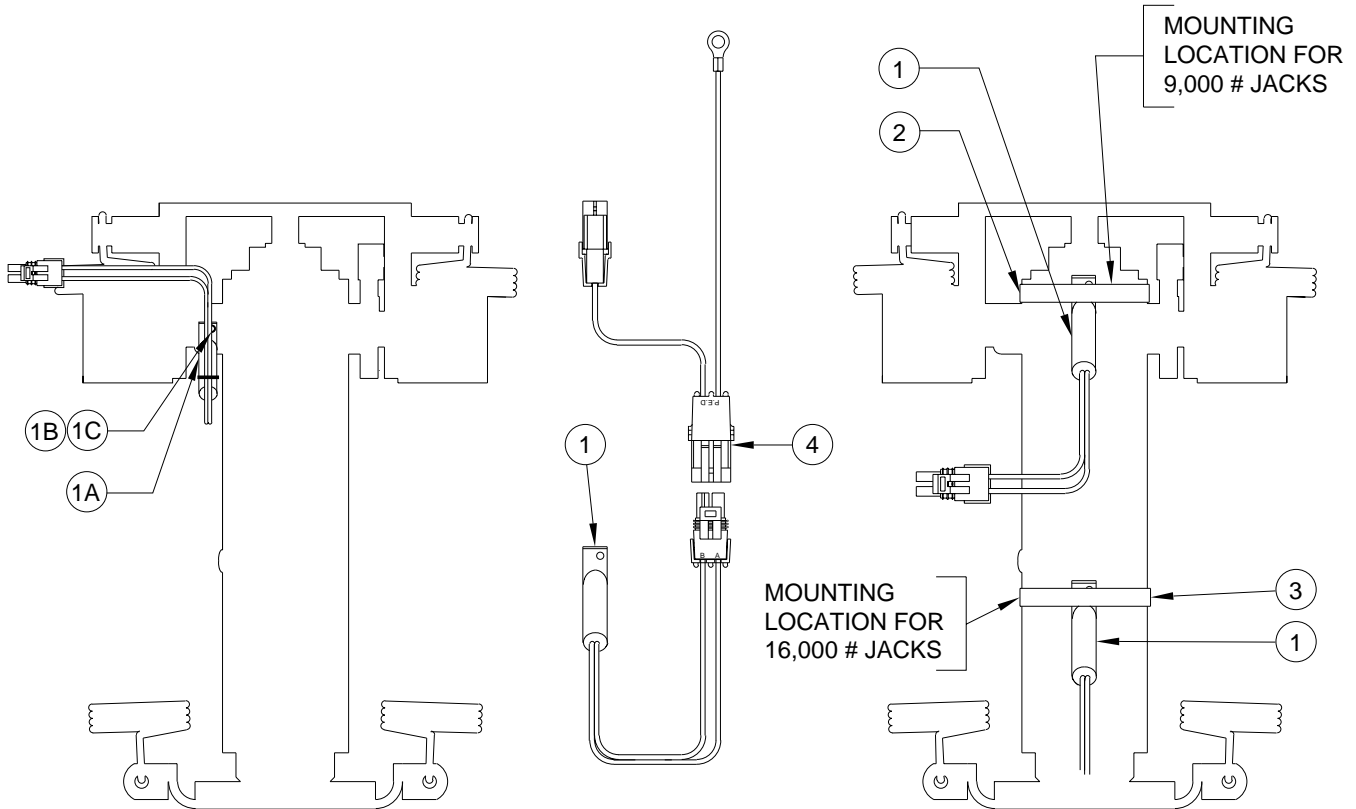
EXISTING NUMBER	DESCRIPTION	REPLACEMENT NUMBER
ALL SENSING UNIT CABLES OF THIS STYLE	4' CABLE WITH DEUTSCH CONNECTOR	RAP93082
	6' CABLE WITH DEUTSCH CONNECTOR	RAP93080
	15' CABLE WITH DEUTSCH CONNECTOR	RAP93078
	18' CABLE WITH DEUTSCH CONNECTOR	RAP93081
	38' CABLE WITH DEUTSCH CONNECTOR	RAP93079

# WARNING SWITCHES FOR KICK DOWN JACKS

## 2-WIRE WARNING SWITCH

ON LATE MODEL KICK DOWN JACKS, ALL SIZES, THE WARNING SWITCH IS MOUNTED TO THE JACK TRUNION NUT WITH A SCREW AND TWO STAR LOCK WASHERS.

ON EARLY 9,000 # AND 16,000 # JACKS, THE WARNING SWITCH IS MOUNTED TO THE BARREL OF THE JACK WITH A BAND CLAMP.



THE RAP1010 2-WIRE WARNING SWITCH WITH 2-PIN PACKARD CONNECTOR REPLACES ONLY WARNING SWITCHES WITH A 2-PIN PACKARD. AN ADAPTER MUST BE PURCHASED SEPARATELY FOR OTHER 2-WIRE WARNING SWITCHES. THE 2-WIRE SWITCH IS USED ON ALL MANUAL SYSTEMS (100/110-200-310-325), COMPUTERIZED SYSTEMS WITH 2 HOSES PER JACK (400-510) AND LATER COMPUTERIZED SYSTEMS (LATE MODEL 610-625-725-2000) SYSTEMS. THE RAP1010 WILL **NOT** REPLACE A 3-WIRE WARNING SWITCH.

ITEM	PART	QTY	DESCRIPTION
1	RAP1010	1	2-WIRE WARNING SWITCH WITH 2-PIN PACKARD CONNECTOR. REPLACES ALL 2-WIRE WARNING SWITCHES INCLUDING THE <b>OBS.</b> RAP2732 AND <b>OBS.</b> RAP2477
1A		1	WARNING SWITCH
1B		1	#10-24 X 3/8" SCREW
1C		2	#10 LOCK WASHER
2	RP1000	1	BAND CLAMP SPECIAL FOR 9,000 # JACKS. REPLACES THE <b>OBS.</b> RP2508 CLAMP.

ITEM	PART	QTY	DESCRIPTION
3	RP0493	1	BAND CLAMP SPECIAL FOR 16,000 # JACKS REPLACES THE <b>OBS.</b> RP2711 CLAMP.
4	RAP91915	1	ADAPTER KIT MUST BE ORDERED WHEN REPLACING A WARNING SWITCH WITH A SINGLE PIN PACKARD INCLUDES INSTRUCTION SHEET

**NOTE:** INDENTED ITEMS INCLUDED WITH PRECEDING ITEM.

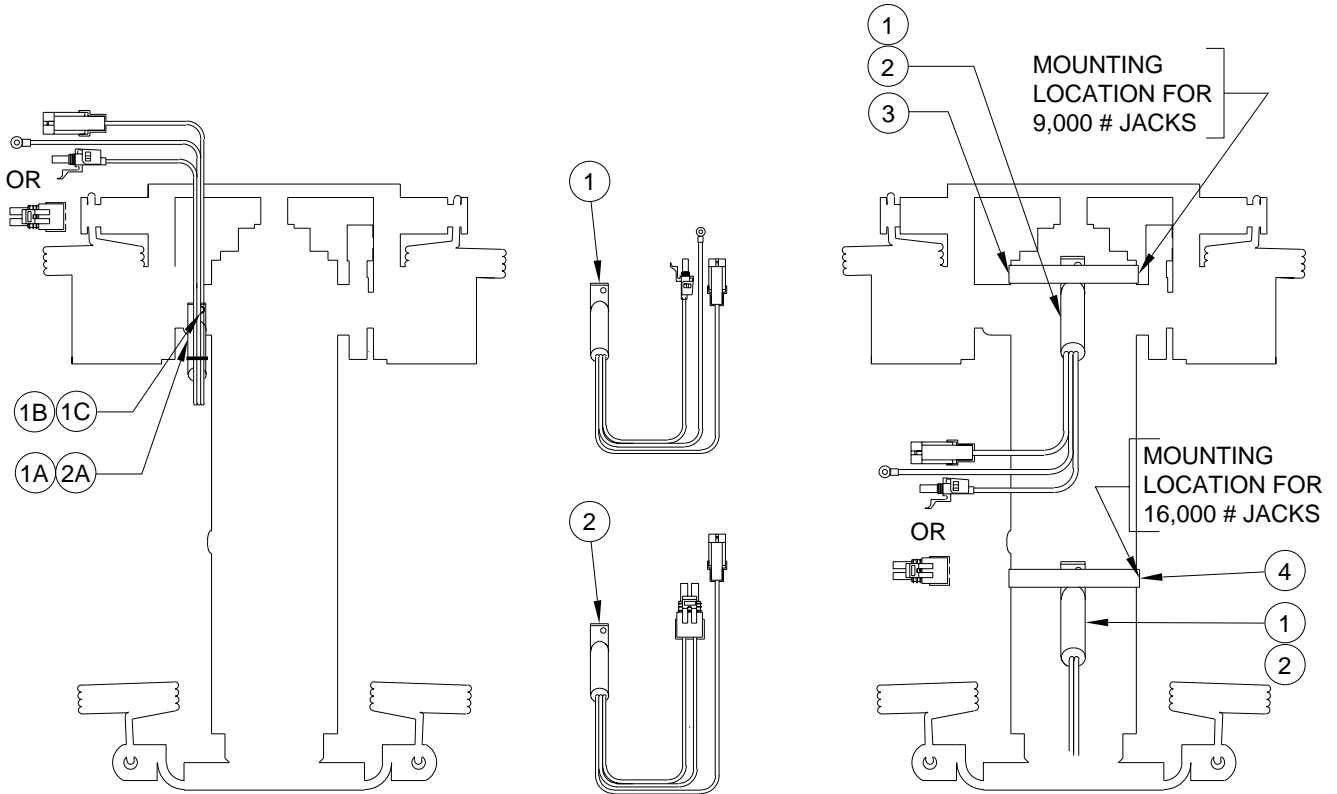
**MR50.0200  
04MAY12**

# WARNING SWITCHES FOR KICK DOWN JACKS

## 3-WIRE WARNING SWITCH

ON LATE MODEL KICK DOWN JACKS, ALL SIZES, THE WARNING SWITCH IS MOUNTED TO THE JACK TRUNION NUT WITH A SCREW AND TWO STAR LOCK WASHERS.

ON EARLY 9,000 # AND 16,000 # JACKS, THE WARNING SWITCH IS MOUNTED TO THE BARREL OF THE JACK WITH A BAND CLAMP.



THE 3-WIRE WARNING SWITCH WILL **NOT** REPLACE A 2-WIRE WARNING SWITCH. BE CAREFUL TO ORDER A SWITCH WITH THE CORRECT PACKARD CONNECTORS. REFER TO THE PART DESCRIPTION BELOW. THE 3-WIRE WARNING SWITCH IS USED ONLY ON EARLY 610 SYSTEMS.

ITEM	PART	QTY	DESCRIPTION
1	RAP0995 <b>OBSOLETE</b> USE RAP90072	1	3-WIRE WARNING SWITCH WITH 2 1-PIN PACKARD CONNECTORS.
2	RAP90072	1	3-WIRE WARNING SWITCH WITH 1 2-PIN PACKARD CONNECTOR AND 1 1-PIN PACKARD CONNECTOR. USED MAINLY ON BEAVER COACHES. THE RAP90072 WILL REPLACE A RAP0995.
2A		1	WARNING SWITCH
1B		1	#10-24 X 3/8" SCREW
1C		2	#10 LOCK WASHER

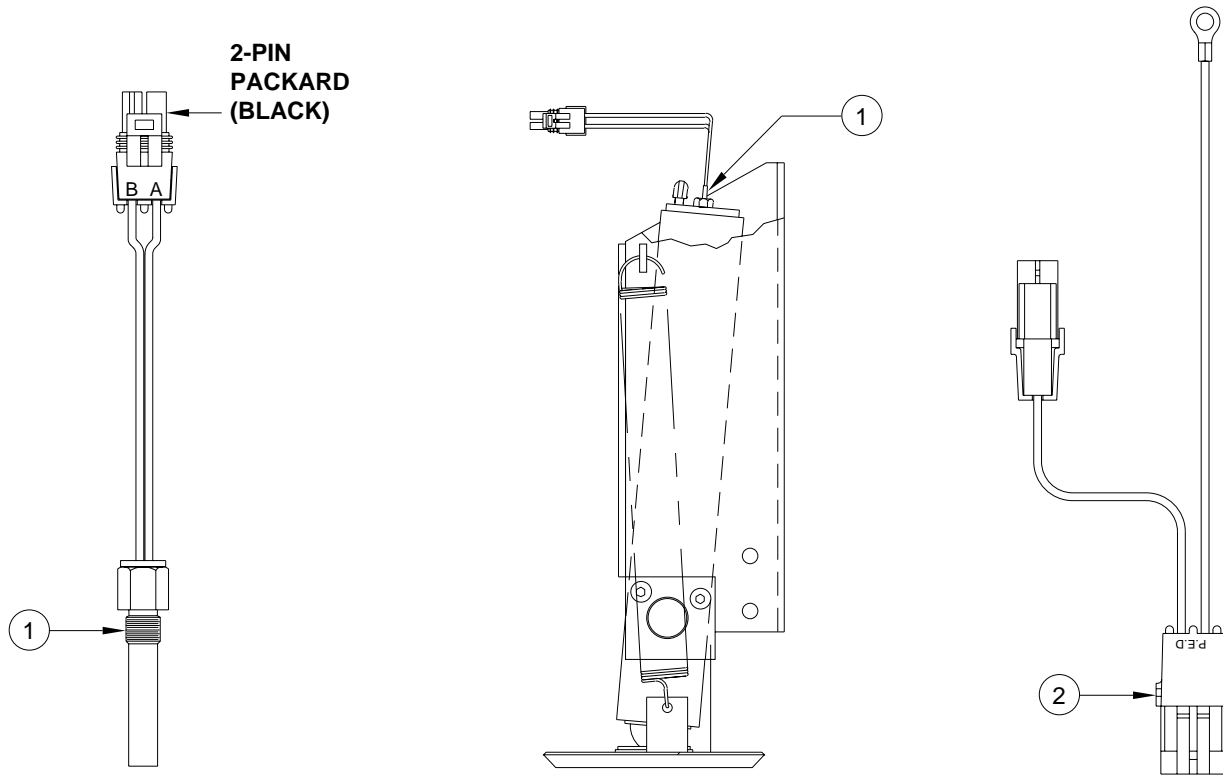
ITEM	PART	QTY	DESCRIPTION
3	RP1000	1	BAND CLAMP SPECIAL FOR 9,000 # JACKS. REPLACES THE <b>OBS.</b> RP2508 CLAMP.
4	RP0493	1	BAND CLAMP SPECIAL FOR 16,000 # JACKS REPLACES THE <b>OBS.</b> RP2711 CLAMP.

**NOTE:** INDENTED ITEMS INCLUDED WITH PRECEDING ITEM.

**MR50.0400  
01MAR10**

# WARNING SWITCH FOR STRAIGHT-ACTING JACKS 2 PIN BLACK PACKARD CONNECTOR

## 2-WIRE MAGNETIC WARNING SWITCH



THE RAP1008 2-WIRE MAGNETIC WARNING SWITCH IS USED ON STRAIGHT-ACTING JACKS ONLY. THE RAP1008 2-WIRE SWITCH WILL **NOT** REPLACE A 3-WIRE MAGNETIC WARNING SWITCH. IT CAN **NOT** BE USED TO REPLACE THE 2 INCH PLUNGER SWITCH OR THE SIDE PORT WARNING SWITCH. IT WILL NOT REPLACE A 2-WIRE MAGNETIC SWITCH WITH A GRAY PACKARD CONNECTOR.

ITEM	PART	QTY	DESCRIPTION
1	RAP1008 *	1	2-WIRE MAGNETIC WARNING SWITCH WITH A 2-PIN BLACK PACKARD CONNECTOR. REPLACES RAP8100 OBS. 2-WIRE SWITCH.

\* THIS SWITCH WILL REPLACE THE RAP8100 2-WIRE WARNING SWITCH THAT HAD A SINGLE WIRE PACKARD CONNECTOR, BUT AN ADAPTOR KIT MUST BE ORDERED SEPERATELY.

2	RAP91915	1	ADAPTER KIT MUST BE ORDERED WHEN REPLACING A WARNING SWITCH WITH A SINGLE PIN PACKARD INCLUDES INSTRUCTION SHEET
---	----------	---	--

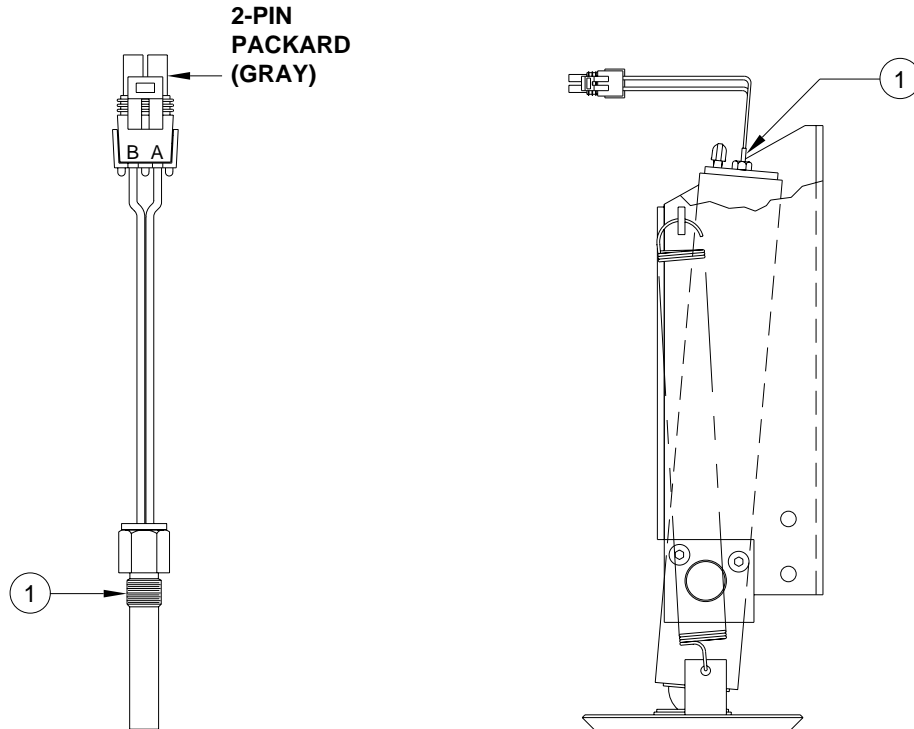


---

# WARNING SWITCH FOR STRAIGHT-ACTING JACKS 2 PIN GRAY PACKARD CONNECTOR

---

## 2-WIRE MAGNETIC WARNING SWITCH

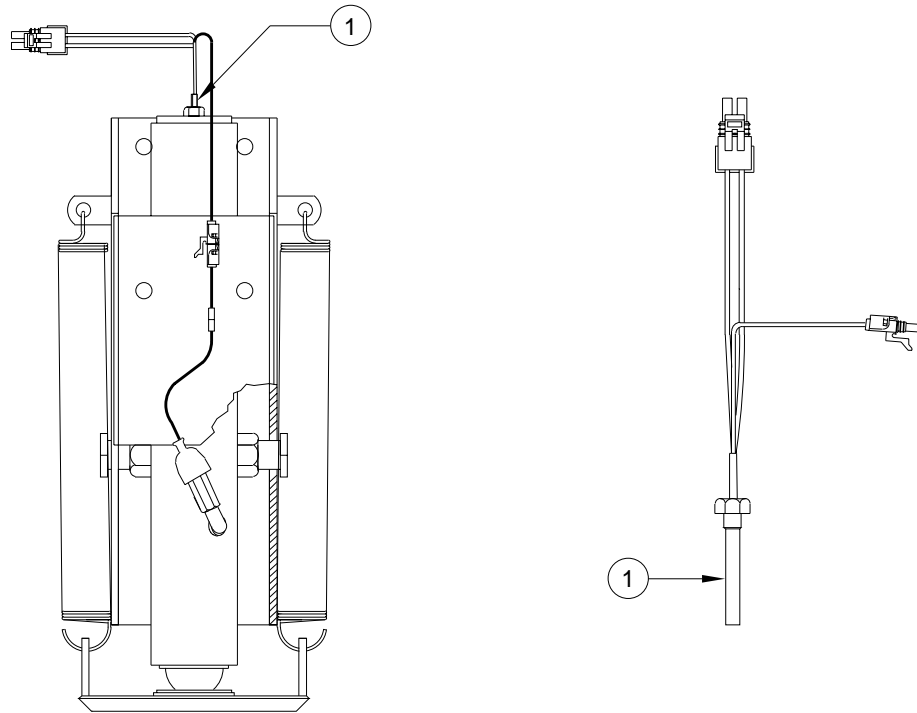


THE RAP90968 2-WIRE MAGNETIC WARNING SWITCH IS USED ON STRAIGHT-ACTING JACKS ONLY. THE RAP90968 2-WIRE MAGNETIC WARNING SWITCH WILL **NOT** REPLACE THE 2-WIRE (BLACK) PACKARD RAP1008 OR THE 3-WIRE MAGNETIC WARNING SWITCH. IT CAN **NOT** BE USED TO REPLACE THE 2 INCH PLUNGER SWITCH OR THE SIDE PORT WARNING SWITCH.

ITEM	PART	QTY	DESCRIPTION
1	RAP90968	1	2-WIRE MAGNETIC WARNING SWITCH WITH A 2-PIN (GRAY) PACKARD CONNECTOR

# WARNING SWITCHES FOR STRAIGHT ACTING JACKS

## 3-WIRE MAGNETIC WARNING SWITCH



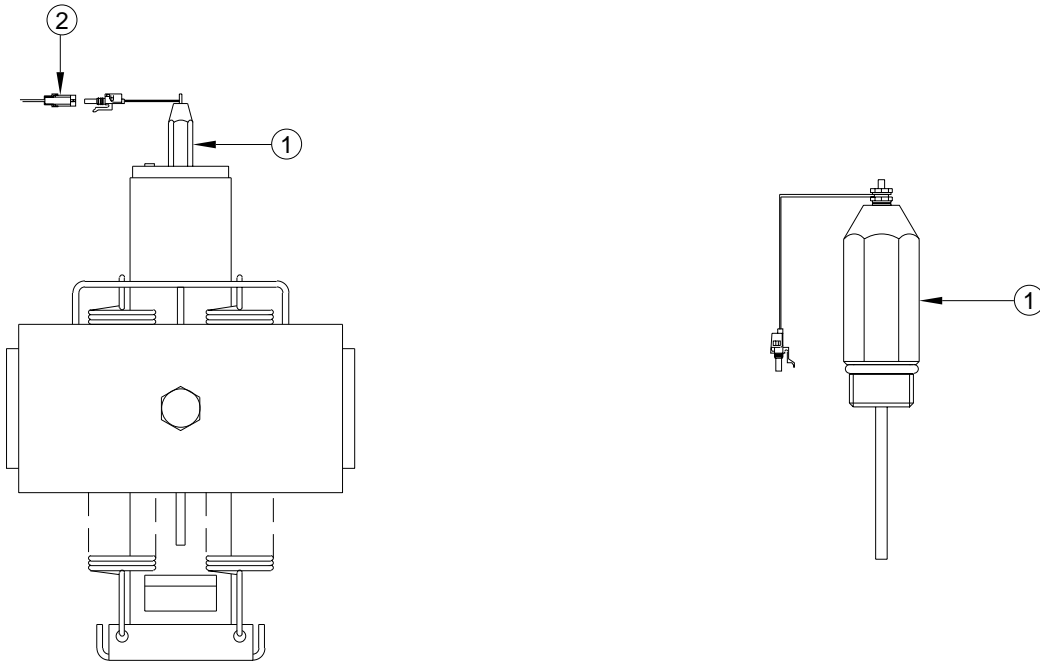
THE RAP90073 3-WIRE MAGNETIC WARNING SWITCH IS USED ON STRAIGHT ACTING JACKS ONLY. IT IS USED ONLY WITH THE EARLY 610 AUTOMATIC SYSTEMS. THE RAP90073 CAN **NOT** BE USED TO REPLACE A 2-WIRE MAGNETIC SWITCH, THE 2 INCH PLUNGER SWITCH OR THE SIDE PORT WARNING SWITCH.

ITEM	PART	QTY	DESCRIPTION
1	RAP90073 *	1	3-WIRE MAGNETIC WARNING SWITCH WITH 1 2-PIN PACKARD CONNECTOR AND 1 1-PIN CONNECTOR. REPLACES THE <b>OBS.</b> RAP1009 AND <b>OBS.</b> RAP8442 MAGNETIC WARNING SWITCHES.

\* THIS SWITCH WILL REPLACE THE RAP1009 AND RAP8442 SWITCHES THAT HAD 2 1-WIRE PACKARD CONNECTORS AND 1 RING TERMINAL. AN ADAPTOR AND INSTRUCTION SHEET IS INCLUDED WITH THE REPLACEMENT SWITCH.

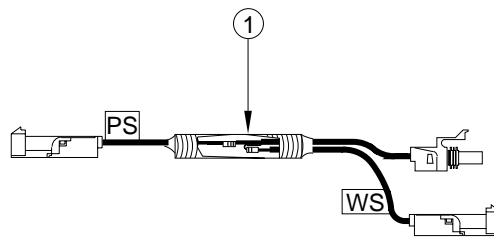
# WARNING SWITCHES FOR STRAIGHT-ACTING JACKS

## 1-WIRE WARNING SWITCH WITH 2 INCH PLUNGER



ITEM	PART	QTY	DESCRIPTION
1	RAP4707	1	WARNING SWITCH PLUNGER STYLE WITH 2" TRAVEL. USED ON 24,000 # STRAIGHT ACTING JACKS WITH ANY SYSTEM.

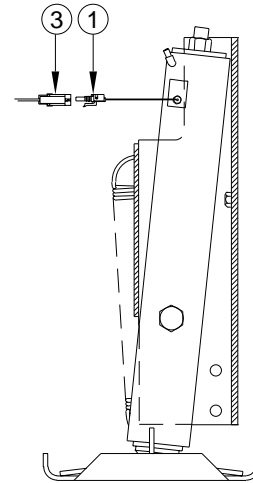
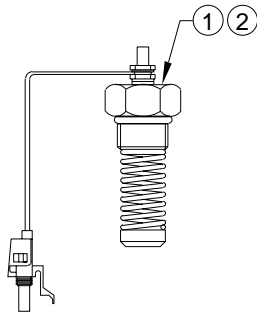
ITEM	PART	QTY	DESCRIPTION
2	RAP4756	1	8" PIGTAIL WITH PACKARD CONNECTOR



ITEM	PART	QTY	DESCRIPTION
1	RAP9072	1	WARNING/PRESSURE SWITCH INTERFACE WITH RESISTORS. USED WITH THE RAP4707 WARNING SWITCH ON EARLY 610 SYSTEMS.

# WARNING SWITCHES FOR STRAIGHT-ACTING JACKS

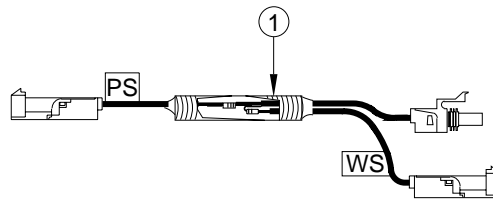
## 1-WIRE WARNING SWITCH SIDE PORT MOUNTING



**NOTES :** THIS SWITCH WAS USED PRIOR TO THE RAP1008 AND RAP90073 MAGNETIC WARNING SWITCHES.

ITEM	PART	QTY	DESCRIPTION
1	RAP5027	1	WARNING SWITCH SIDE PORT. USED WITH STRAIGHT ACTING JACKS ON ALL TYPES OF LEVELING SYSTEMS.

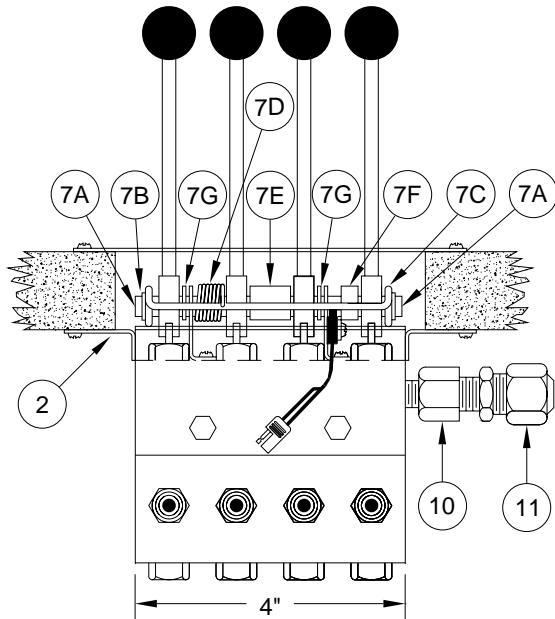
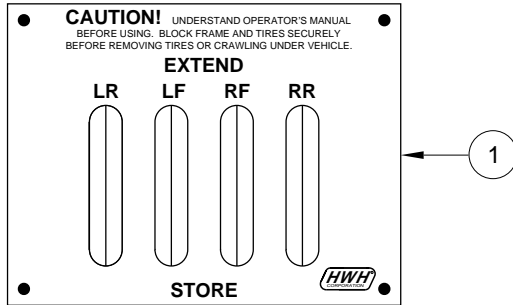
ITEM	PART	QTY	DESCRIPTION
2	RAP7777	1	WARNING SWITCH SIDE PORT. USED ON SOME AP7900 FIFTH WHEEL JACKS.
3	RAP4752	1	8" PIGTAIL WITH PACKARD CONNECTOR



ITEM	PART	QTY	DESCRIPTION
1	RAP9072	1	WARNING/PRESSURE SWITCH INTERFACE WITH RESISTORS. USED WITH THE RAP5027 WARNING SWITCH ON EARLY 610 SYSTEMS.

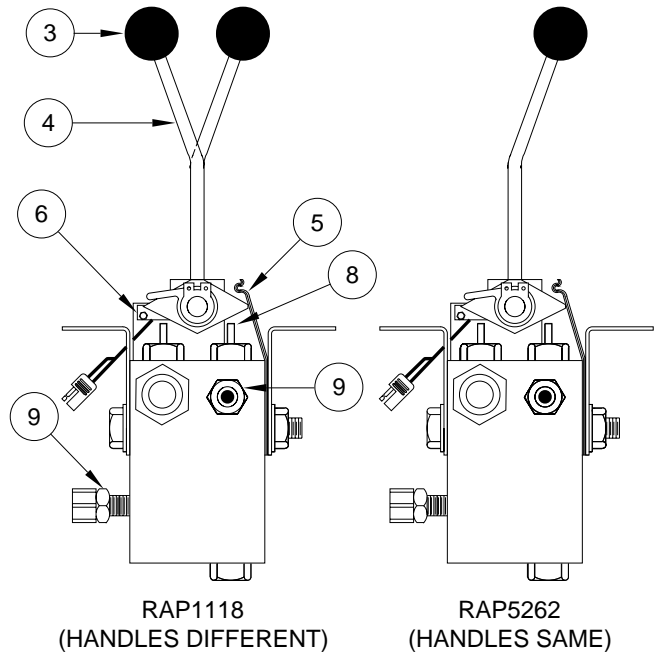
# 100 SERIES 4-LEVER CONTROL VALVE 4 INCH BODY WITH SEPARATE LIGHT PACKAGE

THESE REPLACEMENT VALVES ARE SHIPPED WITH STRAIGHT FITTINGS. IF NEEDED, ORDER THE 90 DEG. FITTING KIT OR USE THE FITTINGS FROM THE EXISTING VALVE. USE TEFLON TAPE WHEN REPLACING FITTINGS. INDIVIDUAL FITTINGS FOR VALVES CAN BE ORDERED, SEE THE MISC. SECTION OF THE PARTS MANUAL FOR DETAILED DESCRIPTION OF DIFFERENT FITTINGS.



## REPLACEMENT VALVE AND ACCESSORIES

ITEM	PART	DESCRIPTION
	RAP1118	VALVE ASSY HANDLES DIFFERENT
	RAP5262	VALVE ASSY HANDLES SAME
1	R5283	90 DEG. FITTING KIT
	RAP1146	HWH BEZEL PLATE W/ GASKET
2	RAP1153	END SHIELD KIT W/SEAL (INCLUDES 2 END SHIELDS)



ITEM	PART	QTY	DESCRIPTION
3	RAP1379	4	KNOB BLACK (4 KNOBS PER RAP1379)
4	RAP1143	4	VALVE HANDLE WITH KNOB (1 HANDLE PER RAP1143)
5	RP1150	2	DETENT PLATE (2 PLATES PER RAP1150)
6	RAP1455	1	SWITCH KIT W/BRKT.
7	R5284	1	VALVE PIVOT KIT
7A		1	PIVOT ROD
7B		2	SNAP RING
7C		1	SWITCH ACTIVATING ROD
7D		1	TORSION SPRING
7E		1	SPACER .59
7F		1	SPACER .15
7G		2	SPACER .10

ITEM	PART	QTY	DESCRIPTION
8	R1217	8	PLUNGER AND GUIDE (8 PLUNGER AND GUIDE PER R1217)
	RP90023	1	TORSION SPRING KIT (INCLUDES 1-7D & 2-7B)
9	RF1456	5	4-FTX-S MALE CONNECTOR
10	RF1457	1	222P-4-2 1/8" X 1/4" ADAPTOR
11	RF1458	1	68NTA-8-4 1/2" TUBE 1/4" NPT

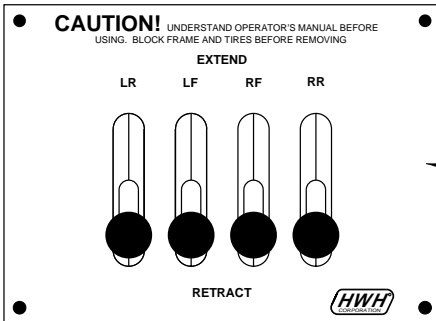
**NOTE :** UNLESS NOTED OTHERWISE, FITTINGS ARE PACKAGED (1) PER PART #.

**NOTE:** INDENTED ITEMS INCLUDED WITH PRECEDING ITEM.

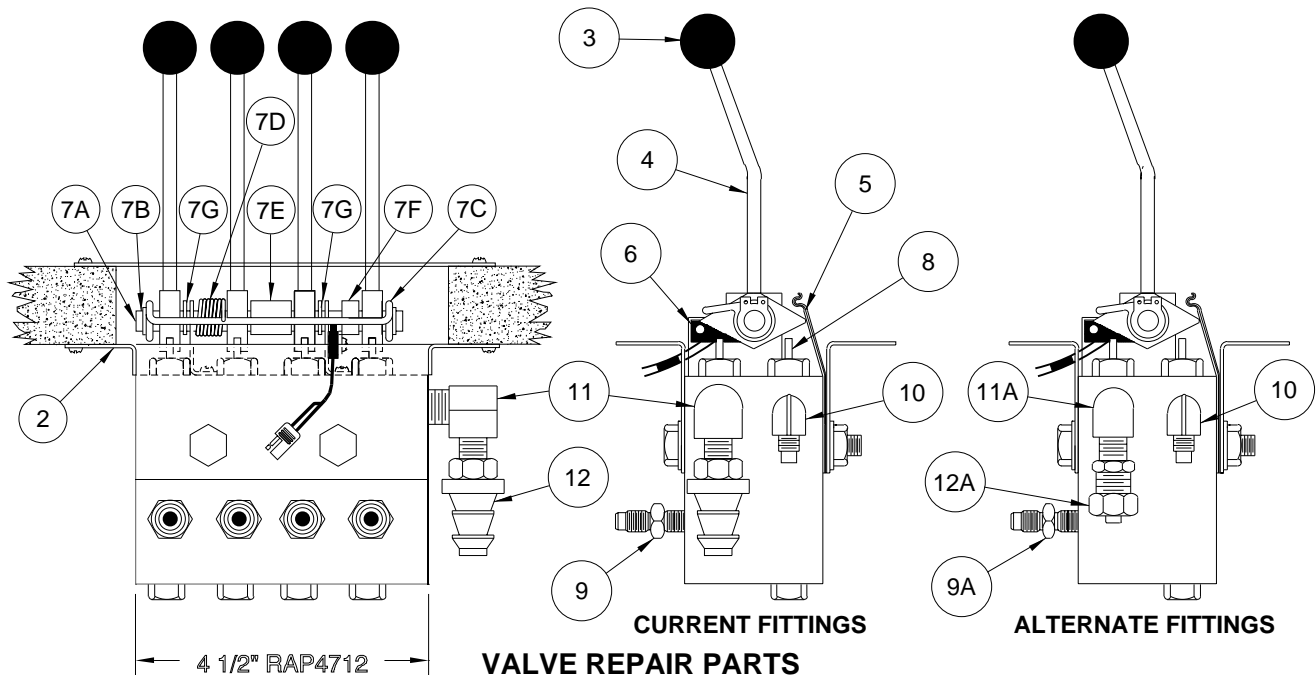
**MR55.1000  
03DEC96**

# 100 SERIES, FOUR LEVER CONTROL VALVE WITH 4 1/2" BODY (USED ON SOME BLUE BIRD AND NEWELL COACHES)

## REPLACEMENT VALVES AND ACCESSORIES



ITEM	PART NO.	DESCRIPTION
	RAP4712	VALVE ASSY. 4 1/2" (EXCLUDING ITEMS 1 & 2) ALL HANDLES TILTED BACK (INCLUDES EXTRA FITTINGS FOR 1/2" ID OR 1/2" OD RETURN LINES AND 1/4" OR 5/16" JACK LINES.)
	RAP7311	VALVE ASSY. 4 1/2" WITH 2 1/4" AND 2 5/16" FITTING (EXCLUDING ITEMS 1 AND 2)
1	RAP1146	BEZEL PLATE WITH GASKET HWH
2	RAP1153	END SHIELD KIT WITH SEAL (RAP1153 INCLUDES 2 END SHIELDS)



ITEM	PART NO.	QTY.	DESCRIPTION
3	RAP1379	4	KNOB BLACK (4 KNOBS PER RAP1379)
4	RAP1143	4	VALVE HANDLE WITH KNOB (1 HANDLE PER RAP1143)
5	RP1150	2	DETENT PLATE (2 PLATES PER RP1150)
6	RAP4249	1	SWITCH KIT WITH BRKT.
7	R5284	1	VALVE PIVOT KIT
7A		1	PIVOT ROD
7B		2	SNAP RING
7C		1	SWITCH ACTIVATING ROD
7D		1	SPRING TORSION
7E		1	SPACER .59
7F		1	SPACER .15
7G		2	SPACER .10
8	R1217	8	PLUNGER & GUIDE (8 PLUNGER & GUIDE PER R1217)

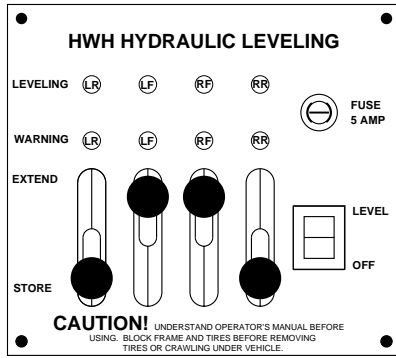
ITEM	PART NO.	QTY.	DESCRIPTION
9	RF3475	4	5-4-FTX-S MALE CONNECTOR (1/4" NPT X 1/2" - 20 FOR 5/16" HYD LINE) (1 FITTING PER RF3475)
*9A	RF1477	4	4-4-FTX-S MALE CONNECTOR (1/4" NPT X 7/16-20 FOR 1/4" HYD LINE)(1FITTING PER RF1477)
10	RF1453	1	4-CTX-S 90D MALE ELBOW (1/4" NPT X 7/16-20 FOR 1/4" LINE)
11	RF4709	1	2202P-6-6 ELBOW (BRASS) (3/8" NPT MALE X 3/8" NPT FEMALE)
*11A	RF3340	1	2202-4-4 ELBOW (BRASS) (1/4" NPT MALE X 1/4" NPT FEMALE)
12	RF4385	1	PUSH-LOK 3/8" NPT X 1/2" HOSE (3/8" NPT X 1/2" OD HOSE)
*12A	RF1458	1	68 NTA-8-4 1/2" TUBE X 1/4" NPT (1/4" NPT X 1/2" OD HOSE)

**NOTE:** INDENTED ITEMS INCLUDED WITH PRECEDING ITEM.  
\*ALTERNATE PARTS USED ON SOME EXISTING VALVES.

**MR55.1010  
23MAY97**

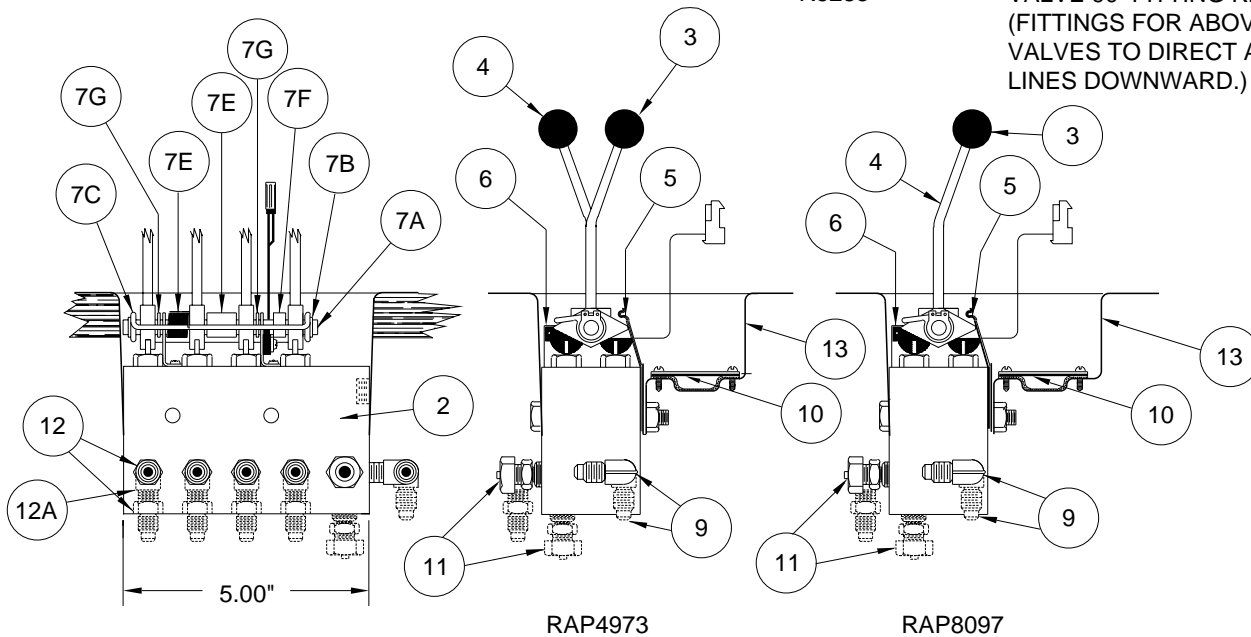
# VALVE, CONTROL

## 110 SERIES, FOUR LEVER-CONTROLLED LEVELING SYSTEM (WITH INTEGRATED LIGHT PANEL)



### REPLACEMENT VALVES & ACCESSORIES

ITEM	PART NO.	DESCRIPTION
1		LIGHT PLATE (SEE CONTROL PANELS)
2	RAP4973	VALVE ASSY W/ BOX (DOES NOT INCLUDE LIGHT PLATE OR HARNESS)
	RAP8097	VALVE ASSY W/ BOX *ALL HANDLES FORWARD (DOES NOT INCLUDE LIGHT PLATE OR HARNESS)
	R5283	VALVE 90 FITTING KIT (FITTINGS FOR ABOVE VALVES TO DIRECT ALL LINES DOWNWARD.)



### REPAIR PARTS

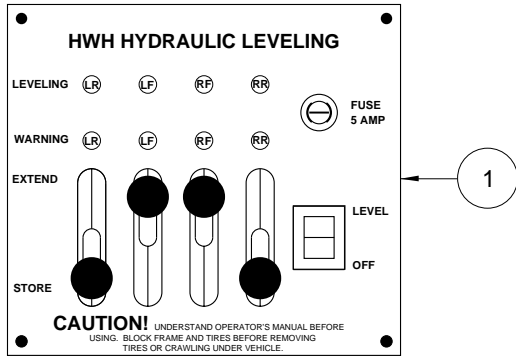
ITEM	PART	QTY	DESCRIPTION	ITEM	PART	QTY	DESCRIPTION
3	RAP1379	4	KNOB BLACK (4 KNOBS PER RAP1379)	8	R1217	8	PLUNGER AND GUIDE (8 PLUNGERS AND GUIDES PER R1217)
4	RAP1143	4	VALVE HANDLE W/KNOB (1 HANDLE PER RAP1143)	9	RF1453	1	4-CTX-S MALE ELBOW (1/8" NPT X 7/16-20 FOR 1/4" LINE)
5	RP1150	2	DETENT PLATE (2 PLATES PER RP1150)	10	RAP5023	1	HOLE COVER WITH SEAL
6	RAP4974	1	SWITCH KIT	11	RF1458	1	68 NTA-8-4 1/2" TUBE X 1/4" NPT (1/4" NPT X 1/2" OD TUBE)
7	R5284	1	VALVE PIVOT KIT	12	RF1456	4	4-FTX-S MALE CONNECTOR (1/8" NPT X 7/16-20 FOR 1/4" HYD LINE)(1 FITTING PER RF1456)
7A		1	PIVOT ROD	12A*	RF5132	4	2220P-2-2 ELBOW BRASS (1 PER RF5132)(1/8" NPT MALE X 1/8" NPT FEMALE)
7B		2	SNAP RING	13	RP90079	1	PLASTIC VALVE BOX
7C		1	SWITCH ACTIVATING ROD				
7D		1	SPRING TORSION				
7E		1	SPACER .59				
7F		1	SPACER .15				
7G		2	SPACER .10				

**NOTE:** INDENTED ITEMS INCLUDED WITH PRECEDING ITEM.  
\*ALTERNATE FITTINGS USED ON SOME VALVES.

**MR55.1020**  
**11FEB13**

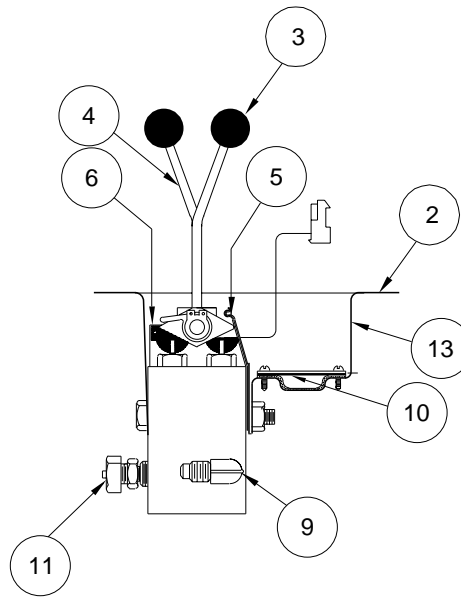
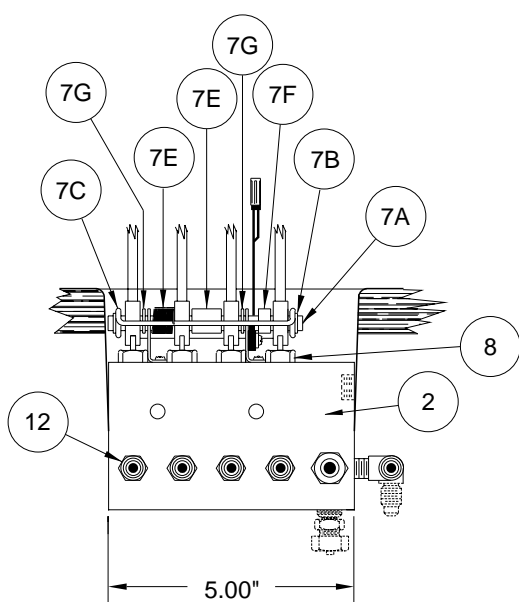
# VALVE, CONTROL

## 110 SERIES, FOUR LEVER-CONTROLLED LEVELING SYSTEM (WITH INTEGRATED LIGHT PANEL)



### REPLACEMENT VALVES & ACCESSORIES

ITEM	PART NO.	DESCRIPTION
1		LIGHT PLATE (SEE CONTROL PANELS)
2	RAP7305	VALVE ASSY W/ BOX (DOES NOT INCLUDE LIGHT PLATE OR HARNESS)



RAP7305

### REPAIR PARTS

ITEM	PART	QTY	DESCRIPTION	ITEM	PART	QTY	DESCRIPTION
3	RAP1379	4	KNOB BLACK (4 KNOBS PER RAP1379)	8	R1217	8	PLUNGER AND GUIDE (8 PLUNGERS AND GUIDES PER R1217)
4	RAP1143	4	VALVE HANDLE W/KNOB (1 HANDLE PER RAP1143)	9	RF1453	1	4-CTX-S MALE ELBOW (1/8" NPT X 7/16-20 FOR 1/4" LINE)
5	RP1150	2	DETENT PLATE (2 PLATES PER RP1150)	10	RAP5023	1	HOLE COVER WITH SEAL
6	RAP4974	1	SWITCH KIT	11	RF1458	1	68 NTA-8-4 1/2" TUBE X 1/4" NPT (1/4" NPT X 1/2" OD TUBE)
7		1	VALVE PIVOT KIT	12	RF3475	4	5-4 FTX-S 5/16" TUBE X 1/4" PIPE MALE CONNECTOR
7A		1	PIVOT ROD	13	RP90079	1	PLASTIC VALVE BOX
7B		2	SNAP RING				
7C		1	SWITCH ACTIVATING ROD				
7D		1	SPRING TORSION				
7E		1	SPACER .59				
7F		1	SPACER .15				
7G		2	SPACER .10				

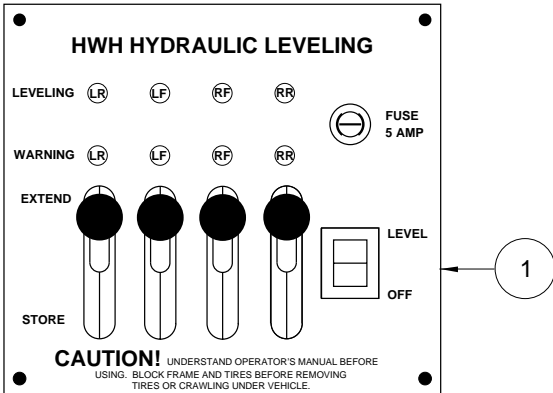
**NOTE:** INDENTED ITEMS INCLUDED WITH PRECEDING ITEM.

**MR55.1021**  
**02JUN11**



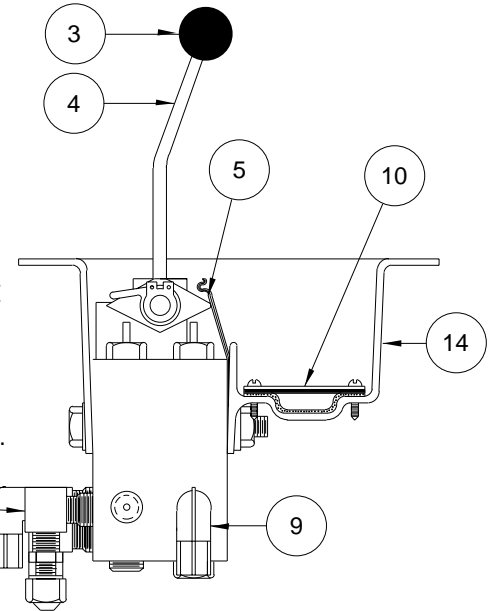
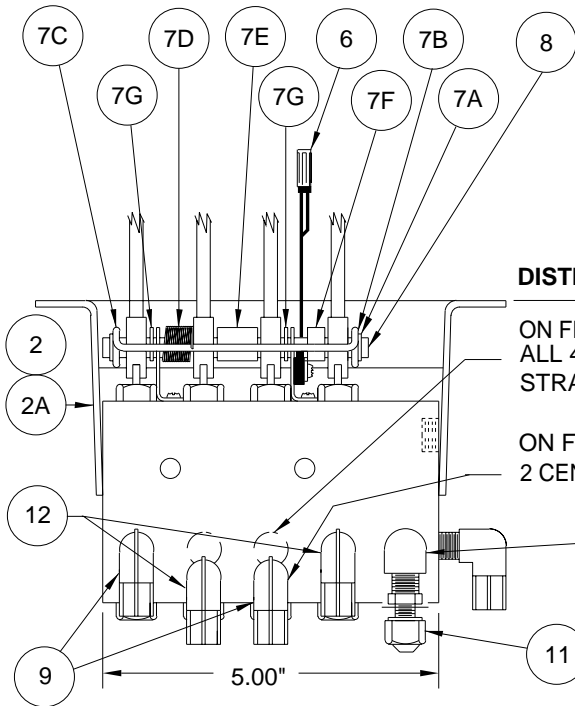
# VALVE, CONTROL

## 110 SERIES, FOUR LEVER-CONTROLLED LEVELING SYSTEM (WITH INTEGRATED LIGHT PANEL) FIFTH WHEEL AND TRAVEL TRAILER



### REPLACEMENT PARTS

ITEM	PART	QTY	DESCRIPTION
1			LIGHT PLATE (SEE CONTROL PANELS) FOR FRONT EQUALIZED JACKS (BEGINNING IN 92, EITHER FRONT CONTROL LEVER OPERATES BOTH FRONT JACKS.)
2	RAP9779		VALVE ASSY FOR FRONT EQUAL USE CROSS MOUNT (BI-AXIS) SENSING UNIT
			FOR INDEPENDENT FRONT JACKS (BEGINNING IN 91 ENDING IN 92)
2A	RAP8699		VALVE ASSY USE DIAGONAL MOUNT SENSING UNIT (BEGINNING IN 91 ENDING IN 92)



### REPAIR PARTS

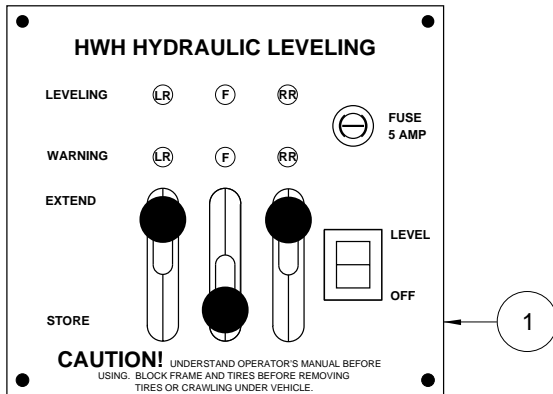
ITEM	PART	QTY	DESCRIPTION	ITEM	PART	QTY	DESCRIPTION
3	RAP1379	4	KNOB BLACK (4 KNOBS PER RAP1379)	7F		1	SPACER .15
4	RAP1143	4	VALVE HANDLE W/KNOB (1 HANDLE PER RAP1143)	7G		2	SPACER .10
5	RP8700	2	DETENT PLATE (2 PLATES PER RP8700)	8	R1217	8	PLUNGER AND GUIDE (8 PLUNGERS AND GUIDES PER R1217)
6	RAP4974	1	SWITCH KIT	9	RF1453	3	4-CTX-S MALE ELBOW (1/8" NPT X 7/16-20)
7	R5284	1	VALVE PIVOT KIT	10	RAP5023	1	HOLE COVER WITH SEAL
7A		1	PIVOT ROD	11	RF1458	1	68 NTA-8-4 1/2" TUBE X 1/4" (1/4" NPT X 1/2" OD TUBE)
7B		2	SNAP RING	12	RF1511	2	4-CCTX-S MALE ELBOW LONG
7C		1	SWITCH ACTIVATING ROD	13	RF3474	1	2220-4-2 ELBOW BRASS
7D		1	SPRING TORSION	14	RP90079	1	PLASTIC VALVE BOX
7E		1	SPACER .59				

**NOTE:** INDENTED ITEMS INCLUDED WITH PRECEDING ITEM.  
\*ALTERNATE FITTINGS USED ON SOME VALVES.

**MR55.1030**  
**11SEP12**

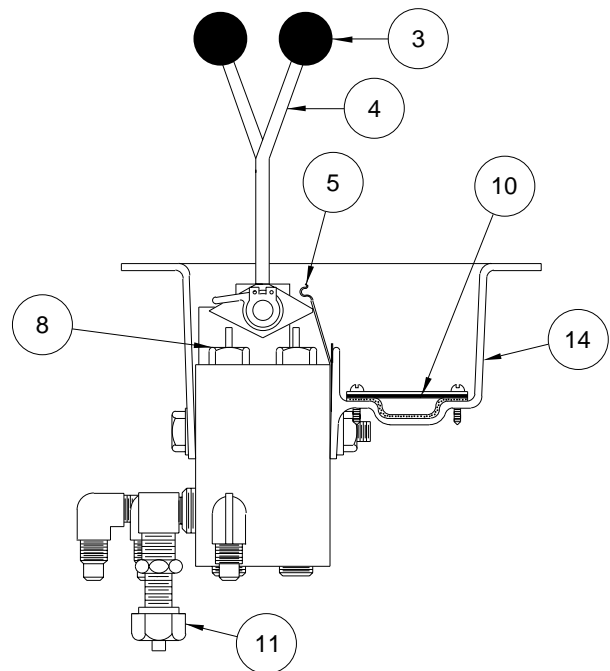
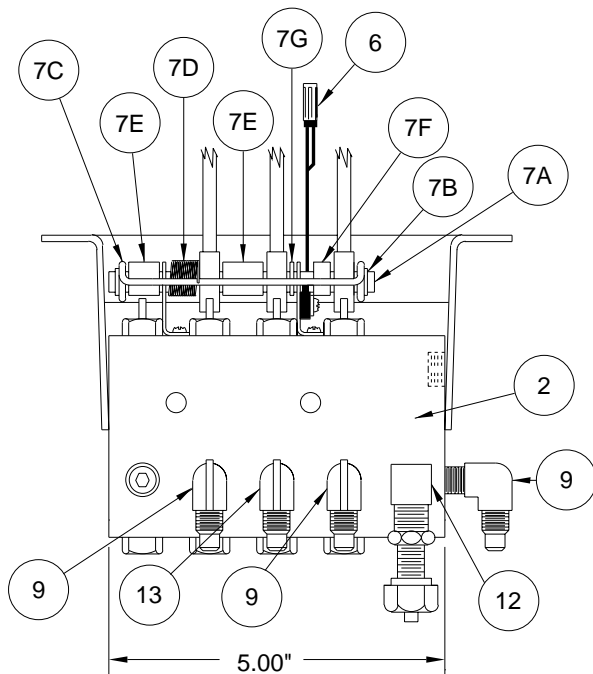
# VALVE, CONTROL

## 110 SERIES, THREE LEVER-CONTROLLED LEVELING SYSTEM (WITH INTEGRATED LIGHT PANEL)



### REPLACEMENT PARTS

ITEM	PART	QTY	DESCRIPTION
1			LIGHT PLATE (SEE CONTROL PANEL SECTION OF PARTS MANUAL)
2	RAP8161		VALVE ASSEMBLY WITH BOX (DOES NOT INCLUDE LIGHT PLATE OR HARNESS)



### REPAIR PARTS

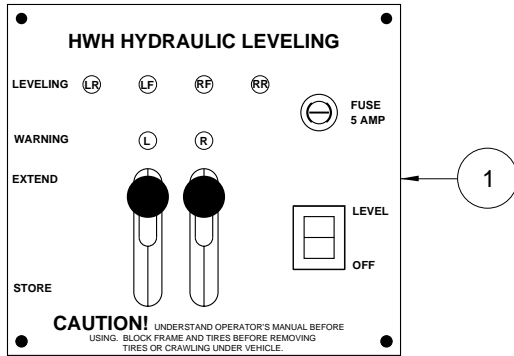
ITEM	PART	QTY	DESCRIPTION	ITEM	PART	QTY	DESCRIPTION
3	RAP1379	3	KNOB BLACK	9	RF1453	3	4-CTX-S 90° MALE ELBOW (1/8" NPT X 7/16-20 FOR 1/4" LINE)
4	RAP1143	3	VALVE HANDLE W/KNOB (1 HANDLE PER RAP1143)	10	RAP5023	1	HOLE COVER WITH SEAL
5	RP1150	1	DETENT PLATE (2 PLATES PER RP1150)	11	RF1458	1	68 NTA-8-4 1/2" TUBE X 1/4" NPT (1/4" NPT X 1/2" OD TUBE)
6	RAP4974	1	SWITCH KIT	12	RF3340	1	2202P-4-4 ELBOW (BRASS) (1/4" NPT MALE X 1/4" NPT FEMALE)
7	R8191	1	VALVE PIVOT KIT	13	RF1511	4	4-CCTX-S LG MALE ELBOW (1/8" NPT X 7/16-20 FOR 1/4" LINE)
7A		1	PIVOT ROD	14	RP90079	1	PLASTIC VALVE BOX
7B		2	SNAP RING				
7C		1	SWITCH ACTIVATING ROD				
7D		1	SPRING TORSION				
7E		2	SPACER .59				
7F		1	SPACER .15				
7G		1	SPACER .10				
8	R1217	8	PLUNGER AND GUIDE (8 PLUNGERS & GUIDES PER R1217)				

NOTE: INDENTED ITEMS INCLUDED WITH PRECEDING ITEM.

**MR55.1040**  
**02JUN11**

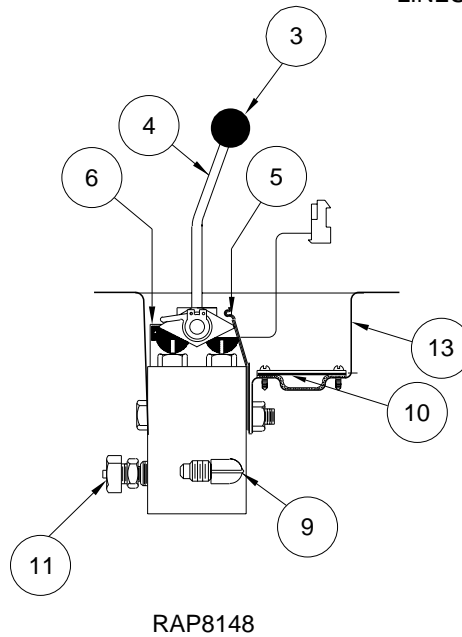
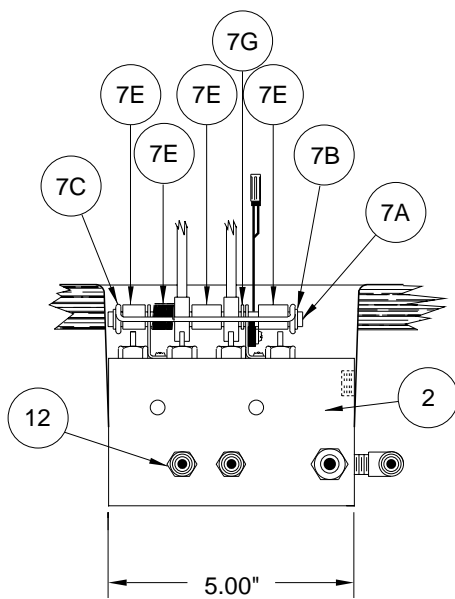
# VALVE, CONTROL

## 110 SERIES, TWO LEVER-CONTROLLED LEVELING SYSTEM (WITH INTEGRATED LIGHT PANEL)



### REPLACEMENT VALVES & ACCESSORIES

ITEM	PART NO.	DESCRIPTION
1		LIGHT PLATE (SEE CONTROL PANELS)
2	RAP8148	VALVE ASSY W/ BOX (DOES NOT INCLUDE LIGHT PLATE OR HARNESS)
	R5283	VALVE 90 FITTING KIT (FITTINGS FOR ABOVE VALVES TO DIRECT ALL LINES DOWNWARD.)



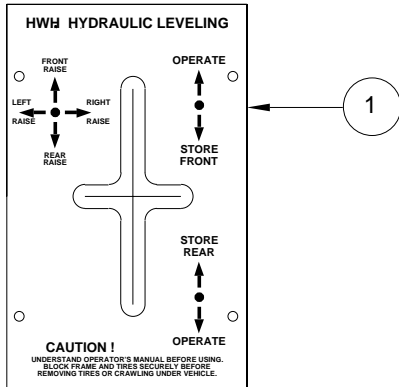
### REPAIR PARTS

ITEM	PART	QTY	DESCRIPTION	ITEM	PART	QTY	DESCRIPTION
3	RAP1379	2	KNOB BLACK (4 KNOBS PER RAP1379)	8	R1217	8	PLUNGER AND GUIDE (8 PLUNGERS AND GUIDES PER R1217)
4	RAP1143	2	VALVE HANDLE W/KNOB (1 HANDLE PER RAP1143)	9	RF1453	1	4-CTX-S MALE ELBOW (1/8" NPT X 7/16-20 FOR 1/4" LINE)
5	RP1150	2	DETENT PLATE (2 PLATES PER RP1150)	10	RAP5023	1	HOLE COVER WITH SEAL
6	RAP4974	1	SWITCH KIT	11	RF1458	1	68 NTA-8-4 1/2" TUBE X 1/4" NPT (1/4" NPT X 1/2" OD TUBE)
7		1	VALVE PIVOT KIT	12	RF1456	4	4-FTX-S MALE CONNECTOR (1/8" NPT X 7/16-20 FOR 1/4" HYD LINE)(1 FITTING PER RF1456)
7A		1	PIVOT ROD	13	RP90079	1	PLASTIC VALVE BOX
7B		2	SNAP RING				
7C		1	SWITCH ACTIVATING ROD				
7D		1	SPRING TORSION				
7E		1	SPACER .59				
7F		1	SPACER .15				
7G		2	SPACER .10				

**NOTE:** INDENTED ITEMS INCLUDED WITH PRECEDING ITEM.

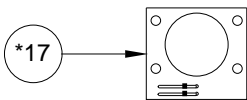
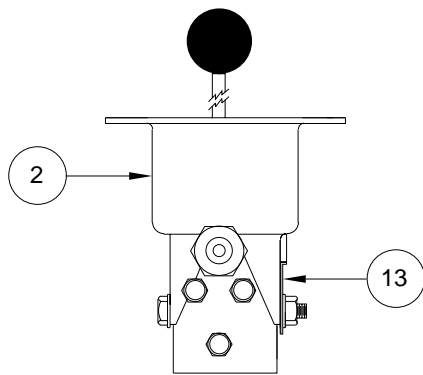
**MR55.1045**  
**02JUN11**

# VALVE, CONTROL FOR 200 SERIES JOYSTICK (BI-AXIS) LEVELING SYSTEMS

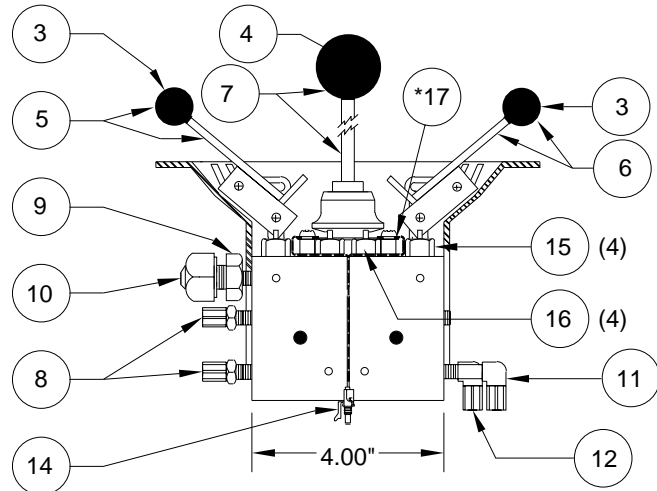


## AP9589 - REPLACEMENT VALVES

ITEM	PART	QTY	DESCRIPTION
	RAP0367		VALVE REPLACEMENT: USE THIS PART FOR NORMAL VALVE REPLACEMENT (DOES NOT INCLUDE ITEM #1, #2, #3, #5, #6 AND #13)
	RAP9589		VALVE BI-AXIS ASSY. COMPLETE W/ HANDLES AND BOX. EXCLUDES ITEM #1 (BEZEL PLATE) REPLACES AP9589



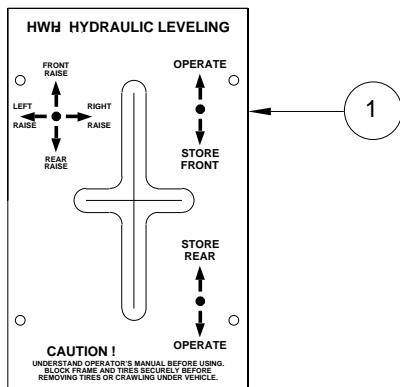
\*NOTE: WHEN REPLACING A PCB ASSEMBLY WITH RING TERMINALS, ITEM 13 MUST ALSO BE ORDERED.



ITEM	PART	QTY	DESCRIPTION
1	RAP9592	1	BEZEL PLATE W/GASKET
2	RP90316	1	BOX ONLY
3	RAP1379	2	KNOB BLACK 3/4" (4 KNOBS PER RAP1379)
4	RAP9734	1	KNOB BLACK 1-3 /16
5	RAP0663	1	VALVE HANDLE W/ KNOB FRONT: 4.5"
6	RAP0664	1	VALVE HANDLE W/ KNOB REAR: 4.5"
7	RAP1962	1	VALVE HANDLE W/ KNOB CENTER: 4.5"
8	RF1456	3	4-FTX-S MALE CONN.
9	RF1457	1	222P-4-2 1/8" X 1/4" ADAPTER

ITEM	PART	QTY	DESCRIPTION
10	RF1458	1	68NTA-8-4 1/2" TUBE X 1/4" NPT
11	RF1511	1	4-CCTX-S LG ELBOW
12	RF1453	1	4-CTX-S ELBOW
13	RAP0537	1	HOLE COVER/ SEAL
14	RAP0352	1	PIGTAIL VALVE CONTROL
15	RAP1635	1	PLUNGER AND GUIDE KIT (FOR RETURN)
16	RAP1963	1	PLUNGER AND GUIDE KIT (FOR PRESSURE)
17	RAP91604	1	PCB GROUND PLATE
	RAP0815	1	HANDLE EXTENDS JOY STICK

# VALVE, CONTROL FOR 200 SERIES JOYSTICK (BI-AXIS) LEVELING SYSTEMS



## AP0732 - REPLACEMENT VALVES

ITEM	PART	QTY	DESCRIPTION
------	------	-----	-------------

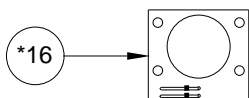
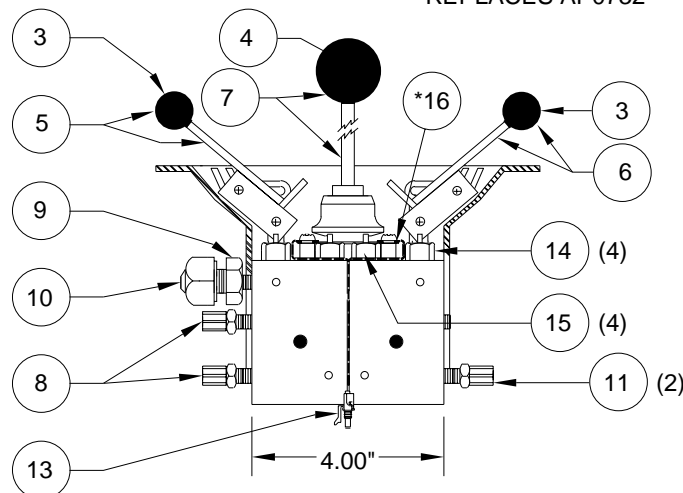
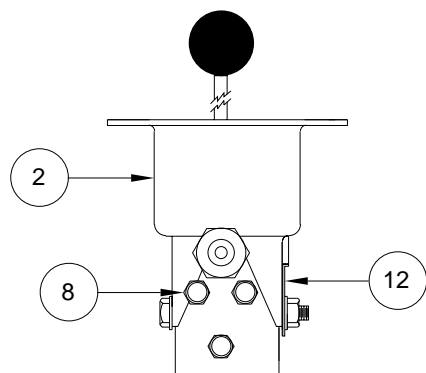
RAP0367

NOTE: FITTING ARRANGEMENT FOR RAP0367 WILL BE DIFFERENT FROM THE EXISTING VALVE. TRANSFER FITTINGS FROM THE EXISTING VALVE TO THE REPLACEMENT VALVE. USE TEFLON TAPE ON THE FITTING THREADS.

VALVE REPLACEMENT: USE THIS PART FOR NORMAL VALVE REPLACEMENT (DOES NOT INCLUDE ITEM #1, #2, #3, #5, #6 AND #12)

RAP92893

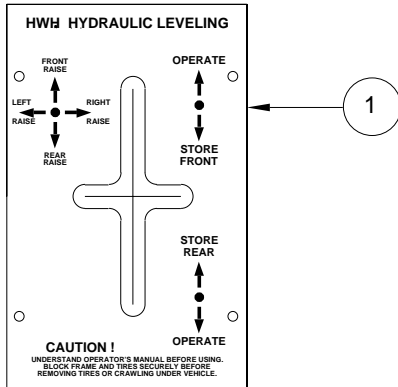
VALVE BI-AXIS ASSY. COMPLETE W/ HANDLES AND BOX. EXCLUDES ITEM #1 (BEZEL PLATE) REPLACES AP0732



\*NOTE: WHEN REPLACING A PCB ASSEMBLY WITH RING TERMINALS, ITEM 13 MUST ALSO BE ORDERED.

ITEM	PART	QTY	DESCRIPTION	ITEM	PART	QTY	DESCRIPTION
1	RAP9592	1	BEZEL PLATE W/GASKET	10	RF1458	1	68NTA-8-4 1/2" TUBE X 1/4" NPT
2	RP90316	1	BOX ONLY	11	RF90919	1	5-FTX-S MALE CONNECTOR
3	RAP1379	2	KNOB BLACK 3/4" (4 KNOBS PER RAP1379)	12	RAP0537	1	HOLE COVER/ SEAL
4	RAP9734	1	KNOB BLACK 1-3 /16	13	RAP0352	1	PIGTAIL VALVE CONTROL
5	RAP0663	1	VALVE HANDLE W/ KNOB FRONT: 4.5"	14	RAP1635	1	PLUNGER AND GUIDE KIT (FOR RETURN)
6	RAP0664	1	VALVE HANDLE W/ KNOB REAR: 4.5"	15	RAP1963	1	PLUNGER AND GUIDE KIT (FOR PRESSURE)
7	RAP1962	1	VALVE HANDLE W/ KNOB CENTER: 4.5"	16	RAP91604	1	PCB GROUND PLATE
8	RF1456	3	4-FTX-S MALE CONN.		RAP0815	1	HANDLE EXTENDS JOY STICK
9	RF1457	1	222P-4-2 1/8" X 1/4" ADAPTER				

# VALVE, CONTROL FOR 200 SERIES JOYSTICK (BI-AXIS) LEVELING SYSTEMS



## AP10728 - REPLACEMENT VALVES

ITEM	PART	QTY	DESCRIPTION
------	------	-----	-------------

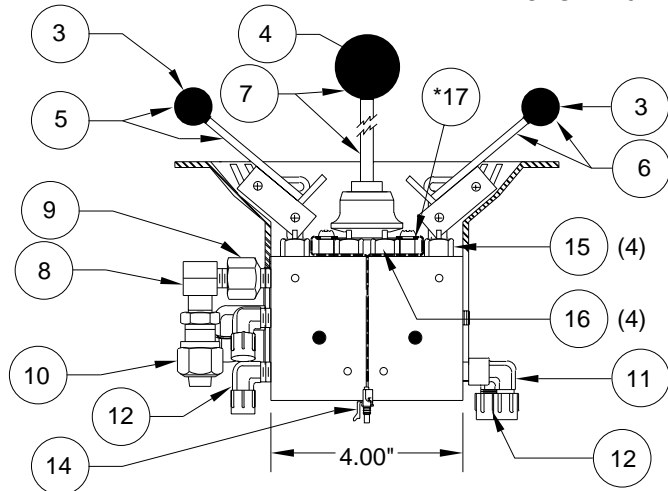
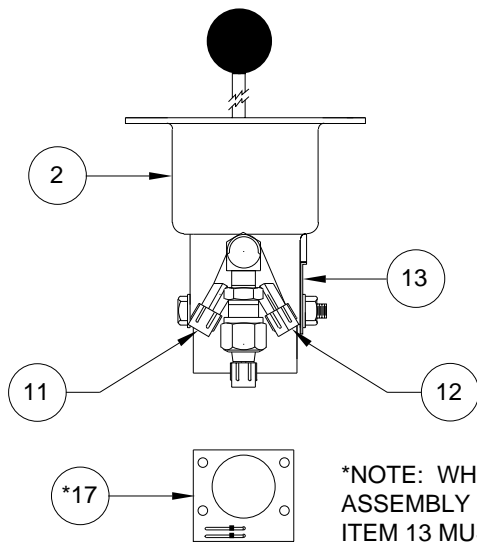
RAP0367

NOTE: FITTING ARRANGEMENT FOR RAP0367 WILL BE DIFFERENT FROM THE EXISTING VALVE. TRANSFER FITTINGS FROM THE EXISTING VALVE TO THE REPLACEMENT VALVE. USE TEFLON TAPE ON THE FITTING THREADS.

VALVE REPLACEMENT: USE THIS PART FOR NORMAL VALVE REPLACEMENT (DOES NOT INCLUDE ITEM #1, #2, #3, #5, #6 AND #13)

RAP92894

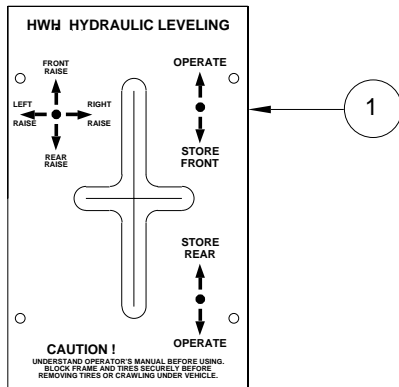
VALVE BI-AXIS ASSY. COMPLETE W/ HANDLES AND BOX. EXCLUDES ITEM #1 (BEZEL PLATE) REPLACES AP10728



\*NOTE: WHEN REPLACING A PCB ASSEMBLY WITH RING TERMINALS, ITEM 13 MUST ALSO BE ORDERED.

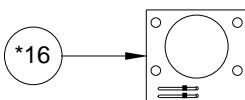
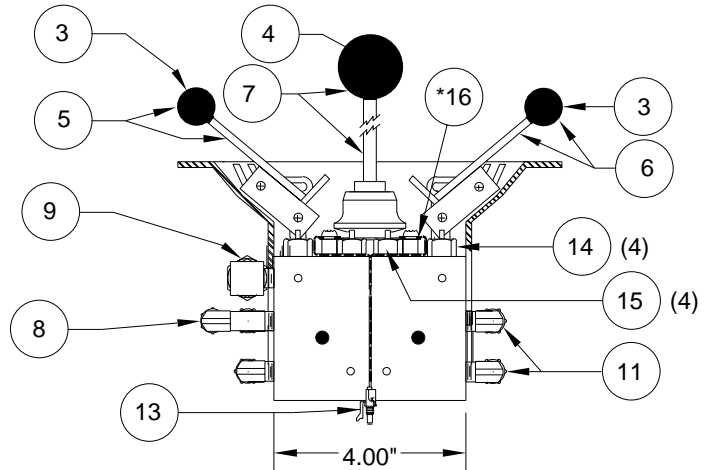
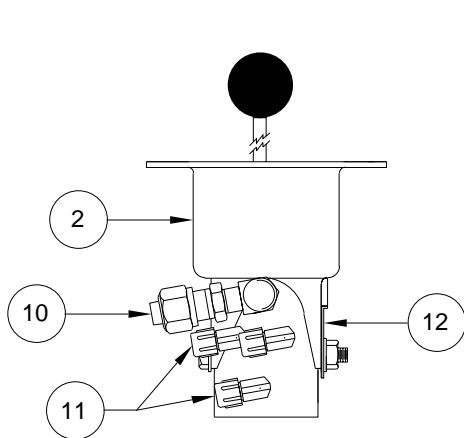
ITEM	PART	QTY	DESCRIPTION	ITEM	PART	QTY	DESCRIPTION
1	RAP9592	1	BEZEL PLATE W/GASKET	10	RF1458	1	68NTA-8-4 1/2" TUBE X 1/4" NPT
2	RP90316	1	BOX ONLY	11	RF1511	1	4-CCTX-S LG ELBOW
3	RAP1379	2	KNOB BLACK 3/4" (4 KNOBS PER RAP1379)	12	RF1453	1	4-CTX-S ELBOW
4	RAP9734	1	KNOB BLACK 1-3 /16	13	RAP0537	1	HOLE COVER/ SEAL
5	RAP0663	1	VALVE HANDLE W/ KNOB FRONT: 4.5"	14	RAP0352	1	PIGTAIL VALVE CONTROL
6	RAP0664	1	VALVE HANDLE W/ KNOB REAR: 4.5"	15	RAP1635	1	PLUNGER AND GUIDE KIT (FOR RETURN)
7	RAP1962	1	VALVE HANDLE W/ KNOB CENTER: 4.5"	16	RAP1963	1	PLUNGER AND GUIDE KIT (FOR PRESSURE)
8	RF3340	3	1/4" x 1/4" STREET ELBOW	17	RAP91604	1	PCB GROUND PLATE
9	RF1457	1	222P-4-2 1/8" X 1/4" ADAPTER		RAP0815	1	HANDLE EXTENDS JOY STICK

# VALVE, CONTROL FOR 200 SERIES JOYSTICK (BI-AXIS) LEVELING SYSTEMS



## AP10895 - REPLACEMENT VALVES

ITEM	PART	QTY	DESCRIPTION
	RAP92669		VALVE REPLACEMENT: USE THIS PART FOR NORMAL VALVE REPLACEMENT (DOES NOT INCLUDE ITEM #1, #2, #3, #5, #6 AND #12)
	RAP91594		VALVE BI-AXIS ASSY. COMPLETE W/ HANDLES AND BOX. EXCLUDES ITEM #1 (BEZEL PLATE) REPLACES AP10895



\*NOTE: WHEN REPLACING A PCB ASSEMBLY WITH RING TERMINALS, ITEM 13 MUST ALSO BE ORDERED.

ITEM	PART	QTY	DESCRIPTION	ITEM	PART	QTY	DESCRIPTION
1	RAP9592	1	BEZEL PLATE W/GASKET	10	RF1458	1	68NTA-8-4 1/2" TUBE X 1/4" NPT
2	RP90316	1	BOX ONLY	11	RF1453	1	4-CTX-S ELBOW
3	RAP1379	2	KNOB BLACK 3/4" (4 KNOBS PER RAP1379)	12	RAP0537	1	HOLE COVER/ SEAL
4	RAP9734	1	KNOB BLACK 1-3 /16	13	RAP0352	1	PIGTAIL VALVE CONTROL
5	RAP0663	1	VALVE HANDLE W/ KNOB FRONT: 4.5"	14	RAP1635	1	PLUNGER AND GUIDE KIT (FOR RETURN)
6	RAP0664	1	VALVE HANDLE W/ KNOB REAR: 4.5"	15	RAP1963	1	PLUNGER AND GUIDE KIT (FOR PRESSURE)
7	RAP1962	1	VALVE HANDLE W/ KNOB CENTER: 4.5"	16	RAP91604	1	PCB GROUND PLATE
8	RF90145	1	4-CCCTX- S LONG ELBOW		RAP0815	1	HANDLE EXTENDS JOY STICK
9	RF3474	1	1/4" X 1/8" STREET ELBOW				

# VALVE, CONTROL

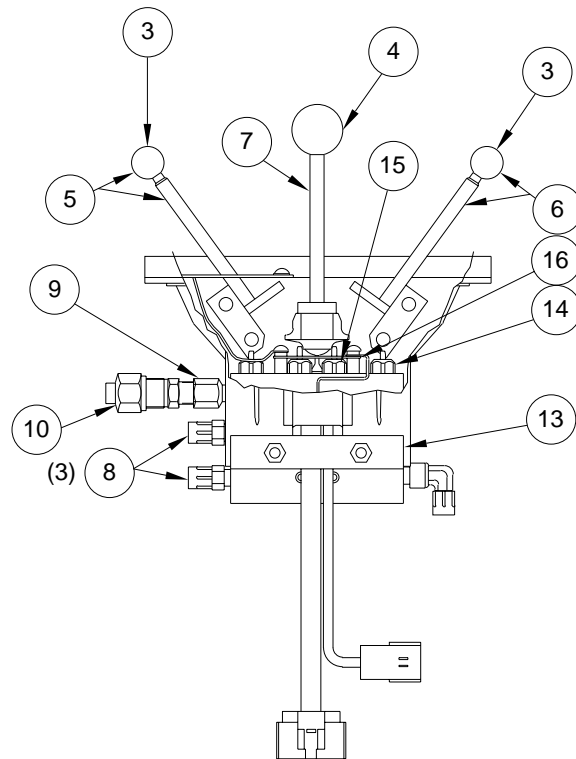
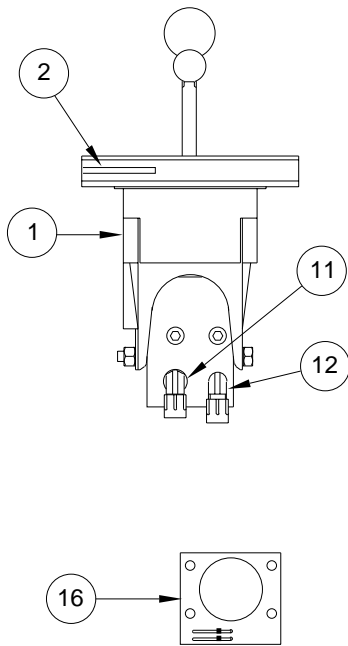
## FOR 210 / 225 SERIES, JOYSTICK (BI-AXIS) LEVELING SYSTEMS

### (12 VOLT)

#### AP12972 - REPLACEMENT PARTS

NOTE: WHEN REPLACING A VALVE PRODUCED PRIOR TO 1998, THE PCB ASSEMBLY (#2) WILL BE DIFFERENT. IF A COMPLETE VALVE W/ BOX ASSEMBLY IS ORDERED, A NEW STYLE PCB ASSEMBLY IS USED. IF A RAP0367 REPLACEMENT VALVE IS ORDERED, A NEW PCB ASSEMBLY MUST BE ORDERED.

ITEM	PART	QTY	DESCRIPTION
	RAP0367		FOR VALVES PRODUCED IN 1998 AND NEWER. USE THIS PART FOR NORMAL VALVE REPLACEMENT. (DOES NOT INCLUDE ITEM #1, #2, #3, #5, #6 OR #13)
	RAP90317		VALVE BI-AXIS ASSEMBLY COMPLETE WITH HANDLES AND BOX. (BEZEL PLATE NOT INCLUDED) REPLACES AP12972



ITEM	PART	QTY	DESCRIPTION
1	RP90316	1	BOX ONLY
2	RAP90319	1	PCB ASSEMBLY - 12 VOLT
3	RAP1379	2	KNOB BLACK 3/4" (4 KNOBS PER RAP1379)
4	RAP9734	1	KNOB BLACK 1-3/16
5	RAP0663	1	VALVE HANDLE W/KNOB FRONT: 4.5"
6	RAP0664	1	VALVE HANDLE W/KNOB REAR: 4.5"
7	RAP1962	1	VALVE HANDLE W/KNOB CENTER: 4.5"
8	RF1456	3	4-FTX-S MALE CONN.
9	RF1457	1	222P-4-2 1/8" X 1/4" ADAPTER

ITEM	PART	QTY	DESCRIPTION
10	RF1458	1	68 NTA-8-4 1/2" TUBE X 1/4" NPT
11	RF1511	1	4-CCTX-S LARGE ELBOW
12	RF1453	1	4-CTX-S ELBOW
13	RAP0537	1	HOLE COVER/SEAL
14	RAP1635	1	PLUNGER AND GUIDE KIT (FOR RETURN)
15	RAP1963	1	PLUNGER AND GUIDE KIT (FOR PRESSURE)
16	RAP91604	1	PCB GROUND PLATE
	RAP0815	1	HANDLE EXTENDS JOY STICK



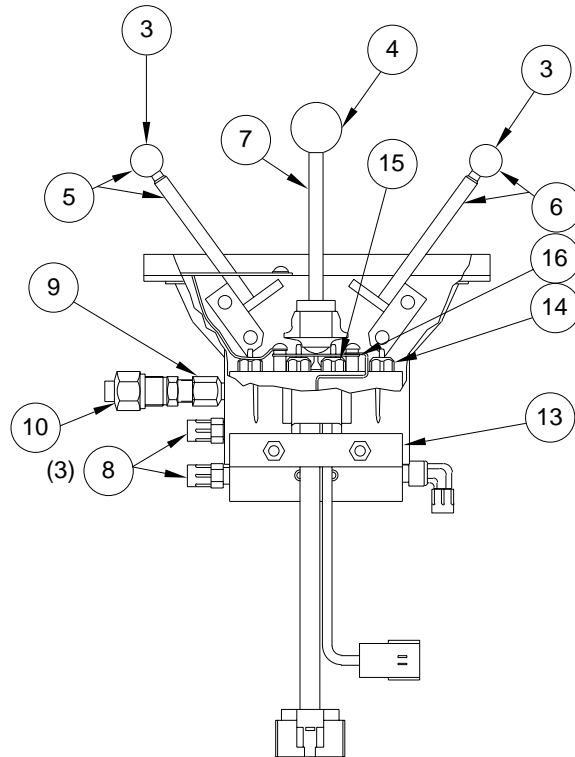
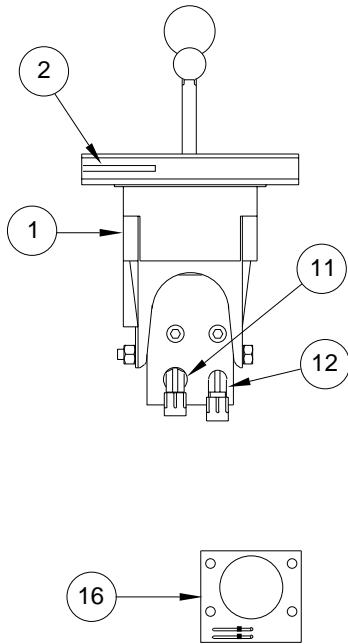
# VALVE, CONTROL

## FOR 210/225 SERIES, JOYSTICK (BI-AXIS) LEVELING SYSTEMS

### (24 VOLT)

#### AP33723 - REPLACEMENT PARTS

ITEM	PART	QTY	DESCRIPTION
	RAP0367		VALVE REPLACEMENT. USE THIS PART FOR NORMAL VALVE REPLACEMENT. (DOES NOT INCLUDE ITEM #1, #2, #3, #5, #6, OR #13)
	RAP92309		VALVE BI-AXIS ASSEMBLY COMPLETE WITH HANDLES AND BOX. (BEZEL PLATE NOT INCLUDED) REPLACES AP33723



ITEM	PART	QTY	DESCRIPTION
1	RP90316	1	BOX ONLY
2	RAP92308	1	PCB ASSEMBLY - 24 VOLT
3	RAP1379	2	KNOB BLACK 3/4" (4 KNOBS PER RAP1379)
4	RAP9734	1	KNOB BLACK 1-3/16
5	RAP0663	1	VALVE HANDLE W/KNOB FRONT: 4.5"
6	RAP0664	1	VALVE HANDLE W/KNOB REAR: 4.5"
7	RAP1962	1	VALVE HANDLE W/KNOB CENTER: 4.5"
8	RF1456	3	4-FTX-S MALE CONN.
9	RF1457	1	222P-4-2 1/8" X 1/4" ADAPTER

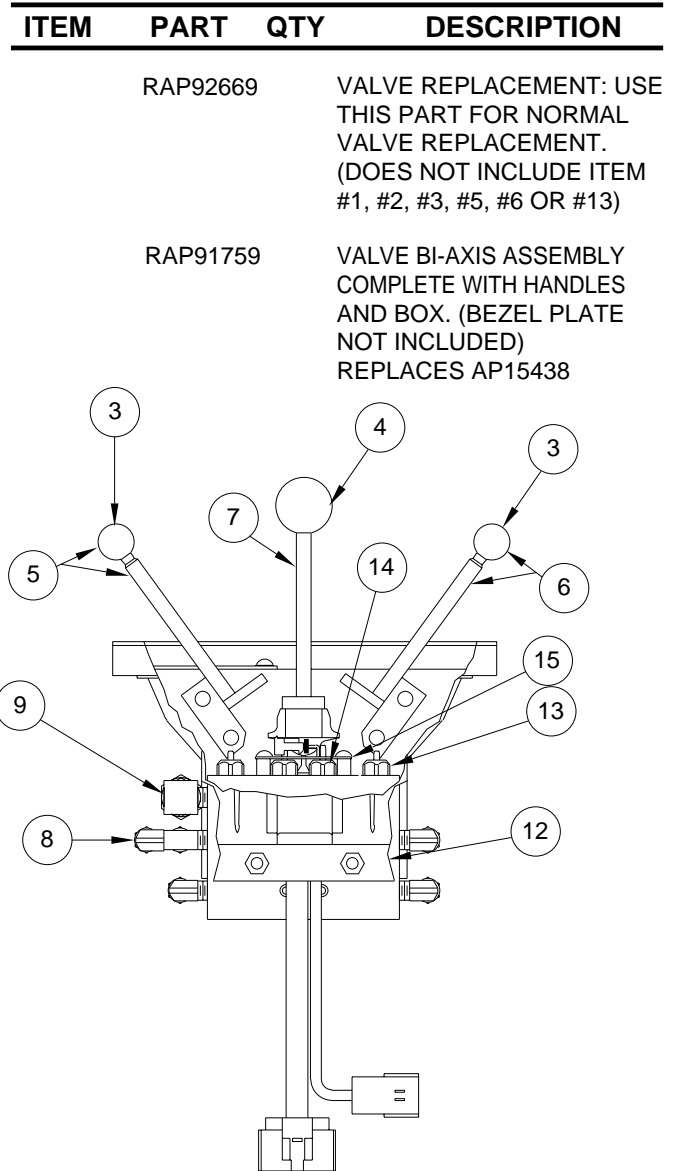
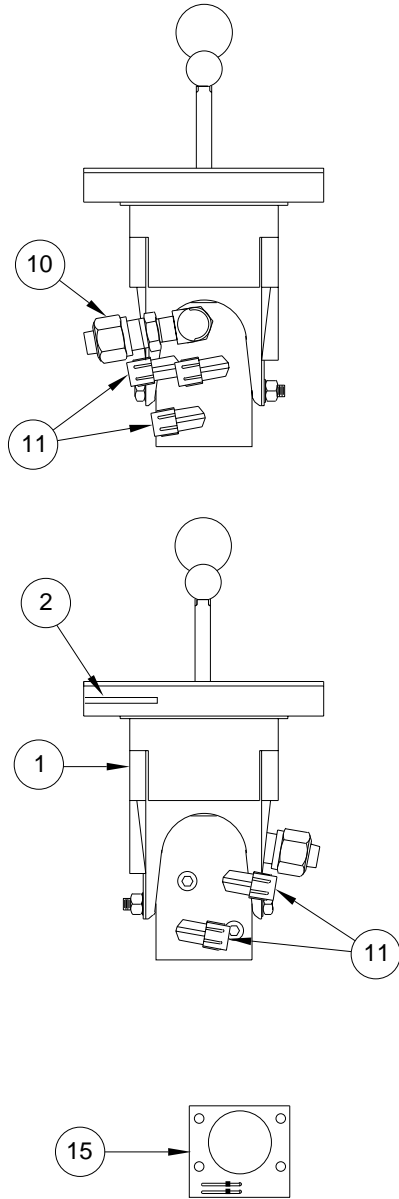
ITEM	PART	QTY	DESCRIPTION
10	RF1458	1	68 NTA-8-4 1/2" TUBE X 1/4" NPT
11	RF1511	1	4-CCTX-S LARGE ELBOW
12	RF1453	1	4-CTX-S ELBOW
13	RAP0537	1	HOLE COVER/SEAL
14	RAP1635	1	PLUNGER AND GUIDE KIT (FOR RETURN)
15	RAP1963	1	PLUNGER AND GUIDE KIT (FOR PRESSURE)
16	RAP91604	1	PCB GROUND PLATE
	RAP0815	1	HANDLE EXTENDS JOY STICK

# VALVE, CONTROL

## FOR 210 / 225 SERIES, JOYSTICK (BI-AXIS) LEVELING SYSTEMS

### (12 VOLT)

#### AP15438 - REPLACEMENT PARTS



RAP92669 VALVE REPLACEMENT: USE THIS PART FOR NORMAL VALVE REPLACEMENT. (DOES NOT INCLUDE ITEM #1, #2, #3, #5, #6 OR #13)

RAP91759 VALVE BI-AXIS ASSEMBLY COMPLETE WITH HANDLES AND BOX. (BEZEL PLATE NOT INCLUDED) REPLACES AP15438

ITEM	PART	QTY	DESCRIPTION
1	RP90316	1	BOX ONLY
2	RAP90319	1	PCB ASSEMBLY - 12 VOLT
3	RAP1379	2	KNOB BLACK 3/4" (4 KNOBS PER RAP1379)
4	RAP9734	1	KNOB BLACK 1-3/16
5	RAP0663	1	VALVE HANDLE W/KNOB FRONT: 4.5"
6	RAP0664	1	VALVE HANDLE W/KNOB REAR: 4.5"
7	RAP1962	1	VALVE HANDLE W/KNOB CENTER: 4.5"
8	RF90145	1	4-CCCTX-S LONG ELBOW
9	RF3474	1	1/4" X 1/8" BRASS STREET L

ITEM	PART	QTY	DESCRIPTION
10	RF1458	1	68 NTA-8-4 1/2" TUBE X 1/4" NPT
11	RF1453	1	4-CTX-S ELBOW
12	RAP0537	1	HOLE COVER/SEAL
13	RAP1635	1	PLUNGER AND GUIDE KIT (FOR RETURN)
14	RAP1963	1	PLUNGER AND GUIDE KIT (FOR PRESSURE)
15	RAP91604	1	PCB GROUND PLATE
	RAP0815	1	HANDLE EXTENDS JOY STICK

# VALVE, CONTROL

## FOR 210 / 225 SERIES, JOYSTICK (BI-AXIS) LEVELING SYSTEMS

### (12 VOLT)

#### AP16996 - REPLACEMENT PARTS

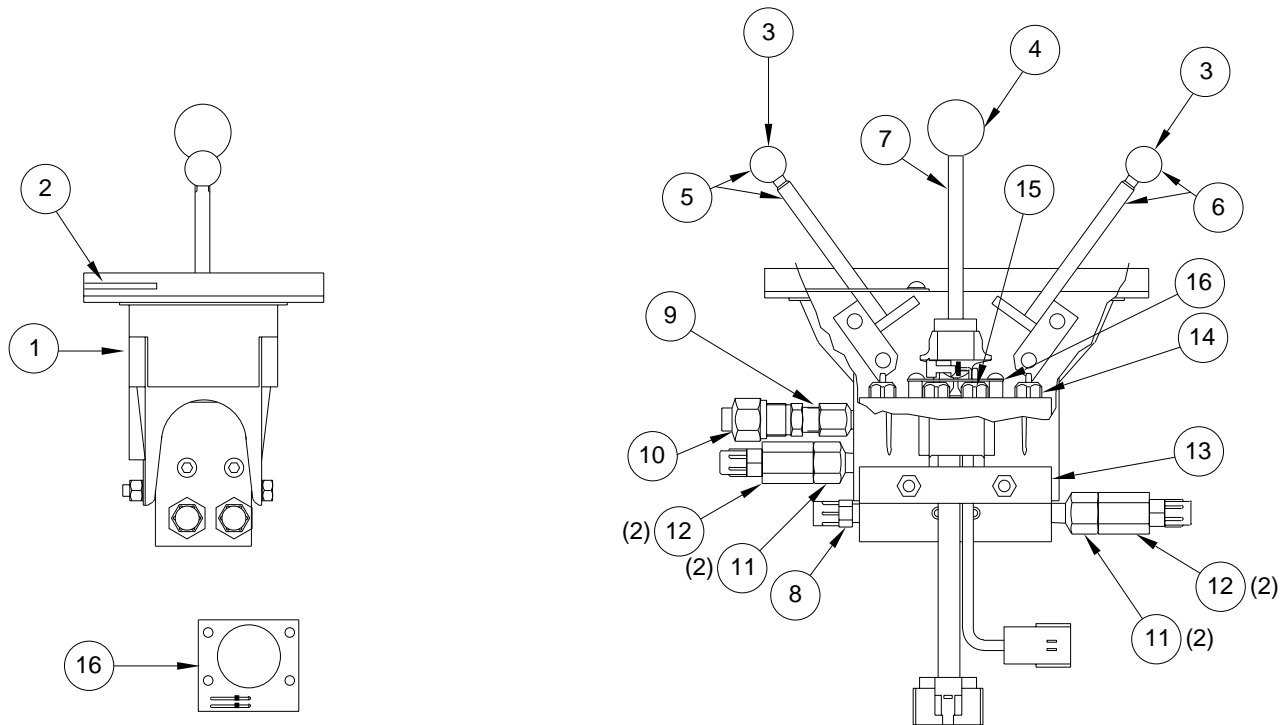
ITEM	PART	QTY	DESCRIPTION
------	------	-----	-------------

RAP0367  
 NOTE: FITTING ARRANGEMENT FOR RAP0367 WILL BE DIFFERENT FROM THE EXISTING VALVE. TRANSFER FITTINGS FROM THE EXISTING VALVE TO THE REPLACEMENT VALVE. USE TEFLON TAPE ON THE FITTING THREADS.

VALVE REPLACEMENT: USE THIS PART FOR NORMAL VALVE REPLACEMENT. (DOES NOT INCLUDE ITEM #1, #2, #3, #5, #6 OR #13)

RAP92895

VALVE BI-AXIS ASSEMBLY COMPLETE WITH HANDLES AND BOX. (BEZEL PLATE NOT INCLUDED) REPLACES AP16996



ITEM	PART	QTY	DESCRIPTION
1	RP90316	1	BOX ONLY
2	RAP90319	1	PCB ASSEMBLY - 12 VOLT
3	RAP1379	2	KNOB BLACK 3/4" (4 KNOBS PER RAP1379)
4	RAP9734	1	KNOB BLACK 1-3/16
5	RAP0663	1	VALVE HANDLE W/KNOB FRONT: 4.5"
6	RAP0664	1	VALVE HANDLE W/KNOB REAR: 4.5"
7	RAP1962	1	VALVE HANDLE W/KNOB CENTER: 4.5"
8	RF1456	1	4-FTX-S MALE CONN.
9	RF1457	1	222P-4-2 1/8" X 1/4" ADAPTER

ITEM	PART	QTY	DESCRIPTION
10	RF1458	1	68 NTA-8-4 1/2" TUBE X 1/4" NPT
11	RF90794	1	1/4" X 1/8" ADAPTER
12	RAP90279	1	VELOCITY VALVE
13	RAP0537	1	HOLE COVER/SEAL
14	RAP1635	1	PLUNGER AND GUIDE KIT (FOR RETURN)
15	RAP1963	1	PLUNGER AND GUIDE KIT (FOR PRESSURE)
16	RAP91604	1	PCB GROUND PLATE
	RAP0815	1	HANDLE EXTENDS JOY STICK

# VALVE, CONTROL

## FOR 210 / 225 SERIES, JOYSTICK 2 JACK SYSTEM

### (12 VOLT)

#### AP20350 - REPLACEMENT PARTS

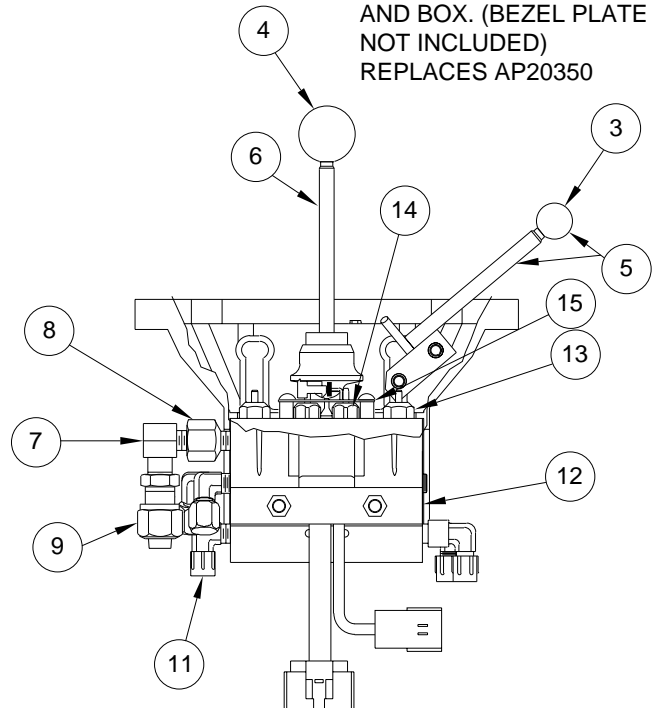
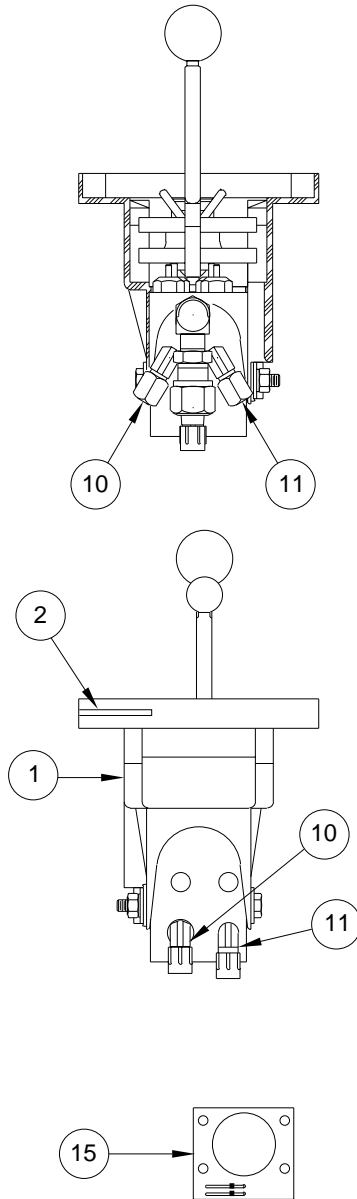
ITEM	PART	QTY	DESCRIPTION
------	------	-----	-------------

RAP0367  
 NOTE: FITTING ARRANGEMENT FOR RAP0367 WILL BE DIFFERENT FROM THE EXISTING VALVE. TRANSFER FITTINGS FROM THE EXISTING VALVE TO THE REPLACEMENT VALVE. USE TEFLON TAPE ON THE FITTING THREADS.

RAP92896

VALVE REPLACEMENT: USE THIS PART FOR NORMAL VALVE REPLACEMENT. (DOES NOT INCLUDE ITEM #1, #2, #3, #5, #6 OR #13)

VALVE BI-AXIS ASSEMBLY COMPLETE WITH HANDLES AND BOX. (BEZEL PLATE NOT INCLUDED) REPLACES AP20350



ITEM	PART	QTY	DESCRIPTION
1	RP90316	1	BOX ONLY
2	RAP90319	1	PCB ASSEMBLY - 12 VOLT
3	RAP1379	2	KNOB BLACK 3/4" (4 KNOBS PER RAP1379)
4	RAP9734	1	KNOB BLACK 1-3/16
5	RAP0664	1	VALVE HANDLE W/KNOB REAR: 4.5"
6	RAP1962	1	VALVE HANDLE W/KNOB CENTER: 4.5"
7	RF3340	1	1/4" X 1/4" STREET ELBOW
8	RF1457	1	222P-4-2 1/8" X 1/4" ADAPTER

ITEM	PART	QTY	DESCRIPTION
9	RF1458	1	68 NTA-8-4 1/2" TUBE X 1/4" NPT
10	RF1511	1	4-CCTX-S LARGE ELBOW
11	RF1453	1	4-CTX-S ELBOW
12	RAP0537	1	HOLE COVER/SEAL
13	RAP1635	1	PLUNGER AND GUIDE KIT (FOR RETURN)
14	RAP1963	1	PLUNGER AND GUIDE KIT (FOR PRESSURE)
15	RAP91604	1	PCB GROUND PLATE
	RAP0815	1	HANDLE EXTENDS JOY STICK

# VALVE, CONTROL

## FOR 210 / 225 SERIES, JOYSTICK (BI-AXIS) LEVELING SYSTEMS

### (12 VOLT)

#### AP26872 - REPLACEMENT PARTS

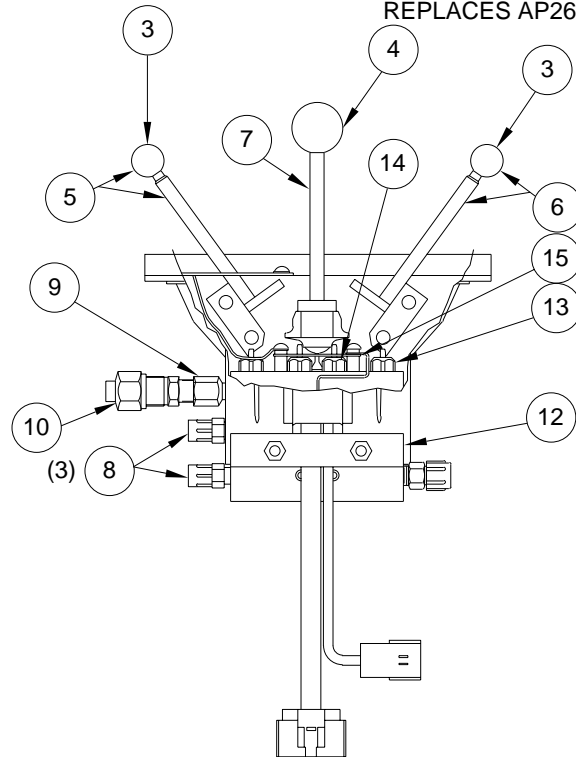
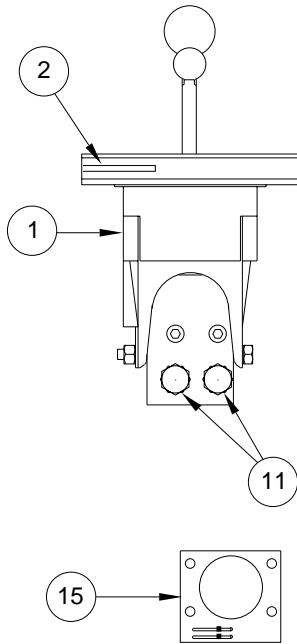
ITEM	PART	QTY	DESCRIPTION
------	------	-----	-------------

RAP0367  
 NOTE: FITTING ARRANGEMENT FOR RAP0367 WILL BE DIFFERENT FROM THE EXISTING VALVE. TRANSFER FITTINGS FROM THE EXISTING VALVE TO THE REPLACEMENT VALVE. USE TEFLON TAPE ON THE FITTING THREADS.

VALVE REPLACEMENT: USE THIS PART FOR NORMAL VALVE REPLACEMENT. (DOES NOT INCLUDE ITEM #1, #2, #3, #5, #6 OR #13)

RAP92897

VALVE BI-AXIS ASSEMBLY COMPLETE WITH HANDLES AND BOX. (BEZEL PLATE NOT INCLUDED) REPLACES AP26872



ITEM	PART	QTY	DESCRIPTION
1	RP90316	1	BOX ONLY
2	RAP90319	1	PCB ASSEMBLY - 12 VOLT
3	RAP1379	2	KNOB BLACK 3/4" (4 KNOBS PER RAP1379)
4	RAP9734	1	KNOB BLACK 1-3/16
5	RAP0663	1	VALVE HANDLE W/KNOB FRONT: 4.5"
6	RAP0664	1	VALVE HANDLE W/KNOB REAR: 4.5"
7	RAP1962	1	VALVE HANDLE W/KNOB CENTER: 4.5"
8	RF1456	3	4-FTX-S MALE CONN.
9	RF1457	1	222P-4-2 1/8" X 1/4" ADAPTER

ITEM	PART	QTY	DESCRIPTION
10	RF1458	1	68 NTA-8-4 1/2" TUBE X 1/4" NPT
11	RF90919	1	5-FTX-S MALE CONNECTOR
12	RAP0537	1	HOLE COVER/SEAL
13	RAP1635	1	PLUNGER AND GUIDE KIT (FOR RETURN)
14	RAP1963	1	PLUNGER AND GUIDE KIT (FOR PRESSURE)
15	RAP91604	1	PCB GROUND PLATE
	RAP0815	1	HANDLE EXTENDS JOY STICK

# VALVE, CONTROL

## FOR 210 / 225 SERIES, JOYSTICK (BI-AXIS) LEVELING SYSTEMS

### (24 VOLT)

#### AP38329 - REPLACEMENT PARTS

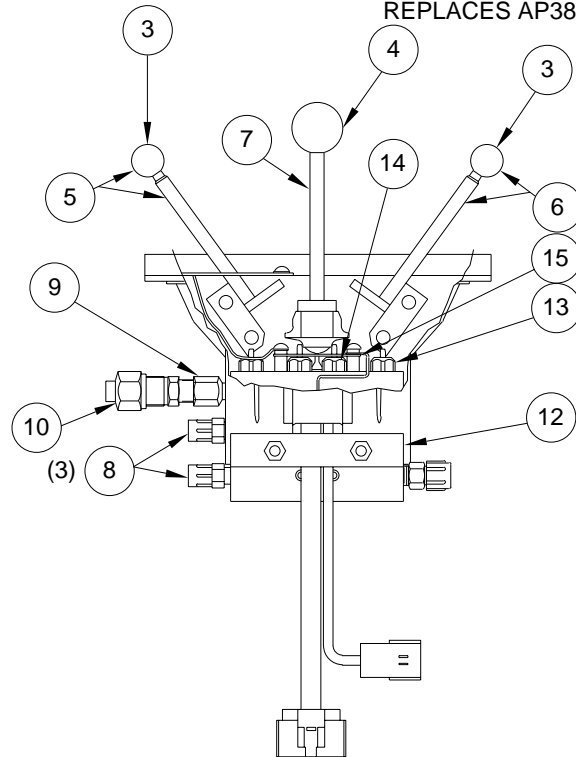
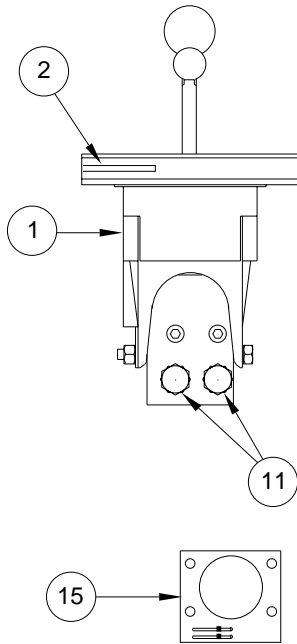
ITEM	PART	QTY	DESCRIPTION
------	------	-----	-------------

RAP0367  
 NOTE: FITTING ARRANGEMENT FOR RAP0367 WILL BE DIFFERENT FROM THE EXISTING VALVE. TRANSFER FITTINGS FROM THE EXISTING VALVE TO THE REPLACEMENT VALVE. USE TEFLON TAPE ON THE FITTING THREADS.

VALVE REPLACEMENT: USE THIS PART FOR NORMAL VALVE REPLACEMENT. (DOES NOT INCLUDE ITEM #1, #2, #3, #5, #6 OR #13)

RAP92898

VALVE BI-AXIS ASSEMBLY COMPLETE WITH HANDLES AND BOX. (BEZEL PLATE NOT INCLUDED) REPLACES AP38329



ITEM	PART	QTY	DESCRIPTION
1	RP90316	1	BOX ONLY
2	RAP92308	1	PCB ASSEMBLY - 24 VOLT
3	RAP1379	2	KNOB BLACK 3/4" (4 KNOBS PER RAP1379)
4	RAP9734	1	KNOB BLACK 1-3/16
5	RAP0663	1	VALVE HANDLE W/KNOB FRONT: 4.5"
6	RAP0664	1	VALVE HANDLE W/KNOB REAR: 4.5"
7	RAP1962	1	VALVE HANDLE W/KNOB CENTER: 4.5"
8	RF1456	3	4-FTX-S MALE CONN.
9	RF1457	1	222P-4-2 1/8" X 1/4" ADAPTER

ITEM	PART	QTY	DESCRIPTION
10	RF1458	1	68 NTA-8-4 1/2" TUBE X 1/4" NPT
11	RF90919	1	5-FTX-S MALE CONNECTOR
12	RAP0537	1	HOLE COVER/SEAL
13	RAP1635	1	PLUNGER AND GUIDE KIT (FOR RETURN)
14	RAP1963	1	PLUNGER AND GUIDE KIT (FOR PRESSURE)
15	RAP91604	1	PCB GROUND PLATE
	RAP0815	1	HANDLE EXTENDS JOY STICK

# VALVE, CONTROL

## FOR 210 / 225 SERIES, JOYSTICK (BI-AXIS) LEVELING SYSTEMS

### (12 VOLT)

#### AP30910 - REPLACEMENT PARTS

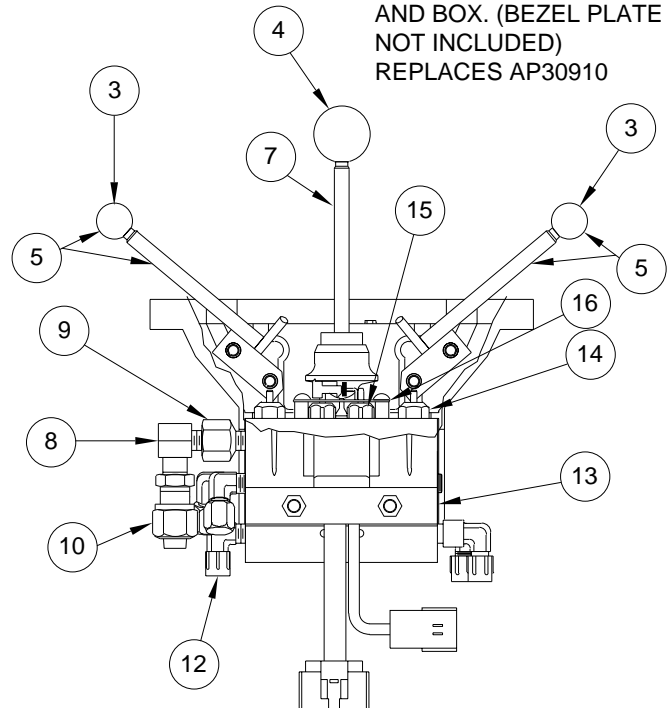
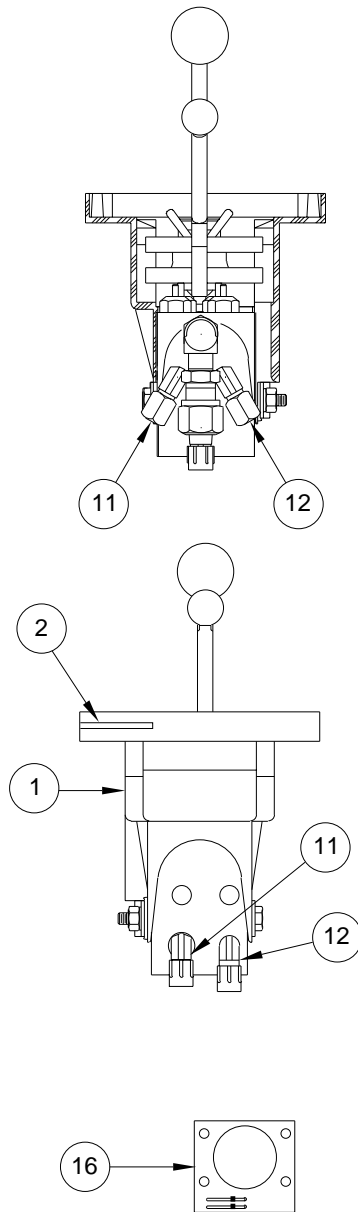
ITEM	PART	QTY	DESCRIPTION
------	------	-----	-------------

RAP0367  
 NOTE: FITTING ARRANGEMENT FOR RAP0367 WILL BE DIFFERENT FROM THE EXISTING VALVE. TRANSFER FITTINGS FROM THE EXISTING VALVE TO THE REPLACEMENT VALVE. USE TEFLON TAPE ON THE FITTING THREADS.

RAP92899

VALVE REPLACEMENT: USE THIS PART FOR NORMAL VALVE REPLACEMENT. (DOES NOT INCLUDE ITEM #1, #2, #3, #5, #6 OR #13)

VALVE BI-AXIS ASSEMBLY COMPLETE WITH HANDLES AND BOX. (BEZEL PLATE NOT INCLUDED) REPLACES AP30910



ITEM	PART	QTY	DESCRIPTION
1	RP90316	1	BOX ONLY
2	RAP90319	1	PCB ASSEMBLY - 12 VOLT
3	RAP1379	2	KNOB BLACK 3/4" (4 KNOBS PER RAP1379)
4	RAP9734	1	KNOB BLACK 1-3/16
5	RAP0663	1	VALVE HANDLE W/KNOB FRONT: 4.5"
6	RAP0664	1	VALVE HANDLE W/KNOB REAR: 4.5"
7	RAP1962	1	VALVE HANDLE W/KNOB CENTER: 4.5"
8	RF3340	1	1/4" X 1/4" STREET ELBOW
9	RF1457	1	222P-4-2 1/8" X 1/4" ADAPTER

ITEM	PART	QTY	DESCRIPTION
10	RF1458	1	68 NTA-8-4 1/2" TUBE X 1/4" NPT
11	RF1511	1	4-CCTX-S LARGE ELBOW
12	RF1453	1	4-CTX-S ELBOW
13	RAP0537	1	HOLE COVER/SEAL
14	RAP1635	1	PLUNGER AND GUIDE KIT (FOR RETURN)
15	RAP1963	1	PLUNGER AND GUIDE KIT (FOR PRESSURE)
16	RAP91604	1	PCB GROUND PLATE
	RAP0815	1	HANDLE EXTENDS JOY STICK

# VALVE, CONTROL

## FOR 210 / 225 SERIES, JOYSTICK (BI-AXIS) LEVELING SYSTEMS

### (12 VOLT)

#### AP41012 - REPLACEMENT PARTS

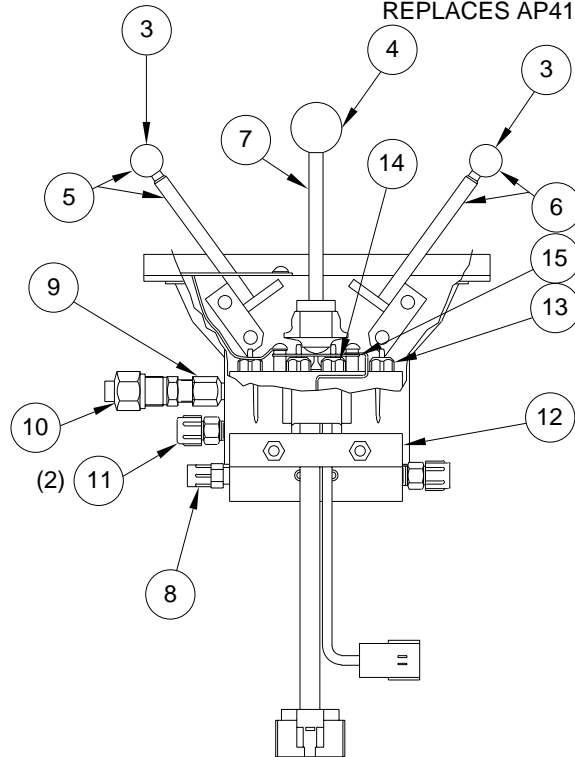
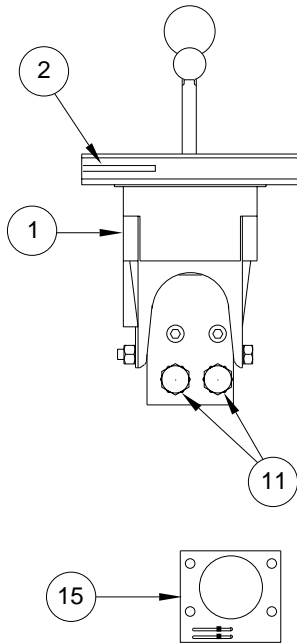
ITEM	PART	QTY	DESCRIPTION
------	------	-----	-------------

RAP0367  
 NOTE: FITTING ARRANGEMENT FOR RAP0367 WILL BE DIFFERENT FROM THE EXISTING VALVE. TRANSFER FITTINGS FROM THE EXISTING VALVE TO THE REPLACEMENT VALVE. USE TEFLON TAPE ON THE FITTING THREADS.

VALVE REPLACEMENT: USE THIS PART FOR NORMAL VALVE REPLACEMENT. (DOES NOT INCLUDE ITEM #1, #2, #3, #5, #6 OR #13)

RAP92900

VALVE BI-AXIS ASSEMBLY COMPLETE WITH HANDLES AND BOX. (BEZEL PLATE NOT INCLUDED) REPLACES AP41012



ITEM	PART	QTY	DESCRIPTION
1	RP90316	1	BOX ONLY
2	RAP90319	1	PCB ASSEMBLY - 12 VOLT
3	RAP1379	2	KNOB BLACK 3/4" (4 KNOBS PER RAP1379)
4	RAP9734	1	KNOB BLACK 1-3/16
5	RAP0663	1	VALVE HANDLE W/KNOB FRONT: 4.5"
6	RAP0664	1	VALVE HANDLE W/KNOB REAR: 4.5"
7	RAP1962	1	VALVE HANDLE W/KNOB CENTER: 4.5"
8	RF1456	1	4-FTX-S MALE CONN.
9	RF1457	1	222P-4-2 1/8" X 1/4" ADAPTER

ITEM	PART	QTY	DESCRIPTION
10	RF1458	1	68 NTA-8-4 1/2" TUBE X 1/4" NPT
11	RF90919	1	5-FTX-S MALE CONNECTOR
12	RAP0537	1	HOLE COVER/SEAL
13	RAP1635	1	PLUNGER AND GUIDE KIT (FOR RETURN)
14	RAP1963	1	PLUNGER AND GUIDE KIT (FOR PRESSURE)
15	RAP91604	1	PCB GROUND PLATE
	RAP0815	1	HANDLE EXTENDS JOY STICK

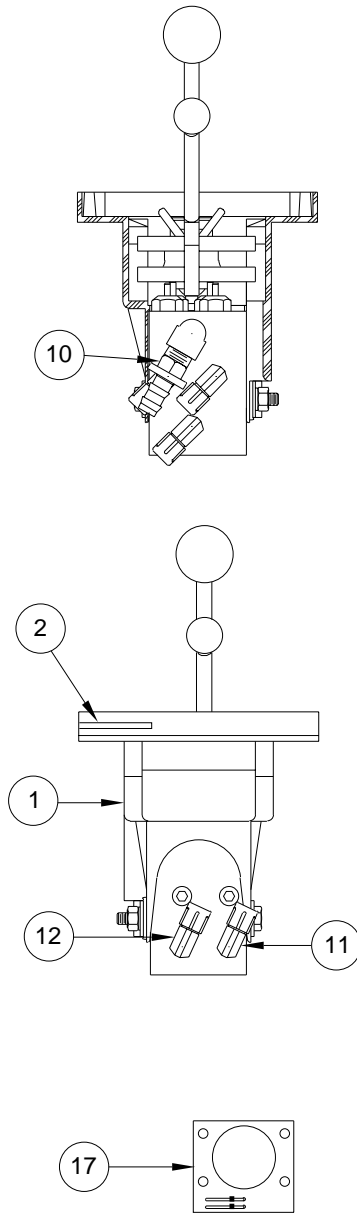


# VALVE, CONTROL

## FOR 210 / 225 SERIES, JOYSTICK (BI-AXIS) LEVELING SYSTEMS

### WITH FLOOR MOUNTED CONSOLE (12 VOLT)

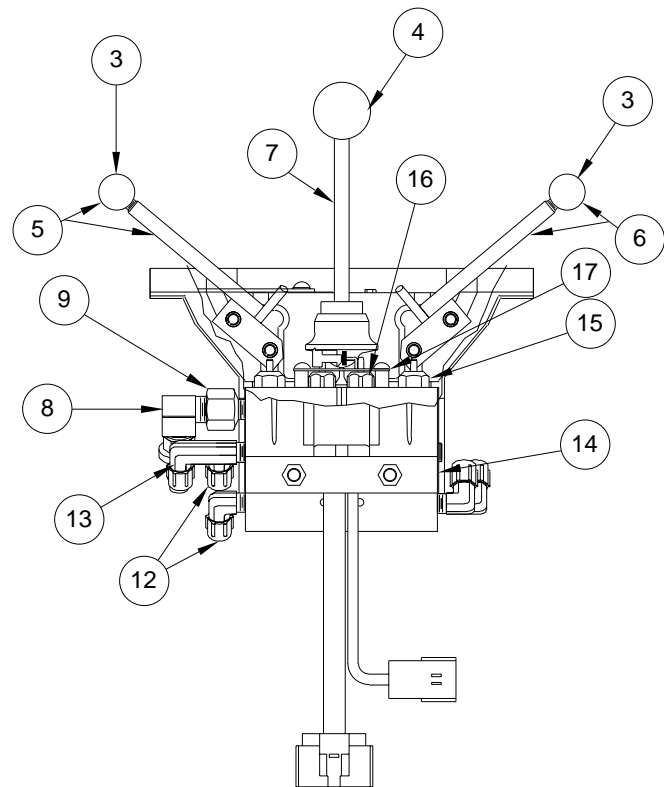
#### AP23248 - REPLACEMENT PARTS



ITEM	PART	QTY	DESCRIPTION
------	------	-----	-------------

	RAP92670		VALVE REPLACEMENT: USE THIS PART FOR NORMAL VALVE REPLACEMENT. (DOES NOT INCLUDE ITEM #1, #2, #3, #5, #6 OR #13)
--	----------	--	--

	RAP90812		VALVE BI-AXIS ASSEMBLY COMPLETE WITH HANDLES AND BOX. (BEZEL PLATE NOT INCLUDED) REPLACES AP23248
--	----------	--	---



ITEM	PART	QTY	DESCRIPTION
1	RP90316	1	BOX ONLY
2	RAP90319	1	PCB ASSEMBLY - 12 VOLT
3	RAP1379	2	KNOB BLACK 3/4" (4 KNOBS PER RAP1379)
4	RAP9734	1	KNOB BLACK 1-3/16
5	RAP0663	1	VALVE HANDLE W/KNOB FRONT: 4.5"
6	RAP0664	1	VALVE HANDLE W/KNOB REAR: 4.5"
7	RAP1962	1	VALVE HANDLE W/KNOB CENTER: 4.5"
8	RF3340	1	1/4" X 1/4" BRASS STREET L
9	RF1457	1	222P-4-2 1/8" X 1/4" ADAPTER

ITEM	PART	QTY	DESCRIPTION
10	RF90839	1	1/4" X 3/8" HOSE PUSHLOK
11	RF1511	1	4-CCTX-S LARGE ELBOW
12	RF1453	1	4-CTX-S ELBOW
13	RF90145	1	4-CCCTX-S 1/4" X 1/8" LONG MALE ELBOW
14	RAP0537	1	HOLE COVER/SEAL
15	RAP1635	1	PLUNGER AND GUIDE KIT (FOR RETURN)
16	RAP1963	1	PLUNGER AND GUIDE KIT (FOR PRESSURE)
17	RAP91604	1	PCB GROUND PLATE
	RAP0815	1	HANDLE EXTENDS JOY STICK

# VALVE, CONTROL

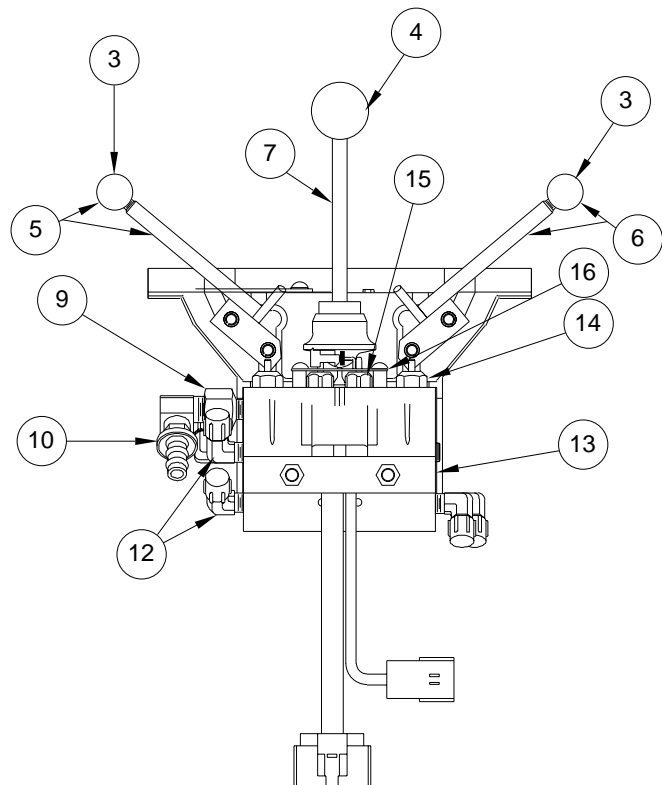
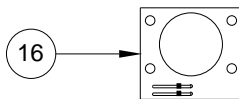
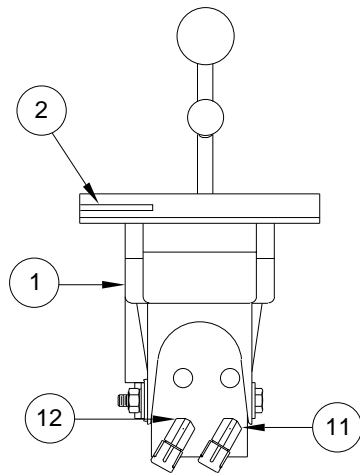
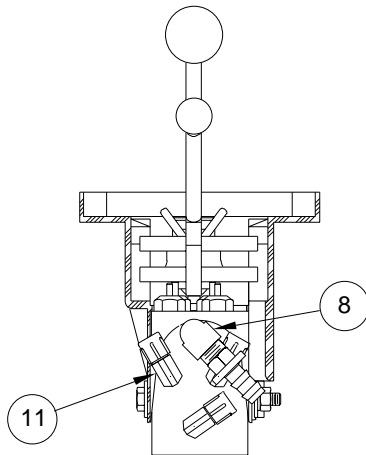
## FOR 225 SERIES, JOYSTICK (BI-AXIS) LEVELING SYSTEMS

### WITH FLOOR MOUNTED CONSOLE (12 VOLT)

#### AP36563 - REPLACEMENT PARTS

ITEM	PART	QTY	DESCRIPTION
------	------	-----	-------------

RAP92901	VALVE BI-AXIS ASSEMBLY COMPLETE WITH HANDLES AND BOX. (BEZEL PLATE NOT INCLUDED) REPLACES AP36563		
----------	--	--	--

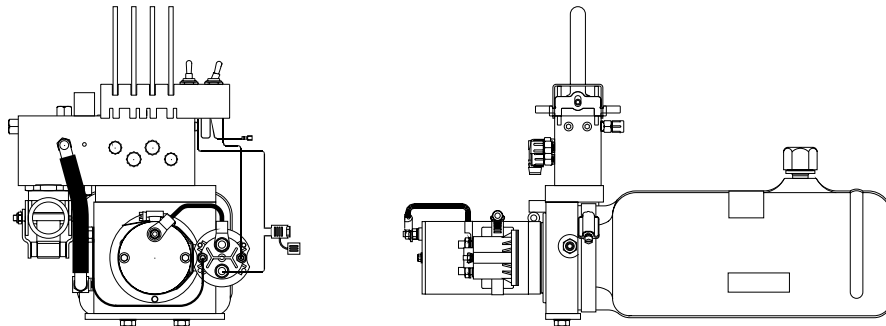


ITEM	PART	QTY	DESCRIPTION
1	RP90316	1	BOX ONLY
2	RAP90319	1	PCB ASSEMBLY - 12 VOLT
3	RAP1379	2	KNOB BLACK 3/4" (4 KNOBS PER RAP1379)
4	RAP9734	1	KNOB BLACK 1-3/16
5	RAP0663	1	VALVE HANDLE W/KNOB FRONT: 4.5"
6	RAP0664	1	VALVE HANDLE W/KNOB REAR: 4.5"
7	RAP1962	1	VALVE HANDLE W/KNOB CENTER: 4.5"
8	RF3340	1	1/4" X 1/4" BRASS STREET L
9	RF1457	1	222P-4-2 1/8" X 1/4" ADAPTER

ITEM	PART	QTY	DESCRIPTION
10	RF90839	1	1/4" X 3/8" HOSE PUSHLOK
11	RF1511	1	4-CCTX-S LARGE ELBOW
12	RF1453	1	4-CTX-S ELBOW
13	RAP0537	1	HOLE COVER/SEAL
14	RAP1635	1	PLUNGER AND GUIDE KIT (FOR RETURN)
15	RAP1963	1	PLUNGER AND GUIDE KIT (FOR PRESSURE)
16	RAP91604	1	PCB GROUND PLATE
	RAP0815	1	HANDLE EXTENDS JOY STICK

# VALVE CONTROL

## HYDRAULIC SWITCHES WITH HAND PUMP



SEE MR20.1160 FOR LEVELEZE INDICATOR LIGHT ASSEMBLY.

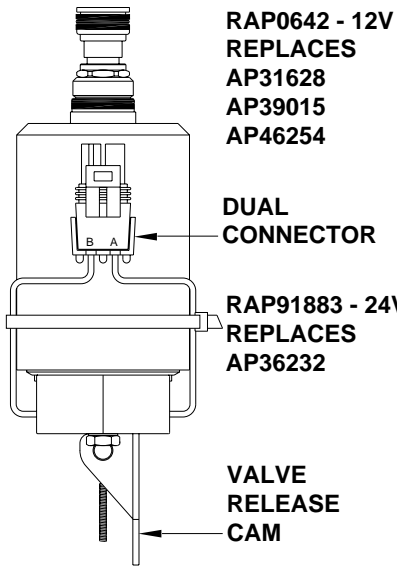
SEE MR02.3300 - MR02.3303 - HWH HYDRAULIC PUMP QUICK REFERENCE GUIDE FOR SPECIFIC PUMP INFORMATION

ASSEMBLY #	PUMP #	MANIFOLD #	DESCRIPTION
AP42768	AP40922	RAP92291	4 - HYDRAULIC SWITCHES                      2 - POWER EXT. / POWER RET. JACKS 2 - POWER EXT. / SPRING RET. JACKS                      12V PUMP MOTOR
AP42769	N/A	RAP92290	4 - HYDRAULIC SWITCHES                      4 - POWER EXT. / SPRING RET. JACKS HAND PUMP OPERATION ONLY - NO PUMP MOTOR
AP42771	N/A	RAP92289	2 - HYDRAULIC SWITCHES                      2 - POWER EXT. / SPRING RET. JACKS HAND PUMP OPERATION ONLY - NO PUMP MOTOR
AP42995	AP40922	RAP92288	4 - HYDRAULIC SWITCHES                      2 - POWER EXT. / POWER RET. JACKS 2 - POWER EXT. / SPRING RET. JACKS - LEVELEZE LIGHTS - 12V PUMP MOTOR
AP43096	AP40922	RAP92285	2 - HYDRAULIC SWITCHES                      2 - POWER EXT. / POWER RET. JACKS 12V PUMP MOTOR
AP43207	AP43203	RAP92284	2 - HYDRAULIC SWITCHES FOR 2 ROOM FUNCTIONS 115V PUMP MOTOR
AP43382	AP40922	RAP92593	4 - HYDRAULIC SWITCHES                      4 - POWER EXT. / SPRING RET. JACKS 12V PUMP MOTOR
AP43395	AP43203	RAP92594	1 - HYDRAULIC SWITCH FOR 1 ROOM FUNCTION 115V PUMP MOTOR
AP43452	AP40922	RAP92595	4 - HYDRAULIC SWITCHES                      4 - POWER EXT. / POWER RET. JACKS LEVELEZE LIGHTS                      12V PUMP MOTOR
AP45788	AP44512	RAP92595	4 - HYDRAULIC SWITCHES                      4 - POWER EXT. / POWER RET. JACKS 12V PUMP MOTOR                      3.5 GAL TANK
AP47372	AP45098	RAP93297	4 - HYDRAULIC SWITCHES                      4 - POWER EXT. / POWER RET. JACKS AUXILIARY TANK - REMOTE MANIFOLD PORTS - LEVELEZE LIGHTS - 12V PUMP MOTOR
AP49165	AP49167	RAP92595	4 - HYDRAULIC SWITCHES                      4 - POWER EXT. / POWER RET. JACKS 12V PUMP MOTOR
AP50085	AP44512	RAP92593	4 - HYDRAULIC SWITCHES                      4 - POWER EXT. / SPRING RET. JACKS 12V PUMP MOTOR                      3.5 GAL TANK

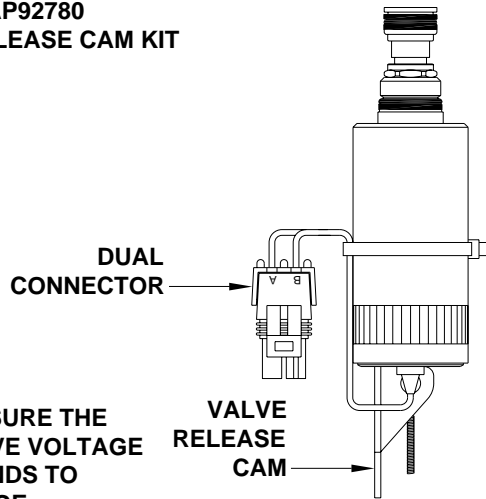
# VALVE, SOLENOID HYDRAULIC

## KEY FEATURES

### CYLINDRICAL



### RAP92780 VALVE RELEASE CAM KIT



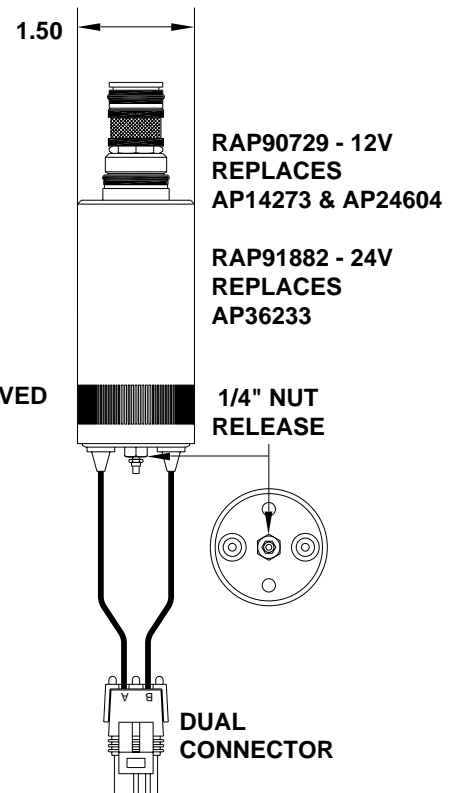
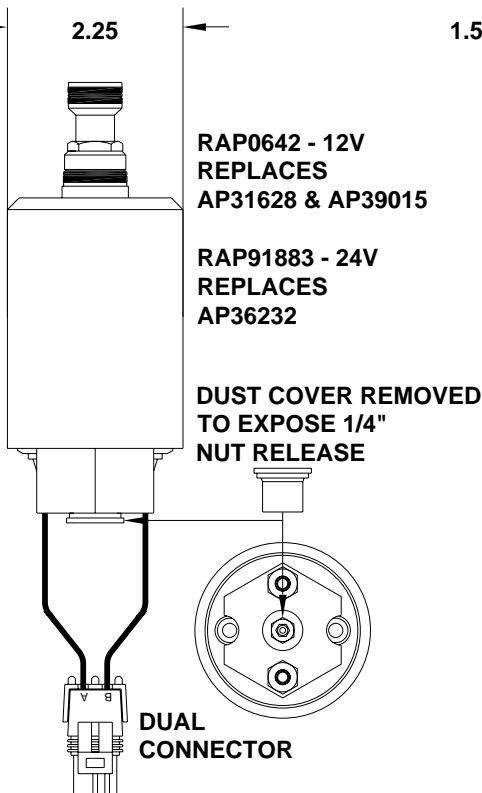
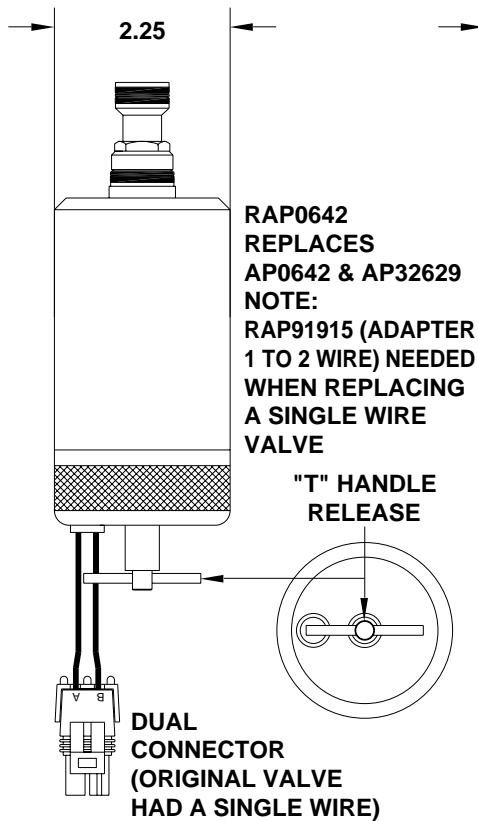
RAP90729 - 12V  
REPLACES  
AP42632  
AP46848

RAP91882 - 24V  
REPLACES  
AP36233  
AP36234

**IMPORTANT: MAKE SURE THE REPLACEMENT VALVE VOLTAGE RATING CORRESPONDS TO THE SYSTEM VOLTAGE.**

**12 VOLT AND 24 VOLT VALVES ARE NOT INTERCHANGEABLE.**

### CYLINDRICAL



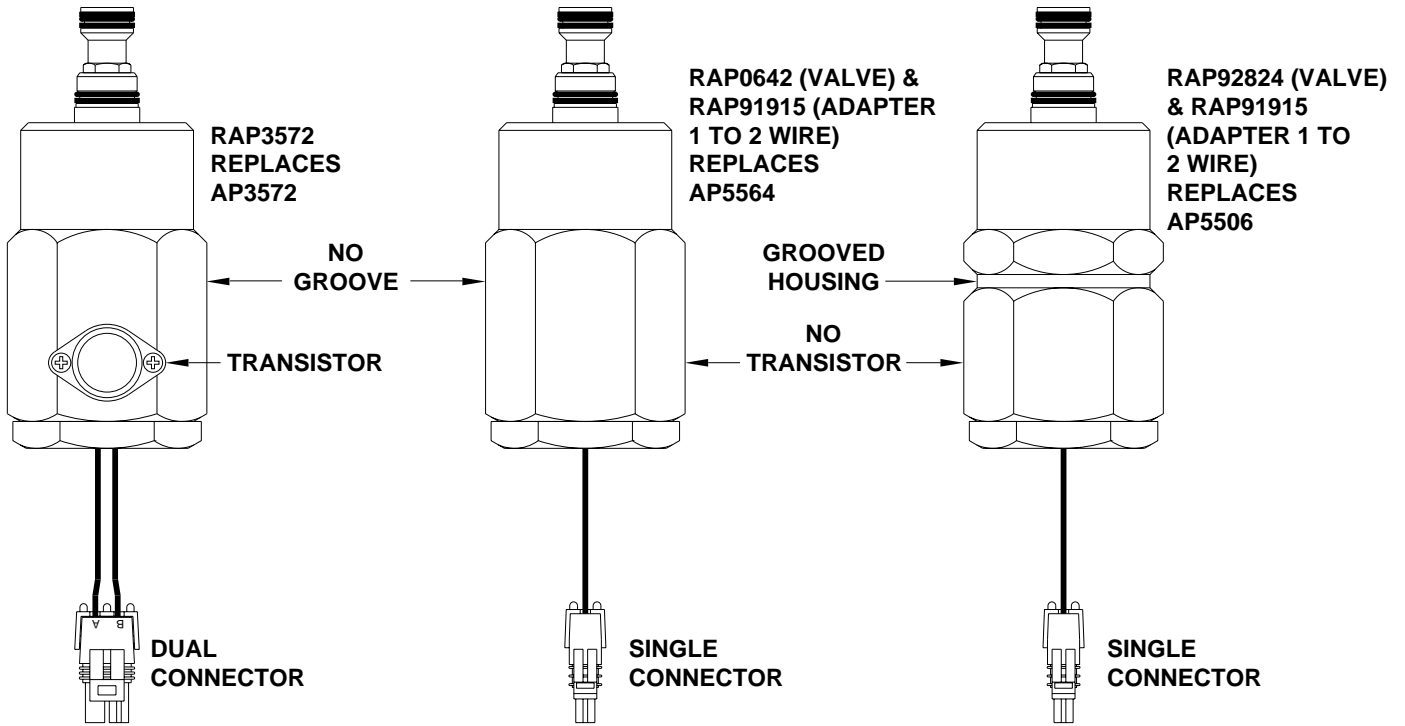
**NOTE: REPLACEMENT PART MAY NOT RESEMBLE ORIGINAL PART.**

MR55.2000  
04MAY12

# VALVE, SOLENOID HYDRAULIC

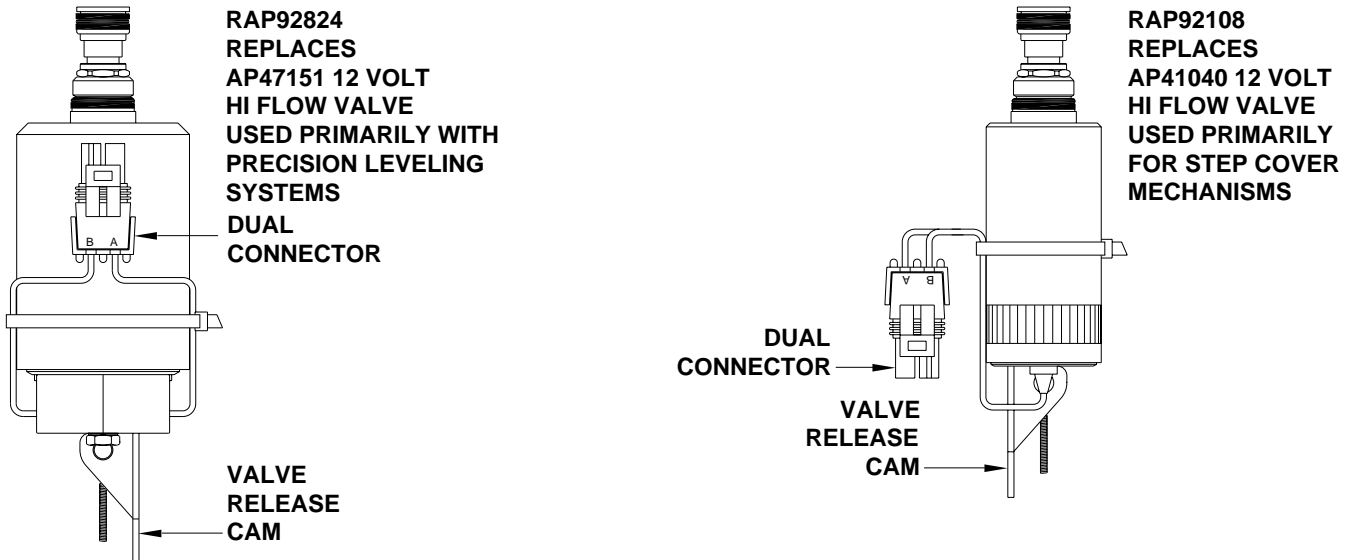
## KEY FEATURES

### HEXAGONAL



### CYLINDRICAL

**RAP92780  
VALVE RELEASE CAM KIT**



**NOTE: REPLACEMENT PART MAY NOT RESEMBLE ORIGINAL PART.**

**MR55.2001  
02OCT12**

---

# VALVE, SOLENOID HYDRAULIC

## KEY FEATURES

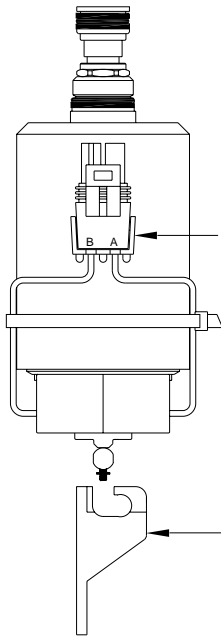
---

### CYLINDRICAL

**NOTE: THE RAP92971 AND RAP93180 VALVES ARE SPECIAL PURPOSE VALVES AND ARE ONLY TO BE USED TO REPLACE AN EXISTING VALVE THAT INCORPORATES THE REMOVABLE VALVE RELEASE CAM.**

RAP93179  
CAM LEVER KIT  
(10 CAM LEVERS PER  
RAP93179)

RAP92971  
REPLACES  
AP49601 12 VOLT  
VALVE - USED  
PRIMARILY WITH  
PRECISION LEVELING  
SYSTEMS

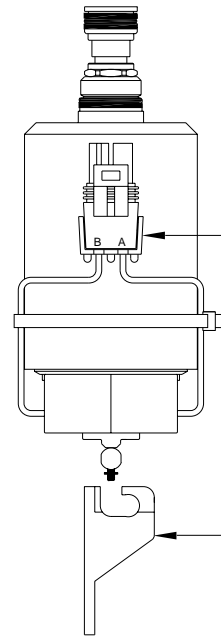


DUAL  
CONNECTOR

REMOVABLE  
VALVE  
RELEASE  
CAM

NOTE: VALVE RELEASE  
CAM IS INCLUDED WITH  
REPLACEMENT VALVE.

RAP93180  
REPLACES  
AP51111 12 VOLT  
HI FLOW VALVE  
USED PRIMARILY WITH  
PRECISION LEVELING  
SYSTEMS



DUAL  
CONNECTOR

REMOVABLE  
VALVE  
RELEASE  
CAM

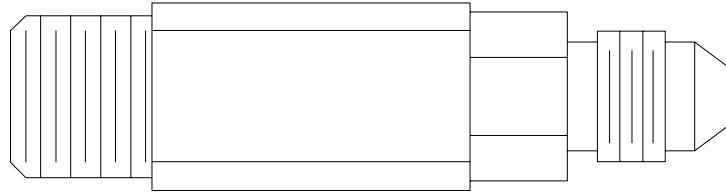
NOTE: REPLACEMENT PART MAY NOT RESEMBLE ORIGINAL PART.

MR55.2002  
29OCT12

---

# AP11578 VELOCITY VALVE FOR USE WITH LEVELING SYSTEMS ONLY

---



---

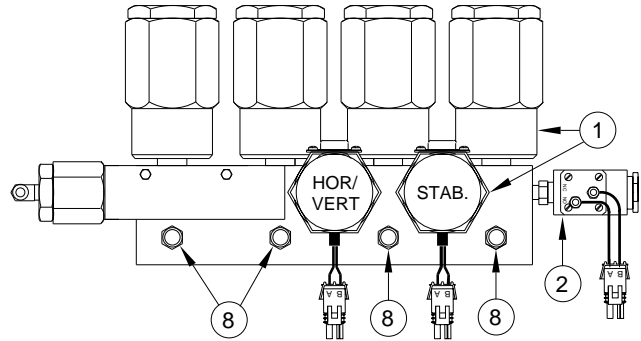
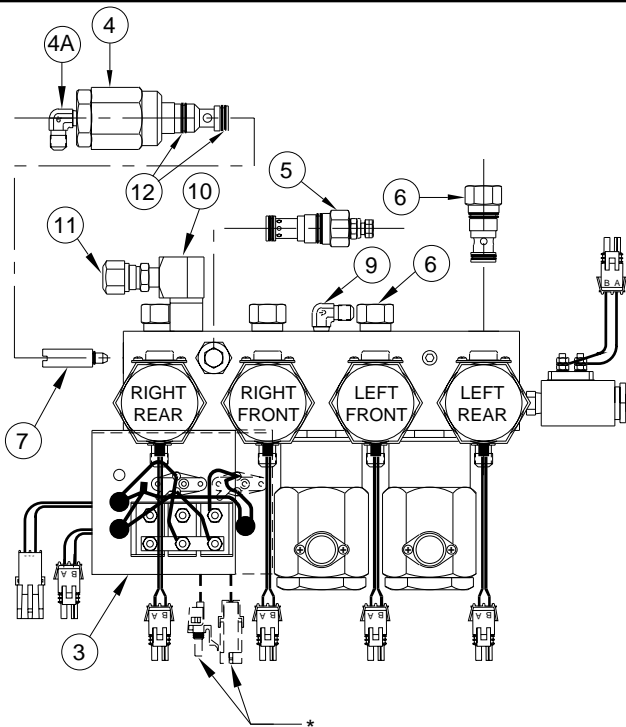
PART NUMBER	DESCRIPTION	CONTENTS
RAP90279	SINGLE VELOCITY VALVE	1 - AP11578 VELOCITY VALVE
RAP90280	VELOCITY VALVE KIT	4 - AP11578 VELOCITY VALVES 4 - F3340 1/4" X 1/4" 90 DEG. STREET ELBOW
RAP90282	HOSE KIT *	4 - AP5212 - 15" HOSE ASSEMBLY 4 - F7559 1/4" X 1/4" FEMALE CONNECTOR

---

\* THIS KIT MAY BE USED WHEN SUFFICIENT ROOM TO INSTALL THE VELOCITY VALVE IS NOT AVAILABLE.

# MANIFOLD

## 400 SERIES LEVELING SYSTEMS



**NOTE:** ALL 2 CIRCUIT BREAKER BOARDS WILL BE REPLACED BY A 3 CIRCUIT BREAKER BOARD.

ITEM	PART	QTY	DESCRIPTION
	RAP4215		SOLENOID MANIFOLD (COMP. ASSY. WITH 3000 PSI SWITCH AND 3 CIRCUIT BREAKER BOARD)
	RAP3907		SOLENOID MANIFOLD (COMP. ASSY. WITH 2500 PSI SWITCH AND 3 CIRCUIT BREAKER BOARD)

The above solenoid manifold assembly may be converted from 3000 PSI to 2500 PSI or 2500 PSI to 3000 PSI by removal and installation of the desired pressure switch. See item 2 below (RAP4143 OR RAP0993)

Solenoid manifolds with air dump circuit breaker boards may be used on systems with out air dump.

If existing circuit breaker board has 2 breakers the wiring harness may be converted by to operate with a 3 circuit breaker board. Instructions are included with new circuit breaker boards and solenoid manifold assemblies.

\* Air dump connections -only on circuit breaker boards with air dump.

1	RAP3572	5	SOLENOID VALVE W/2 WIRE (1SOLENOID PER RAP3572)
2	RAP4143	1	PRESSURE SWITCH 2500 PSI
	RAP0993	1	PRESSURE SWITCH 3000 PSI
3	RAP5117	1	BOARD 3 CIRCUIT BREAKER
	RAP5118	1	BOARD 3 CIRCUIT BREAKER AIR

ITEM	PART	QTY	DESCRIPTION
	CIRCUIT BREAKER BOARD RAP5118 WITH AIR DUMP FEATURE MAY BE USED ON SYSTEMS WITH OUT AIR DUMP.		
4	RAP3623	1	PRESSURE/RETURN SHUTTLE VALVE WITH RF1453 (ITEM 4A)
4A	RF1453	1	4-CTX-S 90 DEG. MALE ELBOW (1/8" NPT X 7/16-20 FOR 1/4" LINE)
5	RAP3627	1	RELIEF VALVE CARTRIDGE
6	RAP3628	4	CHECK VALVE CARTRIDGE (1 CARTRIDGE PER RAP3628)
7	RAP3690	1	BLEED VALVE CARTRIDGE
8	RF1477	4	4-4FTX-S MALE CONN. 1/4" NPT X 7/16-20 FOR 1/4" LINE (1 PER RF1477)
9	RF1514	1	4-CTX-S 90 DEG. MALE ELBOW 1/4" NPT X 7/16-20 FOR 1/4" LINE (1 PER RF1514)
10	RF3340	1	2202P-4-4 ELBOW (BRASS)
11	RF1458	1	68 NTA-8-4 1/2" TUBE X 1/4" NPT (1/4" NPT X 1/2" OD TUBE)
12	R7430	1	O-RING KIT

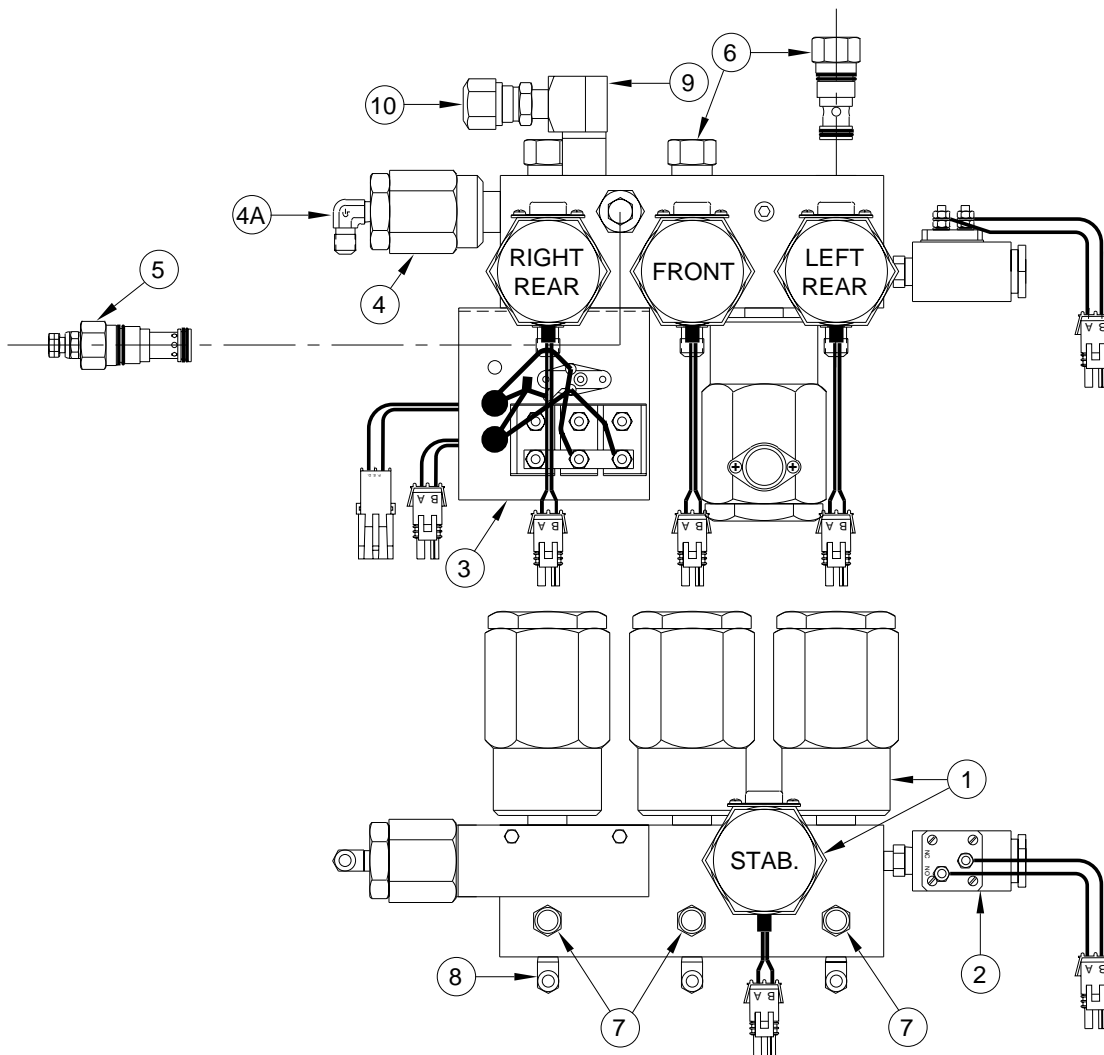
INDENTED ITEMS ARE INCLUDED WITH PRECEDING ITEM.



# MANIFOLD

## 400 SERIES LEVELING SYSTEMS

### FOR EXECUTIVE IND. INC. MOTOR COACHES



ITEM	PART	QTY	DESCRIPTION	ITEM	PART	QTY	DESCRIPTION
	RAP3990		SOLENOID MANIFOLD (COMP. ASSY. W/2500 PSI. SWITCH)	5	RAP4736	1	RELIEF VALVE CARTRIDGE
1	RAP3572	4	SOLENOID VALVE W/2 WIRE (1SOLENOID PER RAP3572)	6	RAP4721	3	CHECK VALVE CARTRIDGE 1 CARTRIDGE PER RAP4721
2	RAP4143	1	PRESSURE SWITCH 2500 PSI.	7	RF3954	3	6-FTX-S MALE CONN. (3/8" NPT X 7/16-20 FOR 1/4" LINE)
3	RAP5117	1	BOARD 3 CIRCUIT BREAKER	8	RF5114	3	4-CTX-S 90 DEG. MALE ELBOW (1/4" NPT X 7/16-20 FOR 1/4" LINE)
4	RAP3623	1	PRESSURE/RETURN SHUTTLE VALVE WITH RF1453 (ITEM 4A)	9	RF3340	1	2202P-4-4 ELBOW BRASS (1/4" NPT MALE X 1/4" NPT FEMALE)
4A	RF1453	1	4-CTX-S 90 DEG. MALE ELBOW (1/8" NPT X 7/16-20 FOR 1/4" LINE)	10	RF1458	1	68 NTA-8-4 1/2" TUBE X 1/4" (1/4" NPT X 1/2" OD TUBE)
	RAP4763	1	THERMO BLEEDER VALVE KIT INCLUDES: ONE RAP4736 BLEEDER RELIEF VALVE AND THREE RAP4721 BLEEDER CHECK VALVES	11	R7430	1	O-RING KIT 8 SETS OF PORT O-RINGS FOR SOLENOID VALVES, SHUTTLE VALVE, OR CHECK VALVE (STD. MANIFOLD ONLY)

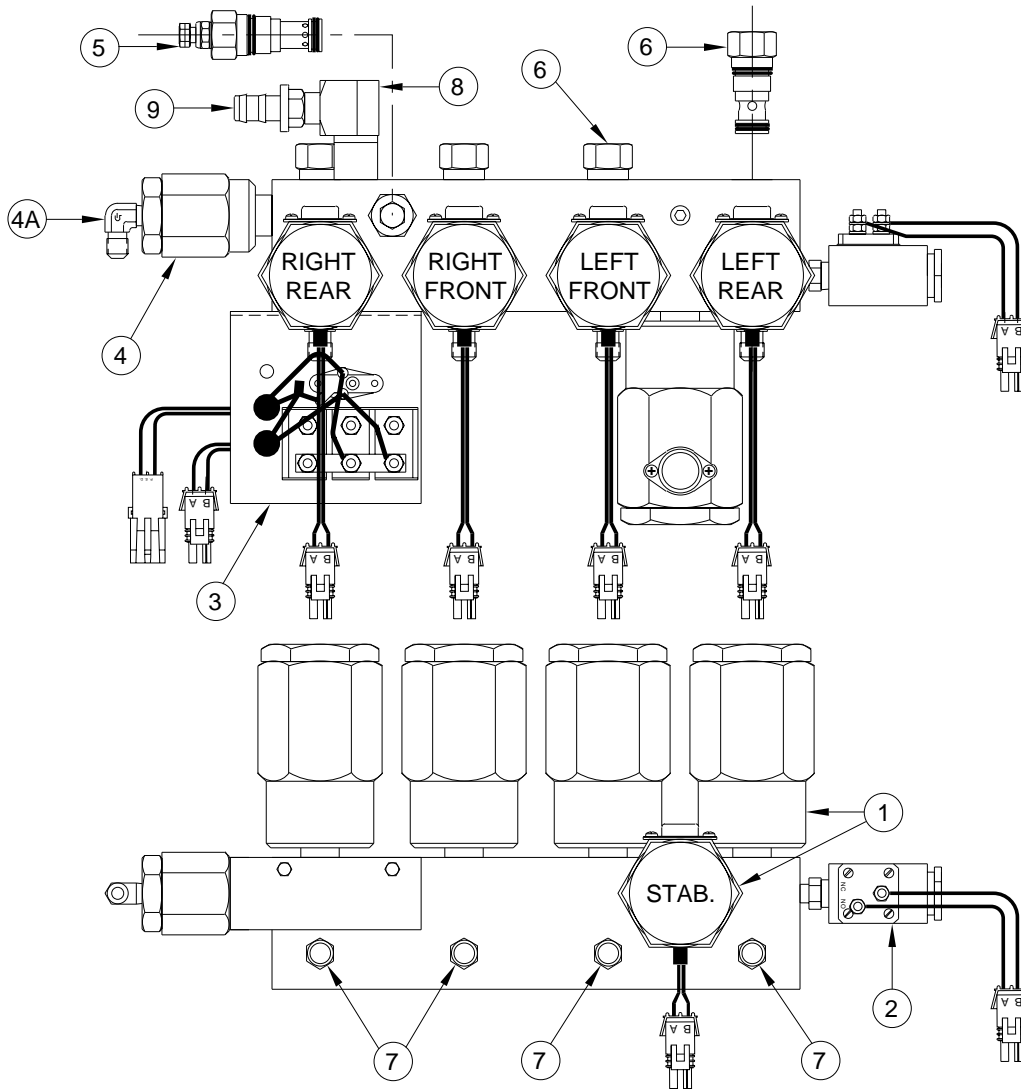
**NOTE:** INDENTED ITEMS ARE INCLUDED WITH PRECEDING ITEM.

**MR55.2505**  
**10SEP12**

# MANIFOLD

## 400 SERIES LEVELING SYSTEMS

### FOR BLUE BIRD VEHICLES WITH OUT KICK-DOWN JACKS

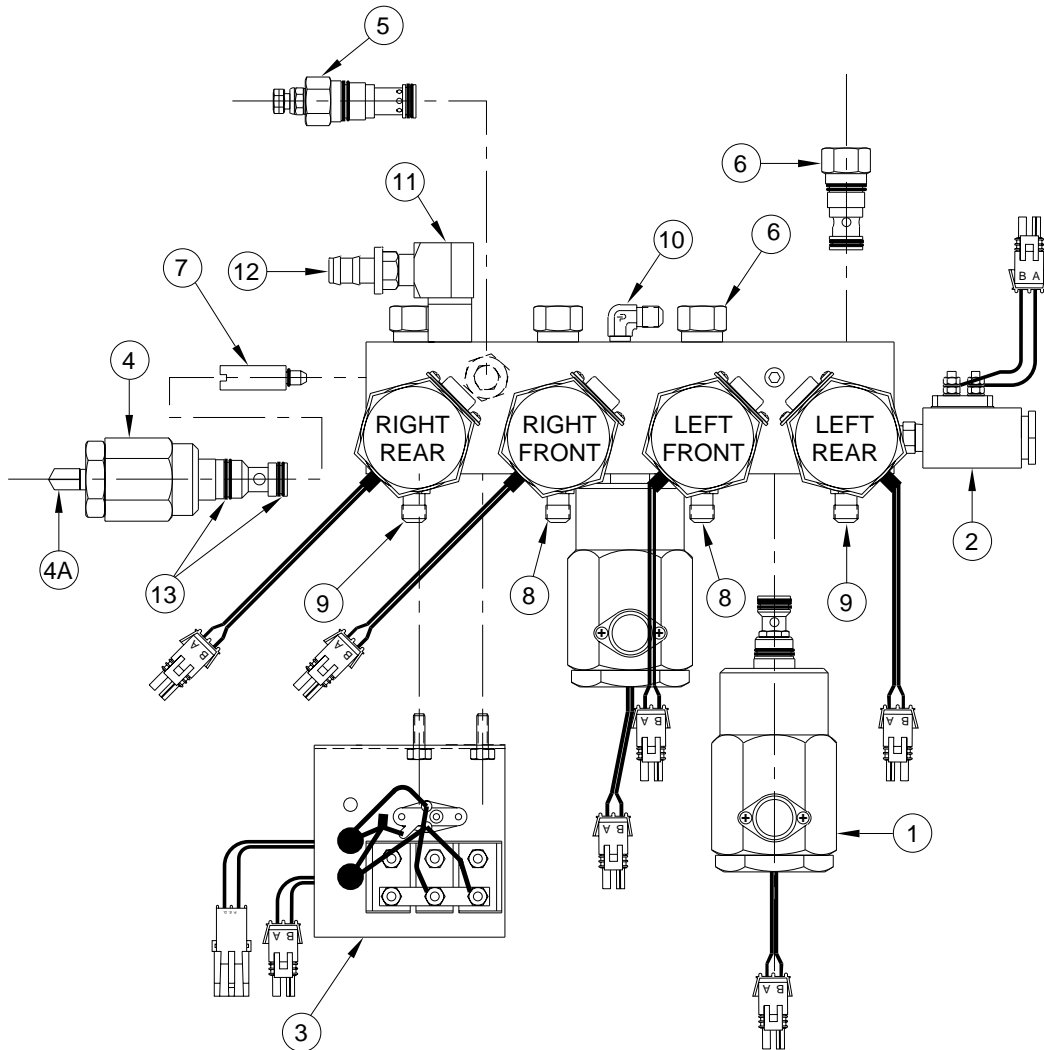


ITEM	PART	QTY	DESCRIPTION	ITEM	PART	QTY	DESCRIPTION
	RAP5553		SOLENOID MANIFOLD (COMP. ASSY. WITH 3000 PSI SWITCH AND 3 CIRCUIT BREAKER BOARD)	6	RAP3628	4	CHECK VALVE CARTRIDGE (1 CARTRIDGE PER RAP3628)
1	RAP3572	5	SOLENOID VALVE W/2 WIRE (1 SOLENOID PER RAP3572)	7	RF3475	4	5-4-FTX-S MALE CONN. (1/4" NPT X 1/2-20 FOR 5/16" LINE)
2	RAP0993	1	PRESSURE SWITCH 3000 PSI	8	RF3340	1	2202P-4-4 ELBOW (BRASS)
3	RAP5117	1	BOARD 3 CIRCUIT BREAKER	9	RF4385	1	PUSH LOC 3/8" X 1/2" (3/8" NPT X 1/2" HOSE)
4	RAP3623	1	PRESSURE/RETURN SHUTTLE VALVE WITH RF1453 (ITEM 4A)	10	R7430	1	O-RING KIT
4A	RF1453	1	4-CTX-S 90 DEG. MALE ELBOW (1/8" NPT X 7/16-20 FOR 1/4" LINE)				8 SETS OF PORT O-RINGS FOR SOLENOID VALVES, SHUTTLE VALVE, OR CHECK VALVE (STD. MANIFOLD ONLY)
5	RAP3627	1	RELIEF VALVE CARTRIDGE	INDENTED ITEMS ARE INCLUDED WITH PRECEDING ITEM.			

# MANIFOLD

## 400 SERIES LEVELING SYSTEMS

### FOR BLUE BIRD VEHICLES WITH HORIZONTAL/VERTICAL VALVE



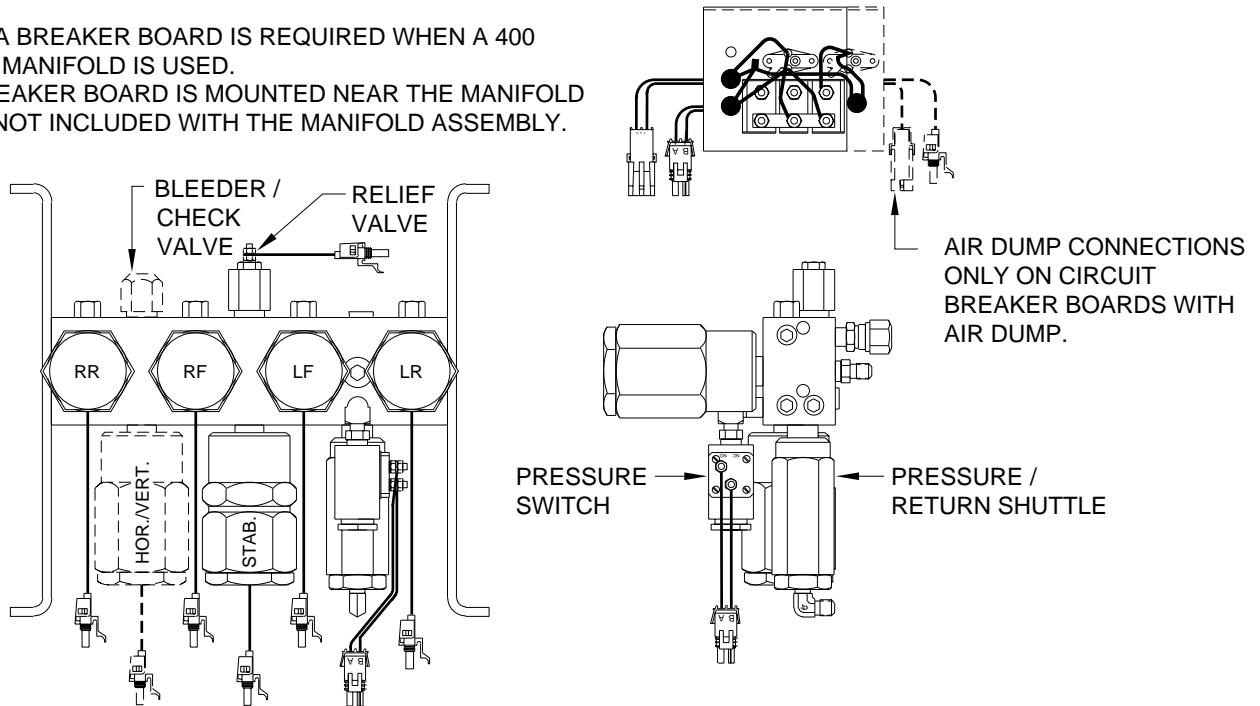
ITEM	PART	QTY	DESCRIPTION
	RAP5128		SOLENOID MANIFOLD (COMP. ASSY. WITH 3000 PSI SWITCH AND 3 CIRCUIT BREAKER BOARD)
1	RAP3572	6	SOLENOID VALVE W/2 WIRE (1 SOLENOID PER RAP3572)
2	RAP0993	1	PRESSURE SWITCH 3000 PSI
3	RAP5117	1	BOARD 3 CIRCUIT BREAKER
4	RAP3623	1	PRESSURE/RETURN SHUTTLE VALVE WITH RF1453 (ITEM 4A)
4A	RF1453	1	4-CTX-S 90 DEG. MALE ELBOW (1/8" NPT X 7/16-20 FOR 1/4" LINE)
5	RAP3627	1	RELIEF VALVE CARTRIDGE
6	RAP3628	4	CHECK VALVE CARTRIDGE (1 CARTRIDGE PER RAP3628)
7	RAP3690	1	BLEED VALVE CARTRIDGE

ITEM	PART	QTY	DESCRIPTION
8	RF1477	2	4-4-FTX-S MALE CONN. (1/4" NPT X 7/16-20 FOR 1/4" LINE)
9	RF3475	2	5-4-FTX-S MALE CONN. (1/4" NPT X 1/2-20 FOR 5/16" LINE)
10	RF1514	1	4-CTX-S 90 DEG. MALE ELBOW (1/4" NPT X 7/16-20 FOR 1/4" LINE)
11	RF3340	1	2202P-4-4 ELBOW (BRASS)
12	RF4385	1	PUSH LOC 3/8" X 1/2" (3/8" NPT X 1/2" HOSE)
13	R7430	1	O-RING KIT 8 SETS OF PORT O-RINGS FOR SOLENOID VALVES, SHUTTLE VALVE, OR CHECK VALVE

# MANIFOLD SUMMARY PAGE

## 400 SERIES AND 500 SERIES BI-AXIS LEVELING SYSTEMS

**NOTE:** A BREAKER BOARD IS REQUIRED WHEN A 400 SERIES MANIFOLD IS USED. THE BREAKER BOARD IS MOUNTED NEAR THE MANIFOLD BUT IS NOT INCLUDED WITH THE MANIFOLD ASSEMBLY.



**NOTE:** SELDOM IS REPLACEMENT OF COMPLETE MANIFOLD NECESSARY SEE FOLLOWING PAGES FOR REPAIR PARTS.

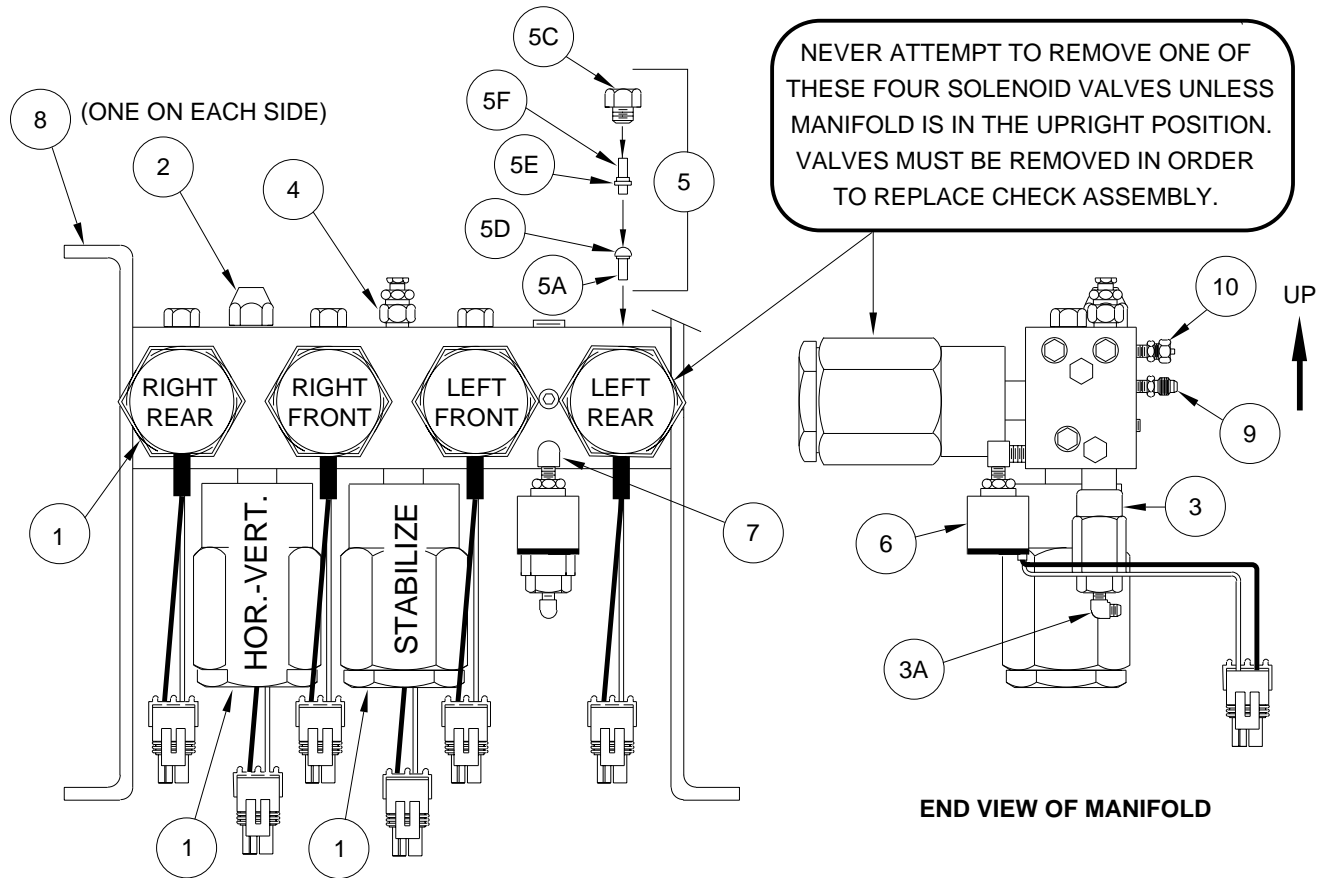
### BI-AXIS MANIFOLD W/ 2 WIRE SOLENOID VALVE 400 PADDLE SWITCH SYSTEM

PART NO. PAGE NO.	NOTES	HOR./VERT. JACK CONTROL	RELIEF VALVE	FITTINGS
RAP5123 MR55.2535	USED ON HOLIDAY RAMBLER LIMITED (GILLIG PUSHER) 87-92 & SOME VOGUE PUSHERS APPROX 90-91	YES	YES	1/4" STRAIGHT

### BI-AXIS MANIFOLD W/ 1 WIRE SOLENOID VALVE (500 & 510 SERIES) SYSTEMS

PART NO. PAGE NO.	NOTES	HOR./VERT. JACK CONTROL	FLOW SWITCH	FITTINGS
RAP6967 MR55.2540	TYPICAL ON SPRING SUSPENSION VEHICLES. ie CHEVY & FORD	YES	200 PSI	1/4" TEE'S & JCT BLOCK
RAP7097 MR55.2540	USED ONLY ON FLEETWOOD PRODUCTS HAS SPECIAL MOUNTING BRACKET	YES	200 PSI	1/4" TEE'S & BLOCK-FW
RAP5563 MR55.2540	PUSHER WITH AIR SUSPENSION VEHICLES INCLUDING BEAVER, COUNTRY COACH	YES	300 PSI	1/4" STRAIGHT
RAP7321 MR55.2540	TYPICAL PUSHER WITH AIR SUSPENSION	YES	300 PSI	1/4" & 3 TEE'S
RAP7192 MR55.2540	VEHICLES WITH STRAIGHT ACTING JACKS.	NO	300 PSI	(4) 5/16 & (4) 1/4

**MANIFOLD PARTS ONLY**  
**400 SERIES, BI-AXIS LEVELING SYSTEMS**  
**(WITH 2 WIRE SOLENOID VALVES)**



SEE PAGE MR55.2530 FOR MANIFOLD ASSEMBLIES.

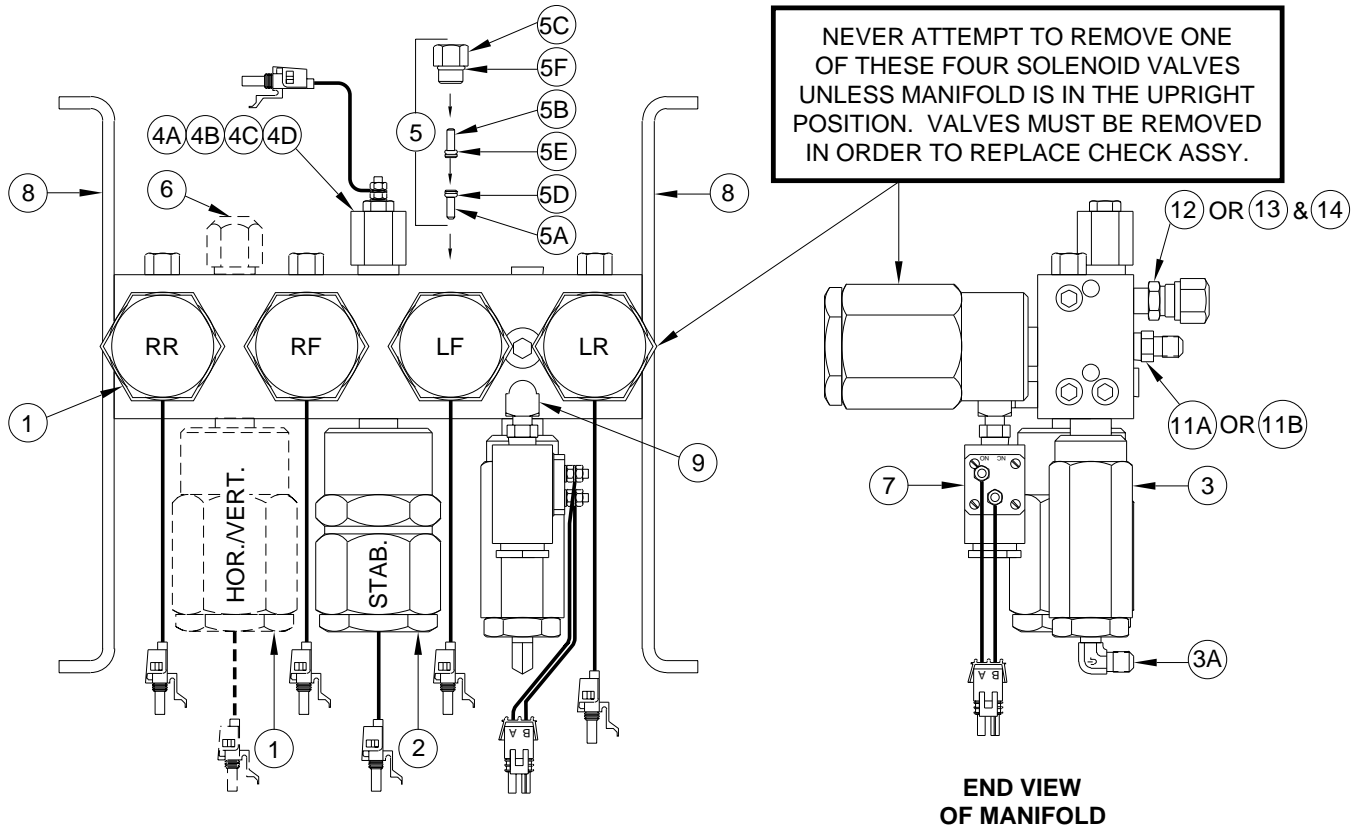
**MANIFOLD REPAIR PARTS**

ITEM	PART	QTY	DESCRIPTION	ITEM	PART	QTY	DESCRIPTION
	RAP5118		BOARD BREAKER 3 CIRCUIT AIR (ON COACHES WITH AUTOMATIC DUMP OF AIR SUSPENSION)	5C		4	PLUG SPEC. 7/16 - 20
1	RAP3572	6	SOLENOID VALVE W/2 WIRE LEAD	5D		4	"O" RING
2	RAP5648	1	BLEEDER / CHECK VALVE	5E		4	"O" RING
3	RAP6064	1	PRESSURE/RETURN SHUTTLE VALVE	5F		4	"O" RING
3A	RF1453	1	4-CTX-S 90 MALE ELBOW (1/8" NPT X 7/16-20)	6	RAP0993	1	PRESSURE SWITCH 3000 PSI
4	RAP3627	1	RELIEF VALVE CARTRIDGE	7	RF3340	1	2202P-4-4 BRASS ELBOW
5	RAP7944	1	CHECK VALVE KIT SINGLE (CONTAINS (1) 5A INNER CHECK, (1) 5B OUTER CHECK, AND (4) OF ALL "O" RINGS IN ITEM 5	8	RF5220	1	MTG. BRKT. KIT (2 BRKT. AND HARDWARE)
5	RAP5179	1	CHECK VALVE KIT (COMPLETE SET OF 4)	9	RF1477	4	4-4-FTX-S MALE CONN. (1/4" NPT X 7/16-20 FOR 1/4" LINE)
5A		4	INNER CHECK	10		1	68NTA-8-4 1/2" X 1/4" (1/4" NPT X 1/2" TUBE)
5B		4	OUTER CHECK	11	RF1458	1	68NTA-8-4 1/2" X 1/4" (1/4" NPT X 1/2" TUBE)
					R7430		"O" RING KIT (8 SETS OF PORT "O" RINGS FOR SOL. VALVES, SHUTTLE VALVE OR CHECK VALVE)

\* INDENTED ITEMS ARE INCLUDED WITH PRECEDING ITEM.

# MANIFOLD PARTS ONLY

## 500 & 510 SERIES, BI-AXIS LEVELING SYSTEMS (WITH SINGLE WIRE SOLENOID VALVES)

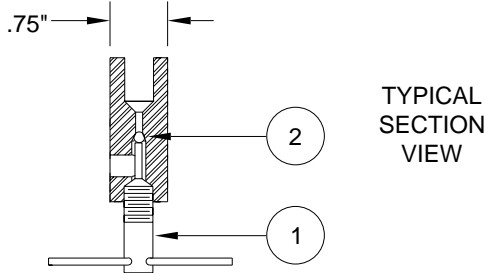


ITEM	PART	QTY	DESCRIPTION
1	RAP0642	5	REPLACES AP5564 1-WIRE SOLENOID VALVE
2	RAP5506	1	STABILIZE SOLENOID VALVE (GROOVED)
3	RAP6064	1	PRESS/RETURN SHUTTLE
3A	RF1453	1	ELBOW 1/8" X 1/4"
4A	RAP5633	1	RELIEF VALVE/FLOW SW. 300 (VEHICLES W/ AIR DUMP)
OR			
4B	RAP6985	1	RELIEF VALVE/FLOW SW. 200 (VEHICLE W/ SPRING SUSPENSION)
CALL HWH 1-800-321-3494 FOR USAGE OF ITEMS 4C & 4D			
4C	RAP9699	1	RELIEF VLV./FLOW SW. 2DX FOR HIGH FLOW PUMPS SHUTTING OFF BEFORE COMPLETING STABILIZATION
4D	RAP9697	1	RELIEF VLV./FLOW SW. 2DS FOR LOW FLOW PUMPS NOT SHUTTING OFF AFTER COMPLETING STABILIZATION
5	RAP7944	1	CHECK VALVE KIT SINGLE
5A		1	INNER CHECK
5B		1	OUTER CHECK

ITEM	PART	QTY	DESCRIPTION
5C		1	PLUG SPEC 7/16-20
5D		1	O-RING
5E		1	O-RING
5F		1	O-RING
5	RAP5179	1	CHECK VALVE KIT CONTAINS 4 RAP7944 KITS
6	RAP5648	1	BLEEDER/CHECK VALVE
7	RAP0993	1	PRESS SW 3000 PSI
8	RP5220	1	MTG. BRKT. KIT (2 BRKT. AND HARDWARE)
9	RF3340	1	BRASS ELBOW 1/4" X 1/4"
10	R7430	1	O-RING KIT (8 SETS OF PORT O-RINGS FOR SOLENOID VALVES OR SHUTTLE VALVE)
11A	RF1477	4	MALE CONN. 1/4" X 1/4"
OR			
11B	RF3475	4	MALE CONN. 1/4" X 5/16"
12	RF1458	1	BRASS CONN. 1/4" X 1/2"
OR			
13	RF4661	1	BRASS ADAPT. 1/4" X 3/8"
AND			
14	RF4385	1	PUSH LOC CONN. 3/8" X 1/2"

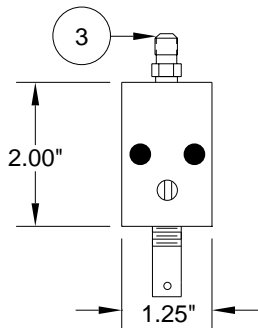
INDENTED ITEMS ARE INCLUDED WITH PRECEDING ITEM.

# DRAIN VALVE FOR 400 AND 500 SERIES LEVELING SYSTEMS

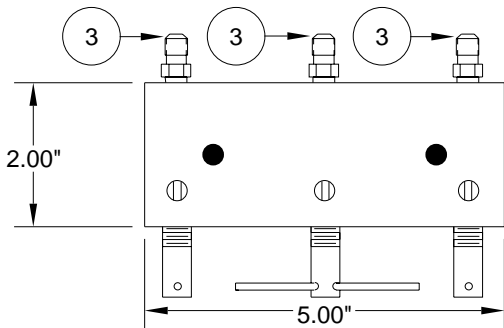


ITEM	PART	QTY	DESCRIPTION
1	RAP6223		TEE HANDLE
2	R3397		1/8" STEEL BALL (BAG OF 10)

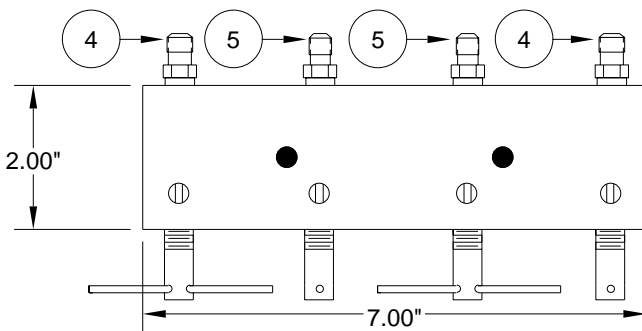
FOR QUANTITIES OF ABOVE SEE APPROPRIATE VALVE BELOW.



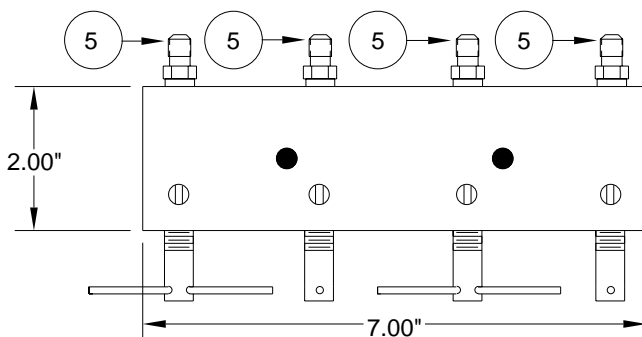
ITEM	PART	QTY	DESCRIPTION
	RAP4070		DRAIN VALVE 1 PORT COMPLETE FOR 1/4" HYD. LINE
3	RF1456	1	4-FTX-S MALE CONN. (1/8" NPT X 7/16-20 FOR 1/4" HYD LINES)(1 PER RF1456)



ITEM	PART	QTY	DESCRIPTION
	RAP4037		DRAIN VALVE 3 PORT COMPLETE FOR 1/4" HYD. LINE
3	RF1456	3	4-FTX-S MALE CONN. (1/8" NPT X 7/16-20 FOR 1/4" HYD LINES)(1 PER RF1456)



ITEM	PART	QTY	DESCRIPTION
	RAP5981		DRAIN VLV. 4 PORT COMP. FOR 2 1/4" AND 2 5/16" HYD LINES
4	RF3475	2	5-4-FTX-S MALE CONN. (1/4" NPT X 1/2-20 FOR 5/16" HYD LINES)(1 PER RF3475)
5	RF1477	2	4-4-FTX-S MALE CONN. (1/4" NPT X 7/16-20 FOR 1/4" HYD LINES)(1 PER RF1477)

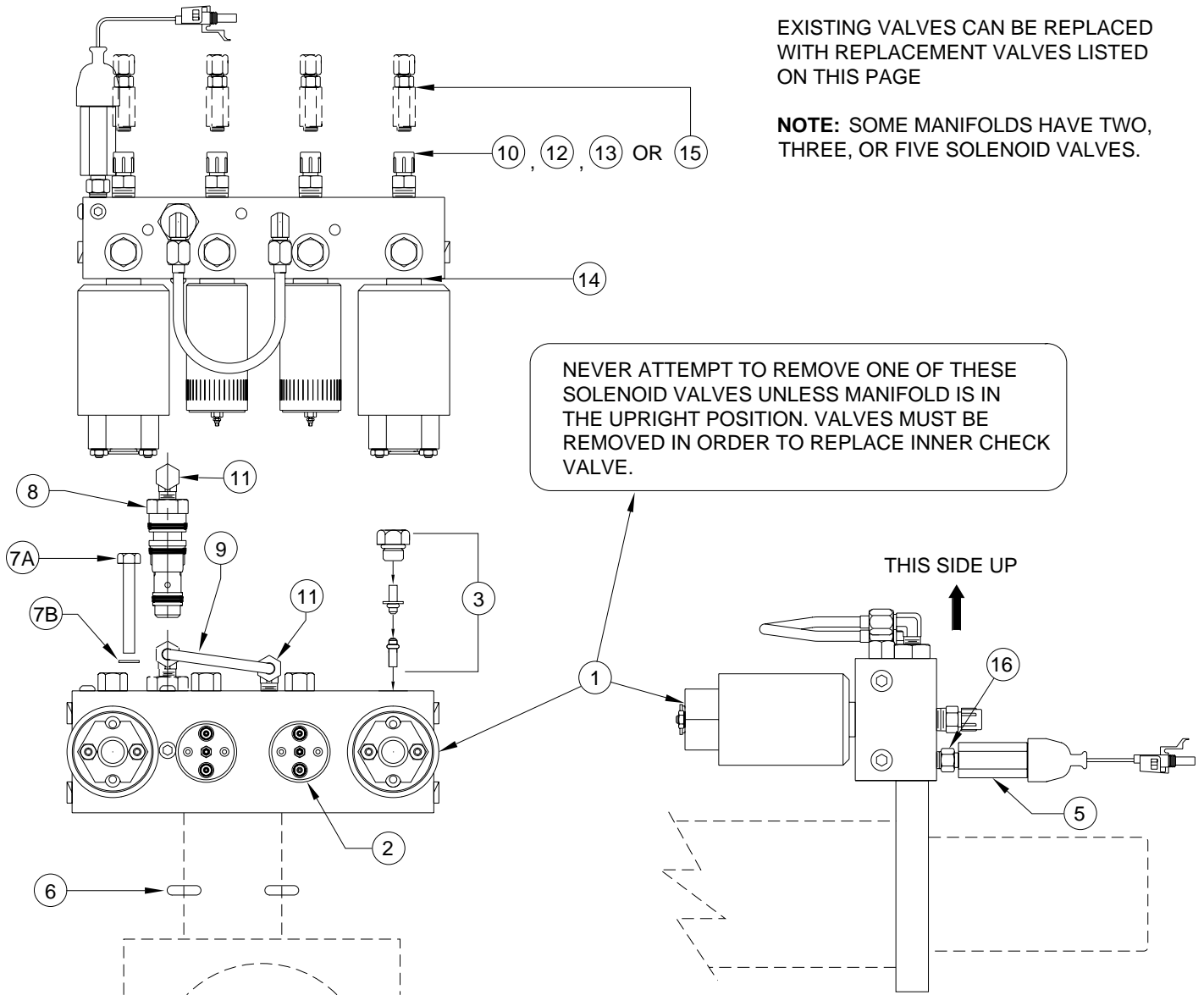


ITEM	PART	QTY	DESCRIPTION
	RAP7200		DRAIN VALVE 4 PORT COMPLETE FOR 1/4" HYD LINES
5	RF1477	4	4-4-FTX-S MALE CONN. (1/4" NPT X 7/16-20 FOR 1/4" HYD LINES)(1 PER RF1477)

# MANIFOLD

## 310 - 305 / 325 - 325 SERIES, LEVELING SYSTEMS

### PARTS ONLY



EXISTING VALVES CAN BE REPLACED WITH REPLACEMENT VALVES LISTED ON THIS PAGE

**NOTE:** SOME MANIFOLDS HAVE TWO, THREE, OR FIVE SOLENOID VALVES.

NEVER ATTEMPT TO REMOVE ONE OF THESE SOLENOID VALVES UNLESS MANIFOLD IS IN THE UPRIGHT POSITION. VALVES MUST BE REMOVED IN ORDER TO REPLACE INNER CHECK VALVE.

THIS SIDE UP

#### MANIFOLD REPAIR PARTS

MANIFOLDS MAY BE EQUIPPED WITH 4 SMALL VALVES - 4 LARGE VALVES OR A COMBINATION OF BOTH

ITEM	PART	QTY	DESCRIPTION	ITEM	PART	QTY	DESCRIPTION
1	RAP0642	1	SOLENOID VALVE LARGE	10	RF1477		1/4" NPT X 1/4" LINE
2	RAP90729	1	SOLENOID VALVE SMALL	11	RF1453		ELBOW
3	RAP7944	1	CHECK VALVE KIT (SINGLE)	12	RF1514		1/8" NPT X 1/4" LINE ELBOW
4	RAP5179	1	CHECK VALVE KIT (SET OF 4)	13	RF3475		1/4" NPT X 1/4" LINE
5	RAP2082	1	PRESSURE SWITCH 50 P.S.I.	14	R7430	1	1/4" NPT X 5/16" LINE O-RING KIT (8 SETS OF PORT O-RINGS FOR SOLENOID VALVES OR SHUTTLE VALVE)
6	RAP9171	1	O-RING KIT	15	RAP90279	4	VELOCITY VALVE (1 PER RAP)
7	RAP90128	1	MAN. MTG. HDW. KIT	16	RF9315		NIPPLE 1/8" X 1/8"
7A		3	1/4-20 X 3 1/2" BOLT				
7B		3	1/4" LOCKWASHER				
8	RAP7964	1	PRESS./RETURN SHUTTLE VALVE				
9	RAP8088	1	TUBE ASSY				

**MR55.3000**  
**08OCT12**



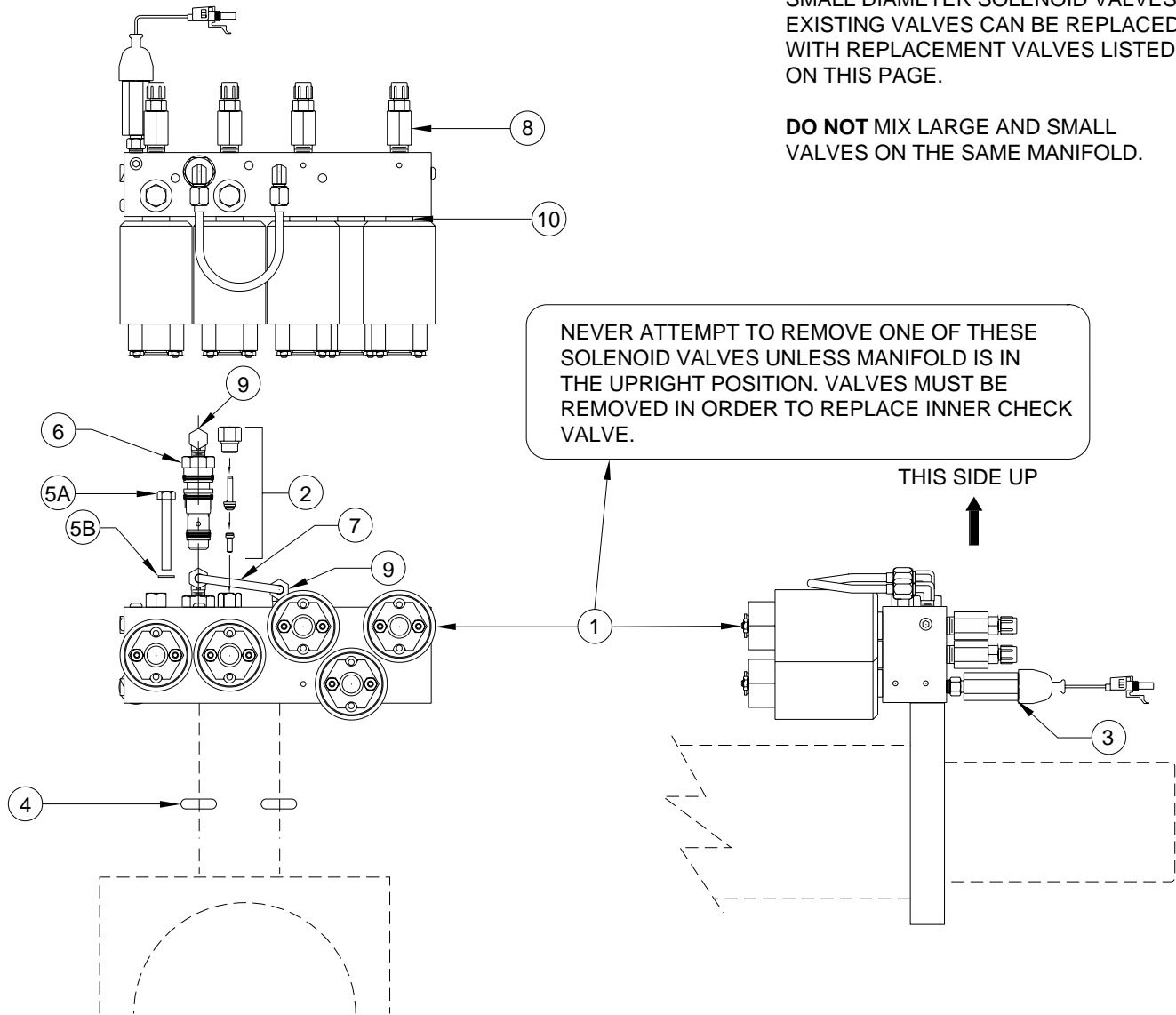
# MANIFOLD

## 310 - 325 SERIES, EQUALIZING, LEVELING SYSTEMS

### PARTS ONLY

MANIFOLD MAY BE EQUIPPED WITH SMALL DIAMETER SOLENOID VALVES. EXISTING VALVES CAN BE REPLACED WITH REPLACEMENT VALVES LISTED ON THIS PAGE.

**DO NOT MIX LARGE AND SMALL VALVES ON THE SAME MANIFOLD.**



#### MANIFOLD REPAIR PARTS

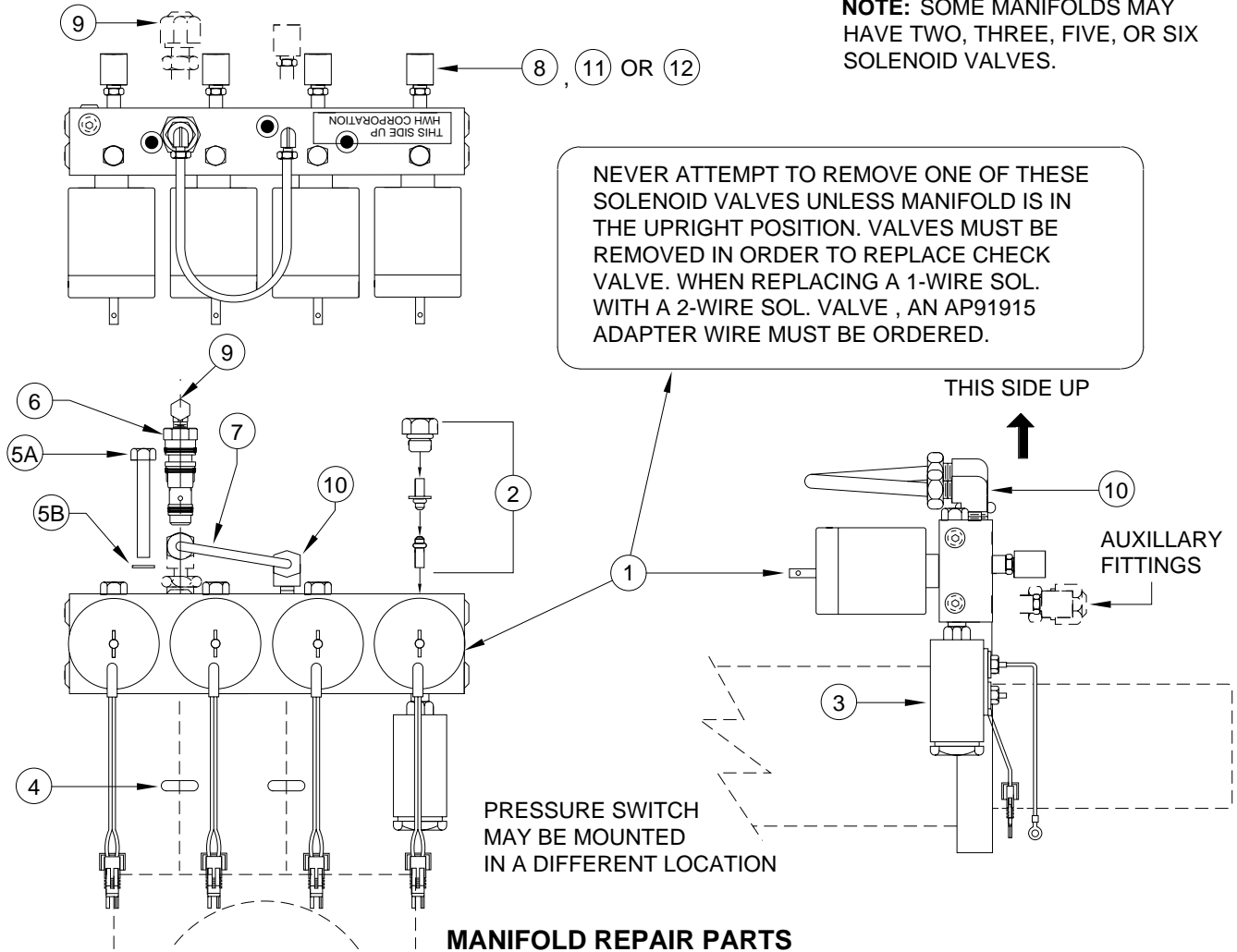
ITEM	PART	QTY	DESCRIPTION	ITEM	PART	QTY	DESCRIPTION
1	RAP0642	1	SOLENOID VALVE LARGE	7	RAP8088	1	TUBE ASSY
	OR RAP90729	1	SOLENOID VALVE SMALL	8	RAP90279	4	VELOCITY VALVE (1 PER RAP)
2	RAP7944	1	CHECK VALVE KIT (SINGLE)	9	RF1453		ELBOW 1/8" NPT X 1/4" LINE
3	RAP2082	1	PRESSURE SWITCH 50 P.S.I.	10	R7430	1	O-RING KIT (8 SETS OF PORT O-RINGS FOR SOLENOID VALVES OR SHUTTLE VALVE)
4	RAP9171	1	O-RING KIT				
5	RAP90128	1	MAN. MTG. HDW. KIT				
5A		3	1/4-20 X 3 1/2" BOLT				
5B		3	1/4" LOCKWASHER				
6	RAP7964	1	PRESS./RETURN SHUTTLE VALVE				

# MANIFOLD

## 600-610 SERIES LEVELING SYSTEM

### PARTS ONLY

**NOTE:** SOME MANIFOLDS MAY HAVE TWO, THREE, FIVE, OR SIX SOLENOID VALVES.



#### MANIFOLD REPAIR PARTS

ITEM	PART	QTY	DESCRIPTION	ITEM	PART	QTY	DESCRIPTION
1	RAP0642	4	SOLENOID VALVE (REPLACES RAP8034 OBS. #)	WHEN REPLACING A TALL SHUTTLE VALVE, THE RAP8088 (7) TUBE ASSY MUST BE REPLACED.			
2	RAP7944	1	CHECK VALVE KIT (SINGLE)				
2	RAP5179	1	CHECK VALVE KIT (SET OF 4)	7	RAP8088	1	TUBE ASSY
3	RAP0993	1	SW. PRESS. 3,000 (REPLACES RAP8355 OBS #)	8	RF1477	1	1/4" NPT X 1/4" LINE
4	RAP9171	1	O-RING KIT	9	RF1458	1	1/2" TUBE X 1/4" NPT ELBOW
5	RAP90128	1	MAN. MTG. HDW. KIT	10	RF1453	1	1/8" NPT X 1/4" LINE ELBOW
5A		3	1/4" - 20 X 3 1/2" BOLT	11	RF1514	1	1/4" NPT X 1/4" LINE
5B		3	1/4" LOCKWASHER	12	RF3475	1	1/4" NPT X 5/16" LINE
6	RAP7964	1	PRESS./RETURN SHUTTLE VALVE		R7430		O-RING KIT (8 SETS OF PORT O-RINGS FOR SOLENOID VALVES OR SHUTTLE VALVE)

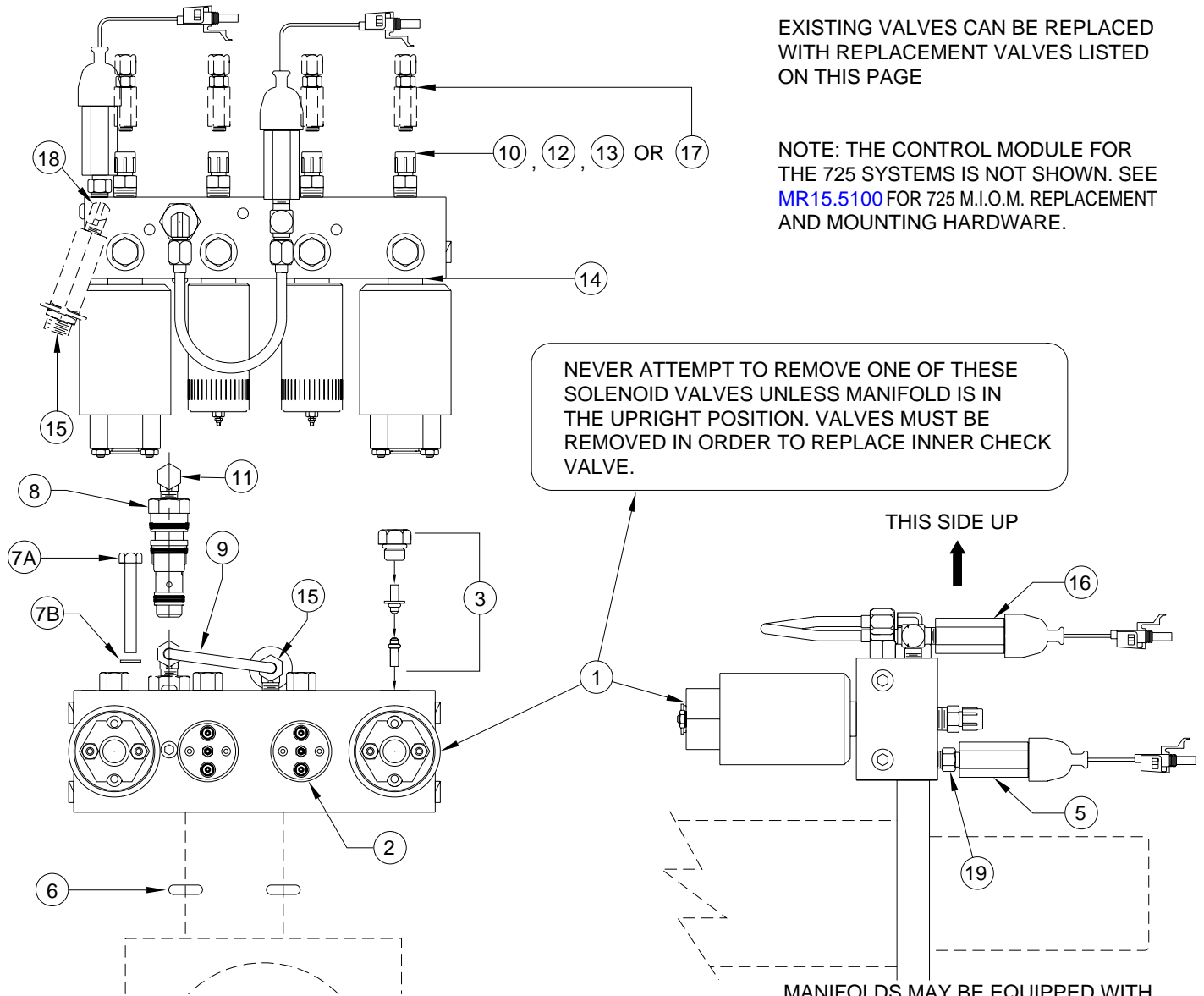
**NOTE:** EARLY MANIFOLDS MAY HAVE A TALL SHUTTLE VALVE. THE TALL SHUTTLE VALVE IS REPLACED WITH THE RAP7964 SHUTTLE VALVE.

**NOTE:** INDENTED ITEMS INCLUDED WITH PRECEDING ITEM.

# MANIFOLD

## 625 - 725 - 2000 SERIES, LEVELING SYSTEMS

### PARTS ONLY



#### MANIFOLD REPAIR PARTS

MANIFOLDS MAY BE EQUIPPED WITH 4 SMALL VALVES - 4 LARGE VALVES OR A COMBINATION OF BOTH

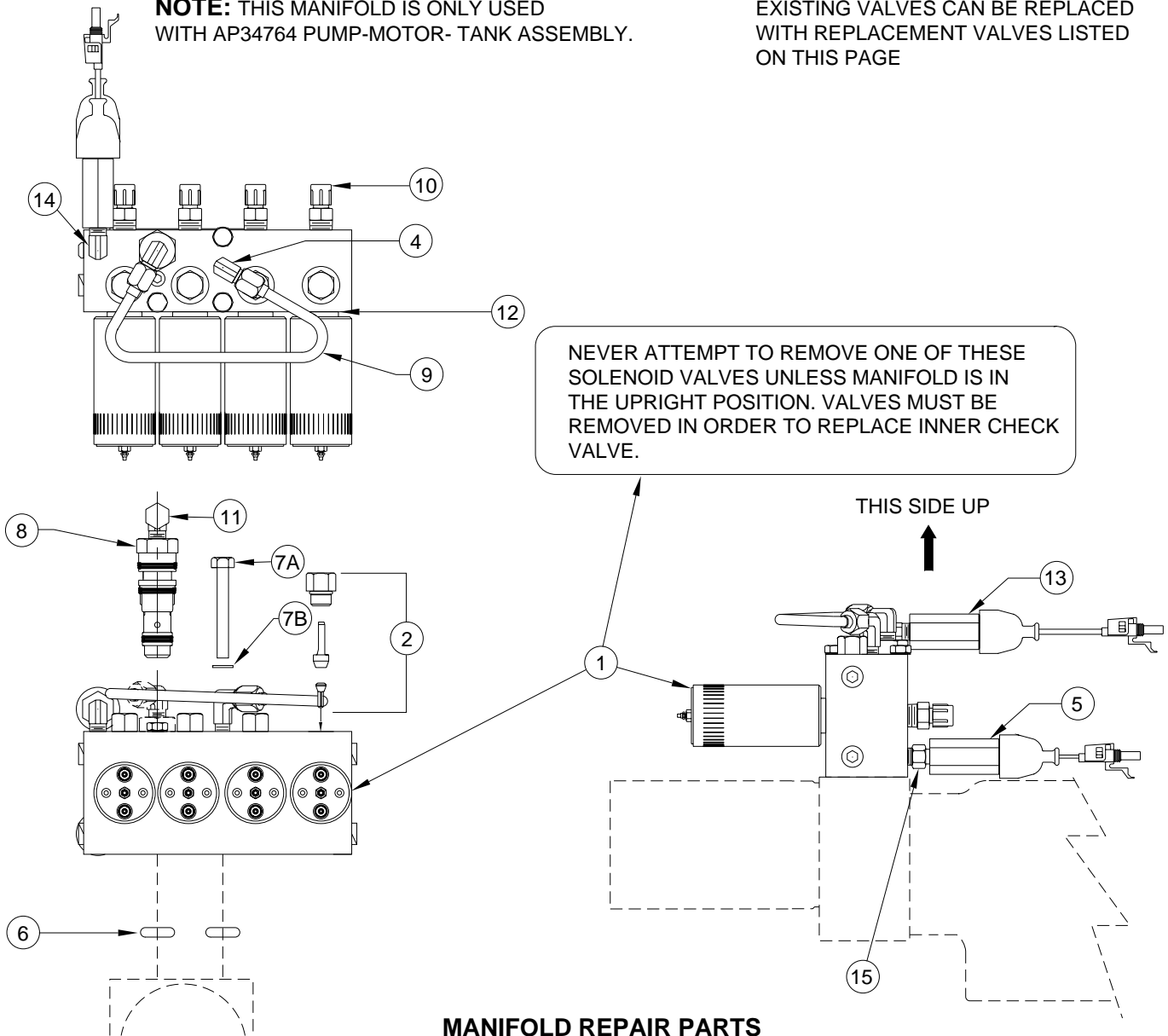
ITEM	PART	QTY	DESCRIPTION	ITEM	PART	QTY	DESCRIPTION
1	RAP0642	1	SOLENOID VALVE LARGE	11	RF1453	1	ELBOW -1/8" NPT X 1/4" LINE
2	RAP90729	1	SOLENOID VALVE SMALL	12	RF1514	1	ELBOW - 1/4" NPT X 1/4" LINE
3	RAP7944	1	CHECK VALVE KIT (SINGLE)	13	RF3475	1	1/4" NPT X 5/16" LINE
4	RAP5179	1	CHECK VALVE KIT (SET OF 4)	14	R7430	1	O-RING KIT (8 SETS OF PORT O-RINGS FOR SOLENOID VALVES OR SHUTTLE VALVE)
5	RAP2082	1	PRESSURE SWITCH 50 P.S.I.	15	RP0734	1	TEE SPECIAL
6	RAP9171	1	O-RING KIT	16	RAP0993	1	PRESSURE SWITCH 3000 P.S.I.
7	RAP90128	1	MAN. MTG. HDW. KIT	17	RAP90279	4	VELOCITY VALVE (1 PER RAP)
7A		3	1/4-20 X 3 1/2" BOLT	18	RF8143		ELBOW - 1/8" NPT X 1/8" NPT
7B		3	1/4" LOCKWASHER	19	RF9315		NIPPLE 1/8" X 1/8"
8	RAP7964	1	PRESS./RETURN SHUTTLE VALVE				
9	RAP8088	1	TUBE ASSY				
10	RF1477	1	1/4" NPT X 1/4" LINE				

**MR55.3200**  
**08OCT12**

# MANIFOLD - SPECIAL 625 LEVELING SYSTEMS PARTS ONLY

**NOTE:** THIS MANIFOLD IS ONLY USED WITH AP34764 PUMP-MOTOR- TANK ASSEMBLY.

EXISTING VALVES CAN BE REPLACED WITH REPLACEMENT VALVES LISTED ON THIS PAGE



## MANIFOLD REPAIR PARTS

ITEM	PART	QTY	DESCRIPTION	ITEM	PART	QTY	DESCRIPTION
1	RAP90729	1	SOLENOID VALVE SMALL	10	RF1477	1	1/4" NPT X 1/4" LINE
2	RAP7944	1	CHECK VALVE KIT (SINGLE)	11	RF1453	1	ELBOW -1/8" NPT X 1/4" LINE
3	RAP5179	1	CHECK VALVE KIT (SET OF 4)	12	R7430	1	O-RING KIT (8 SETS OF PORT O-RINGS FOR SOLENOID VALVES OR SHUTTLE VALVE)
4	RF1511	1	LONG ELBOW 1/8" X 1/4"	13	RAP0993	1	PRESSURE SWITCH 3000 P.S.I.
5	RAP2082	1	PRESSURE SWITCH 50 P.S.I.	14	RF8143		ELBOW - 1/8" NPT X 1/8" NPT
6	RAP9171	1	O-RING KIT	15	RF9315		NIPPLE 1/8" X 1/8"
7	RAP90128	1	MAN. MTG. HDW. KIT				
7A		3	1/4-20 X 3 1/2" BOLT				
7B		3	1/4" LOCKWASHER				
8	RAP7964	1	PRESS./RETURN SHUTTLE VALVE				
9	RAP93188	1	TUBE ASSY				

**MR55.3210  
15OCT12**

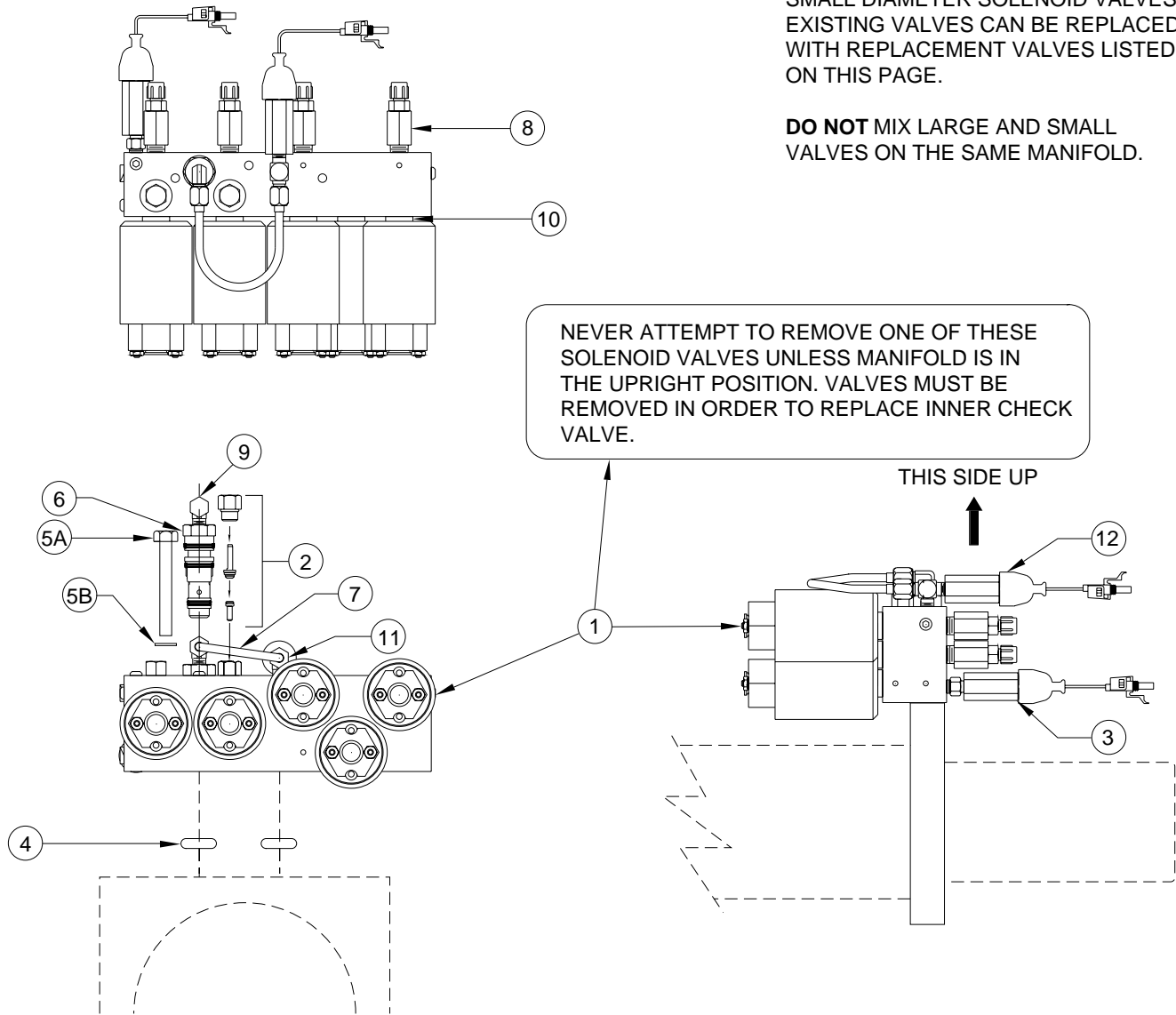
# MANIFOLD

## 625 SERIES, EQUALIZING, LEVELING SYSTEMS

### PARTS ONLY

MANIFOLD MAY BE EQUIPPED WITH SMALL DIAMETER SOLENOID VALVES. EXISTING VALVES CAN BE REPLACED WITH REPLACEMENT VALVES LISTED ON THIS PAGE.

**DO NOT MIX LARGE AND SMALL VALVES ON THE SAME MANIFOLD.**



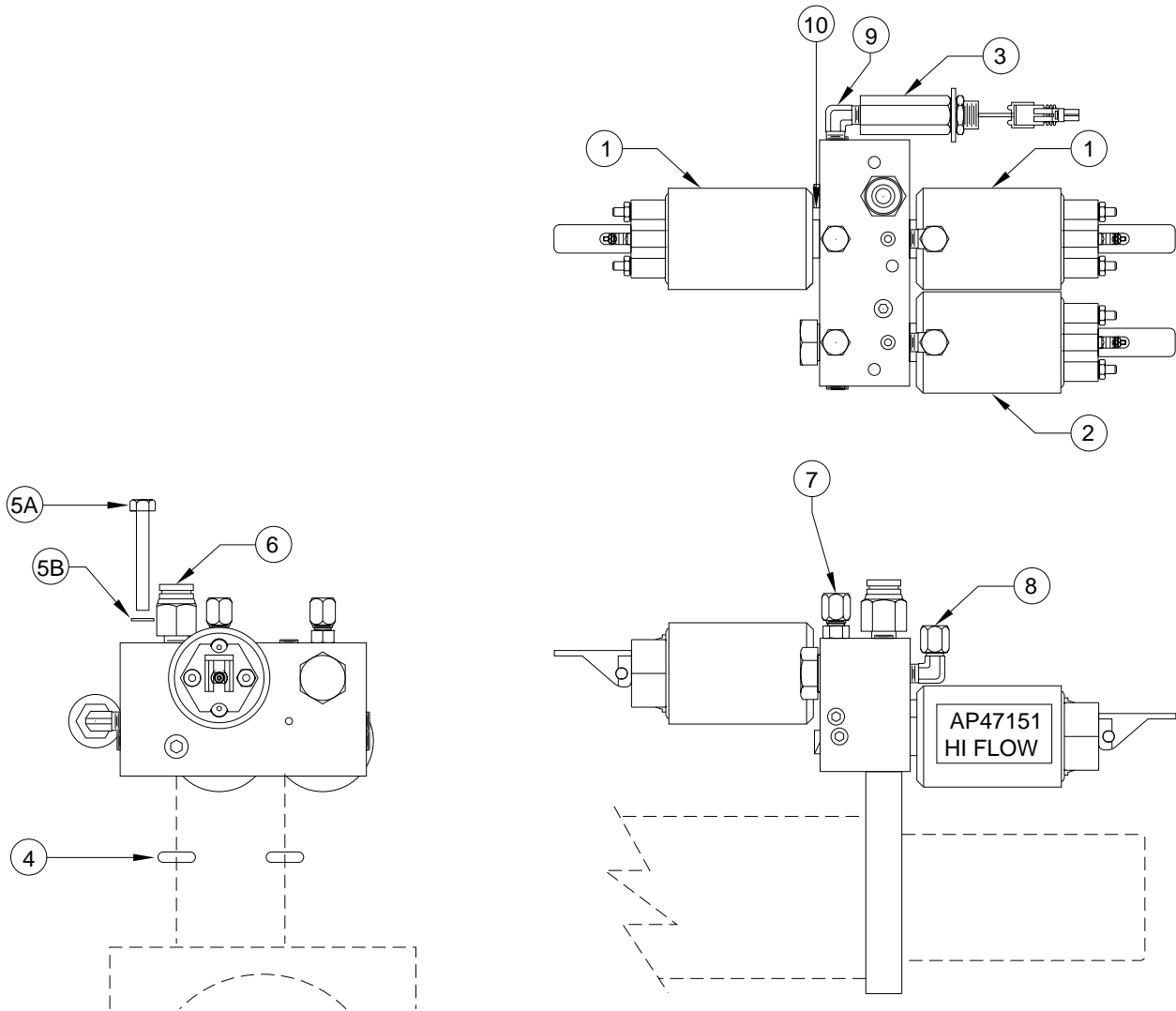
NEVER ATTEMPT TO REMOVE ONE OF THESE SOLENOID VALVES UNLESS MANIFOLD IS IN THE UPRIGHT POSITION. VALVES MUST BE REMOVED IN ORDER TO REPLACE INNER CHECK VALVE.

#### MANIFOLD REPAIR PARTS

ITEM	PART	QTY	DESCRIPTION	ITEM	PART	QTY	DESCRIPTION
1	RAP0642	1	SOLENOID VALVE LARGE	7	RAP8088	1	TUBE ASSY
	OR RAP90729	1	SOLENOID VALVE SMALL	8	RAP90279	4	VELOCITY VALVE (1 PER RAP)
2	RAP7944	1	CHECK VALVE KIT (SINGLE)	9	RF1453		ELBOW 1/8" NPT X 1/4" LINE
3	RAP2082	1	PRESSURE SWITCH 50 P.S.I.	10	R7430	1	O-RING KIT (8 SETS OF PORT O-RINGS FOR SOLENOID VALVES OR SHUTTLE VALVE)
4	RAP9171	1	O-RING KIT	11	RP0734	1	TEE SPECIAL
5	RAP90128	1	MAN. MTG. HDW. KIT	12	RAP0993	1	PRESSURE SWITCH 3000 P.S.I.
5A		3	1/4-20 X 3 1/2" BOLT				
5B		3	1/4" LOCKWASHER				
6	RAP7964	1	PRESS./RETURN SHUTTLE VALVE				

**MANIFOLD  
PRECISION LEVELING SYSTEMS  
PARTS ONLY**

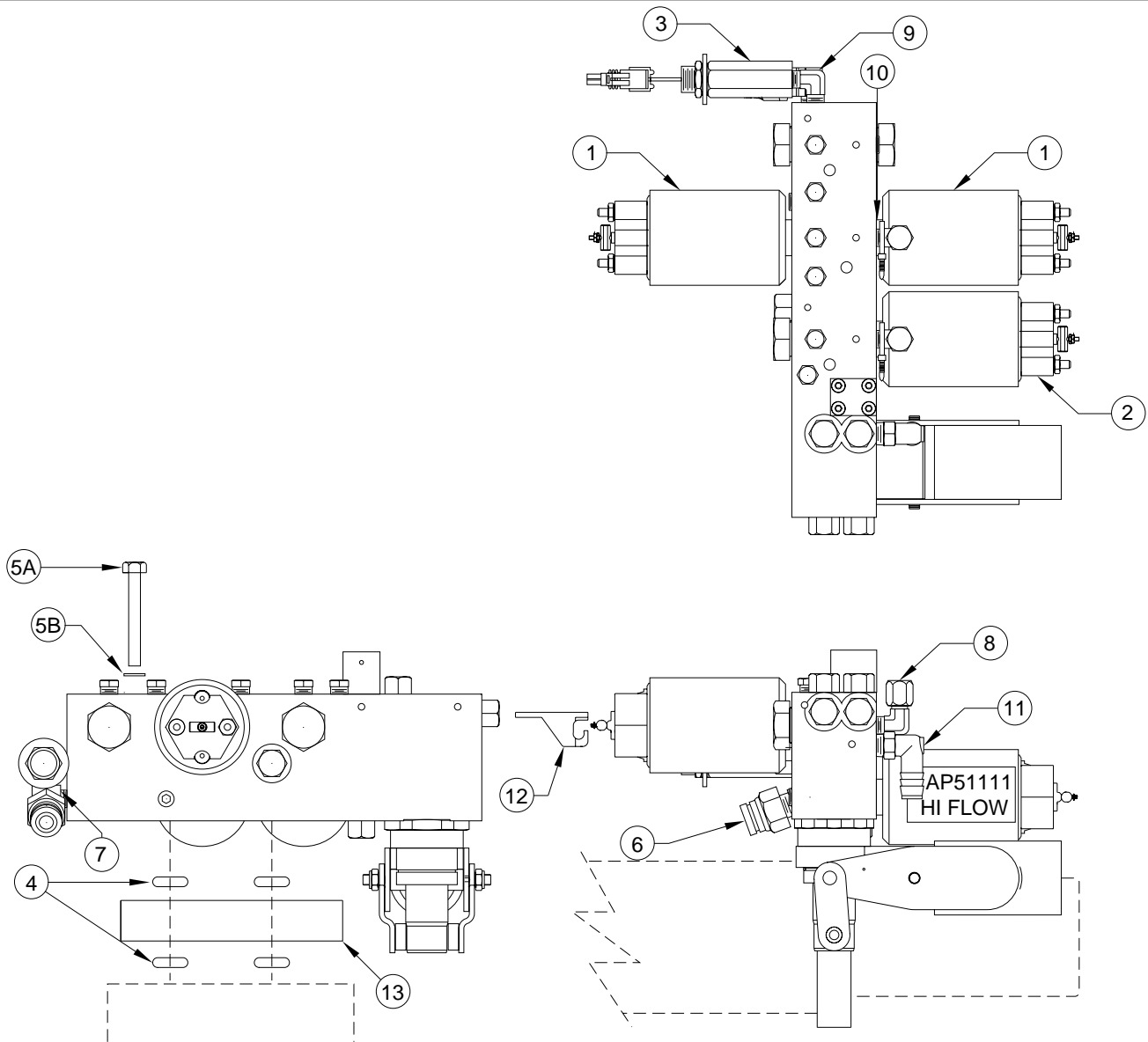
**OSHKOSH SPECIALTY VEHICLES / STANTON DYNAMICS**



**MANIFOLD REPAIR PARTS**

ITEM	PART	QTY	DESCRIPTION	ITEM	PART	QTY	DESCRIPTION
1	RAP0642	1	SOLENOID VALVE LARGE	6	RF91640	1	1/2" PUSH X 1/4" NPT
2	RAP92824	1	SOLENOID VALVE HI FLOW	7	RF91985	1	5/16" -24 UNF X 1/4" LINE
3	RAP8003	1	PRESSURE SWITCH 3000 P.S.I.	8	RF1453	1	1/8" NPT X 1/4" LINE ELBOW
4	RAP9171	1	O-RING KIT	9	RF8143	1	1/8" NPT X 1/8" NPT ELBOW
5	RAP90128	1	MAN. MTG. HDW. KIT	10	R7430	1	O-RING KIT (8 SETS OF PORT O-RINGS FOR SOLENOID VALVES)
5A		3	1/4-20 X 3 1/2" BOLT				
5B		3	1/4" LOCKWASHER				

**MANIFOLD  
PRECISION LEVELING SYSTEMS  
LDV INC. / 4D**



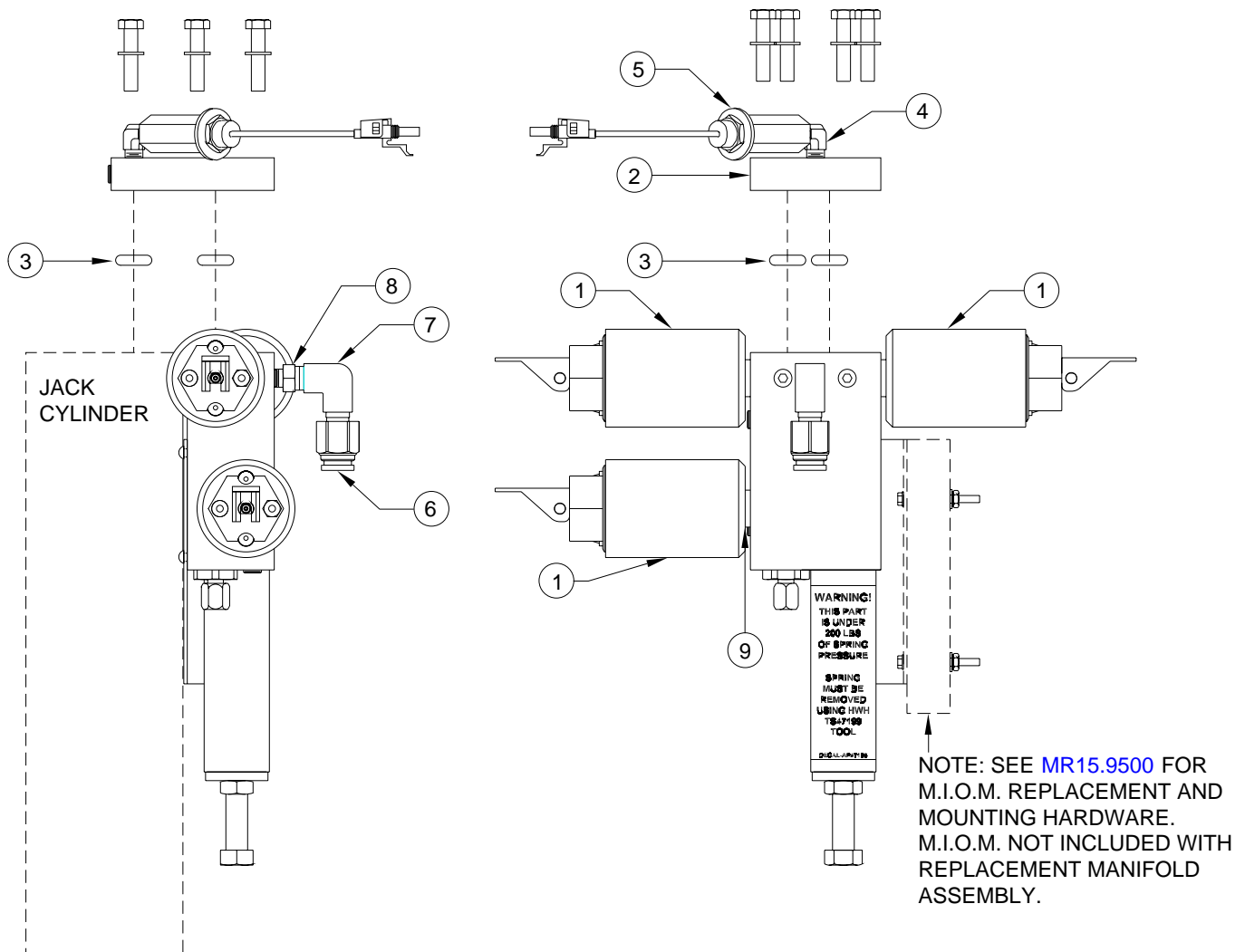
**MANIFOLD REPAIR PARTS**

ITEM	PART	QTY	DESCRIPTION	ITEM	PART	QTY	DESCRIPTION
	RAP93155		COMPLETE MANIFOLD ASSEMBLY	7	RF3474	1	1/4" X 1/8" STREET ELBOW
1	RAP92971	1	SOLENOID VALVE	8	RF1453	1	1/8" NPT X 1/4" LINE ELBOW
2	RAP93180	1	SOLENOID VALVE HI FLOW	9	RF8143	1	1/8" NPT X 1/8" NPT ELBOW
3	RAP93156	1	PRESSURE SWITCH 2000 P.S.I.	10	R7430	1	O-RING KIT (8 SETS OF PORT O-RINGS FOR SOLENOID VALVES)
4	RAP93176	1	O-RING KIT	11	RF92598	1	1/2" BARBED X 1/4" NPT ELBOW
5	RAP90128	1	MAN. MTG. HDW. KIT	12	RAP93179	1	CAM LEVER KIT (10 CAM LEVERS PER RAP93179)
5A		3	1/4-20 X 3 1/2" BOLT	13	RAP90132	1	SPACER KIT
5B		3	1/4" LOCKWASHER				
6	RF91640	1	1/2" PUSH X 1/4" NPT				

# MANIFOLD, JACK MOUNTED

## PRECISION LEVELING SYSTEMS

### OSHKOSH SPECIALTY VEHICLES / STANTON DYNAMICS

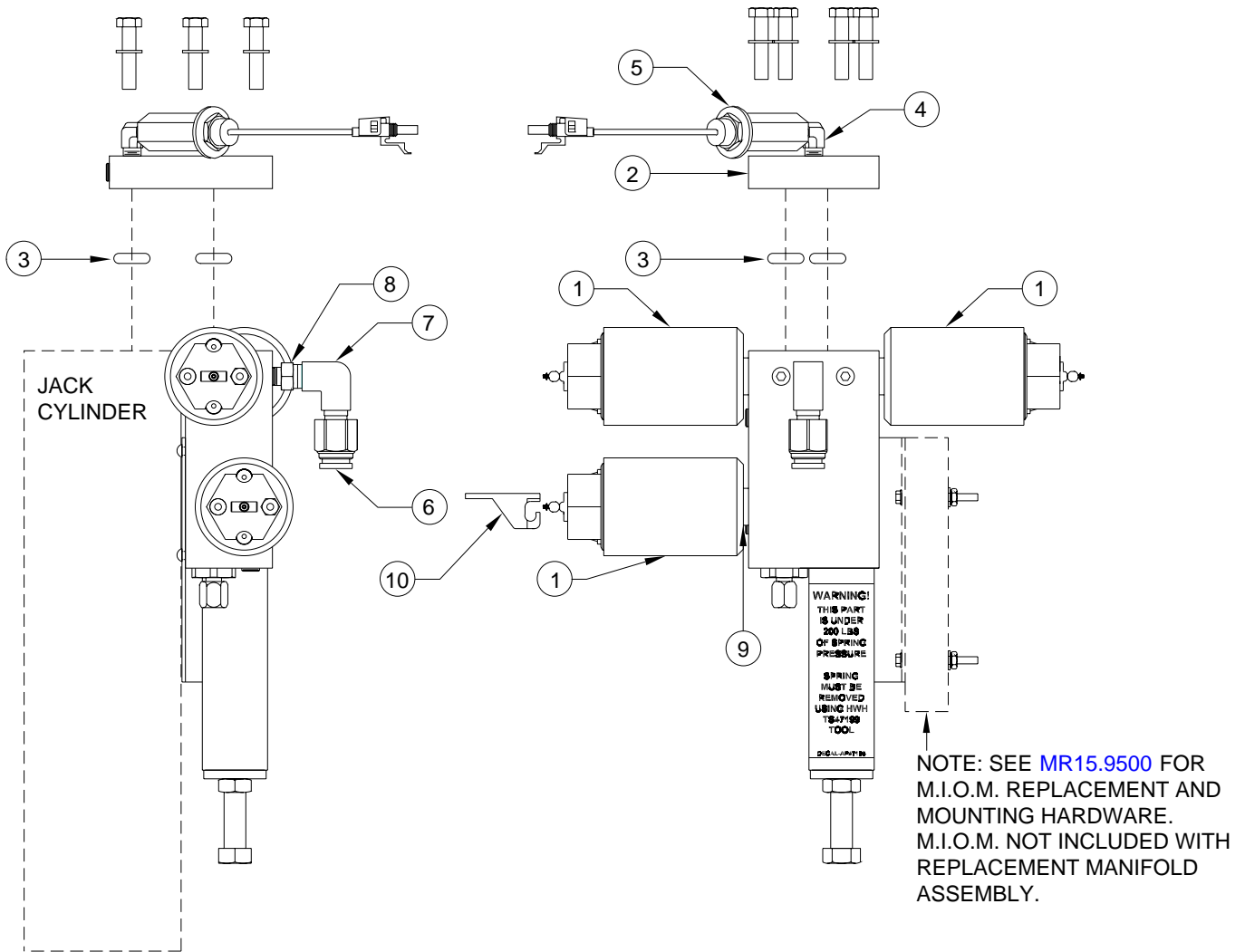


#### MANIFOLD REPAIR PARTS

ITEM	PART	QTY	DESCRIPTION	ITEM	PART	QTY	DESCRIPTION
	RAP93157		COMPLETE ASSEMBLY	6	RF91640	1	1/2" PUSH X 1/4" NPT
	NOTE: REPLACEMENT MANIFOLDS INCLUDE BOLTS, WASHERS, AND ITEMS #1 THROUGH #8.			7	RF91776	1	1/4" X 1/4" ELBOW
1	RAP0642	1	SOLENOID VALVE	8	RF91984	1	1/4" NPT X 1/4" NPT NIPPLE
2	RAP93178	1	ADAPTER BLOCK INCLUDES ITEM #3, BOLTS AND WASHERS.	9	R7430	1	O-RING KIT (8 SETS OF PORT O-RINGS FOR SOLENOID VALVES)
3	RAP93176	1	O-RING KIT				
4	RF8143	1	1/8" ELBOW				
5	RAP90874	1	PRESSURE SWITCH				



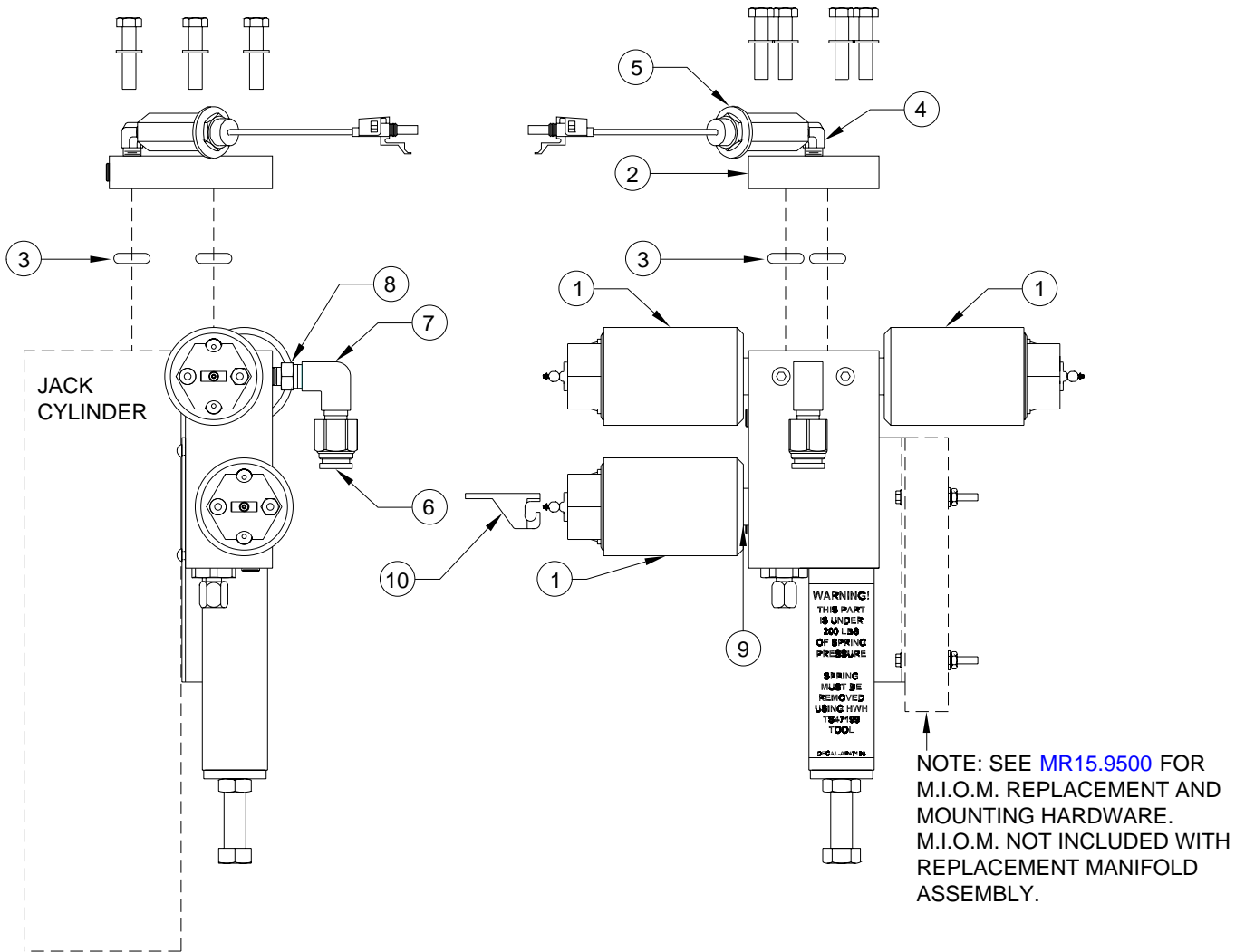
**MANIFOLD, JACK MOUNTED - AP47722**  
**PRECISION LEVELING SYSTEMS**  
**LDV INC. / 4D - FRONT 7,000# JACKS**



**MANIFOLD REPAIR PARTS**

ITEM	PART	QTY	DESCRIPTION	ITEM	PART	QTY	DESCRIPTION
	RAP93158		COMPLETE ASSEMBLY (REPLACES AP47722)	6	RF91640	1	1/2" PUSH X 1/4" NPT
	NOTE: REPLACEMENT MANIFOLDS INCLUDE BOLTS, WASHERS, AND ITEMS #1 THROUGH #8.			7	RF91776	1	1/4" X 1/4" ELBOW
1	RAP92971	1	SOLENOID VALVE	8	RF91984	1	1/4" NPT X 1/4" NPT NIPPLE
2	RAP93177	1	ADAPTER BLOCK INCLUDES ITEM #3, BOLTS AND WASHERS.	9	R7430	1	O-RING KIT (8 SETS OF PORT O-RINGS FOR SOLENOID VALVES)
3	RAP93176	1	O-RING KIT	10	RAP93179	1	CAM LEVER KIT (10 CAM LEVERS PER RAP93179)
4	RF8143	1	1/8" ELBOW				
5	RAP92960	1	PRESSURE SWITCH				

**MANIFOLD, JACK MOUNTED - AP47725**  
**PRECISION LEVELING SYSTEMS**  
**LDV INC. / 4D - REAR 16,000# JACKS**



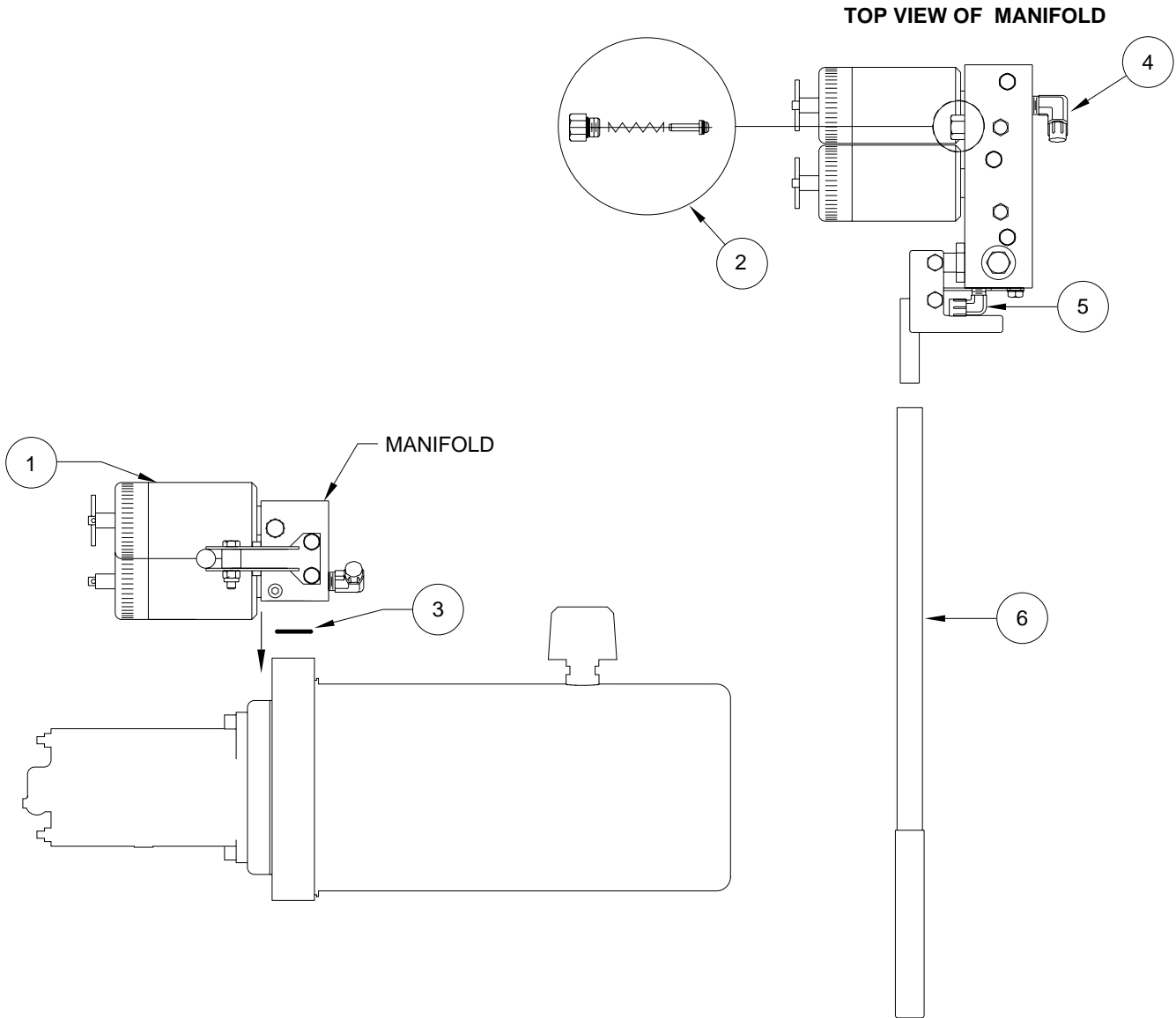
**MANIFOLD REPAIR PARTS**

ITEM	PART	QTY	DESCRIPTION	ITEM	PART	QTY	DESCRIPTION
	RAP93175		COMPLETE ASSEMBLY (REPLACES AP47725)	6	RF91640	1	1/2" PUSH X 1/4" NPT
	NOTE: REPLACEMENT MANIFOLDS INCLUDE BOLTS, WASHERS, AND ITEMS #1 THROUGH #8.			7	RF91776	1	1/4" X 1/4" ELBOW
1	RAP92971	1	SOLENOID VALVE	8	RF91984	1	1/4" NPT X 1/4" NPT NIPPLE
2	RAP93178	1	ADAPTER BLOCK INCLUDES ITEM #3, BOLTS AND WASHERS.	9	R7430	1	O-RING KIT (8 SETS OF PORT O-RINGS FOR SOLENOID VALVES)
3	RAP93176	1	O-RING KIT	10	RAP93179	1	CAM LEVER KIT (10 CAM LEVERS PER RAP93179)
4	RF8143	1	1/8" ELBOW				
5	RAP2082	1	PRESSURE SWITCH				

# MANIFOLD, HAND PUMP ONE FUNCTION

**DO NOT REPLACE THE COMPLETE MANIFOLD WITHOUT CONTACTING HWH CORPORATION FIRST.**

REPLACEMENT OF THE COMPLETE ASSEMBLY IS USUALLY NOT NECESSARY.



ITEM	PART	QTY	DESCRIPTION
1	RAP0642	1	SOLENOID VALVE
2	RAP10021	1	CHECK VALVE KIT
3	RAP90127	1	O-RING KIT
4	RF1514	1	4-4CTX-S MALE ELBOW
5	RF1453	1	4-CTX-S MALE ELBOW
6	RAP93186	1	HANDLE ASSY

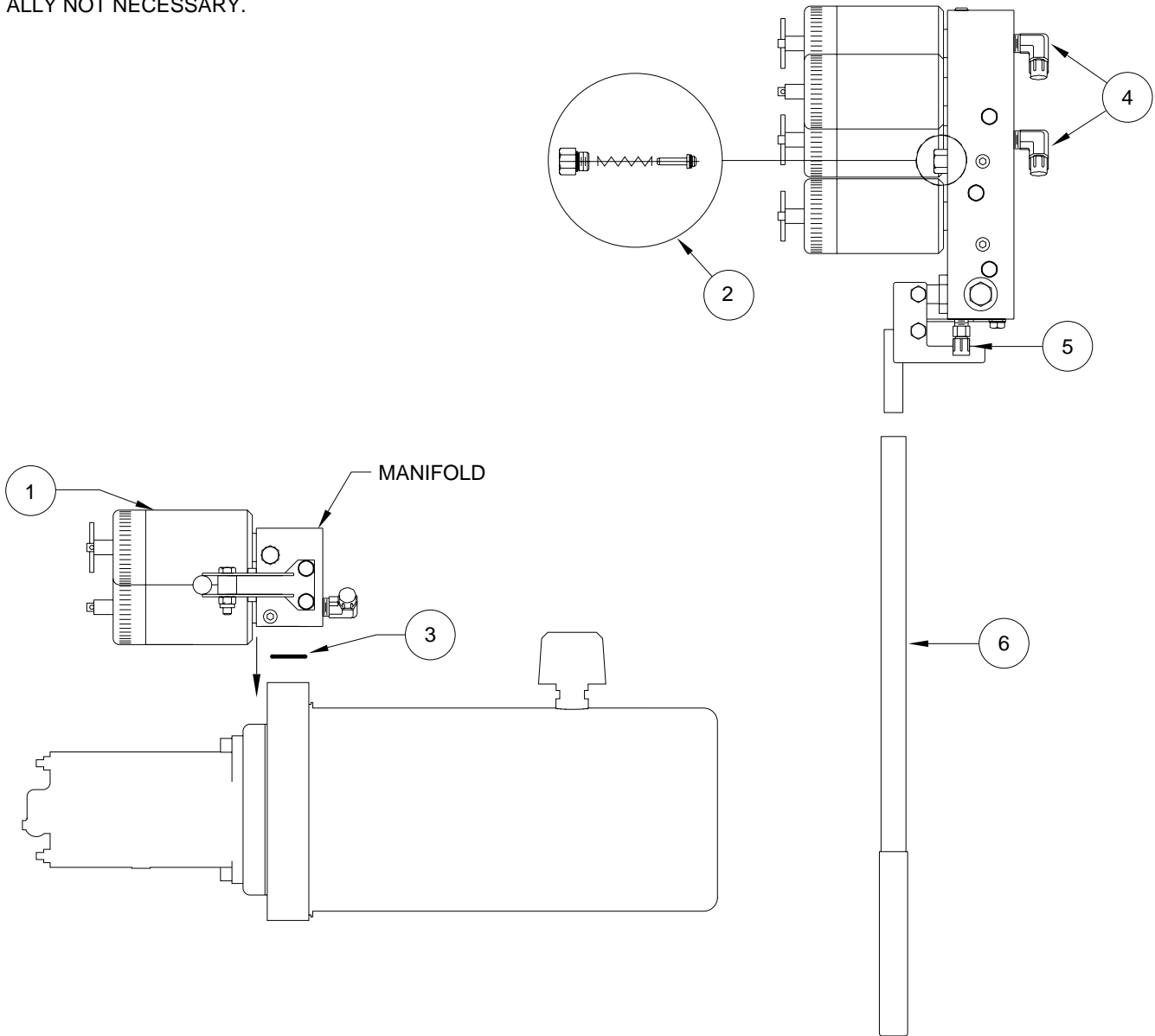
ITEM	PART	QTY	DESCRIPTION
	RAP90128	1	MOUNTING BOLT KIT
		1	1 MANIFOLD
	R7430	1	O-RING KIT (8 SETS OF PORT O-RINGS FOR SOLENOID VALVES OR SHUTTLE VALVE)

# MANIFOLD, HAND PUMP TWO FUNCTION

**DO NOT REPLACE THE COMPLETE MANIFOLD WITHOUT CONTACTING HWH CORPORATION FIRST.**

REPLACEMENT OF THE COMPLETE ASSEMBLY IS USUALLY NOT NECESSARY.

**TOP VIEW OF MANIFOLD**



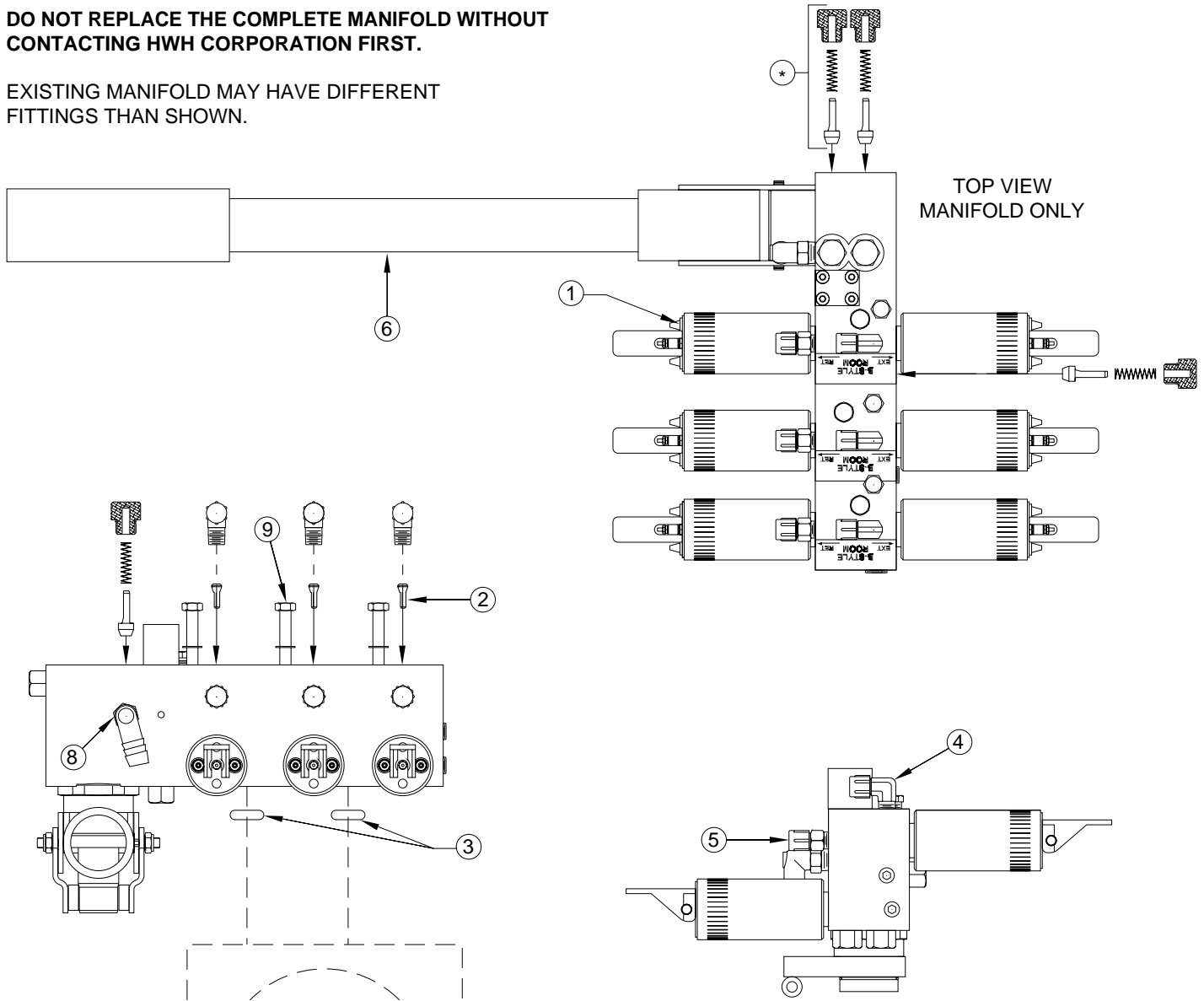
ITEM	PART	QTY	DESCRIPTION
1	RAP0642	1	SOLENOID VALVE
2	RAP10021	1	CHECK VALVE KIT
3	RAP90127	1	O-RING KIT
4	RF1514	1	4-4CTX-S MALE ELBOW
5	RF1456	1	4 FTX-S MALE CONNECTOR
6	RAP93186	1	HANDLE ASSY

ITEM	PART	QTY	DESCRIPTION
	RAP90128	1	MOUNTING BOLT KIT
	R7430	1	1 MANIFOLD O-RING KIT (8 SETS OF PORT O-RINGS FOR SOLENOID VALVES OR SHUTTLE VALVE)

# MANIFOLD, HAND PUMP ONE, TWO, OR THREE ROOMS

**DO NOT REPLACE THE COMPLETE MANIFOLD WITHOUT CONTACTING HWH CORPORATION FIRST.**

EXISTING MANIFOLD MAY HAVE DIFFERENT FITTINGS THAN SHOWN.



ITEM	PART	QTY	DESCRIPTION
1	RAP90729	1	SOLENOID VALVE SMALL
2	RAP10021	1	CHECK VALVE KIT (KIT INCLUDES FOUR SMALL CHECK VALVES)
3	RAP90127	1	O-RING KIT
4	RF1453	1	4-CTX-S MALE ELBOW
5	RF1456	1	4-FTX-S MALE CONNECTOR
6	RAP93122	1	PUMP HANDLE

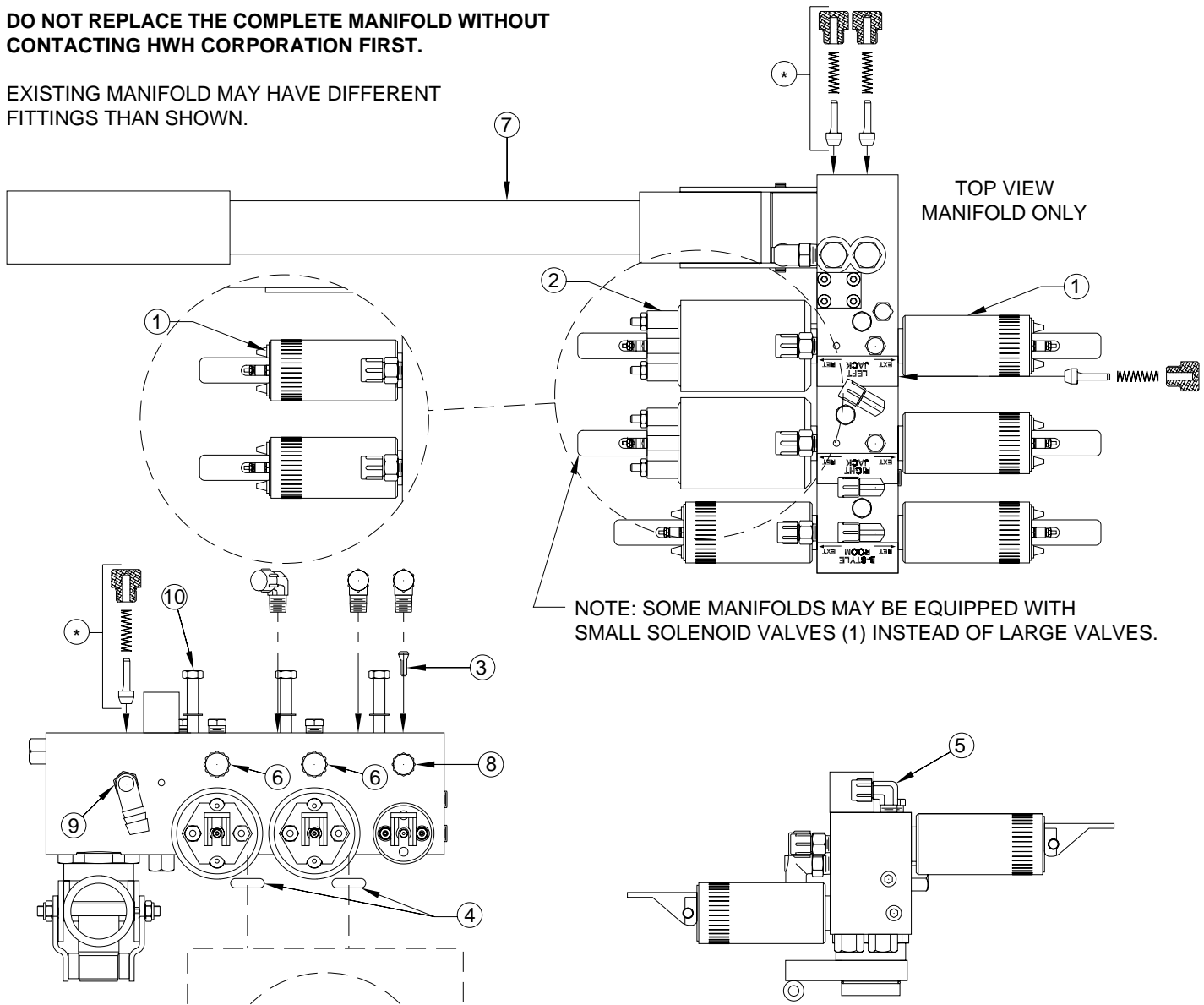
ITEM	PART	QTY	DESCRIPTION
8	RF92598	1	90 DEG ELBOW BARBED NYLON
9	RAP90128	1	MOUNTING BOLT KIT 1 MANIFOLD
	R7430	1	O-RING KIT (8 SETS OF PORT O-RINGS FOR SOLENOID VALVES)

\*: CONTACT HWH FOR REPLACEMENT INFORMATION ON THESE CHECK VALVES, OR ANY OTHER INTERNAL COMPONENTS NOT LISTED.

# MANIFOLD, HAND PUMP TWO JACKS, ONE ROOM

**DO NOT REPLACE THE COMPLETE MANIFOLD WITHOUT CONTACTING HWH CORPORATION FIRST.**

EXISTING MANIFOLD MAY HAVE DIFFERENT FITTINGS THAN SHOWN.

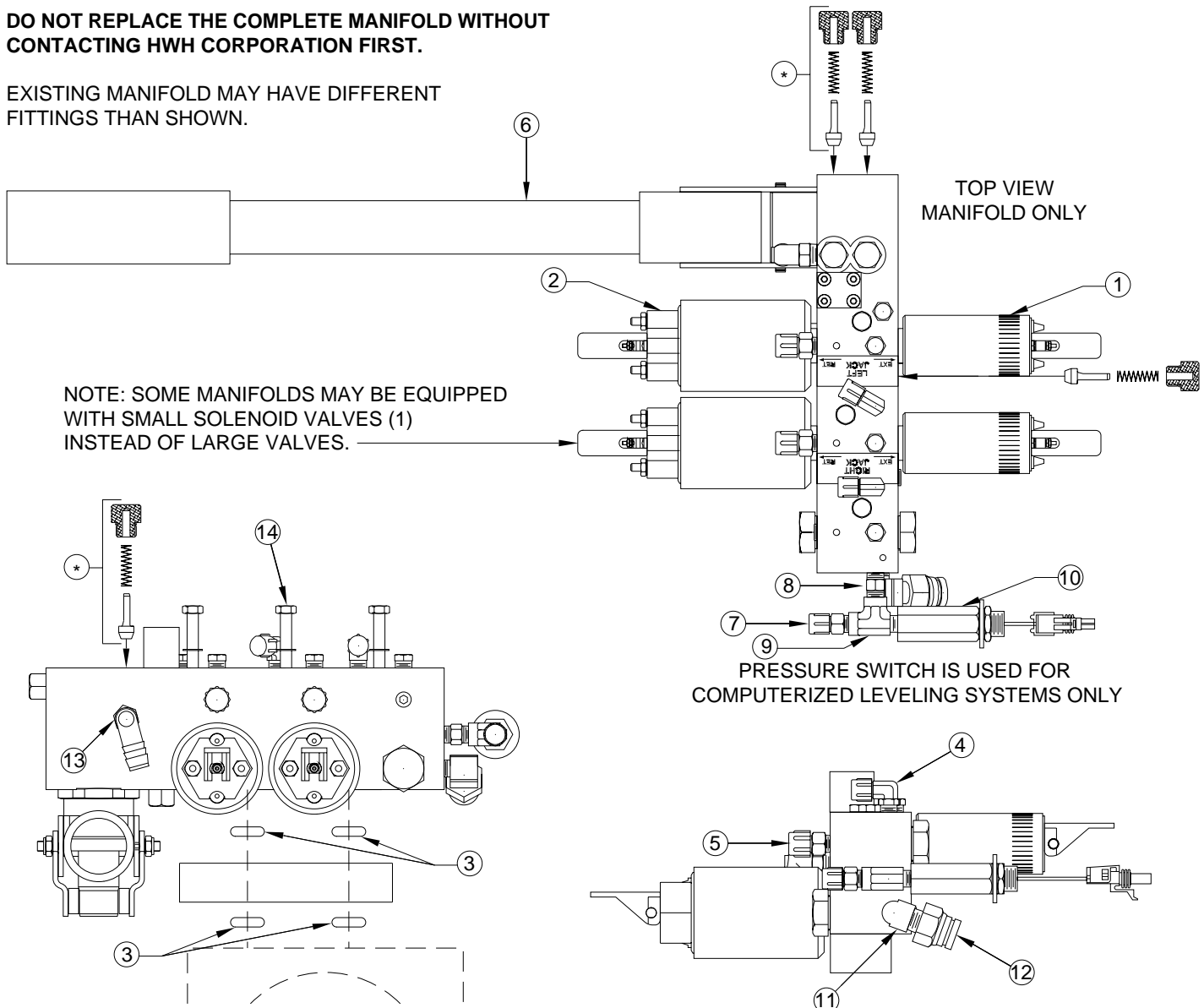


ITEM	PART	QTY	DESCRIPTION	ITEM	PART	QTY	DESCRIPTION
1	RAP90729	1	SOLENOID VALVE SMALL	9	RF92598	1	90 DEG ELBOW BARBED NYLON
2	RAP0642	1	SOLENOID VALVE LARGE	10	RAP90128	1	MOUNTING BOLT KIT 1 MANIFOLD
3	RAP10021	1	CHECK VALVE KIT (KIT INCLUDES FOUR SMALL CHECK VALVES)	R7430	1	O-RING KIT (8 SETS OF PORT O-RINGS FOR SOLENOID VALVES)	
4	RAP90127	1	O-RING KIT	*: CONTACT HWH FOR REPLACEMENT INFORMATION ON THESE CHECK VALVES, OR ANY OTHER INTERNAL COMPONENTS NOT LISTED.			
5	RF1453	1	4-CTX-S MALE ELBOW				
6	RF90919	1	5 FTX-S MALE CONNECTOR				
7	RAP93122	1	PUMP HANDLE				
8	RF1456	1	4 FTX-S MALE CONNECTOR				

# MANIFOLD, HAND PUMP ONE OR TWO JACKS

**DO NOT REPLACE THE COMPLETE MANIFOLD WITHOUT CONTACTING HWH CORPORATION FIRST.**

EXISTING MANIFOLD MAY HAVE DIFFERENT FITTINGS THAN SHOWN.



ITEM	PART	QTY	DESCRIPTION
1	RAP90729	1	SOLENOID VALVE SMALL
2	RAP0642	1	SOLENOID VALVE LARGE
3	RAP90127	1	O-RING KIT
4	RF1453	1	4-CTX-S MALE ELBOW
5	RF90919	1	5 FTX-S MALE CONNECTOR
6	RAP93122	1	PUMP HANDLE
7	RF1456	1	4 FTX-S MALE CONNECTOR
8	RF9315	1	NIPPLE 1/8"
9	RF90093	1	STREET TEE 1/8"
10	RAP0993	1	PRESS. SW. 3000 PSI

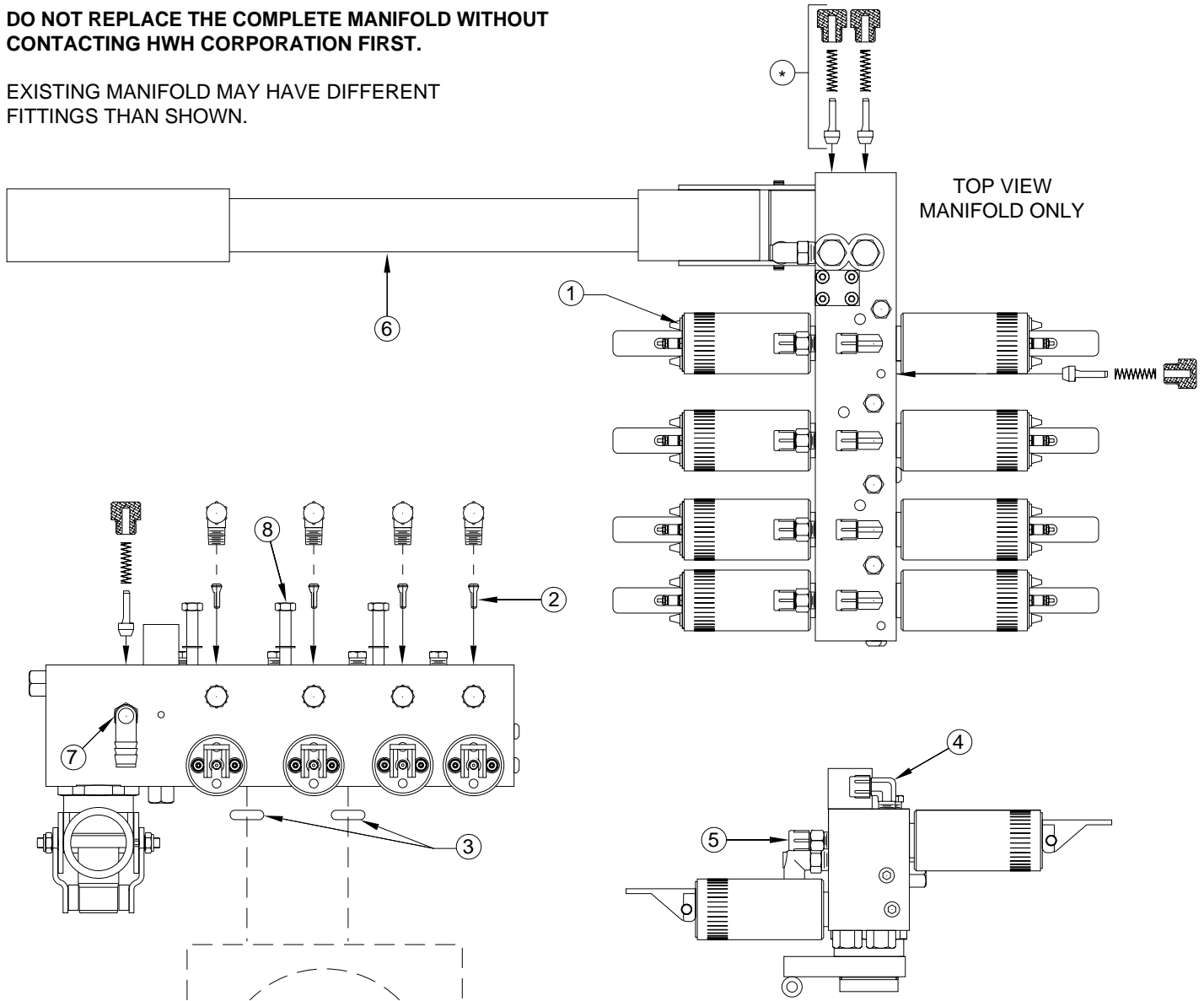
ITEM	PART	QTY	DESCRIPTION
11	RF3340	1	2202P-4-4 ELBOW (BRASS)
12	RF91640	1	68PMT-8-4 1/2" TUBE X 1/4" NPT PUSH
13	RF92598	1	90 DEG ELBOW BARBED NYLON
14	RAP93185	1	MOUNTING BOLT KIT
	RAP90132	1	1" SPACER KIT
	R7430	1	O-RING KIT (8 SETS OF PORT O-RINGS FOR SOLENOID VALVES)

\*: CONTACT HWH FOR REPLACEMENT INFORMATION ON THESE CHECK VALVES, OR ANY OTHER INTERNAL COMPONENTS NOT LISTED.

# MANIFOLD, HAND PUMP FOUR ROOMS

**DO NOT REPLACE THE COMPLETE MANIFOLD WITHOUT CONTACTING HWH CORPORATION FIRST.**

EXISTING MANIFOLD MAY HAVE DIFFERENT FITTINGS THAN SHOWN.



ITEM	PART	QTY	DESCRIPTION
1	RAP90729	1	SOLENOID VALVE SMALL
2	RAP10021	1	CHECK VALVE KIT (KIT INCLUDES FOUR SMALL CHECK VALVES)
3	RAP90127	1	O-RING KIT
4	RF1453	1	4-CTX-S MALE ELBOW
5	RF1456	1	4-FTX-S MALE CONNECTOR
6	RAP93122	1	PUMP HANDLE

ITEM	PART	QTY	DESCRIPTION
7	RF92598	1	90 DEG ELBOW BARBED NYLON
8	RAP90128	1	MOUNTING BOLT KIT 1 MANIFOLD
	R7430	1	O-RING KIT (8 SETS OF PORT O-RINGS FOR SOLENOID VALVES)

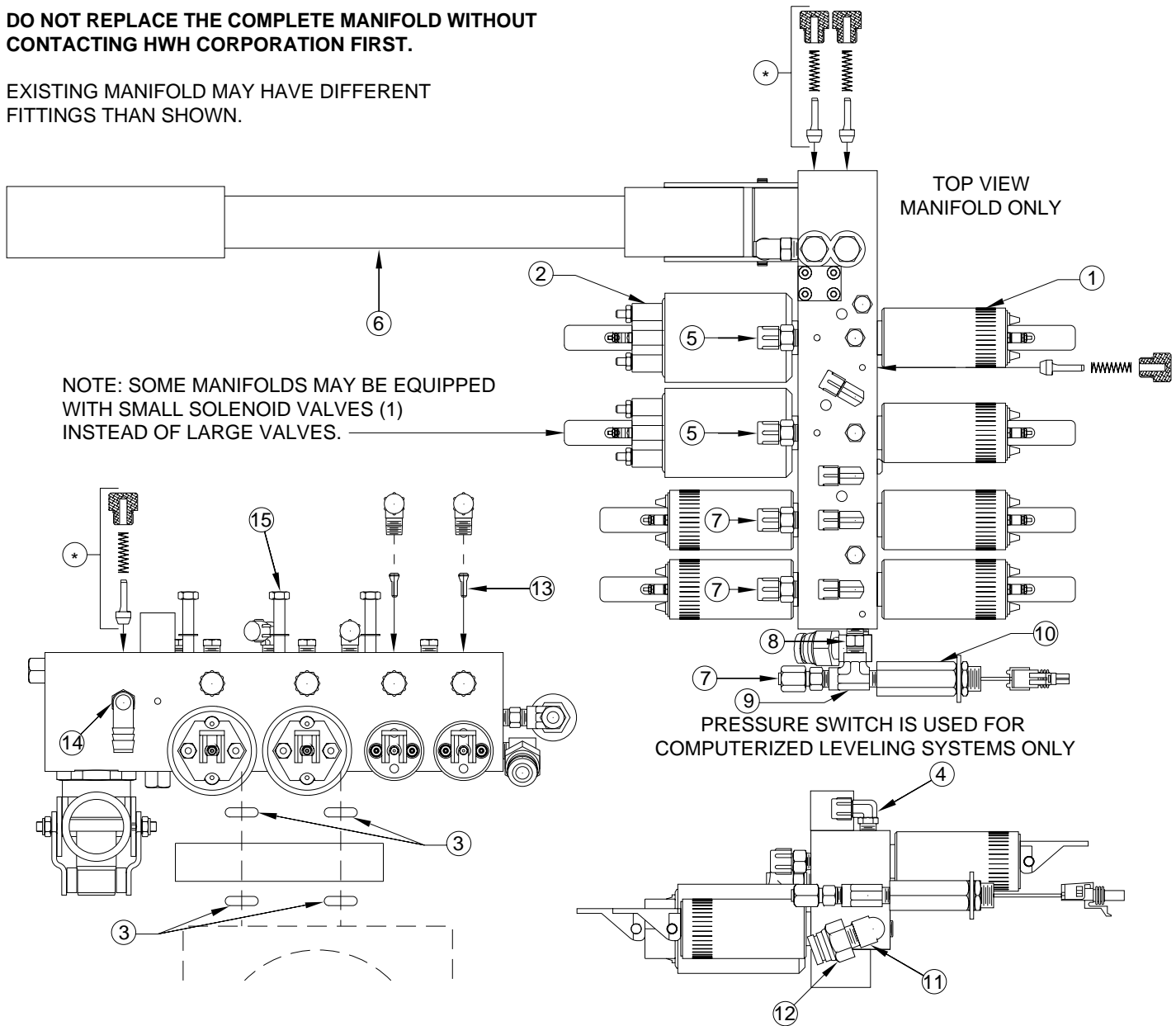
\*: CONTACT HWH FOR REPLACEMENT INFORMATION ON THESE CHECK VALVES, OR ANY OTHER INTERNAL COMPONENTS NOT LISTED.



# MANIFOLD, HAND PUMP TWO JACKS AND TWO ROOMS

**DO NOT REPLACE THE COMPLETE MANIFOLD WITHOUT CONTACTING HWH CORPORATION FIRST.**

EXISTING MANIFOLD MAY HAVE DIFFERENT FITTINGS THAN SHOWN.



ITEM	PART	QTY	DESCRIPTION
1	RAP90729	1	SOLENOID VALVE SMALL
2	RAP0642	1	SOLENOID VALVE LARGE
3	RAP90127	1	O-RING KIT
4	RF1453	1	4-CTX-S MALE ELBOW
5	RF90919	1	5 FTX-S MALE CONNECTOR
6	RAP93122	1	PUMP HANDLE
7	RF1456	1	4 FTX-S MALE CONNECTOR
8	RF9315	1	NIPPLE 1/8"
9	RF90093	1	STREET TEE 1/8"
10	RAP0993	1	PRESS. SW. 3000 PSI
11	RF3340	1	2202P-4-4 ELBOW (BRASS)
12	RF91640	1	68PMT-8-4 1/2" TUBE X 1/4" NPT PUSH

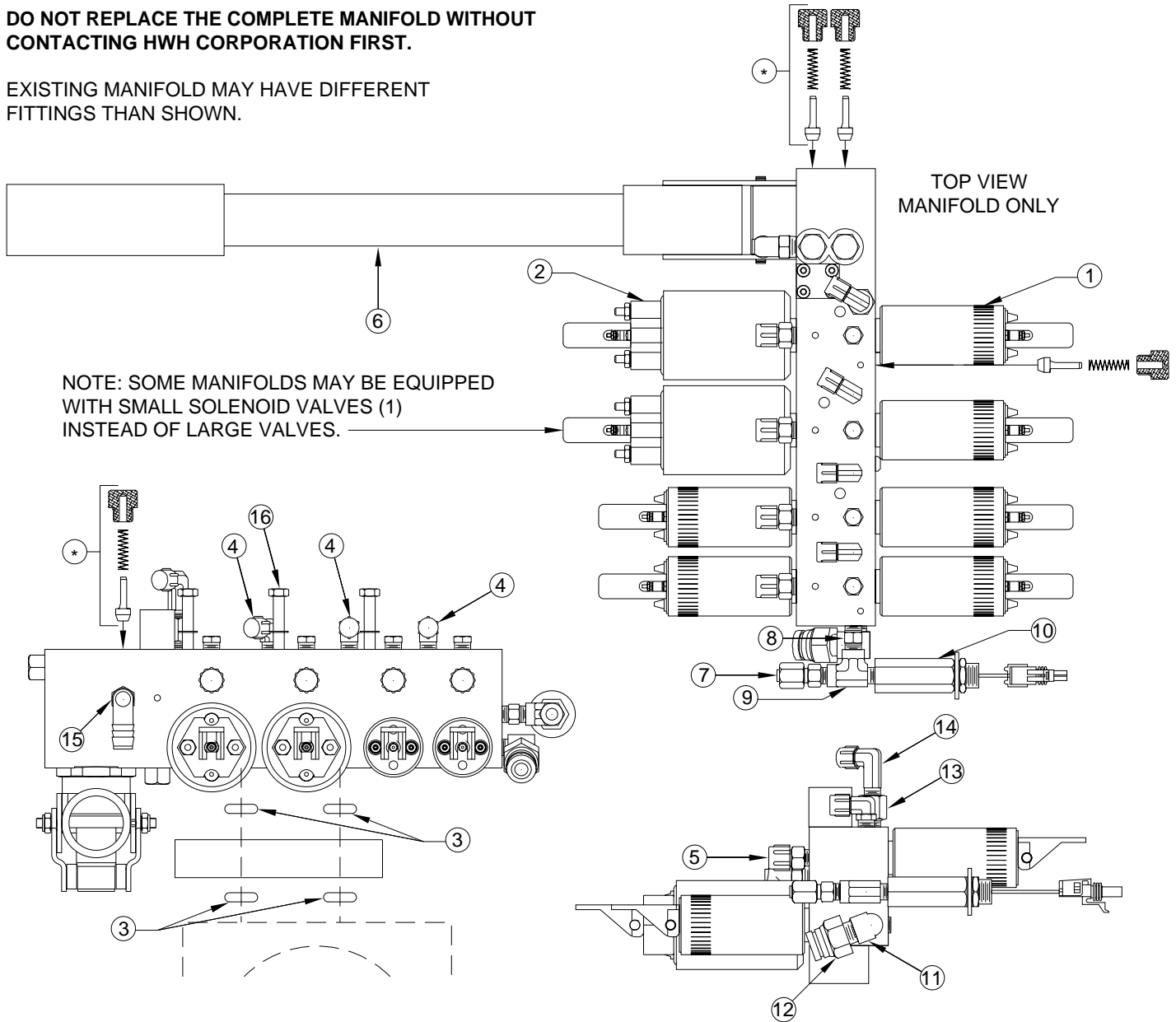
ITEM	PART	QTY	DESCRIPTION
13	RAP10021	1	CHECK VALVE KIT (KIT INCLUDES FOUR SMALL CHECK VALVES)
14	RF92598	1	90 DEG ELBOW BARBED NYLON
15	RAP93185	1	MOUNTING BOLT KIT
	RAP90132	1	1" SPACER KIT
	R7430	1	O-RING KIT (8 SETS OF PORT O-RINGS FOR SOLENOID VALVES)

\*: CONTACT HWH FOR REPLACEMENT INFORMATION ON THESE CHECK VALVES, OR ANY OTHER INTERNAL COMPONENTS NOT LISTED.

# MANIFOLD, HAND PUMP FOUR JACKS

**DO NOT REPLACE THE COMPLETE MANIFOLD WITHOUT CONTACTING HWH CORPORATION FIRST.**

EXISTING MANIFOLD MAY HAVE DIFFERENT FITTINGS THAN SHOWN.



ITEM	PART	QTY	DESCRIPTION
1	RAP90729	1	SOLENOID VALVE SMALL
2	RAP0642	1	SOLENOID VALVE LARGE
3	RAP90127	1	O-RING KIT
4	RF1453	1	4-CTX-S MALE ELBOW
5	RF90919	1	5 FTX-S MALE CONNECTOR
6	RAP93122	1	PUMP HANDLE
7	RF1456	1	4 FTX-S MALE CONNECTOR
8	RF9315	1	NIPPLE 1/8"
9	RF90093	1	STREET TEE 1/8"
10	RAP0993	1	PRESS. SW. 3000 PSI
11	RF3340	1	2202P-4-4 ELBOW (BRASS)
12	RF91640	1	68PMT-8-4 1/2" TUBE X 1/4" NPT PUSH

ITEM	PART	QTY	DESCRIPTION
13	RF91983	1	EXPANDER 1/8"
14	RF1544	1	4-CCTX-S LONG ELBOW
15	RF92598	1	90 DEG ELBOW BARBED NYLON
16	RAP93185	1	MOUNTING BOLT KIT
	RAP90132	1	1" SPACER KIT
	R7430	1	O-RING KIT (8 SETS OF PORT O-RINGS FOR SOLENOID VALVES)

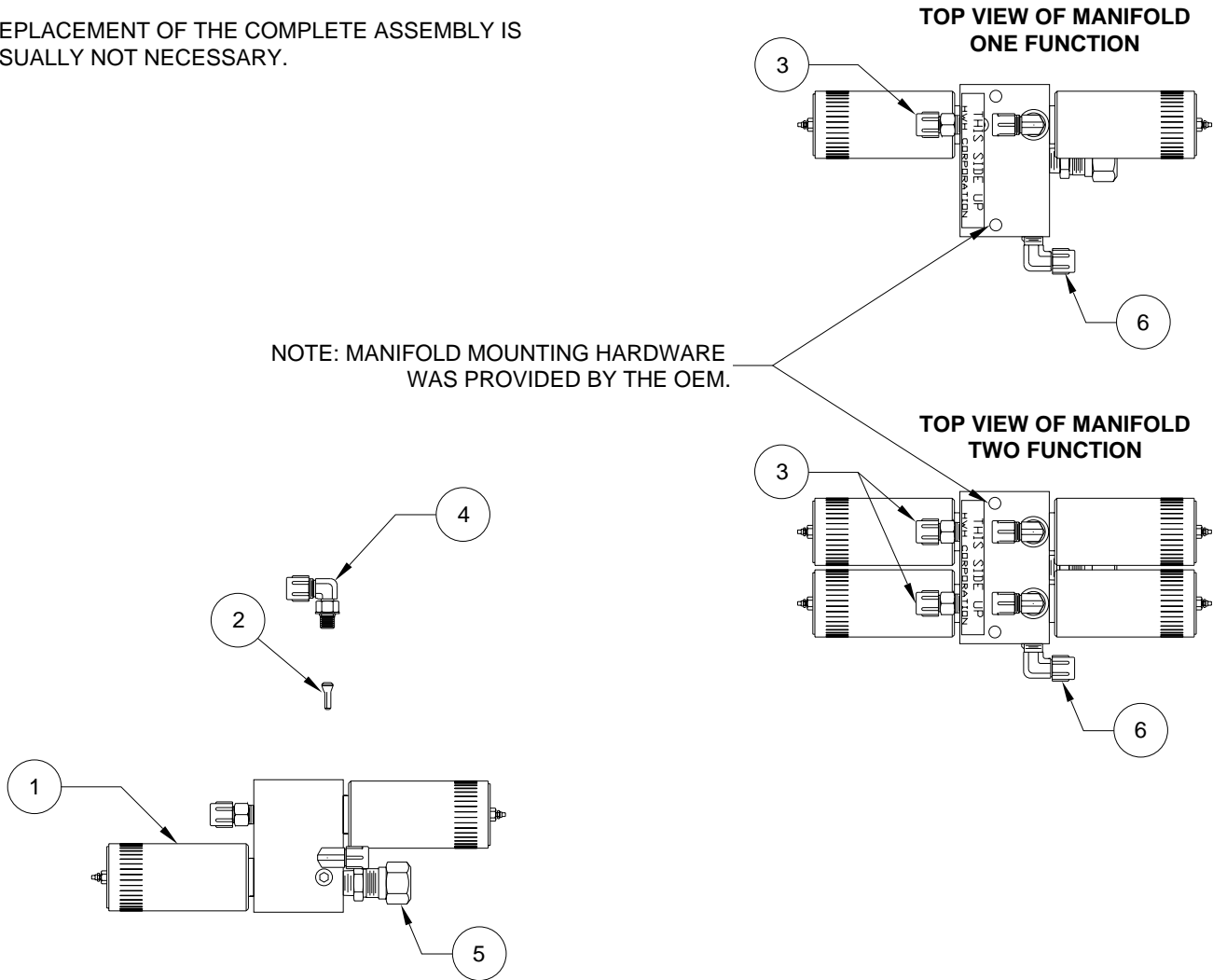
\*: CONTACT HWH FOR REPLACEMENT INFORMATION ON THESE CHECK VALVES, OR ANY OTHER INTERNAL COMPONENTS NOT LISTED.

# MANIFOLD, REMOTE SMALL SOLENOID VALVES ONE OR TWO FUNCTION

**DO NOT REPLACE THE COMPLETE MANIFOLD WITHOUT CONTACTING HWH CORPORATION FIRST.**

REPLACEMENT OF THE COMPLETE ASSEMBLY IS USUALLY NOT NECESSARY.

NOTE: MANIFOLD MOUNTING HARDWARE WAS PROVIDED BY THE OEM.



ITEM	PART	QTY	DESCRIPTION
1	RAP90729	1	SOLENOID VALVE
2	RAP10021	1	CHECK VALVE KIT (KIT INCLUDES FOUR CHECK VALVES)
3	RF1456	1	4-FTX-S MALE CONNECTOR
4	RF91988	1	5/16" x 1/4" TUBE 90D ELBOW
5	RF1458	1	68NTA-8-4 1/2" TUBE X 1/4" NPT BRASS
6	RF1453	1	4-CTX-S MALE ELBOW

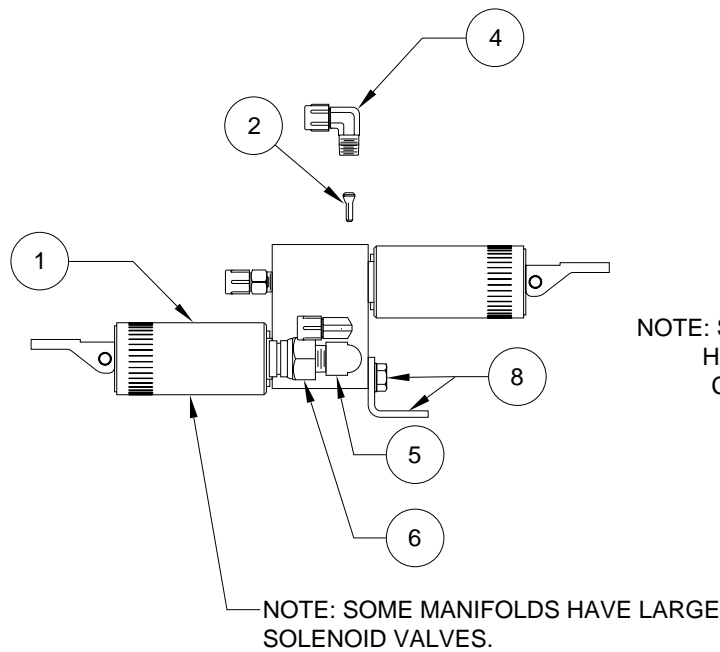
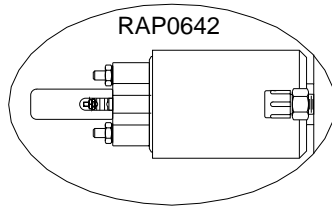
ITEM	PART	QTY	DESCRIPTION
	R7430	1	O-RING KIT (8 SETS OF PORT O-RINGS FOR SOLENOID VALVES OR SHUTTLE VALVE)

# MANIFOLD, REMOTE LARGE OR SMALL SOLENOID VALVES ONE OR TWO FUNCTION

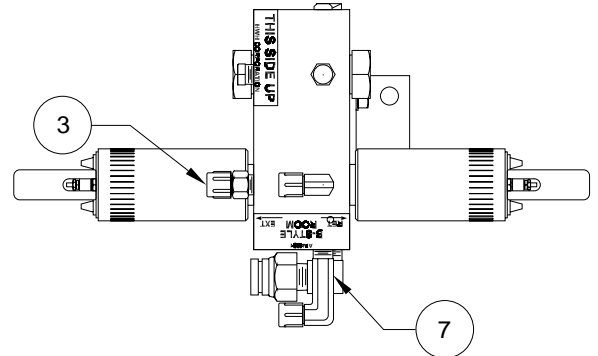
**DO NOT REPLACE THE COMPLETE MANIFOLD WITHOUT CONTACTING HWH CORPORATION FIRST.**

REPLACEMENT OF THE COMPLETE ASSEMBLY IS USUALLY NOT NECESSARY.

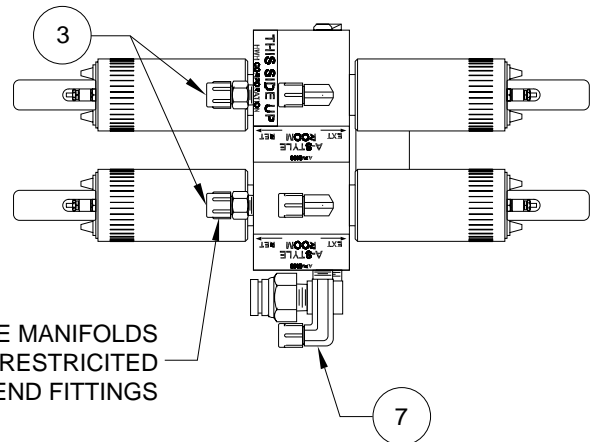
EXISTING MANIFOLD MAY HAVE DIFFERENT FITTINGS THAN SHOWN.



**TOP VIEW OF MANIFOLD  
ONE FUNCTION**



**TOP VIEW OF MANIFOLD  
TWO FUNCTION**



ITEM	PART	QTY	DESCRIPTION
1	RAP90729	1	SOLENOID VALVE SMALL
	OR		
	RAP0642	1	SOLENOID VALVE LARGE
2	RAP10021	1	CHECK VALVE KIT (KIT INCLUDES FOUR CHECK VALVES)
3	RF1456	1	4-FTX-S MALE CONNECTOR
	OR		
	RAP93189	1	ORIFICE OUT
4	RF1453	1	4-CTX-S MALE ELBOW
5	RF3340	1	2202P-4-4 ELBOW (BRASS)

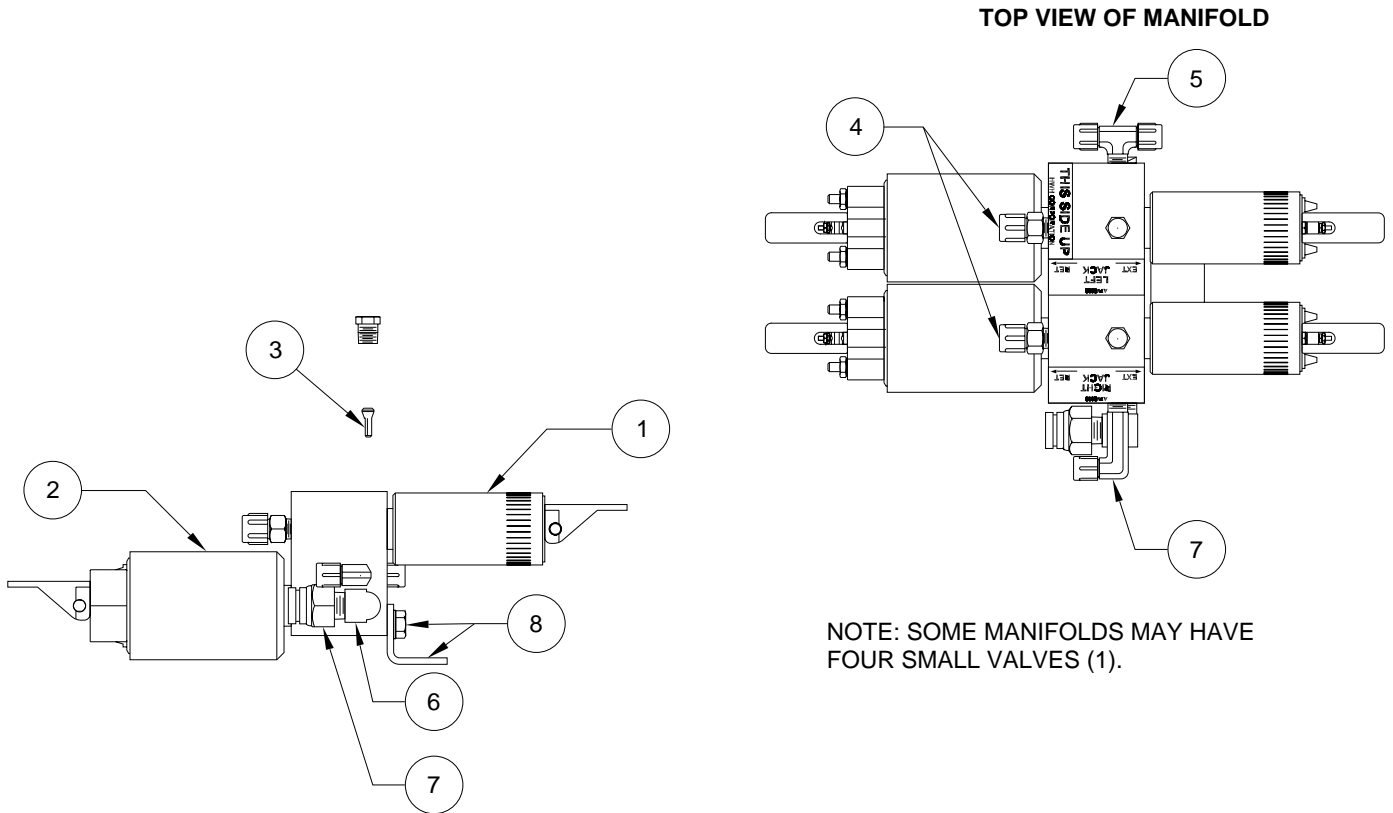
ITEM	PART	QTY	DESCRIPTION
6	RF91640	1	68PMT-8-4 1/2" TUBE X 1/4" NPT PUSH
7	RF90145	1	4-CCCTX-S LONG ELBOW
8	RAP93190	1	MTG BRACKET KIT
	R7430	1	O-RING KIT (8 SETS OF PORT O-RINGS FOR SOLENOID VALVES OR SHUTTLE VALVE)

# MANIFOLD, REMOTE LARGE OR SMALL SOLENOID VALVES TWO JACKS

**DO NOT REPLACE THE COMPLETE MANIFOLD WITHOUT CONTACTING HWH CORPORATION FIRST.**

REPLACEMENT OF THE COMPLETE ASSEMBLY IS USUALLY NOT NECESSARY.

EXISTING MANIFOLD MAY HAVE DIFFERENT FITTINGS THAN SHOWN.



ITEM	PART	QTY	DESCRIPTION	ITEM	PART	QTY	DESCRIPTION
1	RAP90729	1	SOLENOID VALVE SMALL	6	RF91640	1	68PMT-8-4 1/2" TUBE X 1/4" NPT PUSH
2	RAP0642	1	SOLENOID VALVE LARGE	7	RF90145	1	4-CCCTX-S LONG ELBOW
3	RAP10021	1	CHECK VALVE KIT (KIT INCLUDES FOUR CHECK VALVES)	8	RAP93190	1	MTG BRACKET KIT
4	RF90919	1	5 FTX-S MALE CONNECTOR		R7430	1	O-RING KIT (8 SETS OF PORT O-RINGS FOR SOLENOID VALVES OR SHUTTLE VALVE)
5	RF90151	1	4-STX-S MALE BRANCH TEE				
6	RF3340	1	2202P-4-4 ELBOW (BRASS)				

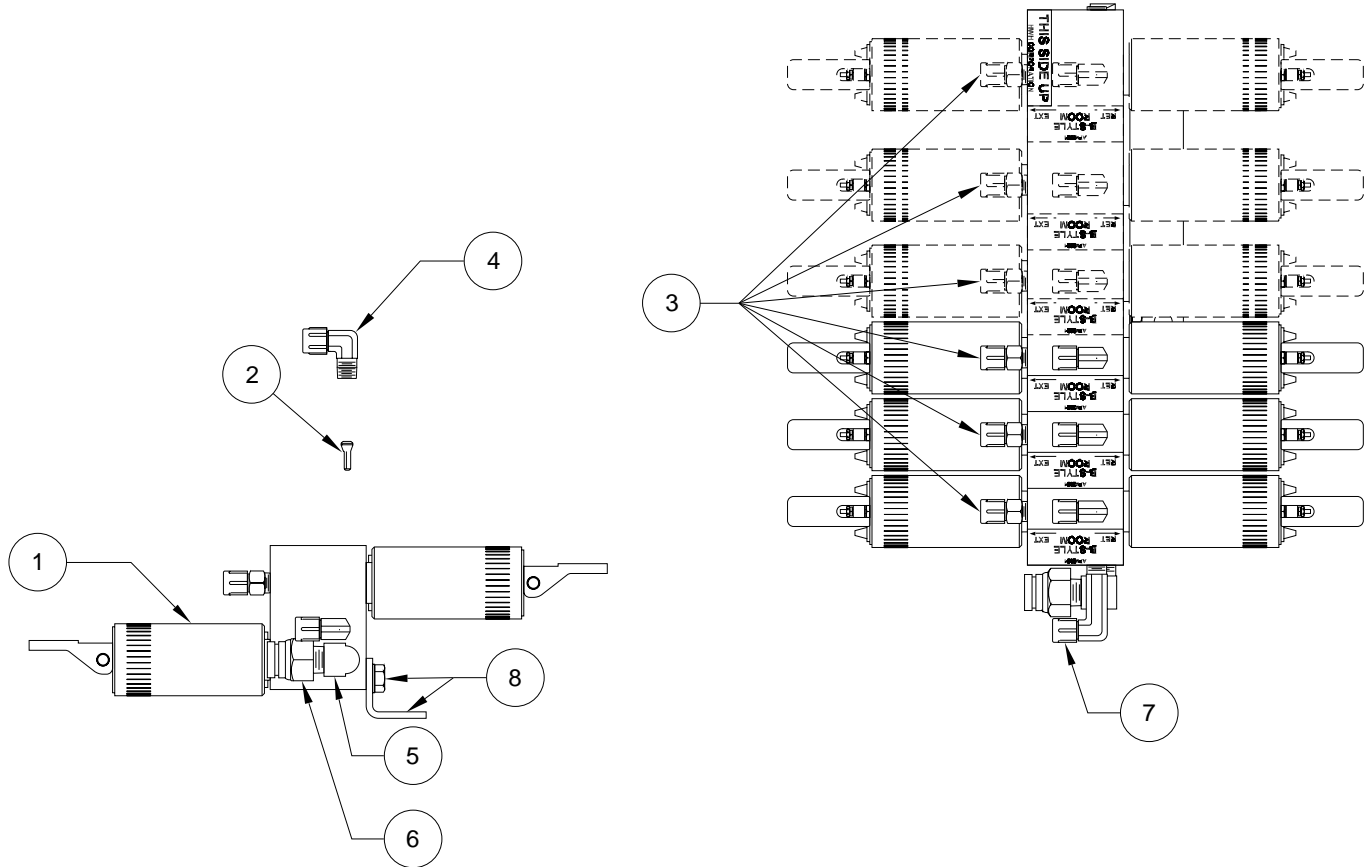
# MANIFOLD, REMOTE SMALL SOLENOID VALVES THREE TO SIX ROOMS

**DO NOT REPLACE THE COMPLETE MANIFOLD WITHOUT CONTACTING HWH CORPORATION FIRST.**

REPLACEMENT OF THE COMPLETE ASSEMBLY IS USUALLY NOT NECESSARY.

EXISTING MANIFOLD MAY HAVE DIFFERENT FITTINGS THAN SHOWN.

**TOP VIEW OF MANIFOLD**



ITEM	PART	QTY	DESCRIPTION
1	RAP90729	1	SOLENOID VALVE SMALL
2	RAP10021	1	CHECK VALVE KIT (KIT INCLUDES FOUR CHECK VALVES)
3	RF1456	1	4-FTX-S MALE CONNECTOR
4	RF1453	1	4-CTX-S MALE ELBOW
5	RF3340	1	2202P-4-4 ELBOW (BRASS)

ITEM	PART	QTY	DESCRIPTION
6	RF91640	1	68PMT-8-4 1/2" TUBE X 1/4" NPT PUSH
7	RF90145	1	4-CCCTX-S LONG ELBOW
8	RAP93191	1	MTG BRACKET KIT
	R7430	1	O-RING KIT (8 SETS OF PORT O-RINGS FOR SOLENOID VALVES OR SHUTTLE VALVE)

# MANIFOLD, REMOTE

## LARGE OR SMALL SOLENOID VALVES

### TWO JACKS, TWO TO FOUR ROOMS

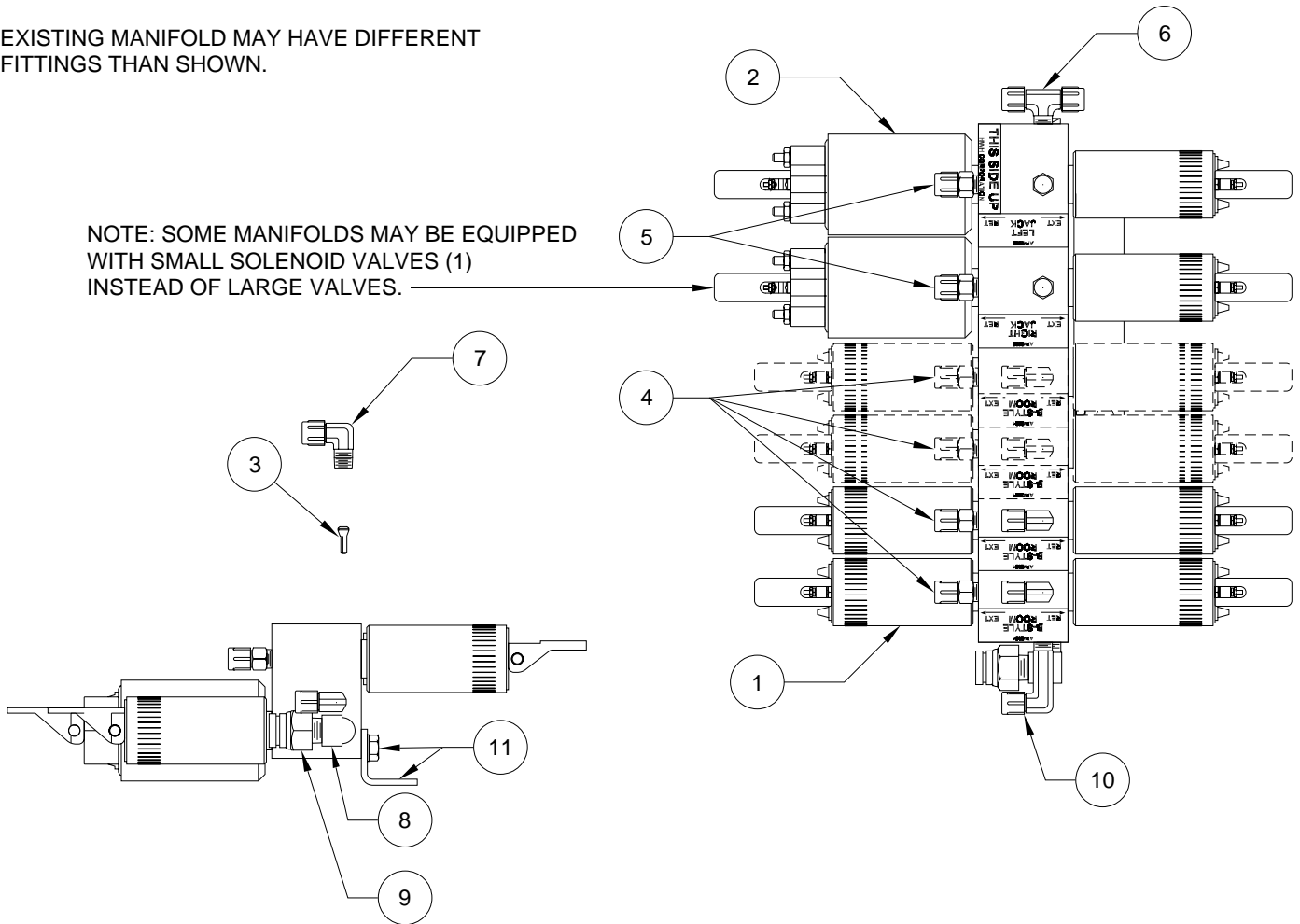
**DO NOT REPLACE THE COMPLETE MANIFOLD WITHOUT CONTACTING HWH CORPORATION FIRST.**

REPLACEMENT OF THE COMPLETE ASSEMBLY IS USUALLY NOT NECESSARY.

EXISTING MANIFOLD MAY HAVE DIFFERENT FITTINGS THAN SHOWN.

NOTE: SOME MANIFOLDS MAY BE EQUIPPED WITH SMALL SOLENOID VALVES (1) INSTEAD OF LARGE VALVES.

**TOP VIEW OF MANIFOLD**



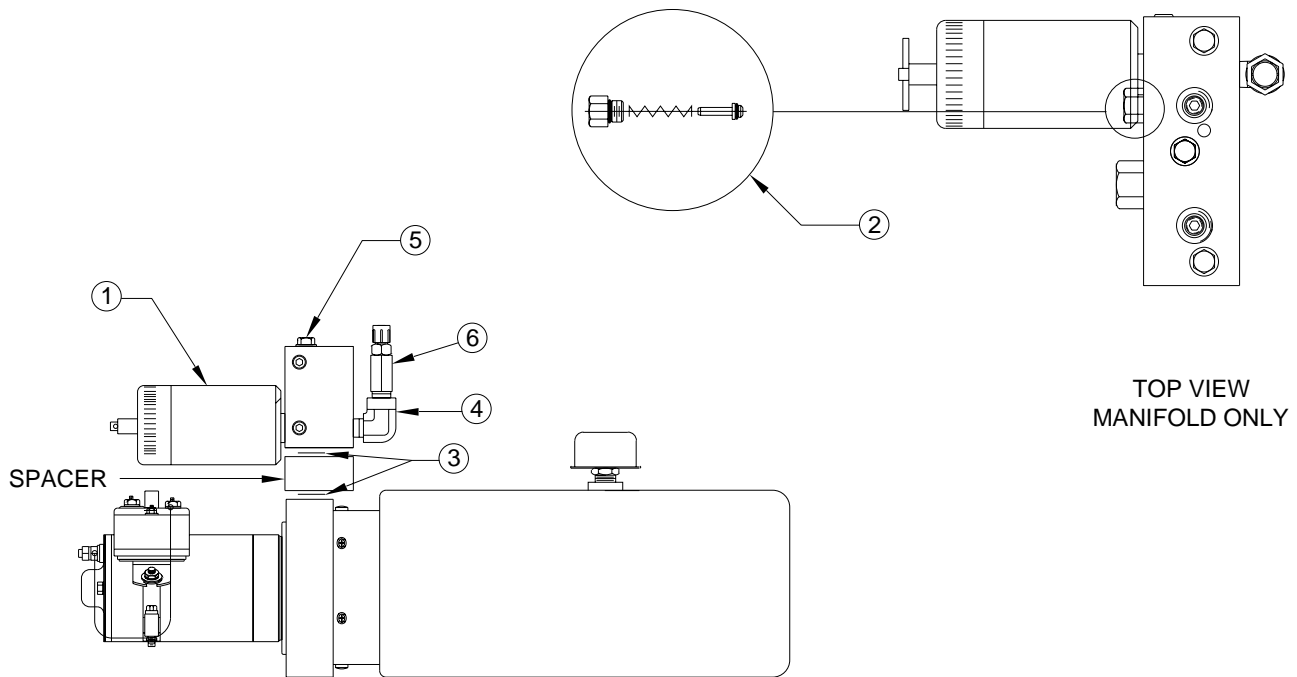
ITEM	PART	QTY	DESCRIPTION
1	RAP90729	1	SOLENOID VALVE SMALL
2	RAP0642	1	SOLENOID VALVE LARGE
3	RAP10021	1	CHECK VALVE KIT (KIT INCLUDES FOUR CHECK VALVES)
4	RF1456	1	4-FTX-S MALE CONNECTOR
5	RF90919	1	5 FTX-S MALE CONNECTOR
6	RF90151	1	4-STX-S MALE BRANCH TEE
7	RF1453	1	4-CTX-S MALE ELBOW
8	RF3340	1	2202P-4-4 ELBOW (BRASS)

ITEM	PART	QTY	DESCRIPTION
9	RF91640	1	68PMT-8-4 1/2" TUBE X 1/4" NPT PUSH
10	RF90145	1	4-CCCTX-S LONG ELBOW
11	RAP93191	1	MTG BRACKET KIT
	R7430	1	O-RING KIT (8 SETS OF PORT O-RINGS FOR SOLENOID VALVES OR SHUTTLE VALVE)

# LEVELING SYSTEM MANIFOLD FRONT JACKS ONLY - FIFTH WHEELS OR TRAILERS 1 OR 2 JACKS

**DO NOT REPLACE THE COMPLETE MANIFOLD WITHOUT CONTACTING HWH CORPORATION FIRST.**

REPLACEMENT OF THE COMPLETE ASSEMBLY IS USUALLY NOT NECESSARY.



ITEM	PART	QTY	DESCRIPTION
	RAP90431		COMPLETE MANIFOLD ASSEMBLY
1	RAP0642	1	SOLENOID VALVE
2	RAP10021	1	CHECK VALVE KIT
3	RAP90127	1	O-RING KIT

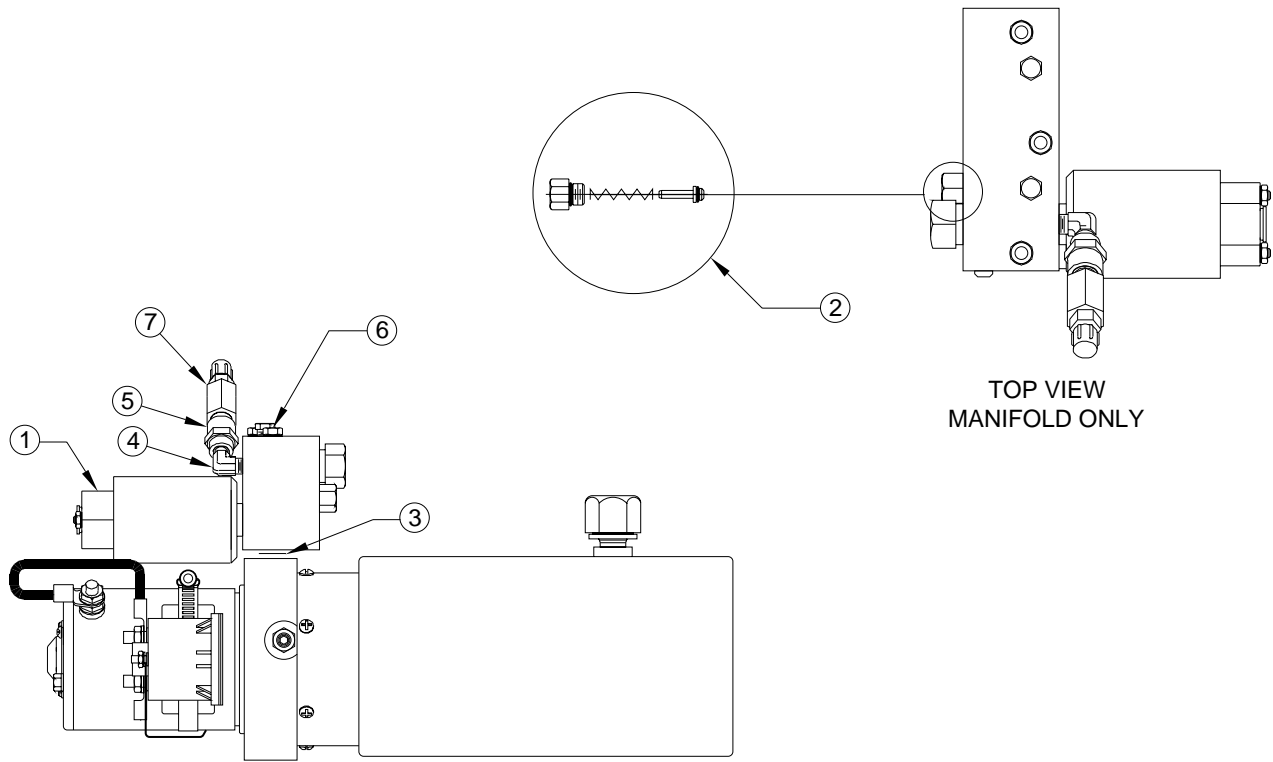
ITEM	PART	QTY	DESCRIPTION
4	RF90432	1	90 DEG ST ELBOW
5	RAP90128	1	MOUNTING BOLT KIT 1 MANIFOLD
6	RAP90279	1	VELOCITY VALVE



# LEVELING SYSTEM MANIFOLD FRONT JACKS ONLY - FIFTH WHEELS OR TRAILERS 1 OR 2 JACKS

**DO NOT REPLACE THE COMPLETE MANIFOLD WITHOUT CONTACTING HWH CORPORATION FIRST.**

REPLACEMENT OF THE COMPLETE ASSEMBLY IS USUALLY NOT NECESSARY.



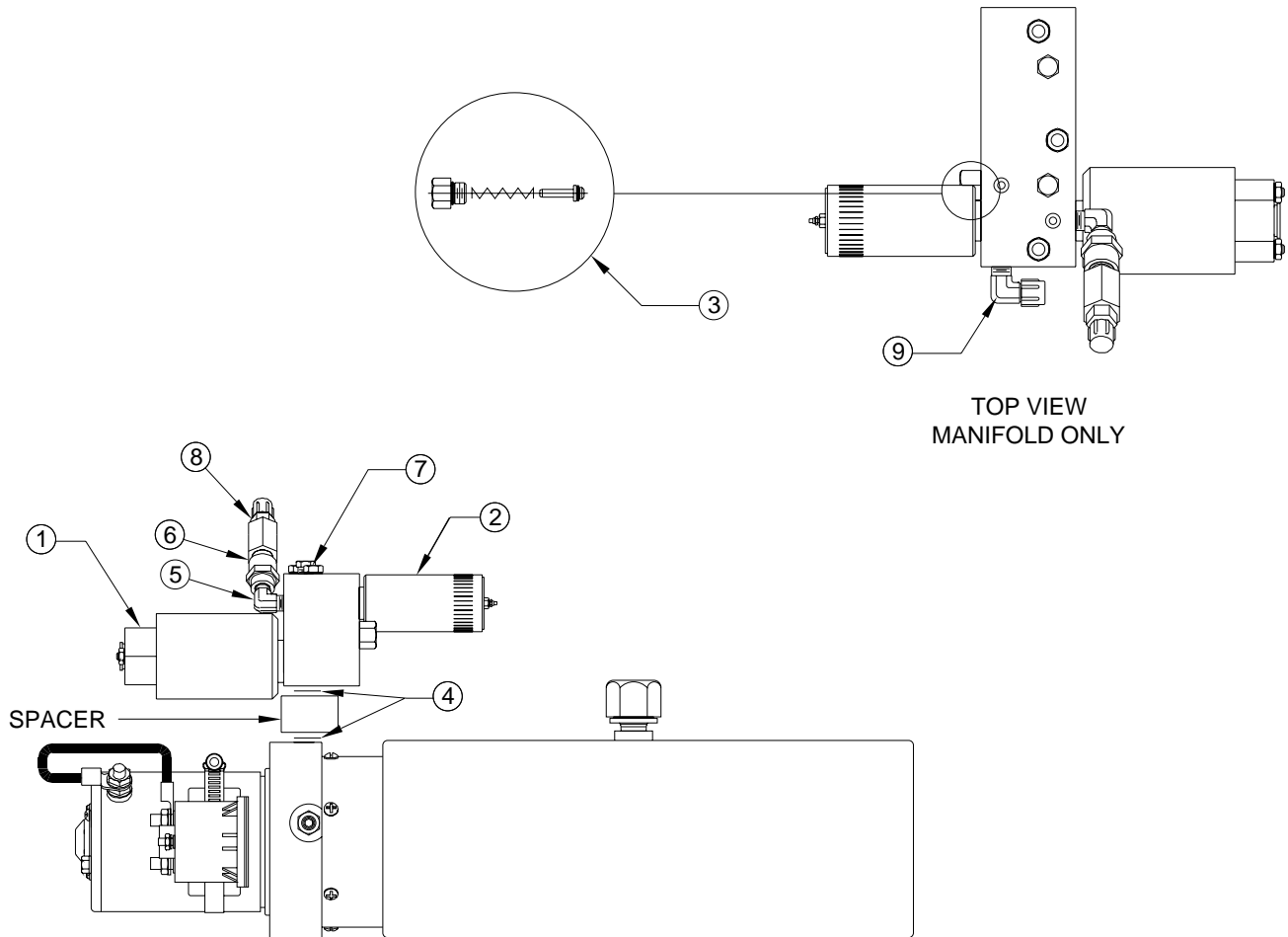
ITEM	PART	QTY	DESCRIPTION
1	RAP0642	1	SOLENOID VALVE
2	RAP10021	1	CHECK VALVE KIT
3	RAP90127	1	O-RING KIT

ITEM	PART	QTY	DESCRIPTION
4	RF8143	1	90 DEG ELBOW
5	RF91986	1	COUPLING
6	RAP90128	1	MOUNTING BOLT KIT 1 MANIFOLD
7	RAP90279	1	VELOCITY VALVE

# LEVELING SYSTEM MANIFOLD FRONT JACKS ONLY - FIFTH WHEELS OR TRAILERS 1 OR 2 JACKS

**DO NOT REPLACE THE COMPLETE MANIFOLD WITHOUT CONTACTING HWH CORPORATION FIRST.**

REPLACEMENT OF THE COMPLETE ASSEMBLY IS USUALLY NOT NECESSARY.



ITEM	PART	QTY	DESCRIPTION	ITEM	PART	QTY	DESCRIPTION
1	RAP0642	1	SOLENOID VALVE LARGE	5	RF8143	1	1/8" x 1/8" MALE ELBOW
2	RAP90729	1	SOLENOID VALVE SMALL	6	RF91986	1	COUPLING
3	RAP10021	1	CHECK VALVE KIT	7	RAP90128	1	MOUNTING BOLT KIT 1 MANIFOLD
4	RAP90127	1	O-RING KIT	8	RAP90279	1	VELOCITY VALVE
				9	RF1453	1	1/4" x 1/8" MALE ELBOW

# ROOM EXTENSION MANIFOLD 1 ROOM LARGE SOLENOID VALVES

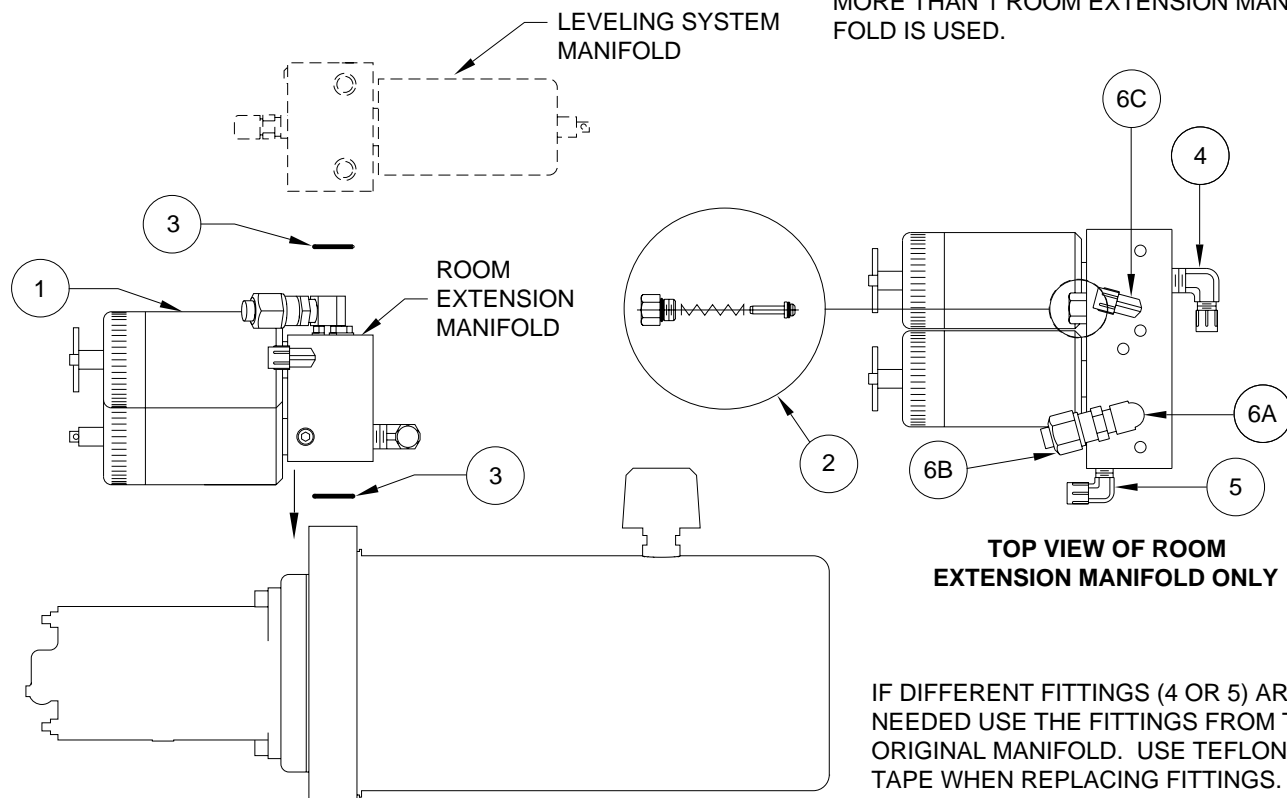
**DO NOT REPLACE THE COMPLETE MANIFOLD WITHOUT CONTACTING HWH CORPORATION FIRST.**

EXISTING MANIFOLD MAY HAVE DIFFERENT FITTINGS THAN SHOWN.

REPLACEMENT OF THE COMPLETE ASSEMBLY IS USUALLY NOT NECESSARY.

MANIFOLD IS SHOWN WITH RAP90034 FITTING KIT INSTALLED FOR USE WITH LEVER CONTROLLED LEVELING SYSTEMS. REPLACEMENT MANIFOLD IS SHIPPED WITH O-RINGS AND THE PORTS PLUGGED. REFER TO THE INSTRUCTION SHEET SUPPLIED WITH THE MANIFOLD FOR CORRECT FITTING AND MANIFOLD REPLACEMENT.

RAP90132 1" SPACER IS NEEDED WHEN MORE THAN 1 ROOM EXTENSION MANIFOLD IS USED.



IF DIFFERENT FITTINGS (4 OR 5) ARE NEEDED USE THE FITTINGS FROM THE ORIGINAL MANIFOLD. USE TEFLON TAPE WHEN REPLACING FITTINGS.

ITEM	PART	QTY	DESCRIPTION
	RAP1716		COMPLETE MANIFOLD ASSEMBLY (1 ROOM)
1	RAP0642	2	SOLENOID VALVE
2	RAP10021	1	CHECK VALVE KIT
3	RAP90127	1	O-RING KIT
4	RF1514	1	4-CTX-S MALE ELBOW
5	RF 1453	1	4-CTX-S MALE ELBOW
6	RAP90034	1	FITTING KIT
6A		1	2202-4-2 ELBOW BRASS
6B		1	68NTA-8-4 1/2" TUBE X 1/4" NPT BRASS

ITEM	PART	QTY	DESCRIPTION
6C		1	4-CTX-S MALE ELBOW
	RAP90128	1	MOUNTING BOLT KIT 1 MANIFOLD
	RAP90129	1	MOUNTING STUD KIT 2 MANIFOLDS
	RAP90131	1	MOUNTING STUD KIT 3 MANIFOLDS
	RAP90132	1	1" SPACER KIT
	R7430	1	O-RING KIT (8 SETS OF PORT O-RINGS FOR SOLENOID VALVES OR SHUTTLE VALVE)

# ROOM EXTENSION MANIFOLD 2 ROOM LARGE SOLENOID VALVES

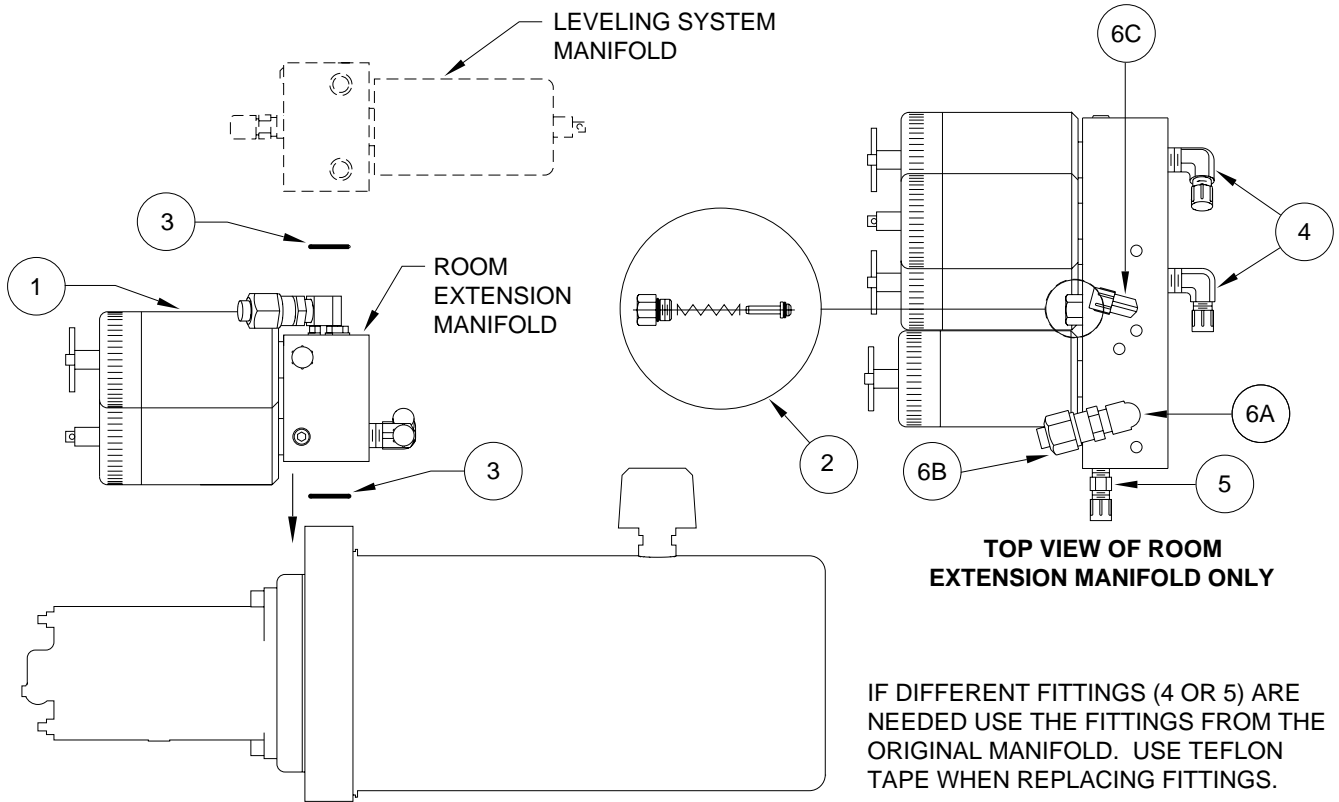
**DO NOT REPLACE THE COMPLETE MANIFOLD WITHOUT CONTACTING HWH CORPORATION FIRST.**

EXISTING MANIFOLD MAY HAVE DIFFERENT FITTINGS THAN SHOWN.

REPLACEMENT OF THE COMPLETE ASSEMBLY IS USUALLY NOT NECESSARY.

MANIFOLD IS SHOWN WITH RAP90034 FITTING KIT INSTALLED FOR USE WITH LEVER CONTROLLED LEVELING SYSTEMS. REPLACEMENT MANIFOLD IS SHIPPED WITH O-RINGS AND THE PORTS PLUGGED. REFER TO THE INSTRUCTION SHEET SUPPLIED WITH THE MANIFOLD FOR CORRECT FITTING AND MANIFOLD REPLACEMENT.

RAP90132 1" SPACER KIT IS NEEDED WHEN MORE THAN 1 ROOM EXTENSION MANIFOLD IS USED.



ITEM	PART	QTY	DESCRIPTION
	RAP90035		COMPLETE MANIFOLD ASSEMBLY (2 ROOM)
1	RAP0642	4	SOLENOID VALVE
2	RAP10021	1	CHECK VALVE KIT
3	RAP90127	1	O-RING KIT
4	RF1514	2	4-4CTX-S MALE ELBOW
5	RF1456	1	4-CTX-S MALE ELBOW
6	RAP90034	1	FITTING KIT
6A		1	2202-4-2 ELBOW BRASS
6B		1	68NTA-8-4 1/2" TUBE X 1/4" NPT BRASS

ITEM	PART	QTY	DESCRIPTION
6C		1	4-CTX-S MALE ELBOW
	RAP90128	1	MOUNTING BOLT KIT 1 MANIFOLD
	RAP90129	1	MOUNTING STUD KIT 2 MANIFOLD
	RAP90131	1	MOUNTING STUD KIT 3 MANIFOLD
	RAP90132	1	1" SPACER KIT
	R7430	1	O-RING KIT (8 SETS OF PORT O-RINGS FOR SOLENOID VALVES OR SHUTTLE VALVE)

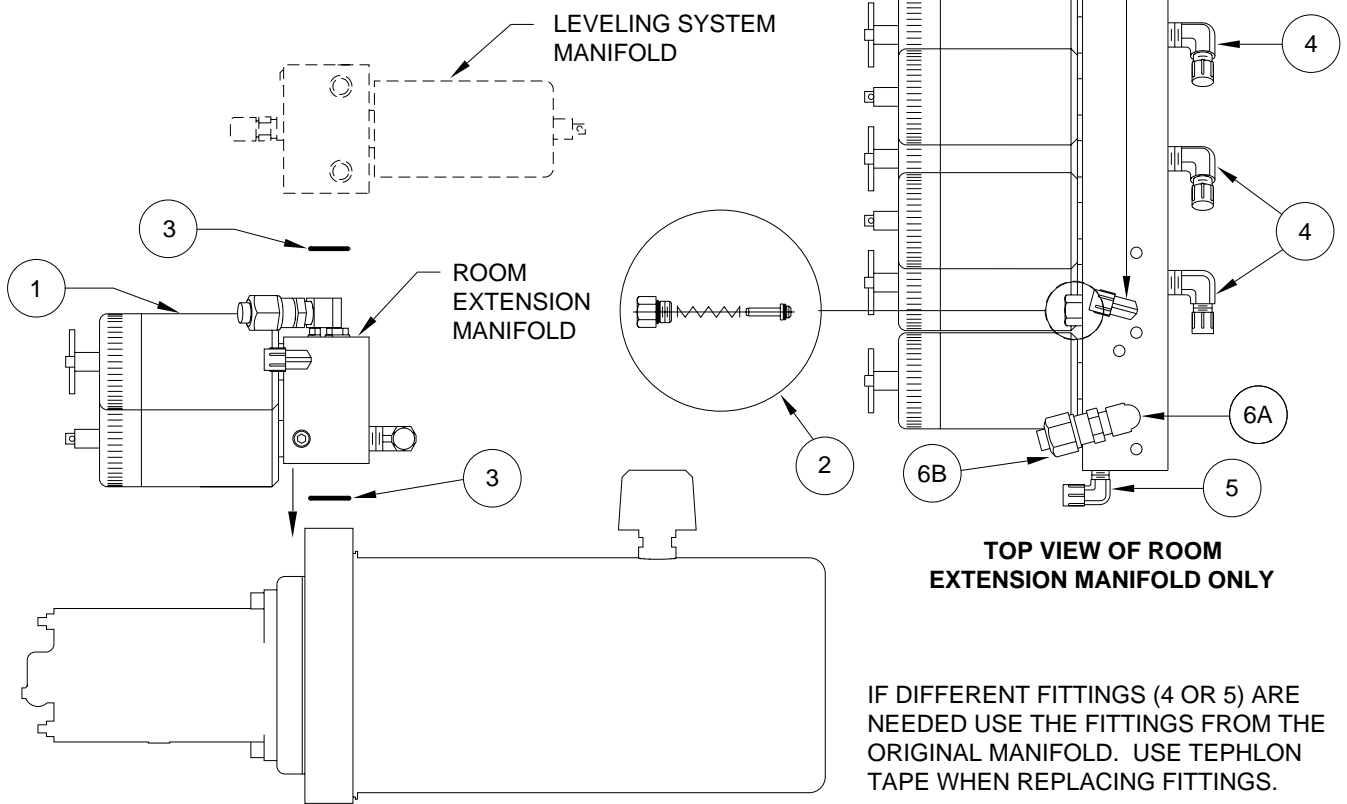
# ROOM EXTENSION MANIFOLD 3 ROOM LARGE SOLENOID VALVES

**DO NOT REPLACE THE COMPLETE MANIFOLD WITHOUT CONTACTING HWH CORPORATION FIRST.**

REPLACEMENT OF THE COMPLETE ASSEMBLY IS USUALLY NOT NECESSARY.

MANIFOLD IS SHOWN WITH RAP 90034 FITTING KIT INSTALLED FOR USE WITH LEVER CONTROLLED LEVELING SYSTEMS. REPLACEMENT MANIFOLD IS SHIPPED WITH O-RINGS AND THE PORTS PLUGGED. REFER TO THE INSTRUCTION SHEET SUPPLIED WITH THE MANIFOLD FOR CORRECT FITTING AND MANIFOLD REPLACEMENT.

RAP90132 1" SPACER KIT IS NEEDED WHEN MORE THAN 1 ROOM EXTENSION MANIFOLD IS USED.



ITEM	PART	QTY	DESCRIPTION
	RAP90036		COMPLETE MANIFOLD ASSEMBLY (3 ROOM)
1	RAP0642	6	SOLENOID VALVE
2	RAP10021	1	CHECK VALVE KIT
3	RAP90127	1	O-RING KIT
4	RF1514	3	4-CTX-S MALE ELBOW
5	RF1453	1	4-CTX-S MALE ELBOW
6	RAP90034	1	FITTING KIT
6A		1	2202-4-2 ELBOW BRASS
6B		1	68NTA-8-4 1/2" TUBE X 1/4" NPT BRASS

ITEM	PART	QTY	DESCRIPTION
6C		1	4-CTX-S MALE ELBOW
	RAP90128	1	MOUNTING BOLT KIT 1 MANIFOLD
	RAP90129	1	MOUNTING STUD KIT 2 MANIFOLD
	RAP90131	1	MOUNTING STUD KIT 3 MANIFOLD
	RAP90132	1	1" SPACER KIT
	R7430	1	O-RING KIT (8 SETS OF PORT O-RINGS FOR SOLENOID VALVES OR SHUTTLE VALVE)

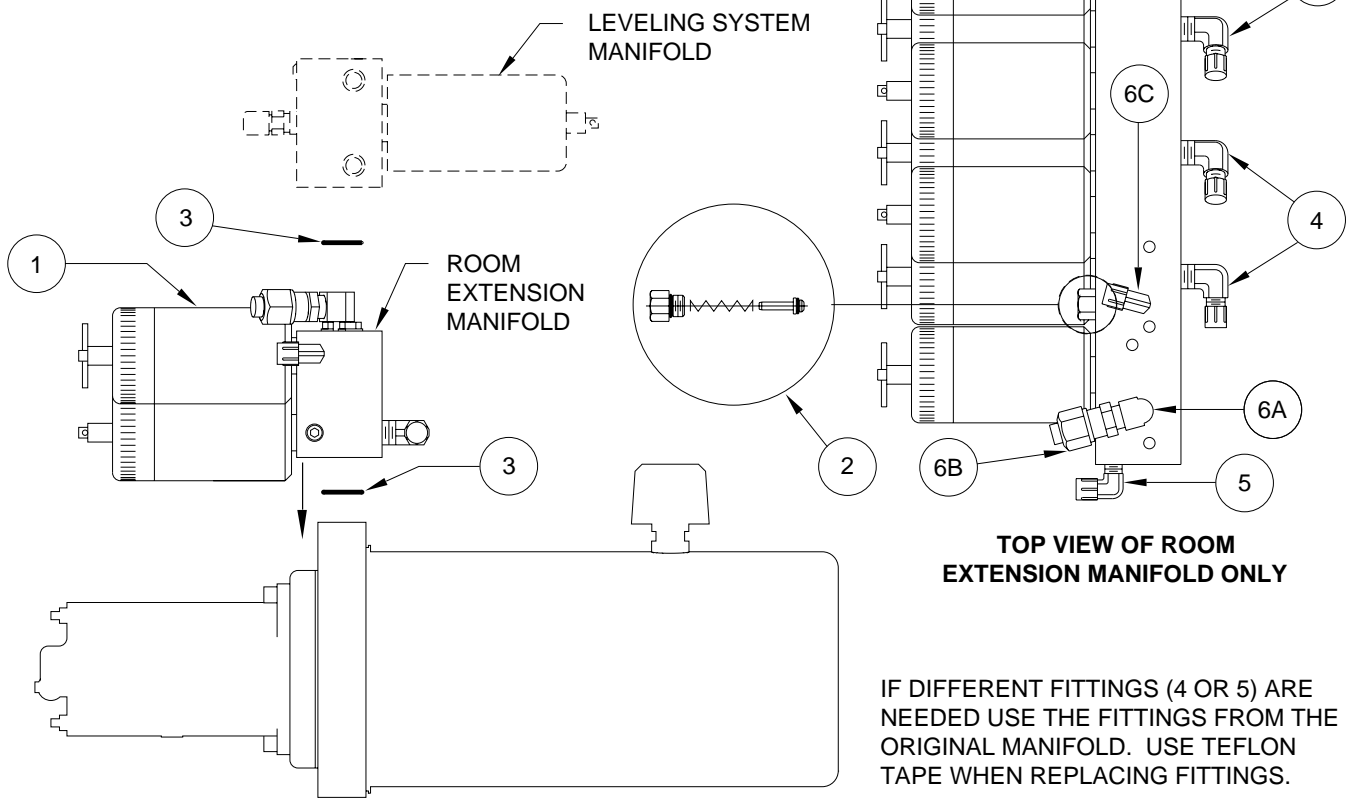
# ROOM EXTENSION MANIFOLD 4 ROOM LARGE SOLENOID VALVES

**DO NOT REPLACE THE COMPLETE MANIFOLD WITHOUT CONTACTING HWH CORPORATION FIRST.**

REPLACEMENT OF THE COMPLETE ASSEMBLY IS USUALLY NOT NECESSARY.

RAP90132 1" SPACER IS NEEDED WHEN MORE THAN 1 ROOM EXTENSION MANIFOLD IS USED.

MANIFOLD IS SHOWN WITH RAP 90034 FITTING KIT INSTALLED FOR USE WITH LEVER CONTROLLED LEVELING SYSTEMS. REPLACEMENT MANIFOLD IS SHIPPED WITH O-RINGS AND THE PORTS PLUGGED. REFER TO THE INSTRUCTION SHEET SUPPLIED WITH THE MANIFOLD FOR CORRECT FITTING AND MANIFOLD REPLACEMENT.



ITEM	PART	QTY	DESCRIPTION
	RAP90037		COMPLETE MANIFOLD ASSEMBLY (4 ROOM)
1	RAP0642	8	SOLENOID VALVE
2	RAP10021	1	CHECK VALVE KIT
3	RAP90127	1	O-RING KIT
4	RF1514	4	4-CTX-S MALE ELBOW
5	RF1453	1	4-CTX-S MALE ELBOW
6	RAP90034	1	FITTING KIT
6A		1	2202-4-2 ELBOW BRASS
6B		1	68NTA-8-4 1/2" TUBE X 1/4" NPT BRASS

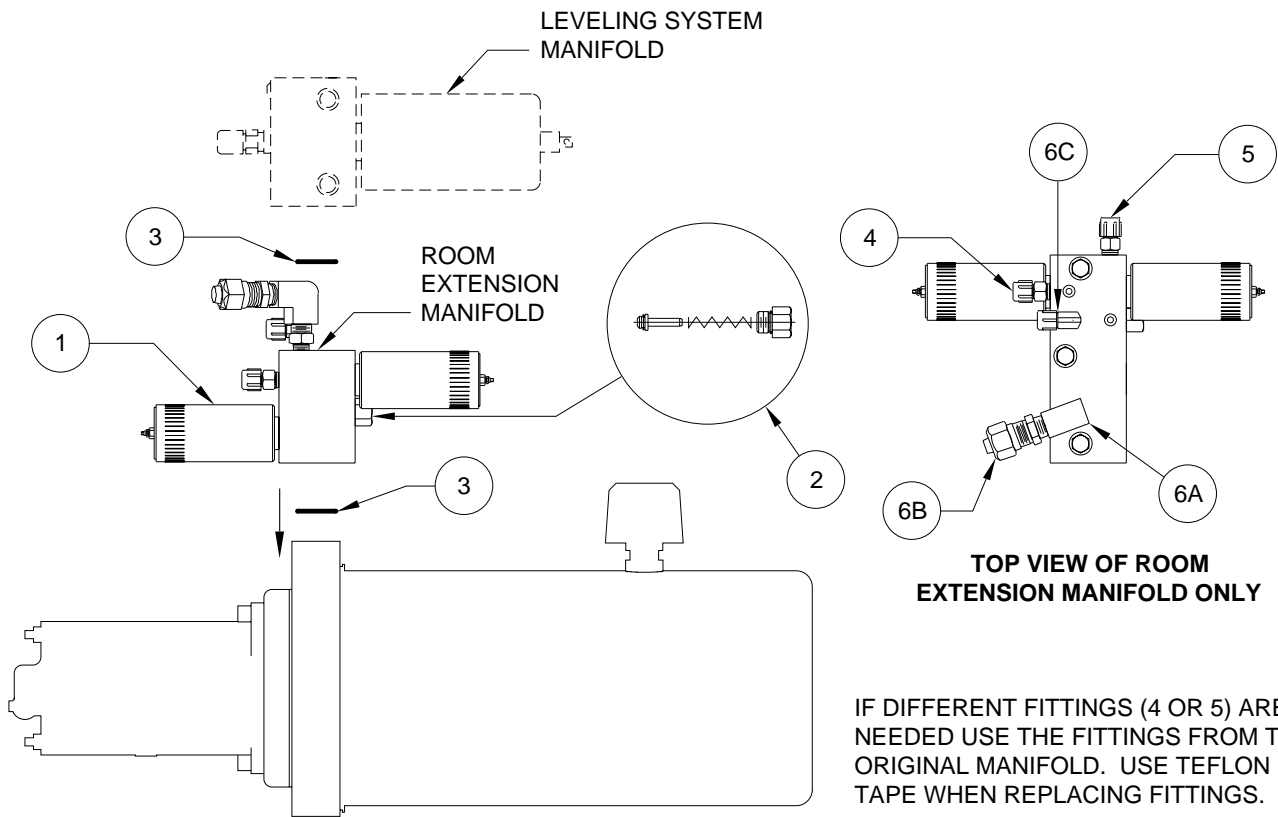
ITEM	PART	QTY	DESCRIPTION
	6C	1	4-CTX-S MALE ELBOW
	RAP90128	1	MOUNTING BOLT KIT 1 MANIFOLD
	RAP90129	1	MOUNTING STUD KIT 2 MANIFOLD
	RAP90131	1	MOUNTING STUD KIT 3 MANIFOLD
	RAP90132	1	1" SPACER KIT
	R7430	1	O-RING KIT (8 SETS OF PORT O-RINGS FOR SOLENOID VALVES OR SHUTTLE VALVE)

# ROOM EXTENSION MANIFOLD 1 ROOM SMALL SOLENOID VALVES - SINGLE CHECK VALVE

**DO NOT REPLACE THE COMPLETE MANIFOLD WITHOUT CONTACTING HWH CORPORATION FIRST.**

REPLACEMENT OF THE COMPLETE ASSEMBLY IS USUALLY NOT NECESSARY.

MANIFOLD IS SHOWN WITH RAP90034 FITTING KIT INSTALLED FOR USE WITH LEVER CONTROLLED LEVELING SYSTEMS. REPLACEMENT MANIFOLD IS SHIPPED WITH O-RINGS AND THE PORTS PLUGGED. REFER TO THE INSTRUCTION SHEET SUPPLIED WITH THE MANIFOLD FOR CORRECT FITTING AND MANIFOLD REPLACEMENT.



ITEM	PART	QTY	DESCRIPTION	ITEM	PART	QTY	DESCRIPTION
	RAP90869		COMPLETE MANIFOLD ASSEMBLY (2 ROOM)	6C		1	4-CTX-S MALE ELBOW
1	RAP90729	1	SOLENOID VALVE	RAP90128	1		MOUNTING BOLT KIT 1 MANIFOLD
2	RAP10021	1	CHECK VALVE KIT	RAP90129	1		MOUNTING STUD KIT 2 MANIFOLD
3	RAP90127	1	O-RING KIT	RAP90131	1		MOUNTING STUD KIT 3 MANIFOLD
4	RF1456	1	4-FTX-S MALE CONNECTOR	RAP90132	1		1" SPACER KIT
5	RF1456	1	4-FTX-S MALE CONNECTOR	R7430	1		O-RING KIT (8 SETS OF PORT O-RINGS FOR SOLENOID VALVES OR SHUTTLE VALVE)
6	RAP90034	1	FITTING KIT				
6A		1	2202-4-2 ELBOW BRASS				
6B		1	68NTA-8-4 1/2" TUBE X 1/4" NPT BRASS				

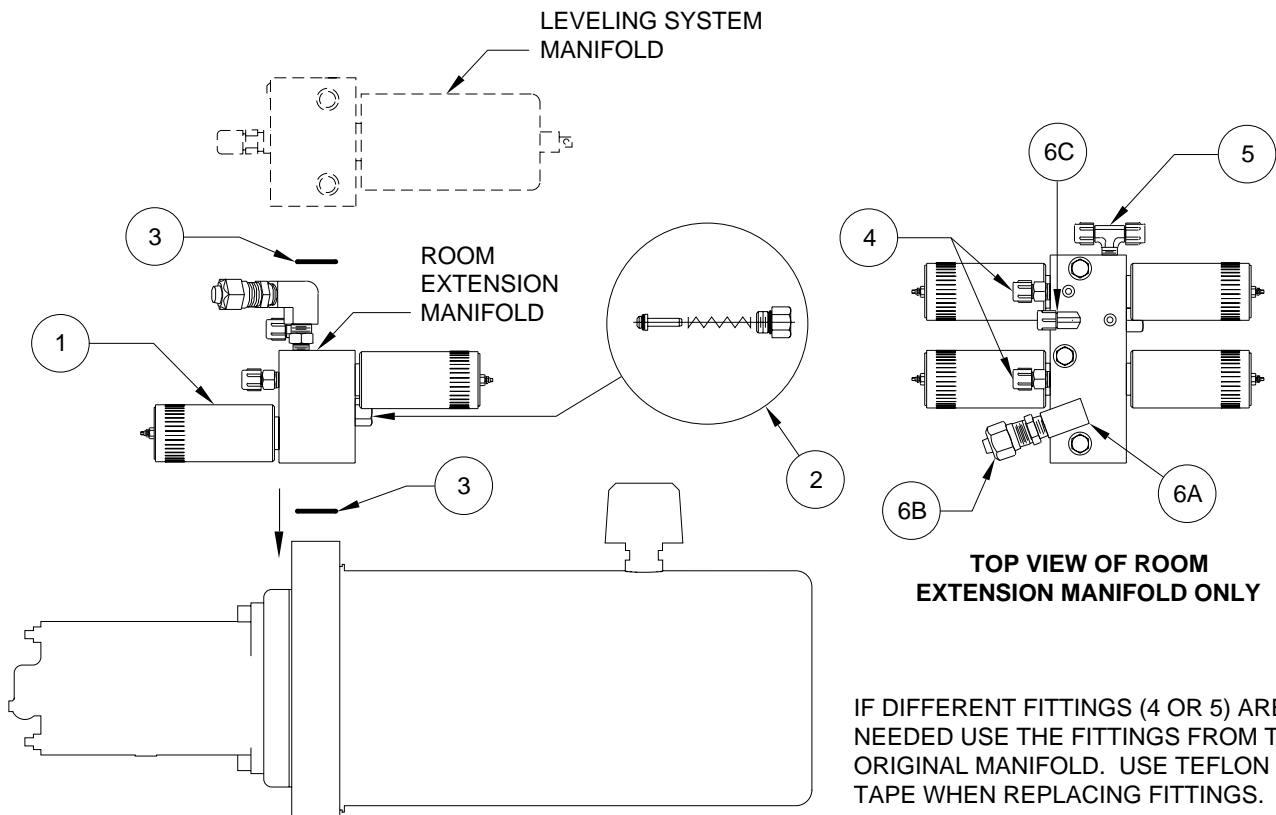
# ROOM EXTENSION MANIFOLD 2 ROOMS SMALL SOLENOID VALVES - SINGLE CHECK VALVE

**DO NOT REPLACE THE COMPLETE MANIFOLD WITHOUT CONTACTING HWH CORPORATION FIRST.**

EXISTING MANIFOLD MAY HAVE DIFFERENT FITTINGS THAN SHOWN.

REPLACEMENT OF THE COMPLETE ASSEMBLY IS USUALLY NOT NECESSARY.

MANIFOLD IS SHOWN WITH RAP90034 FITTING KIT INSTALLED FOR USE WITH LEVER CONTROLLED LEVELING SYSTEMS. REPLACEMENT MANIFOLD IS SHIPPED WITH O-RINGS AND THE PORTS PLUGGED. REFER TO THE INSTRUCTION SHEET SUPPLIED WITH THE MANIFOLD FOR CORRECT FITTING AND MANIFOLD REPLACEMENT.



ITEM	PART	QTY	DESCRIPTION	ITEM	PART	QTY	DESCRIPTION
	RAP90870		COMPLETE MANIFOLD ASSEMBLY (2 ROOM)	6C		1	4-CTX-S MALE ELBOW
1	RAP90729	1	SOLENOID VALVE	RAP90128	1		MOUNTING BOLT KIT 1 MANIFOLD
2	RAP10021	1	CHECK VALVE KIT	RAP90129	1		MOUNTING STUD KIT 2 MANIFOLD
3	RAP90127	1	O-RING KIT	RAP90131	1		MOUNTING STUD KIT 3 MANIFOLD
4	RF1456	1	4-FTX-S MALE CONNECTOR	RAP90132	1		1" SPACER KIT
5	RF90151	1	4-STX-S MALE BRANCH TEE	R7430	1		O-RING KIT (8 SETS OF PORT O-RINGS FOR SOLENOID VALVES OR SHUTTLE VALVE)
6	RAP90034	1	FITTING KIT				
6A		1	2202-4-2 ELBOW BRASS				
6B		1	68NTA-8-4 1/2" TUBE X 1/4" NPT BRASS				



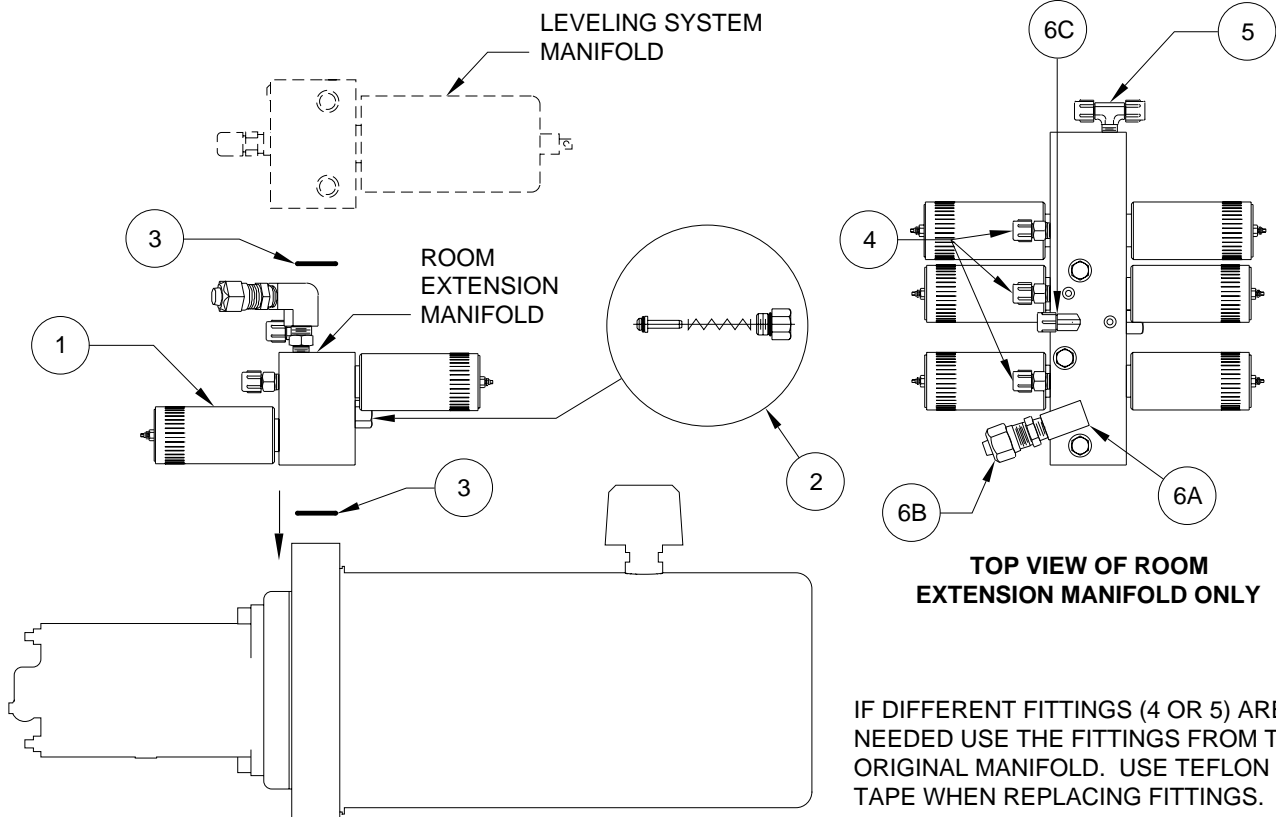
# ROOM EXTENSION MANIFOLD 3 ROOMS SMALL SOLENOID VALVES - SINGLE CHECK VALVE

**DO NOT REPLACE THE COMPLETE MANIFOLD WITHOUT CONTACTING HWH CORPORATION FIRST.**

EXISTING MANIFOLD MAY HAVE DIFFERENT FITTINGS THAN SHOWN.

REPLACEMENT OF THE COMPLETE ASSEMBLY IS USUALLY NOT NECESSARY.

MANIFOLD IS SHOWN WITH RAP90034 FITTING KIT INSTALLED FOR USE WITH LEVER CONTROLLED LEVELING SYSTEMS. REPLACEMENT MANIFOLD IS SHIPPED WITH O-RINGS AND THE PORTS PLUGGED. REFER TO THE INSTRUCTION SHEET SUPPLIED WITH THE MANIFOLD FOR CORRECT FITTING AND MANIFOLD REPLACEMENT.



ITEM	PART	QTY	DESCRIPTION	ITEM	PART	QTY	DESCRIPTION
	RAP91030		COMPLETE MANIFOLD ASSEMBLY (3 ROOM)	6C		1	4-CTX-S MALE ELBOW
1	RAP90729	1	SOLENOID VALVE	RAP90128		1	MOUNTING BOLT KIT 1 MANIFOLD
2	RAP10021	1	CHECK VALVE KIT	RAP90129		1	MOUNTING STUD KIT 2 MANIFOLD
3	RAP90127	1	O-RING KIT	RAP90131		1	MOUNTING STUD KIT 3 MANIFOLD
4	RF1456	1	4-FTX-S MALE CONNECTOR	RAP90132		1	1" SPACER KIT
5	RF90151	1	4-STX-S MALE BRANCH TEE	R7430		1	O-RING KIT (8 SETS OF PORT O-RINGS FOR SOLENOID VALVES OR SHUTTLE VALVE)
6	RAP90034	1	FITTING KIT				
6A		1	2202-4-2 ELBOW BRASS				
6B		1	68NTA-8-4 1/2" TUBE X 1/4" NPT BRASS				

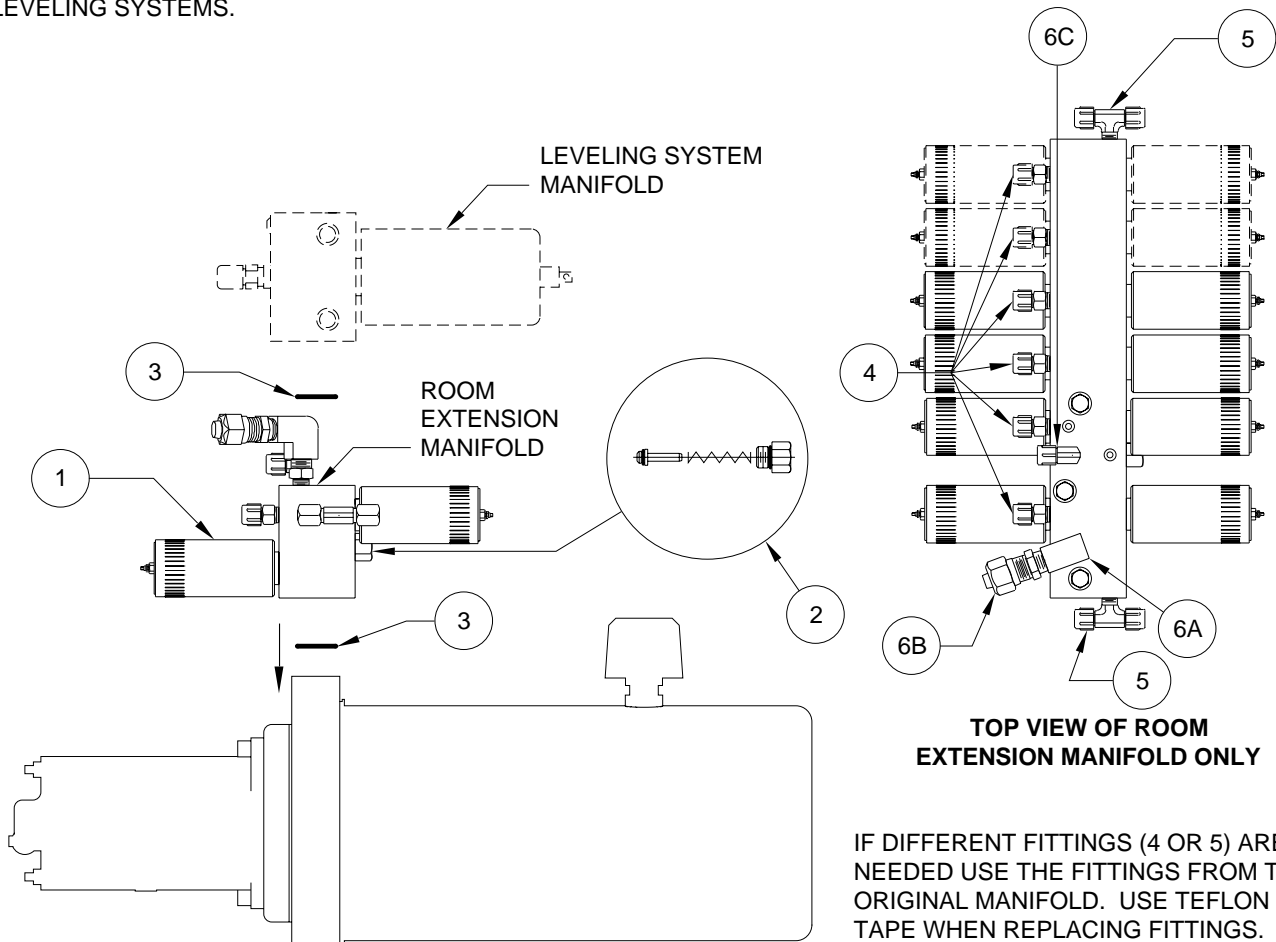
# ROOM EXTENSION MANIFOLD 4 OR MORE ROOMS SMALL SOLENOID VALVES - SINGLE CHECK VALVE

**DO NOT REPLACE THE COMPLETE MANIFOLD WITHOUT CONTACTING HWH CORPORATION FIRST.**

EXISTING MANIFOLD MAY HAVE DIFFERENT FITTINGS THAN SHOWN.

REPLACEMENT OF THE COMPLETE ASSEMBLY IS USUALLY NOT NECESSARY.

MANIFOLD IS SHOWN WITH RAP90034 FITTING KIT INSTALLED FOR USE WITH LEVER CONTROLLED LEVELING SYSTEMS.



IF DIFFERENT FITTINGS (4 OR 5) ARE NEEDED USE THE FITTINGS FROM THE ORIGINAL MANIFOLD. USE TEFLON TAPE WHEN REPLACING FITTINGS.

ITEM	PART	QTY	DESCRIPTION	ITEM	PART	QTY	DESCRIPTION
1	RAP90729	1	SOLENOID VALVE	RAP90128	1	MOUNTING BOLT KIT	
2	RAP10021	1	CHECK VALVE KIT				1 MANIFOLD
3	RAP90127	1	O-RING KIT	RAP90129	1	MOUNTING STUD KIT	
4	RF1456	1	4-FTX-S MALE CONNECTOR				2 MANIFOLD
5	RF90151	1	4-STX-S MALE BRANCH TEE	RAP90131	1	MOUNTING STUD KIT	
6	RAP90034	1	FITTING KIT				3 MANIFOLD
6A		1	2202-4-2 ELBOW BRASS	RAP90132	1	1" SPACER KIT	
6B		1	68NTA-8-4 1/2" TUBE X 1/4" NPT BRASS	R7430	1	O-RING KIT (8 SETS OF PORT O-RINGS FOR SOLENOID VALVES OR SHUTTLE VALVE)	
6C		1	4-CTX-S MALE ELBOW				

# ROOM EXTENSION MANIFOLD 2 ROOMS

## SMALL SOLENOID VALVES - INDEPENDENT CHECK VALVES

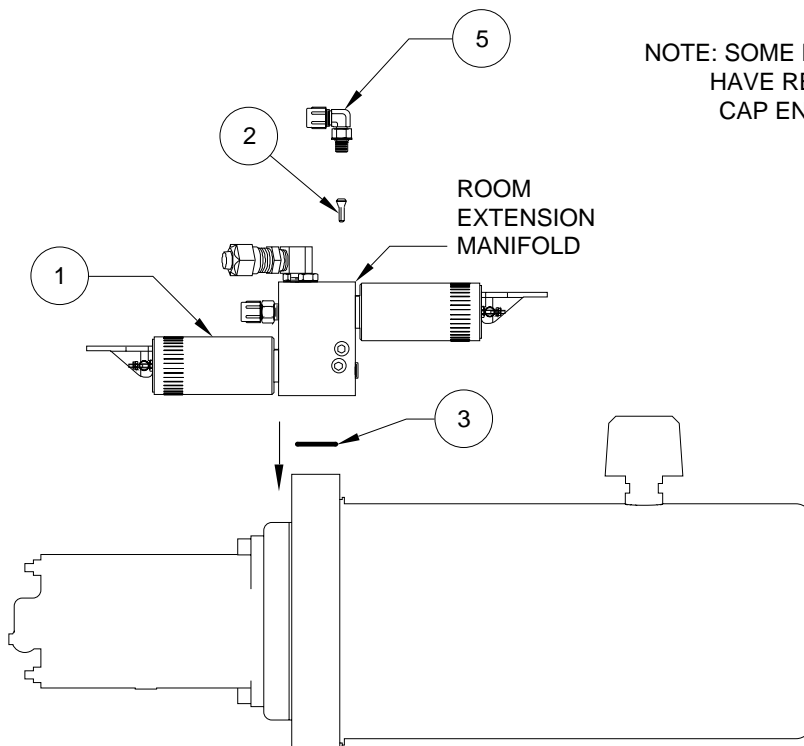
### NO LEVELING MANIFOLD

**DO NOT REPLACE THE COMPLETE MANIFOLD WITHOUT CONTACTING HWH CORPORATION FIRST.**

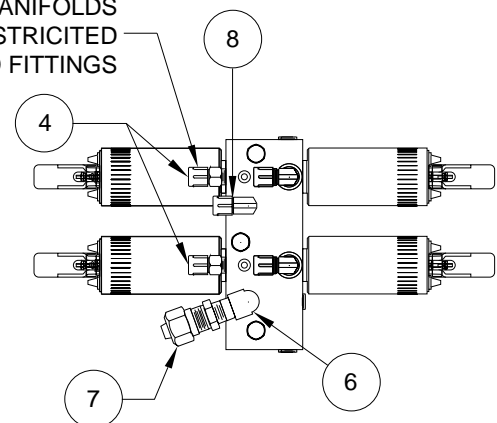
EXISTING MANIFOLD MAY HAVE DIFFERENT FITTINGS THAN SHOWN.

REPLACEMENT OF THE COMPLETE ASSEMBLY IS USUALLY NOT NECESSARY.

MANIFOLD IS SHOWN WITH FITTINGS INSTALLED FOR USE WITH LEVER CONTROLLED LEVELING SYSTEMS.



NOTE: SOME MANIFOLDS HAVE RESTRICTED CAP END FITTINGS



**TOP VIEW OF ROOM EXTENSION MANIFOLD ONLY**

IF DIFFERENT FITTINGS (4 OR 5) ARE NEEDED USE THE FITTINGS FROM THE ORIGINAL MANIFOLD. USE TEFLON TAPE WHEN REPLACING FITTINGS. DO NOT USE TEFLON TAPE ON THE O-RING PORT FITTINGS.

ITEM	PART	QTY	DESCRIPTION	ITEM	PART	QTY	DESCRIPTION
1	RAP90729	1	SOLENOID VALVE	RAP90128	1	MOUNTING BOLT KIT	
2	RAP10021	1	CHECK VALVE KIT (KIT INCLUDES FOUR CHECK VALVES)				1 MANIFOLD
3	RAP90127	1	O-RING KIT	RAP90132	1	1" SPACER KIT	
4	RF1456	1	4-FTX-S MALE CONNECTOR	R7430	1	O-RING KIT (8 SETS OF PORT O-RINGS FOR SOLENOID VALVES OR SHUTTLE VALVE)	
	OR		ORIFICE OUT				
5	RAP93189	1	ORIFICE OUT				
5	RF91988	1	5/16" x 1/4" TUBE 90D ELBOW				
6	RF3340	1	2202P-4-4 ELBOW (BRASS)				
7	RF1458	1	68NTA-8-4 1/2" TUBE X 1/4" NPT BRASS				
8	RF1453	1	4-CTX-S MALE ELBOW				

# ROOM EXTENSION MANIFOLD 2 ROOMS

## SMALL SOLENOID VALVES - INDEPENDENT CHECK VALVES

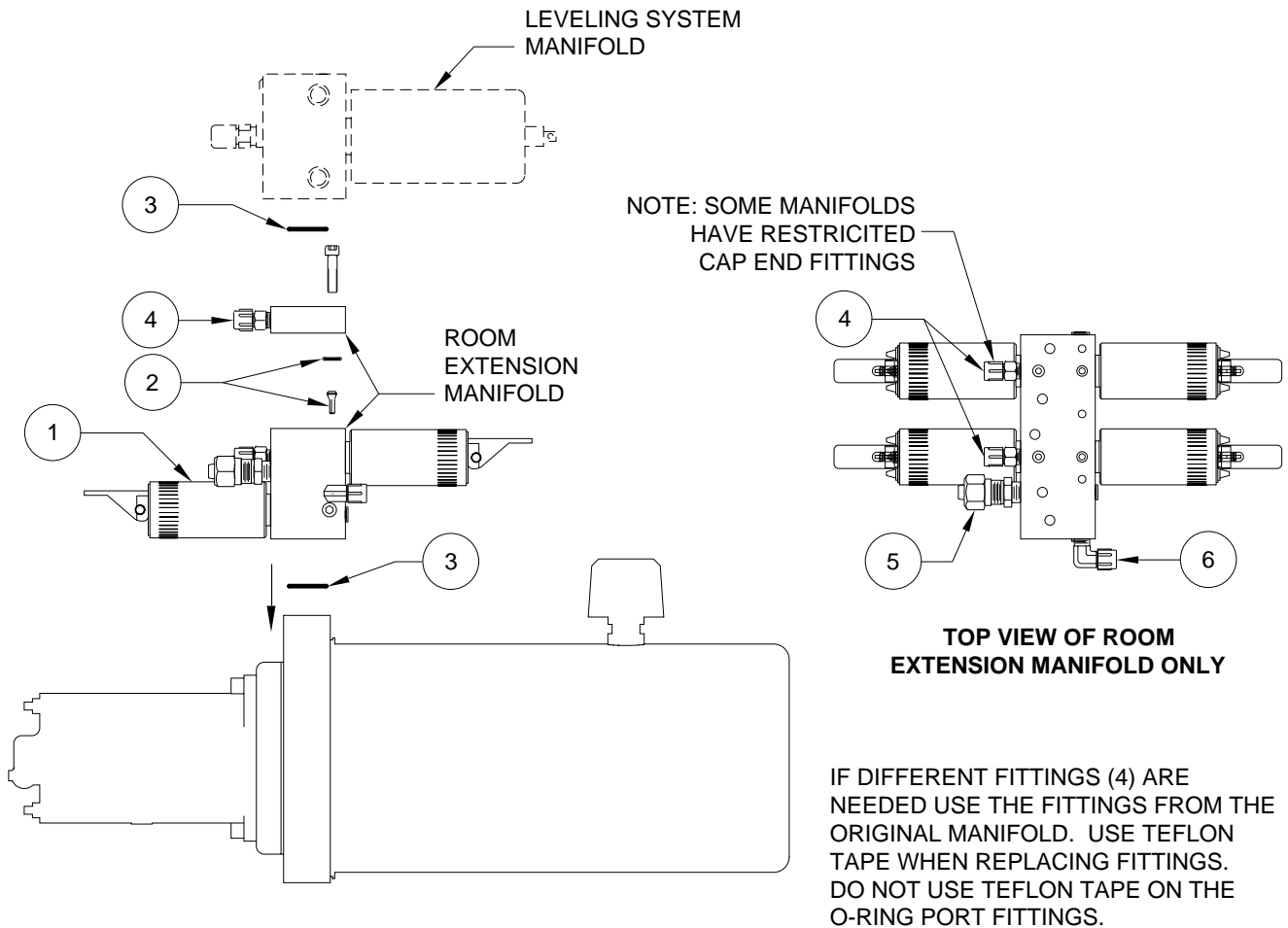
### WITH LEVELING MANIFOLD

**DO NOT REPLACE THE COMPLETE MANIFOLD WITHOUT CONTACTING HWH CORPORATION FIRST.**

EXISTING MANIFOLD MAY HAVE DIFFERENT FITTINGS THAN SHOWN.

REPLACEMENT OF THE COMPLETE ASSEMBLY IS USUALLY NOT NECESSARY.

MANIFOLD IS SHOWN WITH FITTINGS INSTALLED FOR USE WITH REMOTE ROOM MANIFOLDS OR STEP COVER.



ITEM	PART	QTY	DESCRIPTION	ITEM	PART	QTY	DESCRIPTION
1	RAP90729	1	SOLENOID VALVE	RAP93181	1	MOUNTING BOLT KIT	2 MANIFOLD
2	RAP10021	1	CHECK VALVE KIT (KIT INCLUDES 4 O-RINGS AND CHECK VALVES)	RAP93182	1	MOUNTING BOLT KIT	2 MANIFOLD W/SPACER
3	RAP90127	1	O-RING KIT	RAP93183	1	MOUNTING BOLT KIT	3 MANIFOLD
4	RF1456	1	4-FTX-S MALE CONNECTOR	RAP90132	1	1" SPACER KIT	
	OR		RAP93189	1	ORIFICE OUT		
5	RF1458	1	68NTA-8-4 1/2" TUBE X 1/4" NPT BRASS	R7430	1	O-RING KIT (8 SETS OF PORT O-RINGS FOR SOLENOID VALVES OR SHUTTLE VALVE)	
6	RF1453	1	4-CTX-S MALE ELBOW				

# ROOM EXTENSION MANIFOLD 3 ROOMS

## SMALL SOLENOID VALVES - INDEPENDENT CHECK VALVES

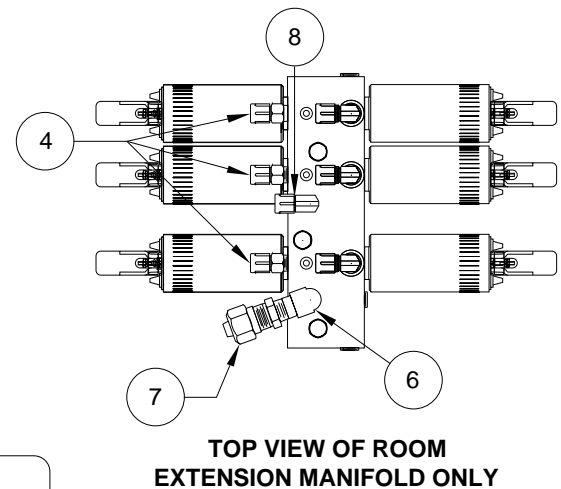
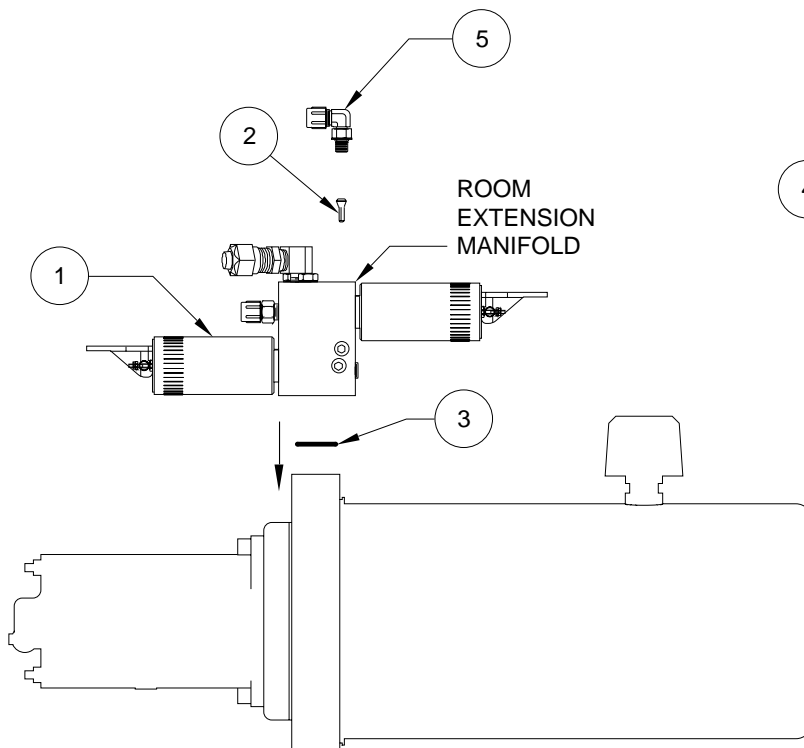
### NO LEVELING MANIFOLD

**DO NOT REPLACE THE COMPLETE MANIFOLD WITHOUT CONTACTING HWH CORPORATION FIRST.**

EXISTING MANIFOLD MAY HAVE DIFFERENT FITTINGS THAN SHOWN.

REPLACEMENT OF THE COMPLETE ASSEMBLY IS USUALLY NOT NECESSARY.

MANIFOLD IS SHOWN WITH FITTINGS INSTALLED FOR USE WITH LEVER CONTROLLED LEVELING SYSTEMS.



IF DIFFERENT FITTINGS (4 OR 5) ARE NEEDED USE THE FITTINGS FROM THE ORIGINAL MANIFOLD. USE TEFLON TAPE WHEN REPLACING FITTINGS. DO NOT USE TEFLON TAPE ON THE O-RING PORT FITTINGS.

ITEM	PART	QTY	DESCRIPTION	ITEM	PART	QTY	DESCRIPTION
1	RAP90729	1	SOLENOID VALVE	RAP90128	1	MOUNTING BOLT KIT	
2	RAP10021	1	CHECK VALVE KIT (KIT INCLUDES FOUR CHECK VALVES)	RAP90132	1	1" SPACER KIT	
3	RAP90127	1	O-RING KIT	R7430	1	O-RING KIT (8 SETS OF PORT O-RINGS FOR SOLENOID VALVES OR SHUTTLE VALVE)	
4	RF1456	1	4-FTX-S MALE CONNECTOR				
5	RF91988	1	5/16" x 1/4" TUBE 90D ELBOW				
6	RF3340	1	2202P-4-4 ELBOW (BRASS)				
7	RF1458	1	68NTA-8-4 1/2" TUBE X 1/4" NPT BRASS				
8	RF1453	1	4-CTX-S MALE ELBOW				

# ROOM EXTENSION MANIFOLD 3 ROOMS

## SMALL SOLENOID VALVES - INDEPENDENT CHECK VALVES

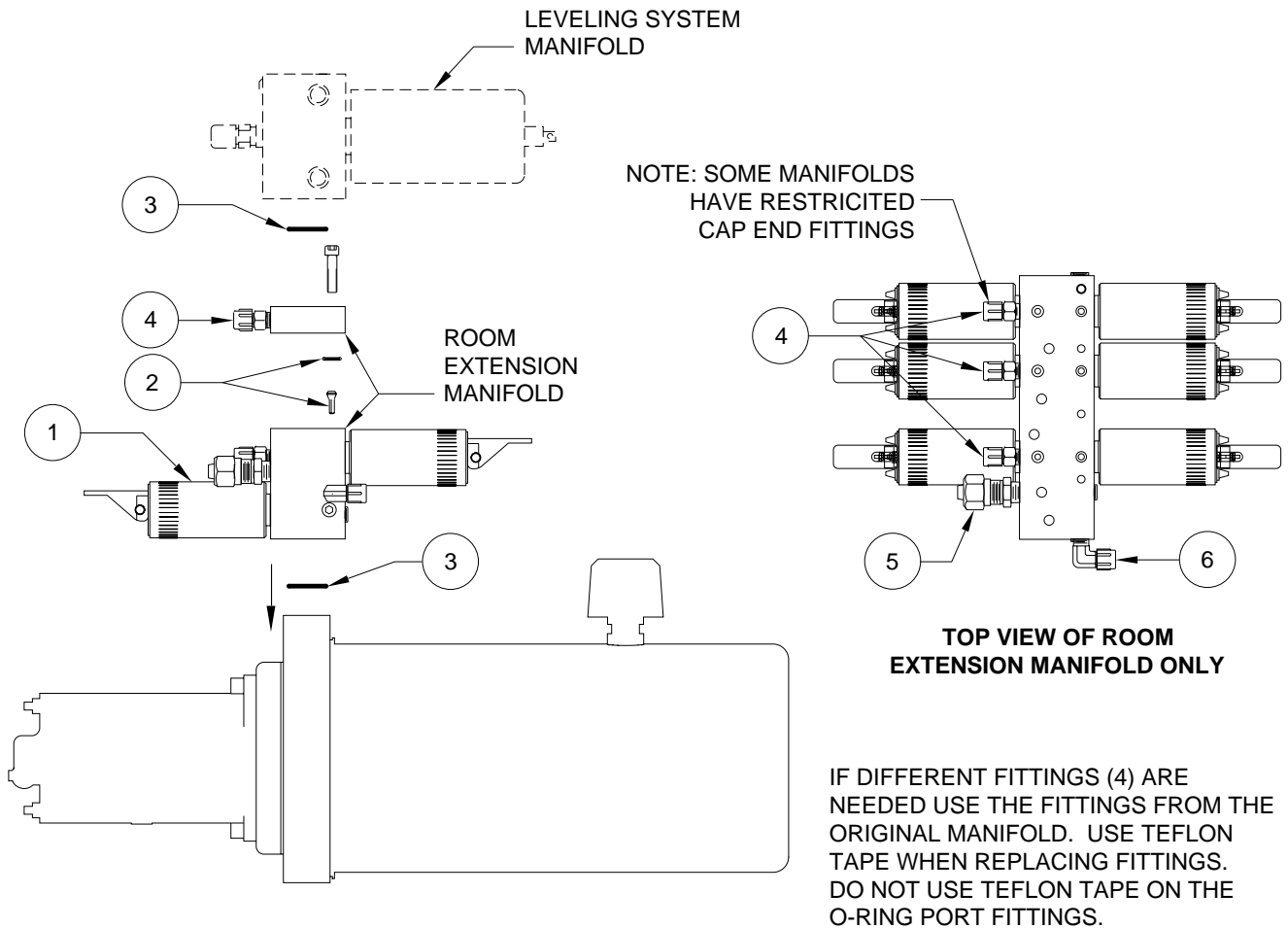
### WITH LEVELING MANIFOLD

**DO NOT REPLACE THE COMPLETE MANIFOLD WITHOUT CONTACTING HWH CORPORATION FIRST.**

EXISTING MANIFOLD MAY HAVE DIFFERENT FITTINGS THAN SHOWN.

REPLACEMENT OF THE COMPLETE ASSEMBLY IS USUALLY NOT NECESSARY.

MANIFOLD IS SHOWN WITH FITTINGS INSTALLED FOR USE WITH REMOTE ROOM MANIFOLDS OR STEP COVER.



ITEM	PART	QTY	DESCRIPTION	ITEM	PART	QTY	DESCRIPTION
1	RAP90729	1	SOLENOID VALVE	RAP93181	1	MOUNTING BOLT KIT	2 MANIFOLD
2	RAP10021	1	CHECK VALVE KIT (KIT INCLUDES 4 O-RINGS AND CHECK VALVES)	RAP93182	1	MOUNTING BOLT KIT	2 MANIFOLD W/SPACER
3	RAP90127	1	O-RING KIT	RAP93183	1	MOUNTING BOLT KIT	3 MANIFOLD
4	RF1456	1	4-FTX-S MALE CONNECTOR	RAP90132	1	1" SPACER KIT	
	OR		ORIFICE OUT	R7430	1	O-RING KIT (8 SETS OF PORT O-RINGS FOR SOLENOID VALVES OR SHUTTLE VALVE)	
5	RF1458	1	68NTA-8-4 1/2" TUBE X 1/4" NPT BRASS				
6	RF1453	1	4-CTX-S MALE ELBOW				

# ROOM EXTENSION MANIFOLD 4 OR MORE ROOMS

## SMALL SOLENOID VALVES - INDEPENDENT CHECK VALVES

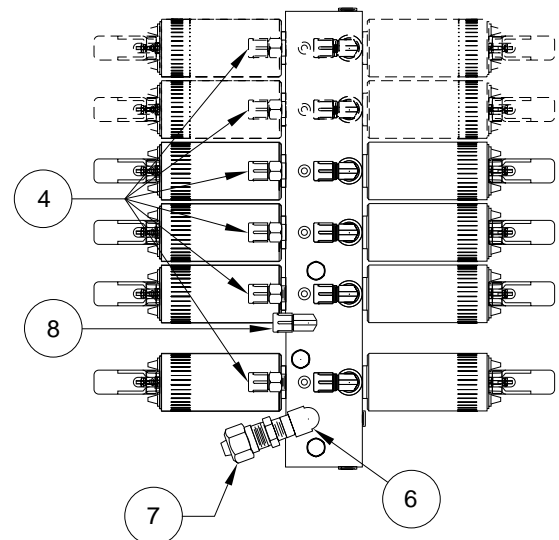
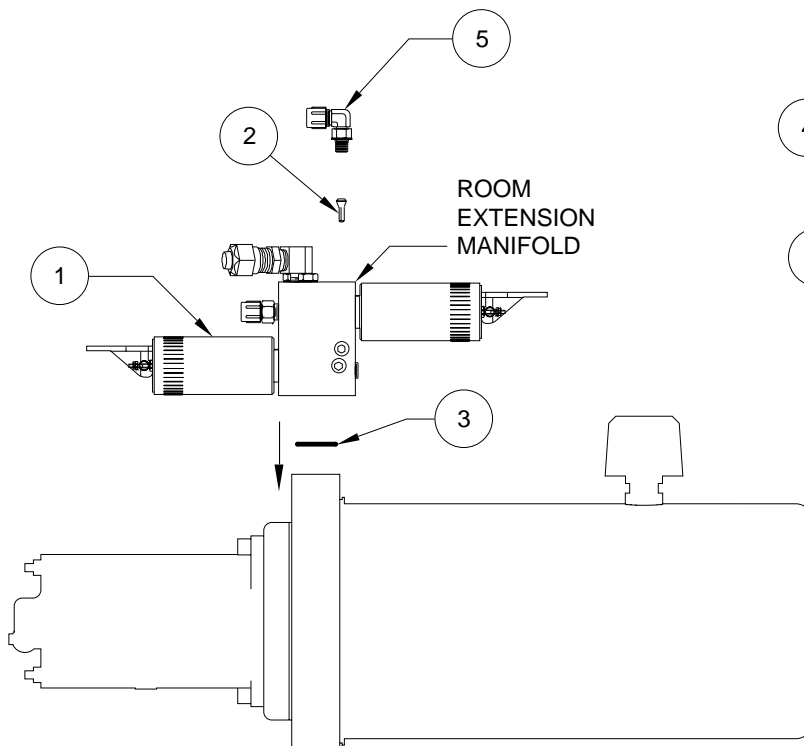
### NO LEVELING MANIFOLD

**DO NOT REPLACE THE COMPLETE MANIFOLD WITHOUT CONTACTING HWH CORPORATION FIRST.**

EXISTING MANIFOLD MAY HAVE DIFFERENT FITTINGS THAN SHOWN.

REPLACEMENT OF THE COMPLETE ASSEMBLY IS USUALLY NOT NECESSARY.

MANIFOLD IS SHOWN WITH FITTINGS INSTALLED FOR USE WITH LEVER CONTROLLED LEVELING SYSTEMS.



**TOP VIEW OF ROOM  
EXTENSION MANIFOLD ONLY**

IF DIFFERENT FITTINGS (4 OR 5) ARE NEEDED USE THE FITTINGS FROM THE ORIGINAL MANIFOLD. USE TEFLON TAPE WHEN REPLACING FITTINGS. DO NOT USE TEFLON TAPE ON THE O-RING PORT FITTINGS.

ITEM	PART	QTY	DESCRIPTION	ITEM	PART	QTY	DESCRIPTION
1	RAP90729	1	SOLENOID VALVE	RAP90128	1	MOUNTING BOLT KIT	
2	RAP10021	1	CHECK VALVE KIT (KIT INCLUDES FOUR CHECK VALVES)				1 MANIFOLD
3	RAP90127	1	O-RING KIT	RAP90132	1	1" SPACER KIT	
4	RF1456	1	4-FTX-S MALE CONNECTOR	R7430	1	O-RING KIT (8 SETS OF PORT O-RINGS FOR SOLENOID VALVES OR SHUTTLE VALVE)	
5	RF91988	1	5/16" x 1/4" TUBE 90D ELBOW				
6	RF3340	1	2202P-4-4 ELBOW (BRASS)				
7	RF1458	1	68NTA-8-4 1/2" TUBE X 1/4" NPT BRASS				
8	RF1453	1	4-CTX-S MALE ELBOW				

# ROOM EXTENSION MANIFOLD 4 OR ROOMS

## SMALL SOLENOID VALVES - INDEPENDENT CHECK VALVES

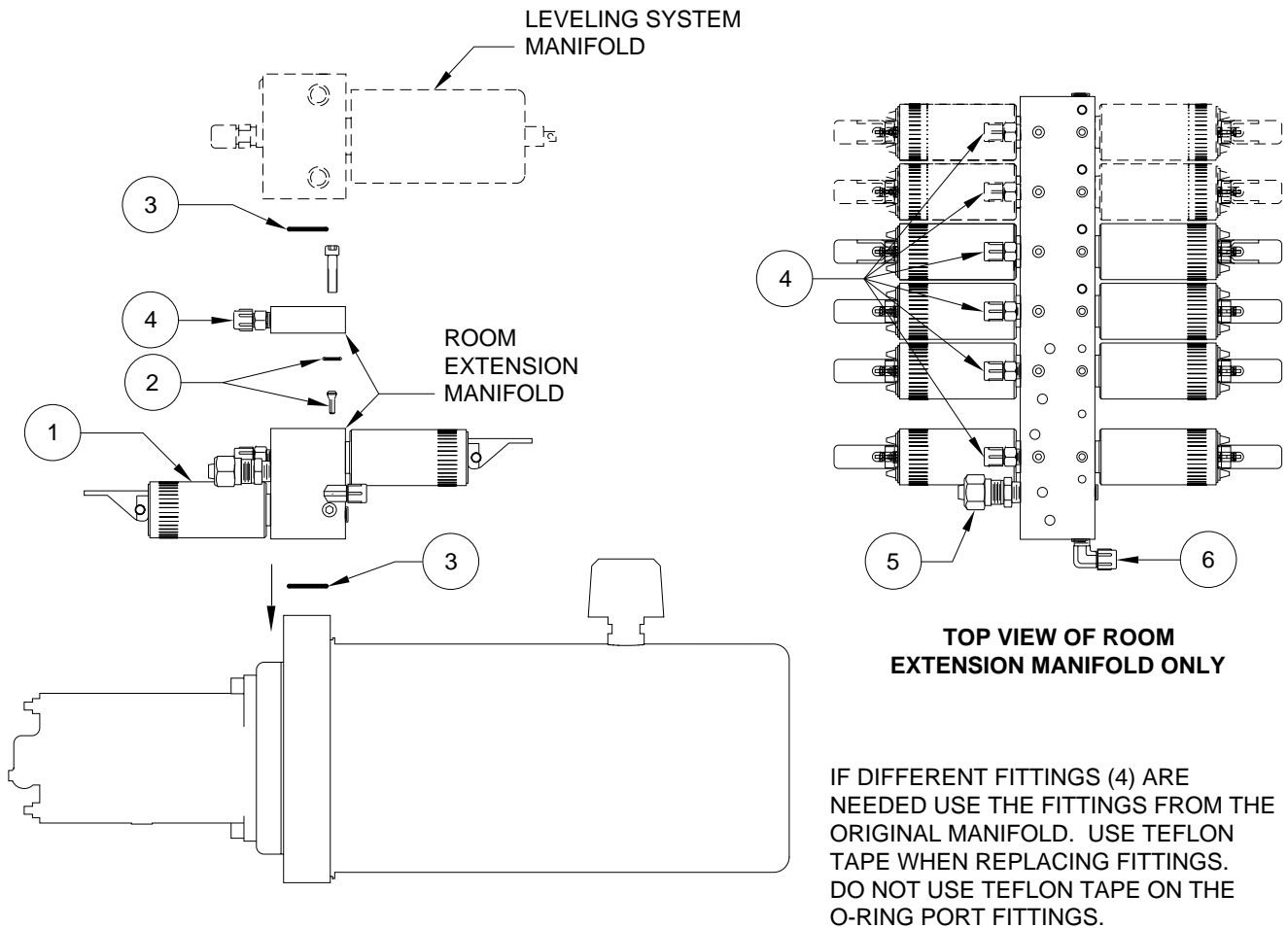
### WITH LEVELING MANIFOLD

**DO NOT REPLACE THE COMPLETE MANIFOLD WITHOUT CONTACTING HWH CORPORATION FIRST.**

EXISTING MANIFOLD MAY HAVE DIFFERENT FITTINGS THAN SHOWN.

REPLACEMENT OF THE COMPLETE ASSEMBLY IS USUALLY NOT NECESSARY.

MANIFOLD IS SHOWN WITH FITTINGS INSTALLED FOR USE WITH REMOTE ROOM MANIFOLDS OR STEP COVER.



ITEM	PART	QTY	DESCRIPTION	ITEM	PART	QTY	DESCRIPTION
1	RAP90729	1	SOLENOID VALVE	RAP93181	1	MOUNTING BOLT KIT	2 MANIFOLD
2	RAP10021	1	CHECK VALVE KIT (KIT INCLUDES 4 O-RINGS AND CHECK VALVES)	RAP93182	1	MOUNTING BOLT KIT	2 MANIFOLD W/SPACER
3	RAP90127	1	O-RING KIT	RAP93183	1	MOUNTING BOLT KIT	3 MANIFOLD
4	RF1456	1	4-FTX-S MALE CONNECTOR	RAP90132	1	1" SPACER KIT	
5	RF1458	1	68NTA-8-4 1/2" TUBE X 1/4" NPT BRASS	R7430	1	O-RING KIT (8 SETS OF PORT O-RINGS FOR SOLENOID VALVES OR SHUTTLE VALVE)	
6	RF1453	1	4-CTX-S MALE ELBOW				



---

# HARNESSES

## 400 SERIES - COMPUTERIZED PADDLE SWITCH

---

THESE HARNESSES ARE USED TO REPLACE ANY LENGTH 400 SERIES HARNESS. CHOOSE A HARNESS LENGTH THAT CAN BE USED TO REPLACE THE EXISTING HARNESS.

### MAIN HARNESS - COMPUTER PANEL TO MANIFOLD ASSEMBLY (CAN BE USED FOR SYSTEMS WITH AUTOMATIC AIR DUMP)

PART	LENGTH
RAP90180	25' - 0"
RAP90181	45' - 0"

### PUMP HARNESS - 3-BREAKER PANEL TO POWER UNIT RELAYS (CAN BE USED WITH ALL 400 SERIES SYSTEMS)

PART	LENGTH
RAP90179	7' - 6"
RAP90178	23' - 0"

### REMOTE HARNESS - 2-SWITCH PANEL TO MAIN COMPUTER PANEL (USED FOR SYSTEMS WITH 2-SWITCH REMOTE MASTER PANEL)

PART	LENGTH
RAP90182	15' - 0"

### POWER HARNESS - RED AND WHITE TWISTED PIGTAIL (CAN BE USED WITH ALL 400 SERIES SYSTEMS)

PART	LENGTH
RAP90183	8' - 0"

### WARNING SWITCH HARNESS - 6-WIRE PIGTAIL (HAS WHITE AND PURPLE WIRE FOR MASTER WARNING LIGHT IF NEEDED)

PART	LENGTH
RAP90184	1' - 6"

---

# HARNESSES

## 510 SERIES - COMPUTERIZED TOUCH PANEL

---

THESE HARNESSES ARE USED TO REPLACE EXISTING HARNESSES IN 510 SYSTEMS. CHOOSE A HARNESS LENGTH THAT WILL REPLACE THE EXISTING HARNESS.

### MAIN HARNESS - CONTROL BOX TO MANIFOLD ASSEMBLY (CAN BE USED FOR SYSTEMS WITH AUTOMATIC AIR DUMP)

PART	LENGTH
RAP90187	11' - 0"
RAP90188	20' - 0"

### PUMP/MASTER RELAY HARNESS - CONTROL BOX TO POWER UNIT RELAYS (CAN BE USED WITH ALL 510 SERIES SYSTEMS)

PART	LENGTH
RAP90189	11' - 0"
RAP90190	20' - 0"

### POWER HARNESS - 2-WIRE HARNESS (CAN BE USED WITH ALL 510 SERIES SYSTEMS)

PART	LENGTH
RAP90191	10' - 0"
RAP90192	20' - 6"

### JACK WARNING SWITCH PIGTAIL - 4-WIRE PIGTAIL (CAN BE USED WITH ALL 510 SERIES SYSTEMS)

PART	LENGTH
RAP90193	1' - 0"

### MASTER WARNING LIGHT PIGTAIL - 2-WIRE PIGTAIL

PART	LENGTH
RAP90194	4' - 0"
RAP90196	13' - 0"

# REPAIR PIGTAILS

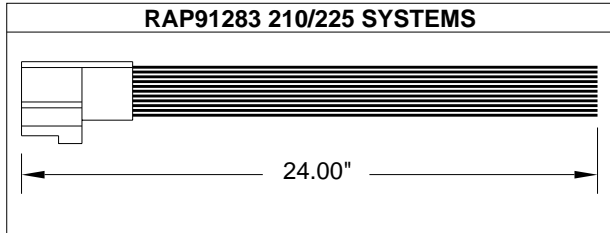
## FOR DAMAGED WARNING/POWER HARNESSSES

THE FOLLOWING 24" PIGTAILS ARE DESIGNED FOR REPAIR OF AN EXISTING HARNESS THAT HAS BEEN DAMAGED WITHIN THE FIRST 24" OF THE VALVE BODY.

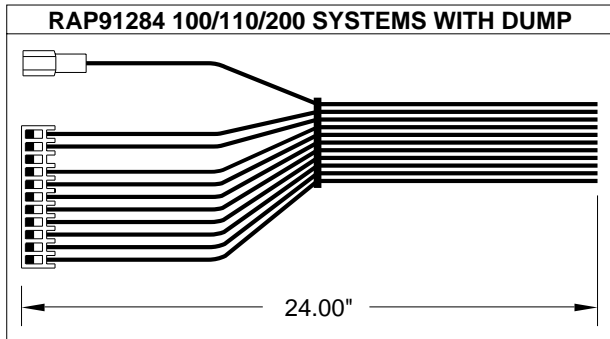
IF THE EXISTING HARNESS CONTAINS ALL BLACK WIRES, MATCH THE WIRE NUMBERS.

IF THE EXISTING HARNESS CONTAINS MULTIPLE COLORED WIRES SEE DIAGRAMS BELOW.

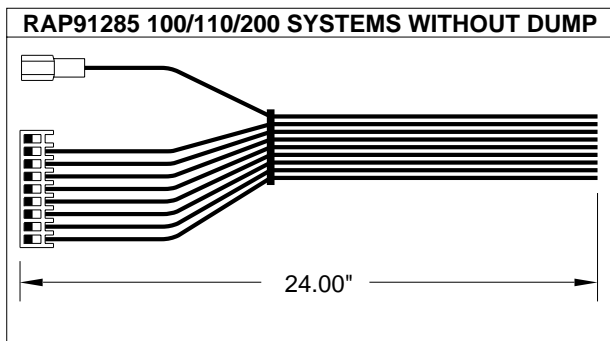
IF NEITHER OF THESE SCENARIOS IS APPLICABLE CONTACT HWH CORPORATION.



PIGTAIL	→ / ←	EXISTING HARNESS
RED (6120)	→ / ←	RED - TO 12V ACC.
WHITE (6230)	→ / ←	WHITE - GROUND MULTIPLE
BLACK (9000)	→ / ←	BLUE - TO PARK BRAKE SWITCH
BLACK (6121)	→ / ←	PURPLE - TO JACKS DOWN LIGHT
BLACK (7699)	→ / ←	BROWN - TO JACKS DOWN LIGHT
BLACK (6820)	→ / ←	BLUE - TO PUMP RELAY
BLACK (8600)	→ / ←	BLACK - TO PUMP RELAY
BLACK (1000)	→ / ←	ORANGE - TO LF JACK
BLACK (2000)	→ / ←	GRAY - TO RF JACK
BLACK (3000)	→ / ←	BLACK - TO RR JACK
BLACK (4000)	→ / ←	GREEN - TO LR JACK



PIGTAIL	→ / ←	EXISTING HARNESS
RED (6120)	→ / ←	RED - TO CONTROL PANEL FUSE
BLACK (9301)	→ / ←	YELLOW - TO AIR DUMP
BLACK (9300)	→ / ←	YELLOW - TO AIR DUMP
NOT CONNECTED		
BLACK (3000)	→ / ←	BLACK - TO RR JACK
BLACK (2000)	→ / ←	GRAY - TO RF JACK
BLACK (1000)	→ / ←	ORANGE - TO LF JACK
BLACK (4000)	→ / ←	GREEN - TO LR JACK
BLACK (6121)	→ / ←	PURPLE - TO JACKS DOWN LIGHT
BLACK (7699)	→ / ←	BROWN - TO JACKS DOWN LIGHT
BLACK (6820)	→ / ←	BLUE - TO PUMP RELAY
WHITE (6230)	→ / ←	WHITE - GROUND MULTIPLE



PIGTAIL	→ / ←	EXISTING HARNESS
RED (6120)	→ / ←	RED - TO CONTROL PANEL FUSE
NOT CONNECTED		
BLACK (3000)	→ / ←	BLACK - TO RR JACK
BLACK (2000)	→ / ←	GRAY - TO RF JACK
BLACK (1000)	→ / ←	ORANGE - TO LF JACK
BLACK (4000)	→ / ←	GREEN - TO LR JACK
BLACK (6121)	→ / ←	PURPLE - TO JACKS DOWN LIGHT
BLACK (7699)	→ / ←	BLACK - TO JACKS DOWN LIGHT
BLACK (6820)	→ / ←	BLUE - TO PUMP RELAY
WHITE (6230)	→ / ←	WHITE - GROUND MULTIPLE

# REPAIR PIGTAILS

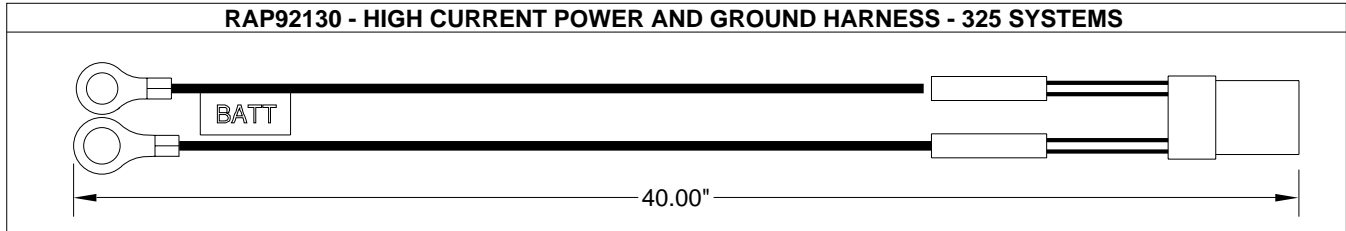
## FOR DAMAGED WARNING/POWER HARNESSSES

THE FOLLOWING PIGTAILS ARE DESIGNED FOR REPAIR OR REPLACEMENT OF AN EXISTING HARNESS THAT HAS BEEN DAMAGED WITHIN THE FIRST 12" TO 24" OF THE HARNESS.

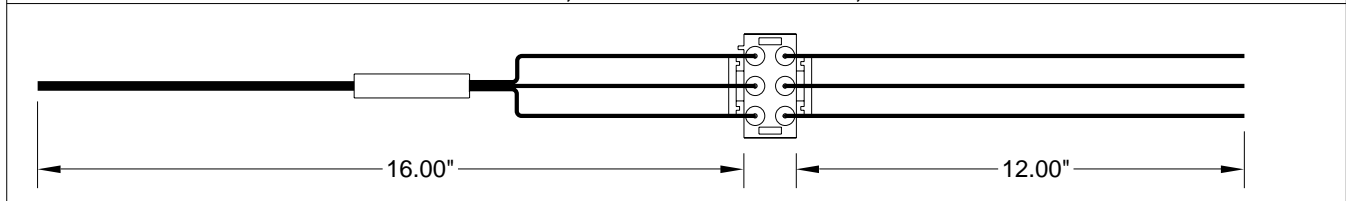
IF NONE OF THESE SCENARIOS IS APPLICABLE CONTACT HWH CORPORATION.

IF THE EXISTING HARNESS CONTAINS ALL BLACK WIRES, MATCH THE WIRE NUMBERS.

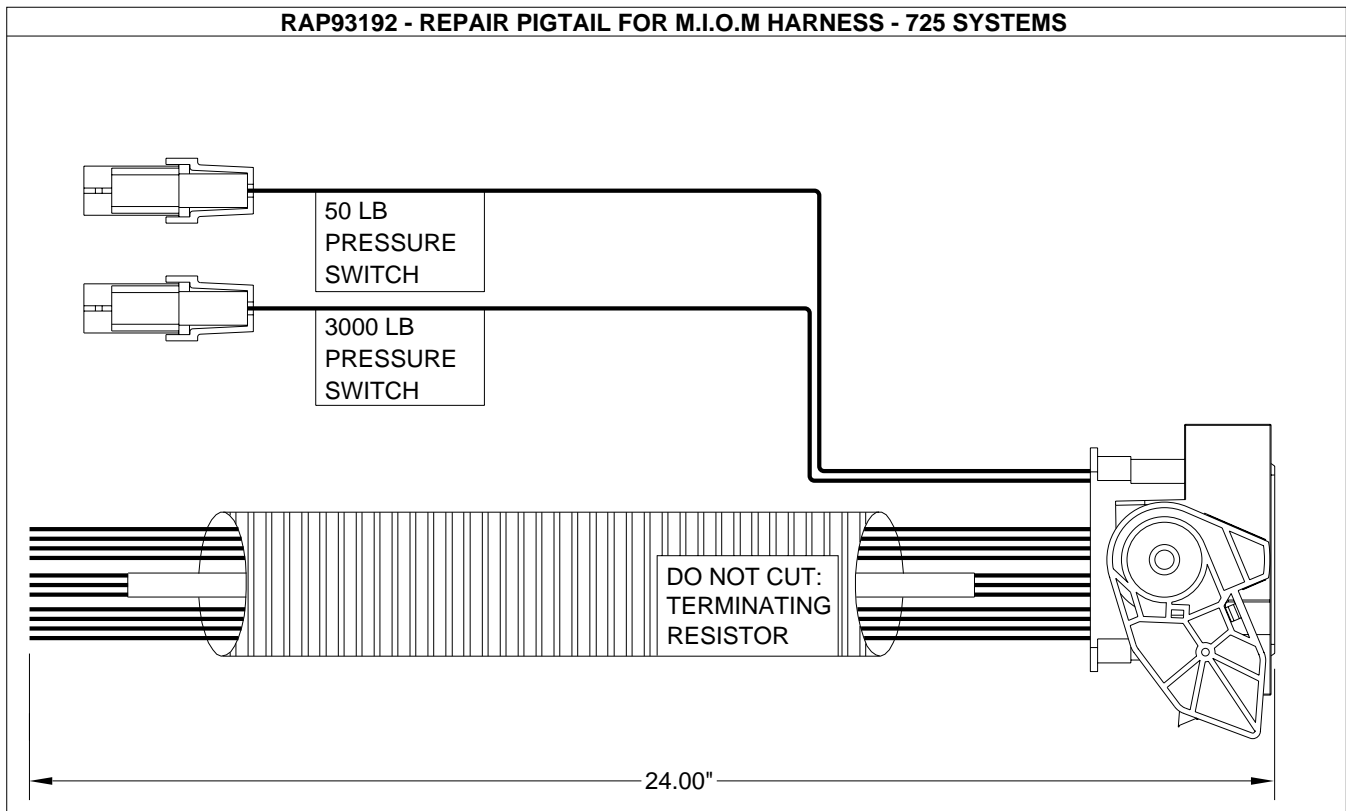
### RAP92130 - HIGH CURRENT POWER AND GROUND HARNESS - 325 SYSTEMS



### RAP93165 - REPAIR PIGTAIL FOR HIGH CURRENT POWER, MASTER AND PUMP RELAYS, AND PARK BRAKE HARNESS - 310/610 SYSTEMS



### RAP93192 - REPAIR PIGTAIL FOR M.I.O.M HARNESS - 725 SYSTEMS



---

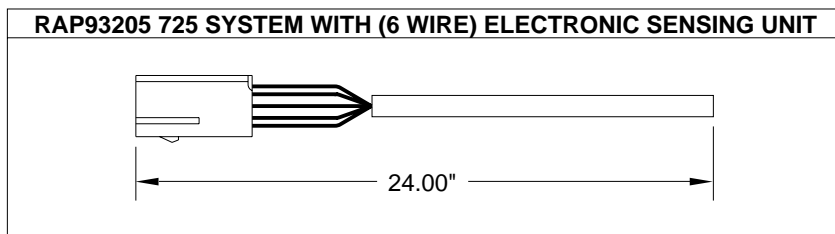
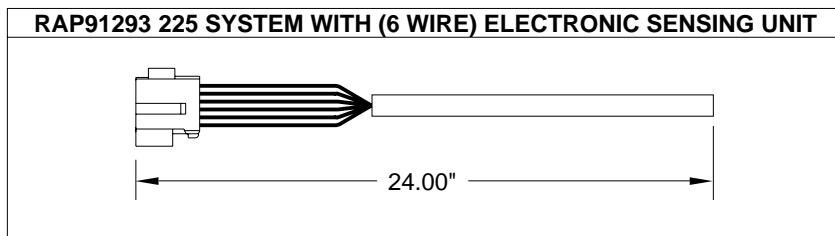
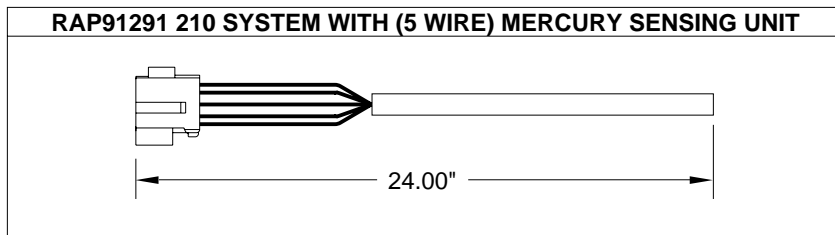
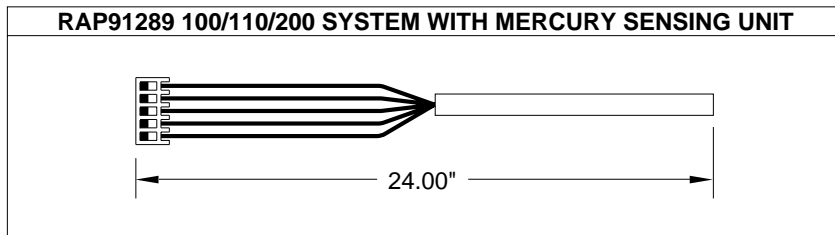
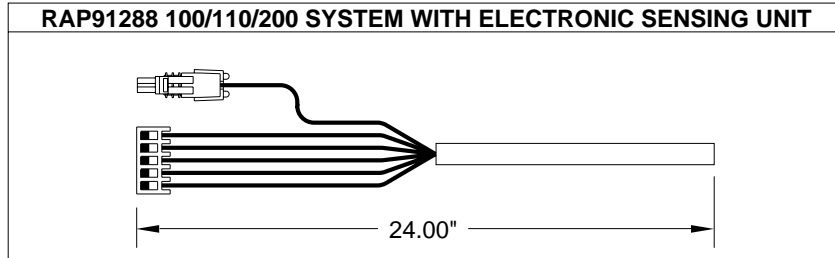
# REPAIR PIGTAILS

## FOR DAMAGED SENSING UNIT HARNESSES

---

THE FOLLOWING 24" PIGTAILS ARE DESIGNED FOR REPAIR OF AN EXISTING HARNESS THAT HAS BEEN DAMAGED WITHIN THE FIRST 24" OF THE VALVE BODY OR THE HARNESS.

MATCH PIGTAIL WIRE COLOR OR NUMBER TO EXISTING HARNESS WIRE COLOR OR NUMBER. SHRINKTUBE EACH INDIVIDUAL WIRE CONNECTION. SHRINKTUBE OVER COMBINED INDIVIDUAL CONNECTIONS.



# HYDRAULIC HOSE AND FITTINGS

## FOR HWH LEVELING SYSTEMS

USE ONLY HYDRAULIC HOSE ASSEMBLIES SUPPLIED BY HWH CORPORATION OR COMPONENTS SUPPLIED BY HWH CORPORATION AND ENDS SWAGED ON WITH PROPER SWAGING TOOLS. SEE SPECIAL TOOL SECTION FOR SWAGING EQUIPMENT.

**CAUTION ! SERIOUS PERSONAL INJURY MAY RESULT DUE TO A RUPTURED HOSE OR ENDS IF INCORRECT COMPONENTS, SWAGING EQUIPMENT OR SWAGING PROCEDURES ARE USED WHEN MAKING HOSE ASSEMBLIES.**

ML24976 contains information necessary for identifying hose, hose ends and swaging equipment needed to make or repair HWH hydraulic hose. ML24976 also contains instructions for properly swaging hose and maintaining swaging equipment. You can link to this page from here or go to "Customer Support and Technical Service" from the HWH home page. ML24976 is under "Information Bulletins and Instruction Sheets".

The swaging tool and related swaging equipment is on page MR75.1000 in the HWH Parts Catalog.

PART	DESCRIPTION
R5233	HYDRAULIC HOSE HWH 04 1/4" X 250'
R7313	HYDRAULIC HOSE HWH 04 1/4" X 100'
R90333	HYDRAULIC HOSE HWH 02 1/8" HP X 50'
RFH3338	HOSE END 1/4" X 7/16-20 FEMALE SWIVEL (BOX OF 20)
R93392	HOSE END 1/4" X 7/16-20 FEMALE SWIVEL (BOX OF 5)
R90331	HOSE END 1/8" HP X 7/16-20 FEMALE SWIVEL (BOX OF 5)
RAP6219	DUST PLUG FOR 1/4" HOSE END (BAG OF 100)
R5232	TUBING NYLON 1/2" X 50' (RETURN LINE)
R4220	TUBING NYLON 1/2" X 8' (RETURN LINE)
R90422	TUBING NYLON 1/2" X 12' (RETURN LINE)

### READY MADE 1/4" HOSE ASSEMBLIES

HOSE ASSEMBLIES ARE OF THE DESIGNATED LENGTH WITH A 7/16-20 FEMALE 37 DG. J/C FITTING SWAGED ON EACH END.

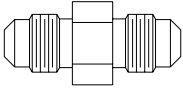
PART	LENGTH
RAP4158	1' - 0"
RAP4060	2' - 0"
RAP4059	3' - 0"
RAP3314	4' - 0"
RAP4073	5' - 0"
RAP4159	6' - 0"
RAP1412	7' - 0"
RAP5352	8' - 0"
RAP4074	9' - 0"

PART	LENGTH
RAP4161	10' - 0"
RAP4827	12' - 0"
RAP6115	14' - 0"
RAP4162	16' - 0"
RAP4061	18' - 0"
RAP6116	20' - 0"
RAP6216	22' - 0"
RAP4063	24' - 0"

PART	LENGTH
RAP5216	26' - 0"
RAP5561	28' - 0"
RAP4163	30' - 0"
RAP4164	32' - 0"
RAP4669	34' - 0"
RAP6117	36' - 0"
RAP6217	38' - 0"
RAP6218	40' - 0"

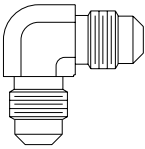
**NOTE:** 1/8", 5/16" AND 3/8" HOSE ASSEMBLIES AND BULK HOSE ARE AVAILABLE UPON REQUEST FROM HWH CORPORATION. 3/16" HOSE ASSEMBLIES ARE AVAILABLE FROM HWH CORPORATION. BULK 3/16" HOSE IS NOT AVAILABLE.

**FITTINGS, HYDRAULIC**  
**FOR HWH LEVELING AND ROOM EXTENSION SYSTEMS**



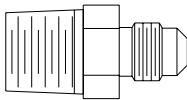
**37° MALE UNION  
 FLARE TUBE BOTH ENDS**

HWH PART #	PARKER PART #	DESCRIPTION	QTY PER RF
RF2539 (F2539)	4 HTX-S	1/4" TUBE X 1/4" TUBE MALE UNION	1
RF90136 (F3818)	5 HTX-S	5/16" TUBE X 5/16" TUBE MALE UNION	1
RF90138 (F3970)	6 HTX-S	3/8" TUBE X 3/8" TUBE MALE UNION	1



**37° UNION ELBOW  
 FLARE TUBE BOTH ENDS**

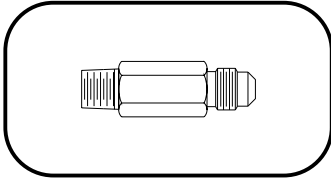
HWH PART #	PARKER PART #	DESCRIPTION	QTY PER RF
RF90146 (F10129)	4 ETX-S	1/4" TUBE X 1/4" TUBE MALE 90° UNION	1



**37° MALE CONNECTOR  
 FLARE TUBE END AND MALE PIPE END**

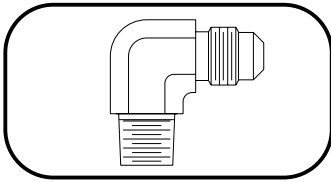
HWH PART #	PARKER PART #	DESCRIPTION	QTY PER RF
RF1456 (F1456)	4 FTX-S	1/4" TUBE X 1/8" NPTF MALE CONNECTOR	1
RF1477 (F1477)	4-4 FTX-S	1/4" TUBE X 1/4" NPTF MALE CONNECTOR	1
RF90919 (F0731)	5 FTX-S	5/16" TUBE X 1/8" NPTF MALE CONNECTOR	1
RF3475 (F3475)	5-4 FTX-S	5/16" TUBE X 1/4" NPTF MALE CONNECTOR	1
RF3954 (F3954)	6 FTX-S	3/8" TUBE X 1/4" NPTF MALE CONNECTOR	1

**FITTINGS, HYDRAULIC**  
**FOR HWH LEVELING AND ROOM EXTENSION SYSTEMS**



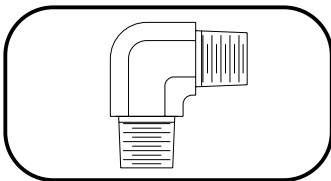
**37° LONG MALE CONNECTOR**  
**FLARE TUBE END AND MALE PIPE END**

HWH PART #	PARKER PART #	DESCRIPTION	QTY PER RF
RF91976 (F31387)	4 FCTX	1/4" TUBE X 1/8" NPTF LONG MALE CONNECTOR	1



**37° MALE 90° ELBOW**  
**FLARE TUBE END AND MALE PIPE END**

HWH PART #	PARKER PART #	DESCRIPTION	QTY PER RF
RF1453 (F1453)	4 CTX-S	1/4" TUBE X 1/8" NPTF MALE 90° ELBOW	1
RF1514 (F1514)	4-4 CTX-S	1/4" TUBE X 1/4" NPTF MALE 90° ELBOW	1
RF90141 (F7071)	5 CTX-S	5/16" TUBE X 1/8" NPTF MALE 90° ELBOW	1
RF90139 (F3817)	5-4 CTX-S	5/16" TUBE X 1/4" NPTF MALE 90° ELBOW	1
RF3968 (F3968)	6 CTX-S	3/8" TUBE X 1/4" NPTF MALE 90° ELBOW	1

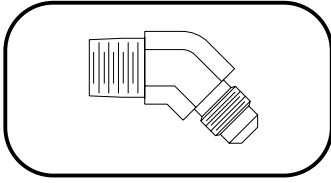


**MALE PIPE 90° ELBOW**  
**MALE PIPE END BOTH ENDS**

HWH PART #	PARKER PART #	DESCRIPTION	QTY PER RF
RF8143 (F8143)	1/8 CR-S	1/8" NPTF X 1/8" NPTF MALE 90° ELBOW	1

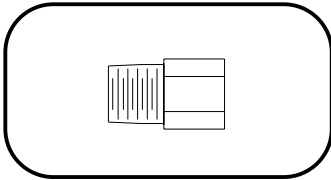


**FITTINGS, HYDRAULIC**  
**FOR HWH LEVELING AND ROOM EXTENSION SYSTEMS**



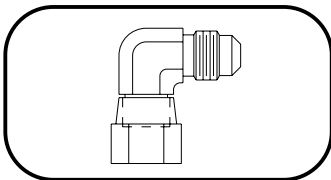
**37° MALE 45° ELBOW**  
**FLARE TUBE END AND MALE PIPE END**

HWH PART #	PARKER PART #	DESCRIPTION	QTY PER RF
RF5996 (F5996)	4 VTX-S	1/4" TUBE X 1/8" NPTF MALE 45° ELBOW	1
RF90140 (F1617)	4-4 VTX-S	1/4" TUBE X 1/4" NPTF MALE 45° ELBOW	1
R3969 (F3969)	6 VTX-S	3/8" TUBE X 1/4" NPTF MALE 45° ELBOW	1



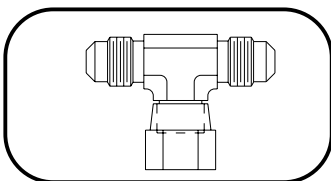
**37° FEMALE TUBE SWIVEL CONNECTOR**  
**FLARE TUBE FEMALE SWIVEL - NPT MALE**

HWH PART #	PARKER PART #	DESCRIPTION	QTY PER RF
RF90153 (F3923)	4-4 F6X-S	1/4" FEMALE SWIVEL X 1/4" NPTF MALE	1



**37° SWIVEL NUT ELBOW**  
**FLARE TUBE AND SWIVEL NUT END**

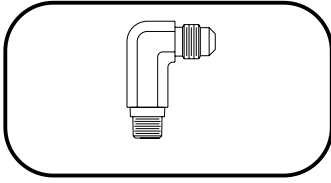
HWH PART #	PARKER PART #	DESCRIPTION	QTY PER RF
RF90010 (F4758)	4 C6X-S	1/4" TUBE SWIVEL NUT ELBOW	1
RF90143 (F6635)	5 C6X-S	5/16" TUBE SWIVEL NUT ELBOW	1



**37° SWIVEL NUT BRANCH TEE**  
**FLARE TUBE ENDS - SWIVEL NUT END ON BRANCH**

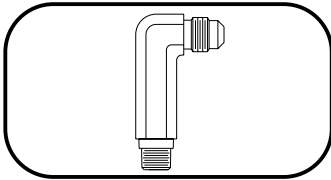
HWH PART #	PARKER PART #	DESCRIPTION	QTY PER RF
RF90150 (F6947)	4 S6X-S	1/4" TUBE BOTH ENDS WITH 1/4" SWIVEL NUT BRANCH	1

**FITTINGS, HYDRAULIC**  
**FOR HWH LEVELING AND ROOM EXTENSION SYSTEMS**



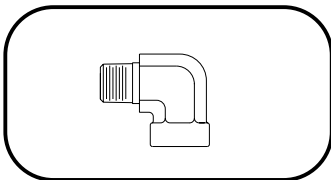
**37° LONG MALE 90° ELBOW  
 FLARE TUBE END AND MALE PIPE END**

HWH PART #	PARKER PART #	DESCRIPTION	QTY PER RF
RF1511 (F1511)	4 CCTX-S	1/4" TUBE X 1/8" NPTF LONG MALE 90° ELBOW	1
RAP3798	-----	RF1511 ELBOW WITH RESTRICTER	1



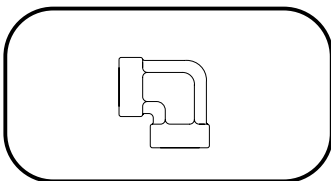
**37° EXTRA LONG MALE 90° ELBOW  
 FLARE TUBE END AND MALE PIPE END**

HWH PART #	PARKER PART #	DESCRIPTION	QTY PER RF
RF90145 (F10905)	4 CCCTX-S	1/4" TUBE X 1/8" NPTF EXTRA LONG MALE 90° ELBOW	1



**90° STREET ELBOW  
 MALE AND FEMALE PIPE END**

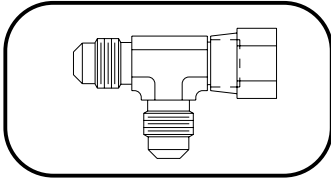
HWH PART #	PARKER PART #	DESCRIPTION	QTY PER RF
RF90796 (F11576)	1/8 CD-S	1/8" NPTF X 1/8" NPTF STREET ELBOW	1
RF90432 (F13578)	1/4 CD-S	1/4" NPTF X 1/4" NPTF STREET ELBOW	1



**90° STREET FEMALE ELBOW  
 FEMALE PIPE END**

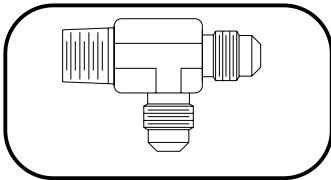
HWH PART #	PARKER PART #	DESCRIPTION	QTY PER RF
RF91977 (F22667)	1/4 DD-S	1/4" NPTF X 1/4" NPTF STREET ELBOW	1

**FITTINGS, HYDRAULIC**  
**FOR HWH LEVELING AND ROOM EXTENSION SYSTEMS**



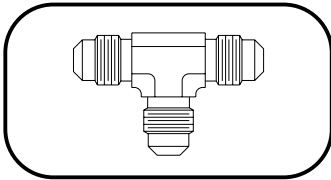
**37° SWIVEL NUT RUN TEE**  
**2 FLARE TUBE ENDS - SWIVEL NUT END ON RUN**

HWH PART #	PARKER PART #	DESCRIPTION	QTY PER RF
RF90148 (F6006)	4 R6X-S	1/4" TUBE SWIVEL NUT RUN TEE	1
RF90149 (F6634)	5 R6X-S	5/16" TUBE SWIVEL NUT RUN TEE	1



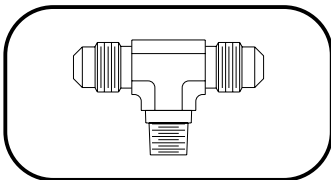
**MALE RUN TEE**  
**2 FLARE TUBE ENDS AND 1 MALE PIPE THREAD**

HWH PART #	PARKER PART #	DESCRIPTION	QTY PER RF
RF91978 (F12322)	4 RTX-S	1/4" TUBE X 1/8" NPTF PIPE THREAD	1



**37° UNION TEE**  
**FLARE TUBE END ALL 3 PORTS**

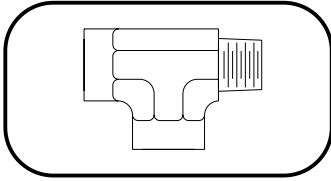
HWH PART #	PARKER PART #	DESCRIPTION	QTY PER RF
RF3680 (F3680)	4 JTX-S	1/4" TUBE UNION TEE	1
RF90144 (F5988)	5 JTX-S	5/16" TUBE UNION TEE	1



**37° MALE BRANCH TEE**  
**FLARE TUBE ENDS - MALE PIPE BRANCH**

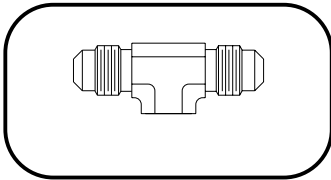
HWH PART #	PARKER PART #	DESCRIPTION	QTY PER RF
RF90151 (F6966)	4 STX-S	1/4" TUBE ENDS X 1/8" NPTF MALE BRANCH TEE	1

**FITTINGS, HYDRAULIC**  
**FOR HWH LEVELING AND ROOM EXTENSION SYSTEMS**



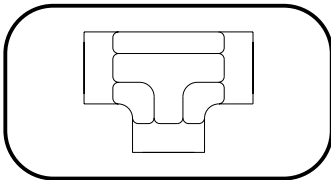
**MALE RUN TEE**  
**1 MALE PIPE END AND 2 FEMALE PIPE ENDS**

HWH PART #	PARKER PART #	DESCRIPTION	QTY PER RF
RF90093 (F11264)	1/8 MRO-S	1/8" NPTF MALE ON RUN X 1/8" NPTF FEMALE	1



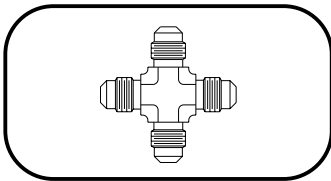
**37° FEMALE BRANCH TEE**  
**FLARE TUBE ENDS - FEMALE PIPE BRANCH**

HWH PART #	PARKER PART #	DESCRIPTION	QTY PER RF
RF4670 (F4670)	4 OTX-S	1/4" TUBE ENDS X 1/8" NPTF FEMALE BRANCH	1



**FEMALE PIPE TEE**  
**3 PIPE ENDS**

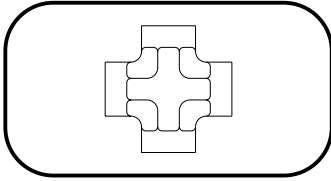
HWH PART #	PARKER PART #	DESCRIPTION	QTY PER RF
RF91979 (F21691)	1/8 MMO-S	1/8" NPTF PIPE TEE	1
RF91980 (F13549)	1/4 MMO-S	1/4" NPTF PIPE TEE	1



**37° UNION CROSS**  
**MALE FLARE TUBE END ALL 4 PORTS**

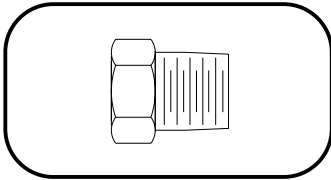
HWH PART #	PARKER PART #	DESCRIPTION	QTY PER RF
RF90147 (F3906)	4 KTX-S	1/4" TUBE UNION CROSS	1

**FITTINGS, HYDRAULIC**  
**FOR HWH LEVELING AND ROOM EXTENSION SYSTEMS**



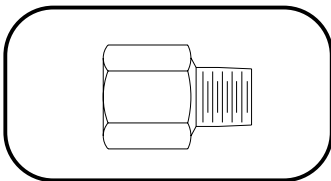
**FEMALE PIPE CROSS**  
**FEMALE PIPE END ALL 4 PORTS**

HWH PART #	PARKER PART #	DESCRIPTION	QTY PER RF
RF91981 (F26997)	1/8 KMMOO-S	1/8" NPTF CROSS	1
RF91982 (F13548)	1/4 KMMOO-S	1/4" NPTF CROSS	1



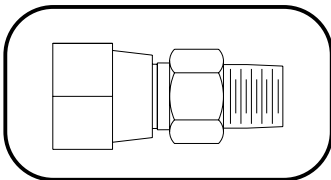
**PIPE THREAD REDUCER**  
**1 FEMALE PIPE END AND 1 MALE PIPE END**

HWH PART #	PARKER PART #	DESCRIPTION	QTY PER RF
RF90795 (F7021)	1/4 X 1/8 PTR-S	1/4" NPTF X 1/8" NPTF REDUCER	1
RF2912 (F2912)	3/8 X 1/4 PTR-S	3/8" NPTF X 1/4" NPTF REDUCER	1



**EXPANDER / ADAPTER**  
**1 FEMALE PIPE END AND 1 MALE PIPE END**

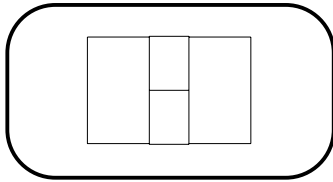
HWH PART #	PARKER PART #	DESCRIPTION	QTY PER RF
RF91983 (F29907)	1/8 FG-S	1/8" NPTF X 1/8" NPTF	1
RF90794 (F10193)	1/4 X 1/8 FG-S	1/4" NPTF X 1/8" NPTF	1



**37° SWIVEL NUT CONNECTOR**  
**FLARE TUBE WITH SWIVEL NUT AND 1 MALE PIPE END**

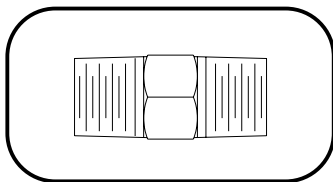
HWH PART #	PARKER PART #	DESCRIPTION	QTY PER RF
RF92462 (F42927)	4-F6X-S	1/8" NPTF X 1/4" TUBE SWIVEL NUT	1

**FITTINGS, HYDRAULIC**  
**FOR HWH LEVELING AND ROOM EXTENSION SYSTEMS**



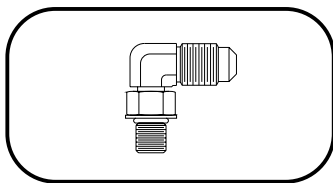
**COUPLING**  
**2 FEMALE PIPE ENDS**

HWH PART #	PARKER PART #	DESCRIPTION	QTY PER RF
RF91986 (F22750)	1/4 X 1/8 GG-S	1/4" NPTF X 1/8" NPTF COUPLING	1
RF91989 (F35495)	1/4 GG-S	1/4" NPTF X 1/4" NPTF COUPLING	1



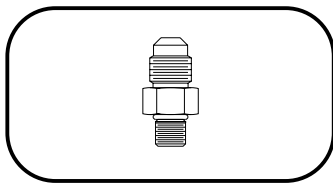
**PIPE NIPPLE**  
**2 MALE PIPE ENDS**

HWH PART #	PARKER PART #	DESCRIPTION	QTY PER RF
RF9315 (F9315)	1/8 FF-S	1/8" NPTF X 1/8" NPTF NIPPLE	1
RF91987 (F5202)	1/4 FF-S	1/4" NPTF X 1/4" NPTF NIPPLE	1
RF91984 (F12441)	1/4 X 1/8 FF-S	1/4" NPTF X 1/8" NPTF NIPPLE	1
RF93065 (F47814)	1/8 X 1.5 FFF-S	1/8" NPTF X 1/8" NPTF NIPPLE - 1.5" LONG	1



**90° ELBOW STRAIGHT THREAD CONNECTOR**  
**1 MALE STRAIGHT THREAD AND 1 MALE FLARE TUBE END**

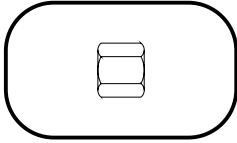
HWH PART #	BRENNAN PART #	DESCRIPTION	QTY PER RF
RF91988 (F36460)	6801-04-02-NWO-FG	5/16 - 24 UNF X 1/4" TUBE 90° ELBOW	1



**STRAIGHT THREAD CONNECTOR**  
**1 MALE STRAIGHT THREAD AND 1 MALE FLARE TUBE END**

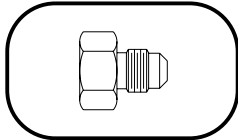
HWH PART #	PARKER PART #	DESCRIPTION	QTY PER RF
RF91985 (F36532)	4-2F50X-S	5/16 - 24 UNF X 1/4" TUBE STRAIGHT CONNECTOR	1

**FITTINGS, HYDRAULIC**  
**FOR HWH LEVELING AND ROOM EXTENSION SYSTEMS**



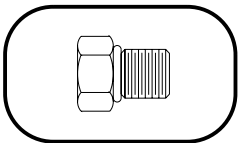
**CAP**  
**CAP FOR FITTING TUBE AND PIPE END**

HWH PART #	MFG. PART #	DESCRIPTION	QTY PER RF
RF90156 (F49453)	<i>PARKER PART #</i> 4 FNTX	1/4" TUBE CAP	5
RF90155 (F0937)	<i>PARKER PART #</i> 5 FNTX	5/16" TUBE CAP	5
RF90155 (F44854)	<i>BRENNAN PART #</i> 5406-C-02	1/8-27 HPC HEX CAP	5



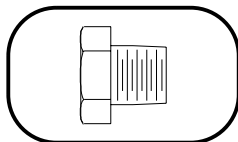
**37° FLARE PLUG**

HWH PART #	PARKER PART #	DESCRIPTION	QTY PER RF
RF91990 (F14111)	4 PNTX-S	1/4" TUBE PLUG	5



**HEX HEAD PLUG**

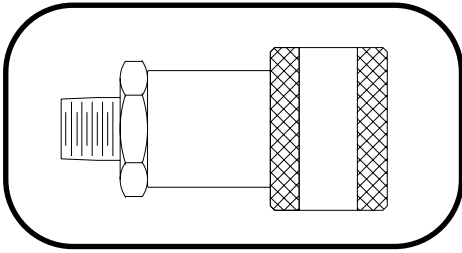
HWH PART #	PARKER PART #	DESCRIPTION	QTY PER RF
RF93084 (F48884)	2 P50N-S	5/16 - 24 UNF HEX HEAD O-RING PLUG	5
RF91991 (F1454)	4 P50N-S	7/16 - 20 UNF HEX HEAD O-RING PLUG	5



**HEX HEAD PIPE PLUG**

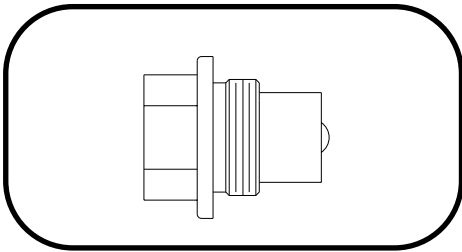
HWH PART #	PARKER PART #	DESCRIPTION	QTY PER RF
RF90272 (F10338)	1/8 HP-S	1/8" NPTF HEX HEAD PLUG	5

**FITTINGS, HYDRAULIC**  
**FOR HWH LEVELING AND ROOM EXTENSION SYSTEMS**



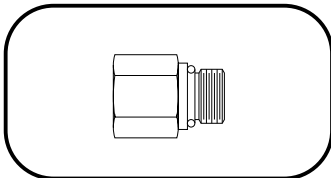
**QUICK CONNECT COULPER**

HWH PART #	PARKER PART #	DESCRIPTION	QTY PER RAP
RAP90788	3050-2	QUICK CONNECT COUPLER	1



**QUICK CONNECT NIPPLE**

HWH PART #	PARKER PART #	DESCRIPTION	QTY PER RAP
RAP90789	3010-2	QUICK CONNECT NIPPLE	1

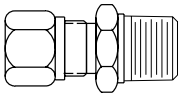


**ADAPTER**  
**FEMALE PIPE END TO O-RING PORT**

HWH PART #	PARKER PART #	DESCRIPTION	QTY PER RAP
RF93099 (F49229)	1/4-F50G-S	1/4" NPT X 9/16-18 UNF ADAPTER	1

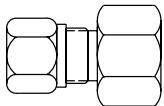


## FITTINGS, BRASS - LOW PRESSURE



### MALE CONNECTOR COMPRESSION TUBE END AND MALE PIPE END

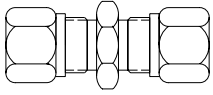
HWH PART #	PARKER PART #	DESCRIPTION	QTY PER RF
RF4337 (F4337)	68NTA-4-2	1/4" TUBE X 1/8" NPT MALE CONNECTOR	1
RF6549 (F6549)	68NTA-4-4	1/4" TUBE X 1/4" NPT MALE CONNECTOR	1
RF6148 (F6148)	68NTA-6-2	3/8" TUBE X 1/8" NPT MALE CONNECTOR	1
RF4478 (F4478)	68NTA-6-4	3/8" TUBE X 1/4" NPT MALE CONNECTOR	1
RF1458 (F1458)	68NTA-8-4	1/2" TUBE X 1/4" NPT MALE CONNECTOR	1
RF4970 (F4970)	68NTA-8-6	1/2" TUBE X 3/8" NPT MALE CONNECTOR	1
RF90583 (F17493)	68NTA-10-6	5/8" TUBE X 3/8" NPT MALE CONNECTOR	1



### FEMALE CONNECTOR COMPRESSION TUBE END AND FEMALE PIPE END

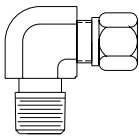
HWH PART #	PARKER PART #	DESCRIPTION	QTY PER RF
RF90163 (F6355)	66NTA-4-4	1/4" TUBE X 1/4" NPT FEMALE CONNECTOR	1
RF4477 (F4477)	66NTA-6-2	3/8" TUBE X 1/8" NPT FEMALE CONNECTOR	1

## FITTINGS, BRASS - LOW PRESSURE



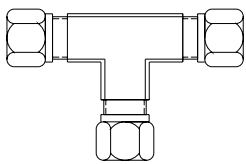
**UNION  
COMPRESSION TUBE BOTH ENDS**

HWH PART #	PARKER PART #	DESCRIPTION	QTY PER RF
RF91944 (F30130)	62NTA-4	1/4" TUBE X 1/4" TUBE UNION	1
RF91949 (F33010)	62NTA-6	3/8" TUBE X 3/8" TUBE UNION	1
RF4819 (F4819)	62NTA-8	1/2" TUBE X 1/2" TUBE UNION	1



**MALE 90° ELBOW  
COMPRESSION TUBE END AND MALE PIPE END**

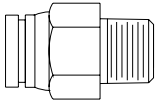
HWH PART #	PARKER PART #	DESCRIPTION	QTY PER RF
RF6791 (F6791)	269NTA-4-2	1/4" TUBE X 1/8" NPT MALE 90° ELBOW	1
RF6257 (F6257)	269NTA-4-4	1/4" TUBE X 1/4" NPT MALE 90° ELBOW	1
RF91947 (F24967)	269NTA-6-2	3/8" TUBE X 1/8" NPT MALE 90° ELBOW	1
RF90164 (F6945)	269NTA-6-4	3/8" TUBE X 1/4" NPT MALE 90° ELBOW	1



**UNION TEE  
3 COMPRESSION TUBE ENDS**

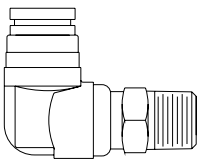
HWH PART #	PARKER PART #	DESCRIPTION	QTY PER RF
RF91954 (F4338)	264NTA-4	1/4" X 1/4" X 1/4" TUBE UNION TEE	1
RF90165 (F4475)	264NTA-6	3/8" X 3/8" X 3/8" TUBE UNION TEE	1

## FITTINGS, BRASS - LOW PRESSURE



**PUSH FITTING - STRAIGHT  
MALE PIPE END TO TUBE**

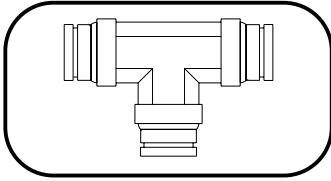
HWH PART #	PARKER PART #	DESCRIPTION	QTY PER RF
RF91120 (F28544)	68PMT-4-2	1/8" NPT X 1/4" TUBE STRAIGHT PUSH FITTING	1
RF91952 (F28549)	68PMT-4-4	1/4" NPT X 1/4" TUBE STRAIGHT PUSH FITTING	1
RF91587 (F28541)	68PMT-6-2	1/8" NPT X 3/8" TUBE STRAIGHT PUSH FITTING	1
RF91586 (F28545)	68PMT-6-4	1/4" NPT X 3/8" TUBE STRAIGHT PUSH FITTING	1
RF91640 (F34863)	68PMT-8-4	1/4" NPT X 1/2" TUBE STRAIGHT PUSH FITTING	1
RF91961 (F38738)	68PMT-8-6	3/8" NPT X 1/2" TUBE STRAIGHT PUSH FITTING	1
RF91639 (F34869)	68PMT-10-6	3/8" NPT X 5/8" TUBE STRAIGHT PUSH FITTING	1
RF91966 (F38737)	68PMT-10-8	1/2" NPT X 5/8" TUBE STRAIGHT PUSH FITTING	1



**PUSH FITTING - 90° SWIVEL ELBOW  
MALE PIPE END TO TUBE**

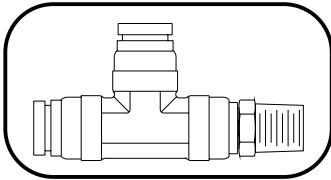
HWH PART #	PARKER PART #	DESCRIPTION	QTY PER RF
RF91649 (F28542)	169PMT-6-4	1/4" NPT X 3/8" TUBE 90° SWIVEL ELBOW	1
RF91958 (F38741)	169PMT-8-6	3/8" NPT X 1/2" TUBE 90° SWIVEL ELBOW	1
RF91965 (F38740)	169PMT-10-6	3/8" NPT X 5/8" TUBE 90° SWIVEL ELBOW	1
RF91953 (F38739)	169PMT-10-8	1/2" NPT X 5/8" TUBE 90° SWIVEL ELBOW	1

## FITTINGS, BRASS - LOW PRESSURE



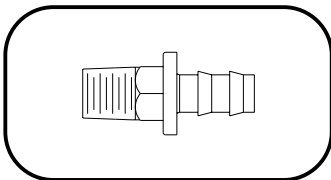
**PUSH FITTING - UNION TEE  
3 PUSH TUBE ENDS**

HWH PART #	PARKER PART #	DESCRIPTION	QTY PER RF
RF91957 (F38743)	164PMT-8	1/2" TUBE UNION TEE	1
RF91960 (F38742)	164PMT-10	5/8" TUBE UNION TEE	1



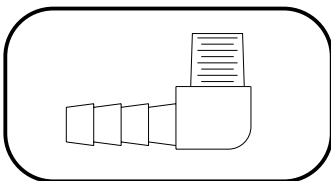
**PUSH FITTING - SWIVEL RUN TEE  
2 PUSH TUBE ENDS AND 1 MALE PIPE END**

HWH PART #	PARKER PART #	DESCRIPTION	QTY PER RF
RF91119 (F28546)	171PMT-6-4	3/8 TUBE X 3/8 TUBE X 1/4 NPT SWIVEL RUN TEE	1



**BARBED FITTING - STRAIGHT  
HOSE END AND MALE PIPE END**

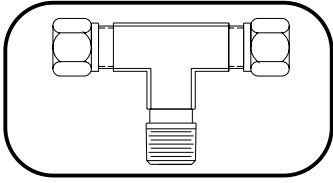
HWH PART #	PARKER PART #	DESCRIPTION	QTY PER RF
RF90839 (F23239)	30182-4-6	1/4" NPT x 3/8" HOSE STRAIGHT FITTING	1
RF4385 (F4385)	30182-6-8	3/8" NPT X 1/2" HOSE STRAIGHT FITTING	1



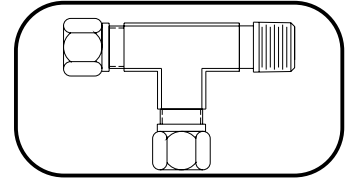
**BARBED FITTING - 90° ELBOW  
HOSE END AND MALE PIPE END**

HWH PART #	PARKER PART #	DESCRIPTION	QTY PER RF
RF91780 (F20095)	129HB-4-2	1/8" NPT X 1/4" HOSE 90° ELBOW	1
RF91779 (F14402)	129HB-4-4	1/4" NPT x 1/4" HOSE 90° ELBOW	1

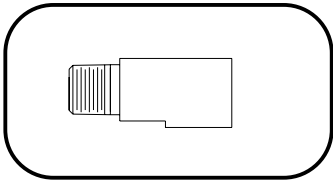
## FITTINGS, BRASS - LOW PRESSURE



**MALE BRANCH TEE - MALE RUN TEE  
2 COMPRESSION TUBE ENDS  
AND 1 MALE PIPE END**



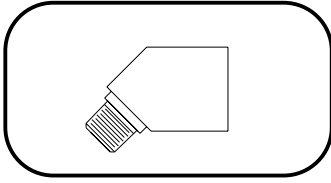
HWH PART #	PARKER PART #	DESCRIPTION	QTY PER RF
RF4476 (F4476)	272NTA-4-2	1/4" X 1/4" TUBE X 1/8" NPT MALE BRANCH TEE	1
RF90166 (F6946)	272NTA-4-4	1/4" X 1/4" TUBE X 1/4" NPT MALE BRANCH TEE	1
RF91959 (F23633)	272NTA-6-4	3/8" X 3/8" TUBE X 1/4" NPT MALE BRANCH TEE	1
RF90579 (F16633)	271NTA-6-4	3/8" X 3/8" TUBE X 1/4" NPT MALE RUN TEE	1



**90° STREET ELBOW  
FEMALE PIPE END AND MALE PIPE END**

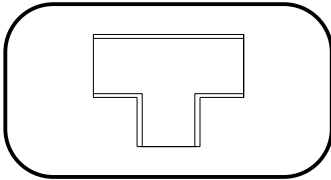
HWH PART #	PARKER PART #	DESCRIPTION	QTY PER RF
RF5132 (F5132)	2202P-2-2	1/8" FEMALE NPT X 1/8" MALE NPT STREET ELBOW	1
RF3474 (F3474)	2202P-4-2	1/4" FEMALE NPT X 1/8" MALE NPT STREET ELBOW	1
RF3340 (F3340)	2202P-4-4	1/4" FEMALE NPT X 1/4" MALE NPT STREET ELBOW	1
RF4709 (F4709)	2202P-6-6	3/8" FEMALE NPT X 3/8" MALE NPT STREET ELBOW	1
RF91956 (F38746)	2202P-8-8	1/2" FEMALE NPT X 1/2" MALE NPT STREET ELBOW	1

## FITTINGS, BRASS - LOW PRESSURE



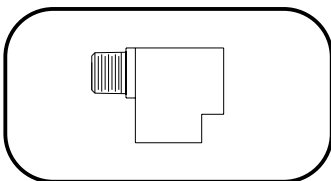
**45° STREET ELBOW  
FEMALE PIPE END AND MALE PIPE END**

HWH PART #	PARKER PART #	DESCRIPTION	QTY PER RF
RF90167 (F3684)	2214P-2-2	1/8" FEMALE NPT X 1/8" MALE NPT 45° STREET ELBOW	1
RF90168 (F4555)	2214P-4-4	1/4" FEMALE NPT X 1/4" MALE NPT 45° STREET ELBOW	1



**TEE  
3 FEMALE PIPE ENDS**

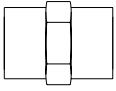
HWH PART #	PARKER PART #	DESCRIPTION	QTY PER RF
RF5887 (F5887)	2203P-4	1/4" X 1/4" X 1/4" FEMALE NPT TEE	1
RF4671 (F4671)	2203P-6	3/8" X 3/8" X 3/8" FEMALE NPT TEE	1
RF92463 (F43495)	2203P-8	1/2" X 1/2" X 1/2" FEMALE NPT TEE	1



**STREET TEE  
1 MALE PIPE END AND 2 FEMALE PIPE ENDS**

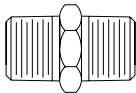
HWH PART #	PARKER PART #	DESCRIPTION	QTY PER RF
RF91896 (F20096)	2225P-2	1/8" NPT X 1/8" X 1/8" FEMALE NPT STREET TEE	1
RF6944 (F6944)	2225P-4	1/4" NPT X 1/4" X 1/4" FEMALE NPT STREET TEE	1
RF91964 (F31891)	2225P-6	3/8" NPT X 3/8" X 3/8" FEMALE NPT STREET TEE	1

## FITTINGS, BRASS - LOW PRESSURE



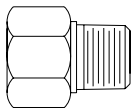
### COUPLING 2 FEMALE PIPE ENDS

HWH PART #	PARKER PART #	DESCRIPTION	QTY PER RF
RF92071 (F40016)	207P-2	1/8" X 1/8" FEMALE NPT COUPLING	1
RF5599 (F5599)	207P-4	1/4" X 1/4" FEMALE NPT COUPLING	1



### HEX NIPPLE 2 MALE PIPE ENDS

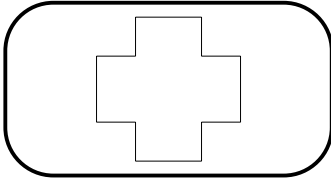
HWH PART #	PARKER PART #	DESCRIPTION	QTY PER RF
RF90170 (F6552)	216P-2	1/8" X 1/8" NPT HEX NIPPLE	1
RF6011 (F6011)	216P-4	1/4" X 1/4" NPT HEX NIPPLE	1
RF90908 (F21606)	216P-4-2	1/4" X 1/8" NPT HEX NIPPLE	1
RF91945 (F34865)	216P-6	3/8" X 3/8" NPT HEX NIPPLE	1
RF91970 (F5236)	216P-6-2	3/8" X 1/8" NPT HEX NIPPLE	1



### ADAPTER 1 FEMALE PIPE END AND 1 MALE PIPE END

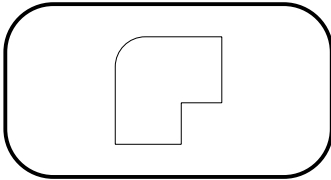
HWH PART #	PARKER PART #	DESCRIPTION	QTY PER RF
RF91951 (F24900)	222P-2-2	1/8" FEMALE NPT X 1/8" MALE NPT ADAPTER	1
RF1457 (F1457)	222P-4-2	1/4" FEMALE NPT X 1/8" MALE NPT ADAPTER	1
RF90171 (F4661)	222P-6-4	3/8" FEMALE NPT X 1/4" MALE NPT ADAPTER	1

## FITTINGS, BRASS - LOW PRESSURE



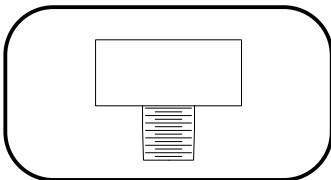
**CROSS  
FEMALE PIPE END**

HWH PART #	PARKER PART #	DESCRIPTION	QTY PER RF
RF90675 (F19122)	2205P-4	1/4"-NPTF BRASS CROSS	1
RF91950 (F35393)	2205P-6	3/8"-NPTF BRASS CROSS	1



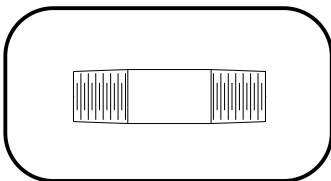
**UNION ELBOW  
FEMALE PIPE END**

HWH PART #	PARKER PART #	DESCRIPTION	QTY PER RF
RF91776 (F12257)	2200P-4-4	1/4" NPT X 1/4" NPT BRASS ELBOW	1



**BRANCH TEE  
1 MALE PIPE END AND 2 FEMALE PIPE ENDS**

HWH PART #	PARKER PART #	DESCRIPTION	QTY PER RF
RF91781 (F21568)	2224P-4	1/4" NPT X 1/4" X 1/4" BRANCH TEE	1

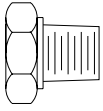


**LONG NIPPLE  
2 MALE PIPE ENDS**

HWH PART #	PARKER PART #	DESCRIPTION	QTY PER RF
RF92185 (F40017)	215PNL-2-20	1/8" NPT X 2" LONG NIPPLE	1
RF91777 (F23451)	215PNL-4-20	1/4" NPT X 2" LONG NIPPLE	1



## FITTINGS, BRASS - LOW PRESSURE



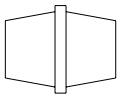
### BUSHING FEMALE PIPE END AND MALE PIPE END

HWH PART #	PARKER PART #	DESCRIPTION	QTY PER RF
RF90172 (F5838)	209P-4-2	1/8" FEMALE NPT X 1/4" MALE NPT BUSHING	1
RF91955 (F5888)	209P-6-4	1/4" FEMALE NPT X 3/8" MALE NPT BUSHING	1
RF91967 (F38745)	209P-8-6	3/8" FEMALE NPT X 1/2" MALE NPT BUSHING	1
RF91968 (F38744)	209P-12-8	1/2" FEMALE NPT X 3/4" MALE NPT BUSHING	1



### BRASS FITTING

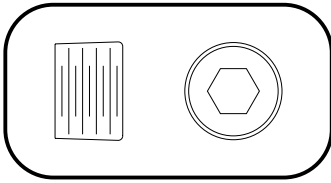
HWH PART #	PARKER PART #	DESCRIPTION	QTY PER RF
RF90381 (F4176)	61NTA-8	1/2" TUBE X 11/16-20 NUT	5



### SLEEVE FOR COMPRESSION FITTINGS

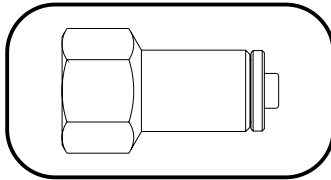
HWH PART #	PARKER PART #	DESCRIPTION	QTY PER R
R91974 (F4099)	60NTA-3	3/16" TUBE SLEEVE	12
R4178 (F4178)	60NTA-8	1/2" TUBE SLEEVE	12

## FITTINGS, BRASS - LOW PRESSURE



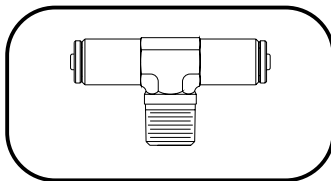
**COUNTERSUNK HEX PLUG**

HWH PART #	PARKER PART #	DESCRIPTION	QTY PER RF
RF90173 (F6590)	219P-2	1/8" NPT HEX PLUG	5
RF91946 (F24271)	219P-4	1/4" NPT HEX PLUG	5
RF91969 (F33406)	219P-6	3/8" NPT HEX PLUG	5



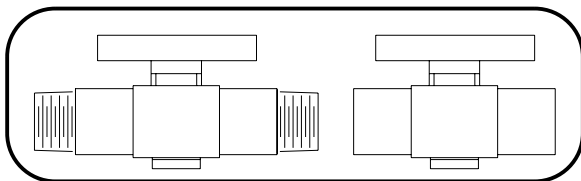
**PUSH FITTING - STRAIGHT  
FEMALE PIPE END TO TUBE**

HWH PART #	ALKON PART #	DESCRIPTION	QTY PER RF
RF91972 (F23797)	AQ66-DOT-6X4	1/4" NPT X 3/8" TUBE PUSH FITTING	1



**MALE BRANCH TEE  
2 TUBE ENDS AND 1 MALE PIPE END**

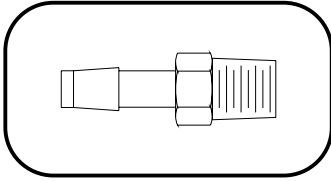
HWH PART #	ALKON PART #	DESCRIPTION	QTY PER RF
RF91973 (F23798)	AQ72-DOT-4X4	1/4" NPT X 1/4" TUBE MALE BRANCH TEE	1



**MALE OR FEMALE  
PLUG VALVE**

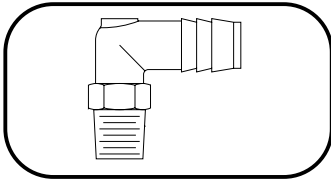
HWH PART #	PARKER PART #	DESCRIPTION	QTY PER RAP
RF92644 (AP5852)	PV607-4	PLUG VALVE 1/4" X 1/4" MALE PIPE THREAD	1
RF92179 (AP23207)	PV609-4	PLUG VALVE 1/4" X 1/4" FEMALE PIPE THREAD	1

## FITTINGS, NYLON AND POLYPROPYLENE - LOW PRESSURE



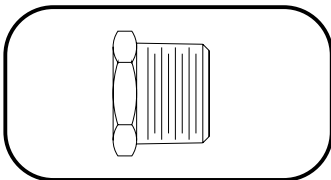
**BARBED FITTING - STRAIGHT  
HOSE END AND MALE PIPE END**

HWH PART #	U. S. PLASTICS PART #	DESCRIPTION	QTY PER RF
RF91890 (F28251)	64758	1/8" NPT X 1/4" HOSE STRAIGHT FITTING	1
RF91971 (F27205)	64797	1/4" NPT X 3/8" HOSE STRAIGHT FITTING	1



**BARBED FITTING - 90 DEGREE ELBOW  
HOSE END AND MALE PIPE END**

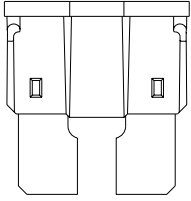
HWH PART #	U. S. PLASTICS PART #	DESCRIPTION	QTY PER RF
RF92598 (F42530)	63106	1/4" NPT X 1/2" HOSE 90 DEG ELBOW	1



**REDUCER BUSHING  
FEMALE PIPE END AND MALE PIPE END**

HWH PART #	GREEN LEAF PART #	DESCRIPTION	QTY PER RF
RF93096 (F41206)	RB 34-38 P	3/4" NPT X 3/8" NPT REDUCER BUSHING	1

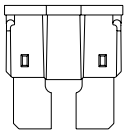
# FUSE HOLDERS AND FUSE KITS



## AUTOMOTIVE TYPE BLADE FUSES

PART NUMBER	SIZE	QTY.
R90283	3 AMP	5
R90284	5 AMP	5
R90286	7.5 AMP	5

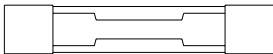
PART NUMBER	SIZE	QTY.
R90287	10 AMP	5
R90288	15 AMP	5
R90567	20 AMP	5
R90289	40 AMP	5



## MINI BLADE FUSE

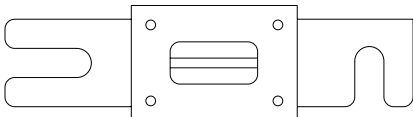
PART NUMBER	SIZE	QTY.
R90923	2 AMP	5
R90924	3 AMP	5
R90925	5 AMP	5

PART NUMBER	SIZE	QTY.
R90926	7.5 AMP	5
R90927	10 AMP	5
R90928	15 AMP	5



## GLASS FUSE CARTRIDGES

PART NUMBER	SIZE	QTY.
R3674	5 AMP	5
R3263	15 AMP	5
R90290	20 AMP	5



## TYPE ANL BUSS FUSE

PART NUMBER	SIZE	QTY.
P7068	60 AMP	OBS*
R90291	200 AMP	1
P7067	300 AMP	OBS*

\* USE THE RAP8539 40 AMP FUSE KIT TO REPLACE THE P7068 60 AMP ANL BUSS FUSE.

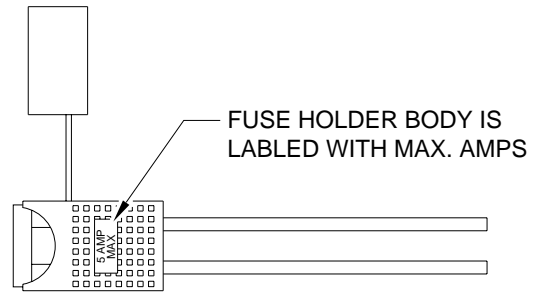
\* USE THE R90291 200 AMP FUSE TO REPLACE THE P7067 300 AMP ANL BUSS FUSE.

# FUSE HOLDERS AND FUSE KITS

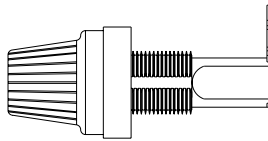
## AUTOMOTIVE BLADE FUSE HOLDERS

PART NUMBER	SIZE	WIRE COLOR *	QTY.
RP90292	5 AMP	ORANGE	1
RP90293	10 AMP	WHITE	1
RP90294	15 AMP	BLUE	1
RP90295	20 AMP	YELLOW	1
RP90296	40 AMP	BLACK	1

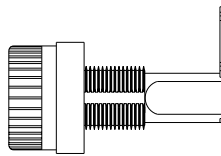
\* FUSE HOLDER BODY IS BLACK ON ALL FUSE HOLDERS.



"RP" FUSE HOLDERS ARE SHIPPED WITH THE APPROPRIATE SIZE FUSE.



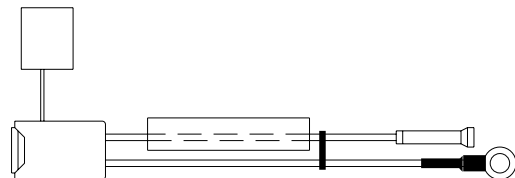
RAP2353 - FUSE HOLDER - GLASS FUSE CARTRIDGES



RP6352 - FUSE HOLDER - GLASS FUSE CARTRIDGES

## FUSE KIT

PART NUMBER	DESCRIPTION
RAP8539	40 AMP FUSE KIT



## 200 AMP FUSE KITS

PART NUMBER	DESCRIPTION	CONTENTS
RAP90297	200 AMP FUSE KIT	1 - AP7069 FUSE BLOCK ASSEMBLY 1 - P9339 200 AMP FUSE 1 - AP4043 #2 X 24" BATTERY CABLE
RAP90298	200 AMP FUSE KIT NO CABLE	1 - AP7069 FUSE BLOCK ASSEMBLY 1 - P9339 200 AMP FUSE

## MISCELLANEOUS REPAIR KITS

PART NUMBER	DESCRIPTION	CONTENTS
RAP0838	CENTRAL GROUND KIT	1 - AP0838 #2 X 14" BATTERY CABLE 1 - AP0999 GROUND KIT 2 - 1/4" INTERNAL STAR LOCK WASHER 3 - 3/8" INTERNAL STAR LOCK WASHER
RAP0999	CONTROL BOX GROUND KIT	1 - AP1003 #14 X 10' WHITE GROUND WIRE WITH 1/4" RING TERMINAL 1 - 1/4" X 3/4" BOLT 1 - 1/4" NUT 3 - 1/4" INTERNAL STAR LOCK WASHER 1 - 14 - 16 INSULATED SPLICE 1 - 2" CONNECTION SEAL
RAP9767	ISOLATION KIT  THIS KIT IS USED TO ISOLATE THE PARK BRAKE SIGNAL AND POWER SUPPLY FOR 510 SERIES CONTROL BOXES AND THE POWER SUPPLY TO THE POWER UNITS FOR 510 SYSTEMS.	1 - AP4043 #2 X 24" BATTERY CABLE 1 - AP6279 #2 X 96" BATTERY CABLE 1 - P9339 200 AMP FUSE 1 - AP7069 FUSE BLOCK 2 - P5373 BOSCH RELAY 2 - P9798 RELAY SOCKETS 1 - AP9769 #14 X 50' RED WIRE WITH 15 AMP FUSE 1 - #14 X 15' WHITE WIRE 19 - FASTON CRIMP CONNECTORS 2 - RING TERMINALS
RAP9393	PARK BRAKE DIODE KIT	1 - #14 X 7' BLUE WIRE WITH DIODE ARRANGEMENT AND SPLICE CONNECTORS
RAP90359	JACKS DOWN LIGHT KIT	1 - RAP2472 LED LAMP 2 - 3/16" FASTONS 1 - LEGEND JACKS DOWN

---

## MISCELLANEOUS REPAIR KITS

---

### JACKS DOWN LIGHT KITS

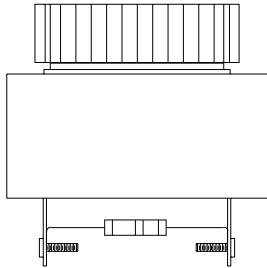
---

PART NUMBER	DESCRIPTION	CONTENTS
RAP90359	RED JACKS DOWN LIGHT KIT 12 VOLT	1 - RAP2472 RED LAMP 12 VOLT 2 - 3/16" FASTONS 1 - LEGEND JACKS DOWN
RAP90424	RED JACKS DOWN LIGHT KIT 24 VOLT	1 - RAP90423 RED LAMP 24 VOLT 2 - 3/16" FASTONS 1 - LEGEND JACKS DOWN
RAP92955	RED JACKS DOWN LED KIT 12 VOLT	1 - AP46115 RED LED 12 VOLT 2 - 1/4" FASTONS 1 - LEGEND JACKS DOWN

**BUZZER, WARNING - 12 VOLT AND 24 VOLT  
CHIME, WARNING - 12 VOLT  
(USED ON VEHICLES WITH STRAIGHT-ACTING JACKS)**

**REPLACEMENT BUZZER**

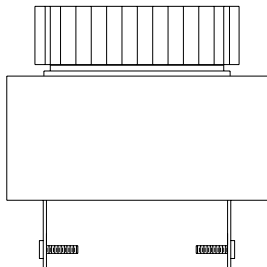
**REPLACEMENT PARTS**



ITEM	PART	DESCRIPTION
1	RAP90403	12 VOLT BUZZER WITH RESISTER
2	RAP90402	24 VOLT BUZZER WITH RESISTER

**REPLACEMENT BUZZER**

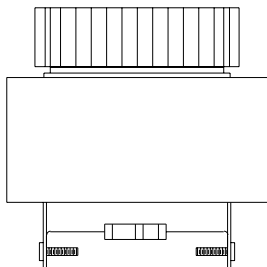
**REPLACEMENT PARTS**



ITEM	PART	DESCRIPTION
1	RAP92657	12 VOLT BUZZER WITHOUT RESISTER

**REPLACEMENT CHIME**

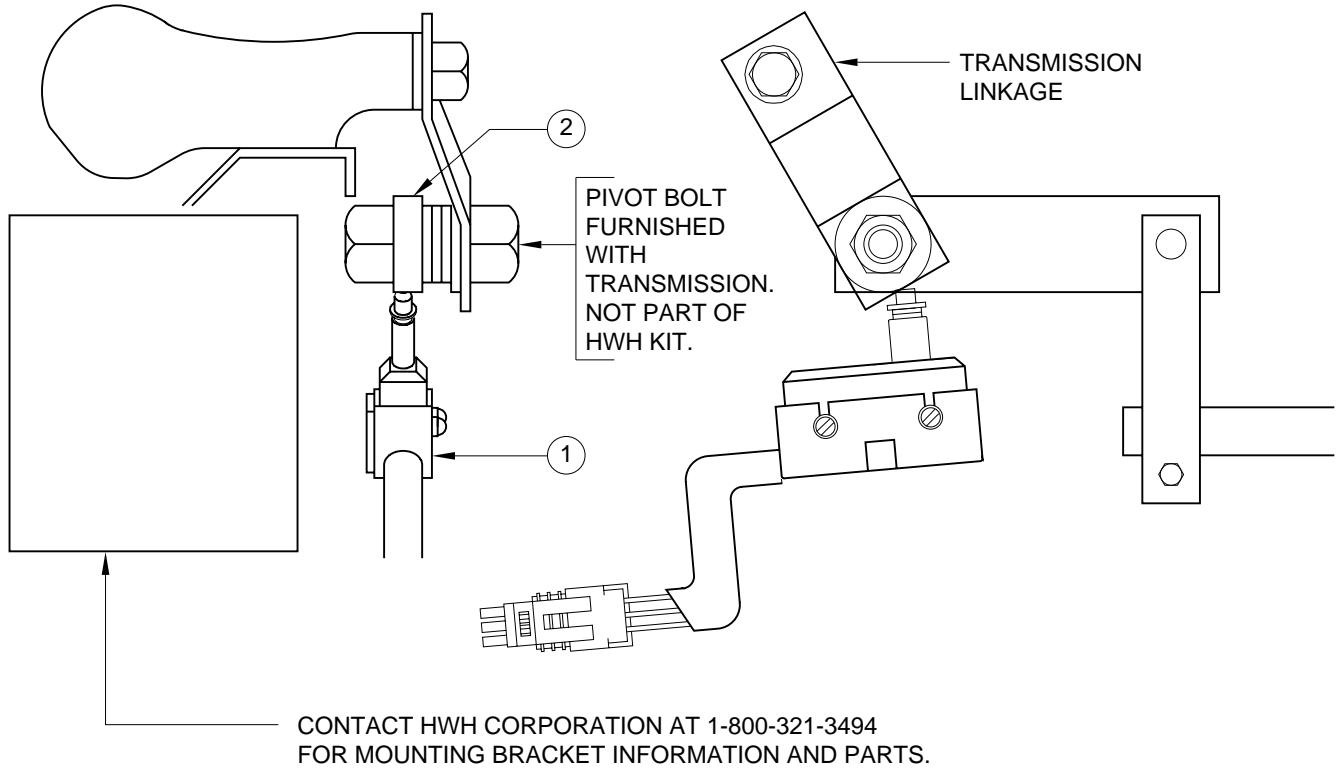
**REPLACEMENT PARTS**



ITEM	PART	DESCRIPTION
1	RAP90681	12 VOLT CHIME WITH RESISTER



# TRANSMISSION NEUTRAL/PARK SWITCH DETECTOR



FOR 1988-1989 GILLIG PUSHER, REFERENCE DRAWING AP5830.  
 FOR 1985 EXECUTIVE COACHES ON GILLIG PUSHER, REFERENCE DRAWING AP4188.  
 FOR 1985 EXECUTIVE COACHES ON CHEVY CHASSIS, REFERENCE DRAWING AP4044.

ITEM	PART	QTY	DESCRIPTION
1	RAP5829	1	SW. KIT COMPLETE
		1	SWITCH
		2	#6-32 X 1-1/4" BOLT
		2	LW #6 INT STAR
		2	WASHER #6 COMMON
		1	SW. MTG. PLATE

ITEM	PART	QTY	DESCRIPTION
2	RAP5024	1	ROLLER BEARING KIT
		1	AL. NUT SPEC.
		1	BEARING 1.125
		3	WASHER 3/8" COMMON

**NOTE:** INDENTED ITEMS INCLUDED WITH PRECEDING ITEM.

**MR70.1525**  
**06JUN12**

## BAND CLAMPS

PART #	REPLACEMENT #	GROUP #	CLAMPING RANGE	DESCRIPTION / DATA
P0041	N/A	#52	2.8" TO 3.75"	3 HOLE CLAMP FOR PUMP RELAYS
P0493	RP0493	#52	2.8" TO 3.75"	GROUNDING CLAMP FOR WARNING SWITCHES ON 16,000# K-D JACKS
AP0769	N/A	#8	.875" TO 1.0"	GROUNDING CLAMP W/ JUMPER WIRE FOR JACK PRESSURE SWITCHES
P1000	RP1000	#40	2.0" TO 3.0"	GROUNDING CLAMP FOR WARNING SWITCHES ON 9,000# K-D JACKS
P2371	N/A	#24	1.0" TO 2.0"	TUBE CLAMP FOR ROOM EXTENSION CYLINDERS
P2383	RP2383	N/A	N/A	ACTUATOR CLAMP W/ T-BOLT FOR 16,000# K-D JACKS
P2508	RP2508	#40	2.0" TO 3.0"	ACTUATOR CLAMP FOR 6,000# JACKS WARNING SWITCH CLAMP FOR 9,000# JACKS
P2711	RP2711	#52	2.8" TO 3.75"	CLAMP FOR PUMP RELAYS - NO HOLES
P3493	N/A	#20	.75" TO 1.75"	USED ON LOG SPLITTER
P4055	RP4055	#72	4.0" TO 5.0"	2 HOLE CLAMP FOR PUMP RELAYS
P4261	N/A	#72	4.0" TO 5.0"	CLAMP FOR PUMP RELAYS - NO HOLES
P4468	N/A	N/A	N/A	ACTUATOR CLAMP W/ T-BOLT FOR 24,000# K-D JACKS
P7304	N/A	#60	3.3" TO 4.25"	CLAMP FOR PUMP RELAYS - NO HOLES
P7338	N/A	#60	3.3" TO 4.25"	2 HOLE CLAMP FOR PUMP RELAYS
P7508	N/A	#72	4.0" TO 5.0"	3 HOLE CLAMP FOR PUMP RELAYS
P8184	N/A	#52	2.8" TO 3.75"	2 HOLE CLAMP FOR PUMP RELAYS
P8387	N/A	#72	4.0" TO 5.0"	4 HOLE CLAMP FOR PUMP RELAYS
P11266	N/A	#60	3.3" TO 4.25"	3 HOLE CLAMP FOR PUMP RELAYS
P17554	N/A	#24	1.0" TO 2.0"	HYDRAULIC LOCK
P36791	N/A	N/A	MAX 13"	CLAMP FOR HYDRAULIC PUMPS
P39749	RP92030	#48	2.5" TO 3.5"	CLAMP FOR PUMP TANK
P42143	RP92195	N/A	MAX 4.5"	CLAMP FOR PUMP TANK

# SPECIAL TOOLS

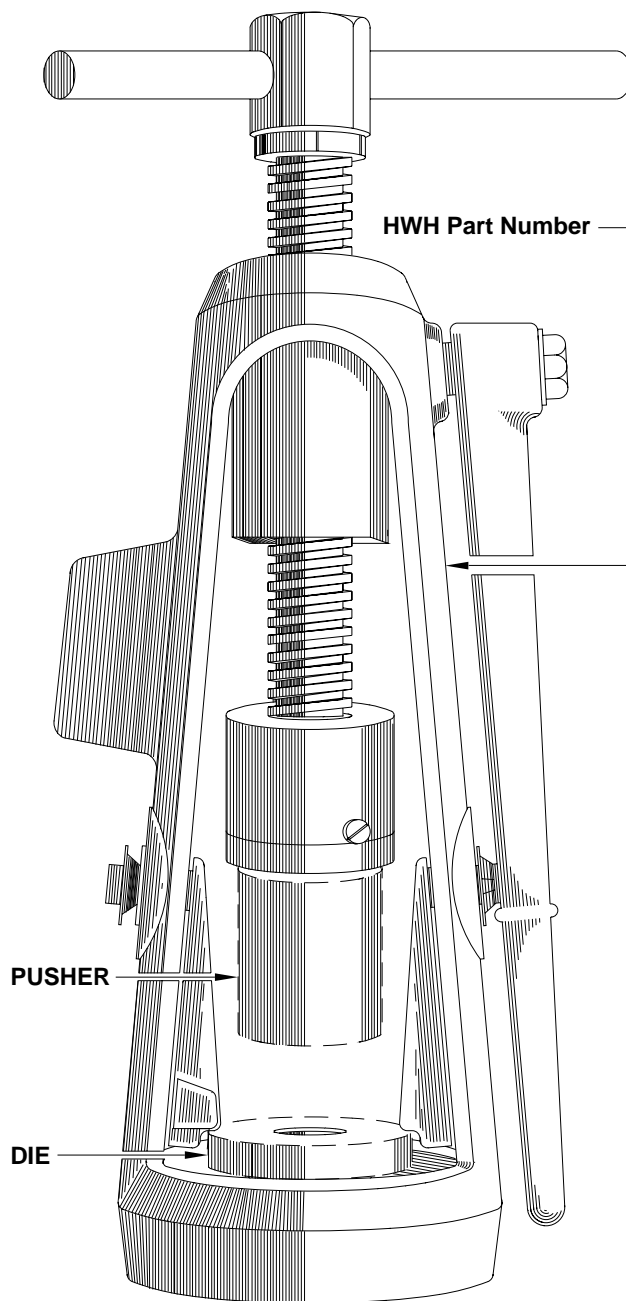
## SWAGING EQUIPMENT FOR HWH HYDRAULIC HOSE

### HOSE CUTTER AND BLADE REPLACEMENT

A swaging tool and the appropriate die and pusher is required to make hose assemblies.

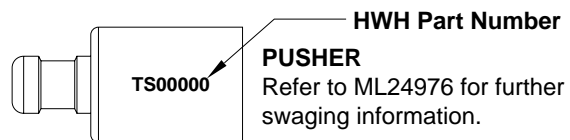
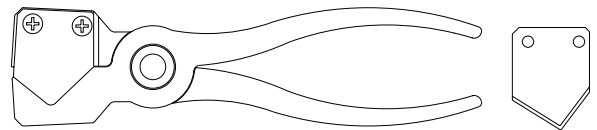
HWH PART #	DESCRIPTION
TS44701 (SHOWN)	HAND SWAGING TOOL (Synflex)
TS52678	HAND SWAGING TOOL (Parker)

**DOES NOT INCLUDE DIE AND PUSHER.**

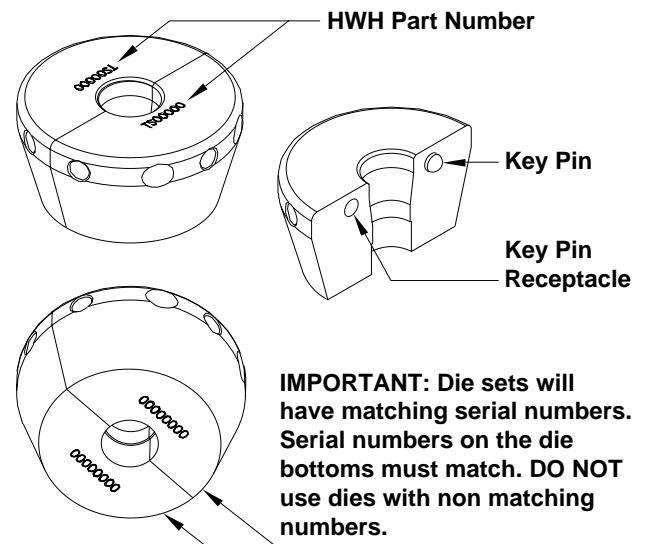


A square and clean hose cut is required to make hose assemblies.

HWH PART #	DESCRIPTION
TS27788	HOSE CUTTING TOOL
TS27789	BLADE REPLACEMENT



- TS13676 - For 1/8" Parker Hose Ends
- TS52707 - For 3/16" Hose Ends
- TS52707 - For 1/4" Hose Ends



**DIE SETS**  
Refer to ML24976 for further swaging information.

- TS44677 - For 1/8" Parker Hose Ends
- TS51677 - For 3/16" Hose Ends
- TS44675 - For 1/4" Hose Ends

**NOTE: Swaging tools, pushers and dies must be marked with HWH Part Numbers. DO NOT use unmarked parts.**

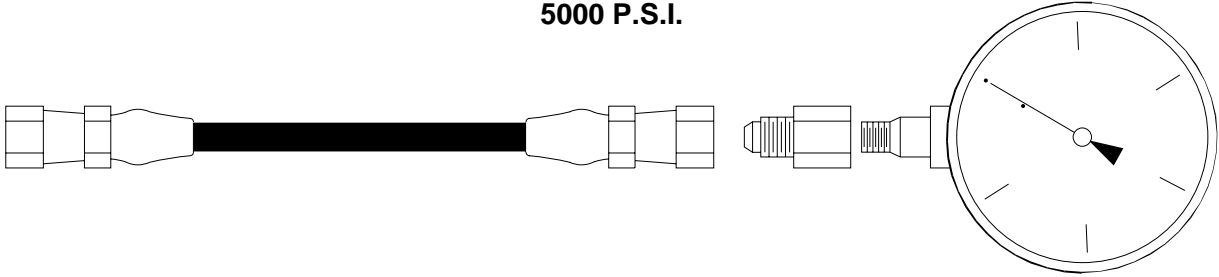
---

## SPECIAL TOOLS

---

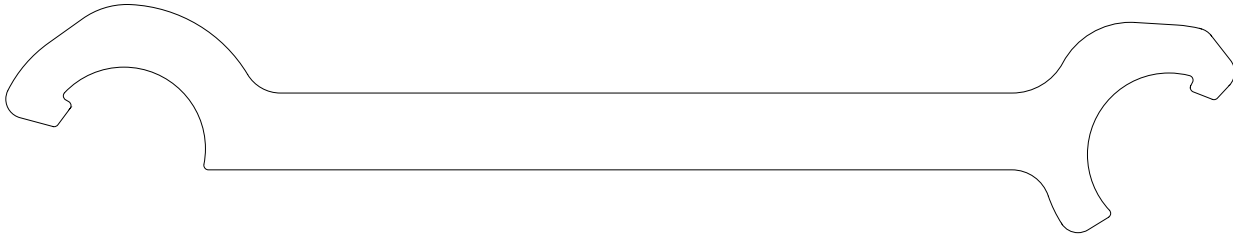
### TS7557 HYDRAULIC PRESSURE GAUGE KIT

5000 P.S.I.



---

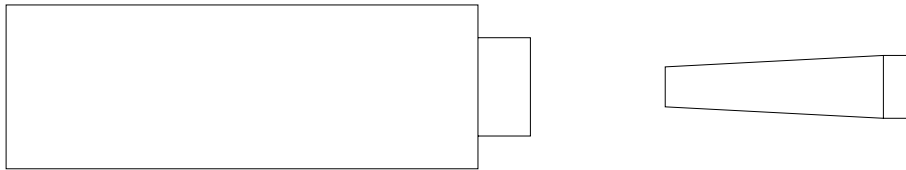
### TS19138 SPANNER WRENCH



USED FOR VARIOUS ADJUSTMENTS ON MULTIPLE HYDRAULIC ROOM EXTENSIONS

---

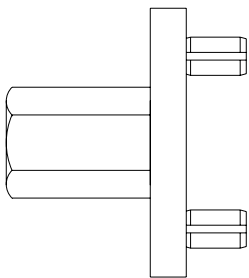
### TS27333 SNAP RING REPLACEMENT TOOLS



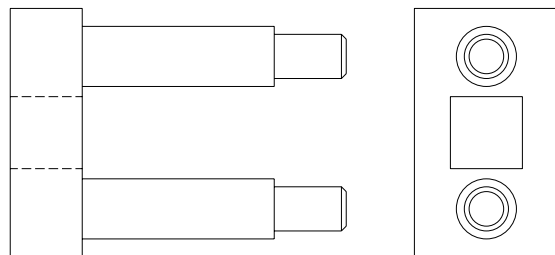
USED FOR SNAP RING REPLACEMENT ON TRAIN DRIVE LINK ASSEMBLES

---

### SOLENOID VALVE REMOVAL TOOLS



TS28238 - FOR USE WITH  
SMALL VALVES WITH RELEASE NUT



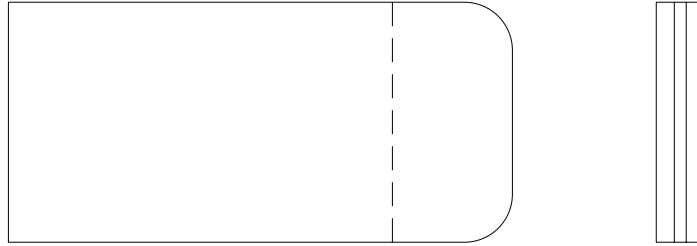
TS42632 - FOR USE WITH  
SMALL VALVES WITH RELEASE CAM

---

# SPECIAL TOOLS

---

## TS48976 AIR SEAL INSTALLATION TOOLS



---

## TS39526 ENVIRONMENTAL DOUBLE WIPER SEAL INSTALLATION TOOL

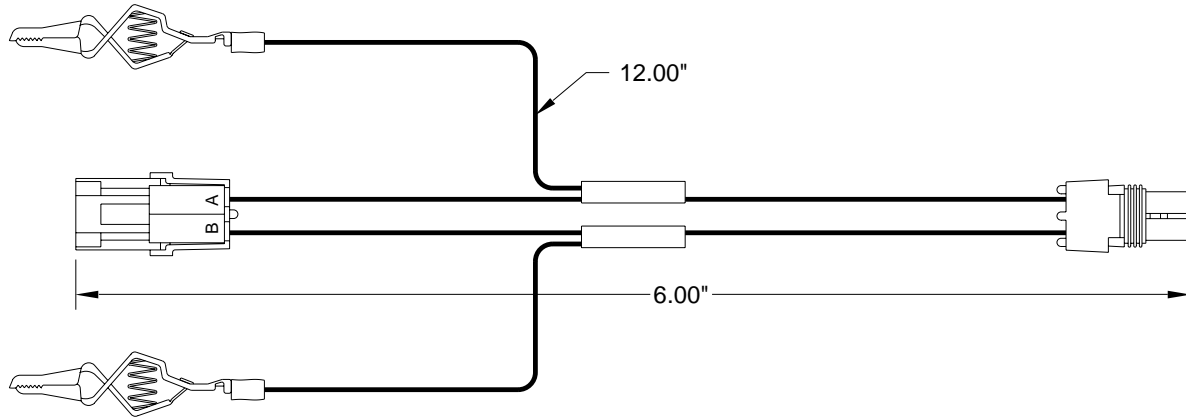


# SPECIAL TOOLS

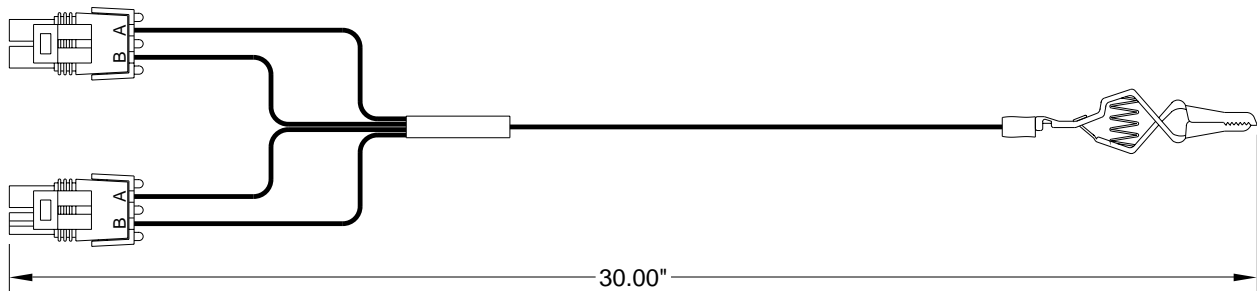
## TEST PIGTAILS

**NOTE: TS39670 KIT CONTAINS ALL PARTS LISTED BELOW.**

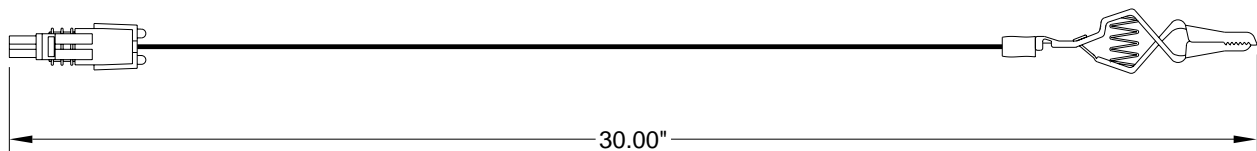
TS39641: MULTI-PURPOSE VOLTAGE AND GROUND TEST PIGTAIL. USED TO CHECK IN-USE VOLTAGE SUPPLY FOR SOLENOID VALVES - HYDRAULIC OR AIR. THIS PIGTAIL PLUGS IN BETWEEN THE HARNESS PLUG AND THE VALVE. THIS PIGTAIL CAN BE USED WHEN TESTING TWO WIRE WARNING SWITCHES, LIMIT SWITCHES. AND PRESSURE SWITCHES WITH TWO PIN BLACK PACKARD CONNECTORS.



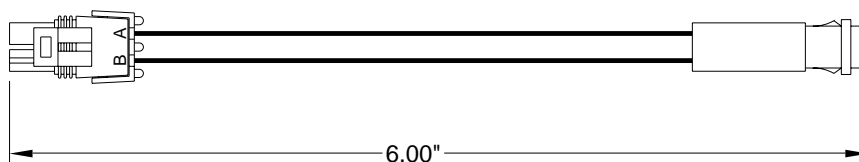
TS39643: MULTI PURPOSE SWITCH TEST PIGTAIL. THIS PIGTAIL IS USED TO SIMULATE ANY TWO WIRE WARNING SWITCH, PRESSURE SWITCH, OR LIMIT SWITCH WITH A TWO PIN GRAY OR BLACK PACKARD CONNECTOR. THE PIGTAIL PLUGS INTO THE HARNESS INSTEAD OF THE SWITCH BEING TESTED.



TS39644: INDICATOR SWITCH TEST PIGTAIL - ONE WIRE. THIS PIGTAIL IS USED TO SIMULATE ANY ONE WIRE INDICATOR SWITCH SUCH AS A JACK OR MANIFOLD PRESSURE SWITCH WITH A SINGLE PIN PACKARD CONNECTOR. THIS PIGTAIL PLUGS INTO THE APPROPRIATE HARNESS INSTEAD OF THE SWITCH BEING TESTED.



TS39640: 12 VOLT TEST LIGHT WITH 2 PIN BLACK PACKARD CONNECTOR



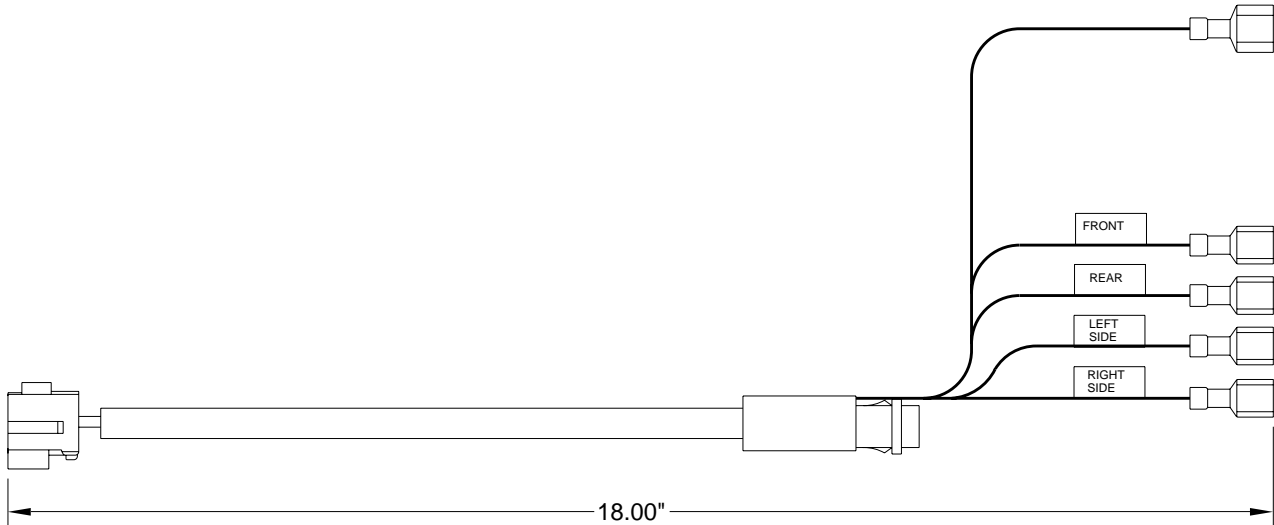
---

## SPECIAL TOOLS

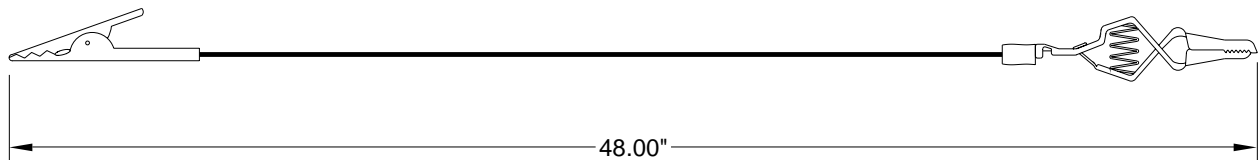
### TEST PIGTAILS

---

TS44002: SENSING UNIT TEST PIGTAIL. USED TO ISOLATE A ELECTRONIC SENSING UNIT FROM A SYSTEM. THIS PIGTAIL CAN BE USED TO EMULATE FRONT, REAR, RIGHT, AND LEFT SENSE. IT ALSO INCLUDES A LIGHT THAT ILLUMINATES WHEN THERE IS +12V.



TS51233: SENSING UNIT GROUND JUMPER - ONE WIRE. THIS PIGTAIL IS USED TO GROUND THE ELECTRONIC SENSING UNIT SENSITIVITY PIN.

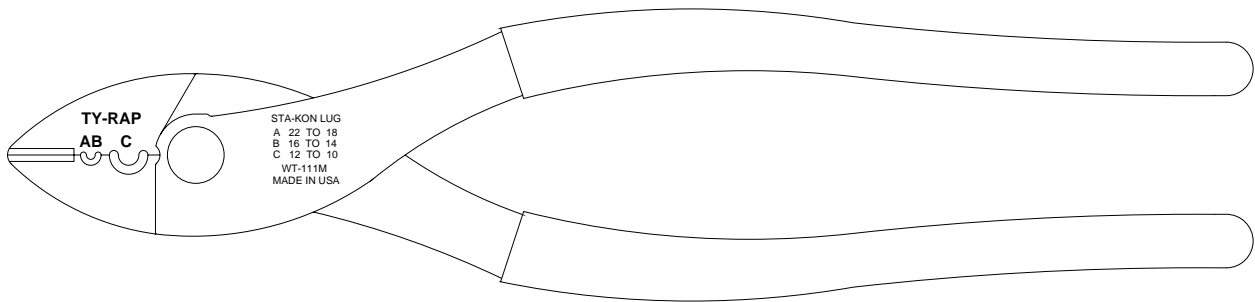


---

# PURCHASED TOOLS

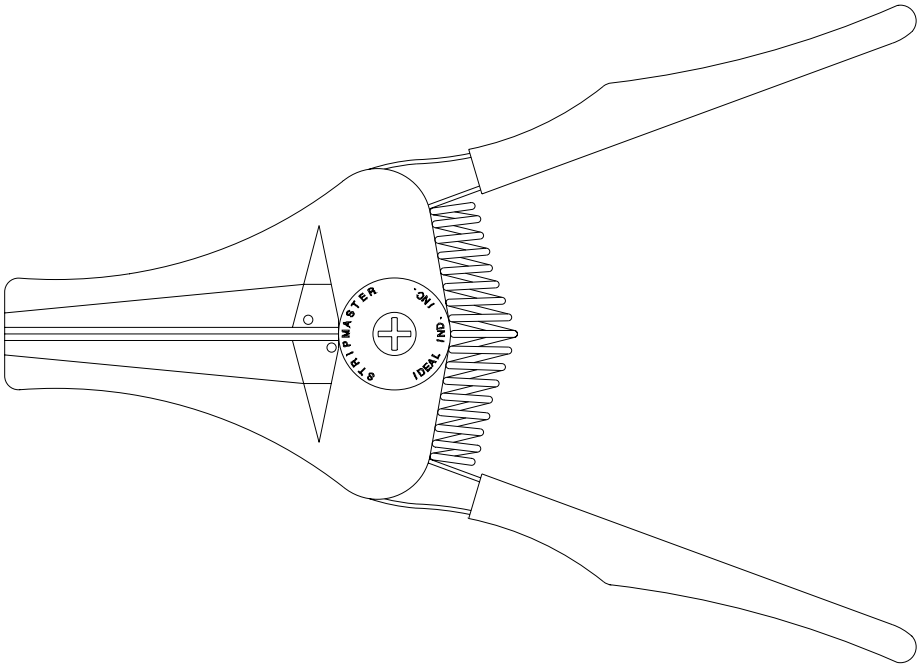
---

**TS46742 CRIMPERS - THOMAS & BETTS WT111M**



---

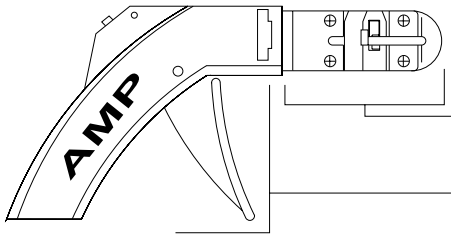
**TS46743 STRIPPERS - IDEAL INDUSTRIES INC. 45-092**





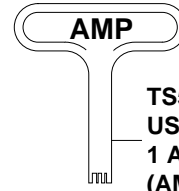
# SPECIAL TOOLS

## MTA TOOLS AND CONNECTORS



TS7380 CONNECTION HEADER ONLY  
(AMP #58082-1)

TS7379 PISTOL GRIP ONLY  
AUTOMATIC INDEXING  
(AMP #58074-1)



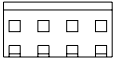
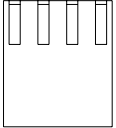
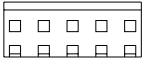
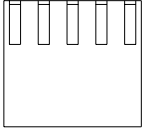
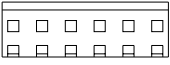

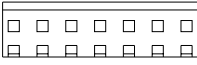
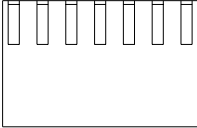
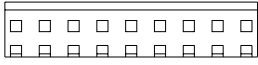
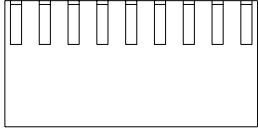
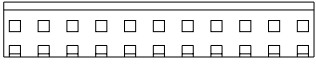
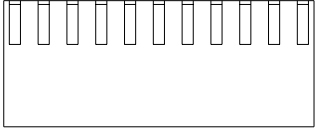
TS5054 TEE HANDLE  
USED TO INSERT WIRES  
1 AT A TIME  
(AMP #59804-1)

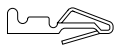
MTA CONNECTOR	PART NO.	RT NO. CONSIST OF FOLLOWING
	RT520203	(5) MTA 156 COVER 2-CIRCUIT
		(5) MTA 156 HOUSING 2-CIRCUIT
	RT520403	(5) MTA 156 COVER 4-CIRCUIT
		(5) MTA 156 HOUSING 4-CIRCUIT
	RT520503	(5) MTA 156 COVER 5-CIRCUIT
		(5) MTA 156 HOUSING 5-CIRCUIT
	RT520603	(5) MTA 156 COVER 6-CIRCUIT
		(5) MTA 156 HOUSING 6-CIRCUIT
	RT520703	(5) MTA 156 COVER 7-CIRCUIT
		(5) MTA 156 HOUSING 7-CIRCUIT
	RT520903	(5) MTA 156 COVER 9-CIRCUIT
		(5) MTA 156 HOUSING 9-CIRCUIT
	RT521003	(5) MTA 156 COVER 10-CIRCUIT
		(5) MTA 156 HOUSING 10-CIRCUIT
	RT521103	(5) MTA 156 COVER 11-CIRCUIT
		(5) MTA 156 HOUSING 11-CIRCUIT
	RT521203	(5) MTA 156 COVER 12-CIRCUIT
		(5) MTA 156 HOUSING 12-CIRCUIT

# SPECIAL TOOLS

## CRIMP MTA TOOLS AND CONNECTORS

CONTACT HWH CORPORATION BEFORE ORDERING HOUSINGS OR SOCKETS

PART NUMBER AND DESCRIPTION					
<b>RT90929</b> <b>4-CIRCUIT</b>   	<b>RT90930</b> <b>5-CIRCUIT</b>   	<b>RT90931</b> <b>6-CIRCUIT</b>   	<b>RT90932</b> <b>7-CIRCUIT</b>   	<b>RT90933</b> <b>9-CIRCUIT</b>   	<b>RT90934</b> <b>11-CIRCUIT</b>   
<b>CRIMP STYLE MTA HOUSINGS (SOLD IN BAGS OF 5)</b>					



**SOCKET**



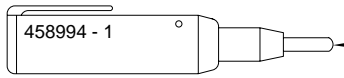
**KEY PIN**

— **RT90935 (CONTAINS 20 SOCKETS AND 5 KEY PINS)**

# SPECIAL TOOLS

## UML TOOLS AND CONNECTORS

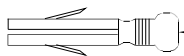
**CONTACT HWH CORPORATION BEFORE ORDERING HOUSINGS, SOCKETS, OR PINS**



TS5057 CONTACT EXTRACTION TOOL  
(AMP #458994-1)

RT500201	RT500301	RT500401	RT500601	RT500901	PART NO.
2-CIRCUIT	3-CIRCUIT	4-CIRCUIT	6-CIRCUIT	9-CIRCUIT	DESCRIPTION
<b>UNIVERSAL MATE-N-LOK PLUGS (SOLD IN BAGS OF 5)</b>					

RT500202	RT500302	RT500402	RT500602	RT500902	PART NO.
2-CIRCUIT	3-CIRCUIT	4-CIRCUIT	6-CIRCUIT	9-CIRCUIT	DESCRIPTION
<b>UNIVERSAL MATE-N-LOK PLUGS (SOLD IN BAGS OF 5)</b>					



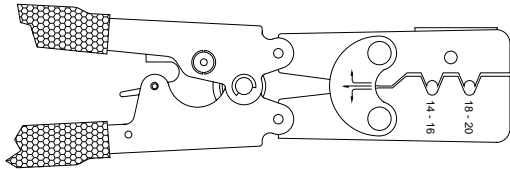
RT500122 SOCKET  
(SOLD IN BAGS OF 20)



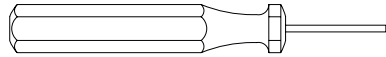
RT500111 PIN  
(SOLD IN BAGS OF 20)

# SPECIAL TOOLS

## PACKARD TOOLS AND CONNECTORS

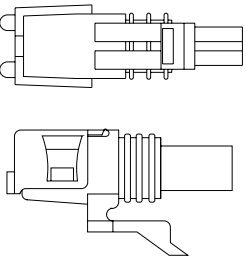
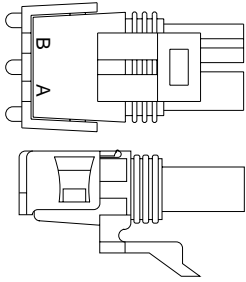
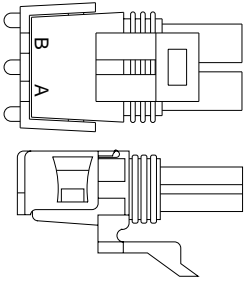
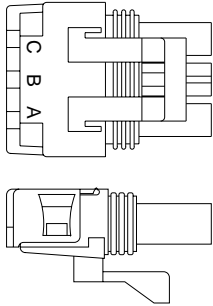


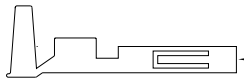
TS5055 TOOL TERMINAL PACKARD  
(WEATHER PACK #12014254)



TS5056 TOOL TERMINAL REMOVAL PARKARD  
(WEATHERPACK #12014012)

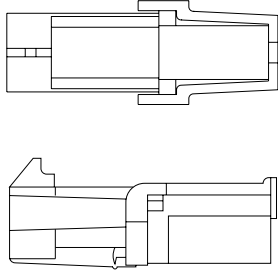
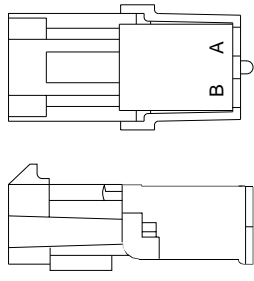
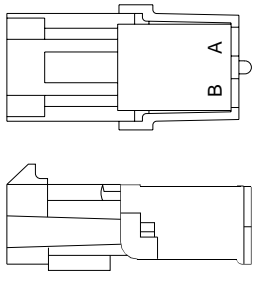
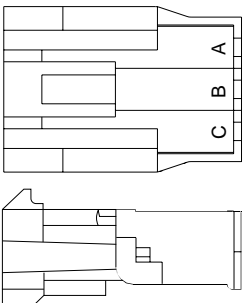
### TOWER CONNECTORS AND SEAL ASSEMBLIES (SOLD IN BAGS OF 5)

			
PART NO.	RT510102	RT510202 (BLACK)	RT90921 (GRAY)
DESCRIPTION	1-WAY TOWER	2-WAY TOWER	3-WAY TOWER



RT510020 FEMALE SLEEVE: USED IN TOWER ASSEMBLIES  
(SOLD IN BAGS OF 20)

### SHROUD CONNECTORS (SOLD IN BAGS OF 5)

			
PART NO.	RT510101	RT510201 (BLACK)	RT90922 (GRAY)
DESCRIPTION	1-WAY SHROUD	2-WAY SHROUD	3-WAY SHROUD



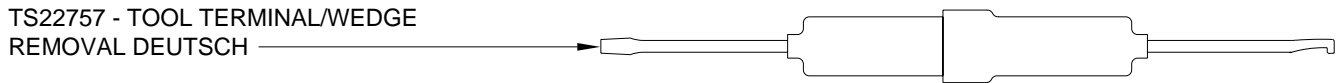
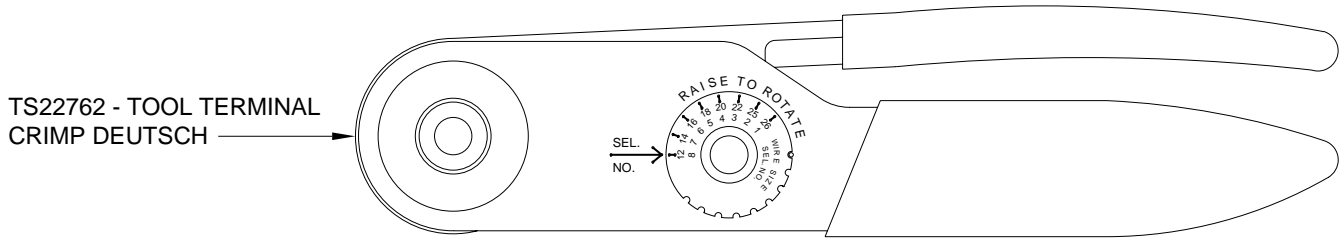
RT510010 MALE PIN: USED IN SHROUD  
(SOLD IN BAGS OF 20)

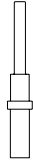


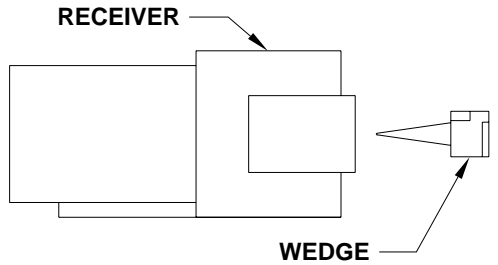
RT510030 CABLE SEAL: (SOLD IN BAGS OF 20)  
(ONE REQ'D FOR EACH PIN OR SLEEVE)

# SPECIAL TOOLS

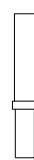
## DEUTSCH TOOLS AND CONNECTORS

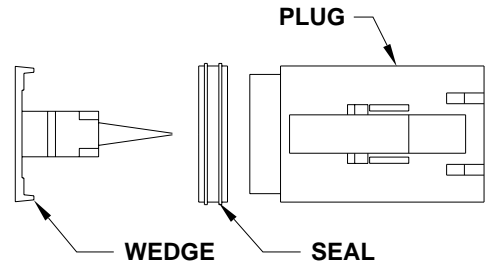


<b>PIN</b> 	<b>NOTE: PINS ARE SIZED TO WIRE GAUGE - SHIPPED IN QUANTITIES OF FIVE.</b>	
	12 - 14 GAUGE	RT91141
	14 GAUGE	RT91144
	16 - 18 GAUGE	RT91147



**NOTE: WEDGE WILL BE SHIPPED WITH RECEIVER WHEN ORDERED - QUANTITY 1EA.**

<b>SLEEVE</b> 	<b>NOTE: SLEEVES ARE SIZED TO WIRE GAUGE - SHIPPED IN QUANTITIES OF FIVE.</b>	
	12 - 14 GAUGE	RT91140
	14 GAUGE	RT91142
	16 - 18 GAUGE	RT91145



**NOTE: WEDGE AND SEAL WILL BE SHIPPED WITH PLUG WHEN ORDERED - QUANTITY 1EA.**

4 PIN - GRAY LARGE	RT91151
--------------------	---------

4 PIN - GRAY LARGE	RT91149
--------------------	---------

6 PIN - GRAY	RT91154
--------------	---------

4 PIN - GRAY	RT91148
--------------	---------

6 PIN - GRAY	RT91152
--------------	---------

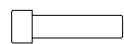
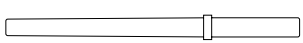
8 PIN - GRAY	RT91156
8 PIN - BLACK	RT91158

8 PIN - GRAY	RT91155
8 PIN - BLACK	RT91157
8 PIN - GREEN	RT91159

12 PIN - GRAY	RT91161
---------------	---------

12 PIN - GRAY	RT91160
12 PIN - BLACK	RT91162
12 PIN - GREEN	RT91163
12 PIN - BROWN	RT91166

12 PIN - GREEN	RT91165
12 PIN - BROWN	RT91167

<b>NOTE: RT91139 KIT CONTAINS 10 EACH OF T570012 CAVITY SEAL AND T570014 KEY PIN</b>		CAVITY SEAL USED TO PLUG EMPTY WIRE LOCATIONS
		KEY PIN USED TO PREVENT MISMATCHING SAME COLORED PLUGS TO SAME COLORED RECEIVERS