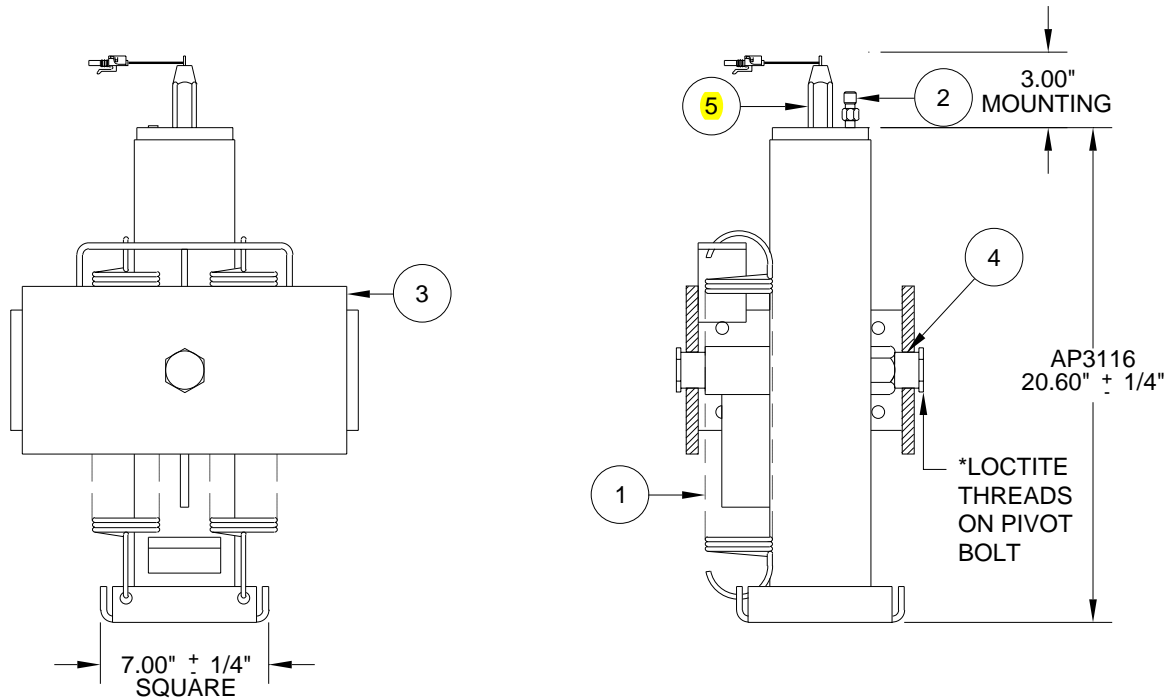


AP3116 - STRAIGHT ACTING JACK, 30 DEGREE PIVOT
24,000 # CAPACITY; 3.500" ROD DIAMETER; 13.00" STROKE



3.500" X 13" NON KICK DOWN JACK
SUPPLIED 1981 TO MID YEAR 1987
USED ON REAR OF BLUE BIRD PUSHER COACHES

ITEM	PART	QTY	DESCRIPTION	ITEM	PART	QTY	DESCRIPTION
	RAP3116		JACK 24,000 # X 13" (REPLACES AP3116)	3	RAP3108	1	BRACKET MOUNTING
1	R2365	1	SPRING KIT 2-3/4" X 13-1/2"	4	R3003	1	PIVOT BOLT KIT
		2	SPRING 2-3/4" X 13-1/2"			2	HHCS 1" SPECIAL BUSHING 1-1/4" O.D.
2	RF3475	1	MALE CONNECTOR 1/4" X 5/16"	5	RAP4707	1	SWITCH WARNING 2" TRAVEL

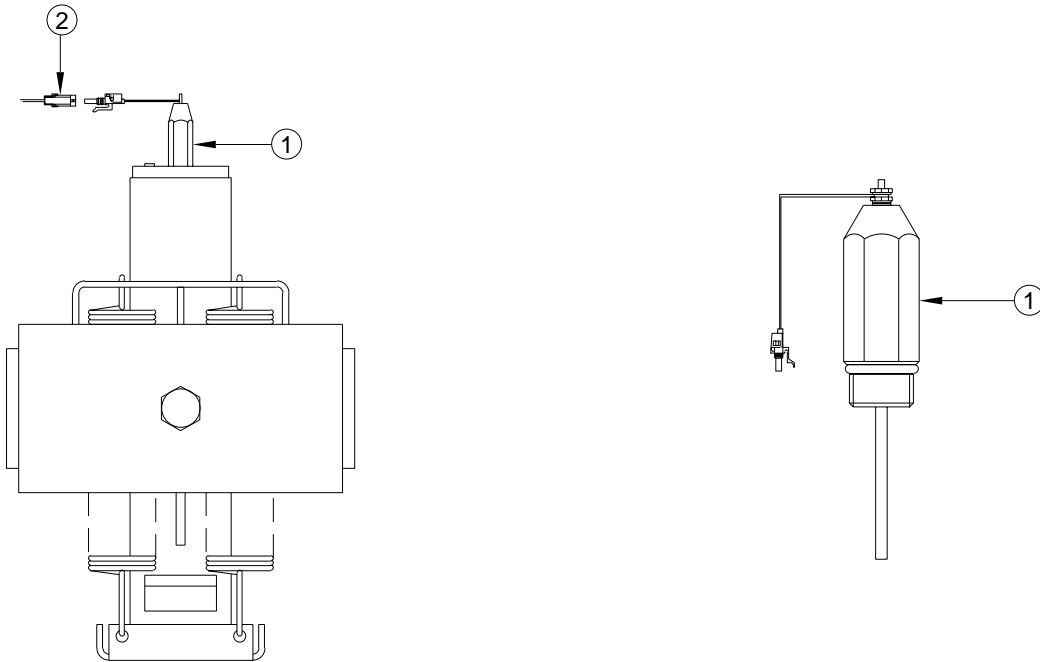
NOTE : INDENTED ITEMS ARE INCLUDED WITH PRECEDING ITEM.

* APPLY A THREAD LOCKING ADHESIVE SUCH AS LOCTITE #271, 277, 242 OR 569.

MR26.8005
19MAR96

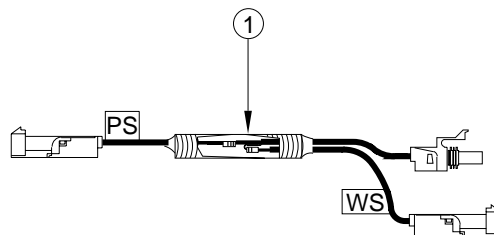
WARNING SWITCHES FOR STRAIGHT-ACTING JACKS

1-WIRE WARNING SWITCH WITH 2 INCH PLUNGER



ITEM	PART	QTY	DESCRIPTION
1	RAP4707	1	WARNING SWITCH PLUNGER STYLE WITH 2" TRAVEL. USED ON 24,000 # STRAIGHT ACTING JACKS WITH ANY SYSTEM.

ITEM	PART	QTY	DESCRIPTION
2	RAP4756	1	8" PIGTAIL WITH PACKARD CONNECTOR



ITEM	PART	QTY	DESCRIPTION
1	RAP9072	1	WARNING/PRESSURE SWITCH INTERFACE WITH RESISTORS. USED WITH THE RAP4707 WARNING SWITCH ON EARLY 610 SYSTEMS.