

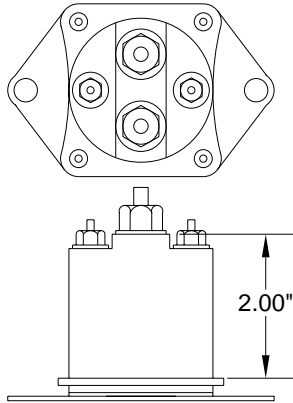
---

## RELAYS - 12 VOLT

---

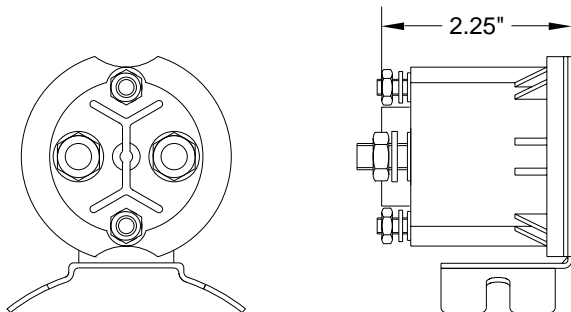
THE FOLLOWING ARE ELECTRIC RELAYS USED WITH HYDRAULIC POWER UNITS. REFER TO THE FOLLOWING PAGES FOR COMPLETE RELAY KITS. THE RELAYS ON THIS PAGE CAN BE USED FOR GROUNDED COIL APPLICATIONS OR FOR CONTROL ON GROUND SIDE OF COIL.

---



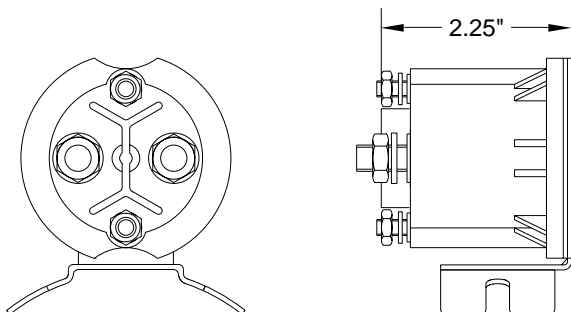
### RAP4276

RAP4276 IS A 4-POST VERTICAL MOUNT CONTINUOUS DUTY 12 VOLT RELAY. (USED ON PADDLE SWITCH SYSTEMS ONLY. DO NOT USE ON SYSTEMS USING A SINGLE RELAY ON THE POWER UNIT).



### RAP7505

RAP7505 IS A 4-POST HORIZONTAL MOUNT CONTINUOUS DUTY 12 VOLT RELAY. (USED ON TOUCH PANEL COMPUTERIZED SYSTEMS. DO NOT USE ON SYSTEMS USING A SINGLE RELAY ON THE POWER UNIT). NOTE: REPLACEMENT RELAY MAY APPEAR DIFFERENT THAN EXISTING RELAY.



### RAP0533

RAP0533 IS A 4-POST HORIZONTAL MOUNT INTERMITTENT DUTY 12 VOLT RELAY. (USED ON TOUCH PANEL AND ALL 100 AND 200 SERIES SYSTEMS INCLUDING SYSTEMS WITH ROOM EXTENSIONS). NOTE: REPLACEMENT RELAY MAY APPEAR DIFFERENT THAN EXISTING RELAY.

THIS RELAY WILL REPLACE ALL 3-POST AND 4-POST INTERMITTENT DUTY POWER UNIT RELAYS USED BY HWH.

**NOTE :** ALL REPLACEMENT RELAYS INCLUDE LOCK WASHERS AND NUTS.

**MR35.1000  
21SEP06**