

Chassis**010 Axle, Front**

MERITOR
FF967

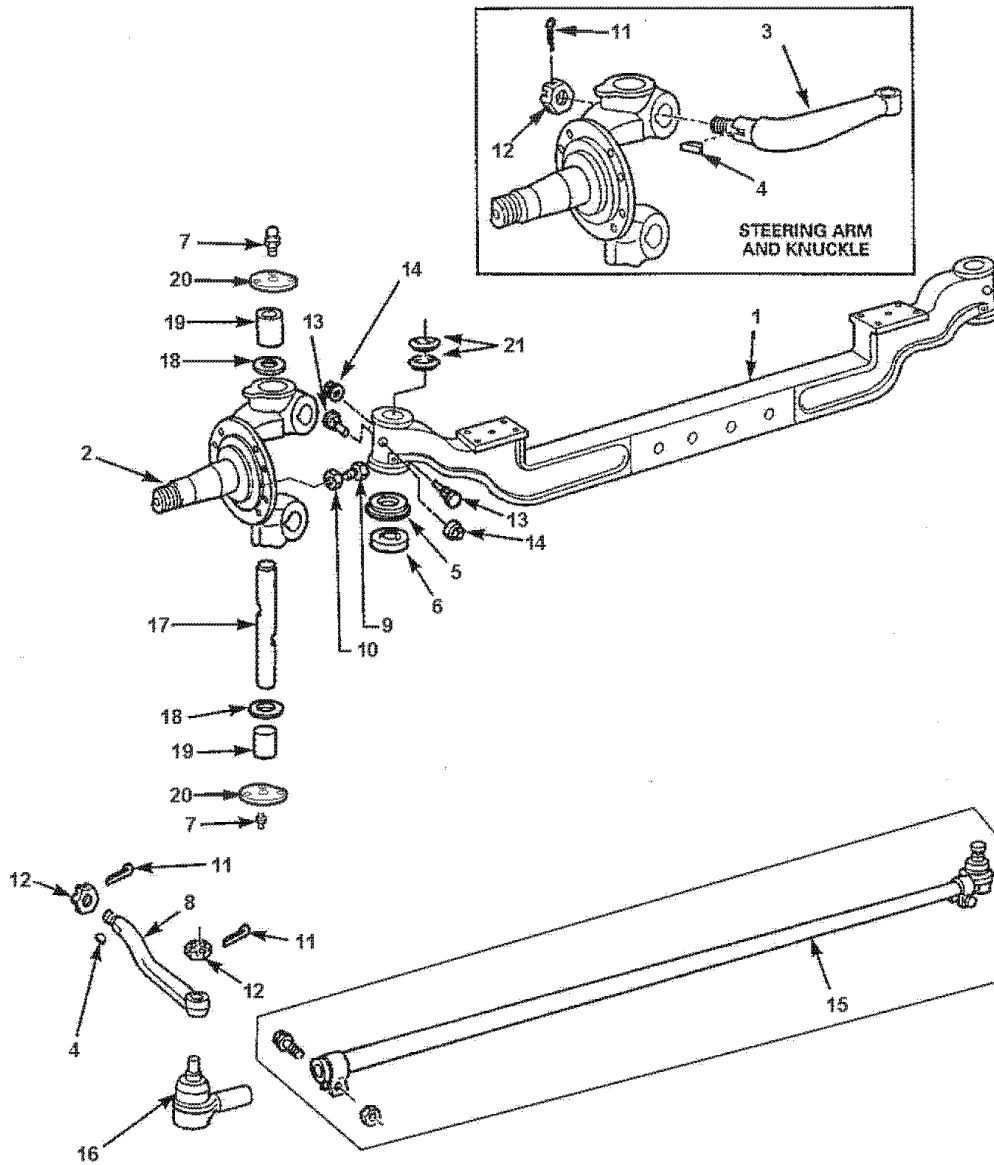
From CSN 30046776 11/05/01 1

SPICER
I146

*From CSN 1005140 FE 0999659 RE 05/19/97
To CSN 30096775 FE, CSN 10096695 RE 11/04/01* 2

Models: A3FE, C3FE, CSFE, CSRE, QBRE, TCFE
 MERITOR
 FF967
 BSN: From CSN 30046776 11/05/01

Key	PartNumber	Qty	Description	Comment
-----	------------	-----	-------------	---------



Models: A3FE, C3FE, CSFE, CSRE, QBRE, TCFE
MERITOR
FF967
BSN: From CSN 30046776 11/05/01

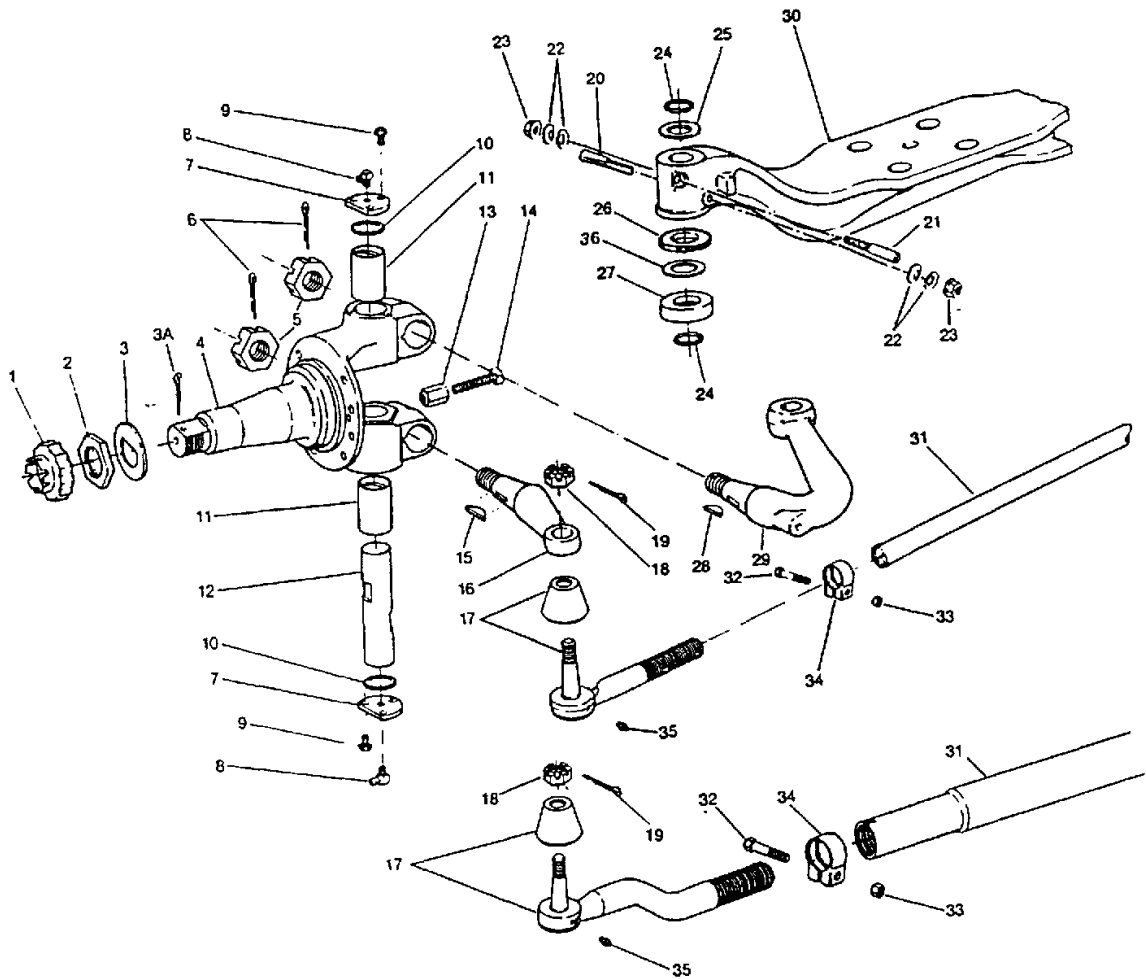
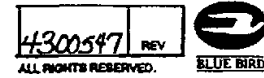
Key	PartNumber	Qty	Description	Comment
1	0043364	1	AXLE CENTER,FF966	SPRING/HENDRICKSON SUSPENSION
1		1		AXLE, CENTER , RIDEWELL SUSP
2	0043311	1	KNUCKLE ASSY,STEERING,BUSHING LH"	
2	0043312	1	KNUCKLE ASSY,STEERING,BUSHING RH"	
2	0043466	1	KNUCKLE ASSY,STEER,BUSHING,LH	
2	0043467	1	KNUCKLE ASSY,STEER,BUSHING,RH	
NI	4280855	2	KIT,REPAIR,KINGPIN,FF967 (SERVICES 1 AXLE)	INCLUDES ITEMS 5, 6, 7, 13, 14, 17, 18, 19, 20, 21
3	0043365	1	ARM,STEER,LH	
4	0041245	3	KEY,ARM,MERITOR	KEY
5	2594950	2	SEAL ASSY,LOWER,STEERING KNUCKLE	
6	0043316	2	BEARING,THRUST,KINGPIN	
7			KIT, FITTING, GREASE	
8	0045520	1	ARM,TIE ROD,LH,MERITOR	
8	0045519	1	ARM,TIE ROD,RH,MERITOR	
8	0045525	1	ARM,TIE ROD,LH,MERITOR	
8	0045524	1	ARM,TIE ROD,RH,MERITOR	
8	0045523	1	ARM,TIE ROD,LH,MERITOR	
8	0045521	1	ARM,TIE ROD,RH,MERITOR	
9	2157386	2	SCREW,STOP	
10	2157394	2	LOCKNUT	
11	2135267	3	PIN,COTTER,STEERING ARM FF-934-NX-8	
12	2600724	2	NUT,STEERING ARM	
12	0041250	1	NUT,SLOTTED,MERITOR	
13			KIT, KEY, DRAW	
14			KIT, NUT, DRAW KEY	
15	0045533	1	CROSS TUBE & CLAMP,MERITOR	
15	0043376	1	CROSSTUBE & CLAMP ASSY	
15	0043473	1	TUBE & CLAMP ASSY	
16	4279527	1	END ASSY,CROSSTUBE,LH,FG-941,WLWB	
16	4279535	1	END ASSY,CROSSTUBE,RH,FG-941,WLWB	
17			KIT, KNUCKLE PIN	
18			KIT, GASKET	
19			KIT, BUSHING, KNUCKLE, PIN	

Models: A3FE, C3FE, CSFE, CSRE, QBRE, TCFE
MERITOR
FF967
BSN: From CSN 30046776 11/05/01

Key	PartNumber	Qty	Description	Comment
20			KIT, CAP, STEERING KNUCKLE	
21			KIT, SHIM, STEERING KNUCKLE SPACING	

Models: AAFE, AARE, A3FE, A3RE, CSFE, CSRE, QBRE, TCFE, TCRE
 SPICER
 I146
 BSN: From CSN 1005140 FE 0999659 RE 05/19/97
 To CSN 30096775 FE, CSN 10096695 RE 11/04/01

Key	PartNumber	Qty	Description	Comment
-----	------------	-----	-------------	---------



Models: AAFE, AARE, A3FE, A3RE, CSFE, CSRE, QBRE, TCFE, TCRE
SPICER
I146
BSN: From CSN 1005140 FE 0999659 RE 05/19/97
 To CSN 30096775 FE, CSN 10096695 RE 11/04/01

Key	PartNumber	Qty	Description	Comment
1	1442797	2	LOCKNUT,SPICER I-120	
2	1442789	4	NUT,SPINDLE,SPICER I-120	
3	1442771	2	WASHER, SPINDLE, SPICER, 1-120	
4	8201071		KNUCKLE,STEERING,RH I-146"	STANDARD NON ABS
4	8201063		KNUCKLE,STEERING,LH I-146"	STANDARD NON ABS
4	8201097		KNUCKLE,STEERING,RH I-146 ABS"	
4	8201089		KNUCKLE,STEERING,LH I-146 ABS"	
5	4294898	3	NUT,STEERING ARM & TIE ROD ARM I-120"	
6		3	COTTER PIN, 3/16 X 2 1/2	
7	4294906	4	CAP,KING PIN I-120"	
8*	4280848	4	FITTING,GREASE,90DEG"	
9	2154169	12	BOLT & LOCKWASHER ASSY	
10	4294914	4	O-RING CAP,STEERING KNUCKLE I-120"	
11	4294922	4	BUSHING,KING,PIN I-120"	
12		2	KING PIN, STEERING KNUCKLE	NOT SERVICED SEPARATE
NI	8305211		KIT,KING PIN,I-146	
13	4294930	2	KIT,STOP BOLT ASSY.STEER.KNUCKLE I-120"	
14	4294948	2	SCREW,STOP,STEERING KNUCKLE I-120"	
15	2154185	2	KEY,STEERING ARM I-108	KEY, STEERING ARM
16	4295275		ARM,TIE ROD,RH,I-120,174-195 WHEELBASE"	
16	4295259		ARM,TIE ROD,LH,I-120,174-195 WHEEL BASE"	
17	4301354		TIE ROD END & DUST COVER,LH,I-146-SA AAFC	
17	4301362		TIE ROD END & DUST COVER,RH,I-146-SA	
18		2	NUT, TIE ROD END	INCLUDED W/ITEM 17
19	2154193	2	PIN,COTTER,1/8 X 1 3/4	
20	4295085		DRAW KEY,KING PIN (INNER) I-120"	DRAW KEY, KING PIN. INNER
21	4295093		DRAW KEY,KING PIN (OUTER) I-120"	DRAW KEY, KING PIN. OUTER
22	4295234		WASHER,DRAW KEY I-120"	WASHER, DRAW KEY
23	4295242		NUT,DRAW KEY I-120"	NUT, DRAW KEY
24	4295101		OIL SEAL,KING PIN-UPPER I-120"	
25	4295119		SHIM,STEERING KNUCKLE .005 I-120"	
25	4295127		SHIM,STEERING KNUCKLE .010 I-120"	
25	4295135		SHIM,STEERING KNUCKLE .020 I-120"	

Models: AAFE, AARE, A3FE, A3RE, CSFE, CSRE, QBRE, TCFE, TCRE
SPICER
I146
BSN: From CSN 1005140 FE 0999659 RE 05/19/97
 To CSN 30096775 FE, CSN 10096695 RE 11/04/01

Key	PartNumber	Qty	Description	Comment
26		2	(INCLUDED W/ITEM #27)	
27	8305856	2	BEARING & SEAL ASSY,Q4RE	
28	2154185		KEY,STEERING ARM I-108	KEY, STEERING ARM
29	4301370		STEERING ARM,I-146-SA	
30	4301388		AXLE,I-BEAM,I-146-SA AAFC"	AXLES ASSEMBLY NUMBERS -1961515,1961523,
30	8200446		AXLE,I-BEAM,I-146 174-277 WB REYCO	AXLES ASSEMBLY NUMBERS- 1961499, 1961507,
30	8200453		AXLE,I-BEAM,I-146 4" SPRING 228-270WB	AXLES ASSEMBLY NUMBERS- 1961531,1961549,
30	8200461		AXLE,I-BEAM,I-146 228-270 WB RIDEWELL	AXLES ASSEMBLY NUMBERS- 1961556,1961564,1961580
30	8200982		AXLE,I-BEAM,I-146,174-177 WB 4" SPRING	AXLES ASSEMBLY NUMBERS- 1961473,1961481,1961572
30	8201006		AXLE,I-BEAM,I-146,LWB,WIDE TRACK,REG,ABS	AXLES ASSEMBLY NUMBERS- 1961598
30	8305799		I-BEAM,FRONT,Q4RE	AXLES ASSEMBLY NUMBERS- 1961606
31	4301396		TUBE & CLAMP ASSY. TIE ROD, I-146SA"	
32		2	BOLT, CLAMP, TIE ROD	INCLUDED W/ITEM 34, NOT SERVICED SEPARATELY
33		2	NUT, CLAMP, TIE ROD	INCLUDED W/ITEM 34, NOT SERVICED SEPARATEL
34	4295226	2	KIT,CLAMP,TIE ROD I-120"	NOT SERVICED SEPARATELY
35	2161263		FITTING,GREASE,I-108 1/8 X 27 STRAIGHT	
36			NOT APPLICABLE	