

**Chassis**

**030 Brakes, Air**

AIR DRYER ASSY

ADIS, EEC

*With: FEATURE 40070 WITH 4003 RH DIRVE  
From CSN 12-12-05* 1

---

*With: FEATURE 40070 WITH 4003 RH DIRVE  
From CSN 5-12-05  
To CSN 12-11-05* 2

---

BRAKE ASSY, FRONT

5 INCH

EXT SERVICE

*With: OPTION 4353  
To CSN 30079479 01/21/01* 3

---

*With: OPTION 4353 9/24/95 AND BEFORE, STD 9/25/95 AND AFTER  
To CSN 30079479 01/21/01* 4

---

I146 WITH MERITOR BRAKES

*With: FEATURE 40052-01  
From CSN 30079480 FE 10077010 01/22/01  
To CSN 30096775 FE 10096695 RE 11/04/01* 5

---

*With: FEATURE 4227 OR 40000-02, 40052-02  
From CSN 30079480 FE 10077010 01/22/01  
To CSN 30096775 FE 10096695 RE 11/04/01* 6

---

MERITOR

*From CSN 30096776 FE 10096696 RE 11/05/01* 7

---

6 INCH

EXT SERVICE

*With: OPTION 4351, 4355  
To CSN 30079479 FE 10077009 RE 01/21/01* 8

---

FF967, MERITOR

*From CSN 30096776 FE 10096696 RE 11/05/01* 9

---

I146 WITH MERITOR BRAKES

*With: FEATURE 40052-01, 03, 40000-02, OPTION 4227, 4324, 4336, 4351, 4355  
From CSN 30079480 FE 10077010 RE 01/22/01  
To CSN 30096775 FE 10096695 RE 11/04/01* 10

---

*With: FEATURE 40052-02, 40000-02, OPTION 4227  
From CSN 30079480 FE 10077010 RE 01/22/01  
To CSN 30096775 FE 10096695 RE 11/04/01* 11

---



**BRAKE ASSY, REAR**

**7 INCH**

**EXT SERVICE**

**SPRING SUSPENSION**

*With: FEATURE 40070-01, 02  
From CSN 0996888  
To CSN 30096776 FE 10096696 RE 11/05/01*

12

**HENDRICKSON, MERITOR**

*From CSN 30096776 FE 10096696 RE 11/05/01*

13

**J190, J210 WITH MERITOR**

*With: FEATURE 40052-01, 03, OPTION 4353, 4355  
From CSN 30079480 FE 10077010 RE 01/22/01  
To CSN 30096775 FE 10096695 RE 11/04/01*

14

*With: FEATURE 40052-02, OPTION 4353, 4355  
From CSN 30079480 FE 10077010 RE 01/22/01  
To CSN 30096775 FE 10096695 RE 11/04/01*

15

**J230 WITH MERITOR**

*With: FEATURE 40052-03  
From CSN 30079480 FE 10077010 RE 01/22/01  
To CSN 30096775 FE 10096695 RE 11/04/01*

16

*With: FEATURE 40052-02  
From CSN 30079480 FE 10077010 RE 01/22/01  
To CSN 30096775 FE 10096695 RE 11/04/01*

17

**RIDWL, HS, MERITOR**

*From CSN 30096776 FE 10096696 RE 11/05/01*

18

**RIDWL, MS, MERITOR**

*From CSN 30096776 FE 10096696 RE 11/05/01*

19

**STD SERVICE**

**J230 AXLE WITH SPRING SUSPENSION**

*With: FEATURE 40070-01, 02 WITH 40018  
To CSN 30096775 FE 10096695 RE 11/04/01*

20

**8.62 INCH**

**HENDRICKSON, MERITOR**

*From CSN 30096776 FE 10096696 RE 11/05/01*

21

**J230 WITH MERITOR**

*With: FEATURE 40052-03, OPTION 4324, 4351  
From CSN 30079480 FE 10077010 RE 01/22/01  
To CSN 30096775 FE 10096695 RE 11/04/01*

22

*With: FEATURE 40052-02, OPTION 4351  
From CSN 30079480 FE 10077010 RE 01/22/01  
To CSN 30096775 FE 10096695 RE 11/04/01*

23

RIDWL, HS, MERITOR	
<i>From CSN 30096776 FE 10096696 RE 11/05/01</i>	24
RIDWL, MS, MERITOR	
<i>From CSN 30096776 FE 10096696 RE 11/05/01</i>	25
SPRING SUSPENSION, EXT SERVICE	
<i>With: STD</i>	26
BRAKE CHAMBERS FRONT AND REAR	27
OPTIONAL EQUIPMENT	
BRAKE/LIFT INTERLOCK RELAY INSTALLATION	
<i>With: FEATURE 40051</i>	28
<i>With: FEATURE 40051</i>	29
HUB COVERS	
STAINLESS STEEL, PHOENIX WITH HUB PILOTED WHEELS	
<i>With: FEATURE 40441-04, 05, OPTION 25347</i>	30
RESERVOIR DRAIN VALVE HEATED	
<i>With: FEATURE 40081-03</i>	31
<i>With: FEATURE 40081</i>	32
WHEEL COVERS STAINLESS STEEL	
<i>With: OPTION 5357-01, -02, FEATURE 40442-04</i>	33
RESERVOIR ASSY ACCESSORY, EEC	
<i>With: FEATURE 40070 WITH 4003 RH DIRVE     From CSN 5-12-05</i>	34
FRONT	
<i>With: FEATURE 40081-01     From CSN 30061725 05/30/00</i>	35
AD-SP AIR DRYER	
<i>With: FEATURE 40081-11     From CSN 30061725 05/30/00</i>	36

PRIMARY TANK	<b>PageSet</b> ▼
REAR, EEC	
<i>With: FEATURE 40070 WITH 4003 RH DIRVE</i>	
<i>From CSN 12-12-05</i>	37
<hr/>	
<i>With: FEATURE 40070 WITH 4003 RH DIRVE</i>	
<i>From CSN 5-12-05</i>	
<i>To CSN 12-11-05</i>	38
<hr/>	
REAR	
AIR SUSPENSION	
<hr/>	39
SPRING SUSPENSION	
<i>To CSN 30038174 08/08/99</i>	
<hr/>	40
<i>From CSN 30038175 08/09/99</i>	
<hr/>	41
SECONDARY TANK	
<i>From CSN F0243000 7/03/06</i>	42
<hr/>	
<i>With: WITH FEATURE 40081-07 OR -13 OR -16</i>	
<i>From CSN F0243300 BBCV</i>	43
<hr/>	
FRONT, EEC	
<i>With: FEATURE 40070 WITH 4003 RH DIRVE</i>	
<i>From CSN 5-12-05</i>	44
<hr/>	
WET AND PRIMARY	
<i>From CSN F0243000 7/03/06</i>	45
<hr/>	
<i>With: WITH FEATURE 40081-07 OR -13 OR -16</i>	
<i>From CSN F0243300 BBCV</i>	46
<hr/>	
WET TANK	
<i>From CSN 30012575 07/22/98</i>	
<i>To CSN 30043334 10/31/99</i>	47
<hr/>	
<i>From CSN 30043335 11/01/99</i>	48
<hr/>	
AMBULANCE	
<hr/>	49
KNEELING HENDRICKSON	
<hr/>	50
SYSTEM	
ABS	
<i>With: FEATURE 40070 WITH 40076-01; 40081-01</i>	
<i>From CSN 30012575 07/22/98</i>	
<i>To CSN 30037594 08/01/99</i>	51
<hr/>	

ABS, EEC

*With: FEATURE 40070 WITH 4003 RH DIRVE  
From CSN 12-12-05* 52

---

*With: FEATURE 40070 WITH 4003 RH DIRVE  
From CSN 5-12-05  
To CSN 12-11-05* 53

---

NON-ABS

*With: FEATURE 40070 WITH 40076-01; 40081-01, 11; 40051-02* 54

---

WITH AIR DRYER

ABS

*With: FEATURE 40070 WITH 40076-01; 40081-01, 11; 40051-02  
From CSN 30037595 08/02/99  
To CSN 0198634 5/01/05* 55

---

*With: FEATURE 40070 WITH 40076-01; 40081-01, 11, 19; 40051-02; 40360-02  
From CSN 0198635 5/02/05* 56

---

WITH OUT AIR DRYER

ABS

*With: FEATURE 40070 WITH 40076-01; 40280-05; 40004-07; 40360-02  
From CSN 30037595 08/02/99  
To CSN 0198634 5/01/05* 57

---

*With: FEATURE 40070 WITH 40076-01; 40051-02; 40360-02  
From CSN 0198635 5/02/05* 58

---

VALVE ASSY

AIR BRAKE INTERLOCK

59

---

AXLE

FRONT

APPLIED AIR

*With: FEATURE 40070 WITH 40280-05 ISB07  
From CSN 0267140 1/29/07* 60

---

ISB07

*With: FEATURE 40070  
From CSN 0267140 1/29/07* 61

---

REAR

APPLIED AIR

*With: FEATURE 40070 WITH 40280-05 ISB07  
From CSN 0267140 1/29/07* 62

---

ISB07	
<i>With: FEATURE 40070</i>	
<i>From CSN 0267140 1/29/07</i>	63
<hr/>	
BRAKE INTERLOCK	
TRACTION CONTROL	
<i>With: 40453-01 WITH 40070 AND 40051-07 CAT 07</i>	
<i>40453-01 WITH 40070 AND 40051-02 ISB 07</i>	
<i>40453-01 ATC WITH 40051-01</i>	64
<hr/>	
KNEELING	
<i>With: FEATURE 40453-01</i>	
<i>From CSN 0232665 4/5/06</i>	65
<hr/>	
BRAKE TREADLE & PEDAL	
ABS	
<i>With: FEATURE 40076-01</i>	
<i>From CSN 30012575 07/22/98</i>	
<i>To CSN 30080060 05/06/01</i>	66
<hr/>	
AIR THROTTLE	
<i>With: FEATURE 40070</i>	
<i>From 5/7/01</i>	67
<hr/>	
EEC, C7	
<i>With: FEATURE 40070 WITH 4003 RH DIRVE</i>	
<i>From CSN 5-12-05</i>	
<i>To CSN 12-11-05</i>	68
<hr/>	
ELECTRIC THROTTLE, ABS	
<i>From CSN 30080061 05/07/01</i>	69
<hr/>	
ADJUSTABLE PEDALS	
<i>With: FEATURE 40070</i>	
<i>From CSN 30092735 8/16/01</i>	70
<hr/>	
WITH ISB07	
<i>With: FEATURE 40070 WITH 40099-01</i>	
<i>From CSN 0267140 1/29/07</i>	71
<hr/>	
WITH OUT ISB07	
<i>With: FEATURE 40070 WITH OUT 40099-01 ISB07</i>	
<i>From CSN 0267140 1/29/07</i>	72
<hr/>	
NON-ABS	
<i>With: STD</i>	
<i>From CSN 30012575 07/22/98</i>	
<i>To CSN 30080060 05/06/01</i>	73
<hr/>	
DOUBLE CHECK	74
<hr/>	

GOVERNOR

*To CSN 30085735 05/06/01* \_\_\_\_\_ 75

*From CSN 30085736 05/07/01* \_\_\_\_\_ 76

MANIFOLD

AIR SYSTEM

\_\_\_\_\_ 77

PARKING BRAKE

*To CSN 30046540 FE 10046619 RE 01/02/00* \_\_\_\_\_ 78

*From CSN 30046541 FE 10046620 RE 01/03/00*  
*To CSN 30079479 FE 10077009 RE 01/21/01* \_\_\_\_\_ 79

*From CSN 30079480 FE 10077010 RE 01/22/01* \_\_\_\_\_ 80

HAND CONTROL, EEC

*With: FEATURE 40070 WITH 4003 RH DIRVE*  
*From CSN 12-12-05* \_\_\_\_\_ 81

PARKING BRAKE, INTERLOCK

INSTALLATION

*With: FEATURE 40051-07* \_\_\_\_\_ 82

QUICK RELEASE

QR-1 WITH SILENCER, EEC

*With: FEATURE 40070 WITH 4003 RH DIRVE*  
*From CSN 5-12-05* \_\_\_\_\_ 83

WITH SR-1, SPRING BREAK

*To CSN 30046540 01/02/00* \_\_\_\_\_ 84

*From CSN 30046541 01/03/00* \_\_\_\_\_ 85

*With: FEATURE 40070*  
*From CSN 30046675 1/3/2000*  
*To 6/10/07* \_\_\_\_\_ 86

SPRING & SERVICE BRAKE

*From CSN 30012575 07/22/98* \_\_\_\_\_ 87

*With: FEATURE 40076 WITH 40280-05*  
*From CSN 0198635 5/2/05*  
*To 6/10/07* \_\_\_\_\_ 88

4 CHANNEL, ABS

*With: FEATURE 40070; 40076-01, 02  
From CSN 30000579  
To CSN 30026804* 89

---

*With: FEATURE 40070; 40076-01, 02  
From CSN 30026804  
To CSN 30036875 07/25/99* 90

---

*With: FEATURE 40070; 40076-01, 02  
From CSN 30036876 07/26/99  
To CSN 30058680 04/30/00* 91

---

*With: FEATURE 40070; 40076-01, 02  
From CSN 30058681 05/01/00  
To CSN 30080060 05/06/01* 92

---

*With: FEATURE 40070  
From CSN 30080061 05/07/01  
To CSN 30105844 03/31/02* 93

---

*With: FEATURE 40070  
From CSN 30105845 04/01/02* 94

---

EC60

*With: FEATURE 40070  
From CSN 0198635 5/2/05  
To 6/10/07* 95

---

EEC

*With: FEATURE 40070 WITH 4003 RH DIRVE  
From CSN 12-12-05* 96

---

RELAY

*With: FEATURE 40280-05  
From CSN 30039475 8/30/99  
To 6/10/07* 97

---

TRACTION CONTROL

SPRING SUSPENSION

*With: FEATURE 40453-01 WITH SPRING SUSPENSION  
From CSN 0232665 4/5/06* 98

---

WHEEL END COMPONENTS

FRONT, DRUM BRAKES, HUB PILOTED

5 INCH

*With: FEATURE 40070  
To CSN 30052954 03/05/00* 99

---

*With: FEATURE 40070  
From CSN 30052395 03/06/00  
To CSN 30096775 FE 11/04/01* 100

---



ALUMN WHEELS	
<i>From CSN 30096776 FE 10096696 RE 11/05/01</i>	101
STEEL WHEELS	
<i>From CSN 30096776 FE 10096696 RE 11/05/01</i>	102
6 INCH	
<i>With: FEATURE 40070</i>	
<i>From CSN 06/15/98</i>	
<i>To CSN 30052394 FE 10052364 RE 03/05/00</i>	103
<i>With: FEATURE 40070</i>	
<i>From CSN 30052395 FE 10052365 RE 03/06/00</i>	
<i>To CSN 30096775 FE 10096695 RE 11/04/01</i>	104
ALUMN WHEELS	
<i>From CSN 30096776 FE 10096696 RE 11/05/01</i>	105
STEEL WHEELS	
<i>From CSN 30096776 FE 10096696 RE 11/05/01</i>	106
FRONT, DRUM BRAKES, STUD PILOTED	
5 INCH	
<i>With: FEATURE 40070</i>	
<i>To CSN 09/07/98</i>	107
<i>From CSN 09/08/98</i>	
<i>To CSN 30052394 03/05/00</i>	108
<i>With: FEATURE 40070 WITH 40443</i>	
<i>From CSN 11/29/00</i>	
<i>To CSN 30096824 11/04/01</i>	109
<i>With: FEATURE 40070</i>	
<i>From CSN 30052395 03/06/00</i>	
<i>To CSN 30079479 FE 01/21/01</i>	110
6 INCH	
<i>With: FEATURE 40070</i>	
<i>From CSN 30052395 FE 10052365 03/06/00</i>	
<i>To CSN 30079479 FE 10077009 RE 01/21/01</i>	111
REAR, DRUM BRAKES, HUB PILOTED	
J190, J210	
7 INCH	
<i>With: FEATURE 40070-01, 02</i>	
<i>From CSN 10008675 RE 30008585 FE 07/13/98</i>	
<i>To 01/17/99</i>	112

<p><i>With: FEATURE 40070-01, 02</i>  <i>From CSN 01/18/98</i>  <i>To CSN 30096775 FE 10096695 RE 11/04/01</i></p>	113
<hr/>	
J230	
7 INCH	
<p><i>With: FEATURE 40070-01, 02</i>  <i>From CSN 10007080 RE 30007075 FE 06/18/98</i>  <i>To CSN 10013294 RE 30013644 FE 09/13/98</i></p>	114
<hr/>	
<p><i>With: FEATURE 40070-01, 02</i>  <i>From CSN 10013295 RE 30013645 FE 09/14/98</i>  <i>To CSN 30096775 FE 10096695 RE 11/04/01</i></p>	115
<hr/>	
8.62 INCH	
<p><i>With: FEATURE 40070-03</i>  <i>From CSN 3007075 FE 10007080 RE 06/18/98</i>  <i>To CSN 10068459 RE 08/13/00</i></p>	116
<hr/>	
<p><i>With: FEATURE 40070-03</i>  <i>From CSN 10068460 RE 08/14/00</i>  <i>To CSN 30096775 FE 10096695 RE 11/04/01</i></p>	117
<hr/>	
MERITOR	
7 INCH ALUMN WHEELS/DAYTON	
<p><i>From CSN 30096776 FE 10096696 RE 11/05/01</i></p>	118
<hr/>	
7 INCH ALUMN WHEELS/WEBB	
<p><i>From CSN 30096776 FE 10096696 RE 11/05/01</i></p>	119
<hr/>	
7 INCH STEEL WHEELS/DAYTON	
<p><i>From CSN 30096776 FE 10096696 RE 11/05/01</i></p>	120
<hr/>	
7 INCH STEEL WHEELS/WEBB	
<p><i>From CSN 30096776 FE 10096696 RE 11/05/01</i></p>	121
<hr/>	
8.62 INCH ALUMN WHEELS/DAYTON	
<p><i>From CSN 30096776 FE 10096696 RE 11/05/01</i></p>	122
<hr/>	
8.62 INCH ALUMN WHEELS/WEBB	
<p><i>From CSN 30096776 FE 10096696 RE 11/05/01</i></p>	123
<hr/>	
8.62 INCH STEEL WHEELS/DAYTON	
<p><i>From CSN 30096776 FE 10096696 RE 11/05/01</i></p>	124
<hr/>	
8.62 INCH STEEL WHEELS/WEBB	
<p><i>From CSN 30096776 FE 10096696 RE 11/05/01</i></p>	125
<hr/>	

REAR, DRUM BRAKES, STUD PILOTED

J190, J210

7 INCH

*From CSN 10008675 RE 30008585 FE 07/13/98  
To 01/17/99*

126

*From CSN 01/18/99  
To CSN 30079479 FE 1007709 RE 01/21/01*

127

*With: FEATURE 40070-01, 02  
From CSN 11/28/00  
To CSN 30096775 FE 10096695 RE 11/04/01*

128

J230

7 INCH

*From CSN 10007080 RE 30007075 FE 06/18/98  
To CSN 10011119 RE 30011019 FE 08/09/98*

129

*From CSN 10011120 RE 30011020 FE 08/10/98  
To CSN 30079479 FE 1007709 RE 01/21/01*

130

*With: FEATURE 40070-01, 02  
From CSN 11/28/00  
To CSN 30096775 FE 10096695 RE 11/04/01*

131

8.62 INCH

*From CSN 10007080 RE 30007075 FE 06/18/98  
To CSN 10028919 04/25/99*

132

*With: FEATURE 40076  
From CSN 10028920 RE 04/26/99  
To CSN 30079479 FE 1007709 RE 01/21/01*

133

*With: FEATURE 40070 WITH 40076  
From CSN 11/28/00  
To CSN 30096775 FE 10096695 RE 11/04/01*

134

J230 WITH 12R22.5 TIRES

7 INCH

*From CSN 10007080 RE 30007075 FE 06/18/98  
To 05/30/99*

135

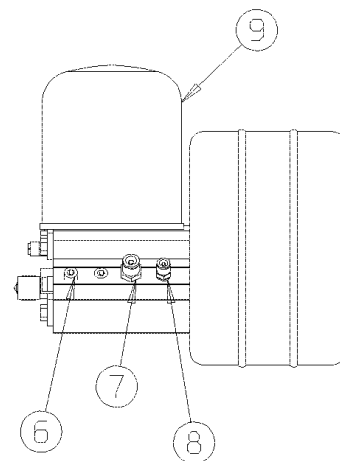
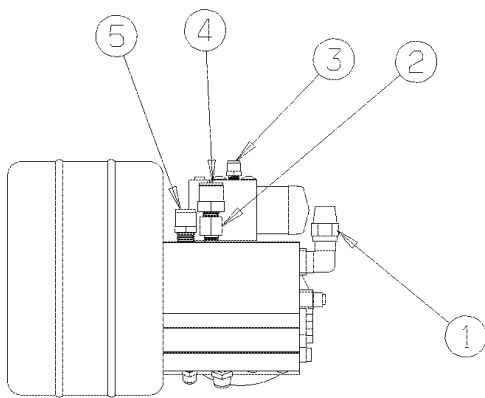
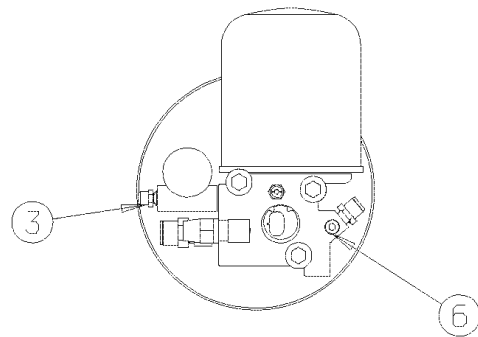
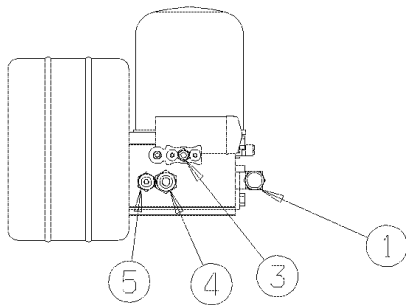
*From CSN 05/31/99  
To CSN 30079479 FE 1007709 RE 01/21/01*

136

**Models:** A3FE, HDFE  
AIR DRYER ASSY  
ADIS, EEC

**With Features:** FEATURE 40070 WITH 4003 RH DIRVE  
**BSN:** From CSN 12-12-05

Key	PartNumber	Qty	Description	Comment
-----	------------	-----	-------------	---------



**Models:** A3FE, HDFE  
**AIR DRYER ASSY**  
**ADIS, EEC**

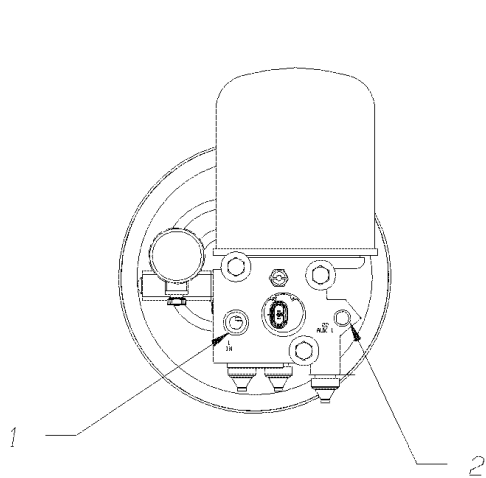
**With Features:** **FEATURE 40070 WITH 4003 RH DIRVE**  
**BSN:** **From CSN 12-12-05**

Key	PartNumber	Qty	Description	Comment
1	0754879		ELBOW,1/2 MPT X 5/8 TUBE	
2	0766188		ADAPTER,3/8 FPT X 1/4 MPT	
3	0009917		CONNECTOR,MALE,1868X4-Z,.13MP X .25T"	
4	0025651		CONNECTOR,MALE,1868X10X6-Z,.38 MPT X .63	
5	0088660		CONNECTOR,MALE,18688X4,.25MPT X .50T	
6	2023513		PLUG,PIPE,1/4,ALLEN HEX HD,BRASS	
7	0009924		CONNECTOR,MALE,1868X6-Z,.25MPT X .38T"	
8	0009922		CONNECTOR,MALE,1868X4X4-Z,.25MPT X .25T"	
9	0045858		AIR DRYER,ADIS,W/DLU EXTENDED	

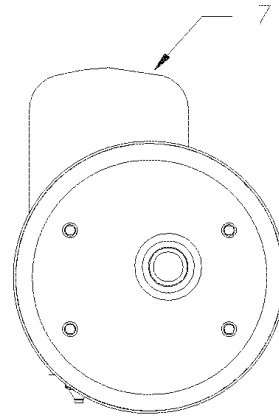
**Models:** A3FE, HDFE  
AIR DRYER ASSY  
ADIS, EEC

**With Features:** FEATURE 40070 WITH 4003 RH DIRVE  
**BSN:** From CSN 5-12-05  
To CSN 12-11-05

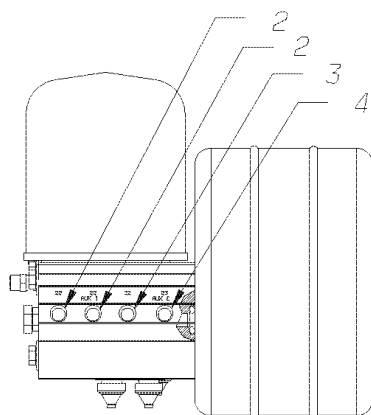
Key	PartNumber	Qty	Description	Comment
-----	------------	-----	-------------	---------



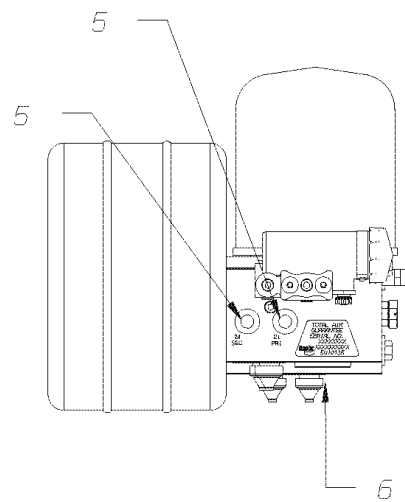
FRONT VIEW



REAR VIEW



LH SIDE VIEW



RH SIDE VIEW

**Models:** A3FE, HDFE  
**AIR DRYER ASSY**  
**ADIS, EEC**

**With Features:** **FEATURE 40070 WITH 4003 RH DIRVE**

**BSN:** **From CSN 5-12-05**  
**To CSN 12-11-05**

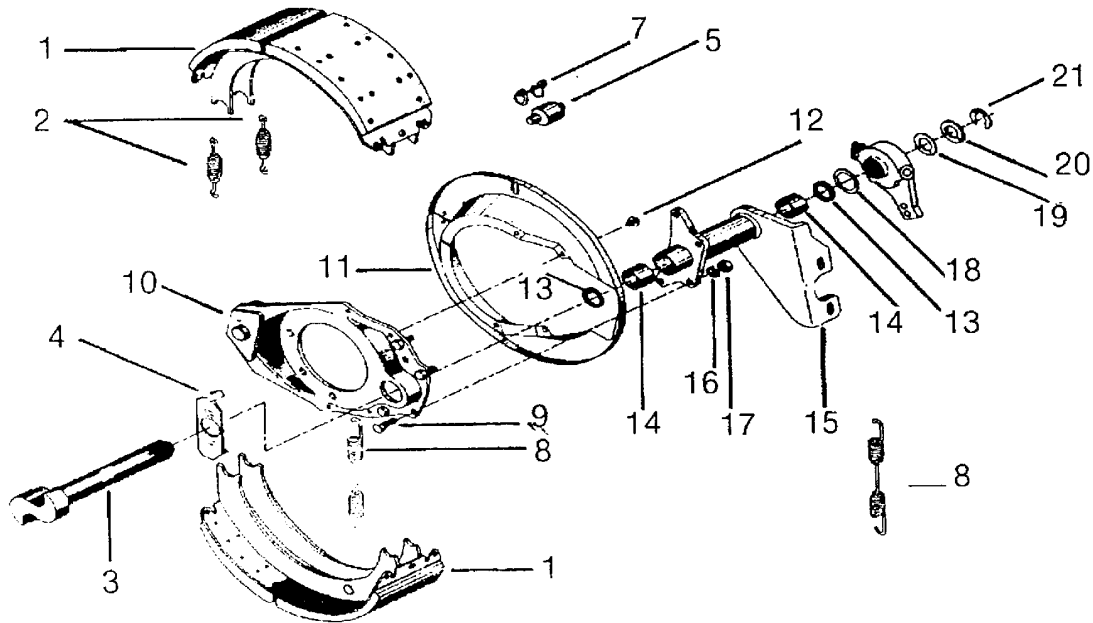
Key	PartNumber	Qty	Description	Comment
1	0754879		ELBOW,1/2 MPT X 5/8 TUBE	
2	2023513		PLUG,PIPE,1/4,ALLEN HEX HD,BRASS	
3	0009924		CONNECTOR,MALE,1868X6-Z,.25MPT X .38"	
4	0009922		CONNECTOR,MALE,1868X4X4-Z,.25MPT X .25"	
5	0088660		CONNECTOR,MALE,18688X4,.25MPT X .50T	
6	0048365		SILENCER KIT,AD-IS AIR DRYER,EEC	
7	0045858		AIR DRYER,ADIS,W/DLU EXTENDED	

**Models:** TCFE, CSFE, A3FE  
**BRAKE ASSY, FRONT**  
**5 INCH**  
**EXT SERVICE**  
**With Features:** **OPTION 4353**  
**To CSN 30079479 01/21/01**

Key	PartNumber	Qty	Description	Comment
-----	------------	-----	-------------	---------

DR.11/14/95 BY DB		4317616	
APP.11/14/95 BY AB	FRT		REV

© BLUE BIRD BODY COMPANY. ALL RIGHTS RESERVED





**Models:** TCFE, CSFE, A3FE  
**BRAKE ASSY, FRONT**  
**5 INCH**  
**EXT SERVICE**  
**With Features:** **OPTION 4353**  
**To CSN 30079479 01/21/01**

Key	PartNumber	Qty	Description	Comment
1	4318457	4	SHOE & LINING ASSY,FRT,5",,ES"	ENDING WITH CSN 999524
1	8302937	4	SHOE & LINING ASSY,5" FRT	BEGIN WITH CSN 999525
	4317327	4	SHOE,BRAKE,FRT 5" ""	ENDING WITH CSN 999524. SHOE ONLY
	8304693	4	SHOE,BRAKE,FRT,5",,ES-II"	BEGIN WITH CSN 999525. SHOE ONLY
NI	4318713		KIT,LINING,FRT,5",,ES"	
2	4317244	3	SPRING,SHOE RETAINER"	EATON,. ENDING WITH CSN 999524
2	8302986	3	SPRING,SHOE RETAINING,NEW HOT SHOE"	EATON. BEGIN WITH CSN 999525
3	4317251	1	CAMSHAFT,5" RH,FRT EXT SER"	
3	4317277	1	CAMSHAFT,5" LH,FRT EXT SER"	
4	4317269	4	WASHER,CAMSHAFT"	
5	4317335	4	ROLLER,CAMSHAFT"	
7	4317343	4	RETAINER,ROLLER"	
8	4317350	2	SPRING,RELEASE,BROWN"	BROWN OR GRAY
9	2157949	8	BOLT,CHAMBER BRKT TO BRAKE SPIDER (CAST)	
10	4310439		SPIDER,BRAKE,FRT 5" LH EATON"	
10	4310447		SPIDER,BRAKE,FRT,5" RH EATON"	
11	1836014	2	KIT,DUSTSHIELD,AIR BRAKE,EATON,STEER	
12	4310116	8	SCREW,DUSTSHIELD"	
13	2627370	8	SEAL,BRAKE SPIDER & CAMSHAFT	
14	4310488	4	BUSHING,CAMSHAFT,BRAKES EATON"	
15	4317376		BRACKET ASSY,CAMSHAFT,LH"	EATON
15	4317368		BRACKET ASSY,CAMSHAFT,RH"	EATON
16	4310058	8	LOCKWASHER	
17	2137289	8	NUT,HEX,EATON BRAKES	
18	4310546	2	WASHER,INNER,SLACK ADJUSTER"	
19	2630267		WASHER,CAMSHAFT SPACER .032	
20	4310561		WASHER,CAMSHAFT SHIM .60"	
21	4310231	2	SNAPRING,CAMSHAFT"	
22	4317384	2	FITTING,GREASE"	
23	8302911	2	KIT,SLACK ADJUSTER & BRACKET	ENDING WITH CSN 999524
23	4320016	2	SLACK ADJUSTER,5"/ 6",,EXT SERV"	BEGIN WITH CSN 999525
NI	1513670	AR	BUSHING,.50"X.62",,HALDEX,452-10058	

**Models:** TCFE, CSFE, A3FE  
**BRAKE ASSY, FRONT**  
**5 INCH**  
**EXT SERVICE**  
**With Features:** **OPTION 4353**  
**To CSN 30079479 01/21/01**

Key	PartNumber	Qty	Description	Comment
NI	4319778		KIT,MAJOR OVERHAUL,5" EXT SERV"	<i>SERVICES ONE BRAKE</i>
NI	4317434		KIT,STANDARD,SERVICE,OVERHAUL,	<i>INCLUDES 2, 5 AND 8. SERVICES ONE BRAKE</i>

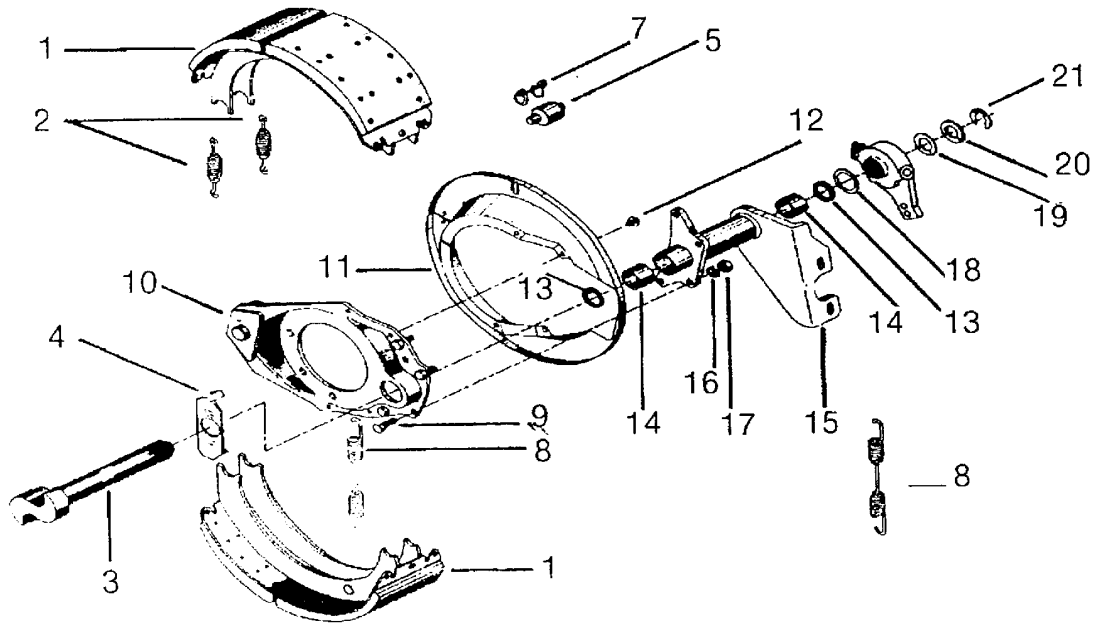
**Models:** A3FE, A3RE  
**BRAKE ASSY, FRONT**  
**5 INCH**  
**EXT SERVICE**

**With Features:** OPTION 4353 9/24/95 AND BEFORE, STD 9/25/95 AND AFTER  
 To CSN 30079479 01/21/01

Key	PartNumber	Qty	Description	Comment
-----	------------	-----	-------------	---------

DR.11/14/95 BY DB		4317616	
APP.11/14/95 BY AB	FRT		REV

© BLUE BIRD BODY COMPANY. ALL RIGHTS RESERVED



**Models:** **A3FE, A3RE**  
**BRAKE ASSY, FRONT**  
**5 INCH**  
**EXT SERVICE**

**With Features:** **OPTION 4353 9/24/95 AND BEFORE, STD 9/25/95 AND AFTER**  
**To CSN 30079479 01/21/01**

Key	PartNumber	Qty	Description	Comment
1	4318457	4	SHOE & LINING ASSY,FRT,5",,ES"	<i>AAFE, AARE. ENDING WITH CSN 0996887</i>
1	8302937	4	SHOE & LINING ASSY,5" FRT	<i>AAFE, AARE, A3FE, A3RE. BEGIN WITH CSN 0996888</i>
	4317327	4	SHOE,BRAKE,FRT 5" ""	<i>AAFE, AARE. ENDING WITH CSN 0996887 SHOE ONLY, FRONT BRAKE, 5"</i>
	8304693	4	SHOE,BRAKE,FRT,5",,ES-II"	<i>AAFE, AARE, A3FE, A3RE. BEGIN WITH CSN 0996888 SHOE ONLY, FRONT BRAKE,5"</i>
NI	4318713		KIT,LINING,FRT,5",,ES"	
2	4317244	3	SPRING,SHOE RETAINER"	<i>EATON, AAFE, AARE. ENDING WITH CSN 0996887</i>
2	8302986	3	SPRING,SHOE RETAINING,NEW HOT SHOE"	<i>EATON, AAFE, AARE, A3FE, A3RE. BEGIN WITH CSN 0996888, EATON</i>
3	4317251	1	CAMSHAFT,5" RH,FRT EXT SER"	
3	4317277	1	CAMSHAFT,5" LH,FRT EXT SER"	
4	4317269	4	WASHER,CAMSHAFT"	
5	4317335	4	ROLLER,CAMSHAFT"	
7	4317343	2	RETAINER,ROLLER"	
8	4317350	2	SPRING,RELEASE,BROWN"	<i>BROWN OR GRAY</i>
9	2157949	8	BOLT,CHAMBER BRKT TO BRAKE SPIDER (CAST)	
10	4310439		SPIDER,BRAKE,FRT 5" LH EATON"	
10	4310447		SPIDER,BRAKE,FRT,5" RH EATON"	
11	1836014	2	KIT,DUSTSHIELD,AIR BRAKE,EATON,STEER	
12	4310116	8	SCREW,DUSTSHIELD"	
13	2627370	8	SEAL,BRAKE SPIDER & CAMSHAFT	
14	4310488	4	BUSHING,CAMSHAFT,BRAKES EATON"	
15	4317376		BRACKET ASSY,CAMSHAFT,LH"	<i>EATON</i>
15	4317368		BRACKET ASSY,CAMSHAFT,RH"	<i>EATON</i>
16	4310058	8	LOCKWASHER	
17	2137289	8	NUT,HEX,EATON BRAKES	
18	4310546	2	WASHER,INNER,SLACK ADJUSTER"	
19	2630267		WASHER,CAMSHAFT SPACER .032	
20	4310561		WASHER,CAMSHAFT SHIM .60"	
21	4310231	2	SNAPRING,CAMSHAFT"	
22	4317384	2	FITTING,GREASE"	

**Models:** A3FE, A3RE  
**BRAKE ASSY, FRONT**  
**5 INCH**  
**EXT SERVICE**

**With Features:** **OPTION 4353 9/24/95 AND BEFORE, STD 9/25/95 AND AFTER**  
**To CSN 30079479 01/21/01**

Key	PartNumber	Qty	Description	Comment
23	8302911	2	KIT,SLACK ADJUSTER & BRACKET	996887
23	4320016	2	SLACK ADJUSTER,5"/ 6",EXT SERV"	AAFE, AARE, A3FE, A3RE. BEGIN WITH CSN 996888
NI	1513670	AR	BUSHING,.50"X.62",HALDEX,452-10058	
NI	4319778		KIT,MAJOR OVERHAUL,5" EXT SERV"	INCLUDES 1, 2, 5 AND 8. SERVICES ONE BRAKE
NI	4317434		KIT,STANDARD,SERVICE,OVERHAUL,	INCLUDES 2, 5 AND 8. SERVICES ONE BRAKE

**Models:** A3FE, A3RE, CSFE, CSRE, TCFE, TCRE, QBRE  
**BRAKE ASSY, FRONT**  
**5 INCH**

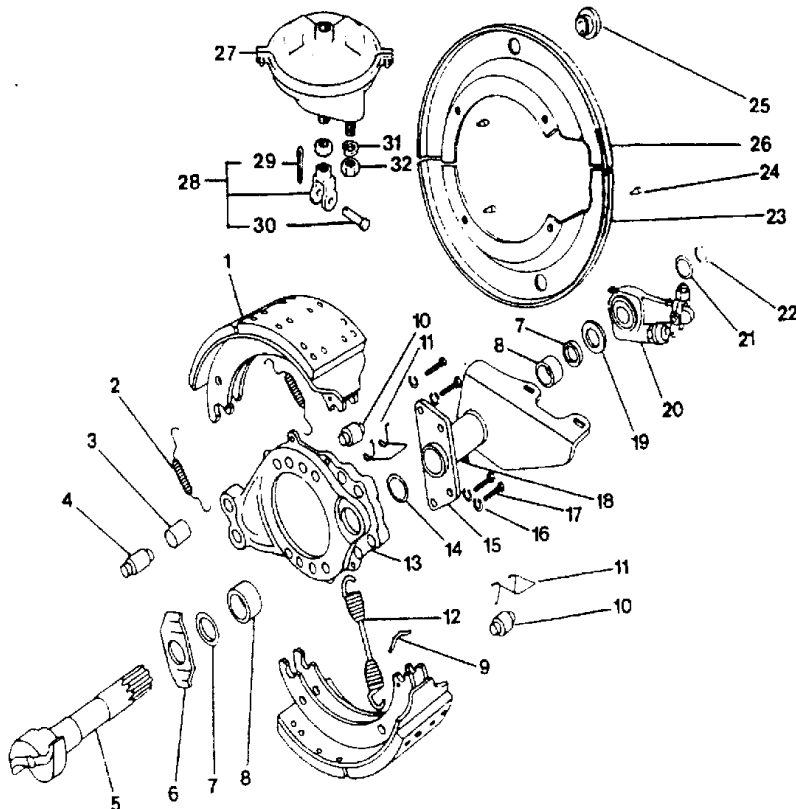
**With Features:** FEATURE 40052-01  
**BSN:** From CSN 30079480 FE 10077010 01/22/01  
 To CSN 30096775 FE 10096695 RE 11/04/01

Key	PartNumber	Qty	Description	Comment
-----	------------	-----	-------------	---------

FRONT BRAKES, Q-TYPE

DR	BY	Q158541
APP	BY	

© 1985 BLUE BIRD BODY COMPANY  
 ALL RIGHTS RESERVED



PAGE 6

**Models:** A3FE, A3RE, CSFE, CSRE, TCFE, TCRE, QBRE  
**BRAKE ASSY, FRONT**  
**5 INCH**  
**I146 WITH MERITOR BRAKES**  
**With Features:** FEATURE 40052-01  
**BSN:** From CSN 30079480 FE 10077010 01/22/01  
 To CSN 30096775 FE 10096695 RE 11/04/01

Key	PartNumber	Qty	Description	Comment
1			KIT, BRAKE SHOE & LINING ASSY.	
NI	0034132		KIT, MAJOR OVERHAUL, MERITOR, 5"	<i>INCLUDES ITEMS 1, 2, 3, 4, 9, 10, 11, 12</i>
NI	0027027		KIT, MINOR, 16.5 X 6, TAG, ROCKWELL, KIT	<i>INCLUDES ITEMS 2, 3, 4, 9, 10, 11, 12</i>
2			KIT, SPRING, BRAKE SHOE RETAINING	
3			KIT, BUSHING, ANCHOR PIN	
4			KIT, ANCHOR PIN, BRAKE SHOE	
5	2121606		CAMSHAFT, Q BRAKE, LH FRONT"	
5	2121614		CAMSHAFT, RH, Q BRAKE, FRONT"	
NI	0034413		KIT, BUSHING & SEAL, CAMSHAFT, MERITOR"	<i>INCLUDES ITEMS 7, 8</i>
NI	0034905		KIT, CAMSHAFT REBUILD, MERITOR	<i>INCLUDES ITEMS 6, 7, 8, 14, 18, 19, 21, 22</i>
6			KIT, WASHER, CAMHEAD	
7			KIT, SEAL, CAMSHAFT	
8			KIT, BUSHING, CAMSHAFT SPIDER & BRKT.	
9			KIT, PIN, BRAKE SHOE RETURN SPRING	
10			KIT, ROLLER, BRAKE SHOE	
11			KIT, RETAINER, SHOE ROLLER	
12			KIT, RETURN SPRING, BRAKE SHOE	
13	0034151		SPIDER, LH, MERITOR	
13	0034152		SPIDER, RH, MERITOR	
14			KIT, GASKET, CHAMBER BRKT.	
15	0034263		BRACKET, CAMSHAFT, LH, MERITOR	<i>INCLUDES ITEMS 15, 16, 17</i>
15	0034264		BRACKET, CAMSHAFT, RH, MERITOR	<i>INCLUDES ITEMS 15, 16, 17</i>
16			KIT, WASHER, CHAMBER BRKT.	
17			KIT, CAPSCREW, CHAMBER BRKT.	
18			KIT, FITTING, GREASE	
19			KIT, WASHER, CAMSHAFT	
20	0034252		SLACK ADJ, MERITOR, 5.5-28, L/R, 24/30	
21			KIT, WASHER, SPACING	
22			KIT, LOCKRING, CAMSHAFT	
23	0034275		CHAMBER, BRAKE, MGM, 24"	<i>LH</i>
NI	0034225		KIT, CLEVIS, MERITOR	<i>INCLUDES ITEMS 24, 25, 26</i>
24			KIT, PIN COTTER, BRAKE CHAMBER	

**Models:** A3FE, A3RE, CSFE, CSRE, TCFE, TCRE, QBRE  
BRAKE ASSY, FRONT  
5 INCH  
I146 WITH MERITOR BRAKES  
**With Features:** FEATURE 40052-01  
**BSN:** From CSN 30079480 FE 10077010 01/22/01  
To CSN 30096775 FE 10096695 RE 11/04/01

Key	PartNumber	Qty	Description	Comment
25			KIT, PIN, BRAKE CHAMBER YOKE	
26			KIT, YOKE	
27			WASHER, BRAKE CHAMBER	
28			NUT, BRAKE CHAMBER STUD	



**Models:** A3FE, A3RE, CSFE, CSRE, TCFE, QBRE  
**BRAKE ASSY, FRONT**  
**5 INCH**

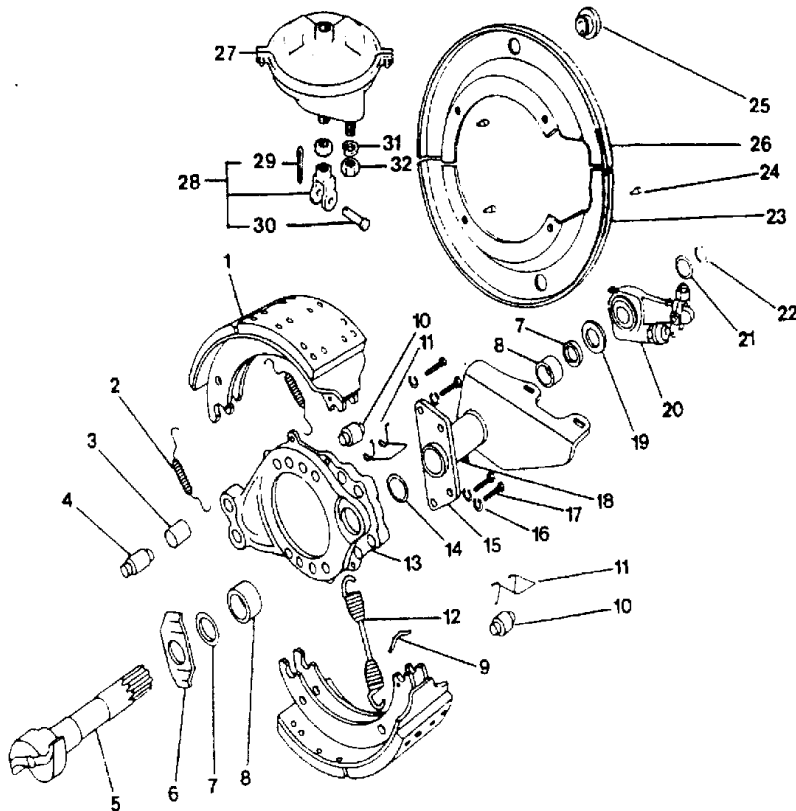
**With Features:** FEATURE 4227 OR 40000-02, 40052-02  
**BSN:** From CSN 30079480 FE 10077010 01/22/01  
 To CSN 30096775 FE 10096695 RE 11/04/01

Key	PartNumber	Qty	Description	Comment
-----	------------	-----	-------------	---------

FRONT BRAKES, Q-TYPE

DR	BY	Q158541
APP	BY	

© 1985 BLUE BIRD BODY COMPANY  
 ALL RIGHTS RESERVED



PAGE 6

**Models:** A3FE, A3RE, CSFE, CSRE, TCFE, QBRE  
**BRAKE ASSY, FRONT**  
**5 INCH**  
**I146 WITH MERITOR BRAKES**  
**With Features:** FEATURE 4227 OR 40000-02, 40052-02  
**BSN:** From CSN 30079480 FE 10077010 01/22/01  
 To CSN 30096775 FE 10096695 RE 11/04/01

Key	PartNumber	Qty	Description	Comment
1			KIT, BRAKE SHOE & LINING ASSY.	
NI	0034132		KIT, MAJOR OVERHAUL, MERITOR, 5"	<i>INCLUDES ITEMS 1, 2, 3, 4, 9, 10, 11, 12</i>
NI	0027027		KIT, MINOR, 16.5 X 6, TAG, ROCKWELL, KIT	<i>INCLUDES ITEMS 2, 3, 4, 9, 10, 11, 12</i>
2			KIT, SPRING, BRAKE SHOE RETAINING	
3			KIT, BUSHING, ANCHOR PIN	
4			KIT, ANCHOR PIN, BRAKE SHOE	
5	2121606		CAMSHAFT, Q BRAKE, LH FRONT"	
5	2121614		CAMSHAFT, RH, Q BRAKE, FRONT"	
NI	0034413		KIT, BUSHING & SEAL, CAMSHAFT, MERITOR"	<i>INCLUDES ITEMS 7, 8</i>
NI	0034905		KIT, CAMSHAFT REBUILD, MERITOR	<i>INCLUDES ITEMS 6, 7, 8, 14, 18, 19, 21, 22</i>
6			KIT, WASHER, CAMHEAD	
7			KIT, SEAL, CAMSHAFT	
8			KIT, BUSHING, CAMSHAFT SPIDER & BRKT.	
9			KIT, PIN, BRAKE SHOE RETURN SPRING	
10			KIT, ROLLER, BRAKE SHOE	
11			KIT, RETAINER, SHOE ROLLER	
12			KIT, RETURN SPRING, BRAKE SHOE	
13	0034151		SPIDER, LH, MERITOR	
13	0034152		SPIDER, RH, MERITOR	
14			KIT, GASKET, CHAMBER BRKT.	
15	0034263		BRACKET, CAMSHAFT, LH, MERITOR	<i>INCLUDES ITEMS 15, 16, 17</i>
15	0034264		BRACKET, CAMSHAFT, RH, MERITOR	<i>INCLUDES ITEMS 15, 16, 17</i>
16			KIT, WASHER, CHAMBER BRKT.	
17			KIT, CAPSCREW, CHAMBER BRKT.	
18			KIT, FITTING, GREASE	
19			KIT, WASHER, CAMSHAFT	
20	4311262		KIT, SLACK ADJ. REAR 7/8.62"	
NI	0034893		BRACKET ASSY, SLACK ADJ, HALDEX	
21			KIT, WASHER, SPACING	
22			KIT, LOCKRING, CAMSHAFT	
23	0034275		CHAMBER, BRAKE, MGM, 24"	<i>LH</i>
NI	0034225		KIT, CLEVIS, MERITOR	<i>INCLUDES ITEMS 24, 25, 26</i>

**Models:** A3FE, A3RE, CSFE, CSRE, TCFE, QBRE  
**BRAKE ASSY, FRONT**  
**5 INCH**  
**I146 WITH MERITOR BRAKES**

**With Features:** FEATURE 4227 OR 40000-02, 40052-02  
**BSN:** From CSN 30079480 FE 10077010 01/22/01  
 To CSN 30096775 FE 10096695 RE 11/04/01

Key	PartNumber	Qty	Description	Comment
24			KIT, PIN COTTER, BRAKE CHAMBER	
25			KIT, PIN, BRAKE CHAMBER YOKE	
26			KIT, YOKE	
27			WASHER, BRAKE CHAMBER	
28			NUT, BRAKE CHAMBER STUD	

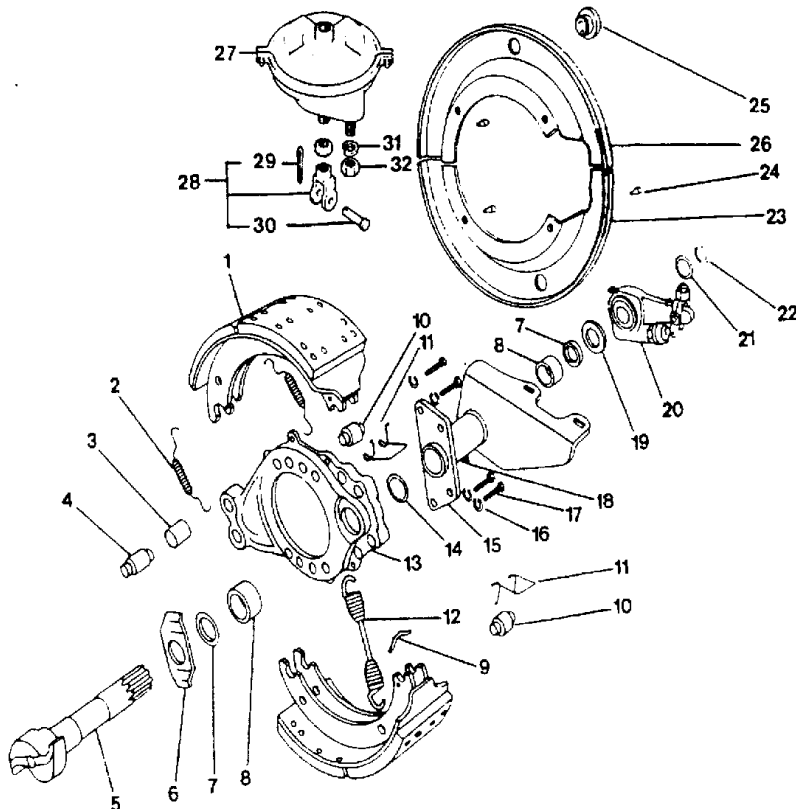
Models: A3FE, A3RE, C3FE, C4RE, CSFE, CSRE, QBRE, TCFE  
 BRAKE ASSY, FRONT  
 5 INCH  
 MERITOR  
 BSN: From CSN 30096776 FE 10096696 RE 11/05/01

Key	PartNumber	Qty	Description	Comment
-----	------------	-----	-------------	---------

FRONT BRAKES, Q-TYPE

DR	BY	Q158541
APP	BY	

© 1985 BLUE BIRD BODY COMPANY  
 ALL RIGHTS RESERVED



PAGE 6

**Models:** A3FE, A3RE, C3FE, C4RE, CSFE, CSRE, QBRE, TCFE  
**BRAKE ASSY, FRONT**  
**5 INCH**  
**MERITOR**  
**BSN:** From CSN 30096776 FE 10096696 RE 11/05/01

Key	PartNumber	Qty	Description	Comment
1			KIT, BRAKE SHOE & LINING ASSY.	
NI	0034132		KIT, MAJOR OVERHAUL, MERITOR, 5"	<i>INCLUDES ITEMS 1, 2, 3, 4, 9, 10, 11, 12</i>
NI	0027027		KIT, MINOR, 16.5 X 6, TAG, ROCKWELL, KIT	<i>INCLUDES ITEMS 2, 3, 4, 9, 10, 11, 12</i>
2			KIT, SPRING, BRAKE SHOE RETAINING	
3			KIT, BUSHING, ANCHOR PIN	
4			KIT, ANCHOR PIN, BRAKE SHOE	
5	2121606		CAMSHAFT, Q BRAKE, LH FRONT"	
5	2121614		CAMSHAFT, RH, Q BRAKE, FRONT"	
NI	0044939		KIT, BUSHING & SEAL"	<i>INCLUDES ITEMS 7, 8</i>
NI	0038801		KIT, WASHER & SNAP RING, CAMSHAFT, MERITOR	<i>INCLUDES ITEMS 19, 21, 22</i>
6	2121663		WASHER, FLAT, CAMSHAFT, THICK, Q BRAKE"	
7			KIT, SEAL, CAMSHAFT	
8			KIT, BUSHING, CAMSHAFT SPIDER & BRKT.	
9			KIT, PIN, BRAKE SHOE RETURN SPRING	
10			KIT, ROLLER, BRAKE SHOE	
11			KIT, RETAINER, SHOE ROLLER	
12			KIT, RETURN SPRING, BRAKE SHOE	
13	0034151		SPIDER, LH, MERITOR	
13	0034152		SPIDER, RH, MERITOR	
14	2644235		SEAL, FELT, BRAKE SPIDER	
15	0034263		BRACKET, CAMSHAFT, LH, MERITOR	<i>INCLUDES ITEMS 15, 16, 17</i>
15	0034264		BRACKET, CAMSHAFT, RH, MERITOR	<i>INCLUDES ITEMS 15, 16, 17</i>
16			WASHER, CHAMBER BRKT.	
17			CAPSCREW, CHAMBER BRKT.	
18			FITTING, GREASE	
19			KIT, WASHER, CAMSHAFT	
20	0045365		SLACK ADJ, LH/RH, MERITOR"	
20	0045335		KIT, SLACK ADJ, 1.5-28 X 5.5, HALDEX	
NI	0045337		KIT, BRACKET, SLACK ADJ, HALDEX	<i>HALDEX ONLY</i>
21			KIT, WASHER, SPACING	
22			KIT, LOCKRING, CAMSHAFT	
NI	0045347		CHAMBER, BRAKE, TYPE 24"	
NI	0034225		KIT, CLEVIS, MERITOR	

**Models:** A3FE, A3RE, C3FE, C4RE, CSFE, CSRE, QBRE, TCFE  
BRAKE ASSY, FRONT  
5 INCH  
MERITOR  
**BSN:** From CSN 30096776 FE 10096696 RE 11/05/01

Key	PartNumber	Qty	Description	Comment
23	0031491		DUSTSHIELD KIT,AIR BRAKE,16.5X5 & 6,QP	
24			KIT, CAPSCREW, DUSTSHIELD	

**Models:** A3FE, A3RE, AAFE, AARE

**BRAKE ASSY, FRONT**

**6 INCH**

**EXT SERVICE**

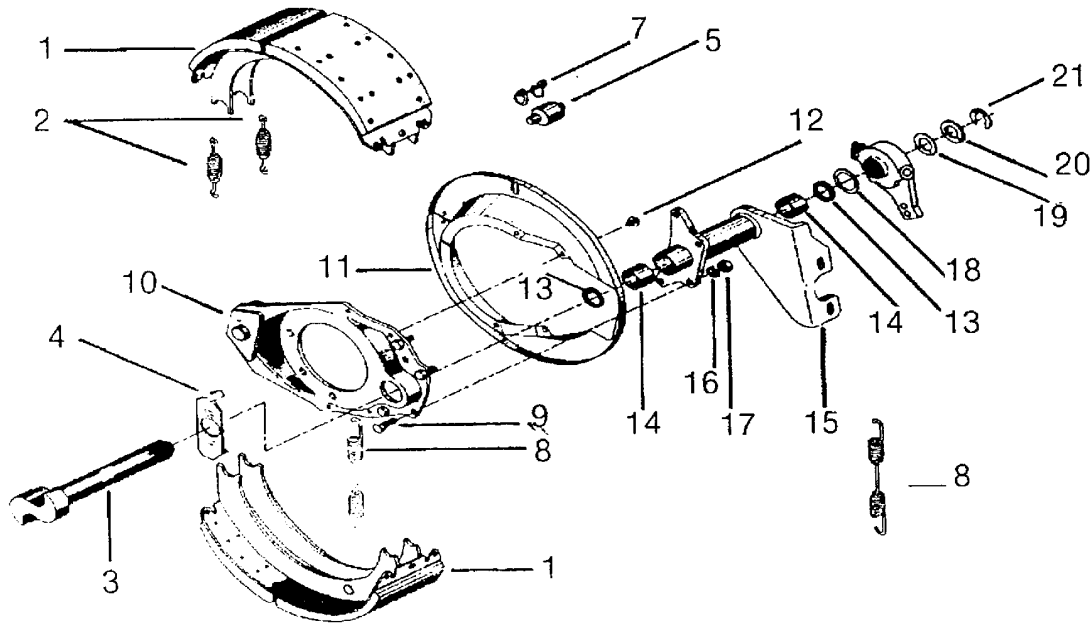
**With Features:** OPTION 4351, 4355

**To CSN 30079479 FE 10077009 RE 01/21/01**

Key	PartNumber	Qty	Description	Comment
-----	------------	-----	-------------	---------

DR.11/14/95 BY DB		4317616	
APP.11/14/95 BY AB	FRT		REV

© BLUE BIRD BODY COMPANY. ALL RIGHTS RESERVED



**Models:** A3FE, A3RE, AAFE, AARE

**BRAKE ASSY, FRONT**

**6 INCH**

**EXT SERVICE**

**With Features:** OPTION 4351, 4355

**To CSN 30079479 FE 10077009 RE 01/21/01**

Key	PartNumber	Qty	Description	Comment
1	4318465	4	SHOE & LINING ASSY,FRT,6",ES"	ENDING WITH CSN 996887
1	8302945	4	SHOE & LINING ASSY,6" FRT	BEGIN WITH CSN 996888
	4320099	4	SHOE ONLY,16.5 X 6	ENDING WITH CSN 996887. SHOE ONLY
	8304701	4	SHOE,BRAKE,FRT,6",ES-II"	BEGIN WITH CSN 996888. SHOE ONLY
NI	4318705		KIT,LINING,FRT,6",ES"	
2	4317244	3	SPRING,SHOE RETAINER"	EATON,. ENDING WITH CSN 996887
2	8302986	3	SPRING,SHOE RETAINING,NEW HOT SHOE"	EATON. BEGIN WITH CSN 996888
3	4317251	1	CAMSHAFT,5" RH,FRT EXT SER"	
3	4317277	1	CAMSHAFT,5" LH,FRT EXT SER"	
4	4317269	4	WASHER,CAMSHAFT"	
5	4317335	4	ROLLER,CAMSHAFT"	
7	4317343	2	RETAINER,ROLLER"	
8	4317350	2	SPRING,RELEASE,BROWN"	BROWN OR GRAY
9	2157949	8	BOLT,CHAMBER BRKT TO BRAKE SPIDER (CAST)	
10	4310439		SPIDER,BRAKE,FRT 5" LH EATON"	
10	4310447		SPIDER,BRAKE,FRT,5" RH EATON"	
11	1836014	2	KIT,DUSTSHIELD,AIR BRAKE,EATON,STEER	
12	4310116	8	SCREW,DUSTSHIELD"	
13	2627370	8	SEAL,BRAKE SPIDER & CAMSHAFT	
14	4310488	4	BUSHING,CAMSHAFT,BRAKES EATON"	
15	4317376		BRACKET ASSY,CAMSHAFT,LH"	EATON
15	4317368		BRACKET ASSY,CAMSHAFT,RH"	EATON
16	4310058	8	LOCKWASHER	
17	2137289	8	NUT,HEX,EATON BRAKES	
18	4310546	2	WASHER,INNER,SLACK ADJUSTER"	
	4320016		SLACK ADJUSTER,5"/ 6",EXT SERV"	



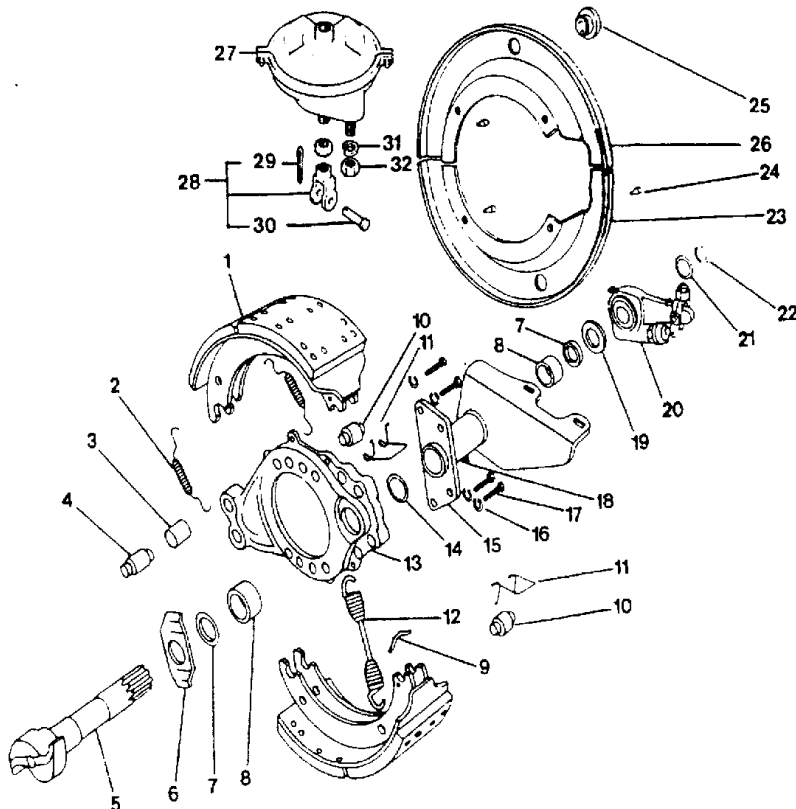
Models: A3FE, A3RE, C3FE, CSRE, QBRE, TCFE  
 BRAKE ASSY, FRONT  
 6 INCH  
 FF967, MERITOR  
 BSN: From CSN 30096776 FE 10096696 RE 11/05/01

Key	PartNumber	Qty	Description	Comment
-----	------------	-----	-------------	---------

FRONT BRAKES, Q-TYPE

DR	BY	Q158541
APP	BY	

© 1985 BLUE BIRD BODY COMPANY  
 ALL RIGHTS RESERVED



PAGE 6

**Models:** A3FE, A3RE, C3FE, CSRE, QBRE, TCFE  
**BRAKE ASSY, FRONT**  
**6 INCH**  
**FF967, MERITOR**  
**BSN:** From CSN 30096776 FE 10096696 RE 11/05/01

Key	PartNumber	Qty	Description	Comment
1			KIT, BRAKE SHOE & LINING ASSY.	
NI	0034133		KIT,MAJOR OVERHAUL,MERITOR,6"'''	<i>INCLUDES ITEMS 1, 2, 3, 4, 9, 10, 11, 12</i>
NI	0044940		KIT,MINOR OVERHAUL,16.5 X 6,MERITOR	<i>INCLUDES ITEMS 3, 4, 9, 10, 11, 12</i>
2			KIT, SPRING, BRAKE SHOE RETAINING	
3			KIT, BUSHING, ANCHOR PIN	
4			KIT, ANCHOR PIN, BRAKE SHOE	
5	2121606		CAMSHAFT,Q BRAKE,LH FRONT"	
5	2121614		CAMSHAFT,RH,Q BRAKE,FRONT"	
NI	0044939		KIT,BUSHING & SEAL"	<i>INCLUDES ITEMS 7, 8</i>
NI	0038801		KIT,WASHER & SNAP RING,CAMSHAFT,MERITOR	<i>INCLUDES ITEMS 19, 21, 22</i>
6	2121663		WASHER,FLAT,CAMSHAFT,THICK,Q BRAKE"	
7			KIT, SEAL, CAMSHAFT	
8			KIT, BUSHING, CAMSHAFT SPIDER & BRKT.	
9			KIT, PIN, BRAKE SHOE RETURN SPRING	
10			KIT, ROLLER, BRAKE SHOE	
11			KIT, RETAINER, SHOE ROLLER	
12			KIT, RETURN SPRING, BRAKE SHOE	
13	0034151		SPIDER,LH,MERITOR	
13	0034152		SPIDER,RH,MERITOR	
14	2644235		SEAL,FELT,BRAKE SPIDER	
15	0034263		BRACKET,CAMSHAFT,LH,MERITOR	<i>INCLUDES ITEMS 15, 16, 17</i>
15	0034264		BRACKET,CAMSHAFT,RH,MERITOR	<i>INCLUDES ITEMS 15, 16, 17</i>
16			WASHER, CHAMBER BRKT.	
17			CAPSCREW, CHAMBER BRKT.	
18			FITTING, GREASE	
19			KIT, WASHER, CAMSHAFT	
20	0045365		SLACK ADJ,LH/RH,MERITOR"	
20	0045335		KIT,SLACK ADJ,1.5-28 X 5.5,HALDEX	
NI	0045337		KIT,BRACKET,SLACK ADJ,HALDEX	<i>HALDEX ONLY</i>
21			KIT, WASHER, SPACING	
22			KIT, LOCKRING, CAMSHAFT	
NI	0045347		CHAMBER,BRAKE,TYPE 24"	
NI	0034225		KIT,CLEVIS,MERITOR	

**Models:** A3FE, A3RE, C3FE, CSRE, QBRE, TCFE  
BRAKE ASSY, FRONT  
6 INCH  
FF967, MERITOR  
**BSN:** From CSN 30096776 FE 10096696 RE 11/05/01

Key	PartNumber	Qty	Description	Comment
23	0031491		DUSTSHIELD KIT,AIR BRAKE,16.5X5 & 6,QP	
24			KIT, CAPSCREW, DUSTSHIELD	

Models: A3FE, A3RE, CSFE, CSRE, TCFE, QBRE  
 BRAKE ASSY, FRONT  
 6 INCH

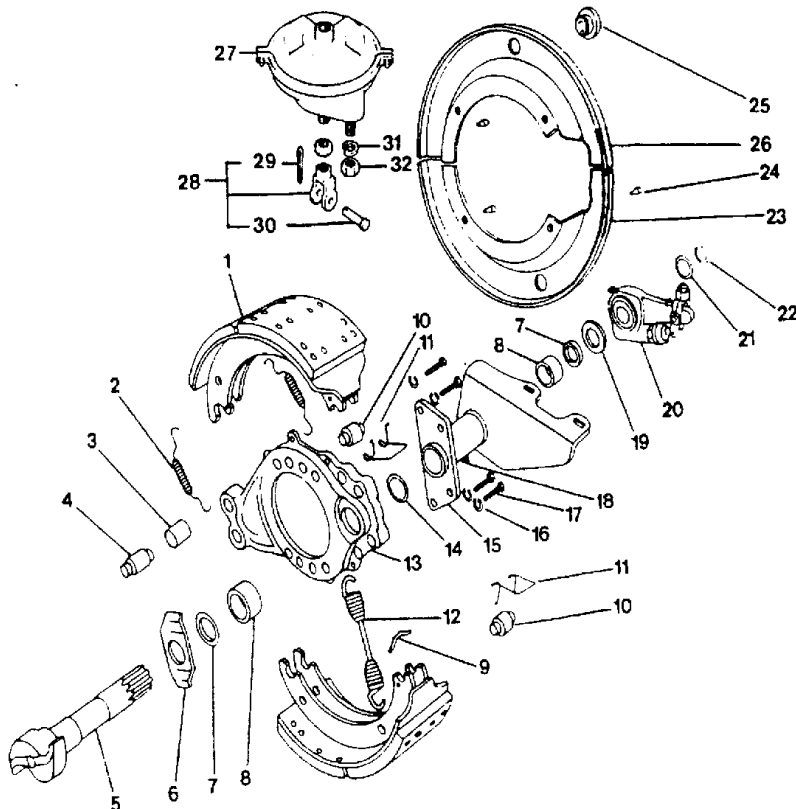
With Features: FEATURE 40052-01, 03, 40000-02, OPTION 4227, 4324, 4336, 4351, 4355  
 BSN: From CSN 30079480 FE 10077010 RE 01/22/01  
 To CSN 30096775 FE 10096695 RE 11/04/01

Key	PartNumber	Qty	Description	Comment
-----	------------	-----	-------------	---------

FRONT BRAKES, Q-TYPE

DR	BY	Q158541
APP	BY	

© 1985 BLUE BIRD BODY COMPANY  
 ALL RIGHTS RESERVED



PAGE 6

**Models:** A3FE, A3RE, CSFE, CSRE, TCFE, QBRE

**BRAKE ASSY, FRONT**

**6 INCH**

**I146 WITH MERITOR BRAKES**

**With Features:** FEATURE 40052-01, 03, 40000-02, OPTION 4227, 4324, 4336, 4351, 4355

**BSN:** From CSN 30079480 FE 10077010 RE 01/22/01

To CSN 30096775 FE 10096695 RE 11/04/01

Key	PartNumber	Qty	Description	Comment
1			KIT, BRAKE SHOE & LINING ASSY.	
NI	0034133		KIT, MAJOR OVERHAUL, MERITOR, 6" ""	<i>INCLUDES ITEMS 1, 2, 3, 4, 9, 10, 11, 12</i>
NI	0027027		KIT, MINOR, 16.5 X 6, TAG, ROCKWELL, KIT	<i>INCLUDES ITEMS 2, 3, 4, 9, 10, 11, 12</i>
2			KIT, SPRING, BRAKE SHOE RETAINING	
3			KIT, BUSHING, ANCHOR PIN	
4			KIT, ANCHOR PIN, BRAKE SHOE	
5	2121606		CAMSHAFT, Q BRAKE, LH FRONT"	
5	2121614		CAMSHAFT, RH, Q BRAKE, FRONT"	
NI	0034413		KIT, BUSHING & SEAL, CAMSHAFT, MERITOR"	<i>INCLUDES ITEMS 7, 8</i>
NI	0034905		KIT, CAMSHAFT REBUILD, MERITOR	<i>INCLUDES ITEMS 6, 7, 8, 14, 18, 19, 21, 22</i>
6			KIT, WASHER, CAMHEAD	
7			KIT, SEAL, CAMSHAFT	
8			KIT, BUSHING, CAMSHAFT SPIDER & BRKT.	
9			KIT, PIN, BRAKE SHOE RETURN SPRING	
10			KIT, ROLLER, BRAKE SHOE	
11			KIT, RETAINER, SHOE ROLLER	
12			KIT, RETURN SPRING, BRAKE SHOE	
13	0034151		SPIDER, LH, MERITOR	
13	0034152		SPIDER, RH, MERITOR	
14			KIT, GASKET, CHAMBER BRKT.	
15	0034263		BRACKET, CAMSHAFT, LH, MERITOR	<i>INCLUDES ITEMS 15, 16, 17</i>
15	0034264		BRACKET, CAMSHAFT, RH, MERITOR	<i>INCLUDES ITEMS 15, 16, 17</i>
16			KIT, WASHER, CHAMBER BRKT.	
17			KIT, CAPSCREW, CHAMBER BRKT.	
18			KIT, FITTING, GREASE	
19			KIT, WASHER, CAMSHAFT	
20	0034252		SLACK ADJ, MERITOR, 5.5-28, L/R, 24/30	
21			KIT, WASHER, SPACING	
22			KIT, LOCKRING, CAMSHAFT	
23	0034275		CHAMBER, BRAKE, MGM, 24"	<i>LH</i>
NI	0034225		KIT, CLEVIS, MERITOR	<i>INCLUDES ITEMS 24, 25, 26</i>
24			KIT, PIN COTTER, BRAKE CHAMBER	

**Models:** A3FE, A3RE, CSFE, CSRE, TCFE, QBRE

**BRAKE ASSY, FRONT**

**6 INCH**

**I146 WITH MERITOR BRAKES**

**With Features:** FEATURE 40052-01, 03, 40000-02, OPTION 4227, 4324, 4336, 4351, 4355

**BSN:** From CSN 30079480 FE 10077010 RE 01/22/01

To CSN 30096775 FE 10096695 RE 11/04/01

Key	PartNumber	Qty	Description	Comment
25			KIT, PIN, BRAKE CHAMBER YOKE	
26			KIT, YOKE	
27			WASHER, BRAKE CHAMBER	
28			NUT, BRAKE CHAMBER STUD	

Models: A3FE, A3RE, CSFE, CSRE, TCFE, QBRE  
 BRAKE ASSY, FRONT  
 6 INCH

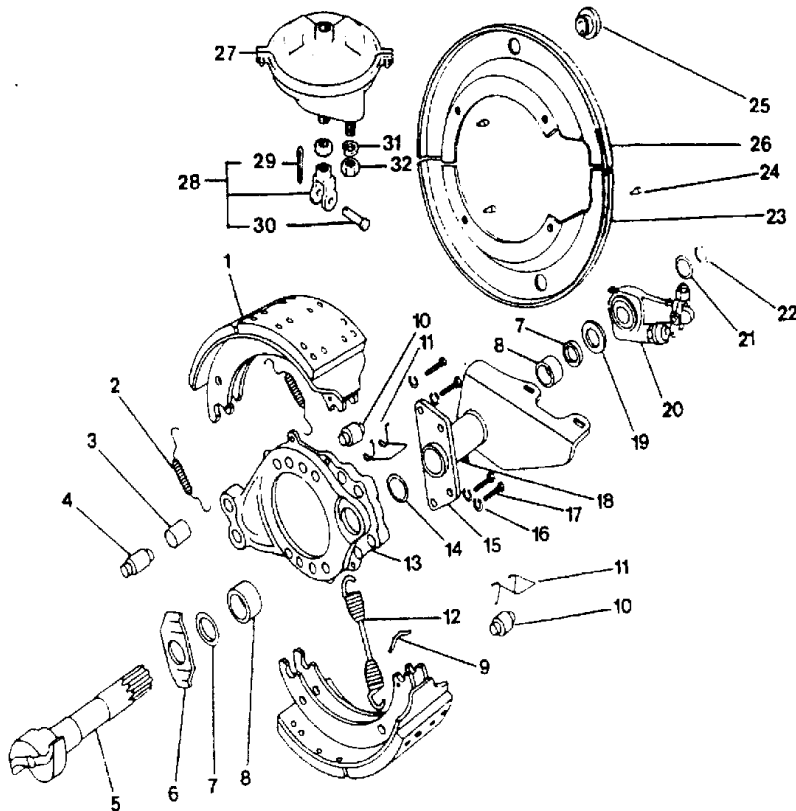
With Features: I146 WITH MERITOR BRAKES  
 FEATURE 40052-02, 40000-02, OPTION 4227  
 BSN: From CSN 30079480 FE 10077010 RE 01/22/01  
 To CSN 30096775 FE 10096695 RE 11/04/01

Key	PartNumber	Qty	Description	Comment
-----	------------	-----	-------------	---------

FRONT BRAKES, Q-TYPE

DR	BY	Q158541
APP	BY	

© 1985 BLUE BIRD BODY COMPANY  
 ALL RIGHTS RESERVED



PAGE 6

**Models:** A3FE, A3RE, CSFE, CSRE, TCFE, QBRE

**BRAKE ASSY, FRONT**

**6 INCH**

**I146 WITH MERITOR BRAKES**

**With Features:** FEATURE 40052-02, 40000-02, OPTION 4227

**BSN:** From CSN 30079480 FE 10077010 RE 01/22/01

To CSN 30096775 FE 10096695 RE 11/04/01

Key	PartNumber	Qty	Description	Comment
1			KIT, BRAKE SHOE & LINING ASSY.	
NI	0034133		KIT, MAJOR OVERHAUL, MERITOR, 6" ""	INCLUDES ITEMS 1, 2, 3, 4, 9, 10, 11, 12
NI	0027027		KIT, MINOR, 16.5 X 6, TAG, ROCKWELL, KIT	INCLUDES ITEMS 2, 3, 4, 9, 10, 11, 12
2			KIT, SPRING, BRAKE SHOE RETAINING	
3			KIT, BUSHING, ANCHOR PIN	
4			KIT, ANCHOR PIN, BRAKE SHOE	
5	2121606		CAMSHAFT, Q BRAKE, LH FRONT"	
5	2121614		CAMSHAFT, RH, Q BRAKE, FRONT"	
NI	0034413		KIT, BUSHING & SEAL, CAMSHAFT, MERITOR"	INCLUDES ITEMS 7, 8
NI	0034905		KIT, CAMSHAFT REBUILD, MERITOR	INCLUDES ITEMS 6, 7, 8, 14, 18, 19, 21, 22
6			KIT, WASHER, CAMHEAD	
7			KIT, SEAL, CAMSHAFT	
8			KIT, BUSHING, CAMSHAFT SPIDER & BRKT.	
9			KIT, PIN, BRAKE SHOE RETURN SPRING	
10			KIT, ROLLER, BRAKE SHOE	
11			KIT, RETAINER, SHOE ROLLER	
12			KIT, RETURN SPRING, BRAKE SHOE	
13	0034151		SPIDER, LH, MERITOR	
13	0034152		SPIDER, RH, MERITOR	
14			KIT, GASKET, CHAMBER BRKT.	
15	0034263		BRACKET, CAMSHAFT, LH, MERITOR	INCLUDES ITEMS 15, 16, 17
15	0034264		BRACKET, CAMSHAFT, RH, MERITOR	INCLUDES ITEMS 15, 16, 17
16			KIT, WASHER, CHAMBER BRKT.	
17			KIT, CAPSCREW, CHAMBER BRKT.	
18			KIT, FITTING, GREASE	
19			KIT, WASHER, CAMSHAFT	
20	4311262		KIT, SLACK ADJ. REAR 7/8.62" ""	
NI	0034893		BRACKET ASSY, SLACK ADJ, HALDEX	
21			KIT, WASHER, SPACING	
22			KIT, LOCKRING, CAMSHAFT	
23	0034275		CHAMBER, BRAKE, MGM, 24"	LH
NI	0034225		KIT, CLEVIS, MERITOR	INCLUDES ITEMS 24, 25, 26



**Models:** A3FE, A3RE, CSFE, CSRE, TCFE, QBRE

**BRAKE ASSY, FRONT**

**6 INCH**

**I146 WITH MERITOR BRAKES**

**With Features:** FEATURE 40052-02, 40000-02, OPTION 4227

**BSN:** From CSN 30079480 FE 10077010 RE 01/22/01

To CSN 30096775 FE 10096695 RE 11/04/01

Key	PartNumber	Qty	Description	Comment
24			KIT, PIN COTTER, BRAKE CHAMBER	
25			KIT, PIN, BRAKE CHAMBER YOKE	
26			KIT, YOKE	
27			WASHER, BRAKE CHAMBER	
28			NUT, BRAKE CHAMBER STUD	

**Models:** A3FE, A3RE  
**BRAKE ASSY, REAR**  
**7 INCH**  
**EXT SERVICE**  
**SPRING SUSPENSION**

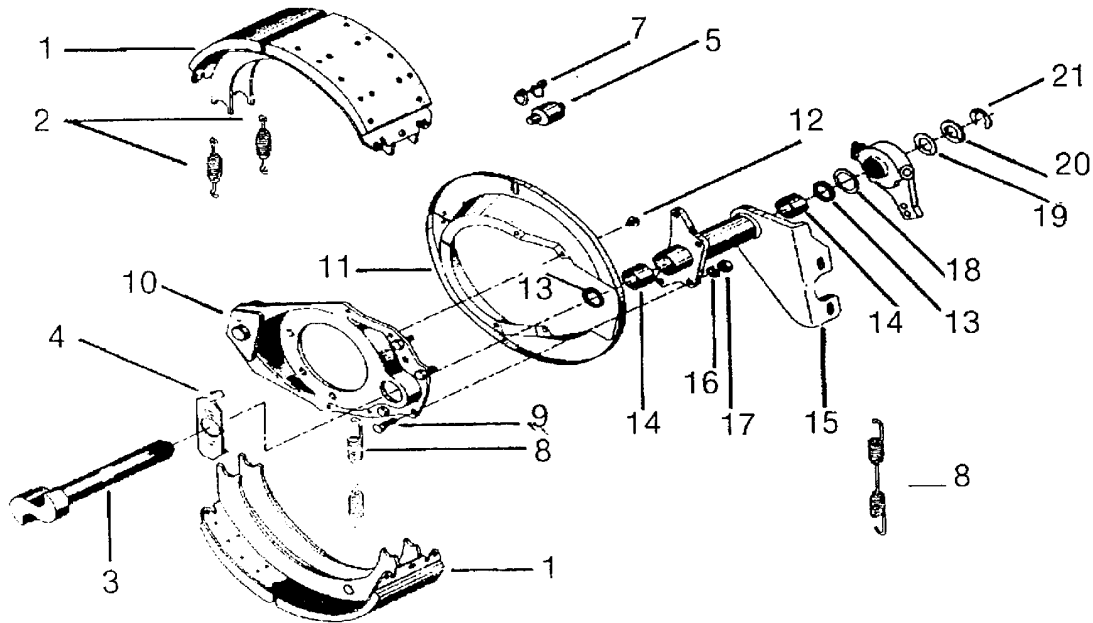
**With Features:** FEATURE 40070-01, 02

**BSN:** From CSN 0996888  
 To CSN 30096776 FE 10096696 RE 11/05/01

Key	PartNumber	Qty	Description	Comment
-----	------------	-----	-------------	---------

DR.11/14/95 BY DB		4317616	
APP.11/14/95 BY AB	FRT		REV

© BLUE BIRD BODY COMPANY. ALL RIGHTS RESERVED



**Models:** A3FE, A3RE  
**BRAKE ASSY, REAR**  
**7 INCH**  
**EXT SERVICE**  
**SPRING SUSPENSION**  
**With Features:** FEATURE 40070-01, 02  
**BSN:** From CSN 0996888  
 To CSN 30096776 FE 10096696 RE 11/05/01

Key	PartNumber	Qty	Description	Comment
1	4318473	4	SHOE & LINING ASSY,REAR,7"" ,ES"	ENDING WITH CSN 996887
1	8302952	4	SHOE & LINING ASSY,7"" REAR,ALL EXCEPT	BEGIN WITH CSN 996888
NI	4320107	4	SHOE ONLY,16.5 X 7	ENDING WITH CSN 996887 SHOE ONLY
NI	8304719	4	SHOE,BRAKE,REAR,7"" ,ES-II"	BEGIN WITH CSN 996888 SHOE ONLY
NI	4318689		KIT,LINING,REAR,7"" ,J230,ES"	
2	4317244	3	SPRING,SHOE RETAINER"	EATON,. ENDING WITH CSN 996887
2	8302986	3	SPRING,SHOE RETAINING,NEW HOT SHOE"	EATON. BEGIN WITH CSN 996888
3	4317442	1	CAMSHAFT,16.5 X 7,REAR LH"	
3	4317459	1	CAMSHAFT,16.5 X 7,REAR RH"	
4	4317269	4	WASHER,CAMSHAFT"	
5	4317335	4	ROLLER,CAMSHAFT"	
7	4317343	2	RETAINER,ROLLER"	
8	4317350	2	SPRING,RELEASE,BROWN"	BROWN OR GRAY
9	2157949	8	BOLT,CHAMBER BRKT TO BRAKE SPIDER (CAST)	
10	4317509		SPIDER,LH,7"""	EATON
10	4317517		SPIDER,RH,7"""	EATON
11	1836022	2	KIT,DUSTSHIELD,AIR BRAKE,EATON,16.5X7,	
12	4310116	8	SCREW,DUSTSHIELD"	
13	2627370	8	SEAL,BRAKE SPIDER & CAMSHAFT	
14	4310488	4	BUSHING,CAMSHAFT,BRAKES EATON"	
15	4310769		BRKT.ASSY. BRAKE CHMB, 7""LH 132"" WB"	
15	4310777		BRKT.ASSY.BRAKE CHMB,7"" RH 132"" WB"	
16	4310058	8	LOCKWASHER	
17	2137289	8	NUT,HEX,EATON BRAKES	
18	4310546	2	WASHER,INNER,SLACK ADJUSTER"	
19	2630267		WASHER,CAMSHAFT SPACER .032	
20	4310561		WASHER,CAMSHAFT SHIM .60"	
21	4310231	2	SNAPRING,CAMSHAFT"	
22	4317384	2	FITTING,GREASE"	
23	4317475	2	SLACK ADJUSTER,16.5 X 7,REAR LH/RH"	ENDING WITH CSN 996887
23	4320040	2	SLACK ADJUSTER,7"" ,8.62,RIDEWELL,J230"	BEGIN WITH CSN 996888
NI	1513670	AR	BUSHING,.50""X.62"" ,HALDEX,452-10058	

**Models:** A3FE, A3RE  
**BRAKE ASSY, REAR**  
**7 INCH**  
**EXT SERVICE**  
**SPRING SUSPENSION**

**With Features:** **FEATURE 40070-01, 02**

**BSN:** **From CSN 0996888**  
**To CSN 30096776 FE 10096696 RE 11/05/01**

Key	PartNumber	Qty	Description	Comment
NI	4319794	1	KIT,MAJOR OVERHAUL,7"" EXT SERV"	<i>1, 2, 5 AND 8</i>
NI	4317434	1	KIT,STANDARD,SERVICE,OVERHAUL,	<i>INCLUDES 2, 5 AND 8. SERVICES ONE BRAKE</i>
NI	4311080		KIT, CAMSHAFT, BUSHING 16.5 X 5,6,7,8.62	<i>INCLUDES 13, 14 &amp; 21 SERVICES TWO BRAKES</i>

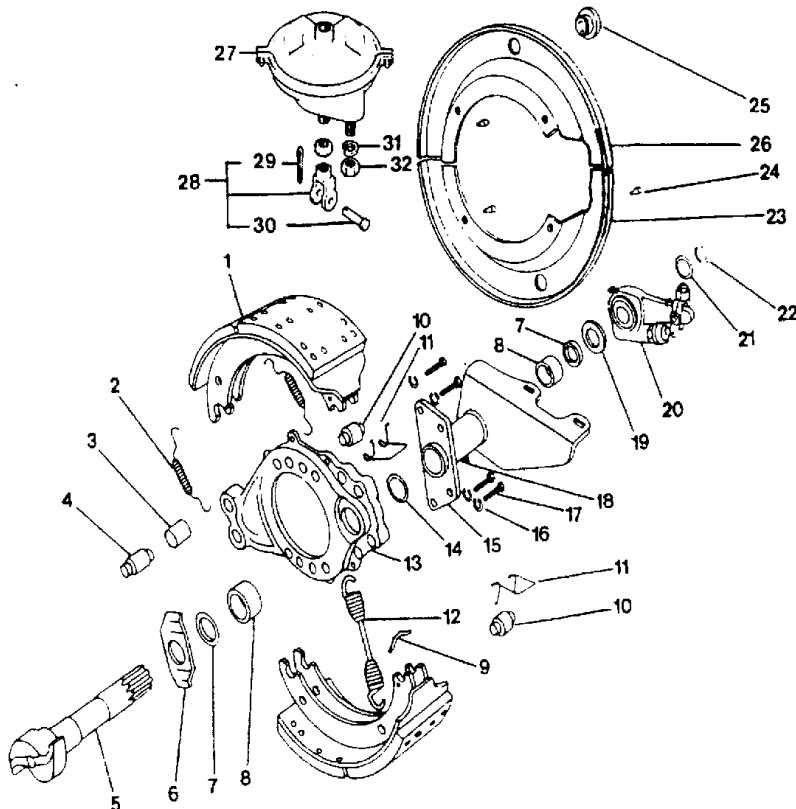
Models: A3FE, A3RE, C3FE, CSFE, CSRE, QBRE, TCFE  
 BRAKE ASSY, REAR  
 7 INCH  
 HENDRICKSON, MERITOR  
 BSN: From CSN 30096776 FE 10096696 RE 11/05/01

Key	PartNumber	Qty	Description	Comment
-----	------------	-----	-------------	---------

FRONT BRAKES, Q-TYPE

DR	BY	Q158541
APP	BY	

© 1985 BLUE BIRD BODY COMPANY  
 ALL RIGHTS RESERVED



PAGE 6

**Models:** A3FE, A3RE, C3FE, CSFE, CSRE, QBRE, TCFE  
**BRAKE ASSY, REAR**  
**7 INCH**  
**HENDRICKSON, MERITOR**  
**BSN:** From CSN 30096776 FE 10096696 RE 11/05/01

Key	PartNumber	Qty	Description	Comment
1			KIT, BRAKE SHOE & LINING ASSY.	
NI	0034136		KIT, MAJOR OVERHAUL, MERITOR, 7"	INCLUDES ITEMS 1, 2, 3, 4, 9, 10, 11, 12
NI	0041750		KIT, MINOR OVERHAUL, HD, 8.62, MERITOR	INCLUDES ITEMS 2, 3, 4, 9, 10, 11, 12
2			KIT, SPRING, BRAKE SHOE RETAINING	
3			KIT, BUSHING, ANCHOR PIN	
4			KIT, ANCHOR PIN, BRAKE SHOE	
5	2137099		CAMSHAFT, 7IN Q-BRAKE, RH, AARE	REAR BRAKE
5	2137107		CAMSHAFT, 7IN Q-BRAKE, LH, AARE	REAR BRAKE
NI	0044938		KIT, BUSHING & SEAL"	INCLUDES ITEMS 7, 8
NI	0038801		KIT, WASHER & SNAP RING, CAMSHAFT, MERITOR	INCLUDES ITEMS 19, 21, 22
6	8302721		WASHER, CAMHEAD, FLAT	
7			KIT, SEAL, CAMSHAFT	
8			KIT, BUSHING, CAMSHAFT SPIDER & BRKT.	
9			KIT, PIN, BRAKE SHOE RETURN SPRING	
10			KIT, ROLLER, BRAKE SHOE	
11			KIT, RETAINER, SHOE ROLLER	
12			KIT, RETURN SPRING, BRAKE SHOE	
13	0034157		SPIDER, LH/RH, MERITOR	
14	2644235		SEAL, FELT, BRAKE SPIDER	
15	0071476		BRACKET, CAMSHAFT, LH, 88 DEG, MERITOR	
15	0071475		BRACKET, CAMSHAFT, RH, 88 DEG, MERITOR	
16			WASHER, CHAMBER BRKT.	
17			CAPSCREW, CHAMBER BRKT.	
18			FITTING, GREASE	
19			KIT, WASHER, CAMSHAFT	
20	0034253		SLACK ADJ, MERITOR, 5.5-28, L, 24/30 CHAMBER	
20	0034254		SLACK ADJ, MERITOR, 5.5-28, RH, 24/30	
	4311262		KIT, SLACK ADJ. REAR 7/8.62"	
NI	0034893		BRACKET ASSY, SLACK ADJ, HALDEX	HALDEX ONLY
21			KIT, WASHER, SPACING	
22			KIT, LOCKRING, CAMSHAFT	
NI	0041403		CHAMBER, BRAKE, 3030, MGM	
NI	0034225		KIT, CLEVIS, MERITOR	

**Models:** A3FE, A3RE, C3FE, CSFE, CSRE, QBRE, TCFE  
BRAKE ASSY, REAR  
7 INCH  
HENDRICKSON, MERITOR  
**BSN:** From CSN 30096776 FE 10096696 RE 11/05/01

Key	PartNumber	Qty	Description	Comment
23	0031492		DUSTSHIELD KIT,AIR BRAKE,16.5X7 QP,23K	
24			KIT, CAPSCREW, DUSTSHIELD	

Models: A3FE, A3RE, CSFE, CSRE, TCFE, TCRE, QBRE  
BRAKE ASSY, REAR  
7 INCH

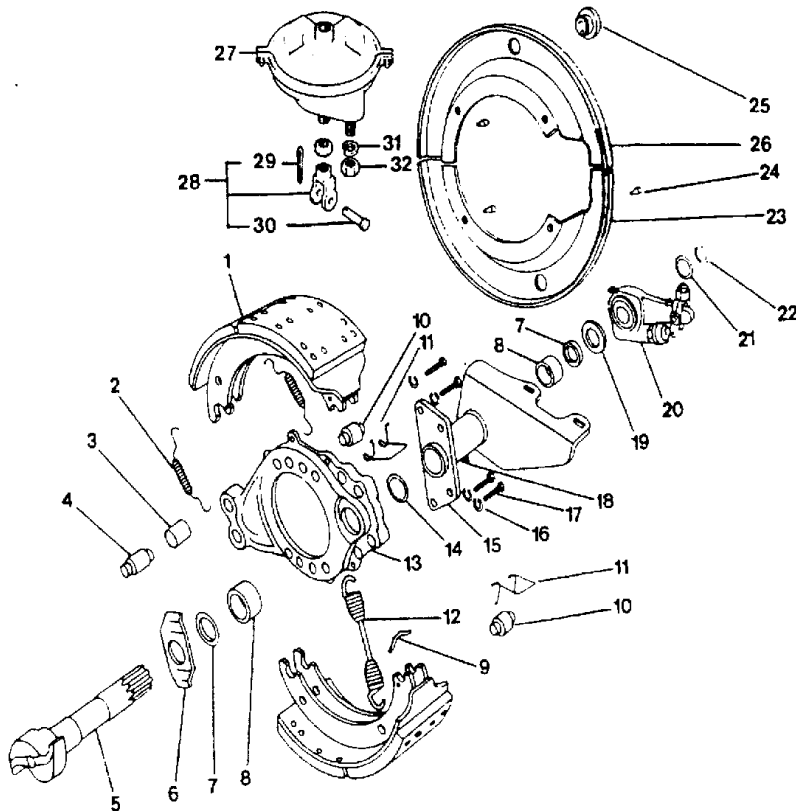
With Features: FEATURE 40052-01, 03, OPTION 4353, 4355  
BSN: From CSN 30079480 FE 10077010 RE 01/22/01  
To CSN 30096775 FE 10096695 RE 11/04/01

Key	PartNumber	Qty	Description	Comment
-----	------------	-----	-------------	---------

FRONT BRAKES, Q-TYPE

DR	BY	Q158541
APP	BY	

© 1985 BLUE BIRD BODY COMPANY  
ALL RIGHTS RESERVED



PAGE 6



**Models:** A3FE, A3RE, CSFE, CSRE, TCFE, TCRE, QBRE  
**BRAKE ASSY, REAR**  
**7 INCH**

**With Features:** FEATURE 40052-01, 03, OPTION 4353, 4355  
**BSN:** From CSN 30079480 FE 10077010 RE 01/22/01  
 To CSN 30096775 FE 10096695 RE 11/04/01

Key	PartNumber	Qty	Description	Comment
1			KIT, BRAKE SHOE & LINING ASSY.	
NI	0034136		KIT, MAJOR OVERHAUL, MERITOR, 7"	<i>INCLUDES ITEMS 1, 2, 3, 4, 9, 10, 11, 12</i>
NI	2151389		KIT, HARDWARE, CAM BRAKE MINOR	<i>INCLUDES ITEMS 2, 3, 4, 9, 10, 11, 12</i>
2			KIT, SPRING, BRAKE SHOE RETAINING	
3			KIT, BUSHING, ANCHOR PIN	
4			KIT, ANCHOR PIN, BRAKE SHOE	
5	0029123		CAMSHAFT, RH, Q TYPE	<i>FRONT BRAKE</i>
5	0029122		CAMSHAFT, LH, Q-TYPE	<i>FRONT BRAKE</i>
NI	0034412		KIT, BUSHING & SEAL, CAMSHAFT, MERITOR"	<i>INCLUDES ITEMS 7, 8</i>
NI	0036937		KIT, CAMSHAFT REBUILD, MERITOR	<i>INCLUDES ITEMS 6, 7, 8, 14, 18, 19, 21, 22</i>
6			KIT, WASHER, CAMHEAD	
7			KIT, SEAL, CAMSHAFT	
8			KIT, BUSHING, CAMSHAFT SPIDER & BRKT.	
9			KIT, PIN, BRAKE SHOE RETURN SPRING	
10			KIT, ROLLER, BRAKE SHOE	
11			KIT, RETAINER, SHOE ROLLER	
12			KIT, RETURN SPRING, BRAKE SHOE	
13	0034153		SPIDER, LH, MERITOR"	
13	0034154		SPIDER, RH, MERITOR"	
14			KIT, GASKET, CHAMBER BRKT.	
15	0034265		BRACKET, CAMSHAFT, LH, MERITOR"	<i>INCLUDES ITEMS 15, 16, 17</i>
15	0034266		BRACKET, CAMSHAFT, LH, MERITOR"	<i>INCLUDES ITEMS 15, 16, 17</i>
16			KIT, WASHER, CHAMBER BRKT.	
17			KIT, CAPSCREW, CHAMBER BRKT.	
18			KIT, FITTING, GREASE	
19			KIT, WASHER, CAMSHAFT	
20	0034253		SLACK ADJ, MERITOR, 5.5-28, L, 24/30 CHAMBER	
20	0034254		SLACK ADJ, MERITOR, 5.5-28, RH, 24/30	
21			KIT, WASHER, SPACING	
22			KIT, LOCKRING, CAMSHAFT	
23	0034276		CHAMBER, BRAKE, LH, MGM, 30"	
23	0034277		CHAMBER, BRAKE, RH, MGM, 30"	

**Models:** A3FE, A3RE, CSFE, CSRE, TCFE, TCRE, QBRE  
 BRAKE ASSY, REAR  
 7 INCH

**With Features:** FEATURE 40052-01, 03, OPTION 4353, 4355  
**BSN:** From CSN 30079480 FE 10077010 RE 01/22/01  
 To CSN 30096775 FE 10096695 RE 11/04/01

Key	PartNumber	Qty	Description	Comment
NI	0034225		KIT,CLEVIS,MERITOR	
24			KIT, PIN COTTER, BRAKE CHAMBER	
25			KIT, PIN, BRAKE CHAMBER YOKE	
26			KIT, YOKE	
27			WASHER, BRAKE CHAMBER	
28			NUT, BRAKE CHAMBER STUD	

**Models:** A3FE, A3RE, CSFE, CSRE, TCFE  
**BRAKE ASSY, REAR**  
**7 INCH**

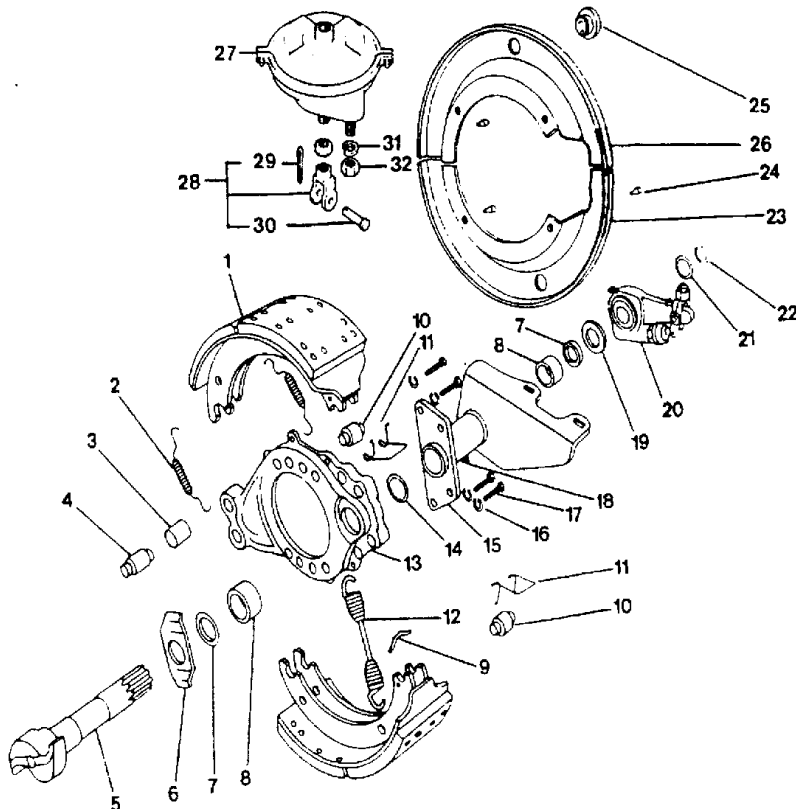
**With Features:** FEATURE 40052-02, OPTION 4353, 4355  
**BSN:** From CSN 30079480 FE 10077010 RE 01/22/01  
 To CSN 30096775 FE 10096695 RE 11/04/01

Key	PartNumber	Qty	Description	Comment
-----	------------	-----	-------------	---------

FRONT BRAKES, Q-TYPE

DR	BY	Q158541
APP	BY	

© 1985 BLUE BIRD BODY COMPANY  
 ALL RIGHTS RESERVED



PAGE 6

**Models:** A3FE, A3RE, CSFE, CSRE, TCFE

**BRAKE ASSY, REAR**

**7 INCH**

**J190, J210 WITH MERITOR**

**With Features:** FEATURE 40052-02, OPTION 4353, 4355

**BSN:** From CSN 30079480 FE 10077010 RE 01/22/01

To CSN 30096775 FE 10096695 RE 11/04/01

Key	PartNumber	Qty	Description	Comment
1			KIT, BRAKE SHOE & LINING ASSY.	
NI	0034136		KIT, MAJOR OVERHAUL, MERITOR, 7"	INCLUDES ITEMS 1, 2, 3, 4, 9, 10, 11, 12
NI	2151389		KIT, HARDWARE, CAM BRAKE MINOR	INCLUDES ITEMS 2, 3, 4, 9, 10, 11, 12
2			KIT, SPRING, BRAKE SHOE RETAINING	
3			KIT, BUSHING, ANCHOR PIN	
4			KIT, ANCHOR PIN, BRAKE SHOE	
5	0029123		CAMSHAFT, RH, Q TYPE	FRONT BRAKE
5	0029122		CAMSHAFT, LH, Q-TYPE	FRONT BRAKE
NI	0034412		KIT, BUSHING & SEAL, CAMSHAFT, MERITOR"	INCLUDES ITEMS 7, 8
NI	0036937		KIT, CAMSHAFT REBUILD, MERITOR	INCLUDES ITEMS 6, 7, 8, 14, 18, 19, 21, 22
6			KIT, WASHER, CAMHEAD	
7			KIT, SEAL, CAMSHAFT	
8			KIT, BUSHING, CAMSHAFT SPIDER & BRKT.	
9			KIT, PIN, BRAKE SHOE RETURN SPRING	
10			KIT, ROLLER, BRAKE SHOE	
11			KIT, RETAINER, SHOE ROLLER	
12			KIT, RETURN SPRING, BRAKE SHOE	
13	0034155		SPIDER, LH, MERITOR"	
13	0034156		SPIDER, RH, MERITOR"	
14			KIT, GASKET, CHAMBER BRKT.	
15	0034265		BRACKET, CAMSHAFT, LH, MERITOR"	INCLUDES ITEMS 15, 16, 17
15	0034266		BRACKET, CAMSHAFT, LH, MERITOR"	INCLUDES ITEMS 15, 16, 17
16			KIT, WASHER, CHAMBER BRKT.	
17			KIT, CAPSCREW, CHAMBER BRKT.	
18			KIT, FITTING, GREASE	
19			KIT, WASHER, CAMSHAFT	
20	0034292		SLACK ADJ, HALDEX"	
NI	0034895		BRACKET ASSY, SLACK ADJ, HALDEX"	
21			KIT, WASHER, SPACING	
22			KIT, LOCKRING, CAMSHAFT	
23	0034276		CHAMBER, BRAKE, LH, MGM, 30"	
23	0034277		CHAMBER, BRAKE, RH, MGM, 30"	

**Models:** A3FE, A3RE, CSFE, CSRE, TCFE  
 BRAKE ASSY, REAR  
 7 INCH

**With Features:** J190, J210 WITH MERITOR  
**BSN:** FEATURE 40052-02, OPTION 4353, 4355  
 From CSN 30079480 FE 10077010 RE 01/22/01  
 To CSN 30096775 FE 10096695 RE 11/04/01

Key	PartNumber	Qty	Description	Comment
NI	0034225		KIT,CLEVIS,MERITOR	
24			KIT, PIN COTTER, BRAKE CHAMBER	
25			KIT, PIN, BRAKE CHAMBER YOKE	
26			KIT, YOKE	
27			WASHER, BRAKE CHAMBER	
28			NUT, BRAKE CHAMBER STUD	

Models: A3FE, A3RE, CSFE, CSRE, TCFE, TCRE, QBRE  
 BRAKE ASSY, REAR  
 7 INCH

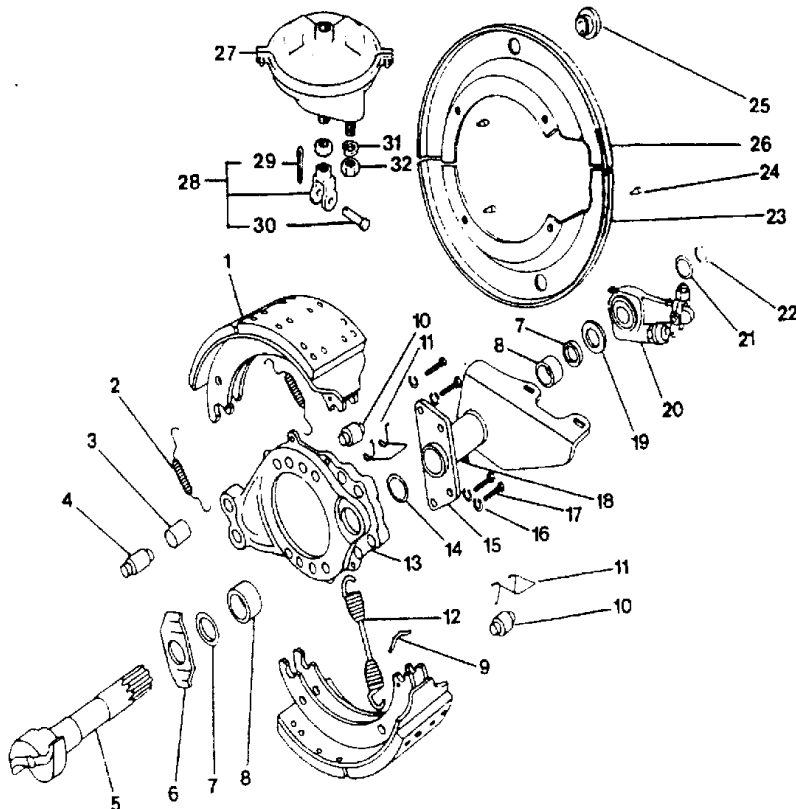
With Features: FEATURE 40052-03  
 BSN: From CSN 30079480 FE 10077010 RE 01/22/01  
 To CSN 30096775 FE 10096695 RE 11/04/01

Key	PartNumber	Qty	Description	Comment
-----	------------	-----	-------------	---------

FRONT BRAKES, Q-TYPE

DR	BY	Q158541
APP	BY	

© 1985 BLUE BIRD BODY COMPANY  
 ALL RIGHTS RESERVED



PAGE 6

**Models:** A3FE, A3RE, CSFE, CSRE, TCFE, TCRE, QBRE  
**BRAKE ASSY, REAR**  
**7 INCH**

**With Features:** J230 WITH MERITOR  
**FEATURE 40052-03**  
**BSN:** From CSN 30079480 FE 10077010 RE 01/22/01  
 To CSN 30096775 FE 10096695 RE 11/04/01

Key	PartNumber	Qty	Description	Comment
1			KIT, BRAKE SHOE & LINING ASSY.	
NI	0034137		KIT, MAJOR OVERHAUL, MERITOR, 7" HD"	<i>INCLUDES ITEMS 1, 2, 3, 4, 9, 10, 11, 12</i>
NI	2151389		KIT, HARDWARE, CAM BRAKE MINOR	<i>INCLUDES ITEMS 2, 3, 4, 9, 10, 11, 12</i>
2			KIT, SPRING, BRAKE SHOE RETAINING	
3			KIT, BUSHING, ANCHOR PIN	
4			KIT, ANCHOR PIN, BRAKE SHOE	
5	0029123		CAMSHAFT, RH, Q TYPE	<i>FRONT BRAKE</i>
5	0029122		CAMSHAFT, LH, Q-TYPE	<i>FRONT BRAKE</i>
NI	0034412		KIT, BUSHING & SEAL, CAMSHAFT, MERITOR"	<i>INCLUDES ITEMS 7, 8</i>
NI	0034906		KIT, CAMSHAFT REBUILD, MERITOR	<i>INCLUDES ITEMS 6, 7, 8, 14, 18, 19, 21, 22</i>
6			KIT, WASHER, CAMHEAD	
7			KIT, SEAL, CAMSHAFT	
8			KIT, BUSHING, CAMSHAFT SPIDER & BRKT.	
9			KIT, PIN, BRAKE SHOE RETURN SPRING	
10			KIT, ROLLER, BRAKE SHOE	
11			KIT, RETAINER, SHOE ROLLER	
12			KIT, RETURN SPRING, BRAKE SHOE	
13	0034157		SPIDER, LH/RH, MERITOR	
13	0034157		SPIDER, LH/RH, MERITOR	
14			KIT, GASKET, CHAMBER BRKT.	
15	0034268		BRACKET, CAMSHAFT, LH, MERITOR"	<i>INCLUDES ITEMS 15, 16, 17</i>
15	0034269		BRACKET, CAMSHAFT, RH, MERITOR"	<i>INCLUDES ITEMS 15, 16, 17</i>
16			KIT, WASHER, CHAMBER BRKT.	
17			KIT, CAPSCREW, CHAMBER BRKT.	
18			KIT, FITTING, GREASE	
19			KIT, WASHER, CAMSHAFT	
20	0034255		SLACK ADJ, MERITOR, 6-28, LH, 30 CHAMBER"	
20	0034256		SLACK ADJ, MERITOR, 6-28, RH, 30 CHAMBER"	
21			KIT, WASHER, SPACING	
22			KIT, LOCKRING, CAMSHAFT	
23	0034276		CHAMBER, BRAKE, LH, MGM, 30"	
23	0034277		CHAMBER, BRAKE, RH, MGM, 30"	

**Models:** A3FE, A3RE, CSFE, CSRE, TCFE, TCRE, QBRE  
 BRAKE ASSY, REAR  
 7 INCH

**With Features:** J230 WITH MERITOR  
**FEATURE 40052-03**  
**BSN:** From CSN 30079480 FE 10077010 RE 01/22/01  
 To CSN 30096775 FE 10096695 RE 11/04/01

Key	PartNumber	Qty	Description	Comment
NI	0034225		KIT,CLEVIS,MERITOR	
24			KIT, PIN COTTER, BRAKE CHAMBER	
25			KIT, PIN, BRAKE CHAMBER YOKE	
26			KIT, YOKE	
27			WASHER, BRAKE CHAMBER	
28			NUT, BRAKE CHAMBER STUD	



**Models:** A3FE, A3RE, CSFE, CSRE, QBRE  
 BRAKE ASSY, REAR  
 7 INCH

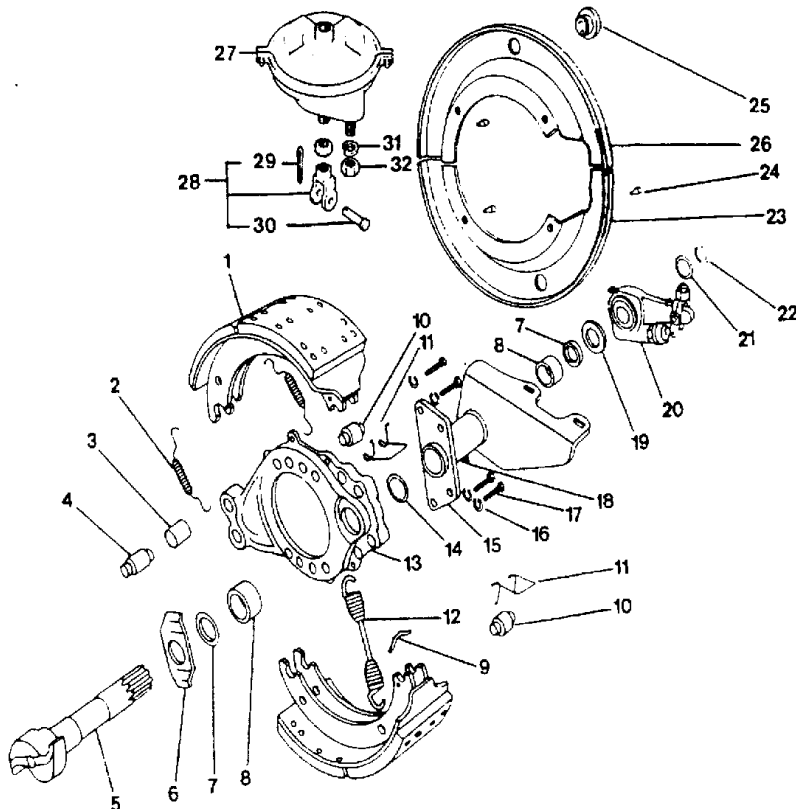
**With Features:** J230 WITH MERITOR  
**FEATURE 40052-02**  
**BSN:** From CSN 30079480 FE 10077010 RE 01/22/01  
 To CSN 30096775 FE 10096695 RE 11/04/01

Key	PartNumber	Qty	Description	Comment
-----	------------	-----	-------------	---------

FRONT BRAKES, Q-TYPE

DR	BY	Q158541
APP	BY	

© 1985 BLUE BIRD BODY COMPANY  
 ALL RIGHTS RESERVED



PAGE 6

**Models:** A3FE, A3RE, CSFE, CSRE, QBRE

**BRAKE ASSY, REAR**

**7 INCH**

**J230 WITH MERITOR**

**With Features:** FEATURE 40052-02

**BSN:** From CSN 30079480 FE 10077010 RE 01/22/01

To CSN 30096775 FE 10096695 RE 11/04/01

Key	PartNumber	Qty	Description	Comment
1			KIT, BRAKE SHOE & LINING ASSY.	
NI	0034137		KIT,MAJOR OVERHAUL,MERITOR,7" HD"	INCLUDES ITEMS 1, 2, 3, 4, 9, 10, 11, 12
NI	2151389		KIT,HARDWARE,CAM BRAKE MINOR	INCLUDES ITEMS 2, 3, 4, 9, 10, 11, 12
2			KIT, SPRING, BRAKE SHOE RETAINING	
3			KIT, BUSHING, ANCHOR PIN	
4			KIT, ANCHOR PIN, BRAKE SHOE	
5	0029123		CAMSHAFT, RH, Q TYPE	FRONT BRAKE
5	0029122		CAMSHAFT, LH, Q-TYPE	FRONT BRAKE
NI	0034412		KIT,BUSHING & SEAL,CAMSHAFT,MERITOR"	INCLUDES ITEMS 7, 8
NI	0034906		KIT,CAMSHAFT REBUILD,MERITOR	INCLUDES ITEMS 6, 7, 8, 14, 18, 19, 21, 22
6			KIT, WASHER, CAMHEAD	
7			KIT, SEAL, CAMSHAFT	
8			KIT, BUSHING, CAMSHAFT SPIDER & BRKT.	
9			KIT, PIN, BRAKE SHOE RETURN SPRING	
10			KIT, ROLLER, BRAKE SHOE	
11			KIT, RETAINER, SHOE ROLLER	
12			KIT, RETURN SPRING, BRAKE SHOE	
13	0034157		SPIDER,LH/RH,MERITOR	
13	0034157		SPIDER,LH/RH,MERITOR	
14			KIT, GASKET, CHAMBER BRKT.	
15	0034268		BRACKET,CAMSHAFT,LH,MERITOR"	INCLUDES ITEMS 15, 16, 17
15	0034269		BRACKET,CAMSHAFT,RH,MERITOR"	INCLUDES ITEMS 15, 16, 17
16			KIT, WASHER, CHAMBER BRKT.	
17			KIT, CAPSCREW, CHAMBER BRKT.	
18			KIT, FITTING, GREASE	
19			KIT, WASHER, CAMSHAFT	
20	0034286		SLACK ADJ,HALDEX"	
NI	0034893		BRACKET ASSY,SLACK ADJ,HALDEX	
21			KIT, WASHER, SPACING	
22			KIT, LOCKRING, CAMSHAFT	
23	0034276		CHAMBER,BRAKE,LH,MGM,30"	
23	0034277		CHAMBER,BRAKE,RH,MGM,30"	

**Models:** A3FE, A3RE, CSFE, CSRE, QBRE

**BRAKE ASSY, REAR**

**7 INCH**

**J230 WITH MERITOR**

**With Features:** FEATURE 40052-02

**BSN:** From CSN 30079480 FE 10077010 RE 01/22/01

To CSN 30096775 FE 10096695 RE 11/04/01

Key	PartNumber	Qty	Description	Comment
NI	0034225		KIT,CLEVIS,MERITOR	
24			KIT, PIN COTTER, BRAKE CHAMBER	
25			KIT, PIN, BRAKE CHAMBER YOKE	
26			KIT, YOKE	
27			WASHER, BRAKE CHAMBER	
28			NUT, BRAKE CHAMBER STUD	

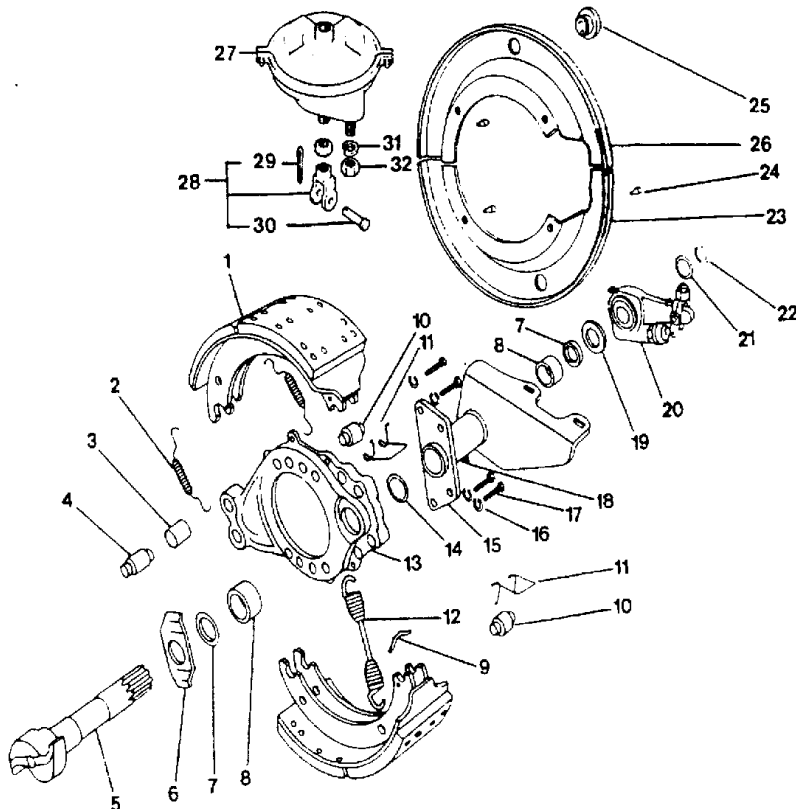
Models: A3FE, A3RE, C3FE, CSFE, CSRE, QBRE, TCFE  
 BRAKE ASSY, REAR  
 7 INCH  
 RIDWL, HS, MERITOR  
 BSN: From CSN 30096776 FE 10096696 RE 11/05/01

Key	PartNumber	Qty	Description	Comment
-----	------------	-----	-------------	---------

FRONT BRAKES, Q-TYPE

DR	BY	Q158541
APP	BY	

© 1985 BLUE BIRD BODY COMPANY  
 ALL RIGHTS RESERVED



PAGE 6

**Models:** A3FE, A3RE, C3FE, CSFE, CSRE, QBRE, TCFE  
**BRAKE ASSY, REAR**  
**7 INCH**  
**RIDWL, HS, MERITOR**  
**BSN:** From CSN 30096776 FE 10096696 RE 11/05/01

Key	PartNumber	Qty	Description	Comment
1			KIT, BRAKE SHOE & LINING ASSY.	
NI	0034136		KIT, MAJOR OVERHAUL, MERITOR, 7"	INCLUDES ITEMS 1, 2, 3, 4, 9, 10, 11, 12
NI	0041750		KIT, MINOR OVERHAUL, HD, 8.62, MERITOR	INCLUDES ITEMS 2, 3, 4, 9, 10, 11, 12
2			KIT, SPRING, BRAKE SHOE RETAINING	
3			KIT, BUSHING, ANCHOR PIN	
4			KIT, ANCHOR PIN, BRAKE SHOE	
5	0045311		CAMSHAFT, LH	REAR BRAKE
5	0045312		CAMSHAFT, RH	REAR BRAKE
NI	0044938		KIT, BUSHING & SEAL"	INCLUDES ITEMS 7, 8
NI	0038801		KIT, WASHER & SNAP RING, CAMSHAFT, MERITOR	INCLUDES ITEMS 19, 21, 22
6	8302721		WASHER, CAMHEAD, FLAT	
7			KIT, SEAL, CAMSHAFT	
8			KIT, BUSHING, CAMSHAFT SPIDER & BRKT.	
9			KIT, PIN, BRAKE SHOE RETURN SPRING	
10			KIT, ROLLER, BRAKE SHOE	
11			KIT, RETAINER, SHOE ROLLER	
12			KIT, RETURN SPRING, BRAKE SHOE	
13	0034157		SPIDER, LH/RH, MERITOR	
14	2644235		SEAL, FELT, BRAKE SPIDER	
15	0034270		BRACKET, CAMSHAFT, LH/RH, MERITOR"	
16			WASHER, CHAMBER BRKT.	
17			CAPSCREW, CHAMBER BRKT.	
18			FITTING, GREASE	
19			KIT, WASHER, CAMSHAFT	
20	0045336		KIT, SLACK ADJ, HALDEX	
NI	1233543		KIT ASSY, BRACKET, HALDEX 427-10430	
21			KIT, WASHER, SPACING	
22			KIT, LOCKRING, CAMSHAFT	
NI	0041403		CHAMBER, BRAKE, 3030, MGM	
NI	0034225		KIT, CLEVIS, MERITOR	
23	0031492		DUSTSHIELD KIT, AIR BRAKE, 16.5X7 QP, 23K	
24			KIT, CAPSCREW, DUSTSHIELD	

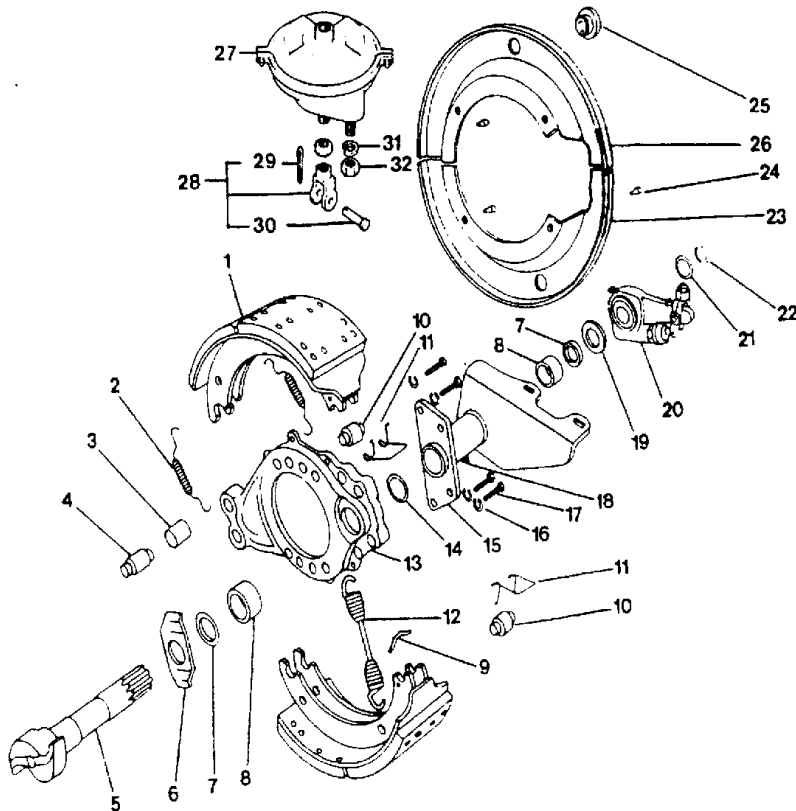
Models: A3FE, A3RE, C3FE, CSFE, CSRE, QBRE, TCFE  
 BRAKE ASSY, REAR  
 7 INCH  
 RIDWL, MS, MERITOR  
 BSN: From CSN 30096776 FE 10096696 RE 11/05/01

Key	PartNumber	Qty	Description	Comment
-----	------------	-----	-------------	---------

FRONT BRAKES, Q-TYPE

DR	BY	Q158541
APP	BY	

© 1985 BLUE BIRD BODY COMPANY  
 ALL RIGHTS RESERVED



PAGE 6

**Models:** A3FE, A3RE, C3FE, CSFE, CSRE, QBRE, TCFE  
**BRAKE ASSY, REAR**  
**7 INCH**  
**RIDWL, MS, MERITOR**  
**BSN:** From CSN 30096776 FE 10096696 RE 11/05/01

Key	PartNumber	Qty	Description	Comment
1			KIT, BRAKE SHOE & LINING ASSY.	
NI	0034137		KIT,MAJOR OVERHAUL,MERITOR,7"" HD"	<i>INCLUDES ITEMS 1, 2, 3, 4, 9, 10, 11, 12</i>
NI	0041750		KIT,MINOR OVERHAUL,HD,8.62,MERITOR	<i>INCLUDES ITEMS 2, 3, 4, 9, 10, 11, 12</i>
2			KIT, SPRING, BRAKE SHOE RETAINING	
3			KIT, BUSHING, ANCHOR PIN	
4			KIT, ANCHOR PIN, BRAKE SHOE	
5	0029122		CAMSHAFT, LH, Q-TYPE	<i>REAR BARKE</i>
5	0029123		CAMSHAFT, RH, Q TYPE	<i>REAR BRAKE</i>
NI	0044938		KIT,BUSHING & SEAL"	<i>INCLUDES ITEMS 7, 8</i>
NI	0038801		KIT,WASHER & SNAP RING,CAMSHAFT,MERITOR	<i>INCLUDES ITEMS 19, 21, 22</i>
6	8302721		WASHER,CAMHEAD,FLAT	
7			KIT, SEAL, CAMSHAFT	
8			KIT, BUSHING, CAMSHAFT SPIDER & BRKT.	
9			KIT, PIN, BRAKE SHOE RETURN SPRING	
10			KIT, ROLLER, BRAKE SHOE	
11			KIT, RETAINER, SHOE ROLLER	
12			KIT, RETURN SPRING, BRAKE SHOE	
13	0034157		SPIDER,LH/RH,MERITOR	
14	2644235		SEAL,FELT,BRAKE SPIDER	
15	0047766		BRACKET ASSY,CAMSHAFT,LH"	
15	0047767		BRACKET ASSY,CAMSHAFT,RH	
16			WASHER, CHAMBER BRKT.	
17			CAPSCREW, CHAMBER BRKT.	
18			FITTING, GREASE	
19			KIT, WASHER, CAMSHAFT	
20	0034255		SLACK ADJ,MERITOR,6-28,LH,30 CHAMBER"	
20	0034256		SLACK ADJ,MERITOR,6-28,RH,30 CHAMBER"	
	0034286		SLACK ADJ,HALDEX"	
NI	0034893		BRACKET ASSY,SLACK ADJ,HALDEX	<i>HALDEX ONLY</i>
21			KIT, WASHER, SPACING	
22			KIT, LOCKRING, CAMSHAFT	
NI	0041403		CHAMBER,BRAKE,3030,MGM	
NI	0034225		KIT,CLEVIS,MERITOR	

**Models:** A3FE, A3RE, C3FE, CSFE, CSRE, QBRE, TCFE  
**BRAKE ASSY, REAR**  
**7 INCH**  
**RIDWL, MS, MERITOR**  
**BSN:** From CSN 30096776 FE 10096696 RE 11/05/01

Key	PartNumber	Qty	Description	Comment
23	0031492		DUSTSHIELD KIT,AIR BRAKE,16.5X7 QP,23K	
24			KIT, CAPSCREW, DUSTSHIELD	



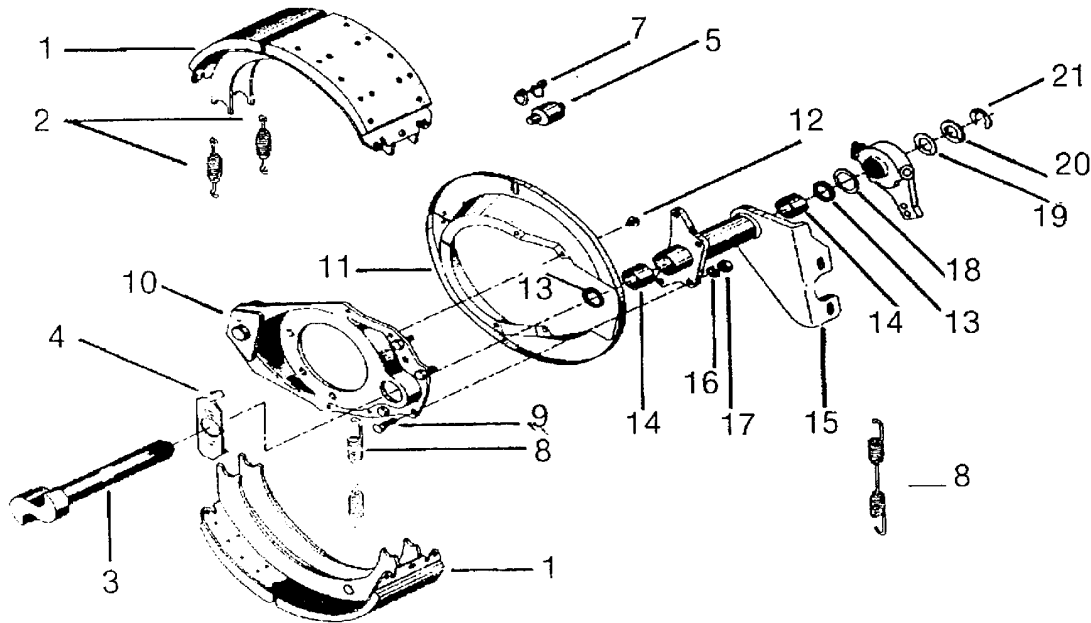
**Models:** A3FE, A3RE  
**BRAKE ASSY, REAR**  
**7 INCH**  
**STD SERVICE**  
**J230 AXLE WITH SPRING SUSPENSION**

**With Features:** FEATURE 40070-01, 02 WITH 40018  
 To CSN 30096775 FE 10096695 RE 11/04/01

Key	PartNumber	Qty	Description	Comment
-----	------------	-----	-------------	---------

DR.11/14/95 BY DB		4317616	
APP.11/14/95 BY AB	FRT		REV

© BLUE BIRD BODY COMPANY. ALL RIGHTS RESERVED



**Models:** A3FE, A3RE  
**BRAKE ASSY, REAR**  
**7 INCH**  
**STD SERVICE**  
**J230 AXLE WITH SPRING SUSPENSION**  
**With Features:** **FEATURE 40070-01, 02 WITH 40018**  
**To CSN 30096775 FE 10096695 RE 11/04/01**

Key	PartNumber	Qty	Description	Comment
1	4318499		SHOE & LINING ASSY,REAR,7",J230,ES"	ENDING WITH CSN 996887
1	8302960		SHOE & LINING ASSY,7" REAR,ALL J230	BEGIN WITH CSN 996888
2	4317244	3	SPRING,SHOE RETAINER"	EATON,. ENDING WITH CSN 996887
2	8302986	3	SPRING,SHOE RETAINING,NEW HOT SHOE"	EATON. BEGIN WITH CSN 996888
3	4317442	1	CAMSHAFT,16.5 X 7,REAR LH"	
3	4317459	1	CAMSHAFT,16.5 X 7,REAR RH"	
4	4317269	4	WASHER,CAMSHAFT"	
5	4317335	4	ROLLER,CAMSHAFT"	
7	4317343	2	RETAINER,ROLLER"	
8	4317350	2	SPRING,RELEASE,BROWN"	BROWN OR GRAY
9	2157949	8	BOLT,CHAMBER BRKT TO BRAKE SPIDER (CAST)	
10	4310868		SPIDER, BRAKE, REAR, 7" LH EATON J230"	
10	4310850		SPIDER, BRAKE, REAR, 7" RH EATON J230"	
11	1836022	2	KIT,DUSTSHIELD,AIR BRAKE,EATON,16.5X7,	
12	4310116	8	SCREW,DUSTSHIELD"	
13	2627370	8	SEAL,BRAKE SPIDER & CAMSHAFT	
14	4310488	4	BUSHING,CAMSHAFT,BRAKES EATON"	
15	4317780		BRACKET ASSY,BRAKE CHAMBER,7",RDWL,	
15	4317780		BRACKET ASSY,BRAKE CHAMBER,7",RDWL,	
16	4310058	8	LOCKWASHER	
17	2137289	8	NUT,HEX,EATON BRAKES	
18	4310546	2	WASHER,INNER,SLACK ADJUSTER"	
19	2630267		WASHER,CAMSHAFT SPACER .032	
20	4310561		WASHER,CAMSHAFT SHIM .60"	
21	4310231	2	SNAPRING,CAMSHAFT"	
22	4317384	2	FITTING,GREASE"	
23	4317582		SLACK ADJ,REAR,7",EXT SER,J230,LH OR RH"	ENDING WITH CSN 996887
23	4320040	2	SLACK ADJUSTER,7",8.62,RIDEWELL,J230"	BEGIN WITH CSN 996888
	1640531		KIT ASSY,BRACKET,HALDEX 427-10543	AAFE, AARE, CSRE, TCRE, QBRE. ENDING WITH CSN 996887
	4320065		HARDWARE KIT,SLACK ADJ,7"/8.62"	AAFE, AARE, CSRE, TCRE, QBRE. BEGIN WITH CSN 996888
	1640531		KIT ASSY,BRACKET,HALDEX 427-10543	CSFE, TCFE. ENDING WITH CSN 999524
	4320065		HARDWARE KIT,SLACK ADJ,7"/8.62"	

**Models:** A3FE, A3RE  
**BRAKE ASSY, REAR**  
**7 INCH**  
**STD SERVICE**  
**J230 AXLE WITH SPRING SUSPENSION**  
**With Features:** **FEATURE 40070-01, 02 WITH 40018**  
**To CSN 30096775 FE 10096695 RE 11/04/01**

Key	PartNumber	Qty	Description	Comment
NI	1513670	AR	BUSHING,.50""X.62"" ,HALDEX,452-10058	
NI	4319810	1	KIT,MAJOR OVERHAUL,7"" EXT SERV,	<i>INCLUDES 1, 2, 5 AND 8</i>
NI	4317434	1	KIT,STANDARD,SERVICE,OVERHAUL,	<i>INCLUDES 2, 5 AND 8. SERVICES ONE BRAKE</i>
NI	4311080		KIT, CAMSHAFT, BUSHING 16.5 X 5,6,7,8.62	<i>INCLUDES 13, 14 &amp; 21 SERVICES TWO BRAKES</i>

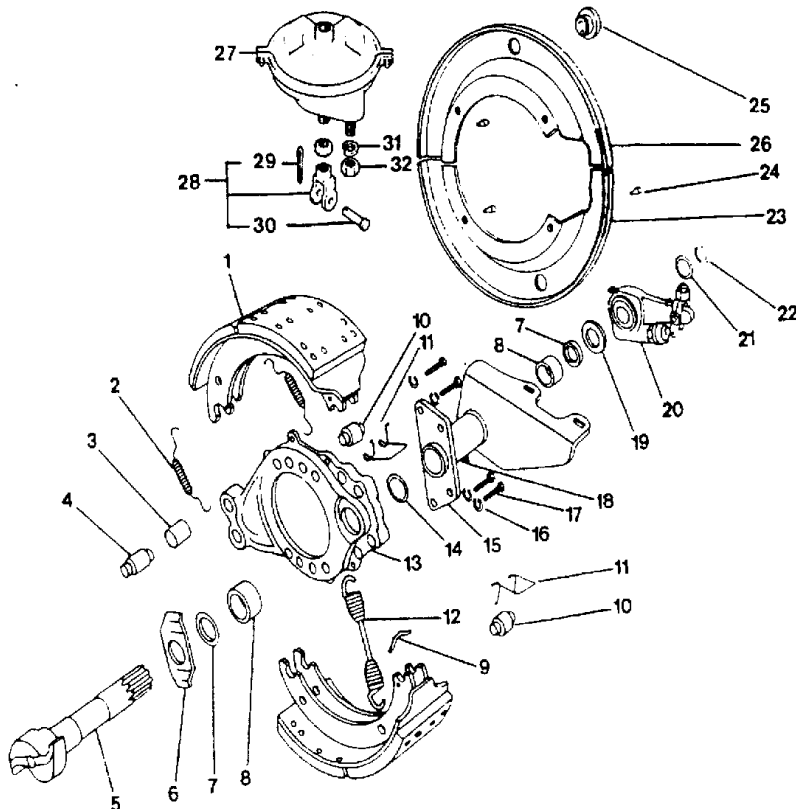
Models: A3FE, A3RE, C3FE, CSFE, CSRE, QBRE, TCFE  
 BRAKE ASSY, REAR  
 8.62 INCH  
 HENDRICKSON, MERITOR  
 BSN: From CSN 30096776 FE 10096696 RE 11/05/01

Key	PartNumber	Qty	Description	Comment
-----	------------	-----	-------------	---------

FRONT BRAKES, Q-TYPE

DR	BY	Q158541
APP	BY	

© 1985 BLUE BIRD BODY COMPANY  
 ALL RIGHTS RESERVED



PAGE 6

**Models:** A3FE, A3RE, C3FE, CSFE, CSRE, QBRE, TCFE  
**BRAKE ASSY, REAR**  
**8.62 INCH**  
**HENDRICKSON, MERITOR**  
**BSN:** From CSN 30096776 FE 10096696 RE 11/05/01

Key	PartNumber	Qty	Description	Comment
1			KIT, BRAKE SHOE & LINING ASSEMBLY	
NI	0044936		KIT, MAJOR OVERHAUL, 15 X 8.62, MERITOR"	<i>INCLUDES ITEMS 1, 2, 3, 4, 9, 10, 11, 12</i>
NI	8305302		KIT, HARDWARE, CAMBRAKE MINOR	<i>INCLUDES ITEMS 2, 3, 4, 9, 10, 11, 12</i>
2			KIT, SPRING, BRAKE SHOE RETAINING	
3			KIT, BUSHING, ANCHOR PIN	
4			KIT, ANCHOR PIN, BRAKE SHOE	
5	0029122		CAMSHAFT, LH, Q-TYPE	
5	0029123		CAMSHAFT, RH, Q TYPE	
NI	0044938		KIT, BUSHING & SEAL"	<i>INCLUDES ITEMS 7, 8</i>
NI	0038801		KIT, WASHER & SNAP RING, CAMSHAFT, MERITOR	<i>INCLUDES ITEMS 19, 21, 22</i>
6	8302721		WASHER, CAMHEAD, FLAT	
7			KIT, SEAL, CAMSHAFT	
8			KIT, BUSHING, CAMSHAFT SPIDER & BRACKET	
9			KIT, PIN, BRAKE SHOE RETURN SPRING	
10			KIT, ROLLER, BRAKE SHOE	
11			KIT, RETAINER, SHOE ROLLER	
12			KIT, RETURN SPRING, BRAKE SHOE	
13	0034157		SPIDER, LH/RH, MERITOR	
14	2644235		SEAL, FELT, BRAKE SPIDER	
15	0047766		BRACKET ASSY, CAMSHAFT, LH"	
15	0047767		BRACKET ASSY, CAMSHAFT, RH	
16			WASHER, CHAMBER BRACKET	
17			CAPSCREW, CHAMBER BRACKET	
18			FITTING, GREASE	
19			KIT, WASHER, CAMSHAFT	
20	0034255		SLACK ADJ, MERITOR, 6-28, LH, 30 CHAMBER"	
20	0034256		SLACK ADJ, MERITOR, 6-28, RH, 30 CHAMBER"	
20	0034286		SLACK ADJ, HALDEX"	
NI	0034893		BRACKET ASSY, SLACK ADJ, HALDEX	<i>HALDEX ONLY</i>
21			KIT, WASHER, SPACING	
22			KIT, LOCKRING, CAMSHAFT	
NI	0041403		CHAMBER, BRAKE, 3030, MGM	
NI	0034225		KIT, CLEVIS, MERITOR	

**Models:** A3FE, A3RE, C3FE, CSFE, CSRE, QBRE, TCFE  
BRAKE ASSY, REAR  
8.62 INCH  
HENDRICKSON, MERITOR  
**BSN:** From CSN 30096776 FE 10096696 RE 11/05/01

Key	PartNumber	Qty	Description	Comment
23	0031493		DUSTSHIELD KIT,AIR BRAKE,16.5X8.62,QP"	
24			KIT, CAPSCREW, DUSTSHIELD	

**Models:** A3FE, A3RE, CSFE, CSRE, TCFE, TCRE, QBRE  
**BRAKE ASSY, REAR**  
**8.62 INCH**  
**J230 WITH MERITOR**

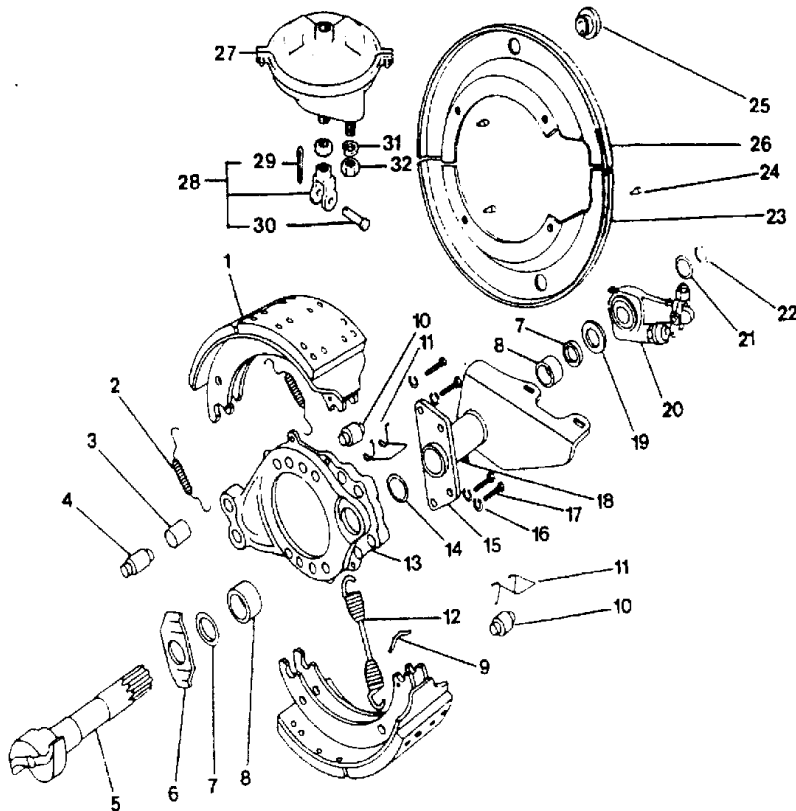
**With Features:** FEATURE 40052-03, OPTION 4324, 4351  
**BSN:** From CSN 30079480 FE 10077010 RE 01/22/01  
 To CSN 30096775 FE 10096695 RE 11/04/01

Key	PartNumber	Qty	Description	Comment
-----	------------	-----	-------------	---------

FRONT BRAKES, Q-TYPE

DR	BY	Q158541
APP	BY	

© 1985 BLUE BIRD BODY COMPANY  
 ALL RIGHTS RESERVED



PAGE 6

**Models:** A3FE, A3RE, CSFE, CSRE, TCFE, TCRE, QBRE  
 **BRAKE ASSY, REAR**  
 **8.62 INCH**  
 **J230 WITH MERITOR**

**With Features:** FEATURE 40052-03, OPTION 4324, 4351  
**BSN:** From CSN 30079480 FE 10077010 RE 01/22/01  
 To CSN 30096775 FE 10096695 RE 11/04/01

Key	PartNumber	Qty	Description	Comment
1			KIT, BRAKE SHOE & LINING ASSEMBLY	
NI	0034138		KIT,MAJOR OVERHAUL,MERITOR,16.5 X 8.62""	INCLUDES ITEMS 1, 2, 3, 4, 9, 10, 11, 12
NI	2151389		KIT,HARDWARE,CAM BRAKE MINOR	INCLUDES ITEMS 2, 3, 4, 9, 10, 11, 12
2			KIT, SPRING, BRAKE SHOE RETAINING	
3			KIT, BUSHING, ANCHOR PIN	
4			KIT, ANCHOR PIN, BRAKE SHOE	
5	0029123		CAMSHAFT, RH, Q TYPE	FRONT BRAKE
5	0029122		CAMSHAFT, LH, Q-TYPE	FRONT BRAKE
NI	0034412		KIT,BUSHING & SEAL,CAMSHAFT,MERITOR"	INCLUDES ITEMS 7, 8
NI	0034906		KIT,CAMSHAFT REBUILD,MERITOR	INCLUDES ITEMS 6, 7, 8, 14, 18, 19, 21, 22
6			KIT, WASHER, CAMHEAD	
7			KIT, SEAL, CAMSHAFT	
8			KIT, BUSHING, CAMSHAFT SPIDER & BRACKET	
9			KIT, PIN, BRAKE SHOE RETURN SPRING	
10			KIT, ROLLER, BRAKE SHOE	
11			KIT, RETAINER, SHOE ROLLER	
12			KIT, RETURN SPRING, BRAKE SHOE	
13	0034157		SPIDER,LH/RH,MERITOR	
13	0034157		SPIDER,LH/RH,MERITOR	
14			KIT, GASKET, CHAMBER BRACKET	
15	0034268		BRACKET,CAMSHAFT,LH,MERITOR"	INCLUDES ITEMS 15, 16, 17
15	0034269		BRACKET,CAMSHAFT,RH,MERITOR"	INCLUDES ITEMS 15, 16, 17
16			KIT, WASHER, CHAMBER BRACKET	
17			KIT, CAPSCREW, CHAMBER BRACKET	
18			KIT, FITTING, GREASE	
19			KIT, WASHER, CAMSHAFT	
20	0034255		SLACK ADJ,MERITOR,6-28,LH,30 CHAMBER"	
20	0034256		SLACK ADJ,MERITOR,6-28,RH,30 CHAMBER"	
21			KIT, WASHER, SPACING	
22			KIT, LOCKRING, CAMSHAFT	
23	0034276		CHAMBER,BRAKE,LH,MGM,30"	
23	0034277		CHAMBER,BRAKE,RH,MGM,30"	



**Models:** A3FE, A3RE, CSFE, CSRE, TCFE, TCRE, QBRE  
**BRAKE ASSY, REAR**  
**8.62 INCH**  
**J230 WITH MERITOR**

**With Features:** FEATURE 40052-03, OPTION 4324, 4351  
**BSN:** From CSN 30079480 FE 10077010 RE 01/22/01  
 To CSN 30096775 FE 10096695 RE 11/04/01

Key	PartNumber	Qty	Description	Comment
NI	0034225		KIT,CLEVIS,MERITOR	
24			KIT, PIN COTTER, BRAKE CHAMBER	
25			KIT, PIN, BRAKE CHAMBER YOKE	
26			KIT, YOKE	
27			WASHER, BRAKE CHAMBER	
28			NUT, BRAKE CHAMBER STUD	

**Models:** A3FE, A3RE, CSFE, CSRE, QBRE  
**BRAKE ASSY, REAR**  
**8.62 INCH**  
**J230 WITH MERITOR**

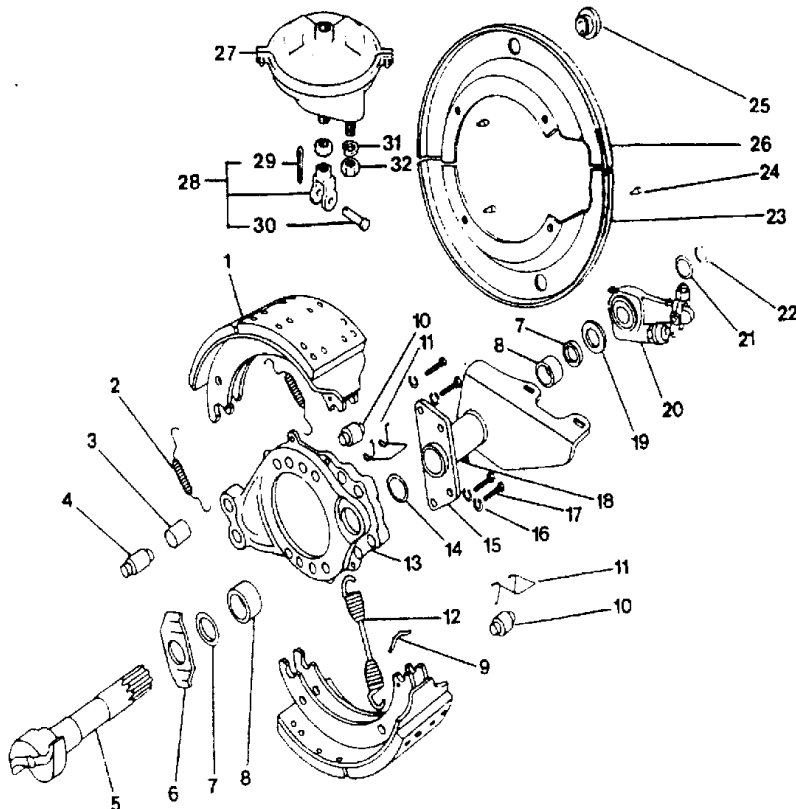
**With Features:** FEATURE 40052-02, OPTION 4351  
**BSN:** From CSN 30079480 FE 10077010 RE 01/22/01  
 To CSN 30096775 FE 10096695 RE 11/04/01

Key	PartNumber	Qty	Description	Comment
-----	------------	-----	-------------	---------

FRONT BRAKES, Q-TYPE

DR	BY	Q158541
APP	BY	

© 1985 BLUE BIRD BODY COMPANY  
 ALL RIGHTS RESERVED



PAGE 6

**Models:** A3FE, A3RE, CSFE, CSRE, QBRE

**BRAKE ASSY, REAR**

**8.62 INCH**

**J230 WITH MERITOR**

**With Features:** FEATURE 40052-02, OPTION 4351

**BSN:** From CSN 30079480 FE 10077010 RE 01/22/01

To CSN 30096775 FE 10096695 RE 11/04/01

Key	PartNumber	Qty	Description	Comment
1			KIT, BRAKE SHOE & LINING ASSEMBLY	
NI	0034138		KIT,MAJOR OVERHAUL,MERITOR,16.5 X 8.62""	INCLUDES ITEMS 1, 2, 3, 4, 9, 10, 11, 12
NI	2151389		KIT,HARDWARE,CAM BRAKE MINOR	INCLUDES ITEMS 2, 3, 4, 9, 10, 11, 12
2			KIT, SPRING, BRAKE SHOE RETAINING	
3			KIT, BUSHING, ANCHOR PIN	
4			KIT, ANCHOR PIN, BRAKE SHOE	
5	0029123		CAMSHAFT, RH, Q TYPE	FRONT BRAKE
5	0029122		CAMSHAFT, LH, Q-TYPE	FRONT BRAKE
NI	0034412		KIT,BUSHING & SEAL,CAMSHAFT,MERITOR"	INCLUDES ITEMS 7, 8
NI	0034906		KIT,CAMSHAFT REBUILD,MERITOR	INCLUDES ITEMS 6, 7, 8, 14, 18, 19, 21, 22
6			KIT, WASHER, CAMHEAD	
7			KIT, SEAL, CAMSHAFT	
8			KIT, BUSHING, CAMSHAFT SPIDER & BRACKET	
9			KIT, PIN, BRAKE SHOE RETURN SPRING	
10			KIT, ROLLER, BRAKE SHOE	
11			KIT, RETAINER, SHOE ROLLER	
12			KIT, RETURN SPRING, BRAKE SHOE	
13	0034157		SPIDER,LH/RH,MERITOR	
13	0034157		SPIDER,LH/RH,MERITOR	
14			KIT, GASKET, CHAMBER BRACKET	
15	0034268		BRACKET,CAMSHAFT,LH,MERITOR"	INCLUDES ITEMS 15, 16, 17
15	0034269		BRACKET,CAMSHAFT,RH,MERITOR"	INCLUDES ITEMS 15, 16, 17
16			KIT, WASHER, CHAMBER BRACKET	
17			KIT, CAPSCREW, CHAMBER BRACKET	
18			KIT, FITTING, GREASE	
19			KIT, WASHER, CAMSHAFT	
20	0034286		SLACK ADJ,HALDEX"	
NI	0034893		BRACKET ASSY,SLACK ADJ,HALDEX	
21			KIT, WASHER, SPACING	
22			KIT, LOCKRING, CAMSHAFT	
23	0034276		CHAMBER,BRAKE,LH,MGM,30"	
23	0034277		CHAMBER,BRAKE,RH,MGM,30"	

**Models:** A3FE, A3RE, CSFE, CSRE, QBRE  
 BRAKE ASSY, REAR  
 8.62 INCH  
 J230 WITH MERITOR

**With Features:** FEATURE 4052-02, OPTION 4351  
**BSN:** From CSN 30079480 FE 10077010 RE 01/22/01  
 To CSN 30096775 FE 10096695 RE 11/04/01

Key	PartNumber	Qty	Description	Comment
NI	0034225		KIT,CLEVIS,MERITOR	
24			KIT, PIN COTTER, BRAKE CHAMBER	
25			KIT, PIN, BRAKE CHAMBER YOKE	
26			KIT, YOKE	
27			WASHER, BRAKE CHAMBER	
28			NUT, BRAKE CHAMBER STUD	

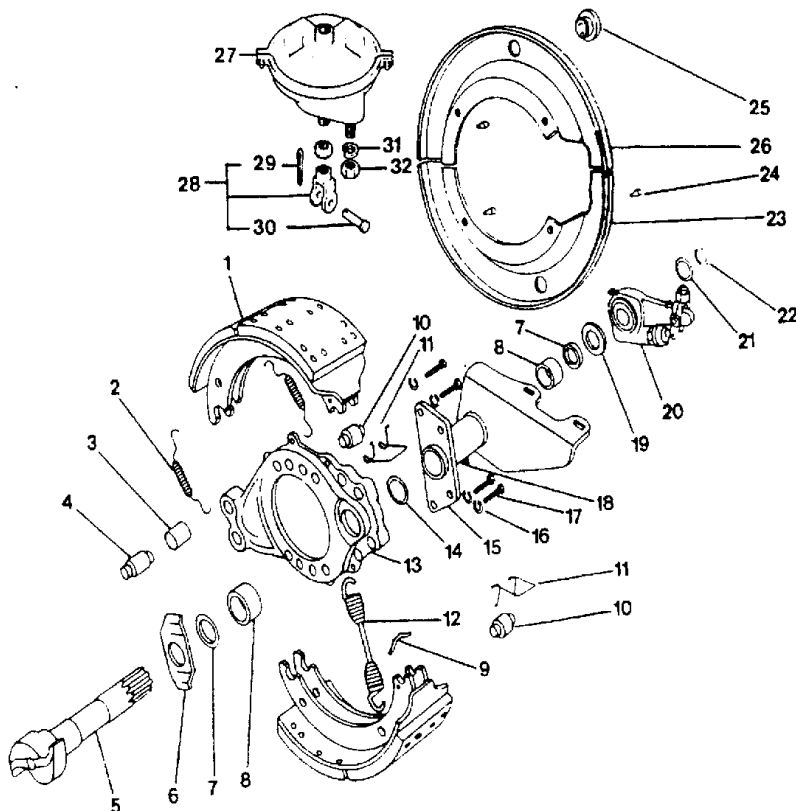
Models: A3FE, A3RE, C3FE, C4RE, CSFE, CSRE, QBRE, TCFE  
 BRAKE ASSY, REAR  
 8.62 INCH  
 RIDWL, HS, MERITOR  
 BSN: From CSN 30096776 FE 10096696 RE 11/05/01

Key	PartNumber	Qty	Description	Comment
-----	------------	-----	-------------	---------

FRONT BRAKES, Q-TYPE

DR	BY	Q158541
APP	BY	

© 1985 BLUE BIRD BODY COMPANY  
 ALL RIGHTS RESERVED



PAGE 6

**Models:** A3FE, A3RE, C3FE, C4RE, CSFE, CSRE, QBRE, TCFE  
**BRAKE ASSY, REAR**  
**8.62 INCH**  
**RIDWL, HS, MERITOR**  
**BSN:** From CSN 30096776 FE 10096696 RE 11/05/01

Key	PartNumber	Qty	Description	Comment
1			KIT, BRAKE SHOE & LINING ASSEMBLY	
NI	0044936		KIT, MAJOR OVERHAUL, 15 X 8.62, MERITOR"	<i>INCLUDES ITEMS 1, 2, 3, 4, 9, 10, 11, 12</i>
NI	8305302		KIT, HARDWARE, CAMBRAKE MINOR	<i>INCLUDES ITEMS 2, 3, 4, 9, 10, 11, 12</i>
2			KIT, SPRING, BRAKE SHOE RETAINING	
3			KIT, BUSHING, ANCHOR PIN	
4			KIT, ANCHOR PIN, BRAKE SHOE	
5	0041751		CAMSHAFT, LH, MERITOR	
5	0041752		CAMSHAFT, RH, MERITOR	
NI	0044938		KIT, BUSHING & SEAL"	<i>INCLUDES ITEMS 7, 8</i>
NI	0038801		KIT, WASHER & SNAP RING, CAMSHAFT, MERITOR	<i>INCLUDES ITEMS 19, 21, 22</i>
6	8302721		WASHER, CAMHEAD, FLAT	
7			KIT, SEAL, CAMSHAFT	
8			KIT, BUSHING, CAMSHAFT SPIDER & BRACKET	
9			KIT, PIN, BRAKE SHOE RETURN SPRING	
10			KIT, ROLLER, BRAKE SHOE	
11			KIT, RETAINER, SHOE ROLLER	
12			KIT, RETURN SPRING, BRAKE SHOE	
13	0034157		SPIDER, LH/RH, MERITOR	
14	2644235		SEAL, FELT, BRAKE SPIDER	
15	0041755		BRACKET, CAMSHAFT, MERITOR	
16			WASHER, CHAMBER BRACKET	
17			CAPSCREW, CHAMBER BRACKET	
18			FITTING, GREASE	
19			KIT, WASHER, CAMSHAFT	
20	0045339		SLACK ADJ, LH, HALDEX"	
20	0045340		SLACK ADJ, RH, HALDEX"	
NI	1233543		KIT ASSY, BRACKET, HALDEX 427-10430	
21			KIT, WASHER, SPACING	
22			KIT, LOCKRING, CAMSHAFT	
NI	0041403		CHAMBER, BRAKE, 3030, MGM	
NI	0034225		KIT, CLEVIS, MERITOR	
23	0031493		DUSTSHIELD KIT, AIR BRAKE, 16.5X8.62, QP"	
24			KIT, CAPSCREW, DUSTSHIELD	

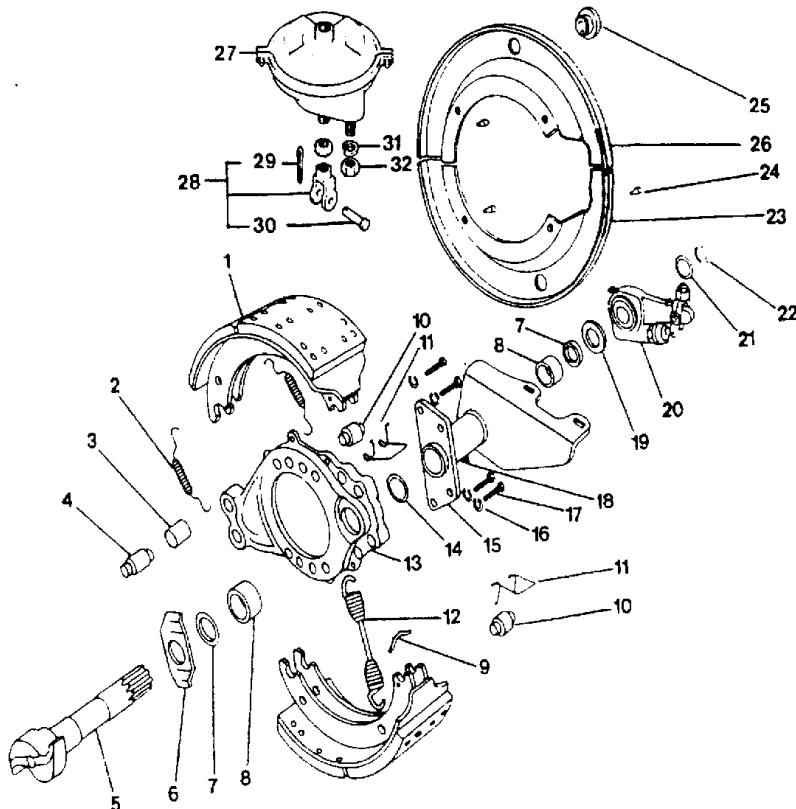
Models: A3FE, A3RE, C3FE, CSFE, CSRE, QBRE, TCFE  
 BRAKE ASSY, REAR  
 8.62 INCH  
 RIDWL, MS, MERITOR  
 BSN: From CSN 30096776 FE 10096696 RE 11/05/01

Key	PartNumber	Qty	Description	Comment
-----	------------	-----	-------------	---------

FRONT BRAKES, Q-TYPE

DR	BY	Q158541
APP	BY	

© 1985 BLUE BIRD BODY COMPANY  
 ALL RIGHTS RESERVED



PAGE 6

**Models:** A3FE, A3RE, C3FE, CSFE, CSRE, QBRE, TCFE  
**BRAKE ASSY, REAR**  
**8.62 INCH**  
**RIDWL, MS, MERITOR**  
**BSN:** From CSN 30096776 FE 10096696 RE 11/05/01

Key	PartNumber	Qty	Description	Comment
1			KIT, BRAKE SHOE & LINING ASSEMBLY	
NI	0044936		KIT, MAJOR OVERHAUL, 15 X 8.62, MERITOR"	<i>INCLUDES ITEMS 1, 2, 3, 4, 9, 10, 11, 12</i>
NI	8305302		KIT, HARDWARE, CAMBRAKE MINOR	<i>INCLUDES ITEMS 2, 3, 4, 9, 10, 11, 12</i>
2			KIT, SPRING, BRAKE SHOE RETAINING	
3			KIT, BUSHING, ANCHOR PIN	
4			KIT, ANCHOR PIN, BRAKE SHOE	
5	0041751		CAMSHAFT, LH, MERITOR	
5	0041752		CAMSHAFT, RH, MERITOR	
NI	0044938		KIT, BUSHING & SEAL"	<i>INCLUDES ITEMS 7, 8</i>
NI	0038801		KIT, WASHER & SNAP RING, CAMSHAFT, MERITOR	<i>INCLUDES ITEMS 19, 21, 22</i>
6	8302721		WASHER, CAMHEAD, FLAT	
7			KIT, SEAL, CAMSHAFT	
8			KIT, BUSHING, CAMSHAFT SPIDER & BRACKET	
9			KIT, PIN, BRAKE SHOE RETURN SPRING	
10			KIT, ROLLER, BRAKE SHOE	
11			KIT, RETAINER, SHOE ROLLER	
12			KIT, RETURN SPRING, BRAKE SHOE	
13	0034157		SPIDER, LH/RH, MERITOR	
14	2644235		SEAL, FELT, BRAKE SPIDER	
15	0041755		BRACKET, CAMSHAFT, MERITOR	
16			WASHER, CHAMBER BRACKET	
17			CAPSCREW, CHAMBER BRACKET	
18			FITTING, GREASE	
19			KIT, WASHER, CAMSHAFT	
20	0034255		SLACK ADJ, MERITOR, 6-28, LH, 30 CHAMBER"	
20	0034256		SLACK ADJ, MERITOR, 6-28, RH, 30 CHAMBER"	
21			KIT, WASHER, SPACING	
22			KIT, LOCKRING, CAMSHAFT	
NI	0045348		CHAMBER, BRAKE, MGM, TYPE 30"	
NI	0034225		KIT, CLEVIS, MERITOR	
NI	0045353		YOKE, BRAKE CHAMBER"	
23	0031493		DUSTSHIELD KIT, AIR BRAKE, 16.5X8.62, QP"	
24			KIT, CAPSCREW, DUSTSHIELD	

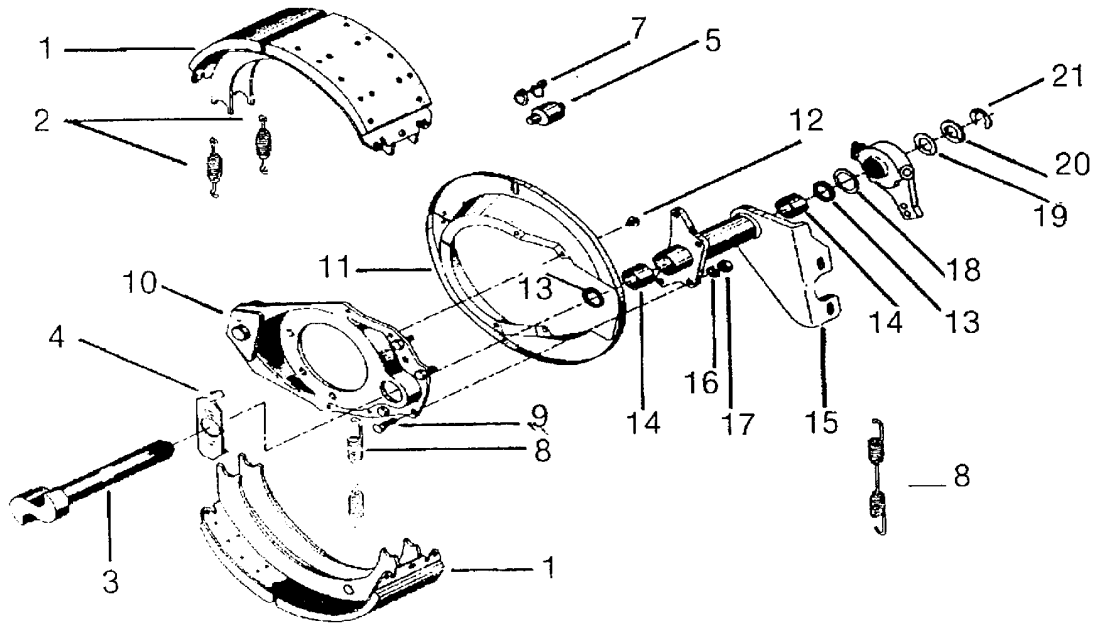


**Models:** A3FE, A3RE  
**BRAKE ASSY, REAR**  
**8.62 INCH**  
**With Features:** SPRING SUSPENSION, EXT SERVICE  
**STD**

Key	PartNumber	Qty	Description	Comment
-----	------------	-----	-------------	---------

DR.11/14/95 BY DB		4317616	
APP.11/14/95 BY AB	FRT		REV

© BLUE BIRD BODY COMPANY. ALL RIGHTS RESERVED



**Models:** A3FE, A3RE  
**BRAKE ASSY, REAR**  
**8.62 INCH**  
**SPRING SUSPENSION, EXT SERVICE**  
**STD**

**With Features:**

Key	PartNumber	Qty	Description	Comment
1	4318481		SHOE & LINING ASSY,REAR,8.62",ES"	ENDING WITH CSN 996887
1	8302978		SHOE & LINING ASSY,8.62" REAR,J230"	BEGIN WITH CSN 996888
	4319729	4	SHOE,BRAKE 8.62",EXT SERV	ENDING WITH CSN 996887 SHOE ONLY
	8304727	4	SHOE,BRAKE,REAR,8.62",ES-II"	BEGIN WITH CSN 996888 SHOE ONLY
NI	4318671		KIT,LINING,REAR,8.62",ES"	
2	4317244	3	SPRING,SHOE RETAINER"	EATON,. ENDING WITH CSN 996887
2	8302986	3	SPRING,SHOE RETAINING,NEW HOT SHOE"	EATON. BEGIN WITH CSN 996888
3	4317442	1	CAMSHAFT,16.5 X 7,REAR LH"	
3	4317459	1	CAMSHAFT,16.5 X 7,REAR RH"	
4	4317269	4	WASHER,CAMSHAFT"	
5	4317335	4	ROLLER,CAMSHAFT"	
7	4317343	2	RETAINER,ROLLER"	
8	4317350	2	SPRING,RELEASE,BROWN"	BROWN OR GRAY
9	2157949	8	BOLT,CHAMBER BRKT TO BRAKE SPIDER (CAST)	
10	4310850		SPIDER, BRAKE, REAR, 7" RH EATON J230"	
10	4310868		SPIDER, BRAKE, REAR, 7" LH EATON J230"	
11	1836030	2	KIT,DUSTSHIELD,AIR BRAKE,EATON,16.5X8.62,	
12	4317624	8	SCREW,DUSTSHIELD,8.62"'"	
13	2627370	8	SEAL,BRAKE SPIDER & CAMSHAFT	
14	4310488	4	BUSHING,CAMSHAFT,BRAKES EATON"	
15	4317798		BRACKET ASSY,BRAKE CHAMBER,7",	
15	4317780		BRACKET ASSY,BRAKE CHAMBER,7",RDWL,	
16	4310058	8	LOCKWASHER	
17	2137289	8	NUT,HEX,EATON BRAKES	
18	4310546	2	WASHER,INNER,SLACK ADJUSTER"	
NI	0010759		SLACK ADJUSTER,5.5,CB,SERVICE,CB-2100	

**Models:** **A3FE, A3RE**  
**BRAKE CHAMBERS**  
**FRONT AND REAR**

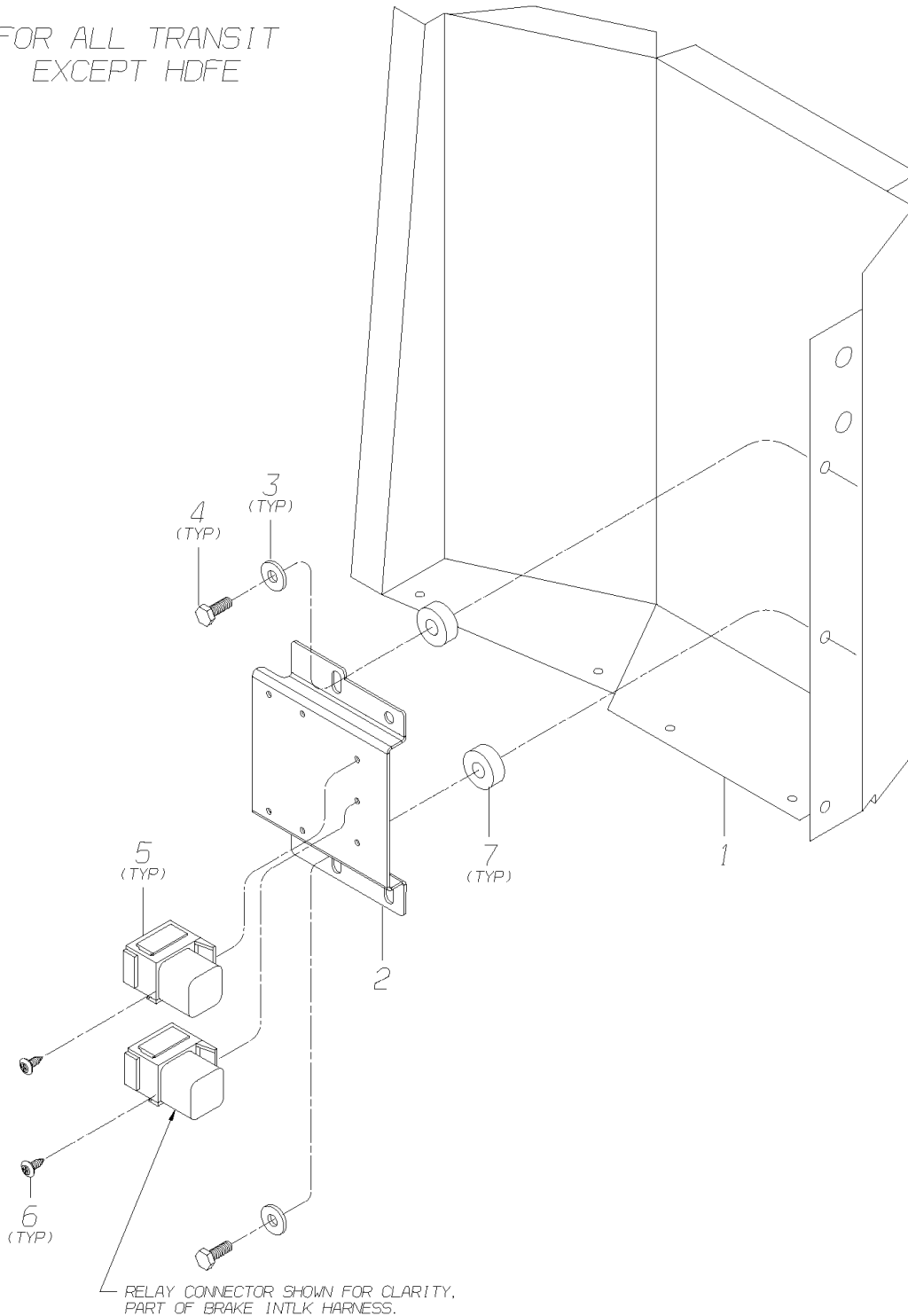
Key	PartNumber	Qty	Description	Comment
	4317731		CHAMBER,BRAKE,5",EXT SER,I-120"	<i>5" WITH I-120</i>
	4317723		CHAMBER,BRAKE,5",EXT SER,I-146"	<i>5" WITH I-146</i>
	4317731		CHAMBER,BRAKE,5",EXT SER,I-120"	<i>6" WITH I-120</i>
	4317723		CHAMBER,BRAKE,5",EXT SER,I-146"	<i>6" WITH I-146</i>
	4317756		CHAMBER,BRAKE,7",EXT SER,SPRING W/J-210,	<i>7" RH WITH F170, J190, J210</i>
	4317749		CHAMBER,BRAKE,7",EXT SER,SPRING W/J-210,	<i>7" LH WITH F170, J190, J210</i>
	4320198		CHAMBER, 6" RH 30/30"	<i>7" RH WITH J230</i>
	4320164		CHAMBER, 6" LH 30/30"	<i>7" LH WITH J230</i>
	4320198		CHAMBER, 6" RH 30/30"	<i>8.62" RH WITH J230</i>
	4320164		CHAMBER, 6" LH 30/30"	<i>8.62" LH WITH J230</i>

**Models:** A3FE, A3RE, C3FE  
**OPTIONAL EQUIPMENT**  
**BRAKE/LIFT INTERLOCK**  
**RELAY INSTALLATION**

**With Features:** FEATURE 40051

Key	PartNumber	Qty	Description	Comment
-----	------------	-----	-------------	---------

FOR ALL TRANSIT  
 EXCEPT HDFE



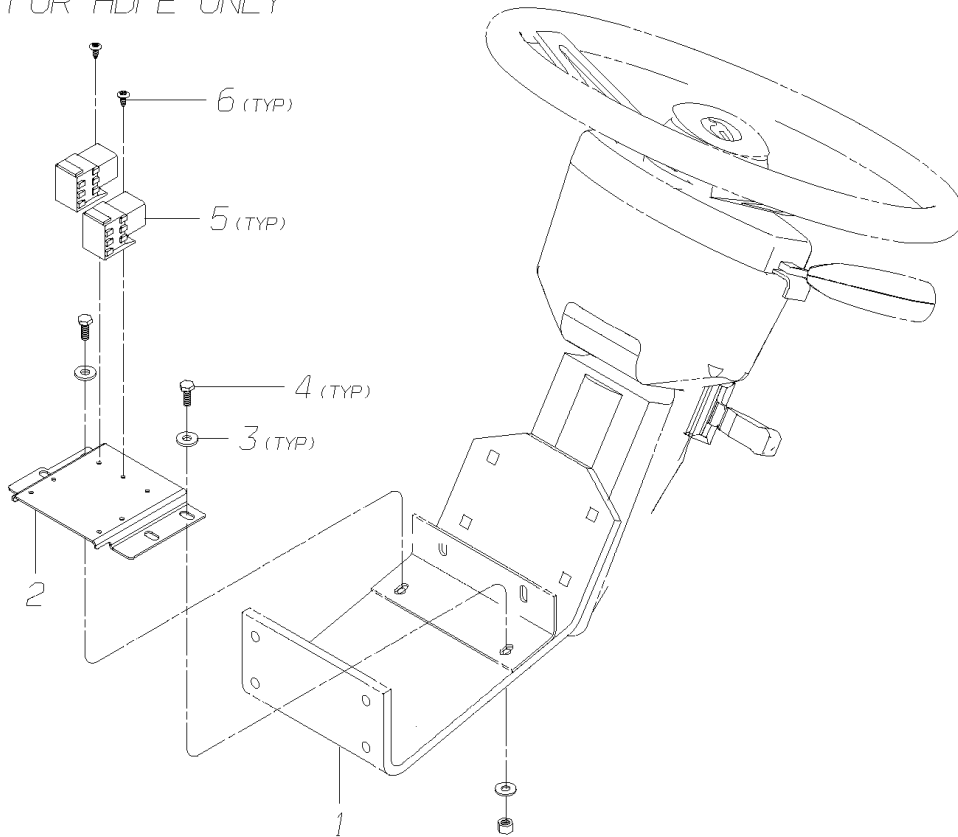
**Models:** A3FE, A3RE, C3FE  
**OPTIONAL EQUIPMENT**  
**BRAKE/LIFT INTERLOCK**  
**RELAY INSTALLATION**  
**With Features:** FEATURE 40051

Key	PartNumber	Qty	Description	Comment
1			PANEL ASSY, CLOSEOUT, DRIVER,S SIDE, LH	
2	0018299		BRACKET,MTG,RELAY,SPEED SWITCH	
3			WASHER, FLAT, 5/16 X 3/4 X 5/64, ZINC	
4			CAPSCREW, HEX HEAD, 1/4-20 X 1/2, GR 8,	
4	2000057	2	CAPSCREW,HEX HD,1/4-20 X 1,GR 5,YEL ZN	
5	1868017	2	RELAY,POTTER BRUMFIELD VF4-15F11-S01	
6	2186401	2	SCREW,10-16 X 1/2,AB,PH1,PAN HD,YEL ZN	
7	1202670	2	SPACER,1 OD X 13/32 ID X 3/8	

**Models:** A3FE, C3FE  
**OPTIONAL EQUIPMENT**  
**BRAKE/LIFT INTERLOCK**  
**RELAY INSTALLATION**  
**With Features:** FEATURE 40051

Key	PartNumber	Qty	Description	Comment
-----	------------	-----	-------------	---------

FOR HD FE ONLY



**Models:** A3FE, C3FE  
**OPTIONAL EQUIPMENT**  
**BRAKE/LIFT INTERLOCK**  
**RELAY INSTALLATION**  
**With Features:** FEATURE 40051

Key	PartNumber	Qty	Description	Comment
1			BRACKET, MTG, STEERING COLUMN	
2	0018299		BRACKET,MTG,RELAY,SPEED SWITCH	
3			WASHER, FLAT, 5/16 X 3/4 X 5/64, ZINC	
4			CAPSCREW, HEX HEAD, 1/4-20 X 1/2, GR 8,	
5	1868017	2	RELAY,POTTER BRUMFIELD VF4-15F11-S01	
6	2186401	2	SCREW,10-16 X 1/2,AB,PH1,PAN HD,YEL ZN	

Models: A3FE, A3RE, C3FE, CSFE, CSRE, QBRE, TCFE, TCRE

OPTIONAL EQUIPMENT

HUB COVERS

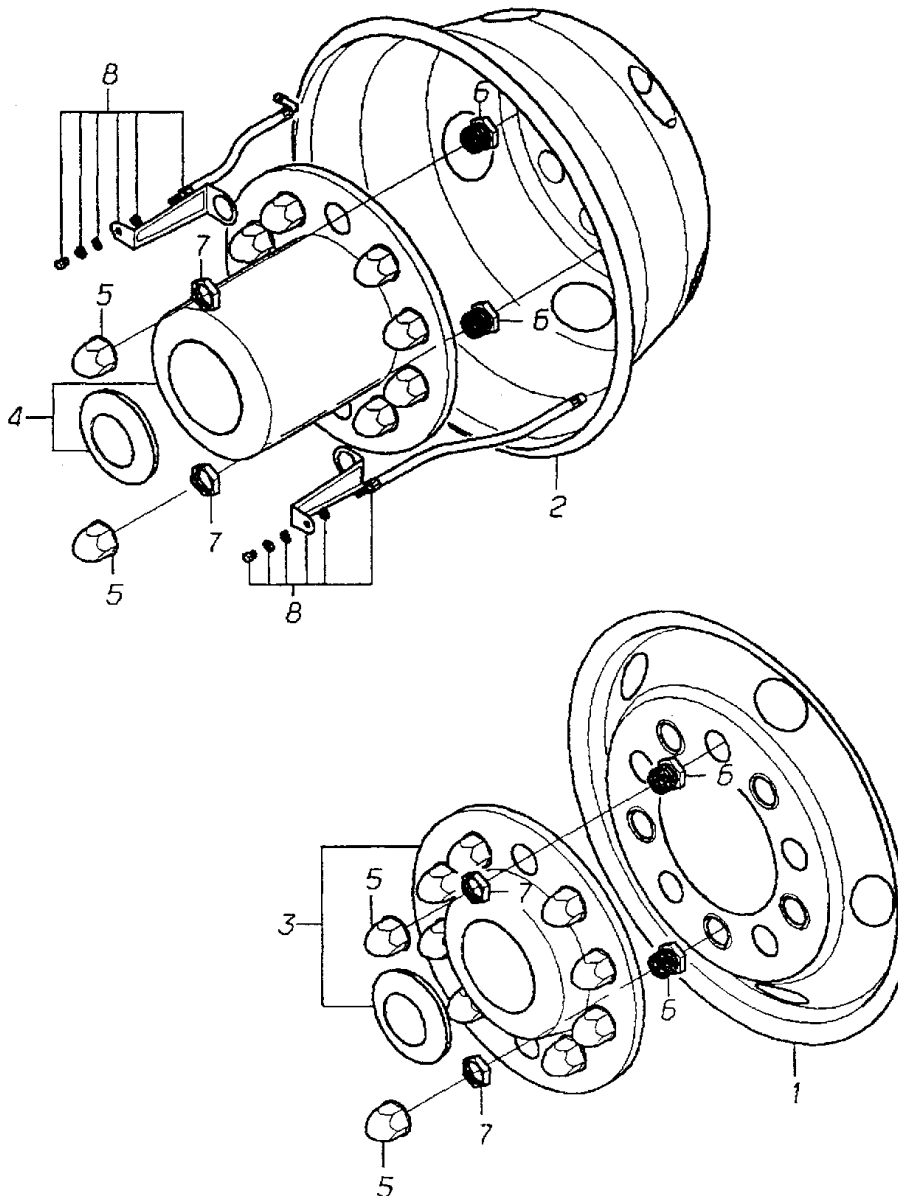
STAINLESS STEEL, PHOENIX WITH HUB PILOTED WHEELS

With Features: FEATURE 40441-04, 05, OPTION 25347

Key	PartNumber	Qty	Description	Comment
-----	------------	-----	-------------	---------

DR. 10-4-94	BY AJK	1721778	REV
APP. 10-4-94	BY DCV		

© BLUE BIRD BODY COMPANY, ALL RIGHTS RESERVED



PAGE 248



**Models:** A3FE, A3RE, C3FE, CSFE, CSRE, QBRE, TCFE, TCRE  
**OPTIONAL EQUIPMENT**  
**HUB COVERS**  
**STAINLESS STEEL, PHOENIX WITH HUB PILOTED WHEELS**

**With Features:** FEATURE 40441-04, 05, OPTION 25347

Key	PartNumber	Qty	Description	Comment
1	0035073	2	COVER,HUB,SST,FRONT,22.50,HUB PILOTED	
1	4322574	2	CAP,CENTER,HUB CVR,ALUM WHEELS"	
2	0020637	2	COVER HUB, REAR SST, 7-5 HUB PILOTED	
	4322574	2	CAP,CENTER,HUB CVR,ALUM WHEELS"	
3	0030661	8	COVER,LUG NUT,WHEEL LINER FRT/RR	
4	0035074	8	STUD,EXTENDER,22 MM,HUB PILOTED	
5	0035075	8	JAM NUT,HUB PILOTED	
6	4326344	1	KIT,TIRE INFLATOR,DUAL WHEELS,SST	
NI	0035076	1	TOOL,INSTALLATION,HUB PILOTED	

**Models:** A3FE, C1FE, CSFE, CSRE, QBRE, TCFE


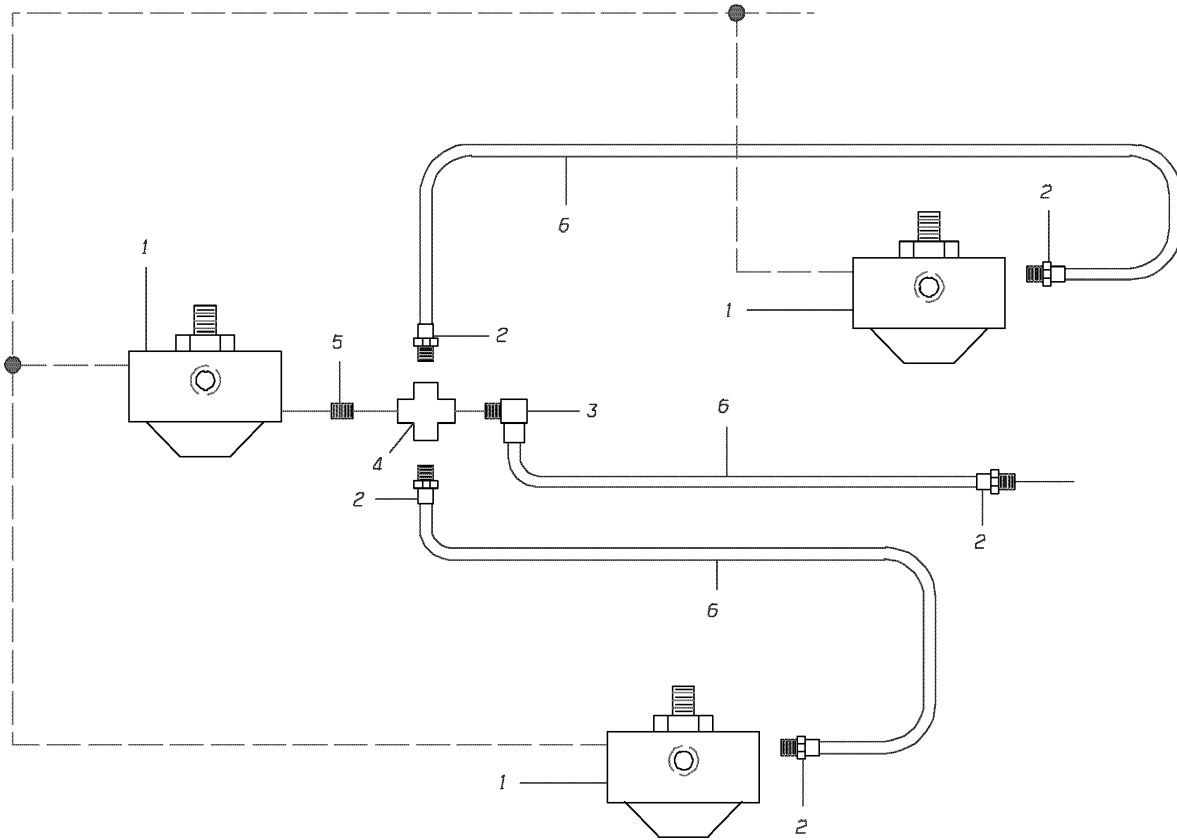
**OPTIONAL EQUIPMENT**  
**RESERVOIR DRAIN VALVE**  
**HEATED**

**With Features:** FEATURE 40081-03

Key	PartNumber	Qty	Description	Comment
-----	------------	-----	-------------	---------

DR. 03/06/02 BY TFM				
APP.	BY	PBT	1676170	C REV

© BLUE BIRD BODY COMPANY, ALL RIGHTS RESERVED

**Models:** A3FE, C1FE, CSFE, CSRE, QBRE, TCFE  
**OPTIONAL EQUIPMENT**  
**RESERVOIR DRAIN VALVE**  
**HEATED**


**With Features:** FEATURE 40081-03

Key	PartNumber	Qty	Description	Comment
1	1686823	3	VALVE,THERMO,EXPELLO	
2	0009917	5	CONNECTOR,MALE,1868X4-Z,.13MP X .25T"	
3	0009903	1	ELBOW,90 DEG,MALE1869X4-Z,.13MPT X .25T	
4	2008217	1	CROSS,BRASS,3950X2 1/8 IN	
5	2051381	1	NIPPLE,BRASS,1/8 CLOSE 3326 X 2	
6	0654962		TUBING,PLASTIC,1/4 OD,BLACK,SAE J844 TYPE	

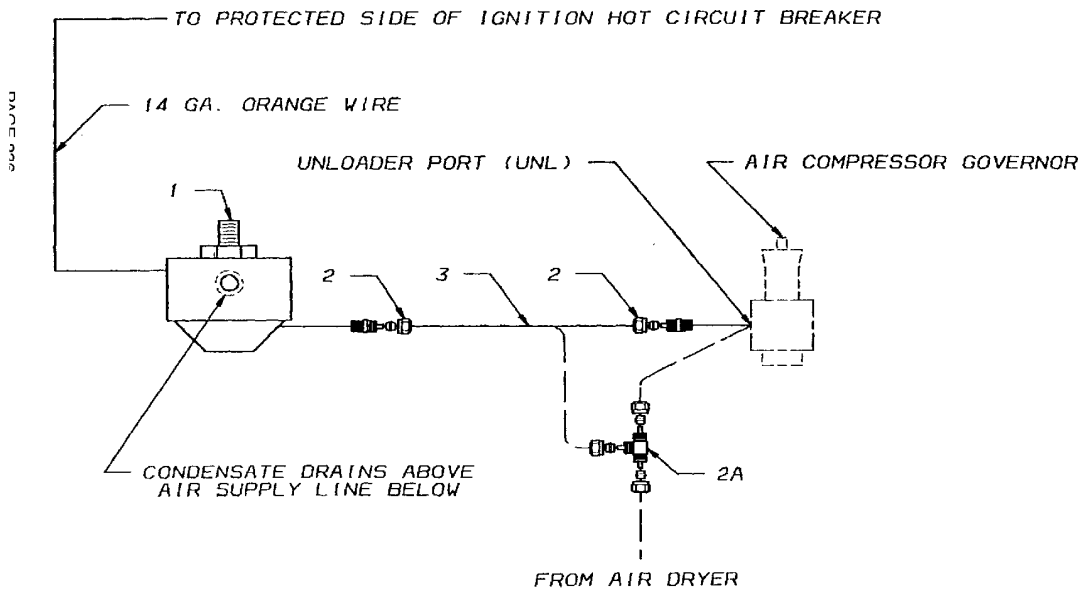
**Models:** A3FE, A3RE, C1FE, CSFE, CSRE, QBRE, TCFE  
**OPTIONAL EQUIPMENT**  
**RESERVOIR DRAIN VALVE**  
**HEATED**

**With Features:** FEATURE 40081

Key	PartNumber	Qty	Description	Comment
-----	------------	-----	-------------	---------

DR	BY	FR	1346774	REV	
APP	BY	FR		REV	

© 1997 BLUE BIRD BODY COMPANY. ALL RIGHTS RESERVED.



**Models:** A3FE, A3RE, C1FE, CSFE, CSRE, QBRE, TCFE  
**OPTIONAL EQUIPMENT**  
**RESERVOIR DRAIN VALVE**  
**HEATED**

**With Features:** FEATURE 40081

Key	PartNumber	Qty	Description	Comment
1	1686823	1	VALVE,THERMO,EXPELLO	
2	0009917	2	CONNECTOR,MALE,1868X4-Z,.13MP X .25T"	
3	0654962	5.5	TUBING,PLASTIC,1/4 OD,BLACK,SAE J844 TYPE	
4	0009987	1	TEE,UNION,1864X4,.25T	<i>WITH AIR DRYER ONLY</i>

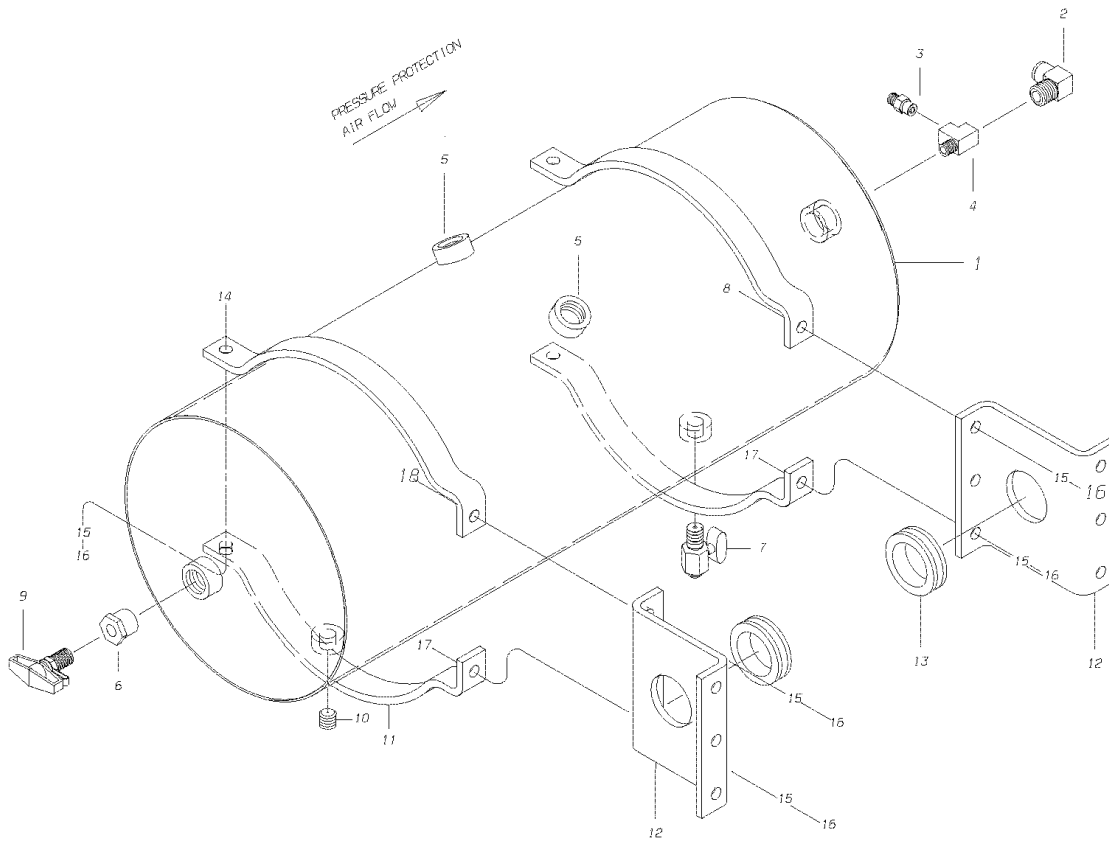
**Models:** **AAFE, AARE, A3FE, C1FE, CSFE, CSRE, TCFE, TSFE**  
**OPTIONAL EQUIPMENT**  
**WHEEL COVERS**  
**STAINLESS STEEL**

**With Features:** **OPTION 5357-01, -02, FEATURE 40442-04**

Key	PartNumber	Qty	Description	Comment
NI	1759331		KIT,WHEELCOVER,STAINLESS STEEL,22.5	<i>OPTION 5357-01</i>
	1759331		KIT,WHEELCOVER,STAINLESS STEEL,22.5	<i>A3FE FEATURE 40442-04</i>
	4322236	1	TOOL,INSTL,WHEELCOVER,S/S,PHOENIX"	
	4322244	20	SCREW,WHEELCOVER RETAINING,S/S,	
	4322251	4	RING,MTG,WHEELCOVER,S/S,PHOENIX"	
	0063473		CLIP,RETAINING,WHEEL COVER,PHOENIX	
	4322269	2	WHEELCOVER,REAR,S/S,PHOENIX"	
	4322277	2	WHEELCOVER,FRT,S/S,PHOENIX"	
NI	1933209		KIT,WHEELCOVER,STAINLESS STEEL,19.5	<i>OPTION 5357-02, TSFE, C1FE</i>
	8309668	1	WHEEL COVER, REAR, S/S PHOENIX 19.5"	
	8309650	1	RING,MTG, WHEELCOVER, 19.5 S/S PHOENIX"	
	0063473		CLIP,RETAINING,WHEEL COVER,PHOENIX	
	8309460	1	WHEEL COVER,FRONT,S/S,PHOENIX,19.5"	

**Models:** A3FE, HDFE  
**RESERVOIR ASSY**  
**ACCESSORY, EEC**  
**With Features:** FEATURE 40070 WITH 4003 RH DIRVE  
**BSN:** From CSN 5-12-05

Key	PartNumber	Qty	Description	Comment
-----	------------	-----	-------------	---------



**Models:** A3FE, HDFE  
**RESERVOIR ASSY**  
**ACCESSORY, EEC**  
**With Features:** FEATURE 40070 WITH 4003 RH DIRVE  
**BSN:** From CSN 5-12-05

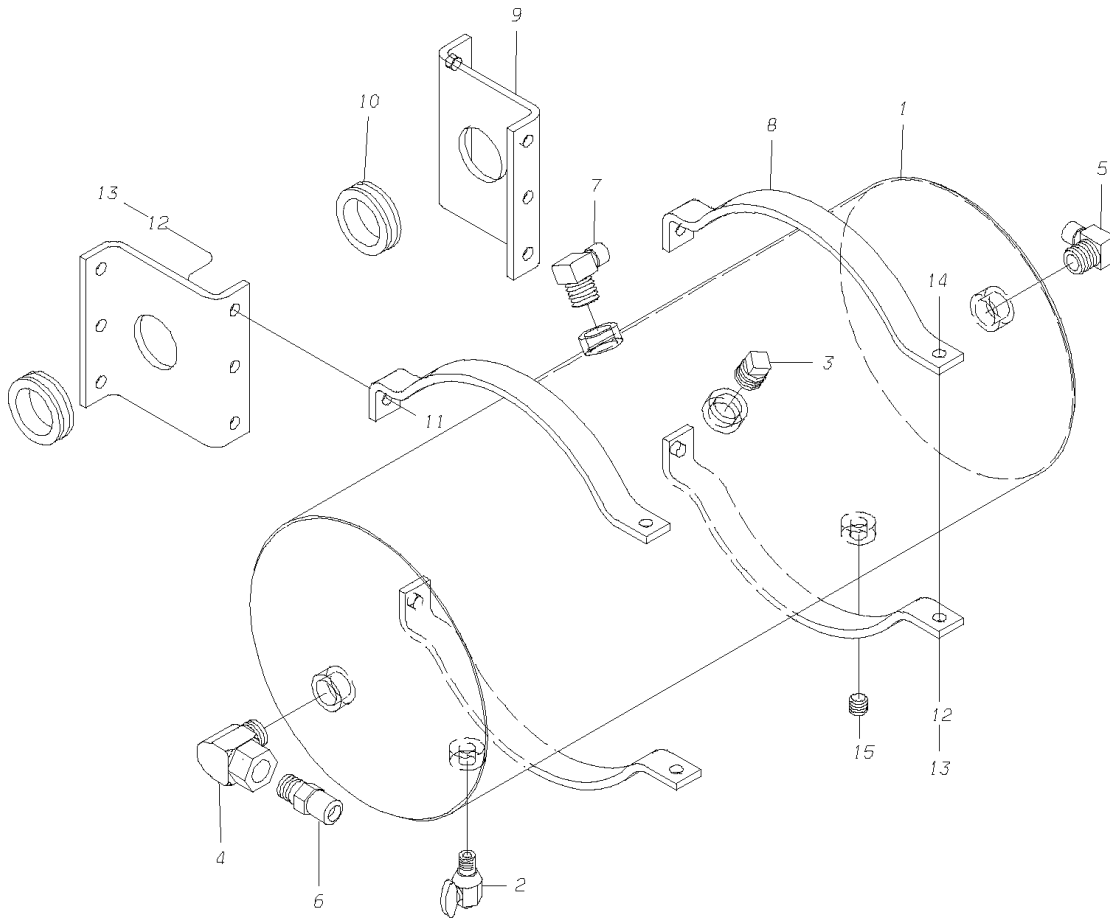
Key	PartNumber	Qty	Description	Comment
1	0991513		RESERVOIR,9 1/2 X 27 - 1760 CU.IN.	
2	0009909		ELBOW,90 DEG,MALE1869X6X8-Z,.50MPT	
3	0009919		CONNECTOR,MALE,1868X6X8-Z,.50MPT X .38T"	
4	0654350		TEE,1/2 PIPE,STREET	
5	2023513		PLUG,PIPE,1/4,ALLEN HEX HD,BRASS	
6	2027159		BUSHING,PIPE,1/2 X 1/4,BRASS	
7	1110188		VALVE,RESERVOIR,DRAIN	
8	0803171		CAPSCREW,HEXHD,3/8-16NCX1-1/2,GR8,	
9	1704493		FITTING,TEST POINT,BRAKE CHAMBER,EEC	
10	2023513		PLUG,PIPE,1/4,ALLEN HEX HD,BRASS	
11	0850586		BRACKET,MTG,9 1/2IN,AIR RESERVOIR	
12	0003315		SPACER,AIR RESERVOIR BRACKET,HDFE	
13	2003176		GROMMET,HEATER HOSE,1 1/2IN ID	
14	0851337		CAPSCREW,HEX HD,3/8-16X6 1/2,GR5,YEL	
15	1107085		WASHER,FLAT,13/32 X 13/16 X 3/32,HDN,BLK	
16	0826297		NUT,HEX HD,3/8-16 LOCK,YEL ZN DICH	
17	0803213		CAPSCREW,HEX HD,3/8-16X1 1/4,GR8,YEL	



**Models:** A3FE, C3FE  
**RESERVOIR ASSY  
 FRONT**

**With Features:** FEATURE 40081-01  
**BSN:** From CSN 30061725 05/30/00

Key	PartNumber	Qty	Description	Comment
-----	------------	-----	-------------	---------

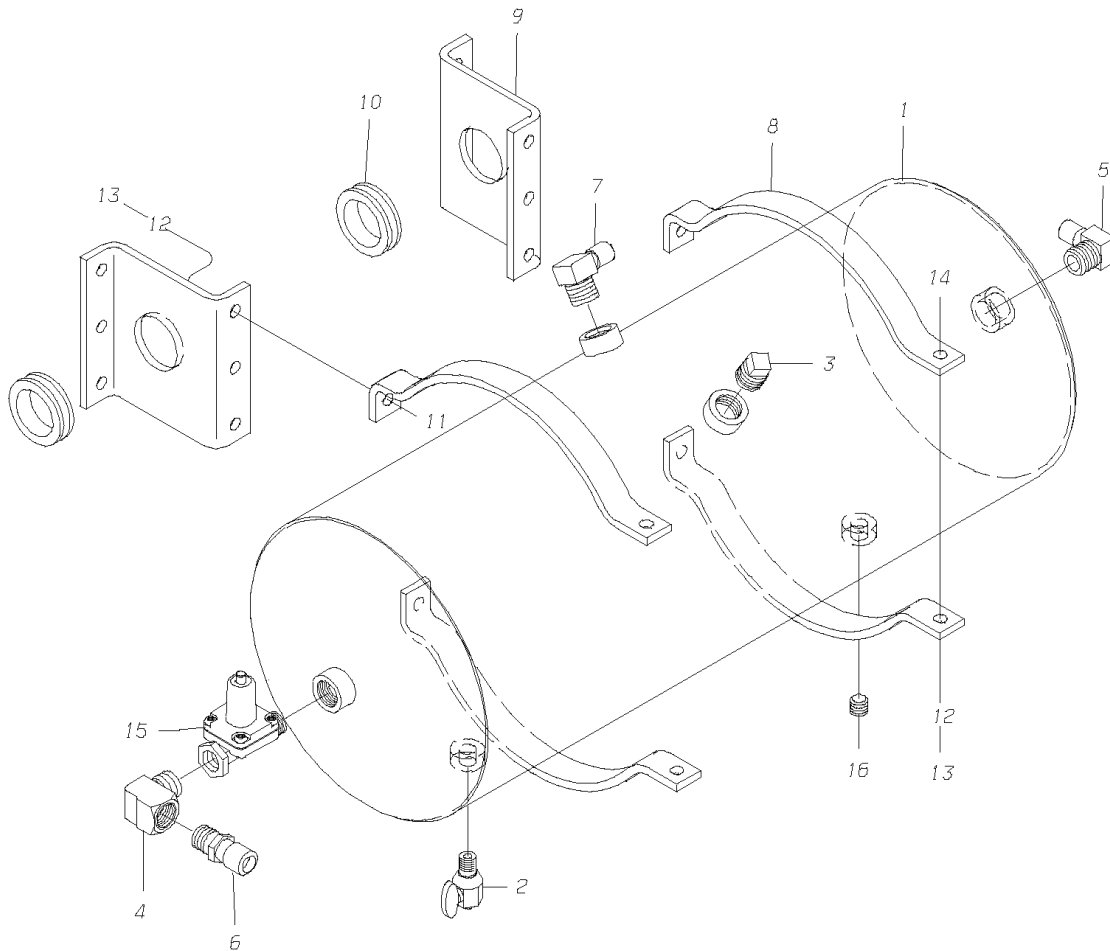


**Models:** A3FE, C3FE  
**RESERVOIR ASSY  
 FRONT**  
**With Features:** FEATURE 40081-01  
**BSN:** From CSN 30061725 05/30/00

Key	PartNumber	Qty	Description	Comment
1	0991513	1	RESERVOIR,9 1/2 X 27 - 1760 CU.IN.	
2	1110188	1	VALVE,RESERVOIR,DRAIN	
3	0663427	1	PLUG,PIPE,1/2 SQ HD,3151 X 8Z,BRASS	
4	0001135	1	VALVE,SINGLE CHECK,1/2 PIPE,90 DEGREE	
5	0009909	1	ELBOW,90 DEG,MALE1869X6X8-Z,.50MPT	
6	0009920	1	CONNECTOR,MALE,1868X8X8-Z,.50MPT X .50T"	
7	0009907	1	ELBOW,90 DEG,MALE1869X8X8-Z,.50MPT	
8	0850586	4	BRACKET,MTG,9 1/2IN,AIR RESERVOIR	
9	0003315	2	SPACER,AIR RESERVOIR BRACKET,HDFE	
10	2003176	2	GROMMET,HEATER HOSE,1 1/2IN ID	
11	0803213	4	CAPSCREW,HEX HD,3/8-16X1 1/4,GR8,YEL	
12	1107085	6	WASHER,FLAT,13/32 X 13/16 X 3/32,HDN,BLK	
13	0826297	6	NUT,HEX HD,3/8-16 LOCK,YEL ZN DICH	
14	0851337	2	CAPSCREW,HEX HD,3/8-16X6 1/2,GR5,YEL	
15	2023513	1	PLUG,PIPE,1/4,ALLEN HEX HD,BRASS	

Models: **A3FE  
RESERVOIR ASSY  
FRONT  
AD-SP AIR DRYER**  
With Features: **FEATURE 40081-11**  
BSN: **From CSN 30061725 05/30/00**

Key	PartNumber	Qty	Description	Comment
-----	------------	-----	-------------	---------



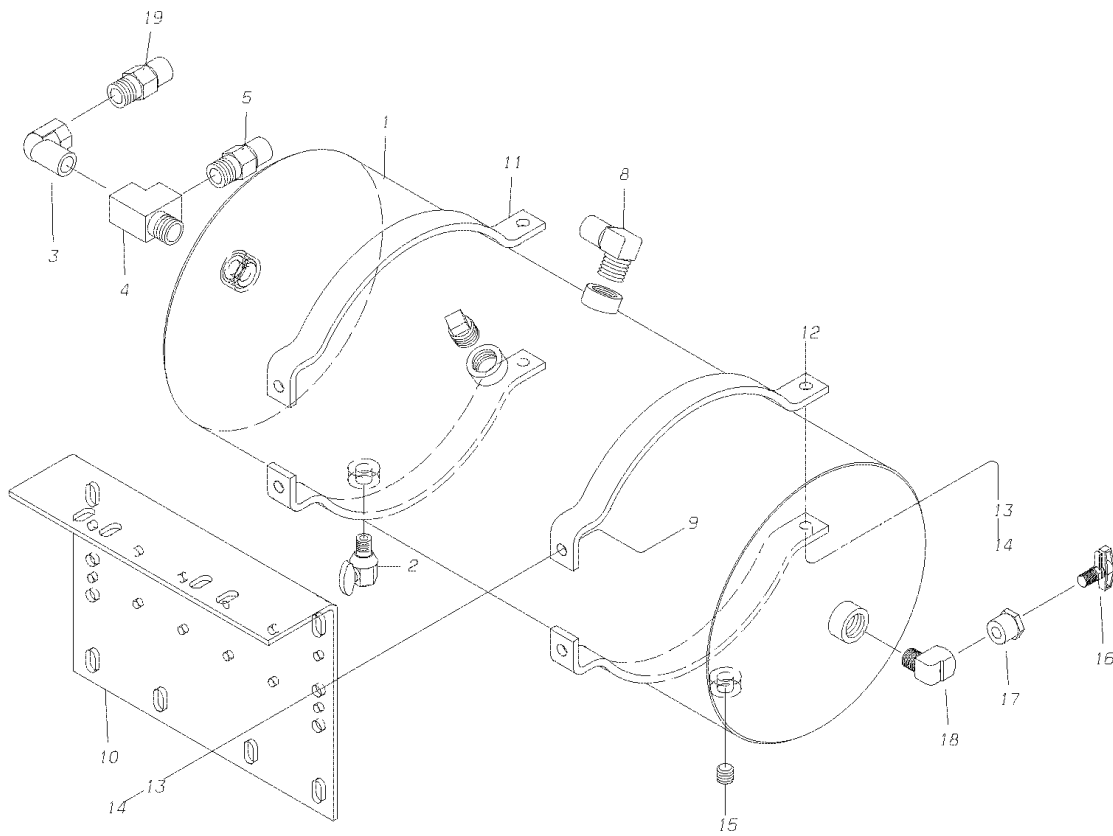
**Models:** A3FE  
**RESERVOIR ASSY**  
**FRONT**  
**AD-SP AIR DRYER**  
**With Features:** FEATURE 40081-11  
**BSN:** From CSN 30061725 05/30/00

Key	PartNumber	Qty	Description	Comment
1	0991513	1	RESERVOIR,9 1/2 X 27 - 1760 CU.IN.	
2	1110188	1	VALVE,RESERVOIR,DRAIN	
3	0663427	1	PLUG,PIPE,1/2 SQ HD,3151 X 8Z,BRASS	
4	2008274	1	ELBOW,STREET,90 DEG,1/2MPT X	
5	0009909	1	ELBOW,90 DEG,MALE1869X6X8-Z,.50MPT	
6	0009920	1	CONNECTOR,MALE,1868X8X8-Z,.50MPT X .50T"	
7	0009907	1	ELBOW,90 DEG,MALE1869X8X8-Z,.50MPT	
8	0850586	4	BRACKET,MTG,9 1/2IN,AIR RESERVOIR	
9	0003315	2	SPACER,AIR RESERVOIR BRACKET,HDFE	
10	2003176	2	GROMMET,HEATER HOSE,1 1/2IN ID	
11	0803213	4	CAPSCREW,HEX HD,3/8-16X1 1/4,GR8,YEL	
12	1107085	6	WASHER,FLAT,13/32 X 13/16 X 3/32,HDN,BLK	
13	0826297	6	NUT,HEX HD,3/8-16 LOCK,YEL ZN DICH	
14	0851337	2	CAPSCREW,HEX HD,3/8-16X6 1/2,GR5,YEL	
15	0024452	1	VALVE,CHECK,SINGLE,AD-SP AIR DRYER	
16	2023513	1	PLUG,PIPE,1/4,ALLEN HEX HD,BRASS	

**Models:** A3FE, HDFE  
RESERVOIR ASSY  
PRIMARY TANK  
REAR, EEC

**With Features:** FEATURE 40070 WITH 4003 RH DIRVE  
**BSN:** From CSN 12-12-05

Key	PartNumber	Qty	Description	Comment
-----	------------	-----	-------------	---------



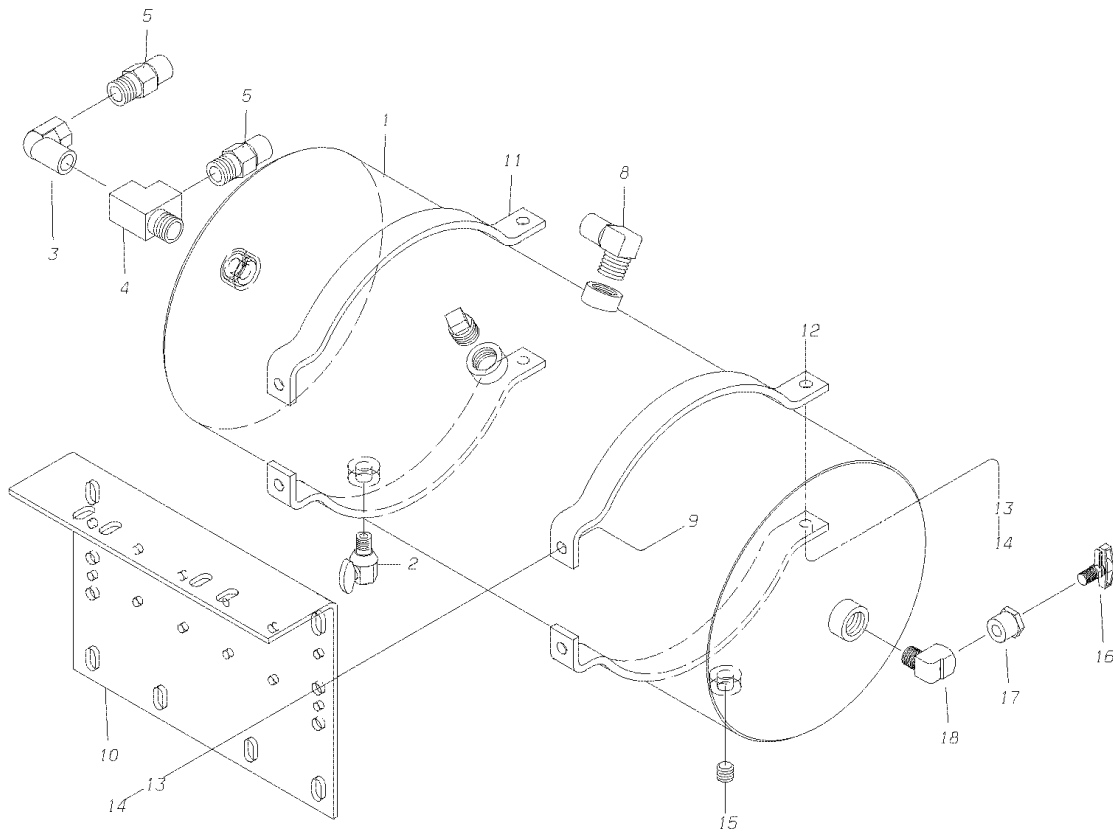
**Models:** A3FE, HDFE  
**RESERVOIR ASSY**  
**PRIMARY TANK**  
**REAR, EEC**  
**With Features:** FEATURE 40070 WITH 4003 RH DIRVE  
**BSN:** From CSN 12-12-05

Key	PartNumber	Qty	Description	Comment
1	0991513		RESERVOIR,9 1/2 X 27 - 1760 CU.IN.	
2	1110188		VALVE,RESERVOIR,DRAIN	
3	0001135		VALVE,SINGLE CHECK,1/2 PIPE,90 DEGREE	
4	0654350		TEE,1/2 PIPE,STREET	
5	0009920		CONNECTOR,MALE,1868X8X8-Z,.50MPT X .50T"	
6	1545730		TEE,STREET,1/2MPT X 1/2FPT X	
7	0009919		CONNECTOR,MALE,1868X6X8-Z,.50MPT X .38T"	
8	0009907		ELBOW,90 DEG,MALE1869X8X8-Z,.50MPT	
9	0803213		CAPSCREW,HEX HD,3/8-16X1 1/4,GR8,YEL	
10	1999911		BRACKET,MTG,OPTIONAL AIR TANK,UPPER"	
11	0850586		BRACKET,MTG,9 1/2IN,AIR RESERVOIR	
12	0851337		CAPSCREW,HEX HD,3/8-16X6 1/2,GR5,YEL	
13	1107085		WASHER,FLAT,13/32 X 13/16 X 3/32,HDN,BLK	
14	0826297		NUT,HEX HD,3/8-16 LOCK,YEL ZN DICH	
15	2023513		PLUG,PIPE,1/4,ALLEN HEX HD,BRASS	
16	1704493		FITTING,TEST POINT,BRAKE CHAMBER,EEC	
17	2027159		BUSHING,PIPE,1/2 X 1/4,BRASS	
18	2008274		ELBOW,STREET,90 DEG,1/2MPT X	
19	0009923		CONNECTOR,MALE,1868X10-Z,.50MPT X .63T	

**Models:** A3FE, HDFE  
**RESERVOIR ASSY**  
**PRIMARY TANK**  
**REAR, EEC**

**With Features:** FEATURE 40070 WITH 4003 RH DIRVE  
**BSN:** From CSN 5-12-05  
 To CSN 12-11-05

Key	PartNumber	Qty	Description	Comment
-----	------------	-----	-------------	---------



**Models:** A3FE, HDFE  
**RESERVOIR ASSY**  
**PRIMARY TANK**  
**REAR, EEC**

**With Features:** **FEATURE 40070 WITH 4003 RH DIRVE**

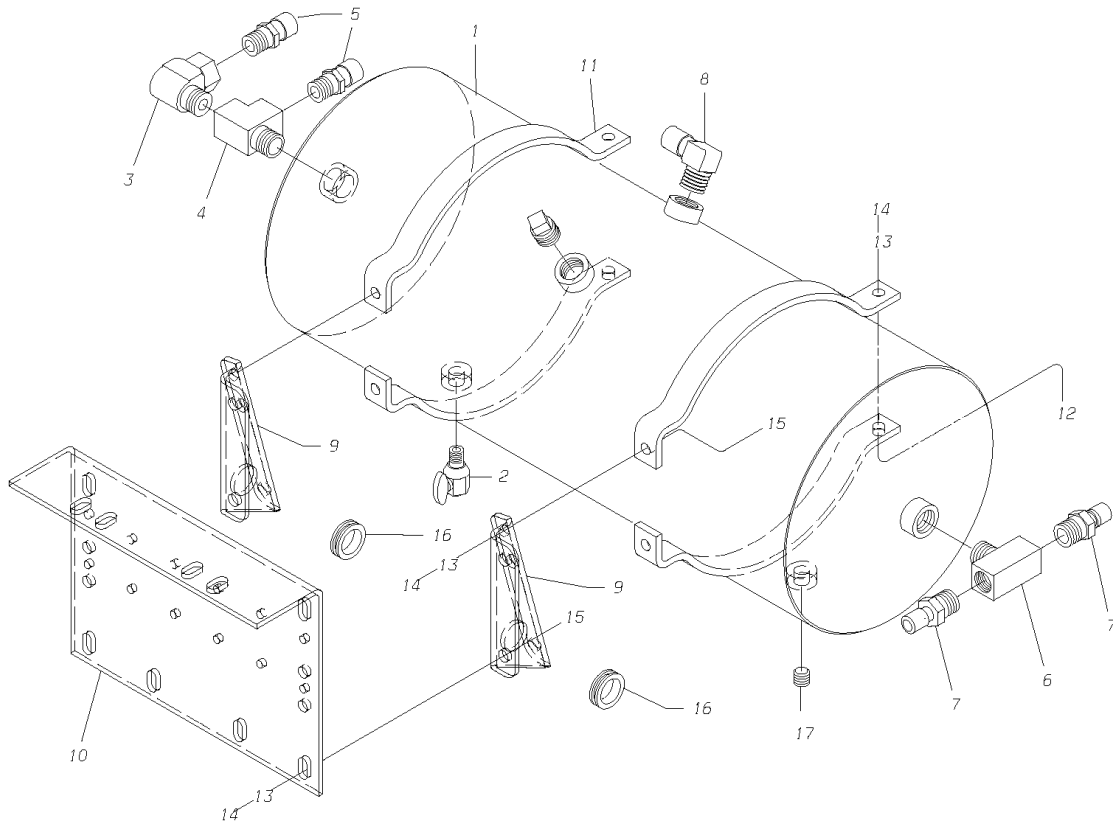
**BSN:** **From CSN 5-12-05**  
**To CSN 12-11-05**

Key	PartNumber	Qty	Description	Comment
1	0991513		RESERVOIR,9 1/2 X 27 - 1760 CU.IN.	
2	1110188		VALVE,RESERVOIR,DRAIN	
3	0001135		VALVE,SINGLE CHECK,1/2 PIPE,90 DEGREE	
4	0654350		TEE,1/2 PIPE,STREET	
5	0009920		CONNECTOR,MALE,1868X8X8-Z,.50MPT X .50T"	
6	0803213		CAPSCREW,HEX HD,3/8-16X1 1/4,GR8,YEL	
7	0009919		CONNECTOR,MALE,1868X6X8-Z,.50MPT X .38T"	
8	0009907		ELBOW,90 DEG,MALE1869X8X8-Z,.50MPT	
9	0803213		CAPSCREW,HEX HD,3/8-16X1 1/4,GR8,YEL	
10	1999911		BRACKET,MTG,OPTIONAL AIR TANK,UPPER"	
11	0850586		BRACKET,MTG,9 1/2IN,AIR RESERVOIR	
12	0851337		CAPSCREW,HEX HD,3/8-16X6 1/2,GR5,YEL	
13	1107085		WASHER,FLAT,13/32 X 13/16 X 3/32,HDN,BLK	
14	0826297		NUT,HEX HD,3/8-16 LOCK,YEL ZN DICH	
15	2023513		PLUG,PIPE,1/4,ALLEN HEX HD,BRASS	
16	1704493		FITTING,TEST POINT,BRAKE CHAMBER,EEC	
17	2027159		BUSHING,PIPE,1/2 X 1/4,BRASS	
18	2008274		ELBOW,STREET,90 DEG,1/2MPT X	



**Models:** A3FE, C3FE  
**RESERVOIR ASSY**  
**REAR**  
**AIR SUSPENSION**

Key	PartNumber	Qty	Description	Comment
-----	------------	-----	-------------	---------

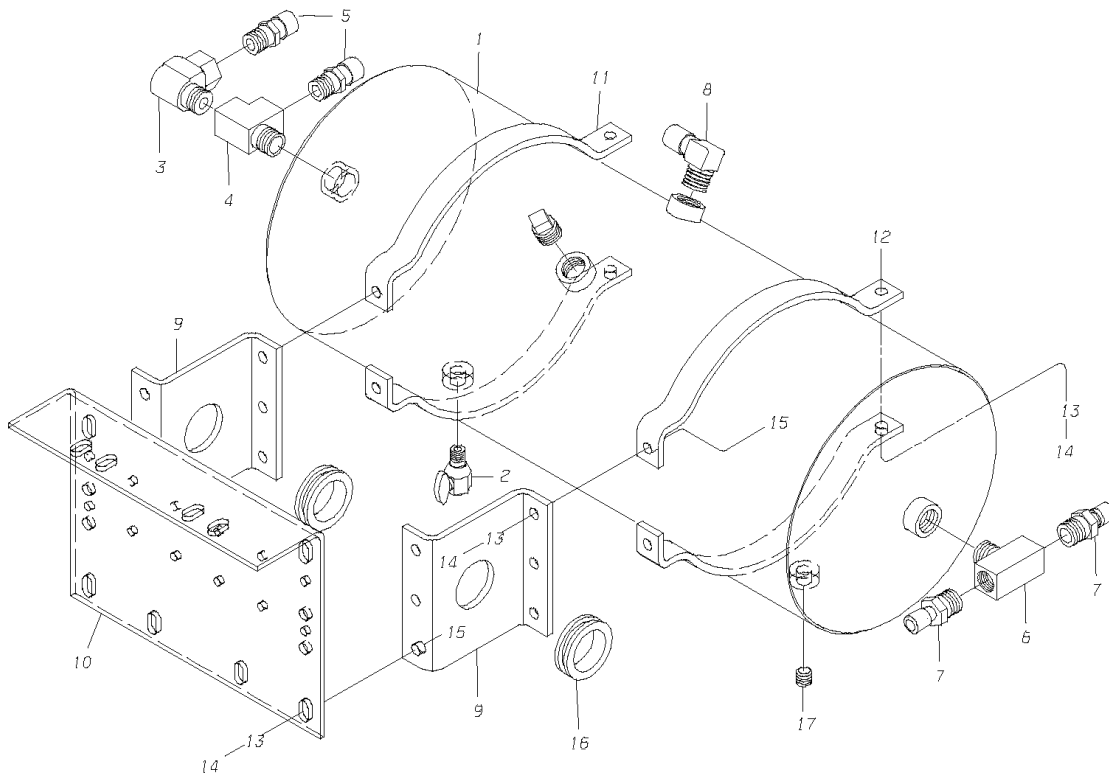


**Models:** **A3FE, C3FE**  
**RESERVOIR ASSY**  
**REAR**  
**AIR SUSPENSION**

Key	PartNumber	Qty	Description	Comment
1	0991513		RESERVOIR,9 1/2 X 27 - 1760 CU.IN.	
2	1110188		VALVE,RESERVOIR,DRAIN	
3	0001135		VALVE,SINGLE CHECK,1/2 PIPE,90 DEGREE	
4	0654350		TEE,1/2 PIPE,STREET	
5	0009920	2	CONNECTOR,MALE,1868X8X8-Z,.50MPT X .50T"	
6	1545730		TEE,STREET,1/2MPT X 1/2FPT X	
7	0009919	2	CONNECTOR,MALE,1868X6X8-Z,.50MPT X .38T"	
8	0009907		ELBOW,90 DEG,MALE1869X8X8-Z,.50MPT	
9	0064315	2	BRACKET,MTG,AIR TANK,ANGLED,HDFE	
10	1999911		BRACKET,MTG,OPTIONAL AIR TANK,UPPER"	
11	0850586	4	BRACKET,MTG,9 1/2IN,AIR RESERVOIR	
12	0851337	2	CAPSCREW,HEX HD,3/8-16X6 1/2,GR5,YEL	
13	1107085	10	WASHER,FLAT,13/32 X 13/16 X 3/32,HDN,BLK	
14	0826297	10	NUT,HEX HD,3/8-16 LOCK,YEL ZN DICH	
15	0803213	8	CAPSCREW,HEX HD,3/8-16X1 1/4,GR8,YEL	
16	2003234	2	GROMMET,RUBBER,CHASSIS COWL WIRES,3/4	
17	2023513		PLUG,PIPE,1/4,ALLEN HEX HD,BRASS	

Models: **A3FE**  
**RESERVOIR ASSY**  
**REAR**  
**SPRING SUSPENSION**  
**To CSN 30038174 08/08/99**

Key	PartNumber	Qty	Description	Comment
-----	------------	-----	-------------	---------




**Models:** **A3FE**  
**RESERVOIR ASSY**  
**REAR**  
**SPRING SUSPENSION**  
**To CSN 30038174 08/08/99**

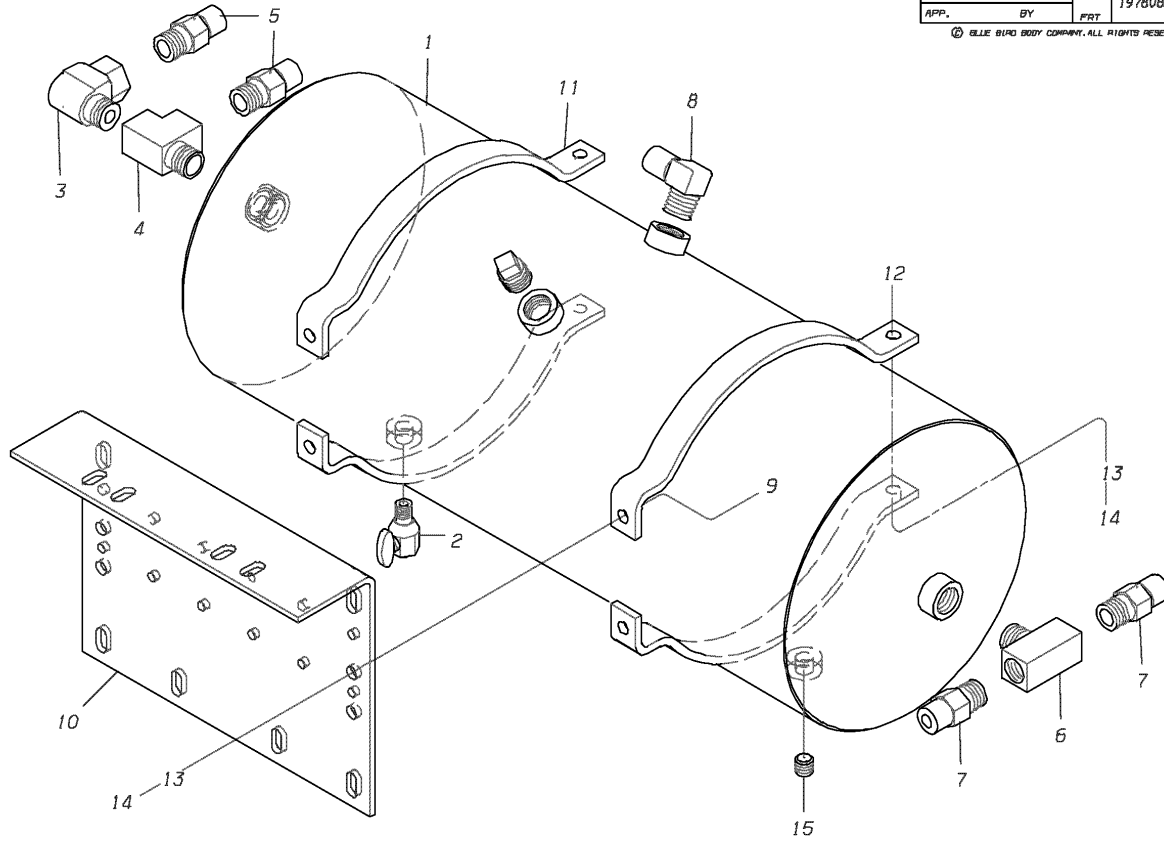
Key	PartNumber	Qty	Description	Comment
1	0991513		RESERVOIR,9 1/2 X 27 - 1760 CU.IN.	
2	1110188		VALVE,RESERVOIR,DRAIN	
3	0001135		VALVE,SINGLE CHECK,1/2 PIPE,90 DEGREE	
4	0654350		TEE,1/2 PIPE,STREET	
5	0009920	2	CONNECTOR,MALE,1868X8X8-Z,.50MPT X .50T"	
6	1545730	1	TEE,STREET,1/2MPT X 1/2FPT X	
7	0009919		CONNECTOR,MALE,1868X6X8-Z,.50MPT X .38T"	
8	0009907	1	ELBOW,90 DEG,MALE1869X8X8-Z,.50MPT	
9	0003315	2	SPACER,AIR RESERVOIR BRACKET,HDFE	
10	1999911		BRACKET,MTG,OPTIONAL AIR TANK,UPPER"	
11	0850586	4	BRACKET,MTG,9 1/2IN,AIR RESERVOIR	
12	0851337	2	CAPSCREW,HEX HD,3/8-16X6 1/2,GR5,YEL	
13	1107085	10	WASHER,FLAT,13/32 X 13/16 X 3/32,HDN,BLK	
14	0826297	10	NUT,HEX HD,3/8-16 LOCK,YEL ZN DICH	
15	0803213	8	CAPSCREW,HEX HD,3/8-16X1 1/4,GR8,YEL	
16	2003173	2	** PART NOT FOUND **	
17	2023513		PLUG,PIPE,1/4,ALLEN HEX HD,BRASS	

Models: **A3FE, C3FE**  
**RESERVOIR ASSY**  
**REAR**  
**SPRING SUSPENSION**  
 BSN: **From CSN 30038175 08/09/99**

Key	PartNumber	Qty	Description	Comment
-----	------------	-----	-------------	---------

DR. 03/06/02	BY TFM	1978089	C	
APP.	BY	PRT	REV.	

© BLUE BIRD BODY COMPANY. ALL RIGHTS RESERVED

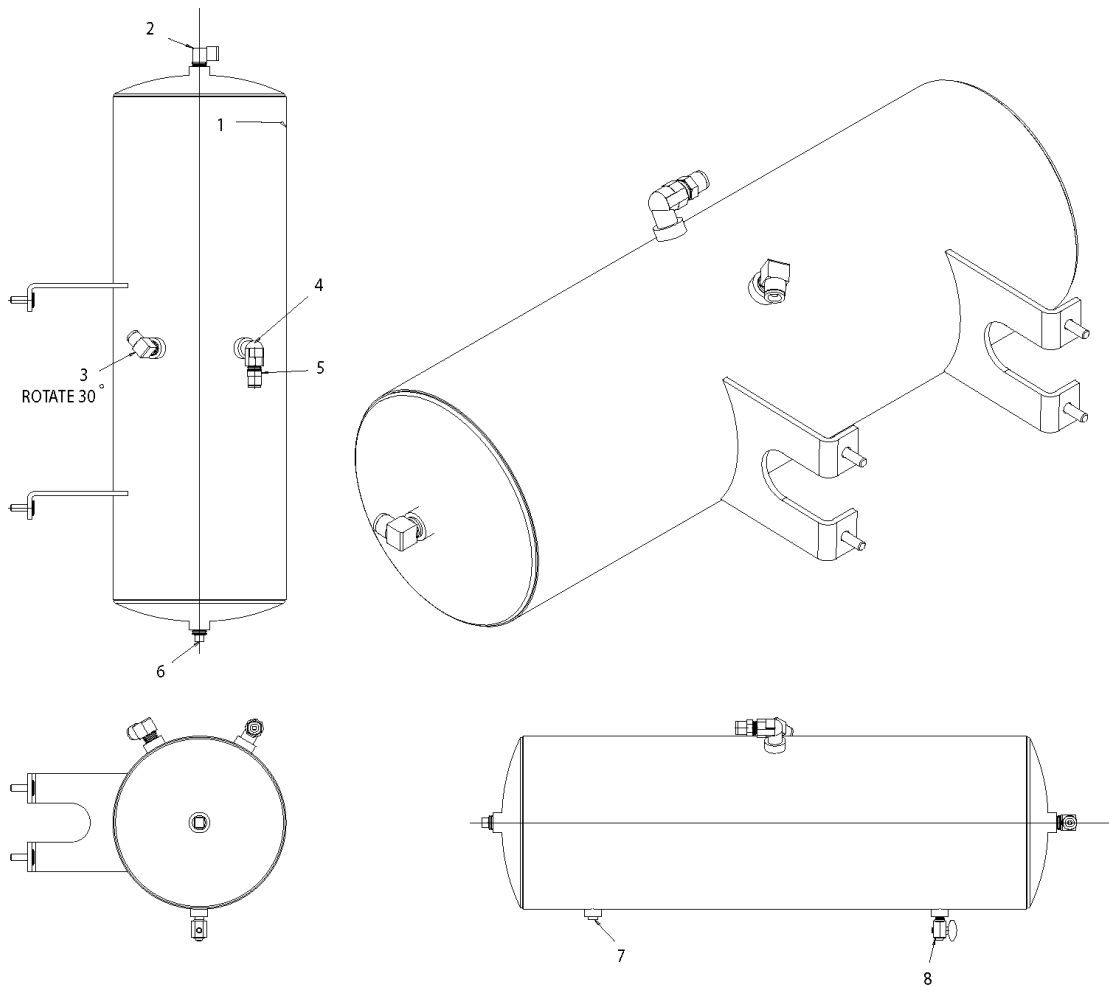


**Models:** A3FE, C3FE  
**RESERVOIR ASSY**  
**REAR**  
**SPRING SUSPENSION**  
**BSN:** From CSN 30038175 08/09/99

Key	PartNumber	Qty	Description	Comment
1	0991513		RESERVOIR,9 1/2 X 27 - 1760 CU.IN.	
2	1110188		VALVE,RESERVOIR,DRAIN	
3	0001135		VALVE,SINGLE CHECK,1/2 PIPE,90 DEGREE	
4	0654350		TEE,1/2 PIPE,STREET	
5	0009920	2	CONNECTOR,MALE,1868X8X8-Z,.50MPT X .50T"	
6	1545730	1	TEE,STREET,1/2MPT X 1/2FPT X	
7	0009919	2	CONNECTOR,MALE,1868X6X8-Z,.50MPT X .38T"	
8	0009907	1	ELBOW,90 DEG,MALE1869X8X8-Z,.50MPT	
9	0803213	4	CAPSCREW,HEX HD,3/8-16X1 1/4,GR8,YEL	
10	1999911		BRACKET,MTG,OPTIONAL AIR TANK,UPPER"	
11	0850586	4	BRACKET,MTG,9 1/2IN,AIR RESERVOIR	
12	0851337	2	CAPSCREW,HEX HD,3/8-16X6 1/2,GR5,YEL	
13	1107085	8	WASHER,FLAT,13/32 X 13/16 X 3/32,HDN,BLK	
14	0826297	8	NUT,HEX HD,3/8-16 LOCK,YEL ZN DICH	
15	2023513		PLUG,PIPE,1/4,ALLEN HEX HD,BRASS	

**Models:** A3FE, C3FE, BBCV, BCCV  
**RESERVOIR ASSY**  
**SECONDARY TANK**  
**BSN:** From CSN F0243000 7/03/06

Key	PartNumber	Qty	Description	Comment
-----	------------	-----	-------------	---------



**Models:** A3FE, C3FE, BBCV, BCCV  
**RESERVOIR ASSY**  
**SECONDARY TANK**  
**BSN:** From CSN F0243000 7/03/06

Key	PartNumber	Qty	Description	Comment
1	0102273		RESERVOIR ASSY,WELD,SECONDARY	
2	0009908		ELBOW,90 DEG,MALE1869X10-Z,.50MPT X .63T	
3	0009907		ELBOW,90 DEG,MALE1869X8X8-Z,.50MPT	
4	0001135		VALVE,SINGLE CHECK,1/2 PIPE,90 DEGREE	
5	0009920		CONNECTOR,MALE,1868X8X8-Z,.50MPT X .50T"	
6	0663427		PLUG,PIPE,1/2 SQ HD,3151 X 8Z,BRASS	
7	2023513		PLUG,PIPE,1/4,ALLEN HEX HD,BRASS	
8	1110188		VALVE,RESERVOIR,DRAIN	

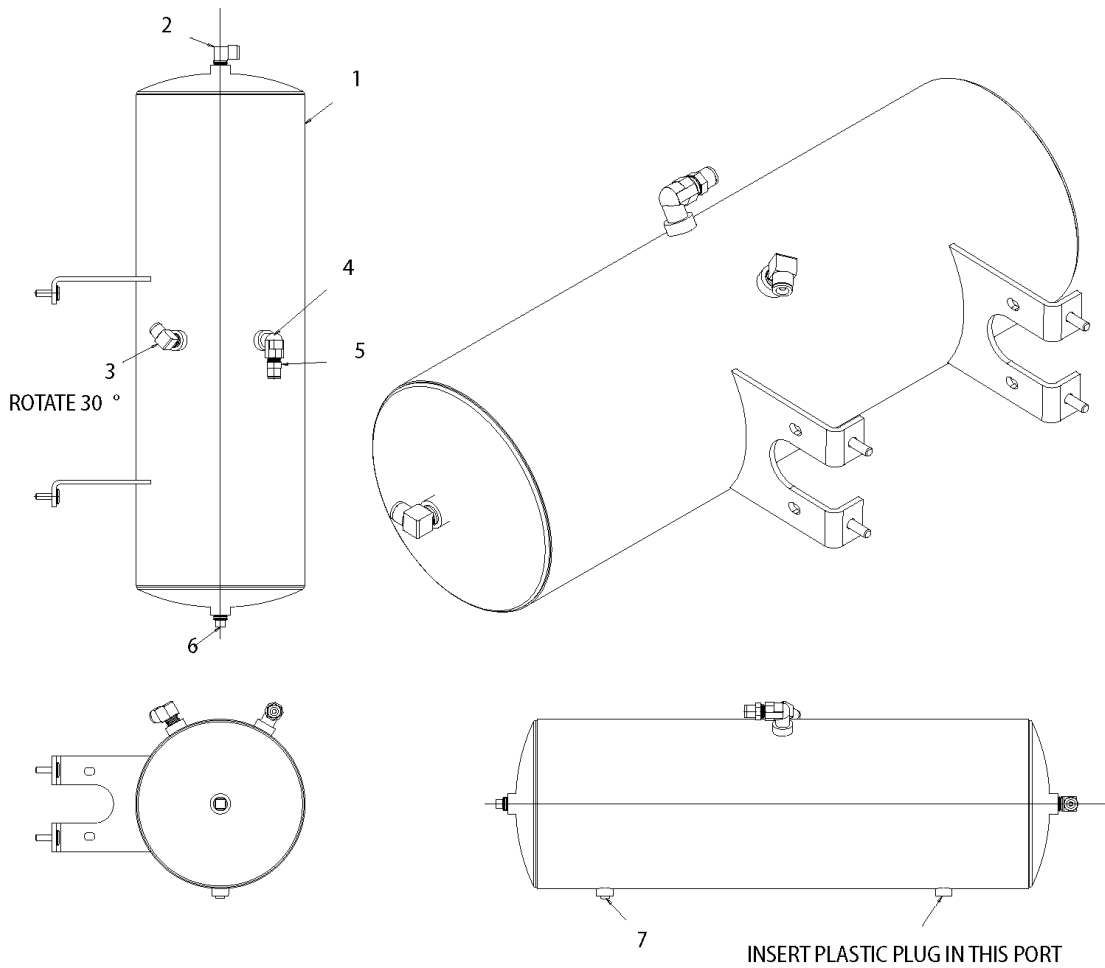


**Models:** BBCV, A3FE, C3FE  
**RESERVOIR ASSY**  
**SECONDARY TANK**

**With Features:** WITH FEATURE 40081-07 OR -13 OR -16

**BSN:** From CSN F0243300 BBCV

Key	PartNumber	Qty	Description	Comment
-----	------------	-----	-------------	---------



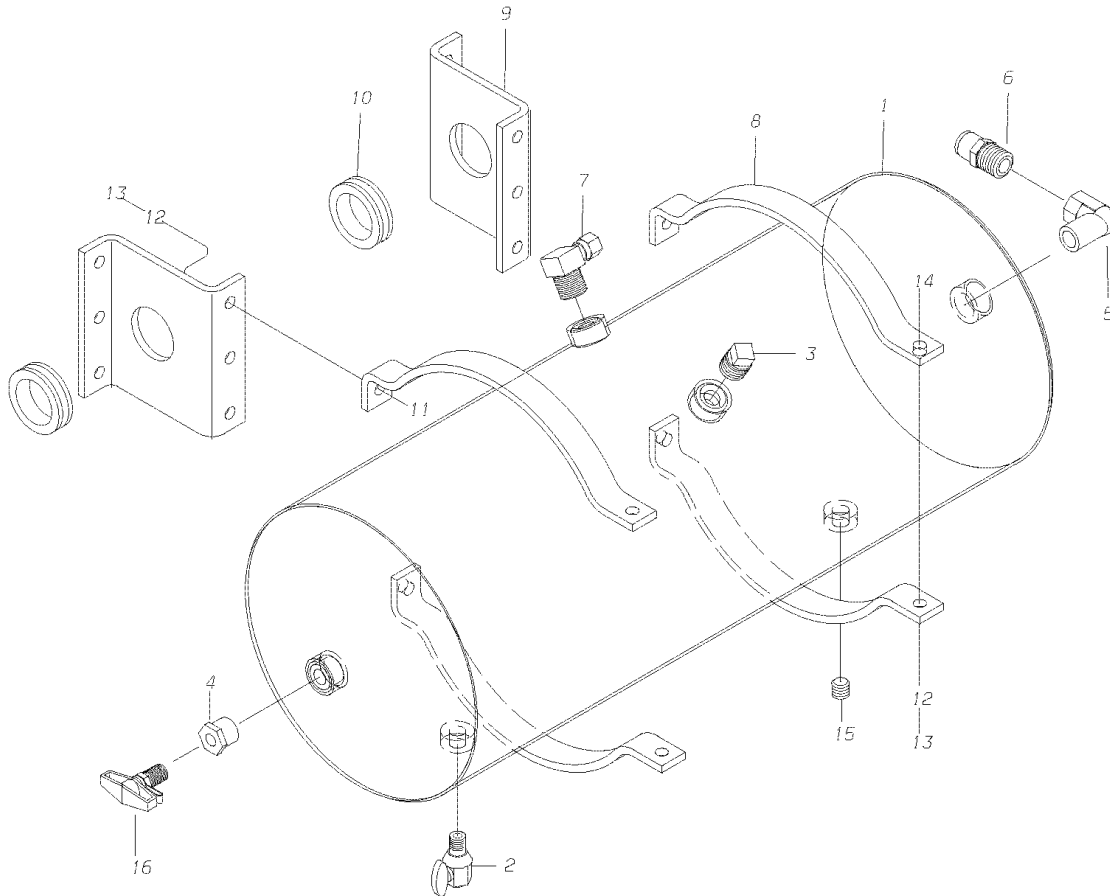
**Models:** BBCV, A3FE, C3FE  
**RESERVOIR ASSY**  
**SECONDARY TANK**  
**With Features:** WITH FEATURE 40081-07 OR -13 OR -16  
**BSN:** From CSN F0243300 BBCV

Key	PartNumber	Qty	Description	Comment
1	0102273	1	RESERVOIR ASSY,WELD,SECONDARY	
2	0009908	1	ELBOW,90 DEG,MALE1869X10-Z,.50MPT X .63T	
3	0009907	1	ELBOW,90 DEG,MALE1869X8X8-Z,.50MPT	
4	0001135	1	VALVE,SINGLE CHECK,1/2 PIPE,90 DEGREE	
5	0009920	1	CONNECTOR,MALE,1868X8X8-Z,.50MPT X .50T"	
6	0663427	1	PLUG,PIPE,1/2 SQ HD,3151 X 8Z,BRASS	
7	2023513	1	PLUG,PIPE,1/4,ALLEN HEX HD,BRASS	

**Models:** A3FE, HDFE  
**RESERVOIR ASSY**  
**SECONDARY TANK**  
**FRONT, EEC**

**With Features:** FEATURE 40070 WITH 4003 RH DIRVE  
**BSN:** From CSN 5-12-05

Key	PartNumber	Qty	Description	Comment
-----	------------	-----	-------------	---------

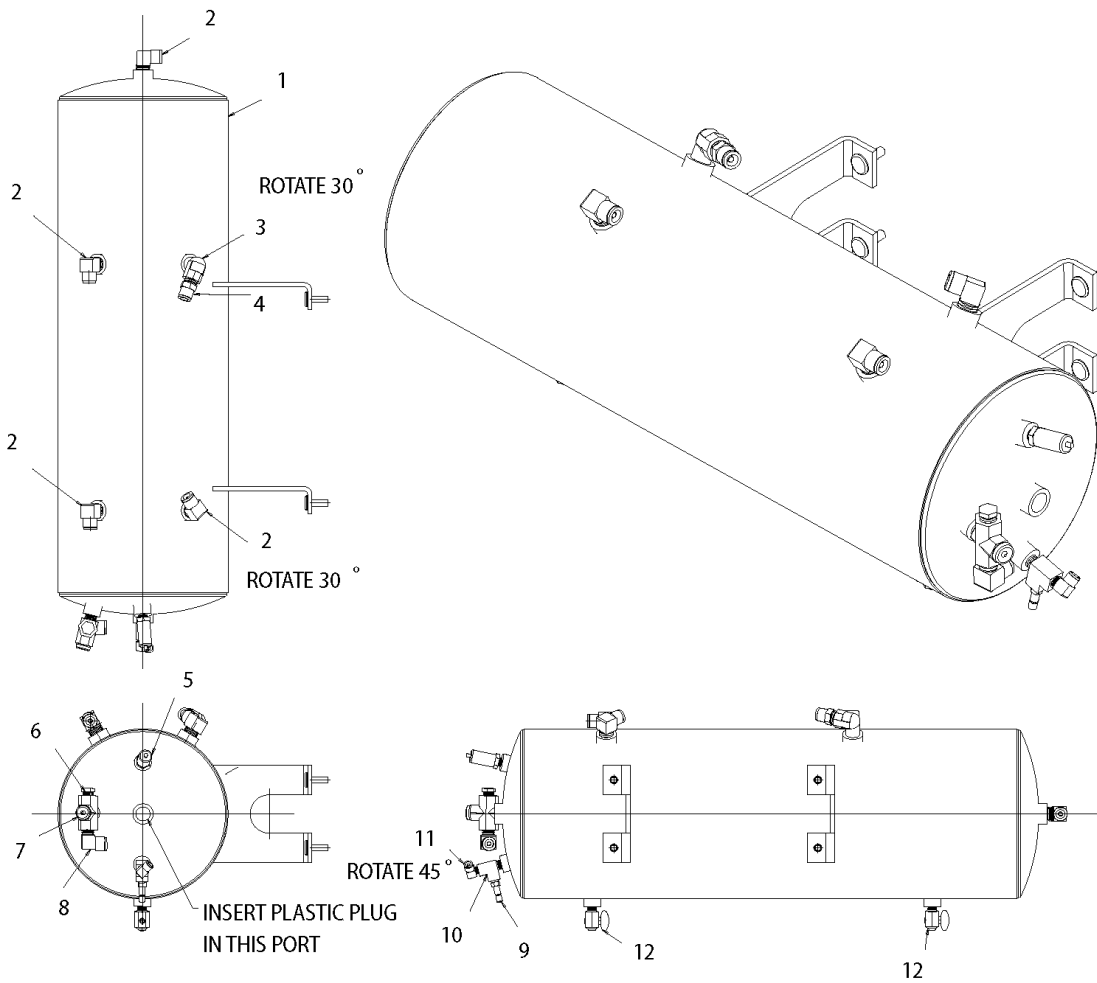


**Models:** A3FE, HDFE  
**RESERVOIR ASSY**  
**SECONDARY TANK**  
**FRONT, EEC**  
**With Features:** FEATURE 40070 WITH 4003 RH DIRVE  
**BSN:** From CSN 5-12-05

Key	PartNumber	Qty	Description	Comment
1	0991513		RESERVOIR,9 1/2 X 27 - 1760 CU.IN.	
2	1110188		VALVE,RESERVOIR,DRAIN	
3	0663427		PLUG,PIPE,1/2 SQ HD,3151 X 8Z,BRASS	
4	2027159		BUSHING,PIPE,1/2 X 1/4,BRASS	
5	0001135		VALVE,SINGLE CHECK,1/2 PIPE,90 DEGREE	
6	0009920		CONNECTOR,MALE,1868X8X8-Z,.50MPT X .50T"	
7	0009907		ELBOW,90 DEG,MALE1869X8X8-Z,.50MPT	
8	0850586		BRACKET,MTG,9 1/2IN,AIR RESERVOIR	
9	0003315		SPACER,AIR RESERVOIR BRACKET,HDFE	
10	2003176		GROMMET,HEATER HOSE,1 1/2IN ID	
11	0803213		CAPSCREW,HEX HD,3/8-16X1 1/4,GR8,YEL	
12	1107085		WASHER,FLAT,13/32 X 13/16 X 3/32,HDN,BLK	
13	0826297		NUT,HEX HD,3/8-16 LOCK,YEL ZN DICH	
14	0851337		CAPSCREW,HEX HD,3/8-16X6 1/2,GR5,YEL	
15	2023513		PLUG,PIPE,1/4,ALLEN HEX HD,BRASS	
16	1704493		FITTING,TEST POINT,BRAKE CHAMBER,EEC	

**Models:** A3FE, C3FE, BBCV, BCCV  
**RESERVOIR ASSY**  
**WET AND PRIMARY**  
**BSN:** From CSN F0243000 7/03/06

Key	PartNumber	Qty	Description	Comment
-----	------------	-----	-------------	---------

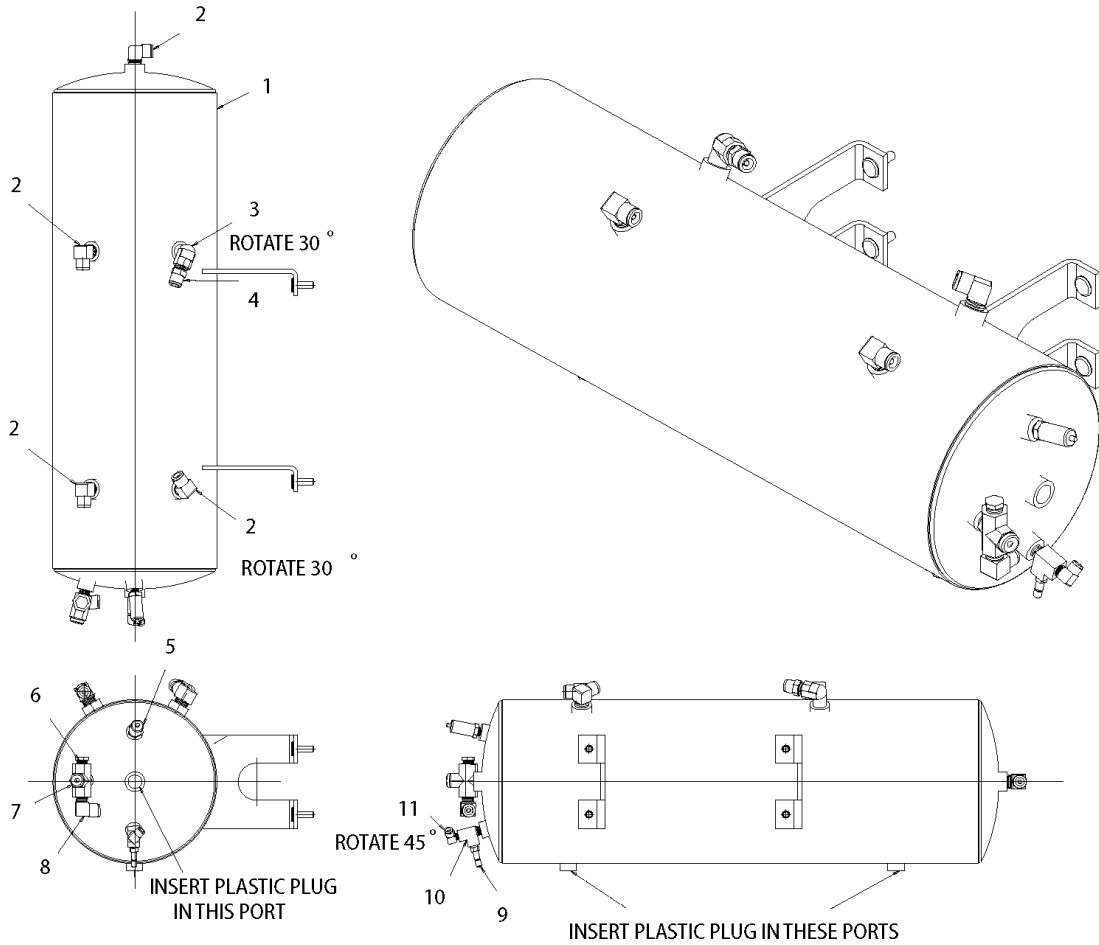


**Models:** A3FE, C3FE, BBCV, BCCV  
**RESERVOIR ASSY  
 WET AND PRIMARY**  
**BSN:** From CSN F0243000 7/03/06

Key	PartNumber	Qty	Description	Comment
1	0102274		RESERVOIR ASSY, WELDMENT, WET PRIMARY	
2	0009907		ELBOW,90 DEG,MALE1869X8X8-Z,.50MPT	
3	0001135		VALVE,SINGLE CHECK,1/2 PIPE,90 DEGREE	
4	0009920		CONNECTOR,MALE,1868X8X8-Z,.50MPT X .50T"	
5	0839019		VALVE,SAFETY,1/4IN PIPE,BW NO284142	
6	3772159		PLUG,PIPE,0.375,BRASS W/SEALANT,HEX HD	
7	1344183		VALVE,PRESS PROTECTION,66 PSI,GT	
8	0009911		ELBOW,90 DEG,MALE1869X6X6-Z,.38MPT	
9	0818609		VALVE,SCHRADER,1/4 MPT	
10	0654277		TEE,STREET,1/4 PIPE,3750X4	
11	0009912		ELBOW,90 DEG,MALE1869X4X4-Z,.25MPT	
12	1110188		VALVE,RESERVOIR,DRAIN	

**Models:** BBCV, A3FE, C3FE  
**RESERVOIR ASSY**  
**WET AND PRIMARY**  
**With Features:** WITH FEATURE 40081-07 OR -13 OR -16  
**BSN:** From CSN F0243300 BBCV

Key	PartNumber	Qty	Description	Comment
-----	------------	-----	-------------	---------



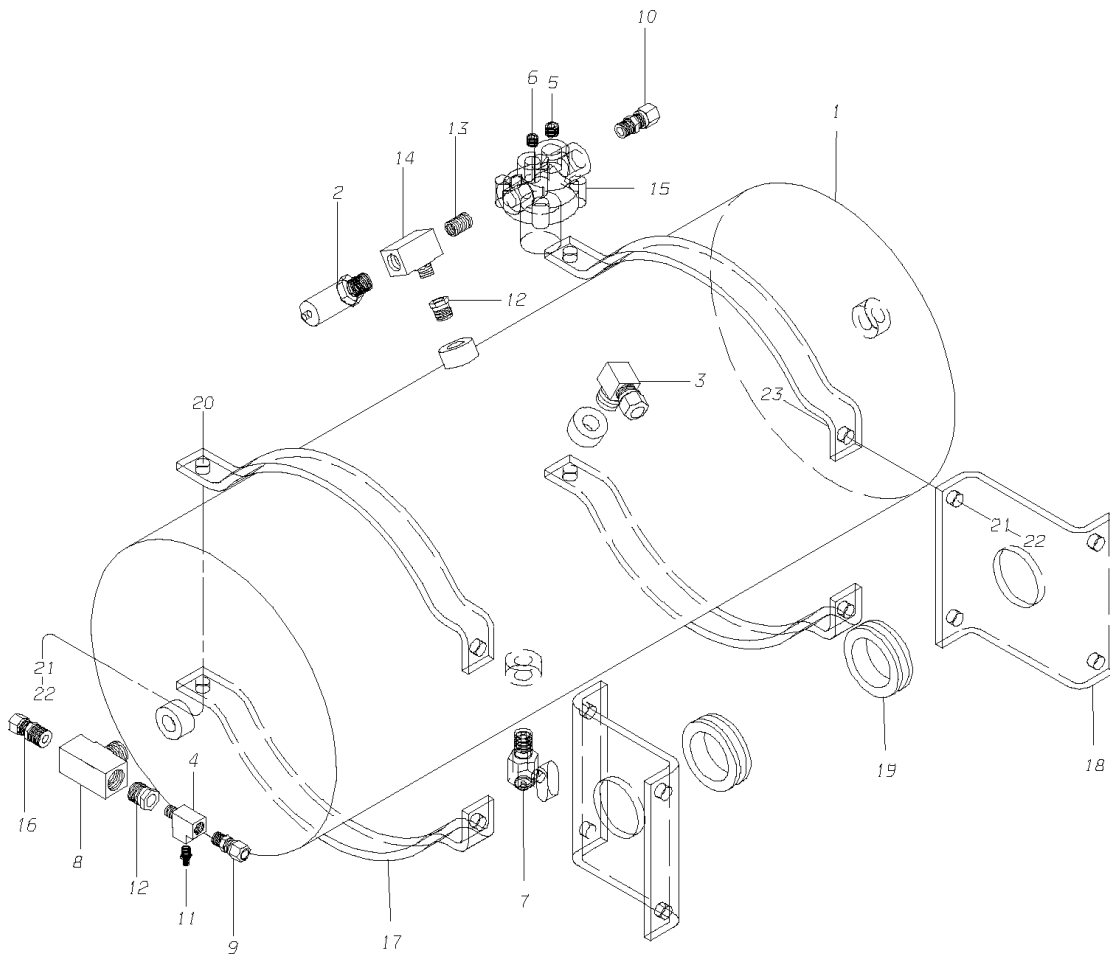
**Models:** BBCV, A3FE, C3FE  
**RESERVOIR ASSY  
 WET AND PRIMARY**  
**With Features:** WITH FEATURE 40081-07 OR -13 OR -16  
**BSN:** From CSN F0243300 BBCV

Key	PartNumber	Qty	Description	Comment
1	0102274	1	RESERVOIR ASSY, WELDMENT, WET PRIMARY	
2	0009907	4	ELBOW,90 DEG,MALE1869X8X8-Z,.50MPT	
3	0001135	1	VALVE,SINGLE CHECK,1/2 PIPE,90 DEGREE	
4	0009920	1	CONNECTOR,MALE,1868X8X8-Z,.50MPT X .50T"	
5	0839019	1	VALVE,SAFETY,1/4IN PIPE,BW NO284142	
6	3772159	1	PLUG,PIPE,0.375,BRASS W/SEALANT,HEX HD	
7	1344183	1	VALVE,PRESS PROTECTION,66 PSI,GT	
8	0009911	1	ELBOW,90 DEG,MALE1869X6X6-Z,.38MPT	
9	0818609	1	VALVE,SCHRADER,1/4 MPT	
10	0654277	1	TEE,STREET,1/4 PIPE,3750X4	
11	0009912	2	ELBOW,90 DEG,MALE1869X4X4-Z,.25MPT	



Models: **A3FE**  
**RESERVOIR ASSY**  
**WET TANK**  
 BSN: **From CSN 30012575 07/22/98**  
**To CSN 30043334 10/31/99**

Key	PartNumber	Qty	Description	Comment
-----	------------	-----	-------------	---------

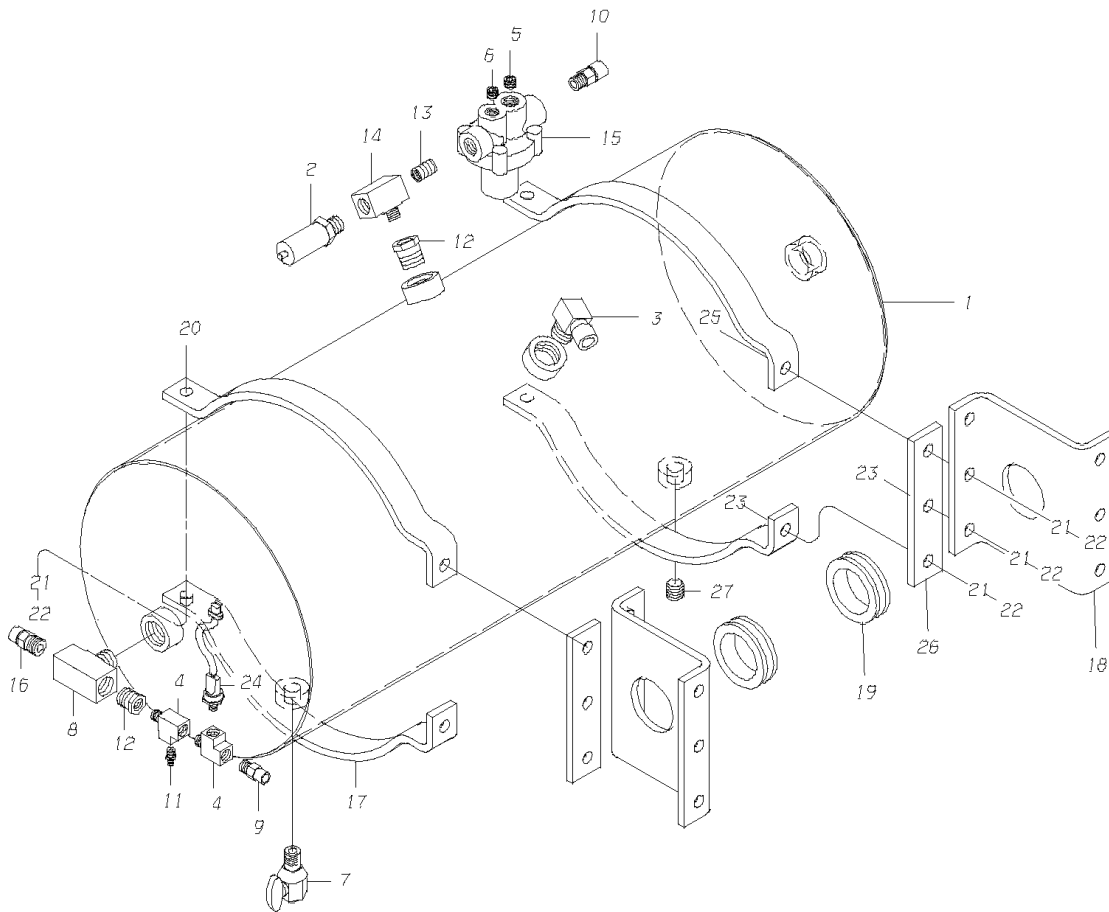


**Models:** A3FE  
**RESERVOIR ASSY**  
**WET TANK**  
**BSN:** From CSN 30012575 07/22/98  
 To CSN 30043334 10/31/99

Key	PartNumber	Qty	Description	Comment
1	0991513	1	RESERVOIR,9 1/2 X 27 - 1760 CU.IN.	
2	0839019		VALVE,SAFETY,1/4IN PIPE,BW NO284142	
4	0654277		TEE,STREET,1/4 PIPE,3750X4	
5	2023513	1	PLUG,PIPE,1/4,ALLEN HEX HD,BRASS	
6	2027118	1	PLUG,1/8 PIPE	
7	1110188		VALVE,RESERVOIR,DRAIN	
8	1545730	1	TEE,STREET,1/2MPT X 1/2FPT X	
9	0009922	1	CONNECTOR,MALE,1868X4X4-Z,.25MPT X .25T"	
10	0009924		CONNECTOR,MALE,1868X6-Z,.25MPT X .38T"	
11	0818609		VALVE,SCHRADER,1/4 MPT	
12	2027134	2	BUSHING,PIPE,3/8 X 1/4,BRASS	
13	2027183		NIPPLE,1/4 CLOSE,BRASS	
14	0559047		TEE,MALE,BRANCH,1/4 PIPE,3600X4	
15	0522508		VALVE,PRESS PROTECTION,65 PSI	
16	0009920		CONNECTOR,MALE,1868X8X8-Z,.50MPT X .50T"	
17	0850586	4	BRACKET,MTG,9 1/2IN,AIR RESERVOIR	
18	0003315	2	SPACER,AIR RESERVOIR BRACKET,HDFE	
19	2003176	2	GROMMET,HEATER HOSE,1 1/2IN ID	
20	0851337	2	CAPSCREW,HEX HD,3/8-16X6 1/2,GR5,YEL	
21	1107085	6	WASHER,FLAT,13/32 X 13/16 X 3/32,HDN,BLK	
22	0826297	6	NUT,HEX HD,3/8-16 LOCK,YEL ZN DICH	
23	0803213	4	CAPSCREW,HEX HD,3/8-16X1 1/4,GR8,YEL	

**Models:** A3FE, C3FE  
**RESERVOIR ASSY**  
**WET TANK**  
**BSN:** From CSN 30043335 11/01/99

Key	PartNumber	Qty	Description	Comment
-----	------------	-----	-------------	---------

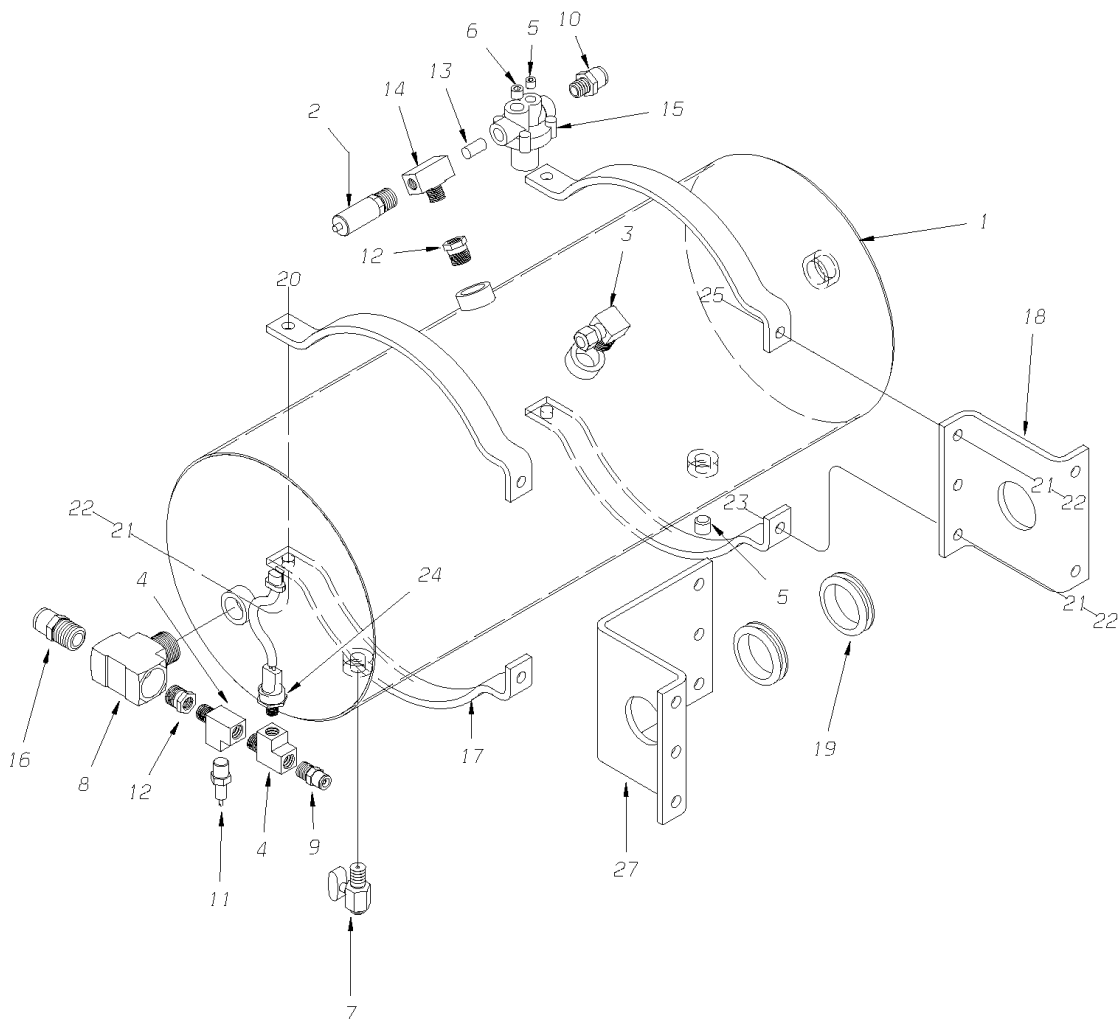


**Models:** A3FE, C3FE  
**RESERVOIR ASSY**  
**WET TANK**  
**BSN:** From CSN 30043335 11/01/99

Key	PartNumber	Qty	Description	Comment
1	0991513	1	RESERVOIR,9 1/2 X 27 - 1760 CU.IN.	
2	0839019		VALVE,SAFETY,1/4IN PIPE,BW NO284142	
3	0009907		ELBOW,90 DEG,MALE1869X8X8-Z,.50MPT	
4	0654277	2	TEE,STREET,1/4 PIPE,3750X4	
5	2023513	1	PLUG,PIPE,1/4,ALLEN HEX HD,BRASS	
6	2027118	1	PLUG,1/8 PIPE	
7	1110188		VALVE,RESERVOIR,DRAIN	
8	1545730	1	TEE,STREET,1/2MPT X 1/2FPT X	
9	0009922	1	CONNECTOR,MALE,1868X4X4-Z,.25MPT X .25T"	
10	0009924		CONNECTOR,MALE,1868X6-Z,.25MPT X .38T"	
11	0818609		VALVE,SCHRADER,1/4 MPT	
12	2027134	2	BUSHING,PIPE,3/8 X 1/4,BRASS	
13	2027183		NIPPLE,1/4 CLOSE,BRASS	
14	0559047		TEE,MALE,BRANCH,1/4 PIPE,3600X4	
15	0522508		VALVE,PRESS PROTECTION,65 PSI	
16	0009920		CONNECTOR,MALE,1868X8X8-Z,.50MPT X .50T"	
17	0850586	4	BRACKET,MTG,9 1/2IN,AIR RESERVOIR	
18	0003315	2	SPACER,AIR RESERVOIR BRACKET,HDFE	
19	2003176	2	GROMMET,HEATER HOSE,1 1/2IN ID	
20	0851337	2	CAPSCREW,HEX HD,3/8-16X6 1/2,GR5,YEL	
21	1107085	8	WASHER,FLAT,13/32 X 13/16 X 3/32,HDN,BLK	
22	0826297	8	NUT,HEX HD,3/8-16 LOCK,YEL ZN DICH	
23	0803213	4	CAPSCREW,HEX HD,3/8-16X1 1/4,GR8,YEL	
24	1659234		SWITCH,LOW AIR WARNING,TCFE/RE	
25	0803171	2	CAPSCREW,HEXHD,3/8-16NCX1-1/2,GR8,	
26	0029125	2	BRACKET,MTG,OFFSET,RESERVOIR ASSY	
27	2023513		PLUG,PIPE,1/4,ALLEN HEX HD,BRASS	

Models: **A3FE, C3FE**  
**RESERVOIR ASSY**  
**WET TANK**  
**AMBULANCE**

Key	PartNumber	Qty	Description	Comment
-----	------------	-----	-------------	---------

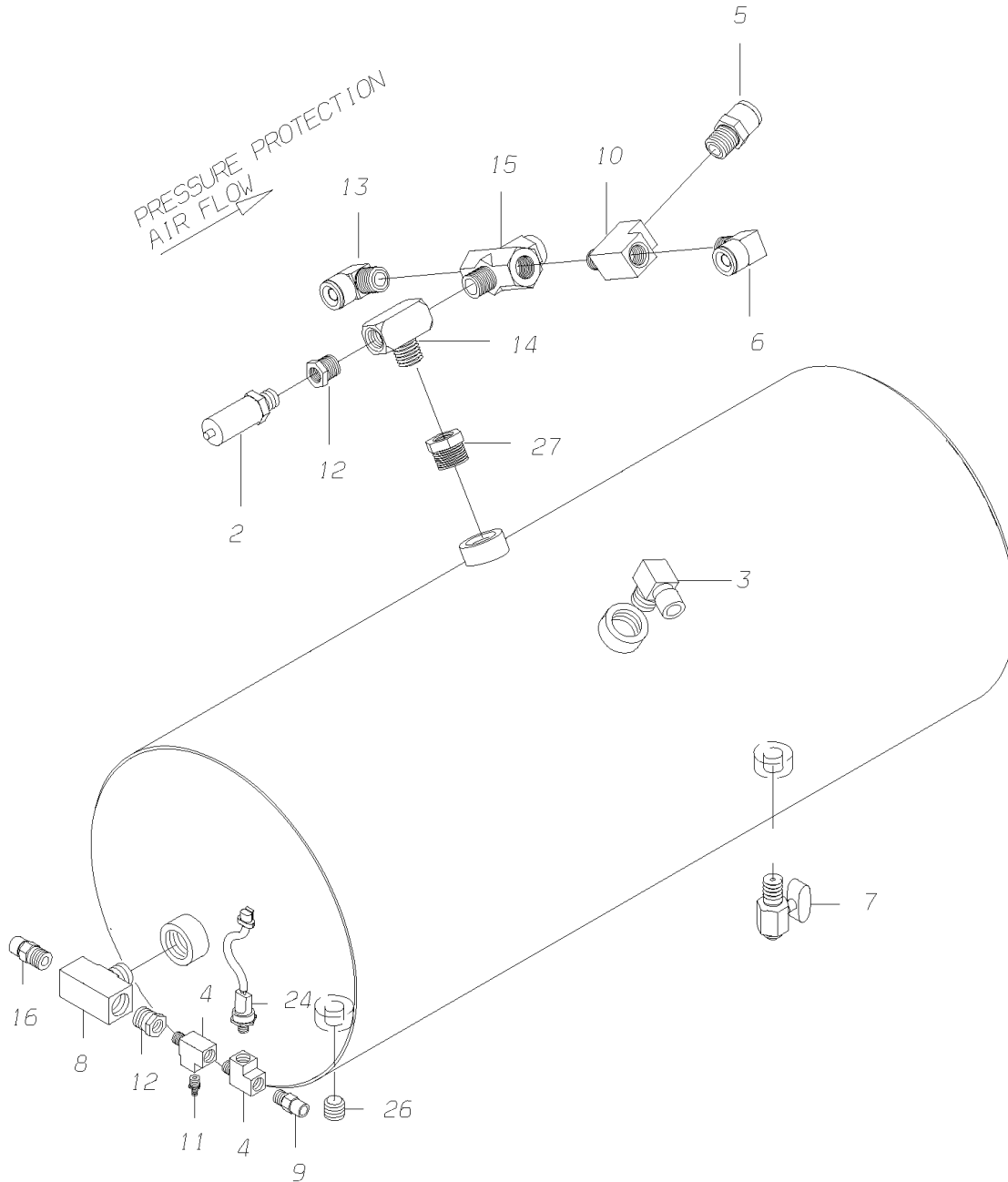


**Models:** **A3FE, C3FE**  
**RESERVOIR ASSY**  
**WET TANK**  
**AMBULANCE**

Key	PartNumber	Qty	Description	Comment
1	0991513		RESERVOIR,9 1/2 X 27 - 1760 CU.IN.	
2	0839019		VALVE,SAFETY,1/4IN PIPE,BW NO284142	
3	0009907		ELBOW,90 DEG,MALE1869X8X8-Z,.50MPT	
4	0654277	2	TEE,STREET,1/4 PIPE,3750X4	
5	2023513	2	PLUG,PIPE,1/4,ALLEN HEX HD,BRASS	
6	2027118	2	PLUG,1/8 PIPE	
7	1110188		VALVE,RESERVOIR,DRAIN	
8	1545730		TEE,STREET,1/2MPT X 1/2FPT X	
9	0009922		CONNECTOR,MALE,1868X4X4-Z,.25MPT X .25T"	
10	0009924		CONNECTOR,MALE,1868X6-Z,.25MPT X .38T"	
11	0818609		VALVE,SCHRADER,1/4 MPT	
12	2027134	2	BUSHING,PIPE,3/8 X 1/4,BRASS	
13	2027183		NIPPLE,1/4 CLOSE,BRASS	
14	0559047		TEE,MALE,BRANCH,1/4 PIPE,3600X4	
15	0522508		VALVE,PRESS PROTECTION,65 PSI	
16	0009920		CONNECTOR,MALE,1868X8X8-Z,.50MPT X .50T"	
17	0850586	4	BRACKET,MTG,9 1/2IN,AIR RESERVOIR	
18	0003315		SPACER,AIR RESERVOIR BRACKET,HDFE	
19	2003176	2	GROMMET,HEATER HOSE,1 1/2IN ID	
20	0851337	2	CAPSCREW,HEX HD,3/8-16X6 1/2,GR5,YEL	
21	1107085	8	WASHER,FLAT,13/32 X 13/16 X 3/32,HDN,BLK	
22	0826297	8	NUT,HEX HD,3/8-16 LOCK,YEL ZN DICH	
23	0803213	4	CAPSCREW,HEX HD,3/8-16X1 1/4,GR8,YEL	
24	1659234		SWITCH,LOW AIR WARNING,TCFE/RE	
25	0803171	2	CAPSCREW,HEXHD,3/8-16NCX1-1/2,GR8,	
27	0059422		SPACER,AIR RESERVOIR BRACKET,AMBULANCE	

**Models:** A3FE, C3FE  
**RESERVOIR ASSY**  
**WET TANK**  
**KNEELING HENDRICKSON**

Key	PartNumber	Qty	Description	Comment
-----	------------	-----	-------------	---------



**Models:** **A3FE, C3FE**  
**RESERVOIR ASSY**  
**WET TANK**  
**KNEELING HENDRICKSON**

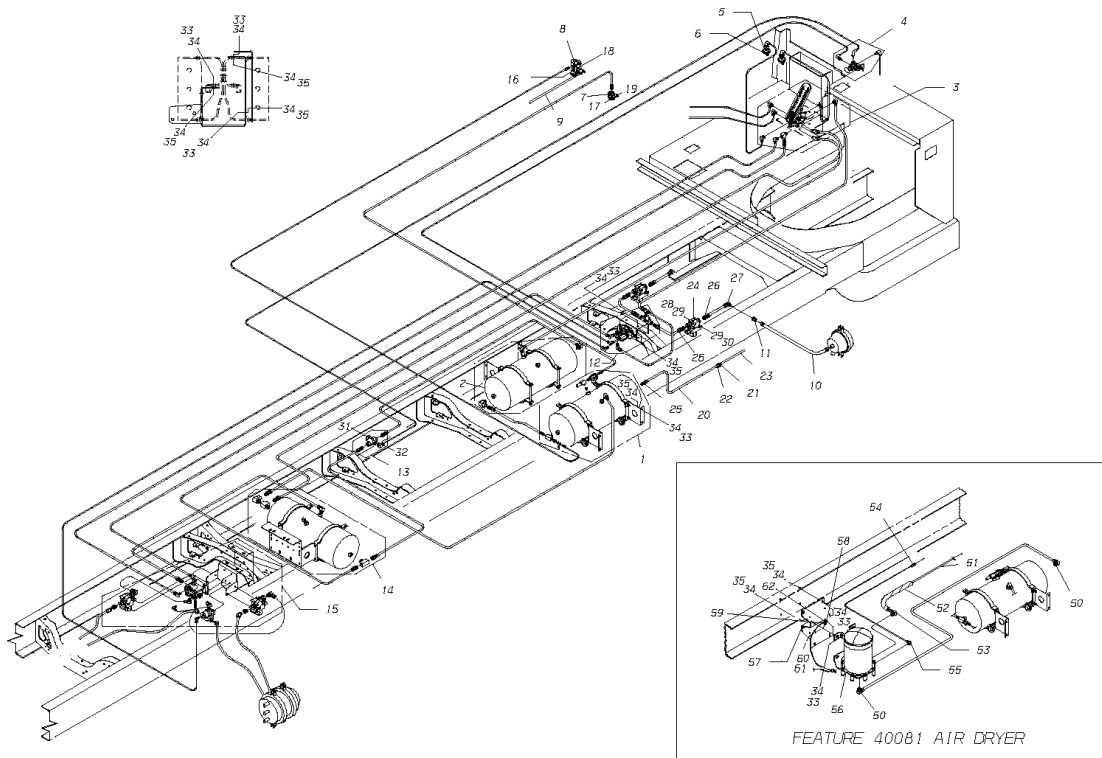
Key	PartNumber	Qty	Description	Comment
1	0991513		RESERVOIR,9 1/2 X 27 - 1760 CU.IN.	
2	0839019		VALVE,SAFETY,1/4IN PIPE,BW NO284142	
3	0009907		ELBOW,90 DEG,MALE1869X8X8-Z,.50MPT	
4	0654277	2	TEE,STREET,1/4 PIPE,3750X4	
5	0009918		CONNECTOR,MALE,1868X6X6-Z,.38MPT X .38T"	
6	0009911		ELBOW,90 DEG,MALE1869X6X6-Z,.38MPT	
7	1110188		VALVE,RESERVOIR,DRAIN	
8	1545730		TEE,STREET,1/2MPT X 1/2FPT X	
9	0009922		CONNECTOR,MALE,1868X4X4-Z,.25MPT X .25T"	
10	1010065	2	TEE,STREET,3/8 PIPE 3750 X 6	
11	0818609		VALVE,SCHRADER,1/4 MPT	
12	2027134	2	BUSHING,PIPE,3/8 X 1/4,BRASS	
13	0009906		ELBOW,90 DEG,MALE1869X8-Z,.38MPT X .50T	
14	0016750		TEE,BRASS,3/8MPTX3/8FPTX3/8FPT,3600X6	
15	1344183		VALVE,PRESS PROTECTION,66 PSI,GT	
16	0009920		CONNECTOR,MALE,1868X8X8-Z,.50MPT X .50T"	
24	1659234		SWITCH,LOW AIR WARNING,TCFE/RE	
26	2023513		PLUG,PIPE,1/4,ALLEN HEX HD,BRASS	
27	2023539		BUSHING,PIPE,1/2MPT X 3/8FPT,3220X8X6Z,	



**Models:** A3FE  
SYSTEM  
ABS

**With Features:** FEATURE 40070 WITH 40076-01; 40081-01  
**BSN:** From CSN 30012575 07/22/98  
To CSN 30037594 08/01/99

Key	PartNumber	Qty	Description	Comment
-----	------------	-----	-------------	---------



**Models:** A3FE  
SYSTEM  
ABS

**With Features:** FEATURE 40070 WITH 40076-01; 40081-01  
**BSN:** From CSN 30012575 07/22/98  
To CSN 30037594 08/01/99

Key	PartNumber	Qty	Description	Comment
1	0002963	1	RESERVOIR ASSY, WET TANK,HDFE	
2	0002970	1	RESERVOIR ASSY,FRONT BRAKE,HDFE	
3	0002738		VALVE ASSY,BRK TRDL,ELEC THROT,A/BRK,ABS	ABS. FEATURE 40076-01
3	0003119		VALVE ASSY,BRK TRDL,ELEC THROT,AIR BRK,FE	
4	1533744	1	VALVE ASSY,PARKING BRAKE, TC & QB	
5	2023232	2	COUPLING,ANCHOR,205465	
6	1940873	2	SWITCH ASSY,STOPLIGHT PRESSURE	
7	0002913	1	MANIFOLD ASSY, AIR SYSTEM,HDFE	
8	1344985	1	GOVERNOR ASSY,BENDIX, TCFC	
9	1797802	1	HOSE,.25 ID X .50 OD,W-H H00904	
10	0908244	2	HOSE ASSY,BRAKE,7/16,X 24 IN LONG	
11	0758698	2	COUPLING,ANCHOR,B-W 217709 BENDIX	
12	0003118	1	VALVE ASSY,QUICK REL & SR1 SPR BRK VLV	
13	0002822	1	VALVE ASSY,DOUBLE CHECK,HDFE	
14	0002971	1	RESERVOIR ASSY,REAR BRAKE,HDFE	
15	0010671	1	VALVE ASSY,SPRING & SERVICE BRAKE,ABS,	ABS. FEATURE 40076-01
15	1344860	1	VALVE ASSY,SPR&SVC BRK RLY,TCFC	NON-ABS
16	2028306	2	CAPSCREW,HEX HD,5/16-18X3,GR 5,YEL ZN	
17	0870477	2	CAPSCREW,HEX HD,1/4-20 X 1,GR 8,YEL ZN	
18	1480433	2	NUT,HEX HD,5/16-18,FLG PRVG TORQ,GR F,	
19	1039262	2	NUT,HEX HD,1/4-20,LOCK,ZINC	
20	2027407	1	TUBING,COPPER,5/8,TYPE L (S04060)	
21	2055846	1	NUT	
22	2026763	1	FERRULE,60 X 10 5/8 IN	
23	1024975	1	HOSE ASSY,AIR CMPR DISCH,30 LONG	
24	1990332	2	MODULATOR,ABS,M-22	
25	2023356	1	CONNECTOR,1/2 MPT X 5/8 TUBE	
26	0009920	4	CONNECTOR,MALE,1868X8X8-Z,.50MPT X .50T"	
27	0009906	2	ELBOW,90 DEG,MALE1869X8-Z,.38MPT X .50T	
28	1226877	4	CAPSCREW,HEX HD,5/16X 3 1/2,GR8,YEL ZN	
29	2001048	8	WASHER,FLAT,11/32 X 11/16 X 1/16,YEL	
30	0829390	4	NUT,HEX HD,5/16-18,SER WASHER,YEL ZN	
31	0854406	1	CAPSCREW,HEX HD,5/16-18 X 1,GR8,YEL ZN	

**Models:** **A3FE  
SYSTEM  
ABS**

**With Features:** **FEATURE 40070 WITH 40076-01; 40081-01**

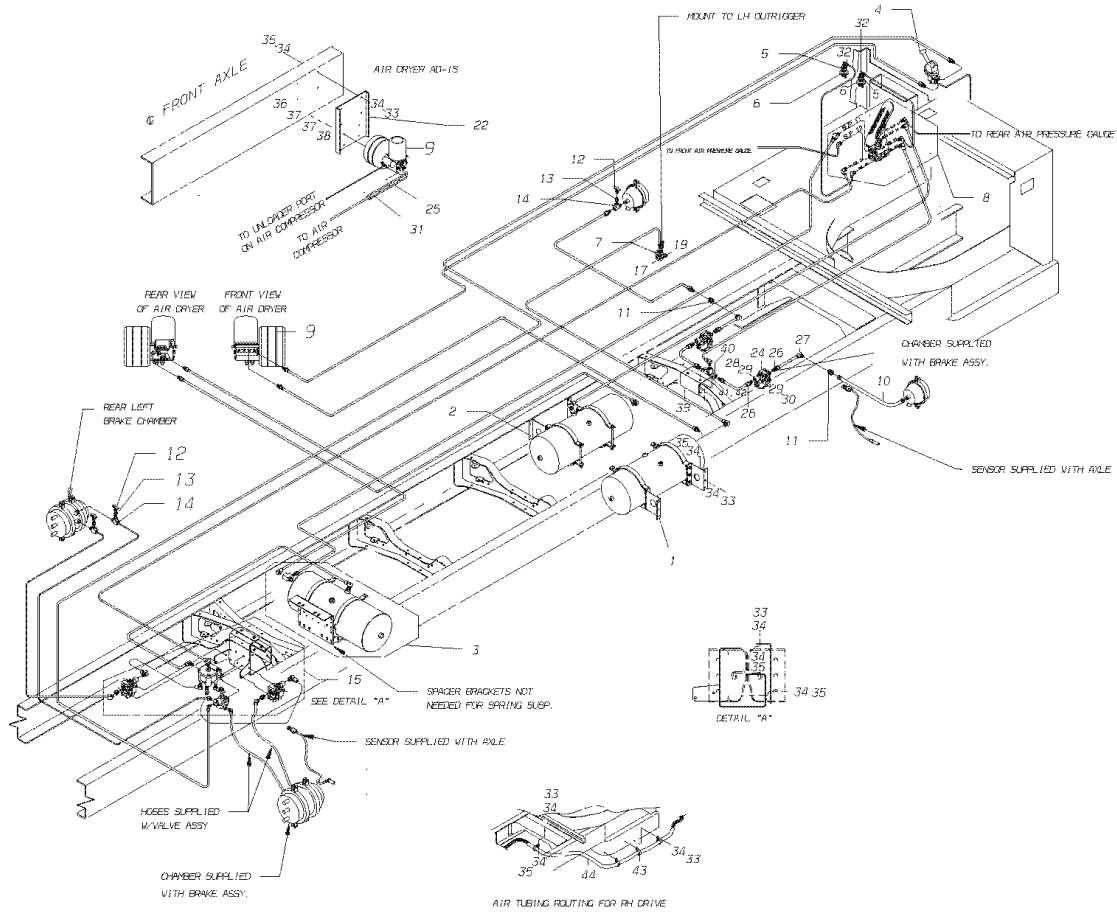
**BSN:** **From CSN 30012575 07/22/98  
To CSN 30037594 08/01/99**

Key	PartNumber	Qty	Description	Comment
32	1480433	1	NUT,HEX HD,5/16-18,FLG PRVG TORQ,GR F,	
33	0803213	14	CAPSCREW,HEX HD,3/8-16X1 1/4,GR8,YEL	ADD 2 PER BRAKE INTERLOCK
34	1107085	28	WASHER,FLAT,13/32 X 13/16 X 3/32,HDN,BLK	ADD 4 PER BRAKE INTERLOCK
35	0826297	14	NUT,HEX HD,3/8-16 LOCK,YEL ZN DICH	ADD 2 PER PER BRAKE INTERLOCK
36	1990324	4	SENSOR,ABS,STRAIGHT,AIR,SQUARE PLUG	
37	1542471	4	SLEEVE,CLAMP,NOTCHED,HUB SENSOR,ABS	
50	0009907	2	ELBOW,90 DEG,MALE1869X8X8-Z,.50MPT	FEATURE 40081- AIR DRYER
51	2027407	1	TUBING,COPPER,5/8,TYPE L (S04060)	FEATURE 40081- AIR DRYER
52	1741925	1	INSULATION,PIPE,POLYETHYLENE,1/2 THICK	FEATURE 40081- AIR DRYER
53	0754879	1	ELBOW,1/2 MPT X 5/8 TUBE	FEATURE 40081- AIR DRYER
54	0009917	1	CONNECTOR,MALE,1868X4-Z,.13MP X .25T"	FEATURE 40081- AIR DRYER
55	0009912	1	ELBOW,90 DEG,MALE1869X4X4-Z,.25MPT	FEATURE 40081- AIR DRYER
56	1734136	1	AIR DRYER,AD-9,LH SUPPLY,W/VITON TURBO	FEATURE 40081- AIR DRYER
57	1567403	1	BRACKET,MTG,AIR DRYER	FEATURE 40081- AIR DRYER
58	0977132	1	CAPSCREW,HEX HD,1/4-20 X 3/4,GR 5,YEL	FEATURE 40081- AIR DRYER
59	0941997	1	LOCKWASHER,EXTERNAL TOOTH,1/4 ZINC	FEATURE 40081- AIR DRYER
60	1467000	1	WASHER,FLAT, .281 X.750X.078 HARDENED,BLK	FEATURE 40081- AIR DRYER
61	2001345	1	NUT,HEX HD,1/4-20,LOCKING,YELLOW	FEATURE 40081- AIR DRYER
62	0765859	1	TERMINAL,EYELET,1/4,14-16 GA,INSULATED	FEATURE 40081- AIR DRYER
75	0010667	1	VALVE ASSY,AIR BRAKE INTERLOCK,HDFE	FEATURE 40051-02, BRAKE INTERLOCK
76	0009909	1	ELBOW,90 DEG,MALE1869X6X8-Z,.50MPT	FEATURE 40051-02, BRAKE INTERLOCK

**Models:** A3FE, HDFE  
**SYSTEM**  
**ABS, EEC**

**With Features:** FEATURE 40070 WITH 4003 RH DIRVE  
**BSN:** From CSN 12-12-05

Key	PartNumber	Qty	Description	Comment
-----	------------	-----	-------------	---------



**Models:** A3FE, HDFE  
SYSTEM

**With Features:** ABS, EEC  
**BSN:** FEATURE 40070 WITH 4003 RH DIRVE  
From CSN 12-12-05

Key	PartNumber	Qty	Description	Comment
1	0090093		RESERVOIR ASSY,TANK,AIR,ACCESSORY,EEC,	
2	0090095		RESERVOIR ASSY,TANK,AIR,SEC/FRT,EEC, FE	
2	0095118		RESERVOIR,ASSY,EEC,PRIMARY TANK, HDFE	
4	0090097		VALVE ASSY,PARKING,BRAKE,HAND CNTRL,EEC,	
5	2023232		COUPLING,ANCHOR,205465	
6	1940873		SWITCH ASSY,STOPLIGHT PRESSURE	
7	0002913		MANIFOLD ASSY, AIR SYSTEM,HDFE	
8	0094434		TREADLE,BRAKE,E8P,DUAL ORING,MUFFLER,	
9	0095117		AIR DRYER,ASSY,EEC,ADIS, RHDHDFE	
10	0908244		HOSE ASSY,BRAKE,7/16,X 24 IN LONG	
11	0758698		COUPLING,ANCHOR,B-W 217709 BENDIX	
12	1704493		FITTING,TEST POINT,BRAKE CHAMBER,EEC	
13	2009033		BUSHING,PIPE,GALV,1/4 X 3/8	
14	1010065		TEE,STREET,3/8 PIPE 3750 X 6	
15	0090099		VALVE ASSY,SPRING,SERVICE,EEC, FE	
16	2005734		LOOM,ASPHALTUM,WIRE,1IN	
17			NOT USED	
18			NOT USED	
19			NOT USED	
20			NOT USED	
21			NOT USED	
22	0093897		PLATE,MOUNTING,AD-IP AIR DRYER,EEC	
23	0009917		CONNECTOR,MALE,1868X4-Z,.13MP X .25T"	
24	0073303		MODULATOR,ABS,AIR BRAKE,M32, EXPORT	
25	1741925		INSULATION,PIPE,POLYETHYLENE,1/2 THICK	
26	0009920		CONNECTOR,MALE,1868X8X8-Z,.50MPT X .50T"	
27	0009906		ELBOW,90 DEG,MALE1869X8-Z,.38MPT X .50T	
28	1226877		CAPSCREW,HEX HD,5/16X 3 1/2,GR8,YEL ZN	
29	2001048		WASHER,FLAT,11/32 X 11/16 X 1/16,YEL	
30	0829390		NUT,HEX HD,5/16-18,SER WASHER,YEL ZN	
31	2027407		TUBING,COPPER,5/8,TYPE L (S04060)	FEATURE 40081- AIR DRYER, S04060
32	0025652		ELBOW,90 MALE SWVL,1869X4X4S-	
33	0803213		CAPSCREW,HEX HD,3/8-16X1 1/4,GR8,YEL	

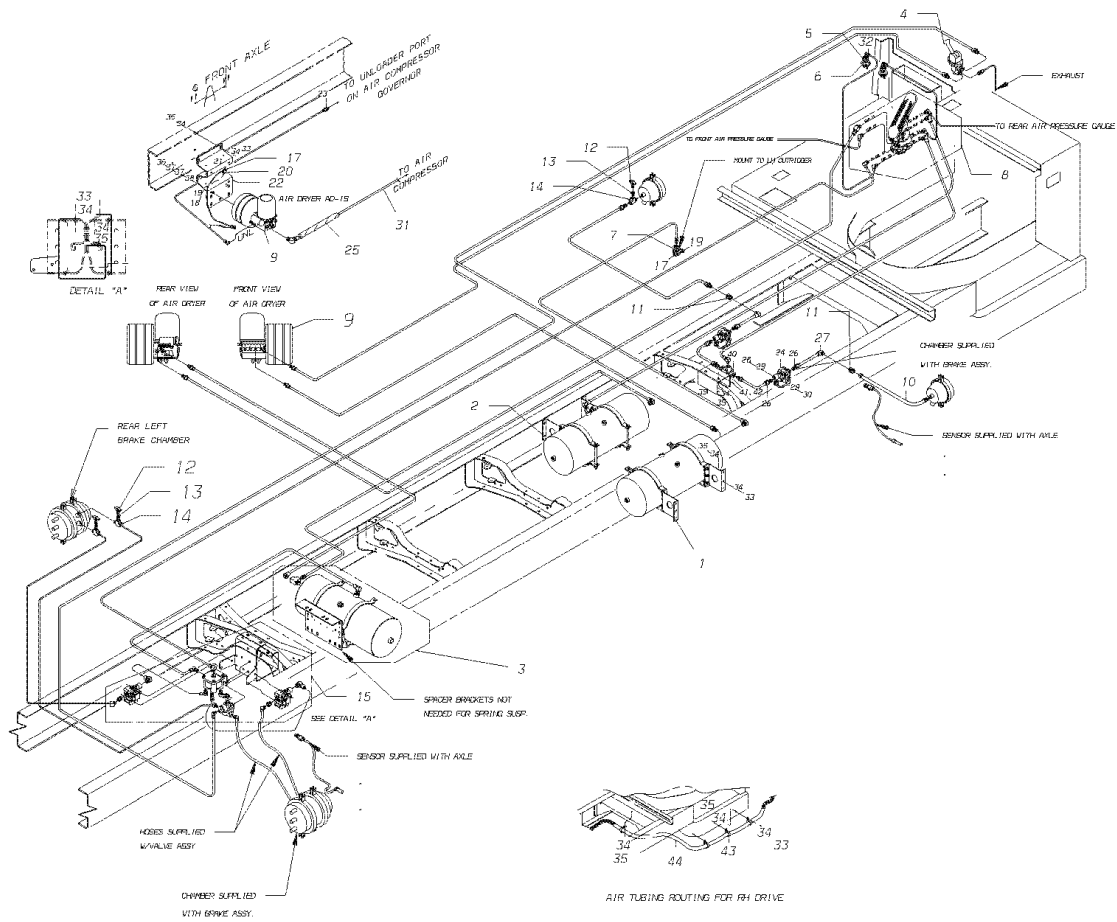
**Models:** A3FE, HDFE  
SYSTEM  
ABS, EEC

**With Features:** FEATURE 40070 WITH 4003 RH DIRVE  
**BSN:** From CSN 12-12-05

Key	PartNumber	Qty	Description	Comment
34	1107085		WASHER,FLAT,13/32 X 13/16 X 3/32,HDN,BLK	
35	0826297		NUT,HEX HD,3/8-16 LOCK,YEL ZN DICH	
36	0882803		CAPSCREW,HEX HD,3/8-16,X,1,,GR5,YELDICH	
37	1078922		WASHER,FLAT,3/8 X 7/8 X 5/64,YEL ZN DICH	
38	0882795		LOCKWASHER,SPLIT RING,3/8,MED,YELLOW	
39	1341874		BRACKET,MTG,QUICK RELEASE & SPRG BRK	
40	0090134		VALVE ASSY,QUICK RELEASE,QR-1,	
41	0854414		CAPSCREW,HEX HD,5/16-18X7/8,GR8,YEL ZN	
42	0829390		NUT,HEX HD,5/16-18,SER WASHER,YEL ZN	
43	1107085		WASHER,FLAT,13/32 X 13/16 X 3/32,HDN,BLK	
44	1228840		LOOM,CORRUGATED,BLACK,NYLON,1 1/4ID,SS	
NI	0969816		SEALANT,LOCTITE,THREADLOCKER,271	

**Models:** A3FE, HDFE  
**SYSTEM**  
**ABS, EEC**  
**With Features:** FEATURE 40070 WITH 4003 RH DIRVE  
**BSN:** From CSN 5-12-05  
 To CSN 12-11-05

Key	PartNumber	Qty	Description	Comment
-----	------------	-----	-------------	---------



**Models:** A3FE, HDFE  
**SYSTEM**  
**ABS, EEC**  
**With Features:** FEATURE 40070 WITH 4003 RH DIRVE  
**BSN:** From CSN 5-12-05  
 To CSN 12-11-05

Key	PartNumber	Qty	Description	Comment
1	0090093		RESERVOIR ASSY,TANK,AIR,ACCESSORY,EEC,	
2	0090095		RESERVOIR ASSY,TANK,AIR,SEC/FRT,EEC, FE	
3	0090094		RESERVOIR ASSY,TANK,AIR,PRI/REAR,EEC, FE	
4	0090097		VALVE ASSY,PARKING,BRAKE,HAND CNTRL,EEC,	
5	2023232	2	COUPLING,ANCHOR,205465	
6	1940873	2	SWITCH ASSY,STOPLIGHT PRESSURE	
7	0002913		MANIFOLD ASSY, AIR SYSTEM,HDFE	
8	0090096		VALVE ASSY,TREADLE,C7,EEC, FE	
9	0090100		AIR DRYER,ASSY,ADIS,EEC, FE	
10	0908244	2	HOSE ASSY,BRAKE,7/16,X 24 IN LONG	
11	0758698	2	COUPLING,ANCHOR,B-W 217709 BENDIX	
12	1704493	3	FITTING,TEST POINT,BRAKE CHAMBER,EEC	
13	2009033	3	BUSHING,PIPE,GALV,1/4 X 3/8	
14	1010065	3	TEE,STREET,3/8 PIPE 3750 X 6	
15	0090099		VALVE ASSY,SPRING,SERVICE,EEC, FE	
16	2005734	3	LOOM,ASPHALTUM,WIRE,1IN	
17	0765859		TERMINAL,EYELET,1/4,14-16 GA,INSULATED	
18	2001345		NUT,HEX HD,1/4-20,LOCKING,YELLOW	
19	1467000		WASHER,FLAT, .281 X.750X.078 HARDENED,BLK	
20	0941997		LOCKWASHER,EXTERNAL TOOTH,1/4 ZINC	
21	0977132		CAPSCREW,HEX HD,1/4-20 X 3/4,GR 5,YEL	
22	1567403		BRACKET,MTG,AIR DRYER	
23	0009917		CONNECTOR,MALE,1868X4-Z,.13MP X .25T"	
24	0073303	2	MODULATOR,ABS,AIR BRAKE,M32, EXPORT	
25	1741925	.5	INSULATION,PIPE,POLYETHYLENE,1/2 THICK	
26	0009920	4	CONNECTOR,MALE,1868X8X8-Z,.50MPT X .50T"	
27	0009906	2	ELBOW,90 DEG,MALE1869X8-Z,.38MPT X .50T	
28	1226877	4	CAPSCREW,HEX HD,5/16X 3 1/2,GR8,YEL ZN	
29	2001048	8	WASHER,FLAT,11/32 X 11/16 X 1/16,YEL	
30	0829390	4	NUT,HEX HD,5/16-18,SER WASHER,YEL ZN	
31	2027407	10	TUBING,COPPER,5/8,TYPE L (S04060)	FEATURE 40081-AIR DRYER, S04060
32	0025652	2	ELBOW,90 MALE SWVL,1869X4X4S-	
33	0803213	18	CAPSCREW,HEX HD,3/8-16X1 1/4,GR8,YEL	



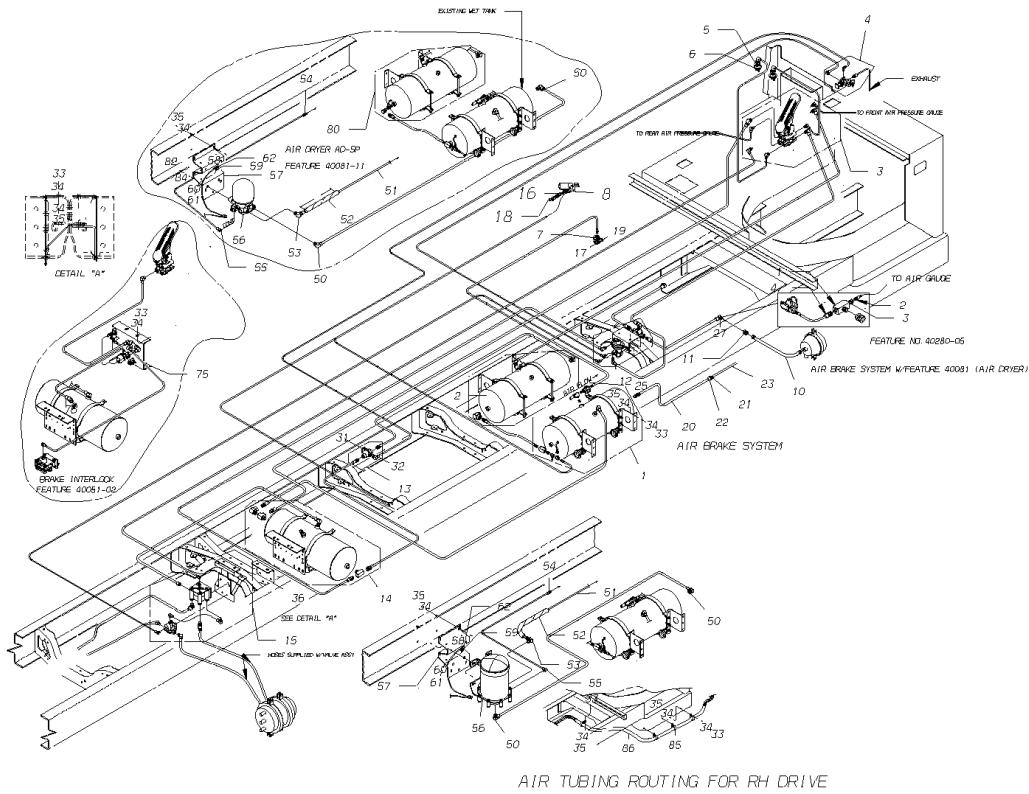
**Models:** A3FE, HDFE  
**SYSTEM**  
**ABS, EEC**  
**With Features:** FEATURE 40070 WITH 4003 RH DIRVE  
**BSN:** From CSN 5-12-05  
 To CSN 12-11-05

Key	PartNumber	Qty	Description	Comment
34	1107085	36	WASHER,FLAT,13/32 X 13/16 X 3/32,HDN,BLK	
35	0826297	18	NUT,HEX HD,3/8-16 LOCK,YEL ZN DICH	
36	0882803	3	CAPSCREW,HEX HD,3/8-16,X,1,,GR5,YELDICH	
37	1078922	6	WASHER,FLAT,3/8 X 7/8 X 5/64,YEL ZN DICH	
38	0882795	3	LOCKWASHER,SPLIT RING,3/8,MED,YELLOW	
39	1341874		BRACKET,MTG,QUICK RELEASE & SPRG BRK	
40	0090134		VALVE ASSY,QUICK RELEASE,QR-1,	
41	0854414	4	CAPSCREW,HEX HD,5/16-18X7/8,GR8,YEL ZN	
42	0829390	4	NUT,HEX HD,5/16-18,SER WASHER,YEL ZN	
43	1107085	4	WASHER,FLAT,13/32 X 13/16 X 3/32,HDN,BLK	
44	1228840	6	LOOM,CORRUGATED,BLACK,NYLON,1 1/4ID,SS	
NI	0969816	.00	SEALANT,LOCTITE,THREADLOCKER,271	

Models: **A3FE, C3FE  
SYSTEM  
NON-ABS**

With Features: **FEATURE 40070 WITH 40076-01; 40081-01, 11; 40051-02**

Key	PartNumber	Qty	Description	Comment
-----	------------	-----	-------------	---------



**Models:** A3FE, C3FE

**SYSTEM  
NON-ABS**

**With Features:** FEATURE 40070 WITH 40076-01; 40081-01, 11; 40051-02

Key	PartNumber	Qty	Description	Comment
1	0014693		RESERVOIR ASSY,WET TANK,HDFE	
2	0002970		RESERVOIR ASSY,FRONT BRAKE,HDFE	
3	0035749		VALVE ASSY,A/BRK TRDL,ELEC THROT,	
3	0035748		VALVE ASSY,A/BRK TRDL,AIR THROT,NON-	
4	0032238		VALVE ASSY,PARKING BRAKE,PP-1	
5	2023232	2	COUPLING,ANCHOR,205465	
6	1940873	2	SWITCH ASSY,STOPLIGHT PRESSURE	
7	0002913		MANIFOLD ASSY, AIR SYSTEM,HDFE	
8	0034886		GOVERNOR ASSY,AIR COMPRESSOR,FE	
10	0908244	2	HOSE ASSY,BRAKE,7/16,X 24 IN LONG	
11	0758698	2	COUPLING,ANCHOR,B-W 217709 BENDIX	
12	0020601		VALVE ASSY,QUICK REL & SR1 SPR BRK VLV	
13	0002822		VALVE ASSY,DOUBLE CHECK,HDFE	
14	0064322		TANK ASSY,RESERVOIR,REAR BRAKE,AIR SSP	
15	1344860		VALVE ASSY,SPR&SVC BRK RLY,TCFC	
15	0017703		VALVE ASSY,SPR&SERV BRK RELAY,F40280-05	
16	2001188	2	LOCKWASHER,SPLIT RING, 5/16,MED,YEL ZN	
17	0870477	2	CAPSCREW,HEX HD,1/4-20 X 1,GR 8,YEL ZN	
18	0035607	2	CAPSCREW,ALLEN,SOC HD,5/16-18X2 3/4,BLK	
18	0002746	2	CAPSCREW,ALLEN,SOC HD,M8-1.25 X 70MM,	
19	1039262	2	NUT,HEX HD,1/4-20,LOCK,ZINC	
20	2027407	A/	TUBING,COPPER,5/8,TYPE L (S04060)	
21	2055846		NUT	
22	2026763		FERRULE,60 X 10 5/8 IN	
23	1024975		HOSE ASSY,AIR CMPR DISCH,30 LONG	
24	2005734	A/	LOOM,ASPHALTUM,WIRE,1IN	
25	2023356		CONNECTOR,1/2 MPT X 5/8 TUBE	
26	0009920	4	CONNECTOR,MALE,1868X8X8-Z,.50MPT X .50T"	
27	0009906	2	ELBOW,90 DEG,MALE1869X8-Z,.38MPT X .50T	
28	1226877	4	CAPSCREW,HEX HD,5/16X 3 1/2,GR8,YEL ZN	
29	2001048	8	WASHER,FLAT,11/32 X 11/16 X 1/16,YEL	
30	0829390	4	NUT,HEX HD,5/16-18,SER WASHER,YEL ZN	
31	0854406		CAPSCREW,HEX HD,5/16-18 X 1,GR8,YEL ZN	

Models: A3FE, C3FE

SYSTEM

NON-ABS

With Features: FEATURE 40070 WITH 40076-01; 40081-01, 11; 40051-02

Key	PartNumber	Qty	Description	Comment
32	1480433		NUT,HEX HD,5/16-18,FLG PRVG TORQ,GR F,	
33	0803213	18	CAPSCREW,HEX HD,3/8-16X1 1/4,GR8,YEL	
34	1107085	38	WASHER,FLAT,13/32 X 13/16 X 3/32,HDN,BLK	
35	0826297	18	NUT,HEX HD,3/8-16 LOCK,YEL ZN DICH	
36	1999929		BRACKET,MTG,OPTIONAL AIR TANK,LOWER	
50	0009907	2	ELBOW,90 DEG,MALE1869X8X8-Z,.50MPT	
51	2027407	A/	TUBING,COPPER,5/8,TYPE L (S04060)	
52	1741925	A/	INSULATION,PIPE,POLYETHYLENE,1/2 THICK	
53	0754879		ELBOW,1/2 MPT X 5/8 TUBE	
54	0009917		CONNECTOR,MALE,1868X4-Z,.13MP X .25T"	
55	0009912		ELBOW,90 DEG,MALE1869X4X4-Z,.25MPT	
57	1567403		BRACKET,MTG,AIR DRYER	
58	0977732		** PART NOT FOUND **	
59	0941997	1	LOCKWASHER,EXTERNAL TOOTH,1/4 ZINC	
60	1467000	1	WASHER,FLAT,.281 X.750X.078 HARDENED,BLK	
61	2001345	1	NUT,HEX HD,1/4-20,LOCKING,YELLOW	
62	0765859	1	TERMINAL,EYELET,1/4,14-16 GA,INSULATED	
2	0024450	1	RESERVOIR ASSY,FRONT BRAKE,AD-SP AIR	ADD WITH FEATURE 40081-11
33	0803213	18	CAPSCREW,HEX HD,3/8-16X1 1/4,GR8,YEL	ADD WITH FEATURE 40081-11
34	1107085	38	WASHER,FLAT,13/32 X 13/16 X 3/32,HDN,BLK	ADD WITH FEATURE 40081-11
35	0826297	18	NUT,HEX HD,3/8-16 LOCK,YEL ZN DICH	ADD WITH FEATURE 40081-11
56	0024269	1	AIR DRYER,AD-SP,SYSTEM PURGE	ADD WITH FEATURE 40081-11
82	1942135	3	CAPSCREW,HEX HD 1/2-13X 1 1/4,GR8,	ADD WITH FEATURE 40081-11
84	0990655	3	LOCKWASHER,SPLIT RING, 1/2 ,MED,YEL ZN	ADD WITH FEATURE 40081-11
NI	0969816	A/	SEALANT,LOCTITE,THREADLOCKER,271	ADD WITH FEATURE 40081-11
2	0002970		RESERVOIR ASSY,FRONT BRAKE,HDFE	ADD WITH FEATURE 40081-01
33	0803213	22	CAPSCREW,HEX HD,3/8-16X1 1/4,GR8,YEL	ADD WITH FEATURE 40081-01
34	1107085	44	WASHER,FLAT,13/32 X 13/16 X 3/32,HDN,BLK	ADD WITH FEATURE 40081-01
35	0826297	22	NUT,HEX HD,3/8-16 LOCK,YEL ZN DICH	ADD WITH FEATURE 40081-01
56	0020804		AIR DRYER,AD-9,LH SUPPLY,STD	STANDARD CONFIGURATION
75	0010667		VALVE ASSY,AIR BRAKE INTERLOCK,HDFE	ADD WITH FEATURE 40051-02
76	0009909		ELBOW,90 DEG,MALE1869X6X8-Z,.50MPT	ADD WITH FEATURE 40051-02
33	0803213	2	CAPSCREW,HEX HD,3/8-16X1 1/4,GR8,YEL	ADD WITH FEATURE 40051-02
				ADD WITH FEATURE 40051-02

**Models:** A3FE, C3FE  
**SYSTEM**  
**NON-ABS**

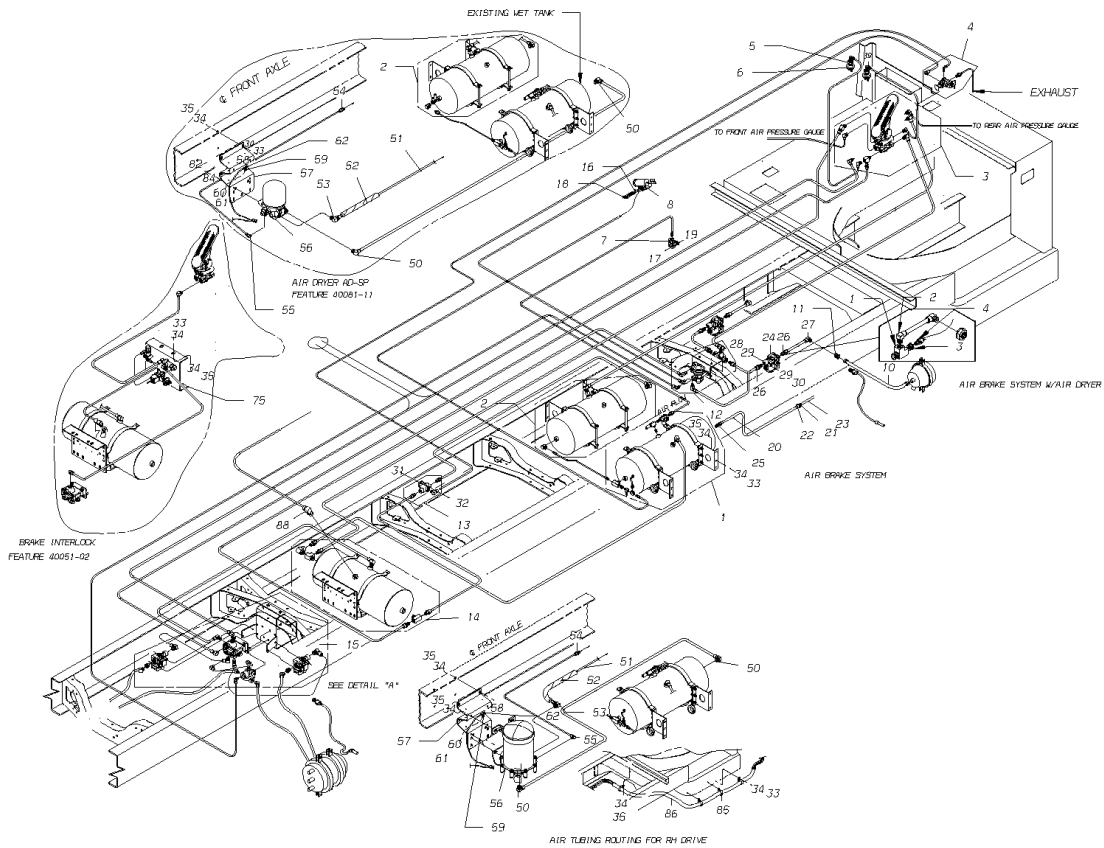
**With Features:** FEATURE 40070 WITH 40076-01; 40081-01, 11; 40051-02

Key	PartNumber	Qty	Description	Comment
34	1107085	4	WASHER,FLAT,13/32 X 13/16 X 3/32,HDN,BLK	
35	0826297	2	NUT,HEX HD,3/8-16 LOCK,YEL ZN DICH	ADD WITH FEATURE 40051-02
1	0016750		TEE,BRASS,3/8MPTX3/8FPTX3/8FPT,3600X6	ADD WITH FEATURE 40280-05
2	0009922		CONNECTOR,MALE,1868X4X4-Z,.25MPT X .25T"	ADD WITH FEATURE 40280-05
3	2027134		BUSHING,PIPE,3/8 X 1/4,BRASS	ADD WITH FEATURE 40280-05
4	0009921		CONNECTOR,MALE,1868X8-Z,.38MPT X .50T"	ADD WITH FEATURE 40280-05
27	0009906		ELBOW,90 DEG,MALE1869X8-Z,.38MPT X .50T	ADD WITH FEATURE 40280-05

**Models:** A3FE, C3FE  
**SYSTEM**  
**WITH AIR DRYER**  
**ABS**

**With Features:** FEATURE 40070 WITH 40076-01; 40081-01, 11; 40051-02  
**BSN:** From CSN 30037595 08/02/99  
 To CSN 0198634 5/01/05

Key	PartNumber	Qty	Description	Comment
-----	------------	-----	-------------	---------



**Models:** A3FE, C3FE  
**SYSTEM**  
**WITH AIR DRYER**  
**ABS**

**With Features:** FEATURE 40070 WITH 40076-01; 40081-01, 11; 40051-02  
**BSN:** From CSN 30037595 08/02/99  
 To CSN 0198634 5/01/05

Key	PartNumber	Qty	Description	Comment
1	0014693	1	RESERVOIR ASSY,WET TANK,HDFE	
1	0059421		RESERVOIR ASSY,BRAKE,WET,AMBULANCE,	WITH FEATURE 31063-01
1	0085626		RESERVOIR ASSY,AUX,WET,KNEELING,HEND,	WITH FEATURE 40004-07 & 04569
3	0035745	1	VALVE ASSY,A/BRK TREADLE,ELEC THROT,	
3	0035744		VALVE ASSY,A/BRK TREADLE,AIR THROT,ABS	
3	0043369		VALVE ASSY,A/BRK TRDL,E/THRT,ABS,ADJ PED	WITH 40099
4	0032238	1	VALVE ASSY,PARKING BRAKE,PP-1	
5	2023232	2	COUPLING,ANCHOR,205465	
6	1940873	2	SWITCH ASSY,STOPLIGHT PRESSURE	
7	0002913	1	MANIFOLD ASSY, AIR SYSTEM,HDFE	
8	0034886	1	GOVERNOR ASSY,AIR COMPRESSOR,FE	
9			NOT CURRENTLY USED	
10	0908244	2	HOSE ASSY,BRAKE,7/16,X 24 IN LONG	
11	0758698	2	COUPLING,ANCHOR,B-W 217709 BENDIX	
12	0020601	1	VALVE ASSY,QUICK REL & SR1 SPR BRK VLV	EXCEPT WITH 40004-07
13	0002822	1	VALVE ASSY,DOUBLE CHECK,HDFE	
14			RESERVOIR ASSEMBLY, REAR BRAKE	
14	1978089	1	RESERVOIR ASSY,REAR BRAKE,SPRING SUSP,	
14	0064322	1	TANK ASSY,RESERVOIR,REAR BRAKE,AIR SSP	
15	0048632	1	VALVE ASSY,SPR&SERV,ABS,FE	
16	2001188	2	LOCKWASHER,SPLIT RING, 5/16,MED,YEL ZN	
17	0870477	2	CAPSCREW,HEX HD,1/4-20 X 1,GR 8,YEL ZN	
18	0035607	2	CAPSCREW,ALLEN,SOC HD,5/16-18X2 3/4,BLK	CAT
19	0002746	2	CAPSCREW,ALLEN,SOC HD,M8-1.25 X 70MM,	CUMMINS
19	1039262	2	NUT,HEX HD,1/4-20,LOCK,ZINC	
20			NOT CURRENTLY USED	
21	2055846	1	NUT	
22	2026763	1	FERRULE,60 X 10 5/8 IN	
23	1024975	1	HOSE ASSY,AIR CMPR DISCH,30 LONG	
24	0014460		MODULATOR,ABS,AIR BRAKE,BENDIX M-30	ENDING WITH CSN 0163204
24	0060035	2	MODULATOR,ABS,AIR BRAKE,M32QR	BEGIN WITH CSN 163205
25			NOT CURRENTLY USED	
26	0009920	4	CONNECTOR,MALE,1868X8X8-Z,.50MPT X .50T"	EXCEPT WITH 40280-05

**Models:** A3FE, C3FE  
**SYSTEM**  
**WITH AIR DRYER**  
**ABS**

**With Features:** FEATURE 40070 WITH 40076-01; 40081-01, 11; 40051-02  
**BSN:** From CSN 30037595 08/02/99  
 To CSN 0198634 5/01/05

Key	PartNumber	Qty	Description	Comment
27	0009906	2	ELBOW,90 DEG,MALE1869X8-Z,.38MPT X .50T	EXCEPT WITH 40004-07
28	1226877	4	CAPSCREW,HEX HD,5/16X 3 1/2,GR8,YEL ZN	
29	2001048	8	WASHER,FLAT,11/32 X 11/16 X 1/16,YEL	
30	0829390	4	NUT,HEX HD,5/16-18,SER WASHER,YEL ZN	
31	0854406	1	CAPSCREW,HEX HD,5/16-18 X 1,GR8,YEL ZN	
32	1480433		NUT,HEX HD,5/16-18,FLG PRVG TORQ,GR F,	
36	1990324	2	SENSOR,ABS,STRAIGHT,AIR,SQUARE PLUG	ENDING WITH CSN 30093324
37	1542471	4	SLEEVE,CLAMP,NOTCHED,HUB SENSOR,ABS	ENDING WITH CSN 30093324
38	1990316	2	SENSOR,ABS,90 DEGREE,AIR	ENDING WITH CSN 30093324
39	0025952	2	SCREW,MACH.,OVAL HD,PH,8-32X1.25,SS	
50	0009907	2	ELBOW,90 DEG,MALE1869X8X8-Z,.50MPT	
51	2027407	1	TUBING,COPPER,5/8,TYPE L (S04060)	
52	1741925	1	INSULATION,PIPE,POLYETHYLENE,1/2 THICK	
53	0754879	1	ELBOW,1/2 MPT X 5/8 TUBE	
54	0009917	1	CONNECTOR,MALE,1868X4-Z,.13MP X .25"	
55	0009912	1	ELBOW,90 DEG,MALE1869X4X4-Z,.25MPT	
56	0020804	1	AIR DRYER,AD-9,LH SUPPLY,STD	FEATURE 40081-01
26	0024269	1	AIR DRYER,AD-SP,SYSTEM PURGE	FEATURE 40081-11
NI	0024452	1	VALVE,CHECK,SINGLE,AD-SP AIR DRYER	
57	1567403	1	BRACKET,MTG,AIR DRYER	
58	0977132	1	CAPSCREW,HEX HD,1/4-20 X 3/4,GR 5,YEL	
59	0941997	1	LOCKWASHER,EXTERNAL TOOTH,1/4 ZINC	
60	1467000	1	WASHER,FLAT,.281 X.750X.078 HARDENED,BLK	
61	2001345	1	NUT,HEX HD,1/4-20,LOCKING,YELLOW	
62	0765859	1	TERMINAL,EYELET,1/4,14-16 GA,INSULATED	
87	2005734		LOOM,ASPHALTUM,WIRE,1IN	
88	0009909		ELBOW,90 DEG,MALE1869X6X8-Z,.50MPT	WITH KNEELING FEATURE 4569 ONLY
2	0024450	1	RESERVOIR ASSY,FRONT BRAKE,AD-SP AIR	ADD WITH FEATURE 40081-11
33	0803213	AR	CAPSCREW,HEX HD,3/8-16X1 1/4,GR8,YEL	ADD WITH FEATURE 40081-11
34	1107085	AR	WASHER,FLAT,13/32 X 13/16 X 3/32,HDN,BLK	ADD WITH FEATURE 40081-11
35	0826297	AR	NUT,HEX HD,3/8-16 LOCK,YEL ZN DICH	ADD WITH FEATURE 40081-11
56	0024269	1	AIR DRYER,AD-SP,SYSTEM PURGE	ADD WITH FEATURE 40081-11
82	1942135	3	CAPSCREW,HEX HD 1/2-13X 1 1/4,GR8,	ADD WITH FEATURE 40081-11



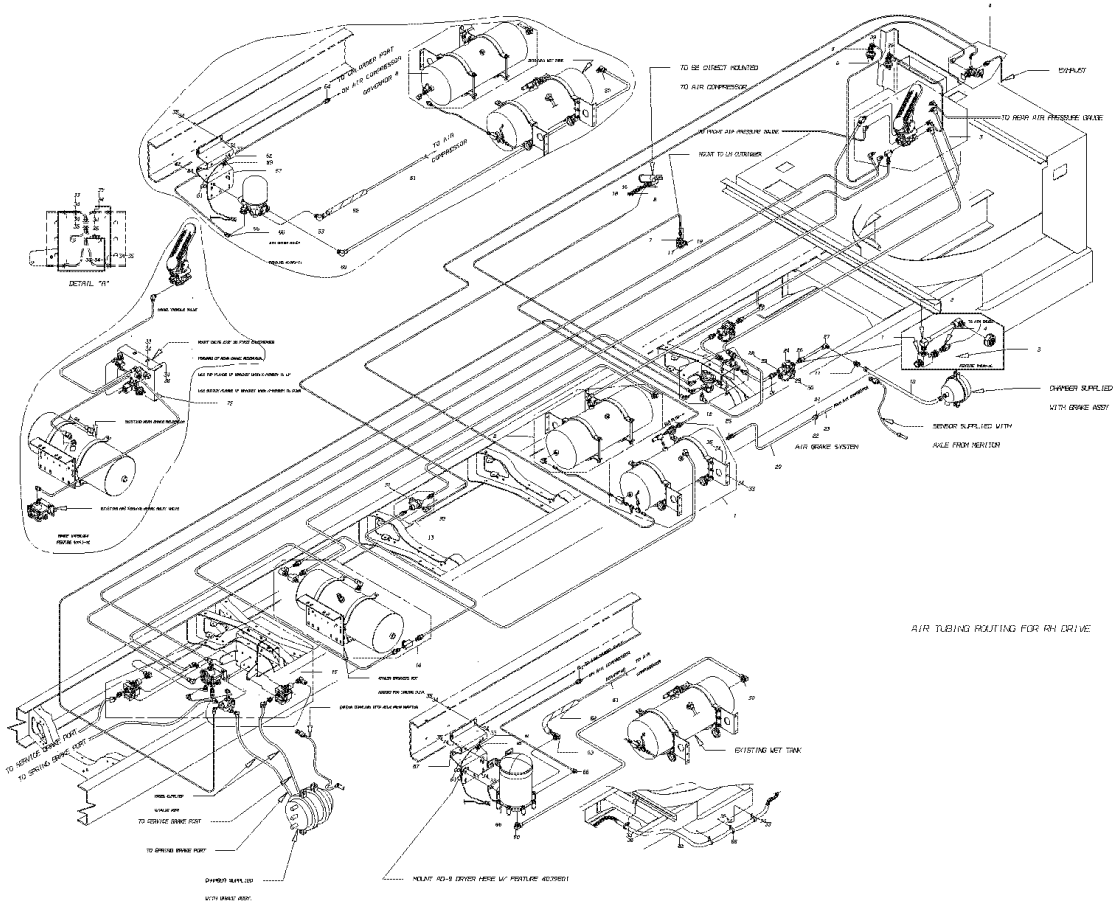
**Models:** A3FE, C3FE  
**SYSTEM  
 WITH AIR DRYER  
 ABS**

**With Features:** FEATURE 40070 WITH 40076-01; 40081-01, 11; 40051-02  
**BSN:** From CSN 30037595 08/02/99  
 To CSN 0198634 5/01/05

Key	PartNumber	Qty	Description	Comment
84	0990655	3	LOCKWASHER,SPLIT RING, 1/2 ,MED,YEL ZN	ADD WITH FEATURE 40081-11
1	0024450		RESERVOIR ASSY,FRONT BRAKE,AD-SP AIR	DELETE WITH HYDRAULIC BRAKES, WITH AIR SUSPENSION F & R ONLY, OR REAR ONLY
1	1942044		RESERVOIR ASSY,WET TK,HYD BRK,REYCO	DELETE WITH HYDRAULIC BRAKES, WITH AIR SUSPENSION F & R ONLY, OR REAR ONLY
2	0024450	1	RESERVOIR ASSY,FRONT BRAKE,AD-SP AIR	ADD WITH FEATURE 40081-01
33	0803213	AR	CAPSCREW,HEX HD,3/8-16X1 1/4,GR8,YEL	ADD WITH FEATURE 40081-01
34	1107085	AR	WASHER,FLAT,13/32 X 13/16 X 3/32,HDN,BLK	ADD WITH FEATURE 40081-01
35	0826297	AR	NUT,HEX HD,3/8-16 LOCK,YEL ZN DICH	ADD WITH FEATURE 40081-01
56	0024269	1	AIR DRYER,AD-SP,SYSTEM PURGE	ADD WITH FEATURE 40081-01
75	0010667	1	VALVE ASSY,AIR BRAKE INTERLOCK,HDFE	ADD WITH FEATURE 40051-02
76	0009909	1	ELBOW,90 DEG,MALE1869X6X8-Z,-50MPT	ADD WITH FEATURE 40051-02
33	0803213	AR	CAPSCREW,HEX HD,3/8-16X1 1/4,GR8,YEL	ADD WITH FEATURE 40051-02
34	1107085	AR	WASHER,FLAT,13/32 X 13/16 X 3/32,HDN,BLK	ADD WITH FEATURE 40051-02
35	0826297	AR	NUT,HEX HD,3/8-16 LOCK,YEL ZN DICH	ADD WITH FEATURE 40051-02

**Models:** A3FE, C3FE  
**SYSTEM WITH AIR DRYER ABS**  
**With Features:** FEATURE 40070 WITH 40076-01; 40081-01, 11, 19; 40051-02; 40360-02  
**BSN:** From CSN 0198635 5/02/05

Key	PartNumber	Qty	Description	Comment
-----	------------	-----	-------------	---------



**Models:** A3FE, C3FE  
**SYSTEM**  
**WITH AIR DRYER**  
**ABS**

**With Features:** FEATURE 40070 WITH 40076-01; 40081-01, 11, 19; 40051-02; 40360-02  
**BSN:** From CSN 0198635 5/02/05

Key	PartNumber	Qty	Description	Comment
1	0014693		RESERVOIR ASSY,WET TANK,HDFE	
1	0059421		RESERVOIR ASSY,BRAKE,WET,AMBULANCE,	WITH 31063-02
2	0002970		RESERVOIR ASSY,FRONT BRAKE,HDFE	
3	0035745		VALVE ASSY,A/BRK TREADLE,ELEC THROT,	
3	0035744		VALVE ASSY,A/BRK TREADLE,AIR THROT,ABS	
3	0043369		VALVE ASSY,A/BRK TRDL,E/THRT,ABS,ADJ PED	
4	0032238		VALVE ASSY,PARKING BRAKE,PP-1	
5	2023232		COUPLING,ANCHOR,205465	
6	1940873		SWITCH ASSY,STOPLIGHT PRESSURE	
7	0002913		MANIFOLD ASSY, AIR SYSTEM,HDFE	
9	1797802		HOSE,.25 ID X .50 OD,W-H H00904	
10	0908244		HOSE ASSY,BRAKE,7/16,X 24 IN LONG	
11	0758698		COUPLING,ANCHOR,B-W 217709 BENDIX	
12	0020601		VALVE ASSY,QUICK REL & SR1 SPR BRK VLV	
13	0002822		VALVE ASSY,DOUBLE CHECK,HDFE	
14	1978089		RESERVOIR ASSY,REAR BRAKE,SPRING SUSP,	
	0064322		TANK ASSY,RESERVOIR,REAR BRAKE,AIR SSP	
15	0048632		VALVE ASSY,SPR&SERV,ABS,FE	
16	2001188		LOCKWASHER,SPLIT RING, 5/16,MED,YEL ZN	
17	0870477		CAPSCREW,HEX HD,1/4-20 X 1,GR 8,YEL ZN	
18	0035607		CAPSCREW,ALLEN,SOC HD,5/16-18X2 3/4,BLK	WITH CAT
18	0002746		CAPSCREW,ALLEN,SOC HD,M8-1.25 X 70MM,	WITH CUMMINS
19	1039262		NUT,HEX HD,1/4-20,LOCK,ZINC	
20	2027407		TUBING,COPPER,5/8,TYPE L (S04060)	S04060
21	2055846		NUT	
22	2026763		FERRULE,60 X 10 5/8 IN	
23	1024975		HOSE ASSY,AIR CMPR DISCH,30 LONG	
24	0020035		SPACER,ALUM,REI,VCP CNTRL,LTC40	
25	2023356		CONNECTOR,1/2 MPT X 5/8 TUBE	
26	0009920		CONNECTOR,MALE,1868X8X8-Z,.50MPT X .50T"	
26	1831890		ELBOW,STREET,45DEG,3350X8,1/2MPTX1/2FPT	
27	0009906		ELBOW,90 DEG,MALE1869X8-Z,.38MPT X .50T	
28	1226877		CAPSCREW,HEX HD,5/16X 3 1/2,GR8,YEL ZN	

**Models:** A3FE, C3FE  
**SYSTEM**  
**WITH AIR DRYER**  
**ABS**

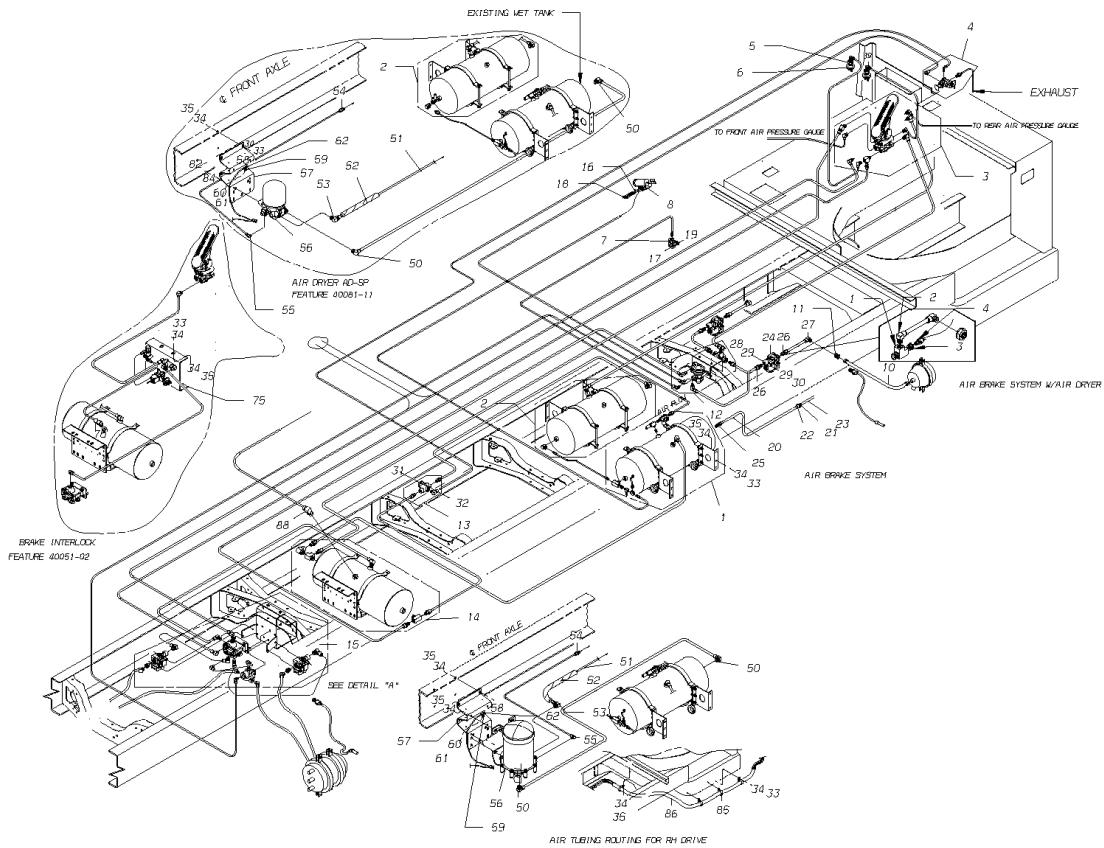
**With Features:** FEATURE 40070 WITH 40076-01; 40081-01, 11, 19; 40051-02; 40360-02  
**BSN:** From CSN 0198635 5/02/05

Key	PartNumber	Qty	Description	Comment
29	2001048		WASHER,FLAT,11/32 X 11/16 X 1/16,YEL	
30	0829390		NUT,HEX HD,5/16-18,SER WASHER,YEL ZN	
31	0854406		CAPSCREW,HEX HD,5/16-18 X 1,GR8,YEL ZN	
32	1480433		NUT,HEX HD,5/16-18,FLG PRVG TORQ,GR F,	
33	0803213		CAPSCREW,HEX HD,3/8-16X1 1/4,GR8,YEL	
34	1107085		WASHER,FLAT,13/32 X 13/16 X 3/32,HDN,BLK	
35			NOT USED	
36			NOT USED	
37			NOT USED	
38	1990316		SENSOR,ABS,90 DEGREE,AIR	
39	0025652		ELBOW,90 MALE SWVL,1869X4X4S-	
33	0803213		CAPSCREW,HEX HD,3/8-16X1 1/4,GR8,YEL	ADD WITH A3FE RH DRIVE FEATURE 40360-02
34	1107085		WASHER,FLAT,13/32 X 13/16 X 3/32,HDN,BLK	ADD WITH A3FE RH DRIVE FEATURE 40360-02
35	0826297		NUT,HEX HD,3/8-16 LOCK,YEL ZN DICH	ADD WITH A3FE RH DRIVE FEATURE 40360-02
85	1107085		WASHER,FLAT,13/32 X 13/16 X 3/32,HDN,BLK	ADD WITH A3FE RH DRIVE FEATURE 40360-02
86	1228840		LOOM,CORRUGATED,BLACK,NYLON,1 1/4ID,SS	ADD WITH A3FE RH DRIVE FEATURE 40360-02
1	0654350		TEE,1/2 PIPE,STREET	ADD WITH FEATURE NUMBER 40280-05
2	0009907		ELBOW,90 DEG,MALE1869X8X8-Z,.50MPT	ADD WITH FEATURE NUMBER 40280-05
3	2027159		BUSHING,PIPE,1/2 X 1/4,BRASS	ADD WITH FEATURE NUMBER 40280-05
4	0009922		CONNECTOR,MALE,1868X4X4-Z,.25MPT X .25T"	ADD WITH FEATURE NUMBER 40280-05
15	0048363		VINYL,NAUGHYDE,ALL AMERICAN,AM-41	ADD WITH FEATURE NUMBER 40280-05
26	0009920		CONNECTOR,MALE,1868X8X8-Z,.50MPT X .50T"	DELETE WITH FEATURE 40280-05
15	0048632		VALVE ASSY,SPR&SERV,ABS,FE	DELETE WITH FEATURE 40280-05
77	0021086		VALVE ASSY,QUICK REL & SR1 SPR BRK VLV	ADD WITH FEATURE 40004-07
78	0009921		CONNECTOR,MALE,1868X8-Z,.38MPT X .50T"	ADD WITH FEATURE 40004-07
27	0009906		ELBOW,90 DEG,MALE1869X8-Z,.38MPT X .50T	DELETE WITH FEATURE 4004-07
12	0020601		VALVE ASSY,QUICK REL & SR1 SPR BRK VLV	DELETE WITH FEATURE 4004-07

**Models:** A3FE, C3FE  
**SYSTEM**  
**WITH OUT AIR DRYER**  
**ABS**

**With Features:** FEATURE 40070 WITH 40076-01; 40280-05; 40004-07; 40360-02  
**BSN:** From CSN 30037595 08/02/99  
 To CSN 0198634 5/01/05

Key	PartNumber	Qty	Description	Comment
-----	------------	-----	-------------	---------



**Models:** A3FE, C3FE  
**SYSTEM**  
**WITH OUT AIR DRYER**  
**ABS**

**With Features:** FEATURE 40070 WITH 40076-01; 40280-05; 40004-07; 40360-02  
**BSN:** From CSN 30037595 08/02/99  
 To CSN 0198634 5/01/05

Key	PartNumber	Qty	Description	Comment
1	0014693	1	RESERVOIR ASSY,WET TANK,HDFE	
1	0059421		RESERVOIR ASSY,BRAKE,WET,AMBULANCE,	WITH FEATURE 31063-01
1	0085626		RESERVOIR ASSY,AUX,WET,KNEELING,HEND,	WITH FEATURE 40004-07 & 04569
2	0002970	1	RESERVOIR ASSY,FRONT BRAKE,HDFE	
3	0035745	1	VALVE ASSY,A/BRK TREADLE,ELEC THROT,	
3	0035744		VALVE ASSY,A/BRK TREADLE,AIR THROT,ABS	
3	0043369		VALVE ASSY,A/BRK TRDL,E/THRT,ABS,ADJ PED	WITH 40099
4	0032238	1	VALVE ASSY,PARKING BRAKE,PP-1	
5	2023232	2	COUPLING,ANCHOR,205465	
6	1940873	2	SWITCH ASSY,STOPLIGHT PRESSURE	
7	0002913	1	MANIFOLD ASSY, AIR SYSTEM,HDFE	
9	1797802	1	HOSE,.25 ID X .50 OD,W-H H00904	
10	0908244	2	HOSE ASSY,BRAKE,7/16,X 24 IN LONG	
11	0758698	2	COUPLING,ANCHOR,B-W 217709 BENDIX	
12	0020601	1	VALVE ASSY,QUICK REL & SR1 SPR BRK VLV	EXCEPT WITH 40004-07
13	0002822	1	VALVE ASSY,DOUBLE CHECK,HDFE	
14	1978089	1	RESERVOIR ASSY,REAR BRAKE,SPRING SUSP,	SPRING SUSPENSION
14	0064322	1	TANK ASSY,RESERVOIR,REAR BRAKE,AIR SSP	AIR SUSPENSION
15	0048632	1	VALVE ASSY,SPR&SERV,ABS,FE	STANDARD . NOT WITH FEATURE 40280-05
15	0048363	1	VINYL,NAUGHYDE,ALL AMERICAN,AM-41	WITH FEATURE 40280-05 ONLY
16	2001188	2	LOCKWASHER,SPLIT RING, 5/16,MED,YEL ZN	
17	0870477	2	CAPSCREW,HEX HD,1/4-20 X 1,GR 8,YEL ZN	
18	0035607	2	CAPSCREW,ALLEN,SOC HD,5/16-18X2 3/4,BLK	CAT
18	0002746	2	CAPSCREW,ALLEN,SOC HD,M8-1.25 X 70MM,	CUMMINS
19	1039262	2	NUT,HEX HD,1/4-20,LOCK,ZINC	
20	2027407	10	TUBING,COPPER,5/8,TYPE L (S04060)	
21	2055846	1	NUT	
22	2026763	1	FERRULE,60 X 10 5/8 IN	
23	1024975	1	HOSE ASSY,AIR CMPR DISCH,30 LONG	
24	0060035	2	MODULATOR,ABS,AIR BRAKE,M32QR	
25	2023356	1	CONNECTOR,1/2 MPT X 5/8 TUBE	
26	0009920	4	CONNECTOR,MALE,1868X8X8-Z,.50MPT X .50T"	EXCEPT WITH 40280-05
26	1831890	2	ELBOW,STREET,45DEG,3350X8,1/2MPTX1/2FPT	

**Models:** A3FE, C3FE  
**SYSTEM**  
**WITH OUT AIR DRYER**  
**ABS**

**With Features:** **FEATURE 40070 WITH 40076-01; 40280-05; 40004-07; 40360-02**  
**BSN:** **From CSN 30037595 08/02/99**  
**To CSN 0198634 5/01/05**

Key	PartNumber	Qty	Description	Comment
27	0009906	2	ELBOW,90 DEG,MALE1869X8-Z,,.38MPT X .50T	EXCEPT WITH 40004-07
28	1226877	4	CAPSCREW,HEX HD,5/16X 3 1/2,GR8,YEL ZN	
29	2001048	8	WASHER,FLAT,11/32 X 11/16 X 1/16,YEL	
30	0829390	4	NUT,HEX HD,5/16-18,SER WASHER,YEL ZN	
31	0854406	1	CAPSCREW,HEX HD,5/16-18 X 1,GR8,YEL ZN	
32	1480433	1	NUT,HEX HD,5/16-18,FLG PRVG TORQ,GR F,	
33	0803213	AR	CAPSCREW,HEX HD,3/8-16X1 1/4,GR8,YEL	
34	1107085	AR	WASHER,FLAT,13/32 X 13/16 X 3/32,HDN,BLK	
35	0826297	AR	NUT,HEX HD,3/8-16 LOCK,YEL ZN DICH	
36	1990324	2	SENSOR,ABS,STRAIGHT,AIR,SQUARE PLUG	ENDING WITH CSN 30093324
37	1542471	4	SLEEVE,CLAMP,NOTCHED,HUB SENSOR,ABS	ENDING WITH CSN 30093324
38	1990316	2	SENSOR,ABS,90 DEGREE,AIR	ENDING WITH CSN 30093324
39	0025952	2	SCREW,MACH.,OVAL HD,PH,8-32X1.25,SS	
33	0803213	AR	CAPSCREW,HEX HD,3/8-16X1 1/4,GR8,YEL	ADD WITH RH DRIVE
34	1107085	AR	WASHER,FLAT,13/32 X 13/16 X 3/32,HDN,BLK	ADD WITH RH DRIVE
35	0826297	AR	NUT,HEX HD,3/8-16 LOCK,YEL ZN DICH	ADD WITH RH DRIVE
85	1107085	4	WASHER,FLAT,13/32 X 13/16 X 3/32,HDN,BLK	WITH FEATURE 40360-02 ONLY
86	1228840		LOOM,CORRUGATED,BLACK,NYLON,1 1/4ID,SS	
87	2005734		LOOM,ASPHALTUM,WIRE,1IN	
88	0009909		ELBOW,90 DEG,MALE1869X6X8-Z,,.50MPT	WITH OUT4569 ONLY
1	0654350	1	TEE,1/2 PIPE,STREET	ADD WITH FEATURE 40280-05
2	0009907	1	ELBOW,90 DEG,MALE1869X8X8-Z,,.50MPT	ADD WITH FEATURE 40280-05
3	2027159	1	BUSHING,PIPE,1/2 X 1/4,BRASS	ADD WITH FEATURE 40280-05
4	0009922	1	CONNECTOR,MALE,1868X4X4-Z,,.25MPT X .25T"	ADD WITH FEATURE 40280-05
15	0048363		VINYL,NAUGHYDE,ALL AMERICAN,AM-41	ADD WITH FEATURE 40280-05
26	0009920	4	CONNECTOR,MALE,1868X8X8-Z,,.50MPT X .50T"	DELETE WITH FEATURE 40280-05
15	0048632	1	VALVE ASSY,SPR&SERV,ABS,FE	STANDARD, DELETE WITH FEATURE 40280-05
77	0021086	1	VALVE ASSY,QUICK REL & SR1 SPR BRK VLV	FEATURE 40004-07 ONLY
78	0009921	2	CONNECTOR,MALE,1868X8-Z,,.38MPT X .50T"	FEATURE 40004-07 ONLY
27	0009906	2	ELBOW,90 DEG,MALE1869X8-Z,,.38MPT X .50T	DELETE WITH FEATURE 40004-07
12	0020601	1	VALVE ASSY,QUICK REL & SR1 SPR BRK VLV	DELETE WITH FEATURE 40004-07





**Models:** A3FE, C3FE  
**SYSTEM**  
**WITH OUT AIR DRYER**  
**ABS**

**With Features:** FEATURE 40070 WITH 40076-01; 40051-02; 40360-02  
**BSN:** From CSN 0198635 5/02/05

Key	PartNumber	Qty	Description	Comment
1	0014693		RESERVOIR ASSY,WET TANK,HDFE	
1	0059421		RESERVOIR ASSY,BRAKE,WET,AMBULANCE,	WITH 31063-01
3	0035745		VALVE ASSY,A/BRK TREADLE,ELEC THROT,	
3	0035744		VALVE ASSY,A/BRK TREADLE,AIR THROT,ABS	
3	0043369		VALVE ASSY,A/BRK TRDL,E/THRT,ABS,ADJ PED	
4	0032238	2	VALVE ASSY,PARKING BRAKE,PP-1	
5	2023232	2	COUPLING,ANCHOR,205465	
6	1940873		SWITCH ASSY,STOPLIGHT PRESSURE	
7	0002913	2	MANIFOLD ASSY, AIR SYSTEM,HDFE	
8	0034886	2	GOVERNOR ASSY,AIR COMPRESSOR,FE	
10	0908244		HOSE ASSY,BRAKE,7/16,X 24 IN LONG	
11	0758698		COUPLING,ANCHOR,B-W 217709 BENDIX	
12	0020601		VALVE ASSY,QUICK REL & SR1 SPR BRK VLV	
13	0002822		VALVE ASSY,DOUBLE CHECK,HDFE	
14	1978089		RESERVOIR ASSY,REAR BRAKE,SPRING SUSP,	
14	0064322		TANK ASSY,RESERVOIR,REAR BRAKE,AIR SSP	
15	0084962		VALVE ASSY,ABS,SPR&SERV,EC60,FE	
16	2001188	2	LOCKWASHER,SPLIT RING, 5/16,MED,YEL ZN	
17	0870477	2	CAPSCREW,HEX HD,1/4-20 X 1,GR 8,YEL ZN	
18	0035607	2	CAPSCREW,ALLEN,SOC HD,5/16-18X2 3/4,BLK	
18	0002746	2	CAPSCREW,ALLEN,SOC HD,M8-1.25 X 70MM,	
19	1039262	2	NUT,HEX HD,1/4-20,LOCK,ZINC	
21	2055846		NUT	
22	2026763		FERRULE,60 X 10 5/8 IN	
23	1024975		HOSE ASSY,AIR CMPR DISCH,30 LONG	
24	0060035	2	MODULATOR,ABS,AIR BRAKE,M32QR	
26	0009920	4	CONNECTOR,MALE,1868X8X8-Z,.50MPT X .50T"	
27	0009906	2	ELBOW,90 DEG,MALE1869X8-Z,.38MPT X .50T	
28	1226877	4	CAPSCREW,HEX HD,5/16X 3 1/2,GR8,YEL ZN	
29	2001048	8	WASHER,FLAT,11/32 X 11/16 X 1/16,YEL	
30	0829390	4	NUT,HEX HD,5/16-18,SER WASHER,YEL ZN	
31	0854406		CAPSCREW,HEX HD,5/16-18 X 1,GR8,YEL ZN	
32	1480433		NUT,HEX HD,5/16-18,FLG PRVG TORQ,GR F,	

**Models:** A3FE, C3FE  
**SYSTEM**  
**WITH OUT AIR DRYER**  
**ABS**

**With Features:** FEATURE 40070 WITH 40076-01; 40051-02; 40360-02  
**BSN:** From CSN 0198635 5/02/05

Key	PartNumber	Qty	Description	Comment
36		2	NOT USED	
37		2	NOT USED	
38		10	NOT USED	
39	0025652	5	ELBOW,90 MALE SWVL,1869X4X4S-	
50	0009907		ELBOW,90 DEG,MALE1869X8X8-Z,.50MPT	
51	2027407		TUBING,COPPER,5/8,TYPE L (S04060)	S04060
52	1741925		INSULATION,PIPE,POLYETHYLENE,1/2 THICK	
53	0754879		ELBOW,1/2 MPT X 5/8 TUBE	
54	0009917		CONNECTOR,MALE,1868X4-Z,.13MP X .25T"	
55	0009912		ELBOW,90 DEG,MALE1869X4X4-Z,.25MPT	
57	1567403	18	BRACKET,MTG,AIR DRYER	
58	0977132	36	CAPSCREW,HEX HD,1/4-20 X 3/4,GR 5,YEL	
59	0941997	18	LOCKWASHER,EXTERNAL TOOTH,1/4 ZINC	
60	1467000		WASHER,FLAT,.281 X.750X.078 HARDENED,BLK	
61	2001345	3	NUT,HEX HD,1/4-20,LOCKING,YELLOW	
62	0765859	3	TERMINAL,EYELET,1/4,14-16 GA,INSULATED	
2	0024450		RESERVOIR ASSY,FRONT BRAKE,AD-SP AIR	ADD WITH FEATURE 40081-11
33	0803213		CAPSCREW,HEX HD,3/8-16X1 1/4,GR8,YEL	ADD WITH FEATURE 40081-11
34	1107085		WASHER,FLAT,13/32 X 13/16 X 3/32,HDN,BLK	ADD WITH FEATURE 40081-11
35	0826297		NUT,HEX HD,3/8-16 LOCK,YEL ZN DICH	ADD WITH FEATURE 40081-11
56	0024269		AIR DRYER,AD-SP,SYSTEM PURGE	ADD WITH FEATURE 40081-11
82	1942135		CAPSCREW,HEX HD 1/2-13X 1 1/4,GR8,	ADD WITH FEATURE 40081-11
84	0990655		LOCKWASHER,SPLIT RING, 1/2 ,MED,YEL ZN	ADD WITH FEATURE 40081-11
NI	0969816		SEALANT,LOCTITE,THREADLOCKER,271	ADD WITH FEATURE 40081-11
1	0024450		RESERVOIR ASSY,FRONT BRAKE,AD-SP AIR	DELETE WITH AIR SUSPENSION F & R OR REAR ONLY
1	1942044		RESERVOIR ASSY,WET TK,HYD BRK,REYCO	ADD WITH AIR SUSPENSION F & R OR REAR ONLY
2	0002970		RESERVOIR ASSY,FRONT BRAKE,HDFE	ADD WITH FEATURE 40081-01 AD -9, AIR DRYER
33	0803213	22	CAPSCREW,HEX HD,3/8-16X1 1/4,GR8,YEL	ADD WITH FEATURE 40081-01 AD -9, AIR DRYER
34	1107085	44	WASHER,FLAT,13/32 X 13/16 X 3/32,HDN,BLK	ADD WITH FEATURE 40081-01 AD -9, AIR DRYER
35	0826297	22	NUT,HEX HD,3/8-16 LOCK,YEL ZN DICH	ADD WITH FEATURE 40081-01 AD -9, AIR DRYER
56	0020804		AIR DRYER,AD-9,LH SUPPLY,STD	ADD WITH FEATURE 40081-01 AD -9, AIR DRYER

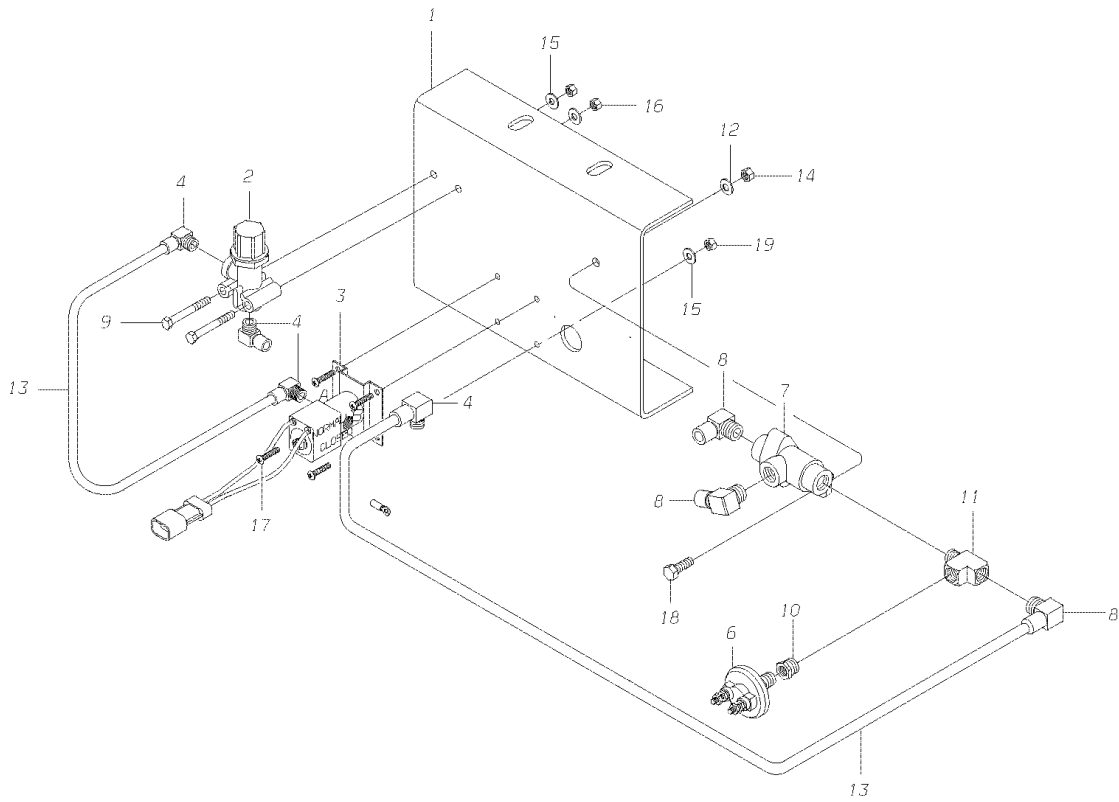
**Models:** A3FE, C3FE  
**SYSTEM**  
**WITH OUT AIR DRYER**  
**ABS**

**With Features:** FEATURE 40070 WITH 40076-01; 40051-02; 40360-02  
**BSN:** From CSN 0198635 5/02/05

Key	PartNumber	Qty	Description	Comment
75	0010667		VALVE ASSY,AIR BRAKE INTERLOCK,HDFE	ADD WITH FEATURE 40051-02
75	0085406		HARNES,WRG,DIR & HAZARD FOOT CTRL	ADD WITH FEATURE 40051-02
76	0009909		ELBOW,90 DEG,MALE1869X6X8-Z,.50MPT	ADD WITH FEATURE 40051-02
33	0803213	2	CAPSCREW,HEX HD,3/8-16X1 1/4,GR8,YEL	ADD WITH FEATURE 40051-02
34	1107085	4	WASHER,FLAT,13/32 X 13/16 X 3/32,HDN,BLK	ADD WITH FEATURE 40051-02
35	0826297	2	NUT,HEX HD,3/8-16 LOCK,YEL ZN DICH	ADD WITH FEATURE 40051-02

**Models:** A3FE, C3FE  
**VALVE ASSY**  
**AIR BRAKE INTERLOCK**

Key	PartNumber	Qty	Description	Comment
-----	------------	-----	-------------	---------



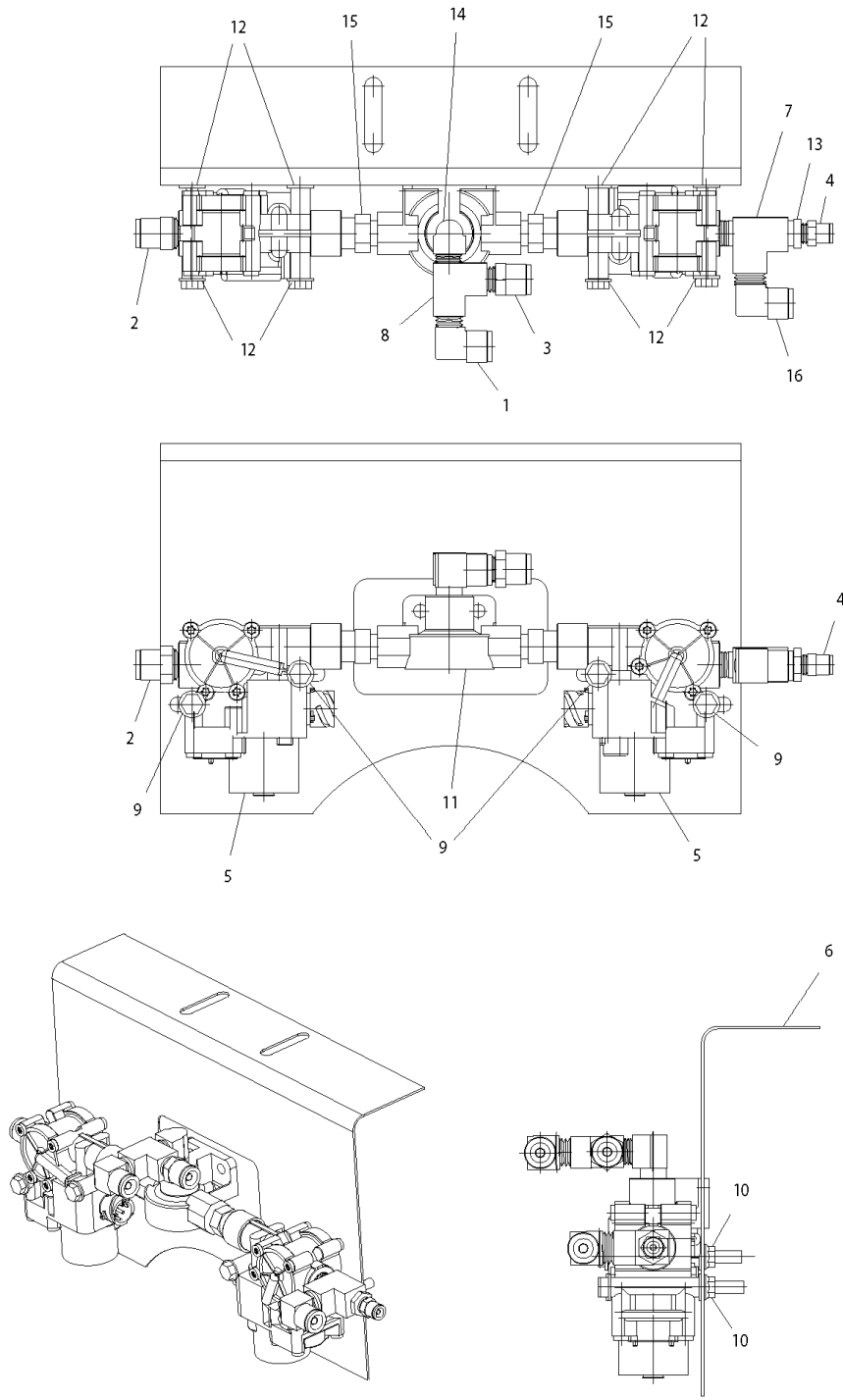
**Models:** **A3FE, C3FE**  
**VALVE ASSY**  
**AIR BRAKE INTERLOCK**

Key	PartNumber	Qty	Description	Comment
1	0010665		BRACKET,MTG,AIR BRAKE INTERLOCK COMP,	
2	1102938		VALVE,PRESS REDU,RV-1,40 PSI,BW279926	
3	1686807		VALVE ASSY,SOLENOID,NC ALLENAIR	
4	0009914	4	ELBOW,90 DEG,MALE1869X6-Z,.25MPT X .38T"	
5			CURRENTLY NOT USED	
6	1940873		SWITCH ASSY,STOPLIGHT PRESSURE	
7	0654434		VALVE,DOUBLE CHECK,3/8 PIPE	
8	0009911	3	ELBOW,90 DEG,MALE1869X6X6-Z,.38MPT	
9	1092337	2	CAPSCREW,HEX HD,1/4-20 X 2,GR 5,YEL ZN	
10	2027134		BUSHING,PIPE,3/8 X 1/4,BRASS	
11	1010065		TEE,STREET,3/8 PIPE 3750 X 6	
12	2001121		WASHER,FLAT,5/16 X 3/4,X 5/64,YEL ZN DICH	
13	1346857	23	TUBING,PLASTIC,3/8 OD,BLUE,SAE J844 TYPE B	
14	1981844		NUT,HEX HD,5/16-18,LOCK,YEL DICH	
15	1247709	6	WASHER,FLAT,17/64 ID X,5/8,YEL ZN DICH	
16	2001345	2	NUT,HEX HD,1/4-20,LOCKING,YELLOW	
17	2000768	4	SCREW,MACH,10-24 X 1, PH1,RD HD,YEL ZN	
18	0654459		CAPSCREW,HEX HD,5/16-18X7/8,GR5,YEL ZN	
19	1469287	4	NUT,HEX,10-24,ELASTIC LOCKNUT,YEL ZN	

**Models:**  
**A3FE, C3FE**  
**VALVE ASSY**  
**AXLE**  
**FRONT**

**With Features:**  
**BSN: FEATURE 40070 WITH 40280-05 ISB07**  
**From CSN 0267140 1/29/07**

Key	PartNumber	Qty	Description	Comment
-----	------------	-----	-------------	---------



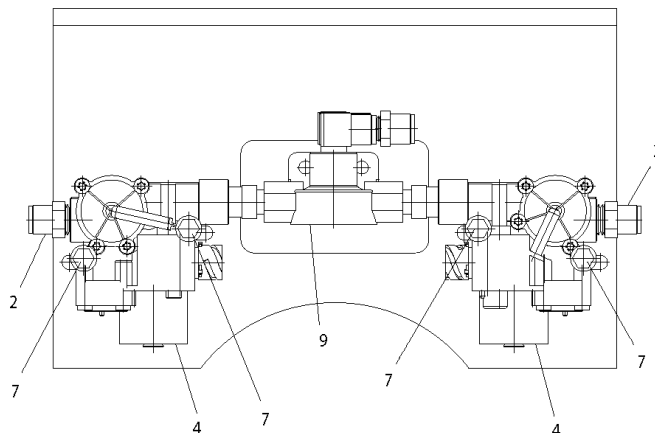
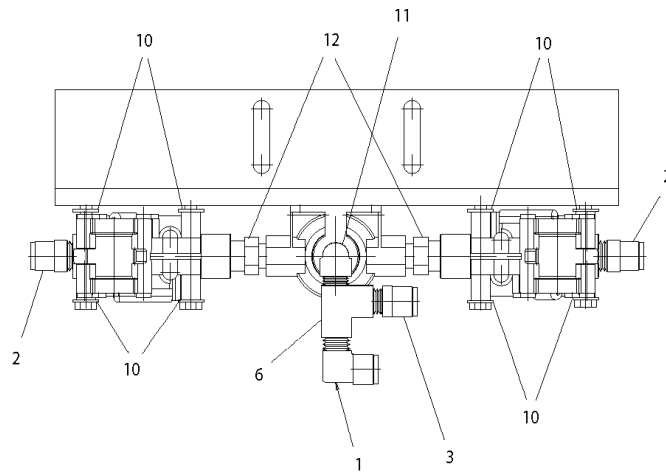
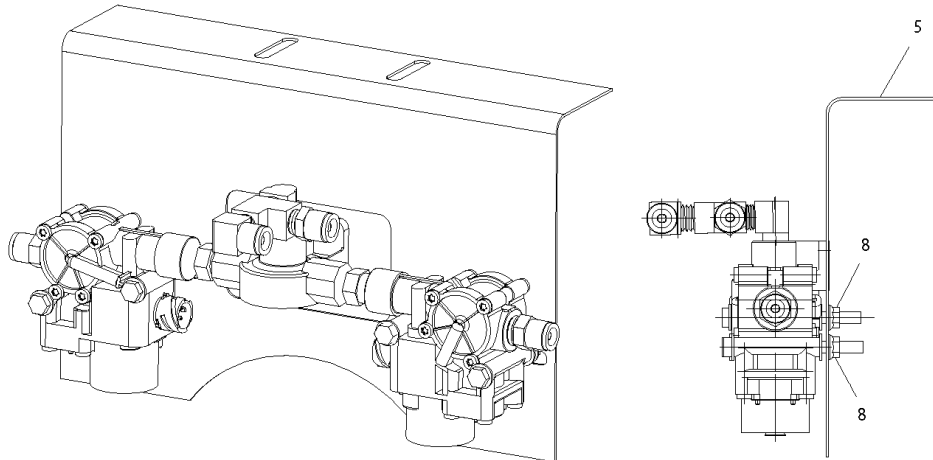
**Models:** A3FE, C3FE  
**VALVE ASSY**  
**AXLE**  
**FRONT**

**With Features:** APPLIED AIR  
**FEATURE 40070 WITH 40280-05 ISB07**  
**BSN:** From CSN 0267140 1/29/07

Key	PartNumber	Qty	Description	Comment
1	0009911	1	ELBOW,90 DEG,MALE1869X6X6-Z,.38MPT	
2	0009920	1	CONNECTOR,MALE,1868X8X8-Z,.50MPT X .50T"	
3	0009921	1	CONNECTOR,MALE,1868X8-Z,.38MPT X .50T"	
4	0009922	1	CONNECTOR,MALE,1868X4X4-Z,.25MPT X .25T"	
5	0060035	2	MODULATOR,ABS,AIR BRAKE,M32QR	
6	0102693	1	BRACKET,MOUNTING,AIR VALVES,FRT AXLE	
7	0654350	1	TEE,1/2 PIPE,STREET	
8	1010065	1	TEE,STREET,3/8 PIPE 3750 X 6	
9	1226877	4	CAPSCREW,HEX HD,5/16X 3 1/2,GR8,YEL ZN	
10	1480433	4	NUT,HEX HD,5/16-18,FLG PRVG TORQ,GR F,	
11	1940865	0	VALVE,QUICK RELEASE,3/8" INLET PORT	
12	2001048	8	WASHER,FLAT,11/32 X 11/16 X 1/16,YEL	
13	2027159	1	BUSHING,PIPE,1/2 X 1/4,BRASS	
14	2027241	1	ELBOW,STREET,90 DEG,3/8MPT X	
15	2222735	2	NIPPLE,HEX,1/2 MPT X 3/8 MPT	
16	0009907	1	ELBOW,90 DEG,MALE1869X8X8-Z,.50MPT	

**Models:** A3FE, C3FE  
**VALVE ASSY**  
**AXLE**  
**FRONT**  
**ISB07**  
**With Features:** FEATURE 40070  
**BSN:** From CSN 0267140 1/29/07

Key	PartNumber	Qty	Description	Comment
-----	------------	-----	-------------	---------





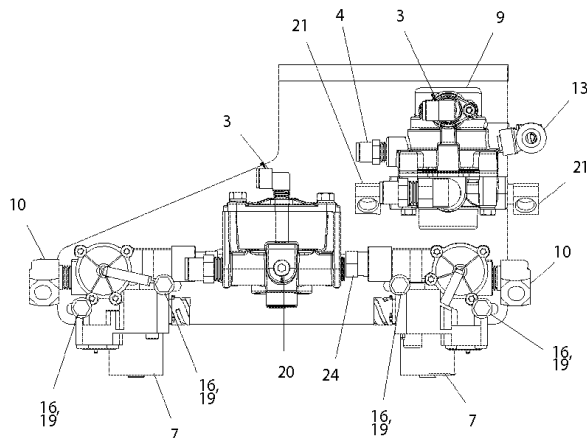
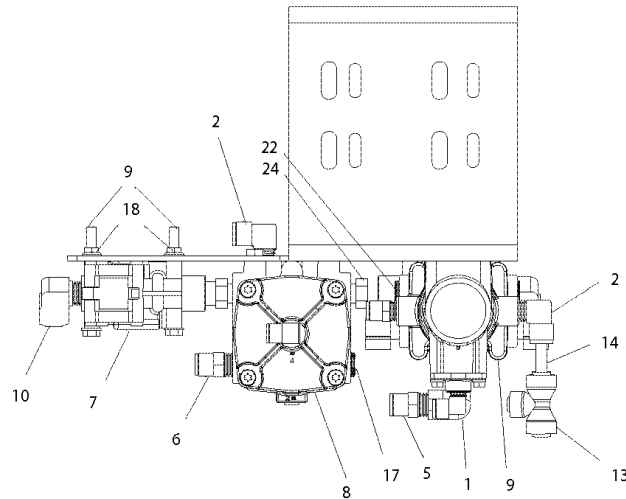
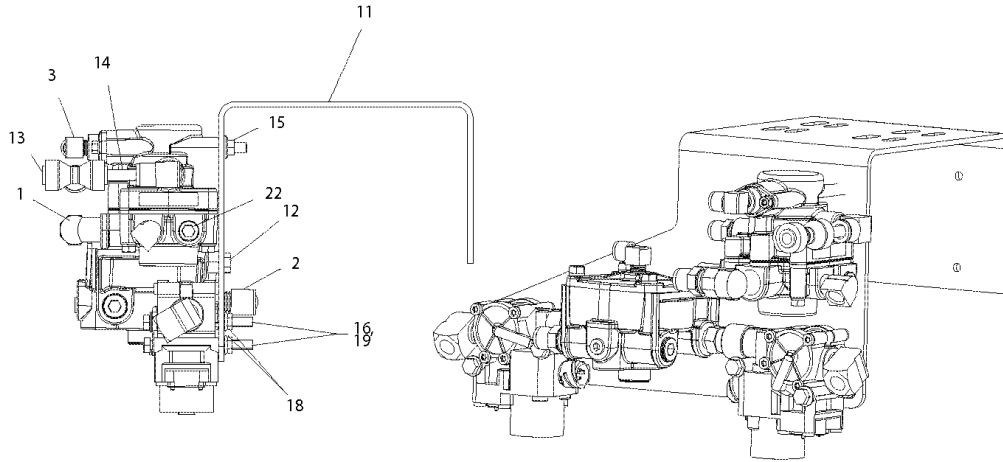
**Models:** A3FE, C3FE  
**VALVE ASSY**  
**AXLE**  
**FRONT**  
**ISB07**  
**With Features:** FEATURE 40070  
**BSN:** From CSN 0267140 1/29/07

Key	PartNumber	Qty	Description	Comment
1	0009911	1	ELBOW,90 DEG,MALE1869X6X6-Z,.38MPT	
2	0009920	2	CONNECTOR,MALE,1868X8X8-Z,.50MPT X .50"	
3	0009921	1	CONNECTOR,MALE,1868X8-Z,.38MPT X .50"	
4	0060035	2	MODULATOR,ABS,AIR BRAKE,M32QR	
5	0102693	1	BRACKET,MOUNTING,AIR VALVES,FRT AXLE	
6	1010065	1	TEE,STREET,3/8 PIPE 3750 X 6	
7	1226877	4	CAPSCREW,HEX HD,5/16X 3 1/2,GR8,YEL ZN	
8	1480433	4	NUT,HEX HD,5/16-18,FLG PRVG TORQ,GR F,	
9	1940865	1	VALVE,QUICK RELEASE,3/8" INLET PORT	
10	2001048	8	WASHER,FLAT,11/32 X 11/16 X 1/16,YEL	
11	2027241	1	ELBOW,STREET,90 DEG,3/8MPT X	
12	2222735	2	NIPPLE,HEX,1/2 MPT X 3/8 MPT	

**Models:**  
**A3FE, C3FE**  
**VALVE ASSY**  
**AXLE**  
**REAR**

**With Features:**  
**FEATURE 40070 WITH 40280-05 ISB07**  
**BSN:**  
**From CSN 0267140 1/29/07**

Key	PartNumber	Qty	Description	Comment
-----	------------	-----	-------------	---------



**Models:** A3FE, C3FE  
 VALVE ASSY  
 AXLE  
 REAR

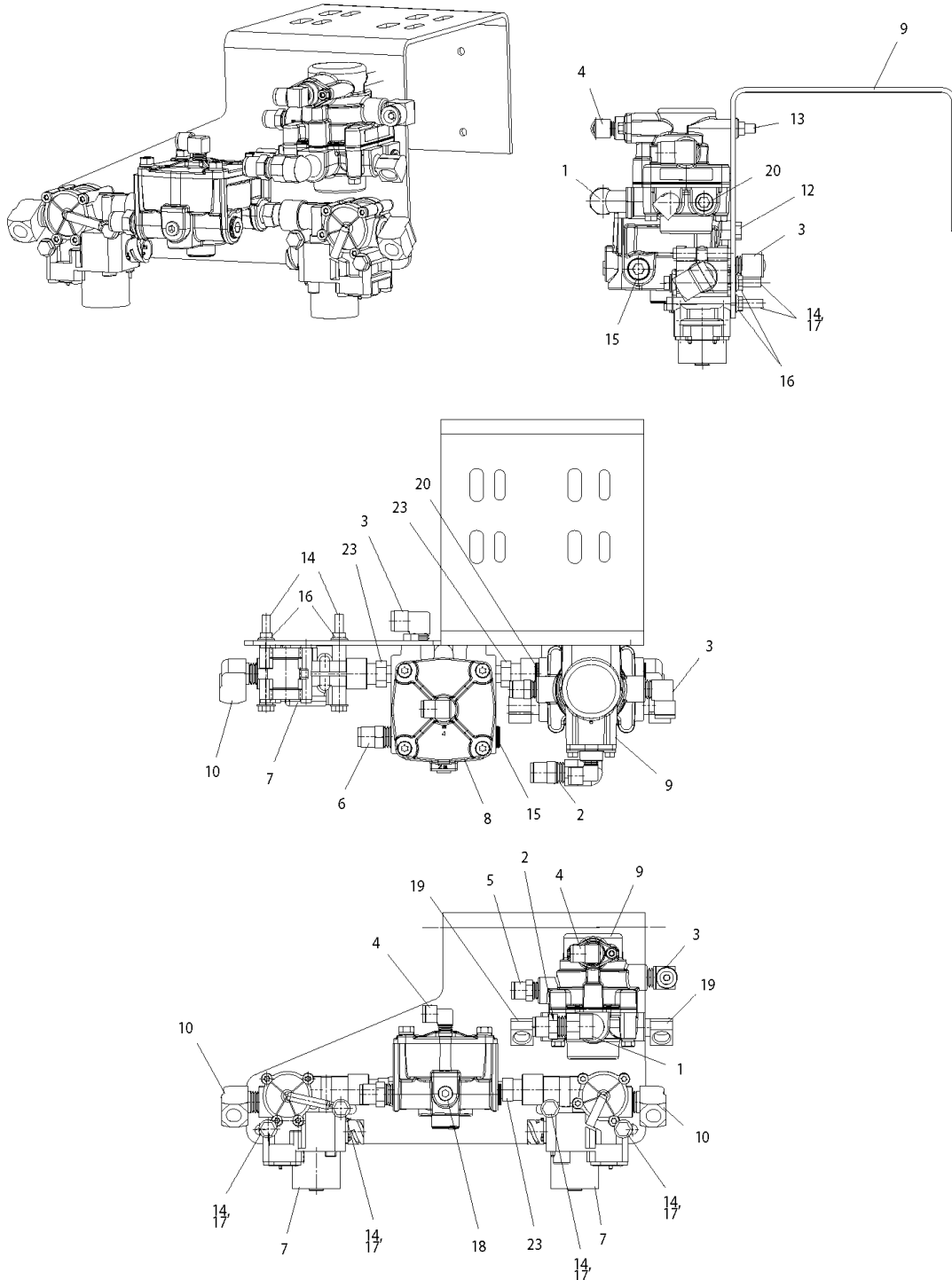
**With Features:** APPLIED AIR  
**BSN:** FEATURE 40070 WITH 40280-05 ISB07  
 From CSN 0267140 1/29/07

Key	PartNumber	Qty	Description	Comment
1	0001135	1	VALVE,SINGLE CHECK,1/2 PIPE,90 DEGREE	
2	0009911	2	ELBOW,90 DEG,MALE1869X6X6-Z,.38MPT	
3	0009914	2	ELBOW,90 DEG,MALE1869X6-Z,.25MPT X .38T"	
4	0009918	1	CONNECTOR,MALE,1868X6X6-Z,.38MPT X .38T"	
5	0009920	1	CONNECTOR,MALE,1868X8X8-Z,.50MPT X .50T"	
6	0009923	1	CONNECTOR,MALE,1868X10-Z,.50MPT X .63T"	
7	0060035	2	MODULATOR,ABS,AIR BRAKE,M32QR	
8	0066210	1	VALVE,RELAY,R12	
9	0091559	1	VALVE,BRAKE,SPRING,SR7	
10	0091571	2	ELBOW,STREET,90 DEG,.50 MPT X .375 FPT	
11	0102080	1	BRACKET,MOUNTING,ABS VALVES,REAR AXLE	
12	0105021	2	CAPSCREW,HEX HD,3/8-16 X 3/4,GR 5,YEL	
13	0105026	1	FITTING,TEE,UNION,.375TX.375TX.25T BRANCH	
14	0105027	1	TUBING,CONNECTOR,RAM,APPLIED AIR,UNION	
15	0543934	2	NUT,HEX HD,3/8-16,ZINC,LG FLG LK,YEL	
16	1226877	4	CAPSCREW,HEX HD,5/16X 3 1/2,GR8,YEL ZN	
17	1354877	1	PLUG,PIPE,1/2 ALLEN HEAD	
18	1480433	4	NUT,HEX HD,5/16-18,FLG PRVG TORQ,GR F,	
19	2001048	4	WASHER,FLAT,11/32 X 11/16 X 1/16,YEL	
20	2023513	1	PLUG,PIPE,1/4,ALLEN HEX HD,BRASS	
21	2027241	2	ELBOW,STREET,90 DEG,3/8MPT X	
22	2215382	2	PLUG,PIPE,3/8,W/ALLEN RECESS	
23	1346790	2	TUBING,PLASTIC,1/4 OD,GREEN,SAE J844 TYPE	
24	2222735		NIPPLE,HEX,1/2 MPT X 3/8 MPT	

**Models:**  
**A3FE, C3FE**  
**VALVE ASSY**  
**AXLE**  
**REAR**  
**ISB07**

**With Features:** **FEATURE 40070**  
**BSN:** **From CSN 0267140 1/29/07**

Key	PartNumber	Qty	Description	Comment
-----	------------	-----	-------------	---------



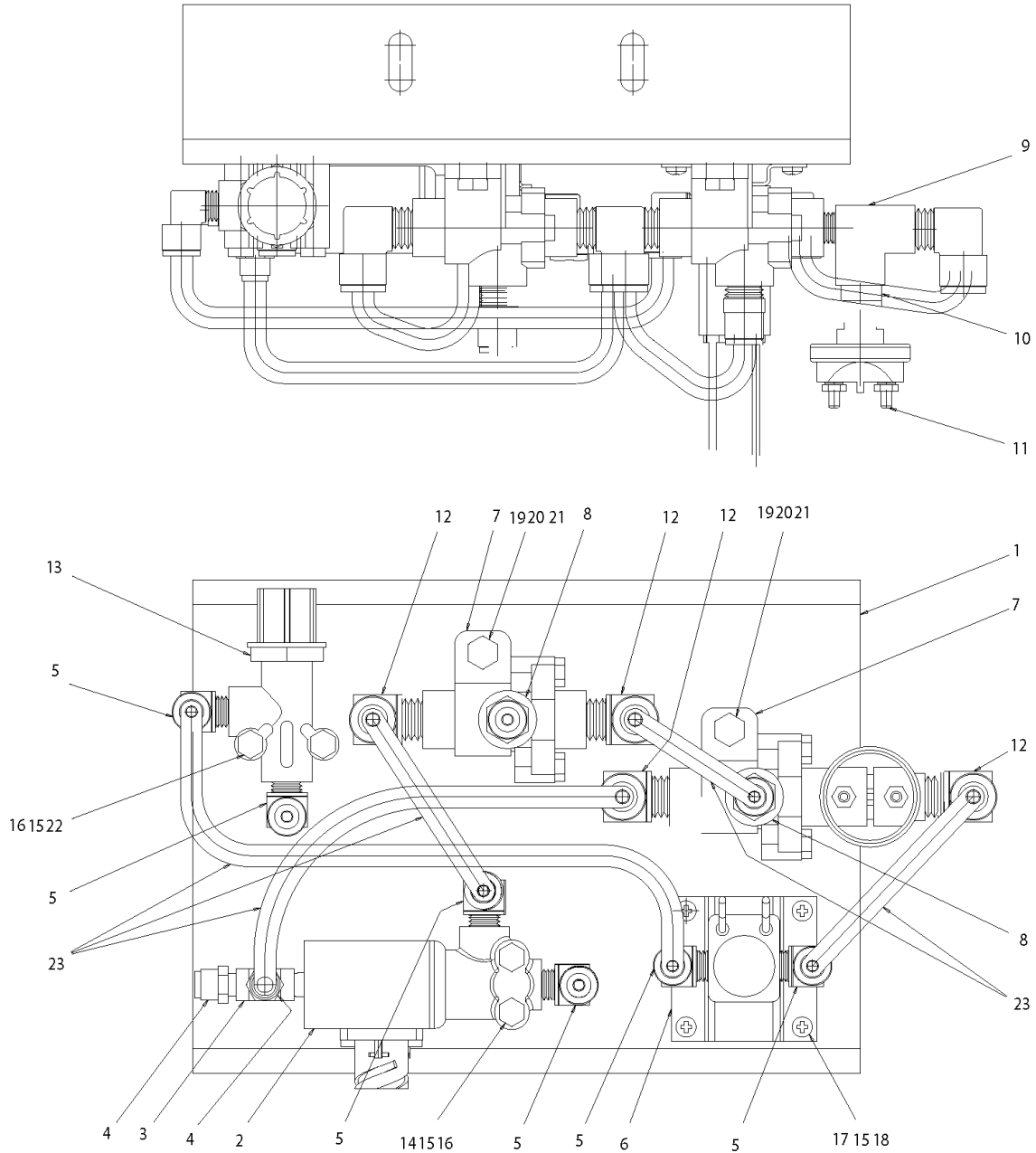
**Models:** A3FE, C3FE  
**VALVE ASSY**  
**AXLE**  
**REAR**  
**ISB07**  
**With Features:** FEATURE 40070  
**BSN:** From CSN 0267140 1/29/07

Key	PartNumber	Qty	Description	Comment
1	0001135	1	VALVE,SINGLE CHECK,1/2 PIPE,90 DEGREE	
2	0009920	1	CONNECTOR,MALE,1868X8X8-Z,.50MPT X .50T"	
3	0009911	2	ELBOW,90 DEG,MALE1869X6X6-Z,.38MPT	
4	0009914	2	ELBOW,90 DEG,MALE1869X6-Z,.25MPT X .38T"	
5	0009918	1	CONNECTOR,MALE,1868X6X6-Z,.38MPT X .38T"	
6	0009923	1	CONNECTOR,MALE,1868X10-Z,.50MPT X .63T"	
7	0060035	2	MODULATOR,ABS,AIR BRAKE,M32QR	
8	0066210	1	VALVE,RELAY,R12	
9	0091559	1	VALVE,BRAKE,SPRING,SR7	
10	0091571	2	ELBOW,STREET,90 DEG,.50 MPT X .375 FPT	
11	0102080	1	BRACKET,MOUNTING,ABS VALVES,REAR AXLE	
12	0105021	2	CAPSCREW,HEX HD,3/8-16 X 3/4,GR 5,YEL	
13	0543934	2	NUT,HEX HD,3/8-16,ZINC,LG FLG LK,YEL	
14	1226877	4	CAPSCREW,HEX HD,5/16X 3 1/2,GR8,YEL ZN	
15	1354877	1	PLUG,PIPE,1/2 ALLEN HEAD	
16	1480433	4	NUT,HEX HD,5/16-18,FLG PRVG TORQ,GR F,	
17	2001048	4	WASHER,FLAT,11/32 X 11/16 X 1/16,YEL	
18	2023513	1	PLUG,PIPE,1/4,ALLEN HEX HD,BRASS	
19	2027241	2	ELBOW,STREET,90 DEG,3/8MPT X	
20	2215382	2	PLUG,PIPE,3/8,W/ALLEN RECESS	
21	1346790	2F	TUBING,PLASTIC,1/4 OD,GREEN,SAE J844 TYPE	
23	2222735	2	NIPPLE,HEX,1/2 MPT X 3/8 MPT	

**Models:** A3FE, C3FE  
**VALVE ASSY**  
**BRAKE INTERLOCK**  
**TRACTION CONTROL**

**With Features:** 40453-01 WITH 40070 AND 40051-07 CAT 07  
 40453-01 WITH 40070 AND 40051-02 ISB 07  
 40453-01 ATC WITH 40051-01

Key	PartNumber	Qty	Description	Comment
-----	------------	-----	-------------	---------



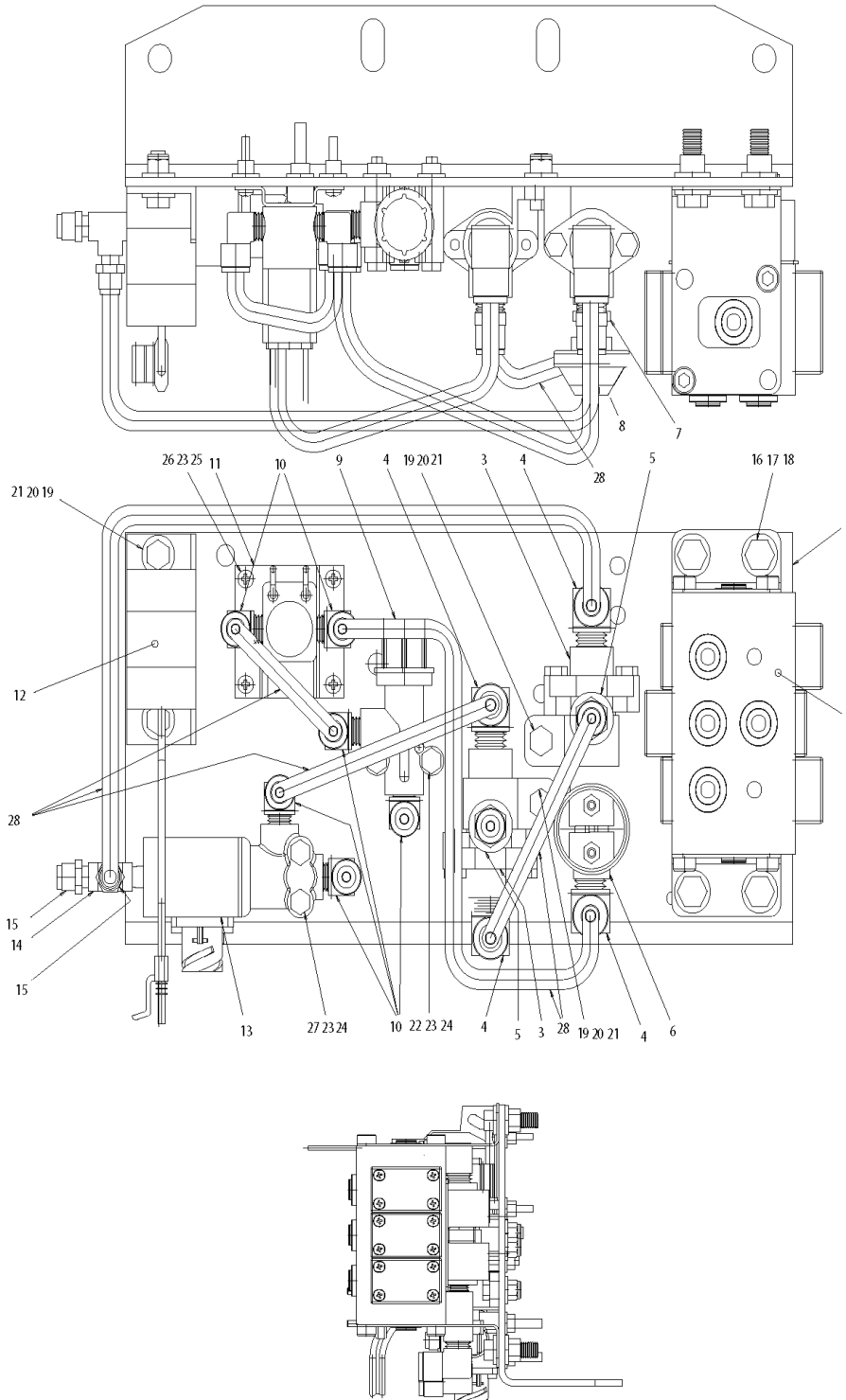
**Models:** A3FE, C3FE  
**VALVE ASSY**  
**BRAKE INTERLOCK**  
**TRACTION CONTROL**

**With Features:** 40453-01 WITH 40070 AND 40051-07 CAT 07  
**40453-01 WITH 40070 AND 40051-02 ISB 07**  
**40453-01 ATC WITH 40051-01**

Key	PartNumber	Qty	Description	Comment
1	0102446	1	BRACKET,MOUNTINNG,BRK INTERLOCK WITH	
2	0102339	1	VALVE,SOLENOID,TRACTION CONTROL,AIR	
3	1047133	1	FITTING,T,BRASS,1/8 FPT PARKER 2203 P-2	
4	0013103	2	CONNECTOR,MALE,1868X6X2-Z,.13MP X .38T	
5	0009914	6	ELBOW,90 DEG,MALE1869X6-Z,.25MPT X .38"	
6	1686807	1	VALVE ASSY,SOLENOID,NC ALLENAIR	
7	0654434	2	VALVE,DOUBLE CHECK,3/8 PIPE	
8	0009918	2	CONNECTOR,MALE,1868X6X6-Z,.38MPT X .38"	
9	1010065	1	TEE,STREET,3/8 PIPE 3750 X 6	
10	2027134	1	BUSHING,PIPE,3/8 X 1/4,BRASS	
11	1940873	1	SWITCH ASSY,STOPLIGHT PRESSURE	
12	0009911	4	ELBOW,90 DEG,MALE1869X6X6-Z,.38MPT	
13	1102938	1	VALVE,PRESS REDU,RV-1,40 PSI,BW279926	
14	1246651	2	CAPSCREW,HEX HD,1/4-20X2 3/4,GR5,YEL	
15	1247709	8	WASHER,FLAT,17/64 ID X,5/8,YEL ZN DICH	
16	2001345	4	NUT,HEX HD,1/4-20,LOCKING,YELLOW	
17	2000768	4	SCREW,MACH,10-24 X 1, PH1,RD HD,YEL ZN	
18	1469287	4	NUT,HEX,10-24,ELASTIC LOCKNUT,YEL ZN	
19	0654459	2	CAPSCREW,HEX HD,5/16-18X7/8,GR5,YEL ZN	
20	2001121	2	WASHER,FLAT,5/16 X 3/4,X 5/64,YEL ZN DICH	
21	1465954	2	NUT,HEX HD,5/16-18,LK,NYLON INSERT,YEL	
22	1092337	2	CAPSCREW,HEX HD,1/4-20 X 2,GR 5,YEL ZN	
23	1346857	2"	TUBING,PLASTIC,3/8 OD,BLUE,SAE J844 TYPE B	

Models: **A3FE, C3FE**  
**VALVE ASSY**  
**BRAKE INTERLOCK**  
**TRACTION CONTROL**  
**KNEELING**  
 With Features: **FEATURE 40453-01**  
 BSN: **From CSN 0232665 4/5/06**

Key	PartNumber	Qty	Description	Comment
-----	------------	-----	-------------	---------





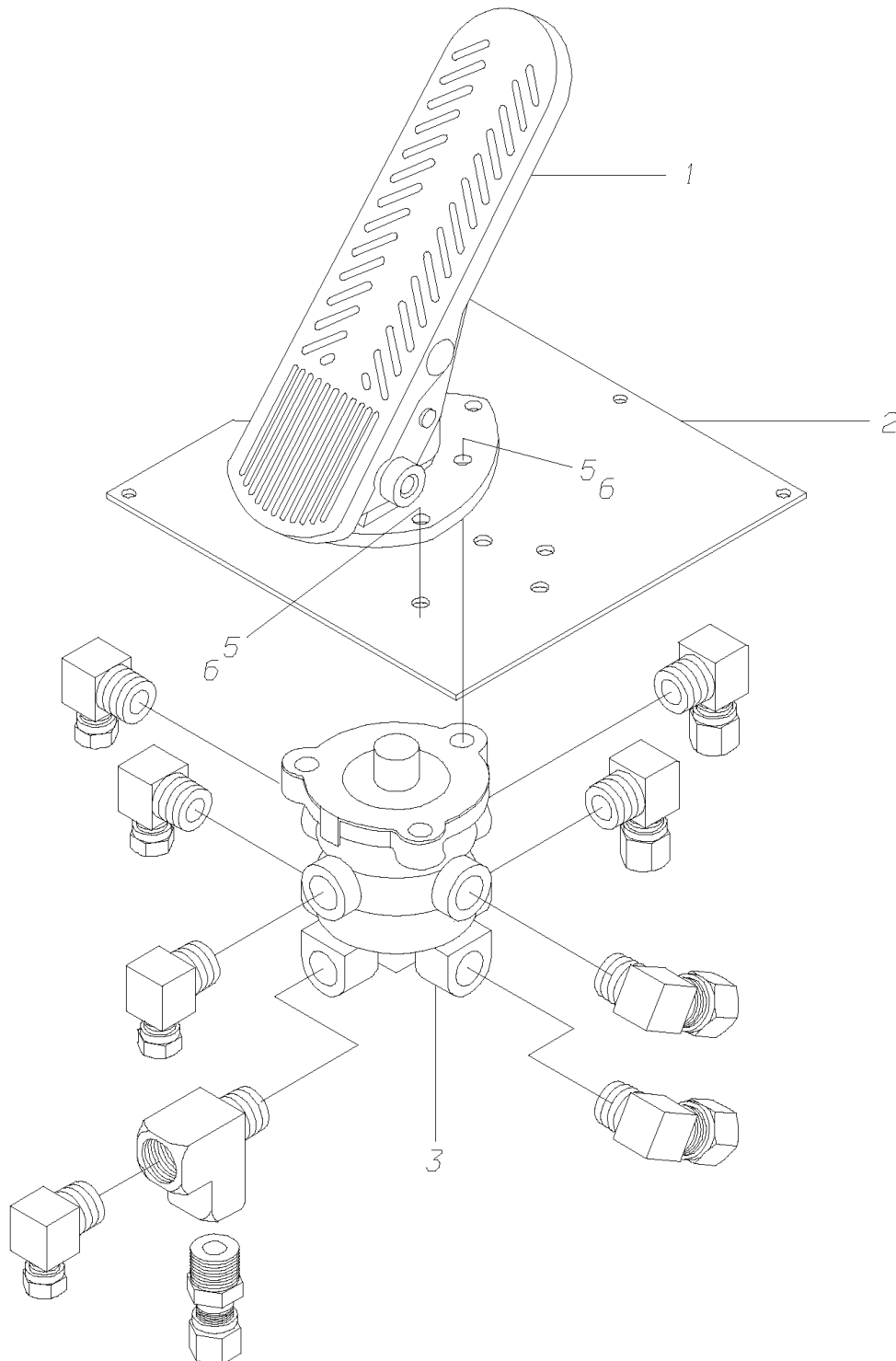
**Models:** A3FE, C3FE  
**VALVE ASSY**  
**BRAKE INTERLOCK**  
**TRACTION CONTROL**  
**KNEELING**  
**With Features:** FEATURE 40453-01  
**BSN:** From CSN 0232665 4/5/06

Key	PartNumber	Qty	Description	Comment
1	0102550	1	BRACKET,MOUNTING,BRK INTLCK,KNEEL,ATC	
2	0055088	1	PANEL,INSIDE,LOWER,64.05, C4RE	
3	0654434	2	VALVE,DOUBLE CHECK,3/8 PIPE	
4	0009911	4	ELBOW,90 DEG,MALE1869X6X6-Z,.38MPT	
5	0009918	2	CONNECTOR,MALE,1868X6X6-Z,.38MPT X .38T"	
6	1010065	1	TEE,STREET,3/8 PIPE 3750 X 6	
7	2027134	1	BUSHING,PIPE,3/8 X 1/4,BRASS	
8	1940873	1	SWITCH ASSY,STOPLIGHT PRESSURE	
9	1102938	1	VALVE,PRESS REDU,RV-1,40 PSI,BW279926	
10	0009914	6	ELBOW,90 DEG,MALE1869X6-Z,.25MPT X .38T"	
11	1686807	1	VALVE ASSY,SOLENOID,NC ALLENAIR	
12	0003311	1	HORN,BACKING ALARM,107 DB	
13	0102339	1	VALVE,SOLENOID,TRACTION CONTROL,AIR	
14	1047133	1	FITTING,T,BRASS,1/8 FPT PARKER 2203 P-2	
15	0013103	2	CONNECTOR,MALE,1868X6X2-Z,.13MP X .38T	
16	0803213	4	CAPSCREW,HEX HD,3/8-16X1 1/4,GR8,YEL	
17	1107085	8	WASHER,FLAT,13/32 X 13/16 X 3/32,HDN,BLK	
18	0826297	4	NUT,HEX HD,3/8-16 LOCK,YEL ZN DICH	
19	0654459	4	CAPSCREW,HEX HD,5/16-18X7/8,GR5,YEL ZN	
20	2001121	6	WASHER,FLAT,5/16 X 3/4,X 5/64,YEL ZN DICH	
21	1465954	4	NUT,HEX HD,5/16-18,LK,NYLON INSERT,YEL	
22	1092337	2	CAPSCREW,HEX HD,1/4-20 X 2,GR 5,YEL ZN	
23	1247709	8	WASHER,FLAT,17/64 ID X,5/8,YEL ZN DICH	
24	2001345	4	NUT,HEX HD,1/4-20,LOCKING,YELLOW	
25	2000768	4	SCREW,MACH,10-24 X 1, PH1,RD HD,YEL ZN	
26	1469287	4	NUT,HEX,10-24,ELASTIC LOCKNUT,YEL ZN	
27	1246651	2	CAPSCREW,HEX HD,1/4-20X2 3/4,GR5,YEL	
28	1346857	3	TUBING,PLASTIC,3/8 OD,BLUE,SAE J844 TYPE B	

**Models:** A3FE  
 VALVE ASSY  
 BRAKE TREADLE & PEDAL  
 ABS

**With Features:** FEATURE 40076-01  
**BSN:** From CSN 30012575 07/22/98  
 To CSN 30080060 05/06/01

Key	PartNumber	Qty	Description	Comment
-----	------------	-----	-------------	---------



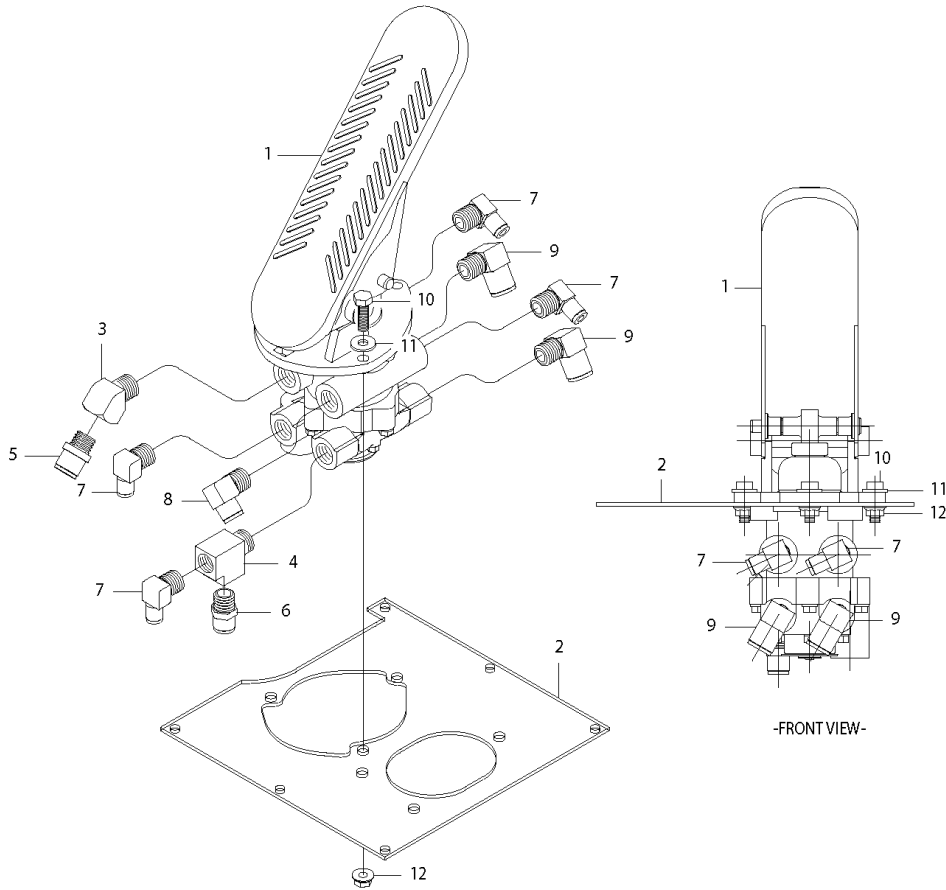
**Models:** A3FE  
 VALVE ASSY  
 BRAKE TREADLE & PEDAL  
 ABS

**With Features:** FEATURE 40076-01  
**BSN:** From CSN 30012575 07/22/98  
 To CSN 30080060 05/06/01

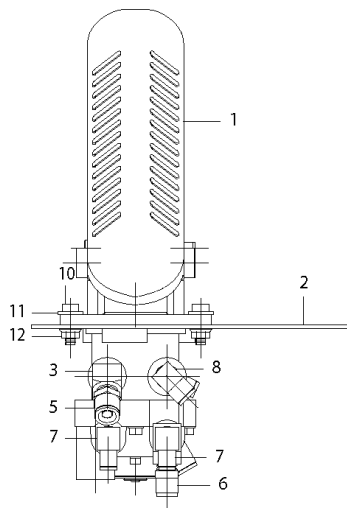
Key	PartNumber	Qty	Description	Comment
1	1666700	1	PEDAL ASSY,AIR BRAKE TREADLE W/RUBBER	
2	1977339	1	PLATE,MTG,ELEC ACCEL,AIR BRAKE TREADLE	
3	1998392	1	VALVE ASSY,BRAKE TREADLE,W/ABS,FE	
4	0829390	3	NUT,HEX HD,5/16-18,SER WASHER,YEL ZN	
5	0854414	6	CAPSCREW,HEX HD,5/16-18X7/8,GR8,YEL ZN	
6	2001188	6	LOCKWASHER,SPLIT RING, 5/16,MED,YEL ZN	

Models: A3FE, C3FE  
 VALVE ASSY  
 BRAKE TREADLE & PEDAL  
 AIR THROTTLE  
 With Features: FEATURE 40070  
 BSN: From 5/7/01

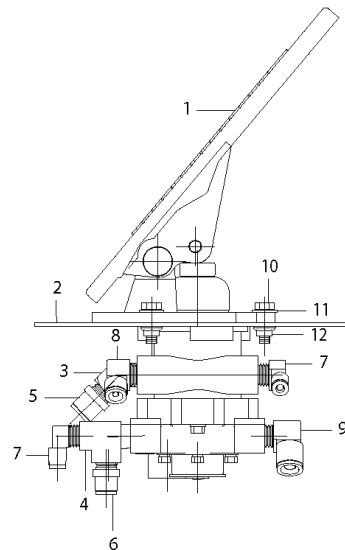
Key	PartNumber	Qty	Description	Comment
-----	------------	-----	-------------	---------



-FRONT VIEW-



-REARVIEW-



-RIGHT SIDEVIEW-

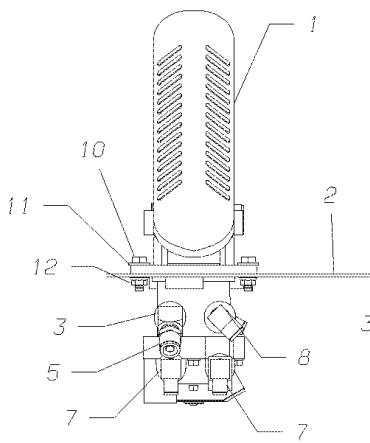
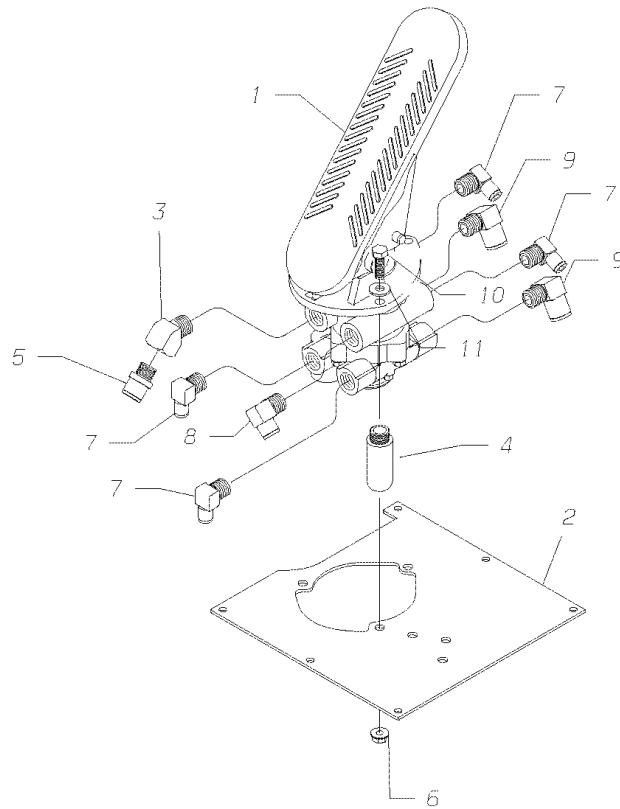
**Models:** A3FE, C3FE  
**VALVE ASSY**  
**BRAKE TREADLE & PEDAL**  
**AIR THROTTLE**  
**With Features:** FEATURE 40070  
**BSN:** From 5/7/01

Key	PartNumber	Qty	Description	Comment
1	0020837		VALVE,TREADLE & PEDAL,AIR BRAKE	
2	0035750		PLATE,MTG,A/BRK TREADLE,AIR THROTTLE	
3	2008282		ELBOW,STREET,45 DEG,3350X6Z,BRASS	
4	1010065		TEE,STREET,3/8 PIPE 3750 X 6	
5	0009921		CONNECTOR,MALE,1868X8-Z,.38MPT X .50"	
6	0009918		CONNECTOR,MALE,1868X6X6-Z,.38MPT X .38T"	
7	0009913	4	ELBOW,90 DEG,MALE1869X4X6-Z,.38MPT	
8	0009911		ELBOW,90 DEG,MALE1869X6X6-Z,.38MPT	
9	0009906	2	ELBOW,90 DEG,MALE1869X8-Z,.38MPT X .50T	
10	0854406	3	CAPSCREW,HEX HD,5/16-18 X 1,GR8,YEL ZN	
11	2001121	3	WASHER,FLAT,5/16 X 3/4,X 5/64,YEL ZN DICH	
12	1484033	3	NUT,HEX HD,5/16-18,FLG PRVG TORQ	

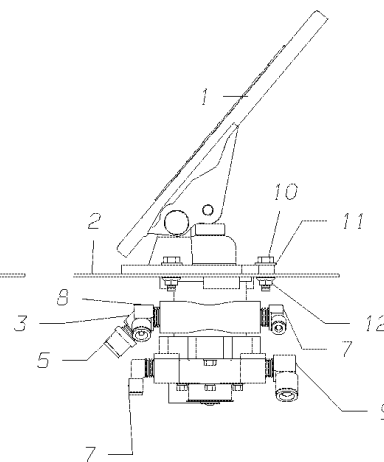
**Models:** A3FE, HDFE  
**VALVE ASSY**  
**BRAKE TREADLE & PEDAL**  
**EEC, C7**

**With Features:** FEATURE 40070 WITH 4003 RH DIRVE  
**BSN:** From CSN 5-12-05  
 To CSN 12-11-05

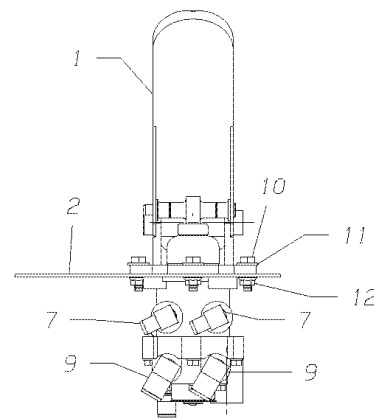
Key	PartNumber	Qty	Description	Comment
-----	------------	-----	-------------	---------



-REAR VIEW-



-RIGHT SIDE VIEW-



-FRONT VIEW-

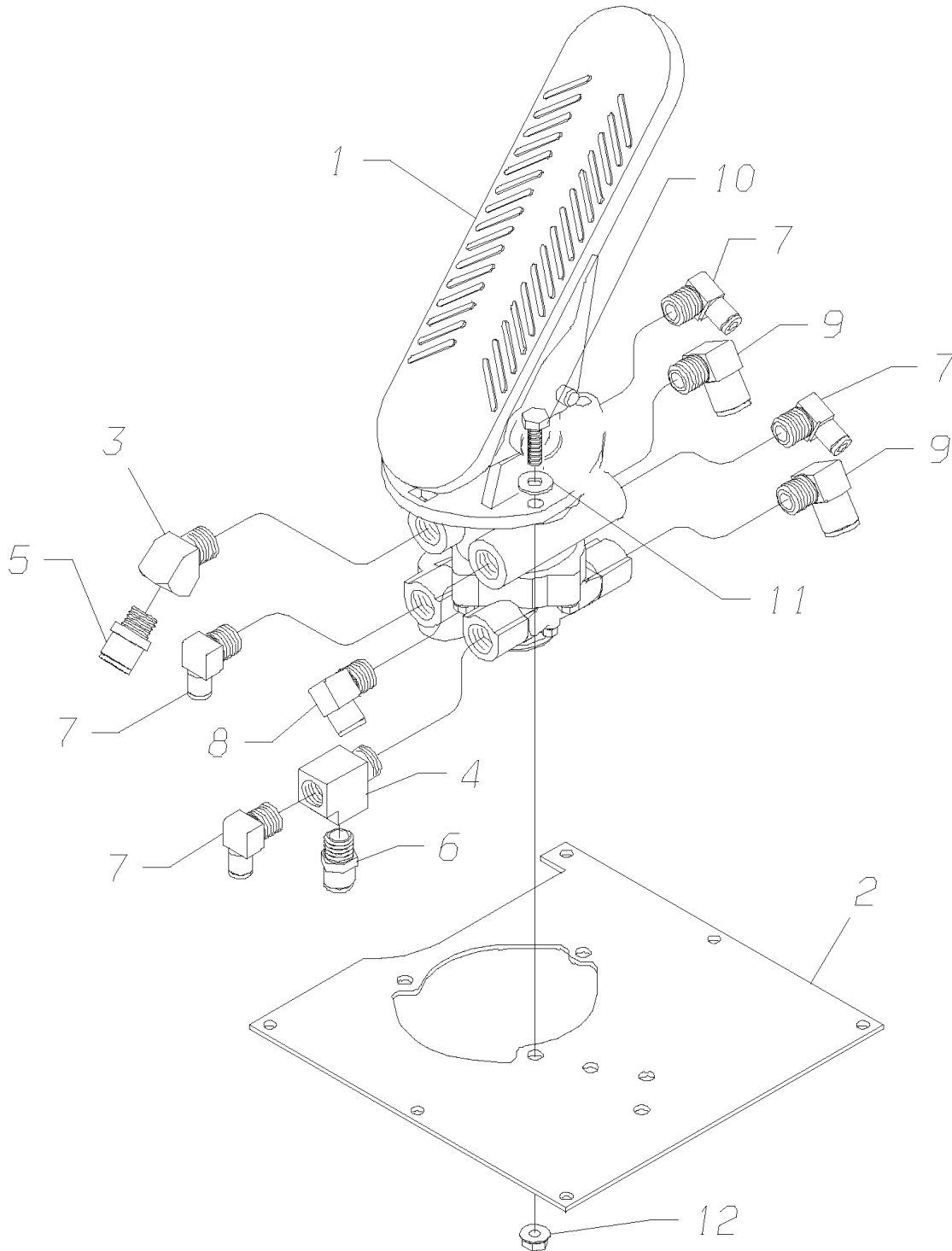
**Models:** A3FE, HDFE  
 VALVE ASSY  
 BRAKE TREADLE & PEDAL  
 EEC, C7

**With Features:** FEATURE 40070 WITH 4003 RH DIRVE  
**BSN:** From CSN 5-12-05  
 To CSN 12-11-05

Key	PartNumber	Qty	Description	Comment
1	0045857		TREADLE,BRAKE,E8P,W/DUAL O-RING PISTON,	
2	0035347		PLATE,MTG,A/BRK TREADLE,ELEC THROTTLE,	
3	2008282		ELBOW,STREET,45 DEG,3350X6Z,BRASS	
4	0048361		SILENCER,EXHAUST,VALVE,EEC	
5	0009921		CONNECTOR,MALE,1868X8-Z,.38MPT X .50"	
6	1480433		NUT,HEX HD,5/16-18,FLG PRVG TORQ,GR F,	
7	0009913		ELBOW,90 DEG,MALE1869X4X6-Z,.38MPT	
8	0009911		ELBOW,90 DEG,MALE1869X6X6-Z,.38MPT	
9	0009906		ELBOW,90 DEG,MALE1869X8-Z,.38MPT X .50T	
10	0854406		CAPSCREW,HEX HD,5/16-18 X 1,GR8,YEL ZN	
11	2001121		WASHER,FLAT,5/16 X 3/4,X 5/64,YEL ZN DICH	

Models: A3FE, C3FE  
 VALVE ASSY  
 BRAKE TREADLE & PEDAL  
 ELECTRIC THROTTLE, ABS  
 BSN: From CSN 30080061 05/07/01

Key	PartNumber	Qty	Description	Comment
-----	------------	-----	-------------	---------



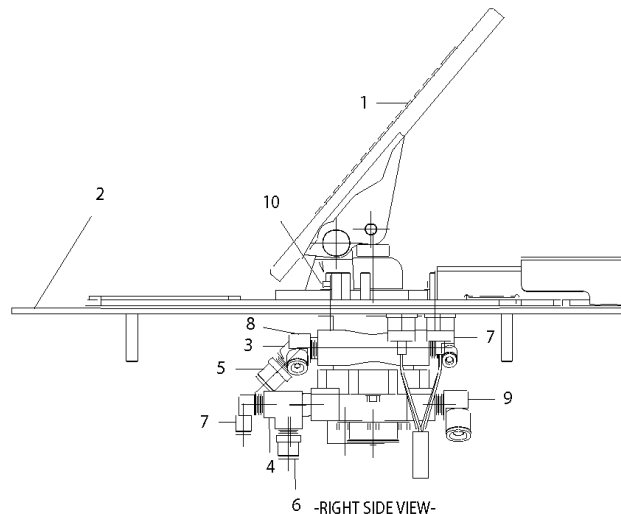
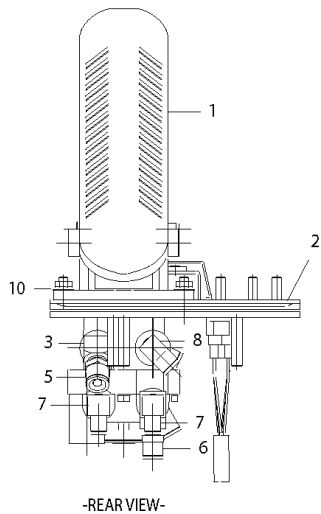
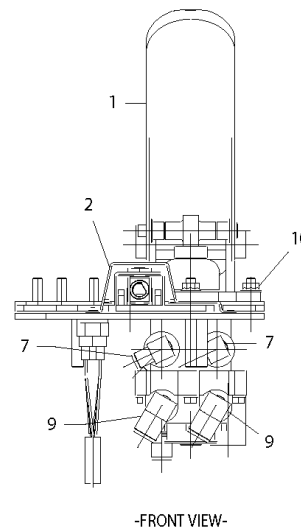
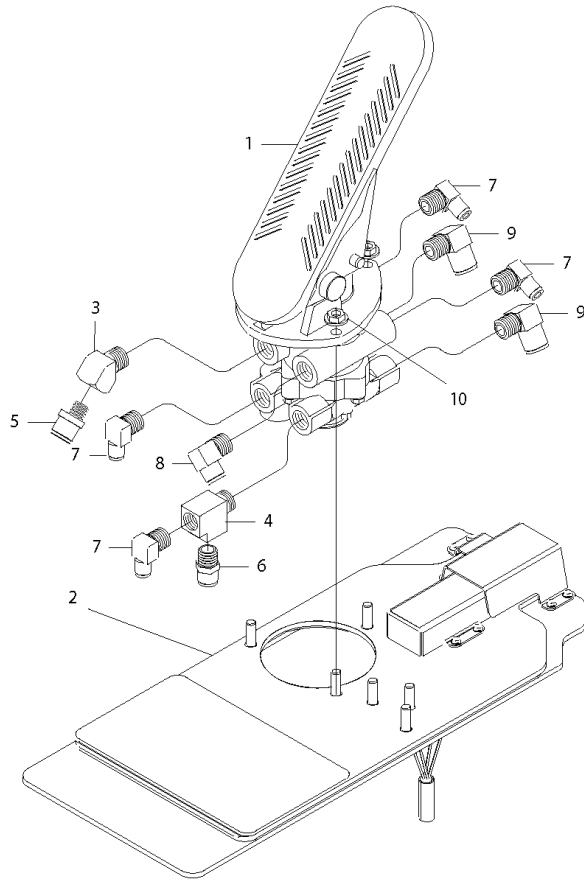


**Models:** A3FE, C3FE  
**VALVE ASSY**  
**BRAKE TREADLE & PEDAL**  
**ELECTRIC THROTTLE, ABS**  
**BSN:** From CSN 30080061 05/07/01

Key	PartNumber	Qty	Description	Comment
1	0020837	1	VALVE,TREADLE & PEDAL,AIR BRAKE	
2	0035347	1	PLATE,MTG,A/BRK TREADLE,ELEC THROTTLE,	
3	2008282	1	ELBOW,STREET,45 DEG,3350X6Z,BRASS	
4	1010065	1	TEE,STREET,3/8 PIPE 3750 X 6	
5	0009921	1	CONNECTOR,MALE,1868X8-Z,.38MPT X .50"	
6	0009918	1	CONNECTOR,MALE,1868X6X6-Z,.38MPT X .38"	
7	0009913	4	ELBOW,90 DEG,MALE1869X4X6-Z,.38MPT	
8	0009911	1	ELBOW,90 DEG,MALE1869X6X6-Z,.38MPT	
9	0009906	2	ELBOW,90 DEG,MALE1869X8-Z,.38MPT X .50T	
10	0854406	3	CAPSCREW,HEX HD,5/16-18 X 1,GR8,YEL ZN	
11	2001121	3	WASHER,FLAT,5/16 X 3/4,X 5/64,YEL ZN DICH	
12	1480433	3	NUT,HEX HD,5/16-18,FLG PRVG TORQ,GR F,	

**Models:** A3FE, C3FE  
**VALVE ASSY**  
**BRAKE TREADLE & PEDAL**  
**ELECTRIC THROTTLE, ABS**  
**ADJUSTABLE PEDALS**  
**With Features:** FEATURE 40070  
**BSN:** From CSN 30092735 8/16/01

Key	PartNumber	Qty	Description	Comment
-----	------------	-----	-------------	---------

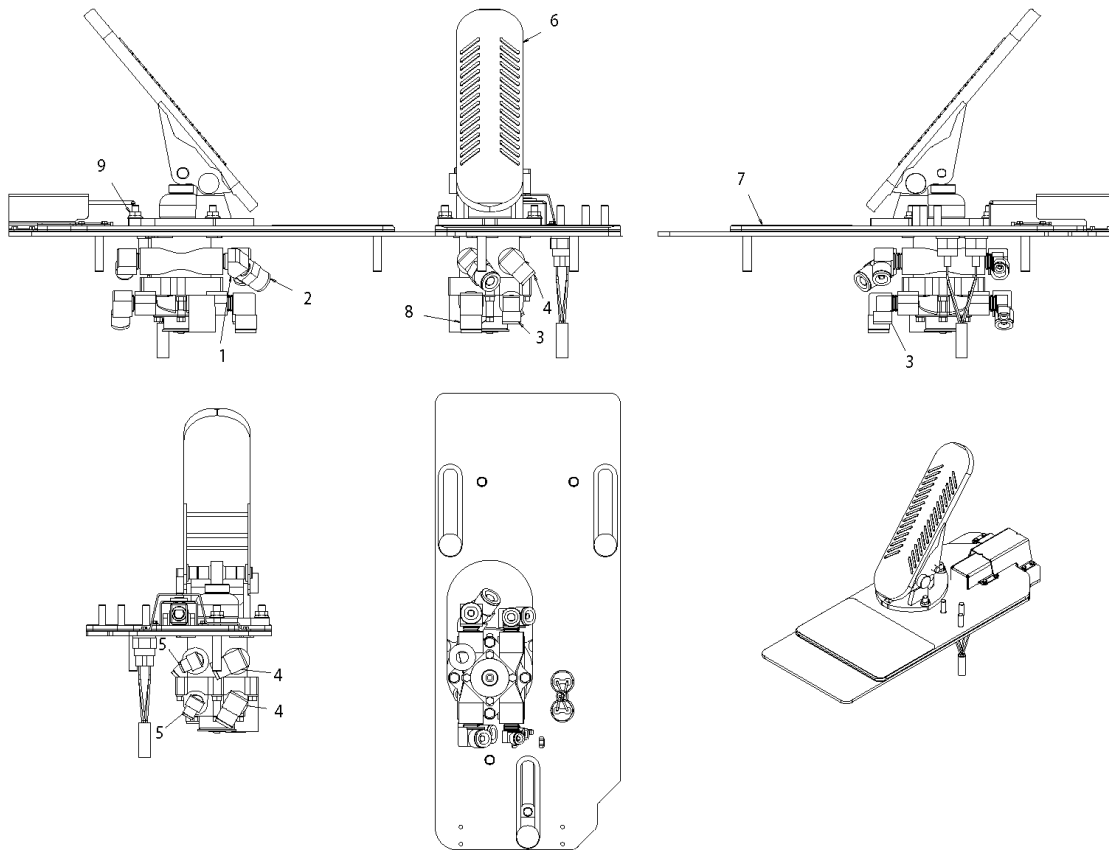


**Models:** A3FE, C3FE  
**VALVE ASSY**  
**BRAKE TREADLE & PEDAL**  
**ELECTRIC THROTTLE, ABS**  
**ADJUSTABLE PEDALS**  
**With Features:** FEATURE 40070  
**BSN:** From CSN 30092735 8/16/01

Key	PartNumber	Qty	Description	Comment
1	0020837		VALVE,TREADLE & PEDAL,AIR BRAKE	
2	0041338		PLATE ASSEMBLY,ADJUSTABLE PEDALS	
3	2008282		ELBOW,STREET,45 DEG,3350X6Z,BRASS	
4	1010065		TEE,STREET,3/8 PIPE 3750 X 6	
5	0009921		CONNECTOR,MALE,1868X8-Z,.38MPT X .50"	
6	0009918	4	CONNECTOR,MALE,1868X6X6-Z,.38MPT X .38"	
7	0009913		ELBOW,90 DEG,MALE1869X4X6-Z,.38MPT	
8	0009911	2	ELBOW,90 DEG,MALE1869X6X6-Z,.38MPT	
10	1480433	3	NUT,HEX HD,5/16-18,FLG PRVG TORQ,GR F,	

**Models:** A3FE, C3FE  
**VALVE ASSY**  
**BRAKE TREADLE & PEDAL**  
**ELECTRIC THROTTLE, ABS**  
**WITH ISB07**  
**With Features:** FEATURE 40070 WITH 40099-01  
**BSN:** From CSN 0267140 1/29/07

Key	PartNumber	Qty	Description	Comment
-----	------------	-----	-------------	---------



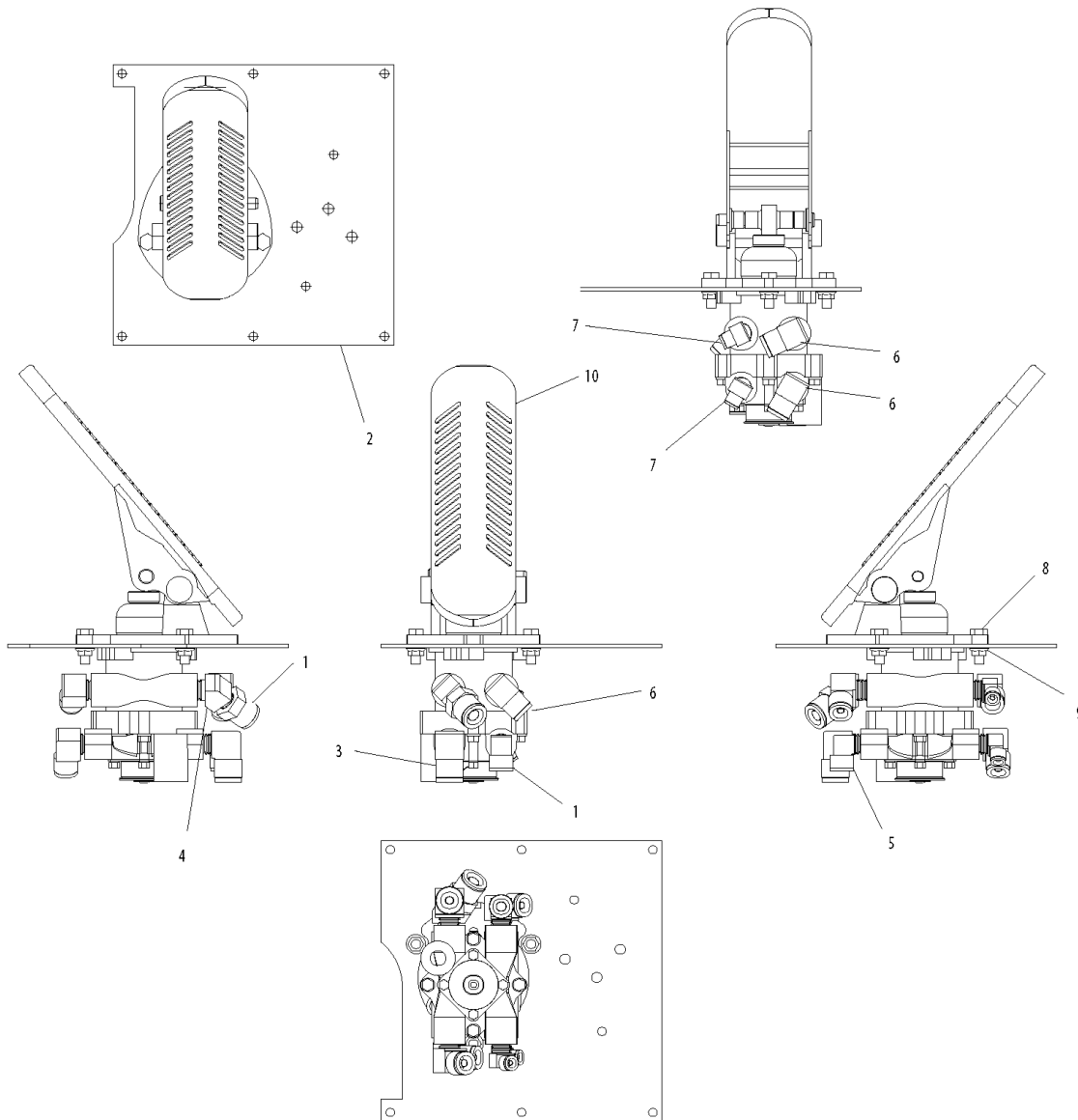
**Models:** A3FE, C3FE  
**VALVE ASSY**  
**BRAKE TREADLE & PEDAL**  
**ELECTRIC THROTTLE, ABS**  
**WITH ISB07**

**With Features:** **FEATURE 40070 WITH 40099-01**  
**BSN:** **From CSN 0267140 1/29/07**

Key	PartNumber	Qty	Description	Comment
1	0009906	1	ELBOW,90 DEG,MALE1869X8-Z,.38MPT X .50T	
2	0009911	3	ELBOW,90 DEG,MALE1869X6X6-Z,.38MPT	
3	0009913	2	ELBOW,90 DEG,MALE1869X4X6-Z,.38MPT	
4	0020837	1	VALVE,TREADLE & PEDAL,AIR BRAKE	
5	0104340	2	ELBOW,90 DEG,MALE1869X10X6,.38MPT	
6	0104396	1	ADAPTER,FITTING,.38MPTX.38FPT,	
7	1480433	3	NUT,HEX HD,5/16-18,FLG PRVG TORQ,GR F,	
8	0041338	1	PLATE ASSEMBLY,ADJUSTABLE PEDALS	

**Models:** A3FE, C3FE  
**VALVE ASSY**  
**BRAKE TREADLE & PEDAL**  
**ELECTRIC THROTTLE, ABS**  
**WITH OUT ISB07**  
**With Features:** FEATURE 40070 WITH OUT 40099-01 ISB07  
**BSN:** From CSN 0267140 1/29/07

Key	PartNumber	Qty	Description	Comment
-----	------------	-----	-------------	---------



**Models:** A3FE, C3FE  
**VALVE ASSY**  
**BRAKE TREADLE & PEDAL**  
**ELECTRIC THROTTLE, ABS**  
**WITH OUT ISB07**

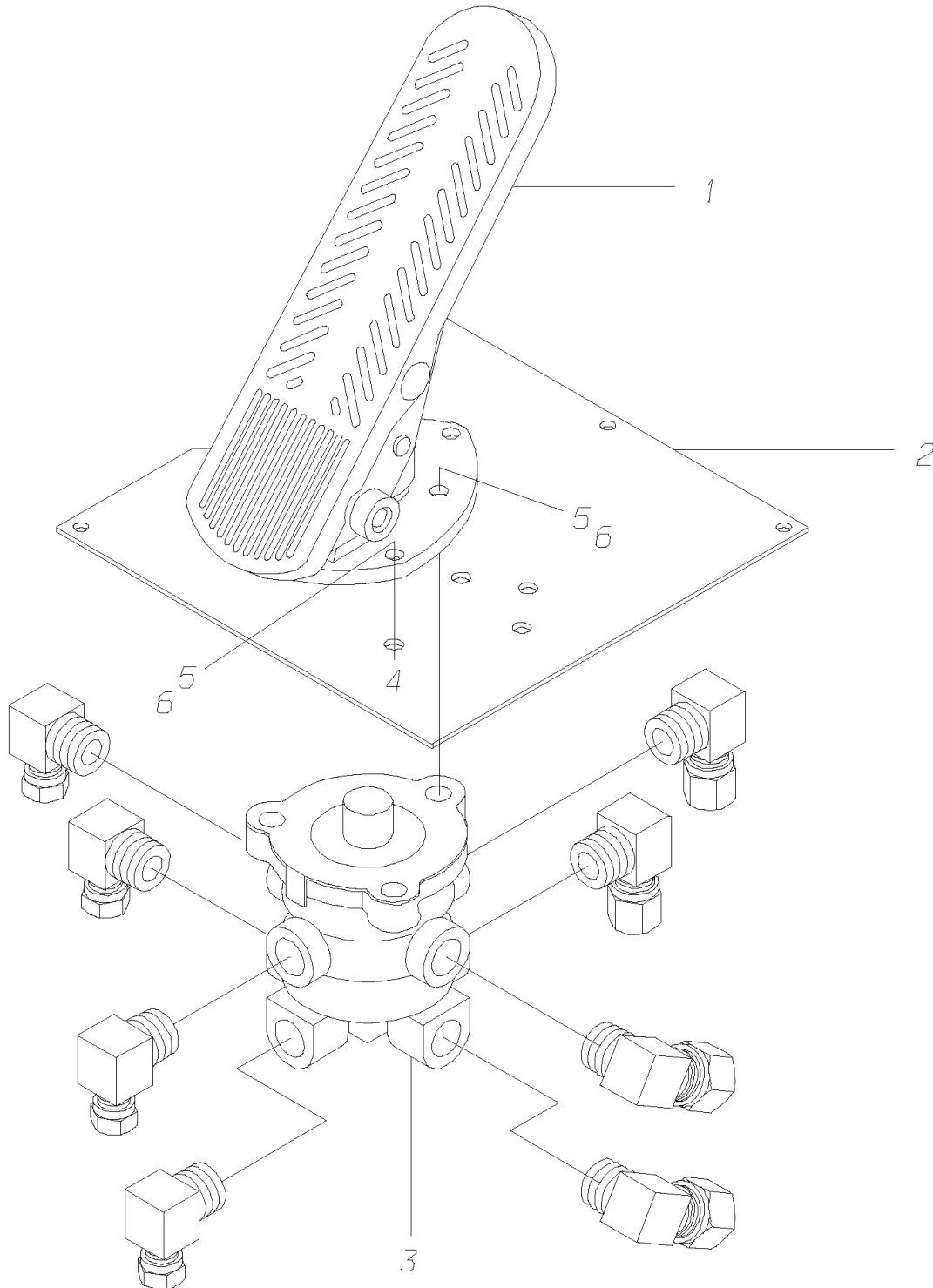
**With Features:** **FEATURE 40070 WITH OUT 40099-01 ISB07**

**BSN:** **From CSN 0267140 1/29/07**

Key	PartNumber	Qty	Description	Comment
1	0009906	1	ELBOW,90 DEG,MALE1869X8-Z,.38MPT X .50T	
2	0009911	3	ELBOW,90 DEG,MALE1869X6X6-Z,.38MPT	
3	0009913	2	ELBOW,90 DEG,MALE1869X4X6-Z,.38MPT	
4	0020837	1	VALVE,TREADLE & PEDAL,AIR BRAKE	
5	0035347	1	PLATE,MTG,A/BRK TREADLE,ELEC THROTTLE,	
6	0104340	2	ELBOW,90 DEG,MALE1869X10X6,.38MPT	
7	0104396	1	ADAPTER,FITTING,.38MPTX.38FPT,	
8	0854406	3	CAPSCREW,HEX HD,5/16-18 X 1,GR8,YEL ZN	
9	1480433	3	NUT,HEX HD,5/16-18,FLG PRVG TORQ,GR F,	

**Models:** A3FE  
VALVE ASSY  
BRAKE TREADLE & PEDAL  
NON-ABS  
**With Features:** STD  
**BSN:** From CSN 30012575 07/22/98  
To CSN 30080060 05/06/01

Key	PartNumber	Qty	Description	Comment
-----	------------	-----	-------------	---------





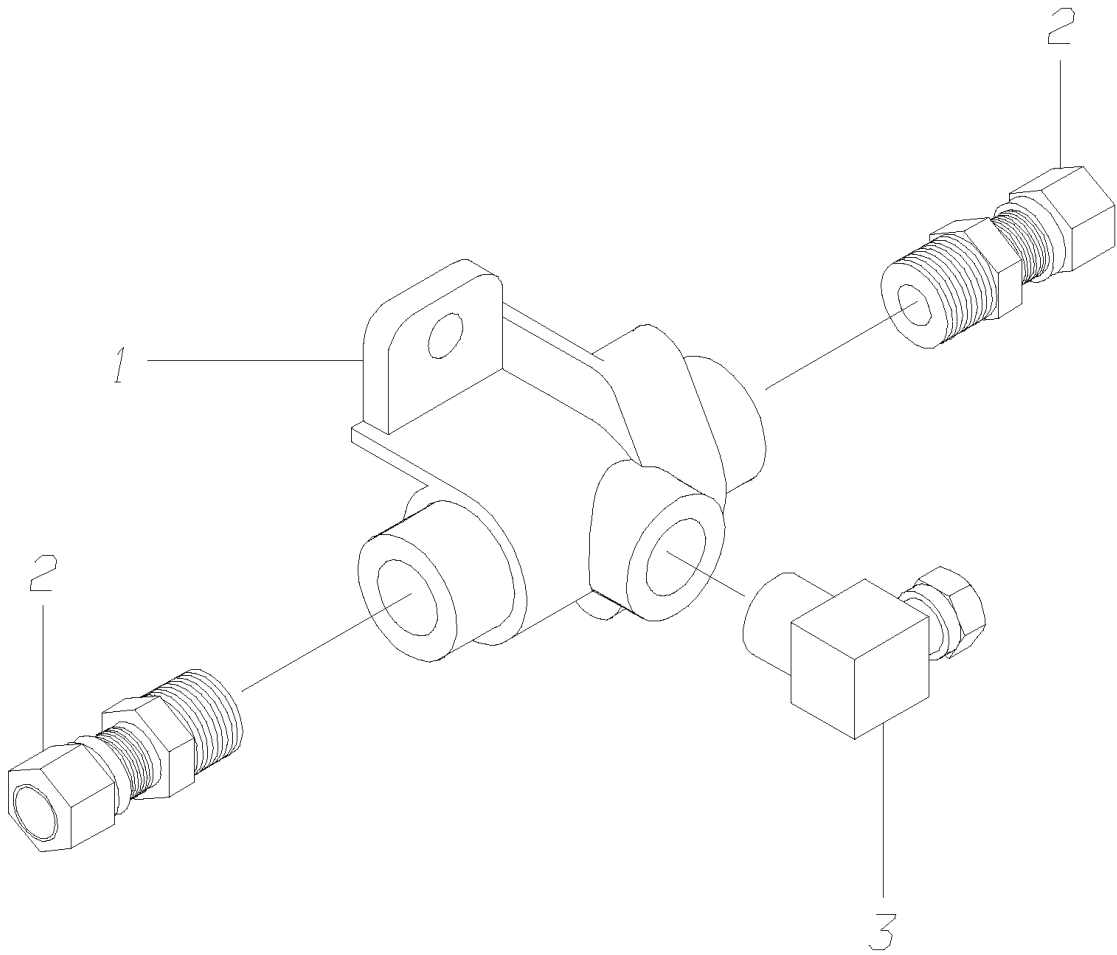
**Models:** A3FE  
**VALVE ASSY**  
**BRAKE TREADLE & PEDAL**  
**NON-ABS**

**With Features:** STD  
**BSN:** From CSN 30012575 07/22/98  
 To CSN 30080060 05/06/01

Key	PartNumber	Qty	Description	Comment
1	1666700	1	PEDAL ASSY,AIR BRAKE TREADLE W/RUBBER	
2	1977339	1	PLATE,MTG,ELEC ACCEL,AIR BRAKE TREADLE	
3	1950526	1	VALVE ASSY,BRAKE TREADLE,FE	
4	0829390	3	NUT,HEX HD,5/16-18,SER WASHER,YEL ZN	
5	0854414	6	CAPSCREW,HEX HD,5/16-18X7/8,GR8,YEL ZN	
6	2001188	6	LOCKWASHER,SPLIT RING, 5/16,MED,YEL ZN	

Models: A3FE, C3FE  
VALVE ASSY  
DOUBLE CHECK

Key	PartNumber	Qty	Description	Comment
-----	------------	-----	-------------	---------

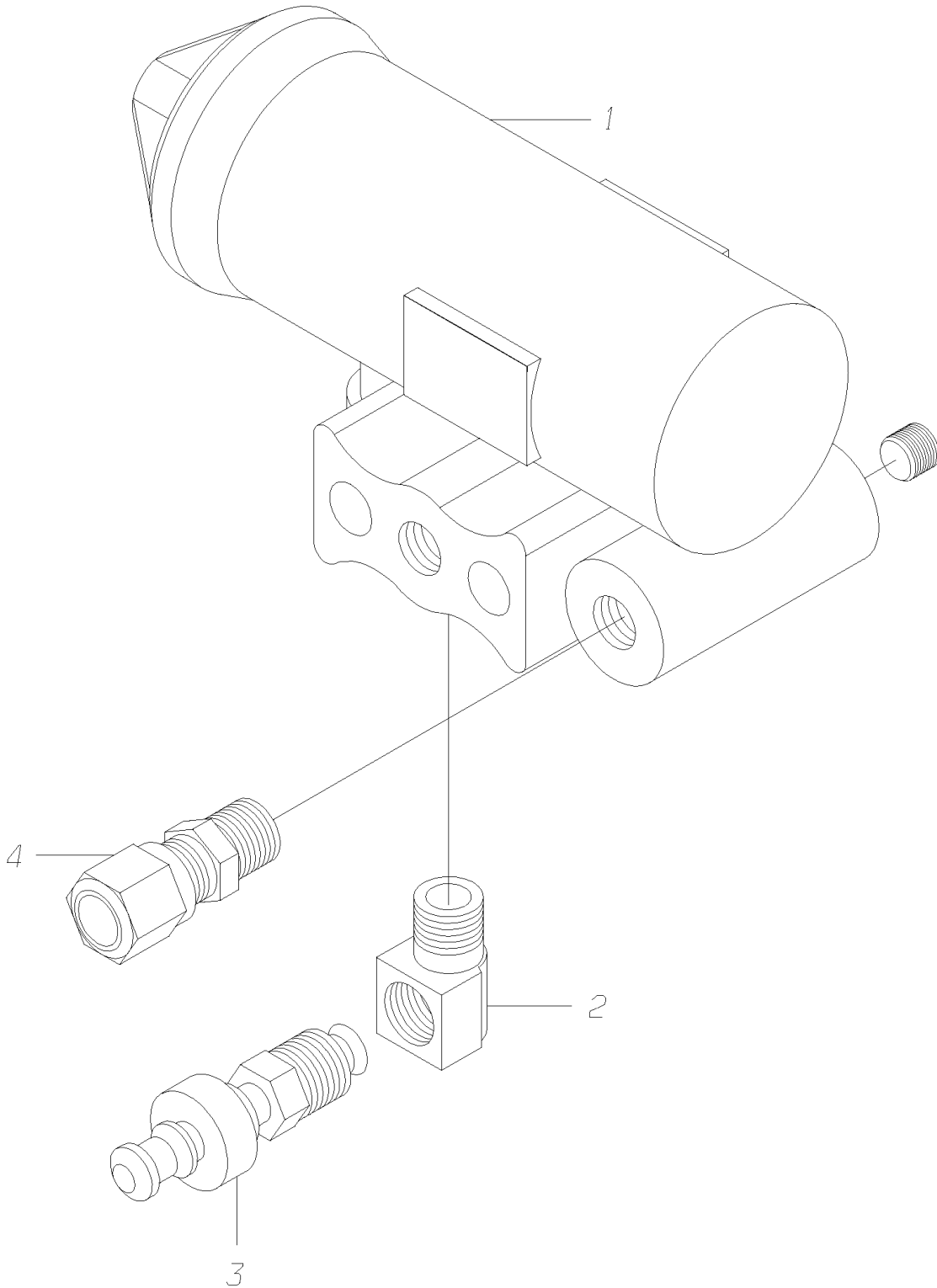


**Models:** A3FE, C3FE  
VALVE ASSY  
DOUBLE CHECK

Key	PartNumber	Qty	Description	Comment
1	0654434		VALVE,DOUBLE CHECK,3/8 PIPE	
2	0009918	2	CONNECTOR,MALE,1868X6X6-Z,.38MPT X .38T"	
3	0009913		ELBOW,90 DEG,MALE1869X4X6-Z,.38MPT	

Models: A3FE, CSFE, TCFE  
VALVE ASSY  
GOVERNOR  
To CSN 30085735 05/06/01

Key	PartNumber	Qty	Description	Comment
-----	------------	-----	-------------	---------

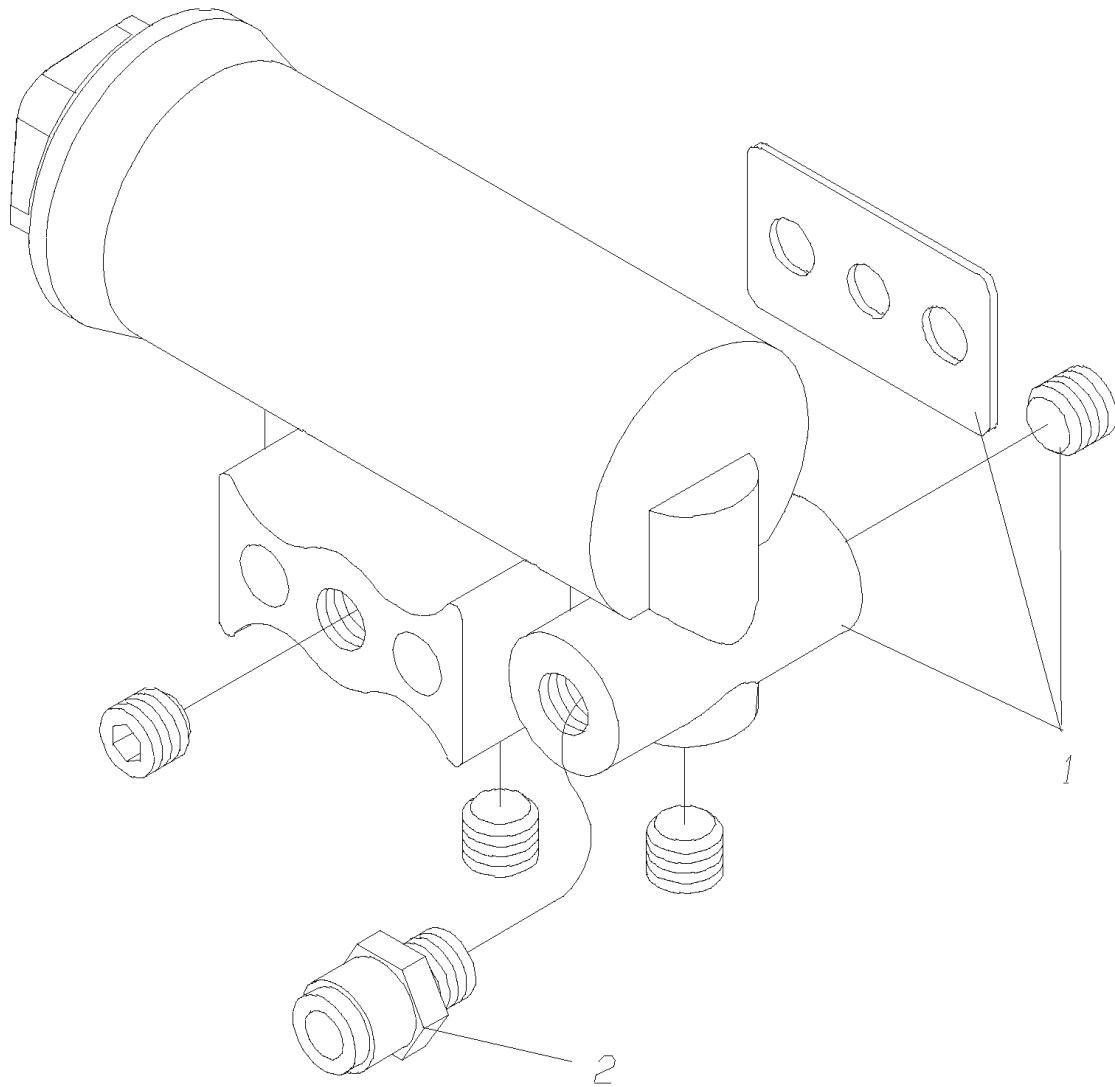


**Models:** A3FE, CSFE, TCFE  
 VALVE ASSY  
 GOVERNOR  
 To CSN 30085735 05/06/01

Key	PartNumber	Qty	Description	Comment
1	0908160		GOVERNOR,AIR COMPRESSOR,275491	
NI	2644201		KIT,REPAIR,AIR GOVERNOR	
2	2026979		ELBOW,MALE,INVERTED FLARE,1/4 TUBE X 1/8	
3	1313816		INSERT,BARBED,SWIVEL,1/4 HOSE X 1/4 MALE	
4	0009917		CONNECTOR,MALE,1868X4-Z,.13MP X .25T"	

**Models:** A3FE, C1FE, C3FE, CSFE, TCFE  
**VALVE ASSY  
GOVERNOR**  
**BSN:** From CSN 30085736 05/07/01

Key	PartNumber	Qty	Description	Comment
-----	------------	-----	-------------	---------

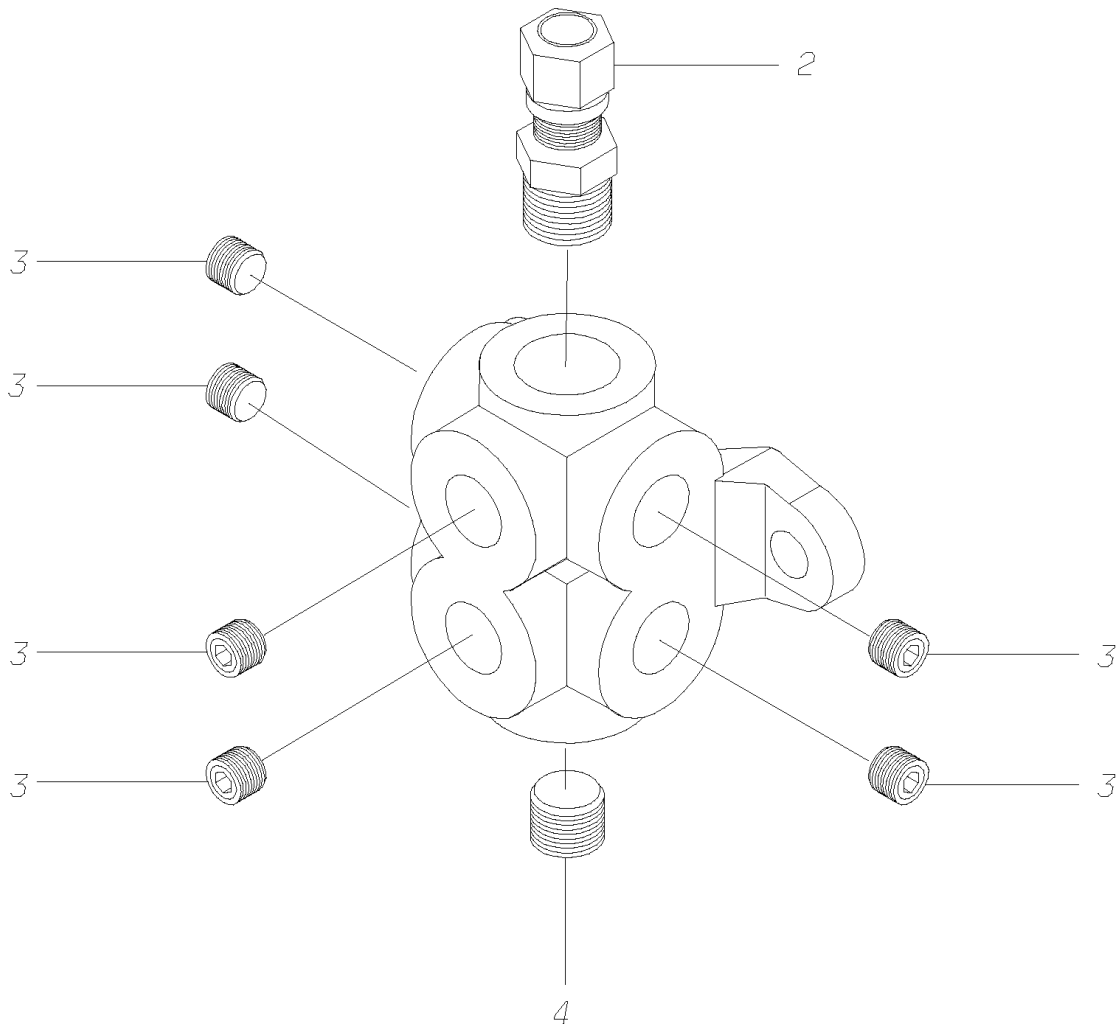


**Models:** A3FE, C1FE, C3FE, CSFE, TCFE  
VALVE ASSY  
GOVERNOR  
**BSN:** From CSN 30085736 05/07/01

Key	PartNumber	Qty	Description	Comment
1	0908160		GOVERNOR,AIR COMPRESSOR,275491	
NI	2644201		KIT,REPAIR,AIR GOVERNOR	
2	0009917		CONNECTOR,MALE,1868X4-Z,.13MP X .25T"	

Models: A3FE, C3FE  
VALVE ASSY  
MANIFOLD  
AIR SYSTEM

Key	PartNumber	Qty	Description	Comment
-----	------------	-----	-------------	---------





**Models:** A3FE, C3FE  
VALVE ASSY  
MANIFOLD  
AIR SYSTEM

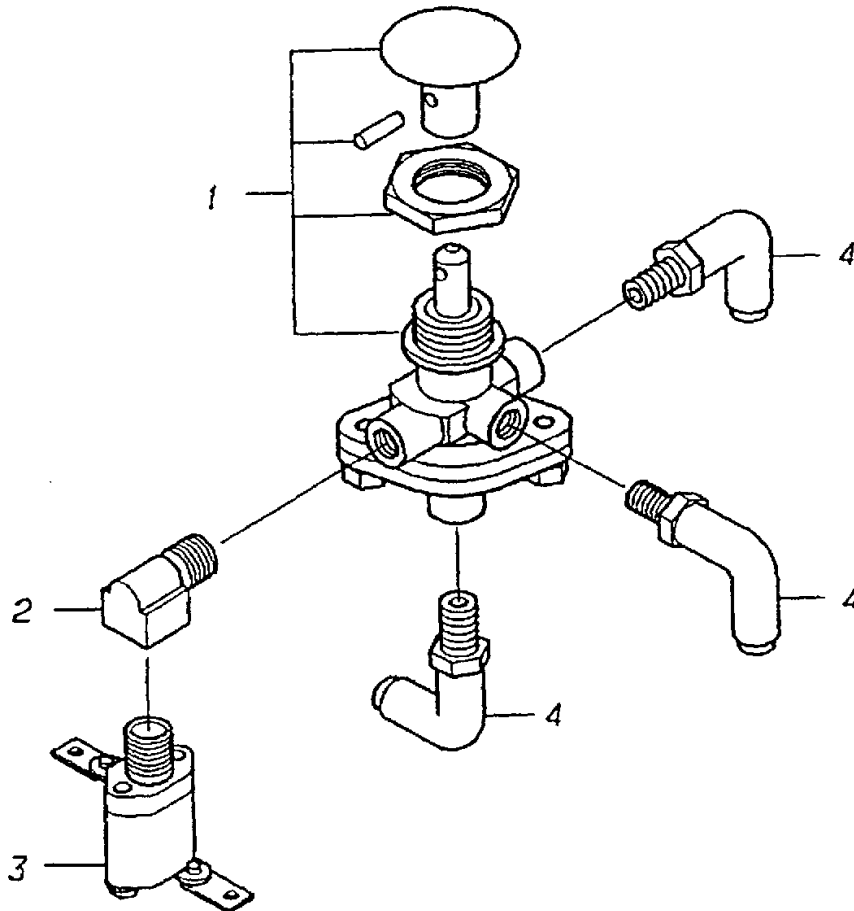
Key	PartNumber	Qty	Description	Comment
1	2023083	1	FITTING,MANIFOLD,212322	
2	0009918	1	CONNECTOR,MALE,1868X6X6-Z,.38MPT X .38T"	
3	2023513	6	PLUG,PIPE,1/4,ALLEN HEX HD,BRASS	
4	2009595	1	PLUG,PIPE,3/8,GALV	

Models: A3FE, A3RE, C1FE, CSFE, CSRE, QBRE, T2RE, TCFE, TCRE, TSFE  
 VALVE ASSY  
 PARKING BRAKE  
 To CSN 30046540 FE 10046619 RE 01/02/00

Key	PartNumber	Qty	Description	Comment
-----	------------	-----	-------------	---------

DR.	BY			
APP.	BY	FRT	1533744	B
				REV

© 1991 BLUE BIRD BODY COMPANY. ALL RIGHTS RESERVED.

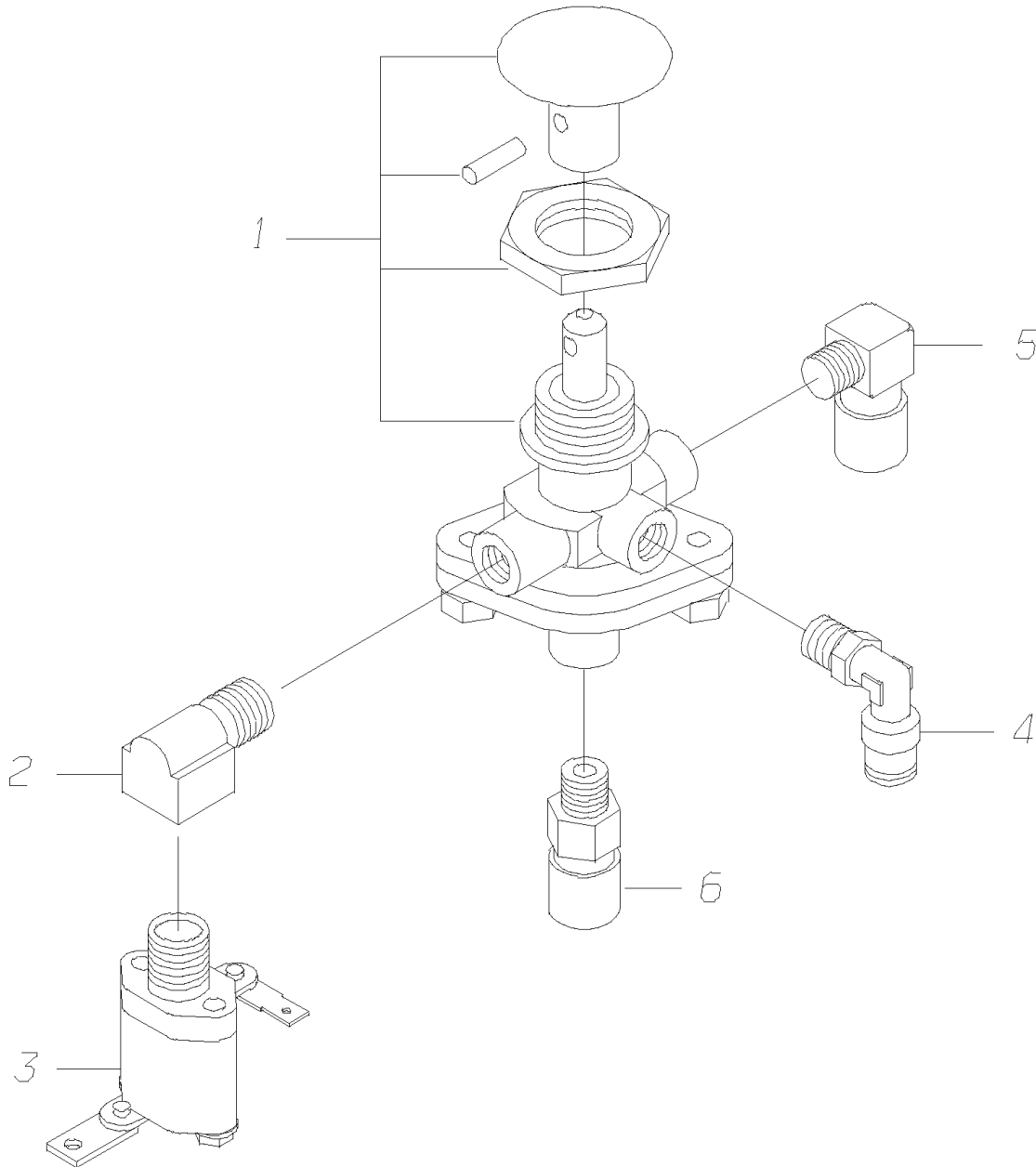


**Models:** A3FE, A3RE, C1FE, CSFE, CSRE, QBRE, T2RE, TCFE, TCRE, TSFE  
**VALVE ASSY**  
**PARKING BRAKE**  
**To CSN 30046540 FE 10046619 RE 01/02/00**

Key	PartNumber	Qty	Description	Comment
1	0900266		VALVE,PARKING BRAKE	
NI	2705051		KIT,REPAIR,FOR 0900266 PARKING BRAKE	
NI	2705697		KNOB,PARKING BRAKE VALVE (240302)	
NI	2705762	1	PIN,SPIROL,FOR PARKING BRAKE VALVE KNOB	
2	0605188		ELBOW,REDUCING,STREET,1/4 X 1/8 PIPE	
3	0982918		INDICATOR,LOW PRESSURE,LP-3,30 PSI	
4	1536879		ELBOW,90 DEG,SWIVEL,Q/D,1/8 MPT X 1/4	

**Models:** A3FE, A3RE, C1FE, CSRE, QBRE  
**VALVE ASSY  
PARKING BRAKE**  
**BSN:** From CSN 30046541 FE 10046620 RE 01/03/00  
To CSN 30079479 FE 10077009 RE 01/21/01

Key	PartNumber	Qty	Description	Comment
-----	------------	-----	-------------	---------

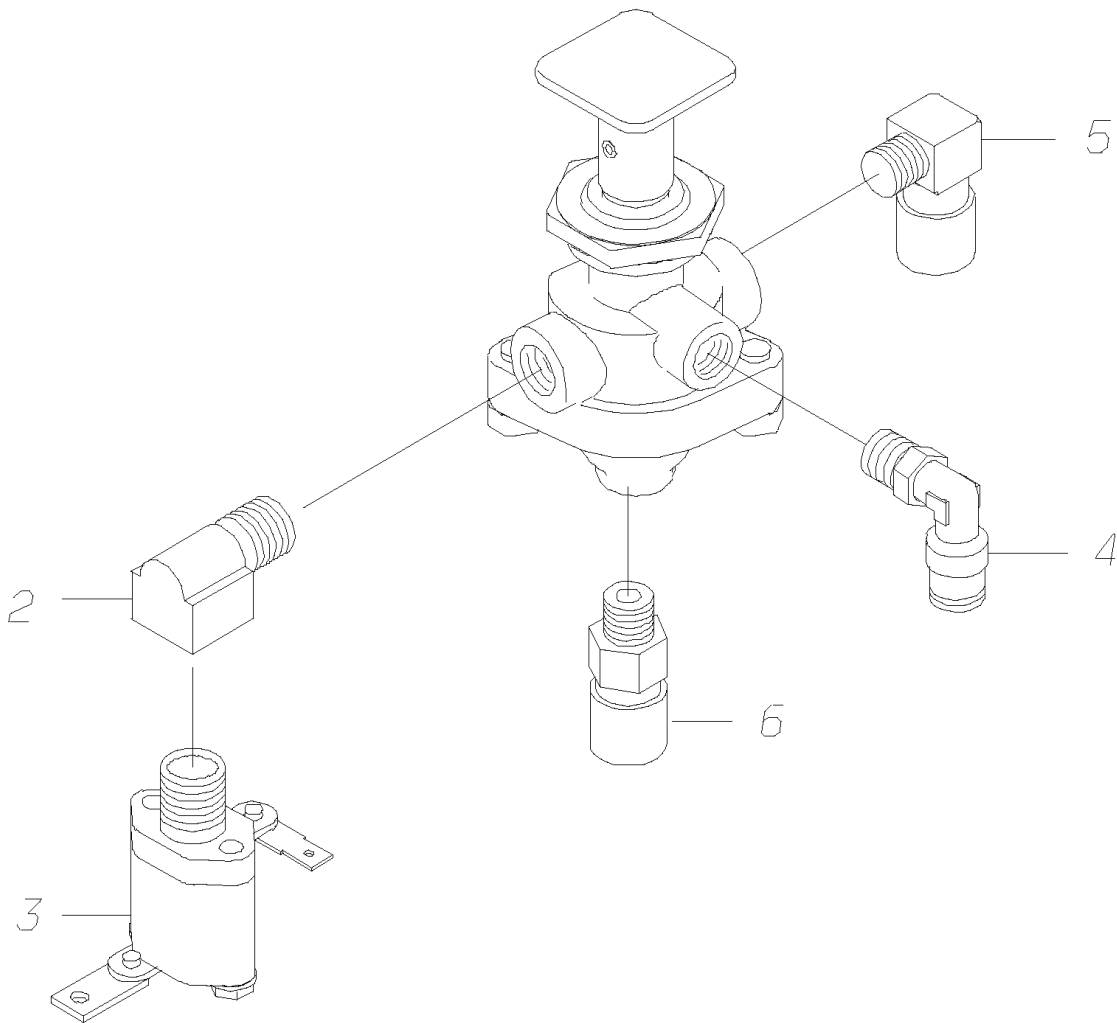


**Models:** A3FE, A3RE, C1FE, CSRE, QBRE  
**VALVE ASSY**  
**PARKING BRAKE**  
**BSN:** From CSN 30046541 FE 10046620 RE 01/03/00  
 To CSN 30079479 FE 10077009 RE 01/21/01

Key	PartNumber	Qty	Description	Comment
1	0900266	1	VALVE,PARKING BRAKE	
NI	2705051	1	KIT,REPAIR,FOR 0900266 PARKING BRAKE	
NI	2705697	1	KNOB,PARKING BRAKE VALVE (240302)	
NI	2705762	1	PIN,SPIROL,FOR PARKING BRAKE VALVE KNOB	
2	0605188	1	ELBOW,REDUCING,STREET,1/4 X 1/8 PIPE	
3	0982918	1	INDICATOR,LOW PRESSURE,LP-3,30 PSI	
4	0017219	1	ELBOW,90 DEG MALE SWIVEL,1869X4S	
5	0009989	1	ELBOW,90,MALE,1869X6X2-Z.13MP X .38T	
6	0013103	1	CONNECTOR,MALE,1868X6X2-Z,.13MP X .38T	

**Models:** A3FE, A3RE, C1FE, C3FE, CSRE, QBRE  
**VALVE ASSY  
PARKING BRAKE**  
**BSN:** From CSN 30079480 FE 10077010 RE 01/22/01

Key	PartNumber	Qty	Description	Comment
-----	------------	-----	-------------	---------

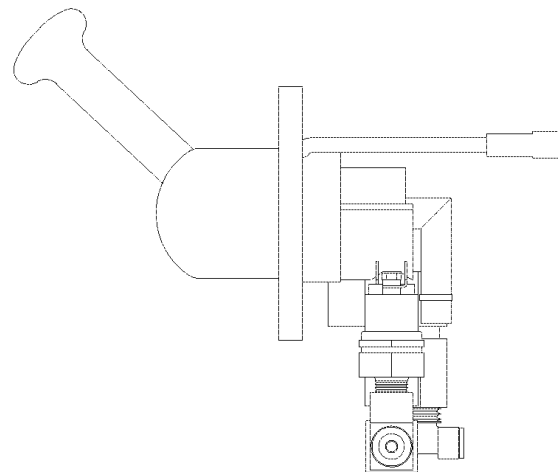
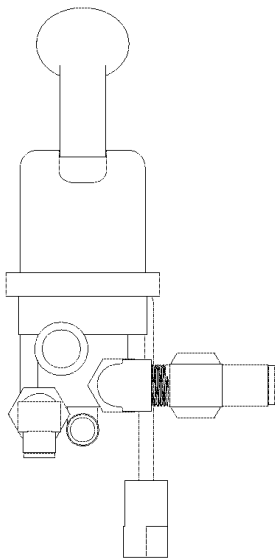
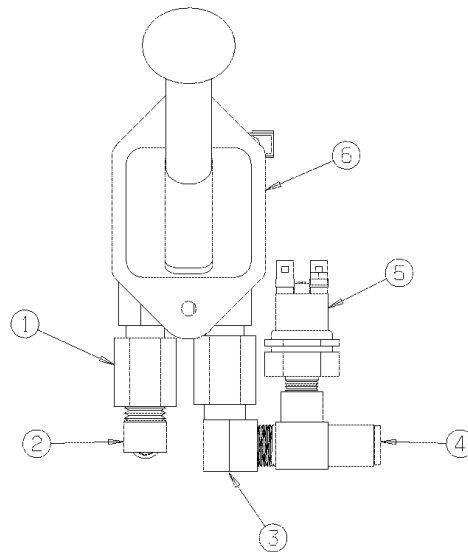


**Models:** A3FE, A3RE, C1FE, C3FE, CSRE, QBRE  
**VALVE ASSY**  
**PARKING BRAKE**  
**BSN:** From CSN 30079480 FE 10077010 RE 01/22/01

Key	PartNumber	Qty	Description	Comment
1	0032235	1	VALVE,PARKING BRAKE,PP-1	
NI	0054535	1	KIT,REPAIR FOR 0032235 VALVE"	
NI	0054536	1	BUTTON,FOR VALVE 0032235"	
NI	2705762	1	PIN,SPIROL,FOR PARKING BRAKE VALVE KNOB	
2	0605188	1	ELBOW,REDUCING,STREET,1/4 X 1/8 PIPE	
3	0982918	1	INDICATOR,LOW PRESSURE,LP-3,30 PSI	
4	0017219	1	ELBOW,90 DEG MALE SWIVEL,1869X4S	
5	0009989	1	ELBOW,90,MALE,1869X6X2-Z.13MP X .38T	
6	0013103	1	CONNECTOR,MALE,1868X6X2-Z,.13MP X .38T	

**Models:** A3FE, HDFE  
**VALVE ASSY**  
**PARKING BRAKE**  
**HAND CONTROL, EEC**  
**With Features:** FEATURE 40070 WITH 4003 RH DIRVE  
**BSN:** From CSN 12-12-05

Key	PartNumber	Qty	Description	Comment
-----	------------	-----	-------------	---------





**Models:** A3FE, HDFE  
**VALVE ASSY**  
**PARKING BRAKE**  
**HAND CONTROL, EEC**

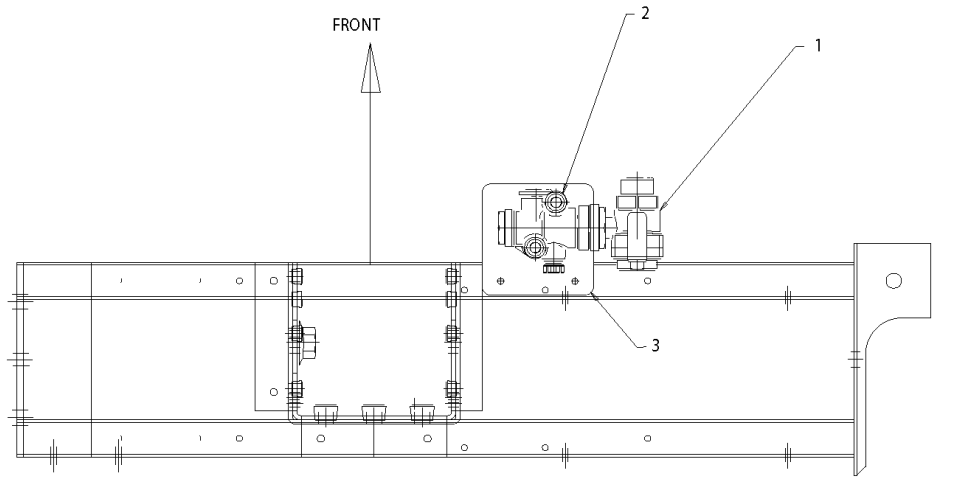
**With Features:** **FEATURE 40070 WITH 4003 RH DIRVE**  
**BSN:** **From CSN 12-12-05**

Key	PartNumber	Qty	Description	Comment
1	0044166		ADAPTER,M16 X 1.5 MALE,3/8 FPT,ZINC DICH	
2	0009913		ELBOW,90 DEG,MALE1869X4X6-Z,.38MPT	
3	2027241		ELBOW,STREET,90 DEG,3/8MPT X	
4	0019973		TEE,ADAPTER 1883X6X6X4-	
5	0045857		TREADLE,BRAKE,E8P,W/DUAL O-RING PISTON,	
6	0043941		VALVE,PARKING BRAKE,HAND CONTROL,EEC	

**Models:** A3FE, A3RE, C3FE  
VALVE ASSY  
PARKING BRAKE, INTERLOCK  
INSTALLATION

**With Features:** FEATURE 40051-07

Key	PartNumber	Qty	Description	Comment
-----	------------	-----	-------------	---------



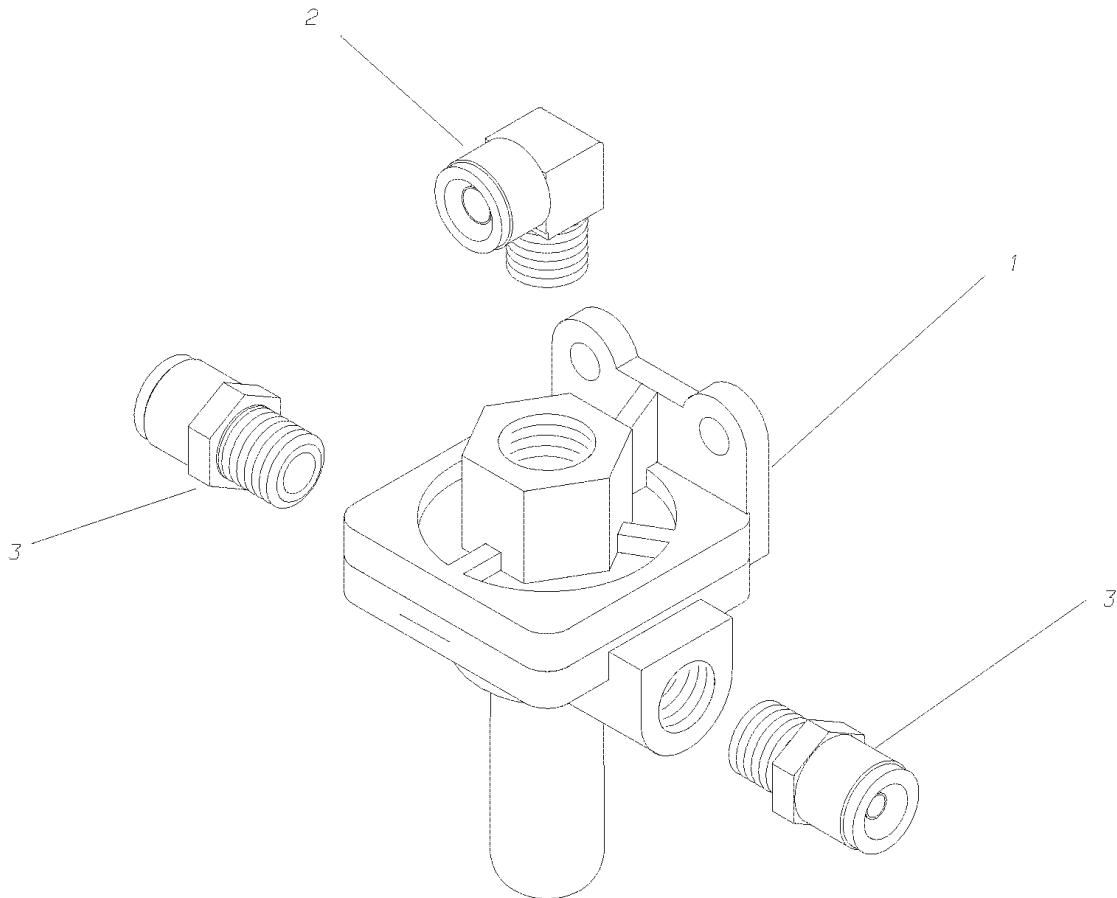
**Models:** A3FE, A3RE, C3FE  
VALVE ASSY  
PARKING BRAKE, INTERLOCK  
INSTALLATION

**With Features:** FEATURE 40051-07

Key	PartNumber	Qty	Description	Comment
1	0108157	1	VALVE ASSY,INTERLOCK,PARK BRAKE,TWO	
2	1586502	2	SPACER,.75 OD X.437 ID X.437 LG	
3	0107909	1	PLATE,MTG,VALVE,INTERLOCK,PARK BRAKE	

**Models:** A3FE, HDFE  
VALVE ASSY  
QUICK RELEASE  
QR-1 WITH SILENCER, EEC  
**With Features:** FEATURE 40070 WITH 4003 RH DIRVE  
**BSN:** From CSN 5-12-05

Key	PartNumber	Qty	Description	Comment
-----	------------	-----	-------------	---------

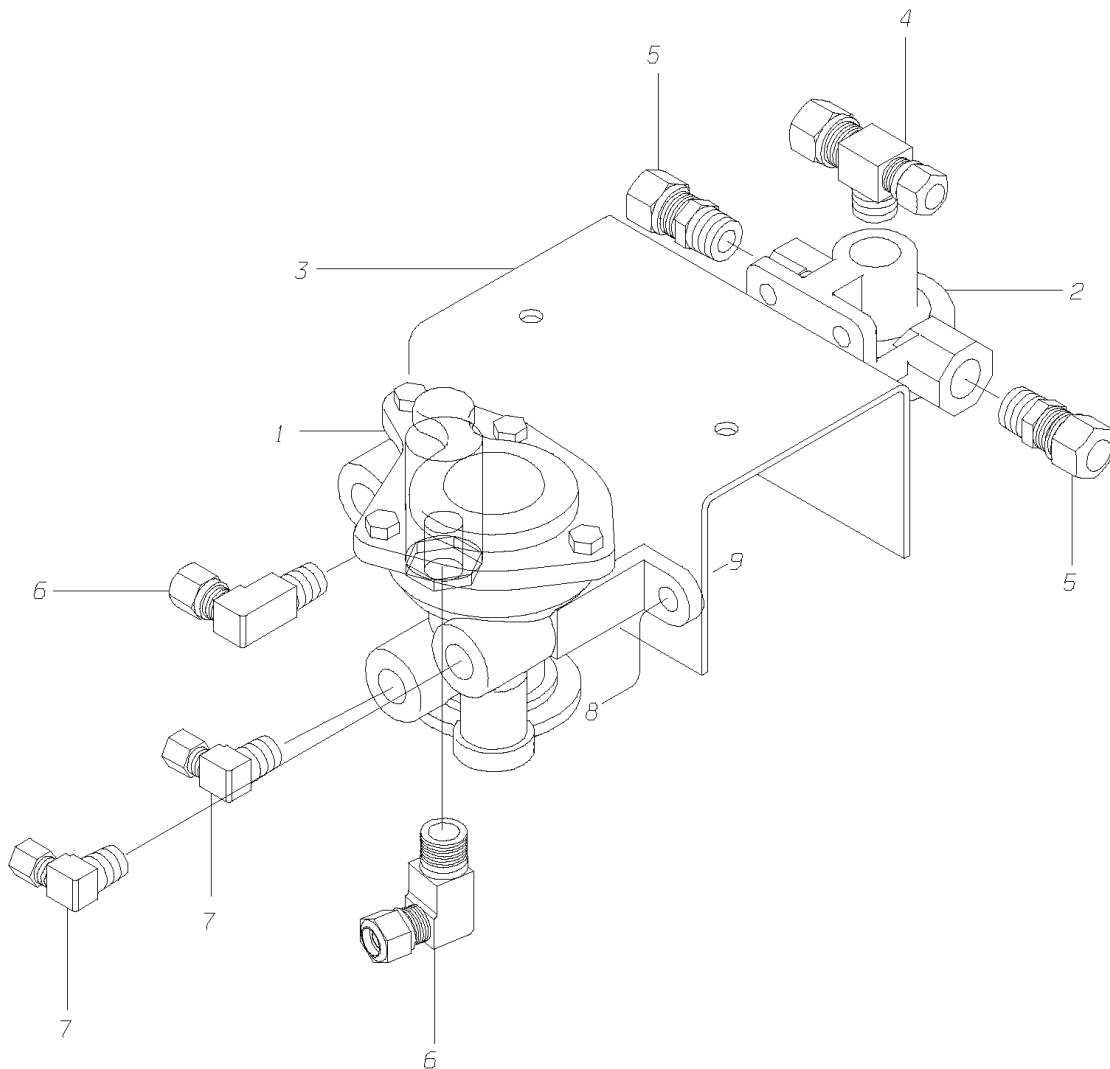


**Models:** A3FE, HDFE  
**VALVE ASSY**  
**QUICK RELEASE**  
**QR-1 WITH SILENCER, EEC**  
**With Features:** **FEATURE 40070 WITH 4003 RH DIRVE**  
**BSN:** **From CSN 5-12-05**

Key	PartNumber	Qty	Description	Comment
	0090134		VALVE ASSY,QUICK RELEASE,QR-1,	<i>CONSISTS OF THE FOLLOWING</i>
1	0048358		VALVE,QUICK RELEASE,QR-1,W/SILENCER,EEC	
2	0009906		ELBOW,90 DEG,MALE1869X8-Z,.38MPT X .50T	
3	0009921		CONNECTOR,MALE,1868X8-Z,.38MPT X .50T"	

Models: **A3FE  
VALVE ASSY  
QUICK RELEASE  
WITH SR-1, SPRING BREAK  
To CSN 30046540 01/02/00**

Key	PartNumber	Qty	Description	Comment
-----	------------	-----	-------------	---------

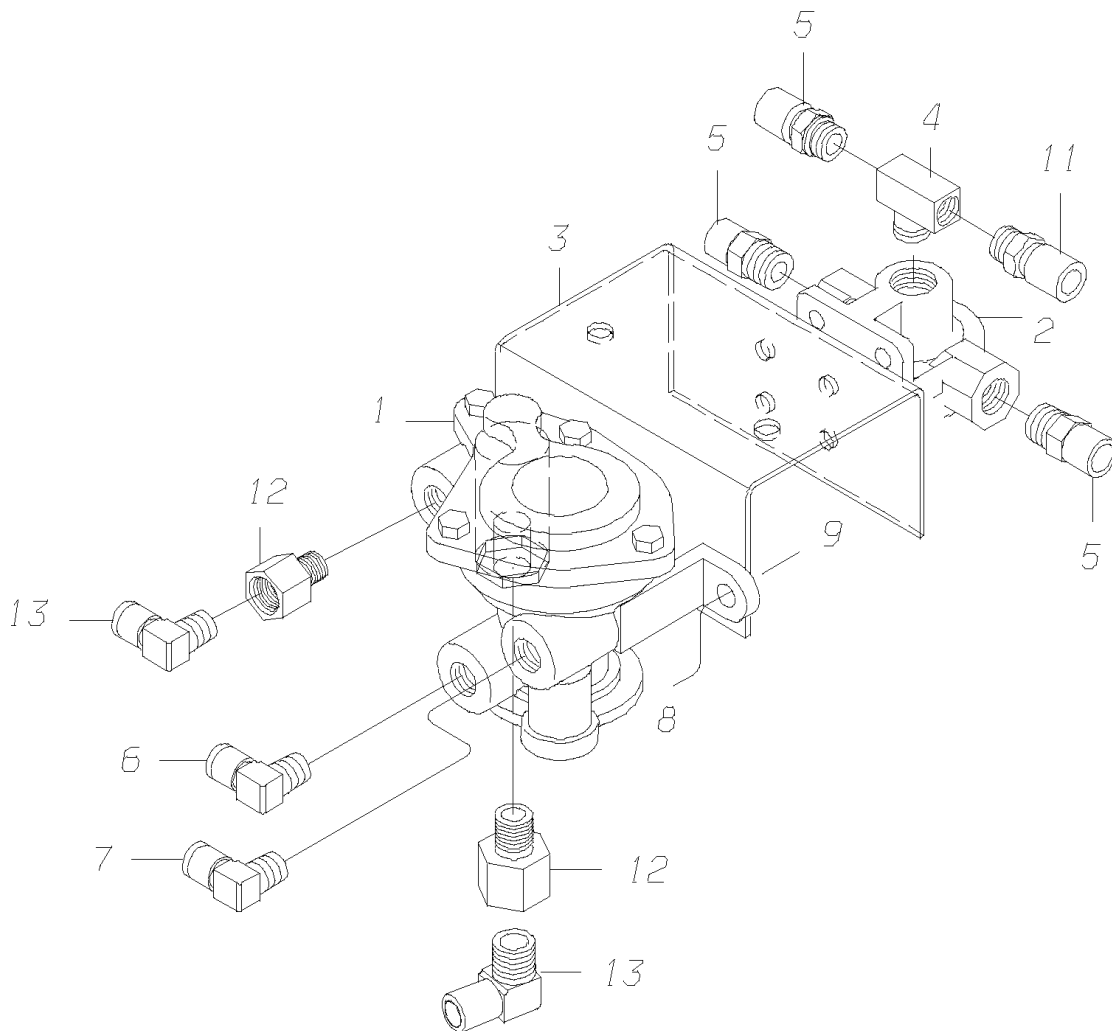


**Models:** **A3FE**  
**VALVE ASSY**  
**QUICK RELEASE**  
**WITH SR-1, SPRING BREAK**  
**To CSN 30046540 01/02/00**

Key	PartNumber	Qty	Description	Comment
1	0654426	1	VALVE,SPRING BRAKE	
2	1940865	1	VALVE,QUICK RELEASE,3/8" INLET PORT	
3	0003314	1	BRACKET,MTG,CHECK VALVE,HDFE	
4	1344035	1	TEE,MALE,	
5	0009921	2	CONNECTOR,MALE,1868X8-Z,.38MPT X .50"	
6	1344076	2	ELBOW,90 DEG,MALE,1469X-6-L-Z,.25 MP	
7	0009912	2	ELBOW,90 DEG,MALE1869X4X4-Z,.25MPT	
8	0854414	4	CAPSCREW,HEX HD,5/16-18X7/8,GR8,YEL ZN	
9	0829390	4	NUT,HEX HD,5/16-18,SER WASHER,YEL ZN	

Models: A3FE, C3FE  
 VALVE ASSY  
 QUICK RELEASE  
 WITH SR-1, SPRING BREAK  
 BSN: From CSN 30046541 01/03/00

Key	PartNumber	Qty	Description	Comment
-----	------------	-----	-------------	---------





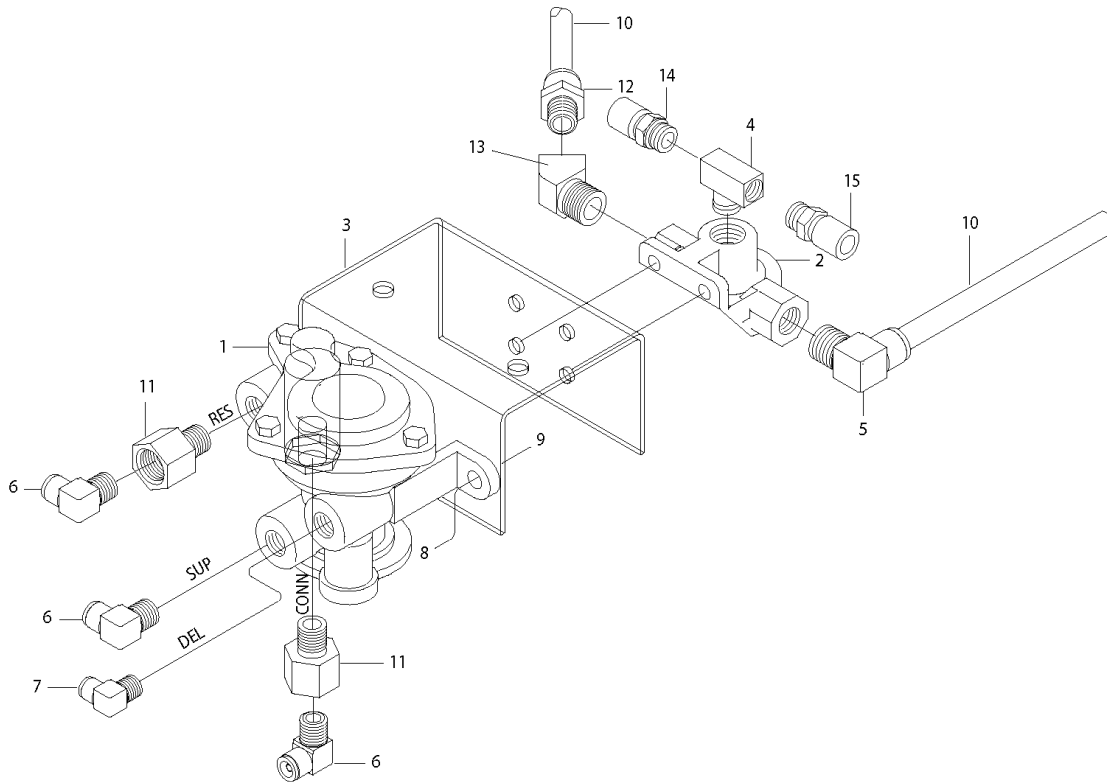
**Models:** A3FE, C3FE  
**VALVE ASSY**  
**QUICK RELEASE**  
**WITH SR-1, SPRING BREAK**  
**BSN:** From CSN 30046541 01/03/00

Key	PartNumber	Qty	Description	Comment
1	0654426	1	VALVE,SPRING BRAKE	
2	1940865	1	VALVE,QUICK RELEASE,3/8" INLET PORT	
3	1341874	1	BRACKET,MTG,QUICK RELEASE & SPRG BRK	
4	0016750	1	TEE,BRASS,3/8MPTX3/8FPTX3/8FPT,3600X6	
5	0009921	3	CONNECTOR,MALE,1868X8-Z,.38MPT X .50T"	
6	0009914	1	ELBOW,90 DEG,MALE1869X6-Z,.25MPT X .38T"	
7	0009912	1	ELBOW,90 DEG,MALE1869X4X4-Z,.25MPT	
8	0854414	4	CAPSCREW,HEX HD,5/16-18X7/8,GR8,YEL ZN	
9	0829390	4	NUT,HEX HD,5/16-18,SER WASHER,YEL ZN	
10			CURRENTLY NOT USED	
11	0009918	1	CONNECTOR,MALE,1868X6X6-Z,.38MPT X .38T"	
12	0766188	2	ADAPTER,3/8 FPT X 1/4 MPT	
13	0009911	2	ELBOW,90 DEG,MALE1869X6X6-Z,.38MPT	

**Models:** A3FE, C3FE, C1FE, CSFE, TCFE  
**VALVE ASSY**  
**QUICK RELEASE**  
**WITH SR-1, SPRING BREAK**

**With Features:** FEATURE 40070  
**BSN:** From CSN 30046675 1/3/2000  
 To 6/10/07

Key	PartNumber	Qty	Description	Comment
-----	------------	-----	-------------	---------



**Models:** A3FE, C3FE, C1FE, CSFE, TCFE

**VALVE ASSY  
QUICK RELEASE  
WITH SR-1, SPRING BREAK**

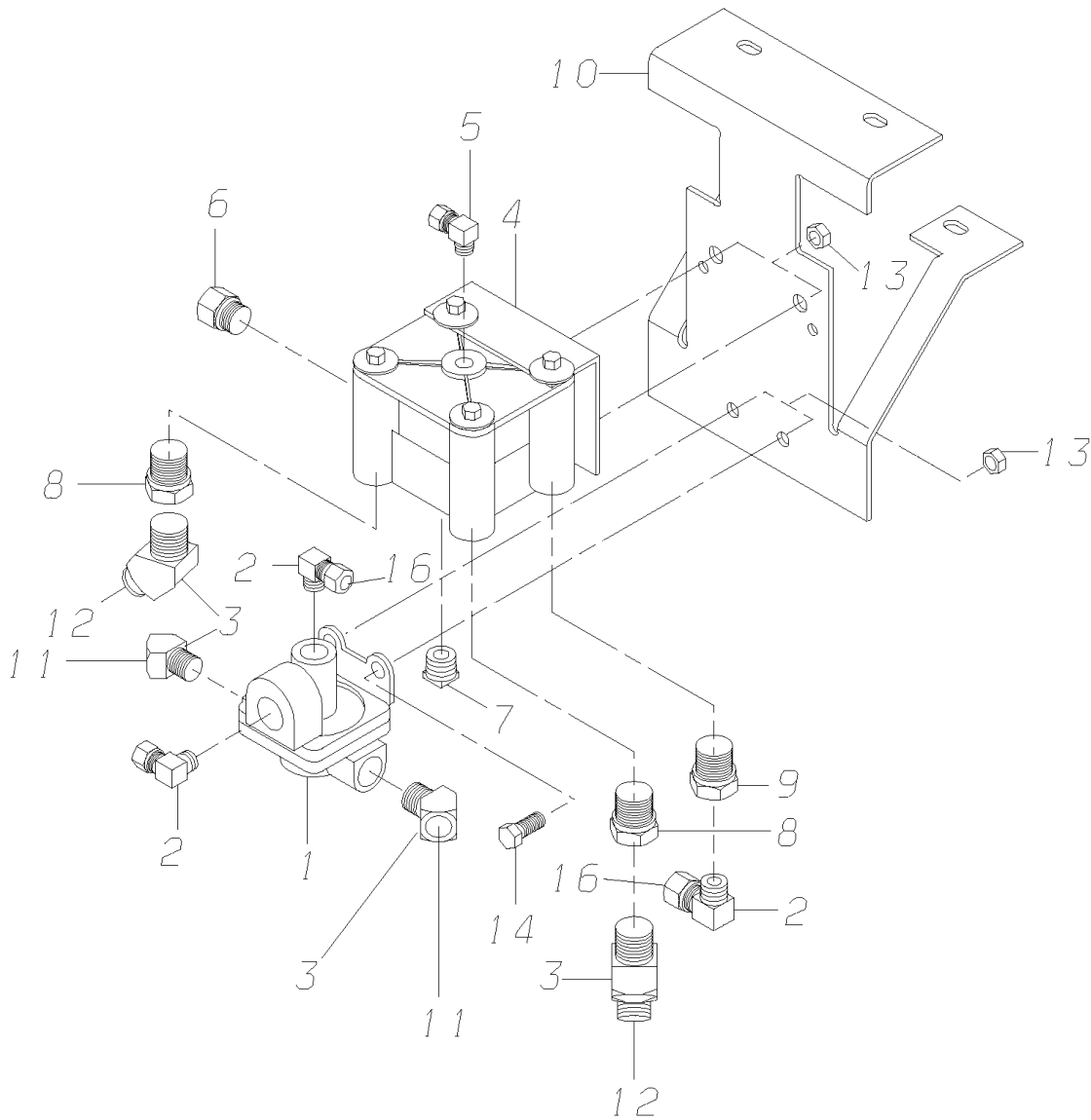
**With Features:** FEATURE 40070

**BSN:** From CSN 30046675 1/3/2000  
To 6/10/07

Key	PartNumber	Qty	Description	Comment
1	0654426		VALVE,SPRING BRAKE	
2	1940865		VALVE,QUICK RELEASE,3/8" INLET PORT	
3	1341874		BRACKET,MTG,QUICK RELEASE & SPRG BRK	
4	0016750		TEE,BRASS,3/8MPTX3/8FPTX3/8FPT,3600X6	
5	0009906		ELBOW,90 DEG,MALE1869X8-Z,.38MPT X .50T	
6	0009911	6	ELBOW,90 DEG,MALE1869X6X6-Z,.38MPT	
7	0009912		ELBOW,90 DEG,MALE1869X4X4-Z,.25MPT	
8	0854414	4	CAPSCREW,HEX HD,5/16-18X7/8,GR8,YEL ZN	
9	0829390	4	NUT,HEX HD,5/16-18,SER WASHER,YEL ZN	
10	1346865	AR	TUBING,PLASTIC,1/2 OD,BLACK,SAE J844 TYPE	
11	0766188	2	ADAPTER,3/8 FPT X 1/4 MPT	
12	0009921		CONNECTOR,MALE,1868X8-Z,.38MPT X .50T"	
13	2008282		ELBOW,STREET,45 DEG,3350X6Z,BRASS	
14	0009921		CONNECTOR,MALE,1868X8-Z,.38MPT X .50T"	
15	0009918		CONNECTOR,MALE,1868X6X6-Z,.38MPT X .38T"	

**Models:** A3FE, C3FE  
**VALVE ASSY**  
**SPRING & SERVICE BRAKE**  
**BSN:** From CSN 30012575 07/22/98

Key	PartNumber	Qty	Description	Comment
-----	------------	-----	-------------	---------

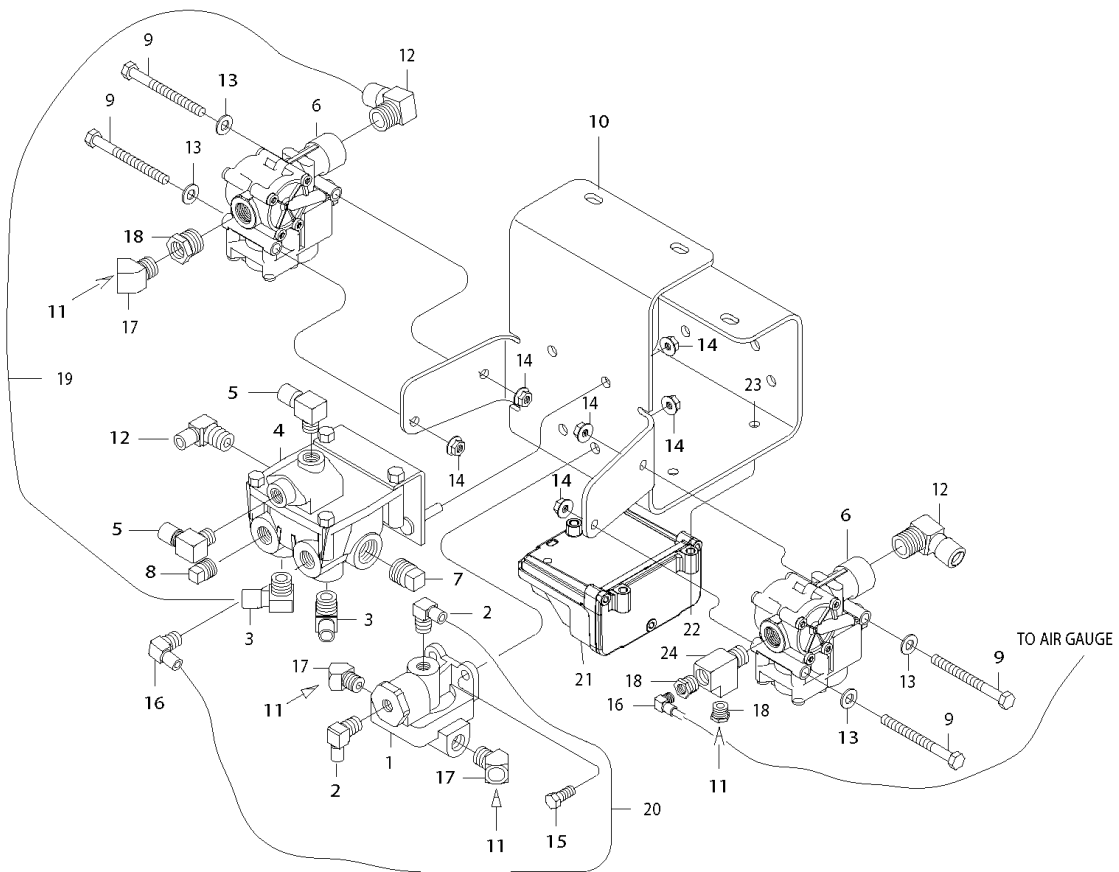


**Models:** A3FE, C3FE  
**VALVE ASSY**  
**SPRING & SERVICE BRAKE**  
**BSN:** From CSN 30012575 07/22/98

Key	PartNumber	Qty	Description	Comment
1	1220128		VALVE,SPRING BRAKE,RELAY,QR-1C	
2	0009912	3	ELBOW,90 DEG,MALE1869X4X4-Z,.25MPT	
3	2008282	4	ELBOW,STREET,45 DEG,3350X6Z,BRASS	
4	1066679		VALVE,SERVICE BRK RELAY,R12,W/LH SUP	
NI	2135721		KIT,MAINTENANCE,TYPE R-12,R-14 RELAY	
5	0009914		ELBOW,90 DEG,MALE1869X6-Z,.25MPT X .38T"	
6	0009920		CONNECTOR,MALE,1868X8X8-Z,.50MPT X .50T"	
7	0663427		PLUG,PIPE,1/2 SQ HD,3151 X 8Z,BRASS	
8	2023539	2	BUSHING,PIPE,1/2MPT X 3/8FPT,3220X8X6Z,	
9	2027159		BUSHING,PIPE,1/2 X 1/4,BRASS	
10	1546829		BRACKET,MTG,RELAY VALVE/BKG HORN,TC	
11	0770883	2	HOSE ASSY,BRAKE,7/16 X 20 IN LONG	
12	0770909	2	HOSE ASSY,BRAKE,7/16 X 23 IN LONG	
13	0829390		NUT,HEX HD,5/16-18,SER WASHER,YEL ZN	
14	0854414	4	CAPSCREW,HEX HD,5/16-18X7/8,GR8,YEL ZN	
16	0654962		TUBING,PLASTIC,1/4 OD,BLACK,SAE J844 TYPE	

**Models:** A3FE, C3FE  
**VALVE ASSY**  
**SPRING & SERVICE BRAKE**  
**With Features:** FEATURE 40076 WITH 40280-05  
**BSN:** From CSN 0198635 5/2/05  
 To 6/10/07

Key	PartNumber	Qty	Description	Comment
-----	------------	-----	-------------	---------



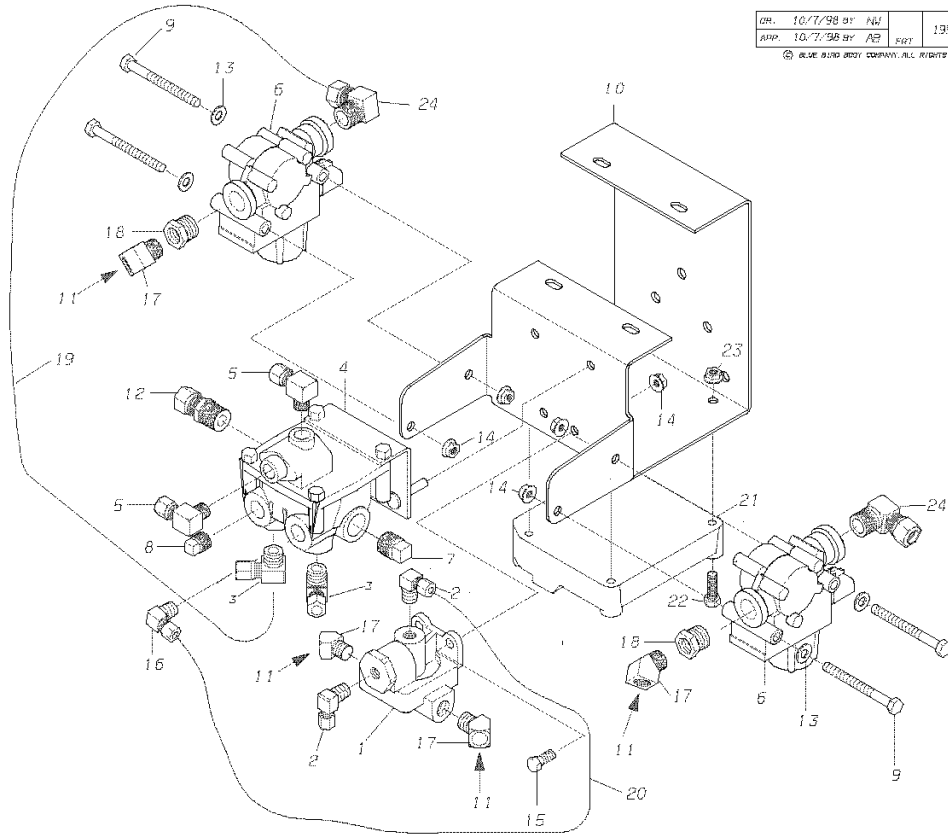
**Models:** A3FE, C3FE  
**VALVE ASSY**  
**SPRING & SERVICE BRAKE**  
**With Features:** FEATURE 40076 WITH 40280-05  
**BSN:** From CSN 0198635 5/2/05  
 To 6/10/07


Key	PartNumber	Qty	Description	Comment
1	1220128		VALVE,SPRING BRAKE,RELAY,QR-1C	
2	0009912	2	ELBOW,90 DEG,MALE1869X4X4-Z,.25MPT	
3	0009906	2	ELBOW,90 DEG,MALE1869X8-Z,.38MPT X .50T	
4	1995851		VALVE,RELAY,R12 W/DOUBLE CHECK,ABS	
5	0009914	2	ELBOW,90 DEG,MALE1869X6-Z,.25MPT X .38T"	
6	0060035	2	MODULATOR,ABS,AIR BRAKE,M32QR	
7	0663427		PLUG,PIPE,1/2 SQ HD,3151 X 8Z,BRASS	
8	3772159		PLUG,PIPE,0.375,BRASS W/SEALANT,HEX HD	
9	1226877	4	CAPSCREW,HEX HD,5/16X 3 1/2,GR8,YEL ZN	
10	0084945	3	BRACKET,MOUNTING,ECU,AIR BRAKES,ABS, FE	
11	0770883	4	HOSE ASSY,BRAKE,7/16 X 20 IN LONG	
12	0009907	3	ELBOW,90 DEG,MALE1869X8X8-Z,.50MPT	
13	2001048	4	WASHER,FLAT,11/32 X 11/16 X 1/16,YEL	
14	0829390	8	NUT,HEX HD,5/16-18,SER WASHER,YEL ZN	
15	0854414	2	CAPSCREW,HEX HD,5/16-18X7/8,GR8,YEL ZN	
16	0009913	2	ELBOW,90 DEG,MALE1869X4X6-Z,.38MPT	
17	2008282	3	ELBOW,STREET,45 DEG,3350X6Z,BRASS	
18	2023539	3	BUSHING,PIPE,1/2MPT X 3/8FPT,3220X8X6Z,	
19	1346865	AR	TUBING,PLASTIC,1/2 OD,BLACK,SAE J844 TYPE	
20	0654962	AR	TUBING,PLASTIC,1/4 OD,BLACK,SAE J844 TYPE	
21	0084931	1	ELECTRONIC CTRL UNIT,ABS,BENDIX,EC-60	
22	0085457	3	SCREW,MACH,12-24X1-1/2,PH1,PAN HD,YELZN	
23	0003837	3	NUT,HEX HD,12-24,LK,NYLON INSERT,YEL ZN	
24	0654350		TEE,1/2 PIPE,STREET	

**Models:** A3FE, C1FE, CSFE, TCFE  
**VALVE ASSY**  
**SPRING & SERVICE BRAKE**  
**4 CHANNEL, ABS**

**With Features:** FEATURE 40070; 40076-01, 02  
**BSN:** From CSN 30000579  
 To CSN 30026804

Key	PartNumber	Qty	Description	Comment
-----	------------	-----	-------------	---------



DR.	10/17/98	AM	1995976	G	 <small>BLUE BIRD BODY COMPANY, ALL RIGHTS RESERVED</small>
APP.	10/17/98	PE	REV	REV	



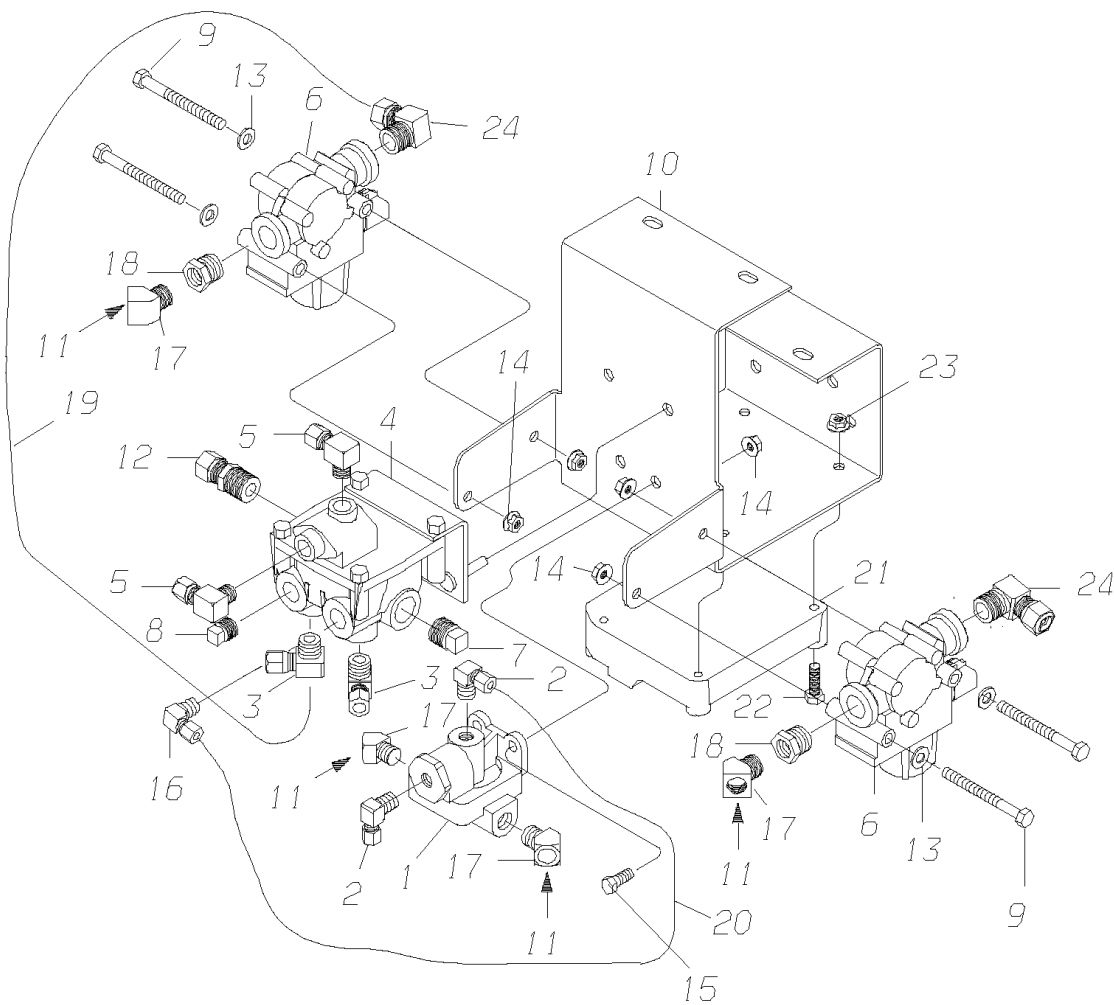
**Models:** A3FE, C1FE, CSFE, TCFE  
**VALVE ASSY**  
**SPRING & SERVICE BRAKE**  
**4 CHANNEL, ABS**  
**With Features:** FEATURE 40070; 40076-01, 02  
**BSN:** From CSN 30000579  
 To CSN 30026804

Key	PartNumber	Qty	Description	Comment
1	1220128	1	VALVE,SPRING BRAKE,RELAY,QR-1C	
2	1344092	2	ELBOW,90 DEG,MALE,1469X4X4-Z,.25 MP X .25	
3	1344050	2	ELBOW,90 DEG,MALE,1469X8-Z,.38MP X .5 T	
4	1995851	1	VALVE,RELAY,R12 W/DOUBLE CHECK,ABS	
5	1344068	2	ELBOW,90 DEG,MALE,1469X6-Z,.25 MP X .38 T	
6	1990332	2	MODULATOR,ABS,M-22	
7	0663427	1	PLUG,PIPE,1/2 SQ HD,3151 X 8Z,BRASS	
8	3772159	1	PLUG,PIPE,0.375,BRASS W/SEALANT,HEX HD	
9	1226877	4	CAPSCREW,HEX HD,5/16X 3 1/2,GR8,YEL ZN	
10	1996024	1	BRACKET,MTG,ECU &MODULATORS,ABS,	
11	0770883	4	HOSE ASSY,BRAKE,7/16 X 20 IN LONG	
12	1340462	1	CONNECTOR,MALE,1468X8X8Z,.5MP X .5T	
13	2001048	4	WASHER,FLAT,11/32 X 11/16 X 1/16,YEL	
14	0829390	8	NUT,HEX HD,5/16-18,SER WASHER,YEL ZN	
15	0854414	2	CAPSCREW,HEX HD,5/16-18X7/8,GR8,YEL ZN	
16	1344100	1	ELBOW,90 DEG,MALE,1469X4X6-Z,.38 MP X .25	
17	2008282	4	ELBOW,STREET,45 DEG,3350X6Z,BRASS	
18	2023539	2	BUSHING,PIPE,1/2MPT X 3/8FPT,3220X8X6Z,	
19	1346865		TUBING,PLASTIC,1/2 OD,BLACK,SAE J844 TYPE	
20	0654962		TUBING,PLASTIC,1/4 OD,BLACK,SAE J844 TYPE	
21	1990308	1	ELECTRONIC CONTROL UNIT,6X4 ABS &	
22	1672153	4	CAPSCREW,HEX HD 1/4-20 X 1 3/4,GR5,YEL	
23	1339639	4	NUT,HEX HD,1/4-20,PRVLG TORQUE,FLG,YEL	
24	1344084	2	ELBOW,90 DEG,MALE,1469X8X8-Z,.50 MP X .5	

**Models:** A3FE, C1FE, CSFE, TCFE  
**VALVE ASSY**  
**SPRING & SERVICE BRAKE**  
**4 CHANNEL, ABS**

**With Features:** FEATURE 40070; 40076-01, 02  
**BSN:** From CSN 30026804  
 To CSN 30036875 07/25/99

Key	PartNumber	Qty	Description	Comment
-----	------------	-----	-------------	---------



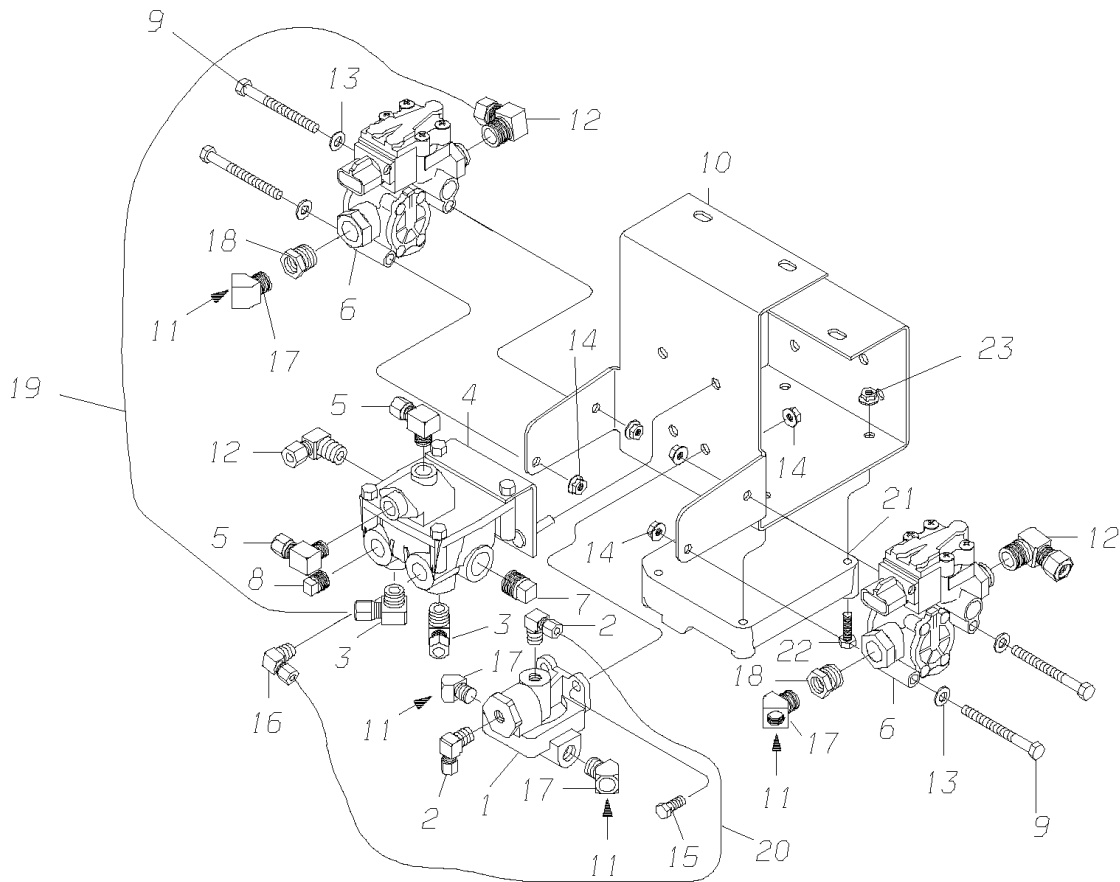
**Models:** A3FE, C1FE, CSFE, TCFE  
**VALVE ASSY**  
**SPRING & SERVICE BRAKE**  
**4 CHANNEL, ABS**  
**With Features:** FEATURE 40070; 40076-01, 02  
**BSN:** From CSN 30026804  
 To CSN 30036875 07/25/99

Key	PartNumber	Qty	Description	Comment
1	1220128	1	VALVE,SPRING BRAKE,RELAY,QR-1C	
2	1344092	2	ELBOW,90 DEG,MALE,1469X4X4-Z,.25 MP X .25	
3	1344050	2	ELBOW,90 DEG,MALE,1469X8-Z,.38MP X .5 T	
4	1995851	1	VALVE,RELAY,R12 W/DOUBLE CHECK,ABS	
5	1344068	2	ELBOW,90 DEG,MALE,1469X6-Z,.25 MP X .38 T	
6	1990332	2	MODULATOR,ABS,M-22	
7	0663427	1	PLUG,PIPE,1/2 SQ HD,3151 X 8Z,BRASS	
8	3772159	1	PLUG,PIPE,0.375,BRASS W/SEALANT,HEX HD	
9	1226877	4	CAPSCREW,HEX HD,5/16X 3 1/2,GR8,YEL ZN	
10	0010670	1	BRACKET,MTG,ECU & MODULATORS,ABS	
11	0770883	4	HOSE ASSY,BRAKE,7/16 X 20 IN LONG	
12	1340462	1	CONNECTOR,MALE,1468X8X8Z,.5MP X .5T	
13	2001048	4	WASHER,FLAT,11/32 X 11/16 X 1/16,YEL	
14	0829390	8	NUT,HEX HD,5/16-18,SER WASHER,YEL ZN	
15	0854414	2	CAPSCREW,HEX HD,5/16-18X7/8,GR8,YEL ZN	
16	1344100	1	ELBOW,90 DEG,MALE,1469X4X6-Z,.38 MP X .25	
17	2008282	4	ELBOW,STREET,45 DEG,3350X6Z,BRASS	
18	2023539	2	BUSHING,PIPE,1/2MPT X 3/8FPT,3220X8X6Z,	
19	1346865		TUBING,PLASTIC,1/2 OD,BLACK,SAE J844 TYPE	
20	0654962		TUBING,PLASTIC,1/4 OD,BLACK,SAE J844 TYPE	
21	1990308	1	ELECTRONIC CONTROL UNIT,6X4 ABS &	
22	1672153	4	CAPSCREW,HEX HD 1/4-20 X 1 3/4,GR5,YEL	
23	1339639	4	NUT,HEX HD,1/4-20,PRVLG TORQUE,FLG,YEL	
24	1344084	2	ELBOW,90 DEG,MALE,1469X8X8-Z,.50 MP X .5	

**Models:** A3FE, C1FE, CSFE, TCFE  
**VALVE ASSY**  
**SPRING & SERVICE BRAKE**  
**4 CHANNEL, ABS**

**With Features:** FEATURE 40070; 40076-01, 02  
**BSN:** From CSN 30036876 07/26/99  
 To CSN 30058680 04/30/00

Key	PartNumber	Qty	Description	Comment
-----	------------	-----	-------------	---------



**Models:** A3FE, C1FE, CSFE, TCFE  
**VALVE ASSY**  
**SPRING & SERVICE BRAKE**  
**4 CHANNEL, ABS**

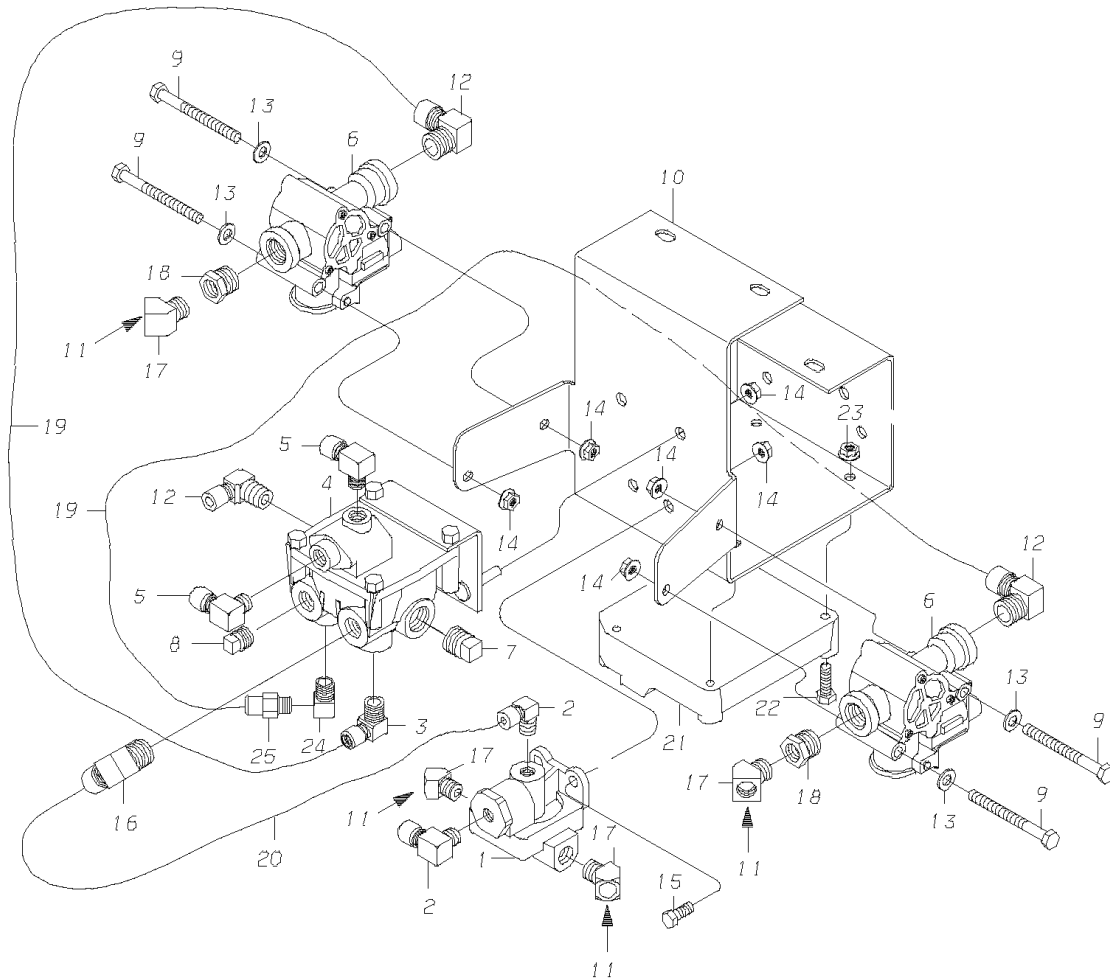
**With Features:** FEATURE 40070; 40076-01, 02  
**BSN:** From CSN 30036876 07/26/99  
 To CSN 30058680 04/30/00

Key	PartNumber	Qty	Description	Comment
1	1220128	1	VALVE,SPRING BRAKE,RELAY,QR-1C	
2	1344092	2	ELBOW,90 DEG,MALE,1469X4X4-Z,.25 MP X .25	
3	1344050	2	ELBOW,90 DEG,MALE,1469X8-Z,.38MP X .5 T	
4	1995851	1	VALVE,RELAY,R12 W/DOUBLE CHECK,ABS	
5	1344068	2	ELBOW,90 DEG,MALE,1469X6-Z,.25 MP X .38 T	
6	1608728	2	MODULATOR,M-21,ABS,4 CHANNEL,BENDIX	
7	0663427	1	PLUG,PIPE,1/2 SQ HD,3151 X 8Z,BRASS	
8	3772159	1	PLUG,PIPE,0.375,BRASS W/SEALANT,HEX HD	
9	1226877	4	CAPSCREW,HEX HD,5/16X 3 1/2,GR8,YEL ZN	
10	0010670	1	BRACKET,MTG,ECU & MODULATORS,ABS	
11	0770883	4	HOSE ASSY,BRAKE,7/16 X 20 IN LONG	
12	1344084	3	ELBOW,90 DEG,MALE,1469X8X8-Z,.50 MP X .5	
13	2001048	4	WASHER,FLAT,11/32 X 11/16 X 1/16,YEL	
14	0829390	8	NUT,HEX HD,5/16-18,SER WASHER,YEL ZN	
15	0854414	2	CAPSCREW,HEX HD,5/16-18X7/8,GR8,YEL ZN	
16	1344100	1	ELBOW,90 DEG,MALE,1469X4X6-Z,.38 MP X .25	
17	2008282	4	ELBOW,STREET,45 DEG,3350X6Z,BRASS	
18	2023539	2	BUSHING,PIPE,1/2MPT X 3/8FPT,3220X8X6Z,	
19	1346865		TUBING,PLASTIC,1/2 OD,BLACK,SAE J844 TYPE	
20	0654962		TUBING,PLASTIC,1/4 OD,BLACK,SAE J844 TYPE	
21	1990308	1	ELECTRONIC CONTROL UNIT,6X4 ABS &	
22	1672153	4	CAPSCREW,HEX HD 1/4-20 X 1 3/4,GR5,YEL	
23	1339639	4	NUT,HEX HD,1/4-20,PRVLG TORQUE,FLG,YEL	

**Models:** A3FE, C1FE, CSFE, TCFE  
**VALVE ASSY**  
**SPRING & SERVICE BRAKE**  
**4 CHANNEL, ABS**

**With Features:** FEATURE 40070; 40076-01, 02  
**BSN:** From CSN 30058681 05/01/00  
 To CSN 30080060 05/06/01

Key	PartNumber	Qty	Description	Comment
-----	------------	-----	-------------	---------



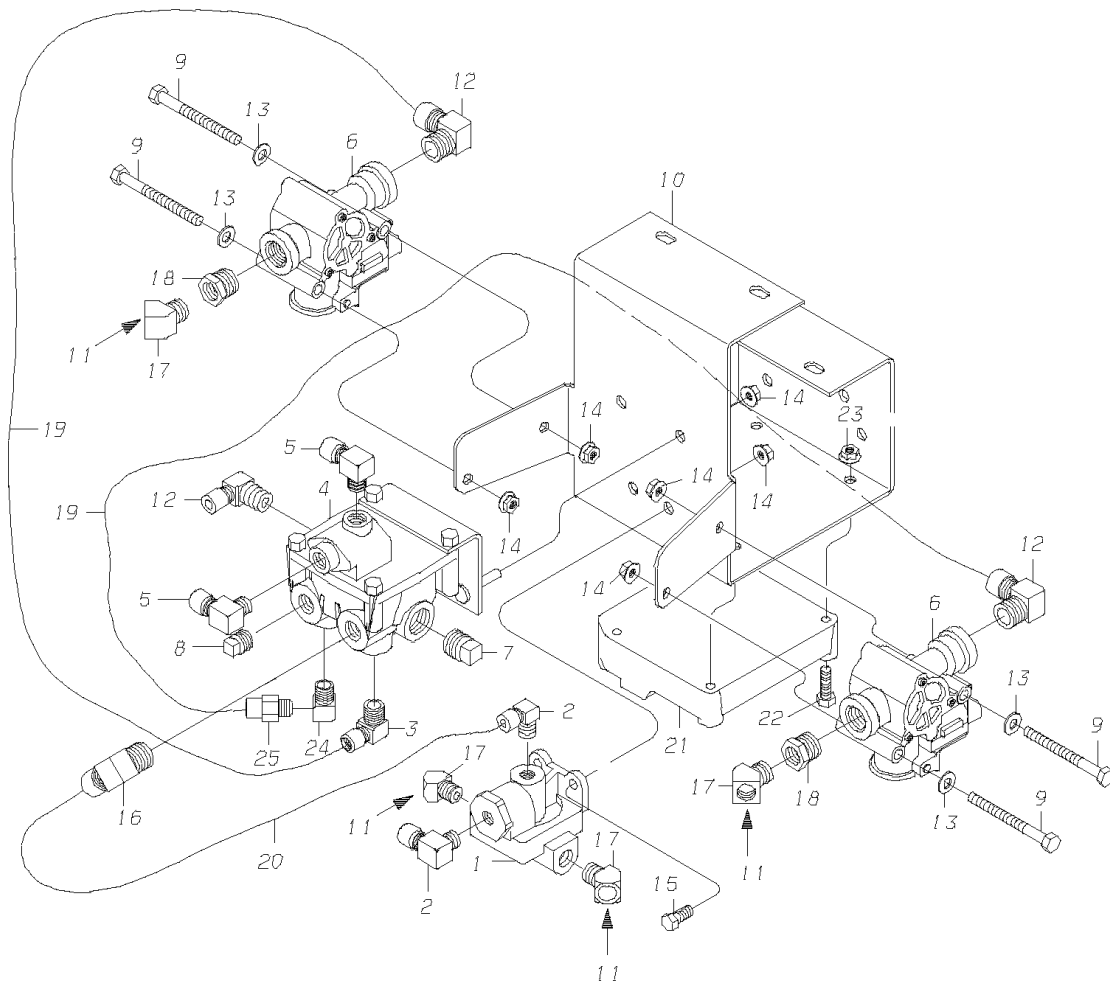
**Models:** A3FE, C1FE, CSFE, TCFE  
**VALVE ASSY**  
**SPRING & SERVICE BRAKE**  
**4 CHANNEL, ABS**  
**With Features:** FEATURE 40070; 40076-01, 02  
**BSN:** From CSN 30058681 05/01/00  
 To CSN 30080060 05/06/01

Key	PartNumber	Qty	Description	Comment
1	1220128	1	VALVE,SPRING BRAKE,RELAY,QR-1C	
2	0009912	2	ELBOW,90 DEG,MALE1869X4X4-Z,.25MPT	
3	0009906	2	ELBOW,90 DEG,MALE1869X8-Z,.38MPT X .50T	
4	1995851	1	VALVE,RELAY,R12 W/DOUBLE CHECK,ABS	
5	0009914	2	ELBOW,90 DEG,MALE1869X6-Z,.25MPT X .38T"	
6	0014460	2	MODULATOR,ABS,AIR BRAKE,BENDIX M-30	
7	0663427	1	PLUG,PIPE,1/2 SQ HD,3151 X 8Z,BRASS	
8	3772159	1	PLUG,PIPE,0.375,BRASS W/SEALANT,HEX HD	
9	1142595	4	CAPSCREW,HEX HD,5/16-18,X,3,,GR8,YELDICH	
10	0010670	1	BRACKET,MTG,ECU & MODULATORS,ABS	
11	0770883	4	HOSE ASSY,BRAKE,7/16 X 20 IN LONG	
12	0009907	3	ELBOW,90 DEG,MALE1869X8X8-Z,.50MPT	
13	2001048	4	WASHER,FLAT,11/32 X 11/16 X 1/16,YEL	
14	0829390	8	NUT,HEX HD,5/16-18,SER WASHER,YEL ZN	
15	0854414	2	CAPSCREW,HEX HD,5/16-18X7/8,GR8,YEL ZN	
16	0009913	1	ELBOW,90 DEG,MALE1869X4X6-Z,.38MPT	
17	2008282	4	ELBOW,STREET,45 DEG,3350X6Z,BRASS	
18	2023539	2	BUSHING,PIPE,1/2MPT X 3/8FPT,3220X8X6Z,	
19	1346865		TUBING,PLASTIC,1/2 OD,BLACK,SAE J844 TYPE	
20	0654962		TUBING,PLASTIC,1/4 OD,BLACK,SAE J844 TYPE	
21	0029673	1	ELECTRONIC CONTROL UNIT,6X4 ABS&TRACT,	
22	1672153	4	CAPSCREW,HEX HD 1/4-20 X 1 3/4,GR5,YEL	
23	1339639	4	NUT,HEX HD,1/4-20,PRVLG TORQUE,FLG,YEL	
24	2027241	1	ELBOW,STREET,90 DEG,3/8MPT X	
25	0009921	1	CONNECTOR,MALE,1868X8-Z,.38MPT X .50T"	

**Models:** A3FE, C1FE, CSFE, TCFE  
**VALVE ASSY**  
**SPRING & SERVICE BRAKE**  
**4 CHANNEL, ABS**

**With Features:** FEATURE 40070  
**BSN:** From CSN 30080061 05/07/01  
 To CSN 30105844 03/31/02

Key	PartNumber	Qty	Description	Comment
-----	------------	-----	-------------	---------





**Models:** A3FE, C1FE, CSFE, TCFE  
**VALVE ASSY**  
**SPRING & SERVICE BRAKE**  
**4 CHANNEL, ABS**  
**With Features:** FEATURE 40070  
**BSN:** From CSN 30080061 05/07/01  
 To CSN 30105844 03/31/02

Key	PartNumber	Qty	Description	Comment
1	1220128	1	VALVE,SPRING BRAKE,RELAY,QR-1C	
2	0009912	2	ELBOW,90 DEG,MALE1869X4X4-Z,.25MPT	
3	0009906	2	ELBOW,90 DEG,MALE1869X8-Z,.38MPT X .50T	
4	1995851	1	VALVE,RELAY,R12 W/DOUBLE CHECK,ABS	
5	0009914	2	ELBOW,90 DEG,MALE1869X6-Z,.25MPT X .38T"	
6	0014460	2	MODULATOR,ABS,AIR BRAKE,BENDIX M-30	
7	0663427	1	PLUG,PIPE,1/2 SQ HD,3151 X 8Z,BRASS	
8	3772159	1	PLUG,PIPE,0.375,BRASS W/SEALANT,HEX HD	
9	1142595	4	CAPSCREW,HEX HD,5/16-18,X,3,,GR8,YELDICH	
10	0010670	1	BRACKET,MTG,ECU & MODULATORS,ABS	
11	0770883	4	HOSE ASSY,BRAKE,7/16 X 20 IN LONG	
12	0009907	3	ELBOW,90 DEG,MALE1869X8X8-Z,.50MPT	
13	2001048	4	WASHER,FLAT,11/32 X 11/16 X 1/16,YEL	
14	0829390	8	NUT,HEX HD,5/16-18,SER WASHER,YEL ZN	
15	0854414	2	CAPSCREW,HEX HD,5/16-18X7/8,GR8,YEL ZN	
16	0009913	1	ELBOW,90 DEG,MALE1869X4X6-Z,.38MPT	
17	2008282	4	ELBOW,STREET,45 DEG,3350X6Z,BRASS	
18	2023539	2	BUSHING,PIPE,1/2MPT X 3/8FPT,3220X8X6Z,	
19	1346865		TUBING,PLASTIC,1/2 OD,BLACK,SAE J844 TYPE	
20	0654962		TUBING,PLASTIC,1/4 OD,BLACK,SAE J844 TYPE	
21	0046009	1	ECU,ABS,BENDIX,EC-30	
22	1672153	4	CAPSCREW,HEX HD 1/4-20 X 1 3/4,GR5,YEL	
23	1339639	4	NUT,HEX HD,1/4-20,PRVLG TORQUE,FLG,YEL	
24	2027241	1	ELBOW,STREET,90 DEG,3/8MPT X	
25	0009921	1	CONNECTOR,MALE,1868X8-Z,.38MPT X .50T"	

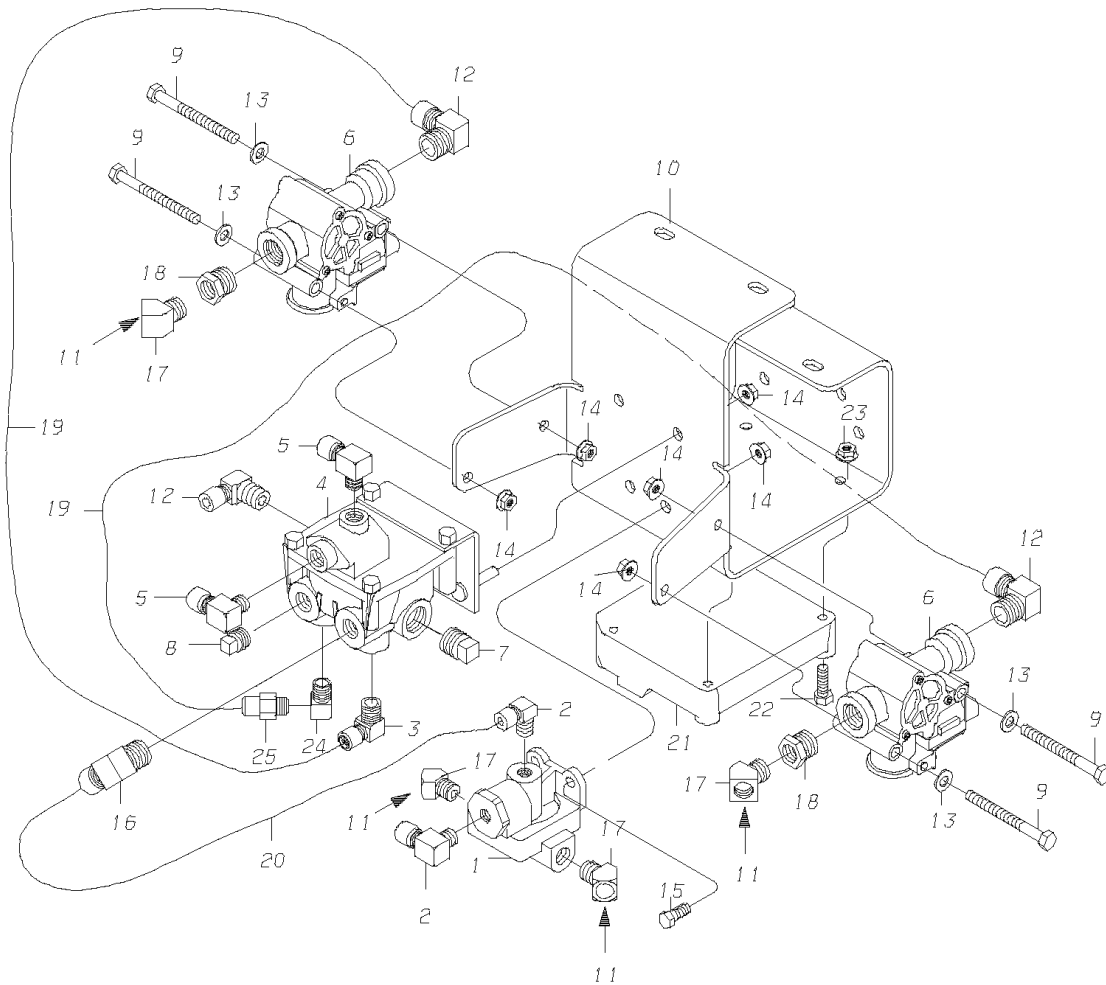
**Models:** A3FE, C1FE, C3FE, CSFE, TCFE  
**VALVE ASSY**

**SPRING & SERVICE BRAKE**  
**4 CHANNEL, ABS**

**With Features:** FEATURE 40070

**BSN:** From CSN 30105845 04/01/02

Key	PartNumber	Qty	Description	Comment
-----	------------	-----	-------------	---------



**Models:** A3FE, C1FE, C3FE, CSFE, TCFE

**VALVE ASSY  
SPRING & SERVICE BRAKE  
4 CHANNEL, ABS**

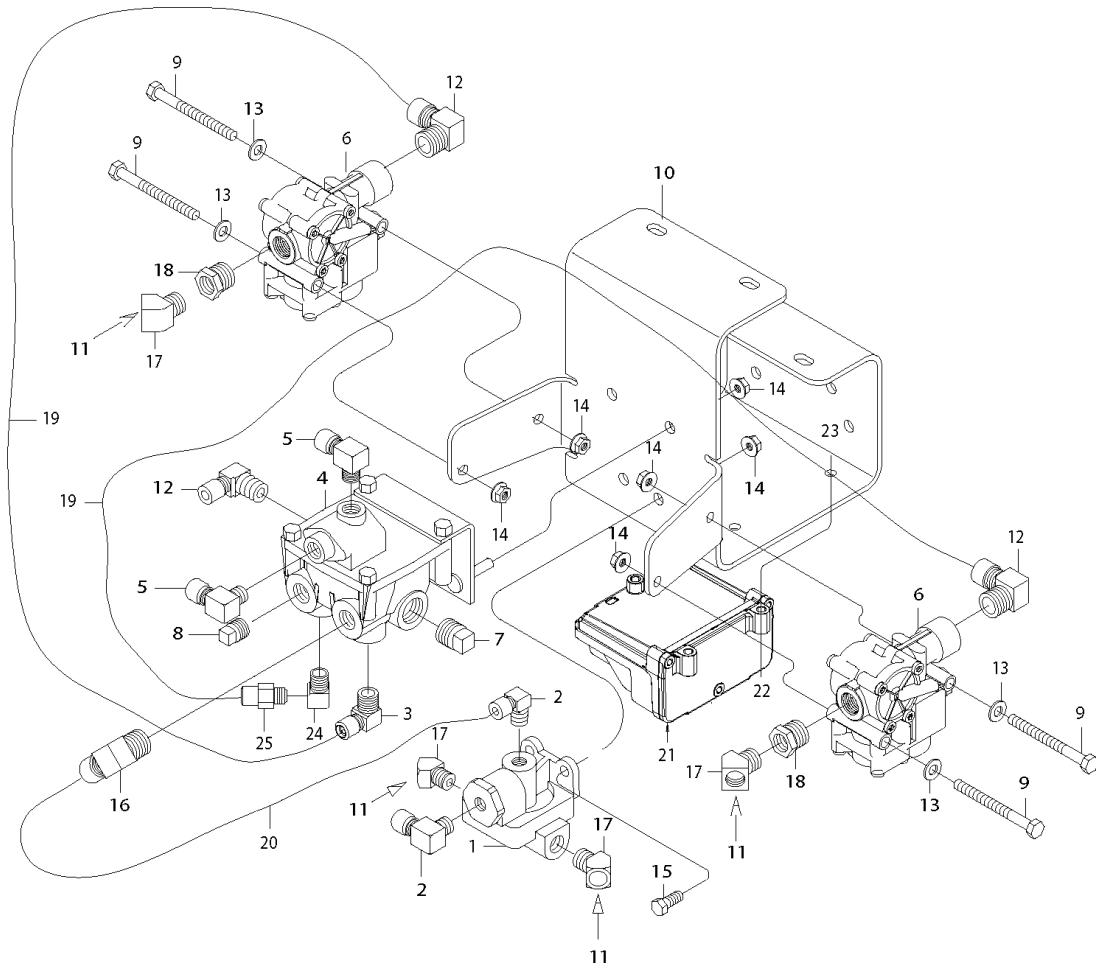
**With Features:** FEATURE 40070

**BSN:** From CSN 30105845 04/01/02

Key	PartNumber	Qty	Description	Comment
1	1220128	1	VALVE,SPRING BRAKE,RELAY,QR-1C	
2	0009912	2	ELBOW,90 DEG,MALE1869X4X4-Z,.25MPT	
3	0009906	2	ELBOW,90 DEG,MALE1869X8-Z,.38MPT X .50T	
4	1995851	1	VALVE,RELAY,R12 W/DOUBLE CHECK,ABS	
5	0009914	2	ELBOW,90 DEG,MALE1869X6-Z,.25MPT X .38T"	
6	0014460	2	MODULATOR,ABS,AIR BRAKE,BENDIX M-30	
7	0663427	1	PLUG,PIPE,1/2 SQ HD,3151 X 8Z,BRASS	
8	3772159	1	PLUG,PIPE,0.375,BRASS W/SEALANT,HEX HD	
9	1142595	4	CAPSCREW,HEX HD,5/16-18,X,3,,GR8,YELDICH	
10	0043782	1	BRACKET,MTG,ECU & MODULATORS,ABS	
11	0770883	4	HOSE ASSY,BRAKE,7/16 X 20 IN LONG	
12	0009907	3	ELBOW,90 DEG,MALE1869X8X8-Z,.50MPT	
13	2001048	4	WASHER,FLAT,11/32 X 11/16 X 1/16,YEL	
14	0829390	8	NUT,HEX HD,5/16-18,SER WASHER,YEL ZN	
15	0854414	2	CAPSCREW,HEX HD,5/16-18X7/8,GR8,YEL ZN	
16	0009913	1	ELBOW,90 DEG,MALE1869X4X6-Z,.38MPT	
17	2008282	4	ELBOW,STREET,45 DEG,3350X6Z,BRASS	
18	2023539	2	BUSHING,PIPE,1/2MPT X 3/8FPT,3220X8X6Z,	
19	1346865		TUBING,PLASTIC,1/2 OD,BLACK,SAE J844 TYPE	
20	0654962		TUBING,PLASTIC,1/4 OD,BLACK,SAE J844 TYPE	
21	0046009	1	ECU,ABS,BENDIX,EC-30	
22	1672153	4	CAPSCREW,HEX HD 1/4-20 X 1 3/4,GR5,YEL	
23	1339639	4	NUT,HEX HD,1/4-20,PRVLG TORQUE,FLG,YEL	
24	2027241	1	ELBOW,STREET,90 DEG,3/8MPT X	
25	0009921	1	CONNECTOR,MALE,1868X8-Z,.38MPT X .50T"	

**Models:** A3FE, C3FE  
**VALVE ASSY**  
**SPRING & SERVICE BRAKE**  
**EC60**  
**With Features:** FEATURE 40070  
**BSN:** From CSN 0198635 5/2/05  
 To 6/10/07

Key	PartNumber	Qty	Description	Comment
-----	------------	-----	-------------	---------



**Models:** A3FE, C3FE  
**VALVE ASSY**  
**SPRING & SERVICE BRAKE**  
**EC60**

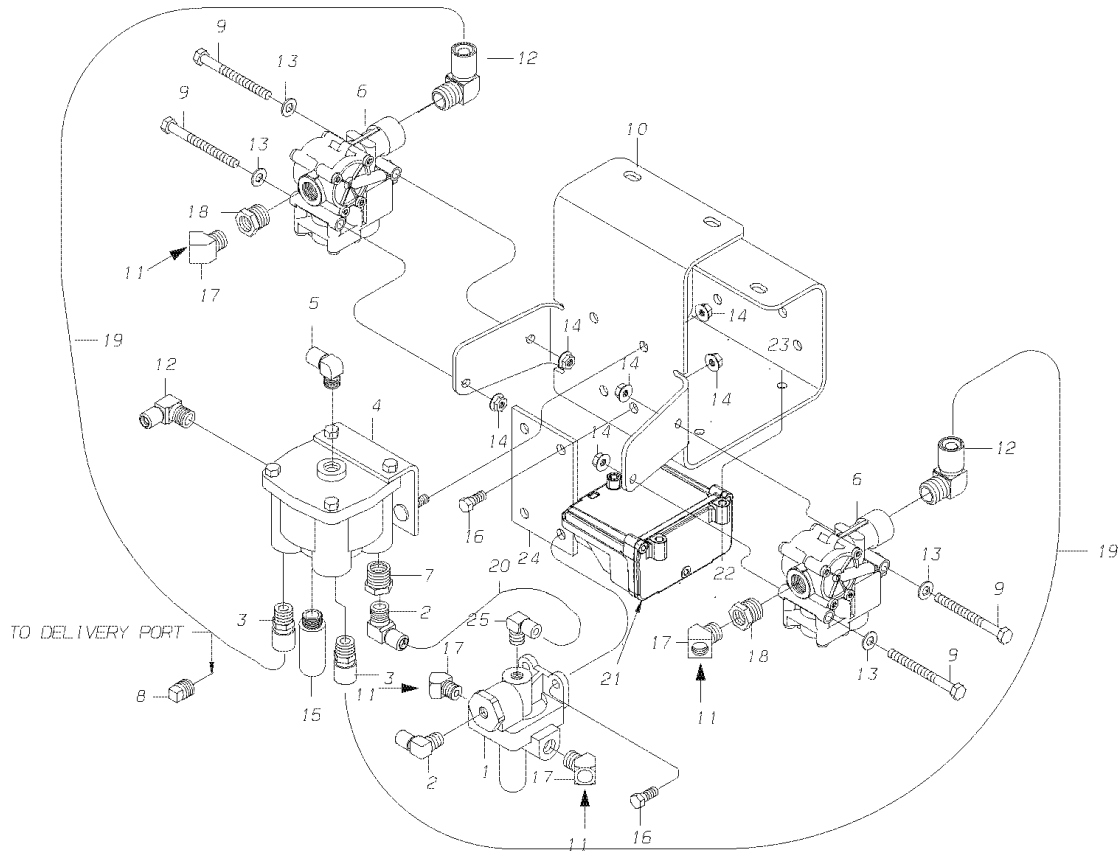
**With Features:** **FEATURE 40070**  
**BSN:** **From CSN 0198635 5/2/05**  
**To 6/10/07**

Key	PartNumber	Qty	Description	Comment
1	1220128		VALVE,SPRING BRAKE,RELAY,QR-1C	
2	0009912	2	ELBOW,90 DEG,MALE1869X4X4-Z,.25MPT	
3	0009906		ELBOW,90 DEG,MALE1869X8-Z,.38MPT X .50T	
4	1995851		VALVE,RELAY,R12 W/DOUBLE CHECK,ABS	
5	0009914	2	ELBOW,90 DEG,MALE1869X6-Z,.25MPT X .38T"	
6	0060035	2	MODULATOR,ABS,AIR BRAKE,M32QR	
7	0663427		PLUG,PIPE,1/2 SQ HD,3151 X 8Z,BRASS	
8	3772159		PLUG,PIPE,0.375,BRASS W/SEALANT,HEX HD	
9	1142595	4	CAPSCREW,HEX HD,5/16-18,X,3,,GR8,YELDICH	
10	0084945		BRACKET,MOUNTING,ECU,AIR BRAKES,ABS, FE	
11	0770883	4	HOSE ASSY,BRAKE,7/16 X 20 IN LONG	
12	0009907	3	ELBOW,90 DEG,MALE1869X8X8-Z,.50MPT	
13	2001048	4	WASHER,FLAT,11/32 X 11/16 X 1/16,YEL	
14	0829390	8	NUT,HEX HD,5/16-18,SER WASHER,YEL ZN	
15	0854414	2	CAPSCREW,HEX HD,5/16-18X7/8,GR8,YEL ZN	
16	0009913		ELBOW,90 DEG,MALE1869X4X6-Z,.38MPT	
17	2008282	4	ELBOW,STREET,45 DEG,3350X6Z,BRASS	
18	2023539	2	BUSHING,PIPE,1/2MPT X 3/8FPT,3220X8X6Z,	
19	1346865	AR	TUBING,PLASTIC,1/2 OD,BLACK,SAE J844 TYPE	
20	0654962		TUBING,PLASTIC,1/4 OD,BLACK,SAE J844 TYPE	
21	0084931		ELECTRONIC CTRL UNIT,ABS,BENDIX,EC-60	
22	0085457	3	SCREW,MACH,12-24X1-1/2,PH1,PAN HD,YELZN	
23	0003837	3	NUT,HEX HD,12-24,LK,NYLON INSERT,YEL ZN	
24	2027241		ELBOW,STREET,90 DEG,3/8MPT X	
25	0009921		CONNECTOR,MALE,1868X8-Z,.38MPT X .50T"	

**Models:** A3FE, HDFE  
**VALVE ASSY**  
**SPRING & SERVICE BRAKE**  
**EEC**

**With Features:** FEATURE 40070 WITH 4003 RH DIRVE  
**BSN:** From CSN 12-12-05

Key	PartNumber	Qty	Description	Comment
-----	------------	-----	-------------	---------



**Models:** A3FE, HDFE  
**VALVE ASSY**  
**SPRING & SERVICE BRAKE**  
**EEC**

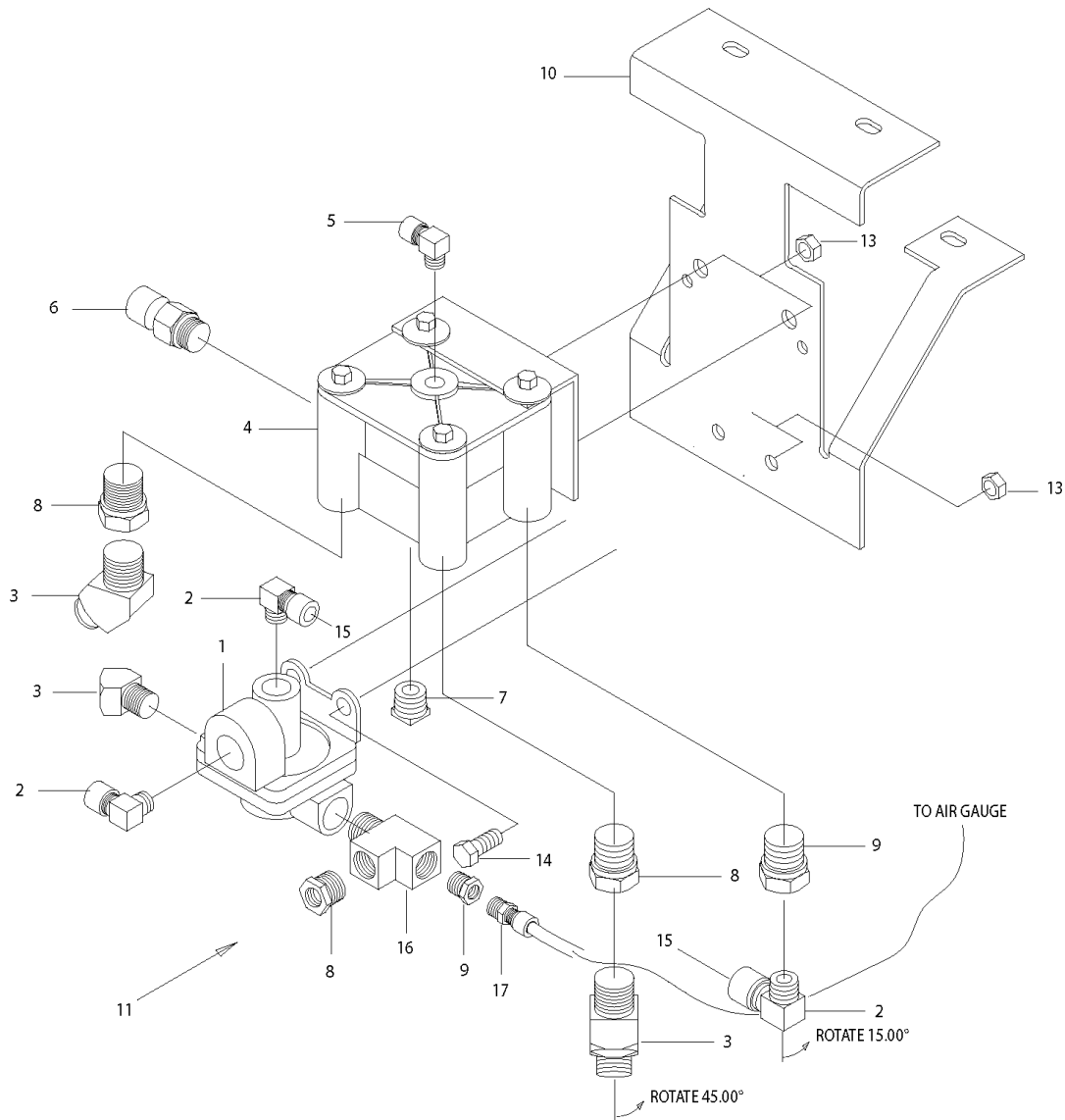
**With Features:** **FEATURE 40070 WITH 4003 RH DIRVE**  
**BSN:** **From CSN 12-12-05**

Key	PartNumber	Qty	Description	Comment
1	0048364		VALVE,QUICK RELEASE,QR-1C,W/SILENCER,EEC	
2	0009912		ELBOW,90 DEG,MALE1869X4X4-Z,.25MPT	
3	0009921		CONNECTOR,MALE,1868X8-Z,.38MPT X .50T"	
4	0048350		VALVE,RELAY,R-12,ABS,EEC	
5	0009914		ELBOW,90 DEG,MALE1869X6-Z,.25MPT X .38T"	
6	0073303		MODULATOR,ABS,AIR BRAKE,M32, EXPORT	
7	2027134		BUSHING,PIPE,3/8 X 1/4,BRASS	
8	3772159		PLUG,PIPE,0.375,BRASS W/SEALANT,HEX HD	
9	1142595		CAPSCREW,HEX HD,5/16-18,X,3,,GR8,YELDICH	
10	0084945		BRACKET,MOUNTING,ECU,AIR BRAKES,ABS, FE	
11	0770883		HOSE ASSY,BRAKE,7/16 X 20 IN LONG	
12	0009907		ELBOW,90 DEG,MALE1869X8X8-Z,.50MPT	
13	2001048		WASHER,FLAT,11/32 X 11/16 X 1/16,YEL	
14	0829390		NUT,HEX HD,5/16-18,SER WASHER,YEL ZN	
15	0048361		SILENCER,EXHAUST,VALVE,EEC	
16	0085414		BM FE77783-15 INV ADJ A/C KITS L67309 BBCV	
17	2008282		ELBOW,STREET,45 DEG,3350X6Z,BRASS	
18	2023539		BUSHING,PIPE,1/2MPT X 3/8FPT,3220X8X6Z,	
19	1346865		TUBING,PLASTIC,1/2 OD,BLACK,SAE J844 TYPE	
20	0654962		TUBING,PLASTIC,1/4 OD,BLACK,SAE J844 TYPE	
21	0084931		ELECTRONIC CTRL UNIT,ABS,BENDIX,EC-60	
22	0085457		SCREW,MACH,12-24X1-1/2,PH1,PAN HD,YELZN	
23	0003837		NUT,HEX HD,12-24,LK,NYLON INSERT,YEL ZN	
24	0094445		PLATE,MOUNTING,QUICK REL VLV,EEC, FE	
25	0009914		ELBOW,90 DEG,MALE1869X6-Z,.25MPT X .38T"	

**Models:** A3FE, C3FE, CSFE, TCFE, C1FE  
**VALVE ASSY**  
**SPRING & SERVICE BRAKE**  
**RELAY**

**With Features:** FEATURE 40280-05  
**BSN:** From CSN 30039475 8/30/99  
 To 6/10/07

Key	PartNumber	Qty	Description	Comment
-----	------------	-----	-------------	---------





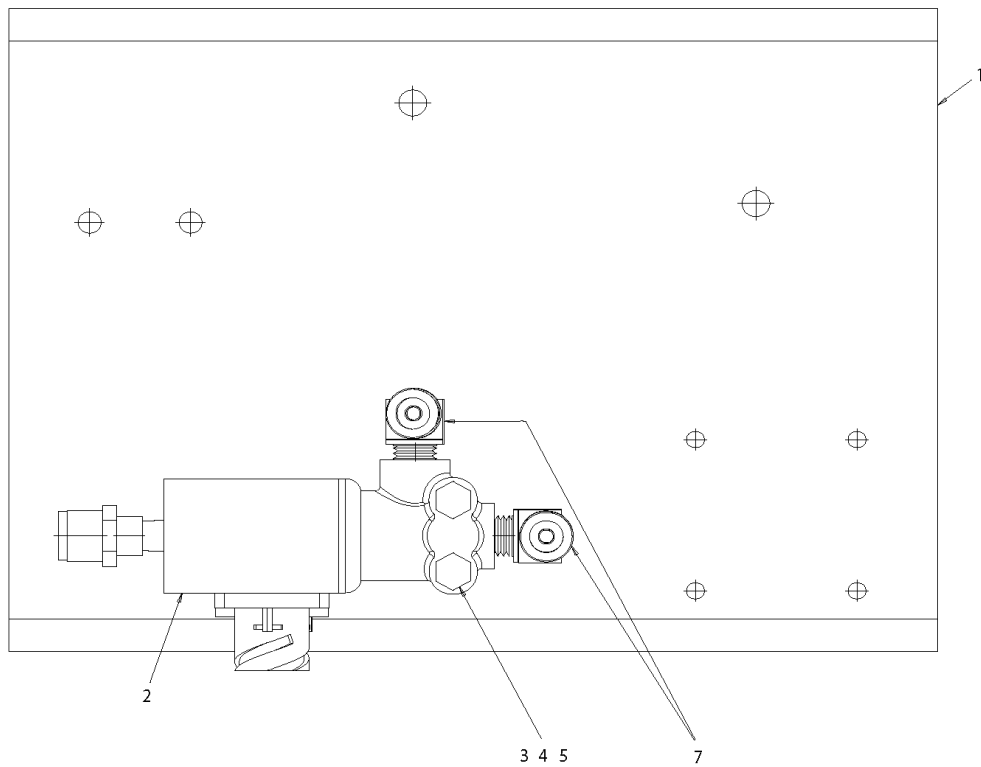
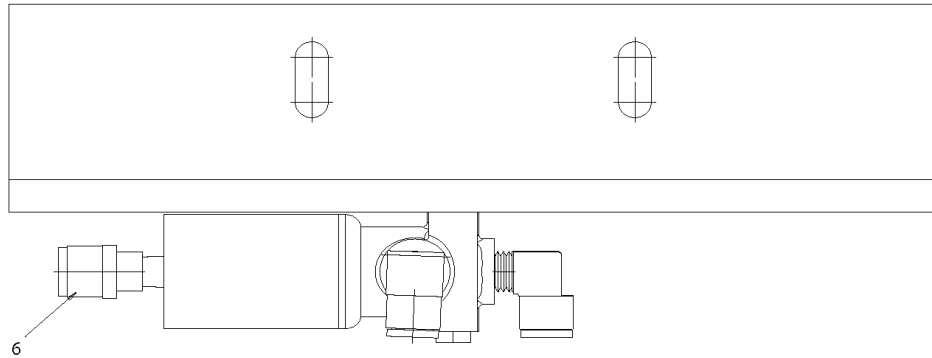
**Models:** A3FE, C3FE, CSFE, TCFE, C1FE  
**VALVE ASSY**  
**SPRING & SERVICE BRAKE**  
**RELAY**

**With Features:** FEATURE 40280-05  
**BSN:** From CSN 30039475 8/30/99  
 To 6/10/07

Key	PartNumber	Qty	Description	Comment
1	1220128		VALVE,SPRING BRAKE,RELAY,QR-1C	
2	0009912	3	ELBOW,90 DEG,MALE1869X4X4-Z,.25MPT	
3	2008282	3	ELBOW,STREET,45 DEG,3350X6Z,BRASS	
4	1066679		VALVE,SERVICE BRK RELAY,R12,W/LH SUP	
5	0009914		ELBOW,90 DEG,MALE1869X6-Z,.25MPT X .38T"	
6	0009920		CONNECTOR,MALE,1868X8X8-Z,.50MPT X .50T"	
7	0663427		PLUG,PIPE,1/2 SQ HD,3151 X 8Z,BRASS	
8	2023539	3	BUSHING,PIPE,1/2MPT X 3/8FPT,3220X8X6Z,	
9	2027159	2	BUSHING,PIPE,1/2 X 1/4,BRASS	
10	1546829		BRACKET,MTG,RELAY VALVE/BKG HORN,TC	
11	0770883	2	HOSE ASSY,BRAKE,7/16 X 20 IN LONG	
12	0770909	2	HOSE ASSY,BRAKE,7/16 X 23 IN LONG	
13	0829390	6	NUT,HEX HD,5/16-18,SER WASHER,YEL ZN	
14	0854414	4	CAPSCREW,HEX HD,5/16-18X7/8,GR8,YEL ZN	
15	0654962	AR	TUBING,PLASTIC,1/4 OD,BLACK,SAE J844 TYPE	
NI	0557710	4	CLAMP,LOOP,.812	
16	0654350		TEE,1/2 PIPE,STREET	
17	0009922		CONNECTOR,MALE,1868X4X4-Z,.25MPT X .25T"	

**Models:** A3FE, C3FE  
**VALVE ASSY**  
**TRACTION CONTROL**  
**SPRING SUSPENSION**  
**With Features:** FEATURE 40453-01 WITH SPRING SUSPENSION  
**BSN:** From CSN 0232665 4/5/06

Key	PartNumber	Qty	Description	Comment
-----	------------	-----	-------------	---------



**Models:** A3FE, C3FE  
**VALVE ASSY**  
**TRACTION CONTROL**  
**SPRING SUSPENSION**

**With Features:** **FEATURE 40453-01 WITH SPRING SUSPENSION**  
**BSN:** **From CSN 0232665 4/5/06**

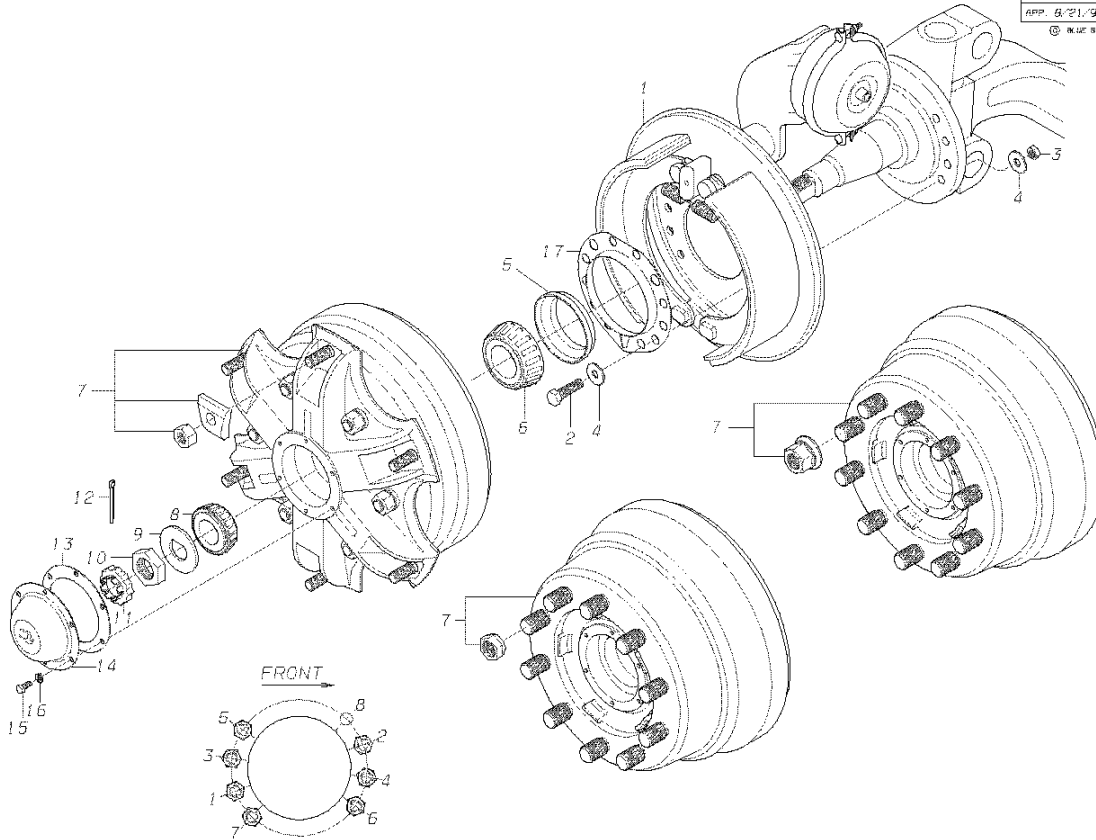
Key	PartNumber	Qty	Description	Comment
1	0102446	1	BRACKET,MOUNTINNG,BRK INTERLOCK WITH	
2	0102339	1	VALVE,SOLENOID,TRACTION CONTROL,AIR	
3	1246651	2	CAPSCREW,HEX HD,1/4-20X2 3/4,GR5,YEL	
4	1247709	2	WASHER,FLAT,17/64 ID X,5/8,YEL ZN DICH	
5	2001345	2	NUT,HEX HD,1/4-20,LOCKING,YELLOW	
6	0071528	1		
7	0009914	2	ELBOW,90 DEG,MALE1869X6-Z,.25MPT X .38T"	

**Models:** A3FE  
**WHEEL END COMPONENTS**  
**FRONT, DRUM BRAKES, HUB PILOTED**  
**5 INCH**  
**With Features:** FEATURE 40070  
 To CSN 30052954 03/05/00

Key	PartNumber	Qty	Description	Comment
-----	------------	-----	-------------	---------

DR. 8/21/96	BY JL	---	1755560	D
APP. 8/21/96	BY AE	FRT		REV

© BLUE BIRD BODY COMPANY ALL RIGHTS RESERVED



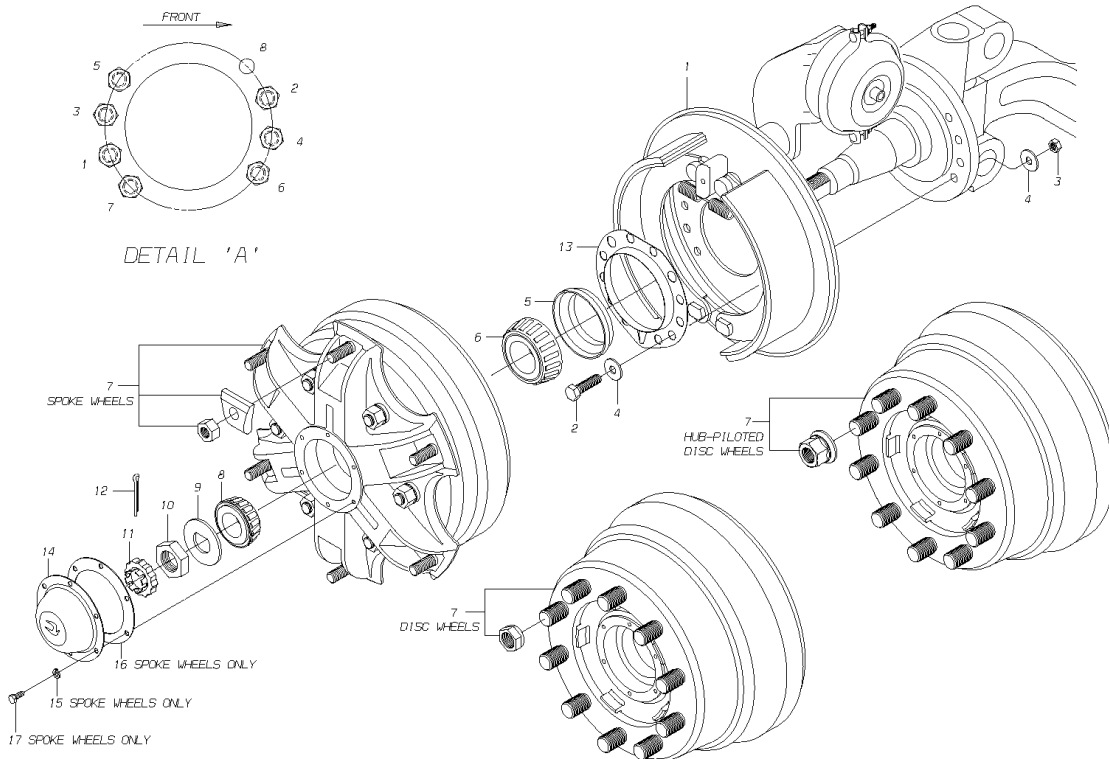
**Models:** A3FE  
**WHEEL END COMPONENTS**  
**FRONT, DRUM BRAKES, HUB PILOTED**  
**5 INCH**

**With Features:** FEATURE 40070  
 To CSN 30052954 03/05/00

Key	PartNumber	Qty	Description	Comment
1			BRAKE ASSEMBLY	
2	1998400		CAPSCREW,HEX HD,5/8-18X2.25,GR8,YZD,	
3	0929000		NUT,HEX HD,5/8-18,LOCKING,GR 8,CADMIUM	
4	0929018		WASHER,FLAT,21/32 X 1 1/8 X 3/32,HDN,YEL	
5	1391572		SEAL,INNER,FRONT	
6	0929406		BEARING,INNER,FRONT AXLE,TIMKEN	
7	1714377		DRUM,BRAKE,16.5X5,HUB PILOTED	
8	0929414		BEARING,OUTER,FRONT AXLE	
9	1442771		WASHER, SPINDLE, SPICER, 1-120	
10	1442789		NUT,SPINDLE,SPICER I-120	
11	1442797		LOCKNUT,SPICER I-120	
12	1446590		PIN,COTTER,I-120 AXLE	
13	0998484		GASKET,FRONT HUBCAP	
14	1444652		HUBCAP,STEERING AXLE,GREASE LUBRICATED	
14	1553601		HUBCAP,FRONT,W/GASKET,C/R1743	OPTION 4246
15	2028280	12	CAPSCREW,HEX HD,5/16-18X5/8,GR5,YEL ZN	
16	2001188		LOCKWASHER,SPLIT RING, 5/16,MED,YEL ZN	
17	1608389	2	SLINGER,OIL,WEBB 73615	
18	1714302		CAPNUT,FLANGED,22 MM,HUB PILOTED,	
19	1714328		STUD,SERRATED,22MM,FRT,HUB PILTD,	
20	1714344	2	HUB,FRONT,W/ABS,HUB PILOTED	
NI	2593093		CUP,WHEEL BEARING,INNER	
NI	2600179		CUP,OUTER WHEEL BEARING	

**Models:** A3FE  
**WHEEL END COMPONENTS**  
**FRONT, DRUM BRAKES, HUB PILOTED**  
**5 INCH**  
**With Features:** FEATURE 40070  
**BSN:** From CSN 30052395 03/06/00  
 To CSN 30096775 FE 11/04/01

Key	PartNumber	Qty	Description	Comment
-----	------------	-----	-------------	---------



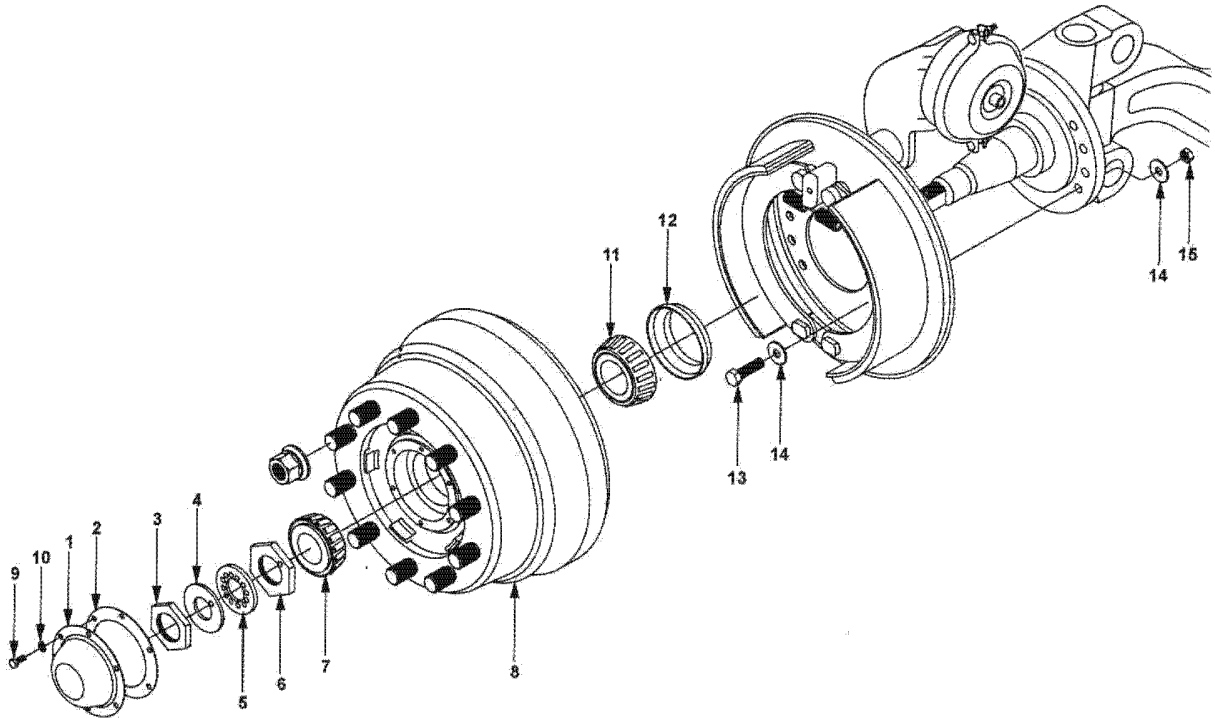
**Models:** A3FE  
**WHEEL END COMPONENTS**  
**FRONT, DRUM BRAKES, HUB PILOTED**  
**5 INCH**

**With Features:** FEATURE 40070  
**BSN:** From CSN 30052395 03/06/00  
 To CSN 30096775 FE 11/04/01

Key	PartNumber	Qty	Description	Comment
1			BRAKE ASSEMBLY	
2	1998400	14	CAPSCREW,HEX HD,5/8-18X2.25,GR8,YZD,	
3	0929000	14	NUT,HEX HD,5/8-18,LOCKING,GR 8,CADMIUM	
4	0929018	28	WASHER,FLAT,21/32 X 1 1/8 X 3/32,HDN,YEL	
5	1391572	2	SEAL,INNER,FRONT	
6	0929406	2	BEARING,INNER,FRONT AXLE,TIMKEN	
7	0020106	2	HUB & DRUM ASSY,STR,5.00,HUB PILOT,STL	STEEL WHEELS
7	0020108		HUB & DRUM ASSY,STR,5.00,HUB PILOT,AL	ALUMINUM WHEELS
	0028868		HUB & CUP ASSY, HUB PILOT, STEEL, WEBB	STEEL WHEELS
	0028869		HUB & CUP ASSY, HUB PILOT, ALUMN, WEBB	ALUMINUM WHEELS
NI	2593093	1	CUP,WHEEL BEARING,INNER	
NI	2600179	1	CUP,OUTER WHEEL BEARING	
NI	8305344	10	STUD,SERRATED,M22 X 1.5	STEEL WHEELS
NI	1714294	10	STUD,SERRATED,22 MM,RR,HUB PILTD	ALUMINUM WHEELS
NI	4317079		FLANGE,CAPNUT,22MM"	
NI	1714377		DRUM,BRAKE,16.5X5,HUB PILOTED	
8	0929414	2	BEARING,OUTER,FRONT AXLE	
9	1442771	2	WASHER, SPINDLE, SPICER, 1-120	
10	1442789	2	NUT,SPINDLE,SPICER I-120	
11	1442797	2	LOCKNUT,SPICER I-120	
12	1446590	2	PIN,COTTER,I-120 AXLE	
13	1608389	2	SLINGER,OIL,WEBB 73615	
14	0014891	2	HUBCAP ASSY,STEER AXLE,GREASE,4.50 B.C.	
NI	2602449		GASKET,FRONT HUBCAP,RKWL	

**Models:** A3FE, A3RE, C3FE, CSFE, CSRE, QBRE, TCFE  
**WHEEL END COMPONENTS**  
**FRONT, DRUM BRAKES, HUB PILOTTED**  
**5 INCH**  
**ALUMN WHEELS**  
**BSN:** From CSN 30096776 FE 10096696 RE 11/05/01

Key	PartNumber	Qty	Description	Comment
-----	------------	-----	-------------	---------



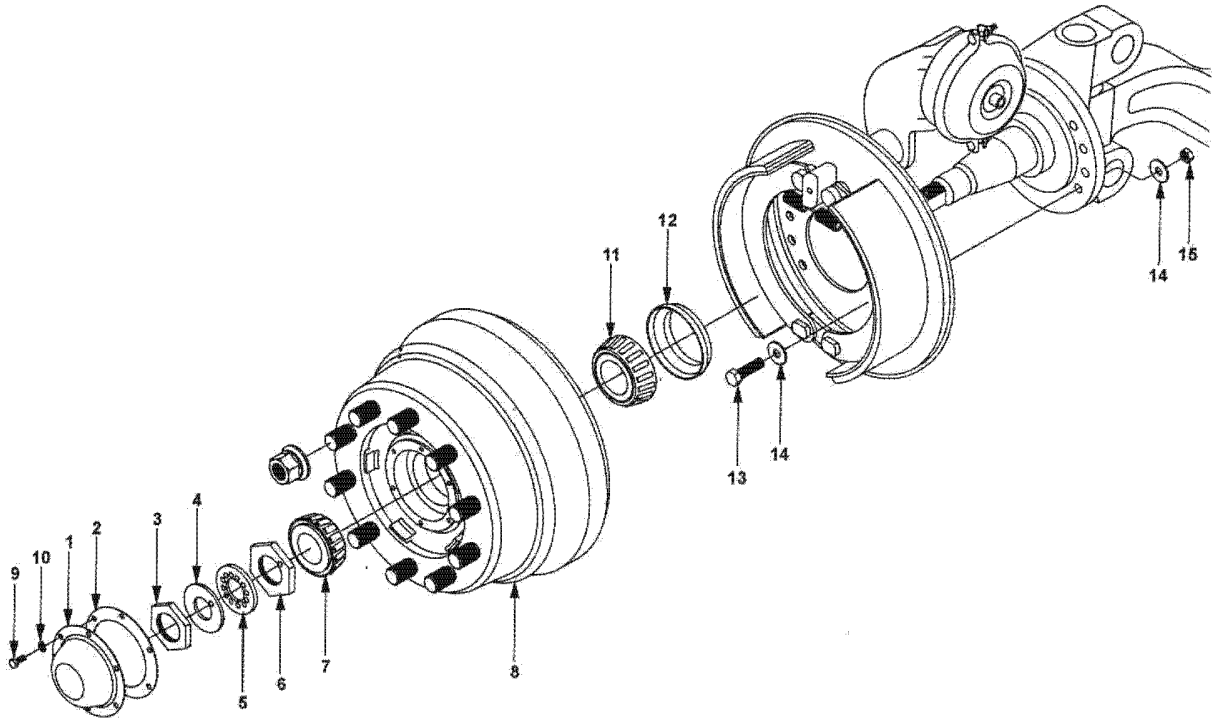


**Models:** A3FE, A3RE, C3FE, CSFE, CSRE, QBRE, TCFE  
**WHEEL END COMPONENTS**  
**FRONT, DRUM BRAKES, HUB PILOTED**  
**5 INCH**  
**ALUMN WHEELS**  
**BSN:** From CSN 30096776 FE 10096696 RE 11/05/01

Key	PartNumber	Qty	Description	Comment
1	0929448	2	HUBCAP,FRONT,ROCKWELL	
2	2602449	2	GASKET,FRONT HUBCAP,RKWL	
NI	0048519	2	KIT,4 PIECE WHEEL END,MERITOR	
3			KIT, NUT, SPINDLE	
4			KIT, WASHER, SPINDLE	
5			KIT, WASHER, FLAT	
6			KIT, NUT, HEX HD	
7	0929414	2	BEARING,OUTER,FRONT AXLE	
8	0044665	2	HUB & DRUM(NOT SERVICED AS AN ASSY)	
NI	0044631	1	HUB & CUP ASSY,DAYTON 515954,ALUMN WHLS	
NI	2593093	1	CUP,WHEEL BEARING,INNER	
NI	2600179	1	CUP,OUTER WHEEL BEARING	
NI	0044639	10	STUD,SERRATED,M22 X 1.5-6G	
NI	0044651	10	CAPNUT,FLANGED,M22,MERITOR	
NI	0043875	1	DRUM,BRAKE,5",DAYTON"	
9	2593408	12	BOLT,ROTOR TO DRUM	
10	2600419	12	WASHER,ROTOR SLINGER	
11	0929406	2	BEARING,INNER,FRONT AXLE,TIMKEN	
12	0043367	2	SEAL ASSY,OIL	
13	0043378	16	CAPSCREW	
14	0929018	32	WASHER,FLAT,21/32 X 1 1/8 X 3/32,HDN,YEL	
15	2596591	16	NUT	

**Models:** A3FE, A3RE, C3FE, CSFE, CSRE, QBRE, TCFE  
**WHEEL END COMPONENTS**  
**FRONT, DRUM BRAKES, HUB PILOTED**  
**5 INCH**  
**STEEL WHEELS**  
**BSN:** From CSN 30096776 FE 10096696 RE 11/05/01

Key	PartNumber	Qty	Description	Comment
-----	------------	-----	-------------	---------



**Models:** A3FE, A3RE, C3FE, CSFE, CSRE, QBRE, TCFE  
**WHEEL END COMPONENTS**  
**FRONT, DRUM BRAKES, HUB PILOTED**  
**5 INCH**  
**STEEL WHEELS**  
**BSN:** From CSN 30096776 FE 10096696 RE 11/05/01

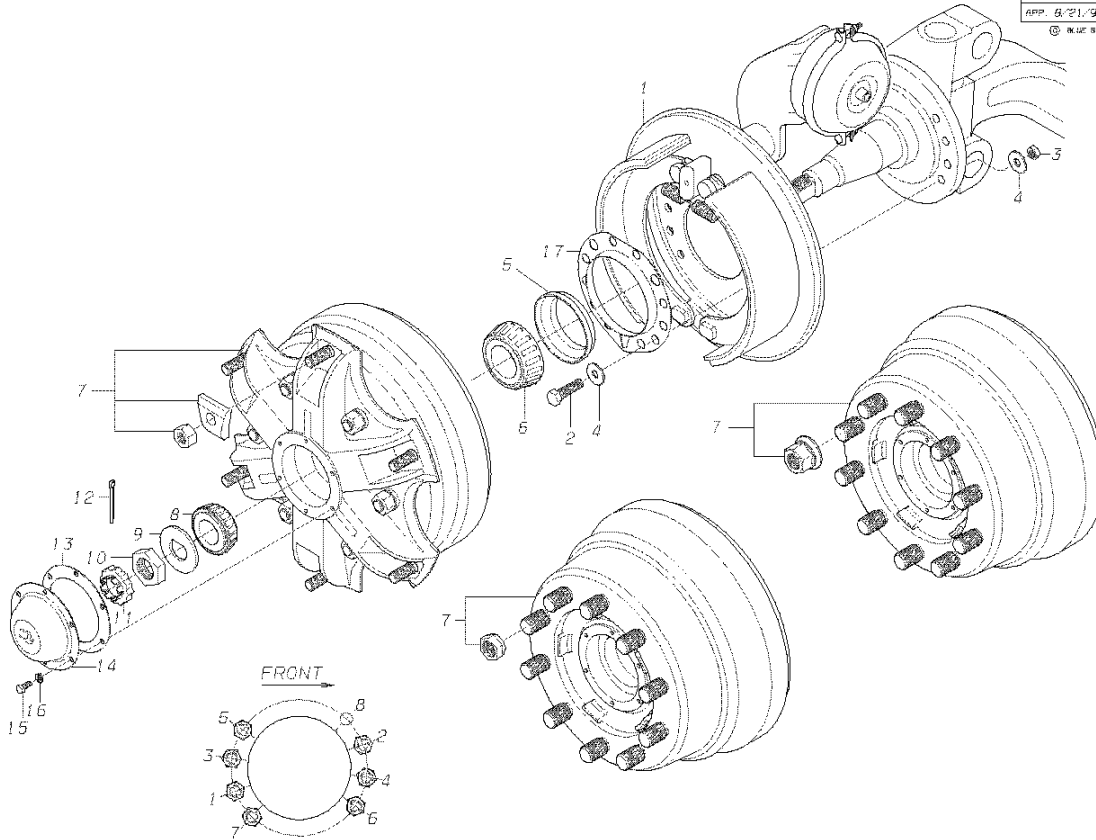
Key	PartNumber	Qty	Description	Comment
1	0929448	2	HUBCAP,FRONT,ROCKWELL	
2	2602449	2	GASKET,FRONT HUBCAP,RKWL	
NI	0048519	2	KIT,4 PIECE WHEEL END,MERITOR	
3			KIT, NUT, SPINDLE	
4			KIT, WASHER, SPINDLE	
5			KIT, WASHER, FLAT	
6			KIT, NUT, HEX HD	
7	0929414	2	BEARING,OUTER,FRONT AXLE	
8	0043888	2	HUB AND DRUM ASSY,STEER,5IN AIR,STL	
NI	0044630	1	HUB & CUP ASSY,DAYTON 515954,STL WHLS	
NI	2593093	1	CUP,WHEEL BEARING,INNER	
NI	2600179	1	CUP,OUTER WHEEL BEARING	
NI	0044637	10	STUD,SERRATED,M22 X 1.5-6G	
NI	0044651	10	CAPNUT,FLANGED,M22,MERITOR	
NI	0043875	1	DRUM,BRAKE,5",DAYTON"	
9	2593408	12	BOLT,ROTOR TO DRUM	
10	2600419	12	WASHER,ROTOR SLINGER	
11	0929406	2	BEARING,INNER,FRONT AXLE,TIMKEN	
12	0043367	2	SEAL ASSY,OIL	
13	0043378	16	CAPSCREW	
14	0929018	32	WASHER,FLAT,21/32 X 1 1/8 X 3/32,HDN,YEL	
15	2596591	16	NUT	

**Models:** A3FE, A3RE  
**WHEEL END COMPONENTS**  
**FRONT, DRUM BRAKES, HUB PILOTED**  
**6 INCH**  
**With Features:** FEATURE 40070  
**BSN:** From CSN 06/15/98  
 To CSN 30052394 FE 10052364 RE 03/05/00

Key	PartNumber	Qty	Description	Comment
-----	------------	-----	-------------	---------

DR. 8/21/98	BY JL	---	1755560	D
APP. 8/21/98	BY AE	FRT		REV

© BLUE BIRD BODY COMPANY ALL RIGHTS RESERVED



**Models:** A3FE, A3RE  
**WHEEL END COMPONENTS**  
**FRONT, DRUM BRAKES, HUB PILOTED**  
**6 INCH**

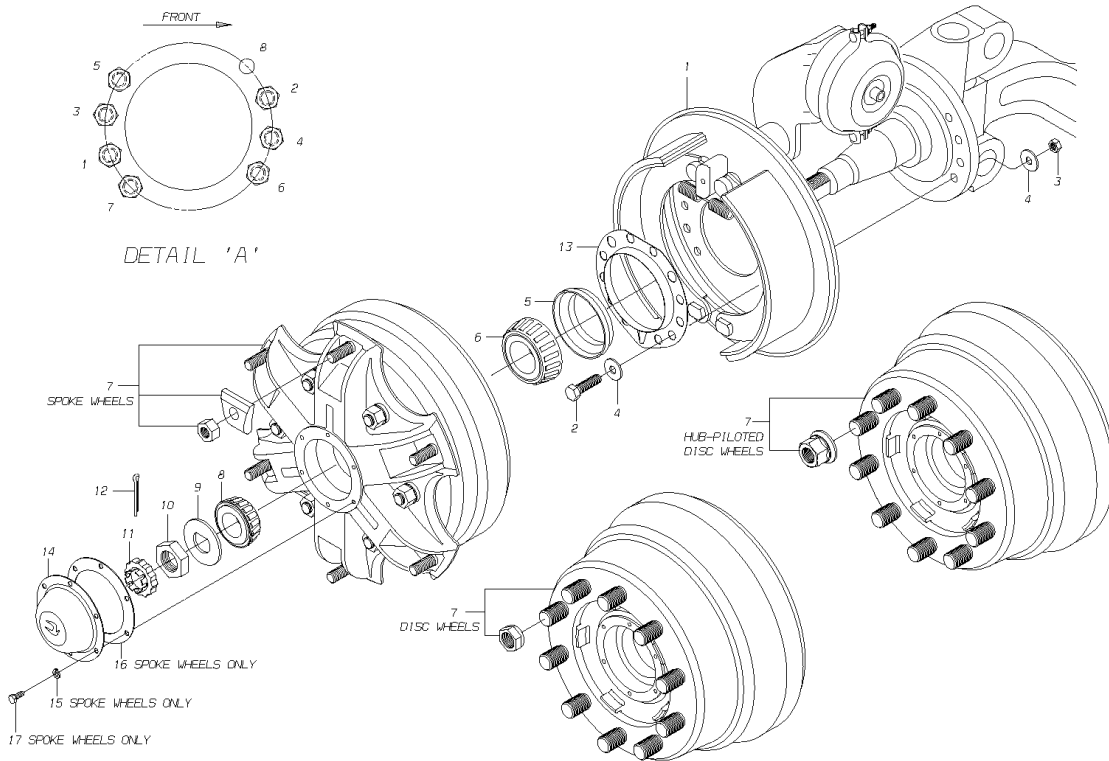
**With Features:** FEATURE 40070  
**BSN:** From CSN 06/15/98  
 To CSN 30052394 FE 10052364 RE 03/05/00

Key	PartNumber	Qty	Description	Comment
1			BRAKE ASSEMBLY	
2	1998400		CAPSCREW,HEX HD,5/8-18X2.25,GR8,YZD,	
3	0929000	14	NUT,HEX HD,5/8-18,LOCKING,GR 8,CADMIUM	
4	0929018		WASHER,FLAT,21/32 X 1 1/8 X 3/32,HDN,YEL	
5	1391572		SEAL,INNER,FRONT	
6	0929406		BEARING,INNER,FRONT AXLE,TIMKEN	
7	1827906	1	DRUM,BRAKE,16.5 X 6, WEBB 65179B	
8	0929414		BEARING,OUTER,FRONT AXLE	
9	1442771		WASHER, SPINDLE, SPICER, 1-120	
10	1442789		NUT,SPINDLE,SPICER I-120	
11	1442797		LOCKNUT,SPICER I-120	
12	1446590		PIN,COTTER,I-120 AXLE	
13	0998484		GASKET,FRONT HUBCAP	
14	1444652		HUBCAP,STEERING AXLE,GREASE LUBRICATED	
15	2028280	12	CAPSCREW,HEX HD,5/16-18X5/8,GR5,YEL ZN	
16	2001188		LOCKWASHER,SPLIT RING, 5/16,MED,YEL ZN	
17	1608389	2	SLINGER,OIL,WEBB 73615	
18	1714302		CAPNUT,FLANGED,22 MM,HUB PILOTED,	
19	1714328		STUD,SERRATED,22MM,FRT,HUB PILTD,	
20	8314213		HUB & CUP ASSY,W/TONE RING,FRONT,W/ABS,	
NI	2600179		CUP,OUTER WHEEL BEARING	
NI	2593093		CUP,WHEEL BEARING,INNER	

**Models:** A3FE, A3RE  
**WHEEL END COMPONENTS**  
**FRONT, DRUM BRAKES, HUB PILOTED**  
**6 INCH**

**With Features:** FEATURE 40070  
**BSN:** From CSN 30052395 FE 10052365 RE 03/06/00  
 To CSN 30096775 FE 10096695 RE 11/04/01

Key	PartNumber	Qty	Description	Comment
-----	------------	-----	-------------	---------

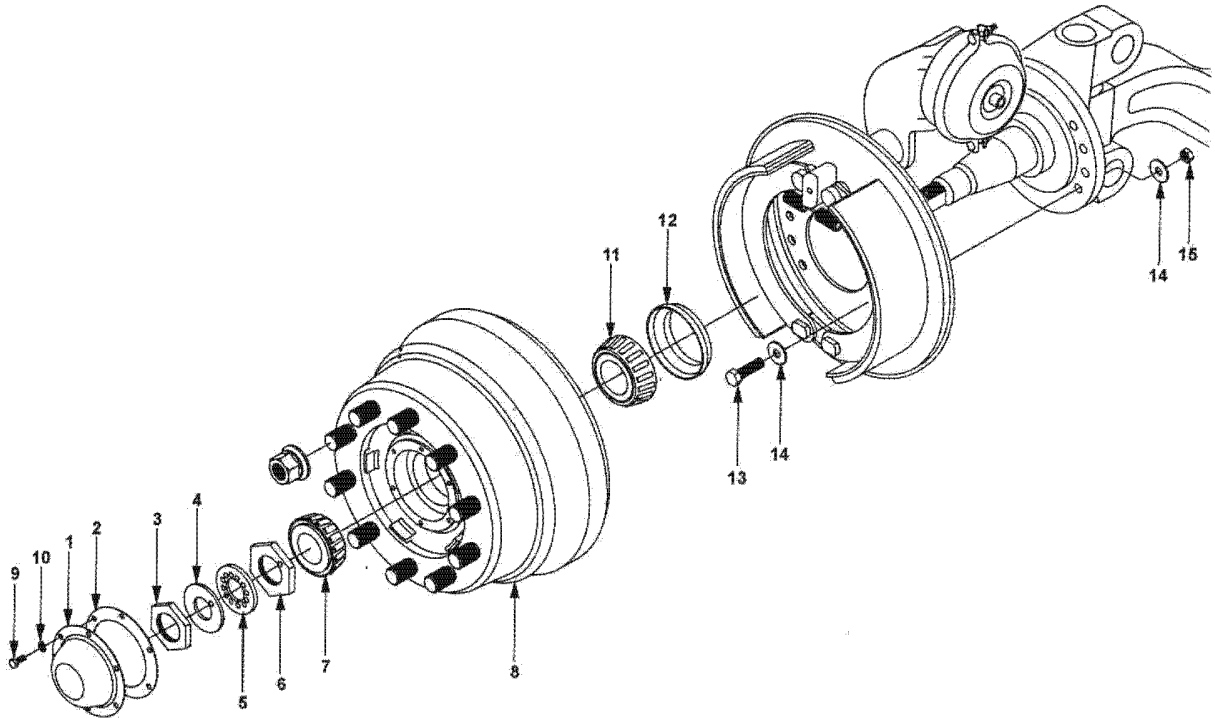


**Models:** A3FE, A3RE  
**WHEEL END COMPONENTS**  
**FRONT, DRUM BRAKES, HUB PILOTED**  
**6 INCH**  
**With Features:** FEATURE 40070  
**BSN:** From CSN 30052395 FE 10052365 RE 03/06/00  
 To CSN 30096775 FE 10096695 RE 11/04/01

Key	PartNumber	Qty	Description	Comment
1			BRAKE ASSEMBLY	
2	1998400	14	CAPSCREW,HEX HD,5/8-18X2.25,GR8,YZD,	
3	0929000	14	NUT,HEX HD,5/8-18,LOCKING,GR 8,CADMIUM	
4	0929018	28	WASHER,FLAT,21/32 X 1 1/8 X 3/32,HDN,YEL	
5	1391572	2	SEAL,INNER,FRONT	
6	0929406	2	BEARING,INNER,FRONT AXLE,TIMKEN	
7	0020113	2	HUB & DRUM ASSY,STR,6.00,HUB PILOT,STL	STEEL WHEELS
7	0020114	2	HUB & DRUM ASSY,STR,6.00,HUB PILOT,AL	ALUMINUM WHEELS
NI	0028868		HUB & CUP ASSY, HUB PILOT, STEEL, WEBB	STEEL WHEELS
NI	0028869		HUB & CUP ASSY, HUB PILOT, ALUMN, WEBB	ALUMINUM WHEELS
NI	2593093	1	CUP,WHEEL BEARING,INNER	
NI	2600179	1	CUP,OUTER WHEEL BEARING	
NI	8305344	10	STUD,SERRATED,M22 X 1.5	STEEL WHEELS
NI	1714294	10	STUD,SERRATED,22 MM,RR,HUB PILTD	ALUMINUM WHEELS
NI	4317079		FLANGE,CAPNUT,22MM"	
NI	1827906		DRUM,BRAKE,16.5 X 6, WEBB 65179B	
8	0929414	2	BEARING,OUTER,FRONT AXLE	
9	1442771	2	WASHER, SPINDLE, SPICER, 1-120	
10	1442789	2	NUT,SPINDLE,SPICER I-120	
11	1442797	2	LOCKNUT,SPICER I-120	
12	1446590	2	PIN,COTTER,I-120 AXLE	
13	1608389	2	SLINGER,OIL,WEBB 73615	
14	0014891	2	HUBCAP ASSY,STEER AXLE,GREASE,4.50 B.C.	
NI	2602449		GASKET,FRONT HUBCAP,RKWL	

**Models:** A3FE, A3RE, C3FE, C4RE, CSFE, CSRE, QBRE, TCFE  
**WHEEL END COMPONENTS**  
**FRONT, DRUM BRAKES, HUB PILOTED**  
**6 INCH**  
**ALUMN WHEELS**  
**BSN:** From CSN 30096776 FE 10096696 RE 11/05/01

Key	PartNumber	Qty	Description	Comment
-----	------------	-----	-------------	---------



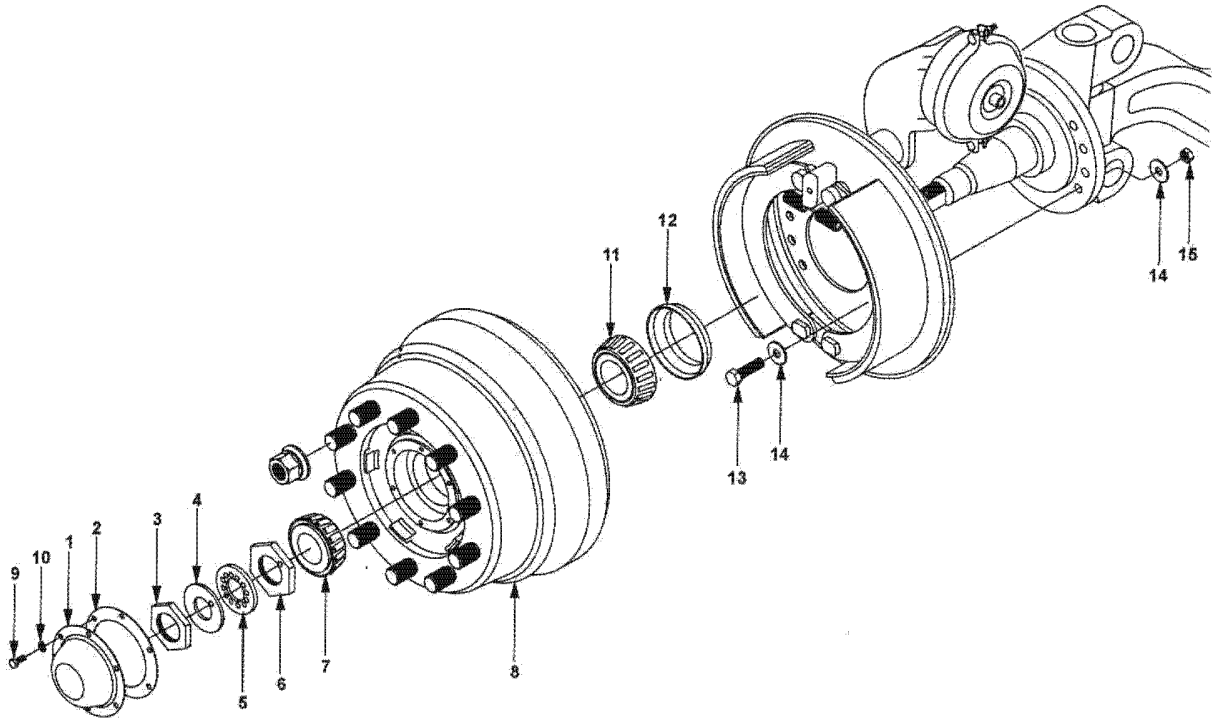


**Models:** A3FE, A3RE, C3FE, C4RE, CSFE, CSRE, QBRE, TCFE  
**WHEEL END COMPONENTS**  
**FRONT, DRUM BRAKES, HUB PILOTED**  
**6 INCH**  
**ALUMN WHEELS**  
**BSN:** From CSN 30096776 FE 10096696 RE 11/05/01

Key	PartNumber	Qty	Description	Comment
1	0929448	2	HUBCAP,FRONT,ROCKWELL	
2	2602449	2	GASKET,FRONT HUBCAP,RKWL	
NI	0048519	2	KIT,4 PIECE WHEEL END,MERITOR	
3			KIT, NUT, SPINDLE	
4			KIT, WASHER, SPINDLE	
5			KIT, WASHER, FLAT	
6			KIT, NUT, HEX HD	
7	0929414	2	BEARING,OUTER,FRONT AXLE	
8	0044664	2	HUB AND DRUM ASSY,STEER,6IN AIR,ALUM	
NI	0044631	1	HUB & CUP ASSY,DAYTON 515954,ALUMN WHLS	
NI	2593093	1	CUP,WHEEL BEARING,INNER	
NI	2600179	1	CUP,OUTER WHEEL BEARING	
NI	0044639	10	STUD,SERRATED,M22 X 1.5-6G	
NI	0044651	10	CAPNUT,FLANGED,M22,MERITOR	
NI	0043874	1	DRUM,BRAKE,6",DAYTON	
9	2593408	12	BOLT,ROTOR TO DRUM	
10	2600419	12	WASHER,ROTOR SLINGER	
11	0929406	2	BEARING,INNER,FRONT AXLE,TIMKEN	
12	0043367	2	SEAL ASSY,OIL	
13	0043378	16	CAPSCREW	
14	0929018	32	WASHER,FLAT,21/32 X 1 1/8 X 3/32,HDN,YEL	
15	2596591	16	NUT	

**Models:** A3FE, A3RE, C3FE, C4RE, CSFE, CSRE, QBRE, TCFE  
**WHEEL END COMPONENTS**  
**FRONT, DRUM BRAKES, HUB PILOTED**  
**6 INCH**  
**STEEL WHEELS**  
**BSN:** From CSN 30096776 FE 10096696 RE 11/05/01

Key	PartNumber	Qty	Description	Comment
-----	------------	-----	-------------	---------



**Models:** A3FE, A3RE, C3FE, C4RE, CSFE, CSRE, QBRE, TCFE  
**WHEEL END COMPONENTS**  
**FRONT, DRUM BRAKES, HUB PILOTED**  
**6 INCH**  
**STEEL WHEELS**  
**BSN:** From CSN 30096776 FE 10096696 RE 11/05/01

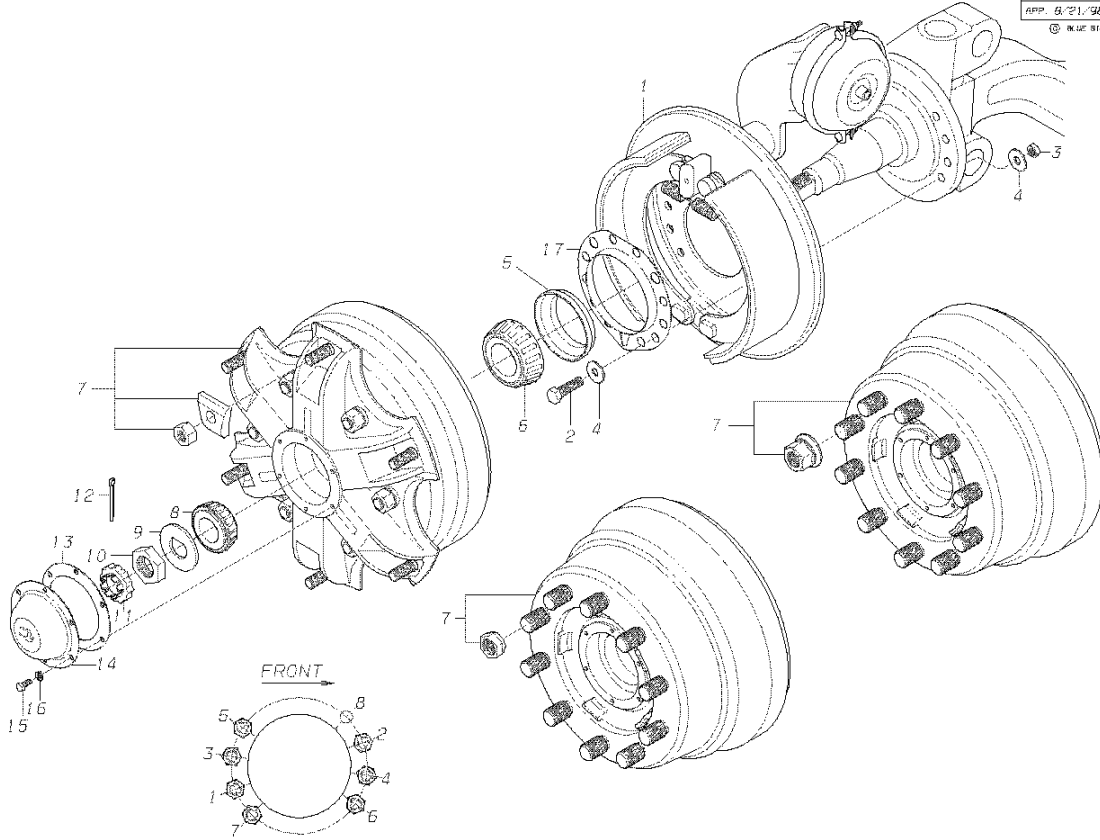
Key	PartNumber	Qty	Description	Comment
1	0929448	2	HUBCAP,FRONT,ROCKWELL	
2	2602449	2	GASKET,FRONT HUBCAP,RKWL	
NI	0048519	2	KIT,4 PIECE WHEEL END,MERITOR	
3			KIT, NUT, SPINDLE	
4			KIT, WASHER, SPINDLE	
5			KIT, WASHER, FLAT	
6			KIT, NUT, HEX HD	
7	0929414	2	BEARING,OUTER,FRONT AXLE	
8	0043886	2	HUB AND DRUM ASSY,STEER,6IN AIR,STL	
NI	0044630	1	HUB & CUP ASSY,DAYTON 515954,STL WHLS	
NI	2593093	1	CUP,WHEEL BEARING,INNER	
NI	2600179	1	CUP,OUTER WHEEL BEARING	
NI	0044637	10	STUD,SERRATED,M22 X 1.5-6G	
NI	0044651	10	CAPNUT,FLANGED,M22,MERITOR	
NI	0043874	1	DRUM,BRAKE,6",DAYTON	
9	2593408	12	BOLT,ROTOR TO DRUM	
10	2600419	12	WASHER,ROTOR SLINGER	
11	0929406	2	BEARING,INNER,FRONT AXLE,TIMKEN	
12	0043367	2	SEAL ASSY,OIL	
13	0043378	16	CAPSCREW	
14	0929018	32	WASHER,FLAT,21/32 X 1 1/8 X 3/32,HDN,YEL	
15	2596591	16	NUT	

**Models:** A3FE  
**WHEEL END COMPONENTS**  
**FRONT, DRUM BRAKES, STUD PILOTED**  
**5 INCH**  
**With Features:** FEATURE 40070  
 To CSN 09/07/98

Key	PartNumber	Qty	Description	Comment
-----	------------	-----	-------------	---------

DR. 8/21/96	BY JL	---	1755560	D
APP. 8/21/96	BY AE	FRT		REV

© BLUE BIRD BODY COMPANY ALL RIGHTS RESERVED




**Models:** A3FE  
**WHEEL END COMPONENTS**  
**FRONT, DRUM BRAKES, STUD PILOTED**  
**5 INCH**

**With Features:** FEATURE 40070  
 To CSN 09/07/98

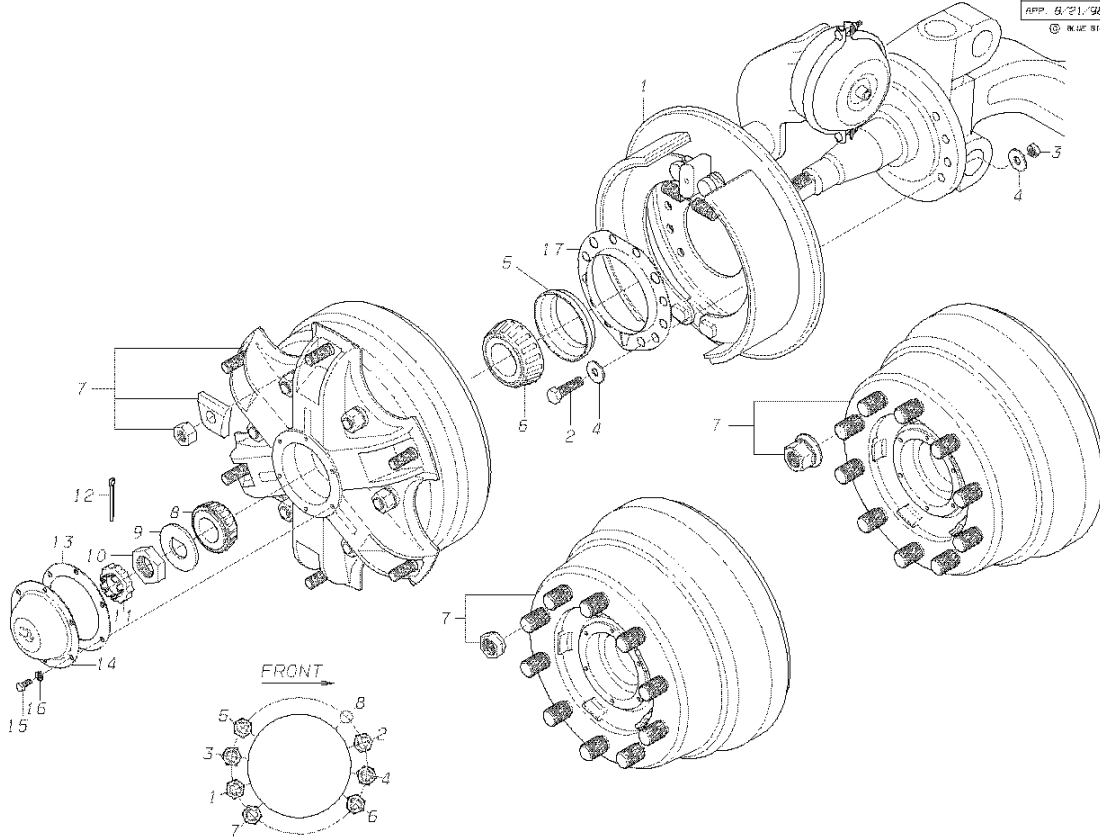
Key	PartNumber	Qty	Description	Comment
1			BRAKE ASSEMBLY	
2	1998400	14	CAPSCREW,HEX HD,5/8-18X2.25,GR8,YZD,	
3	0929000	14	NUT,HEX HD,5/8-18,LOCKING,GR 8,CADMIUM	
4	0929018	28	WASHER,FLAT,21/32 X 1 1/8 X 3/32,HDN,YEL	
5	1391572	2	SEAL,INNER,FRONT	
6	0929406	2	BEARING,INNER,FRONT AXLE,TIMKEN	
7	1117365	2	DRUM,BRAKE,FRONT,5IN,WIDE BALANCED	
8	0929414	2	BEARING,OUTER,FRONT AXLE	
9	1442771	2	WASHER, SPINDLE, SPICER, 1-120	
10	1442789	2	NUT,SPINDLE,SPICER I-120	
11	1442797	2	LOCKNUT,SPICER I-120	
12	1446590	2	PIN,COTTER,I-120 AXLE	
13	0998484	2	GASKET,FRONT HUBCAP	
14	1444652	2	HUBCAP,STEERING AXLE,GREASE LUBRICATED	STANDARD
14	1553601	2	HUBCAP,FRONT,W/GASKET,C/R1743	OPTION 4246
15	2028280	12	CAPSCREW,HEX HD,5/16-18X5/8,GR5,YEL ZN	
16	2001188	12	LOCKWASHER,SPLIT RING, 5/16,MED,YEL ZN	
17	1608389	2	SLINGER,OIL,WEBB 73615	
18	1460005	10	CAPNUT,OUTER,RH,WEBB	
18	1460013	10	CAPNUT,OUTER,LH,WEBB	
19	1460161	10	STUD,SERRATED,1 1/8-16,RH,WEBB	
19	1460179	10	STUD,SERRATED,1 1/8-16,LH,WEBB	
20	1508696	2	HUB,10 STUD,DRUM,FRONT,DUCTILE,WEBB	
NI	2600179	2	CUP,OUTER WHEEL BEARING	
NI	2593093	2	CUP,WHEEL BEARING,INNER	

**Models:** A3FE  
**WHEEL END COMPONENTS**  
**FRONT, DRUM BRAKES, STUD PILOTED**  
**5 INCH**  
**BSN:** From CSN 09/08/98  
 To CSN 30052394 03/05/00

Key	PartNumber	Qty	Description	Comment
-----	------------	-----	-------------	---------

DR. 8/21/98	BY JL	---	1755560	D	
APP. 8/21/98	BY AE	FRT		REV	

© BLUE BIRD BODY COMPANY ALL RIGHTS RESERVED

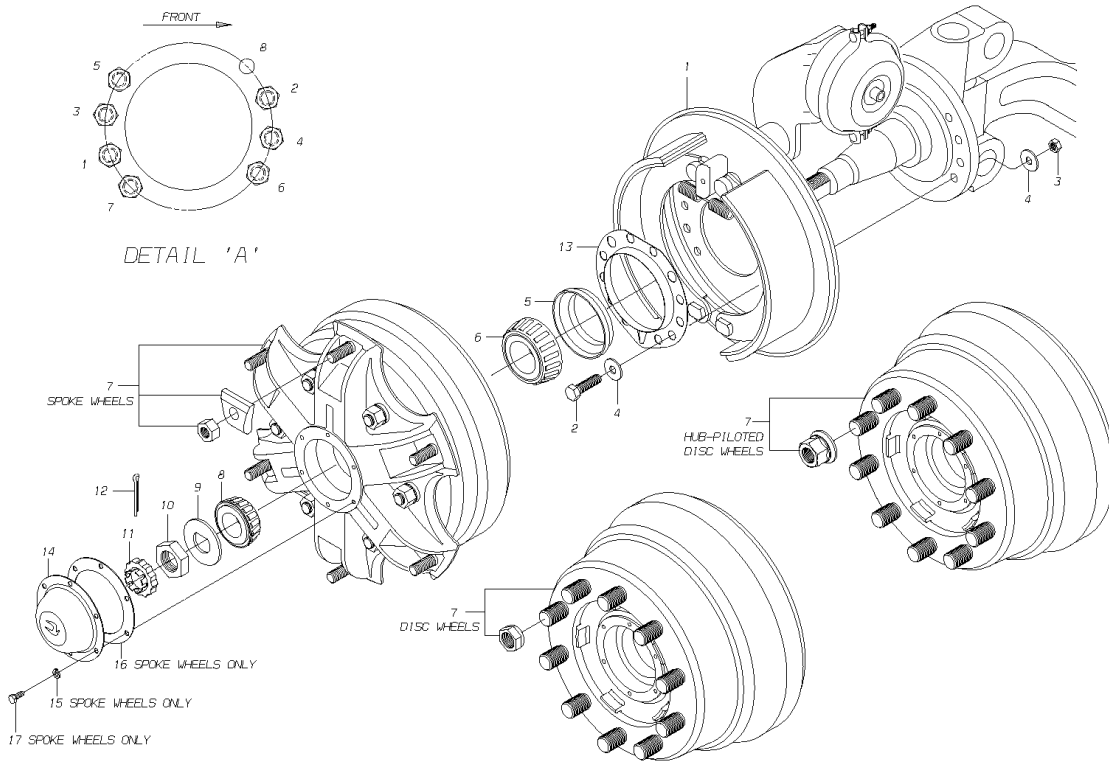


**Models:** A3FE  
**WHEEL END COMPONENTS**  
**FRONT, DRUM BRAKES, STUD PILOTED**  
**5 INCH**  
**BSN:** From CSN 09/08/98  
 To CSN 30052394 03/05/00

Key	PartNumber	Qty	Description	Comment
1			BRAKE ASSEMBLY	
2	1998400	14	CAPSCREW,HEX HD,5/8-18X2.25,GR8,YZD,	
3	0929000	14	NUT,HEX HD,5/8-18,LOCKING,GR 8,CADMIUM	
4	0929018	28	WASHER,FLAT,21/32 X 1 1/8 X 3/32,HDN,YEL	
5	1391572	2	SEAL,INNER,FRONT	
6	0929406	2	BEARING,INNER,FRONT AXLE,TIMKEN	
7	1117365	2	DRUM,BRAKE,FRONT,5IN,WIDE BALANCED	
8	0929414	2	BEARING,OUTER,FRONT AXLE	
9	1442771	2	WASHER, SPINDLE, SPICER, 1-120	
10	1442789	2	NUT,SPINDLE,SPICER I-120	
11	1442797	2	LOCKNUT,SPICER I-120	
12	1446590	2	PIN,COTTER,I-120 AXLE	
13	0998484	2	GASKET,FRONT HUBCAP	
14	1444652		HUBCAP,STEERING AXLE,GREASE LUBRICATED	STANDARD
14	1553601		HUBCAP,FRONT,W/GASKET,C/R1743	OPTION 4246
15	2028280	12	CAPSCREW,HEX HD,5/16-18X5/8,GR5,YEL ZN	
16	2001188	12	LOCKWASHER,SPLIT RING, 5/16,MED,YEL ZN	
17	1608389	2	SLINGER,OIL,WEBB 73615	
18	1460005	10	CAPNUT,OUTER,RH,WEBB	
18	1460013	10	CAPNUT,OUTER,LH,WEBB	
19	1460161	10	STUD,SERRATED,1 1/8-16,RH,WEBB	
19	1460179	10	STUD,SERRATED,1 1/8-16,LH,WEBB	
20	4309969	2	HUB & CUP, FRT ABS 5''''	
NI	2600179	2	CUP,OUTER WHEEL BEARING	
NI	2593093	2	CUP,WHEEL BEARING,INNER	

**Models:** A3FE  
**WHEEL END COMPONENTS**  
**FRONT, DRUM BRAKES, STUD PILOTED**  
**5 INCH**  
**With Features:** FEATURE 40070 WITH 40443  
**BSN:** From CSN 11/29/00  
 To CSN 30096824 11/04/01

Key	PartNumber	Qty	Description	Comment
-----	------------	-----	-------------	---------





**Models:** A3FE  
**WHEEL END COMPONENTS**  
**FRONT, DRUM BRAKES, STUD PILOTED**  
**5 INCH**  
**With Features:** FEATURE 40070 WITH 40443  
**BSN:** From CSN 11/29/00  
 To CSN 30096824 11/04/01

Key	PartNumber	Qty	Description	Comment
1			BRAKE ASSEMBLY	
2	1998400	14	CAPSCREW,HEX HD,5/8-18X2.25,GR8,YZD,	
3	0929000	14	NUT,HEX HD,5/8-18,LOCKING,GR 8,CADMIUM	
4	0929018	28	WASHER,FLAT,21/32 X 1 1/8 X 3/32,HDN,YEL	
5	1391572	2	SEAL,INNER,FRONT	
6	0929406	2	BEARING,INNER,FRONT AXLE,TIMKEN	
7	0020102	2	HUB & DRUM ASSY,STR,5.00,STUD PILOT,STL,	<i>RH, STEEL WHEELS</i>
7	0020103	2	HUB & DRUM ASSY,STR,5.00,STUD PILOT,STL,	<i>LH, STEEL WHEELS</i>
7	0020104		HUB & DRUM ASSY,STR,5.00,STUD PILOT,AL,RH	<i>RH, ALUMINUM WHEELS</i>
7	0020105		HUB & DRUM ASSY,STR,5.00,STUD PILOT,AL,LH	<i>LH, ALUMINUM WHEELS</i>
	0025927		HUB & CUP ASSY, W/STUDS, RH, ABS, WEBB	<i>RH, 1 1/8-16 STUDS</i>
	0025925		HUB & CUP ASSY, W/STUDS, LH, ABS, WEBB	<i>LH, 1 1/8-16 STUDS</i>
	0028617		HUB & CUP ASSY, W/ STUDS, FRONT, WEBB	<i>RH, 3/4-16 STUDS</i>
	0028615		HUB & CUP ASSY W/ STUDS, FRONT, WEBB	<i>LH, 3/4-16 STUDS</i>
NI	2593093	1	CUP,WHEEL BEARING,INNER	
NI	2600179	1	CUP,OUTER WHEEL BEARING	
	1460161	10	STUD,SERRATED,1 1/8-16,RH,WEBB	
	1460179	10	STUD,SERRATED,1 1/8-16,LH,WEBB	
	1647619	10	STUD,LUG,RR AXLE,RH,8.62,WEBB 101178	<i>RH, 3/4-16</i>
	1647601	10	STUD,LUG,RR AXLE,LH,8.62,WEBB 101179	<i>LH, 3/4-16</i>
	1311711	10	NUT,CAP,OUTER,RH,1 1/8 - 16	
	1311729	10	NUT,CAP,OUTER,LH,1 1/8 - 16	
	8314361	10	CAP NUT,3/4-16 RH WEBB 178736"	<i>RH, 3/4- 16 STUDS, STEEL WHEELS</i>
	8314353	10	CAP NUT,3/4-16 LH WEBB 178737"	<i>LH, 3/4- 16 STUDS, STEEL WHEELS</i>
	0028620	10	CAPNUT,OUTER,RH,3/4-16,ALUMN"	<i>RH, 3/4- 16 STUDS, ALUMINUM WHEELS</i>
	0028621	10	CAPNUT,OUTER,LH,3/4-16,ALUMN"	<i>LH, 3/4- 16 STUDS, ALUMINUM WHEELS</i>
	0025287		DRUM,BRAKE,FRONT,5IN,BALANCED,WEBB	<i>1 1/8- 16 STUDS</i>
	1714377		DRUM,BRAKE,16.5X5,HUB PILOTED	<i>3/4- 16 STUDS</i>
8	0929414	2	BEARING,OUTER,FRONT AXLE	
9	1442771	2	WASHER, SPINDLE, SPICER, 1-120	
10	1442789	2	NUT,SPINDLE,SPICER I-120	
11	1442797	2	LOCKNUT,SPICER I-120	

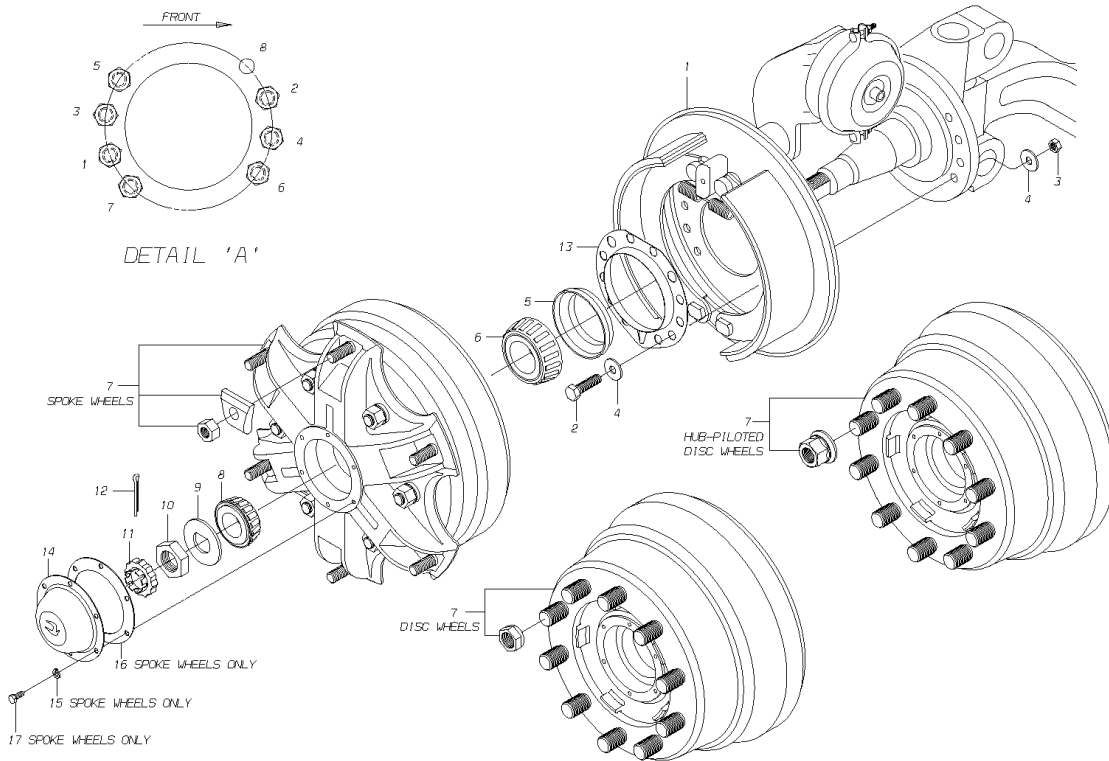
**Models:** A3FE  
**WHEEL END COMPONENTS**  
**FRONT, DRUM BRAKES, STUD PILOTED**  
**5 INCH**

**With Features:** FEATURE 40070 WITH 40443  
**BSN:** From CSN 11/29/00  
 To CSN 30096824 11/04/01

Key	PartNumber	Qty	Description	Comment
12	1446590	2	PIN,COTTER,I-120 AXLE	
13	1608389	2	SLINGER,OIL,WEBB 73615	
14	0014891	2	HUBCAP ASSY,STEER AXLE,GREASE,4.50 B.C.	WITH FEATURE 40048-01
14	0014892	2	HUBCAP ASSY,STEER AXLE,OIL LUBE,4.50 B.C.	WITH FEATURE 40048-02, 03

**Models:** A3FE  
**WHEEL END COMPONENTS**  
**FRONT, DRUM BRAKES, STUD PILOTED**  
**5 INCH**  
**With Features:** FEATURE 40070  
**BSN:** From CSN 30052395 03/06/00  
 To CSN 30079479 FE 01/21/01

Key	PartNumber	Qty	Description	Comment
-----	------------	-----	-------------	---------



**Models:** A3FE  
**WHEEL END COMPONENTS**  
**FRONT, DRUM BRAKES, STUD PILOTED**  
**5 INCH**  
**With Features:** FEATURE 40070  
**BSN:** From CSN 30052395 03/06/00  
 To CSN 30079479 FE 01/21/01

Key	PartNumber	Qty	Description	Comment
1			BRAKE ASSEMBLY	
2	1998400	14	CAPSCREW,HEX HD,5/8-18X2.25,GR8,YZD,	
3	0929000	14	NUT,HEX HD,5/8-18,LOCKING,GR 8,CADMIUM	
4	0929018	28	WASHER,FLAT,21/32 X 1 1/8 X 3/32,HDN,YEL	
5	1391572	2	SEAL,INNER,FRONT	
6	0929406	2	BEARING,INNER,FRONT AXLE,TIMKEN	
7	0020102	2	HUB & DRUM ASSY,STR,5.00,STUD PILOT,STL,	STEEL WHEELS
7	0020103	2	HUB & DRUM ASSY,STR,5.00,STUD PILOT,STL,	STEEL WHEELS
7	0020104		HUB & DRUM ASSY,STR,5.00,STUD PILOT,AL,RH	ALUMINUM WHEELS
7	0020105		HUB & DRUM ASSY,STR,5.00,STUD PILOT,AL,LH	ALUMINUM WHEELS
	0025927		HUB & CUP ASSY, W/STUDS, RH, ABS, WEBB	RH, 1 1/8-16 STUDS
	0025925		HUB & CUP ASSY, W/STUDS, LH, ABS, WEBB	LH, 1 1/8-16 STUDS
	0028617		HUB & CUP ASSY, W/ STUDS, FRONT, WEBB	RH, 3/4-16 STUDS
	0028615		HUB & CUP ASSY W/ STUDS, FRONT, WEBB	LH, 3/4-16 STUDS
NI	2593093	1	CUP,WHEEL BEARING,INNER	
NI	2600179	1	CUP,OUTER WHEEL BEARING	
	1460161	10	STUD,SERRATED,1 1/8-16,RH,WEBB	
	1460179	10	STUD,SERRATED,1 1/8-16,LH,WEBB	
	1647619	10	STUD,LUG,RR AXLE,RH,8.62,WEBB 101178	
	1647601	10	STUD,LUG,RR AXLE,LH,8.62,WEBB 101179	
	1311711	10	NUT,CAP,OUTER,RH,1 1/8 - 16	
	1311729	10	NUT,CAP,OUTER,LH,1 1/8 - 16	
	8314361	10	CAP NUT,3/4-16 RH WEBB 178736"	STEEL WHEELS
	8314353	10	CAP NUT,3/4-16 LH WEBB 178737"	STLEEL WHEELS
	0028620	10	CAPNUT,OUTER,RH,3/4-16,ALUMN"	ALUMINUM WHEELS
	0028621	10	CAPNUT,OUTER,LH,3/4-16,ALUMN"	ALUMINUM WHEELS
	0025287		DRUM,BRAKE,FRONT,5IN,BALANCED,WEBB	1 1/8- 16 STUDS
	1714377		DRUM,BRAKE,16.5X5,HUB PILOTED	3/4-1 6 STUDS
8	0929414	2	BEARING,OUTER,FRONT AXLE	
9	1442771	2	WASHER, SPINDLE, SPICER, 1-120	
10	1442789	2	NUT,SPINDLE,SPICER I-120	
11	1442797	2	LOCKNUT,SPICER I-120	
12	1446590	2	PIN,COTTER,I-120 AXLE	

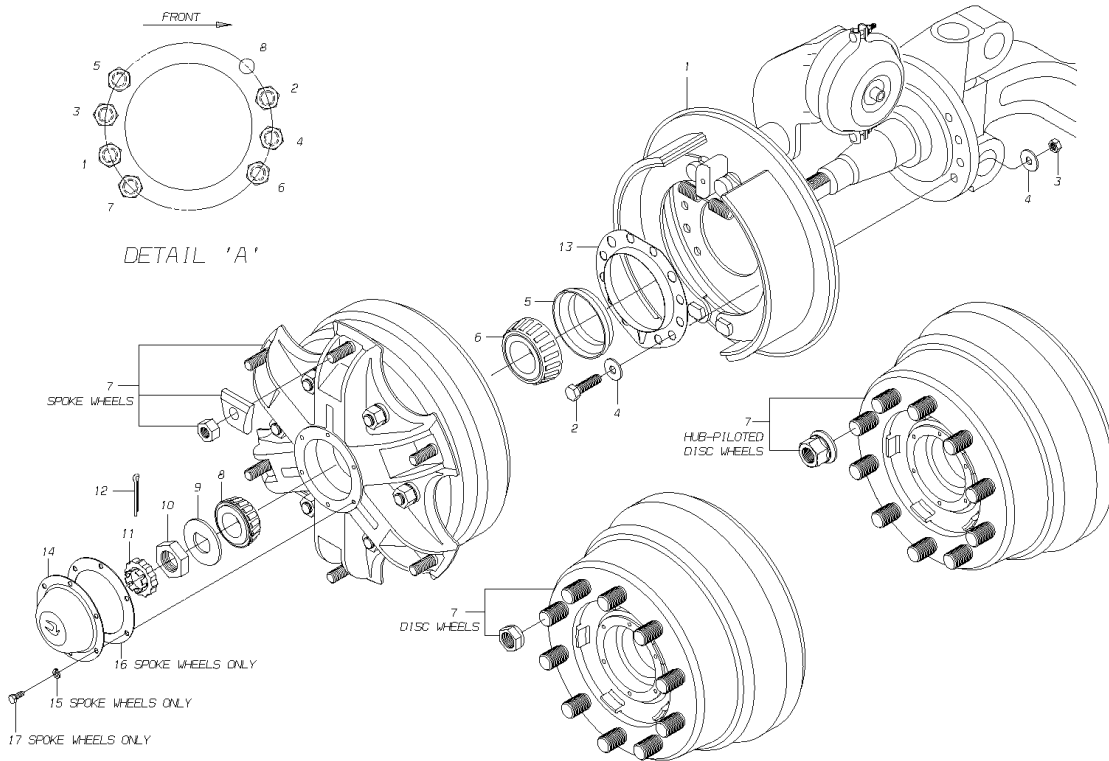
**Models:** A3FE  
**WHEEL END COMPONENTS**  
**FRONT, DRUM BRAKES, STUD PILOTED**  
**5 INCH**

**With Features:** FEATURE 40070  
**BSN:** From CSN 30052395 03/06/00  
 To CSN 30079479 FE 01/21/01

Key	PartNumber	Qty	Description	Comment
13	1608389	2	SLINGER,OIL,WEBB 73615	
14	0014891	2	HUBCAP ASSY,STEER AXLE,GREASE,4.50 B.C.	WITH FEATURE 40048-01
14	0014892	2	HUBCAP ASSY,STEER AXLE,OIL LUBE,4.50 B.C.	WITH FEATURE 40048-02, 03

**Models:** A3FE  
**WHEEL END COMPONENTS**  
**FRONT, DRUM BRAKES, STUD PILOTED**  
**6 INCH**  
**With Features:** FEATURE 40070  
**BSN:** From CSN 30052395 FE 10052365 03/06/00  
 To CSN 30079479 FE 10077009 RE 01/21/01

Key	PartNumber	Qty	Description	Comment
-----	------------	-----	-------------	---------



Models:

**A3FE  
WHEEL END COMPONENTS  
FRONT, DRUM BRAKES, STUD PILOTED  
6 INCH**

With Features:

**FEATURE 40070  
From CSN 30052395 FE 10052365 03/06/00  
To CSN 30079479 FE 10077009 RE 01/21/01**

BSN:

Key	PartNumber	Qty	Description	Comment
1			BRAKE ASSEMBLY	
2	1998400	14	CAPSCREW,HEX HD,5/8-18X2.25,GR8,YZD,	
3	0929000	14	NUT,HEX HD,5/8-18,LOCKING,GR 8,CADMIUM	
4	0929018	28	WASHER,FLAT,21/32 X 1 1/8 X 3/32,HDN,YEL	
5	1391572	2	SEAL,INNER,FRONT	
6	0929406	2	BEARING,INNER,FRONT AXLE,TIMKEN	
7	0020109	2	HUB & DRUM ASSY,STR,6.00,STUD PILOT,STL,	<i>RH, STEEL WHEELS</i>
7	0020110	2	HUB & DRUM ASSY,STR,6.00,STUD PILOT,STL,	<i>LH, STEEL WHEELS</i>
7	0020111	2	HUB & DRUM ASSY,STR,6.00,STUD PILOT,AL,RH	<i>RH, ALUMINUM WHEELS</i>
7	0020112	2	HUB & DRUM ASSY,STR,6.00,STUD PILOT,AL,LH	<i>LH, ALUMINUM WHEELS</i>
NI	0025927		HUB & CUP ASSY, W/STUDS, RH, ABS, WEBB	<i>RH, 1 1/8- 16 STUDS</i>
NI	0025925		HUB & CUP ASSY, W/STUDS, LH, ABS, WEBB	<i>LH, 1 1/8- 16 STUDS</i>
NI	0028617		HUB & CUP ASSY, W/ STUDS, FRONT, WEBB	<i>RH, 3/4- 16 STUDS</i>
NI	0028615		HUB & CUP ASSY W/ STUDS, FRONT, WEBB	<i>LH, 3/4- 16 STUDS</i>
NI	2593093	1	CUP,WHEEL BEARING,INNER	
NI	2600179	1	CUP,OUTER WHEEL BEARING	
NI	1460161	2	STUD,SERRATED,1 1/8-16,RH,WEBB	
NI	1460179	2	STUD,SERRATED,1 1/8-16,LH,WEBB	
NI	1647619	10	STUD,LUG,RR AXLE,RH,8.62,WEBB 101178	
NI	1647601	10	STUD,LUG,RR AXLE,LH,8.62,WEBB 101179	
NI	1311711	10	NUT,CAP,OUTER,RH,1 1/8 - 16	
NI	1311729	10	NUT,CAP,OUTER,LH,1 1/8 - 16	
	8314361	10	CAP NUT,3/4-16 RH WEBB 178736"	<i>STEEL WHEELS</i>
	8314353	10	CAP NUT,3/4-16 LH WEBB 178737"	<i>STEEL WHEELS</i>
	0028620	10	CAPNUT,OUTER,RH,3/4-16,ALUMN"	<i>ALUMINUM WHEELS</i>
	0028621	10	CAPNUT,OUTER,LH,3/4-16,ALUMN"	<i>ALUMINUM WHEELS</i>
NI	0025288		DRUM,BRAKE,FRONT,6IN,BALANCED,WEBB	
NI	1827906		DRUM,BRAKE,16.5 X 6, WEBB 65179B	
8	0929414	2	BEARING,OUTER,FRONT AXLE	
9	1442771	2	WASHER, SPINDLE, SPICER, 1-120	
10	1442789	2	NUT,SPINDLE,SPICER I-120	
11	1442797	2	LOCKNUT,SPICER I-120	
12	1446590	2	PIN,COTTER,I-120 AXLE	

**Models:** A3FE  
**WHEEL END COMPONENTS**  
**FRONT, DRUM BRAKES, STUD PILOTED**  
**6 INCH**

**With Features:** FEATURE 4070  
**BSN:** From CSN 30052395 FE 10052365 03/06/00  
 To CSN 30079479 FE 10077009 RE 01/21/01

Key	PartNumber	Qty	Description	Comment
13	1608389	2	SLINGER,OIL,WEBB 73615	
14	0014891	2	HUBCAP ASSY,STEER AXLE,GREASE,4.50 B.C.	




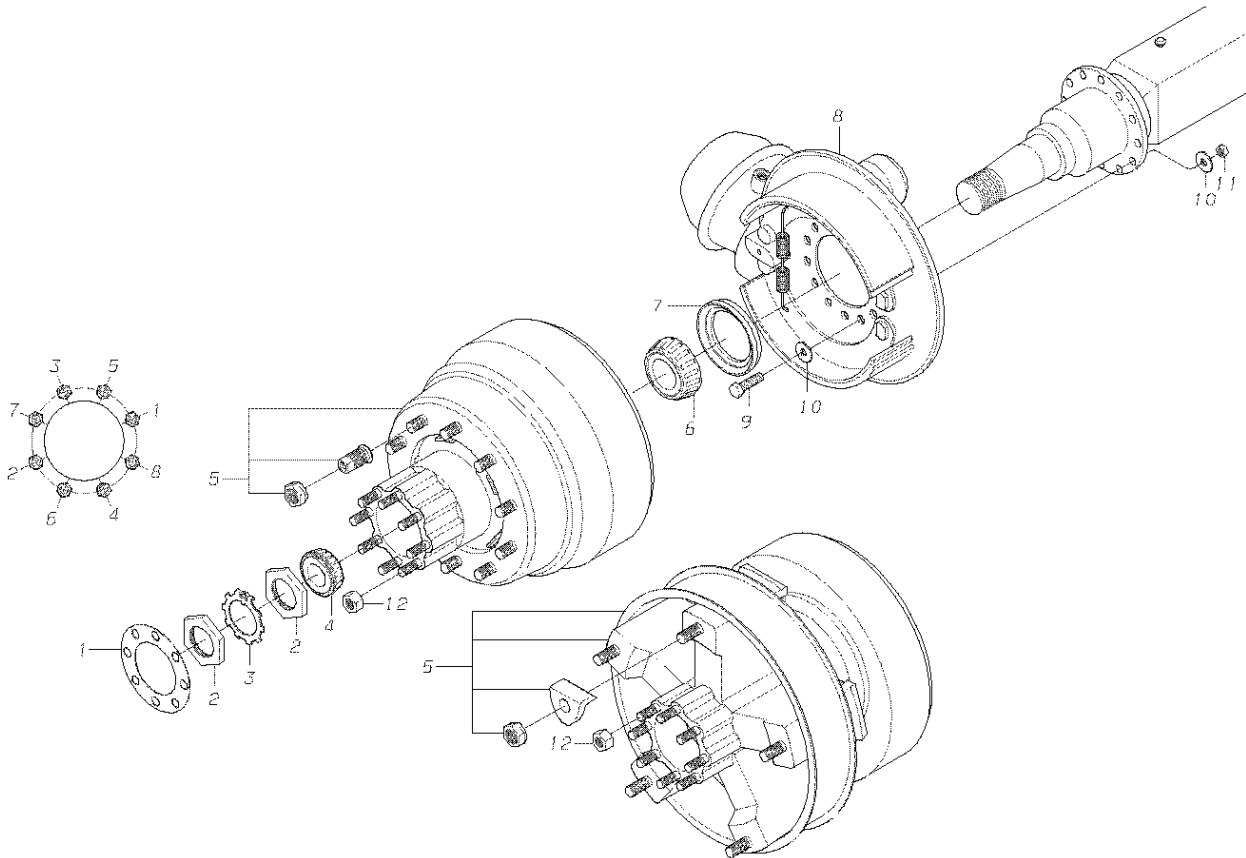
**Models:** A3FE, A3RE  
**WHEEL END COMPONENTS**  
**REAR, DRUM BRAKES, HUB PILOTED**  
**J190, J210**  
**7 INCH**

**With Features:** FEATURE 40070-01, 02  
**BSN:** From CSN 10008675 RE 30008585 FE 07/13/98  
 To 01/17/99

Key	PartNumber	Qty	Description	Comment
-----	------------	-----	-------------	---------

DR: B/21/98	BY: JL		1736602	C
APP: B/21/98	BY: AB	FRY		REV

© BLUE BIRD BODY COMPANY. ALL RIGHTS RESERVED

**Models:** A3FE, A3RE  
**WHEEL END COMPONENTS**  
**REAR, DRUM BRAKES, HUB PILOTED**  
**J190, J210**  
**7 INCH**

**With Features:** FEATURE 40070-01, 02  
**BSN:** From CSN 10008675 RE 30008585 FE 07/13/98  
 To 01/17/99

Key	PartNumber	Qty	Description	Comment
1	1970854	2	GASKET,AXLE SHAFT,DRIVE, 23,000LB AXLE	
2	1543925	4	NUT,SPINDLE,REAR,J230SB,AA/TC	
3	1543941	2	WASHER,LOCK,REAR,J230SB,AA/TC	
4	0929059	2	BEARING,OUTER,AXLE SHAFT,ROCKWELL &	
5			HUB AND DRUM ASSEMBLY	<i>INCLUDES THE FOLLOWING ITEMS</i>
NI	0005563	2	HUB AND CUP ASSY.,	<i>INCLUDES CUPS</i>
NI	2622728	2	CUP,REAR OUTER	
NI	2623221	2	CUP,WHEEL BEARING	
NI	1459999	8	STUD,DRIVE,5/8-18,WEBB	
NI	1714294	10	STUD,SERRATED,22 MM,RR,HUB PILTD	
NI	1714302	10	CAPNUT,FLANGED,22 MM,HUB PILOTED,	
NI	1460062	2	DRUM,BRAKE,16.5 X 7.00,WEBB	
NI	1713775	2	SLINGER,GREASE,WEBB 73263	
6	0929042	2	BEARING,INNER,REAR AXLE	
7	0929067	2	SEAL,INNER,REAR AXLE OIL,LUBRICATED	
8			BRAKE ASSEMBLY	
9	0928994	16	CAPSCREW,HEX HD,5/8-18 X 2,GR 8,YEL ZN	
10	0929018	32	WASHER,FLAT,21/32 X 1 1/8 X 3/32,HDN,YEL	
11	0929000	16	NUT,HEX HD,5/8-18,LOCKING,GR 8,CADMIUM	
12	1483817	16	NUT,HEX HD,3/4-16,PRVLG TORQUE,GR8,YEL	

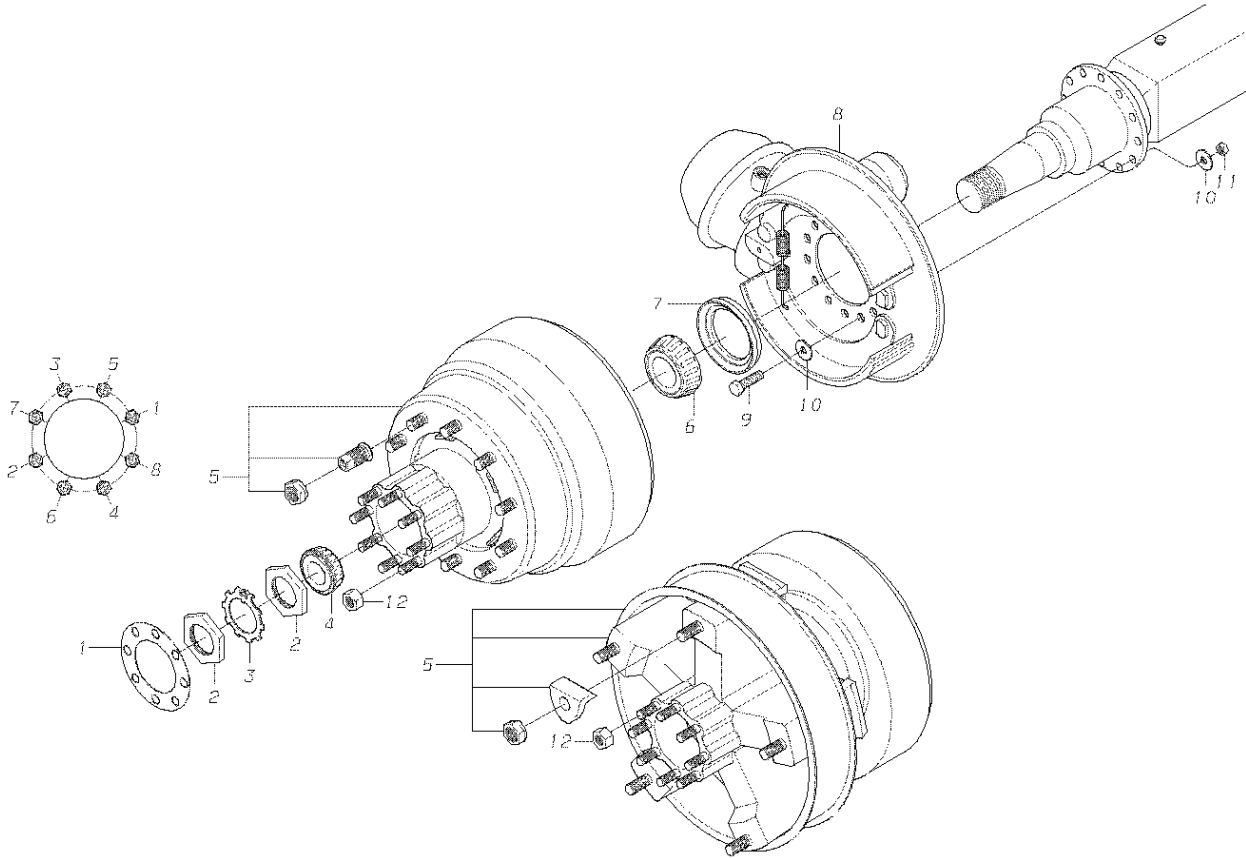
**Models:** A3FE, A3RE  
**WHEEL END COMPONENTS**  
**REAR, DRUM BRAKES, HUB PILOTED**  
**J190, J210**  
**7 INCH**

**With Features:** FEATURE 40070-01, 02  
**BSN:** From CSN 01/18/98  
 To CSN 30096775 FE 10096695 RE 11/04/01

Key	PartNumber	Qty	Description	Comment
-----	------------	-----	-------------	---------

DR: B/21/98	BY: JL	1736602	C
APP: B/21/98	BY: AB	FRY	REV

© BLUE BIRD BODY COMPANY. ALL RIGHTS RESERVED



**Models:** A3FE, A3RE  
**WHEEL END COMPONENTS**  
**REAR, DRUM BRAKES, HUB PILOTED**  
**J190, J210**  
**7 INCH**

**With Features:** FEATURE 40070-01, 02  
**BSN:** From CSN 01/18/98  
 To CSN 30096775 FE 10096695 RE 11/04/01


Key	PartNumber	Qty	Description	Comment
1	1970854	2	GASKET,AXLE SHAFT,DRIVE, 23,000LB AXLE	
2	1543925	4	NUT,SPINDLE,REAR,J230SB,AA/TC	
3	1543941	2	WASHER,LOCK,REAR,J230SB,AA/TC	
4	0929059	2	BEARING,OUTER,AXLE SHAFT,ROCKWELL &	
5			HUB AND DRUM ASSEMBLY	<i>INCLUDES THE FOLLOWING ITEMS</i>
NI	0015884	2	HUB AND CUP ASSY,HUB PILOTED,2915	<i>INCLUDES CUPS</i>
NI	2622728	2	CUP,REAR OUTER	
NI	2623221	2	CUP,WHEEL BEARING	
NI	1459999	8	STUD,DRIVE,5/8-18,WEBB	
NI	1714294	10	STUD,SERRATED,22 MM,RR,HUB PILTD	
NI	1714302	10	CAPNUT,FLANGED,22 MM,HUB PILOTED,	
NI	1460062	2	DRUM,BRAKE,16.5 X 7.00,WEBB	
NI	1713775	2	SLINGER,GREASE,WEBB 73263	
6	0929042	2	BEARING,INNER,REAR AXLE	
7	0929067	2	SEAL,INNER,REAR AXLE OIL,LUBRICATED	
8			BRAKE ASSEMBLY	
9	0928994	16	CAPSCREW,HEX HD,5/8-18 X 2,GR 8,YEL ZN	
10	0929018	32	WASHER,FLAT,21/32 X 1 1/8 X 3/32,HDN,YEL	
11	0929000	16	NUT,HEX HD,5/8-18,LOCKING,GR 8,CADMIUM	
12	1483817	16	NUT,HEX HD,3/4-16,PRVLG TORQUE,GR8,YEL	

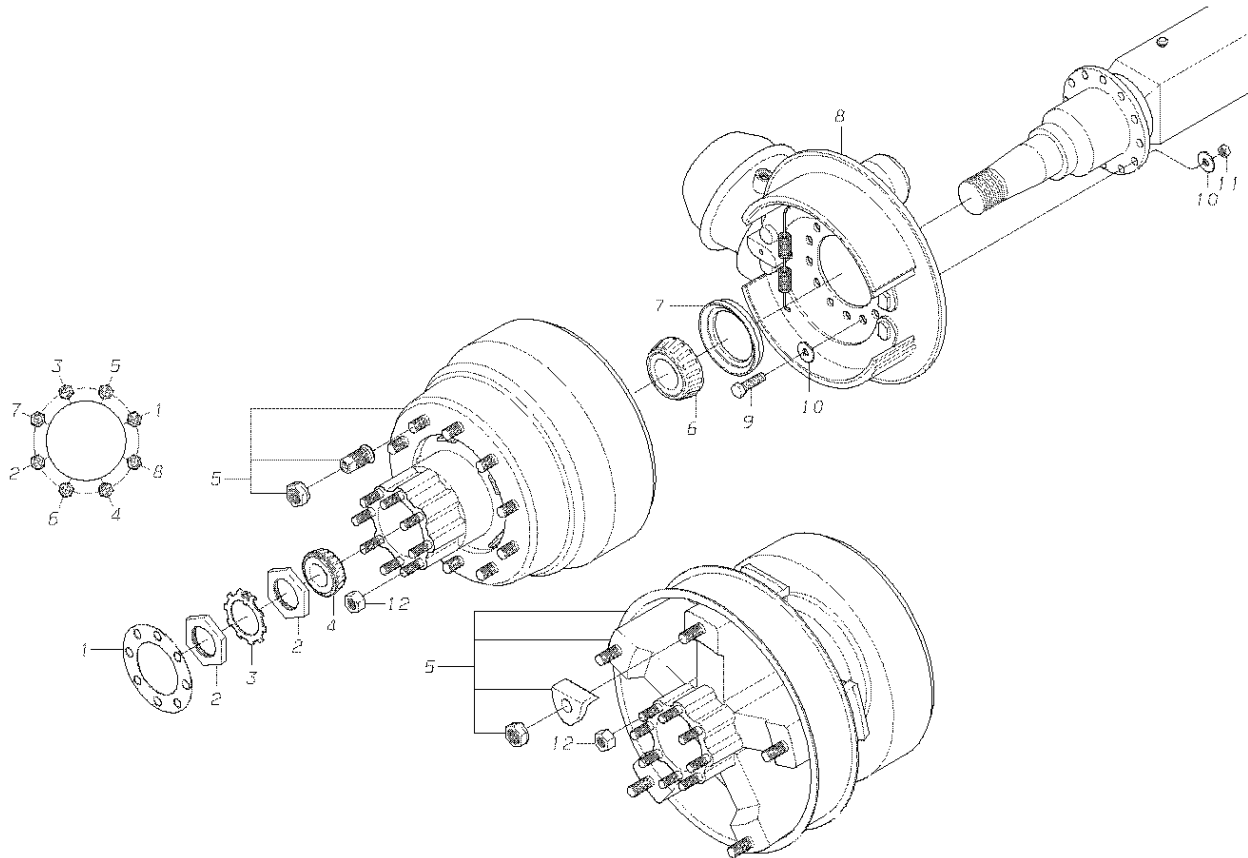
**Models:** A3FE, A3RE  
**WHEEL END COMPONENTS**  
**REAR, DRUM BRAKES, HUB PILOTED**  
**J230**

**With Features:** FEATURE 40070-01, 02  
**BSN:** From CSN 10007080 RE 30007075 FE 06/18/98  
 To CSN 10013294 RE 30013644 FE 09/13/98

Key	PartNumber	Qty	Description	Comment
-----	------------	-----	-------------	---------

DR: B/21/98	BY: JL	1736602	C
APP: B/21/98	BY: AB	FRY	REV

© BLUE BIRD BODY COMPANY. ALL RIGHTS RESERVED. 



**Models:** A3FE, A3RE  
**WHEEL END COMPONENTS**  
**REAR, DRUM BRAKES, HUB PILOTED**  
**J230**  
**7 INCH**

**With Features:** FEATURE 40070-01, 02  
**BSN:** From CSN 10007080 RE 30007075 FE 06/18/98  
 To CSN 10013294 RE 30013644 FE 09/13/98

Key	PartNumber	Qty	Description	Comment
1	1970854	2	GASKET,AXLE SHAFT,DRIVE, 23,000LB AXLE	
2	1543925	4	NUT,SPINDLE,REAR,J230SB,AA/TC	
3	1543941	2	WASHER,LOCK,REAR,J230SB,AA/TC	
4	0929059	2	BEARING,OUTER,AXLE SHAFT,ROCKWELL &	
5			HUB AND DRUM ASSEMBLY	<i>INCLUDES THE FOLLOWING ITEMS</i>
NI	1554757	2	HUB & CUP ASSY,REAR,WEBB 26721-N	<i>INCLUDES CUPS</i>
NI	2621779	2	CUP,WHEEL BEARING,REAR INNER,R-155,592A	
NI	2621571	2	CUP,OUTER WHEEL BEARING	
NI	1555119	8	STUD,DRIVE,3/4-16,WEBB	
NI	4317061	10	STUD,SERRATED,22MM"	
NI	1714302	10	CAPNUT,FLANGED,22 MM,HUB PILOTED,	
NI	1573401	2	DRUM,BRAKE,REAR,7IN,BAL,OIL GRV,WEBB	
NI	1573468	2	SLINGER,OIL,REAR BRAKES,WEBB 73623	
6	0929042	2	BEARING,INNER,REAR AXLE	
7	0929067	2	SEAL,INNER,REAR AXLE OIL,LUBRICATED	
8			BRAKE ASSEMBLY	
9	0928994	16	CAPSCREW,HEX HD,5/8-18 X 2,GR 8,YEL ZN	
10	0929018	32	WASHER,FLAT,21/32 X 1 1/8 X 3/32,HDN,YEL	
11	0929000	16	NUT,HEX HD,5/8-18,LOCKING,GR 8,CADMIUM	
12	1483817	16	NUT,HEX HD,3/4-16,PRVLG TORQUE,GR8,YEL	

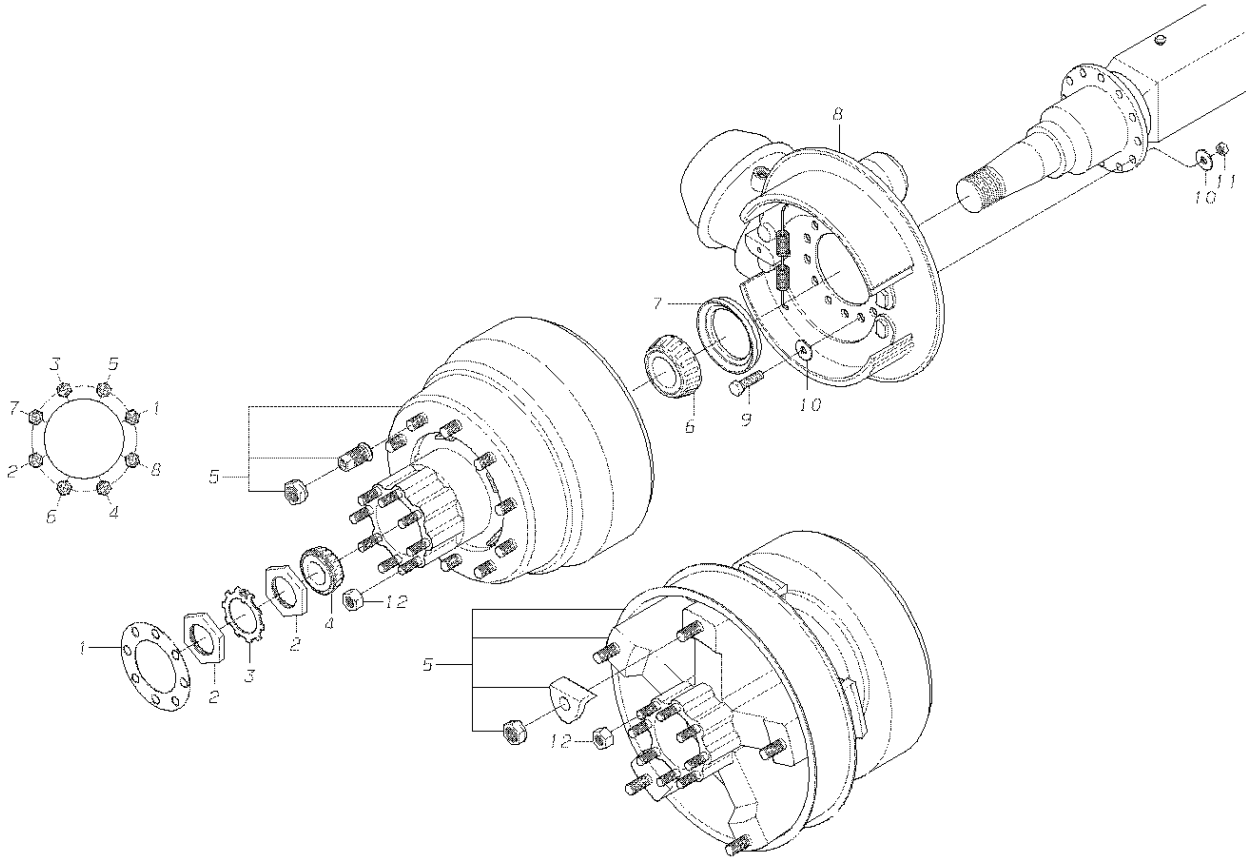
**Models:** A3FE, A3RE  
**WHEEL END COMPONENTS**  
**REAR, DRUM BRAKES, HUB PILOTED**  
**J230**

**With Features:** FEATURE 40070-01, 02  
**BSN:** From CSN 10013295 RE 30013645 FE 09/14/98  
 To CSN 30096775 FE 10096695 RE 11/04/01

Key	PartNumber	Qty	Description	Comment
-----	------------	-----	-------------	---------

DR: B/21/98	BY: JL	1736602	C
APP: B/21/98	BY: AB	FRY	REV

© BLUE BIRD BODY COMPANY. ALL RIGHTS RESERVED



**Models:** A3FE, A3RE  
**WHEEL END COMPONENTS**  
**REAR, DRUM BRAKES, HUB PILOTED**  
**J230**  
**7 INCH**

**With Features:** FEATURE 40070-01, 02  
**BSN:** From CSN 10013295 RE 30013645 FE 09/14/98  
 To CSN 30096775 FE 10096695 RE 11/04/01

Key	PartNumber	Qty	Description	Comment
1	1970854	2	GASKET,AXLE SHAFT,DRIVE, 23,000LB AXLE	
2	1543925	4	NUT,SPINDLE,REAR,J230SB,AA/TC	
3	1543941	2	WASHER,LOCK,REAR,J230SB,AA/TC	
4	0929059	2	BEARING,OUTER,AXLE SHAFT,ROCKWELL &	
5*			HUB AND DRUM ASSEMBLY	<i>INCLUDES THE FOLLOWING ITEMS</i>
NI	0005457	2	HUB AND CUP ASSY.,W/CUPS J230 8.62	<i>INCLUDES CUPS</i>
NI	2621779	2	CUP,WHEEL BEARING,REAR INNER,R-155,592A	
NI	2621571	2	CUP,OUTER WHEEL BEARING	
NI	8200008	8	STUD,DRIVE,3/4	
NI	1714294	10	STUD,SERRATED,22 MM,RR,HUB PILTD	<i>STEEL WHEELS</i>
NI	0026318	10	STUD,SERRATED,22M	<i>ALUMINUM WHEELS</i>
NI	4317079	10	FLANGE,CAPNUT,22MM"	
NI	0005461	2	BRAKE DRUM,16.5 X 7 J230	
NI	1713775	2	SLINGER,GREASE,WEBB 73263	
6	0929042	2	BEARING,INNER,REAR AXLE	
7	0929067	2	SEAL,INNER,REAR AXLE OIL,LUBRICATED	
8			BRAKE ASSEMBLY	
9	0928994	16	CAPSCREW,HEX HD,5/8-18 X 2,GR 8,YEL ZN	
10	0929018	32	WASHER,FLAT,21/32 X 1 1/8 X 3/32,HDN,YEL	
11	0929000	16	NUT,HEX HD,5/8-18,LOCKING,GR 8,CADMIUM	
12	1483817	16	NUT,HEX HD,3/4-16,PRVLG TORQUE,GR8,YEL	




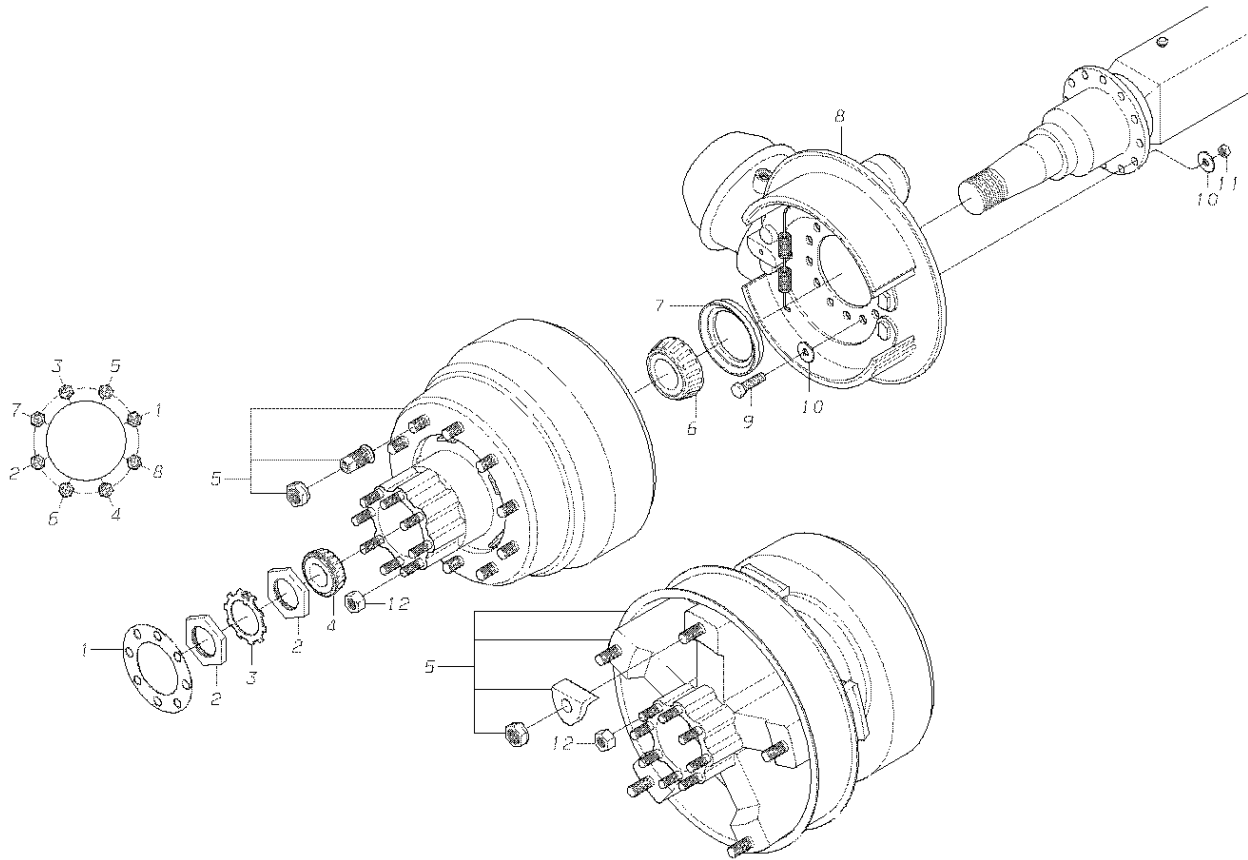
**Models:** A3FE, A3RE  
**WHEEL END COMPONENTS**  
**REAR, DRUM BRAKES, HUB PILOTED**  
**J230**

**8.62 INCH**  
**With Features:** FEATURE 40070-03  
**BSN:** From CSN 3007075 FE 10007080 RE 06/18/98  
 To CSN 10068459 RE 08/13/00

Key	PartNumber	Qty	Description	Comment
-----	------------	-----	-------------	---------

DR: B/21/98	BY: JL	1736602	C
APP: B/21/98	BY: AB	FRY	REV

© BLUE BIRD BODY COMPANY. ALL RIGHTS RESERVED. 



**Models:** A3FE, A3RE  
**WHEEL END COMPONENTS**  
**REAR, DRUM BRAKES, HUB PILOTED**  
**J230**  
**8.62 INCH**  
**With Features:** FEATURE 40070-03  
**BSN:** From CSN 3007075 FE 10007080 RE 06/18/98  
 To CSN 10068459 RE 08/13/00


Key	PartNumber	Qty	Description	Comment
1	1970854	2	GASKET,AXLE SHAFT,DRIVE, 23,000LB AXLE	
2	1543925	4	NUT,SPINDLE,REAR,J230SB,AA/TC	
3	1543941	2	WASHER,LOCK,REAR,J230SB,AA/TC	
4	0929059	2	BEARING,OUTER,AXLE SHAFT,ROCKWELL &	
5			HUB AND DRUM ASSEMBLY	<i>INCLUDES THE FOLLOWING ITEMS</i>
NI	1554757	2	HUB & CUP ASSY,REAR,WEBB 26721-N	<i>INCLUDES CUPS</i>
NI	2621779	2	CUP,WHEEL BEARING,REAR INNER,R-155,592A	
NI	2621571	2	CUP,OUTER WHEEL BEARING	
NI	1555119	8	STUD,DRIVE,3/4-16,WEBB	
NI	4317061	10	STUD,SERRATED,22MM"	
NI	1714302	10	CAPNUT,FLANGED,22 MM,HUB PILOTED,	
NI	1594449	2	DRUM,BRAKE,16.5 X 8.62,BAL,WEBB 69827B	
NI	1573468	2	SLINGER,OIL,REAR BRAKES,WEBB 73623	
6	0929042	2	BEARING,INNER,REAR AXLE	
7	0929067	2	SEAL,INNER,REAR AXLE OIL,LUBRICATED	
8			SEE TABLE OF CONTENTS FOR BRAKE	
9	0928994	16	CAPSCREW,HEX HD,5/8-18 X 2,GR 8,YEL ZN	
10	0929018	32	WASHER,FLAT,21/32 X 1 1/8 X 3/32,HDN,YEL	
11	0929000	16	NUT,HEX HD,5/8-18,LOCKING,GR 8,CADMIUM	
12	1483817	16	NUT,HEX HD,3/4-16,PRVLG TORQUE,GR8,YEL	

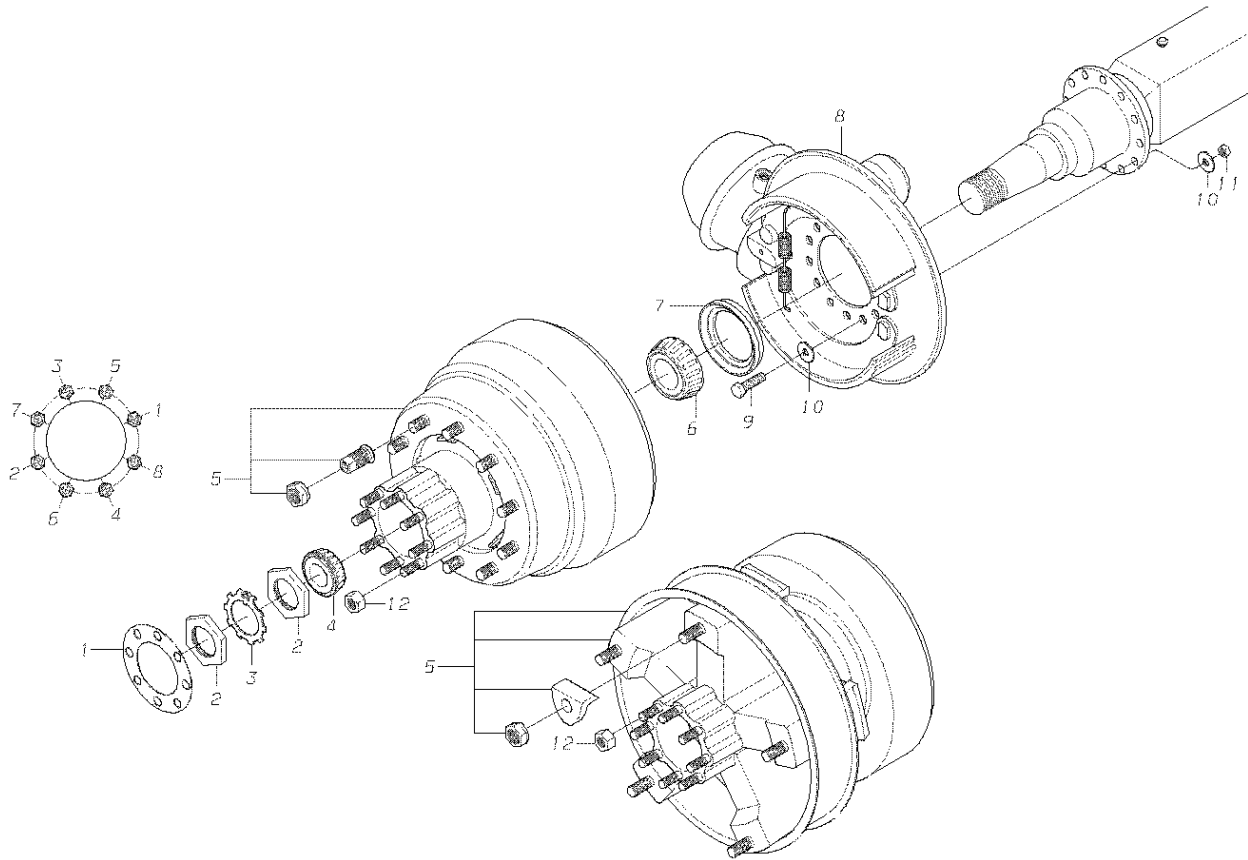
**Models:** A3FE, A3RE  
**WHEEL END COMPONENTS**  
**REAR, DRUM BRAKES, HUB PILOTED**  
**J230**

**8.62 INCH**  
**With Features:** FEATURE 40070-03  
**BSN:** From CSN 10068460 RE 08/14/00  
 To CSN 30096775 FE 10096695 RE 11/04/01

Key	PartNumber	Qty	Description	Comment
-----	------------	-----	-------------	---------

DR: B/21/98	BY: JL	1736602	C
APP: B/21/98	BY: AB	FRY	REV

© BLUE BIRD BODY COMPANY. ALL RIGHTS RESERVED. 



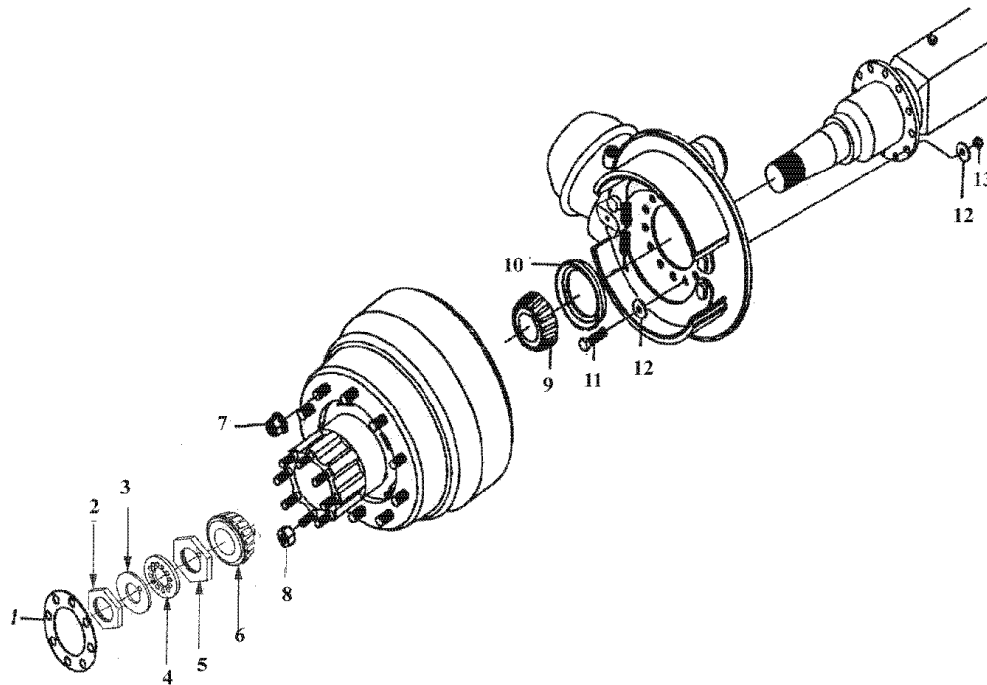
**Models:** A3FE, A3RE  
**WHEEL END COMPONENTS**  
**REAR, DRUM BRAKES, HUB PILOTED**  
**J230**  
**8.62 INCH**

**With Features:** FEATURE 40070-03  
**BSN:** From CSN 10068460 RE 08/14/00  
 To CSN 30096775 FE 10096695 RE 11/04/01

Key	PartNumber	Qty	Description	Comment
1	1970854	2	GASKET,AXLE SHAFT,DRIVE, 23,000LB AXLE	
2	1543925	4	NUT,SPINDLE,REAR,J230SB,AA/TC	
3	1543941	2	WASHER,LOCK,REAR,J230SB,AA/TC	
4	0929059	2	BEARING,OUTER,AXLE SHAFT,ROCKWELL &	
5			HUB AND DRUM ASSEMBLY	<i>INCLUDES THE FOLLOWING ITEMS</i>
NI	0005457	2	HUB AND CUP ASSY.,W/CUPS J230 8.62	<i>INCLUDES CUPS</i>
NI	2621779	2	CUP,WHEEL BEARING,REAR INNER,R-155,592A	
NI	2621571	2	CUP,OUTER WHEEL BEARING	
NI	8200008	8	STUD,DRIVE,3/4	
NI	1714294	10	STUD,SERRATED,22 MM,RR,HUB PILTD	
NI	4317079	10	FLANGE,CAPNUT,22MM"	
NI	0005458	2	BRAKE DRUM,16.5 X 8.62 J230	
NI	1713775	2	SLINGER,GREASE,WEBB 73263	
6	0929042	2	BEARING,INNER,REAR AXLE	
7	0929067	2	SEAL,INNER,REAR AXLE OIL,LUBRICATED	
8			SEE TABLE OF CONTENTS FOR BRAKE	
9	0928994	16	CAPSCREW,HEX HD,5/8-18 X 2,GR 8,YEL ZN	
10	0929018	32	WASHER,FLAT,21/32 X 1 1/8 X 3/32,HDN,YEL	
11	0929000	16	NUT,HEX HD,5/8-18,LOCKING,GR 8,CADMIUM	
12	1483817	16	NUT,HEX HD,3/4-16,PRVLG TORQUE,GR8,YEL	

**Models:** A3FE, A3RE, C3FE, CSFE, CSRE, QBRE, TCFE  
**WHEEL END COMPONENTS**  
**REAR, DRUM BRAKES, HUB PILOTED**  
**MERITOR**  
**7 INCH ALUMN WHEELS/DAYTON**  
**BSN:** From CSN 30096776 FE 10096696 RE 11/05/01

Key	PartNumber	Qty	Description	Comment
-----	------------	-----	-------------	---------

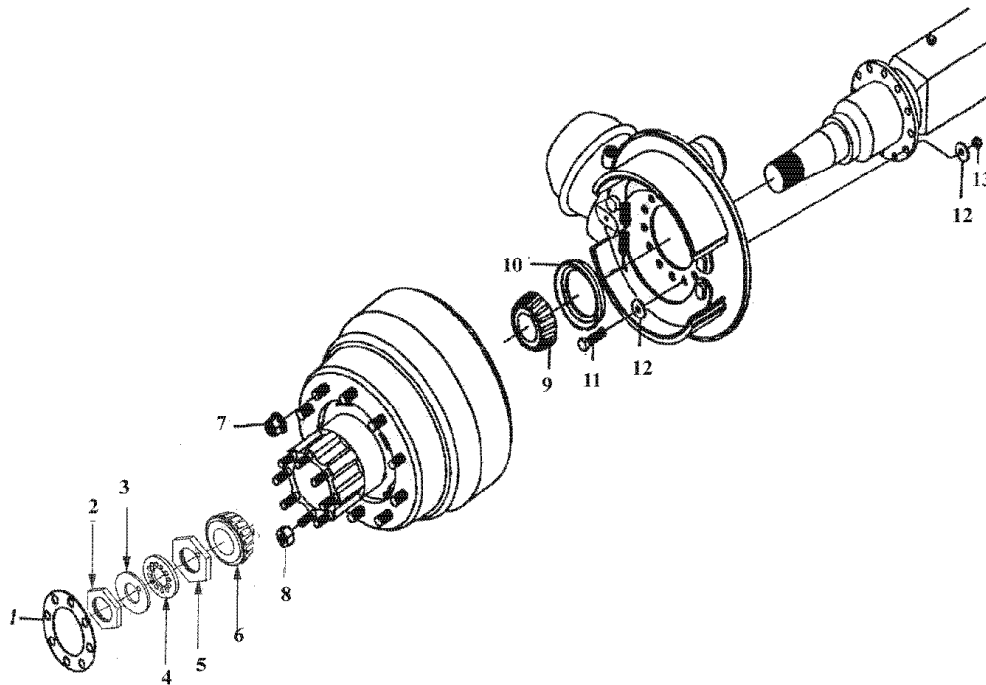


**Models:** A3FE, A3RE, C3FE, CSFE, CSRE, QBRE, TCFE  
**WHEEL END COMPONENTS**  
**REAR, DRUM BRAKES, HUB PILOTED**  
**MERITOR**  
**7 INCH ALUMN WHEELS/DAYTON**  
**BSN:** From CSN 30096776 FE 10096696 RE 11/05/01

Key	PartNumber	Qty	Description	Comment
1	0043449	2	GASKET	
2	2598613	2	NUT,WHEEL,BEARING,JAM,REAR AXLE	
3	0048533	2	WASHER,LOCK,SPINDLE	
4	2647238	2	LOCKWASHER,WHEEL BEARING NUT	
5	0043475	2	NUT,WHEEL,BEARING,ADJUSTING,REAR AXLE	
6	0929059	2	BEARING,OUTER,AXLE SHAFT,ROCKWELL &	
7	0044658	2	HUB & DRUM ASSY(NOT SERVICED AS AN	<i>INCLUDES THE FOLLOWING ITEMS</i>
NI	0044626	1	HUB & CUP ASSY,DAYTON 415675,ALUMN WHLS	<i>INCLUDES CUPS AND STUDS</i>
NI	2621779	1	CUP,WHEEL BEARING,REAR INNER,R-155,592A	
NI	2621571	1	CUP,OUTER WHEEL BEARING	
NI	0044642	8	STUD,DRIVE,5/8	
NI	0044638	10	STUD,SERRATED,M22 X 1.5-6G	
NI	0044651	10	CAPNUT,FLANGED,M22,MERITOR	
NI	0043877	1	DRUM,BRAKE,7",DAYTON	
8	2594893	16	NUT,AXLE SHAFT	
NI	2603512	16	WASHER,AXLE SHAFT	
NI	0929091	16	DOWEL,AXLE SHAFT	
9	0929042	2	BEARING,INNER,REAR AXLE	
10	0043448	2	SEAL ASSY,OIL,INNER	
11	0928994	16	CAPSCREW,HEX HD,5/8-18 X 2,GR 8,YEL ZN	
12	0929018	32	WASHER,FLAT,21/32 X 1 1/8 X 3/32,HDN,YEL	
13	0929000	16	NUT,HEX HD,5/8-18,LOCKING,GR 8,CADMIUM	

**Models:** A3FE, A3RE, C3FE, CSFE, CSRE, QBRE, TCFE  
**WHEEL END COMPONENTS**  
**REAR, DRUM BRAKES, HUB PILOTED**  
**MERITOR**  
**7 INCH ALUMN WHEELS/WEBB**  
**BSN:** From CSN 30096776 FE 10096696 RE 11/05/01

Key	PartNumber	Qty	Description	Comment
-----	------------	-----	-------------	---------



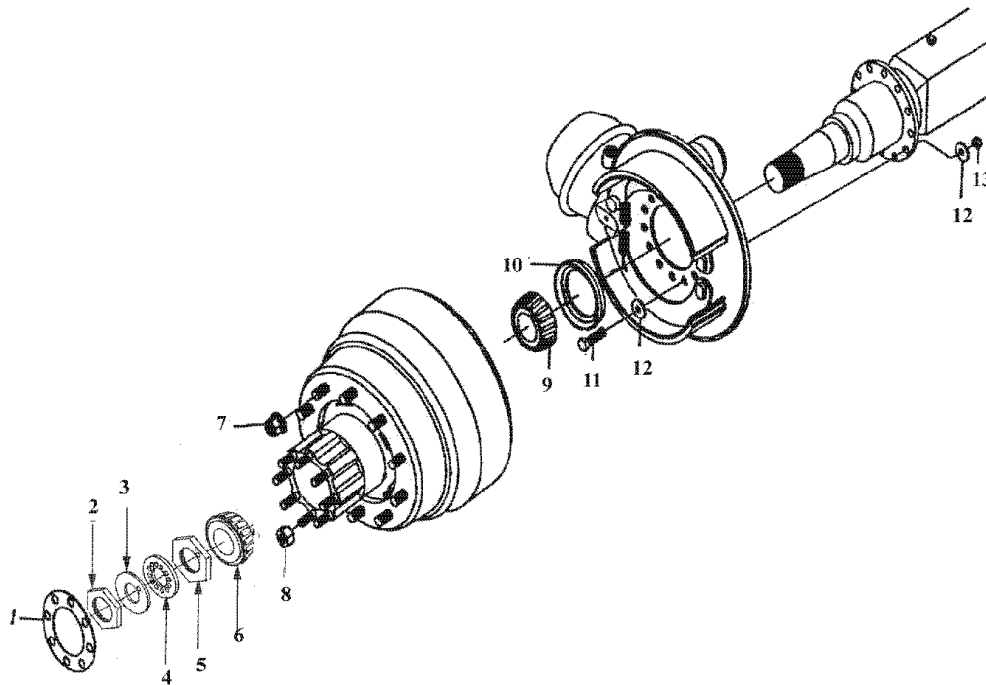
**Models:** A3FE, A3RE, C3FE, CSFE, CSRE, QBRE, TCFE  
**WHEEL END COMPONENTS**  
**REAR, DRUM BRAKES, HUB PILOTED**  
**MERITOR**  
**7 INCH ALUMN WHEELS/WEBB**  
**BSN:** From CSN 30096776 FE 10096696 RE 11/05/01

Key	PartNumber	Qty	Description	Comment
1	0043449	2	GASKET	
2	2598613	2	NUT,WHEEL,BEARING,JAM,REAR AXLE	
3	0048533	2	WASHER,LOCK,SPINDLE	
4	2647238	2	LOCKWASHER,WHEEL BEARING NUT	
5	0043475	2	NUT,WHEEL,BEARING,ADJUSTING,REAR AXLE	
6	0929059	2	BEARING,OUTER,AXLE SHAFT,ROCKWELL &	
7	0044849	2	HUB & DRUM ASSY(NOT SERVICED AS AN	<i>INCLUDES THE FOLLOWING ITEMS</i>
NI	0044827	1	HUB & CUP ASSY,2643 SERIES,DUAL WHLS"	<i>INCLUDES CUPS AND STUDS</i>
NI	2621779	1	CUP,WHEEL BEARING,REAR INNER,R-155,592A	
NI	2621571	1	CUP,OUTER WHEEL BEARING	
NI	2138584	8	STUD,DRIVE,5/8-18	
NI	0026318	10	STUD,SERRATED,22M	
NI	4317079	10	FLANGE,CAPNUT,22MM"	
NI	0028036	1	DRUM,BRAKE,16.5 X 7.00,WEBB 66864B	
8	2594893	16	NUT,AXLE SHAFT	
NI	2603512	16	WASHER,AXLE SHAFT	
NI	0929091	16	DOWEL,AXLE SHAFT	
9	0929042	2	BEARING,INNER,REAR AXLE	
10	0043448	2	SEAL ASSY,OIL,INNER	
11	0928994	16	CAPSCREW,HEX HD,5/8-18 X 2,GR 8,YEL ZN	
12	0929018	32	WASHER,FLAT,21/32 X 1 1/8 X 3/32,HDN,YEL	
13	0929000	16	NUT,HEX HD,5/8-18,LOCKING,GR 8,CADMIUM	



**Models:** A3FE, A3RE, C3FE, CSFE, CSRE, QBRE, TCFE  
**WHEEL END COMPONENTS**  
**REAR, DRUM BRAKES, HUB PILOTED**  
**MERITOR**  
**7 INCH STEEL WHEELS/DAYTON**  
**BSN:** From CSN 30096776 FE 10096696 RE 11/05/01

Key	PartNumber	Qty	Description	Comment
-----	------------	-----	-------------	---------

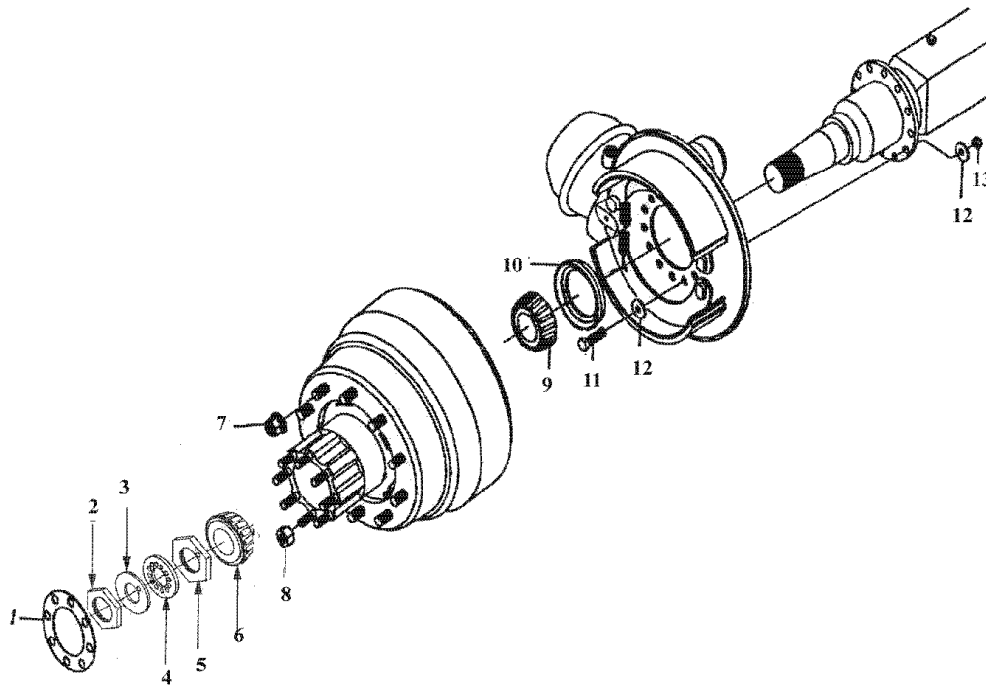


**Models:** A3FE, A3RE, C3FE, CSFE, CSRE, QBRE, TCFE  
**WHEEL END COMPONENTS**  
**REAR, DRUM BRAKES, HUB PILOTED**  
**MERITOR**  
**7 INCH STEEL WHEELS/DAYTON**  
**BSN:** From CSN 30096776 FE 10096696 RE 11/05/01

Key	PartNumber	Qty	Description	Comment
1	0043449	2	GASKET	
2	2598613	2	NUT,WHEEL,BEARING,JAM,REAR AXLE	
3	0048533	2	WASHER,LOCK,SPINDLE	
4	2647238	2	LOCKWASHER,WHEEL BEARING NUT	
5	0043475	2	NUT,WHEEL,BEARING,ADJUSTING,REAR AXLE	
6	0929059	2	BEARING,OUTER,AXLE SHAFT,ROCKWELL &	
7	0044659	2	HUB & DRUM ASSY(NOT SERVICED AS AN	<i>INCLUDES THE FOLLOWING ITEMS</i>
NI	0044627	1	HUB & CUP ASSY,DAYTON 415675,STL WHLS	<i>INCLUDES CUPS AND STUDS</i>
NI	2621779	1	CUP,WHEEL BEARING,REAR INNER,R-155,592A	
NI	2621571	1	CUP,OUTER WHEEL BEARING	
NI	0044642	8	STUD,DRIVE,5/8	
NI	0044638	10	STUD,SERRATED,M22 X 1.5-6G	
NI	0044651	10	CAPNUT,FLANGED,M22,MERITOR	
NI	0043877	1	DRUM,BRAKE,7",DAYTON	
8	2594893	16	NUT,AXLE SHAFT	
NI	2603512	16	WASHER,AXLE SHAFT	
NI	0929091	16	DOWEL,AXLE SHAFT	
9	0929042	2	BEARING,INNER,REAR AXLE	
10	0043448	2	SEAL ASSY,OIL,INNER	
11	0928994	16	CAPSCREW,HEX HD,5/8-18 X 2,GR 8,YEL ZN	
12	0929018	32	WASHER,FLAT,21/32 X 1 1/8 X 3/32,HDN,YEL	
13	0929000	16	NUT,HEX HD,5/8-18,LOCKING,GR 8,CADMIUM	

**Models:** A3FE, A3RE, C3FE, CSFE, CSRE, QBRE, TCFE  
**WHEEL END COMPONENTS**  
**REAR, DRUM BRAKES, HUB PILOTED**  
**MERITOR**  
**7 INCH STEEL WHEELS/WEBB**  
**BSN:** From CSN 30096776 FE 10096696 RE 11/05/01

Key	PartNumber	Qty	Description	Comment
-----	------------	-----	-------------	---------

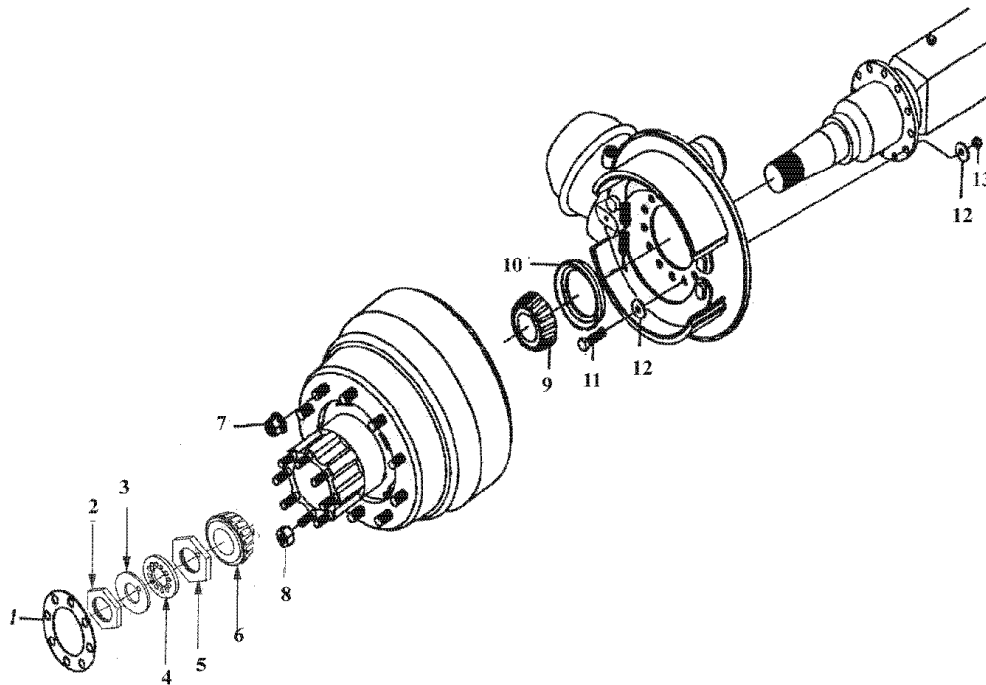


**Models:** A3FE, A3RE, C3FE, CSFE, CSRE, QBRE, TCFE  
**WHEEL END COMPONENTS**  
**REAR, DRUM BRAKES, HUB PILOTED**  
**MERITOR**  
**7 INCH STEEL WHEELS/WEBB**  
**BSN:** From CSN 30096776 FE 10096696 RE 11/05/01

Key	PartNumber	Qty	Description	Comment
1	0043449	2	GASKET	
2	2598613	2	NUT,WHEEL,BEARING,JAM,REAR AXLE	
3	0048533	2	WASHER,LOCK,SPINDLE	
4	2647238	2	LOCKWASHER,WHEEL BEARING NUT	
5	0043475	2	NUT,WHEEL,BEARING,ADJUSTING,REAR AXLE	
6	0929059	2	BEARING,OUTER,AXLE SHAFT,ROCKWELL &	
7	0044848	2	HUB & DRUM ASSY(NOT SERVICED AS AN	<i>INCLUDES THE FOLLOWING ITEMS</i>
NI	0044826	1	HUB & CUP ASSY,2643 SERIES,STL WHLS	<i>INCLUDES CUPS AND STUDS</i>
NI	2621779	1	CUP,WHEEL BEARING,REAR INNER,R-155,592A	
NI	2621571	1	CUP,OUTER WHEEL BEARING	
NI	2138584	8	STUD,DRIVE,5/8-18	
NI	1714294	10	STUD,SERRATED,22 MM,RR,HUB PILTD	
NI	4317079	10	FLANGE,CAPNUT,22MM"	
NI	0028036	1	DRUM,BRAKE,16.5 X 7.00,WEBB 66864B	
8	2594893	16	NUT,AXLE SHAFT	
NI	2603512	16	WASHER,AXLE SHAFT	
NI	0929091	16	DOWEL,AXLE SHAFT	
9	0929042	2	BEARING,INNER,REAR AXLE	
10	0043448	2	SEAL ASSY,OIL,INNER	
11	0928994	16	CAPSCREW,HEX HD,5/8-18 X 2,GR 8,YEL ZN	
12	0929018	32	WASHER,FLAT,21/32 X 1 1/8 X 3/32,HDN,YEL	
13	0929000	16	NUT,HEX HD,5/8-18,LOCKING,GR 8,CADMIUM	

**Models:** A3FE, A3RE, C3FE, C4RE, CSFE, CSRE, QBRE, TCFE  
**WHEEL END COMPONENTS**  
**REAR, DRUM BRAKES, HUB PILOTED**  
**MERITOR**  
**8.62 INCH ALUMN WHEELS/DAYTON**  
**BSN:** From CSN 30096776 FE 10096696 RE 11/05/01

Key	PartNumber	Qty	Description	Comment
-----	------------	-----	-------------	---------

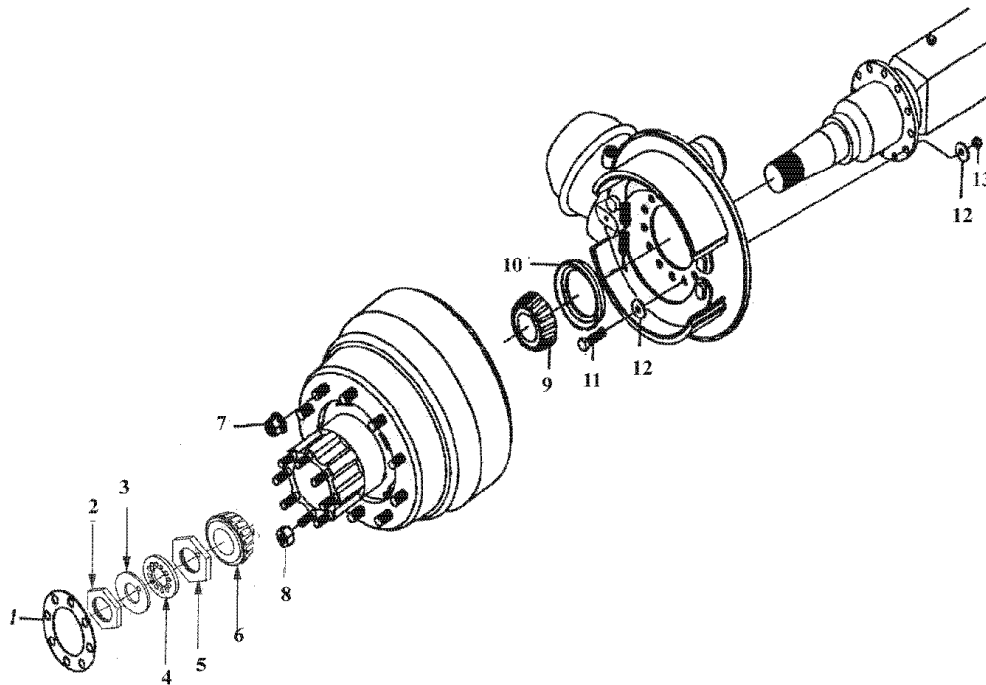


**Models:** A3FE, A3RE, C3FE, C4RE, CSFE, CSRE, QBRE, TCFE  
**WHEEL END COMPONENTS**  
**REAR, DRUM BRAKES, HUB PILOTED**  
**MERITOR**  
**8.62 INCH ALUMN WHEELS/DAYTON**  
**BSN: From CSN 30096776 FE 10096696 RE 11/05/01**

Key	PartNumber	Qty	Description	Comment
1	0043449	2	GASKET	
2	2598613	2	NUT,WHEEL,BEARING,JAM,REAR AXLE	
3	0048533	2	WASHER,LOCK,SPINDLE	
4	2647238	2	LOCKWASHER,WHEEL BEARING NUT	
5	0043475	2	NUT,WHEEL,BEARING,ADJUSTING,REAR AXLE	
6	0929059	2	BEARING,OUTER,AXLE SHAFT,ROCKWELL &	
7	0044660	2	HUB & DRUM ASSY(NOT SERVICED AS AN	<i>INCLUDES THE FOLLOWING ITEMS</i>
NI	0044626	1	HUB & CUP ASSY,DAYTON 415675,ALUMN WHLS	<i>INCLUDES CUPS AND STUDS</i>
NI	2621779	1	CUP,WHEEL BEARING,REAR INNER,R-155,592A	
NI	2621571	1	CUP,OUTER WHEEL BEARING	
NI	0044642	8	STUD,DRIVE,5/8	
NI	0044638	10	STUD,SERRATED,M22 X 1.5-6G	
NI	0044651	10	CAPNUT,FLANGED,M22,MERITOR	
NI	0043876	1	DRUM,BRAKE,8.62",DAYTON	
8	2594893	16	NUT,AXLE SHAFT	
NI	2603512	16	WASHER,AXLE SHAFT	
NI	0929091	16	DOWEL,AXLE SHAFT	
9	0929042	2	BEARING,INNER,REAR AXLE	
10	0043448	2	SEAL ASSY,OIL,INNER	
11	0928994	16	CAPSCREW,HEX HD,5/8-18 X 2,GR 8,YEL ZN	
12	0929018	32	WASHER,FLAT,21/32 X 1 1/8 X 3/32,HDN,YEL	
13	0929000	16	NUT,HEX HD,5/8-18,LOCKING,GR 8,CADMIUM	

**Models:** A3FE, A3RE, C3FE, C4RE, CSFE, CSRE, QBRE, TCFE  
**WHEEL END COMPONENTS**  
**REAR, DRUM BRAKES, HUB PILOTED**  
**MERITOR**  
**8.62 INCH ALUMN WHEELS/WEBB**  
**BSN:** From CSN 30096776 FE 10096696 RE 11/05/01

Key	PartNumber	Qty	Description	Comment
-----	------------	-----	-------------	---------



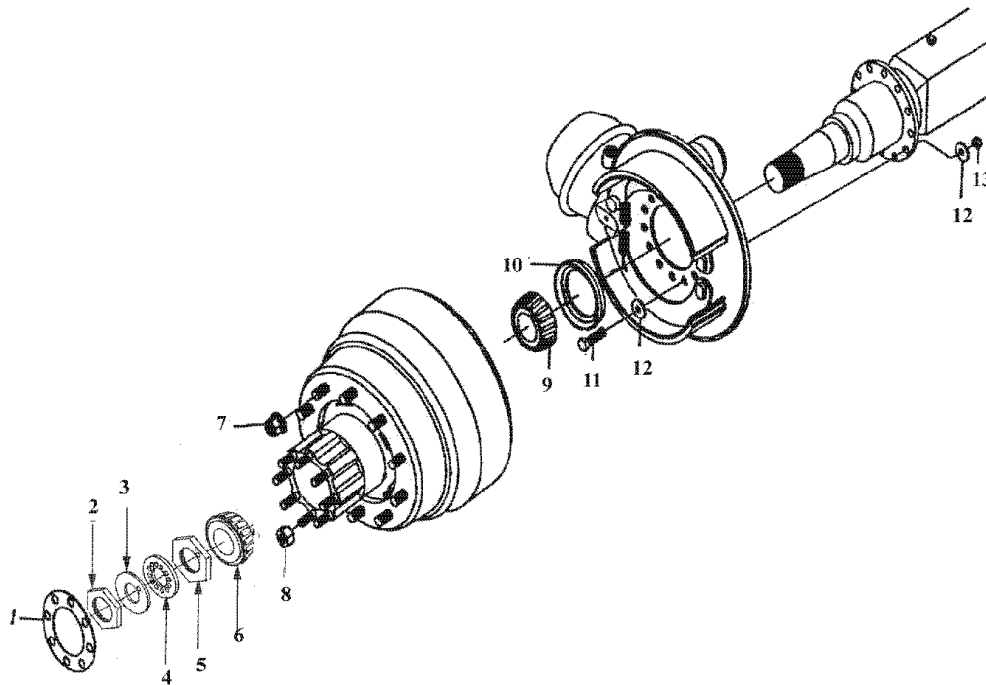
**Models:** A3FE, A3RE, C3FE, C4RE, CSFE, CSRE, QBRE, TCFE  
**WHEEL END COMPONENTS**  
**REAR, DRUM BRAKES, HUB PILOTED**  
**MERITOR**  
**8.62 INCH ALUMN WHEELS/WEBB**  
**BSN:** From CSN 30096776 FE 10096696 RE 11/05/01

Key	PartNumber	Qty	Description	Comment
1	0043449	2	GASKET	
2	2598613	2	NUT,WHEEL,BEARING,JAM,REAR AXLE	
3	0048533	2	WASHER,LOCK,SPINDLE	
4	2647238	2	LOCKWASHER,WHEEL BEARING NUT	
5	0043475	2	NUT,WHEEL,BEARING,ADJUSTING,REAR AXLE	
6	0929059	2	BEARING,OUTER,AXLE SHAFT,ROCKWELL &	
7	0048518	2	HUB & DRUM ASSY,8.62,DUAL ALUMN	<i>INCLUDES THE FOLLOWING ITEMS</i>
NI	0044827	1	HUB & CUP ASSY,2643 SERIES,DUAL WHLS"	<i>INCLUDES CUPS AND STUDS</i>
NI	2621779	1	CUP,WHEEL BEARING,REAR INNER,R-155,592A	
NI	2621571	1	CUP,OUTER WHEEL BEARING	
NI	2138584	8	STUD,DRIVE,5/8-18	
NI	0026318	10	STUD,SERRATED,22M	
NI	4317079	10	FLANGE,CAPNUT,22MM"	
NI	0043878	1	DRUM,BRAKE	
8	2594893	16	NUT,AXLE SHAFT	
NI	2603512	16	WASHER,AXLE SHAFT	
NI	0929091	16	DOWEL,AXLE SHAFT	
9	0929042	2	BEARING,INNER,REAR AXLE	
10	0043448	2	SEAL ASSY,OIL,INNER	
11	0928994	16	CAPSCREW,HEX HD,5/8-18 X 2,GR 8,YEL ZN	
12	0929018	32	WASHER,FLAT,21/32 X 1 1/8 X 3/32,HDN,YEL	
13	0929000	16	NUT,HEX HD,5/8-18,LOCKING,GR 8,CADMIUM	



**Models:** A3FE, A3RE, C3FE, C4RE, CSFE, CSRE, QBRE, TCFE  
**WHEEL END COMPONENTS**  
**REAR, DRUM BRAKES, HUB PILOTED**  
**MERITOR**  
**8.62 INCH STEEL WHEELS/DAYTON**  
**BSN:** From CSN 30096776 FE 10096696 RE 11/05/01

Key	PartNumber	Qty	Description	Comment
-----	------------	-----	-------------	---------

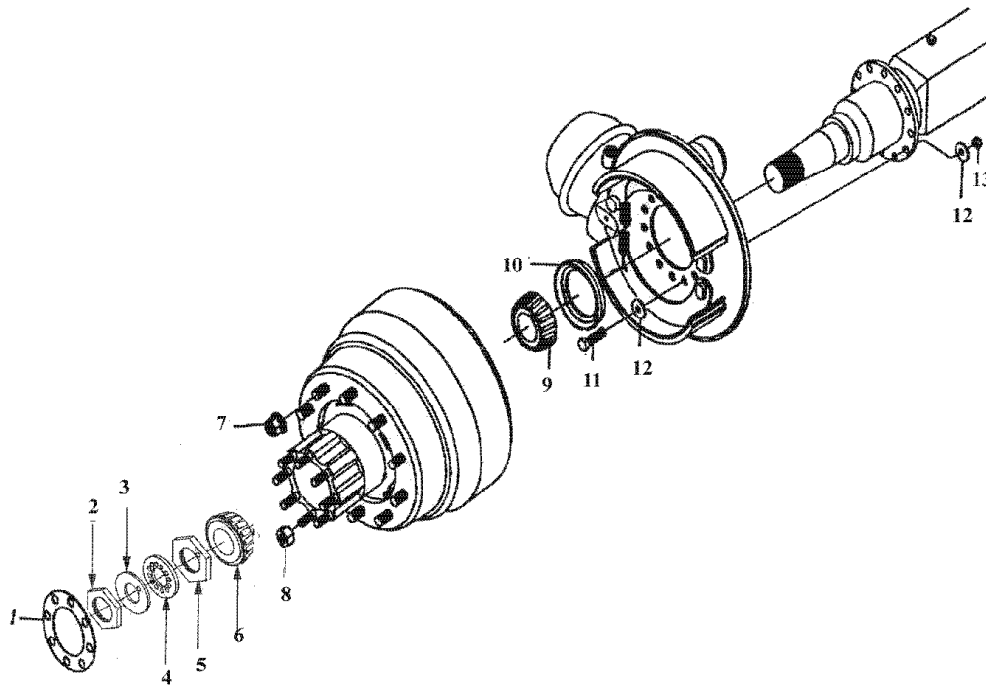


**Models:** A3FE, A3RE, C3FE, C4RE, CSFE, CSRE, QBRE, TCFE  
**WHEEL END COMPONENTS**  
**REAR, DRUM BRAKES, HUB PILOTED**  
**MERITOR**  
**8.62 INCH STEEL WHEELS/DAYTON**  
**BSN:** From CSN 30096776 FE 10096696 RE 11/05/01

Key	PartNumber	Qty	Description	Comment
1	0043449	2	GASKET	
2	2598613	2	NUT,WHEEL,BEARING,JAM,REAR AXLE	
3	0048533	2	WASHER,LOCK,SPINDLE	
4	2647238	2	LOCKWASHER,WHEEL BEARING NUT	
5	0043475	2	NUT,WHEEL,BEARING,ADJUSTING,REAR AXLE	
6	0929059	2	BEARING,OUTER,AXLE SHAFT,ROCKWELL &	
7	0043887	2	HUB & DRUM ASSY(NOT SERVICED AS AN	<i>INCLUDES THE FOLLOWING ITEMS</i>
NI	0044627	1	HUB & CUP ASSY,DAYTON 415675,STL WHLS	<i>INCLUDES CUPS AND STUDS</i>
NI	2621779	1	CUP,WHEEL BEARING,REAR INNER,R-155,592A	
NI	2621571	1	CUP,OUTER WHEEL BEARING	
NI	0044642	8	STUD,DRIVE,5/8	
NI	0044639	10	STUD,SERRATED,M22 X 1.5-6G	
NI	0044651	10	CAPNUT,FLANGED,M22,MERITOR	
NI	0043876	1	DRUM,BRAKE,8.62",DAYTON	
8	2594893	16	NUT,AXLE SHAFT	
NI	2603512	16	WASHER,AXLE SHAFT	
NI	0929091	16	DOWEL,AXLE SHAFT	
9	0929042	2	BEARING,INNER,REAR AXLE	
10	0043448	2	SEAL ASSY,OIL,INNER	
11	0928994	16	CAPSCREW,HEX HD,5/8-18 X 2,GR 8,YEL ZN	
12	0929018	32	WASHER,FLAT,21/32 X 1 1/8 X 3/32,HDN,YEL	
13	0929000	16	NUT,HEX HD,5/8-18,LOCKING,GR 8,CADMIUM	

**Models:** A3FE, A3RE, C3FE, C4RE, CSFE, CSRE, QBRE, TCFE  
**WHEEL END COMPONENTS**  
**REAR, DRUM BRAKES, HUB PILOTED**  
**MERITOR**  
**8.62 INCH STEEL WHEELS/WEBB**  
**BSN:** From CSN 30096776 FE 10096696 RE 11/05/01

Key	PartNumber	Qty	Description	Comment
-----	------------	-----	-------------	---------



**Models:** A3FE, A3RE, C3FE, C4RE, CSFE, CSRE, QBRE, TCFE  
**WHEEL END COMPONENTS**  
**REAR, DRUM BRAKES, HUB PILOTED**  
**MERITOR**  
**8.62 INCH STEEL WHEELS/WEBB**  
**BSN: From CSN 30096776 FE 10096696 RE 11/05/01**


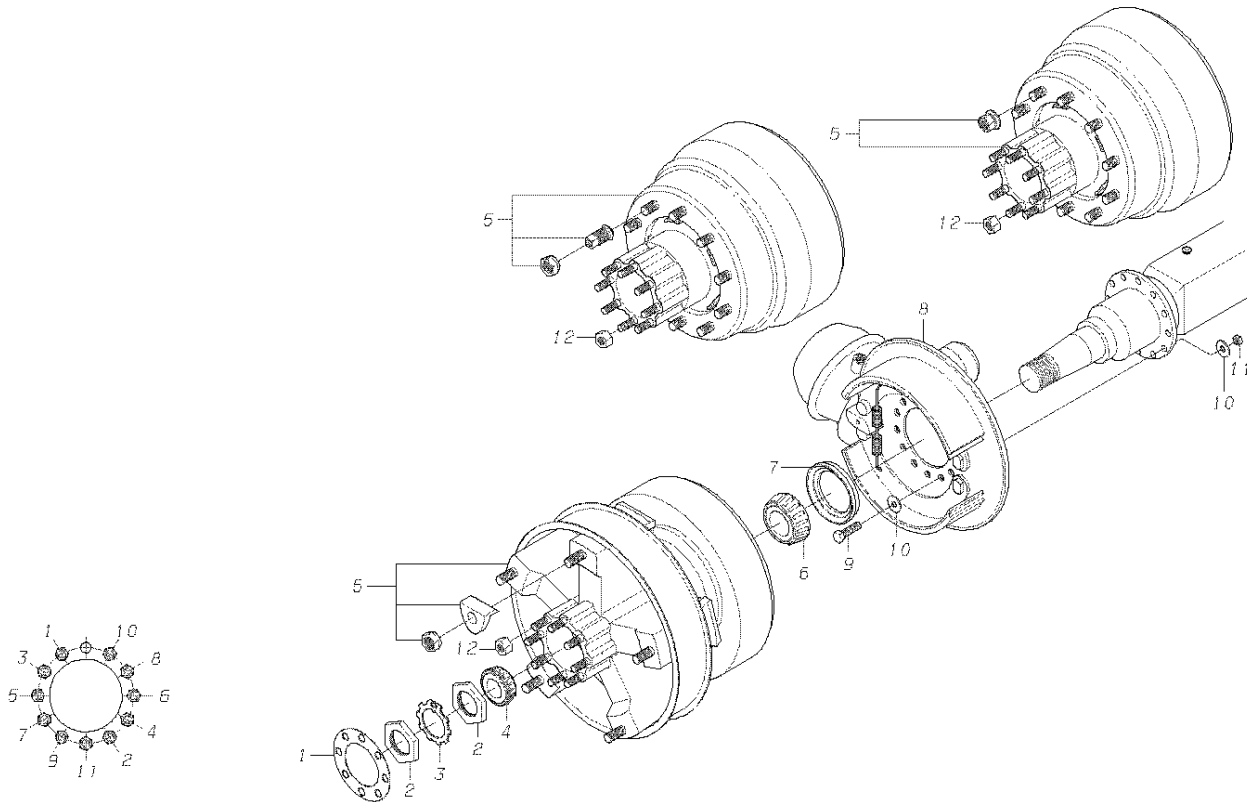
Key	PartNumber	Qty	Description	Comment
1	0043449	2	GASKET	
2	2598613	2	NUT,WHEEL,BEARING,JAM,REAR AXLE	
3	0048533	2	WASHER,LOCK,SPINDLE	
4	2647238	2	LOCKWASHER,WHEEL BEARING NUT	
5	0043475	2	NUT,WHEEL,BEARING,ADJUSTING,REAR AXLE	
6	0929059	2	BEARING,OUTER,AXLE SHAFT,ROCKWELL &	
7	0045978	2	HUB & DRUM ASSY(NOT SERVICED AS AN	<i>INCLUDES THE FOLLOWING ITEMS</i>
NI	0044826	1	HUB & CUP ASSY,2643 SERIES,STL WHLS	<i>INCLUDES CUPS AND STUDS</i>
NI	2621779	1	CUP,WHEEL BEARING,REAR INNER,R-155,592A	
NI	2621571	1	CUP,OUTER WHEEL BEARING	
NI	2138584	8	STUD,DRIVE,5/8-18	
NI	1714294	10	STUD,SERRATED,22 MM,RR,HUB PILTD	
NI	4317079	10	FLANGE,CAPNUT,22MM"	
NI	0043878	1	DRUM,BRAKE	
8	2594893	16	NUT,AXLE SHAFT	
NI	2603512	16	WASHER,AXLE SHAFT	
NI	0929091	16	DOWEL,AXLE SHAFT	
9	0929042	2	BEARING,INNER,REAR AXLE	
10	0043448	2	SEAL ASSY,OIL,INNER	
11	0928994	16	CAPSCREW,HEX HD,5/8-18 X 2,GR 8,YEL ZN	
12	0929018	32	WASHER,FLAT,21/32 X 1 1/8 X 3/32,HDN,YEL	
13	0929000	16	NUT,HEX HD,5/8-18,LOCKING,GR 8,CADMIUM	

**Models:** A3FE, A3RE  
**WHEEL END COMPONENTS**  
**REAR, DRUM BRAKES, STUD PILOTED**  
**J190, J210**  
**7 INCH**  
**BSN:** From CSN 10008675 RE 30008585 FE 07/13/98  
 To 01/17/99

Key	PartNumber	Qty	Description	Comment
-----	------------	-----	-------------	---------

DR. 6/21/98	BY J.L.	1735610	REV. 3
APP. 6/21/98	BY AB		REV. 4

© BLUE BIRD BODY COMPANY, P.L.L. ALL RIGHTS RESERVED





**Models:** A3FE, A3RE  
**WHEEL END COMPONENTS**  
**REAR, DRUM BRAKES, STUD PILOTED**  
**J190, J210**  
**7 INCH**  
**BSN:** From CSN 10008675 RE 30008585 FE 07/13/98  
 To 01/17/99

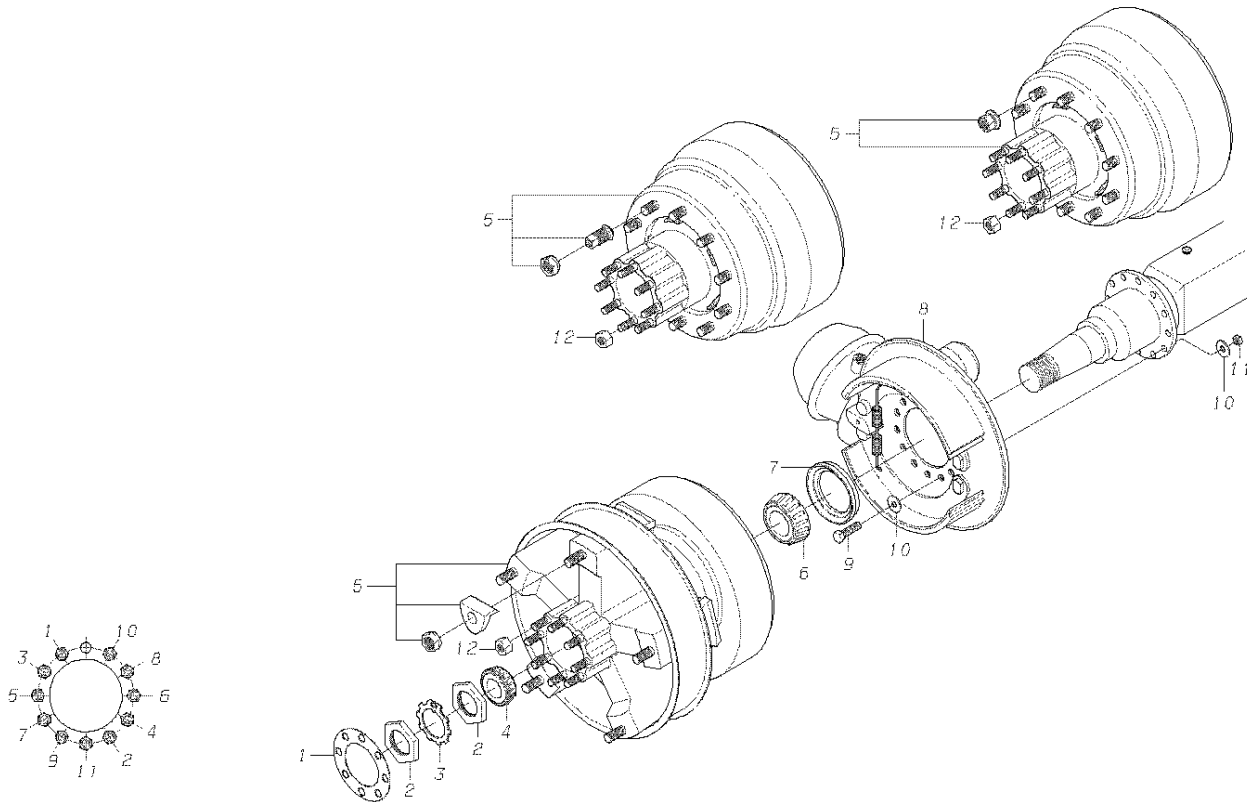
Key	PartNumber	Qty	Description	Comment
1	4281473	2	GASKET,AXLE SHAFT,J190S TCFC/TCRE/Q	
2	4281481	4	NUT,SPINDLE,REAR,J190S,TCFC/TCRE/Q	
3	4281499	2	WASHER,LOCK,REAR,J190S,TCFC/TCRE/Q	
4	2622926	2	BEARING,HUB,OUTER	
5			HUB AND DRUM ASSEMBLY	<i>INCLUDES THE FOLLOWING ITEMS</i>
NI	0005464	2	HUB AND CUP ASSY., J190,J210,7"	<i>INCLUDES CUPS</i>
NI	2623221	2	CUP,WHEEL BEARING	
NI	2622728	2	CUP,REAR OUTER	
NI	1713759	10	STUD,SERRATED,RH,WEBB 101172	
NI	1713767	10	STUD,SERRATED,LH,WEBB 101173	
NI	1459999	10	STUD,DRIVE,5/8-18,WEBB	
NI	1460005	10	CAPNUT,OUTER,RH,WEBB	
NI	1460013	10	CAPNUT,OUTER,LH,WEBB	
NI	1460021	10	CAPNUT,INNER,1 1/8 X 3/4,RH,WEBB	
NI	1460039	10	CAPNUT,INNER,1 1/8 X 3/4,LH,WEBB	
NI	1460062	2	DRUM,BRAKE,16.5 X 7.00,WEBB	
NI	1713775	2	SLINGER,GREASE,WEBB 73263	
6	2623320	2	BEARING,HUB,INNER	
7	1534569	2	SEAL,OIL,REAR AXLE	
8			BRAKE ASSEMBLY	
9	1453737	22	CAPCREW,HEX HD,9/16-18 X 2,GR 8,YEL ZN	
10	1494244	44	WASHER,FLAT,19/32 X 1 3/16 X 3/32,HRD,	
11	1524099	22	NUT,HEX HD,9/16-18,LOCK,GR 8,CADMIUM	
12	0929000	16	NUT,HEX HD,5/8-18,LOCKING,GR 8,CADMIUM	

**Models:** A3FE, A3RE, CSFE, CSRE, QBRE, TCFE  
**WHEEL END COMPONENTS**  
**REAR, DRUM BRAKES, STUD PILOTED**  
**J190, J210**  
**7 INCH**  
**BSN:** From CSN 01/18/99  
 To CSN 30079479 FE 1007709 RE 01/21/01

Key	PartNumber	Qty	Description	Comment
-----	------------	-----	-------------	---------

DR. 6/21/98	BY J.L.	1735610	REV. 3	
APP. 6/21/98	BY AB		REV. 3	

© BLUE BIRD BODY COMPANY, ALL RIGHTS RESERVED



**Models:** A3FE, A3RE, CSFE, CSRE, QBRE, TCFE  
**WHEEL END COMPONENTS**  
**REAR, DRUM BRAKES, STUD PILOTED**  
**J190, J210**  
**7 INCH**  
**BSN:** From CSN 01/18/99  
 To CSN 30079479 FE 1007709 RE 01/21/01


Key	PartNumber	Qty	Description	Comment
1	0006491	2	GASKET,AXLE SHAFT,DRIVE,19 - 21,000 LB	
2	4281481	4	NUT,SPINDLE,REAR,J190S,TCFC/TCRE/Q	
3	4281499	2	WASHER,LOCK,REAR,J190S,TCFC/TCRE/Q	
4	2622926	2	BEARING,HUB,OUTER	
5			HUB AND DRUM ASSEMBLY	<i>INCLUDES THE FOLLOWING ITEMS</i>
NI	0005464	2	HUB AND CUP ASSY., J190,J210,7"	<i>INCLUDES CUPS</i>
NI	2623221	2	CUP,WHEEL BEARING	
NI	2622728	2	CUP,REAR OUTER	
NI	1713759	10	STUD,SERRATED,RH,WEBB 101172	
NI	1713767	10	STUD,SERRATED,LH,WEBB 101173	
NI	1459999	10	STUD,DRIVE,5/8-18,WEBB	
NI	1311711	10	NUT,CAP,OUTER,RH,1 1/8 - 16	
NI	1311729	10	NUT,CAP,OUTER,LH,1 1/8 - 16	
NI	0005459	10	CAPNUT,INNER,RH 8.62 W/J230	
NI	0005460	10	CAPNUT,INNER,LH,8.62 W/J230	
NI	1460062	2	DRUM,BRAKE,16.5 X 7.00,WEBB	
NI	1713775	2	SLINGER,GREASE,WEBB 73263	
6	2623320	2	BEARING,HUB,INNER	
7	1534569	2	SEAL,OIL,REAR AXLE	
8			BRAKE ASSEMBLY	
9	1453737	22	CAPCREW,HEX HD,9/16-18 X 2,GR 8,YEL ZN	
10	1494244	44	WASHER,FLAT,19/32 X 1 3/16 X 3/32,HRD,	
11	1524099	22	NUT,HEX HD,9/16-18,LOCK,GR 8,CADMIUM	
12	0929000	16	NUT,HEX HD,5/8-18,LOCKING,GR 8,CADMIUM	



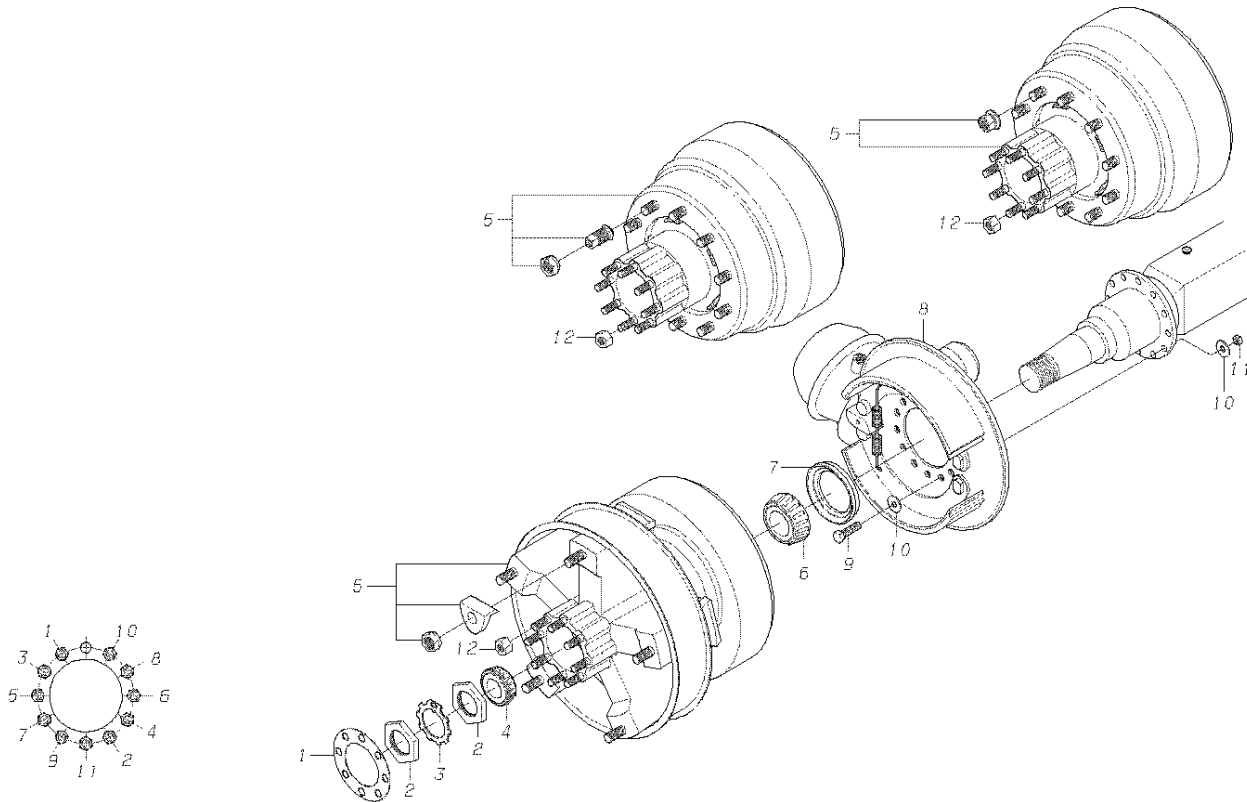
**Models:** A3FE  
**WHEEL END COMPONENTS**  
**REAR, DRUM BRAKES, STUD PILOTED**  
**J190, J210**  
**7 INCH**

**With Features:** FEATURE 40070-01, 02  
**BSN:** From CSN 11/28/00  
 To CSN 30096775 FE 10096695 RE 11/04/01

Key	PartNumber	Qty	Description	Comment
-----	------------	-----	-------------	---------

DR. 6/21/98	BY J.L.	1735610	REV. 3	
APP. 6/21/98	BY AB	REV. 1	REV. 1	

© BLUE BIRD BODY COMPANY, P.L.L. ALL RIGHTS RESERVED



**Models:** A3FE  
**WHEEL END COMPONENTS**  
**REAR, DRUM BRAKES, STUD PILOTED**  
**J190, J210**  
**7 INCH**

**With Features:** FEATURE 40070-01, 02  
**BSN:** From CSN 11/28/00  
 To CSN 30096775 FE 10096695 RE 11/04/01

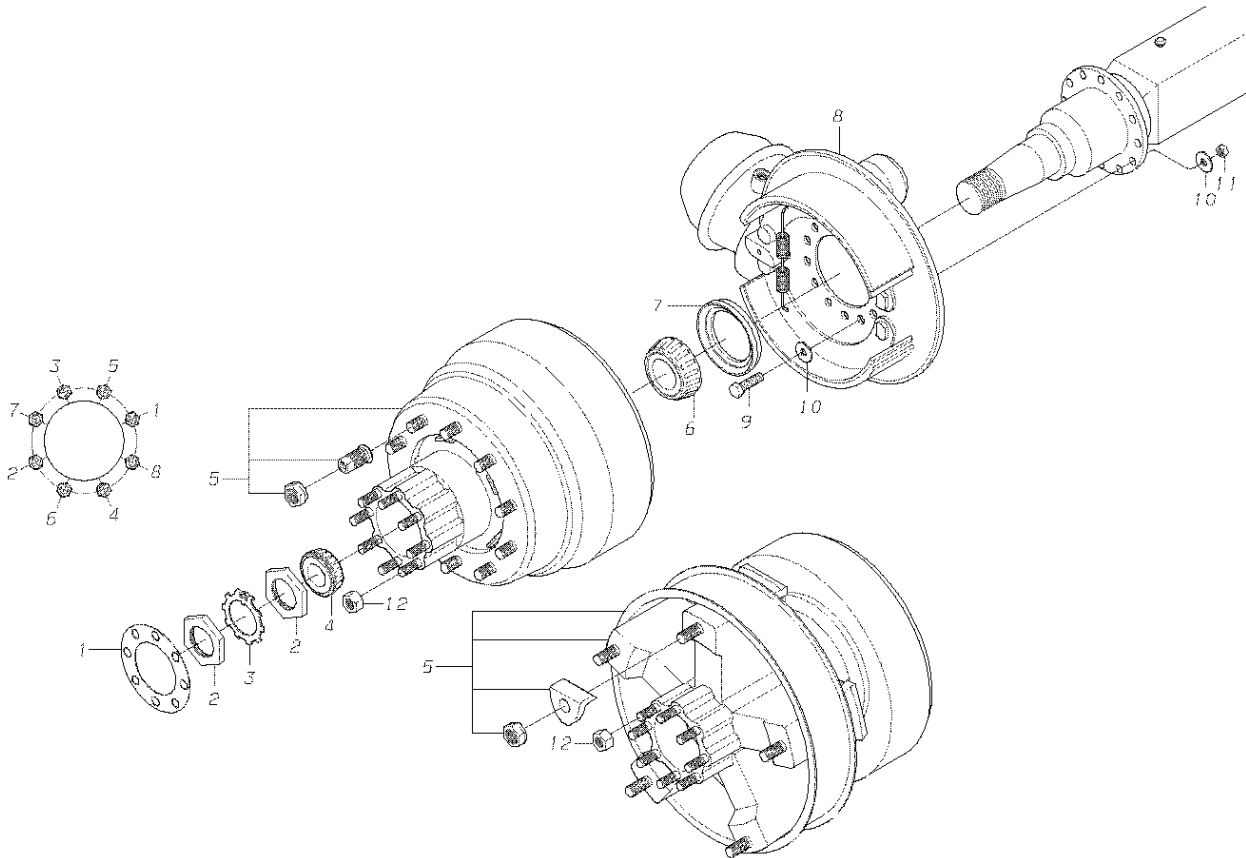
Key	PartNumber	Qty	Description	Comment
1	0006491	2	GASKET,AXLE SHAFT,DRIVE,19 - 21,000 LB	
2	4281481	4	NUT,SPINDLE,REAR,J190S,TCFC/TCRE/Q	
3	4281499	2	WASHER,LOCK,REAR,J190S,TCFC/TCRE/Q	
4	2622926	2	BEARING,HUB,OUTER	
5			HUB AND DRUM ASSEMBLY	<i>INCLUDES THE FOLLOWING ITEMS</i>
NI	0005464	2	HUB AND CUP ASSY., J190,J210,7"	<i>INCLUDES CUPS</i>
NI	2623221	2	CUP,WHEEL BEARING	
NI	2622728	2	CUP,REAR OUTER	
NI	1713759	10	STUD,SERRATED,RH,WEBB 101172	
NI	1713767	10	STUD,SERRATED,LH,WEBB 101173	
NI	1459999	10	STUD,DRIVE,5/8-18,WEBB	
NI	1311711	10	NUT,CAP,OUTER,RH,1 1/8 - 16	
NI	1311729	10	NUT,CAP,OUTER,LH,1 1/8 - 16	
NI	0005459	10	CAPNUT,INNER,RH 8.62 W/J230	
NI	0005460	10	CAPNUT,INNER,LH,8.62 W/J230	
NI	1460062	2	DRUM,BRAKE,16.5 X 7.00,WEBB	
NI	1713775	2	SLINGER,GREASE,WEBB 73263	
6	2623320	2	BEARING,HUB,INNER	
7	1534569	2	SEAL,OIL,REAR AXLE	
8			BRAKE ASSEMBLY	
9	1453737	22	CAPCREW,HEX HD,9/16-18 X 2,GR 8,YEL ZN	
10	1494244	44	WASHER,FLAT,19/32 X 1 3/16 X 3/32,HRD,	
11	1524099	22	NUT,HEX HD,9/16-18,LOCK,GR 8,CADMIUM	
12	0929000	16	NUT,HEX HD,5/8-18,LOCKING,GR 8,CADMIUM	

**Models:** A3FE, A3RE  
**WHEEL END COMPONENTS**  
**REAR, DRUM BRAKES, STUD PILOTED**  
**J230**  
**7 INCH**  
**BSN:** From CSN 10007080 RE 30007075 FE 06/18/98  
 To CSN 10011119 RE 30011019 FE 08/09/98

Key	PartNumber	Qty	Description	Comment
-----	------------	-----	-------------	---------

DR: B/21/98	BY: JL	1736602	C
APP: B/21/98	BY: AB	FRY	REV

© BLUE BIRD BODY COMPANY. ALL RIGHTS RESERVED



**Models:** A3FE, A3RE  
**WHEEL END COMPONENTS**  
**REAR, DRUM BRAKES, STUD PILOTED**  
**J230**  
**7 INCH**  
**BSN:** From CSN 10007080 RE 30007075 FE 06/18/98  
 To CSN 10011119 RE 30011019 FE 08/09/98

Key	PartNumber	Qty	Description	Comment
1	1970854	2	GASKET,AXLE SHAFT,DRIVE, 23,000LB AXLE	
2	1543925	4	NUT,SPINDLE,REAR,J230SB,AA/TC	
3	1543941	2	WASHER,LOCK,REAR,J230SB,AA/TC	
4	0929059	2	BEARING,OUTER,AXLE SHAFT,ROCKWELL &	
5			HUB AND DRUM ASSEMBLY	<i>INCLUDES THE FOLLOWING ITEMS</i>
NI	1554757	2	HUB & CUP ASSY,REAR,WEBB 26721-N	<i>INCLUDES CUPS AND STUDS</i>
NI	2621779	2	CUP,WHEEL BEARING,REAR INNER,R-155,592A	
NI	2621571	2	CUP,OUTER WHEEL BEARING	
NI	1554799	10	STUD,LUG,RR AXLE,RH,STD,WEBB 101172	
NI	1554781	10	STUD,LUG,RR AXLE,LH,STD,WEBB 101173	
NI	1555119	10	STUD,DRIVE,3/4-16,WEBB	
NI	1460005	10	CAPNUT,OUTER,RH,WEBB	
NI	1460013	10	CAPNUT,OUTER,LH,WEBB	
NI	1460021	10	CAPNUT,INNER,1 1/8 X 3/4,RH,WEBB	
NI	1460039	10	CAPNUT,INNER,1 1/8 X 3/4,LH,WEBB	
NI	1573401	2	DRUM,BRAKE,REAR,7IN,BAL,OIL GRV,WEBB	
NI	1573468	2	SLINGER,OIL,REAR BRAKES,WEBB 73623	
6	0929042	2	BEARING,INNER,REAR AXLE	
7	0929067	2	SEAL,INNER,REAR AXLE OIL,LUBRICATED	
8			BRAKE ASSEMLBY	
9	0928994	16	CAPSCREW,HEX HD,5/8-18 X 2,GR 8,YEL ZN	
10	0929018	32	WASHER,FLAT,21/32 X 1 1/8 X 3/32,HDN,YEL	
11	0929000	16	NUT,HEX HD,5/8-18,LOCKING,GR 8,CADMIUM	
12	1483817	16	NUT,HEX HD,3/4-16,PRVLG TORQUE,GR8,YEL	

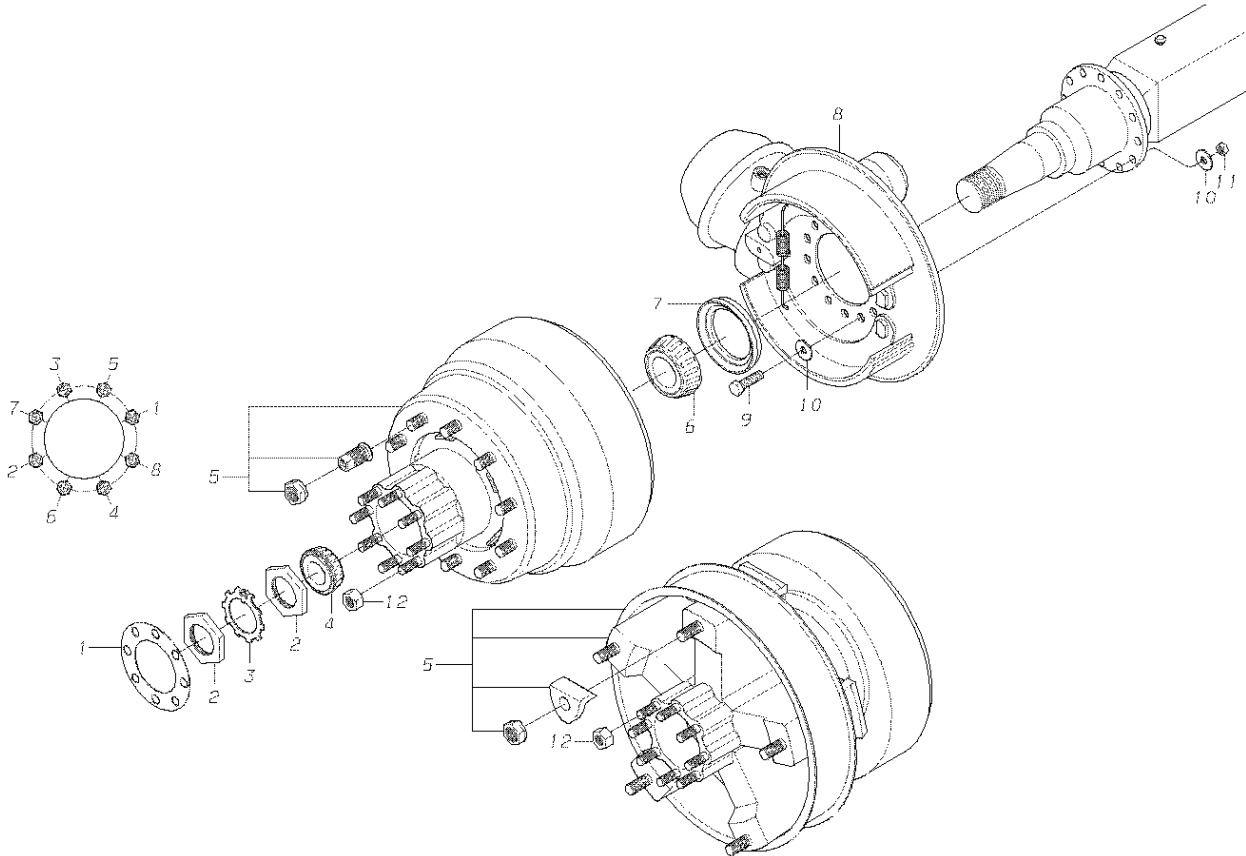
**Models:** A3FE, A3RE, CSFE, CSRE, QBRE, TCFE  
**WHEEL END COMPONENTS**  
**REAR, DRUM BRAKES, STUD PILOTED**  
**J230**  
**7 INCH**

**BSN:** From CSN 10011120 RE 30011020 FE 08/10/98  
 To CSN 30079479 FE 1007709 RE 01/21/01

Key	PartNumber	Qty	Description	Comment
-----	------------	-----	-------------	---------

DR: B/21/98	BY: JL	1736602	C
APP: B/21/98	BY: AB	FRY	REV

© BLUE BIRD BODY COMPANY. ALL RIGHTS RESERVED



**Models:** A3FE, A3RE, CSFE, CSRE, QBRE, TCFE  
**WHEEL END COMPONENTS**  
**REAR, DRUM BRAKES, STUD PILOTED**  
**J230**  
**7 INCH**  
**BSN:** From CSN 10011120 RE 30011020 FE 08/10/98  
 To CSN 30079479 FE 1007709 RE 01/21/01


Key	PartNumber	Qty	Description	Comment
1	1970854	2	GASKET,AXLE SHAFT,DRIVE, 23,000LB AXLE	
2	1543925	4	NUT,SPINDLE,REAR,J230SB,AA/TC	
3	1543941	2	WASHER,LOCK,REAR,J230SB,AA/TC	
4	0929059	2	BEARING,OUTER,AXLE SHAFT,ROCKWELL &	
5			HUB AND DRUM ASSEMBLY	<i>INCLUDES THE FOLLOWING ITEMS</i>
NI	0011683	10	HUB AND CUP ASSY.,RH, W230,8.62"	<i>INCLUDES CUPS AND STUDS</i>
NI	0011682	10	HUB AND CUP ASSY.,LH, W230,8.62"	<i>INCLUDES CUPS AND STUDS</i>
NI	2621779	2	CUP,WHEEL BEARING,REAR INNER,R-155,592A	
NI	2621571	2	CUP,OUTER WHEEL BEARING	
NI	1713759	10	STUD,SERRATED,RH,WEBB 101172	
NI	1713767	10	STUD,SERRATED,LH,WEBB 101173	
NI	8200008	10	STUD,DRIVE,3/4	
NI	1460005	10	CAPNUT,OUTER,RH,WEBB	
NI	1460013	10	CAPNUT,OUTER,LH,WEBB	
NI	0005459	10	CAPNUT,INNER,RH 8.62 W/J230	
NI	0005460	10	CAPNUT,INNER,LH,8.62 W/J230	
NI	0005461	2	BRAKE DRUM,16.5 X 7 J230	
NI	1713775	2	SLINGER,GREASE,WEBB 73263	
6	0929042	2	BEARING,INNER,REAR AXLE	
7	0929067	2	SEAL,INNER,REAR AXLE OIL,LUBRICATED	
8			BRAKE ASSEMBLY	
9	0928994	16	CAPSCREW,HEX HD,5/8-18 X 2,GR 8,YEL ZN	
10	0929018	32	WASHER,FLAT,21/32 X 1 1/8 X 3/32,HDN,YEL	
11	0929000	16	NUT,HEX HD,5/8-18,LOCKING,GR 8,CADMIUM	
12	1483817	16	NUT,HEX HD,3/4-16,PRVLG TORQUE,GR8,YEL	

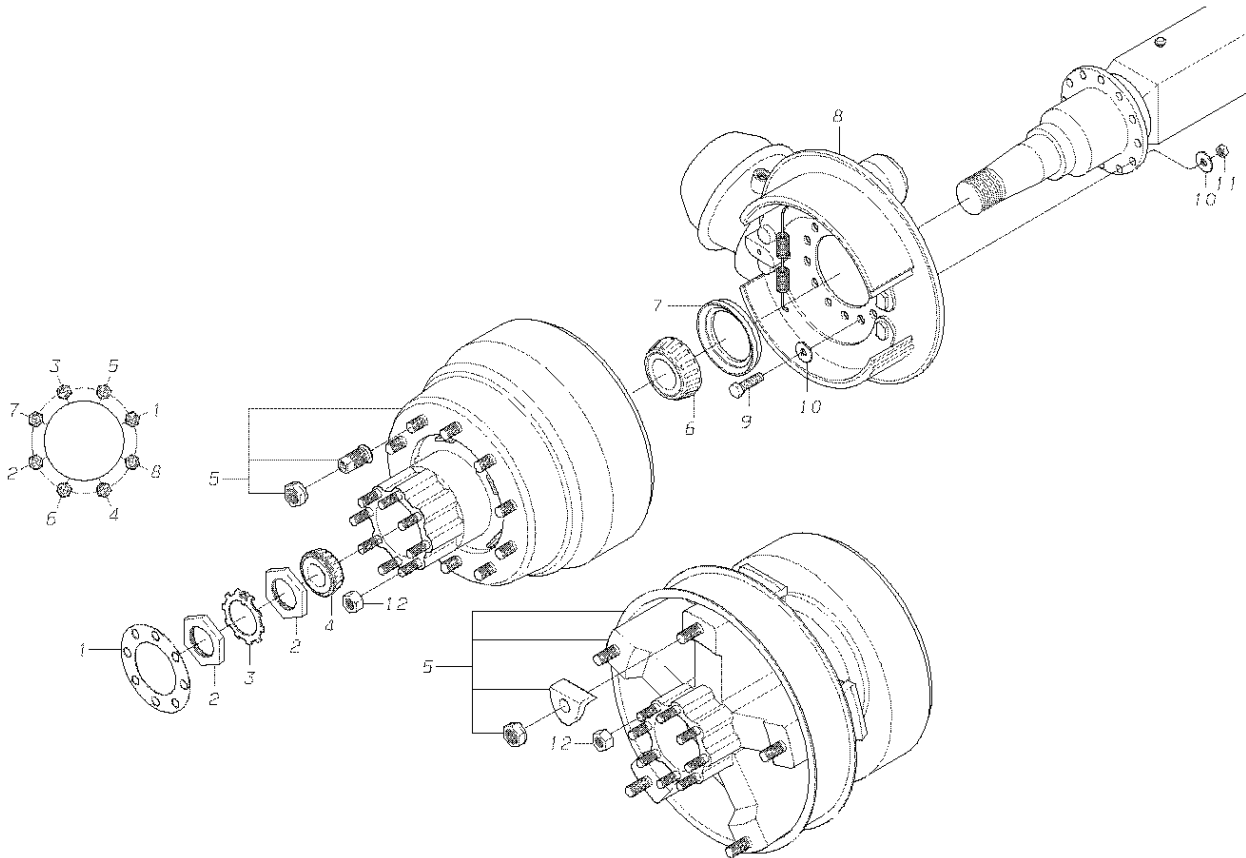
**Models:** A3FE, A3RE  
**WHEEL END COMPONENTS**  
**REAR, DRUM BRAKES, STUD PILOTED**  
**J230**

**With Features:** FEATURE 40070-01, 02  
**BSN:** From CSN 11/28/00  
 To CSN 30096775 FE 10096695 RE 11/04/01

Key	PartNumber	Qty	Description	Comment
-----	------------	-----	-------------	---------

DR: B/21/98	BY: JL	1736602	C
APP: B/21/98	BY: AB	FRY	REV

© BLUE BIRD BODY COMPANY. ALL RIGHTS RESERVED. 



**Models:** A3FE, A3RE  
**WHEEL END COMPONENTS**  
**REAR, DRUM BRAKES, STUD PILOTED**  
**J230**  
**7 INCH**

**With Features:** FEATURE 40070-01, 02  
**BSN:** From CSN 11/28/00  
 To CSN 30096775 FE 10096695 RE 11/04/01

Key	PartNumber	Qty	Description	Comment
1	1970854	2	GASKET,AXLE SHAFT,DRIVE, 23,000LB AXLE	
2	1543925	4	NUT,SPINDLE,REAR,J230SB,AA/TC	
3	1543941	2	WASHER,LOCK,REAR,J230SB,AA/TC	
4	0929059	2	BEARING,OUTER,AXLE SHAFT,ROCKWELL &	
5			HUB AND DRUM ASSEMBLY	<i>INCLUDES THE FOLLOWING ITEMS</i>
NI	0011683	10	HUB AND CUP ASSY.,RH, W230,8.62'''	<i>INCLUDES CUPS AND STUDS</i>
NI	0011682	10	HUB AND CUP ASSY.,LH, W230,8.62'''	<i>INCLUDES CUPS AND STUDS</i>
NI	2621779	2	CUP,WHEEL BEARING,REAR INNER,R-155,592A	
NI	2621571	2	CUP,OUTER WHEEL BEARING	
NI	1713759	10	STUD,SERRATED,RH,WEBB 101172	
NI	1713767	10	STUD,SERRATED,LH,WEBB 101173	
NI	8200008	10	STUD,DRIVE,3/4	
NI	1460005	10	CAPNUT,OUTER,RH,WEBB	
NI	1460013	10	CAPNUT,OUTER,LH,WEBB	
NI		10	CAPNUT, INNER, RH	
NI		10	CAPNUT, INNER, LH	
NI	0005461	2	BRAKE DRUM,16.5 X 7 J230	
NI	1713775	2	SLINGER,GREASE,WEBB 73263	
6	0929042	2	BEARING,INNER,REAR AXLE	
7	0929067	2	SEAL,INNER,REAR AXLE OIL,LUBRICATED	
8			BRAKE ASSEMBLY	
9	0928994	16	CAPSCREW,HEX HD,5/8-18 X 2,GR 8,YEL ZN	
10	0929018	32	WASHER,FLAT,21/32 X 1 1/8 X 3/32,HDN,YEL	
11	0929000	16	NUT,HEX HD,5/8-18,LOCKING,GR 8,CADMIUM	
12	1483817	16	NUT,HEX HD,3/4-16,PRVLG TORQUE,GR8,YEL	


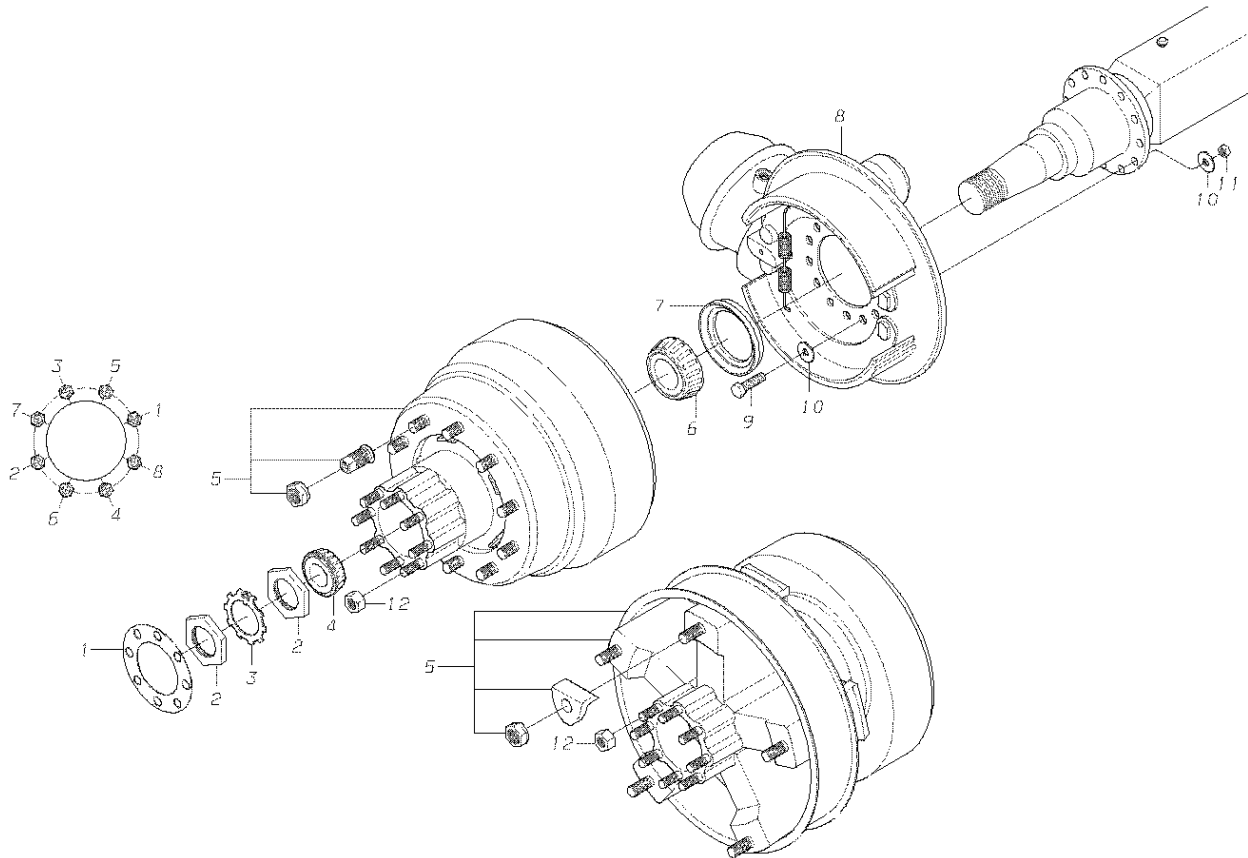


**Models:** A3FE, A3RE  
**WHEEL END COMPONENTS**  
**REAR, DRUM BRAKES, STUD PILOTED**  
**J230**  
**8.62 INCH**  
**BSN:** From CSN 10007080 RE 30007075 FE 06/18/98  
 To CSN 10028919 04/25/99

Key	PartNumber	Qty	Description	Comment
-----	------------	-----	-------------	---------

DR: B/21/98	BY: JL	1736602	C
APP: B/21/98	BY: AB	FRY	REV

BLUE BIRD BODY COMPANY, ALL RIGHTS RESERVED

**Models:** A3FE, A3RE  
**WHEEL END COMPONENTS**  
**REAR, DRUM BRAKES, STUD PILOTED**  
**J230**  
**8.62 INCH**  
**BSN:** From CSN 10007080 RE 30007075 FE 06/18/98  
 To CSN 10028919 04/25/99


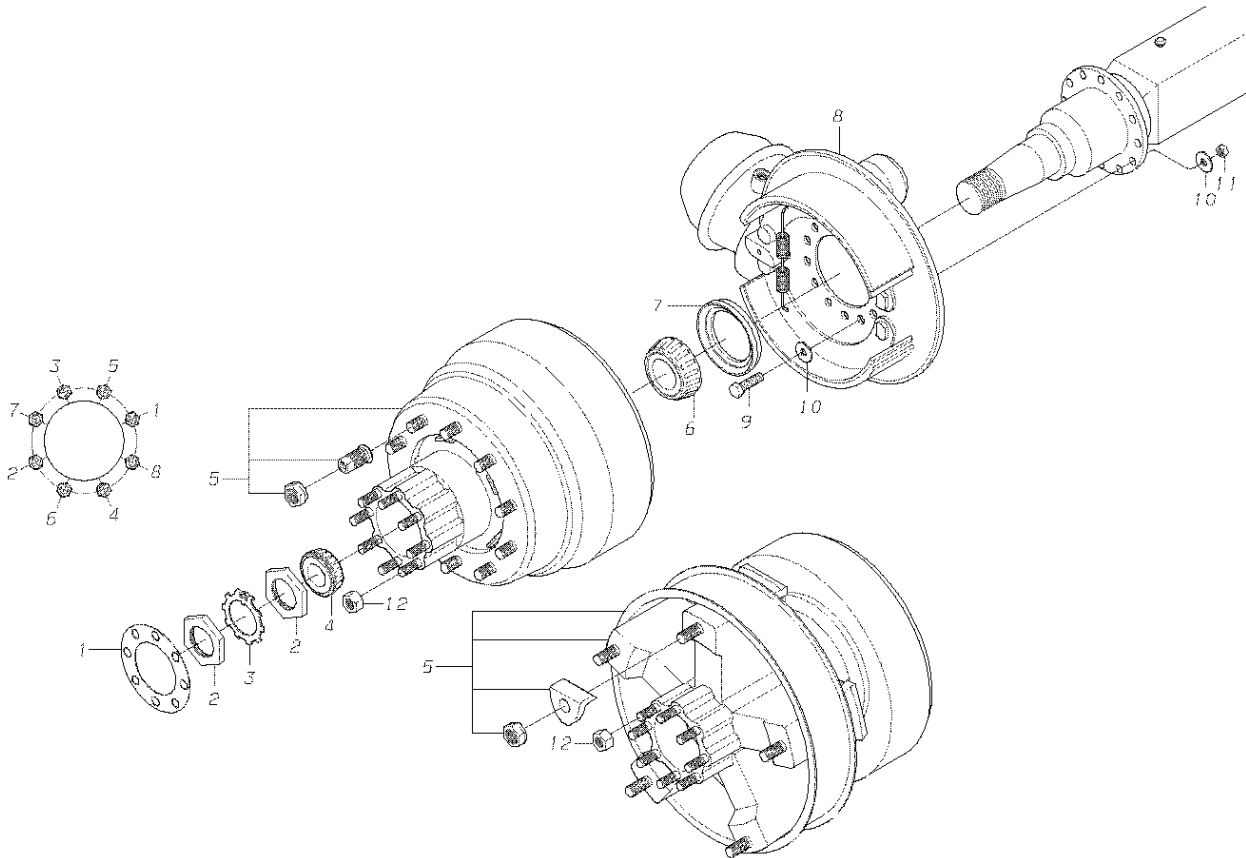
Key	PartNumber	Qty	Description	Comment
1	1970854	2	GASKET,AXLE SHAFT,DRIVE, 23,000LB AXLE	
2	1543925	4	NUT,SPINDLE,REAR,J230SB,AA/TC	
3	1543941	2	WASHER,LOCK,REAR,J230SB,AA/TC	
4	0929059	2	BEARING,OUTER,AXLE SHAFT,ROCKWELL &	
5*			HUB AND DRUM ASSEMBLY	
NI	1554757	2	HUB & CUP ASSY,REAR,WEBB 26721-N	<i>INCLUDES CUPS</i>
NI	2621779	2	CUP,WHEEL BEARING,REAR INNER,R-155,592A	
NI	2621571	2	CUP,OUTER WHEEL BEARING	
NI	1647619	10	STUD,LUG,RR AXLE,RH,8.62,WEBB 101178	
NI	1647601	10	STUD,LUG,RR AXLE,LH,8.62,WEBB 101179	
NI	8200008	8	STUD,DRIVE,3/4	
NI	1460005	10	CAPNUT,OUTER,RH,WEBB	
NI	1460013	10	CAPNUT,OUTER,LH,WEBB	
NI	1460021	10	CAPNUT,INNER,1 1/8 X 3/4,RH,WEBB	
NI	1460039	10	CAPNUT,INNER,1 1/8 X 3/4,LH,WEBB	
NI	1594449	2	DRUM,BRAKE,16.5 X 8.62,BAL,WEBB 69827B	
NI	1573468	2	SLINGER,OIL,REAR BRAKES,WEBB 73623	
6	0929042	2	BEARING,INNER,REAR AXLE	
7	0929067	2	SEAL,INNER,REAR AXLE OIL,LUBRICATED	
8			SEE TABLE OF CONTENTS FOR BRAKE	
9	0928994	16	CAPSCREW,HEX HD,5/8-18 X 2,GR 8,YEL ZN	
10	0929018	32	WASHER,FLAT,21/32 X 1 1/8 X 3/32,HDN,YEL	
11	0929000	16	NUT,HEX HD,5/8-18,LOCKING,GR 8,CADMIUM	
12	1483817	16	NUT,HEX HD,3/4-16,PRVLG TORQUE,GR8,YEL	

**Models:** A3FE, A3RE  
**WHEEL END COMPONENTS**  
**REAR, DRUM BRAKES, STUD PILOTED**  
**J230**  
**8.62 INCH**  
**With Features:** FEATURE 40076  
**BSN:** From CSN 10028920 RE 04/26/99  
 To CSN 30079479 FE 1007709 RE 01/21/01

Key	PartNumber	Qty	Description	Comment
-----	------------	-----	-------------	---------

DR: B/21/98	BY: JL	-----	1736602	C
APP: B/21/98	BY: AB	FRY		REV

© BLUE BIRD BODY COMPANY. ALL RIGHTS RESERVED

**Models:** A3FE, A3RE  
**WHEEL END COMPONENTS**  
**REAR, DRUM BRAKES, STUD PILOTED**  
**J230**  
**8.62 INCH**

**With Features:** **FEATURE 40076**  
**BSN:** **From CSN 10028920 RE 04/26/99**  
**To CSN 30079479 FE 1007709 RE 01/21/01**


Key	PartNumber	Qty	Description	Comment
1	1970854	2	GASKET,AXLE SHAFT,DRIVE, 23,000LB AXLE	
2	1543925	4	NUT,SPINDLE,REAR,J230SB,AA/TC	
3	1543941	2	WASHER,LOCK,REAR,J230SB,AA/TC	
4	0929059	2	BEARING,OUTER,AXLE SHAFT,ROCKWELL &	
5*			HUB AND DRUM ASSEMBLY	<i>INCLUDES THE FOLLOWING ITEMS</i>
NI	0005457	2	HUB AND CUP ASSY.,W/CUPS J230 8.62	<i>INCLUDES CUPS</i>
NI	2621779	2	CUP,WHEEL BEARING,REAR INNER,R-155,592A	
NI	2621571	2	CUP,OUTER WHEEL BEARING	
NI	1713759	10	STUD,SERRATED,RH,WEBB 101172	
NI	1713767	10	STUD,SERRATED,LH,WEBB 101173	
NI	8200008	10	STUD,DRIVE,3/4	
NI	1460005	10	CAPNUT,OUTER,RH,WEBB	
NI	1460013	10	CAPNUT,OUTER,LH,WEBB	
NI	0005459	10	CAPNUT,INNER,RH 8.62 W/J230	
NI	0005460	10	CAPNUT,INNER,LH,8.62 W/J230	
NI	0005458	2	BRAKE DRUM,16.5 X 8.62 J230	
NI	1713775	2	SLINGER,GREASE,WEBB 73263	
6	0929042	2	BEARING,INNER,REAR AXLE	
7	0929067	2	SEAL,INNER,REAR AXLE OIL,LUBRICATED	
8			SEE TABLE OF CONTENTS FOR BRAKE	
9	0928994	16	CAPSCREW,HEX HD,5/8-18 X 2,GR 8,YEL ZN	
10	0929018	32	WASHER,FLAT,21/32 X 1 1/8 X 3/32,HDN,YEL	
11	0929000	16	NUT,HEX HD,5/8-18,LOCKING,GR 8,CADMIUM	
12	1483817	16	NUT,HEX HD,3/4-16,PRVLG TORQUE,GR8,YEL	

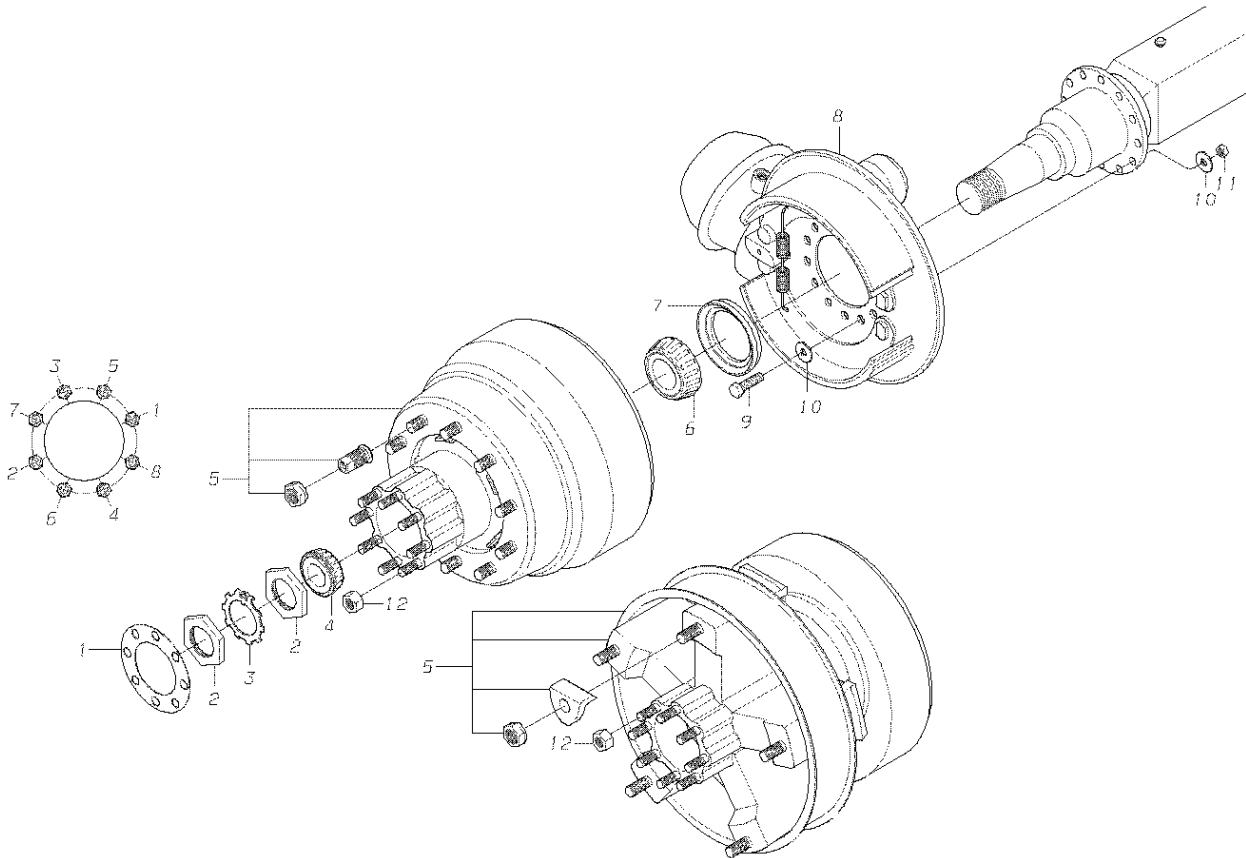
**Models:** A3FE, A3RE  
**WHEEL END COMPONENTS**  
**REAR, DRUM BRAKES, STUD PILOTED**  
**J230**

**8.62 INCH**  
**With Features:** FEATURE 40070 WITH 40076  
**BSN:** From CSN 11/28/00  
 To CSN 30096775 FE 10096695 RE 11/04/01

Key	PartNumber	Qty	Description	Comment
-----	------------	-----	-------------	---------

DR: B/21/98	BY: JL	1736602	C
APP: B/21/98	BY: AB	FRY	REV

© BLUE BIRD BODY COMPANY. ALL RIGHTS RESERVED. 



**Models:** A3FE, A3RE  
**WHEEL END COMPONENTS**  
**REAR, DRUM BRAKES, STUD PILOTED**  
**J230**  
**8.62 INCH**  
**With Features:** FEATURE 40070 WITH 40076  
**BSN:** From CSN 11/28/00  
 To CSN 30096775 FE 10096695 RE 11/04/01


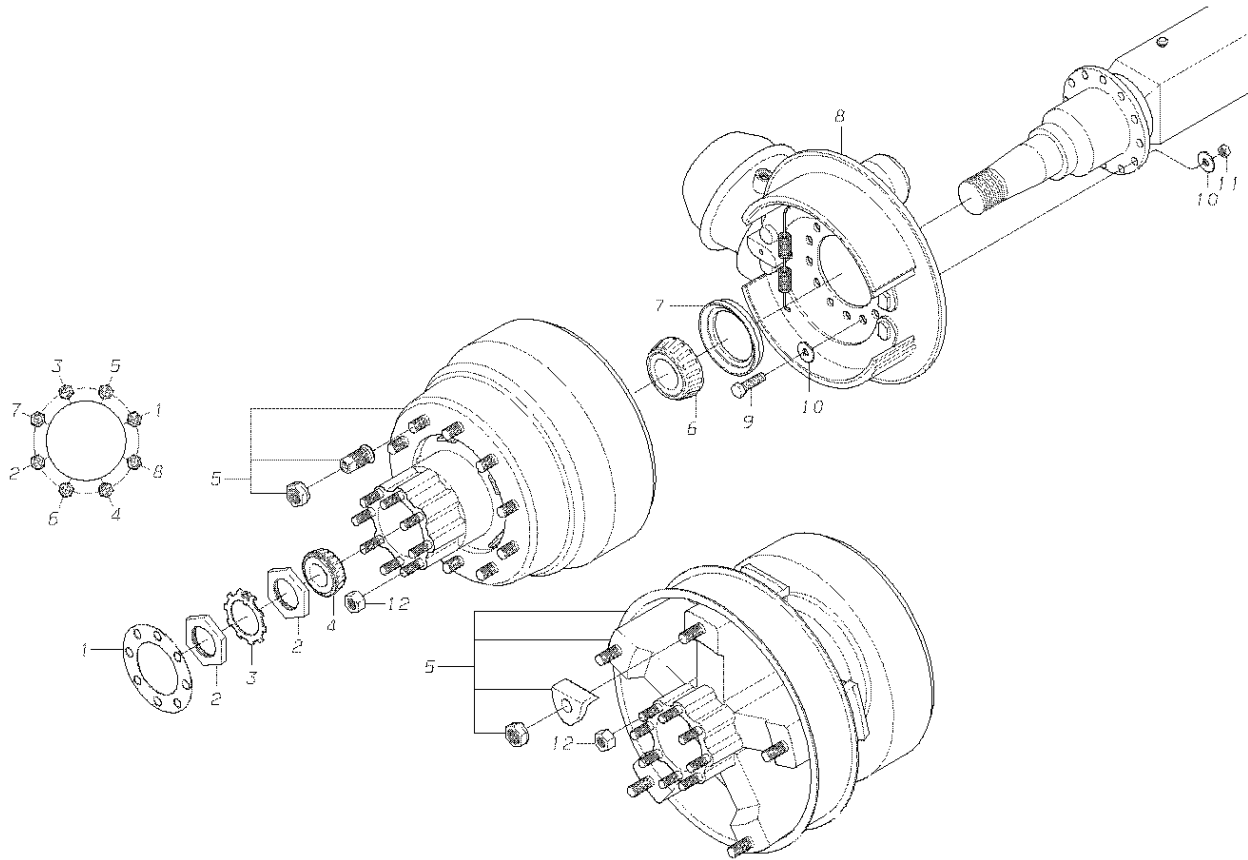
Key	PartNumber	Qty	Description	Comment
1	1970854	2	GASKET,AXLE SHAFT,DRIVE, 23,000LB AXLE	
2	1543925	4	NUT,SPINDLE,REAR,J230SB,AA/TC	
3	1543941	2	WASHER,LOCK,REAR,J230SB,AA/TC	
4	0929059	2	BEARING,OUTER,AXLE SHAFT,ROCKWELL &	
5*			HUB AND DRUM ASSEMBLY	<i>INCLUDES THE FOLLOWING ITEMS</i>
NI	0005457	2	HUB AND CUP ASSY.,W/CUPS J230 8.62	<i>INCLUDES CUPS</i>
NI	2621779	2	CUP,WHEEL BEARING,REAR INNER,R-155,592A	
NI	2621571	2	CUP,OUTER WHEEL BEARING	
NI	1713759	10	STUD,SERRATED,RH,WEBB 101172	
NI	1713767	10	STUD,SERRATED,LH,WEBB 101173	
NI	8200008	10	STUD,DRIVE,3/4	
NI	1460005	10	CAPNUT,OUTER,RH,WEBB	
NI	1460013	10	CAPNUT,OUTER,LH,WEBB	
NI	0005459	10	CAPNUT,INNER,RH 8.62 W/J230	
NI	0005460	10	CAPNUT,INNER,LH,8.62 W/J230	
NI	0005458	2	BRAKE DRUM,16.5 X 8.62 J230	
NI	1713775	2	SLINGER,GREASE,WEBB 73263	
6	0929042	2	BEARING,INNER,REAR AXLE	
7	0929067	2	SEAL,INNER,REAR AXLE OIL,LUBRICATED	
8			SEE TABLE OF CONTENTS FOR BRAKE	
9	0928994	16	CAPSCREW,HEX HD,5/8-18 X 2,GR 8,YEL ZN	
10	0929018	32	WASHER,FLAT,21/32 X 1 1/8 X 3/32,HDN,YEL	
11	0929000	16	NUT,HEX HD,5/8-18,LOCKING,GR 8,CADMIUM	
12	1483817	16	NUT,HEX HD,3/4-16,PRVLG TORQUE,GR8,YEL	

**Models:** A3FE, A3RE  
**WHEEL END COMPONENTS**  
**REAR, DRUM BRAKES, STUD PILOTED**  
**J230 WITH 12R22.5 TIRES**  
**7 INCH**  
**BSN:** From CSN 10007080 RE 30007075 FE 06/18/98  
 To 05/30/99

Key	PartNumber	Qty	Description	Comment
-----	------------	-----	-------------	---------

DR: B/21/98	BY: JL	1736602	C
APP: B/21/98	BY: AB	FRY	REV

BLUE BIRD BODY COMPANY, ALL RIGHTS RESERVED

**Models:** A3FE, A3RE  
**WHEEL END COMPONENTS**  
**REAR, DRUM BRAKES, STUD PILOTED**  
**J230 WITH 12R22.5 TIRES**  
**7 INCH**  
**BSN:** From CSN 10007080 RE 30007075 FE 06/18/98  
 To 05/30/99

Key	PartNumber	Qty	Description	Comment
1	1970854	2	GASKET,AXLE SHAFT,DRIVE, 23,000LB AXLE	
2	1543925	4	NUT,SPINDLE,REAR,J230SB,AA/TC	
3	1543941	2	WASHER,LOCK,REAR,J230SB,AA/TC	
4	0929059	2	BEARING,OUTER,AXLE SHAFT,ROCKWELL &	
5			HUB AND DRUM ASSEMBLY	<i>INCLUDES THE FOLLOWING ITEMS</i>
NI	1554757	2	HUB & CUP ASSY,REAR,WEBB 26721-N	<i>INCLUDES CUPS</i>
NI	2621779	2	CUP,WHEEL BEARING,REAR INNER,R-155,592A	
NI	2621571	2	CUP,OUTER WHEEL BEARING	
NI	1554815	10	STUD,LUG,RR AXLE,RH,OPT TIRES,WEBB	
NI	1554807	10	STUD,LUG,RR AXLE,LH,OPT TIRES,WEBB	
NI	8200008	8	STUD,DRIVE,3/4	
NI	1460005	10	CAPNUT,OUTER,RH,WEBB	
NI	1460013	10	CAPNUT,OUTER,LH,WEBB	
NI	1460021	10	CAPNUT,INNER,1 1/8 X 3/4,RH,WEBB	
NI	1460039	10	CAPNUT,INNER,1 1/8 X 3/4,LH,WEBB	
NI	1573401	2	DRUM,BRAKE,REAR,7IN,BAL,OIL GRV,WEBB	
NI	1573468	2	SLINGER,OIL,REAR BRAKES,WEBB 73623	
6	0929042	2	BEARING,INNER,REAR AXLE	
7	0929067	2	SEAL,INNER,REAR AXLE OIL,LUBRICATED	
8			BRAKE ASSEMBLY	
9	0928994	16	CAPSCREW,HEX HD,5/8-18 X 2,GR 8,YEL ZN	
10	0929018	32	WASHER,FLAT,21/32 X 1 1/8 X 3/32,HDN,YEL	
11	0929000	16	NUT,HEX HD,5/8-18,LOCKING,GR 8,CADMIUM	
12	1483817	16	NUT,HEX HD,3/4-16,PRVLG TORQUE,GR8,YEL	

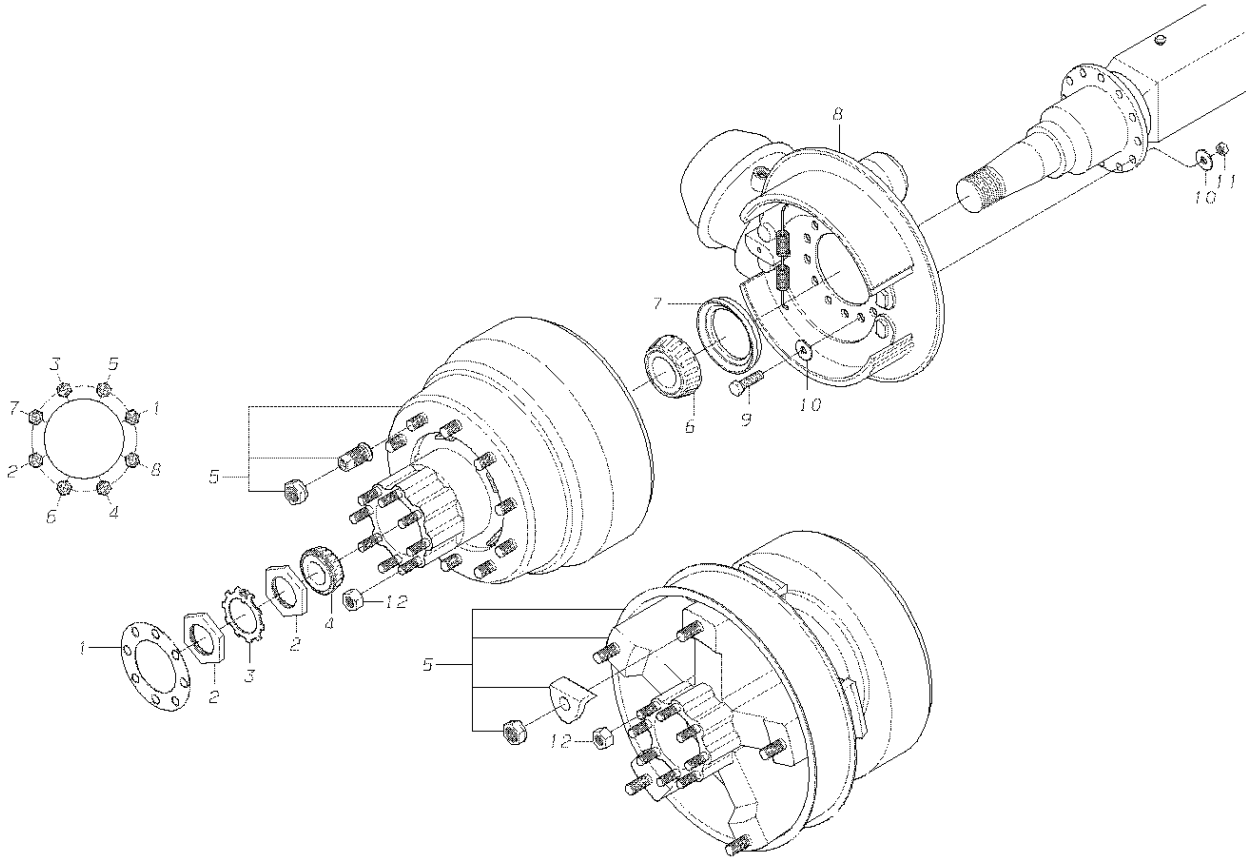


**Models:** A3FE, A3RE  
**WHEEL END COMPONENTS**  
**REAR, DRUM BRAKES, STUD PILOTED**  
**J230 WITH 12R22.5 TIRES**  
**7 INCH**  
**BSN:** From CSN 05/31/99  
 To CSN 30079479 FE 1007709 RE 01/21/01

Key	PartNumber	Qty	Description	Comment
-----	------------	-----	-------------	---------

DR: B/21/98	BY: JL	REV: 1736602	C
APP: B/21/98	BY: AB	FRY	REV

© BLUE BIRD BODY COMPANY. ALL RIGHTS RESERVED



**Models:** A3FE, A3RE  
**WHEEL END COMPONENTS**  
**REAR, DRUM BRAKES, STUD PILOTED**  
**J230 WITH 12R22.5 TIRES**  
**7 INCH**

**BSN:** From CSN 05/31/99  
 To CSN 30079479 FE 1007709 RE 01/21/01

Key	PartNumber	Qty	Description	Comment
1	1970854	2	GASKET,AXLE SHAFT,DRIVE, 23,000LB AXLE	
2	1543925	4	NUT,SPINDLE,REAR,J230SB,AA/TC	
3	1543941	2	WASHER,LOCK,REAR,J230SB,AA/TC	
4	0929059	2	BEARING,OUTER,AXLE SHAFT,ROCKWELL &	
5			HUB AND DRUM ASSEMBLY	<i>INCLUDES THE FOLLOWING ITEMS</i>
NI	0005457	2	HUB AND CUP ASSY.,W/CUPS J230 8.62	<i>INCLUDES CUPS</i>
NI	2621779	2	CUP,WHEEL BEARING,REAR INNER,R-155,592A	
NI	2621571	2	CUP,OUTER WHEEL BEARING	
NI	1554815	10	STUD,LUG,RR AXLE,RH,OPT TIRES,WEBB	
NI	1554807	10	STUD,LUG,RR AXLE,LH,OPT TIRES,WEBB	
NI	8200008	8	STUD,DRIVE,3/4	
NI	1460005	10	CAPNUT,OUTER,RH,WEBB	
NI	1460013	10	CAPNUT,OUTER,LH,WEBB	
NI	1460021	10	CAPNUT,INNER,1 1/8 X 3/4,RH,WEBB	
NI	1460039	10	CAPNUT,INNER,1 1/8 X 3/4,LH,WEBB	
NI	0005461	2	BRAKE DRUM,16.5 X 7 J230	
NI	1573468	2	SLINGER,OIL,REAR BRAKES,WEBB 73623	
6	0929042	2	BEARING,INNER,REAR AXLE	
7	0929067	2	SEAL,INNER,REAR AXLE OIL,LUBRICATED	
8			BRAKE ASSEMBLY	
9	0928994	16	CAPSCREW,HEX HD,5/8-18 X 2,GR 8,YEL ZN	
10	0929018	32	WASHER,FLAT,21/32 X 1 1/8 X 3/32,HDN,YEL	
11	0929000	16	NUT,HEX HD,5/8-18,LOCKING,GR 8,CADMIUM	
12	1483817	16	NUT,HEX HD,3/4-16,PRVLG TORQUE,GR8,YEL	