

Chassis

035 Brakes, Hydraulic

BRAKE SYSTEM

*With: FEATURE 40071
From CSN 30012575 07/22/98
To CSN 30095445 10/14/01*

1

COVER, HYDRAULIC BRAKE RESERVOIR

With: FEATURE 40360

2

BRAKE SYSTEM, WITH ABS

*With: FEATURE 40071 WITH 40076
To CSN 30095445 10/14/01*

3

*With: FEATURE 40071 WITH 40076
From CSN 30095446 10/15/01
To CSN 05/29/05*

4

*With: FEATURE 40071 WITH 40076
From CSN 05/30/05*

5

CALIPER ASSY

FRONT & REAR

*With: FEATURE 40071-01
From CSN 30006615 06/15/98
To CSN 30058680 04/30/00*

6

PARKING BRAKE

ALLISON 2000/2400 SERIES

*With: FEATURE 400071
From CSN 10040840 09/21/99*

7

AT545

*With: FEATURE 40071
From CSN 10015970 10/26/98*

8

*With: FEATURE 40071
From CSN 10015970 10/26/98*

9

LEVER ASSY

LH HAND OPERATED

RH MOUNTED

10

LEVER ASSY, HAND OPERATED

To CSN 30043334 10/31/99

11

From CSN 30043335 11/01/99

12

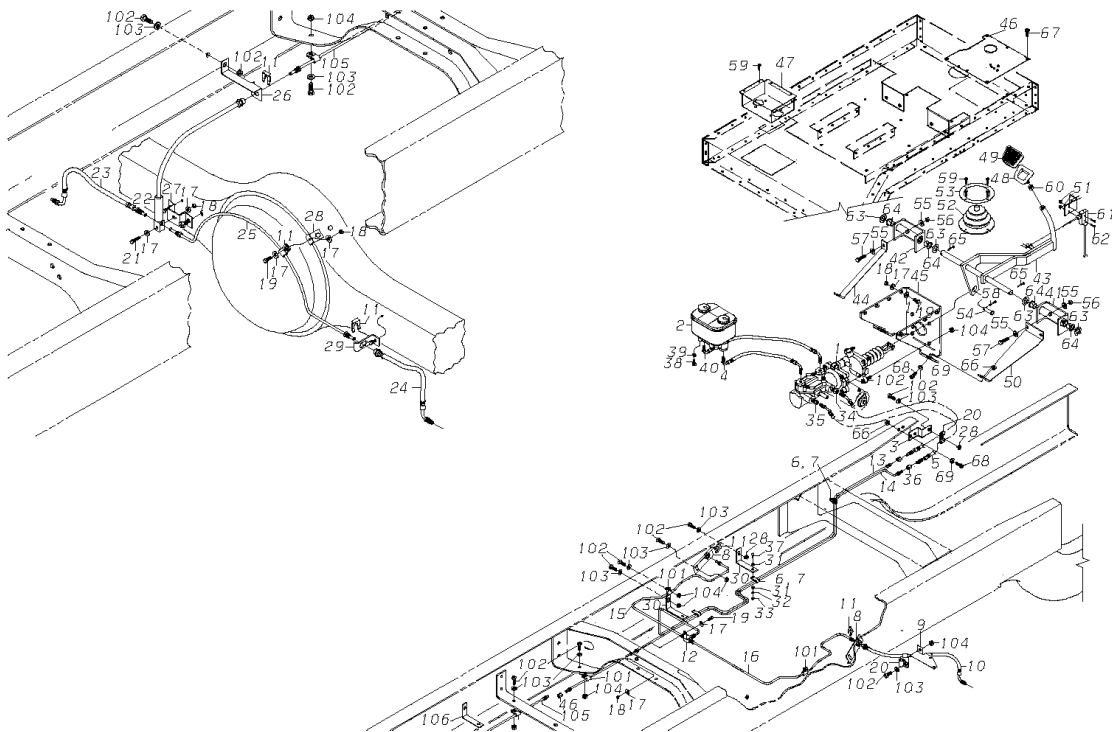
LEVER ASSY, RH HAND OPERATED, RH MOUNTED	13
MD3060	
<i>With: FEATURE 40071</i>	
<i>From CSN 11/04</i>	14
WHEEL END COMPONENTS	
FRONT, HUB PILOTED DISC WHEELS	
I-120, I-146, BOSCH	
<i>With: FEATURE 40071-03</i>	
<i>From CSN 30062305 06/05/00</i>	
<i>To CSN 30046775 11/04/01</i>	15
MERITOR, ALUMN WHEELS	
<i>From CSN 30046776 11/05/01</i>	16
MERITOR, STEEL WHEELS	
<i>From CSN 30046776 11/05/01</i>	17
FRONT, STUD PILOTED DISC WHEELS	
I-120, BENDIX	
<i>With: FEATURE 40071-01</i>	
<i>From CSN 30006615 06/15/98</i>	
<i>To CSN 30058680 04/30/00</i>	18
I-120, I-146, BOSCH	
<i>With: FEATURE 40071-03</i>	
<i>From CSN 30062305 06/05/00</i>	
<i>To CSN 30079479 01/21/01</i>	19
REAR, HUB PILOTED DISC WHEELS	
J190, J210, BENDIX	
<i>From CSN 10010180 07/28/98</i>	
<i>To CSN 30058680 04/30/00</i>	20
J190, J210, BOSCH	
<i>With: FEATURE 40071-03</i>	
<i>From CSN 30018255 12/02/98</i>	
<i>To CSN 30046775 11/04/01</i>	21
MERITOR, ALUMN WHEELS	
<i>From CSN 30046776 11/05/01</i>	22
MERITOR, STEEL WHEELS	
<i>From CSN 30046776 11/05/01</i>	23
REAR, STUD PILOTED DISC WHEELS	
J190, J210, BOSCH	
<i>From CSN 30018255 12/02/98</i>	
<i>To CSN 30076615 01/21/01</i>	24

REAR, STUD PILOTED STEEL DISC WHEELS
J190, J210, BENDIX

*From CSN 30006615 06/15/98
To CSN 30058680 04/30/00*

Models: A3FE
With Features: BRAKE SYSTEM
BSN: FEATURE 40071
 From CSN 30012575 07/22/98
 To CSN 30095445 10/14/01

Key	PartNumber	Qty	Description	Comment
-----	------------	-----	-------------	---------



Models: A3FE
With Features: BRAKE SYSTEM
BSN: FEATURE 40071
 From CSN 30012575 07/22/98
 To CSN 30095445 10/14/01

Key	PartNumber	Qty	Description	Comment
1	1933118	1	MASTER CYL&BOOSTER ASSY,HYDBRK,W/PRS	
NI	4315396	1	SWITCH,PRESS BAL,M/CYL,1550169"	
NI	8305153	1	BOOSTER,BRAKE,HYD, FOR 1933118	
NI	4311452	1	CYLINDER, MASTER"	
NI	8305161	1	SWITCH,FLOW,HYD MASTER	
NI	4311411	1	MOTOR ASSY, ELECTRIC	
NI	1933118	1	MASTER CYL&BOOSTER ASSY,HYDBRK,W/PRS	
NI	8305195	1	MOTOR & PUMP ASSY W/SEAL KIT FOR 1933118	
NI	4319513	1	SLEEVE,HYDRO-MAX BOOSTER, SERVICE KIT	
NI	4311445	1	KIT, REPAIR MASTER"	
NI	8305179	1	KIT,SEAL,BOOSTER ASSY,FOR 1933118	
2	1565050	1	RESERVOIR ASSY,HYDRAULIC BRAKE	
NI	4287991	1	GASKET,CAP,RESERVOIR,HYD,TCFC	
NI	4278263	1	CAP,RESERVOIR,HYD BRAKE,TC2000	
4	0003123	1	HOSE ASSY,RESERVOIR TO MASTER CYL,SEC,	
5	1902543	2	HOSE ASSY,BRAKE,REAR AXLE,LH	
6	1586163	3	CLAMP,LOOP,TUBE,.25 OD,2 TUBE	
7	1586171	6	CUSHION,LOOP CLAMP,.25 OD,2 TUBE	
8	1758226	2	BRACKET, MTG, BRAKE HOSE TO FRM, FRT	
9		2	BRACKET , MTG, BRAKE HOSE, FRONT AXLE	
	0007182	1	BRACKET,MTG,BRAKE HOSE,FRT AXLE,LH	
	0007183	1	BRACKET,MTG,BRAKE HOSE,FRT AXLE,RH	
10	1317379	2	HOSE ASSY,BRAKE,FRONT AXLE,TCFC	
11	1317221	4	CLIP,SPRING,LOCK HYD BRAKE HOSE	
12	1373141	1	TEE,INVERTED FLARE,HYD BRAKE,W/BRKT	
13	0003125	1	TUBE ASSY,STEEL,HYD BRAKE,PRIMARY,HDFE	
14	0003124	1	TUBE ASSY,STEEL,HYD BRAKE,SECONDARY,	
15	0003126	1	TUBE ASSY,STEEL,HYDRAULIC BRK,FRT,LH,	
16	0003127	1	TUBE ASSY,STEEL,HYDRAULIC BRK,FRT,RH,	
17	1467000	30	WASHER,FLAT,.281 X.750X.078 HARDENED,BLK	
18	2001345	19	NUT,HEX HD,1/4-20,LOCKING,YELLOW	
19	0870477	12	CAPSCREW,HEX HD,1/4-20 X 1,GR 8,YEL ZN	
20	0854612	4	CLAMP,LOOP,.500	

Models: A3FE
With Features: BRAKE SYSTEM
BSN: FEATURE 40071
 From CSN 30012575 07/22/98
 To CSN 30095445 10/14/01

Key	PartNumber	Qty	Description	Comment
21	2000081	1	CAPSCREW,HEX HD,1/4-20X1 1/2,GR8,YEL	
22	1468313	1	HOSE ASSY,BRAKE,FRAME TO AXLE,TCFC	
23		1	HOSE ASSY., BRAKE, REAR AXLE, LH TCFC	
	0007180	1	HOSE ASSY,BRAKE,RR AXLE,LH,HYD,BOSCH	
	1582626	1	HOSE ASSY,BRAKE,REAR AXLE,LH,TCFC	
24	0007178	1	HOSE ASSY,BRAKE,RR AXLE,RH,HYD,	
	0007178	1	HOSE ASSY,BRAKE,RR AXLE,RH,HYD,	
	1582618	1	HOSE ASSY,BRAKE,REAR AXLE,RH,TCFC	
25	1543735	1	TUBE ASSY,STEEL,HYD BRAKE,19-21000 LB	
26	1550110	1	BRACKET,MTG,HYD BRK HOSE TO FRAME,REAR	
27	1543701	1	BRACKET,MTG,BRAKE HOSE TO AXLE,19	
28	1468073	1	BRACKET,SUPT,HYD BRAKE LINE,RR AXLE, TCFC	
29	1468081	1	BRACKET,ATCH,BRAKE LINE,REAR AXLE,RH,	
30	1550102	2	BRACKET,SUPT,HYD BRAKE LINES, TCFC	
31	2001105	6	WASHER,FLAT,13/64 X,1/2 X 3/64,YEL ZN DICH	
32	2001162	3	LOCKWASHER,SPLIT RING, 3/16,MED,YEL ZN	
33	2001287	3	NUT,HEX HD,10-32,YEL ZN DICH	
34	1401454	1	ADAPTER,INVERTED FLARE,1/4 X 1/4,WH-7908	
35	1401447	1	ADAPTER,INVERTED FLARE,5/16 X 1/4,WH	
36	1201961	3	ADAPTER,UNION,302 X 4,MANUAL TRANS, AARE	
37	2000776	3	SCREW,MACH, 10-32 X 3/4,PH1,RD HD,	
38	2028280	4	CAPSCREW,HEX HD,5/16-18X5/8,GR5,YEL ZN	
39	2001188	4	LOCKWASHER,SPLIT RING, 5/16,MED,YEL ZN	
40	1468305	1	HOSE ASSY,BRAKE,RES TO MAST CYL,SECOND	
*4	0002779	1	BEARING ASSY,HYDRAULIC BRAKE PEDAL,RH,	
*4	1600915	1	BEARING ASSY,HYDRAULIC BRAKE PEDAL, TCFC	
*4	0002770	1	LEVER ASSY,HYDRAULIC BRAKE,HDFE	
44	0002776	1	BRACE,BEARING,HYD BRAKE PEDAL,LH, HDFE	
45	0002769	1	BRACKET,MTG,HYD BRAKE BOOSTER, HDFE	
46	0002775	1	PLATE,MTG,ELEC ACCEL,HYD BRAKE TREADLE	
47	0007192	1	BRACKET,MTG,HYDRAULIC BRK RESERVOIR,	
48	1418573	1	PEDAL ASSY,BRAKE,HYDRAULIC,TCFC	
49	1420850	1	COVER,RUBBER,HYD BRAKE & CLUTCH PEDAL,	

Models: A3FE
With Features: BRAKE SYSTEM
BSN: FEATURE 40071
 From CSN 30012575 07/22/98
 To CSN 30095445 10/14/01

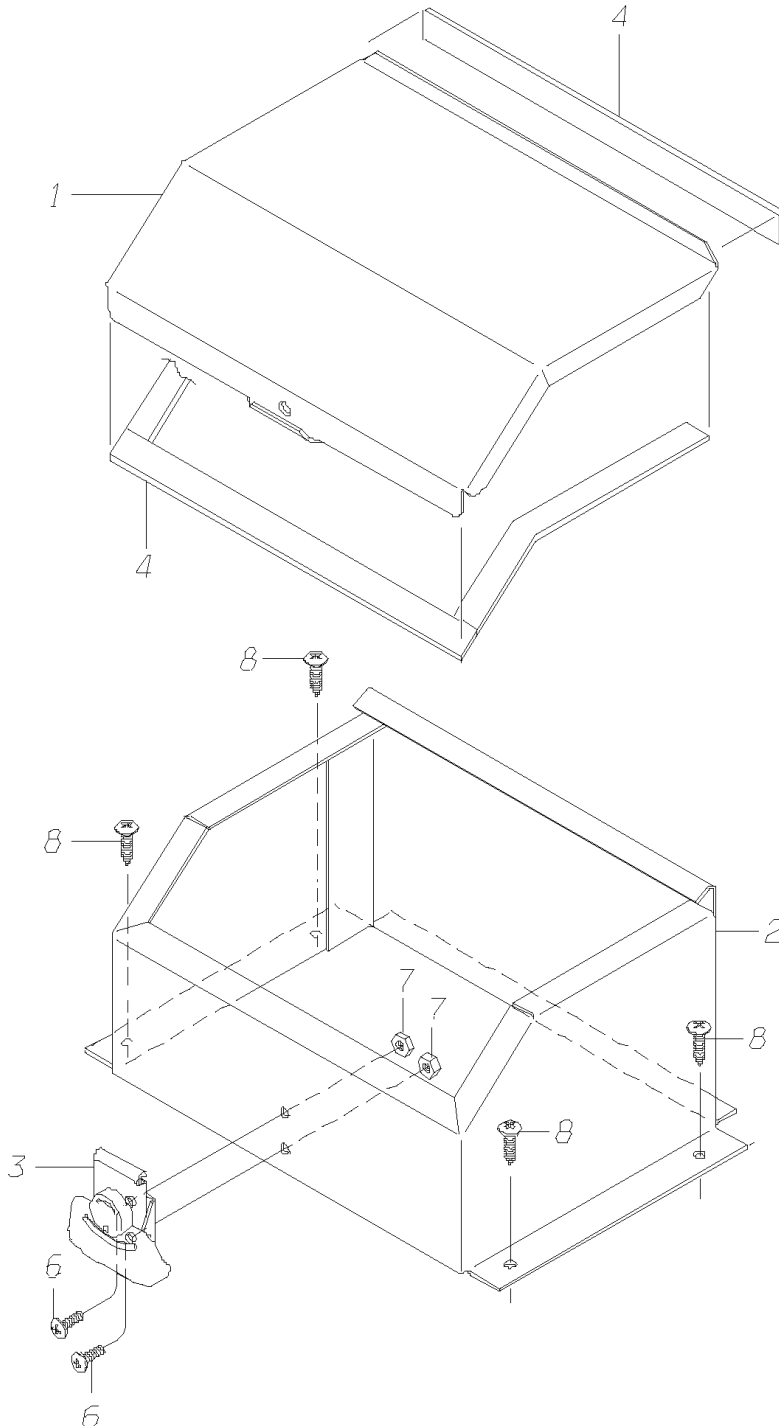
Key	PartNumber	Qty	Description	Comment
50	0002772	1	BRACE,BEARING,HYD BRAKE PEDAL,RH, HD FE	
51	1711191	2	NUT,HEX HD,6-32,YEL ZN DICH	
52	2003432	1	BOOT,RUBBER,GEARSHIFT LEVER	
53	0207662	1	RETAINER,RUBBER BOOT,GEARSHIFT LEVER	
54	2008852	1	PIN,CLEVIS,1/2 DIA X 1 1/2, YEL ZN DICH	
55	2028546	8	WASHER,FLAT,7/16,X 1 1/32 X 5/64,YL ZN	
56	0997080	4	NUT,HEX HD,7/16-14,LOCKING,GR 8,CADMIUM	
57	0801928	4	CAPSCREW,HEX HD,7/16-14X1 1/2,GR8,	
58	2008860	1	PIN,COTTER,3/32 X 1,YEL ZN DICH	
59	1143676	10	SCREW,10-16 X 3/4, AB,PH1,PAN HD,BLK ZN,	
60	2001477	1	NUT,HEX HD,1/2-13,YEL ZN DICH	
61	1715150	1	SWITCH,OMNI-DIR,SGL POLE NORM CLOSED,	
62	1711183	2	SCREW,MACH 6-32 X 1,PH1,PAN HD,YEL ZN	
*6	0607036	6	WASHER,FLAT,13/16 X 1 3/8 X 7/64 ZP,HRD	INCLUDED WITH KEY #70
*6	0658237	4	BUSHING,NYLON,3/4 ID	INCLUDED WITH KEY #70
*6	2008878	2	PIN,COTTER,DRIVERS SEAT,1/8X1 1/2	INCLUDED WITH KEY #70
66	0839027	2	NUT,HEX HD,3/8-16,GR G,SM FLG LK,YEL	
67	2000099	6	SCREW,1/4-20 X 1-1/2,D,HEX HD,YEL ZN DICH"	
68	0559195	2	CAPSCREW,HEX HD,3/8-16 X 1,GR 8,YEL ZN	
69	1107085	4	WASHER,FLAT,13/32 X 13/16 X 3/32,HDN,BLK	
70	0005960	1	LEVER ASSEMBLY,FINAL,HYDRAULIC BRAKE,	
71	1536515	4	EYE BOLT,3/16X1-1/2LG W/5/16 ID EYE,10-32	
72	1975960	2	SPRING,ACCEL RETURN,.041 WIRE	
73	0006465	1	BRACKET,MTG,RETURN SPRING,HYD BRAKE,	
74	1582667	1	BRACKET,SUPT,HYD BRAKE LINE,ENG MOUNT,	
75	1861566	1	BRACKET,MTG,HYD BRKS,SWITCH,5.9, CS/TCFE	
76	2001394	2	RIVNUT,NC,1/4"	
10	2024370	AR	CLAMP,LOOP,.250	
10	0803171	AR	CAPSCREW,HEXHD,3/8-16NCX1-1/2,GR8,	
10	1107085	AR	WASHER,FLAT,13/32 X 13/16 X 3/32,HDN,BLK	
10	0839027	AR	NUT,HEX HD,3/8-16,GR G,SM FLG LK,YEL	
10	1679267	1	TUBE ASSY, STEEL, 195 WB, TCFC	
10	1579275	1	TUBE ASSY,STEEL,HYD BRAKE,216 WB, TCFC	

Models: A3FE
With Features: BRAKE SYSTEM
BSN: FEATURE 40071
 From CSN 30012575 07/22/98
 To CSN 30095445 10/14/01

Key	PartNumber	Qty	Description	Comment
10	1579283	1	TUBE ASSY,STEEL,HYD BRAKE,237 WB, TCFC	
10	1317247	AR	BRACKET,ATCH,BRAKE LINE TO FRAME	
12	1966845	1	PUMP ASSY,POWER UNIT,MICO 690,BRK	FEATURE 40051-01
NI	8311474	1	SWITCH,HIGH PRESSURE,BRAKE INTERLOCK	
NI	8311482	1	SWITCH,LOW PRESSURE,BRAKE INTERLOCK	
12	0007185	1	BRACKET,MTG,PWR UNIT,HYD BRK INTERLOCK	
12	0007184	1	TUBE ASSY,STEEL,HYD BRK INTLK,ACTR/PWR	
12	1938703	1	ACTUATOR,SINGLE,HYD BRAKE INTERLOCK	
12	0007186	1	HOSE ASSY,BRK,ACTUATOR TO SEC,INTERLOC	
13	1468297	1	HOSE ASSY,BRAKE,RES TO MAST CYL,PRIM,	
13	0009593	1	FILLER NECK ASSY,REMOTE,PWR UNIT,BRK	
13	0938548		HOSE,RUBBER,HO5705,5/16 ID X 9/16 OD	
13	2008126	1	CONNECTOR,HOSE,W/S WIPER,692 1/4 X 1/4	
13	2000750	1	SCREW,MACH,10-24 X 1/2,PH1,RD HD,YEL	
13	1469287	1	NUT,HEX,10-24,ELASTIC LOCKNUT,YEL ZN	
13	0559195	4	CAPSCREW,HEX HD,3/8-16 X 1,GR 8,YEL ZN	
13	1107085	4	WASHER,FLAT,13/32 X 13/16 X 3/32,HDN,BLK	
13	0826297	2	NUT,HEX HD,3/8-16 LOCK,YEL ZN DICH	
13	0870477	4	CAPSCREW,HEX HD,1/4-20 X 1,GR 8,YEL ZN	
14	1467000	4	WASHER,FLAT,.281 X.750X.078 HARDENED,BLK	
14	2001345	4	NUT,HEX HD,1/4-20,LOCKING,YELLOW	

Models: A3FE
BRAKE SYSTEM
COVER, HYDRAULIC BRAKE RESERVOIR
With Features: FEATURE 40360

Key	PartNumber	Qty	Description	Comment
-----	------------	-----	-------------	---------

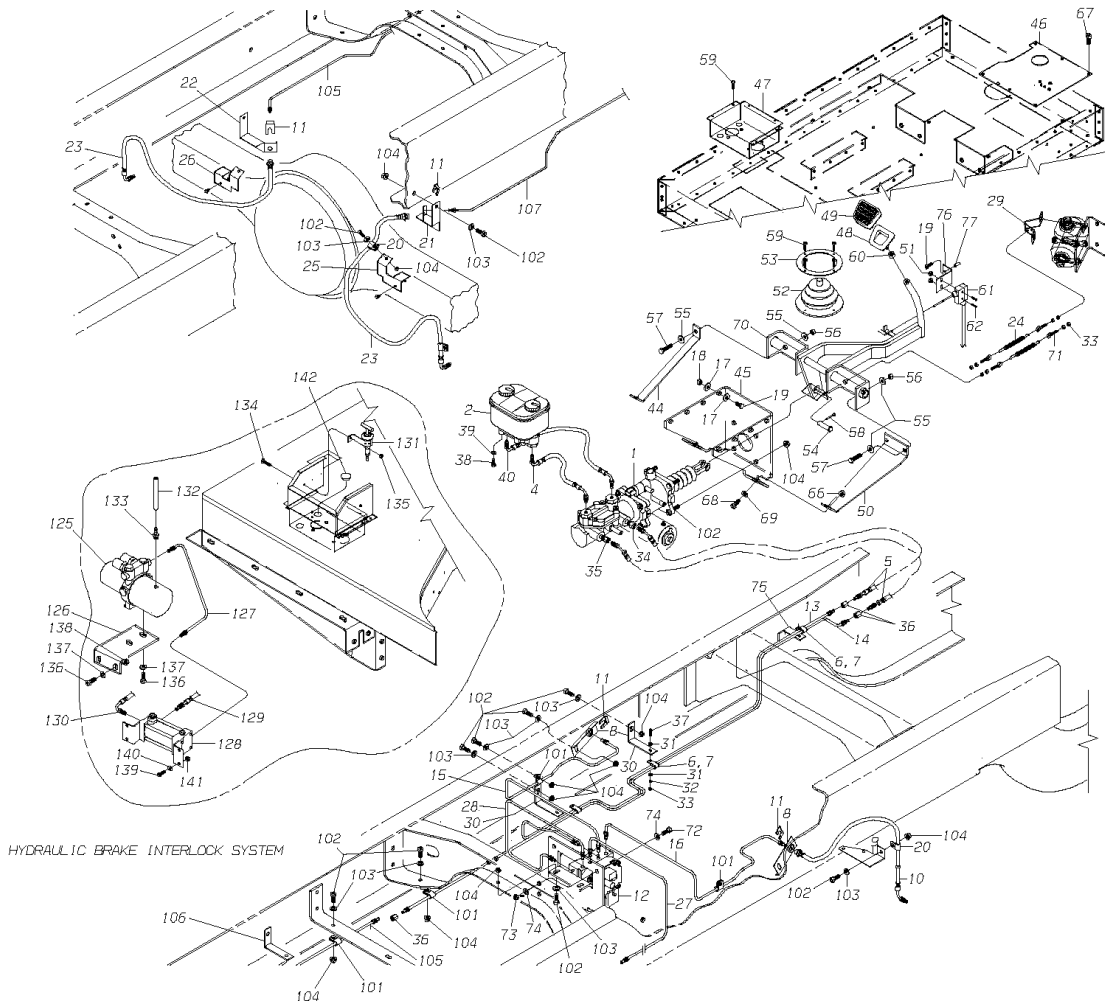


Models: A3FE
With Features: BRAKE SYSTEM
 COVER, HYDRAULIC BRAKE RESERVOIR
 FEATURE 40360

Key	PartNumber	Qty	Description	Comment
1	1447168	1	PANEL, TOP, BRAKE RESERVOIR COVER ASSY,	
2	0002523	1	COVER ASSY, HYD BRAKE RESERVOIR, A3FE	
3	0001764	1	LATCH, HYDBRK/RESVR CVR, SOUTHCO K2-3005	
4	0758292	29	TAPE, FOAM, PCV, 3/16 X 3/8 WIDTH, W/ADH	
5	2051902	1	SEALANT, SILICONE, BLACK, CARTRIDGE	
6	2000719	2	SCREW, 8-32 X 3/8, PH 1, RD HD, YEL ZN DICH"	
7	2001253	2	NUT, HEX HD, 8-32, YELLOW DICHROMATE	
8	1589522	4	SCREW, 10-16 X 3/4, AB, PH1, PAN HD, YEL ZN	

Models: A3FE
With Features: BRAKE SYSTEM, WITH ABS
 FEATURE 40071 WITH 40076
 To CSN 30095445 10/14/01

Key	PartNumber	Qty	Description	Comment
-----	------------	-----	-------------	---------



Models: A3FE
With Features: BRAKE SYSTEM, WITH ABS
 FEATURE 40071 WITH 40076
 To CSN 30095445 10/14/01

Key	PartNumber	Qty	Description	Comment
1	1933118		MASTER CYL&BOOSTER ASSY,HYDBRK,W/PRS	
NI	4315396	1	SWITCH,PRESS BAL,M/CYL,1550169"	
NI	8305153		BOOSTER,BRAKE,HYD, FOR 1933118	
NI	4311452		CYLINDER, MASTER"	
NI	8305161		SWITCH,FLOW,HYD MASTER	
NI	4311411		MOTOR ASSY, ELECTRIC	
NI	1933118		MASTER CYL&BOOSTER ASSY,HYDBRK,W/PRS	
NI	8305195	1	MOTOR & PUMP ASSY W/SEAL KIT FOR 1933118	
NI	4319513		SLEEVE,HYDRO-MAX BOOSTER, SERVICE KIT	
NI	4311445		KIT, REPAIR MASTER"	
NI	8305179		KIT,SEAL,BOOSTER ASSY,FOR 1933118	
2	1565050		RESERVOIR ASSY,HYDRAULIC BRAKE	
NI	4287991		GASKET,CAP,RESERVOIR,HYD,TCFC	
NI	4278263		CAP,RESERVOIR,HYD BRAKE,TC2000	
3			CURRENTLY NOT USED	
4	0003123		HOSE ASSY,RESERVOIR TO MASTER CYL,SEC,	
5	1902543		HOSE ASSY,BRAKE,REAR AXLE,LH W/HYDRAULIC BRAKE INTERLOCK W/O HYDRAULIC BRAKE INTERLOCK	
6	1586163		CLAMP,LOOP,TUBE,.25 OD,2 TUBE	
7	1586171		CUSHION,LOOP CLAMP,.25 OD,2 TUBE	
8	1758226		BRACKET, MTG, BRAKE HOSE TO FRM, FRT	
9	0007182	1	BRACKET,MTG,BRAKE HOSE,FRT AXLE,LH	
9	0007183	1	BRACKET,MTG,BRAKE HOSE,FRT AXLE,RH	
10	1317379		HOSE ASSY,BRAKE,FRONT AXLE,TCFC	
11	1317221		CLIP,SPRING,LOCK HYD BRAKE HOSE	
12	0006681		MODULATOR ASSY,ANTILOCK BRAKES,	
13	0006472		TUBE ASSY,STEEL,HYD BRK,PRIMARY,ABS,	
14	0006473		TUBE ASSY,STEEL,HYD BRK,SECONDARY,ABS,	
15	0006475		TUBE ASSY,STEEL,HYD BRK,FRT,LH,ABS, HD FE	
16	0006474		TUBE ASSY,STEEL,HYD BRK,FRT,RH,ABS, HD FE	
17	1467000		WASHER,FLAT,.281 X.750X.078 HARDENED,BLK	
18	2001345		NUT,HEX HD,1/4-20,LOCKING,YELLOW	

Models: A3FE
With Features: BRAKE SYSTEM, WITH ABS
 FEATURE 40071 WITH 40076
 To CSN 30095445 10/14/01

Key	PartNumber	Qty	Description	Comment
19	0870477	8	CAPSCREW,HEX HD,1/4-20 X 1,GR 8,YEL ZN	
20	0854612	4	CLAMP,LOOP,.500	
21	0006667	1	BRACKET,MTG,HYD BRK HOSE TO FRM,RR	
22	0006672	1	BRACKET,MTG,HYD BRK HOSE TO FRM,RR	
23	0006471		HOSE ASSY,BRAKE,RR AXLE,HYD,BOSCH 73MM,	
24	1975960		SPRING,ACCEL RETURN,.041 WIRE	
25	0006669		BRACKET,SUPT,HYD BRAKE HOSE,REAR,RH	
26	0006673		BRACKET,SUPT,HYD BRAKE HOSE,REAR,LH	
27	0006476		TUBE ASSY,STEEL,HYD BRK,RR,RH MOD,ABS	
28	0006477		TUBE ASSY,STEEL,HYD BRK,RR,LH MOD,ABS	
29	0006465		BRACKET,MTG,RETURN SPRING,HYD BRAKE,	
30	1550102		BRACKET,SUPT,HYD BRAKE LINES, TCFC	
31	2001105		WASHER,FLAT,13/64 X,1/2 X 3/64,YEL ZN DICH	
32	2001162		LOCKWASHER,SPLIT RING, 3/16,MED,YEL ZN	
33	2001287		NUT,HEX HD,10-32,YEL ZN DICH	
34	1401454		ADAPTER,INVERTED FLARE,1/4 X 1/4,WH-7908	
35	1401447		ADAPTER,INVERTED FLARE,5/16 X 1/4,WH	
36	1201961		ADAPTER,UNION,302 X 4,MANUAL TRANS, AARE	
37	2000776		SCREW,MACH, 10-32 X 3/4,PH1,RD HD,	
38	2028280		CAPSCREW,HEX HD,5/16-18X5/8,GR5,YEL ZN	
39	2001188		LOCKWASHER,SPLIT RING, 5/16,MED,YEL ZN	
40	1468305		HOSE ASSY,BRAKE,RES TO MAST CYL,SECOND	
*4	0002779		BEARING ASSY,HYDRAULIC BRAKE PEDAL,RH,	
*4	1600915		BEARING ASSY,HYDRAULIC BRAKE PEDAL, TCFC	
*4	0002770		LEVER ASSY,HYDRAULIC BRAKE,HDFE	
44	0002776		BRACE,BEARING,HYD BRAKE PEDAL,LH, HDFE	
45	0002769		BRACKET,MTG,HYD BRAKE BOOSTER, HDFE	
46	0002775		PLATE,MTG,ELEC ACCEL,HYD BRAKE TREADLE	
47	0007192		BRACKET,MTG,HYDRAULIC BRK RESERVOIR,	
48	1418573		PEDAL ASSY,BRAKE,HYDRAULIC,TCFC	
49	1420850		COVER,RUBBER,HYD BRAKE & CLUTCH PEDAL,	
50	0002772		BRACE,BEARING,HYD BRAKE PEDAL,RH, HDFE	
51	1711191		NUT,HEX HD,6-32,YEL ZN DICH	

Models: A3FE
With Features: BRAKE SYSTEM, WITH ABS
 FEATURE 40071 WITH 40076
 To CSN 30095445 10/14/01

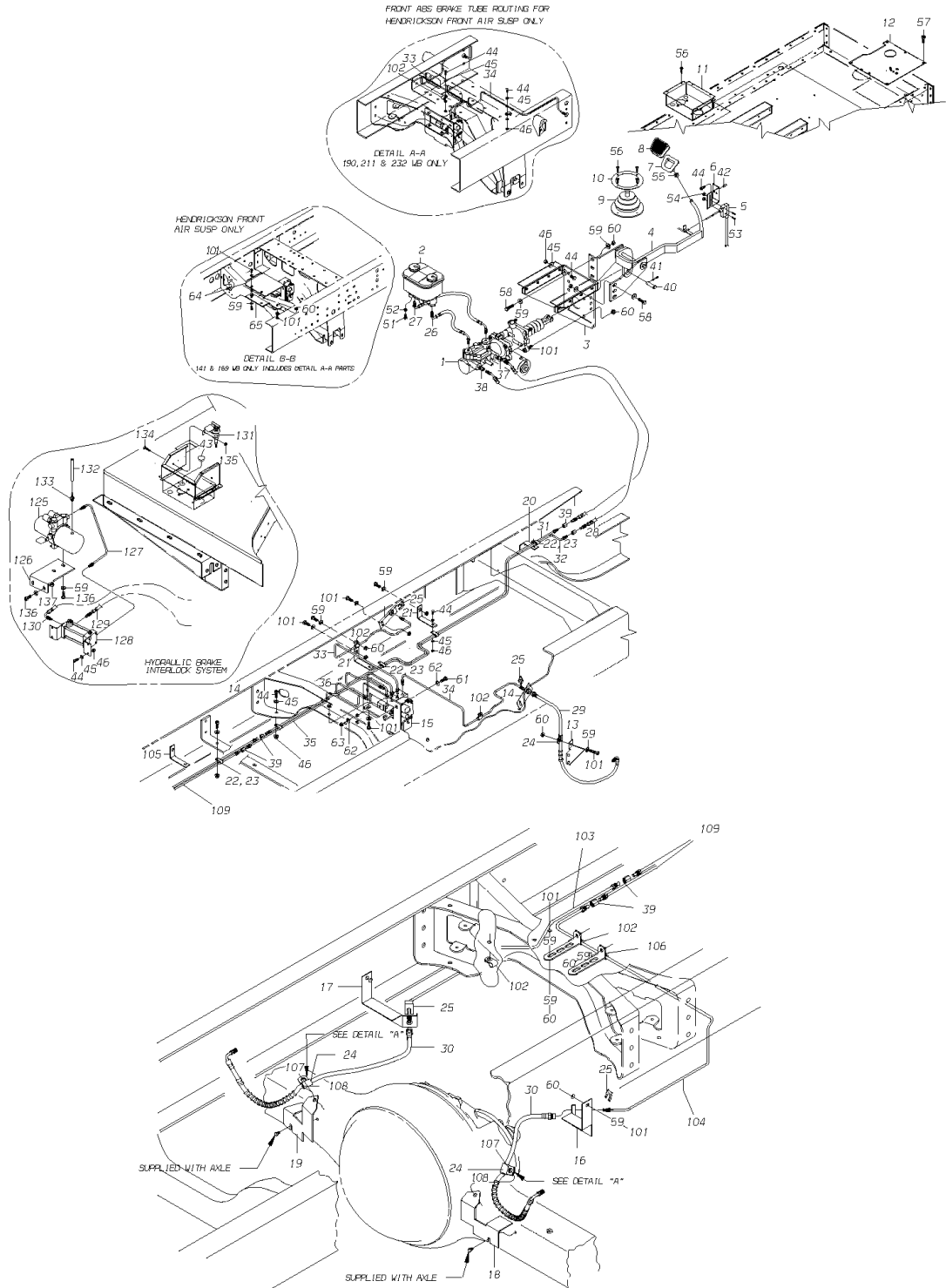
Key	PartNumber	Qty	Description	Comment
52	2003432		BOOT,RUBBER,GEARSHIFT LEVER	
53	0207662		RETAINER,RUBBER BOOT,GEARSHIFT LEVER	
54	2008852	1	PIN,CLEVIS,1/2 DIA X 1 1/2, YEL ZN DICH	
55	2028546	8	WASHER,FLAT,7/16,X 1 1/32 X 5/64,YL ZN	
56	0997080	4	NUT,HEX HD,7/16-14,LOCKING,GR 8,CADMIUM	
57	0801928	4	CAPSCREW,HEX HD,7/16-14X1 1/2,GR8,	
58	2008860	1	PIN,COTTER,3/32 X 1,YEL ZN DICH	
59	1143676	10	SCREW,10-16 X 3/4, AB,PH1,PAN HD,BLK ZN,	
60	2001477	13	NUT,HEX HD,1/2-13,YEL ZN DICH	
61	1715150		SWITCH,OMNI-DIR,SGL POLE NORM CLOSED,	
62	1711183	2	SCREW,MACH 6-32 X 1,PH1,PAN HD,YEL ZN	
66	0839027		NUT,HEX HD,3/8-16,GR G,SM FLG LK,YEL	
67	2000099	6	SCREW,1/4-20 X 1-1/2,D,HEX HD,YEL ZN DICH"	
68	0559195	2	CAPSCREW,HEX HD,3/8-16 X 1,GR 8,YEL ZN	
69	1107085		WASHER,FLAT,13/32 X 13/16 X 3/32,HDN,BLK	
70	0005960		LEVER ASSEMBLY,FINAL,HYDRAULIC BRAKE,	
71	1536515	1	EYE BOLT,3/16X1-1/2LG W/5/16 ID EYE,10-32	
72	0803239		CAPSCREW,HEX HD,1/2-13 X1 1/2,GR8	
73	0850800	2	NUT,HEX HD,1/2-13,LOCKING,GR 8,CAD WAX	
74	2001139		WASHER,FLAT,1/2 X 1 1/4 X 3/32,YEL ZN DICH	
75	1582667		BRACKET,SUPT,HYD BRAKE LINE,ENG MOUNT,	
76	1861566		BRACKET,MTG,HYD BRKS,SWITCH,5.9, CS/TCFE	
77	2001394		RIVNUT,NC,1/4"	
10	2024370	AR	CLAMP,LOOP,.250	
10	0803171	AR	CAPSCREW,HEXHD,3/8-16NCX1-1/2,GR8,	
10	1107085	AR	WASHER,FLAT,13/32 X 13/16 X 3/32,HDN,BLK	
10	0839027	AR	NUT,HEX HD,3/8-16,GR G,SM FLG LK,YEL	
10	1679267		TUBE ASSY, STEEL, 195 WB, TCFC	
10	1579275		TUBE ASSY,STEEL,HYD BRAKE,216 WB, TCFC	
10	1579283		TUBE ASSY,STEEL,HYD BRAKE,237 WB, TCFC	
10	0006675	1	TUBE ASSY,STEEL,HYD BRK,RR,LH,	
10	0006677	1	TUBE ASSY,STEEL,HYD BRK,RR,LH,	
10	0006678	1	TUBE ASSY,STEEL,HYD BRK,RR,LH,	

Models: A3FE
With Features: BRAKE SYSTEM, WITH ABS
 FEATURE 40071 WITH 40076
 To CSN 30095445 10/14/01

Key	PartNumber	Qty	Description	Comment
10	1317247		BRACKET,ATCH,BRAKE LINE TO FRAME	
10	0006467	1	TUBE ASSY,STEEL,HYD BRK,RR RH,	
10	0006670	1	TUBE ASSY,STEEL,HYD BRK,RR,RH,	
10	0006671	1	TUBE ASSY,STEEL,HYD BRK,RR,RH,	
12	1966845		PUMP ASSY,POWER UNIT,MICO 690,BRK	FEATURE 40051-01
	8311474		SWITCH,HIGH PRESSURE,BRAKE INTERLOCK	
	8311482		SWITCH,LOW PRESSURE,BRAKE INTERLOCK	
12	0007185	1	BRACKET,MTG,PWR UNIT,HYD BRK INTERLOCK	
12	0007184		TUBE ASSY,STEEL,HYD BRK INTLK,ACTR/PWR	
12	1938703		ACTUATOR,SINGLE,HYD BRAKE INTERLOCK	
12	0007186		HOSE ASSY,BRK,ACTUATOR TO SEC,INTERLOC	
13	1468297		HOSE ASSY,BRAKE,RES TO MAST CYL,PRIM,	
13	0009593		FILLER NECK ASSY,REMOTE,PWR UNIT,BRK	
13	0938548		HOSE,RUBBER,HO5705,5/16 ID X 9/16 OD	
13	2008126		CONNECTOR,HOSE,W/S WIPER,692 1/4 X 1/4	
13	2000750	1	SCREW,MACH,10-24 X 1/2,PH1,RD HD,YEL	
13	1469287		NUT,HEX,10-24,ELASTIC LOCKNUT,YEL ZN	
13	0559195	4	CAPSCREW,HEX HD,3/8-16 X 1,GR 8,YEL ZN	
13	1107085	4	WASHER,FLAT,13/32 X 13/16 X 3/32,HDN,BLK	
13	0826297		NUT,HEX HD,3/8-16 LOCK,YEL ZN DICH	
13	0870477	1	CAPSCREW,HEX HD,1/4-20 X 1,GR 8,YEL ZN	
14	1467000	4	WASHER,FLAT, .281 X.750X.078 HARDENED,BLK	
14	2001345	4	NUT,HEX HD,1/4-20,LOCKING,YELLOW	
14	1351071		PLUG,BUTTON,BLACK,DP-1000 HEYCO 2713	

Models: A3FE, C3FE
With Features: BRAKE SYSTEM, WITH ABS
BSN: FEATURE 40071 WITH 40076
 From CSN 30095446 10/15/01
 To CSN 05/29/05

Key	PartNumber	Qty	Description	Comment
-----	------------	-----	-------------	---------



Models: A3FE, C3FE
With Features: BRAKE SYSTEM, WITH ABS
BSN: FEATURE 40071 WITH 40076
 From CSN 30095446 10/15/01
 To CSN 05/29/05

Key	PartNumber	Qty	Description	Comment
1	1933118	1	MASTER CYL&BOOSTER ASSY,HYDBRK,W/PRS	
NI	8305195	1	MOTOR & PUMP ASSY W/SEAL KIT FOR 1933118	
NI	0035714	1	SEAL,MOTOR TO MASTER CYLINDER	
NI	0025280	1	BOOSTER,BRAKE,HYD	
2	1565050	1	RESERVOIR ASSY,HYDRAULIC BRAKE	
3	0036093	1	BRACKET,MTG,HYD BRAKE BOOSTER, HDFE	
4	0034593	1	LEVER ASSY,FINAL,HYD BRAKE,HDFE	
5	1715150	1	SWITCH,OMNI-DIR,SGL POLE NORM CLOSED,	
6	0026555	1	BRACKET,MTG,HYD BRKS,SWITCH	
7	1418573	1	PEDAL ASSY,BRAKE,HYDRAULIC,TCFC	
8	1420850	1	COVER,RUBBER,HYD BRAKE & CLUTCH PEDAL,	
9	2003432	1	BOOT,RUBBER,GEARSHIFT LEVER	
10	0207662	1	RETAINER,RUBBER BOOT,GEARSHIFT LEVER	
11	0007192	1	BRACKET,MTG,HYDRAULIC BRK RESERVOIR,	
12	0002775	1	PLATE,MTG,ELEC ACCEL,HYD BRAKE TREADLE	
13	0007183	1	BRACKET,MTG,BRAKE HOSE,FRT AXLE,RH	
	0007182	1	BRACKET,MTG,BRAKE HOSE,FRT AXLE,LH	
14	1758226	2	BRACKET, MTG, BRAKE HOSE TO FRM, FRT	
15	0006681	1	MODULATOR ASSY,ANTILOCK BRAKES,	
16	0006667	1	BRACKET,MTG,HYD BRK HOSE TO FRM,RR	
17	0006672	1	BRACKET,MTG,HYD BRK HOSE TO FRM,RR	
18	0006669	1	BRACKET,SUPT,HYD BRAKE HOSE,REAR,RH	
19	0042038	1	BRACKET,SUPT,HYD BRAKE HOSE,REAR,LH	
20	1582667	1	BRACKET,SUPT,HYD BRAKE LINE,ENG MOUNT,	
21	1550102	2	BRACKET,SUPT,HYD BRAKE LINES, TCFC	
22	0079313	3	CLAMP,LOOP,TUBE,.25 O.D.,2 TUBE	
23	1586171	6	CUSHION,LOOP CLAMP,.25 OD,2 TUBE	
24	0854612	4	CLAMP,LOOP,.500	
25	1317221	4	CLIP,SPRING,LOCK HYD BRAKE HOSE	
26	0003123	1	HOSE ASSY,RESERVOIR TO MASTER CYL,SEC,	
27	1468305	1	HOSE ASSY,BRAKE,RES TO MAST CYL,SECOND	
28	1902543	2	HOSE ASSY,BRAKE,REAR AXLE,LH	DELETE 1 WITH FEATURE 40004 -07
29	1317379	2	HOSE ASSY,BRAKE,FRONT AXLE,TCFC	

Models: A3FE, C3FE
With Features: BRAKE SYSTEM, WITH ABS
BSN: FEATURE 40071 WITH 40076
 From CSN 30095446 10/15/01
 To CSN 05/29/05

Key	PartNumber	Qty	Description	Comment
30	0043758	2	HOSE ASSY,BRAKE,RR AXLE,HYD,MERITOR	
31	0045466	1	TUBE ASSY,STEEL,HYD BRK,PRIMARY,ABS,	WITHOUT FEATURE 40004-07 ONLY
31	0045465	1	TUBE ASSY,STEEL,HYD BRK,PRIM,ABS,HEND,	WITH FEATURE 40004-07 ONLY
32	0045467	1	TUBE ASSY,STEEL,HYD BRK,SECONDARY,ABS,	WITHOUT FEATURE 40004-07 ONLY
32	0045464	1	TUBE ASSY,STEEL,HYD BRK,SECD,ABS,HEND,	WITH FEATURE 40004-07 ONLY)
33	0045470	1	TUBE ASSY,STEEL,HYD BRK,FRT,LH,ABS, HD FE	WITHOUT FEATURE 40004-07 ONLY
33	0045462	1	TUBE ASSY,STEEL,HYD BRK,FRT,LH,ABS,HEND	WITHOUT FEATURE 40004-07 ONLY)
34	0045469	1	TUBE ASSY,STEEL,HYD BRK,FRT,RH,ABS, HD FE	WITH FEATURE 40004-07 ONLY)
34	0045461	1	TUBE ASSY,STEEL,HYD BRK,FRT,RH,ABS,HEND	WITHOUT FEATURE 40004-07 ONLY
35	0078003	1	TUBE ASSY,STEEL,HYD BRAKE,REAR RH MOD,	WITH FEATURE 40004-07 ONLY
35	0078509	1	TUBE,ASSY,STEEL,HYD BRK,RR RH MOD,ABS,	WITHOUT FEATURE 40004-07 ONLY
36	0045472	1	TUBE ASSY,STEEL,HYD BRK,RR,LH MOD,ABS	WITH FEATURE 40004-07 ONLY
36	0045788	1	TUBE ASSY,STEEL,HYD BRK,RR,LH MOD,ABS,	WITHOUT FEATURE 40004-07 ONLY
37	1401454	1	ADAPTER,INVERTED FLARE,1/4 X 1/4,WH-7908	
38	1401447	1	ADAPTER,INVERTED FLARE,5/16 X 1/4,WH	
39	1201961	4	ADAPTER,UNION,302 X 4,MANUAL TRANS, AARE	
40	2008852	1	PIN,CLEVIS,1/2 DIA X 1 1/2, YEL ZN DICH	
41	2008860	1	PIN,COTTER,3/32 X 1,YEL ZN DICH	
42	2001394	2	RIVNUT,NC,1/4"	
43	1351071	2	PLUG,BUTTON,BLACK,DP-1000 HEYCO 2713	DELETE 1 WITH FEATURE 40004-07
44	0870477	10	CAPSCREW,HEX HD,1/4-20 X 1,GR 8,YEL ZN	
45	1467000	16	WASHER,FLAT,.281 X.750X.078 HARDENED,BLK	
46	2001345	18	NUT,HEX HD,1/4-20,LOCKING,YELLOW	
47	2000776	AR	SCREW,MACH, 10-32 X 3/4,PH1,RD HD,	
48	2001105	AR	WASHER,FLAT,13/64 X,1/2 X 3/64,YEL ZN DICH	
49	2001162	AR	LOCKWASHER,SPLIT RING, 3/16,MED,YEL ZN	
50	2001287	AR	NUT,HEX HD,10-32,YEL ZN DICH	
51	2028280	4	CAPSCREW,HEX HD,5/16-18X5/8,GR5,YEL ZN	
52	2001188	4	LOCKWASHER,SPLIT RING, 5/16,MED,YEL ZN	
53	1711183	2	SCREW,MACH 6-32 X 1,PH1,PAN HD,YEL ZN	

Models: A3FE, C3FE
With Features: BRAKE SYSTEM, WITH ABS
BSN: FEATURE 40071 WITH 40076
 From CSN 30095446 10/15/01
 To CSN 05/29/05

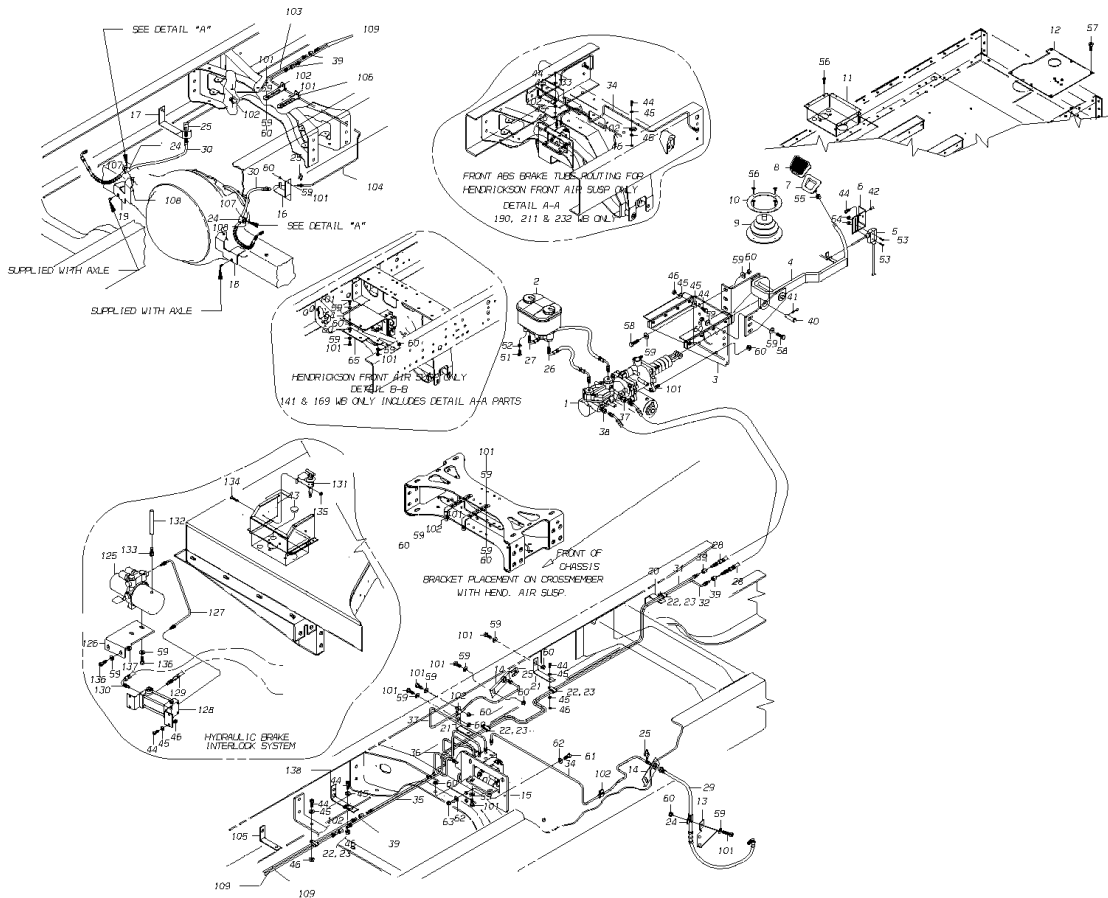
Key	PartNumber	Qty	Description	Comment
54	1711191	2	NUT,HEX HD,6-32,YEL ZN DICH	
55	2001477	1	NUT,HEX HD,1/2-13,YEL ZN DICH	
56	1143676	10	SCREW,10-16 X 3/4, AB,PH1,PAN HD,BLK ZN,	
57	2000099	6	SCREW,1/4-20 X 1-1/2,D,HEX HD,YEL ZN DICH"	
58	0803213	A/	CAPSCREW,HEX HD,3/8-16X1 1/4,GR8,YEL	
59	1107085	A/	WASHER,FLAT,13/32 X 13/16 X 3/32,HDN,BLK	
60	0839027	6	NUT,HEX HD,3/8-16,GR G,SM FLG LK,YEL	
61	0803239	2	CAPSCREW,HEX HD,1/2-13 X1 1/2,GR8	
62	2001139	4	WASHER,FLAT,1/2 X 1 1/4 X 3/32,YEL ZN DICH	
63	0850800	2	NUT,HEX HD,1/2-13,LOCKING,GR 8,CAD WAX	
64	0064074	1	BRACKET,MTG,MODULATOR,HYD BK,HEND	
65	0064075	1	BRACKET,SUPT,MODULATOR,HYD BK,HEND	
10	0803171	A/	CAPSCREW,HEXHD,3/8-16NCX1-1/2,GR8,	
10	2024370	A/	CLAMP,LOOP,.250	
10	0076109		TUBE,ASSY,STEEL,HYD BRK,RR,LH,ABS,	
10	0075982		TUBE,ASSY,STEEL,HYD BRK,RR,RH,ABS,7 IN,FE	
10	1317247	6	BRACKET,ATCH,BRAKE LINE TO FRAME	
10	4759591	2	BRACKET PIPE SUPPORT ANGLED 3 SLOT	
10	0061658	2	FASTENER,HUCK,3/8BLIND,MAGNA-LOC,	
10	0076542	2	WASHER,SER,INT-EXT,.375,ZINC PLTED	
10	0078201		TUBE ASSY,STEEL,HYD BRK,RR,141 WB,FE	
10	0081035		TUBE ASSY,STEEL,HYD BRAKE,FE 169	
10	0081036		TUBE ASSY,STEEL,HYD BRAKE,FE 190	
10	0081037		TUBE ASSY,STEEL,HYD BRAKE,FE 211	
10	0081038		TUBE ASSY,STEEL,HYD BRAKE,FE 232	
			THE FOLLOWING PARTS APPLY TO BRAKE	
12	1966845	1	PUMP ASSY,POWER UNIT,MICO 690,BRK	
12	0007185	1	BRACKET,MTG,PWR UNIT,HYD BRK INTERLOCK	
12	0045375	1	TUBE ASSY,STEEL,HYD BRK INTLK,ACTR/PWR	
12	1938703	1	ACTUATOR,SINGLE,HYD BRAKE INTERLOCK	
12	0007186	1	HOSE ASSY,BRK,ACTUATOR TO SEC,INTERLOC	
13	1468297	1	HOSE ASSY,BRAKE,RES TO MAST CYL,PRIM,	
13	0009593	1	FILLER NECK ASSY,REMOTE,PWR UNIT,BRK	

Models: A3FE, C3FE
With Features: BRAKE SYSTEM, WITH ABS
BSN: FEATURE 40071 WITH 40076
 From CSN 30095446 10/15/01
 To CSN 05/29/05

Key	PartNumber	Qty	Description	Comment
13	0938548	4	HOSE,RUBBER,HO5705,5/16 ID X 9/16 OD	
13	2008126	1	CONNECTOR,HOSE,W/S WIPER,692 1/4 X 1/4	
13	2000750	1	SCREW,MACH,10-24 X 1/2,PH1,RD HD,YEL	
13	1469287	1	NUT,HEX,10-24,ELASTIC LOCKNUT,YEL ZN	
13	0559195	4	CAPSCREW,HEX HD,3/8-16 X 1,GR 8,YEL ZN	
13	0826297	2	NUT,HEX HD,3/8-16 LOCK,YEL ZN DICH	

Models: A3FE, C3FE
With Features: BRAKE SYSTEM, WITH ABS
BSN: FEATURE 40071 WITH 40076
 From CSN 05/30/05

Key	PartNumber	Qty	Description	Comment
-----	------------	-----	-------------	---------



Models: A3FE, C3FE
With Features: BRAKE SYSTEM, WITH ABS
BSN: FEATURE 40071 WITH 40076
 From CSN 05/30/05

Key	PartNumber	Qty	Description	Comment
1	1933118		MASTER CYL&BOOSTER ASSY,HYDBRK,W/PRS	
2	1565050		RESERVOIR ASSY,HYDRAULIC BRAKE	
3	0036093		BRACKET,MTG,HYD BRAKE BOOSTER, HDFE	
4	0034593		LEVER ASSY,FINAL,HYD BRAKE,HDFE	
5	1715150		SWITCH,OMNI-DIR,SGL POLE NORM CLOSED,	
6	0026555		BRACKET,MTG,HYD BRKS,SWITCH	
7	1418573		PEDAL ASSY,BRAKE,HYDRAULIC,TCFC	
8	1420850		COVER,RUBBER,HYD BRAKE & CLUTCH PEDAL,	
9	2003432		BOOT,RUBBER,GEARSHIFT LEVER	
10	0207662		RETAINER,RUBBER BOOT,GEARSHIFT LEVER	
11	0007192		BRACKET,MTG,HYDRAULIC BRK RESERVOIR,	
12	0002775		PLATE,MTG,ELEC ACCEL,HYD BRAKE TREADLE	
13	0007182		BRACKET,MTG,BRAKE HOSE,FRT AXLE,LH	
13	0007183		BRACKET,MTG,BRAKE HOSE,FRT AXLE,RH	
14	1758226	2	BRACKET, MTG, BRAKE HOSE TO FRM, FRT	
15	0084794		MODULATOR,ASSY,ABS,HYDRAULIC, FE	
16	0006667		BRACKET,MTG,HYD BRK HOSE TO FRM,RR	
17	0006672		BRACKET,MTG,HYD BRK HOSE TO FRM,RR	
18	0006669		BRACKET,SUPT,HYD BRAKE HOSE,REAR,RH	
19	0042038		BRACKET,SUPT,HYD BRAKE HOSE,REAR,LH	
20	1582667	A/	BRACKET,SUPT,HYD BRAKE LINE,ENG MOUNT,	
21	1550102	2	BRACKET,SUPT,HYD BRAKE LINES, TCFC	
22	0079313	8	CLAMP,LOOP,TUBE,.25 O.D.,2 TUBE	
23	1586171	16	CUSHION,LOOP CLAMP,.25 OD,2 TUBE	
24	0854612	4	CLAMP,LOOP,.500	
25	1317221	4	CLIP,SPRING,LOCK HYD BRAKE HOSE	
26	0003123		HOSE ASSY,RESERVOIR TO MASTER CYL,SEC,	
27	1468305		HOSE ASSY,BRAKE,RES TO MAST CYL,SECOND	
28	1902543	2	HOSE ASSY,BRAKE,REAR AXLE,LH	
29	1317379	2	HOSE ASSY,BRAKE,FRONT AXLE,TCFC	
30	0043758	2	HOSE ASSY,BRAKE,RR AXLE,HYD,MERITOR	
31	0085259		TUBE ASSY,STEEL,HYD BRK,PRIMARY,ABS, FE	WITHOUT FEATURE 4004-07
31	0085392		TUBE ASSY,STEEL,HYD BRK,PRIM,ABS,HEND, FE	WITH FEATURE 4004-07 ONLY WITHOUT FEATURE 4004-07

Models: A3FE, C3FE
With Features: BRAKE SYSTEM, WITH ABS
BSN: FEATURE 40071 WITH 40076
 From CSN 05/30/05

Key	PartNumber	Qty	Description	Comment
32	0085265		TUBE ASSY,STEEL,HYD BRK,SECONDARY,ABS,	
32	0085258		TUBE ASSY,STEEL,HYD BRK,SECD,ABS,HEND,	WITH FEATURE 4004-07 ONLY
33	0085267		TUBE ASSY,STEEL,HYD BRK,FRT,LH,ABS, FE	WITHOUT FEATURE 4004-07
33	0085257		TUBE ASSY,STEEL,HYD BRK,FRT,LH,ABS,HEND,	WITH FEATURE 4004-07 ONLY
34	0085305		TUBE ASSY,STEEL,HYD BRK,FRT,RH,ABS, FE	WITHOUT FEATURE 4004-07
34			TUBE ASSY, STEEL, HYD BRK, FRT, RH, ABS,	WITH FEATURE 4004-07 ONLY
35	0085127		TUBE ASSY,STEEL,HYD BRK,RR,RH,MOD,ABS	WITHOUT FEATURE 4004-07
35	0085373		TUBE,ASSY,STL,HYD BRK,RR,RH MOD,ABS,	WITH FEATURE 4004-07 ONLY
36	0085269		TUBE ASSY,STEEL,HYD BRK,RR,LH MOD,ABS, FE	
36	0085271		TUBE ASSY,STL,HYD BRK,RR,LH MOD,ABS,	
37	1401454		ADAPTER,INVERTED FLARE,1/4 X 1/4,WH-7908	
38	1401447		ADAPTER,INVERTED FLARE,5/16 X 1/4,WH	
39	1201961	6	ADAPTER,UNION,302 X 4,MANUAL TRANS, AARE	
40	2008852		PIN,CLEVIS,1/2 DIA X 1 1/2, YEL ZN DICH	
41	2008860		PIN,COTTER,3/32 X 1,YEL ZN DICH	
42	2001394	2	RIVNUT,NC,1/4"	
43	1351071	2	PLUG,BUTTON,BLACK,DP-1000 HEYCO 2713	
44	0870477	16	CAPSCREW,HEX HD,1/4-20 X 1,GR 8,YEL ZN	
45	1467000	25	WASHER,FLAT, .281 X.750X.078 HARDENED,BLK	
46	2001345	14	NUT,HEX HD,1/4-20,LOCKING,YELLOW	
51	2028280	4	CAPSCREW,HEX HD,5/16-18X5/8,GR5,YEL ZN	
52	2001188	4	LOCKWASHER,SPLIT RING, 5/16,MED,YEL ZN	
53	1711183	2	SCREW,MACH 6-32 X 1,PH1,PAN HD,YEL ZN	
54	1711191	2	NUT,HEX HD,6-32,YEL ZN DICH	
55	2001477		NUT,HEX HD,1/2-13,YEL ZN DICH	
56	1143676	10	SCREW,10-16 X 3/4, AB,PH1,PAN HD,BLK ZN,	
57	2000099	6	SCREW,1/4-20 X 1-1/2,D,HEX HD,YEL ZN DICH"	
58	0803213	6	CAPSCREW,HEX HD,3/8-16X1 1/4,GR8,YEL	
59	1107085	10	WASHER,FLAT,13/32 X 13/16 X 3/32,HDN,BLK	
60	0839027	4	NUT,HEX HD,3/8-16,GR G,SM FLG LK,YEL	
61	0803239	2	CAPSCREW,HEX HD,1/2-13 X1 1/2,GR8	
62	2001139	4	WASHER,FLAT,1/2 X 1 1/4 X 3/32,YEL ZN DICH	
63	0850800	2	NUT,HEX HD,1/2-13,LOCKING,GR 8,CAD WAX	

Models: A3FE, C3FE
With Features: BRAKE SYSTEM, WITH ABS
BSN: FEATURE 40071 WITH 40076
 From CSN 05/30/05

Key	PartNumber	Qty	Description	Comment
64	0064074		BRACKET,MTG,MODULATOR,HYD BK,HEND	40007-07
66	0064075		BRACKET,SUPT,MODULATOR,HYD BK,HEND	WITH 141 &169 WB & FEATURE 40007-07
10	0803171	34	CAPSCREW,HEXHD,3/8-16NCX1-1/2,GR8,	
10	2024370	13	CLAMP,LOOP,.250	
10	0085364		TUBE ASSY,STEEL,HYD BRAKE,RR,LH,ABS	
10	0075982		TUBE,ASSY,STEEL,HYD BRK,RR,RH,ABS,7 IN,FE	WITH REAR SPRING SUSPENSION
10	0085250		TUBE ASSY,STEEL,HYD BRK,RR,RH,ABS,HEND	WITH REAR HENDRICKSON SUSPENSION
10	1317247	4	BRACKET,ATCH,BRAKE LINE TO FRAME	
10	4759591	2	BRACKET PIPE SUPPORT ANGLED 3 SLOT	WITH REAR SPRING SUSPENSION
10	0085252	2	BRACKET,HYD,SUPPORT,HENDRICKSON	WITH REAR HENDRICKSON SUSPENSION
10	0061658	2	FASTENER,HUCK,3/8BLIND,MAGNA-LOC,	
10	0076542	2	WASHER,SER,INT-EXT,.375,ZINC PLTED	
10	0078201	2	TUBE ASSY,STEEL,HYD BRK,RR,141 WB,FE	141" WITH SPRING SUSPENSION
10	0078196	2	TUBE,ASSY,STEEL,HYD BRK,RR,189 WB BBCV	141" WITH HENDRICKSON FRONT SUSPENSION
10	0081035	2	TUBE ASSY,STEEL,HYD BRAKE,FE 169	169" WITH SPRING SUSPENSION
10	0078197	2	TUBE ASSY,STEEL,HYD BRK,RR,217 WB BBCV	169" WITH HENDRICKSON FRONT SUSPENSION
10	0081036	2	TUBE ASSY,STEEL,HYD BRAKE,FE 190	190" WITH SPRING SUSPENSION
10	0078198	2	TUBE ASSY,STEEL,HYD BRK,RR,238 WB,BBCV	190" WITH HENDRICKSON FRONT SUSPENSION
10	0081037	2	TUBE ASSY,STEEL,HYD BRAKE,FE 211	211" WITH SPRING SUSPENSION
10	0085868	2	TUBE ASSY,STEEL,HYD BRK,211 WB W/HEND,	211" WITH HENDRICKSON FRONT SUSPENSION
10	0081038	2	TUBE ASSY,STEEL,HYD BRAKE,FE 232	232" WITH SPRING SUSPENSION
10	0085869	2	TUBE ASSY,STEEL,HYD BRK,232 WB W/HEND,	232" WITH HENDRICKSON FRONT SUSPENSION
12	1966845		PUMP ASSY,POWER UNIT,MICO 690,BRK	ADD WITH HYD BRAKE INTERLOCK
12	0007185		BRACKET,MTG,PWR UNIT,HYD BRK INTERLOCK	ADD WITH HYD BRAKE INTERLOCK
12	0045375		TUBE ASSY,STEEL,HYD BRK INTLK,ACTR/PWR	ADD WITH HYD BRAKE INTERLOCK
12	1938703		ACTUATOR,SINGLE,HYD BRAKE INTERLOCK	ADD WITH HYD BRAKE INTERLOCK
12	0007186		HOSE ASSY,BRK,ACTUATOR TO SEC,INTERLOC	ADD WITH HYD BRAKE INTERLOCK
13	1468297		HOSE ASSY,BRAKE,RES TO MAST CYL,PRIM,	ADD WITH HYD BRAKE INTERLOCK

Models: A3FE, C3FE
With Features: BRAKE SYSTEM, WITH ABS
BSN: FEATURE 40071 WITH 40076
 From CSN 05/30/05

Key	PartNumber	Qty	Description	Comment
13	0009593		FILLER NECK ASSY,REMOTE,PWR UNIT,BRK	ADD WITH HYD BRAKE INTERLOCK
13	0938548	A/	HOSE,RUBBER,HO5705,5/16 ID X 9/16 OD	ADD WITH HYD BRAKE INTERLOCK
13	2008126		CONNECTOR,HOSE,W/S WIPER,692 1/4 X 1/4	ADD WITH HYD BRAKE INTERLOCK
13	2000750		SCREW,MACH,10-24 X 1/2,PH1,RD HD,YEL	ADD WITH HYD BRAKE INTERLOCK
13	1469287		NUT,HEX,10-24,ELASTIC LOCKNUT,YEL ZN	ADD WITH HYD BRAKE INTERLOCK
13	0559195	4	CAPSCREW,HEX HD,3/8-16 X 1,GR 8,YEL ZN	ADD WITH HYD BRAKE INTERLOCK
13	0826297	2	NUT,HEX HD,3/8-16 LOCK,YEL ZN DICH	ADD WITH HYD BRAKE INTERLOCK
NI	1940881	A/	FLUID,BRAKE,HYDRAULIC,SILICONE,DOT #5	ADD WITH HYD BRAKE INTERLOCK
13	0085976		BRACKET,ATTACH,STRAIGHT BRAKELINE	ADD WITH HYD BRAKE INTERLOCK
NI	0607671		FLUID,BRAKE,1 GAL	ADD WITH HYD BRAKE INTERLOCK

Models: A3FE
 CALIPER ASSY
 FRONT & REAR
 With Features: FEATURE 40071-01
 BSN: From CSN 30006615 06/15/98
 To CSN 30058680 04/30/00

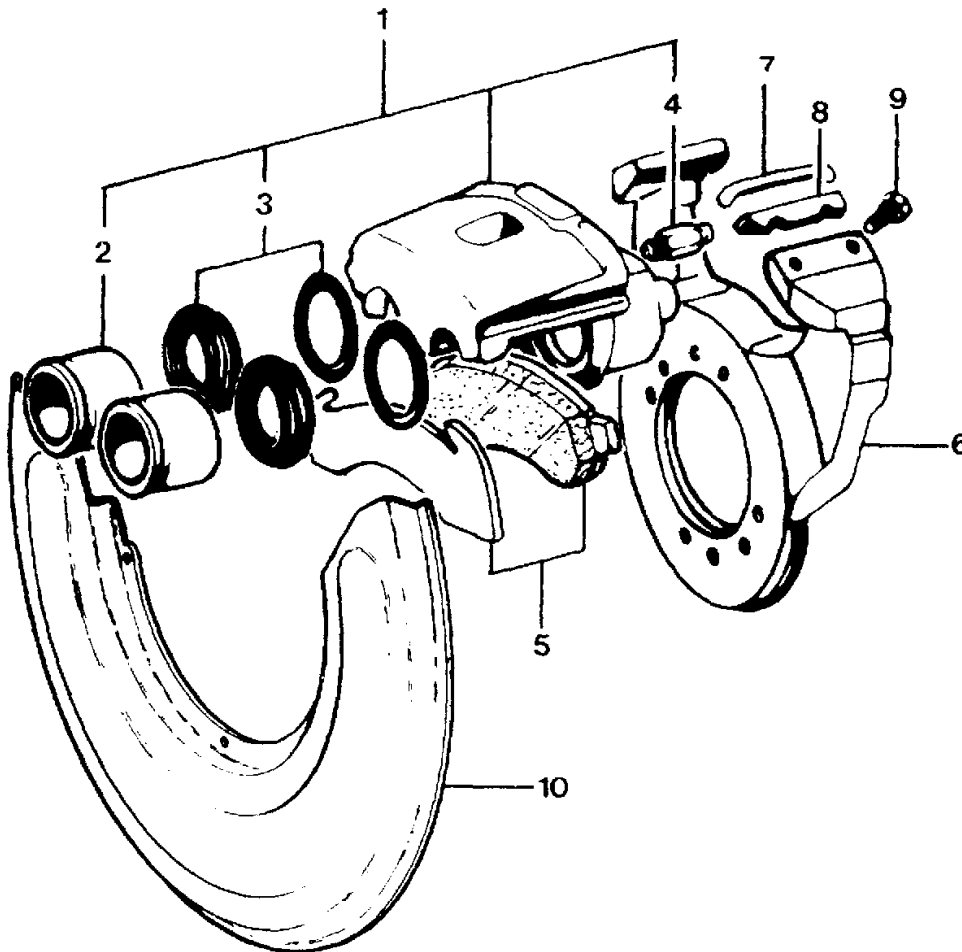
Key	PartNumber	Qty	Description	Comment
-----	------------	-----	-------------	---------

DR	BY	FRT	REV
		8007692	
APP	BY		

© 1988 BLUE BIRD BODY COMPANY ALL RIGHTS RESERVED



BLUE BIRD

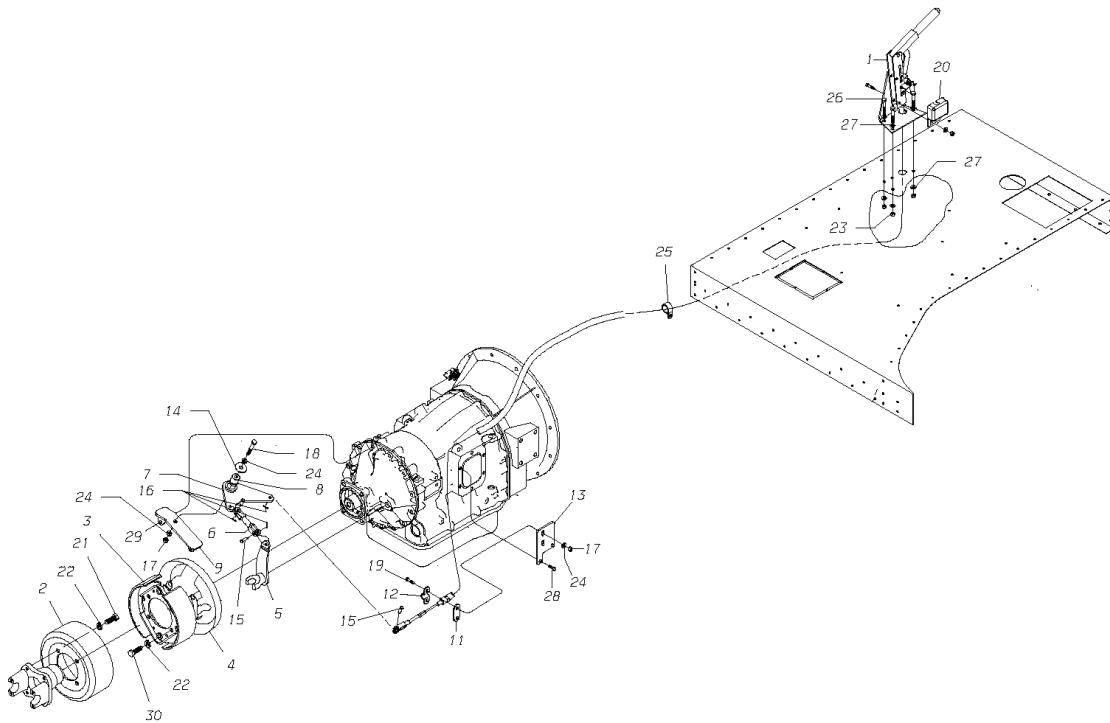


Models: A3FE
CALIPER ASSY
FRONT & REAR
With Features: FEATURE 40071-01
BSN: From CSN 30006615 06/15/98
 To CSN 30058680 04/30/00

Key	PartNumber	Qty	Description	Comment
1	2157675	2	CALIPER ASSY,FRT & RR TC2000	
2	4277745	2	PISTON,CALIPER,TC2000	
3	4278925	2	KIT,REPAIR,CALIPER,BENDIX,TC2000"	
4	2161024	2	SCREW,BLEEDER I-108 & I-120	
5	2161032		KIT,BRAKE LINING I-108,I-120,F170S,J190S	INCLUDES INNER & OUTER LININGS
6	1450147		PLATE,ANCHOR,FRONT,LH	
6	1450139		PLATE,ANCHOR,FRONT,RH	
6	1494137		PLATE,ANCHOR,REAR,LH	
6	1494129		PLATE,ANCHOR,REAR,RH	
6	1902527		PLATE,ANCHOR,REAR,LH,REYCO	OPTION 4561-02
6	1902519		PLATE,ANCHOR,REAR,RH,REYCO	OPTION 4561-02
*N	1998400	16	CAPSCREW,HEX HD,5/8-18X2.25,GR8,YZD,	
*N	0929018	32	WASHER,FLAT,21/32 X 1 1/8 X 3/32,HDN,YEL	
*N	0929000	16	NUT,HEX HD,5/8-18,LOCKING,GR 8,CADMIUM	
7	2161065	2	SPRING,COMPRESSION,I-108 & I-120	
8	2161057	2	KEY,CALIPER SUPPORT I-108 & I-120	KEY, CALIPER SUPPORT
9	2161040	2	SCREW,SOCKET HD,I-108 & I-120	
10	2160927	2	SHIELD,DUST,BRAKE,I-108 & I-120	
NI	4298063		GREASE,CALIPER RAIL, NO. 500 PLUS, QUART	
			* USED FOR MOUNTING ANCHOR PLATE	QUANTITIES ARE PER AXLE

Models: A3FE, C3FE, CSFE, TCFE
PARKING BRAKE
ALLISON 2000/2400 SERIES
With Features: FEATURE 400071
BSN: From CSN 10040840 09/21/99

Key	PartNumber	Qty	Description	Comment
-----	------------	-----	-------------	---------



Models: A3FE, C3FE, CSFE, TCFE
PARKING BRAKE
ALLISON 2000/2400 SERIES
With Features: FEATURE 400071
BSN: From CSN 10040840 09/21/99

Key	PartNumber	Qty	Description	Comment
1	0004581		LEVER ASSY,PARKING BRAKE,HAND OPERATED	ENDING WITH CSN 10/31/99
1	0016666		LEVER ASSY,PARKING BRAKE,HAND OPERATED	FROM CSN 11/01/99 TO 10-31-04
1	0076785		LEVER,ASSY,PARKING BRAKE,LH OPERATED	BEGIN WITH CSN 07/01/04
1	0075844		LEVER,ASSY,PARK BRK,HAND OPER,W/40049	WITH 40049-03 BEGIN WITH CSN 07/01/04
NI	0016307		SWITCH,MOMENTARY,SPST NC	ENDING 7-18-04
2	1319631		DRUM PARKING BRAKE	
3	1798057		BRAKE ASSY,PARKING,BENDIX	
4	1540400		SHIELD,PARKING BRAKE,TCFC	
5	1319607		LEVER,PARKING BRAKE ASSY,BOSCH	
6	1628296		YOKE,PARKING BRAKE,QBFC/TCFC	
7	1444892		BELLCRANK ASSY,PARKING BRAKE,TCFC	
8	1317429		SPACER,PARKING BRAKE LINKAGE,TCFC	
9	0013677		BRACKET ASSY,PKG BRK LINKAGE,2000 SERIES	
10	1317502		YOKE,PARKING BRAKE,CLEVELAND 2708-3A	
11	1443258		SPACER,LINK,ORSCHELN 8100131	
12	1443241		CLAMP,CABLE,ORSCHELN 81000108	
13	0014754		BRACKET,MTG,PARKING BRAKE CABLE,2000	
14	0560748		WASHER,FLAT,15/32 X 1 1/2 X 3/32,HDN,BLK	
15	1319573	3	PIN,CLEVIS,5/16,CLEVELAND 2708 1/2-3A	
16	2008860	3	PIN,COTTER,3/32 X 1,YEL ZN DICH	
17	0826297	2	NUT,HEX HD,3/8-16 LOCK,YEL ZN DICH	
18	0870451		CAPSCREW,HEX HD,3/8-16X 2 1/2,GR8,	
19	0803213	2	CAPSCREW,HEX HD,3/8-16X1 1/4,GR8,YEL	
NI	1479708		COVER,PARKING BRAKE SWITCH	
21	0803239	4	CAPSCREW,HEX HD,1/2-13 X1 1/2,GR8	
22	2001212	8	LOCKWASHER,SPLIT RING, 1/2 ,LHT,YEL ZN	
23	1480433	3	NUT,HEX HD,5/16-18,FLG PRVG TORQ,GR F,	
24	1107085	4	WASHER,FLAT,13/32 X 13/16 X 3/32,HDN,BLK	
25	0557710		CLAMP,LOOP,.812	
26	1032309	3	CAPSCREW,HEX HD,5/16-18X 2,GR 5,YEL ZN	
27	1167485	6	WASHER,FLAT,11/32 X 11/16 X 5/64,HDN,BLK	
28	0997742	2	CAPSCREW,HX HD,M10-1.5X25,CL10.9,	
29	0013655	2	CAPSCREW,HEX HD,M10-1.5 X 45,GRADE 10.9	

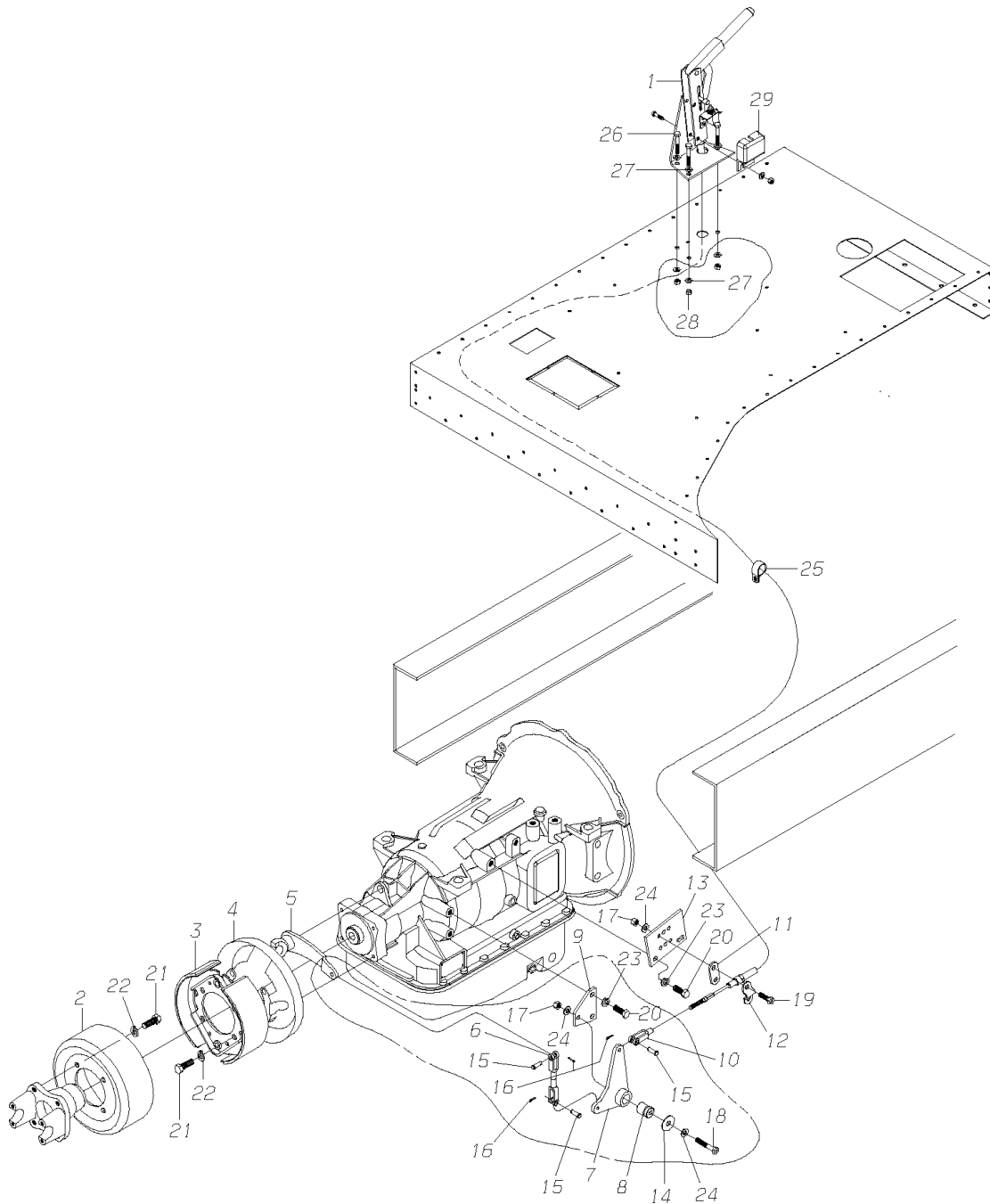
Models: A3FE, C3FE, CSFE, TCFE
PARKING BRAKE
ALLISON 2000/2400 SERIES
With Features: FEATURE 400071
BSN: From CSN 10040840 09/21/99

Key	PartNumber	Qty	Description	Comment
30	1660984	4	CAPSCREW,HEX HD M12-1.75 X 30MM,GR 10.9	
31	0971978		NUT,HEX HD,5/16,YELLOW DICHROMATE	
32	1501097		BRACKET,ATCH,BRAKE LINE TO FRAME	
33	0056715		CAPSCREW,HEX HD,5/16-18 X 1 1/4,GR5,	
34	1465954		NUT,HEX HD,5/16-18,LK,NYLON INSERT,YEL	
35	1674811	5	TIE,CABLE,NYLON,PANDUIT NO. PTL2I-C30	
36	2051902		SEALANT,SILICONE,BLACK,CARTRIDGE	

Models: A3FE, C3FE
PARKING BRAKE
AT545

With Features: FEATURE 40071
BSN: From CSN 10015970 10/26/98

Key	PartNumber	Qty	Description	Comment
-----	------------	-----	-------------	---------



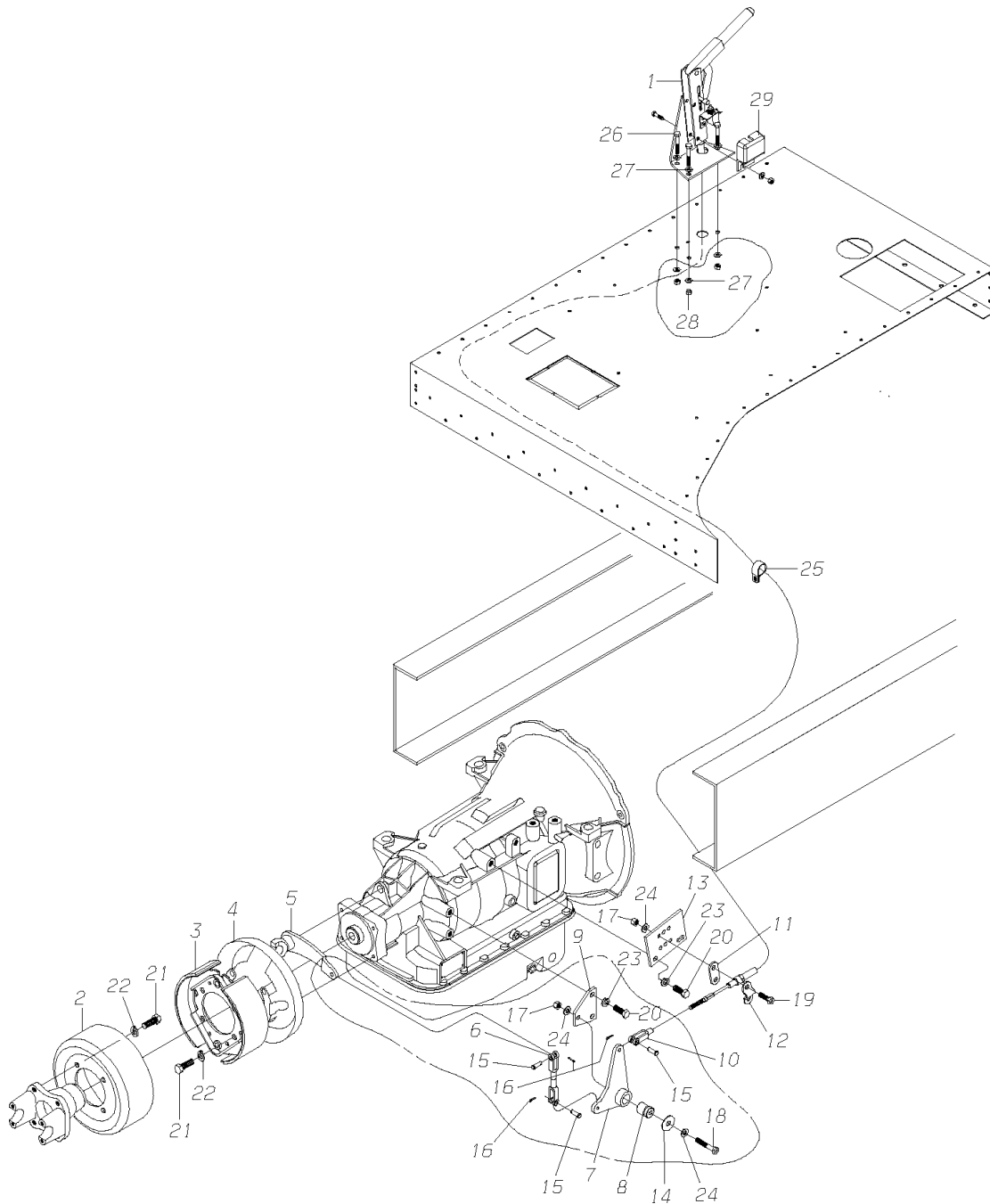
Models: A3FE, C3FE
PARKING BRAKE
AT545
With Features: FEATURE 40071
BSN: From CSN 10015970 10/26/98

Key	PartNumber	Qty	Description	Comment
1	0004581		LEVER ASSY,PARKING BRAKE,HAND OPERATED	ENDING WITH CSN 10/31/99
1	0016666		LEVER ASSY,PARKING BRAKE,HAND OPERATED	BEGIN WITH CSN 11/01/99
NI	0016307		SWITCH,MOMENTARY,SPST NC	
2	1319631	1	DRUM PARKING BRAKE	
3	1798057	1	BRAKE ASSY,PARKING,BENDIX	
4	1540400	1	SHIELD,PARKING BRAKE,TCFC	
5	1319607	1	LEVER,PARKING BRAKE ASSY,BOSCH	
6	1628296	1	YOKE,PARKING BRAKE,QBFC/TCFC	
7	1444892	1	BELLCRANK ASSY,PARKING BRAKE,TCFC	
8	1317429	1	SPACER,PARKING BRAKE LINKAGE,TCFC	
9	1317437	1	BRACKET,MTG,PARKING BRAKE LINK,TCFC	
10	1317502	1	YOKE,PARKING BRAKE,CLEVELAND 2708-3A	
11	1443258	1	SPACER,LINK,ORSCHELN 8100131	
12	1443241	1	CLAMP,CABLE,ORSCHELN 81000108	
13	1500479	1	BRACKET,MTG,PARKING BRAKE CABLE,TCFC	
14	0560748	1	WASHER,FLAT,15/32 X 1 1/2 X 3/32,HDN,BLK	
15	1319573	3	PIN,CLEVIS,5/16,CLEVELAND 2708 1/2-3A	
16	2028199	3	PIN,COTTER,1/16 X 1	
17	0826297	2	NUT,HEX HD,3/8-16 LOCK,YEL ZN DICH	
18	0870451	1	CAPSCREW,HEX HD,3/8-16X 2 1/2,GR8,	
19	0803213	2	CAPSCREW,HEX HD,3/8-16X1 1/4,GR8,YEL	
20	0801936	4	CAPSCREW,HEX HD,7/16-14X1 1/4,GR8,	
21	0803239	8	CAPSCREW,HEX HD,1/2-13 X1 1/2,GR8	
22	2001212	8	LOCKWASHER,SPLIT RING, 1/2 ,LHT,YEL ZN	
23	2001204	4	LOCKWASHER,SPLIT RING, 7/16,LHT,YEL ZN	
24	1107085	4	WASHER,FLAT,13/32 X 13/16 X 3/32,HDN,BLK	
25	0557710	1	CLAMP,LOOP,.812	
26	1032309	3	CAPSCREW,HEX HD,5/16-18X 2,GR 5,YEL ZN	
27	1167485	6	WASHER,FLAT,11/32 X 11/16 X 5/64,HDN,BLK	
28	1480433	3	NUT,HEX HD,5/16-18,FLG PRVG TORQ,GR F,	
29	1479708	1	COVER,PARKING BRAKE SWITCH	

Models: A3FE, C3FE
PARKING BRAKE
AT545

With Features: FEATURE 40071
BSN: From CSN 10015970 10/26/98

Key	PartNumber	Qty	Description	Comment
-----	------------	-----	-------------	---------

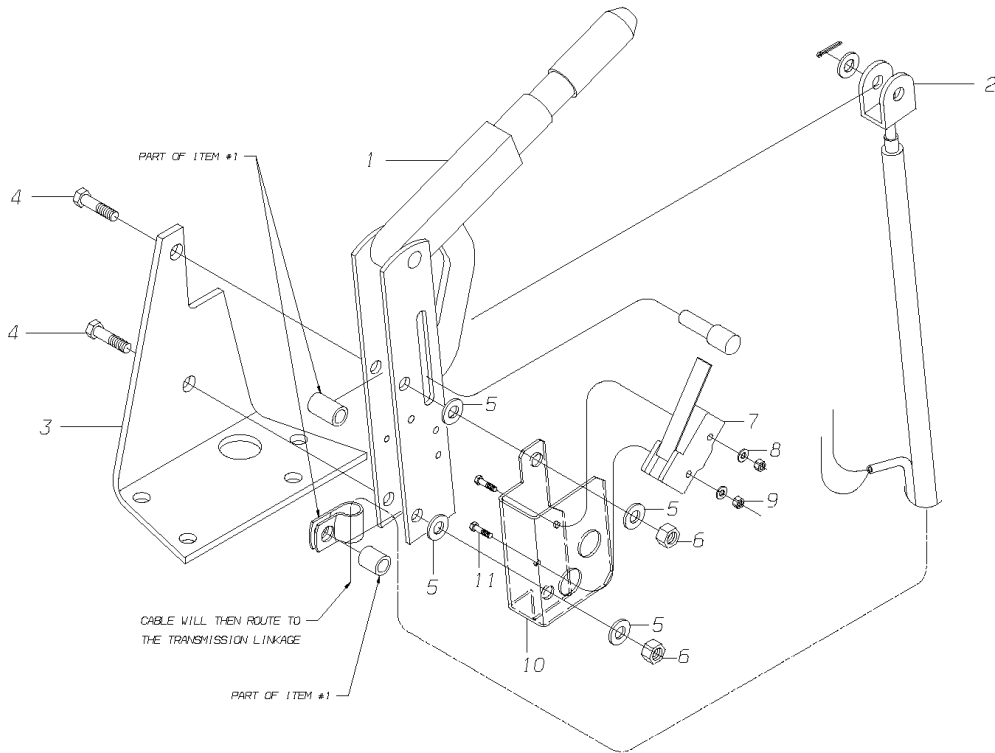


Models: A3FE, C3FE
PARKING BRAKE
AT545
With Features: FEATURE 40071
BSN: From CSN 10015970 10/26/98

Key	PartNumber	Qty	Description	Comment
1	0016666		LEVER ASSY,PARKING BRAKE,HAND OPERATED	BEGIN WITH CSN F-30044470
NI	0016307		SWITCH,MOMENTARY,SPST NC	
2	1319631	1	DRUM PARKING BRAKE	
3	1798057	1	BRAKE ASSY,PARKING,BENDIX	
4	1540400	1	SHIELD,PARKING BRAKE,TCFC	
5	1319607	1	LEVER,PARKING BRAKE ASSY,BOSCH	
6	1628296	1	YOKE,PARKING BRAKE,QBFC/TCFC	
7	1444892	1	BELLCRANK ASSY,PARKING BRAKE,TCFC	
8	1317429	1	SPACER,PARKING BRAKE LINKAGE,TCFC	
9	1317437	1	BRACKET,MTG,PARKING BRAKE LINK,TCFC	
10	1317502	1	YOKE,PARKING BRAKE,CLEVELAND 2708-3A	
11	1443258	1	SPACER,LINK,ORSCHELN 8100131	
12	1443241	1	CLAMP,CABLE,ORSCHELN 81000108	
13	1500479	1	BRACKET,MTG,PARKING BRAKE CABLE,TCFC	
14	0560748	1	WASHER,FLAT,15/32 X 1 1/2 X 3/32,HDN,BLK	
15	1319573	3	PIN,CLEVIS,5/16,CLEVELAND 2708 1/2-3A	
16	2028199	3	PIN,COTTER,1/16 X 1	
17	0826297	2	NUT,HEX HD,3/8-16 LOCK,YEL ZN DICH	
18	0870451	1	CAPSCREW,HEX HD,3/8-16X 2 1/2,GR8,	
19	0803213	2	CAPSCREW,HEX HD,3/8-16X1 1/4,GR8,YEL	
20	0801936	4	CAPSCREW,HEX HD,7/16-14X1 1/4,GR8,	
21	0803239	8	CAPSCREW,HEX HD,1/2-13 X1 1/2,GR8	
22	2001212	8	LOCKWASHER,SPLIT RING, 1/2 ,LHT,YEL ZN	
23	2001204	4	LOCKWASHER,SPLIT RING, 7/16,LHT,YEL ZN	
24	1107085	4	WASHER,FLAT,13/32 X 13/16 X 3/32,HDN,BLK	
25	0557710	1	CLAMP,LOOP,.812	
26	1032309	3	CAPSCREW,HEX HD,5/16-18X 2,GR 5,YEL ZN	
27	1167485	6	WASHER,FLAT,11/32 X 11/16 X 5/64,HDN,BLK	
28	1480433	3	NUT,HEX HD,5/16-18,FLG PRVG TORQ,GR F,	
29	1479708	1	COVER,PARKING BRAKE SWITCH	BEGIN WITH CSN 30040830

Models: **A3FE, C3FE**
PARKING BRAKE
LEVER ASSY
LH HAND OPERATED
RH MOUNTED

Key	PartNumber	Qty	Description	Comment
-----	------------	-----	-------------	---------

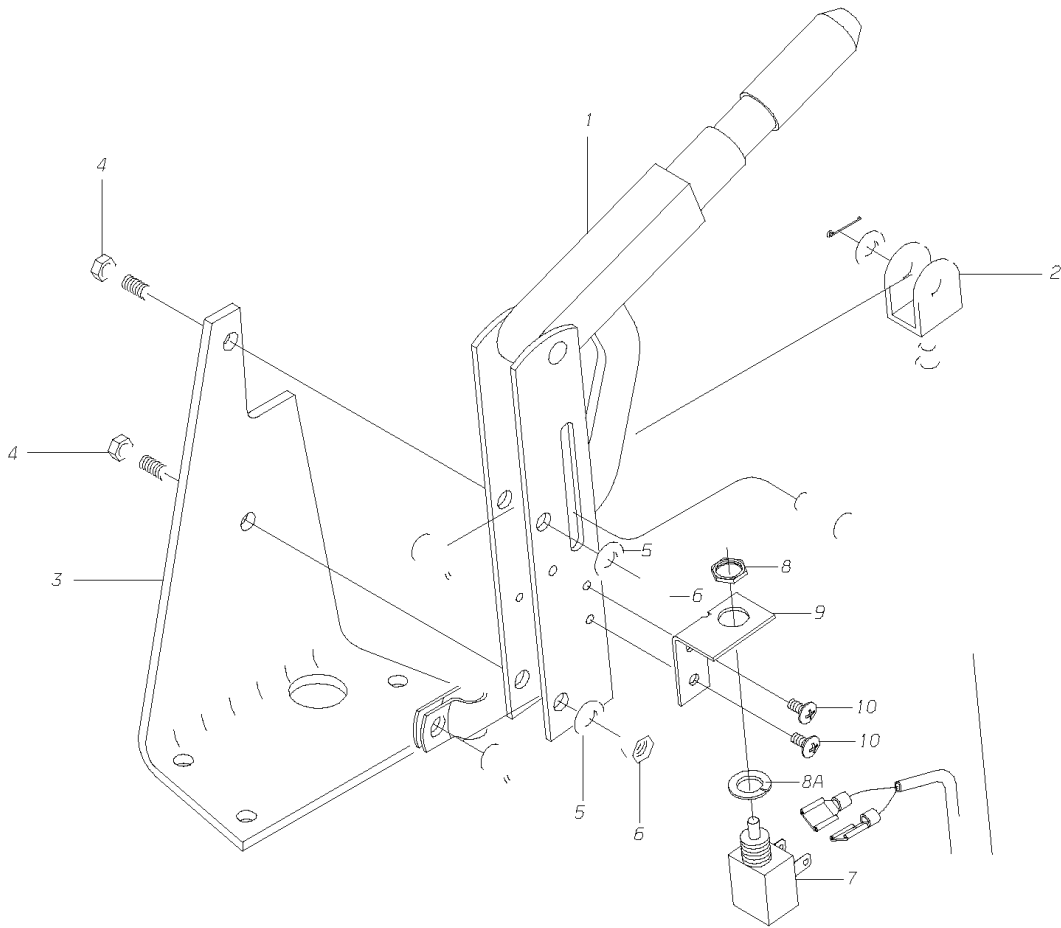


Models: **A3FE, C3FE**
PARKING BRAKE
LEVER ASSY
LH HAND OPERATED
RH MOUNTED

Key	PartNumber	Qty	Description	Comment
1	0004582		LEVER,PARKING,BRAKE,ORSCHELN,01309400,	
2	1443217		CABLE ASSY,PARK,BRK,HYDRAULIC,15611600	
3	0016665		BRACKET,MTG,HAND BRAKE LEVER,FE	
4	0899112	2	CAPSCREW,HEX HD,5/16-18X1 3/4,GR5,	
5	1167485	2	WASHER,FLAT,11/32 X 11/16 X 5/64,HDN,BLK	
6	1981844	2	NUT,HEX HD,5/16-18,LOCK,YEL DICH	
7	0060350		SWITCH,SERVICE,HYD PARK BRAKE,OMRON A	
8	2001162	2	LOCKWASHER,SPLIT RING, 3/16,MED,YEL ZN	
9	1711191	2	NUT,HEX HD,6-32,YEL ZN DICH	
10	0058334		BRACKET,SERVICE,PARK BRAKE SWITCH	
11	1711183	2	SCREW,MACH 6-32 X 1,PH1,PAN HD,YEL ZN	

Models: A3FE, CSFE, TCFE
**PARKING BRAKE
 LEVER ASSY, HAND OPERATED
 To CSN 30043334 10/31/99**

Key	PartNumber	Qty	Description	Comment
-----	------------	-----	-------------	---------

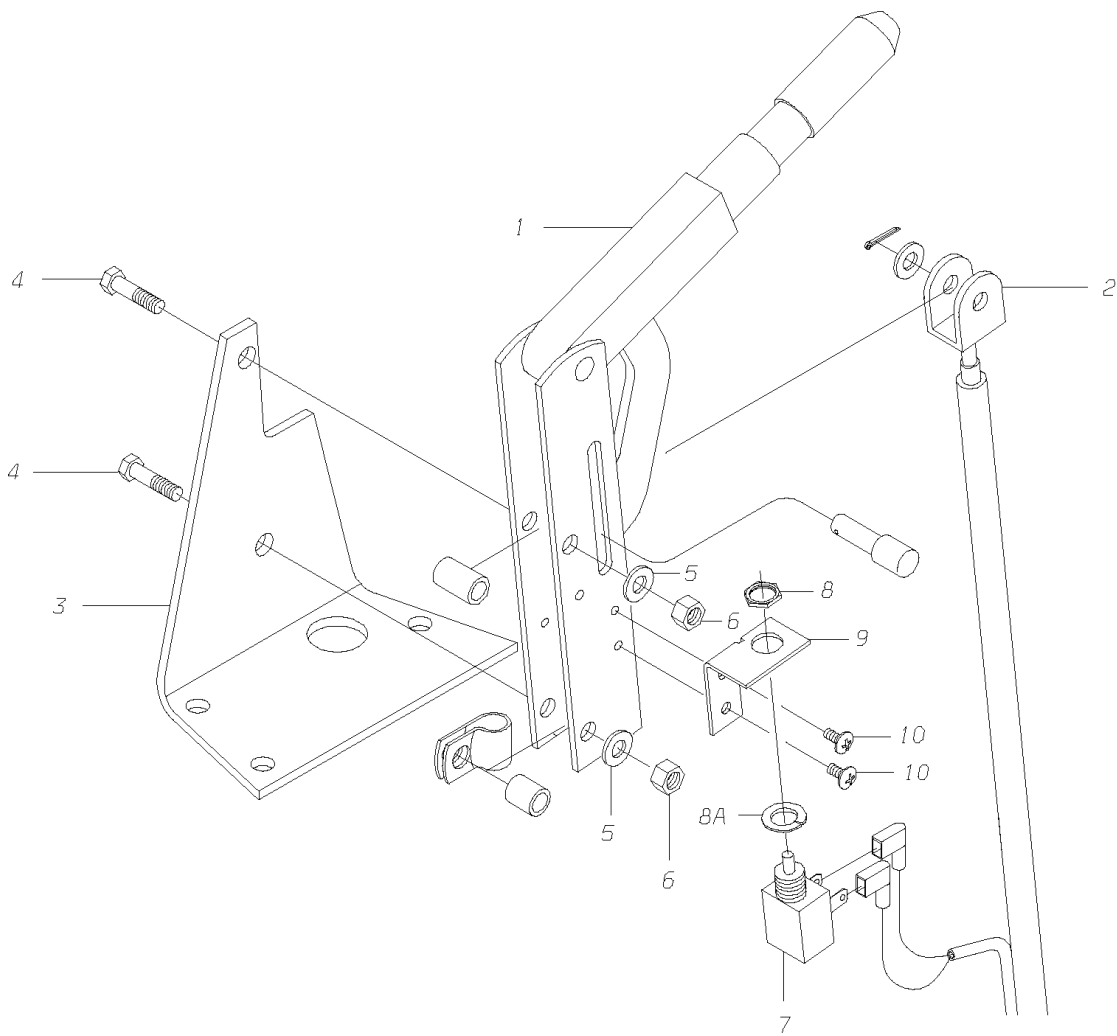


Models: **A3FE, CSFE, TCFE**
PARKING BRAKE
LEVER ASSY, HAND OPERATED
To CSN 30043334 10/31/99

Key	PartNumber	Qty	Description	Comment
1	0004582	1	LEVER,PARKING,BRAKE,ORSCHELN,01309400,	
2	1443217	1	CABLE ASSY,PARK,BRK,HYDRAULIC,15611600	
3	1500024	1	BRACKET,MTG,HAND BRAKE LEVER,HDFE	
4	0899112	2	CAPSCREW,HEX HD,5/16-18X1 3/4,GR5,	
5	1167485	2	WASHER,FLAT,11/32 X 11/16 X 5/64,HDN,BLK	
6	0829390	2	NUT,HEX HD,5/16-18,SER WASHER,YEL ZN	
7	0016307	1	SWITCH,MOMENTARY,SPST NC	
8		1	NPN SUPPLIED WITH ITEM NO. 7	
8A		1	NPN SUPPLIED WITH ITEM NO. 7	
9	0004281	1	BRACKET,MTG,PARK BRAKE SWITCH,HD	
10	1334689	2	SCREW,10-32 X 3/8,F,PH1,PAN HD,YEL ZN	

Models: A3FE, C1FE, C3FE, CSFE, TCFE
**PARKING BRAKE
 LEVER ASSY, HAND OPERATED**
BSN: From CSN 30043335 11/01/99

Key	PartNumber	Qty	Description	Comment
-----	------------	-----	-------------	---------



Models: A3FE, C1FE, C3FE, CSFE, TCFE
PARKING BRAKE
LEVER ASSY, HAND OPERATED
BSN: From CSN 30043335 11/01/99


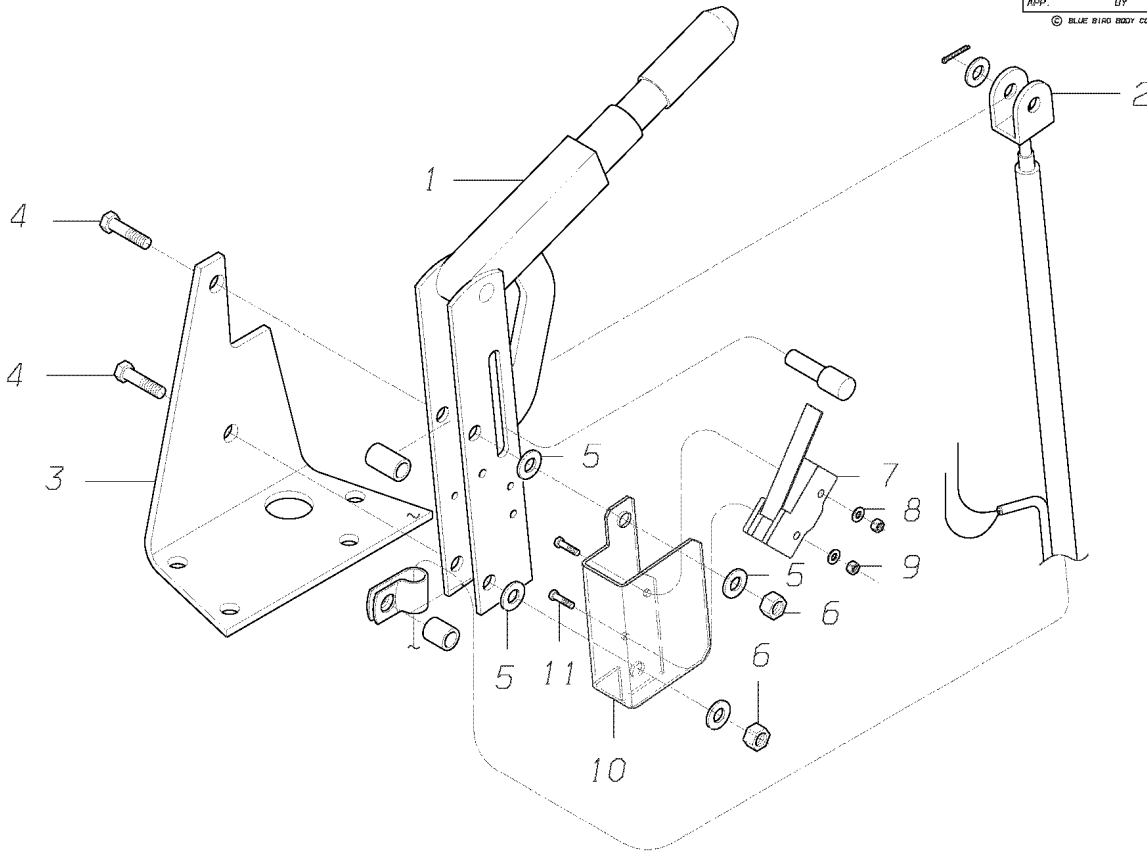
Key	PartNumber	Qty	Description	Comment
1	0004582	1	LEVER,PARKING,BRAKE,ORSCHELN,01309400,	
2	1443217	1	CABLE ASSY,PARK,BRK,HYDRAULIC,15611600	
3	0016665	1	BRACKET,MTG,HAND BRAKE LEVER,FE	
4	0899112	2	CAPSCREW,HEX HD,5/16-18X1 3/4,GR5,	
5	1167485	2	WASHER,FLAT,11/32 X 11/16 X 5/64,HDN,BLK	
6	0829390	2	NUT,HEX HD,5/16-18,SER WASHER,YEL ZN	
7	0016307	1	SWITCH,MOMENTARY,SPST NC	
8		1	NPN SUPPLIED WITH ITEM NO. 7	
8A		1	NPN SUPPLIED WITH ITEM NO. 7	
9	0004281	1	BRACKET,MTG,PARK BRAKE SWITCH,HD	
10	1334689	2	SCREW,10-32 X 3/8,F,PH1,PAN HD,YEL ZN	

Models: **A3FE, C3FE**
PARKING BRAKE
LEVER ASSY, RH HAND OPERATED, RH MOUNTED

Key	PartNumber	Qty	Description	Comment
-----	------------	-----	-------------	---------

DR. 07-08-04	BY MR		0075844	
APP.	UY	FRT		REV

© BLUE BIRD BODY COMPANY. ALL RIGHTS RESERVED

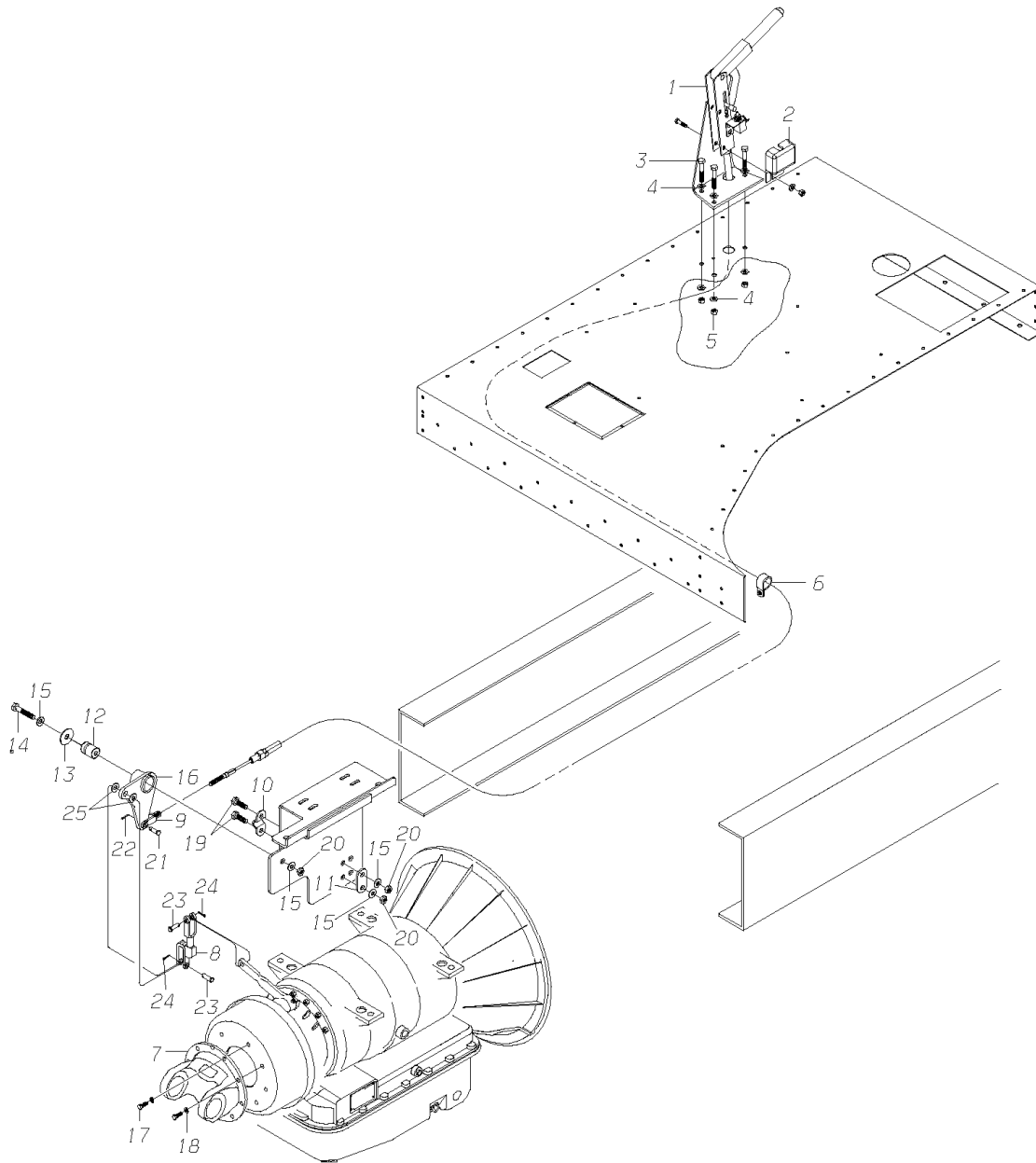



Models: **A3FE, C3FE**
PARKING BRAKE
LEVER ASSY, RH HAND OPERATED, RH MOUNTED

Key	PartNumber	Qty	Description	Comment
1	0004582		LEVER,PARKING,BRAKE,ORSCHELN,01309400,	
2	0075845		CABLE,ASSY,PARK BRK,HYDRAULIC,W/40049	
3	0016665		BRACKET,MTG,HAND BRAKE LEVER,FE	
4	0899112	2	CAPSCREW,HEX HD,5/16-18X1 3/4,GR5,	
5	1167485	2	WASHER,FLAT,11/32 X 11/16 X 5/64,HDN,BLK	
6	0829390	2	NUT,HEX HD,5/16-18,SER WASHER,YEL ZN	
7	0060350		SWITCH,SERVICE,HYD PARK BRAKE,OMRON A	
8	2001162	2	LOCKWASHER,SPLIT RING, 3/16,MED,YEL ZN	
9	1711191	2	NUT,HEX HD,6-32,YEL ZN DICH	
10	0058334		BRACKET,SERVICE,PARK BRAKE SWITCH	
11	1711183	2	SCREW,MACH 6-32 X 1,PH1,PAN HD,YEL ZN	

Models: A3FE, C3FE
PARKING BRAKE
 MD3060
With Features: FEATURE 40071
BSN: From CSN 11/04

Key	PartNumber	Qty	Description	Comment
-----	------------	-----	-------------	---------



Models: A3FE, C3FE
PARKING BRAKE
MD3060
With Features: FEATURE 40071
BSN: From CSN 11/04

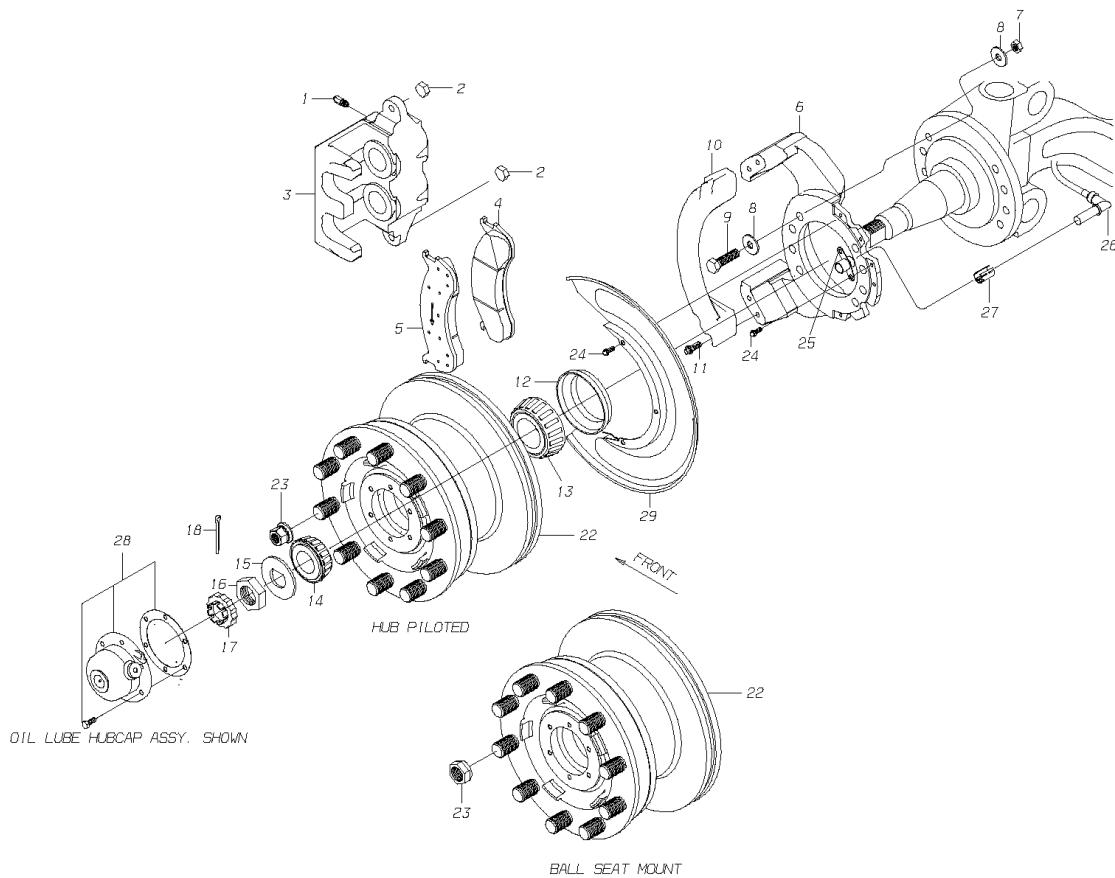
Key	PartNumber	Qty	Description	Comment
1	0004581		LEVER ASSY,PARKING BRAKE,HAND OPERATED	ENDING WITH CSN 10/31/99
1	0016666		LEVER ASSY,PARKING BRAKE,HAND OPERATED	FROM CSN 11/01/99 TO CSN 10/31/04
1	0076785		LEVER,ASSY,PARKING BRAKE,LH OPERATED	BEGIN WITH CSN 11/01/04
1	0075844		LEVER,ASSY,PARK BRK,HAND OPER,W/40049	WITH FEATURE 40049-03 BEGIN WITH CSN 11/01/04
NI	0016307		SWITCH,MOMENTARY,SPST NC	ENDING 7-18-04
2	1479708		COVER,PARKING BRAKE SWITCH	
3	1032309	3	CAPSCREW,HEX HD,5/16-18X 2,GR 5,YEL ZN	
4	1167485	6	WASHER,FLAT,11/32 X 11/16 X 5/64,HDN,BLK	
5	1480433	3	NUT,HEX HD,5/16-18,FLG PRVG TORQ,GR F,	
6	0557710		CLAMP,LOOP,.812	WITHOUT FEATURE 40049-03
7	1926633		YOKE,FLANGE,5-2-709,1710 FACE & 1610	WITH ALL EXCEPT 40187 -13
7	0003423		YOKE,FLANGE,1710,6.438 PILOT	WITH 40187-13 ONLY
8	1927938		YOKE,FINAL ASSY,W/PRKG BRK & MD3060	
9	1317502		YOKE,PARKING BRAKE,CLEVELAND 2708-3A	
10	1443241		CLAMP,CABLE,ORSCHLN 81000108	
11	1443258		SPACER,LINK,ORSCHLN 8100131	
12	1317429		SPACER,PARKING BRAKE LINKAGE,TCFC	
13	0560748		WASHER,FLAT,15/32 X 1 1/2 X 3/32,HDN,BLK	
14	0870451		CAPSCREW,HEX HD,3/8-16X 2 1/2,GR8,	
15	1107085	4	WASHER,FLAT,13/32 X 13/16 X 3/32,HDN,BLK	
16	1926088		BELLCRANK ASSY,PARKING BRAKE,MD3060,	
17	1139591	8	CAPSCREW,HEX HD,3/8-24X1 1/2,GR8,YEL	
18	0882795	8	LOCKWASHER,SPLIT RING,3/8,MED,YELLOW	
19	0803213	2	CAPSCREW,HEX HD,3/8-16X1 1/4,GR8,YEL	
20	0826297	2	NUT,HEX HD,3/8-16 LOCK,YEL ZN DICH	
21	1319573		PIN,CLEVIS,5/16,CLEVELAND 2708 1/2-3A	
22	2008860		PIN,COTTER,3/32 X 1,YEL ZN DICH	
23	2008845	2	PIN,CLEVIS,1/2 DIA X 1 15/16,YEL ZN DICH	
24	2008878	2	PIN,COTTER,DRIVERS SEAT,1/8X1 1/2	
25	1003045	6	WASHER,FLAT,17/32 X 1 1/16 X 7/64,HDN,	
26	0971978		NUT,HEX HD,5/16,YELLOW DICHROMATE	
27	1926054		BRACKET ASSY,MOUNTING,PARK BRAKE,	
28	1165265		WASHER,FLAT,9/16,X 1 3/8 X 7/64,YEL ZNDICH	

Models: A3FE, C3FE
PARKING BRAKE
MD3060
With Features: FEATURE 40071
BSN: From CSN 11/04

Key	PartNumber	Qty	Description	Comment
29	0803148	2	CAPSCREW,HEX HD,1/2-13 X 1 3/4,GR8,	
30	0850800	2	NUT,HEX HD,1/2-13,LOCKING,GR 8,CAD WAX	
31	1501097		BRACKET,ATCH,BRAKE LINE TO FRAME	<i>WITHOUT FEATURE 40049-03</i>
32	0056715		CAPSCREW,HEX HD,5/16-18 X 1 1/4,GR5,	<i>WITHOUT FEATURE 40049-03</i>
33	1465954		NUT,HEX HD,5/16-18,LK,NYLON INSERT,YEL	<i>WITHOUT FEATURE 40049-03</i>
34	1674811	5	TIE,CABLE,NYLON,PANDUIT NO. PTL2I-C30	
35	2051902		SEALANT,SILICONE,BLACK,CARTRIDGE	

Models: A3FE
WHEEL END COMPONENTS
FRONT, HUB PILOTED DISC WHEELS
I-120, I-146, BOSCH
With Features: FEATURE 40071-03
BSN: From CSN 30062305 06/05/00
 To CSN 30046775 11/04/01

Key	PartNumber	Qty	Description	Comment
-----	------------	-----	-------------	---------



Models: A3FE
WHEEL END COMPONENTS
FRONT, HUB PILOTED DISC WHEELS
I-120, I-146, BOSCH
With Features: FEATURE 40071-03
BSN: From CSN 30062305 06/05/00
 To CSN 30046775 11/04/01

Key	PartNumber	Qty	Description	Comment
1	2161024	2	SCREW,BLEEDER I-108 & I-120	
2	0006655	4	CAPSCREW,HEX HD,M12X1.75-6G X30MM,	
3	0006388	2	CALIPER ASSY,HYD,PIN SLIDER 73MM	
4	0006392	2	SHOE & LINING ASSY,HYD,BOSCH 73 MM,RH	
5	0006391	2	SHOE & LINING ASSY,HYD,BOSCH,73 MM,LH	
6	0006383	1	PLATE ASSY,ANCHOR,STEER,RH,PIN	
6	0006384	1	PLATE ASSY,ANCHOR,STEER,LH,PIN	
7	0929000	16	NUT,HEX HD,5/8-18,LOCKING,GR 8,CADMIUM	
8	0929018	32	WASHER,FLAT,21/32 X 1 1/8 X 3/32,HDN,YEL	
9	1998400	16	CAPSCREW,HEX HD,5/8-18X2.25,GR8,YZD,	
10	0006389	2	TIE BAR,ANCHOR PLATE,73MM HYD BRAKE	
11	0006657	8	CAPSCREW,EXT TORX,M10-1.5-6GX25MM,J1199	
12	1391572	2	SEAL,INNER,FRONT	
13	0929406	2	BEARING,INNER,FRONT AXLE,TIMKEN	
14	0929414	2	BEARING,OUTER,FRONT AXLE	
15	1442771	2	WASHER, SPINDLE, SPICER, 1-120	
16	1442789	2	NUT,SPINDLE,SPICER I-120	
17	1442797	2	LOCKNUT,SPICER I-120	
18	1446590	2	PIN,COTTER,I-120 AXLE	
*2	0015168	2	HUB & ROTOR ASSY,ST,HUB PILOTED,	NOT AVAILABLE AS AN ASSEMBLY
*2	0015169	2	HUB & ROTOR ASSY,ST,HUB PILOTED,	NOT AVAILABLE AS AN ASSEMBLY
NI	0022324	2	HUB AND CUP ASSY,FRONT,W/O STUDS BOSCH	
NI	2600179	2	CUP,OUTER WHEEL BEARING	
NI	2593093	2	CUP,WHEEL BEARING,INNER	
NI	0022344	10	STUD,SERRATED,M22 X 1.5	STEEL WHEELS
NI	8305344	10	STUD,SERRATED,M22 X 1.5	ALUMINUM WHEELS
NI	0022336	2	ROTOR,FRONT,DISC BRAKE,ABS,BOSCH 73MM	
NI	0022337	20	SCREW,FLANGE,SCREW,9/16-18 BOSCH	
NI	4317079	20	FLANGE,CAPNUT,22MM"	
23	0008269	20	PLUG,PVC,1 INCH MIPT,NIBCO 450-010	
24	0006656	4	CAPSCREW,EXTERNAL TORX,5/16-18X.50,SAE	FEATURE 40076-03- ABS
25	0006390	2	BRACKET ASSY,MTG,SENSOR,HYDRAULIC	FEATURE 40076-03- ABS
26	0006679	2	SENSOR,ABS,90 DEGREE,HYD BRK	FEATURE 40076-03- ABS
				FEATURE 40049-01- DUSTSHIELD

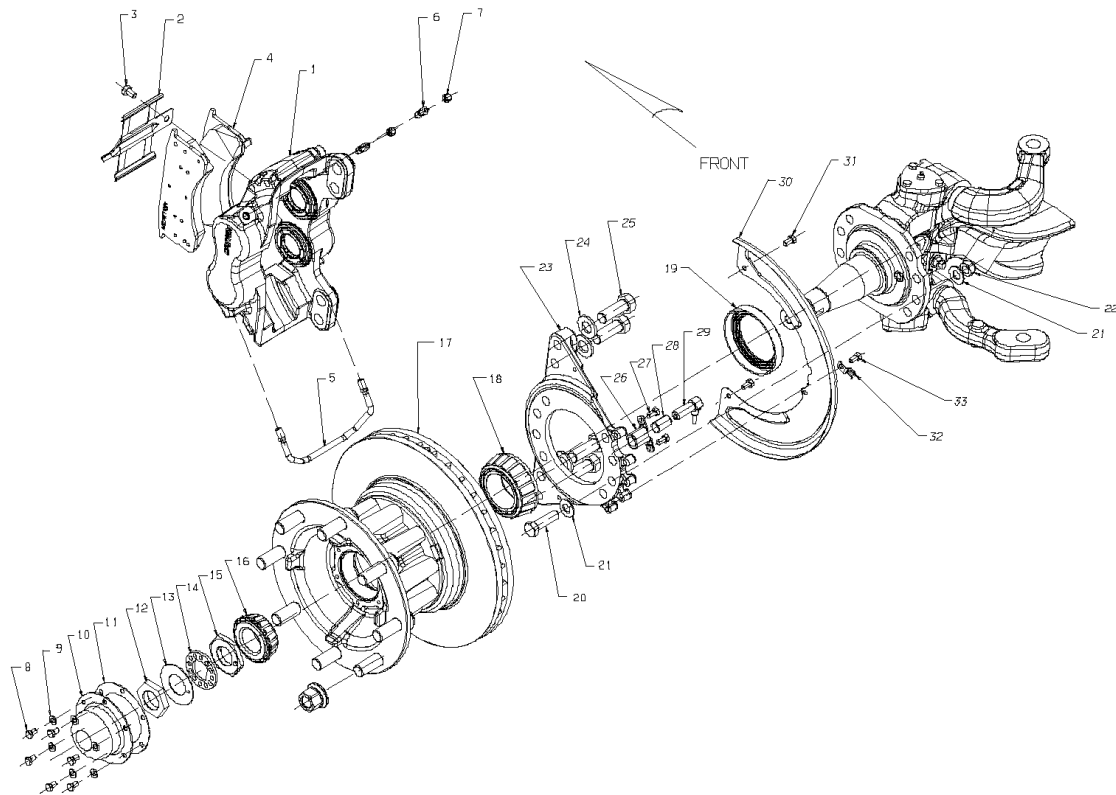
Models: A3FE
WHEEL END COMPONENTS
FRONT, HUB PILOTED DISC WHEELS
I-120, I-146, BOSCH

With Features: FEATURE 40071-03
BSN: From CSN 30062305 06/05/00
 To CSN 30046775 11/04/01

Key	PartNumber	Qty	Description	Comment
27	1542471	2	SLEEVE,CLAMP,NOTCHED,HUB SENSOR,ABS	
28	0014891	2	HUBCAP ASSY,STEER AXLE,GREASE,4.50 B.C.	FEATURE 40048-01 -GREASE
28	0014892	2	HUBCAP ASSY,STEER AXLE,OIL LUBE,4.50 B.C.	FEATURE 40048-02,03, OIL
28	1553601	2	HUBCAP,FRONT,W/GASKET,C/R1743	FEATURE 40048-02,03, SYNTHETIC OIL - SPOKE WHEEL ONLY
29	0006382	2	DUSTSHIELD,HYDRAULIC BRAKE, 73MM	FEATURE 40049-01- DUSTSHIELD

Models: A3FE, C3FE, CSFE, TCFE
WHEEL END COMPONENTS
FRONT, HUB PILOTED DISC WHEELS
MERITOR, ALUMN WHEELS
BSN: From CSN 30046776 11/05/01

Key	PartNumber	Qty	Description	Comment
-----	------------	-----	-------------	---------



Models: A3FE, C3FE, CSFE, TCFE
WHEEL END COMPONENTS
FRONT, HUB PILOTED DISC WHEELS
MERITOR, ALUMN WHEELS
BSN: From CSN 30046776 11/05/01

Key	PartNumber	Qty	Description	Comment
1	0046191	1	CALIPER ASSY,LESS PADS,LH,70 MM,DAYTON"	
1	0046193	1	CALIPER ASSY,LESS PADS,RH,70 MM,DAYTON	
NI	0046184		PISTON,70 MM,DAYTON"	70MM
NI	0046186		BOOT & SEAL,70 MM,DAYTON"	70MM
			CALIPER ASSEMBLY, 64MM	
	0046190	1	CALIPER ASSY,LESS PADS,LH,64 MM,DAYTON	
	0046192	1	CALIPER ASSY,LESS PADS,RH,64MM,DAYTON"	
NI	0046183		PISTON,64 MM,DAYTON	64MM
NI	0046185		BOOT & SEAL,64 MM,DAYTON"	64MM
2			KIT, SPRING, RETENTION	
3			KIT, SCREW, SPRING, RETENTION	
NI	0046187	2	KIT,HARWARE,64/70 MM,DAYTON"	INCLUDES ITEMS 2, 3
4	0046182	2	PADS,BRAKE,64/70 MM,DAYTON"	
4	0066148	2	PAD,BRAKE,KIT,HYD DISC,769 PREM,BENDIX	
5	0046189	2	TUBE,CALIPER,CROSSOVER,64/70 MM,DAYTON"	
6	0046188	4	BLEEDER SCREW,64/70 MM,DAYTON"	
7			KIT, CAP, SCREW, BLEEDER	
8			KIT, CAPSCREW, HUBCAP	
9			KIT, LOCKWASHER, SPLIT RING	
10			KIT, HUBCAP	
	0014891	2	HUBCAP ASSY,STEER AXLE,GREASE,4.50 B.C.	
	0014892	2	HUBCAP ASSY,STEER AXLE,OIL LUBE,4.50 B.C.	
11	2602449	2	GASKET,FRONT HUBCAP,RKWL	
12			KIT, NUT, SPINDLE, OUTER	
13			KIT, WASHER, SPINDLE, OUTER	
14			KIT, WASHER, SPINDLE, INNER	
15			KIT, NUT, SPINDLE, INNER	
NI	0048519	2	KIT,4 PIECE WHEEL END,MERITOR	
16	0929414	2	BEARING,OUTER,FRONT AXLE	
17	0044668		HUB & ROTOR(NOT SERVICED AS AN ASSY)	
NI	0044682	1	HUB & CUP ASSY,DAYTON 515910,ALUMN WHLS	
NI	2593093	1	CUP,WHEEL BEARING,INNER	
NI	2600179	1	CUP,OUTER WHEEL BEARING	

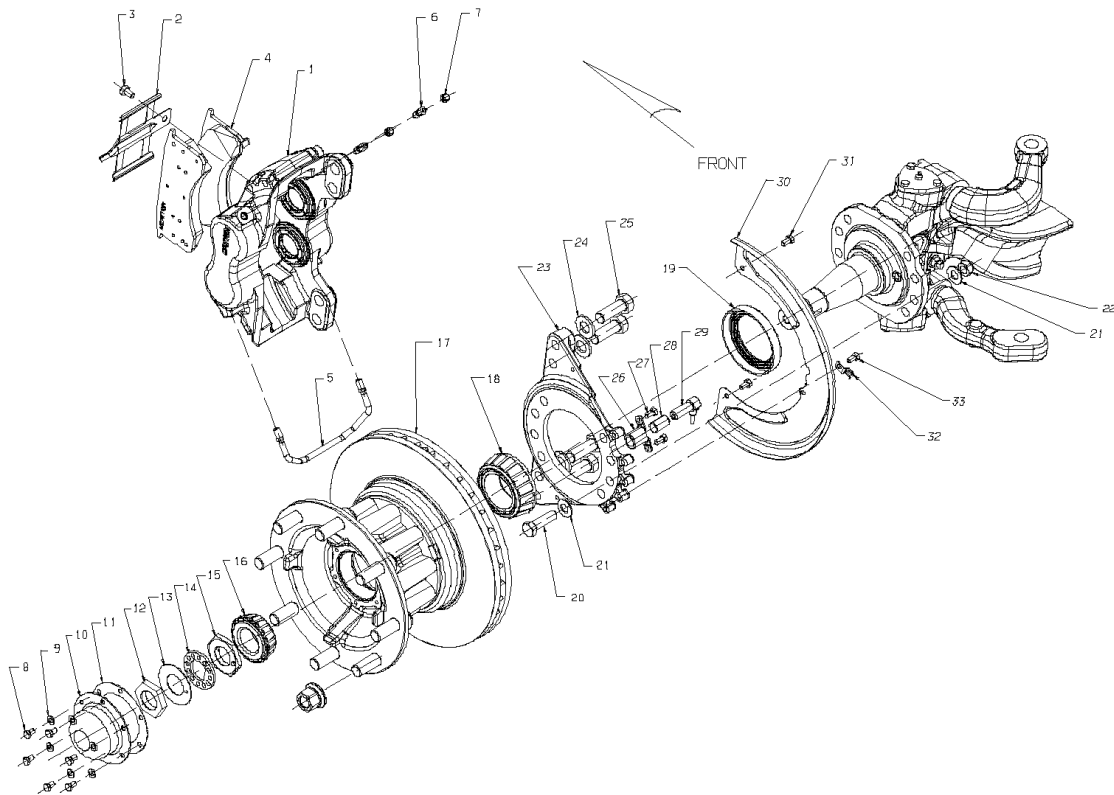
Models: A3FE, C3FE, CSFE, TCFE
WHEEL END COMPONENTS
FRONT, HUB PILOTED DISC WHEELS
MERITOR, ALUMN WHEELS
BSN: From CSN 30046776 11/05/01

Key	PartNumber	Qty	Description	Comment
NI	0044637	10	STUD,SERRATED,M22 X 1.5-6G	
NI	0044651	10	CAPNUT,FLANGED,M22,MERITOR	
NI	0044646	1	ROTOR,SERVICE,COATED,FRONT,MERITOR	
18	0929406	2	BEARING,INNER,FRONT AXLE,TIMKEN	
19	0044733	2	SEAL,INNER,OIL"	
20	0044783	16	CAPSCREW	
21	0929018	32	WASHER,FLAT,21/32 X 1 1/8 X 3/32,HDN,YEL	
22	2596591	16	NUT	
23	0044723	1	PLATE,TORQUE,LH"	
23	0044724	1	PLATE,TORQUE,RH"	
24	0044737	8	WASHER	
25	0044736	8	CAPSCREW	
26	0006390	2	BRACKET ASSY,MTG,SENSOR,HYDRAULIC	
27	0006656	4	CAPSCREW,EXTERNAL TORX,5/16-18X.50,SAE	
28	1542471	2	SLEEVE,CLAMP,NOTCHED,HUB SENSOR,ABS	
29	0006679	2	SENSOR,ABS,90 DEGREE,HYD BRK	
30	0044780	2	DUSTSHIELD,HYDRAULIC BRAKES	
31	0044779	4	CAPSCREW	
32	0044781	2	CLIP	
33	0044779	2	CAPSCREW	

Models: A3FE, C3FE, CSFE, TCFE
WHEEL END COMPONENTS
FRONT, HUB PILOTED DISC WHEELS
MERITOR, STEEL WHEELS

BSN: From CSN 30046776 11/05/01

Key	PartNumber	Qty	Description	Comment
-----	------------	-----	-------------	---------



Models: A3FE, C3FE, CSFE, TCFE
WHEEL END COMPONENTS
FRONT, HUB PILOTED DISC WHEELS
MERITOR, STEEL WHEELS
BSN: From CSN 30046776 11/05/01

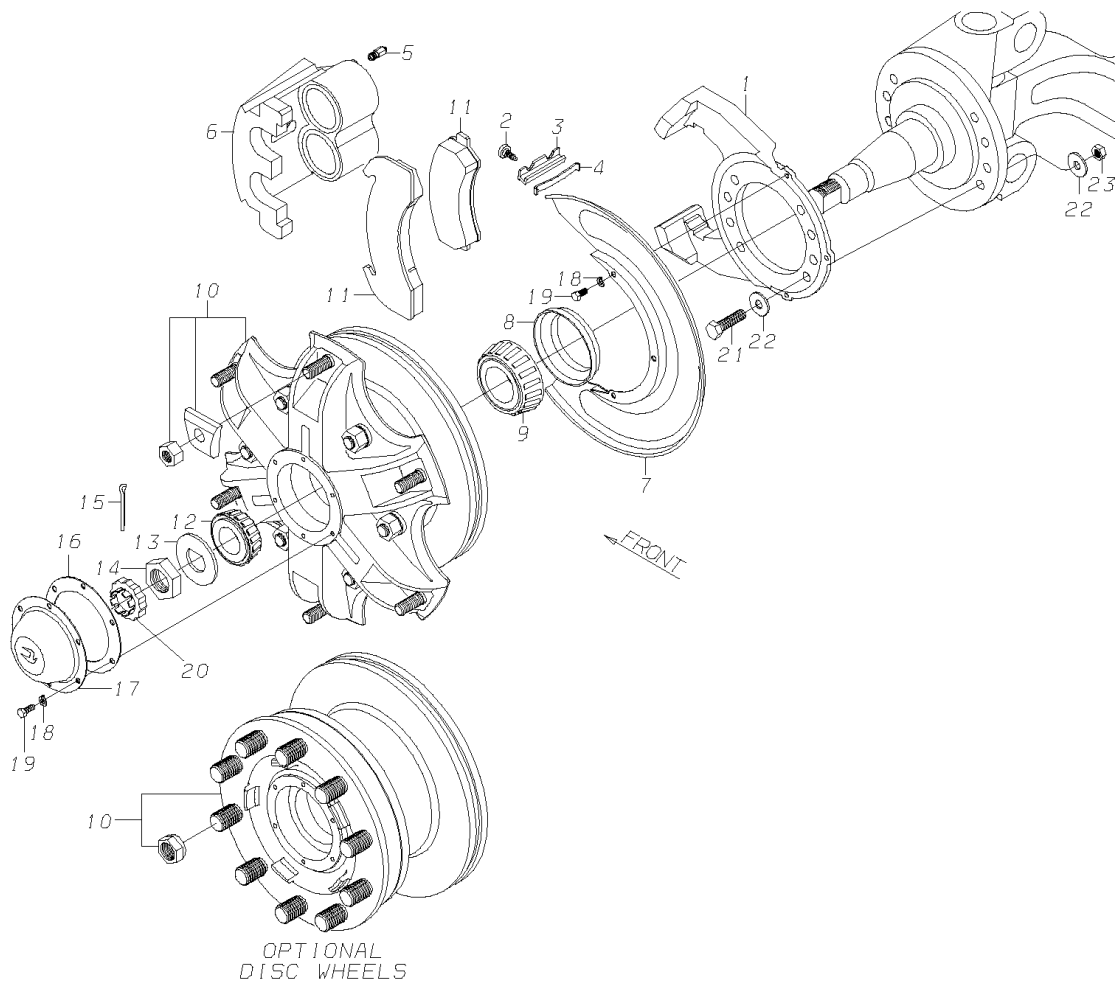
Key	PartNumber	Qty	Description	Comment
1	0046191	1	CALIPER ASSY,LESS PADS,LH,70 MM,DAYTON"	
1	0046193	1	CALIPER ASSY,LESS PADS,RH,70 MM,DAYTON	
NI	0046184		PISTON,70 MM,DAYTON"	70MM
NI	0046186		BOOT & SEAL,70 MM,DAYTON"	70MM
			CALIPER ASSEMBLY, 64MM	
	0046190	1	CALIPER ASSY,LESS PADS,LH,64 MM,DAYTON	
	0046192	1	CALIPER ASSY,LESS PADS,RH,64MM,DAYTON"	
NI	0046183		PISTON,64 MM,DAYTON	64MM)
NI	0046185		BOOT & SEAL,64 MM,DAYTON"	64MM
2			KIT, SPRING, RETENTION	
3			KIT, SCREW, SPRING, RETENTION	
NI	0046187	2	KIT,HARWARE,64/70 MM,DAYTON"	INCLUDES ITEMS 2, 3
4	0046182	2	PADS,BRAKE,64/70 MM,DAYTON"	
4	0066148	2	PAD,BRAKE,KIT,HYD DISC,769 PREM,BENDIX	
5	0046189	2	TUBE,CALIPER,CROSSOVER,64/70 MM,DAYTON"	
6	0046188	4	BLEEDER SCREW,64/70 MM,DAYTON"	
7			KIT, CAP, SCREW, BLEEDER	
8			KIT, CAPSCREW, HUBCAP	
9			KIT, LOCKWASHER, SPLIT RING	
10			KIT, HUBCAP	
	0014891	2	HUBCAP ASSY,STEER AXLE,GREASE,4.50 B.C.	
	0014892	2	HUBCAP ASSY,STEER AXLE,OIL LUBE,4.50 B.C.	
11	2602449	2	GASKET,FRONT HUBCAP,RKWL	
12			KIT, NUT, SPINDLE, OUTER	
13			KIT, WASHER, SPINDLE, OUTER	
14			KIT, WASHER, SPINDLE, INNER	
15			KIT, NUT, SPINDLE, INNER	
NI	0048519	2	KIT,4 PIECE WHEEL END,MERITOR	
16	0929414	2	BEARING,OUTER,FRONT AXLE	
17	0043895		HUB AND ROTOR ASSY,STEER,STEEL WHEELS	
NI	0044681	1	HUB & CUP ASSY,DAYTON 515910,STL WHLS"	
NI	2593093	1	CUP,WHEEL BEARING,INNER	
NI	2600179	1	CUP,OUTER WHEEL BEARING	

Models: A3FE, C3FE, CSFE, TCFE
WHEEL END COMPONENTS
FRONT, HUB PILOTED DISC WHEELS
MERITOR, STEEL WHEELS
BSN: From CSN 30046776 11/05/01

Key	PartNumber	Qty	Description	Comment
NI	0044641	10	STUD,SERRATED,M22 X 1.5-6G	
NI	0044651	10	CAPNUT,FLANGED,M22,MERITOR	
NI	0044646	1	ROTOR,SERVICE,COATED,FRONT,MERITOR	
18	0929406	2	BEARING,INNER,FRONT AXLE,TIMKEN	
19	0044733	2	SEAL,INNER,OIL"	
20	0044783	16	CAPSCREW	
21	0929018	32	WASHER,FLAT,21/32 X 1 1/8 X 3/32,HDN,YEL	
22	2596591	16	NUT	
23	0044723	1	PLATE,TORQUE,LH"	
23	0044724	1	PLATE,TORQUE,RH"	
24	0044737	8	WASHER	
25	0044736	8	CAPSCREW	
26	0006390	2	BRACKET ASSY,MTG,SENSOR,HYDRAULIC	
27	0006656	4	CAPSCREW,EXTERNAL TORX,5/16-18X.50,SAE	
28	1542471	2	SLEEVE,CLAMP,NOTCHED,HUB SENSOR,ABS	
29	0006679	2	SENSOR,ABS,90 DEGREE,HYD BRK	
30	0044780	2	DUSTSHIELD,HYDRAULIC BRAKES	
31	0044779	4	CAPSCREW	
32	0044781	2	CLIP	
33	0044779	2	CAPSCREW	

Models: A3FE
WHEEL END COMPONENTS
FRONT, STUD PILOTED DISC WHEELS
I-120, BENDIX
With Features: FEATURE 40071-01
BSN: From CSN 30006615 06/15/98
 To CSN 30058680 04/30/00

Key	PartNumber	Qty	Description	Comment
-----	------------	-----	-------------	---------



Models: A3FE
WHEEL END COMPONENTS
FRONT, STUD PILOTED DISC WHEELS
I-120, BENDIX
With Features: FEATURE 40071-01
BSN: From CSN 30006615 06/15/98
 To CSN 30058680 04/30/00

Key	PartNumber	Qty	Description	Comment
1	1494129	1	PLATE,ANCHOR,REAR,RH	STANDARD RH
1	1494137	1	PLATE,ANCHOR,REAR,LH	STANDARD LH
2	2161040	2	SCREW,SOCKET HD,I-108 & I-120	
3	2161057	2	KEY,CALIPER SUPPORT I-108 & I-120	KEY, CALIPER SUPPORT
4	2161065	2	SPRING,COMPRESSION,I-108 & I-120	
5	2161024	2	SCREW,BLEEDER I-108 & I-120	
6	2157675	2	CALIPER ASSY,FRT & RR TC2000	
7	2160927	2	SHIELD,DUST,BRAKE,I-108 & I-120	OPTION 40049-01
8	1391572	2	SEAL,INNER,FRONT	
9	0929406	2	BEARING,INNER,FRONT AXLE,TIMKEN	
10		2	HUB AND ROTOR ASSEMBLY	
NI	8314213	1	HUB & CUP ASSY,W/TONE RING,FRONT,W/ABS,	WITH CUPS
NI	2600179	1	CUP,OUTER WHEEL BEARING	
NI	2593093	1	CUP,WHEEL BEARING,INNER	
NI		10	OUTER CAPNUT	
	8314353	10	CAP NUT,3/4-16 LH WEBB 178737"	
	8314361	10	CAP NUT,3/4-16 RH WEBB 178736"	
	0005401	10	CAPNUT,OUTER,3/4-16 L.H.	
	0005400	10	CAPNUT,OUTER 3/4-16 R.H.	
NI	1460146	10	STUD,SHOULDER,LH,WEBB	
NI	1460138	10	STUD,SHOULDER,RH,WEBB	
NI	1459866	10	WASHER,FLAT,3/4,WEBB	
NI	1459940		NUT,LOCK,3/4-16,WEBB	
NI	1459957	1	ROTOR,DISC BRAKE,HUB WHEEL,WEBB	
11	4312161	1	KIT,BRAKE LINING I-108,I-120,F120S,J190S	
12	0929414	2	BEARING,OUTER,FRONT AXLE	
13	1442771	2	WASHER, SPINDLE, SPICER, 1-120	
14	1442789	2	NUT,SPINDLE,SPICER I-120	
15	1446590	2	PIN,COTTER,I-120 AXLE	
16	0998484	2	GASKET,FRONT HUBCAP	
17	1444652		HUBCAP,STEERING AXLE,GREASE LUBRICATED	STANDARD
17	1553601		HUBCAP,FRONT,W/GASKET,C/R1743	FEATURE 40048
18	2001188	12	LOCKWASHER,SPLIT RING, 5/16,MED,YEL ZN	

Models: A3FE
WHEEL END COMPONENTS
FRONT, STUD PILOTED DISC WHEELS
I-120, BENDIX

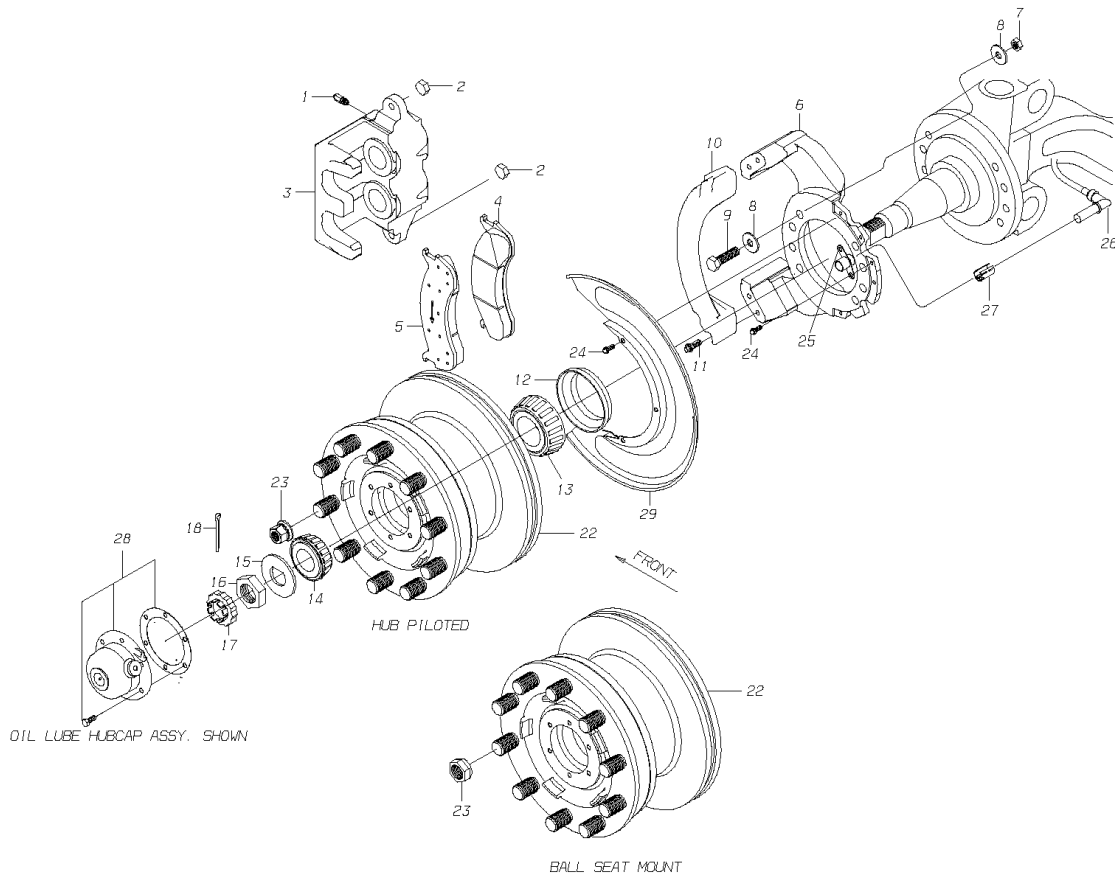
With Features: FEATURE 40071-01
BSN: From CSN 30006615 06/15/98
 To CSN 30058680 04/30/00

Key	PartNumber	Qty	Description	Comment
19	2028280	12	CAPSCREW,HEX HD,5/16-18X5/8,GR5,YEL ZN	
20	1442797	2	LOCKNUT,SPICER I-120	
21	1998400	16	CAPSCREW,HEX HD,5/8-18X2.25,GR8,YZD,	
22	0929018	32	WASHER,FLAT,21/32 X 1 1/8 X 3/32,HDN,YEL	
23	0929000	16	NUT,HEX HD,5/8-18,LOCKING,GR 8,CADMIUM	

Models: A3FE
WHEEL END COMPONENTS
FRONT, STUD PILOTED DISC WHEELS
I-120, I-146, BOSCH

With Features: FEATURE 40071-03
BSN: From CSN 30062305 06/05/00
 To CSN 30079479 01/21/01

Key	PartNumber	Qty	Description	Comment
-----	------------	-----	-------------	---------



Models: A3FE
WHEEL END COMPONENTS
FRONT, STUD PILOTED DISC WHEELS
I-120, I-146, BOSCH

With Features: FEATURE 40071-03
BSN: From CSN 30062305 06/05/00
 To CSN 30079479 01/21/01

Key	PartNumber	Qty	Description	Comment
1	2161024	2	SCREW,BLEEDER I-108 & I-120	
2	0006655	4	CAPSCREW,HEX HD,M12X1.75-6G X30MM,	
3	0006388	2	CALIPER ASSY,HYD,PIN SLIDER 73MM	
4	0006392	2	SHOE & LINING ASSY,HYD,BOSCH 73 MM,RH	
5	0006391	2	SHOE & LINING ASSY,HYD,BOSCH,73 MM,LH	
6	0006383	1	PLATE ASSY,ANCHOR,STEER,RH,PIN	
6	0006384	1	PLATE ASSY,ANCHOR,STEER,LH,PIN	
7	0929000	16	NUT,HEX HD,5/8-18,LOCKING,GR 8,CADMIUM	
8	0929018	32	WASHER,FLAT,21/32 X 1 1/8 X 3/32,HDN,YEL	
9	1998400	16	CAPSCREW,HEX HD,5/8-18X2.25,GR8,YZD,	
10	0006389	2	TIE BAR,ANCHOR PLATE,73MM HYD BRAKE	
11	0006657	8	CAPSCREW,EXT TORX,M10-1.5-6GX25MM,J1199	
12	1391572	2	SEAL,INNER,FRONT	
13	0929406	2	BEARING,INNER,FRONT AXLE,TIMKEN	
14	0929414	2	BEARING,OUTER,FRONT AXLE	
15	1442771	2	WASHER, SPINDLE, SPICER, 1-120	
16	1442789	2	NUT,SPINDLE,SPICER I-120	
17	1442797	2	LOCKNUT,SPICER I-120	
18	1446590	2	PIN,COTTER,I-120 AXLE	
*2			HUB & ROTOR ASSEMBLY	
NI	0022324	1	HUB AND CUP ASSY,FRONT,W/O STUDS BOSCH	
NI	2600179	1	CUP,OUTER WHEEL BEARING	
NI	2593093	1	CUP,WHEEL BEARING,INNER	
NI	2001659	10	RIVET,DRIVE-IN,1/4 X 1/8	
NI	2100642	10	RIVET,DRIVE-IN,1/4 X 3/16	
NI	0022336	1	ROTOR,FRONT,DISC BRAKE,ABS,BOSCH 73MM	
NI	0022337	10	SCREW,FLANGE,SCREW,9/16-18 BOSCH	
NI	8314361	10	CAP NUT,3/4-16 RH WEBB 178736"	
NI	8314353	10	CAP NUT,3/4-16 LH WEBB 178737"	
NI	0022338	10	NUT,CAP,OUTER,RH BOSCH	
NI	0022339	10	NUT,CAP,OUTER,LH, BOSCH	
23	1972041	10	NUT,WHEEL,OUTER,3/4-16,LH,STEEL WHEELS	
23	1972033	10	NUT,WHEEL,OUTER,3/4-16,RH,STEEL WHEELS	

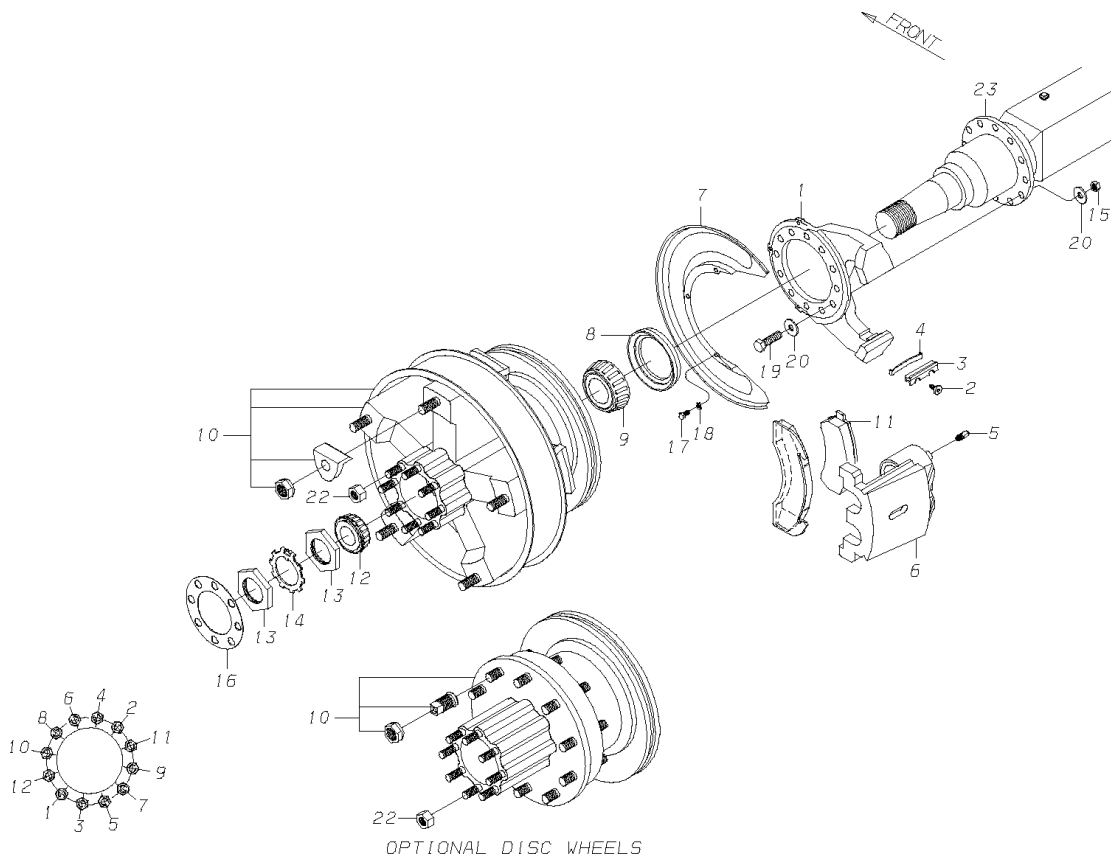
Models: A3FE
WHEEL END COMPONENTS
FRONT, STUD PILOTED DISC WHEELS
I-120, I-146, BOSCH

With Features: FEATURE 40071-03
BSN: From CSN 30062305 06/05/00
 To CSN 30079479 01/21/01

Key	PartNumber	Qty	Description	Comment
23	1298751	10	NUT,WHEEL,OUTER 3/4-16,LH,ALUM WHEELS	
23	1298744	10	NUT,WHEEL,OUTER 3/4-16,RH,ALUM WHEELS	
24	0006656	4	CAPSCREW,EXTERNAL TORX,5/16-18X.50,SAE	FEATURE 40076-03- ABS
25	0006390	2	BRACKET ASSY,MTG,SENSOR,HYDRAULIC	FEATURE 40076-03- ABS
26	0006679	2	SENSOR,ABS,90 DEGREE,HYD BRK	FEATURE 40076-03- ABS
27	1542471	2	SLEEVE,CLAMP,NOTCHED,HUB SENSOR,ABS	FEATURE 40049-01- DUSTSHIELD
28	0014891		HUBCAP ASSY,STEER AXLE,GREASE,4.50 B.C.	FEATURE 40048-01 -GREASE
28	0014892		HUBCAP ASSY,STEER AXLE,OIL LUBE,4.50 B.C.	FEATURE 40048-02,03, OIL
28	1553601		HUBCAP,FRONT,W/GASKET,C/R1743	FEATURE 40048-02,03, SYNTHETIC OIL -SPOKE WHEEL ONLY
29	0006382	2	DUSTSHIELD,HYDRAULIC BRAKE, 73MM	FEATURE 40049-01- DUSTSHIELD

Models: A3FE
WHEEL END COMPONENTS
REAR, HUB PILOTED DISC WHEELS
J190, J210, BENDIX
BSN: From CSN 10010180 07/28/98
 To CSN 30058680 04/30/00

Key	PartNumber	Qty	Description	Comment
-----	------------	-----	-------------	---------

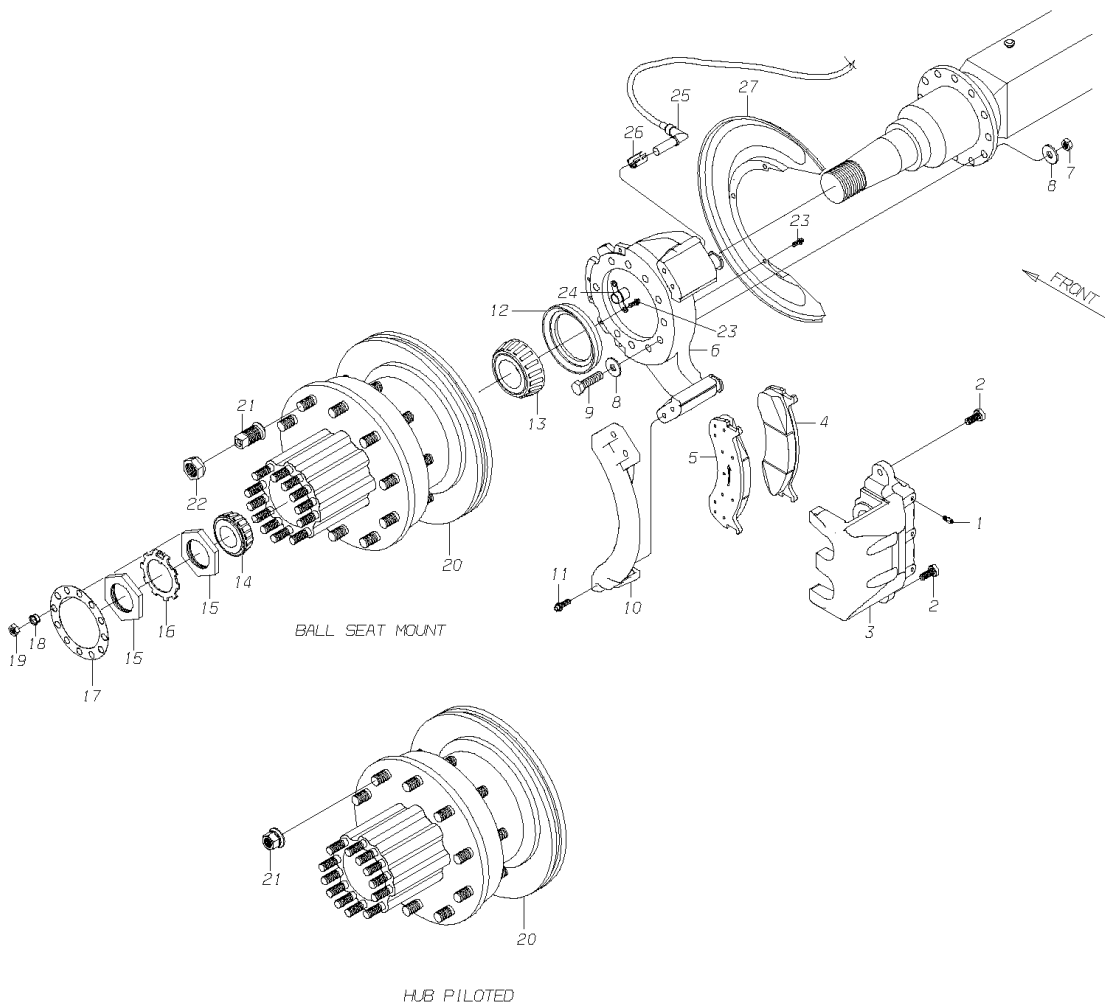


Models: A3FE
WHEEL END COMPONENTS
REAR, HUB PILOTED DISC WHEELS
J190, J210, BENDIX
BSN: From CSN 10010180 07/28/98
 To CSN 30058680 04/30/00

Key	PartNumber	Qty	Description	Comment
1	1494129		PLATE,ANCHOR,REAR,RH	STANDARD RH
1	1494137		PLATE,ANCHOR,REAR,LH	STANDARD LH
1	1902519		PLATE,ANCHOR,REAR,RH,REYCO	OPTION 4561, RH
1	1902527		PLATE,ANCHOR,REAR,LH,REYCO	OPTION 4561, LH
2	2161040	2	SCREW,SOCKET HD,I-108 & I-120	
3	2161057	2	KEY,CALIPER SUPPORT I-108 & I-120	KEY, CALIPER SUPPORT
4	2161065	2	SPRING,COMPRESSION,I-108 & I-120	
5	2161024	2	SCREW,BLEEDER I-108 & I-120	
6	2157675	2	CALIPER ASSY,FRT & RR TC2000	
7	2160927	2	SHIELD,DUST,BRAKE,I-108 & I-120	OPTION 40049-01
8	1534569	2	SEAL,OIL,REAR AXLE	
9	2623320	2	BEARING,HUB,INNER	
10	0001960	2	HUB & ROTOR ASSY,DRV,HP,10-11.25,19-21K,	INCLUDES THE FOLLOWING ITEMS
NI	0006987	1	HUB ASSY.,REAR,HUB PILOTED	WITH CUPS
NI	2622728	2	CUP,REAR OUTER	
NI	2623221	2	CUP,WHEEL BEARING	
NI	2138584	8	STUD,DRIVE,5/8-18	
NI	0006990	10	WASHER,FLAT,HARDENED	
NI	0006988	10	STUD,SHOULDER,M22-1.5	
NI	4317079	10	FLANGE,CAPNUT,22MM"	
NI	0006989		LOCKNUT, M22 X 1.5	
NI	0006991	1	ROTOR,DISC BRAKE,REAR,A3	
11	4312161	1	KIT,BRAKE LINING I-108,I-120,F120S,J190S	
12	2622926	2	BEARING,HUB,OUTER	
13	4281481	4	NUT,SPINDLE,REAR,J190S,TCFC/TCRE/Q	
14	4281499	2	WASHER,LOCK,REAR,J190S,TCFC/TCRE/Q	
15	1524099	24	NUT,HEX HD,9/16-18,LOCK,GR 8,CADMIUM	
16	4281473	2	GASKET,AXLE SHAFT,J190S TCFC/TCRE/Q	
17	2028280	6	CAPSCREW,HEX HD,5/16-18X5/8,GR5,YEL ZN	
18	2001188	6	LOCKWASHER,SPLIT RING, 5/16,MED,YEL ZN	
19	1453737	24	CAPCREW,HEX HD,9/16-18 X 2,GR 8,YEL ZN	
20	1494244	48	WASHER,FLAT,19/32 X 1 3/16 X 3/32,HRD,	
22	0929000	16	NUT,HEX HD,5/8-18,LOCKING,GR 8,CADMIUM	

Models: A3FE
WHEEL END COMPONENTS
REAR, HUB PILOTED DISC WHEELS
J190, J210, BOSCH
With Features: FEATURE 40071-03
BSN: From CSN 30018255 12/02/98
 To CSN 30046775 11/04/01

Key	PartNumber	Qty	Description	Comment
-----	------------	-----	-------------	---------



Models: A3FE
WHEEL END COMPONENTS
REAR, HUB PILOTED DISC WHEELS
J190, J210, BOSCH
With Features: FEATURE 40071-03
BSN: From CSN 30018255 12/02/98
 To CSN 30046775 11/04/01

Key	PartNumber	Qty	Description	Comment
1	2161024	2	SCREW,BLEEDER I-108 & I-120	
2	0006655	4	CAPSCREW,HEX HD,M12X1.75-6G X30MM,	
3	0006388	2	CALIPER ASSY,HYD,PIN SLIDER 73MM	
4	0006392	2	SHOE & LINING ASSY,HYD,BOSCH 73 MM,RH	
5	0006391	2	SHOE & LINING ASSY,HYD,BOSCH,73 MM,LH	
6	0006416	1	PLATE ASSY,ANCHOR,DRIVE,RH,PIN	
6	0006417	1	PLATE ASSY,ANCHOR,DRIVE,LH,PIN	
7	1524099	20	NUT,HEX HD,9/16-18,LOCK,GR 8,CADMIUM	
8	1494244	40	WASHER,FLAT,19/32 X 1 3/16 X 3/32,HRD,	
9	1453737	20	CAPCREW,HEX HD,9/16-18 X 2,GR 8,YEL ZN	
10	0006389	2	TIE BAR,ANCHOR PLATE,73MM HYD BRAKE	
11	0006657	8	CAPSCREW,EXT TORX,M10-1.5-6GX25MM,J1199	
12	1534569	2	SEAL,OIL,REAR AXLE	
13	2623320	2	BEARING,HUB,INNER	
14	2622926	2	BEARING,HUB,OUTER	
15	4281481	4	NUT,SPINDLE,REAR,J190S,TCFC/TCRE/Q	
16	4281499	2	WASHER,LOCK,REAR,J190S,TCFC/TCRE/Q	
17	0008696	2	GASKET,AXLE SHAFT,DRIVE,19-21K LBS,BOSCH	
18	0008697	24	CONE LOCK,AXLE SHAFT,BOSCH 73 MM HYD	
19	2102036	24	NUT,CONELOCK,1/2-20 2321-A14-2	
20	0006393	2	HUB & ROTOR ASSY,DRIVE,HUB PILOTED,	NOT AVAILABLE AS AN ASSEMBLY
NI	0026748	1	HUB & CUP ASSY, GUNITE HR-848-K	
NI	0014630	1	ROTOR,HYD,W/ABS,GUNITE	ROTOR ONLY
NI	0022441	10	CAPSCREW .562-12	
NI	0022442	10	WASHER, .562	
NI	0026744	10	BOLT, DISC WHEEL, W-1324	
NI	2623221	1	CUP,WHEEL BEARING	
NI	2622728	1	CUP,REAR OUTER	
NI	0022446	12	STUD,FLANGE DRIVE	
21	0008629	20	NUT,WHEEL MOUNT,HUB PILOTED,22 MM	
23	0006656	4	CAPSCREW,EXTERNAL TORX,5/16-18X.50,SAE	
		4	ABS	FEATURE 40076-03
		6	DUSTSHIELDS	FEATURE 40049-01
				FEATURE 40076-03

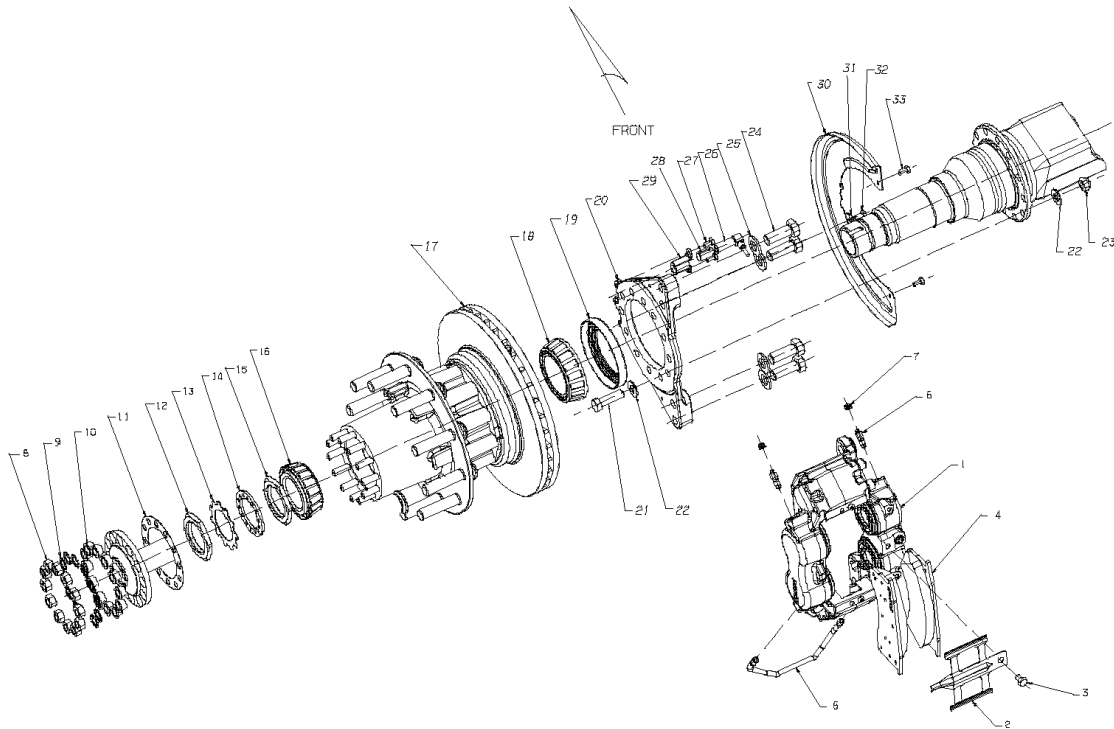
Models: A3FE
WHEEL END COMPONENTS
REAR, HUB PILOTED DISC WHEELS
J190, J210, BOSCH

With Features: FEATURE 40071-03
BSN: From CSN 30018255 12/02/98
 To CSN 30046775 11/04/01

Key	PartNumber	Qty	Description	Comment
24	0006390	2	BRACKET ASSY,MTG,SENSOR,HYDRAULIC	
25	0006679	2	SENSOR,ABS,90 DEGREE,HYD BRK	FEATURE 40076-03
26	1542471	2	SLEEVE,CLAMP,NOTCHED,HUB SENSOR,ABS	FEATURE 40076-03
27	0006382	2	DUSTSHIELD,HYDRAULIC BRAKE, 73MM	FEATURE 40049-01

Models: A3FE, C3FE, CSFE, TCFE
WHEEL END COMPONENTS
REAR, HUB PILOTED DISC WHEELS
MERITOR, ALUMN WHEELS
BSN: From CSN 30046776 11/05/01

Key	PartNumber	Qty	Description	Comment
-----	------------	-----	-------------	---------



Models: A3FE, C3FE, CSFE, TCFE
WHEEL END COMPONENTS
REAR, HUB PILOTED DISC WHEELS
MERITOR, ALUMN WHEELS
BSN: From CSN 30046776 11/05/01

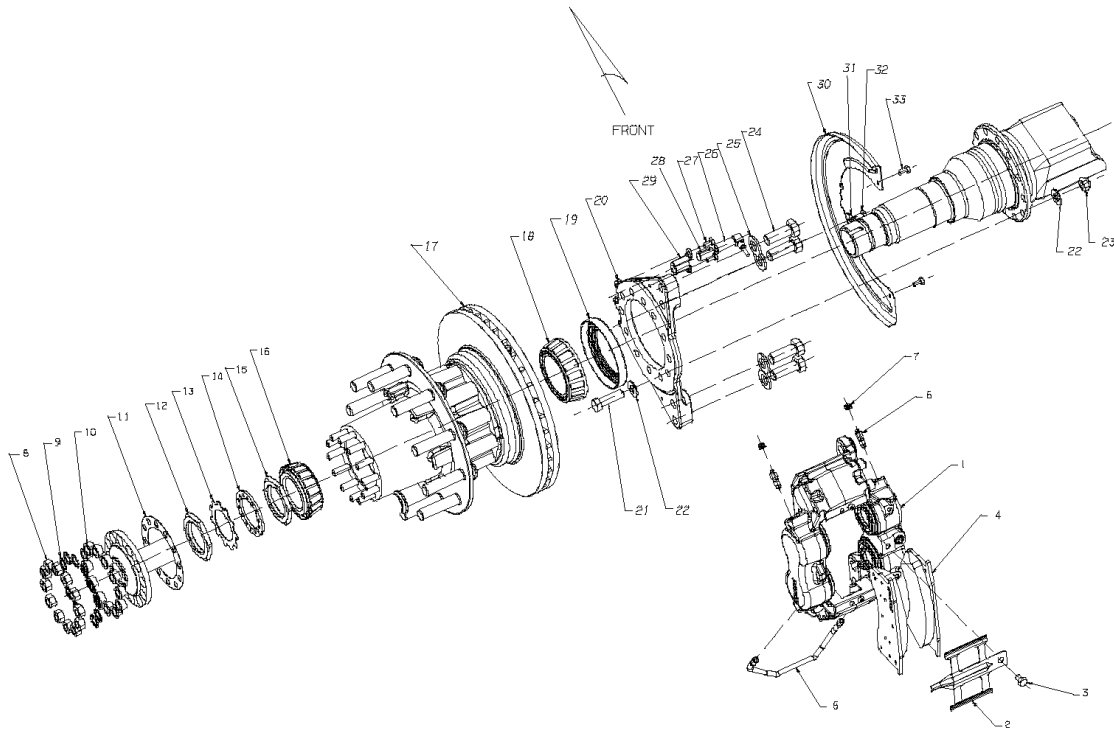
Key	PartNumber	Qty	Description	Comment
1	0046191		CALIPER ASSY,LESS PADS,LH,70 MM,DAYTON"	
1	0046193		CALIPER ASSY,LESS PADS,RH,70 MM,DAYTON	
NI	0046184		PISTON,70 MM,DAYTON"	70MM
NI	0046186		BOOT & SEAL,70 MM,DAYTON"	70MM
NI	0046190		CALIPER ASSY,LESS PADS,LH,64 MM,DAYTON	
NI	0046192		CALIPER ASSY,LESS PADS,RH,64MM,DAYTON"	
NI	0046183		PISTON,64 MM,DAYTON	PISTON. 64MM
NI	0046185		BOOT & SEAL,64 MM,DAYTON"	64MM
2			KIT, SPRING, RETENTION	
3			KIT, SCREW, SPRING, RETENTION	
NI	0046187	2	KIT,HARWARE,64/70 MM,DAYTON"	INCLUDES ITEMS 2, 3
4	0046182	2	PADS,BRAKE,64/70 MM,DAYTON"	
4	0066148	2	PAD,BRAKE,KIT,HYD DISC,769 PREM,BENDIX	
5	0046189	2	TUBE,CALIPER,CROSSOVER,64/70 MM,DAYTON"	
6	0046188	4	BLEEDER SCREW,64/70 MM,DAYTON"	
7			KIT, CAP, SCREW, BLEEDER	
8	2594893	16	NUT,AXLE SHAFT	
9	2603512	16	WASHER,AXLE SHAFT	
10	0929091	16	DOWEL,AXLE SHAFT	
11	0043449	2	GASKET	
12	0046240	2	NUT,BEARING,INNER"	
13	0046241	2	WASHER,LOCK,WHEEL END"	
14	0046242	2	WASHER,LOCK,WHEEL END"	
15	0046239	2	NUT,BEARING,OUTER"	
16	0929059	2	BEARING,OUTER,AXLE SHAFT,ROCKWELL &	
17	0044663		HUB AND ROTOR ASSY,REAR,ALUM WHEEL	
NI	0044680	1	HUB & CUP ASSY,DAYTON 415943,ALUMN WHLS	
NI	8305336	1	CUP,INNER BEARING	
NI	2603074	1	CUP,BEARING,OUTER	
NI	0044634	10	STUD,SERRATED,M22 X 1.5-6G	
NI	0044651	10	CAPNUT,FLANGED,M22,MERITOR	
NI	0044642	8	STUD,DRIVE,5/8	
NI	0044647	1	ROTOR,SERVICE,COATED,REAR,MERITOR	

Models: A3FE, C3FE, CSFE, TCFE
WHEEL END COMPONENTS
REAR, HUB PILOTED DISC WHEELS
MERITOR, ALUMN WHEELS
BSN: From CSN 30046776 11/05/01

Key	PartNumber	Qty	Description	Comment
18	0929042	2	BEARING,INNER,REAR AXLE	
19	0043448	2	SEAL ASSY,OIL,INNER	
20	0044798	1	PLATE,TORQUE,LH,DAYTON,HYDRAULIC	
20	0044799	1	PLATE,TORQUE,RH,DAYTON,HYDRAULIC	
21	0044802	24	CAPSCREW	
22	2156404	24	WASHER,CHAMBER BRKT,ROCKWELL AIR DISC	
23	0044803	48	NUT,LOCK	
24	0044736	8	CAPSCREW	
25	0044737	8	WASHER	
26	0006679	2	SENSOR,ABS,90 DEGREE,HYD BRK	
27	0006656	4	CAPSCREW,EXTERNAL TORX,5/16-18X.50,SAE	
28	1542471	2	SLEEVE,CLAMP,NOTCHED,HUB SENSOR,ABS	
29	0006390	2	BRACKET ASSY,MTG,SENSOR,HYDRAULIC	
30	0044780	2	DUSTSHIELD,HYDRAULIC BRAKES	
31	0044781	2	CLIP	
32	0044779	2	CAPSCREW	
33	0044779	4	CAPSCREW	

Models: A3FE, C3FE, CSFE, TCFE
WHEEL END COMPONENTS
REAR, HUB PILOTED DISC WHEELS
MERITOR, STEEL WHEELS
BSN: From CSN 30046776 11/05/01

Key	PartNumber	Qty	Description	Comment
-----	------------	-----	-------------	---------



Models: A3FE, C3FE, CSFE, TCFE
WHEEL END COMPONENTS
REAR, HUB PILOTED DISC WHEELS
MERITOR, STEEL WHEELS
BSN: From CSN 30046776 11/05/01

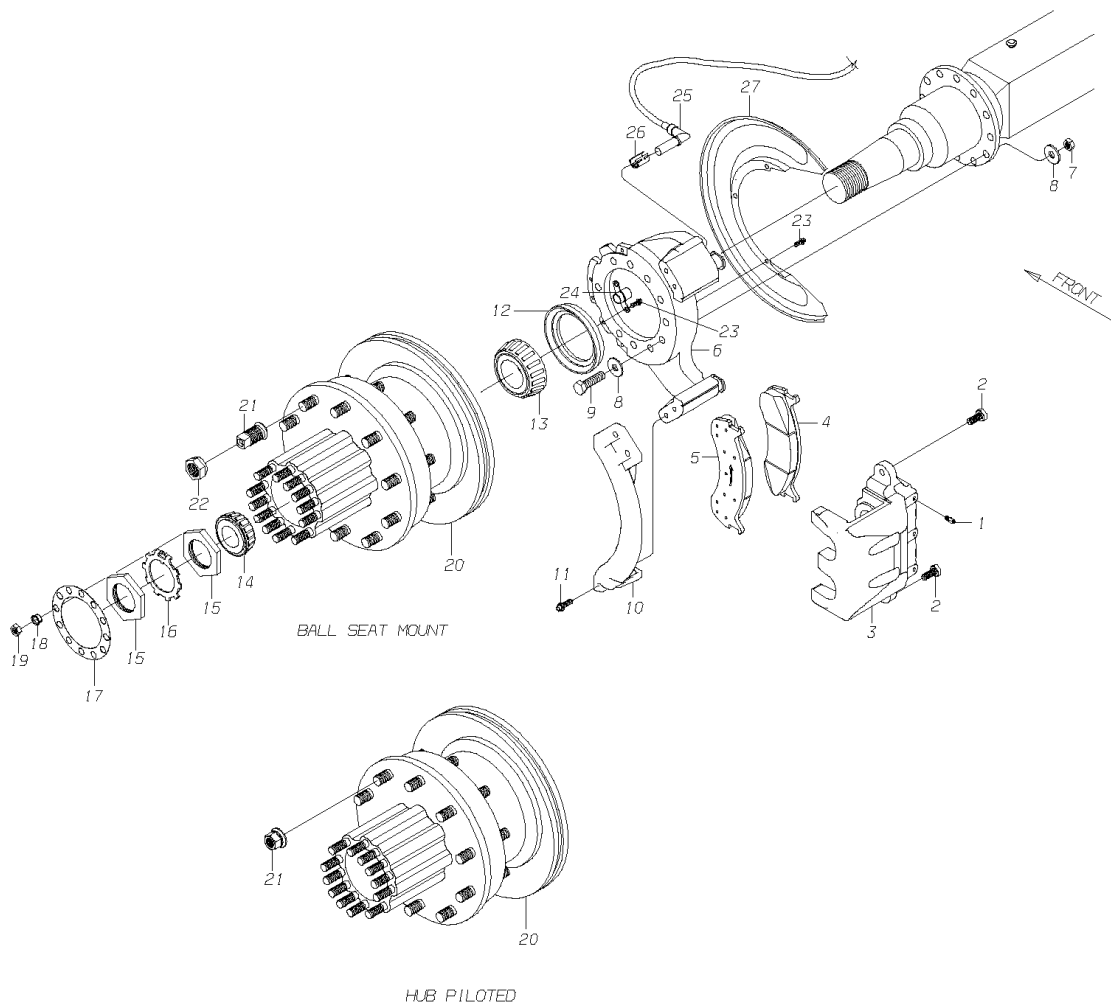
Key	PartNumber	Qty	Description	Comment
1	0046191		CALIPER ASSY,LESS PADS,LH,70 MM,DAYTON"	
1	0046193		CALIPER ASSY,LESS PADS,RH,70 MM,DAYTON	
NI	0046184		PISTON,70 MM,DAYTON"	70MM
NI	0046186		BOOT & SEAL,70 MM,DAYTON"	70MM
NI	0046190		CALIPER ASSY,LESS PADS,LH,64 MM,DAYTON	
NI	0046192		CALIPER ASSY,LESS PADS,RH,64MM,DAYTON"	
NI	0046183		PISTON,64 MM,DAYTON	64MM
NI	0046185		BOOT & SEAL,64 MM,DAYTON"	64MM
2			KIT, SPRING, RETENTION	
3			KIT, SCREW, SPRING, RETENTION	
NI	0046187	2	KIT,HARWARE,64/70 MM,DAYTON"	INCLUDES ITEMS 2, 3
4	0046182	2	PADS,BRAKE,64/70 MM,DAYTON"	
4	0066148	2	PAD,BRAKE,KIT,HYD DISC,769 PREM,BENDIX	
5	0046189	2	TUBE,CALIPER,CROSSOVER,64/70 MM,DAYTON"	
6	0046188	4	BLEEDER SCREW,64/70 MM,DAYTON"	
7			KIT, CAP, SCREW, BLEEDER	
8	2594893	16	NUT,AXLE SHAFT	
9	2603512	16	WASHER,AXLE SHAFT	
10	0929091	16	DOWEL,AXLE SHAFT	
11	0043449	2	GASKET	
12	0046240	2	NUT,BEARING,INNER"	
13	0046241	2	WASHER,LOCK,WHEEL END"	
14	0046242	2	WASHER,LOCK,WHEEL END"	
15	0046239	2	NUT,BEARING,OUTER"	
16	0929059	2	BEARING,OUTER,AXLE SHAFT,ROCKWELL &	
17	0043889		HUB AND ROTOR ASSY,REAR,STEEL WHEEL	
NI	0044678	1	HUB & CUP ASSY,DAYTON 415943,STL WHLS	
NI	8305336	1	CUP,INNER BEARING	
NI	2603074	1	CUP,BEARING,OUTER	
NI	0044635	10	STUD,SERRATED,M22 X 1.5-6G	
NI	0044651	10	CAPNUT,FLANGED,M22,MERITOR	
NI	0044642	8	STUD,DRIVE,5/8	
NI	0044647	1	ROTOR,SERVICE,COATED,REAR,MERITOR	

Models: A3FE, C3FE, CSFE, TCFE
WHEEL END COMPONENTS
REAR, HUB PILOTED DISC WHEELS
MERITOR, STEEL WHEELS
BSN: From CSN 30046776 11/05/01

Key	PartNumber	Qty	Description	Comment
18	0929042	2	BEARING,INNER,REAR AXLE	
19	0043448	2	SEAL ASSY,OIL,INNER	
20	0044798	1	PLATE,TORQUE,LH,DAYTON,HYDRAULIC	
20	0044799	1	PLATE,TORQUE,RH,DAYTON,HYDRAULIC	
21	0044802	24	CAPSCREW	
22	2156404	24	WASHER,CHAMBER BRKT,ROCKWELL AIR DISC	
23	0044803	48	NUT,LOCK	
24	0044736	8	CAPSCREW	
25	0044737	8	WASHER	
26	0006679	2	SENSOR,ABS,90 DEGREE,HYD BRK	
27	0006656	4	CAPSCREW,EXTERNAL TORX,5/16-18X.50,SAE	
28	1542471	2	SLEEVE,CLAMP,NOTCHED,HUB SENSOR,ABS	
29	0006390	2	BRACKET ASSY,MTG,SENSOR,HYDRAULIC	
30	0044780	2	DUSTSHIELD,HYDRAULIC BRAKES	
31	0044781	2	CLIP	
32	0044779	2	CAPSCREW	
33	0044779	4	CAPSCREW	

Models: A3FE
WHEEL END COMPONENTS
REAR, STUD PILOTED DISC WHEELS
J190, J210, BOSCH
BSN: From CSN 30018255 12/02/98
 To CSN 30076615 01/21/01

Key	PartNumber	Qty	Description	Comment
-----	------------	-----	-------------	---------



Models: A3FE
WHEEL END COMPONENTS
REAR, STUD PILOTED DISC WHEELS
J190, J210, BOSCH
BSN: From CSN 30018255 12/02/98
 To CSN 30076615 01/21/01

Key	PartNumber	Qty	Description	Comment
1	2161024	2	SCREW,BLEEDER I-108 & I-120	
2	0006655	4	CAPSCREW,HEX HD,M12X1.75-6G X30MM,	
3	0006388	2	CALIPER ASSY,HYD,PIN SLIDER 73MM	
4	0006392	2	SHOE & LINING ASSY,HYD,BOSCH 73 MM,RH	
5	0006391	2	SHOE & LINING ASSY,HYD,BOSCH,73 MM,LH	
6	0006416	1	PLATE ASSY,ANCHOR,DRIVE,RH,PIN	
6	0006417	1	PLATE ASSY,ANCHOR,DRIVE,LH,PIN	
7	1524099	20	NUT,HEX HD,9/16-18,LOCK,GR 8,CADMIUM	
8	1494244	40	WASHER,FLAT,19/32 X 1 3/16 X 3/32,HRD,	
9	1453737	20	CAPCREW,HEX HD,9/16-18 X 2,GR 8,YEL ZN	
10	0006389	2	TIE BAR,ANCHOR PLATE,73MM HYD BRAKE	
11	0006657	8	CAPSCREW,EXT TORX,M10-1.5-6GX25MM,J1199	
12	1534569	2	SEAL,OIL,REAR AXLE	
13	2623320	2	BEARING,HUB,INNER	
14	2622926	2	BEARING,HUB,OUTER	
15	4281481	4	NUT,SPINDLE,REAR,J190S,TCFC/TCRE/Q	
16	4281499	2	WASHER,LOCK,REAR,J190S,TCFC/TCRE/Q	
17	0008696	2	GASKET,AXLE SHAFT,DRIVE,19-21K LBS,BOSCH	
18	0008697	24	CONE LOCK,AXLE SHAFT,BOSCH 73 MM HYD	
19	2102036	24	NUT,CONELOCK,1/2-20 2321-A14-2	
*2	0006839	1	HUB & ROTOR ASSY,DR,BALL SEAT,	NOT AVAILABLE AS AN ASSEMBLY
*2	0006838	1	HUB & ROTOR ASSY,DR,BALL SEAT,	NOT AVAILABLE AS AN ASSEMBLY
*2	0006842	1	HUB & ROTOR ASSY,DR,BALL SEAT,	NOT AVAILABLE AS AN ASSEMBLY
*2	0006840	1	HUB & ROTOR ASSY,DR,BALL SEAT,	NOT AVAILABLE AS AN ASSEMBLY
NI	0026751	1	HUB & CUP ASSY, GUNITE HR-870-K	
NI	0014630	1	ROTOR,HYD,W/ABS,GUNITE	ROTOR ONLY
NI	0022441	10	CAPSCREW .562-12	
NI	0022442	10	WASHER, .562	
NI	0026754	10	BOLT, DISC WHEEL, RH, W-1174-R	
NI	0026753	10	BOLT, DISC WHEEL, LH, W-1174-L	
NI	0026760	10	BOLT, DISC WHEEL, LH, W-1322-L	
NI	0026761	10	BOLT, DISC WHEEL, RH, W-1322-R	
NI	2623221	1	CUP,WHEEL BEARING	

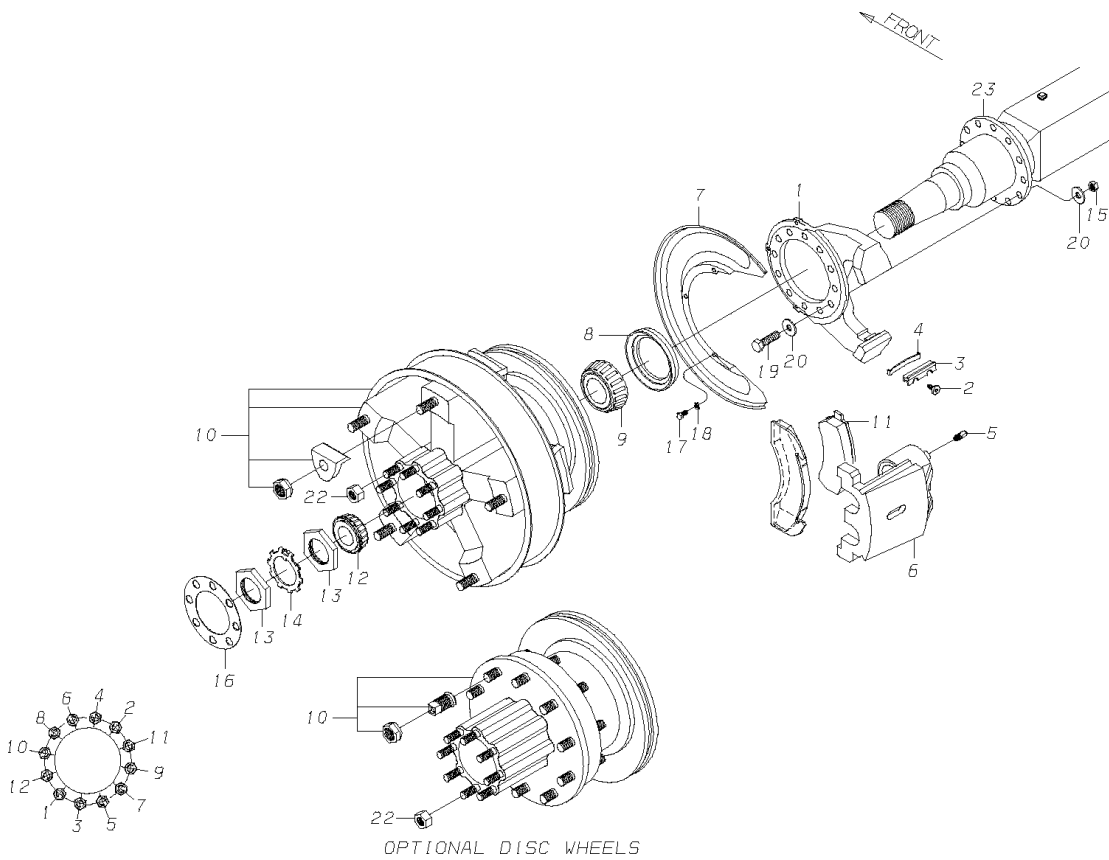
Models: A3FE
WHEEL END COMPONENTS
REAR, STUD PILOTED DISC WHEELS
J190, J210, BOSCH

BSN: From CSN 30018255 12/02/98
 To CSN 30076615 01/21/01

Key	PartNumber	Qty	Description	Comment
NI	2622728	1	CUP,REAR OUTER	
NI	0022446	12	STUD,FLANGE DRIVE	
21	1311760	10	NUT,CAP,INNER,LH,1 1/8 - 16	
21	1311752	10	NUT,CAP,INNER,RH,1 1/8 - 16	
21	1311745	10	NUT,CAP,INNER,LH,ALUMINUM WHEELS	
21	1311737	10	NUT,CAP,INNER,RH,ALUMINUM WHEELS	
22	1311729	10	NUT,CAP,OUTER,LH,1 1/8 - 16	
22	1311711	10	NUT,CAP,OUTER,RH,1 1/8 - 16	
23	0006656	4	CAPSCREW,EXTERNAL TORX,5/16-18X.50,SAE	
24	0006390	2	BRACKET ASSY,MTG,SENSOR,HYDRAULIC	FEATURE 40076-03
25	0006679	2	SENSOR,ABS,90 DEGREE,HYD BRK	FEATURE 40076-03
26	1542471	2	SLEEVE,CLAMP,NOTCHED,HUB SENSOR,ABS	FEATURE 40076-03
27	0006382	2	DUSTSHIELD,HYDRAULIC BRAKE, 73MM	FEATURE 40049-01

Models: A3FE
WHEEL END COMPONENTS
REAR, STUD PILOTED STEEL DISC WHEELS
J190, J210, BENDIX
BSN: From CSN 30006615 06/15/98
 To CSN 30058680 04/30/00

Key	PartNumber	Qty	Description	Comment
-----	------------	-----	-------------	---------



Models: **A3FE**
WHEEL END COMPONENTS
REAR, STUD PILOTED STEEL DISC WHEELS
J190, J210, BENDIX
BSN: **From CSN 30006615 06/15/98**
To CSN 30058680 04/30/00

Key	PartNumber	Qty	Description	Comment
1	1494129		PLATE,ANCHOR,REAR,RH	STANDARD RH
1	1494137		PLATE,ANCHOR,REAR,LH	STANDARD LH
1	1902519		PLATE,ANCHOR,REAR,RH,REYCO	OPTION 4561, RH
1	1902527		PLATE,ANCHOR,REAR,LH,REYCO	OPTION 4561, LH
2	2161040	2	SCREW,SOCKET HD,I-108 & I-120	
3	2161057	2	KEY,CALIPER SUPPORT I-108 & I-120	KEY, CALIPER SUPPORT
4	2161065	2	SPRING,COMPRESSION,I-108 & I-120	
5	2161024	2	SCREW,BLEEDER I-108 & I-120	
6	2157675	2	CALIPER ASSY,FRT & RR TC2000	
7	2160927	2	SHIELD,DUST,BRAKE,I-108 & I-120	OPTION 40049-01
8	1534569	2	SEAL,OIL,REAR AXLE	
9	2623320	2	BEARING,HUB,INNER	
10		2	HUB AND ROTOR ASSEMBLY	INCLUDES THE FOLLOWING ITEMS
NI	4293049	1	HUB & CUP ASSY,RR J190 DISC W/HYD BRAKE	WITH CUPS
NI	2622728	2	CUP,REAR OUTER	
NI	2623221	2	CUP,WHEEL BEARING	
NI	1459999	8	STUD,DRIVE,5/8-18,WEBB	
NI	1460013	10	CAPNUT,OUTER,LH,WEBB	
NI	1460005	10	CAPNUT,OUTER,RH,WEBB	
NI	1460039	10	CAPNUT,INNER,1 1/8 X 3/4,LH,WEBB	STANDARD LH
NI	1460021	10	CAPNUT,INNER,1 1/8 X 3/4,RH,WEBB	STANDARD RH
NI	1460146	10	STUD,SHOULDER,LH,WEBB	
NI	1460138	10	STUD,SHOULDER,RH,WEBB	
NI	1459940		NUT,LOCK,3/4-16,WEBB	
NI	1459957	1	ROTOR,DISC BRAKE,HUB WHEEL,WEBB	
11	4312161	1	KIT,BRAKE LINING I-108,I-120,F120S,J190S	
12	2622926	2	BEARING,HUB,OUTER	
13	4281481	4	NUT,SPINDLE,REAR,J190S,TCFC/TCRE/Q	
14	4281499	2	WASHER,LOCK,REAR,J190S,TCFC/TCRE/Q	
15	1524099	24	NUT,HEX HD,9/16-18,LOCK,GR 8,CADMIUM	
16	4281473	2	GASKET,AXLE SHAFT,J190S TCFC/TCRE/Q	
17	2028280	6	CAPSCREW,HEX HD,5/16-18X5/8,GR5,YEL ZN	
18	2001188	6	LOCKWASHER,SPLIT RING, 5/16,MED,YEL ZN	

Models: A3FE
WHEEL END COMPONENTS
REAR, STUD PILOTED STEEL DISC WHEELS
J190, J210, BENDIX

BSN: From CSN 30006615 06/15/98
 To CSN 30058680 04/30/00

Key	PartNumber	Qty	Description	Comment
19	1453737	24	CAPCREW,HEX HD,9/16-18 X 2,GR 8,YEL ZN	
20	1494244	48	WASHER,FLAT,19/32 X 1 3/16 X 3/32,HRD,	
22	0929000	16	NUT,HEX HD,5/8-18,LOCKING,GR 8,CADMIUM	