

**Chassis**

**040 Cooling**

ENGINE

CAT 3126B

*With: FEATURE 40187 WITH 40112-01, -02, 40108-01, -02, -03  
To 11/03/02*

1

CAT 3126B, C7

*With: FEATURE 40187 WITH 40112-01, -02, 40108-01, -02, -03  
From 11/04/02*

2

CUMMINS 5.9 ISB

*With: FEATURE 40177 WITH 40112, 40108  
To 11/03/02*

3

*With: FEATURE 40177 WITH 40112, 40108  
From 11/04/02*

4

CUMMINS 8.3 ISC

*With: FEATURE 40184 WITH 40112, 40108  
To CSN 30124569*

5

*With: FEATURE 40184 WITH 40112, 40108  
From CSN 30124570*

6

CUMMINS ISB02

*With: FEATURE 40179-01, -02, -03, -04, -05, -06, -07  
To CSN F0267139*

7

CUMMINS ISB07 WITH 520T

*With: FEATURE 40179-08, -09  
From CSN F0267140*

8

CUMMINS ISB07 WITH 620T OR HIGHER

*With: FEATURE 40179-10, -11 OR -12*

9

RADIATOR SHUTTER

AIR

*With: FEATURE 40113-02*

10

HYDRAULIC

*With: FEATURE 40113-01 WITH 40177, 40184, 40187*

11

WATER FILTER, PERRY

*With: FEATURE 40109-01 WITH 40108-01, -02*

12

CAT C7

*With: FEATURE 40109 -01*

---

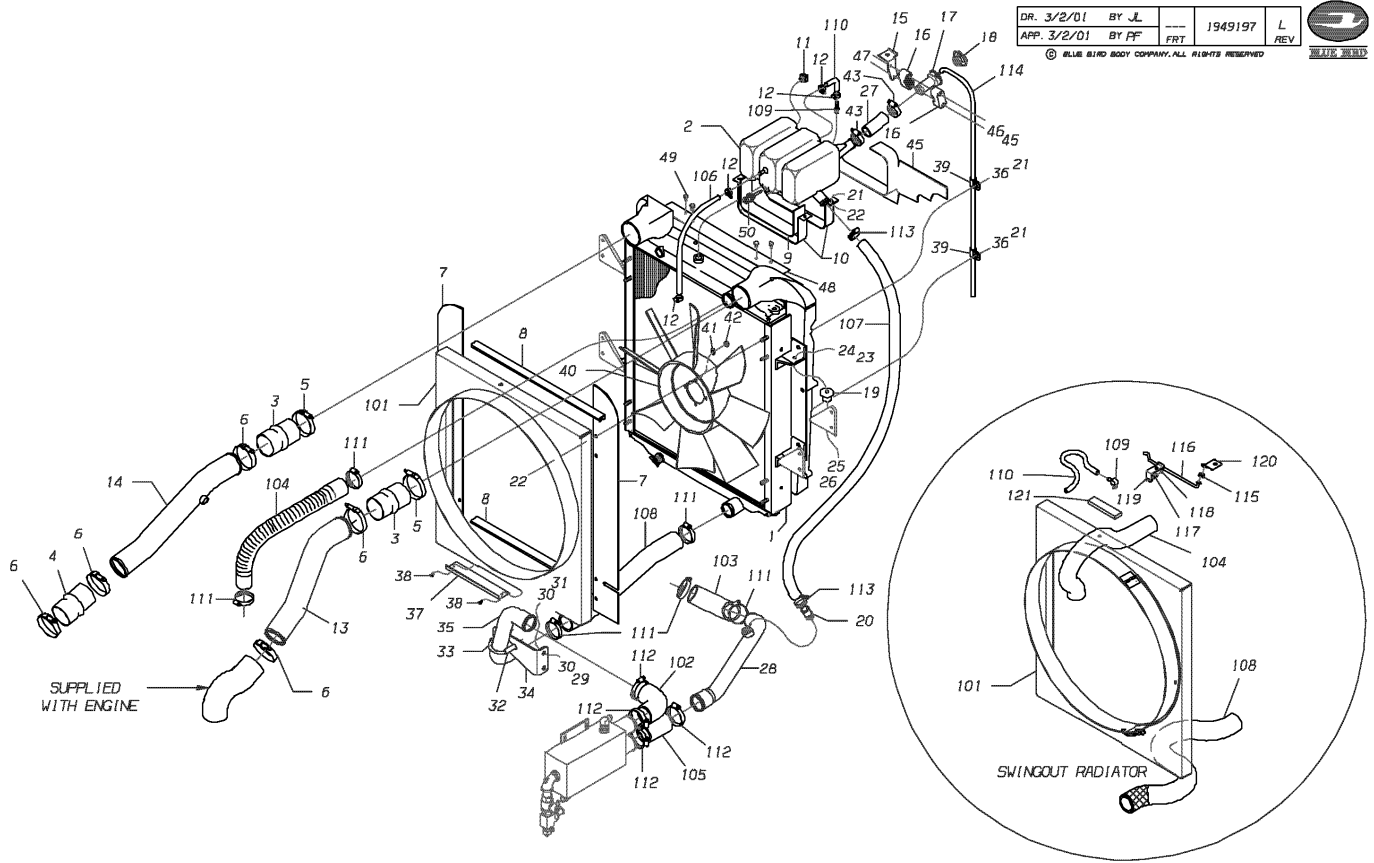
13

**Models:** A3FE

**ENGINE**  
**CAT 3126B**

**With Features:** FEATURE 40187 WITH 40112-01, -02, 40108-01, -02, -03  
To 11/03/02

Key	PartNumber	Qty	Description	Comment
-----	------------	-----	-------------	---------



DR. 3/2/01	BY JL	---	1949197	L
APP. 3/2/01	BY FF	FRT		REV



© BLUE BIRD BODY COMPANY, ALL RIGHTS RESERVED

**Models:** A3FE

**ENGINE  
CAT 3126B**

**With Features:** FEATURE 40187 WITH 40112-01, -02, 40108-01, -02, -03  
To 11/03/02

Key	PartNumber	Qty	Description	Comment
1	1948066	1	RADIATOR AND CAC ASSY,VALEO, HDFE	CONSISTS OF THE FOLLOWING
NI	0010507	1	RADIATOR ASSY,HDFE 1003471,1948066	RADIATOR ONLY
NI	1453232	1	COOLER ASSY,CHARGE AIR,BLACKSTONE	CHARGE AIR COOLER ONLY
2	1966233	1	TANK,SURGE,HDFE	
3	1487024	1	HOSE,HUMP,REINF,3.5 X 3 ID,FLX 7726	
4	1487016	3	HOSE,HUMP,REINF,3 ID X 5 LG,FLX 7725	
5	1450246	7	CLAMP,SPRING LOADED,3.75 ID,3.56-3.88	
6	1258581	1	CLAMP,SPRING LOADED,3.25 ID,3.06-3.38	
7	1977305	2	SEAL,RADIATOR,HDFE	
8	1068501	1	SEAL,RUBBER,A/C HOOD TRIM	
9	1816180	2	SPACER,SMOOTH,BLACK,.125 X 2 X 28.30	
10	1966225	2	STRAP,MTG,SURGE TANK, HDFE	
11	1146877	1	BULB,WITH O-RING SAFETY SIGHT,NO-241-6R	
12	1363274	5	CLAMP,HOSE,SILICON,.62.00	
13	1949189	1	TUBE,CAC TO TURBO OUTLET,CAT 3126,HDFE	
14	1943950	1	TUBE,CAC TO AIR INLET,CAT C7/3126,HDFE	
15	1988062	1	BRACKET,SUPT,FILLER NECK, HDFE	
16	0948141	1	CLAMP,LOOP,1.312	
17	1990068	1	NECK,FILLER,SURGE TANK,HDFE	
18	1599422	1	CAP,RADIATOR,COOLANT RECOVERY,7 PSI	
19	1464809	4	ISOLATOR,RUBBER,1.75 OD,450 LBS. SLR	
20	0315200	1	ADAPTER,HTR,3/4 PIPE X 1 HOSE	
21	0854406	13	CAPSCREW,HEX HD,5/16-18 X 1,GR8,YEL ZN	
22	0829390	13	NUT,HEX HD,5/16-18,SER WASHER,YEL ZN	
23	0803163	4	CAPSCREW,HEX HD,1/2-13 X2 1/2,GR8,	
24	1003045	4	WASHER,FLAT,17/32 X 1 1/16 X 7/64,HDN,	
25	1165265	4	WASHER,FLAT,9/16,X 1 3/8 X 7/64,YEL ZNDICH	
26	0850800	4	NUT,HEX HD,1/2-13,LOCKING,GR 8,CAD WAX	
27	1990076	AR	HOSE,SILICONE,1.25 ID	
28	1935303	2	TUBE,COOLANT,ENGINE TO COOLER,CAT 3126	
29	0803171	2	CAPSCREW,HEXHD,3/8-16NCX1-1/2,GR8,	
30	1107085	4	WASHER,FLAT,13/32 X 13/16 X 3/32,HDN,BLK	
31	0826297	4	NUT,HEX HD,3/8-16 LOCK,YEL ZN DICH	

Models: **A3FE**

**ENGINE  
CAT 3126B**

With Features: **FEATURE 40187 WITH 40112-01, -02, 40108-01, -02, -03  
To 11/03/02**

Key	PartNumber	Qty	Description	Comment
32	0805226	1	SADDLE,2 IN.,S-200	
33	0805218	1	U-BOLT,2 IN.,UB200	
34	1949395	1	BRACKET,SUPT,LOWER WATER CONNECTION,	
35	1997816	1	TUBE,COOLANT,RADIATOR,LOWER	
36	2001188	1	LOCKWASHER,SPLIT RING, 5/16,MED,YEL ZN	
37	0000016	1	COVER,2.75 X 14.06 X .058 THICK	
38	2083095	2	SCREW,10-16 X 3/4,AB,PH1,PANHD,YELZN,	
39	0854612	2	CLAMP,LOOP,.500	
40	1997949	1	FAN,KYSOR,4735-43217-24,25.00 OD	
41	1394675	4	LOCKWASHER,SPLIT RING,10 MM,MED,OLV DRB	
42	1468263	4	NUT,HEX HD,M10-1.50,YELLOW DICHROMATE	
43	1894799	2	CLAMP,CONSTANT TORQUE,13/16 TO 1-1/2 DIA	
44	0000999	2	BAFFLE,RADIATOR,UPPER,RUBBER, HDFE	
10	0013938	1	SHROUD ASSY,RADIATOR,ISC/CAT,25 IN FAN	FEATURE 40112-01
10	0013946	1	SHROUD ASSY,RADIATOR,SWING-OUT,ISC/CAT	FEATURE 40112-02
10	0980102	1	ELBOW,SILICONE,90 DEG,2.25ID,W/SPRING	FEATURE 40108-01
10	1342583	1	ELBOW,RUBBER,90 DEG,2.25,WITH SPRING	FEATURE 40108-02 03
10	1518497	1	ELBOW,RUBBER,90 DEG,W/SPRING INSERT,	FEATURE 40108-02 40108-03
10	1137256	1	ELBOW,2IN ID SILICON	FEATURE 40108-010
10	0659920	1	HOSE,RADIATOR,FLEX,2.00 ID X 20.00 LONG	FEATURE 40112-01 WITH 40108-02,03
10	1997766	1	HOSE,ELBOW,90 DEG,SILICON,2.00ID X 9.5 X	FEATURE 40112-01 WITH 40108-01
10	0001217	1	HOSE,RADIATOR,FLEX,SLC,2.00 ID X 25.00	FEATURE 40112-02 WITH 40108-01
10	1514546	1	HOSE,RADIATOR,2.25 ID,SILICONE,6.00 IN	FEATURE 40108-01
10	1514538	1	HOSE,RADIATOR,2.25 ID,RUBBER,6.00 IN LONG	FEATURE 40108-02, 03
10	1361468		HOSE,SILICON,.37 ID PUROSIL 80	FEATURE 40108-01. 6 FT
10	1797810	6	HOSE,.37 ID X .62 OD,W-H H00906	FEATURE 40108-02 03
10	1143866		HOSE,HEATER,1 INCH ID,SILICONE	FEATURE 40108-1. 3 FT
10	2003317		HOSE,HEATER,1 INCH BRAID,BLACK	FEATURE 40108-02 03. 3 FT
10	0972141	1	HOSE,RADIATOR,FLEX,2.00 ID X 24.00 LONG	FEATURE 40112-01 WITH 40108-02,03
10	1408913	1	HOSE,SILICON,FLEX,2.00 X 24.00 LONG	FEATURE 40112-01 WITH 40108-01
10	1935295	1	HOSE,RADIATOR,LWR,2.00ID,FORMED,	FEATURE 40112-02 WITH 40108-01

**Models:** **A3FE**  
**ENGINE**  
**CAT 3126B**

**With Features:** **FEATURE 40187 WITH 40112-01, -02, 40108-01, -02, -03**  
**To 11/03/02**

Key	PartNumber	Qty	Description	Comment
10	1454008	1	INSERT,BARBED,3/8 ID HOSE X 1/4 MPT	FEATURE 40112-01
10	1409093	1	ELBOW,BARBED INSERT,3/8 HOSE X 1/4 MPT	FEATURE 40112-02
11	1802446	1	HOSE,SILICONE,FORMED,.37 1DX .37 OD,TCFE	FEATURE 40112-01
11	1361468	1	HOSE,SILICON,.37 ID PUROSIL 80	FEATURE 40112-02
11	1167709	6	CLAMP,HOSE,LINED,2IN	FEATURE 40108-02
11	1894807	6	CLAMP,CONSTANT TORQUE,1-3/4 TO 2-5/8 DIA	FEATURE 40108-01, 40108-03
11	0964940	4	CLAMP,HOSE,LINED,2 1/2 INCH	FEATURE 40108-02
11	1905488	4	CLAMP,CONSTANT TORQUE,2 1/4 TO 3 1/8 DIA	FEATURE 40108-01 40108-03
11	0870345	2	CLAMP,HOSE,1INCH,LINED	FEATURE 40108-02
11	1894799	2	CLAMP,CONSTANT TORQUE,13/16 TO 1-1/2 DIA	FEATURE 40108-01 40108-03
11	0001240	1	BRACKET,MTG,ROD,PROP,SWINGOUT	FEATURE 40112-02 ONLY
11	2217180	1	GROMMET,RUBBER,5/16ID,NO 705	FEATURE 40112-02
11	0001242	1	ROD ASSY,PROP,SWINGOUT RADIATOR,HDFE	FEATURE 40112-02
11	0001244	1	CLIP,ADJUSTABLE,NO.28,HOLDS 3/16 TO 3/8	FEATURE 40112-02
11	1334671	1	SCREW,8-32 X 3/8,F,PH1,PAN HD,YEL ZN DICH	FEATURE 40112-02
11	0001241	1	BRACKET,MTG,CLIP,PROP,SWINGOUT RAD.,	FEATURE 40112-02
12	0001240	1	BRACKET,MTG,ROD,PROP,SWINGOUT	
12	1933274	1	SEAL,ENGINE HOOD,1/2 THX X 1-1/4 WIDE	

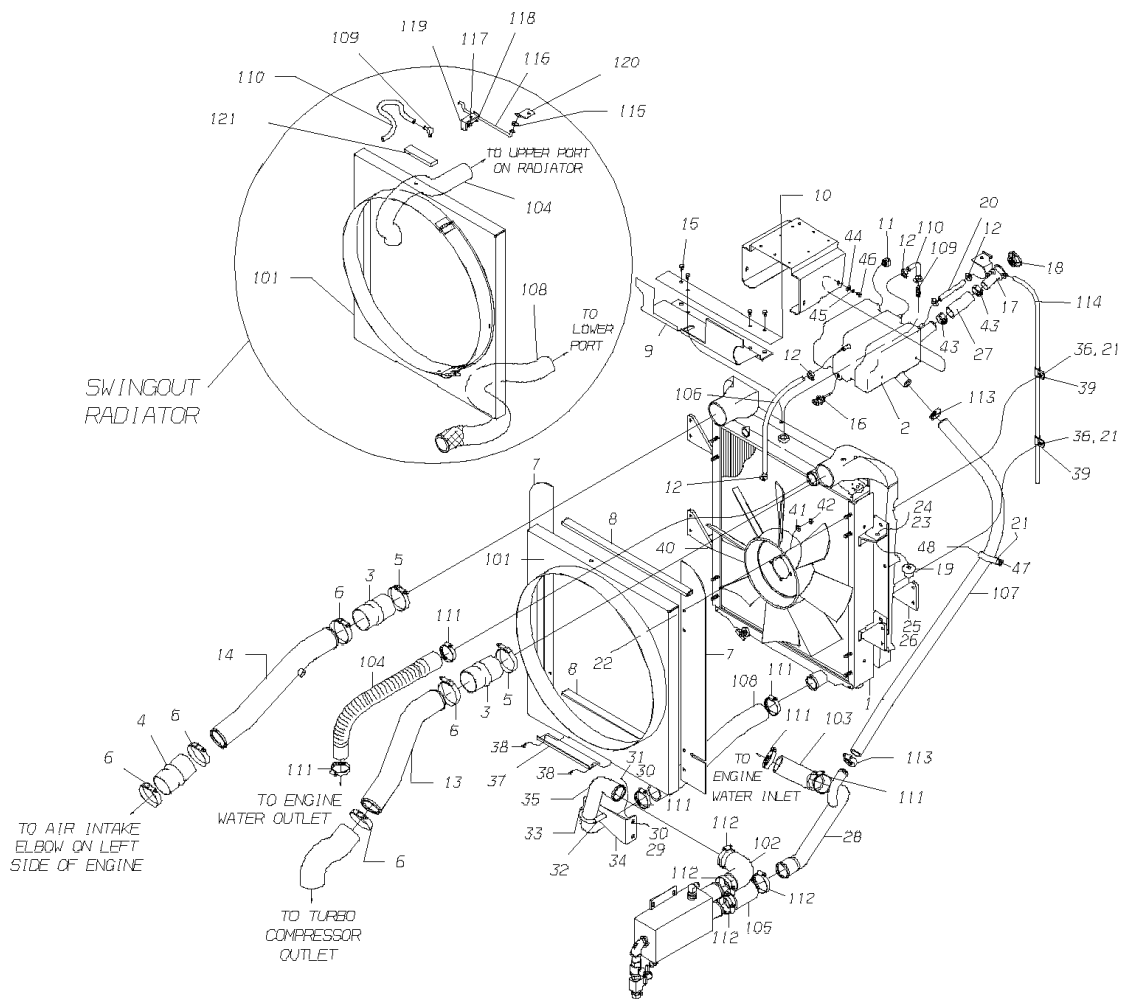
**Models:** A3FE, C3FE

**ENGINE**  
CAT 3126B, C7

**With Features:** FEATURE 40187 WITH 40112-01, -02, 40108-01, -02, -03

**BSN:** From 11/04/02

Key	PartNumber	Qty	Description	Comment
-----	------------	-----	-------------	---------



**Models:** A3FE, C3FE  
**ENGINE**  
**CAT 3126B, C7**  
**With Features:** FEATURE 40187 WITH 40112-01, -02, 40108-01, -02, -03  
**BSN:** From 11/04/02

Key	PartNumber	Qty	Description	Comment
1	1948066	1	RADIATOR AND CAC ASSY,VALEO, HDFE	CONSISTS OF THE FOLLOWING
NI	0010507	1	RADIATOR ASSY,HDFE 1003471,1948066	RADIATOR ONLY
NI	1453232	1	COOLER ASSY,CHARGE AIR,BLACKSTONE	CHARGE AIR COOLER ONLY
2	0032865	1	TANK,SURGE,6 QUART,HDFE	
3	1487024	1	HOSE,HUMP,REINF,3.5 X 3 ID,FLX 7726	
4	1487016	3	HOSE,HUMP,REINF,3 ID X 5 LG,FLX 7725	
5	1450246	7	CLAMP,SPRING LOADED,3.75 ID,3.56-3.88	
6	1258581	1	CLAMP,SPRING LOADED,3.25 ID,3.06-3.38	
7	1977305	2	SEAL,RADIATOR,HDFE	
8	1068501	1	SEAL,RUBBER,A/C HOOD TRIM	
9	0052319	1	BAFFLE,RADIATOR,UPPER,RUBBER,HDFE	
10	1476829	1	PANEL,C/OUT,RADIATOR-AIR COOLER,TCFC	
11	1146877	1	BULB,WITH O-RING SAFETY SIGHT,NO-241-6R	
12	1363274	5	CLAMP,HOSE,SILICON,.62.00	
13	1949189	1	TUBE,CAC TO TURBO OUTLET,CAT 3126,HDFE	
14	1943950	1	TUBE,CAC TO AIR INLET,CAT C7/3126,HDFE	
15	2000123	4	SCREW,5/16-12 X 1/2,B,HEX HD,YEL ZN DICH"	
16	1644822		SENDER,LOW COOLANT LEVEL	ENDING WITH CSN F0180964
16	1940022		SENDER,LOW COOLANT LEVEL,COOPER	BEGIN WITH CSN F0180965
17	0033762	1	NECK,FILLER.SURGE TANK,HDFE	
18	1325430	1	CAP,RADIATOR,10 PSI,DOUBLE SEAL	
19	1464809	4	ISOLATOR,RUBBER,1.75 OD,450 LBS. SLR	
20	1361468		HOSE,SILICON,.37 ID PUROSIL 80	
21	0854406	13	CAPSCREW,HEX HD,5/16-18 X 1,GR8,YEL ZN	
22	0829390	13	NUT,HEX HD,5/16-18,SER WASHER,YEL ZN	
23	0803163	4	CAPSCREW,HEX HD,1/2-13 X2 1/2,GR8,	
24	1003045	4	WASHER,FLAT,17/32 X 1 1/16 X 7/64,HDN,	
25	1165265	4	WASHER,FLAT,9/16,X 1 3/8 X 7/64,YEL ZNDICH	
26	0850800	4	NUT,HEX HD,1/2-13,LOCKING,GR 8,CAD WAX	
27	1990076	AR	HOSE,SILICONE,1.25 ID	
28	0041535	2	TUBE,COOLANT,ENGINE TO COOLER,CAT3126E	
29	0803171	2	CAPSCREW,HEXHD,3/8-16NCX1-1/2,GR8,	
30	1107085	4	WASHER,FLAT,13/32 X 13/16 X 3/32,HDN,BLK	



**Models:** A3FE, C3FE  
**ENGINE**  
**CAT 3126B, C7**  
**With Features:** FEATURE 40187 WITH 40112-01, -02, 40108-01, -02, -03  
**BSN:** From 11/04/02

Key	PartNumber	Qty	Description	Comment
31	0826297	4	NUT,HEX HD,3/8-16 LOCK,YEL ZN DICH	
32	0805226	1	SADDLE,2 IN.,S-200	
33	0805218	1	U-BOLT,2 IN.,UB200	
34	0038639	1	BRACKET,SUPT,LOWER WATER CONNECTION,	
35	1997816	1	TUBE,COOLANT,RADIATOR,LOWER	
36	2001188	1	LOCKWASHER,SPLIT RING, 5/16,MED,YEL ZN	
37	0000014	1	COVER,NOTCH,SHROUD,W/O SHUTTERS, HD FE	
38	2083095	2	SCREW,10-16 X 3/4,AB,PH1,PANHD,YELZN,	
39	0854612	2	CLAMP,LOOP,.500	
40	1997949	1	FAN,KYSOR,4735-43217-24,25.00 OD	
40	0083156	1	FAN,COOLING,ENGINE,HORTON,25.00 OD	WITH FEATURE 30006 OR 30007
41	1394675	4	LOCKWASHER,SPLIT RING,10 MM,MED,OLV DRB	
42	1468263	4	NUT,HEX HD,M10-1.50,YELLOW DICHROMATE	
43	1894799	2	CLAMP,CONSTANT TORQUE,13/16 TO 1-1/2 DIA	
44	1467000	4	WASHER,FLAT,.281 X.750X.078 HARDENED,BLK	
45	2001170	4	LOCKWASHER,SPLIT RING, 1/4 ,MED,YEL ZN	
46	0807958	1	CAPSCREW,HEX HD,1/4-20X 1/2,GR8,YEL ZN	
47	0829390	1	NUT,HEX HD,5/16-18,SER WASHER,YEL ZN	
48	1107937	1	CLAMP,LOOP,2.00	
10	0013938	1	SHROUD ASSY,RADIATOR,ISC/CAT,25 IN FAN	FEATURE 40112-01
10	0013946	1	SHROUD ASSY,RADIATOR,SWING-OUT,ISC/CAT	FEATURE 40112-02
10	0011966	1	SHROUD ASSY,RADIATOR,CAT 3126 WITH A/C	FEATURE 40112-01 WITH FEATURE 30006 OR 30007
10	0980102	1	ELBOW,SILICONE,90 DEG,2.25ID,W/SPRING	FEATURE 40108-01
10	1342583	1	ELBOW,RUBBER,90 DEG,2.25,WITH SPRING	FEATURE 40108-02 03
10	1518497	1	ELBOW,RUBBER,90 DEG,W/SPRING INSERT,	FEATURE 40108-02 40108-03
10	1137256	1	ELBOW,2IN ID SILICON	FEATURE 40108-01
10	0659920	1	HOSE,RADIATOR,FLEX,2.00 ID X 20.00 LONG	FEATURE 40112-01 WITH 40108 -02 03
10	1997766	1	HOSE,ELBOW,90 DEG,SILICON,2.00ID X 9.5 X	FEATURE 40112-01 WITH 40108 -01
10	0001217	1	HOSE,RADIATOR,FLEX,SLC,2.00 ID X 25.00	FEATURE 40112-02 WITH 40108 -01
10	1514546	1	HOSE,RADIATOR,2.25 ID,SILICONE,6.00 IN	FEATURE 40108-01
10	1514538	1	HOSE,RADIATOR,2.25 ID,RUBBER,6.00 IN LONG	FEATURE 40108-02 03
10	1361468		HOSE,SILICON,.37 ID PUROSIL 80	FEATURE 40108-01 6 FT

**Models:** A3FE, C3FE  
**ENGINE**  
**CAT 3126B, C7**  
**With Features:** FEATURE 40187 WITH 40112-01, -02, 40108-01, -02, -03  
**BSN:** From 11/04/02

Key	PartNumber	Qty	Description	Comment
10	1797810	6	HOSE,.37 ID X .62 OD,W-H H00906	FEATURE 40108-02 03
10	0055037		HOSE,HEATER,1.25 ID,GOODYEAR HI-MILER	FEATURE 40112-01 WITH 40108-02, -03 4 FT
10	1990076		HOSE,SILICONE,1.25 ID	FEATURE 40112-01, -02 WITH 40108-01 4 FT0
10	0972141	1	HOSE,RADIATOR,FLEX,2.00 ID X 24.00 LONG	FEATURE 40112-01 WITH 40108-02 03
10	1408913	1	HOSE,SILICON,FLEX,2.00 X 24.00 LONG	FEATURE 40112-01 WITH 40108-01
10	1935295	1	HOSE,RADIATOR,LWR,2.00ID,FORMED,	FEATURE 40112-02 WITH 40108-01
10	1454008	1	INSERT,BARBED,3/8 ID HOSE X 1/4 MPT	WITH FEATURE 40112-01
10	1409093	1	ELBOW,BARBED INSERT,3/8 HOSE X 1/4 MPT	WITH FEATURE 40112-02
11	1802446	1	HOSE,SILICONE,FORMED,.37 1DX .37 OD,TCFE	FEATURE 40112-01
11	1361468	1	HOSE,SILICON,.37 ID PUROSIL 80	FEATURE 40112-02
11	1167709	6	CLAMP,HOSE,LINED,2IN	FEATURE 40108-02
11	1894807	6	CLAMP,CONSTANT TORQUE,1-3/4 TO 2-5/8 DIA	FEATURE 40108-01, 40108-03
11	0964940	4	CLAMP,HOSE,LINED,2 1/2 INCH	FEATURE 40108-02
11	1905488	4	CLAMP,CONSTANT TORQUE,2 1/4 TO 3 1/8 DIA	FEATURE 40108-01 40108-03
11	1894799	2	CLAMP,CONSTANT TORQUE,13/16 TO 1-1/2 DIA	FEATURE 40108-01
11	0870345	2	CLAMP,HOSE,1INCH,LINED	FEATURE 40108-02
11	0087543	2	CLAMP,CONSTANT TORQUE,13/16 TO 1-3/4 DIA	FEATURE 40108-03
11	0938548		HOSE,RUBBER,HO5705,5/16 ID X 9/16 OD	
11	2217180	1	GROMMET,RUBBER,5/16ID,NO 705	FEATURE 40112-02
11	0001242	1	ROD ASSY,PROP,SWINGOUT RADIATOR,HDFE	FEATURE 40112-02
11	0001244	1	CLIP,ADJUSTABLE,NO.28,HOLDS 3/16 TO 3/8	FEATURE 40112-02
11	1334671	1	SCREW,8-32 X 3/8,F,PH1,PAN HD,YEL ZN DICH	FEATURE 40112-02
11	0001241	1	BRACKET,MTG,CLIP,PROP,SWINGOUT RAD.,	WITH FEATURE 40112-02 ONLY
12	0001240	1	BRACKET,MTG,ROD,PROP,SWINGOUT	WITH FEATURE 40112-02 ONLY

**Models:** A3FE


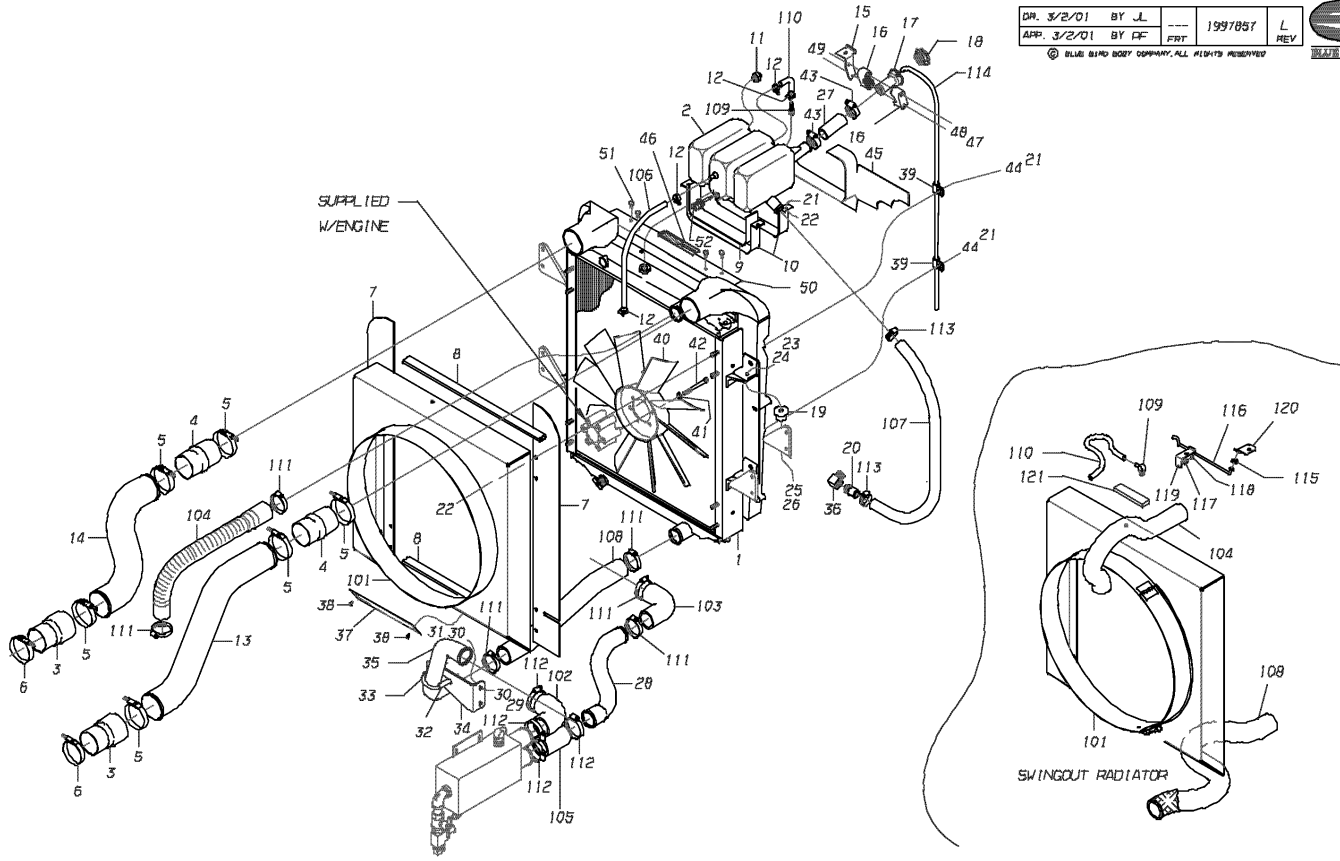
**ENGINE**  
CUMMINS 5.9 ISB

**With Features:** FEATURE 40177 WITH 40112, 40108  
To 11/03/02

Key	PartNumber	Qty	Description	Comment
-----	------------	-----	-------------	---------

DR. 3/2/01	BY J.L.		1997887	L
APP. 3/2/01	BY RF	FRY		REV.

© BLUE BIRD BODY COMPANY, ALL RIGHTS RESERVED

**Models:** A3FE

**ENGINE**

**CUMMINS 5.9 ISB**

**With Features:** **FEATURE 40177 WITH 40112, 40108  
To 11/03/02**

Key	PartNumber	Qty	Description	Comment
1	1948066	1	RADIATOR AND CAC ASSY,VALEO, HDFE	<i>CONSISTS OF THE FOLLOWING</i>
NI	0010507	1	RADIATOR ASSY,HDFE 1003471,1948066	<i>RADIATOR ONLY</i>
NI	1453232	1	COOLER ASSY,CHARGE AIR,BLACKSTONE	<i>CHARGE AIR COOLER ONLY</i>
2	1966233	1	TANK,SURGE,HDFE	
NI	1644822	1	SENDER,LOW COOLANT LEVEL	
3	1487024	1	HOSE,HUMP,REINF,3.5 X 3 ID,FLX 7726	
4	1491612	3	HOSE,HUMP,REINF,3.50 ID X 5 FLX 7724-1	
5	1450246	7	CLAMP,SPRING LOADED,3.75 ID,3.56-3.88	
6	1258581	1	CLAMP,SPRING LOADED,3.25 ID,3.06-3.38	
7	1977305	2	SEAL,RADIATOR,HDFE	
8	1068501	1	SEAL,RUBBER,A/C HOOD TRIM	
9	1816180	2	SPACER,SMOOTH,BLACK,.125 X 2 X 28.30	
10	1966225	2	STRAP,MTG,SURGE TANK, HDFE	
11	1146877	1	BULB,WITH O-RING SAFETY SIGHT,NO-241-6R	
12	1363274	5	CLAMP,HOSE,SILICON,.62.00	
13	1454008	1	INSERT,BARBED,3/8 ID HOSE X 1/4 MPT	
14	1802446	1	HOSE,SILICONE,FORMED,.37 1DX .37 OD,TCFE	
15	1988062	1	BRACKET,SUPT,FILLER NECK, HDFE	
16	0948141	1	CLAMP,LOOP,1.312	
17	1990068	1	NECK,FILLER,SURGE TANK,HDFE	
18	1599422	1	CAP,RADIATOR,COOLANT RECOVERY,7 PSI	
19	1464809	4	ISOLATOR,RUBBER,1.75 OD,450 LBS. SLR	
20	0315200	1	ADAPTER,HTR,3/4 PIPE X 1 HOSE	
21	0854406	13	CAPSCREW,HEX HD,5/16-18 X 1,GR8,YEL ZN	
22	0829390	13	NUT,HEX HD,5/16-18,SER WASHER,YEL ZN	
23	0803163	4	CAPSCREW,HEX HD,1/2-13 X2 1/2,GR8,	
24	1003045	4	WASHER,FLAT,17/32 X 1 1/16 X 7/64,HDN,	
25	1165265	4	WASHER,FLAT,9/16,X 1 3/8 X 7/64,YEL ZNDICH	
26	0850800	4	NUT,HEX HD,1/2-13,LOCKING,GR 8,CAD WAX	
27	1990076	AR	HOSE,SILICONE,1.25 ID	
28	2232858	2	CLAMP,HOSE,1 1/4,NO 4-1202,SIZE 20	
29	0803171	2	CAPSCREW,HEXHD,3/8-16NCX1-1/2,GR8,	
30	1107085	4	WASHER,FLAT,13/32 X 13/16 X 3/32,HDN,BLK	

**Models:** A3FE

**ENGINE**

**CUMMINS 5.9 ISB**

**With Features:** **FEATURE 40177 WITH 40112, 40108  
To 11/03/02**

Key	PartNumber	Qty	Description	Comment
31	0826297	4	NUT,HEX HD,3/8-16 LOCK,YEL ZN DICH	
32	0805226	1	SADDLE,2 IN.,S-200	
33	0805218	1	U-BOLT,2 IN.,UB200	
34	1949395	1	BRACKET,SUPT,LOWER WATER CONNECTION,	
35	1997816	1	TUBE,COOLANT,RADIATOR,LOWER	
36	1877166	1	ELBOW,STREET,3/4,3400 X 12	
37	0000016	1	COVER,2.75 X 14.06 X .058 THICK	
38	2083095	2	SCREW,10-16 X 3/4,AB,PH1,PANHD,YELZN,	
39	0854612	2	CLAMP,LOOP,.500	
40	1664176	1	FAN ASSY,22 INCH,10 BLADES,NYLON	
41	1394675	4	LOCKWASHER,SPLIT RING,10 MM,MED,OLV DRB	
42	1265990	4	CAPSCREW,HX HD,M10-1.5X70,CL10.9,	
43	1894799	2	CLAMP,CONSTANT TORQUE,13/16 TO 1-1/2 DIA	
44	2001188	2	LOCKWASHER,SPLIT RING, 5/16,MED,YEL ZN	
NI	0000999	1	BAFFLE,RADIATOR,UPPER,RUBBER, HDFE	
10	1966274	1	SHROUD ASSY,RADIATOR,CUMN ISB,22" FAN,	
10	1342583	1	ELBOW,RUBBER,90 DEG,2.25,WITH SPRING	
10	1518497	1	ELBOW,RUBBER,90 DEG,W/SPRING INSERT,	FEATURE 40108-02 ,-03
10	1137256	1	ELBOW,2IN ID SILICON	FEATURE 40108-01
10	1997733	1	HOSE,RADIATOR,FLEX,1.75 TO 2.00 X 23.50 LG	
10	1514538	1	HOSE,RADIATOR,2.25 ID,RUBBER,6.00 IN LONG	
10	1797810	72	HOSE,.37 ID X .62 OD,W-H H00906	
10	2003317	42	HOSE,HEATER,1 INCH BRAID,BLACK	
10	0972141	1	HOSE,RADIATOR,FLEX,2.00 ID X 24.00 LONG	
10	1454008	1	INSERT,BARBED,3/8 ID HOSE X 1/4 MPT	
11	1802446	1	HOSE,SILICONE,FORMED,.37 1DX .37 OD,TCFE	
11	1167709	6	CLAMP,HOSE,LINED,2IN	FEATURE 40108-02
11	1894807	6	CLAMP,CONSTANT TORQUE,1-3/4 TO 2-5/8 DIA	FEATURE 40108-01,-03
11	0964940	4	CLAMP,HOSE,LINED,2 1/2 INCH	FEATURE 40108-02
11	1905488	4	CLAMP,CONSTANT TORQUE,2 1/4 TO 3 1/8 DIA	FEATURE 40108-01,-03
11	0870345	2	CLAMP,HOSE,1INCH,LINED	FEATURE 40108-02
11	1894799	2	CLAMP,CONSTANT TORQUE,13/16 TO 1-1/2 DIA	FEATURE 40108-01,-03
11	0001240	1	BRACKET,MTG,ROD,PROP,SWINGOUT	

**Models:** A3FE  
**ENGINE**  
**CUMMINS 5.9 ISB**

**With Features:** **FEATURE 40177 WITH 40112, 40108**  
**To 11/03/02**

Key	PartNumber	Qty	Description	Comment
11	2217180	1	GROMMET,RUBBER,5/16ID,NO 705	
11	0001242	1	ROD ASSY,PROP,SWINGOUT RADIATOR,HDFE	
11	0001244	1	CLIP,ADJUSTABLE,NO.28,HOLDS 3/16 TO 3/8	
11	1334671	1	SCREW,8-32 X 3/8,F,PH1,PAN HD,YEL ZN DICH	
11	0001241	1	BRACKET,MTG,CLIP,PROP,SWINGOUT RAD.,	
12	0001240	1	BRACKET,MTG,ROD,PROP,SWINGOUT	
12	1933274	1	SEAL,ENGINE HOOD,1/2 THX X 1-1/4 WIDE	

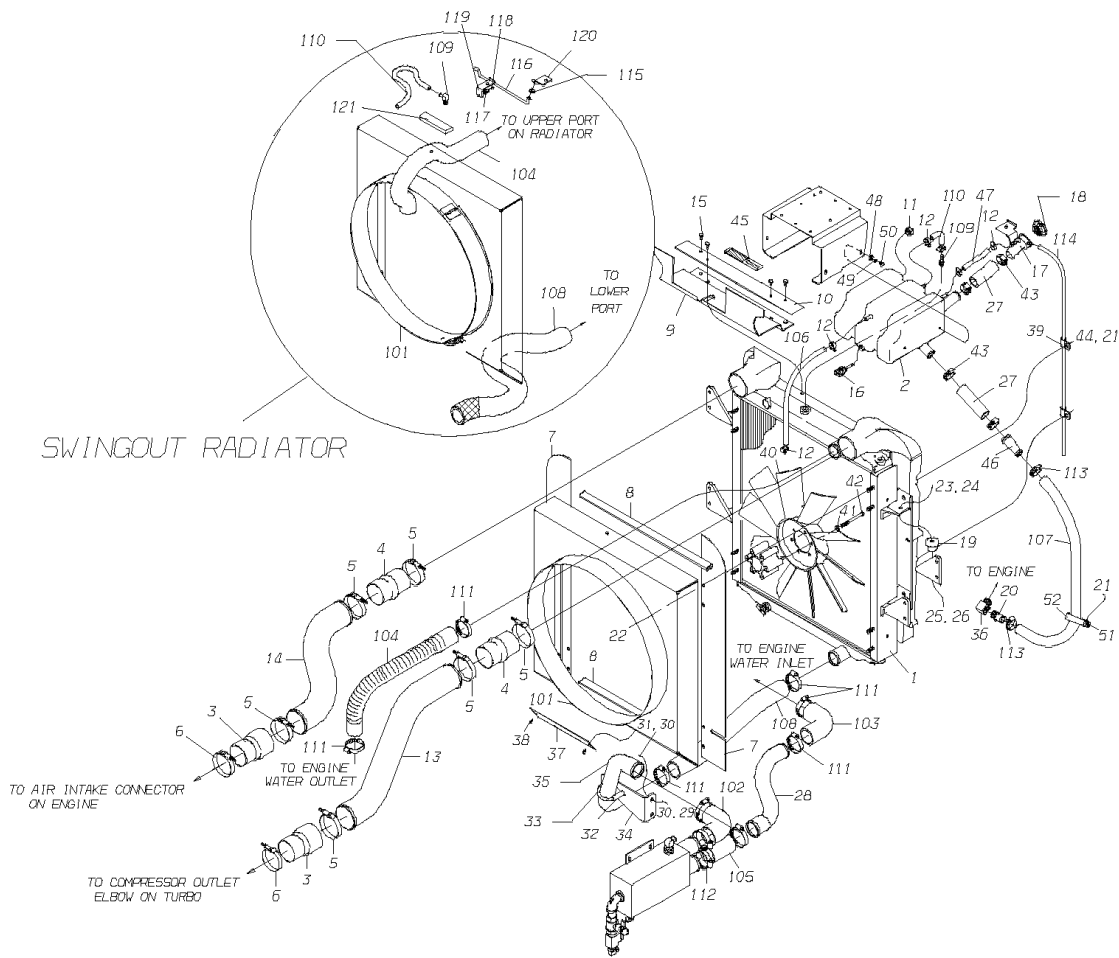
**Models:** A3FE

**ENGINE**  
CUMMINS 5.9 ISB

**With Features:** FEATURE 40177 WITH 40112, 40108

**BSN:** From 11/04/02

Key	PartNumber	Qty	Description	Comment
-----	------------	-----	-------------	---------



**Models:** A3FE  
**ENGINE**  
**CUMMINS 5.9 ISB**  
**With Features:** FEATURE 40177 WITH 40112, 40108  
**BSN:** From 11/04/02

Key	PartNumber	Qty	Description	Comment
1	1948066	1	RADIATOR AND CAC ASSY,VALEO, HDFE	<i>CONSISTS OF THE FOLLOWING</i>
NI	0010507	1	RADIATOR ASSY,HDFE 1003471,1948066	<i>RADIATOR ONLY</i>
NI	1453232	1	COOLER ASSY,CHARGE AIR,BLACKSTONE	<i>CHARGE AIR COOLER ONLY</i>
2	0032865	1	TANK,SURGE,6 QUART,HDFE	
NI	1644822	1	SENDER,LOW COOLANT LEVEL	
3	1487024	1	HOSE,HUMP,REINF,3.5 X 3 ID,FLX 7726	
4	1491612	3	HOSE,HUMP,REINF,3.50 ID X 5 FLX 7724-1	
5	1450246	7	CLAMP,SPRING LOADED,3.75 ID,3.56-3.88	
6	1258581	1	CLAMP,SPRING LOADED,3.25 ID,3.06-3.38	
7	1977305	2	SEAL,RADIATOR,HDFE	
8	1068501	1	SEAL,RUBBER,A/C HOOD TRIM	
9	0052319	1	BAFFLE,RADIATOR,UPPER,RUBBER,HDFE	
10	1476829	1	PANEL,C/OUT,RADIATOR-AIR COOLER,TCFC	
11	1146877	1	BULB,WITH O-RING SAFETY SIGHT,NO-241-6R	
12	1363274	5	CLAMP,HOSE,SILICON,.62.00	
13	1454008	1	INSERT,BARBED,3/8 ID HOSE X 1/4 MPT	
14	1802446	1	HOSE,SILICONE,FORMED,.37 1DX .37 OD,TCFE	
15	2000123	4	SCREW,5/16-12 X 1/2,B,HEX HD,YEL ZN DICH"	
16	1644822	1	SENDER,LOW COOLANT LEVEL	
17	1990068	1	NECK,FILLER,SURGE TANK,HDFE	
18	1599422	1	CAP,RADIATOR,COOLANT RECOVERY,7 PSI	
19	1464809	4	ISOLATOR,RUBBER,1.75 OD,450 LBS. SLR	
20	0315200	1	ADAPTER,HTR,3/4 PIPE X 1 HOSE	
21	0854406	13	CAPSCREW,HEX HD,5/16-18 X 1,GR8,YEL ZN	
22	0829390	13	NUT,HEX HD,5/16-18,SER WASHER,YEL ZN	
23	0803163	4	CAPSCREW,HEX HD,1/2-13 X2 1/2,GR8,	
24	1003045	4	WASHER,FLAT,17/32 X 1 1/16 X 7/64,HDN,	
25	1165265	4	WASHER,FLAT,9/16,X 1 3/8 X 7/64,YEL ZNDICH	
26	0850800	4	NUT,HEX HD,1/2-13,LOCKING,GR 8,CAD WAX	
27	1990076	AR	HOSE,SILICONE,1.25 ID	
28	2232858	2	CLAMP,HOSE,1 1/4,NO 4-1202,SIZE 20	
29	0803171	2	CAPSCREW,HEXHD,3/8-16NCX1-1/2,GR8,	
30	1107085	4	WASHER,FLAT,13/32 X 13/16 X 3/32,HDN,BLK	



**Models:** A3FE  
**ENGINE**  
**CUMMINS 5.9 ISB**  
**With Features:** FEATURE 40177 WITH 40112, 40108  
**BSN:** From 11/04/02

Key	PartNumber	Qty	Description	Comment
31	0826297	4	NUT,HEX HD,3/8-16 LOCK,YEL ZN DICH	
32	0805226	1	SADDLE,2 IN.,S-200	
33	0805218	1	U-BOLT,2 IN.,UB200	
34	1949395	1	BRACKET,SUPT,LOWER WATER CONNECTION,	
35	1997816	1	TUBE,COOLANT,RADIATOR,LOWER	
36	1877166	1	ELBOW,STREET,3/4,3400 X 12	
37	0000016	1	COVER,2.75 X 14.06 X .058 THICK	
38	2083095	2	SCREW,10-16 X 3/4,AB,PH1,PANHD,YELZN,	
39	0854612	2	CLAMP,LOOP,.500	
40	1664176	1	FAN ASSY,22 INCH,10 BLADES,NYLON	
41	1394675	4	LOCKWASHER,SPLIT RING,10 MM,MED,OLV DRB	
42	1265990	4	CAPSCREW,HX HD,M10-1.5X70,CL10.9,	
43	1894799	2	CLAMP,CONSTANT TORQUE,13/16 TO 1-1/2 DIA	
44	2001188	2	LOCKWASHER,SPLIT RING, 5/16,MED,YEL ZN	
NI	0000999	1	BAFFLE,RADIATOR,UPPER,RUBBER, HDFE	
45	1599430	1	DECAL,RADIATOR FILL INSTRUCTIONS,TCFC	
46	0055058	1	REDUCER,HOSE,1.25 TO 1.00	
47	1361468	1	HOSE,SILICON,.37 ID PUROSIL 80	
48	1467000	4	WASHER,FLAT, .281 X.750X.078 HARDENED,BLK	
49	2001170	4	LOCKWASHER,SPLIT RING, 1/4 ,MED,YEL ZN	
50	0807958	4	CAPSCREW,HEX HD,1/4-20X 1/2,GR8,YEL ZN	
51	0829390	1	NUT,HEX HD,5/16-18,SER WASHER,YEL ZN	
52	1107937	1	CLAMP,LOOP,2.00	
10	1966274	1	SHROUD ASSY,RADIATOR,CUMN ISB,22" FAN,	
10	1342583	1	ELBOW,RUBBER,90 DEG,2.25,WITH SPRING	
10	1518497	1	ELBOW,RUBBER,90 DEG,W/SPRING INSERT,	FEATURE 40108-02,-03
10	1137256	1	ELBOW,2IN ID SILICON	FEATURE 40108-01
10	1997733	1	HOSE,RADIATOR,FLEX,1.75 TO 2.00 X 23.50 LG	
10	1514538	1	HOSE,RADIATOR,2.25 ID,RUBBER,6.00 IN LONG	
10	1797810	72	HOSE,.37 ID X .62 OD,W-H H00906	
10	0055037		HOSE,HEATER,1.25 ID,GOODYEAR HI-MILER	FEATURE 40112-01 WITH 40108-02,-03. 4 FT
10	1990076		HOSE,SILICONE,1.25 ID	FEATURE 40112-01 WITH 40108-01. 4 FT
10	0972141	1	HOSE,RADIATOR,FLEX,2.00 ID X 24.00 LONG	

**Models:** A3FE  
**ENGINE**  
**CUMMINS 5.9 ISB**  
**With Features:** FEATURE 40177 WITH 40112, 40108  
**BSN:** From 11/04/02

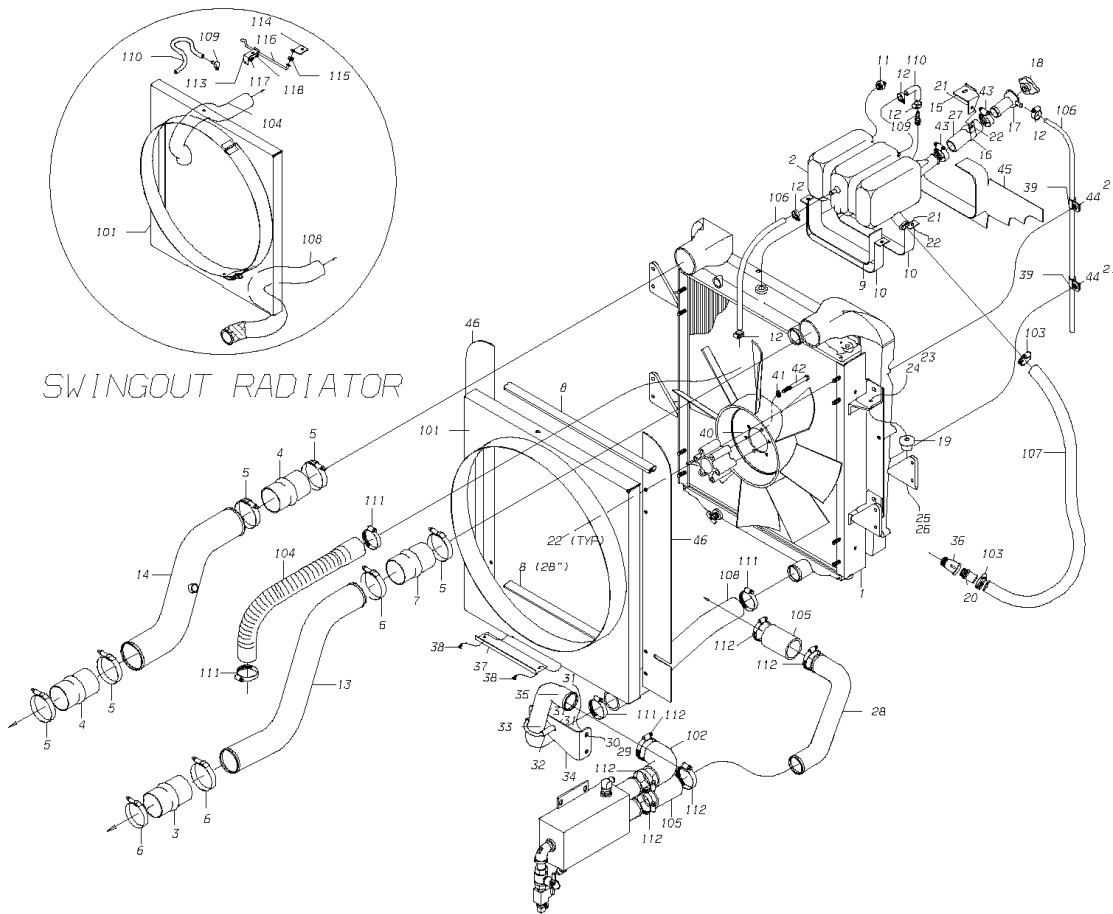
Key	PartNumber	Qty	Description	Comment
10	1454008	1	INSERT,BARBED,3/8 ID HOSE X 1/4 MPT	
11	1802446	1	HOSE,SILICONE,FORMED,,.37 1DX .37 OD,TCFE	
11	1167709	6	CLAMP,HOSE,LINED,2IN	FEATURE 40108-02
11	1894807	6	CLAMP,CONSTANT TORQUE,1-3/4 TO 2-5/8 DIA	FEATURE 40108-01,-03
11	0964940	4	CLAMP,HOSE,LINED,2 1/2 INCH	FEATURE 40108-02
11	1905488	4	CLAMP,CONSTANT TORQUE,2 1/4 TO 3 1/8 DIA	FEATURE 40108-01,-03
11	0870345	2	CLAMP,HOSE,1INCH,LINED	FEATURE 40108-02
11	1894799	2	CLAMP,CONSTANT TORQUE,13/16 TO 1-1/2 DIA	FEATURE 40108-01,-03
11	0001240	1	BRACKET,MTG,ROD,PROP,SWINGOUT	
11	2217180	1	GROMMET,RUBBER,5/16ID,NO 705	
11	0001242	1	ROD ASSY,PROP,SWINGOUT RADIATOR,HDFE	
11	0001244	1	CLIP,ADJUSTABLE,NO.28,HOLDS 3/16 TO 3/8	
11	1334671	1	SCREW,8-32 X 3/8,F,PH1,PAN HD,YEL ZN DICH	
11	0001241	1	BRACKET,MTG,CLIP,PROP,SWINGOUT RAD.,	

**Models:** A3FE

**ENGINE**  
**CUMMINS 8.3 ISC**

**With Features:** FEATURE 40184 WITH 40112, 40108  
To CSN 30124569

Key	PartNumber	Qty	Description	Comment
-----	------------	-----	-------------	---------



SWINGOUT RADIATOR

**Models:** A3FE

**ENGINE**

**CUMMINS 8.3 ISC**

**With Features:** FEATURE 40184 WITH 40112, 40108  
To CSN 30124569

Key	PartNumber	Qty	Description	Comment
1	1948066	1	RADIATOR AND CAC ASSY,VALEO, HDFE	CONSISTS OF THE FOLLOWING
NI	0010507	1	RADIATOR ASSY,HDFE 1003471,1948066	RADIATOR ONLY
NI	1453232	1	COOLER ASSY,CHARGE AIR,BLACKSTONE	CHARGE AIR COOLER ONLY
2	1966233	1	TANK,SURGE,HDFE	
3	1487016	1	HOSE,HUMP,REINF,3 ID X 5 LG,FLX 7725	
4	1491612	3	HOSE,HUMP,REINF,3.50 ID X 5 FLX 7724-1	
5	1450246	7	CLAMP,SPRING LOADED,3.75 ID,3.56-3.88	
6	1258581	1	CLAMP,SPRING LOADED,3.25 ID,3.06-3.38	
7	1487024	2	HOSE,HUMP,REINF,3.5 X 3 ID,FLX 7726	
8	1068501	1	SEAL,RUBBER,A/C HOOD TRIM	
9	1816180	2	SPACER,SMOOTH,BLACK,.125 X 2 X 28.30	
10	1966225	2	STRAP,MTG,SURGE TANK, HDFE	
11	1146877	1	BULB,WITH O-RING SAFETY SIGHT,NO-241-6R	
12	1363274	5	CLAMP,HOSE,SILICON,.62.00	
13	0001001	1	TUBE,CAC TO TURBO OUTLET,CUMN ISC, HDFE	
14	0001000	1	TUBE,CAC TO AIR INLET,CUMN ISC, HDFE	
15	1988062	1	BRACKET,SUPT,FILLER NECK, HDFE	
16	0948141	1	CLAMP,LOOP,1.312	
17	1990068	1	NECK,FILLER,SURGE TANK,HDFE	
18	1599422	1	CAP,RADIATOR,COOLANT RECOVERY,7 PSI	
19	1464809	4	ISOLATOR,RUBBER,1.75 OD,450 LBS. SLR	
20	0315200	1	ADAPTER,HTR,3/4 PIPE X 1 HOSE	
21	0854406	13	CAPSCREW,HEX HD,5/16-18 X 1,GR8,YEL ZN	
22	0829390	13	NUT,HEX HD,5/16-18,SER WASHER,YEL ZN	
23	0803163	4	CAPSCREW,HEX HD,1/2-13 X2 1/2,GR8,	
24	1003045	4	WASHER,FLAT,17/32 X 1 1/16 X 7/64,HDN,	
25	1165265	4	WASHER,FLAT,9/16,X 1 3/8 X 7/64,YEL ZNDICH	
26	0850800	4	NUT,HEX HD,1/2-13,LOCKING,GR 8,CAD WAX	
27	1990076		HOSE,SILICONE,1.25 ID	
28	0001003	1	TUBE,COOLANT,ENGINE TO COOLER,CUMN ISC	
29	0803171	2	CAPSCREW,HEXHD,3/8-16NCX1-1/2,GR8,	
30	1107085	4	WASHER,FLAT,13/32 X 13/16 X 3/32,HDN,BLK	
31	0826297	4	NUT,HEX HD,3/8-16 LOCK,YEL ZN DICH	

**Models:** A3FE

**ENGINE**

**CUMMINS 8.3 ISC**

**With Features:** **FEATURE 40184 WITH 40112, 40108**  
**To CSN 30124569**

Key	PartNumber	Qty	Description	Comment
32	0805226	1	SADDLE,2 IN.,S-200	
33	0805218	1	U-BOLT,2 IN.,UB200	
34	1949395	1	BRACKET,SUPT,LOWER WATER CONNECTION,	
35	1997816	1	TUBE,COOLANT,RADIATOR,LOWER	
36	2009272	1	ELBOW,STREET,3/4 45 DEG,GALV	
37	0000014	1	COVER,NOTCH,SHROUD,W/O SHUTTERS, HDFE	
38	2083095	2	SCREW,10-16 X 3/4,AB,PH1,PANHD,YELZN,	
39	0854612	2	CLAMP,LOOP,.500	
40	1967546	1	FAN,KYSOR,4735-43217-20,25.00 O.D.	
41	1394675	4	LOCKWASHER,SPLIT RING,10 MM,MED,OLV DRB	
42	0004881	4	CAPSCREW,HX HD,M10-1.5X100,CL10.9,	
43	1894799	2	CLAMP,CONSTANT TORQUE,13/16 TO 1-1/2 DIA	
44	2001188	2	LOCKWASHER,SPLIT RING, 5/16,MED,YEL ZN	
45	0000999	1	BAFFLE,RADIATOR,UPPER,RUBBER, HDFE	
46	1977305	2	SEAL,RADIATOR,HDFE	
10	0013938	1	SHROUD ASSY,RADIATOR,ISC/CAT,25 IN FAN	FEATURE 40112-01
10	0013946	1	SHROUD ASSY,RADIATOR,SWING-OUT,ISC/CAT	FEATURE 40112-02
10	1342583	1	ELBOW,RUBBER,90 DEG,2.25,WITH SPRING	FEATURE 40108-02,-03
10	0980102	1	ELBOW,SILICONE,90 DEG,2.25ID,W/SPRING	FEATURE 40108-01 SILICONE
10	0870345	1	CLAMP,HOSE,1INCH,LINED	FEATURE 40108-02
10	1894799	1	CLAMP,CONSTANT TORQUE,13/16 TO 1-1/2 DIA	FEATURE 40108-03
10	0972141	1	HOSE,RADIATOR,FLEX,2.00 ID X 24.00 LONG	FEATURE 40108-02,-03
10	1997766	1	HOSE,ELBOW,90 DEG,SILICON,2.00ID X 9.5 X	FEATURE 40112-01 WITH 40108-01
10	0001216	1	HOSE,RADIATOR,FLEX,SLC,2.00 ID X 31.00	FEATURE 40112-02 WITH 40108-01
10	1514546	1	HOSE,RADIATOR,2.25 ID,SILICONE,6.00 IN	FEATURE 40108-01
10	1514538	1	HOSE,RADIATOR,2.25 ID,RUBBER,6.00 IN LONG	FEATURE 40108-02,-03
10	1361468		HOSE,SILICON,.37 ID PUROSIL 80	FEATURE 40108-01. 6 FT.
10	1797810		HOSE,.37 ID X .62 OD,W-H H00906	FEATURE 40108-02,-03. 6 FT
10	1143866		HOSE,HEATER,1 INCH ID,SILICONE	FEATURE 40108-01. 42 IN.
10	2003317		HOSE,HEATER,1 INCH BRAID,BLACK	FEATURE 40108-02,-03. 42 IN.
10	0972141	1	HOSE,RADIATOR,FLEX,2.00 ID X 24.00 LONG	FEATURE 40112-01
10	1935295	1	HOSE,RADIATOR,LWR,2.00ID,FORMED,	FEATURE 40112-02
10	1454008	1	INSERT,BARBED,3/8 ID HOSE X 1/4 MPT	FEATURE 40112-01

**Models:** **A3FE**  
**ENGINE**  
**CUMMINS 8.3 ISC**  
**With Features:** **FEATURE 40184 WITH 40112, 40108**  
**To CSN 30124569**

Key	PartNumber	Qty	Description	Comment
10	1409093	1	ELBOW,BARBED INSERT,3/8 HOSE X 1/4 MPT	FEATURE 40112-02
11	1802446	1	HOSE,SILICONE,FORMED,,.37 1DX .37 OD,TCFE	FEATURE 40112-01
11	1361468	2	HOSE,SILICON,,.37 ID PUROSIL 80	FEATURE 40112-02
11	1167709	6	CLAMP,HOSE,LINED,2IN	FEATURE 40108-02
11	1894807	6	CLAMP,CONSTANT TORQUE,1-3/4 TO 2-5/8 DIA	FEATURE 40108-01,-03
11	0964940	4	CLAMP,HOSE,LINED,2 1/2 INCH	FEATURE 40108-02
11	1905488	4	CLAMP,CONSTANT TORQUE,2 1/4 TO 3 1/8 DIA	FEATURE 40108-01,-03
11	0001241		BRACKET,MTG,CLIP,PROP,SWINGOUT RAD.,	
11	0001240	1	BRACKET,MTG,ROD,PROP,SWINGOUT	
11	2217180	1	GROMMET,RUBBER,5/16ID,NO 705	
11	0001242	1	ROD ASSY,PROP,SWINGOUT RADIATOR,HDFE	
11	0001244	1	CLIP,ADJUSTABLE,NO.28,HOLDS 3/16 TO 3/8	
11	1334671	1	SCREW,8-32 X 3/8,F,PH1,PAN HD,YEL ZN DICH	
11	0001241	1	BRACKET,MTG,CLIP,PROP,SWINGOUT RAD.,	
12	1933274	1	SEAL,ENGINE HOOD,1/2 THX X 1-1/4 WIDE	

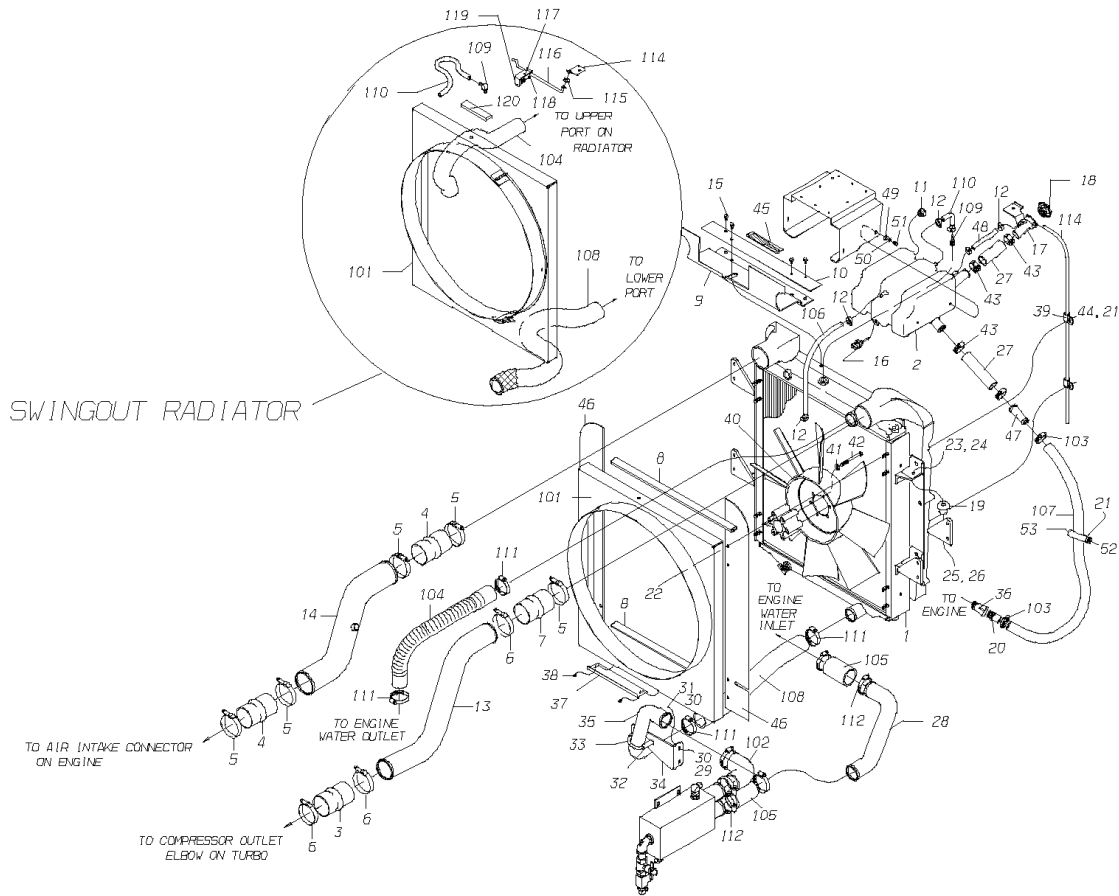
**Models:** A3FE, C3FE

**ENGINE**  
**CUMMINS 8.3 ISC**

**With Features:** FEATURE 40184 WITH 40112, 40108

**BSN:** From CSN 30124570

Key	PartNumber	Qty	Description	Comment
-----	------------	-----	-------------	---------



**Models:** A3FE, C3FE

**ENGINE**  
**CUMMINS 8.3 ISC**

**With Features:** FEATURE 40184 WITH 40112, 40108

**BSN:** From CSN 30124570

Key	PartNumber	Qty	Description	Comment
1	1948066	1	RADIATOR AND CAC ASSY,VALEO, HDFE	CONSISTS OF THE FOLLOWING
NI	0010507	1	RADIATOR ASSY,HDFE 1003471,1948066	RADIATOR ONLY
NI	1453232	1	COOLER ASSY,CHARGE AIR,BLACKSTONE	CHARGE AIR COOLER ONLY
2	0032865	1	TANK,SURGE,6 QUART,HDFE	
3	1487016	1	HOSE,HUMP,REINF,3 ID X 5 LG,FLX 7725	
4	1491612	3	HOSE,HUMP,REINF,3.50 ID X 5 FLX 7724-1	
5	1450246	7	CLAMP,SPRING LOADED,3.75 ID,3.56-3.88	
6	1258581	1	CLAMP,SPRING LOADED,3.25 ID,3.06-3.38	
7	1487024	2	HOSE,HUMP,REINF,3.5 X 3 ID,FLX 7726	
8	1068501	1	SEAL,RUBBER,A/C HOOD TRIM	
9	0052319	1	BAFFLE,RADIATOR,UPPER,RUBBER,HDFE	
10	1476829	1	PANEL,C/OUT,RADIATOR-AIR COOLER,TCFC	
11	1146877	1	BULB,WITH O-RING SAFETY SIGHT,NO-241-6R	
12	1363274	5	CLAMP,HOSE,SILICON,.62.00	
13	0001001	1	TUBE,CAC TO TURBO OUTLET,CUMN ISC, HDFE	
14	0001000	1	TUBE,CAC TO AIR INLET,CUMN ISC, HDFE	
15	2000123	4	SCREW,5/16-12 X 1/2,B,HEX HD,YEL ZN DICH"	
16	1644822	1	SENDER,LOW COOLANT LEVEL	
17	1990068	1	NECK,FILLER,SURGE TANK,HDFE	
18	1325430	1	CAP,RADIATOR,10 PSI,DOUBLE SEAL	
19	1464809	4	ISOLATOR,RUBBER,1.75 OD,450 LBS. SLR	
20	0315200	1	ADAPTER,HTR,3/4 PIPE X 1 HOSE	
21	0854406	13	CAPSCREW,HEX HD,5/16-18 X 1,GR8,YEL ZN	
22	0829390	13	NUT,HEX HD,5/16-18,SER WASHER,YEL ZN	
23	0803163	4	CAPSCREW,HEX HD,1/2-13 X2 1/2,GR8,	
24	1003045	4	WASHER,FLAT,17/32 X 1 1/16 X 7/64,HDN,	
25	1165265	4	WASHER,FLAT,9/16,X 1 3/8 X 7/64,YEL ZNDICH	
26	0850800	4	NUT,HEX HD,1/2-13,LOCKING,GR 8,CAD WAX	
27	1990076		HOSE,SILICONE,1.25 ID	
28	0001003	1	TUBE,COOLANT,ENGINE TO COOLER,CUMN ISC	
29	0803171	2	CAPSCREW,HEXHD,3/8-16NCX1-1/2,GR8,	
30	1107085	4	WASHER,FLAT,13/32 X 13/16 X 3/32,HDN,BLK	
31	0826297	4	NUT,HEX HD,3/8-16 LOCK,YEL ZN DICH	



**Models:** A3FE, C3FE

**ENGINE  
CUMMINS 8.3 ISC**

**With Features:** FEATURE 40184 WITH 40112, 40108

**BSN:** From CSN 30124570

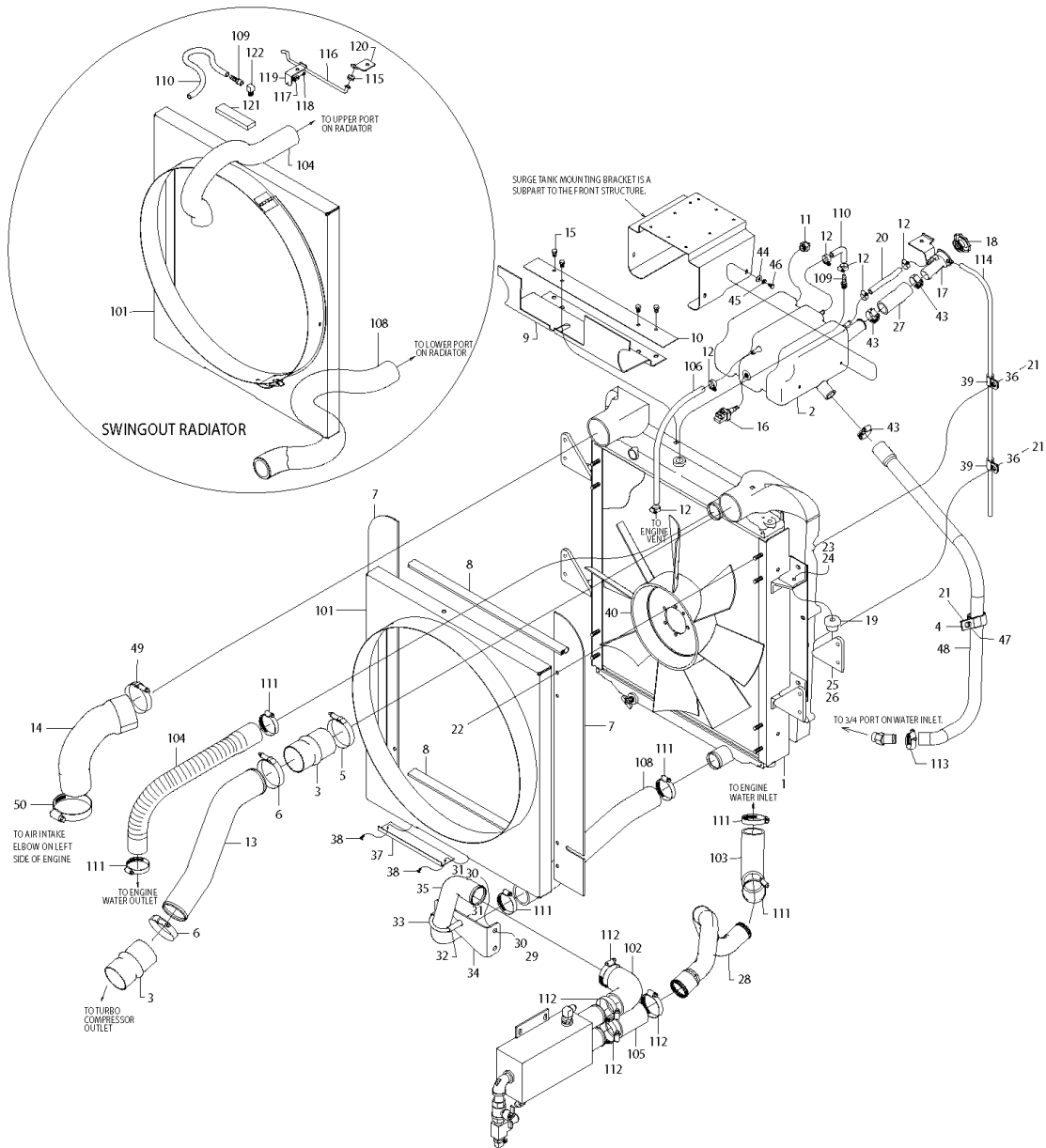
Key	PartNumber	Qty	Description	Comment
32	0805226	1	SADDLE,2 IN.,S-200	
33	0805218	1	U-BOLT,2 IN.,UB200	
34	1949395	1	BRACKET,SUPT,LOWER WATER CONNECTION,	
35	1997816	1	TUBE,COOLANT,RADIATOR,LOWER	
36	2009272	1	ELBOW,STREET,3/4 45 DEG,GALV	
37	0000014	1	COVER,NOTCH,SHROUD,W/O SHUTTERS, HDPE	
38	2083095	2	SCREW,10-16 X 3/4,AB,PH1,PANHD,YELZN,	
39	0854612	2	CLAMP,LOOP,.500	
40	1967546	1	FAN,KYSOR,4735-43217-20,25.00 O.D.	
41	1394675	4	LOCKWASHER,SPLIT RING,10 MM,MED,OLV DRB	
42	0004881	4	CAPSCREW,HX HD,M10-1.5X100,CL10.9,	
43	1894799	2	CLAMP,CONSTANT TORQUE,13/16 TO 1-1/2 DIA	
44	2001188	2	LOCKWASHER,SPLIT RING, 5/16,MED,YEL ZN	
45	1599430	1	DECAL,RADIATOR FILL INSTRUCTIONS,TCFC	
46	1977305	2	SEAL,RADIATOR,HDPE	
47	0055058	1	REDUCER,HOSE,1.25 TO 1.00	
48	1361468	1	HOSE,SILICON,.37 ID PUROSIL 80	
49	1467000	4	WASHER,FLAT,.281 X.750X.078 HARDENED,BLK	
50	2001170	4	LOCKWASHER,SPLIT RING, 1/4 ,MED,YEL ZN	
51	0807958	4	CAPSCREW,HEX HD,1/4-20X 1/2,GR8,YEL ZN	
52	0829390	1	NUT,HEX HD,5/16-18,SER WASHER,YEL ZN	
53	1107937	1	CLAMP,LOOP,2.00	
10	0013938	1	SHROUD ASSY,RADIATOR,ISC/CAT,25 IN FAN	FEATURE 40112-01
10	0013946	1	SHROUD ASSY,RADIATOR,SWING-OUT,ISC/CAT	FEATURE 40112-02
10	1342583	1	ELBOW,RUBBER,90 DEG,2.25,WITH SPRING	FEATURE 40108-02 03
10	0980102	1	ELBOW,SILICONE,90 DEG,2.25ID,W/SPRING	FEATURE 40108-01 SILICONE
10	0870345	1	CLAMP,HOSE,1INCH,LINED	FEATURE 40108-02
10	1894799	1	CLAMP,CONSTANT TORQUE,13/16 TO 1-1/2 DIA	FEATURE 40108-03
10	0972141	1	HOSE,RADIATOR,FLEX,2.00 ID X 24.00 LONG	FEATURE 40108-02,-03
10	1997766	1	HOSE,ELBOW,90 DEG,SILICON,2.00ID X 9.5 X	FEATURE 40112-01 WITH 40108-01
10	0001216	1	HOSE,RADIATOR,FLEX,SLC,2.00 ID X 31.00	FEATURE 40112-02 WITH 40108-01
10	1514546	1	HOSE,RADIATOR,2.25 ID,SILICONE,6.00 IN	FEATURE 40108-01
10	1514538	1	HOSE,RADIATOR,2.25 ID,RUBBER,6.00 IN LONG	FEATURE 40108-02,-03

**Models:** A3FE, C3FE  
**ENGINE**  
**CUMMINS 8.3 ISC**  
**With Features:** FEATURE 40184 WITH 40112, 40108  
**BSN:** From CSN 30124570

Key	PartNumber	Qty	Description	Comment
10	1361468		HOSE,SILICON, .37 ID PUROSIL 80	FEATURE 40108-01. 6 FT.
10	1797810		HOSE, .37 ID X .62 OD, W-H H00906	FEATURE 40108-02, -03. 6 FT.
10	1143866		HOSE, HEATER, 1 INCH ID, SILICONE	FEATURE 40108-01. 4 FT.
10	2003317		HOSE, HEATER, 1 INCH BRAID, BLACK	FEATURE 40108-02, -03. 4 FT.
10	0972141	1	HOSE, RADIATOR, FLEX, 2.00 ID X 24.00 LONG	FEATURE 40112-01
10	1935295	1	HOSE, RADIATOR, LWR, 2.00 ID, FORMED,	FEATURE 40112-02
10	1454008	1	INSERT, BARBED, 3/8 ID HOSE X 1/4 MPT	FEATURE 40112-01
10	1409093	1	ELBOW, BARBED INSERT, 3/8 HOSE X 1/4 MPT	FEATURE 40112-02
11	1802446	1	HOSE, SILICONE, FORMED, .37 ID X .37 OD, TCFE	FEATURE 40112-01
11	1361468	2	HOSE, SILICON, .37 ID PUROSIL 80	FEATURE 40112-02
11	1167709	6	CLAMP, HOSE, LINED, 2 IN	FEATURE 40108-02
11	1894807	6	CLAMP, CONSTANT TORQUE, 1-3/4 TO 2-5/8 DIA	FEATURE 40108-01, -03
11	0964940	4	CLAMP, HOSE, LINED, 2 1/2 INCH	FEATURE 40108-02
11	1905488	4	CLAMP, CONSTANT TORQUE, 2 1/4 TO 3 1/8 DIA	FEATURE 40108-01, -03
11	0001241		BRACKET, MTG, CLIP, PROP, SWINGOUT RAD.,	
11	0001240	1	BRACKET, MTG, ROD, PROP, SWINGOUT	
11	2217180	1	GROMMET, RUBBER, 5/16 ID, NO 705	
11	0001242	1	ROD ASSY, PROP, SWINGOUT RADIATOR, HD FE	
11	0001244	1	CLIP, ADJUSTABLE, NO. 28, HOLDS 3/16 TO 3/8	
11	1334671	1	SCREW, 8-32 X 3/8, F, PH1, PAN HD, YEL ZN DICH	
11	0001241	1	BRACKET, MTG, CLIP, PROP, SWINGOUT RAD.,	
12	1933274	1	SEAL, ENGINE HOOD, 1/2 THX X 1-1/4 WIDE	

**Models:** A3FE  
**ENGINE**  
**CUMMINS ISB02**  
**With Features:** FEATURE 40179-01, -02, -03, -04, -05, -06, -07  
**To CSN F0267139**

Key	PartNumber	Qty	Description	Comment
-----	------------	-----	-------------	---------



**Models:** A3FE  
**ENGINE**  
**CUMMINS ISB02**  
**With Features:** FEATURE 40179-01, -02, -03, -04, -05, -06, -07  
**To CSN F0267139**

Key	PartNumber	Qty	Description	Comment
1	1948066		RADIATOR AND CAC ASSY,VALEO, HDFE	
	0010507		RADIATOR ASSY,HDFE 1003471,1948066	
	1453232		COOLER ASSY,CHARGE AIR,BLACKSTONE	
2	0104848		TANK,SURGE,6 QUART	
3	1487024		HOSE,HUMP,REINF,3.5 X 3 ID,FLX 7726	
4	1107937		CLAMP,LOOP,2.00	
5	1450246		CLAMP,SPRING LOADED,3.75 ID,3.56-3.88	
6	1258581		CLAMP,SPRING LOADED,3.25 ID,3.06-3.38	
7	1977305		SEAL,RADIATOR,HDFE	
8	1068501		SEAL,RUBBER,A/C HOOD TRIM	
9	0052319		BAFFLE,RADIATOR,UPPER,RUBBER,HDFE	
10	1476829		PANEL,C/OUT,RADIATOR-AIR COOLER,TCFC	
11	1146877		BULB,WITH O-RING SAFETY SIGHT,NO-241-6R	
12	0109424		CLAMP,CONSTANT TORQUE,.437 TO .781 DIA.	
13	0107436		TUBE,CAC,TO TURBO OUTLET,CUMN ISB02	
14	0099205		HOSE,CAC TO AIR INLET,CUMN ISB02	
15	2000123		SCREW,5/16-12 X 1/2,B,HEX HD,YEL ZN DICH"	
16	0069818		SENDER,LEVEL,LOW COOLANT, A3RE/C4RE	SEE PAGESET NOTES BEFORE ORDERING.
16	0106490		SENSOR,COOLANT,2007 CAT/CUMMINS	SEE PAGESET NOTES BEFORE ORDERING.
17	0033762		NECK,FILLER.SURGE TANK,HDFE	
18	0065628		CAP,RADIATOR,15 PSI	
19	1464809		ISOLATOR,RUBBER,1.75 OD,450 LBS. SLR	
20	1361468		HOSE,SILICON,.37 ID PUROSIL 80	
21	0854406		CAPSCREW,HEX HD,5/16-18 X 1,GR8,YEL ZN	
22	0829390		NUT,HEX HD,5/16-18,SER WASHER,YEL ZN	
23	0803163		CAPSCREW,HEX HD,1/2-13 X2 1/2,GR8,	
24	1003045		WASHER,FLAT,17/32 X 1 1/16 X 7/64,HDN,	
25	1165265		WASHER,FLAT,9/16,X 1 3/8 X 7/64,YEL ZNDICH	
26	0850800		NUT,HEX HD,1/2-13,LOCKING,GR 8,CAD WAX	
27	1990076		HOSE,SILICONE,1.25 ID	
28	0099207		TUBE,COOLANT,ENG TO COOLER,CUMN ISB02	
29	0803171		CAPSCREW,HEXHD,3/8-16NCX1-1/2,GR8,	
30	1107085		WASHER,FLAT,13/32 X 13/16 X 3/32,HDN,BLK	

Models:

A3FE

ENGINE

CUMMINS ISB02

With Features:

FEATURE 40179-01, -02, -03, -04, -05, -06, -07  
To CSN F0267139

Key	PartNumber	Qty	Description	Comment
31	0826297		NUT,HEX HD,3/8-16 LOCK,YEL ZN DICH	
32	0805226		SADDLE,2 IN.,S-200	
33	0805218		U-BOLT,2 IN.,UB200	
34	0038639		BRACKET,SUPT,LOWER WATER CONNECTION,	
35	1997816		TUBE,COOLANT,RADIATOR,LOWER	
36	2001188		LOCKWASHER,SPLIT RING, 5/16,MED,YEL ZN	
37	0000014		COVER,NOTCH,SHROUD,W/O SHUTTERS, HDPE	
38	2083095		SCREW,10-16 X 3/4,AB,PH1,PANHD,YELZN,	
39	0854612		CLAMP,LOOP,.500	
40	0054331		FAN BLADE,25IN,9 BLADE MD9 SUCTION, H4RE	
41	1394675		LOCKWASHER,SPLIT RING,10 MM,MED,OLV DRB	
42	1468263		NUT,HEX HD,M10-1.50,YELLOW DICHROMATE	
43	1894799		CLAMP,CONSTANT TORQUE,13/16 TO 1-1/2 DIA	
44	1467000		WASHER,FLAT,-.281 X.750X.078 HARDENED,BLK	
45	2001170		LOCKWASHER,SPLIT RING, 1/4 ,MED,YEL ZN	
46	0807958		CAPSCREW,HEX HD,1/4-20X 1/2,GR8,YEL ZN	
47	0829390		NUT,HEX HD,5/16-18,SER WASHER,YEL ZN	
48	0107056		HOSE,FORMED,RUBBER,SURGE TANK	
49	0111210		CLAMP,SPRING LOADED,3.75 ID,3.75-4.06	
50	1650142		CLAMP,SPRING LOADED,3.50 ID,3.31-3.94	
10	0013938		SHROUD ASSY,RADIATOR,ISC/CAT,25 IN FAN	FEATURE 40179 WITH 40112-01 WITH 40108-01, -02, -03
10	0011966		SHROUD ASSY,RADIATOR,CAT 3126 WITH A/C	FEATURE 40179 WITH 40112-01 WITH 40108-01, -02, -03 WITH AC FEATURE 30006 OR 30007
10	0013946		SHROUD ASSY,RADIATOR,SWING-OUT,ISC/CAT	FEATURE 40179 WITH 40112-02 WITH FEATURE 40108-01
10	1342583		ELBOW,RUBBER,90 DEG,2.25,WITH SPRING	FEATURE 40179 WITH 40112-01 WITH 40108-02, -03
10	0980102		ELBOW,SILICONE,90 DEG,2.25ID,W/SPRING	FEATURE 40179 WITH 40112-01, -02 WITH 40108-01
10	1518497		ELBOW,RUBBER,90 DEG,W/SPRING INSERT,	FEATURE 40179 WITH 40112-01 WITH 40108-02, -03
10	1137256		ELBOW,2IN ID SILICON	FEATURE 40179 WITH 40112-01, -02 WITH 40108-01
10	1997733		HOSE,RADIATOR,FLEX,1.75 TO 2.00 X 23.50 LG	FEATURE 40179 WITH 40112-01 WITH 40108-02, -03
10	1997758		HOSE,RADIATOR,UPPER,SILICON,CUMN ISB,	FEATURE 40179 WITH 40112-01 WITH 40108-01

**Models:**
**A3FE  
ENGINE  
CUMMINS ISB02**
**With Features:** **FEATURE 40179-01, -02, -03, -04, -05, -06, -07  
To CSN F0267139**

Key	PartNumber	Qty	Description	Comment
10	0001215		HOSE,RADIATOR,FLEX,SLC,1.75TO2.00ID X	<i>WITH 40108-01</i>
10	1514538		HOSE,RADIATOR,2.25 ID,RUBBER,6.00 IN LONG	<i>FEATURE 40179 WITH 40112-01 WITH 40108-02, -03</i>
10	1514546		HOSE,RADIATOR,2.25 ID,SILICONE,6.00 IN	<i>FEATURE 40179 WITH 40112-01, -02 WITH 40108-01</i>
10	1797810		HOSE,.37 ID X .62 OD,W-H H00906	<i>FEATURE 40179 WITH 40112-01 WITH 40108-02, -03</i>
10	1361468		HOSE,SILICON,.37 ID PUROSIL 80	<i>FEATURE 40179 WITH 40112-01, -02 WITH 40108-01</i>
10	0972141		HOSE,RADIATOR,FLEX,2.00 ID X 24.00 LONG	<i>FEATURE 40179 WITH 40112-01 WITH 40108-02, -03</i>
10	1408913		HOSE,SILICON,FLEX,2.00 X 24.00 LONG	<i>FEATURE 40179 WITH 40112-01 WITH 40108-01</i>
10	1935295		HOSE,RADIATOR,LWR,2.00ID,FORMED,	<i>FEATURE 40179 WITH 40112-02 WITH 40108-01</i>
10	0103802		ADAPTER,BARBED,.375 HOSE X .25 MPT,.125	<i>FEATURE 40179 WITH 40112-01, -02 WITH 40108-01, -02, -03</i>
11	1802446		HOSE,SILICONE,FORMED,.37 1DX .37 OD,TCFE	<i>FEATURE 40179 WITH 40112-01 WITH 40108-01, -02, -03</i>
11	1361468		HOSE,SILICON,.37 ID PUROSIL 80	<i>FEATURE 40179 WITH 40112-02 WITH 40108-01</i>
11	1167709		CLAMP,HOSE,LINED,2IN	<i>FEATURE 40179 WITH 40112-01 WITH 40108-02</i>
11	1894807		CLAMP,CONSTANT TORQUE,1-3/4 TO 2-5/8 DIA	<i>FEATURE 40179 WITH 40112-01, -02 WITH 40108-01, -03</i>
11	0964940		CLAMP,HOSE,LINED,2 1/2 INCH	<i>FEATURE 40179 WITH 40112-01 WITH 40108-02</i>
11	1905488		CLAMP,CONSTANT TORQUE,2 1/4 TO 3 1/8 DIA	<i>FEATURE 40179 WITH 40112-01, -02 WITH 40108-01, -03</i>
11	0870345		CLAMP,HOSE,1INCH,LINED	<i>FEATURE 40179 WITH 40112-01 WITH 40108-02</i>
11	0087543		CLAMP,CONSTANT TORQUE,13/16 TO 1-3/4 DIA	<i>FEATURE 40179 WITH 40112-01 WITH 40108-03</i>
11	1894799		CLAMP,CONSTANT TORQUE,13/16 TO 1-1/2 DIA	<i>FEATURE 40179 WITH 40112-01, -02 WITH 40108-01</i>
11	0938548		HOSE,RUBBER,HO5705,5/16 ID X 9/16 OD	<i>FEATURE 40179 WITH 40112-01, -02 WITH 40108-01, -02, -03</i>
11	2217180		GROMMET,RUBBER,5/16ID,NO 705	<i>FEATURE 40179 WITH 40112-02 WITH 40108-01</i>
11	0001242		ROD ASSY,PROP,SWINGOUT RADIATOR,HDPE	<i>FEATURE 40179 WITH 40112-02 WITH 40108-01</i>
11	0001244		CLIP,ADJUSTABLE,NO.28,HOLDS 3/16 TO 3/8	<i>FEATURE 40179 WITH 40112-02 WITH 40108-01</i>
11	1334671		SCREW,8-32 X 3/8,F,PH1,PAN HD,YEL ZN DICH	<i>FEATURE 40179 WITH 40112-02 WITH 40108-01</i>
11	0001241		BRACKET,MTG,CLIP,PROP,SWINGOUT RAD.,	<i>FEATURE 40179 WITH 40112-02 WITH 40108-01</i>

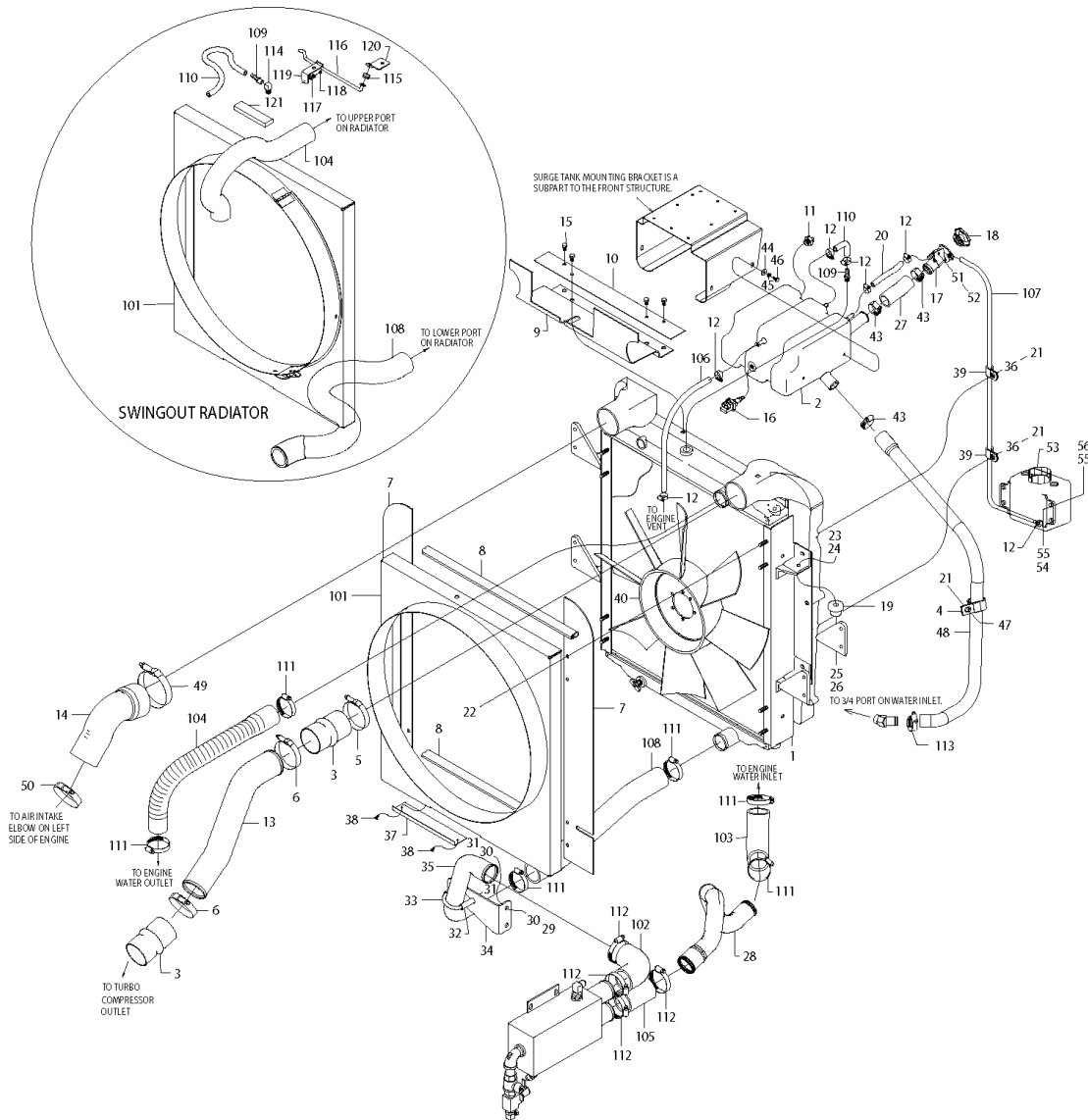
**Models:** A3FE  
**ENGINE**  
**CUMMINS ISB02**

**With Features:** FEATURE 40179-01, -02, -03, -04, -05, -06, -07  
**To CSN F0267139**

Key	PartNumber	Qty	Description	Comment
12	0001240		BRACKET,MTG,ROD,PROP,SWINGOUT	FEATURE 40179 WITH 40112-02 WITH 40108-01
12	1933274		SEAL,ENGINE HOOD,1/2 THX X 1-1/4 WIDE	FEATURE 40179 WITH 40112-02 WITH 40108-01
12	2027233		ELBOW,STREET,1/4,3400X4Z	FEATURE 40179 WITH 40112-02 WITH 40108-01

**Models:** A3FE  
**ENGINE**  
**CUMMINS ISB07 WITH 520T**  
**With Features:** FEATURE 40179-08, -09  
**BSN:** From CSN F0267140

Key	PartNumber	Qty	Description	Comment
-----	------------	-----	-------------	---------





**Models:** A3FE  
**ENGINE**  
**CUMMINS ISB07 WITH 520T**  
**With Features:** FEATURE 40179-08, -09  
**BSN:** From CSN F0267140

Key	PartNumber	Qty	Description	Comment
1	0110216		RADIATOR,CAC,ASSY,W/O OC,ISB07 7 C7/07	
	0115578		RADIATOR ASSY,ENG,2007 A3FE	
	0115576		CHARGE AIR COOLER ASSY,RADIATOR,2007	
2	0104848		TANK,SURGE,6 QUART	
3	1487024		HOSE,HUMP,REINF,3.5 X 3 ID,FLX 7726	
4	1107937		CLAMP,LOOP,2.00	
5	1450246		CLAMP,SPRING LOADED,3.75 ID,3.56-3.88	
6	1258581		CLAMP,SPRING LOADED,3.25 ID,3.06-3.38	
7	1977305		SEAL,RADIATOR,HDFE	
8	1068501		SEAL,RUBBER,A/C HOOD TRIM	
9	0110386		BAFFLE,RADIATOR,UPPER,RUBBER,07	
10	1476829		PANEL,C/OUT,RADIATOR-AIR COOLER,TCFC	
11	1146877		BULB,WITH O-RING SAFETY SIGHT,NO-241-6R	
12	0109424		CLAMP,CONSTANT TORQUE,.437 TO .781 DIA.	
13	0104262		TUBE,CAC,TO TURBO OUTLET,CUMN ISB07	
14	0104261		HOSE,CAC TO AIR INLET,CUMN ISB07	
15	2000123		SCREW,5/16-12 X 1/2,B,HEX HD,YEL ZN DICH"	
16	0106490		SENSOR,COOLANT,2007 CAT/CUMMINS	
17	0110494		NECK,FILLER,SURGE TANK	
18	0065628		CAP,RADIATOR,15 PSI	
19	1464809		ISOLATOR,RUBBER,1.75 OD,450 LBS. SLR	
20	1361468		HOSE,SILICON,.37 ID PUROSIL 80	
21	0854406		CAPSCREW,HEX HD,5/16-18 X 1,GR8,YEL ZN	
22	0829390		NUT,HEX HD,5/16-18,SER WASHER,YEL ZN	
23	0803163		CAPSCREW,HEX HD,1/2-13 X2 1/2,GR8,	
24	1003045		WASHER,FLAT,17/32 X 1 1/16 X 7/64,HDN,	
25	1165265		WASHER,FLAT,9/16,X 1 3/8 X 7/64,YEL ZNDICH	
26	0850800		NUT,HEX HD,1/2-13,LOCKING,GR 8,CAD WAX	
27	1990076		HOSE,SILICONE,1.25 ID	
28	0099207		TUBE,COOLANT,ENG TO COOLER,CUMN ISB02	
29	0803171		CAPSCREW,HEXHD,3/8-16NCX1-1/2,GR8,	
30	1107085		WASHER,FLAT,13/32 X 13/16 X 3/32,HDN,BLK	
31	0826297		NUT,HEX HD,3/8-16 LOCK,YEL ZN DICH	

**Models:** A3FE  
**ENGINE**  
**CUMMINS ISB07 WITH 520T**  
**With Features:** FEATURE 40179-08, -09  
**BSN:** From CSN F0267140

Key	PartNumber	Qty	Description	Comment
32	0805226		SADDLE,2 IN.,S-200	
33	0805218		U-BOLT,2 IN.,UB200	
34	0112238		BRACKET,SUPT,LOWER COOLANT TUBE,FRONT	
35	1997816		TUBE,COOLANT,RADIATOR,LOWER	
36	2001188		LOCKWASHER,SPLIT RING, 5/16,MED,YEL ZN	
37	0000014		COVER,NOTCH,SHROUD,W/O SHUTTERS, HD FE	
38	2083095		SCREW,10-16 X 3/4,AB,PH1,PANHD,YELZN,	
39	0854612		CLAMP,LOOP,.500	
40	0054331		FAN BLADE,25IN,9 BLADE MD9 SUCTION, H4RE	
41	1394675		LOCKWASHER,SPLIT RING,10 MM,MED,OLV DRB	
42	1468263		NUT,HEX HD,M10-1.50,YELLOW DICHROMATE	
43	1894799		CLAMP,CONSTANT TORQUE,13/16 TO 1-1/2 DIA	
44	1467000		WASHER,FLAT, .281 X.750X.078 HARDENED,BLK	
45	2001170		LOCKWASHER,SPLIT RING, 1/4 ,MED,YEL ZN	
46	0807958		CAPSCREW,HEX HD,1/4-20X 1/2,GR8,YEL ZN	
47	0829390		NUT,HEX HD,5/16-18,SER WASHER,YEL ZN	
48	0107056		HOSE,FORMED,RUBBER,SURGE TANK	
49	1926252		CLAMP,SPRING LOADED,4.00 ID,3.94-4.25	
50	1650142		CLAMP,SPRING LOADED,3.50 ID,3.31-3.94	
51	2001170		LOCKWASHER,SPLIT RING, 1/4 ,MED,YEL ZN	
52	2000792		SCREW,MACH,1/4-20X1/2,PH1,RD HD,YEL ZN	
53	0114567		TANK,COOLANT,RECOVERY,2 QUART	
54	0870477		CAPSCREW,HEX HD,1/4-20 X 1,GR 8,YEL ZN	
55	1991108		WASHER,FLAT,17/64 ID X 3/4,YELLOW ZINC	
56	2001345		NUT,HEX HD,1/4-20,LOCKING,YELLOW	
10	0013938		SHROUD ASSY,RADIATOR,ISC/CAT,25 IN FAN	FEATURE 40179 WITH 40112-01 WITH 40108-01, -02, -03
10	0013946		SHROUD ASSY,RADIATOR,SWING-OUT,ISC/CAT	FEATURE 40179 WITH 40112-02 WITH 40108-01
10	1342583		ELBOW,RUBBER,90 DEG,2.25,WITH SPRING	FEATURE 40179 WITH 40112-01 WITH 40108-02, -03
10	0980102		ELBOW,SILICONE,90 DEG,2.25ID,W/SPRING	FEATURE 40179 WITH 40112-01, -02 WITH 40108-01
10	1518497		ELBOW,RUBBER,90 DEG,W/SPRING INSERT,	FEATURE 40179 WITH 40112-01 WITH 40108-02, -03
10	1137256		ELBOW,2IN ID SILICON	FEATURE 40179 WITH 40112-01, -02 WITH 40108-01

**Models:** A3FE  
**ENGINE**  
**CUMMINS ISB07 WITH 520T**  
**With Features:** FEATURE 40179-08, -09  
**BSN:** From CSN F0267140

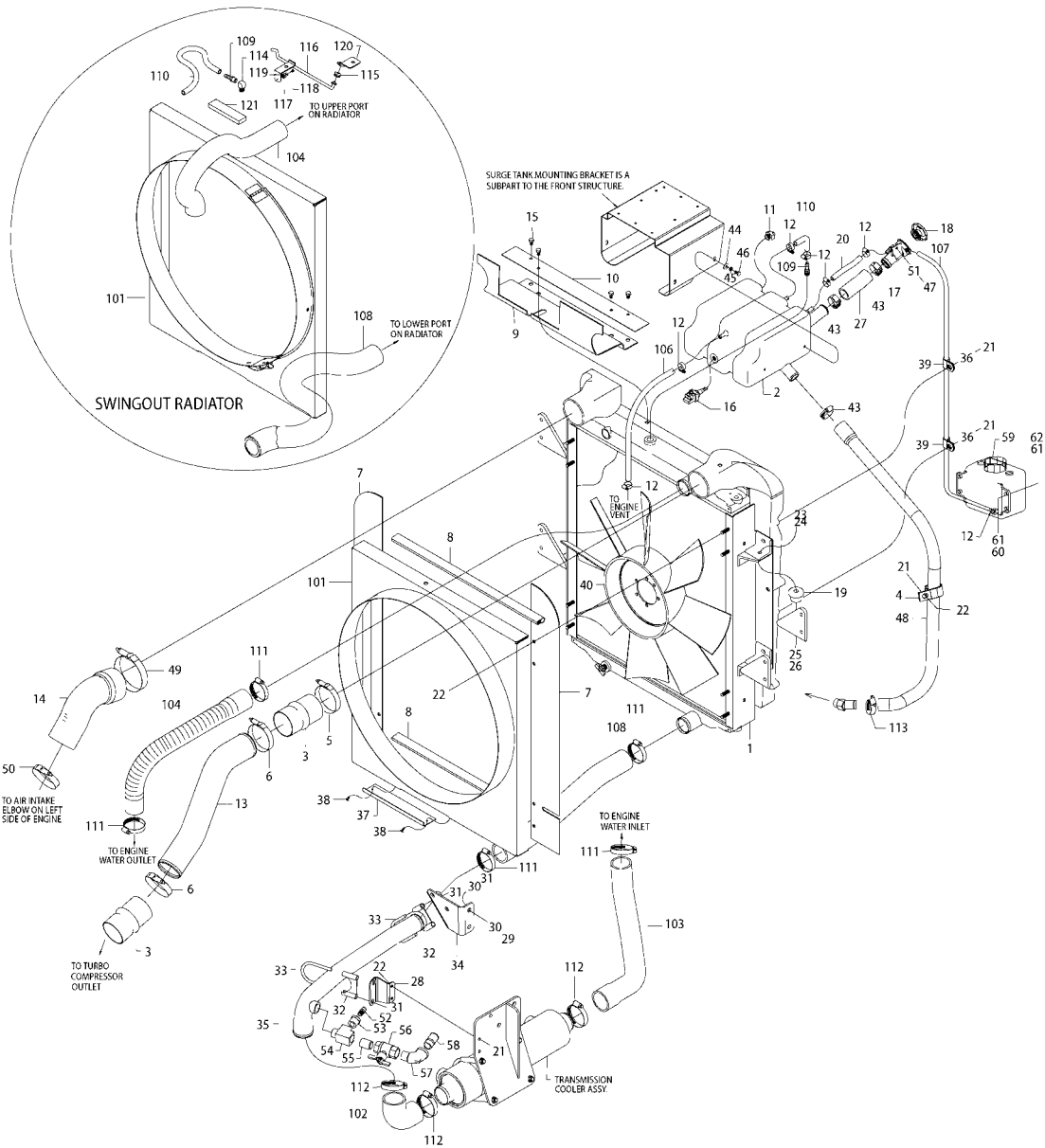
Key	PartNumber	Qty	Description	Comment
10	1997733		HOSE,RADIATOR,FLEX,1.75 TO 2.00 X 23.50 LG	FEATURE 40179 WITH 40112-01 WITH 40108-02, -03
10	1997758		HOSE,RADIATOR,UPPER,SILICON,CUMN ISB,	FEATURE 40179 WITH 40112-01 WITH 40108-01
10	0001215		HOSE,RADIATOR,FLEX,SLC,1.75TO2.00ID X	FEATURE 40179 WITH 40112-02 WITH 40108-01
10	1514538		HOSE,RADIATOR,2.25 ID,RUBBER,6.00 IN LONG	FEATURE 40179 WITH 40112-01 WITH 40108-02, -03
10	1514546		HOSE,RADIATOR,2.25 ID,SILICONE,6.00 IN	FEATURE 40179 WITH 40112-01, -02 WITH 40108-01
10	1797810		HOSE,.37 ID X .62 OD,W-H H00906	FEATURE 40179 WITH 40112-01 WITH 40108-02, -03
10	1361468		HOSE,SILICON,.37 ID PUROSIL 80	FEATURE 40179 WITH 40112-01, -02 WITH 40108-01
10	0938548		HOSE,RUBBER,HO5705,5/16 ID X 9/16 OD	FEATURE 40179 WITH 40112-01, -02 WITH 40108-01, -02, -03
10	0112245		HOSE,FORMED,RAD,LWR,NON-SWING OUT,	FEATURE 40179 WITH 40112-01 WITH 40108-02, -03
10	0112247		HOSE,FORMED,RAD,LWR,NON-SWING OUT,	FEATURE 40179 WITH 40112-01 WITH 40108-01
10	1935295		HOSE,RADIATOR,LWR,2.00ID,FORMED,	FEATURE 40179 WITH 40112-02 WITH 40108-01
10	0103802		ADAPTER,BARBED,.375 HOSE X .25 MPT,.125	FEATURE 40179 WITH 40112-01, -02 WITH 40108-01, -02, -03
11	1802446		HOSE,SILICONE,FORMED,.37 1DX .37 OD,TCFE	FEATURE 40179 WITH 40112-01 WITH 40108-01, -02, -03
11	1361468		HOSE,SILICON,.37 ID PUROSIL 80	FEATURE 40179 WITH 40112-02 WITH 40108-01
11	1167709		CLAMP,HOSE,LINED,2IN	FEATURE 40179 WITH 40112-01 WITH 40108-02
11	1894807		CLAMP,CONSTANT TORQUE,1-3/4 TO 2-5/8 DIA	FEATURE 40179 WITH 40112-01, -02 WITH 40108-01, -03
11	0964940		CLAMP,HOSE,LINED,2 1/2 INCH	FEATURE 40179 WITH 40112-01 WITH 40108-02
11	1905488		CLAMP,CONSTANT TORQUE,2 1/4 TO 3 1/8 DIA	FEATURE 40179 WITH 40112-01, -02 WITH 40108-01, -03
11	0870345		CLAMP,HOSE,1INCH,LINED	FEATURE 40179 WITH 40112-01 WITH 40108-02
11	0087543		CLAMP,CONSTANT TORQUE,13/16 TO 1-3/4 DIA	FEATURE 40179 WITH 40112-01 WITH 40108-03
11	1894799		CLAMP,CONSTANT TORQUE,13/16 TO 1-1/2 DIA	FEATURE 40179 WITH 40112-01, -02 WITH 40108-01
11	2027233		ELBOW,STREET,1/4,3400X4Z	FEATURE 40179 WITH 40112-02 WITH 40108-01
11	2217180		GROMMET,RUBBER,5/16ID,NO 705	FEATURE 40179 WITH 40112-02 WITH 40108-01
11	0001242		ROD ASSY,PROP,SWINGOUT RADIATOR,HDFE	FEATURE 40179 WITH 40112-02 WITH 40108-01

**Models:** A3FE  
**ENGINE**  
**CUMMINS ISB07 WITH 520T**  
**With Features:** FEATURE 40179-08, -09  
**BSN:** From CSN F0267140

Key	PartNumber	Qty	Description	Comment
11	0001244		CLIP,ADJUSTABLE,NO.28,HOLDS 3/16 TO 3/8	FEATURE 40179 WITH 40112-02 WITH 40108-01
11	1334671		SCREW,8-32 X 3/8,F,PH1,PAN HD,YEL ZN DICH	FEATURE 40179 WITH 40112-02 WITH 40108-01
11	0001241		BRACKET,MTG,CLIP,PROP,SWINGOUT RAD.,	FEATURE 40179 WITH 40112-02 WITH 40108-01
12	0001240		BRACKET,MTG,ROD,PROP,SWINGOUT	FEATURE 40179 WITH 40112-02 WITH 40108-01
12	1933274		SEAL,ENGINE HOOD,1/2 THX X 1-1/4 WIDE	FEATURE 40179 WITH 40112-02 WITH 40108-01

**Models:** A3FE  
**ENGINE:** CUMMINS ISB07 WITH 620T OR HIGHER  
**With Features:** FEATURE 40179-10, -11 OR -12

Key	PartNumber	Qty	Description	Comment
-----	------------	-----	-------------	---------



**Models:**

**A3FE  
ENGINE  
CUMMINS ISB07 WITH 620T OR HIGHER  
FEATURE 40179-10, -11 OR -12**

**With Features:**

Key	PartNumber	Qty	Description	Comment
1	0110216		RADIATOR,CAC,ASSY,W/O OC,ISB07 7 C7/07	
	0115578		RADIATOR ASSY,ENG,2007 A3FE	
	0115576		CHARGE AIR COOLER ASSY,RADIATOR,2007	
2	0104848		TANK,SURGE,6 QUART	
3	1487024		HOSE,HUMP,REINF,3.5 X 3 ID,FLX 7726	
4	1107937		CLAMP,LOOP,2.00	
5	1450246		CLAMP,SPRING LOADED,3.75 ID,3.56-3.88	
6	1258581		CLAMP,SPRING LOADED,3.25 ID,3.06-3.38	
7	1977305		SEAL,RADIATOR,HDFE	
8	1068501		SEAL,RUBBER,A/C HOOD TRIM	
9	0110386		BAFFLE,RADIATOR,UPPER,RUBBER,07	
10	1476829		PANEL,C/OUT,RADIATOR-AIR COOLER,TCFC	
11	1146877		BULB,WITH O-RING SAFETY SIGHT,NO-241-6R	
12	0109424		CLAMP,CONSTANT TORQUE,.437 TO .781 DIA.	
13	0104262		TUBE,CAC,TO TURBO OUTLET,CUMN ISB07	
14	0104261		HOSE,CAC TO AIR INLET,CUMN ISB07	
15	2000123		SCREW,5/16-12 X 1/2,B,HEX HD,YEL ZN DICH"	
16	0106490		SENSOR,COOLANT,2007 CAT/CUMMINS	
17	0110494		NECK,FILLER,SURGE TANK	
18	0065628		CAP,RADIATOR,15 PSI	
19	1464809		ISOLATOR,RUBBER,1.75 OD,450 LBS. SLR	
20	1361468		HOSE,SILICON,.37 ID PUROSIL 80	
21	0854406		CAPSCREW,HEX HD,5/16-18 X 1,GR8,YEL ZN	
22	0829390		NUT,HEX HD,5/16-18,SER WASHER,YEL ZN	
23	0803163		CAPSCREW,HEX HD,1/2-13 X2 1/2,GR8,	
24	1003045		WASHER,FLAT,17/32 X 1 1/16 X 7/64,HDN,	
25	1165265		WASHER,FLAT,9/16,X 1 3/8 X 7/64,YEL ZNDICH	
26	0850800		NUT,HEX HD,1/2-13,LOCKING,GR 8,CAD WAX	
27	1990076		HOSE,SILICONE,1.25 ID	
28	0112237		BRACKET,SUPT,LOWER COOLANT TUBE,REAR	
29	0803171		CAPSCREW,HEXHD,3/8-16NCX1-1/2,GR8,	
30	1107085		WASHER,FLAT,13/32 X 13/16 X 3/32,HDN,BLK	
31	0826297		NUT,HEX HD,3/8-16 LOCK,YEL ZN DICH	

Models:

**A3FE  
ENGINE  
CUMMINS ISB07 WITH 620T OR HIGHER  
FEATURE 40179-10, -11 OR -12**

With Features:

Key	PartNumber	Qty	Description	Comment
32	0805226		SADDLE,2 IN.,S-200	
33	0805218		U-BOLT,2 IN.,UB200	
34	0112238		BRACKET,SUPT,LOWER COOLANT TUBE,FRONT	
35	0112242		TUBE,LOWER,RADIATOR TO ROUND COOLER	
36	2001188		LOCKWASHER,SPLIT RING, 5/16,MED,YEL ZN	
37	0000014		COVER,NOTCH,SHROUD,W/O SHUTTERS, HD FE	
38	2083095		SCREW,10-16 X 3/4,AB,PH1,PANHD,YELZN,	
39	0854612		CLAMP,LOOP,.500	
40	0054331		FAN BLADE,25IN,9 BLADE MD9 SUCTION, H4RE	
41	1394675		LOCKWASHER,SPLIT RING,10 MM,MED,OLV DRB	
42	1468263		NUT,HEX HD,M10-1.50,YELLOW DICHROMATE	
43	1894799		CLAMP,CONSTANT TORQUE,13/16 TO 1-1/2 DIA	
44	1467000		WASHER,FLAT, .281 X.750X.078 HARDENED,BLK	
45	2001170		LOCKWASHER,SPLIT RING, 1/4 ,MED,YEL ZN	
46	0807958		CAPSCREW,HEX HD,1/4-20X 1/2,GR8,YEL ZN	
47	2000792		SCREW,MACH,1/4-20X1/2,PH1,RD HD,YEL ZN	
48	0107056		HOSE,FORMED,RUBBER,SURGE TANK	
49	1926252		CLAMP,SPRING LOADED,4.00 ID,3.94-4.25	
50	1650142		CLAMP,SPRING LOADED,3.50 ID,3.31-3.94	
51	2001170		LOCKWASHER,SPLIT RING, 1/4 ,MED,YEL ZN	
52	0023776		CONNECTOR,MALE,1868X4X6-Z,.38MPT X .25T	
53	1900745		BUSHING,3/4 MPT,3/8 FPT,BRASS	
54	1640317		TEE,3/4 PIPE,STREET,3750X12Z,WEATHERHEAD	
55	2009504		NIPPLE,PIPE,3/4 X CLOSE,GALV	
56	1626431		VALVE,BALL,3/4,W/BUTTERFLY HANDLE	
57	0760249		ELBOW,STREET,3/4,90 DEG,GALV	
58	0315200		ADAPTER,HTR,3/4 PIPE X 1 HOSE	
59	0114567		TANK,COOLANT,RECOVERY,2 QUART	
60	0870477		CAPSCREW,HEX HD,1/4-20 X 1,GR 8,YEL ZN	
61	1991108		WASHER,FLAT,17/64 ID X 3/4,YELLOW ZINC	
62	2001345		NUT,HEX HD,1/4-20,LOCKING,YELLOW	
10	0013938		SHROUD ASSY,RADIATOR,ISC/CAT,25 IN FAN	FEATURE 40179-10, -11, -12 WITH 40112-01 WITH 40108-01, -02, -03

**Models:** A3FE  
**ENGINE**  
**CUMMINS ISB07 WITH 620T OR HIGHER**  
**With Features:** FEATURE 40179-10, -11 OR -12

Key	PartNumber	Qty	Description	Comment
10	0013946		SHROUD ASSY,RADIATOR,SWING-OUT,ISC/CAT	WITH 40112-02 WITH 40108-01
10	1342583		ELBOW,RUBBER,90 DEG,2.25,WITH SPRING	FEATURE 40179-10, -11, -12 WITH 40112-01 WITH 40108-02, -03
10	0980102		ELBOW,SILICONE,90 DEG,2.25ID,W/SPRING	FEATURE 40179-10, -11, -12 WITH 40112-01, -02 WITH 40108-01
10	0112243		HOSE,FORMED,RAD TO RND CLR,ISB07,BLWSTR	FEATURE 40179-10, -11, -12 WITH 40112-01 WITH 40108-02, -03
10	0112246		HOSE,FORMED,RAD TO RND CLR,ISB07,	FEATURE 40179-10, -11, -12 WITH 40112-01, -02 WITH 40108-01
10	1997733		HOSE,RADIATOR,FLEX,1.75 TO 2.00 X 23.50 LG	FEATURE 40179-10, -11, -12 WITH 40112-01 WITH 40108-02, -03
10	1997758		HOSE,RADIATOR,UPPER,SILICON,CUMN ISB,	FEATURE 40179-10, -11, -12 WITH 40112-01 WITH 40108-01
10	0001215		HOSE,RADIATOR,FLEX,SLC,1.75TO2.00ID X	FEATURE 40179-10, -11, -12 WITH 40112-02 WITH 40108-01
10	1797810		HOSE,.37 ID X .62 OD,W-H H00906	FEATURE 40179-10, -11, -12 WITH 40112-01 WITH 40108-02, -03
10	1361468		HOSE,SILICON,.37 ID PUROSIL 80	FEATURE 40179-10, -11, -12 WITH 40112-01, -02 WITH 40108-01
10	0938548		HOSE,RUBBER,HO5705,5/16 ID X 9/16 OD	FEATURE 40179-10, -11, -12 WITH 40112-01, -02 WITH 40108-01, -02, -03
10	0112245		HOSE,FORMED,RAD,LWR,NON-SWING OUT,	FEATURE 40179-10, -11, -12 WITH 40112-01 WITH 40108-02, -03
10	0112247		HOSE,FORMED,RAD,LWR,NON-SWING OUT,	FEATURE 40179-10, -11, -12 WITH 40112-01 WITH 40108-01
10	1935295		HOSE,RADIATOR,LWR,2.00ID,FORMED,	FEATURE 40179-10, -11, -12 WITH 40112-02 WITH 40108-01
10	0103802		ADAPTER,BARBED,.375 HOSE X .25 MPT,.125	FEATURE 40179-10, -11, -12 WITH 40112-01, -02 WITH 40108-01, -02, -03
11	1802446		HOSE,SILICONE,FORMED,.37 1DX .37 OD,TCFE	FEATURE 40179-10, -11, -12 WITH 40112-01 WITH 40108-01, -02, -03
11	1361468		HOSE,SILICON,.37 ID PUROSIL 80	FEATURE 40179-10, -11, -12 WITH 40112-02 WITH 40108-01
11	1167709		CLAMP,HOSE,LINED,2IN	FEATURE 40179-10, -11, -12 WITH 40112-01 WITH 40108-02
11	1894807		CLAMP,CONSTANT TORQUE,1-3/4 TO 2-5/8 DIA	FEATURE 40179-10, -11, -12 WITH 40112-01, -02 WITH 40108-01, -03



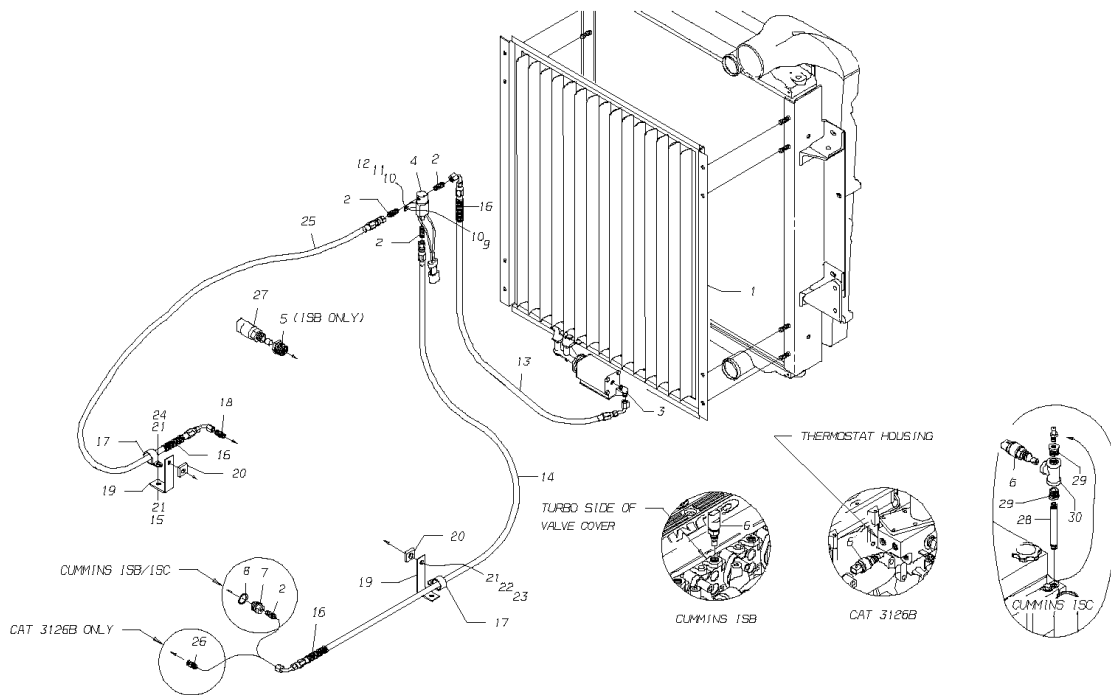
**Models:** A3FE  
**ENGINE**  
**CUMMINS ISB07 WITH 620T OR HIGHER**  
**With Features:** FEATURE 40179-10, -11 OR -12

Key	PartNumber	Qty	Description	Comment
11	0964940		CLAMP,HOSE,LINED,2 1/2 INCH	FEATURE 40179-10, -11, -12 WITH 40112-01 WITH 40108-02
11	1905488		CLAMP,CONSTANT TORQUE,2 1/4 TO 3 1/8 DIA	FEATURE 40179-10, -11, -12 WITH 40112-01, -02 WITH 40108-01, -03
11	0870345		CLAMP,HOSE,1INCH,LINED	FEATURE 40179-10, -11, -12 WITH 40112-01 WITH 40108-02
11	0087543		CLAMP,CONSTANT TORQUE,13/16 TO 1-3/4 DIA	FEATURE 40179-10, -11, -12 WITH 40112-01 WITH 40108-03
11	1894799		CLAMP,CONSTANT TORQUE,13/16 TO 1-1/2 DIA	FEATURE 40179-10, -11, -12 WITH 40112-01, -02 WITH 40108-01
11	2027233		ELBOW,STREET,1/4,3400X4Z	FEATURE 40179-10, -11, -12 WITH 40112-02 WITH 40108-01
11	2217180		GROMMET,RUBBER,5/16ID,NO 705	FEATURE 40179-10, -11, -12 WITH 40112-02 WITH 40108-01
11	0001242		ROD ASSY,PROP,SWINGOUT RADIATOR,HDFE	FEATURE 40179-10, -11, -12 WITH 40112-02 WITH 40108-01
11	0001244		CLIP,ADJUSTABLE,NO.28,HOLDS 3/16 TO 3/8	FEATURE 40179-10, -11, -12 WITH 40112-02 WITH 40108-01
11	1334671		SCREW,8-32 X 3/8,F,PH1,PAN HD,YEL ZN DICH	FEATURE 40179-10, -11, -12 WITH 40112-02 WITH 40108-01
11	0001241		BRACKET,MTG,CLIP,PROP,SWINGOUT RAD.,	FEATURE 40179-10, -11, -12 WITH 40112-02 WITH 40108-01
12	0001240		BRACKET,MTG,ROD,PROP,SWINGOUT	FEATURE 40179-10, -11, -12 WITH 40112-02 WITH 40108-01
12	1933274		SEAL,ENGINE HOOD,1/2 THX X 1-1/4 WIDE	FEATURE 40179-10, -11, -12 WITH 40112-02 WITH 40108-01

**Models:** A3FE, C3FE  
**RADIATOR SHUTTER  
 AIR**

**With Features:** FEATURE 40113-02

Key	PartNumber	Qty	Description	Comment
-----	------------	-----	-------------	---------



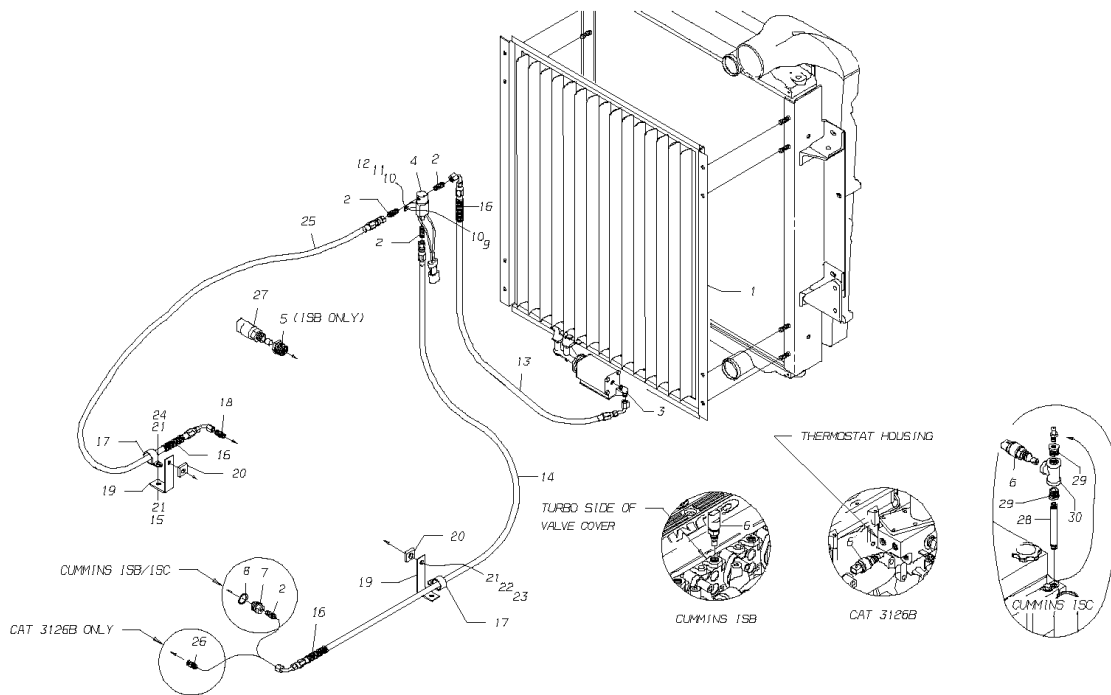
**Models:** A3FE, C3FE  
**RADIATOR SHUTTER**  
**AIR**  
**With Features:** FEATURE 40113-02

Key	PartNumber	Qty	Description	Comment
1	1997832	1	SHUTTER ASSY,KYSOR,AIR,1034-09046-01,	
2	1340371	3	ELBOW,90 DEG,MALE,1469X4-Z,.13MP X,.25T	
3	1344092	1	ELBOW,90 DEG,MALE,1469X4X4-Z,.25 MP X .25	
4	1874965	1	SOLENOID,SHUTTERS,TC	
5	2009074	1	BUSHING,PIPE,GALV,1/2 X 3/4	
6	1644897	1	ALARMSTAT,SHUTTERS,150, NORM CLOSED	
7	0936096	1	VALVE,CONTROL,FLOW,ENT DOOR,AIR	
8	0654962		TUBING,PLASTIC,1/4 OD,BLACK,SAE J844 TYPE	
9	1220011		TUBING,PLASTIC,1/4 OD,BROWN,SAE J844	
10	2005700		LOOM,ASPHALTUM,WIRE,1/4IN	
11	1317247	1	BRACKET,ATCH,BRAKE LINE TO FRAME	
12	0854612	1	CLAMP,LOOP,.500	
13	0998526	1	SPACER,.250X1.25X1.25 W/.531 HOLE,PAINTED	
14	2001048	3	WASHER,FLAT,11/32 X 11/16 X 1/16,YEL	
15	1480433	1	NUT,HEX HD,5/16-18,FLG PRVG TORQ,GR F,	
16	2001188	1	LOCKWASHER,SPLIT RING, 5/16,MED,YEL ZN	
17	0997759	1	CAPSCREW,HX HD,M8-1.25X25,CL10.9,	
18	0854406	1	CAPSCREW,HEX HD,5/16-18 X 1,GR8,YEL ZN	
19	2000776	2	SCREW,MACH, 10-32 X 3/4,PH1,RD HD,	
20	2001105	4	WASHER,FLAT,13/64 X,1/2 X 3/64,YEL ZN DICH	
21	2001162	2	LOCKWASHER,SPLIT RING, 3/16,MED,YEL ZN	
22	2001287	2	NUT,HEX HD,10-32,YEL ZN DICH	

**Models:** A3FE, C3FE  
**RADIATOR SHUTTER  
 HYDRAULIC**

**With Features:** FEATURE 40113-01 WITH 40177, 40184, 40187

Key	PartNumber	Qty	Description	Comment
-----	------------	-----	-------------	---------



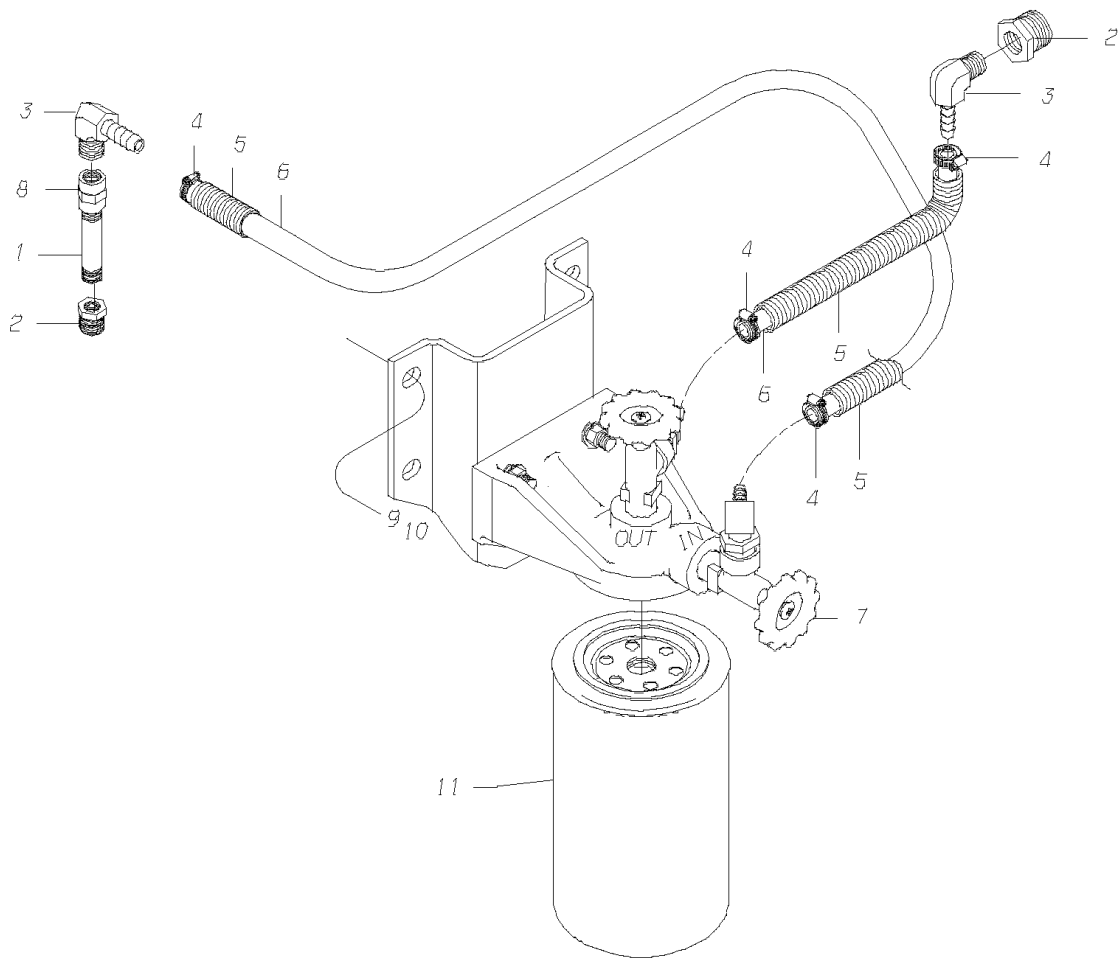
**Models:** A3FE, C3FE  
**RADIATOR SHUTTER  
 HYDRAULIC**

**With Features:** FEATURE 40113-01 WITH 40177, 40184, 40187

Key	PartNumber	Qty	Description	Comment
1	1997824	1	SHUTTER ASSY,KYSOR,HYD,1034-09044-01,	
2	2008084	4	CONNECTOR,MALE,1/4 TUBE X 1/8 PIPE,48 X 4	
3	2008241	1	ELBOW,MALE,1/4 TUBE X 1/8 PIPE	
4	1874965	1	SOLENOID,SHUTTERS,TC	
5	2009074	1	BUSHING,PIPE,GALV,1/2 X 3/4	FEATURE 40177 ONLY
6	1644897	1	ALARMSTAT,SHUTTERS,150, NORM CLOSED	
7	1403922	1	BUSHING,M22 - 1.5 X .125 NPT"	FEATURE 40177, 40184 ONLY
8	1416486	1	WASHER,COPPER,1.062 X .875 X .062	
9	2000776	2	SCREW,MACH, 10-32 X 3/4,PH1,RD HD,	
10	2001105	4	WASHER,FLAT,13/64 X,1/2 X 3/64,YEL ZN DICH	
11	2001162	2	LOCKWASHER,SPLIT RING, 3/16,MED,YEL ZN	
12	2001287	2	NUT,HEX HD,10-32,YEL ZN DICH	
13	1991843	1	HOSE ASSY,3/16 ID,WIRE BRAID,M/PRESS,34	FROM SHUTTER ASSY. KEY # 1 TO SOLENOID KEY # 4, 34"
13	1955475	1	HOSE ASSY,98 HYD SHUTTERS,36.00 LG, TCFC	FROM SOLENOID KEY # 4 TO OIL SUPPLY PORT ON LEFT SIDE OF ENGINE
14	1165638	1	HOSE ASSY,3/16 ID WIRE BRAID M/P 90 D 51	FEATURE 40177
14	1376052	1	HOSE ASSY,HYD SHUTTERS,30.00 LG, TCFC	FEATURE 40187
14	1376078	1	HOSE ASSY,HYD SHUTTERS,48.00 LG, TCFC	FEATURE 40184
15	1480433	2	NUT,HEX HD,5/16-18,FLG PRVG TORQ,GR F,	
16	2272870		LOOM,CORRUGATED,BLACK,NYLON,1/2ID,SS	
17	1517168	2	CLAMP,LOOP,.937	
18	1955483	1	ADAPTER,O-RING,WEATHERHEAD,	FEATURE 40177, 40184
18	6039101	1	ADAPTER,BRASS,LEV JACK,WEATHER	FEATURE 40187
19	1317247	2	BRACKET,ATCH,BRAKE LINE TO FRAME	
20	0998526	2	SPACER,.250X1.25X1.25 W/.531 HOLE,PAINTED	40177 ONLY
21	2001048	6	WASHER,FLAT,11/32 X 11/16 X 1/16,YEL	
22	2001188	2	LOCKWASHER,SPLIT RING, 5/16,MED,YEL ZN	
23	0997759	2	CAPSCREW,HX HD,M8-1.25X25,CL10.9,	
24	0854406	2	CAPSCREW,HEX HD,5/16-18 X 1,GR8,YEL ZN	
25	1900299	1	CONNECTOR,37 DEG,1/4 TUBE X 3/8 O-RING	40187 ONLY

**Models:** A3FE, C3FE  
**With Features:** WATER FILTER, PERRY  
 FEATURE 40109-01 WITH 40108-01, -02

Key	PartNumber	Qty	Description	Comment
-----	------------	-----	-------------	---------



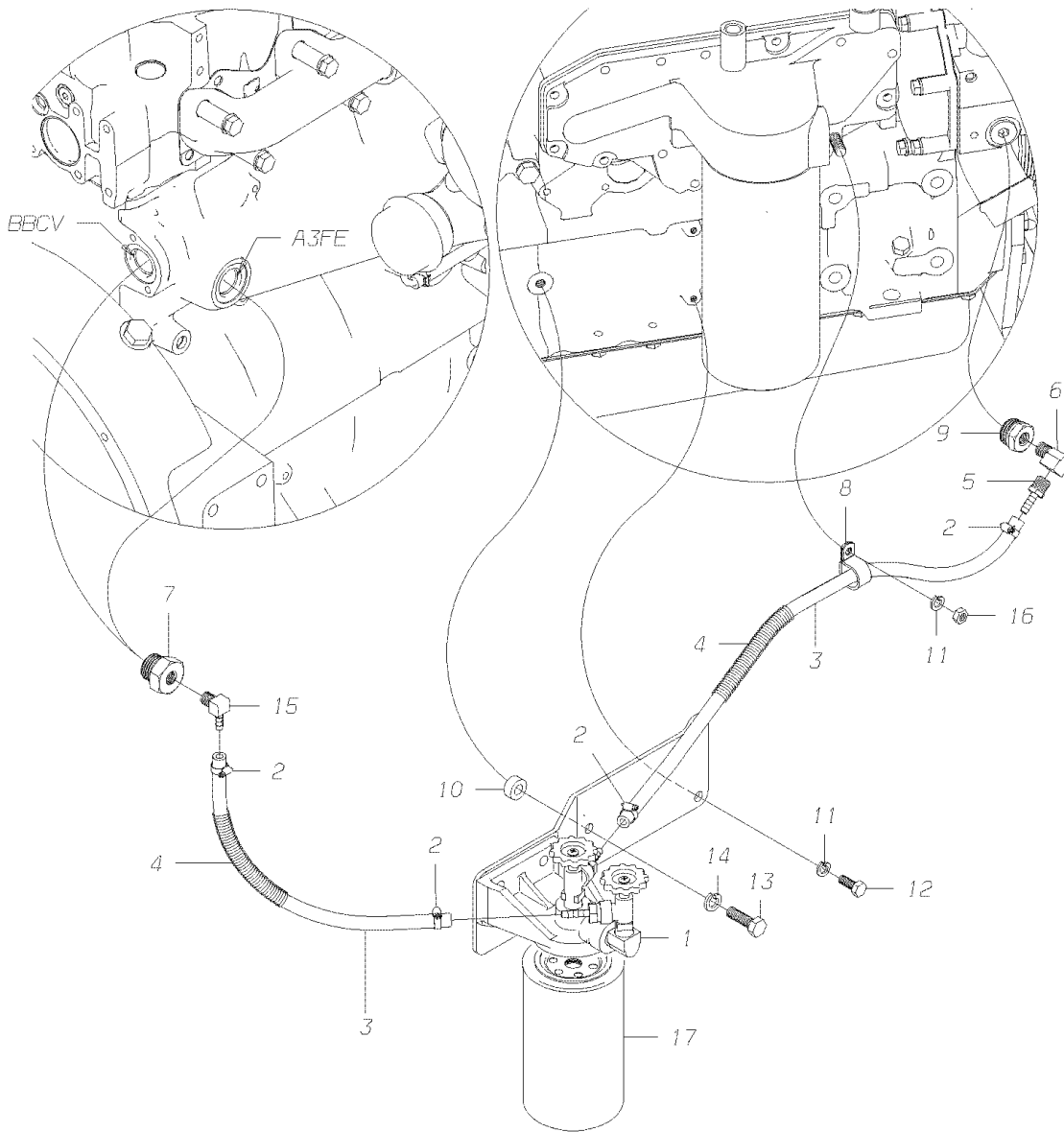
**Models:** A3FE, C3FE  
**WATER FILTER, PERRY**  
**With Features:** FEATURE 40109-01 WITH 40108-01, -02

Key	PartNumber	Qty	Description	Comment
1	2009330	1	NIPPLE,PIPE,1/4 X 2,GALV	
2	2009041	2	BUSHING,PIPE,GALV,1/4 X 1/2	
3	1409085	2	ELBOW,BARBED INSERT,1/4 HOSE X 1/4 MPT	
4	0620930	4	CLAMP,FUEL VAPOR LINE	
5	2272870	6	LOOM,CORRUGATED,BLACK,NYLON,1/2ID,SS	
6	1359207	6	HOSE,SILICON,.25 ID PUROSIL 80	FEATURE 40108-01.
6	0938548	6	HOSE,RUBBER,HO5705,5/16 ID X 9/16 OD	FEATURE 40108-02.
7	0002260	1	FILTER ASSY,WATER,CUMMINS ISB, HDFE	
	0002235	1	BRACKET,MOUNTING,WATER FILTER,HDFE	INCLUDED IN KEY #7 FILTER ASSEMBLY.
	0871889	1	BASE,PERRY WATER FILTER	INCLUDED IN KEY #7 FILTER ASSEMBLY.
	2001451	3	NUT,HEX HD,3/8-16,YELLOW DICHROMATE	INCLUDED IN KEY #7 FILTER ASSEMBLY.
	0871954	2	COCK,SHUTOFFGROUND PLUG,P-H V405P6-6	INCLUDED IN KEY #7 FILTER ASSEMBLY.
	2009033	2	BUSHING,PIPE,GALV,1/4 X 3/8	INCLUDED IN KEY #7 FILTER ASSEMBLY.
	1409085	1	ELBOW,BARBED INSERT,1/4 HOSE X 1/4 MPT	INCLUDED IN KEY #7 FILTER ASSEMBLY.
	2008126	1	CONNECTOR,HOSE,W/S WIPER,692 1/4 X 1/4	INCLUDED IN KEY #7 FILTER ASSEMBLY.
	2028363	3	BOLT,HEX HD,3/8-16,1-1/4,GR 5,YEL ZN DICH	INCLUDED IN KEY #7 FILTER ASSEMBLY.
	0882795	3	LOCKWASHER,SPLIT RING,3/8,MED,YELLOW	INCLUDED IN KEY #7 FILTER ASSEMBLY.
8	2027175	1	COUPLING,PIPE,1/4	
9	2001212	4	LOCKWASHER,SPLIT RING, 1/2 ,LHT,YEL ZN	
10	1132034	4	CAPSCREW,HX HD,M12-1.75X35,GR8.8,	
11	0871897	1	ELEMENT,FILTER,WATER,STANDARD	

**Models:** A3FE, A3RE, BBCV  
**WATER FILTER, PERRY  
 CAT C7**

**With Features:** FEATURE 40109 -01

Key	PartNumber	Qty	Description	Comment
-----	------------	-----	-------------	---------





**Models:** A3FE, A3RE, BBCV  
**WATER FILTER, PERRY  
 CAT C7**  
**With Features:** FEATURE 40109 -01

Key	PartNumber	Qty	Description	Comment
1	0064618		FILTER ASSY,WATER,PERRY,CAT C7, CV/FE	
2	0620930	4	CLAMP,FUEL VAPOR LINE	
3	0938548	AR	HOSE,RUBBER,HO5705,5/16 ID X 9/16 OD	FEATURE 40108-04.
3	1359207	AR	HOSE,SILICON,.25 ID PUROSIL 80	FEATURE 40108-01.
4	2272870	AR	LOOM,CORRUGATED,BLACK,NYLON,1/2ID,SS	
5	2008126		CONNECTOR,HOSE,W/S WIPER,692 1/4 X 1/4	
6	2027233		ELBOW,STREET,1/4,3400X4Z	
7	0064346		ADAPTER,STRAIGHT,#12 SAE O-RING X 1/4 FPT	
8	0060086		CLAMP,LOOP,.750	
9	0063056		ADAPTER,STRAIGHT,#10 SAE O-RING X 1/4 FPT	BBCV
9	0002623		ADAPTER,STAIGHT THREAD TO FPT,O-RING	A3FE or A3RE WITH FEATURE 40087-02.
10	1586502		SPACER,.75 OD X.437 ID X.437 LG	
11	2001188	AR	LOCKWASHER,SPLIT RING, 5/16,MED,YEL ZN	
12	1700442		CAPSCREW,HEX HD,M8-1.25 X 20MM,10.9	
13	0997734		CAPSCREW,HX HD,M10-1.5X35,CL10.9,	
14	1394675		LOCKWASHER,SPLIT RING,10 MM,MED,OLV DRB	
15	1409085		ELBOW,BARBED INSERT,1/4 HOSE X 1/4 MPT	
16	1030998		NUT,HEX HD,M8-1.25,ZINC	
17	0064641		ELEMENT,FILTER,WATER,LONG LIFE	FEATURE 40111-03.
17	0871897		ELEMENT,FILTER,WATER,STANDARD	FEATURE 40111-04.