

Chassis

080 Electrical

BATTERY

CABLES

1 GAUGE

MAINTENANCE FREE

CONNECTORS & TERMINALS

CONNECTOR, 12, 280 SERIES

CONNECTORS, 1,2, & 3 PIN

CONNECTORS, 2, 4, 6, & 10 CIRCUIT, 150 SERIES

CONNECTORS, 4 CIRCUIT, LOCK & SEAL

CONNECTORS, AMP CIRCUIT, & TERMINALS

CONNECTORS, CIRCUIT, CAPS & PLUGS

CONNECTORS, DEUTSCH

CONNECTORS, PACKARD

CONNECTORS, PACKARD, METRI-PACK, 150 SERIES (1)

CONNECTORS, PACKARD, METRI-PACK, 150 SERIES (2)

PINS, SEALS, & LOCKS

TERMINALS

TERMINALS, 6, 8, 14-16 GAUGE EYELET

TERMINALS, EYELET

1
2
3
4
5
6
7
8
9
10
11
12
13
14
15
16
17

TERMINALS, SLIDE, BLADE, BUTT, & SPADE	18
TERMINALS, SOCKET AND PIN	19
TERMINALS, WIRE	20
DORAN MONITORS LIGHT	21
LIGHT, UNIVERSAL	22
<i>With: FEATURE 30195-12</i>	22
DRIVER'S PANEL SWITCH	23
<i>With: WITH OUT MANUAL DOOR CONTROL From BSN F10035825, L10059260</i>	23
<i>With: WITH MANUAL DOOR CONTROL From BSN B10064340, F10035825, L10059260</i>	24
<i>With: FEATURE 3075 - FRENCH BILINGUAL From BSN F10035825</i>	25
<i>With: OPTION 3480 - RH DRIVE From BSN F10035825, L10059260</i>	26
SWITCH, FOR TCFE OR A3FE, A3RE WITH MANUAL DOOR	27
<i>With: FEATURE 3075 - FRENCH BILINGUAL From BSN B10064340, F10035825, L10059260</i>	27
ELECTRICAL COMPONENTS CIRCUIT BREAKERS	28
<i>With: FEATURE 30006, 30007</i>	28
FLASHERS - THERMAL, ELECTRONIC, & TRANSISTORIZED	29
FLASHERS, MOTORIZED	30
SOLENOIDS	31
ELECTRICAL PANEL OUTSIDE ACCESS	32
<i>From BSN 185593 To BSN B10023074, F10013254, F20013289, L10021146</i>	32

*From BSN B10023075, F10013255, F20013290, L10021147
To BSN B10064339, F10035824, F20035859, L10059259* 33

From BSN B10064340, F10035825, L10059260, M10074850, X10019805 34

OUTSIDE ACCESS DOOR LIGHT & SWITCH 35

HARNESSES 36

PDU
CAT
1 OF 2

From BSN F10068990 37

2 OF 2
From BSN F10068990 38

CAT & CUMMINS
*With: FEATURE 40177, 40184, 40187
To BSN F10020224, L10032854* 39

*From BSN F10020225, L10032855
To BSN F10068989, L10123230* 40

RELAYS, TURN SIGNAL 41

SWITCH & BUZZER, REAR EMERGENCY DOOR, D.O.T.
With: OPTION 3001-01 42

SWITCH PANEL
To BSN B10064339, F10035824, F20035859, L10059259 43

BEZELS, PLUG AND EXTRACTION TOOL 44

INDICATOR LIGHT 45

SHIFTER
From BSN F10035825, L10059260 46

With: STANDARD 47

FRENCH 48

RH DRIVE	49
<hr/>	
SWITCHES	
DOOR	
<i>With: OPTION 2229, 2230</i>	50
<hr/>	
MISCELLANEOUS	
	51
	52
	53
	54
<hr/>	
SWITCH PANEL	
WITH COMPONENTS	55
<hr/>	
WINDSHIELD WIPER	
<i>With: STD, FEATURE 03444-03</i>	56
<hr/>	
<i>With: FEATURE 3443</i>	57
<hr/>	
<i>With: FEATURE 3444-01</i>	58
<hr/>	
<i>With: FEATURE 3444-02</i>	59
<hr/>	
WARNING LAMP CONTROL BOX	
<i>With: OPTION 2147</i>	60
<hr/>	
WARNING LAMP CONTROL PANEL	
<i>With: OPTION 2128</i>	61
<hr/>	
WARNING LIGHT SYSTEM	
<i>With: OPTION 6720</i>	62
<hr/>	

Models: **AAFE, AARE, A3FE, A3RE, CSFE, CSRE, MBWB, QBRE, T2RE, TCPE, TCRE**
BATTERY
CABLES
1 GAUGE

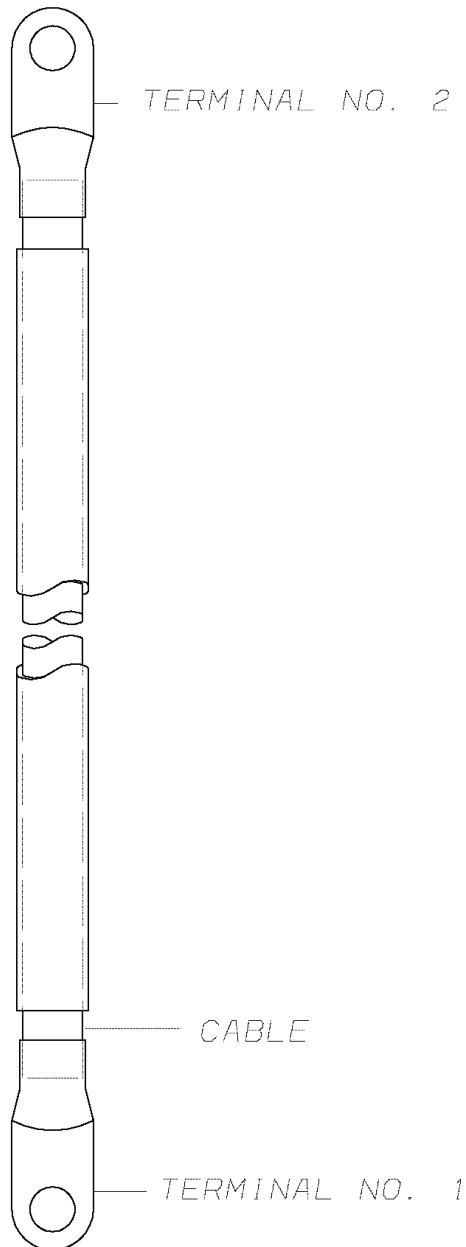
Key	PartNumber	Qty	Description	Comment
-----	------------	-----	-------------	---------

DR. 8/27/96	BY LMS	A	1786037	N
APP. 8/27/96	BY AB	FRT		REV



© BLUE BIRD BODY COMPANY. ALL RIGHTS RESERVED

BLUE BIRD



Models: AAFE, AARE, A3FE, A3RE, CSFE, CSRE, MBWB, QBRE, T2RE, TCPE, TCRE
BATTERY
CABLES
1 GAUGE

Key	PartNumber	Qty	Description	Comment
	1786169		CABLE ASSY,BAT TO STARTER,W/BAT BOX	
	1786177		CABLE ASSY,SOL TO FIREWALL	
	1786185		CABLE ASSY,STARTER SOL TO CHAS RL FC	
	1786193		CABLE ASSY,1 GA,.406 X .406 X 56 LONG	
	1786201		CABLE ASSY,1 GA,.406 X .406 X 108 LONG	
	1786219		CABLE ASSY,SHUNT TO BATTERY SWITCH TCRE	
	1786243		CABLE ASSY,CIRCUIT BREAKER TO SOLENOID	
	1786268		CABLE ASSY,BAT 150 AMP CIRC BREAKER,50	
	1786284		WIRE ASSY,ALTERNATOR GROUND WLWB &	
	1786292		CABLE ASSY,1 GA .531X.406X128 LONG	
	1786300		CABLE ASSY,2 GA .531X.406X119 LONG	
	1786318		CABLE ASSY,1 GA .531X.406X105 LONG	
	1786326		CABLE ASSY,1 GA, .531X.406X92 LONG	
	1786334		CABLE,BAT,POS,FRONT TO REAR INSL STUD	
	1786342		CABLE,BAT,POS,FRT TO RR INSL STUD 337	
	1786359		CABLE,BAT,POS,FRT TO RR INSL STUD 309	
	1786367		CABLE ASSY, 150 AMP CIRCUIT BRKR,161 AARE	
	1786375		CABLE ASSY,BODY HOT WIRE,425 AARE	
	1786383		CABLE ASSY,BAT 150 AMP CIRC BREAKER,88	
	1786391		CABLE ASSY,BAT 150 AMP CIRC BREAKER,116	
	1786409		CABLE,BAT,POS,FRT TO RR INSL STUD 267	
	1786417		CABLE,BAT,POS,FRT TO RR INSL STUD 279	
	1786425		CABLE,BAT,POS,FRT TO RR INSL STUD 391	
	1786433		CABLE,ASSY,1GA,.531X.406X78 LONG	
	1786441		CABLE,ASSY,1GA,.531X.406X68 LONG	
	1786458		CABLE ASSY,1GA,.281X.406X92 LONG	
	1786466		CABLE,ASSY,1GA,.281X.406X85 LONG	
	1786474		CABLE,ASSY,1GA,.406X.406X144 LONG	
	1872266		CABLE,CHARGING SYS,200/240A,RECTI TO	
	1872274		CABLE,CHRG SYS,1 GA,.343 X .406 X 90 LONG	
	1872282		CABLE,CHRG SYS,200/240A,RECT TO GND,	
	1867860		CABLE,CHRG SYS,200/240A,RECT TO GND	
	1867878		CABLE,CHRG SYS,200/240A,FUSE TO	

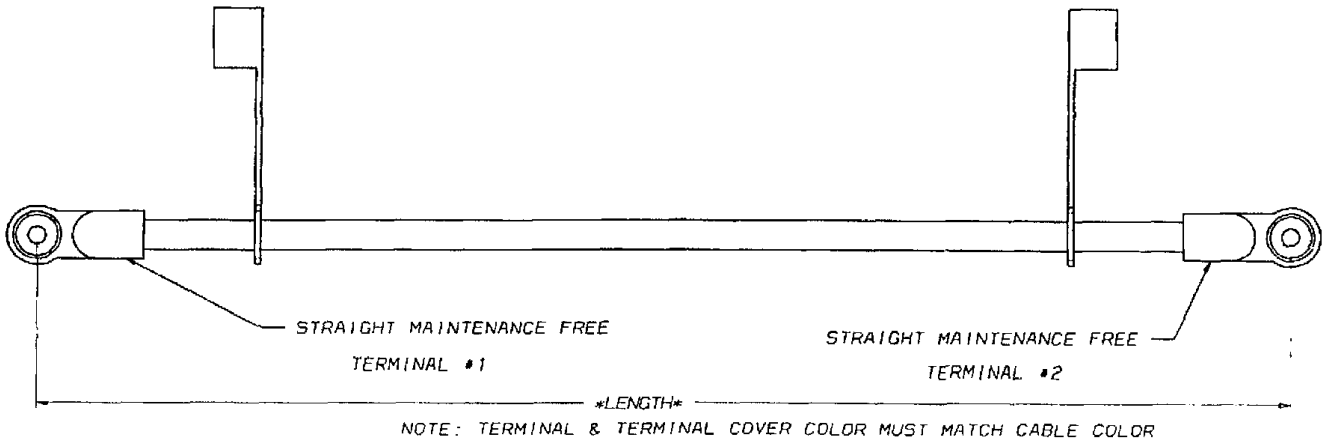
Models: AAFE, AARE, A3FE, A3RE, CSFE, CSRE, MBWB, QBRE, T2RE, TCFE, TCRE
**BATTERY
CABLES
1 GAUGE**

Key	PartNumber	Qty	Description	Comment
	1895739		CABLE,CHRG SYS,FRT TO RR INSL STUD, TCRE	

Models: AAFE, AARE, A3FE, A3RE, CSFE, CSRE, TCFE, TCRE
BATTERY
CABLES
MAINTENANCE FREE

Key	PartNumber	Qty	Description	Comment
-----	------------	-----	-------------	---------

1387596 REV
ALL RIGHTS RESERVED. BLUE BIRD



Models: AAFE, AARE, A3FE, A3RE, CSFE, CSRE, TCFE, TCRE
BATTERY
CABLES
MAINTENANCE FREE

Key	PartNumber	Qty	Description	Comment
	1464585		CABLE,BAT,POS,45,BAT TO TER,DELCO	
	1464593		CABLE,BAT,POS,2/0,BAT/TER,DELCO	
	1464601		CABLE,BAT,POS,155,BAT TO STAR,DELCO	
	1464619		CABLE,BAT,NEG,4/0,BAT/GND,DELCO,TCFE	
	1464627		CABLE,BAT,NEG,55,BAT TO GND,DELCO	
	1504190		CABLE,BAT,POS,2/0,BAT/TERM,DELCO	
	1464544		CABLE,BAT,POS,2/0,BAT/BAT,2 DELCO	
	1464551		CABLE,BAT,NEG,2/0,BAT/BAT,2 DELCO	

Models: AAFE, AARE, A3FE, A3RE, B1VC, B4RE, C1FE, CSEV, CSFE, CSRE, GMCV, GPWB, MBWB, Q4RE, QBEV, QBRE, SBCV, T2RE, TCEV, TCFE, TCRE, TSFE, VCTA, WLWB, W4RE
CONNECTORS & TERMINALS
CONNECTOR, 12, 280 SERIES

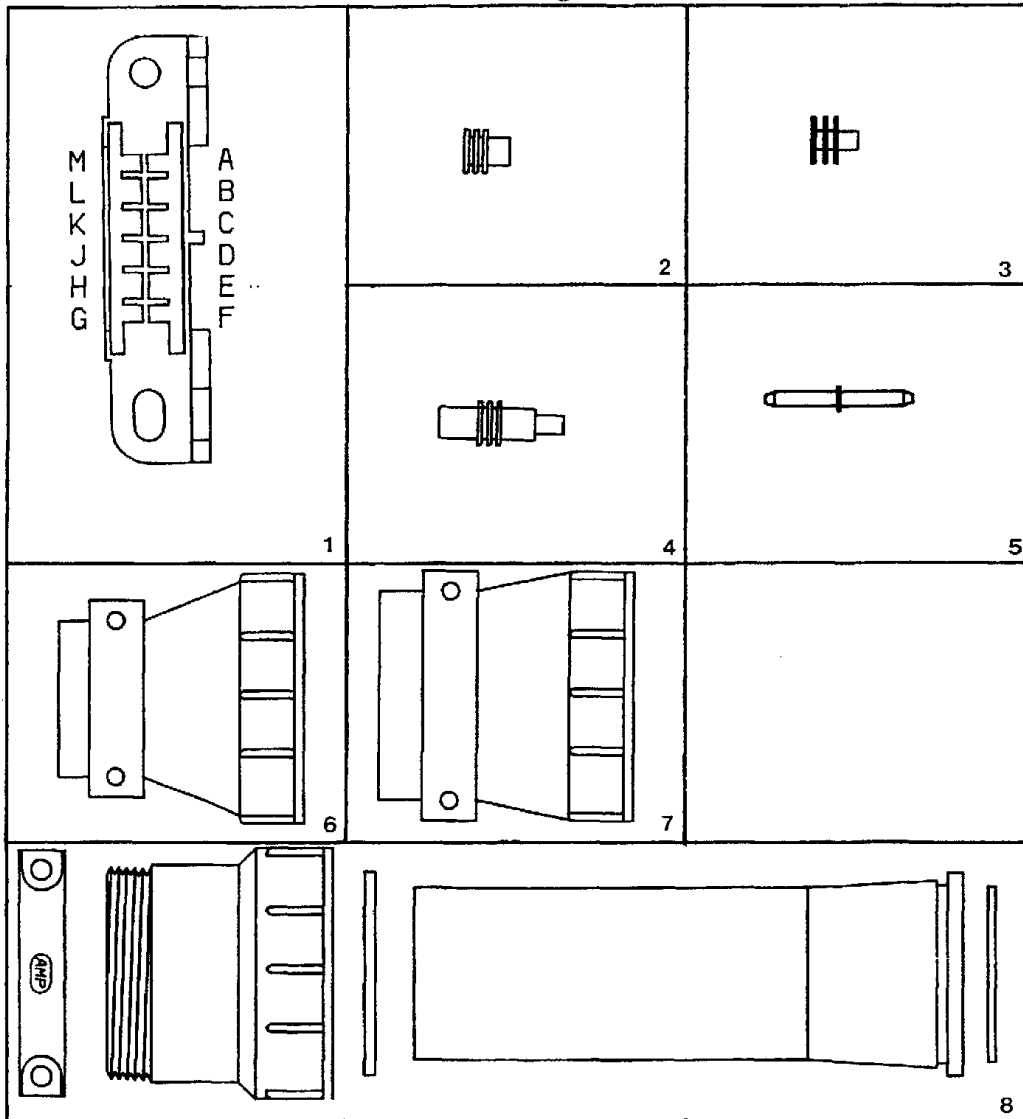
Key	PartNumber	Qty	Description	Comment
-----	------------	-----	-------------	---------

DR	BY	FRY	REV
APP	BY	FRY	REV

© 1988 BLUE BIRD BODY COMPANY ALL RIGHTS RESERVED



BLUE BIRD



Models: AAFE, AARE, A3FE, A3RE, B1VC, B4RE, C1FE, CSEV, CSFE, CSRE, GMCV, GPWB, MBWB, Q4RE, QBEV, QBRE, SBCV, T2RE, TCEV, TCFE, TCRE, TSFE, VCTA, WLWB, W4RE
CONNECTORS & TERMINALS
CONNECTOR, 12, 280 SERIES


Key	PartNumber	Qty	Description	Comment
1	1298611		CONNECTOR,12 CIRC,F,280 SERIES,DIGNSTC	
2	1113315		SEAL,WIRE,CBL/DIA.136-.169,BL,W/PACK,PACK	
3	1154582		SEAL,WIRE,CBL/DIA.111-.137,GY,W/PACK,PACK	
4	1161843		PLUG,SEALING,WEATHERPACK CONNECTOR,	
5	1299239		PLUG,SEALING,150 SERIES,METRI-PACK,P2S	
6	2264349		CLAMP,STRAIN RELIEF,W/O SEAL,CPC,AMP	
7	1329606		CLAMP,STRAIN RELIEF,W/SEAL,CPC,AMP	
8	1329598		SEAL,CONNECTOR,WIRING,CPC,AMP	





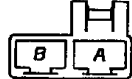


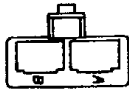


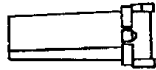
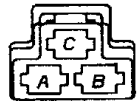

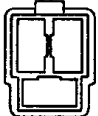

Models: AAFE, AARE, A3FE, A3RE, B1VC, B4RE, C1FE, CSEV, CSFE, CSRE, GMCV, GPWB, MBWB, Q4RE, QBEV, QBRE, SBCV, T2RE, TCEV, TCFE, TCRE, TSFE, VCTA, WLWB, W4RE
CONNECTORS & TERMINALS
CONNECTORS, 1, 2, & 3 PIN

Key	PartNumber	Qty	Description	Comment
-----	------------	-----	-------------	---------

DR	BY	REV	8009276
APP	BY	REV	

© 1988 BLUE BIRD BODY COMPANY ALL RIGHTS RESERVED



		
1	2	3
		
4	5	6
		
7	8	9
		
10	11	12
		
13	14	15

Models: AAFE, AARE, A3FE, A3RE, B1VC, B4RE, C1FE, CSEV, CSFE, CSRE, GMCV, GPWB, MBWB, Q4RE, QBEV, QBRE, SBCV, T2RE, TCEV, TCFE, TCRE, TSFE, VCTA, WLWB, W4RE
CONNECTORS & TERMINALS
CONNECTORS, 1,2, & 3 PIN


Key	PartNumber	Qty	Description	Comment
1	1017672		CONNECTOR,1 CIRC,56 SERIES,PANEL,	
2	0956839		CONNECTOR,1 CIRC,56 SERIES,PANEL W/LK,	
3	1159391		CONNECTOR,1 CIRC,56 SERIES,FEM,PACKARD	
4	1159409		CONNECTOR,1 CIRC,56 SERIES,MALE,PACKARD	
5	0956847		CONNECTOR,2 CIRC,56 SERIES,FEM W/LK,PACK	
6	0956821		CONNECTOR,2 CIRC,56 SERIES,PANEL,	
7	1313881		CONNECTOR,2 CIRC,56 SERIES,MALE,LK-TYP,	
8	1313915		CONNECTOR,2 CIRC,56 SERIES,FEM,LK-TYP,	
9	1161231		CONNECTOR,2 CIRC,56 SERIES,FEM,LK-TYP,	
10	1161249		CONNECTOR,2 CIRC,56 SERIES,MALE,LK-TYP,	
11	1345586		CONNECTOR,2 CIRC,BULB,MIN WEDGE BASE,	
12	1159367		CONNECTOR,3 CIRC,56 SERIES,MALE,LK-TYP,	
13	1159375		CONNECTOR,3 CIRC,56 SERIES,FEM,LK-TYP,	
14	1345669		CONNECTOR,3 CIRC,56 SERIES,FEM,LK-TYP,	
15	0766162		CONNECTOR,3 CIRC,56 SERIES,PANEL,HORN	

Models: AAFE, AARE, A3FE, A3RE, B1VC, B4RE, C1FE, CSEV, CSFE, CSRE, GMCV, GPWB, MBWB, Q4RE, QBEV, QBRE, SBCV, T2RE, TCEV, TCFE, TCRE, TSFE, VCTA, WLWB, W4RE
CONNECTORS & TERMINALS
CONNECTORS, 2, 4, 6, & 10 CIRCUIT, 150 SERIES

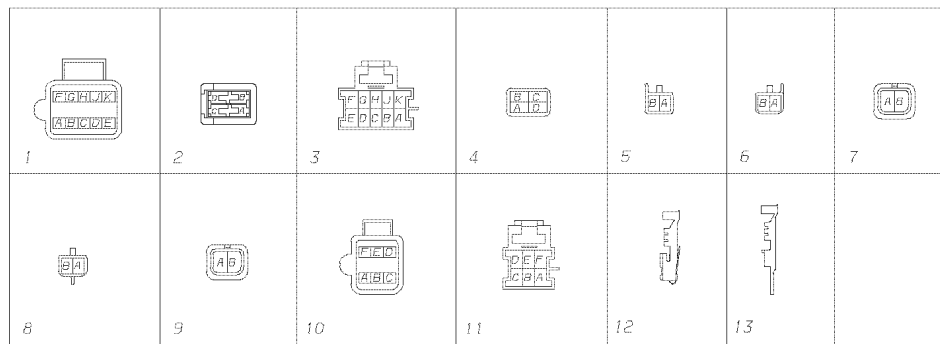
Key	PartNumber	Qty	Description	Comment
-----	------------	-----	-------------	---------

1927946CCBCHART, WRG, CONNECTORS, PACKARD METRI-PACK, 150CPCD\$0004NWCH

DR. 2/4/98	BY NW				
APP. 2/4/98	BY GH	PKT	1927945-4	CC	REV
© BLUE BIRD BODY COMPANY, ALL RIGHTS RESERVED					



nbwest FRAME 1 FEBRUARY 4, 1998 14.50.50



Models: AAFE, AARE, A3FE, A3RE, B1VC, B4RE, C1FE, CSEV, CSFE, CSRE, GMCV, GPWB, MBWB, Q4RE, QBEV, QBRE, SBCV, T2RE, TCEV, TCFE, TCRE, TSFE, VCTA, WLWB, W4RE
CONNECTORS & TERMINALS
CONNECTORS, 2, 4, 6, & 10 CIRCUIT, 150 SERIES

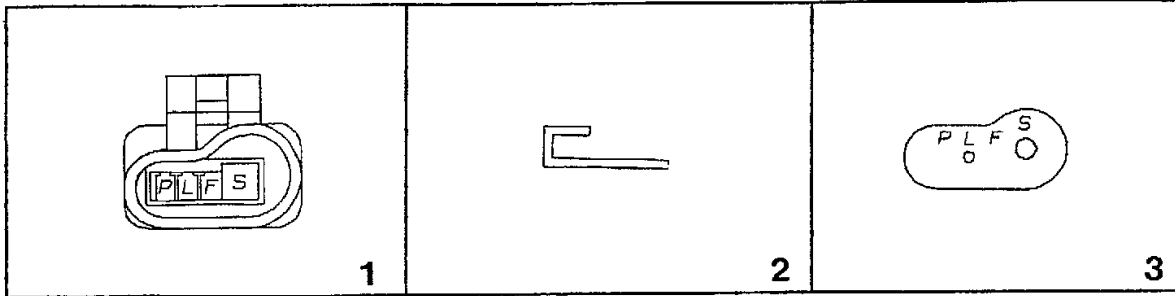
Key	PartNumber	Qty	Description	Comment
1	1696665		CONNECTOR,10CIRC,M,150 SERIES,METRI-	
2	1816313		CONNECTOR,4 CIRC,M,150 SERIES,METRI-PACK	
3	1832906		CONNECTOR,10 CIRC,F,150 SERIES,METRI-	
4	1833128		CONNECTOR,4 CIRC,F,150 SERIES,METRI-PACK	
5	1920107		CONNECTOR,2CIRC,F,150 SERIES,METRI-PACK	
6	1952324		CONNECTOR,2 CIRC,F,150 SERIES,METRI-PACK	
7	1952332		CONNECTOR,2 CIRC,M,150 SERIES,METRI-PACK	
8	1952340		CONNECTOR,2 CIRC,F,150 SERIES,METRI-PACK	
9	1952357		CONNECTOR,2 CIRC,M,150 SERIES,METRI-PACK	
10	1973726		CONNECTOR,6CIRC,M,150 SERIES,METRI-PACK	
11	1973734		CONNECTOR,6CIRC,F,150 SERIES,METRI-PACK	
12	1526318		TERMINAL,SOC,16-18 GA,150 SERIES,METRI-	
13	1816321		TERMINAL,M,16-18 GA,150 S,METRI-PACK	
NI	1696673		LOCK,SECONDARY,10 CIRC,150 SERIES,METRI-	
NI	1819317		LOCK, SECONDARY, 4CIRC, 150 SERIES,	
NI	1832914		LOCK,SECONDARY,10 CIRC,150 SERIES,	
NI	1837681		LOCK,SECONDARY,2 CIRC,150 SERIES,METRI-	
NI	1952365		LOCK,SECONDARY,2 CIRC,150 SERIES,METRI-	
NI	1973742		LOCK,SECONDARY,6CIRC,TPA,M,150 SERIES	
NI	1973759		LOCK,SECONDARY,6CIRC,TPA,F,150 SERIES	

Models: AAFE, AARE, A3FE, A3RE, B1VC, B4RE, C1FE, CSEV, CSFE, CSRE, GMCV, GPWB, MBWB, Q4RE, QBEV, QBRE, SBCV, T2RE, TCEV, TCFE, TCRE, TSFE, VCTA, WLWB, W4RE
CONNECTORS & TERMINALS
CONNECTORS, 4 CIRCUIT, LOCK & SEAL

Key	PartNumber	Qty	Description	Comment
-----	------------	-----	-------------	---------

DR # 129140 BY <i>[Signature]</i>	FRT	8010134	REV	
APP 12-3-90 BY <i>[Signature]</i>				BLUE BIRD

© 1990 BLUE BIRD BODY COMPANY ALL RIGHTS RESERVED

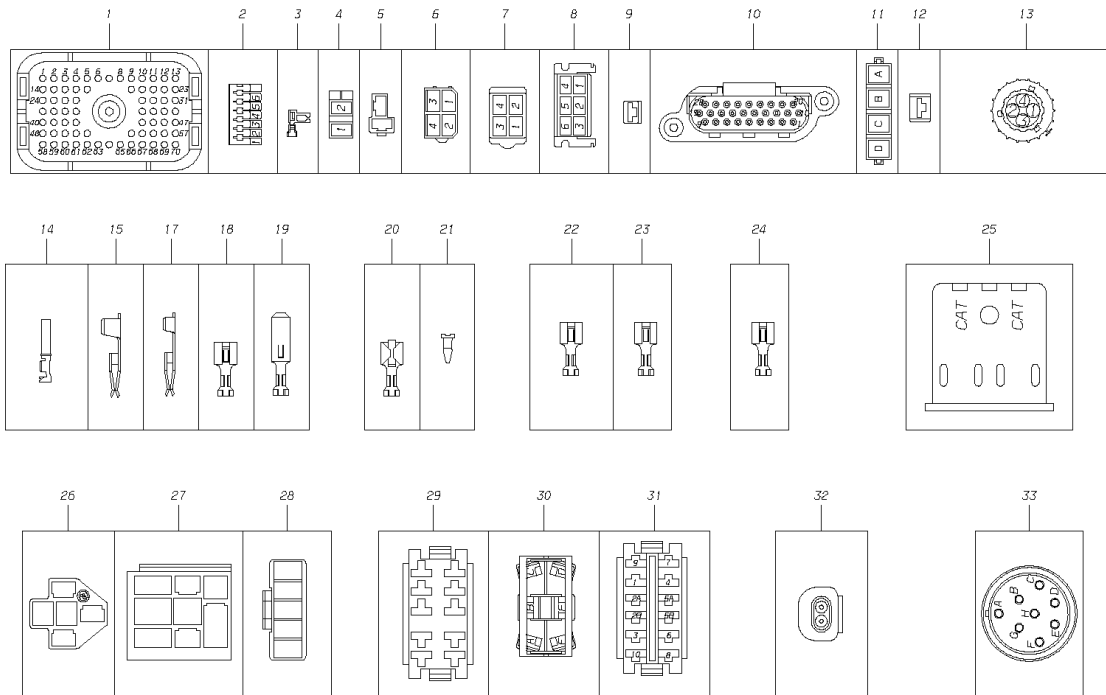


Models: AAFE, AARE, A3FE, A3RE, B1VC, B4RE, C1FE, CSEV, CSFE, CSRE, GMCV, GPWB, MBWB, Q4RE, QBEV, QBRE, SBCV, T2RE, TCEV, TCFE, TCRE, TSFE, VCTA, WLWB, W4RE
CONNECTORS & TERMINALS
CONNECTORS, 4 CIRCUIT, LOCK & SEAL

Key	PartNumber	Qty	Description	Comment
1	1526292		CONNECTOR,4 CIRC,150 SERIES,METRI-PACK	
2	1526300		LOCK,TERMINAL,METRI-PACK,P2S	
3	1526326		SEAL,4 CIRC,METRI-PACK	

Models: **AAFE, AARE, A3FE, A3RE, B1VC, B4RE, C1FE, CSEV, CSFE, CSRE, GMCV, GPWB, MBWB, Q4RE, QBEV, QBRE, SBCV, T2RE, TCEV, TCFE, TCRE, TSFE, VCTA, WLWB, W4RE**
CONNECTORS & TERMINALS
CONNECTORS, AMP CIRCUIT, & TERMINALS

Key	PartNumber	Qty	Description	Comment
-----	------------	-----	-------------	---------



Models: AAFE, AARE, A3FE, A3RE, B1VC, B4RE, C1FE, CSEV, CSFE, CSRE, GMCV, GPWB, MBWB, Q4RE, QBEV, QBRE, SBCV, T2RE, TCEV, TCFE, TCRE, TSFE, VCTA, WLWB, W4RE
CONNECTORS & TERMINALS
CONNECTORS, AMP CIRCUIT, & TERMINALS

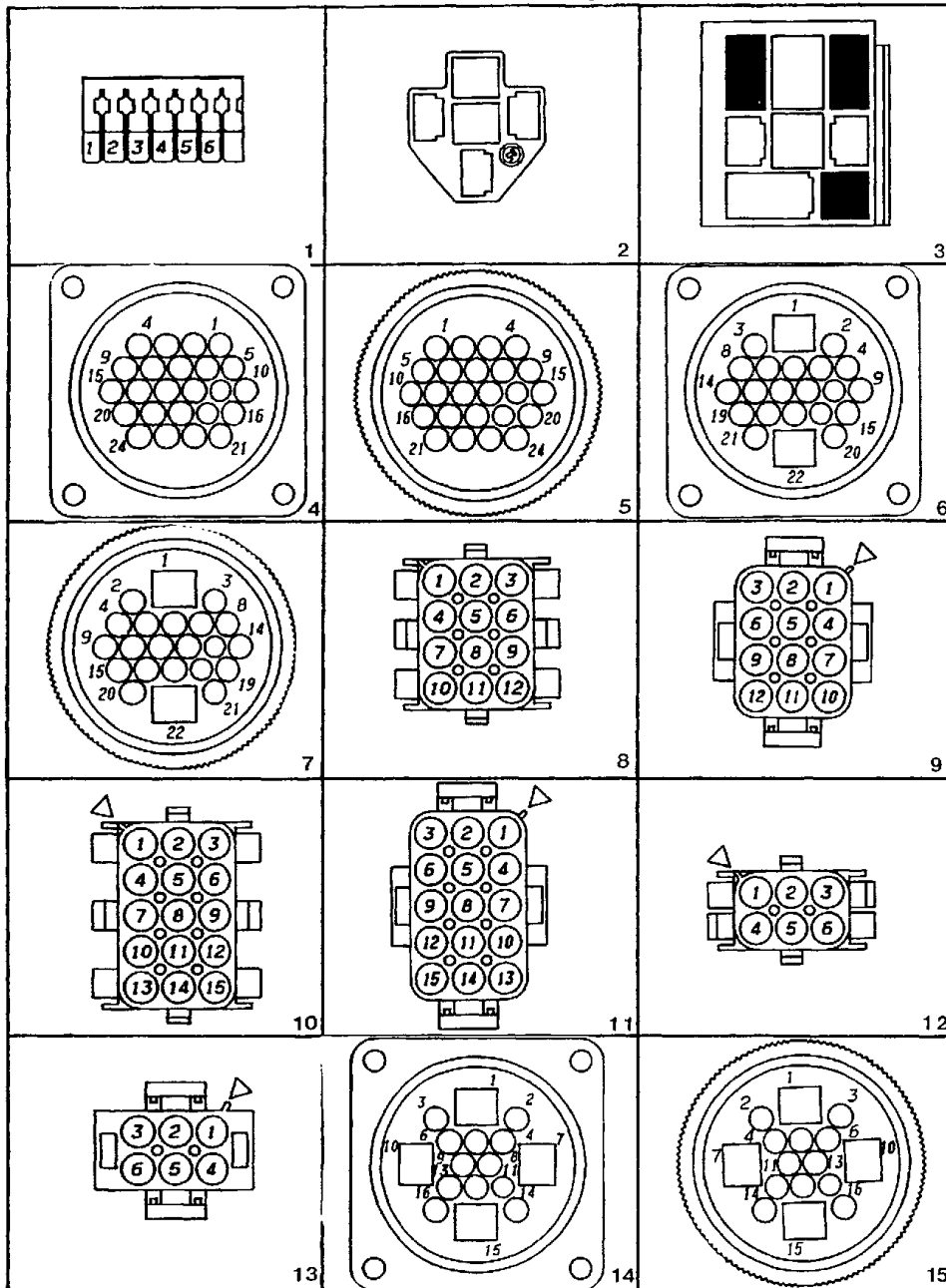
Key	PartNumber	Qty	Description	Comment
1	1890300		CONNECTOR,1 CIRC,CAP,FASTIN-FASTON,AMP	
2	1934975		CONNECTOR,28 CIRC,PLUG,AMPLIMITE,AMP	
3	1965870		CONNECTOR,4 CIRC,PLUG,AMPINNERGY,AMP	
4	1991512		CONNECTOR,2 CIRC,HOUSING,JUNIOR-PWR-	
5	1965888		TERMINAL,M,10-12 GA,AMPINNERGY,AMP	
6	1965896		TERMINAL,M,14-18 GA,AMPINNERGY,AMP	
7	1991520		TERMINAL,SLIDE,14GA,JUNIOR-PWR-TIMER,	
8	1934991		PLUG,SEALING,AMPLIMITE	
9	1937507		CONNECTOR,8CIRC,W/SOC,16 GA,ITT-CANNON	
10	1934215		CONNECTOR,2 CIRC,M,SLEEVE ASSY,FORD	FORD / BENDIX
11	1998210		TERMINAL,SLIDE,1/4,12 GA,AMP	

Models: AAFE, AARE, A3FE, A3RE, B1VC, B4RE, C1FE, CSEV, CSFE, CSRE, GMCV, GPWB, MBWB, Q4RE, QBEV, QBRE, SBCV, T2RE, TCEV, TCFE, TCRE, TSFE, VCTA, WLWB, W4RE
CONNECTORS & TERMINALS
CONNECTORS, CIRCUIT, CAPS & PLUGS

Key	PartNumber	Qty	Description	Comment
-----	------------	-----	-------------	---------

DM	BY	REV	0009268
APP	RY	F RT	

© 1988 BLUE BIRD BODY COMPANY ALL RIGHTS RESERVED




Models: AAFE, AARE, A3FE, A3RE, B1VC, B4RE, C1FE, CSEV, CSFE, CSRE, GMCV, GPWB, MBWB, Q4RE, QBEV, QBRE, SBCV, T2RE, TCEV, TCFE, TCRC, TSFE, VCTA, WLWB, W4RE
CONNECTORS & TERMINALS
CONNECTORS, CIRCUIT, CAPS & PLUGS

Key	PartNumber	Qty	Description	Comment
1	1337583		CONNECTOR,6 CIRC,DUO-TYNE,AMP	
2	1143627		CONNECTOR,5 CIRC,W/O MTG TAB,BOSCH	
3	1146661		CONNECTOR,5 CIRC,W/MTG TAB,BOSCH RELAY	
4	1077619		CONNECTOR,24 CIRC,CAP,CPC,FLG,SERIES 1,	
5	2264356		PLUG,FEMALE,NO 206837-1	
6	1078211		CONNECTOR,22 CIRC,CAP,CPC,FLG,SERIES 4,	
7	1078229		CONNECTOR,22 CIRC,PLUG,CPC,SERIES 4,AMP	
8	0814608		CONNECTOR,12 CIRC,CAP,MATE-N-LOK,AMP	
9	0814616		CONNECTOR,12 CIRC,PLUG,MATE-N-LOK,AMP	
10	0984443		CONNECTOR,15 CIRC,CAP,MATE-N-LOK,AMP	
11	0984435		CONNECTOR,15 CIRC,PLUG,MATE-N-LOK,AMP	
12	0984906		CONNECTOR,6 CIRC,CAP,MATE-N-LOK,AMP	
13	0984914		CONNECTOR,6 CIRC,PLUG,MATE-N-LOK,AMP	
14	1077452		CONNECTOR,16 CIRC,CAP,CPC,FLG,SERIES 4,	
15	1077460		CONNECTOR,16 CIRC,PLUG,CPC,SERIES 4,AMP	

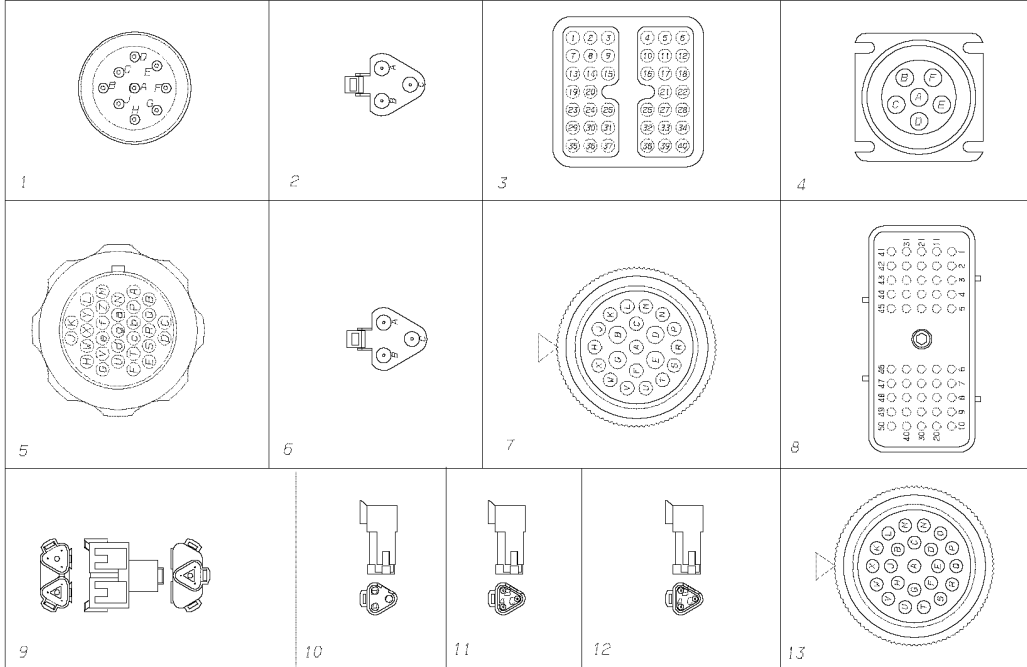
Models: **AAFE, AARE, A3FE, A3RE, B1VC, B4RE, C1FE, CSEV, CSFE, CSRE, G1CV, GPWB, MBWB, Q4RE, QBEV, QBRE, SBCV, T2RE, TCEV, TCFE, TCRE, TSFE, VCTA, WLWB, W4RE**
CONNECTORS & TERMINALS
CONNECTORS, DEUTSCH

Key	PartNumber	Qty	Description	Comment
-----	------------	-----	-------------	---------

1877257U Bchart,WRG,CONNECTORS/TERMINALS,DEUTSCH CRC0#0001NWGH

DR. 2/4/99	BY NW	1877257-1	U	
APP. 2/4/98	BY GH	P37	REV	

© BLUE BIRD BODY CORP. ALL RIGHTS RESERVED



nbwest FRAME 1 FEBRUARY 4, 1998 15.53.10

Models: AAFE, AARE, A3FE, A3RE, B1VC, B4RE, C1FE, CSEV, CSFE, CSRE, GMCV, GPWB, MBWB, Q4RE, QBEV, QBRE, SBCV, T2RE, TCEV, TCFE, TCRE, TSFE, VCTA, WLWB, W4RE
CONNECTORS & TERMINALS
CONNECTORS, DEUTSCH

Key	PartNumber	Qty	Description	Comment
1	1877265		CONNECTOR,9 CIRC,RECP,HD14 SERIES,	
	1877281		PLUG,SEALING,HD14 SERIES,DEUTSCH	
2	1887728		CONNECTOR,3 CIRC,PLUG,DT SERIES,DEUTSCH	
3	1887736		CONNECTOR,40 CIRC,PLUG,AEC SERIES,	
	1891647		PLUG,SEALING,AEC SERIES,DEUTSCH	
4	1889898		CONNECTOR,6 CIRC,RECP,HD SERIES,DEUTSCH	
	1936087		COVER,DUST,6CIRC,DEUTSCH	
	1937473		CONNECTOR,BACKSHELL,6CIRC,HD10 S,	
5	1935097		CONNECTOR,31CIRC,PLUG,ECD SERIES,	
	1935105		CONNECTOR,BACKSHELL,CPLG NUT,ECD,	
	1935113		CONNECTOR,BACKSHELL,FOLLOWER,ECD,	
	1935121		CONNECTOR,BACKSHELL,GROMMET,ECD,	
6	1935154		CONNECTOR,3CIRC,PLUG,DT SERIES DEUTSCH	
7	1941921		CONNECTOR,21CIRC,PLUG,HD30 SERIES,	
8	1950534		CONNECTOR,50 CIRC,PLUG,DRC SERIES,	
9	1940097		CONNECTOR,T-RECEPTACLE,DT SERIES,	
10	1940113		CONNECTOR,3 CIRC,RECP,DT SERIES,DEUTSCH	
11	1940105		CONNECTOR,3 CIRC,RECP,RESISTOR,DT S,	
12	1960798		CONNECTOR,3 CIRC,RECPT,DT SERIES,	
NI	1901016		LOCK,WEDGE,3CIRC,PLUG,DT S,DEUTSCH,	
NI	1935162		LOCK,WEDGE,3CIRC,PLUG,DT S,DEUTSCH,	
NI	1960806		LOCK,WEDGE,3CIRC,RECP,DT S,DEUTSCH,	
13	1962406		CONNECTOR,23 CIRC,PLUG,HD30 SERIES,	


Models: AAFE, AARE, A1VC, A3FE, A3RE, B1VC, B4RE, C1FE, CSEV, CSFE, CSRE, GMCV, GPWB, MBWB, Q4RE, QBEV, QBRE, SBCV, T2RE, TCEV, TCFE, TCRE, TSFE, VCTA, WLWB, W4RE
CONNECTORS & TERMINALS
CONNECTORS, PACKARD

Key	PartNumber	Qty	Description	Comment
-----	------------	-----	-------------	---------

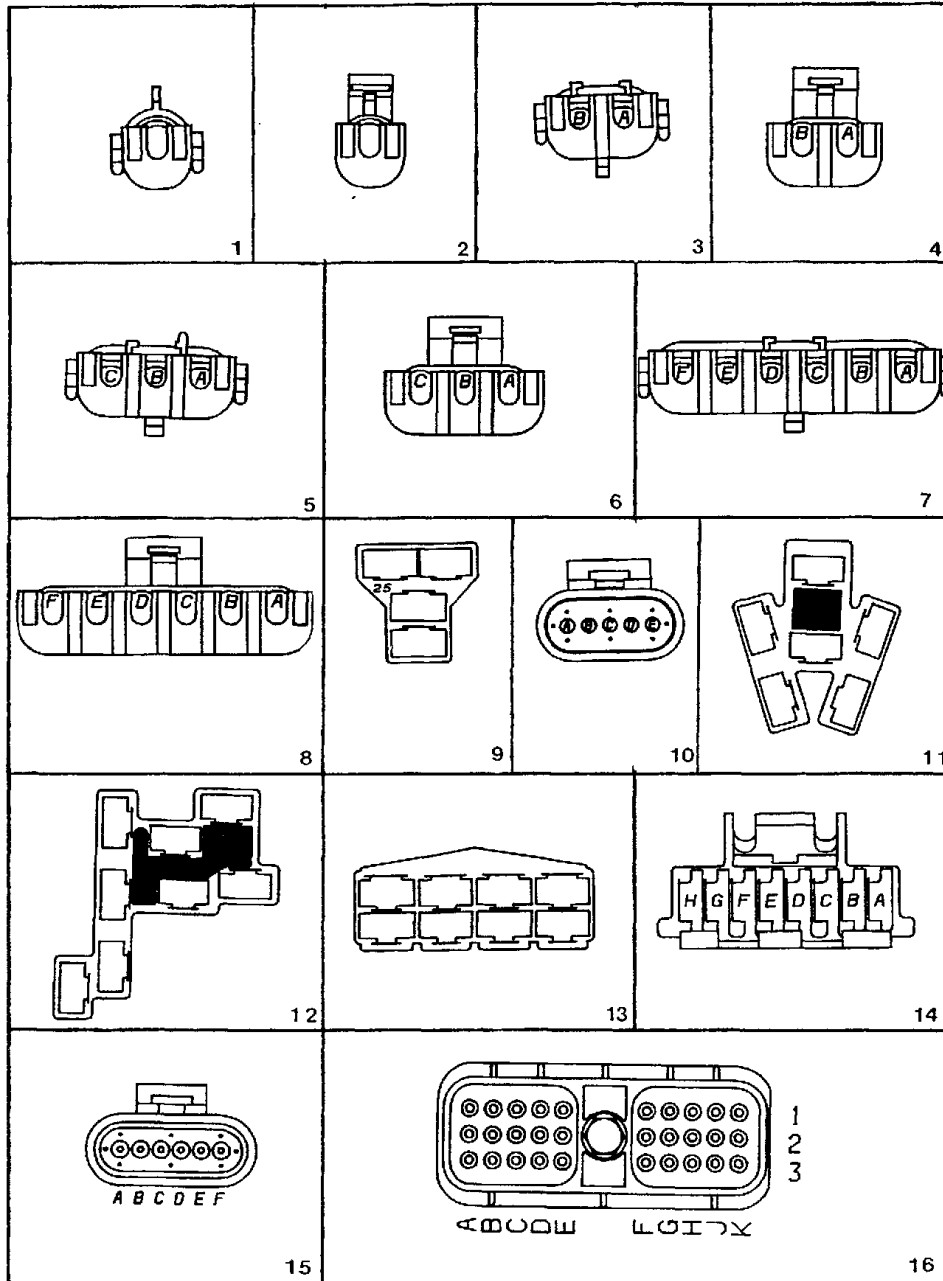
DR	BY	FR	REV
APP	BY	FR	REV

8009284

© 1988 BLUE BIRD BODY COMPANY ALL RIGHTS RESERVED



BLUE BIRD




Models: AAFE, AARE, A1VC, A3FE, A3RE, B1VC, B4RE, C1FE, CSEV, CSFE, CSRE, GMCV, GPWB, MBWB, Q4RE, QBEV, QBRE, SBCV, T2RE, TCEV, TCFE, TCRE, TSFE, VCTA, WLWB, W4RE
CONNECTORS & TERMINALS
CONNECTORS, PACKARD

Key	PartNumber	Qty	Description	Comment
1	1154558		CONNECTOR,1 CIRC,SHROUD,WEATHERPACK,	
2	1154566		CONNECTOR,TOWER,1 CIRC,WEATHERPACK,	
3	1161850		CONNECTOR,2 CIRC,SHROUD,WEATHERPACK,	
4	1161868		CONNECTOR,2 CIRC,TOWER,WEATHERPACK,	
5	1154574		CONNECTOR,3 CIRC,SHROUD,WEATHERPACK,	
6	1113299		CONNECTOR,3 CIRC,TOWER,WEATHERPACK,	
7	1154616		CONNECTOR,6 CIRC,SHROUD,WEATHERPACK,	
8	1154624		CONNECTOR,6 CIRC,TOWER,WEATHERPACK,	
9	1025881		CONNECTOR,4 CIRC,56 SERIES,PANEL,	
10	1231935		CONNECTOR,5CIRC,F,150 SERIES,METRI-PACK,	
11	1320969		CONNECTOR,6 CIRC,56 SERIES,PNL,IGN SW,	
12	1320951		CONNECTOR,8 CIRC,56 SERIES,PNL,HDLP SW,	
13	1428424		CONNECTOR,8 CIRC,56 SERIES,PNL,WPR SW,	
14	0908186		CONNECTOR,8 CIRC,ELEC GOVERNOR,PACKARD	
15	1365303		CONNECTOR,6CIRC,F,150 SERIES,METRI-PACK,	
16	1298603		CONNECTOR,30CIRC,F,150 SERIES,M/P,P2S	

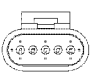
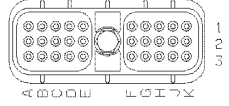
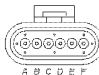

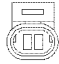
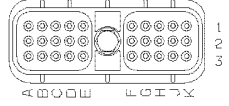
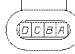


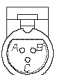

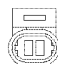
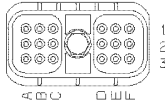



Models: **AAFE, AARE, A3FE, A3RE, B1VC, B4RE, C1FE, CSEV, CSFE, CSRE, G1CV, GPWB, MBWB, Q4RE, QBEV, QBRE, SBCV, T2RE, TCEV, TCFE, TCRE, TSFE, VCTA, WLWB, W4RE**
CONNECTORS & TERMINALS
CONNECTORS, PACKARD, METRI-PACK, 150 SERIES (1)

Key	PartNumber	Qty	Description	Comment
-----	------------	-----	-------------	---------

1927946CCBCHART, WR6, CONNECTORS, PACKARD METRI-PACK, 150CRC0#0001NWGH

DR. 2/1/98	BY: NW	1927945-1	CC	
APP. 2/4/98	BY: CH	F27	REV	

© BLUE BIRD BODY CORP. ALL RIGHTS RESERVED

 1	 2	 3	 4
 5	 6	 7	 8
 9	 10	 11	 12
 13	 14	 15	 16

nbwset FRAME 1 FEBRUARY 4, 1998 15.32.46


Models: AAFE, AARE, A3FE, A3RE, B1VC, B4RE, C1FE, CSEV, CSFE, CSRE, GMCV, GPWB, MBWB, Q4RE, QBEV, QBRE, SBCV, T2RE, TCEV, TCFE, TCRE, TSFE, VCTA, WLWB, W4RE
CONNECTORS & TERMINALS
CONNECTORS, PACKARD, METRI-PACK, 150 SERIES (1)

Key	PartNumber	Qty	Description	Comment
1	1231935		CONNECTOR,5CIRC,F,150 SERIES,METRI-PACK,	
2	1298603		CONNECTOR,30CIRC,F,150 SERIES,M/P,P2S	
3	1365303		CONNECTOR,6CIRC,F,150 SERIES,METRI-PACK,	
4	1459650		CONNECTOR,2C1RC,F,150 SERIES,METRI-PACK,	
5	1610997		CONNECTOR,30CIRC,F,150 SERIES,METRI-PACK	
6	1793116		CONNECTOR,4CIRC,F,150 SERIES,METRI-PACK,	
7	1877315		CONNECTOR,2CIRC,F,150 SERIES,METRI-PACK,	
8	1902295		CONNECTOR,3CIRC,F,150 SERIES,METRI-PACK,	
9	1902345		CONNECTOR,3 CIRC,F,150 SERIES,M/P,P2S	
10	1934876		CONNECTOR,2CIRC,F,GRAY,150 SERIES,M/P,	
11	1994722		CONNECTOR,18 CIRC,F,150 SERIES,P25,M/P	
12	1299221		TERMINAL,SOC,16-18 GA,150 S,METRI-PACK,	
13	1994797		TERMINAL,SOC,20-22 GA,150 S,METRI-PACK,	
14	1299239		PLUG,SEALING,150 SERIES,METRI-PACK,P2S	

Models: AAFE, AARE, A3FE, A3RE, B1VC, B4RE, C1FE, CSEV, CSFE, CSRE, GMCV, GPWB, MBWB, Q4RE, QBEV, QBRE, SBCV, T2RE, TCEV, TCFE, TCRE, TSFE, VCTA, WLWB, W4RE
CONNECTORS & TERMINALS
CONNECTORS, PACKARD, METRI-PACK, 150 SERIES (2)

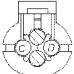
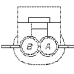
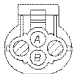
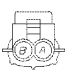
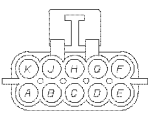
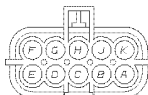
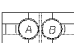
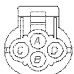
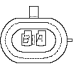
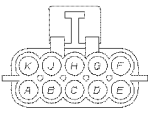
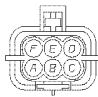
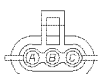
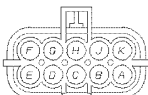
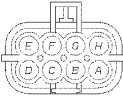
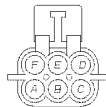
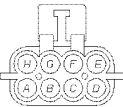
Key	PartNumber	Qty	Description	Comment
-----	------------	-----	-------------	---------

1927946CCBCHART, WRG, CONNECTORS, PACKARD METRI-PACK, 150CRCD#0002NWGH

DR. 2/4/98	BY 124	1927946-2	CC	
APP. 2/4/98	BY DH	FRT	REV	

© BLUE BIRD BODY CORP. ALL RIGHTS RESERVED

nbwest FRAME 1 FEBRUARY 4, 1998 14.53.51

				
1	2	3	4	5
				
6	7	8	9	10
				
11	12	13	14	15
				
16				

Models: AAFE, AARE, A3FE, A3RE, B1VC, B4RE, C1FE, CSEV, CSFE, CSRE, GMCV, GPWB, MBWB, Q4RE, QBEV, QBRE, SBCV, T2RE, TCEV, TCFE, TCRE, TSFE, VCTA, WLWB, W4RE
CONNECTORS & TERMINALS
CONNECTORS, PACKARD, METRI-PACK, 150 SERIES (2)

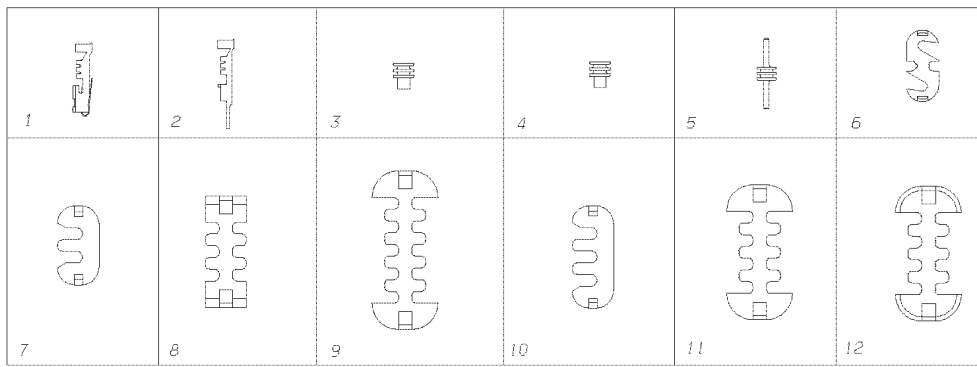
Key	PartNumber	Qty	Description	Comment
1	1459668		CONNECTOR,2C1RC,F,150 SERIES,METRI-PACK,	
2	1781392		CONNECTOR,2F,150 SERIES,METRI-PACK	
3	1828359		CONNECTOR, 2 CIRC,F,150 S,METRI-PACK,	
4	1828367		CONNECTOR,2 CIRC,F,150 S,METRI-PACK,GRAY	
5	1828375		CONNECTOR,10 CIRC,F,150 S,METRI-PACK	
6	1828383		CONNECTOR,10 CIRC,M,150 S,METRI-PACK	
7	1855071		CONNECTOR,2CIRC,F,150 SERIES,METRI-PACK	
8	1876671		CONNECTOR,4 CIRC,F,150 SERIES,METRI-PACK	
9	1877299		CONNECTOR,2CIRC,M,150 SERIES,METRI-PACK	
10	1903111		CONNECTOR,10CIRC,F,150 SERIES,GRAY,M/P,	
11	1903137		CONNECTOR,6 CIRC,M,150 SERIES,METRI-PACK	
12	1903145		CONNECTOR,3 CIRC,M,150 SERIES,METRI-PACK	
13	1927391		CONNECTOR,10CIRC,M,150 SERIES,GRAY,M/P,	
14	1940964		CONNECTOR,8CIRC,M,150 SERIES,M/P	
15	1944966		CONNECTOR,6CIRC,F,150 SERIES,METRI-PACK	
16	1950740		CONNECTOR,8CIRC,F,150 SERIES,M/P	

Models: AAFE, AARE, A3FE, A3RE, B1VC, B4RE, C1FE, CSEV, CSFE, CSRE, GMCV, GPWB, MBWB, Q4RE, QBEV, QBRE, SBCV, T2RE, TCEV, TCFE, TCRE, TSFE, VCTA, WLWB, W4RE
CONNECTORS & TERMINALS
PINS, SEALS, & LOCKS

Key	PartNumber	Qty	Description	Comment
-----	------------	-----	-------------	---------

192794GCCBCHART, WPG, CONNECTORS, PACKARD METRI-PACK, 150CRCD#D003NWH

DR. 2/4/98	BY NK				
APP. 2/4/98	BY GH	1927945-3	CC	REV	
© BLUE BIRD BODY COMPANY. ALL RIGHTS RESERVED					



nbwest FRAME 1 FEBRUARY 4, 1998 14.51.27

Models: AAFE, AARE, A3FE, A3RE, B1VC, B4RE, C1FE, CSEV, CSFE, CSRE, GMCV, GPWB, MBWB, Q4RE, QBEV, QBRE, SBCV, T2RE, TCEV, TCFE, TCRE, TSFE, VCTA, WLWB, W4RE
CONNECTORS & TERMINALS
PINS, SEALS, & LOCKS

Key	PartNumber	Qty	Description	Comment
1	1460922		TERMINAL,SOC,16-20 GA,150 SERIES,METRI-	
2	1828417		TERMINAL,M,16-18 GA,150 SERIES,METRI-PACK	
3	1461466		SEAL,WIRE,CBL/DIA.080-.112,RD,150 S,	
4	1986900		SEAL,WIRE,CBL/DIA.063-.085,WHITE,150S,M/P	
5	1793132		PLUG,CAVITY,1 WAY,150 SERIES,MTR-PK +	
6	1461458		LOCK,SEAL,SECD,2CIR,150 SERIES,METRI-	
7	1781400		LOCK,SECONDARY,2 POSITION,METRI-PACK	
8	1811983		LOCK,SEAL,6CIRC,TPA,150 SERIES,M/P	
9	1828409		LOCK,SECD,10 CIRC,150 S,METRI-	
NI	1855089		LOCK,SECONDARY,2 CIR,150 SERIES,METRI-	
10	1925767		LOCK,SEAL,3CIRC,TPA,150 SERIES,M/P	
11	1940972		LOCK,SECONDARY,TPA,8CIRC,150 SERIES,M/P	
12	1950757		LOCK,SECONDARY,8CIRC,150 SERIES,M/P	


Models: AAFE, AARE, A1VC, A3FE, A3RE, B1VC, B2VC, B4RE, C1FE, C3EV, C3FE, C3RE, GMCV, GPWB, MBWB, Q4RE, QBEV, QBRE, SBCV, T2RE, TCEV, TCFE, TCRE, TSFE, VCTA, WLWB, W4RE
CONNECTORS & TERMINALS
TERMINALS

Key	PartNumber	Qty	Description	Comment
-----	------------	-----	-------------	---------

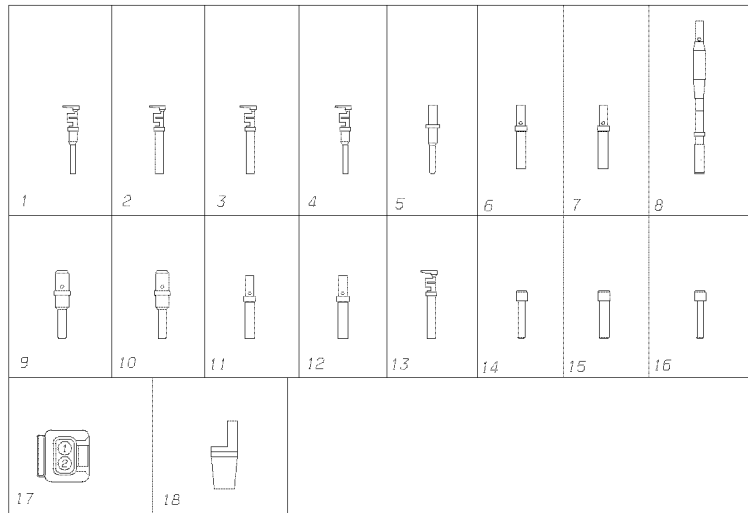
1877257U BCHAART, WRG, CONNECTORS/TERMINALS, DEUTSCH CRCO#0002NWGH

DR. 2/4/98	BY NW				
APP. 2/4/98	BY CH	1877257-2	U		
			REV		

© BLUE BIRD BODY CORP. ALL RIGHTS RESERVED



nbwset FRAME 1 FEBRUARY 4, 1998 16.20.20



Models: AAFE, AARE, A1VC, A3FE, A3RE, B1VC, B2VC, B4RE, C1FE, C3EV, C3FE, C3RE, GMCV, GPWB, MBWB, Q4RE, QBEV, QBRE, SBCV, T2RE, TCEV, TCFE, TCRE, TSFE, VCTA, WLWB, W4RE
CONNECTORS & TERMINALS
TERMINALS

Key	PartNumber	Qty	Description	Comment
1	1877273		TERMINAL,PIN,14-16 GA,DEUTSCH	
2	1887694		TERMINAL,SOC,16-18 GA,DT SERIES,DEUTSCH	
3	1887702		TERMINAL,SOC,14-16 GA,DT SERIES,DEUTSCH	
4	1887710		TERMINAL,PIN,16-18 GA,DT SERIES,DEUTSCH	
5	1889906		TERMINAL,PIN,12-14 GA,HD SERIES,DEUTSCH	
6	1935147		TERMINAL,SOC,16-20 GA,HD SERIES,DEUTSCH	
7	1935170		TERMINAL,SOC,16-20 GA,ECD SERIES,	
8	1935188		TERMINAL,SOC,16-18 GA,EXTENDED BODY,	
9	1937481		TERMINAL,PIN,16-18 GA,HD SERIES,DEUTSCH	
10	1939974		TERMINAL,PIN,12-14 GA,HD SERIES,DEUTSCH	
11	1941939		TERMINAL,SOC,16-18 GA,HD30 SERIES,	
12	1950674		TERMINAL,SOC,20-24 GA,HD30 SERIES,	
13	1995554		TERMINAL,SOC,16-20 GA,DRC SERIES,	
NI	1960814		TERMINAL,PIN,16-18 GA,HD SERIES,DEUTSCH	
NI	1960822		TERMINAL,PIN,16-18 GA,EXTENDED BODY,	
NI	1994755		TERMINAL,PIN,16-20 GA,DTM SERIES,DEUTSCH	
14	1935139		PLUG,SEALING,CAVITY,BLUE,ECD,DEUTSCH	
15	1937499		PLUG,SEALING,CAVITY,SIZE 12-16,DEUTSCH	
16	1950625		PLUG,SEALING,CAVITY,RED	
17	1994714		CONNECTOR,2 CIRC,RECP,DTM SERIES,	
18	1994763		LOCK,WEDGE,DTM SERIES,ORANGE,DEUTSCH	


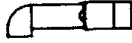
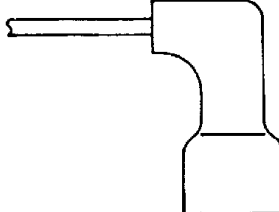
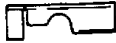





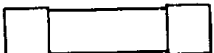
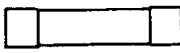



Models: AAFE, AARE, A1VC, A3FE, A3RE, B1VC, B2VC, B4RE, C1FE, C3EV, C3FE, C3RE, GMCV, GPWB, MBWB, Q4RE, QBEV, QBRE, SBCV, T2RE, TCEV, TCFE, TCRE, TSFE, VCTA, WLWB, W4RE
CONNECTORS & TERMINALS
TERMINALS

Key	PartNumber	Qty	Description	Comment
-----	------------	-----	-------------	---------

DR:	BY:	FRY:	REV:
APP:	BY:	FRY:	REV:

© 1988 BLUE BIRD BODY COMPANY ALL RIGHTS RESERVED



		
1	2	3
		
4	5	6
		
7	8	9
		
10	11	12
		
13	14	

Models: AAFE, AARE, A1VC, A3FE, A3RE, B1VC, B2VC, B4RE, C1FE, C3EV, C3FE, C3RE, GMCV, GPWB, MBWB, Q4RE, QBEV, QBRE, SBCV, T2RE, TCEV, TCFE, TCRE, TSFE, VCTA, WLWB, W4RE
CONNECTORS & TERMINALS
TERMINALS

Key	PartNumber	Qty	Description	Comment
1	1132091		TERMINAL,BULLET,.156 DIA,14-16 GA,	
2	1222769		TERMINAL,KNIFE SPLICE,14-16 GA	
3	1267640		TERMINAL,SOC,FUEL LEVEL SENDER	
4	1345594		TERMINAL,RECEPTACLE,.156 DIA,14-18 GA	
5	2140895		TERMINAL,(PKG 50) SLIDE FEMALE,10GA	
6	2140887		TERMINAL,(PKG 100) SLIDE FEMALE,14-16GA	
7	1053115		TERMINAL,BLADE,LONG 1/4,14-16 GA,PACKARD	
8	1159383		TERMINAL,BLADE,1/4,14-16 GA,PACKARD	
9	1055490		TERMINAL,BLADE,1/4,10 GA,PACKARD	
10	2125953		CONNECTOR,PKG-50,BUTT,INSULATED,FLARED	
11	2125946		CONNECTOR,PKG-100,BUTT,INSULATED	
12	2134666		TERMINAL,(PKG 100) SPADE NO10 STUD 14	
13	0527648		TERMINAL,BLADE,1/4,14-16 GA,INSULATED	
14	1055391		TERMINAL,BLADE,1/4,10-12 GA,INSULATED	
15	1526318		TERMINAL,SOC,16-18 GA,150 SERIES,METRI-	


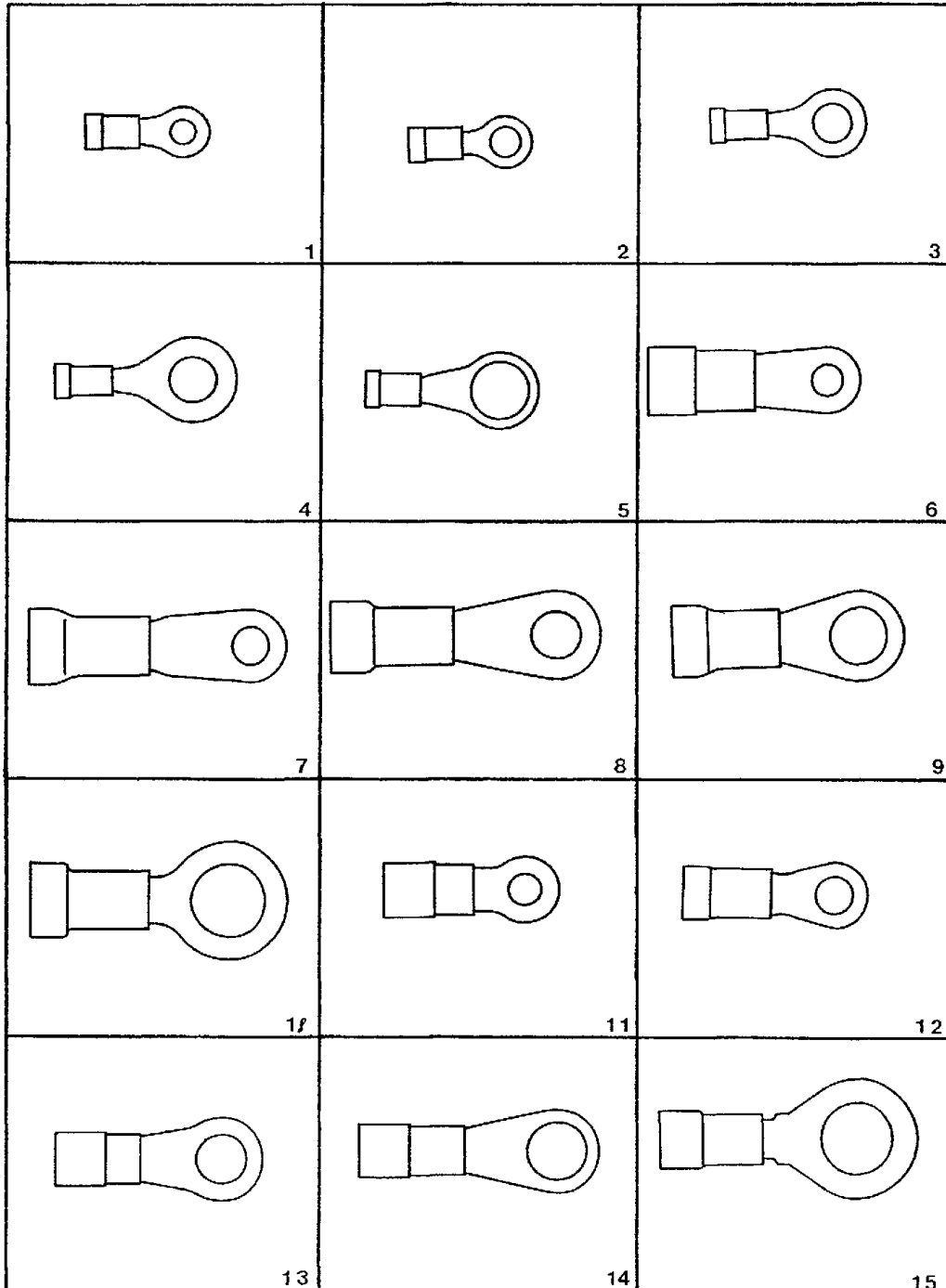
Models: AAFE, AARE, A1VC, A3FE, A3RE, B1VC, B2VC, B4RE, C1FE, C3EV, C3FE, C3RE, GMCV, GPWB, MBWB, Q4RE, QBEV, QBRE, SBCV, T2RE, TCEV, TCFE, TCRE, TSFE, VCTA, WLWB, W4RE
CONNECTORS & TERMINALS
TERMINALS, 6, 8, 14-16 GAUGE EYELET

Key	PartNumber	Qty	Description	Comment
-----	------------	-----	-------------	---------

DR	BY	FRT	REV
APP	BY		

8009243

© 1988 BLUE BIRD BODY COMPANY ALL RIGHTS RESERVED

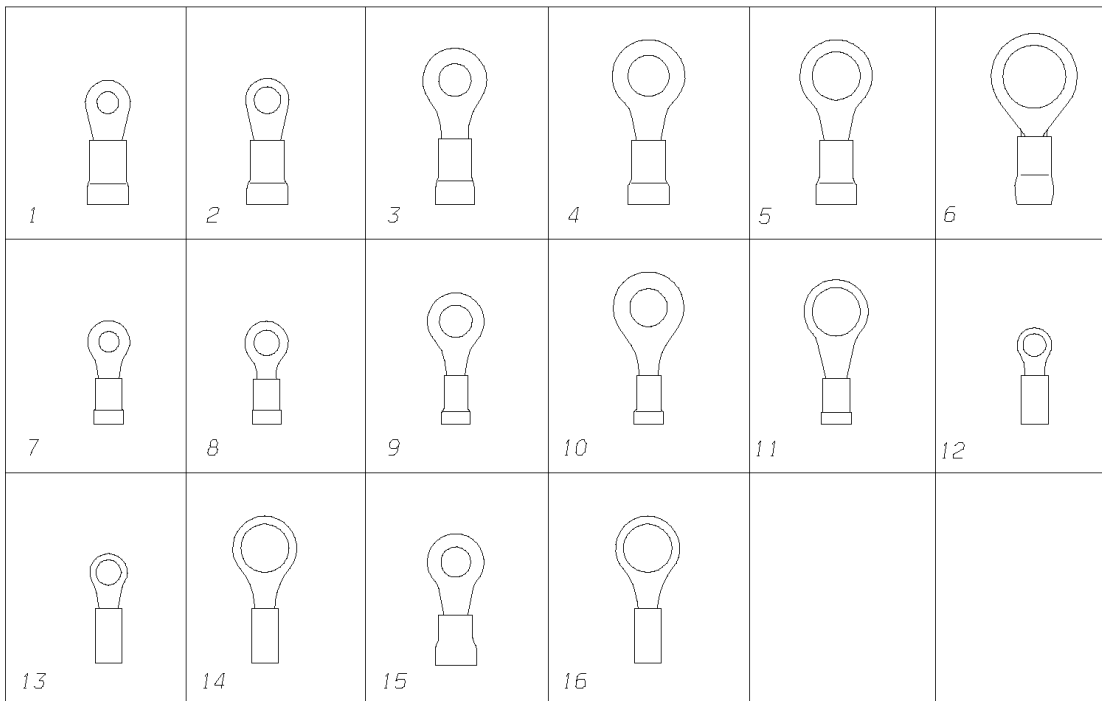



Models: AAFE, AARE, A1VC, A3FE, A3RE, B1VC, B2VC, B4RE, C1FE, C3EV, C3FE, C3RE, GMCV, GPWB, MBWB, Q4RE, QBEV, QBRE, SBCV, T2RE, TCEV, TCFE, TCRE, TSFE, VCTA, WLWB, W4RE
CONNECTORS & TERMINALS
TERMINALS, 6, 8, 14-16 GAUGE EYELET

Key	PartNumber	Qty	Description	Comment
1	2134682		TERMINAL,(PKG 50) EYELET FLARED NO8 14	
2	2125987		TERMINAL,(PKG 100) RING TONGUE,INSULATED	
3	2134690		TERMINAL,(PKG 50) EYELET 1/4IN 14-16GA	
4	1404383		TERMINAL,EYELET,5/16,14-16 GA,INSULATED"	
5	2134708		TERMINAL,(PKG 100) EYELET 3/8IN 14-16GA	
6	2140572		TERMINAL,(PKG 50) EYELET NO 10 6 GA	
7	2140580		TERMINAL,(PKG 10) EYELET 1/4IN 6GA	
8	2140598		TERMINAL,(PKG 10) EYELET 5/16IN 6GA	
9	2140739		TERMINAL,(PKG 25) EYELET,FLRD INSL,3/8 6GA	
10	2140747		TERMINAL,(PKG 10) EYELET,FLRD INSL 1/2 6GA	
11	2140523		TERMINAL,(PKG 50) EYELET NO10 10-12GA	
12	2140549		TERMINAL,(PKG 10) EYELET 1/14 STUD 8GA	
13	2140564		TERMINAL,(PKG 50) EYELET 5/8IN GA	
14	1013853		TERMINAL,EYELET,3/8,8 GA,INSULATED	
15	2140556		TERMINAL,(PKG 50) EYELET 1/2IN 8GA	

Models: AAFE, AARE, A1VC, A3FE, A3RE, B1VC, B2VC, B4RE, C1FE, C3EV, C3FE, C3RE, GMCV, GPWB, MBWB, Q4RE, QBEV, QBRE, SBCV, T2RE, TCEV, TCFE, TCRE, TSFE, VCTA, WLWB, W4RE
CONNECTORS & TERMINALS
TERMINALS, EYELET

Key	PartNumber	Qty	Description	Comment
-----	------------	-----	-------------	---------

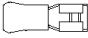
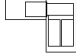
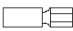



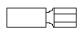


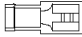



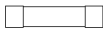
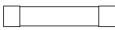
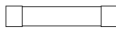
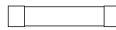




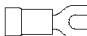


Models: AAFE, AARE, A1VC, A3FE, A3RE, B1VC, B2VC, B4RE, C1FE, C3EV, C3FE, C3RE, GMCV, GPWB, MBWB, Q4RE, QBEV, QBRE, SBCV, T2RE, TCEV, TCFE, TCRE, TSFE, VCTA, WLWB, W4RE
CONNECTORS & TERMINALS
TERMINALS, EYELET

Key	PartNumber	Qty	Description	Comment
1	0984930		TERMINAL,EYELET,NO.8,10-12 GA,INSULATED	
2	2007441		TERMINAL,EYELET,NO.10,10-12 GA,INSULATED	
3	0765826		TERMINAL,EYELET,1/4,10-12 GA,INSULATED	
4	0984955		TERMINAL,EYELET,5/16,10-12 GA,INSULATED	
5	2007474		TERMINAL,EYELET,3/8,10-12 GA,INSULATED	
6	1353655		TERMINAL,EYELET,1/2,10-12 GA,INSULATED	
7	0765834		TERMINAL,EYELET,NO.8,14-16 GA,INSULATED	
8	2007433		TERMINAL,EYELET,NO.10,14-16 GA,INSULATED	
9	0765859		TERMINAL,EYELET,1/4,14-16 GA,INSULATED	
10	1404383		TERMINAL,EYELET,5/16,14-16 GA,INSULATED"	
11	0803361		TERMINAL,EYELET,3/8,14-16 GA,INSULATED	
12	1898006		TERMINAL,EYELET,NO.8,18-22 GA,INSL	
13	1901131		TERMINAL,EYELET,#10,22-16 GA,PIDG,INSL	
14	1353648		TERMINAL,EYELET,NO 10,18-20 GA,INSULATED	
15	1353630		TERMINAL,EYELET,3/8,18-20 GA,INSULATED	

Models: AAFE, AARE, A1VC, A3FE, A3RE, B1VC, B2VC, B4RE, C1FE, C3EV, C3FE, C3RE, GMCV, GPWB, MBWB, Q4RE, QBEV, QBRE, SBCV, T2RE, TCEV, TCFE, TCRE, TSFE, VCTA, WLWB, W4RE
CONNECTORS & TERMINALS
TERMINALS, SLIDE, BLADE, BUTT, & SPADE

Key	PartNumber	Qty	Description	Comment
-----	------------	-----	-------------	---------

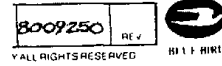
 1	 2	 3	 4	 5	 6
 7	 8	 9	 10	 11	 12
 13	 14	 15	 16	 17	 18
 19	 20	 21	 22		

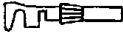















Models: AAFE, AARE, A1VC, A3FE, A3RE, B1VC, B2VC, B4RE, C1FE, C3EV, C3FE, C3RE, GMCV, GPWB, MBWB, Q4RE, QBEV, QBRE, SBCV, T2RE, TCEV, TCFE, TCRE, TSFE, VCTA, WLWB, W4RE
CONNECTORS & TERMINALS
TERMINALS, SLIDE, BLADE, BUTT, & SPADE

Key	PartNumber	Qty	Description	Comment
1	0527655		TERMINAL,SLIDE,1/4,10-12 GA,INSULATED	
2	1063296		TERMINAL,SLIDE,1/4,14-16 GA,FLAG,	
3	1203066		TERMINAL,SLIDE,3/16,14-16 GA,INSULATED	
4	2007417		TERMINAL,SLIDE,1/4,14-16 GA,INSULATED	
5	1631621		TERMINAL,SLIDE,1/4,14-16 GA,FULLY	
6	1588607		TERMINAL,SLIDE,1/4,18-20 GA,FULLY	
7	1998343		TERMINAL,SLIDE,3/16,22-18 GA,INSULATED	
8	1837756		TERMINAL,SLIDE,3/16,18-22 GA,FULLY INSL	
9	1930122		TERMINAL,SLIDE,1/4,18-22 GA,INSULATED	
10	1975275		TERMINAL,SLIDE,3/16,14-16 GA,FULLY INSL	
11	0527648		TERMINAL,BLADE,1/4,14-16 GA,INSULATED	
12	1055391		TERMINAL,BLADE,1/4,10-12 GA,INSULATED	
13	0522961		TERMINAL,BUTT CONN,10-12GA,INSULATED	
14	2007409		TERMINAL,BUTT CONN,14-16GA,INSULATED	
15	1596196		TERMINAL,BUTT CONN,STP DWN,18-22/14-16	
16	1596220		TERMINAL,BUTT CONN,STP DWN,18-22/14-16	
17	1594845		TERMINAL,BUTT CONN,16-22 GA,INSULATED	
18	2079101		TERMINAL,BUTT CONN,14-16GA,INSULATED,	
19	1952282		TERMINAL,BUTT CONN,STP DN,10-12/14-16,	
20	0765875		TERMINAL,SPADE,NO.8,14-16 GA,INSULATED	
21	0984922		TERMINAL,SPADE,NO.10,14-16 GA,INSULATED	
22	1055383		TERMINAL,SPADE,NO.8,10-12,GA,INSULATED	

Models: AAFE, AARE, A1VC, A3FE, A3RE, B1VC, B2VC, B4RE, C1FE, C5EV, C5FE, C5RE, GMCV, GPWB, MBWB, Q4RE, QBEV, QBRE, SBCV, T2RE, TCEV, TCFE, TCRE, TSFE, VCTA, WLWB, W4RE
CONNECTORS & TERMINALS
TERMINALS, SOCKET AND PIN

Key	PartNumber	Qty	Description	Comment
-----	------------	-----	-------------	---------



			
1	2	3	
			
4	5	6	
			
7	8	9	
			
10	11	12	
			
13	14	15	16

Models: AAFE, AARE, A1VC, A3FE, A3RE, B1VC, B2VC, B4RE, C1FE, C3EV, C3FE, C3RE, GMCV, GPWB, MBWB, Q4RE, QBEV, QBRE, SBCV, T2RE, TCEV, TCFE, TCRE, TSFE, VCTA, WLWB, W4RE
CONNECTORS & TERMINALS
TERMINALS, SOCKET AND PIN


Key	PartNumber	Qty	Description	Comment
1	1077478		TERMINAL,SOC,14-18GA,CPC,SERIES 1,AMP,LS	
2	2075265		TERMINAL,SOC,14-18GA,CPC,SERIES 1,AMP,	
3	1077494		TERMINAL,HD SOCKET,12-16 GA,CPC,SERIES 3,	
4	2140861		TERMINAL,(PKG 100) SOCKET,1 AMP 14GA	
5	2075281		TERMINAL,SOC,14GA,AMP 350537-1,(ROLL)	
6	1299221		TERMINAL,SOC,16-18 GA,150 S,METRI-PACK,	
7	1299213		TERMINAL,SOC,16-18 GA,280 SERIES,	
8	0908194		TERMINAL,SOC,14-16GA,PRINTED CIRC BOARD	
9	1345677		TERMINAL,SOC,18-20GA,BULB,MIN WGE BASE	
10	1154541		TERMINAL,SOC,14-16GA,WEATHERPACK,PACK	
11	2075257		TERMINAL,PIN,14-18 GA,CPC,SERIES 1,AMP,	
12	1077502		TERMINAL,PIN,12-16 GA,CPC SERIES 3,AMP	
13	2140879		TERMINAL,(PKG 100) PIN 1 AMP 14GA	
14	2075273		TERMINAL,PIN,14GA,AMP #350538-1,(ROLL)	
15	1113307		TERMINAL,PIN,14-16 GA,WEATHERPACK,	
16	1077486		TERMINAL,PIN,14-18 GA,CPC,SERIES 1,AMP,LS	


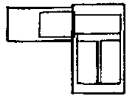







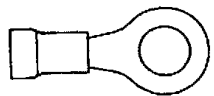
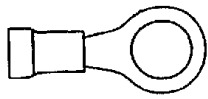
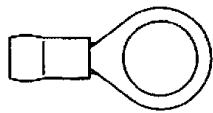

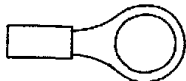

Models: AAFE, AARE, A1VC, A3FE, A3RE, B1VC, B2VC, B4RE, C1FE, C3EV, C3FE, C3RE, GMCV, GPWB, MBWB, Q4RE, QBEV, QBRE, SBCV, T2RE, TCEV, TCFE, TCRE, TSFE, VCTA, WLWB, W4RE
CONNECTORS & TERMINALS
TERMINALS, WIRE

Key	PartNumber	Qty	Description	Comment
-----	------------	-----	-------------	---------

DR	BY	FRT	REV
APP	BY		

© 1988 BLUE BIRD BODY COMPANY ALL RIGHTS RESERVED



		
1	2	3
		
4	5	6
		
7	8	9
		
10	11	12
		
13	14	15

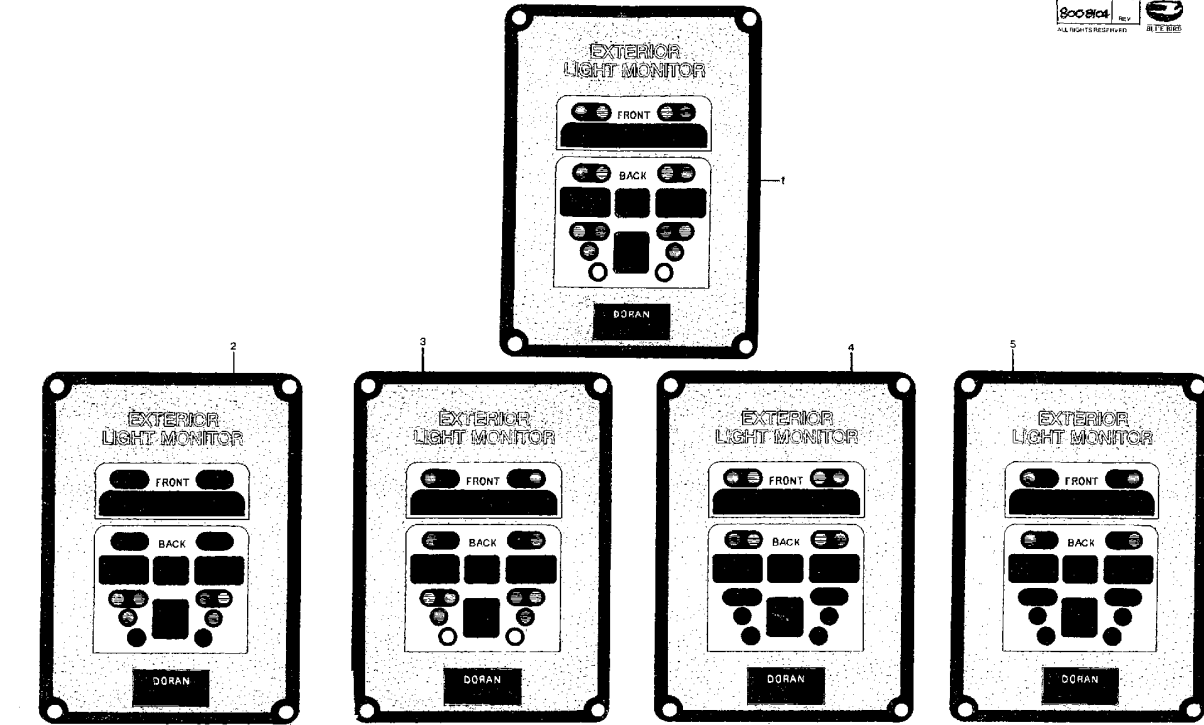
Models: AAFE, AARE, A1VC, A3FE, A3RE, B1VC, B2VC, B4RE, C1FE, C3EV, C3FE, C3RE, GMCV, GPWB, MBWB, Q4RE, QBEV, QBRE, SBCV, T2RE, TCEV, TCFE, TCRE, TSFE, VCTA, WLWB, W4RE
CONNECTORS & TERMINALS
TERMINALS, WIRE

Key	PartNumber	Qty	Description	Comment
1	2134658		TERMINAL,(PKG 50) SLIDE FEMALE 1/4IN 14GA	
2	1063296		TERMINAL,SLIDE,1/4,14-16 GA,FLAG,	
3	2125961		TERMINAL,(PKG 50) STRAIGHT,FEMALE SLIDE	
4	1203066		TERMINAL,SLIDE,3/16,14-16 GA,INSULATED	
5	1337591		TERMINAL,CONTACT,DUO-TYNE,FLAG,16-28 GA,	
6	1370485		TERMINAL,SLIDE,1/4,14-18 GA	
7	2140515		TERMINAL,(PKG 100) EYELET NO8 STUD 10-12	
8	2125938		TERMINAL,(PKG 100) RING TONGUE,INSULATED	
9	0765826		TERMINAL,EYELET,1/4,10-12 GA,INSULATED	
10	2140531		TERMINAL,(PKG 100) EYELET 5/16 STUD 10	
11	2125920		TERMINAL,(PKG 50) SOLENOID,INSULATED	
12	1353655		TERMINAL,EYELET,1/2,10-12 GA,INSULATED	
13	1353648		TERMINAL,EYELET,NO 10,18-20 GA,INSULATED	
14	1353630		TERMINAL,EYELET,3/8,18-20 GA,INSULATED	
	2140754		TERMINAL,(PKG 25) EYELET,INSL 1/4 STUD 4GA	
	1493071		TERMINAL,EYELET,NO 10,4 GA,INSL,PV4-10R-E	
	1493089		TERMINAL,EYELET,5/16,4 GA,INSL,PV4-56R-E	

Models: AAFE, AARE, A3FE, A3RE, GMCV, MBWB, SBCV, TCEV, TCFE, TCRE, TSFE
**DORAN MONITORS
 LIGHT**

Key	PartNumber	Qty	Description	Comment
-----	------------	-----	-------------	---------

LIGHT MONITORS, (DORAN)



REVISED 02-11-91

50AAP430

Models: AAFE, AARE, A3FE, A3RE, GMCV, MBWB, SBCV, TCEV, TCFE, TCRE, TSFE
**DORAN MONITORS
 LIGHT**

Key	PartNumber	Qty	Description	Comment
1	1374826		MONITOR,WARNING LGT,DUAL,W/BELTLINE	<i>OPTION 2143</i>
2	1374842		MONITOR,BELTLINE LIGHTS,E-3	<i>OPTION 6731</i>
3	1374834		MONITOR,WARNING LGT,SGL,W/BELTLINE LGT,	<i>OPTION 2141</i>
4	1374818		MONITOR,WARNING LGT,DUAL,B-3	<i>OPTION 2142</i>
5	1374800		MONITOR,WARNING LGT,SGL,A-3	<i>OPTION 2140</i>

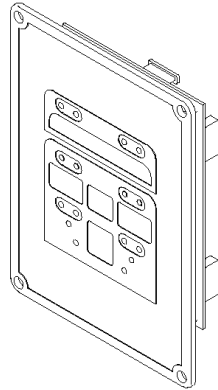
Models: A3FE, A3RE, BBCV, SBCV

DORAN MONITORS

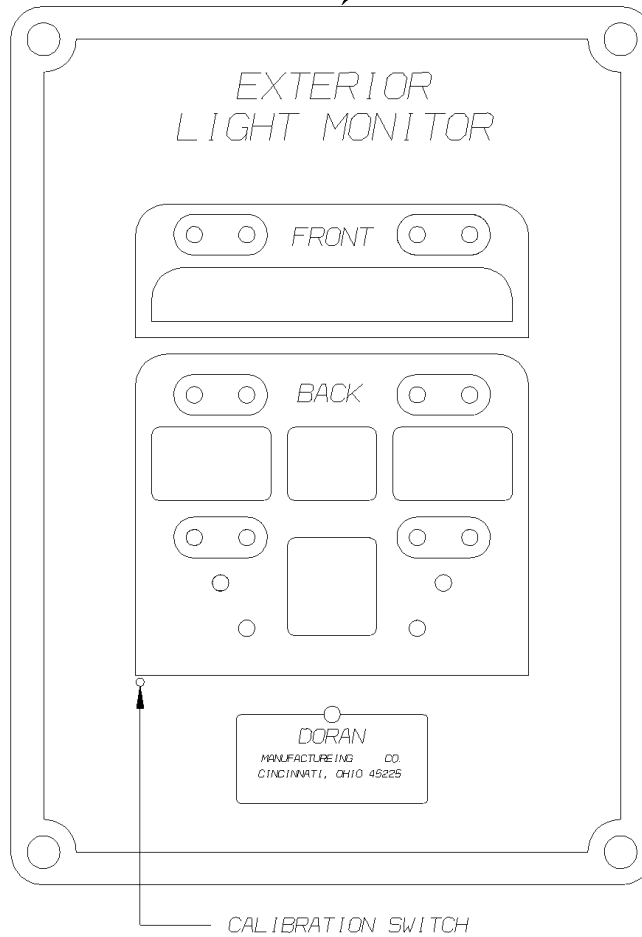
LIGHT, UNIVERSAL

With Features: FEATURE 30195-12

Key	PartNumber	Qty	Description	Comment
-----	------------	-----	-------------	---------



1



Models: A3FE, A3RE, BBCV, SBCV

DORAN MONITORS

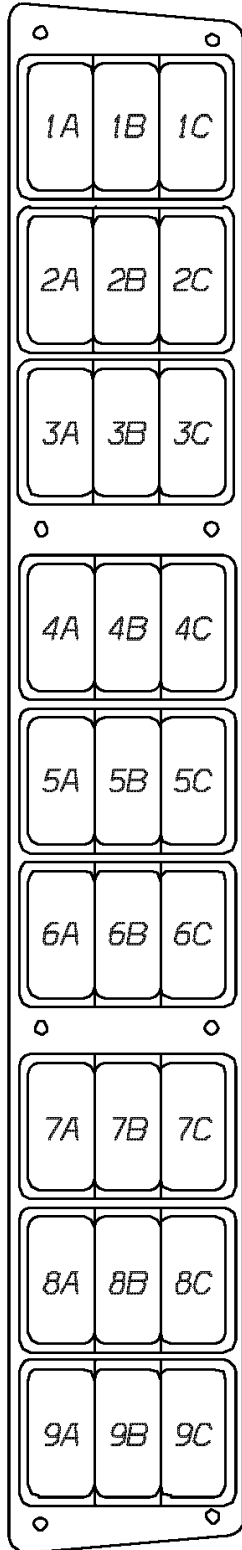
LIGHT, UNIVERSAL

With Features: FEATURE 30195-12

Key	PartNumber	Qty	Description	Comment
1	0070838		PANEL ASSY,MONITOR,DORAN UNIVERSAL EXT,	

Models: A3FE, A3RE
DRIVER'S PANEL SWITCH
With Features: WITH OUT MANUAL DOOR CONTROL
BSN: From BSN F10035825, L10059260

Key	PartNumber	Qty	Description	Comment
-----	------------	-----	-------------	---------

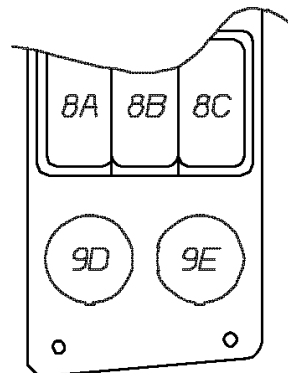


DR. 3-08-01	BY MC		00301201	E
APP.	BY	FRT		REV

© BLUE BIRD BODY COMPANY. ALL RIGHTS RESERVED



10



Models: A3FE, A3RE
DRIVER'S PANEL SWITCH
With Features: WITH OUT MANUAL DOOR CONTROL
BSN: From BSN F10035825, L10059260

Key	PartNumber	Qty	Description	Comment
	0030125		PANEL ASSY,SWITCH,DRVR SI,A3 W/O MANUAL	
1A	0027309		ROCKER,BUTTON,NGR,DOME	FEATURE 30158-01
1A	0027310		ROCKER,BUTTON,NGR,DOME,LH	FEATURE 30158-02
1A	0027312		ROCKER,BUTTON,NGR,DOME,FRONT	FEATURE 30158-03)
1A	0027285		SWITCH,BASE,NGR,SPST,ON-ON,HIGH	FEATURE 30158-01, -02, -03
1B	0027311		ROCKER,BUTTON,NGR,DOME,RH	FEATURE 30158-02
1B	0027313		ROCKER,BUTTON,NGR,DOME,REAR	FEATURE 30158-03
1B	0027285		SWITCH,BASE,NGR,SPST,ON-ON,HIGH	FEATURE 30158-02, -03
1C	0027313		ROCKER,BUTTON,NGR,DOME,REAR	FEATURE 30157-01, -02, -03, -04
1C	0027285		SWITCH,BASE,NGR,SPST,ON-ON,HIGH	FEATURE 30157-01, -02, -03, -04
1C	0027345		SWITCH,SLIDE,DIMMER,DOME,GANG MOUNT,6A	FEATURE 30157-05
2A	0027314		ROCKER,BUTTON,NGR,DOME,DRIVERS	FEATURE 30155-01, -02
2A	0027285		SWITCH,BASE,NGR,SPST,ON-ON,HIGH	FEATURE 30155-01, -02
2B	0027328		ROCKER,BUTTON,NGR,DOOR,SERVICE	FEATURE 30978-04
2B	0027328		ROCKER,BUTTON,NGR,DOOR,SERVICE	FEATURE 30978-06
2B	0027328		ROCKER,BUTTON,NGR,DOOR,SERVICE	FEATURE 30978-07
2B	0027296		SWITCH,BASE,NGR,SPDT,MOM ON-OFF-MOM	FEATURE 30978-04
2B	0027292		SWITCH,BASE,NGR,DPDT,MOM ON-OFF-MOM	FEATURE 30978-06
2B	0035240		SWITCH,BASE,NGR,DPST,ON-ON-ON	FEATURE 30978-07
2B	0042458		SWITCH,BASE,NGR,SPDT,MOM ON-OFF-MOM	FEATURE 30978-04
2B	0042456		SWITCH,BASE,NGR,DPDT,MOM ON-OFF-MOM	FEATURE 30978-06
2B	0042457		SWITCH,BASE,NGR,DPST,ON-ON-ON,BLUE	FEATURE 30978-07
2C	0027329		ROCKER,BUTTON,NGR,DOOR,EXIT	FEATURE 472, 475
2C	0027296		SWITCH,BASE,NGR,SPDT,MOM ON-OFF-MOM	FEATURE 472, 475
2C	0057312		SWITCH,ROCKER,NGR,REAR LANDING GEAR	FEATURE 31063-01
2C	0027287		SWITCH,BASE,NGR,SPST,IND,OFF-ON	FEATURE 31063-01
2C	0082141		INDICATOR,LIGHT,NGR,FUEL DOOR	FEATURE 0505-02
3A	0027315		ROCKER,BUTTON,NGR,FAN	FEATURE 30026
3A	0027291		SWITCH,BASE,NGR,SPDT,ON-OFF-ON,HIGH	FEATURE 30026
3B	0027315		ROCKER,BUTTON,NGR,FAN	FEATURE 30026
3B	0027291		SWITCH,BASE,NGR,SPDT,ON-OFF-ON,HIGH	FEATURE 30026
3C	0027315		ROCKER,BUTTON,NGR,FAN	FEATURE 30026
3C	0027291		SWITCH,BASE,NGR,SPDT,ON-OFF-ON,HIGH	FEATURE 30026
				FEATURE 30218-01

Models: A3FE, A3RE
**DRIVER'S PANEL
 SWITCH**

With Features: WITH OUT MANUAL DOOR CONTROL
BSN: From BSN F10035825, L10059260

Key	PartNumber	Qty	Description	Comment
4A	0027581		ROCKER,BUTTON,NGR,W/L,MASTER,RED	
4A	0027299		ROCKER,BUTTON,NGR,W/L,MASTER,GREEN	FEATURE 30218-02
4A	0027650		ROCKER,BUTTON,NGR,W/L,CANCEL	FEATURE 30218-03
4A	0027287		SWITCH,BASE,NGR,SPST,IND,OFF-ON	FEATURE 30218-01, -02
4A	0027293		SWITCH,BASE,NGR,SPST,ON-MOM-OFF	FEATURE 30218-03
4A	0027334		INDICATOR,W/L,RED/AMBER	FEATURE 30228-02
4B	0027320		ROCKER,BUTTON,NGR,STROBE	FEATURE 30246-03, -04, -06
4B	0082139		ROCKER,BUTTON,NGR,STROBE WHITE PILOT	FEATURE 30246-03,-04 WITH 30246-05.
4B	0027294		SWITCH,BASE,NGR,SPST,ON-ON,EXT IND	FEATURE 30246-03, -04, -06 WITH OR WITHOUT FEATURE 30246-05.
4C	0027321		ROCKER,BUTTON,NGR,MIRROR,HEATED	FEATURE 30482-01,-02,-04,-06,-07
4C	0027298		SWITCH,BASE,NGR,SPST,IND,OFF-ON,HIGH	FEATURE 30482-01,02,04,07
4C	0027297		SWITCH,BASE,NGR,SPST,IND,OFF-MOM ON	FEATURE 30482-06
5A	0027322		ROCKER,BUTTON,NGR,SIGN,DESTINATION	FEATURE 6165, 6184, 31138, 31139
5A	0027285		SWITCH,BASE,NGR,SPST,ON-ON,HIGH	FEATURE 6165, 6184, 31138, 31139
5B	0027327		ROCKER,BUTTON,NGR,BRAKE OVERRIDE	FEATURE 40051-01, -02
5B	0027293		SWITCH,BASE,NGR,SPST,ON-MOM-OFF	FEATURE 40051-01, -02
5B	0027335		INDICATOR,W/L,MONITOR,RED	FEATURE 30210-11
5C	0027325		ROCKER,BUTTON,NGR,LIFT	FEATURE 31047-01
5C	0027287		SWITCH,BASE,NGR,SPST,IND,OFF-ON	FEATURE 31047-01
6A	0027338		INDICATOR,LIFT DOOR,GREEN/EMER EXIT	FEATURE 30318-01, 30319-03
6A	0027336		INDICATOR,LIFT DOOR,AMBER/EMER EXIT	FEATURE 30318-01, 30319-05
6A	0027337		INDICATOR,LIFT DOOR,RED/EMER EXIT	FEATURE 30318-01, 30319-06
6B	0027933		SWITCH,SLIDE,DIMMER,PANEL,GANG	FEATURE 30321-02
6C	0027318		ROCKER,BUTTON,NGR,HEATER,MASTER	STANDARD
6C	0027294		SWITCH,BASE,NGR,SPST,ON-ON,EXT IND	STANDARD
6C	0074915		ROCKER,BUTTON,NGR,NOISE SUPPRESS	STANDARD WITH or WITHOUT FEATURE 30057-02
6C	0074914		SWITCH,BASE,NGR,SPST,ON-MOM OFF,YELLOW	STANDARD WITHOUT FEATURE 30057-02.
6C	0087040		SWITCH,BASE,NGR,SPST,ON-ON,EXT IND,	FEATURE 30057-02
7A	0027324		ROCKER,BUTTON,NGR,VENT,ROOF,2 SPEED	FEATURE 551, 30029-02, -03
7A	0027291		SWITCH,BASE,NGR,SPDT,ON-OFF-ON,HIGH	FEATURE 551, 30029-02, -03

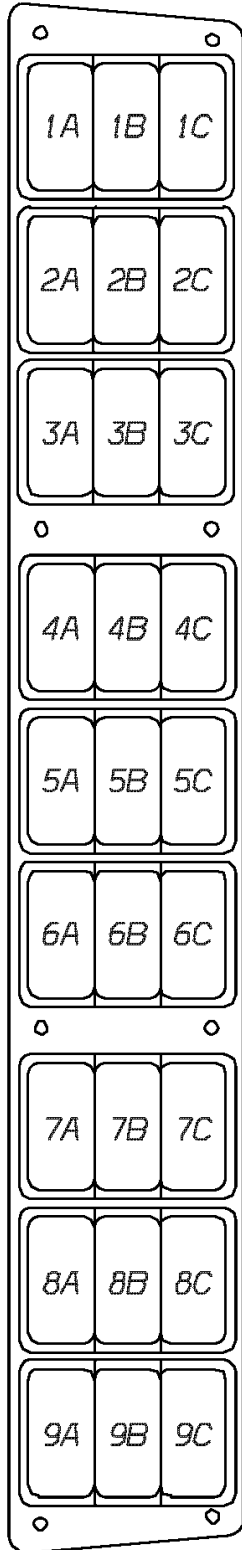
Models: A3FE, A3RE
**DRIVER'S PANEL
 SWITCH**

With Features: WITH OUT MANUAL DOOR CONTROL
BSN: From BSN F10035825, L10059260

Key	PartNumber	Qty	Description	Comment
7B	0027324		ROCKER,BUTTON,NGR,VENT,ROOF,2 SPEED	FEATURE 551, 30029-02, -03
7B	0027291		SWITCH,BASE,NGR,SPDT,ON-OFF-ON,HIGH	FEATURE 551, 30029-02, -03
7C	0027331		ROCKER,BUTTON,NGR,HEATER,AUX	FEATURE 1345-01, -03
7C	0027287		SWITCH,BASE,NGR,SPST,IND,OFF-ON	FEATURE 1345-01, -03
8A	0027733		ROCKER,BUTTON,NGR,CLR LGTS	FEATURE 30101-01
8A	0027285		SWITCH,BASE,NGR,SPST,ON-ON,HIGH	FEATURE 30101-01
8A	0057313		SWITCH,ROCKER,NGR,LEFT LAND LTS	FEATURE 30178-01
8A	0067376		SWITCH,BASE,NGR,SPST,IS IND,OFF-ON	FEATURE 30178-01
8B	0027323		ROCKER,BUTTON,NGR,CHIME	FEATURE 3040
8B	0027287		SWITCH,BASE,NGR,SPST,IND,OFF-ON	FEATURE 3040
8B	0057314		SWITCH,ROCKER,NGR,RIGHT LAND LTS	FEATURE 30178-01
8B	0067376		SWITCH,BASE,NGR,SPST,IS IND,OFF-ON	FEATURE 30178-01
8C	0027339		INDICATOR,SEAT BELT	FEATURE 2820
8C	0057312		SWITCH,ROCKER,NGR,REAR LANDING GEAR	FEATURE 30178-01
8C	0067376		SWITCH,BASE,NGR,SPST,IS IND,OFF-ON	FEATURE 30178-01
9A				
9B				
9C				
9D			MIRROR MOTOR SWITCH	FEATURE 30482-02, 30483-12
9E			MIRROR MOTOR SWITCH	FEATURE 30482-02, 30483-12
10	0030443		PANEL,SWITCH,DRIVER'S SIDE,SERVICE	

Models: A3FE, A3RE, TCFE
 DRIVER'S PANEL SWITCH
 With Features: WITH MANUAL DOOR CONTROL
 BSN: From BSN B10064340, F10035825, L10059260

Key	PartNumber	Qty	Description	Comment
-----	------------	-----	-------------	---------

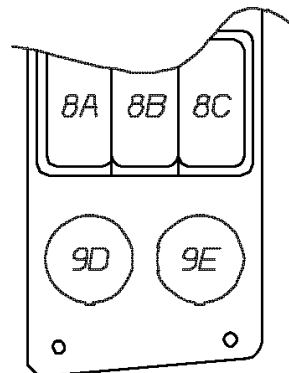


DR. 3-08-01	BY MC		00301201	E
APP.	BY	FRT		REV

© BLUE BIRD BODY COMPANY. ALL RIGHTS RESERVED



10



Models: A3FE, A3RE, TCFE
DRIVER'S PANEL SWITCH
With Features: WITH MANUAL DOOR CONTROL
BSN: From BSN B10064340, F10035825, L10059260

Key	PartNumber	Qty	Description	Comment
	0028894		PANEL ASSY,SWITCH,DRVR SI,A3 W/ MANUAL	
	0083656		PANEL ASSY,SWITCH,DRVR SI,A3 W/FEA 02016	WITH FEATURE 02016-05. CONTROL, WARNING LIGHT & POWER DOOR LH LOCATION
	0028947		PANEL ASSY,SWITCH,DRIVER SI,W/COMP,TC	
1A	0027309		ROCKER,BUTTON,NGR,DOME	FEATURE 30158-01
1A	0027310		ROCKER,BUTTON,NGR,DOME,LH	FEATURE 30158-02
1A	0027312		ROCKER,BUTTON,NGR,DOME,FRONT	FEATURE 30158-03
1A	0027285		SWITCH,BASE,NGR,SPST,ON-ON,HIGH	
1B	0027311		ROCKER,BUTTON,NGR,DOME,RH	FEATURE, 30158-02
1B	0027313		ROCKER,BUTTON,NGR,DOME,REAR	FEATURE 30158-03
1B	0027285		SWITCH,BASE,NGR,SPST,ON-ON,HIGH	
1C	0027313		ROCKER,BUTTON,NGR,DOME,REAR	FEATURE 30157-01, 02, 03, 04
1C	0027733		ROCKER,BUTTON,NGR,CLR LGTS	FEATURE, 30101-01
1C	0027285		SWITCH,BASE,NGR,SPST,ON-ON,HIGH	
1C	0027345		SWITCH,SLIDE,DIMMER,DOME,GANG MOUNT,6A	FEATURE 30157-05
2A	0027314		ROCKER,BUTTON,NGR,DOME,DRIVERS	FEATURE 30155-01, 02
2A	0027285		SWITCH,BASE,NGR,SPST,ON-ON,HIGH	
2B	0027328		ROCKER,BUTTON,NGR,DOOR,SERVICE	
2B	0027296		SWITCH,BASE,NGR,SPDT,MOM ON-OFF-MOM	AIR. FEATURE 30978-04
2B	0027292		SWITCH,BASE,NGR,DPDT,MOM ON-OFF-MOM	ELEC. FEATURE 30978-06
2B	0035240		SWITCH,BASE,NGR,DPST,ON-ON-ON	FEATURE 30978-07
2B	0042458		SWITCH,BASE,NGR,SPDT,MOM ON-OFF-MOM	FEATURE 30978-04
2B	0042456		SWITCH,BASE,NGR,DPDT,MOM ON-OFF-MOM	FEATURE 30978-06
2B	0042457		SWITCH,BASE,NGR,DPST,ON-ON-ON,BLUE	FEATURE 30978-07
2C	0027329		ROCKER,BUTTON,NGR,DOOR,EXIT	FEATURE 0472, 0475
2C	0027296		SWITCH,BASE,NGR,SPDT,MOM ON-OFF-MOM	FEATURE 0472, 0475
2C	0057312		SWITCH,ROCKER,NGR,REAR LANDING GEAR	FEATURE 31063-01
2C	0027287		SWITCH,BASE,NGR,SPST,IND,OFF-ON	FEATURE 31063-01
2C	0082141		INDICATOR,LIGHT,NGR,FUEL DOOR	FEATURE 0505-02
3A	0027315		ROCKER,BUTTON,NGR,FAN	FEATURE 30026
3A	0027291		SWITCH,BASE,NGR,SPDT,ON-OFF-ON,HIGH	
3B	0027315		ROCKER,BUTTON,NGR,FAN	FEATURE 30026
3B	0027291		SWITCH,BASE,NGR,SPDT,ON-OFF-ON,HIGH	FEATURE 30026

Models: A3FE, A3RE, TCFE
DRIVER'S PANEL SWITCH
With Features: WITH MANUAL DOOR CONTROL
BSN: From BSN B10064340, F10035825, L10059260

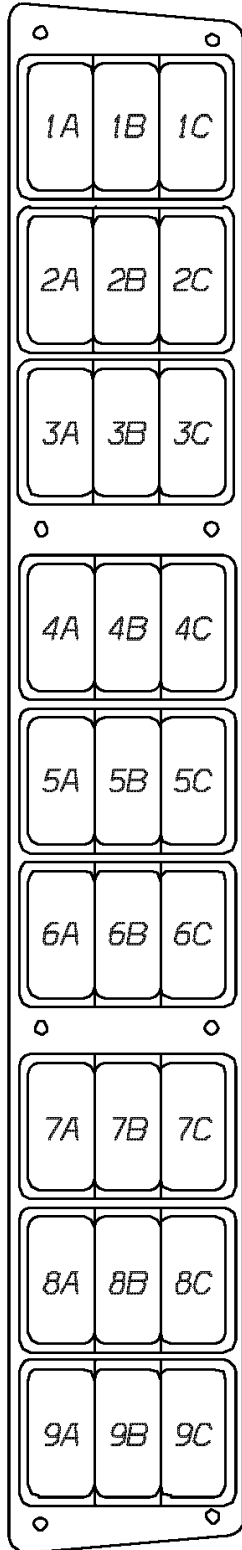
Key	PartNumber	Qty	Description	Comment
3C	0027315		ROCKER,BUTTON,NGR,FAN	
3C	0027291		SWITCH,BASE,NGR,SPDT,ON-OFF-ON,HIGH	
4A	0027335		INDICATOR,W/L,MONITOR,RED	FEATURE 30228-01
4A	0027334		INDICATOR,W/L,RED/AMBER	FEATURE 30228-02
4B	0027581		ROCKER,BUTTON,NGR,W/L,MASTER,RED	FEATURE 30218-01
4B	0027299		ROCKER,BUTTON,NGR,W/L,MASTER,GREEN	FEATURE 30218-02
4B	0027287		SWITCH,BASE,NGR,SPST,IND,OFF-ON	
4B	0027650		ROCKER,BUTTON,NGR,W/L,CANCEL	FEATURE 30218-03
4B	0027293		SWITCH,BASE,NGR,SPST,ON-MOM-OFF	FEATURE 30218-03
4C	0027300		ROCKER,BUTTON,NGR,W/L,START	FEATURE 30225-01
4C	0027295		SWITCH,BASE,NGR,SPST,OFF-MOM ON,AMBER	
4C	0027301		ROCKER,BUTTON,NGR,W/L,SELECT START	FEATURE 30225-04
4C	0027288		SWITCH,BASE,NGR,SPDT,ON-OFF-MOM-ON	
4C	0046646		SWITCH,BASE,NGR,SPDT,ON-OFF-ON	FEATURE 30225-04
5A	0027302		ROCKER,BUTTON,NGR,W/L,EMERGENCY	
5A	0027290		SWITCH,BASE,NGR,DPST,OFF-ON,RED	FEATURE 30222-04
5A	0027714		SWITCH,BASE,NGR,DPST,OFF-MOM ON,RED	FEATURE 30222-05
5B	0027323		ROCKER,BUTTON,NGR,CHIME	FEATURE 3040
5B	0027287		SWITCH,BASE,NGR,SPST,IND,OFF-ON	FEATURE 3040
5B	0027308		ROCKER,BUTTON,NGR,CROSS ARM,LIGHT	FEATURE 30286-03
5B	0027285		SWITCH,BASE,NGR,SPST,ON-ON,HIGH	
5B	0027335		INDICATOR,W/L,MONITOR,RED	FEATURE 30228-01
5C	0027339		INDICATOR,SEAT BELT	FEATURE 2820
5C	0027305		ROCKER,BUTTON,NGR,CROSS ARM,CANCEL	FEATURE 30227-01
5C	0027303		ROCKER,BUTTON,NGR,STOP ARM CANCEL	FEATURE 30227-02
5C	0027306		ROCKER,BUTTON,NGR,STOP/CROSS ARM,	FEATURE 30227-03
5C	0027289		SWITCH,BASE,NGR,SPST,OFF-MOM ON	
6A	0027307		ROCKER,BUTTON,NGR,STOP ARM,STROBE,HI,LO	FEATURE 30297-03
6A	0027285		SWITCH,BASE,NGR,SPST,ON-ON,HIGH	
6B	0027933		SWITCH,SLIDE,DIMMER,PANEL,GANG	FEATURE 30321-02
6C	0027318		ROCKER,BUTTON,NGR,HEATER,MASTER	STANDARD
6C	0027294		SWITCH,BASE,NGR,SPST,ON-ON,EXT IND	
6C	0074915		ROCKER,BUTTON,NGR,NOISE SUPPRESS	STANDARD WITHOUT FEATURE 30057-02

Models: A3FE, A3RE, TCFE
DRIVER'S PANEL SWITCH
With Features: WITH MANUAL DOOR CONTROL
BSN: From BSN B10064340, F10035825, L10059260

Key	PartNumber	Qty	Description	Comment
6C	0074914		SWITCH,BASE,NGR,SPST,ON-MOM OFF,YELLOW	
6C	0087040		SWITCH,BASE,NGR,SPST,ON-ON,EXT IND,	FEATURE 30057-02
7A	0027320		ROCKER,BUTTON,NGR,STROBE	FEATURE 30246-03, 04, 06 WITHOUT 30246-05
7A	0082139		ROCKER,BUTTON,NGR,STROBE WHITE PILOT	FEATURE 30246-03, 04 WITH 30246-05.
7A	0027294		SWITCH,BASE,NGR,SPST,ON-ON,EXT IND	
7B	0027321		ROCKER,BUTTON,NGR,MIRROR,HEATED	FEATURE 30482-01,02,04,06,07
7B	0027298		SWITCH,BASE,NGR,SPST,IND,OFF-ON,HIGH	FEATURE 30482-01,02,04,07
7B	0027297		SWITCH,BASE,NGR,SPST,IND,OFF-MOM ON	FEATURE 30482-06
7C	0027322		ROCKER,BUTTON,NGR,SIGN,DESTINATION	FEATURE 6165, 6184, 31138, 31139
7C	0027285		SWITCH,BASE,NGR,SPST,ON-ON,HIGH	FEATURE 6165, 6184, 31138, 31139
8A	0027327		ROCKER,BUTTON,NGR,BRAKE OVERRIDE	FEATURE 40051-01,02
8A	0027293		SWITCH,BASE,NGR,SPST,ON-MOM-OFF	FEATURE 40051-01,02
8A	0057313		SWITCH,ROCKER,NGR,LEFT LAND LTS	FEATURE 30178-01
8A	0067376		SWITCH,BASE,NGR,SPST,IS IND,OFF-ON	FEATURE 30178-01
8B	0027325		ROCKER,BUTTON,NGR,LIFT	FEATURE 31047-01
8B	0027287		SWITCH,BASE,NGR,SPST,IND,OFF-ON	
8B	0057314		SWITCH,ROCKER,NGR,RIGHT LAND LTS	FEATURE 30178-01
8B	0067376		SWITCH,BASE,NGR,SPST,IS IND,OFF-ON	FEATURE 30178-01
8C	0027338		INDICATOR,LIFT DOOR,GREEN/EMER EXIT	FEATURE 30318-01, 30319-03
8C	0027336		INDICATOR,LIFT DOOR,AMBER/EMER EXIT	FEATURE 30318-01, 30319-05
8C	0027337		INDICATOR,LIFT DOOR,RED/EMER EXIT	FEATURE 30318-01, 30319-06
8C	0057312		SWITCH,ROCKER,NGR,REAR LANDING GEAR	FEATURE 30178-01
8C	0067376		SWITCH,BASE,NGR,SPST,IS IND,OFF-ON	FEATURE 30178-01
9A	0027324		ROCKER,BUTTON,NGR,VENT,ROOF,2 SPEED	FEATURE 0551, 30029-02, 03
9A	0027291		SWITCH,BASE,NGR,SPDT,ON-OFF-ON,HIGH	FEATURE 0551, 30029-02, 03
9B	0027324		ROCKER,BUTTON,NGR,VENT,ROOF,2 SPEED	FEATURE 0551, 30029-02, 03
9B	0027291		SWITCH,BASE,NGR,SPDT,ON-OFF-ON,HIGH	FEATURE 0551, 30029-02, 03
9C	0027331		ROCKER,BUTTON,NGR,HEATER,AUX	FEATURE 1345-01, 03
9C	0027287		SWITCH,BASE,NGR,SPST,IND,OFF-ON	FEATURE 1345-01, 03
9D			MIRROR MOTOR SWITCH	FEATURE 30482-02
9E			MIRROR MOTOR SWITCH	FEATURE 30482-02

Models: A3FE
DRIVER'S PANEL SWITCH
With Features: FEATURE 3075 - FRENCH BILINGUAL
BSN: From BSN F10035825

Key	PartNumber	Qty	Description	Comment
-----	------------	-----	-------------	---------

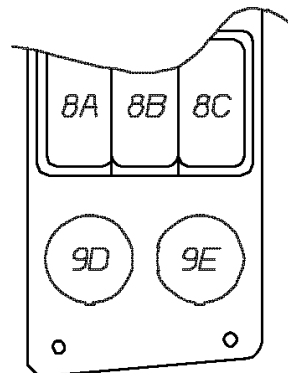


DR. 3-08-01	BY MC		00301201	E
APP.	BY	FRT		REV

© BLUE BIRD BODY COMPANY. ALL RIGHTS RESERVED



10



Models: A3FE
DRIVER'S PANEL SWITCH
With Features: FEATURE 3075 - FRENCH BILINGUAL
BSN: From BSN F10035825

Key	PartNumber	Qty	Description	Comment
	0030134		PANEL ASSY, SWITCH, DRIVER SI, W/COMP, FR/B,	
1A	0027309		ROCKER, BUTTON, NGR, DOME	FEATURE 30158-01
1A	0028016		ROCKER, BUTTON, NGR, DOME, LH, FR/BLNGL	FEATURE 30158-02
1A	0028018		ROCKER, BUTTON, NGR, DOME, FRONT, FR/BLNGL	FEATURE 30158-03
1A	0027285		SWITCH, BASE, NGR, SPST, ON-ON, HIGH	
1B	0028017		ROCKER, BUTTON, NGR, DOME, RH, FR/BLNGL	FEATURE 30158-02
1B	0028019		ROCKER, BUTTON, NGR, DOME, REAR, FR/BLNGL	FEATURE 30158-03)
1B	0027285		SWITCH, BASE, NGR, SPST, ON-ON, HIGH	
1C	0028019		ROCKER, BUTTON, NGR, DOME, REAR, FR/BLNGL	FEATURE 30157-01, 02, 03, 04
1C	0027285		SWITCH, BASE, NGR, SPST, ON-ON, HIGH	
1C	0027345		SWITCH, SLIDE, DIMMER, DOME, GANG MOUNT, 6A	FEATURE 30157-05
2A	0027314		ROCKER, BUTTON, NGR, DOME, DRIVERS	FEATURE 30155-01, 02
2A	0027285		SWITCH, BASE, NGR, SPST, ON-ON, HIGH	
2B	0028030		ROCKER, BUTTON, NGR, DOOR, SERVICE,	FEATURE 30978-04, 06
2B	0027296		SWITCH, BASE, NGR, SPDT, MOM ON-OFF-MOM	FEATURE 30978-04
2B	0027292		SWITCH, BASE, NGR, DPDT, MOM ON-OFF-MOM	FEATURE 30978-06
2B	0042458		SWITCH, BASE, NGR, SPDT, MOM ON-OFF-MOM	FEATURE 30978-04
2B	0042456		SWITCH, BASE, NGR, DPDT, MOM ON-OFF-MOM	FEATURE 30978-06
2C	0028031		ROCKER, BUTTON, NGR, DOOR, EXIT, FR/BLNGL	FEATURE 0472, 0475
2C	0027296		SWITCH, BASE, NGR, SPDT, MOM ON-OFF-MOM	
3A	0028020		ROCKER, BUTTON, NGR, FAN, FR/BLNGL	FEATURE 30026
3A	0027291		SWITCH, BASE, NGR, SPDT, ON-OFF-ON, HIGH	
3B	0028020		ROCKER, BUTTON, NGR, FAN, FR/BLNGL	FEATURE 30026
3B	0027291		SWITCH, BASE, NGR, SPDT, ON-OFF-ON, HIGH	
3C	0028020		ROCKER, BUTTON, NGR, FAN, FR/BLNGL	FEATURE 30026
3C	0027291		SWITCH, BASE, NGR, SPDT, ON-OFF-ON, HIGH	
4A	0027341		INDICATOR, W/L, MONITOR, RED, FR/BLNGL	FEATURE 30228-02
4B	0027320		ROCKER, BUTTON, NGR, STROBE	FEATURE 30246-03, 04
4B	0027294		SWITCH, BASE, NGR, SPST, ON-ON, EXT IND	
4C	0027321		ROCKER, BUTTON, NGR, MIRROR, HEATED	FEATURE 30482-01, -02, -04; 30483-12.
4C	0027298		SWITCH, BASE, NGR, SPST, IND, OFF-ON, HIGH	
5A	0028025		ROCKER, BUTTON, NGR, SIGN, DEST, FR/BLNGL	FEATURE 6165, 6184, 31138, 31139
5A	0027285		SWITCH, BASE, NGR, SPST, ON-ON, HIGH	

Models: **A3FE
DRIVER'S PANEL
SWITCH**

With Features: **FEATURE 3075 - FRENCH BILINGUAL**
BSN: **From BSN F10035825**

Key	PartNumber	Qty	Description	Comment
5B	0028029		ROCKER,BUTTON,NGR,BRAKE OVERRIDE,	<i>FEATURE 40051-01, 02</i>
5B	0027293		SWITCH,BASE,NGR,SPST,ON-MOM-OFF	
5C	0028027		ROCKER,BUTTON,NGR,LIFT,FR/BLNGL	<i>FEATURE 31047-01</i>
5C	0027287		SWITCH,BASE,NGR,SPST,IND,OFF-ON	
6A	0027344		INDICATOR,LIFT DOOR,GREEN,FR/BLNGL	<i>FEATURE 30319-03</i>
6A	0027342		INDICATOR,LIFT DOOR,AMBER,FR/BLNGL	<i>FEATURE 30319-05</i>
6A	0027343		INDICATOR,LIFT DOOR,RED,FR/BLNGL	<i>FEATURE 30319-06</i>
6B	0027933		SWITCH,SLIDE,DIMMER,PANEL,GANG	<i>FEATURE 30321-02</i>
6C	0028023		ROCKER,BUTTON,NGR,HEATER,MASTER,	<i>STANDARD</i>
6C	0027294		SWITCH,BASE,NGR,SPST,ON-ON,EXT IND	
6C	0074914		SWITCH,BASE,NGR,SPST,ON-MOM OFF,YELLOW	
7A	0028026		ROCKER,BUTTON,NGR,VENT,ROOF,FR/BLNGL	<i>FEATURE 0551, 30029-02</i>
7A	0027291		SWITCH,BASE,NGR,SPDT,ON-OFF-ON,HIGH	
7B	0028026		ROCKER,BUTTON,NGR,VENT,ROOF,FR/BLNGL	<i>FEATURE 0551, 30029-02, 03</i>
7B	0027291		SWITCH,BASE,NGR,SPDT,ON-OFF-ON,HIGH	
7C	0028033		ROCKER,BUTTON,NGR,HEATER,AUX,FR/BLNGL	<i>FEATURE 1345-01, 03</i>
7C	0027287		SWITCH,BASE,NGR,SPST,IND,OFF-ON	
8A	0027733		ROCKER,BUTTON,NGR,CLR LGTS	<i>FEATURE 30101-01</i>
8A	0027285		SWITCH,BASE,NGR,SPST,ON-ON,HIGH	
8B	0027339		INDICATOR,SEAT BELT	<i>FEATURE 2820</i>
8C	0027323		ROCKER,BUTTON,NGR,CHIME	<i>FEATURE 3040</i>
8C	0027287		SWITCH,BASE,NGR,SPST,IND,OFF-ON	
9A			NOT APPLICABLE	
9B			NOT APPLICABLE	
9C			NOT APPLICABLE	
9D			MIRROR MOTOR SWITCH	<i>FEATURE 30482-02</i>
9E			MIRROR MOTOR SWITCH	<i>FEATURE 30482-02</i>

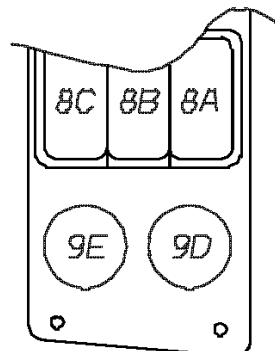
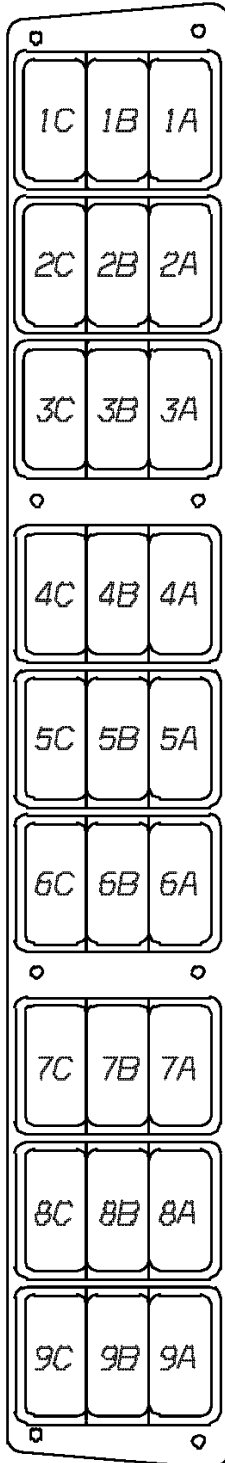
Models: A3FE, A3RE
DRIVER'S PANEL SWITCH
With Features: OPTION 3480 - RH DRIVE
BSN: From BSN F10035825, L10059260

Key	PartNumber	Qty	Description	Comment
-----	------------	-----	-------------	---------

DR. 03/15/02 BY TFM		00301202	J
APP.	BY	FRT	REV



© BLUE BIRD BODY COMPANY, ALL RIGHTS RESERVED



Models: A3FE, A3RE
DRIVER'S PANEL SWITCH
With Features: OPTION 3480 - RH DRIVE
BSN: From BSN F10035825, L10059260

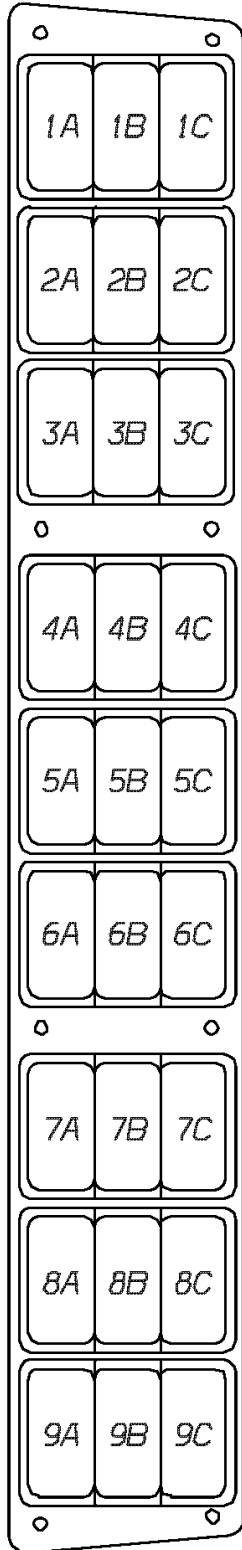
Key	PartNumber	Qty	Description	Comment
	0030130		PANEL ASSY,SWITCH,DRIVER SI,W/COMP,RHD,	
1A	0027309		ROCKER,BUTTON,NGR,DOME	FEATURE 30158-01
1A	0027310		ROCKER,BUTTON,NGR,DOME,LH	FEATURE 30158-02
1A	0027312		ROCKER,BUTTON,NGR,DOME,FRONT	FEATURE 30158-03
1A	0027285		SWITCH,BASE,NGR,SPST,ON-ON,HIGH	
1B	0027311		ROCKER,BUTTON,NGR,DOME,RH	FEATURE 30158-02
1B	0027313		ROCKER,BUTTON,NGR,DOME,REAR	FEATURE 30158-03
1B	0027285		SWITCH,BASE,NGR,SPST,ON-ON,HIGH	
1C	0027313		ROCKER,BUTTON,NGR,DOME,REAR	FEATURE 30157-01, -02, -03, -04
1C	0027285		SWITCH,BASE,NGR,SPST,ON-ON,HIGH	
1C	0027345		SWITCH,SLIDE,DIMMER,DOME,GANG MOUNT,6A	FEATURE 30157-05
2A	0027314		ROCKER,BUTTON,NGR,DOME,DRIVERS	FEATURE 30155-01, -02
2A	0027285		SWITCH,BASE,NGR,SPST,ON-ON,HIGH	
2B	0027328		ROCKER,BUTTON,NGR,DOOR,SERVICE	FEATURE 30978-04, 06, 07
2B	0027296		SWITCH,BASE,NGR,SPDT,MOM ON-OFF-MOM	FEATURE 30978-04
2B	0027292		SWITCH,BASE,NGR,DPDT,MOM ON-OFF-MOM	FEATURE 30978-06
2B	0035240		SWITCH,BASE,NGR,DPST,ON-ON-ON	FEATURE 30978-07
2B	0042458		SWITCH,BASE,NGR,SPDT,MOM ON-OFF-MOM	FEATURE 30978-04
2B	0042456		SWITCH,BASE,NGR,DPDT,MOM ON-OFF-MOM	FEATURE 30978-06
2B	0042457		SWITCH,BASE,NGR,DPST,ON-ON-ON,BLUE	FEATURE 30978-07
2C	0027329		ROCKER,BUTTON,NGR,DOOR,EXIT	FEATURE 0472, 0475
2C	0027296		SWITCH,BASE,NGR,SPDT,MOM ON-OFF-MOM	
3A	0027315		ROCKER,BUTTON,NGR,FAN	FEATURE 30026
3A	0027291		SWITCH,BASE,NGR,SPDT,ON-OFF-ON,HIGH	
3B	0027315		ROCKER,BUTTON,NGR,FAN	FEATURE 30026
3B	0027291		SWITCH,BASE,NGR,SPDT,ON-OFF-ON,HIGH	
3C	0027315		ROCKER,BUTTON,NGR,FAN	FEATURE 30026
3C	0027291		SWITCH,BASE,NGR,SPDT,ON-OFF-ON,HIGH	
4A	0027325		ROCKER,BUTTON,NGR,LIFT	FEATURE 31047-01
4A	0027287		SWITCH,BASE,NGR,SPST,IND,OFF-ON	
4B	0027320		ROCKER,BUTTON,NGR,STROBE	FEATURE 30246-03, -04
4B	0027294		SWITCH,BASE,NGR,SPST,ON-ON,EXT IND	
4C	0027321		ROCKER,BUTTON,NGR,MIRROR,HEATED	FEATURE 30482-01,-02,-04,-07

Models: A3FE, A3RE
DRIVER'S PANEL SWITCH
With Features: OPTION 3480 - RH DRIVE
BSN: From BSN F10035825, L10059260

Key	PartNumber	Qty	Description	Comment
4C	0027298		SWITCH,BASE,NGR,SPST,IND,OFF-ON,HIGH	
5A	0027322		ROCKER,BUTTON,NGR,SIGN,DESTINATION	FEATURE 31138, 31139
5A	0027285		SWITCH,BASE,NGR,SPST,ON-ON,HIGH	
5B	0027327		ROCKER,BUTTON,NGR,BRAKE OVERRIDE	FEATURE 40051-01, -02
5B	0027293		SWITCH,BASE,NGR,SPST,ON-MOM-OFF	
5C	0027331		ROCKER,BUTTON,NGR,HEATER,AUX	FEATURE 1345-01, -03
5C	0027287		SWITCH,BASE,NGR,SPST,IND,OFF-ON	
6A	0027338		INDICATOR,LIFT DOOR,GREEN/EMER EXIT	FEATURE 30319-03
6A	0027336		INDICATOR,LIFT DOOR,AMBER/EMER EXIT	FEATURE 30319-05
6A	0027337		INDICATOR,LIFT DOOR,RED/EMER EXIT	FEATURE 30319-06
6B	0027933		SWITCH,SLIDE,DIMMER,PANEL,GANG	FEATURE 30321-02
6C	0027318		ROCKER,BUTTON,NGR,HEATER,MASTER	STANDARD
6C	0027294		SWITCH,BASE,NGR,SPST,ON-ON,EXT IND	
6C	0074915		ROCKER,BUTTON,NGR,NOISE SUPPRESS	STANDARD
6C	0074914		SWITCH,BASE,NGR,SPST,ON-MOM OFF,YELLOW	STANDARD
7A	0027324		ROCKER,BUTTON,NGR,VENT,ROOF,2 SPEED	FEATURE 551, 30029-02, -03
7A	0027291		SWITCH,BASE,NGR,SPDT,ON-OFF-ON,HIGH	
7B	0027324		ROCKER,BUTTON,NGR,VENT,ROOF,2 SPEED	FEATURE 551, 30029-02, -03
7B	0027291		SWITCH,BASE,NGR,SPDT,ON-OFF-ON,HIGH	
7C	0027733		ROCKER,BUTTON,NGR,CLR LGTS	FEATURE 30101-01
7C	0027285		SWITCH,BASE,NGR,SPST,ON-ON,HIGH	
8B	0027339		INDICATOR,SEAT BELT	FEATURE 02820
8C	0027323		ROCKER,BUTTON,NGR,CHIME	FEATURE 3040
8C	0027287		SWITCH,BASE,NGR,SPST,IND,OFF-ON	
9D			MIRROR MOTOR SWITCH	FEATURE 30482-02 OR 30483-12
9E			MIRROR MOTOR SWITCH	FEATURE 30482-02 OR 30483-12

Models: A3FE, A3RE, TCFE
DRIVER'S PANEL SWITCH, FOR TCFE OR A3FE, A3RE WITH MANUAL DOOR
With Features: FEATURE 3075 - FRENCH BILINGUAL
BSN: From BSN B10064340, F10035825, L10059260

Key	PartNumber	Qty	Description	Comment
-----	------------	-----	-------------	---------

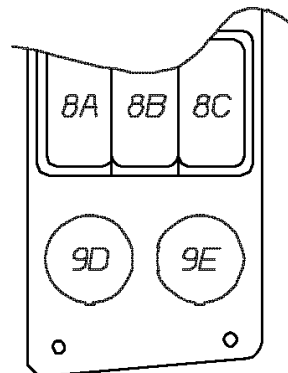


DR. 3-08-01	BY MC		00301201	E
APP.	BY	FRT		REV

© BLUE BIRD BODY COMPANY. ALL RIGHTS RESERVED



10



Models: A3FE, A3RE, TCFE
DRIVER'S PANEL SWITCH, FOR TCFE OR A3FE, A3RE WITH MANUAL DOOR
With Features: FEATURE 3075 - FRENCH BILINGUAL
BSN: From BSN B10064340, F10035825, L10059260

Key	PartNumber	Qty	Description	Comment
	0029133		PANEL ASSY, SWITCH, DRIVER SI, W/COMP, FR/B,	
1A	0027309		ROCKER, BUTTON, NGR, DOME	FEATURE 30158-01
1A	0028016		ROCKER, BUTTON, NGR, DOME, LH, FR/BLNGL	FEATURE 30158-02
1A	0028018		ROCKER, BUTTON, NGR, DOME, FRONT, FR/BLNGL	FEATURE 30158-03
1A	0027285		SWITCH, BASE, NGR, SPST, ON-ON, HIGH	
1B	0028017		ROCKER, BUTTON, NGR, DOME, RH, FR/BLNGL	FEATURE 30158-02
1B	0028019		ROCKER, BUTTON, NGR, DOME, REAR, FR/BLNGL	FEATURE 30158-03
1B	0027285		SWITCH, BASE, NGR, SPST, ON-ON, HIGH	
1C	0027733		ROCKER, BUTTON, NGR, CLR LGTS	FEATURE 30101-01
1C	0028019		ROCKER, BUTTON, NGR, DOME, REAR, FR/BLNGL	FEATURE 30157-01, 02, 03, 04
1C	0027285		SWITCH, BASE, NGR, SPST, ON-ON, HIGH	
1C	0027345		SWITCH, SLIDE, DIMMER, DOME, GANG MOUNT, 6A	FEATURE 30157-05
2A	0027314		ROCKER, BUTTON, NGR, DOME, DRIVERS	FEATURE 30155-01, 02
2A	0027285		SWITCH, BASE, NGR, SPST, ON-ON, HIGH	
2B	0028030		ROCKER, BUTTON, NGR, DOOR, SERVICE,	FEATURE 30978-04, 06
2B	0027296		SWITCH, BASE, NGR, SPDT, MOM ON-OFF-MOM	FEATURE 30978-04
2B	0027292		SWITCH, BASE, NGR, DPDT, MOM ON-OFF-MOM	FEATURE 30978-06
2B	0042458		SWITCH, BASE, NGR, SPDT, MOM ON-OFF-MOM	FEATURE 30978-04
2B	0042456		SWITCH, BASE, NGR, DPDT, MOM ON-OFF-MOM	FEATURE 30978-06
2C	0028031		ROCKER, BUTTON, NGR, DOOR, EXIT, FR/BLNGL	FEATURE 0472, 0475
2C	0027296		SWITCH, BASE, NGR, SPDT, MOM ON-OFF-MOM	
3A	0028020		ROCKER, BUTTON, NGR, FAN, FR/BLNGL	FEATURE 30026
3A	0027291		SWITCH, BASE, NGR, SPDT, ON-OFF-ON, HIGH	
3B	0028020		ROCKER, BUTTON, NGR, FAN, FR/BLNGL	FEATURE 30026
3B	0027291		SWITCH, BASE, NGR, SPDT, ON-OFF-ON, HIGH	
3C	0028020		ROCKER, BUTTON, NGR, FAN, FR/BLNGL	FEATURE 30026
3C	0027291		SWITCH, BASE, NGR, SPDT, ON-OFF-ON, HIGH	
4A	0027341		INDICATOR, W/L, MONITOR, RED, FR/BLNGL	FEATURE 30228-01
4A	0027340		INDICATOR, W/L, RED/AMBER, FR/BLNGL	FEATURE 30228-02
4B	0028035		ROCKER, BUTTON, NGR, W/L, MASTER, RD,	FEATURE 30218-01
4B	0028008		ROCKER, BUTTON, NGR, W/L, MASTER, GN,	FEATURE 30218-02
4B	0027287		SWITCH, BASE, NGR, SPST, IND, OFF-ON	
4C	0028009		ROCKER, BUTTON, NGR, W/L, MANUAL, FR/BLNGL	FEATURE 30225-01

Models: A3FE, A3RE, TCFE
DRIVER'S PANEL SWITCH, FOR TCFE OR A3FE, A3RE WITH MANUAL DOOR
With Features: FEATURE 3075 - FRENCH BILINGUAL
BSN: From BSN B10064340, F10035825, L10059260

Key	PartNumber	Qty	Description	Comment
4C	0027295		SWITCH,BASE,NGR,SPST,OFF-MOM ON,AMBER	
5A	0028010		ROCKER,BUTTON,NGR,W/L,EM OVERRIDE,	FEATURE 30222-04, 05
5A	0027290		SWITCH,BASE,NGR,DPST,OFF-ON,RED	FEATURE 30222-04
5A	0027714		SWITCH,BASE,NGR,DPST,OFF-MOM ON,RED	FEATURE 30222-05
5B	0027339		INDICATOR,SEAT BELT	FEATURE 2820
5B	0027341		INDICATOR,W/L,MONITOR,RED,FR/BLNGL	FEATURE 30228-015B
5B	0028015		ROCKER,BUTTON,NGR,CRS ARM,LGT,FR/BLNGL	FEATURE 30286-03
5B	0027285		SWITCH,BASE,NGR,SPST,ON-ON,HIGH	
5C	0027323		ROCKER,BUTTON,NGR,CHIME	FEATURE 3040
5C	0027287		SWITCH,BASE,NGR,SPST,IND,OFF-ON	
5C	0028012		ROCKER,BUTTON,NGR,CRS ARM,CANCEL,	FEATURE 30227-01
5C	0028011		ROCKER,BUTTON,NGR,STOP ARM,CANCEL,	FEATURE 30227-02
5C	0028013		ROCKER,BUTTON,NGR,S/CRS ARM,CANCEL,	FEATURE 30227-03
5C	0027289		SWITCH,BASE,NGR,SPST,OFF-MOM ON	
6A	0028014		ROCKER,BUTTON,NGR,S/A,STROBE,HI/LO,	FEATURE 30297-03
6A	0027285		SWITCH,BASE,NGR,SPST,ON-ON,HIGH	
6B	0027933		SWITCH,SLIDE,DIMMER,PANEL,GANG	FEATURE 30321-02
6C	0028023		ROCKER,BUTTON,NGR,HEATER,MASTER,	STANDARD
6C	0027294		SWITCH,BASE,NGR,SPST,ON-ON,EXT IND	
6C	0074914		SWITCH,BASE,NGR,SPST,ON-MOM OFF,YELLOW	STANDARD
7A	0027320		ROCKER,BUTTON,NGR,STROBE	FEATURE 30246-03, 04
7A	0027294		SWITCH,BASE,NGR,SPST,ON-ON,EXT IND	
7B	0027321		ROCKER,BUTTON,NGR,MIRROR,HEATED	FEATURE 30482-01, 02, 04
7B	0027298		SWITCH,BASE,NGR,SPST,IND,OFF-ON,HIGH	
7C	0028025		ROCKER,BUTTON,NGR,SIGN,DEST,FR/BLNGL	FEATURE 6165, 6184, 31138, 31139
7C	0027285		SWITCH,BASE,NGR,SPST,ON-ON,HIGH	
8A	0028029		ROCKER,BUTTON,NGR,BRAKE OVERRIDE,	FEATURE 40051-01, 02
8A	0027293		SWITCH,BASE,NGR,SPST,ON-MOM-OFF	
8B	0028027		ROCKER,BUTTON,NGR,LIFT,FR/BLNGL	FEATURE 31047-01
8B	0027287		SWITCH,BASE,NGR,SPST,IND,OFF-ON	
8C	0027344		INDICATOR,LIFT DOOR,GREEN,FR/BLNGL	FEATURE 30319-03
8C	0027342		INDICATOR,LIFT DOOR,AMBER,FR/BLNGL	FEATURE 30319-05
8C	0027343		INDICATOR,LIFT DOOR,RED,FR/BLNGL	FEATURE 30319-06

Models: A3FE, A3RE, TCFE
DRIVER'S PANEL
SWITCH, FOR TCFE OR A3FE, A3RE WITH MANUAL DOOR
With Features: FEATURE 3075 - FRENCH BILINGUAL
BSN: From BSN B10064340, F10035825, L10059260

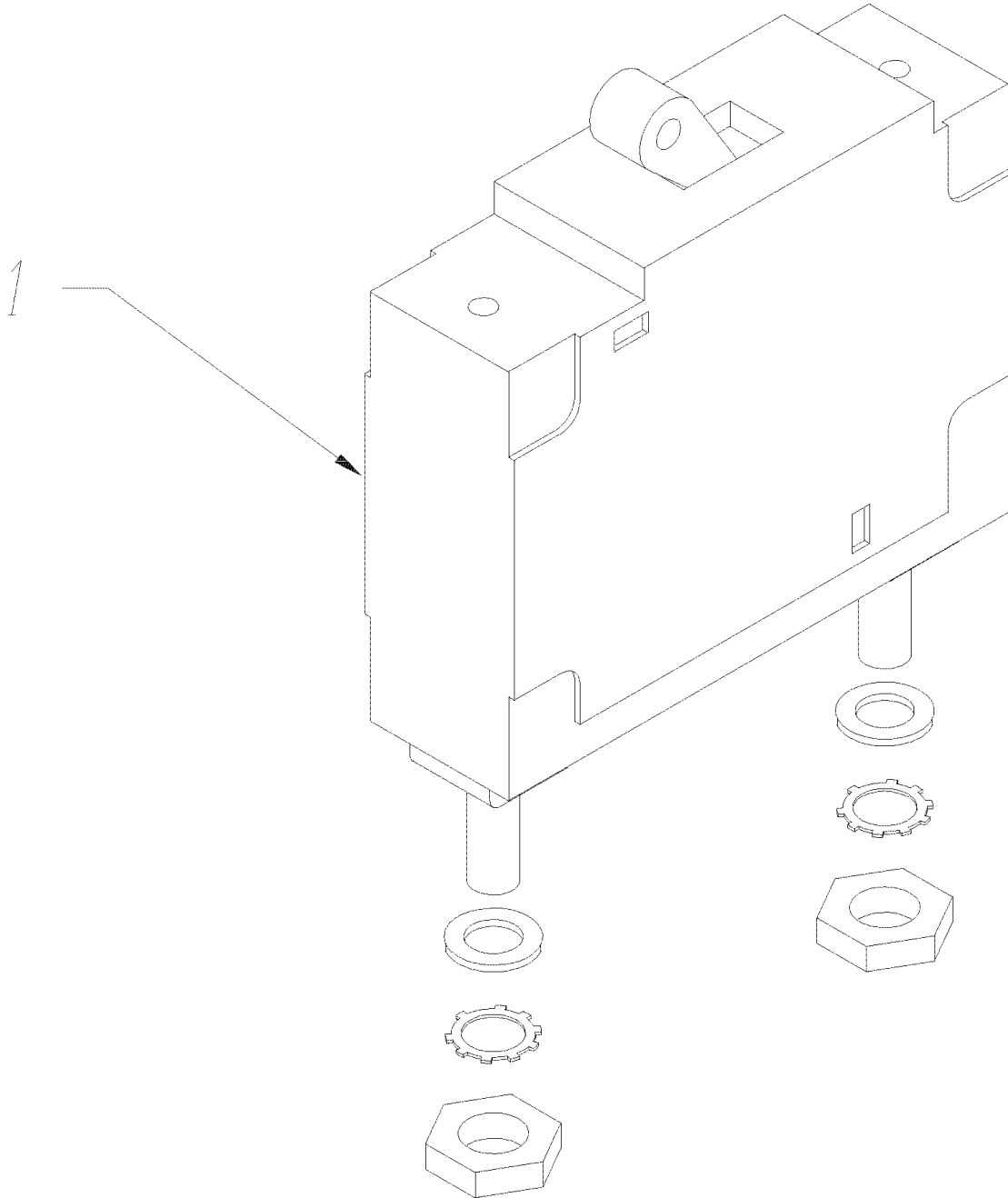
Key	PartNumber	Qty	Description	Comment
9A	0028026		ROCKER,BUTTON,NGR,VENT,ROOF,FR/BLNGL	FEATURE 0551, 30029-02, 03
9A	0027291		SWITCH,BASE,NGR,SPDT,ON-OFF-ON,HIGH	
9B	0028026		ROCKER,BUTTON,NGR,VENT,ROOF,FR/BLNGL	FEATURE 0551, 30029-02, 03
9B	0027291		SWITCH,BASE,NGR,SPDT,ON-OFF-ON,HIGH	
9C	0028033		ROCKER,BUTTON,NGR,HEATER,AUX,FR/BLNGL	FEATURE 1345-01,03
9C	0027287		SWITCH,BASE,NGR,SPST,IND,OFF-ON	
9D			MIRROR MOTOR SWITCH	FEATURE 30482-02
9E			MIRROR MOTOR SWITCH	FEATURE 30482-02

Models: A3FE, A3RE, B1VC, B2VC, BBCV, BCCV

ELECTRICAL COMPONENTS
CIRCUIT BREAKERS

With Features: FEATURE 30006, 30007

Key	PartNumber	Qty	Description	Comment
-----	------------	-----	-------------	---------



Models: A3FE, A3RE, B1VC, B2VC, BBCV, BCCV

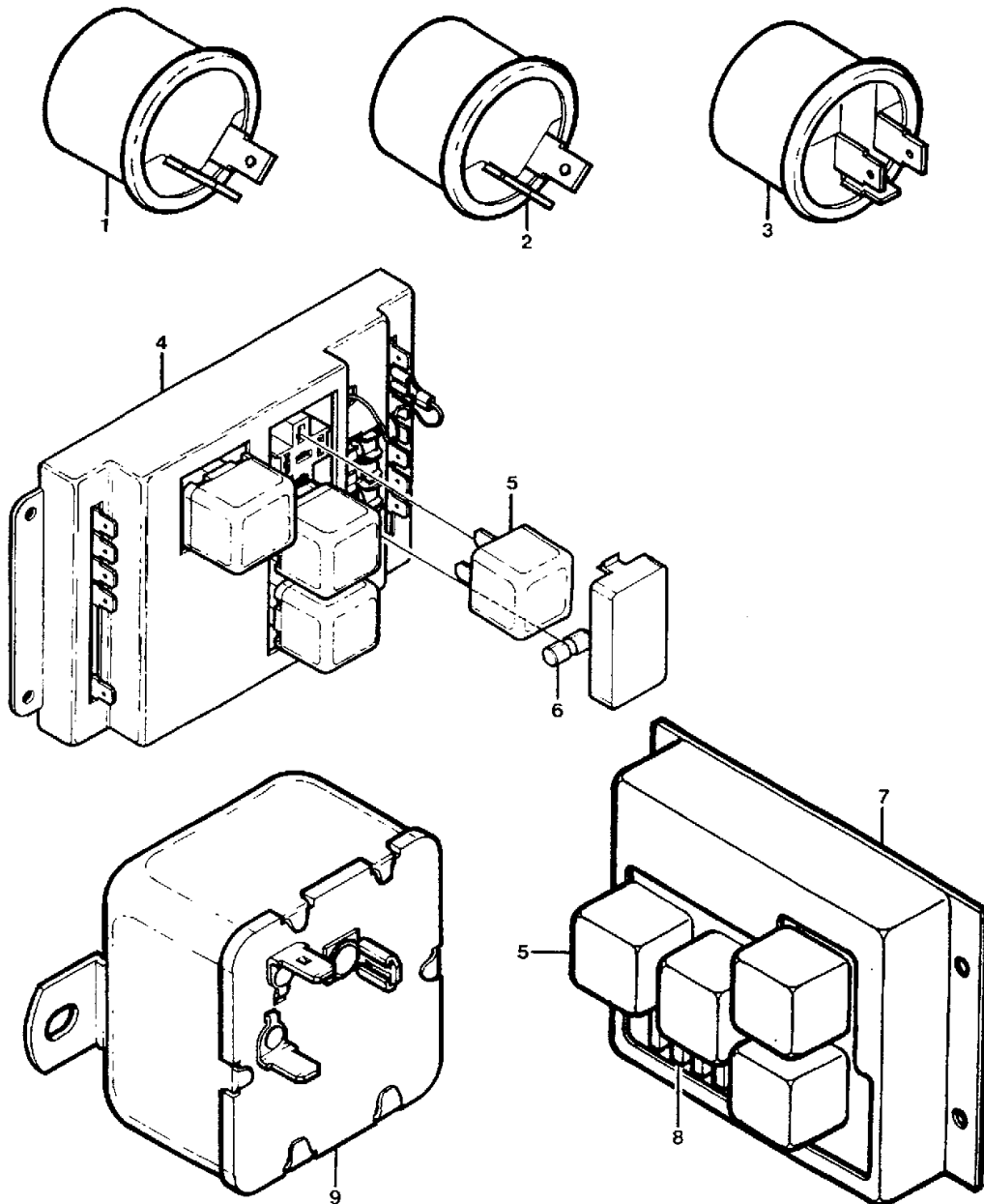
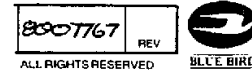
**ELECTRICAL COMPONENTS
CIRCUIT BREAKERS**

With Features: FEATURE 30006, 30007

Key	PartNumber	Qty	Description	Comment
1	0088246		BREAKER,CIRC,HYD/MAG,20A MANUAL RESET	AMIRB3AC07DA202 or 8345-CO1A-S3M1-DB1B1B-20A
	0092268		BREAKER,CIRC,HYD/MAG,25A MANUAL RESET	AMIRB3AC07DA252 or 8345-CO1A-S3M1-DB1B1B-25A
	0067956		BREAKER,CIRC,HYD/MAG,40A MANUAL RESET	AMIRB3AC07DA402 or 8345-CO1A-S3M1-DB1B1B-40A
	0092270		BREAKER,CIRC,HYD/MAG,50A MANUAL RESET"	AMIRB3AC07DA502 or 8345-CO1A-S3M1-DB1B1B-50A
	0067971		BREAKER,CIRC,HYD/MAG,60A MANUAL RESET	AMIRB3AC07DA602 or 8345-CO1A-S3M1-DB1B1B-60A
NI	0067973		SCREW,MACH,6-32 X 3/16,PH1,PAN,YEL ZN	

Models: AAFE, AARE, A3FE, A3RE, C1FE, GPWB, MBWB, TCFE, TCRE, TSFE, VCTA
ELECTRICAL COMPONENTS
FLASHERS - THERMAL, ELECTRONIC, & TRANSISTORIZED

Key	PartNumber	Qty	Description	Comment
-----	------------	-----	-------------	---------



Models: AAFE, AARE, A3FE, A3RE, C1FE, GPWB, MBWB, TCFE, TCRE, TSFE, VCTA
ELECTRICAL COMPONENTS
FLASHERS - THERMAL, ELECTRONIC, & TRANSISTORIZED

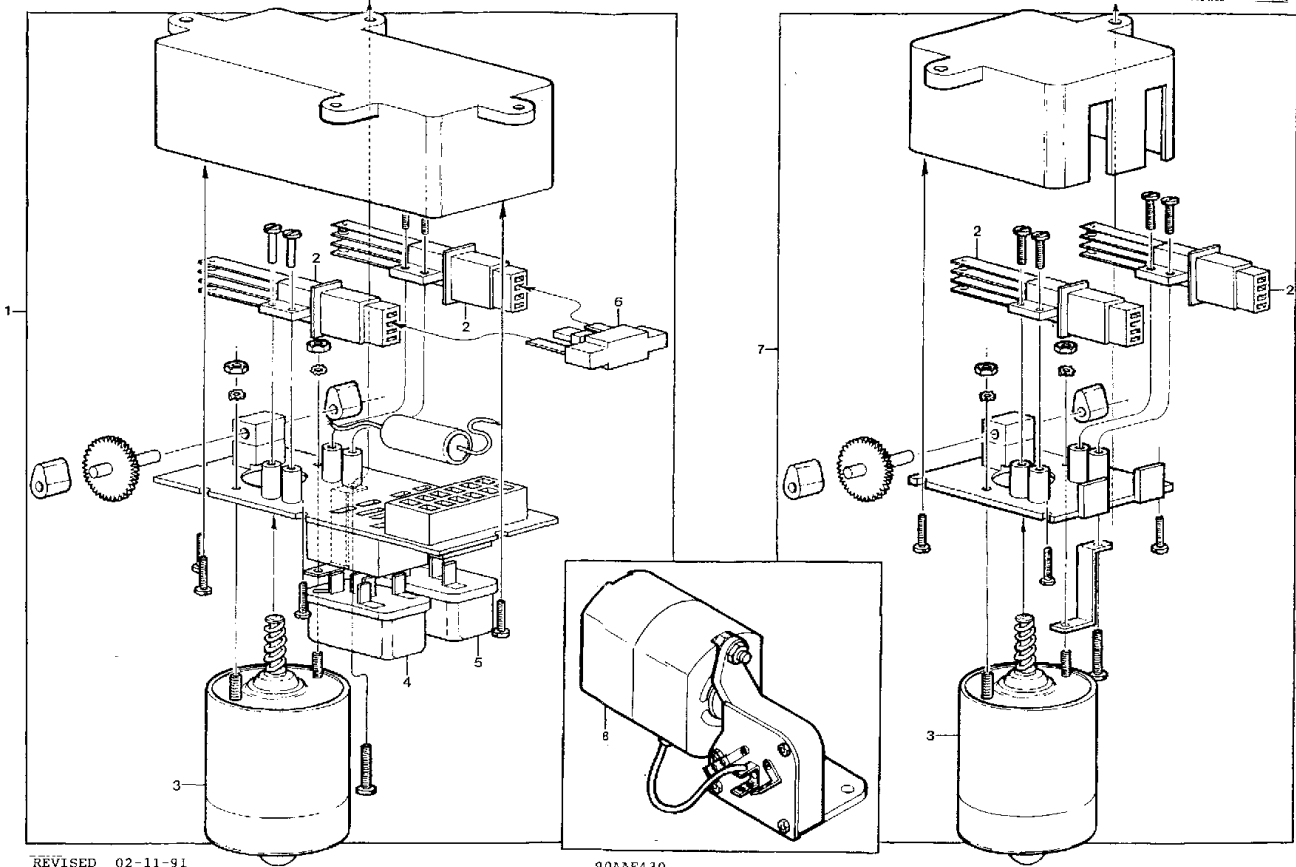
Key	PartNumber	Qty	Description	Comment
1	2005841		FLASHER,TUNG-SOL 552	
2	2005866		FLASHER ELEMENT,THERMAL,DIRECTIONAL	
3	2005858		ELEMENT,FLASHER,THERMAL,WARNING LIGHTS	
4	1366574		FLASHER SYSTEM,8 LAMP,AEROFLASH 165	
5	2127736	8	RELAY,AEROFLASH FLASHER SYSTEM NO	
6				<i>NOT APPLICABLE</i>
7	1656743		FLASHER SYSTEM,8 LAMP,WELDON 7000	
8	2154037		FUSE,20 AMP,AEROFLASH & RAC FLASHER	
9	0518514		FLASHER,WARNING LIGHT,ALTERNATING	
NI	1077718		RELAY,BOSCH,0-332-209-161,30 AMP	<i>OPTION 2024</i>
NI	1320977		DIODE,RECTIFIER 1N5408,3 AMP	<i>OPTION 2024</i>

Models: AAFE, AARE, A1VC, A3FE, A3RE, B1VC, B2VC, GPWB, MBWB, SBCV, TCPE, TCRE, TSFE, VCTA

**ELECTRICAL COMPONENTS
FLASHERS, MOTORIZED**

Key	PartNumber	Qty	Description	Comment
-----	------------	-----	-------------	---------

FLASHERS, MOTORIZED



REVISED 02-11-91

90AP430

Models:
TSFE, VCTA

AAFE, AARE, A1VC, A3FE, A3RE, B1VC, B2VC, GPWB, MBWB, SBCV, TCPE, TCRL,

**ELECTRICAL COMPONENTS
 FLASHERS, MOTORIZED**


Key	PartNumber	Qty	Description	Comment
1	0937953		FLASHER SYS,8 LP,BAADER BROWN,6404-88	
	1382241		FLASHER SYS,8 LP,BAADER BROWN,6404-88	
2	2129476		SPRING SET,FLASHER MOTOR,BAADER-BROWN"	
3	2129443		MOTOR,FLASHER,WARNING LIGHT,BAADER-	
4	2129450		RELAY,WARNING LIGHT,BAADER-BROWN"	
5	2112936		RELAY,WARNING LIGHT,KY 150-40,12V,C-86	
6	2129468		DIODE,BLOCK FLASHER WARNING BAADER	
7	1055417		FLASHER SYSTEM,4 LAMP,BAADER 6404	
8	2005908		FLASHER,MOTOR DRIVEN	

Models:
TCRE, TSFE, VCTA

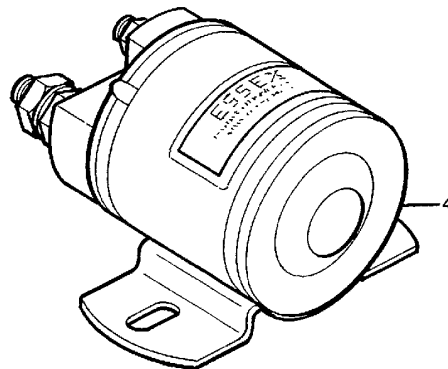
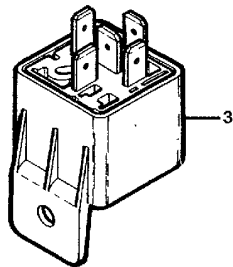
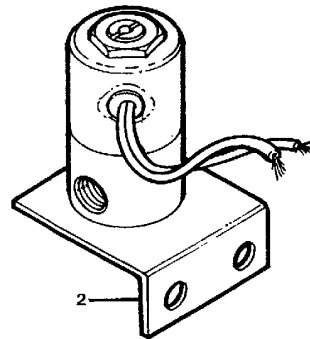
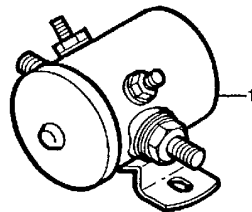
AAFE, AARE, A3FE, A3RE, C1FE, CSFE, CSRE, GPWB, MBWB, SBCV, T2RE, TCFE,

ELECTRICAL COMPONENTS
SOLENOIDS

Key	PartNumber	Qty	Description	Comment
-----	------------	-----	-------------	---------

DR: 7/21/88 BY: Andrew	FRT: 8008161	REV:	
APP:	BY:	REV:	

© 1988 BLUE BIRD BODY COMPANY ALL RIGHTS RESERVED



Models:
TCRE, TSFE, VCTA


AAFE, AARE, A3FE, A3RE, C1FE, CSFE, CSRE, GPWB, MBWB, SBCV, T2RE, TCPE,

**ELECTRICAL COMPONENTS
SOLENOIDS**

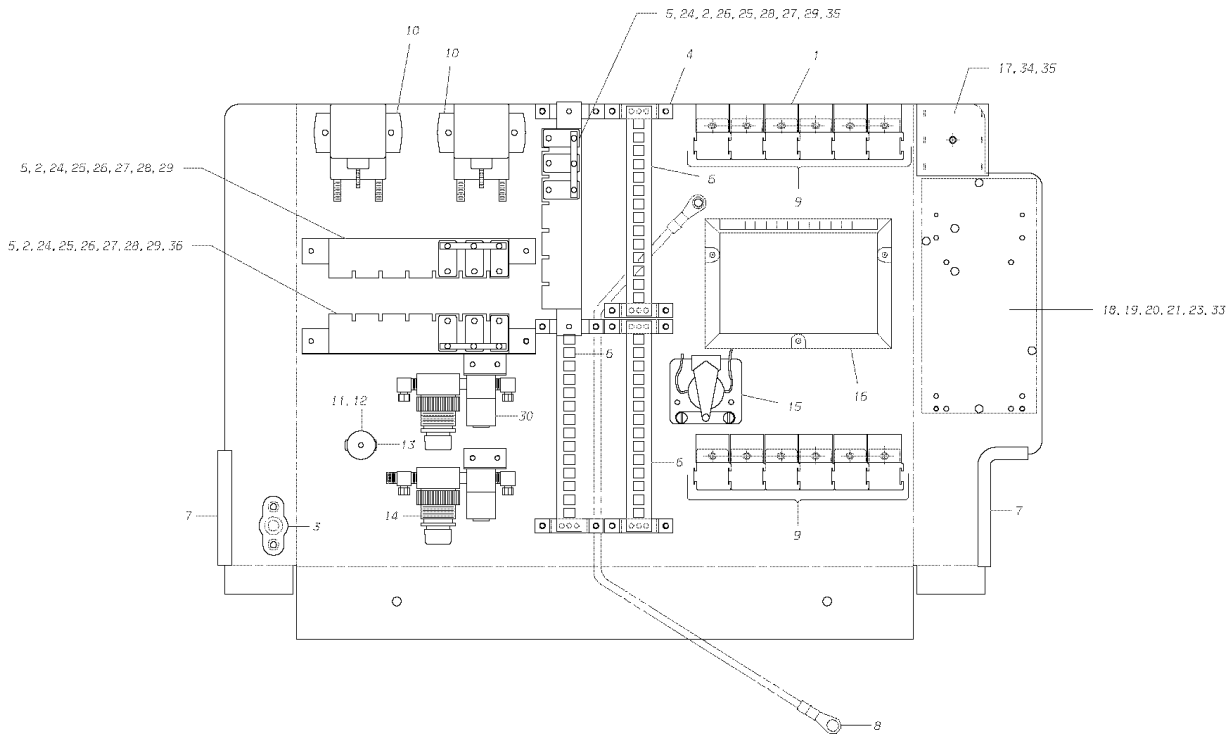
Key	PartNumber	Qty	Description	Comment
1	1013861		SOLENOID,CONTINUOUS DUTY	
2	0603415		VALVE ASSY,ELEC SOLENOID VAC STOP ARM	
3	1077718		RELAY,BOSCH,0-332-209-161,30 AMP	<i>OPTION 1922</i>
4	0932012		SOLENOID,100-AMP	<i>OPTION 2130</i>
NI	1451434		SOLENOID ASSY,VANDAL LOCK, 60 AMP	<i>OPTION 3001-01, 03</i>

Models: A3FE, A3RE, C1FE, CSFE, CSRE, T2RE, TCFE, TCRE, TSFE
ELECTRICAL PANEL
OUTSIDE ACCESS
BSN: From BSN 185593
 To BSN B10023074, F10013254, F20013289, L10021146

Key	PartNumber	Qty	Description	Comment
-----	------------	-----	-------------	---------

UP: 12/04/99 BY: J.L.	---	1681535	ZZ	
APP: 12/04/99 BY: AB	---		REV	

© 1998 BLUE BIRD COMPANY. ALL RIGHTS RESERVED.



Models: A3FE, A3RE, C1FE, CSFE, CSRE, T2RE, TCFE, TCRE, TSFE

**ELECTRICAL PANEL
OUTSIDE ACCESS**

BSN: From BSN 185593

To BSN B10023074, F10013254, F20013289, L10021146

Key	PartNumber	Qty	Description	Comment
	1681535		PANEL ASSY,ELECTRICAL,O/S ACCESS, TC	STANDARD
	1767003		PANEL ASSY,ELECTRICAL,O/S ACC,RH DRV,	OPTION 3480. RH DRIVE
1	1681527		PANEL,ELECTRICAL,O/S ACCESS, TC	STANDARD. LH DRIVE
1	1752518		PANEL,ELECTRICAL,O/S ACCESS,RH DRIVE	OPTION 3480. RH DRIVE
2	0768218		BREAKER,CIRCUIT,10AMP	
3	1210996		TERMINAL,MAIN FEEDTHROUGH,3/8 STUD	
	1334689		SCREW,10-32 X 3/8,F,PH1,PAN HD,YEL ZN	
	2001451		NUT,HEX HD,3/8-16,YELLOW DICHROMATE	
	2028579		LOCKWASHER,SPLIT RING, 3/8 ,MED,ZINC	
	1078922		WASHER,FLAT,3/8 X 7/8 X 5/64,YEL ZN DICH	
4	1418151		STANDOFF,ELECTRICAL BOX,1.00 IN	
	1334689		SCREW,10-32 X 3/8,F,PH1,PAN HD,YEL ZN	
5	0065266		BRACKET,ELEC,CIRCUIT BREAKER	
	1334689		SCREW,10-32 X 3/8,F,PH1,PAN HD,YEL ZN	
6	0969758		BOARD,SWITCH PANEL TERMINAL	
	0563916		SCREW,8-32 X 1/2,PH1,RD HD,YEL ZN DICH	
	2001253		NUT,HEX HD,8-32,YELLOW DICHROMATE	
7	2004547		TRIM,INSTRUMENT HOOD,VINYL EDGE,BLACK	
9	1146661		CONNECTOR,5 CIRC,W/MTG TAB,BOSCH RELAY	OPTION 3162-03, 3163-03, 3165-03
9	1703313		CONNECTOR,5 CIRC,F GENDER,630 SERIES,	EXCEPT OPTION 3162-03, 3163-03, 3165-03
	1703321		LOCK,SECONDARY,5 CIRC,630 SERIES,METRI-	
	1161876		RELAY,ISO,W/O TAB	
	1334689		SCREW,10-32 X 3/8,F,PH1,PAN HD,YEL ZN	
10	0932012		SOLENOID,100-AMP	
	1268119		SCREW,1/4-20X1/2,F,PH1,PAN HD,YEL ZN DICH	
	2001170		LOCKWASHER,SPLIT RING, 1/4 ,MED,YEL ZN	
11	2005841		FLASHER,TUNG-SOL 552	
12	2005858		ELEMENT,FLASHER,THERMAL,WARNING LIGHTS	
13	2005874		BRACKET,FLASHER,223 1840	
	1334689		SCREW,10-32 X 3/8,F,PH1,PAN HD,YEL ZN	
	2001105		WASHER,FLAT,13/64 X,1/2 X 3/64,YEL ZN DICH	
14	0810762		REGULATOR ASSY,SOLENOID VALVE,AIR STOP	
	2023786		ELBOW,1/8 MPT X 1/4 TUBE,1369X4	

Models: A3FE, A3RE, C1FE, CSFE, CSRE, T2RE, TCFE, TCRE, TSFE
ELECTRICAL PANEL
OUTSIDE ACCESS
BSN: From BSN 185593
 To BSN B10023074, F10013254, F20013289, L10021146

Key	PartNumber	Qty	Description	Comment
	0990747		TEE,STREET,1/8 MPT X 1/4 TUBE X 1/4 TUBE	
	1334689		SCREW,10-32 X 3/8,F,PH1,PAN HD,YEL ZN	
	2001105		WASHER,FLAT,13/64 X,1/2 X 3/64,YEL ZN DICH	
15	0663203		RELAY,PILOT LIGHT,OPT 2146	
	1812239		SCREW,10-32 X 3/4,F,PH1,PAN HD,ZN	
16	1656743		FLASHER SYSTEM,8 LAMP,WELDON 7000	
	1334671		SCREW,8-32 X 3/8,F,PH1,PAN HD,YEL ZN DICH	
17	1615830		RELAY,TIME DELAY,390 SECOND	OPTION 6167
	2000073		SCREW,1/4-20 X 1,D,HEX HD,YEL ZN DICH	
	0527655		TERMINAL,SLIDE,1/4,10-12 GA,INSULATED	
	2007417		TERMINAL,SLIDE,1/4,14-16 GA,INSULATED	
18	0518514		FLASHER,WARNING LIGHT,ALTERNATING	OPTION 2077
	1334671		SCREW,8-32 X 3/8,F,PH1,PAN HD,YEL ZN DICH	
	2001253		NUT,HEX HD,8-32,YELLOW DICHROMATE	
19	1382241		FLASHER SYS,8 LP,BAADER BROWN,6404-88	OPTION 2021-03, 2021-04
	1032242		CAPSCREW,HEX HD,1/4-20, X, 3/4,GR 5,ZINC	
	1032259		CAPSCREW,HEX HD,1/4-20, X 1 1/2,GR 5,ZINC	
	2001337		NUT,HEX HD,1/4-20,ZINC	
	2001170		LOCKWASHER,SPLIT RING, 1/4 ,MED,YEL ZN	
20	1168657		FLASHER,WIG WAG,AEROFLASH,165-0023	OPTION 1988
	1334689		SCREW,10-32 X 3/8,F,PH1,PAN HD,YEL ZN	
21	0937953		FLASHER SYS,8 LP,BAADER BROWN,6404-88	OPTION 2021-01, 2021-02
	1032242		CAPSCREW,HEX HD,1/4-20, X, 3/4,GR 5,ZINC	
	1032259		CAPSCREW,HEX HD,1/4-20, X 1 1/2,GR 5,ZINC	
	2001337		NUT,HEX HD,1/4-20,ZINC	
	2001170		LOCKWASHER,SPLIT RING, 1/4 ,MED,YEL ZN	
23	2005908		FLASHER,MOTOR DRIVEN	OPTION 1987, 1990, 1992, 2017
	1032242		CAPSCREW,HEX HD,1/4-20, X, 3/4,GR 5,ZINC	
	2001337		NUT,HEX HD,1/4-20,ZINC	
	2001170		LOCKWASHER,SPLIT RING, 1/4 ,MED,YEL ZN	
24	1216936		BREAKER,CIRCUIT,40AMP	
25	2215259		BREAKER,CIRCUIT,30AMP	
26	2006104		BREAKER,CIRCUIT,15 AMP	

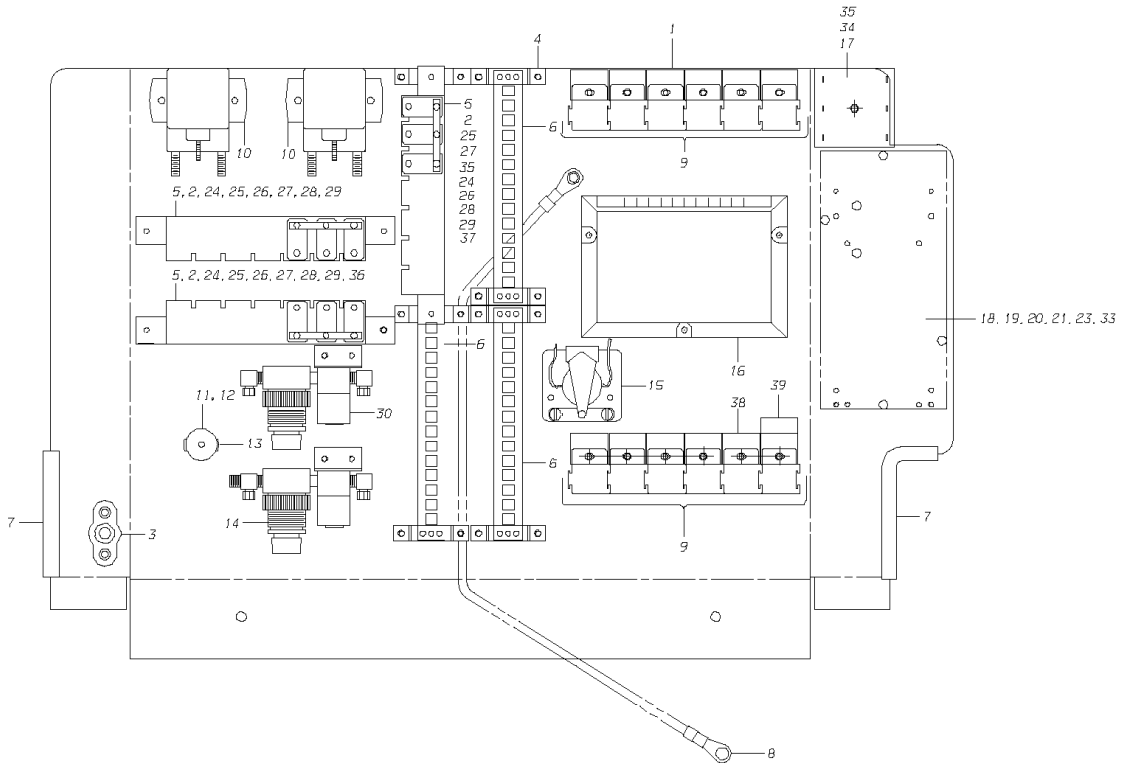
Models: A3FE, A3RE, C1FE, CSFE, CSRE, T2RE, TCFE, TCRE, TSFE
ELECTRICAL PANEL
OUTSIDE ACCESS
BSN: From BSN 185593
 To BSN B10023074, F10013254, F20013289, L10021146

Key	PartNumber	Qty	Description	Comment
27	0864660		BREAKER,CIRCUIT,6AMP	
28	2006112		BREAKER,CIRCUIT,20 AMP	
29	1170869		BREAKER,CIRCUIT,8AMP	
30	0810762		REGULATOR ASSY,SOLENOID VALVE,AIR STOP	
	2023786		ELBOW,1/8 MPT X 1/4 TUBE,1369X4	
	1334689		SCREW,10-32 X 3/8,F,PH1,PAN HD,YEL ZN	
	2001105		WASHER,FLAT,13/64 X,1/2 X 3/64,YEL ZN DICH	
31	1782796		HARNES,WRG,CAPACITOR,FILTERING,TC/CS	
33	1366574		FLASHER SYSTEM,8 LAMP,AEROFLASH 165	OPTION 7365
	1334671		SCREW,8-32 X 3/8,F,PH1,PAN HD,YEL ZN DICH	
	1161876		RELAY,ISO,W/O TAB	
	1334689		SCREW,10-32 X 3/8,F,PH1,PAN HD,YEL ZN	
	1703313		CONNECTOR,5 CIRC,F GENDER,630 SERIES,	
	1703321		LOCK,SECONDARY,5 CIRC,630 SERIES,METRI-	
34	1740711		RELAY,TIME DELAY,4 SECOND	OPTION 2023
	2000073		SCREW,1/4-20 X 1,D,HEX HD,YEL ZN DICH	
	2007417		TERMINAL,SLIDE,1/4,14-16 GA,INSULATED	
35	1747633		RELAY,TIME DELAY,4 SECOND,OR GATE	OPTION 2024
	2000073		SCREW,1/4-20 X 1,D,HEX HD,YEL ZN DICH	
36	0985689		BREAKER,CIRCUIT,25AMP	

Models: A3FE, A3RE, C1FE, CSFE, CSRE, T2RE, TCFE, TCRE, TSFE
ELECTRICAL PANEL
OUTSIDE ACCESS

BSN: From BSN B10023075, F10013255, F20013290, L10021147
 To BSN B10064339, F10035824, F20035859, L10059259

Key	PartNumber	Qty	Description	Comment
-----	------------	-----	-------------	---------



Models: A3FE, A3RE, C1FE, CSFE, CSRE, T2RE, TCFE, TCRE, TSFE
ELECTRICAL PANEL
OUTSIDE ACCESS
BSN: From BSN B10023075, F10013255, F20013290, L10021147
 To BSN B10064339, F10035824, F20035859, L10059259

Key	PartNumber	Qty	Description	Comment
	0010925		PANEL ASSY,ELECTRICAL,O/S ACCESS, TC	STANDARD
	1767003		PANEL ASSY,ELECTRICAL,O/S ACC,RH DRV,	OPTION 3480. RH DRIVE
1	1681527		PANEL,ELECTRICAL,O/S ACCESS, TC	STANDARD
1	1752518		PANEL,ELECTRICAL,O/S ACCESS,RH DRIVE	OPTION 3480. RH DRIVE
2	0768218		BREAKER,CIRCUIT,10AMP	
2	2006112		BREAKER,CIRCUIT,20 AMP	
2	0864660		BREAKER,CIRCUIT,6AMP	
3	1210996		TERMINAL,MAIN FEEDTHROUGH,3/8 STUD	
	1334689		SCREW,10-32 X 3/8,F,PH1,PAN HD,YEL ZN	
	2001451		NUT,HEX HD,3/8-16,YELLOW DICHROMATE	
	0882795		LOCKWASHER,SPLIT RING,3/8,MED,YELLOW	
	1078922		WASHER,FLAT,3/8 X 7/8 X 5/64,YEL ZN DICH	
4	1418151		STANDOFF,ELECTRICAL BOX,1.00 IN	
	1334689		SCREW,10-32 X 3/8,F,PH1,PAN HD,YEL ZN	
5	0065266		BRACKET,ELEC,CIRCUIT BREAKER	
	1334689		SCREW,10-32 X 3/8,F,PH1,PAN HD,YEL ZN	
6	0969758		BOARD,SWITCH PANEL TERMINAL	
	0563916		SCREW,8-32 X 1/2,PH1,RD HD,YEL ZN DICH	
	2001253		NUT,HEX HD,8-32,YELLOW DICHROMATE	
7	2004547		TRIM,INSTRUMENT HOOD,VINYL EDGE,BLACK	
8	1629625		WIRE ASSY,10 GA,WH,20.L,EYELET/EYELET	
	2001337		NUT,HEX HD,1/4-20,ZINC	
	2001170		LOCKWASHER,SPLIT RING, 1/4 ,MED,YEL ZN	
	2000057		CAPSCREW,HEX HD,1/4-20 X 1,GR 5,YEL ZN	
	1260017		WASHER,FLAT,9/32 X 1 1/4 X 5/64,YEL ZN	
9	1703313		CONNECTOR,5 CIRC,F GENDER,630 SERIES,	
	1703321		LOCK,SECONDARY,5 CIRC,630 SERIES,METRI-	
	1161876		RELAY,ISO,W/O TAB	
	1334689		SCREW,10-32 X 3/8,F,PH1,PAN HD,YEL ZN	
	1146661		CONNECTOR,5 CIRC,W/MTG TAB,BOSCH RELAY	
10	0932012		SOLENOID,100-AMP	
	0009671		DIODE ASSY,SUPPRESSION,NOISE,BODY	
	1268119		SCREW,1/4-20X1/2,F,PH1,PAN HD,YEL ZN DICH	

Models: A3FE, A3RE, C1FE, CSFE, CSRE, T2RE, TCFE, TCRE, TSFE
ELECTRICAL PANEL
OUTSIDE ACCESS
BSN: From BSN B10023075, F10013255, F20013290, L10021147
 To BSN B10064339, F10035824, F20035859, L10059259

Key	PartNumber	Qty	Description	Comment
	2001170		LOCKWASHER,SPLIT RING, 1/4 ,MED,YEL ZN	
11	2005841		FLASHER,TUNG-SOL 552	
12	2005858		ELEMENT,FLASHER,THERMAL,WARNING LIGHTS	
13	2005874		BRACKET,FLASHER,223 1840	
	1334689		SCREW,10-32 X 3/8,F,PH1,PAN HD,YEL ZN	
	2001105		WASHER,FLAT,13/64 X,1/2 X 3/64,YEL ZN DICH	
14	0810762		REGULATOR ASSY,SOLENOID VALVE,AIR STOP	
	2023786		ELBOW,1/8 MPT X 1/4 TUBE,1369X4	
	0990747		TEE,STREET,1/8 MPT X 1/4 TUBE X 1/4 TUBE	
	1334689		SCREW,10-32 X 3/8,F,PH1,PAN HD,YEL ZN	
	2001105		WASHER,FLAT,13/64 X,1/2 X 3/64,YEL ZN DICH	
15	0663203		RELAY,PILOT LIGHT,OPT 2146	
	1812239		SCREW,10-32 X 3/4,F,PH1,PAN HD,ZN	
16	1656743		FLASHER SYSTEM,8 LAMP,WELDON 7000	
	1334671		SCREW,8-32 X 3/8,F,PH1,PAN HD,YEL ZN DICH	
17	1615830		RELAY,TIME DELAY,390 SECOND	
	2000073		SCREW,1/4-20 X 1,D,HEX HD,YEL ZN DICH	
	0527655		TERMINAL,SLIDE,1/4,10-12 GA,INSULATED	
	2007417		TERMINAL,SLIDE,1/4,14-16 GA,INSULATED	
18	0518514		FLASHER,WARNING LIGHT,ALTERNATING	OPTION 2077
	1334671		SCREW,8-32 X 3/8,F,PH1,PAN HD,YEL ZN DICH	
	2001253		NUT,HEX HD,8-32,YELLOW DICHROMATE	
19	1382241		FLASHER SYS,8 LP,BAADER BROWN,6404-88	OPTION 2021-03, -04
	1032242		CAPSCREW,HEX HD,1/4-20, X, 3/4,GR 5,ZINC	
	1032259		CAPSCREW,HEX HD,1/4-20, X 1 1/2,GR 5,ZINC	
	2001337		NUT,HEX HD,1/4-20,ZINC	
	2001170		LOCKWASHER,SPLIT RING, 1/4 ,MED,YEL ZN	
20	1168657		FLASHER,WIG WAG,AEROFLASH,165-0023	OPTION 1988
	1334689		SCREW,10-32 X 3/8,F,PH1,PAN HD,YEL ZN	
21	0937953		FLASHER SYS,8 LP,BAADER BROWN,6404-88	OPTION 2021-01, -02
	1032242		CAPSCREW,HEX HD,1/4-20, X, 3/4,GR 5,ZINC	
	1032259		CAPSCREW,HEX HD,1/4-20, X 1 1/2,GR 5,ZINC	
	2001337		NUT,HEX HD,1/4-20,ZINC	

Models: A3FE, A3RE, C1FE, CSFE, CSRE, T2RE, TCFE, TCRE, TSFE
ELECTRICAL PANEL
OUTSIDE ACCESS
BSN: From BSN B10023075, F10013255, F20013290, L10021147
 To BSN B10064339, F10035824, F20035859, L10059259

Key	PartNumber	Qty	Description	Comment
	2001170		LOCKWASHER,SPLIT RING, 1/4 ,MED,YEL ZN	
23	2005908		FLASHER,MOTOR DRIVEN	OPTION 1987, 1990, 1992, 2017, 2077
	1032242		CAPSCREW,HEX HD,1/4-20, X, 3/4,GR 5,ZINC	
	2001337		NUT,HEX HD,1/4-20,ZINC	
	2001170		LOCKWASHER,SPLIT RING, 1/4 ,MED,YEL ZN	
25	2215259		BREAKER,CIRCUIT,30AMP	
26	2006104		BREAKER,CIRCUIT,15 AMP	
27	0864660		BREAKER,CIRCUIT,6AMP	
28	2006112		BREAKER,CIRCUIT,20 AMP	
29	1170869		BREAKER,CIRCUIT,8AMP	
30	0810762		REGULATOR ASSY,SOLENOID VALVE,AIR STOP	
	2023786		ELBOW,1/8 MPT X 1/4 TUBE,1369X4	
	1334689		SCREW,10-32 X 3/8,F,PH1,PAN HD,YEL ZN	
	2001105		WASHER,FLAT,13/64 X,1/2 X 3/64,YEL ZN DICH	
31	1782796		HARNES,WRG,CAPACITOR,FILTERING,TC/CS	
34	1740711		RELAY,TIME DELAY,4 SECOND	OPTION 2023
	2000073		SCREW,1/4-20 X 1,D,HEX HD,YEL ZN DICH	
	2007417		TERMINAL,SLIDE,1/4,14-16 GA,INSULATED	
35	1747633		RELAY,TIME DELAY,4 SECOND,OR GATE	OPTION 2024
	2000073		SCREW,1/4-20 X 1,D,HEX HD,YEL ZN DICH	
36	0985689		BREAKER,CIRCUIT,25AMP	
37	0013675		BREAKER,CIRCUIT,35 AMP	
38	1161876		RELAY,ISO,W/O TAB	OPTION 1922-03
	1334689		SCREW,10-32 X 3/8,F,PH1,PAN HD,YEL ZN	
39	0014477		MODULE,DAYTIME RUNNING LIGHT	
	1334689		SCREW,10-32 X 3/8,F,PH1,PAN HD,YEL ZN	

Models: A3FE, A3RE, C1FE, CSFE, CSRE, GMCV, SBCV, T2RE, TCFE, TCRE, TSFE
ELECTRICAL PANEL
OUTSIDE ACCESS
BSN: From BSN B10064340, F10035825, L10059260, M10074850, X10019805

Key	PartNumber	Qty	Description	Comment
1	0025907		PANEL ASSY,ELEC LOAD CENTER,CV & TRANSIT	STANDARD
1	0025908		PANEL ASSY,ELEC LOAD CTR,RH DRV,	OPTION 3480. RH DRIVE
2	1418144		STANDOFF,ELECTRICAL BOX,1.50 IN	
	1334689		SCREW,10-32 X 3/8,F,PH1,PAN HD,YEL ZN	
3	0029926		BRACKET,CIRCUIT BREAKER	
	0563916		SCREW,8-32 X 1/2,PH1,RD HD,YEL ZN DICH	
	2001253		NUT,HEX HD,8-32,YELLOW DICHROMATE	
4	0029314		BRACKET,MTG,RELAY CONNECTOR	
	1334689		SCREW,10-32 X 3/8,F,PH1,PAN HD,YEL ZN	
5	0030304		BLOCK,TERMINAL,4-WAY	
	1812239		SCREW,10-32 X 3/4,F,PH1,PAN HD,ZN	
6	0013675		BREAKER,CIRCUIT,35 AMP	
7	2006112		BREAKER,CIRCUIT,20 AMP	
8	2006104		BREAKER,CIRCUIT,15 AMP	
9	1746387		RELAY,MICRO	
	1334689		SCREW,10-32 X 3/8,F,PH1,PAN HD,YEL ZN	
10	1656743		FLASHER SYSTEM,8 LAMP,WELDON 7000	
	1334671		SCREW,8-32 X 3/8,F,PH1,PAN HD,YEL ZN DICH	
11	0031909		RELAY,CURRENT SENSING,W/L	
	1812239		SCREW,10-32 X 3/4,F,PH1,PAN HD,ZN	
12	0768218		BREAKER,CIRCUIT,10AMP	
13	1868025		FLASHER,TURN/HAZZARD WARNING	
	1334689		SCREW,10-32 X 3/8,F,PH1,PAN HD,YEL ZN	
14	0028520		FLASHER,ELECTRONIC	
	1334689		SCREW,10-32 X 3/8,F,PH1,PAN HD,YEL ZN	
15	0985689		BREAKER,CIRCUIT,25AMP	
16	0864660		BREAKER,CIRCUIT,6AMP	
17	0932012		SOLENOID,100-AMP	
	1268119		SCREW,1/4-20X1/2,F,PH1,PAN HD,YEL ZN DICH	
	0009671		DIODE ASSY,SUPPRESSION,NOISE,BODY	
	2001170		LOCKWASHER,SPLIT RING, 1/4 ,MED,YEL ZN	
18	2215259		BREAKER,CIRCUIT,30AMP	
19	0014477		MODULE,DAYTIME RUNNING LIGHT	

Models: A3FE, A3RE, C1FE, CSFE, CSRE, GMCV, SBCV, T2RE, TCFE, TCRE, TSFE
ELECTRICAL PANEL
OUTSIDE ACCESS
BSN: From BSN B10064340, F10035825, L10059260, M10074850, X10019805

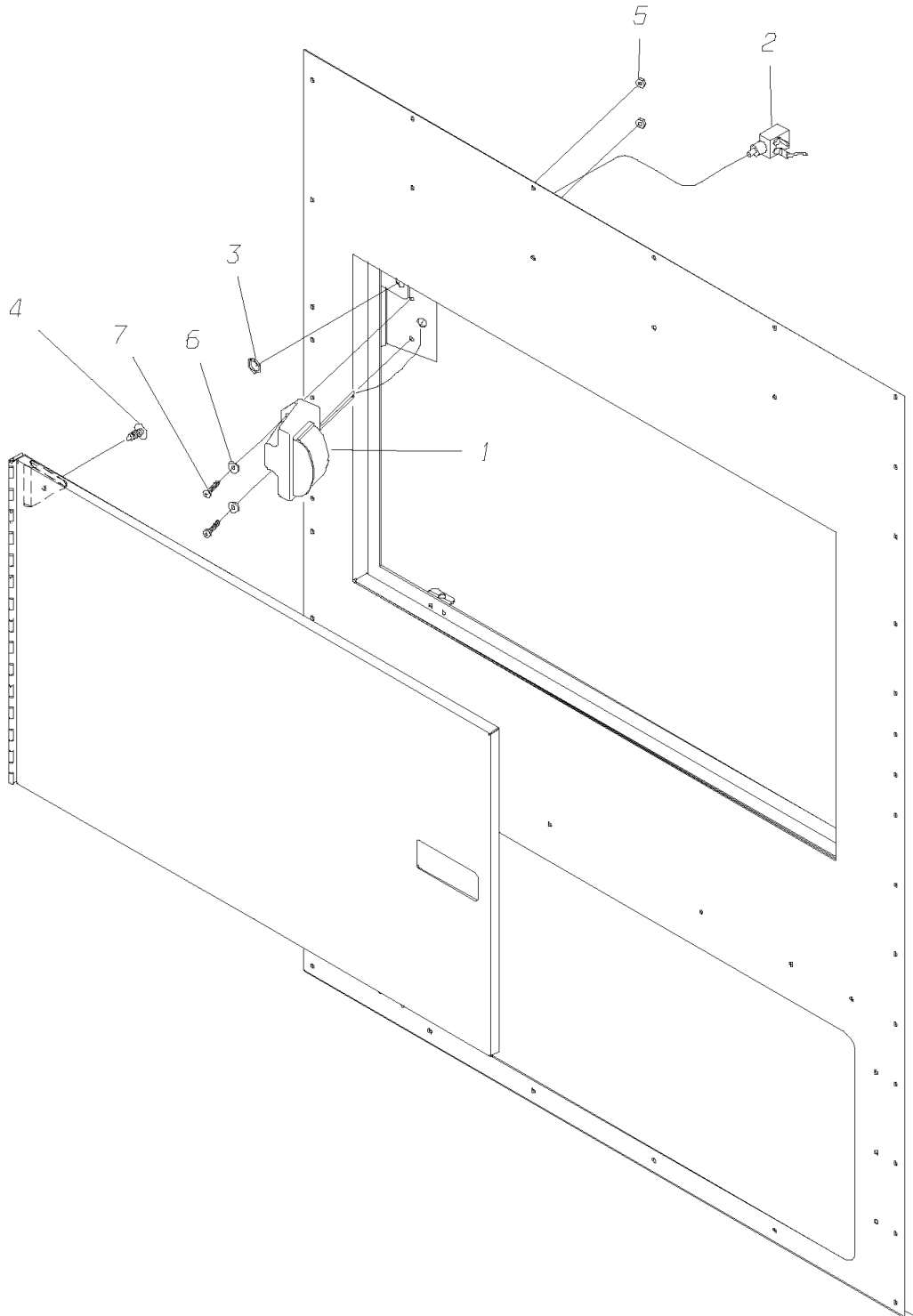
Key	PartNumber	Qty	Description	Comment
	1334689		SCREW,10-32 X 3/8,F,PH1,PAN HD,YEL ZN	
20	1747633		RELAY,TIME DELAY,4 SECOND,OR GATE	
	1422948		SCREW,1/4-20 X 1-1/4,D,HEX HD,YEL ZN DICH	
21	1740711		RELAY,TIME DELAY,4 SECOND	
	1422948		SCREW,1/4-20 X 1-1/4,D,HEX HD,YEL ZN DICH	
22	1170869		BREAKER,CIRCUIT,8AMP	
23	1615830		RELAY,TIME DELAY,390 SECOND	
	1422948		SCREW,1/4-20 X 1-1/4,D,HEX HD,YEL ZN DICH	
24	1868017		RELAY,POTTER BRUMFIELD VF4-15F11-S01	
	1334689		SCREW,10-32 X 3/8,F,PH1,PAN HD,YEL ZN	
25	0057399		REGULATOR ASSY,SOLENOID VALVE,AIR S/A	
	1334689		SCREW,10-32 X 3/8,F,PH1,PAN HD,YEL ZN	
	0009903		ELBOW,90 DEG,MALE1869X4-Z,.13MPT X .25T	
	2001105		WASHER,FLAT,13/64 X,1/2 X 3/64,YEL ZN DICH	
26	0057399		REGULATOR ASSY,SOLENOID VALVE,AIR S/A	
	1334689		SCREW,10-32 X 3/8,F,PH1,PAN HD,YEL ZN	
	0009903		ELBOW,90 DEG,MALE1869X4-Z,.13MPT X .25T	
	0009904		TEE,MALE RUN,1871X4-Z,.13MPT X .25T	
	2001105		WASHER,FLAT,13/64 X,1/2 X 3/64,YEL ZN DICH	
27	0065266		BRACKET,ELEC,CIRCUIT BREAKER	
	0563916		SCREW,8-32 X 1/2,PH1,RD HD,YEL ZN DICH	
	2001253		NUT,HEX HD,8-32,YELLOW DICHROMATE	
28	0030826		STANDOFF,ELECTRICAL BOX,1.50 H X 3.69 W	
	1334689		SCREW,10-32 X 3/8,F,PH1,PAN HD,YEL ZN	
29	0057081		BRACKET,MTG,AIR VALVES	
	1334689		SCREW,10-32 X 3/8,F,PH1,PAN HD,YEL ZN	
30	1268119		SCREW,1/4-20X1/2,F,PH1,PAN HD,YEL ZN DICH	
	1247709		WASHER,FLAT,17/64 ID X,5/8,YEL ZN DICH	
31	1868025		FLASHER,TURN/HAZZARD WARNING	
	1334689		SCREW,10-32 X 3/8,F,PH1,PAN HD,YEL ZN	
32	0027922		RESISTOR ASSEMBLY,VENT FAN,1 OHM,10	
	0033278		SCREW,4-40 X 1/2,F,PH1,PAN HD,YEL ZN DICH	
33	2000867		SCREW,MACH,1/4-20X1 3/4,PH1,RD HD,	

Models: A3FE, A3RE, C1FE, CSFE, CSRE, GMCV, SBCV, T2RE, TCFE, TCRE, TSFE
ELECTRICAL PANEL
OUTSIDE ACCESS
BSN: From BSN B10064340, F10035825, L10059260, M10074850, X10019805

Key	PartNumber	Qty	Description	Comment
	0659979		NUT,HEX,FLANGE SER,1/4-20,BLACK ZINC	
34	0031429		WIRE ASSY,10 GA,WH,20.L,EYELET/EYELET	
35	0031126		HARNESS,WRG,CAPACITOR,A/C FILTERING	
36	0033416		LIGHT,ELECTRICAL PANEL	
	0042355		SWITCH,2 POSN,SPST,ON-OFF,COLE HERSEE	
	0069501		KNOB,CHROME,COMPT DOOR SWITCH,FOR	
	1073311		NUT,PANEL,HEX HD,1/2-20,YEL ZN DICH	
	1160399		PIN,RATCHET,TYPE ONE,RUBBER PAD,PC 47486	
	2001279		NUT,HEX HD,10-24,YEL ZN DICH"	
	2001105		WASHER,FLAT,13/64 X,1/2 X 3/64,YEL ZN DICH	
	2000768		SCREW,MACH,10-24 X 1, PH1,RD HD,YEL ZN	
37	0032033		VALVE ASSY,ELEC SOLENOID VAC S/A W/CONN	
	1334689		SCREW,10-32 X 3/8,F,PH1,PAN HD,YEL ZN	
	0009903		ELBOW,90 DEG,MALE1869X4-Z,.13MPT X .25T	
	2001105		WASHER,FLAT,13/64 X,1/2 X 3/64,YEL ZN DICH	
38	1653948		TIE,CABLE,NYLON PUSH MOUNT	
39	0118463		WEATHERSTRIP,WARNING LIGHT BRACKET	
40	0031126		HARNESS,WRG,CAPACITOR,A/C FILTERING	
41	2024545		BOOT,TERMINAL	
42	0033670		WIRE ASSY,6 GA,BK 56.L,EYE/EYE	
43	0035390		WIRE ASSY,6 GA,BLACK,5.L,EYE/EYE	
44	0035391		WIRE ASSY,6 GA,BLACK,9.L,EYE/EYE	
45	0035392		WIRE ASSY,6 GA,BLACK,12.L,EYE/EYE	
46	0039096		BUS BAR,SOLENOID,BODY	
47	0039097		BUS BAR,BREAKER,CIRCUIT	

Models: A3FE, A3RE, C1FE, CSFE, CSRE, GMCV, SBCV, T2RE, TCFE, TSFE
ELECTRICAL PANEL
OUTSIDE ACCESS DOOR LIGHT & SWITCH

Key	PartNumber	Qty	Description	Comment
-----	------------	-----	-------------	---------



Models: A3FE, A3RE, C1FE, CSFE, CSRE, GMCV, SBCV, T2RE, TCFE, TSFE
ELECTRICAL PANEL
OUTSIDE ACCESS DOOR LIGHT & SWITCH

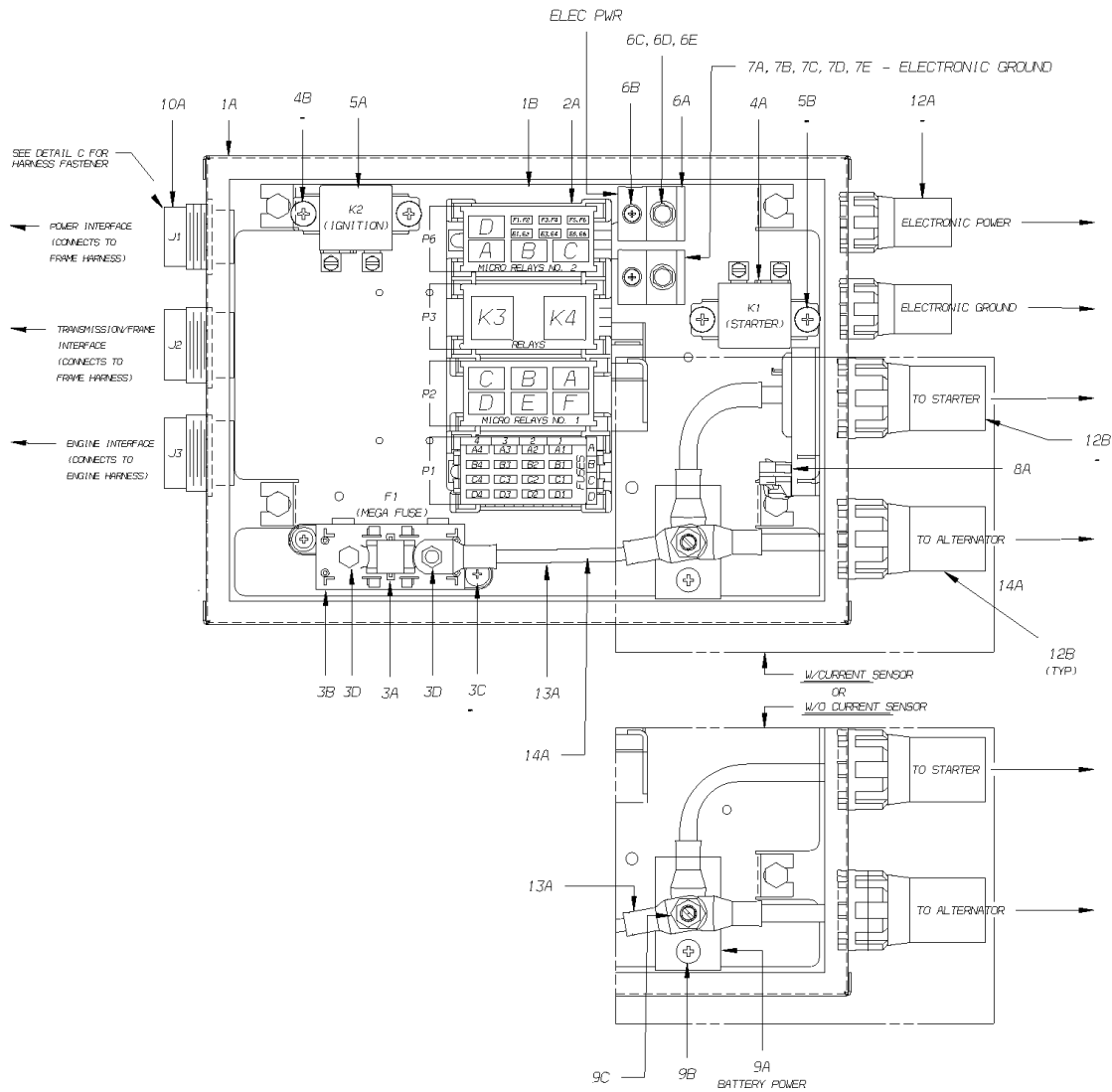
Key	PartNumber	Qty	Description	Comment
1	0033416		LIGHT,ELECTRICAL PANEL	
2	1126176		SWITCH,MOMENTARY,SPST NC	<i>ENDING WITH BSN B10083874, F10044744, F20044769, L10073699, M10098094.</i>
2	0042355		SWITCH,2 POSN,SPST,ON-OFF,COLE HERSEE	<i>BEGIN WITH BSN B10083875, F10044745, F20044770, L10073700, M10098095.</i>
NI	0069501		KNOB,CHROME,COMPT DOOR SWITCH,FOR	
3	1073311		NUT,PANEL,HEX HD,1/2-20,YEL ZN DICH	
4	1160399		PIN,RATCHET,TYPE ONE,RUBBER PAD,PC 47486	
5	2001279	2	NUT,HEX HD,10-24,YEL ZN DICH"	<i>ENDING WITH BSN F0067279, B0156729, L0131824.</i>
6	2001105	2	WASHER,FLAT,13/64 X,1/2 X 3/64,YEL ZN DICH	<i>ENDING WITH BSN F0067279, B0156729, L0131824.</i>
7	2000768	2	SCREW,MACH,10-24 X 1, PH1,RD HD,YEL ZN	<i>ENDING WITH BSN F0067279, B0156729, L0131824.</i>
	0020713	2	SCREW,1/4-20 X 3/4,F,PH1,PAN HD,YEL ZN	

**Models: A3FE, A3RE
HARNESSES**

Key	PartNumber	Qty	Description	Comment
NI	0005330		HARNESS,WRG,BODY....., A3	
NI	1782796		HARNESS,WRG,CAPACITOR,FILTERING,TC/CS	
NI	1963602		HARNESS,WRG,ELECTRICAL PANEL, TC	
NI	1941038		HARNESS,WRG,HEATER,STEPWELL,W/S WPR,	
NI	0004528		HARNESS,WRG,ENGINE COMPARTMENT LIGHTS	
NI	0003839		HARNESS,WRG,HEADLAMP & PARKING LAMP	

Models: A3FE
 PDU
 CAT
 1 OF 2
BSN: From BSN F10068990

Key	PartNumber	Qty	Description	Comment
-----	------------	-----	-------------	---------



Models: A3FE
PDU
CAT
1 OF 2
BSN: From BSN F10068990

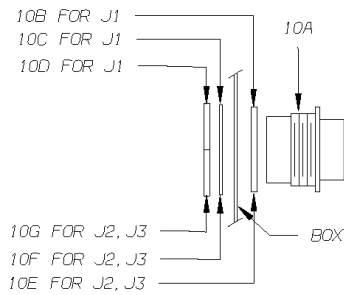
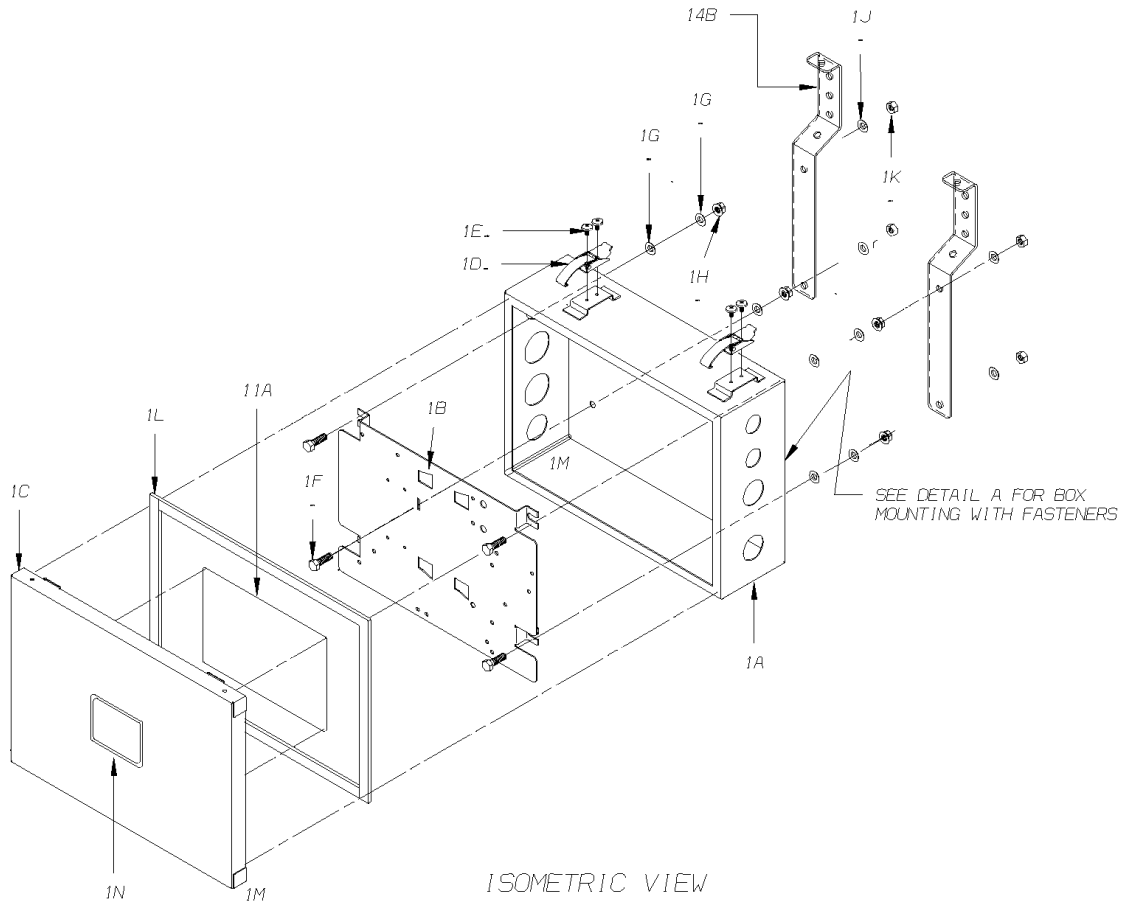
Key	PartNumber	Qty	Description	Comment
	0080394		BOX,ASSY,PDU,CAT,WT/A2000,AIR, HDFE	FEATURE 40422-01
	0080402		BOX ASSY,PDU,CAT,WT/A2000,HYD, HDFE	FEATURE 40422-01
	0080393		BOX,ASSY,PDU,CAT,WT/A2000,AIR,CUR SEN,	FEATURE 40422-01 WITH 40280 -02
	0080401		BOX,ASSY,PDU,CAT,WT/A2000,HYD,CUR SEN,	FEATURE 40422-01 WITH 40280 -02
1A	0009471		BOX ASSY,PDU,W/SHUNT, HDFE	
1B	0001779		PLATE,MTG,PDU, HDFE & HDRE	
2A	1953165		BASE,MTG,RELAY/FUSE BLK,4 POSITION, RCDA	
2B	1868017		RELAY,POTTER BRUMFIELD VF4-15F11-S01	
2C	1953249		FUSE,MINI,5 AMPS,RCDA	
2D	0000276		FUSE,MINI,7.5 AMPS	
2E	1953207		FUSE,MINI,10 AMPS,RCDA	
2F	1953223		FUSE,MINI,15 AMPS,RCDA	
2G	1953215		FUSE,MINI,20 AMPS,RCDA	
2H	1953199		FUSE,MINI,25 AMPS,RCDA	
2J	1953231		FUSE,MINI,30 AMPS,RCDA	
2K	1746387		RELAY,MICRO	
3A	1864362		FUSE,MEGA,200 AMP	
3B	1864404		HOLDER,FUSE,MEGA,LITTLE FUSE	
3C	1268119		SCREW,1/4-20X1/2,F,PH1,PAN HD,YEL ZN DICH	
3D	1166750		WASHER,FLAT,25/64 X 13/16X 5/64,YEL ZN	
4A	0004394		SOLENOID,75A,W/DIODE,BOSCH	
4B	1268119		SCREW,1/4-20X1/2,F,PH1,PAN HD,YEL ZN DICH	
5A	0004394		SOLENOID,75A,W/DIODE,BOSCH	
5B	1268119		SCREW,1/4-20X1/2,F,PH1,PAN HD,YEL ZN DICH	
6A	0002809		JUNCTION BLOCK,COOPER,C5268-4	
6B	1731017		SCREW,12-24 X 7/8,F,PH1,FLT CNSK HD,BLK	
6C	1247709		WASHER,FLAT,17/64 ID X,5/8,YEL ZN DICH	
6D	2001170		LOCKWASHER,SPLIT RING, 1/4 ,MED,YEL ZN	
6E	2001337		NUT,HEX HD,1/4-20,ZINC	
7A	0002809		JUNCTION BLOCK,COOPER,C5268-4	
7B	1731017		SCREW,12-24 X 7/8,F,PH1,FLT CNSK HD,BLK	
7C	1247709		WASHER,FLAT,17/64 ID X,5/8,YEL ZN DICH	
7D	2001170		LOCKWASHER,SPLIT RING, 1/4 ,MED,YEL ZN	

Models: A3FE
PDU
CAT
1 OF 2
BSN: From BSN F10068990

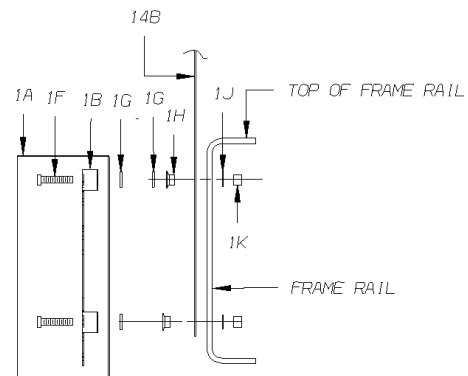
Key	PartNumber	Qty	Description	Comment
7E	2001337		NUT,HEX HD,1/4-20,ZINC	
8A	0080729		SENSOR,DC,CURRENT	
9A	0553131		STUD,TERMINAL,BAT CABLE JUNCTION,NO	
9B	1062124		SCREW,1/4-14 X 1,AB,PH1,PAN HD,YEL ZN	
9C	0839027		NUT,HEX HD,3/8-16,GR G,SM FLG LK,YEL	
10	0080372		HARNESS,WRG,PDU,CAT,AIR BRAKE, HDFE	
10	0080373		HARNESS,WRG,PDU,CAT,HYD BRAKE, HDFE	
11	0080418		DECAL,CAT,PDU,WT/A2000,AIR,CUR SEN, HDFE	
11	0063977		DECAL,CAT,PDU,WT/A2000,AIR,W/O SHUNT,	
11	0080423		DECAL,CAT,PDU,WT/A2000,HYD,CUR SEN, HDFE	
11	0063981		DECAL,CAT,PDU,WT/A2000,HYD,W/O SHUNT,	
12	0002212		BOOT,HEAT SHRINKABLE,RAYCHEM CES-2	
12	0002220		BOOT,HEAT SHRINKABLE,RAYCHEM CES-3	
13	0001303		CABLE ASSY,POWER FEED TO MEGAFUSE,	
14	1674811		TIE,CABLE,NYLON,PANDUIT NO. PTL2I-C30	
14	0024642		BRACKET,CLAMPING,HARNESS TO PDU	
14	0007643		DESSICANT,SILICA GEL,1/2 UNIT	

Models: A3FE
PDU
CAT
2 OF 2
BSN: From BSN F10068990

Key	PartNumber	Qty	Description	Comment
-----	------------	-----	-------------	---------



DETAIL C
FOR CONNECTOR FASTENERS



DETAIL A
FOR BOX MOUNTING WITH FASTENERS

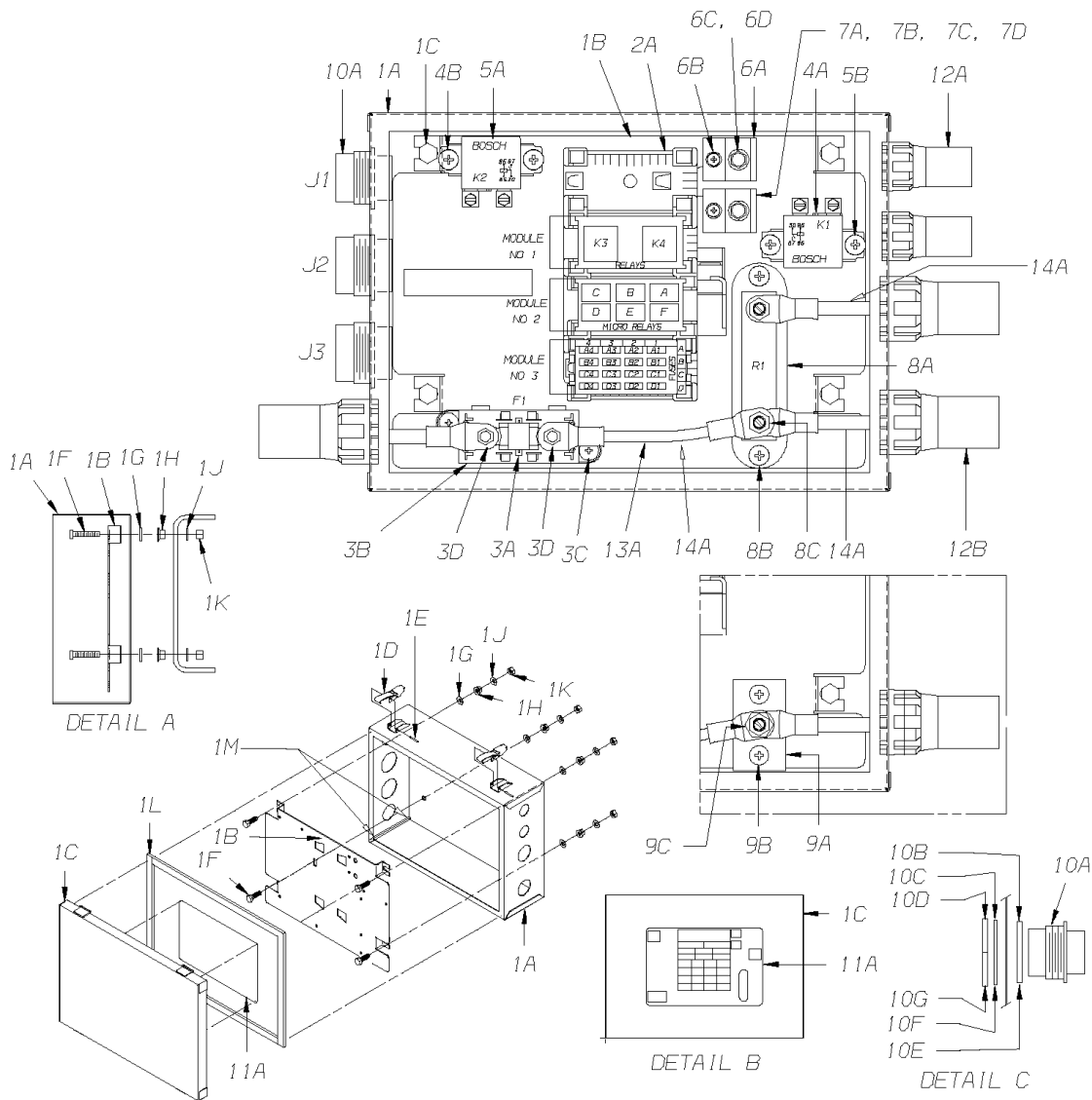
Models: A3FE
PDU
CAT
2 OF 2
BSN: From BSN F10068990

Key	PartNumber	Qty	Description	Comment
1A	0009471		BOX ASSY,PDU,W/SHUNT, HDFE	
1B	0001779		PLATE,MTG,PDU, HDFE & HDRE	
1C	0002434		COVER,PDU,HDFE/RE	
1D	0009562		LATCH,DRAW,OVER-CENTER,SOUTHCO 97-50	
1E	1334671		SCREW,8-32 X 3/8,F,PH1,PAN HD,YEL ZN DICH	
1F	1396555		CAPSCREW,HEX HD,5/16-18 X 1 1/2,GR 5,SST	
1G	0002699		WASHER,RUBBER,.125 THK X .25 ID X .75 OD	
1H	0002811		NUT,HEX HD,5/16-18.FLG,LK,NYL INS,YEL ZN	
1J	2001121		WASHER,FLAT,5/16 X 3/4,X 5/64,YEL ZN DICH	
1K	1465954		NUT,HEX HD,5/16-18,LK,NYLON INSERT,YEL	
1L	0002700		GASKET,PDU,HDFE/RE	
1M	0751883		SEALANT,SILICONE,CLEAR,CARTRIDGE	
1N	0001954		DECAL,FUSE PANEL INSIDE	
10	0080372		HARNESS,WRG,PDU,CAT,AIR BRAKE, HDFE	
10	0080373		HARNESS,WRG,PDU,CAT,HYD BRAKE, HDFE	
10	0002661		GASKET,CONNECTOR,18 SHELL,DEUTSCH	
10	0000092		LOCKWASHER,BLKHD,HD30,SIZE 18,DEUTSCH	
10	0000090		NUT,PANEL,BLKHD,HD30,SIZE 18,DEUTSCH	
10	0002662		GASKET,CONNECTOR,24 SHELL,DEUTSCH	
10	1985001		LOCKWASHER,BLKHD,HD30,SIZE 24,DEUTSCH	
10	1984996		NUT,PANEL,BLKHD,HD30,SIZE 24,DEUTSCH	
14	0024642		BRACKET,CLAMPING,HARNESS TO PDU	

Models: A3FE
PDU
CAT & CUMMINS

With Features: FEATURE 40177, 40184, 40187
 To BSN F10020224, L10032854

Key	PartNumber	Qty	Description	Comment
-----	------------	-----	-------------	---------



Models: A3FE
PDU
CAT & CUMMINS
With Features: FEATURE 40177, 40184, 40187
To BSN F10020224, L10032854

Key	PartNumber	Qty	Description	Comment
	0002420		BOX ASSY,PDU,ISB/C,WT,W/SHUNT, HDFE	FEATURE 40422-01. WITH FEATURE 40280-02. ISB/ISC, WT, WITH SHUNT
	0002421		BOX ASSY,PDU,ISB/C,WT,W/O SHUNT, HDFE	FEATURE 40422-01. ISB/ ISC, WT, WITHOUT SHUNT
	0002422		BOX ASSY,PDU,ISB/C,AT/MT,W/SHUNT, HDFE	FEATURE 40421, 40426 WITH FEATURE 40280-02. ISB/ISC, AT/MT, WITH SHUNT
	0002423		BOX ASSY,PDU,ISB/C,AT/MT,W/O SHUNT, HDFE	FEATURE 40421, 40426. ISB/ ISC, AT/MT, WITHOUT SHUNT
	0002424		BOX ASSY,PDU,CAT 3126B,WT,W/SHUNT, HDFE	FEATURE 40422-01 WITH FEATURE 40280-02. CAT 3126B, WT, WITH SHUNT
	0002425		BOX ASSY,PDU,CAT 3126B,WT,W/O SHUNT,	FEATURE 40422-01. CAT 3126B, WT, WITHOUT SHUNT
	0002426		BOX ASSY,PDU,CAT 3126B,AT/MT,W/SHUNT,	FEATURE 40421, 40426 WITH FEATURE 40280-02. CAT 3126B, AT/MT, WITH SHUNT
	0002427		BOX ASSY,PDU,CAT 3126B,AT/MT,W/O SHUNT,	FEATURE 40421, 40426. CAT 3126B, AT/MT, WITHOUT SHUNT
	0007490		BOX ASSY,PDU,ABS,HYD,ISB/C,WT,W/SHUNT ,	FEATURE 40422-01 WITH FEATURE 40280-02 WITH FEATURE 40076-03. (ISB/ ISC, WT, WITH SHUNT)
	0007491		BOX ASSY,PDU,ABS,HYD,ISB/C,WT,W/OSHUNT,	FEATURE 40422-01 WITH FEATURE 40076-03. (ISB/ ISC, WT, WITHOUT SHUNT)
	0007493		BOX ASSY,PDU,ABS,HYD,ISB/C,AT/MT,W/SHU,	FEATURE 40421, 40426 WITH FEATURE 40280-02 WITH FEATURE 40076-03. (ISB/ ISC, AT/MT, WITH SHUNT)
	0007494		BOX ASSY,PDU,ABS,HYD,ISB/C,AT/MT,W/O S,	FEATURE 40421, 40426 WITH FEATURE 40076-03. (ISB/ ISC, AT/MT, WITHOUT SHUNT)
	0007495		BOX ASSY,PDU,ABS,HYD,CAT3126B,WT,W/SHU,	FEATURE 40422-01 WITH FEATURE 40280-02 WITH FEATURE 40076-03. (CAT 3126B, WT, WITH SHUNT)
	0007496		BOX ASSY,PDU,ABS,HYD,CAT3126B,WT,W/O S,	FEATURE 40422-01 WITH FEATURE 40076-03. (CAT 3126B, WT, WITHOUT SHUNT)
	0007497		BOX ASSY,PDU,ABS,HYD,CAT3126B,AT/MT,WS,	FEATURE 40421, 40426 WITH FEATURE 40280-02 WITH FEATURE 40076-03. (CAT 3126B, AT/MT, WITH SHUNT)
	0007498		BOX ASSY,PDU,ABS,HYD,CAT3126B,AT/MT,WO,	FEATURE 40421, 40426 WITH FEATURE 40076-03. (CAT 3126B, AT/MT, WITHOUT SHUNT)
1A	0009471		BOX ASSY,PDU,W/SHUNT, HDFE	FEATURE 40421, 40422-01, 40426, WITH FEATURE 40280-02

Models: A3FE
PDU
CAT & CUMMINS
With Features: FEATURE 40177, 40184, 40187
To BSN F10020224, L10032854

Key	PartNumber	Qty	Description	Comment
1A	0009473		BOX ASSY,PDU,W/O SHUNT, HDFE	<i>WITH or WITHOUT 40076-03 FEATURE 40421, 40422-01, 40426 WITH or WITHOUT FEATURE 40076-03</i>
1B	0001779		PLATE,MTG,PDU, HDFE & HDRE	
1C	0002434		COVER,PDU,HDFE/RE	
1D	0009562		LATCH,DRAW,OVER-CENTER,SOUTHCO 97-50	
1E	1334671		SCREW,8-32 X 3/8,F,PH1,PAN HD,YEL ZN DICH	
1F	1396555		CAPSCREW,HEX HD,5/16-18 X 1 1/2,GR 5,SST	
1G	0002699		WASHER,RUBBER,.125 THK X .25 ID X .75 OD	
1H	0002811		NUT,HEX HD,5/16-18.FLG,LK,NYL INS,YEL ZN	
1J	2001121		WASHER,FLAT,5/16 X 3/4,X 5/64,YEL ZN DICH	
1K	1465954		NUT,HEX HD,5/16-18,LK,NYLON INSERT,YEL	
1L	0002700		GASKET,PDU,HDFE/RE	
1M	0751883		SEALANT,SILICONE,CLEAR,CARTRIDGE	
1N	0001954		DECAL,FUSE PANEL INSIDE	
2A	1953165		BASE,MTG,RELAY/FUSE BLK,4 POSITION, RCDA	
2B	1868017		RELAY,POTTER BRUMFIELD VF4-15F11-S01	
2C	1953249		FUSE,MINI,5 AMPS,RCDA	
2D	0000276		FUSE,MINI,7.5 AMPS	
2D	1953207		FUSE,MINI,10 AMPS,RCDA	
2D	1953223		FUSE,MINI,15 AMPS,RCDA	
2E	1953215		FUSE,MINI,20 AMPS,RCDA	
2G	1953231		FUSE,MINI,30 AMPS,RCDA	
2H	1746387		RELAY,MICRO	
3A	1864362		FUSE,MEGA,200 AMP	
3B	1864404		HOLDER,FUSE,MEGA,LITTLE FUSE	
3C	1268119		SCREW,1/4-20X1/2,F,PH1,PAN HD,YEL ZN DICH	
3D	1166750		WASHER,FLAT,25/64 X 13/16X 5/64,YEL ZN	
4A	0004394		SOLENOID,75A,W/DIODE,BOSCH	
4B	1268119		SCREW,1/4-20X1/2,F,PH1,PAN HD,YEL ZN DICH	
5A	0004394		SOLENOID,75A,W/DIODE,BOSCH	
5B	1268119		SCREW,1/4-20X1/2,F,PH1,PAN HD,YEL ZN DICH	
6A	0002809		JUNCTION BLOCK,COOPER,C5268-4	
6B	1731017		SCREW,12-24 X 7/8,F,PH1,FLT CNSK HD,BLK	

Models: A3FE
PDU
CAT & CUMMINS
With Features: FEATURE 40177, 40184, 40187
To BSN F10020224, L10032854

Key	PartNumber	Qty	Description	Comment
6C	1247709		WASHER,FLAT,17/64 ID X,5/8,YEL ZN DICH	
6D	2001170		LOCKWASHER,SPLIT RING, 1/4 ,MED,YEL ZN	
6E	2001337		NUT,HEX HD,1/4-20,ZINC	
7A	0002809		JUNCTION BLOCK,COOPER,C5268-4	
7B	1731017		SCREW,12-24 X 7/8,F,PH1,FLT CNSK HD,BLK	
7C	1247709		WASHER,FLAT,17/64 ID X,5/8,YEL ZN DICH	
7D	2001170		LOCKWASHER,SPLIT RING, 1/4 ,MED,YEL ZN	
7E	2001337		NUT,HEX HD,1/4-20,ZINC	
8A	0804294		SHUNT,AMMETER	
8B	1062124		SCREW,1/4-14 X 1,AB,PH1,PAN HD,YEL ZN	
8C	1166750		WASHER,FLAT,25/64 X 13/16X 5/64,YEL ZN	
9A	0553131		STUD,TERMINAL,BAT CABLE JUNCTION,NO	
9B	1062124		SCREW,1/4-14 X 1,AB,PH1,PAN HD,YEL ZN	
9C	0839027		NUT,HEX HD,3/8-16,GR G,SM FLG LK,YEL	
10	0002431		HARNESS,WRG,PDU,ISB/ISC,AT/MT, HDFE	FEATURE 40421, 40426 WITH or WITHOUT FEATURE 40280-02. CUMMINS, AT/ MT
10	0002432		HARNESS,WRG,PDU,CAT 3126B,AT/MT, HDFE	FEATURE 40421, 40426 WITH OR WITHOUT FEATURE 40280-02. CAT 3126B, AT/ MT
10	0017512		HARNESS,WRG,PDU,ISB/ISC,WT, HDFE	FEATURE 40422 -01 WITH or WITHOUT FEATURE 40280-02. CUMMINS, WT
10	0017513		HARNESS,WRG,PDU,CAT 3126B,WT, HDFE	FEATURE 40422 -01 WITH or WITHOUT FEATURE 40280-02. CAT 3126B, WT
10	0007487		HARNESS,WRG,PDU,ABS,HYD BRK,ISB/C,	FEATURE 40076 -03 WITH FEATURE 40421, 40426 WITH or WITHOUT FEATURE 40280-02. CUMMINS, AT/ MT
10	0007488		HARNESS,WRG,PDU,ABS,HYD BRK,CAT,AT/MT,	FEATURE 40076 -03 WITH FEATURE 40421, 40426 WITH or WITHOUT FEATURE 40280-02. CAT 3126B, AT/ MT
10	0017514		HARNESS,WRG,PDU,ABS,HYD BRK,ISB/ISC,WT,	FEATURE 40076 -03 WITH FEATURE 40422-01 WITH or WITHOUT FEATURE 40280-02. CUMMINS, WT
10	0007488		HARNESS,WRG,PDU,ABS,HYD BRK,CAT,AT/MT,	FEATURE 40076 -03 WITH FEATURE 40422-01 WITH or WITHOUT FEATURE 40280-02. CAT 3126B, WT
10	0002661		GASKET,CONNECTOR,18 SHELL,DEUTSCH	

Models: A3FE
PDU
CAT & CUMMINS
With Features: FEATURE 40177, 40184, 40187
To BSN F10020224, L10032854

Key	PartNumber	Qty	Description	Comment
10	0000092		LOCKWASHER,BLKHD,HD30,SIZE 18,DEUTSCH	
10	0000090		NUT,PANEL,BLKHD,HD30,SIZE 18,DEUTSCH	
10	0002662		GASKET,CONNECTOR,24 SHELL,DEUTSCH	
10	1985001		LOCKWASHER,BLKHD,HD30,SIZE 24,DEUTSCH	
10	1984996		NUT,PANEL,BLKHD,HD30,SIZE 24,DEUTSCH	
11	0002416		DECAL,PDU,ISB/C,WT,W/SHUNT, HDFE	FEATURE 40422-01 WITH FEATURE 40280-02. CUMMINS, WT, WITH SHUNT
11	0002417		DECAL,PDU,ISB/C,AT/MT,W/SHUNT, HDFE	FEATURE 40421, 40426 WITH FEATURE 40280-02. CUMMINS, AT/MT, WITH SHUNT
11	0002418		DECAL,PDU,CAT 3126B,WT,W/SHUNT, HDFE	FEATURE 40422-01 WITH FEATURE 40280-02. CAT 3126B, WT, WITH SHUNT
11	0002419		DECAL,PDU,CAT 3126B,AT/MT,W/SHUNT, HDFE	FEATURE 40421, 40426 WITH FEATURE 40280-02. CAT 3126B, AT/MT, WITH SHUNT
11	0002757		DECAL,PDU,ISB/C,WT,W/O SHUNT, HDFE	FEATURE 40422-01. CUMMINS, WT, WITHOUT SHUNT
11	0002759		DECAL,PDU,ISB/C,AT/MT,W/O SHUNT, HDFE	FEATURE 40421, 40426. CUMMINS, AT/MT, WITHOUT SHUNT
11	0002760		DECAL,PDU,CAT 3126B,WT,W/O SHUNT, HDFE	FEATURE 40422-01. CAT 3126B, WT, WITHOUT SHUNT
11	0002761		DECAL,PDU,CAT 3126B,AT/MT,W/O SHUNT,	FEATURE 40421, 40426. CAT 3126B, AT/MT, WITHOUT SHUNT
11	0007475		DECAL,PDU,ABS,HYD,ISB/C,WT,W/SHUNT,	FEATURE 40076 -03 WITH 40422 -01 WITH FEATURE 40280-02. CUMMINS, WT, WITH SHUNT
11	0007478		DECAL,PDU,ABS,HYD,ISB/C,AT/MT,W/SHUNT,	FEATURE 40076 -03 WITH 40421, 40426 WITH FEATURE 40280-02. CUMMINS, AT/MT, WITH SHUNT
11	0007480		DECAL,PDU,ABS,HYD,CAT3126B,WT,W/SHUNT,	FEATURE 40076 -03 WITH 40422 -01 WITH FEATURE 40280-02. CAT 3126B, WT, WITH SHUNT
11	0007482		DECAL,PDU,ABS,HYD,CAT3126B,AT/MT,W/SHU,	FEATURE 40076 -03 WITH 40421, 40426 WITH FEATURE 40280-02. CAT 3126B, AT/MT, WITH SHUNT
11	0007477		DECAL,PDU,ABS,HYD,ISB/C,WT,W/O SHUNT,	FEATURE 40076 -03 WITH FEATURE 40422-01. CUMMINS, WT, WITHOUT SHUNT
11	0007479		DECAL,PDU,ABS,HYD,ISB/C,AT/MT,W/O SHUN,	FEATURE 40076 -03 WITH FEATURE 40421, 40426. CUMMINS, AT/MT, WITHOUT SHUNT
11	0007481		DECAL,PDU,ABS,HYD,CAT3126B,WT,W/O SHUN,	FEATURE 40076 -03 WITH FEATURE 40422-01. CAT 3126B, WT, WITHOUT SHUNT

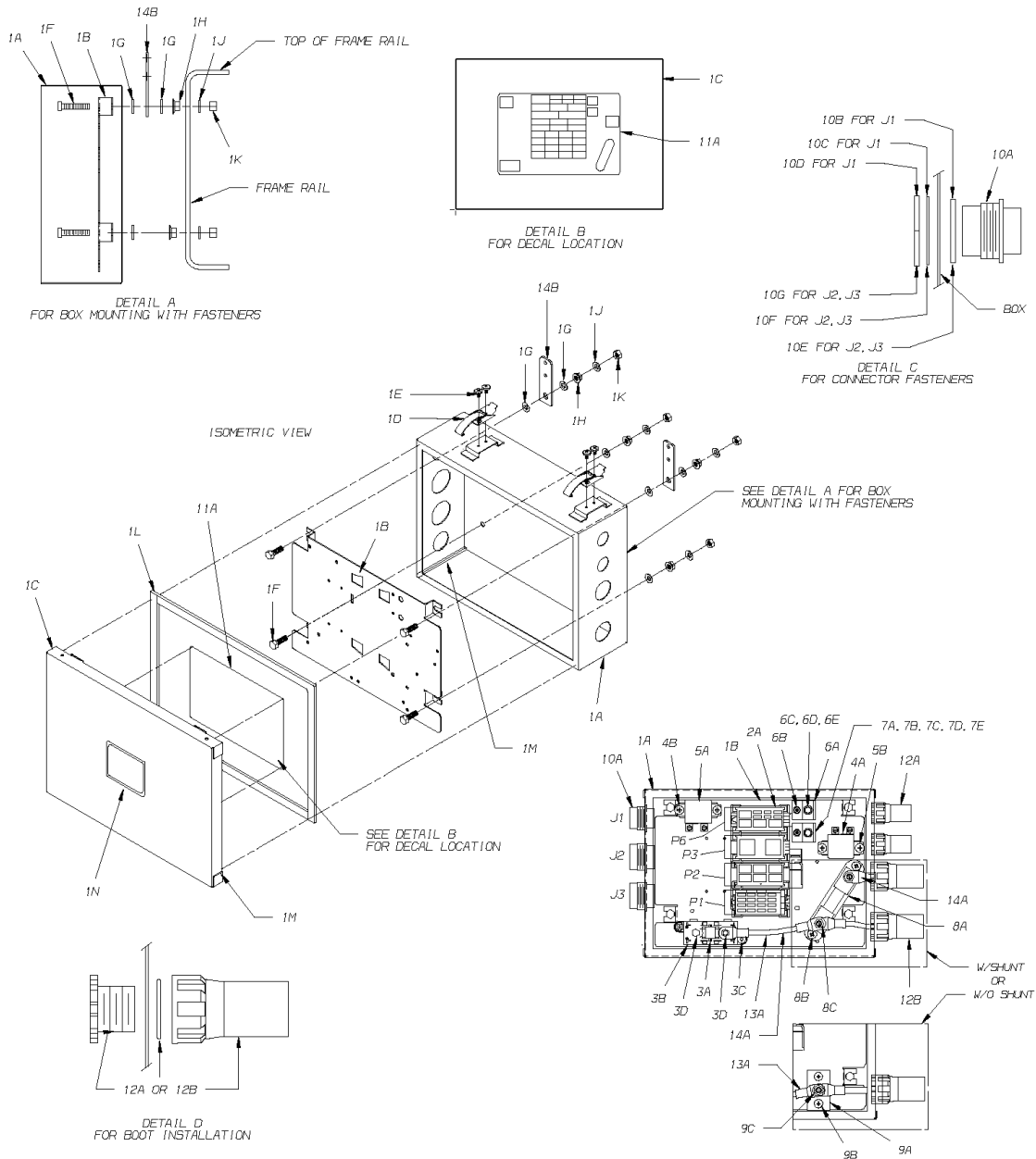
Models: A3FE
PDU
CAT & CUMMINS
With Features: FEATURE 40177, 40184, 40187
To BSN F10020224, L10032854

Key	PartNumber	Qty	Description	Comment
11	0007483		DECAL,PDU,ABS,HYD,CAT3126B,AT/MT,W/O S,	<i>FEATURE 40076 -03 WITH FEATURE 40421, 40426. CAT 3126B, AT/MT, WITHOUT SHUNT</i>
11	0017545		DECAL,PDU,NEUTRAL START, HDPE	
12	0002212		BOOT,HEAT SHRINKABLE,RAYCHEM CES-2	
12	0002220		BOOT,HEAT SHRINKABLE,RAYCHEM CES-3	
13	0001303		CABLE ASSY,POWER FEED TO MEGAFUSE,	
14	1674811		TIE,CABLE,NYLON,PANDUIT NO. PTL2I-C30	
14	0004982		BRACKET,CLAMPING,HARNESS TO PDU	
14	0007643		DESSICANT,SILICA GEL,1/2 UNIT	

Models: A3FE
PDU
CAT & CUMMINS

BSN: From BSN F10020225, L10032855
To BSN F10068989, L10123230

Key	PartNumber	Qty	Description	Comment
-----	------------	-----	-------------	---------



Models: A3FE
 PDU
 CAT & CUMMINS
BSN: From BSN F10020225, L10032855
 To BSN F10068989, L10123230

Key	PartNumber	Qty	Description	Comment
	0015646		BOX ASSY,PDU,CUMN,WT/A2000,AIR,W/SHUNT.	FEATURE 40422-01 WITH 40280-02.
	0015647		BOX ASSY,PDU,CUMN,WT/A2000,AIR,	FEATURE 40422-01.
	0015648		BOX ASSY,PDU,CUMN,AT/MT,AIR,W/SHUNT.,	FEATURE 40421; 40426 WITH 40280-02.
	0015649		BOX ASSY,PDU,CUMN,AT/MT,AIR,W/O SHUNT.	FEATURE 40421, 40426.
	0015650		BOX ASSY,PDU,CAT,WT/A2000,AIR,W/SHUNT,	FEATURE 40422-01 WITH FEATURE 40280-02. ENDING WITH BSN F-10057064.
	0015652		BOX ASSY,PDU,CAT,WT/A2000,AIR,W/OSHUNT,	FEATURE 40422-01. ENDING WITH BSN F-10057064
	0015653		BOX ASSY,PDU,CAT,AT/MT,AIR,W/SHUNT, HDFE	FEATURE 40421, 40426 WITH FEATURE 40280-02. ENDING WITH BSN F-10057064
	0015654		BOX ASSY,PDU,CAT,AT/MT,AIR,W/O SHUNT,	FEATURE 40421, 40426. ENDING WITH BSN F-10057064
	0063961		BOX,ASSY,PDU,CAT,WT/A2000,AIR,W/SHUNT.	
	0063962		BOX,ASSY,PDU,CAT,WT/A2000,AIR,W/OSHUNT.	
	0063963		BOX,ASSY,PDU,CAT,AT/MT,AIR,W/SHUNT.,	
	0063964		BOX,ASSY,PDU,CAT,AT/MT,AIR,W/O SHUNT.,	
	0015749		BOX ASSY,PDU,CUMN,WT/A2000,HYD,	FEATURE 40076-03 WITH FEATURE 40422-01. WITH FEATURE 40280-02. WT/ A2000, WITH SHUNT
	0015751		BOX ASSY,PDU,CUMN,WT/A2000,HYD,	FEATURE 40076-03 WITH FEATURE 40422-01. WT/ A2000, WITHOUT SHUNT
	0015752		BOX ASSY,PDU,CUMN,AT/MT,HYD,W/SHUNT.,	FEATURE 40076-03 WITH FEATURE 40421, 40426 WITH FEATURE 40280-02. AT/ MT, WITH SHUNT
	0015753		BOX ASSY,PDU,CUMN,AT/MT,HYD,W/O SHUNT.	FEATURE 40076-03 WITH FEATURE 40421, 40426. AT/ MT, WITHOUT SHUNT.
	0015754		BOX ASSY,PDU,CAT,WT/A2000,HYD,W/SHUNT,	FEATURE 40076-03 WITH FEATURE 40422-01 WITH FEATURE 40280-02. ENDING WITH BSN F-10057064
	0015755		BOX ASSY,PDU,CAT,WT/A2000,HYD,W/OSHUNT,	FEATURE 40076-03 WITH FEATURE 40422-01 (WT/ A2000). ENDING WITH BSN F-10057064
	0015756		BOX ASSY,PDU,CAT,AT/MT,HYD,W/SHUNT,	FEATURE 40076-03 WITH FEATURE 40421, 40426 WITH FEATURE 40280-02. ENDING WITH BSN F-10057064
	0015757		BOX ASSY,PDU,CAT,AT/MT,HYD,W/O SHUNT,	FEATURE 40076-03 WITH FEATURE 40421, 40426. ENDING

Models: A3FE
 PDU
 CAT & CUMMINS
BSN: From BSN F10020225, L10032855
 To BSN F10068989, L10123230

Key	PartNumber	Qty	Description	Comment
				WITH BSN F-10057064
	0063966		BOX,ASSY,PDU,CAT,WT/A2000,HYD,W/SHUNT.	
	0063967		BOX,ASSY,PDU,CAT,WT/A2000,HYD,W/OSHUNT.	
	0063968		BOX,ASSY,PDU,CAT,AT/MT,HYD,W/SHUNT.,	
	0063969		BOX,ASSY,PDU,CAT,AT/MT,HYD,W/O SHUNT.,	
1A	0009471		BOX ASSY,PDU,W/SHUNT, HDFE	FEATURE 40421, 40422-01, 40426 WITH FEATURE 40280-02 WITH OR WITHOUT 40076-03.
1A	0009473		BOX ASSY,PDU,W/O SHUNT, HDFE	FEATURE 40421, 40422-01, 40426 WITH or WITHOUT FEATURE 40076-03.
1B	0001779		PLATE,MTG,PDU, HDFE & HDRE	
1C	0002434		COVER,PDU,HDFE/RE	
1D	0009562		LATCH,DRAW,OVER-CENTER,SOUTHCO 97-50	
1E	1334671		SCREW,8-32 X 3/8,F,PH1,PAN HD,YEL ZN DICH	
1F	1396555		CAPSCREW,HEX HD,5/16-18 X 1 1/2,GR 5,SST	
1G	0002699		WASHER,RUBBER,.125 THK X .25 ID X .75 OD	
1H	0002811		NUT,HEX HD,5/16-18.FLG,LK,NYL INS,YEL ZN	
1J	2001121		WASHER,FLAT,5/16 X 3/4,X 5/64,YEL ZN DICH	
1K	1465954		NUT,HEX HD,5/16-18,LK,NYLON INSERT,YEL	
1L	0002700		GASKET,PDU,HDFE/RE	
1M	0751883		SEALANT,SILICONE,CLEAR,CARTRIDGE	
1N	0001954		DECAL,FUSE PANEL INSIDE	
2A	1953165		BASE,MTG,RELAY/FUSE BLK,4 POSITION, RCDA	
2B	1868017		RELAY,POTTER BRUMFIELD VF4-15F11-S01	
2C	1953249		FUSE,MINI,5 AMPS,RCDA	
2D	0000276		FUSE,MINI,7.5 AMPS	
2E	1953207		FUSE,MINI,10 AMPS,RCDA	
2F	1953223		FUSE,MINI,15 AMPS,RCDA	
2G	1953215		FUSE,MINI,20 AMPS,RCDA	
2H	1953199		FUSE,MINI,25 AMPS,RCDA	
2J	1953231		FUSE,MINI,30 AMPS,RCDA	
2K	1746387		RELAY,MICRO	
3A	1864362		FUSE,MEGA,200 AMP	
3B	1864404		HOLDER,FUSE,MEGA,LITTLE FUSE	
3C	1268119		SCREW,1/4-20X1/2,F,PH1,PAN HD,YEL ZN DICH	

Models: A3FE
PDU
CAT & CUMMINS
BSN: From BSN F10020225, L10032855
To BSN F10068989, L10123230

Key	PartNumber	Qty	Description	Comment
3D	1166750		WASHER,FLAT,25/64 X 13/16X 5/64,YEL ZN	
4A	0004394		SOLENOID,75A,W/DIODE,BOSCH	
4B	1268119		SCREW,1/4-20X1/2,F,PH1,PAN HD,YEL ZN DICH	
5A	0004394		SOLENOID,75A,W/DIODE,BOSCH	
5B	1268119		SCREW,1/4-20X1/2,F,PH1,PAN HD,YEL ZN DICH	
6A	0002809		JUNCTION BLOCK,COOPER,C5268-4	
6B	1731017		SCREW,12-24 X 7/8,F,PH1,FLT CNSK HD,BLK	
6C	1247709		WASHER,FLAT,17/64 ID X,5/8,YEL ZN DICH	
6D	2001170		LOCKWASHER,SPLIT RING, 1/4 ,MED,YEL ZN	
6E	2001337		NUT,HEX HD,1/4-20,ZINC	
7A	0002809		JUNCTION BLOCK,COOPER,C5268-4	
7B	1731017		SCREW,12-24 X 7/8,F,PH1,FLT CNSK HD,BLK	
7C	1247709		WASHER,FLAT,17/64 ID X,5/8,YEL ZN DICH	
7D	2001170		LOCKWASHER,SPLIT RING, 1/4 ,MED,YEL ZN	
7E	2001337		NUT,HEX HD,1/4-20,ZINC	
8A	0015104		SHUNT,AMMETER,VDO,150A	
8B	1164821		SCREW,10-16 X 3/4,AB,PH1,TRUSS HD, YEL ZN	
8C	1166750		WASHER,FLAT,25/64 X 13/16X 5/64,YEL ZN	
9A	0553131		STUD,TERMINAL,BAT CABLE JUNCTION,NO	
9B	1062124		SCREW,1/4-14 X 1,AB,PH1,PAN HD,YEL ZN	
9C	0839027		NUT,HEX HD,3/8-16,GR G,SM FLG LK,YEL	
10	0015637		HARNES,WRG,PDU,CUMN,AIR BRAKE., HDFE	FEATURE 40177, 40184 WITH FEATURE 40421, 40422-01, 40426 WITH or WITHOUT FEATURE 40280-02
10	0015638		HARNES,WRG,PDU,CUMN,HYD BRAKE., HDFE	FEATURE 40177, 40184 WITH FEATURE 40421, 40422-01, 40426 WITH or WITHOUT FEATURE 40280-02 WITH 40076 -03
10	0015639		HARNES,WRG,PDU,CAT,AIR BRAKES, HDFE	CAT 3126, FEATURE 40187 WITH FEATURE 40421, 40422-01, 40426 WITH OR WITHOUT 40280 -02
10	0063995		HARNES,WRG,PDU,CAT,AIR BRAKE., HDFE	CAT C7, FEATURE 40187 WITH FEATURE 40421, 40422-01 40426, WITH oOR WITHOUT 40280-02
10	0015640		HARNES,WRG,PDU,CAT,HYD BRAKES, HDFE	CAT 3126. FEATURE 40187 WITH FEATURE 40421, 40422-01,

Models: A3FE
PDU
CAT & CUMMINS
BSN: From BSN F10020225, L10032855
To BSN F10068989, L10123230

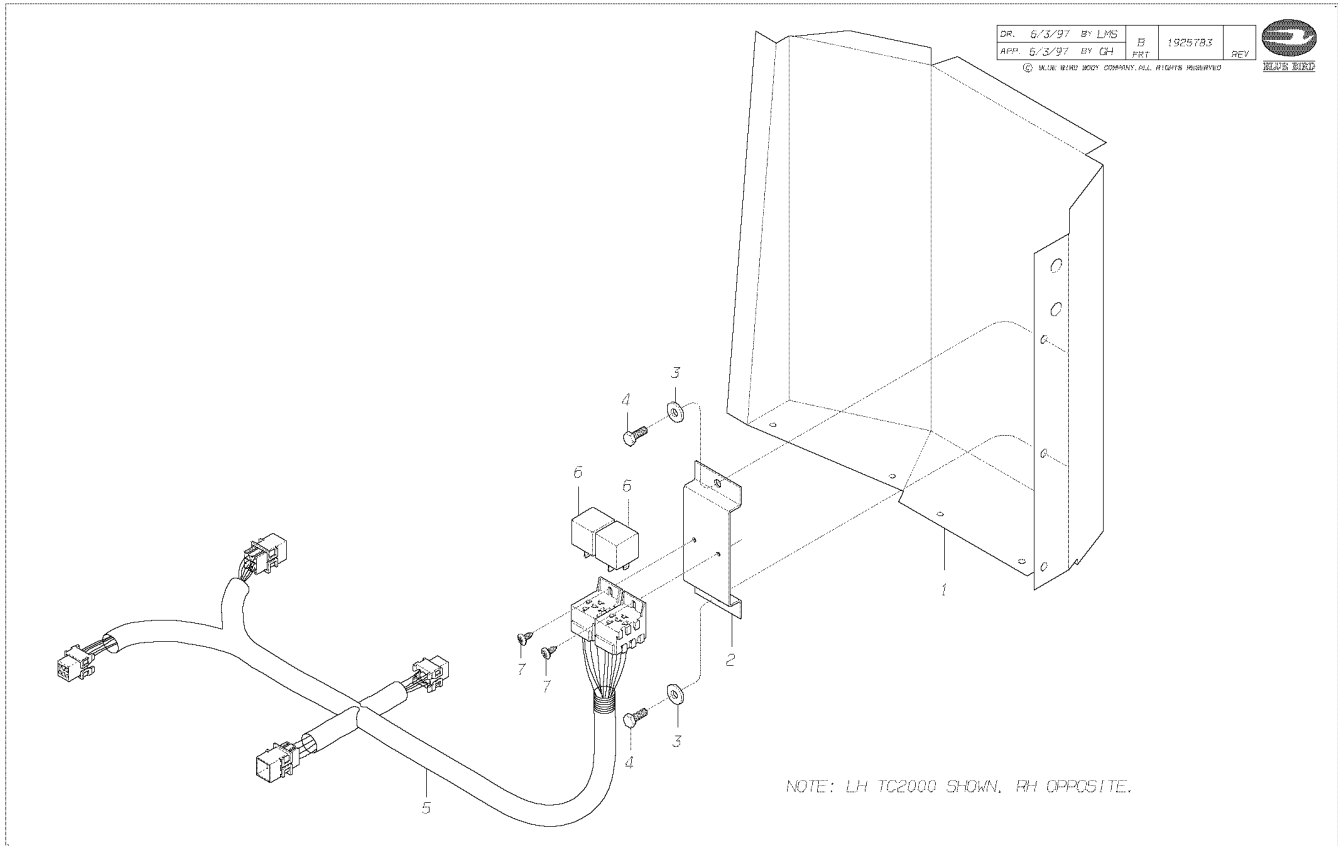
Key	PartNumber	Qty	Description	Comment
				40426 WITH OR WITHOUT 40280 -02 WITH 40076-03
10	0063994		HARNESS,WRG,PDU,CAT,HYD BRAKE., HDFE	CAT C7. FEATURE 40187 WITH FEATURE 40421, 40422-01 40426, WITH OR WITHOUT 40280 -02 WITH 40071
10	0002661		GASKET,CONNECTOR,18 SHELL,DEUTSCH	
10	0000092		LOCKWASHER,BLKHD,HD30,SIZE 18,DEUTSCH	
10	0000090		NUT,PANEL,BLKHD,HD30,SIZE 18,DEUTSCH	
10	0002662		GASKET,CONNECTOR,24 SHELL,DEUTSCH	
10	1985001		LOCKWASHER,BLKHD,HD30,SIZE 24,DEUTSCH	
10	1984996		NUT,PANEL,BLKHD,HD30,SIZE 24,DEUTSCH	
11	0015611		DECAL,PDU,CUMN,WT/A2000,AIR,W/SHUNT.,	FEATURE 40422-01 WITH FEATURE 40280-02.
11	0015612		DECAL,PDU,CUMN,WT/A2000,AIR,W/O SHUNT,	FEATURE 40422-01.
11	0015613		DECAL,PDU,CUMN,AT/MT,AIR,W/SHUNT., HDFE	FEATURE 40421, 40426 WITH FEATURE 40280-02.
11	0015614		DECAL,PDU,CUMN,AT/MT,AIR,W/O SHUNT,	FEATURE 40421, 40426.
11	0015619		DECAL,PDU,CUMN,WT/A2000,HYD,W/SHUNT.,	FEATURE 40422-01 WITH FEATURE 40280-02 WITH FEATURE 40071.
11	0015620		DECAL,PDU,CUMN,WT/A2000,HYD,W/O SHUNT,	FEATURE 40422-01 WITH FEATURE 40071.
11	0015621		DECAL,PDU,CUMN,AT/MT,HYD,W/SHUNT., HDFE	FEATURE 40421, 40426 WITH FEATURE 40280-02 WITH FEATURE 40071.
11	0015622		DECAL,PDU,CUMN,AT/MT,HYD,W/O SHUNT,	FEATURE 40421, 40426 WITH FEATURE 40071.
11	0015615		DECAL,PDU,CAT,WT/A2000,AIR,W/SHUNT,	FEATURE 40422-01 WITH FEATURE 40280-02.
11	0015616		DECAL,PDU,CAT,WT/A2000,AIR,W/O SHUNT,	FEATURE 40422-01.
11	0015617		DECAL,PDU,CAT,AT/MT,AIR,W/SHUNT, HDFE	FEATURE 40421, 40426 WITH FEATURE 40280-02.
11	0015618		DECAL,PDU,CAT,AT/MT,AIR,W/O SHUNT, HDFE	FEATURE 40421, 40426.
11	0015623		DECAL,PDU,CAT,WT/A2000,HYD,W/SHUNT,	FEATURE 40422-01 WITH FEATURE 40280-02 WITH FEATURE 40071.
11	0015624		DECAL,PDU,CAT,WT/A2000,HYD,W/O SHUNT,	FEATURE 40422-01 WITH FEATURE 40071.
11	0015625		DECAL,PDU,CAT,AT/MT,HYD,W/SHUNT, HDFE	FEATURE 40421, 40426 WITH FEATURE 40280-02 WITH 40071.
11	0015626		DECAL,PDU,CAT,AT/MT,HYD,W/O SHUNT, HDFE	FEATURE 40421, 40426 WITH FEATURE 40071.
11	0063976		DECAL,CAT,PDU,WT/A2000,AIR,W/SHUNT.,	FEATURE 40422-01 WITH FEATURE 40280-02.

Models: A3FE
PDU
CAT & CUMMINS
BSN: From BSN F10020225, L10032855
To BSN F10068989, L10123230

Key	PartNumber	Qty	Description	Comment
11	0063977		DECAL,CAT,PDU,WT/A2000,AIR,W/O SHUNT,	FEATURE 40422-01.
11	0063978		DECAL,CAT,PDU,AT/MT,AIR,W/SHUNT., HDFE	FEATURE 40421, 40426 WITH FEATURE 40280-02.
11	0063979		DECAL,CAT,PDU,AT/MT,AIR,W/O SHUNT, HDFE	FEATURE 40421, 40426.
11	0063980		DECAL,CAT,PDU,WT/A2000,HYD,W/SHUNT,	FEATURE 40422-01 WITH FEATURE 40280-02 WITH FEATURE 40071.
11	0063981		DECAL,CAT,PDU,WT/A2000,HYD,W/O SHUNT,	FEATURE 40422-01 WITH FEATURE 40071.
11	0063982		DECAL,CAT,PDU,AT/MT,HYD,W/SHUNT., HDFE	FEATURE 40421, 40426 WITH FEATURE 40280-02 WITH 40071.
11	0063983		DECAL,CAT,PDU,AT/MT,HYD,W/O SHUNT, HDFE	FEATURE 40421, 40426 WITH FEATURE 40071.
12	0002212		BOOT,HEAT SHRINKABLE,RAYCHEM CES-2	
12	0002220		BOOT,HEAT SHRINKABLE,RAYCHEM CES-3	
13	0001303		CABLE ASSY,POWER FEED TO MEGAFUSE,	
14	1674811		TIE,CABLE,NYLON,PANDUIT NO. PTL2I-C30	
14	0024642		BRACKET,CLAMPING,HARNESS TO PDU	
14	0007643		DESSICANT,SILICA GEL,1/2 UNIT	

Models: A3FE, A3RE, C1FE, CSFE, CSRE, QBRE, T2RE, TCFE, TCRE, TSFE
RELAYS, TURN SIGNAL

Key	PartNumber	Qty	Description	Comment
-----	------------	-----	-------------	---------



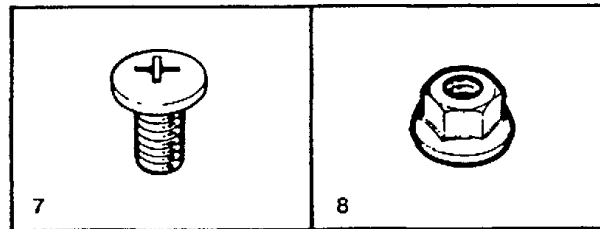
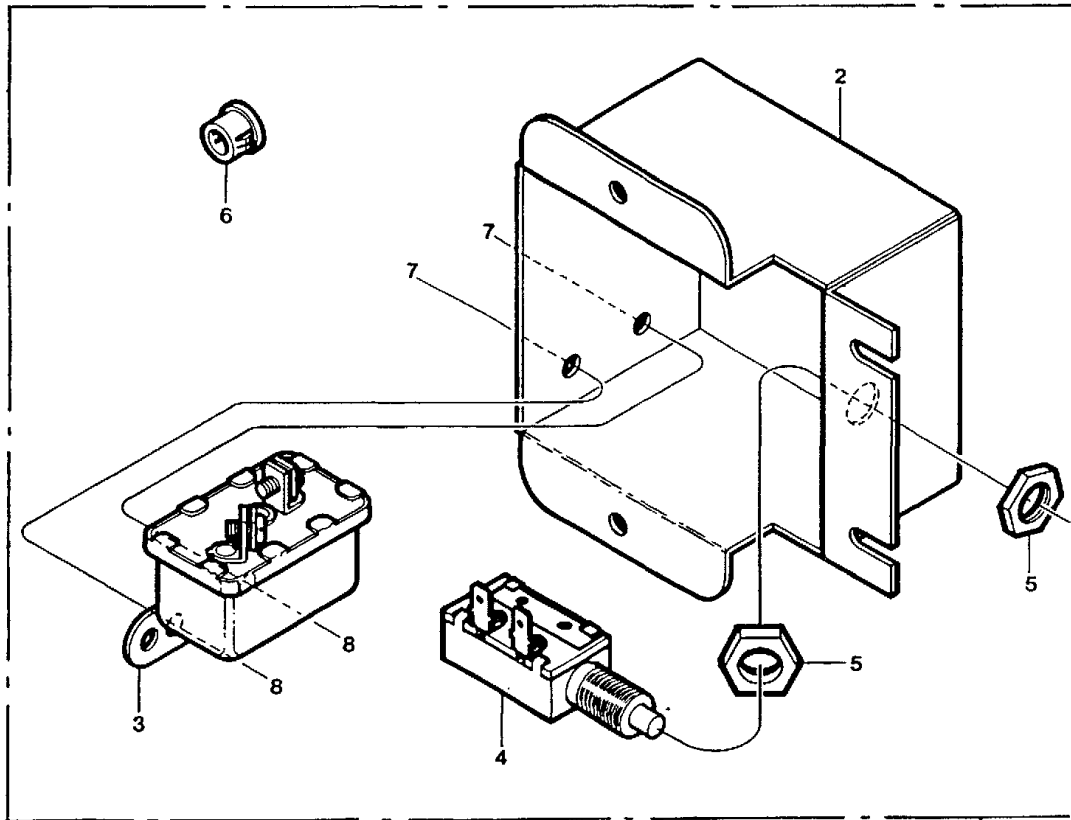
Models: A3FE, A3RE, C1FE, CSFE, CSRE, QBRE, T2RE, TCFE, TCRE, TSFE
RELAYS, TURN SIGNAL

Key	PartNumber	Qty	Description	Comment
1	1644780		PANEL ASSY,CLOSEOUT,DRIVER SIDE, TC/QB	<i>ENDING WITH BSN 10010589, 10017339, 10018409.</i>
1	0007940		PANEL ASSY,CLOSEOUT,DRIVER SIDE,TC/QB	<i>BEGIN WITH BSN 10010590, 10017340, 10018410.</i>
2	1920305		BRACKET,MTG,RELAY,TURN SIGNAL, TC/CS/QB	
3	2001121	2	WASHER,FLAT,5/16 X 3/4,X 5/64,YEL ZN DICH	
4	0807958	2	CAPSCREW,HEX HD,1/4-20X 1/2,GR8,YEL ZN	
5	1918424		HARNES,WRG,TURN SIGNAL IMPROVEMENT,	
6	1868017	2	RELAY,POTTER BRUMFIELD VF4-15F11-S01	
7	2186401	2	SCREW,10-16 X 1/2,AB,PH1,PAN HD,YEL ZN	

Models: AAFE, A3FE, C1FE, GMCV, MBWB, SBCV, TCEV, TCFE, TSFE
 With Features: SWITCH & BUZZER, REAR EMERGENCY DOOR, D.O.T.
 OPTION 3001-01

Key	PartNumber	Qty	Description	Comment
-----	------------	-----	-------------	---------

DR 1-26-88 BY JB	8007379
APP 1-27-88 BY DB	
FRONT © 1988 BLUE BIRD BODY COMPANY ALL RIGHTS RESERVED	



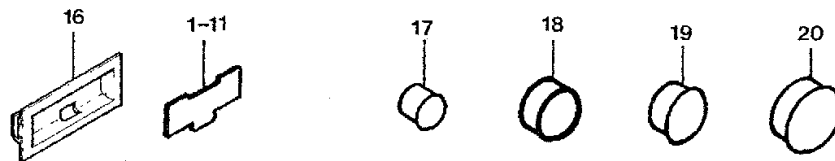
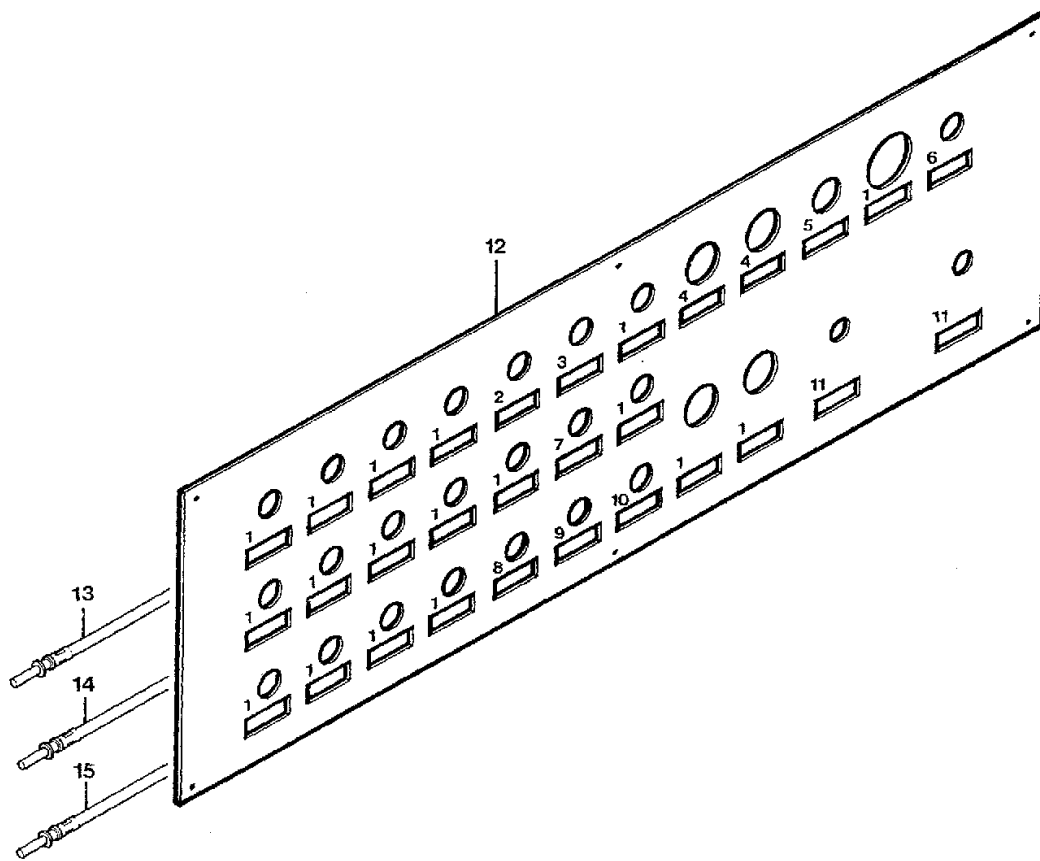
Models: AAFE, A3FE, C1FE, GMCV, MBWB, SBCV, TCEV, TCFE, TSFE
With Features: SWITCH & BUZZER, REAR EMERGENCY DOOR, D.O.T.
 OPTION 3001-01

Key	PartNumber	Qty	Description	Comment
1	1030972		BUZZER & SWITCH ASSY,R E D,FMVSS217	
2	1008960		COVER,BZR & SW,REAR EMERGENCY DOOR	
3	2006187		BUZZER,R E D/R E W/POW	
4	1145168		SWITCH,ADJUSTABLE,DPST (NC) INTERNAL	
5	1073311	2	NUT,PANEL,HEX HD,1/2-20,YEL ZN DICH	
6	0385484		BUSHING,NYLON,.437 HEYCO	
7	0813477	2	SCREW,MACH,1/4-20X1/2,PH1,RD,YELZN,	
8	0659979	2	NUT,HEX,FLANGE SER,1/4-20,BLACK ZINC	

Models: AAFE, AARE, A3FE, A3RE, C1FE, CSFE, CSRE, TCFE, TCRE, TSFE
 SWITCH PANEL
 To BSN B10064339, F10035824, F20035859, L10059259

Key	PartNumber	Qty	Description	Comment
-----	------------	-----	-------------	---------

DR 11-11-87 BY DEW
 APP. BY 8007098
 FRONT © 1986 BLUE BIRD BODY COMPANY
 ALL RIGHTS RESERVED



Models: **AAFE, AARE, A3FE, A3RE, C1FE, CSFE, CSRE, TCFE, TCRE, TSFE**
SWITCH PANEL
To BSN B10064339, F10035824, F20035859, L10059259

Key	PartNumber	Qty	Description	Comment
1	1293901		APPLIQUE,BLANK,SWITCH PANEL,AA	
2	1293794		APPLIQUE,DOME,SWITCH PANEL,AA	STANDARD
2	1405174		APPLIQUE,DOME,SWITCH PANEL,	OPTION 3075
3	1293927		APPLIQUE,CL LAMPS,SWITCH PNL,AA	STANDARD
3	1405364		APPLIQUE,CL LAMPS,SWITCH PNL,	OPTION 3075
4	1293778		APPLIQUE,W/L PILOT,SWITCH PNL,AA	STANDARD
4	1405158		APPLIQUE,W/L PILOT,SWITCH PNL,	OPTION 3075
5	1293943		APPLIQUE,W/L MANUAL,SWITCH PNL, AA	STANDARD
5	1405422		APPLIQUE,W/L MANUAL,SWITCH PNL,	OPTION 3075
6	1293786		APPLIQUE,W/L MASTER,SWITCH PNL,AA	STANDARD
6	1405166		APPLIQUE,W/L MASTER,SWITCH PNL,	OPTION 3075
7	1293935		APPLIQUE,FAN,SWITCH PANEL,AA	STANDARD
7	1405372		APPLIQUE,FAN,SWITCH PANEL,	OPTION 3075
8	1345354		APPLIQUE,DRV HTR,SWITCH PNL,AA	STANDARD
8	1405224		APPLIQUE,DRV HTR,SWITCH PNL,FR/BILINGUAL	OPTION 3075
9	1293828		APPLIQUE,FRT HTR,SWITCH PNL,AA	STANDARD
9	1405240		APPLIQUE,FRT HTR,SWITCH PNL,FR/BILINGUAL	OPTION 3075
10	1293836		APPLIQUE,DEFROSTER,SWITCH PNL,AA	STANDARD
10	1405257		APPLIQUE,DEFROSTER,SWITCH PNL,	OPTION 3075
11	1293760		APPLIQUE,WASH/WIPE,SWITCH PNL,AA	STANDARD
11	1405141		APPLIQUE,WASH/WIPE,SWITCH PNL,	OPTION 3075
NI	1293893		APPLIQUE,STP/CROSS ARM,SWITCH PNL, AA	STANDARD
NI	1405349		APPLIQUE,STP/CROSS ARM,SWITCH PNL,	OPTION 3075
NI	1293919		APPLIQUE,HTR PUMP,SWITCH PNL,AA	STANDARD
NI	1405356		APPLIQUE,HTR PUMP,SWITCH PNL,	OPTION 3075
NI	1346980		APPLIQUE,SEATBELT,SWITCH PNL, AA	STANDARD
NI	1405380		APPLIQUE,SEATBELT,SWITCH PNL,	OPTION 3075
NI	1346972		APPLIQUE,LIFT DOOR,SWITCH PNL,AA	STANDARD
NI	1405398		APPLIQUE,LIFT DOOR,SWITCH PNL,	OPTION 3075
NI	1346964		APPLIQUE,HTR MASTER,SWITCH PNL,AA	STANDARD
NI	1405406		APPLIQUE,HTR MASTER,SWITCH PNL,	OPTION 3075
NI	1346956		APPLIQUE,EM W/L,SWITCH PANEL,AA	STANDARD
NI	1405414		APPLIQUE,EM W/L,SWITCH PANEL,	OPTION 3075
				STANDARD

Models: **AAFE, AARE, A3FE, A3RE, C1FE, CSFE, CSRE, TCFE, TCRE, TSFE**
SWITCH PANEL
To BSN B10064339, F10035824, F20035859, L10059259

Key	PartNumber	Qty	Description	Comment
NI	1293950		APPLIQUE,MIRROR DEF,SWITCH PNL,AA	
NI	1405430		APPLIQUE,MIRROR DEF,SWITCH PNL,	OPTION 3075
NI	1293968		APPLIQUE,PNL DIMMER,SWITCH PNL	STANDARD
NI	1405448		APPLIQUE,PNL DIMMER,SWITCH PNL,	OPTION 3075
NI	1293976		APPLIQUE,ACCESSORY,SWITCH PNL, AA	STANDARD
NI	1405455		APPLIQUE,ACCESSORY,SWITCH PNL,	OPTION 3075
NI	1293984		APPLIQUE,AUX HTR,SWITCH PNL,AA	STANDARD
NI	1405463		APPLIQUE,AUX HTR,SWITCH PNL,FR/BILINGUAL	OPTION 3075
NI	1345347		APPLIQUE,PILOT,SWITCH PANEL,AA	STANDARD
NI	1405232		APPLIQUE,PILOT,SWITCH PANEL,FR/BILINGUAL	OPTION 3075
NI	1293844		APPLIQUE,RR HEATER,SWITCH PNL,AA	STANDARD
NI	1405265		APPLIQUE,RR HEATER,SWITCH PNL,	OPTION 3075
NI	1293851		APPLIQUE,LIFT,SWITCH PANEL, AA	STANDARD
NI	1405273		APPLIQUE,LIFT,SWITCH PANEL,	OPTION 3075
NI	1293877		APPLIQUE,ENT DOOR,SWITCH PANEL,AA	STANDARD
NI	1405281		APPLIQUE,ENT DOOR,SWITCH PANEL,	OPTION 3075
NI	1346766		APPLIQUE,EM EXIT,SWITCH PANEL	STANDARD
NI	1405299		APPLIQUE,EM EXIT,SWITCH PANEL,	OPTION 3075
NI	1345404		APPLIQUE,DRV DOME,SWITCH PNL,AA	STANDARD
NI	1405307		APPLIQUE,DRV DOME,SWITCH PNL,	OPTION 3075
NI	1345396		APPLIQUE,RH DOME,SWITCH PANEL, AA	STANDARD
NI	1405315		APPLIQUE,RH DOME,SWITCH PANEL,	OPTION 3075
NI	1345388		APPLIQUE,LH DOME,SWITCH PANEL, AA	STANDARD
NI	1405323		APPLIQUE,LH DOME,SWITCH PANEL,	OPTION 3075
NI	1293885		APPLIQUE,EXIT DOOR,SWITCH PNL, AA	STANDARD
NI	1405331		APPLIQUE,EXIT DOOR,SWITCH PNL,	OPTION 3075
NI	1345339		APPLIQUE,WIPE,SWITCH PANEL,AA	STANDARD
NI	1405109		APPLIQUE,WIPE,SWITCH PANEL,FR/BILINGUAL	OPTION 3075
NI	1345321		APPLIQUE,WASH,SWITCH PANEL,AA	STANDARD
NI	1405117		APPLIQUE,WASH,SWITCH PANEL,FR/BILINGUAL	OPTION 3075
NI	1345313		APPLIQUE,RR DEST,SWITCH PANEL,AA	STANDARD
NI	1405125		APPLIQUE,RR DEST,SWITCH PANEL,	OPTION 3075
NI	1345305		APPLIQUE,FRT DEST,SWITCH PANEL, AA	STANDARD
				OPTION 3075

Models: **AAFE, AARE, A3FE, A3RE, C1FE, CSFE, CSRE, TCFE, TCRE, TSFE**
SWITCH PANEL
To BSN B10064339, F10035824, F20035859, L10059259

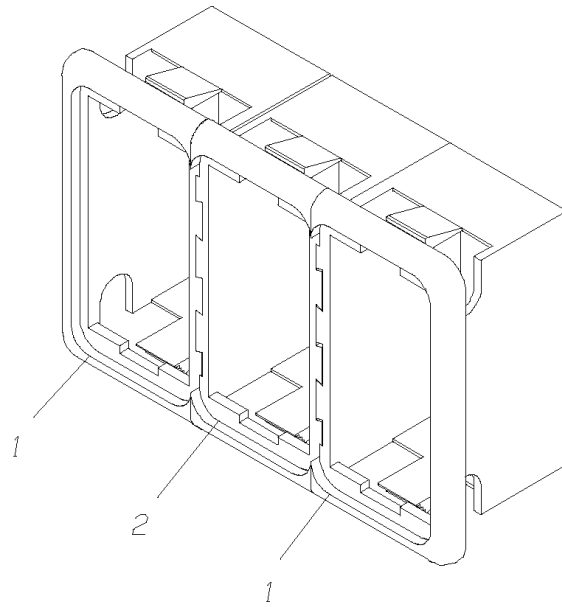
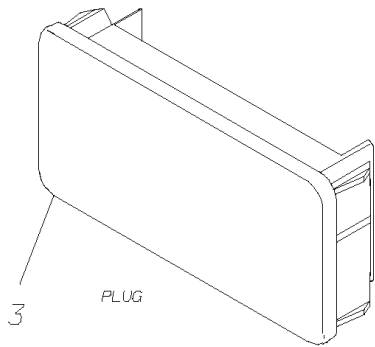
Key	PartNumber	Qty	Description	Comment
NI	1405133		APPLIQUE,FRT DEST,SWITCH PANEL,	
NI	1293802		APPLIQUE,ROOF VENT,SWITCH PANEL, AA	STANDARD
NI	1405182		APPLIQUE,ROOF VENT,SWITCH PNL,	OPTION 3075
NI	1293810		APPLIQUE,US HEATER,SWITCH PNL,AA	STANDARD
NI	1405190		APPLIQUE,US HEATER,SWITCH PNL,	OPTION 3075
NI	1345370		APPLIQUE,RR DOME,SWITCH PANEL,AA	STANDARD
NI	1405208		APPLIQUE,RR DOME,SWITCH PANEL,	OPTION 3075
NI	1347970		APPLIQUE,BACKING HORN,SWITCH PNL, AA	STANDARD
NI	1405489		APPLIQUE,BACKING HORN,SWITCH PNL,	OPTION 3075
NI	1347988		APPLIQUE,DEST SIGN,SWITCH PNL, AA	STANDARD
NI	1405497		APPLIQUE,DEST SIGN,SWITCH PNL,	OPTION 3075
NI	1350990		APPLIQUE,W/L SELECT,SWITCH PNL	STANDARD
NI	1405505		APPLIQUE,W/L SELECT,SWITCH PNL,	OPTION 3075
NI	1351006		APPLIQUE,W/L OFF,SWITCH PANEL	STANDARD
NI	1405521		APPLIQUE,W/L OFF,SWITCH PANEL,	OPTION 3075
NI	1351022		APPLIQUE,CHIME,SWITCH PNL	STANDARD
NI	1405539		APPLIQUE,CHIME,SWITCH PNL,	OPTION 3075
NI	1359371		APPLIQUE,STP ARM,SWITCH PNL, AA	STANDARD
NI	1405547		APPLIQUE,STP ARM,SWITCH PNL,FR/BILINGUAL	OPTION 3075
NI	1392265		APPLIQUE,STP ARM,HI-LOW,SW PNL,AA&TC	STANDARD
NI	1405513		APPLIQUE,STP ARM HI-LOW,SW PNL,	OPTION 3075
12	1526532		PANEL ASSY,SWITCH,ELEC,TCFC	STANDARD. AAFE, AARE, A3FE, A3RE.
12	1526219		PANEL ASSY,SWITCH & ELEC,FR BLNGL, TCFC	OPTION 3075. AAFE, AARE, A3FE, A3RE.
12	1526532		PANEL ASSY,SWITCH,ELEC,TCFC	STANDARD. TCFE, TCRE, CSFE, CSRE.
12	1526219		PANEL ASSY,SWITCH & ELEC,FR BLNGL, TCFC	OPTION 3075. TCFE, TCRE, CSFE, CSRE. BEGIN WITH CSN 980992
13	4287736		RIBBON ONLY,FIBER OPTIC SWITCH 12 BLANK	
14	4287736		RIBBON ONLY,FIBER OPTIC SWITCH 12 BLANK	
15	4287744		RIBBON ONLY,FIBER OPTIC SWITCH 11 BLANK	
16	1315001	30	BEZEL,FIBER OPTIC LEGEND MOUNT	
NI	1422864		PLUG,BUTTON,BLACK,DP-437,HEYCO 2633	
17	1351063	17	PLUG,BUTTON,BLACK,DP-500,HEYCO 2643	
18	1330885		PLUG,BUTTON,BLACK,DP-625,HEYCO 2663	

Models: **AAFE, AARE, A3FE, A3RE, C1FE, CSFE, CSRE, TCFE, TCRE, TSFE**
SWITCH PANEL
To BSN B10064339, F10035824, F20035859, L10059259

Key	PartNumber	Qty	Description	Comment
19	1330893	4	PLUG,BUTTON,BLACK,DP-750,HEYCO 2683	
20	1351071		PLUG,BUTTON,BLACK,DP-1000 HEYCO 2713	
NI	1314962		HOUSING ASSY,LGT SOURCE,POLY OPTICAL,8	
NI	1410802		LIGHT,PILOT,.53 DIA,RED LENS,PL-20RC-10	<i>OPTION 3011.</i>

Models: A3FE, A3RE, C1FE, CSFE, CSRE, GMCV, SBCV, TCFE
**SWITCH PANEL
 BEZELS, PLUG AND EXTRACTION TOOL**

Key	PartNumber	Qty	Description	Comment
-----	------------	-----	-------------	---------

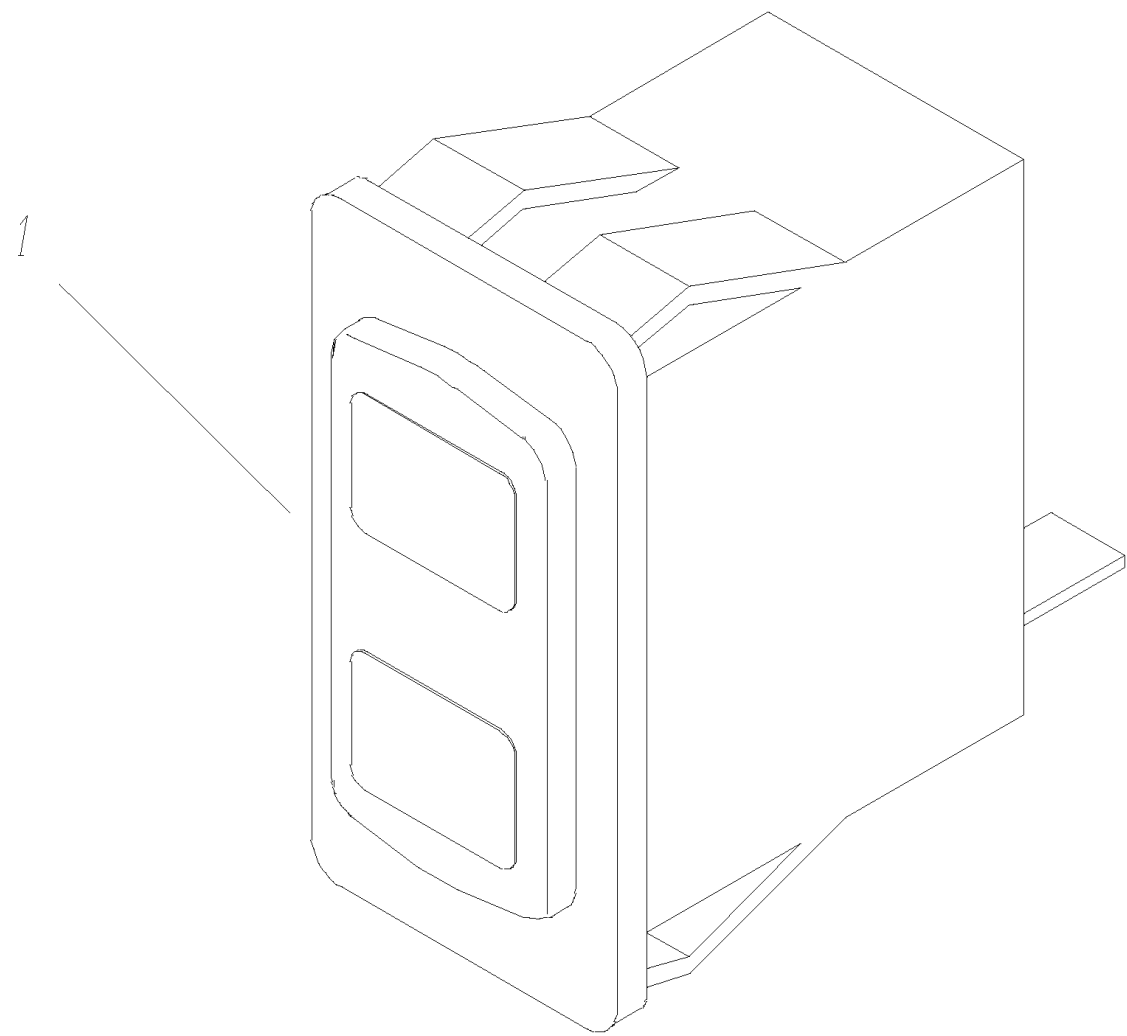


Models: A3FE, A3RE, C1FE, CSFE, CSRE, GMCV, SBCV, TCFE
**SWITCH PANEL
BEZELS, PLUG AND EXTRACTION TOOL**

Key	PartNumber	Qty	Description	Comment
1	0027347		BEZEL,END,NGR,SWITCH PANEL	
2	0027348		BEZEL,CENTER,NGR,SWITCH PANEL	
3	0027349		BLANK,PLUG,SWITCH PANEL,NGR	
NI	0037952		TOOL, SWITCH EXTRACTOR, EATON ROCKER	

Models: A3FE, A3RE, B1VC, B2VC, C1FE, CSFE, CSRE, GMCV, MBWB, SBCV, T2RE, TCFE,
TSFE
SWITCH PANEL
INDICATOR LIGHT

Key	PartNumber	Qty	Description	Comment
-----	------------	-----	-------------	---------

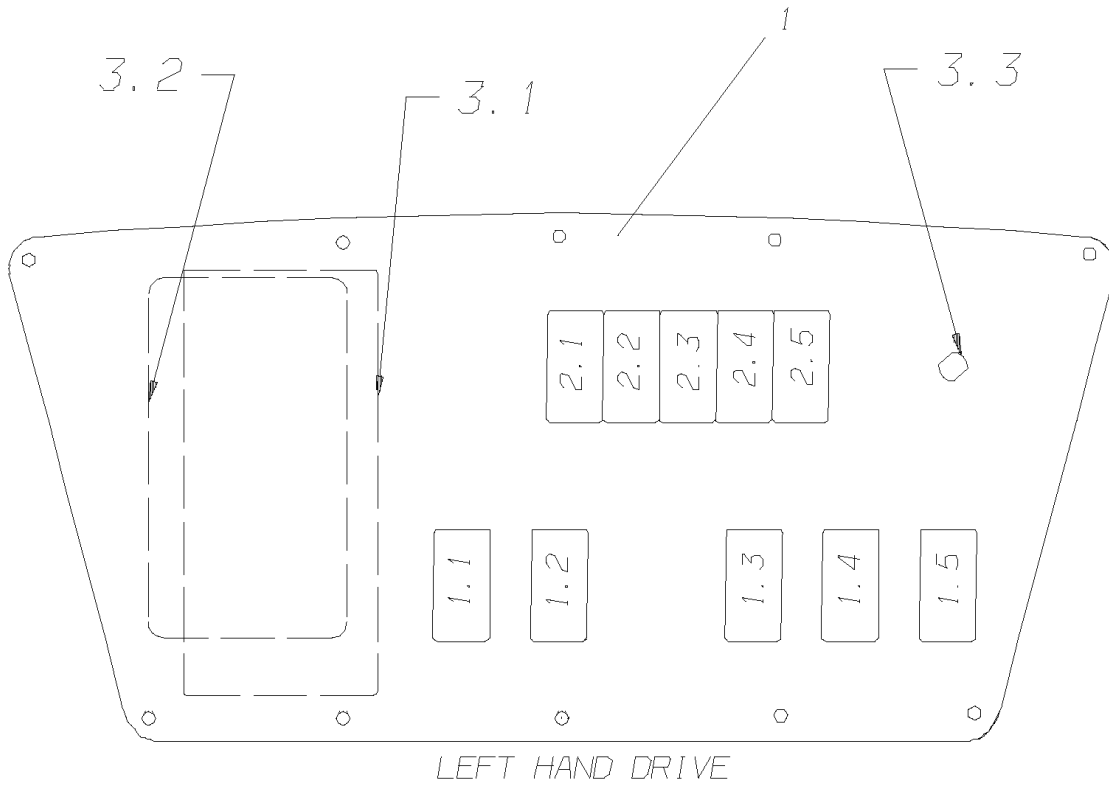


Models: A3FE, A3RE, B1VC, B2VC, C1FE, CSFE, CSRE, GMCV, MBWB, SBCV, T2RE, TCPE,
 TSFE
**SWITCH PANEL
 INDICATOR LIGHT**

Key	PartNumber	Qty	Description	Comment
1	0027334		INDICATOR,W/L,RED/AMBER	
	0027335		INDICATOR,W/L,MONITOR,RED	
	0027336		INDICATOR,LIFT DOOR,AMBER/EMER EXIT	
	0027337		INDICATOR,LIFT DOOR,RED/EMER EXIT	
	0027338		INDICATOR,LIFT DOOR,GREEN/EMER EXIT	
	0027339		INDICATOR,SEAT BELT	
	0027340		INDICATOR,W/L,RED/AMBER,FR/BLNGL	
	0027341		INDICATOR,W/L,MONITOR,RED,FR/BLNGL	
	0027342		INDICATOR,LIFT DOOR,AMBER,FR/BLNGL	
	0027343		INDICATOR,LIFT DOOR,RED,FR/BLNGL	
	0027344		INDICATOR,LIFT DOOR,GREEN,FR/BLNGL	
	0027422		INDICATOR,LUG DOOR	
	0027477		INDICATOR,W/L,MONITOR,AMBER	
	0033306		INDICATOR,SAND FILL,FR/BLNGL	
	0033307		INDICATOR,SEAT BELT,FR/BLNGL	
	0030812		INDICATOR,STOP/SANDERS,REFILL	
	0074656		INDICATOR,WATER,IN FUEL	
	0082141		INDICATOR,LIGHT,NGR,FUEL DOOR	
	0087234		INDICATOR,LIGHT,NGR,EXHAUST FILTER	
	0088690		INDICATOR,W/L,RED/AMBER,LED, BCCV	
	0088691		INDICATOR,W/L,MONITOR,RED,LED, BCCV	
	0088692		INDICATOR,W/L,RED/AMBER,FR/BLNGL,LED,	FEUX AVERT
	0088693		INDICATOR,W/L,MONITOR,RED,FR/BLNGL,LED	FEUX AVERT
	0088694		INDICATOR,W/L,MONITOR,AMBER,LED, BCCV	
	0091688		INDICATOR,LIGHT,NGR,KNEEL	

Models: A3FE, A3RE
**SWITCH PANEL
SHIFTER**
BSN: From BSN F10035825, L10059260

Key	PartNumber	Qty	Description	Comment
-----	------------	-----	-------------	---------



Models: A3FE, A3RE
SWITCH PANEL SHIFTER
BSN: From BSN F10035825, L10059260

Key	PartNumber	Qty	Description	Comment
	0027358		PANEL ASSY,SWITCH,SHIFTER,	STANDARD. LH DRIVE
	0029136		PANEL ASSY,SWITCH,SHIFTER,	FEATURE 3480. RH DRIVE
	0030779		PANEL ASSY,SWITCH,SHIFTER,W/COMP,	FEATURE 03075. FRENCH BILINGUAL
1	0029988		PANEL,SWITCH,SHIFTER PANEL,LHD,SERVICE	
1	0029842		PANEL,SWITCH,SHIFTER PANEL,RHD,SERVICE	
1.1	0027328		ROCKER,BUTTON,NGR,DOOR,SERVICE	
1.1	0028030		ROCKER,BUTTON,NGR,DOOR,SERVICE,	FEATURE 03075
1.1	0027292		SWITCH,BASE,NGR,DPDT,MOM ON-OFF-MOM	FEATURE 30978-06. ELEC
1.1	0027296		SWITCH,BASE,NGR,SPDT,MOM ON-OFF-MOM	FEATURE 309778-04. AIR
1.1	0035240		SWITCH,BASE,NGR,DPST,ON-ON-ON	FEATURE 30978-07. AIR
1.2	0027329		ROCKER,BUTTON,NGR,DOOR,EXIT	FEATURE 0472, 0475
1.2	0028031		ROCKER,BUTTON,NGR,DOOR,EXIT,FR/BLNGL	FEATURE 03075 WITH FEATURE 0472, 0475
1.2	0027296		SWITCH,BASE,NGR,SPDT,MOM ON-OFF-MOM	AIR
	0027305		ROCKER,BUTTON,NGR,CROSS ARM,CANCEL	FEATURE 30227-01
	0028012		ROCKER,BUTTON,NGR,CRS ARM,CANCEL,	FEATURE 03075 WITH FEATURE 30227-01
	0027303		ROCKER,BUTTON,NGR,STOP ARM CANCEL	FEATURE 30227-02
	0028011		ROCKER,BUTTON,NGR,STOP ARM,CANCEL,	FEATURE 03075 WITH FEATURE 30227-02
	0027306		ROCKER,BUTTON,NGR,STOP/CROSS ARM,	FEATURE 30227-03
	0028013		ROCKER,BUTTON,NGR,S/CRS ARM,CANCEL,	FEATURE 03075 WITH FEATURE 30227-03
	0027289		SWITCH,BASE,NGR,SPST,OFF-MOM ON	
	0027308		ROCKER,BUTTON,NGR,CROSS ARM,LIGHT	FEATURE 30286-03
	0028015		ROCKER,BUTTON,NGR,CRS ARM,LGT,FR/BLNGL	FEATURE 03075 WITH FEATURE 30286-03
	0027307		ROCKER,BUTTON,NGR,STOP ARM,STROBE,HI,LO	FEATURE 30297-03
	0028014		ROCKER,BUTTON,NGR,S/A,STROBE,HI/LO,	FEATURE 03075 WITH FEATURE 30297-03
	0027285		SWITCH,BASE,NGR,SPST,ON-ON,HIGH	
	0027581		ROCKER,BUTTON,NGR,W/L,MASTER,RED	FEATURE 30218-01
	0028035		ROCKER,BUTTON,NGR,W/L,MASTER,RD,	FEATURE 03075 WITH FEATURE 30218-01
	0027287		SWITCH,BASE,NGR,SPST,IND,OFF-ON	
	0027299		ROCKER,BUTTON,NGR,W/L,MASTER,GREEN	FEATURE 30218-02
	0028008		ROCKER,BUTTON,NGR,W/L,MASTER,GN,	FEATURE 03075 WITH FEATURE 30218-02

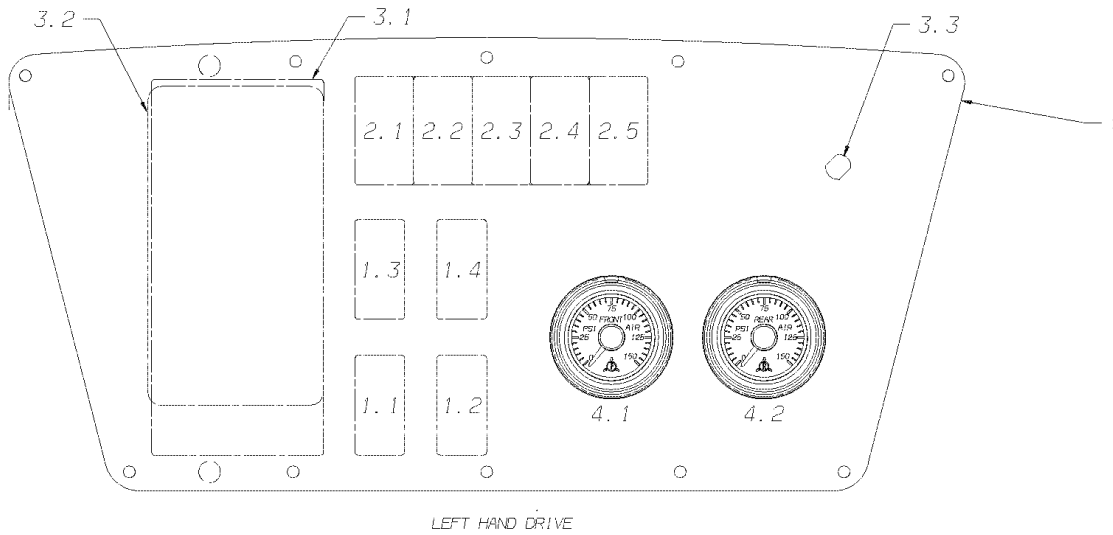
Models: A3FE, A3RE
**SWITCH PANEL
 SHIFTER**
BSN: From BSN F10035825, L10059260

Key	PartNumber	Qty	Description	Comment
	0027287		SWITCH,BASE,NGR,SPST,IND,OFF-ON	
	0027302		ROCKER,BUTTON,NGR,W/L,EMERGENCY	FEATURE 30222-04,-05
	0028010		ROCKER,BUTTON,NGR,W/L,EM OVERRIDE,	FEATURE 03075 WITH FEATURE 30222-04,-05.
	0027290		SWITCH,BASE,NGR,DPST,OFF-ON,RED	FEATURE 30222-04
	0027714		SWITCH,BASE,NGR,DPST,OFF-MOM ON,RED	FEATURE 30222-05
	0027300		ROCKER,BUTTON,NGR,W/L,START	FEATURE 30225-01
	0028009		ROCKER,BUTTON,NGR,W/L,MANUAL,FR/BLNGL	FEATURE 03075 WITH FEATURE 30225-01
	0027295		SWITCH,BASE,NGR,SPST,OFF-MOM ON,AMBER	
	0027301		ROCKER,BUTTON,NGR,W/L,SELECT START	FEATURE 30225-02
	0027288		SWITCH,BASE,NGR,SPDT,ON-OFF-MOM-ON	
	0027335		INDICATOR,W/L,MONITOR,RED	FEATURE 30228-01
	0027341		INDICATOR,W/L,MONITOR,RED,FR/BLNGL	FEATURE 03075 WITH FEATURE 30228-01
	0027334		INDICATOR,W/L,RED/AMBER	FEATURE 30228-02
	0027340		INDICATOR,W/L,RED/AMBER,FR/BLNGL	FEATURE 03075 WITH FEATURE 30228-02
	0027477		INDICATOR,W/L,MONITOR,AMBER	FEATURE 30228-03
3.1			PUSH BUTTON SHIFT SELECTOR	SEE GROUP 160 (TRANSMISSION).
3.2			HANDLE SHIFT SELECTOR	SEE GROUP 160 (TRANSMISSION).
3.3			HEATER WATER REGULATING VALVE	SEE GROUP 370 (HEATERS).

Models: A3FE, A3RE
**SWITCH PANEL
 SHIFTER**

With Features: STANDARD

Key	PartNumber	Qty	Description	Comment
-----	------------	-----	-------------	---------



Models: A3FE, A3RE
SWITCH PANEL
SHIFTER
With Features: STANDARD

Key	PartNumber	Qty	Description	Comment
	0079089		PANEL ASSY,SWITCH,SHIFTER,	
	0079099		PANEL,SWITCH,SHIFTER PANEL,LHD,SERVICE,	
	0027347		BEZEL,END,NGR,SWITCH PANEL	
	0027348		BEZEL,CENTER,NGR,SWITCH PANEL	
1.1	0027328		ROCKER,BUTTON,NGR,DOOR,SERVICE	
1.1	0042456		SWITCH,BASE,NGR,DPDT,MOM ON-OFF-MOM	FEATURE 30978-06
1.1	0042458		SWITCH,BASE,NGR,SPDT,MOM ON-OFF-MOM	FEATURE 30978-04
1.1	0042457		SWITCH,BASE,NGR,DPST,ON-ON-ON,BLUE	FEATURE 30978-07
1.2	0027329		ROCKER,BUTTON,NGR,DOOR,EXIT	FEATURE 472 AND 475
1.2	0027296		SWITCH,BASE,NGR,SPDT,MOM ON-OFF-MOM	
	0027305		ROCKER,BUTTON,NGR,CROSS ARM,CANCEL	FEATURE 30227-01
	0027303		ROCKER,BUTTON,NGR,STOP ARM CANCEL	FEATURE 30227-02
	0027306		ROCKER,BUTTON,NGR,STOP/CROSS ARM,	FEATURE 30227-03
	0027289		SWITCH,BASE,NGR,SPST,OFF-MOM ON	
	0027308		ROCKER,BUTTON,NGR,CROSS ARM,LIGHT	FEATURE 30286-03
	0027285		SWITCH,BASE,NGR,SPST,ON-ON,HIGH	
	0027581		ROCKER,BUTTON,NGR,W/L,MASTER,RED	FEATURE 30218-01
	0027299		ROCKER,BUTTON,NGR,W/L,MASTER,GREEN	FEATURE 30218-02
	0027287		SWITCH,BASE,NGR,SPST,IND,OFF-ON	
	0027650		ROCKER,BUTTON,NGR,W/L,CANCEL	FEATURE 30218-03
	0027293		SWITCH,BASE,NGR,SPST,ON-MOM-OFF	
	0027302		ROCKER,BUTTON,NGR,W/L,EMERGENCY	FEATURE 30222-04
	0027290		SWITCH,BASE,NGR,DPST,OFF-ON,RED	
	0027714		SWITCH,BASE,NGR,DPST,OFF-MOM ON,RED	
	0027300		ROCKER,BUTTON,NGR,W/L,START	FEATURE 30224-01
	0027295		SWITCH,BASE,NGR,SPST,OFF-MOM ON,AMBER	
	0027301		ROCKER,BUTTON,NGR,W/L,SELECT START	FEATURE 30225-04
	0046646		SWITCH,BASE,NGR,SPDT,ON-OFF-ON	
	0027335		INDICATOR,W/L,MONITOR,RED	FEATURE 30195-05,14, 30195-06,15, 30228-01
	0027477		INDICATOR,W/L,MONITOR,AMBER	FEATURE 30195-06, 15, 30228-03
	0027334		INDICATOR,W/L,RED/AMBER	FEATURE 30228-02
3.1			PUSH BUTTON SHIFT SELECTOR	SEE GROUP 160 (TRANSMISSION).

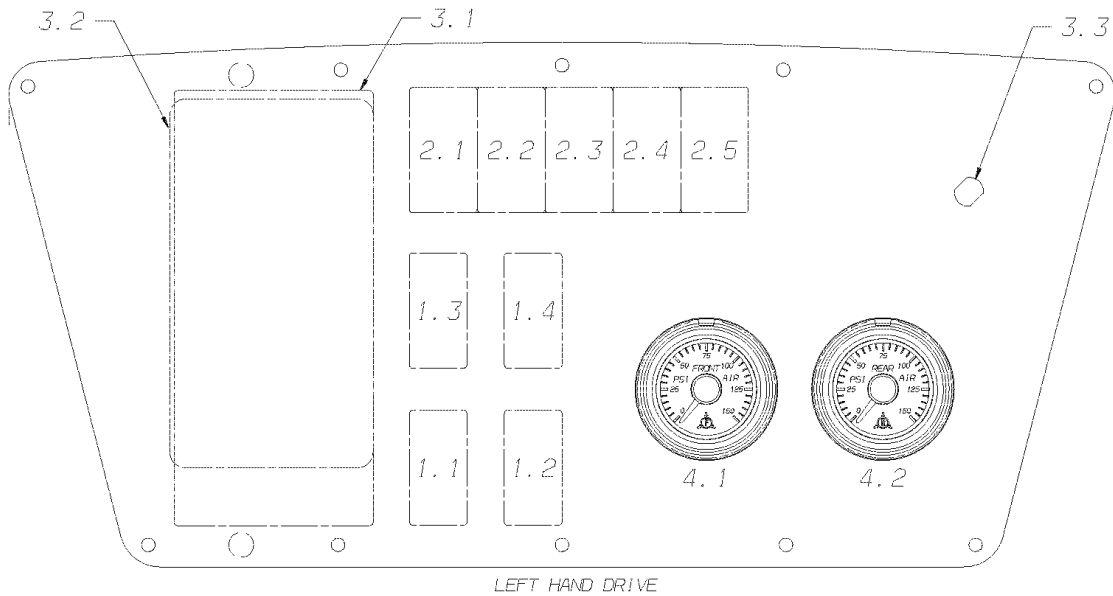
Models: A3FE, A3RE
**SWITCH PANEL
 SHIFTER**

With Features: STANDARD

Key	PartNumber	Qty	Description	Comment
3.2			HANDLE SHIFT SELECTOR	<i>(TRANSMISSION).</i>
3.3			HEATER WATER REGULATING VALVE	<i>SEE GROUP 370 (HEATERS).</i>
4.1	0090543		GAUGE,AIR,RESTRICTION,VDO	<i>FEATURE 40280-11</i>
4.2	0095058		KIT,ASSY,AIR GAUGE,HYD BRAKES/AIR SUSP	<i>WITH FEATURE 40280-12 ONLY</i>

Models: A3FE, A3RE
SWITCH PANEL
SHIFTER
FRENCH

Key	PartNumber	Qty	Description	Comment
-----	------------	-----	-------------	---------

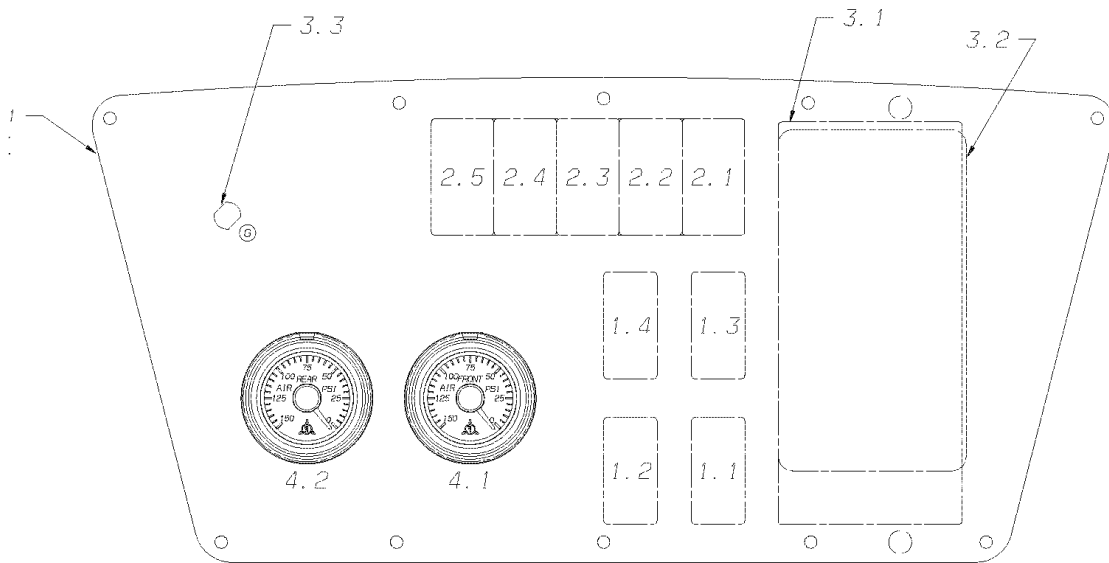


Models: **A3FE, A3RE
SWITCH PANEL
SHIFTER
FRENCH**

Key	PartNumber	Qty	Description	Comment
	0080497		PANEL ASSY,SWITCH,SHIFTER,W/COMP,	
	0079099		PANEL,SWITCH,SHIFTER PANEL,LHD,SERVICE,	
	0027347		BEZEL,END,NGR,SWITCH PANEL	
	0027348		BEZEL,CENTER,NGR,SWITCH PANEL	
1.1	0028030		ROCKER,BUTTON,NGR,DOOR,SERVICE,	
1.1	0042456		SWITCH,BASE,NGR,DPDT,MOM ON-OFF-MOM	FEATURE 30978-06
1.1	0042458		SWITCH,BASE,NGR,SPDT,MOM ON-OFF-MOM	FEATURE 30978-04
1.2	0028031		ROCKER,BUTTON,NGR,DOOR,EXIT,FR/BLNGL	FEATURE 472 AND 475
1.2	0027296		SWITCH,BASE,NGR,SPDT,MOM ON-OFF-MOM	
	0028012		ROCKER,BUTTON,NGR,CRS ARM,CANCEL,	FEATURE 30227-01
	0028011		ROCKER,BUTTON,NGR,STOP ARM,CANCEL,	FEATURE 30227-02
	0028013		ROCKER,BUTTON,NGR,S/CRS ARM,CANCEL,	FEATURE 30227-03
	0027289		SWITCH,BASE,NGR,SPST,OFF-MOM ON	
	0028015		ROCKER,BUTTON,NGR,CRS ARM,LGT,FR/BLNGL	FEATURE 30286-03
	0028014		ROCKER,BUTTON,NGR,S/A,STROBE,HI/LO,	FEATURE 30297-03
	0027285		SWITCH,BASE,NGR,SPST,ON-ON,HIGH	
	0028035		ROCKER,BUTTON,NGR,W/L,MASTER,RD,	FEATURE 30218-01
	0028008		ROCKER,BUTTON,NGR,W/L,MASTER,GN,	FEATURE 30218-02
	0028010		ROCKER,BUTTON,NGR,W/L,EM OVERRIDE,	FEATURE 30222-04, 30222-05
	0028009		ROCKER,BUTTON,NGR,W/L,MANUAL,FR/BLNGL	FEATURE 30225-01
	0027287		SWITCH,BASE,NGR,SPST,IND,OFF-ON	
	0027341		INDICATOR,W/L,MONITOR,RED,FR/BLNGL	FEATURE 30195-05, 14, 30228-01
	0027340		INDICATOR,W/L,RED/AMBER,FR/BLNGL	FEATURE 30228-02
3.1			PUSH BUTTON SHIFT SELECTOR	SEE GROUP 160 (TRANSMISSION).
3.2			HANDLE SHIFT SELECTOR	SEE GROUP 160 (TRANSMISSION).
3.3			HEATER WATER REGULATING VALVE	SEE GROUP 370 (HEATERS).
4.2	0095058		KIT,ASSY,AIR GAUGE,HYD BRAKES/AIR SUSP	WITH FEATURE 40280-12 ONLY

Models: **A3FE, A3RE**
SWITCH PANEL
SHIFTER
RH DRIVE

Key	PartNumber	Qty	Description	Comment
-----	------------	-----	-------------	---------



RIGHT HAND DRIVE
 FEA 03480-05 & 06

Models: A3FE, A3RE
SWITCH PANEL
SHIFTER
RH DRIVE

Key	PartNumber	Qty	Description	Comment
	0083836		PANEL ASSY,SWITCH,SHIFTER,	
	0027347		BEZEL,END,NGR,SWITCH PANEL	
	0027348		BEZEL,CENTER,NGR,SWITCH PANEL	
1.1	0027328		ROCKER,BUTTON,NGR,DOOR,SERVICE	
1.1	0042456		SWITCH,BASE,NGR,DPDT,MOM ON-OFF-MOM	FEATURE 30978-06
1.1	0042458		SWITCH,BASE,NGR,SPDT,MOM ON-OFF-MOM	FEATURE 30978-04
1.1	0042457		SWITCH,BASE,NGR,DPST,ON-ON-ON,BLUE	FEATURE 30978-07
1.2	0027329		ROCKER,BUTTON,NGR,DOOR,EXIT	FEATURE 472 AND 475
1.2	0027296		SWITCH,BASE,NGR,SPDT,MOM ON-OFF-MOM	
	0027305		ROCKER,BUTTON,NGR,CROSS ARM,CANCEL	FEATURE 30227-01
	0027303		ROCKER,BUTTON,NGR,STOP ARM CANCEL	FEATURE 30227-02
	0027306		ROCKER,BUTTON,NGR,STOP/CROSS ARM,	FEATURE 30227-03
	0027289		SWITCH,BASE,NGR,SPST,OFF-MOM ON	
	0027308		ROCKER,BUTTON,NGR,CROSS ARM,LIGHT	FEATURE 30286-03
	0027285		SWITCH,BASE,NGR,SPST,ON-ON,HIGH	
	0027581		ROCKER,BUTTON,NGR,W/L,MASTER,RED	FEATURE 30218-01
	0027299		ROCKER,BUTTON,NGR,W/L,MASTER,GREEN	FEATURE 30218-02
	0027287		SWITCH,BASE,NGR,SPST,IND,OFF-ON	
	0027650		ROCKER,BUTTON,NGR,W/L,CANCEL	FEATURE 30218-03
	0027293		SWITCH,BASE,NGR,SPST,ON-MOM-OFF	
	0027302		ROCKER,BUTTON,NGR,W/L,EMERGENCY	FEATURE 30222-04
	0027290		SWITCH,BASE,NGR,DPST,OFF-ON,RED	
	0027714		SWITCH,BASE,NGR,DPST,OFF-MOM ON,RED	
	0027300		ROCKER,BUTTON,NGR,W/L,START	FEATURE 30224-01
	0027295		SWITCH,BASE,NGR,SPST,OFF-MOM ON,AMBER	
	0027301		ROCKER,BUTTON,NGR,W/L,SELECT START	FEATURE 30225-04
	0046646		SWITCH,BASE,NGR,SPDT,ON-OFF-ON	
	0027335		INDICATOR,W/L,MONITOR,RED	FEATURE 30195-05,14, 30195-06,15, 30228-01
	0027477		INDICATOR,W/L,MONITOR,AMBER	FEATURE 30195-06, 15, 30228-03
	0027334		INDICATOR,W/L,RED/AMBER	FEATURE 30228-02
3.1			PUSH BUTTON SHIFT SELECTOR	SEE GROUP 160 (TRANSMISSION).
3.2			HANDLE SHIFT SELECTOR	SEE GROUP 160 (TRANSMISSION).

Models: A3FE, A3RE
 SWITCH PANEL
 SHIFTER
 RH DRIVE


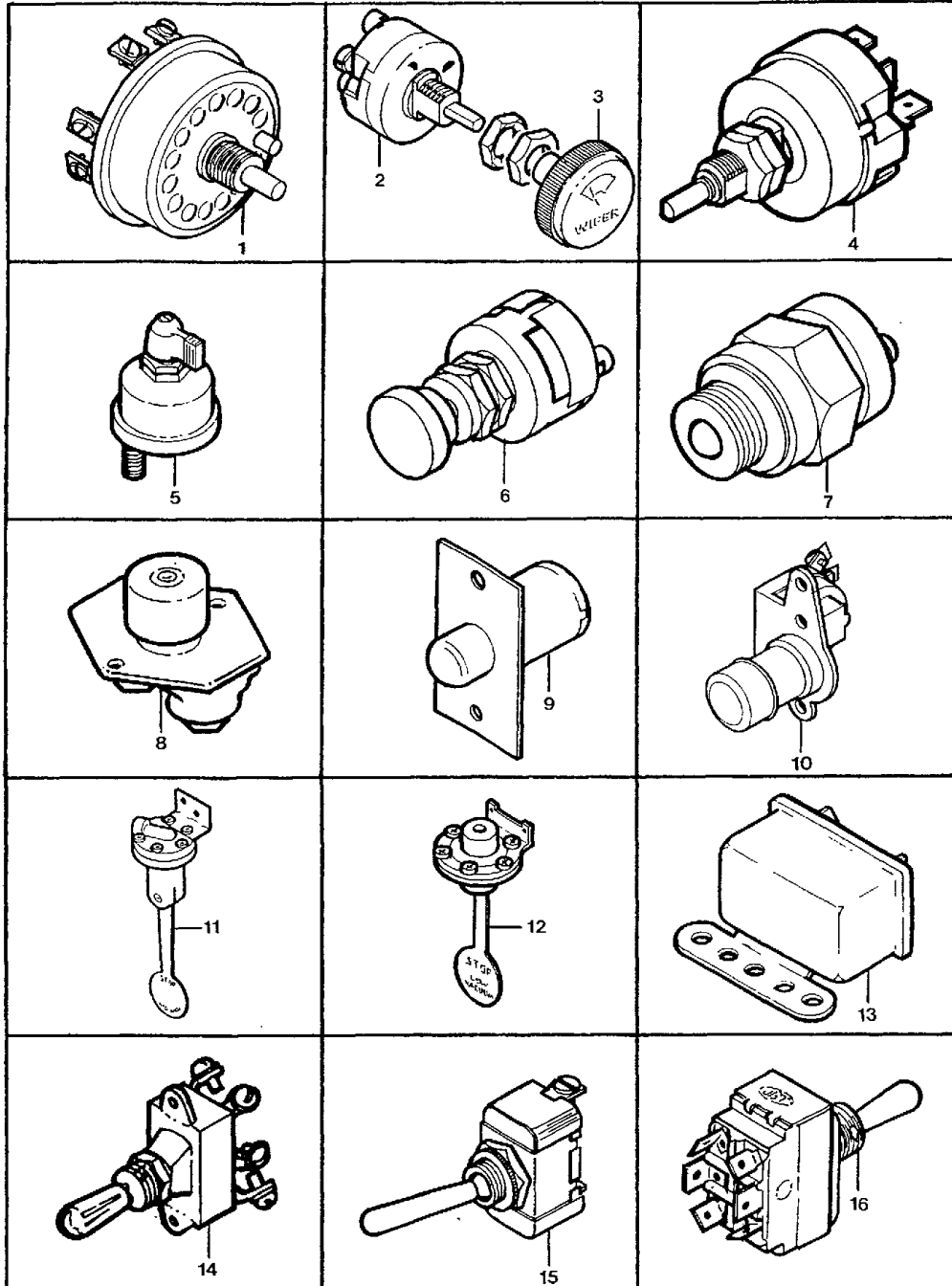
Key	PartNumber	Qty	Description	Comment
3.3			HEATER WATER REGULATING VALVE	SEE GROUP 370 (HEATERS).
4.2	0095058		KIT,ASSY,AIR GAUGE,HYD BRAKES/AIR SUSP	WITH FEATURE 40280-12 ONLY

Models: AAFE, AARE, A3FE, A3RE, B1VC, MBWB, TCFE, TCRE
 SWITCHES
 MISCELLANEOUS

Key	PartNumber	Qty	Description	Comment
-----	------------	-----	-------------	---------

DR 7-26-88	BY LAD			
APP	BY	FRT	8008179	REV

© 1988 BLUE BIRD BODY COMPANY ALL RIGHTS RESERVED

Models: **AAFE, AARE, A3FE, A3RE, B1VC, MBWB, TCFE, TCRE**
SWITCHES
MISCELLANEOUS

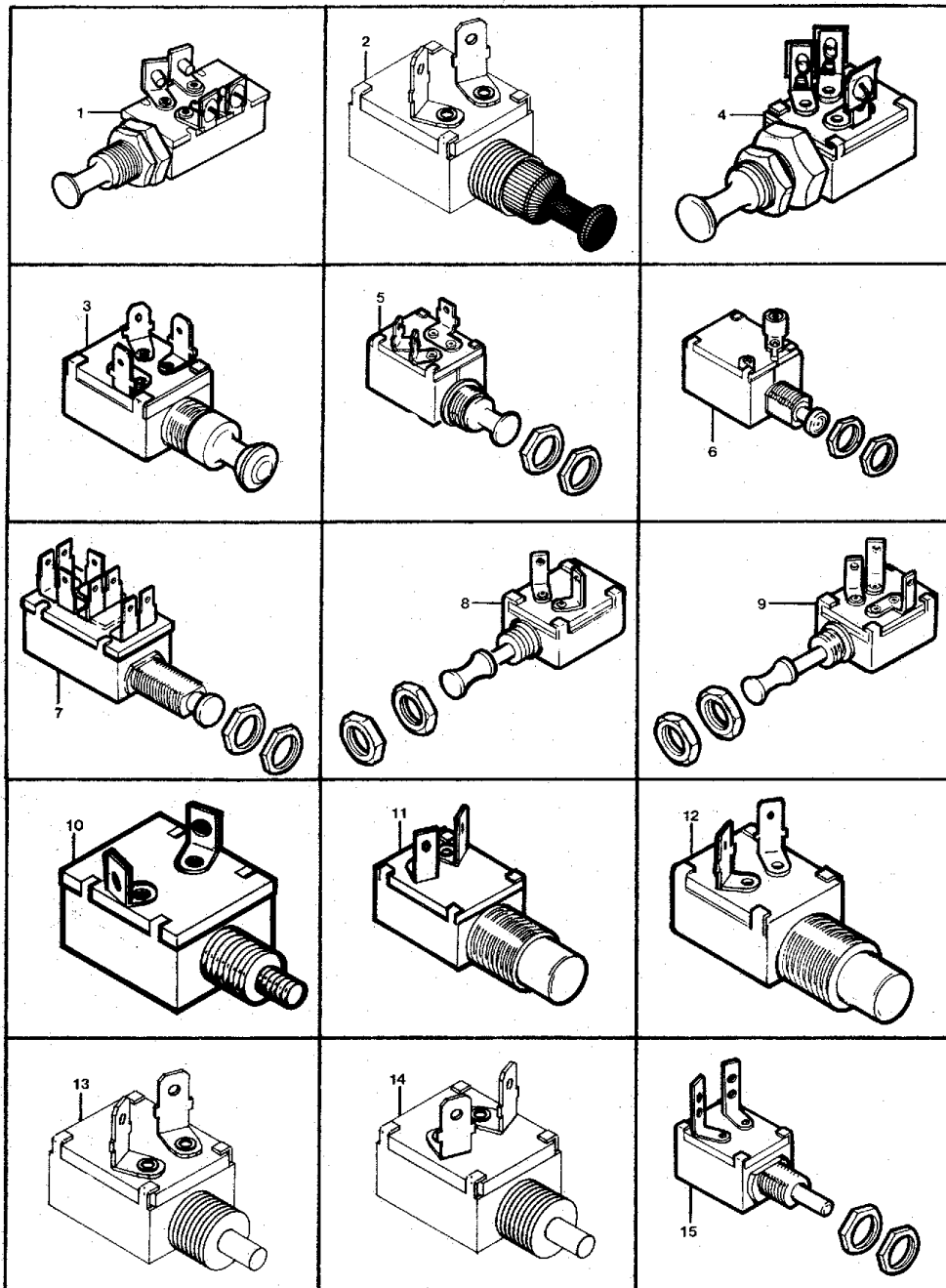
Key	PartNumber	Qty	Description	Comment
1	1132620		SWITCH,MASTER ROTARY	
2	0216051		SWITCH,W/S WIPER,ELECTRIC,2 SPEED	
3	1296441		KNOB,WSW/WSWSH SW,CH81298-33	STANDARD & OPTION 3443
3	1272590		KNOB,WINDSHIELD WIPER,INTERMITTENT	OPTION 3438, 3444-01
4	1429562		SWITCH,DUAL W/S WIPER,ELECTRIC,CH75226	STANDARD
4	1271097		SWITCH,W/S WIPER/WASH,	OPTION 3438
4	0849414		SWITCH,W/S WIPER,ELECTRIC	OPTION 3443
4	1429620		SWITCH,DUAL W/S WIPER,INTERM,CH75601-08	OPTION 3444-01
5	0605063		SWITCH,BATTERY CUTOFF	
6	0571505		SWITCH,RHEOSTAT,DOME	
7	0907600		SWITCH,SAFETY,SPICER TRANS	
8	0833061		SWITCH,FOOT OPERATED,MOMENTARY	
NI	0879072		BRACKET,FOOT SWITCH,WARNING LIGHT	OPTION 2112
9	2167393		SWITCH,STANDARD POW WARNING BUZZ	
10	1124676		SWITCH,HEADLIGHT DIMMER	
11	1339571		INDICATOR,LOW PRESS,AIR,WIG-WAG,RH	
11	2007862		INDICATOR,LOW PRESS,AIR,WIG-WAG	
12	2007854		INDICATOR,LOW PRESS,VAC,SURE-VAC	
13	2006187		BUZZER,R E D/R E W/POW	
14	0870485		SWITCH,DPDT,CENTER OFF	
15	0759902		SWITCH,TOGGLE,W/1.5 IN LEVER	
16	0416628		SWITCH,TOGGLE,DPDT,ON-OFF,CH5590	
16	0612895		SWITCH,TOGGLE	

Models: AAFE, AARE, A3FE, A3RE, C1FE, MBWB, SBCV, TCFE, TCRE, VCTA
 SWITCHES
 MISCELLANEOUS

Key	PartNumber	Qty	Description	Comment
-----	------------	-----	-------------	---------

DR. 7.26.88	BY LAP			
APP.	BY	FRT	8008187	REV

© 1988 BLUE BIRD BODY COMPANY ALL RIGHTS RESERVED  **BIRD BLUE**



Models: **AAFE, AARE, A3FE, A3RE, C1FE, MBWB, SBCV, TCFE, TCRE, VCTA**
SWITCHES
MISCELLANEOUS

Key	PartNumber	Qty	Description	Comment
1	0367466		SWITCH,DPST,PUSH-PULL	
2	1499102		SWITCH,2 POSN,ACCESSORY	
3	1499094		SWITCH,3 POSN,HEATER	
4	1014349		SWITCH,COLE HERSEE 5068-09	
5	1499094		SWITCH,3 POSN,HEATER	
6	0236745		SWITCH,EM DOOR & EMERGENCY WINDOW	
7	0648527		SWITCH,MOMENTARY,8 TERMINAL WARNING	
8	1499102		SWITCH,2 POSN,ACCESSORY	
9	1499094		SWITCH,3 POSN,HEATER	
10	2100501		SWITCH,VACUUM STOP ARM,W/LGTS,2 POSN,	
10	2101392		SWITCH,VACUUM STOP ARM,W/LGTS,2 POSN	
11	1155241		SWITCH,MANUAL	
12	1155258		SWITCH,MOMENTARY OFF,EXIT DOOR INTLK	
13	1126176		SWITCH,MOMENTARY,SPST NC	
14	1126184		SWITCH,MOMENTARY,SPST NO	
15	2006013		SWITCH,POWER DOOR,STEPWELL LIGHT	
	2006088		SWITCH,DOOR CONTROL,STEPWELL	

VCTA

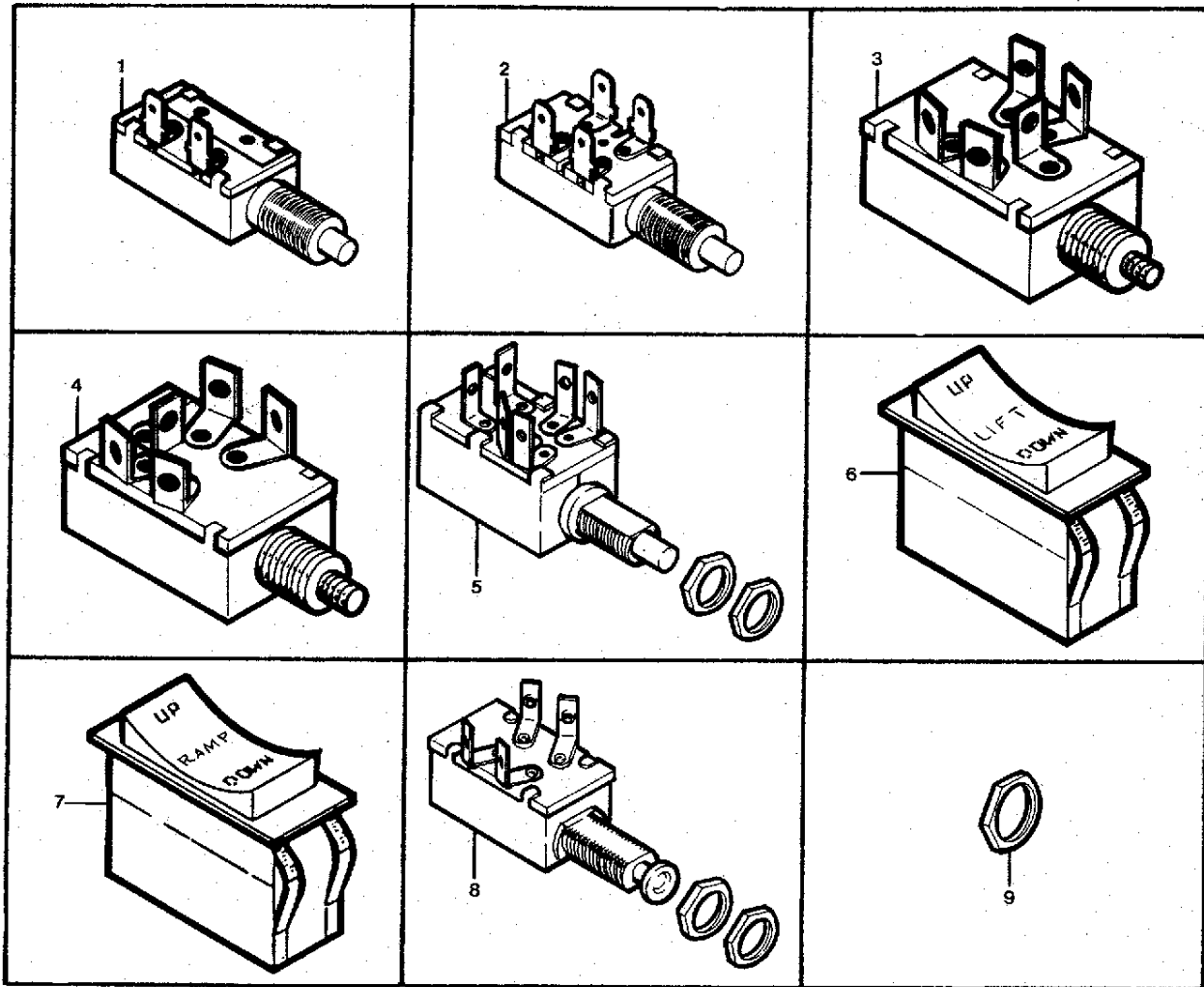
Models: AAFE, AARE, A3FE, A3RE, CSRE, GPWB, MBWB, SBCV, T2RE, TCPE, TCRE, TSPE,

SWITCHES
MISCELLANEOUS

Key	PartNumber	Qty	Description	Comment
-----	------------	-----	-------------	---------

DR. 7-26-88	BY LAD			
APP.	BY	FRT	8008195	REV

© 1988 BLUE BIRD BODY COMPANY ALL RIGHTS RESERVED



VCTA

Models: AAFE, AARE, A3FE, A3RE, CSRE, GPWB, MBWB, SBCV, T2RE, TCPE, TCRE, TSPE,

**SWITCHES
MISCELLANEOUS**

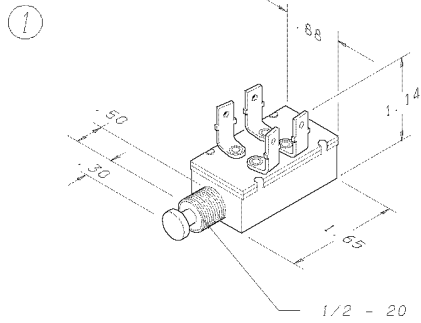
Key	PartNumber	Qty	Description	Comment
1	1145168		SWITCH,ADJUSTABLE,DPST (NC) INTERNAL	
2	1124411		SWITCH,ADJUSTABLE,DPST (NC)	
2	2100576		SWITCH,DOOR WARNING LIGHT,FOUR	
3	2101400		SWITCH,VACUUM STOP ARM,W/LGTS,3 POSN	
4	2100519		SWITCH,VACUUM STOP ARM,W/LGTS,3 POSN,	
5	2005981		SWITCH,MOMENTARY,DOOR CONTROL,	
6	2241438		CONTROL ASSY,HANDI-LIFT	
7	2241446		SWITCH,LIFT CONTROL,UP-DN-RAMP	
8	0989020		SWITCH,ADJUSTABLE	
NI	1085083		SWITCH,RHEOSTAT,COLE HERSEE 7493,CBPP	
9	1073311		NUT,PANEL,HEX HD,1/2-20,YEL ZN DICH	
9	1169408		NUT,PANEL,HEX,625-32NF 1/8,YEL ZN DICH	
9	2145449		NUT,PANEL,7/16-20 X 532,ZINC,YELLOW	
NI	1155258		SWITCH,MOMENTARY OFF,EXIT DOOR INTLK	

Models: **AAFE, AARE, A3FE, A3RE, C1FE, CSRE, SBCV, TCFE, TCRE, TSFE**
SWITCHES
MISCELLANEOUS

Key	PartNumber	Qty	Description	Comment
-----	------------	-----	-------------	---------

1861814 BSWITCH, MOMENTARY, DPST NC, SEQUENTIAL

CRCO#0000NWH

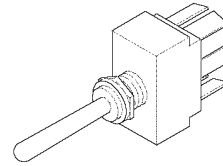


(2)

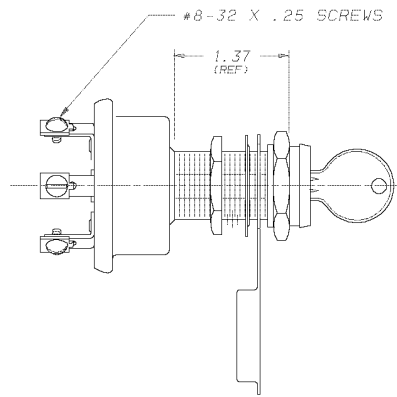
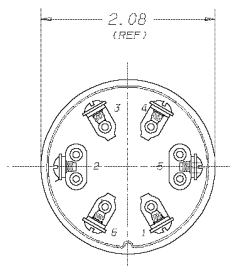
DR. 11/13/97 BY AN	1861814	----	
APP. 11/13/97 BY GH	1827757	----	
	1861805	REV	

© BLUE BIRD BODY CORP. ALL RIGHTS RESERVED

DPDT - MOM. ON - OFF - MOM. ON
 VOLTAGE: 12V
 CURRENT RATING: 25 AMPS, LAMP LOAD
 35 AMPS, INDUCTIVE LOAD



(3)



07.48.30
 NOVEMBER 18, 1997
 FRAME 1
 nbtreset

Models: AAFE, AARE, A3FE, A3RE, C1FE, CSRE, SBCV, TCFE, TCRE, TSFE
SWITCHES
MISCELLANEOUS

Key	PartNumber	Qty	Description	Comment
1	1861814		SWITCH,MOMENTARY,DPST(NC),SEQUENTIAL	<i>NC SEQUENTIAL</i>
2	1827757		SWITCH,TOGGLE,DPDT,M/ON-OFF-M/ON,	
3	1861806		SWITCH,KEYED,ELECTRIC O/O DOOR	<i>SWITCH, KEYED, ELECTRIC O/O DOOR</i>

TCFE, TSFE

Models: A1VC, A3FE, A3RE, B1VC, B2VC, C1FE, CSFE, CSRE, GMCV, MBWB, SBCV, TZRE,

**SWITCHES
SWITCH PANEL
WITH COMPONENTS**

Key	PartNumber	Qty	Description	Comment
	1499102		SWITCH,2 POSN,ACCESSORY	
	1499094		SWITCH,3 POSN,HEATER	
	1155241		SWITCH,MANUAL	
	1126184		SWITCH,MOMENTARY,SPST NO	
	1126176		SWITCH,MOMENTARY,SPST NC	
	1155258		SWITCH,MOMENTARY OFF,EXIT DOOR INTLK	
	1124411		SWITCH,ADJUSTABLE,DPST (NC)	
	1145168		SWITCH,ADJUSTABLE,DPST (NC) INTERNAL	
	0416628		SWITCH,TOGGLE,DPDT,ON-OFF,CH5590	
	0809996		SWITCH,1651 2 POSN,STOP ARM W/RED KNOB	
	2006179		SWITCH,PASSENGER SIGNAL	
	2167393		SWITCH,STANDARD POW WARNING BUZZ	
	0810002		SWITCH,3 POSN,STOP ARM,W/RED KNOB	
	0833061		SWITCH,FOOT OPERATED,MOMENTARY	
	1043207		SWITCH,2 SPEED,RESISTOR,HV 20089	
	1940873		SWITCH ASSY,STOPLIGHT PRESSURE	
	1827757		SWITCH,TOGGLE,DPDT,M/ON-OFF-M/ON,	
	1870039		SWITCH,ADJ,DPST (NC) INTERNAL GND,SHORT	
	1718659		SWITCH ASSY,VERTICAL HINGE WINDOW	
	1947522		SWITCH,ROCKER,SPST,OFF-ON	
	1947530		SWITCH,ROCKER,SPST,ON-MOM OFF	
	1947548		SWITCH,ROCKER,SPST,OFF-MOM ON,WH	
	1947555		SWITCH,ROCKER,SPST,OFF-ON,AMBER PILOT	
	1947563		SWITCH,ROCKER,SPST,OFF-ON,RED PILOT	
	1947571		SWITCH,ROCKER,SPDT,OFF-ON-ON	
	1947589		SWITCH,ROCKER,SPDT,OFF-ON(10HM	
	1947597		SWITCH,ROCKER,SPDT,ON-OFF-ON,AMBER/RED	
	1947605		SWITCH,ROCKER,DPST,OFF-ON	
	1656396		SWITCH,REAR CONTROL	
	1980903		SWITCH,ROCKER,SPST,OFF-MOM ON,BK	
	0016138		SWITCH,ROCKER,ARCO,DIAGNOSTIC,OFF-ON	
	0012461		SWITCH,ROCKER,SPST,OFF-ON,GREEN PILOT	
	1525666		LIGHT,PILOT,1 INCH,AMBER	

TCFE, TSFE

Models: A1VC, A3FE, A3RE, B1VC, B2VC, C1FE, CSFE, CSRE, GMCV, MBWB, SBCV, T2RE,

**SWITCHES
SWITCH PANEL
WITH COMPONENTS**

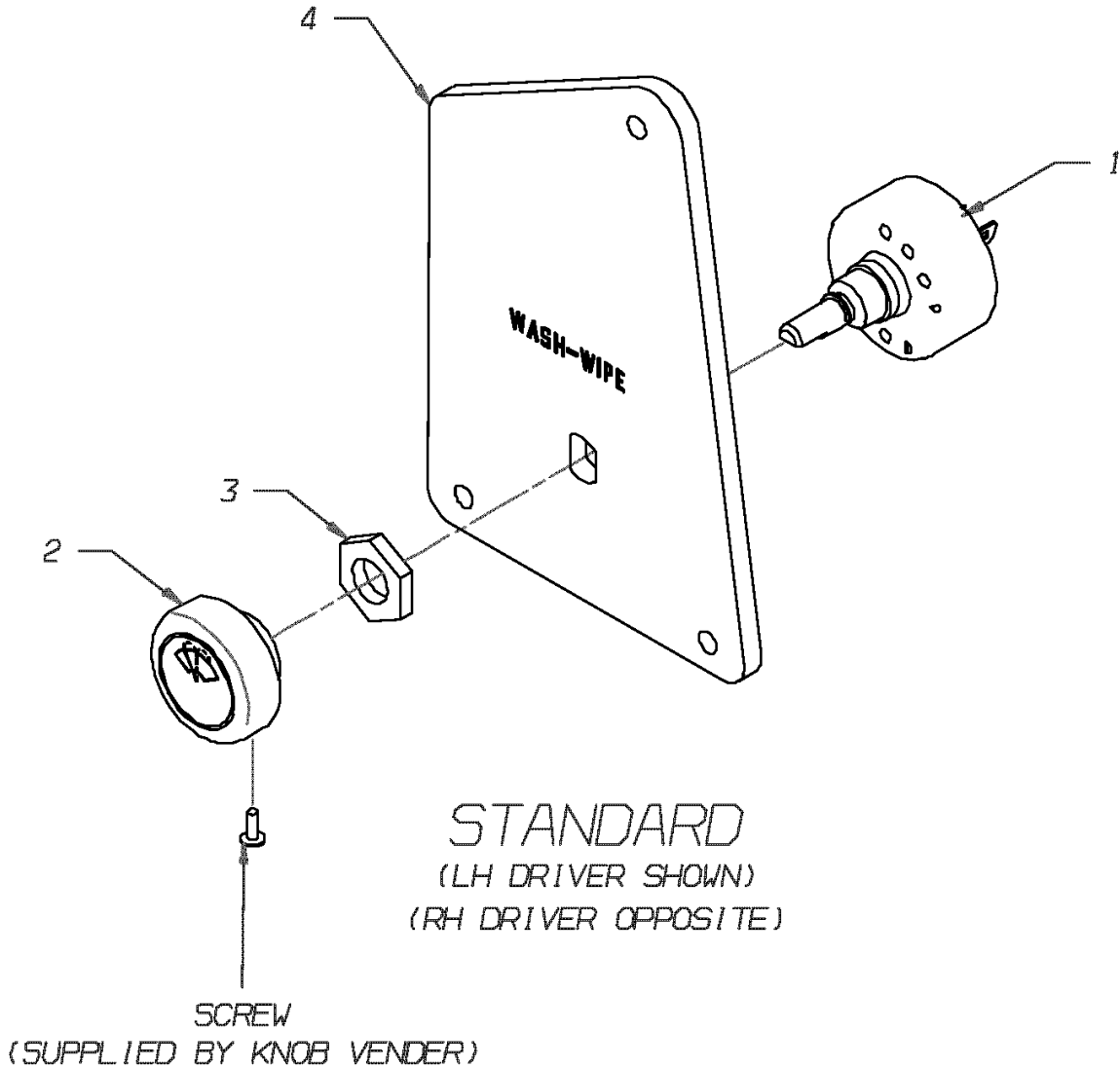
Key	PartNumber	Qty	Description	Comment
	1525674		LIGHT,PILOT,1 INCH,GREEN	
	1525682		LIGHT,PILOT,1 INCH,RED	
	1410802		LIGHT,PILOT,.53 DIA,RED LENS,PL-20RC-10	
	1410794		LIGHT,PILOT,.53 DIA,AMBER LENS,PL-20AC-10	
	2006807		LIGHT,PILOT,RED,17/32IN,PL-19RC-10	
	2006799		LIGHT,PILOT,AMBER,17/32IN,PL-19AC-10	
	1598846		LIGHT,PILOT,.460 DIA,RED LENS,BLACK BEZEL	
	0011384		LIGHT,PILOT,.53 DIA,GREEN,PL-20GC-10	
	1320977		DIODE,RECTIFIER 1N5408,3 AMP	
	1469030		DIODE,RECTIFIER,6 AMP,5812	
	1976703		SPEAKER,STANDARD,20 WATT,BLACK	
	1975242		SPEAKER,DELUXE,25 WATT,BLACK	
	1954569		SPEAKER,HORN,EXTERIOR,RIGID,GRAY	
	0021437		BUZZER, R.E.D / R.E.W / P.O.W	
	0027933		SWITCH,SLIDE,DIMMER,PANEL,GANG	
	0027345		SWITCH,SLIDE,DIMMER,DOME,GANG MOUNT,6A	

Models: A3FE, A3RE, C1FE, CSFE, CSRE, GMCV, MBWB, SBCV, T2RE, TCPE, TSPE
 SWITCHES
 WINDSHIELD WIPER
 With Features: STD, FEATURE 03444-03

Key	PartNumber	Qty	Description	Comment
-----	------------	-----	-------------	---------

DR. 03-07-01	BY MC		00298411	A
APP.	BY	FRT		REV

© BLUE BIRD BODY COMPANY. ALL RIGHTS RESERVED



Models: A3FE, A3RE, C1FE, CSFE, CSRE, GMCV, MBWB, SBCV, T2RE, TCPE, TSPE

With Features: SWITCHES
WINDSHIELD WIPER
STD, FEATURE 03444-03

Key	PartNumber	Qty	Description	Comment
1	1429562		SWITCH,DUAL W/S WIPER,ELECTRIC,CH75226	
2	1296441		KNOB,WSW/WSWSH SW,CH81298-33	
3	1354646		NUT,PANEL,HEX HD,7/16-28,YEL ZN DICH	
4	0031485		PANEL,W/S WIPER,LHD,FEA 3444-01 & 3444-03	
4	0031488		PANEL,W/S WIPER,RHD,FEA 3444-01 & 3444-03	<i>WITH FEATURE 3480 (RH DRIVE)</i>

Models: A3FE, A3RE, C1FE, CSFE, CSRE, GMCV, MBWB, SBCV, TCFE

With Features:
SWITCHES
WINDSHIELD WIPER
FEATURE 3443

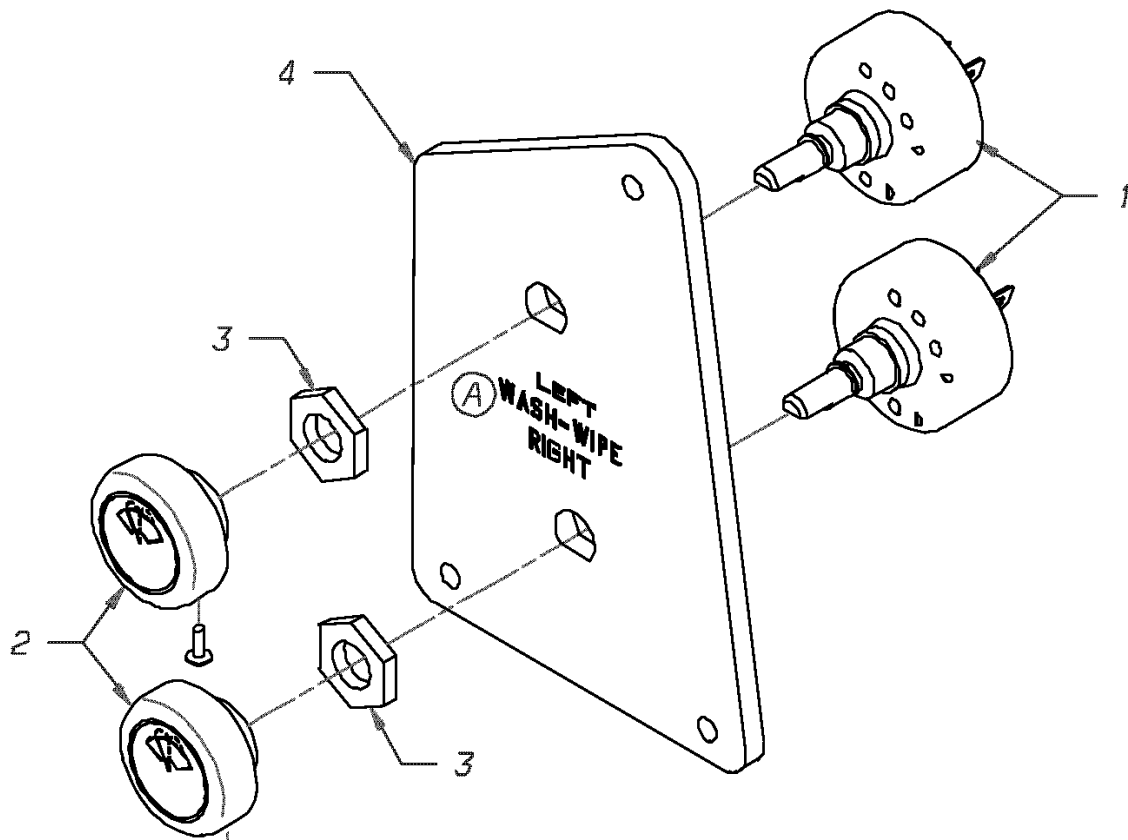
Key	PartNumber	Qty	Description	Comment
-----	------------	-----	-------------	---------

DR. 03-06-01	BY MC		00298412	A
APP.	BY	FRT		REV



© BLUE BIRD BODY COMPANY. ALL RIGHTS RESERVED

BLUE BIRD



FEATURE 3443

(LH DRIVER SHOWN)

(RH DRIVER OPPOSITE)

SCREWS
(SUPPLIED BY KNOB VENDER)

Models: A3FE, A3RE, C1FE, CSFE, CSRE, GMCV, MBWB, SBCV, TCFE

With Features: SWITCHES
WINDSHIELD WIPER
FEATURE 3443

Key	PartNumber	Qty	Description	Comment
1	0003488	2	SWITCH,W/S WIPER,ELECTRIC	
2	1272590	2	KNOB,WINDSHIELD WIPER,INTERMITTENT	
3	1354646	2	NUT,PANEL,HEX HD,7/16-28,YEL ZN DICH	
4	0031486		PANEL,W/S WIPER,LHD,FEA 3443	
4	0031489		PANEL,W/S WIPER,RHD,FEA 3443	WITH FEATURE 3480 (RH DRIVE)

Models: A3FE, A3RE, C1FE, CSFE, CSRE, GMCV, MBWB, SBCV, TCFE
 SWITCHES
 WINDSHIELD WIPER
 With Features: FEATURE 3444-01

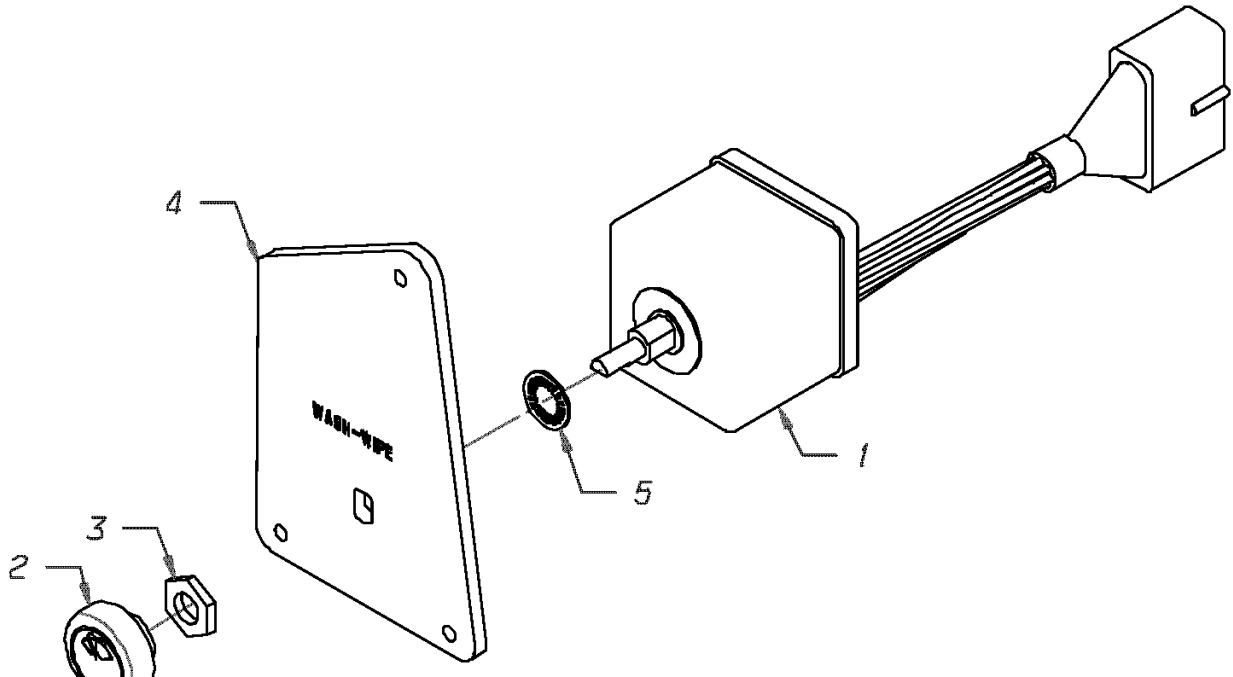
Key	PartNumber	Qty	Description	Comment
-----	------------	-----	-------------	---------

DR. 3-06-01	BY MC	00298413	A
APP.	BY		REV



© BLUE BIRD BODY COMPANY. ALL RIGHTS RESERVED

BLUE BIRD



FEATURE 3444-01
 (LH DRIVE SHOWN)
 (RH DRIVE OPPOSITE)

SCREW
 (SUPPLIED BY KNOB VENDER)

Models: A3FE, A3RE, C1FE, CSFE, CSRE, GMCV, MBWB, SBCV, TCFE
SWITCHES
WINDSHIELD WIPER
With Features: FEATURE 3444-01

Key	PartNumber	Qty	Description	Comment
1	1429620		SWITCH,DUAL W/S WIPER,INTERM,CH75601-08	
2	1272590		KNOB,WINDSHIELD WIPER,INTERMITTENT	
3	1354646		NUT,PANEL,HEX HD,7/16-28,YEL ZN DICH	
4	0031485		PANEL,W/S WIPER,LHD,FEA 3444-01 & 3444-03	
4	0031488		PANEL,W/S WIPER,RHD,FEA 3444-01 & 3444-03	<i>WITH FEATURE 3480 (RH DRIVE)</i>
5			STAR WASHER	<i>SUPPLIED WITH SWITCH</i>

Models: A3FE, A3RE, C1FE, CSFE, CSRE, GMCV, MBWB, SBCV, TCFE

With Features:
SWITCHES
WINDSHIELD WIPER
FEATURE 3444-02

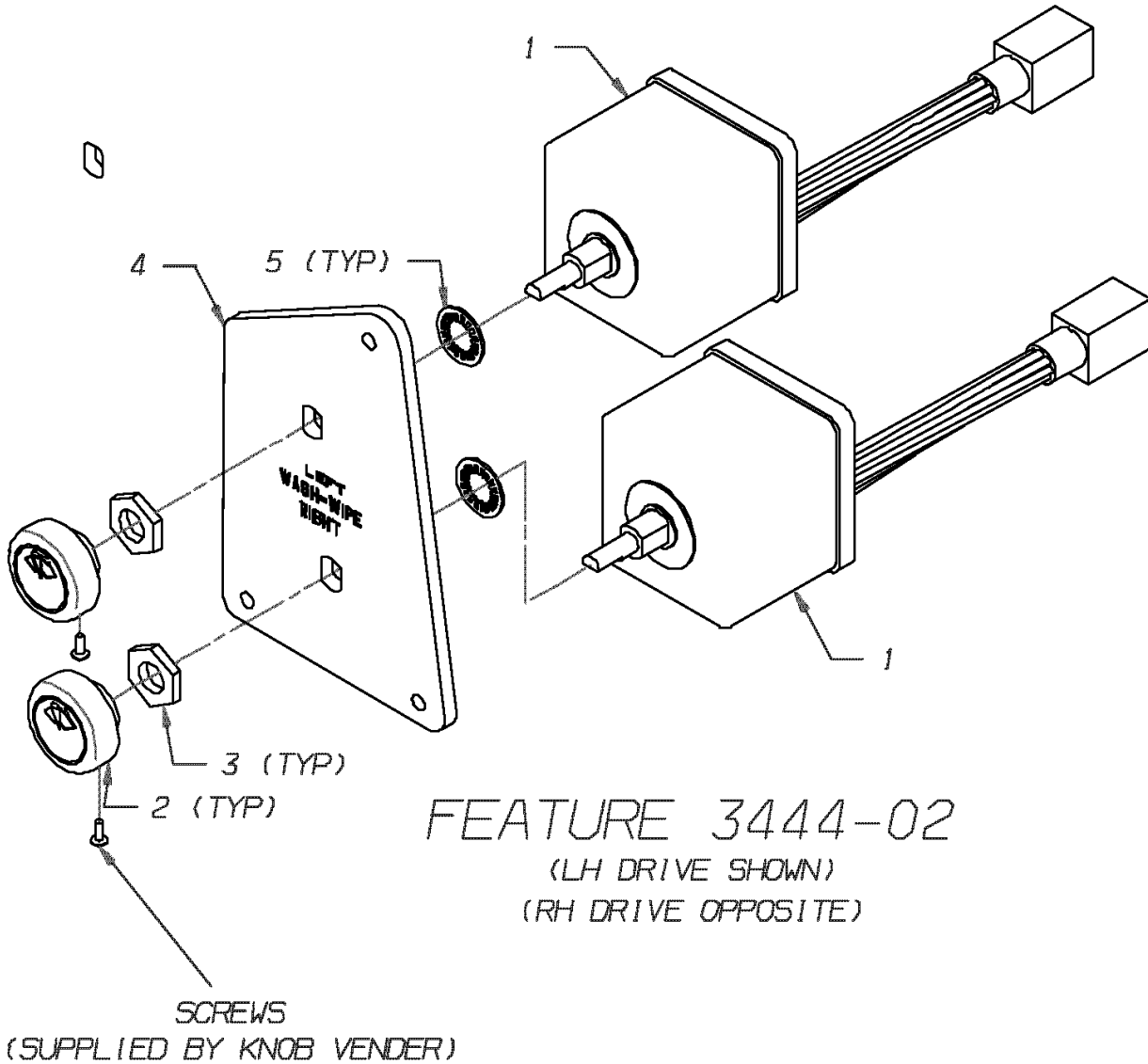
Key	PartNumber	Qty	Description	Comment
-----	------------	-----	-------------	---------

DR. 3-06-01	BY MC		00298414	A
APP.	BY	FRT		REV



© BLUE BIRD BODY COMPANY. ALL RIGHTS RESERVED

BLUE BIRD



Models: A3FE, A3RE, C1FE, CSFE, CSRE, GMCV, MBWB, SBCV, TCFE

SWITCHES

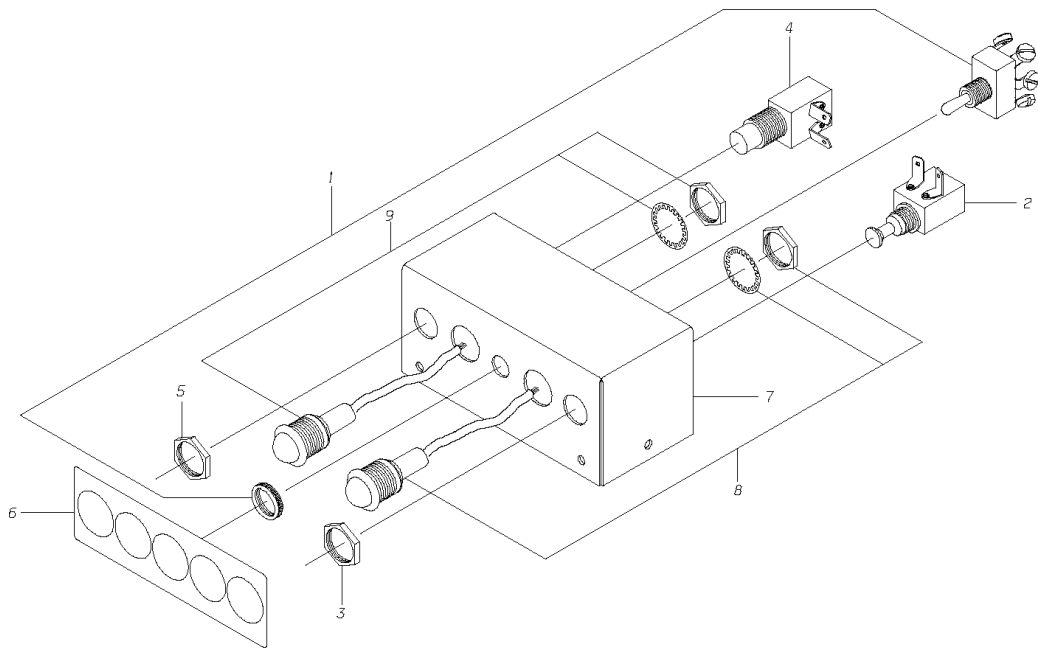
WINDSHIELD WIPER

With Features: FEATURE 3444-02

Key	PartNumber	Qty	Description	Comment
1	0030788	2	SWITCH ASSY,W/S WIPER,MOTOR,	
2	1272590	2	KNOB,WINDSHIELD WIPER,INTERMITTENT	
3	1354646	2	NUT,PANEL,HEX HD,7/16-28,YEL ZN DICH	
4	0031487		PANEL,W/S WIPER,LHD,FEA 3444-02	
4	0031490		PANEL,W/S WIPER,RHD,FEA 3444-02	<i>WITH FEATURE 3480 (RH DRIVE)</i>
5		2	STAR WASHER	<i>SUPPLIED WITH SWITCH</i>

Models: AAFE, AARE, A3FE, A3RE, TCFE, TCRE, TSFE
With Features: WARNING LAMP CONTROL BOX
 OPTION 2147

Key	PartNumber	Qty	Description	Comment
-----	------------	-----	-------------	---------



Models: AAFE, AARE, A3FE, A3RE, TCFE, TCRE, TSFE
With Features: WARNING LAMP CONTROL BOX
 OPTION 2147

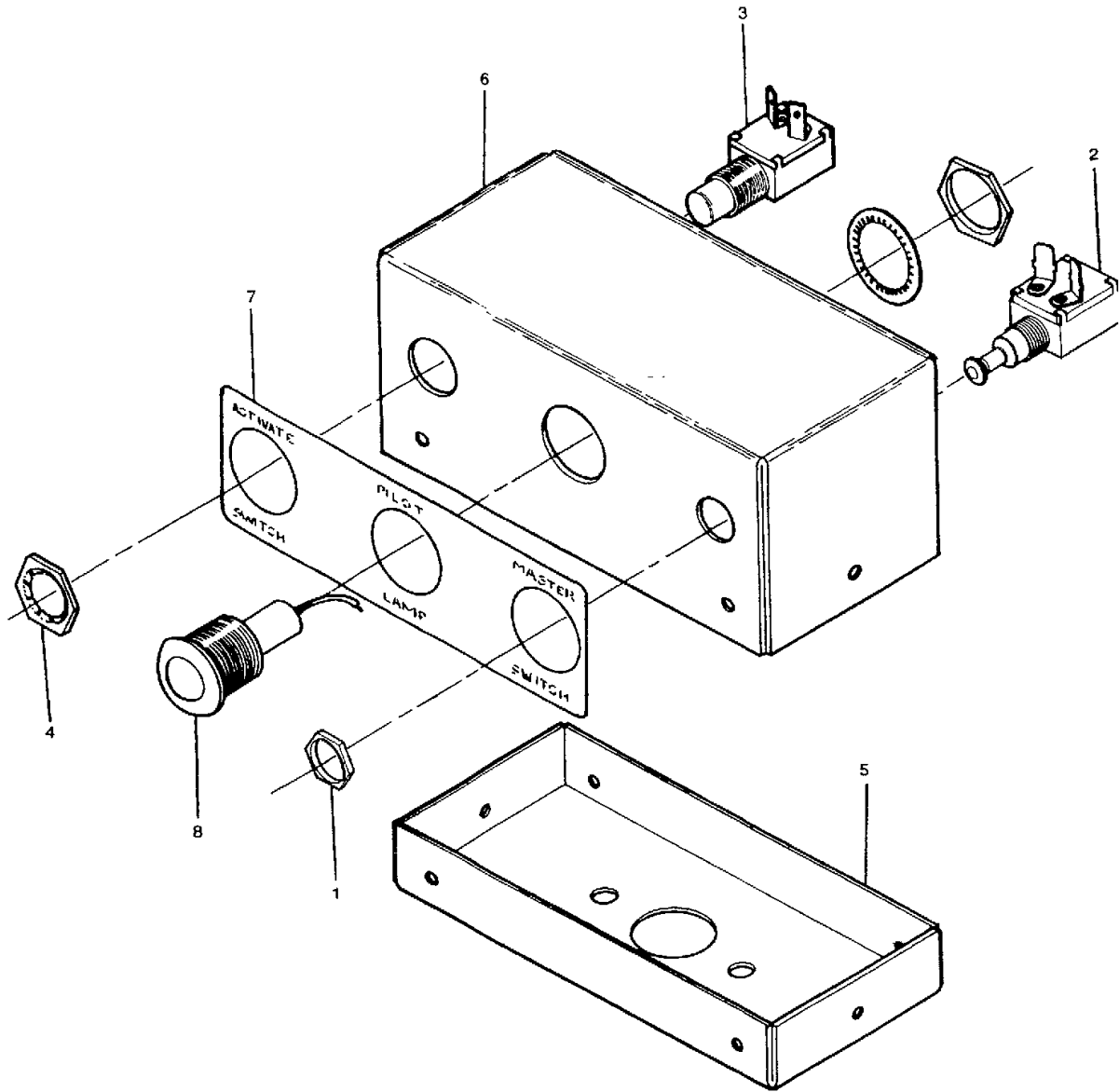
Key	PartNumber	Qty	Description	Comment
	1426196		BOX ASSY,CONTROL,WARNING LAMP,	STANDARD, DELUXE, OR POWER DOOR CONTROL
1	0416628		SWITCH,TOGGLE,DPDT,ON-OFF,CH5590	
2	1499102		SWITCH,2 POSN,ACCESSORY	STANDARD, DELUXE, OR POWER DOOR CONTROL
3	1073311		NUT,PANEL,HEX HD,1/2-20,YEL ZN DICH	
4	1155241		SWITCH,MANUAL	
5	1169408		NUT,PANEL,HEX,625-32NF 1/8,YEL ZN DICH	
6	1347194		DECAL,WARNING LAMP CONTROL PANEL,	
7	1426188		BOX,CONTROL,W/L W/OVERRIDE SW,AIR	STANDARD, DELUXE, OR POWER DOOR CONTROL
NI	1426055		BRACKET,ATTACHING,W/L CTRL BOX,AIR DR,	STANDARD, DELUXE, OR POWER DOOR CONTROL
8	2006799		LIGHT,PILOT,AMBER,17/32IN,PL-19AC-10	
9	2006807		LIGHT,PILOT,RED,17/32IN,PL-19RC-10	
NI	0663203		RELAY,PILOT LIGHT,OPT 2146	STANDARD, DELUXE, OR POWER DOOR CONTROL
NI	1161876		RELAY,ISO,W/O TAB	STANDARD DOOR CONTROL
NI	1077718		RELAY,BOSCH,0-332-209-161,30 AMP	DELUXE OR POWER DOOR CONTROL

Models: AAFE, AARE, A3FE, A3RE, GMCV, GPWB, MBWB, SBCV, TCEV, TCPE, TCRE, TSPE
 With Features: WARNING LAMP CONTROL PANEL
 OPTION 2128

Key	PartNumber	Qty	Description	Comment
-----	------------	-----	-------------	---------

DR 8-17-87 BY SRW	8006843
APP 8-17-87 BY DL	

FRONT © 1987 BLUE BIRD BODY COMPANY ALL RIGHTS RESERVED



Models: AAFE, AARE, A3FE, A3RE, GMCV, GPWB, MBWB, SBCV, TCEV, TCPE, TCRE, TSPE
With Features: WARNING LAMP CONTROL PANEL
 OPTION 2128

Key	PartNumber	Qty	Description	Comment
1	1073311		NUT,PANEL,HEX HD,1/2-20,YEL ZN DICH	
2	1499102		SWITCH,2 POSN,ACCESSORY	
3	1155241		SWITCH,MANUAL	
4	1169408		NUT,PANEL,HEX,625-32NF 1/8,YEL ZN DICH	
5	1426055		BRACKET,ATTACHING,W/L CTRL BOX,AIR DR,	
6	1538743		PANEL,WARNING LAMP CONTROL,MINNESOTA	
NI	1520758		BRACKET,SWITCH MTG,W/LAMP SW,DLX	
7	1347202		DECAL,WARNING LAMP CONTROL PANEL,	
8	2006807		LIGHT,PILOT,RED,17/32IN,PL-19RC-10	

Models: AAFE, AARE, A3FE, A3RE, GMCV, MBWB, SBCV, TCEV, TCPE, TCRE, TCPE, VCTA
With Features: WARNING LIGHT SYSTEM
 OPTION 6720

Key	PartNumber	Qty	Description	Comment
NI	1468727		PANEL ASSY,WRN LIGHT FLASHER,VA	<i>PANEL USED ON SBCV ONLY. ENDING WITH BSN 186382</i>
	1728252		PANEL ASSY,WARNING LIGHT FLASHER,	<i>PANEL USED ON SBCV ONLY. FROM BSN 186383 TO BSN 187157</i>
	1656743		FLASHER SYSTEM,8 LAMP,WELDON 7000	<i>BEGIN WITH BSN 187158</i>
	1728245		BRACKET,MTG,WARNINT LIGHT FLASHER,	
	1225986		LIGHT,WARNING,RED,B	
	1225994		LIGHT,WARNING,AMBER,B	
	0758342		HOOD,DUAL WARNING LIGHT,PRIMED	
	1053719		DECAL,SWITCH PANEL,WARNING LGT,PUSH, KY	
	1126176		SWITCH,MOMENTARY,SPST NC	
	1155258		SWITCH,MOMENTARY OFF,EXIT DOOR INTLK	
	1077718		RELAY,BOSCH,0-332-209-161,30 AMP	
	1161876		RELAY,ISO,W/O TAB	
	2006104		BREAKER,CIRCUIT,15 AMP	
	2006112		BREAKER,CIRCUIT,20 AMP	
	2215259		BREAKER,CIRCUIT,30AMP	
	0932012		SOLENOID,100-AMP	
	1366574		FLASHER SYSTEM,8 LAMP,AEROFLASH 165	
	1656743		FLASHER SYSTEM,8 LAMP,WELDON 7000	