

**Chassis**

**090 Frame**

BUMPERS

FRONT

2 IN EXTENDED

*With: FEATURE 40087-03*

1

EXTENDED 2 IN

*With: FEATURE 40087-03*

2

NON-PIVOTING

*With: FEATURE 40088-01 WITH 40112-01*

3

PIVOTING

*With: FEATURE 40088-01 WITH 40112-02*

4

WITH PIVOTING FEATURE

*With: FEATURE 40088-01 WITH 40112-02, 40411-01, 40088-05*

5

WITHOUT PIVOTING FEATURE

*With: FEATURE 40088-01 WITH 40112-01*

6

REAR

*With: FEATURE 40086-04 OR 40087-02*

7

*With: FEATURE 40086-04, 40087-02, 40086-07*

8

FRAME ASSEMBLY

*With: STD*

9

SKID PLATES

*With: FEATURE 40169*

10

TIRE CARRIER

MIDMOUNT

*With: FEATURE 40395-01,-05  
From CSN 07/03/06*

11

*With: FEATURE 40395-01  
From CSN 07/03/06*

12

SIDE FRAME MOUNTING

*With: FEATURE 40395-01; OPTION 5281-02, 7802-02, 7803-02  
From CSN 30079480; 01/22/01*

13

## TOW HOOKS

## FRONT

*With: FEATURE 40411-01 WITH 40112-01, 02* \_\_\_\_\_ 14

## WITH PIVOTING FEATURE

*With: FEATURE 40411-01 WITH 40112-02* \_\_\_\_\_ 15

## WITHOUT PIVOTING FEATURE

*With: FEATURE 40411-01 WITH 40112-01* \_\_\_\_\_ 16

## REAR

*With: FEATURE 40411-02* \_\_\_\_\_ 17

*With: FEATURE 40411-02* \_\_\_\_\_ 18

**Models:** A3FE  
**BUMPERS**  
**FRONT**  
**2 IN EXTENDED**  
**With Features:** FEATURE 40087-03

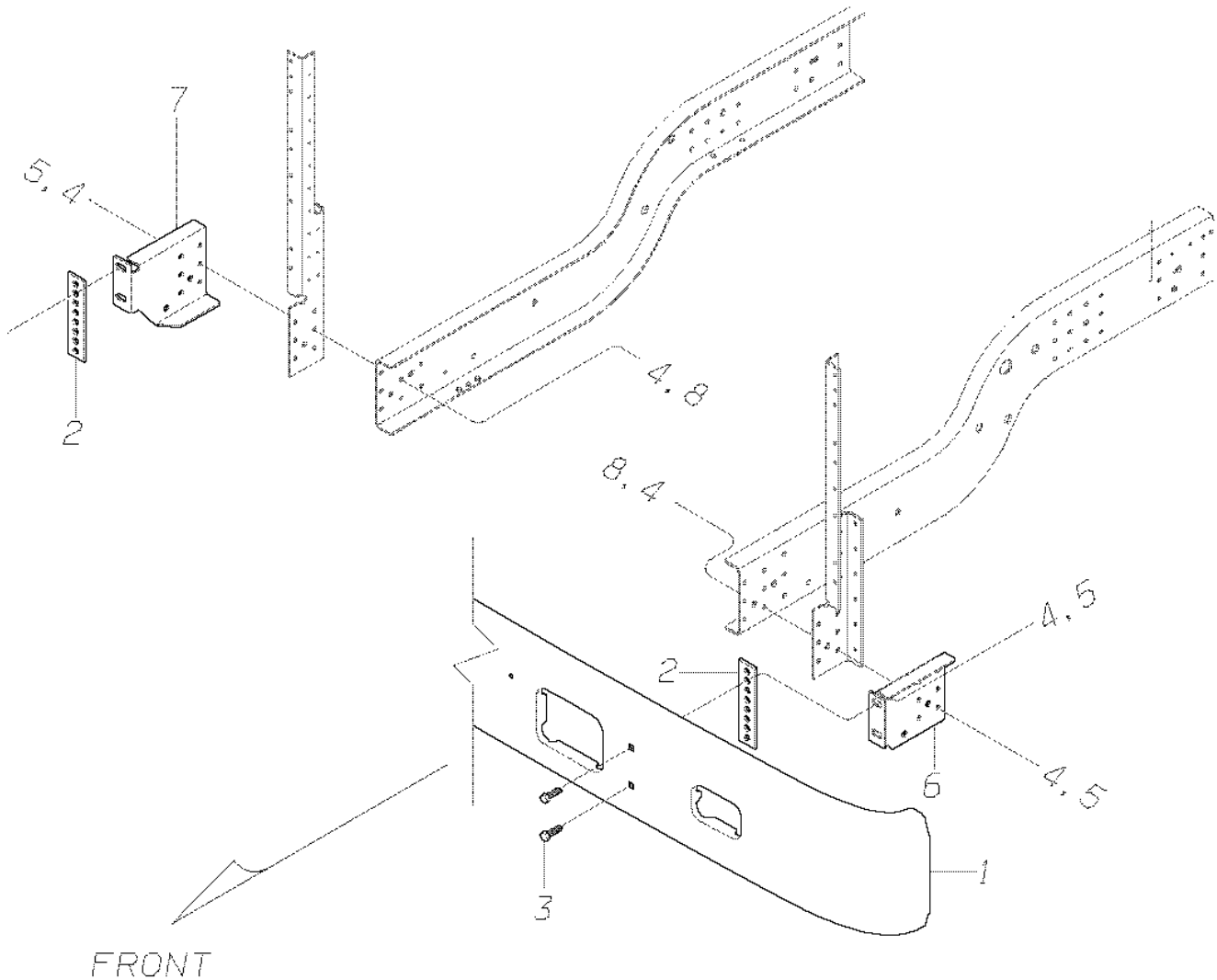
Key	PartNumber	Qty	Description	Comment
-----	------------	-----	-------------	---------

DR. 8/28/98	BY JL	---	19779662	
APP. 8/28/98	BY AB	FRT		REV

© BLUE BIRD BODY COMPANY. ALL RIGHTS RESERVED



BLUE BIRD



**Models:** A3FE  
BUMPERS  
FRONT  
2 IN EXTENDED  
**With Features:** FEATURE 40087-03

Key	PartNumber	Qty	Description	Comment
1	1459262	2	SPACER ASSY,FRT BUMPER BRACKET	
2	0002100	4	BOLT,1/2-13 X 3.5,ROUND SOCKET HEAD	
3	1003045	RE	WASHER,FLAT,17/32 X 1 1/16 X 7/64,HDN,	
4	0850800	RE	NUT,HEX HD,1/2-13,LOCKING,GR 8,CAD WAX	

**Models:** A3FE  
**BUMPERS**  
**FRONT**  
**EXTENDED 2 IN**  
**With Features:** FEATURE 40087-03

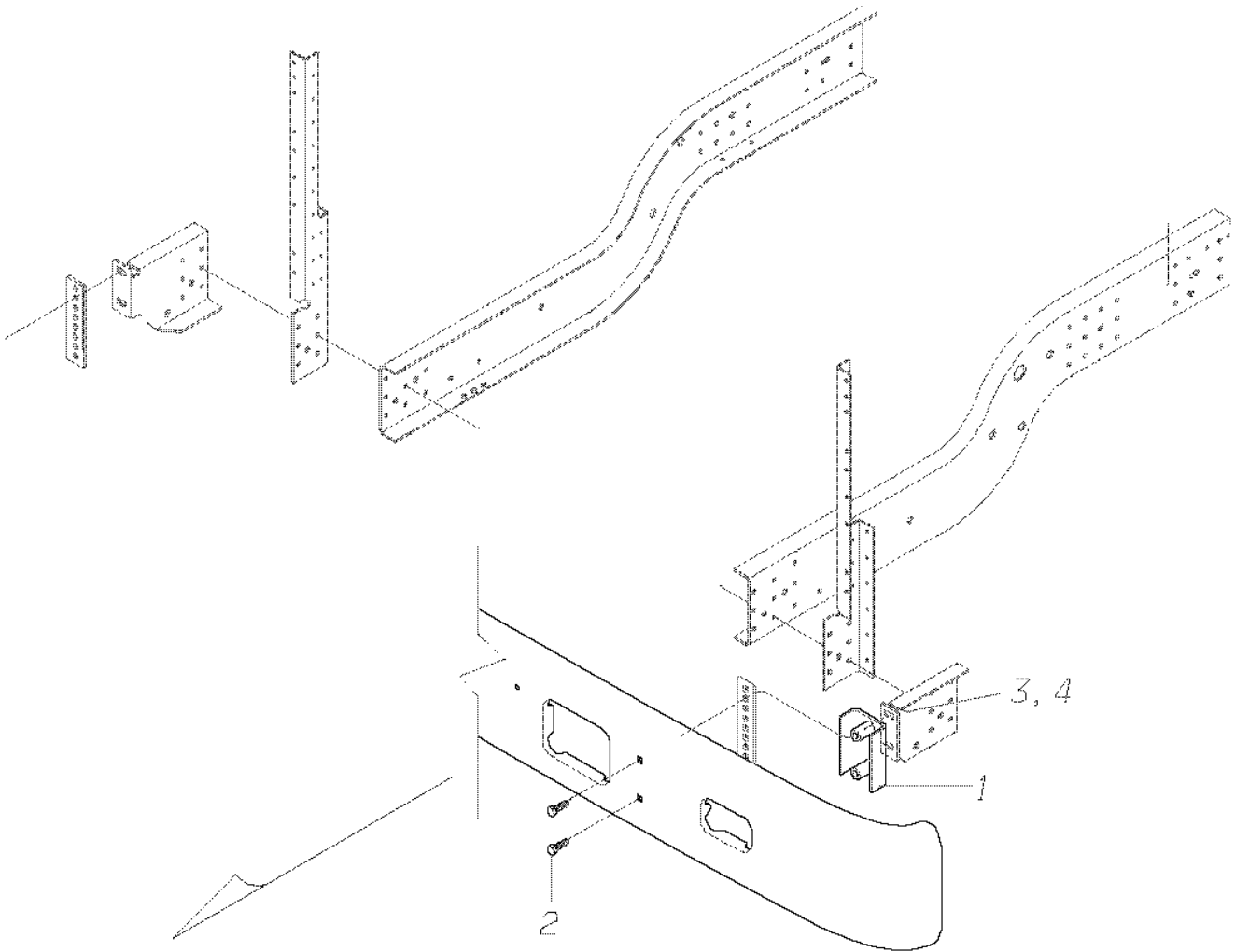
Key	PartNumber	Qty	Description	Comment
-----	------------	-----	-------------	---------

DR. 8/28/98 BY JL	---	19779653	REV
APP. 8/28/98 BY AB	FRT		



© BLUE BIRD BODY COMPANY. ALL RIGHTS RESERVED

BLUE BIRD



FRONT

**Models:** A3FE  
**BUMPERS**  
**FRONT**  
**EXTENDED 2 IN**  
**With Features:** FEATURE 40087-03

Key	PartNumber	Qty	Description	Comment
1	1459262	2	SPACER ASSY,FRT BUMPER BRACKET	
2	0002100	4	BOLT,1/2-13 X 3.5,ROUND SOCKET HEAD	
3	1003045		WASHER,FLAT,17/32 X 1 1/16 X 7/64,HDN,	
4	0850800		NUT,HEX HD,1/2-13,LOCKING,GR 8,CAD WAX	

**Models:** A3FE  
**BUMPERS**  
**FRONT**  
**NON-PIVOTING**  
**With Features:** FEATURE 40088-01 WITH 40112-01

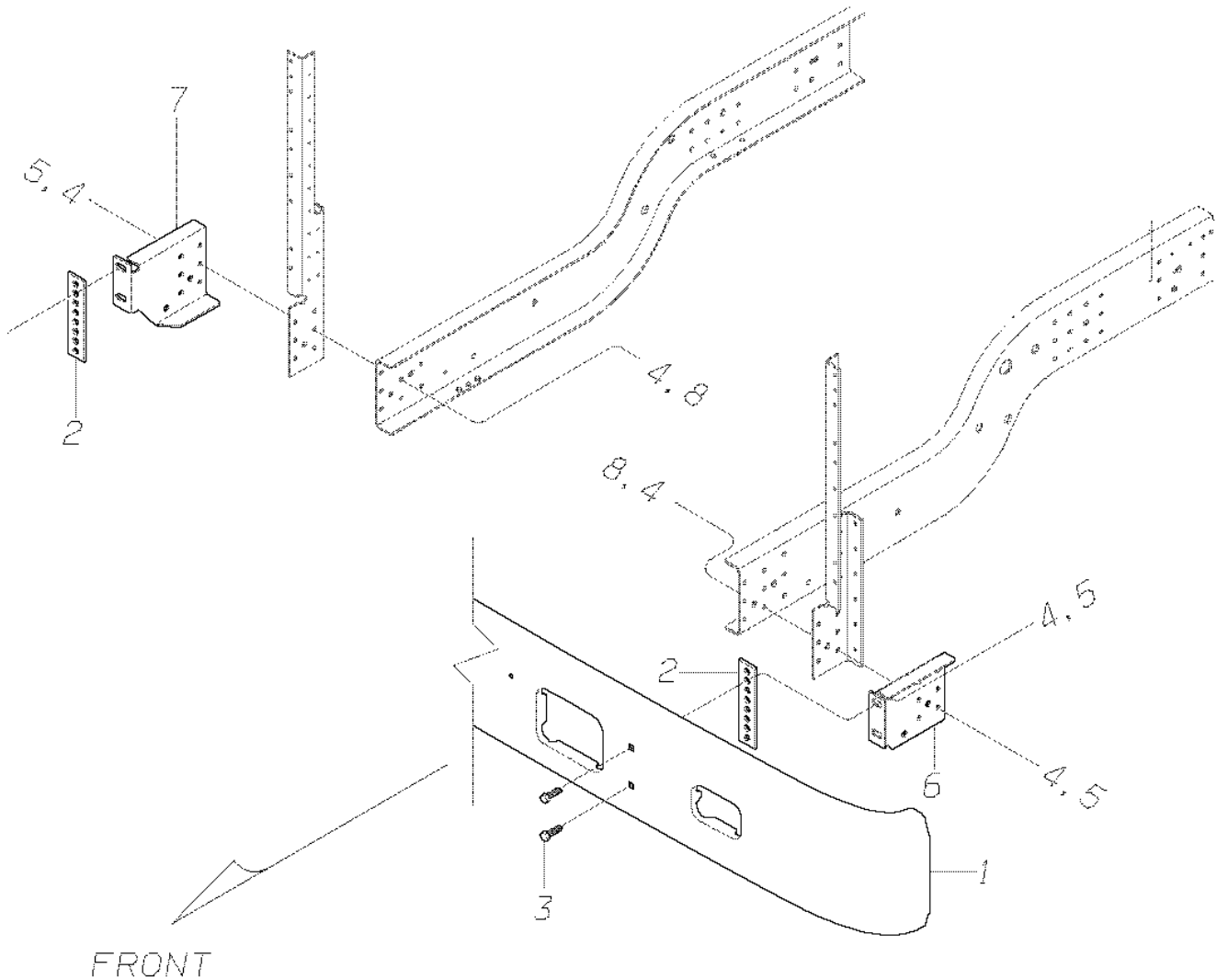
Key	PartNumber	Qty	Description	Comment
-----	------------	-----	-------------	---------

DR. 8/28/98	BY JL	---	19779662	
APP. 8/28/98	BY AB	FRT		REV

© BLUE BIRD BODY COMPANY. ALL RIGHTS RESERVED



BLUE BIRD



**Models:**

**A3FE  
BUMPERS  
FRONT  
NON-PIVOTING**

**With Features:**

**FEATURE 40088-01 WITH 40112-01**

Key	PartNumber	Qty	Description	Comment
1	0009365	1	BUMPER,FRT,12,.25 THK,W/AIR,W/STEP,	
2	1679232	2	PLATE,SPACER,BUMPER,QBRE	
3	0001961	4	BOLT,1/2-13 X 1.50,ROUND SOCKET HEAD	
4	1003045	24	WASHER,FLAT,17/32 X 1 1/16 X 7/64,HDN,	
5	0850800	14	NUT,HEX HD,1/2-13,LOCKING,GR 8,CAD WAX	
6	1977875	1	BRACKET,BUMPER,NON-PIVOTING,LH,HDFE	
7	1977867	1	BRACKET,BUMPER,NON-PIVOTING,RH,HDFE	
8	0803205		CAPSCREW,HEX HD,1/2-13 X 2,GR 8,YEL ZN	



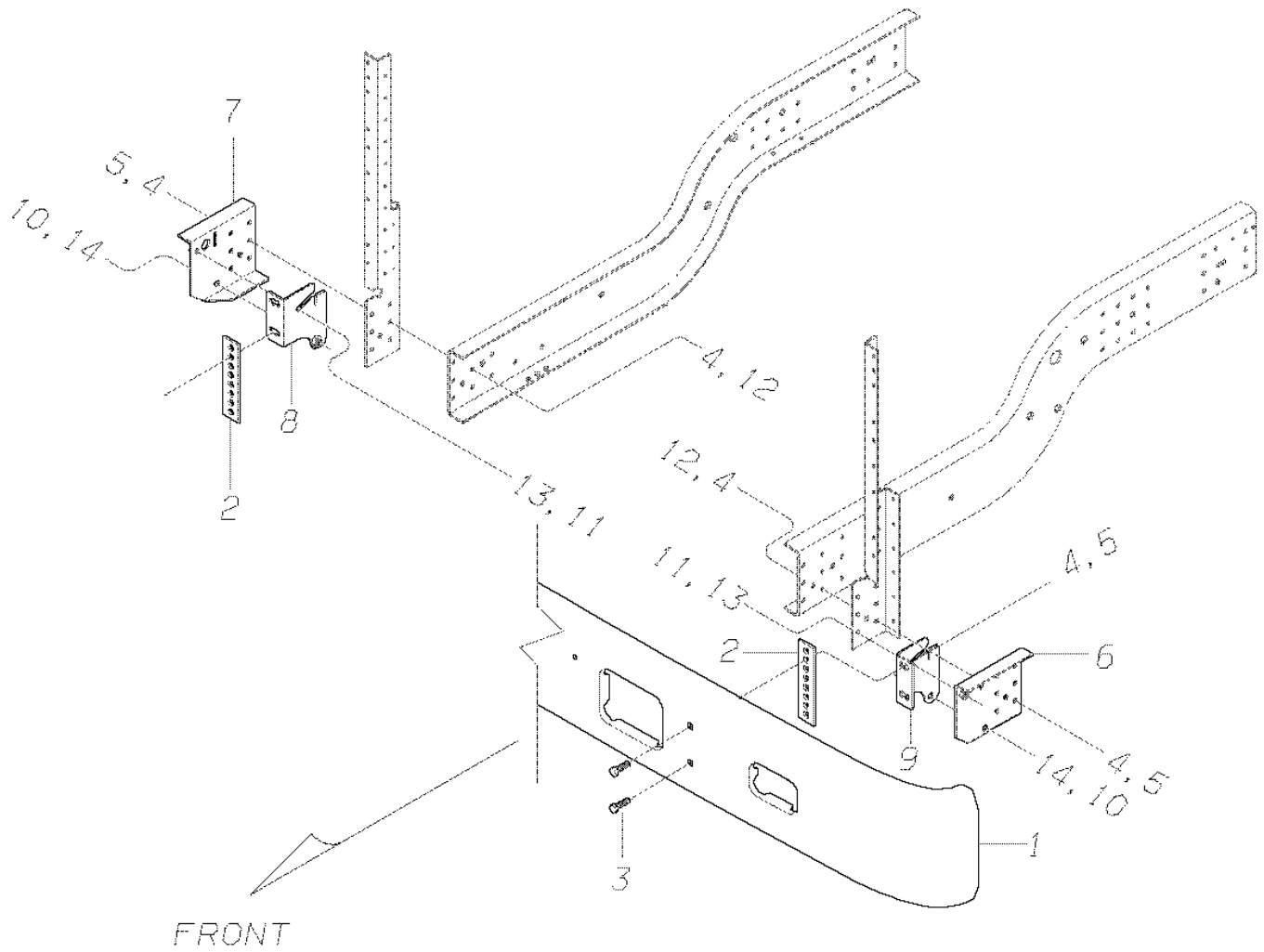
**Models:** A3FE  
**BUMPERS**  
**FRONT**  
**PIVOTING**

**With Features:** FEATURE 40088-01 WITH 40112-02

Key	PartNumber	Qty	Description	Comment
-----	------------	-----	-------------	---------

DR. 8/28/98	BY JL	---	19779661	
APP. 8/28/98	BY AB	FRT		REV

© BLUE BIRD BODY COMPANY. ALL RIGHTS RESERVED



**Models:** **A3FE**  
**BUMPERS**  
**FRONT**  
**PIVOTING**

**With Features:** **FEATURE 40088-01 WITH 40112-02**

Key	PartNumber	Qty	Description	Comment
1	0009365	1	BUMPER,FRT,12,.25 THK,W/AIR,W/STEP,	
2	1679232	2	PLATE,SPACER,BUMPER,QBRE	
3	0001961	4	BOLT,1/2-13 X 1.50,ROUND SOCKET HEAD	
4	1003045	AR	WASHER,FLAT,17/32 X 1 1/16 X 7/64,HDN,	
5	0850800	AR	NUT,HEX HD,1/2-13,LOCKING,GR 8,CAD WAX	
6	1977859	1	BRACKET ASSY,BUMPER,PIVOTING,FRAME MTD,	
7	1977842	1	BRACKET ASSY,BUMPER,PIVOTING,FRAME MTD,	
8	1977941	1	BRACKET ASSY,BUMPER,PIVOTING,RH,HDFE	
9	1977958	1	BRACKET ASSY,BUMPER,PIVOTING,LH,HDFE	
10	0014654	2	CAPSCREW,HEX HD,3/4-10X2.00,GR8,	FEATURE 4041101 TOW HOOKS
11	1107895	2	CAPSCREW,HEX HD,5/8-11 X 2,GR8,YEL ZN	FEATURE 4041101 TOW HOOKS
12	0803205		CAPSCREW,HEX HD,1/2-13 X 2,GR 8,YEL ZN	
13	0870907	2	WASHER,FLAT,11/16 X 1 3/16 X 1/8,BLK ZN	FEATURE 4041101 TOW HOOKS
14	2001238	2	LOCKWASHER,SPLIT RING, 3/4 ,LHT,YEL ZN	FEATURE 4041101 TOW HOOKS

Models: A3FE, C3FE

BUMPERS

FRONT

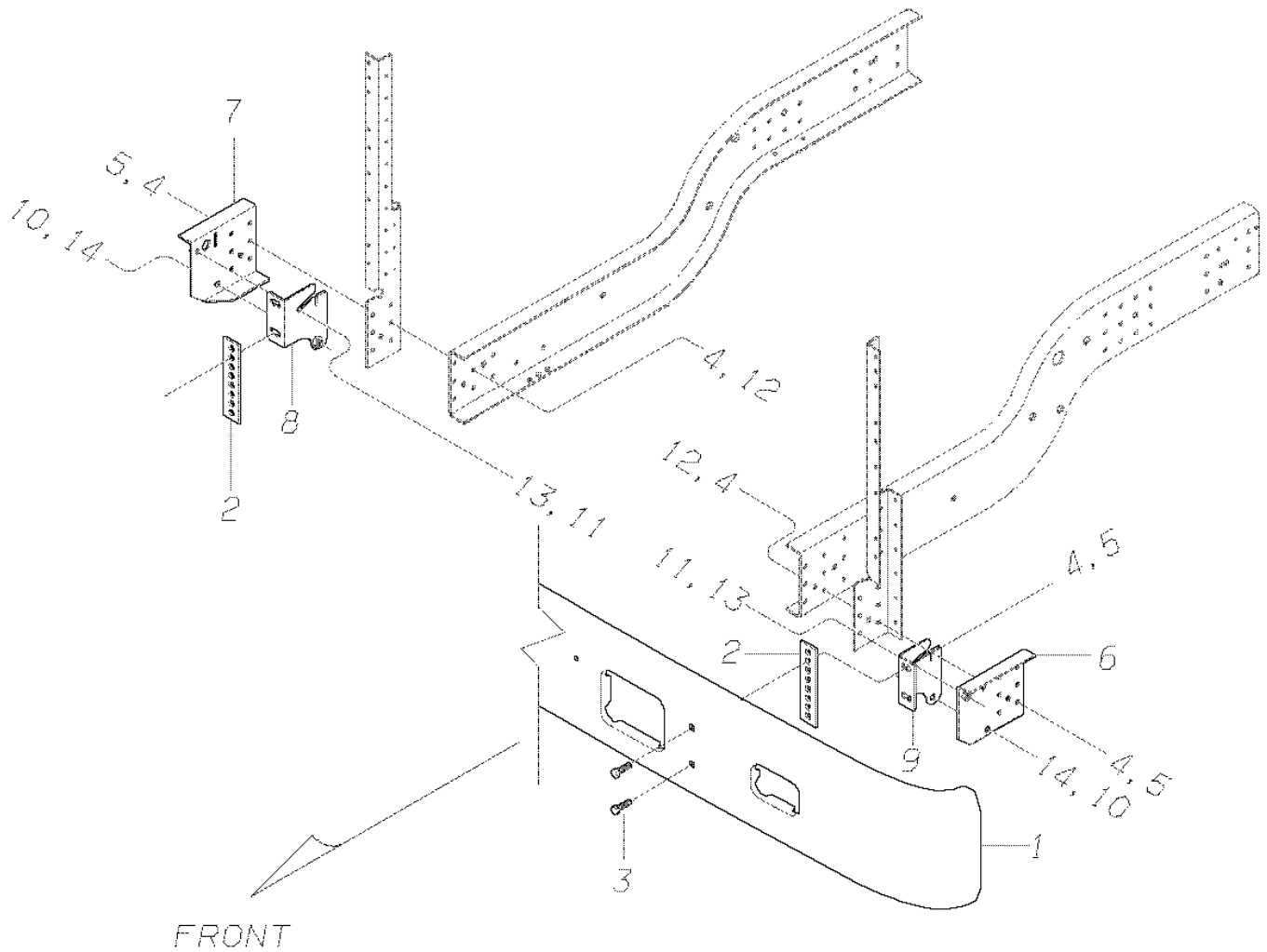
WITH PIVOTING FEATURE

With Features: FEATURE 40088-01 WITH 40112-02, 40411-01, 40088-05

Key	PartNumber	Qty	Description	Comment
-----	------------	-----	-------------	---------

DR. 8/28/98	BY JL	---	19779661	
APP. 8/28/98	BY AB	FRT		REV

© BLUE BIRD BODY COMPANY. ALL RIGHTS RESERVED



**Models:** A3FE, C3FE

**BUMPERS  
FRONT  
WITH PIVOTING FEATURE**

**With Features:** FEATURE 40088-01 WITH 40112-02, 40411-01, 40088-05

Key	PartNumber	Qty	Description	Comment
1	0009365	1	BUMPER,FRT,12,.25 THK,W/AIR,W/STEP,	
1	0008062	1	BUMPER,FRT,12,.25 THK,W/AIR,PAINTED	WITH AIR, PAINTED. C3FE
1	0009456	1	BUMPER,FRT,12,.25 THK,W/AIR,W/STEP,	WITH AIR, W/ STEP, CHROME. FEAT 40088-05
2	1679232	2	PLATE,SPACER,BUMPER,QBRE	
3	0001961	4	BOLT,1/2-13 X 1.50,ROUND SOCKET HEAD	
3	0005504	4	BOLT,CARRIAGE,1/2-13 X 3 1/2 18-8 SST	WITH FEATURE 40088-05 ONLY
4	1003045	AR	WASHER,FLAT,17/32 X 1 1/16 X 7/64,HDN,	
5	0850800	AR	NUT,HEX HD,1/2-13,LOCKING,GR 8,CAD WAX	
6	1977859	1	BRACKET ASSY,BUMPER,PIVOTING,FRAME MTD,	
7	1977842	1	BRACKET ASSY,BUMPER,PIVOTING,FRAME MTD,	
8	1977941	1	BRACKET ASSY,BUMPER,PIVOTING,RH,HDFE	
9	1977958	1	BRACKET ASSY,BUMPER,PIVOTING,LH,HDFE	
10	0014654	AR	CAPSCREW,HEX HD,3/4-10X2.00,GR8,	
11	1107895	2	CAPSCREW,HEX HD,5/8-11 X 2,GR8,YEL ZN	
12	0803205	AR	CAPSCREW,HEX HD,1/2-13 X 2,GR 8,YEL ZN	
13	0870907	2	WASHER,FLAT,11/16 X 1 3/16 X 1/8,BLK ZN	
14	2001238	AR	LOCKWASHER,SPLIT RING, 3/4 ,LHT,YEL ZN	
15	2001220	2	LOCKWASHER,SPLIT RING, 5/8 ,LHT,YEL ZN	

**Models:** A3FE, C3FE  
**BUMPERS**  
**FRONT**  
**WITHOUT PIVOTING FEATURE**  
**With Features:** FEATURE 40088-01 WITH 40112-01

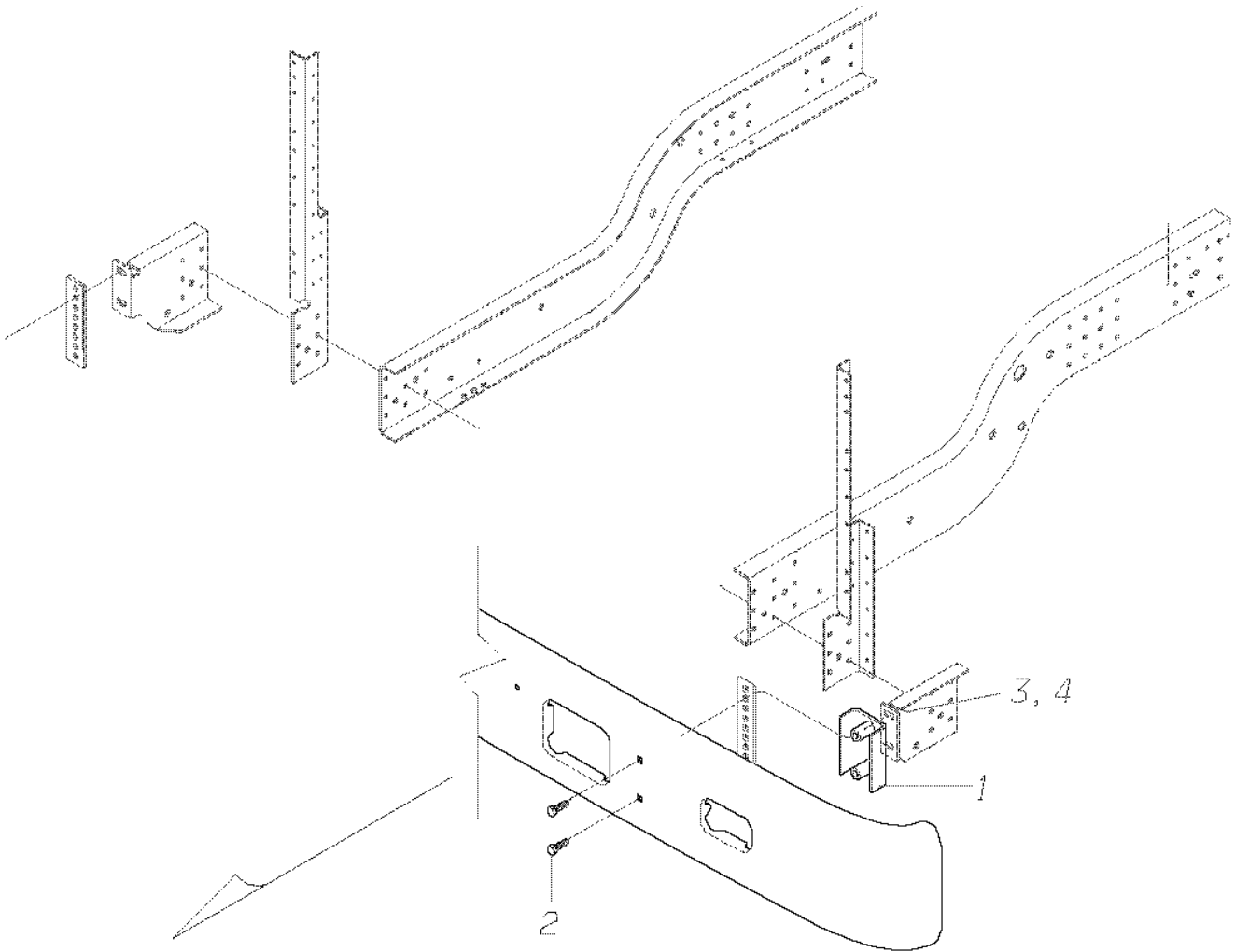
Key	PartNumber	Qty	Description	Comment
-----	------------	-----	-------------	---------

DR. 8/28/98 BY JL	---	19779653	REV
APP. 8/28/98 BY AB	FRT		



© BLUE BIRD BODY COMPANY. ALL RIGHTS RESERVED

BLUE BIRD



FRONT

**Models:** A3FE, C3FE  
**BUMPERS**  
**FRONT**  
**WITHOUT PIVOTING FEATURE**  
**With Features:** FEATURE 40088-01 WITH 40112-01

Key	PartNumber	Qty	Description	Comment
1	0009365	1	BUMPER,FRT,12,.25 THK,W/AIR,W/STEP,	
1	0008062	1	BUMPER,FRT,12,.25 THK,W/AIR,PAINTED	<i>WITH AIR, PAINTED. C3FE</i>
2	1679232	2	PLATE,SPACER,BUMPER,QBRE	
3	0001961	4	BOLT,1/2-13 X 1.50,ROUND SOCKET HEAD	
4	1003045	AR	WASHER,FLAT,17/32 X 1 1/16 X 7/64,HDN,	
5	0850800	AR	NUT,HEX HD,1/2-13,LOCKING,GR 8,CAD WAX	
6	1977875	1	BRACKET,BUMPER,NON-PIVOTING,LH,HDFE	
7	1977867	1	BRACKET,BUMPER,NON-PIVOTING,RH,HDFE	
8	0803205	AR	CAPSCREW,HEX HD,1/2-13 X 2,GR 8,YEL ZN	

**Models:** A3FE  
**BUMPERS**  
**REAR**  
**With Features:** FEATURE 40086-04 OR 40087-02

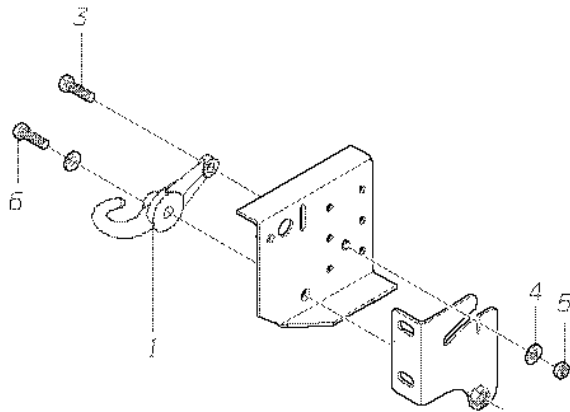
Key	PartNumber	Qty	Description	Comment
-----	------------	-----	-------------	---------

DR. 8/28/98	BY JL	---	19779666	REV
APP. 8/28/98	BY AB	FRT		

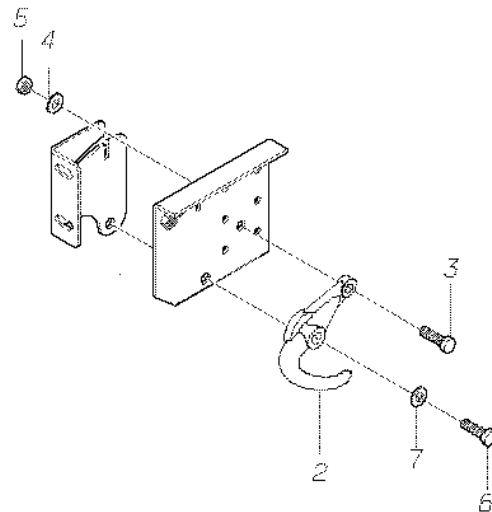
© BLUE BIRD BODY COMPANY, ALL RIGHTS RESERVED



**BLUE BIRD**



FRONT



**Models:** **A3FE**  
**BUMPERS**  
**REAR**

**With Features:** **FEATURE 40086-04 OR 40087-02**

Key	PartNumber	Qty	Description	Comment
3	0009555	1	BUMPER,REAR,12,.18 THK,PAINTED,W/O HOLE	
4	1592310	2	BRACKET,MOUNTING,REAR BUMPER,TCFC/CV	<i>FEATURE 40086-04 STANDARD</i>
4	1592328	2	BRACKET,MOUNTING,REAR BUMPER,TCFC/CV	<i>FEATURE 40087-02 EXTENDED BUMPER 2 IN</i>
5	1592344	2	BRACE MOUNTING,REAR BUMPER,TCFC/CV	
6	1315910	2	BRACE,REAR BUMPER,END,TCFC	
7	2000420	2	BOLT,CARRIAGE,1/2-13 X 1/12,BLACK ZN,FL	
8	0850800	14	NUT,HEX HD,1/2-13,LOCKING,GR 8,CAD WAX	
9	0803239	14	CAPSCREW,HEX HD,1/2-13 X1 1/2,GR8	
10	1003045	38	WASHER,FLAT,17/32 X 1 1/16 X 7/64,HDN,	
11	1003094	10	NUT,HEX HD,1/2-13,GR 8,YEL ZN DICH	
12	0990655	10	LOCKWASHER,SPLIT RING, 1/2 ,MED,YEL ZN	
14	0001961	8	BOLT,1/2-13 X 1.50,ROUND SOCKET HEAD	

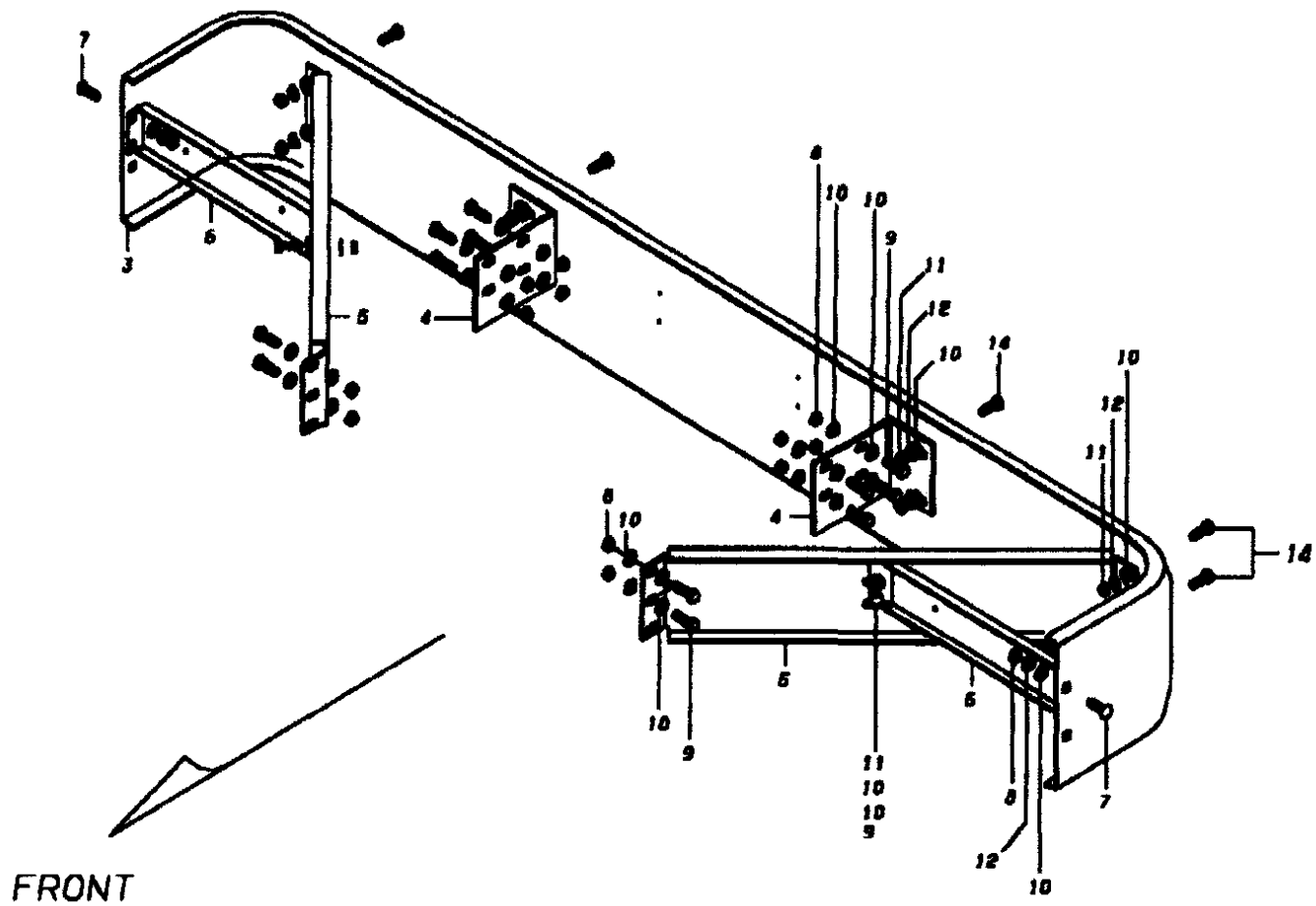


Models: A3FE  
 BUMPERS  
 REAR  
 With Features: FEATURE 40086-04, 40087-02, 40086-07

Key	PartNumber	Qty	Description	Comment
-----	------------	-----	-------------	---------

DR. 8/28/98 BY J.L.	---	19779664	REV
APP. 8/28/98 BY AB	FRT		

© BLUE BIRD BODY COMPANY. ALL RIGHTS RESERVED



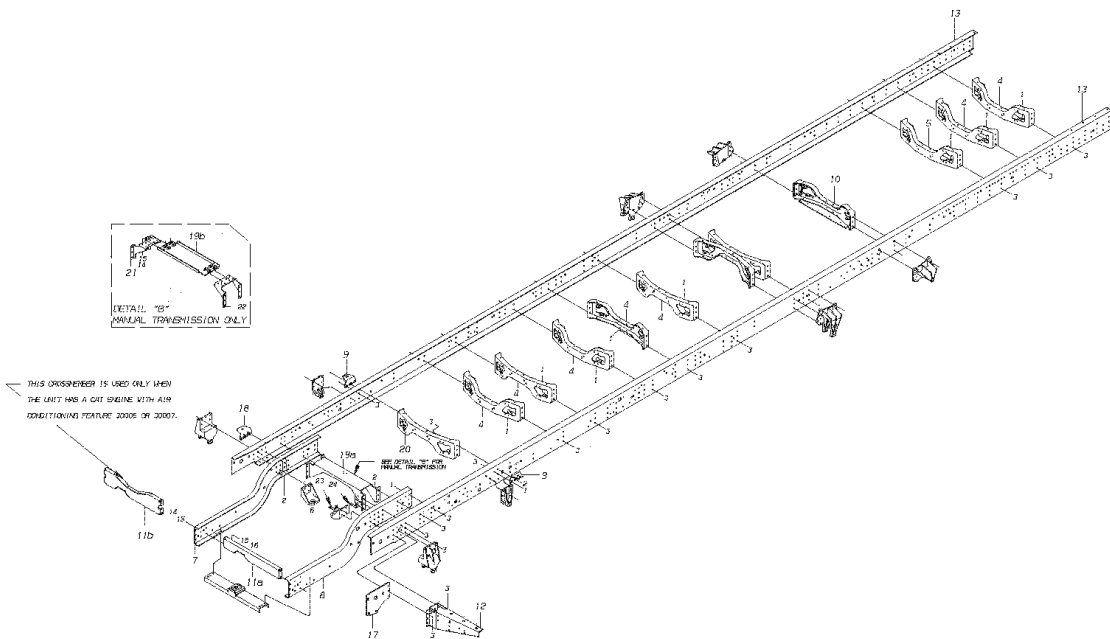
**Models:** **A3FE**  
**BUMPERS**  
**REAR**

**With Features:** **FEATURE 40086-04, 40087-02, 40086-07**

Key	PartNumber	Qty	Description	Comment
1			NOT CURRENTLY USED	
2			NOT CURRENTLY USED	
3	0009555		BUMPER,REAR,12,.18 THK,PAINTED,W/O HOLE	STANDARD
3	0008062		BUMPER,FRT,12,.25 THK,W/AIR,PAINTED	STANDARD C3RE ONLY
3	0015412		BUMPER,REAR,12,.18 THK,4" THRU EXH,	STANDARD
3	0015420		BUMPER,REAR,12,.18 THK,5" THRU EXH,	STANDARD
3	0015673		BUMPER,REAR,12,.18 THK,EXTENDED 2"	2" EXTENDED
3	0015675		BUMPER,RR,12,.18 THK,4" THRU EXH,EXT,	2" EXTENDED
3	0015678		BUMPER,RR,12,.18 THK,5" THRU EXH,EXT,	2" EXTENDED
3	0008066		BUMPER,RR,12,.25 THK,CHROME	WITH FEATURE 40086-07 ONLY
4	1592310	2	BRACKET,MOUNTING,REAR BUMPER,TCFC/CV	
4	1592328	2	BRACKET,MOUNTING,REAR BUMPER,TCFC/CV	WITH FEATURE 40087-02 ONLY
5	0026421	1	BRACE,MOUNTING,REAR BUMPER,LH	
5	0026422	1	BRACE,MOUNTING,REAR BUMPER,RH	
6	1315910	2	BRACE,REAR BUMPER,END,TCFC	
7	2000420	4	BOLT,CARRIAGE,1/2-13 X 1/12,BLACK ZN,FL	
8	0850800	14	NUT,HEX HD,1/2-13,LOCKING,GR 8,CAD WAX	
9	0803239	14	CAPSCREW,HEX HD,1/2-13 X 1 1/2,GR8	
10	1003045	38	WASHER,FLAT,17/32 X 1 1/16 X 7/64,HDN,	
11	1003094	10	NUT,HEX HD,1/2-13,GR 8,YEL ZN DICH	
12	0990655	8	LOCKWASHER,SPLIT RING, 1/2 ,MED,YEL ZN	
13			NOT CURRENTLY USED	
14	0001961	8	BOLT,1/2-13 X 1.50,ROUND SOCKET HEAD	
14	0005546	8	BOLT,CARRIAGE,1/2-13 X 1 1/2 18-8 SST	WITH FEATURE 40086-07 ONLY

**Models:** A3FE, C3FE  
**With Features:** FRAME ASSEMBLY  
 STD

Key	PartNumber	Qty	Description	Comment
-----	------------	-----	-------------	---------



**Models:** A3FE, C3FE  
**With Features:** FRAME ASSEMBLY  
 STD

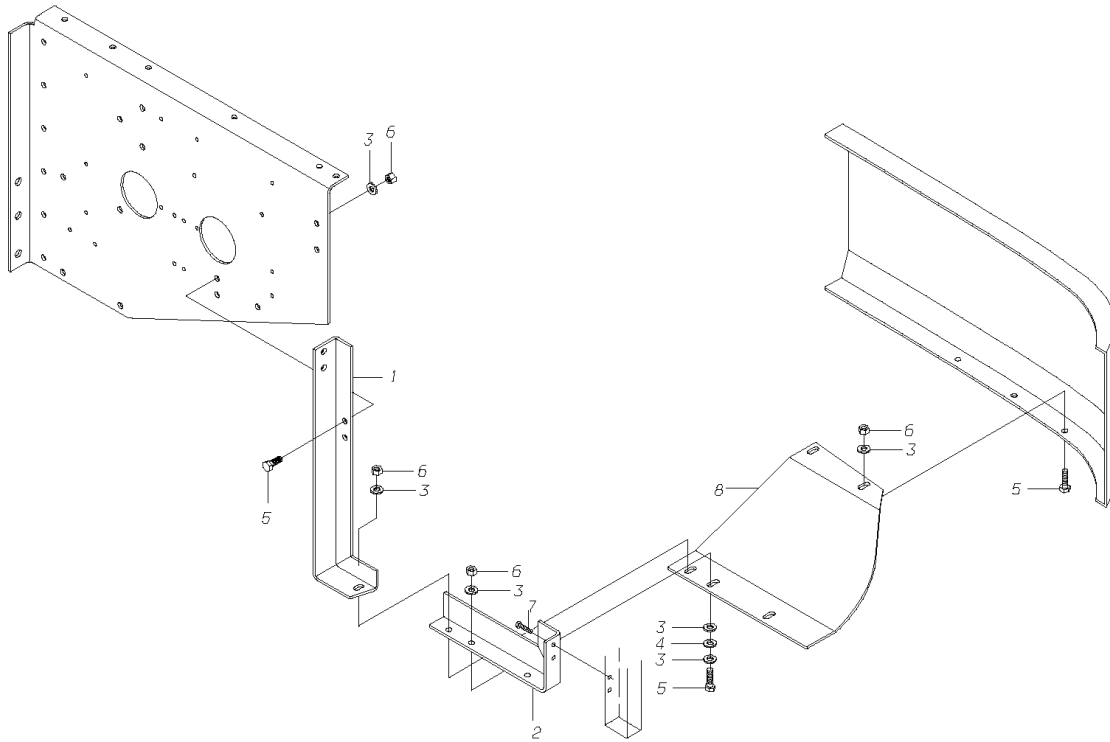
Key	PartNumber	Qty	Description	Comment
1	1636943	60	PIN,FLG HEAD,HUCKSPIN,.50X2.22,HSP8	
2	1636950	30	PIN,FLG HEAD,HUCKSPIN,.50X2.60,HSP8	
3	1636968	96	COLLAR,HUCKSPIN,.50,HSCH-R16	
4	1807577		CROSSMEMBER,STAMPED,34 INCH	
5	1807650	1	CROSSMEMBER ASSY,FUEL TANK END GUARD	
6	1969906	6	PIN,FLG HEAD,HUCKSPIN .50X3.215,HSP8	
7	1897750	1	FRAME RAIL,DROP SECTION,FRONT,RH, HDFE	
8	1897768	1	FRAME RAIL,DROP SECTION,FRONT,LH, HDFE	
9	1509637	2	ANGLE,TIE DOWN,BODY,TCFE	ENDING WITH CSN F0227170
9	0080449	2	ANGLE,TIE DOWN,BODY	BEGIN WITH CSN F0227171
10	1807643	1	CROSSMEMBER ASSY,REINF,F/TANK END	
11	1941459	1	CROSSMEMBER ASSY,FRT,VERTICAL,W/CUTOUT	
11	0011757	1	CROSSMEMBER ASSY,FRT,VERT,CAT WITH A/C	
12	0051208	1	OUTRIGGER,PLATFORM,DRIVERS,RR,SPRG	
12	0051198	1	OUTRIGGER,PLATFORM,DRIVERS,RR,AIR SUSP	
12	0051209	1	OUTRIGGER,PLATFORM,DRIVERS,RR,RH DRIVE	
12	0051210	1	OUTRIGGER,PLATFORM,DRIVERS,RR,RH DRV,	
13	0050658	1	FRAME RAIL SET,141WB, HDFE	
13	0050659	1	FRAME RAIL SET,169WB, HDFE	
13	0032434	1	FRAME RAIL SET,190WB,3408+3401BM,HDFE	
13	0066683	1	FRAME RAIL SET,190WB,AMBULANCE PKG,	WITH 31063-01 ONLY
13	0032435	1	FRAME RAIL SET,211WB,3700+3605+3510BM,	
13	0032436	1	FRAME RAIL SET,232WB, HDFE	
14	0803239		CAPSCREW,HEX HD,1/2-13 X1 1/2,GR8	
15	1003045		WASHER,FLAT,17/32 X 1 1/16 X 7/64,HDN,	
16	0850800	12	NUT,HEX HD,1/2-13,LOCKING,GR 8,CAD WAX	
17	1970425	1	PLATE ASSY,MTG,STEERING GEAR,LH DRIVE,	
17	1982883	1	PLATE ASSY,MTG,STEERING GEAR,RH DRIVE,	
18	1957026	1	ANGLE,TIE DOWN,CHANNEL,FRONT STRUCTURE	
19	1969815	1	CROSSMEMBER,TRANSMISSION CLEARANCE,	
19	0015667	1	CHANNEL ASSY,CROSSMEMBER,MAN TRANS,	MAN TRANSMISSION ONLY
20	1807668	1	CROSSMEMBER ASSY,REINFORCED	
21	0015357	1	GUSSET,C/MBR,MAN TRANS,PARAB SPRGS,RH,	MAN TRANSMISSION ONLY
				MAN TRANSMISSION ONLY

**Models:** A3FE, C3FE  
**With Features:** FRAME ASSEMBLY  
STD

Key	PartNumber	Qty	Description	Comment
22	0022077	1	GUSSET,C/MBR,MAN TRANS,PARAB SPRGS,LH,	
23	1582667	1	BRACKET,SUPT,HYD BRAKE LINE,ENG MOUNT,	
24	1598630	1	BRACKET,MTG,HEATER & FREON HOSES,	WITH AIR BRAKES

Models: **A3FE**  
**SKID PLATES**  
With Features: **FEATURE 40169**

Key	PartNumber	Qty	Description	Comment
-----	------------	-----	-------------	---------

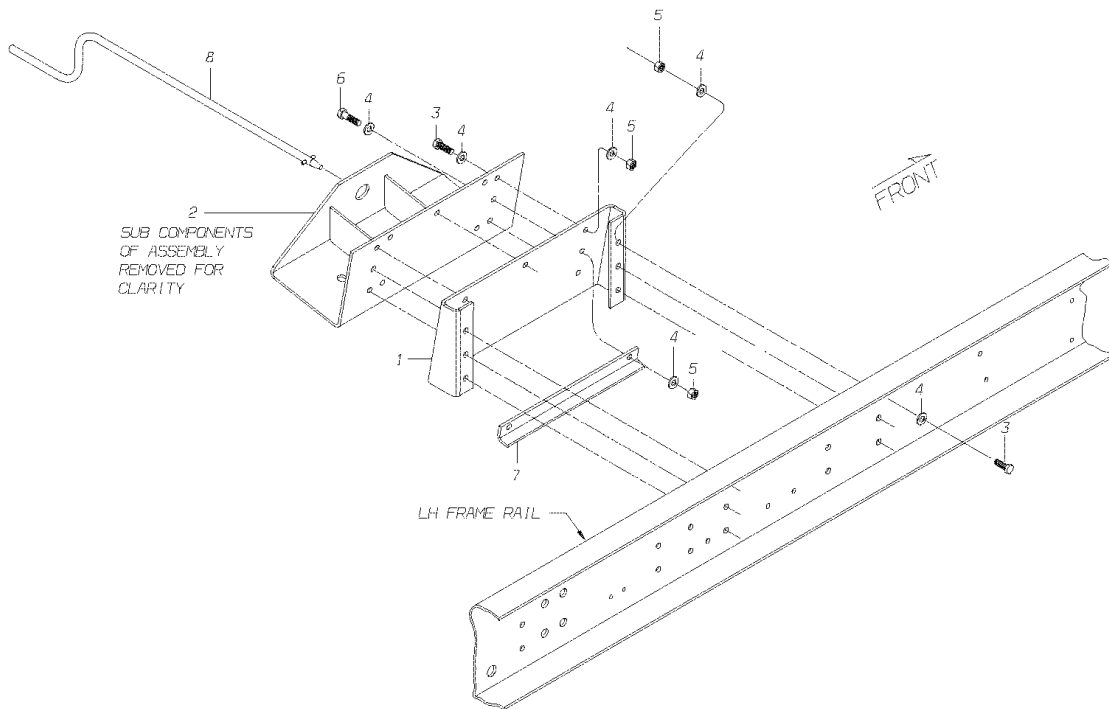


**Models:** A3FE  
**SKID PLATES**  
**With Features:** FEATURE 40169

Key	PartNumber	Qty	Description	Comment
1	0005516		ANGLE,MTG,SKID PLATE,UPPER,23 STEP	
1	0005517		ANGLE,MTG,SKID PLATE,UPPER,24.75 STEP	
2	0005571		ANGLE,MTG,SKID PLATE,LOWER	
3	1107085		WASHER,FLAT,13/32 X 13/16 X 3/32,HDN,BLK	
4	1056647		WASHER,FRICITION,LEVER PIVOT,NYLON	
5	1139591		CAPSCREW,HEX HD,3/8-24X1 1/2,GR8,YEL	
6	1522713		NUT,HEX HD,3/8-24,LOCK,GR 8,YEL ZNDICH	
7	2000073		SCREW,1/4-20 X 1,D,HEX HD,YEL ZN DICH	
8	1830637		SKID PLATE,23.00 STEP,TC	
8	1830397		SKID PLATE,24.75 STEP,TC	

Models: **A3FE  
TIRE CARRIER  
MIDMOUNT**  
With Features: **FEATURE 40395-01,-05**  
BSN: **From CSN 07/03/06**

Key	PartNumber	Qty	Description	Comment
-----	------------	-----	-------------	---------





**Models:** A3FE  
**TIRE CARRIER**  
**MIDMOUNT**  
**With Features:** FEATURE 40395-01,-05  
**BSN:** From CSN 07/03/06

Key	PartNumber	Qty	Description	Comment
1	0081861	1	BRACKET,SPACER,TIRE,MID MOUNTED	
2	0024560	1	TIRE CARRIER ASSY,SIDE FRM MTG,DISC STL,	FEATURE 40440. STEEL WHEELS
2	0024701	1	TIRE CARRIER ASSY,SIDE FRM MTG,DISC ALUM	FEATURE 40441. ALUMINUM WHEELS
3	0803239	11	CAPSCREW,HEX HD,1/2-13 X1 1/2,GR8	
4	1003045	3	WASHER,FLAT,17/32 X 1 1/16 X 7/64,HDN,	
5	0850800		NUT,HEX HD,1/2-13,LOCKING,GR 8,CAD WAX	
6	0803148	3	CAPSCREW,HEX HD,1/2-13 X 1 3/4,GR8,	
7	0081864		ANGLE,REINF,BRACKET,SPACER,TIRE CARRIER,	
8	0023244	1	HANDLE ASSY,SPARE TIRE CARRIER	



**Models:** A3FE, BBCV  
**TIRE CARRIER  
MIDMOUNT**  
**With Features:** FEATURE 40395-01  
**BSN:** From CSN 07/03/06

Key	PartNumber	Qty	Description	Comment
1	0081861	1	BRACKET,SPACER,TIRE,MID MOUNTED	
2	0024560	1	TIRE CARRIER ASSY,SIDE FRM MTG,DISC STL,	FEATURE 40440. STEEL WHEELS
2	0024701	1	TIRE CARRIER ASSY,SIDE FRM MTG,DISC ALUM	FEATURE 40441. ALUMINUM WHEELS
3	0803239	11	CAPSCREW,HEX HD,1/2-13 X1 1/2,GR8	
4	1003045	3	WASHER,FLAT,17/32 X 1 1/16 X 7/64,HDN,	
5	0850800		NUT,HEX HD,1/2-13,LOCKING,GR 8,CAD WAX	
6	0803148	3	CAPSCREW,HEX HD,1/2-13 X 1 3/4,GR8,	
7	0081864		ANGLE,REINF,BRACKET,SPACER,TIRE CARRIER,	
8	0023244	1	HANDLE ASSY,SPARE TIRE CARRIER	

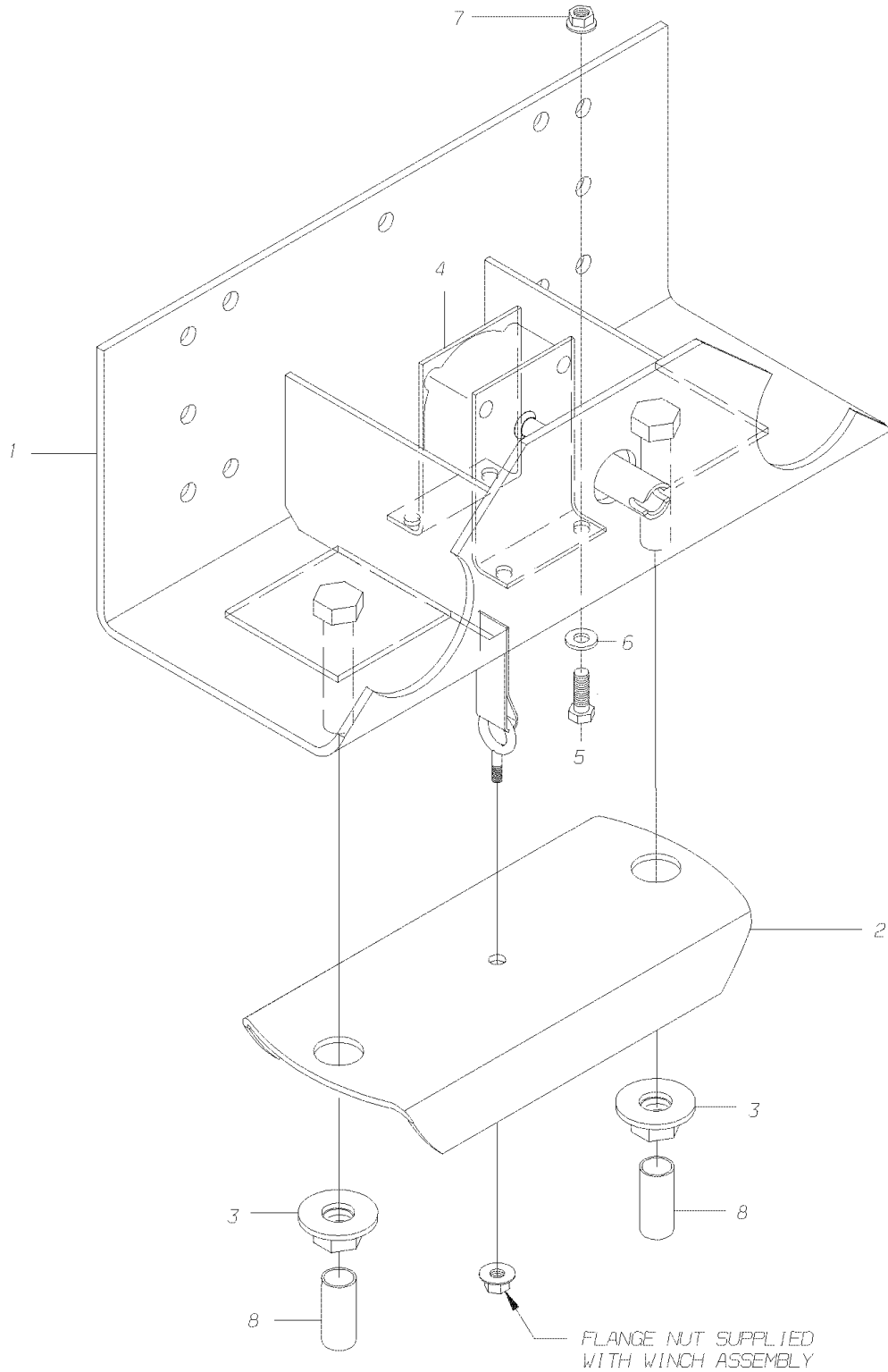
**Models:** A3FE, C3FE, CSFE, TCFE

**TIRE CARRIER  
SIDE FRAME MOUNTING**

**With Features:** FEATURE 40395-01; OPTION 5281-02, 7802-02, 7803-02

**BSN:** From CSN 30079480; 01/22/01

Key	PartNumber	Qty	Description	Comment
-----	------------	-----	-------------	---------



**Models:** A3FE, C3FE, CSFE, TCFE  
**TIRE CARRIER**  
**SIDE FRAME MOUNTING**  
**With Features:** FEATURE 40395-01; OPTION 5281-02, 7802-02, 7803-02  
**BSN:** From CSN 30079480; 01/22/01

Key	PartNumber	Qty	Description	Comment
	0024701		TIRE CARRIER ASSY,SIDE FRM MTG,DISC ALUM	
	0024560		TIRE CARRIER ASSY,SIDE FRM MTG,DISC STL,	
1	0023671	1	BRACKET ASSY,TIRE CARRIER,SIDE FRAME	
2	0016670	1	CHANNEL,TIRE MTG,SF TIRE CARRIER,DISC	
3	0023249	2	NUT ASSY,SIDE FRAME TIRE CARRIER	
4	0016668	1	WINCH ASSY,SPARE TIRE,TUF-TUG	
5	0854422	4	CAPSCREW,HEX HD,3/8-16X1 1/8,G8,YEL ZN	
6	1107085	8	WASHER,FLAT,13/32 X 13/16 X 3/32,HDN,BLK	
7	0839027	4	NUT,HEX HD,3/8-16,GR G,SM FLG LK,YEL	
8	0023412	2	CAP,PROTECTOR,3/4 THREAD X 1.250 LONG	<i>WITH ALUMINUM WHEELS ONLY</i>
8	0023413	2	CAP,PROTECTOR,3/4 THREAD X 2.00 LONG	<i>WITH STEEL WHEELS ONLY</i>

**Models:** A3FE  
TOW HOOKS  
FRONT

**With Features:** FEATURE 40411-01 WITH 40112-01, 02

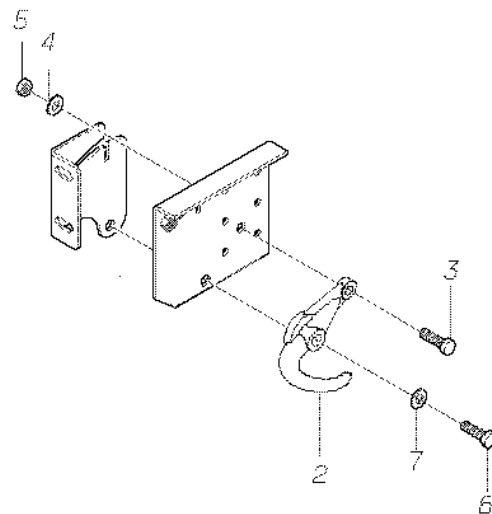
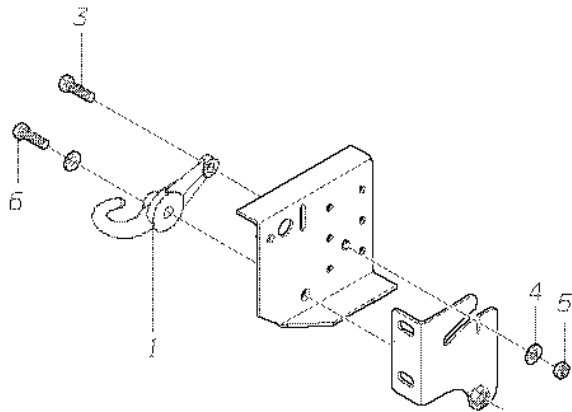
Key	PartNumber	Qty	Description	Comment
-----	------------	-----	-------------	---------

DR. 8/28/98 BY JL	---	19779666	
APP. 8/28/98 BY AB	FRT		REV

© BLUE BIRD BODY COMPANY, ALL RIGHTS RESERVED



**BLUE BIRD**



FRONT

**Models:** **A3FE**  
**TOW HOOKS**  
**FRONT**

**With Features:** **FEATURE 40411-01 WITH 40112-01, 02**

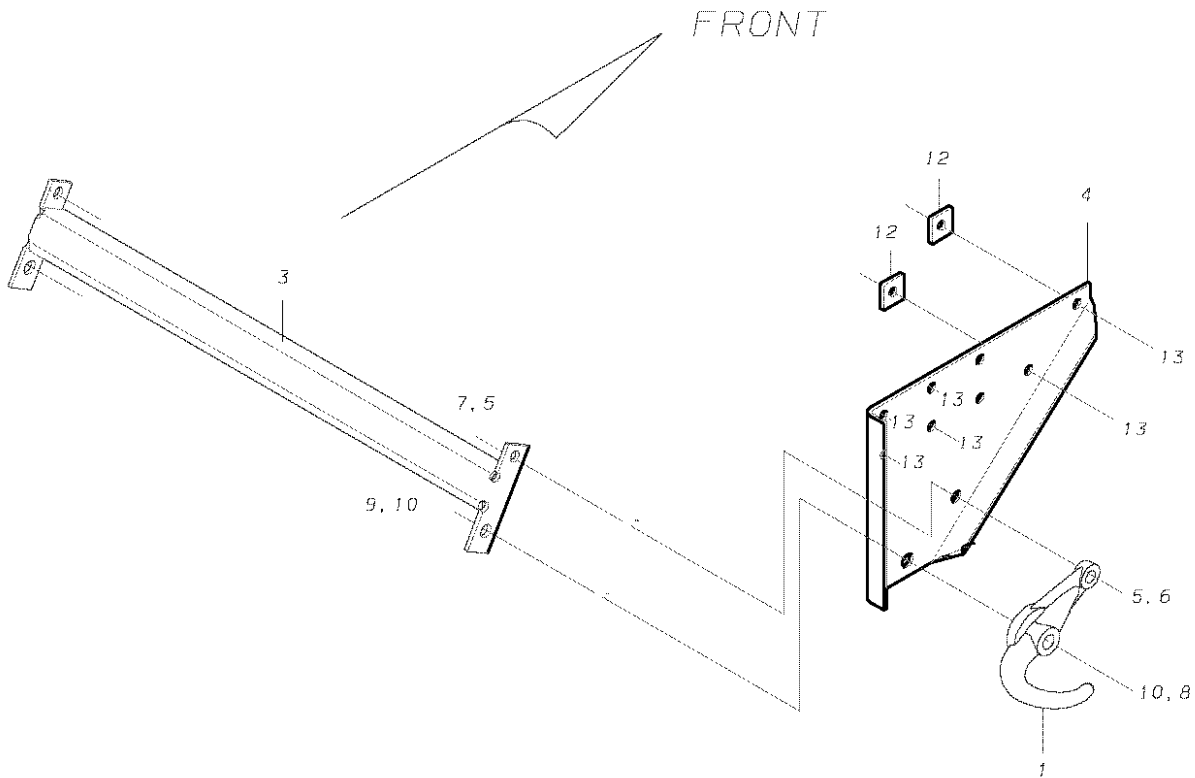
Key	PartNumber	Qty	Description	Comment
1	1258680	1	HOOK,TOW,LH,PAINTED	
2	1258698	1	HOOK,TOW,RH,PAINTED	
3	0939835	2	CAPSCREW,HEX HD,5/8-11 X2 1/2,GR8,	
4	0929018	2	WASHER,FLAT,21/32 X 1 1/8 X 3/32,HDN,YEL	
5	0939827	2	NUT,HEX HD,5/8-11,GR 8,LOCK,CADMIUM WAX	
6	0963322	2	CAPSCREW,HEX HD,3/4-10 X3 1/2,GR8,	
7	1434695	2	WASHER,FLAT,3/4 X 1 1/8 X 7/64 HRD,YEL ZN	
NI	0933879	2	NUT,HEX HD,3/4-10,PRVLG TORQ,GR8,CAD	<i>FEATURE 40112-02 ONLY</i>

Models: A3FE, C3FE  
 TOW HOOKS  
 FRONT  
 WITH PIVOTING FEATURE  
 With Features: FEATURE 40411-01 WITH 40112-02

Key	PartNumber	Qty	Description	Comment
-----	------------	-----	-------------	---------

DR. 8/28/98	BY JL			
APP. 8/28/98	BY AB	FRT	19779665	REV

© BLUE BIRD BODY COMPANY. ALL RIGHTS RESERVED





**Models:** A3FE, C3FE  
**TOW HOOKS**  
**FRONT**  
**WITH PIVOTING FEATURE**  
**With Features:** FEATURE 40411-01 WITH 40112-02

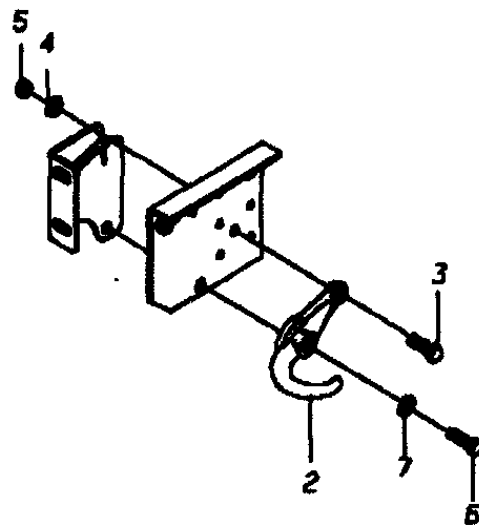
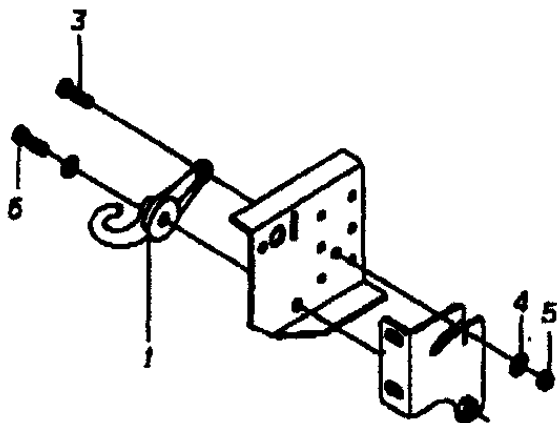
Key	PartNumber	Qty	Description	Comment
1	1258680	1	HOOK,TOW,LH,PAINTED	
2	1258698	1	HOOK,TOW,RH,PAINTED	
3	0939835	2	CAPSCREW,HEX HD,5/8-11 X2 1/2,GR8,	
4	0929018	4	WASHER,FLAT,21/32 X 1 1/8 X 3/32,HDN,YEL	
5	0939827	2	NUT,HEX HD,5/8-11,GR 8,LOCK,CADMIUM WAX	
6	0963322	2	CAPSCREW,HEX HD,3/4-10 X3 1/2,GR8,	
7	1434695	2	WASHER,FLAT,3/4 X 1 1/8 X 7/64 HRD,YEL ZN	

Models: A3FE, C3FE  
 TOW HOOKS  
 FRONT  
 WITHOUT PIVOTING FEATURE  
 With Features: FEATURE 40411-01 WITH 40112-01

Key	PartNumber	Qty	Description	Comment
-----	------------	-----	-------------	---------

DR. 8/28/98	BY J		19779665	
APP. 8/28/98	BY AB	FRT		REV

© BLUE BIRD BODY COMPANY. ALL RIGHTS RESERVED



FRONT

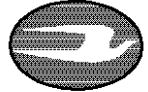
**Models:** A3FE, C3FE  
**TOW HOOKS**  
**FRONT**  
**WITHOUT PIVOTING FEATURE**  
**With Features:** FEATURE 40411-01 WITH 40112-01

Key	PartNumber	Qty	Description	Comment
1	1258680	1	HOOK,TOW,LH,PAINTED	
2	1258698	1	HOOK,TOW,RH,PAINTED	
3	0939835	2	CAPSCREW,HEX HD,5/8-11 X2 1/2,GR8,	
4	0929018	4	WASHER,FLAT,21/32 X 1 1/8 X 3/32,HDN,YEL	
5	0939827	2	NUT,HEX HD,5/8-11,GR 8,LOCK,CADMIUM WAX	
6	0963322	2	CAPSCREW,HEX HD,3/4-10 X3 1/2,GR8,	
7	1434695	4	WASHER,FLAT,3/4 X 1 1/8 X 7/64 HRD,YEL ZN	
8	0933879	2	NUT,HEX HD,3/4-10,PRVLG TORQ,GR8,CAD	

Models: **A3FE  
TOW HOOKS  
REAR**  
With Features: **FEATURE 40411-02**

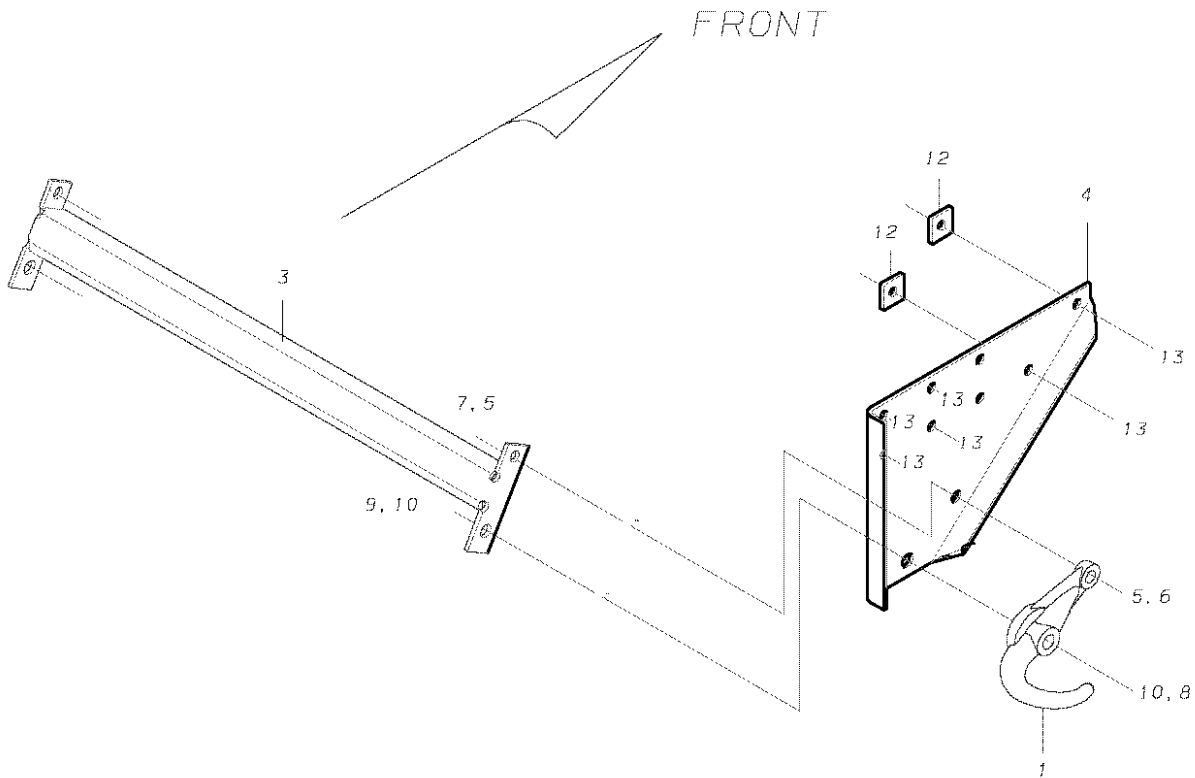
Key	PartNumber	Qty	Description	Comment
-----	------------	-----	-------------	---------

DR. 8/28/98	BY JL			
APP. 8/28/98	BY AB	FRT	19779665	REV



© BLUE BIRD BODY COMPANY. ALL RIGHTS RESERVED

BLUE BIRD



**Models:** A3FE  
**TOW HOOKS**  
**REAR**  
**With Features:** FEATURE 40411-02

Key	PartNumber	Qty	Description	Comment
1	1258680	1	HOOK,TOW,LH,PAINTED	
2	1258698	1	HOOK,TOW,RH,PAINTED	
3	1832104	1	BRACE,TOW HOOK,REAR	
4	1831999	1	BRACKET,TOW HOOK,RH,CV/TCFE	
4	1832005	1	BRACKET,TOW HOOK,LH,CV/TCFE	
5	0929018	4	WASHER,FLAT,21/32 X 1 1/8 X 3/32,HDN,YEL	
6	0939835	2	CAPSCREW,HEX HD,5/8-11 X2 1/2,GR8,	
7	0939827	2	NUT,HEX HD,5/8-11,GR 8,LOCK,CADMIUM WAX	
8	0963322	2	CAPSCREW,HEX HD,3/4-10 X3 1/2,GR8,	
9	0933879	2	NUT,HEX HD,3/4-10,PRVLG TORQ,GR8,CAD	
10	1434695	4	WASHER,FLAT,3/4 X 1 1/8 X 7/64 HRD,YEL ZN	
12	0998526	4	SPACER,.250X1.25X1.25 W/.531 HOLE,PAINTED	
13	0803148	12	CAPSCREW,HEX HD,1/2-13 X 1 3/4,GR8,	

Models: **A3FE, C3FE  
TOW HOOKS  
REAR**

With Features: **FEATURE 40411-02**

Key	PartNumber	Qty	Description	Comment
-----	------------	-----	-------------	---------

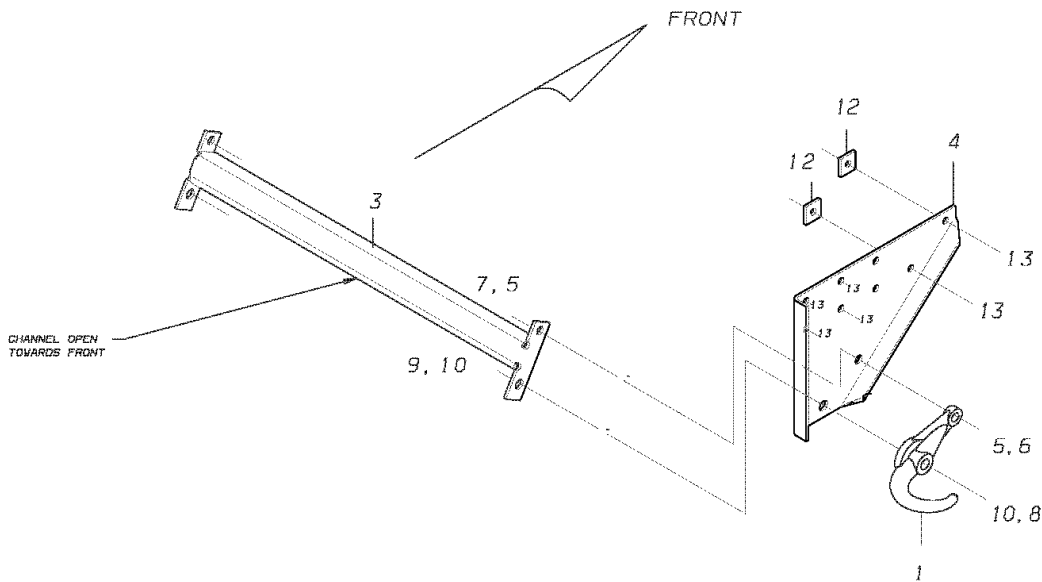
DR.7-25-03BY tl	19779667	REV
APP.	BY MY	FRT



© BLUE BIRD BODY COMPANY, ALL RIGHTS RESERVED

REV. 3/18 10/2012

REAR TOW HOOKS 4041102



**Models:** A3FE, C3FE  
**TOW HOOKS**  
**REAR**  
**With Features:** FEATURE 40411-02

Key	PartNumber	Qty	Description	Comment
1	1258698	1	HOOK,TOW,RH,PAINTED	
1	1258680	1	HOOK,TOW,LH,PAINTED	
2			NOT CURRENTLY USED	
3	1832104	1	BRACE,TOW HOOK,REAR	
4	1831999	1	BRACKET,TOW HOOK,RH,CV/TCFE	
4	1832005	1	BRACKET,TOW HOOK,LH,CV/TCFE	
5	0929018	4	WASHER,FLAT,21/32 X 1 1/8 X 3/32,HDN,YEL	
6	0939835	2	CAPSCREW,HEX HD,5/8-11 X2 1/2,GR8,	
7	0939827	2	NUT,HEX HD,5/8-11,GR 8,LOCK,CADMIUM WAX	
8	0963322	2	CAPSCREW,HEX HD,3/4-10 X3 1/2,GR8,	
9	0933879	2	NUT,HEX HD,3/4-10,PRVLG TORQ,GR8,CAD	
10	1434695	4	WASHER,FLAT,3/4 X 1 1/8 X 7/64 HRD,YEL ZN	
11			NOT CURRENTLY USED	
12	0998526	4	SPACER,.250X1.25X1.25 W/.531 HOLE,PAINTED	
13	0803148	12	CAPSCREW,HEX HD,1/2-13 X 1 3/4,GR8,	