

**Chassis****120 Steering**

## GEAR

TAS 55, 65, 85

---

1

## LINKAGE

## LEFT-HAND DRIVE

*With: FEATURE 40097-02 WITH 40070 AIR BRAKES*

---

2*With: FEATURE 40097-02 WITH 40071 HYDRAULIC BRAKES*

---

3

## RIGHT-HAND DRIVE

*With: OPTION 4001 (STAGECOACH UNITS ONLY)*

---

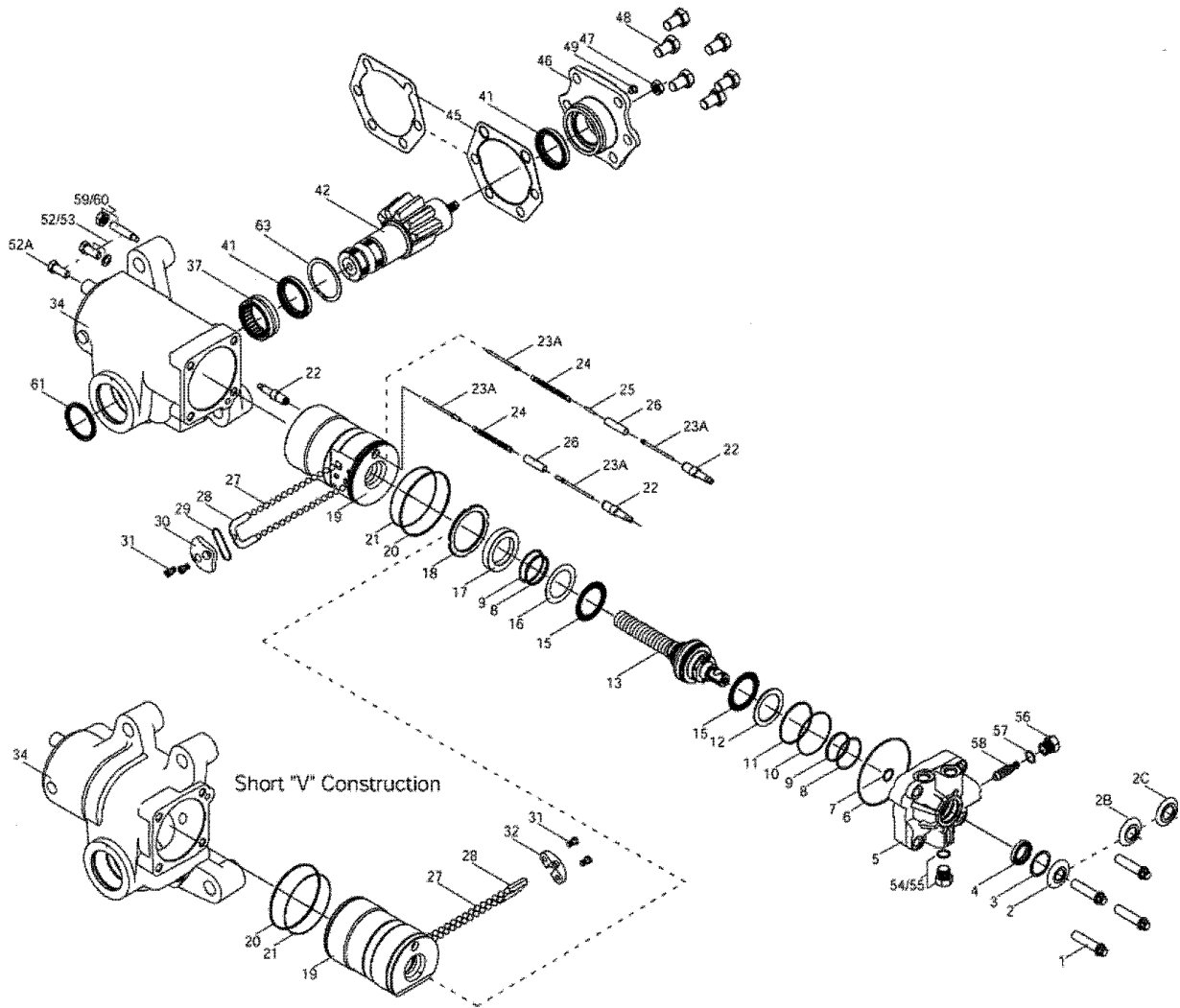
4*With: OPTION 4001*

---

5

**Models:** AAFE, AARE, A3FE, A3RE, B4RE, BBCV, C1FE, C3FE, C4RE, CSFE, CSRE, Q4RE, QBRE, TCFE, TSFE, TCRE, WLWB, W4RE  
**GEAR**  
**TAS 55, 65, 85**

Key	PartNumber	Qty	Description	Comment
-----	------------	-----	-------------	---------



**Models:** AAFE, AARE, A3FE, A3RE, B4RE, BBCV, C1FE, C3FE, C4RE, CSFE, CSRE, Q4RE, QBRE, TCFE, TSFE, TCRE, WLWB, W4RE  
**GEAR**  
**TAS 55, 65, 85**

Key	PartNumber	Qty	Description	Comment
1	2120996		BOLT,1/2-13,TORX HEAD,HFB64 STRG GEAR	
2			DIRT AND WATER SEAL 13/16 IN SERR.	
2B			DIRT AND WATER SEAL 7/8 IN SERR.	
2C			DIRT AND WATER SEAL 1 IN SERR.	
3			RETAINING RING	
4			SEAL	INPUT SHAFT, HIGH TEMP
5			VALVE HOUSING	
6			SEAL RING	VALVE HOUSING
7			SEAL RING	VALVE HOUSING
8			SEAL RING	
9			O-RING	HIGH TEMPERATURE
10			SEAL RING	
11		12	O-RING	VALVE HOUSING, HIGH TEMPERATURE
12	4292629		RACE,BALL BEARING 1447622	THICK
13			INPUT SHAFT VALVE, WORM ASSEMBLY	
15	4292637		BEARING,ROLLER THRUST 1447622	
16	4292645		WASHER,THRUST,THIN,1447622	THIN
17	4292652		ADJUSTER,BEARING 1447622	
18			ADJUSTER LOCKNUT	
19			RACK PISTON	
20			TEFLON SEAL RING	
21			O-RING	
22			POPPET SEAT AND SELLVE ASSEMBLY	
23	4292686		POPPET,1447622	TAS65 ONLY
24	4292694		SPRING POPPET 1447622	TAS55 AND 65 ONLY

**Models:** AAFE, AARE, A3FE, A3RE, B4RE, BBCV, C1FE, C3FE, C4RE, CSFE, CSRE, Q4RE, QBRE, TCFE, TSFE, TCRE, WLWB, W4RE  
**GEAR**  
**TAS 55, 65, 85**


Key	PartNumber	Qty	Description	Comment
26	4292710		TUBE,PUSH 1447622	TAS55 AND 65 ONLY
27			BALLS	
28			BALL RETURN GUIDE HALVES	
29			SEAT	CAP
30		31	BALL RETURN GUIDE CAP	
31			TORX SCREWS	2- CAP/STRAP
32			BALL RETURN GUIDE STRAP	
34			HOUSING	
35			GREASE FITTING	
37			ROLLER BEARING	
41	4292793		SEAL,OUTPUT 1447622	TAS65 ONLY
42			SECTOR SHAFT	
43	2595023		SCREW,ADJUSTING	SECTOR SHAFT
44	2596633		RETAINER	ADJUSTING SCREW
45			GASKET	SIDE COVER
46		47	SIDE COVER ASSEMBLY	
47	4292835		NUT,JAM 1447622	
48			SPECIAL BOLTS	SIDE COVER
49			VENT PLUG	SIDE COVRLER
50	4292801		SCREW,BLEED MANUAL 1447622	MANUAL
51			PLUG	AUTO BLEED
52			FIXED STOP SCREW	POPPET
52			FIXED STOP SCREW	POPPET-ALT
53			WASHER	STOP SCREW
54			AUXILIARY PORT PLUG	

**Models:** AAFE, AARE, A3FE, A3RE, B4RE, BBCV, C1FE, C3FE, C4RE, CSFE, CSRE, Q4RE, QBRE, TCFE, TSFE, TCRE, WLWB, W4RE  
**GEAR**  
**TAS 55, 65, 85**

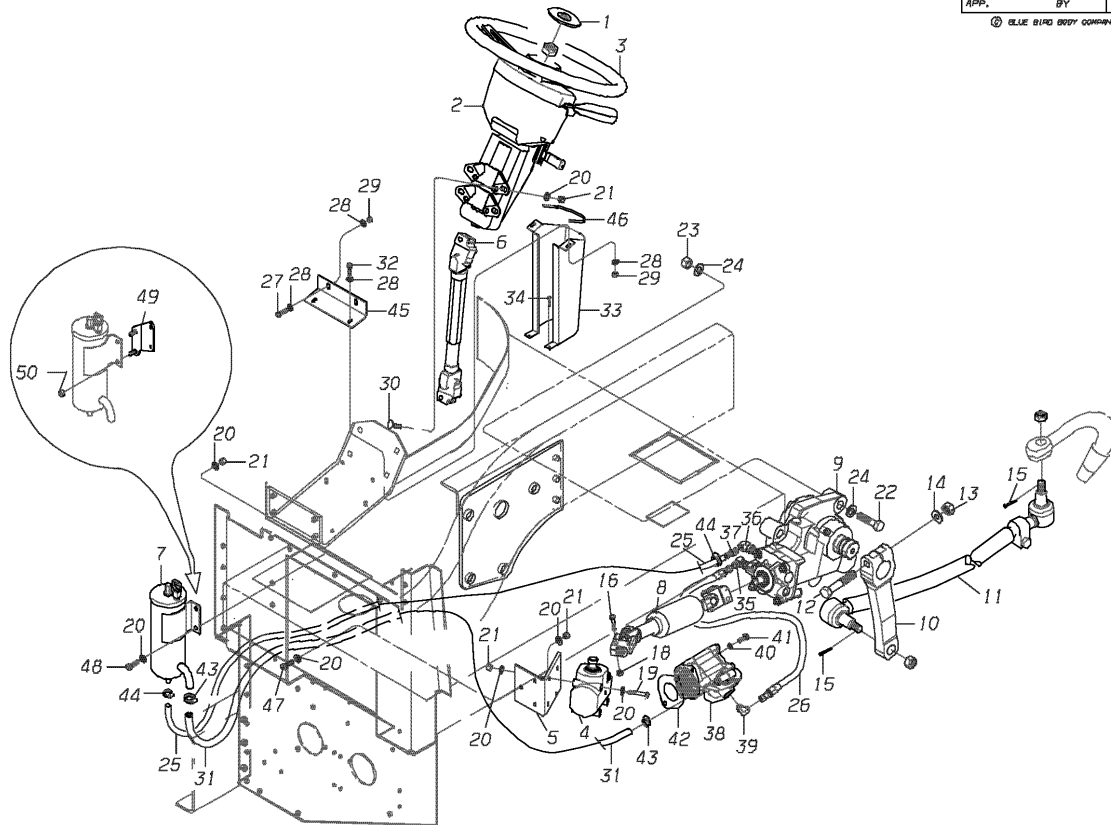
Key	PartNumber	Qty	Description	Comment
55			O-RING	AUXILLARY PORT PLUG
56			RELIEF VALVE CAP	
57			O-RING	RELIEF VALVE
58			RELIEF VALVE	
59			SERVICE POPPET ADJUSTING SCREW	
60			SERVICE SEALING JAM NUT	
61			DIRT & WATER SEAL	TRUNNION
63	4292751		RING,RETAINING,1447622	TAS65 ONLY
NI	0065133		KIT,REPAIR,SEAL TAS55 STEERING GEAR	KIT CONTAINS THE FOLLOWING, KEY NUMBERS 2, 3, 4, 6, 7,8,9,10,11,18,20, 21,28,29,31,32,28, 29,41,45,49,55,57 APPLIES TO 0054672 STEERING GEAR
NI	4292181		KIT,REPAIR,SEAL & GASKET TAS65015 STG	KIT CONTAINS THE FOLLOWING, KEY NUMBERS 2, 3, 4, 6, 7,8,9,10,11,18,20, 21,28,29,31,32,28, 29,41,45,49,55,57, APPLIES TO THE FOLLOWING STEERING GEARS: 1447622, 1480284, 1631993, 1749423, 1970433, 1970441
NI	0049162		KIT, SEAL COMPLETE, TAS85 STEERING GEAR	KIT CONTAINS THE FOLLOWING, KEY NUMBERS 2, 3, 4, 6, 7,8,9,10,11,18,20,21,28,29,31,32 ,28,29,41,45,49,55,57, APPLIES TO THE FOLLOWING STEERING GEARS: 1928241, 1970458, 0023340

**Models:** A3FE, C3FE  
**LINKAGE**  
**LEFT-HAND DRIVE**  
**With:** FEATURE 40097-02 WITH 40070 AIR BRAKES

Key	PartNumber	Qty	Description	Comment
-----	------------	-----	-------------	---------

DR. 03/19/02	BY TFM	1987601	T	
APP.	BY	FRT	REV	

© BLUE BIRD BODY COMPANY. ALL RIGHTS RESERVED



**Models:** A3FE, C3FE  
**LINKAGE**  
**LEFT-HAND DRIVE**  
**With:** FEATURE 40097-02 WITH 40070 AIR BRAKES

Key	PartNumber	Qty	Description	Comment
1	1537620		BUTTON,HORN,BLUE BACKGROUND W/GOLD	
2	1948835		COLUMN ASSY,STEERING,TILT/TELESCOPING,	
NI	0049174		SHROUD,UPPER,STEERING COLUMN 1948835	
NI	0032743		SHROUD CAP,STEERING COLUMN,TRW	
NI	8312878		SWITCH,TURN SIGNAL,1970797 LESS	
3	0004892		STEERING WHEEL ASSY,BLK,18",W/1"	
3	0020773		RING,CONTACT,HORN/TURN SIGNAL CANCEL	
4	1928266		GEAR BOX,TRANSFER,STEERING,90DEG,1:1R,	
5	1970649		BRACKET,MOUNTING,90 DEG GEAR BOX,HDFE	<i>ENDING 04-30-00 WITH CSN, 30058534</i>
5	0022700		BRACKET ASSY,MTG,GEAR BOX,HDFE	<i>BEGIN 05-01-00 WITH CSN 30058535</i>
5	0001299		SHAFT ASSY,SLIP,STRG,STRG COL TO TRANS	
7	0001853		RESERVOIR,POWER STEERING,1 QT,LOW	
NI	0021686	1	ELEMENT,P/S RESVOIR,1 QT,LOW	
NI	0026087		DIPSTICK,P/S RESEVOIR,0001853-94190A	
8	1970813		SHAFT ASSY,SLIP,STEERING,HDFE	
9	1970441		GEAR,POWER STEERING,TAS65149A,HDFE	
10	1970839		PITMAN ARM,STEERING,10.50,TAS 65,HDFE	
11	1970755		DRAG ROD ASSY,VERT JOINT,HDFE	
11	0035611		TIE ROD END, DRAG ROD,1970755	
12	0870873	8	CAPSCREW,HEX HD,3/4-10 X 4,GR 8,YEL ZN	
13	0933879	3	NUT,HEX HD,3/4-10,PRVLG TORQ,GR8,CAD	
14	0607036		WASHER,FLAT,13/16 X 1 3/8 X 7/64 ZP,HRD	
15	1420744	2	PIN,COTTER,5/32 DIA X 1 1/2 LONG	
16	1916980	4	CAPSCREW,HEX HD,7/16-14 X 1 3/4,GR8,	
17	2028546	4	WASHER,FLAT,7/16,X 1 1/32 X 5/64,YL ZN	

**Models:** A3FE, C3FE  
**LINKAGE**  
**LEFT-HAND DRIVE**  
**With:** FEATURE 40097-02 WITH 40070 AIR BRAKES

Key	PartNumber	Qty	Description	Comment
18	0997080	4	NUT,HEX HD,7/16-14,LOCKING,GR 8,CADMIUM	
19	1928290	4	CAPSCREW,HEX HD,3/8-16 X 4,GR8,YEL ZN	
20	1107085	22	WASHER,FLAT,13/32 X 13/16 X 3/32,HDN,BLK	
21	0826297	11	NUT,HEX HD,3/8-16 LOCK,YEL ZN DICH	
22	1886449	4	CAPSCREW,HEX HD,7/8-9 X 3 1/2,GR8,	
23	1886456	4	NUT,HEX HD,7/8-9,PRVLG TORQ,GR8,CADMIUM	
24	1011428	8	WASHER,FLAT,31/32 X 1 3/4 X 9/64,HDN,YEL	
25	1341692	4	HOSE,.50 ID,LOW PRESSURE	
26	1970623		HOSE ASSY,P/S,PRESSURE,1/2 ID,30 IN LONG	
27	0977132	4	CAPSCREW,HEX HD,1/4-20 X 3/4,GR 5,YEL	
28	1467000	12	WASHER,FLAT,.281 X.750X.078 HARDENED,BLK	
29	2001329	6	NUT,HEX HD,1/4-20,YELLOW DICHROMATE"	
30	0001946	3	BOLT,CARRIAGE,3/8-16 X 1 1/4,GR 8,BLK ZN,FT	
30	0001190		BRACKET,MTG,STEERING COLUMN, HDFE	
31	2003366	4	HOSE,3/4 ID,BRAID,BLACK	
32	1667773	2	CAPSCREW,HEX HD,1/4-20X1 1/4,GR5,YEL	
33	0034887		BELT BAR,DRIVERS, C4RE	
34	1589522	2	SCREW,10-16 X 3/4,AB,PH1,PAN HD,YEL ZN	
35	1166107	2	ELBOW,90 DEG,SAE,37 DEG FLARE,849-FS0	
36	0668442		ELBOW,STRAIGHT THREAD,MALE	
37	1313840		INSERT,BARBED,STRAIGHT, .625 HOSE	
38	1874825		PUMP,POWER STEERING,5.9,8.3	FEATURE 40177 CUMMINS 5.9 ISB, 40184 8.3 ISC
38	0086345		PUMP,PWR STRG,C7,AIR BRAKE,TRW,	FEATURE 40187 CAT C7
39	1616028		ELBOW,90 DEG,1 1/16 O-RING X 3/4 HOSE	
40	1394675	2	LOCKWASHER,SPLIT RING,10 MM,MED,OLV DRB	



**Models:** A3FE, C3FE  
**LINKAGE**  
**LEFT-HAND DRIVE**  
**With:** FEATURE 40097-02 WITH 40070 AIR BRAKES

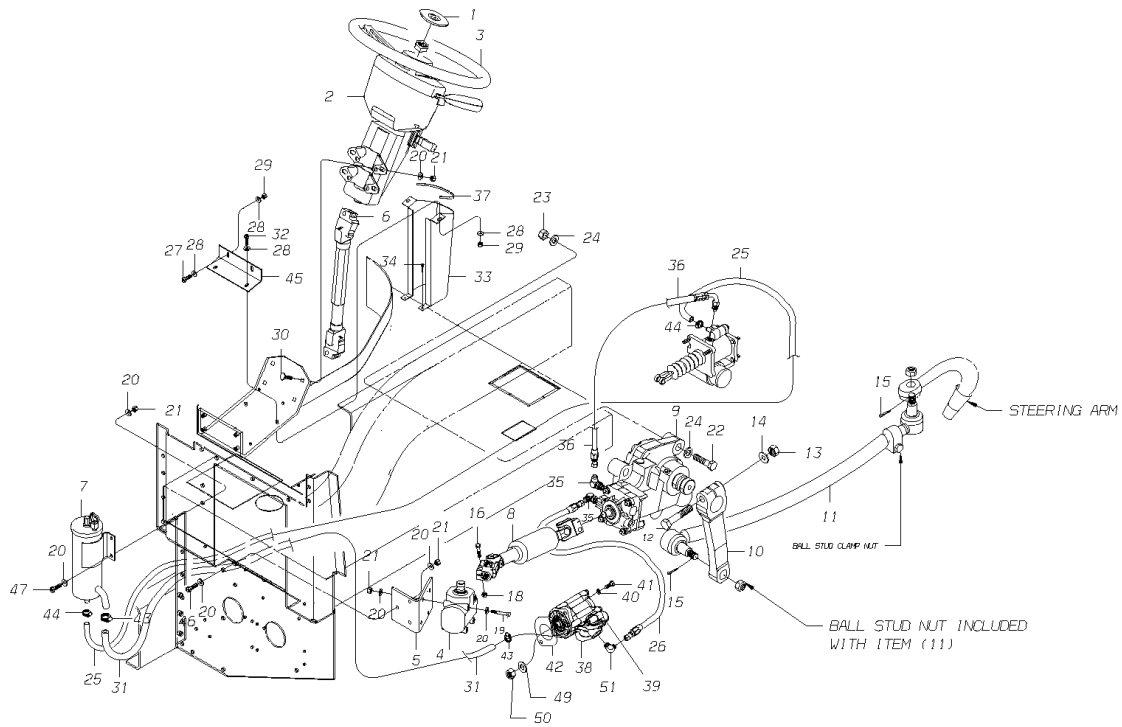
Key	PartNumber	Qty	Description	Comment
41	0997734	2	CAPSCREW,HX HD,M10-1.5X35,CL10.9,	
42	1360411		GASKET,POWER STEERING PUMP TCFC,	
43	2027571	2	CLAMP,HOSE,6203	
44	1025857	2	CLAMP,HOSE,SIZE 8,LINED	
45	0001212		BRACKET,MTG,ATTACHING,STEERING COLUMN,	
46	0006045	AR	TRIM,VINYL,BLACK,WIPE SEAL	
47	0803213	3	CAPSCREW,HEX HD,3/8-16X1 1/4,GR8,YEL	
48	0854422	2	CAPSCREW,HEX HD,3/8-16X1 1/8,G8,YEL ZN	
NI	1486547	3	FLUID,TRANS,DEXRON III	
NI	0969816		SEALANT,LOCTITE,THREADLOCKER,271	
49	0034605		BRACKET,MTG,P/S RESVR,WITH FEAT 40099,	
50	0559195	2	CAPSCREW,HEX HD,3/8-16 X 1,GR 8,YEL ZN	
51	0839027	2	NUT,HEX HD,3/8-16,GR G,SM FLG LK,YEL	

Models: A3FE, C3FE

LINKAGE  
LEFT-HAND DRIVE

With: FEATURE 40097-02 WITH 40071 HYDRAULIC BRAKES

Key	PartNumber	Qty	Description	Comment
-----	------------	-----	-------------	---------



**Models:** A3FE, C3FE  
**LINKAGE**  
**LEFT-HAND DRIVE**  
**With:** FEATURE 40097-02 WITH 40071 HYDRAULIC BRAKES

Key	PartNumber	Qty	Description	Comment
1	1537620		BUTTON,HORN,BLUE BACKGROUND W/GOLD	
2	1948835		COLUMN ASSY,STEERING,TILT/TELESCOPING,	
NI	0049174		SHROUD,UPPER,STEERING COLUMN 1948835	
NI	0032743		SHROUD CAP,STEERING COLUMN,TRW	
NI	8312878		SWITCH,TURN SIGNAL,1970797 LESS	
3	0004892		STEERING WHEEL ASSY,BLK,18",W/1"	
4	1928266		GEAR BOX,TRANSFER,STEERING,90DEG,1:1R,	
5	1970649		BRACKET,MOUNTING,90 DEG GEAR BOX,HDFE	ENDING 04-30-00 WITH CSN, 30058534
5	0022700		BRACKET ASSY,MTG,GEAR BOX,HDFE	BEGIN 05-01-00 WITH CSN 30058535
6	0001299		SHAFT ASSY,SLIP,STRG,STRG COL TO TRANS	
7	0001853		RESERVOIR,POWER STEERING,1 QT,LOW	
NI	0021686	1	ELEMENT,P/S RESVOIR,1 QT,LOW	
NI	0026087		DIPSTICK,P/S RESEVOIR,0001853-94190A	
8	1970813		SHAFT ASSY,SLIP,STEERING,HDFE	
9	1970441		GEAR,POWER STEERING,TAS65149A,HDFE	
10	1970839		PITMAN ARM,STEERING,10.50,TAS 65,HDFE	
11	1970755		DRAG ROD ASSY,VERT JOINT,HDFE	
11	0035611		TIE ROD END, DRAG ROD,1970755	
12	0870873	8	CAPSCREW,HEX HD,3/4-10 X 4,GR 8,YEL ZN	
13	0933879	3	NUT,HEX HD,3/4-10,PRVLG TORQ,GR8,CAD	
14	0607036		WASHER,FLAT,13/16 X 1 3/8 X 7/64 ZP,HRD	
15	1420744	2	PIN,COTTER,5/32 DIA X 1 1/2 LONG	
16	1916980	4	CAPSCREW,HEX HD,7/16-14 X 1 3/4,GR8,	
17	2028546	4	WASHER,FLAT,7/16,X 1 1/32 X 5/64,YL ZN	ENDINWITH CSN 10-01-00
18	0997080	4	NUT,HEX HD,7/16-14,LOCKING,GR 8,CADMIUM	

**Models:** A3FE, C3FE  
**LINKAGE**  
**LEFT-HAND DRIVE**  
**With:** FEATURE 40097-02 WITH 40071 HYDRAULIC BRAKES


Key	PartNumber	Qty	Description	Comment
19	1928290	4	CAPSCREW,HEX HD,3/8-16 X 4,GR8,YEL ZN	
20	1107085	22	WASHER,FLAT,13/32 X 13/16 X 3/32,HDN,BLK	
21	0826297	11	NUT,HEX HD,3/8-16 LOCK,YEL ZN DICH	
22	1886449	4	CAPSCREW,HEX HD,7/8-9 X 3 1/2,GR8,	ENDING 09-10-00 WITH CSN, 30070169
22	0031360		CAPSCREW,HEX HD,7/8-9 X 4 1/4,GR8,	BEGIN 09-11-00 WITH CSN 30070170
23	1886456	4	NUT,HEX HD,7/8-9,PRVLG TORQ,GR8,CADMIUM	
24	1011428	8	WASHER,FLAT,31/32 X 1 3/4 X 9/64,HDN,YEL	
25	1341692	4	HOSE,.50 ID,LOW PRESSURE	
26	1970623		HOSE ASSY,P/S,PRESSURE,1/2 ID,30 IN LONG	
27	0977132	4	CAPSCREW,HEX HD,1/4-20 X 3/4,GR 5,YEL	
28	1467000	12	WASHER,FLAT,.281 X.750X.078 HARDENED,BLK	
29	2001329	6	NUT,HEX HD,1/4-20,YELLOW DICHROMATE"	
30	0001946	3	BOLT,CARRIAGE,3/8-16 X 1 1/4,GR 8,BLK ZN,FT	
31	2003366		HOSE,3/4 ID,BRAID,BLACK	
32	1667773	2	CAPSCREW,HEX HD,1/4-20X1 1/4,GR5,YEL	
33	0034877		CLOSEOUT,SLIPSHAFT,STEERING COLUMN,	
34	1589522	2	SCREW,10-16 X 3/4,AB,PH1,PAN HD,YEL ZN	
35	1166107	2	ELBOW,90 DEG,SAE,37 DEG FLARE,849-FS0	
36	1639939		HOSE ASSY,STEERING GEAR TO BRAKE	
37	0006045		TRIM,VINYL,BLACK,WIPE SEAL	
38	1874825		PUMP,POWER STEERING,5.9,8.3	FEATURE 40177, CUMMINS 5.9 ISB, 40184 8.3 ISC
38	0086345		PUMP,PWR STRG,C7,AIR BRAKE,TRW,	FEATURE 40187 CAT 3126B. ENDING WITH CSN 8/4/02
38	0086346		PUMP,PWR STRG,C7,HYD BRAKE,TRW,	FEATURE 40187 CAT 3126B WITH HYDRAULIC BRAKES. BEGIN WITH CSN 8/5/02

**Models:** A3FE, C3FE  
**LINKAGE**  
**LEFT-HAND DRIVE**  
**With:** FEATURE 40097-02 WITH 40071 HYDRAULIC BRAKES

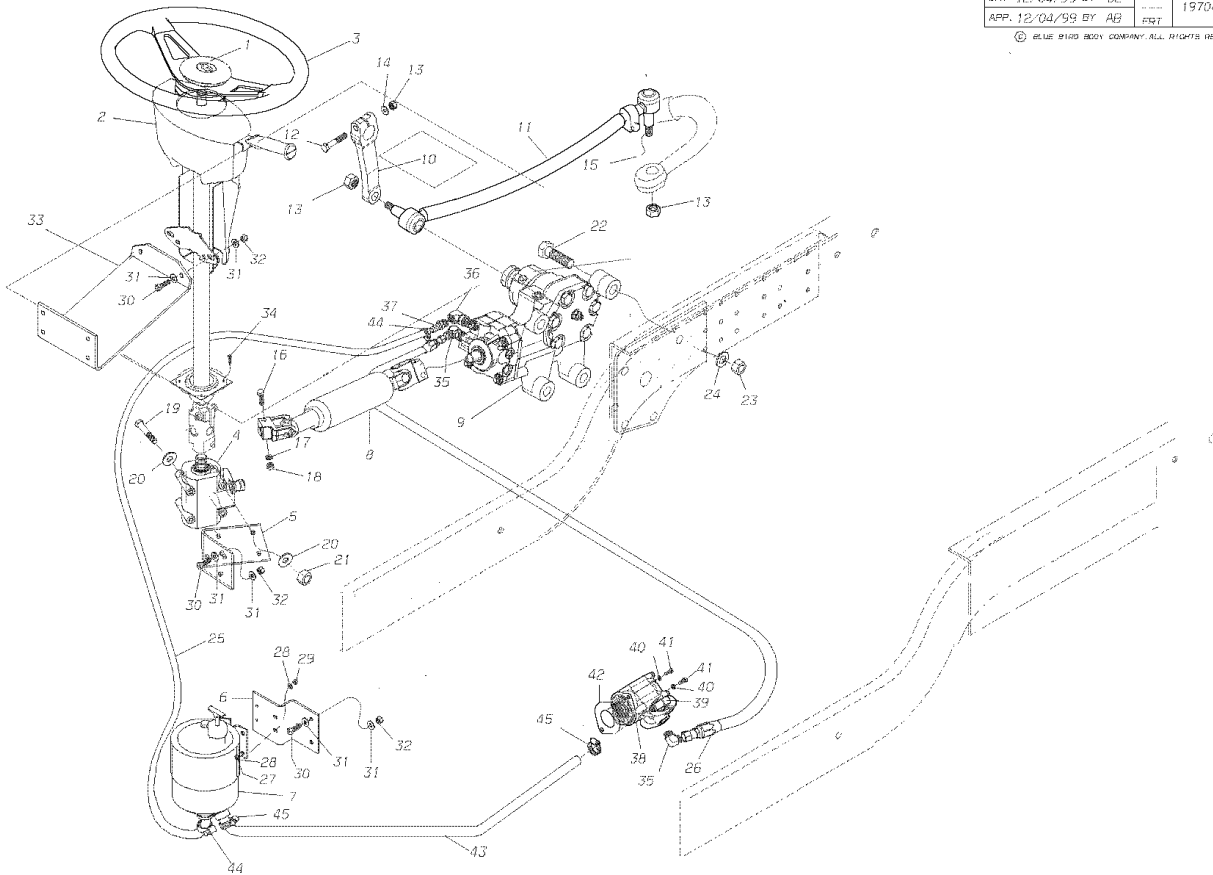
Key	PartNumber	Qty	Description	Comment
NI	1003045		WASHER,FLAT,17/32 X 1 1/16 X 7/64,HDN,	
NI	1436765		NUT,HEX HD,1/2-20,LOCKING,GR 8,CADMIUM	
39	1616028		ELBOW,90 DEG,1 1/16 O-RING X 3/4 HOSE	
40	1394675	2	LOCKWASHER,SPLIT RING,10 MM,MED,OLV DRB	
41	0997734		CAPSCREW,HX HD,M10-1.5X35,CL10.9,	
41	0559195		CAPSCREW,HEX HD,3/8-16 X 1,GR 8,YEL ZN	WITHOUT 40005-05
42	1360411		GASKET,POWER STEERING PUMP TCFC,	
43	2027571	2	CLAMP,HOSE,6203	
44	1025857	2	CLAMP,HOSE,SIZE 8,LINED	
45	0001212		BRACKET,MTG,ATTACHING,STEERING COLUMN,	
46	0803213	3	CAPSCREW,HEX HD,3/8-16X1 1/4,GR8,YEL	
47	0854422		CAPSCREW,HEX HD,3/8-16X1 1/8,G8,YEL ZN	
48	1422195		SEALANT,LOCTITE,THREADLOCKER 242, BLUE	
49	1003045		WASHER,FLAT,17/32 X 1 1/16 X 7/64,HDN,	
50	1436765	8	NUT,HEX HD,1/2-20,LOCKING,GR 8,CADMIUM	
51	1166107		ELBOW,90 DEG,SAE,37 DEG FLARE,849-FS0	

**Models:** A3FE  
**LINKAGE**  
**RIGHT-HAND DRIVE**  
**With:** OPTION 4001 (STAGECOACH UNITS ONLY)

Key	PartNumber	Qty	Description	Comment
-----	------------	-----	-------------	---------

DR. 12/04/99 BY: JL	1970456	REV	
APP. 12/04/99 BY: AB	REV	REV	

© BLUE BIRD BODY COMPANY. ALL RIGHTS RESERVED



**Models:** A3FE  
**LINKAGE**  
**RIGHT-HAND DRIVE**  
**With:** **OPTION 4001 (STAGECOACH UNITS ONLY)**

Key	PartNumber	Qty	Description	Comment
1	1537620		BUTTON,HORN,BLUE BACKGROUND W/GOLD	
2	1970797		COLUMN ASSY,TILT/TELESCOPING,W/TURN	FEATURE 40097-02
2	1970805		COLUMN ASSY,TILT ONLY,W/TURN SIGNAL	FEATURE 40097-03
NI	8312878		SWITCH,TURN SIGNAL,1970797 LESS	
3	1836006		WHEEL ASSY,STRG,18IN,BLK,TILT/TELE	
4	1928266		GEAR BOX,TRANSFER,STEERING,90DEG,1:1R,	
5	1970565		BRACKET,MOUNTING,90DEG GEAR BOX, RH DR	
6	1970771		BRACKET,MTG,RESERVOIR,POWER STEERING,	
7	1985951		RESERVOIR ASSY,POWER STEERING, HDFE	
8	1970813		SHAFT ASSY,SLIP,STEERING,HDFE	
9	1970441		GEAR,POWER STEERING,TAS65149A,HDFE	
10	1970821		PITMAN ARM,STEERING,10.50,RH DRIVE, HDFE	
11	1970755		DRAG ROD ASSY,VERT JOINT,HDFE	
11	0035611		TIE ROD END, DRAG ROD,1970755	
12	0870873	8	CAPSCREW,HEX HD,3/4-10 X 4,GR 8,YEL ZN	
13	0933879	3	NUT,HEX HD,3/4-10,PRVLG TORQ,GR8,CAD	
14	0607036		WASHER,FLAT,13/16 X 1 3/8 X 7/64 ZP,HRD	
15	1420744	2	PIN,COTTER,5/32 DIA X 1 1/2 LONG	
16	1916980	4	CAPSCREW,HEX HD,7/16-14 X 1 3/4,GR8,	
17	2028546	4	WASHER,FLAT,7/16,X 1 1/32 X 5/64,YL ZN	
18	0997080	4	NUT,HEX HD,7/16-14,LOCKING,GR 8,CADMIUM	
19	1928290	4	CAPSCREW,HEX HD,3/8-16 X 4,GR8,YEL ZN	
20	1107085	4	WASHER,FLAT,13/32 X 13/16 X 3/32,HDN,BLK	
21	0826297		NUT,HEX HD,3/8-16 LOCK,YEL ZN DICH	
22	1886449	4	CAPSCREW,HEX HD,7/8-9 X 3 1/2,GR8,	

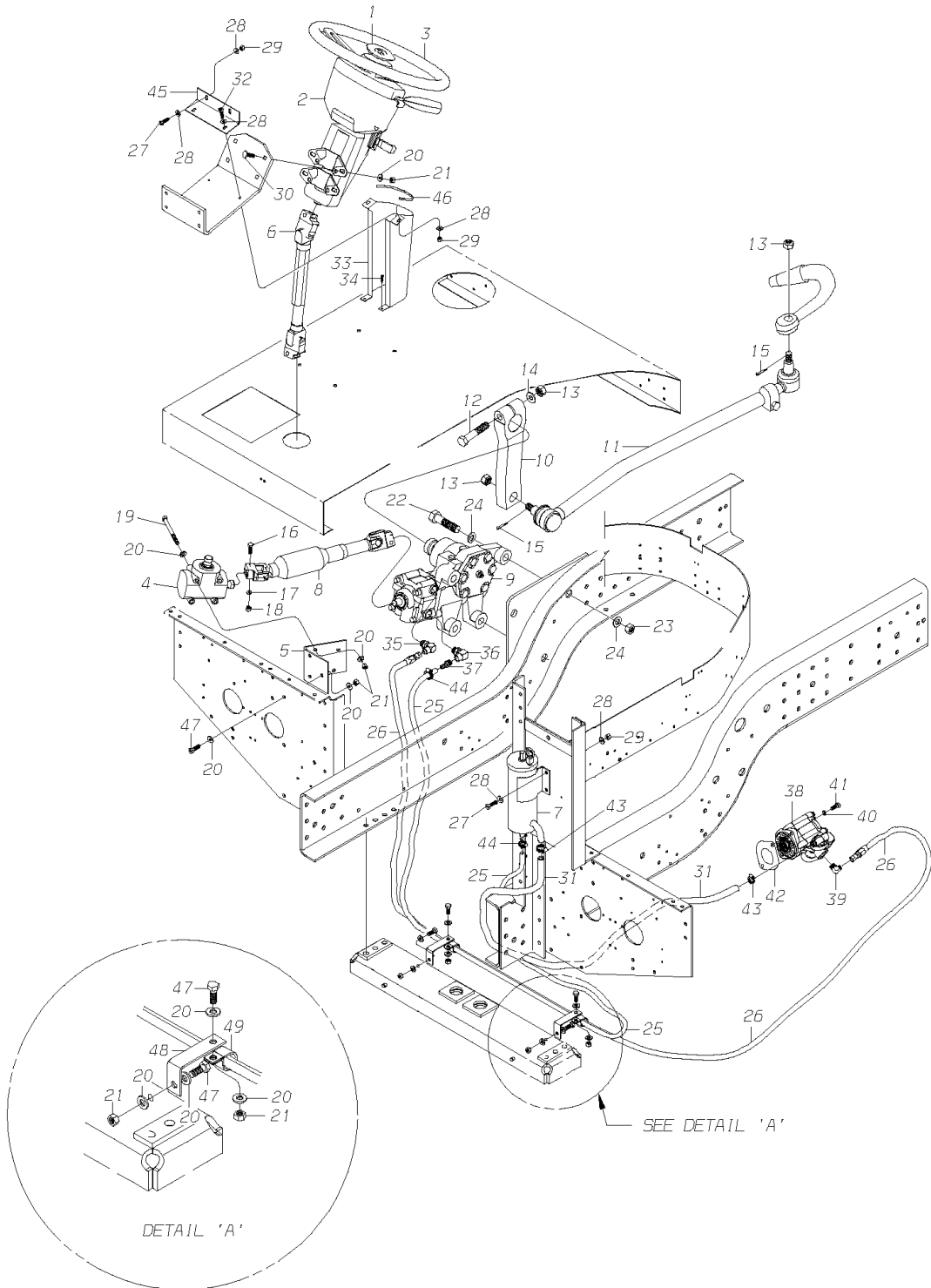
**Models:** A3FE  
**LINKAGE**  
**RIGHT-HAND DRIVE**  
**With:** **OPTION 4001 (STAGECOACH UNITS ONLY)**

Key	PartNumber	Qty	Description	Comment
23	1886456	4	NUT,HEX HD,7/8-9,PRVLG TORQ,GR8,CADMIUM	
24	1011428	4	WASHER,FLAT,31/32 X 1 3/4 X 9/64,HDN,YEL	
25	1341692		HOSE,.50 ID,LOW PRESSURE	
26	1970474		HOSE ASSY,PRESSURE,POWER STEERING	
27	0977132	4	CAPSCREW,HEX HD,1/4-20 X 3/4,GR 5,YEL	
28	1467000	8	WASHER,FLAT,.281 X.750X.078 HARDENED,BLK	
29	2001329	4	NUT,HEX HD,1/4-20,YELLOW DICHROMATE"	
30	0803213	8	CAPSCREW,HEX HD,3/8-16X1 1/4,GR8,YEL	
31	1078922	16	WASHER,FLAT,3/8 X 7/8 X 5/64,YEL ZN DICH	
32	0826297	8	NUT,HEX HD,3/8-16 LOCK,YEL ZN DICH	
33	1962448		BRACKET,MOUNTING,STEERING COLUMN, HDFE	
34	1589522	4	SCREW,10-16 X 3/4,AB,PH1,PAN HD,YEL ZN	
35	1166107	2	ELBOW,90 DEG,SAE,37 DEG FLARE,849-FS0	
36	0668442		ELBOW,STRAIGHT THREAD,MALE	
37	1313832		INSERT,BARBED,STRAIGHT, .50, HOSE	
38	1874825		PUMP,POWER STEERING,5.9,8.3	
39	1616028		ELBOW,90 DEG,1 1/16 O-RING X 3/4 HOSE	
40	1394675	2	LOCKWASHER,SPLIT RING,10 MM,MED,OLV DRB	
41	0997734	2	CAPSCREW,HX HD,M10-1.5X35,CL10.9,	
42	1360411		GASKET,POWER STEERING PUMP TCFC,	
43	2003366		HOSE,3/4 ID,BRAID,BLACK	
44	2027571	2	CLAMP,HOSE,6203	
45	1025857	2	CLAMP,HOSE,SIZE 8,LINED	
NI	8308470		LOCTITE,ES62-5	



**Models:** A3FE  
**LINKAGE**  
**RIGHT-HAND DRIVE**  
**With:** OPTION 4001

Key	PartNumber	Qty	Description	Comment
-----	------------	-----	-------------	---------



**Models:** A3FE  
**LINKAGE**  
**RIGHT-HAND DRIVE**  
**With:** OPTION 4001

Key	PartNumber	Qty	Description	Comment
1	1537620		BUTTON,HORN,BLUE BACKGROUND W/GOLD	
2	1948835		COLUMN ASSY,STEERING,TILT/TELESCOPING,	
NI	0049174		SHROUD,UPPER,STEERING COLUMN 1948835	
NI	0032743		SHROUD CAP,STEERING COLUMN,TRW	
3	0004892		STEERING WHEEL ASSY,BLK,18",W/1"	
NI	0020773		RING,CONTACT,HORN/TURN SIGNAL CANCEL	
4	1928266		GEAR BOX,TRANSFER,STEERING,90DEG,1:1R,	
5	1970565		BRACKET,MOUNTING,90DEG GEAR BOX, RH DR	<i>ENDING 04-30-00 WITH CSN, 30058534</i>
5	0022710		BRACKET ASSY,MTG,GEAR BOX,RH DRIVE,	<i>BEGIN 05-01-00 WITH CSN 30058535</i>
6	0001299		SHAFT ASSY,SLIP,STRG,STRG COL TO TRANS	
7	0001853		RESERVOIR,POWER STEERING,1 QT,LOW	
NI	0026087		DIPSTICK,P/S RESEVOIR,0001853-94190A	
8	1970813		SHAFT ASSY,SLIP,STEERING,HDFE	
9	1970433		GEAR,POWER STEERING,TAS65148A, RHDRV	
10	1970821		PITMAN ARM,STEERING,10.50,RH DRIVE, HDFE	
11	1970755		DRAG ROD ASSY,VERT JOINT,HDFE	
11	0035611		TIE ROD END, DRAG ROD,1970755	
12	0870873	8	CAPSCREW,HEX HD,3/4-10 X 4,GR 8,YEL ZN	
13	0933879	3	NUT,HEX HD,3/4-10,PRVLG TORQ,GR8,CAD	
14	0607035		** PART NOT FOUND **	
15	1420744	2	PIN,COTTER,5/32 DIA X 1 1/2 LONG	
16	1916980	4	CAPSCREW,HEX HD,7/16-14 X 1 3/4,GR8,	
17	2028546	4	WASHER,FLAT,7/16,X 1 1/32 X 5/64,YL ZN	
18	0997080	4	NUT,HEX HD,7/16-14,LOCKING,GR 8,CADMIUM	
19	1928290	4	CAPSCREW,HEX HD,3/8-16 X 4,GR8,YEL ZN	

**Models:** A3FE  
**LINKAGE**  
**RIGHT-HAND DRIVE**  
**With:** OPTION 4001

Key	PartNumber	Qty	Description	Comment
20	1107085	26	WASHER,FLAT,13/32 X 13/16 X 3/32,HDN,BLK	
21	0826297	15	NUT,HEX HD,3/8-16 LOCK,YEL ZN DICH	
22	1886449	4	CAPSCREW,HEX HD,7/8-9 X 3 1/2,GR8,	ENDING WITH CSN 09-10-00
22	0031360		CAPSCREW,HEX HD,7/8-9 X 4 1/4,GR8,	BEGIN 09-11-00
23	1886456	4	NUT,HEX HD,7/8-9,PRVLG TORQ,GR8,CADMIUM	
24	1011428	8	WASHER,FLAT,31/32 X 1 3/4 X 9/64,HDN,YEL	
25	1341692		HOSE,.50 ID,LOW PRESSURE	
26	1970474		HOSE ASSY,PRESSURE,POWER STEERING	
27	0977132	4	CAPSCREW,HEX HD,1/4-20 X 3/4,GR 5,YEL	
28	1467000	12	WASHER,FLAT, .281 X.750X.078 HARDENED,BLK	
29	2001329	6	NUT,HEX HD,1/4-20,YELLOW DICHROMATE"	
30	0001946	4	BOLT,CARRIAGE,3/8-16 X 1 1/4,GR 8,BLK ZN,FT	
31	2003366		HOSE,3/4 ID,BRAID,BLACK	
32	1667773	2	CAPSCREW,HEX HD,1/4-20X1 1/4,GR5,YEL	
33	0034877		CLOSEOUT,SLIPSHAFT,STEERING COLUMN,	
34	1589522	2	SCREW,10-16 X 3/4,AB,PH1,PAN HD,YEL ZN	
35	1166107		ELBOW,90 DEG,SAE,37 DEG FLARE,849-FS0	
36	0668442		ELBOW,STRAIGHT THREAD,MALE	
37	1313832		INSERT,BARBED,STRAIGHT, .50, HOSE	
38	1874825		PUMP,POWER STEERING,5.9,8.3	
38	0004890		PUMP,POWER STEERING,TRW,CAT 3126,HDFE	
39	1616028		ELBOW,90 DEG,1 1/16 O-RING X 3/4 HOSE	
40	1394675	2	LOCKWASHER,SPLIT RING,10 MM,MED,OLV DRB	
41	0997734	2	CAPSCREW,HX HD,M10-1.5X35,CL10.9,	
42	1360411		GASKET,POWER STEERING PUMP TCFC,	

**Models:** A3FE  
**LINKAGE**  
**RIGHT-HAND DRIVE**  
**With:** OPTION 4001

Key	PartNumber	Qty	Description	Comment
43	2027571	2	CLAMP,HOSE,6203	
44	1025857	2	CLAMP,HOSE,SIZE 8,LINED	
45	0001212		BRACKET,MTG,ATTACHING,STEERING COLUMN,	
46	0006045		TRIM,VINYL,BLACK,WIPE SEAL	
47	0803213	7	CAPSCREW,HEX HD,3/8-16X1 1/4,GR8,YEL	
48	1317247	2	BRACKET,ATCH,BRAKE LINE TO FRAME	
49	1107937	2	CLAMP,LOOP,2.00	
50	0854422	8	CAPSCREW,HEX HD,3/8-16X1 1/8,G8,YEL ZN	
NI	1486547		FLUID,TRANS,DEXRON III	
NI	0969816		SEALANT,LOCTITE,THREADLOCKER,271	