

**Chassis**

**130 Suspension**

AIR

FRONT

HENDRICKSON AIRTEK  
INSTALLATION

*With: FEATURE 40004-12, -13, -14* 1

---

HENDRICKSON PARASTEER  
INSTALLATION

*With: FEATURE 40004-05  
To CSN 10096834 30096824 ALL EXCEPT CSRE AND QBRE* 2

---

*With: FEATURE 40004-07  
From CSN 10096835 30096825* 3

---

KIT PARTS BREAKDOWN

*With: FEATURE 40004-05  
From CSN 10035075 30037925 7-5-99  
To CSN 10046455 30046520 1-2-00* 4

---

*With: FEATURE 40004-05  
From CSN 10046456 30046521 01-03-00  
To CSN 10096695 30096790 11-4-01* 5

---

*With: FEATURE 40004-07  
From CSN 10096835 30096825* 6

---

FRONT AND REAR

HENDRICKSON

AIR PIPING

*With: FEATURE 40004-05  
To CSN 30041614 10041805* 7

---

*With: FEATURE 40004-05,-07, 40005-05,-06  
From CSN 10096696  
30096791 11/05/01  
To CSN 258949 11/5/06* 8

---

*With: FEATURE 40004-05,-07, 40005-05,-06  
From CSN 258950 11/6/06* 9

---

VALVE ASSY

*With: FEATURE 40004 -07 WITH 04569* 10

---

HENDRICKSON WITH KNEELING FEATURE

AIR PIPING

*With: FEATURE 40004-07 WITH 4569* 11

---

*With: FEATURE 4569 KNEELING WITH 40004-07 HENDRICKSON SUSPENSION  
From 6/11/07*

REAR

HENDRICKSON, COMFORT AIR  
AIR PIPING

*With: FEATURE 40005-02,-03,-06*

BREAKDOWN

*With: FEATURE 40005-05,-06*

INSTALLATION

*With: FEATURE 40005-05, -06*

HENDRICKSON, HAS  
INSTALLATION

*With: FEATURE 40005-02, -03*

RESERVOIR ASSEMBLIES

1240 CU IN.

1240 CU. IN. FRONT AND REAR

1650 CU. IN.

SPRING

FRONT

*With: FEATURE 40004-02*

HENDRICKSON SOFTEK, INSTALLATION  
HENDRICKSON AXLE

*With: FEATURE 40004-12, -13, -14*

PARABOLIC

*From CSN 1001659  
To 30094684*

*From CSN 10094705 30094685  
To CSN 05/02/05*

HENDRICKSON AXLE

*To 11/5/06*

12

13

14

15

16

17

18

19

20

21

22

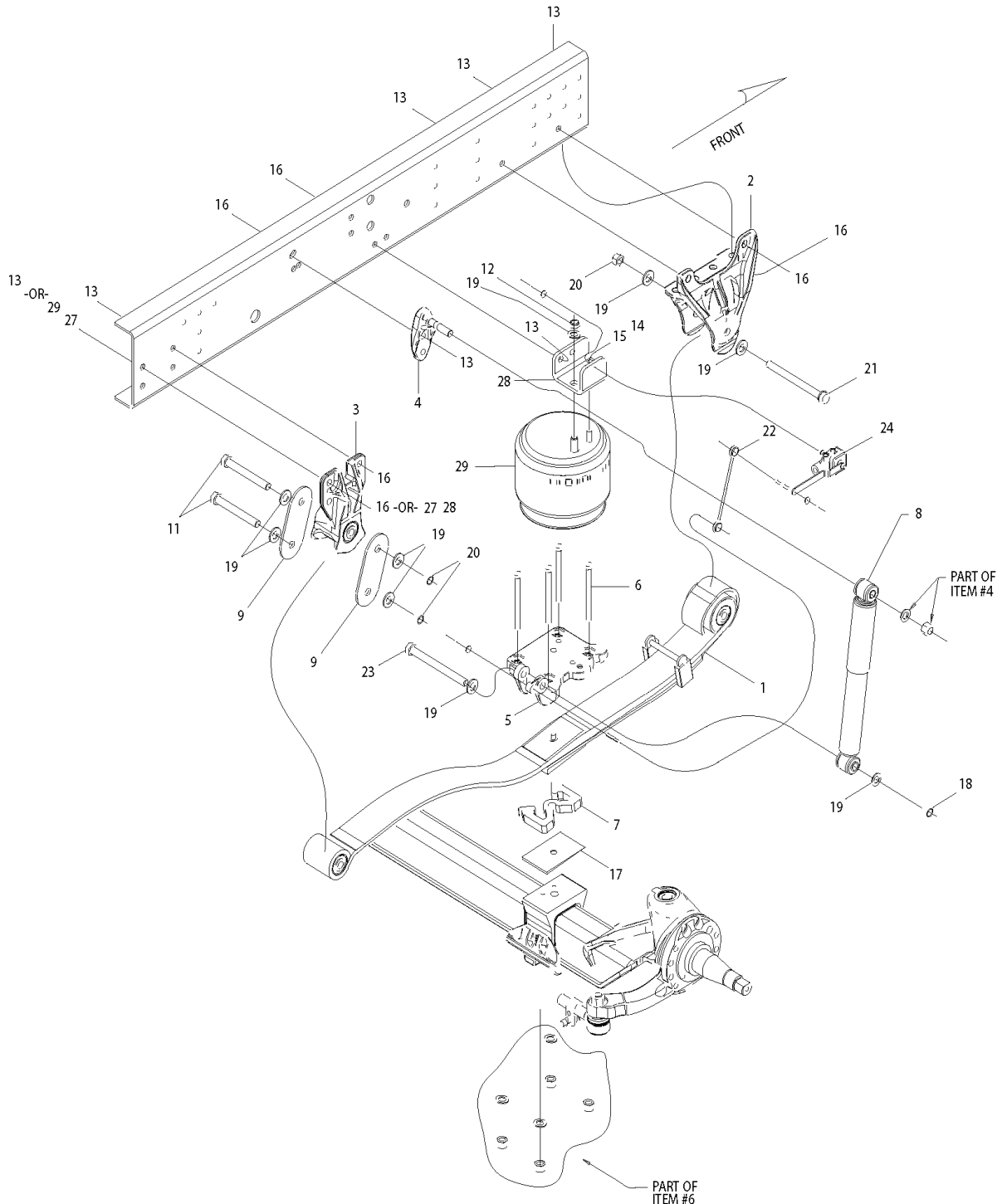
23

24

STABILIZER BAR FRONT	
<i>With: OPTION 4565, 4566, 40004-06</i>	
<i>To CSN 30039909 (9/5/99)</i>	25
<hr/>	
<i>With: OPTION 4565, 4566, 40004-06</i>	
<i>From CSN 30039910 (9/7/99)</i>	
<i>To CSN 05/02/05</i>	26
<hr/>	
STABILIZER BAR FRONT AND MOUNTING	
<i>With: OPTION 4565, 4566, 40004-06</i>	
<i>To CSN 30039909 (9/5/99)</i>	27
<hr/>	
REAR	
REAR FLAT LEAF	
<i>With: FEATURE 40005-01</i>	28
<hr/>	
<i>With: FEATURE 40005-10-11-12-13</i>	29
<hr/>	
STABILIZER BAR REAR	
<i>With: OPTION 4566, 4568-01, 40005-04</i>	30
<hr/>	
STABILIZER BAR REAR AND MOUNTING	
<i>With: OPTION 4566, 4568-01, 40005-04</i>	31
<hr/>	
SPACER ASSY, CHART	
<hr/>	
	32

**Models:** A3FE, A3RE, C3FE  
**AIR FRONT HENDRICKSON AIRTEK INSTALLATION**  
**With Features:** FEATURE 40004-12, -13, -14

Key	PartNumber	Qty	Description	Comment
-----	------------	-----	-------------	---------



**Models:** A3FE, A3RE, C3FE  
**AIR FRONT HENDRICKSON AIRTEK INSTALLATION**  
**With Features:** FEATURE 40004-12, -13, -14

Key	PartNumber	Qty	Description	Comment
1	0106302	2	SPRING ASSY,FRT,AIR SUSP	
2	0112694	2	HANGER,SUSP,FRONT,FRAME	
3	0106297	2	BRACKET,SHACKLE,SUSP,FRONT	
4	0107809		BRACKET,SHOCK,UPPER,FRONT	
5	0106298		PAD,AXLE,TOP,AIR SUSP,FRONT,LH	
5	0106299		PAD,AXLE,TOP,AIR SUSP,FRONT,RH	
6	0055011		KIT,BOLT,SUSP,FRONT,AIR,BBCV	W/O 40011-01
	0107926		KIT,BOLT,SUSP,FRONT,AIR,35MM SPACER	With 40011-01
	0107927		KIT,BOLT,SUSP,FRONT,AIR,85MM SPACER	With 30940-01
7	0107806	2	SPACER,SUSP,FRONT,25MM	With 40011-01
	0107861	2	SPACER,SUSP,FRONT,75MM	With 30940-01
8	0110808	2	SHOCK ABSORBER,FRONT,AIR SUSP	
9	0111659	2	SPACER,SHOCK,SUSP,FRONT,LOWER,.52 TK	
10	0107811	4	PLATE,SHACKLE,SUSP,FRONT	
11	0109147	4	CAPSCREW,HEX HD,M20-2.50X150,GR10.9,	
12	0985549	2	NUT,HEX HD,3/4-16,NYLON LOCK,YEL ZN DICH	
13	0054994	AR	PIN,FLG HEAD,HUCKSPIN,.62 X 2.238	
14	0850800	4	NUT,HEX HD,1/2-13,LOCKING,GR 8,CAD WAX	
15	1003045	4	WASHER,FLAT,17/32 X 1 1/16 X 7/64,HDN,	
16	0054997	AR	COLLAR,HUCKSPIN,.62,HSCF-R20	
17	1731678		WEDGE,CASTER,1 DEGREE	
18	0933879	4	NUT,HEX HD,3/4-10,PRVLG TORQ,GR8,CAD	
19	0607036	20	WASHER,FLAT,13/16 X 1 3/8 X 7/64 ZP,HRD	
20	0054951	2	NUT,HEX HD,M20-2.50,GR10.9,LOCK,OLIVZN	
21	0054950	2	CAPSCREW,HEX HD,M20-2.50X170,GR10.9,	
22	0107860	2	LINKAGE,VALVE,LEVELING,FRT,AIR SUSP	
23	1317783	2	CAPSCREW,HEX HD,3/4-10 X 5,GR 8,YEL ZN	
24	0014860	2	VALVE ASSY,HT CONTROL,HENDRICKSON	
25	0106306	2	BRACKET,SUPT,AIR SPRG,FRAME	
26	0106305	2	SPRING ASSY,AIR,AIR SUSP,FRT,14.6K	
27	0929018	8	WASHER,FLAT,21/32 X 1 1/8 X 3/32,HDN,YEL	A3RE WITH DIESEL
28	0939827	4	NUT,HEX HD,5/8-11,GR 8,LOCK,CADMIUM WAX	A3RE WITH DIESEL
29	1107895	4	CAPSCREW,HEX HD,5/8-11 X 2,GR8,YEL ZN	A3RE WITH DIESEL

**Models:** A3FE, A3RE, C3FE  
 AIR  
 FRONT  
 HENDRICKSON AIRTEK  
 INSTALLATION

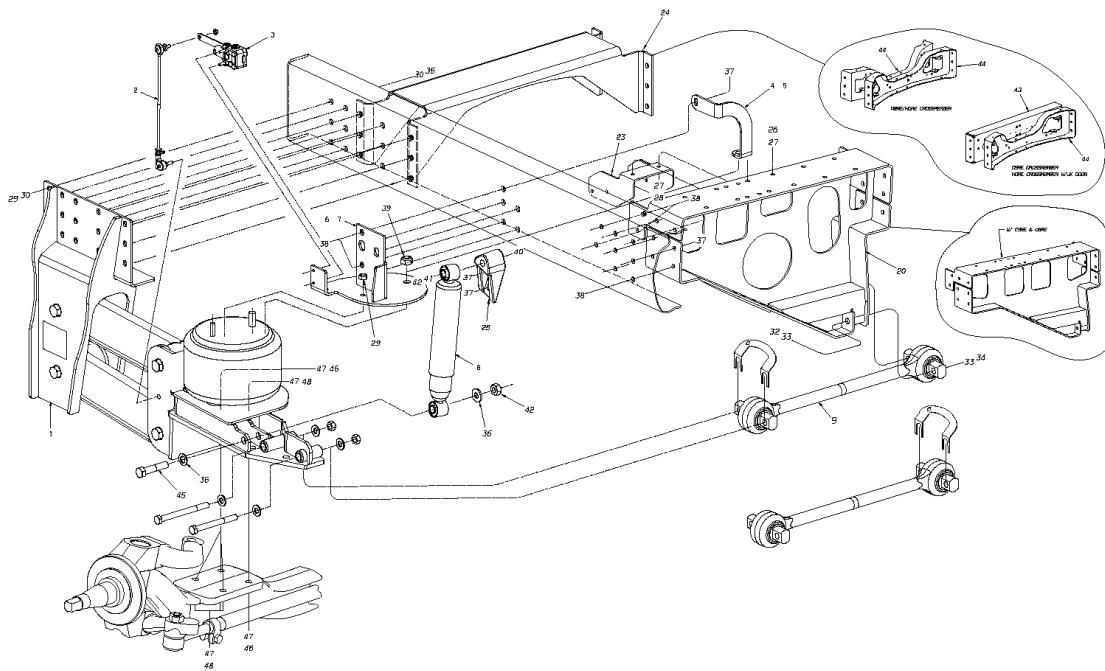
**With Features:** FEATURE 40004-12, -13, -14

Key	PartNumber	Qty	Description	Comment
30	1021815	2	CAPSCREW,HEX HD,3/4-10 X4 1/2,GR8,	
31	0063492		WASHER,FLAT,.531 X 1.625 X 11 GA,HDN,	<i>RH SIDE ONLY</i>
32	0054995	AR	PIN,FLG HEAD,HUCKSPIN,.62 X 2.755	

**Models:** A3FE, A3RE, C1FE, CSFE, CSRE, QBRE, TCFE  
**AIR**  
**FRONT**  
**HENDRICKSON PARASTEER**

**With Features:** FEATURE 4004-05  
 To CSN 10096834 30096824 ALL EXCEPT CSRE AND QBRE

Key	PartNumber	Qty	Description	Comment
-----	------------	-----	-------------	---------



**Models:** A3FE, A3RE, C1FE, CSFE, CSRE, QBRE, TCFE

**AIR  
FRONT  
HENDRICKSON PARASTEER  
INSTALLATION**

**With Features:** **FEATURE 40004-05  
To CSN 10096834 30096824 ALL EXCEPT CSRE AND QBRE**

Key	PartNumber	Qty	Description	Comment
2	0015248	2	LINK ASSY,LVLG VLV,HENDRICKSON 58994-010	
3	0014860	2	VALVE ASSY,HT CONTROL,HENDRICKSON	
NI	0006723	2	AIR SPRING 002286	
NI	0985549	2	NUT,HEX HD,3/4-16,NYLON LOCK,YEL ZN DICH	AIR SPRING INLET NUT
NI	0006729	2	KIT,BOLT,AIR SPRING 002276	
4	0006606		BRACKET,REINFORCEMENT,AIR SPRING 002130	
5	0006609		BRACKET,REINFORCEMENT, AIR SPRING	
6	0006622		PLATE,AIR SPRING,UPPER RH 002270-02	
7	0006624		PLATE,AIR SPRING,UPPER LH 002270-1	
8	0015222	2	SHOCK ABSORBER,FRT,HENDRICKSON 59483	
8	0038890	2	SHOCK ABSORBER,FRONT,HENDRICKSON	RECOMENDED FOR SEVERE APPLICATION
9	0020978		TRACK ROD,HENDRICKSON	
NI	1317783	2	CAPSCREW,HEX HD,3/4-10 X 5,GR 8,YEL ZN	
NI	0607036	4	WASHER,FLAT,13/16 X 1 3/8 X 7/64 ZP,HRD	
NI	0933879	2	NUT,HEX HD,3/4-10,PRVLG TORQ,GR8,CAD	
NI	0006724		KIT,CROSSMEMBER BOLT 02399	
NI	0006728		KIT,PIVOT BOLT 002521	
NI	0006720		LEAF,TRANSVERSE,1/2"X6"X38" 002319	
NI	0006721	4	SPACER,SUSPENSION, 1.0" 002576	A3FE, HD FE ONLY
NI	0006722	16	WEAR PAD 002268	
NI	0006727		KIT,BOLT,TRANSVERSE LEAF 002592	
NI	0006725		KIT,BOLT,TRANSVERSE LEAF 002274	
NI	0006704		HANGER ASSEMBLY,LH	
NI	0006710		HANGER ASSEMBLY,RH	
NI	0006711	2	BEAM ASSEMBLY,UPPER 002571	
NI	0006713	2	BEAM ASSEMBLY,LOWER 002282	
NI	0006717		AXLE SEAT WELDMENT,RH 002480-2	
NI	0006715		AXLE SEAT WELDMENT,LH 002480-1	
NI	0006716		AXLE SEAT WELDMENT,RH 002283-2	
NI	0006714		AXLE SEAT WELDMENT,LH 002283-1	
NI	0006719		CROSSMEMBER WELDMENT 002494	
20	0023372		CROSSMEMBER ASSY,TRACK ROD,8.5 RIDE HT	
20	0023408		CROSSMEMBER ASSY,TRACK ROD,5.75 RIDE HT	CSRE AND QBRE ONLY



**Models:** A3FE, A3RE, C1FE, CSFE, CSRE, QBRE, TCFE

**AIR  
FRONT  
HENDRICKSON PARASTEER  
INSTALLATION**

**With Features:** **FEATURE 40004-05  
To CSN 10096834 30096824 ALL EXCEPT CSRE AND QBRE**

Key	PartNumber	Qty	Description	Comment
21			NOT USED	
22			NOT USED	
23	0020089		BRACKET,MTG,MODULATOR VALVE,ABS	
24	1969716		CROSSMEMBER,TRANSMISSION CLEARANCE,	
25	1767409	2	BRACKET,MOUNTING,SHOCK TO FRAME,FRONT	
26	0801936	2	CAPSCREW,HEX HD,7/16-14X1 1/4,GR8,	
27	2028546	4	WASHER,FLAT,7/16,X 1 1/32 X 5/64,YL ZN	
28	0997080	2	NUT,HEX HD,7/16-14,LOCKING,GR 8,CADMIUM	
29	0850800	48	NUT,HEX HD,1/2-13,LOCKING,GR 8,CAD WAX	
30	1003045	78	WASHER,FLAT,17/32 X 1 1/16 X 7/64,HDN,	
31	1942135	14	CAPSCREW,HEX HD 1/2-13X 1 1/4,GR8,	
32	1022805	2	CAPSCREW,HEX HD,5/8-11 X 5,GR 8,YEL ZN	
33	0870907	4	WASHER,FLAT,11/16 X 1 3/16 X 1/8,BLK ZN	
34	0939827	2	NUT,HEX HD,5/8-11,GR 8,LOCK,CADMIUM WAX	
35	0803239	28	CAPSCREW,HEX HD,1/2-13 X1 1/2,GR8	
36	0870915	4	WASHER,FLAT,27/32 X 1 1/2 X 1/8,YEL ZN	
37	1636943	20	PIN,FLG HEAD,HUCKSPIN,.50X2.22,HSP8	
38	1636968	18	COLLAR,HUCKSPIN,.50,HSCH-R16	
39	0985549	2	NUT,HEX HD,3/4-16,NYLON LOCK,YEL ZN DICH	
40	1317783	2	CAPSCREW,HEX HD,3/4-10 X 5,GR 8,YEL ZN	
41	0607036	2	WASHER,FLAT,13/16 X 1 3/8 X 7/64 ZP,HRD	
42	0933879	2	NUT,HEX HD,3/4-10,PRVLG TORQ,GR8,CAD	
43	1487826		CROSSMEMBER,FLAT,FRONT W/AIR SUSP,TCRE,	
44	1807577		CROSSMEMBER,STAMPED,34 INCH	
45	0870873	2	CAPSCREW,HEX HD,3/4-10 X 4,GR 8,YEL ZN	
46	0008068	8	CAPSCREW,HEX HD,3/4-10X3,GR8,YELZNDICH	
47	0607036	16	WASHER,FLAT,13/16 X 1 3/8 X 7/64 ZP,HRD	
48	1023464	8	NUT,HEX HD,3/4-10,HVY,NY INS,GR8,YEL	
NI	0026381		KIT,DAMPER,HENDRICKSON,RETROFIT	<i>CONSISTS OF THE FOLLOWING</i>
NI	0025269		CROSSMEMBER,STABILIZER SHOCK KIT,	
NI	0025271		SHOCK,STABILIZER SHOCK KIT,HENDRICKSON	
NI	0025272		BRACKET,SHOCK,AXLE SEAT,STABILIZER	
NI	0025270		BRKT,CROSSMEMBER SHOCK,STABILIZER	

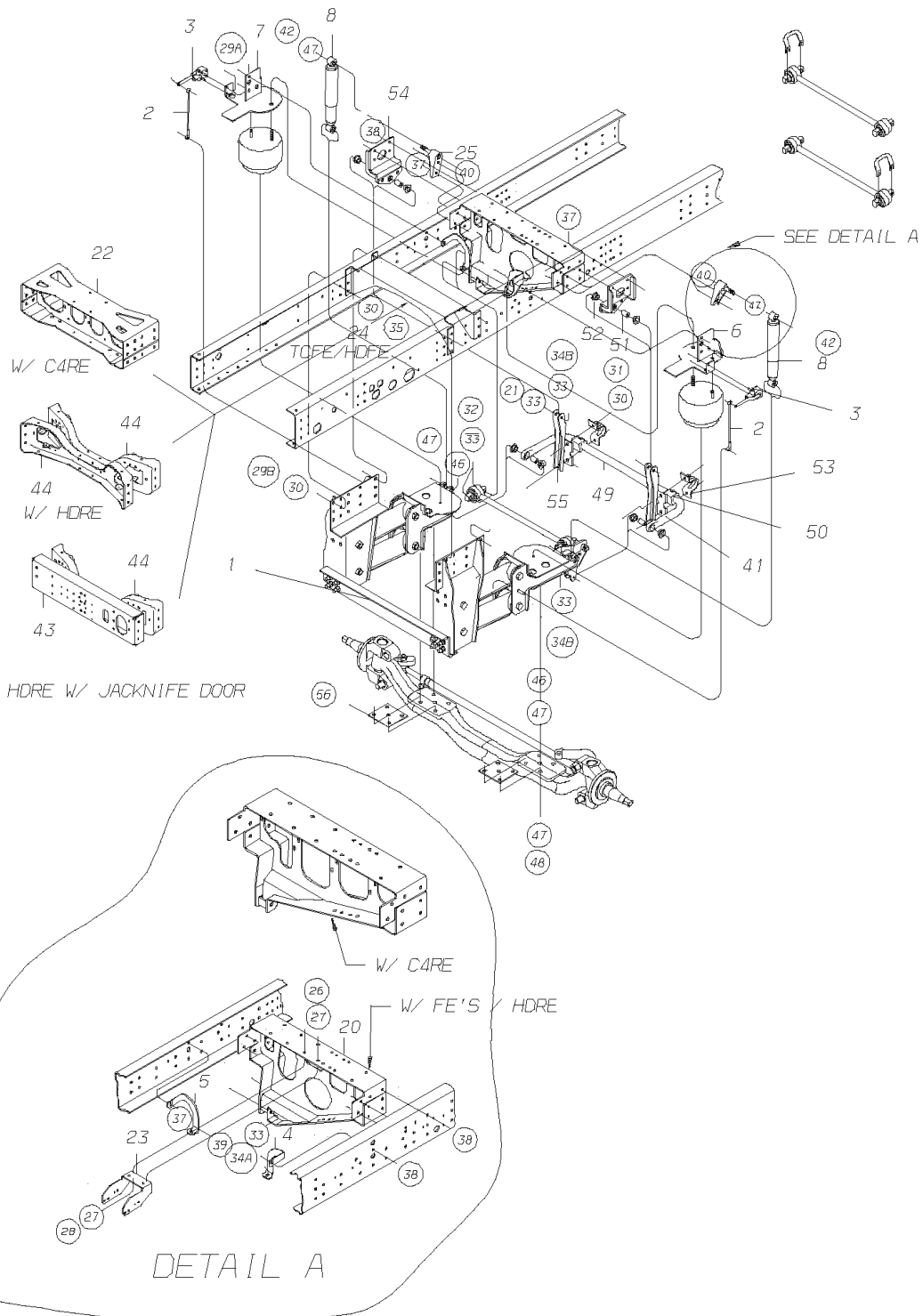
**Models:** A3FE, A3RE, C1FE, CSFE, CSRE, QBRE, TCFE  
**AIR  
 FRONT  
 HENDRICKSON PARASTEER  
 INSTALLATION**

**With Features:** FEATURE 40004-05  
**To CSN 10096834 30096824 ALL EXCEPT CSRE AND QBRE**

Key	PartNumber	Qty	Description	Comment
NI	0025273		WASHER,3/4,HARDENED,STABILIZER SHOCK	
NI	0025274		HEX BOLT,3/4" X 4 1/4",STABILIZER SHOCK	
NI	0025275		HEX BOLT,3/4" X 2 1/4",STABILIZER SHOCK	
NI	0025276		LOCKNUT,3/4",STABILIZER SHOCK KIT,	
NI	0025277		HEX BOLT,5/8" X 2.25",STABILIZER SHOCK KIT,	
NI	0023033		WASHER,HENDRICKSON,22962-004	
NI	0023032		LOCKNUT,5/8-11,HENDRICKSON,47764-000	

Models: A3FE, A3RE, C1FE, C3FE, C4RE, CSFE, TCFE, TSFE  
 AIR  
 FRONT  
 HENDRICKSON PARASTEER  
 INSTALLATION  
 With Features: FEATURE 40004-07  
 BSN: From CSN 10096835 30096825

Key	PartNumber	Qty	Description	Comment
-----	------------	-----	-------------	---------



**Models:** A3FE, A3RE, C1FE, C3FE, C4RE, CSFE, TCFE, TSFE  
**AIR FRONT HENDRICKSON PARASTEER INSTALLATION**  
**With Features:** FEATURE 40004-07  
**BSN:** From CSN 10096835 30096825

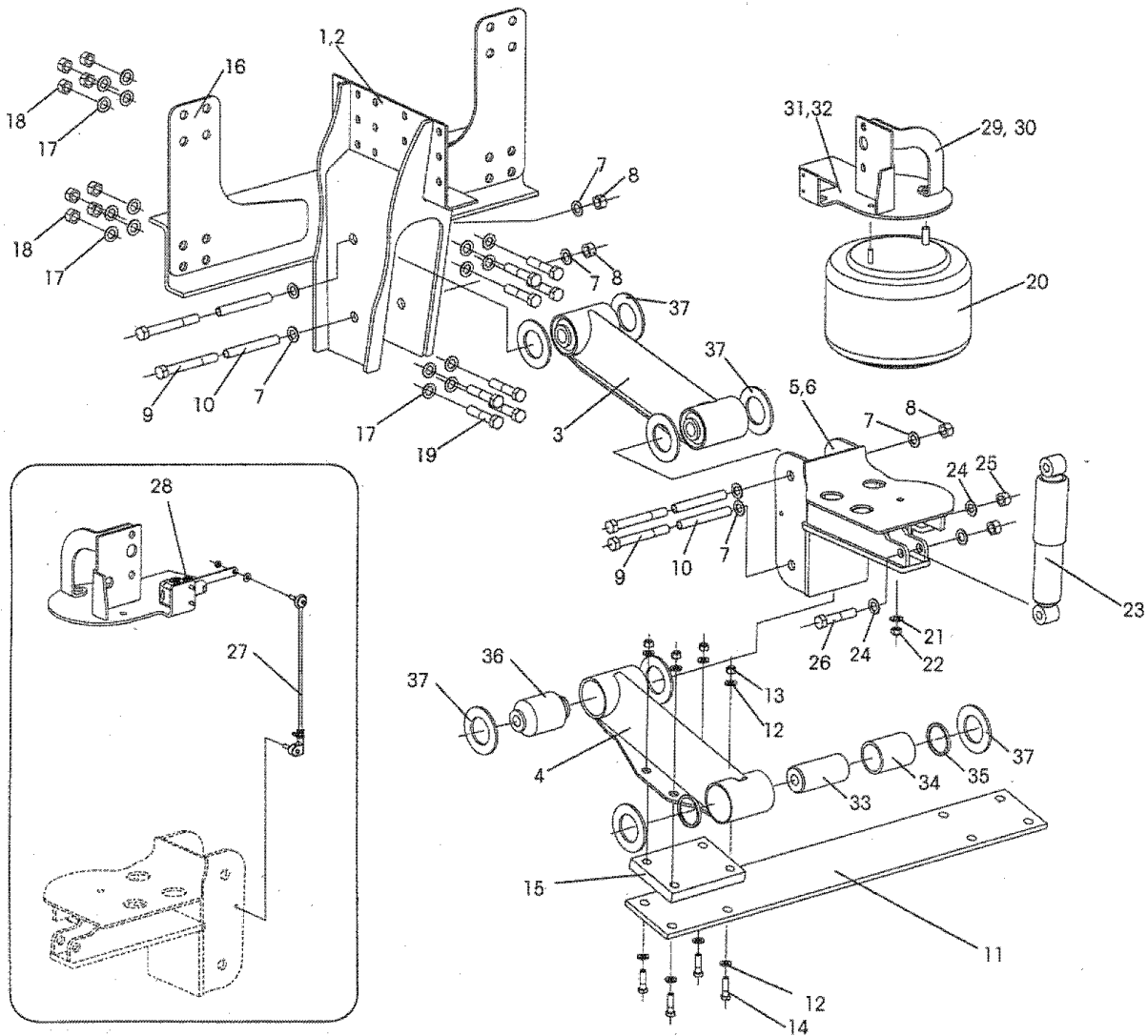
Key	PartNumber	Qty	Description	Comment
2	0015248	2	LINK ASSY,LVLG VLV,HENDRICKSON 58994-010	
3	0014860		VALVE ASSY,HT CONTROL,HENDRICKSON	
	0014415		KIT,FRM COMP,SUSP,FRT,HEND 59553-000	CONSISTS OF ITEMS 4 THRU 7
4	0006606		BRACKET,REINFORCEMENT,AIR SPRING 002130	
5	0006609		BRACKET,REINFORCEMENT, AIR SPRING	
6	0006624		PLATE,AIR SPRING,UPPER LH 002270-1	
7	0006622		PLATE,AIR SPRING,UPPER RH 002270-02	
8	0040015	2	SHOCK ABSORBER,FRT,HENDRICKSON 60998	
20	0023372		CROSSMEMBER ASSY,TRACK ROD,8.5 RIDE HT	8.5 RIDE HT. ALL EXCEPT C4RE
20	0033592		CROSSMEMBER ASSY,TRACK ROD,, RE	
21	0014348	4	CAPSCREW,HEX HEAD,5/8-11X3.75 GR8,YEL	
22	0032222		CROSSMEMBER ASSY,FRT,FRT SUSP	
23	0020089		BRACKET,MTG,MODULATOR VALVE,ABS	
24	1969716		CROSSMEMBER,TRANSMISSION CLEARANCE,	
24	1969815		CROSSMEMBER,TRANSMISSION CLEARANCE,	
25	0043465	2	BRACKET,MOUNTING,SHOCK TO FRAME,FRONT	
26	0801936	2	CAPSCREW,HEX HD,7/16-14X1 1/4,GR8,	
27	2028546	4	WASHER,FLAT,7/16,X 1 1/32 X 5/64,YL ZN	
28	0997080	2	NUT,HEX HD,7/16-14,LOCKING,GR 8,CADMIUM	
29	0850800	2	NUT,HEX HD,1/2-13,LOCKING,GR 8,CAD WAX	
29	0850800	46	NUT,HEX HD,1/2-13,LOCKING,GR 8,CAD WAX	
30	1003045	78	WASHER,FLAT,17/32 X 1 1/16 X 7/64,HDN,	
31	1942135	14	CAPSCREW,HEX HD 1/2-13X 1 1/4,GR8,	
32	1022805	2	CAPSCREW,HEX HD,5/8-11 X 5,GR 8,YEL ZN	
33	0870907	4	WASHER,FLAT,11/16 X 1 3/16 X 1/8,BLK ZN	
34	0939827	2	NUT,HEX HD,5/8-11,GR 8,LOCK,CADMIUM WAX	
34	0939827	4	NUT,HEX HD,5/8-11,GR 8,LOCK,CADMIUM WAX	
35	0803239	28	CAPSCREW,HEX HD,1/2-13 X1 1/2,GR8	
36	4609871		GREASE,AQUALUBE,SWAY BAR	
39	0985549	2	NUT,HEX HD,3/4-16,NYLON LOCK,YEL ZN DICH	
40	1317783	2	CAPSCREW,HEX HD,3/4-10 X 5,GR 8,YEL ZN	
41	0020088	2	BRACKET,RETAINER,BUSHING,STAB BAR,2.12	
42	0933879	4	NUT,HEX HD,3/4-10,PRVLG TORQ,GR8,CAD	

**Models:** A3FE, A3RE, C1FE, C3FE, C4RE, CSFE, TCFE, TSFE  
**AIR FRONT HENDRICKSON PARASTEER INSTALLATION**  
**With Features:** FEATURE 40004-07  
**BSN:** From CSN 10096835 30096825

Key	PartNumber	Qty	Description	Comment
43	1487826		CROSSMEMBER,FLAT,FRONT W/AIR SUSP,TCRE,	
44	1807577		CROSSMEMBER,STAMPED,34 INCH	
45	0870873	2	CAPSCREW,HEX HD,3/4-10 X 4,GR 8,YEL ZN	
46	0008068	8	CAPSCREW,HEX HD,3/4-10X3,GR8,YELZNDICH	
47	0607036		WASHER,FLAT,13/16 X 1 3/8 X 7/64 ZP,HRD	
48	1023464	8	NUT,HEX HD,3/4-10,HVY,NY INS,GR8,YEL	
49	0027286		BAR,TORSION,1.75 IN O.D.,FRONT SUSP,HEND	
50	0040030	2	BUSHING,MIDSECTION,1.75 ID,ADDCO	
51	0030668	4	BUSHING,LINK,STABILIZER BAR	
52	0030670	8	BUSHING,STABILIZER BAR,URETHANE,ADDCO	
53	0024706	2	BRACKET,MIDSECTION,ADDCO RH801	
54	0035459	2	BRACKET ASSY,MOUNTING,STAB BAR,FRONT,	
55	0043209	2	LINK,STABILIZER BAR"	
56	0046585	2	PLATE,SPACER,,SUSPENSION,25TK	C4RE ONLY

Models: A3FE, A3RE, C1FE, CSFE, CSRE, QBRE, TCFE  
 AIR  
 FRONT  
 HENDRICKSON PARASTEER  
 KIT PARTS BREAKDOWN  
 With Features: FEATURE 40004-05  
 BSN: From CSN 10035075 30037925 7-5-99  
 To CSN 10046455 30046520 1-2-00

Key PartNumber Qty Description Comment



**Models:** A3FE, A3RE, C1FE, CSFE, CSRE, QBRE, TCFE  
**AIR FRONT HENDRICKSON PARASTEER KIT PARTS BREAKDOWN**  
**With Features:** FEATURE 40004-05  
**BSN:** From CSN 10035075 30037925 7-5-99  
 To CSN 10046455 30046520 1-2-00

Key	PartNumber	Qty	Description	Comment
	0008067		SUSPENSION ASSY,HEND 59543-002,13HT	
	0008069		SUSPENSION ASSY,FLT FLR,HEND 59543-006	
	0015164		SUSPENSION ASSY,HEND HFB04 59543-004,	
	0014530		SUSPENSION ASSY,HEND HFB05 59543-005,	
	0015131		SUSPENSION ASSY,HEND HFB01 59543-001,	
	0015156		SUSPENSION ASSY,HEND HFB03 59543-003,	
1	0006704		HANGER ASSEMBLY,LH	
2	0006710		HANGER ASSEMBLY,RH	
3	0006711	2	BEAM ASSEMBLY,UPPER 002571	
4	0035141	2	TORQUE ARM, LWR W/BUSHINGS INSTLD HEND	
5	0049049		AXLE SEAT WELDMENT, LH TS/C1/TC FLT FLR	
5	0049046		AXLE SEAT WELDMENT, LH TC/CSRE	
5	0006714		AXLE SEAT WELDMENT,LH 002283-1	
5	0006715		AXLE SEAT WELDMENT,LH 002480-1	
6	0049050		AXLE SEAT WELDMENT, RH TS/C1/TC FLT FLR	
6	0049048		AXLE SEAT WELDMENT, RH, TC/CSRE	
6	0006716		AXLE SEAT WELDMENT,RH 002283-2	
6	0006717		AXLE SEAT WELDMENT,RH 002480-2	
6	0006728		KIT,PIVOT BOLT 002521	CONTAINS ITEMS 7, 8, 9, AND 10
7	0038339		WASHER,HARDENED,7/8",HENDRICKSON	
8	0034234		NUT,(ASSY 0011783), KEY #1	
9	0034244		BOLT,(ASSY 0011783),KEY #1	
10	0023031		TUBE,PLASTIC LINER,HENDRICKSON,59504	
11	0006720		LEAF,TRANSVERSE,1/2"X6"X38" 002319	
	0006725		KIT,BOLT,TRANSVERSE LEAF 002274	CONTAINS ITEMS 12, 13, AND 14
			TRANSVERSE LEAF FASTENER KIT, 59565-002	CONTAINS ITEMS 12, 13, AND 14, CSFE, TCFE
	0006727		KIT,BOLT,TRANSVERSE LEAF 002592	CONTAINS ITEMS 12, 13, AND 14
12	0025273		WASHER,3/4,HARDENED,STABILIZER SHOCK	
13	0025276		LOCKNUT,3/4",STABILIZER SHOCK KIT,	
14	0025275		HEX BOLT,3/4" X 2 1/4",STABILIZER SHOCK	INCLUDED WITH KIT 0006725
14			HEX BOLT,3/4" X 2 1/4",STABILIZER SHOCK	INCLUDED WITH KIT 59568-002
14	0025274		HEX BOLT,3/4" X 4 1/4",STABILIZER SHOCK	INCLUDED WITH KIT 0006727
15	0006721		SPACER,SUSPENSION, 1.0" 002576	CSFE, HDPE, TCFE ONLY

**Models:** A3FE, A3RE, C1FE, CSFE, CSRE, QBRE, TCFE  
**AIR FRONT HENDRICKSON PARASTEER KIT PARTS BREAKDOWN**  
**With Features:** FEATURE 40004-05  
**BSN:** From CSN 10035075 30037925 7-5-99  
 To CSN 10046455 30046520 1-2-00

Key	PartNumber	Qty	Description	Comment
16	0006719		CROSSMEMBER WELDMENT 002494	
	0006724		KIT,CROSSMEMBER BOLT 02399	CONTAINS 17, 18, AND 19
17	0025273		WASHER,3/4,HARDENED,STABILIZER SHOCK	
18	0025276		LOCKNUT,3/4",STABILIZER SHOCK KIT,	
19	0006729		KIT,BOLT,AIR SPRING 002276	CONTAINS ITEMS 21, AND 22, CSFE, CSRE, HDFE, HDRE, RCFE, TCRE
19			TRANSVERSE LEAF FASTENER KIT, 49177-008	C1FE, TSFE
20	0006723		AIR SPRING 002286	CSFE, CSRE, HDFE, HDRE, RCFE, TCRE
20	0049092		AIR SPRING,HENDRICKSON,TSFE/C1FE	C1FE, TSFE
21			WASHER, FLAT, 1/2	
22			NUT, HEX, LCO, 1/2-13	
23		2	SHOCK ABSORBER	NOT INCLUDED WITH SUSPENSION KIT
			SHOCK FASTENER KIT	CONTAINS ITEMS 24, 25 AND 26
24	0025273		WASHER,3/4,HARDENED,STABILIZER SHOCK	
25	0025276		LOCKNUT,3/4",STABILIZER SHOCK KIT,	
26	0025278		HEX BOLT,3/4" X 3.75",STABILIZER SHOCK KIT,	
27	0015248		LINK ASSY,LVLG VLV,HENDRICKSON 58994-010	NOT INCLUDED WITH SUSPENSION KIT
28	0014860		VALVE ASSY,HT CONTROL,HENDRICKSON	NOT INCLUDED WITH SUSPENSION KIT
	0014415		KIT,FRM COMP,SUSP,FRT,HEND 59553-000	CONTAINS ITEMS 29, 30, 21, AND 32
29	0006606		BRACKET,REINFORCEMENT,AIR SPRING 002130	
30	0006609		BRACKET,REINFORCEMENT, AIR SPRING	
31	0006624		PLATE,AIR SPRING,UPPER LH 002270-1	
32	0006622		PLATE,AIR SPRING,UPPER RH 002270-02	
	0035138		KIT,UPR & LWR TORQUE ARM FRT/REAR BUSH	CONTAINS ITEMS 33, 34, 35, & 37
33	0038925		BUSHING,INNER METAL,HENDRICKSON	NOT INCLUDED WITH SUSPENSION KIT
34	0029395		BUSHING,FRONT HANGER,HENDRICKSON	
35	0029778		O-RING,SEAL,HENDRICKSON	
36	0029022		BUSHING,TORQUE ARM,	
37	0006722		WEAR PAD 002268	NOT INCLUDED WITH SUSPENSION KIT

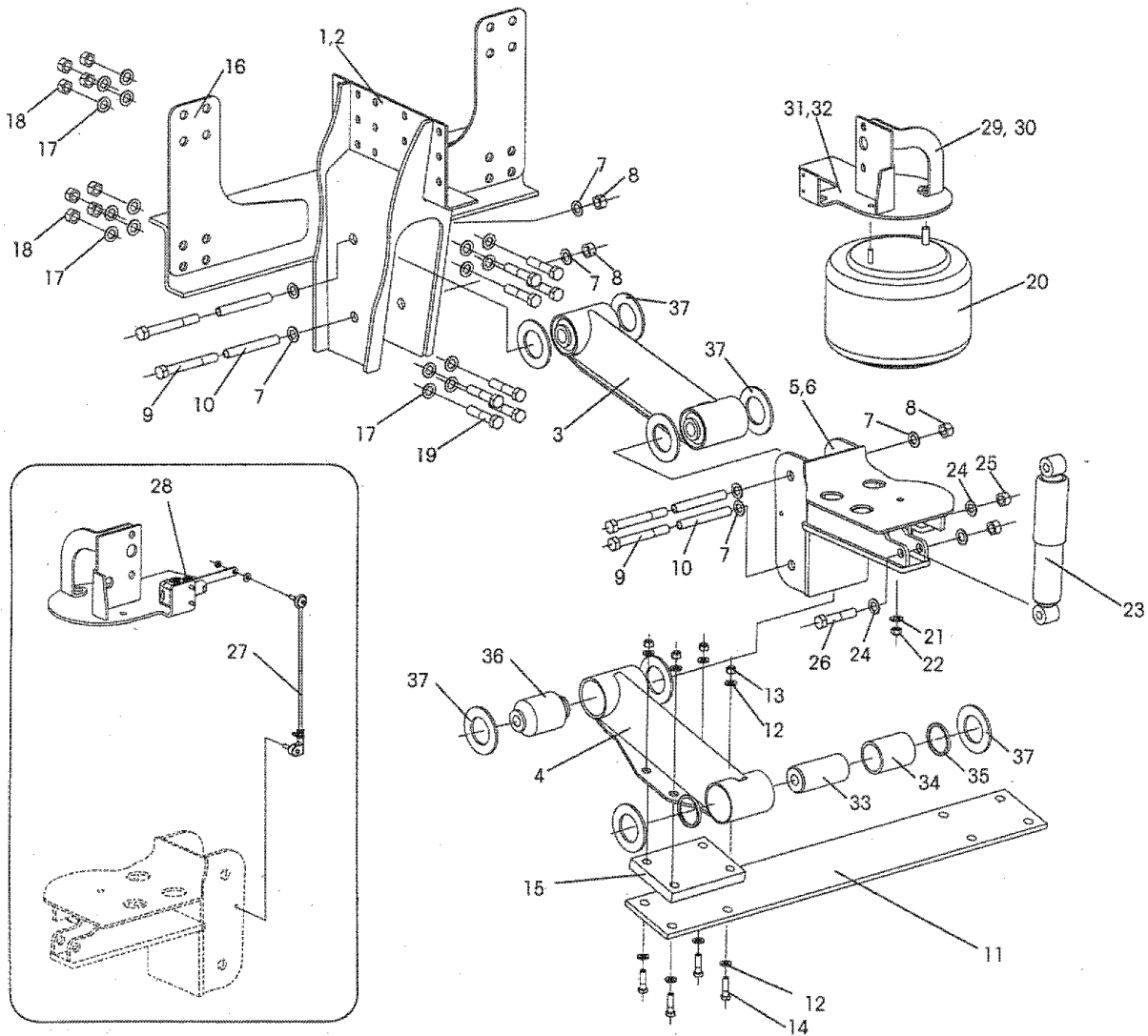


**Models:** A3FE  
 AIR  
 FRONT  
 HENDRICKSON PARASTEER  
 KIT PARTS BREAKDOWN

**With Features:** FEATURE 40004-05

**BSN:** From CSN 10046456 30046521 01-03-00  
 To CSN 10096695 30096790 11-4-01

Key PartNumber Qty Description Comment



**Models:** A3FE  
 AIR  
 FRONT  
 HENDRICKSON PARASTEER  
 KIT PARTS BREAKDOWN  
**With Features:** FEATURE 40004-05  
**BSN:** From CSN 10046456 30046521 01-03-00  
 To CSN 10096695 30096790 11-4-01

Key	PartNumber	Qty	Description	Comment
	0020241		SUSPENSION ASSY,HEND 60300-003, HDFE	CONSISTS OF THE FOLLOWING
1	0006704		HANGER ASSEMBLY,LH	
2	0006710		HANGER ASSEMBLY,RH	
3	0006711	2	BEAM ASSEMBLY,UPPER 002571	
4	0006711	2	BEAM ASSEMBLY,UPPER 002571	
5	0006715		AXLE SEAT WELDMENT,LH 002480-1	
6	0006717		AXLE SEAT WELDMENT,RH 002480-2	
10	0023031		TUBE,PLASTIC LINER,HENDRICKSON,59504	
11	0006720		LEAF,TRANSVERSE,1/2"X6"X38" 002319	
15	0006721		SPACER,SUSPENSION, 1.0" 002576	
	0006729		KIT,BOLT,AIR SPRING 002276	INCLUDES KEY NUMBERS 20, 21, AND 22
20			AIR SPRING	
21			HARDENED FLAT WASHER	
22			NYLOCK NUT	
23	0040015		SHOCK ABSORBER,FRT,HENDRICKSON 60998	
27	0015248		LINK ASSY,LVLG VLV,HENDRICKSON 58994-010	
28	0014860		VALVE ASSY,HT CONTROL,HENDRICKSON	
	0014415		KIT,FRM COMP,SUSP,FRT,HEND 59553-000	INCLUDES KEY NUMBERS 29, 30, 31, AND 32
29	0066066		ARM ASSY,MIRROR,PASS,W/BRACE,SS,HTD,	
30	0006609		BRACKET,REINFORCEMENT, AIR SPRING	
31	0006624		PLATE,AIR SPRING,UPPER LH 002270-1	
32	0006622		PLATE,AIR SPRING,UPPER RH 002270-02	
	0035138		KIT,UPR & LWR TORQUE ARM FRT/REAR BUSH	INCLUDES KEY NUMBERS 33, 34, 35, 36, AND 37
33	0038925	2	BUSHING,INNER METAL,HENDRICKSON	
34	0029395	2	BUSHING,FRONT HANGER,HENDRICKSON	
35	0029778	4	O-RING,SEAL,HENDRICKSON	
36	0029022	6	BUSHING,TORQUE ARM,	
37	0006722	16	WEAR PAD 002268	
	0025273	20	WASHER,3/4,HARDENED,STABILIZER SHOCK	
	0038339	16	WASHER,HARDENED,7/8",HENDRICKSON	
	0023033	4	WASHER,HENDRICKSON,22962-004	
	0023036		BOLT,HEX,5/8-11X7,HENDRICKSON,32043-007	

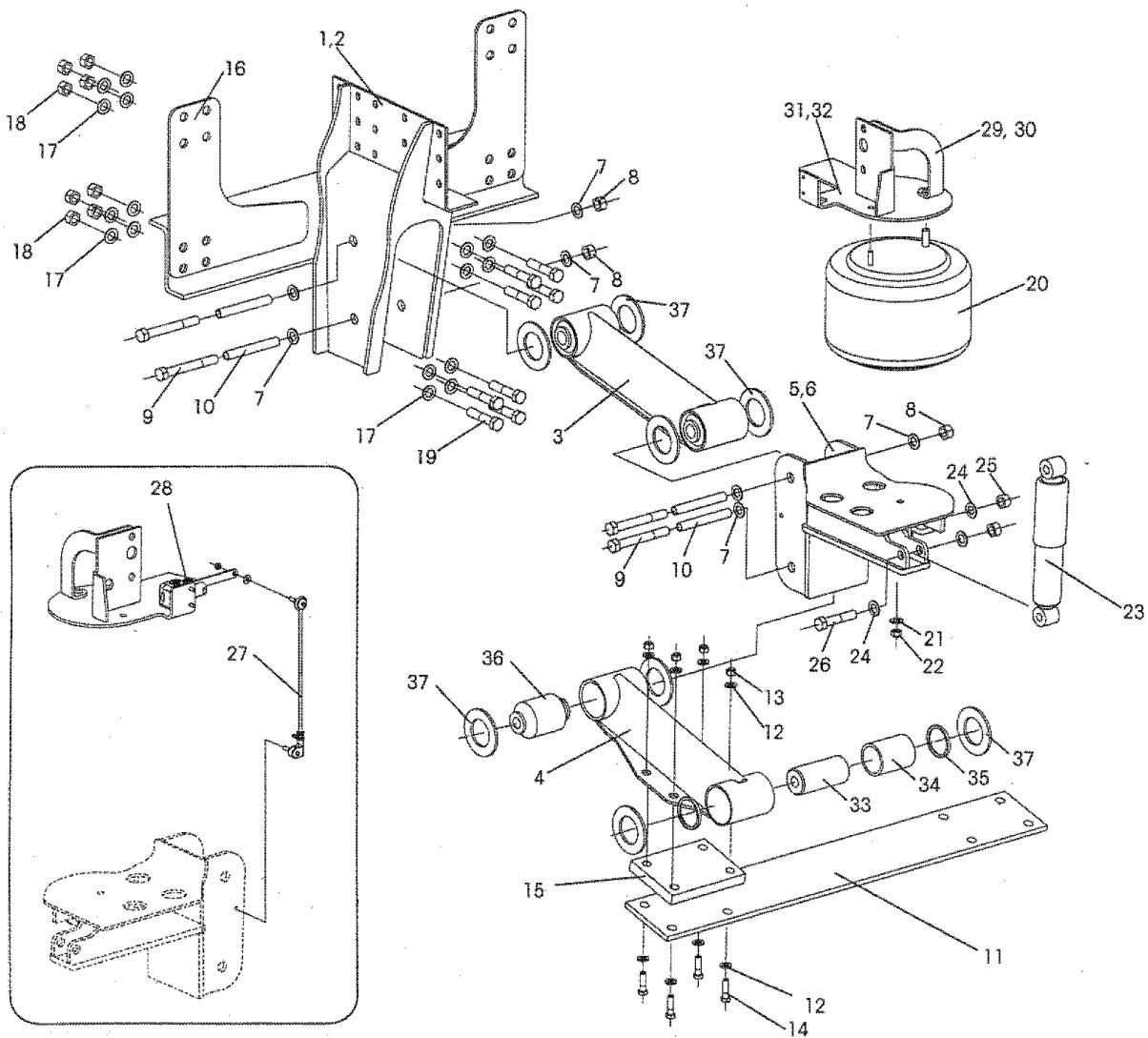
**Models:** A3FE  
 AIR  
 FRONT  
 HENDRICKSON PARASTEER  
 KIT PARTS BREAKDOWN

**With Features:** FEATURE 4004-05  
**BSN:** From CSN 10046456 30046521 01-03-00  
 To CSN 10096695 30096790 11-4-01

Key	PartNumber	Qty	Description	Comment
	0023035		BOLT,HEX,5/8-11 X 6.25	
	0023032	2	LOCKNUT,5/8-11,HENDRICKSON,47764-000	
	0025276		LOCKNUT,3/4",STABILIZER SHOCK KIT,	
	0034234		NUT,(ASSY 0011783), KEY #1	
	0025278	2	HEX BOLT,3/4" X 3.75",STABILIZER SHOCK KIT,	
	0025275		HEX BOLT,3/4" X 2 1/4",STABILIZER SHOCK	
	0034244	8	BOLT,(ASSY 0011783),KEY #1	
	0023039		WASHER,THRUST,HENDRICKSON,59803-000"	

Models: A3FE, C3FE  
 AIR  
 FRONT  
 HENDRICKSON PARASTEER  
 KIT PARTS BREAKDOWN  
 With Features: FEATURE 4004-07  
 BSN: From CSN 10096835 30096825

Key	PartNumber	Qty	Description	Comment
-----	------------	-----	-------------	---------



**Models:** A3FE, C3FE  
**AIR FRONT HENDRICKSON PARASTEER KIT PARTS BREAKDOWN**  
**With Features:** FEATURE 40004-07  
**BSN:** From CSN 10096835 30096825

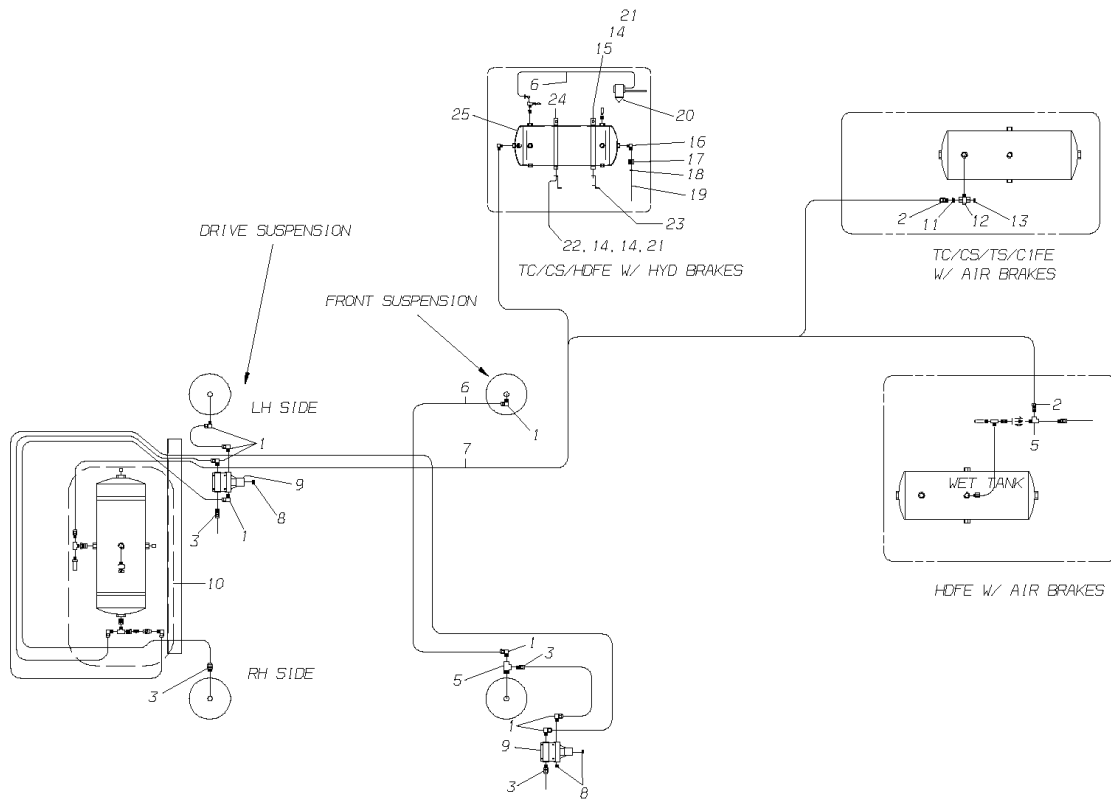
Key	PartNumber	Qty	Description	Comment
	0040037		SUSPENSION ASSY,HEND 60300-011, HDFE	CONSISTS OF THE FOLLOWING
1	0006704		HANGER ASSEMBLY,LH	
2	0006710		HANGER ASSEMBLY,RH	
3	0006711	2	BEAM ASSEMBLY,UPPER 002571	
4	0006711	2	BEAM ASSEMBLY,UPPER 002571	
5	0006715		AXLE SEAT WELDMENT,LH 002480-1	
6	0006717		AXLE SEAT WELDMENT,RH 002480-2	
10	0023031		TUBE,PLASTIC LINER,HENDRICKSON,59504	
	0006729		KIT,BOLT,AIR SPRING 002276	INCLUDES KEY NUMBERS 20, 21, AND 22
20			AIR SPRING	
21			HARDENED FLAT WASHER	
22			NYLOCK NUT	
23	0040015		SHOCK ABSORBER,FRT,HENDRICKSON 60998	
27	0015248		LINK ASSY,LVLG VLV,HENDRICKSON 58994-010	
28	0014860		VALVE ASSY,HT CONTROL,HENDRICKSON	
	0014415		KIT,FRM COMP,SUSP,FRT,HEND 59553-000	INCLUDES KEY NUMBERS 29, 30, 31, AND 32
29	0066066		ARM ASSY,MIRROR,PASS,W/BRACE,SS,HTD,	
30	0006609		BRACKET,REINFORCEMENT, AIR SPRING	
31	0006624		PLATE,AIR SPRING,UPPER LH 002270-1	
32	0006622		PLATE,AIR SPRING,UPPER RH 002270-02	
	0035138		KIT,UPR & LWR TORQUE ARM FRT/REAR BUSH	INCLUDES KEY NUMBERS 33, 34, 35, 36, AND 37
33	0038925	2	BUSHING,INNER METAL,HENDRICKSON	
34	0029395	2	BUSHING,FRONT HANGER,HENDRICKSON	
35	0029778	4	O-RING,SEAL,HENDRICKSON	
36	0029022	6	BUSHING,TORQUE ARM,	
37	0006722	16	WEAR PAD 002268	
	0025273	20	WASHER,3/4,HARDENED,STABILIZER SHOCK	
	0038339	16	WASHER,HARDENED,7/8",HENDRICKSON	
	0023033	4	WASHER,HENDRICKSON,22962-004	
	0023036		BOLT,HEX,5/8-11X7,HENDRICKSON,32043-007	
	0023035		BOLT,HEX,5/8-11 X 6.25	
	0023032	2	LOCKNUT,5/8-11,HENDRICKSON,47764-000	

**Models:** A3FE, C3FE  
 AIR  
 FRONT  
 HENDRICKSON PARASTEER  
 KIT PARTS BREAKDOWN  
**With Features:** FEATURE 40004-07  
**BSN:** From CSN 10096835 30096825

Key	PartNumber	Qty	Description	Comment
	0025276		LOCKNUT,3/4",STABILIZER SHOCK KIT,	
	0034234		NUT,(ASSY 0011783), KEY #1	
	0025275		HEX BOLT,3/4" X 2 1/4",STABILIZER SHOCK	
	0034244	8	BOLT,(ASSY 0011783),KEY #1	
	0023039		WASHER,THRUST,HENDRICKSON,59803-000"	
	0020978		TRACK ROD,HENDRICKSON	

**Models:** A3FE, C1FE, CSFE, TCFE, TSFE  
**AIR FRONT AND REAR HENDRICKSON AIR PIPING**  
**With Features:** FEATURE 40004-05  
 To CSN 30041614 10041805

Key	PartNumber	Qty	Description	Comment
-----	------------	-----	-------------	---------



**Models:** A3FE, C1FE, CSFE, TCFE, TSFE  
**AIR FRONT AND REAR HENDRICKSON AIR PIPING**  
**With Features:** FEATURE 40004-05  
 To CSN 30041614 10041805

Key	PartNumber	Qty	Description	Comment
1	1344092	8	ELBOW,90 DEG,MALE,1469X4X4-Z,.25 MP X .25	
2	1344126		CONNECTOR,MALE	MALE. AIR BRAKES ONLY
3	1414382	4	CONNECTOR,MALE,1468X4X4-Z,.25 MP X .25T	
5	0654277	AR	TEE,STREET,1/4 PIPE,3750X4	
6	0654962	50	TUBING,PLASTIC,1/4 OD,BLACK,SAE J844 TYPE	
7	0989319	25	TUBING,PLASTIC,3/8 OD,BLACK,SAE J844 TYPE	
8	2023513	3	PLUG,PIPE,1/4,ALLEN HEX HD,BRASS	
9	0014860	2	VALVE ASSY,HT CONTROL,HENDRICKSON	
10	0015099		RESERVOIR ASSY,AIR SUSP,FRONT & REAR, FE	
11	2009033		BUSHING,PIPE,GALV,1/4 X 3/8	
12	1344183		VALVE,PRESS PROTECTION,66 PSI,GT	
13	2009595		PLUG,PIPE,3/8,GALV	
14	1107085	18	WASHER,FLAT,13/32 X 13/16 X 3/32,HDN,BLK	HYDRAULIC BRAKES ONLY
15	0851337	2	CAPSCREW,HEX HD,3/8-16X6 1/2,GR5,YEL	HYDRAULIC BRAKES ONLY
16	0754879		ELBOW,1/2 MPT X 5/8 TUBE	HYDRAULIC BRAKES ONLY
17	2055846		NUT	HYDRAULIC BRAKES ONLY
18	2026763		FERRULE,60 X 10 5/8 IN	HYDRAULIC BRAKES ONLY
19	1024975		HOSE ASSY,AIR CMPR DISCH,30 LONG	HYDRAULIC BRAKES ONLY
20	1344985		GOVERNOR ASSY,BENDIX, TCFE	HYDRAULIC BRAKES ONLY
21	0826297	8	NUT,HEX HD,3/8-16 LOCK,YEL ZN DICH	HYDRAULIC BRAKES ONLY
22	0803213	8	CAPSCREW,HEX HD,3/8-16X1 1/4,GR8,YEL	HYDRAULIC BRAKES ONLY
23	1341841	2	BRACKET,MTG,AIR BRAKE TANK,TCFC	HYDRAULIC BRAKES ONLY
24	0850586	4	BRACKET,MTG,9 1/2IN,AIR RESERVOIR	HYDRAULIC BRAKES ONLY
25	1942044		RESERVOIR ASSY,WET TK,HYD BRK,REYCO	HYDRAULIC BRAKES ONLY

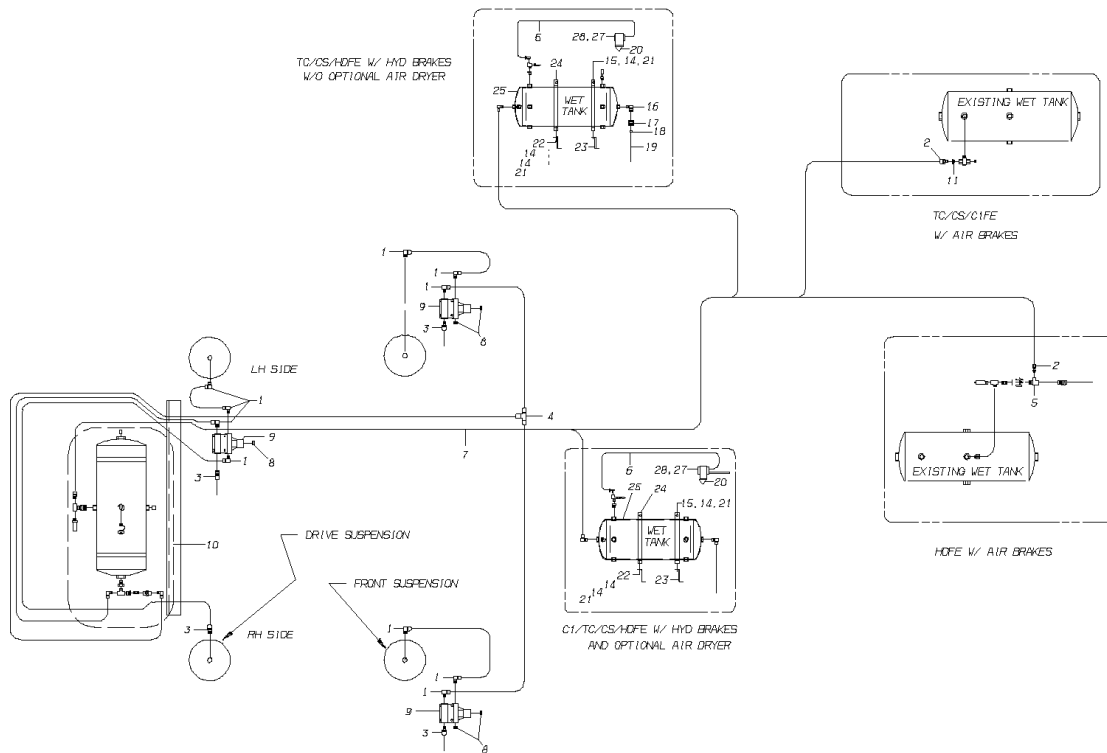


Models: A3FE, C1FE, C3FE, CSFE, TCFE  
 AIR  
 FRONT AND REAR  
 HENDRICKSON  
 AIR PIPING

With Features: FEATURE 40004-05,-07, 40005-05,-06  
 BSN: From CSN 10096696

30096791 11/05/01

Key	PartNumber	Qty	Description	Comment
-----	------------	-----	-------------	---------



**Models:** A3FE, C1FE, C3FE, CSFE, TCFE

**AIR  
FRONT AND REAR  
HENDRICKSON  
AIR PIPING**

**With Features:** FEATURE 40004-05,-07, 40005-05,-06

**BSN:** From CSN 10096696

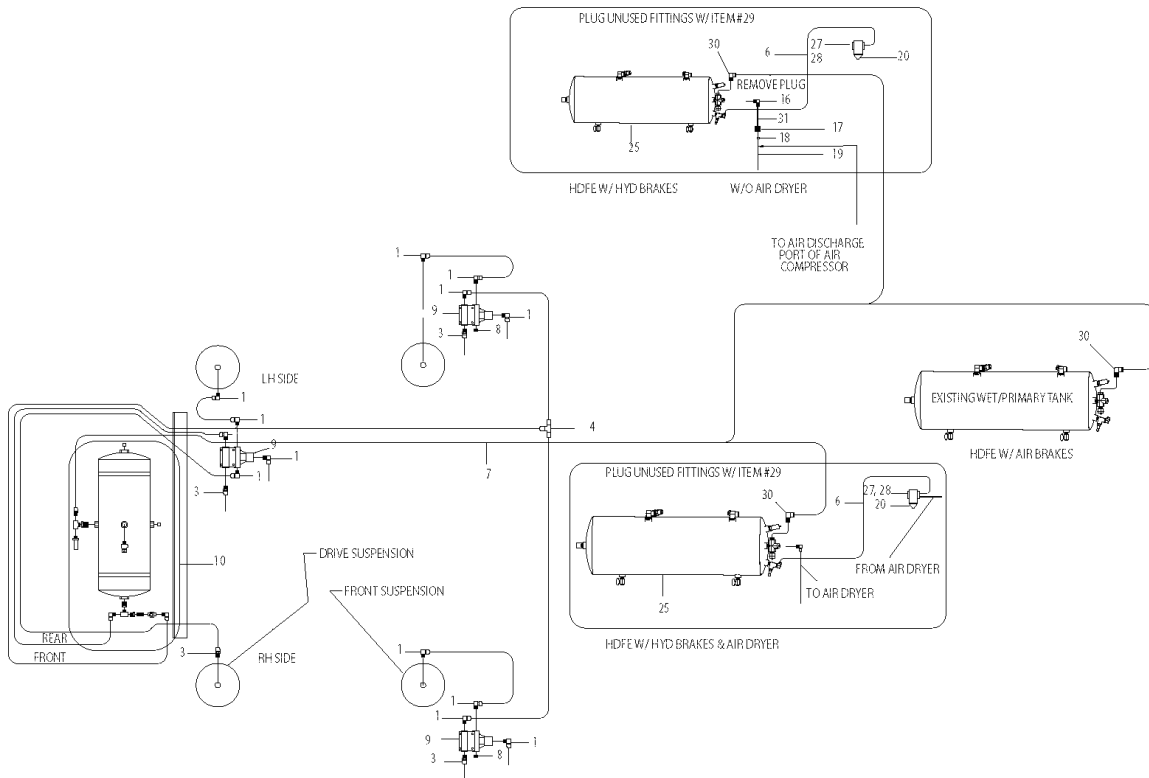
**30096791 11/05/01**

Key	PartNumber	Qty	Description	Comment
1	0009912	10	ELBOW,90 DEG,MALE1869X4X4-Z,.25MPT	
2	0009924		CONNECTOR,MALE,1868X6-Z,.25MPT X .38T"	AIR BRAKES ONLY
3	0009922	4	CONNECTOR,MALE,1868X4X4-Z,.25MPT X .25T"	
4	0009987		TEE,UNION,1864X4,.25T	
5	0654277		TEE,STREET,1/4 PIPE,3750X4	HDFE, AIR BRAKES ONLY
6	0654962	50	TUBING,PLASTIC,1/4 OD,BLACK,SAE J844 TYPE	
7	0989319	25	TUBING,PLASTIC,3/8 OD,BLACK,SAE J844 TYPE	
8	2023513	5	PLUG,PIPE,1/4,ALLEN HEX HD,BRASS	
9	0014860	3	VALVE ASSY,HT CONTROL,HENDRICKSON	
10	0015099		RESERVOIR ASSY,AIR SUSP,FRONT & REAR, FE	
11	2027134		BUSHING,PIPE,3/8 X 1/4,BRASS	TC/ CS/ C1FE AIR BRAKES ONLY
14	1107085	18	WASHER,FLAT,13/32 X 13/16 X 3/32,HDN,BLK	HYDRAULIC BRAKES WITH OR WITHOUT AIR DRYER
15	0851337	2	CAPSCREW,HEX HD,3/8-16X6 1/2,GR5,YEL	HYDRAULIC BRAKES WITH OR WITHOUT AIR DRYER
16	0754879		ELBOW,1/2 MPT X 5/8 TUBE	HYDRAULIC BRAKES ONLY
17	2055846		NUT	HYDRAULIC BRAKES ONLY
18	2026763		FERRULE,60 X 10 5/8 IN	HYDRAULIC BRAKES ONLY
19	1024975		HOSE ASSY,AIR CMPR DISCH,30 LONG	HYDRAULIC BRAKES ONLY
20	0034886		GOVERNOR ASSY,AIR COMPRESSOR,FE	HYDRAULIC BRAKES WITH OR WITHOUT AIR DRYER
21	0826297	8	NUT,HEX HD,3/8-16 LOCK,YEL ZN DICH	HYDRAULIC BRAKES WITH OR WITHOUT AIR DRYER
22	0803213	8	CAPSCREW,HEX HD,3/8-16X1 1/4,GR8,YEL	HYDRAULIC BRAKES WITH OR WITHOUT AIR DRYER
23	1341841	2	BRACKET,MTG,AIR BRAKE TANK,TCFC	HYDRAULIC BRAKES WITH OR WITHOUT AIR DRYER
24	0850586	4	BRACKET,MTG,9 1/2IN,AIR RESERVOIR	HYDRAULIC BRAKES WITH OR WITHOUT AIR DRYER
25	1942044		RESERVOIR ASSY,WET TK,HYD BRK,REYCO	HYDRAULIC BRAKES WITH OR WITHOUT AIR DRYER
27	2001188	2	LOCKWASHER,SPLIT RING, 5/16,MED,YEL ZN	HYDRAULIC BRAKES WITH OR WITHOUT AIR DRYER
28	0002746	2	CAPSCREW,ALLEN,SOC HD,M8-1.25 X 70MM,	HYDRAULIC BRAKES WITH OR WITHOUT AIR DRYER

**Models:** A3FE, C3FE  
**AIR**  
**FRONT AND REAR**  
**HENDRICKSON**  
**AIR PIPING**

**With Features:** FEATURE 40004-05,-07, 40005-05,-06  
**BSN:** From CSN 258950 11/6/06

Key	PartNumber	Qty	Description	Comment
-----	------------	-----	-------------	---------

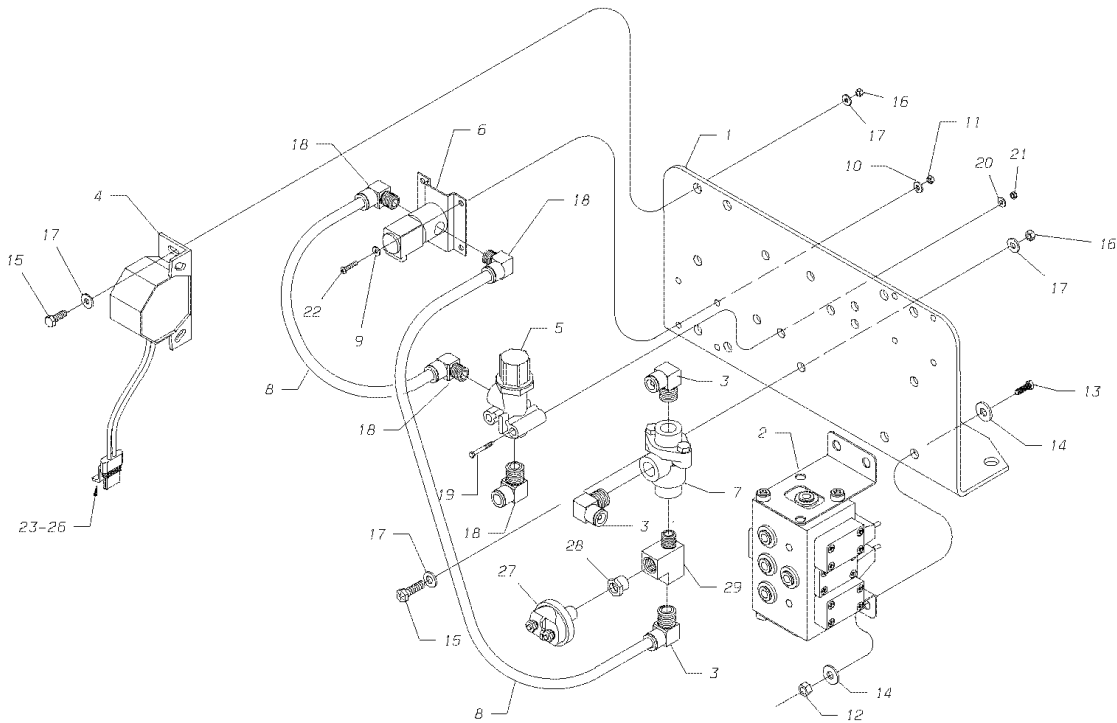


**Models:** A3FE, C3FE  
**AIR**  
**FRONT AND REAR**  
**HENDRICKSON**  
**AIR PIPING**  
**With Features:** FEATURE 40004-05,-07, 40005-05,-06  
**BSN:** From CSN 258950 11/6/06

Key	PartNumber	Qty	Description	Comment
1	0009912	13	ELBOW,90 DEG,MALE1869X4X4-Z,.25MPT	
3	0009922	4	CONNECTOR,MALE,1868X4X4-Z,.25MPT X .25T"	
4	0009987		TEE,UNION,1864X4,.25T	
6	0654962	AR	TUBING,PLASTIC,1/4 OD,BLACK,SAE J844 TYPE	
7	0989319	AR	TUBING,PLASTIC,3/8 OD,BLACK,SAE J844 TYPE	
8	2023513	2	PLUG,PIPE,1/4,ALLEN HEX HD,BRASS	
9	0014860	3	VALVE ASSY,HT CONTROL,HENDRICKSON	
10	0015099		RESERVOIR ASSY,AIR SUSP,FRONT & REAR, FE	
16	0754879		ELBOW,1/2 MPT X 5/8 TUBE	HYDRAULIC BRAKES ONLY
17	2055846		NUT	HYDRAULIC BRAKES ONLY
18	2026763		FERRULE,60 X 10 5/8 IN	HYDRAULIC BRAKES ONLY
19	1024975		HOSE ASSY,AIR CMPR DISCH,30 LONG	HYDRAULIC BRAKES ONLY
20	0034886		GOVERNOR ASSY,AIR COMPRESSOR,FE	
25	0102883		RESERVOIR ASSY,BRAKE ,AIR,MULTI CMPT	
27	2001188	2	LOCKWASHER,SPLIT RING, 5/16,MED,YEL ZN	
28	0002746	2	CAPSCREW,ALLEN,SOC HD,M8-1.25 X 70MM,	
29	0103987	3	PLUG,PRESSURE,NYLON,.50 OD TUBE, 1829X8	
30	0009911		ELBOW,90 DEG,MALE1869X6X6-Z,.38MPT	
31	2027407		TUBING,COPPER,5/8,TYPE L (S04060)	HYDRAULIC BRAKES W/O AIR DRYER

**Models:** A3FE  
 AIR  
 FRONT AND REAR  
 HENDRICKSON  
 VALVE ASSY  
**With Features:** FEATURE 40004 -07 WITH 04569

Key	PartNumber	Qty	Description	Comment
-----	------------	-----	-------------	---------

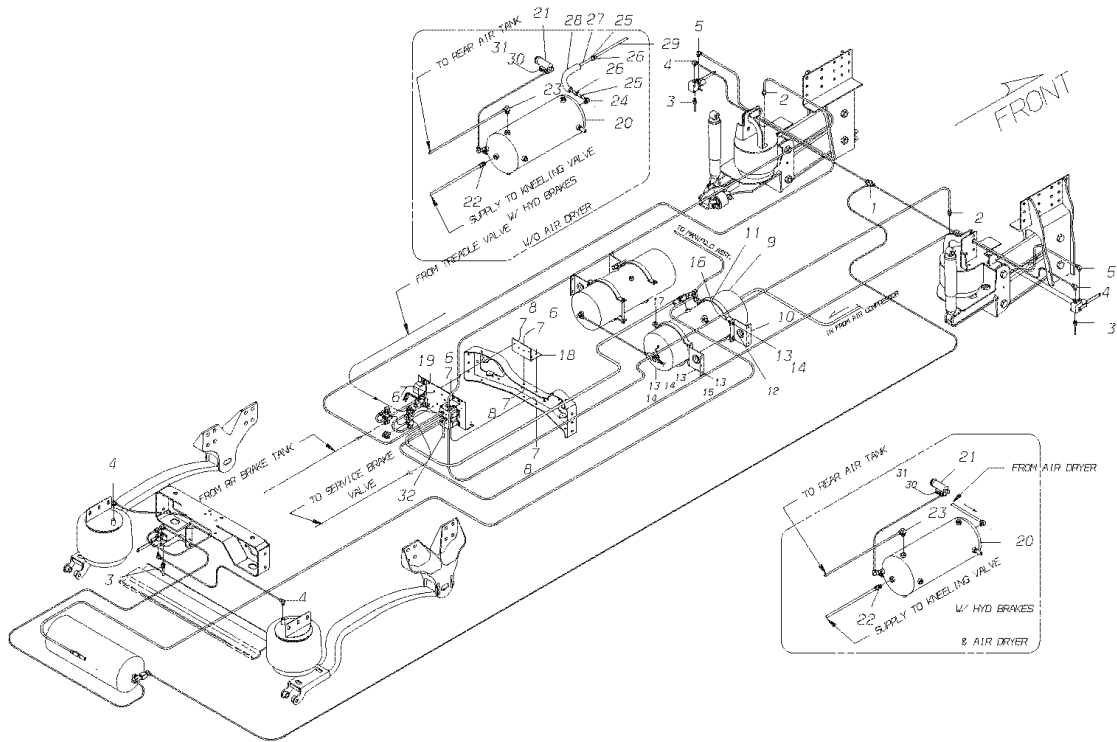


**Models:** A3FE  
 AIR  
 FRONT AND REAR  
 HENDRICKSON  
 VALVE ASSY  
**With Features:** FEATURE 40004 -07 WITH 04569

Key	PartNumber	Qty	Description	Comment
1	0085071		BRACKET,MTG,VALVE ASSY,KNEELING,HEND,	
2	0050588		VALVE,CONTROL,KNEELING,HEND SUSP,C4RE"	
3	0009911		ELBOW,90 DEG,MALE1869X6X6-Z,.38MPT	
4	0003311		HORN,BACKING ALARM,107 DB	
5	1102938		VALVE,PRESS REDU,RV-1,40 PSI,BW279926	
6	1686807		VALVE ASSY,SOLENOID,NC ALLENAIR	
7	0654434		VALVE,DOUBLE CHECK,3/8 PIPE	
8	1346857		TUBING,PLASTIC,3/8 OD,BLUE,SAE J844 TYPE B	
9	2001105		WASHER,FLAT,13/64 X,1/2 X 3/64,YEL ZN DICH	
10	2001162		LOCKWASHER,SPLIT RING, 3/16,MED,YEL ZN	
11	2001279		NUT,HEX HD,10-24,YEL ZN DICH"	
12	0826297		NUT,HEX HD,3/8-16 LOCK,YEL ZN DICH	
13	0803213		CAPSCREW,HEX HD,3/8-16X1 1/4,GR8,YEL	
14	1107085		WASHER,FLAT,13/32 X 13/16 X 3/32,HDN,BLK	
15	0654459		CAPSCREW,HEX HD,5/16-18X7/8,GR5,YEL ZN	
16	1981844		NUT,HEX HD,5/16-18,LOCK,YEL DICH	
17	2001121		WASHER,FLAT,5/16 X 3/4,X 5/64,YEL ZN DICH	
18	0009914		ELBOW,90 DEG,MALE1869X6-Z,.25MPT X .38"	
19	1092337		CAPSCREW,HEX HD,1/4-20 X 2,GR 5,YEL ZN	
20	1247709		WASHER,FLAT,17/64 ID X,5/8,YEL ZN DICH	
21	2001345		NUT,HEX HD,1/4-20,LOCKING,YELLOW	
22	2000768		SCREW,MACH,10-24 X 1, PH1,RD HD,YEL ZN	
23	1781392		CONNECTOR,2F,150 SERIES,METRI-PACK	
24	1781400		LOCK,SECONDARY,2 POSITION,METRI-PACK	
25	1460922		TERMINAL,SOC,16-20 GA,150 SERIES,METRI-	
26	1461466		SEAL,WIRE,CBL/DIA.080-.112,RD,150 S,	
27	1940873		SWITCH ASSY,STOPLIGHT PRESSURE	
28	2027134		BUSHING,PIPE,3/8 X 1/4,BRASS	
29	1010065		TEE,STREET,3/8 PIPE 3750 X 6	

Models: A3FE, C3FE  
 AIR  
 FRONT AND REAR  
 HENDRICKSON WITH KNEELING FEATURE  
 AIR PIPING  
 With Features: FEATURE 40004-07 WITH 4569

Key	PartNumber	Qty	Description	Comment
-----	------------	-----	-------------	---------



**Models:** A3FE, C3FE  
**AIR FRONT AND REAR HENDRICKSON WITH KNEELING FEATURE AIR PIPING**  
**With Features:** FEATURE 40004-07 WITH 4569

Key	PartNumber	Qty	Description	Comment
1	0009987		TEE,UNION,1864X4,.25T	
2	0009924	2	CONNECTOR,MALE,1868X6-Z,.25MPT X .38T"	
3	0009922	3	CONNECTOR,MALE,1868X4X4-Z,.25MPT X .25T"	
4	0009912	7	ELBOW,90 DEG,MALE1869X4X4-Z,.25MPT	
5	0009914	2	ELBOW,90 DEG,MALE1869X6-Z,.25MPT X .38T"	
6	0803213	6	CAPSCREW,HEX HD,3/8-16X1 1/4,GR8,YEL	
7	1107085	12	WASHER,FLAT,13/32 X 13/16 X 3/32,HDN,BLK	
8	0826297	6	NUT,HEX HD,3/8-16 LOCK,YEL ZN DICH	
9	0085626		RESERVOIR ASSY,AUX,WET,KNEELING,HEND,	
10	0003315	2	SPACER,AIR RESERVOIR BRACKET,HDFE	
11	0850586	4	BRACKET,MTG,9 1/2IN,AIR RESERVOIR	
12	2003176	2	GROMMET,HEATER HOSE,1 1/2IN ID	
13	1107085	14	WASHER,FLAT,13/32 X 13/16 X 3/32,HDN,BLK	
14	0826297	10	NUT,HEX HD,3/8-16 LOCK,YEL ZN DICH	
15	0803171	4	CAPSCREW,HEXHD,3/8-16NCX1-1/2,GR8,	
16	0803213	4	CAPSCREW,HEX HD,3/8-16X1 1/4,GR8,YEL	
17	0851337	2	CAPSCREW,HEX HD,3/8-16X6 1/2,GR5,YEL	
18	0085097		BRACKET,MTG,FRONT BRAKE RELAY	
19	0085400		VALVE ASSY,AIR,KNEELING,HEND SUSP, FE	
20	1942044		RESERVOIR ASSY,WET TK,HYD BRK,REYCO	
21	0034886		GOVERNOR ASSY,AIR COMPRESSOR,FE	
22	0009920		CONNECTOR,MALE,1868X8X8-Z,.50MPT X .50T"	
23	0009909		ELBOW,90 DEG,MALE1869X6X8-Z,.50MPT	
24	0754879		ELBOW,1/2 MPT X 5/8 TUBE	
25	2026763		FERRULE,60 X 10 5/8 IN	
26	2055846		NUT	
27	2027407		TUBING,COPPER,5/8,TYPE L (S04060)	S04060
28	1741925		INSULATION,PIPE,POLYETHYLENE,1/2 THICK	
29	1024975		HOSE ASSY,AIR CMPR DISCH,30 LONG	
30	2001188		LOCKWASHER,SPLIT RING, 5/16,MED,YEL ZN	
31	0002746		CAPSCREW,ALLEN,SOC HD,M8-1.25 X 70MM,	
32	0989319		TUBING,PLASTIC,3/8 OD,BLACK,SAE J844 TYPE	
32	0654962		TUBING,PLASTIC,1/4 OD,BLACK,SAE J844 TYPE	



**Models:** A3FE, C3FE  
 AIR  
 FRONT AND REAR  
 HENDRICKSON WITH KNEELING FEATURE  
 AIR PIPING

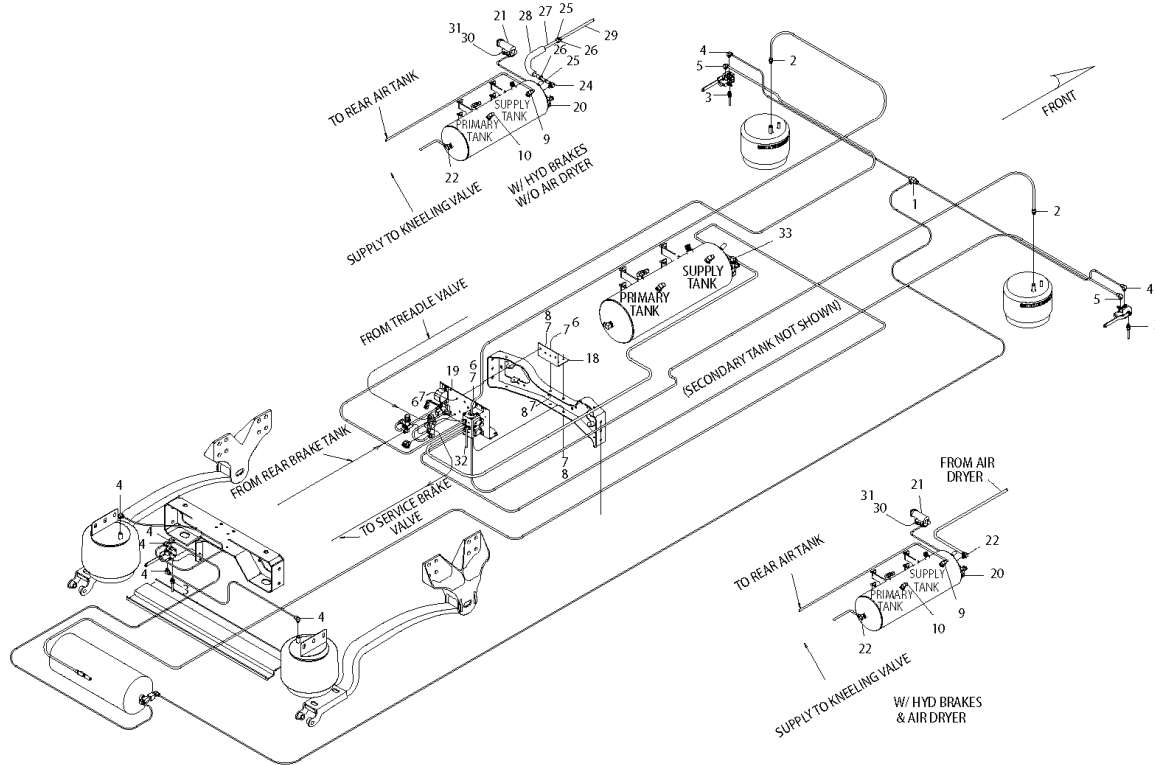
**With Features:** FEATURE 40004-07 WITH 4569

Key	PartNumber	Qty	Description	Comment
32	1220060		TUBING,PLASTIC,1/4 OD,GRAY,SAE J844 TYPE A	
32	0012450		TUBING,PLASTIC,3/8 OD,ORANGE,SAE J844	
32	0989319		TUBING,PLASTIC,3/8 OD,BLACK,SAE J844 TYPE	
32	1197177		TUBING,PLASTIC,1/2 OD,SILVER,SAE J844 TYPE	
32	0012435		TUBING,PLASTIC,3/8 OD,BROWN,SAE J844	
32	0012443		TUBING,PLASTIC,3/8 OD,GREEN,SAE J844 TYPE	
32	1220037		TUBING,PLASTIC,3/8 OD,RED,SAE J844 TYPE B	

**Models:** A3FE, C3FE  
**AIR**  
**FRONT AND REAR**  
**HENDRICKSON WITH KNEELING FEATURE**

**With Features:** FEATURE 4569 KNEELING WITH 40004-07 HENDRICKSON SUSPENSION  
**BSN:** From 6/11/07

Key	PartNumber	Qty	Description	Comment
-----	------------	-----	-------------	---------



**Models:** A3FE, C3FE

**AIR  
FRONT AND REAR  
HENDRICKSON WITH KNEELING FEATURE**

**With Features:** AIR PIPING

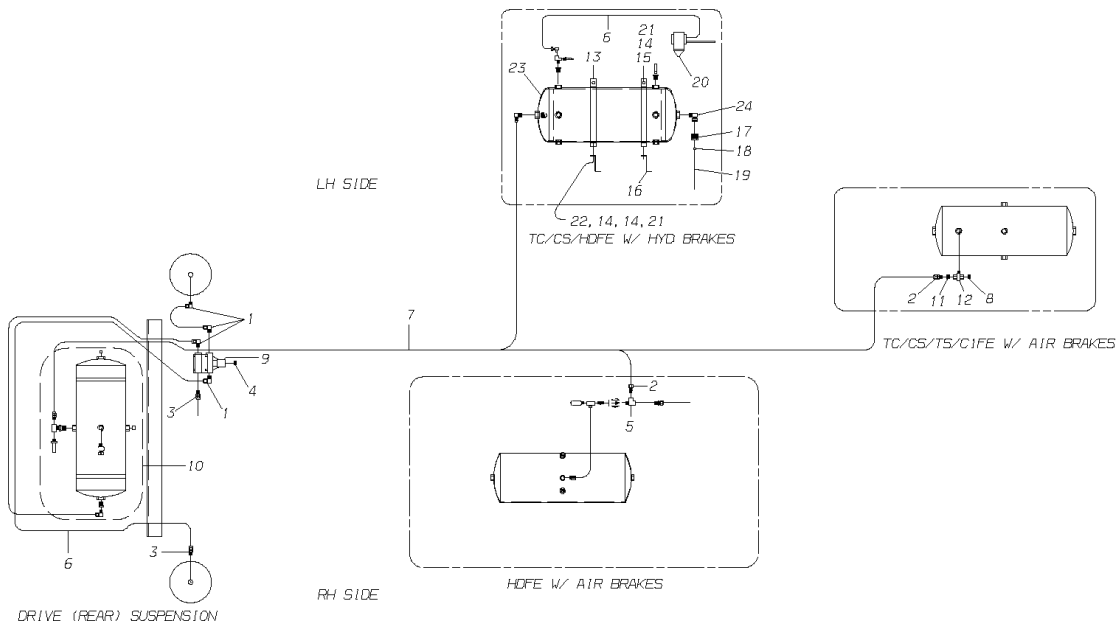
**FEATURE 4569 KNEELING WITH 40004-07 HENDRICKSON SUSPENSION**

**BSN:** From 6/11/07

Key	PartNumber	Qty	Description	Comment
1	0009987		TEE,UNION,1864X4,.25T	
2	0009924	2	CONNECTOR,MALE,1868X6-Z,.25MPT X .38T"	
3	0009922	3	CONNECTOR,MALE,1868X4X4-Z,.25MPT X .25T"	
4	0009912	7	ELBOW,90 DEG,MALE1869X4X4-Z,.25MPT	
5	0009914	2	ELBOW,90 DEG,MALE1869X6-Z,.25MPT X .38T"	
6	0803213	6	CAPSCREW,HEX HD,3/8-16X1 1/4,GR8,YEL	
7	1107085	12	WASHER,FLAT,13/32 X 13/16 X 3/32,HDN,BLK	
8	0826297	6	NUT,HEX HD,3/8-16 LOCK,YEL ZN DICH	
9	0009909		ELBOW,90 DEG,MALE1869X6X8-Z,.50MPT	
10	0110423		PLUG,PRESSURE,NYLON,.625 OD TUBE,	
18	0085097		BRACKET,MTG,FRONT BRAKE RELAY	
19	0085400		VALVE ASSY,AIR,KNEELING,HEND SUSP, FE	
20	0102883		RESERVOIR ASSY,BRAKE ,AIR,MULTI CMPT	
21	0034886		GOVERNOR ASSY,AIR COMPRESSOR,FE	
22	0009907	AR	ELBOW,90 DEG,MALE1869X8X8-Z,.50MPT	
23	0009909		ELBOW,90 DEG,MALE1869X6X8-Z,.50MPT	
24	0754879		ELBOW,1/2 MPT X 5/8 TUBE	
25	2026763		FERRULE,60 X 10 5/8 IN	
26	2055846		NUT	
27	2027407		TUBING,COPPER,5/8,TYPE L (S04060)	
28	1741925		INSULATION,PIPE,POLYETHYLENE,1/2 THICK	
29	1024975		HOSE ASSY,AIR CMPR DISCH,30 LONG	
30	2001188		LOCKWASHER,SPLIT RING, 5/16,MED,YEL ZN	
31	0002746		CAPSCREW,ALLEN,SOC HD,M8-1.25 X 70MM,	CUMMINS
31	0035607		CAPSCREW,ALLEN,SOC HD,5/16-18X2 3/4,BLK	CAT
32	0989319	AR	TUBING,PLASTIC,3/8 OD,BLACK,SAE J844 TYPE	
33	0027594		TEE,MALE,BRANCH,117-63686	

**Models:** A3FE, C1FE, C3FE, CSFE, TCFE, TSFE  
**AIR REAR HENDRICKSON, COMFORT AIR AIR PIPING**  
**With Features:** FEATURE 40005-02,-03,-06

Key	PartNumber	Qty	Description	Comment
-----	------------	-----	-------------	---------



**Models:** A3FE, C1FE, C3FE, CSFE, TCFE, TSFE

**AIR**

**REAR**

**HENDRICKSON, COMFORT AIR**

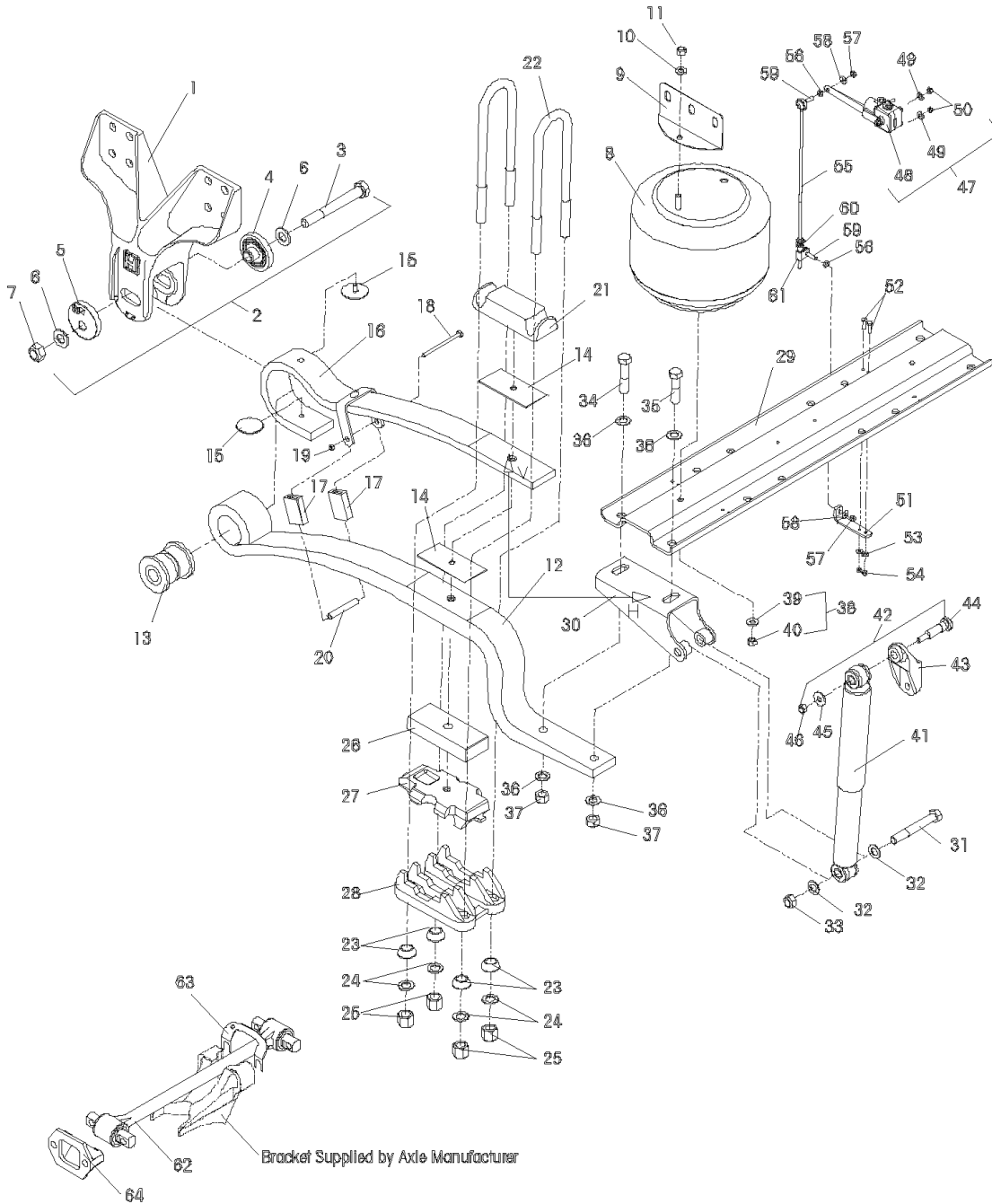
**AIR PIPING**

**With Features:** FEATURE 40005-02,-03,-06

Key	PartNumber	Qty	Description	Comment
1	0009912	4	ELBOW,90 DEG,MALE1869X4X4-Z,.25MPT	
2	0009924		CONNECTOR,MALE,1868X6-Z,.25MPT X .38T"	AIR BRAKES ONLY
3	0009922	2	CONNECTOR,MALE,1868X4X4-Z,.25MPT X .25T"	
4	2023513		PLUG,PIPE,1/4,ALLEN HEX HD,BRASS	
5	0654277		TEE,STREET,1/4 PIPE,3750X4	HDFE AIR BRAKES ONLY
6	0654962	50	TUBING,PLASTIC,1/4 OD,BLACK,SAE J844 TYPE	
7	0989319	25	TUBING,PLASTIC,3/8 OD,BLACK,SAE J844 TYPE	
9	0014860		VALVE ASSY,HT CONTROL,HENDRICKSON	
10	1738954		RESERVOIR ASSY,AIR SUSP,REAR ONLY, FE	
11	2027134		BUSHING,PIPE,3/8 X 1/4,BRASS	TC/CS/TS/C1 W/AIR BRAKES
13	0850586	4	BRACKET,MTG,9 1/2IN,AIR RESERVOIR	HYDRAULIC BRAKES ONLY
14	1107085	16	WASHER,FLAT,13/32 X 13/16 X 3/32,HDN,BLK	HYDRAULIC BRAKES ONLY
15	0851337	2	CAPSCREW,HEX HD,3/8-16X6 1/2,GR5,YEL	HYDRAULIC BRAKES ONLY
16	1341841	2	BRACKET,MTG,AIR BRAKE TANK,TCFC	HYDRAULIC BRAKES ONLY
17	2055846		NUT	HYDRAULIC BRAKES ONLY
18	2026763		FERRULE,60 X 10 5/8 IN	HYDRAULIC BRAKES ONLY
19	1024975		HOSE ASSY,AIR CMPR DISCH,30 LONG	HYDRAULIC BRAKES ONLY
20	1344985		GOVERNOR ASSY,BENDIX, TCFE	HYDRAULIC BRAKES ONLY, ENDING WITH CSN 5-6-01
20	0034886		GOVERNOR ASSY,AIR COMPRESSOR,FE	HYDRAULIC BRAKES ONLY, BEGIN WITH CSN 5-7-01
21	0826297	8	NUT,HEX HD,3/8-16 LOCK,YEL ZN DICH	HYDRAULIC BRAKES ONLY
22	0803213	8	CAPSCREW,HEX HD,3/8-16X1 1/4,GR8,YEL	HYDRAULIC BRAKES ONLY
23	1942044		RESERVOIR ASSY,WET TK,HYD BRK,REYCO	HYDRAULIC BRAKES ONLY
24	0754879		ELBOW,1/2 MPT X 5/8 TUBE	HYDRAULIC BRAKES ONLY

**Models:** A3FE, A3RE, BBCV, C1FE, C3FE, C4RE, CSFE, TCFE  
**AIR**  
**REAR**  
**HENDRICKSON, COMFORT AIR**  
**BREAKDOWN**  
**With Features:** FEATURE 40005-05,-06

Key	PartNumber	Qty	Description	Comment
-----	------------	-----	-------------	---------



**Models:** A3FE, A3RE, BBCV, C1FE, C3FE, C4RE, CSFE, TCFE

**AIR  
REAR  
HENDRICKSON, COMFORT AIR  
BREAKDOWN**

**With Features:** FEATURE 40005-05,-06

Key	PartNumber	Qty	Description	Comment
1	0058596		HANGER,FRAME,HEND COMFORT AIR"	
2	0063263	4	KIT,QUICK-ALIGN,HEND,COMFAIR	<i>KIT INCLUDES 3-7</i>
2	0058597		KIT,PIVOT BUSHING,SERVICE,COMFORT AIR	<i>INCLUDES 3,6,7,13, AND 15 1 SIDE ONLY</i>
3		2	1 IN 8 UNC 7.50 IN BOLT	
4		3	QUICK- ALIGN CONCENTRIC COLLAR	
5			QUICK- ALIGN ECCENTRIC COLLAR	
6		4	1 IN HARDENED WASHER	
7		2	1 IN 8 UNC LOCKNUT	
13	0058601	2	BUSHING,PIVOT,COMFORT AIR,HEND"	
15	0068246	4	PLATE,SUPPORT,MAIN MEMBER,HEND,(PUCK)	
	0058599	2	AIR SPRING ASSY,RE,COMFORT AIR,HEND"	<i>NCLUDES 8, 9, 10, 11</i>
	0058600	2	AIR SPRING ASSY,FE,COMFORT AIR,HEND"	<i>NCLUDES 8, 9, 10, 11</i>
8		2	AIR SPRING	
9		2	AIR SPRING HANGER	
10		2	WASHER	
11		2	1/2 IN 13 UNC NYLOCKNUT	
	0068268	2	LEAF,SUPPORT,MAIN,MEMBER,HENDRICKSON	<i>INCLUDES KEY NOS 12-20</i>
12		2	MAIN SUPPORT MEMBER	
14		4	LINER, SUPPORT, MAIN MEMBER,	<i>NOT SERVICED SEPARATELY</i>
16		4	SECONDARY LEAF	
17	0058602	4	SLEEVE,SPRING CLIP, COMFORT AIR,HEND	
18		2	7/16 IN 14 UNC BOLT	
NI			7/16 IN WASHER	
19		2	7/16 IN 14 UNC NUT	
20		2	CLIP BOLT SPACER	
21	0006579	2	PAD,TOP,HAS 56805000	<i>ALL EXCEPT C1FE</i>
21	0006578	2	PAD,TOP,HAS 57224000	<i>C1FE ONLY</i>
	0058693		KIT,U-BOLT 3/4X16,C1FE HEND COMF AIR	<i>INCLUDES 22, 23, 24, 25, C1FE ONLY</i>
	0006562		KIT,U-BOLT HARDWARE 48718023	<i>INCLUDES 22, 23, 24, 25, A3FE, BBCV, CSFE, TCFE, A3RE, C4RE</i>
	0058694		KIT,U-BOLT 7/8X16.25, CS/TC W/FLT FLR	<i>INCLUDES 22, 23, 24, 25, BBCV, CSFE, TCFE W/ FLAT FLOOR</i>
22			U-BOLT	
23	0038336	8	WASHER,SPHERICAL,HENDRICKSON	

**Models:** A3FE, A3RE, BBCV, C1FE, C3FE, C4RE, CSFE, TCFE

**AIR  
REAR  
HENDRICKSON, COMFORT AIR  
BREAKDOWN**

**With Features:** FEATURE 40005-05,-06

Key	PartNumber	Qty	Description	Comment
24	0038339	8	WASHER,HARDENED,7/8",HENDRICKSON	
24	0025273	8	WASHER,3/4,HARDENED,STABILIZER SHOCK	15,000 LB CAPACITY
25	0038340	8	NUT,7/8-14,HENDRICKSON	15,000 LB CAPACITY
26	0064386	AR	SEAT,SPRING,O PINION ANGLE,LH/RH,HEND,	
27	0060745	4	SPRING SEAT, 2.00 DEGREE	
27	0064387	4	SEAT,SPRING,SPACER,1.5 IN,HEND,COMFAIR	
28			AXLE BOTTOM CAP	
29			CROSS CHANNEL	
	0058603		ASSY,BRACKET,LOWER SHOCK,COMFORT AIR,	INCLUDED 30, 31, 32, 33
30		2	LOWER SHOCK BRACKET	
31		2	3/4 IN 10 UNC 5.50 IN BOLT	
32	0025273	4	WASHER,3/4,HARDENED,STABILIZER SHOCK	
33	0025276	2	LOCKNUT,3/4",STABILIZER SHOCK KIT,	
34		2	3/4 IN 10 UNC 3.50 IN BOLT	
35		2	3/4 IN 10 UNC 3.00 IN BOLT	
36	0025273	8	WASHER,3/4,HARDENED,STABILIZER SHOCK	
37	0025276	4	LOCKNUT,3/4",STABILIZER SHOCK KIT,	
38	0058604		KIT, AIR SPRING FASTENER,COMFORT AIR,	INCLUDES 39 AND 40
39		2	1/2 IN HARDENED WASHER	
40		2	1/2 IN 13 UNC NYLOCKNUT	
41	0085991	2	SHOCK ABSORBER,AIR SUSP,REAR,HEND	
42	0058605		ASSY,BRACKET,UPPER SHOCK FRAME,COMFORT	INCLUDES 43, 44, 45, 46
43		2	SHOCK FRAME HANGER	
44		2	1/2" 13 UNC SERRATED SHANK BOLT	
45		2	1/2 IN HARDENED WASHER	
46		2	1/2 IN 13 UNC LOCKNUT	
47	0058606		KIT,HEIGHT CONTROL VALVE,COMFORT AIR,	INCLUDES 48, 49, 50
48			HEIGHT CONTROL VALVE	
49		2	1/4 IN HARDENED WASHER	
50		2	1/4" 20 UNC LOCKNUT	
	0058608		KIT,BRKT,LOWER CONTROL VALVE LINK,FE	INCLUDES 51, 52, 53, 54ALL EXCEPT REAR ENGINE
	0058609		KIT,BRKT,LOWER CONTROL VALVE LINK,RE	INCLUDES 51, 52, 53, 54REAR ENGINE ONLY
51			CONTROL VALVE LINK BRACKET	



**Models:** A3FE, A3RE, BBCV, C1FE, C3FE, C4RE, CSFE, TCFE

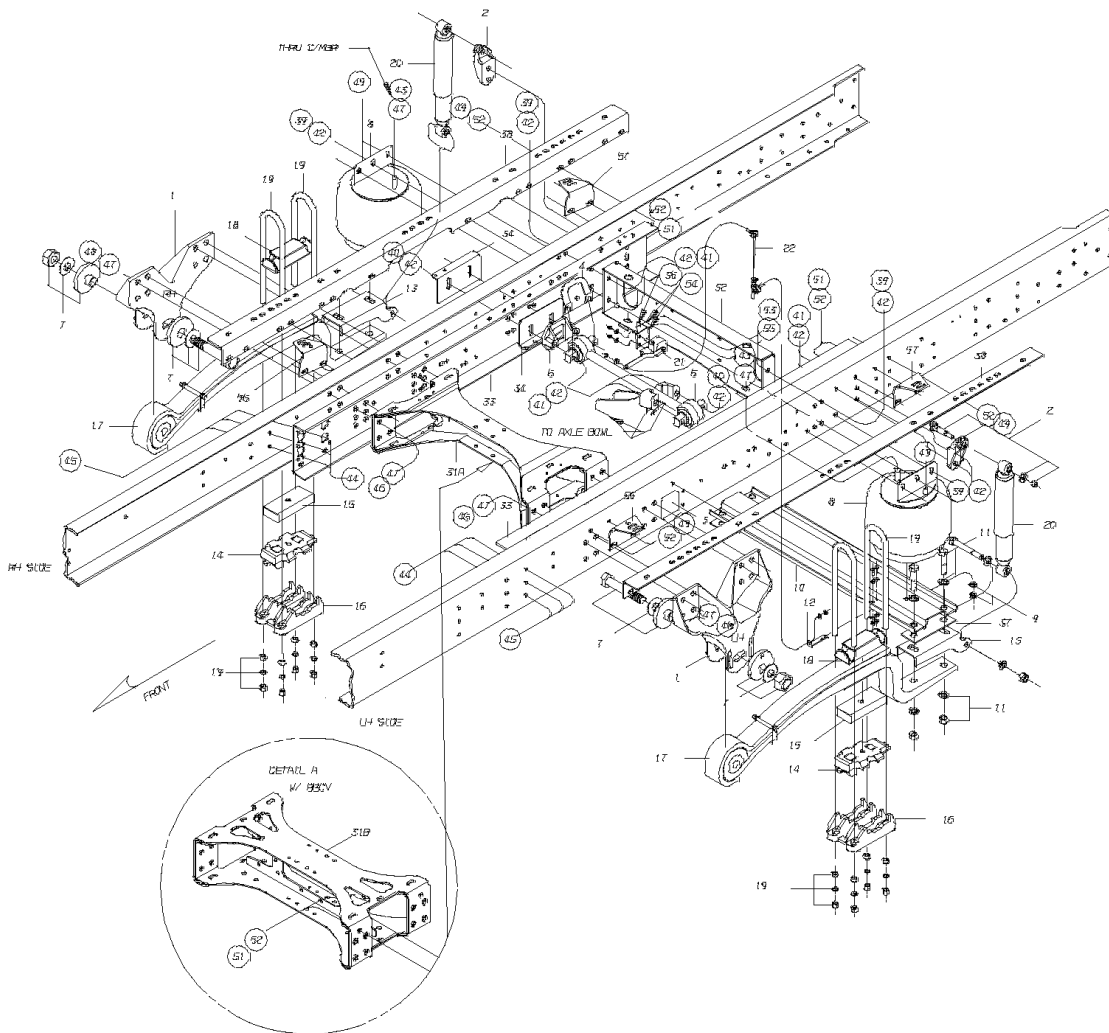
AIR  
REAR  
HENDRICKSON, COMFORT AIR  
BREAKDOWN

**With Features:** FEATURE 40005-05,-06

Key	PartNumber	Qty	Description	Comment
52		2	1/4 IN 20 UNC 1.00 IN BOLT	
53		4	1/4 IN HARDENED WASHER	
54		2	1/4 IN 20 UNC LOCKNUT	
	0014951		LINK ASSY,LVLG VLV,HENDRICKSON 58994-009	<i>INCLUDES 55, 56, 57, 58, 59, 60, 61, C1FE ONLY</i>
	0014902		LINK ASSY,LVLG VLV,HENDRICKSON 58994-008	<i>INCLUDES 55, 56, 57, 58, 59, 60, 61, ALL EXCEPT C1FE</i>
55			EXTENSION ROD	
56		2	5/16 IN 18 UNC JAM NUT	
57		2	5/16 IN 18 UNC LOCKNUT	
58		2	5/16 IN HARDENED WASHER	
59		2	5/16 IN 18 UNC STUD	
60			VALVE ARM CLAMP	
61			ADJUSTABLE VALVE ARM JOINT	
62	0058708		TORQUE ROD ASSY,TRNSVRS,HEND COMR AIR,	<i>C1FE ONLY</i>
62	0058707		TORQUE ROD ASSY,TRNSVRSE,HEND COMF	
62	0058706		TORQUE ROD ASSY,TRNVRSE,HEND COMF AIR	
62	0058710		TORQUE ROD ASSY,TRNSVRS,HEND RE W/10 IN	
63	0058726	AR	SHIM,TORQUE ROD,HEND COMF AIR	
64	0025981		BRACKET, TRANSVERSE ROD, FRAME	

**Models:** A3FE, BBCV, C1FE, C3FE, CSFE, TCFE  
**AIR**  
**REAR**  
**HENDRICKSON, COMFORT AIR**  
**INSTALLATION**  
**With Features:** FEATURE 40005-05, -06

Key	PartNumber	Qty	Description	Comment
-----	------------	-----	-------------	---------



**Models:** A3FE, BBCV, C1FE, C3FE, CSFE, TCFE

AIR

REAR

HENDRICKSON, COMFORT AIR

INSTALLATION

**With Features:** FEATURE 40005-05, -06

Key	PartNumber	Qty	Description	Comment
	0040018		KIT,CMP,FRM,SUSP,RR,HEND 48648-047,	CONSIST OF ITEMS 1-6
	0042296		KIT,CMP,FRM,SUSP,RR,HEND48648-045,RS19	CONSIST OF ITEMS 1-6, ALL EXCEPT C1FE
1	0058596	2	HANGER,FRAME,HEND COMFORT AIR"	
2	0058605		ASSY,BRACKET,UPPER SHOCK FRAME,COMFORT	
3	0064169		LABEL,TORQUE REQUIREMENTS,HEND	
4	0058726		SHIM,TORQUE ROD,HEND COMF AIR	
5	0058708		TORQUE ROD ASSY,TRNSVRS,HEND COMR AIR,	
5	0058707		TORQUE ROD ASSY,TRNSVRSE,HEND COMF	ALL EXCEPT C1FE
6	0025981		BRACKET, TRANSVERSE ROD, FRAME	
7	0063263		KIT,QUICK-ALIGN,HEND,COMFAIR	
	0040024		KIT,CMP,R/AXL,HEND 48646-694,4.5DEG,RS15	CONSIST OF ITEMS 8-19
	0040025		KIT,CMP,R/AXL,HEND 48646-697,RS19-23, FE	CONSIST OF ITEMS 8-19, ALL A3FE, CSFE & TCFE WITHOUT PINION ANGLE
	0040026		KIT,CMP,R/AXL,HEND48646-698,4.5DEG,	CONSIST OF ITEMS 8-19, BBCV, CSFE & TCFE WITH 4.5" PINION ANGLE
	0040028		KIT,CMP,R/AXL,HEND 48646-699,RS19-21, FE	CONSIST OF ITEMS 8-19, CSFE & TCFE FLAT FLOOR WITHOUT" PINION ANGLE
	0040029		KIT,CMP,R/AXL,HEND48646-701,4.5DEG,	CONSIST OF ITEMS 8-19, BBCV, CSFE & TCFE FLAT FLOOR WITH 4.5" PINION ANGLE
	0055035		KIT,CMP,R/AXL,HEND48646-737, RS21, 2 DEG,	CONSIST OF ITEMS 8-19, BBCV WITH 2" PINION ANGLE
	0055761		KIT,CMP,R/AXL,HEND48646-739, RS21, 2 DEG,	CONSIST OF ITEMS 8-19, BBCV WITH 2" PINION ANGLE
8	0058599		AIR SPRING ASSY,RE,COMFORT AIR,HEND"	
8	0058600		AIR SPRING ASSY,FE,COMFORT AIR,HEND"	
9	0058604		KIT, AIR SPRING FASTENER,COMFORT AIR,	
10			CROSS CHANNEL	
11			CROSS CHANNEL FASTENER KIT	
12	0058608		KIT,BRKT,LOWER CONTROL VALVE LINK,FE	
13	0058603		ASSY,BRACKET,LOWER SHOCK,COMFORT AIR,	
14	0060745	4	SPRING SEAT, 2.00 DEGREE	
14	0064387	4	SEAT,SPRING,SPACER,1.5 IN,HEND,COMFAIR	
14	0072560	4	SEAT,SPRING,4.5 DEG,FLAT FLR,COMF AIR	4.5" PINION ANGLE FLAT FLOOR ONLY
14	0071743	4	SEAT,SPRING,4.5 DEG,AIR,FE,LH,RH,COMF AIR"	

**Models:** A3FE, BBCV, C1FE, C3FE, CSFE, TCFE  
**AIR REAR HENDRICKSON, COMFORT AIR INSTALLATION**  
**With Features:** FEATURE 40005-05, -06

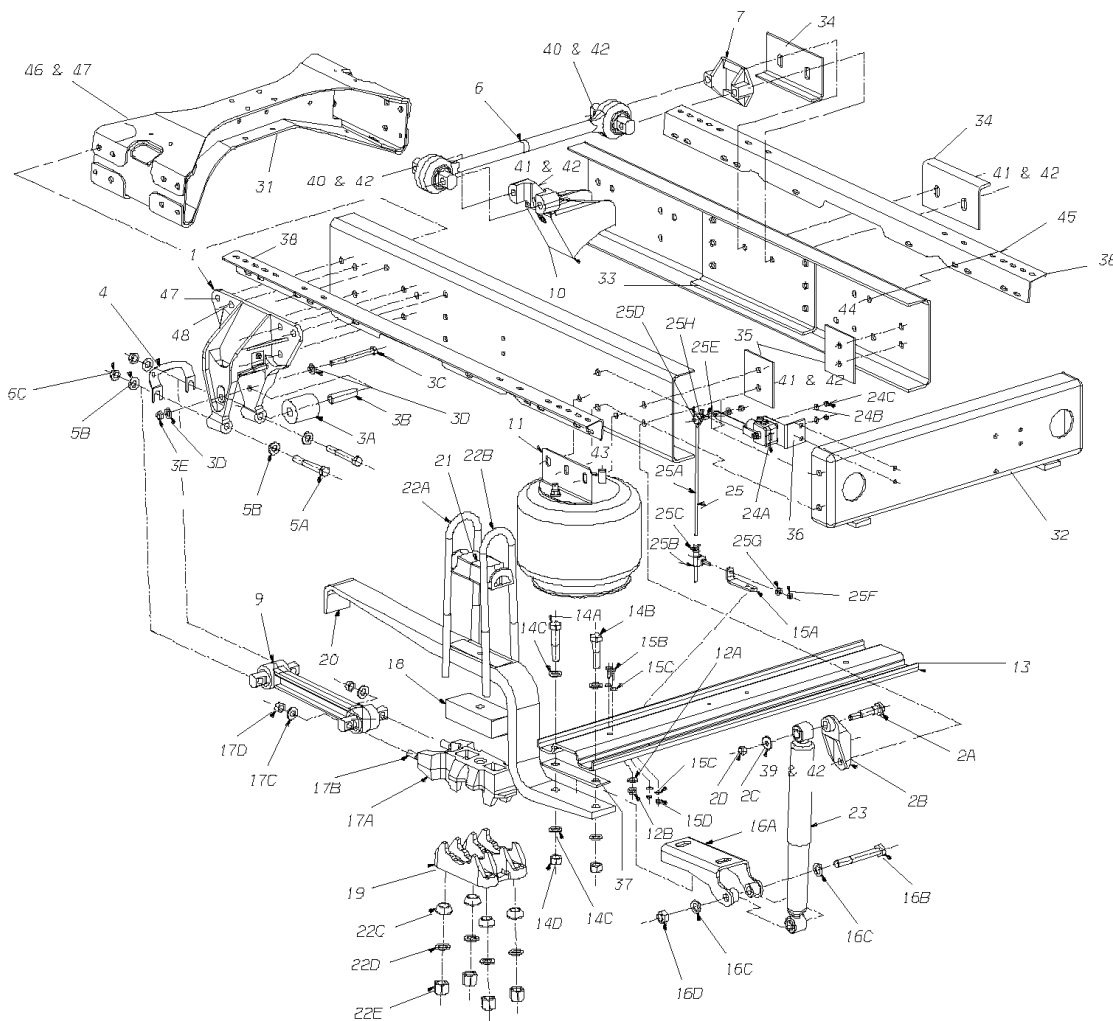
Key	PartNumber	Qty	Description	Comment
15	0064386		SEAT,SPRING,O PINION ANGLE,LH/RH,HEND,	
16			AXLE BOTTOM CAP	
17	0068268		LEAF,SUPPORT,MAIN,MEMBER,HENDRICKSON	
18	0006579		PAD,TOP,HAS 56805000	ALL EXCEPT C1FE
19	0058693		KIT,U-BOLT 3/4X16,C1FE HEND COMF AIR	
19	0058694		KIT,U-BOLT 7/8X16.25, CS/TC W/FLT FLR	
19	0006562		KIT,U-BOLT HARDWARE 48718023	ALL EXCEPT FLAT FLOOR
20	0085991		SHOCK ABSORBER,AIR SUSP,REAR,HEND	
21	0014860		VALVE ASSY,HT CONTROL,HENDRICKSON	
22	0014951		LINK ASSY,LVLG VLV,HENDRICKSON 58994-009	C1FE ONLY
22	0014902		LINK ASSY,LVLG VLV,HENDRICKSON 58994-008	ALL EXCEPT C1FE
31	0026242		CROSSMEMBER ASSY,FRT,REAR SUSPN,	ALL FE EXCEPT BBCV
31	0032213		CROSSMEMBER ASSY,FRT,RR SUSP	BBCV ONLY
32	0032136		CROSSMEMBER ASSY,REAR,AIR SUSP	
33	0026173	2	INSERT,FRAME RAIL,REAR,HENDRICKSON,FE	
34	0014845	2	ANGLE,REINFORCEMENT,FRAME RAIL,	
36	0014522		BRACKET,MTG,LEVELING VALVE,FE	
37	0010558	2	PLATE,SPACER,AIR SPRING, .25	FLAT FLOOR OPTION 30940 ONLY
38	0097631	2	ANGLE,TIE DOWN,FRONT,RR SUSP,HEND, HD	ALL EXCEPT BBCV & FE WITH 31063-01
39	1107895	12	CAPSCREW,HEX HD,5/8-11 X 2,GR8,YEL ZN	
40	1022805	4	CAPSCREW,HEX HD,5/8-11 X 5,GR 8,YEL ZN	
41	0939827	12	NUT,HEX HD,5/8-11,GR 8,LOCK,CADMIUM WAX	
42	0929018	24	WASHER,FLAT,21/32 X 1 1/8 X 3/32,HDN,YEL	
43	0985549	2	NUT,HEX HD,3/4-16,NYLON LOCK,YEL ZN DICH	
46	0008068	16	CAPSCREW,HEX HD,3/4-10X3,GR8,YELZNDICH	
47	0870915	32	WASHER,FLAT,27/32 X 1 1/2 X 1/8,YEL ZN	
48	0933879	16	NUT,HEX HD,3/4-10,PRVLG TORQ,GR8,CAD	
49	0850800	2	NUT,HEX HD,1/2-13,LOCKING,GR 8,CAD WAX	
50	1631068	2	CAPSCREW,HX HD,5/8-11 X 4 1/2,GR8,	
51	0803148	10	CAPSCREW,HEX HD,1/2-13 X 1 3/4,GR8,	
52	1003045	20	WASHER,FLAT,17/32 X 1 1/16 X 7/64,HDN,	
53	0989145	2	CAPSCREW,HEX HD,5/16-18, X, 1, ,GR5,	
54	0829390	2	NUT,HEX HD,5/16-18,SER WASHER,YEL ZN	

**Models:** A3FE, BBCV, C1FE, C3FE, CSFE, TCFE  
 AIR  
 REAR  
 HENDRICKSON, COMFORT AIR  
 INSTALLATION  
**With Features:** FEATURE 40005-05, -06

Key	PartNumber	Qty	Description	Comment
55	0868992	2	WASHER,FLAT,5/16,YEL ZN DICH	
56	0067449	2	ANGLE,TIE DOWN,FRONT,REAR AIR SUSP, BBCV	<i>BBCV WITHOUT 30940-01 FLAT FLOOR &amp; FE WITH 31063-01</i>
57	1483544	2	ANGLE,TIE DOWN,BODY,W/MID-MOUNT TANK,	<i>BBCV, BBCV WITHOUT 30940-01 FLAT FLOOR &amp; FE WITH 31063-01</i>
58	0803163	2	CAPSCREW,HEX HD,1/2-13 X2 1/2,GR8,	
59	0020239	4	WASHER,FLAT,21/32 X 1 3/4 X 7/32 HD YEL ZN	

Models: A3FE, C1FE, CSFE, TCFE  
 AIR  
 REAR  
 HENDRICKSON, HAS  
 INSTALLATION  
 With Features: FEATURE 40005-02, -03

Key	PartNumber	Qty	Description	Comment
-----	------------	-----	-------------	---------



**Models:** A3FE, C1FE, CSFE, TCFE

AIR

REAR

HENDRICKSON, HAS

INSTALLATION

**With Features:** FEATURE 40005-02, -03

Key	PartNumber	Qty	Description	Comment
1	0006554	2	HANGER ASSY,FRAME HAS 57190002	
1	1107895	AR	CAPSCREW,HEX HD,5/8-11 X 2,GR8,YEL ZN	
1	0929018	AR	WASHER,FLAT,21/32 X 1 1/8 X 3/32,HDN,YEL	
1	0939827	AR	NUT,HEX HD,5/8-11,GR 8,LOCK,CADMIUM WAX	
2	0006556	2	BRACKET ASSY,SHOCK HAS 57322002	
2A			1/2 IN STUD	INCLUDED IN KIT
2B			SHOCK HANGER	INCLUDED IN KIT
	1107895	AR	CAPSCREW,HEX HD,5/8-11 X 2,GR8,YEL ZN	
	0929018	AR	WASHER,FLAT,21/32 X 1 1/8 X 3/32,HDN,YEL	
	0939827	AR	NUT,HEX HD,5/8-11,GR 8,LOCK,CADMIUM WAX	
2C			1/2 IN FLAT WASHER	INCLUDED IN KIT
2D			1/2 IN LOCKWASHER	INCLUDED IN KIT
3	0006550		KIT,REBOUND ROLLER 49175019	
3A			REBOUND ROLLER	2 INCLUDED IN KIT
3B			REBOUND BOLT SPACER	2 INCLUDED IN KIT
3C			1/2 IN. REBOUND BOLT	2 INCLUDED IN KIT
3D			1/2 IN. FLAT WASHER	4 INCLUDED IN KIT
3E			1/2 IN. REBOUND BOLT NUT	
4	0006553		SHIM,TORQUE ROD HA/E4 49689000	
5	0006552		KIT,TORQUE ROD FASTENER 49176003	
5A			5/8 IN. TORQUE ROD BOLT	4 INCLUDED IN KIT
5B			5/8 IN. FLAT WASHER	8 INCLUDED IN KIT
5C			5/8 IN. HEX NUT	4 INCLUDED IN KIT
6	0006546		TRANSVERSE TORQUE ROD 26"	A3FE,HDFE
6	0006548		TRANSVERSE TORQUE ROD 23" 32271115	TCFE
6	1022805		CAPSCREW,HEX HD,5/8-11 X 5,GR 8,YEL ZN	AR
6	0929018		WASHER,FLAT,21/32 X 1 1/8 X 3/32,HDN,YEL	AR
6	0939827		NUT,HEX HD,5/8-11,GR 8,LOCK,CADMIUM WAX	AR
7	0006545		BRKT,FRAME,TORQUE ROD	
9	0006557	2	TORQUE ROD ASSY,HAS 14.41 48411013	
10	0006599		BRACKET,AXLE,TRANSVERSE 59015000	A3FE,HDFE
10	0006602		BRACKET,AXLE,TRANSVERSE 59018000	TCFE
10	1022805		CAPSCREW,HEX HD,5/8-11 X 5,GR 8,YEL ZN	

**Models:** A3FE, C1FE, CSFE, TCFE

AIR  
REAR

HENDRICKSON, HAS  
INSTALLATION

**With Features:** FEATURE 40005-02, -03

Key	PartNumber	Qty	Description	Comment
10	0929018		WASHER,FLAT,21/32 X 1 1/8 X 3/32,HDN,YEL	
10	0939827		NUT,HEX HD,5/8-11,GR 8,LOCK,CADMIUM WAX	
11	0006595	2	AIR SPRING ASSY,HAS 59031002	TCFE, J190
11	0006594	2	AIR SPRING ASSY,HAS 59010002	TCFE, J210, J230,A3FE,HDFE
11	1107895		CAPSCREW,HEX HD,5/8-11 X 2,GR8,YEL ZN	
11	0929018		WASHER,FLAT,21/32 X 1 1/8 X 3/32,HDN,YEL	
11	0939827		NUT,HEX HD,5/8-11,GR 8,LOCK,CADMIUM WAX	
12	0006567		KIT,U-BOLT HARDWARE 49177006	
12			1/2 IN. FLAT WASHER	2 INCLUDE IN KIT
12			1/2 IN. LOCKNUT	2 INCLUDED IN KIT
13	0006580		CROSSCHANNEL,HAS 57317001	
14	0006568		KIT,AIR SPRING FASTENER 50763002	TCFE, A3FE,HDFE, J190, J210
14	0006570		KIT,CHANNEL FASTENER,HAS 50763004	A3FE,HDFE, J230
14			3/4 - 10 HEX HD. BOLT	FRONT, 2 INCLUDED IN KIT
14			3/4 - 10 HEX HD. BOLT	BACK, 2 INCLUDED IN KIT
14			3/4 IN. FLAT WASHER	8 INCLUDED IN KIT
14			3/4 IN. LOCKNUT	4 INCLUDED IN KIT
15	0006584		KIT,CONTROL,VALVE BRACKET 57430000	
15			CONTROL VALVE LOWER BRACKET	1 INCLUDED IN KIT
15			1/4 IN. HEX BOLT	2 INCLUDED IN KIT
15			1/4 IN. FLAT WASHER	4 INCLUDED IN KIT
15			1/4 IN. LOCKNUT	2 INCLUDED IN KIT
16	0006583	2	BRACKET,LOWER SHOCK,HAS 57125000	TCFE, J190, J210
16	0006582	2	BRACKET,LOWER SHOCK,HAS 57125000	TCFE, J230, A3FE, HDFE
16			LOWER SHOCK BRACKET	2 INCLUDED- 1 KIT
16			3/4 IN. HEX BOLT	2 INCLUDED IN KIT
16			3/4 IN. FLAT WASHER	4 INCLUDED IN KIT
16			3/4 IN. LOCKNUT	2 INCLUDED IN KIT
17	0006591	2	SPRING SEAT 0.00 DEG,5",58976000	TCFE
17	0006590	2	SPRING SEAT 0.00 DEG, 5" 58973000	A3FE, HDFE
17			SPRING SEAT MICHINING	LH/RH - 2 INCLUDED IN KIT
17			SPRING SEAT STUD	4 INCLUDED IN KIT
17			5/8 IN. FLAT WASHER	4 INCLUDED IN KIT
				4 INCLUDED IN KIT



**Models:** A3FE, C1FE, CSFE, TCFE

AIR

REAR

HENDRICKSON, HAS

INSTALLATION

**With Features:** FEATURE 40005-02, -03

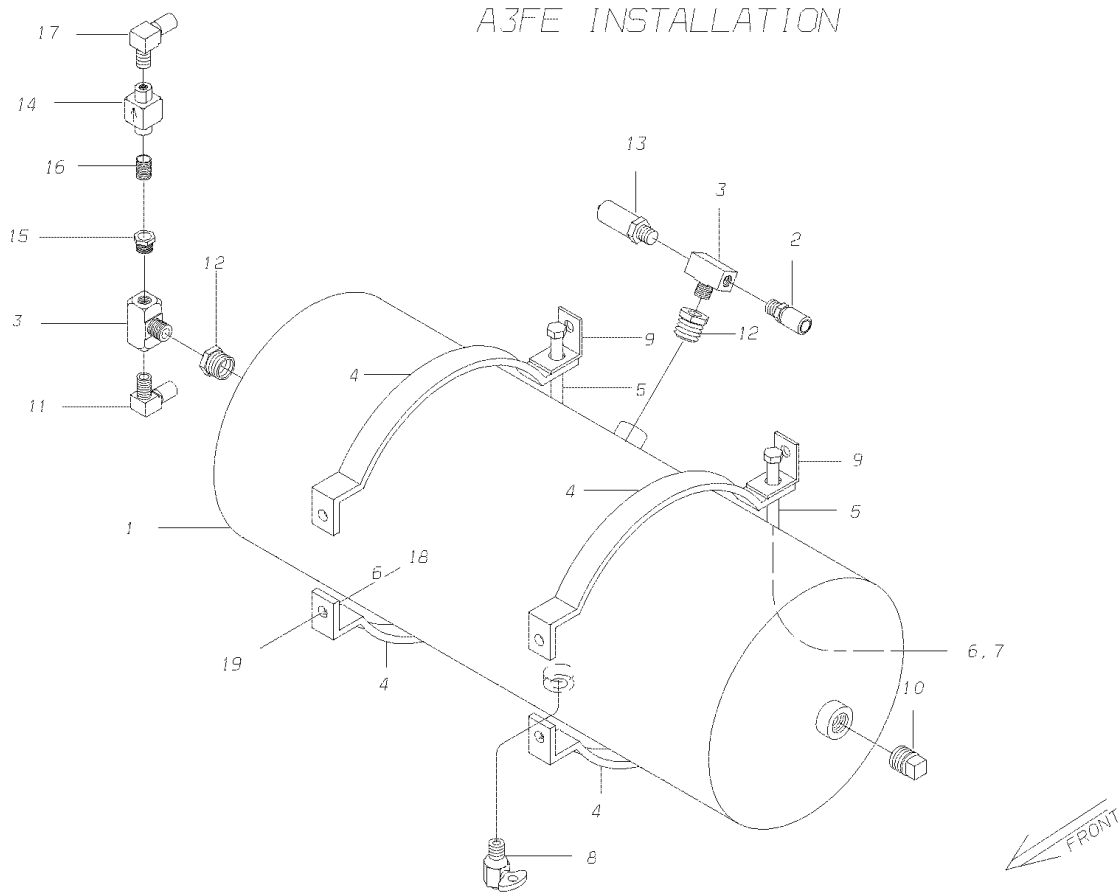
Key	PartNumber	Qty	Description	Comment
17			5/8 IN. HEX NUT	
18	0006559	2	SPACER,SPRING SEAT,HA 48531010	TCFE, J190, J210 ONLY
19	0006587	2	CAP,AXLE BOTTOM 58963000	TCFE
19	0006588	2	CAP,AXLE BOTTOM 58980000	A3FE, HD FE
20	0006572	2	MAIN SUPPORT MEMBER,HAS 1.50"	TCFE, J190, J210
20	0006571	2	MAIN SUPPORT MEMBER,HAS 1.75" 56940002	TCFE, J230
20	0006574	2	MAIN SUPPORT MEMBER,HAS 569430002	A3FE, HD FE, J190, J210
20	0006575	2	MAIN SUPPORT MEMBER,HAS 2.00" 56946002	A3FE HD FE, J230
21	0006578	2	PAD, TOP, HAS 57224000	
21	0006579	2	PAD, TOP, HAS 56805000	A3FE, HD FE
22	0006566		KIT, U-BOLT HARDWARE 48718090	TCFE, J190, J210
22	0006565		KIT,U-BOLT HARDWARE 48718089	TCFE, J230
22	0006562		KIT,U-BOLT HARDWARE 48718023	A3FE, HD FE
22			BOLT	FRONT- 2 INCLUDED IN KIT
22			U - BOLT	BACK - 2 INCLUDED IN KIT
22			SPHERICAL WASHER	8 INCLUDED IN KIT
22			FLAT WASHER	8 INCLUDED IN KIT
22			U - BOLT NUT	8 INCLUDED IN KIT
23	0014605	2	SHOCK ABSORBER,RR,HENDRICKSON 59057	TCFE, J190, J210
23	0038891		SHOCK ABSORBER,REAR,HENDRICKSON 64103	SERVICE,HEAVY DUTY. RECOMMENDED FOR SEVERE APPLICATION
23	0014985	2	SHOCK ABSORBER,RR,HENDRICKSON 59057	TCFE, J230, A3FE, HD FE
24	0014860		VALVE ASSY,HT CONTROL,HENDRICKSON	
24			LEVELING VALVE	1 INCLUDED IN KIT
24			1/4 IN. FLAT WASHER	2 INCLUDED IN KIT
24			1/4 IN. LOCKNUT	2 INCLUDED IN KIT
25	0014951		LINK ASSY,LVLG VLV,HENDRICKSON 58994-009	TCF, J190, J210
25	0014902		LINK ASSY,LVLG VLV,HENDRICKSON 58994-008	TCFE, J230, A3FE, HD FE
25			5/16 IN. EXTENSION ROD	1 INCLUDED IN KIT
25			P - MOUNT	1 INCLUDED IN KIT
25			HOSE CLAMP	1 INCLUDED IN KIT
25			GROMMET	1 INCLUDED IN KIT
25			5/16 IN. HEX STUD	2 INCLUDED IN KIT
				2 INCLUDED IN KIT

**Models:** A3FE, C1FE, CSFE, TCFE  
**AIR**  
**REAR**  
**HENDRICKSON, HAS**  
**INSTALLATION**  
**With Features:** FEATURE 40005-02, -03

Key	PartNumber	Qty	Description	Comment
25			5/16 IN. LOCKNUT	
25			5/16 IN. FLAT WASHER	2 INCLUDED IN KIT
25			5/16 IN. NUT	2 INCLUDED IN KIT
NI	1983006		CROSSMEMBER ASSY,RR SUSP,HEND AIR,33.50	
NI	1992387		CROSSMEMBER ASSY,AIR SUS,RR/RR,33.50,	
NI	0014845		ANGLE,REINFORCEMENT,FRAME RAIL,	
NI	0014829		PLATE,BACKING,SHOCK,RR SUSP,	
NI	0014522		BRACKET,MTG,LEVELING VALVE,FE	
31	0034410		CROSSMEMBER ASSY,RR SUSP,HEND AIR,33.50	
32	1992387		CROSSMEMBER ASSY,AIR SUS,RR/RR,33.50,	
33	0015594		CHANNEL,TRACK BAR REINF,RR SUSP,	
34	0014845	2	ANGLE,REINFORCEMENT,FRAME RAIL,	
35	0014829	2	PLATE,BACKING,SHOCK,RR SUSP,	
36	0014522		BRACKET,MTG,LEVELING VALVE,FE	
37	0010558	2	PLATE,SPACER,AIR SPRING,.25	OPTION 30940 ONLY
38	0015670	2	ANGLE,TIE DOWN,BODY,REAR SUSP,HEND, FE	
39	1107895	12	CAPSCREW,HEX HD,5/8-11 X 2,GR8,YEL ZN	
40	1022805	4	CAPSCREW,HEX HD,5/8-11 X 5,GR 8,YEL ZN	
41	0939827	12	NUT,HEX HD,5/8-11,GR 8,LOCK,CADMIUM WAX	
42	0929018	24	WASHER,FLAT,21/32 X 1 1/8 X 3/32,HDN,YEL	
43	0985549	2	NUT,HEX HD,3/4-16,NYLON LOCK,YEL ZN DICH	
44	1636950	12	PIN,FLG HEAD,HUCKSPIN,.50X2.60,HSP8	
45	1636968	12	COLLAR,HUCKSPIN,.50,HSCH-R16	
46	0008068	12	CAPSCREW,HEX HD,3/4-10X3,GR8,YELZNDICH	
47	0870915	24	WASHER,FLAT,27/32 X 1 1/2 X 1/8,YEL ZN	
48	0933879	12	NUT,HEX HD,3/4-10,PRVLG TORQ,GR8,CAD	

Models: A3FE, BBCV, C1FE, C3FE, CSFE, TCFE  
 AIR  
 RESERVOIR ASSEMBLIES  
 1240 CU. IN. FRONT AND REAR

Key	PartNumber	Qty	Description	Comment
-----	------------	-----	-------------	---------




**Models:** **A3FE, BBCV, C1FE, C3FE, CSFE, TCFC**  
**AIR**  
**RESERVOIR ASSEMBLIES**  
**1240 CU. IN. FRONT AND REAR**

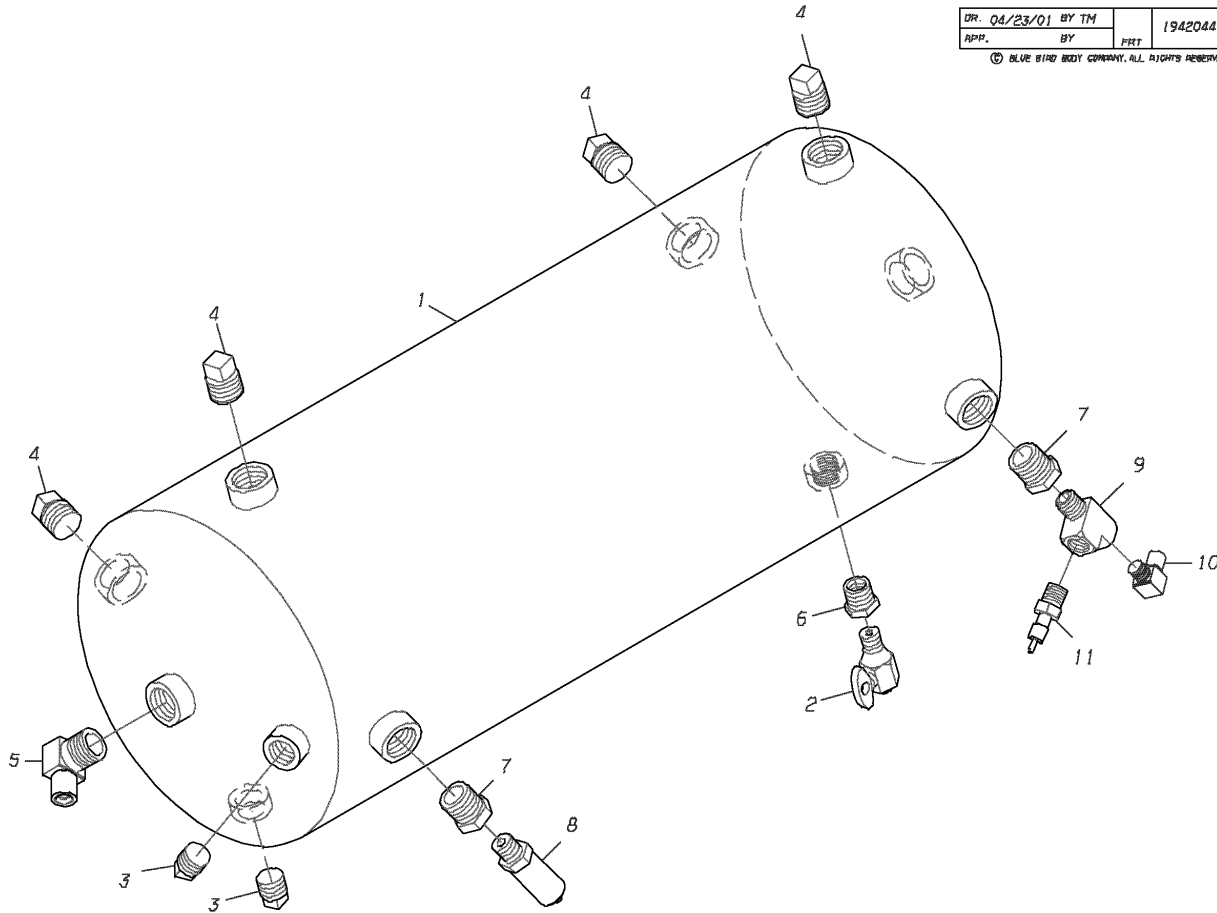
Key	PartNumber	Qty	Description	Comment
1	0754929		RESERVOIR,AIR,1240 CU.IN.	
2	0009924		CONNECTOR,MALE,1868X6-Z,.25MPT X .38"	
3	0559047	2	TEE,MALE,BRANCH,1/4 PIPE,3600X4	
4	1583608	4	BRACKET,MTG,RESERVOIR,1240 CU.IN.	
5	0851337	2	CAPSCREW,HEX HD,3/8-16X6 1/2,GR5,YEL	
6	1107085	2	WASHER,FLAT,13/32 X 13/16 X 3/32,HDN,BLK	
7	0826297	2	NUT,HEX HD,3/8-16 LOCK,YEL ZN DICH	
8	1110188		VALVE,RESERVOIR,DRAIN	
9	1341304	2	ANGLE,MTG,CLAMP,TCFC	
10	0663427		PLUG,PIPE,1/2 SQ HD,3151 X 8Z,BRASS	
11	0009912		ELBOW,90 DEG,MALE1869X4X4-Z,.25MPT	
12	2027159	2	BUSHING,PIPE,1/2 X 1/4,BRASS	
13	0839019		VALVE,SAFETY,1/4IN PIPE,BW NO284142	
14	1164870		VALVE,CHECK,1/8 PIPE,HUMPHREY C-125	
15	2008050		BUSHING,PIPE,1/8 TO 1/4,BRASS	
16	2051381		NIPPLE,BRASS,1/8 CLOSE 3326 X 2	
17	0009903		ELBOW,90 DEG,MALE1869X4-Z,.13MPT X .25T	
NI	0803213		CAPSCREW,HEX HD,3/8-16X1 1/4,GR8,YEL	
NI	0839027		NUT,HEX HD,3/8-16,GR G,SM FLG LK,YEL	

Models: A3FE, C1FE, C3FE, CSFE, TCFE  
 AIR  
 RESERVOIR ASSEMBLIES  
 1650 CU. IN.

Key	PartNumber	Qty	Description	Comment
-----	------------	-----	-------------	---------

DR. 04/23/01	BY TM	1942044	B	
APP.	BY	PRT	REV	

© BLUE BIRD BODY COMPANY, ALL RIGHTS RESERVED



**Models:** A3FE, C1FE, C3FE, CSFE, TCFE  
**AIR  
 RESERVOIR ASSEMBLIES  
 1650 CU. IN.**

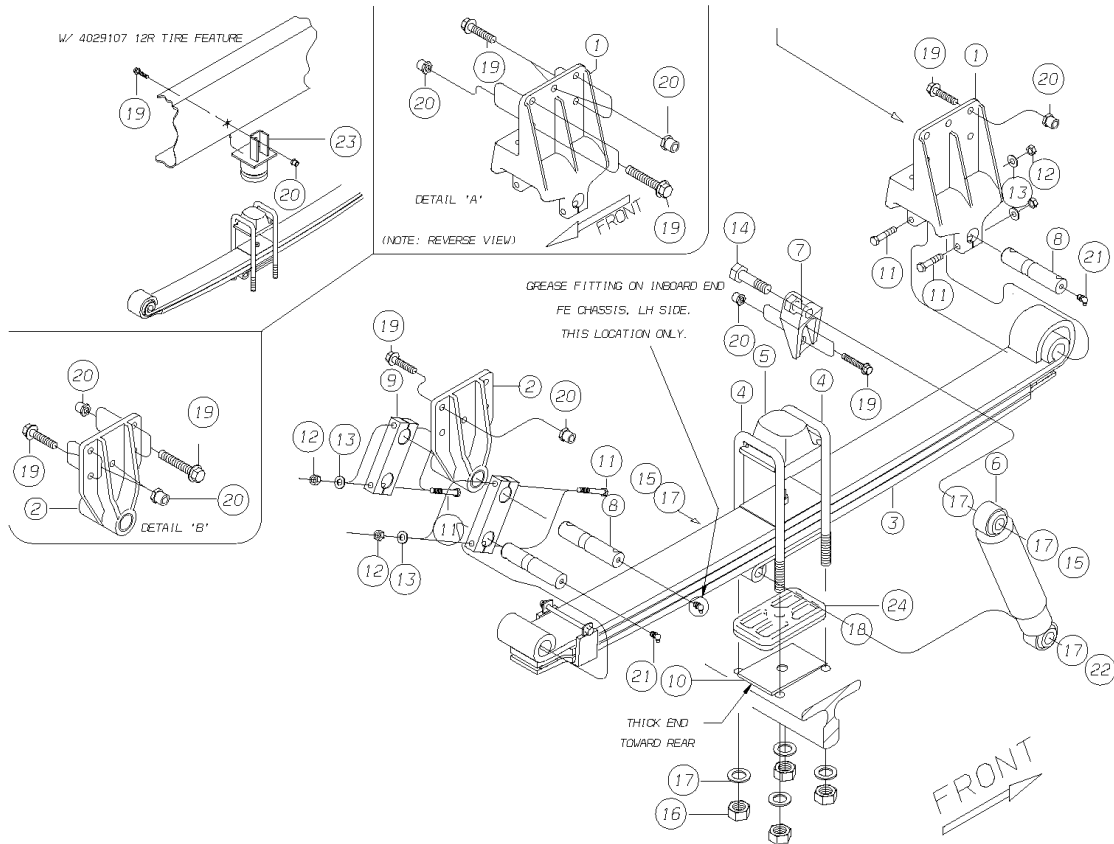
Key	PartNumber	Qty	Description	Comment
1	1586445		RESERVOIR,1650 CU.IN.	
2	1110188		VALVE,RESERVOIR,DRAIN	
3	3772159	2	PLUG,PIPE,0.375,BRASS W/SEALANT,HEX HD	
4	0663427	4	PLUG,PIPE,1/2 SQ HD,3151 X 8Z,BRASS	
5	0009909		ELBOW,90 DEG,MALE1869X6X8-Z,.50MPT	
6	2027134		BUSHING,PIPE,3/8 X 1/4,BRASS	
7	2027159	2	BUSHING,PIPE,1/2 X 1/4,BRASS	
8	0839019		VALVE,SAFETY,1/4IN PIPE,BW NO284142	
9	0654277		TEE,STREET,1/4 PIPE,3750X4	
10	0009912		ELBOW,90 DEG,MALE1869X4X4-Z,.25MPT	
11	0818609		VALVE,SCHRADER,1/4 MPT	

**Models:** A3FE, A3RE, C3FE

**SPRING  
FRONT**

**With Features:** FEATURE 40004-02

Key	PartNumber	Qty	Description	Comment
-----	------------	-----	-------------	---------



Models: A3FE, A3RE, C3FE

SPRING

FRONT

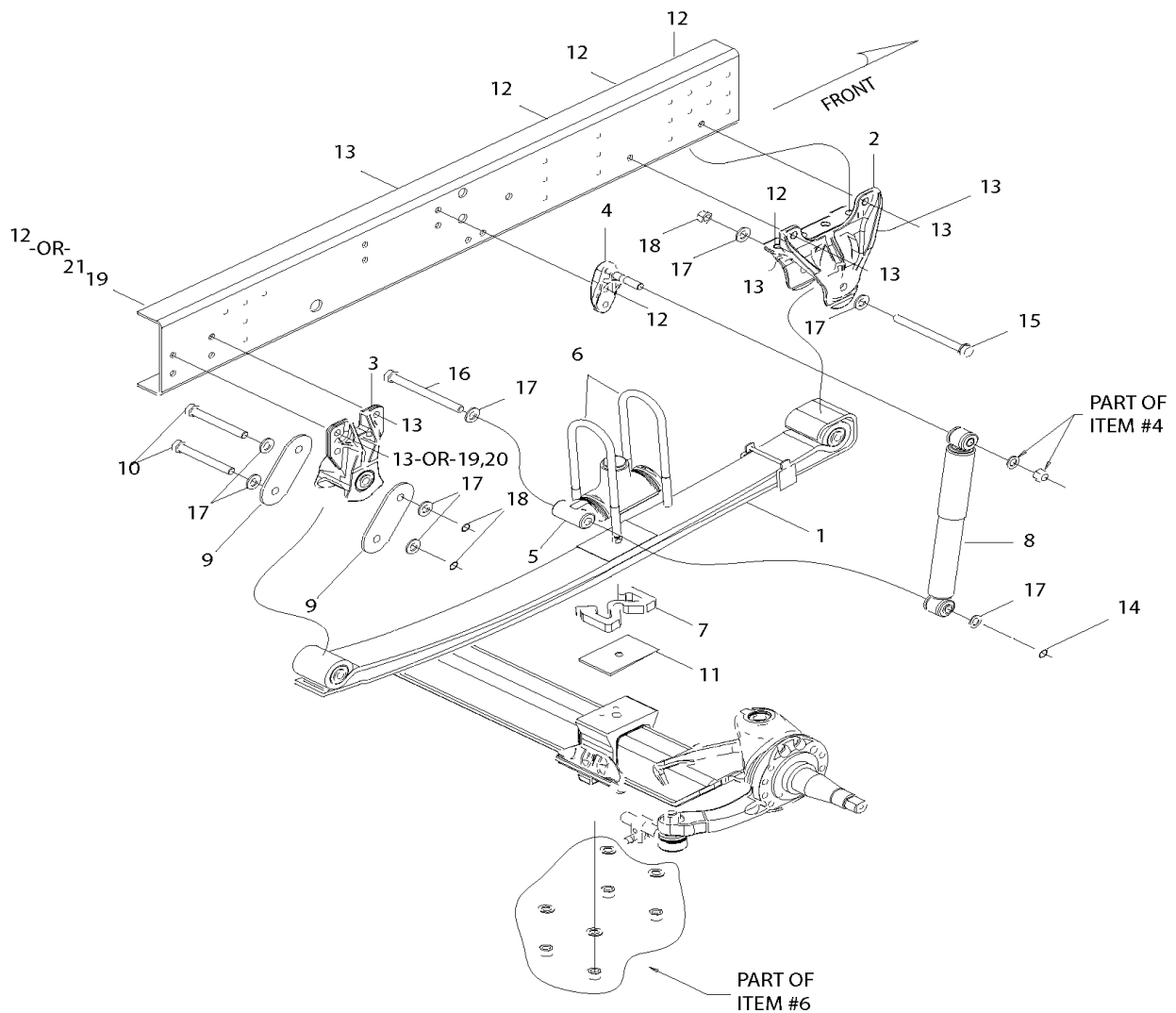
With Features: FEATURE 40004-02

Key	PartNumber	Qty	Description	Comment
1	0008605	2	BRACKET,SPRING HANGER,FRONT,PARABOLIC	
2	1662410		BRACKET ASSY,SHACKLE,FRT AXLE,PARAB SPR	
3	0083576	2	SPRING,FRT,PARAB,4X56,3 LF,2005	WITH FEATURE 4000402
	0085209		PAD,TIP INSERT,SPRING,FRONT, HDFEHDRE	FRONT SERVICE ONLY
	0085211		SLEEVE,SPRING CLIP,SPRING FRONT,	FRONT SERVICE ONLY
3	0083577	2	SPRING,FRT,PARAB,4X56,2 LF,2005	FEATURE 4000401
	0085209		PAD,TIP INSERT,SPRING,FRONT, HDFEHDRE	FRONT SERVICE ONLY
	0085211		SLEEVE,SPRING CLIP,SPRING FRONT,	FRONT SERVICE ONLY
4	1847458	4	U-BOLT,3/4-16X7.0 W/4 IN FRONT SPRING	WITHOUT 4001101 SPACER OR FLAT FLOOR FEATURE
4	1746338	4	U-BOLT,3/4-16X9,W/4 IN FRONT SPRING	WITH 4001101 AXLE SPACER FEATURE
4	1920396	4	U-BOLT,3/4-16X11.0,W/4 IN FRONT SPRING	WITH 3094001 FLAT FLOOR FEATURE
5	0045825	2	DIAGRAM,LOCATION,DECAL,SED,35	
6	1658525	2	SHOCK ABSORBER,FRONT,PARABOLIC SPRING	
7	0043465	2	BRACKET,MOUNTING,SHOCK TO FRAME,FRONT	
8	0051758	6	PIN,SPRING,PARABOLIC SUSPENSION,FRONT,4	
9	1661966	4	SHACKLE,PARABOLIC SUSPENSION,FRONT	
10	1731678	2	WEDGE,CASTER,1 DEGREE	
11	1362094	12	CAPSCREW,HEX HD,7/16-14X3 1/4,GR8,	
12	0997080	12	NUT,HEX HD,7/16-14,LOCKING,GR 8,CADMIUM	
13	0997072	12	WASHER,FLAT,15/32 X 15/16 X 5/64,HDN,	
14	1317783	2	CAPSCREW,HEX HD,3/4-10 X 5,GR 8,YEL ZN	
15	0933879	4	NUT,HEX HD,3/4-10,PRVLG TORQ,GR8,CAD	
16	0817965	8	NUT,HEX HD,3/4-16,YEL ZN DICH	
17	0607036	16	WASHER,FLAT,13/16 X 1 3/8 X 7/64 ZP,HRD	
18	1660083	2	SPACER,25/32 ID X 1-1/2 OD X 3/4 THK,STEEL	
19			HUCK SPIN	
20			HUCK SPIN	
21	2027472	6	FITTING,GREASE,5400,1/8 MPT,90 DEG	
22	1700749	2	CAPSCREW,HEX HD,3/4-10 X 8,GR 8,YEL ZN	
23	1843788	2	SNUBBER ASSEMBLY,SUSPENSION,FRONT	WITH 4029107 12 R TIRE FEATURE
24	0081574	AR	SPACER,SUSP,4 IN WIDE X 1 IN TK,CAST	



**Models:** A3FE, A3RE, C3FE  
**SPRING**  
**FRONT**  
**HENDRICKSON SOFTEK, INSTALLATION**  
**HENDRICKSON AXLE**  
**With Features:** FEATURE 40004-12, -13, -14

Key	PartNumber	Qty	Description	Comment
-----	------------	-----	-------------	---------



**Models:** A3FE, A3RE, C3FE  
**SPRING FRONT HENDRICKSON SOFTEK, INSTALLATION HENDRICKSON AXLE**  
**With Features:** FEATURE 40004-12, -13, -14

Key	PartNumber	Qty	Description	Comment
1	0106296	2	SPRING ASSY,FRT,PARAB,2LF,13.2K	Feature 40004-12
	0106295	2	SPRING ASSY,FRT,PARAB,2LF,14.6K	Feature 40004-13
2	0112694	2	HANGER,SUSP,FRONT,FRAME	
3	0106297	2	BRACKET,SHACKLE,SUSP,FRONT	
4	0107809	2	BRACKET,SHOCK,UPPER,FRONT	
5	0106307	2	STOP ASSY,AXLE,SPRG SUSP,FRONT	
6	0108265		KIT,U-BOLT,SUSP,FRONT,SPRING,10MM SPCR	W/O 40011-01, or-02
	0107924		KIT,U-BOLT,SUSP,FRONT,SPRING,35MM SPCR	With 40011-01
	0108266		KIT,U-BOLT,SUSP,FRONT,SPRING,60MM SPCR	With 40072-01
	0107925		KIT,U-BOLT,SUSP,FRONT,SPRING,85MM SPCR	With 30940-01
7	0055007		SPACER,SUSP,FRONT,10MM	RE LH W/O 4011-01
	0107806		SPACER,SUSP,FRONT,25MM	RH W/40011-01
	0107807		SPACER,SUSP,FRONT,35MM	LH W/40011-01
	0060514		SPACER,SUSP,FRONT,50MM	RH W/40072-01
	0060515		SPACER,SUSP,FRONT,60MM	LH W/40072-01
	0107861		SPACER,SUSP,FRONT,75MM	RH W/30940-01
	0107862		SPACER,SUSP,FRONT,85MM	LH W/30940-01
8	0106303	2	SHOCK ABSORBER,FRONT,SPRG SUSP	
9	0107811	4	PLATE,SHACKLE,SUSP,FRONT	
10	0109147	4	CAPSCREW,HEX HD,M20-2.50X150,GR10.9,	
11	1731678		WEDGE,CASTER,1 DEGREE	
12	0054994		PIN,FLG HEAD,HUCKSPIN,.62 X 2.238	
13	0054997		COLLAR,HUCKSPIN,.62,HSCF-R20	
14	0933879	4	NUT,HEX HD,3/4-10,PRVLG TORQ,GR8,CAD	
15	0054950	2	CAPSCREW,HEX HD,M20-2.50X170,GR10.9,	
16	1700749	2	CAPSCREW,HEX HD,3/4-10 X 8,GR 8,YEL ZN	
17	0607036	18	WASHER,FLAT,13/16 X 1 3/8 X 7/64 ZP,HRD	
18	0054951	6	NUT,HEX HD,M20-2.50,GR10.9,LOCK,OLIVZN	
19	0929018	8	WASHER,FLAT,21/32 X 1 1/8 X 3/32,HDN,YEL	A3RE WITH DIESEL
20	0939827	4	NUT,HEX HD,5/8-11,GR 8,LOCK,CADMIUM WAX	A3RE WITH DIESEL
21	1107895	4	CAPSCREW,HEX HD,5/8-11 X 2,GR8,YEL ZN	A3RE WITH DIESEL
22	1021815	2	CAPSCREW,HEX HD,3/4-10 X4 1/2,GR8,	
23	0055004	2	SPACER,SHOCK,SUSP,FRONT, BBCV	

**Models:** A3FE, A3RE, C3FE  
SPRING  
FRONT  
HENDRICKSON SOFTEK, INSTALLATION  
HENDRICKSON AXLE

**With Features:** FEATURE 40004-12, -13, -14

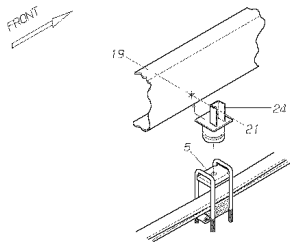
Key	PartNumber	Qty	Description	Comment
24	0054995		PIN,FLG HEAD,HUCKSPIN,.62 X 2.755	

**Models:** A3FE, C1FE, CSFE, TCFE, TSFE  
**SPRING**  
**FRONT**  
**PARABOLIC**  
**BSN:** From CSN 1001659  
 To 30094684

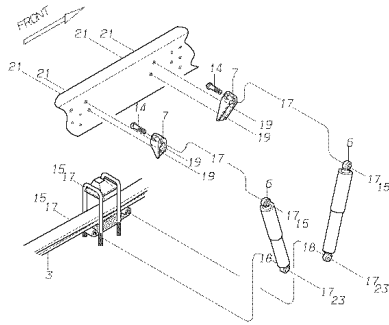
Key	PartNumber	Qty	Description	Comment
-----	------------	-----	-------------	---------

DR. 8/17/99	BY JL	---	1896059	5
APP. 9/17/99	BY AB	MDT		REV

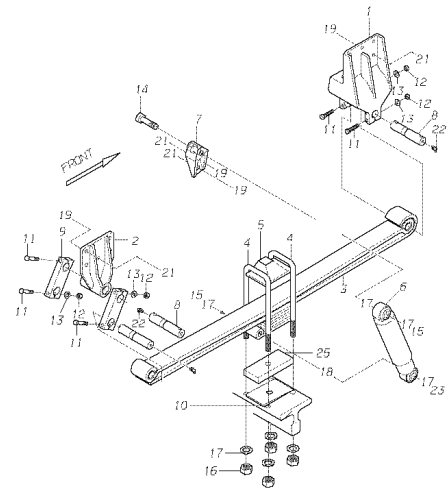
© BLUE BIRD BODY COMPANY. ALL RIGHTS RESERVED. 



TCFE W/ 0.3515 RAISED FLOOR  
OR TSFE



DUAL SHOCK INSTALLATION



**Models:** A3FE, C1FE, CSFE, TCFE, TSFE  
**SPRING FRONT PARABOLIC**  
**BSN:** From CSN 1001659  
 To 30094684

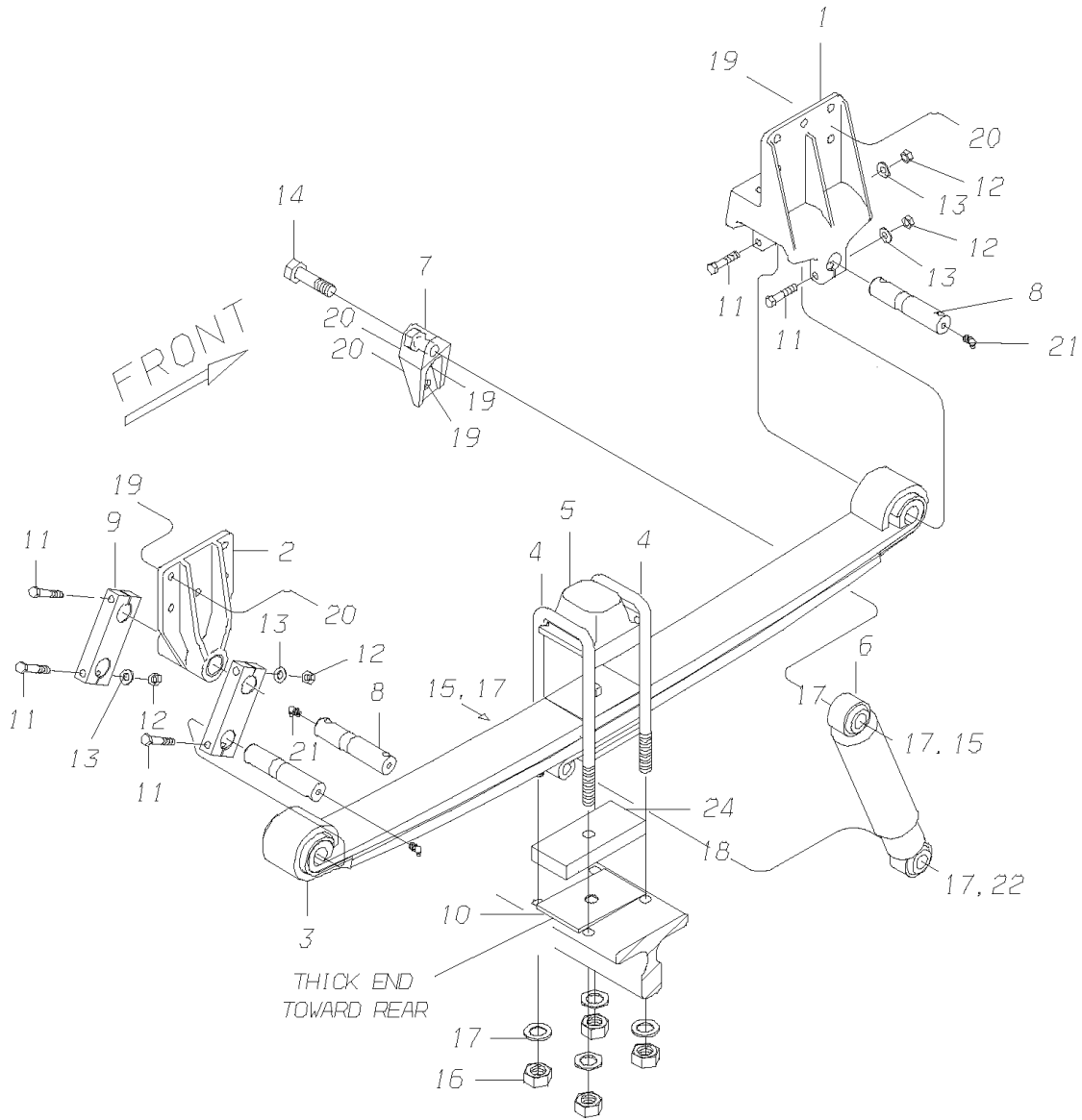
Key	PartNumber	Qty	Description	Comment
1	1672526	2	BRACKET,SPRING HNGR,FRT,PARABOLIC SUSP	
2	1662410	2	BRACKET ASSY,SHACKLE,FRT AXLE,PARAB SPR	
3	1658830		SPRING,FRT,PARAB,4 X 56,2 LF	STANDARD A3FE, CSFE, HDFE, TCFE
3	1864727		SPRING,FRT,FLAT LEAF,4 X 56	OPTION 4528, 40004-03 A3FE, CSFE, HDFE, TCFE
3	1658830		SPRING,FRT,PARAB,4 X 56,2 LF	STANDARD C1FE, TSFE. ENDING WITH CSN 3008745
3	1670397		SPRING,FRT,PARAB,4 X 56,3 LF	OPTION 4531, C1FE, TSFE. BEGIN WITH CSN 3008745
3	1670397		SPRING,FRT,PARAB,4 X 56,3 LF	OPTION 40004-02 A3FE, CSFE, HDFE, TCFE
3	1864586		SPRING ASSY,DUAL SHK,FRT SUSP	OPTION 4533-03, 40004-01 A3FE, CSFE, HDFE, TCFE
3	1897602		SPRING ASSY,3 LF,DUAL SHK,FRT SUSP	OPTION 04531, 04533-03,. 40004-02 A3, HD C1FE, CSFE, TCFE, TSFE
3	1941426		SPRING ASSY,FLAT LF,DUAL SHK,FRT SUSP	OPTION 4528 WITH 4533-03. 40004-03 A3, HD C1FE, TCFE, TSFE
NI	1209246		BUSHING,SHACKLE,B-1853-B,AARE	
4	1746338	4	U-BOLT,3/4-16X9,W/4 IN FRONT SPRING	
4	1864669	4	U-BOLT,3/4-16X10.0,W/4 IN FRONT SPRING	
4	1864669	4	U-BOLT,3/4-16X10.0,W/4 IN FRONT SPRING	
4	1920396	4	U-BOLT,3/4-16X11.0,W/4 IN FRONT SPRING	
5	1746767	AR	AXLE PAD,FRONT,PARAB SUSP	
5	1843804	AR	AXLE PAD,FRONT,PARABOLIC SUSP W/SNUBBER	W/ SNUBBER, TSFE, C1FE, OR. TCFE W/3515, OR ALL W/12R TIRES
6	1658525	4	SHOCK ABSORBER,FRONT,PARABOLIC SPRING	40009-01 A3, HD
7	1767409	4	BRACKET,MOUNTING,SHOCK TO FRAME,FRONT	40009-01 A3,HD
8	0051758	6	PIN,SPRING,PARABOLIC SUSPENSION,FRONT,4	
9	1661966	4	SHACKLE,PARABOLIC SUSPENSION,FRONT	
NI	1731660		BUSHING,SHACKLE BRACKET,BRONZE	
10	1701440	2	WEDGE,CASTER,3 DEGREE	
11	1362094	12	CAPSCREW,HEX HD,7/16-14X3 1/4,GR8,	
12	0997080	12	NUT,HEX HD,7/16-14,LOCKING,GR 8,CADMIUM	
13	0997072	12	WASHER,FLAT,15/32 X 15/16 X 5/64,HDN,	
14	1317783	2	CAPSCREW,HEX HD,3/4-10 X 5,GR 8,YEL ZN	40009-01 A3,HD
15	0933879	4	NUT,HEX HD,3/4-10,PRVLG TORQ,GR8,CAD	

**Models:** A3FE, C1FE, CSFE, TCFE, TSFE  
**SPRING**  
**FRONT**  
**PARABOLIC**  
**BSN:** From CSN 1001659  
 To 30094684

Key	PartNumber	Qty	Description	Comment
16	0817965	8	NUT,HEX HD,3/4-16,YEL ZN DICH	
17	0607036	16	WASHER,FLAT,13/16 X 1 3/8 X 7/64 ZP,HRD	
NI	1864602	4	BRACKET,SHOCK MTG,LOWER,FRONT SPRING	
18	1660083	2	SPACER,25/32 ID X 1-1/2 OD X 3/4 THK,STEEL	40009-01 A3,HD
22	2027472	6	FITTING,GREASE,5400,1/8 MPT,90 DEG	
23	1700749	2	CAPSCREW,HEX HD,3/4-10 X 8,GR 8,YEL ZN	40009-01 A3,HD
24	1843788	2	SNUBBER ASSEMBLY,SUSPENSION,FRONT	TSFE, C1FE OR. TCFE W/ 3515, ALL W/12R TIRES
25	1896000	2	SPACER ASSY,SUSPENSION,4 INCH WIDE X 2	
25	1481712	2	SPACER ASSY,SUSPENSION,4IN WIDE	
25	0018332	2	SPACER ASSY,SUSPENSION,4 INCH WIDE X 3	

Models: A3FE, A3RE, C1FE, C3FE, CSFE, CSRE, QBRE, TCFE, TSFE  
**SPRING**  
**FRONT**  
**PARABOLIC**  
 BSN: From CSN 10094705 30094685  
 To CSN 05/02/05

Key	PartNumber	Qty	Description	Comment
-----	------------	-----	-------------	---------



**Models:** A3FE, A3RE, C1FE, C3FE, CSFE, CSRE, QBRE, TCFE, TSFE  
**SPRING FRONT PARABOLIC**  
**BSN:** From CSN 10094705 30094685  
 To CSN 05/02/05

Key	PartNumber	Qty	Description	Comment
1	0008605	2	BRACKET,SPRING HANGER,FRONT,PARABOLIC	
2	1662410	2	BRACKET ASSY,SHACKLE,FRT AXLE,PARAB SPR	
3	0020453	2	SPRING,FRT,PARAB,4X56,2 LF	TCFE/CSFE/HDFE/HDRE WITH STANDARD OR FEATURE 4000401
3	0027639	2	SPRING,FRT,PARAB,4X56,2 LF	CSRE/QBRE WITH STANDARD SPRING
3	0020831	2	SPRING,FRT,PARAB,4X56,3 LF	TCFE/CSFE/CSRE/QBRE/HDRE WITH 4531 OR 4000402
	1209246		BUSHING,SHACKLE,B-1853-B,AARE	
3	0027666	2	SPRING,FRT,FLAT,4X56,8 LF	TCFE/CSFE/HDFE/HDRE W/4528 OR 4000403 FLAT LEAF SPRING
3A	0035994	2	SPRING ASSY,2 LF,DUAL SHK,FRT SUSP	WITH STANDARD OR 4000401 SPRING & 4533 OR 4000901 DUAL SHOCK
3A	0035995	2	SPRING ASSY,2 LF,DUAL SHK,FRT SUSP	2LF CSRE/QBRE WITH STANDARD SPRING & 453300 DUAL SHOCK
3A	0035996	2	SPRING ASSY,3 LF,DUAL SHK,FRT SUSP	TCFE/CSFE/QBRE/C1FE/HDFE/HDRE W/4531 OR 4000402 HD SPRING & 4530 OR 4000901 DUAL SHOCK
3A	0035997	2	SPRING ASSY,FLAT LF,DUAL SHK,FRT SUSP	TCFE/CSFE/HDFE/HDRE W/452800 OR 4000403 FLAT SPRING & 0453300 OR 4000901 DUAL SHOCK
NI	0070390		INSERT,SPRING,LEAF,HENDRICKSON,	
4	1847458	4	U-BOLT,3/4-16X7.0 W/4 IN FRONT SPRING	
4	1746338	4	U-BOLT,3/4-16X9,W/4 IN FRONT SPRING	
4	1864669	4	U-BOLT,3/4-16X10.0,W/4 IN FRONT SPRING	
4	1920396	4	U-BOLT,3/4-16X11.0,W/4 IN FRONT SPRING	
5	0045826	2	PAD,AXLE,FRONT,SPRING SUSP,2.32 HIGH	
6	1658525	AR	SHOCK ABSORBER,FRONT,PARABOLIC SPRING	
7	0043465	AR	BRACKET,MOUNTING,SHOCK TO FRAME,FRONT	
8	0051758	6	PIN,SPRING,PARABOLIC SUSPENSION,FRONT,4	
9	1661966	4	SHACKLE,PARABOLIC SUSPENSION,FRONT	
10	1731678	2	WEDGE,CASTER,1 DEGREE	
11	1362094	12	CAPSCREW,HEX HD,7/16-14X3 1/4,GR8,	
12	0997080	12	NUT,HEX HD,7/16-14,LOCKING,GR 8,CADMIUM	
13	0997072	12	WASHER,FLAT,15/32 X 15/16 X 5/64,HDN,	
14	1317783	AR	CAPSCREW,HEX HD,3/4-10 X 5,GR 8,YEL ZN	
15	0933879	AR	NUT,HEX HD,3/4-10,PRVLG TORQ,GR8,CAD	

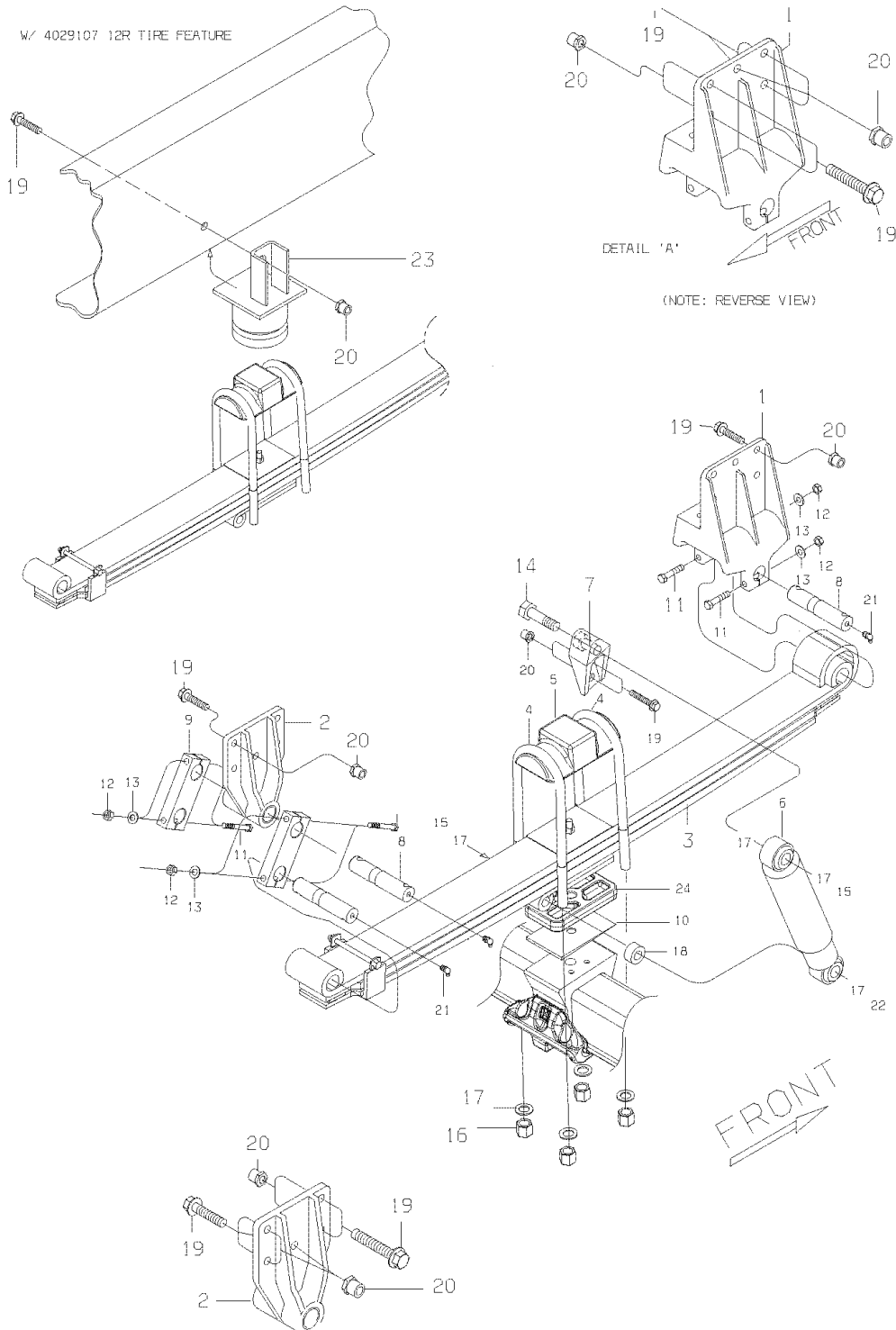


**Models:** A3FE, A3RE, C1FE, C3FE, CSFE, CSRE, QBRE, TCFE, TSFE  
**SPRING**  
**FRONT**  
**PARABOLIC**  
**BSN:** From CSN 10094705 30094685  
 To CSN 05/02/05

Key	PartNumber	Qty	Description	Comment
16	0817965	8	NUT,HEX HD,3/4-16,YEL ZN DICH	
17	0607036	AR	WASHER,FLAT,13/16 X 1 3/8 X 7/64 ZP,HRD	
18	1660083		SPACER,25/32 ID X 1-1/2 OD X 3/4 THK,STEEL	
21	2027472	6	FITTING,GREASE,5400,1/8 MPT,90 DEG	
22	1700749	AR	CAPSCREW,HEX HD,3/4-10 X 8,GR 8,YEL ZN	
NA	1843788	AR	SNUBBER ASSEMBLY,SUSPENSION,FRONT	A3FE, C1FE, OR TCFE W/FLAT FLOOR
24	0081574	AR	SPACER,SUSP,4 IN WIDE X 1 IN TK,CAST	

Models: **A3FE, A3RE, C3FE**  
**SPRING**  
**FRONT**  
**PARABOLIC**  
**HENDRICKSON AXLE**  
**To 11/5/06**

Key	PartNumber	Qty	Description	Comment
-----	------------	-----	-------------	---------



**Models:** A3FE, A3RE, C3FE  
**SPRING  
 FRONT  
 PARABOLIC  
 HENDRICKSON AXLE  
 To 11/5/06**

Key	PartNumber	Qty	Description	Comment
1	0008605	2	BRACKET,SPRING HANGER,FRONT,PARABOLIC	
2	1662410	2	BRACKET ASSY,SHACKLE,FRT AXLE,PARAB SPR	
3	0083576	2	SPRING,FRT,PARAB,4X56,3 LF,2005	WITH 40004-02 SPRING FEATURE (SHOWN)
3	0083577	2	SPRING,FRT,PARAB,4X56,2 LF,2005	WITH 40004-01 SPRING FEATURE (NOT SHOWN)
4	0105290	4	U-BOLT,.75-16,4.78X13.00,ROUND TOP	WITHOUT 40011-01 SPACER FEATURE OR 3094001 FLT FLR
4	0105325	4	U-BOLT,.75-16,4.78X14.00,ROUND TOP	WITHOUT 40011-01 SPACER FEATURE OR 3094001 FLT FLR
4	0105326	4	U-BOLT,.75-16,4.78X15.00,ROUND TOP	WITH 40011-01 1" AXLE SPACER FEATURE
4	0105327	4	U-BOLT,.75-16,4.78X16.00,ROUND TOP	WITH 40072-01 2" AXLE SPACER FEATURE
4	0107620	4	U-BOLT,.75-16,4.78X17.00,ROUND TOP	WITH 30940-01 FLAT FLOOR FEATURE (3" SPACER)
5	0105241	2	PAD,AXLE,FRT,SPRG SUSP,HEND AXLE	
6	1658525	2	SHOCK ABSORBER,FRONT,PARABOLIC SPRING	
7	0043465	2	BRACKET,MOUNTING,SHOCK TO FRAME,FRONT	
8	0051758	6	PIN,SPRING,PARABOLIC SUSPENSION,FRONT,4	
9	1661966	4	SHACKLE,PARABOLIC SUSPENSION,FRONT	
10	1598812	2	WEDGE,CASTER,2 DEGREE,2.5 X 4 SPRING	
11	1362094	12	CAPSCREW,HEX HD,7/16-14X3 1/4,GR8,	
12	0997080	12	NUT,HEX HD,7/16-14,LOCKING,GR 8,CADMIUM	
13	0997072	12	WASHER,FLAT,15/32 X 15/16 X 5/64,HDN,	
14	1317783	2	CAPSCREW,HEX HD,3/4-10 X 5,GR 8,YEL ZN	
15	0933879	4	NUT,HEX HD,3/4-10,PRVLG TORQ,GR8,CAD	
16	0817965	8	NUT,HEX HD,3/4-16,YEL ZN DICH	
17	0607036	16	WASHER,FLAT,13/16 X 1 3/8 X 7/64 ZP,HRD	
18	1660083	2	SPACER,25/32 ID X 1-1/2 OD X 3/4 THK,STEEL	
19	1636943	24	PIN,FLG HEAD,HUCKSPIN,.50X2.22,HSP8	QTY-26 WITH 4029107 12R TIRE FEATURE
20	1636968	24	COLLAR,HUCKSPIN,.50,HSCH-R16	QTY-26 WITH 4029107 12R TIRE FEATURE
21	2027472	6	FITTING,GREASE,5400,1/8 MPT,90 DEG	
22	1700749	2	CAPSCREW,HEX HD,3/4-10 X 8,GR 8,YEL ZN	
23	1843788	2	SNUBBER ASSEMBLY,SUSPENSION,FRONT	WITH 4029107 12R TIRE FEATURE
24	0081574	2	SPACER,SUSP,4 IN WIDE X 1 IN TK,CAST	WITH 4001101 1" AXLE SPACER FEATURE

**Models:** **A3FE, A3RE, C3FE**  
**SPRING**  
**FRONT**  
**PARABOLIC**  
**HENDRICKSON AXLE**  
**To 11/5/06**

Key	PartNumber	Qty	Description	Comment
24	0081574	4	SPACER,SUSP,4 IN WIDE X 1 IN TK,CAST	<i>WITH 4007201 2" AXLE SPACER FEATURE</i>
24	0081574	6	SPACER,SUSP,4 IN WIDE X 1 IN TK,CAST	<i>WITH 3094001 FLAT FLOOR FEATURE (3")</i>

**Models:** A3FE, A3RE, C1FE, CSFE, CSRE, QBRE, TCFE, TCRE, TSFE

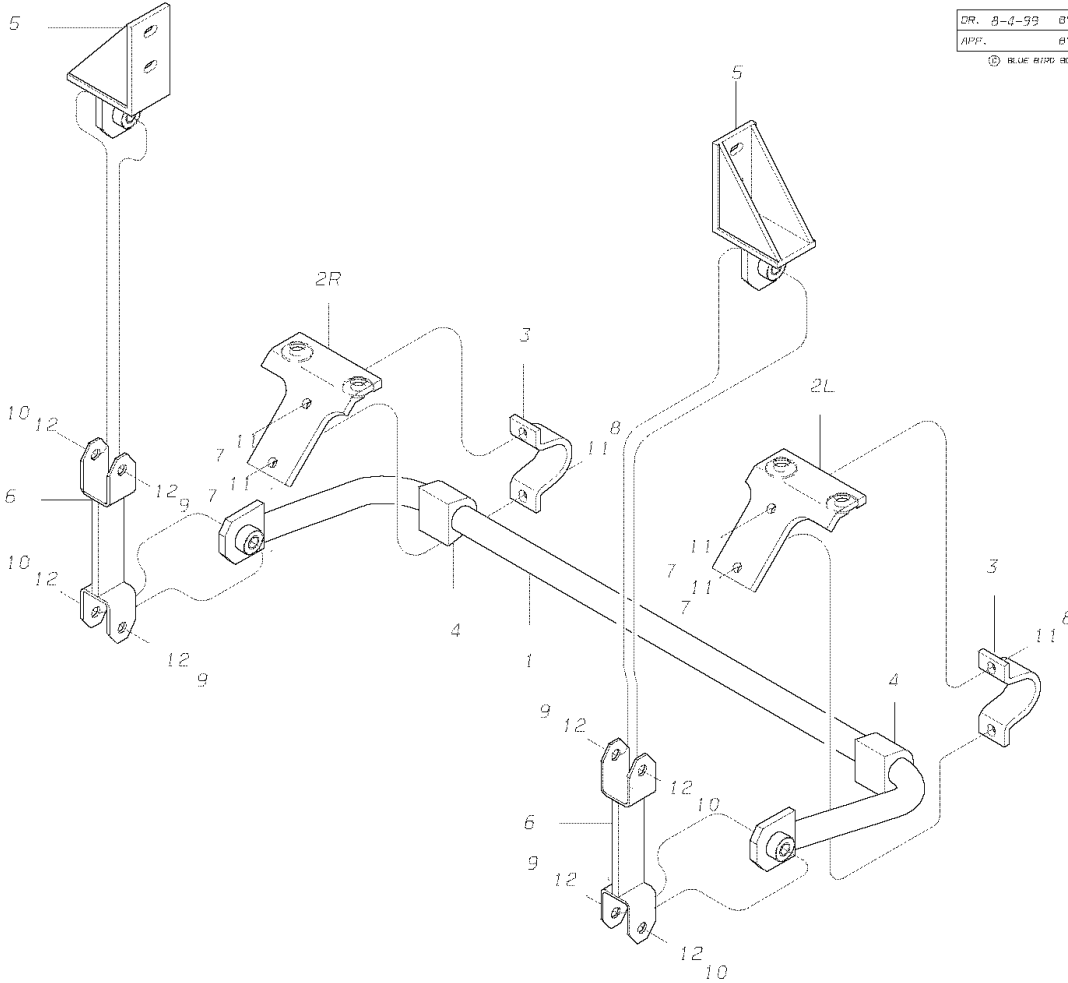
**SPRING**

**FRONT**

**STABILIZER BAR FRONT**

**With Features:** OPTION 4565, 4566, 40004-06  
To CSN 30039909 (9/5/99)

Key	PartNumber	Qty	Description	Comment
-----	------------	-----	-------------	---------



DR. 8-1-99	BY MIT	1858315	D
APP.	BY	FRT	REV

© BLUE BIRD BODY COMPANY. ALL RIGHTS RESERVED.

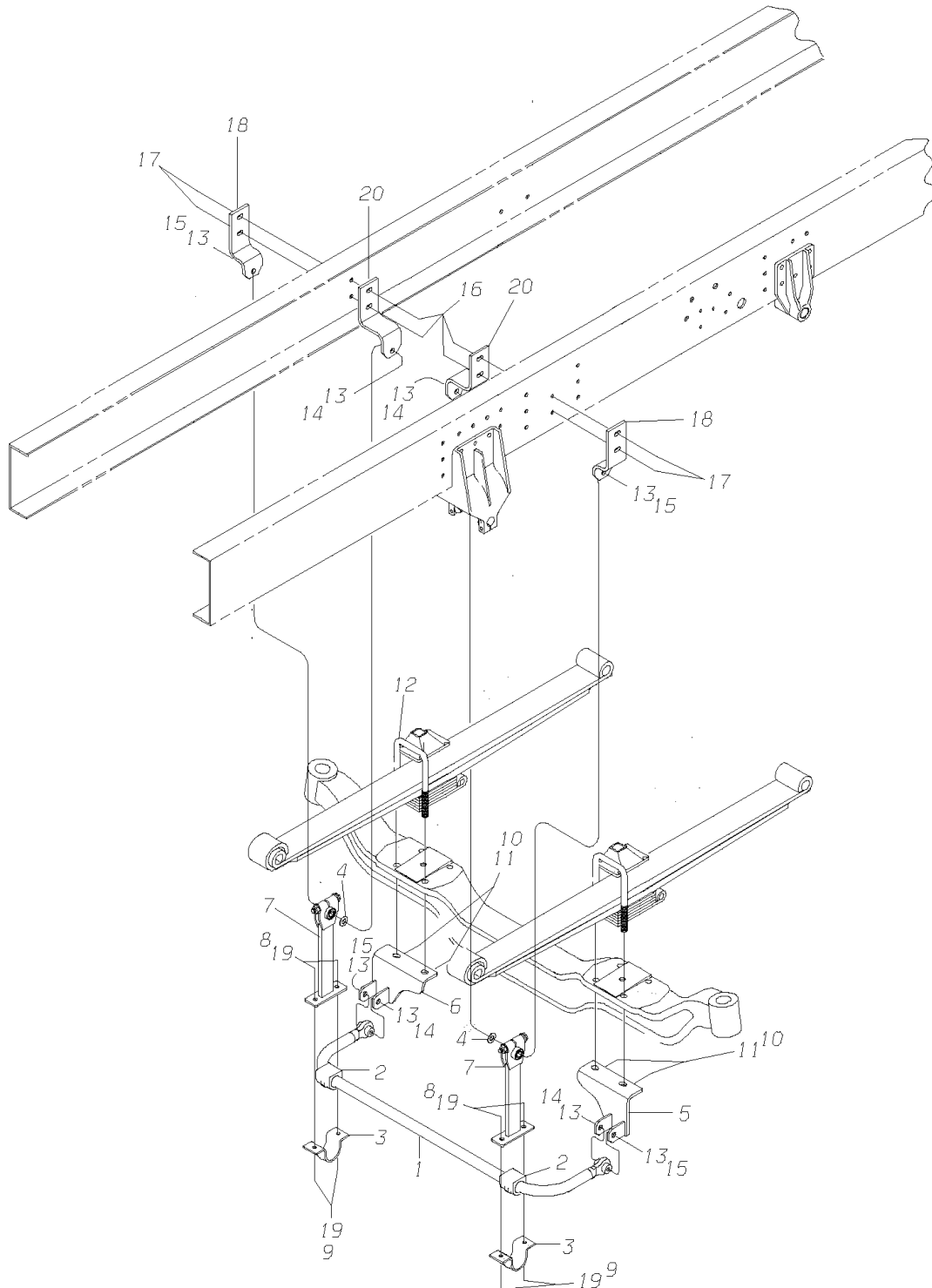


**Models:** A3FE, A3RE, C1FE, CSFE, CSRE, QBRE, TCFE, TCRE, TSFE  
**SPRING FRONT STABILIZER BAR FRONT**  
**With Features:** OPTION 4565, 4566, 40004-06  
 To CSN 30039909 (9/5/99)

Key	PartNumber	Qty	Description	Comment
	1858315		KIT,STABILIZER BAR,SPRING SUSP,FRONT	
1	8314148		TORSION BAR OPT4565 TB7081	
2	8312464		ANGLE BRACKET,SPRING MOUNT AB-306-R	
2	8312456		ANGLE BRACKET,SPRING MOUNT AB306L	
3	8312472	2	UPLATE,BUSHING,MOUNT 3LP-376	
4	8312449	2	BUSHING,D,POLY 1.37DIA PB876	
5	8310013	2	FRAME BRACKET,WELDED W/BUSHING,FB-308"	
6	8314437		HANGER BRACKET, WELDED HB-309"	
7	8303638	4	CAPSCREW 1/2 X 1.75 CX-310	
8	8303646	4	LOCKNUT, SLOVER SLN-91"	
9	8303653	4	CAPSCREW 5/8 X 3.75 CS-138	
10	8303661	4	LOCKNUT,SLOVER 5/8 SLN-33"	
11	8303679	8	WASHER, FLAT, 1/2 WA-43"	
12	8303687	8	WASHER, FLAT, 5/8 WA-137"	
NI	8310278		BUSHING,RUBBER,OLD STYLE,1.37,	
NI	0014345		BUSHING,RUBBER,NEW STYLE	

**Models:** A3FE, A3RE, C1FE, C3FE, CSFE, CSRE, QBRE, TCFE, TCRE, TSFE  
**SPRING FRONT STABILIZER BAR FRONT**  
**With Features:** OPTION 4565, 4566, 40004-06  
**BSN:** From CSN 30039910 (9/7/99)  
 To CSN 05/02/05

Key	PartNumber	Qty	Description	Comment
-----	------------	-----	-------------	---------



**Models:** A3FE, A3RE, C1FE, C3FE, CSFE, CSRE, QBRE, TCFE, TCRE, TSFE  
**SPRING FRONT STABILIZER BAR FRONT**  
**With Features:** OPTION 4565, 4566, 40004-06  
**BSN:** From CSN 30039910 (9/7/99)  
 To CSN 05/02/05

Key	PartNumber	Qty	Description	Comment
1	0014342		BAR,TORSION,1.37DIA,W/BUSHING	
NI	0014345	2	BUSHING,RUBBER,NEW STYLE	
2	0014343	2	BUSHING,D,POLYURETH,1.37DIA	
3	0014344	2	PLATE,U,BUSHING MOUNT	
4	1003037	2	WASHER,FLAT,21/32 X 1 3/16 X 13/64,BLK ZN	HDFE ONLY
5	0012738		BRACKET ASSY,UBOLT,LH,STABILIZER BAR,	
6	0012739		BRACKET ASSY,UBOLT,RH,STABILIZER BAR,	
7	0014341	2	HANGER,FINAL ASSY,FRAME,STABILIZER BAR,	
8	0803148	4	CAPSCREW,HEX HD,1/2-13 X 1 3/4,GR8,	
9	0850800	4	NUT,HEX HD,1/2-13,LOCKING,GR 8,CAD WAX	
10	0817965		NUT,HEX HD,3/4-16,YEL ZN DICH	
11	0607036		WASHER,FLAT,13/16 X 1 3/8 X 7/64 ZP,HRD	
12			U-BOLT	SEE SPRING SUSPENSION FOR APPROPRIATE PRODUCT
13	0929018	8	WASHER,FLAT,21/32 X 1 1/8 X 3/32,HDN,YEL	
14	0939827	4	NUT,HEX HD,5/8-11,GR 8,LOCK,CADMIUM WAX	
15	0014348	4	CAPSCREW,HEX HEAD,5/8-11X3.75 GR8,YEL	
18	0014931	2	BRACKET,FRAME,OUTSIDE,STABILIZER BAR,	
19	2001139	8	WASHER,FLAT,1/2 X 1 1/4 X 3/32,YEL ZN DICH	
20	0012735	2	BRACKET,FRAME,STABILIZER BAR,FRONT,	



**Models:** A3FE, A3RE, C1FE, CSFE, CSRE, QBRE, TCFE, TCRE, TSFE

**SPRING**

**FRONT**

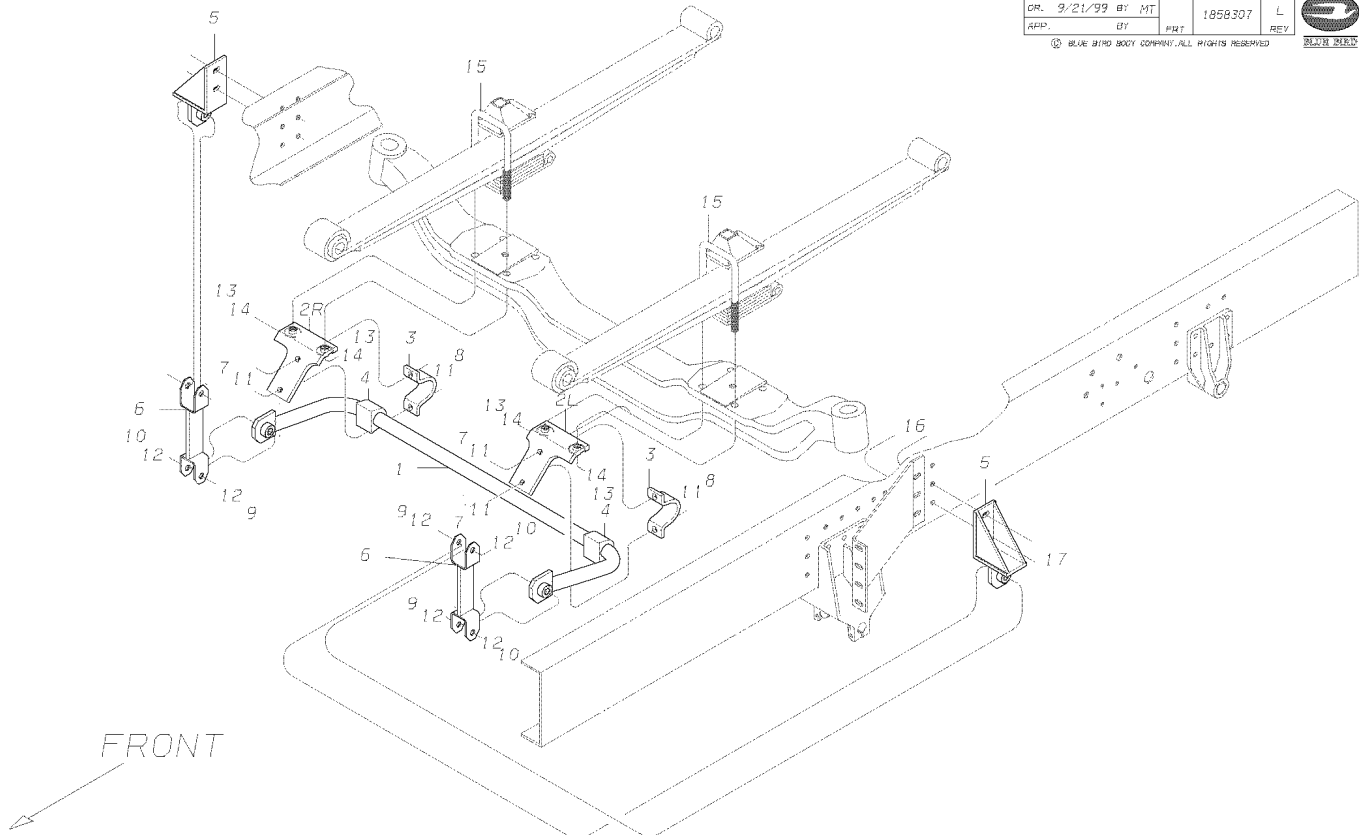
**STABILIZER BAR FRONT AND MOUNTING**

**With Features:** OPTION 4565, 4566, 40004-06  
To CSN 30039909 (9/5/99)

Key	PartNumber	Qty	Description	Comment
-----	------------	-----	-------------	---------

GR.	9/21/99	BY	MT	1858307	L
APP.		BY			REV

© BLUE BIRD BODY CORP. ALL RIGHTS RESERVED



**Models:** A3FE, A3RE, C1FE, CSFE, CSRE, QBRE, TCFE, TCRE, TSFE

**SPRING  
FRONT  
STABILIZER BAR FRONT AND MOUNTING**

**With Features:** OPTION 4565, 4566, 40004-06  
To CSN 30039909 (9/5/99)

Key	PartNumber	Qty	Description	Comment
	1858315		KIT,STABILIZER BAR,SPRING SUSP,FRONT	
1	8314148		TORSION BAR OPT4565 TB7081	
2			ANGLE BRACKET, SPRING MOUNT	
3	8312472	2	UPLATE,BUSHING,MOUNT 3LP-376	
4	8312449	2	BUSHING,D,POLY 1.37DIA PB876	
5	8310013	2	FRAME BRACKET,WELDED W/BUSHING,FB-308"	
6	8314437		HANGER BRACKET, WELDED HB-309"	
7	8303638	4	CAPSCREW 1/2 X 1.75 CX-310	
8	8303646	4	LOCKNUT, SLOVER SLN-91"	
9	8303653	4	CAPSCREW 5/8 X 3.75 CS-138	
10	8303661	4	LOCKNUT,SLOVER 5/8 SLN-33"	
11	8303679	8	WASHER, FLAT, 1/2 WA-43"	
12	8303687	8	WASHER, FLAT, 5/8 WA-137"	
NI	8310278		BUSHING,RUBBER,OLD STYLE,1.37,	
NI	0014345		BUSHING,RUBBER,NEW STYLE	
13	0817965	AR	NUT,HEX HD,3/4-16,YEL ZN DICH	
14	0607036	AR	WASHER,FLAT,13/16 X 1 3/8 X 7/64 ZP,HRD	
15	1858323	2	U-BOLT,3/4-16X8.0 W/4 IN FRONT SPRING	
15	1858372	2	U-BOLT,3/4-16X6.0 W/4 IN FRONT SPRING	TC/CS/QBRE ONLY

**Models:** A3FE, A3RE, BBCV, C3FE

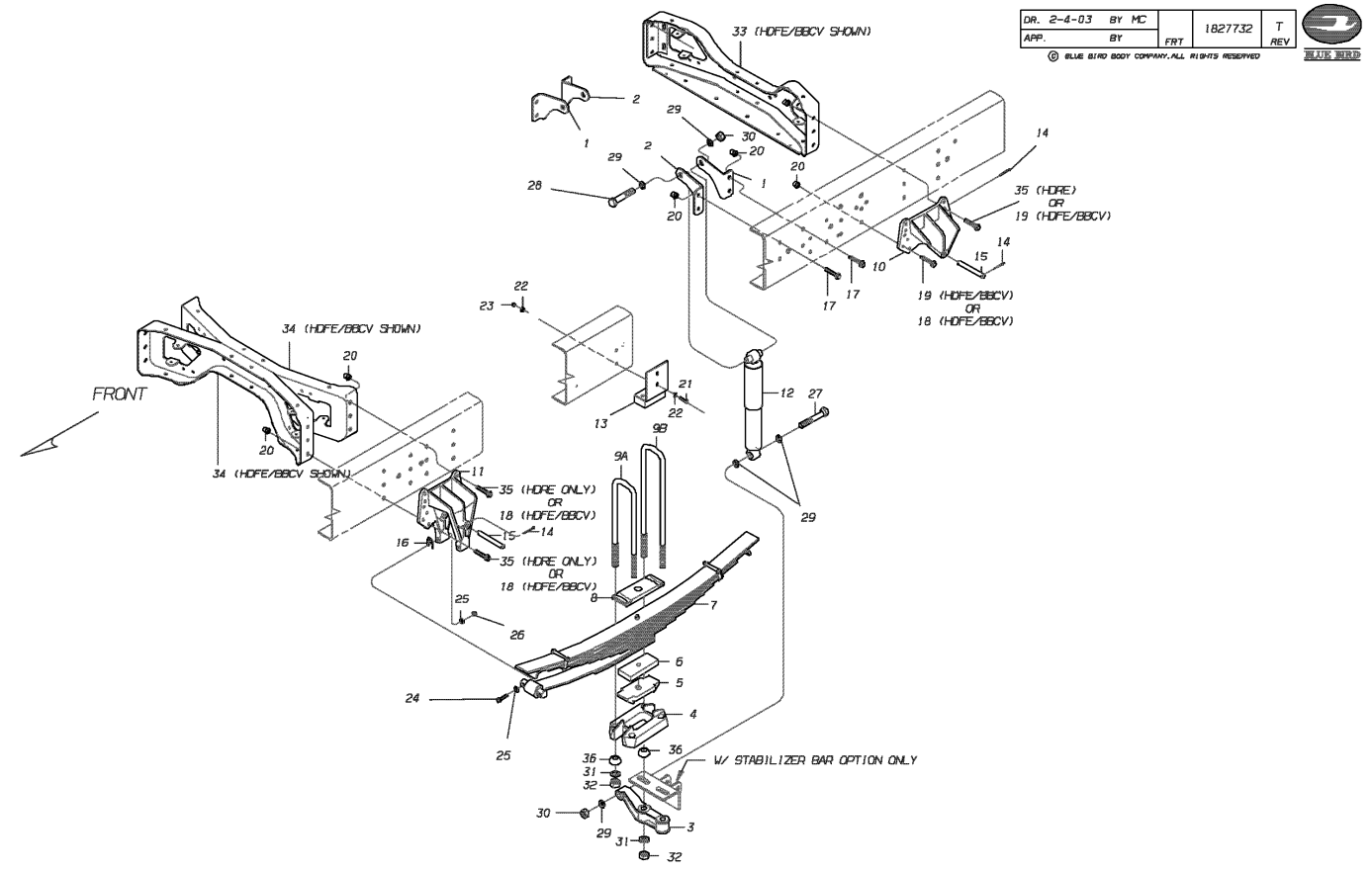
**SPRING**

**REAR**

**REAR FLAT LEAF**

**With Features:** FEATURE 40005-01

Key	PartNumber	Qty	Description	Comment
-----	------------	-----	-------------	---------



**Models:** A3FE, A3RE, BBCV, C3FE

**SPRING**

**REAR**

**REAR FLAT LEAF**

**With Features:** FEATURE 40005-01

Key	PartNumber	Qty	Description	Comment
1	1969856	2	BRACKET,SHOCK MOUNT,UPPER,REAR,RH	
2	1969864	2	BRACKET,SHOCK MOUNT,UPPER,REAR,LH	
3	1897800	2	BRACKET,SHOCK MOUNT,LOWER	
4	0031424	2	BRACKET,RR SPRING U-BOLT,J-SERIES	
5	1348424	2	SADDLE,SPRING,REAR SUSP,0 DEGREE	BEGIN WITH CSN 30046540
5	1486695	2	SADDLE,SPRING,REAR SUSP,-4.5 DEGREE,RE	BEGIN WITH CSN 30046540
5	0017907	2	SADDLE,SPRING,REAR SUSP,4.5 DEGREE	BEGIN WITH CSN 30046540
5	0055032	2	SADDLE,SPRING,REAR SUSP,2 DEGREE,BBCV	BEGIN WITH CSN 30046540
6	1864719	2	SPACER ASSY,SUSPENSION,3.00IN WIDE	A3RE, HDRE, EXCEPT WITH 40361
7	1873603	2	SPRING ASSY,13 LEAF,SLIP TYPE,8200LB	
7	1874684	2	SPRING ASSY,14 LEAF,SLIP TYPE,10400LB	
7	0055019	2	SPRING ASSY,RR,15 LEAF,SLIP TYPE,9300LB	
NI	1874726		BUSHING,RUBBER,BONDED	
8	1351410	2	SEAT,U-BOLT,TOP,RR SUSP,19000 LB RR AX	
9A	1317874	2	U-BOLT,3/4-16 X 17.0 W/3 IN REAR SPRING	
9A	1897594	2	U-BOLT,3/4-16 X 18.0 W/3 IN REAR SPRING	
9A	0006632	2	U-BOLT,3/4-16 X 19.0 W/3 IN REAR SPRING	
9B	1897594	2	U-BOLT,3/4-16 X 18.0 W/3 IN REAR SPRING	ENDING WITH CSN 30046539
9B	0006632		U-BOLT,3/4-16 X 19.0 W/3 IN REAR SPRING	* SEE PAGE SET NOTES
9B	1858075	2	U-BOLT,3/4-16 X 20.0 W/3 IN REAR SPRING	BEGIN WITH CSN 30046540 WITH RS 21, 23, BBCV, HDRE
9B	1941467	21	U-BOLT,3/4-16 X 21.0 W/3 IN REAR SPRING	
10	1362078	2	BRACKET,SPR HNGR,RR SUSP,RR,CAST,TCFC	
11	1864610	2	BRACKET,SPRING HANGER,RR SUSP,FRT,CAST	
12	1707405	2	SHOCK ABSORBER,MONROE	
13	0011932	2	PAD ASSY,BUMPER,RR AXLE RUBBER,SPRG	
14	1362086	8	PIN,COTTER,1/8 X 2	
15	0043589	4	PIN,REBOUND,REAR SUSPENSION	
16	1973312		SHIM,SPRING SUSP,REAR,1/8	
16	1973411		SHIM,SPRING SUSP,REAR,1/16	
16	0044745		SHIM,SPRING SUSP,REAR,1/32	
16	0044747		SHIM,SPRING SUSP,REAR,1/64	
21	0803171	6	CAPSCREW,HEXHD,3/8-16NCX1-1/2,GR8,	
22	1107085	10	WASHER,FLAT,13/32 X 13/16 X 3/32,HDN,BLK	

**Models:** A3FE, A3RE, BBCV, C3FE  
**SPRING**  
**REAR**  
**REAR FLAT LEAF**  
**With Features:** FEATURE 40005-01

Key	PartNumber	Qty	Description	Comment
23	0839027	6	NUT,HEX HD,3/8-16,GR G,SM FLG LK,YEL	
24	1022805	4	CAPSCREW,HEX HD,5/8-11 X 5,GR 8,YEL ZN	
25	0929018	8	WASHER,FLAT,21/32 X 1 1/8 X 3/32,HDN,YEL	
26	0939827	4	NUT,HEX HD,5/8-11,GR 8,LOCK,CADMIUM WAX	
27	1317783	2	CAPSCREW,HEX HD,3/4-10 X 5,GR 8,YEL ZN	
28	1021815	2	CAPSCREW,HEX HD,3/4-10 X4 1/2,GR8,	
29	0954420	10	WASHER,FLAT,3/4 ID X 1 1/8 OD X3/16TK,	
30	0933879	4	NUT,HEX HD,3/4-10,PRVLG TORQ,GR8,CAD	
31	0607036	8	WASHER,FLAT,13/16 X 1 3/8 X 7/64 ZP,HRD	
32	0817965	8	NUT,HEX HD,3/4-16,YEL ZN DICH	
33	1807643		CROSSMEMBER ASSY,REINF,F/TANK END	
33	1807684		CROSSMEMBER ASSY,REINF,REWORKED FOR	
34	1807577	2	CROSSMEMBER,STAMPED,34 INCH	
34	1807684	2	CROSSMEMBER ASSY,REINF,REWORKED FOR	
36	0018486	8	WASHER,SPHERICAL,3/4	

**Models:** A3FE, A3RE, BBCV, C3FE

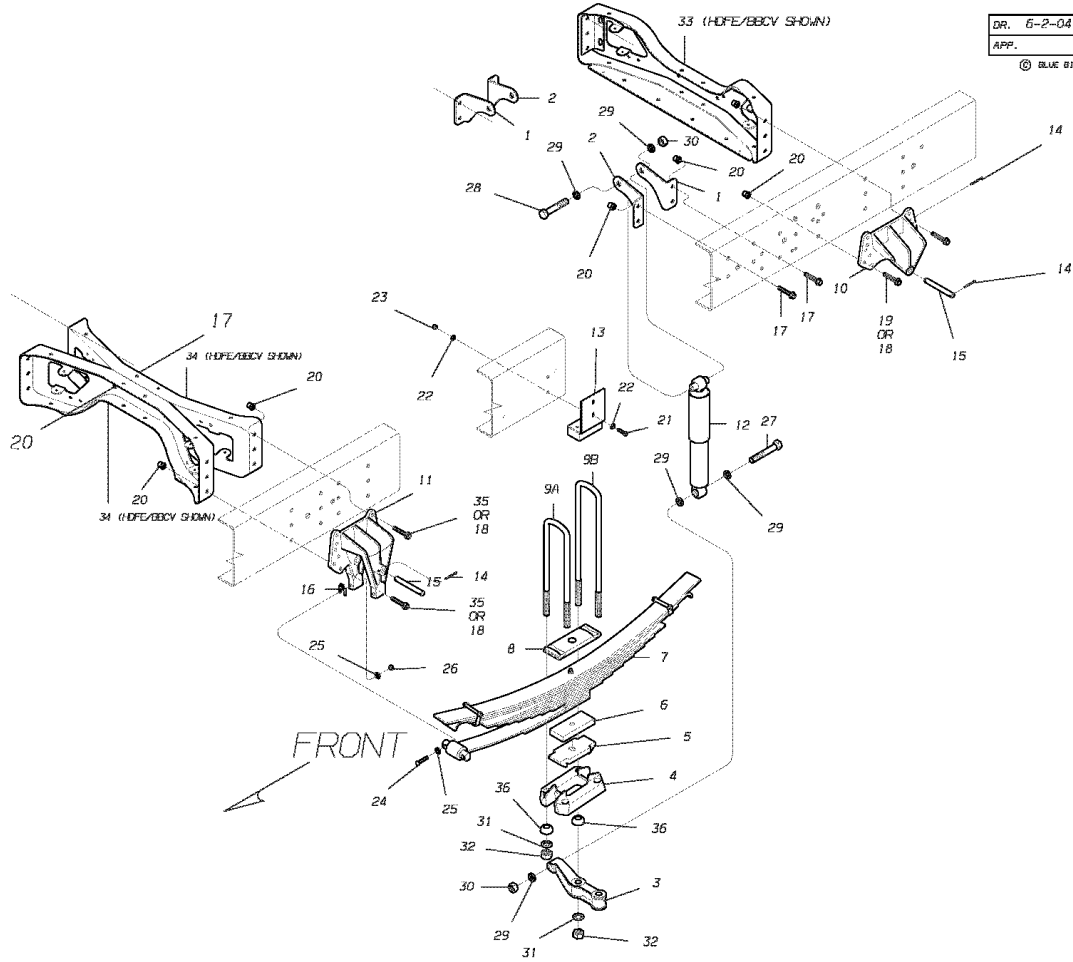
**SPRING**

**REAR**

**REAR FLAT LEAF**

**With Features:** FEATURE 40005-10-11-12-13

Key	PartNumber	Qty	Description	Comment
-----	------------	-----	-------------	---------



DR. 6-2-04	BY MR	0077616	REV
APP.	BY	MRT	REV

© BLUE BIRD BODY COMPANY. ALL RIGHTS RESERVED. BLUE BIRD

**Models:** A3FE, A3RE, BBCV, C3FE

**SPRING**

**REAR**

**REAR FLAT LEAF**

**With Features:** FEATURE 40005-10-11-12-13

Key	PartNumber	Qty	Description	Comment
1	1969856	2	BRACKET,SHOCK MOUNT,UPPER,REAR,RH	
2	1969864	2	BRACKET,SHOCK MOUNT,UPPER,REAR,LH	
3	1897800	2	BRACKET,SHOCK MOUNT,LOWER	
4	0031424	2	BRACKET,RR SPRING U-BOLT,J-SERIES	
5	1348424	2	SADDLE,SPRING,REAR SUSP,0 DEGREE	<i>HDFE 195-232 IN WB</i>
5	1486695	2	SADDLE,SPRING,REAR SUSP,-4.5 DEGREE,RE	<i>HDRE</i>
5	0017907	2	SADDLE,SPRING,REAR SUSP,4.5 DEGREE	<i>HDFE 141, 169 WB, BBCV 189 WB</i>
5	0055032	2	SADDLE,SPRING,REAR SUSP,2 DEGREE,BBCV	<i>BBCV 217-273 WB</i>
6	1864719	2	SPACER ASSY,SUSPENSION,3.00IN WIDE	<i>HDRE</i>
7	0076828		SPRING ASSY,2 STAGE,SLIP TYPE,7200LB	<i>FEATURE 4000510</i>
7	0077609		SPRING ASSY,2 STAGE,SLIP TYPE,8200LB	<i>FEATURE 4000511</i>
7	0076830		SPRING ASSY,2 STAGE,SLIP TYPE,9200LB	<i>FEATURE 4000512</i>
7	0076832		SPRING ASSY,2 STAGE,SLIP TYPE,10200LB	<i>FEATURE 4000513</i>
8	1351410	2	SEAT,U-BOLT,TOP,RR SUSP,19000 LB RR AX	
9A	1317874	2	U-BOLT,3/4-16 X 17.0 W/3 IN REAR SPRING	<i>HDFE</i>
9A	1897594	2	U-BOLT,3/4-16 X 18.0 W/3 IN REAR SPRING	<i>BBCV</i>
9A	0006632	2	U-BOLT,3/4-16 X 19.0 W/3 IN REAR SPRING	<i>HDRE</i>
9B	0006632	2	U-BOLT,3/4-16 X 19.0 W/3 IN REAR SPRING	<i>WITH FEATURE 4000510 &amp; 11</i>
9B	1858075	2	U-BOLT,3/4-16 X 20.0 W/3 IN REAR SPRING	<i>WITH FEATURE 4000512 &amp; 13, HDRE</i>
10	1362078	2	BRACKET,SPR HNGR,RR SUSP,RR,CAST,TCFC	
11	1864610	2	BRACKET,SPRING HANGER,RR SUSP,FRT,CAST	
12	1707405	2	SHOCK ABSORBER,MONROE	
13	0011932	2	PAD ASSY,BUMPER,RR AXLE RUBBER,SPRG	
14	1362086	8	PIN,COTTER,1/8 X 2	
15	0043589	4	PIN,REBOUND,REAR SUSPENSION	
16	1973312		SHIM,SPRING SUSP,REAR,1/8	
16	1973411		SHIM,SPRING SUSP,REAR,1/16	
16	0044745		SHIM,SPRING SUSP,REAR,1/32	
16	0044747		SHIM,SPRING SUSP,REAR,1/64	
17			HUCKSPIN FASTENER	
18			HUCKSPIN FASTENER	
19			HUCKSPIN FASTENER	
20			HUCKSPIN FASTENER	

**Models:** A3FE, A3RE, BBCV, C3FE

**SPRING**

**REAR**

**REAR FLAT LEAF**

**With Features:** FEATURE 40005-10-11-12-13

Key	PartNumber	Qty	Description	Comment
21	0803171	8	CAPSCREW,HEXHD,3/8-16NCX1-1/2,GR8,	
22	1107085	10	WASHER,FLAT,13/32 X 13/16 X 3/32,HDN,BLK	
23	0839027	6	NUT,HEX HD,3/8-16,GR G,SM FLG LK,YEL	
24	1022805	4	CAPSCREW,HEX HD,5/8-11 X 5,GR 8,YEL ZN	
25	0929018	8	WASHER,FLAT,21/32 X 1 1/8 X 3/32,HDN,YEL	
26	0939827	4	NUT,HEX HD,5/8-11,GR 8,LOCK,CADMIUM WAX	
27	1317783	2	CAPSCREW,HEX HD,3/4-10 X 5,GR 8,YEL ZN	
28	1021815	2	CAPSCREW,HEX HD,3/4-10 X4 1/2,GR8,	
29	0954420	10	WASHER,FLAT,3/4 ID X 1 1/8 OD X3/16TK,	
30	0933879	4	NUT,HEX HD,3/4-10,PRVLG TORQ,GR8,CAD	
31	0607036	8	WASHER,FLAT,13/16 X 1 3/8 X 7/64 ZP,HRD	
32	0817965	8	NUT,HEX HD,3/4-16,YEL ZN DICH	
33	1807643		CROSSMEMBER ASSY,REINF,F/TANK END	<i>HD FE ONLY</i>
33	1807684		CROSSMEMBER ASSY,REINF,REWORKED FOR	<i>HD RE ONLY</i>
34	1807577		CROSSMEMBER,STAMPED,34 INCH	
34	1807684		CROSSMEMBER ASSY,REINF,REWORKED FOR	<i>HD RE ONLY</i>
36	0018486	8	WASHER,SPHERICAL,3/4	




**Models:** A3FE, A3RE, C1FE, C3FE, CSFE, CSRE, QBRE, TCFE, TCRE, TSFE

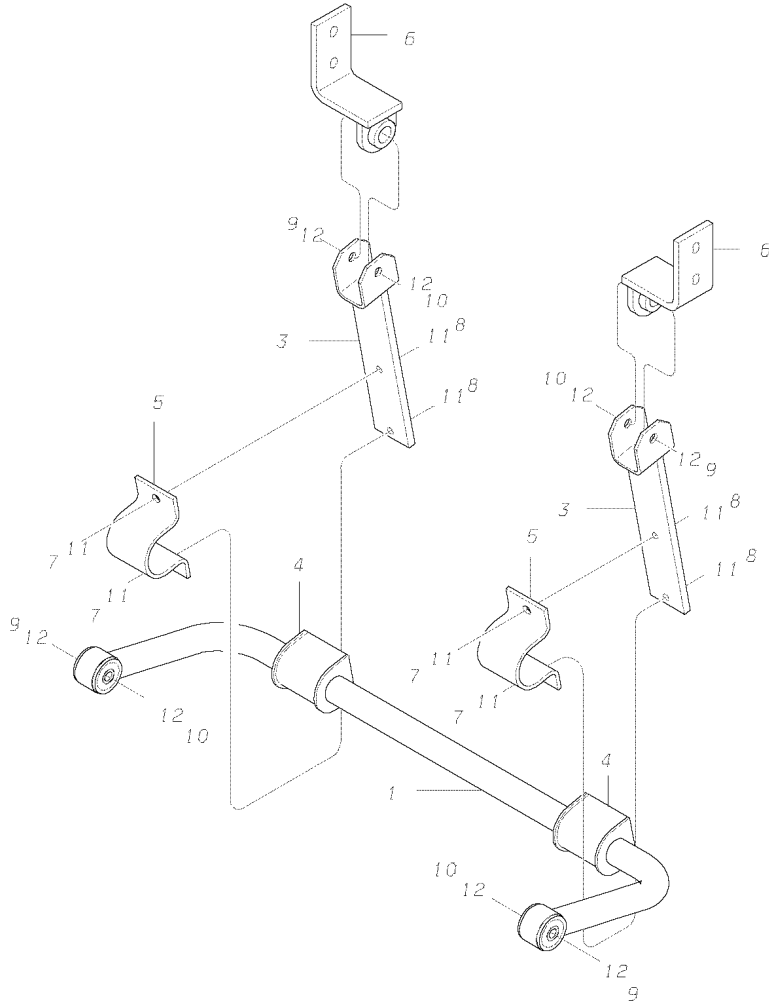
**SPRING  
REAR  
STABILIZER BAR REAR**

**With Features:** OPTION 4566, 4568-01, 40005-04

Key	PartNumber	Qty	Description	Comment
-----	------------	-----	-------------	---------

DR. 9/20/99	BY MT	1656331	A	
APP.	BY	FRT	REV	

© BLUE BIRD BODY COMPANY. ALL RIGHTS RESERVED



**Models:** A3FE, A3RE, C1FE, C3FE, CSFE, CSRE, QBRE, TCFE, TCRE, TSFE

**SPRING  
REAR  
STABILIZER BAR REAR**

**With Features:** OPTION 4566, 4568-01, 40005-04

Key	PartNumber	Qty	Description	Comment
1	8303588		BAR, TORSION TB7082	
3	8303596	2	BRKT. HANGER, BUSHING MTG. HB285"	
4	8303604	2	BUSHING, 1.75 POLYURETHANE PB-152"	
5	8303612	2	U-PLATE, BUSHING MOUNT UP-148"	
6	8303620	2	BRKT.,FRAME,WELDED, W/BUSHING FB-286"	
7	8303638	4	CAPSCREW 1/2 X 1.75 CX-310	
8	8303646	4	LOCKNUT, SLOVER SLN-91"	
9	8303653	4	CAPSCREW 5/8 X 3.75 CS-138	
10	8303661	4	LOCKNUT,SLOVER 5/8 SLN-33"	
11	8303679	8	WASHER, FLAT, 1/2 WA-43"	
12	8303687	8	WASHER, FLAT, 5/8 WA-137"	
13			PART NOT USED	

**Models:** A3FE, A3RE, C1FE, C3FE, CSFE, CSRE, QBRE, TCFE, TCRE, TSFE


**SPRING**

**REAR**

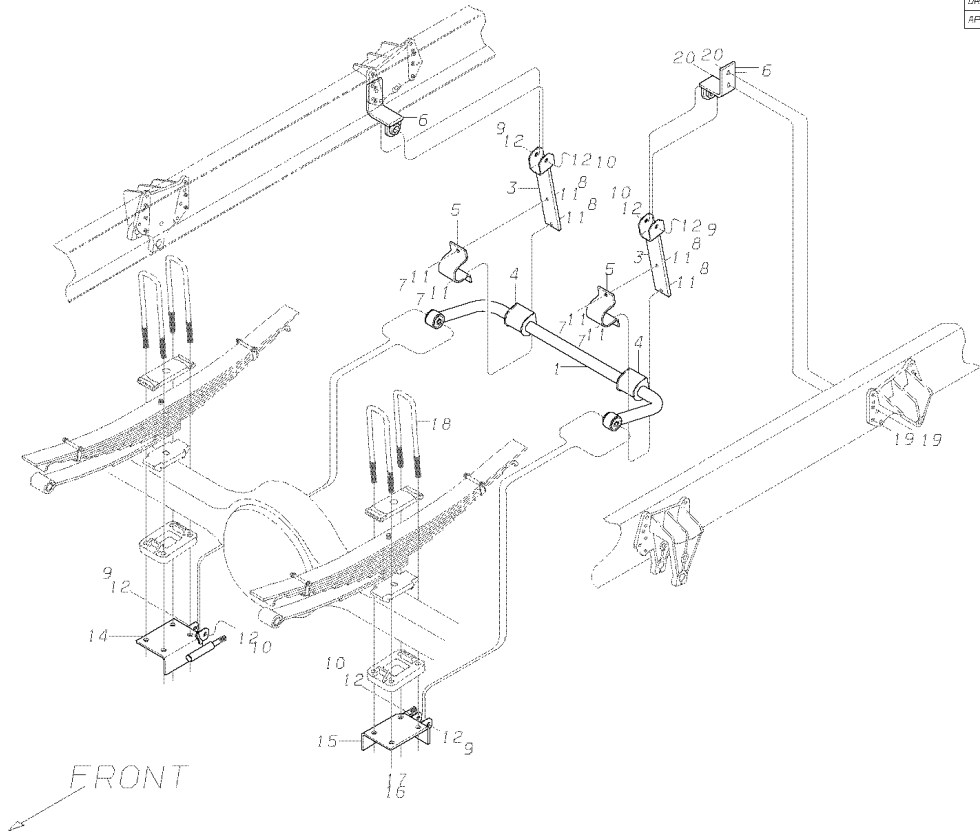
**STABILIZER BAR REAR AND MOUNTING**

**With Features:** OPTION 4566, 4568-01, 40005-04

Key	PartNumber	Qty	Description	Comment
-----	------------	-----	-------------	---------

DR. 9/26/97	BY NJ	1858406	B	
APP. 9/26/97	BY CJ	FRT	REY	

© BLUE BIRD BODY COMPANY. ALL RIGHTS RESERVED. **BL312 0312**



**Models:** A3FE, A3RE, C1FE, C3FE, CSFE, CSRE, QBRE, TCFE, TCRE, TSFE

**SPRING**

**REAR**

**STABILIZER BAR REAR AND MOUNTING**

**With Features:** OPTION 4566, 4568-01, 40005-04

Key	PartNumber	Qty	Description	Comment
1	8303588		BAR, TORSION TB7082	
3	8303596	2	BRKT. HANGER, BUSHING MTG. HB285"	
4	8303604	2	BUSHING, 1.75 POLYURETHANE PB-152"	
5	8303612	2	U-PLATE, BUSHING MOUNT UP-148"	
6	8303620	2	BRKT.,FRAME,WELDED, W/BUSHING FB-286"	
7	8303638	4	CAPSCREW 1/2 X 1.75 CX-310	
8	8303646	4	LOCKNUT, SLOVER SLN-91"	
9	8303653	4	CAPSCREW 5/8 X 3.75 CS-138	
10	8303661	4	LOCKNUT,SLOVER 5/8 SLN-33"	
11	8303679	8	WASHER, FLAT, 1/2 WA-43"	
12	8303687	8	WASHER, FLAT, 5/8 WA-137"	
13			PART NOT USED	
14	1858455		BRACKET ASSY,SHK,RR SUSP W/STAB,RH,J190	EXCLUDING A3FE, A3RE ENDING WITH CSN F30055764
14	0022596		BRACKET ASSY,SHK,RR SUSP W/STAB,RH,J190	J190-230 FROM CSN WITH CSN F30055765 TO F30077079
14	0033696		BRACKET ASSY,SHK,RR SUSP W/STAB,RH,J190	J190-230 BEGIN WITH CSN F30077080
14	1858471		BRACKET ASSY,SHK,RR SUSP W/STAB,RH,S	EXCLUDING A3FE, A3RE
14	0022644		BRACKET ASSY,SHK,RR SUSP W/STAB,RH,S150	ENDING WITH CSN 30094779 S150. C1FE/TSFE ONLY
14	0040320		BRACKET ASSY,SHK,RR SUSP,W/STAB,RH,RS15	BEGIN WITH CSN 30094780. RS15 - C1FE ONLY
15	1858463		BRACKET ASSY,SHK,RR SUSP W/STAB,LH,J190	EXCLUDING A3FE, A3RE) ENDING WITH CSN F30055764
15	0022597		BRACKET ASSY,SHK,RR SUSP W/STAB,LH,J190	J190-230 FROM CSN WITH CSN F30055765 TO F30077079
15	0033698		BRACKET ASSY,SHK,RR SUSP W/STAB,LH,J190	J190-230 BEGIN WITH CSN F30077080
15	1858489		BRACKET ASSY,SHK,RR SUSP W/STAB,LH,S-150	EXCLUDING A3FE, A3RE
15	0022646		BRACKET ASSY,SHK,RR SUSP W/STAB,LH,S150	ENDING WITH CSN 30094779 S150. C1FE/TSFE ONLY
15	0040321		BRACKET ASSY,SHK,RR SUSP,W/STAB,RH,RS15	BEGIN WITH CSN 30094780. RS15 - C1FE ONLY
16	0008595	2	BRACKET ASSY,MTG,STABILIZER BAR	A3FE, A3RE ONLY

**Models:** AAFE, A3FE, A3RE, C1FE, C3FE, CSFE, CSRE, QBRE, T2RE, TCPE

**SPRING  
SPACER ASSY, CHART**

Key	PartNumber	Qty	Description	Comment
			SPACER ASSEMBLY, SPRING SUSPENSION	
	1481704		SPACER ASSY,SUSPENSION,3IN WIDE	
	1481712		SPACER ASSY,SUSPENSION,4IN WIDE	
	1836246		SPACER ASSY,SUSP,1.75 INCH	
	1864719		SPACER ASSY,SUSPENSION,3.00IN WIDE	
	1896000		SPACER ASSY,SUSPENSION,4 INCH WIDE X 2	
	1895994		SPACER ASSY,SUSPENSION,3 INCH WIDE X 2	
	0018332		SPACER ASSY,SUSPENSION,4 INCH WIDE X 3	