

**Chassis**

**160 Transmission**

AUTOMATIC, COMPONENTS

2000 SERIES

1550

*With: FEATURE 40177-02,-08,-10,-11; 40187-01,-08 WITH FEATURE 40434-01  
From CSN 09/01/99  
To 01/21/01*

---

1

*With: FEATURE 40177-10,-11,-12; 40187-09,-10 WITH FEATURE 40434-01  
From CSN 01/22/01*

---

2

WITH MANUAL DOOR

*With: FEATURE 40177-10,-11,-12 WITH FEATURE 40434-01*

---

3

2500 SERIES

*With: FEATURE 40187-09,-10,-14 WITH FEATURE 40432-03*

---

4

2500 SERIES (RH DRIVE)

*With: FEATURE 40187-09,-10,-14 WITH FEATURE 40432-03*

---

5

2500 SERIES, GEN 4

*With: FEATURE 40187-09,-10,-14 WITH FEATURE 40432-09*

---

6

2500 SERIES, GEN 4 (RH DRIVE)

*With: FEATURE 40187-09,-10,-14 WITH FEATURE 40432-09*

---

7

3000 SERIES

*With: FEATURE 40432-04, 40423-03*

---

8

3000 SERIES, GEN 4

WITH ROUND TRANSMISSION OIL COOLER

---

9

WITH SQUARE (SHOEBOX) TRANSMISSION OIL COOLER

*With: FEATURE 40423-05, 40432-10  
To CSN F0228969 (02-26-06)*

---

10

*With: FEATURE 40423-05, 40432-10  
From CSN F0228970 (02-27-06)*

---

11

AT545

1550

*With: FEATURE 40421-01, 02  
From CSN 11/01/99  
To 01/21/01*

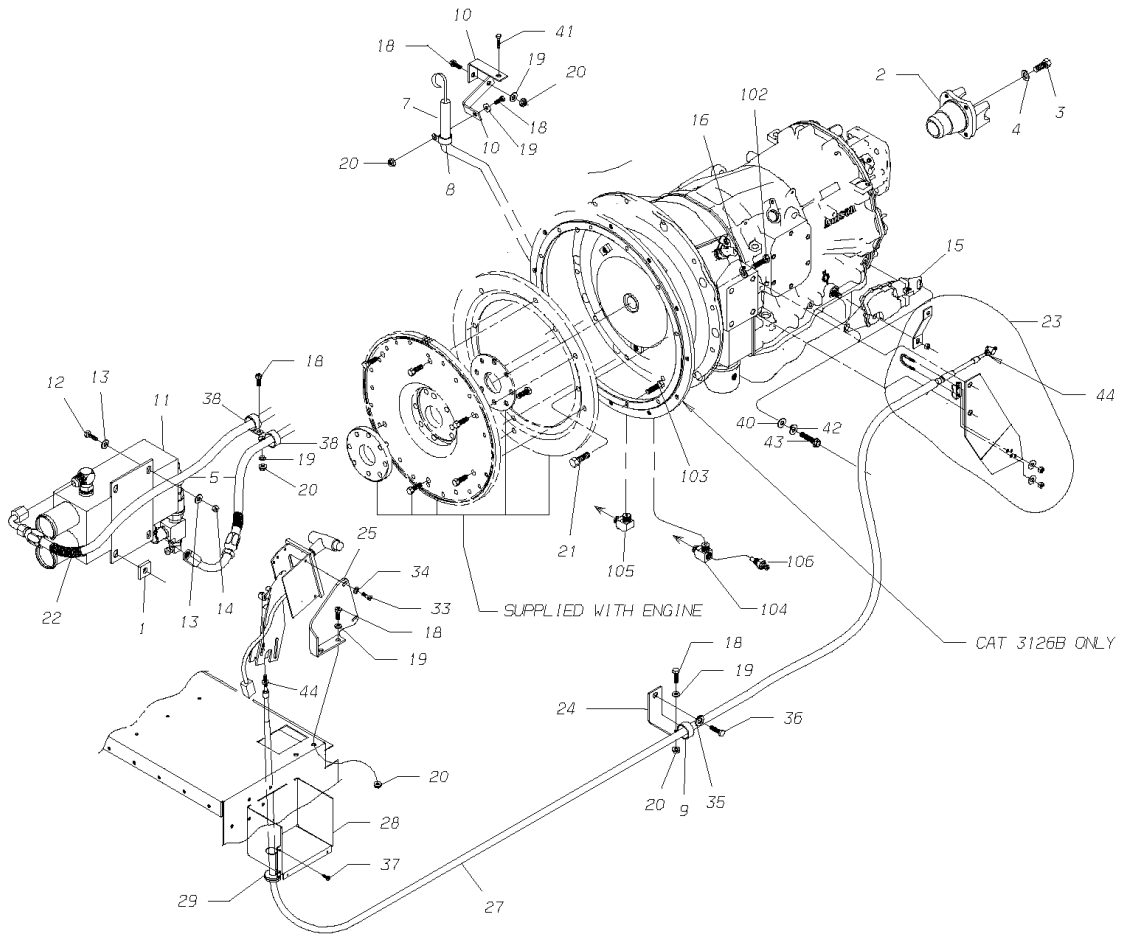
---

12

	<i>With: FEATURE 40421-01, 02</i>	
	<i>From CSN 01/22/01</i>	
B300		13
RH DRIVE (EXPORT)		
		14
B300, GEN 4		
RH DRIVE (EXPORT)		
		15
MD3060, B300, B400		
	<i>With: FEATURE 40177, 40187 OR 40184 WITH 40422, 40423 OR 40424</i>	
	<i>From 07/23/98</i>	
	<i>To CSN F0163204; 05/03/04</i>	
		16
	<i>With: FEATURE 40177, 40187 OR 40184 WITH 40422, 40423 OR 40424</i>	
	<i>From CSN F0163205</i>	
		17
MT643		
1610		
	<i>With: FEATURE 40426-01</i>	
	<i>From CSN 06/01/98</i>	
	<i>To 08/01/99</i>	
		18
	<i>With: FEATURE 40426-01</i>	
	<i>From CSN 08/02/99</i>	
	<i>To 01/21/01</i>	
		19
	<i>With: FEATURE 40426-01</i>	
	<i>From CSN 01/22/01</i>	
		20
EXPORT		
	<i>With: FEATURE 40426-01</i>	
	<i>From CSN 01/22/01</i>	
		21
RH DRIVE		
	<i>With: FEATURE 40426-01</i>	
	<i>From CSN 04/27/00</i>	
		22
MANUAL, COMPONENTS		
5, 6 SPEED		
	<i>With: FEATURE 40427-07, 08</i>	
	<i>From CSN 10/18/99</i>	
		23

**Models:** A3FE  
**AUTOMATIC, COMPONENTS**  
**2000 SERIES**  
**1550**  
**With Features:** FEATURE 40177-02,-08,-10,-11; 40187-01,-08 WITH FEATURE 40434-01  
**BSN:** From CSN 09/01/99  
 To 01/21/01

Key	PartNumber	Qty	Description	Comment
-----	------------	-----	-------------	---------



**Models:** **A3FE**  
**AUTOMATIC, COMPONENTS**  
**2000 SERIES**  
**1550**

**With Features:** **FEATURE 40177-02,-08,-10,-11; 40187-01,-08 WITH FEATURE 40434-01**  
**BSN:** **From CSN 09/01/99**  
**To 01/21/01**

Key	PartNumber	Qty	Description	Comment
1	0998526	1	SPACER,.250X1.25X1.25 W/.531 HOLE,PAINTED	
2	0015425	1	YOKE,TRANS,1550 W/PARK BRK FLANGE,	HYD BRK
2	0015527	1	YOKE,TRANS,1550_SPL-70,SPICER 4-4-4801-1X	AIR BRAKE
3	0015471	1	BOLT,HEX,1/2-20,2000 SERIES,29536847	
4	1003045	1	WASHER,FLAT,17/32 X 1 1/16 X 7/64,HDN,	
5	1459395	2	HOSE ASSY,211R12-AS12-J90S12-28	
6	0015472	1	WASHER,SEALING,2000 SERIES TRANSMISSION	
7	0010242	1	TUBE & DIPSTICK ASSY,TRANS,2000 SERIES,FE	
8	0557710	1	CLAMP,LOOP,.812	
9	1107937	1	CLAMP,LOOP,2.00	
10	1391952	1	SCREW,SELF TAP,M8-1.25X21	USED TO MOUNT DIPSTICK TUBE
11	0002362	1	COOLER ASSY,TRANS OIL,MT643/MD3060,	
NI	1408996	1	COOLER,TRANS OIL,RADIATOR	INCLUDED IN KEY #11
NI	1626431	1	VALVE,BALL,3/4,W/BUTTERFLY HANDLE	INCLUDED IN KEY #11
12	0803213	5	CAPSCREW,HEX HD,3/8-16X1 1/4,GR8,YEL	
13	1107085	12	WASHER,FLAT,13/32 X 13/16 X 3/32,HDN,BLK	
14	0826297	5	NUT,HEX HD,3/8-16 LOCK,YEL ZN DICH	
15	0015416	1	SWITCH,NSBU,2000 SERIES	
16	1394675	12	LOCKWASHER,SPLIT RING,10 MM,MED,OLV DRB	
17	0971739	2	CAPSCREW,HX HD,M8-1.25X20,CL 8.8,	
18	0989145	4	CAPSCREW,HEX HD,5/16-18, X, 1, ,GR5,	
19	1167485	4	WASHER,FLAT,11/32 X 11/16 X 5/64,HDN,BLK	
20	0829390	4	NUT,HEX HD,5/16-18,SER WASHER,YEL ZN	
21	1854173	6	BOLT,HEX HD,M10 X 15,ALLISON 23049056	
22	1109271	4	LOOM,CORRUGATED,BLACK,NYLON,3/4 ID,SS	
23	0020935	1	KIT,T/M CONNECTION,2000 SERIES,6-PIN,FE	
24	1319094	1	BRACKET,MTG,TRANS CABLE CLAMP,TCFC	
25	1967710	1	BRACKET,MTG,SHIFTER,MECHANICAL,LH DRV,	
26	0017370	1	SELECTOR,SHIFT,2000 T/M,2 PIN	
27	1475557	1	CABLE,TRANSMISSION SHIFT,88 IN. LONG	
28	1967728	1	PANEL,CLOSEOUT,SHIFTER,ENG CMPT,LH DRV	
29	1508613	1	GROMMET,RUBBER,ATLANTIC INDIA #2426	
30	2001220	2	LOCKWASHER,SPLIT RING, 5/8 ,LHT,YEL ZN	

**Models:** **A3FE**  
**AUTOMATIC, COMPONENTS**  
**2000 SERIES**  
**1550**

**With Features:** **FEATURE 40177-02,-08,-10,-11; 40187-01,-08 WITH FEATURE 40434-01**  
**BSN:** **From CSN 09/01/99**  
**To 01/21/01**

Key	PartNumber	Qty	Description	Comment
31	1111384	2	CAPSCREW,HEX HD,5/8-11 X1 1/4,GR5,	
32	2001048	2	WASHER,FLAT,11/32 X 11/16 X 1/16,YEL	
33	0807958	2	CAPSCREW,HEX HD,1/4-20X 1/2,GR8,YEL ZN	
34	2001170	2	LOCKWASHER,SPLIT RING, 1/4 ,MED,YEL ZN	
35	2001212	1	LOCKWASHER,SPLIT RING, 1/2 ,LHT,YEL ZN	
36	1132034	1	CAPSCREW,HX HD,M12-1.75X35,GR8.8,	
37	1143676	4	SCREW,10-16 X 3/4, AB,PH1,PAN HD,BLK ZN,	
38	1517168	2	CLAMP,LOOP,.937	
39	0989145	2	CAPSCREW,HEX HD,5/16-18, X, 1, ,GR5,	
40	2001048	2	WASHER,FLAT,11/32 X 11/16 X 1/16,YEL	
41			NOT CURRENTLY USED	
42	2001188	2	LOCKWASHER,SPLIT RING, 5/16,MED,YEL ZN	
43	1700442	2	CAPSCREW,HEX HD,M8-1.25 X 20MM,10.9	
NI	1486547		FLUID,TRANS,DEXRON III	
44	2001402	2	NUT,HEX HD,1/4-28,YEL ZN DICH	
45	1351071	1	PLUG,BUTTON,BLACK,DP-1000 HEYCO 2713	
46	1653476	1	HOSE ASSY,2110639-12-12-12-37.50, HDFE	
10			TRANSMISSION, SUPPLIED BY VENDOR	
10	0997734	12	CAPSCREW,HX HD,M10-1.5X35,CL10.9,	40434-01 W/ 40177-02, 08, 10, 11, 12
10	1863422	12	SCREW,MACH,FT/HD,10MM,ALLISON 11514283	40434-01 W/ 40187-01, 08
10	1863430	1	CAPSCREW,M10-1.5X15MM,LOCTITE 23049056	40434-01 W/ 40187-01, 08
10	0964908	1	ADAPTER,849-FSO-12X12,37 DEG	40434-01 W//O 40280-01
10	0017061	1	ELBOW,90 DEGREE WITH 1/8-27 NPT	40434-01 W/ 40280-01
10	0964908	1	ADAPTER,849-FSO-12X12,37 DEG	40434-01 WITH OR WITHOUT 40280-01
10	1939982	1	SENDER,TRANSMISSION OIL TEMPERATURE,	40434-01 W/ 40280-01
10	1317247	2	BRACKET,ATCH,BRAKE LINE TO FRAME	40434-01 W/ 40177-02, 08, 10, 11, 12
10	0006396	1	CAPSCREW,HX HD,M10-1.5X16,CLS8.8,	40434-01 W/ 40177-02, 08, 10, 11, 12
10	0989145	1	CAPSCREW,HEX HD,5/16-18, X, 1, ,GR5,	40434-01 W/ 40177-02, 08, 10, 11, 12
11	1167485	1	WASHER,FLAT,11/32 X 11/16 X 5/64,HDN,BLK	40434-01 W/ 40177-02, 08, 10, 11, 12
11	0829390	1	NUT,HEX HD,5/16-18,SER WASHER,YEL ZN	40434-01 W/ 40177-02, 08, 10, 11, 12
11	0014967	1	BRACKET,MTG,DIPSTICK,2000 SERIES,3126,	40434-01 W/ 40187-01, 08

**Models:** A3FE  
AUTOMATIC, COMPONENTS  
2000 SERIES  
1550

**With Features:** FEATURE 40177-02,-08,-10,-11; 40187-01,-08 WITH FEATURE 40434-01  
**BSN:** From CSN 09/01/99  
To 01/21/01

Key	PartNumber	Qty	Description	Comment
NI	0020362	1	TRANSMISSION CTRL MOD,A2000,2500RPM,	40434-01 W/ 40177-01, 08, 10, 11
NI	0020372	1	TRANSMISSION CTRL MOD,	40434-01 W/ 40177-02, 08, 12

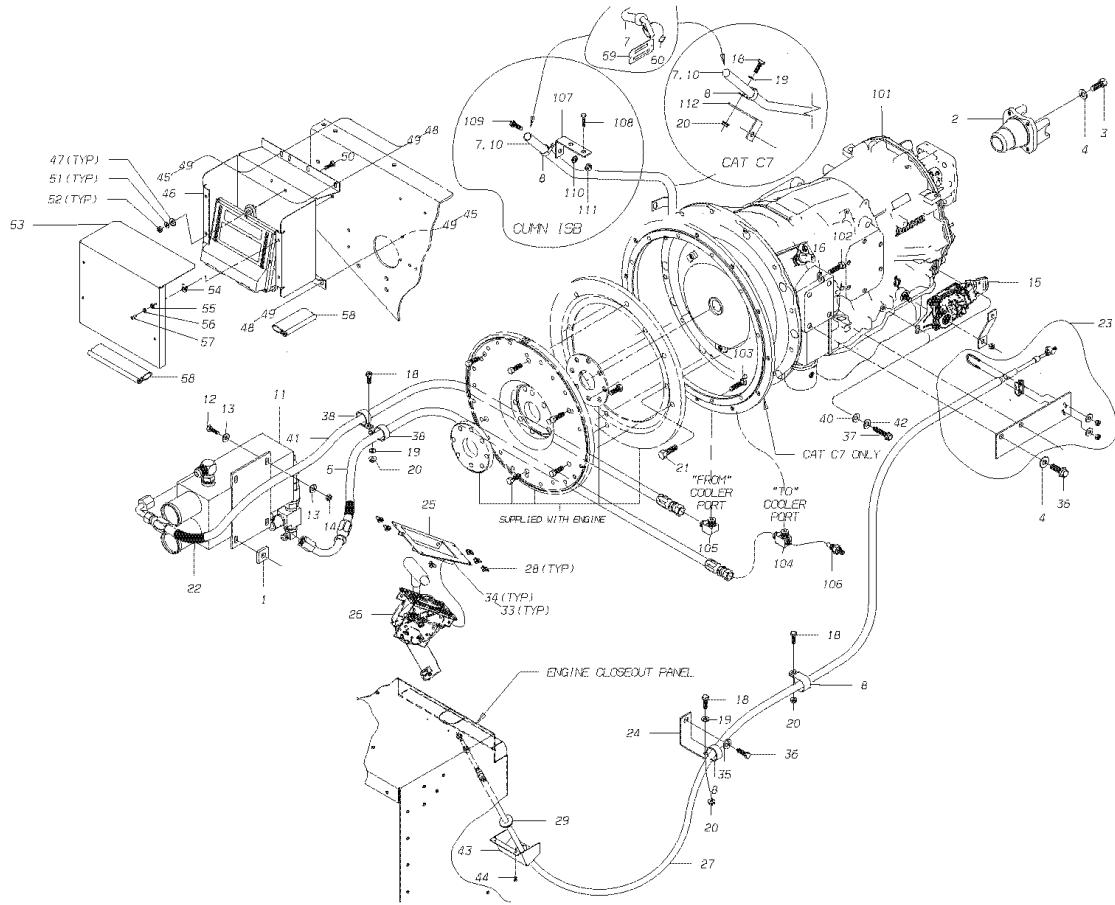
**Models:** A3FE, C3FE  
**AUTOMATIC, COMPONENTS**  
**2000 SERIES**  
**1550**

**With Features:** FEATURE 40177-10,-11,-12; 40187-09,-10 WITH FEATURE 40434-01  
**BSN:** From CSN 01/22/01

---

Key	PartNumber	Qty	Description	Comment
-----	------------	-----	-------------	---------

---



**Models:** A3FE, C3FE  
AUTOMATIC, COMPONENTS  
2000 SERIES  
1550

**With Features:** FEATURE 40177-10,-11,-12; 40187-09,-10 WITH FEATURE 40434-01  
**BSN:** From CSN 01/22/01

Key	PartNumber	Qty	Description	Comment
1	0998526	1	SPACER,.250X1.25X1.25 W/.531 HOLE,PAINTED	
2	0015425	1	YOKE,TRANS,1550 W/PARK BRK FLANGE,	HYD BRK
	0015527	1	YOKE,TRANS,1550_SPL-70,SPICER 4-4-4801-1X	AIR BRAKE
3	0015471	1	BOLT,HEX,1/2-20,2000 SERIES,29536847	
4	1003045	3	WASHER,FLAT,17/32 X 1 1/16 X 7/64,HDN,	
5	0049612	1	HOSE ASSY,WH H23912E-612-672-A02800	
6	0015472	1	WASHER,SEALING,2000 SERIES TRANSMISSION	
7	0065418	1	TUBE & D/STK ASSY,TRANS,2000 SERIES,A3FE	
8	0557710	3	CLAMP,LOOP,.812	
9			NOT CURRENTLY USED	
10	1391952	1	SCREW,SELF TAP,M8-1.25X21	USED TO MOUNT DIPSTICK TUBE
11	0002362	1	COOLER ASSY,TRANS OIL,MT643/MD3060,	
11	0054387	1	COOLER ASSY,TRANS OIL,643/3060,CVT HTG	WITH 30059 ONLY
NI	1408996	1	COOLER,TRANS OIL,RADIATOR	COOLER ONLY
NI	1626431	1	VALVE,BALL,3/4,W/BUTTERFLY HANDLE	
12	0803213	5	CAPSCREW,HEX HD,3/8-16X1 1/4,GR8,YEL	
13	1107085	12	WASHER,FLAT,13/32 X 13/16 X 3/32,HDN,BLK	
14	0826297	5	NUT,HEX HD,3/8-16 LOCK,YEL ZN DICH	
15	0044103	1	SWITCH,NSBU,2000 SERIES,29540479	ENDING WITH CSN F0163204. 05/02/04
15	0070156	1	SWITCH,TRANS,NSBU,2000 SERIES,29541852	BEGIN WITH CSN F0163205. 05/03/04
16	1394675	12	LOCKWASHER,SPLIT RING,10 MM,MED,OLV DRB	
17	0971739	2	CAPSCREW,HX HD,M8-1.25X20,CL 8.8,	
18	0989145	3	CAPSCREW,HEX HD,5/16-18, X, 1, ,GR5,	
19	1167485	3	WASHER,FLAT,11/32 X 11/16 X 5/64,HDN,BLK	
20	0829390	3	NUT,HEX HD,5/16-18,SER WASHER,YEL ZN	
21	1854173	6	BOLT,HEX HD,M10 X 15,ALLISON 23049056	
22	1109271	4	LOOM,CORRUGATED,BLACK,NYLON,3/4 ID,SS	
23	0020935	1	KIT,T/M CONNECTION,2000 SERIES,6-PIN,FE	
24	1317247	1	BRACKET,ATCH,BRAKE LINE TO FRAME	
25	0023394	1	PANEL,MTG,SHIFT SELECTOR TO HOUSING,LH	
26	0028756	1	SELECTOR,SHIFT,TRANS,A2000,2 PIN	
27	1355585	1	CABLE,TRANSMISSION SHIFT,98 IN. LONG	
28	0025522	6	U-NUT,10-32	



**Models:** A3FE, C3FE  
**AUTOMATIC, COMPONENTS**  
**2000 SERIES**  
**1550**

**With Features:** FEATURE 40177-10,-11,-12; 40187-09,-10 WITH FEATURE 40434-01  
**BSN:** From CSN 01/22/01

Key	PartNumber	Qty	Description	Comment
29	1508613	1	GROMMET,RUBBER,ATLANTIC INDIA #2426	
30			NOT CURRENTLY USED	
31			NOT CURRENTLY USED	
32	2001048	2	WASHER,FLAT,11/32 X 11/16 X 1/16,YEL	
33	2000792	4	SCREW,MACH,1/4-20X1/2,PH1,RD HD,YEL ZN	
34	2001170	4	LOCKWASHER,SPLIT RING, 1/4 ,MED,YEL ZN	
35	2001212	1	LOCKWASHER,SPLIT RING, 1/2 ,LHT,YEL ZN	
36	1132034	3	CAPSCREW,HX HD,M12-1.75X35,GR8.8,	
37	1700442	2	CAPSCREW,HEX HD,M8-1.25 X 20MM,10.9	
38	1517168	2	CLAMP,LOOP,.937	
39	0989145	2	CAPSCREW,HEX HD,5/16-18, X, 1, ,GR5,	
40	2001048	2	WASHER,FLAT,11/32 X 11/16 X 1/16,YEL	
41	0049618	1	HOSE ASSY,WH H23912E-612-672-A03750	
42	2001188	2	LOCKWASHER,SPLIT RING, 5/16,MED,YEL ZN	
43	0026366	1	COVER,SHIFTER CABLE,ENGINE COMPARTMENT	
44	1200799	2	SCREW,10-24 X 3/8,T,PH1,PAN HD, YEL ZN	
45	2001345	4	NUT,HEX HD,1/4-20,LOCKING,YELLOW	
46	0047870	1	BRACKET,MOUNTING,ECU AND TCM,HDFE	
47	1991108	3	WASHER,FLAT,17/64 ID X 3/4,YELLOW ZINC	
48	0870477	4	CAPSCREW,HEX HD,1/4-20 X 1,GR 8,YEL ZN	
49	1467000	8	WASHER,FLAT,.281 X.750X.078 HARDENED,BLK	
50	0420786	3	SCREW,MACH,1/4-20X1-1/4,PH1,TRUSS,	
51	2001170	3	LOCKWASHER,SPLIT RING, 1/4 ,MED,YEL ZN	
52	2001337	3	NUT,HEX HD,1/4-20,ZINC	
53	0047873	1	COVER,ECU AND TCM,HDFE	
54	0025522	4	U-NUT,10-32	
55	2001105	4	WASHER,FLAT,13/64 X,1/2 X 3/64,YEL ZN DICH	
56	2001162	4	LOCKWASHER,SPLIT RING, 3/16,MED,YEL ZN	
57	2000776	4	SCREW,MACH, 10-32 X 3/4,PH1,RD HD,	
58	1343532		SEAL,SIDE LIP,UNI-GRIP SD-506	
59	0024934	1	TAG,WARNING,SYNTHETIC OIL	WITH FEATURE 40111-02. A3FE ONLY
60	0024935	1	RING,ATTACHING,DIAMOND	WITH FEATURE 40111-02. A3FE ONLY
10			TRANSMISSION, SUPPLIED BY VENDOR	

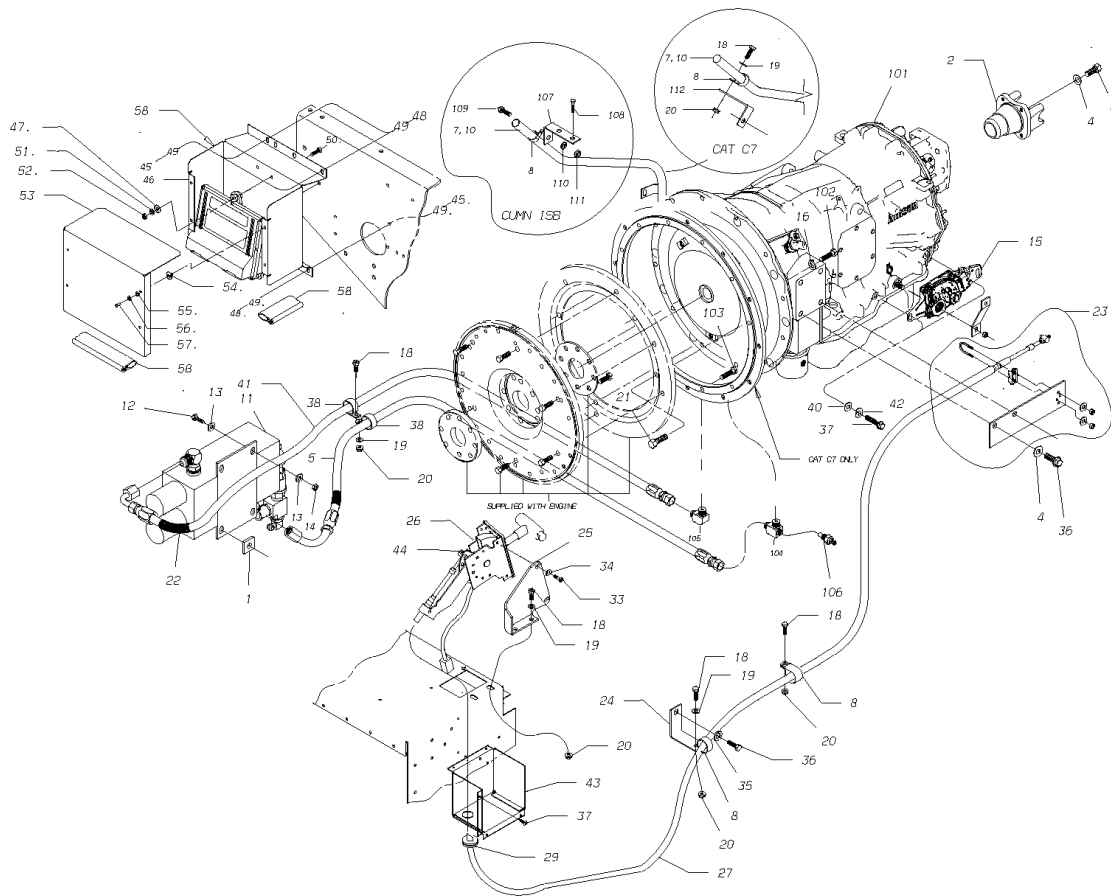
**Models:** A3FE, C3FE  
AUTOMATIC, COMPONENTS  
2000 SERIES  
1550

**With Features:** FEATURE 40177-10,-11,-12; 40187-09,-10 WITH FEATURE 40434-01  
**BSN:** From CSN 01/22/01

Key	PartNumber	Qty	Description	Comment
10	0997734	12	CAPSCREW,HX HD,M10-1.5X35,CL10.9,	ALLISON 2000 SERIES TRANSMISSION WITH CUMMINS ISB
10	1863422	12	SCREW,MACH,FT/HD,10MM,ALLISON 11514283	ALLISON 2000 SERIES TRANSMISSION WITH CAT 3126B
10	0803213	12	CAPSCREW,HEX HD,3/8-16X1 1/4,GR8,YEL	ALLISON 2000 SERIES TRANSMISSION WITH CAT C7
10	1854173	10	BOLT,HEX HD,M10 X 15,ALLISON 23049056	2000 SERIES TRANSMISSION W/ CAT 3126B
10	0964908	1	ADAPTER,849-FSO-12X12,37 DEG	2000 SERIES WITHOUT TRANSMISSION TEMPERATURE GAUGE
	0017061	1	ELBOW,90 DEGREE WITH 1/8-27 NPT	2000 SERIES WITH TRANSMISSION TEMP GAUGE
10	0964908	1	ADAPTER,849-FSO-12X12,37 DEG	WITH OR WITHOUT TRANSMISSION TEMP GAUGE
10	1939982	1	SENDER,TRANSMISSION OIL TEMPERATURE,	2000 SERIES W/ TRANS TEMP GAUGE
10	1317247	2	BRACKET,ATCH,BRAKE LINE TO FRAME	WITH CUMMINS ISB
10	0006396	1	CAPSCREW,HX HD,M10-1.5X16,CLS8.8,	WITH CUMMINS ISB
10	0989145	1	CAPSCREW,HEX HD,5/16-18, X, 1, ,GR5,	WITH CUMMINS ISB
11	1167485	1	WASHER,FLAT,11/32 X 11/16 X 5/64,HDN,BLK	WITH CUMMINS ISB
11	0829390	1	NUT,HEX HD,5/16-18,SER WASHER,YEL ZN	WITH CUMMINS ISB
11	1317247	1	BRACKET,ATCH,BRAKE LINE TO FRAME	WITH CAT C7
NI	0020362	1	TRANSMISSION CTRL MOD,A2000,2500RPM,	WITH 40177-10, 11
NI	0020372	1	TRANSMISSION CTRL MOD,	WITH 40177-12
NI	0056528	1	TRANSMISSION CTRL MOD,A2000,2500RPM,LIM	WITH 40187-01, 08

**Models:** A3FE, C3FE  
**AUTOMATIC, COMPONENTS**  
**2000 SERIES**  
**WITH MANUAL DOOR**  
**With Features:** FEATURE 40177-10,-11,-12 WITH FEATURE 40434-01

Key	PartNumber	Qty	Description	Comment
-----	------------	-----	-------------	---------



**Models:** A3FE, C3FE  
**AUTOMATIC, COMPONENTS**  
**2000 SERIES**  
**WITH MANUAL DOOR**

**With Features:** FEATURE 40177-10,-11,-12 WITH FEATURE 40434-01

Key	PartNumber	Qty	Description	Comment
1	0998526	1	SPACER,.250X1.25X1.25 W/.531 HOLE,PAINTED	
2	0015425	1	YOKE,TRANS,1550 W/PARK BRK FLANGE,	HYD BRK
2	0015527	1	YOKE,TRANS,1550_SPL-70,SPICER 4-4-4801-1X	AIR BRAKE
3	0015471	1	BOLT,HEX,1/2-20,2000 SERIES,29536847	
4	1003045	3	WASHER,FLAT,17/32 X 1 1/16 X 7/64,HDN,	
5	0049612	1	HOSE ASSY,WH H23912E-612-672-A02800	
6	0015472	1	WASHER,SEALING,2000 SERIES TRANSMISSION	
7	0065418	1	TUBE & D/STK ASSY,TRANS,2000 SERIES,A3FE	
8	0557710	3	CLAMP,LOOP,.812	
9			NOT CURRENTLY USED	
10	1391952	1	SCREW,SELF TAP,M8-1.25X21	USED TO MOUNT DIPSTICK TUBE
11	0002362	1	COOLER ASSY,TRANS OIL,MT643/MD3060,	
11	0054387	1	COOLER ASSY,TRANS OIL,643/3060,CVT HTG	WITH 30059 ONLY
NI	1408996	1	COOLER,TRANS OIL,RADIATOR	COOLER ONLY
NI	1626431	1	VALVE,BALL,3/4,W/BUTTERFLY HANDLE	
12	0803213	5	CAPSCREW,HEX HD,3/8-16X1 1/4,GR8,YEL	
13	1107085	12	WASHER,FLAT,13/32 X 13/16 X 3/32,HDN,BLK	
14	0826297	5	NUT,HEX HD,3/8-16 LOCK,YEL ZN DICH	
15	0044103	1	SWITCH,NSBU,2000 SERIES,29540479	ENDING WITH CSN F0163204. 05/02/04
15	0070156	1	SWITCH,TRANS,NSBU,2000 SERIES,29541852	BEGIN WITH CSN F0163205. 05/03/04
16	1394675	12	LOCKWASHER,SPLIT RING,10 MM,MED,OLV DRB	
17	0971739	2	CAPSCREW,HX HD,M8-1.25X20,CL 8.8,	
18	0989145	3	CAPSCREW,HEX HD,5/16-18, X, 1, ,GR5,	
19	1167485	3	WASHER,FLAT,11/32 X 11/16 X 5/64,HDN,BLK	
20	0829390	3	NUT,HEX HD,5/16-18,SER WASHER,YEL ZN	
21	1854173	6	BOLT,HEX HD,M10 X 15,ALLISON 23049056	
22	1109271	4	LOOM,CORRUGATED,BLACK,NYLON,3/4 ID,SS	
23	0020935	1	KIT,T/M CONNECTION,2000 SERIES,6-PIN,FE	
24	1317247	1	BRACKET,ATCH,BRAKE LINE TO FRAME	
25	1967710	1	BRACKET,MTG,SHIFTER,MECHANICAL,LH DRV,	
26	0017370	1	SELECTOR,SHIFT,2000 T/M,2 PIN	
27	1355585	1	CABLE,TRANSMISSION SHIFT,98 IN. LONG	
28	0025522	6	U-NUT,10-32	

**Models:** A3FE, C3FE  
**AUTOMATIC, COMPONENTS**  
**2000 SERIES**  
**WITH MANUAL DOOR**  
**With Features:** FEATURE 40177-10,-11,-12 WITH FEATURE 40434-01

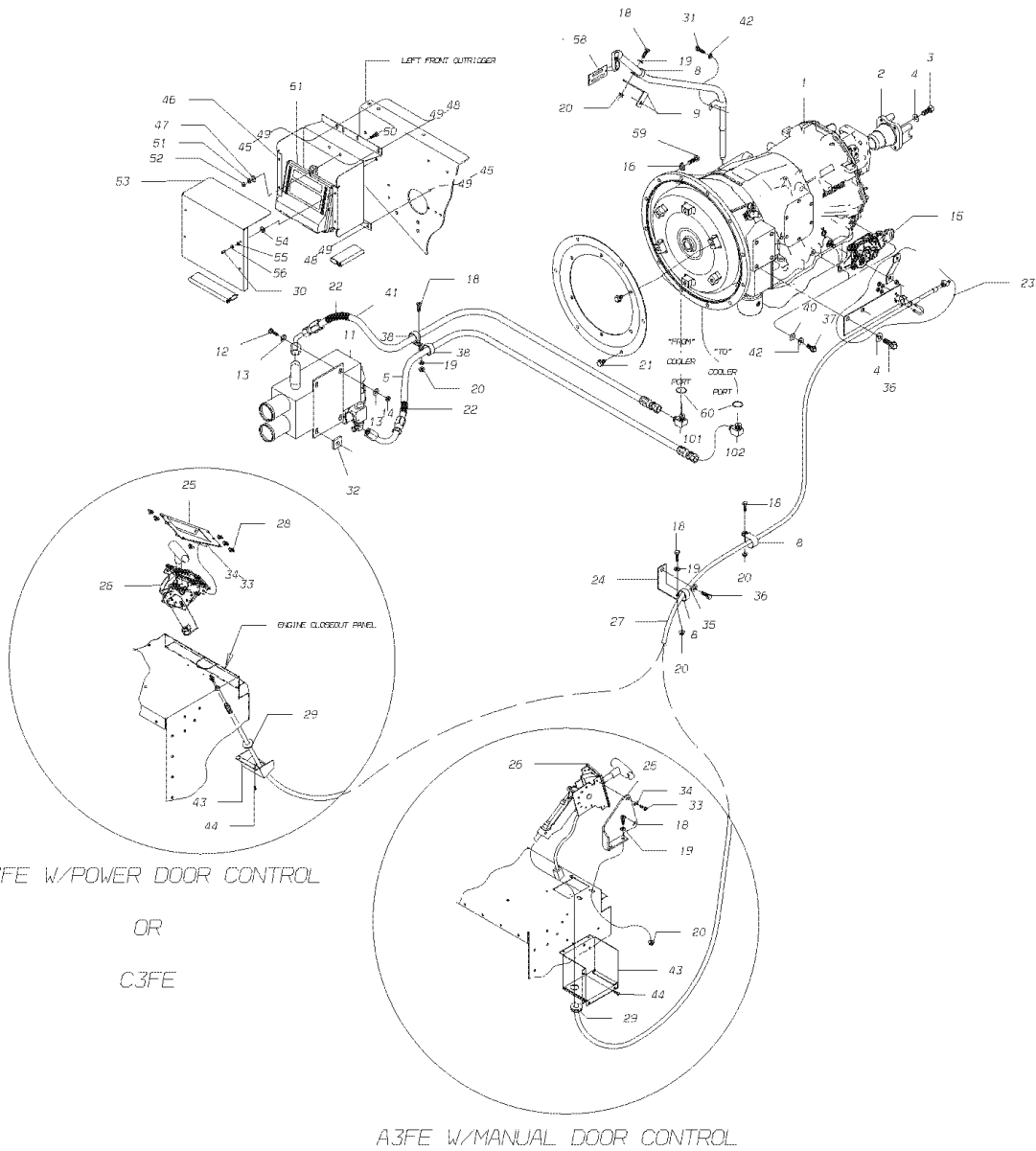
Key	PartNumber	Qty	Description	Comment
29	1508613	1	GROMMET,RUBBER,ATLANTIC INDIA #2426	
30			NOT CURRENTLY USED	
31			NOT CURRENTLY USED	
32	2001048	2	WASHER,FLAT,11/32 X 11/16 X 1/16,YEL	
33	0807958	4	CAPSCREW,HEX HD,1/4-20X 1/2,GR8,YEL ZN	
34	2001170	4	LOCKWASHER,SPLIT RING, 1/4 ,MED,YEL ZN	
35	2001212	1	LOCKWASHER,SPLIT RING, 1/2 ,LHT,YEL ZN	
36	1132034	3	CAPSCREW,HX HD,M12-1.75X35,GR8.8,	
37	1200799	2	SCREW,10-24 X 3/8,T,PH1,PAN HD, YEL ZN	
38	1517168	2	CLAMP,LOOP,.937	
39	0989145	2	CAPSCREW,HEX HD,5/16-18, X, 1, ,GR5,	
40	2001048	2	WASHER,FLAT,11/32 X 11/16 X 1/16,YEL	
41	0049618	1	HOSE ASSY,WH H23912E-612-672-A03750	
42	2001188	2	LOCKWASHER,SPLIT RING, 5/16,MED,YEL ZN	
43	0060082	1	PANEL,C/OUT,SHIFTER,ENGINE CMPT,W/MAN	
44	1200799	2	SCREW,10-24 X 3/8,T,PH1,PAN HD, YEL ZN	
45	2001345	4	NUT,HEX HD,1/4-20,LOCKING,YELLOW	
46	0047870	1	BRACKET,MOUNTING,ECU AND TCM,HDFE	
47	1991108	3	WASHER,FLAT,17/64 ID X 3/4,YELLOW ZINC	
48	0870477	4	CAPSCREW,HEX HD,1/4-20 X 1,GR 8,YEL ZN	
49	1467000	8	WASHER,FLAT,.281 X.750X.078 HARDENED,BLK	
50	0420786	3	SCREW,MACH,1/4-20X1-1/4,PH1,TRUSS,	
51	2001170	3	LOCKWASHER,SPLIT RING, 1/4 ,MED,YEL ZN	
52	2001337	3	NUT,HEX HD,1/4-20,ZINC	
53	0047873	1	COVER,ECU AND TCM,HDFE	
54	0025522	4	U-NUT,10-32	
55	2001105	4	WASHER,FLAT,13/64 X,1/2 X 3/64,YEL ZN DICH	
56	2001162	4	LOCKWASHER,SPLIT RING, 3/16,MED,YEL ZN	
57	2000776	4	SCREW,MACH, 10-32 X 3/4,PH1,RD HD,	
58	1343532		SEAL,SIDE LIP,UNI-GRIP SD-506	
59	0024934		TAG,WARNING,SYNTHETIC OIL	WITH FEATURE 40111-02 A3FE ONLY
60	0024935		RING,ATTACHING,DIAMOND	WITH FEATURE 40111-02 A3FE ONLY
10	0026004	12	TRANSMISSION,LCT2000,TC221,2200 RPM	

**Models:** A3FE, C3FE  
**AUTOMATIC, COMPONENTS**  
**2000 SERIES**  
**WITH MANUAL DOOR**  
**With Features:** FEATURE 40177-10,-11,-12 WITH FEATURE 40434-01

Key	PartNumber	Qty	Description	Comment
10	0020358	12	TRANSMISSION,LCT2000,TC211,2200 RPM	
10	0997734	12	CAPSCREW,HX HD,M10-1.5X35,CL10.9,	ALLISON 2000 SERIES TRANSMISSION WITH CUMMINS ISB
10	0803213	12	CAPSCREW,HEX HD,3/8-16X1 1/4,GR8,YEL	ALLISON 2000 SERIES TRANSMISSION WITH CAT C7
10	1854173	10	BOLT,HEX HD,M10 X 15,ALLISON 23049056	2000 SERIES TRANSMISSION W/ CAT C7
10	0964908	1	ADAPTER,849-FSO-12X12,37 DEG	2000 SERIES WITHOUT TRANSMISSION TEMPERATURE GAUGE
	0017061	1	ELBOW,90 DEGREE WITH 1/8-27 NPT	2000 SERIES W/ TRANSMISSION TEMP GAUGE
10	0964908	1	ADAPTER,849-FSO-12X12,37 DEG	WITH OR WITHOUT TRANSMISSION TEMP GAUGE
10	1939982	1	SENDER,TRANSMISSION OIL TEMPERATURE,	2000 SERIES W/ TRANSMISSION TEMP GAUGE
10	1317247	2	BRACKET,ATCH,BRAKE LINE TO FRAME	WITH CUMMINS ISB
10	0006396	1	CAPSCREW,HX HD,M10-1.5X16,CLS8.8,	WITH CUMMINS ISB
10	0989145	1	CAPSCREW,HEX HD,5/16-18, X, 1, ,GR5,	WITH CUMMINS ISB
11	1167485	1	WASHER,FLAT,11/32 X 11/16 X 5/64,HDN,BLK	WITH CUMMINS ISB
11	0829390	1	NUT,HEX HD,5/16-18,SER WASHER,YEL ZN	WITH CUMMINS ISB
11	1317247	1	BRACKET,ATCH,BRAKE LINE TO FRAME	WITH CAT C7
NI	0020362	1	TRANSMISSION CTRL MOD,A2000,2500RPM,	WITH 40177-10, 11
NI	0020372	1	TRANSMISSION CTRL MOD,	WITH 40177-12
NI	0056528	1	TRANSMISSION CTRL MOD,A2000,2500RPM,LIM	WITH 40187-01, 08

**Models:** A3FE, C3FE  
**AUTOMATIC, COMPONENTS**  
**2500 SERIES**  
**With Features:** FEATURE 40187-09,-10,-14 WITH FEATURE 40432-03

Key	PartNumber	Qty	Description	Comment
-----	------------	-----	-------------	---------



**Models:** **A3FE, C3FE**  
**AUTOMATIC, COMPONENTS**  
**2500 SERIES**  
**With Features:** **FEATURE 40187-09,-10,-14 WITH FEATURE 40432-03**

Key	PartNumber	Qty	Description	Comment
1	0075271		TRANSMISSION,ALLISON,2500 PTS SERIES,	<i>FEATURE 40187-09,-10</i>
1	0078970		TRANSMISSION,ALLISON,2500 PTS SERIES,	<i>FEATURE 40187-14</i>
2	0015425		YOKE,TRANS,1550 W/PARK BRK FLANGE,	
2	0015527		YOKE,TRANS,1550_SPL-70,SPICER 4-4-4801-1X	
3	0015471		BOLT,HEX,1/2-20,2000 SERIES,29536847	
4	1003045		WASHER,FLAT,17/32 X 1 1/16 X 7/64,HDN,	
5	0085525		HOSE ASSY,TRANS,OIL CLR,#12-STR-90-28"	
6	0015472		WASHER,SEALING,2000 SERIES TRANSMISSION	
7	0065418		TUBE & D/STK ASSY,TRANS,2000 SERIES,A3FE	
8	0557710		CLAMP,LOOP,.812	
9	1317247		BRACKET,ATCH,BRAKE LINE TO FRAME	
10	1391952		SCREW,SELF TAP,M8-1.25X21	
11	0002362		COOLER ASSY,TRANS OIL,MT643/MD3060,	
11	0054387		COOLER ASSY,TRANS OIL,643/3060,CVT HTG	
12	0803213		CAPSCREW,HEX HD,3/8-16X1 1/4,GR8,YEL	
13	1107085		WASHER,FLAT,13/32 X 13/16 X 3/32,HDN,BLK	
14	0826297		NUT,HEX HD,3/8-16 LOCK,YEL ZN DICH	
15	0070156		SWITCH,TRANS,NSBU,2000 SERIES,29541852	
16	1394675		LOCKWASHER,SPLIT RING,10 MM,MED,OLV DRB	
17	0971739		CAPSCREW,HX HD,M8-1.25X20,CL 8.8,	
18	0989145		CAPSCREW,HEX HD,5/16-18, X, 1, ,GR5,	
19	1167485		WASHER,FLAT,11/32 X 11/16 X 5/64,HDN,BLK	
20	0829390		NUT,HEX HD,5/16-18,SER WASHER,YEL ZN	
21	1854173		BOLT,HEX HD,M10 X 15,ALLISON 23049056	
22	1228840		LOOM,CORRUGATED,BLACK,NYLON,1 1/4ID,SS	
23	0020935		KIT,T/M CONNECTION,2000 SERIES,6-PIN,FE	
24	1317247		BRACKET,ATCH,BRAKE LINE TO FRAME	
25	0023394		PANEL,MTG,SHIFT SELECTOR TO HOUSING,LH	<i>WITH PWR DOOR CONTROL</i>
	1967710		BRACKET,MTG,SHIFTER,MECHANICAL,LH DRV,	<i>WITH MANUAL DOOR CONTROL</i>
26	0028756		SELECTOR,SHIFT,TRANS,A2000,2 PIN	<i>WITH POWER DOOR CONTROL</i>
26	0017370		SELECTOR,SHIFT,2000 T/M,2 PIN	<i>WITH MANUAL DOOR CONTROL</i>
27	1355585		CABLE,TRANSMISSION SHIFT,98 IN. LONG	
28	0025522		U-NUT,10-32	



**Models:** **A3FE, C3FE**  
**AUTOMATIC, COMPONENTS**  
**2500 SERIES**

**With Features:** **FEATURE 40187-09,-10,-14 WITH FEATURE 40432-03**

Key	PartNumber	Qty	Description	Comment
29	1508613		GROMMET,RUBBER,ATLANTIC INDIA #2426	
30	2000776		SCREW,MACH, 10-32 X 3/4,PH1,RD HD,	
31	2000198		SCREW,5/16-18 X 1,D,HEX HD,YEL ZN DICH	
32	0998526		SPACER,.250X1.25X1.25 W/.531 HOLE,PAINTED	
33	2000792		SCREW,MACH,1/4-20X1/2,PH1,RD HD,YEL ZN	<i>WITH POWER DOOR CONTROL</i>
	0807958		CAPSCREW,HEX HD,1/4-20X 1/2,GR8,YEL ZN	<i>. WITH MANUAL DOOR CONTROL</i>
34	2001170		LOCKWASHER,SPLIT RING, 1/4 ,MED,YEL ZN	
35	2001212		LOCKWASHER,SPLIT RING, 1/2 ,LHT,YEL ZN	
36	1132034		CAPSCREW,HX HD,M12-1.75X35,GR8.8,	
37	1700442		CAPSCREW,HEX HD,M8-1.25 X 20MM,10.9	
38	1517168		CLAMP,LOOP,.937	
39	0989145		CAPSCREW,HEX HD,5/16-18, X, 1, ,GR5,	
40	2001048		WASHER,FLAT,11/32 X 11/16 X 1/16,YEL	
41	0085529		HOSE ASSY,TRANS,OIL CLR,#12-STR-90-38"	
42	2001188		LOCKWASHER,SPLIT RING, 5/16,MED,YEL ZN	
43	0026366		COVER,SHIFTER CABLE,ENGINE COMPARTMENT	<i>. WITH POWER DOOR CONTROL</i>
	0060082		PANEL,C/OUT,SHIFTER,ENGINE CMPT,W/MAN	<i>. WITH MANUAL DOOR CONTROL</i>
44	1200799		SCREW,10-24 X 3/8,T,PH1,PAN HD, YEL ZN	
45	2001345		NUT,HEX HD,1/4-20,LOCKING,YELLOW	
46	0047870		BRACKET,MOUNTING,ECU AND TCM,HDFE	
47	1991108		WASHER,FLAT,17/64 ID X 3/4,YELLOW ZINC	
48	0870477		CAPSCREW,HEX HD,1/4-20 X 1,GR 8,YEL ZN	
49	1467000		WASHER,FLAT,.281 X.750X.078 HARDENED,BLK	
50	0420786		SCREW,MACH,1/4-20X1-1/4,PH1,TRUSS,	
51	2001170		LOCKWASHER,SPLIT RING, 1/4 ,MED,YEL ZN	
52	2001337		NUT,HEX HD,1/4-20,ZINC	
53	0047873		COVER,ECU AND TCM,HDFE	
54	0025522		U-NUT,10-32	
55	2001105		WASHER,FLAT,13/64 X,1/2 X 3/64,YEL ZN DICH	
56	2001162		LOCKWASHER,SPLIT RING, 3/16,MED,YEL ZN	
57	1343532		SEAL,SIDE LIP,UNI-GRIP SD-506	
58	0075461		LABEL,ALLISON,TRANSYND,WITH TIE RAP	
59	0803213		CAPSCREW,HEX HD,3/8-16X1 1/4,GR8,YEL	

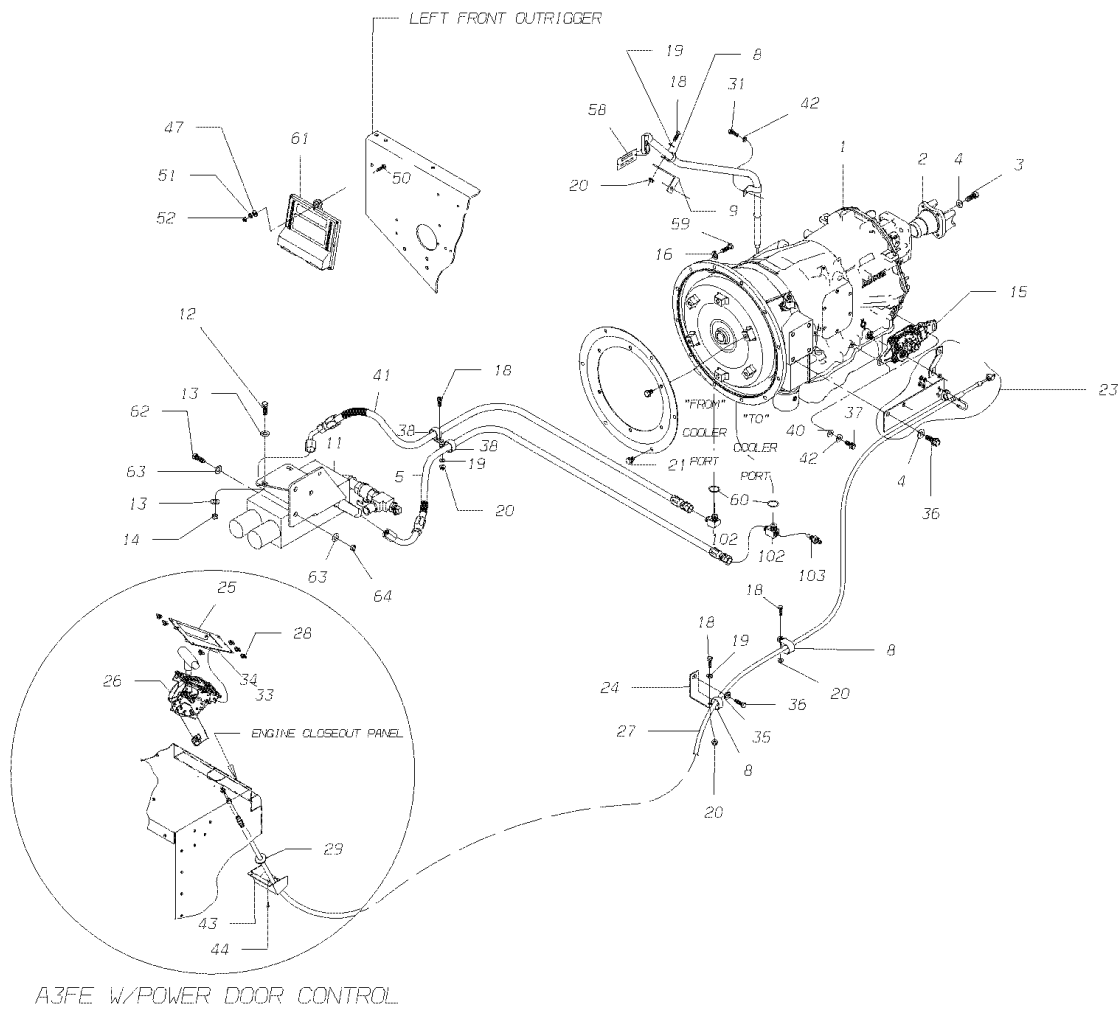
**Models:** A3FE, C3FE  
**AUTOMATIC, COMPONENTS**  
**2500 SERIES**

**With Features:** **FEATURE 40187-09,-10,-14 WITH FEATURE 40432-03**

Key	PartNumber	Qty	Description	Comment
60	0048094		O-RING,VITON,12 HYD FITTINGS	
61	0076155		MODULE,CONTROL,TRANS,2500PTS,LIM	
10	0964908		ADAPTER,849-FSO-12X12,37 DEG	<i>WITHOUT FEATURE 40280-01</i>
	0017061		ELBOW,90 DEGREE WITH 1/8-27 NPT	<i>WITH FEATURE 40280-01</i>
10	0964908		ADAPTER,849-FSO-12X12,37 DEG	<i>WITH or WITHOUT FEATURE 40280-01</i>

**Models:** A3FE  
**AUTOMATIC, COMPONENTS**  
**2500 SERIES (RH DRIVE)**  
**With Features:** FEATURE 40187-09,-10,-14 WITH FEATURE 40432-03

Key	PartNumber	Qty	Description	Comment
-----	------------	-----	-------------	---------



**Models:** **A3FE**  
**AUTOMATIC, COMPONENTS**  
**2500 SERIES (RH DRIVE)**  
**With Features:** **FEATURE 40187-09,-10,-14 WITH FEATURE 40432-03**

Key	PartNumber	Qty	Description	Comment
1	0075271		TRANSMISSION,ALLISON,2500 PTS SERIES,	<i>FEATURE 40187-09,-10 WITH FEATURE 40432-03</i>
1	0078970		TRANSMISSION,ALLISON,2500 PTS SERIES,	<i>FEATURE 40187-14 WITH FEATURE 40432-03</i>
2	0015425		YOKE,TRANS,1550 W/PARK BRK FLANGE,	<i>WITH HYD BRAKES</i>
2	0015527		YOKE,TRANS,1550_SPL-70,SPICER 4-4-4801-1X	<i>WITH AIR BRAKES</i>
3	0015471		BOLT,HEX,1/2-20,2000 SERIES,29536847	
4	1003045	3	WASHER,FLAT,17/32 X 1 1/16 X 7/64,HDN,	
5	0049612		HOSE ASSY,WH H23912E-612-672-A02800	
6	0015472		WASHER,SEALING,2000 SERIES TRANSMISSION	
7	0065418		TUBE & D/STK ASSY,TRANS,2000 SERIES,A3FE	
8	0557710	3	CLAMP,LOOP,.812	
9	1317247		BRACKET,ATCH,BRAKE LINE TO FRAME	
10	1391952		SCREW,SELF TAP,M8-1.25X21	<i>TO MOUNT DIPSTICK TUBE</i>
11	0002362		COOLER ASSY,TRANS OIL,MT643/MD3060,	
12	0803213	5	CAPSCREW,HEX HD,3/8-16X1 1/4,GR8,YEL	
13	1107085	12	WASHER,FLAT,13/32 X 13/16 X 3/32,HDN,BLK	
14	0826297	5	NUT,HEX HD,3/8-16 LOCK,YEL ZN DICH	
15	0070156		SWITCH,TRANS,NSBU,2000 SERIES,29541852	
16	1394675	12	LOCKWASHER,SPLIT RING,10 MM,MED,OLV DRB	
17	0971739	2	CAPSCREW,HX HD,M8-1.25X20,CL 8.8,	
18	0989145	2	CAPSCREW,HEX HD,5/16-18, X, 1, ,GR5,	<i>WITH POWER DOOR CONTROL</i>
19	1167485	2	WASHER,FLAT,11/32 X 11/16 X 5/64,HDN,BLK	<i>WITH POWER DOOR CONTROL</i>
20	0829390	2	NUT,HEX HD,5/16-18,SER WASHER,YEL ZN	<i>WITH POWER DOOR CONTROL</i>
21	1854173	6	BOLT,HEX HD,M10 X 15,ALLISON 23049056	
22	1109271	4F	LOOM,CORRUGATED,BLACK,NYLON,3/4 ID,SS	
23	0020935		KIT,T/M CONNECTION,2000 SERIES,6-PIN,FE	
24	1317247		BRACKET,ATCH,BRAKE LINE TO FRAME	
25	0023394		PANEL,MTG,SHIFT SELECTOR TO HOUSING,LH	<i>WITH POWER DOOR CONTROL</i>
26	0067861		SELECTOR,SHIFT,RHD,TRANS,A2000,W/NEUTL	<i>WITH PWR DOOR CNTRL</i>
27	0028022		CABLE,TRANSMISSION SHIFT,127 IN. LONG	
28	0025522	6	U-NUT,10-32	<i>WITH POWER DOOR CONTROL</i>
29	1508613	1	GROMMET,RUBBER,ATLANTIC INDIA #2426	
30	2000776	4	SCREW,MACH, 10-32 X 3/4,PH1,RD HD,	
31	2000198	1	SCREW,5/16-18 X 1,D,HEX HD,YEL ZN DICH	

**Models:** **A3FE**

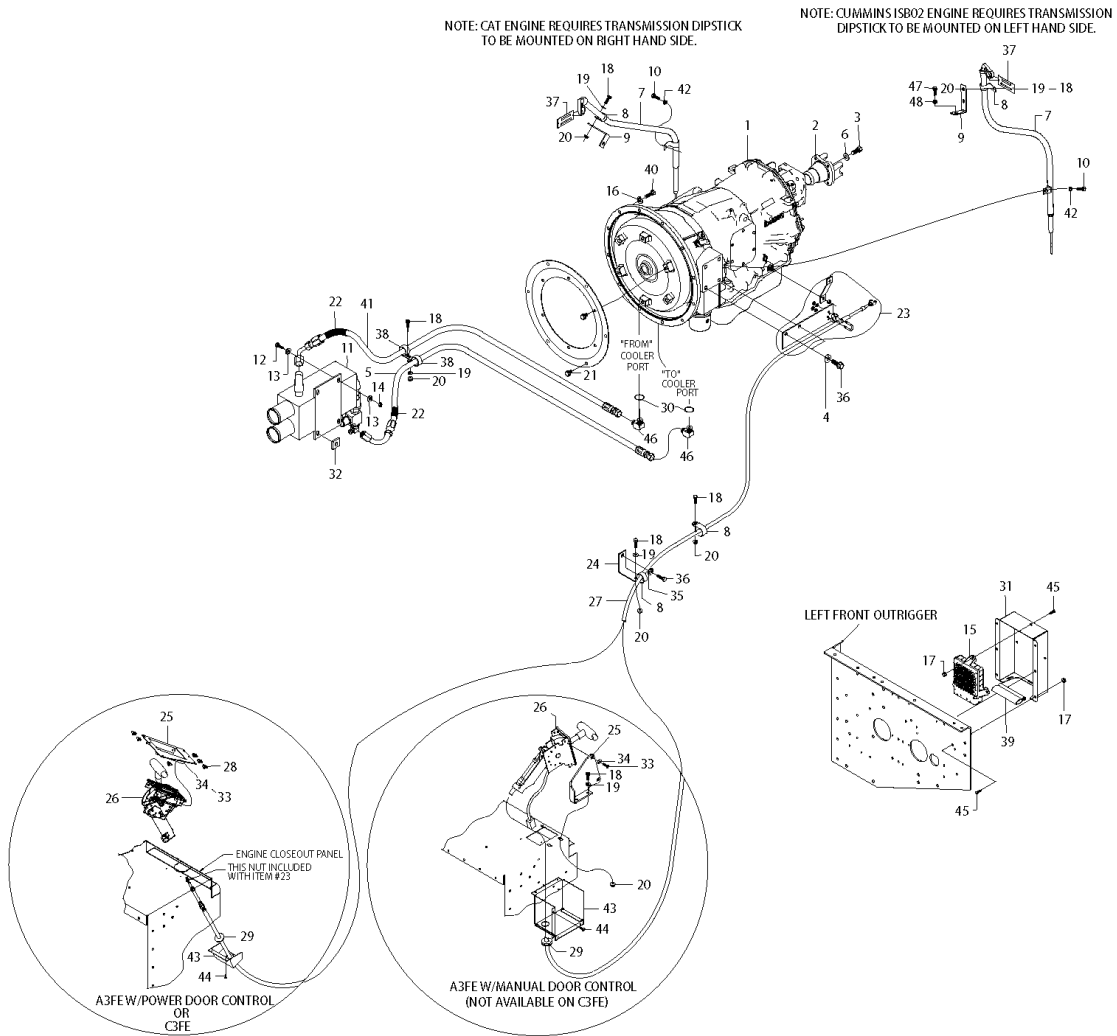
**AUTOMATIC, COMPONENTS  
2500 SERIES (RH DRIVE)**

**With Features:** **FEATURE 40187-09,-10,-14 WITH FEATURE 40432-03**

Key	PartNumber	Qty	Description	Comment
33	2000792	4	SCREW,MACH,1/4-20X1/2,PH1,RD HD,YEL ZN	<i>WITH POWER DOOR CONTROL</i>
34	2001170	4	LOCKWASHER,SPLIT RING, 1/4 ,MED,YEL ZN	<i>WITH POWER DOOR CONTROL</i>
35	2001212		LOCKWASHER,SPLIT RING, 1/2 ,LHT,YEL ZN	
36	1132034	3	CAPSCREW,HX HD,M12-1.75X35,GR8.8,	
37	1700442	2	CAPSCREW,HEX HD,M8-1.25 X 20MM,10.9	
38	1517168	2	CLAMP,LOOP,.937	
39	0989145	2	CAPSCREW,HEX HD,5/16-18, X, 1, ,GR5,	
40	2001048	2	WASHER,FLAT,11/32 X 11/16 X 1/16,YEL	
41	0049618		HOSE ASSY,WH H23912E-612-672-A03750	
42	2001188	3	LOCKWASHER,SPLIT RING, 5/16,MED,YEL ZN	
43	0026366		COVER,SHIFTER CABLE,ENGINE COMPARTMENT	<i>WITH POWER DOOR CONTROL</i>
44	1200799	2	SCREW,10-24 X 3/8,T,PH1,PAN HD, YEL ZN	<i>WITH POWER DOOR CONTROL</i>
47	1991108	3	WASHER,FLAT,17/64 ID X 3/4,YELLOW ZINC	
48	0870477	4	CAPSCREW,HEX HD,1/4-20 X 1,GR 8,YEL ZN	
49	1467000	4	WASHER,FLAT,.281 X.750X.078 HARDENED,BLK	
50	0420786	3	SCREW,MACH,1/4-20X1-1/4,PH1,TRUSS,	
51	2001170	3	LOCKWASHER,SPLIT RING, 1/4 ,MED,YEL ZN	
52	2001337	3	NUT,HEX HD,1/4-20,ZINC	
58	0075461		LABEL,ALLISON,TRANSYND,WITH TIE RAP	
59	0803213	12	CAPSCREW,HEX HD,3/8-16X1 1/4,GR8,YEL	
60	0048094	2	O-RING,VITON,12 HYD FITTINGS	
61	0076155		MODULE,CONTROL,TRANS,2500PTS,LIM	
62	1942135	3	CAPSCREW,HEX HD 1/2-13X 1 1/4,GR8,	
63	2001139	3	WASHER,FLAT,1/2 X 1 1/4 X 3/32,YEL ZN DICH	
64	0850800	3	NUT,HEX HD,1/2-13,LOCKING,GR 8,CAD WAX	
10	0964908		ADAPTER,849-FSO-12X12,37 DEG	<i>FEATURE 40432-03 WITHOUT FEATURE 40280-01</i>
	0017061		ELBOW,90 DEGREE WITH 1/8-27 NPT	<i>FEATURE 40432-03 WITH FEATURE 40280-01</i>
10	0964908		ADAPTER,849-FSO-12X12,37 DEG	<i>FEATURE 40432-03 WITH or WITHOUT FEATURE 40280-01</i>
10	1939982		SENDER,TRANSMISSION OIL TEMPERATURE,	<i>FEAT 40432-03 W/ 40280-01</i>

**Models:** A3FE, C3FE  
**AUTOMATIC, COMPONENTS**  
**2500 SERIES, GEN 4**  
**With Features:** FEATURE 40187-09,-10,-14 WITH FEATURE 40432-09

Key	PartNumber	Qty	Description	Comment
-----	------------	-----	-------------	---------



**Models:** **A3FE, C3FE**  
**AUTOMATIC, COMPONENTS**  
**2500 SERIES, GEN 4**

**With Features:** **FEATURE 40187-09,-10,-14 WITH FEATURE 40432-09**

Key	PartNumber	Qty	Description	Comment
1			TRANSMISSION	<i>SUPPLIED BY VENDOR</i>
2	0015425		YOKE,TRANS,1550 W/PARK BRK FLANGE,	
2	0015527		YOKE,TRANS,1550_SPL-70,SPICER 4-4-4801-1X	
2	0097084		YOKE,TRANS,HALF ROUND,1610,3000 SERIES	<i>C3FE WITH FEATURE 40439-03</i>
3	0015471		BOLT,HEX,1/2-20,2000 SERIES,29536847	
4	1003045		WASHER,FLAT,17/32 X 1 1/16 X 7/64,HDN,	
5	0085525		HOSE ASSY,TRANS,OIL CLR,#12-STR-90-28"	
6	0015472		WASHER,SEALING,2000 SERIES TRANSMISSION	
7	0065418		TUBE & D/STK ASSY,TRANS,2000 SERIES,A3FE	<i>WITH FEATURE 40187</i>
7	0103444		TUBE & D/STK ASSY,TRANS,2000,ISB02	<i>WITH FEATURE 40179</i>
8	0557710		CLAMP,LOOP,.812	
9	1317247		BRACKET,ATCH,BRAKE LINE TO FRAME	
10	2000198		SCREW,5/16-18 X 1,D,HEX HD,YEL ZN DICH	
11	0002362		COOLER ASSY,TRANS OIL,MT643/MD3060,	<i>WITHOUT FEATURE 30059. ENDING WITH CSN F0242264.</i>
11	0105628		COOLER ASSY,OIL,TRANSMISSION, C3/A3FE	<i>WITHOUT FEATURE 30059. BEGIN WITH CSN F0242265.</i>
11	0054387		COOLER ASSY,TRANS OIL,643/3060,CVT HTG	<i>WITH FEATURE 30059. ENDING WITH CSN F0242264.</i>
11	0105629		COOLER ASSY,OIL,TRANS,W/CONV HTG,	<i>WITH FEATURE 30059. BEGIN WITH CSN F0242265.</i>
12	0803213		CAPSCREW,HEX HD,3/8-16X1 1/4,GR8,YEL	
13	1107085		WASHER,FLAT,13/32 X 13/16 X 3/32,HDN,BLK	
14	0826297		NUT,HEX HD,3/8-16 LOCK,YEL ZN DICH	
15	0111160		MODULE,TCM,2500PTS,GEN4,2600RPM,5SP,	<i>FEATURE 40179 WITH FEATURE 40432-09</i>
15	0111179		MODULE,TCM,2500PTS,GEN4,2500RPM,5SP,	<i>FEATURE 40187 WITH FEATURE 40432-09</i>
16	1394675		LOCKWASHER,SPLIT RING,10 MM,MED,OLV DRB	
17	1339639		NUT,HEX HD,1/4-20,PRVLG TORQUE,FLG,YEL	
18	0989145		CAPSCREW,HEX HD,5/16-18, X, 1, ,GR5,	
19	1167485		WASHER,FLAT,11/32 X 11/16 X 5/64,HDN,BLK	
20	0829390		NUT,HEX HD,5/16-18,SER WASHER,YEL ZN	
21	1854173		BOLT,HEX HD,M10 X 15,ALLISON 23049056	
22	1228840		LOOM,CORRUGATED,BLACK,NYLON,1 1/4ID,SS	
23	0020935		KIT,T/M CONNECTION,2000 SERIES,6-PIN,FE	
24	1317247		BRACKET,ATCH,BRAKE LINE TO FRAME	

**Models:** A3FE, C3FE  
**AUTOMATIC, COMPONENTS**  
**2500 SERIES, GEN 4**

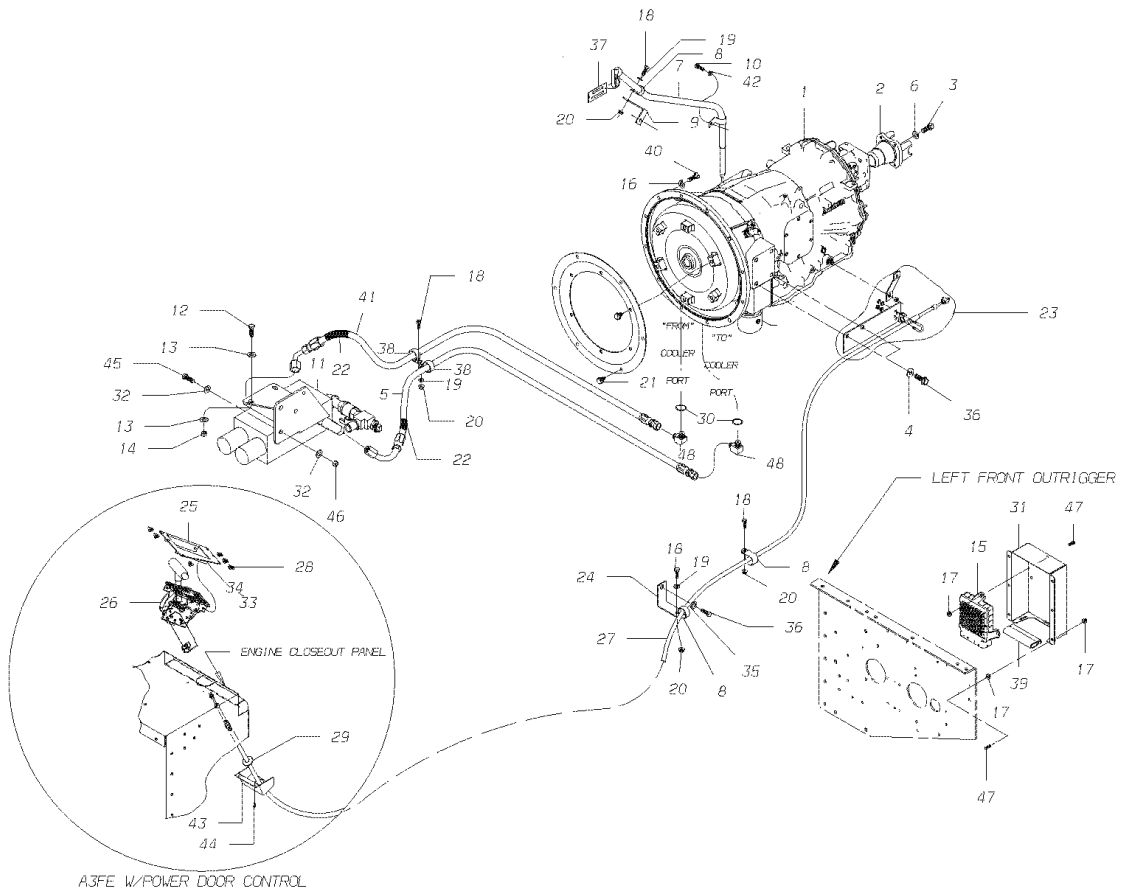
**With Features:** FEATURE 40187-09,-10,-14 WITH FEATURE 40432-09

Key	PartNumber	Qty	Description	Comment
25	0023394		PANEL,MTG,SHIFT SELECTOR TO HOUSING,LH	WITH POWER DOOR CONTROL. ENDING WITH CSN F0244924.
25	0085554		PANEL,MTG,SHIFT SELECTOR TO HOUSING,LH	WITH POWER DOOR CONTROL. BEGIN WITH CSN F0244925.
25	1967710		BRACKET,MTG,SHIFTER,MECHANICAL,LH DRV,	WITH MANUAL DOOR CONTROL
25	0085555		PANEL,MTG,SHIFT SELECTOR TO HOUSING,RH	WITH POWER DOOR CONTROL.
26	0028756		SELECTOR,SHIFT,TRANS,A2000,2 PIN	WITH POWER DOOR CONTROL
26	0017370		SELECTOR,SHIFT,2000 T/M,2 PIN	WITH MANUAL DOOR CONTROL
27	1355585		CABLE,TRANSMISSION SHIFT,98 IN. LONG	
28	0025522		U-NUT,10-32	WITH POWER DOOR CONTROL
29	1508613		GROMMET,RUBBER,ATLANTIC INDIA #2426	
30	0048094		O-RING,VITON,12 HYD FITTINGS	
31	0092944		COVER,TRANS,CTRL MODULE,ALLISON,GEN 4,	
32	0998526		SPACER,.250X1.25X1.25 W/.531 HOLE,PAINTED	
33	2000792		SCREW,MACH,1/4-20X1/2,PH1,RD HD,YEL ZN	WITH POWER DOOR CONTROL
33	0807958		CAPSCREW,HEX HD,1/4-20X 1/2,GR8,YEL ZN	WITH MANUAL DOOR CONTROL
34	2001170		LOCKWASHER,SPLIT RING, 1/4 ,MED,YEL ZN	
35	2001212		LOCKWASHER,SPLIT RING, 1/2 ,LHT,YEL ZN	
36	1132034		CAPSCREW,HX HD,M12-1.75X35,GR8.8,	
37	0075461		LABEL,ALLISON,TRANSYND,WITH TIE RAP	
38	1517168		CLAMP,LOOP,.937	
39	0063055		SEAL,DOOR,.50 BULB X 1.90 FLG MT,UNI-GRIP	
40	0803213		CAPSCREW,HEX HD,3/8-16X1 1/4,GR8,YEL	WITH FEATURE 40187
40	0997734		CAPSCREW,HX HD,M10-1.5X35,CL10.9,	WITH FEATURE 40179
41	0085529		HOSE ASSY,TRANS,OIL CLR,#12-STR-90-38"	
42	2001188		LOCKWASHER,SPLIT RING, 5/16,MED,YEL ZN	
43	0026366		COVER,SHIFTER CABLE,ENGINE COMPARTMENT	WITH POWER DOOR CONTROL
	0060082		PANEL,C/OUT,SHIFTER,ENGINE CMPT,W/MAN	WITH MANUAL DOOR CONTROL
44	1200799		SCREW,10-24 X 3/8,T,PH1,PAN HD, YEL ZN	
45	0870477		CAPSCREW,HEX HD,1/4-20 X 1,GR 8,YEL ZN	
46	0964908		ADAPTER,849-FSO-12X12,37 DEG	
47	1700442		CAPSCREW,HEX HD,M8-1.25 X 20MM,10.9	WITH FEATURE 40179
48	1107085		WASHER,FLAT,13/32 X 13/16 X 3/32,HDN,BLK	WITH FEATURE 40179



**Models:** A3FE  
**AUTOMATIC, COMPONENTS**  
**2500 SERIES, GEN 4 (RH DRIVE)**  
**With Features:** FEATURE 40187-09,-10,-14 WITH FEATURE 40432-09

Key	PartNumber	Qty	Description	Comment
-----	------------	-----	-------------	---------



**Models:** A3FE  
**AUTOMATIC, COMPONENTS**  
**2500 SERIES, GEN 4 (RH DRIVE)**  
**With Features:** FEATURE 40187-09,-10,-14 WITH FEATURE 40432-09

Key	PartNumber	Qty	Description	Comment
1	0089715		TRANSMISSION,ALLISON,GEN4,2500PTS,TC221	FEATURE 40187-09,-10 WITH FEATURE 40432-09
1	0089716		TRANSMISSION,ALLISON,GEN4,2500PTS,TC222	FEATURE 40187-14 WITH FEATURE 40432-09
2	0015425		YOKE,TRANS,1550 W/PARK BRK FLANGE,	WITH HYD BRAKES
2	0015527		YOKE,TRANS,1550_SPL-70,SPICER 4-4-4801-1X	WITH AIR BRAKES
3	0015471		BOLT,HEX,1/2-20,2000 SERIES,29536847	
4	1003045		WASHER,FLAT,17/32 X 1 1/16 X 7/64,HDN,	
5	0085525		HOSE ASSY,TRANS,OIL CLR,#12-STR-90-28"	
6	0015472		WASHER,SEALING,2000 SERIES TRANSMISSION	
7	0065418		TUBE & D/STK ASSY,TRANS,2000 SERIES,A3FE	
8	0557710		CLAMP,LOOP,.812	
9	1317247		BRACKET,ATCH,BRAKE LINE TO FRAME	
10	2000198		SCREW,5/16-18 X 1,D,HEX HD,YEL ZN DICH	
11	0002362		COOLER ASSY,TRANS OIL,MT643/MD3060,	
12	0803213		CAPSCREW,HEX HD,3/8-16X1 1/4,GR8,YEL	
13	1107085		WASHER,FLAT,13/32 X 13/16 X 3/32,HDN,BLK	
14	0826297		NUT,HEX HD,3/8-16 LOCK,YEL ZN DICH	
15	0090354		MODULE,TCM,2500PTS,GEN4,2500RPM,5SP,	ENDING WITH CSN F0226150. 12 -18-05
15	0100861		MODULE,TCM,2500PTS,GEN4,2500RPM,5SP,	BEGIN WITH CSN F0226151. 12 -19-05
16	1394675		LOCKWASHER,SPLIT RING,10 MM,MED,OLV DRB	
17	1339639		NUT,HEX HD,1/4-20,PRVLG TORQUE,FLG,YEL	
18	0989145		CAPSCREW,HEX HD,5/16-18, X, 1, ,GR5,	
19	1167485		WASHER,FLAT,11/32 X 11/16 X 5/64,HDN,BLK	
20	0829390		NUT,HEX HD,5/16-18,SER WASHER,YEL ZN	
21	1854173		BOLT,HEX HD,M10 X 15,ALLISON 23049056	
22	1109271		LOOM,CORRUGATED,BLACK,NYLON,3/4 ID,SS	
23	0020935		KIT,T/M CONNECTION,2000 SERIES,6-PIN,FE	
24	1317247		BRACKET,ATCH,BRAKE LINE TO FRAME	
25	0023394		PANEL,MTG,SHIFT SELECTOR TO HOUSING,LH	
26	0067861		SELECTOR,SHIFT,RHD,TRANS,A2000,W/NEUTL	
27	0028022		CABLE,TRANSMISSION SHIFT,127 IN. LONG	
28	0025522		U-NUT,10-32	
29	1508613		GROMMET,RUBBER,ATLANTIC INDIA #2426	

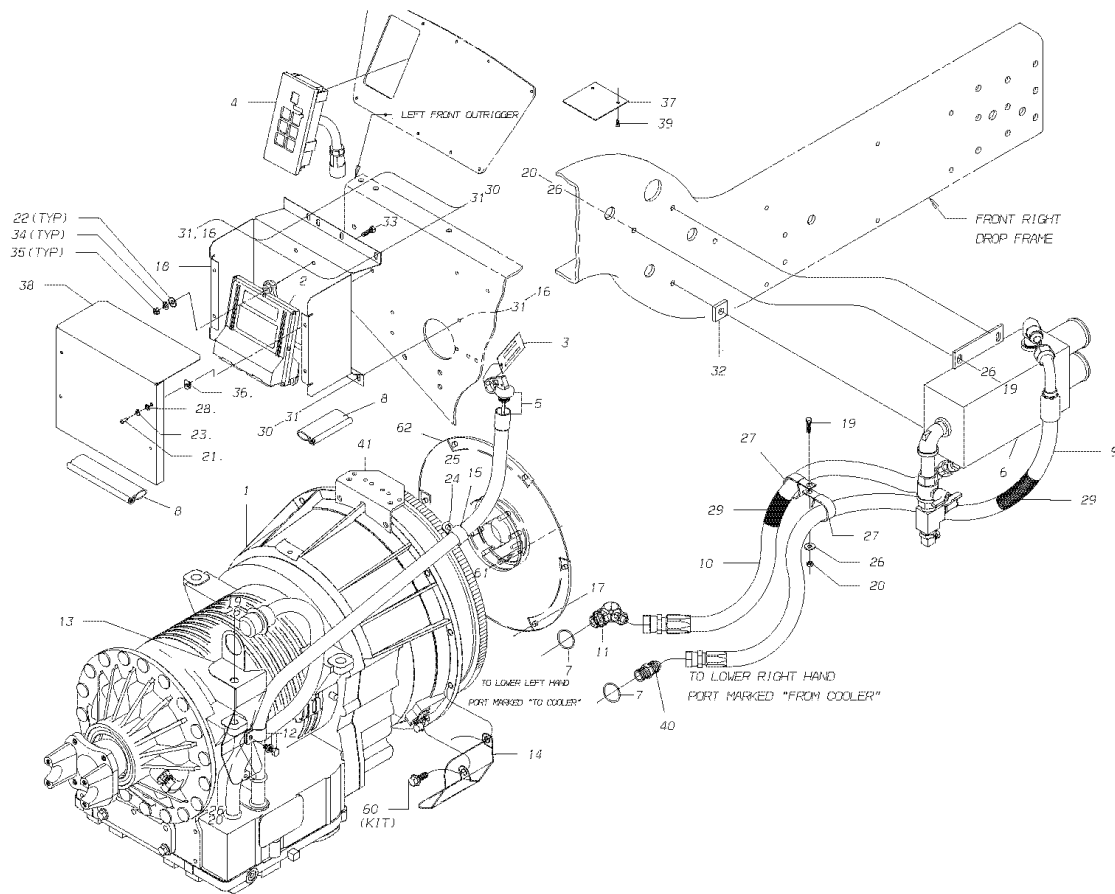
**Models:** **A3FE**  
**AUTOMATIC, COMPONENTS**  
**2500 SERIES, GEN 4 (RH DRIVE)**

**With Features:** **FEATURE 40187-09,-10,-14 WITH FEATURE 40432-09**

Key	PartNumber	Qty	Description	Comment
30	0048094		O-RING,VITON,12 HYD FITTINGS	
31	0092944		COVER,TRANS,CTRL MODULE,ALLISON,GEN 4,	
32	2001139		WASHER,FLAT,1/2 X 1 1/4 X 3/32,YEL ZN DICH	
33	2000792		SCREW,MACH,1/4-20X1/2,PH1,RD HD,YEL ZN	
34	2001170		LOCKWASHER,SPLIT RING, 1/4 ,MED,YEL ZN	
35	2001212		LOCKWASHER,SPLIT RING, 1/2 ,LHT,YEL ZN	
36	1132034		CAPSCREW,HX HD,M12-1.75X35,GR8.8,	
37	0075461		LABEL,ALLISON,TRANSYND,WITH TIE RAP	
38	1517168		CLAMP,LOOP,.937	
39	0063055		SEAL,DOOR,.50 BULB X 1.90 FLG MT,UNI-GRIP	
40	0803213		CAPSCREW,HEX HD,3/8-16X1 1/4,GR8,YEL	
41	0085529		HOSE ASSY,TRANS,OIL CLR,#12-STR-90-38"	
42	2001188		LOCKWASHER,SPLIT RING, 5/16,MED,YEL ZN	
43	0026366		COVER,SHIFTER CABLE,ENGINE COMPARTMENT	
44	1200799		SCREW,10-24 X 3/8,T,PH1,PAN HD, YEL ZN	
45	1942135		CAPSCREW,HEX HD 1/2-13X 1 1/4,GR8,	
46	0850800		NUT,HEX HD,1/2-13,LOCKING,GR 8,CAD WAX	
47	0870477		CAPSCREW,HEX HD,1/4-20 X 1,GR 8,YEL ZN	
48	0964908		ADAPTER,849-FSO-12X12,37 DEG	

**Models:** A3FE  
**AUTOMATIC, COMPONENTS**  
**3000 SERIES**  
**With Features:** FEATURE 40432-04, 40423-03

Key	PartNumber	Qty	Description	Comment
-----	------------	-----	-------------	---------



**Models:** **A3FE**  
**AUTOMATIC, COMPONENTS**  
**3000 SERIES**  
**With Features:** **FEATURE 40432-04, 40423-03**

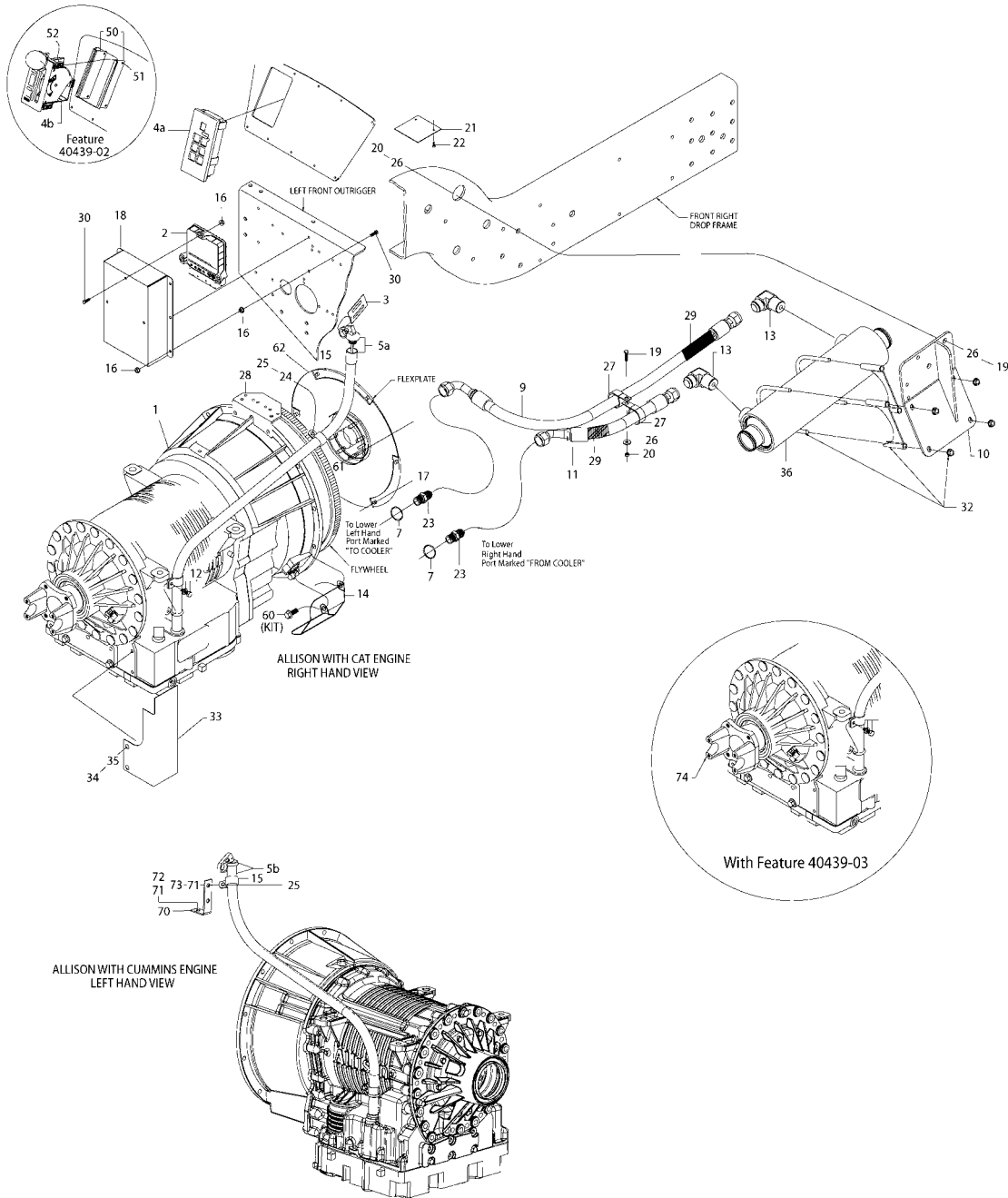
Key	PartNumber	Qty	Description	Comment
1			ENGINE AND TRANSMISSION	<i>REFER TO "PAGE SET NOTES" FOR THIS PAGE.</i>
2	0081434		MODULE,CTRL,TRAN,3000PTS,2200RPM,5 SPD,	<i>FEATURE 40181-01,-03; 40184-10,-13</i>
2	0081436		MODULE,CTRL,TRAN,3000PTS,2200RPM,6 SPD,	<i>FEATURE 40184-10,-13</i>
2	0081435		MODULE,CTRL,TRAN,3000PTS,2400RPM,5 SPD,	<i>FEATURE 40184-08,-11; 40187-11,-12,-13</i>
2	0081437		MODULE,CTRL,TRAN,3000PTS,2400RPM,6 SPD,	<i>FEATURE 40184-08,-11; 40187-11,-12,-13</i>
2	0082551		MODULE,CTRL,TRAN,3000PTS,2200RPM,5 SPD,	<i>FEATURE 40184-09,-12</i>
2	0082552		MODULE,CTRL,TRAN,3000PTS,2400RPM,5 SPD,	<i>FEATURE 40187-15</i>
2	0083252		MODULE,CTRL,TRAN,3000PTS,2400RPM,6 SPD,	<i>FEATURE 40187-15</i>
3	0075461		LABEL,ALLISON,TRANSYND,WITH TIE RAP	<i>WITH FEATURE 40111-02</i>
4	0031122		SELECTOR,SHIFT,PUSHBUTTON,3000 SRS,	
5	0065799		TUBE & D/STK ASSY,TRANS,MD/B SERIES,CAT,	
6	0002362		COOLER ASSY,TRANS OIL,MT643/MD3060,	<i>WITHOUT 30059</i>
6	0054387		COOLER ASSY,TRANS OIL,643/3060,CVT HTG	<i>WITH 30059 ONLY</i>
7	0048094	2	O-RING,VITON,12 HYD FITTINGS	
8	1343532	1.8	SEAL,SIDE LIP,UNI-GRIP SD-506	
9	0085529		HOSE ASSY,TRANS,OIL CLR,#12-STR-90-38"	
10	0085526		HOSE ASSY,TRANS,OIL CLR,#12-STR-STR-32"	
11	0964908		ADAPTER,849-FSO-12X12,37 DEG	
12	1595362		CLAMP,INSULATED 1.00 ID	
13	0049052		SHIELD,HEAT,HARNESS,TRANSMISSION,	
14	1988013		SHIELD,HEAT,INPUT SPEED SENSOR,MD3060,	
15	1517168		CLAMP,LOOP,.937	
16	2001345	4	NUT,HEX HD,1/4-20,LOCKING,YELLOW	
17	1760859	6	BOLT,FLEXPLATE TO FLEXPLATE ADAPT,WORLD	
18	0047870		BRACKET,MOUNTING,ECU AND TCM,HDFE	
19	0803213	6	CAPSCREW,HEX HD,3/8-16X1 1/4,GR8,YEL	
20	0826297	6	NUT,HEX HD,3/8-16 LOCK,YEL ZN DICH	
21	2000776	4	SCREW,MACH, 10-32 X 3/4,PH1,RD HD,	
22	1991108	3	WASHER,FLAT,17/64 ID X 3/4,YELLOW ZINC	
23	2001162	4	LOCKWASHER,SPLIT RING, 3/16,MED,YEL ZN	
24	0882795		LOCKWASHER,SPLIT RING,3/8,MED,YELLOW	
25	0559195		CAPSCREW,HEX HD,3/8-16 X 1,GR 8,YEL ZN	

**Models:** **A3FE**  
**AUTOMATIC, COMPONENTS**  
**3000 SERIES**  
**With Features:** **FEATURE 40432-04, 40423-03**

Key	PartNumber	Qty	Description	Comment
26	1107085	12	WASHER,FLAT,13/32 X 13/16 X 3/32,HDN,BLK	
27	1039486	2	CLAMP,LOOP,1.50	
28	2001105	4	WASHER,FLAT,13/64 X,1/2 X 3/64,YEL ZN DICH	
29	1228840	8'	LOOM,CORRUGATED,BLACK,NYLON,1 1/4ID,SS	
30	0870477	4	CAPSCREW,HEX HD,1/4-20 X 1,GR 8,YEL ZN	
31	1467000	8	WASHER,FLAT, .281 X.750X.078 HARDENED,BLK	
32	0998526		SPACER, .250X1.25X1.25 W/.531 HOLE,PAINTED	
33	0420786	3	SCREW,MACH,1/4-20X1-1/4,PH1,TRUSS,	
34	2001170	3	LOCKWASHER,SPLIT RING, 1/4 ,MED,YEL ZN	
35	2001337	3	NUT,HEX HD,1/4-20,ZINC	
36	0025522	4	U-NUT,10-32	
37	0027396		COVER,SHIFTER CABLE HOLE,W/MD3060 TRAN	
38	0047873		COVER,ECU AND TCM,HDFE	
39	1337039	2	SCREW,12-24 X 3/8,PH1,PAN HD,YEL ZN	
40	1050806		ADAPTER,848-FSO-12X12,37 DEG,STL FLARE	
41	1839315		BRACKET,MTG,HYD HOSES TO TRANSMISSION	

Models: **A3FE, C3FE**  
**AUTOMATIC, COMPONENTS**  
**3000 SERIES, GEN 4**  
**WITH ROUND TRANSMISSION OIL COOLER**

Key	PartNumber	Qty	Description	Comment
-----	------------	-----	-------------	---------



**Models: A3FE, C3FE  
AUTOMATIC, COMPONENTS  
3000 SERIES, GEN 4  
WITH ROUND TRANSMISSION OIL COOLER**

Key	PartNumber	Qty	Description	Comment
1			TRANSMISSION	<i>See PageSet Notes</i>
2			TRANSMISSION CONTROL MODULE	<i>Refer to Production Order/Service Parts List.</i>
3	0075461		LABEL,ALLISON,TRANSYND,WITH TIE RAP	
4a	0087654		SELECTOR,SHIFT,PUSHBUTTON,3000 SRS,GEN	
4b	0087656		SELECTOR,SHIFT,LEVER TYPE,3000 SRS,GEN 4	<i>Feature 40439-02</i>
5a	0065799		TUBE & D/STK ASSY,TRANS,MD/B SERIES,CAT,	
5b	0103445		TUBE & D/STK ASSY,TRANS,3000,ISB02, FE	<i>Feature 40179</i>
7	0048094		O-RING,VITON,12 HYD FITTINGS	
8	0063055		SEAL,DOOR,-.50 BULB X 1.90 FLG MT,UNI-GRIP	
9	0085529		HOSE ASSY,TRANS,OIL CLR,#12-STR-90-38"	
10	0112236		BRACKET ASSY,MTG,OIL CLR,ROCORE	
11	0112261		HOSE ASSY,TRANS,OIL COOLER	
12	1595362		CLAMP,INSULATED 1.00 ID	
13	1820414		ADAPTER,90 DEG,O-RING	
14	1988013		SHIELD,HEAT,INPUT SPEED SENSOR,MD3060,	<i>With Feature 40187 Only</i>
15	1517168		CLAMP,LOOP, .937	
16	1339639		NUT,HEX HD,1/4-20,PRVLG TORQUE,FLG,YEL	
17	1760859		BOLT,FLEXPLATE TO FLEXPLATE ADAPT,WORLD	
18	0092944		COVER,TRANS,CTRL MODULE,ALLISON,GEN 4,	
19	0803213		CAPSCREW,HEX HD,3/8-16X1 1/4,GR8,YEL	
20	0826297		NUT,HEX HD,3/8-16 LOCK,YEL ZN DICH	
21	0027396		COVER,SHIFTER CABLE HOLE,W/MD3060 TRAN	
22	1337039		SCREW,12-24 X 3/8,PH1,PAN HD,YEL ZN	
23	1050806		ADAPTER,848-FSO-12X12,37 DEG,STL FLARE	
24	0882795		LOCKWASHER,SPLIT RING,3/8,MED,YELLOW	
25	0559195		CAPSCREW,HEX HD,3/8-16 X 1,GR 8,YEL ZN	
26	1107085		WASHER,FLAT,13/32 X 13/16 X 3/32,HDN,BLK	
27	1039486		CLAMP,LOOP,1.50	
28	1839315		BRACKET,MTG,HYD HOSES TO TRANSMISSION	
29	1228840		LOOM,CORRUGATED,BLACK,NYLON,1 1/4ID,SS	
30	0870477		CAPSCREW,HEX HD,1/4-20 X 1,GR 8,YEL ZN	
32	0112253		CLAMP,U-BOLT,& SADDLE,4.50 INCH	
33	0104814		SHIELD,HEAT,TRANS,GEN 4,3000 SRS	



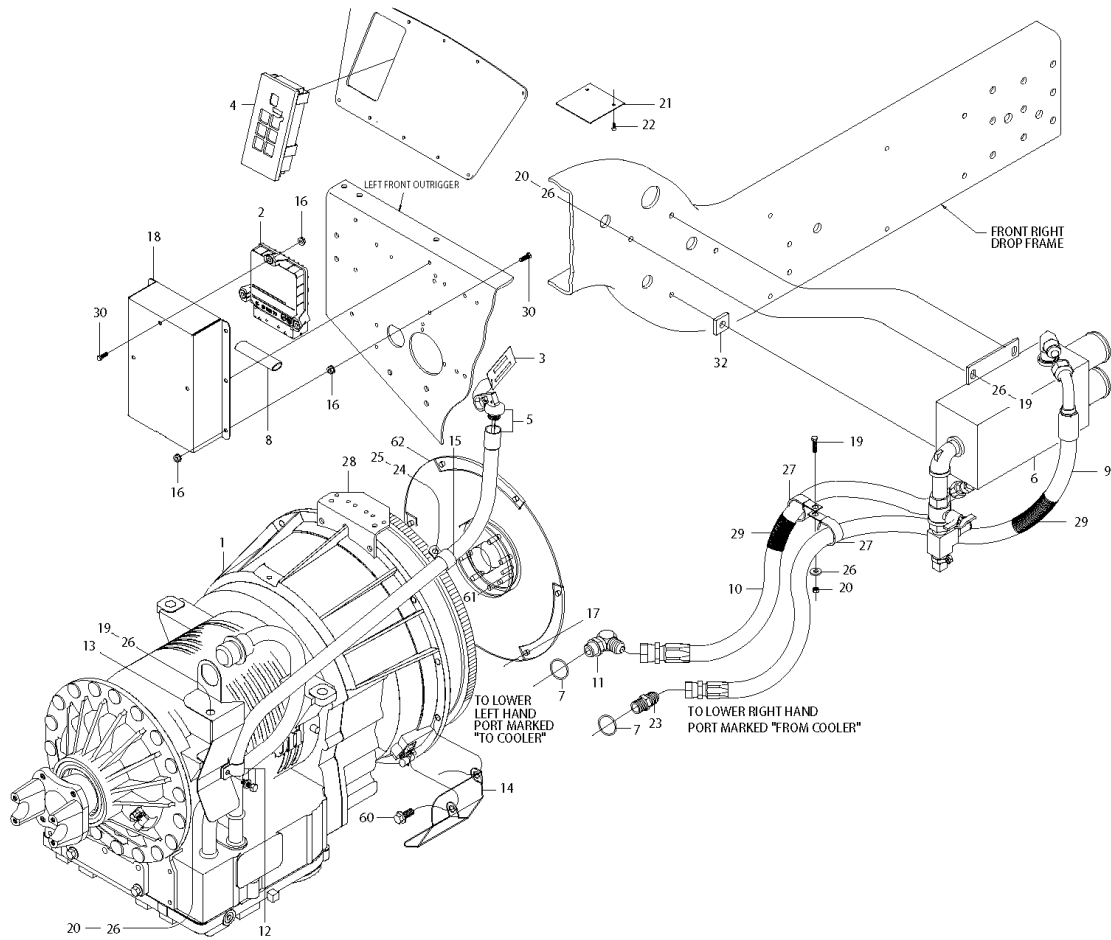
**Models:** **A3FE, C3FE**  
**AUTOMATIC, COMPONENTS**  
**3000 SERIES, GEN 4**  
**WITH ROUND TRANSMISSION OIL COOLER**

Key	PartNumber	Qty	Description	Comment
34	0006396		CAPSCREW,HX HD,M10-1.5X16,CLS8.8,	
35	1394675		LOCKWASHER,SPLIT RING,10 MM,MED,OLV DRB	
36	0112257		COOLER,OIL,TRANS,ROCORE,ROUND	
50	0067732		PANEL ASSY,MTG,SHIFT SELECTOR TO	
51	0870477		CAPSCREW,HEX HD,1/4-20 X 1,GR 8,YEL ZN	
52	2001345		NUT,HEX HD,1/4-20,LOCKING,YELLOW	
60	1761113		BOLT/WASHER KIT,FWH,CATERPILLAR	<i>Feature 40187-11,-12,-13; CAT C7</i>
60	1760867		BOLT/WASHER KIT,FWH,CUMMINS	<i>Feature 40179-10,-11,-12; CUMMINS ISB07</i>
61	1596709		BOLT,CRANKSHAFT,MD3060/CAT,ALLISON	<i>Feature 40187-11,-12,-13; CAT C7</i>
61	1596717		BOLT,CRANKSHAFT,MD3060/CUM,ALLISON	<i>Feature 40179-10,-11,-12; CUMMINS ISB07</i>
62	1760834		KIT,ENG ADAPT,CAT 3116,WORLD T/M	<i>Feature 40187-11,-12,-13; CAT C7</i>
62	1760842		KIT,ENG ADAPT,5.9 & 8.3,WORLD T/M	<i>Feature 40179-10,-11,-12; CUMMINS ISB07</i>
NI	1422195		SEALANT,LOCTITE,THREADLOCKER 242, BLUE	
70	1317247		BRACKET,ATCH,BRAKE LINE TO FRAME	<i>Feature 40179-10,-11,-12; CUMMINS ISB07</i>
71	1107085		WASHER,FLAT,13/32 X 13/16 X 3/32,HDN,BLK	<i>Feature 40179-10,-11,-12; CUMMINS ISB07</i>
72	1700442		CAPSCREW,HEX HD,M8-1.25 X 20MM,10.9	<i>Feature 40179-10,-11,-12; CUMMINS ISB07</i>
73	0826297		NUT,HEX HD,3/8-16 LOCK,YEL ZN DICH	<i>Feature 40179-10,-11,-12; CUMMINS ISB07</i>
74	0097084		YOKE,TRANS,HALF ROUND,1610,3000 SERIES	<i>Feature 40439-03</i>

**Models:** A3FE  
**AUTOMATIC, COMPONENTS**  
**3000 SERIES, GEN 4**  
**WITH SQUARE (SHOEBOX) TRANSMISSION OIL COOLER**

**With Features:** FEATURE 40423-05, 40432-10  
 To CSN F0228969 (02-26-06)

Key	PartNumber	Qty	Description	Comment
-----	------------	-----	-------------	---------



**Models:** **A3FE**  
**AUTOMATIC, COMPONENTS**  
**3000 SERIES, GEN 4**  
**WITH SQUARE (SHOEBOX) TRANSMISSION OIL COOLER**

**With Features:** **FEATURE 40423-05, 40432-10**  
**To CSN F0228969 (02-26-06)**

Key	PartNumber	Qty	Description	Comment
1			TRANSMISSION	<i>REFER TO "PAGE SET NOTES" FOR THIS PAGE.</i>
3	0075461		LABEL,ALLISON,TRANSYND,WITH TIE RAP	<i>WITH FEATURE 40111-02</i>
4	0087654		SELECTOR,SHIFT,PUSHBUTTON,3000 SRS,GEN	
5	0065799		TUBE & D/STK ASSY,TRANS,MD/B SERIES,CAT,	
6	0002362		COOLER ASSY,TRANS OIL,MT643/MD3060,	<i>WITHOUT FEATURE 30059</i>
6	0054387		COOLER ASSY,TRANS OIL,643/3060,CVT HTG	<i>WITH FEATURE 30059</i>
7	0048094		O-RING,VITON,12 HYD FITTINGS	
8	0063055		SEAL,DOOR,-.50 BULB X 1.90 FLG MT,UNI-GRIP	
9	0085529		HOSE ASSY,TRANS,OIL CLR,#12-STR-90-38"	
10	0085526		HOSE ASSY,TRANS,OIL CLR,#12-STR-STR-32"	
11	0964908		ADAPTER,849-FSO-12X12,37 DEG	
12	1595362		CLAMP,INSULATED 1.00 ID	
13	0049052		SHIELD,HEAT,HARNESS,TRANSMISSION,	
14	1988013		SHIELD,HEAT,INPUT SPEED SENSOR,MD3060,	
15	1517168		CLAMP,LOOP,.937	
16	1339639		NUT,HEX HD,1/4-20,PRVLG TORQUE,FLG,YEL	
17	1760859		BOLT,FLEXPLATE TO FLEXPLATE ADAPT,WORLD	
18	0092944		COVER,TRANS,CTRL MODULE,ALLISON,GEN 4,	
19	0803213		CAPSCREW,HEX HD,3/8-16X1 1/4,GR8,YEL	
20	0826297		NUT,HEX HD,3/8-16 LOCK,YEL ZN DICH	
21	0027396		COVER,SHIFTER CABLE HOLE,W/MD3060 TRAN	
22	1337039		SCREW,12-24 X 3/8,PH1,PAN HD,YEL ZN	
23	1050806		ADAPTER,848-FSO-12X12,37 DEG,STL FLARE	
24	0882795		LOCKWASHER,SPLIT RING,3/8,MED,YELLOW	
25	0559195		CAPSCREW,HEX HD,3/8-16 X 1,GR 8,YEL ZN	
26	1107085		WASHER,FLAT,13/32 X 13/16 X 3/32,HDN,BLK	
27	1039486		CLAMP,LOOP,1.50	
28	1839315		BRACKET,MTG,HYD HOSES TO TRANSMISSION	
29	1228840		LOOM,CORRUGATED,BLACK,NYLON,1 1/4ID,SS	
30	0870477		CAPSCREW,HEX HD,1/4-20 X 1,GR 8,YEL ZN	
31	1467000		WASHER,FLAT,-.281 X.750X.078 HARDENED,BLK	
32	0998526		SPACER,-.250X1.25X1.25 W/.531 HOLE,PAINTED	
60	1761113		BOLT/WASHER KIT,FWH,CATERPILLAR	<i>FEATURE 40187-11,-12 WITH 40432-04 OR 40423-03 OR 40424</i>

**Models:** A3FE  
**AUTOMATIC, COMPONENTS**  
**3000 SERIES, GEN 4**  
**WITH SQUARE (SHOEBOX) TRANSMISSION OIL COOLER**

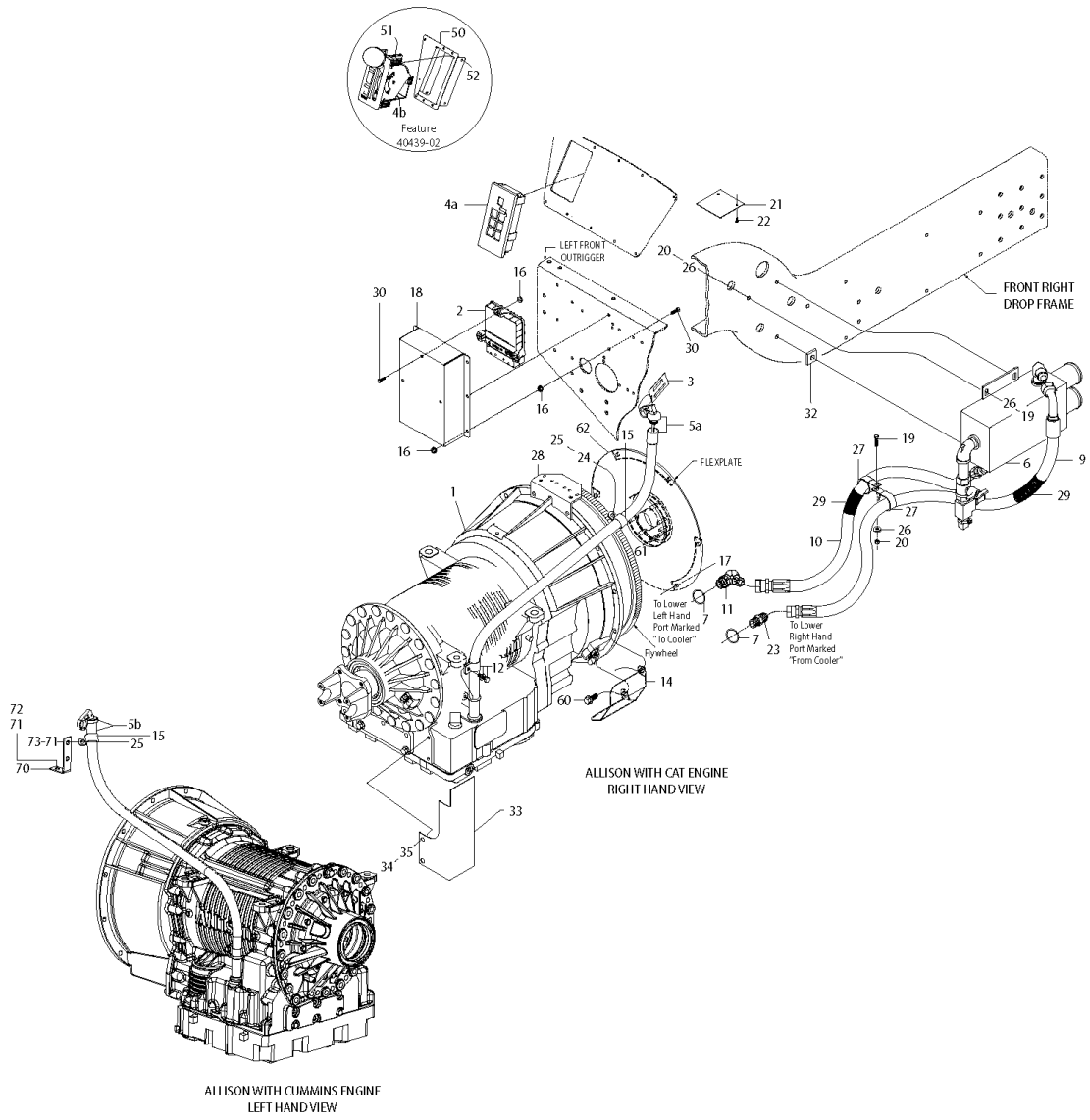
**With Features:** FEATURE 40423-05, 40432-10  
**To CSN F0228969 (02-26-06)**

Key	PartNumber	Qty	Description	Comment
				-03
61	1596709		BOLT,CRANKSHAFT,MD3060/CAT,ALLISON	FEATURE 40187-11,-12 WITH 40432-04 OR 40423-03 OR 40424 -03
62	1760834		KIT,ENG ADAPT,CAT 3116,WORLD T/M	FEATURE 40187-11,-12 WITH 40432-04 OR 40423-03 OR 40424 -03
NI	1422195		SEALANT,LOCTITE,THREADLOCKER 242, BLUE	FEATURE 40187-11,-12 WITH 40432-04 OR 40423-03 OR 40424 -03

**Models:** A3FE  
**AUTOMATIC, COMPONENTS**  
**3000 SERIES, GEN 4**  
**WITH SQUARE (SHOEBOX) TRANSMISSION OIL COOLER**

**With Features:** FEATURE 40423-05, 40432-10  
**BSN:** From CSN F0228970 (02-27-06)

Key	PartNumber	Qty	Description	Comment
-----	------------	-----	-------------	---------



**Models:** **A3FE**  
**AUTOMATIC, COMPONENTS**  
**3000 SERIES, GEN 4**  
**WITH SQUARE (SHOEBOX) TRANSMISSION OIL COOLER**

**With Features:** **FEATURE 40423-05, 40432-10**  
**BSN:** **From CSN F0228970 (02-27-06)**

Key	PartNumber	Qty	Description	Comment
1			TRANSMISSION	REFER TO "PAGE SET NOTES" FOR THIS PAGE.
3	0075461		LABEL,ALLISON,TRANSYND,WITH TIE RAP	WITH FEATURE 40111-02
4A	0087654		SELECTOR,SHIFT,PUSHBUTTON,3000 SRS,GEN	
4B	0087656		SELECTOR,SHIFT,LEVER TYPE,3000 SRS,GEN 4	WITH FEATURE 40439-02
5A	0065799		TUBE & D/STK ASSY,TRANS,MD/B SERIES,CAT,	
5B	0103445		TUBE & D/STK ASSY,TRANS,3000,ISB02, FE	WITH FEATURE 40179-03,-04,-07
6	0105628		COOLER ASSY,OIL,TRANSMISSION, C3/A3FE	WITHOUT FEATURE 30059
6	0105629		COOLER ASSY,OIL,TRANS,W/CONV HTG,	WITH FEATURE 30059
7	0048094		O-RING,VITON,12 HYD FITTINGS	
8	0063055		SEAL,DOOR,-.50 BULB X 1.90 FLG MT,UNI-GRIP	
9	0085529		HOSE ASSY,TRANS,OIL CLR,#12-STR-90-38"	
10	0085526		HOSE ASSY,TRANS,OIL CLR,#12-STR-STR-32"	
11	0964908		ADAPTER,849-FSO-12X12,37 DEG	
12	1595362		CLAMP,INSULATED 1.00 ID	
14	1988013		SHIELD,HEAT,INPUT SPEED SENSOR,MD3060,	
15	1517168		CLAMP,LOOP, .937	
16	1339639		NUT,HEX HD,1/4-20,PRVLG TORQUE,FLG,YEL	
17	1760859		BOLT,FLEXPLATE TO FLEXPLATE ADAPT,WORLD	
18	0092944		COVER,TRANS,CTRL MODULE,ALLISON,GEN 4,	
19	0803213		CAPSCREW,HEX HD,3/8-16X1 1/4,GR8,YEL	
20	0826297		NUT,HEX HD,3/8-16 LOCK,YEL ZN DICH	
21	0027396		COVER,SHIFTER CABLE HOLE,W/MD3060 TRAN	
22	1337039		SCREW,12-24 X 3/8,PH1,PAN HD,YEL ZN	
23	1050806		ADAPTER,848-FSO-12X12,37 DEG,STL FLARE	
24	0882795		LOCKWASHER,SPLIT RING,3/8,MED,YELLOW	
25	0559195		CAPSCREW,HEX HD,3/8-16 X 1,GR 8,YEL ZN	
26	1107085		WASHER,FLAT,13/32 X 13/16 X 3/32,HDN,BLK	
27	1039486		CLAMP,LOOP,1.50	
28	1839315		BRACKET,MTG,HYD HOSES TO TRANSMISSION	
29	1228840		LOOM,CORRUGATED,BLACK,NYLON,1 1/4ID,SS	
30	0870477		CAPSCREW,HEX HD,1/4-20 X 1,GR 8,YEL ZN	
31	1467000		WASHER,FLAT,-.281 X.750X.078 HARDENED,BLK	
32	0998526		SPACER,.250X1.25X1.25 W/.531 HOLE,PAINTED	

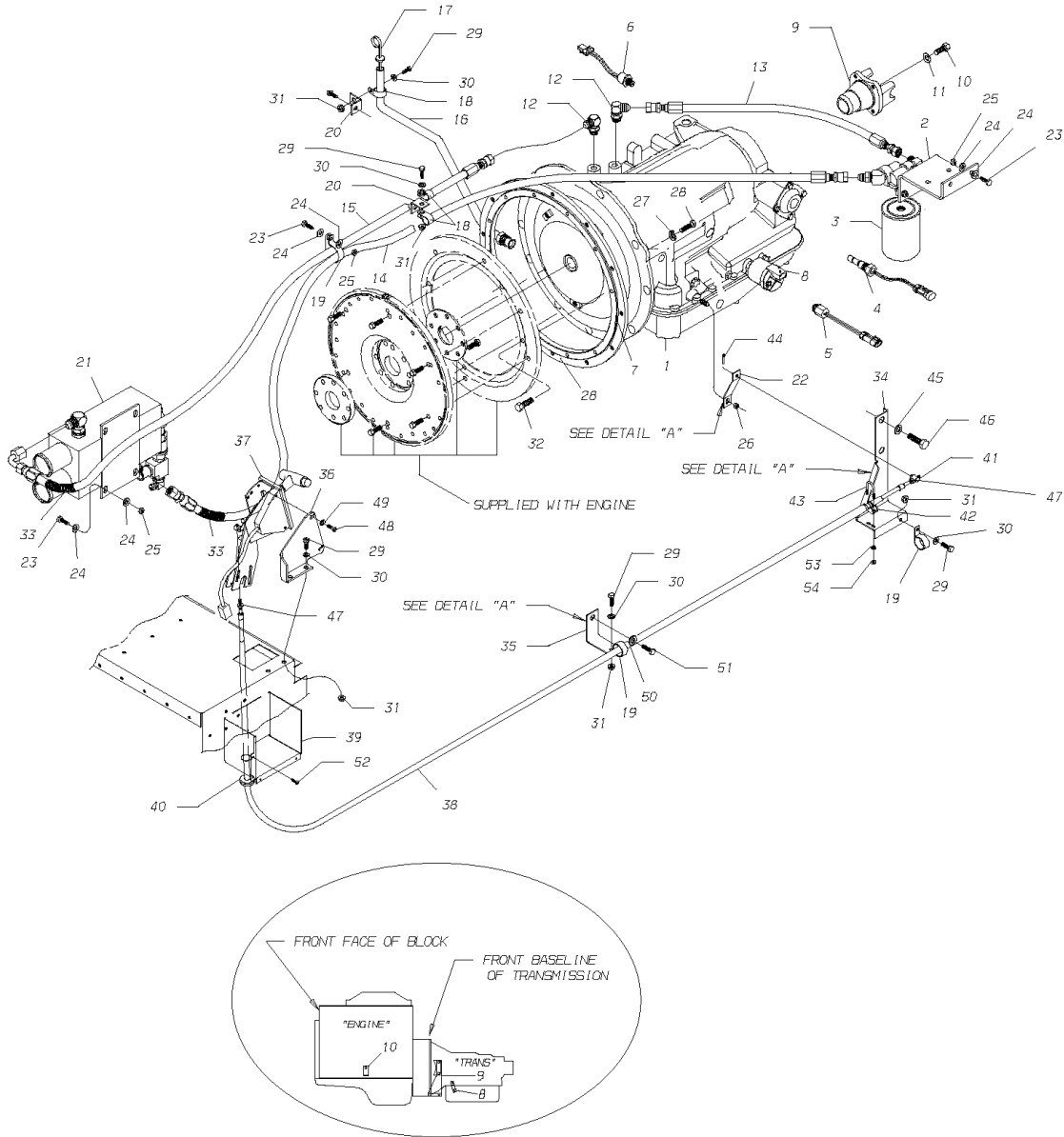
**Models:** A3FE  
**AUTOMATIC, COMPONENTS**  
**3000 SERIES, GEN 4**  
**WITH SQUARE (SHOEBOX) TRANSMISSION OIL COOLER**

**With Features:** FEATURE 40423-05, 40432-10  
**BSN:** From CSN F0228970 (02-27-06)

Key	PartNumber	Qty	Description	Comment
33	0104814		SHIELD,HEAT,TRANS,GEN 4,3000 SRS	
34	0006396	2	CAPSCREW,HX HD,M10-1.5X16,CLS8.8,	
35	1394675	2	LOCKWASHER,SPLIT RING,10 MM,MED,OLV DRB	
50	0067732		PANEL ASSY,MTG,SHIFT SELECTOR TO	WITH FEATURE 40439-02
51	0870477		CAPSCREW,HEX HD,1/4-20 X 1,GR 8,YEL ZN	WITH FEATURE 40439-02
52	2001345		NUT,HEX HD,1/4-20,LOCKING,YELLOW	WITH FEATURE 40439-02
60	1760867		BOLT/WASHER KIT,FWH,CUMMINS	WITH FEATURE 40179-03,-04,-07
60	1761113		BOLT/WASHER KIT,FWH,CATERPILLAR	WITH FEATURE 40187-11,-12 & -13 WITH 40432-04 OR 40423-03 OR 40424-03
61	1596717		BOLT,CRANKSHAFT,MD3060/CUM,ALLISON	WITH FEATURE 40179-03,-04,-07
61	1596709		BOLT,CRANKSHAFT,MD3060/CAT,ALLISON	WITH FEATURE 40187-11,-12 & -13 WITH 40432-04 OR 40423-03 OR 40424-03
62	0098375		KIT,ENG ADAPT,CUMMINS TO ALLISON 3000	WITH FEATURE 40179-03,-04,-07
62	1760834		KIT,ENG ADAPT,CAT 3116,WORLD T/M	WITH FEATURE 40187-11,-12 & -13 WITH 40432-04 OR 40423-03 OR 40424-03
70	1317247		BRACKET,ATCH,BRAKE LINE TO FRAME	WITH FEATURE 40179-03,-04,-07
71	1107085		WASHER,FLAT,13/32 X 13/16 X 3/32,HDN,BLK	WITH FEATURE 40179-03,-04,-07
72	1700442		CAPSCREW,HEX HD,M8-1.25 X 20MM,10.9	WITH FEATURE 40179-03,-04,-07
73	0826297		NUT,HEX HD,3/8-16 LOCK,YEL ZN DICH	WITH FEATURE 40179-03,-04,-07
NI	1422195		SEALANT,LOCTITE,THREADLOCKER 242, BLUE	WITH FEATURE 40179-03,-04,-07 OR WITH FEATURE 40187-11,-12 & -13 WITH 40432-04 OR 40423-03 OR 40424-03

**Models:** A3FE  
**AUTOMATIC, COMPONENTS**  
 AT545  
 1550  
**With Features:** FEATURE 40421-01, 02  
**BSN:** From CSN 11/01/99  
 To 01/21/01

Key	PartNumber	Qty	Description	Comment
-----	------------	-----	-------------	---------





**Models:** A3FE  
AUTOMATIC, COMPONENTS  
AT545  
1550  
**With Features:** FEATURE 40421-01, 02  
**BSN:** From CSN 11/01/99  
To 01/21/01

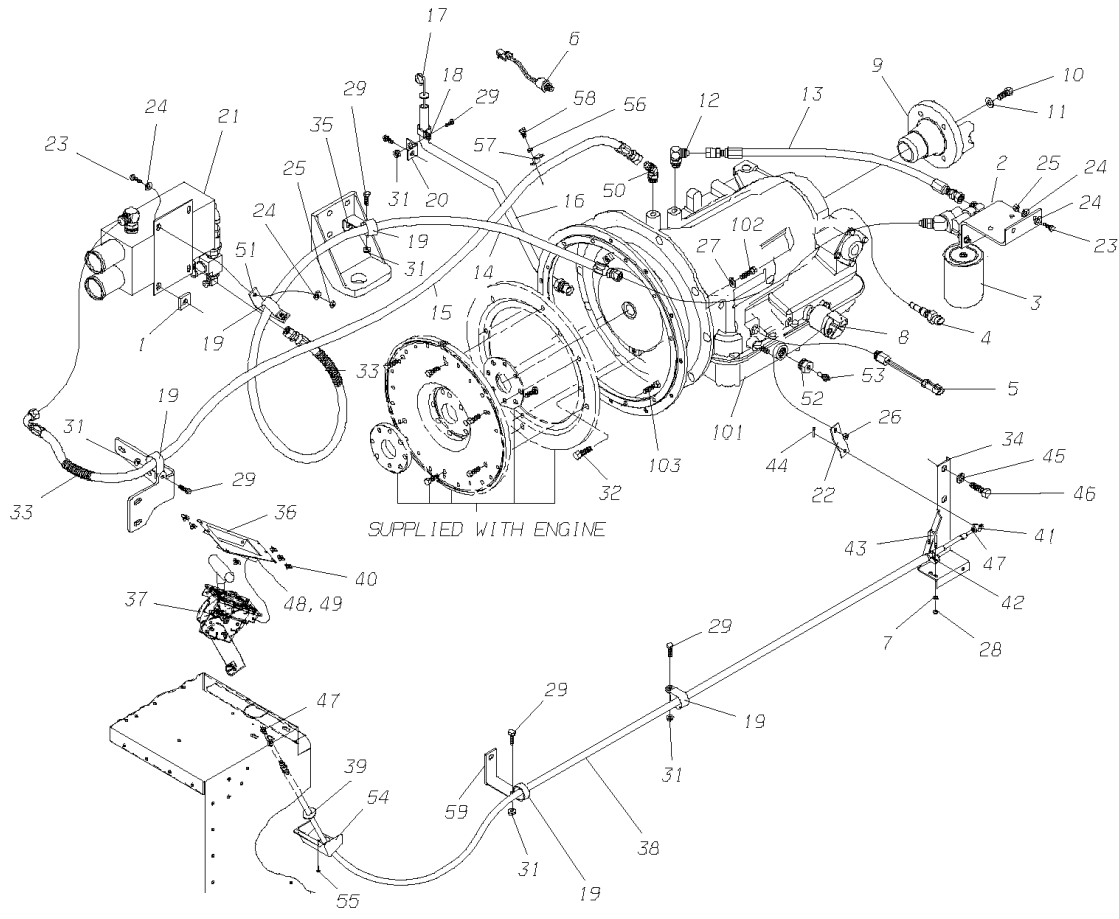
Key	PartNumber	Qty	Description	Comment
1	0998526	1	SPACER, .250X1.25X1.25 W/.531 HOLE,PAINTED	
2	1473313	1	BRACKET ASSY,MTG,TRANS OIL FILTER,TCFC	
3	0998542	1	FILTER,OIL,EXTERNAL,AUTO TRANS,AC	
4	1793207	1	SENSOR,SPEEDOMETER,ELEC,ALLISON TRANS	
5	1656461	1	SWITCH,START,NEUTRAL	
7	2001162	1	LOCKWASHER,SPLIT RING, 3/16,MED,YEL ZN	
6	1659218	1	SWITCH,BACK-UP LIGHTS	
8	1948017	1	MODULATOR,ELECTRONIC SHIFT,12V AT&MT	
9	1319649	1	YOKE,TRANS 1480 W/PARKING BRAKE,	
9	0015425	1	YOKE,TRANS,1550 W/PARK BRK FLANGE,	
9	0015527	1	YOKE,TRANS,1550_SPL-70,SPICER 4-4-4801-1X	
10	1854140	1	BOLT,H/LK,1/2-20 UNFX1 1/2,ALLISON	
11	1003045	1	WASHER,FLAT,17/32 X 1 1/16 X 7/64,HDN,	
12	1166107	2	ELBOW,90 DEG,SAE,37 DEG FLARE,849-FS0	
13	1465707	1	HOSE ASSY,2110606-8-8-8-19	
14	1465699	1	HOSE ASSY,2110606-8-8-8-64	
15	0005940	1	HOSE ASSY,2110639-8-8-8-37.5,HDFE	
16	1775881	1	TUBE,FILLER,TRANS,AT545(PLATED),TCFE	
17	1412196	1	DIPSTICK,TRANSMISSION OIL CHECK,TCFC	
18	0557710	3	CLAMP,LOOP,.812	
19	1107937	3	CLAMP,LOOP,2.00	
20	1341304	2	ANGLE,MTG,CLAMP,TCFC	
21	0002382	1	COOLER ASSY,TRANS OIL,AT545, HDFE	
NI	1408996	1	COOLER,TRANS OIL,RADIATOR	COOLER ONLY,
NI	1626431	1	VALVE,BALL,3/4,W/BUTTERFLY HANDLE	
22	1316967	1	LEVER,SELECTOR,TRANS,3 DEG,HT TREATED,	
23	0803213	6	CAPSCREW,HEX HD,3/8-16X1 1/4,GR8,YEL	
24	1107085	12	WASHER,FLAT,13/32 X 13/16 X 3/32,HDN,BLK	
25	0826297	6	NUT,HEX HD,3/8-16 LOCK,YEL ZN DICH	
26	1854157	1	NUT,HEX HD,M10-1.50,ALLISON 29520052	
27	1394675	10	LOCKWASHER,SPLIT RING,10 MM,MED,OLV DRB	
28	2001287	2	NUT,HEX HD,10-32,YEL ZN DICH	
29	0989145	6	CAPSCREW,HEX HD,5/16-18, X, 1, ,GR5,	

**Models:** A3FE  
**AUTOMATIC, COMPONENTS**  
 AT545  
 1550  
**With Features:** FEATURE 40421-01, 02  
**BSN:** From CSN 11/01/99  
 To 01/21/01

Key	PartNumber	Qty	Description	Comment
30	1167485	6	WASHER,FLAT,11/32 X 11/16 X 5/64,HDN,BLK	
31	0829390	6	NUT,HEX HD,5/16-18,SER WASHER,YEL ZN	
32	1854173	6	BOLT,HEX HD,M10 X 15,ALLISON 23049056	
33	1109271		LOOM,CORRUGATED,BLACK,NYLON,3/4 ID,SS	
34	1470756	1	BRACKET,MTG,TRANS SHFT CABLE, TCFC	
35	1319094	1	BRACKET,MTG,TRANS CABLE CLAMP,TCFC	
36	1967710	1	BRACKET,MTG,SHIFTER,MECHANICAL,LH DRV,	
37	1644996	1	SELECTOR,SHIFT,TRANSMISSION,TCFC/RE	ENDING WITH CSN 30017179
37	0005913	1	SELECTOR,SHIFT,TRANSMISSION,FELSTED	BEGIN WITH CSN 30017180
38	1475557	1	CABLE,TRANSMISSION SHIFT,88 IN. LONG	
39	1967728	1	PANEL,CLOSEOUT,SHIFTER,ENG CMPT,LH DRV	
40	1508613	1	GROMMET,RUBBER,ATLANTIC INDIA #2426	
41	0885343	1	TRUNION,TRANS CONTROL CABLE,MT643	
42	0885319	1	SHIM,U-BOLT TRANS CONTROL MT643	
43	0885327	1	U-BOLT,TRANS CONTROL CABLE,MT643	
44	2008860	1	PIN,COTTER,3/32 X 1,YEL ZN DICH	
45	2001220	2	LOCKWASHER,SPLIT RING, 5/8 ,LHT,YEL ZN	
46	1111384	2	CAPSCREW,HEX HD,5/8-11 X1 1/4,GR5,	
47	2001402	2	NUT,HEX HD,1/4-28,YEL ZN DICH	
48	0807958	2	CAPSCREW,HEX HD,1/4-20X 1/2,GR8,YEL ZN	
49	2001170	2	LOCKWASHER,SPLIT RING, 1/4 ,MED,YEL ZN	
50	2001212	1	LOCKWASHER,SPLIT RING, 1/2 ,LHT,YEL ZN	
51	1132034	1	CAPSCREW,HX HD,M12-1.75X35,GR8.8,	
52	1143676	4	SCREW,10-16 X 3/4, AB,PH1,PAN HD,BLK ZN,	
NI	1486547		FLUID,TRANS,DEXRON III	
53	1659192	1	BUSHING,TRANS TEMP SENDER,TCFC/RE	
54	1656446	1	SENDER,TRANSMISSION OIL TEMPERATURE	
55	1351071	1	PLUG,BUTTON,BLACK,DP-1000 HEYCO 2713	
10			TRANSMISSION	SUPPLIED BY VENDOR
10	0997734	12	CAPSCREW,HX HD,M10-1.5X35,CL10.9,	
12	1863422	12	SCREW,MACH,FT/HD,10MM,ALLISON 11514283	
10	1863430	10	CAPSCREW,M10-1.5X15MM,LOCTITE 23049056	40421-01 WITH 40187-01 ONLY

**Models:** A3FE, C3FE  
**AUTOMATIC, COMPONENTS**  
**AT545**  
**1550**  
**With Features:** FEATURE 40421-01, 02  
**BSN:** From CSN 01/22/01

Key	PartNumber	Qty	Description	Comment
-----	------------	-----	-------------	---------



**Models:** A3FE, C3FE  
**AUTOMATIC, COMPONENTS**  
 AT545  
 1550  
**With Features:** FEATURE 40421-01, 02  
**BSN:** From CSN 01/22/01

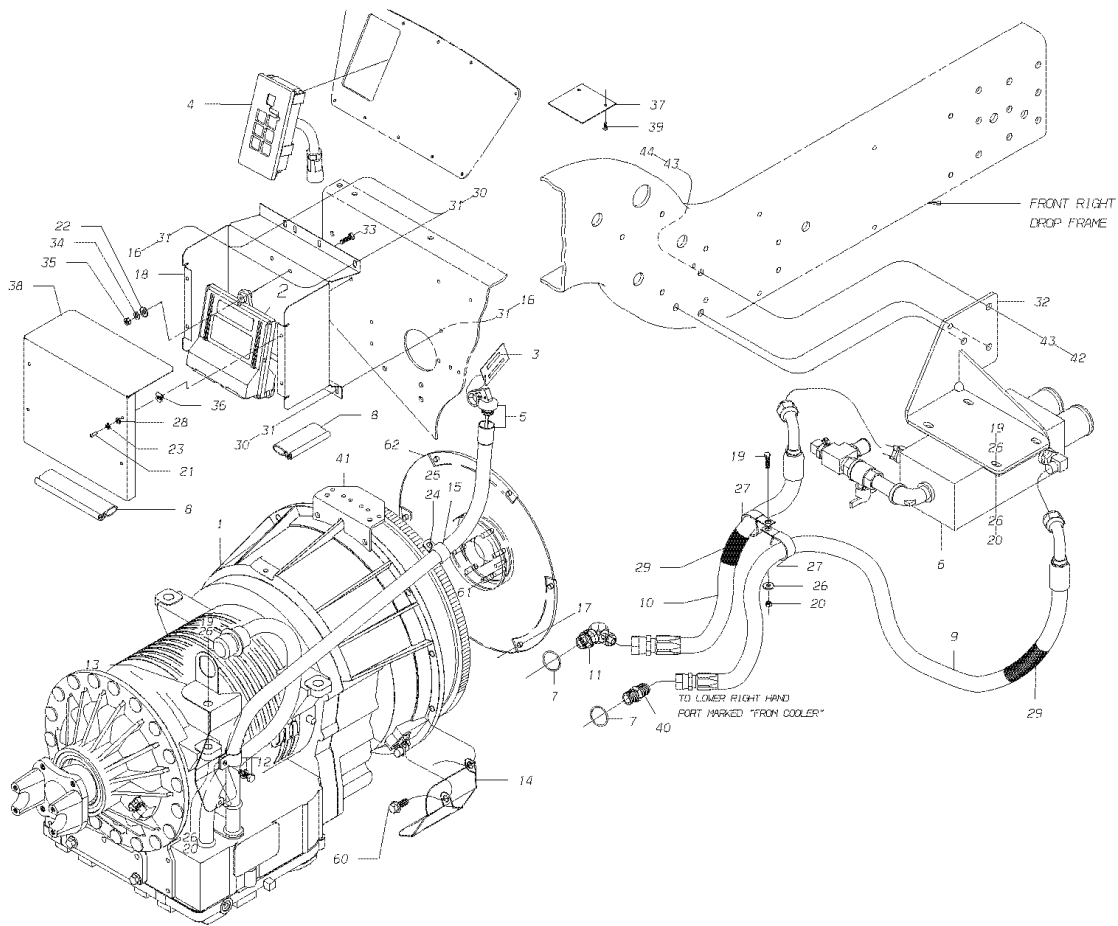
Key	PartNumber	Qty	Description	Comment
1	0998526	1	SPACER, .250X1.25X1.25 W/.531 HOLE,PAINTED	
2	1473313	1	BRACKET ASSY,MTG,TRANS OIL FILTER,TCFC	
3	0998542	1	FILTER,OIL,EXTERNAL,AUTO TRANS,AC	
4	1793207	1	SENSOR,SPEEDOMETER,ELEC,ALLISON TRANS	FOR CAT ONLY
4	0016123	1	SENSOR,SPEED,DUAL COIL,ALLISON AT/MT	
5	1656461	1	SWITCH,START,NEUTRAL	
6	1659218	1	SWITCH,BACK-UP LIGHTS	
7	2001162	2	LOCKWASHER,SPLIT RING, 3/16,MED,YEL ZN	
8	1948017	1	MODULATOR,ELECTRONIC SHIFT,12V AT&MT	
9	0015425	1	YOKE,TRANS,1550 W/PARK BRK FLANGE,	
9	0015527	1	YOKE,TRANS,1550_SPL-70,SPICER 4-4-4801-1X	
10	1854140	1	BOLT,H/LK,1/2-20 UNFX1 1/2,ALLISON	
11	1003045	1	WASHER,FLAT,17/32 X 1 1/16 X 7/64,HDN,	
12	1166107	1	ELBOW,90 DEG,SAE,37 DEG FLARE,849-FS0	
13	1465707	1	HOSE ASSY,2110606-8-8-8-19	
14	1465699	1	HOSE ASSY,2110606-8-8-8-64	
15	0005940	1	HOSE ASSY,2110639-8-8-8-37.5,HDFE	
16	1775881	1	TUBE,FILLER,TRANS,AT545(PLATED),TCFE	
17	1412196	1	DIPSTICK,TRANSMISSION OIL CHECK,TCFC	
18	0557710	1	CLAMP,LOOP,.812	
19	1225598	5	CLAMP,LOOP,1.25	
20	1341304	2	ANGLE,MTG,CLAMP,TCFC	
21	0002382	1	COOLER ASSY,TRANS OIL,AT545, HDFE	
NI	1408996	1	COOLER,TRANS OIL,RADIATOR	COOLER ONLY,
NI	1626431	1	VALVE,BALL,3/4,W/BUTTERFLY HANDLE	
22	1316967	1	LEVER,SELECTOR,TRANS,3 DEG,HT TREATED,	
23	0803213	6	CAPSCREW,HEX HD,3/8-16X1 1/4,GR8,YEL	
24	1107085	10	WASHER,FLAT,13/32 X 13/16 X 3/32,HDN,BLK	
25	0826297	6	NUT,HEX HD,3/8-16 LOCK,YEL ZN DICH	
26	1854157	1	NUT,HEX HD,M10-1.50,ALLISON 29520052	
27	1394675	10	LOCKWASHER,SPLIT RING,10 MM,MED,OLV DRB	
28	2001287	2	NUT,HEX HD,10-32,YEL ZN DICH	
29	0989145	6	CAPSCREW,HEX HD,5/16-18, X, 1, ,GR5,	

**Models:** A3FE, C3FE  
**AUTOMATIC, COMPONENTS**  
**AT545**  
**1550**  
**With Features:** FEATURE 40421-01, 02  
**BSN:** From CSN 01/22/01

Key	PartNumber	Qty	Description	Comment
31	0829390	6	NUT,HEX HD,5/16-18,SER WASHER,YEL ZN	
32	1854173	6	BOLT,HEX HD,M10 X 15,ALLISON 23049056	
33	1109271		LOOM,CORRUGATED,BLACK,NYLON,3/4 ID,SS	
34	1470756	1	BRACKET,MTG,TRANS SHFT CABLE, TCFC	
35	1641307	1	BRACKET,AIR HOSE SUPPORT, TCFC	
36	0023394	1	PANEL,MTG,SHIFT SELECTOR TO HOUSING,LH	
37	0028758	1	SELECTOR,SHIFT,TRANS,AT/MT	
38	1355585	1	CABLE,TRANSMISSION SHIFT,98 IN. LONG	
39	1508613	1	GROMMET,RUBBER,ATLANTIC INDIA #2426	
40	0025522	6	U-NUT,10-32	
41	0885343	1	TRUNION,TRANS CONTROL CABLE,MT643	
42	0885319	1	SHIM,U-BOLT TRANS CONTROL MT643	
43	0885327	1	U-BOLT,TRANS CONTROL CABLE,MT643	
44	2008860	1	PIN,COTTER,3/32 X 1,YEL ZN DICH	
45	2001220	2	LOCKWASHER,SPLIT RING, 5/8 ,LHT,YEL ZN	
46	1111384	2	CAPSCREW,HEX HD,5/8-11 X1 1/4,GR5,	
47	2001402	2	NUT,HEX HD,1/4-28,YEL ZN DICH	
48	2000792	4	SCREW,MACH,1/4-20X1/2,PH1,RD HD,YEL ZN	
49	2001170	4	LOCKWASHER,SPLIT RING, 1/4 ,MED,YEL ZN	
50	1341650	1	ELBOW,45 DEG,.50 O-RINGX3/4-16 MALE	
51	1317247	1	BRACKET,ATCH,BRAKE LINE TO FRAME	
52	1557453	1	BUSHING,TRANS TEMP SENDER,45 DEG INV	WITH 4020-01 ONLY
53	1939982	1	SENDER,TRANSMISSION OIL TEMPERATURE,	WITH 4020-01 ONLY
54	0026366	1	COVER,SHIFTER CABLE,ENGINE COMPARTMENT	
55	1337039	2	SCREW,12-24 X 3/8,PH1,PAN HD,YEL ZN	
56	0882795	1	LOCKWASHER,SPLIT RING,3/8,MED,YELLOW	
57	0027993	1	CLIP,RETAINER,HOSE	
58	0801795	1	CAPSCREW,HEX HD,3/8-16X 5/8,GR8,YEL ZN	
59	1317247	1	BRACKET,ATCH,BRAKE LINE TO FRAME	
10	0015811	1	TRANSMISSION,AT545,TC290,2600 RPM"	
10	0997734	12	CAPSCREW,HX HD,M10-1.5X35,CL10.9,	40421-01 W/ 40177-02

**Models:**  
**A3FE**  
**AUTOMATIC, COMPONENTS**  
**B300**  
**RH DRIVE (EXPORT)**

Key	PartNumber	Qty	Description	Comment
-----	------------	-----	-------------	---------



**Models:** **A3FE**  
**AUTOMATIC, COMPONENTS**  
**B300**  
**RH DRIVE (EXPORT)**

Key	PartNumber	Qty	Description	Comment
1	0066446		CHART,ENGINE,AND TRANS COMBOS,3000	
2	0076169		CHART,MODULE,CONTROL,TRANS,PTS/BUS	
3	0075461		LABEL,ALLISON,TRANSYND,WITH TIE RAP	<i>WITH FEATURE 40111-02</i>
4	0031122		SELECTOR,SHIFT,PUSHBUTTON,3000 SRS,	
5	0065799		TUBE & D/STK ASSY,TRANS,MD/B SERIES,CAT,	
6	0002362		COOLER ASSY,TRANS OIL,MT643/MD3060,	<i>MT643/MD3060. WITHOUT 30059</i>
7	0048094	2	O-RING,VITON,12 HYD FITTINGS	
8	1343532	1.8	SEAL,SIDE LIP,UNI-GRIP SD-506	
9	0049619		HOSE ASSY,WH H23912E-612-672-A04000	
10	0049615		HOSE ASSY,WH H23912E-612-612-A03200	
11	0964908		ADAPTER,849-FSO-12X12,37 DEG	
12	1595362		CLAMP,INSULATED 1.00 ID	
13	0049052		SHIELD,HEAT,HARNESS,TRANSMISSION,	
14	1988013		SHIELD,HEAT,INPUT SPEED SENSOR,MD3060,	
15	1517168		CLAMP,LOOP,.937	
16	2001345	4	NUT,HEX HD,1/4-20,LOCKING,YELLOW	
17	1760859	6	BOLT,FLEXPLATE TO FLEXPLATE ADAPT,WORLD	
18	0047870		BRACKET,MOUNTING,ECU AND TCM,HDFE	
19	0803213	6	CAPSCREW,HEX HD,3/8-16X1 1/4,GR8,YEL	
20	0826297	6	NUT,HEX HD,3/8-16 LOCK,YEL ZN DICH	
21	2000776	4	SCREW,MACH, 10-32 X 3/4,PH1,RD HD,	
22	1991108	3	WASHER,FLAT,17/64 ID X 3/4,YELLOW ZINC	
23	2001162	4	LOCKWASHER,SPLIT RING, 3/16,MED,YEL ZN	
24	0882795		LOCKWASHER,SPLIT RING,3/8,MED,YELLOW	
25	0559195		CAPSCREW,HEX HD,3/8-16 X 1,GR 8,YEL ZN	
26	1107085	12	WASHER,FLAT,13/32 X 13/16 X 3/32,HDN,BLK	
27	1039486	2	CLAMP,LOOP,1.50	
28	2001105	4	WASHER,FLAT,13/64 X,1/2 X 3/64,YEL ZN DICH	
29	1228840	8'	LOOM,CORRUGATED,BLACK,NYLON,1 1/4ID,SS	
30	0870477	4	CAPSCREW,HEX HD,1/4-20 X 1,GR 8,YEL ZN	
31	1467000	8	WASHER,FLAT, .281 X.750X.078 HARDENED,BLK	
32	0011087		BRACKET,MTG,TRANS OIL COOLER,RH DRIVE,	
33	0420786	3	SCREW,MACH,1/4-20X1-1/4,PH1,TRUSS,	

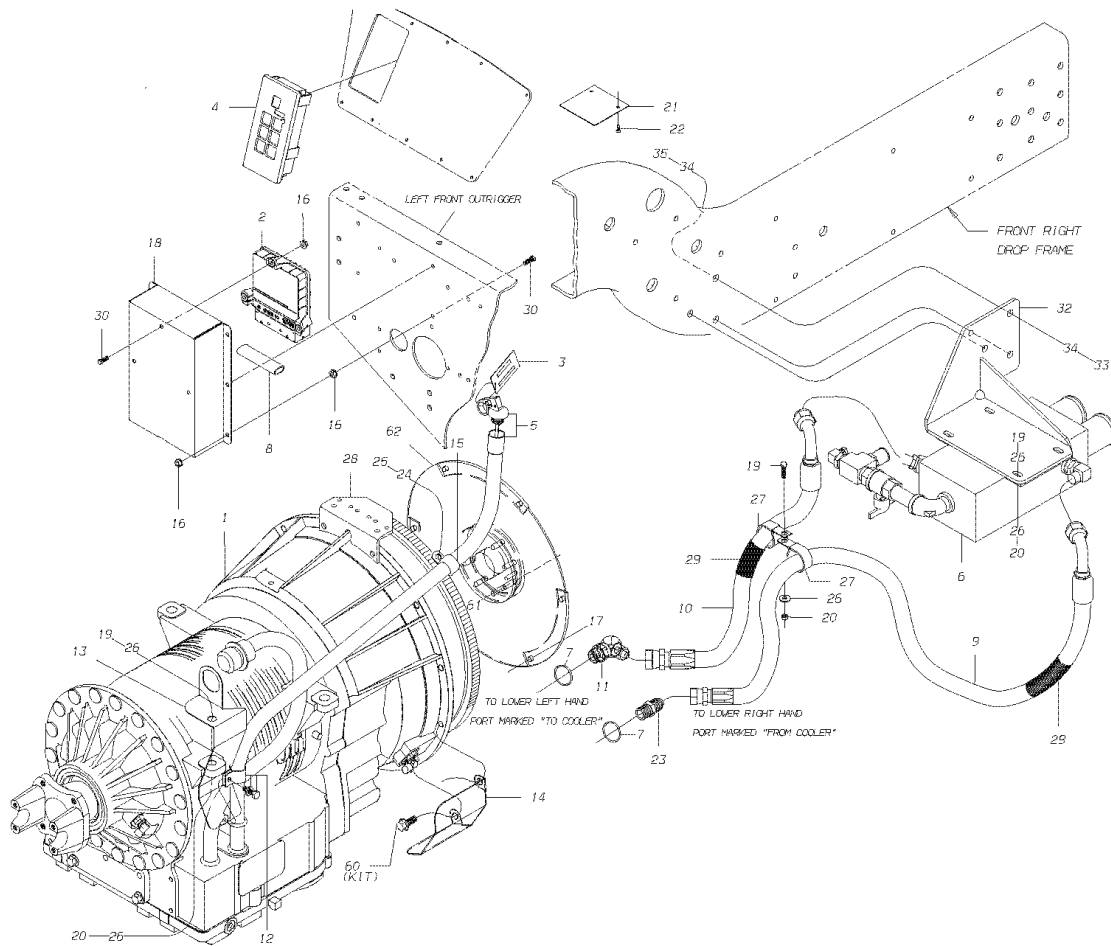
**Models:** A3FE  
AUTOMATIC, COMPONENTS  
B300  
RH DRIVE (EXPORT)

Key	PartNumber	Qty	Description	Comment
34	2001170	3	LOCKWASHER,SPLIT RING, 1/4 ,MED,YEL ZN	
35	2001337	3	NUT,HEX HD,1/4-20,ZINC	
36	0025522	4	U-NUT,10-32	
37	0027936		DIAGRAM,INSTL,ELEC ACS DR LATCH,	
38	0047873		COVER,ECU AND TCM,HDFE	
39	1337039	2	SCREW,12-24 X 3/8,PH1,PAN HD,YEL ZN	
40	1050806		ADAPTER,848-FSO-12X12,37 DEG,STL FLARE	
41	1839315		BRACKET,MTG,HYD HOSES TO TRANSMISSION	
42	1942135	3	CAPSCREW,HEX HD 1/2-13X 1 1/4,GR8,	
43	2001139	3	WASHER,FLAT,1/2 X 1 1/4 X 3/32,YEL ZN DICH	
44	0850800	3	NUT,HEX HD,1/2-13,LOCKING,GR 8,CAD WAX	
NI	0024144	7.5	FLUID,TRANS,SYNTHETIC,TRANSYND,55 GAL	WITH FEATURE 40111-02
60	1761113		BOLT/WASHER KIT,FWH,CATERPILLAR	USE WITH CAT C7 ENGINE WITH 3000 PTS TRANSMISSION FEATURE 40187-11, -12, OR -13 WITH 40432-04
61	1596709	8	BOLT,CRANKSHAFT,MD3060/CAT,ALLISON	USE WITH CAT C7 ENGINE WITH 3000 PTS TRANSMISSION FEATURE 40187-11, -12, OR -13 WITH 40432-04
62	1760834		KIT,ENG ADAPT,CAT 3116,WORLD T/M	USE WITH CAT C7 ENGINE WITH 3000 PTS TRANSMISSION FEATURE 40187-11, -12, OR -13 WITH 40432-04
NI	1422195	.40	SEALANT,LOCTITE,THREADLOCKER 242, BLUE	USE WITH CAT C7 ENGINE WITH 3000 PTS TRANSMISSION FEATURE 40187-11, -12, OR -13 WITH 40432-04



Models: **A3FE  
AUTOMATIC, COMPONENTS  
B300, GEN 4  
RH DRIVE (EXPORT)**

Key	PartNumber	Qty	Description	Comment
-----	------------	-----	-------------	---------



**Models:** **A3FE**  
**AUTOMATIC, COMPONENTS**  
**B300, GEN 4**  
**RH DRIVE (EXPORT)**

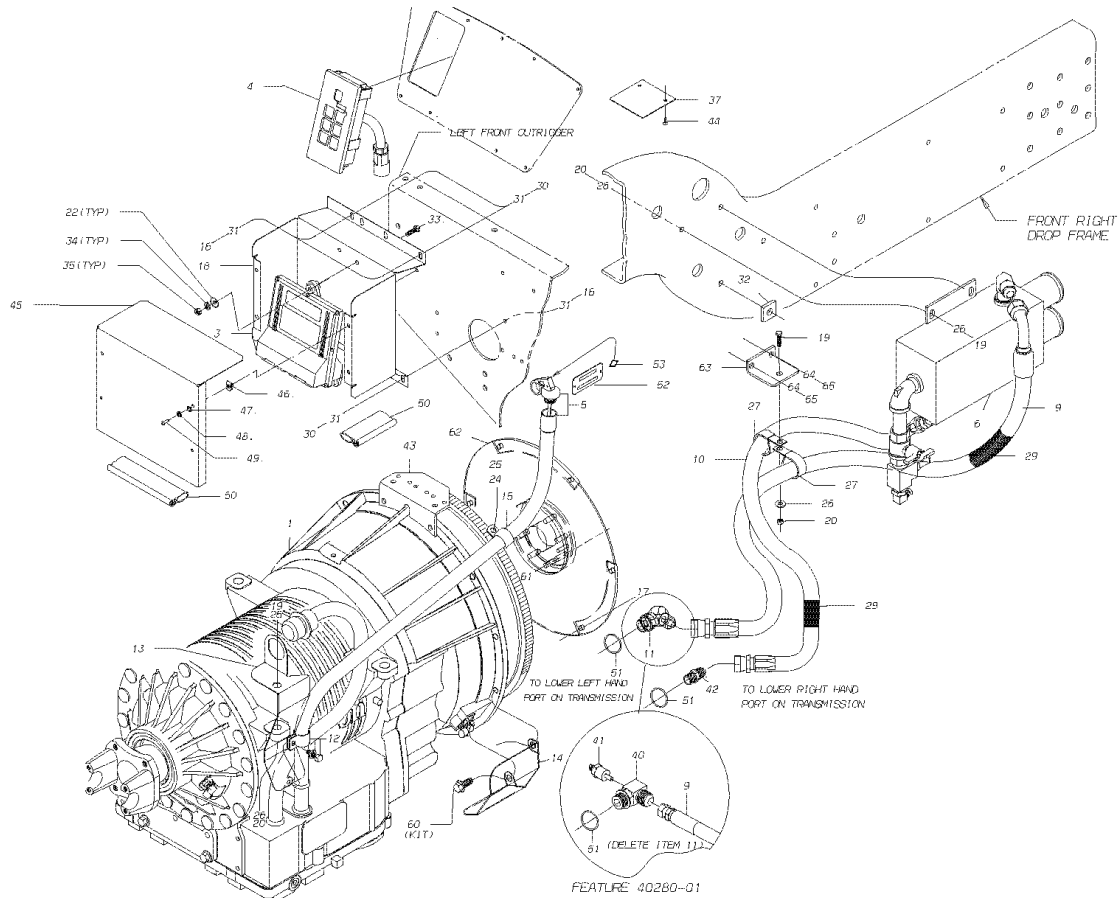
Key	PartNumber	Qty	Description	Comment
1			ENGINE & TRANSMISSION COMBOS, 3000	SEE CHART 0092581
2			ENGINE & TRANSMISSION COMBOS, 3000	SEE CHART 0092581 -
3	0075461		LABEL,ALLISON,TRANSYND,WITH TIE RAP	
4	0087654		SELECTOR,SHIFT,PUSHBUTTON,3000 SRS,GEN	
5	0065799		TUBE & D/STK ASSY,TRANS,MD/B SERIES,CAT,	
6	0105628		COOLER ASSY,OIL,TRANSMISSION, C3/A3FE	WITHOUT FEATURE 30059
6	0105629		COOLER ASSY,OIL,TRANS,W/CONV HTG,	WITH FEATURE 30059 CONVECTION HEATING
7	0048094		O-RING,VITON,12 HYD FITTINGS	
8	0063055		SEAL,DOOR,.50 BULB X 1.90 FLG MT,UNI-GRIP	
9	0085529		HOSE ASSY,TRANS,OIL CLR,#12-STR-90-38"	
10	0085526		HOSE ASSY,TRANS,OIL CLR,#12-STR-STR-32"	
11	0964908		ADAPTER,849-FSO-12X12,37 DEG	
12	1595362		CLAMP,INSULATED 1.00 ID	
13	0049052		SHIELD,HEAT,HARNESS,TRANSMISSION,	
14	1988013		SHIELD,HEAT,INPUT SPEED SENSOR,MD3060,	
15	1517168		CLAMP,LOOP,.937	
16	1339639		NUT,HEX HD,1/4-20,PRVLG TORQUE,FLG,YEL	
17	1760859		BOLT,FLEXPLATE TO FLEXPLATE ADAPT,WORLD	
18	0092944		COVER,TRANS,CTRL MODULE,ALLISON,GEN 4,	
19	0803213		CAPSCREW,HEX HD,3/8-16X1 1/4,GR8,YEL	
20	0826297		NUT,HEX HD,3/8-16 LOCK,YEL ZN DICH	
21	0027396		COVER,SHIFTER CABLE HOLE,W/MD3060 TRAN	
22	1337039		SCREW,12-24 X 3/8,PH1,PAN HD,YEL ZN	
23	1050806		ADAPTER,848-FSO-12X12,37 DEG,STL FLARE	
24	0882795		LOCKWASHER,SPLIT RING,3/8,MED,YELLOW	
25	0559195		CAPSCREW,HEX HD,3/8-16 X 1,GR 8,YEL ZN	
26	1107085		WASHER,FLAT,13/32 X 13/16 X 3/32,HDN,BLK	
27	1039486		CLAMP,LOOP,1.50	
28	1839315		BRACKET,MTG,HYD HOSES TO TRANSMISSION	
29	1228840		LOOM,CORRUGATED,BLACK,NYLON,1 1/4ID,SS	
30	0870477		CAPSCREW,HEX HD,1/4-20 X 1,GR 8,YEL ZN	
31	1467000		WASHER,FLAT, .281 X .750X .078 HARDENED,BLK	
32	0011087		BRACKET,MTG,TRANS OIL COOLER,RH DRIVE,	

**Models:** **A3FE**  
**AUTOMATIC, COMPONENTS**  
**B300, GEN 4**  
**RH DRIVE (EXPORT)**

Key	PartNumber	Qty	Description	Comment
33	1942135		CAPSCREW,HEX HD 1/2-13X 1 1/4,GR8,	
34	2001139		WASHER,FLAT,1/2 X 1 1/4 X 3/32,YEL ZN DICH	
35	0850800		NUT,HEX HD,1/2-13,LOCKING,GR 8,CAD WAX	
60	1761113		BOLT/WASHER KIT,FWH,CATERPILLAR	<i>USE WITH CAT C7, FEATURE 40187-11,-12, or -13 WITH 40432-04 or 40423-03 or 40424-03</i>
61	1596709		BOLT,CRANKSHAFT,MD3060/CAT,ALLISON	<i>USE WITH CAT C7, FEATURE 40187-11,-12, or -13 WITH 40432-04 or 40423-03 or 40424-03</i>
62	1760834		KIT,ENG ADAPT,CAT 3116,WORLD T/M	<i>USE WITH CAT C7, FEATURE 40187-11,-12, or -13 WITH 40432-04 or 40423-03 or 40424-03</i>
NI	1422195		SEALANT,LOCTITE,THREADLOCKER 242, BLUE	<i>USE WITH CAT C7, FEATURE 40187-11,-12, or -13 WITH 40432-04 or 40423-03 or 40424-03</i>

**Models:** A3FE, C3FE  
**AUTOMATIC, COMPONENTS**  
 MD3060, B300, B400  
**With Features:** FEATURE 40177, 40187 OR 40184 WITH 40422, 40423 OR 40424  
**BSN:** From 07/23/98  
 To CSN F0163204; 05/03/04

Key	PartNumber	Qty	Description	Comment
-----	------------	-----	-------------	---------



**Models:** A3FE, C3FE  
**AUTOMATIC, COMPONENTS**  
**MD3060, B300, B400**  
**With Features:** FEATURE 40177, 40187 OR 40184 WITH 40422, 40423 OR 40424  
**BSN:** From 07/23/98  
**To CSN F0163204; 05/03/04**

Key	PartNumber	Qty	Description	Comment
1		1	TRANSMISSION	REFER TO "PAGE SET NOTES" FOR THIS PAGE.
2		1	NOT CURRENTLY USED	
3	0022060	1	ELECTRONIC CTRL UNIT,2200 RPM,TID3,WTEC	FEATURE 40184-04, 05 WITH 40422
3	0022061	1	ELECTRONIC CTRL UNIT,2400 RPM,TID3,WTEC	FEATURE 40184-01, 02, 03 OR 40187-03, 04, 05, 06 WITH 40422
3	0022062	1	ELECTRONIC CTRL UNIT,2500 RPM,TID3,WTEC	FEATURE 40187-02 OR 40177-03, 04, 05, 06, 07 WITH 40422
3	0022068	1	ELECTRONIC CTRL UNIT,2400 RPM,TID3,WTEC	FEATURE 40184-01, 02, 03 OR 40187-02, 03, 04, 05, 06 WITH 40423
3	0022069	1	ELECTRONIC CTRL UNIT,2500 RPM,TID3,WTEC	FEATURE 40177-03, 04, 05, 06, 07 WITH 40423
3	0022072	1	ELECTRONIC CTRL UNIT,2200 RPM,TID3,WTEC	FEATURE 40184-01, 02, 03, 04, 05 WITH 40424
3	0022073	1	ELECTRONIC CTRL UNIT,2400 RPM,TID3,WTEC	FEATURE 40187-02, 03, 04, 05, 06 WITH 40424
4	0031122	1	SELECTOR,SHIFT,PUSHBUTTON,3000 SRS,	
5	0065799	1	TUBE & D/STK ASSY,TRANS,MD/B SERIES,CAT,	
6	0002362	1	COOLER ASSY,TRANS OIL,MT643/MD3060,	WITHOUT FEATURE 30059
NI	1408996	1	COOLER,TRANS OIL,RADIATOR	COOLER ONLY
NI	1626431	1	VALVE,BALL,3/4,W/BUTTERFLY HANDLE	
	0054387	1	COOLER ASSY,TRANS OIL,643/3060,CVT HTG	WITH FEATURE 30059 ONLY
7	1962398	1	LIGHT,DASH,INDICATOR,CHECK	
8	1588649	1	LIGHT,DASH,IND TRANSMISSION	
9	0049618	1	HOSE ASSY,WH H23912E-612-672-A03750	WITH CUMMINS ISB & CAT 3126
9	0049619	1	HOSE ASSY,WH H23912E-612-672-A04000	WITH CUMMINS ISC ONLY
10	0049615	1	HOSE ASSY,WH H23912E-612-612-A03200	
11	0964908	1	ADAPTER,849-FSO-12X12,37 DEG	NOT WITH FEATURE 40280-01
12	1595362	1	CLAMP,INSULATED 1.00 ID	
13	0049052	1	SHIELD,HEAT,HARNESS,TRANSMISSION,	
14	1988013	1	SHIELD,HEAT,INPUT SPEED SENSOR,MD3060,	
15	1517168	1	CLAMP,LOOP,.937	
16	2001345	4	NUT,HEX HD,1/4-20,LOCKING,YELLOW	
17	1760859	6	BOLT,FLEXPLATE TO FLEXPLATE ADAPT,WORLD	
18	0047870	1	BRACKET,MOUNTING,ECU AND TCM,HDFE	
19	0803213	8	CAPSCREW,HEX HD,3/8-16X1 1/4,GR8,YEL	

**Models:** A3FE, C3FE  
**AUTOMATIC, COMPONENTS**  
**MD3060, B300, B400**  
**With Features:** FEATURE 40177, 40187 OR 40184 WITH 40422, 40423 OR 40424  
**BSN:** From 07/23/98  
**To CSN F0163204; 05/03/04**

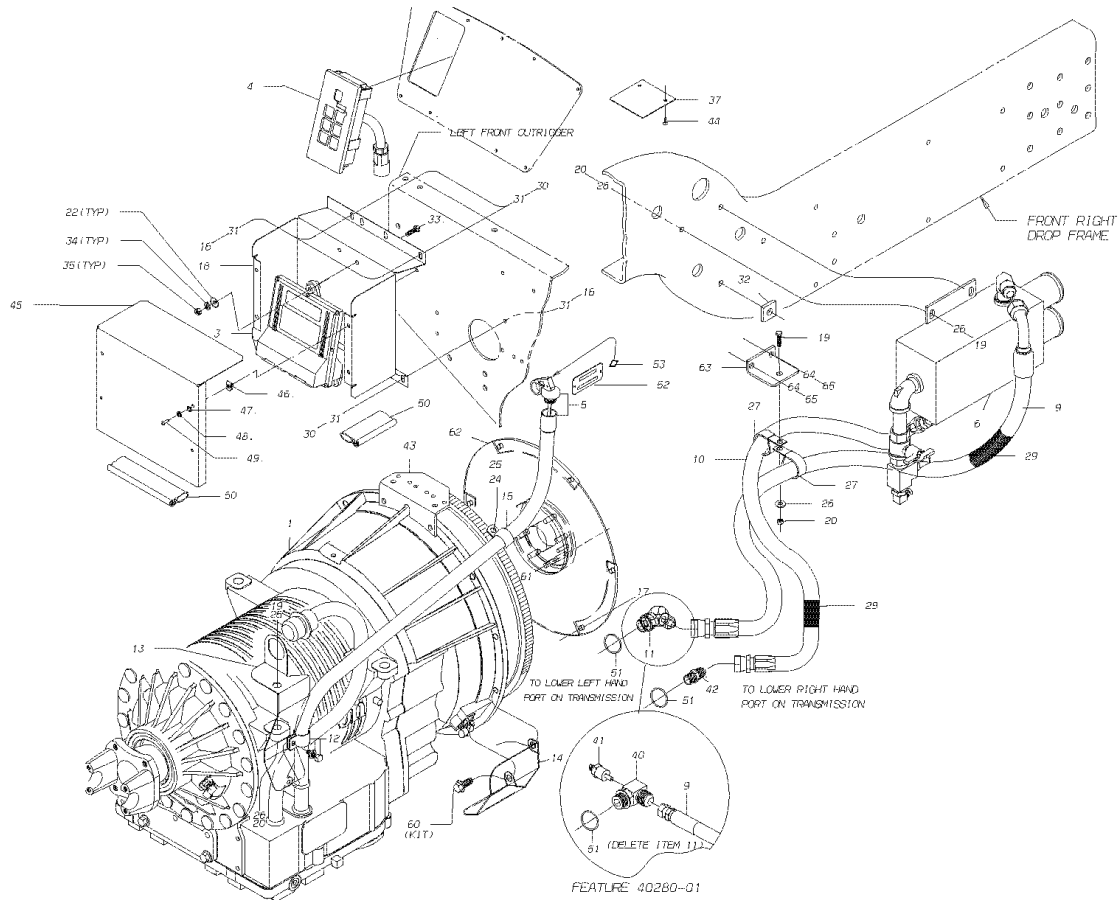
Key	PartNumber	Qty	Description	Comment
20	0826297	8	NUT,HEX HD,3/8-16 LOCK,YEL ZN DICH	
21			NOT CURRENTLY USED	
22	1991108	3	WASHER,FLAT,17/64 ID X 3/4,YELLOW ZINC	
23			NOT CURRENTLY USED	
24	0882795	1	LOCKWASHER,SPLIT RING,3/8,MED,YELLOW	
25	0559195	1	CAPSCREW,HEX HD,3/8-16 X 1,GR 8,YEL ZN	
26	1107085	16	WASHER,FLAT,13/32 X 13/16 X 3/32,HDN,BLK	
27	1039486	2	CLAMP,LOOP,1.50	
28			NOT CURRENTLY USED	
29	1228840		LOOM,CORRUGATED,BLACK,NYLON,1 1/4ID,SS	
30	0870477	4	CAPSCREW,HEX HD,1/4-20 X 1,GR 8,YEL ZN	
31	1467000	8	WASHER,FLAT,-.281 X.750X.078 HARDENED,BLK	
32	0998526	1	SPACER,-.250X1.25X1.25 W/.531 HOLE,PAINTED	
33	0420786	3	SCREW,MACH,1/4-20X1-1/4,PH1,TRUSS,	
34	2001170	3	LOCKWASHER,SPLIT RING, 1/4 ,MED,YEL ZN	
35	2001337	3	NUT,HEX HD,1/4-20,ZINC	
36			NOT CURRENTLY USED	
37	1967736	1	COVER,SHIFTER CLOSEOUT,W/MD3060 TRANS,	
38	1598630	1	BRACKET,MTG,HEATER & FREON HOSES,	
39			NOT CURRENTLY USED	
40	0017061	1	ELBOW,90 DEGREE WITH 1/8-27 NPT	WITH FEATURE 40280-01 ONLY
41	1939982	1	SENDER,TRANSMISSION OIL TEMPERATURE,	WITH FEATURE 40280-01 ONLY
42	1050806	1	ADAPTER,848-FSO-12X12,37 DEG,STL FLARE	
43	1839315	1	BRACKET,MTG,HYD HOSES TO TRANSMISSION	
44	1337039	2	SCREW,12-24 X 3/8,PH1,PAN HD,YEL ZN	
45	0047873	1	COVER,ECU AND TCM,HDFE	
46	0025522	4	U-NUT,10-32	
47	2001105	4	WASHER,FLAT,13/64 X,1/2 X 3/64,YEL ZN DICH	
48	2001162	4	LOCKWASHER,SPLIT RING, 3/16,MED,YEL ZN	
49	2000776	4	SCREW,MACH, 10-32 X 3/4,PH1,RD HD,	
50	1343532		SEAL,SIDE LIP,UNI-GRIP SD-506	
51	0048094		O-RING,VITON,12 HYD FITTINGS	
60	1760867	1	BOLT/WASHER KIT,FWH,CUMMINS	40177-04, 06 WITH 40422 OR 40423, CUMMINS ISB W/ MD3060

**Models:** A3FE, C3FE  
**AUTOMATIC, COMPONENTS**  
**MD3060, B300, B400**  
**With Features:** FEATURE 40177, 40187 OR 40184 WITH 40422, 40423 OR 40424  
**BSN:** From 07/23/98  
 To CSN F0163204; 05/03/04

Key	PartNumber	Qty	Description	Comment
				OR B300 TRANS
61	1596717	8	BOLT,CRANKSHAFT,MD3060/CUM,ALLISON	40177-04, 06 WITH 40422 OR 40423, CUMMINS ISB W/ MD3060 OR B300 TRANS
62	1760842	1	KIT,ENG ADAPT,5.9 & 8.3,WORLD T/M	40177-04, 06 WITH 40422 OR 40423, CUMMINS ISB W/ MD3060 OR B300 TRANS
63	1718634	1	BRACKET,MTG,T/M COOLING LINES,	40177-04, 06 WITH 40422 OR 40423, CUMMINS ISB W/ MD3060 OR B300 TRANS
64	0559195	2	CAPSCREW,HEX HD,3/8-16 X 1,GR 8,YEL ZN	40177-04, 06 WITH 40422 OR 40423, CUMMINS ISB W/ MD3060 OR B300 TRANS
65	0882795	2	LOCKWASHER,SPLIT RING,3/8,MED,YELLOW	40177-04, 06 WITH 40422 OR 40423, CUMMINS ISB W/ MD3060 OR B300 TRANS
60	1761113	1	BOLT/WASHER KIT,FWH,CATERPILLAR	40178-03, 04, 06 WITH 40422, CAT 3126B W/ MD3060 TRANS
61	1596709	8	BOLT,CRANKSHAFT,MD3060/CAT,ALLISON	40178-03, 04, 06 WITH 40422, CAT 3126B W/ MD3060 TRANS
62	1760834	1	KIT,ENG ADAPT,CAT 3116,WORLD T/M	40178-03, 04, 06 WITH 40422, CAT 3126B W/ MD3060 TRANS
60	1760867	1	BOLT/WASHER KIT,FWH,CUMMINS	40187-03, 05 WITH 40422, 40423, 40424, CUMMINS ISC W/ MD3060/B300/B400 TRANS
61	1596717	8	BOLT,CRANKSHAFT,MD3060/CUM,ALLISON	40187-03, 05 WITH 40422, 40423, 40424, CUMMINS ISC W/ MD3060/B300/B400 TRANS
62	1760842	1	KIT,ENG ADAPT,5.9 & 8.3,WORLD T/M	40187-03, 05 WITH 40422, 40423, 40424, CUMMINS ISC W/ MD3060/B300/B400 TRANS

**Models:** A3FE, C3FE  
**AUTOMATIC, COMPONENTS**  
 MD3060, B300, B400  
**With Features:** FEATURE 40177, 40187 OR 40184 WITH 40422, 40423 OR 40424  
**BSN:** From CSN F0163205

Key	PartNumber	Qty	Description	Comment
-----	------------	-----	-------------	---------





**Models:** A3FE, C3FE  
**AUTOMATIC, COMPONENTS**  
**MD3060, B300, B400**  
**With Features:** FEATURE 40177, 40187 OR 40184 WITH 40422, 40423 OR 40424  
**BSN:** From CSN F0163205

Key	PartNumber	Qty	Description	Comment
1			ENGINE AND TRANSMISSION SUPPLIED BY	
3	0022060		ELECTRONIC CTRL UNIT,2200 RPM,TID3,WTEC	FEATURE 40184-04, 05 WITH 40422
3	0022061		ELECTRONIC CTRL UNIT,2400 RPM,TID3,WTEC	FEATURE 40184-01, 02, 03 OR 40187-03, 04, 05, 06 WITH 4 FEATURE 40187-02 OR 40177-03, 04, 05, 06, 07 WITH 404220422
3	0022062		ELECTRONIC CTRL UNIT,2500 RPM,TID3,WTEC	FEATURE 40187-02 OR 40177-03, 04, 05, 06, 07 WITH 40422
3	0022068		ELECTRONIC CTRL UNIT,2400 RPM,TID3,WTEC	FEATURE 40184-01, 02, 03 OR 40187-02, 03, 04, 05, 06 WITH 40423
3	0022069		ELECTRONIC CTRL UNIT,2500 RPM,TID3,WTEC	FEATURE 40177-03, 04, 05, 06, 07 WITH 40423
3	0022072		ELECTRONIC CTRL UNIT,2200 RPM,TID3,WTEC	FEATURE 40184-01, 02, 03, 04, 05 WITH
3	0022073		ELECTRONIC CTRL UNIT,2400 RPM,TID3,WTEC	FEATURE 40187-02, 03, 04, 05, 06 WITH 40424
4	0031122		SELECTOR,SHIFT,PUSHBUTTON,3000 SRS,	
5	0065799		TUBE & D/STK ASSY,TRANS,MD/B SERIES,CAT,	
6	0002362		COOLER ASSY,TRANS OIL,MT643/MD3060,	WITHOUT FEATURE 30059
6	0054387		COOLER ASSY,TRANS OIL,643/3060,CVT HTG	WITH FEATURE 30059 ONLY
9	0049618		HOSE ASSY,WH H23912E-612-672-A03750	
9	0049619		HOSE ASSY,WH H23912E-612-672-A04000	WITH CUMMINS ISC ONLY
10	0049615		HOSE ASSY,WH H23912E-612-612-A03200	
11	0964908		ADAPTER,849-FSO-12X12,37 DEG	
12	1595362		CLAMP,INSULATED 1.00 ID	
13	0049052		SHIELD,HEAT,HARNESS,TRANSMISSION,	
14	1988013		SHIELD,HEAT,INPUT SPEED SENSOR,MD3060,	
15	1517168		CLAMP,LOOP,.937	
16	2001345		NUT,HEX HD,1/4-20,LOCKING,YELLOW	
17	1760859		BOLT,FLEXPLATE TO FLEXPLATE ADAPT,WORLD	
18	0047870		BRACKET,MOUNTING,ECU AND TCM,HDFE	
19	0803213		CAPSCREW,HEX HD,3/8-16X1 1/4,GR8,YEL	
20	0826297		NUT,HEX HD,3/8-16 LOCK,YEL ZN DICH	
22	1991108		WASHER,FLAT,17/64 ID X 3/4,YELLOW ZINC	
24	0882795		LOCKWASHER,SPLIT RING,3/8,MED,YELLOW	
25	0559195		CAPSCREW,HEX HD,3/8-16 X 1,GR 8,YEL ZN	
26	1107085		WASHER,FLAT,13/32 X 13/16 X 3/32,HDN,BLK	

**Models:** A3FE, C3FE  
**AUTOMATIC, COMPONENTS**  
**MD3060, B300, B400**  
**With Features:** FEATURE 40177, 40187 OR 40184 WITH 40422, 40423 OR 40424  
**BSN:** From CSN F0163205

Key	PartNumber	Qty	Description	Comment
27	1039486		CLAMP,LOOP,1.50	
29	1228840		LOOM,CORRUGATED,BLACK,NYLON,1 1/4ID,SS	
30	0870477		CAPSCREW,HEX HD,1/4-20 X 1,GR 8,YEL ZN	
31	1467000		WASHER,FLAT, .281 X.750X.078 HARDENED,BLK	
32	0998526		SPACER, .250X1.25X1.25 W/.531 HOLE,PAINTED	
33	0420786		SCREW,MACH,1/4-20X1-1/4,PH1,TRUSS,	
34	2001170		LOCKWASHER,SPLIT RING, 1/4 ,MED,YEL ZN	
35	2001337		NUT,HEX HD,1/4-20,ZINC	
37	0027396		COVER,SHIFTER CABLE HOLE,W/MD3060 TRAN	
38	1598630		BRACKET,MTG,HEATER & FREON HOSES,	
40	0017061		ELBOW,90 DEGREE WITH 1/8-27 NPT	
41	1939982		SENDER,TRANSMISSION OIL TEMPERATURE,	
42	1050806		ADAPTER,848-FSO-12X12,37 DEG,STL FLARE	
43	1839315		BRACKET,MTG,HYD HOSES TO TRANSMISSION	
44	1337039		SCREW,12-24 X 3/8,PH1,PAN HD,YEL ZN	
45	0047873		COVER,ECU AND TCM,HDFE	
46	0025522		U-NUT,10-32	
47	2001105		WASHER,FLAT,13/64 X,1/2 X 3/64,YEL ZN DICH	
48	2001162		LOCKWASHER,SPLIT RING, 3/16,MED,YEL ZN	
49	2000776		SCREW,MACH, 10-32 X 3/4,PH1,RD HD,	
50	1343532		SEAL,SIDE LIP,UNI-GRIP SD-506	
51	0048094		O-RING,VITON,12 HYD FITTINGS	
52	0024934		TAG,WARNING,SYNTHETIC OIL	
53	0024935		RING,ATTACHING,DIAMOND	
60	1760867		BOLT/WASHER KIT,FWH,CUMMINS	FEATURE 40177-04,-06; 40184 -03 WITH 40422 OR 40423 OR 40424
60	1761113		BOLT/WASHER KIT,FWH,CATERPILLAR	FEATURE 40187-11,-12,-13 WITH 40422
61	1596717		BOLT,CRANKSHAFT,MD3060/CUM,ALLISON	FEATURE 40177-04,-06; 40184 -03 WITH 40422 OR 40423 OR 40424
61	1596709		BOLT,CRANKSHAFT,MD3060/CAT,ALLISON	FEATURE 40187-11,-12,-13 WITH 40422
62	1760842		KIT,ENG ADAPT,5.9 & 8.3,WORLD T/M	FEATURE 40177-04,-06; 40184 -03 WITH 40422 OR 40423 OR 40424
62	1760834		KIT,ENG ADAPT,CAT 3116,WORLD T/M	

**Models:** A3FE, C3FE  
**AUTOMATIC, COMPONENTS**  
**MD3060, B300, B400**

**With Features:** **FEATURE 40177, 40187 OR 40184 WITH 40422, 40423 OR 40424**


**BSN:** **From CSN F0163205**

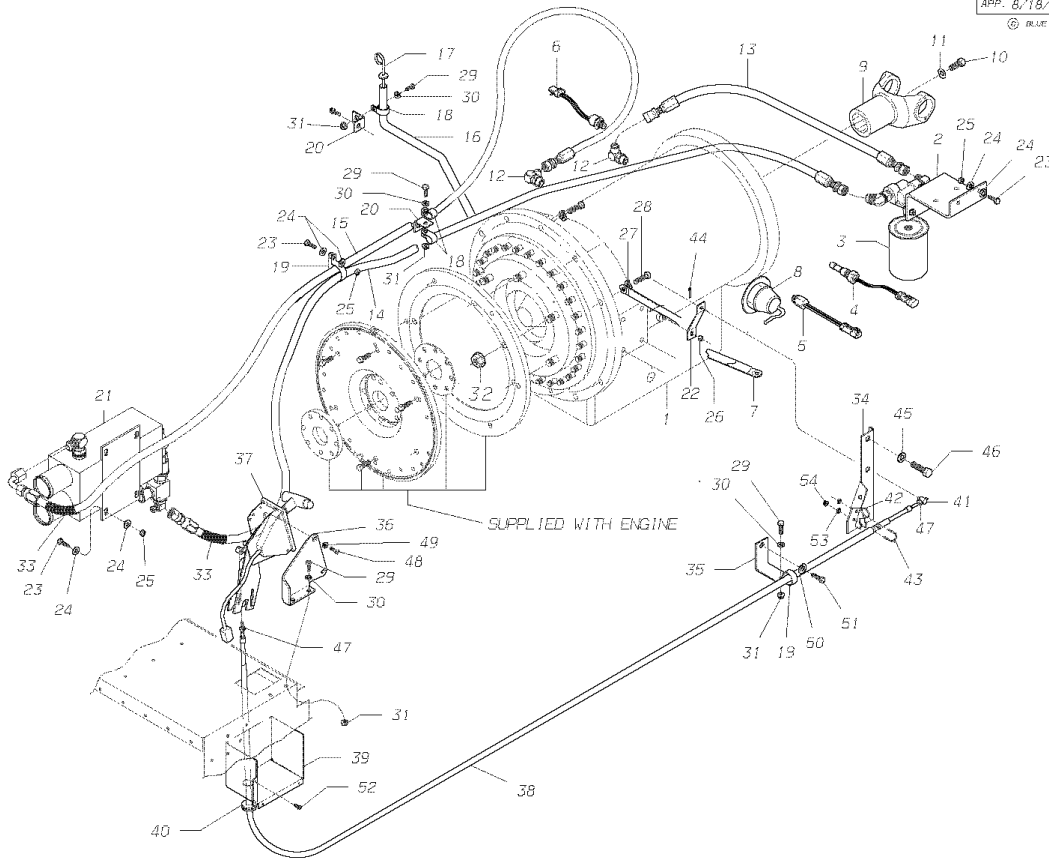
Key	PartNumber	Qty	Description	Comment
				<i>40422</i>
63	1718634		BRACKET,MTG,T/M COOLING LINES,	<i>FEATURE 40177-04,-06 WITH 40422, 40423</i>
64	0559195		CAPSCREW,HEX HD,3/8-16 X 1,GR 8,YEL ZN	<i>FEATURE 40177-04,-06 WITH 40422, 40423</i>
65	0882795		LOCKWASHER,SPLIT RING,3/8,MED,YELLOW	<i>FEATURE 40177-04,-06 WITH 40422, 40423</i>

**Models:** A3FE  
**AUTOMATIC, COMPONENTS**  
 MT643  
 1610  
**With Features:** FEATURE 40426-01  
**BSN:** From CSN 06/01/98  
 To 08/01/99

Key	PartNumber	Qty	Description	Comment
-----	------------	-----	-------------	---------

DR. 8/18/00	BY: JL	---	1943826	REV
APP. 8/18/00	BY: PF	---		

© BLUE BIRD BODY COMPANY. ALL RIGHTS RESERVED. 



**Models:** A3FE  
AUTOMATIC, COMPONENTS  
MT643  
1610  
**With Features:** FEATURE 40426-01  
**BSN:** From CSN 06/01/98  
To 08/01/99

Key	PartNumber	Qty	Description	Comment
1	2001162	2	LOCKWASHER,SPLIT RING, 3/16,MED,YEL ZN	
2	1997923	1	BRACKET ASSY,MTG,TRANS OIL FILL,MT643,	
3	0998542	1	FILTER,OIL,EXTERNAL,AUTO TRANS,AC	
4	1793207	1	SENSOR,SPEEDOMETER,ELEC,ALLISON TRANS	
5	1656461	1	SWITCH,START,NEUTRAL	
6	1659218	1	SWITCH,BACK-UP LIGHTS	
7	2001287	2	NUT,HEX HD,10-32,YEL ZN DICH	
8A	1948017	1	MODULATOR,ELECTRONIC SHIFT,12V AT&MT	
8B	0986364	1	MODULATOR,TRANS,AIR THROTTLE CONTROL	
9			NOT CURRENTLY USED	
10			NOT CURRENTLY USED	
11			NOT CURRENTLY USED	
12	1166107	1	ELBOW,90 DEG,SAE,37 DEG FLARE,849-FS0	
13	1512052	1	HOSE ASSY,211R12-AS12-U90512-32,TCFC	
14	1512045	1	HOSE ASSY,211R12-AS12-J90S12-45,TCFC	
15	1653476	1	HOSE ASSY,2110639-12-12-12-37.50, HDPE	
16	1622570	1	TUBE ASSY,FILLER,TRANS,MT643,TCFE	
17	1622588	1	DIPSTICK,TRANS OIL,MT643,TCFC	
18	1225598	3	CLAMP,LOOP,1.25	
19	1107937	2	CLAMP,LOOP,2.00	
20	1317247	2	BRACKET,ATCH,BRAKE LINE TO FRAME	
21	0002362	1	COOLER ASSY,TRANS OIL,MT643/MD3060,	
NI	1408996	1	COOLER,TRANS OIL,RADIATOR	COOLER ONLY,
	1626431	1	VALVE,BALL,3/4,W/BUTTERFLY HANDLE	
22	1316967	1	LEVER,SELECTOR,TRANS,3 DEG,HT TREATED,	
23	0803213	7	CAPSCREW,HEX HD,3/8-16X1 1/4,GR8,YEL	
24	1107085	14	WASHER,FLAT,13/32 X 13/16 X 3/32,HDN,BLK	
25	0826297	7	NUT,HEX HD,3/8-16 LOCK,YEL ZN DICH	
26	1854157	1	NUT,HEX HD,M10-1.50,ALLISON 29520052	
27	1394675	12	LOCKWASHER,SPLIT RING,10 MM,MED,OLV DRB	
28	0997734	12	CAPSCREW,HX HD,M10-1.5X35,CL10.9,	
29	0989145	6	CAPSCREW,HEX HD,5/16-18, X, 1, ,GR5,	
30	1167485	6	WASHER,FLAT,11/32 X 11/16 X 5/64,HDN,BLK	

**Models:** A3FE  
AUTOMATIC, COMPONENTS  
MT643  
1610  
**With Features:** FEATURE 40426-01  
**BSN:** From CSN 06/01/98  
To 08/01/99


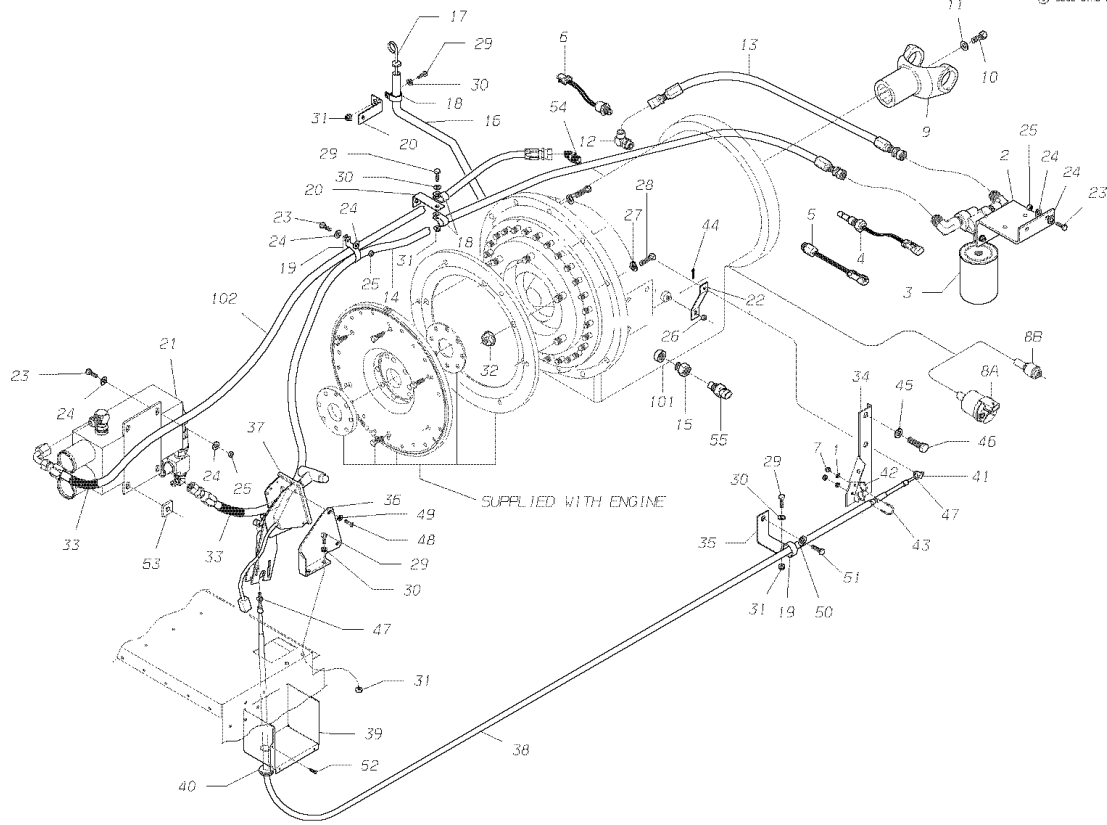
Key	PartNumber	Qty	Description	Comment
31	0829390	6	NUT,HEX HD,5/16-18,SER WASHER,YEL ZN	
32	1854132	6	NUT,FLANGE LOCK,3/8-24 UNF,ALLISON	
33	1109271	4	LOOM,CORRUGATED,BLACK,NYLON,3/4 ID,SS	
34	1545235	1	BRACKET,MTG,TRANS SHFT CABLE,MT643,	
35	1319094	1	BRACKET,MTG,TRANS CABLE CLAMP,TCFC	
36	1967710	1	BRACKET,MTG,SHIFTER,MECHANICAL,LH DRV,	
37	1644996	1	SELECTOR,SHIFT,TRANSMISSION,TCFC/RE	
38	0005913	1	SELECTOR,SHIFT,TRANSMISSION,FELSTED	
39	1967728	1	PANEL,CLOSEOUT,SHIFTER,ENG CMPT,LH DRV	
40	1508613	1	GROMMET,RUBBER,ATLANTIC INDIA #2426	
41	0885343	1	TRUNION,TRANS CONTROL CABLE,MT643	
42	0885319	1	SHIM,U-BOLT TRANS CONTROL MT643	
43	0885327	1	U-BOLT,TRANS CONTROL CABLE,MT643	
44	2008860	1	PIN,COTTER,3/32 X 1,YEL ZN DICH	
45	0990655	2	LOCKWASHER,SPLIT RING, 1/2 ,MED,YEL ZN	
46	0803239	2	CAPSCREW,HEX HD,1/2-13 X1 1/2,GR8	
47	2001402	2	NUT,HEX HD,1/4-28,YEL ZN DICH	
48	0807958	2	CAPSCREW,HEX HD,1/4-20X 1/2,GR8,YEL ZN	
49	2001170	2	LOCKWASHER,SPLIT RING, 1/4 ,MED,YEL ZN	
50	2001212	1	LOCKWASHER,SPLIT RING, 1/2 ,LHT,YEL ZN	
51	1132034	1	CAPSCREW,HX HD,M12-1.75X35,GR8.8,	
52	1143676	4	SCREW,10-16 X 3/4, AB,PH1,PAN HD,BLK ZN,	
53	0998526	1	SPACER,.250X1.25X1.25 W/.531 HOLE,PAINTED	
54	0753624	1	ELBOW,45 DEG,STRAIGHT THREAD O-RING	
NI	1486547	5	FLUID,TRANS,DEXRON III	
55	1659192	1	BUSHING,TRANS TEMP SENDER,TCFC/RE	
56	1656446	1	SENDER,TRANSMISSION OIL TEMPERATURE	
NI	0312652	1	STRAP,GROUND,FRAME TO ENG	
10			TRANSMISSION	SUPPLIED BY VENDOR
10	0964833	1	YOKE,END,MT643 TRANS,3208 & 6V53 W/1610	
10	1003045	1	WASHER,FLAT,17/32 X 1 1/16 X 7/64,HDN,	
10	1854140	1	BOLT,H/LK,1/2-20 UNFX1 1/2,ALLISON	

**Models:** A3FE  
**AUTOMATIC, COMPONENTS**  
 MT643  
 1610  
**With Features:** FEATURE 40426-01  
**BSN:** From CSN 08/02/99  
 To 01/21/01

Key	PartNumber	Qty	Description	Comment
-----	------------	-----	-------------	---------

DR. 8/18/00	BY: JL	---	1578105	REV
APP. 8/18/00	BY: FF	FRT		

© BLUE BIRD BODY COMPANY. ALL RIGHTS RESERVED

**Models:** A3FE  
AUTOMATIC, COMPONENTS  
MT643  
1610  
**With Features:** FEATURE 40426-01  
**BSN:** From CSN 08/02/99  
To 01/21/01

Key	PartNumber	Qty	Description	Comment
1	2001162	2	LOCKWASHER,SPLIT RING, 3/16,MED,YEL ZN	
2	1997923	1	BRACKET ASSY,MTG,TRANS OIL FILL,MT643,	
3	0998542	1	FILTER,OIL,EXTERNAL,AUTO TRANS,AC	
4	1793207	1	SENSOR,SPEEDOMETER,ELEC,ALLISON TRANS	
5	1656461	1	SWITCH,START,NEUTRAL	
6	1659218	1	SWITCH,BACK-UP LIGHTS	
7	2001287	2	NUT,HEX HD,10-32,YEL ZN DICH	
8A	1948017	1	MODULATOR,ELECTRONIC SHIFT,12V AT&MT	
8B	0986364	1	MODULATOR,TRANS,AIR THROTTLE CONTROL	FEATURE 40185 ONLY
9	0964833	1	YOKE,END,MT643 TRANS,3208 & 6V53 W/1610	
10	1854140	1	BOLT,H/LK,1/2-20 UNFX1 1/2,ALLISON	
11	1003045	2	WASHER,FLAT,17/32 X 1 1/16 X 7/64,HDN,	
12	1166107	1	ELBOW,90 DEG,SAE,37 DEG FLARE,849-FS0	
13	0012758	1	HOSE ASSY,2110606-12-12-12-30	
14	1512045	1	HOSE ASSY,211R12-AS12-J90S12-45,TCFC	
15	1659192	1	BUSHING,TRANS TEMP SENDER,TCFC/RE	
16	0014365	1	TUBE ASSY,FILLER,TRANSMISSION,MT643,	
17	1622588	1	DIPSTICK,TRANS OIL,MT643,TCFC	
18	1225598	1	CLAMP,LOOP,1.25	
19	1107937	1	CLAMP,LOOP,2.00	
20	1317247	2	BRACKET,ATCH,BRAKE LINE TO FRAME	
21	0002362	3	COOLER ASSY,TRANS OIL,MT643/MD3060,	
NI	1408996	1	COOLER,TRANS OIL,RADIATOR	COOLER ONLY
	1626431	1	VALVE,BALL,3/4,W/BUTTERFLY HANDLE	
22	1316967	1	LEVER,SELECTOR,TRANS,3 DEG,HT TREATED,	
23	0803213	7	CAPSCREW,HEX HD,3/8-16X1 1/4,GR8,YEL	
24	1107085	14	WASHER,FLAT,13/32 X 13/16 X 3/32,HDN,BLK	
25	0826297	7	NUT,HEX HD,3/8-16 LOCK,YEL ZN DICH	
26	1854157	1	NUT,HEX HD,M10-1.50,ALLISON 29520052	
27	1394675	12	LOCKWASHER,SPLIT RING,10 MM,MED,OLV DRB	
28	0997734	12	CAPSCREW,HX HD,M10-1.5X35,CL10.9,	
29	0989145	6	CAPSCREW,HEX HD,5/16-18, X, 1, ,GR5,	
30	1167485	6	WASHER,FLAT,11/32 X 11/16 X 5/64,HDN,BLK	

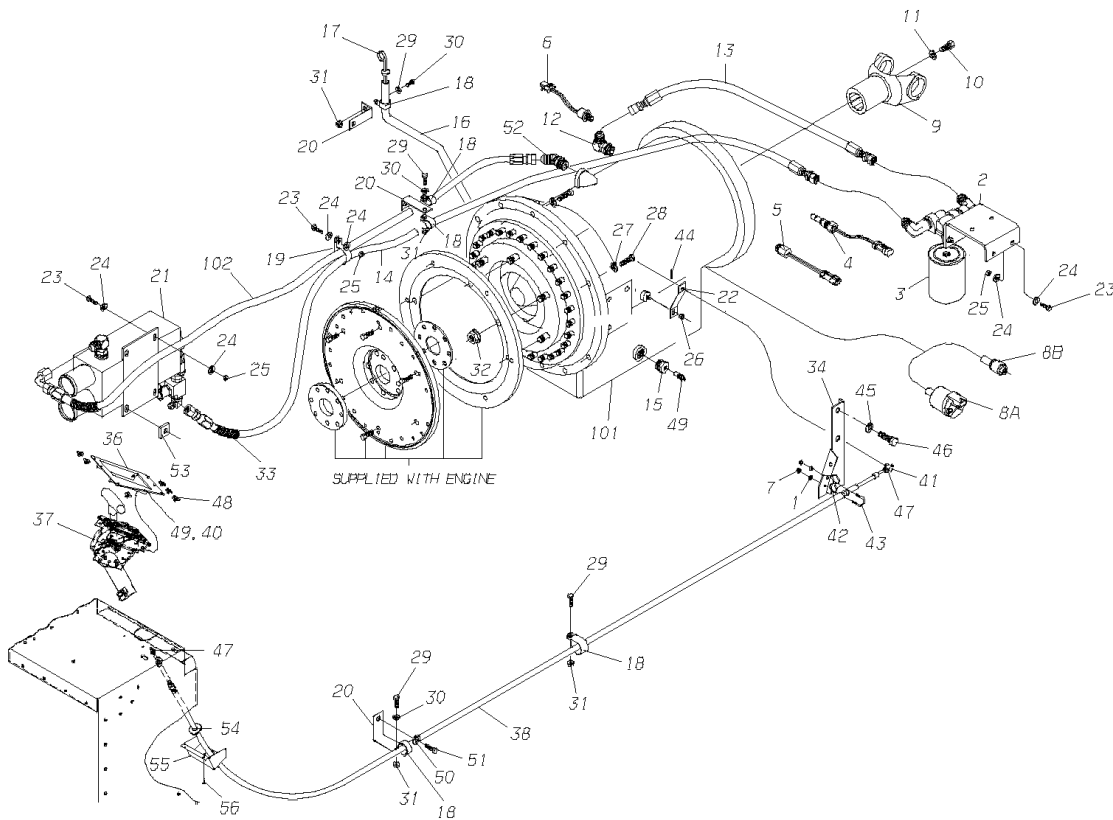


**Models:** A3FE  
**AUTOMATIC, COMPONENTS**  
 MT643  
 1610  
**With Features:** FEATURE 40426-01  
**BSN:** From CSN 08/02/99  
 To 01/21/01

Key	PartNumber	Qty	Description	Comment
31	0829390	6	NUT,HEX HD,5/16-18,SER WASHER,YEL ZN	
32	1854132	6	NUT,FLANGE LOCK,3/8-24 UNF,ALLISON	
33	1109271	4	LOOM,CORRUGATED,BLACK,NYLON,3/4 ID,SS	
34	1545235	1	BRACKET,MTG,TRANS SHFT CABLE,MT643,	
35	1319094	1	BRACKET,MTG,TRANS CABLE CLAMP,TCFC	
36	1967710	1	BRACKET,MTG,SHIFTER,MECHANICAL,LH DRV,	
37	0005913	1	SELECTOR,SHIFT,TRANSMISSION,FELSTED	
38	1475557	1	CABLE,TRANSMISSION SHIFT,88 IN. LONG	
39	1967728	1	PANEL,CLOSEOUT,SHIFTER,ENG CMPT,LH DRV	
40	1508613	1	GROMMET,RUBBER,ATLANTIC INDIA #2426	
41	0885343	1	TRUNION,TRANS CONTROL CABLE,MT643	
42	0885319	1	SHIM,U-BOLT TRANS CONTROL MT643	
43	0885327	1	U-BOLT,TRANS CONTROL CABLE,MT643	
44	2008860	1	PIN,COTTER,3/32 X 1,YEL ZN DICH	
45	0990655	2	LOCKWASHER,SPLIT RING, 1/2 ,MED,YEL ZN	
46	0803239	2	CAPSCREW,HEX HD,1/2-13 X1 1/2,GR8	
47	2001402	2	NUT,HEX HD,1/4-28,YEL ZN DICH	
48	0807958	2	CAPSCREW,HEX HD,1/4-20X 1/2,GR8,YEL ZN	
49	2001170	2	LOCKWASHER,SPLIT RING, 1/4 ,MED,YEL ZN	
50	2001212	1	LOCKWASHER,SPLIT RING, 1/2 ,LHT,YEL ZN	
51	1132034	1	CAPSCREW,HX HD,M12-1.75X35,GR8.8,	
52	1143676	4	SCREW,10-16 X 3/4, AB,PH1,PAN HD,BLK ZN,	
53	0998526	1	SPACER,.250X1.25X1.25 W/.531 HOLE,PAINTED	
54	1166115	1	CONNECTOR,SAE,37 DEG FLARE,848-FSO	
55		1	SENDER, TRANSMISSION OIL TEMPERATURE	
NI	1486547	5	FLUID,TRANS,DEXRON III	
56	1351071	1	PLUG,BUTTON,BLACK,DP-1000 HEYCO 2713	
10		1	TRANSMISSION	SUPPLIED BY VENDOR
10	0012756	1	HOSE ASSY,2110639-12-12-12-40	
10	1978097	1	HOSE ASSY,2110639-12-12-12-67	40185-01 W/ 40426-01

**Models:** A3FE, C3FE  
**AUTOMATIC, COMPONENTS**  
 MT643  
 1610  
**With Features:** FEATURE 40426-01  
**BSN:** From CSN 01/22/01

Key	PartNumber	Qty	Description	Comment
-----	------------	-----	-------------	---------



**Models:** A3FE, C3FE  
**AUTOMATIC, COMPONENTS**  
**MT643**  
**1610**  
**With Features:** **FEATURE 40426-01**  
**BSN:** **From CSN 01/22/01**

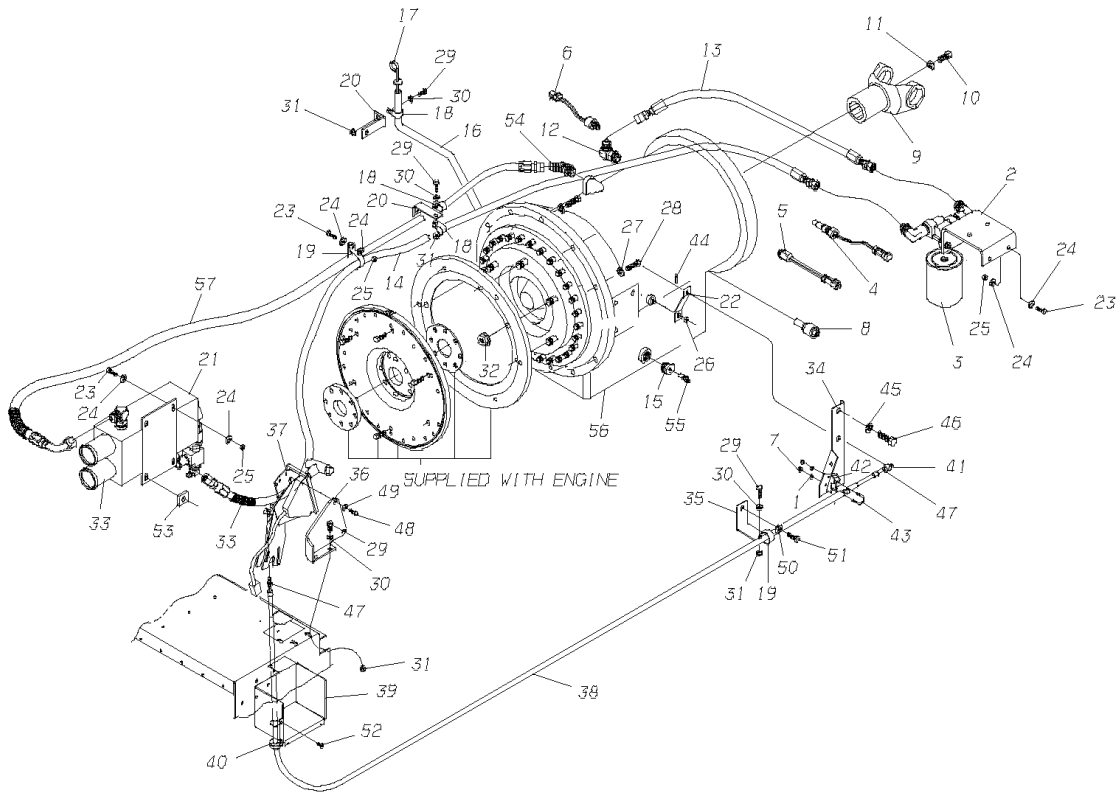
Key	PartNumber	Qty	Description	Comment
1	2001162	2	LOCKWASHER,SPLIT RING, 3/16,MED,YEL ZN	
2	1997923	1	BRACKET ASSY,MTG,TRANS OIL FILL,MT643,	
3	0998542	1	FILTER,OIL,EXTERNAL,AUTO TRANS,AC	
4	0016123	1	SENSOR,SPEED,DUAL COIL,ALLISON AT/MT	
	1793207	1	SENSOR,SPEEDOMETER,ELEC,ALLISON TRANS	40187-04 WITH 40426-01 ONLY
5	1656461	1	SWITCH,START,NEUTRAL	
6	1659218	1	SWITCH,BACK-UP LIGHTS	
7	2001287	2	NUT,HEX HD,10-32,YEL ZN DICH	
8A	1948017	1	MODULATOR,ELECTRONIC SHIFT,12V AT&MT	
8B	0986364	1	MODULATOR,TRANS,AIR THROTTLE CONTROL	FEATURE 40185 ONLY
9	0964833	1	YOKE,END,MT643 TRANS,3208 & 6V53 W/1610	
10	1854140	1	BOLT,H/LK,1/2-20 UNFX1 1/2,ALLISON	
11	1003045	2	WASHER,FLAT,17/32 X 1 1/16 X 7/64,HDN,	
12	0964908	1	ADAPTER,849-FSO-12X12,37 DEG	
13	0012758	1	HOSE ASSY,2110606-12-12-12-30	
14	1512045	1	HOSE ASSY,211R12-AS12-J90S12-45,TCFC	
15	1557453	1	BUSHING,TRANS TEMP SENDER,45 DEG INV	WITH 40280-01 ONLY
16	0014365	1	TUBE ASSY,FILLER,TRANSMISSION,MT643,	
17	1622588	1	DIPSTICK,TRANS OIL,MT643,TCFC	
18	1225598	4	CLAMP,LOOP,1.25	
19	1107937	1	CLAMP,LOOP,2.00	
20	1317247	3	BRACKET,ATCH,BRAKE LINE TO FRAME	
21	0002362	1	COOLER ASSY,TRANS OIL,MT643/MD3060,	
NI	1408996	1	COOLER,TRANS OIL,RADIATOR	COOLER ONLY,
	1626431	1	VALVE,BALL,3/4,W/BUTTERFLY HANDLE	
22	1316967	1	LEVER,SELECTOR,TRANS,3 DEG,HT TREATED,	
23	0803213	7	CAPSCREW,HEX HD,3/8-16X1 1/4,GR8,YEL	
24	1107085	14	WASHER,FLAT,13/32 X 13/16 X 3/32,HDN,BLK	
25	0826297	7	NUT,HEX HD,3/8-16 LOCK,YEL ZN DICH	
26	1854157	1	NUT,HEX HD,M10-1.50,ALLISON 29520052	
27	1394675	12	LOCKWASHER,SPLIT RING,10 MM,MED,OLV DRB	
28	0997734	12	CAPSCREW,HX HD,M10-1.5X35,CL10.9,	
29	0989145	4	CAPSCREW,HEX HD,5/16-18, X, 1, ,GR5,	

**Models:** A3FE, C3FE  
**AUTOMATIC, COMPONENTS**  
**MT643**  
**1610**  
**With Features:** FEATURE 40426-01  
**BSN:** From CSN 01/22/01

Key	PartNumber	Qty	Description	Comment
30	1167485	4	WASHER,FLAT,11/32 X 11/16 X 5/64,HDN,BLK	
31	0829390	4	NUT,HEX HD,5/16-18,SER WASHER,YEL ZN	
32	1854132	6	NUT,FLANGE LOCK,3/8-24 UNF,ALLISON	
33	1109271	4	LOOM,CORRUGATED,BLACK,NYLON,3/4 ID,SS	
34	1545235	1	BRACKET,MTG,TRANS SHFT CABLE,MT643,	
36	0023394	1	PANEL,MTG,SHIFT SELECTOR TO HOUSING,LH	
37	0028758	1	SELECTOR,SHIFT,TRANS,AT/MT	
38	1355585	1	CABLE,TRANSMISSION SHIFT,98 IN. LONG	
39	2001170	4	LOCKWASHER,SPLIT RING, 1/4 ,MED,YEL ZN	
40	2000792	4	SCREW,MACH,1/4-20X1/2,PH1,RD HD,YEL ZN	
41	0885343	1	TRUNION,TRANS CONTROL CABLE,MT643	
42	0885319	1	SHIM,U-BOLT TRANS CONTROL MT643	
43	0885327	1	U-BOLT,TRANS CONTROL CABLE,MT643	
44	2008860	1	PIN,COTTER,3/32 X 1,YEL ZN DICH	
45	0990655	2	LOCKWASHER,SPLIT RING, 1/2 ,MED,YEL ZN	
46	0803239	2	CAPSCREW,HEX HD,1/2-13 X1 1/2,GR8	
47	2001402	2	NUT,HEX HD,1/4-28,YEL ZN DICH	
48	0025522	6	U-NUT,10-32	
49	1939982	1	SENDER,TRANSMISSION OIL TEMPERATURE,	WITH 40280-01 ONLY
50	2001212	1	LOCKWASHER,SPLIT RING, 1/2 ,LHT,YEL ZN	
51	1132034	1	CAPSCREW,HX HD,M12-1.75X35,GR8.8,	
52	0753624	4	ELBOW,45 DEG,STRAIGHT THREAD O-RING	
53	0998526	1	SPACER,.250X1.25X1.25 W/.531 HOLE,PAINTED	
54	1508613	1	GROMMET,RUBBER,ATLANTIC INDIA #2426	
55	0026366	1	COVER,SHIFTER CABLE,ENGINE COMPARTMENT	
NI	1486547	5	FLUID,TRANS,DEXRON III	
56	1200799	2	SCREW,10-24 X 3/8,T,PH1,PAN HD, YEL ZN	
10		1	TRANSMISSION	SUPPLIED BY VENDOR
10	0012756	1	HOSE ASSY,2110639-12-12-12-40	
	1978097	1	HOSE ASSY,2110639-12-12-12-67	40185-01 W/ 40426-01

**Models:** A3FE  
AUTOMATIC, COMPONENTS  
MT643  
EXPORT  
**With Features:** FEATURE 40426-01  
**BSN:** From CSN 01/22/01

Key	PartNumber	Qty	Description	Comment
-----	------------	-----	-------------	---------



**Models:** A3FE  
AUTOMATIC, COMPONENTS  
MT643  
EXPORT  
**With Features:** FEATURE 40426-01  
**BSN:** From CSN 01/22/01

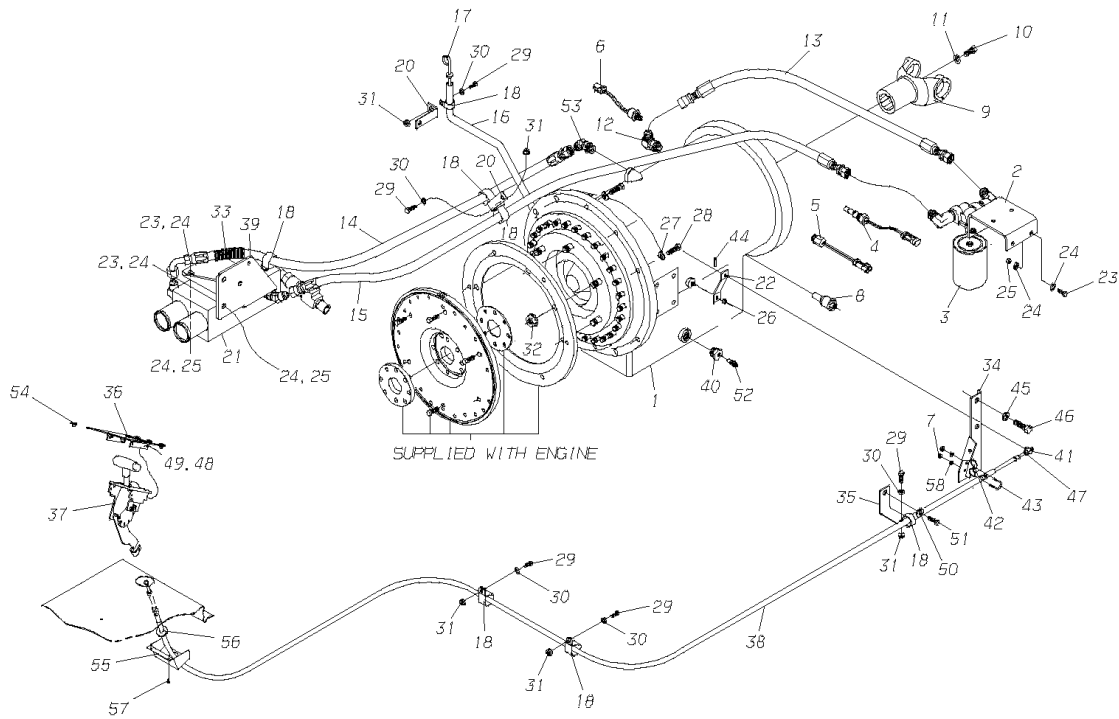
Key	PartNumber	Qty	Description	Comment
1	2001162	2	LOCKWASHER,SPLIT RING, 3/16,MED,YEL ZN	
2	1997923	1	BRACKET ASSY,MTG,TRANS OIL FILL,MT643,	
3	0998542	1	FILTER,OIL,EXTERNAL,AUTO TRANS,AC	
4	0016123	1	SENSOR,SPEED,DUAL COIL,ALLISON AT/MT	
5	1656461	1	SWITCH,START,NEUTRAL	
6	1659218	1	SWITCH,BACK-UP LIGHTS	
7	2001287	2	NUT,HEX HD,10-32,YEL ZN DICH	
8	0986364	1	MODULATOR,TRANS,AIR THROTTLE CONTROL	
9	0964833	1	YOKE,END,MT643 TRANS,3208 & 6V53 W/1610	
10	1854140	1	BOLT,H/LK,1/2-20 UNFX1 1/2,ALLISON	
11	1003045	1	WASHER,FLAT,17/32 X 1 1/16 X 7/64,HDN,	
12	0964908	1	ADAPTER,849-FSO-12X12,37 DEG	
13	0012758	1	HOSE ASSY,2110606-12-12-12-30	
14	1512045	1	HOSE ASSY,211R12-AS12-J90S12-45,TCFC	
15	1557453	1	BUSHING,TRANS TEMP SENDER,45 DEG INV	WITH 40280-01 ONLY
16	0014365	1	TUBE ASSY,FILLER,TRANSMISSION,MT643,	
17	1622588	1	DIPSTICK,TRANS OIL,MT643,TCFC	
18	1225598	3	CLAMP,LOOP,1.25	
19	1107937	2	CLAMP,LOOP,2.00	
20	1317247	2	BRACKET,ATCH,BRAKE LINE TO FRAME	
21	0002362	1	COOLER ASSY,TRANS OIL,MT643/MD3060,	
22	1316967	1	LEVER,SELECTOR,TRANS,3 DEG,HT TREATED,	
23	0803213	7	CAPSCREW,HEX HD,3/8-16X1 1/4,GR8,YEL	
24	1107085	14	WASHER,FLAT,13/32 X 13/16 X 3/32,HDN,BLK	
25	0826297	7	NUT,HEX HD,3/8-16 LOCK,YEL ZN DICH	
26	1854157	1	NUT,HEX HD,M10-1.50,ALLISON 29520052	
27	1394675	12	LOCKWASHER,SPLIT RING,10 MM,MED,OLV DRB	
28	0997734	12	CAPSCREW,HX HD,M10-1.5X35,CL10.9,	
29	0989145	6	CAPSCREW,HEX HD,5/16-18, X, 1, ,GR5,	
30	1167485	6	WASHER,FLAT,11/32 X 11/16 X 5/64,HDN,BLK	
31	0829390	6	NUT,HEX HD,5/16-18,SER WASHER,YEL ZN	
32	1854132	6	NUT,FLANGE LOCK,3/8-24 UNF,ALLISON	
33	1109271	4	LOOM,CORRUGATED,BLACK,NYLON,3/4 ID,SS	

**Models:** A3FE  
**AUTOMATIC, COMPONENTS**  
 MT643  
**EXPORT**  
**With Features:** FEATURE 40426-01  
**BSN:** From CSN 01/22/01

Key	PartNumber	Qty	Description	Comment
34	1545235	1	BRACKET,MTG,TRANS SHFT CABLE,MT643,	
35	1319094	1	BRACKET,MTG,TRANS CABLE CLAMP,TCFC	
36	1967710	1	BRACKET,MTG,SHIFTER,MECHANICAL,LH DRV,	
37	0028758	1	SELECTOR,SHIFT,TRANS,AT/MT	
38	1475557	1	CABLE,TRANSMISSION SHIFT,88 IN. LONG	
39	0026968	1	PANEL,CLOSEOUT,SHIFTER,ENG CMPT,EXPORT	
40	1508613	1	GROMMET,RUBBER,ATLANTIC INDIA #2426	
41	0885343	1	TRUNION,TRANS CONTROL CABLE,MT643	
42	0885319	1	SHIM,U-BOLT TRANS CONTROL MT643	
43	0885327	1	U-BOLT,TRANS CONTROL CABLE,MT643	
44	2008860	1	PIN,COTTER,3/32 X 1,YEL ZN DICH	
45	0990655	2	LOCKWASHER,SPLIT RING, 1/2 ,MED,YEL ZN	
46	0803239	2	CAPSCREW,HEX HD,1/2-13 X1 1/2,GR8	
47	2001402	2	NUT,HEX HD,1/4-28,YEL ZN DICH	
48	0807958	2	CAPSCREW,HEX HD,1/4-20X 1/2,GR8,YEL ZN	
49	2001170	2	LOCKWASHER,SPLIT RING, 1/4 ,MED,YEL ZN	
50	2001212	1	LOCKWASHER,SPLIT RING, 1/2 ,LHT,YEL ZN	
51	1132034	1	CAPSCREW,HX HD,M12-1.75X35,GR8.8,	
52	1337039	5	SCREW,12-24 X 3/8,PH1,PAN HD,YEL ZN	
53	0998526	1	SPACER,.250X1.25X1.25 W/.531 HOLE,PAINTED	
54	0753624	1	ELBOW,45 DEG,STRAIGHT THREAD O-RING	
55	1939982	1	SENDER,TRANSMISSION OIL TEMPERATURE,	WITH 40280-1 ONLY
56	1944255	1	TRANSMISSION,MT643,2400,TC378	
57	1978097	1	HOSE ASSY,2110639-12-12-12-67	

**Models:** A3FE  
**AUTOMATIC, COMPONENTS**  
 MT643  
**RH DRIVE**  
**With Features:** FEATURE 40426-01  
**BSN:** From CSN 04/27/00

Key	PartNumber	Qty	Description	Comment
-----	------------	-----	-------------	---------





**Models:** A3FE  
AUTOMATIC, COMPONENTS  
MT643  
RH DRIVE  
**With Features:** FEATURE 40426-01  
**BSN:** From CSN 04/27/00

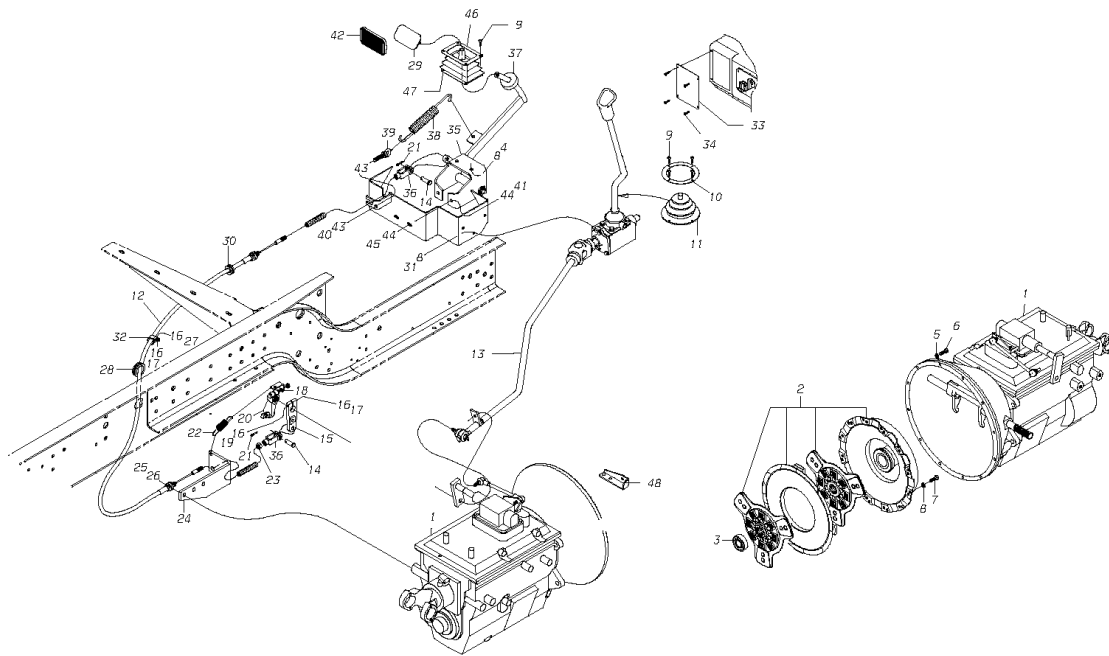
Key	PartNumber	Qty	Description	Comment
1	1944255	1	TRANSMISSION,MT643,2400,TC378	
2	1997923	1	BRACKET ASSY,MTG,TRANS OIL FILL,MT643,	
3	0998542	1	FILTER,OIL,EXTERNAL,AUTO TRANS,AC	
4	0016123	1	SENSOR,SPEED,DUAL COIL,ALLISON AT/MT	
5	1656461	1	SWITCH,START,NEUTRAL	
6	1659218	1	SWITCH,BACK-UP LIGHTS	
7	2001287	2	NUT,HEX HD,10-32,YEL ZN DICH	
8	0986364	1	MODULATOR,TRANS,AIR THROTTLE CONTROL	
9	0964833	1	YOKE,END,MT643 TRANS,3208 & 6V53 W/1610	
10	1854140	1	BOLT,H/LK,1/2-20 UNFX1 1/2,ALLISON	
11	1003045	1	WASHER,FLAT,17/32 X 1 1/16 X 7/64,HDN,	
12	0964908	1	ADAPTER,849-FSO-12X12,37 DEG	
13	0012758	1	HOSE ASSY,2110606-12-12-12-30	
14	1512045	1	HOSE ASSY,211R12-AS12-J90S12-45,TCFC	
15	0012756	1	HOSE ASSY,2110639-12-12-12-40	
16	0014365	1	TUBE ASSY,FILLER,TRANSMISSION,MT643,	
17	1622588	1	DIPSTICK,TRANS OIL,MT643,TCFC	
18	1225598	7	CLAMP,LOOP,1.25	
19			N/A	
20	1317247	2	BRACKET,ATCH,BRAKE LINE TO FRAME	
21	0024747	1	COOLER ASSY,TRANS OIL,MT643,RH DRIVE,	
22	1316967	1	LEVER,SELECTOR,TRANS,3 DEG,HT TREATED,	
23	0803213	10	CAPSCREW,HEX HD,3/8-16X1 1/4,GR8,YEL	
24	1107085	20	WASHER,FLAT,13/32 X 13/16 X 3/32,HDN,BLK	
25	0826297	10	NUT,HEX HD,3/8-16 LOCK,YEL ZN DICH	
26	1854157	1	NUT,HEX HD,M10-1.50,ALLISON 29520052	
27	1394675	12	LOCKWASHER,SPLIT RING,10 MM,MED,OLV DRB	
28	0997734	12	CAPSCREW,HX HD,M10-1.5X35,CL10.9,	
29	0989145	8	CAPSCREW,HEX HD,5/16-18, X, 1, ,GR5,	
30	1167485	8	WASHER,FLAT,11/32 X 11/16 X 5/64,HDN,BLK	
31	0829390	8	NUT,HEX HD,5/16-18,SER WASHER,YEL ZN	
32	1854132	6	NUT,FLANGE LOCK,3/8-24 UNF,ALLISON	
33	1109271	7	LOOM,CORRUGATED,BLACK,NYLON,3/4 ID,SS	

**Models:** A3FE  
**AUTOMATIC, COMPONENTS**  
 MT643  
**RH DRIVE**  
**With Features:** FEATURE 40426-01  
**BSN:** From CSN 04/27/00

Key	PartNumber	Qty	Description	Comment
34	1545235	1	BRACKET,MTG,TRANS SHFT CABLE,MT643,	
35	1319094	1	BRACKET,MTG,TRANS CABLE CLAMP,TCFC	
36	0023396	1	PANEL,MTG,SHIFT SELECTOR TO HOUSING,RH	
37	0023458	1	SELECTOR,SHIFT,TRANSMISSION,RH DRIVE	
38	0028022	1	CABLE,TRANSMISSION SHIFT,127 IN. LONG	
39	0011087	1	BRACKET,MTG,TRANS OIL COOLER,RH DRIVE,	
40	1557453	1	BUSHING,TRANS TEMP SENDER,45 DEG INV	WITH 40280-01 ONLY
41	0885343	1	TRUNION,TRANS CONTROL CABLE,MT643	
42	0885319	1	SHIM,U-BOLT TRANS CONTROL MT643	
43	0885327	1	U-BOLT,TRANS CONTROL CABLE,MT643	
44	2008860	1	PIN,COTTER,3/32 X 1,YEL ZN DICH	
45	0990655	2	LOCKWASHER,SPLIT RING, 1/2 ,MED,YEL ZN	
46	0803239	2	CAPSCREW,HEX HD,1/2-13 X1 1/2,GR8	
47	2001402	2	NUT,HEX HD,1/4-28,YEL ZN DICH	
48	2000792	4	SCREW,MACH,1/4-20X1/2,PH1,RD HD,YEL ZN	
49	2001170	4	LOCKWASHER,SPLIT RING, 1/4 ,MED,YEL ZN	
50	2001212	1	LOCKWASHER,SPLIT RING, 1/2 ,LHT,YEL ZN	
51	1132034	1	CAPSCREW,HX HD,M12-1.75X35,GR8.8,	
52	1939982	1	SENDER,TRANSMISSION OIL TEMPERATURE,	
53	0753624	1	ELBOW,45 DEG,STRAIGHT THREAD O-RING	
54	0025522	6	U-NUT,10-32	
55	0026366	1	COVER,SHIFTER CABLE,ENGINE COMPARTMENT	
56	1508613	1	GROMMET,RUBBER,ATLANTIC INDIA #2426	
57	1334689	2	SCREW,10-32 X 3/8,F,PH1,PAN HD,YEL ZN	
58	2001162	2	LOCKWASHER,SPLIT RING, 3/16,MED,YEL ZN	

**Models:** A3FE, C3FE  
**MANUAL, COMPONENTS**  
**5, 6 SPEED**  
**With Features:** FEATURE 40427-07, 08  
**BSN:** From CSN 10/18/99

Key	PartNumber	Qty	Description	Comment
-----	------------	-----	-------------	---------



**Models:** A3FE, C3FE  
**MANUAL, COMPONENTS**  
**5, 6 SPEED**  
**With Features:** FEATURE 40427-07, 08  
**BSN:** From CSN 10/18/99

Key	PartNumber	Qty	Description	Comment
1	0020177		TRANSMISSION,MANUAL,EATON,6406A,6SPD,	
	0020176		TRANSMISSION,MANUAL,EATON,6305A,5SPD,	
2	0020117	1	CLUTCH ASSY,14 IN,2 PLATE,SOLO,MAINT FREE	
3	1854272	1	BEARING,PILOT,25 MM ID X 52 MM OD X 15 MM	
4	2001451	2	NUT,HEX HD,3/8-16,YELLOW DICHROMATE	
5	1394675	14	LOCKWASHER,SPLIT RING,10 MM,MED,OLV DRB	
6	0997734	14	CAPSCREW,HX HD,M10-1.5X35,CL10.9,	
7	1804384	8	CAPSCREW,HEX HD,3/8-16X2 1/4,GR 8,YEL	
8	0882795	13	LOCKWASHER,SPLIT RING,3/8,MED,YELLOW	
9	1266600	8	SCREW,10-16 X 3/4,AB,PH1,OVAL CNSK HD,	
10	0207662	2	RETAINER,RUBBER BOOT,GEARSHIFT LEVER	
11	2003432	2	BOOT,RUBBER,GEARSHIFT LEVER	
12	1832864	1	CABLE,CLUTCH,89 INCH,FELSTED 65584-89	
13	0015120	1	ROD ASSY,REMOTE SHIFTER,MANUAL TRANS.,	
14	2008852	2	PIN,CLEVIS,1/2 DIA X 1 1/2, YEL ZN DICH	
15	1836683	1	LEVER ASSY,CLUTCH RELEASE,CABLE SYSTEM	
16	1467000	4	WASHER,FLAT, .281 X.750X.078 HARDENED,BLK	
17	2001345	2	NUT,HEX HD,1/4-20,LOCKING,YELLOW	
18	1854280	1	ANGLE,ATCH,CLUTCH LEVER RETURN SPG, TCFE	
19	1246651	1	CAPSCREW,HEX HD,1/4-20X2 3/4,GR5,YEL	
20	1559905	1	ARM,ADJUSTING,CLUTCH PEDAL,MAN TRAN,	
21	2008860	2	PIN,COTTER,3/32 X 1,YEL ZN DICH	
22	1835354	1	SPRING,CLUTCH RETURN,4.469 LONG	
23	0952556	1	NUT,HEX HD,1/2-20,LOCKING,YELLOW	
24	1836691	1	BRACKET,MTG,CABLE,CLUTCH,TRANS END,TCFE	
25	1655992	2	CAPSCREW, HEX HD, 9/16 X 12 X 1 1/4, ZINC	
26	1029495	2	LOCKWASHER, SPLIT RING, 9/16 IN	
27	0870477	1	CAPSCREW,HEX HD,1/4-20 X 1,GR 8,YEL ZN	
28	2003176	1	GROMMET,HEATER HOSE,1 1/2IN ID	
29	1826734	1	PEDAL ASSY,CLUTCH	
30	2003234	1	GROMMET,RUBBER,CHASSIS COWL WIRES,3/4	
31	0802124	3	CAPSCREW,HEX HD,3/8-16X 5/8,GR5,YEL ZN	
32	0557710	1	CLAMP,LOOP,.812	

**Models:** A3FE, C3FE  
**MANUAL, COMPONENTS**  
**5, 6 SPEED**  
**With Features:** FEATURE 40427-07, 08  
**BSN:** From CSN 10/18/99

Key	PartNumber	Qty	Description	Comment
33	1560242	1	COVER,DASH,SHIFTER CUTOUT, TCFE	
34	1143676	4	SCREW,10-16 X 3/4, AB,PH1,PAN HD,BLK ZN,	
35	0013147	1	LEVER ASSY,CLUTCH PEDAL,FINAL, HDFE	
36	1823244	2	YOKE,END,ADJUSTABLE,6SA-AC,1/2-20	
37	1270644	1	CUSHION,BRAKE/CLUTCH PEDAL,2 3/4 DIA	
38	2020089	1	SPRING,CLUTCH PEDAL RETURN,3996597	
39	0662544	1	EYE BOLT,CLUTCH RETURN SPRING ANCHOR	
40	0952556	2	NUT,HEX HD,1/2-20,LOCKING,YELLOW	
41	0997080	2	NUT,HEX HD,7/16-14,LOCKING,GR 8,CADMIUM	
42	1826866	1	PAD,RUBBER,CLUTCH PEDAL	
43	1003045	1	WASHER,FLAT,17/32 X 1 1/16 X 7/64,HDN,	
44	0997072	4	WASHER,FLAT,15/32 X 15/16 X 5/64,HDN,	
45	0801936	2	CAPSCREW,HEX HD,7/16-14X1 1/4,GR8,	
46	0020010	1	BRACKET,MTG,PIVOT ROD TO SLAVE CONTROL	
47	0027396	1	COVER,SHIFTER CABLE HOLE,W/MD3060 TRAN	
48	1200799	2	SCREW,10-24 X 3/8,T,PH1,PAN HD, YEL ZN	