

Body

300 Exterior

CENTER

ACCESS DOOR, ELECTRICAL PANEL

To BSN B10064339 F10035824 F20035859 L10059259 1

2

ADA LIFT DOOR INSTALLATION

77 HR

With: OPTION 0460
To BSN B10115769 F10056064 L10101209 M10119600 3

With: OPTION 0460
From BSN B10115770 F10056065 L10101210 4

FUEL TANK DOOR

With: OPTION 0500, 0505 WITH STD. SIDE FRAME TANKS
From BSN 019277 189393 257284 369946
To BSN B10085469 F10045379 F20045394 L10074839 M10099364 5

With: OPTION 0500, 0505 WITH STD. SIDE FRAME TANKS
From BSN B10085470 F10045380 F20045395 L10074840 M10099365 6

With: OPTION 0500, 0505 WITH OPTION 4581, 4607, 24619 (MID-MOUNT TANKS)
From BSN 019277 189393 257284 369946
To BSN B10085469
F10045379 F20045394 L10074839 M10099364 7

With: OPTION 0500, 0505 WITH OPTION 4581, 4607, 24619 (MID-MOUNT TANKS)
From BSN B10085470 F10045380 F20045395 L10074840 M10099365 8

OUTSIDE SIDE PANELS

9

ROOF PANELS & BOW CAPS

10

SKIRT TRIM

11

FRONT

ASSY

12

ROOF CAPS

13

REAR

14

ROOF CAPS

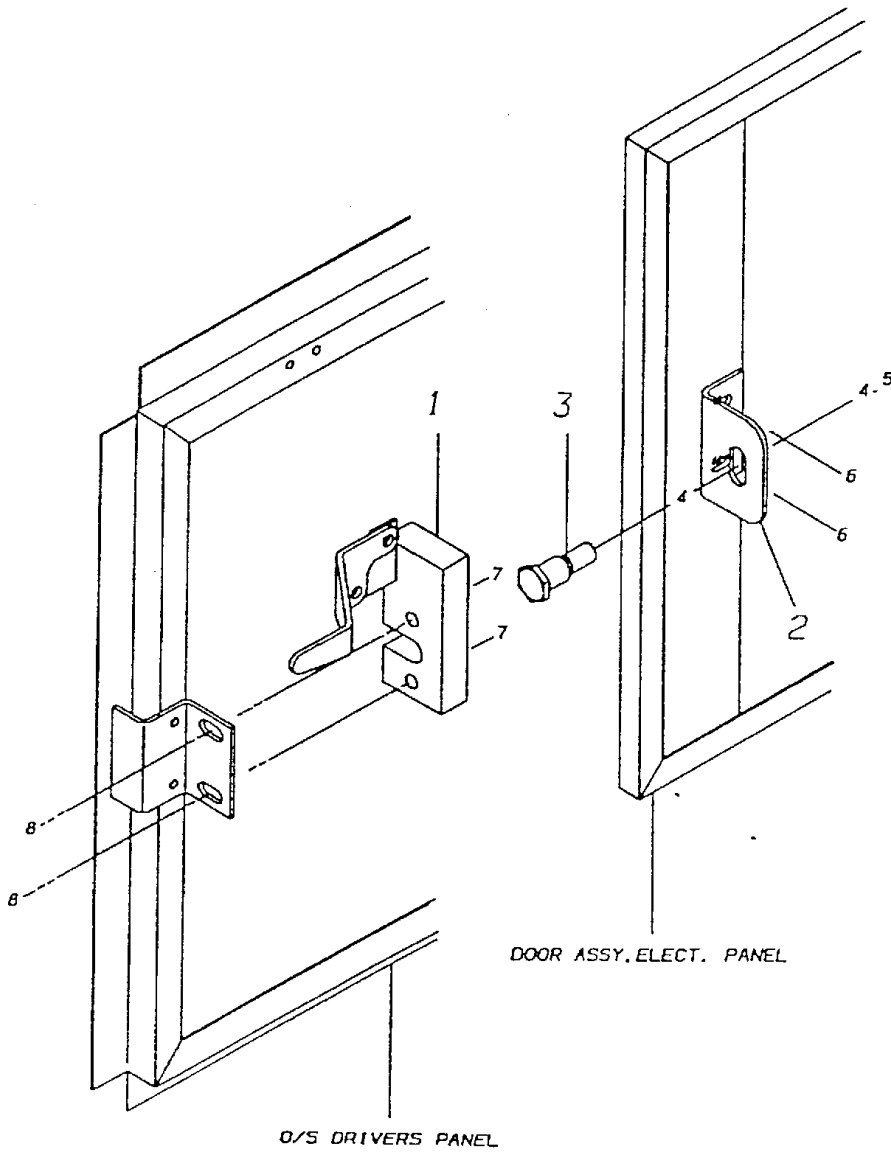
UPPER PANELS	15
RUBRAILS	16
<i>With: STD</i>	17
EXTENDED & REAR CORNER	18
<i>With: OPTION 2679, 2683, 2684, 2687</i>	18
WITH BOTH ENDS FORMED	19
<i>With: STD</i>	19
WITH ONE END FORMED	20
<i>With: STD</i>	20

Models: A3FE, A3RE, CSFE, CSRE, TCFE
 CENTER
 ACCESS DOOR, ELECTRICAL PANEL
 To BSN B10064339 F10035824 F20035859 L10059259

Key	PartNumber	Qty	Description	Comment
-----	------------	-----	-------------	---------

DR	BY	FRT	1628155	REV
APP	BY			

© 1991 BLUE BIRD BODY COMPANY. ALL RIGHTS RESERVED

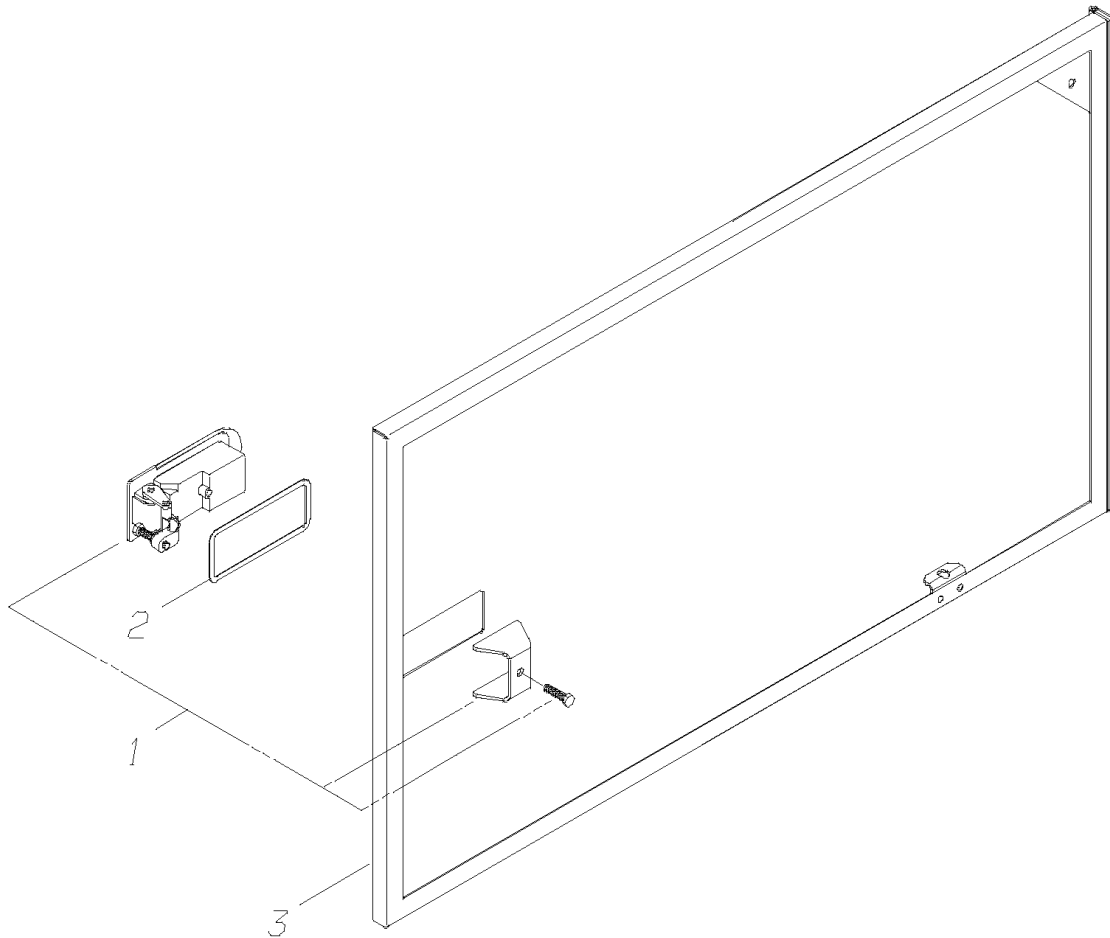


Models: **A3FE, A3RE, CSFE, CSRE, TCFE**
CENTER
ACCESS DOOR, ELECTRICAL PANEL
To BSN B10064339 F10035824 F20035859 L10059259

Key	PartNumber	Qty	Description	Comment
NI	1627785		DOOR ASSY,ELECTRICAL PANEL, AA/TC	
NI	1627777		PANEL ASSY,DOOR ELECTRICAL PANEL, AA/TC	
NI	1318997		HINGE,ACS DR,16.16 OS DRV S/PNL,PRIMED,AA	
1	1628031		LATCH ASSY,ELECTRICAL ACCESS DOOR,AA/TC	<i>STANDARD</i>
1	1728575		LATCH ASSY,ELEC ACCESS DOOR,RH DRIVE	<i>OPTION 3480. RH DRIVE</i>
2	1627793		BRACKET,STUD MOUNT	
3	1429711		STRIKER,PIN,FRONT ACCESS DOOR, AAFC/RE	
4	2028546		WASHER,FLAT,7/16,X 1 1/32 X 5/64,YL ZN	
5	0997080		NUT,HEX HD,7/16-14,LOCKING,GR 8,CADMIUM	
6	2000016		SCREW,1/4-14 X 5/8,B,HEX,W/PLAIN WASH,	
7	0829317		CAPSCREW,HEX FLG,5/16-18X1.25,GR5,SER,	
8	0829390		NUT,HEX HD,5/16-18,SER WASHER,YEL ZN	
NI	1684448		DECAL,ELECTRICAL PANEL,TC	
NI	1325679		DECAL,WARNING,DISCONNECT MAIN POWER	

Models: A3FE, A3RE, C1FE, CSFE, CSRE, GMCV, QBRE, SBCV, TCFE
CENTER
ACCESS DOOR, ELECTRICAL PANEL

Key	PartNumber	Qty	Description	Comment
-----	------------	-----	-------------	---------



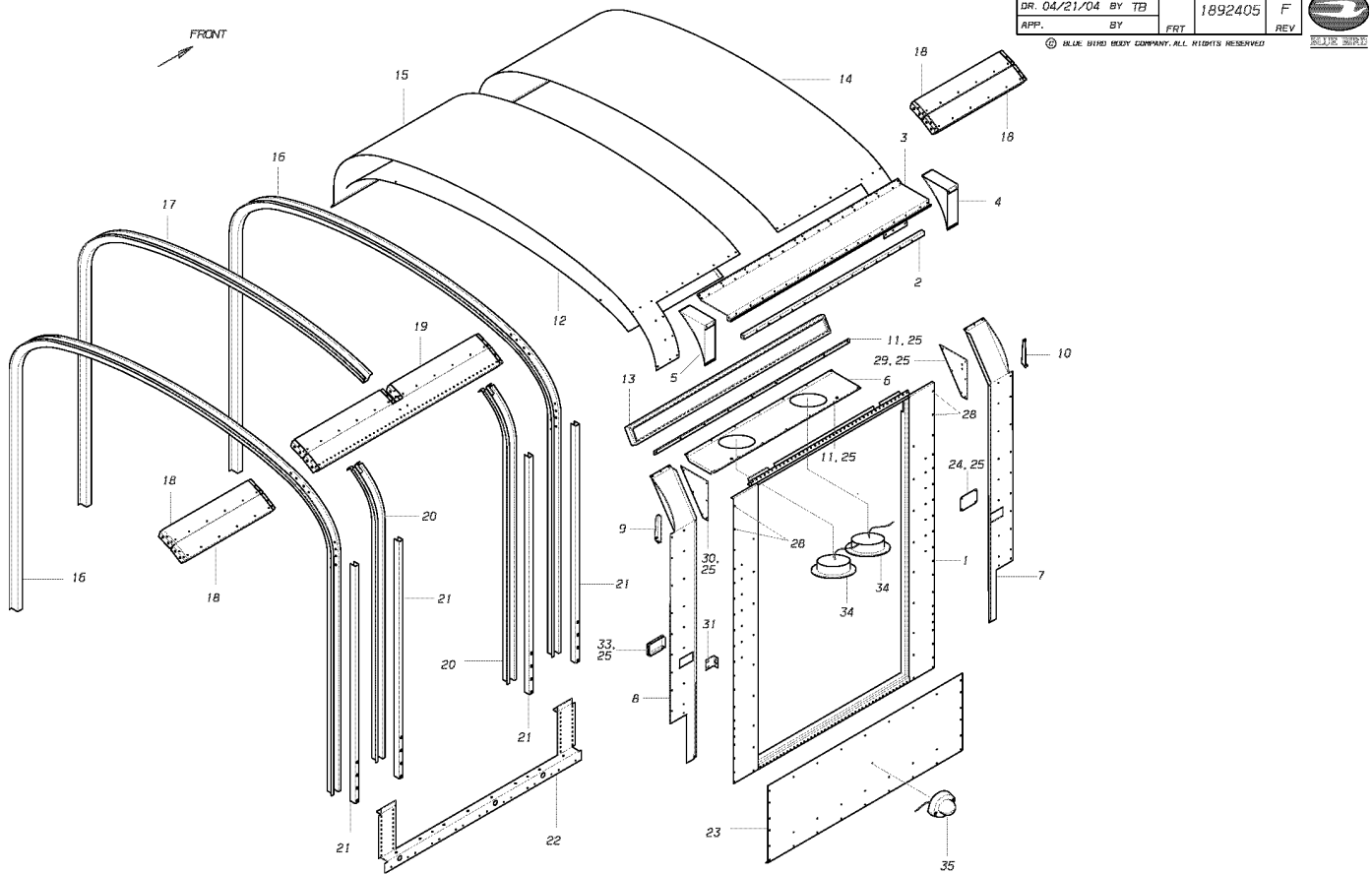
Models: **A3FE, A3RE, C1FE, CSFE, CSRE, GMCV, QBRE, SBCV, TCFE**
CENTER
ACCESS DOOR, ELECTRICAL PANEL

Key	PartNumber	Qty	Description	Comment
1	0027417		LATCH,ADJUSTABLE LEVER,SEALED	<i>STANDARD. NON-LOCKING</i>
1	0027419		LATCH,ADJUSTABLE LEVER,SEALED,LOCKING	<i>FEATURE 30921. LOCKING</i>
2	0027420		GASKET,ADJUSTABLE LEVER,SEALED	
3	0025512		DOOR ASSY,ELECTRICAL ACCESS,,CV/TRANSIT	<i>STANDARD</i>
3	0025601		DOOR ASSY,ELECTRICAL ACS,RH DRV,	<i>OPTION 3480. RH DRIVE</i>
	0040607		LOCK,PLUG,LATCH-0027419	<i>TO CHANGE OVER A NON-LOCKING LATCH TO A LOCKING, ORDER THIS PART.</i>
	0027420		GASKET,ADJUSTABLE LEVER,SEALED	<i>TO CHANGE OVER A NON-LOCKING LATCH TO A LOCKING, ORDER THIS PART.</i>

Models: A3FE, A3RE, SBCV
CENTER
ADA LIFT DOOR INSTALLATION
77 HR

With Features: **OPTION 0460**
To BSN B10115769 F10056064 L10101209 M10119600

Key	PartNumber	Qty	Description	Comment
-----	------------	-----	-------------	---------



Models: **A3FE, A3RE, SBCV
CENTER
ADA LIFT DOOR INSTALLATION
77 HR**

With Features: **OPTION 0460
To BSN B10115769 F10056064 L10101209 M10119600**

Key	PartNumber	Qty	Description	Comment
1	1621945		FRAME ASSY,43 LIFT DOOR,ADA	
2	1626381		REINFORCEMENT,HEADER,FRM ASSY,77HR,ADA	
3	1631720		CAP,DRIP MOLDING,43 ADA LIFT,77 HR	
4	1632777		CAP ASSY,END,43 ADA LIFT,77 HR,RH	
5	1632785		CAP ASSY,END,43 ADA LIFT,77 HR,LH	
6	1730837		COVER,HEADER,ADA LIFT,77 HR	<i>ENDING WITH BSN B10064349, F10036124, L10059424, M10073980</i>
6	0028034		COVER,HEADER,ADA LIFT,77 HR	<i>BEGIN WITH BSN B10064350, F10036125, L10059425, M10073981</i>
7	1632850		TRIM,FRONT BOW,43 ADA LIFT,INSIDE,77 HR	
8	1632868		TRIM,REAR BOW,43 ADA LIFT,INSIDE,77 HR	
8	1621960		TRIM,REAR BOW,43 ADA LIFT,INSIDE,77 HR,	
9	0973966		CAP,WIRE MOLDING,77HR REAR,LIFT	
10	0973974		CAP,WIRE MOLDING,77HR FRONT,LIFT	
11	1632827		CHANNEL,HEADLINING TRIM,77 HR,ADA LIFT	
12	1635176		PANEL,H/L,28,77 HR,ADA LIFT	
12	1635184		PANEL,H/L,28,12 SS,TSW,77 HR,ADA LIFT	
12	1635200		PANEL,H/L,REAR,77 HR,ADA LIFT	
12	1635218		PANEL,H/L,REAR,12SS/TSW,77 HR,ADA LIFT	
13	1635242		PAD ASSY HDR,43 LIFT DOOR,ADA,4.00 X 57.25	
NI	2001030		WASHER,COUNTERSUNK,NO10,ZN W/ BLUE	
NI	2000594		SCREW,10-16X1-1/2,AB,PH1,OVAL CNSK,YEL	
14	1633007		PANEL,ROOF,O/S,28,ADA LIFT,77 HR,9 SS,FRT	
14	1632983		PANEL,ROOF,O/S,28,ADA LIFT,77 HR,12 SS,FRT	
15	1634955		PANEL,ROOF,O/S,28,ADA LIFT,77 HR,9 SS,RR	
15	1632991		PANEL,ROOF,O/S,28,ADA LIFT,77 HR,12 SS,RR	
16	1831171		BOW,77HR,ADA LIFT,43 DOOR	
17	1831155		BOW,77HR,ADA LIFT,43 DOOR,UPPER	
17	1831205		BOW,77HR,ADA LIFT,TSW	
18	1630292		HEADER ASSY,28,77 HR,ADA LIFT	
18	1630284		HEADER ASSY,35,77 HR,ADA LIFT	
19	1630300		HEADER ASSY,56,LIFT SECT,77 HR,ADA	
20	1830363		BOW ASSY,77HR,ADA LIFT,43 DOOR,	

Models: **A3FE, A3RE, SBCV
CENTER
ADA LIFT DOOR INSTALLATION
77 HR**

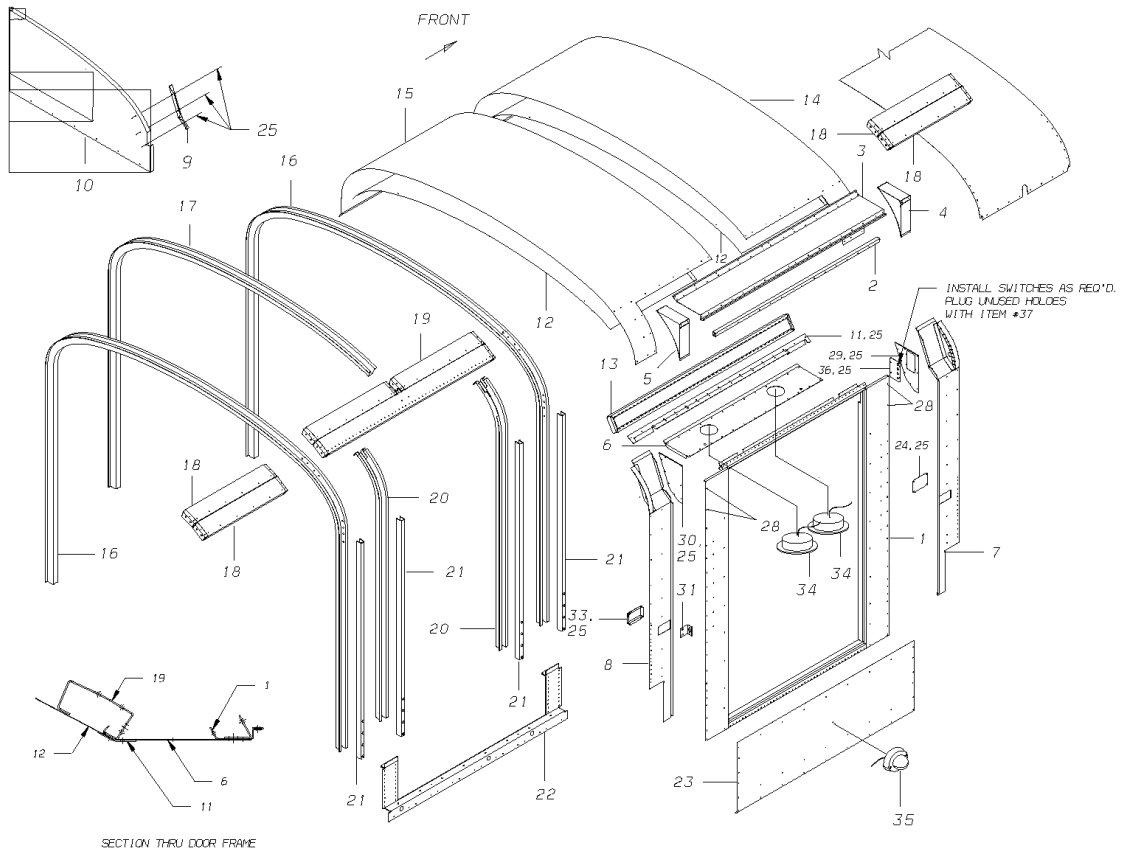
With Features: **OPTION 0460
To BSN B10115769 F10056064 L10101209 M10119600**

Key	PartNumber	Qty	Description	Comment
21	1626332		INSERT,BOW,60.00	
22	1892389		GUSSET,FLOOR,56 SECTION 43 LIFT DR,ADA	
22	1892397		GUSSET,FLOOR,REAR,56,ADA LIFT DOOR	
23	1621853		PANEL,O/SS,56 SECT,16.25 SK,ADA LIFT	
23	1621861		PANEL,O/SS,56 SECT,19.75 SK,ADA LIFT	
23	1621879		PANEL,O/SS,56 SECT,25.75 SK,ADA LIFT	
23	1621895		PANEL,O/SS,REAR,16.25 SK,RH,ADA LIFT	
23	1621911		PANEL,O/SS,REAR,19.75 SK,RH,ADA LIFT	
24	0003954		COVER,BUZZER ACCESS,ADA LIFT DR	
25	1589522		SCREW,10-16 X 3/4,AB,PH1,PAN HD,YEL ZN	
26	1549211		RIVET,CHERRY,SSPVH-204-4	
27	0948539		RIVET,.187 X .437,WAGON BX,SOLID,STL,ZN-NI	
28	2000073		SCREW,1/4-20 X 1,D,HEX HD,YEL ZN DICH	
29	0004937		PLATE,TRIM,INSIDE,ADA LIFT,77 HR	
30	0004945		PLATE,TRIM,INSIDE,ADA LIFT,77 HR,HINGE	
31	1639368		BRACKET,MTG,BUZZER SWITCH,ADA LIFT DR	
NI	0049454		SWITCH ASSY,POW,HORIZONTAL HINGE	
33	0003947		COVER,BUZZER SWITCH,ADA LIFT DR	
34	1392075		LIGHT,BACK-UP,W/CLEAR LENS,W,3-1060-1100	
NI	1334689		SCREW,10-32 X 3/8,F,PH1,PAN HD,YEL ZN	
35	1719293		LAMP,APPROACH,ADA LIFT,KD856-3-3-138	
NI	3940186		BUSHING,NYLON,.500 HEYCO	

Models: A3FE, A3RE, SBCV
CENTER
ADA LIFT DOOR INSTALLATION
77 HR

With Features: OPTION 0460
BSN: From BSN B10115770 F10056065 L10101210

Key	PartNumber	Qty	Description	Comment
-----	------------	-----	-------------	---------



Models: A3FE, A3RE, SBCV
CENTER
ADA LIFT DOOR INSTALLATION
77 HR
With Features: OPTION 0460
BSN: From BSN B10115770 F10056065 L10101210

Key	PartNumber	Qty	Description	Comment
1	1621945		FRAME ASSY,43 LIFT DOOR,ADA	
2	1626381		REINFORCEMENT,HEADER,FRM ASSY,77HR,ADA	
3	1631720		CAP,DRIP MOLDING,43 ADA LIFT,77 HR	
4	1632777		CAP ASSY,END,43 ADA LIFT,77 HR,RH	
5	1632785		CAP ASSY,END,43 ADA LIFT,77 HR,LH	
6	0060517		COVER,HEADER,ADA LIFT	
7	0060519		TRIM ASSY,INSIDE,FRONT BOW,ADA LIFT	
8	0060520		TRIM ASSY,INSIDE,REAR BOW,ADA LIFT,M/M	
8	0060516		TRIM,INSIDE,REAR BOW,ADA LIFT,REAR	
9	0060560		TRIM,FLANGE,REAR UPR INR,ADA LIFT	REAR LIFT LOCATION ONLY
10	0060581		PANEL,INSIDE,RR UPR,W/SCH,BUS SIGN,ADA	
10	0060582		PANEL,INSIDE,REAR UPPER,ADA LIFT	WITHOUT SCHOOL BUS SIGN
11	0060484		TRIM,HEADLINING,ADA LIFT	MID-MOUNT LIFT LOCATION ONLY
11	0060585		TRIM,HEADLINING,ADA LIFT,REAR	REAR LIFT LOCATION ONLY
12	0060530		PANEL,HEADLINING,28 SECTION,ADA LIFT	
12	0060531		PANEL,HEADLINING,28 SECTION,ADA LIFT,PERF	
12	0060533		PANEL,HEADLINING,REAR,28 SECT,ADA LIFT	REAR LIFT LOCATION ONLY
12	0060534		PANEL,HEADLINING,REAR,28 SECT,ADA LIFT,	REAR LIFT LOCATION ONLY
13	1635242		PAD ASSY HDR,43 LIFT DOOR,ADA,4.00 X 57.25	
NI	2001030	6	WASHER,COUNTERSUNK,NO10,ZN W/ BLUE	
NI	2000594	3	SCREW,10-16X1-1/2,AB,PH1,OVAL CNSK,YEL	
14	1632983		PANEL,ROOF,O/S,28,ADA LIFT,77 HR,12 SS,FRT	
15	1632991		PANEL,ROOF,O/S,28,ADA LIFT,77 HR,12 SS,RR	
16	1831171	2	BOW,77HR,ADA LIFT,43 DOOR	
17	1831155		BOW,77HR,ADA LIFT,43 DOOR,UPPER	
17	1831205		BOW,77HR,ADA LIFT,TSW	
18	1630292		HEADER ASSY,28,77 HR,ADA LIFT	
18	1630284		HEADER ASSY,35,77 HR,ADA LIFT	
19	1630300		HEADER ASSY,56,LIFT SECT,77 HR,ADA	
20	1830363	2	BOW ASSY,77HR,ADA LIFT,43 DOOR,	
21	1626332	4	INSERT,BOW,60.00	
22	1892389		GUSSET,FLOOR,56 SECTION 43 LIFT DR,ADA	
22	1892397		GUSSET,FLOOR,REAR,56,ADA LIFT DOOR	

Models: A3FE, A3RE, SBCV
CENTER
ADA LIFT DOOR INSTALLATION
77 HR
With Features: OPTION 0460
BSN: From BSN B10115770 F10056065 L10101210

Key	PartNumber	Qty	Description	Comment
23	1621853		PANEL,O/SS,56 SECT,16.25 SK,ADA LIFT	OPTION 2380-00
23	0090798		PANEL,O/SS,56 SECT,16.25 SK,16 GA,ADA LIFT	OPTION 2380-01
23	1621861		PANEL,O/SS,56 SECT,19.75 SK,ADA LIFT	OPTION 2380-00
23	0090803		PANEL,O/SS,56 SECT,19.75 SK,16 GA,ADA LIFT	OPTION 2380-01
23	1621879		PANEL,O/SS,56 SECT,25.75 SK,ADA LIFT	OPTION 2383-00
23	0090515		PANEL,O/SS,56 SECT,25.75 SK,16 GA,ADA LIFT	OPTION 2383-01
23	1621895		PANEL,O/SS,REAR,16.25 SK,RH,ADA LIFT	OPTION 2380-00
23	0090373		PANEL,OUTSIDE SIDE,RR,16.25SK,16GA,ADA	OPTION 2380-01
23	1621911		PANEL,O/SS,REAR,19.75 SK,RH,ADA LIFT	FEATURE 30959-02. ENDING WITH BSN F10071734
23	0085733		PANEL,O/SS,REAR,19.75 SK,56,RH,ADA LIFT	FEATURE 30959-02. BEGIN WITH BSN F10071735
23	0090402		PANEL,O/SS,REAR,19.75 SKRT,16GA,RH,ADA	FEATURE 30959-03
24	0003954		COVER,BUZZER ACCESS,ADA LIFT DR	
25	1589522	59	SCREW,10-16 X 3/4,AB,PH1,PAN HD,YEL ZN	
26	1549211	40	RIVET,CHERRY,SSPVH-204-4	
27	0948539	98	RIVET,.187 X .437,WAGON BX,SOLID,STL,ZN-NI	
28	2000073	18	SCREW,1/4-20 X 1,D,HEX HD,YEL ZN DICH	
29	0060488		TRIM,INSIDE,UPPER,FRONT BOW,ADA LIFT	
30	0060490		TRIM,INSIDE,UPPER,REAR BOW,ADA LIFT	STANDARD; FEATURE 31010-06
30	0087228		TRIM,INSIDE,UPPER,RR BOW,SEC LOCK,ADA	FEATURE 31010-05
31	1639368		BRACKET,MTG,BUZZER SWITCH,ADA LIFT DR	ENDING WITH BSN F10088394
31	0068042		BRACKET,MTG,BUZZER SWITCH,ADA LIFT	BEGIN WITH BSN F10088395
NI	0049454		SWITCH ASSY,POW,HORIZONTAL HINGE	
33	0003947		COVER,BUZZER SWITCH,ADA LIFT DR	
34	1392075	2	LIGHT,BACK-UP,W/CLEAR LENS,W,3-1060-1100	
NI	1334689	3	SCREW,10-32 X 3/8,F,PH1,PAN HD,YEL ZN	
35	1719293		LAMP,APPROACH,ADA LIFT,KD856-3-3-138	
36	0060970		PLATE,SWITCH,ADA LIFT	FEATURE 30400-01. ASTRO WHITE
36	0076646		PLATE,SWITCH,ADA LIFT,FLORIDA	FEATURE 30400-02. FLORIDA GRAY
36	0076649		PLATE,SWITCH,ADA LIFT,KENTUCKY	FEATURE 30400-03. KENTUCKY BLUE
36	0086960		PLATE,SWITCH,ADA LIFT,GREEN	FEATURE 30400-04. SEA FOAM GREEN
37	1351063		PLUG,BUTTON,BLACK,DP-500,HEYCO 2643	

Models: A3FE, A3RE, SBCV
CENTER
ADA LIFT DOOR INSTALLATION
77 HR
With Features: OPTION 0460
BSN: From BSN B10115770 F10056065 L10101210

Key	PartNumber	Qty	Description	Comment
NI	1334689	2	SCREW,10-32 X 3/8,F,PH1,PAN HD,YEL ZN	
NI	3940186	14	BUSHING,NYLON,.500 HEYCO	

TCRE, TSFE

Models:

AAFE, AARE, A3FE, A3RE, C1FE, CSFE, CSRE, GMCV, SBCV, T2RE, TCEV, TCPE,

**CENTER
FUEL TANK DOOR**

With Features:

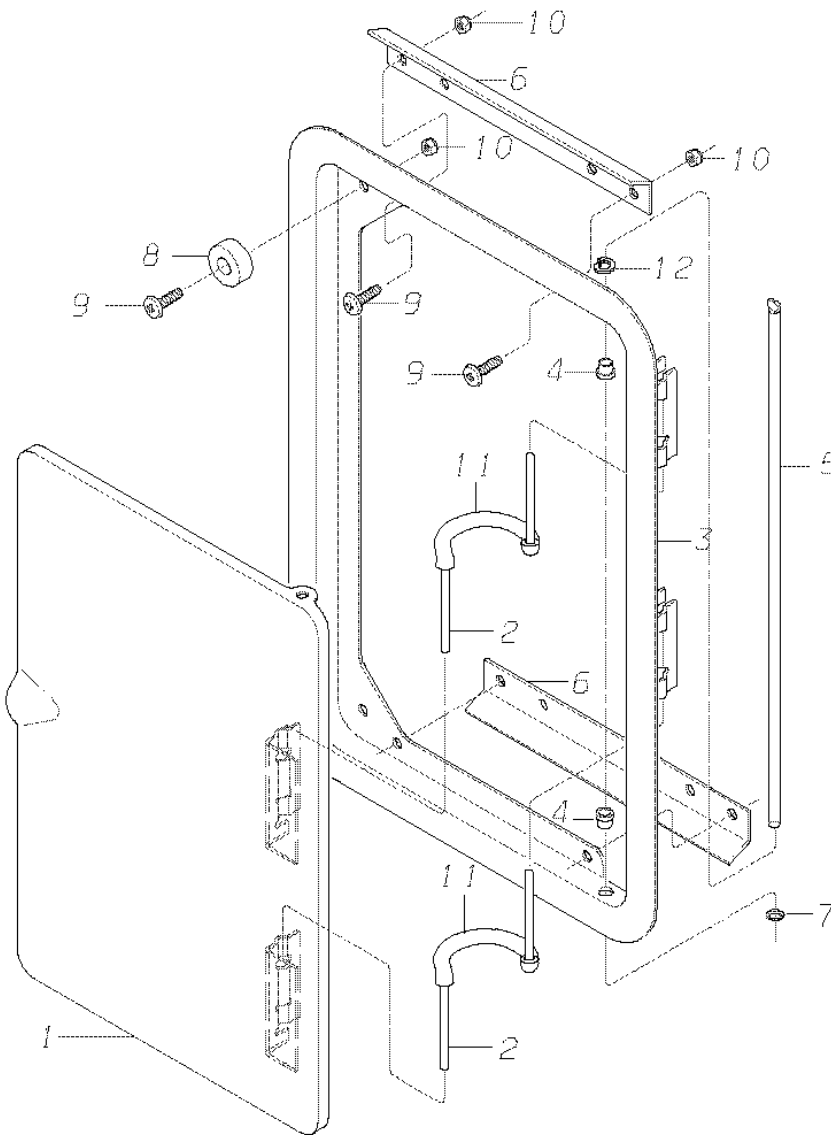
OPTION 0500, 0505 WITH STD. SIDE FRAME TANKS

BSN:

From BSN 019277 189393 257284 369946

To BSN B10085469 F10045379 F20045394 L10074839 M10099364

Key	PartNumber	Qty	Description	Comment
-----	------------	-----	-------------	---------



DR	9/21/98	BY	CLM				
APP.	9/21/98	BY	PF	FRY	1856228	N	REV



© BLUE BIRD BODY COMPANY. ALL RIGHTS RESERVED



Models:
TCRE, TSFE

AAFE, AARE, A3FE, A3RE, C1FE, CSFE, CSRE, GMCV, SBCV, T2RE, TCEV, TCPE,

**CENTER
FUEL TANK DOOR**

With Features: **OPTION 0500, 0505 WITH STD. SIDE FRAME TANKS**

BSN: **From BSN 019277 189393 257284 369946**

To BSN B10085469 F10045379 F20045394 L10074839 M10099364


Key	PartNumber	Qty	Description	Comment
	1856228		DOOR & FRAME ASSY,FUEL FILL,LARGE	OPTION 0500. FUEL TANK DOOR
	1857127		DOOR & FRAME ASSY,FUEL FILL,LARGE,E-COAT	OPTION 0500 WITH OPTION 2309. E-COAT
	1857119		DOOR & FRAME ASSY,FUEL FILL,LOCKING,	OPTION 0505. LOCKING FUEL TANK DOOR
	1857135		DOOR & FRAME ASSY,FUEL FILL,LKG,LARGE,	OPTION 0505 WITH OPTION 2309. E-COAT
1	1856202		DOOR ASSY,FUEL FILLER,LARGE	OPTION 0500. FUEL TANK DOOR
1	1856681		DOOR ASSEMBLY,FUEL FILLER,LARGE,E-COAT	OPTION 0500 WITH OPTION 2309. E-COAT
1	1856780		DOOR ASSEMBLY,FUEL FILLER,LK,LARGE,PRIME	OPTION 0505. LOCKING FUEL TANK DOOR
1	1856806		DOOR ASSEMBLY,FUEL FILLER,LK,LARGE,E-	OPTION 0505 WITH OPTION 2309. E-COAT
2	1849595	2	SPRING,FUEL TANK DOOR	
3	1849637		FRAME,FUEL FILL DOOR,LARGE	OPTION 0500, 0505
3	1856723		FRAME,FUEL FILL DOOR,LARGE,E-COAT	OPTION 0500, 0505 WITH OPTION 2309. E-COAT
4	1849561	2	BUSHING,HINGE PIN,FUEL FILL DOOR	
5	1876952		PIN,HINGE,FUEL FILL DOOR,LARGE	
6	1856301	2	RETAINER,FUEL FILL DOOR ASSY	
7	1878412		RETAINER,GROOVELESS RING,PUSH-ON,,.187	
8	1486919	2	BUMPER,RUBBER RECESS,.469 X .719 DIA	
9	1795459	6	SCREW,MACH 10-24X 1/2 P HD,BLK	
10	1469287	6	NUT,HEX,10-24,ELASTIC LOCKNUT,YEL ZN DICH	
11	2003341	7	TUBE,EPDM,,.156ID X .281OD	
12	2001162		LOCKWASHER,SPLIT RING, 3/16,MED,YEL ZN	

Models: A3FE, A3RE, C1FE, CSFE, CSRE, GMCV, SBCV, TCFE
CENTER

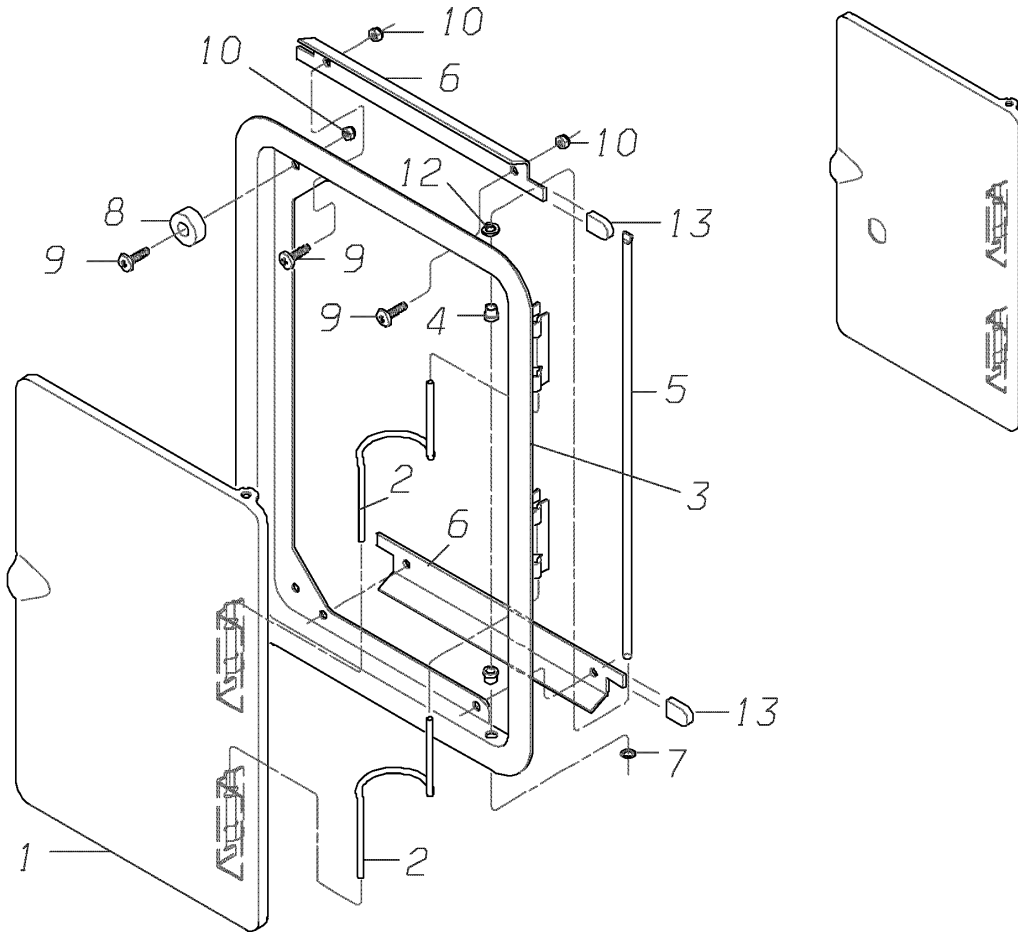
With Features: FUEL TANK DOOR
OPTION 0500, 0505 WITH STD. SIDE FRAME TANKS

BSN: From BSN B10085470 F10045380 F20045395 L10074840 M10099365

Key	PartNumber	Qty	Description	Comment
-----	------------	-----	-------------	---------

DR. 09/16/02	BY TFM	1067127	E	
APP.	BY	FRT	REV	

© BLUE BIRD BODY COMPANY. ALL RIGHTS RESERVED



Models: A3FE, A3RE, C1FE, CSFE, CSRE, GMCV, SBCV, TCFE
CENTER

With Features: FUEL TANK DOOR
OPTION 0500, 0505 WITH STD. SIDE FRAME TANKS

BSN: From BSN B10085470 F10045380 F20045395 L10074840 M10099365

Key	PartNumber	Qty	Description	Comment
	1857127		DOOR & FRAME ASSY,FUEL FILL,LARGE,E-COAT	NON-LOCKING. OPTION 0500
	1857135		DOOR & FRAME ASSY,FUEL FILL,LKG,LARGE,	LOCKING. OPTION 0505
1	1856681		DOOR ASSEMBLY,FUEL FILLER,LARGE,E-COAT	NON-LOCKING. OPTION 0500
1	1856806		DOOR ASSEMBLY,FUEL FILLER,LK,LARGE,E-	LOCKING. OPTION 0505
2	1849595		SPRING,FUEL TANK DOOR	
3	1856723		FRAME,FUEL FILL DOOR,LARGE,E-COAT	
4	1849561		BUSHING,HINGE PIN,FUEL FILL DOOR	
5	1876952		PIN,HINGE,FUEL FILL DOOR,LARGE	
6	0040128		RETAINER,FUEL FILL DOOR ASSY,LARGE	
7	1878412		RETAINER,GROOVELESS RING,PUSH-ON,.187	
8	1486919		BUMPER,RUBBER RECESS,.469 X .719 DIA	
9	1795459		SCREW,MACH 10-24X 1/2 P HD,BLK	
10	1469287		NUT,HEX,10-24,ELASTIC LOCKNUT,YEL ZN DICH	
12	2001162		LOCKWASHER,SPLIT RING, 3/16,MED,YEL ZN	
13	0038825		PAD,STOP,FUEL TANK DOOR	

Models:
TCRE, TSFE

AAFE, AARE, A3FE, A3RE, C1FE, CSFE, CSRE, GMCV, SBCV, T2RE, TCEV, TCFE,

**CENTER
FUEL TANK DOOR**

With Features: OPTION 0500, 0505 WITH OPTION 4581, 4607, 24619 (MID-MOUNT TANKS)

BSN: From BSN 019277 189393 257284 369946

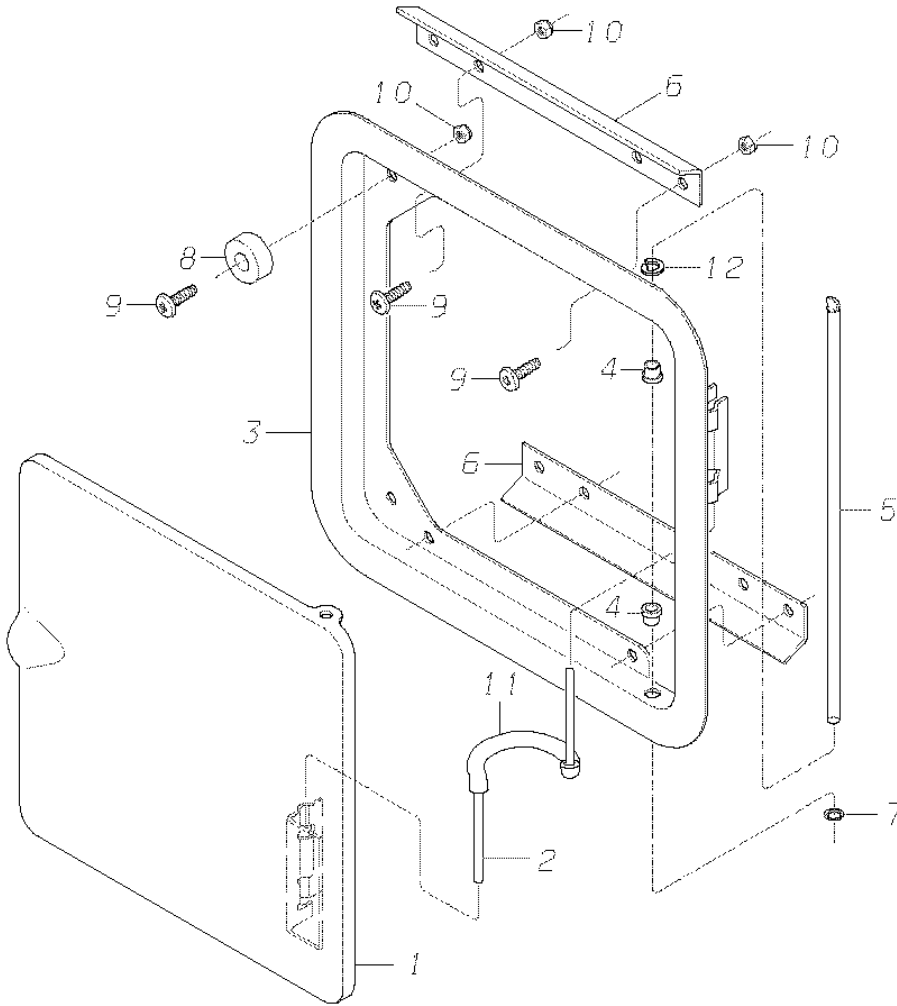
To BSN B10085469

F10045379 F20045394 L10074839 M10099364

Key	PartNumber	Qty	Description	Comment
-----	------------	-----	-------------	---------

DR. 9/23/98 BY JL	-----	1856210	G
APP. 9/23/98 BY AB	FPT		REV.

© BLUE BIRD BODY COMPANY ALL RIGHTS RESERVED



Models:
TCRE, TSFE

AAFE, AARE, A3FE, A3RE, C1FE, CSFE, CSRE, GMCV, SBCV, T2RE, TCEV, TCPE,

**CENTER
FUEL TANK DOOR**

With Features: **OPTION 0500, 0505 WITH OPTION 4581, 4607, 24619 (MID-MOUNT TANKS)**

BSN: **From BSN 019277 189393 257284 369946**

To BSN B10085469

F10045379 F20045394 L10074839 M10099364


Key	PartNumber	Qty	Description	Comment
	1856210		DOOR & FRAME ASSY,FUEL FILL,SMALL"	OPTION 0500. FUEL TANK DOOR
	1857085		DOOR & FRAME ASSY,FUEL FILL,SMALL,E-COAT	OPTION 0500 WITH OPTION 2309. E-COAT
	1857101		DOOR & FRAME ASSY,FUEL FILL,LOCKING,	OPTION 0505. LOCKING FUEL TANK DOOR
	1857093		DOOR & FRAME ASSY,FUEL FILL,LKG,SMALL,	OPTION 0505 WITH OPTION 2309. E-COAT
1	1856194		DOOR ASSY,FUEL FILLER,SMALL	OPTION 0500. FUEL TANK DOOR
1	1856665		DOOR ASSEMBLY,FUEL FILLER,SMALL,E-COAT	OPTION 0500 WITH OPTION 2309. E-COAT
1	1856756		DOOR ASSEMBLY,FUEL FILLER,LK,SMALL,PRIME	OPTION 0505. LOCKING FUEL TANK DOOR
1	1856772		DOOR ASSY,FUEL FILLER,LK,SMALL,E-COAT	OPTION 0505 WITH OPTION 2309. E-COAT
2	1849595		SPRING,FUEL TANK DOOR	
3	1849629		FRAME,FUEL FILL DOOR,SMALL	OPTION 0500, 0505
3	1856707		FRAME,FUEL FILL DOOR,SMALL,E-COAT	OPTION 0500, 0505 WITH OPTION 2309. E-COAT
4	1849561	2	BUSHING,HINGE PIN,FUEL FILL DOOR	
5	1876960		PIN,HINGE,FUEL FILL DOOR,SMALL	
6	1856301	2	RETAINER,FUEL FILL DOOR ASSY	
7	1878412		RETAINER,GROOVELESS RING,PUSH-ON,,.187	
8	1486919	2	BUMPER,RUBBER RECESS,.469 X .719 DIA	
9	1795459	6	SCREW,MACH 10-24X 1/2 P HD,BLK	
10	1469287	6	NUT,HEX,10-24,ELASTIC LOCKNUT,YEL ZN DICH	
11	2003341	4&	TUBE,EPDM,,.156ID X .281OD	
12	2001162		LOCKWASHER,SPLIT RING, 3/16,MED,YEL ZN	


Models: A3FE, A3RE, CSFE, CSRE, GMCV, SBCV, TCFE
CENTER

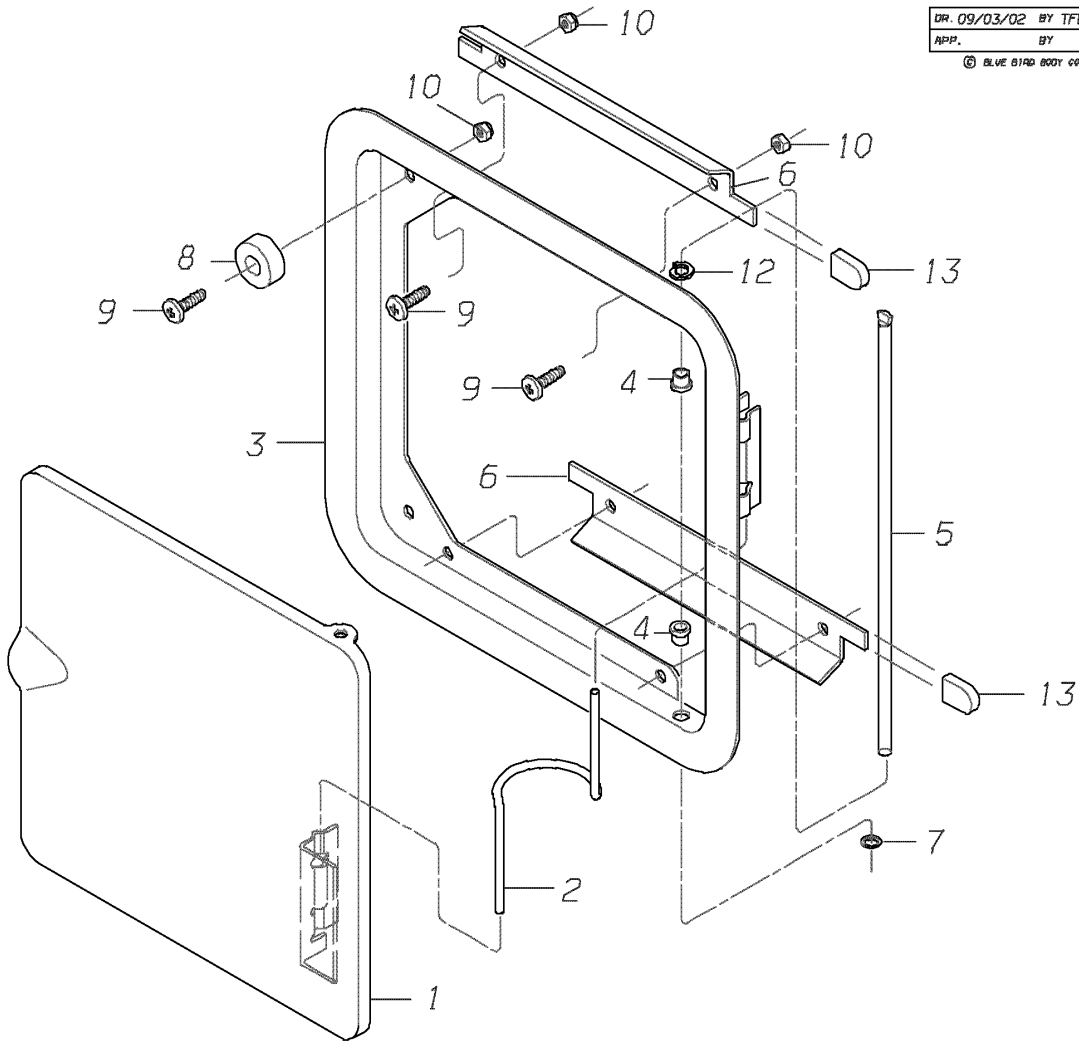
With Features: FUEL TANK DOOR
OPTION 0500, 0505 WITH OPTION 4581, 4607, 24619 (MID-MOUNT TANKS)

BSN: From BSN B10085470 F10045380 F20045395 L10074840 M10099365

Key	PartNumber	Qty	Description	Comment
-----	------------	-----	-------------	---------

DR. 09/03/02	BY TFM	1857085	D	
APP.	BY	PRT	REV	

© BLUE BIRD BODY COMPANY. ALL RIGHTS RESERVED 



Models: A3FE, A3RE, CSFE, CSRE, GMCV, SBCV, TCFE
CENTER

With Features: FUEL TANK DOOR
OPTION 0500, 0505 WITH OPTION 4581, 4607, 24619 (MID-MOUNT TANKS)

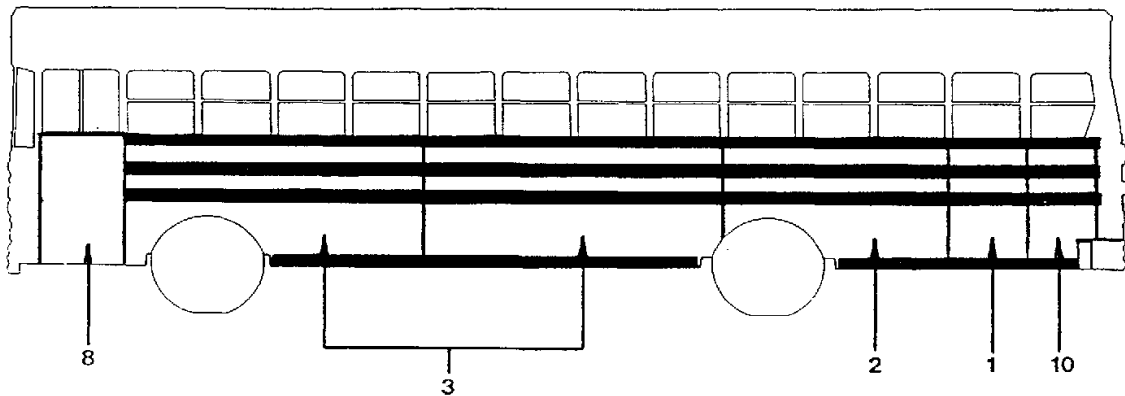
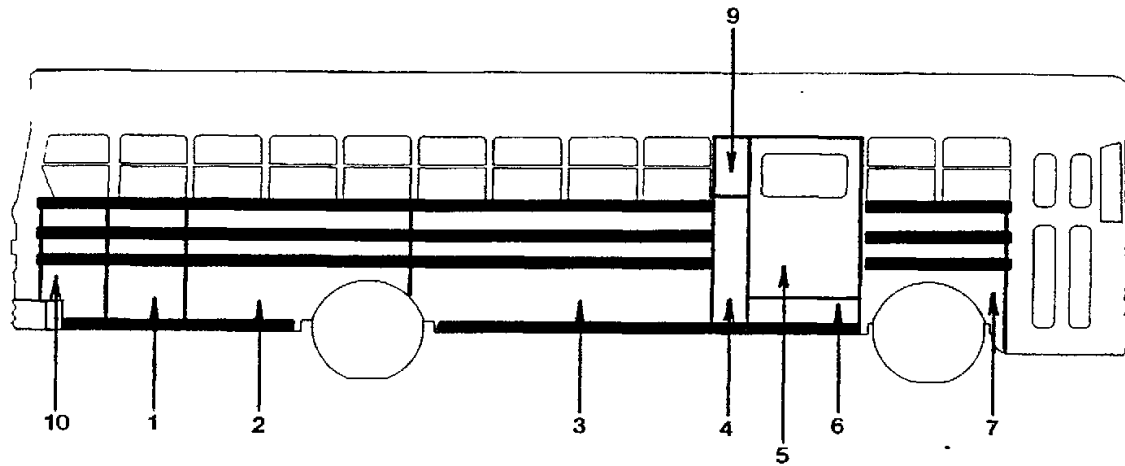
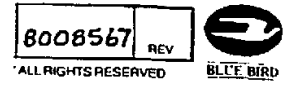
BSN: From BSN B10085470 F10045380 F20045395 L10074840 M10099365

Key	PartNumber	Qty	Description	Comment
	1857085		DOOR & FRAME ASSY,FUEL FILL,SMALL,E-COAT	NON-LOCKING. OPTION 0500
	1857093		DOOR & FRAME ASSY,FUEL FILL,LKG,SMALL,	LOCKING. OPTION 0505
1	1856665		DOOR ASSEMBLY,FUEL FILLER,SMALL,E-COAT	NON-LOCKING. OPTION 0500
1	1856772		DOOR ASSY,FUEL FILLER,LK,SMALL,E-COAT	LOCKING. OPTION 0505
2	1849595		SPRING,FUEL TANK DOOR	
3	1856707		FRAME,FUEL FILL DOOR,SMALL,E-COAT	
4	1849561		BUSHING,HINGE PIN,FUEL FILL DOOR	
5	1876960		PIN,HINGE,FUEL FILL DOOR,SMALL	
6	0040127		RETAINER,FUEL FILL DOOR ASSY	
7	1878412		RETAINER,GROOVELESS RING,PUSH-ON,.187	
8	1486919		BUMPER,RUBBER RECESS,.469 X .719 DIA	
9	1795459		SCREW,MACH 10-24X 1/2 P HD,BLK	
10	1469287		NUT,HEX,10-24,ELASTIC LOCKNUT,YEL ZN DICH	
12	2001162		LOCKWASHER,SPLIT RING, 3/16,MED,YEL ZN	
13	0038825		PAD,STOP,FUEL TANK DOOR	

Models: A3FE, TCFE
CENTER
OUTSIDE SIDE PANELS

Key	PartNumber	Qty	Description	Comment
-----	------------	-----	-------------	---------

OUTSIDE SIDE PANELS



Models: A3FE, TCFE
**CENTER
 OUTSIDE SIDE PANELS**

Key	PartNumber	Qty	Description	Comment
1	0837534		PANEL,O/SS,28,16 1/4 SK	STANDARD
1	1420512		PANEL,O/SS,28,16.25 SK,16GA DLX SMTH,TCFC	OPTION 2377
1	0837419		PANEL,O/SS,28,16 1/4 SK,NY	OPTION 2380
1	0832113		PANEL,O/SS,28,16 1/4 SK,FMVSS221	OPTION 3475
1	0836643		PANEL,O/SS,28,16 1/4 SK,NY	OPTION 2380 WITH 3475
1	0837500		PANEL,O/SS,35,16 1/4 SK	STANDARD
1	1420520		PANEL,O/SS,35,16.25 SK,16GA DLX SMTH,	OPTION 2377
1	0837385		PANEL,O/SS,35,16 1/4 SK,NY	OPTION 2380
1	0834846		PANEL,O/SS,35,16 1/4 SK,FMVSS 221	OPTION 3475
1	0836650		PANEL,O/SS,35,16 1/4 SK,NY	OPTION 2380 WITH 3475
2	0854018		PANEL,O/SS,84,16 1/4 SK	OPTION 3475
2	0854026		PANEL,O/SS,84,NY (SB)	OPTION 2380 WITH 3475
2	0906719		PANEL,O/SS,105,16 1/4 SK	OPTION 3475
3	1063510		PANEL,O/SS,112,16 1/4 SK	OPTION 3475
4	1259621		PANEL,O/SS,10 1/2,16 1/4 SK	STANDARD
4	1259647		PANEL,O/SS,10 1/2,16 1/4 SK,NY	OPTION 2380
4	1259639		PANEL,O/SS,10 1/2,16 1/4 SK,FMVSS221	OPTION 3475
4	1259654		PANEL,O/SS,10 1/2,16 1/4 SK,NY,FMVSS221	OPTION 2380 WITH 3475
4	1420488		PANEL,O/SS,11.50,16.25 SK,16GA DLX	OPTION 2377
4	1262203		PANEL,O/SS,19,16 1/4 SK	STANDARD
4	1262211		PANEL,O/SS,19,16 1/4 SK,NY	OPTION 2380
4	1263458		PANEL,O/SS,19,16 1/4 SK,FMVSS221	OPTION 3475
4	1262229		PANEL,O/SS,19,16 1/4 SK,NY,FMVSS221	OPTION 3475 WITH 2380
5				SEE TABLE OF CONTENTS FOR DOORS, GROUP 350.
6	1264670		PANEL,O/SS,45,40 LIFT,16 SK	STANDARD
6	1260124		PANEL,O/SS,RR,45 1/2,40 LIFT,16 1/4,RH, CV	STANDARD
6	1266733		PANEL,O/SS,45,40 LIFT,16 SK,NY	OPTION 2380
6	1260132		PANEL,O/SS,RR,45 1/2,40 LIFT,16 1/4,NY,RH	REAR, RH, OPTION 2380
7	1063163		PANEL,O/SS,56,16 1/4 SK,FMVSS 221	OPTION 3475
7	1329978		PANEL,O/SS,56,SMOOTH,16 1/4 SK,221	OPTION 2380, WITH 3475
7	1420538		PANEL,O/SS,56,16.25 SK,16 GA DLX SMTH,	OPTION 2377
NI	1419548		TRIM,FRONT BOW	TCFE WITH 23 INCH STEP. STANDARD. ENDING WITH BSN 110526

Models: **A3FE, TCFE
CENTER
OUTSIDE SIDE PANELS**

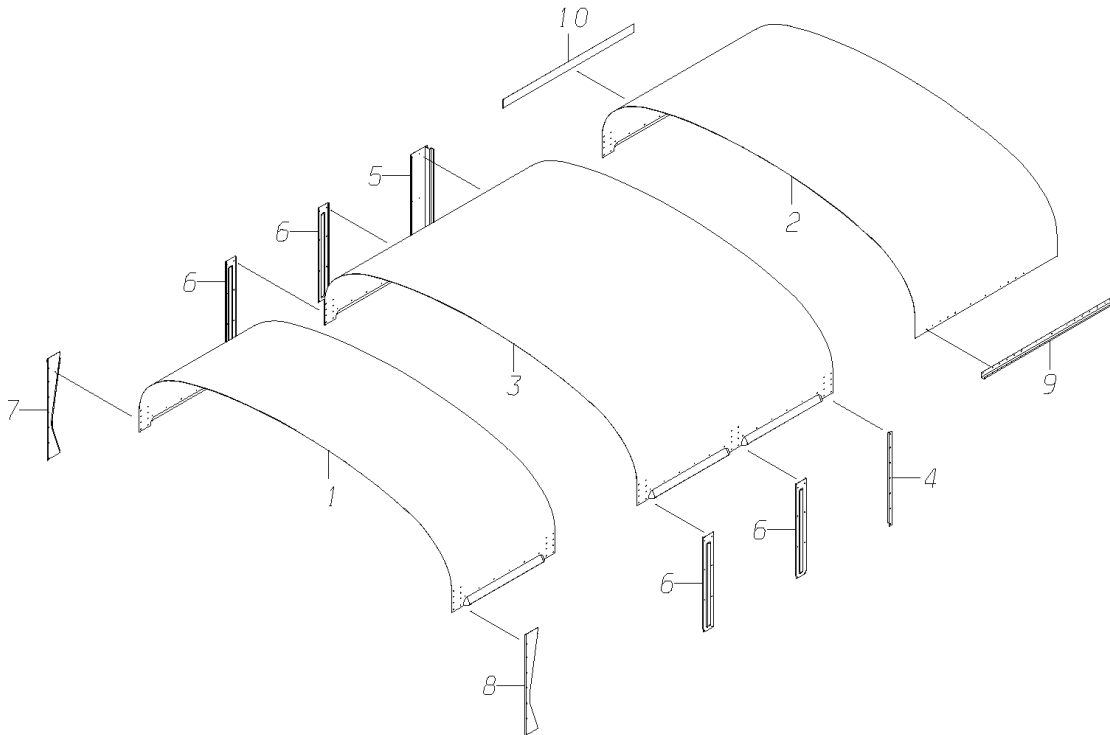
Key	PartNumber	Qty	Description	Comment
NI	1785427		TRIM,FRONT BOW,23.00	TCFE WITH 23 INCH STEP. STANDARD. BEGIN WITH BSN 110527
NI	1419530		TRIM,FRONT BOW,24.75 STEP,TCFC	TCFE WITH 24.75 INCH STEP. OPTION 0241. ENDING WITH BSN 110526
NI	1782598		TRIM,FRONT BOW,24.75 STEP,TCFE	TCFE WITH 24.75 INCH STEP. OPTION 0241. BEGIN WITH BSN 110527
NI	1744416		TRIM,FRONT BOW,RH DRIVE	TCFE, RH DRIVE. OPTION 3480. ENDING WITH BSN 110526
NI	1796721		TRIM,FRONT BOW,23.00 STEP,RH DR, TC	TCFE, RH DRIVE. OPTION 3480. BEGIN WITH BSN 110527
NI	1782598		TRIM,FRONT BOW,24.75 STEP,TCFE	A3FE WITH 24.75 INCH STEP. FEATURE 30977-02, -03, -04.
NI	1619030		TRIM,STEPWELL TO SKIRT,RH	TCFE WITH 23 INCH STEP. STANDARD.
NI	1619022		TRIM,STEPWELL TO SKIRT,RH,24.75 STEP	TCFE WITH 24.75 INCH STEP. OPTION 241.
NI	1796978		TRIM,STEPWELL TO SKIRT,LH,23.00,RH DR,	TCFE, RH DRIVE. OPTION 3480.
NI	1983956		TRIM,STEPWELL TO SKIRT,RH,23.00, DRFL	A3FE WITH 23 INCH STEP. STANDARD.
NI	1999028		TRIM,STEPWELL TO SKIRT,RH,24.75 STEP,DRFL	A3FE WITH 24.75 INCH STEP. OPTION 0241.
NI	1983964		TRIM,STEPWELL TO SKIRT,LH,23.00,RH DRV	A3FE, RH DRIVE. OPTION 3480.
8	1628114		PANEL ASSY,O/S,DRV,W/ACCESS,16GA,	STANDARD; OPTION 2380
8	1628122		PANEL ASSY,O/S,DRV,W/ACCESS,16GA,221,	OPTION 2380 WITH OPTION 3475
NI				SEE TABLE OF CONTENTS FOR "ACCESS DOOR, ELECTRICAL PANEL".
9				SEE TABLE OF CONTENTS FOR ROOF PANELS & BOW CAPS.
NI	1619014		TRIM,W/H TO DRIVERS PANEL,LH	TCFE
NI	1796986		TRIM,W/H TO DRIVERS PANEL,RH,RH DR, TCFE	TCFE, RH DRIVE. OPTION 3480.
NI	1983972		TRIM,W/H TO DRIVERS PANEL,LH, DRFL	A3FE
NI	1983980		TRIM,W/H TO DRIVERS PANEL,RH,RH DRV,	A3FE, RH DRIVE. OPTION 3480.
10	0837799		PANEL,REAR SIDE,28IN,16 1/4 SK,RH	STANDARD RH, 16 1/4 SKIRT
10	0837807		PANEL,REAR SIDE,28IN,16 1/4 SK,LH	STANDARD LH, 16 1/4 SKIRT
10	1420496		PANEL,O/SS,28,RH RR,16.25 SK,DLX SMTH,	OPTION 2377, RH
10	1420504		PANEL,O/SS,28,LHRR,16.25 SK,DLX SMTH,TCFC	OPTION 2377, LH
10	0834374		PANEL,REAR SIDE,O/S,RH,16 1/4 SK,221	OPTION 3475, RH, 16 1/4" SKIRT
10	0834382		PANEL,REAR SIDE,O/S,LH,16 1/4 SK,221	OPTION 3475, LH, 16 1/4" SKIRT

Models: **A3FE, TCFE**
CENTER
OUTSIDE SIDE PANELS

Key	PartNumber	Qty	Description	Comment
10	0834432		PANEL,REAR SIDE,O/S,RH,16 1/4 SK,NY,221	<i>OPTION 3485, RH, 16 1/4 SKIRT</i>
10	0834440		PANEL,REAR SIDE,O/S,LH,16 1/4 SK,NY 221	<i>OPTION 2380 WITH 3475, OPTION 3485, LH, 16 1/4 SKIRT</i>
NI	1691351		ANGLE,SKIRT,REINFORCEMENT,RR OVERHANG,	
NI	1374776		RIM,WHEELHOUSING,PRIMED	
NI	0060400		FENDER,RUBBER	<i>OPTION 600, 605</i>
NI	0193409		RETAINER,RUBBER FENDER	<i>OPTION 600, 605</i>
NI	1561620		MOLDING,DRIP,ENTRANCE DOOR,36.75,TC	

Models: A3FE, TCFE
CENTER
ROOF PANELS & BOW CAPS

Key	PartNumber	Qty	Description	Comment
-----	------------	-----	-------------	---------



Models: A3FE, TCFE
**CENTER
 ROOF PANELS & BOW CAPS**

Key	PartNumber	Qty	Description	Comment
1	1074913		PANEL,ROOF,O/S,28,74HR	STANDARD
1	1085778		PANEL,ROOF,O/S,28	OPTION 3339
1	1086719		PANEL,ROOF,O/S,28,12 SS,TSW,77HR	OPTION 3337, 3368, 3369, 3370, 3371
1	1086461		PANEL,ROOF,O/S,28,77HR	OPTION 3470, 3471
2	1551282		PANEL,ROOF,O/S,FRT,74HR,36.75, TC	J/K DOOR ONLY. STANDARD, 74 HR. ENDING WITH BSN 184148
2	1842434		PANEL,ROOF,O/S,FRT,W/VENT,74HR,TC	J/K DOOR ONLY. STANDARD, 74 HR. BEGIN WITH BSN 184149
2	1554716		PANEL,ROOF,O/S,FRT,W/O VENT,74HR,36.75,	J/K DOOR ONLY. OPTION 7266, 74 HR. ENDING WITH BSN 184148
2	1842426		PANEL,ROOF,O/S,FRT,W/O VENT,74HR, TC	J/K DOOR ONLY. OPTION 7266, 74 HR. BEGIN WITH BSN 184149
2	1551290		PANEL,ROOF,O/S,FRT,77HR,36.75, TC	J/K DOOR ONLY. OPTION 3337, 3471, 74 HR. ENDING WITH BSN 184148
2	1842418		PANEL,ROOF,O/S,FRT,W/VENT,77HR,TC	J/K DOOR ONLY. OPTION 3337, 3471, 74 HR. BEGIN WITH BSN 184149
2	1554724		PANEL,ROOF,O/S,FRT,W/O VENT,77HR,36.75,	J/K DOOR ONLY. OPTION 3337, 3471 WITH OPTION 7266, 77 HR. ENDING WITH BSN 184148
2	1842400		PANEL,ROOF,O/S,FRT,W/O VENT,77HR, TC	J/K DOOR ONLY. OPTION 3337, 3471 WITH OPTION 7266, 77 HR. BEGIN WITH BSN 184149
2	1789601		PANEL,ROOF,OUTSIDE,FRT,W/VENT,74HR,OO	O/O DOOR ONLY. STANDARD, 74 HR. ENDING WITH BSN 188045
2	1842236		PANEL,ROOF,O/S,FRT,W/VENT,74HR,O/O DR,TC	O/O DOOR ONLY. STANDARD, 74 HR. BEGIN WITH BSN 188046
2	1789619		PANEL,ROOF,OUTSIDE,FRT,W/O VENT,74,OO	O/O DOOR ONLY. OPTION 7266, 74 HR. ENDING WITH BSN 188045
2	1842244		PANEL,ROOF,O/S,FRT,W/O VENT,74HR,O/O DR,	O/O DOOR ONLY. OPTION 7266, 74 HR. BEGIN WITH BSN 188046
2	1789635		PANEL,ROOF,OUTSIDE,FRT,W/VENT,77HR,OO	O/O DOOR ONLY. OPTION 3471, 77 HR. ENDING WITH BSN 188045
2	1842269		PANEL,ROOF,O/S,FRT,W/VENT,77HR,O/O DR,TC	O/O DOOR ONLY. OPTION 3471, 77 HR. BEGIN WITH BSN 188046
2	1789643		PANEL,ROOF,OUTSIDE,FRT,W/O VENT,77,OO	O/O DOOR ONLY. OPTION 3471 WITH OPTION 7266, 77 HR. ENDING WITH BSN 188045
2	1842251		PANEL,ROOF,O/S,FRT,W/O VENT,77HR,O/O DR,	O/O DOOR ONLY. OPTION 3471 WITH OPTION 7266, 77 HR. BEGIN WITH BSN 188046
3	1074913		PANEL,ROOF,O/S,28,74HR	STANDARD

Models: A3FE, TCFE
**CENTER
 ROOF PANELS & BOW CAPS**

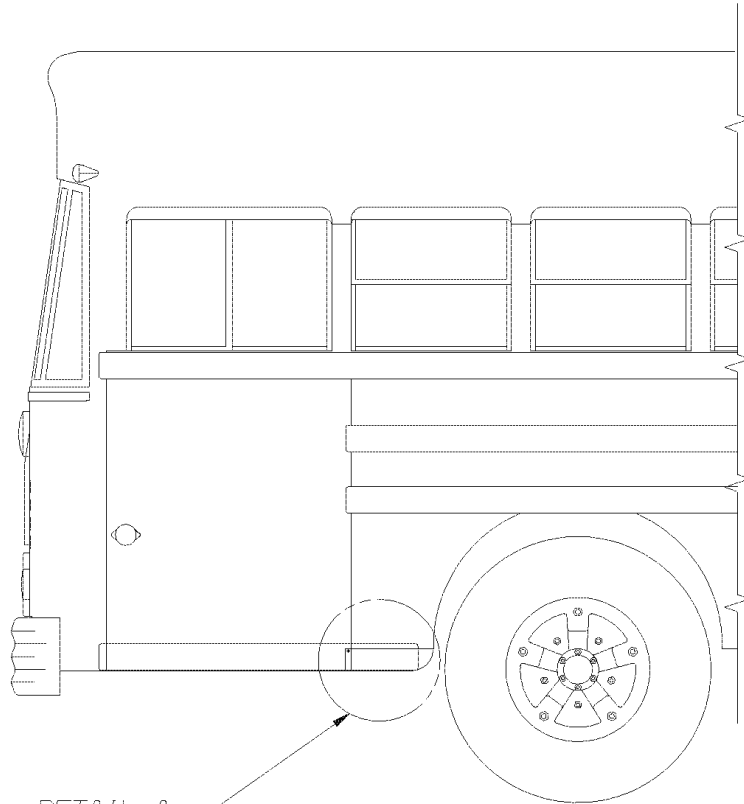
Key	PartNumber	Qty	Description	Comment
3	1086719		PANEL,ROOF,O/S,28,12 SS,TSW,77HR	3371
3	1085778		PANEL,ROOF,O/S,28	OPTION 3339
3	1074921		PANEL,ROOF,O/S,35,74HR	STANDARD
3	1086727		PANEL,ROOF,O/S,35,12 SS,TSW,77HR	OPTION 3337, 3368, 3369, 3370, 3371
3	1085786		PANEL,ROOF,O/S,35,38 1/4 X 110 1/16	OPTION 3339
3	1074996		PANEL,ROOF,O/S,56,74HR	STANDARD
3	1086735		PANEL,ROOF,O/S,56,12 SS,TSW,77HR	OPTION 3337, 3368, 3369, 3370, 3371
3	1085794		PANEL,ROOF,O/S,56,59 1/2 X 110 1/16	OPTION 3339
3	1086511		PANEL,ROOF,O/S,56,77HR	OPTION 3471
4	0864942		BOW CAP,FRONT,STD WDO,HANDY BUS,FMVSS	STANDARD; OPTION 3475
4	0876565		TRIM,RIGHT FRONT,BOW CAP,12SS	OPTION 3337 OR 3339
5	1554104		BOW CAP,OUTER,LH FRONT,36.75, TC	STANDARD
5	1554591		BOW CAP,OUTER,LH FRONT,FMVSS221,36.75,	OPTION 3475
5	1554617		BOW CAP,OUTER,12SS WINDOW,L/F,36.75, TC	OPTION 3337, 3339
5	1554609		BOW CAP,OUTER,12SS,L/F,FMVSS221,36.75, TC	OPTION 3337, 3339, WITH OPTION 3475
6	0836973		BOW CAP,STANDARD,OUTER	STANDARD
6	0896522		BOW CAP,OUTER,12SS WINDOW	OPTION 3337 OR 3339
6	1221209		BOW CAP,OUTER,STANDARD,FMVSS221	OPTION 3475
7	0915546		BOW CAP,SLANTING,OUTER,LH,DOT	STANDARD
7	0896548		BOW CAP,OUTER,12SS WINDOW,L/R	OPTION 3337 OR 3339
7	1221175		BOW CAP,OUTER,12SS WINDOW,L/R,FMVSS221	OPTION 3475 WITH OPTION 3337 OR 3339
8	0915504		BOW CAP,SLANTING,OUTER,RH,DOT	STANDARD
8	0896530		BOW CAP,OUTER,12SS WINDOW,L/F R/R	OPTION 3337 OR 3339
8	1221183		BOW CAP,OUTER,12SS WINDOW,L/F R/R,221	OPTION 3475 WITH OPTION 3337 OR 3339
NI	1221217		BOW CAP,OUTER,FRONT,SIDE EX DR,FMVSS221	OPTION 3475
NI	1221225		BOW CAP,OUTER,FRONT,SIDE EM DR,FMVSS221	OPTION 3475
NI	1268200		BOW CAP,O/S,10 1/2 BLIND SECT,FRONT,40	STANDARD
NI	1261312		BOW CAP,O/S,10 BLIND SECT,FRT,40 LIFT,12SS	OPTION 3337 OR 3339
NI	1268192		BOW CAP,O/S,10 1/2 BLIND SECT,REAR,40 LIFT	STANDARD
NI	1261304		BOW CAP,O/S,10 BLIND SECT,REAR,40	OPTION 3337 OR 3339
NI	1268218		BOW CAP,O/S,19 1/8 BLIND SECT,40 LIFT	STANDARD

Models: A3FE, TCFE
**CENTER
 ROOF PANELS & BOW CAPS**

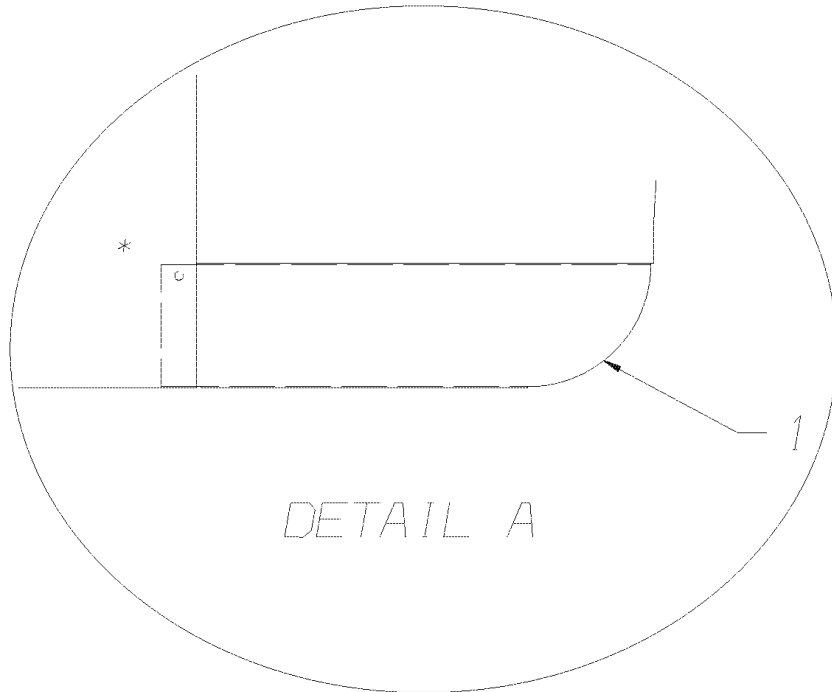
Key	PartNumber	Qty	Description	Comment
NI	1261320		BOW CAP,O/S,19 BLIND SECT,40 LIFT,12SS	<i>OPTION 3337 OR 3339</i>
9	1561620		MOLDING,DRIP,ENTRANCE DOOR,36.75,TC	<i>STANDARD</i>
9	1561638		MOLDING,DRIP,ENTRANCE DOOR,36.75,	<i>OPTION 3475</i>
10	1561646		TRIM,FRONT SIDE HEADER,OTR,LH,36.75,TC	

Models: **A3FE
CENTER
SKIRT TRIM**

Key	PartNumber	Qty	Description	Comment
-----	------------	-----	-------------	---------



DETAIL A



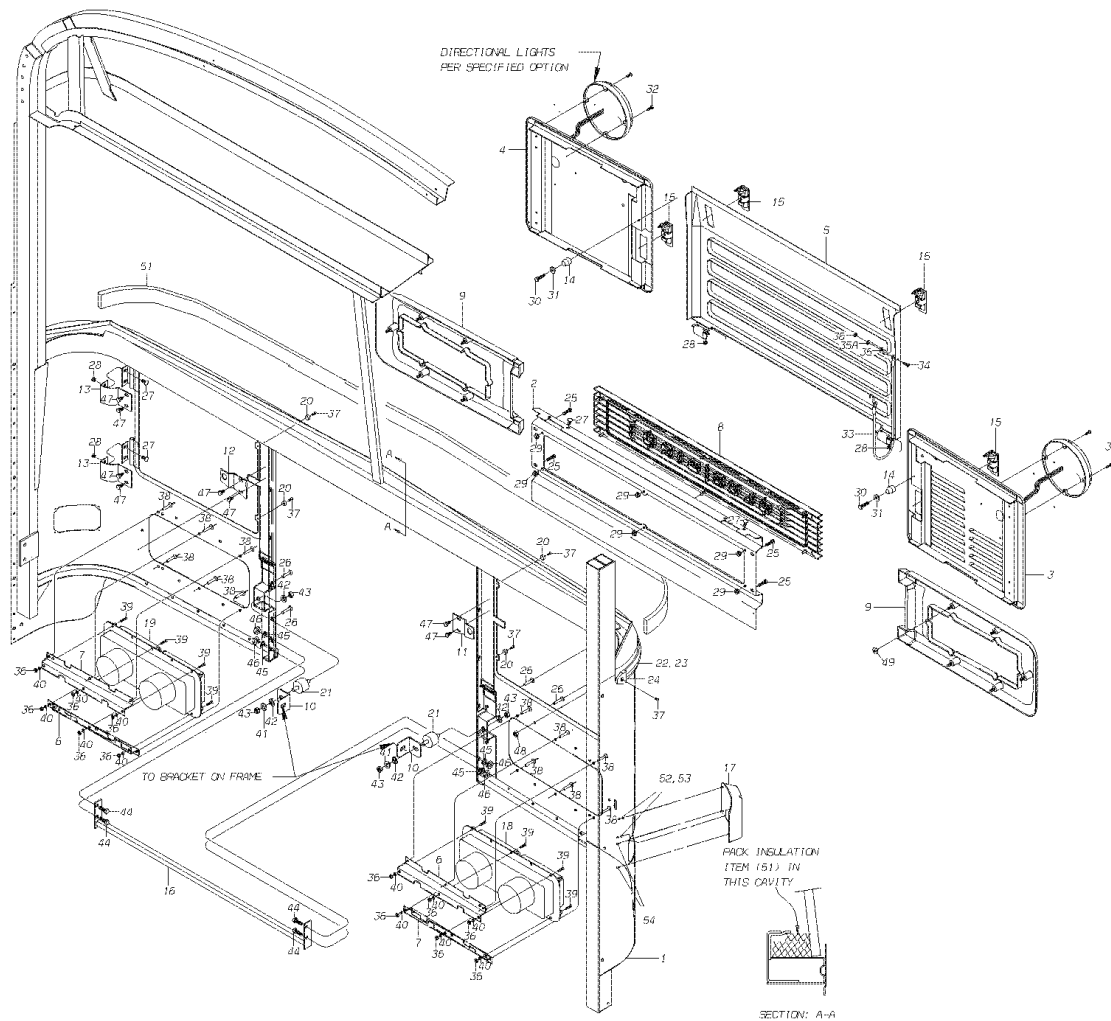
DETAIL A

Models: A3FE
CENTER
SKIRT TRIM

Key	PartNumber	Qty	Description	Comment
1	1983972		TRIM,W/H TO DRIVERS PANEL,LH, DRFL	

Models:
A3FE
FRONT
ASSY

Key	PartNumber	Qty	Description	Comment
-----	------------	-----	-------------	---------



Models: **A3FE**
FRONT
ASSY

Key	PartNumber	Qty	Description	Comment
1	1979103		FRONT ASSY,2CF,74 HR,20.09 BELT BAR, DRFL	OPTION 3311, 3315
1	1979111		FRONT ASSY,4FF,74 HR,20.09 BELT BAR, DRFL	OPTION 3316, 3318
1	1979079		FRONT ASSY,2CF,77HR,20.09 BELT BAR, DRFL	OPTION 3311, 3315
1	1979129		FRONT ASSY,4FF,77 HR,20.09 BELT BAR, DRFL	OPTION 3316, 3318
1	1979269		FRONT ASSY,2CF,77 HR,20.09,RH DRV, DRFL	OPTION 3311, 3315
1	1979277		FRONT ASSY,4FF,77 HR,20.09,RH DRV, DRFL	OPTION 3316, 3318
NI	0006056		PANEL,COWL,20.09 BELT BAR,RH	ENDING WITH BSN 10007984
NI	0006271		PANEL,COWL,20.09 BELT BAR,RH	BEGIN WITH BSN 10007985
NI	0006064		PANEL,COWL,20.09 BELT BAR,LH	ENDING WITH BSN 10007984
NI	0006274		PANEL,COWL,20.09 BELT BAR,LH	BEGIN WITH BSN 10007985
2	0009274		GRILLE,LOWER,PRIMED, DRFL	STANDARD
2	0001151		GRILLE,LOWER,E-COAT,DRFL	OPTION 2309. E-COAT
3	1809409		PANEL ASSY,FRT ACS,20.09 BELT BAR,RH,E-	ENDING WITH BSN F10007984
3	0010809		PANEL ASSY,FRT ACS,W/LOUVERS,20.09	FROM BSN F10007985 TO BSN F10073049
3	0075738		PANEL ASSY,ACCESS,FRONT,RH,W/LOUVERS,	BEGIN WITH BSN F10073050
4	1814441		PANEL ASSY,FRT ACS,20.09 BELT BAR,LH,E-	ENDING WITH BSN F10012229
4	0010810		PANEL ASSY,FRT ACS,W/LOUVERS,20.09	FROM BSN F10012230 TO BSN F10073049
4	0075739		PANEL ASSY,ACCESS,FRONT,LH, A3FE/RE	BEGIN WITH BSN F10073050
5	0016451		PANEL ASSY,GRILLE,FRONT,PRIMED, DRFL	STANDARD
5	0001153		PANEL ASSY,GRILLE,FRONT,E-COAT,DRFL	OPTION 2309. E-COAT
6	0010058		BRACKET,MTG,HEADLIGHT,UPR,RH	ENDING WITH BSN 10026094
6	0024488		BRACKET,MTG,HEADLIGHT,UPP,RH	BEGIN WITH BSN 10026095
7	0010066		BRACKET,MTG,HEADLIGHT,LWR,RH	ENDING WITH BSN 10026094
7	0024486		BRACKET,MTG,HEADLIGHT,LWR,RH	BEGIN WITH BSN 10026095
8	0016337		INSERT,LOWER GRILLE,AA	
9	0016378	2	BEZEL,HEADLIGHT,AA	
10	0019265	2	CLIP,ATTACHING COWL TO MOUNTING	
11	1391184		BRACKET,SNUBBER ALIGNMENT,RH,ZINC PLTD	
12	1391200		BRACKET,SNUBBER ALIGNMENT,LH,ZINC PLTD	
13	1385111	4	HINGE EXTENSION,FRONT ACCESS DOOR,	
14	1213685	2	SNUBBER,FRONT ACCESS PANEL	
15	1798420		LATCH,ADJUSTABLE LEVER,THIN GRIP	STANDARD; FEATURE 07364
15	0027886		LATCH,ADJUSTABLE LEVER,THIN GRIP,LOCKING	FEATURE 30921-01

Models: **A3FE
FRONT
ASSY**

Key	PartNumber	Qty	Description	Comment
16	0009332		BRACE ASSY,CENTER,COWL PANEL	
17	1341700		LIGHT ASSY,PARKING,570 0825 W/1156 BULB	ENDING WITH BSN B10135149, L10117249
17	0067586		LIGHT ASSY,PARK,DIRECTIONAL	BEGIN WITH BSN B10135150, L10117250
18	0002098		HEADLAMP ASSY,RECT DBL,HLGN,RH, CS/A3	STANDARD. ENDING WITH BSN 10026094
18	0025628		HEADLAMP ASSY,RECT DBL,HLGN,RH,CS/A3	STANDARD. BEGIN WITH BSN 10026095
18	0002095		HEADLAMP ASSY,RECT DBL,HLGN,RH,RH DRV	OPTION 3480. ENDING WITH BSN 10026094
18	0025625		HEADLAMP ASSY,RECT DBL,HLGN,RH,RH DRV,	OPTION 3480. BEGIN WITH BSN 10026095
19	0002094		HEADLAMP ASSY,RECT DBL,HLGN,LH, CS/A3	STANDARD. ENDING WITH BSN 10026094
19	0025629		HEADLAMP ASSY,RECT DBL,HLGN,LH,CS/A3	STANDARD. BEGIN WITH BSN 10026095
19	0002096		HEADLAMP ASSY,RECT DBL,HLGN,LH,RH DRV	OPTION 3480. ENDING WITH BSN 10026094
19	0025627		HEADLAMP ASSY,RECT DBL,HLGN,LH,RH DRV,	OPTION 3480. BEGIN WITH BSN 10026095
20	1551381	4	BUMPER,.50 X .25,TC ACCESS DOOR	
21	1812346		ISOLATOR,RADIATOR MTG,SANDWICH MOUNT	
22	1318518		BAR,GRILLE,1.50,UPPER,AA	
23	1233964	10	TRIM,VINYL,GRILLE BAR,FILLER	
24	1320845	2	CAP,END,GRILLE BAR,1.50	
25	2000073		SCREW,1/4-20 X 1,D,HEX HD,YEL ZN DICH	
26	2001394		RIVNUT,NC,1/4"	
27	1675198		BOLT,CARRIAGE,1/4-20 X 5/8 ZINC PLATED	
28	2001345		NUT,HEX HD,1/4-20,LOCKING,YELLOW	
29	0007996		CLIP,RETAINER,PUSH-ON,.25 STUD	
29	1410646		NUT,SELF THREADER,3/16	
30	1422948		SCREW,1/4-20 X 1-1/4,D,HEX HD,YEL ZN DICH	
31	2001170		LOCKWASHER,SPLIT RING, 1/4 ,MED,YEL ZN	
32	1589522		SCREW,10-16 X 3/4,AB,PH1,PAN HD,YEL ZN	
32	2083095		SCREW,10-16 X 3/4,AB,PH1,PANHD,YELZN,	
32	0074414		SCREW,PAN HD,8-18 X 1,AB,PH1,YL ZN,W/EX	
33	1253533		CABLE & HOOK ASSY,CMPT DOOR,25 3/4	
34	2000776		SCREW,MACH, 10-32 X 3/4,PH1,RD HD,	
35	2001105		WASHER,FLAT,13/64 X,1/2 X 3/64,YEL ZN DICH	

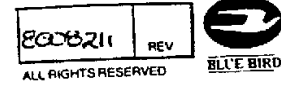
Models: **A3FE
FRONT
ASSY**

Key	PartNumber	Qty	Description	Comment
35	2001162		LOCKWASHER,SPLIT RING, 3/16,MED,YEL ZN	
36	2001287		NUT,HEX HD,10-32,YEL ZN DICH	
37	1563816		SCREW,6-32X3/8,F,PH1,OVAL CNSK HD,	
38	1854397		RIVET,BLIND, .25 DIA, .38 GRIP	
39	1221399		SCREW,10-32 X 3/4,PH,TRUSS,YEL ZN DICH	
40	2001162		LOCKWASHER,SPLIT RING, 3/16,MED,YEL ZN	
41	1166750		WASHER,FLAT,25/64 X 13/16X 5/64,YEL ZN	
42	0882795		LOCKWASHER,SPLIT RING,3/8,MED,YELLOW	
43	2001451		NUT,HEX HD,3/8-16,YELLOW DICHROMATE	
44	0854406		CAPSCREW,HEX HD,5/16-18 X 1,GR8,YEL ZN	
45	2001188		LOCKWASHER,SPLIT RING, 5/16,MED,YEL ZN	
46	1142603		NUT,HEX HD,5/16-18,GR 8,YELLOW	
47	2000016		SCREW,1/4-14 X 5/8,B,HEX,W/PLAIN WASH,	
48	0659979	10	NUT,HEX,FLANGE SER,1/4-20,BLACK ZINC	
49	0002699	10	WASHER,RUBBER,.125 THK X .25 ID X .75 OD	
50	0010811		PANEL,COVER,LOUVERS,FRONT ACCESS DOOR,	ENDING WITH BSN F10073049
51	0008368		INSULATION,F/GLS,1.50 X 5.00 X 100.00	
52	2001162	4	LOCKWASHER,SPLIT RING, 3/16,MED,YEL ZN	
53	2001279	4	NUT,HEX HD,10-24,YEL ZN DICH"	
54	2000750	4	SCREW,MACH,10-24 X 1/2,PH1,RD HD,YEL	

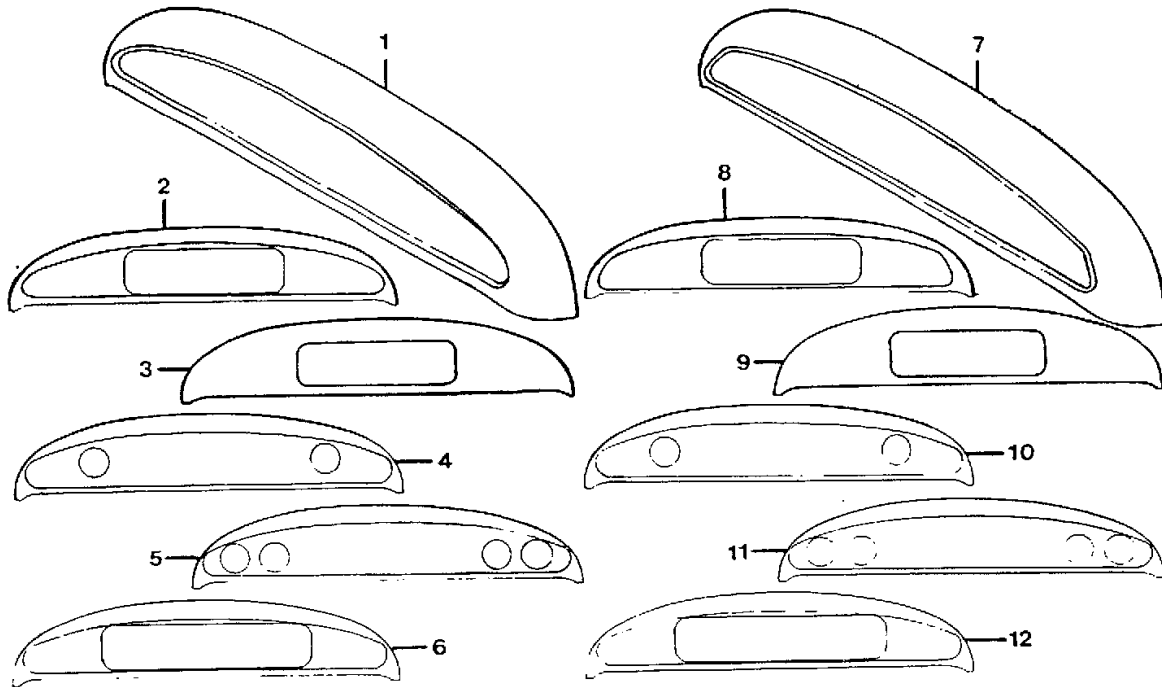
Models: A3FE, TCFE
FRONT
ROOF CAPS

Key	PartNumber	Qty	Description	Comment
-----	------------	-----	-------------	---------

ROOF CAPS, FRONT



AAFC,




Models: A3FE, TCFE
**FRONT
 ROOF CAPS**

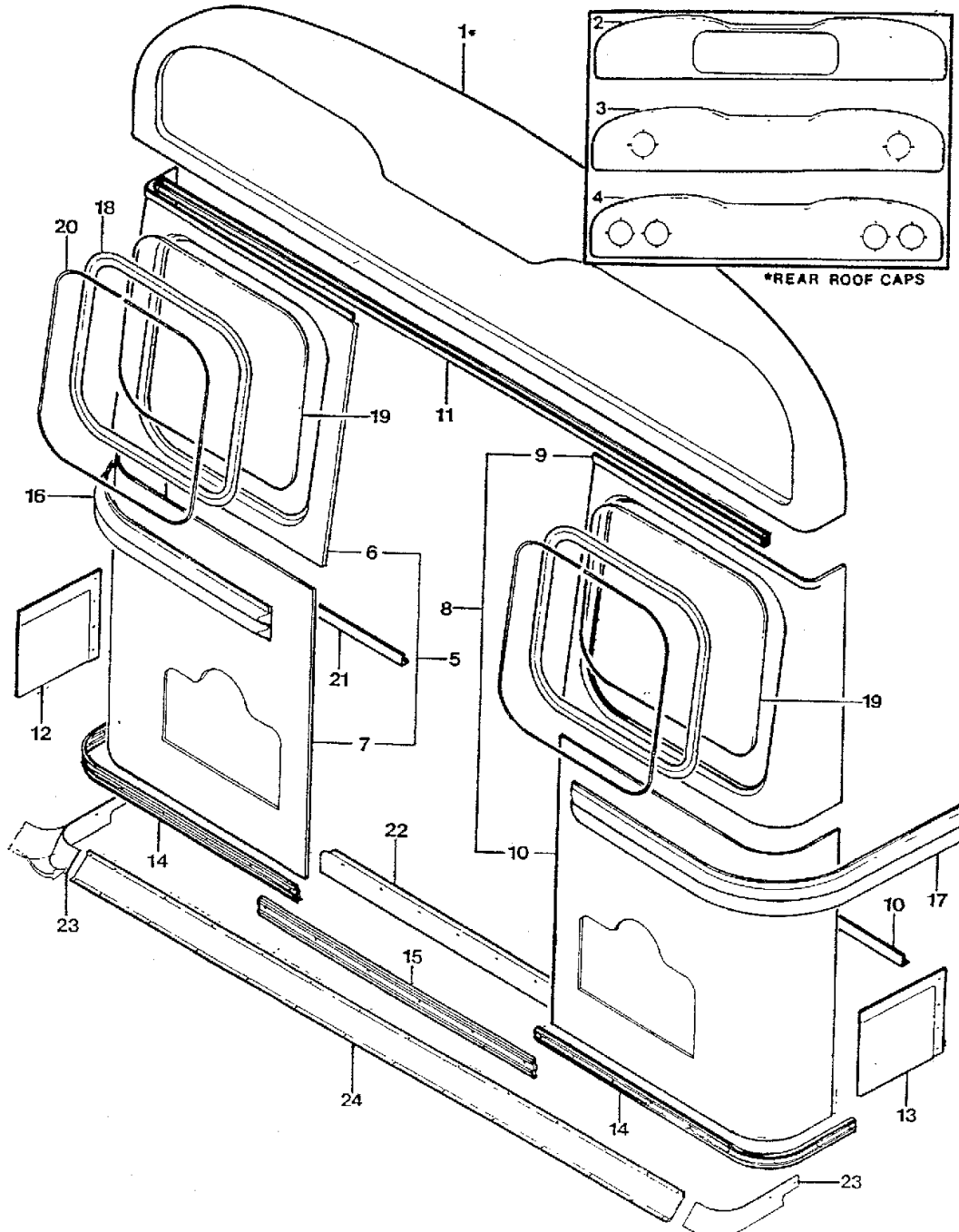
Key	PartNumber	Qty	Description	Comment
1	1065093		PANEL,FRONT ROOF CAP,74,PRIMED	74 HR. STANDARD, OPTION 3339. ENDING WITH BSN 184148
1	1761485		PANEL,FRONT ROOF CAP,74,HR PRIMED	74 HR. STANDARD, OPTION 3339. BEGIN WITH BSN 184149
1	1053792		PANEL,ROOF CAP,FRT,77HR,PRIMED	77 HR, OPTION 3337, 3471
2	1065028		PANEL,FRONT ROOF CAP,SB SIGN,LIGHTED	74 HR. STANDARD, OPTION 3339 WITH OPTION 3051, 3052, 3065. ENDING WITH BSN 184148
2	1761519		PANEL,FRONT ROOF CAP,SB SIGN,LGTD 74	74 HR. STANDARD, OPTION 3339 WITH OPTION 3051, 3052, 3065. BEGIN WITH BSN 184149
2	1065275		PANEL,FRONT ROOF CAP,SB SIGN,77HR	77 HR, OPTION 3337, 3471 WITH OPTION 3051, 3052, 3065
3			N/A	
4	1065036		PANEL,FRONT ROOF CAP,SGL W/L	74 HR. STANDARD, OPTION 3339 WITH OPTION 1987, 1992. ENDING WITH BSN 184148
4	1761667		PANEL,FRONT ROOF CAP,74 HR,4 LAMP PRIMED	74 HR. STANDARD, OPTION 3339 WITH OPTION 1987, 1992. BEGIN WITH BSN 184149
4	1065283		PANEL,FRONT ROOF CAP,SGL W/L,77HR	77" HR, OPTION 3337, 3471 WITH OPTION 1987, 1992
5	1065044		PANEL,FRONT ROOF CAP,DUAL W/L	74 HR. STANDARD, OPTION 3339 WITH OPTION 2013, 2016, 2021, 2025, 6720. ENDING WITH BSN 184148
5	1761683		PANEL,FRONT ROOF CAP,74 HR,8 LAMP PRIMED	74 HR. STANDARD, OPTION 3339 WITH OPTION 2013, 2016, 2021, 2025, 6720. BEGIN WITH BSN 184149
5	1065291		PANEL,FRONT ROOF CAP,DUAL W/L,77HR	77 HR, OPTION 3337, 3471 WITH OPTION 2013, 2016, 2021, 2025, 6720
6	1065069		PANEL,FRONT ROOF CAP,48 SIGN,74HR	74 HR, STANDARD OPTION 3339 WITH OPTION 3059
6	1065317		PANEL,FRONT ROOF CAP,48 SIGN,77HR	77 HR, OPTION 3337, 3471 WITH OPTION 3059

Models: A3FE, TCFE
REAR

Key	PartNumber	Qty	Description	Comment
-----	------------	-----	-------------	---------

DR 51387 BY Andrew	8002784	B	
APP BY	FRT	REV	

© 1989 BLUE BIRD BODY COMPANY ALL RIGHTS RESERVED **BLUE BIRD**



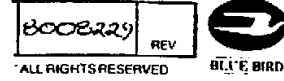
Models: A3FE, TCFE
REAR

Key	PartNumber	Qty	Description	Comment
1-4				FOR ITEMS 1 - 4 SEE "ROOF CAPS" IN THIS GROUP.
5	1112275		PANEL ASSY,RR VIS TAG,16 1/4,LH,221,PRIMED	
6	1070705		PANEL,REAR VISION,O/S,LH,PRIMED	
7	1088723		PANEL,TAG,LH,12 1/4&16 1/4 SK	
8	1112267		PANEL ASSY,RR VIS TAG,16 1/4,RH,221,	
9	1070697		PANEL,REAR VISION,O/S,RH,PRIMED	
10	1088715		PANEL,TAG,RH,12 1/4&16 1/4 SK	
10				SEE KEY #21.
11	0805259		MOLDING,DRIP,REAR,PRIMED	
12	1478676		TRIM,BUMPER,12 INCH,LH,PRIMED	
13	1478668		TRIM,BUMPER,12 INCH,RH,PRIMED	
14	1111756		TRIM,CENTER,REAR BUMPER	
15	1111756		TRIM,CENTER,REAR BUMPER	
NI	1457969		RIVET,BLIND,,.18 X.45,CHERRY SSP-6-4Z1X,BLK	BLACK-FOR BUMPER TRIM
16	1112788		RUB RAIL,REAR END,LH,REAR EM DOOR	OPTION 2683, 3475, 6928
16	1226166		RUB RAIL,RR CORNER,LH	OPTION 2687
17	1112770		RUB RAIL,REAR END,RH,REAR EM DOOR	OPTION 2683, 3475, 6928
17	1226158		RUB RAIL,RR CORNER,RH	OPTION 2687
17	1422575		RUB RAIL,FLOOR,RR COR,RH,W/W/C LIFT IN	OPTION 2687 W/OPTION 437-01, 439-01, 451-01
18	1114321		GLAZING,RUBBER,74.5625	
19	1110154		GLASS,REAR VISION,TEMPERED	STANDARD
19	1110162		GLASS,REAR VISION,CLEAR,LAMINATED	OPTION 3331, 3337
19	1163096		GLASS,RR VISION,28% BRONZE LAMINATED	OPTION 3395
20	0269373		FILLERSTRIP,GLAZING RUBBER	SPECIFY LENGTH IN FEET
21	0290627		ANGLE,REINF,RH & LH TAG PANELS	
22	1111749		PANEL,REAR,CENTER,REAR EMERG DOOR,	
NI	1459767		PANEL,C/OUT,REAR ROOF,W/REAR LIFT	OPTION 437-01, 439-01, 442-01, 445-01, 447-01, 451-01
NI	0000097		NAMEPLATE,REAR BUMPER,YELLOW,AA	BLACK LETTERS ON YELLOW BACKGROUND
NI	0001157		NAMEPLATE,REAR BUMPER,WHITE,AA	BLACK LETTERS ON WHITE BACKGROUND
NI	2000891		SCREW,DRIVE,10 X 3/8IN,NAME PLATE	

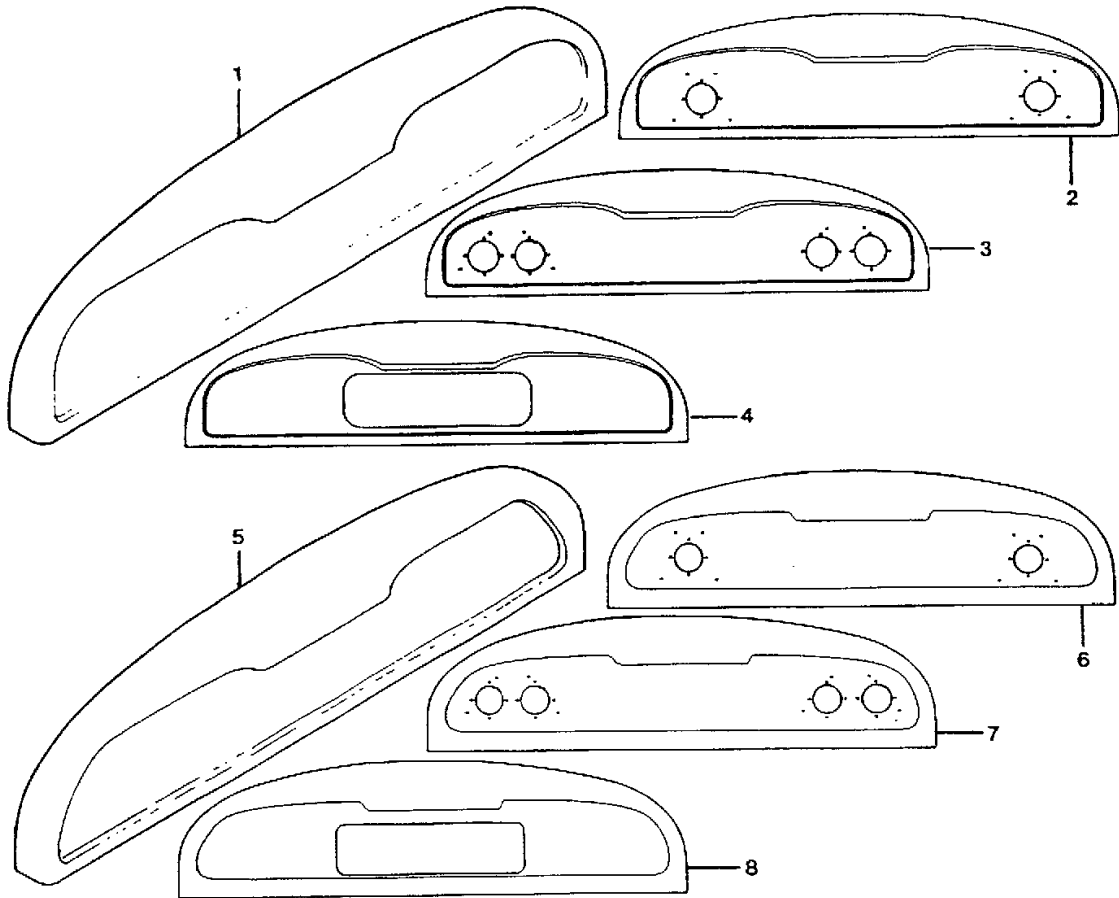
Models: A3FE, A3RE, TCFE, TCRE
REAR
ROOF CAPS

Key	PartNumber	Qty	Description	Comment
-----	------------	-----	-------------	---------

ROOF CAPS, REAR



AAFC,

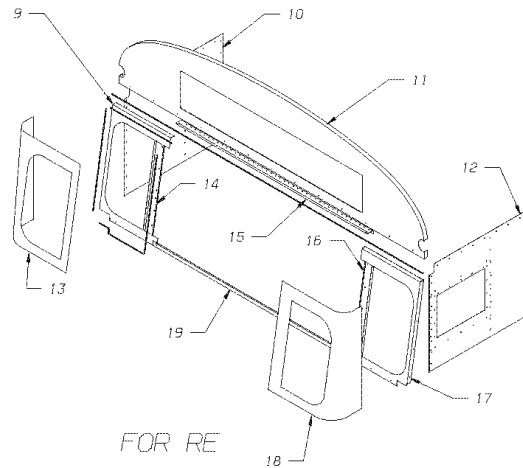
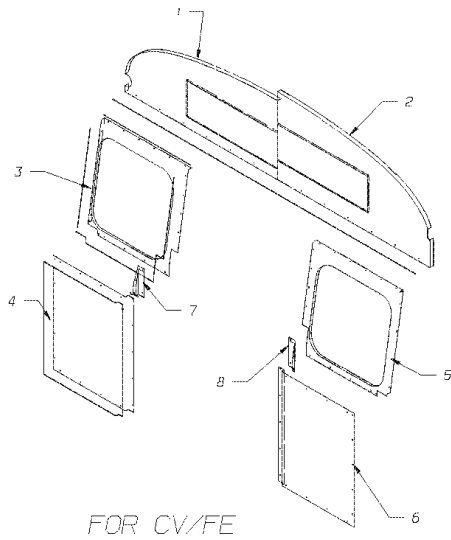


Models: **A3FE, A3RE, TCFE, TCRE**
REAR
ROOF CAPS

Key	PartNumber	Qty	Description	Comment
1	1075191		PANEL,ROOF CAP,REAR,PRIMED	74 HR, STANDARD, OPTION 3339
1	1613694		PANEL,ROOF CAP,REAR,E-COAT	74 HR, STANDARD, OPTION 3339 WITH OPTION 2309. E-COAT
1	1056001		PANEL,ROOF CAP,REAR,77HR,PRIMED	77 HR, STANDARD, OPTION 3337, 3471, 3473
1	1625771		PANEL,ROOF CAP,REAR,77HR,E-COAT	77 HR, STANDARD, OPTION 3337, 3471, 3473 WITH OPTION 2309. E-COAT
2	1075209		PANEL,ROOF CAP,REAR,W/4 LP W/L SYSTEM	74 HR, STANDARD, OPTION 3339 WITH OPTION 1987, 1992
2	1065424		PANEL,REAR ROOF CAP,W/4 LAMP W/L SYSTEM	77 HR, OPTION 3337, 3471, 3473 WITH OPTION 1987, 1992
3	1075217		PANEL,ROOF CAP,REAR,W/8 LP W/L SYSTEM	74 HR, STANDARD, OPTION 3339 WITH OPTION 2016, 2025
3	1065432		PANEL,REAR ROOF CAP,W/8 LAMP W/L SYSTEM	77 HR, OPTION 3337, 3471, 3473 WITH OPTION 2016, 2025
4	1088251		PANEL,ROOF CAP,REAR,W/36 SIGN C/O	74 HR, STANDARD, OPTION 3339 WITH OPTION 3053, 3054
4	1625839		PANEL,ROOF CAP,REAR,W/36 SIGN C/O,E-COAT	74 HR, STANDARD, OPTION 3339 WITH OPTION 3053, 3054 WITH OPTION 2309. E-COAT
4	1065416		PANEL,REAR ROOF CAP,W/36 SIGN	77 HR, OPTION 3337, 3471, 3473 WITH OPTION 3053, 3054
4	1625797		PANEL,REAR ROOF CAP,36 SIGN C/O,77HR,E-	77 HR, OPTION 3337, 3471, 3473 WITH OPTION 3053, 3054 WITH OPTION 2309. E-COAT

Models: A3FE, A3RE, SBCV
**REAR
 UPPER PANELS**

Key	PartNumber	Qty	Description	Comment
-----	------------	-----	-------------	---------



Models: A3FE, A3RE, SBCV
**REAR
 UPPER PANELS**

Key	PartNumber	Qty	Description	Comment
1	0043839		PANEL,I/S,REAR UPPER,74HR"	
1	0043907		PANEL,I/S,REAR UPPER,74HR,W/SB SIGN	
2	0053410		PANEL,INSIDE,REAR UPPER,77 HR	
2	0053585		PANEL,INSIDE,REAR UPPER,W/SCH,BUS	
2	0086617		PANEL,ACCESS,RR UPR W/ACCESS PLATE,77HR	FEATURE 30881-03
2	0086618		PLATE,ACCESS,RR UPR INNER	FEATURE 30881-03
2	0105221		PANEL,INSIDE,REAR UPPER,74 HR,AC	FEATURE 30006-14
2	0105220		PANEL,INSIDE,REAR UPPER,77 HR,AC	FEATURE 30006-14
3	1113059		PANEL,ACCESS,I/S REAR VIS,LH,PRIMED	STANDARD. WITH REAR WINDOW
3	1117175		PANEL,I/S,REAR VISION,W/O WINDOW,LH	FEATURE 07436-04. WITHOUT REAR WINDOW
4	0043824		PANEL,ACCESS,INNER,REAR,LH"	
5	1113042		PANEL,ACCESS,I/S REAR VISION,RH	STANDARD. WITH REAR WINDOW
5	1117167		PANEL,I/S,REAR VISION,W/O WINDOW,RH	FEATURE 07436-04. WITHOUT REAR WINDOW
6	0043825		PANEL,ACCESS,INNER,REAR,RH"	
7	0837260		CAP,POST,REAR EMERGENCY DOOR,ACCESS,LH	
8	0837252		CAP,POST,REAR EMERGENCY DOOR,ACCESS,RH	
9	1030824		PANEL,REAR VISION,I/S,W/REW,LH,RCLC	STANDARD. WITH REAR WINDOW
9	1143601		PANEL,I/S,REAR VISION,W/O WINDOW,LH,	FEATURE 07436-04. WITHOUT REAR WINDOW
10	0052689		PANEL,I/SS,LAST SECTION,LH,74HR, DRRE	
10	0052690		PANEL,I/SS,LAST SECTION,LH,77HR, DRRE	
11	0043839		PANEL,I/S,REAR UPPER,74HR"	
11	0053410		PANEL,INSIDE,REAR UPPER,77 HR	
11	0086617		PANEL,ACCESS,RR UPR W/ACCESS PLATE,77HR	FEATURE 30881-03
11	0086618		PLATE,ACCESS,RR UPR INNER	FEATURE 30881-03
12	0052356		PANEL,I/SS,LAST SECTION,RH,74HR, DRRE	
12	0052410		PANEL,I/SS,LAST SECTION,RH,77HR, DRRE	
13	1687185		PANEL ASSY,RR VIS OUT,LH,W/R EMER WIN,	STANDARD. WITH REAR WINDOW
13	1259423		PANEL,REAR VISION,O/S,LH,W/O WDO,RR EM	FEATURE 07436-04. WITHOUT REAR WINDOW
14	1030808		PANEL,SMALL RR VISION,W/REW,LH,RCLC	WITHOUT FEATURE 07436-04
15	1050459		TRIM,UPPER,I/S,REAR EMERGENCY WINDOW,	WITH FEATURE 30945
15	0930453		TRIM,UPPER,I/S,REAR EMERGENCY WINDOW	WITHOUT FEATURE 30945
16	1519487		PANEL,SMALL RR VISION,W/REW,RH,RCLC	WITHOUT FEATURE 07436-04

Models: **A3FE, A3RE, SBCV**
REAR
UPPER PANELS


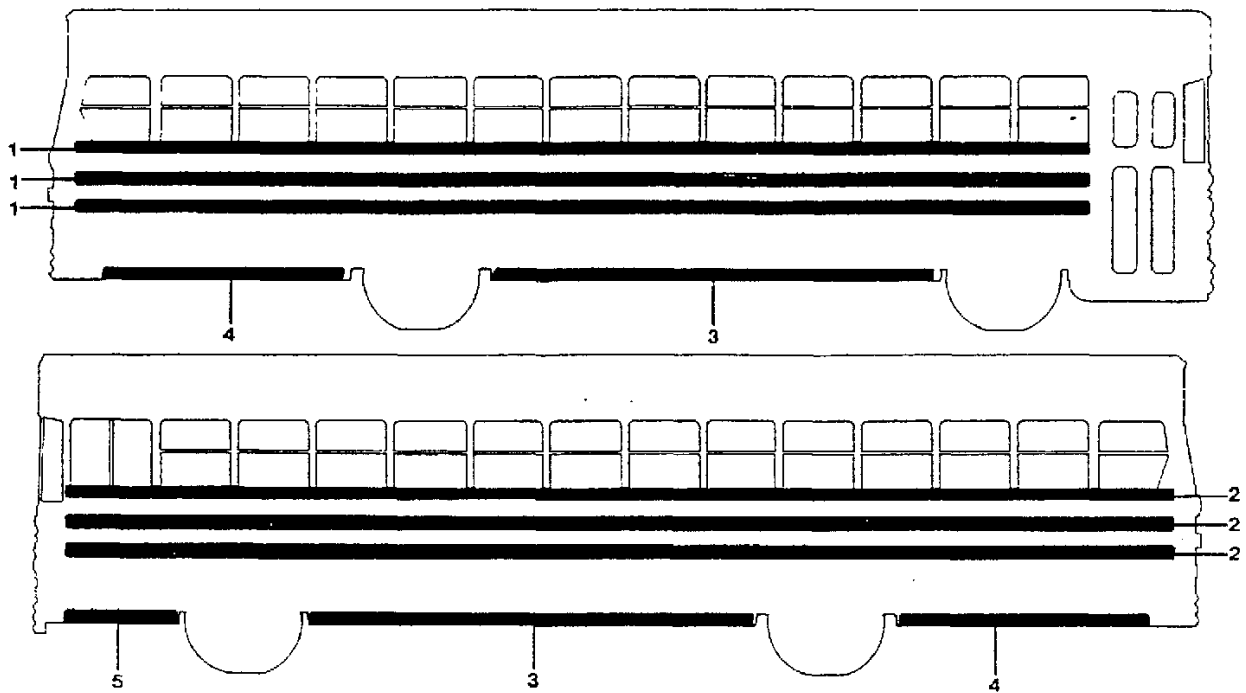
Key	PartNumber	Qty	Description	Comment
17	1030816		PANEL,REAR VISION,I/S,W/REW,RH,RCLC	<i>STANDARD. WITH REAR WINDOW</i>
17	1536085		PANEL,REAR VISION,I/S, W/O WINDOW,R.H.	<i>FEATURE 07436-04. WITHOUT REAR WINDOW</i>
18	1687169		PANEL ASSY,RR VIS OUT,RH,W/R EMER WIN,	<i>STANDARD. WITH REAR WINDOW</i>
18	1259415		PANEL,REAR VISION,O/S,RH,W/O WDO,RR EM	<i>FEATURE 07436-04. WITHOUT REAR WINDOW</i>
19	0289223		TRIM,REAR EMERGENCY WINDOW,LOWER,	

Models: A3FE, TCFE
 RUBRAILS
 With Features: STD

Key	PartNumber	Qty	Description	Comment
-----	------------	-----	-------------	---------

DR 1-14-88 BY JB	8007338
APP 1-18-88 BY [Signature]	

FRONT © 1988 BLUE BIRD BODY COMPANY
 ALL RIGHTS RESERVED

Models: A3FE, TCFE
With Features: RUBRAILS
 STD

Key	PartNumber	Qty	Description	Comment
1*		3	BELT LINE, SEAT LINE & FLOOR LINE, RH	SEE PARTS LIST BELOW
2*		3	BELT LINE, SEAT LINE & FLOOR LINE, LH	SEE PARTS LIST BELOW
3*		2	SKIRT LINE, RH & LH (BETWEEN	SEE PARTS LIST BELOW
4*		2	SKIRT LINE, RH & LH (REAR OR REAR	SEE PARTS LIST BELOW
5	0309971	2	RUB RAIL,NO 05, 35 3/4 IN	BELOW DRIVERS WINDOW. (COMMON)
NI	1265891		PLUG,FLUTED,OUTER SIDE PANEL	
NI	1265909		PLUG,FLUTED,SIDE PANEL,SIDE EXIT/EM DR	
NI	1564087		RUB RAIL,DRIVERS WINDOW,LH,TCFC/RE	
NI	1564079		RUB RAIL,DRIVERS SECTION,LOWER,LH,	
1	0310326		RUB RAIL,NO 40,280 3/4 IN"	2708 BODY MODEL WITH 132 WHEELBASE
1	0310342		RUB RAIL,NO 42,294 3/4 IN"	2810 BODY MODEL WITH 160 WHEELBASE
1	0310375		RUB RAIL,NO 45,315 3/4 IN"	3007 BODY MODEL WITH 174 WHEELBASE
1	0310391		RUB RAIL,NO 47,329 3/4 IN"	3109 BODY MODEL WITH 195 WHEELBASE
1	0310417		RUB RAIL,NO 49,343 3/4 IN"	3211 BODY MODEL WITH 195 WHEELBASE
1	0310425		RUB RAIL,NO 50,350 3/4 IN"	3306 BODY MODEL WITH 195 WHEELBASE
1	0310441		RUB RAIL,NO 52,364 3/4 IN"	3408 BODY MODEL WITH 195 WHEELBASE
2	0310375		RUB RAIL,NO 45,315 3/4 IN"	2708 BODY MODEL WITH 132 WHEELBASE
2	0310391		RUB RAIL,NO 47,329 3/4 IN"	2810 BODY MODEL WITH 160 WHEELBASE
2	0310425		RUB RAIL,NO 50,350 3/4 IN"	3007 BODY MODEL WITH 174 WHEELBASE
2	0310441		RUB RAIL,NO 52,364 3/4 IN"	3109 BODY MODEL WITH 195 WHEELBASE
2	0310466		RUB RAIL,NO 54,378 3/4 IN"	3211 BODY MODEL WITH 195 WHEELBASE
2	0310474		RUB RAIL,NO 55,385 3/4 IN"	3306 BODY MODEL WITH 195 WHEELBASE
2	0310490		RUB RAIL,NO 57,399 3/4 IN	3408 BODY MODEL WITH 195 WHEELBASE
3	0310052		RUB RAIL,NO 13, 91 3/4 IN"	2708 BODY MODEL WITH 132 WHEELBASE
3	0310094		RUB RAIL,NO 17,119 3/4 IN"	2810 BODY MODEL WITH 160 WHEELBASE. 3007 BODY MODEL WITH 174 WHEELBASE
3	0310094		RUB RAIL,NO 17,119 3/4 IN"	

Models: A3FE, TCFE
With Features: RUBRAILS
 STD

Key	PartNumber	Qty	Description	Comment
3	0310128		RUB RAIL,NO 20,140 3/4 IN"	3109 BODY MODEL WITH 195 WHEELBASE
3	0310136		RUB RAIL,NO 21,147 3/4 IN"	3211 BODY MODEL WITH 195 WHEELBASE
3	0310144		RUB RAIL,NO 22,154 3/4 IN"	3306 OR 3408 BODY MODEL WITH 195 WHEELBASE
3	0310144		RUB RAIL,NO 22,154 3/4 IN"	
4	0310003		RUB RAIL,NO 08, 56 3/4 IN"	2708 BODY MODEL WITH 132 WHEELBASE
4	0309989		RUB RAIL,NO 06, 42 3/4 IN"	2810 BODY MODEL WITH 160 WHEELBASE
4	0310011		RUB RAIL,NO 09, 63 3/4 IN"	3007 BODY MODEL WITH 174 WHEELBASE. 3109 BODY MODEL WITH 195 WHEELBASE
4	0310011		RUB RAIL,NO 09, 63 3/4 IN"	
4	0310029		RUB RAIL,NO 10, 70 3/4 IN"	3211 OR 3306 BODY MODEL WITH 195 WHEELBASE
4	0310029		RUB RAIL,NO 10, 70 3/4 IN"	
4	0310045		RUB RAIL,NO 12, 84 3/4 IN"	3408 BODY MODEL WITH 195 WHEELBASE

Models: AAFE, A3FE, GMCV, MBWB, SBCV, TCEV, TCFE, TSFE
RUBRAILS
EXTENDED & REAR CORNER
With Features: OPTION 2679, 2683, 2684, 2687

Key	PartNumber	Qty	Description	Comment
NI	1112770		RUB RAIL,REAR END,RH,REAR EM DOOR	OPTION 2679, 2683
NI	1112788		RUB RAIL,REAR END,LH,REAR EM DOOR	OPTION 2679, 2683
NI	1116748		RUB RAIL,REAR END,W/DR NXT LAST BDY SECT	OPTION 2679, 2683
NI	1116755		RUB RAIL,REAR END,W/DR NXT LAST BDY SECT	OPTION 2679, 2683
NI	1116730		RUB RAIL,REAR END,RH,W/42 LIFT IN LAST	OPTION 2679, 2683
NI	1226158		RUB RAIL,RR CORNER,RH	OPTION 2684, 2687
NI	1226166		RUB RAIL,RR CORNER,LH	OPTION 2684, 2687
NI	1226133		RUB RAIL,RR COR,RH,SI EX DR,NEXT LAST	OPTION 2684, 2687
NI	1226141		RUB RAIL,RR COR,LH,SI EX DR,NEXT LAST SECT	OPTION 2684, 2687
NI	1422575		RUB RAIL,FLOOR,RR COR,RH,W/W/C LIFT IN	OPTION 2684, 2687

Models: AAFE, AARE, A3FE, A3RE, GMCV, GPWB, MBWB, SBCV, TCPE, TCRL, VCTA

With Features: RUBRAILS
WITH BOTH ENDS FORMED
STD

Key	PartNumber	Qty	Description	Comment
	0309930		RUB RAIL,NO 01,,7 3/4 IN	
	0309948		RUB RAIL,NO 02, 14 3/4 IN	
	0309955		RUB RAIL,NO 03, 21 3/4 IN	
	0309963		RUB RAIL,NO 04, 28 3/4 IN	
	0309971		RUB RAIL,NO 05, 35 3/4 IN	
	0309989		RUB RAIL,NO 06, 42 3/4 IN	
	0309997		RUB RAIL,NO 07, 49 3/4 IN	
	0310003		RUB RAIL,NO 08, 56 3/4 IN"	
	0310011		RUB RAIL,NO 09, 63 3/4 IN"	
	0310029		RUB RAIL,NO 10, 70 3/4 IN"	
	0310037		RUB RAIL,NO 11, 77 3/4 IN"	
	0310045		RUB RAIL,NO 12, 84 3/4 IN"	
	0310052		RUB RAIL,NO 13, 91 3/4 IN"	
	0310060		RUB RAIL,NO 14, 98 3/4 IN"	
	0310078		RUB RAIL,NO 15,105 3/4 IN"	
	0310086		RUB RAIL,NO 16,112 3/4 IN"	
	0310094		RUB RAIL,NO 17,119 3/4 IN"	
	0310102		RUB RAIL,NO 18,126 3/4 IN"	
	0310110		RUB RAIL,NO 19,133 3/4 IN"	
	0310128		RUB RAIL,NO 20,140 3/4 IN"	
	0310136		RUB RAIL,NO 21,147 3/4 IN"	
	0310144		RUB RAIL,NO 22,154 3/4 IN"	
	0310151		RUB RAIL,NO 23,161 3/4 IN"	
	0310169		RUB RAIL,NO 24,168 3/4 IN"	
	0310177		RUB RAIL,NO 25,175 3/4 IN"	
	0310185		RUB RAIL,NO 26,182 3/4 IN"	
	0310193		RUB RAIL,NO 27,189 3/4 IN"	
	0310201		RUB RAIL,NO 28,196 3/4 IN"	
	0310219		RUB RAIL,NO 29,203 3/4 IN"	
	0310227		RUB RAIL,NO 30,210 3/4 IN"	
	0310235		RUB RAIL,NO 31,217 3/4 IN"	
	0310243		RUB RAIL,NO 32,224 3/4 IN	
	0312058		RUB RAIL,NO 33,231 3/4 IN	

Models: AAFE, AARE, A3FE, A3RE, GMCV, GPWB, MBWB, SBCV, TCPE, TCRE, VCTA
RUBRAILS
WITH BOTH ENDS FORMED
With Features: STD

Key	PartNumber	Qty	Description	Comment
	0312066		RUB RAIL,NO 34,238 3/4 IN	
	0310276		RUB RAIL,NO 35,245 3/4 IN"	
	0310284		RUB RAIL,NO 36,252 3/4 IN"	
	0310292		RUB RAIL,NO 37,259 3/4 IN"	
	0310300		RUB RAIL,NO 38,266 3/4 IN"	
	0310318		RUB RAIL,NO 39,273 3/4 IN"	
	0310326		RUB RAIL,NO 40,280 3/4 IN"	
	0310334		RUB RAIL,NO 41,287 3/4 IN"	
	0310342		RUB RAIL,NO 42,294 3/4 IN"	
	0310359		RUB RAIL,NO 43,301 3/4 IN"	
	0310367		RUB RAIL,NO 44,308 3/4 IN"	
	0310375		RUB RAIL,NO 45,315 3/4 IN"	
	0310383		RUB RAIL,NO 46,322 3/4 IN"	
	0310391		RUB RAIL,NO 47,329 3/4 IN"	
	0310409		RUB RAIL,NO 48,336 3/4 IN"	
	0310417		RUB RAIL,NO 49,343 3/4 IN"	
	0310425		RUB RAIL,NO 50,350 3/4 IN"	
	0310433		RUB RAIL,NO 51,357 3/4 IN"	
	0310441		RUB RAIL,NO 52,364 3/4 IN"	
	0310458		RUB RAIL,NO 53,371 3/4 IN"	
	0310466		RUB RAIL,NO 54,378 3/4 IN"	
	0310474		RUB RAIL,NO 55,385 3/4 IN"	
	0310482		RUB RAIL,NO 56,392 3/4 IN"	
	0310490		RUB RAIL,NO 57,399 3/4 IN	
	0531558		RUB RAIL,NO 58,406 3/4 IN	
	0531566		RUB RAIL,NO 59,413 3/4 IN	
	0531574		RUB RAIL,NO 60,420 3/4 IN	
	0531582		RUB RAIL,NO 61,427 3/4 IN	
	0531590		RUB RAIL,NO 62,434 3/4 IN	
	0531608		RUB RAIL,NO 63,441 3/4 IN	
	0531616		RUB RAIL,NO 64,448 3/4 IN	
	0884643		RUB RAIL,NO 65,455 3/4 IN	
	1780329		RUB RAIL,NO 67,469.75	

Models: AAFE, AARE, A3FE, A3RE, GMCV, GPWB, MBWB, SBCV, TCPE, TCRL, VCTA
RUBRAILS
WITH ONE END FORMED
With Features: STD

Key	PartNumber	Qty	Description	Comment
NI	0310847		RUB RAIL,NO 01,,8 1/4 IN,(KD)"	RIGHT HAND FRONT AND LEFT HAND REAR. USED AS RUB RAIL END CAP
NI	0310854		RUB RAIL,NO 02, 15 1/4 IN,RH,(KD)"	RIGHT HAND FRONT AND LEFT HAND REAR
NI	0310870		RUB RAIL,NO 03, 22 1/4 IN,RH,(KD)	RIGHT HAND FRONT AND LEFT HAND REAR
NI	0310896		RUB RAIL,NO 04, 29 1/4 IN,RH, (KD)	RIGHT HAND FRONT AND LEFT HAND REAR
NI	0310912		RUB RAIL,LENGTH 36 1/4IN,RH	RIGHT HAND FRONT AND LEFT HAND REAR
NI	0310938		RUB RAIL,NO 06, 43 1/4 IN,RH,(KD)	RIGHT HAND FRONT AND LEFT HAND REAR
NI	0310953		RUB RAIL,LENGTH 50 1/4IN,RH	RIGHT HAND FRONT AND LEFT HAND REAR
NI	0310979		RUB RAIL,NO 08, 57 1/4 IN,RH	RIGHT HAND FRONT AND LEFT HAND REAR
NI	0310995		RUB RAIL,LENGTH 64 1/4IN,RH	RIGHT HAND FRONT AND LEFT HAND REAR
NI	0311019		RUB RAIL,LENGTH 71 1/4IN,RH	RIGHT HAND FRONT AND LEFT HAND REAR
NI	0311035		RUB RAIL,LENGTH 78 1/4IN,RH	RIGHT HAND FRONT AND LEFT HAND REAR
NI	0311050		RUB RAIL,LENGTH 85 1/4IN,RH	RIGHT HAND FRONT AND LEFT HAND REAR
NI	0311076		RUB RAIL,LENGTH 92 1/4IN,RH	RIGHT HAND FRONT AND LEFT HAND REAR
NI	0311092		RUB RAIL,LENGTH 99 1/4IN,RH	RIGHT HAND FRONT AND LEFT HAND REAR
NI	0311118		RUB RAIL,LENGTH 106 1/4IN,RH	RIGHT HAND FRONT AND LEFT HAND REAR
NI	0310847		RUB RAIL,NO 01,,8 1/4 IN,(KD)"	LEFT HAND FRONT AND RIGHT HAND REAR. USED AS RUB RAIL END CAP
NI	0310862		RUB RAIL,NO 02, 15 1/4 IN,LH,(KD)	LEFT HAND FRONT AND RIGHT HAND REAR
NI	0310888		RUB RAIL,NO 03, 22 1/4 IN,LH,(KD)	LEFT HAND FRONT AND RIGHT HAND REAR
NI	0310904		RUB RAIL,NO 04, 29 1/4 IN,LH,(KD)	LEFT HAND FRONT AND RIGHT HAND REAR
NI	0310920		RUB RAIL,LENGTH 36 1/4IN,LH	LEFT HAND FRONT AND RIGHT HAND REAR
NI	0310946		RUB RAIL,NO 06, 43 1/4 IN,LH, (KD)	LEFT HAND FRONT AND RIGHT HAND REAR
NI	0310961		RUB RAIL,LENGTH 50 1/4IN,LH	LEFT HAND FRONT AND RIGHT HAND REAR
NI	0310987		RUB RAIL,LENGTH 57 1/4IN,LH	LEFT HAND FRONT AND RIGHT HAND REAR

Models: AAFE, AARE, A3FE, A3RE, GMCV, GPWB, MBWB, SBCV, TCPE, TCRL, VCTA
RUBRAILS
WITH ONE END FORMED
With Features: STD

Key	PartNumber	Qty	Description	Comment
NI	0311001		RUB RAIL,64 1/4 IN,LH	HAND REAR
NI	0311027		RUB RAIL,LENGTH 71 1/4IN,LH	LEFT HAND FRONT AND RIGHT HAND REAR
NI	0311043		RUB RAIL,LENGTH 78 1/4IN,LH	LEFT HAND FRONT AND RIGHT HAND REAR
NI	0311068		RUB RAIL,LENGTH 85 1/4IN,LH	LEFT HAND FRONT AND RIGHT HAND REAR
NI	0311084		RUB RAIL,LENGTH 92 1/4IN,LH	LEFT HAND FRONT AND RIGHT HAND REAR
NI	0311100		RUB RAIL,LENGTH 99 1/4IN,LH	LEFT HAND FRONT AND RIGHT HAND REAR
NI	0311126		RUB RAIL,LENGTH 106 1/4IN,LH	LEFT HAND FRONT AND RIGHT HAND REAR