

**Body**

**310 Structure**

CENTER

FLOOR \_\_\_\_\_ 1

FRONT FLOOR TRIM

LH DRIVE

*With: STD*

RH DRIVE

*With: FEATURE 3480-05; 40360-02*

FRONT

74 HR

WITH 2 PIECE CURVED WINDSHIELD

WITH 4 PIECE FLAT WINDSHIELD

77 HR

WITH 2 PIECE CURVED WINDSHIELD

WITH 4 PIECE FLAT WINDSHIELD

77 HR, RH DRIVE

WITH 2 PIECE CURVED WINDSHIELD

WITH 4 PIECE FLAT WINDSHIELD

DRIVER'S AREA

LH & RH DRIVE

*With: FEATURE 40360-01, -02*

HYDRAULIC BRAKE RESERVOIR

CLUTCH MASTER CYLINDER COVER

REAR

74 HR

77 HR

1

2

3

4

5

6

7

8

9

10

11

12

13

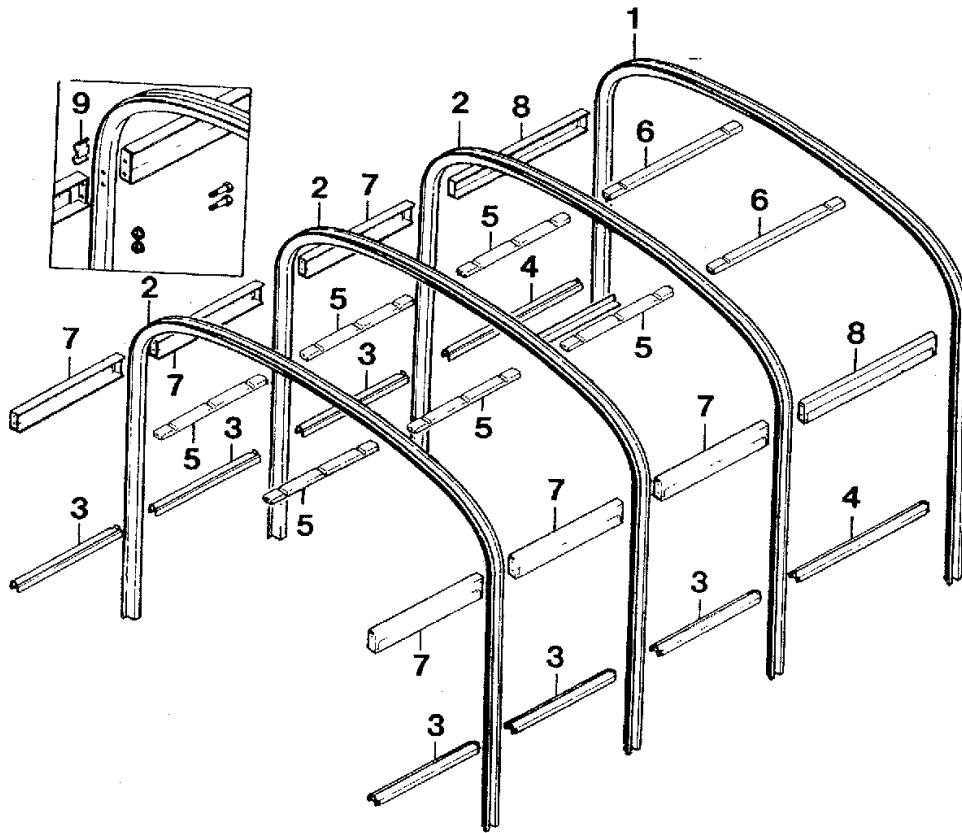
Models: AAFE, AARE, A3FE, A3RE, CSFE, CSRE, GMCV, SBCV, TCFE, TCRE, VCTA  
 CENTER

Key	PartNumber	Qty	Description	Comment
-----	------------	-----	-------------	---------

DR 3/06/84	BY JET	8002768
APP.	BY	

CENTER

© 1984 BLUE BIRD BODY COMPANY  
 ALL RIGHTS RESERVED



**Models:** AAFE, AARE, A3FE, A3RE, CSFE, CSRE, GMCV, SBCV, TCFE, TCRE, VCTA  
**CENTER**

Key	PartNumber	Qty	Description	Comment
1	1579499		BOW,74HR,FMVSS 221	STANDARD, OPTION 3339, ENDING WITH BSN 188882
1	1831064		BOW,74HR	STANDARD, OPTION 3339, BEGIN WITH BSN 188883
1	1582733		BOW,FRONT,77 HEADROOM,FMVSS-221	OPTION 3471, 3473, 3337, ENDING WITH BSN 188882
1	1831130		BOW,77HR,FRONT	OPTION 3471, 3473, 3337, BEGIN WITH BSN 188883
2	1579499		BOW,74HR,FMVSS 221	STANDARD, OPTION 3339, ENDING WITH BSN 188882
2	1831064		BOW,74HR	STANDARD, OPTION 3339, BEGIN WITH BSN 188883
2	1579507		BOW,77HR,FMVSS 221	OPTION 3471, 3473, 3337, ENDING WITH BSN 188882
2	1831056		BOW,77HR	OPTION 3471, 3473, 3337, BEGIN WITH BSN 188883
3	1311422		SILL,WINDOW,SS,28IN,FMVSS 221	STANDARD OPTION 3324, 3344, 3346 WITH OPTION 3337, 3339
4	1311430		SILL,WINDOW,SS,35IN,FMVSS 221	STANDARD OPTION 3324, 3345, 3349 WITH OPTION 3337, 3339
5	1160878		STRINGER,28IN ROOF	STANDARD
5	0305425		STRINGER,CENTER ROOF,28IN SECT,TEXAS	OPTION 7355
6	1160886		STRINGER,35IN ROOF	STANDARD
6	0305417		STRINGER,CENTER ROOF,35IN SECT,TEXAS	OPTION 7355
7	0914218		HEADER, SIDE WINDOW,STD, OPT, 3473	STANDARD
7	1224351		HEADER,SI WDO,28,12 SS,77 HR,FMVSS 221	OPTION 3337
7	1224336		HEADER,SI WDO,28,12 SS,74 HR,FMVSS 221	OPTION 3339
8	0914200		HEADER,SI WDO,35,9 SS,74 & 77 HR,FMVSS	STANDARD
8	1224369		HEADER,SI WDO,35,12 SS,77 HR,FMVSS 221	OPTION 3337
8	1224344		HEADER,SI WDO,35,12 SS,74 HR,FMVSS 221	OPTION 3339
NI	1434224		HEADER ASSY,28,3-PT BLT,74,STD SS,TC,FC,RE	STANDARD WITH OPTION 2826, 6938, DRIVERS SEAT BELT
NI	1434232		HEADER ASSY,35,3-PT BLT,74,STD,TC,FC,RE,CV	STANDARD WITH OPTION 2826, 6938, DRIVERS SEAT BELT
NI	1455625		HEADER ASSY,28,3-PT BLT,77,12SS,	WITH, OPTION 2826, 6938, DRIVERS SEAT BELT OPTION 3337
NI	1455633		HEADER ASSY,35,3-PT BLT,77,12SS,	WITH, OPTION 2826, 6938, DRIVERS SEAT BELT OPTION 3337
NI	1455740		HEADER ASSY,28,3-PT BLT,74,12SS, TC,FC,RE	WITH, OPTION 2826, 6938, DRIVERS SEAT BELT
NI	1455757		HEADER ASSY,35,3-PT BLT,74,12SS, TC,FC,RE	WITH, OPTION 2826, 6938, DRIVERS SEAT BELT OPTION

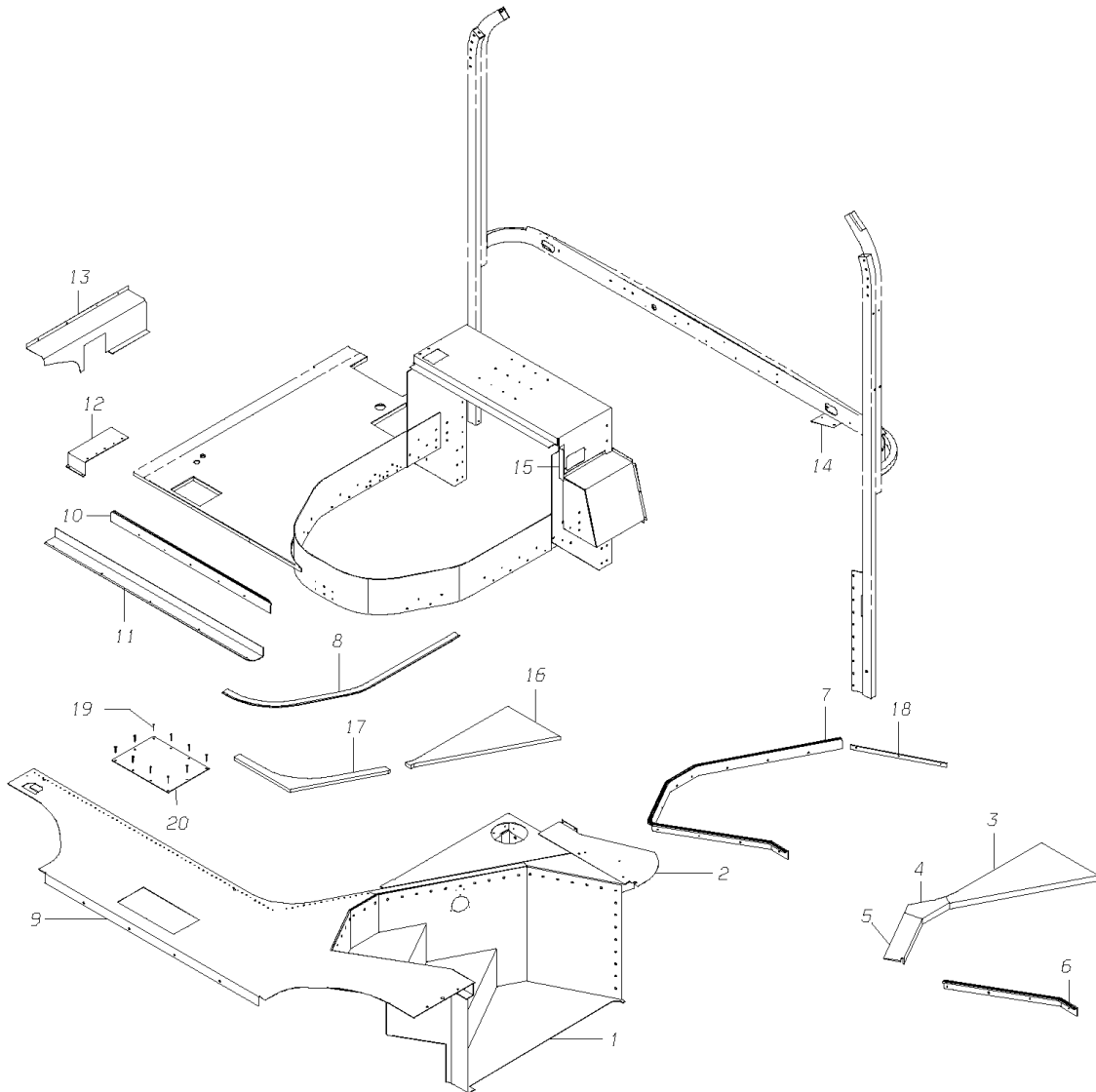
**Models:** AAFE, AARE, A3FE, A3RE, CSFE, CSRE, GMCV, SBCV, TCFE, TCRE, VCTA  
**CENTER**

Key	PartNumber	Qty	Description	Comment
				3339
NI	1450154		HEADER ASSY,28,3-PT BLT,77,STD, TC,FC,RE,	<i>WITH, OPTION 2826, 6938, DRIVERS SEAT BELT OPTION 3471, 3473</i>
NI	1450170		HEADER ASSY,35,3-PT BLT,77,STD, TC,FC,RE,	<i>WITH, OPTION 2826, 6938, DRIVERS SEAT BELT OPTION 3471, 3473</i>
9	0305409		SPACER,WINDOW HEADER	

**Models:** A3FE  
**FLOOR**  
**FRONT FLOOR TRIM**  
**LH DRIVE**  
**STD**

**With Features:** STD

Key	PartNumber	Qty	Description	Comment
-----	------------	-----	-------------	---------

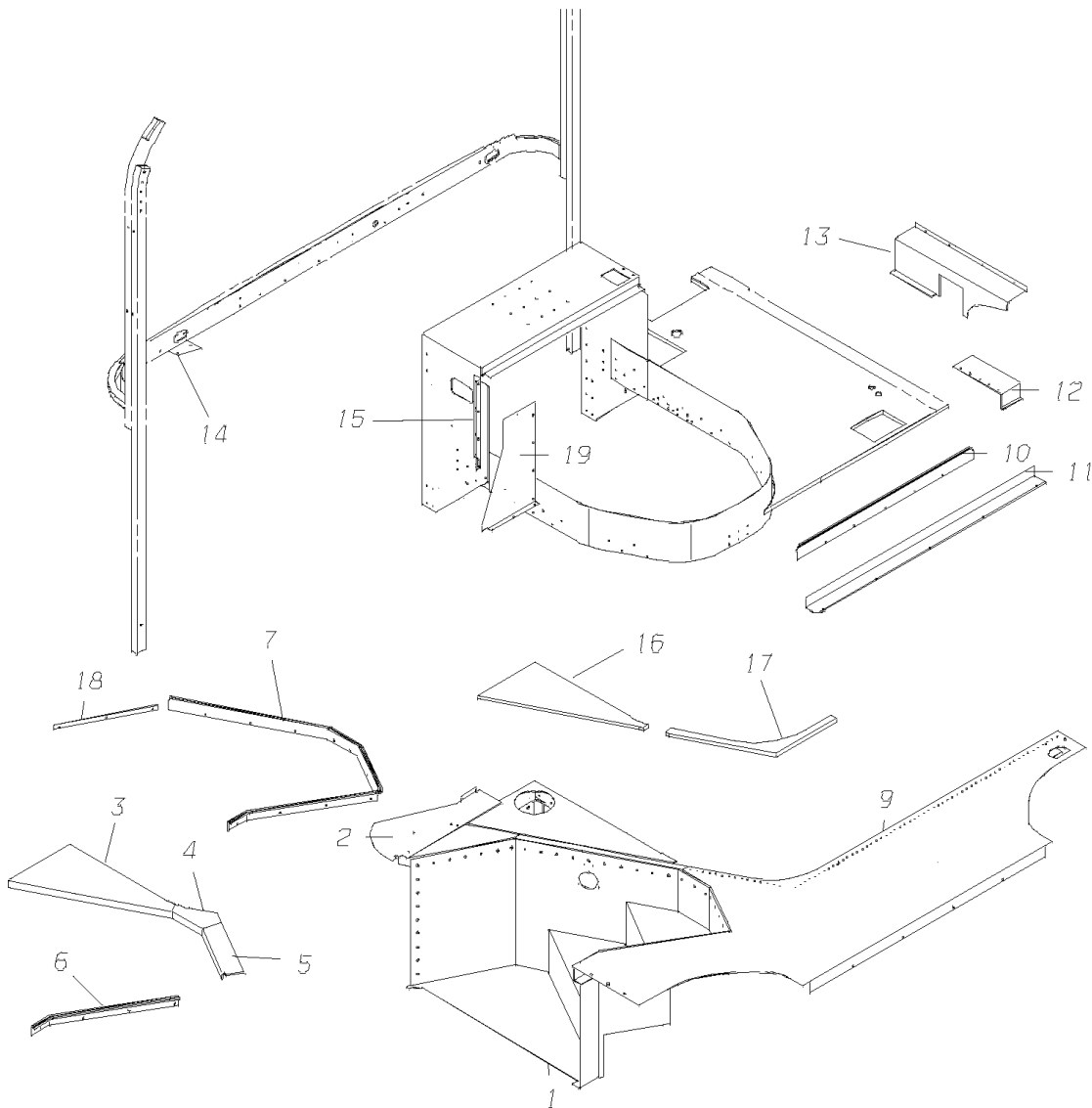


**Models:** A3FE  
**FLOOR**  
**FRONT FLOOR TRIM**  
**LH DRIVE**  
**With Features:** STD

Key	PartNumber	Qty	Description	Comment
1				SEE GROUP 340 - STEPWELLS & STEPS
2	0010683		PANEL,CLOSEOUT,HEATER TO COWL,DRFL	
3	0008475		STEPTREAD,FRT FLOOR,WEAR PLATE,BLK RBR	BLACK RUBBER. OPTION 1026
4	0016303		STEPTREAD,NOSING,WHT,WEAR PLT,CTR,RBR,	CENTER. OPTION 1026
5	1738855		STEPTREAD,NOSING,WHT,WEAR PLATE,RR,RBR	REAR. OPTION 1026
6	1338979		TRIM,REAR,STPWL,PLY FLOOR,W/NOSING RBR	OPTION 1026
6	1338995		TRIM,REAR,STPWL,W/NOSING RUBBER,TCFC	OPTION 1026 WITH OPTION 0982, 0983, 0985
7	1984046		TRIM,STEPWELL,DRFL	STANDARD
7	0019372		TRIM,STEPWELL,W/PLYWOOD FLOOR,DRFL	OPTION 0982, 0983, 0985
8	0001209		TRIM,HOOD LEDGE TO FLOOR, DRFL	ENDING WITH BSN F10035334
9	1965391		PANEL ASSY,FLOOR,NO 2, DRFL	
9	1978121		PANEL ASSY,FLOOR,NO 2,W/TRANS ACS HOLE	FEATURE 40427
10	0001359		TRIM,DRIVERS PLATFORM,REAR,DRFL	
11	0001208		TRIM,NO 2 FLOOR TO DRIVERS PLATFORM,	
12	1984012		PANEL,CLOSEOUT,DRV PLATFORM,REAR., DRFL	ENDING WITH BSN F10073049
12	0080421		PANEL,CLOSEOUT,DRV PLATFORM,REAR, DRFL	BEGIN WITH BSN F10073050
13	0001211		COVER,HEATER PIPE,FRT W/H,DRFL	
14	1988542		PANEL,HEATER CLOSEOUT,TOP, DRFL	
15	0000850		ANGLE,HEATER CLOSEOUT,INTERIOR, DRFL	
16	0001544		PLYWOOD,TRIANGLE,HOOD LEDGE,.50, DRFL	
16	0001361		PLYWOOD,TRIANGLE,HOOD LEDGE, DRFL	
17	0001543		PLYWOOD,NO.2 FLR TO HOOD LEDGE, DRFL	
18	1986264		TRIM,STEPWELL TO HEATER,DRFL	
19	2000594	10	SCREW,10-16X1-1/2,AB,PH1,OVAL CNSK,YEL	WITH FEATURE 40427
20	1560275		PLATE,MANUAL TRANS INSPECTION,STEEL,	WITH FEATURE 40427)
NI	1576172	45	SCREW,HEX,WASH,5/16X3/4,TYPE F,YEL ZN	

**Models:** A3FE  
FLOOR  
FRONT FLOOR TRIM  
RH DRIVE  
**With Features:** FEATURE 3480-05; 40360-02

Key	PartNumber	Qty	Description	Comment
-----	------------	-----	-------------	---------



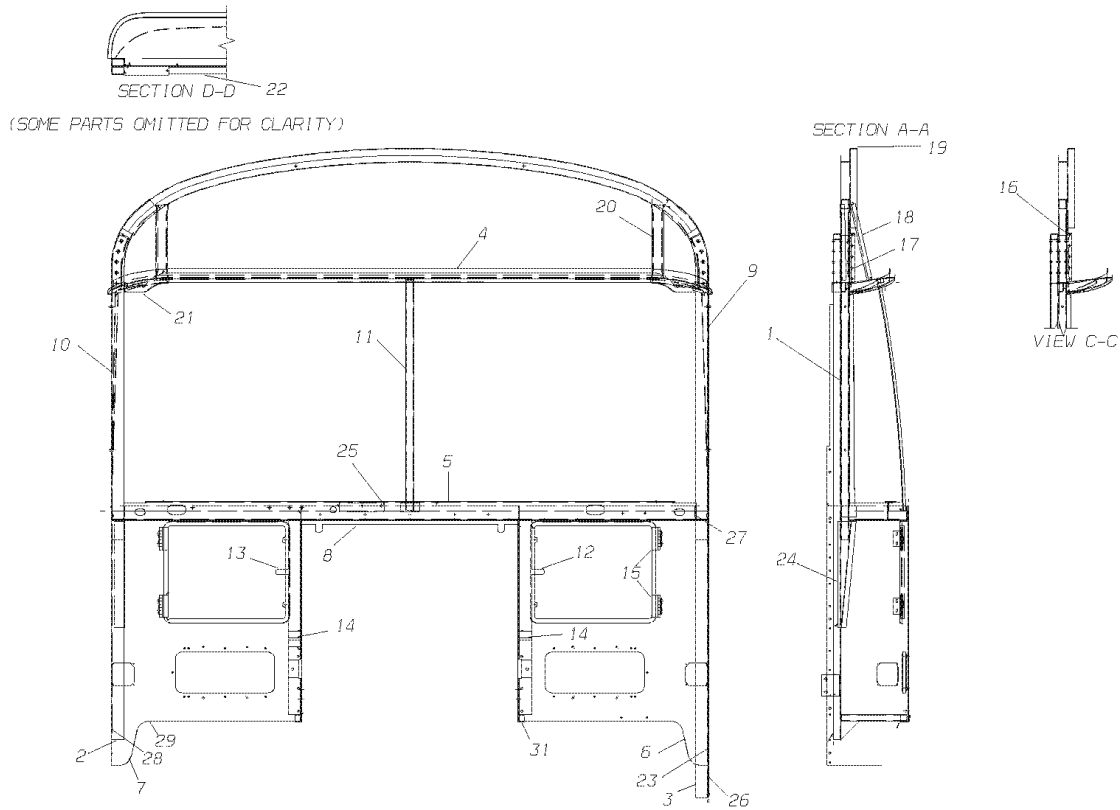
**Models:** A3FE  
**FLOOR**  
**FRONT FLOOR TRIM**  
**RH DRIVE**  
**With Features:** FEATURE 3480-05; 40360-02

Key	PartNumber	Qty	Description	Comment
1				SEE GROUP 340 - STEPWELLS & STEPS
2	1986249		PANEL,CLOSEOUT,HEATER TO COWL,RH DRV,	
3	0001684		STEPTREAD,NOSING,WHT,WEAR PLTE,FRT,	OPTION 1026
4	0001686		STEPTREAD,NOSING,WEAR PLT,CTR,RH DR,	
5	1796838		STEPTREAD,NOSING,WEAR PLT,RR RH DR,RBR	
6	1796853		TRIM,STEPWELL,REAR,RH DR,TCFE	OPTION 1026
6	1796846		TRIM,STEPWELL,REAR,W/PLYWOOD FLR,RH DR	OPTION 1026 WITH OPTION 982, 983, 984, 985. PLYWOOD FLOOR
7	1984053		TRIM,STEPWELL,RH DRV, DRFL	FEATURE 3480-05, 40360-02
7	0019380		TRIM,STEPWELL,W/PLYWOOD FLOOR,RH DRV,	FEATURE 3480-05, 40360-02 WITH OPTION 982, 983, 984, 985. PLYWOOD FLOOR
9	1982024		PANEL ASSY,FLOOR,NO 2,RH DRV, DRFL	
10	0026120		TRIM,DRIVERS PLATFORM,REAR,RH DRIVE,	
11	0026122		TRIM,NO 2 FLOOR TO DRIVERS PLTF,RH DRV	
12	0005680		PANEL,CLOSEOUT,DRV PLATFORM,REAR,RH.	
13	0026119		COVER,HEATER PIPE,FRT W/H,RH DRIVE, DRFL	
14	1988542		PANEL,HEATER CLOSEOUT,TOP, DRFL	
15	1988526		ANGLE,HEATER CLOSEOUT,INTERIOR,RH DRV,	
16	0001544		PLYWOOD,TRIANGLE,HOOD LEDGE,.50, DRFL	
16	0001361		PLYWOOD,TRIANGLE,HOOD LEDGE, DRFL	
17	0001543		PLYWOOD,NO.2 FLR TO HOOD LEDGE, DRFL	
18	1986264		TRIM,STEPWELL TO HEATER,DRFL	
19	1988534		PANEL,HEATER CLOSEOUT,INTERIOR,RH DRV,	



**Models:** **A3FE**  
**FRONT**  
**74 HR**  
**WITH 2 PIECE CURVED WINDSHIELD**

Key	PartNumber	Qty	Description	Comment
-----	------------	-----	-------------	---------

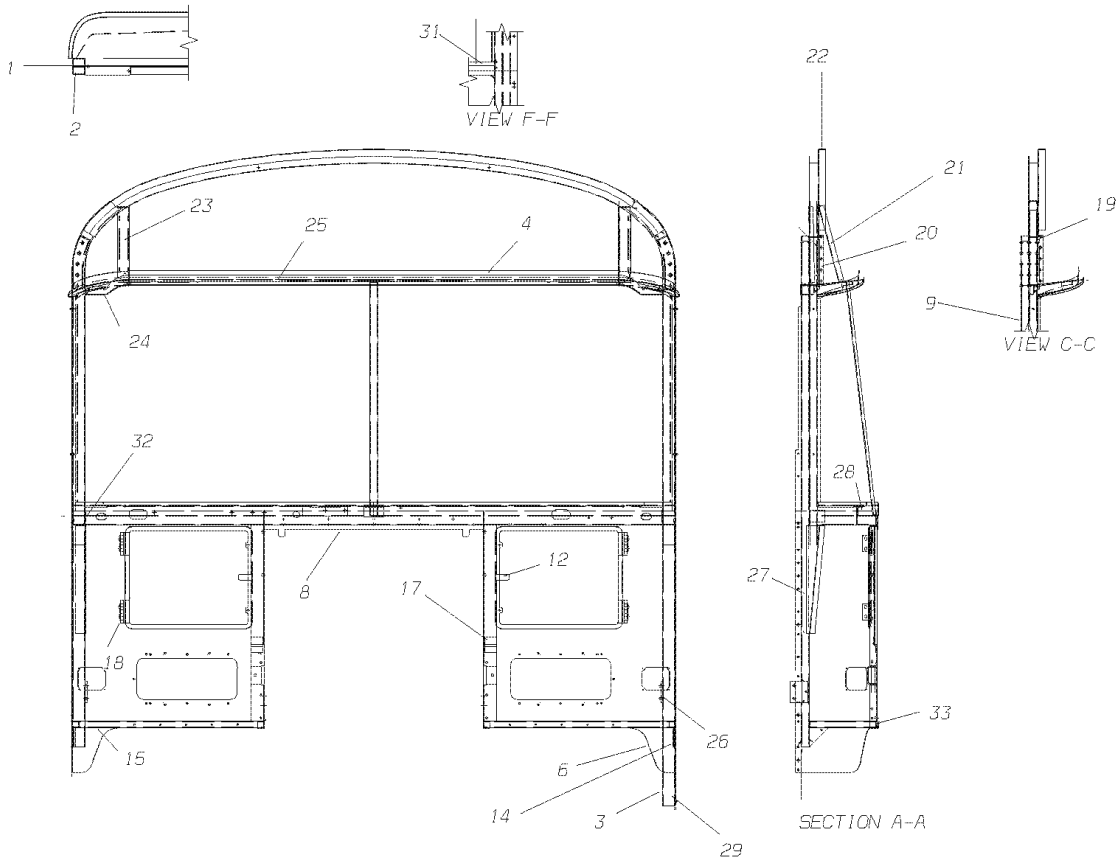


**Models: A3FE  
FRONT  
74 HR  
WITH 2 PIECE CURVED WINDSHIELD**

Key	PartNumber	Qty	Description	Comment
1	1633239		POST,FRONT CORNER,FRONT,74 HR	
2	1640176		POST,FRONT CORNER,LH,REAR,74 HR	
3	1640218		POST,FRONT CORNER,RH,REAR,74 HR	
4	1071927		HEADER ASSY,WINDSHIELD,2CF,TC,AA	
5	1559764		BELT BAR ASSY,TRANSIT FRONT	
6	0006271		PANEL,COWL,20.09 BELT BAR,RH	
7	0006274		PANEL,COWL,20.09 BELT BAR,LH	
8	1549393		FLANGE,CENTER WINDSHIELD,	
9	1635465		TRIM,FRONT POST,2CF,20.09 BELT BAR,RH	
10	1635473		TRIM,FRONT POST,2CF,20.09 BELT BAR,LH	
11	1551134		POST,WINDSHIELD,2CF,20.09 BELT BAR	
12	0010082		BRACKET,COWL REINFORCEMENT,VERTICAL,RH	
13	0010090		BRACKET,COWL REINFORCEMENT,VERTICAL,LH	
14	0010074		TAB,REINF,COWL BRACKET	
15	1383561		HINGE,ACS DR,A3RE	
16	0336750		BRACKET,FRONT ROOF CAP ATTACHING,RH	
17	0336768		BRACKET,FRONT ROOF CAP ATTACHING,LH	
18	0331769		BRACE,WINDSHIELD HEADER,74HR	
19	0059108		HEADER,FRONT ROOF	
20	1237916		CHANNEL,WINDSHIELD HEADER,74HR	
21	1238070		SPACER,W/S,HD TO UPR INR PANEL,2 POST	
22	1238088		ANGLE,FRONT UPR INNER SPACER,2 POST	
23	0002211		BRACKET,TIEDOWN,FRONT ASSEMBLY, DRFL	
24	1559822		ANGLE,CLOSEOUT,LH CORNER POST,TCFC	
25	1557685		ANGLE,DOOR CONTROL TAPPING,BELT BAR	
26	1559780		SPACER,COWL,LOWER RH,TC	
27	1631589		PLATE,REINFORCEMENT,BELT BAR	
28	0011122		WEB,.116 X 3.00 X 3.00,CRSZC	
29	0009324		BRACE,REINFORCEMENT,COWL PANELS	
30	1854397		RIVET,BLIND,.25 DIA,.38 GRIP	
31	0013353		RETAINER,GRILLE,LOWER, DRFL/DRRE	

**Models:** **A3FE**  
**FRONT**  
**74 HR**  
**WITH 4 PIECE FLAT WINDSHIELD**

Key	PartNumber	Qty	Description	Comment
-----	------------	-----	-------------	---------

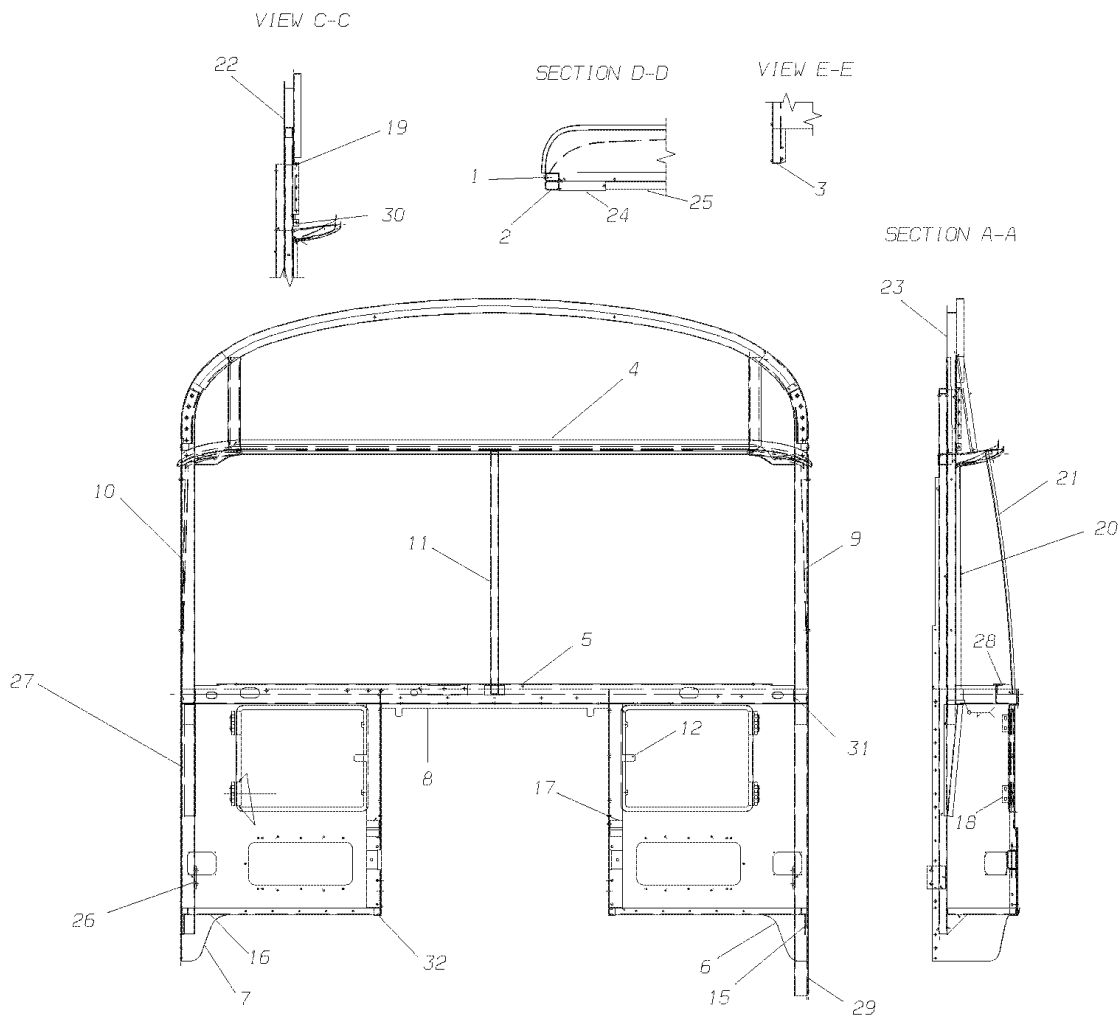


**Models:** **A3FE**  
**FRONT**  
**74 HR**  
**WITH 4 PIECE FLAT WINDSHIELD**

Key	PartNumber	Qty	Description	Comment
1	1633239		POST,FRONT CORNER,FRONT,74 HR	
2	1640176		POST,FRONT CORNER,LH,REAR,74 HR	
3	1640218		POST,FRONT CORNER,RH,REAR,74 HR	
4	1071919		HEADER ASSY,WINDSHIELD,4FF,TC,AA	
5	1559764		BELT BAR ASSY,TRANSIT FRONT	
6	0006271		PANEL,COWL,20.09 BELT BAR,RH	
7	0006274		PANEL,COWL,20.09 BELT BAR,LH	
8	1549393		FLANGE,CENTER WINDSHIELD,	
9	1635481		TRIM,FRONT POST,4FF,20.09 BELT BAR,RH	
10	1635499		TRIM,FRONT POST,4FF,20.09 BELT BAR,LH	
11	1551142		POST,WINDSHIELD,4FF,20.09 BELT BAR	
12	0010082		BRACKET,COWL REINFORCEMENT,VERTICAL,RH	
13	0010090		BRACKET,COWL REINFORCEMENT,VERTICAL,LH	
14	0011122		WEB,.116 X 3.00 X 3.00,CRSZC	
15	0009234		KIT,DOOR ASSY,ADA LIFT,BODE 3269.00,Q4RE	
16	1854397		RIVET,BLIND,.25 DIA,.38 GRIP	
17	0010074		TAB,REINF,COWL BRACKET	
18	1383561		HINGE,ACS DR,A3RE	
19	0336750		BRACKET,FRONT ROOF CAP ATTACHING,RH	
20	0336768		BRACKET,FRONT ROOF CAP ATTACHING,LH	
21	0331769		BRACE,WINDSHIELD HEADER,74HR	
22	0059108		HEADER,FRONT ROOF	
23	1237916		CHANNEL,WINDSHIELD HEADER,74HR	
24	1238070		SPACER,W/S,HD TO UPR INR PANEL,2 POST	
25	1238088		ANGLE,FRONT UPR INNER SPACER,2 POST	
26	0002211		BRACKET,TIEDOWN,FRONT ASSEMBLY, DRFL	
27	1559822		ANGLE,CLOSEOUT,LH CORNER POST,TCFC	
28	1557685		ANGLE,DOOR CONTROL TAPPING,BELT BAR	
29	1559780		SPACER,COWL,LOWER RH,TC	
30	0357343		COWL,UPPER,RH	
31	0357350		COWL,UPPER,LH	
32	1631589		PLATE,REINFORCEMENT,BELT BAR	
33	0013353		RETAINER,GRILLE,LOWER, DRFL/DRRE	

**Models:** A3FE  
 FRONT  
 77 HR  
 WITH 2 PIECE CURVED WINDSHIELD

Key	PartNumber	Qty	Description	Comment
-----	------------	-----	-------------	---------

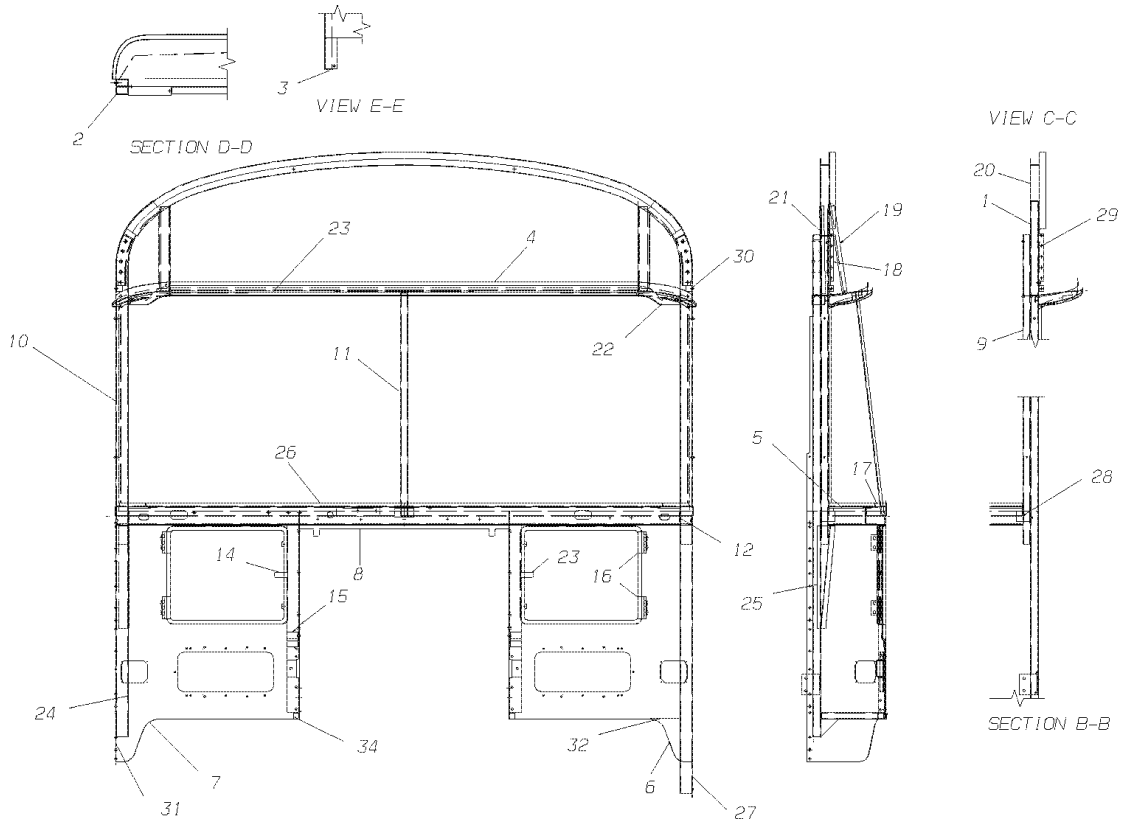


**Models: A3FE  
FRONT  
77 HR  
WITH 2 PIECE CURVED WINDSHIELD**

Key	PartNumber	Qty	Description	Comment
1	1633247		POST,FRONT CORNER,FRONT,77 HR,TC/AA	
2	1640184		POST,FRONT CORNER,LH,REAR,77 HR,AAFC	
3	1640226		POST,FRONT CORNER,RH,REAR,77 HR,TCFC	
4	1071927		HEADER ASSY,WINDSHIELD,2CF,TC,AA	
5	1559764		BELT BAR ASSY,TRANSIT FRONT	
6	0006271		PANEL,COWL,20.09 BELT BAR,RH	
7	0006274		PANEL,COWL,20.09 BELT BAR,LH	
8	1549393		FLANGE,CENTER WINDSHIELD,	
9	1635465		TRIM,FRONT POST,2CF,20.09 BELT BAR,RH	
10	1635473		TRIM,FRONT POST,2CF,20.09 BELT BAR,LH	
11	1551134		POST,WINDSHIELD,2CF,20.09 BELT BAR	
12	0010082		BRACKET,COWL REINFORCEMENT,VERTICAL,RH	
13	0010090		BRACKET,COWL REINFORCEMENT,VERTICAL,LH	
14	1854397		RIVET,BLIND,.25 DIA,.38 GRIP	
15	0011122		WEB,.116 X 3.00 X 3.00,CRSZC	
16	0009324		BRACE,REINFORCEMENT,COWL PANELS	
17	0010074		TAB,REINF,COWL BRACKET	
18	1383561		HINGE,ACS DR,A3RE	
19	0336750		BRACKET,FRONT ROOF CAP ATTACHING,RH	
20	0336768		BRACKET,FRONT ROOF CAP ATTACHING,LH	
21	1071893		BRACE,WINDSHIELD HEADER,77HR	
22	0059108		HEADER,FRONT ROOF	
23	1072305		CHANNEL,WINDSHIELD HEADER,77HR	
24	1238070		SPACER,W/S,HD TO UPR INR PANEL,2 POST	
25	1238088		ANGLE,FRONT UPR INNER SPACER,2 POST	
26	0002211		BRACKET,TIEDOWN,FRONT ASSEMBLY, DRFL	
27	1559822		ANGLE,CLOSEOUT,LH CORNER POST,TCFC	
28	1557685		ANGLE,DOOR CONTROL TAPPING,BELT BAR	
29	1559780		SPACER,COWL,LOWER RH,TC	
30	1072321		EXTENSION,BRKT,ATCH,FRONT ROOF,77HR	
31	1631589		PLATE,REINFORCEMENT,BELT BAR	
32	0013353		RETAINER,GRILLE,LOWER, DRFL/DRRE	

Models: **A3FE  
FRONT  
77 HR  
WITH 4 PIECE FLAT WINDSHIELD**

Key	PartNumber	Qty	Description	Comment
-----	------------	-----	-------------	---------



**Models:** **A3FE**  
**FRONT**  
**77 HR**  
**WITH 4 PIECE FLAT WINDSHIELD**

Key	PartNumber	Qty	Description	Comment
1	1633247		POST,FRONT CORNER,FRONT,77 HR,TC/AA	
2	1640184		POST,FRONT CORNER,LH,REAR,77 HR,AAFC	
3	1640226		POST,FRONT CORNER,RH,REAR,77 HR,TCFC	
4	1071919		HEADER ASSY,WINDSHIELD,4FF,TC,AA	
5	1559764		BELT BAR ASSY,TRANSIT FRONT	
6	0006271		PANEL,COWL,20.09 BELT BAR,RH	
7	0006274		PANEL,COWL,20.09 BELT BAR,LH	
8	1549393		FLANGE,CENTER WINDSHIELD,	
9	1635481		TRIM,FRONT POST,4FF,20.09 BELT BAR,RH	
10	1635499		TRIM,FRONT POST,4FF,20.09 BELT BAR,LH	
11	1551142		POST,WINDSHIELD,4FF,20.09 BELT BAR	
12	1631589		PLATE,REINFORCEMENT,BELT BAR	
13	0010082		BRACKET,COWL REINFORCEMENT,VERTICAL,RH	
14	0010090		BRACKET,COWL REINFORCEMENT,VERTICAL,LH	
15	0010074		TAB,REINF,COWL BRACKET	
16	1383561		HINGE,ACS DR,A3RE	
17	0336750		BRACKET,FRONT ROOF CAP ATTACHING,RH	
18	0336768		BRACKET,FRONT ROOF CAP ATTACHING,LH	
19	1071893		BRACE,WINDSHIELD HEADER,77HR	
20	0059108		HEADER,FRONT ROOF	
21	1072305		CHANNEL,WINDSHIELD HEADER,77HR	
22	1238070		SPACER,W/S,HD TO UPR INR PANEL,2 POST	
23	1238088		ANGLE,FRONT UPR INNER SPACER,2 POST	
24	0002211		BRACKET,TIEDOWN,FRONT ASSEMBLY, DRFL	
25	1559822		ANGLE,CLOSEOUT,LH CORNER POST,TCFC	
26	1557685		ANGLE,DOOR CONTROL TAPPING,BELT BAR	
27	1559780		SPACER,COWL,LOWER RH,TC	
28	0357343		COWL,UPPER,RH	
29	0357350		COWL,UPPER,LH	
30	1072321		EXTENSION,BRKT,ATCH,FRONT ROOF,77HR	
31	0011122		WEB,.116 X 3.00 X 3.00,CRSZC	
32	0009324		BRACE,REINFORCEMENT,COWL PANELS	
33	1854397		RIVET,BLIND,.25 DIA,.38 GRIP	

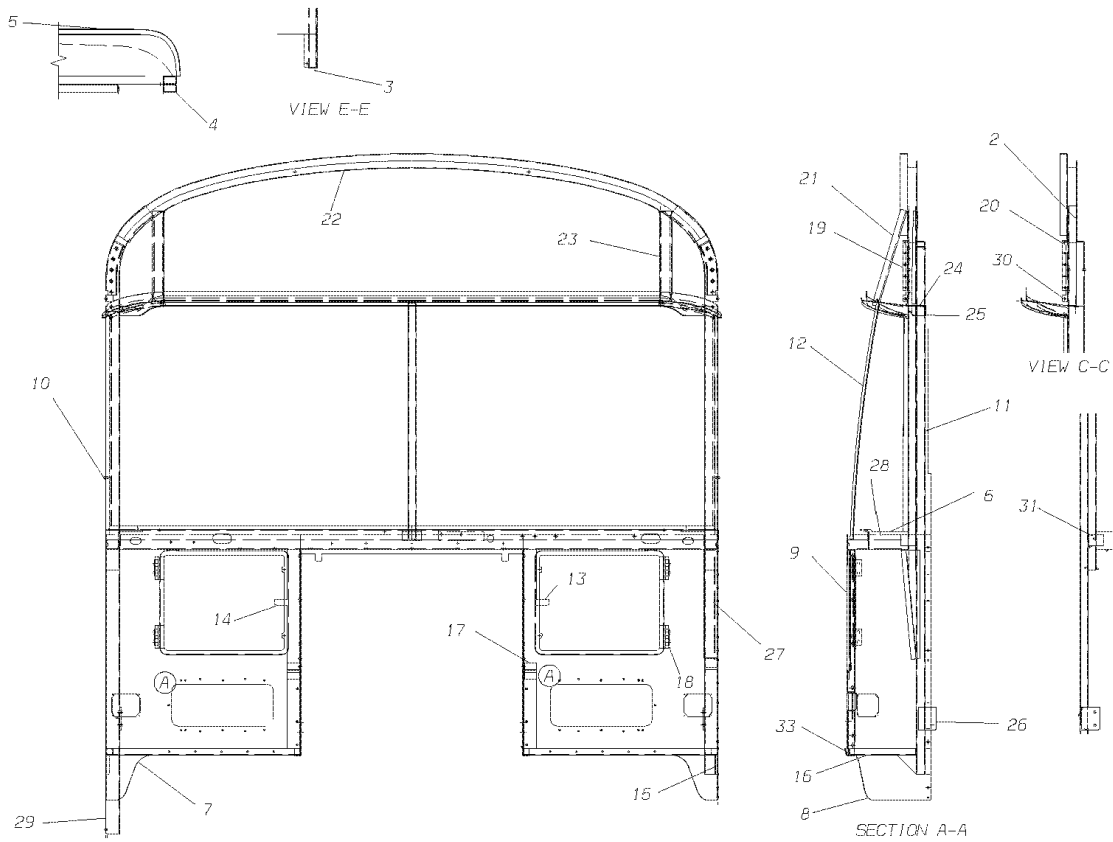


**Models:** A3FE  
FRONT  
77 HR  
WITH 4 PIECE FLAT WINDSHIELD

Key	PartNumber	Qty	Description	Comment
34	0013353		RETAINER,GRILLE,LOWER, DRFL/DRRE	

**Models:** **A3FE**  
**FRONT**  
**77 HR, RH DRIVE**  
**WITH 2 PIECE CURVED WINDSHIELD**

Key	PartNumber	Qty	Description	Comment
-----	------------	-----	-------------	---------

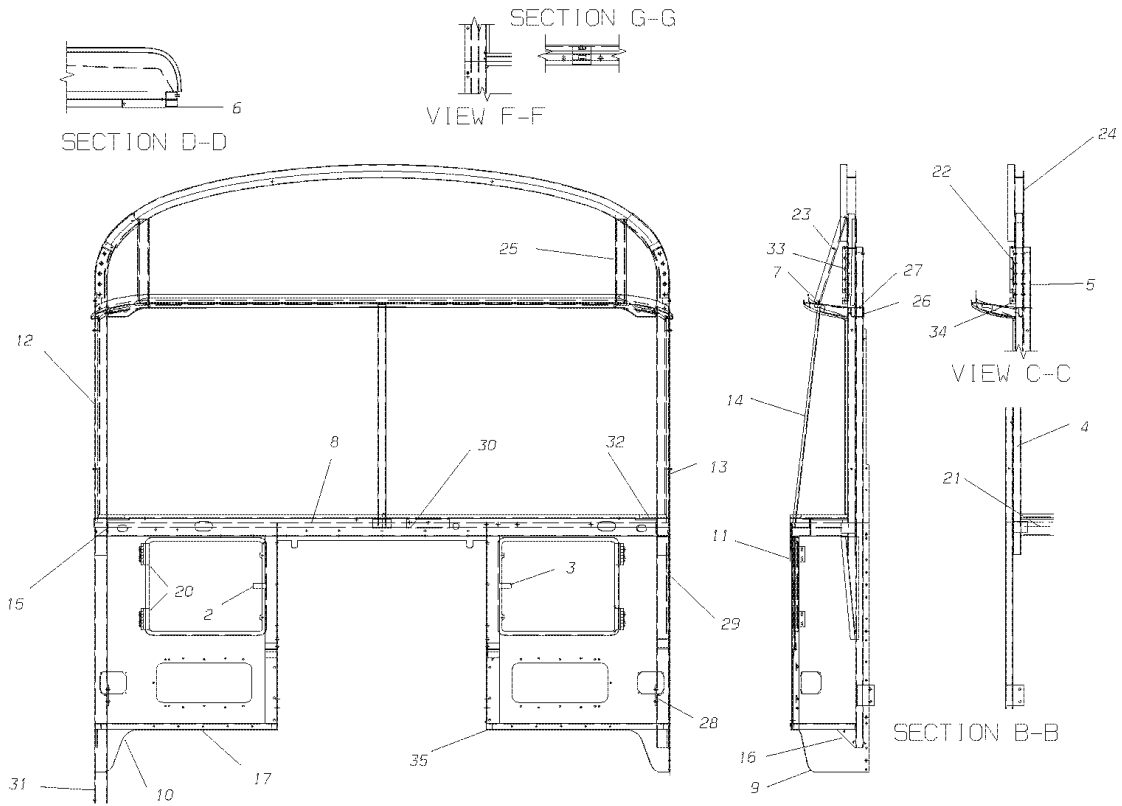


**Models:** **A3FE**  
**FRONT**  
**77 HR, RH DRIVE**  
**WITH 2 PIECE CURVED WINDSHIELD**

Key	PartNumber	Qty	Description	Comment
1	1979269		FRONT ASSY,2CF,77 HR,20.09,RH DRV, DRFL	
2	1633247		POST,FRONT CORNER,FRONT,77 HR,TC/AA	
3	1748243		POST,FRONT CORNER,RH REAR,77HR,RH DRIVE	
4	1748250		POST,FRONT CORNER,LH REAR,77HR,RH DRIVE	
5	1071927		HEADER ASSY,WINDSHIELD,2CF,TC,AA	
6	1745702		BELT BAR ASSY,FRONT,RIGHT HAND DRIVE	
7	0006272		PANEL,COWL,20.09 BELT BAR,LH,RH DRV	
8	0006273		PANEL,COWL,20.09 BELT BAR,RH,RH DRV	
9	1549393		FLANGE,CENTER WINDSHIELD,	
10	1748268		TRIM,FRT POST,2CF,20.09 BELT BAR,LH,RH DRV	
11	1752500		TRIM,FRT POST,2CF,20.09 BELT BAR,RH,RH	
12	1551134		POST,WINDSHIELD,2CF,20.09 BELT BAR	
13	0010082		BRACKET,COWL REINFORCEMENT,VERTICAL,RH	
14	0010090		BRACKET,COWL REINFORCEMENT,VERTICAL,LH	
15	0011122		WEB,.116 X 3.00 X 3.00,CRSZC	
16	0009324		BRACE,REINFORCEMENT,COWL PANELS	
17	0010074		TAB,REINF,COWL BRACKET	
18	1383561		HINGE,ACS DR,A3RE	
19	0336750		BRACKET,FRONT ROOF CAP ATTACHING,RH	
20	0336768		BRACKET,FRONT ROOF CAP ATTACHING,LH	
21	1071893		BRACE,WINDSHIELD HEADER,77HR	
22	0059108		HEADER,FRONT ROOF	
23	1072305		CHANNEL,WINDSHIELD HEADER,77HR	
24	1238070		SPACER,W/S,HD TO UPR INR PANEL,2 POST	
25	1238088		ANGLE,FRONT UPR INNER SPACER,2 POST	
26	0002211		BRACKET,TIEDOWN,FRONT ASSEMBLY, DRFL	
27	1745793		ANGLE,CLOSEOUT,RH CORNER POST,RH DRIVE	
28	1557685		ANGLE,DOOR CONTROL TAPPING,BELT BAR	
29	1559780		SPACER,COWL,LOWER RH,TC	
30	1072321		EXTENSION,BRKT,ATCH,FRONT ROOF,77HR	
31	1631589		PLATE,REINFORCEMENT,BELT BAR	
32	1854397		RIVET,BLIND,.25 DIA,.38 GRIP	
33	0013353		RETAINER,GRILLE,LOWER, DRFL/DRRE	

Models: **A3FE  
FRONT  
77 HR, RH DRIVE  
WITH 4 PIECE FLAT WINDSHIELD**

Key	PartNumber	Qty	Description	Comment
-----	------------	-----	-------------	---------



**Models:** **A3FE**  
**FRONT**  
**77 HR, RH DRIVE**  
**WITH 4 PIECE FLAT WINDSHIELD**

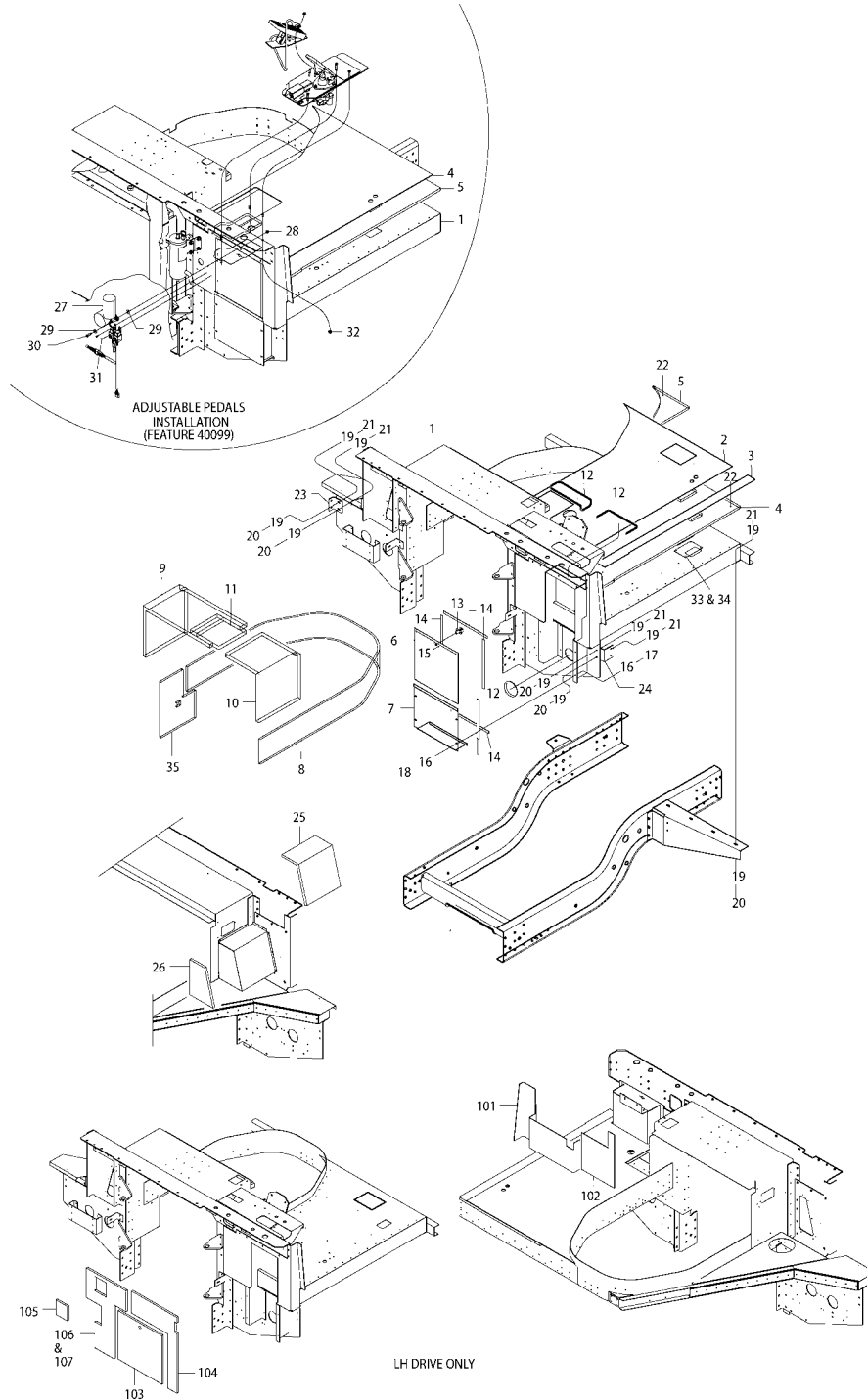
Key	PartNumber	Qty	Description	Comment
1	1979277		FRONT ASSY,4FF,77 HR,20.09,RH DRV, DRFL	
2	0010090		BRACKET,COWL REINFORCEMENT,VERTICAL,LH	
3	0010082		BRACKET,COWL REINFORCEMENT,VERTICAL,RH	
4	1633247		POST,FRONT CORNER,FRONT,77 HR,TC/AA	
5	1748243		POST,FRONT CORNER,RH REAR,77HR,RH DRIVE	
6	1748250		POST,FRONT CORNER,LH REAR,77HR,RH DRIVE	
7	1071919		HEADER ASSY,WINDSHIELD,4FF,TC,AA	
8	1745702		BELT BAR ASSY,FRONT,RIGHT HAND DRIVE	
9	0006273		PANEL,COWL,20.09 BELT BAR,RH,RH DRV	
10	0006272		PANEL,COWL,20.09 BELT BAR,LH,RH DRV	
11	1549393		FLANGE,CENTER WINDSHIELD,	
12	1748284		TRIM,FRT POST,4FF,20.09 BELT BAR,LH,RH DRV	
13	1748292		TRIM,FRT POST,4FF,20.09 BELT BAR,RH,RH DRV	
14	1551142		POST,WINDSHIELD,4FF,20.09 BELT BAR	
15	1631589		PLATE,REINFORCEMENT,BELT BAR	
16	0011122		WEB,.116 X 3.00 X 3.00,CRSZC	
17	0009324		BRACE,REINFORCEMENT,COWL PANELS	
18	1854397		RIVET,BLIND,.25 DIA,.38 GRIP	
19	0010074		TAB,REINF,COWL BRACKET	
20	1383561		HINGE,ACS DR,A3RE	
21	0336750		BRACKET,FRONT ROOF CAP ATTACHING,RH	
22	0336768		BRACKET,FRONT ROOF CAP ATTACHING,LH	
23	1071893		BRACE,WINDSHIELD HEADER,77HR	
24	0059108		HEADER,FRONT ROOF	
25	1072305		CHANNEL,WINDSHIELD HEADER,77HR	
26	1238070		SPACER,W/S,HD TO UPR INR PANEL,2 POST	
27	1238088		ANGLE,FRONT UPR INNER SPACER,2 POST	
28	0002211		BRACKET,TIEDOWN,FRONT ASSEMBLY, DRFL	
29	1745793		ANGLE,CLOSEOUT,RH CORNER POST,RH DRIVE	
30	1557685		ANGLE,DOOR CONTROL TAPPING,BELT BAR	
31	1559780		SPACER,COWL,LOWER RH,TC	
32	0357343		COWL,UPPER,RH	
33	0357350		COWL,UPPER,LH	

**Models:** **A3FE**  
**FRONT**  
**77 HR, RH DRIVE**  
**WITH 4 PIECE FLAT WINDSHIELD**

Key	PartNumber	Qty	Description	Comment
34	1072321		EXTENSION,BRKT,ATCH,FRONT ROOF,77HR	
35	0013353		RETAINER,GRILLE,LOWER, DRFL/DRRE	

**Models:** A3FE, C3FE  
**FRONT DRIVER'S AREA**  
**LH & RH DRIVE**  
**With Features:** FEATURE 40360-01, -02

Key	PartNumber	Qty	Description	Comment
-----	------------	-----	-------------	---------



**Models:** A3FE, C3FE  
**FRONT DRIVER'S AREA LH & RH DRIVE**  
**With Features:** FEATURE 40360-01, -02

Key	PartNumber	Qty	Description	Comment
1	1957091		STRUCTURE ASSY,CHASSIS,FRONT, HDFE	FEATURE 40360-01, LH DRIVE, ENDING WITH BSN F10020224, L10032854
1	0010669		STRUCTURE ASSY,CHASSIS,FRONT, HDFE	FEATURE 40360-01, LH DRIVE, FROM BSN F10020225, L10032855 TO BSN F10035824, L10059259
1	0025618		STRUCTURE ASSY,CHASSIS,FRONT, HDFE	FEATURE 40360-01, LH DRIVE, FROM BSN F10035825, L10059260 TO BSN L10093804
1	0051076		STRUCTURE ASSY,CHASSIS,FRONT,LH DRIVE,	FEATURE 40360-01, LH DRIVE, BEGIN WITH BSN L10093805
1	0051076		STRUCTURE ASSY,CHASSIS,FRONT,LH DRIVE,	ENDING WITH BSN L10094784 W/O MANUAL TRANSMISSION
1	0060257		STRUCTURE ASSY,CHAS,FRT,LH DRIVE,W/MAN	BEGIN WITH BSN L10094785 W/O MANUAL TRANSMISSION
1	0019236		STRUCTURE ASSY,CHASSIS,FRONT,MAN TRANS	OPTION 4491 WITH FEATURE 40070. MANUAL TRANSMISSION WITH AIR BRAKES
1	0051092		STRUCTURE ASSY,CHASSIS,FRONT,LHD,	WITH FEATURE 40099, ADJUSTABLE PEDALS
1	0060258		STRUCTURE ASSY,CHAS,FRT,LH DRV,	WITH FEATURE 40099, ADJUSTABLE PEDALS WITH MANUAL OPENING DOOR
1	0014616		STRUCTURE ASSY,CHASSIS,FRONT,EXP, RH	FEATURE 40360-02 (RH DRIVE) WITH FEATURE 40070 (AIR BRAKES). ENDING WITH CSN F0178354.
1	0081482		STRUCTURE ASSY,PLATFORM,DRIVERS,FRT,RH	FEATURE 40360-02 (RH DRIVE) WITH FEATURE 40070 (AIR BRAKES). BEGIN WITH CSN F0178355.
1	0060259		STRUCTURE ASSY,CHAS,FRT,EXPORT,W/MAN	FEATURE 40360-02, RH DRIVE, WITH FEATURE 40070. AIR BRAKES WITH MANUAL OPENING DOOR
2*	1957208		PATTERN,MAT,DRIVER'S PLATFORM, HDFE	OPTION 40070, AIR BRAKES
2*	0004071		PATTERN,MAT,DRIVERS PLATFORM,HYD BRK,	OPTION 40071, HYD. BRAKES, ENDING WITH BSN L10093804
2*	0051711		PATTERN,MAT,PLATFORM,DRIVERS,HYD BRAKE	OPTION 40071, HYD. BRAKES, BEGIN WITH BSN L10093805
2*	0042747		PATTERN,MAT,DRIVER'S PLTF,W/40099, FE	OPTION 40070, AIR BRAKES WITH FEATURE 40099, ADJUSTABLE PEDALS
2*	0017253		PATTERN,MAT,DRIVERS PLATFORM,EXP,	FEATURE 40360-02 (RH DRIVE) WITH 40070 (AIR BRAKES). ENDING WITH CSN F0178354.
2*	0081450		PATTERN,PLATFORM,DRIVERS,FLOOR MAT,RH	FEATURE 40360-02 (RH DRIVE) WITH 40070 (AIR BRAKES). BEGIN WITH CSN F0178355.



**Models:** A3FE, C3FE  
**FRONT DRIVER'S AREA LH & RH DRIVE**  
**With Features:** FEATURE 40360-01, -02

Key	PartNumber	Qty	Description	Comment
3				SEE CHART 0011346 FOR APPROPRIATE MAT FOR OPTION 40070, 40071
4	1957182		PLYWOOD,DRIVER'S PLATFORM,TOP,AIR BRK,	ALL TRANSMISSIONS EXCEPT MANUAL, WITH OPTION 40070. AIR BRAKES
4	0009689		PLYWOOD,DRIVERS PLATFORM,TOP,MAN TRANS	OPTION 4491 WITH FEATURE 40070
4	0042745		PLYWOOD,DRIVER'S PLTF,TOP.W/40099, FE	OPTION 40070. AIR BRAKES WITH FEATURE 40099. ADJUSTABLE PEDALS
4	0004053		PLYWOOD,DRIVERS PLATFORM,TOP,HYD BRK,	OPTION 40071, HYD. BRAKES, ENDING WITH BSN F10020224, L10032854
4	0009598		PLYWOOD,DRIVERS PLATFORM,TOP,HYD BRK,	OPTION 40071, HYD. BRAKES, FROM BSN F10020225, L10032855 TO BSN L10093804
4	0051710		PLYWOOD,PLATFORM,DRIVERS,TOP,HYD BRAKE	OPTION 40071, HYD. BRAKES. BEGIN WITH BSN L10093805
4	0094505		PLYWOOD,DRVR,PLATFORM,HYD BRK W/O HTR	OPTION 40071, HYD. BRAKES WITHOUT DRIVER'S HEATER
4	1976026		PLYWOOD,DRIVERS PLATFORM,TOP, RHHDFE	FEATURE 40360-02 (RH DRIVE) WITH FEATURE 40070 (AIR BRAKES). ENDING WITH BSN F0067634.
4	0081759		PLYWOOD,DRIVERS,PLATFORM,TOP,RH DRIVE	FEATURE 40360-02 (RH DRIVE) WITH FEATURE 40070 (AIR BRAKES). BEGIN WITH BSN F0067635.
4	0094476		PLYWOOD,DRVR,PLATFORM,TOP,W/O HTR	WITHOUT DRIVER HEATER
4	0094474		PLYWOOD,DRVR,PLATFORM,TOP,MANUAL	MANUAL TRANS WITHOUT DRIVER HEATER
4	0094477		PLYWOOD,DRVR,PLATFORM,TOP,W/40099	WITH FEATURE 40099 WITHOUT DRIVER HEATER
5	1957190		PLYWOOD,DRIVER'S PLATFORM,CORNER, HDFE	
6	1957166		COVER,PANEL,ACCESS,ELEC,DRV PLATFORM	FEATURE 40360-01. LH DRIVE
6	0014608		COVER,PANEL,ACCESS,ELEC,DRV PLATFORM,RH	FEATURE 40360-02. RH DRIVE
7	1949239		PANEL,CLOSEOUT,ACCESS,ELECTRICAL,HDFE	FEATURE 40360-01. LH DRIVE
7	0014607		PANEL,CLOSEOUT,ACCESS,ELECTRICAL,EXP	FEATURE 40360-02. RH DRIVE
8	1986082		INSULATION,THERMAL,LEDGE,HOOD,HDFE	ENDING WITH BSN F0106129.
8	0110051		INSULATION,THERMAL,PANEL,HOOD LEDGE	BEGIN WITH BSN F0106130 (01/29/07)
9	0000966		INSULATION,THERMAL,PANEL,ENGINE C/OUT,	FEATURE 40360-01, LH DRIVEENDING WITH BSN F10014699, L10023424
9	0009590		INSULATION,THERMAL,PANEL,ENGINE C/OUT,	

**Models:** A3FE, C3FE  
**FRONT DRIVER'S AREA LH & RH DRIVE**  
**With Features:** FEATURE 40360-01, -02

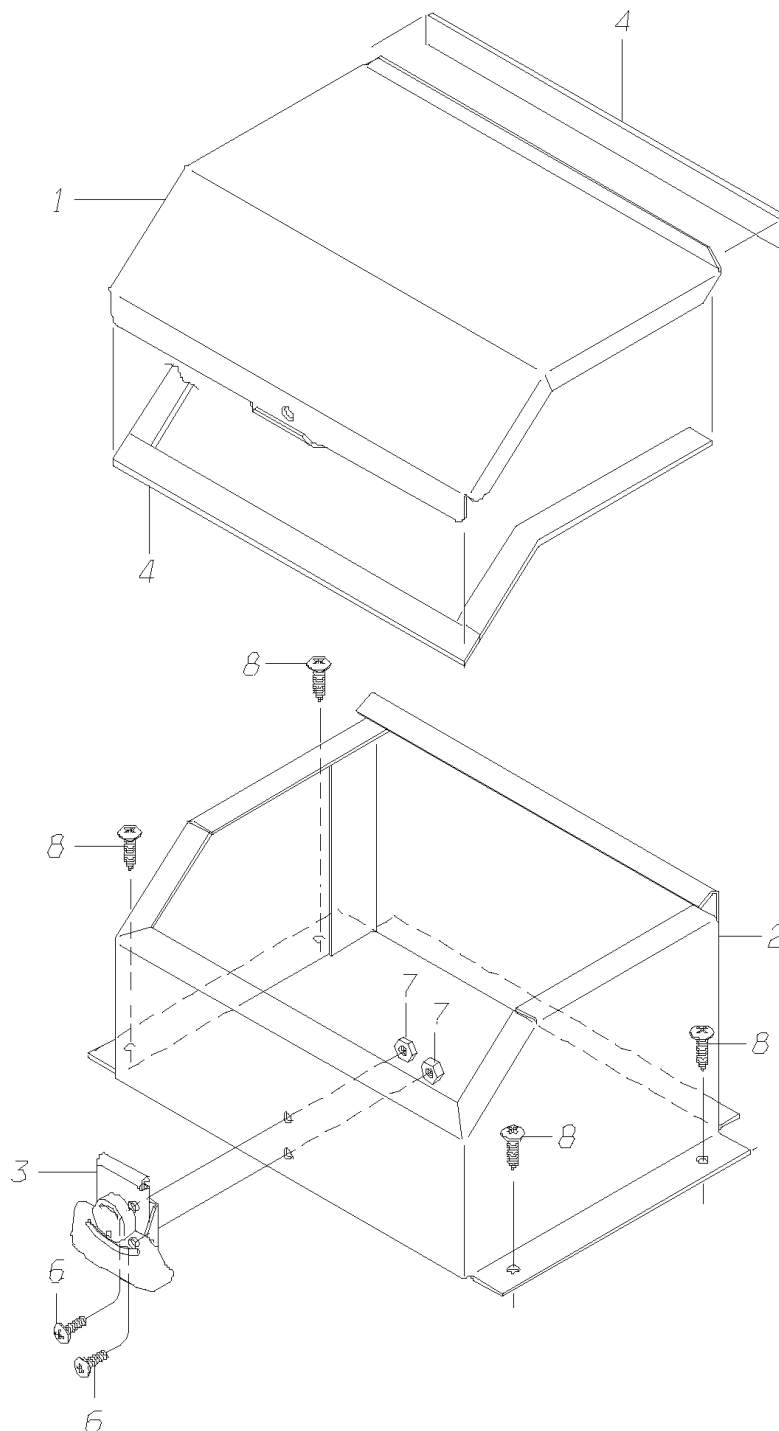
Key	PartNumber	Qty	Description	Comment
				L10023425 TO BSN F10035824, L10059259
9	0029939		INSULATION,THERMAL,PANEL,ENGINE C/OUT,	FEATURE 40360-01, LH DRIVE. BEGIN WITH BSN F10035825, L10059260
9	0029938		INSULATION,THERMAL,PANEL,ENGINE C/OUT,	FEATURE 40360-02. RH DRIVE
9	0092161		INSULATION,THERMAL,PANEL,ENGINE CUTOUT,	WITH AIR CONDITIONER
10	0000967		INSULATION,THERMAL,PANEL,ENGINE C/OUT,	FEATURE 40360-01, LH DRIVE, ENDING WITH BSN F10014699, L10023424
10	0009588		INSULATION,THERMAL,PANEL,ENGINE C/OUT,	FEATURE 40360-01, LH DRIVE, FROM BSN F10014700, L10023425 TO BSN F10035824, L10059259
10	0029942		INSULATION,THERMAL,PNL,ENG C/OUT,LH,	FEATURE 40360-01, LH DRIVE. BEGIN WITH BSN F10035825, L10059260
10	0060343		INSULATION,THERMAL,PNL,ENG,C/O,LH,W/MAN	FEATURE 40360-01. LH DRIVE WITH MANUAL OPENING DOOR
10	0029941		INSULATION,THERMAL,PNL,ENG C/OUT,RH,	FEATURE 40360-02. RH DRIVE
10	0060344		INSULATION,THERMAL,PNL,ENG,C/O,RH,W/MAN	FEATURE 40360-02. RH DRIVE WITH MANUAL OPENING DOOR
11	1986074		INSULATION,THERMAL,PNL,ENG C/OUT,CTR RH	ENDING WITH BSN F10035824, L10059259
11	0029940		INSULATION,THERMAL,PNL,ENG C/OUT,CTR	BEGIN WITH BSN F10035825, L10059260
12	1489434	6'	TRIM,VINYL,BLACK,DOUBLE LIP	
13	0000635		LATCH,ADJUSTABLE GRIP,SOUTHCO 44-1-10-0	
14	0621953	6'	TAPE,FOAM,1/8X3/4X50FT,CLSD.CELL NEOP.	
15	1494160		RIVET,.12,CHERRY SSP-42	
16	1467000		WASHER,FLAT,.281 X.750X.078 HARDENED,BLK	
17	2001345		NUT,HEX HD,1/4-20,LOCKING,YELLOW	
18	0870477		CAPSCREW,HEX HD,1/4-20 X 1,GR 8,YEL ZN	
19	1078922		WASHER,FLAT,3/8 X 7/8 X 5/64,YEL ZN DICH	
20	1522713		NUT,HEX HD,3/8-24,LOCK,GR 8,YEL ZNDICH	
21	0801787		CAPSCREW,HEX HD,3/8-24 X 1,GR8,YEL ZN	
22	2000594		SCREW,10-16X1-1/2,AB,PH1,OVAL CNSK,YEL	
23	0006816		BRACKET,MTG,BODY TIEDOWN,RH,HDFE	
24	0006818		BRACKET,MTG,BODY TIEDOWN,LH, HDFE	
25	0009592		INSULATION,THERMAL,PNL,AIR INTAKE,TOP,	

**Models:** A3FE, C3FE  
**FRONT DRIVER'S AREA LH & RH DRIVE**  
**With Features:** FEATURE 40360-01, -02

Key	PartNumber	Qty	Description	Comment
26	0009591		INSULATION,THERMAL,PNL,AIR INTAKE,REAR,	
27	0043027		DRIVE MOTOR ASSEMBLY,ADJUSTABLE PEDALS	OPTION 40070 WITH 40099
28	0829390	3	NUT,HEX HD,5/16-18,SER WASHER,YEL ZN	FOR AIR BRAKES WITH ADJUSTABLE PEDALS
29	1078922	6	WASHER,FLAT,3/8 X 7/8 X 5/64,YEL ZN DICH	FOR AIR BRAKES WITH ADJUSTABLE PEDALS
30	0045180	3	SCREW,SHOULDER,ALLEN,.375 X .625,.312	FOR AIR BRAKES WITH ADJUSTABLE PEDALS
31	1200799	2	SCREW,10-24 X 3/8,T,PH1,PAN HD, YEL ZN	FOR AIR BRAKES WITH ADJUSTABLE PEDALS
32	0839027	6	NUT,HEX HD,3/8-16,GR G,SM FLG LK,YEL	FOR AIR BRAKES WITH ADJUSTABLE PEDALS
33	1411834		PLATE,COVER,DRIVERS U/S HEATER HOLES,	WITHOUT DRIVER'S HEATER
34	0422915		RIVET,1/8 DIA,ALUMINUM,W/ST STEM	WITHOUT DRIVER'S HEATER
35	0110052		INSULATION,THERMAL,PANEL,LWR,ENG	
10	0007885		INSULATION,THERMAL,DRV C/OUT,INSIDE,	OPTION 1502, INSULATED DRIVER'S AREA,LH DRIVE ONLY, ENDING WITH BSN F10044184, L10072754
10	0043154		INSULATION,THERMAL,DRV C/O,INS,W/40099,	OPTION 1502, INSULATED DRIVER'S AREA,LH DRIVE ONLY, BEGIN WITH BSN F10044185, L10072755
10	0045064		INSULATION,THERMAL,DRV C/OUT,INSIDE,LEFT	OPTION 1502, INSULATED DRIVER'S AREA,LH DRIVE ONLY
10	0007886		INSULATION,THERMAL,ELEC. ACCESS COVER,	OPTION 1502, INSULATED DRIVER'S AREA,LH DRIVE ONLY
10	0007887		INSULATION,THERMAL,DRV C/OUT,O/S,LH,	OPTION 1502, INSULATED DRIVER'S AREA,LH DRIVE ONLY
10	1566157		INSULATION,THERMAL,DRV VENT DOOR, TC/HD	OPTION 1502, INSULATED DRIVER'S AREA,LH DRIVE ONLY
10	0007888		INSULATION,THERMAL,DRV C/OUT,O/S,RH,	OPTION 1502. LH DRIVE ONLY
10	0042748		INSULATION,THL,DRV,C/O,O/S,RH	OPTION 1502 WITH FEATURE 40099. ADJUSTABLE PEDALS
10	0043030		INSULATION,THL,DRV,C/O,O/S,RH	FEATURE 40099

Models: **A3FE**  
**FRONT**  
**HYDRAULIC BRAKE RESERVOIR**  
**CLUTCH MASTER CYLINDER COVER**

Key	PartNumber	Qty	Description	Comment
-----	------------	-----	-------------	---------

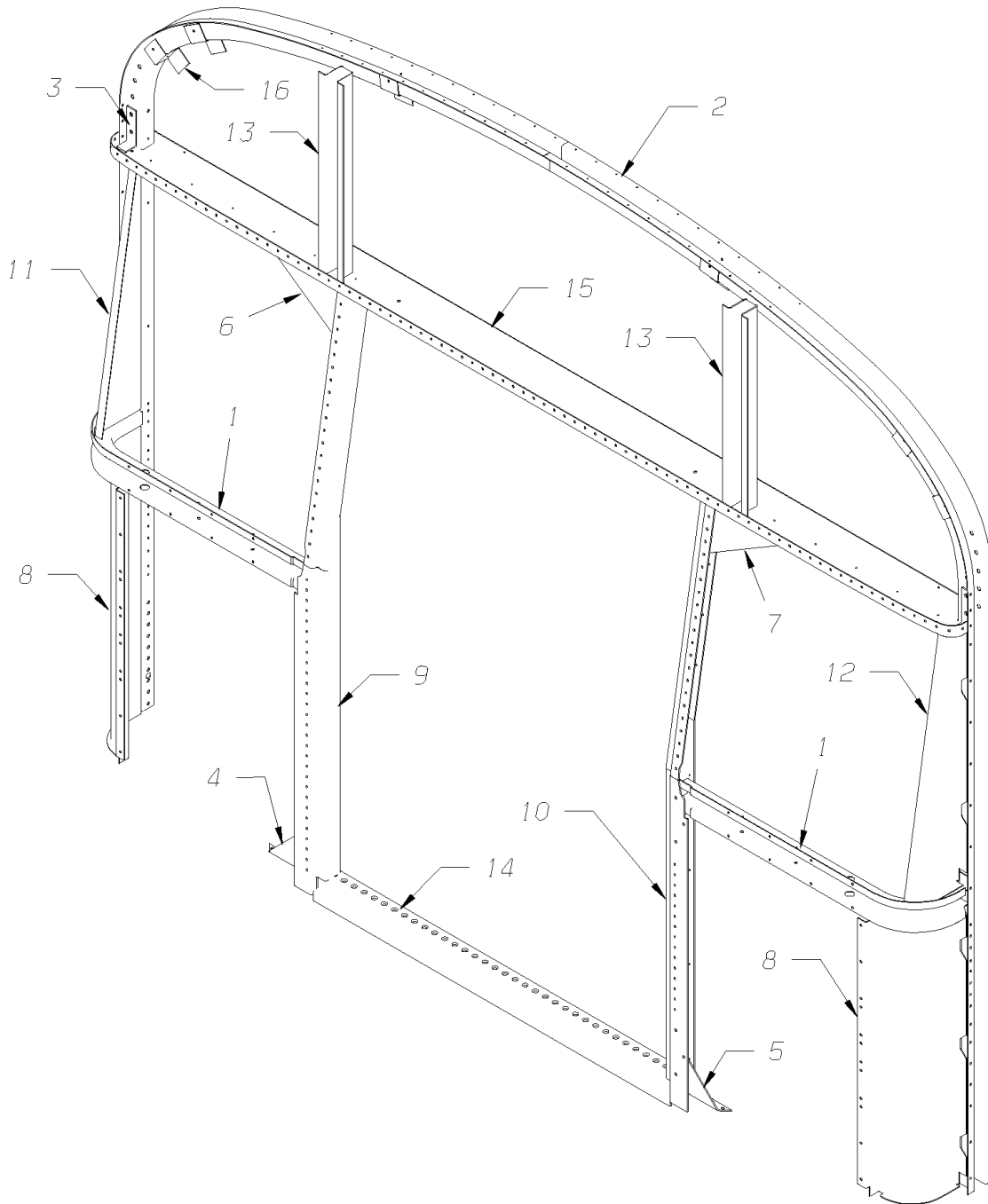


**Models:** **A3FE**  
**FRONT**  
**HYDRAULIC BRAKE RESERVOIR**  
**CLUTCH MASTER CYLINDER COVER**

Key	PartNumber	Qty	Description	Comment
1	0007196		PANEL, TOP, BRAKE RESERVOIR COVER ASSY,	
2	0010666		COVER ASSY, HYDRAULIC BRAKE RESERVOIR,	
3	0001764		LATCH, HYDBRK/RESVR CVR, SOUTHCO K2-3005	
4	0758292	32	TAPE, FOAM, PCV, 3/16 X 3/8 WIDTH, W/ADH	
5	2051902		SEALANT, SILICONE, BLACK, CARTRIDGE	
6	2000719	2	SCREW, 8-32 X 3/8, PH 1, RD HD, YEL ZN DICH"	
7	2001253	2	NUT, HEX HD, 8-32, YELLOW DICHROMATE	
8	1589522	4	SCREW, 10-16 X 3/4, AB, PH1, PAN HD, YEL ZN	

Models: A3FE  
REAR  
74 HR

Key	PartNumber	Qty	Description	Comment
-----	------------	-----	-------------	---------

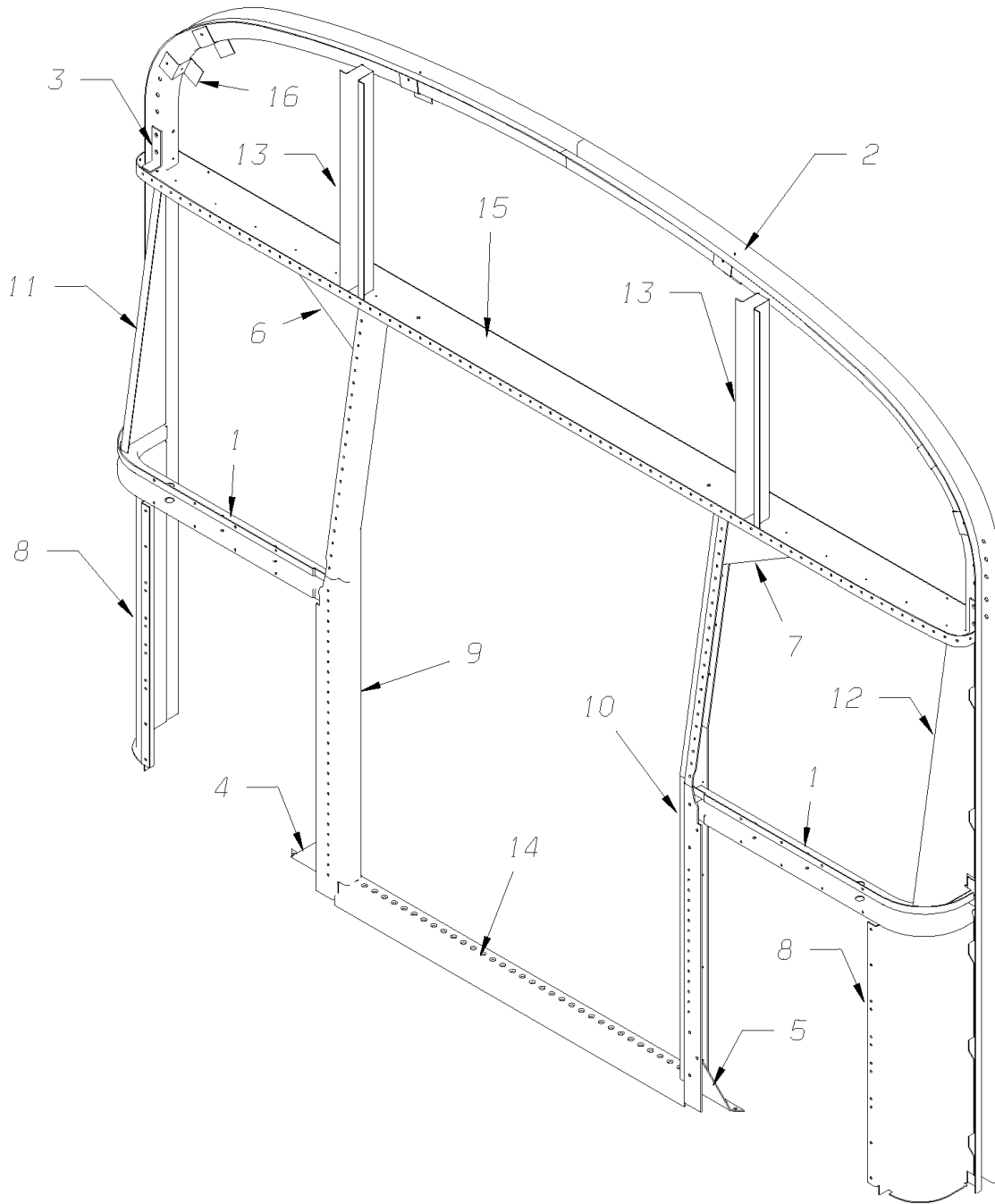


**Models:** **A3FE**  
**REAR**  
**74 HR**

Key	PartNumber	Qty	Description	Comment
1	1109685	2	BELT RAIL,REAR	
2	1831064		BOW,74HR	
3	0671776	2	BRACE,HEADER TO BOW,REAR	
4	0946582		BRACE,REAR EM DOOR POST,LOWER,LH	
5	0946574		BRACE,REAR EM DOOR POST,LOWER,RH	
6	0972042		BRACE,POST,REAR EMERGENCY DOOR,UPPER,	
7	0972034		BRACE,POST,REAR EMERGENCY DOOR,UPPER,	
8	0986885	2	POST,REAR CORNER,LOWER	
9	0932905		POST,REAR EMERGENCY DOOR,LH	
10	1110816		POST,REAR EMERGENCY DOOR,RH	
11	0840272		POST,UPPER,REAR CORNER,LH	
12	0840264		POST,UPPER,REAR CORNER,RH	
13	1074962	2	STRINGER,REAR ROOF,74 HR	
14	1110717		SUPPORT,REAR EM DOOR POST,BOTTOM	
15	1151737		HEADER ASSY,REAR,W/EM DR,FMVSS 221	
16	0063754	6	BRACKET,SUPPORT,UPPER INNER,REAR	

Models: **A3FE**  
**REAR**  
**77 HR**

Key	PartNumber	Qty	Description	Comment
-----	------------	-----	-------------	---------





**Models:** A3FE  
REAR  
77 HR

Key	PartNumber	Qty	Description	Comment
1	1109685		BELT RAIL,REAR	
2	1831056		BOW,77HR	
3	0671776		BRACE,HEADER TO BOW,REAR	
4	0946582		BRACE,REAR EM DOOR POST,LOWER,LH	
5	0946574		BRACE,REAR EM DOOR POST,LOWER,RH	
6	0972042		BRACE,POST,REAR EMERGENCY DOOR,UPPER,	
7	0972034		BRACE,POST,REAR EMERGENCY DOOR,UPPER,	
8	0986885		POST,REAR CORNER,LOWER	
9	0932905		POST,REAR EMERGENCY DOOR,LH	
10	1110816		POST,REAR EMERGENCY DOOR,RH	
11	0840272		POST,UPPER,REAR CORNER,LH	
12	0840264		POST,UPPER,REAR CORNER,RH	
13	1084888		STRINGER,REAR ROOF,77HR	
14	1110717		SUPPORT,REAR EM DOOR POST,BOTTOM	
15	1151737		HEADER ASSY,REAR,W/EM DR,FMVSS 221	
16	0063754		BRACKET,SUPPORT,UPPER INNER,REAR	