

**Body**

**320 Interior**

CENTER

43 INCH LIFT  
74 HR

---

77 HR

---

HEADLINING & INSIDE SIDE PANELS

---

PARCEL RACK BRACKET, INSTALLATION

*With: OPTION 2615 -04, -05, -06, -07, -08, -09, -10, -12, -13, -14*

---

WIRE MOLDING INSTALLATION

*To BSN B20107259 L10093804*

---

*From BSN B20107260 L10093805*

---

WIRE MOLDING INSTALLATION, WITH TRANSIT WINDOWS

---

FRONT

*To BSN B10064339 F10035824 L10059259*

---

*From BSN B10064340 F10035825 L10059260  
To BSN L10093804*

---

*From BSN L10093805*

---

COVER, ANTENNA ACCESS

2-WAY RADIO WRG, CENTER DASH MOUNT

*With: FEATURE 30281*

---

RADIO, AM/FM CASSETTE, CONSOLE MTD

*With: FEATURE 30260*

---

DASH INSTALLATION

*To BSN 10020224*

---

*From BSN 10020225  
To BSN F10035824 L10059259*

---

WITH MANUAL DOOR CONTROL

*From BSN F10035825, L10059260*

---

WITH POWER DOOR CONTROL

*From BSN F10035825 L10059260  
To BSN F10068989 L10133499*

16

*From BSN F10068990 L10133500*

17

ENGINE HOOD

18

RH DRIVE

*With: FEATURE 40360-02*

19

FRONT GLOVE COMPARTMENT LATCH

20

OVERHEAD DRIVER'S STORAGE COMPARTMENT  
LOCKING, WITH ALARM

*With: FEATURE 30906-04*

21

NON-LOCKING AND LOCKING

*With: FEATURE 30906 -01, -02*

22

OVERHEAD EMERGENCY EQUIPMENT COMPARTMENT  
LOCKING

*With: OPTION 0162*

23

NON-LOCKING

*With: OPTION 0161*

24

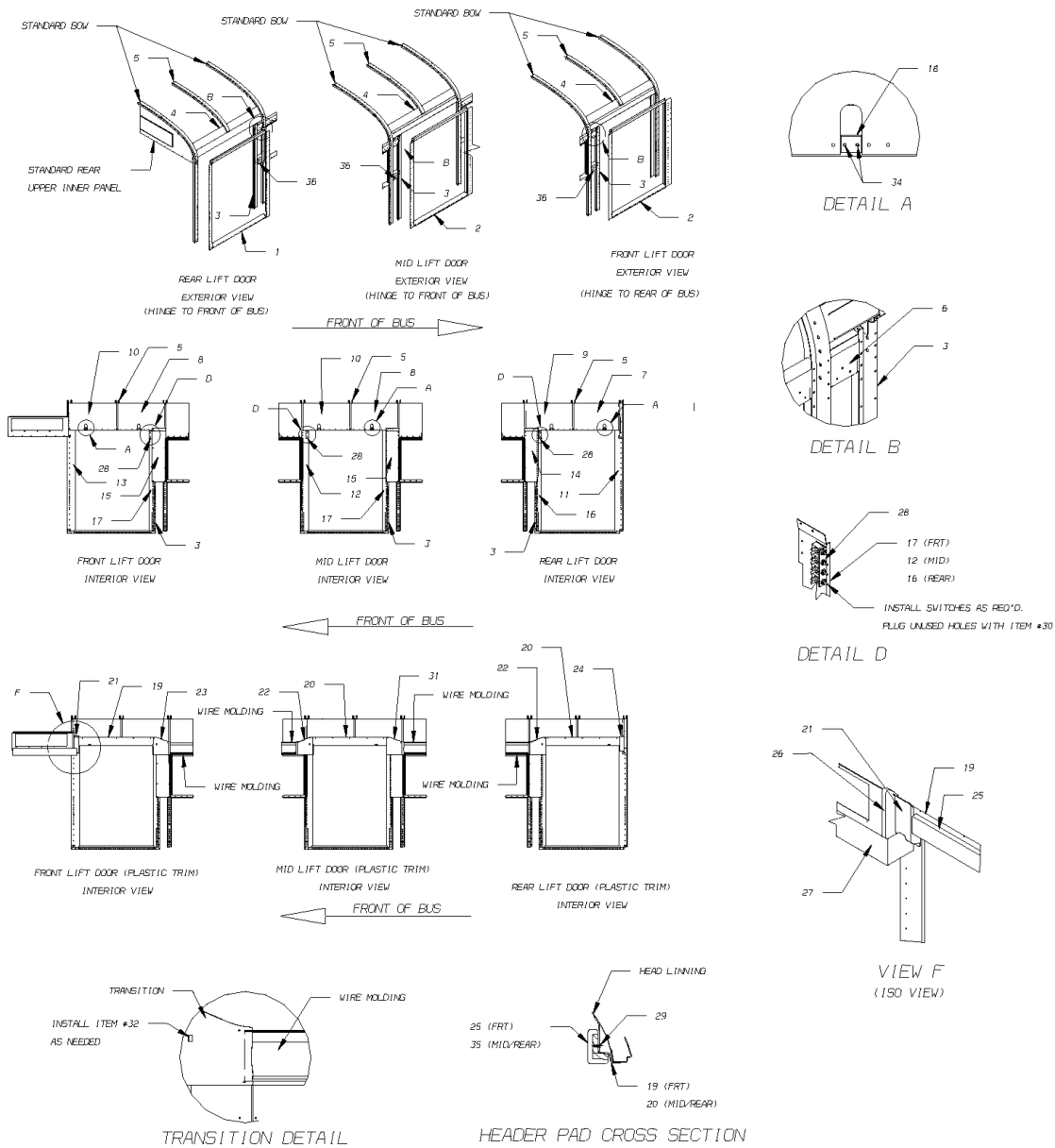
REAR

UPPER PANELS

25

**Models:** A3FE, A3RE, BBCV, SBCV, TCFE  
**CENTER**  
**43 INCH LIFT**  
**74 HR**

Key	PartNumber	Qty	Description	Comment
-----	------------	-----	-------------	---------



**Models:** A3FE, A3RE, BBCV, SBCV, TCFE  
**CENTER**  
**43 INCH LIFT**  
**74 HR**

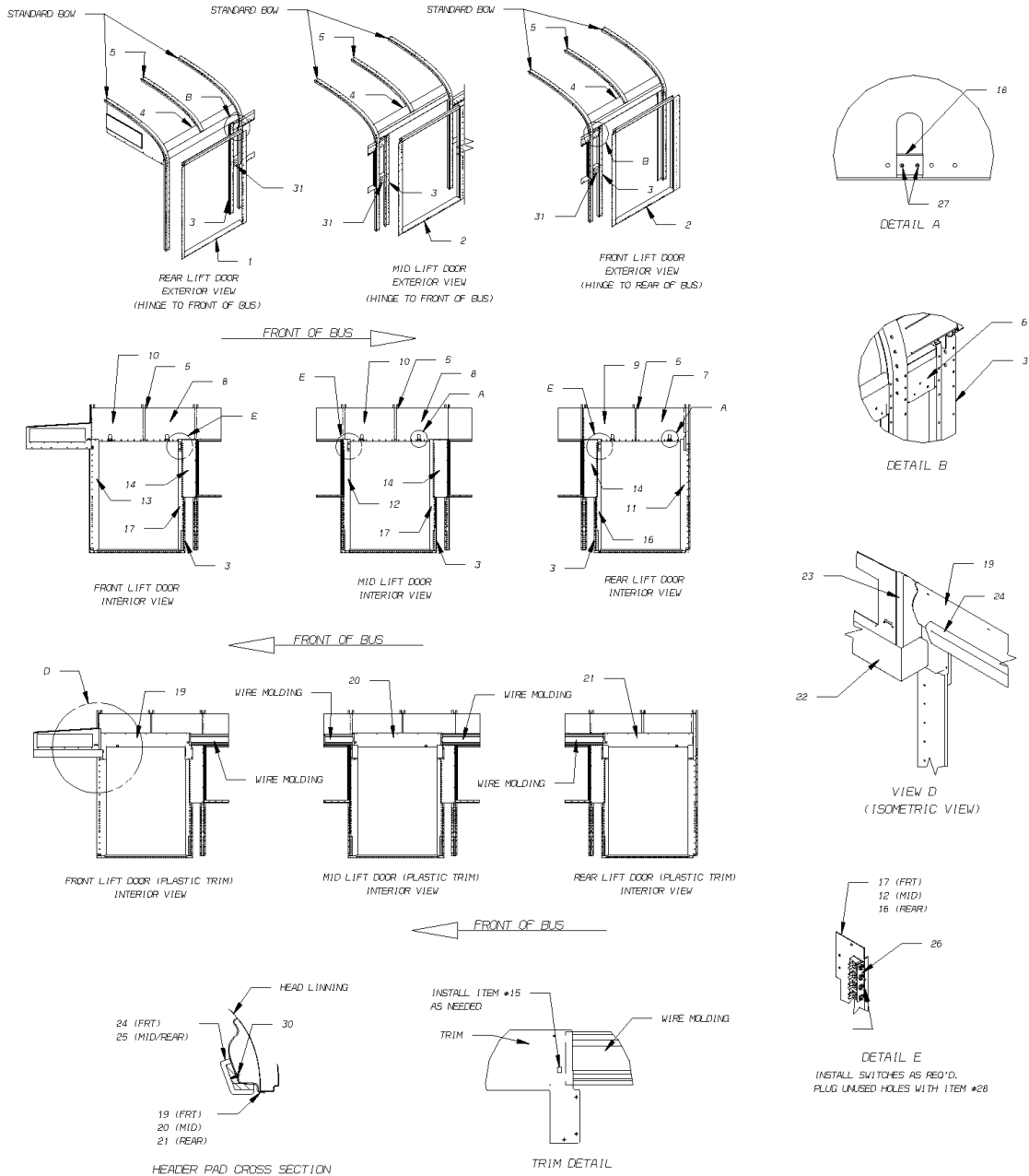
Key	PartNumber	Qty	Description	Comment
1	0051303		FRAME ASSY,LIFT DOOR,REAR,74HR	
2	0051304		FRAME ASSY,LIFT DOOR,FRT/MID,74HR	
3	1830629		BOW ASSY,INTERMEDIATE POST,74HR,COLLINS	
4	1536135		HEADER ASSY,SIDE WDO,56,74HR,LIFT,FMVSS	
5	1831189		BOW,74HR,LIFT DOOR,UPPER	
6	0051019		HEADER ASSY,LIFT DOOR,UPPER,7.00,74HR	
7	0051482		PANEL,H/L,LIFT,REAR,74HR	
7	0051483		PANEL,H/L,LIFT,REAR,PERFORATED,74HR	
8	0051463		PANEL,H/L,LIFT,REARWARD,74HR	
8	0051464		PANEL,H/L,LIFT,REARWARD,PERFORATED,74HR	
9	0051615		PANEL,H/L,REAR LIFT,FORWARD,74HR	
9	0051616		PANEL,H/L,REAR LIFT,FORWARD,	
10	0051459		PANEL,H/L,LIFT,FORWARD,74HR	
10	0051460		PANEL,H/L,LIFT,FORWARD,PERFORATED,74HR	
11	0087460		TRIM,I/S,REAR BOW,REAR W/C LIFT,74HR	
12	0051107		TRIM,I/S,FRONT BOW,MID LIFT,74HR	
13	0087453		TRIM,I/S,FRT BOW,FRT W/C LIFT,74HR	
14	0051261		PANEL,I/S,BLIND,7.00,REAR LIFT,74HR	
14	0051262		PANEL,I/S,BLIND,7.00,RR LIFT,74HR,NON-DOT	
15	0051066		PANEL,I/S,BLIND,7.00,FRT/MID LIFT,74HR	
15	0051068		PANEL,I/S,BLIND,7.00,FRT/MID LIFT,74,NON-	
16	0051106		TRIM,I/S,FRONT BOW,REAR LIFT,74HR	
17	0087455		TRIM,I/S,REAR BOW,FRT/MID W/C LIFT,74HR	
18	0051233		BRACKET,BUZZER SWITCH,LIFT DOOR,74HR	FEATURE 30400-01. ASTRO WHITE
18	0076263		BRACKET,SWITCH,BUZZER,LIFT DR,74HR,	FEATURE 30400-02. FLORIDA GRAY
18	0076264		BRACKET,SWITCH,BUZZER,LIFT DR,74HR,KY	FEATURE 30400-03. KENTUCKY BLUE
18	0086947		BRACKET,SWITCH,BUZZER,LIFT DR,74HR,	FEATURE 30400-04. SEA FOAM GREEN
19	0051592		MOLDING,WIRE,LIFT DOOR,FRONT,74HR	
20	0052326		MOLDING,WIRE,LIFT DOOR,MID/REAR,74HR	
21	0051597		TRIM,WIRE MOLDING,LIFT DOOR,ENT DR,74HR	
22	0053154		TRANSITION,WIRE MLDG,LFT DR,74,LH	
23	0053153		TRANSITION,WIRE MLDG,LFT DR,74,RH	

**Models:** **A3FE, A3RE, BBCV, SBCV, TCFE**  
**CENTER**  
**43 INCH LIFT**  
**74 HR**

Key	PartNumber	Qty	Description	Comment
24	0051599		TRIM,WIRE MOLDING,LIFT DR,RR UPR	
25	0053722		PAD ASSY,HDR,LIFT DOOR,FRT,74 HR	
26	0058433		PAD ASSY,HDR,O/O ENT DR,REAR,W/LIFT,74	<i>FEATURE 30977-02. OUTWARD OPENING DOOR</i>
26	0053689		PAD ASSY,HDR,J/K ENT D00R,REAR,	<i>FEATURE 30977-03. JACKKNIFE DOOR</i>
27	0045798		PAD ASSY,HDR,O/O ENT DR,CMVSS,74HR., CV	<i>BBCV, SBCV, FEATURE 30977-02. OUTWARD OPENING DOOR</i>
27	1426998		PAD ASSY,HDR,3.00 X 31.00	<i>BBCV, SBCV, FEATURE 30977-03. JACKKNIFE DOOR</i>
27	0045800		PAD ASSY,HDR,O/O ENT DR,CMVSS,74HR,	<i>A3FE. A3RE. TCFE,FEATURE 30977-02. OUTWARD OPENING DOOR</i>
27	1578459		PAD ASSY,HDR,ENT DR, 3.00 X 35.00	<i>A3FE. A3RE. TCFE,FEATURE 30977-03. JACKKNIFE DOOR</i>
28	0053591		BRACKET,MOUNTING,SWITCHES,LIFT DOOR	
29	2000644		SCREW,1/4-14X 3/4,AB,PH1,TRUSS HD,	
30	1351063		PLUG,BUTTON,BLACK,DP-500,HEYCO 2643	
31	0053322		TRANSITION,WIRE MLDG,LFT DR,74,RH W/O	
32	6012066		SWITCH,BLANK,ARCO ELECTRIC	
33	0054228		SCREW,10-16 X 3/4,AB,PHI,PN/HD,ZINC,WHITE	
34	1415769		RIVET,POP,.18 X .45,CHERRY SSPS-6-4	
35	0053715		PAD ASSY,HDR,LIFT DOOR,MID/REAR,74 HR	
36	1467505		BELT BAR ASSY,WINDOW LINE,TSW,7 SECTION	

**Models:** A3FE, A3RE, BBCV, SBCV, TCFE  
**CENTER**  
**43 INCH LIFT**  
**77 HR**

Key	PartNumber	Qty	Description	Comment
-----	------------	-----	-------------	---------



**Models:** A3FE, A3RE, BBCV, SBCV, TCFE  
**CENTER**  
**43 INCH LIFT**  
**77 HR**

Key	PartNumber	Qty	Description	Comment
1	0051326		FRAME ASSY,LIFT DOOR,REAR,77HR	
2	0051496		FRAME ASSY,LIFT DOOR,FRT/MID,77HR	
3	0051260		BOW ASSY,LIFT,INTERMEDIATE,77HR	
4	0044424		HEADER ASSY,SIDE WDO,56,77HR,LIFT,FMVSS	
5	1825439		BOW,77HR,LIFT DOOR,UPPER	
6	0052196		HEADER ASSY,LIFT DOOR,UPPER,7.00,77HR	
7	0051501		PANEL,H/L,REAR LIFT,REAR,77HR	
7	0051502		PANEL,H/L,REAR LIFT,REAR,PERFORATED,77HR	
8	0051498		PANEL,H/L,LIFT,REARWARD,77HR	
8	0051499		PANEL,H/L,LIFT,REARWARD,PERFORATED,77HR	
9	0051632		PANEL,H/L,REAR LIFT,FORWARD,77HR	
9	0051633		PANEL,H/L,REAR LIFT,FORWARD,	
10	0051491		PANEL,H/L,LIFT,FORWARD,77HR	
10	0051492		PANEL,H/L,LIFT,FORWARD,PERFORATED,77HR	
11	0087457		TRIM,I/S,REAR BOW,REAR W/C LIFT,77HR	
12	0051266		TRIM,I/S,FRONT BOW,MID LIFT,77HR	
13	0087488		TRIM,I/S,FRONT BOW,FRT W/C LIFT,77HR	
14	0051239		PANEL,BLIND,7.00,FRT/MID LIFT DOOR,77HR	
14	0051893		PANEL,BLIND,7.00,FRT/MID LIFT DR,77HR,	
15	6012066		SWITCH,BLANK,ARCO ELECTRIC	
16	0051267		TRIM,I/S,FRONT BOW,REAR LIFT,77HR	
17	0087490		TRIM,I/S,REAR BOW,FRT/MID W/C LIFT,77HR	
18	0051325		BRACKET,BUZZER SWITCH,LIFT DOOR,77HR	<i>FEATURE 30400-01. ASTRO WHITE</i>
18	0076261		BRACKET,SWITCH,BUZZER,LIFT DR,77HR,	<i>FEATURE 30400-02. FLORIDA GRAY</i>
18	0076262		BRACKET,SWITCH,BUZZER,LIFT DR,77HR,KY	<i>FEATURE 30400-03. KENTUCKY BLUE</i>
18	0086948		BRACKET,SWITCH,BUZZER,LIFT DR,77HR,	<i>FEATURE 30400-04. SEA FOAM GREEN</i>
19	0053635		TRIM,WIRE MOLDING.FRT LIFT DOOR,77 HR	
20	0053622		TRIM,WIRE MOLDING,MID LIFT DOOR,77 HR	
21	0053636		TRIM,WIRE MOLDING,REAR LIFT DOOR,77 HR	
22	0053695		PAD ASSY,HDR,O/O ENT DR,W/LIFT,77HR., CV	<i>BBCV, SBCV, FEATURE 30977-02, OUTWARD OPENING DOOR</i>
22	1426998		PAD ASSY,HDR,3.00 X 31.00	<i>BBCV, SBCV, FEATURE 30977-02, OUTWARD OPENING DOOR</i>

**Models:** **A3FE, A3RE, BBCV, SBCV, TCFE**  
**CENTER**  
**43 INCH LIFT**  
**77 HR**

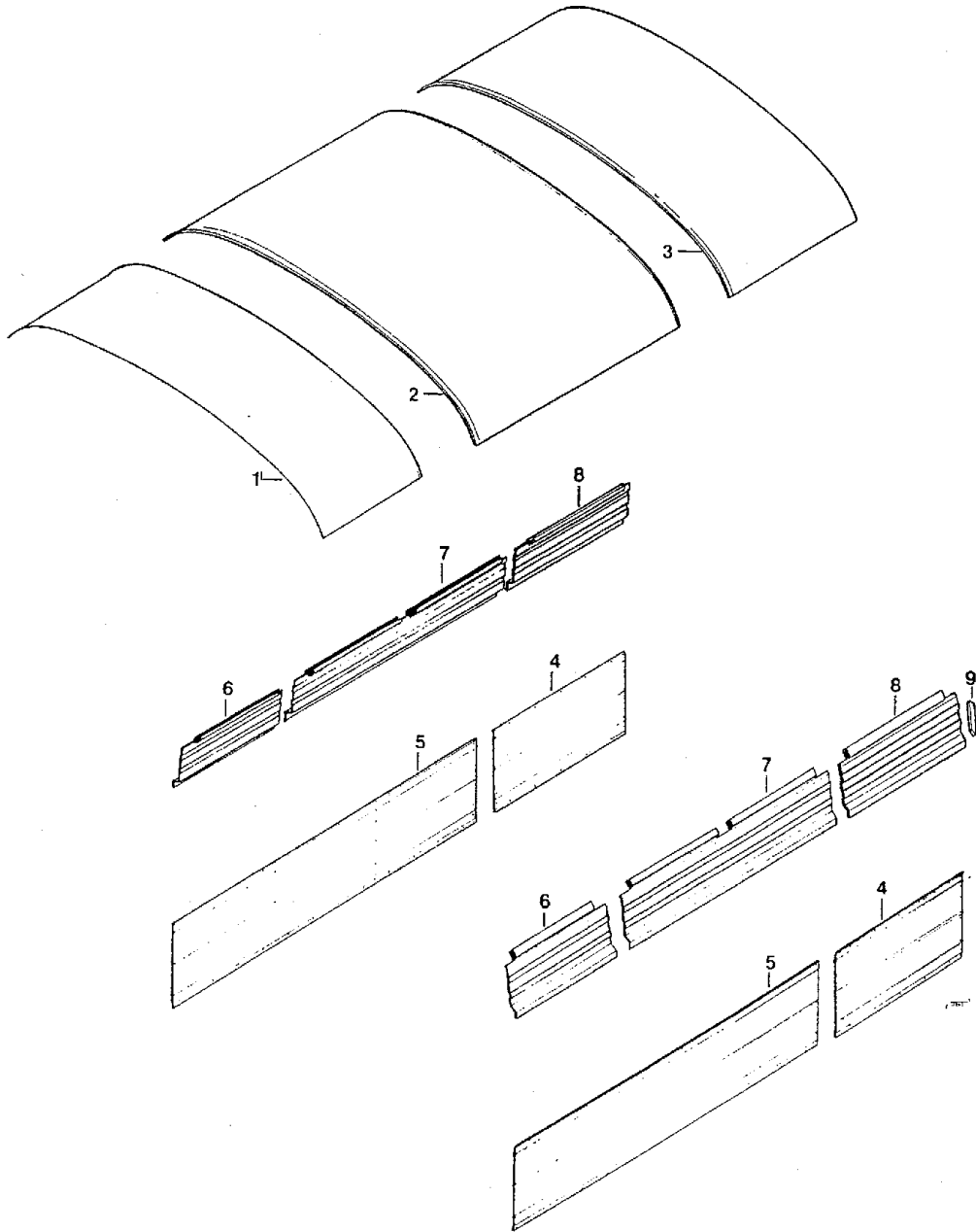
Key	PartNumber	Qty	Description	Comment
22	0053694		PAD ASSY,HDR,O/O ENT DR,W/LIFT,77HR., A3	<i>A3FE. A3RE. TCFE,FEATURE 30977-02. OUTWARD OPENING DOOR</i>
22	1578459		PAD ASSY,HDR,ENT DR, 3.00 X 35.00	<i>A3FE. A3RE. TCFE,FEATURE 30977-03. JACKKNIFE DOOR</i>
23	0057508		PAD ASSY,HDR,O/O ENT DR,REAR 77HR	<i>FEATURE 30977-02. OUTWARD OPENING DOOR</i>
23	0053082		PAD ASSY,HDR,J/K ENT D00R,REAR,77HR	<i>FEATURE 30977-03. JACKKNIFE DOOR</i>
24	0053721		PAD ASSY,HDR,LIFT DOOR,FRT,77 HR	
25	0053318		PAD ASSY,HDR,LIFT DOOR,MID/REAR,77 HR	
26	0053591		BRACKET,MOUNTING,SWITCHES,LIFT DOOR	
27	1415769		RIVET,POP,.18 X .45,CHERRY SSPS-6-4	
28	1351063		PLUG,BUTTON,BLACK,DP-500,HEYCO 2643	
29	0054228		SCREW,10-16 X 3/4,AB,PHI,PN/HD,ZINC,WHITE	
30	2000644		SCREW,1/4-14X 3/4,AB,PH1,TRUSS HD,	
31	1467505		BELT BAR ASSY,WINDOW LINE,TSW,7 SECTION	



Models: A3FE, A3RE, TCFE, TCRE  
CENTER  
HEADLINING & INSIDE SIDE PANELS

Key	PartNumber	Qty	Description	Comment
-----	------------	-----	-------------	---------

DR 6/2/82 BY JGT  
APP. 6-2-82 BY DB 8000135  
© 1982 BLUE BIRD BODY COMPANY  
ALL RIGHTS RESERVED



**Models: A3FE, A3RE, TCFE, TCRE  
CENTER  
HEADLINING & INSIDE SIDE PANELS**

Key	PartNumber	Qty	Description	Comment
1	1074970		PANEL,H/L,REAR,28	74" HR, STANDARD
1	1086438		PANEL,H/L,REAR,28,77 HR	77" HR, OPTION 3471
NI	1824168		PANEL,H/L,REAR,28,PERF,74HR,9SS	OPTION 1503 WITH OPTION 1494, 1504, STANDARD
NI	1908425		PANEL,H/L,REAR,28,PERF, TSFE	OPTION 1503 WITH OPTION 1494, 1504, TSFE ONLY
NI	1824036		PANEL,H/L,REAR,28,PERF,77HR,12SS	OPTION 1503 WITH OPTION 1494, 1504, OPTION 3337
NI	1824044		PANEL,H/L,REAR,28,PERF,74HR,12SS	OPTION 1503 WITH OPTION 1494, 1504, OPTION 3339
NI	1824176		PANEL,H/L,REAR,28,PERF,77HR,9SS	OPTION 1503 WITH OPTION 1494, 1504, OPTION 3471
2	1075019		PANEL,H/L,28,74HR	STANDARD, 74 IN. HR, ENDING WITH BSN B10107204, F10056064, L10093804
2	0043805		PANEL,H/L,28 SECT,74HR"	STANDARD, 74 IN. HR, BEGIN WITH BSN B10107205, F10056065, L10093805
2	1075001		PANEL,H/L,35,74HR	STANDARD, 74 IN. HR
2	1309582		PANEL,H/L,56,74HR	STANDARD, 74 IN. HR
2	1086396		PANEL,H/L,28,77HR	OPTION 3471, 77 IN. HR
2	1086388		PANEL,H/L,35,77HR	OPTION 3471, 77 IN. HR
2	1309608		PANEL,H/L,56,77HR	OPTION 3471, 77 IN. HR
2	0834655		PANEL,H/L,28,12 SS,74 HR	OPTION 3339
2	0834663		PANEL,H/L,HEM,35IN,12SS,74HR	OPTION 3339
2	1086644		PANEL,H/L,28,12 SS,77 HR	OPTION 3337, ENDING WITH BSN B10107204, F10056064, L10093804
2	0043804		PANEL,H/L,28 SECT,77HR	OPTION 3337, BEGIN WITH BSN B10107205, F10056065, L10093805
2	1086651		PANEL,H/L,35,12SS,77HR	OPTION 3337,
2	1309590		PANEL,H/L,56,12SS,TSW,77HR	OPTION 3337,
3				SEE TABLE OF CONTENTS, FRONT INTERIOR & ELECTRICAL PANEL
4-5	1310317		PANEL,I/S,1-10.50,22GA,CRSZC	STANDARD, ENDING WITH BSN 188882
4-5	1310309		PANEL,I/S,1-19.12,22GA,CRSZC	STANDARD, ENDING WITH BSN 188882
4-5	1310200		PANEL,I/S,1-28,22GA	STANDARD, ENDING WITH BSN 188882
4-5	1310275		PANEL,I/S,1-35,22GA	STANDARD, ENDING WITH BSN 188882
4-5	1310218		PANEL,I/S,2-28,22GA	

**Models: A3FE, A3RE, TCFE, TCRE  
CENTER  
HEADLINING & INSIDE SIDE PANELS**

Key	PartNumber	Qty	Description	Comment
				188882
4-5	1310283		PANEL,I/S,2-35,22GA	STANDARD, ENDING WITH BSN 188882
4-5	1310226		PANEL,I/S,3-28,22GA	STANDARD, ENDING WITH BSN 188882
4-5	1310291		PANEL,I/S,3-35,22GA	STANDARD, ENDING WITH BSN 188882
4-5	1310234		PANEL,I/S,4-28,22GA	STANDARD, ENDING WITH BSN 188882
4-5	1310242		PANEL,I/S,5-28,22GA	STANDARD, ENDING WITH BSN 188882
4-5	1830579		PANEL,I/SS,TEXT ALUM STL,7.00	TSFE, STANDARD, BEGIN WITH BSN 188883
4-5	1830587		PANEL,I/SS,TEXT ALUM STL,1-10.5	STANDARD, BEGIN WITH BSN 188883
4-5	1830611		PANEL,I/SS,TEXT ALUM STL,1-19.12	STANDARD, BEGIN WITH BSN 188883
4-5	1830454		PANEL,I/SS,TEXT ALUM STL,1-28	STANDARD, BEGIN WITH BSN 188883
4-5	1830504		PANEL,I/SS,TEXT ALUM STL,1-35	STANDARD, BEGIN WITH BSN 188883
4-5	1830462		PANEL,I/SS,TEXT ALUM STL,2-28	STANDARD, BEGIN WITH BSN 188883
4-5	1882224		PANEL,I/SS,63,FWD LFT DR, TSFE	TSFE, STANDARD, BEGIN WITH BSN 188883
4-5	1830512		PANEL,I/SS,TEXT ALUM STL,2-35	STANDARD, BEGIN WITH BSN 188883
4-5	1830470		PANEL,I/SS,TEXT ALUM STL,3-28	STANDARD, BEGIN WITH BSN 188883
4-5	1830520		PANEL,I/SS,TEXT ALUM STL,3-35	STANDARD, BEGIN WITH BSN 188883
4-5	1830488		PANEL,I/SS,TEXT ALUM STL,4-28	STANDARD, BEGIN WITH BSN 188883
4-5	1830546		PANEL,I/SS,TEXT ALUM STL,5-28	STANDARD, BEGIN WITH BSN 188883
4-5	1501204		PANEL,I/S,TEX ALUM STL,1-10.50 SECT	OPTION 2448, ENDING WITH BSN 188882
4-5	1501238		PANEL,I/S,TEX ALUM STL,1-19.12 SECT	OPTION 2448, ENDING WITH BSN 188882
4-5	1501246		PANEL,I/S,TEX ALUM STL,1-28.00 SECT	OPTION 2448, ENDING WITH BSN 188882
4-5	1501295		PANEL,I/S,TEX ALUM STL,1-35.00 SECT	OPTION 2448, ENDING WITH BSN 188882
4-5	1501253		PANEL,I/S,TEX ALUM STL,2-28.00 SECT	OPTION 2448, ENDING WITH BSN 188882
4-5	1501303		PANEL,I/S,TEX ALUM STL,2-35.00 SECT	OPTION 2448, ENDING WITH BSN 188882

**Models:** A3FE, A3RE, TCFE, TCRE  
**CENTER  
 HEADLINING & INSIDE SIDE PANELS**

Key	PartNumber	Qty	Description	Comment
4-5	1501261		PANEL,I/S,TEX ALUM STL,3-28.00 SECT	OPTION 2448, ENDING WITH BSN 188882
4-5	1501311		PANEL,I/S,TEX ALUM STL,3-35.00 SECT	OPTION 2448, ENDING WITH BSN 188882
4-5	1501279		PANEL,I/S,TEX ALUM STL,4-28.00 SECT	OPTION 2448, ENDING WITH BSN 188882
4-5	1848555		PANEL,I/SS,TEXT ALUM STL,FULL HEM,RH,7,	OPTION 2449
4-5	1924596		PANEL,I/SS,TEXT ALUM STL,F/HEM,SED 1-7,2	OPTION 2449
4-5	1848662		PANEL,I/SS,TEXT ALUM STL,FULL HEM,SED,2-28	OPTION 2449
4-5	1848365		PANEL,I/SS,TEXT ALUM STL,FULL HEM,RH,4-28	OPTION 2449
4-5	1848472		PANEL,I/SS,TEXT ALUM STL,FULL HEM,LH,4-28	OPTION 2449
4-5	1848688		PANEL,I/SS,TEXT ALUM STL,FULL HEM,SED,4-28	OPTION 2449
4-5	1848373		PANEL,I/SS,TEXT ALUM STL,FULL HEM,RH,5-28	OPTION 2449
4-5	1848480		PANEL,I/SS,TEXT ALUM STL,FULL HEM,LH,5-28	OPTION 2449
4-5	1830116		PANEL,I/SS,VINYL,1-7,22 GA	OPTION 2459
4-5	1830058		PANEL,I/SS,VINYL,1-10.5,22 GA	OPTION 2459
4-5	1830066		PANEL,I/SS,VINYL,1-19.12,22 GA	OPTION 2459
4-5	1830025		PANEL,I/SS,VINYL,1-28,22 GA	OPTION 2459
4-5	1830074		PANEL,I/SS,VINYL,1-35,22 GA	OPTION 2459
4-5	1830033		PANEL,I/SS,VINYL,2-28,22 GA	OPTION 2459
4-5	1907187		PANEL,I/SS,VINYL,63,FWD LFT DR,22 GA, TSFE	OPTION 2459
4-5	1907195		PANEL,I/SS,VINYL,4-28,22 GA, TSFE	OPTION 2459
4-5	1907203		PANEL,I/SS,VINYL,5-28,22 GA, TSFE	OPTION 2459
4-5	1830082		PANEL,I/SS,VINYL,2-35,22 GA	OPTION 2459
4-5	1830041		PANEL,I/SS,VINYL,3-28,22 GA	OPTION 2459
6			WIRE MOLDING; REAR SECTION	SEE INTERIOR REAR SECTION
7-8	1824390		MOLDING,WIRE,LIFT DOOR,40,1-10.5	
7-8	1264654		MOLDING,WIRE,LIFT DOOR,1-19 1/8	
7-8	1824275		MOLDING,WIRE,1-28	
7-8	1824325		MOLDING,WIRE,1-35	
7-8	1824283		MOLDING,WIRE,2-28	
7-8	1824333		MOLDING,WIRE,2-35	
7-8	1824291		MOLDING,WIRE,3-28	
7-8	1824341		MOLDING,WIRE,3-35	
7-8	1824309		MOLDING,WIRE,4-28	

**Models:** A3FE, A3RE, TCFE, TCRE  
**CENTER  
 HEADLINING & INSIDE SIDE PANELS**

Key	PartNumber	Qty	Description	Comment
7-8	1824317		MOLDING,WIRE,5-28	
NI	1511740		MOLDING,WIRE,FRONT,LH, TCFC/CV	
9	1511781		CAP,WIRE,DRIVERS WINDOW, CONV	STANDARD
9	0836569		CAP,WIRE MOLDING,FRONT,12SS,74HR,TSW	OPTION 3339
9	0836601		CAP,WIRE MOLDING,FRONT,12SS,77HR,TSW	OPTION 3337, 3471
NI	1511773		CAP,WIRE,DRIVERS WINDOW, TCFC/AAFC	
NI	1825066		MOLDING,WIRE,LIFT DOOR,40,9SS,FIRST,	STANDARD
NI	1825058		MOLDING,WIRE,LIFT DOOR,40,9SS,SECOND	STANDARD
NI	1825033		MOLDING,WIRE,LIFT DOOR,49,9SS,M/M	STANDARD
NI	1825116		MOLDING,WIRE,LIFT DOOR,40,9SS,REAR,45.5	STANDARD
NI	1824903		MOLDING,WIRE,LIFT DOOR,40-43,12SS,FIRST	OPTION 3339
NI	1824911		MOLDING,WIRE,LIFT DOOR,40,12SS,M/M	OPTION 3339
NI	1824937		MOLDING,WIRE,LIFT DOOR,40-43,12SS,REAR	OPTION 3339
NI	1824275		MOLDING,WIRE,1-28	OPTION 2826 WITH, 28" STANDARD OPTION 3337, 3339, 3471
NI	1824325		MOLDING,WIRE,1-35	OPTION 2826 WITH, 35" STANDARD OPTION 3337, 3339, 3471
NI	1824317		MOLDING,WIRE,5-28	OPTION 2826 WITH, 140"; STANDARD OPTION 3337; 3339; 3473
NI	1429232		PAN,CLOSEOUT,3-POINT BELT,74HR,STD SS	STANDARD
NI	1457225		PAN,CLOSEOUT,3-POINT BELT,77HR,TSW/12SS	OPTION 3337
NI	1457217		PAN,CLOSEOUT,3-POINT BELT,74HR,12SS	OPTION 3339
NI	1443639		PAN,CLOSEOUT,3-POINT BELT,77HR,STD SS	OPTION 3471
NI	1434182		BRACKET,RETRACTOR,3-PT BELT,74HR,STD SS	STANDARD . 5"
NI	1449669		BRACKET,RETRACTOR,3-PT BELT,74HR,STD	STANDARD . 10"
NI	1455542		BRACKET,RETRACTOR,3-PT BELT,77HR,12SS	OPTION 3337
NI	1455591		BRACKET,RETRACTOR,3-PT BELT,74HR,12SS	OPTION 3339
NI	1434190		BRACKET,D-RING,3 POINT BELT,74SS-5	STANDARD. 5"
NI	1443647		BRACKET,D-RING,3-POINT BELT,74SS-10	STANDARD. 10"
NI	1455609		BRACKET,D-RING,3-POINT	OPTION 3337
NI	1455682		BRACKET,D-RING,3-POINT BELT,74HR,12SS	OPTION 3339
NI	1443613		BRACKET,D-RING,3-POINT BELT,77SS-5	OPTION 3471. 5"
NI	1450162		BRACKET,D-RING,3-POINT BELT,77SS-10	OPTION 3471. 10"

**Models:** A3FE, A3RE, TCFE, TCRE  
CENTER  
HEADLINING & INSIDE SIDE PANELS

Key	PartNumber	Qty	Description	Comment
NI	1554096		CAP,WIRE,DRIVERS WINDOW,36.75,TC	

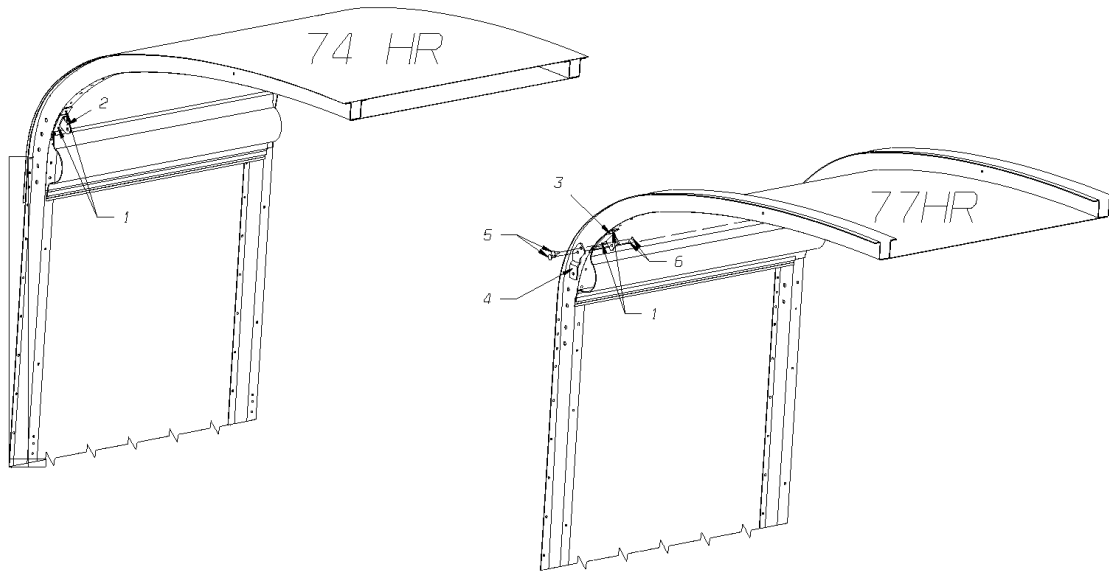
Models: A3FE, A3RE, BBCV, SBCV

CENTER

PARCEL RACK BRACKET, INSTALLATION

With Features: OPTION 2615 -04, -05, -06, -07, -08, -09, -10, -12, -13, -14

Key	PartNumber	Qty	Description	Comment
-----	------------	-----	-------------	---------



**Models:** A3FE, A3RE, BBCV, SBCV

**CENTER**

**PARCEL RACK BRACKET, INSTALLATION**

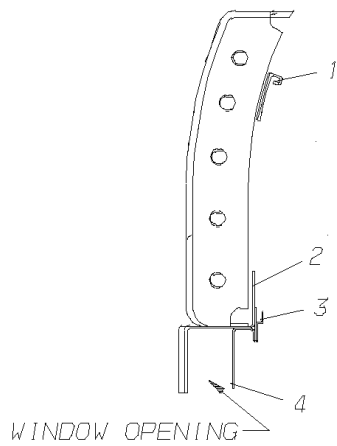
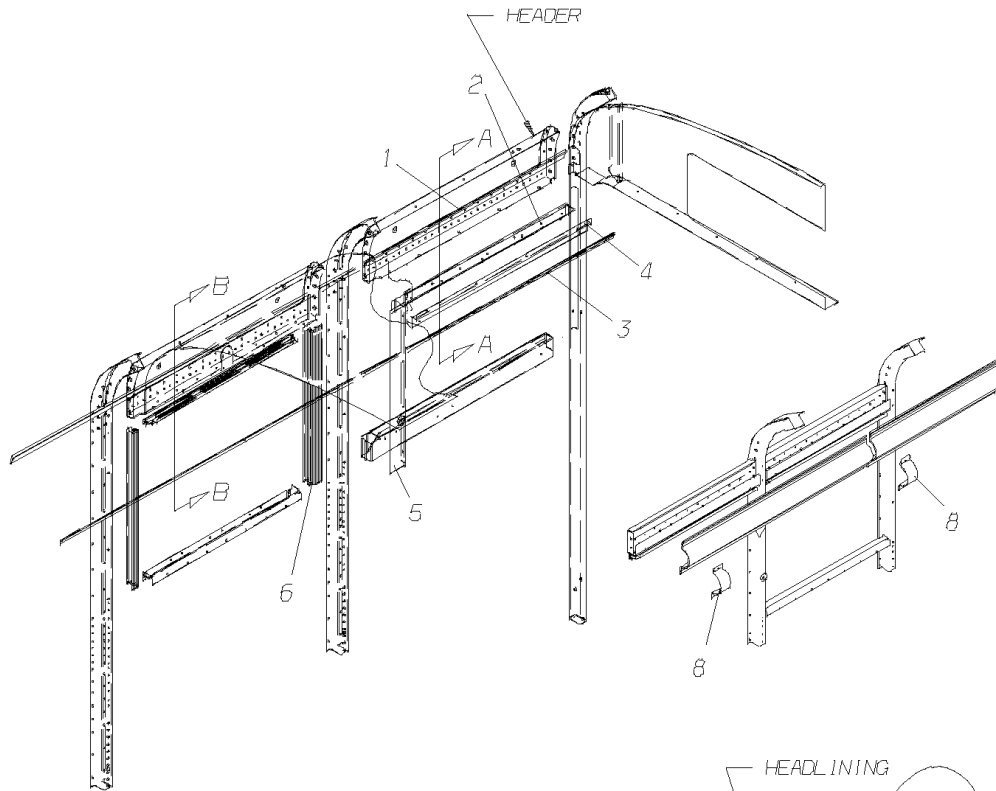
**With Features:** OPTION 2615 -04, -05, -06, -07, -08, -09, -10, -12, -13, -14

Key	PartNumber	Qty	Description	Comment
1	1167808	2	SCREW,1/4-14 X 3/4,AB,PH1,PAN HD,BLK ZN	
2	0056268		BRACKET ASSY,MTG PARCEL RACK,74 HR	
3	0056269		BRACKET,WALL MOUNT,PARCEL RACK,77 HR	
4	0056270		BRACKET,MTG PARCEL RACK,77 HR	
5	2000792	2	SCREW,MACH,1/4-20X1/2,PH1,RD HD,YEL ZN	
6	2001360	2	NUT,ACORN,1/4-20,NICKEL"	

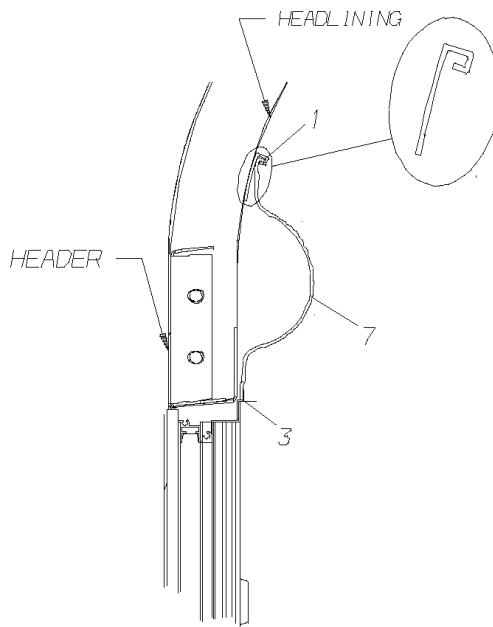


Models: A3FE, A3RE, GMCV, SBCV, TCFE  
 CENTER  
 WIRE MOLDING INSTALLATION  
 To BSN B20107259 L10093804

Key	PartNumber	Qty	Description	Comment
-----	------------	-----	-------------	---------



SECTION "A - A"  
 DRIVER'S WINDOW



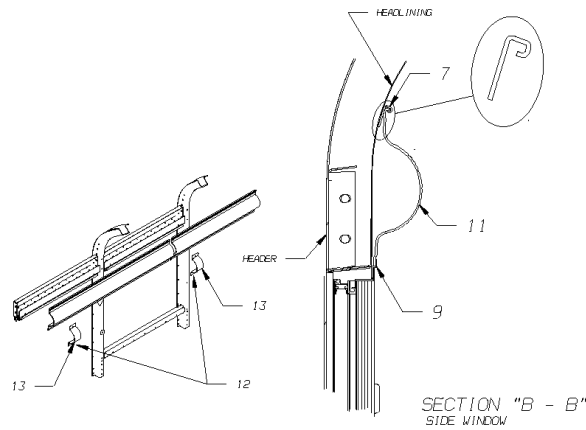
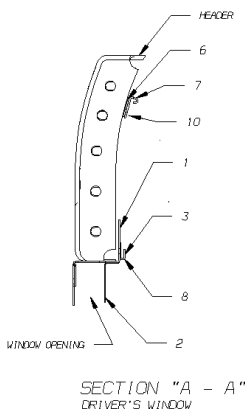
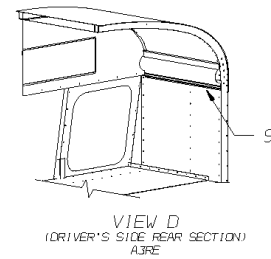
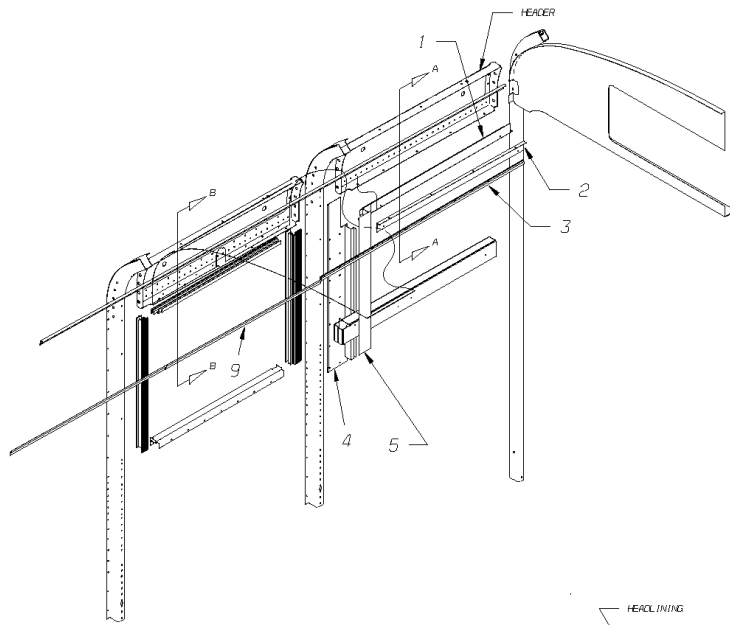
SECTION "B - B"  
 SIDE WINDOW

**Models: A3FE, A3RE, GMCV, SBCV, TCFE  
CENTER  
WIRE MOLDING INSTALLATION  
To BSN B20107259 L10093804**

Key	PartNumber	Qty	Description	Comment
1	0050637		EXTRUSION,RETAINER,WIRE MOLDING,UPPER	
NI	1415769		RIVET,POP,.18 X .45,CHERRY SSPS-6-4	
2	0046116		TRIM,DRV WDO,OUTER,UPR, A3/TC	
2	0046115		TRIM,DRV WDO,OUTER,UPR, CV	<i>GMCV, SBCV-INTERNATIONAL</i>
2	0046577		TRIM,UPPER,DRIVERS WINDOW,CMVSS, FTLR	
3	0044886		TRACK,WIRE MOLDING,LOWER	
4	0046570		TRIM,UPPER,DRIVERS WINDOW,CMVSS, TC/A3	
4	0046569		TRIM,UPPER,DRIVERS WINDOW,CMVSS, CV	<i>GMCV, SBCV-INTERNATIONAL</i>
4	0046577		TRIM,UPPER,DRIVERS WINDOW,CMVSS, FTLR	
5	0044453		CAP,WIRE,DRIVERS WINDOW,, TC/A3	
5	0044426		CAP,WIRE,DRIVERS WINDOW, CV	<i>GMCV, SBCV</i>
6	0047477		BOW CAP,OUTER,LH,FRONT,74 HR, A3	<i>74 HR</i>
6	0047479		BOW CAP,OUTER,LH FRONT,74 HR,CV	<i>GMCV, SBCV. 74" HR</i>
6	0047480		BOW CAP,OUTER,12 S/S,LH,FRONT,221, FTLR	
6	0047478		BOW CAP,OUTER,LH FRONT,77 HR, A3	<i>77 HR</i>
6	0047476		BOW CAP,OUTER,LH,FRONT,77 HR, CV	<i>GMCV, SBCV. 77" HR</i>
7	0050697		MOLDING,WIRE,EXTRUDED RPVC	
8	0052730		COVER,WIRE MOLDING JOINT	
NI	0052711		FASTENER,PUSH-IN,.182 X 1.15	

**Models:** A3FE, A3RE, BBCV, GMCV, SBCV  
**CENTER**  
**WIRE MOLDING INSTALLATION**  
**BSN:** From BSN B20107260 L10093805

Key	PartNumber	Qty	Description	Comment
-----	------------	-----	-------------	---------



**Models:** A3FE, A3RE, BBCV, GMCV, SBCV  
**CENTER**  
**WIRE MOLDING INSTALLATION**  
**BSN:** From BSN B20107260 L10093805

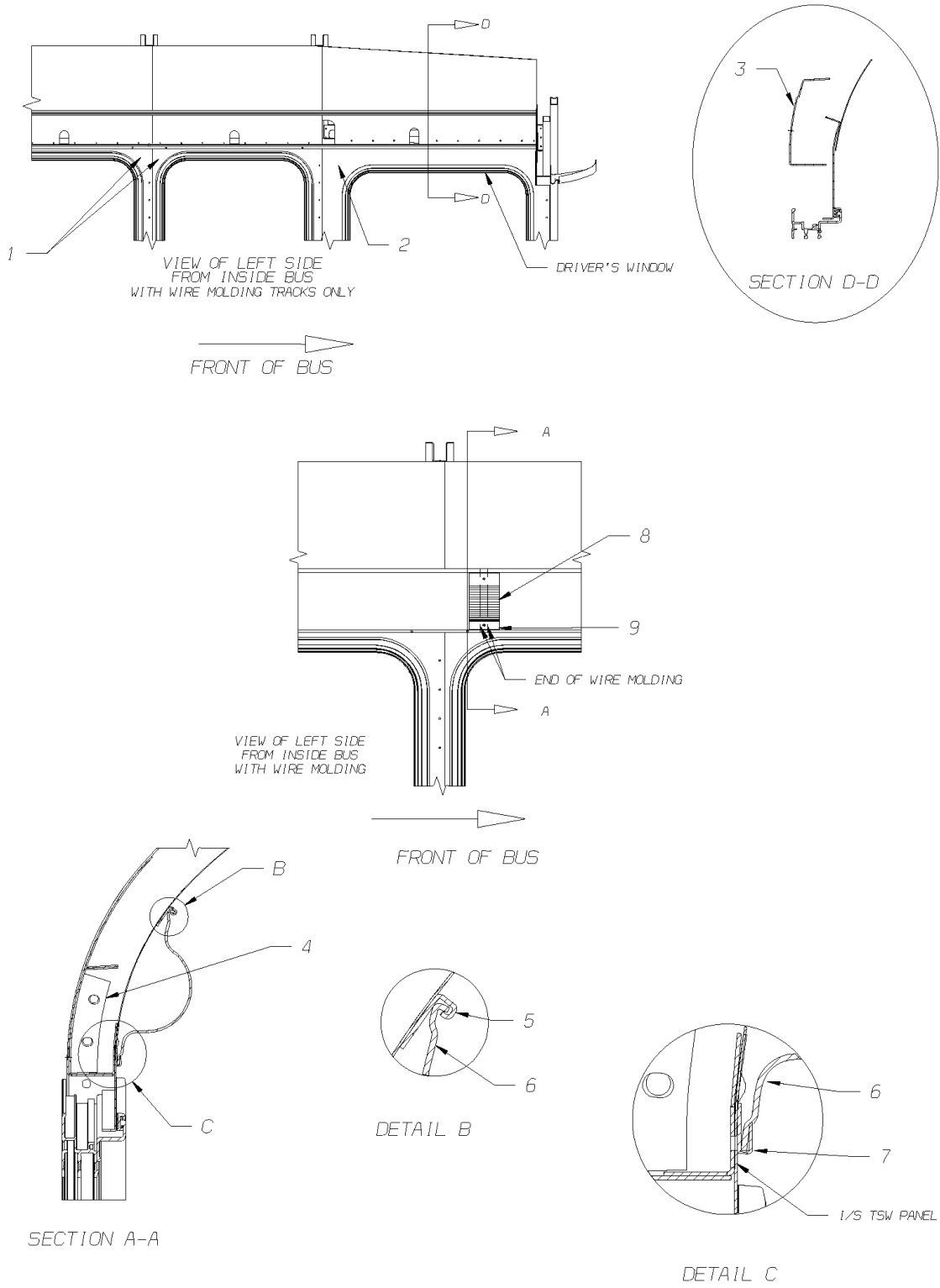
Key	PartNumber	Qty	Description	Comment
1	0054964		TRIM,DRV WDO,OUTER,UPR,74HR, A3	A3FE, A3RE
1	0054965		TRIM,DRV WDO,OUTER,UPR,74HR, CV	BBCV, GMCV, SBCV
1	0055234		TRIM,DRV WDO,OUTER,UPR,77HR, A3	A3FE, A3RE
1	0059067		TRIM,DRV WDO,OUTER,UPR,77HR, CV	BBCV, GMCV, SBCV
2	0054944		TRIM,UPPER,DRIVERS WINDOW,ASTRO WHITE,	A3FE, A3RE, FEATURE 30400-01. ASTRO WHITE INTERIOR PAINT
2	0057490		TRIM,UPPER,DRIVERS WINDOW,FLORIDA GRAY,	A3FE, A3RE, FEATURE 30400-02. FLORIDA INTERIOR PAINT
2	0086954		TRIM,UPPER,DRIVERS WINDOW,SEAFOAM	A3FE, A3RE, FEATURE 30400-04. SEA FOAM GREEN INTERIOR PAINT
2	0054945		TRIM,UPPER,DRIVERS WINDOW,ASTRO WHITE,	BBCV, GMCV, SBCV, FEATURE 30400-01. ASTRO WHITE INTERIOR PAINT
2	0057443		TRIM,UPPER,DRIVERS WINDOW,FLORIDA GRAY,	BBCV, GMCV, SBCV, FEATURE 30400-02. FLORIDA INTERIOR PAINT
2	0086955		TRIM,UPPER,DRIVERS WINDOW,SEAFOAM	BBCV, GMCV, SBCV, FEATURE 30400-04. SEA FOAM GREEN INTERIOR PAINT
3	0055282		TRACK,WIRE MOLDING,LOWER,DRIVERS WDO,	A3FE, A3RE
3	0055281		TRACK,WIRE MOLDING,LOWER,DRIVERS, WDO,	BBCV, GMCV, SBCV
4	0047477		BOW CAP,OUTER,LH,FRONT,74 HR, A3	A3FE, A3RE
4	0047479		BOW CAP,OUTER,LH FRONT,74 HR,CV	BBCV, GMCV, SBCV
4	0047478		BOW CAP,OUTER,LH FRONT,77 HR, A3	A3FE, A3RE
4	0047476		BOW CAP,OUTER,LH,FRONT,77 HR, CV	BBCV, GMCV, SBCV
5	0057515		CAP,WIRE,DRIVERS WINDOW,, TC/A3	WITHOUT, SHOULDER BELTA3FE, A3RE
5	0057112		CAP,WIRE,DRIVERS WINDOW,CV	WITHOUT, SHOULDER BELTBBCV, GMCV, SBCV
5	0057657		CAP,WIRE,DRIVERS WINDOW,W/SHLDR	WITH SHOULDER BELT, A3FE, A3RE ONLY
5	0057655		CAP,WIRE,DRIVERS WINDOW,W/SHLDR	WITH SHOULDER BELT, A3FE, A3RE ONLY
6	0621953		TAPE,FOAM,1/8X3/4X50FT,CLSD.CELL NEOP.	
7	0053239		EXTRUSION,RETAINER,WIRE MOLDING,UPPER	
8	1494160		RIVET,.12,CHERRY SSP-42	
9	0044886		TRACK,WIRE MOLDING,LOWER	
10	1415769		RIVET,POP,.18 X .45,CHERRY SSPS-6-4	
11	0050697		MOLDING,WIRE,EXTRUDED RPVC	
12	0054228		SCREW,10-16 X 3/4,AB,PHI,PN/HD,ZINC,WHITE	

**Models:** A3FE, A3RE, BBCV, GMCV, SBCV  
CENTER  
**BSN:** WIRE MOLDING INSTALLATION  
From BSN B20107260 L10093805

Key	PartNumber	Qty	Description	Comment
13	0052730		COVER,WIRE MOLDING JOINT	

Models: **A3FE, A3RE, BBCV, GMCV, SBCV**  
**CENTER**  
**WIRE MOLDING INSTALLATION, WITH TRANSIT WINDOWS**

Key	PartNumber	Qty	Description	Comment
-----	------------	-----	-------------	---------

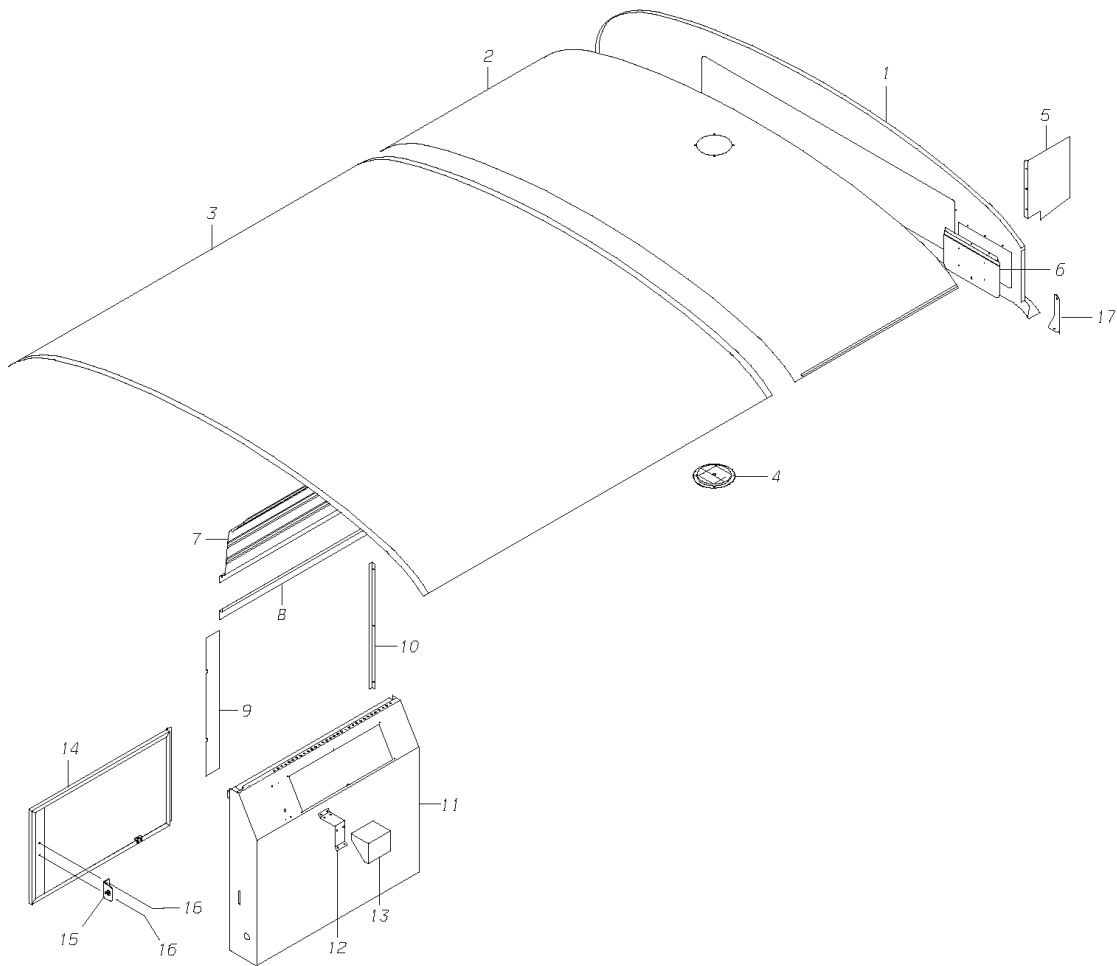


**Models:** A3FE, A3RE, BBCV, GMCV, SBCV  
**CENTER**  
**WIRE MOLDING INSTALLATION, WITH TRANSIT WINDOWS**

Key	PartNumber	Qty	Description	Comment
1	0053734		PANEL,I/S,WDO,TSW,28 SECT,77 HR	
1	0053740		PANEL,I/S,REAR WDO,TSW,28SECT,RH,77HR	
1	0053772		PANEL,I/S,REAR WDO,TSW,28SECT,LH,77HR	
1	0054516		PANEL,I/S,WDO,TSW,35 SECT,77 HR	
1	0053736		PANEL,I/S,WDO,TSW,56 SECT,77 HR	
1	0053738		PANEL,I/S,WDO,TSW,63 SECT28-35,77HR	28-35
1	0054506		PANEL,I/S,WDO,TSW,63 SECT35-28,77HR	35-28
1	0053739		PANEL,I/S,WDO,TSW,70 SECT,77HR	
2	0055410		PANEL,I/S,DRV WDO,TSW,77 HR,CV, FMVSS	BBCV, GMCV, SBCV
2	0055416		PANEL,I/S,DRV,36.75,TSW,77HR,FMVSS221, TC	
3	1511880		HEADER,TSW,DRIVERS SECTION,FMVSS221,	BBCV, GMCV, SBCV
3	0055784		HEADER ASSY,DRIVER'S,TSW, A3	
4	0044150		HEADER ASSY,SIDE WDO,28 SECT,77HR,12SS,	EXTENDED OVERHANG
4	0044146		HEADER ASSY,SIDE WDO,35 SECT,77HR,12SS,	EXTENDED OVERHANG
4	0053589		HEADER ASSY,TSW,56.00 SECT	
4	0053587		HEADER ASSY,TSW,63.00 SECTION,LH	
4	0053588		HEADER ASSY,TSW,63.00 SECTION,RH	
4	0053590		HEADER ASSY,TSW,70.00 SECTION	
5	0053239		EXTRUSION,RETAINER,WIRE MOLDING,UPPER	
6	0050697		MOLDING,WIRE,EXTRUDED RPVC	
7	0054963		TRACK,WIRE MOLDING,LOWER,TSW	
8	0052730		COVER,WIRE MOLDING JOINT	
9	0054228		SCREW,10-16 X 3/4,AB,PHI,PN/HD,ZINC,WHITE	
10	1494160		RIVET,.12,CHERRY SSP-42	

Models: A3FE, A3RE, TCFE, TCRE  
FRONT  
To BSN B10064339 F10035824 L10059259

Key	PartNumber	Qty	Description	Comment
-----	------------	-----	-------------	---------





**Models: A3FE, A3RE, TCFE, TCRE  
FRONT  
To BSN B10064339 F10035824 L10059259**

Key	PartNumber	Qty	Description	Comment
1	1399021		PANEL,ACCESS,FRT UPR INR,74HR	STANDARD
1	1752609		PANEL,ACCESS,FRT UPR INR, RH DRIVE	OPTION 3480
1	1744283		PANEL,ACCESS,FRT UPR INR,W/SIGN, RH DRIVE	OPTION 3480 WITH OPTION 6184. FRONT DESTINATION SIGN
2	1551308		PANEL,H/L,FRONT,74HR,36.75,TC	STANDARD
2	1551316		PANEL,H/L,FRONT,DRV DOME,74HR,36.75, TC	WITH OPTION 1840
2	1551324		PANEL,H/L,FRONT,W/O VENT,74HR,36.75, TC	WITH OPTION 7266
2	1551365		PANEL,H/L,FRONT,PERF,74HR,36.75,TC	WITH OPTION 1494, 1504, 1507-01, 1507-02
2	1551332		PANEL,H/L,FRONT,12SS,74HR,36.75, TC	WITH OPTION 3339
2	1551340		PANEL,H/L,FRONT,12SS,DRV DOME,74HR,36.75, TC	WITH OPTION 1840
2	1551373		PANEL,H/L,FRONT,PERF,12SS,74HR,36.75, TC	WITH OPTION 1494, 1504, 1507-01, 1507-02, WITH OPTION 3339
2	1551399		PANEL,H/L,FRONT,77HR,36.75,TC	OPTION 3471, 3473
2	1551407		PANEL,H/L,FRONT,DRV DOME,77HR,36.75,TC	OPTION 3471, 3473 WITH OPTION 1840
2	1551449		PANEL,H/L,FRONT,PERF,77HR,36.75,TC	OPTION 3471, 3473 WITH OPTION 1494, 1504, 1507-01, 1507-02
2	1551415		PANEL,H/L,FRONT,TSW & 12SS,77HR,36.75, TC	OPTION 3471, 3473 WITH OPTION 3337, 3365, 3367
2	1551423		PANEL,H/L,FRONT,DRV DOME,TSW&12SS,77HR,	OPTION 3471, 3473 WITH OPTION 1840, 3337, 3365, 3367
2	1551456		PANEL,H/L,FRONT,PERF,TSW&12SS,77HR,36.75	OPTION 3471, 3473 WITH OPTION 1494, 1504, 1507-01, 1507-02, WITH OPTION 3337
2	1786086		PANEL,H/L,FRONT,77HR,36.75,RH DRIVE, TC	OPTION 3480
2	1786102		PANEL,H/L,FRONT,DRV DOME,77HR,36.75,RH	OPTION 3480 WITH OPTION 30155-01. DRIVER'S DOME LIGHT
2	1786110		PANEL,H/L,FRONT,TSW&12SS,77HR,36.75,RH	OPTION 3480 WITH OPTION 3337, 3365, 3367. 12" SS & TSW
2	1752542		PANEL,H/L,FRT,DRV DOME,TSW & 12SS,77HR,	OPTION 3480 WITH OPTION 3337, 3365, 3367 WITH OPTION 30155-01
2	1786144		PANEL,H/L,FRONT,PERF,DRV DOME,77HR,RH	OPTION 3480 WITH 30155-01 WITH OPTION 1507. PERFORATED
2	1786151		PANEL,H/L,FRONT,PERF,TSW&12SS,77HR,RH	OPTION 3480 WITH OPTION 3337, 3365, 3367 WITH OPTION 1507
2	1786532		PANEL,H/L,FRT,PERF,DRV DOME,TSW&12SS,RH	OPTION 3480 WITH OPTION 3337, 3365, 3367 WITH OPTION 30155-01 WITH OPTION 1507
3	1309582		PANEL,H/L,56,74HR	STANDARD

**Models:** A3FE, A3RE, TCFE, TCRE  
**FRONT**  
**To BSN B10064339 F10035824 L10059259**

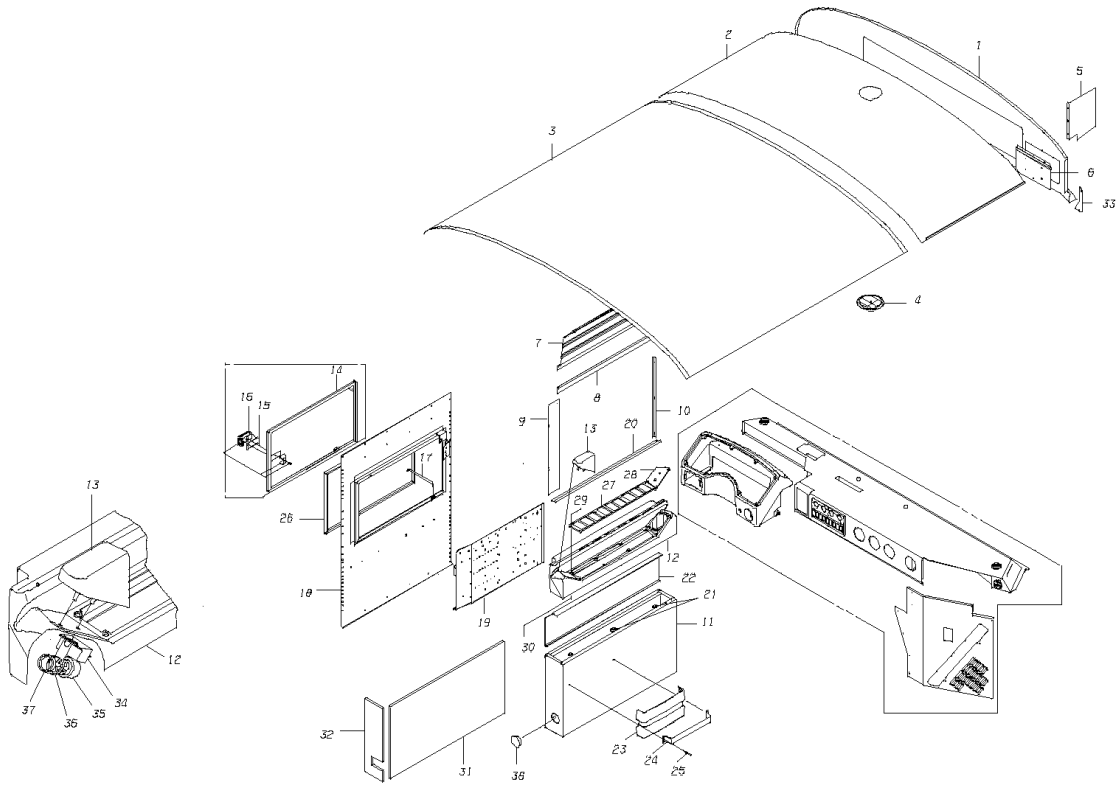
Key	PartNumber	Qty	Description	Comment
3	1309608		PANEL,H/L,56,77HR	3480
4	0251611		VENT ASSY,I/S STATIC AIR,CLOSING TYPE	CLOSING TYPE. OPTION 3252
4	1297613		VENT,I/S,STATIC AIR,PERFORATED	
5	0913020		BAFFLE,GLOVE COMPARTMENT	
5	1744291		BAFFLE,GLOVE COMPARTMENT,RH DRIVE	RH DRIVE. OPTION 3480
6	0004176		DOOR ASSY,GLOVE COMPARTMENT	STANDARD OPTION 3480
6	0003244		DOOR ASSY,GLOVE COMPARTMENT,LOCKING	OPTION 0162. LOCKING
6	0011502		DOOR ASSEMBLY,GLOVE CMPT W/ELECTRIC	OPTION 0275-04. ELECTRIC DOOR
6	0011711		DOOR ASSEMBLY,GLOVE CMPT,LK,W/ELECTRIC	OPTION 0275-04 WITH OPTION 0162. LOCKING ELECTRIC DOOR
7	1545888		MOLDING,WIRE,FRONT LH,36.75, TC	STANDARD, ENDING WITH BSN 188882
7	1824465		MOLDING,WIRE,FRONT,LH,TC	STANDARD, BEGIN WITH BSN 188883
7	1549500		MOLDING,WIRE,FRT,LH,TSW,FMVSS 221,36.75,	OPTION 3365, 3367, TRANSIT SLIDING WINDOWS, ENDING WITH BSN 188882
7	1824846		MOLDING,WIRE,FRONT,LH,TSW, TC	OPTION 3365, 3367, TRANSIT SLIDING WINDOWS, BEGIN WITH BSN 188883
8	0007229		TRIM,DRV WDO,INR UPR,LH,W/W MLDG,36,	
8	1744424		TRIM,DRV WDO,OUTER,UPR,36.00 & 36.75	OPTION 3480
9	1554096		CAP,WIRE,DRIVERS WINDOW,36.75,TC	
9	1752583		CAP,WIRE,DRIVER'S WINDOW,36.75,RH DRIVE	OPTION 3480
10	1513241		TRIM,DRIVERS WDO,FRT,VERT, TCFC	ENDING WITH BSN F-10007800, L-10013059, B-10013049
10	0004507		TRIM,DRIVERS,WDO,FRT,VERT,ASTRO WHITE,	BEGIN WITH BSN F-10007801, L-10013060, B-10013050
11	0004903		PANEL ASSY,DRIVERS,I/S STATIONARY,TC	STANDARD
11	0004911		PANEL ASSY,DRIVERS,I/S STATIONARY,TSW,	OPTION 3365, 3367. TRANSIT SLIDING WINDOWS
11	0005025		PANEL ASSY,DRIVERS,I/S STATIONARY,RH DR	OPTION 3480. RH DRIVE
11	0005017		PANEL ASSY,DRIVERS,I/S STATIONARY,RH DR,	OPTION 3480 WITH OPTION 3365, 3367
11	1628023		PANEL ASSY,DRV,I/S,STA,W/RETDR TRAN	OPTION 4310, ENDING WITH BSN 185592
11	1667393		PANEL ASSY,DRV,I/S,STA,W/RTDR TRAN, TC	OPTION 4310, BEGIN WITH BSN 185593
11	1627991		PANEL ASSY,DRV,I/S,STA,TSW W/RTDR TRAN	OPTION 4310 WITH OPTION 3365, 3367, ENDING WITH BSN 185592

**Models:** **A3FE, A3RE, TCFE, TCRE**  
**FRONT**  
**To BSN B10064339 F10035824 L10059259**

Key	PartNumber	Qty	Description	Comment
11	1667385		PANEL ASSY,DRV,I/S,STA,TSW,W/RTDR TRAN	<i>OPTION 4310 WITH OPTION 3365, 3367, BEGIN WITH BSN 185593</i>
12	0004374		BRACKET,ARMREST,DRIVERS,TCFE	
13	1327071		PAD ASSY,ARMREST,DRV,TCFC	
13	1467208		PAD ASSY,ARMREST,DRV,BROWN KEVLAR,TCFC	
14	1627785		DOOR ASSY,ELECTRICAL PANEL, AA/TC	
14	1728559		DOOR ASSY,ELEC PANEL ACCESS,RH DRIVE	<i>OPTION 3480 WITH OPTION 3365, 3367</i>
15	1627793		BRACKET,STUD MOUNT	
16	2000016		SCREW,1/4-14 X 5/8,B,HEX,W/PLAIN WASH,	
17	0011500		TRIM,EXTENSION,GLOVE CMPT W/ELECTRIC	<i>WITH ELECTRIC DOOR. OPTION 275-04</i>
NI	0005090		COVER,CLOSEOUT,REAR OF I/S STA PNL,RH	<i>OPTION 3480</i>
NI	0005108		COVER,CLOSEOUT,REAR W/O PLY FLR,RH	<i>OPTION 3480</i>

**Models:** A3FE, A3RE, TCFE  
**FRONT**  
**BSN:** From BSN B10064340 F10035825 L10059260  
 To BSN L10093804

Key	PartNumber	Qty	Description	Comment
-----	------------	-----	-------------	---------



**Models:** A3FE, A3RE, TCFE  
**FRONT**  
**BSN:** From BSN B10064340 F10035825 L10059260  
 To BSN L10093804

Key	PartNumber	Qty	Description	Comment
1	1399021		PANEL,ACCESS,FRT UPR INR,74HR	STANDARD
1	1752609		PANEL,ACCESS,FRT UPR INR, RH DRIVE	OPTION 3480
1	1744283		PANEL,ACCESS,FRT UPR INR,W/SIGN, RH DRIVE	OPTION 3480 WITH OPTION 6184. FRONT DESTINATION SIGN
2	1551308		PANEL,H/L,FRONT,74HR,36.75,TC	STANDARD
2	1551316		PANEL,H/L,FRONT,DRV DOME,74HR,36.75, TC	OPTION 1840
2	1551324		PANEL,H/L,FRONT,W/O VENT,74HR,36.75, TC	OPTION 7266
2	1551365		PANEL,H/L,FRONT,PERF,74HR,36.75,TC	OPTION 1494, 1504, 1507-01, 1507-02
2	1551332		PANEL,H/L,FRONT,12SS,74HR,36.75, TC	OPTION 3339
2	1551340		PANEL,H/L,FRONT,12SS,DRV DOME,74HR,36.75, TC	OPTION 1840
2	1551373		PANEL,H/L,FRONT,PERF,12SS,74HR,36.75, TC	OPTION 1494, 1504, 1507-01, 1507-02, WITH OPTION 3339
2	1551399		PANEL,H/L,FRONT,77HR,36.75,TC	OPTION 3471, 3473
2	1551407		PANEL,H/L,FRONT,DRV DOME,77HR,36.75,TC	OPTION 3471, 3473 WITH OPTION 1840
2	1551449		PANEL,H/L,FRONT,PERF,77HR,36.75,TC	OPTION 3471, 3473 WITH OPTION 1494, 1504, 1507-01, 1507-02
2	1551415		PANEL,H/L,FRONT,TSW & 12SS,77HR,36.75, TC	OPTION 3471, 3473 WITH OPTION 3337, 3365, 3367
2	1551423		PANEL,H/L,FRONT,DRV DOME,TSW&12SS,77HR,	OPTION 3471, 3473 WITH OPTION 1840, 3337, 3365, 3367
2	1551456		PANEL,H/L,FRONT,PERF,TSW&12SS,77HR,36.75	OPTION 3471, 3473 WITH OPTION 1494, 1504, 1507-01, 1507-02, WITH OPTION 3337
2	1786086		PANEL,H/L,FRONT,77HR,36.75,RH DRIVE, TC	OPTION 3480
2	1786102		PANEL,H/L,FRONT,DRV DOME,77HR,36.75,RH	OPTION 3480 WITH OPTION 30155-01. DRIVER'S DOME LIGHT
2	1786110		PANEL,H/L,FRONT,TSW&12SS,77HR,36.75,RH	OPTION 3480 WITH OPTION 3337, 3365, 3367. 12" SS & TSW
2	1752542		PANEL,H/L,FRT,DRV DOME,TSW & 12SS,77HR,	OPTION 3480 WITH OPTION 3337, 3365, 3367 WITH OPTION 30155-01
2	1786144		PANEL,H/L,FRONT,PERF,DRV DOME,77HR,RH	OPTION 3480 WITH 30155-01 WITH OPTION 1507. PERFORATED
2	1786151		PANEL,H/L,FRONT,PERF,TSW&12SS,77HR,RH	OPTION 3480 WITH OPTION 3337, 3365, 3367 WITH OPTION 1507
2	1786532		PANEL,H/L,FRT,PERF,DRV DOME,TSW&12SS,RH	OPTION 3480 WITH OPTION 3337, 3365, 3367 WITH OPTION 30155-01 WITH OPTION 1507
3	1309582		PANEL,H/L,56,74HR	STANDARD )
3	1309608		PANEL,H/L,56,77HR	77" HR. OPTION 3471, 3473, 3480

**Models:** A3FE, A3RE, TCFE  
**FRONT**  
**BSN:** From BSN B10064340 F10035825 L10059260  
 To BSN L10093804

Key	PartNumber	Qty	Description	Comment
4	0251611		VENT ASSY,I/S STATIC AIR,CLOSING TYPE	OPTION 3252
5	0913020		BAFFLE,GLOVE COMPARTMENT	
5	1744291		BAFFLE,GLOVE COMPARTMENT,RH DRIVE	OPTION 3480
6	0004176		DOOR ASSY,GLOVE COMPARTMENT	STANDARD OPTION 3480
6	0003244		DOOR ASSY,GLOVE COMPARTMENT,LOCKING	OPTION 0162. LOCKING
6	0011502		DOOR ASSEMBLY,GLOVE CMPT W/ELECTRIC	OPTION 0275-04. ELECTRIC DOOR
6	0011711		DOOR ASSEMBLY,GLOVE CMPT,LK,W/ELECTRIC	OPTION 0275-04 WITH OPTION 0162. LOCKING ELECTRIC DOOR
7	1824465		MOLDING,WIRE,FRONT,LH,TC	STANDARD OPTION 3480
7	1824846		MOLDING,WIRE,FRONT,LH,TSW, TC	OPTION 3365, 3367; OPTION 3480 WITH OPTION 3365, 3367. TRANSIT SLIDING WINDOWS
7	1830355		MOLDING,WIRE,FRT,LH,TSW,W/T/A A/C,DUAL,	OPTION 3480 WITH OPTION 3365, 3367 WITH TRANSMISSION AIR A/C, DUAL
NI	0044968		TRIM,ASSY,FRT,WIRE MDG,12.00 SS 36.75	
8	0007229		TRIM,DRV WDO,INR UPR,LH,W/W MLDG,36,	
8	1744424		TRIM,DRV WDO,OUTER,UPR,36.00 & 36.75	OPTION 3480
9	0031925		CAP,WIRE,DRIVERS WINDOW.36.75, TC	STANDARD
9	0031761		CAP,WIRE,DRIVERS WINDOW,36.75,RH DRV,	OPTION 3480. RH DRIVE
9	0031927		CAP,WIRE,DRIVERS WINDOW W/RAISED	OPTION 3515. RAISED, FLAT FLOOR. AVAILABLE ON TCFE ONLY
9	0031931		CAP,WIRE,DRIVERS WINDOW,9SS ADJ D, TC	OPTION 2836. ADJ. DRIVER'S 3 PT BELT WITH 9" SS
9	0031929		CAP,WIRE,DRIVERS WINDOW,12SS ADJ D, TC	OPTION 2836 WITH OPTION 3337, 3339. ADJ. DRIVER'S 3 PT BELT WITH 12" SS
10	0004507		TRIM,DRIVERS,WDO,FRT,VERT,ASTRO WHITE,	
11	0028212		PANEL ASSY,DRIVERS,STATIONARY	STANDARD
11	0028360		PANEL ASSY,DRIVERS,STATIONARY,RH DRIVE	OPTION 3480. RH DRIVE
12	0025577		HOUSING,DRIVERS SWITCH CONSOLE	STANDARD
12	0031702		HOUSING,DRIVERS SWITCH CONSOLE,RH	OPTION 3480. RH DRIVE
13	0030285		ARMREST,TRANSIT SWITCH PANEL	STANDARD
13	0028953		ARMREST,TRANSIT SWITCH PANEL,RHD	OPTION 3480. RH DRIVE
14	0025512		DOOR ASSY,ELECTRICAL ACCESS,,CV/TRANSIT	STANDARD
14	0025601		DOOR ASSY,ELECTRICAL ACS,RH DRV,	OPTION 3480. RH DRIVE
15	0027420		GASKET,ADJUSTABLE LEVER,SEALED	

**Models:** A3FE, A3RE, TCFE  
**FRONT**  
**BSN:** From BSN B10064340 F10035825 L10059260  
 To BSN L10093804

Key	PartNumber	Qty	Description	Comment
16	0027417		LATCH,ADJUSTABLE LEVER,SEALED	
16	0027419		LATCH,ADJUSTABLE LEVER,SEALED,LOCKING	FEATURE 30921-01, 30921-02. LOCKING
17	1542034		PROP,DOOR,ELECTRICAL ACCESS,AA/TC	
18	0025717		PANEL ASSY,O/S DRV,W/ACS,16GA,,TCFC	
18	0028924		PANEL ASSY,O/S,DRV,W/ACS,16GA,221.,TC	
18	0025720		PANEL ASSY,O/S DRV,25.75 SKT,16GA,,TQ	
18	0025719		PANEL ASSY,O/S DRV,25.75 SKT,16GA,221,TC	
18	0025710		PANEL ASSY,O/S,DRV,W/ACS,16GA,RH DRIVE.	OPTION 3480
18	0025726		PANEL ASSY,O/S,W/ACS,19.75 SKT, C1FE	C1FE ONLY
18	0025709		PANEL ASSY,O/S DRVS,25.75SK,16GA,RH DRV,	OPTION 3480. CSFE, CSRE ONLY
18	0025722		PANEL ASSY,O/S,FRONT LEFT HAND,68.94, QB	QBRE ONLY
18	0025725		PANEL ASSY,O/S,LWR,LH FRT,TRANS DUTY,	QBRE ONLY
19	0025907		PANEL ASSY,ELEC LOAD CENTER,CV & TRANSIT	STANDARD
19	0025908		PANEL ASSY,ELEC LOAD CTR,RH DRV,	OPTION 3480. RH DRIVE
20	0028956		TRIM,DRIVERS WINDOW LOWER INSIDE,	STANDARD
20	0034992		TRIM,DRIVERS WINDOW,LOWER I/S,W/TSW,	OPTION 3365, 3367. TRANSIT SLIDING WINDOWS
21	0031766	4	CLIP,PANEL, 3/16	
22	0028954		CHANNEL,DRIVERS WINDOW SUPT,LH DRV,	STANDARD
22	0036391		CHANNEL,DRIVERS WINDOW SUPT,RH DRV,	OPTION 3480. RH DRIVE
23	1330554		COMPARTMENT,UTILITY,DRIVERS AREA,AARE	
24	1331891		STRAP,UTILITY COMPARTMENT MOUNT,AARE	
25	1415769	2	RIVET,POP,.18 X .45,CHERRY SSPS-6-4	
26	1539659		GASKET,ELECTRICAL BOX ACCESS DOOR,AA/TC	
27				SEE GROUP 80, ELECTRICAL FOR DRIVER'S SIDE SWITCH PANEL ASSEMBLY
28	0031485		PANEL,W/S WIPER,LHD,FEA 3444-01 & 3444-03	STANDARD & FEATURE 3444-01. ELEC INTERMITTENT WPRS, SINGLE SWITCH, LH DRIVE
28	0031486		PANEL,W/S WIPER,LHD,FEA 3443	FEATURE 3443. DUAL 2 SPEED W/S WIPER SWITCHES, LH DRIVE
28	0031487		PANEL,W/S WIPER,LHD,FEA 3444-02	FEATURE 3444-02. ELEC INTERMITTENT WIPERS, DUAL SWITCH, LH DRIVE
28	0031488		PANEL,W/S WIPER,RHD,FEA 3444-01 & 3444-03	STANDARD & FEATURE 3444-01. ELEC INTERMITTENT WPRS, SINGLE SWITCH, RH DRIVE

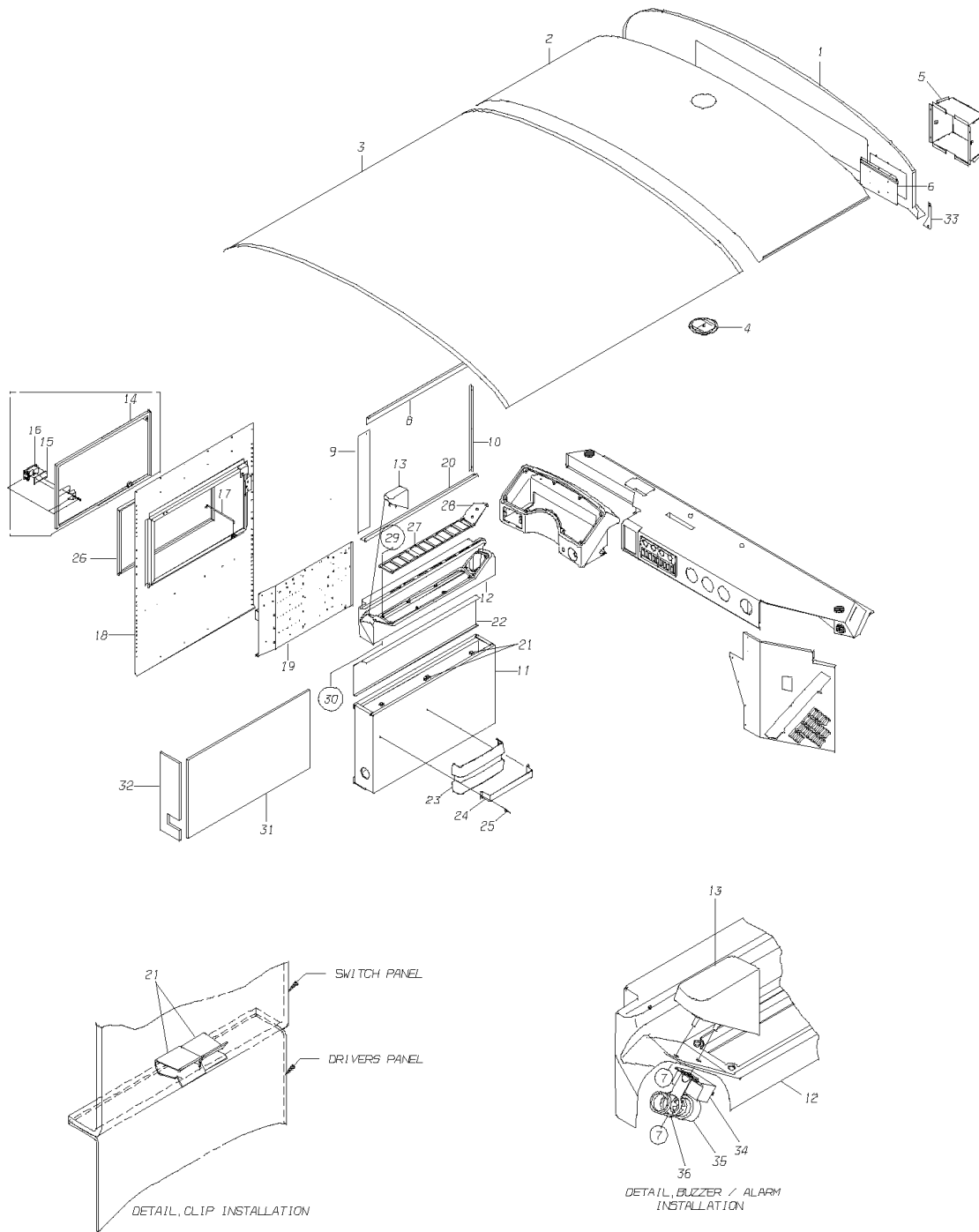
**Models:** A3FE, A3RE, TCFE  
**FRONT**  
**BSN:** From BSN B10064340 F10035825 L10059260  
 To BSN L10093804

Key	PartNumber	Qty	Description	Comment
28	0031489		PANEL,W/S WIPER,RHD,FEA 3443	<i>W/S WIPER SWITCHES, R DRIVE</i>
28	0031490		PANEL,W/S WIPER,RHD,FEA 3444-02	<i>FEATURE 3444-02. ELEC INTERMITTENT WIPERS, DUAL SWITCH, RH DRIVE</i>
29	1315100	11	SCREW,MACH,10-32X1,PHI,PAN HD,BLK	
30	1315118	11	WELLNUT Q-1032,.377 X 5/8	
31	0034896		INSULATION,SIDE,STATIONARY DRV PNL,	
32	0034899		INSULATION,REAR,STATIONARY DRV PNL,	
33	0011500		TRIM,EXTENSION,GLOVE CMPT W/ELECTRIC	
34	0021437		BUZZER, R.E.D / R.E.W / P.O.W	
35	1607928		ALARM,AUDIBLE CHIME	
36	1608496		BRACKET,MOUNT,STOPARM ALARM	
37	0659979	2	NUT,HEX,FLANGE SER,1/4-20,BLACK ZINC	
38	0036715		PLUG,BUTTON,BLACK,DP-2.50,HEYCO 2790	<i>C1FE, CSFE ONLY</i>



**Models:** A3FE, A3RE  
**FRONT**  
**BSN:** From BSN L10093805

Key	PartNumber	Qty	Description	Comment
-----	------------	-----	-------------	---------



**Models:** A3FE, A3RE  
**FRONT**  
**BSN:** From BSN L10093805

Key	PartNumber	Qty	Description	Comment
1	1399021		PANEL,ACCESS,FRT UPR INR,74HR	
1	0045718		PANEL,ACCESS,FRT UPR INR,77HR	
2	0045914		PANEL,H/L,FRONT,74HR, A3	STANDARD
2	0046461		PANEL,H/L,FRT,W/SGL DM LGT,74HR, A3	STANDARD WITH FEATURE 30155-01
2	0046462		PANEL,H/L,FRT,DUAL DM LGTS,74HR, A3	STANDARD WITH FEATURE 30155-02
2	0046458		PANEL,H/L,FRT,W/O VENT,74HR, A3	STANDARD WITH OPTION 07266
2	0046463		PANEL,H/L,FRT,PERF,74HR,A3	
2	0046464		PANEL,H/L,FRT,PERF,DUAL DM LGT,74HR, A3	FEATURE 30155-02
2	0054736		PANEL,H/L,FRONT,77HR, A3	
2	0054737		PANEL,H/L,FRT,SGL DM LGT,77HR, A3	FEATURE 30155-01
2	0054738		PANEL,H/L,FRT,DUAL DM LGT,77HR, A3	FEATURE 30155-02
2	0054739		PANEL,H/L,FRT,PERF,77HR,A3	
2	0054740		PANEL,H/L,FRT,PERF,DUAL DM LGT,77HR, A3	FEATURE 30155-02
3	0043787		PANEL,H/L,56 SECTION,74HR	
3	0043786		PANEL,H/L,56 SECTION,77HR	
4	0251611		VENT ASSY,I/S STATIC AIR,CLOSING TYPE	
5	0056965		BOX,GLOVE COMPARTMENT	FEATURE 30400-01. ASTRO WHITE
5	0076257		COMPARTMENT,GLOVE BOX,FLORIDA	FEATURE 30400-02. FLORIDA GRAY
5	0076258		COMPARTMENT,GLOVE BOX,KENTUCKY	FEATURE 30400-03. KENTUCKY BLUE
5	0086956		COMPARTMENT,GLOVE BOX,GREEN	FEATURE 30400-04. SEA FOAM GREEN
6	0004176		DOOR ASSY,GLOVE COMPARTMENT	NON-LOCKING,STANDARD WITH FEATURE 30400-01. ASTRO WHITE
6	0075890		DOOR,ASSY,GLOVE COMPARTMENT,FLORIDA	NON-LOCKING,STANDARD WITH FEATURE 30400-02. FLORIDA GRAY
6	0075927		DOOR,ASSY,GLOVE COMPARTMENT,KENTUCKY	NON-LOCKING,STANDARD WITH FEATURE 30400-03. KENTUCKY BLUE
6	0086916		DOOR,ASSY,GLOVE COMPARTMENT,GREEN	NON-LOCKING,STANDARD WITH FEATURE 30400-04. SEA FOAM GREEN
6	0011502		DOOR ASSEMBLY,GLOVE CMPT W/ELECTRIC	NON-LOCKING,STANDARD WITH
6	0003244		DOOR ASSY,GLOVE COMPARTMENT,LOCKING	LOCKING, FEATURE 0162 WITH FEATURE 30400-01. ASTRO WHITE

**Models:** A3FE, A3RE  
**FRONT**  
**BSN:** From BSN L10093805

Key	PartNumber	Qty	Description	Comment
6	0057429		DOOR ASSY,GLOVE COMPARTMENT,LOCKING,	LOCKING, FEATURE 0162 WITH FEATURE 30400-02. FLORIDA GRAY
6	0060143		DOOR ASSY,GLOVE COMPARTMENT,LOCKING,	LOCKING, FEATURE 0162 WITH FEATURE 30400-03. KENTUCKY BLUE
6	0086910		DOOR ASSY,GLOVE BOX,LOCKING,GREEN	LOCKING, FEATURE 0162 WITH FEATURE 30400-04. SEA FOAM GREEN
6	0011711		DOOR ASSEMBLY,GLOVE CMPT,LK,W/ELECTRIC	LOCKING,
7	0659979	2	NUT,HEX,FLANGE SER,1/4-20,BLACK ZINC	
8	0054944		TRIM,UPPER,DRIVERS WINDOW,ASTRO WHITE,	FEATURE 30400-01. ASTRO WHITE
8	0057490		TRIM,UPPER,DRIVERS WINDOW,FLORIDA GRAY,	FEATURE 30400-02. FLORIDA GRAY
8	0060124		TRIM,UPPER,DRIVERS WINDOW,KENTUCKY	FEATURE 30400-03. KENTUCKY BLUE
8	0086954		TRIM,UPPER,DRIVERS WINDOW,SEAFOAM	FEATURE 30400-04. SEA FOAM GREEN
9	0057515		CAP,WIRE,DRIVERS WINDOW,, TC/A3	STANDARD
9	0057657		CAP,WIRE,DRIVERS WINDOW,W/SHLDR	
9	0057655		CAP,WIRE,DRIVERS WINDOW,W/SHLDR	
NI	0527275	4	SCREW,10-16 X 3/8,AB,PH1,PAN,YEL ZINC	FOR ATTACHING KEY #9 TO O/S TRIM
10	0004507		TRIM,DRIVERS,WDO,FRT,VERT,ASTRO WHITE,	FEATURE 30400-01. ASTRO WHITE
10	0057481		TRIM,DRIVERS,WDO,FRT,VERT,FLORIDA BLUE,	FEATURE 30400-02. FLORIDA GRAY
10	0060150		TRIM,DRIVERS,WDO,FRT,VERT,KENTUCKY BLUE	FEATURE 30400-03. KENTUCKY BLUE
10	0086929		TRIM,DRIVERS,WDO,FRT,VERT,GREEN, TCFE	FEATURE 30400-04. SEA FOAM GREEN
11	0028212		PANEL ASSY,DRIVERS,STATIONARY	
11	0063402		PANEL ASSY,STATIONARY,DRIVERS, A3RE	
12	0025577		HOUSING,DRIVERS SWITCH CONSOLE	
13	0030285		ARMREST,TRANSIT SWITCH PANEL	
14	0025512		DOOR ASSY,ELECTRICAL ACCESS,,CV/TRANSIT	
15	0027420		GASKET,ADJUSTABLE LEVER,SEALED	
16	0027417		LATCH,ADJUSTABLE LEVER,SEALED	
16	0027419		LATCH,ADJUSTABLE LEVER,SEALED,LOCKING	NOT AVAILABLE IN MARYLAND
17	1542034		PROP,DOOR,ELECTRICAL ACCESS,AA/TC	
18	0080545		PANEL ASSY,O/S,DRV,W/ACS,16 GA, A3	WITH FEATURE 30959-02

**Models:** A3FE, A3RE  
**FRONT**  
**BSN:** From BSN L10093805

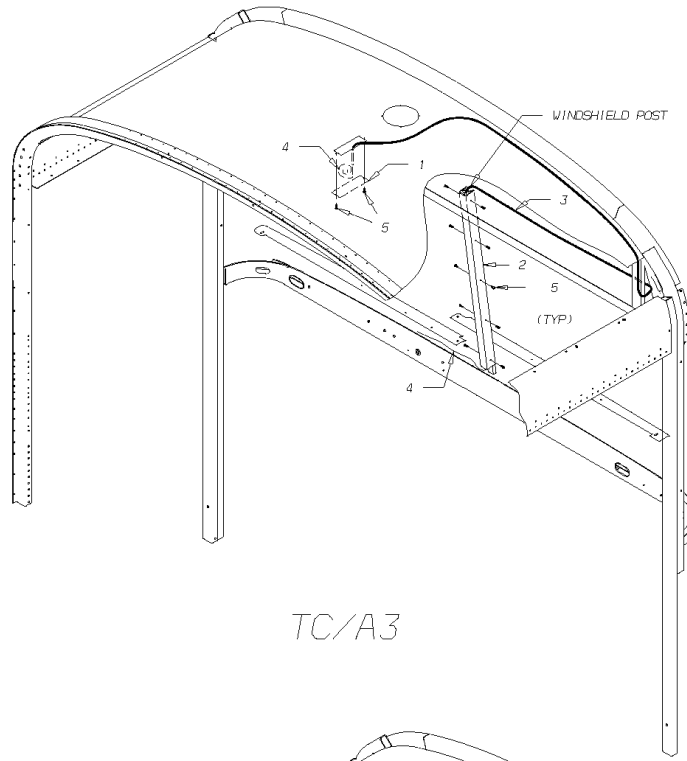
Key	PartNumber	Qty	Description	Comment
18	0090771		PANEL ASSY,O/S,DRV,19.75 SKT,16 GA, A3	WITH FEATURE 30959-03
18	0080544		PANEL ASSY,O/S,DRV,W/ACS,16 GA,221, A3	WITH FEATURE 30959-02
18	0090771		PANEL ASSY,O/S,DRV,19.75 SKT,16 GA, A3	WITH FEATURE 30959-03
18	0080550		PANEL ASSY,O/S,DRV,25.75 SKT,16 GA, A3	WITH FEATURE 02385-00
18	0090752		PANEL ASSY,O/S,DRV,25.75 SK,16 GA,SMOOTH	WITH FEATURE 02385-01
18	0080548		PANEL ASSY,O/S,DRV,25.75 SKT,16 GA,221, A3	WITH FEATURE 02383-00
18	0090519		PANEL ASSY,O/S,DRV,25.75 SKIRT,16 GA, A3	WITH FEATURE 02383-01)
19	0025907		PANEL ASSY,ELEC LOAD CENTER,CV & TRANSIT	
20	0028956		TRIM,DRIVERS WINDOW LOWER INSIDE,	STANDARD
20	0034992		TRIM,DRIVERS WINDOW,LOWER I/S,W/TSW,	
21	0031766	4	CLIP,PANEL, 3/16	
22	0028954		CHANNEL,DRIVERS WINDOW SUPT,LH DRV,	
23	1330554		COMPARTMENT,UTILITY,DRIVERS AREA,AARE	
24	1331891		STRAP,UTILITY COMPARTMENT MOUNT,AARE	
25	1415769	2	RIVET,POP,.18 X .45,CHERRY SSPS-6-4	
26	1539659		GASKET,ELECTRICAL BOX ACCESS DOOR,AA/TC	ENDING WITH BSN F10060974
	4763284		SEAL,RBR,EPDM,RIBBED,.315X.563,ADH BACK	BEGIN WITH BSN F10060975)
27	0028894		PANEL ASSY,SWITCH,DRVR SI,A3 W/ MANUAL	
27	0030125		PANEL ASSY,SWITCH,DRVR SI,A3 W/O MANUAL	
27	0030134		PANEL ASSY,SWITCH,DRIVER SI,W/COMP,FR/B,	
27	0083656		PANEL ASSY,SWITCH,DRVR SI,A3 W/FEA 02016	WITH FEATURE 02016-05. LH WARNING SYSTEM & ENT DOOR CONTROLS
28	0031485		PANEL,W/S WIPER,LHD,FEA 3444-01 & 3444-03	STANDARD & FEATURE 3444-01)
28	0031486		PANEL,W/S WIPER,LHD,FEA 3443	FEATURE 3443
28	0031487		PANEL,W/S WIPER,LHD,FEA 3444-02	FEATURE 3444-02
29	1315100	11	SCREW,MACH,10-32X1,PHI,PAN HD,BLK	
30	1315118	11	WELLNUT Q-1032,.377 X 5/8	
31	0034896		INSULATION,SIDE,STATIONARY DRV PNL,	
32	0034899		INSULATION,REAR,STATIONARY DRV PNL,	
33	0011500		TRIM,EXTENSION,GLOVE CMPT W/ELECTRIC	
34	0021437		BUZZER, R.E.D / R.E.W / P.O.W	
35	1607928		ALARM,AUDIBLE CHIME	
	0083762		ALARM,AUDIBLE,CONSTANT	FEATURE 30291-04

**Models:** A3FE, A3RE  
**FRONT**  
**BSN:** From BSN L10093805

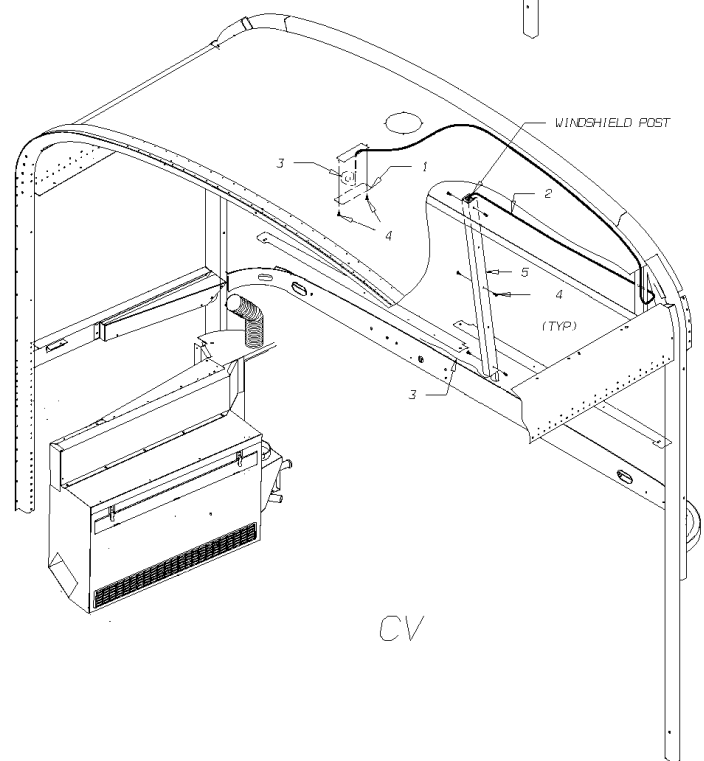
Key	PartNumber	Qty	Description	Comment
36	1608496		BRACKET,MOUNT,STOPARM ALARM	
NI	1334689	4	SCREW,10-32 X 3/8,F,PH1,PAN HD,YEL ZN	

Models: A3FE, A3RE, BBCV, SBCV  
 FRONT  
 COVER, ANTENNA ACCESS  
 2-WAY RADIO WRG, CENTER DASH MOUNT  
 With Features: FEATURE 30281

Key	PartNumber	Qty	Description	Comment
-----	------------	-----	-------------	---------



TC/A3



CV

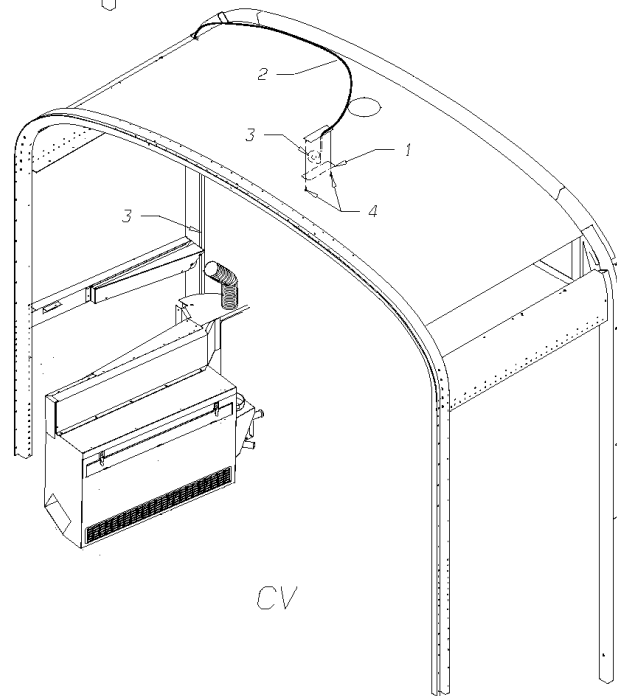
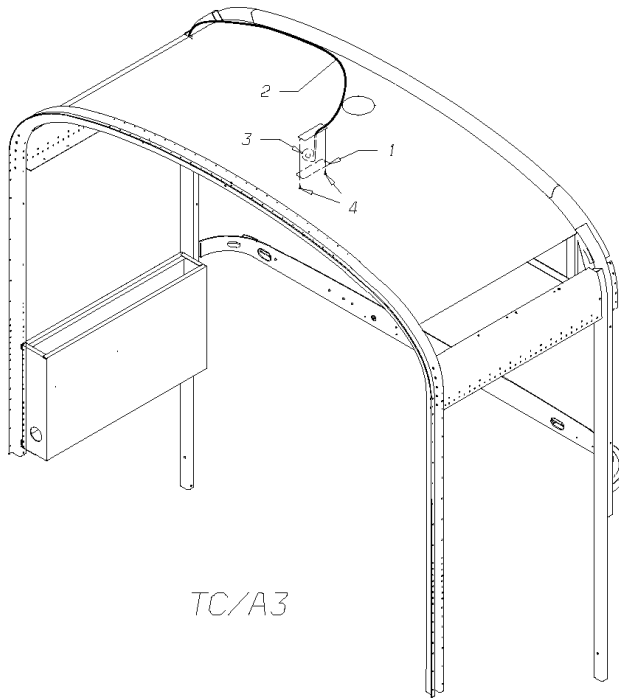
**Models:** A3FE, A3RE, BBCV, SBCV  
**FRONT  
 COVER, ANTENNA ACCESS  
 2-WAY RADIO WRG, CENTER DASH MOUNT  
 With Features:** FEATURE 30281

Key	PartNumber	Qty	Description	Comment
1			COVER, ACCESS, ANTENNA	<i>FOR A3FE AND A3RE UNITS, USE THE FOLLOWING</i>
1	0038394		COVER,ACCESS,ANTENNA,FEA 30281-01	<i>FEATURE 30400-01. ASTRO WHITE</i>
1	0076259		COVER,ACCESS,ANTENNA,FLORIDA	<i>FEATURE 30400-02. FLORIDA GRAY</i>
1	0076260		COVER,ACCESS,ANTENNA,KENTUCKY	<i>FEATURE 30400-03. KENTUCKY BLUE</i>
1	0086944		COVER,ACCESS,ANTENNA,GREEN	<i>FEATURE 30400-04. SEA FOAM GREEN</i>
2	0038495		COVER,CABLE,ANTENNA,STRAIGHT,FEA 30281	
2	0038496		COVER,CABLE,ANTENNA,CURVED,FEA 30281	
3	1812049		CONDUIT,GREENFIELD,FLEXIBLE, 1/2	
4	0517532		WIRE,14 GA,SXL,BK 32,CHM CRS-LK,POL	
5	2000438		SCREW,6-32 X 1/4,F,PH1,TRUSS HD,YEL ZN	
1			COVER, ACCESS, ANTENNA	<i>FOR BBCV AND SBCV UNITS, USE THE FOLLOWING</i>
1	0038394		COVER,ACCESS,ANTENNA,FEA 30281-01	<i>FEATURE 30400-01. ASTRO WHITE</i>
1	0076259		COVER,ACCESS,ANTENNA,FLORIDA	<i>FEATURE 30400-02. FLORIDA GRAY</i>
1	0076260		COVER,ACCESS,ANTENNA,KENTUCKY	<i>FEATURE 30400-03. KENTUCKY BLUE</i>
1	0086944		COVER,ACCESS,ANTENNA,GREEN	<i>FEATURE 30400-04. SEA FOAM GREEN</i>
2	1812049		CONDUIT,GREENFIELD,FLEXIBLE, 1/2	
3	0517532		WIRE,14 GA,SXL,BK 32,CHM CRS-LK,POL	
4	2000438		SCREW,6-32 X 1/4,F,PH1,TRUSS HD,YEL ZN	
5	0065370		COVER,CABLE,ANTENNA STRAIGHT,FEA 30281	

**Models:** A3FE, A3RE, BBCV, SBCV  
**FRONT COVER, ANTENNA ACCESS RADIO, AM/FM CASSETTE, CONSOLE MTD FEATURE 30260**

**With Features:** FEATURE 30260

Key	PartNumber	Qty	Description	Comment
-----	------------	-----	-------------	---------





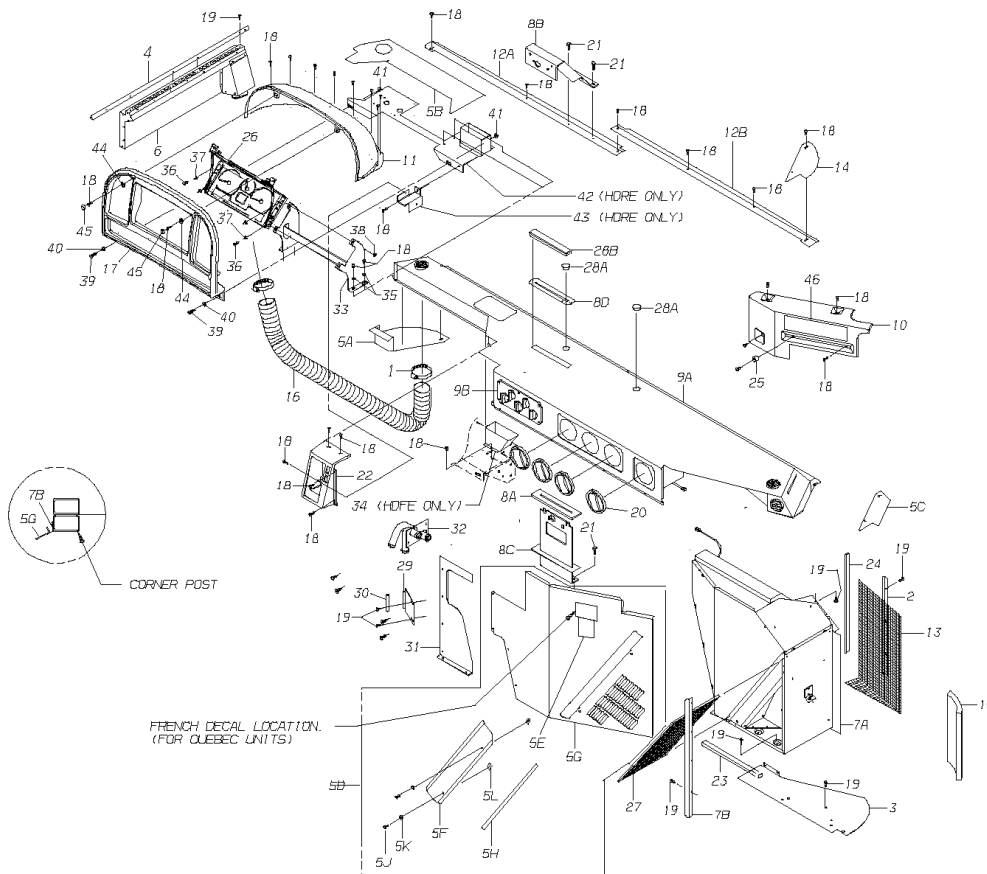
**Models:** A3FE, A3RE, BBCV, SBCV  
**FRONT  
 COVER, ANTENNA ACCESS  
 RADIO, AM/FM CASSETTE, CONSOLE MTD**

**With Features:** **FEATURE 30260**

Key	PartNumber	Qty	Description	Comment
1	0038394		COVER,ACCESS,ANTENNA,FEA 30281-01	<i>FEATURE 30400-01. ASTRO WHITE</i>
1	0076259		COVER,ACCESS,ANTENNA,FLORIDA	<i>FEATURE 30400-02. FLORIDA GRAY</i>
1	0076260		COVER,ACCESS,ANTENNA,KENTUCKY	<i>FEATURE 30400-03. KENTUCKY BLUE</i>
1	0086944		COVER,ACCESS,ANTENNA,GREEN	<i>FEATURE 30400-04. SEA FOAM GREEN</i>
2	1812049		CONDUIT,GREENFIELD,FLEXIBLE, 1/2	
3	0517532		WIRE,14 GA,SXL,BK 32,CHM CRS-LK,POL	
4	2000438		SCREW,6-32 X 1/4,F,PH1,TRUSS HD,YEL ZN	

**Models:** A3FE, A3RE  
**FRONT  
 DASH INSTALLATION  
 To BSN 10020224**

Key	PartNumber	Qty	Description	Comment
-----	------------	-----	-------------	---------



**Models:** A3FE, A3RE  
**FRONT**  
**DASH INSTALLATION**  
**To BSN 10020224**

Key	PartNumber	Qty	Description	Comment
1	1572304	2	CLAMP,HOSE,SIZE 36,UNLINED,2.75	
2	1532910		ANGLE,SCREEN RET,HTR AIR INTAKE	
3	1988773		PANEL,CLOSEOUT,HEATER TO COWL,DRFL	
4	1532761		ANGLE,AIR DEFLECTOR DRV WDO DEFR	
6	1494178		DUCT ASSY,DRIVERS WINDOW DEFROSTER	STANDARD
6	1513316		DUCT ASSY,DRIVERS WDO,DEFROSTER,TSW	
7	0003017		HEATER ASSY,PURCHASED IN ASSEMBLY,, A3FE	INCLUDES ITEMS 7A & 7B
7A			HEATER ASSEMBLY	
7B			ANGLE, FRONT COVER	
8	1914126		KIT,MANUAL DOOR CONTROL BRACKETS,	INCLUDES ITEMS 8A, 8B, 8C, 8D
8A			SEAL, DOOR	
8B			BRACKET, FRONT	
8C			BRACKET, REAR	
8D			PLATE, COVER	
9	1913789		DUCT ASSY,STD PURCHASED IN ASSEMBLY,	STANDARD. WITH DRIVERS HEATER, INCLUDES ITEMS 9A AND 9B
9	1913805		DUCT ASSY,W/O DRV HTR,PUR IN ASSY,	OPTION 1237. WITHOUT DRIVERS HEATER, INCLUDES ITEMS 9A AND 9B
9A			DUCT ASSY.,	
9B			CONTROL ASSEMBLY	
10	1914316		COVER,DASH,RH REAR,TCFE/RE	
11	0013375		COVER,FRONT,INSTRUMENT HOUSING,AA	
12	1913847		KIT,TRIM,DASH W/PUSH BUTTON SHIFTER,2CF	INCLUDES ITEMS 12A & 12B
12			TRIM, LH BELT BAR	
12			TRIM, RH BELT BAR	
13	1532902		SCREEN,HTR AIR INTAKE,TCFC/RE	
14	1925759		TRIM,RH FRONT CORNER OF DASH,TCFE/RE	
15	1532936		INSULATION & SEAL,RH COWL	
16	1508381		HOSE,FLEXIBLE,DUCT,2.50X28.00	
17	0013391		HOUSING,INSTRUMENT,AA	
18	1143676	30	SCREW,10-16 X 3/4, AB,PH1,PAN HD,BLK ZN,	
19	1589522	30	SCREW,10-16 X 3/4,AB,PH1,PAN HD,YEL ZN	
20	0530253	4	DIFFUSER,AIR,BLACK,MB	

**Models:** A3FE, A3RE  
**FRONT  
 DASH INSTALLATION  
 To BSN 10020224**

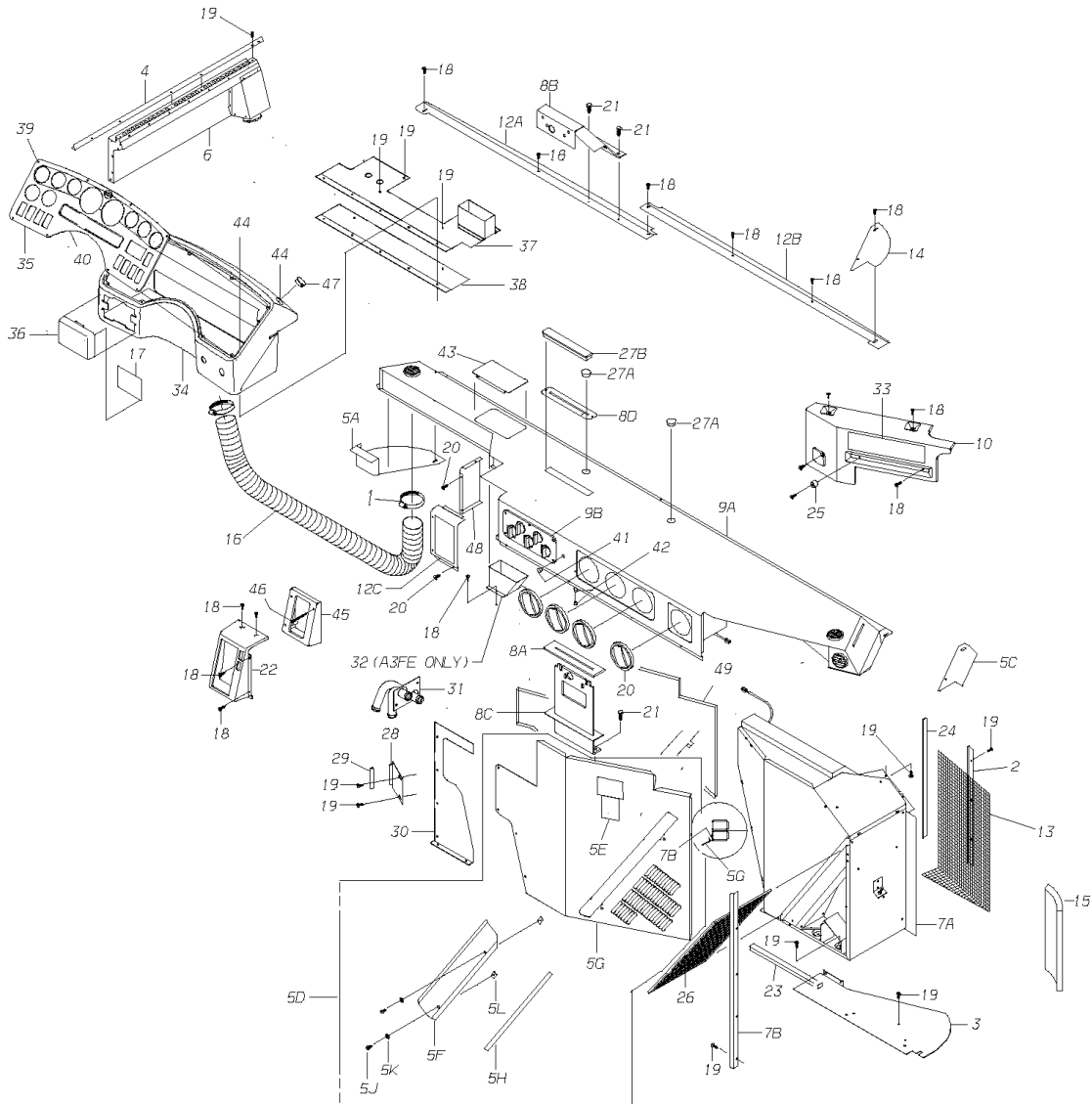
Key	PartNumber	Qty	Description	Comment
21	2000198	4	SCREW,5/16-18 X 1,D,HEX HD,YEL ZN DICH	
22	0013383		BEZEL,SHIFTER,KEYPAD,AA	KEYPAD
22	0009159		BEZEL,TRANSMISSION SHIFTER,MANUAL	
23	0830059	12	TAPE,FOAM,1/2X3/4,CLSD CELL NEOPRENE ADH	
24	0758292	18	TAPE,FOAM,PCV,3/16 X 3/8 WIDTH,W/ADH	
25	1486919		BUMPER,RUBBER RECESS,.469 X .719 DIA	
26	1935931		CLUSTER,INSTR,BB-1,BK,ENGLISH,AIR BRK	
26	1935956		CLUSTER,INSTR,BB-1,BK,METRIC,AIR BRK	
27	1922384		FILTER,MAIN HTR,10 X 21.06 X.43 FRM	
28	1914134		KIT,DUCT CLOSURE FOR PWR DOOR CTRLS	INCLUDES ITEMS 28A & 28B
28			PLUG, HOLE	1 PER KIT
28			PLUG, COVER	2 PER KIT
29	0000059		BRACKET,HEATER PANEL TO DUCT	
30	2004547	.25	TRIM,INSTRUMENT HOOD,VINYL EDGE,BLACK	
31	0005256		PANEL,HEATER TO ENGINE HOOD, HDFE	
32	0003021		CONNECTOR ASSY,HTR PPG,CAT,FIREWALL,	ENDING WITH BSN F-10012979, L-10020744
32	0010842		CONNECTOR ASSY,HTR PPG,CAT/ISC,F/WALL,	BEGIN WITH BSN F-10012980, L -10020745
32	1948074		CONNECTOR ASSY,HTR PPG,ISB/ISC F/WALL,	ENDING WITH BSN F-10012979, L-10020744
32	0010841		CONNECTOR ASSY,HTR PPG,ISB FIREWALL,,	BEGIN WITH BSN F-10012980, L -10020745
33	0019612		BRACKET ASSY,MTG,VDO CLUSTER	
34	1988740		DUCT,DRIVERS FOOTWARMER	ENDING WITH BSN F-10014699, L-10023425
34	0011217		DUCT,DRIVERS FOOTWARMER, A3FE	BEGIN WITH BSN F-10014700, L -10023425
35	2001105	4	WASHER,FLAT,13/64 X,1/2 X 3/64,YEL ZN DICH	
36	1221399	4	SCREW,10-32 X 3/4,PH,TRUSS,YEL ZN DICH	
37	2001162	4	LOCKWASHER,SPLIT RING, 3/16,MED,YEL ZN	
38	2001287	4	NUT,HEX HD,10-32,YEL ZN DICH	
39	2000057	2	CAPSCREW,HEX HD,1/4-20 X 1,GR 5,YEL ZN	
40	1247709	2	WASHER,FLAT,17/64 ID X,5/8,YEL ZN DICH	
41	0659979	2	NUT,HEX,FLANGE SER,1/4-20,BLACK ZINC	
42	0011486		PANEL ASSY,MTG,INSTR PNL COVER, DRRE	ASRE. DRRE ONLY
43	0016485		BRACKET,MOUNTING,SHIFTER COVER, DRRE	

**Models:** **A3FE, A3RE**  
**FRONT**  
**DASH INSTALLATION**  
**To BSN 10020224**

Key	PartNumber	Qty	Description	Comment
44	3775863	2	WASHER,COUNTERSUNK,12/12,WL	
45	2144038	2	COVER,SCREWHEAD,BLACK,NO 12/12	
46	0000100		NAMEPLATE,DASH,ALL AMERICAN	
46	0000101		NAMEPLATE,DASH,CANADIAN	
5	0003018		KIT,DASH & HEATER COVER,, A3FE	<i>A3FE, INCLUDES ITEMS 5A THRU 5L</i>
5A			TRIM, LH FRONT	
5B			TRIM, LH	
5C			TRIM, RH	
5D			COVER ASSEMBLY	
5E			TAG	
5F			COVER, FILTER	
5G			PANEL, INTERIOR	
5H		2	URETHANE, 1/4 x 1/2	
5J		2	FASTENER, #12 PHI HD	
5K		2	RETAINER	
5L		2	NUT, SPEED	
26	1935949		CLUSTER,INSTR,BB-1,BK,ENGLISH,HYD BRK	
26	1935964		CLUSTER,INSTR,BB-1,BK,METRIC,HYD BRK	
5	1914142		KIT,DASH & HEATER COVER,CSRE	<i>A3RE, INCLUDES ITEMS 5A THRU 5L, ENDING WITH BSN F-10010344</i>
5	0008840		KIT,DASH & HEATER COVER,A3RE	<i>A3RE, INCLUDES ITEMS 5A THRU 5L, FROM BSN F-10010345 TO BSN F-10020224</i>
5A			TRIM, LH FRONT	
5B			TRIM, LH	
5C			TRIM, RH	
5D			COVER ASSEMBLY	
5E			TAG	
5F			COVER, FILTER	
5G			PANEL, INTERIOR	
5H		2	URETHANE, 1/4 x 1/2	
5J		2	FASTENER, #12 PHI HD	
5K		2	RETAINER	
5L		2	NUT, SPEED	

**Models:** A3FE, A3RE  
**FRONT**  
**DASH INSTALLATION**  
**BSN:** From BSN 10020225  
 To BSN F10035824 L10059259

Key	PartNumber	Qty	Description	Comment
-----	------------	-----	-------------	---------



**Models:** A3FE, A3RE  
**FRONT DASH INSTALLATION**  
**BSN:** From BSN 10020225  
 To BSN F10035824 L10059259

Key	PartNumber	Qty	Description	Comment
1	1572304	2	CLAMP,HOSE,SIZE 36,UNLINED,2.75	
2	1532910		ANGLE,SCREEN RET,HTR AIR INTAKE	
3	1988773		PANEL,CLOSEOUT,HEATER TO COWL,DRFL	<i>ENDING WITH BSN F10018474, L10029759</i>
3	0010683		PANEL,CLOSEOUT,HEATER TO COWL,DRFL	<i>FROM BSN F10018475, L10029760 TO BSN F10035824, L10059259</i>
4	1532761		ANGLE,AIR DEFLECTOR DRV WDO DEFR	
5	0015274		KIT,DASH & HEATER COVER,A3FE	
5A			TRIM, LH FRONT	
5C			TRIM, RH	
5D			COVER ASSEMBLY	
5E			TAG	
5F			COVER, FILTER	
5G			PANEL, INTERIOR	
5H		2	URETHANE, 1/4 X 1/2	
5J		2	FASTENER #12, PH1, HD	
5K		2	RETAINER	
5L		2	NUT-SPEED	
5	0015269		KIT,DASH & HEATER COVER,TC/CS/A3 RE	
5A			TRIM, LH FRONT	
5C			TRIM, RH	
5D			COVER ASSEMBLY	
5E			TAG	
5F			COVER, FILTER	
5G			PANEL, INTERIOR	
5H		2	URETHANE, 1/4 X 1/2	
5J		2	FASTENER #12, PH1, HD	
5K		2	RETAINER	
5L		2	NUT-SPEED	
6	1494178		DUCT ASSY,DRIVERS WINDOW DEFROSTER	
6	1513316		DUCT ASSY,DRIVERS WDO,DEFROSTER,TSW	
7	0015279		HEATER ASSY,TRANSIT MAIN,PIA,VERT FEED	
7A			HEATER ASSEMBLY	
7B			ANGLE, FRONT COVER	

**Models:** A3FE, A3RE  
**FRONT**  
**DASH INSTALLATION**  
**BSN:** From BSN 10020225  
 To BSN F10035824 L10059259

Key	PartNumber	Qty	Description	Comment
8	1914126		KIT,MANUAL DOOR CONTROL BRACKETS,	
8A			SEAL, DOOR	
8B			BRACKET, FRONT	
8C			BRACKET, REAR	
8D			PLATE, COVER	
9	0015278		DUCT ASSY,DEF,TRANSIT,PIA,W/DRV HTR	WITHOUT OPTION 1237
9A			DUCT ASSEMBLY	
9B			CONTROL ASSEMBLY	
9	0015276		DUCT ASSY,DEF,TRANSIT,PIA,W/O DRV HTR	WITHOUT OPTION 1237
9A			DUCT ASSEMBLY	
9B			CONTROL ASSEMBLY	
10	1914316		COVER,DASH,RH REAR,TCFE/RE	
12	1913821		KIT,TRIM,DASH W/STD AUTOMATIC TRANS	WITH STANDARD AUTOMATIC TRANS
12			TRIM, BELT BAR, LH	
12			TRIM, BELT BAR, RH	
12			PANEL, SHIFTER TRIM	
12	1913847		KIT,TRIM,DASH W/PUSH BUTTON SHIFTER,2CF	
12			TRIM, BELT BAR, LH	
12			TRIM, BELT BAR, RH	
13	1532902		SCREEN,HTR AIR INTAKE,TCFC/RE	
14	1925759		TRIM,RH FRONT CORNER OF DASH,TCFE/RE	
15	1532936		INSULATION & SEAL,RH COWL	
16	1508381		HOSE,FLEXIBLE,DUCT,2.50X28.00	
17	0026201		DECAL,FUSE BLOCK,CSRE/HDRE/HDFE	A3RE ONLY
18	1143676	19	SCREW,10-16 X 3/4, AB,PH1,PAN HD,BLK ZN,	
19	1589522	30	SCREW,10-16 X 3/4,AB,PH1,PAN HD,YEL ZN	
20	0530253	4	DIFFUSER,AIR,BLACK,MB	
21	2000198	4	SCREW,5/16-18 X 1,D,HEX HD,YEL ZN DICH	
22	0017644		BEZEL,SHIFTER,KEYPAD	WORLD TRANSMISSION ONLY
23	0830059	12	TAPE,FOAM,1/2X3/4,CLSD CELL NEOPRENE ADH	
24	0758292		TAPE,FOAM,PCV,3/16 X 3/8 WIDTH,W/ADH	
25	1486919		BUMPER,RUBBER RECESS,.469 X .719 DIA	
26	1922384		FILTER,MAIN HTR,10 X 21.06 X.43 FRM	

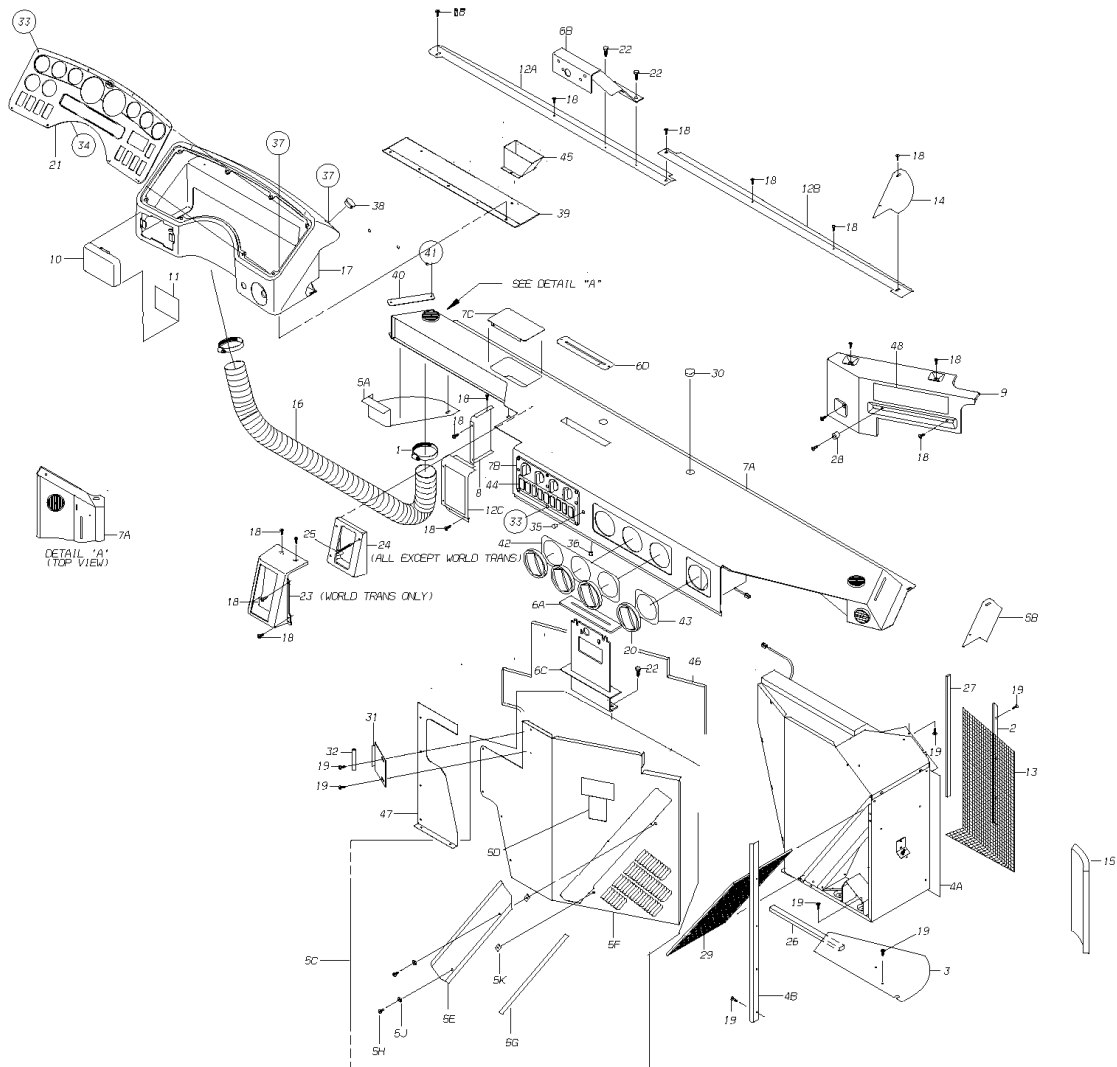


**Models:** A3FE, A3RE  
**FRONT**  
**DASH INSTALLATION**  
**BSN:** From BSN 10020225  
 To BSN F10035824 L10059259

Key	PartNumber	Qty	Description	Comment
27	1914134		KIT,DUCT CLOSURE FOR PWR DOOR CTRLS	
27			PLUG, HOLE	
27		2	PLUG, COVER	UPPER & LOWER SLOTS
28	0000059		BRACKET,HEATER PANEL TO DUCT	
29	2004547	1	TRIM,INSTRUMENT HOOD,VINYL EDGE,BLACK	
30	0005256		PANEL,HEATER TO ENGINE HOOD, HDPE	
32	0011217		DUCT,DRIVERS FOOTWARMER, A3FE	
33	0000100		NAMEPLATE,DASH,ALL AMERICAN	
33	0000101		NAMEPLATE,DASH,CANADIAN	
34	0012194		HOUSING,PANEL ASSY,INSTRUMENT,2000	
35	0026348		PANEL ASSY,INSTRUMENT,BLK W/GRAY,	
36	0017276		COVER,FUSE BLOCK W/O CIRCUIT BREAKERS	
37	0016854		PLATE ASSY,MOUNTING,DASH HOUSING	
38	0016369		PLATE,MOUNTING,INSTRUMENT HOUSING,,	A3FE ONLY
39	1315100	8	SCREW,MACH,10-32X1,PHI,PAN HD,BLK	
40	1315118	8	WELLNUT Q-1032,.377 X 5/8	
41	1422864		PLUG,BUTTON,BLACK,DP-437,HEYCO 2633	WITHOUT OPTION 1240 OR 1242
42	1626159	2	PLUG,BUTTON,BLACK,DP-375,HEYCO 2617	WITHOUT OPTION 1240 OR 1242
43	0017831		TRIM,ACCESS OPENING,FOOTWARMER DOOR	
44	0017645	5	SCREW,1/4-20 X.75,TYPE F W/WSHR,PAN HD,	
45	1528579		COVER,SHIFTER	
46	1557693	4	SCREW,10-16 X 2-1/2,AB,PH1,TRUSS HD, BLK	
47	0017694	2	PLUG,PRY-OUT,.875 HOLE,HEYCO 3083	
48	1528561		PANEL,DASH,END CAP	
49	0008386		INSULATION,THERMAL,HEATER COVER, A3FE	A3FE ONLY

Models: **A3FE, A3RE**  
**FRONT**  
**DASH INSTALLATION**  
**WITH MANUAL DOOR CONTROL**  
 BSN: **From BSN F10035825, L10059260**

Key	PartNumber	Qty	Description	Comment
-----	------------	-----	-------------	---------



**Models:** A3FE, A3RE  
**FRONT**  
**DASH INSTALLATION**  
**WITH MANUAL DOOR CONTROL**  
**BSN:** From BSN F10035825, L10059260

Key	PartNumber	Qty	Description	Comment
1	1572304	2	CLAMP,HOSE,SIZE 36,UNLINED,2.75	
2	1532910		ANGLE,SCREEN RET,HTR AIR INTAKE	
3	0010683		PANEL,CLOSEOUT,HEATER TO COWL,DRFL	
4	0015279		HEATER ASSY,TRANSIT MAIN,PIA,VERT FEED	
4A			HEATER ASSEMBLY	
4B	0031090		ANGLE,FRONT CORNER HEATER TC2000	
5	0015274		KIT,DASH & HEATER COVER,A3FE	
5A			TRIM, LH FRONT	
5B			TRIM, RH	
5C			COVER ASSEMBLY	
5D	4316402		PLATE, ID HEATER CV KYSOR WESTRAN 342384	
5E			COVER, FILTER	
5F			PANEL, INTERIOR	
5G	4316550	AR	RUBBER, .25 X .50 HEATER CV KYSOR	
5H	0035467	2	FASTENER, KYSOR 290378, FRT HTR	
5J	0035468	2	RETAINER, KYSOR 290343, FRT HTR	
5K	0035469	2	NUT-SPEED, KYSOR 290241, FRT HTR	
6	0031450		KIT,MANUAL DOOR CONTROL BRACKETS	
6A			SEAL, DOOR	
6B			BRACKET, FRONT, MED GRAY	
6C			BRACKET, REAR, MED GRAY	
6D			PLATE, COVER, MED GRAY	
7	0028724		DUCT ASSY,DEF,WITH MOUNTED CONTROLS	
7A			DUCT ASSEMBLY	
7B	0037588		CONTROL ASSY, TRANSIT 250263	SEE DRAWING 2502631
7C	0030465		TRIM,ACCESS OPENING,FOOTWARMER DOOR	
8	1528561		PANEL,DASH,END CAP	
9	0031645		COVER,DASH,RH REAR,TC/A3	
10	0017276		COVER,FUSE BLOCK W/O CIRCUIT BREAKERS	
11	0041799		DECAL,FUSE BLOCK	
12	0032833		KIT,TRIM,DASH W/STD AUTO SHIFTER,2CF,A3	WITH STANDARD AUTOMATIC TRANSMISSION
12			TRIM, LH BELT BAR	
12			TRIM, RH BELT BAR	

**Models:** A3FE, A3RE  
**FRONT DASH INSTALLATION WITH MANUAL DOOR CONTROL**  
**BSN:** From BSN F10035825, L10059260

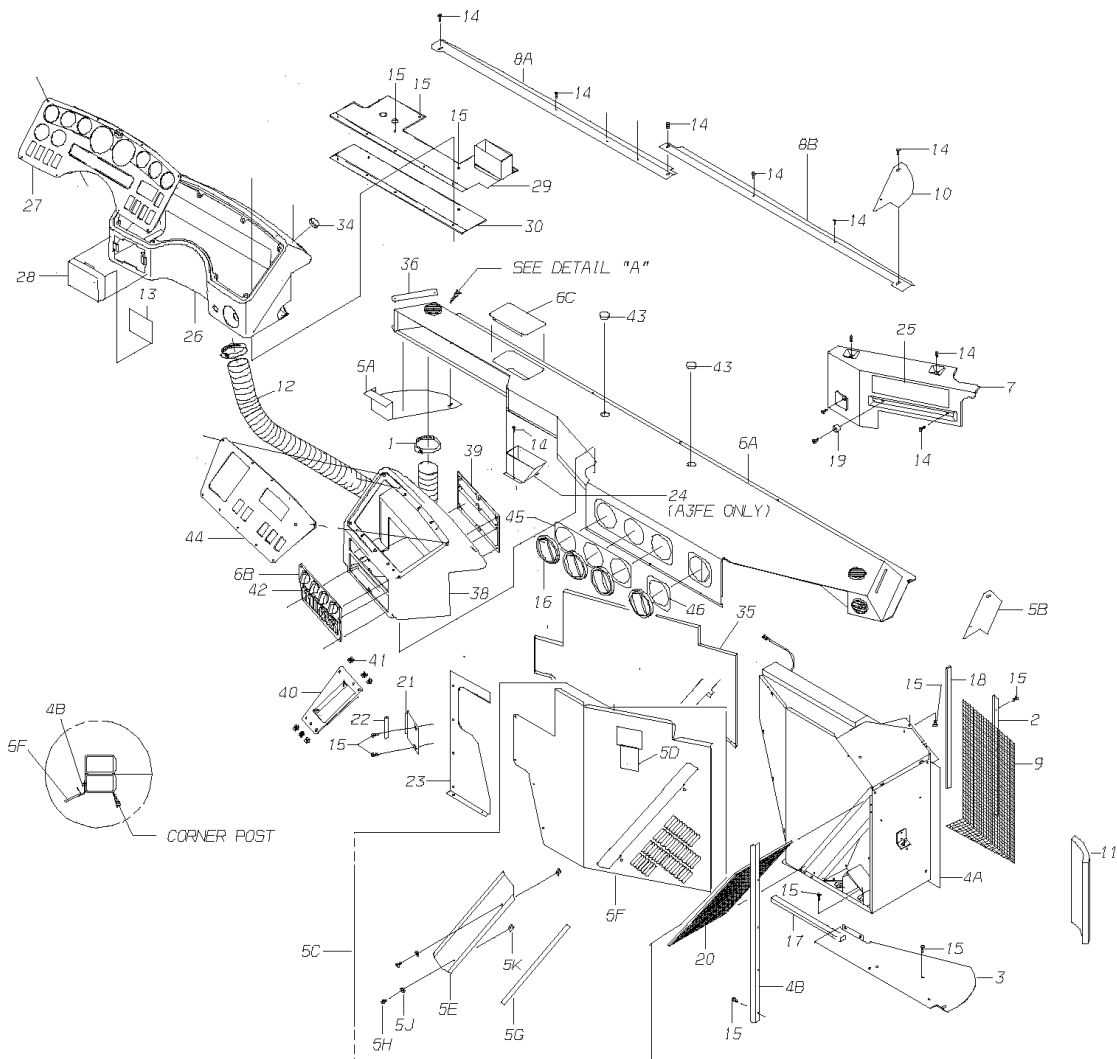
Key	PartNumber	Qty	Description	Comment
12			PANEL, SHIFTER, MED GRAY	
12	1913847		KIT,TRIM,DASH W/PUSH BUTTON SHIFTER,2CF	
12			TRIM, LH BELT BAR	
12			TRIM, RH BELT BAR	
13	1532902		SCREEN,HTR AIR INTAKE,TCFC/RE	
14	1925759		TRIM,RH FRONT CORNER OF DASH,TCFE/RE	
15	1532936		INSULATION & SEAL,RH COWL	
16	1508381		HOSE,FLEXIBLE,DUCT,2.50X28.00	
17	0031025		HOUSING,PANEL ASSY,INSTRUMENT,2001	
18	1143676	25	SCREW,10-16 X 3/4, AB,PH1,PAN HD,BLK ZN,	
19	1589522	30	SCREW,10-16 X 3/4,AB,PH1,PAN HD,YEL ZN	
20	0530253	4	DIFFUSER,AIR,BLACK,MB	
21	0026348		PANEL ASSY,INSTRUMENT,BLK W/GRAY,	
22	2000198	4	SCREW,5/16-18 X 1,D,HEX HD,YEL ZN DICH	
23	0035231		BEZEL,SHIFTER,KEYPAD,A3/TC	KEYPAD
24	1528579		COVER,SHIFTER	
25	1557693	4	SCREW,10-16 X 2-1/2,AB,PH1,TRUSS HD, BLK	
26	0830059	12	TAPE,FOAM,1/2X3/4,CLSD CELL NEOPRENE ADH	
27	0758292		TAPE,FOAM,PCV,3/16 X 3/8 WIDTH,W/ADH	
28	1486919		BUMPER,RUBBER RECESS,.469 X .719 DIA	
29	1922384		FILTER,MAIN HTR,10 X 21.06 X.43 FRM	
30	1351071		PLUG,BUTTON,BLACK,DP-1000 HEYCO 2713	
31	0000059		BRACKET,HEATER PANEL TO DUCT	
32	2004547	AR	TRIM,INSTRUMENT HOOD,VINYL EDGE,BLACK	
33	1315100	8	SCREW,MACH,10-32X1,PHI,PAN HD,BLK	
34	1315118	8	WELLNUT Q-1032,.377 X 5/8	
35	1422864		PLUG,BUTTON,BLACK,DP-437,HEYCO 2633	
36	1626159		PLUG,BUTTON,BLACK,DP-375,HEYCO 2617	
37	0017645	5	SCREW,1/4-20 X.75,TYPE F W/WSHR,PAN HD,	WITHOUT OPTION 1240
38	0017694	2	PLUG,PRY-OUT,.875 HOLE,HEYCO 3083	WITHOUT OPTION 1240
39	0016389		CABINET,MEDICINE,VANITY,LAMINATE,LX2000D	
40	0000852		TAG,VEHICLE IDENTIFICATION NUMBER,.032	
41	0422915	2	RIVET,1/8 DIA,ALUMINUM,W/ST STEM	

**Models:** A3FE, A3RE  
**FRONT**  
**DASH INSTALLATION**  
**WITH MANUAL DOOR CONTROL**  
**BSN:** From BSN F10035825, L10059260

Key	PartNumber	Qty	Description	Comment
42	0031699		DECAL,INSERT,HEATER DIFFUSER,DASH,3-	
43	0031700		DECAL,INSERT,HEATER DIFFUSER,DASH,1-	
44	0028949		PANEL ASSY,SWITCH,AUX HEATERS,W/CMPS	
45	0011217		DUCT,DRIVERS FOOTWARMER, A3FE	
46	0008386		INSULATION,THERMAL,HEATER COVER, A3FE	
47	0005256		PANEL,HEATER TO ENGINE HOOD, HDPE	
48	0000100		NAMEPLATE,DASH,ALL AMERICAN	
48	0000101		NAMEPLATE,DASH,CANADIAN	

**Models:** A3FE, A3RE  
**FRONT DASH INSTALLATION WITH POWER DOOR CONTROL**  
**BSN:** From BSN F10035825 L10059260  
 To BSN F10068989 L10133499

Key	PartNumber	Qty	Description	Comment
-----	------------	-----	-------------	---------



**Models:** A3FE, A3RE  
**FRONT  
 DASH INSTALLATION  
 WITH POWER DOOR CONTROL**  
**BSN:** From BSN F10035825 L10059260  
 To BSN F10068989 L10133499

Key	PartNumber	Qty	Description	Comment
1	1572304	2	CLAMP,HOSE,SIZE 36,UNLINED,2.75	
2	1532910		ANGLE,SCREEN RET,HTR AIR INTAKE	
3	0010683		PANEL,CLOSEOUT,HEATER TO COWL,DRFL	A3FE
3	1564699		PLATE,CLOSEOUT,MAIN HTR TO COWL	A3RE
4	0015279		HEATER ASSY,TRANSIT MAIN,PIA,VERT FEED	
4A			HEATER ASSEMBLY	
4B			ANGLE, FRONT COVER	
**	0015274		KIT,DASH & HEATER COVER,A3FE	
5A			TRIM, LH HEATER	
5B			TRIM, RH	
5C			COVER ASSY	
5D	4316402		PLATE, ID HEATER CV KYSOR WESTRAN 342384	
5E			COVER, FILTER	
5F			PANEL, INTERIOR	
5G	4316550		RUBBER, .25 X .50 HEATER CV KYSOR	
5H	0035467		FASTENER, KYSOR 290378, FRT HTR	
5J	0035468		RETAINER, KYSOR 290343, FRT HTR	
5K	0035469		NUT-SPEED, KYSOR 290241, FRT HTR	
**	0015269		KIT,DASH & HEATER COVER,TC/CS/A3 RE	
5A			TRIM, LH FRONT	
5B			TRIM, RH	
5C			COVER ASSEMBLY	
5D			TAG	
5E			COVER, FILTER	
5F			PANEL, INTERIOR	
5G			URETHANE, 1/4 X 1/2	
5H			FASTENER, #12 PH1 HD	
5J			RETAINER	
5K			NUT-SPEED	
6	0028726		DUCT ASSY,DEF,WITH UNMOUNTED CONTROLS	
6A			DUCT ASSY	
6B			CONTROL ASSEMBLY	
6C	0030465		TRIM,ACCESS OPENING,FOOTWARMER DOOR	

**Models:** A3FE, A3RE  
**FRONT**  
**DASH INSTALLATION**  
**WITH POWER DOOR CONTROL**  
**BSN:** From BSN F10035825 L10059260  
 To BSN F10068989 L10133499

Key	PartNumber	Qty	Description	Comment
7	0031645		COVER,DASH,RH REAR,TC/A3	
8	1913847		KIT,TRIM,DASH W/PUSH BUTTON SHIFTER,2CF	
8A			TRIM, LH BELT BAR	
8B			TRIM, RH BELT BAR	
9	1532902		SCREEN,HTR AIR INTAKE,TCFC/RE	
10	1925759		TRIM,RH FRONT CORNER OF DASH,TCFE/RE	
11	1532936		INSULATION & SEAL,RH COWL	
12	1508381		HOSE,FLEXIBLE,DUCT,2.50X28.00	
13	0041799		DECAL,FUSE BLOCK	
14	1143676	15	SCREW,10-16 X 3/4, AB,PH1,PAN HD,BLK ZN,	
15	1589522	30	SCREW,10-16 X 3/4,AB,PH1,PAN HD,YEL ZN	
16	0530253	4	DIFFUSER,AIR,BLACK,MB	
17	0830059	1	TAPE,FOAM,1/2X3/4,CLSD CELL NEOPRENE ADH	
18	0758292		TAPE,FOAM,PCV,3/16 X 3/8 WIDTH,W/ADH	
19	1486919		BUMPER,RUBBER RECESS,.469 X .719 DIA	
20	1922384		FILTER,MAIN HTR,10 X 21.06 X.43 FRM	
21	0000059		BRACKET,HEATER PANEL TO DUCT	
22	2004547		TRIM,INSTRUMENT HOOD,VINYL EDGE,BLACK	
23	0005256		PANEL,HEATER TO ENGINE HOOD, HDPE	
24	0011217		DUCT,DRIVERS FOOTWARMER, A3FE	
25	0000100		NAMEPLATE,DASH,ALL AMERICAN	
25	0000101		NAMEPLATE,DASH,CANADIAN	
26	0031025		HOUSING,PANEL ASSY,INSTRUMENT,2001	
27	0026348		PANEL ASSY,INSTRUMENT,BLK W/GRAY,	
28	0017276		COVER,FUSE BLOCK W/O CIRCUIT BREAKERS	
29	0016854		PLATE ASSY,MOUNTING,DASH HOUSING	
30	0016369		PLATE,MOUNTING,INSTRUMENT HOUSING,,	
31	1315100	29	SCREW,MACH,10-32X1,PHI,PAN HD,BLK	
32	1315118	14	WELLNUT Q-1032,.377 X 5/8	
33	0017645	8	SCREW,1/4-20 X.75,TYPE F W/WSHR,PAN HD,	
34	0017694	4	PLUG,PRY-OUT,.875 HOLE,HEYCO 3083	
35	0008386		INSULATION,THERMAL,HEATER COVER, A3FE	
36	0000852		TAG,VEHICLE IDENTIFICATION NUMBER,.032	

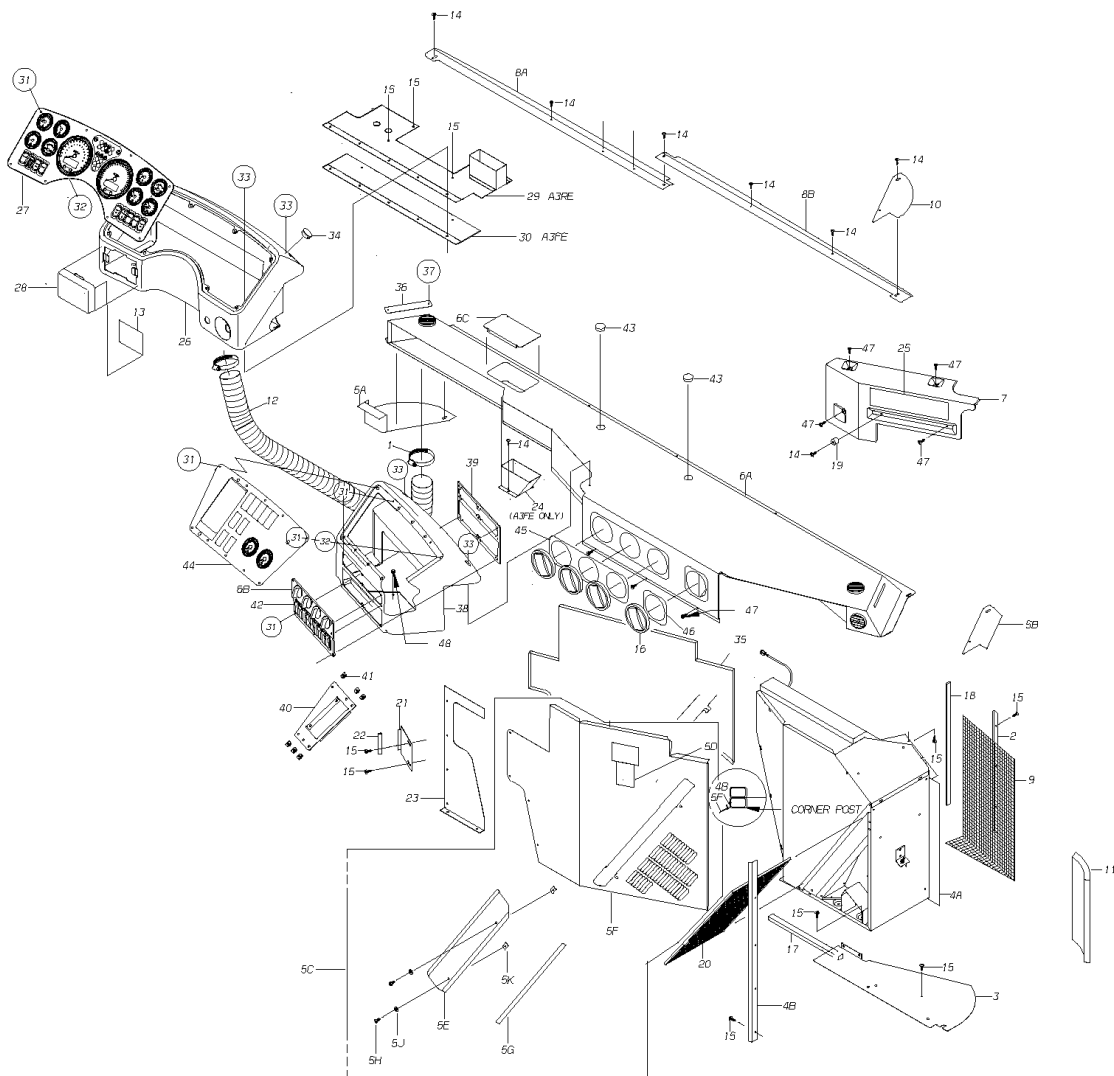


**Models:** A3FE, A3RE  
**FRONT  
 DASH INSTALLATION  
 WITH POWER DOOR CONTROL**  
**BSN:** From BSN F10035825 L10059260  
 To BSN F10068989 L10133499

Key	PartNumber	Qty	Description	Comment
37	0422915	2	RIVET,1/8 DIA,ALUMINUM,W/ST STEM	
38	0025579		HOUSING,VEHICLE CONTROL COMPONENTS	
39	0028997		PLATE,REINFORCEMENT,HTR SWITCH PNL,A3	
40	0023394		PANEL,MTG,SHIFT SELECTOR TO HOUSING,LH	
41	0025522		U-NUT,10-32	
42	0028949		PANEL ASSY,SWITCH,AUX HEATERS,W/CMPS	
43	1351071	2	PLUG,BUTTON,BLACK,DP-1000 HEYCO 2713	
44	0027358		PANEL ASSY,SWITCH,SHIFTER,	
44	0030779		PANEL ASSY,SWITCH,SHIFTER,W/COMP,	
45	0031699		DECAL,INSERT,HEATER DIFFUSER,DASH,3-	
46	0031700		DECAL,INSERT,HEATER DIFFUSER,DASH,1-	
47	0033684	4	SCREW,10-16 X 3/4,AB,PHI,PN/HD,BZDICH,	

**Models:** A3FE, A3RE  
**FRONT DASH INSTALLATION WITH POWER DOOR CONTROL**  
**BSN:** From BSN F10068990 L10133500

Key	PartNumber	Qty	Description	Comment
-----	------------	-----	-------------	---------



**Models:** A3FE, A3RE  
**FRONT  
DASH INSTALLATION  
WITH POWER DOOR CONTROL**  
**BSN:** From BSN F10068990 L10133500

Key	PartNumber	Qty	Description	Comment
1	1572304	2	CLAMP,HOSE,SIZE 36,UNLINED,2.75	
2	1532910		ANGLE,SCREEN RET,HTR AIR INTAKE	
3	0010683		PANEL,CLOSEOUT,HEATER TO COWL,DRFL	A3FE
3	1564699		PLATE,CLOSEOUT,MAIN HTR TO COWL	A3RE
4	0015279		HEATER ASSY,TRANSIT MAIN,PIA,VERT FEED	
4A			HEATER ASSEMBLY	
4B			ANGLE, FRONT COVER	
**	0015274		KIT,DASH & HEATER COVER,A3FE	
5A	0061998		TRIM,LH,FRONT DASH, PART OF KIT 0015272	
5B			TRIM, RH	
5C			COVER ASSEMBLY	
5D	4316402		PLATE, ID HEATER CV KYSOR WESTRAN 342384	
5E			COVER, FILTER	
5F			PANEL, INTERIOR	
5G	4316550		RUBBER, .25 X .50 HEATER CV KYSOR	
5H	0035467		FASTENER, KYSOR 290378, FRT HTR	
5J	0035468		RETAINER, KYSOR 290343, FRT HTR	
5K	0035469		NUT-SPEED, KYSOR 290241, FRT HTR	
**	0015269		KIT,DASH & HEATER COVER,TC/CS/A3 RE	
5A	0061998		TRIM,LH,FRONT DASH, PART OF KIT 0015272	
5B			TRIM, RH	
5C			COVER ASSEMBLY	
5D	4316402		PLATE, ID HEATER CV KYSOR WESTRAN 342384	
5E			COVER, FILTER	
5F			PANEL, INTERIOR	
5G	4316550		RUBBER, .25 X .50 HEATER CV KYSOR	
5H	0035467		FASTENER, KYSOR 290378, FRT HTR	
5J	0035468		RETAINER, KYSOR 290343, FRT HTR	
5K	0035469		NUT-SPEED, KYSOR 290241, FRT HTR	
6	0028726		DUCT ASSY,DEF,WITH UNMOUNTED CONTROLS	
6A			DUCT ASSEMBLY	
6B			CONTROL ASSEMBLY	
6C	0030465		TRIM,ACCESS OPENING,FOOTWARMER DOOR	

**Models:** A3FE, A3RE  
**FRONT  
DASH INSTALLATION  
WITH POWER DOOR CONTROL**  
**BSN:** From BSN F10068990 L10133500

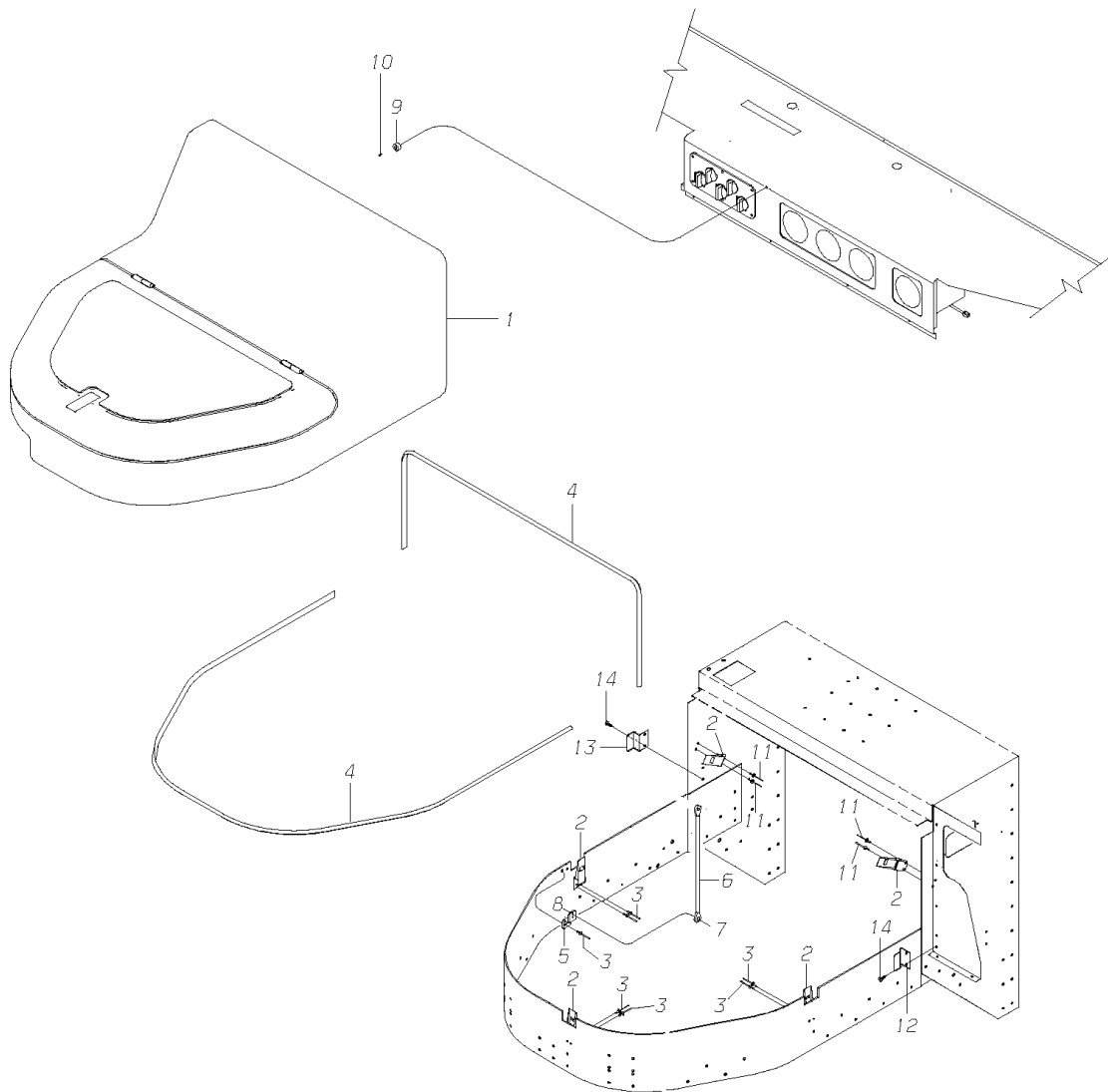
Key	PartNumber	Qty	Description	Comment
7	0031645		COVER,DASH,RH REAR,TC/A3	
8	1913847		KIT,TRIM,DASH W/PUSH BUTTON SHIFTER,2CF	
8A			TRIM, LH BELT BAR	
8B			TRIM, RH BELT BAR	
9	1532902		SCREEN,HTR AIR INTAKE,TCFC/RE	
10	1925759		TRIM,RH FRONT CORNER OF DASH,TCFE/RE	
11	1532936		INSULATION & SEAL,RH COWL	
12	1508381		HOSE,FLEXIBLE,DUCT,2.50X28.00	
13	0041799		DECAL,FUSE BLOCK	
14	1143676		SCREW,10-16 X 3/4, AB,PH1,PAN HD,BLK ZN,	
15	1589522		SCREW,10-16 X 3/4,AB,PH1,PAN HD,YEL ZN	
16	0530253		DIFFUSER,AIR,BLACK,MB	
17	0830059		TAPE,FOAM,1/2X3/4,CLSD CELL NEOPRENE ADH	
18	0758292		TAPE,FOAM,PCV,3/16 X 3/8 WIDTH,W/ADH	
19	1486919		BUMPER,RUBBER RECESS,.469 X .719 DIA	
20	1922384		FILTER,MAIN HTR,10 X 21.06 X.43 FRM	
21	0000059		BRACKET,HEATER PANEL TO DUCT	
22	2004547		TRIM,INSTRUMENT HOOD,VINYL EDGE,BLACK	
23	0005256		PANEL,HEATER TO ENGINE HOOD, HDPE	
24	0011217		DUCT,DRIVERS FOOTWARMER, A3FE	
25	0000100		NAMEPLATE,DASH,ALL AMERICAN	
25	0000101		NAMEPLATE,DASH,CANADIAN	
26	0031025		HOUSING,PANEL ASSY,INSTRUMENT,2001	
27	0077816		PANEL ASSY,INSTRUMENT,PURCHAS,ACTIA,	
28	0017276		COVER,FUSE BLOCK W/O CIRCUIT BREAKERS	
29	0016854		PLATE ASSY,MOUNTING,DASH HOUSING	
30	0016369		PLATE,MOUNTING,INSTRUMENT HOUSING,,	
31	1315100		SCREW,MACH,10-32X1,PHI,PAN HD,BLK	
32	1315118		WELLNUT Q-1032,.377 X 5/8	
33	0017645		SCREW,1/4-20 X.75,TYPE F W/WSHR,PAN HD,	
34	0017694		PLUG,PRY-OUT,.875 HOLE,HEYCO 3083	
35	0008386		INSULATION,THERMAL,HEATER COVER, A3FE	
36	0000852		TAG,VEHICLE IDENTIFICATION NUMBER,.032	

**Models:** A3FE, A3RE  
**FRONT**  
**DASH INSTALLATION**  
**WITH POWER DOOR CONTROL**  
**BSN:** From BSN F10068990 L10133500

Key	PartNumber	Qty	Description	Comment
37	0422915		RIVET,1/8 DIA,ALUMINUM,W/ST STEM	
38	0025579		HOUSING,VEHICLE CONTROL COMPONENTS	
39	0028997		PLATE,REINFORCEMENT,HTR SWITCH PNL,A3	
40	0023394		PANEL,MTG,SHIFT SELECTOR TO HOUSING,LH	
41	0025522		U-NUT,10-32	
42	0028949		PANEL ASSY,SWITCH,AUX HEATERS,W/CMPS	
43	1351071		PLUG,BUTTON,BLACK,DP-1000 HEYCO 2713	
44	0079089		PANEL ASSY,SWITCH,SHIFTER,	<i>WITH COMPONENTS</i>
44	0080497		PANEL ASSY,SWITCH,SHIFTER,W/COMP,	<i>WITH COMPONENTS</i>
45	0031699		DECAL,INSERT,HEATER DIFFUSER,DASH,3-	
46	0031700		DECAL,INSERT,HEATER DIFFUSER,DASH,1-	
47	0033684		SCREW,10-16 X 3/4,AB,PHI,PN/HD,BZDICH,	
48	2000016		SCREW,1/4-14 X 5/8,B,HEX,W/PLAIN WASH,	

Models: **A3FE  
FRONT  
ENGINE HOOD**

Key	PartNumber	Qty	Description	Comment
-----	------------	-----	-------------	---------



Models: **A3FE  
FRONT  
ENGINE HOOD**

Key	PartNumber	Qty	Description	Comment
1	0005915		HOOD ASSY,ENGINE COVER,ISB, HDFE	<i>FEATURE 40177, WITHOUT PLYWOOD FLOOR, ENDING WITH BSN 10011234</i>
1	0009599		HOOD ASSY,ENGINE COVER,ISB,W/O PLYWOOD	<i>FEATURE 40177, WITHOUT PLYWOOD FLOOR, FROM BSN 10011235 TO BSN F10030824</i>
1	0031631		HOOD ASSY,ENGINE COVER,ISB,W/O PLYWOOD	<i>FEATURE 40177, WITHOUT PLYWOOD FLOOR, BEGIN WITH BSN F10035825, L10059260</i>
1	0005932		HOOD ASSY,ENGINE COVER,ISB,W/PLYWD FLR	<i>FEATURE 40177 WITH OPTION 982, 983, 984 or 985 WITH PLYWOOD FLOOR, ENDING WITH BSN 10010589</i>
1	0009600		HOOD ASSY,ENGINE COVER,ISB,W/PLYWOOD,	<i>FEATURE 40177 WITH OPTION 982, 983, 984 or 985 WITH PLYWOOD FLOOR, FROM BSN 10010590 TO BSN F10030824</i>
1	0031632		HOOD ASSY,ENGINE COVER,ISB,W/PLYWOOD	<i>FEATURE 40177 WITH OPTION 982, 983, 984 or 985 WITH PLYWOOD FLOOR, BEGIN WITH BSN F10035825, L10059260</i>
1	0009595		HOOD ASSY,ENGINE COVER,ISC,W/O PLYWOOD	<i>FEATURE 40184, WITHOUT PLYWOOD FLOOR, ENDING WITH BSN F10035824, L10059259</i>
1	0031637		HOOD ASSY,ENGINE COVER,ISC,W/O PLYWOOD	<i>FEATURE 40184, WITHOUT PLYWOOD FLOOR, BEGIN WITH BSN F10035825, L10059260</i>
1	0009596		HOOD ASSY,ENGINE COVER,ISC,W/PLYWOOD,	<i>FEATURE 40184 WITH OPTION 982, 983, 984 or 985, WITH PLYWOOD FLOOR, ENDING WITH BSN F10035824, L10059259</i>
1	0031638		HOOD ASSY,ENGINE COVER,ISC,W/PLYWOOD	<i>FEATURE 40184 WITH OPTION 982, 983, 984 or 985, WITH PLYWOOD FLOOR, BEGIN WITH BSN F10035825, L10059260</i>
1	0005916		HOOD ASSY,ENGINE COVER,CAT, HDFE	<i>FEATURE 40187, WITHOUT PLYWOOD FLOOR, ENDING WITH BSN 10010589</i>
1	0009601		HOOD ASSY,ENGINE COVER,CAT,W/O	<i>FEATURE 40187, WITHOUT PLYWOOD FLOOR, FROM BSN 10010590 TO BSN 10014699</i>
1	0005933		HOOD ASSY,ENGINE COVER,CAT,W/PLYWD FLR	<i>FEATURE 40187, WITH OPT. 982, 983, 984 or 985, WITH PLYWOOD FLOOR, ENDING WITH BSN 10010134</i>
1	0009602		HOOD ASSY,ENGINE COVER,CAT,W/PLYWOOD,	<i>FEATURE 40187, WITH OPT. 982, 983, 984 or 985, WITH PLYWOOD FLOOR, FROM BSN 10010135 TO BSN 10014699</i>
NI	0031162		HINGE,ENGINE HOOD ACCESS COVER,A3FE	

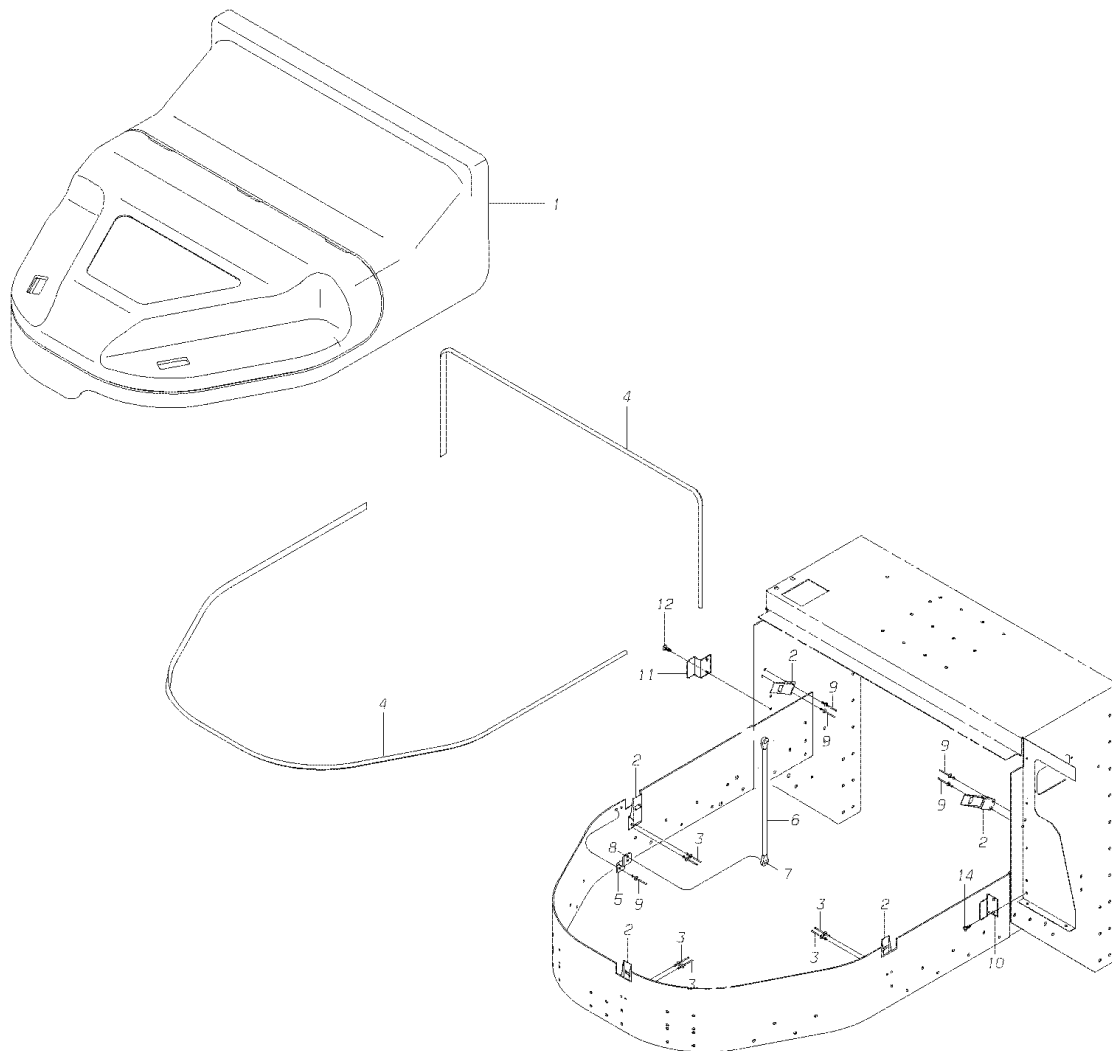
Models: **A3FE  
FRONT  
ENGINE HOOD**

Key	PartNumber	Qty	Description	Comment
NI	0028355	9	SEAL,ENGINE HOOD ACCESS TO ENGINE HOOD	
2	2088623	3	LATCH ASSY,ENGINE HOOD SOUTHCO 91 562	
3	1415769	6	RIVET,POP,.18 X .45,CHERRY SSPS-6-4	ENDING WITH BSN F10031244, L10050634
3	1941913	6	RIVET,.156,CHERRY,SSP-5-4	BEGIN WITH BSN F10031245, L10050635
4	0028356	11	SEAL,ENGINE HOOD TO FLOOR	
5	0009582		BRACKET,MTG,STRAP,ENGINE COVER,HDFE	FEATURE 40184, 40187
6	0007208		CABLE & EYE ASSY,ENGINE COVER,ISC,HDFE	FEATURE 40184, 40187
7	2000750	2	SCREW,MACH,10-24 X 1/2,PH1,RD HD,YEL	
8	1469287	2	NUT,HEX,10-24,ELASTIC LOCKNUT,YEL ZN DICH	
9	1551381		BUMPER,.50 X .25,TC ACCESS DOOR	FEATURE 40177
10	1563816		SCREW,6-32X3/8,F,PH1,OVAL CNSK HD,	FEATURE 40177
11	0542019	4	RIVET,LONG CHERRY,7355-100-6-8	
12	0008385		CLIP,ENGINE HOOD,RH,HDFE	
13	0008366		CLIP,ENGINE HOOD,LH,HDFE	
14	1589522	4	SCREW,10-16 X 3/4,AB,PH1,PAN HD,YEL ZN	
20	0017323	2	LATCH,COMP LIFT AND TURN,ENG HOOD ISC	FEATURE 40184, 40187. CAT 3126, CUMMINS 8.3 ISC
20	0017324		LATCH ADJ,LEVER ENG HOOD ISB	FEATURE 40177. CUMMINS 5.9 ISB
NI	0043168		HARDWARE KIT,FOR 0017323 LATCH"	FOR 0017323 ENGINE HOOD LATCH)
NI	0011487		GAS SHOCK, ENGINE HOOD A3FE	
NI	0011488		BRACKET,MTG.,GAS SHOCK, ENGINE HOOD	



**Models:** A3FE  
**FRONT**  
**ENGINE HOOD**  
**RH DRIVE**  
**With Features:** FEATURE 40360-02

Key	PartNumber	Qty	Description	Comment
-----	------------	-----	-------------	---------

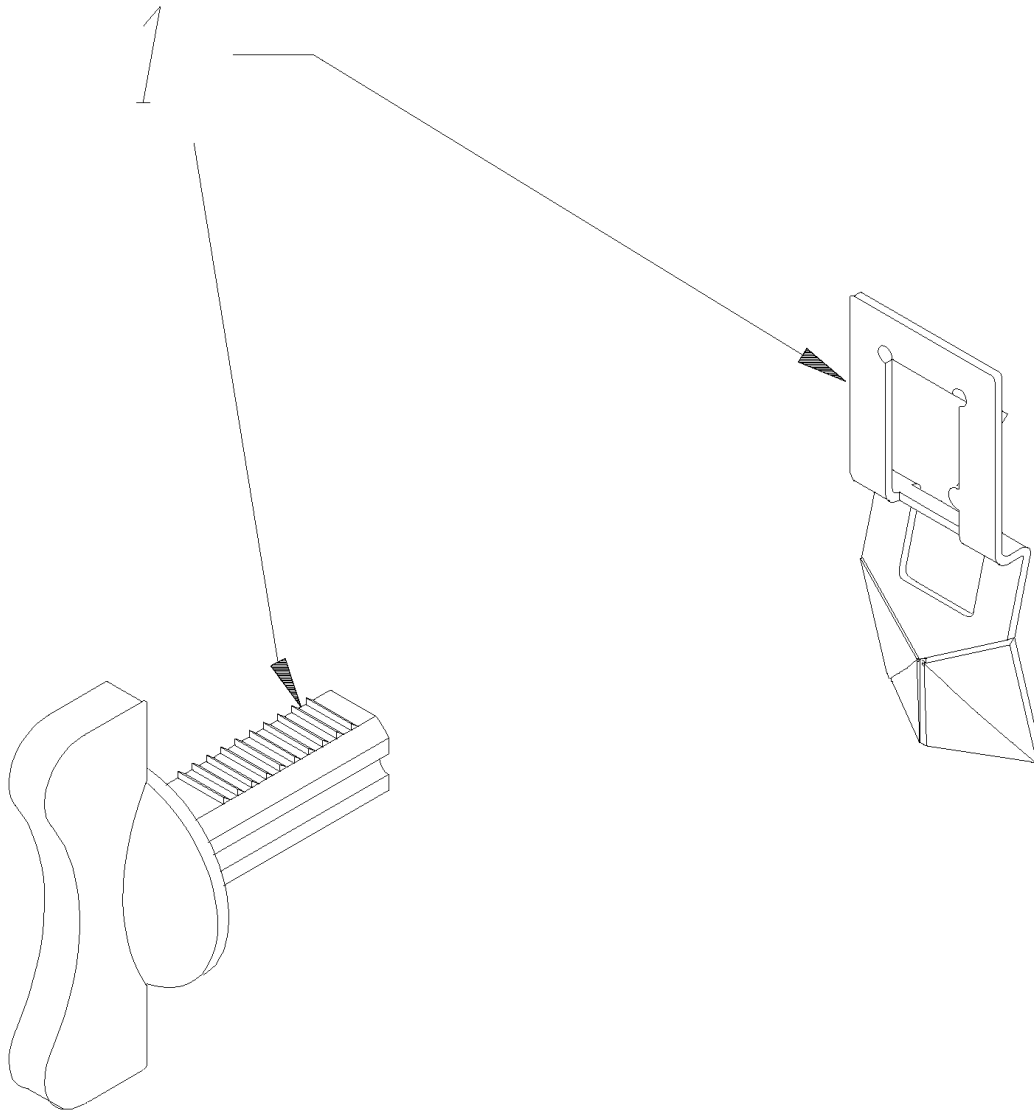


**Models:** A3FE  
**FRONT**  
**ENGINE HOOD**  
**RH DRIVE**  
**With Features:** FEATURE 40360-02

Key	PartNumber	Qty	Description	Comment
1	0081783		HOOD ASSY,ENG,COVER,CAT C7,W/O PLY,RHD,	<i>WITHOUT PLYWOOD OPTION</i>
1	0081784		HOOD ASSY,ENG,COVER,CAT C7,W/PLYWD,	<i>WITH PLYWOOD OPTION</i>
2	2088623	5	LATCH ASSY,ENGINE HOOD SOUTHCO 91 562	
3	1941913	6	RIVET,.156,CHERRY,SSP-5-4	
4	3943925	17.	SEAL,WINDOW,.50 X .375,QB	
5	0009582		BRACKET,MTG,STRAP,ENGINE COVER,HDFE	
6	0007208		CABLE & EYE ASSY,ENGINE COVER,ISC,HDFE	
7	2000750	2	SCREW,MACH,10-24 X 1/2,PH1,RD HD,YEL	
8	1469287	2	NUT,HEX,10-24,ELASTIC LOCKNUT,YEL ZN DICH	
9	0542019	6	RIVET,LONG CHERRY,7355-100-6-8	
10	0008385		CLIP,ENGINE HOOD,RH,HDFE	
11	0008366		CLIP,ENGINE HOOD,LH,HDFE	
12	1589522	4	SCREW,10-16 X 3/4,AB,PH1,PAN HD,YEL ZN	

Models: A3FE, A3RE, BBCV, GMCV, SBCV, TCFE  
FRONT  
FRONT GLOVE COMPARTMENT LATCH

Key	PartNumber	Qty	Description	Comment
-----	------------	-----	-------------	---------



**Models:** A3FE, A3RE, BBCV, GMCV, SBCV, TCFE  
FRONT  
FRONT GLOVE COMPARTMENT LATCH

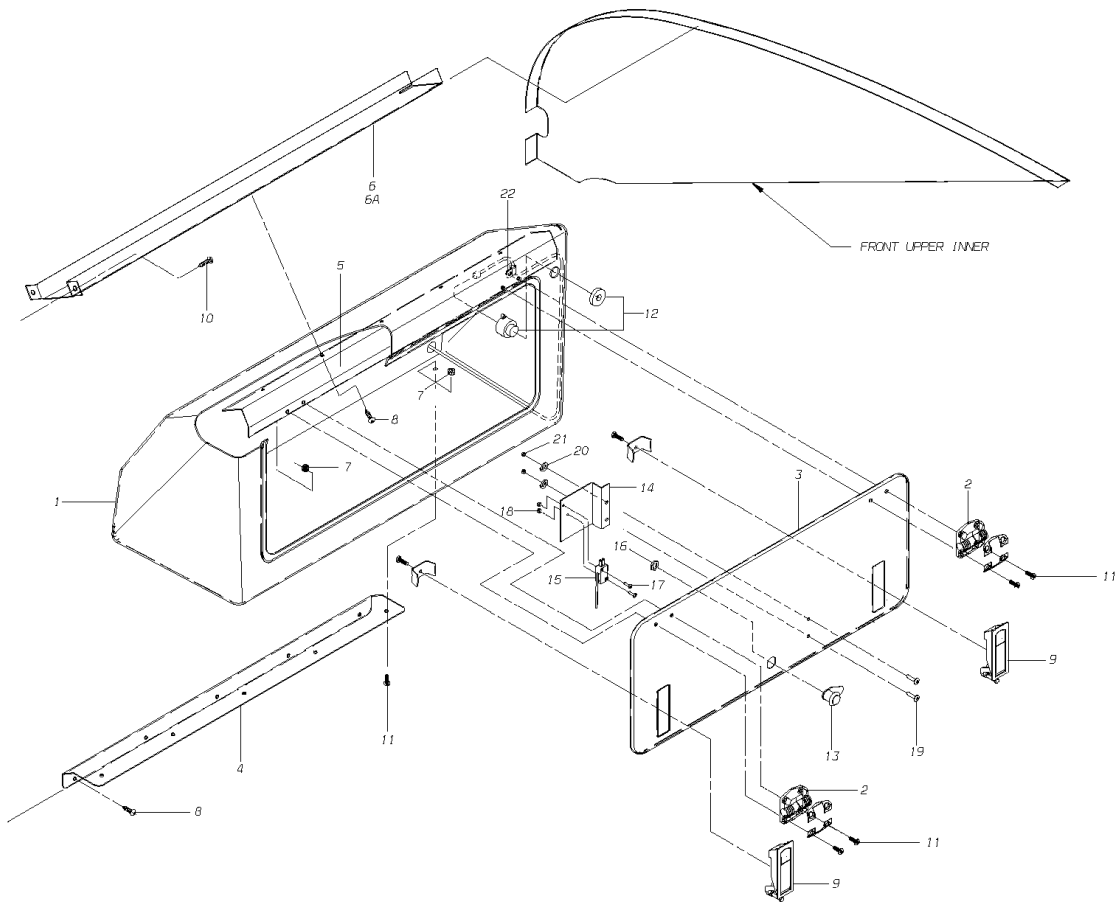
Key	PartNumber	Qty	Description	Comment
1	0043455		LATCH,GLOVE COMPARTMENT,WING HEAD	

**Models:** A3FE, A3RE, BBCV, SBCV

**FRONT  
OVERHEAD DRIVER'S STORAGE COMPARTMENT  
LOCKING, WITH ALARM**

**With Features:** FEATURE 30906-04

Key	PartNumber	Qty	Description	Comment
-----	------------	-----	-------------	---------



**Models:** A3FE, A3RE, BBCV, SBCV

**FRONT  
OVERHEAD DRIVER'S STORAGE COMPARTMENT  
LOCKING, WITH ALARM**

**With Features:** FEATURE 30906-04

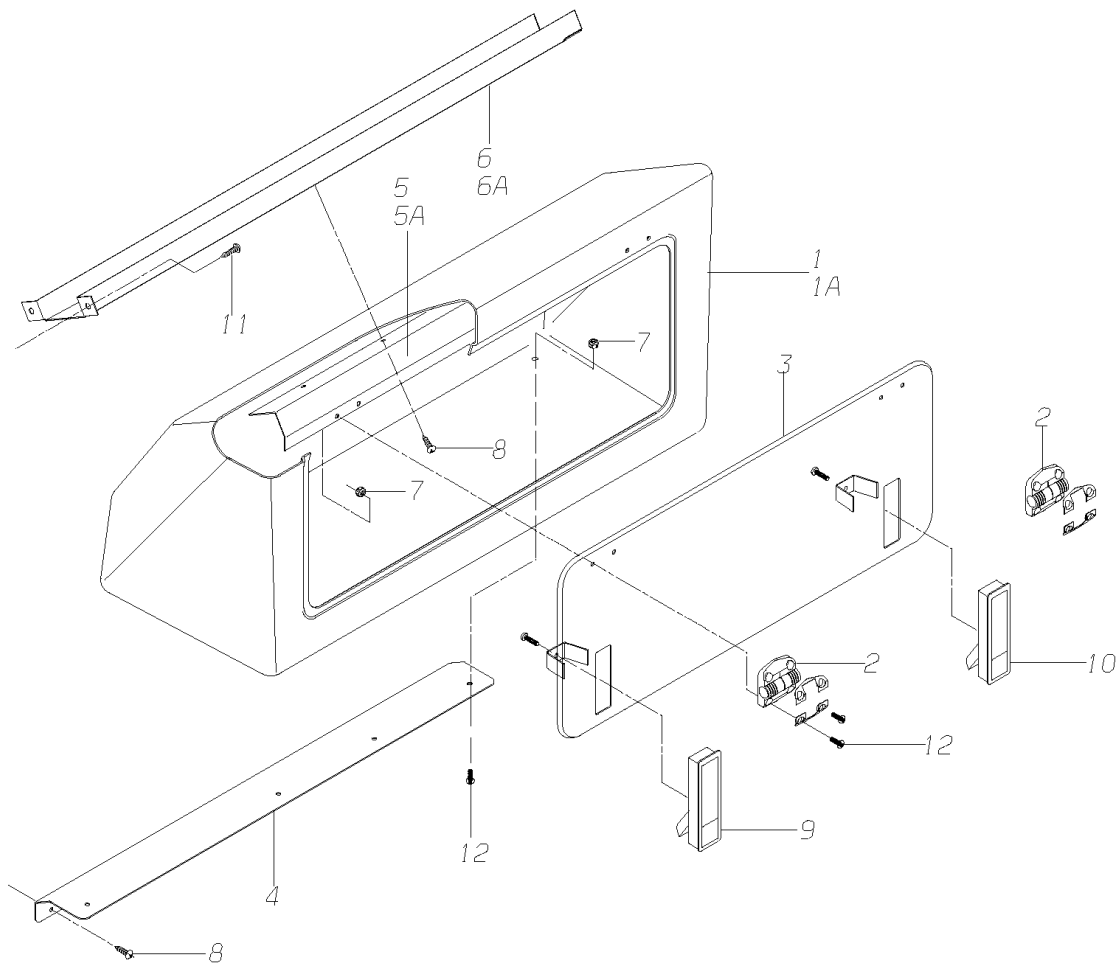
Key	PartNumber	Qty	Description	Comment
1	0080375		COMPARTMENT,DRVR,OVERHD	
2	0016554	2	HINGE,SOUTHCO,C6-6	
3	0080378		PANEL,DOOR,DRIVERS STORAGE CMPT LKG,	
4	0046487		ANGLE,MOUNTING,LWR,DRVS OH STOR,CMVSS	FEATURE 30400-01. ASTRO WHITE
4	0076270		ANGLE,MOUNTING,LOWER,DRVS OH STORAGE,	FEATURE 30400-02. FLORIDA
4	0076271		ANGLE,MOUNTING,LOWER,DRVS OH STORAGE,	FEATURE 30400-03. KENTUCKY BLUE
4	0086945		ANGLE,MOUNTING,LOWER,DRVS OH STORAGE,	FEATURE 30400-04. SEA FOAM GREEN
5	0018503		ANGLE,MOUNTING,UPPER,DRIVERS OH	
6	0018505		STRINGER,REINF,DRIVERS OH STORAGE,CV	BBCV, SBCV UNITS ONLY
6	0018506		STRINGER,REINF,DRIVERS OH STORAGE,	A3FE, A3RE UNITS ONLY
7	1469287	13	NUT,HEX,10-24,ELASTIC LOCKNUT,YEL ZN DICH	
8	1589522	10	SCREW,10-16 X 3/4,AB,PH1,PAN HD,YEL ZN	
9	1798420	2	LATCH,ADJUSTABLE LEVER,THIN GRIP	
10	2000024	2	SCREW,1/4-14 X 3/4,B,HEX HD,YEL ZN DICH	
11	2000750	13	SCREW,MACH,10-24 X 1/2,PH1,RD HD,YEL	
12	0081846		INDICATOR,SIGNAL,AUDIBLE	
13	1060755		LOCK ASSY,DOOR,EMERGENCY EQUIPMENT	
14	0080379		BRACKET,MTG,SWITCH,STORAGE,CMPT,	
15	0081801		SWITCH,ELECTRICAL,MINIATURE SNAP-ACTING	
16	1073311	2	NUT,PANEL,HEX HD,1/2-20,YEL ZN DICH	
17	2259828	2	SCREW,MACH,PH,PN/HD,4-40 X 3/4 ZN3	
18	2259836	2	NUT,HEX,4-40,ZN3	
19	1966837	2	SCREW,MACH,10-32X1/2,PH1,PAN HD,BLK ZN	
20	2001162	2	LOCKWASHER,SPLIT RING, 3/16,MED,YEL ZN	
21	2001287	2	NUT,HEX HD,10-32,YEL ZN DICH	
22	1170083		CLAMP,LOOP,.375	

**Models:** A3FE, A3RE, BBCV, GMCV, SBCV, TCFE

**FRONT  
OVERHEAD DRIVER'S STORAGE COMPARTMENT  
NON-LOCKING AND LOCKING**

**With Features:** FEATURE 30906 -01, -02

Key	PartNumber	Qty	Description	Comment
-----	------------	-----	-------------	---------



**Models:** A3FE, A3RE, BBCV, GMCV, SBCV, TCFE  
**FRONT  
OVERHEAD DRIVER'S STORAGE COMPARTMENT  
NON-LOCKING AND LOCKING**  
**With Features:** FEATURE 30906 -01, -02

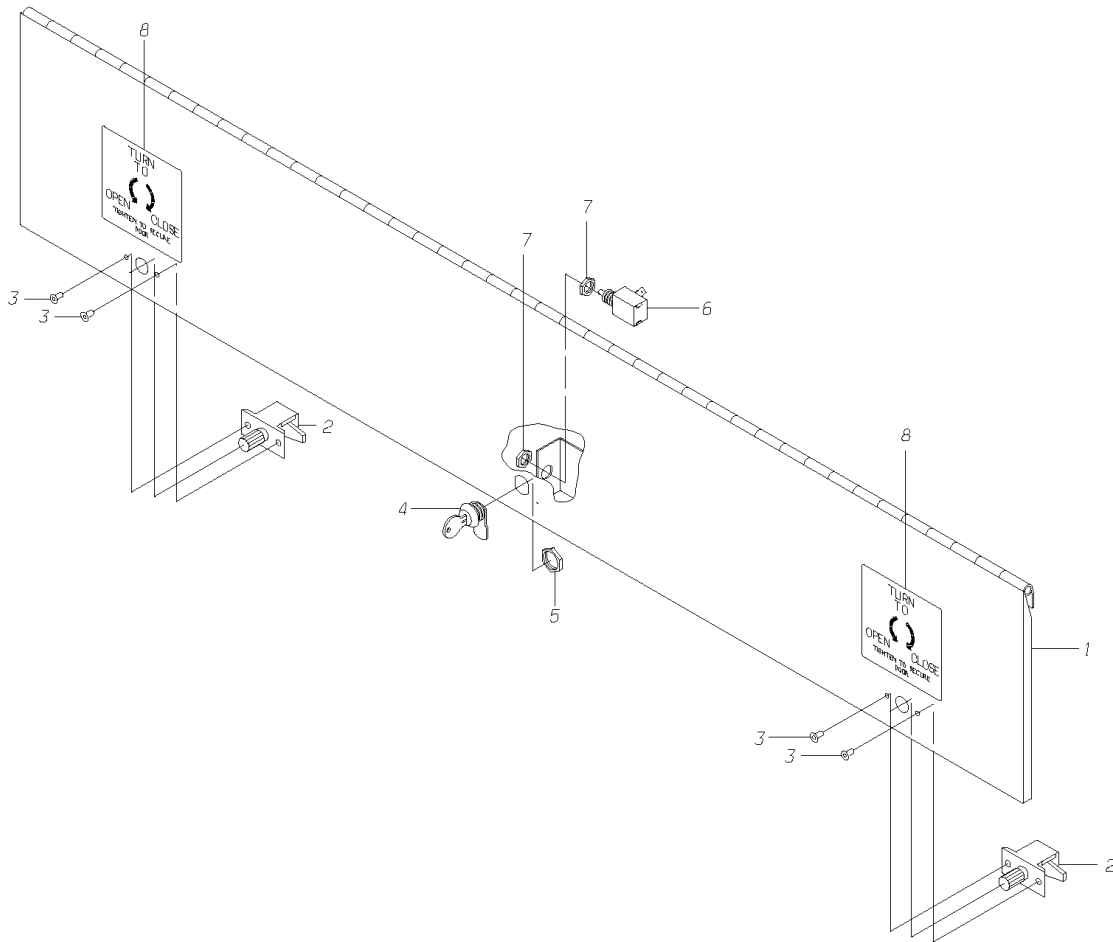
Key	PartNumber	Qty	Description	Comment
1	0015869		COMPARTMENT,DRIVERS OVERHEAD	
1	0015870		COMPARTMENT,DRIVERS OVERHEAD	
2	0016554	2	HINGE,SOUTHCO,C6-6	
3	0012331		PANEL,DOOR,DRIVERS STORAGE	
4	0046487		ANGLE,MOUNTING,LWR,DRVS OH STOR,CMVSS	FEATURE 30400-01. ASTRO WHITE
4	0076270		ANGLE,MOUNTING,LOWER,DRVS OH STORAGE,	FEATURE 30400-02. FLORIDA GRAY
4	0076271		ANGLE,MOUNTING,LOWER,DRVS OH STORAGE,	FEATURE 30400-03. KENTUCKY BLUE
4	0086945		ANGLE,MOUNTING,LOWER,DRVS OH STORAGE,	FEATURE 30400-04. SEA FOAM GREEN
5	0018503		ANGLE,MOUNTING,UPPER,DRIVERS OH	
5	0018504		ANGLE,MOUNTING,UPPER,DRIVERS OH	
6	0018505		STRINGER,REINF,DRIVERS OH STORAGE,CV	GMCV, SBCV
6	0018506		STRINGER,REINF,DRIVERS OH STORAGE,	
7	1469287	13	NUT,HEX,10-24,ELASTIC LOCKNUT,YEL ZN DICH	
8	1589522	10	SCREW,10-16 X 3/4,AB,PH1,PAN HD,YEL ZN	
*9	1774421		LATCH,LOCKING,ADJUSTABLE LEVER,SOUTHCO	ENDING WITH BSN B10064339, F10035824, L10059259, M10074849, X10019804
9	0027886		LATCH,ADJUSTABLE LEVER,THIN GRIP,LOCKING	BEGIN WITH BSN B10064340, F10035825, L10059260, M10074850, X10019805
10	1798420		LATCH,ADJUSTABLE LEVER,THIN GRIP	* IF LOCKING FEATURE, FEATURE 30906-0 IS REQUIRED, USE LOCKING, LATCH IN REAR LATCH POSITION AND NON-LOCKING LATCH IN FORWARD POSITION
11	2000024	2	SCREW,1/4-14 X 3/4,B,HEX HD,YEL ZN DICH	
12	2000750	13	SCREW,MACH,10-24 X 1/2,PH1,RD HD,YEL	



Models: AAFE, AARE, A3FE, A3RE, GMCV, SBCV, TCFE, TCRE, TSFE  
 FRONT  
 OVERHEAD EMERGENCY EQUIPMENT COMPARTMENT  
 LOCKING

With Features: OPTION 0162

Key	PartNumber	Qty	Description	Comment
-----	------------	-----	-------------	---------



**Models:** AAFE, AARE, A3FE, A3RE, GMCV, SBCV, TCFE, TCRE, TSFE

**FRONT  
OVERHEAD EMERGENCY EQUIPMENT COMPARTMENT  
LOCKING  
OPTION 0162**

**With Features:**

Key	PartNumber	Qty	Description	Comment
NI	0910240		PANEL,ACCESS,FRT UPR INR,W/SIGN	ENDING WITH BSN 0015500, 185594, 254184, 365582. FOR ALL PRODUCTS EXCEPT TSFE.
	1762319		PANEL,ACCESS,FRT UPR INR,74HR,W/CMPT	BEGIN WITH BSN 0015501, 185595, 254185, 365583. FOR ALL PRODUCTS EXCEPT TSFE.
	1911155		PANEL ASSY,ACCESS,FRT UPR INR,W/EM CMPT,	FOR TSFE ONLY
	1765437		PANEL,ACS,FRT UPR INR,RAISED FL,W/EM	OPTION 3515, RAISED FLOOR. USED ON TCFE ONLY
	0005102		PANEL,ACCESS,FRT UPR INR W/EM EQUIP	RIGHT HAND DRIVE
NI	0759142		PANEL,C/OUT,EMERGENCY EQUIPMENT CMPT	ENDING WITH BSN 0015500, 185594, 254184, 365582. FOR ALL PRODUCTS EXCEPT TSFE.
	1762335		PANEL,C/OUT,EMERGENCY EQUIP CMPT	BEGIN WITH BSN 0015501, 185595, 254185, 365583. FOR ALL PRODUCTS EXCEPT TSFE.
	1913755		PANEL,C/OUT,EMERGENCY EQUIP CMPT, TSFE	FOR TSFE ONLY
1	1420918		DOOR ASSY,EMER EQPT CMPT	ENDING WITH BSN 0015500, 185594, 254184, 365582
1	1762285		DOOR ASSY,EMERGENCY EQUIP CMPT,LOCKING	BEGIN WITH BSN 0015501, 185595, 254185, 365583
NI	1762244		SUPPORT,DOOR,SPRING,EMERGENCY EQUIP	BEGIN WITH BSN 0018805, 188871, 256959, 369412
2	0533737	2	LATCH,MOVING PAWL	ENDING WITH BSN 0015500, 185594, 254184, 365582
2	1766021	2	LATCH,DOOR,EMERGENCY EQUIPMENT	BEGIN WITH BSN 0015501, 185595, 254185, 365583
3	0422915	4	RIVET,1/8 DIA,ALUMINUM,W/ST STEM	
3	1415769	4	RIVET,POP,.18 X .45,CHERRY SSPS-6-4	
4	1060755		LOCK ASSY,DOOR,EMERGENCY EQUIPMENT	WITH KEY
4	1060748		LOCK ASSY,DOOR,F/TANK & GLOVE CMPT,W/O	WITHOUT KEY
NI	0848747		KEY,LL-25,LOCKING COMPARTMENTS	KEY, LL-25
5	1062108		NUT,PANEL,HEX HD,3/4-24,YEL ZN DICH	
6	1126176		SWITCH,MOMENTARY,SPST NC	
7	1073311	2	NUT,PANEL,HEX HD,1/2-20,YEL ZN DICH	
8	1360593	2	DECAL,TURN TO OPEN,CLOSE 4 X 4	
NI	1278316	10	TRIM,VINYL,BROWN,DOUBLE LIP,75000327	

Models: AAFE, AARE, A3FE, A3RE, GMCV, SBCV, TCFE, TCRE, TSFE

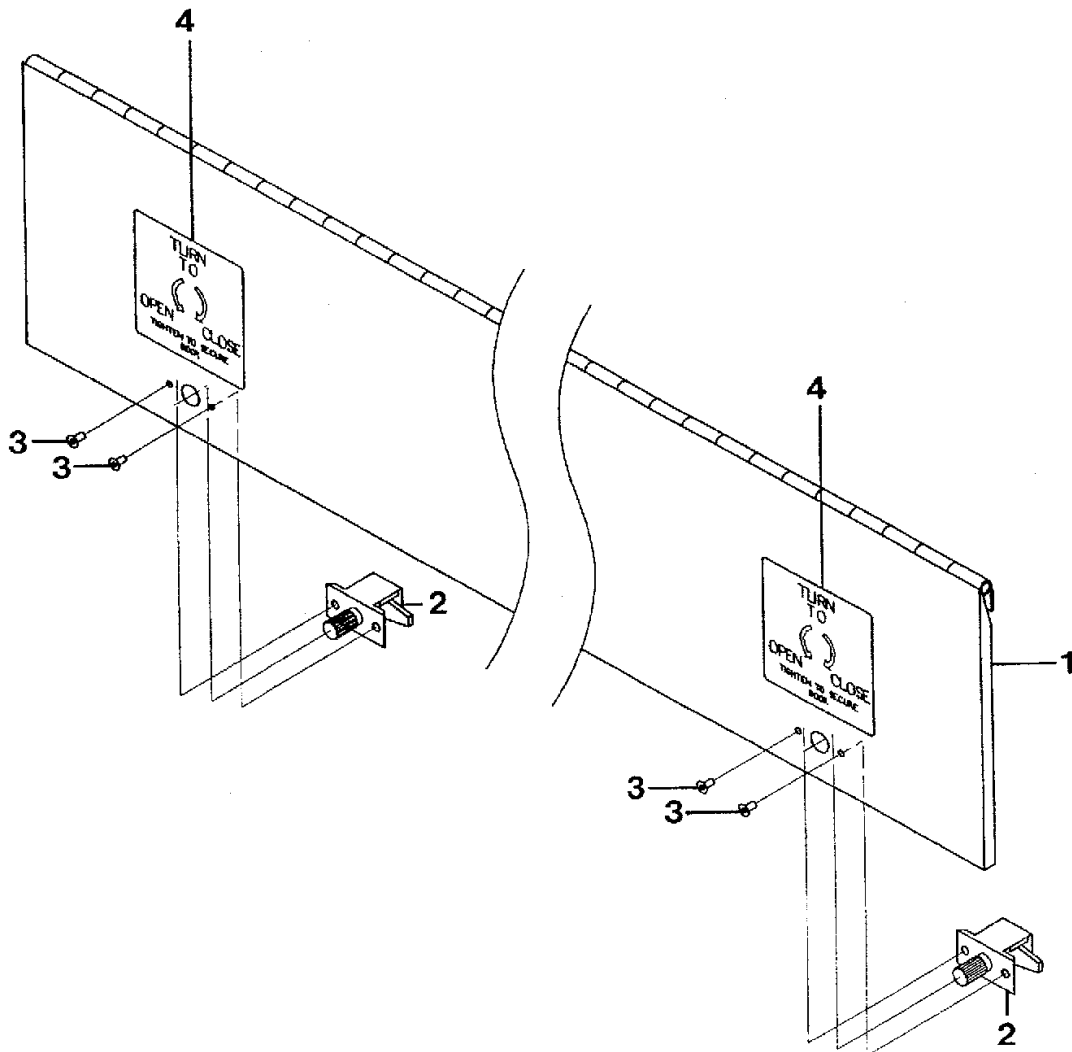
FRONT  
OVERHEAD EMERGENCY EQUIPMENT COMPARTMENT  
NON-LOCKING  
OPTION 0161

With Features:

Key	PartNumber	Qty	Description	Comment
-----	------------	-----	-------------	---------

EMERGENCY EQUIPMENT COMPARTMENT DOOR  
NON-LOCKING, OPT.-0161

8008948 REV  
ALL RIGHTS RESERVED



**Models:** AAFE, AARE, A3FE, A3RE, GMCV, SBCV, TCFE, TCRE, TSFE

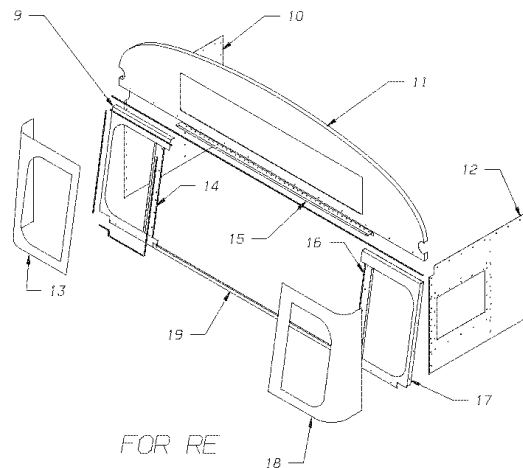
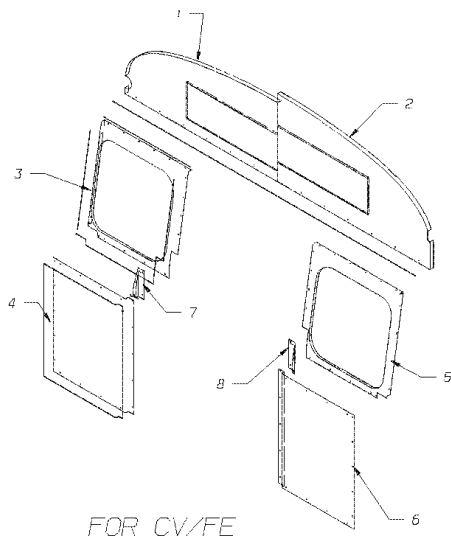
**FRONT  
OVERHEAD EMERGENCY EQUIPMENT COMPARTMENT  
NON-LOCKING  
OPTION 0161**

**With Features:**

Key	PartNumber	Qty	Description	Comment
NI	0910240		PANEL,ACCESS,FRT UPR INR,W/SIGN	<i>ALL EXCEPT TSFEENDING WITH BSN 0015500, 185594, 254184, 365582</i>
NI	1762319		PANEL,ACCESS,FRT UPR INR,74HR,W/CMPT	<i>ALL EXCEPT TSFEBEGIN WITH BSN 0015501, 185595, 254185, 365583</i>
NI	1911155		PANEL ASSY,ACCESS,FRT UPR INR,W/EM CMPT,	<i>TSFE ONLY</i>
NI	1765437		PANEL,ACS,FRT UPR INR,RAISED FL,W/EM	<i>OPTION 3515, RAISED FLOOR. USED ON TCFE ONLY</i>
NI	0005102		PANEL,ACCESS,FRT UPR INR W/EM EQUIP	
1	1443142		DOOR ASSY,EMER EQPT CMPT,NON-LOCKING	<i>ENDING WITH BSN 0015500, 185594, 254184, 365582</i>
1	1762277		DOOR ASSY,EMERGENCY EQUIP CMPT	<i>BEGIN WITH BSN 0015501, 185595, 254185, 365583</i>
2	0533737	2	LATCH,MOVING PAWL	<i>ENDING WITH BSN 0015500, 185594, 254184, 365582</i>
2	1766021	2	LATCH,DOOR,EMERGENCY EQUIPMENT	<i>BEGIN WITH BSN 0015501, 185595, 254185, 365583</i>
NI	1762244		SUPPORT,DOOR,SPRING,EMERGENCY EQUIP	<i>BEGIN WITH BSN 0018805, 188871, 256959, 369412</i>
3	0422915	4	RIVET,1/8 DIA,ALUMINUM,W/ST STEM	
3	1415769	4	RIVET,POP,.18 X .45,CHERRY SSPS-6-4	
4	1360593	2	DECAL,TURN TO OPEN,CLOSE 4 X 4	
NI	0759159		DECAL,EMERGENCY EQUIPMENT,2IN RED	

**Models:** A3FE, A3RE, BBCV, SBCV  
**REAR  
 UPPER PANELS**

Key	PartNumber	Qty	Description	Comment
-----	------------	-----	-------------	---------



Models: **A3FE, A3RE, BBCV, SBCV**  
**REAR**  
**UPPER PANELS**

Key	PartNumber	Qty	Description	Comment
1	0043839		PANEL,I/S,REAR UPPER,74HR"	
1	0043907		PANEL,I/S,REAR UPPER,74HR,W/SB SIGN	
2	0053410		PANEL,INSIDE,REAR UPPER,77 HR	
2	0053585		PANEL,INSIDE,REAR UPPER,W/SCH,BUS	
2	0086617		PANEL,ACCESS,RR UPR W/ACCESS PLATE,77HR	FEATURE 30881-03
2	0086618		PLATE,ACCESS,RR UPR INNER	FEATURE 30881-03
2	0105521		LIGHT,TAG,LED	FEATURE 30006-14
2	0105520		SCHEMATIC,WRG,A/C,W/ECC,SKRT CON,2/TM	FEATURE 30006-14
3	1113059		PANEL,ACCESS,I/S REAR VIS,LH,PRIMED	STANDARD. WITH REAR WINDOW
3	1117175		PANEL,I/S,REAR VISION,W/O WINDOW,LH	FEATURE 07436-04. WITHOUT REAR WINDOW
4	0043824		PANEL,ACCESS,INNER,REAR,LH"	
5	1113042		PANEL,ACCESS,I/S REAR VISION,RH	STANDARD. WITH REAR WINDOW
5	1117167		PANEL,I/S,REAR VISION,W/O WINDOW,RH	FEATURE 07436-04. WITHOUT REAR WINDOW
6	0043825		PANEL,ACCESS,INNER,REAR,RH"	
7	0837260		CAP,POST,REAR EMERGENCY DOOR,ACCESS,LH	
8	0837252		CAP,POST,REAR EMERGENCY DOOR,ACCESS,RH	
9	1030824		PANEL,REAR VISION,I/S,W/REW,LH,RCLC	WITH REAR EMERGENCY WINDOW, LH, STANDARD. WITH REAR WINDOW
9	1143601		PANEL,I/S,REAR VISION,W/O WINDOW,LH,	WITH REAR EMERGENCY WINDOW, LH, FEATURE 07436-04. WITHOUT REAR WINDOW
10	0052689		PANEL,I/SS,LAST SECTION,LH,74HR, DRRE	
10	0052690		PANEL,I/SS,LAST SECTION,LH,77HR, DRRE	
11	0043839		PANEL,I/S,REAR UPPER,74HR"	
11	0053410		PANEL,INSIDE,REAR UPPER,77 HR	
11	0086617		PANEL,ACCESS,RR UPR W/ACCESS PLATE,77HR	FEATURE 30881-03
11	0086618		PLATE,ACCESS,RR UPR INNER	FEATURE 30881-03
12	0052356		PANEL,I/SS,LAST SECTION,RH,74HR, DRRE	
12	0052410		PANEL,I/SS,LAST SECTION,RH,77HR, DRRE	
13	1687185		PANEL ASSY,RR VIS OUT,LH,W/R EMER WIN,	STANDARD. WITH REAR WINDOW
13	1259423		PANEL,REAR VISION,O/S,LH,W/O WDO,RR EM	FEATURE 07436-04. WITHOUT REAR WINDOW
14	1030808		PANEL,SMALL RR VISION,W/REW,LH,RCLC	WITHOUT FEATURE 07436-04
15	1050459		TRIM,UPPER,I/S,REAR EMERGENCY WINDOW,	WITH FEATURE 30945

**Models:** **A3FE, A3RE, BBCV, SBCV**  
**REAR**  
**UPPER PANELS**

Key	PartNumber	Qty	Description	Comment
15	0930453		TRIM,UPPER,I/S,REAR EMERGENCY WINDOW	
16	1519487		PANEL,SMALL RR VISION,W/REW,RH,RCLC	<i>WITHOUT FEATURE 07436-04</i>
17	1030816		PANEL,REAR VISION,I/S,W/REW,RH,RCLC	<i>STANDARD. WITH REAR WINDOW</i>
17	1536085		PANEL,REAR VISION,I/S, W/O WINDOW,R.H.	<i>FEATURE 07436-04. WITHOUT REAR WINDOW</i>
18	1687169		PANEL ASSY,RR VIS OUT,RH,W/R EMER WIN,	<i>STANDARD. WITH REAR WINDOW</i>
18	1259415		PANEL,REAR VISION,O/S,RH,W/O WDO,RR EM	<i>FEATURE 07436-04. WITHOUT REAR WINDOW</i>
19	0289223		TRIM,REAR EMERGENCY WINDOW,LOWER,	