

**Body**

**340 Stepwells & Handrails**

HANDRAILS

ENTRANCE DOOR BARRIER

*With: FEATURE 31049* \_\_\_\_\_ 1

FORWARD HANDRAIL

*With: OPTION 0288, FEATURE 31049-09* \_\_\_\_\_ 2

STEPWELL

JACKKNIFE DOOR, MANUAL

*With: FEATURE 30977 WITH 30978 or OPTION 10239* \_\_\_\_\_ 3

OUTWARD OPENING DOOR

*With: STD* \_\_\_\_\_ 4

STEPTREADS, PEBBLETOP

*With: FEATURE 31160-04* \_\_\_\_\_ 5

STEPWELL BAND INSULATION

WITH CUMMINS ISB

*With: FEATURE 40179-03 THRU -13* \_\_\_\_\_ 6

STEPWELL LINING

JACKKNIFE DOOR, 24.75 INCH STEP

*With: OPTION 03118 -00, -01* \_\_\_\_\_ 7

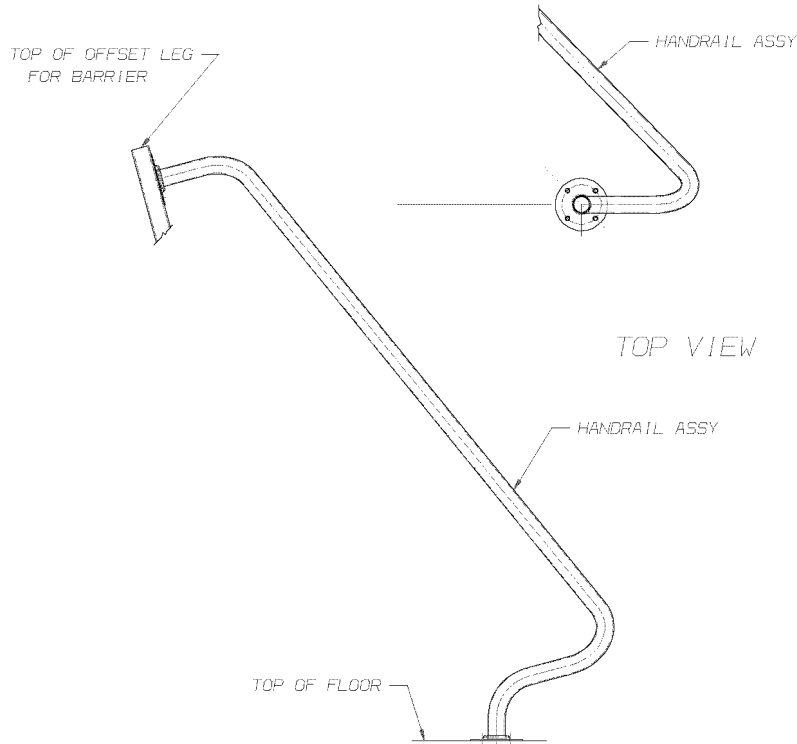
OUTWARD OPENING DOOR, 24.75 INCH STEP


*With: OPTION 03118 -00, -01* \_\_\_\_\_ 8

**Models:** AAFE, AARE, A1VC, A3FE, A3RE, B1VC, B2VC, GMCV, MBWB, SBCV, TCEV, TCRE

**With Features:** HANDRAILS  
ENTRANCE DOOR BARRIER  
FEATURE 31049

| Key | PartNumber | Qty | Description | Comment |
|-----|------------|-----|-------------|---------|
|-----|------------|-----|-------------|---------|



|             |        |         |     |   |
|-------------|--------|---------|-----|---|
| CR: 5/1/98  | BY: NW | 1959674 | F   |  |
| APP: 5/1/98 | BY: AB | REV     | REV |   |

© BLUE BIRD BODY COMPANY. ALL RIGHTS RESERVED

**Models:** AAFE, AARE, A1VC, A3FE, A3RE, B1VC, B2VC, GMCV, MBWB, SBCV, TCEV, TCRE  
**HANDRAILS**  
**ENTRANCE DOOR BARRIER**  
**With Features:** FEATURE 31049

| Key | PartNumber | Qty | Description                               | Comment  |
|-----|------------|-----|---|--|
|     | 0011247    |     | HANDRAIL ASSY,ENT DOOR,BARRIER AT 22.75   | FEATURE 31049-08, RIGHT HAND HANDRAIL                |
|     | 0011239    |     | HANDRAIL,ENT DOOR,BARRIER AT 22.75        | FEATURE 31049-08, RIGHT HAND HANDRAIL                |
|     | 0414268    |     | FLANGE, HANDRAIL                          | FEATURE 31049-08, RIGHT HAND HANDRAIL                |
|     | 1140318    |     | FLANGE,HANDRAIL,RH,JK ENTRANCE DOOR       | FEATURE 31049-08, RIGHT HAND HANDRAIL                |
|     | 1972876    | 30  | TUBE,SS,RD,1.000 OD X.050X69.25,          | FEATURE 31049-08, RIGHT HAND HANDRAIL                |
|     | 2000644    | 2   | SCREW,1/4-14X 3/4,AB,PH1,TRUSS HD,        | FEATURE 31049-08, RIGHT HAND HANDRAIL                |
|     | 1657469    | 4   | SCREW,1/4-14X1-1/2,AB,PH1,TRUSSHD,        | FEATURE 31049-08, RIGHT HAND HANDRAIL                |
|     | 0013433    |     | HANDRAIL ASSY,ENT DOOR,30 BARRIER AT      |  |
|     | 0013441    |     | HANDRAIL,ENT DOOR,30 BARRIER AT 22.75     | FEATURE 31049-08, RIGHT HAND HANDRAIL 30 IN. BARRIER |
|     | 0414268    |     | FLANGE, HANDRAIL                          | FEATURE 31049-08, RIGHT HAND HANDRAIL 30 IN. BARRIER |
|     | 1140318    |     | FLANGE,HANDRAIL,RH,JK ENTRANCE DOOR       | FEATURE 31049-08, RIGHT HAND HANDRAIL 30 IN. BARRIER |
|     | 1972876    |     | TUBE,SS,RD,1.000 OD X.050X69.25,          | FEATURE 31049-08, RIGHT HAND HANDRAIL 30 IN. BARRIER |
|     | 2000644    | 2   | SCREW,1/4-14X 3/4,AB,PH1,TRUSS HD,        | FEATURE 31049-08, RIGHT HAND HANDRAIL 30 IN. BARRIER |
|     | 1657469    | 4   | SCREW,1/4-14X1-1/2,AB,PH1,TRUSSHD,        | FEATURE 31049-08, RIGHT HAND HANDRAIL 30 IN. BARRIER |
|     | 1968684    |     | HANDRAIL ASSY,ENT DOOR,SQUARE             | FEATURE 31049-01, RIGHT HAND HANDRAIL                |
|     | 1945948    |     | HANDRAIL,ENT DOOR SQUARE STEPWELL         | FEATURE 31049-01, RIGHT HAND HANDRAIL                |
|     | 2058147    | 30  | TUBE,SS,RD,1.000 OD X .050 X 60.06,SS 304 | FEATURE 31049-01, RIGHT HAND HANDRAIL                |
|     | 0414268    |     | FLANGE, HANDRAIL                          | FEATURE 31049-01, RIGHT HAND HANDRAIL                |
|     | 1140318    |     | FLANGE,HANDRAIL,RH,JK ENTRANCE DOOR       | FEATURE 31049-01, RIGHT HAND HANDRAIL                |
|     | 2000644    | 6   | SCREW,1/4-14X 3/4,AB,PH1,TRUSS HD,        | FEATURE 31049-01, RIGHT HAND HANDRAIL                |
|     | 1975671    |     | HANDRAIL ASSY,ENT DOOR,SQUARE STEPWELL,   | FEATURE 31049-01, LEFT HAND HANDRAIL                 |
|     | 1945948    |     | HANDRAIL,ENT DOOR SQUARE STEPWELL         | FEATURE 31049-01, LEFT HAND HANDRAIL                 |
|     | 2058147    | 30  | TUBE,SS,RD,1.000 OD X .050 X 60.06,SS 304 | FEATURE 31049-01, LEFT HAND HANDRAIL                 |
|     | 0414268    |     | FLANGE, HANDRAIL                          | FEATURE 31049-01, LEFT HAND HANDRAIL                 |

**Models:** AAFE, AARE, A1VC, A3FE, A3RE, B1VC, B2VC, GMCV, MBWB, SBCV, TCEV, TCRE

**With Features:** HANDRAILS  
ENTRANCE DOOR BARRIER  
FEATURE 31049

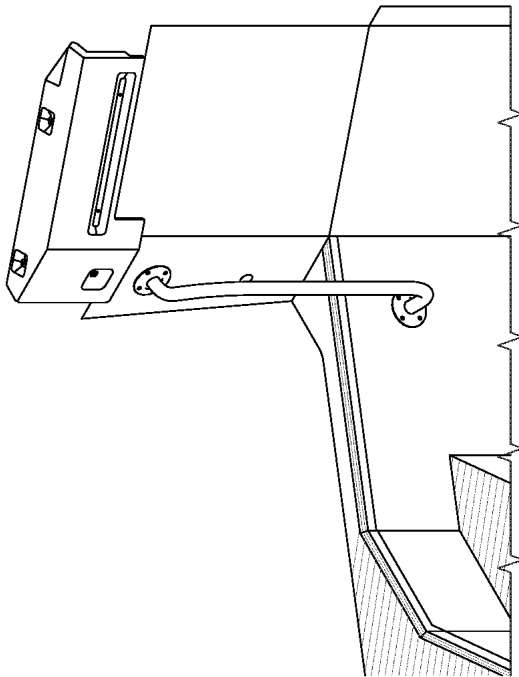
| Key | PartNumber | Qty | Description                               | Comment  |
|-----|------------|-----|---|--|
|     |            |     |   | HANDRAIL   |
|     | 2000644    |     | SCREW,1/4-14X 3/4,AB,PH1,TRUSS HD,        | FEATURE 31049-01, LEFT HAND HANDRAIL                 |
|     | 1996560    |     | HANDRAIL ASSY,ENT DOOR,SQUARE             | FEATURE 31049-01, RIGHT HAND HANDRAIL 30 IN. BARRIER |
|     | 1945948    |     | HANDRAIL,ENT DOOR SQUARE STEPWELL         | FEATURE 31049-01, RIGHT HAND HANDRAIL 30 IN. BARRIER |
|     | 2058147    | 30  | TUBE,SS,RD,1.000 OD X .050 X 60.06,SS 304 | FEATURE 31049-01, RIGHT HAND HANDRAIL 30 IN. BARRIER |
|     | 0414268    |     | FLANGE, HANDRAIL                          | FEATURE 31049-01, RIGHT HAND HANDRAIL 30 IN. BARRIER |
|     | 1140318    |     | FLANGE,HANDRAIL,RH,JK ENTRANCE DOOR       | FEATURE 31049-01, RIGHT HAND HANDRAIL 30 IN. BARRIER |
|     | 2000644    |     | SCREW,1/4-14X 3/4,AB,PH1,TRUSS HD,        | FEATURE 31049-01, RIGHT HAND HANDRAIL 30 IN. BARRIER |
|     | 1996578    |     | HANDRAIL ASSY,ENT DOOR,SQUARE             | FEATURE 31049-01, LEFT HAND HANDRAIL 30 IN. BARRIER  |
|     | 1945948    |     | HANDRAIL,ENT DOOR SQUARE STEPWELL         | FEATURE 31049-01, LEFT HAND HANDRAIL 30 IN. BARRIER  |
|     | 2058147    | 30  | TUBE,SS,RD,1.000 OD X .050 X 60.06,SS 304 | FEATURE 31049-01, LEFT HAND HANDRAIL 30 IN. BARRIER  |
|     | 0414268    |     | FLANGE, HANDRAIL                          | FEATURE 31049-01, LEFT HAND HANDRAIL 30 IN. BARRIER  |
|     | 1140318    |     | FLANGE,HANDRAIL,RH,JK ENTRANCE DOOR       | FEATURE 31049-01, LEFT HAND HANDRAIL 30 IN. BARRIER  |
|     | 2000644    |     | SCREW,1/4-14X 3/4,AB,PH1,TRUSS HD,        | FEATURE 31049-01, LEFT HAND HANDRAIL 30 IN. BARRIER  |

Models: **A3FE  
HANDRAILS  
FORWARD HANDRAIL**  
With Features: **OPTION 0288, FEATURE 31049-09**

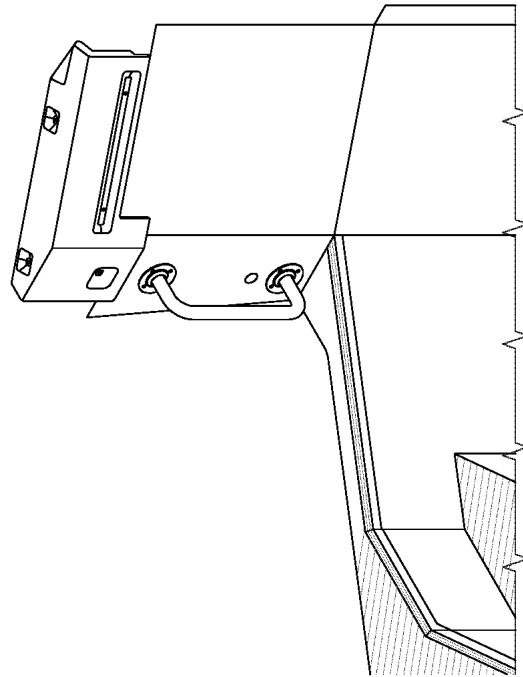
| Key | PartNumber | Qty | Description | Comment |
|-----|------------|-----|-------------|---------|
|-----|------------|-----|-------------|---------|



|   |     |          |     |
|---|-----|----------|-----|
| DR. 05/19/05 BY MR                            | FRT | 00545771 | e   |
| APP. BY                                       |     |          | REV |
| © BLUE BIRD BODY COMPANY. ALL RIGHTS RESERVED |     |          |     |



A3FE W/FEA 31049-09



A3FE W/OPT 0288

**Models:** A3FE  
**HANDRAILS**  
**FORWARD HANDRAIL**  
**With Features:** **OPTION 0288, FEATURE 31049-09**


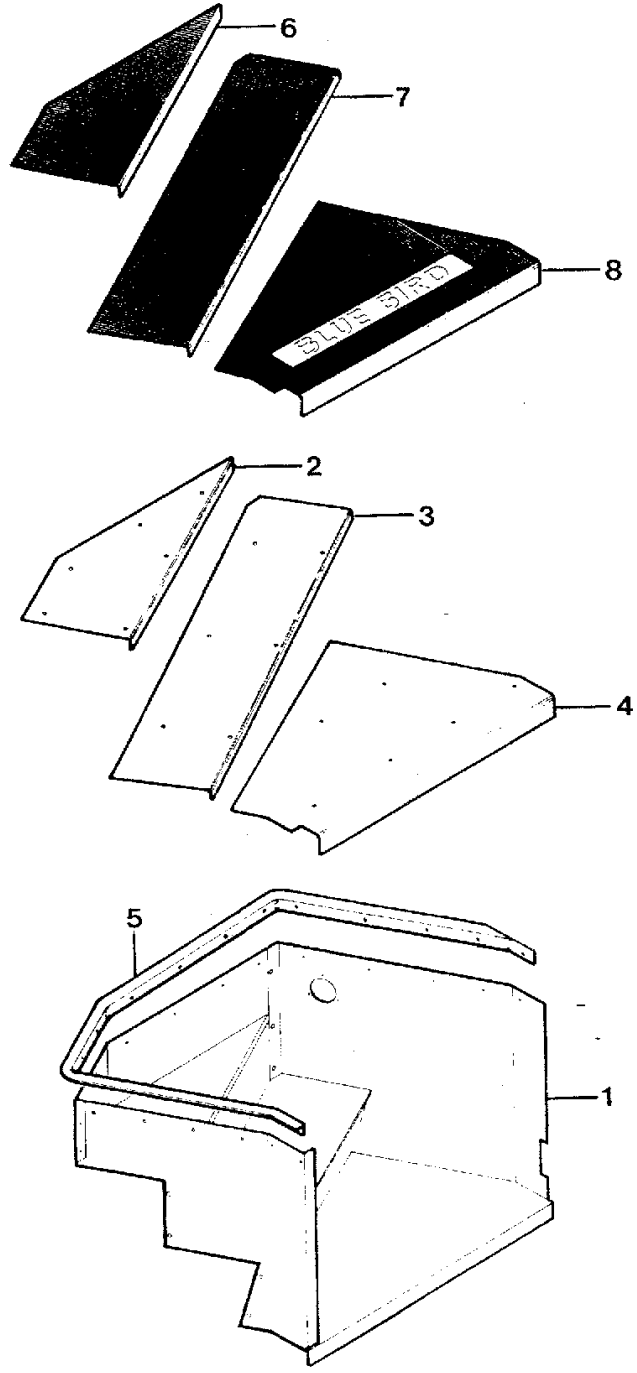
| Key | PartNumber | Qty | Description                              | Comment                 |
|-----|------------|-----|--|-------------------------|
| 1   | 1909563    |     | HANDRAIL ASSY,ENTRANCE DOOR,FORWARD      | <i>OPTION 0288</i>      |
| 1   | 1916121    |     | HANDRAIL ASSY,ENT DR,FWD,GRABRAIL,ADA    | <i>OPTION 0288 ADA</i>  |
| 1   | 0076780    |     | HANDRAIL ASSY,ENT DR,FORWARD,20.00, A3FE | <i>FEATURE 31049-09</i> |

Models: A3FE, A3RE  
 STEPWELL  
 JACKKNIFE DOOR, MANUAL  
 With Features: FEATURE 30977 WITH 30978 or OPTION 10239

| Key | PartNumber | Qty | Description | Comment |
|-----|------------|-----|-------------|---------|
|-----|------------|-----|-------------|---------|

STEPWELL ASSY., 36" JACKKNIFE DOOR  
 FLUSH MOUNTED

|                     |     |
|---------------------|-----|
| 8007973             | REV |
| ALL RIGHTS RESERVED |     |

**Models:** A3FE, A3RE  
**STEPWELL**  
**JACKKNIFE DOOR, MANUAL**  
**With Features:** FEATURE 30977 WITH 30978 or OPTION 10239

| Key | PartNumber | Qty | Description                             | Comment                            |
|-----|------------|-----|---|------------------------------------|
| 1   | 1979236    |     | STEPWELL ASSY,J/K DOOR,23.00 STEP, DRFL | FEATURE 30977-03 WITH 30978<br>-01 |
| 1   | 1979251    |     | STEPWELL ASSY,JK,23.00,RH DR, A3FE      | OPTION 3480-05                     |
| 1   | 1979244    |     | STEPWELL ASSY,JK,24.75,A3FE             | FEATURE 30977-03 WITH 30978<br>-01 |
| 1   | 0005862    |     | STEPWELL ASSY,JK,24.75,A3RE             | FEATURE 30977-03 WITH 30978<br>-01 |
| 2   | 0006510    |     | STEPTREAD,U/STEP,O/O DOOR,BLK,RBR, DRFL |                                    |
| 2   | 1561414    |     | STEPTREAD,U/STEP,O/O DOOR,BLK,RBR,DRRE  |                                    |
| 2   | 0006528    |     | STEPTREAD,U/STEP,O/O DOOR,GRN,RBR, DRFL |                                    |
| 2   | 1561422    |     | STEPTREAD,U/STEP,O/O DOOR,GRN,RBR, DRRE |                                    |
| 2   | 0006536    |     | STEPTREAD,U/STEP,O/O DOOR,TAN,RBR,DRFL  |                                    |
| 2   | 1561430    |     | STEPTREAD,U/STEP,O/O DOOR,TAN,RBR,DRRE  |                                    |
| 2   | 0006544    |     | STEPTREAD,U/STEP,O/O DOOR,GRY 766,RBR,  |                                    |
| 2   | 1708841    |     | STEPTREAD,U/STEP,O/O DOOR,GRY,RBR, TCRE |                                    |
| 3   | 0006593    |     | STEPTREAD,M/STEP,O/O DOOR,BLK,RBR, DRFL |                                    |
| 3   | 1863828    |     | STEPTREAD,M/STEP,O/O DOOR,BLK,RBR, DRRE |                                    |
| 3   | 0006601    |     | STEPTREAD,M/STEP,O/O DOOR,GRN,RBR, DRFL |                                    |
| 3   | 1852664    |     | STEPTREAD,M/STEP,O/O DOOR,GRN,RBR, DRRE |                                    |
| 3   | 0006619    |     | STEPTREAD,M/STEP,O/O DOOR,TAN,RBR, DRFL |                                    |
| 3   | 1852672    |     | STEPTREAD,M/STEP,O/O DOOR,TAN,RBR,DRRE  |                                    |
| 3   | 0006627    |     | STEPTREAD,M/STEP,O/O DOOR,GRY 766,RBR,  |                                    |
| 3   | 1852680    |     | STEPTREAD,M/STEP,O/O DOOR,GRY,RBR,      |                                    |
| 4   | 0006759    |     | STEPTREAD,L/STEP,J/K DOOR,BLK,RBR, DRFL |                                    |
| 4   | 1561372    |     | STEPTREAD,L/STEP,J/K DOOR,BLK,RBR, DRRE |                                    |
| 4   | 0006767    |     | STEPTREAD,L/STEP,J/K DOOR,GRN,RBR, DRFL |                                    |
| 4   | 1561380    |     | STEPTREAD,L/STEP,J/K DOOR,GRN,RBR, DRRE |                                    |
| 4   | 0006775    |     | STEPTREAD,L/STEP,J/K DOOR,TAN,RBR, DRFL |                                    |
| 4   | 1561398    |     | STEPTREAD,L/STEP,J/K DOOR,TAN,RBR,DRRE  |                                    |
| 4   | 0006783    |     | STEPTREAD,L/STEP,J/K DOOR,GRY 766,RBR,  |                                    |
| 4   | 1811769    |     | STEPTREAD,L/STEP,J/K DOOR,GRY 766,RBR,  |                                    |
| 5   |            |     | STEPWELL, TRIM A3FE                     |                                    |
| 6   |            |     | STEPWELL, TRIM A3RE, DRRE               |                                    |

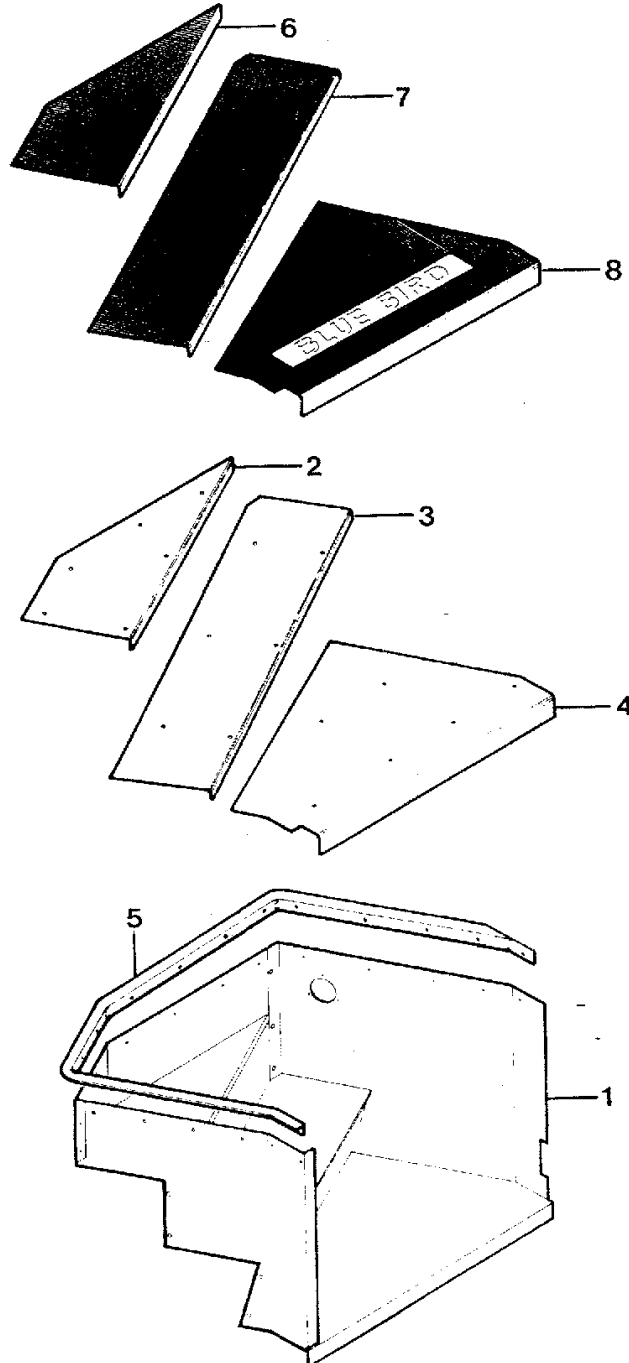


Models: A3FE, A3RE  
STEPWELL  
OUTWARD OPENING DOOR  
With Features: STD

| Key | PartNumber | Qty | Description | Comment |
|-----|------------|-----|-------------|---------|
|-----|------------|-----|-------------|---------|

STEPWELL ASSY., 36" JACKKNIFE DOOR  
FLUSH MOUNTED

8007973 REV  
ALL RIGHTS RESERVED



**Models:** A3FE, A3RE  
**STEPWELL**  
**OUTWARD OPENING DOOR**  
**With Features:** STD

| Key | PartNumber | Qty | Description                             | Comment  |
|-----|------------|-----|---|--|
| 1   | 1979053    |     | STEPWELL ASSY,O/O DOOR,23.00 STEP, DRFL | STANDARD   |
| 1   | 1979228    |     | STEPWELL ASSY,O/O,24.75,A3FE            | STANDARD   |
| 1   | 0062424    |     | STEPWELL ASSY,O/O,24.75,304 S/S, A3FE   | STANDARD   |
| 1   | 1889104    |     | STEPWELL ASSY,O/O,24.75,A3RE            | STANDARD   |
| 2   | 0006510    |     | STEPTREAD,U/STEP,O/O DOOR,BLK,RBR, DRFL | A3FE, FEATURE 31021-01                                       |
| 2   | 0011425    |     | STEPTREAD,U/STEP,O/O DOOR,BLK,ABR, DRFL | A3FE, FEATURE 31021-01 WITH FEATURE 31160-01. ABRASIVE STRIP |
| 2   | 1561414    |     | STEPTREAD,U/STEP,O/O DOOR,BLK,RBR,DRRE  | A3RE, FEATURE 31021-01                                       |
| 2   | 0011792    |     | STEPTREAD,U/STEP,O/O DOOR,BLK,ABR,DRRE  | A3RE, FEATURE 31021-01 WITH FEATURE 31160-01. ABRASIVE STRIP |
| 2   | 0006528    |     | STEPTREAD,U/STEP,O/O DOOR,GRN,RBR, DRFL | A3FE, FEATURE 31021-06                                       |
| 2   | 0011426    |     | STEPTREAD,U/STEP,O/O DOOR,GRN,ABR, DRFL | A3FE, FEATURE 31021-06 WITH FEATURE 31160-01. ABRASIVE STRIP |
| 2   | 1561422    |     | STEPTREAD,U/STEP,O/O DOOR,GRN,RBR, DRRE | A3RE, FEATURE 31021-06                                       |
| 2   | 0011793    |     | STEPTREAD,U/STEP,O/O DOOR,GRN,ABR, DRRE | A3RE, FEATURE 31021-06 WITH FEATURE 31160-01. ABRASIVE STRIP |
| 2   | 0006536    |     | STEPTREAD,U/STEP,O/O DOOR,TAN,RBR,DRFL  | A3FE, FEATURE 31021-07                                       |
| 2   | 0011427    |     | STEPTREAD,U/STEP,O/O DOOR,TAN,ABR, DRFL | A3FE, FEATURE 31021-07 WITH FEATURE 31160-01. ABRASIVE STRIP |
| 2   | 1561430    |     | STEPTREAD,U/STEP,O/O DOOR,TAN,RBR,DRRE  | A3RE, FEATURE 31021-07                                       |
| 2   | 0011794    |     | STEPTREAD,U/STEP,O/O DOOR,TAN,ABR, DRRE | A3RE, FEATURE 31021-07 WITH FEATURE 31160-01. ABRASIVE STRIP |
| 2   | 0006544    |     | STEPTREAD,U/STEP,O/O DOOR,GRY 766,RBR,  | A3FE, FEATURE 31021-09                                       |
| 2   | 0011428    |     | STEPTREAD,U/STEP,O/O DOOR,GRY 766,ABR,  | A3FE, FEATURE 31021-09 WITH FEATURE 31160-01. ABRASIVE STRIP |
| 2   | 1708841    |     | STEPTREAD,U/STEP,O/O DOOR,GRY,RBR, TCRE | A3RE, FEATURE 31021-08. LIGHT GREY                           |
| 2   | 1811751    |     | STEPTREAD,U/STEP,O/O DOOR,GRY 766,RBR,  | A3RE, FEATURE 31021-09. DARK GREY                            |
| 2   | 0011795    |     | STEPTREAD,U/STEP,O/O DOOR,GRY 766,ABR,  | A3RE, FEATURE 31021-09. DARK GREY WITH FEATURE 31160-01      |
| 2   | 0018345    |     | STEPTREAD,U/STEP,O/O DOOR,BLUE,ABR,DRFL | A3FE, FEATURE 31021-11 WITH FEATURE 31160-01                 |
| 2   | 0018363    |     | STEPTREAD,U/STEP,O/O DOOR,BLUE,ABR,DRRE | A3RE, FEATURE 31021-11 WITH FEATURE 31160-01                 |
| 2   | 0052918    |     | STEPTREAD,UPR,BLK,K/SEAL,O/O,M/B,W/NOS, | A3RE, FEATURE 31160-04                                       |
|     |            |     |   | A3RE, FEATURE 31160-06                                       |

**Models:** A3FE, A3RE  
**STEPWELL**  
**OUTWARD OPENING DOOR**  
**With Features:** STD

| Key | PartNumber | Qty | Description                             | Comment  |
|-----|------------|-----|---|--|
| 3   | 0006593    |     | STEPTREAD,M/STEP,O/O DOOR,BLK,RBR, DRFL | A3FE, FEATURE 31021-01                                       |
| 3   | 0011429    |     | STEPTREAD,M/STEP,O/O DOOR,BLK,ABR, DRFL | A3FE, FEATURE 31021-01 WITH FEATURE 31160-01. ABRASIVE STRIP |
| 3   | 1863828    |     | STEPTREAD,M/STEP,O/O DOOR,BLK,RBR, DRRE | A3RE, FEATURE 31021-01                                       |
| 3   | 0011796    |     | STEPTREAD,M/STEP,O/O DOOR,BLK,ABR,DRRE  | A3RE, FEATURE 31021-01 WITH FEATURE 31160-01. ABRASIVE STRIP |
| 3   | 0006601    |     | STEPTREAD,M/STEP,O/O DOOR,GRN,RBR, DRFL | A3FE, FEATURE 31021-06                                       |
| 3   | 0011430    |     | STEPTREAD,M/STEP,O/O DOOR,GRN,ABR, DRFL | A3FE, FEATURE 31021-06 WITH FEATURE 31160-01. ABRASIVE STRIP |
| 3   | 1852664    |     | STEPTREAD,M/STEP,O/O DOOR,GRN,RBR, DRRE | A3RE, FEATURE 31021-06                                       |
| 3   | 0011797    |     | STEPTREAD,M/STEP,O/O DOOR,GRN,ABR, DRRE | A3RE, FEATURE 31021-06 WITH FEATURE 31160-01. ABRASIVE STRIP |
| 3   | 0006619    |     | STEPTREAD,M/STEP,O/O DOOR,TAN,RBR, DRFL | A3FE, FEATURE 31021-07                                       |
| 3   | 0011431    |     | STEPTREAD,M/STEP,O/O DOOR,TAN,ABR, DRFL | A3FE, FEATURE 31021-07 WITH FEATURE 31160-01. ABRASIVE STRIP |
| 3   | 1852672    |     | STEPTREAD,M/STEP,O/O DOOR,TAN,RBR,DRRE  | A3RE, FEATURE 31021-07                                       |
| 3   | 0011798    |     | STEPTREAD,M/STEP,O/O DOOR,TAN,ABR,DRRE  | A3RE, FEATURE 31021-07 WITH FEATURE 31160-01. ABRASIVE STRIP |
| 3   | 0006627    |     | STEPTREAD,M/STEP,O/O DOOR,GRY 766,RBR,  | A3FE, FEATURE 31021-09                                       |
| 3   | 0011432    |     | STEPTREAD,M/STEP,O/O DOOR,GRY 766,ABR,  | A3FE, FEATURE 31021-09 WITH FEATURE 31160-01. ABRASIVE STRIP |
| 3   | 1852680    |     | STEPTREAD,M/STEP,O/O DOOR,GRY,RBR,      | A3RE, FEATURE 31021-08. LIGHT GREY                           |
| 3   | 1993146    |     | STEPTREAD,M/STEP,O/O DOOR,GRY 766,RBR,  | A3RE, FEATURE 31021-09. DARK GREY                            |
| 3   | 0011799    |     | STEPTREAD,M/STEP,O/O DOOR,GRY 766,ABR,  | A3RE, FEATURE 31021-09. DARK GREY WITH FEATURE 31160-01      |
| 3   | 0018346    |     | STEPTREAD,M/STEP,O/O DOOR,BLUE,ABR,DRFL | A3FE, FEATURE 31021-11 WITH FEATURE 31160-01                 |
| 3   | 0018349    |     | STEPTREAD,M/STEP,O/O DOOR,BLUE,ABR,     | A3RE, FEATURE 31021-11 WITH FEATURE 31160-01                 |
| 3   | 0052916    |     | STEPTREAD,MID,BLK,K/SEAL,O/O,M/B,W/NOS, | A3RE, FEATURE 31160-04                                       |
| 3   | 0087184    |     | STEPTREAD,CENTER,KOROSEAL,N-M,O/O DOOR  | A3RE, FEATURE 31160-06                                       |
| 4   | 0006676    |     | STEPTREAD,L/STEP,O/O DOOR,BLK,RBR, DRFL | A3FE, FEATURE 31021-01                                       |
| 4   | 0011595    |     | STEPTREAD,L/STEP,O/O DOOR,BLK,ABR, DRFL | A3FE, FEATURE 31021-01 WITH FEATURE 31160-01. ABRASIVE STRIP |

**Models:** A3FE, A3RE  
**STEPWELL**  
**OUTWARD OPENING DOOR**  
**With Features:** STD

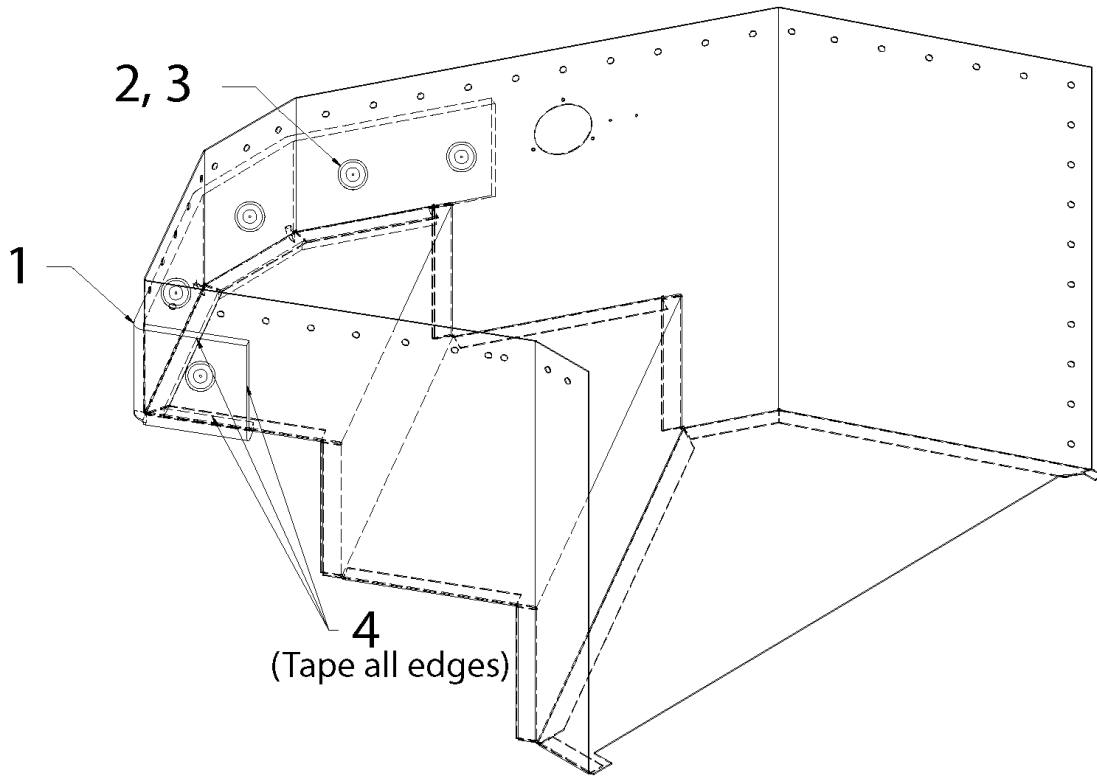
| Key | PartNumber | Qty | Description                              | Comment  |
|-----|------------|-----|--|--|
| 4   | 1863836    |     | STEPTREAD,L/STEP,O/O DOOR,BLK,RBR, DRRE  | A3RE, FEATURE 31021-01                                       |
| 4   | 0011800    |     | STEPTREAD,L/STEP,O/O DOOR,BLK,ABR, DRRE  | A3RE, FEATURE 31021-01 WITH FEATURE 31160-01. ABRASIVE STRIP |
| 4   | 0006684    |     | STEPTREAD,L/STEP,O/O DOOR,GRN,RBR, DRFL  | A3FE, FEATURE 31021-06                                       |
| 4   | 0011596    |     | STEPTREAD,L/STEP,O/O DOOR,GRN,ABR, DRFL  | A3FE, FEATURE 31021-06 WITH FEATURE 31160-01. ABRASIVE STRIP |
| 4   | 1852698    |     | STEPTREAD,L/STEP,O/O DOOR,GRN,RBR, DRRE  | A3RE, FEATURE 31021-06                                       |
| 4   | 0011801    |     | STEPTREAD,L/STEP,O/O DOOR,GRN,ABR, DRRE  | A3RE, FEATURE 31021-06 WITH FEATURE 31160-01. ABRASIVE STRIP |
| 4   | 0006692    |     | STEPTREAD,L/STEP,O/O DOOR,TAN,RBR,DRFL   | A3FE, FEATURE 31021-07                                       |
| 4   | 0011597    |     | STEPTREAD,L/STEP,O/O DOOR,TAN,ABR, DRFL  | A3FE, FEATURE 31021-07 WITH FEATURE 31160-01. ABRASIVE STRIP |
| 4   | 1852706    |     | STEPTREAD,L/STEP,O/O DOOR,TAN,RBR, DRRE  | A3RE, FEATURE 31021-07                                       |
| 4   | 0011802    |     | STEPTREAD,L/STEP,O/O DOOR,TAN,ABR,DRRE   | A3RE, FEATURE 31021-07 WITH FEATURE 31160-01. ABRASIVE STRIP |
| 4   | 0006700    |     | STEPTREAD,L/STEP,O/O DOOR,GRY 766,RBR,   | A3FE, FEATURE 31021-09                                       |
| 4   | 0011598    |     | STEPTREAD,L/STEP,O/O DOOR,GRY 766,ABR,   | A3FE, FEATURE 31021-09 WITH FEATURE 31160-01. ABRASIVE STRIP |
| 4   | 1852714    |     | STEPTREAD,L/STEP,O/O DOOR,GRY,RBR,       | A3RE, FEATURE 31021-08. LIGHT GREY                           |
| 4   | 1992734    |     | STEPTREAD,L/STEP,O/O DOOR,GRY 766,RBR,   | A3RE, FEATURE 31021-09. DARK GREY                            |
| 4   | 0011803    |     | STEPTREAD,L/STEP,O/O DOOR,GRY 766,ABR,   | A3RE, FEATURE 31021-09. DARK GREY WITH FEATURE 31160-01      |
| 4   | 0018347    |     | STEPTREAD,L/STEP,O/O DOOR,BLUE,ABR, DRFL | A3FE, FEATURE 31021-11 WITH FEATURE 31160-01                 |
| 4   | 0018351    |     | STEPTREAD,L/STEP,O/O DOOR,BLUE,ABR, DRRE | A3RE, FEATURE 31021-11 WITH FEATURE 31160-01                 |
| 4   | 0052827    |     | STEPTREAD,LWR,BLK,K/SEAL,O/O,M/B,W/NOS,  | A3RE, FEATURE 31160-04                                       |
| 4   | 0087175    |     | STEPTREAD,LOWER,KOROSEAL,N-M,O/O DOOR,   | A3RE, FEATURE 31160-06                                       |
| 5   |            |     | STEPWELL, TRIM A3FE                      |  |
| 6   |            |     | STEPWELL, TRIM A3RE                      |  |

**Models:** A3FE, A3RE, BBCV, SBCV  
**STEPWELL**  
**With Features:** STEPTREADS, PEBBLETOP  
**FEATURE 31160-04**

| Key | PartNumber | Qty | Description                             | Comment          |
|-----|------------|-----|---|------------------|
|     | 0052938    |     | STEPTREAD,UPR,BLK,K/SEAL,O/O,M/B,W/NOS, | FEATURE 31160-04 |
|     | 0052918    |     | STEPTREAD,UPR,BLK,K/SEAL,O/O,M/B,W/NOS, | FEATURE 31160-04 |
|     | 0052921    |     | STEPTREAD,UPR,BLK,K/SEAL,O/O,M/B,W/NOS, | FEATURE 31160-04 |
|     | 0052937    |     | STEPTREAD,MID,BLK,K/SEAL,O/O,M/B,W/NOS, | FEATURE 31160-04 |
|     | 0052916    |     | STEPTREAD,MID,BLK,K/SEAL,O/O,M/B,W/NOS, | FEATURE 31160-04 |
|     | 0052920    |     | STEPTREAD,MID,BLK,K/SEAL,O/O,M/B,W/NOS, | FEATURE 31160-04 |
|     | 0052936    |     | STEPTREAD,LWR,BLK,K/SEAL,O/O,M/B,W/NOS, | FEATURE 31160-04 |
|     | 0052827    |     | STEPTREAD,LWR,BLK,K/SEAL,O/O,M/B,W/NOS, | FEATURE 31160-04 |
|     | 0052919    |     | STEPTREAD,LWR,BLK,K/SEAL,O/O,M/B,W/NOS, | FEATURE 31160-04 |

**Models:** A3FE  
STEPWELL  
STEPWELL BAND INSULATION  
WITH CUMMINS ISB  
**With Features:** FEATURE 40179-03 THRU -13

| Key | PartNumber | Qty | Description | Comment |
|-----|------------|-----|-------------|---------|
|-----|------------|-----|-------------|---------|

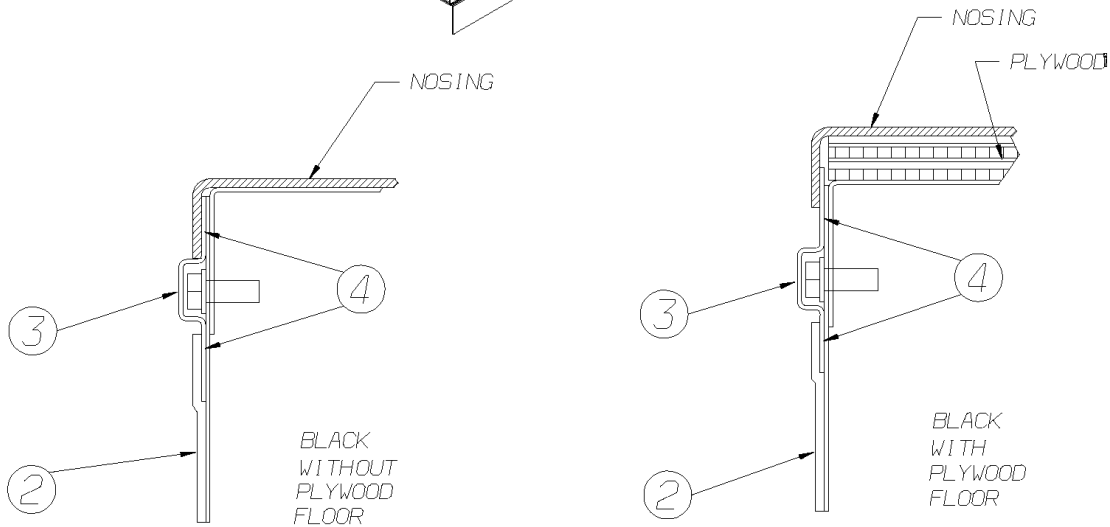
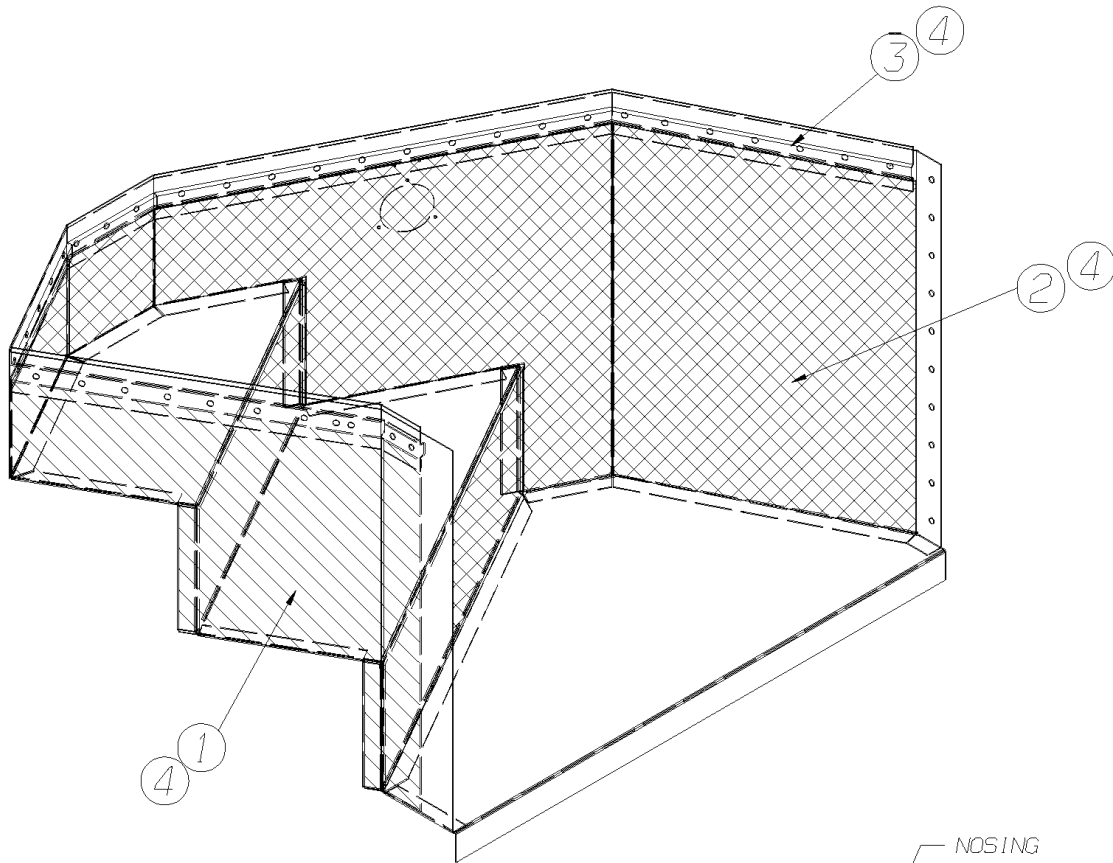


**Models:** A3FE  
STEPWELL  
STEPWELL BAND INSULATION  
WITH CUMMINS ISB  
**With Features:** FEATURE 40179-03 THRU -13

| Key | PartNumber | Qty | Description                       | Comment |
|-----|------------|-----|-----------------------------------|---------|
| 1   | 0110483    | 1   | INSULATION,THERMAL,STEPWELL BAND  |         |
| 2   | 0081242    | 5   | WASHER,ANCHOR,1 1/2 OD,12 GA PIN  |         |
| 3   | 1740703    | 5   | ANCHOR,INSULATION,1 5/8 SPINDLE   |         |
| 4   | 4759983    | 9   | TAPE ALUMN FOIL ADHESIVE 75MMX50M |         |

**Models:** A3FE  
**STEPWELL**  
**STEPWELL LINING**  
**JACKKNIFE DOOR, 24.75 INCH STEP**  
**With Features:** OPTION 03118 -00, -01

| Key | PartNumber | Qty | Description | Comment |
|-----|------------|-----|-------------|---------|
|-----|------------|-----|-------------|---------|



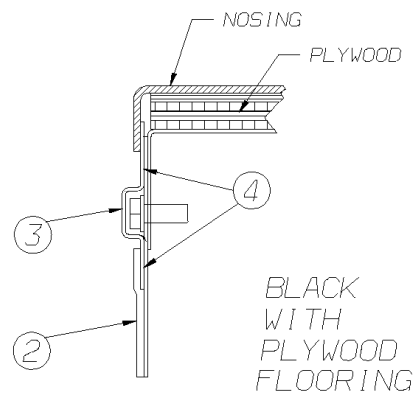
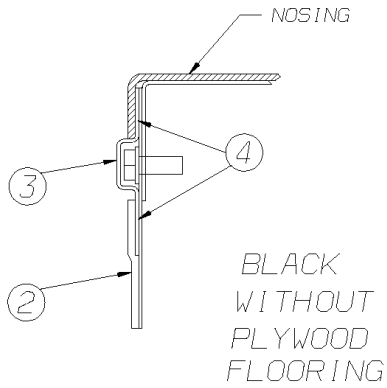
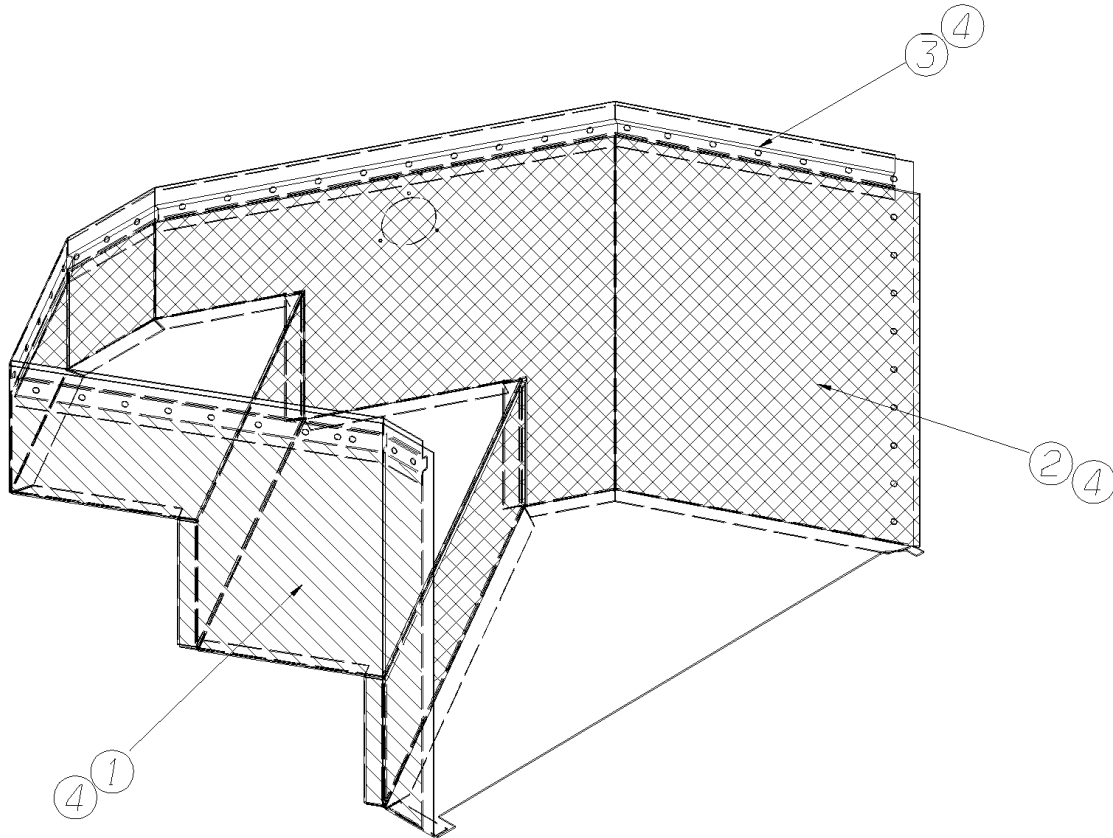


**Models:** A3FE  
**STEPWELL**  
**STEPWELL LINING**  
**JACKKNIFE DOOR, 24.75 INCH STEP**  
**With Features:** OPTION 03118 -00, -01

| Key | PartNumber | Qty | Description                               | Comment                      |
|-----|------------|-----|---|------------------------------|
|     | 1979244    |     | STEPWELL ASSY,JK,24.75,A3FE               |                              |
|     | 0082263    |     | STEPWELL ASSY,JK,24.75 STEP,304 S/S, A3FE |                              |
| 1   | 0056604    |     | LINING,REAR BAND,STEPWELL,24.75,A3FE      |                              |
| 2   | 0056607    |     | LINING,FRONT BAND,STEPWELL,24.75,A3FE     |                              |
| 3   | 0056611    |     | TRIM,BOLT HEAD COVER,STPWEL,JK WITH PW    |                              |
| 3   | 0056613    |     | TRIM,BOLT HEAD COVER,STPWEL,JK W/O PW,    | <i>WITHOUT PLYWOOD FLOOR</i> |
| 4   | 2002798    |     | ADHESIVE,CONTACT,RED,C2466-55G-RD         |                              |

**Models:** A3FE  
**STEPWELL**  
**STEPWELL LINING**  
**OUTWARD OPENING DOOR, 24.75 INCH STEP**  
**With Features:** OPTION 03118 -00, -01

| Key | PartNumber | Qty | Description | Comment |
|-----|------------|-----|-------------|---------|
|-----|------------|-----|-------------|---------|



**Models:** A3FE  
**STEPWELL**  
**STEPWELL LINING**  
**OUTWARD OPENING DOOR, 24.75 INCH STEP**  
**With Features:** OPTION 03118 -00, -01

| Key | PartNumber | Qty | Description                             | Comment                      |
|-----|------------|-----|---|------------------------------|
| 1   | 0056604    |     | LINING,REAR BAND,STEPWELL,24.75,A3FE    |                              |
| 2   | 0056607    |     | LINING,FRONT BAND,STEPWELL,24.75,A3FE   |                              |
| 3   | 0056609    |     | TRIM,BOLT HEAD COVER,STPWEL,OO WITH PW, | <i>WITH PLYWOOD FLOOR</i>    |
| 3   | 0056610    |     | TRIM,BOLT HEAD COVER,STPWEL,OO W/O PW,  | <i>WITHOUT PLYWOOD FLOOR</i> |
| 4   | 2002798    |     | ADHESIVE,CONTACT,RED,C2466-55G-RD       |                              |