

Body

370 Heaters

AUXILIARY

ESPAR H10 & WEBASTO COMPARTMENT ONLY

With: OPTION 1345-05, -06

1

ESPAR, D12W, BRACKET ASSY, WITH FUEL PUMP

With: OPTION 1345

2

ESPAR, D12W, ON SLIDE PANEL

With: OPTION 1345

3

ESPAR, D12W, WITH 99 HOUR TIMER

With: OPTION 1345-01, -02

4

ESPAR, H10, HEATER INSTALLATION

With: OPTION 1345-03, -04

5

WEBASTO

HEATER INSTALLATION

With: OPTION 1345-01, 1345-02

6

COMFORT AIR AC

A/C COMPRESSOR AND ENGINE HOSE KIT INSTALLATION DIAGRAM

CAT C7

With: FEATURE 30006-03, -06, FEATURE 30007-02, -05

7

A/C COMPRESSOR INSTALLATION

ISB 07

8

DUCTED

BOOK RACK, DUCTED A/C

9

COVER ASSY, EVAPORATOR, 45, 74HR

10

COVER ASSY, EVAPORATOR, 45, 77HR

11

COVER ASSY, EVAPORATOR, 55, 74HR

12

COVER ASSY, EVAPORATOR, 55, 77HR

13

EVAPORATOR KIT 12V CME 45 DUCTED

<i>With: FEATURE 30007-01 -02 -04</i>	14
EVAPORATOR KIT 12V CME 55 DUCTED	
<i>With: FEATURE 30007-07</i>	15
<i>With: FEATURE 30007-02 -03 FEATURE 30007-05 -06</i>	16
FITTING KIT, DUAL SYSTEM	
<i>With: FEATURE 30007-07</i>	17
<i>With: FEATURE 30007-07</i>	18
INSTALLATION PIPING KIT	
<i>With: FEATURE 30007-07</i>	19
KIT, DUCT TRANSITION, EXIT DOOR, DUAL SYSTEM	
<i>With: FEATURE 30007-07</i>	20
MOUNTING EVAPORATOR KIT DUCTED	
<i>With: FEATURE 30007-01 - 06</i>	21
DUCTED AND FREEBLOW	
CHASSIS HOSE KIT	
ROOF MOUNTED CONDENSER	
<i>With: FEATURE 30006-03, -06, FEATURE 30007-02, -05</i>	22
SKIRT MOUNTED CONDENSER	
<i>With: FEATURE 30006-03, -06, FEATURE 30007-02, -05</i>	23
CONTROL KIT DUAL SYSTEM	
<i>With: FEATURE 30006-02 THRU 07 FEATURE 30007-01 THRU 06</i>	24
FITTING KIT, DUAL SYSTEM	
FE/RE	
<i>With: FEATURE 30006-03 -04 -06 -07 FEATURE 30007-02 -03 -05 -06</i>	25
<i>With: FEATURE 30006-03 -04 -06 -07 FEATURE 30007-02 -03 -05 -06</i>	26
HOSE COVER, A/C WITH LUGGAGE INSTALLATION DIAGRAM	
_____	27
_____	28
INSTALLATION ROOFTOP CONDENSER	
<i>With: FEATURE 30006-08, 30007-07</i>	29

KIT, HOSE COVER	
_____	30
_____	31
_____	32
ROOF MOUNT CONDENSER KIT	
<i>With: FEATURE 30006 30007</i>	33
ENGINE HOSE INSTALLATION	
ISB 07	
_____	34
ENGINE KIT CAT C7	
_____	35
ENGINE KIT CAT C7, FLORIDA	
_____	36
FREEBLOW	
EVAPORATOR KIT 12V, CME 45	
<i>With: FEATURE 30006-02 -03 -04 -05</i>	37
EVAPORATOR KIT 12V, CME 55	
<i>With: FEATURE 30006-05 -06 -07</i>	38
MOUNTING EVAPORATOR KIT	
<i>With: FEATURE 30006-02 THRU 07</i>	39
SKIRT MOUNT CONDENSER KIT 12V	
<i>With: FEATURE 30006-02 THRU 07 FEATURE 30007-01 THRU 06</i>	40
CONVECTION HEATING	
KITS	
<i>With: FEATURE 30059</i>	41
FOR FLAT FLOOR UNITS	
<i>With: FEATURE 30059</i>	42
HOSE ROUTING	
<i>With: FEATURE 30059</i>	43
HOSE ROUTING FOR FLAT FLOOR UNITS	
<i>With: FEATURE 30059</i>	44
TYPE 1	
<i>With: FEATURE 30059</i>	45

TYPE 10	
<i>With: FEATURE 30059</i>	46
TYPE 11	
<i>With: FEATURE 30059</i>	47
TYPE 12	
<i>With: FEATURE 30059</i>	48
TYPE 13	
<i>With: FEATURE 30059</i>	49
TYPE 14	
<i>With: FEATURE 30059</i>	50
TYPE 15	
<i>With: FEATURE 30059</i>	51
TYPE 16	
<i>With: FEATURE 30059</i>	52
TYPE 17	
<i>With: FEATURE 30059</i>	53
TYPE 2	
<i>With: FEATURE 30059</i>	54
TYPE 3	
<i>With: FEATURE 30059</i>	55
TYPE 4	
<i>With: FEATURE 30059</i>	56
TYPE 5	
<i>With: FEATURE 30059</i>	57
TYPE 6	
<i>With: FEATURE 30059</i>	58
TYPE 7	
<i>With: FEATURE 30059</i>	59
TYPE 8	
<i>With: FEATURE 30059</i>	60

TYPE 9	
<i>With: FEATURE 30059</i>	61
DRIVER'S HEATER	
<i>From BSN 182348</i>	62
FRONT HEATER	
HEATER ASSY	
CONTROLS AND SWITCHES	
<i>From *(BSN 0001263, 0260163, 0022484, 0191751, 0373871)</i> <i>To BSN B10035319, F10020224, L10032854, M10041329, 10009289</i>	63
<i>From BSN B10035320, F10020225, L10032855, M10041330, X10009290</i>	64
CONTROL PANEL ASSEMBLY	
<i>From BSN F10064340, F10035825, F20035860, L10059260, M10074850 1-22-01</i>	65
DASH PANELS AND TRIM	
<i>From *(BSN 0191751, 0022484, 0373871, 0260163, 0001263)</i> <i>To BSN B10035319, F10020224, L10032854, M10041329, 10009289</i>	66
<i>From BSN B10035320, F10020225, L10032855, M10041330, X10009290</i>	67
PANELS AND BLOWER	
<i>From *BSN 0001263, 0260163, 0022484, 0191751, 0373871</i> <i>To BSN B-10035319, F-10020224, L-10032854, M-10041329, X-10009289</i>	68
<i>From BSN B10035320, F10020225, L10032855, M10041330, X10009290</i>	69
HEATER INSTALLATION	
<i>To BSN F10020224</i>	70
<i>From BSN F10020225</i> <i>To BSN F10035824, L10059259</i>	71
DASH INSTALLATION & PANELS WITH POWER DOOR CONTROL	
<i>From BSN F10068990, L10133500</i>	72
DRIVER'S WINDOW DEFROSTER DUCT	
<i>From BSN F10035825, L10059260</i>	73
LH DRIVE	
<i>From BSN F10035825, L10059260</i> <i>To BSN F10068989, L10133499</i>	74
RH DRIVE	

	<i>From BSN F10035825, L10059260</i>	75
<hr/>		
HEATER PIPING		
BODY		
	<i>With: FEATURE 30056</i>	76
<hr/>		
ENGINE AREA		
CONVECTION HEATING		
	<i>With: FEATURE 30059</i>	77
<hr/>		
CUMN 8.3 MECH		
	<i>With: FEATURE 30056</i>	78
<hr/>		
ISB, ISC, CAT		
	<i>With: FEATURE 30056 To BSN 11/03/02</i>	79
<hr/>		
	<i>With: FEATURE 30056 From BSN 11/04/02</i>	80
<hr/>		
HEATER WATER PUMP		
	<i>With: FEATURE 30058-01 From BSN AAFE 10000119</i>	81
<hr/>		
	<i>With: HEAVY DUTY, FEATURE 30058-02 From BSN FAAFE10000119</i>	82
<hr/>		
HEATER, REAR WALL		
BERGSTROM		
HEATER ASSY COMPONENTS		
	<i>With: OPTION 1341 To C1FE TSFE BSN F0190632 L0020822 4-11-96</i>	83
<hr/>		
HEATER ASSY COMPONENTS		
	<i>With: OPTION 30060-05</i>	84
<hr/>		
	<i>With: OPTION 30060-06</i>	85
<hr/>		
HEATER MOUNTING		
WITH REAR EMERGENCY DOOR		
	<i>With: OPTION 1341 To BSN B10064339 F10035824F20035859 L10059259 M10074849 X10019804</i>	86
<hr/>		
	<i>With: OPTION 1341, FEATURE 30060-28, -29 From BSN B10064340 F10035825 L10059260 M10074850 X10019805</i>	87
<hr/>		
KYSOR WESTRAN		
HEATER ASSY COMPONENTS		

<i>With: OPTION 1341</i>	88
HEATER/AC COMBO COMFORT AIRE COMBO ASSY BERGSTROM	89
CONDENSER ASSY SINGLE MOBILE CLIMATE	90
CONDENSER ASSY, DUAL, MOBILE CLIMATE	91
CONTROL ASSEMBLY	92
DUCTING ASSY	93
EVAPORATOR ASSY DUCTED, MOBILE CLIMATE	94
FREEBLOW, MOBILE CLIMATE	95
EVAPORATOR ASSY, 12V, CME 45, DUCTED	96
EVAPORATOR ASSY, 12V, CME 45, FREEBLOW	97
HTR, DASH, PWR DOOR, A/C INSTALLATION	98
MODE ACTUATOR ASSEMBLY	99
OPTIONS, SWITCHES, COVERS, TRIM & ACCESSORIES ACCESSORIES	100
REMOTE CONTROL VALVE	101
<i>With: OPTION 1240 & 1242 To BSN 10-31-99</i>	102
<i>With: OPTION 1240 & 1242 From BSN F10020225 L10032685 To BSN F10035824 L10059259</i>	103
<i>With: OPTION 1240, 1242 From BSN F10035825 L10059260</i>	103
ACTUATOR ASSY	

*With: OPTION 1240, 1242
From BSN F10035825 L10059260*

104

SWITCHES FOR OPTIONAL HEATERS

From BSN B10064340 F10035825 F20035860 L10059260 M10074850 X10019805

105

*With: OPTION 3075
From BSN B10064340 F10035825 F20035860 L10059260 M10074850 X10019805*

106

VALVE ASSEMBLIES

107

UNDERSEAT HEATER

50,000 BTU

FLOOR MOUNTED

With: OPTION 1325, 1328, 1330, 1332, WITH 1348-01, 30060, 6127, 6147

108

SEAT MOUNTED

With: OPTION 1325, 1328, 1330, 1332, 6251, 30052-01, 30052-02, 30054-01, 30060

109

80,000 BTU

FLOOR MOUNTED

With: OPTION 1336, 1337, 1342, 1343 WITH 1348-02, 30060

110

SEAT MOUNTED

With: OPTION 1336, 1337, 1342, 1343, 30060, 6252

111

CROSSOVER PIPING

112

HEATER OPTION/USAGE

113

114

115

116

117

118

119

UNDERSEAT HEATER BERGSTROM

50,000 BTU

FLOOR MOUNTED, LH

120

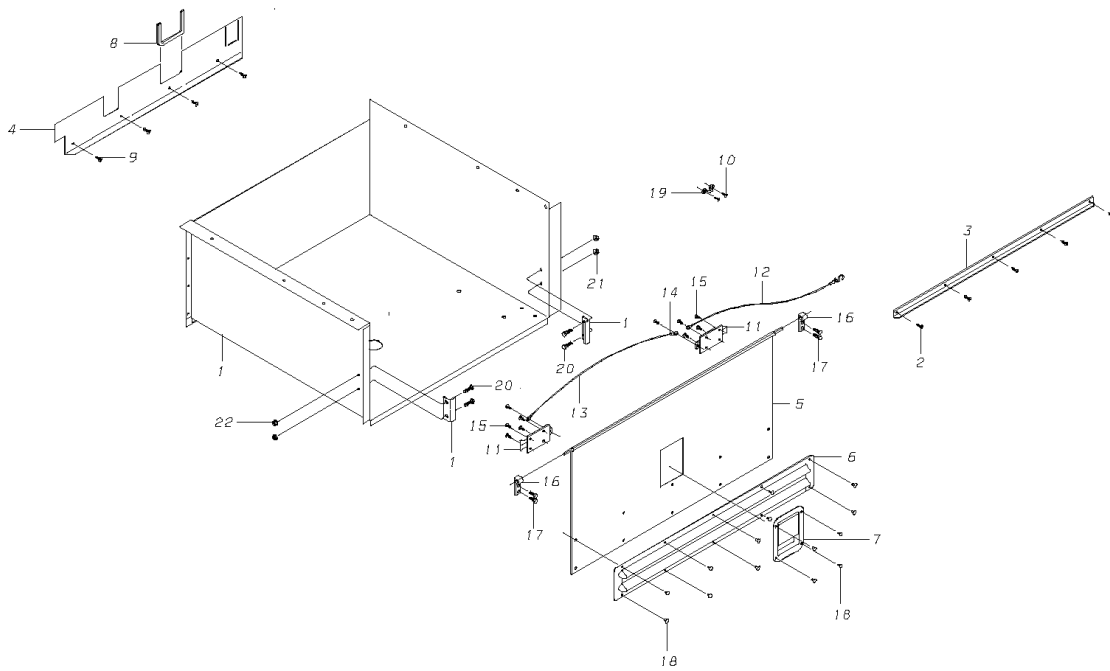
SEAT MOUNTED RH

SEAT MOUNTED, LH	121
80,000 BTU FLOOR MOUNTED, LH	122
FLOOR MOUNTED, LH, KENTUCKY	123
SEAT MOUNTED LH	124
SEAT MOUNTED RH	125
SEAT MOUNTED, LH, KENTUCKY	126
	127

Models: AAFE, AARE, A3FE, A3RE, BBCV, CSFE, CSRE, GMCV, SBCV, TCPE, TCRE
AUXILIARY

With Features: ESPAR H10 & WEBASTO COMPARTMENT ONLY
OPTION 1345-05, -06

Key	PartNumber	Qty	Description	Comment
-----	------------	-----	-------------	---------



Models: AAFE, AARE, A3FE, A3RE, BBCV, CSFE, CSRE, GMCV, SBCV, TCPE, TCRE

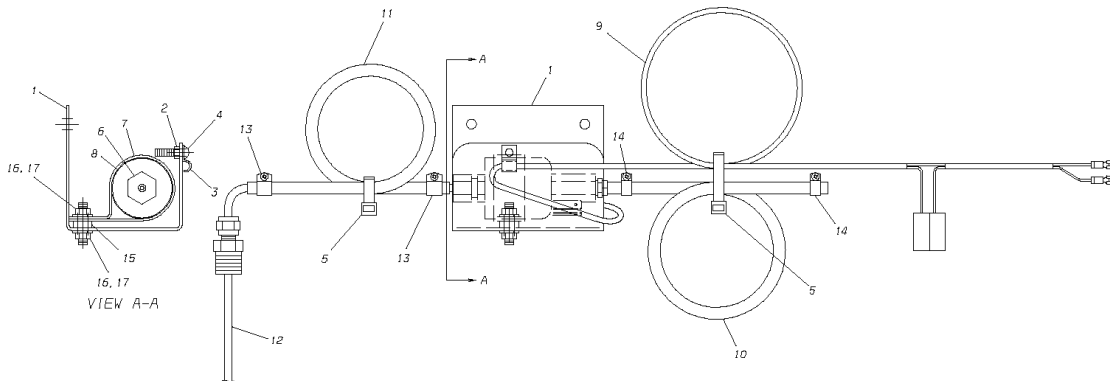
With Features: AUXILIARY
 ESPAR H10 & WEBASTO COMPARTMENT ONLY
 OPTION 1345-05, -06

Key	PartNumber	Qty	Description	Comment
1	1418201	2	PLATE,STRIKER,BATTERY CMPT,BAT DISC SW	
2	2083095	5	SCREW,10-16 X 3/4,AB,PH1,PANHD,YELZN,	
3	1647908		MOLDING,DRIP,BATTERY COMPARTMENT,26,E-	
4	1457126		PANEL,C/OUT,UPPER INBOARD,D12W HTR CMPT	
5	1453026		DOOR ASSY,D12W AUXILIARY HEATER	
6	1453018		RUB RAIL,D12W HEATER COMPARTMENT DOOR	16.25 SKIRT
7	0948596		LOCK ASSY,LUG&TIRE,NON-LOCKING	
8	1393859		TRIM,EDGE,PLASTIC,BLACK,EGL 11-3	
9	1164821	4	SCREW,10-16 X 3/4,AB,PH1,TRUSS HD, YEL ZN	
10	0527317	2	SCREW,8-18 X 5/8,AB,PH1,OVAL CNSK HD,YEL	
11	0994657	2	LATCH,CABLE LOCK	
12	1214931		CABLE & HOOK ASSY,CMPT DOOR,10 13/16	
13	1896117		CABLE ASSY,LOCK,74 IN	
14	0994673		SLEEVE,OVAL CABLE LOCK	
15	1200799	10	SCREW,10-24 X 3/8,T,PH1,PAN HD, YEL ZN	
16	0757427	2	MOUNT,HINGE PIN,ALODINED	
17	2000024	4	SCREW,1/4-14 X 3/4,B,HEX HD,YEL ZN DICH	
18	0948521	14	RIVET,.187 X .375,WAGON BX,SOLID,STL,ZN-NI	
19	0602029		BRACKET,O/S CHAIN HOOK	
20	2000057	4	CAPSCREW,HEX HD,1/4-20 X 1,GR 5,YEL ZN	
21	1339639	4	NUT,HEX HD,1/4-20,PRVLG TORQUE,FLG,YEL	
22	0080163		BOX ASSY,HEATER,WEBASTO	WEBASTO. OPTION 01345-05
22	0080175		BOX ASSY,HEATER,ESPAR	ESPAR. OPTION 01345-06

Models: AAFE, AARE, A3FE, A3RE, CSFE, CSRE, GMCV, SBCV, TCFE, TCRE

With Features: AUXILIARY ESPAR, D12W, BRACKET ASSY, WITH FUEL PUMP OPTION 1345

Key	PartNumber	Qty	Description	Comment
-----	------------	-----	-------------	---------



Models: AAFE, AARE, A3FE, A3RE, CSFE, CSRE, GMCV, SBCV, TCFE, TCRE

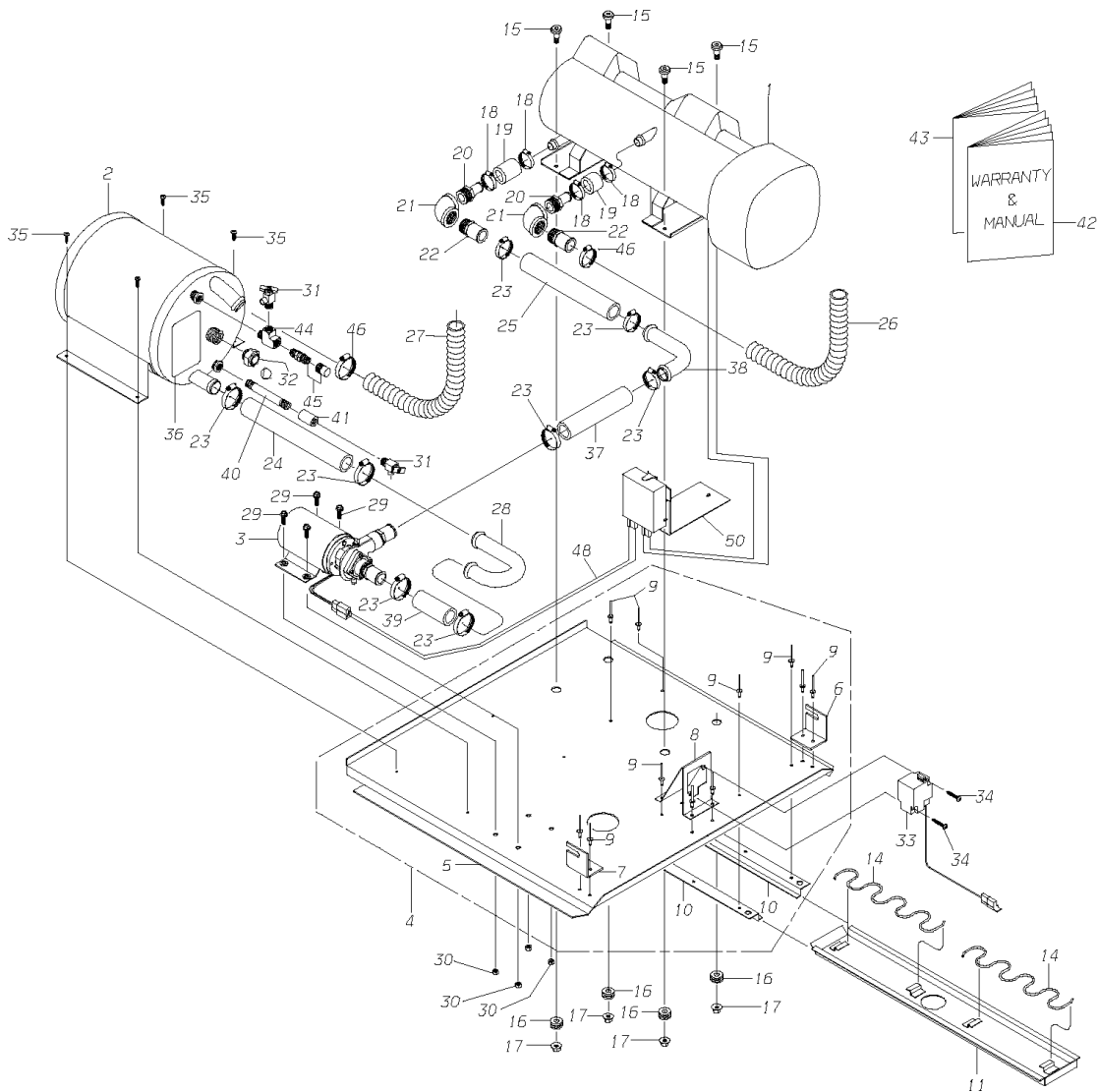
With Features: AUXILIARY
ESPAR, D12W, BRACKET ASSY, WITH FUEL PUMP
OPTION 1345

Key	PartNumber	Qty	Description	Comment
1	1448950		BRACKET,FUEL PUMP MOUNT,D12W AUX	
2	2001287		NUT,HEX HD,10-32,YEL ZN DICH	
3	2008563		CLAMP,HALF,.250	
4	2000776		SCREW,MACH, 10-32 X 3/4,PH1,RD HD,	
5	0599704	2	TIE,CABLE,NYLON	
	1455237		KIT,FUEL PUMP,D12W HEATER,301 0175 1202	CONSISTS OF THE FOLLOWING
6	1455013		D12W FUEL PUMP,25 1570 45 00 00	
7	1455021		D12W PUMP HOLDER,25 1156 20 00 11	
8	1455039		D12W PUMP HOLDER RBR RING,20 1449 00 10	
9	1455070		D12W FUEL PUMP HARNESS,15FT,CA1 75 010	
10	1455104		D12W FUEL LINE 3.5 MM X 30 FT,360 75 110	
11	1455112		D12W FUEL LINE 5.0 MM X 6.5 FT,360 75 130	
12	1455120		D12W FUEL PICK UP PIPE 4 MM,CA0 00 030	
13	1455138	2	D12W CLAMP,10 MM,10 2063 01 00 98	
14	1455146	2	D12W CLAMP,7 MM,10 2063 00 70 78	
15	1455153		D12W FUEL PUMP MOUNT,20 8460 01 00 15	
16	1455161	2	D12W NUT 6 MM,110 10 026	
17	1455179	2	D12W WASHER 6 MM,171 22 111	
NI	2054625		BAG,POLYET,17IN X 19IN X 4 MIL	

Models: AAFE, AARE, A3FE, A3RE, CSFE, CSRE, GMCV, SBCV, TCFE, TCRE

With Features: AUXILIARY ESPAR, D12W, ON SLIDE PANEL OPTION 1345

Key	PartNumber	Qty	Description	Comment
-----	------------	-----	-------------	---------



Models: AAFE, AARE, A3FE, A3RE, CSFE, CSRE, GMCV, SBCV, TCFE, TCRE

With Features: AUXILIARY ESPAR, D12W, ON SLIDE PANEL OPTION 1345

Key	PartNumber	Qty	Description	Comment
	0008094		HEATER ASSY,D12W,ON SLIDE PANEL	
1	0025617		KIT,AUXILIARY HEATER,ESPAR	
2	0003129		TANK ASSY,DEAERATION,D12W AUXILIARY	
NI	1452192		BRACKET,SUPT,DEAERATION TANK,D12W	
NI	2009033		BUSHING,PIPE,GALV,1/4 X 3/8	
NI	2009074		BUSHING,PIPE,GALV,1/2 X 3/4	
3	0024965		PUMP ASSY,WATER,HEAVY DUTY,	
	1973999		PUMP,WATER,AUXILIARY HTR,MP,12 VOLT	
	1161850		CONNECTOR,2 CIRC,SHROUD,WEATHERPACK,	
	1154582	2	SEAL,WIRE,CBL/DIA.111-.137,GY,W/PACK,PACK	
	1113307	2	TERMINAL,PIN,14-16 GA,WEATHERPACK,	
4	0007815		PANEL ASSY,SLIDE SYS MOUNT,D/2W AUX HTR	
NI	0003111		PANEL,SLIDE,SYSTEM MOUNT,D12W AUX	
NI	1450733	2	Z-MEMBER,SLOT SEAL PANEL RETAINER	
NI	0008128		BRACKET,INNERTIAL SWITCH MOUNT,D/2W	
5	0003111		PANEL,SLIDE,SYSTEM MOUNT,D12W AUX	
6	0008110		ANGLE,RETAINER STUD CATCH,RR,D/2W SLD	
7	0008102		ANGLE,RETAINER STUD CATCH,FRT,D/2W SLD	
8	0008128		BRACKET,INNERTIAL SWITCH MOUNT,D/2W	
9	1415769	12	RIVET,POP,.18 X .45,CHERRY SSPS-6-4	
10	1450733	2	Z-MEMBER,SLOT SEAL PANEL RETAINER	
11	0003137		PANEL ASSY,EXHAUST PIPE SLOT SEAL	
14	1366582	2	SPRING,CUSHION SUPPORT,DRIVERS SEAT	
15	1455401	4	SCREW,SHLDR,ALLEN,3/8 X 1/2	
16	0890566	4	GROMMET,RUBBER,ATLANTIC INDIA,NO 2758	
17	1480433	4	NUT,HEX HD,5/16-18,FLG PRVG TORQ,GR F,	
18	0871582	4	CLAMP,HOSE,5/8IN	
19	1455252	2	HOSE,HEATER,D12W, 5/8 ID X 2.50 LG"	
19	1477983	2	HOSE,HEATER,7/8 ID X 2.50 IN LONG	
20	1453810	2	ADAPTER,HTR,3/4 PIPE X 5/8 HOSE,YEL ZN	
20	1453828	2	ADAPTER,HTR,3/4 PIPE X 7/8 HOSE,YEL ZN	
21	2009207	2	ELBOW,PIPE,3/4 X 90 DEG,GALV	
22	0315200	2	ADAPTER,HTR,3/4 PIPE X 1 HOSE	

Models: AAFE, AARE, A3FE, A3RE, CSFE, CSRE, GMCV, SBCV, TCFE, TCRE

With Features: AUXILIARY ESPAR, D12W, ON SLIDE PANEL OPTION 1345

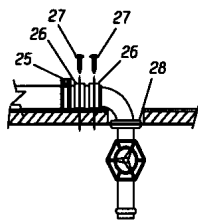
Key	PartNumber	Qty	Description	Comment
23	2008522	8	CLAMP,1IN HOSE	
24	1455260		HOSE,HEATER,D12W,1.00 ID X 8.00 LG	
25	1455278		HOSE,HEATER,D12W,1.00 ID X 10.00 LG	
26	1455344		HOSE,FLEXIBLE,D12W HEATER RETURN,23.50	
27	1455336		HOSE,FLEXIBLE,D12W DEAERATION	
28	1455500		TUBING,180 DEG BEND,1.25 X 3.50	
29	0824722	4	CAPSCREW,HEX FLG,1/4-20X .75,GR5,SER,BLK	
30	2001345	4	NUT,HEX HD,1/4-20,LOCKING,YELLOW	
31	2020659	2	COCK,DRAIN	
32	1422179		SIGHT GLASS	
33	1485846		SWITCH ASSY,FUEL PUMP,INERTIAL,D12W	
NI	1454883		SWITCH,FUEL PUMP,INERTIAL,D12W HEATER	
34	2000586	2	SCREW,10-16X1-1/4,AB,PH1,PAN HD,YEL ZN	
35	1589522	4	SCREW,10-16 X 3/4,AB,PH1,PAN HD,YEL ZN	
36	1455492		DECAL,VENT WARNING,D12W DEAERATION	
37	1458694		HOSE,HEATER,D12W,1.00 ID X 5.00 LG	
38	0281303		TUBING,BRASS,ELBOW,90 DEGREE	
39	1458702		HOSE,HEATER,D12W,1.00 ID X 2.50 LG	
40	1458678		NIPPLE,GALV,1/4 X 4.00	
41	1458686		COUPLING,GALV,1/4IN	
42			PACKET, WARRANTY AND MANUAL	INCLUDED IN 1454990 KIT
43	1813724		MANUAL,OPERATORS,ESPAR D12W W/BB INSTL	
44	0654277		TEE,STREET,1/4 PIPE,3750X4	
45	1459122		VALVE,PRESS RELIEF,50 PSI,BRASS	
46	2008522	2	CLAMP,1IN HOSE	
NI	1455054		D12W POWER SWITCH HARNESS,CA1 60 513	INCLUDED IN 1454990 KIT
48	1455062		D12W WATER PUMP HARNESS,2 FT,CA1 65 002	INCLUDED IN 1454990 KIT
NI	1485838		WIRE ASSY,16GA,GRAY,408.L,SLIDE/SLIDE	TO WATER PUMP SWITCH
50			CONTROL BOX ASSEMBLY WITH BRACKET	
50	0035316		CONTROL UNIT,ESPAR HEATER	ENDING WITH BSN 4/29/00
50	0038797		CONTROL UNIT,EXPAR HEATER D12	FROM BSN 4/30/00 TO 1-21-01
NI	4302154		DIODE,D12W,ESPAR 208 00 012	
NI	4309589		SWITCH,SAFETY THERMAL CUTOUT	

Models: AAFE, AARE, A3FE, A3RE, CSFE, CSRE, GMCV, SBCV, TCFE, TCRE

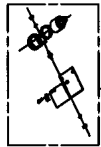
AUXILIARY
ESPAR, D12W, WITH 99 HOUR TIMER
OPTION 1345-01, -02

With Features:

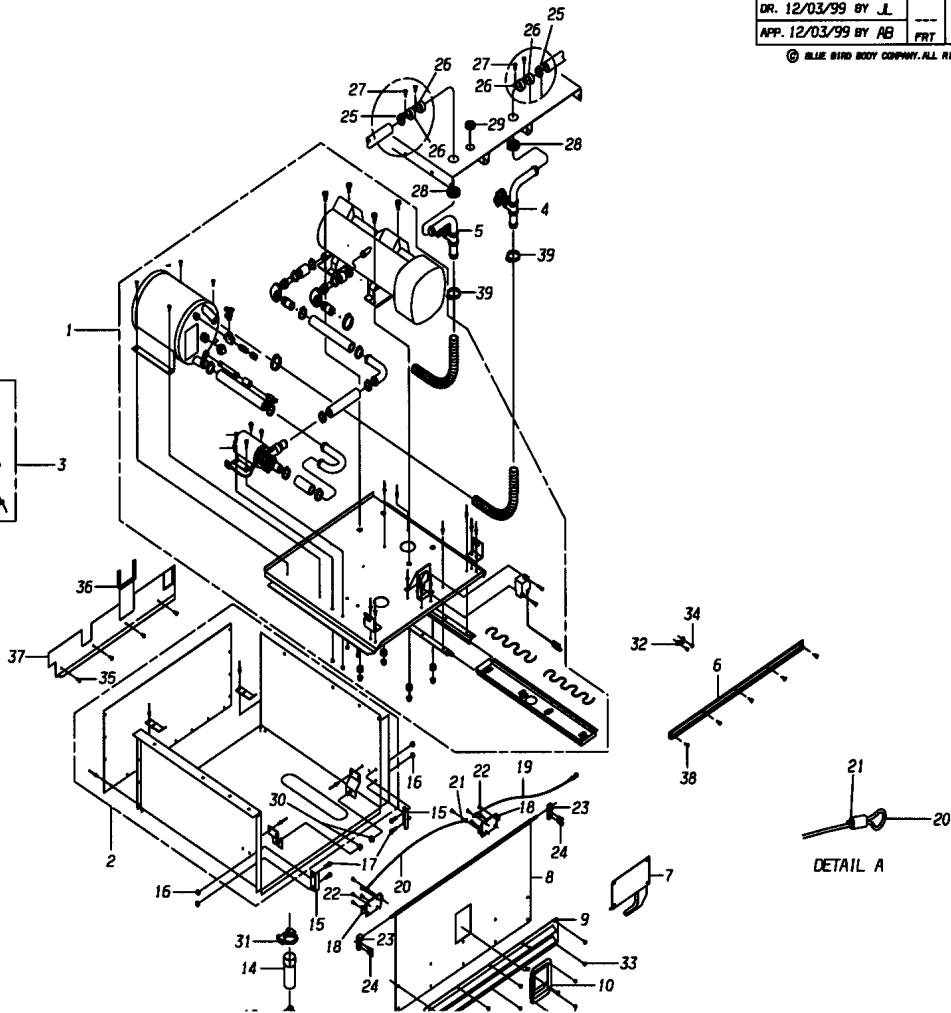
Key	PartNumber	Qty	Description	Comment
-----	------------	-----	-------------	---------



DETAIL B
(TYP. HOSE TO VALVE CONNECTION)



DETAIL A



DR. 12/03/99 BY J.L.	---	1459171	Q
APP. 12/03/99 BY AB	PRT		REV

© BLUE BIRD BODY COMPANY. ALL RIGHTS RESERVED



Models: AAFE, AARE, A3FE, A3RE, CSFE, CSRE, GMCV, SBCV, TCFE, TCRE

With Features: AUXILIARY
ESPAR, D12W, WITH 99 HOUR TIMER
OPTION 1345-01, -02

Key	PartNumber	Qty	Description	Comment
1	0008094		HEATER ASSY,D12W,ON SLIDE PANEL	
2	1452911		HOUSING ASSY,D12W AUXILIARY HEATER	
3	1455187		BRACKET ASSY,WITH FUEL PUMP,D12W HEATER	
4	1452374		VALVE ASSY,FEEDER,D12W AUXILIARY HEATER	
	1452366		TUBE,ELBOW,D12W VALVE ASSY	PART OF ITEM 4
	1452390		TUBE,BRASS,1 OD X 2.50 LG X .035 WALL	PART OF ITEM 4
	0544353		VALVE,GATE,HEATER,REAMED 2 SIDES ONE	PART OF ITEM 4
5	1452358		VALVE ASSY,RETURN,D12W AUXILIARY HEATER	
	1452366		TUBE,ELBOW,D12W VALVE ASSY	PART OF ITEM 5
	1452390		TUBE,BRASS,1 OD X 2.50 LG X .035 WALL	PART OF ITEM 5
	0544353		VALVE,GATE,HEATER,REAMED 2 SIDES ONE	PART OF ITEM 5
6	1124833		MOLDING,DRIP,BATTERY CMPT,26,PRIMED,	
7	1577543		BRACKET ASSY,SUPT,EXHAUST,EXPAR HEATER	
8	1453026		DOOR ASSY,D12W AUXILIARY HEATER	
9	1453018		RUB RAIL,D12W HEATER COMPARTMENT DOOR	DOOR. ONLY WITH 16.25" SKIRT
10	0948596		LOCK ASSY,LUG&TIRE,NON-LOCKING	
11	1577519		TUBE ASSY,EXHAUST,D12W HEATER,PAINTED	
12	1455229	2	D12W EXHAUST CLAMP,152 10 062	
13	1455211		D12W EXHAUST ELBOW,25 1226 89 46 00	
14	1453943		TUBE,EXHAUST EXT,19.75 SKIRT,D12W HEATER	ONLY WITH 19.75" SKIRT
14	1800770		TUBE,EXHAUST EXT,25.75 SKIRT,D12W HEATER	ONLY WITH 19.75" SKIRT
15	1418201	2	PLATE,STRIKER,BATTERY CMPT,BAT DISC SW	BATTERY DISC SW OPTION
16	0659979	4	NUT,HEX,FLANGE SER,1/4-20,BLACK ZINC	
17	0962753	4	CAPSCREW,HEX HD,1/4-28,X,1,,GR5,YELDICH	
18	0994657	2	LATCH,CABLE LOCK	
19	1214931		CABLE & HOOK ASSY,CMPT DOOR,10 13/16	
20	1896117		CABLE ASSY,LOCK,74 IN	
21	0994673		SLEEVE,OVAL CABLE LOCK	
22	1200799	10	SCREW,10-24 X 3/8,T,PH1,PAN HD, YEL ZN	
23	0757427	2	MOUNT,HINGE PIN,ALODINED	
24	2000024	4	SCREW,1/4-14 X 3/4,B,HEX HD,YEL ZN DICH	
25	2008522	2	CLAMP,1IN HOSE	
26	0948141	4	CLAMP,LOOP,1.312	

Models: AAFE, AARE, A3FE, A3RE, CSFE, CSRE, GMCV, SBCV, TCFE, TCRE

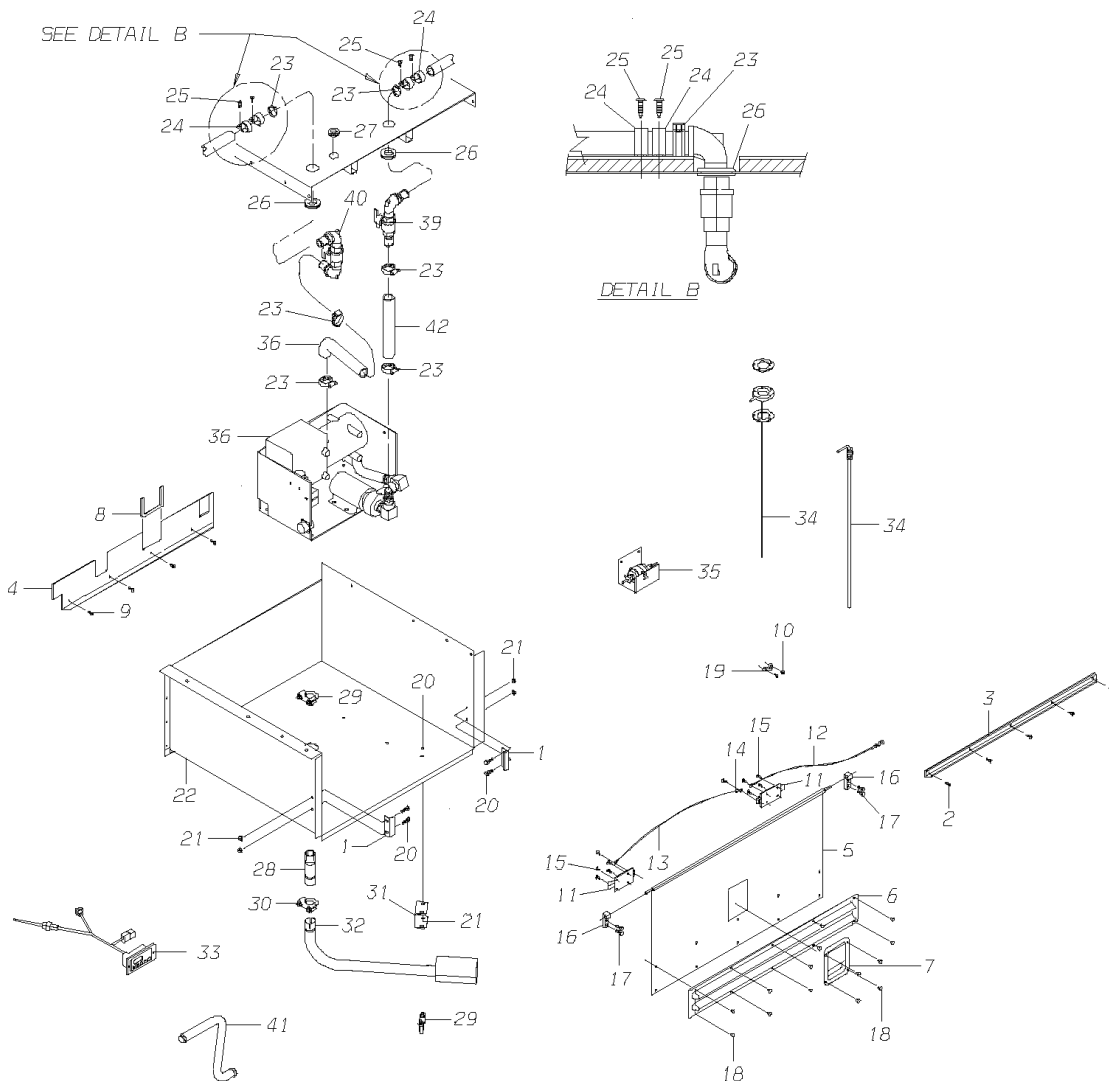
With Features: AUXILIARY
ESPAR, D12W, WITH 99 HOUR TIMER
OPTION 1345-01, -02

Key	PartNumber	Qty	Description	Comment
27	0527283	4	SCREW,14 X 3/4, PH, PAN, AB 0003, YEL ZN	
28	2003184	2	GROMMET,RUBBER,HEATER PANEL,1-1/4 IN. ID	
29	2003192		GROMMET,RUBBER,FC	
30	2004257	2	NUT,HEX HD,5/16-24,FLG,PRVLG TORQ,	
31	1460542		CLAMP,U-BOLT & SADDLE,FOR 1.62 TUBE	ONLY WITH 19.75 & 25.75" SKIRT
32	0602029		BRACKET,O/S CHAIN HOOK	
33	0948521	14	RIVET,.187 X .375,WAGON BX,SOLID,STL,ZN-NI	
34	0527317	2	SCREW,8-18 X 5/8,AB,PH1,OVAL CNSK HD,YEL	
35	1164821	4	SCREW,10-16 X 3/4,AB,PH1,TRUSS HD, YEL ZN	
36	1393859	1	TRIM,EDGE,PLASTIC,BLACK,EGL 11-3	
37	1457126		PANEL,C/OUT,UPPER INBOARD,D12W HTR CMPT	
38	0527291	5	SCREW,10X3/4,PH,PAN,AB 0003,YEL ZN DICH	
39	2008522	2	CLAMP,1IN HOSE	
NI	1454990		KIT,AUX HEATER,ESPAR D12W, CA1744-55	CONSISTS OF THE FOLLOWING
	1455005		D12W HEATER,ESPAR 25 1655 01	
	1455047		D12W HOT THERMOSTAT SWITCH,25 1436 01	
	1455054		D12W POWER SWITCH HARNESS,CA1 60 513	
	1455088		D12W FUSE HOLDER,CA1 04 103	
	1455096		D12W FUSE BAF25,CA1 04 104	
	1455062		D12W WATER PUMP HARNESS,2 FT,CA1 65 002	
	1455211		D12W EXHAUST ELBOW,25 1226 89 46 00	
	1455229		D12W EXHAUST CLAMP,152 10 062	
NI	1606813		D12W SWITCH,99 HOURS PRE SELECT TIMER	OPTION 1346
NI	4297560		GLOWPLUG,ESPAR,D12W	

Models: AAFE, AARE, A3FE, A3RE, CSFE, BBCV, CSRE, GMCV, SBCV, TCPE, TCRE
AUXILIARY

With Features: ESPAR, H10, HEATER INSTALLATION
 OPTION 1345-03, -04

Key	PartNumber	Qty	Description	Comment
-----	------------	-----	-------------	---------



Models: AAFE, AARE, A3FE, A3RE, CSFE, BBCV, CSRE, GMCV, SBCV, TCPE, TCRE
AUXILIARY
With Features: ESPAR, H10, HEATER INSTALLATION
OPTION 1345-03, -04

Key	PartNumber	Qty	Description	Comment
1	1418201	2	PLATE,STRIKER,BATTERY CMPT,BAT DISC SW	
2	2083095	5	SCREW,10-16 X 3/4,AB,PH1,PANHD,YELZN,	
3	1647908		MOLDING,DRIP,BATTERY COMPARTMENT,26,E-	
4	1457126		PANEL,C/OUT,UPPER INBOARD,D12W HTR CMPT	
5	1453026		DOOR ASSY,D12W AUXILIARY HEATER	
6	1453018		RUB RAIL,D12W HEATER COMPARTMENT DOOR	16.25 SKIRT
7	0948596		LOCK ASSY,LUG&TIRE,NON-LOCKING	
8	1393859		TRIM,EDGE,PLASTIC,BLACK,EGL 11-3	
9	1164821	4	SCREW,10-16 X 3/4,AB,PH1,TRUSS HD, YEL ZN	
10	0527317	2	SCREW,8-18 X 5/8,AB,PH1,OVAL CNSK HD,YEL	
11	0994657	2	LATCH,CABLE LOCK	
12	1214931		CABLE & HOOK ASSY,CMPT DOOR,10 13/16	
13	1896117		CABLE ASSY,LOCK,74 IN	
14	0994673		SLEEVE,OVAL CABLE LOCK	
15	1200799	10	SCREW,10-24 X 3/8,T,PH1,PAN HD, YEL ZN	
16	0757427	2	MOUNT,HINGE PIN,ALODINED	
17	2000024	4	SCREW,1/4-14 X 3/4,B,HEX HD,YEL ZN DICH	
18	0948521	14	RIVET,.187 X .375,WAGON BX,SOLID,STL,ZN-NI	
19	0602029		BRACKET,O/S CHAIN HOOK	
20	2000057	6	CAPSCREW,HEX HD,1/4-20 X 1,GR 5,YEL ZN	
21	1339639	6	NUT,HEX HD,1/4-20,PRVLG TORQUE,FLG,YEL	
22	0080175		BOX ASSY,HEATER,ESPAR	
23	2008522	6	CLAMP,1IN HOSE	FEATURE 30056-02, -04
23	1894799	6	CLAMP,CONSTANT TORQUE,13/16 TO 1-1/2 DIA	FEATURE 30056-01, -03, -05
24	0948141	4	CLAMP,LOOP,1.312	
25	1589530	4	SCREW,1/4-14 X 3/4,AB,PH1,PAN HD,YEL ZN	
26	2003184	2	GROMMET,RUBBER,HEATER PANEL,1-1/4 IN. ID	
27	2003192		GROMMET,RUBBER,FC	
28	0032420		TUBE,EXTENSION,4.38,ESPAR HEATER	19.75 SKIRT
28	0032422		TUBE,EXTENSION,10.38,ESPAR HEATER	25.75 SKIRT
29	0032403	2	CLAMP,U-BOLT & SADDLE,1.12-1.34 ID	
30	0032403		CLAMP,U-BOLT & SADDLE,1.12-1.34 ID	19.75, 25.75 SKIRT
31	0032587		BRACKET,MTG,EXHAUST PIPE,ESPAR HTR,16 SK	

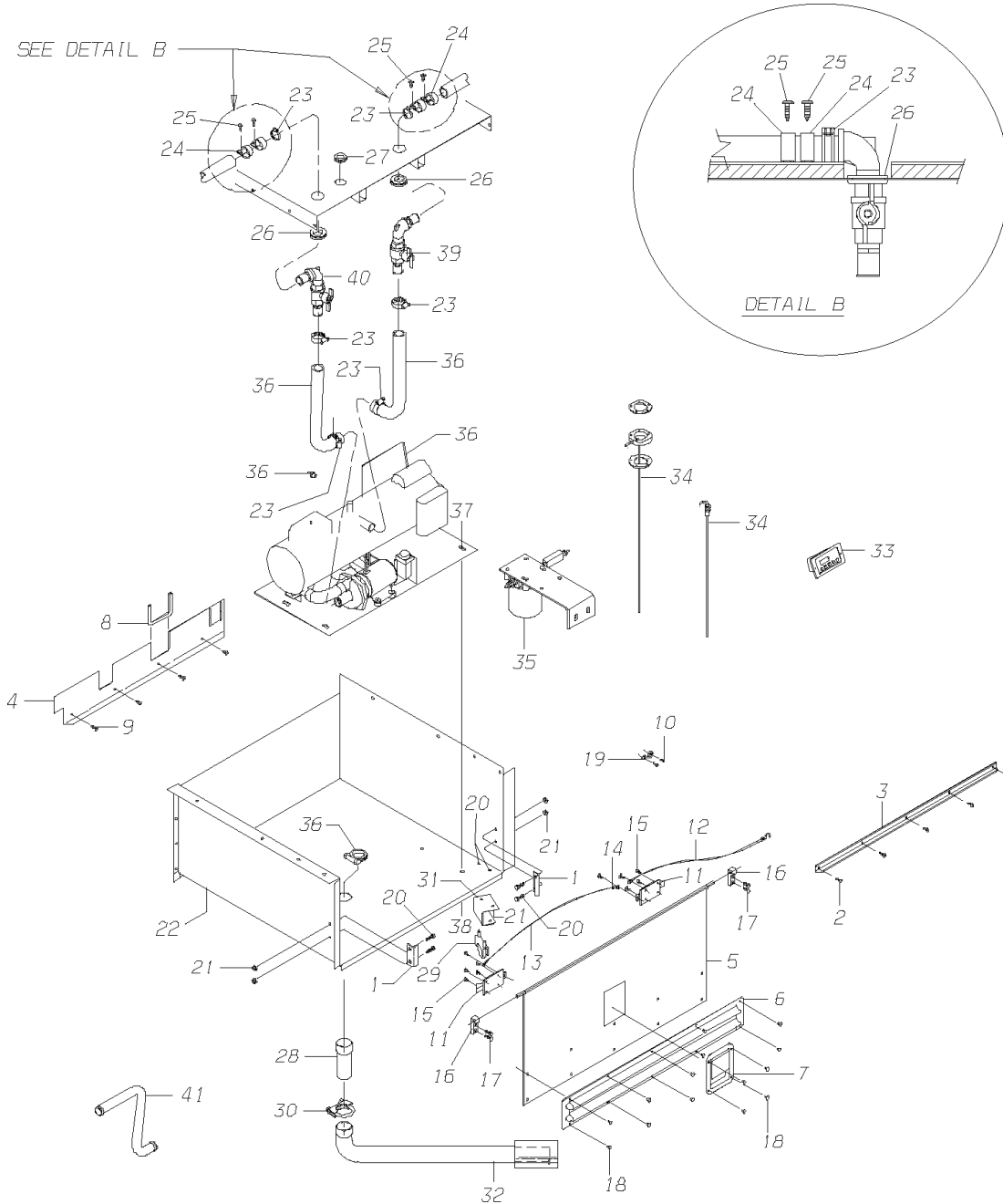
Models: AAFE, AARE, A3FE, A3RE, CSFE, BBCV, CSRE, GMCV, SBCV, TCPE, TCRE
AUXILIARY
With Features: ESPAR, H10, HEATER INSTALLATION
OPTION 1345-03, -04

Key	PartNumber	Qty	Description	Comment
31	0032588		BRACKET,MTG,EXHAUST PIPE,ESPAR HTR,19 SK	
31	0032589		BRACKET,MTG,EXHAUST PIPE,ESPAR HTR,25 SK	
32	0032412		TUBE ASSY,EXHAUST,ESPAR AUXILIARY	
33	0025514		TIMER,ESPAR,7-DAY	OPTION 01345-04
34	0032350		STANDPIPE,FUEL PICK UP,ESPAR HEATER	ALL EXCEPT INTCV
34	0032351		STANDPIPE,FUEL PICK UP,ESPAR,SENDER	INTCV
35	0032206		KIT,HEATER,WATER,AUXILIARY,ESPAR,FUEL	
36	0032204		KIT,HEATER,WATER,AUXILIARY,ESPAR,BODY	
37	0882803	4	CAPSCREW,HEX HD,3/8-16,X,1,,GR5,YELDICH	
38	2171809	4	NUT,HEX HD,3/8-16,ZINC,SM FLG LK,YEL	
39	0033011		VALVE ASSY,HEATER WATER,AUXILIARY	CONSISTS OF THE FOLLOWING
	0031500	2	DINETTE,BENCH,VILLA,W/DRAWER,BENTLEYII,	
	2009207		ELBOW,PIPE,3/4 X 90 DEG,GALV	
	1626431		VALVE,BALL,3/4,W/BUTTERFLY HANDLE	
	2009504		NIPPLE,PIPE,3/4 X CLOSE,GALV	
40	0033012		VALVE ASSY,HEATER WATER,AUXILIARY,W/90	
	0031500	2	DINETTE,BENCH,VILLA,W/DRAWER,BENTLEYII,	
	0048663		ADAPTER,HEATER,3/4 PIPE X 3/4 HOSE,	
	0760249		ELBOW,STREET,3/4,90 DEG,GALV	
	2009207		ELBOW,PIPE,3/4 X 90 DEG,GALV	
	1626431		VALVE,BALL,3/4,W/BUTTERFLY HANDLE	
	2009504		NIPPLE,PIPE,3/4 X CLOSE,GALV	
41	0020825		TUBE,FRONT HEATER W/AUXILIARY HEAT,SBCV	
41	0020826		TUBE,FRONT HEATER W/AUXILIARY HEAT,	GMCV
42	2003317	1	HOSE,HEATER,1 INCH BRAID,BLACK	FEATURE 30056-02, -03
42	1143866	1	HOSE,HEATER,1 INCH ID,SILICONE	FEATURE 30056-01
42	1250760	1	HOSE,HEATER,1",GY HI MILER,BLUE W/WHT	FEATURE 30056-04, -05
NI	0032705		WARRANTY KIT,HEATER,ESPAR	

Models: AAFE, AARE, A3FE, A3RE, BBCV, CSFE, CSRE, GMCV, SBCV, TCPE, TCRE
**AUXILIARY
 WEBASTO
 HEATER INSTALLATION**

With Features: OPTION 1345-01, 1345-02

Key	PartNumber	Qty	Description	Comment
-----	------------	-----	-------------	---------



Models: AAFE, AARE, A3FE, A3RE, BBCV, CSFE, CSRE, GMCV, SBCV, TCPE, TCRE
**AUXILIARY
 WEBASTO
 HEATER INSTALLATION**

With Features: OPTION 1345-01, 1345-02

Key	PartNumber	Qty	Description	Comment
1	1418201	2	PLATE,STRIKER,BATTERY CMPT,BAT DISC SW	
2	2083095	5	SCREW,10-16 X 3/4,AB,PH1,PANHD,YELZN,	
3	1647908		MOLDING,DRIP,BATTERY COMPARTMENT,26,E-	
4	1457126		PANEL,C/OUT,UPPER INBOARD,D12W HTR CMPT	
5	1453026		DOOR ASSY,D12W AUXILIARY HEATER	
6	1453018		RUB RAIL,D12W HEATER COMPARTMENT DOOR	16.25 SKIRT
7	0948596		LOCK ASSY,LUG&TIRE,NON-LOCKING	
8	1393859		TRIM,EDGE,PLASTIC,BLACK,EGL 11-3	
9	1164821	4	SCREW,10-16 X 3/4,AB,PH1,TRUSS HD, YEL ZN	
10	0527317	2	SCREW,8-18 X 5/8,AB,PH1,OVAL CNSK HD,YEL	
11	0994657	2	LATCH,CABLE LOCK	
12	1214931		CABLE & HOOK ASSY,CMPT DOOR,10 13/16	
13	1896117		CABLE ASSY,LOCK,74 IN	
14	0994673		SLEEVE,OVAL CABLE LOCK	
15	1200799	10	SCREW,10-24 X 3/8,T,PH1,PAN HD, YEL ZN	
16	0757427	2	MOUNT,HINGE PIN,ALODINED	
17	2000024	4	SCREW,1/4-14 X 3/4,B,HEX HD,YEL ZN DICH	
18	0948521	14	RIVET,.187 X .375,WAGON BX,SOLID,STL,ZN-NI	
19	0602029		BRACKET,O/S CHAIN HOOK	
20	2000057	6	CAPSCREW,HEX HD,1/4-20 X 1,GR 5,YEL ZN	
21	1339639	6	NUT,HEX HD,1/4-20,PRVLG TORQUE,FLG,YEL	
22	0080163		BOX ASSY,HEATER,WEBASTO	
23	2008522	6	CLAMP,1IN HOSE	FEATURE 30056-02, -04
23	1894799	6	CLAMP,CONSTANT TORQUE,13/16 TO 1-1/2 DIA	FEATURE 30056-01, -03, -05
24	0948141	4	CLAMP,LOOP,1.312	
25	1589530	4	SCREW,1/4-14 X 3/4,AB,PH1,PAN HD,YEL ZN	
26	2003184	2	GROMMET,RUBBER,HEATER PANEL,1-1/4 IN. ID	
27	2003192		GROMMET,RUBBER,FC	
28	0025083		TUBE,EXTENSION,4.38,WEBASTO HEATER	19.75 SKIRT
28	0025084		TUBE,EXTENSION,10.38,WEBASTO HEATER	25.75 SKIRT
29	1616226		CLAMP,U-BOLT & SADDLE, 1.62 ID	
30	1616226		CLAMP,U-BOLT & SADDLE, 1.62 ID	
31	0025443		BRACKET,MTG,EXHAUST PIPE,WEBASTO HTR,16	

Models: AAFE, AARE, A3FE, A3RE, BBCV, CSFE, CSRE, GMCV, SBCV, TCPE, TCRE
AUXILIARY
WEBASTO
HEATER INSTALLATION

With Features: OPTION 1345-01, 1345-02

Key	PartNumber	Qty	Description	Comment
31	0025448		BRACKET,MTG,EXHAUST PIPE,WEBASTO HTR,19	
31	0025450		BRACKET,MTG,EXHAUST PIPE,WEBASTO HTR,25	
32	0023325		TUBE ASSY,EXHAUST,WEBASTO AUXILIARY	
33	0025970		TIMER,WEBASTO,7-DAY	OPTION 01345-02
34	0025404		KIT,HEATER,WATER,AUXILIARY,WEBASTO,	ALL EXCEPT INTCV
34	0032820		KIT,HEATER,WATER,AUX,WEBASTO,CHAS,	INTCV
35	0025410		FILTER ASSY,FUEL,WEBASTO HEATER	CONSISTS OF THE FOLLOWING
	0020649		KIT,HEATER,WATER,AUXILIARY,WEBASTO,FUEL	
	0015662		BRACKET,MTG,RACOR FUEL FILTER,EXTENDED	
	0882795		LOCKWASHER,SPLIT RING,3/8,MED,YELLOW	
	0882803		CAPSCREW,HEX HD,3/8-16,X,1,,GR5,YELDICH	
36	0025402		KIT,HEATER,WATER,AUXILIARY,WEBASTO,BODY	
37	0882803	4	CAPSCREW,HEX HD,3/8-16,X,1,,GR5,YELDICH	
38	2171809	4	NUT,HEX HD,3/8-16,ZINC,SM FLG LK,YEL	
39	0033010		VALVE ASSY,HEATER WATER,AUXILIARY	
40	0033011		VALVE ASSY,HEATER WATER,AUXILIARY	
	0315200		ADAPTER,HTR,3/4 PIPE X 1 HOSE	PART OF ITEM 39 AND 40
	0760249		ELBOW,STREET,3/4,90 DEG,GALV	PART OF ITEM 39 AND 40
	1626431		VALVE,BALL,3/4,W/BUTTERFLY HANDLE	PART OF ITEM 39 AND 40
41	0033253		TUBE,HEATER,MAIN FRONT,W/AUX HTR,	GMCV
41	0033254		TUBE,HEATER,MAIN FRONT,W/AUX HTR INTCV,	
NI	0032925		WARRANTY KIT,HEATER,WEBASTO	

Models: A3FE

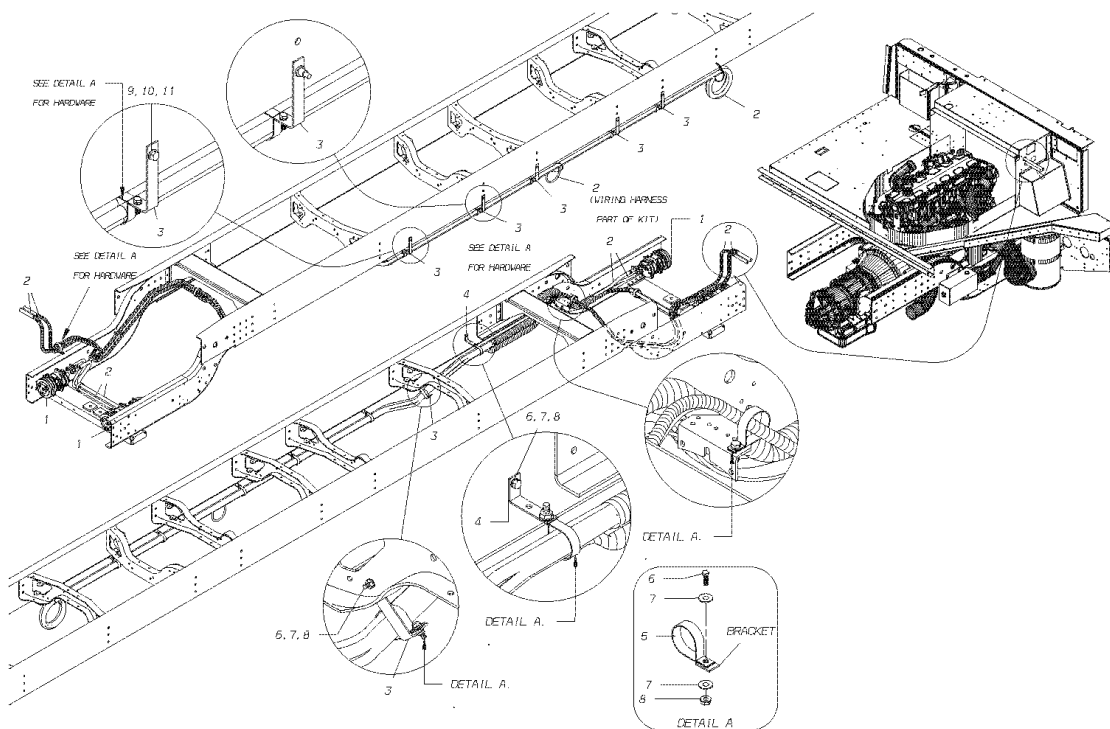
COMFORT AIR AC

A/C COMPRESSOR AND ENGINE HOSE KIT INSTALLATION DIAGRAM

CAT C7

With Features: FEATURE 30006-03, -06, FEATURE 30007-02, -05

Key	PartNumber	Qty	Description	Comment
-----	------------	-----	-------------	---------



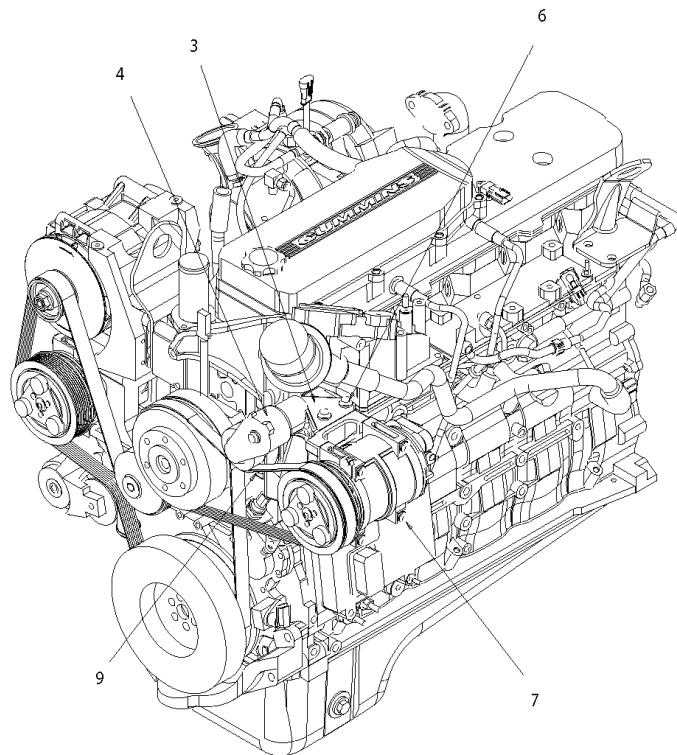
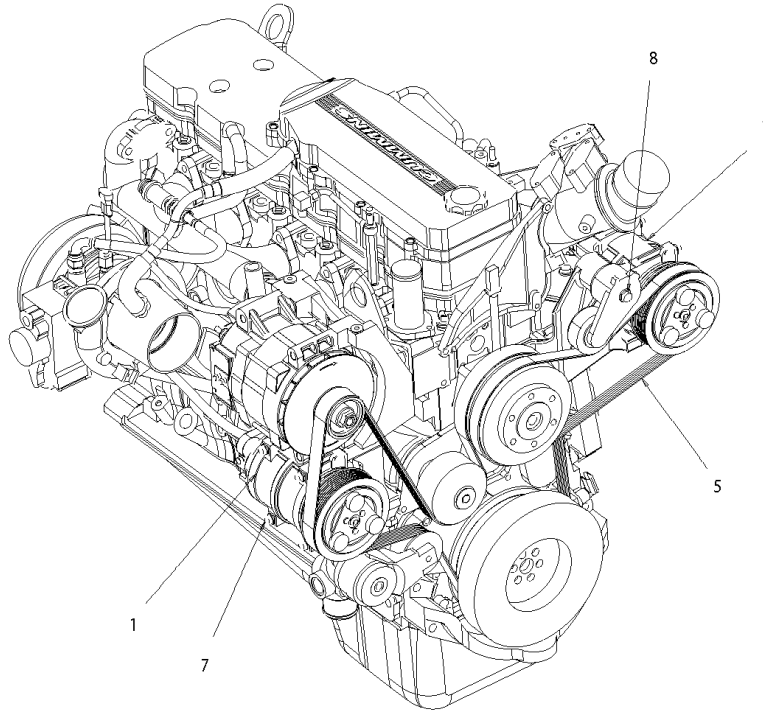
Models: **A3FE**
COMFORT AIR AC
A/C COMPRESSOR AND ENGINE HOSE KIT INSTALLATION DIAGRAM
CAT C7

With Features: **FEATURE 30006-03, -06, FEATURE 30007-02, -05**

Key	PartNumber	Qty	Description	Comment
1	0085171		KIT,ENGINE,TM21 12V,19-7056,CAT C7,	<i>SEE PAGE SET 4278 FOR KIT BREAKDOWN</i>
2	0085178		KIT,HOSE,CHASSIS,19-7052,SKIRT MTD CND,	
	0085465		KIT,HOSE,CHASSIS,19-7080,ROOF MTD COND	
3	0086160		BRACKET,SUPPORT,A/C HOSES	
4	1317247		BRACKET,ATCH,BRAKE LINE TO FRAME	
5			CLAMP, LOOP, 2.25	
6	0870477		CAPSCREW,HEX HD,1/4-20 X 1,GR 8,YEL ZN	
7	1467000		WASHER,FLAT,-.281 X.750X.078 HARDENED,BLK	
8	1339639		NUT,HEX HD,1/4-20,PRVLG TORQUE,FLG,YEL	
9	0803239		CAPSCREW,HEX HD,1/2-13 X1 1/2,GR8	
10	1003045		WASHER,FLAT,17/32 X 1 1/16 X 7/64,HDN,	
11	0850800		NUT,HEX HD,1/2-13,LOCKING,GR 8,CAD WAX	
12			CLAMP, LOOP, 3.00	

Models: **A3FE**
COMFORT AIR AC
A/C COMPRESSOR INSTALLATION
ISB 07

Key	PartNumber	Qty	Description	Comment
-----	------------	-----	-------------	---------

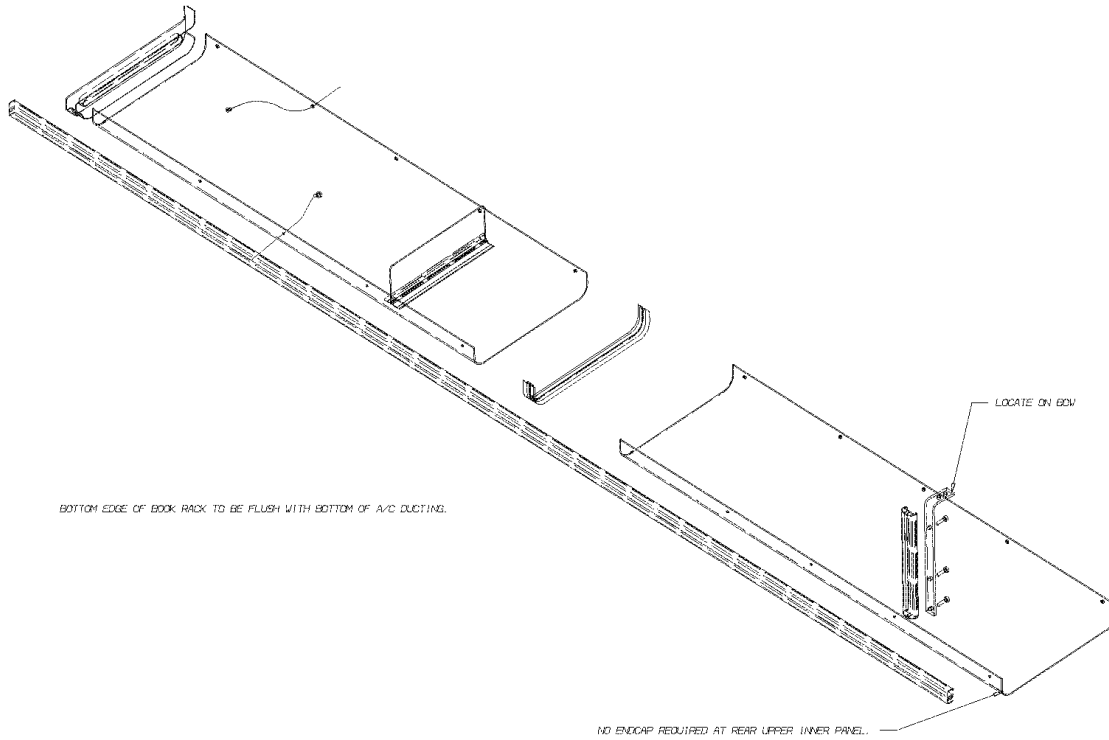


Models: **A3FE**
COMFORT AIR AC
A/C COMPRESSOR INSTALLATION
ISB 07

Key	PartNumber	Qty	Description	Comment
1	0114261	2	COMPRESSOR ASSY,A/C,TM-21,MCC 26-1405	
2	0115342		KIT,BRACKET,TM21,BSI 22107,ISB-07	
3	0114397		BRACKET,COMPRESSOR,A/C,ISB CS,BSI22107	
4	0114398		TENSIONER,COMPRESSOR,BSI 89245MOD	
5	0115153		BELT,AC,BSI/DAYCO 430K-6,ISB	
6	0115296	3	BOLT,HEX HD,FLANGE,M10X1.5 30LG GRD10.9	
7	0115297	8	BOLT,HEX HD,FLANGE,M8X1.25 100L GRD10.9	
8	0115298		BOLT,HEX HD,FLANGE,M10X1.25 60L GRD10.9	
9	0115304	2	BOLT,HEX HD,FLANGE,M8X1.25 20LG GRD10.9	

Models: A3FE, A3RE, BBCV
COMFORT AIR AC
DUCTED
BOOK RACK, DUCTED A/C

Key	PartNumber	Qty	Description	Comment
-----	------------	-----	-------------	---------

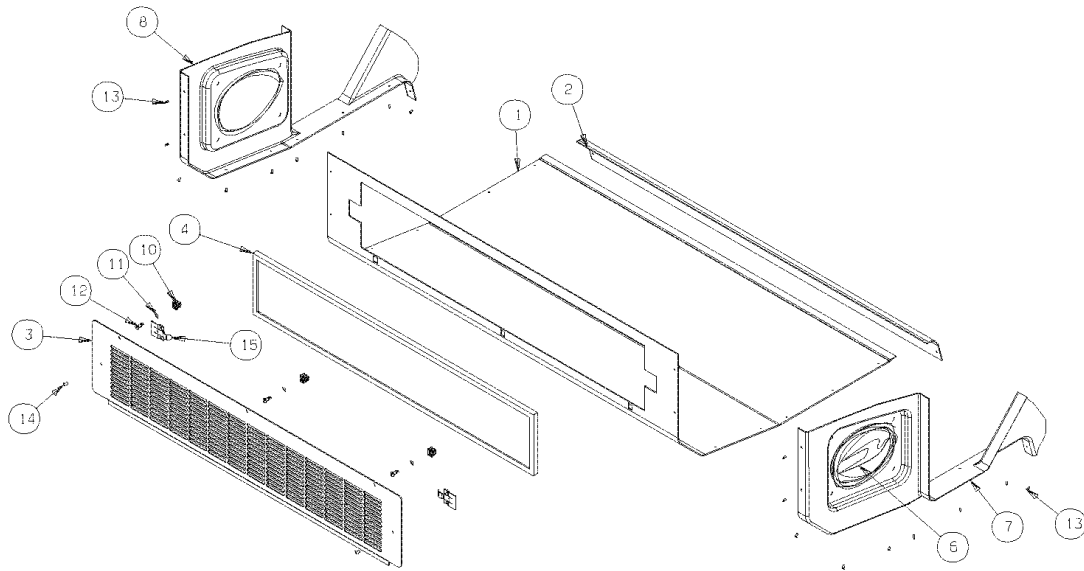


Models: **A3FE, A3RE, BBCV**
COMFORT AIR AC
DUCTED
BOOK RACK, DUCTED A/C

Key	PartNumber	Qty	Description	Comment
1	0094482		KIT,BOOK RACK,DUCTED A/C SYSTEM 3904	
2	0094484		KIT,BOOK RACK,DUCTED A/C SYSTEM 3204	
3	0094485		KIT,BOOK RACK,DUCTED A/C SYSTEM,3408	
4	0094486		KIT,BOOK RACK,DUCTED A/C SYSTEM,3700	
5	0094487		KIT,BOOK RACK,DUCTED A/C SYSTEM,2311	
6	0094488		KIT,BOOK RACK,DUCTED A/C SYSTEM,2610	
7	0094489		KIT,BOOK RACK,DUCTED A/C SYSTEM,, BBCV	
8	0094490		KIT,BOOK RACK,DUCTED A/C SYSTEM,2803	
9	0094491		KIT,BOOK RACK,DUCTED A/C SYSTEM,3306	
10	0094492		KIT,BOOK RACK,DUCTED A/C SYSTEM,3700	
11	0094492		KIT,BOOK RACK,DUCTED A/C SYSTEM,3700	
12	0094493		KIT,BOOK RACK,DUCTED A/C SYSTEM,3904	

Models: A3FE, A3RE, BBCV
 COMFORT AIR AC
 DUCTED
 COVER ASSY, EVAPORATOR, 45, 74HR

Key	PartNumber	Qty	Description	Comment
-----	------------	-----	-------------	---------

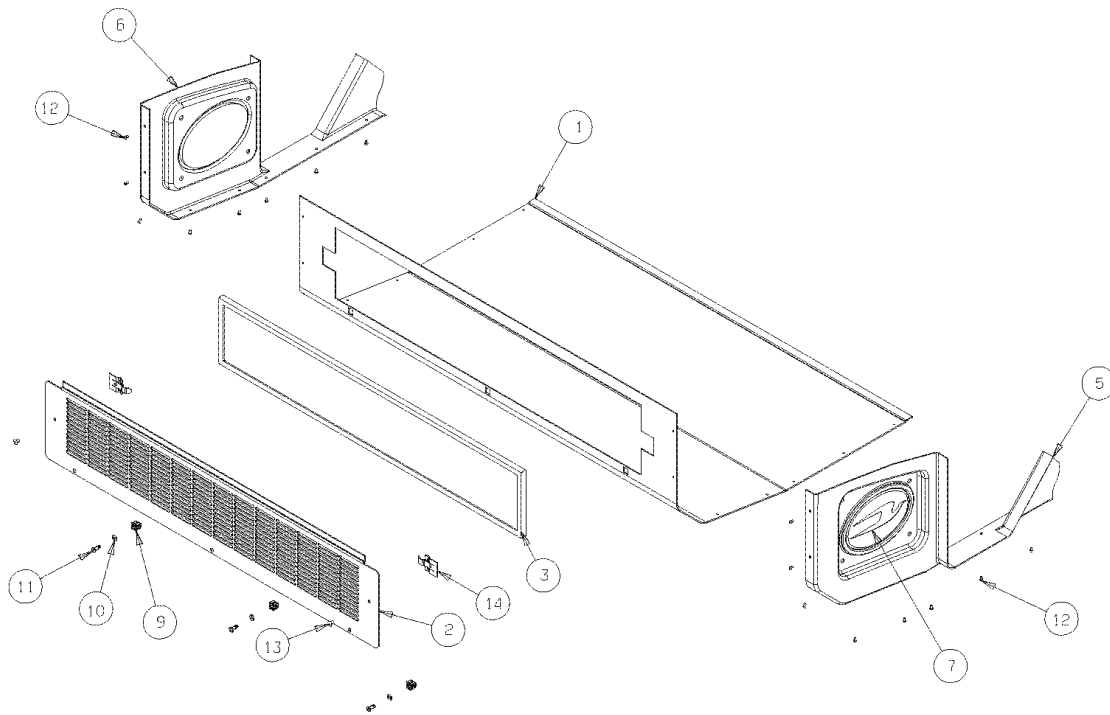


Models: **A3FE, A3RE, BBCV**
COMFORT AIR AC
DUCTED
COVER ASSY, EVAPORATOR, 45, 74HR

Key	PartNumber	Qty	Description	Comment
	0090089		COVER,EVAPORATOR,45K DUCTED	
1			COVER, CME - 45D	
2			`COVER, CME - 45	
3	0105416		GRILLE,EVAPORATOR,CME,45,24-7764	
4	0105417		FILTER,EVAPORATOR,CME,45,26-1257	
5	0103148		SEAL,BULB,MCC,28-1108	
6	0091367		DECAL,A/C,FOIL,SYSTEM CAPACITY,COMFORT	
7			END COVER, D, RH, 74 IN	
8			END COVER, D, LH, 74 IN	
9			1/8 INSULATION 44 X 35	
10			RECEPTACLE	
11			RETAINER	
12			STUD OVAL SLOTTED	
13			POP RIVET 1/8	
14			POP RIVET 3/16	
15			SNAP FASTENER	
16			PHILLIPS SCREW, M5 X 25	
17			INSULATION 3/16 X 1/2	
18			INSULATION 3/4 X 3	
19			INSULATION 3/8 X 5/8	

Models: A3FE, A3RE, BBCV
COMFORT AIR AC
DUCTED
COVER ASSY, EVAPORATOR, 45, 77HR

Key	PartNumber	Qty	Description	Comment
-----	------------	-----	-------------	---------

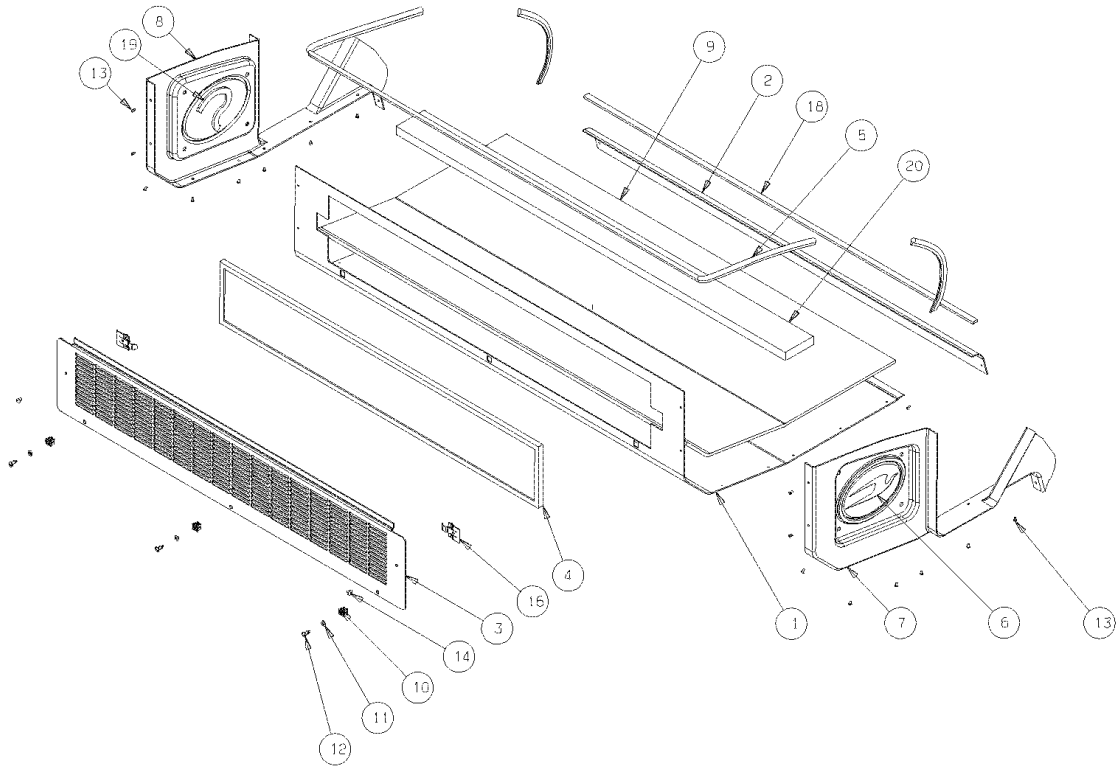


Models: **A3FE, A3RE, BBCV**
COMFORT AIR AC
DUCTED
COVER ASSY, EVAPORATOR, 45, 77HR

Key	PartNumber	Qty	Description	Comment
	0090085		COVER,EVAPORATOR,45K DUCTED	<i>CONSISTS OF THE FOLLOWING</i>
1			COVER, CME 45, 77 HR	
2	0105416		GRILLE,EVAPORATOR,CME,45,24-7764	
3	0105417		FILTER,EVAPORATOR,CME,45,26-1257	
NI	0103148		SEAL,BULB,MCC,28-1108	
5			END COVER, DUCTED, RH, 77 HR	
6			END COVER, DUCTED, LH, 77 HR	
7	0091367	2	DECAL,A/C,FOIL,SYSTEM CAPACITY,COMFORT	
8			INSULATION, 1/4	
9		3	RECEPTACLE	
10			RETAINER	
11		3	STUD, OVAL SLOTTED	
12		AR	POP RIVET	
13		AR	POP RIVET	
14		2	SNAP FASTENER	
NI			INSULATION 3/16 X 1/2	
NI			INSULATION 3/4 X 3	
NI			INSULATION 3/8 X 5/8	

Models: A3FE, A3RE, BBCV
COMFORT AIR AC
DUCTED
COVER ASSY, EVAPORATOR, 55, 74HR

Key	PartNumber	Qty	Description	Comment
-----	------------	-----	-------------	---------

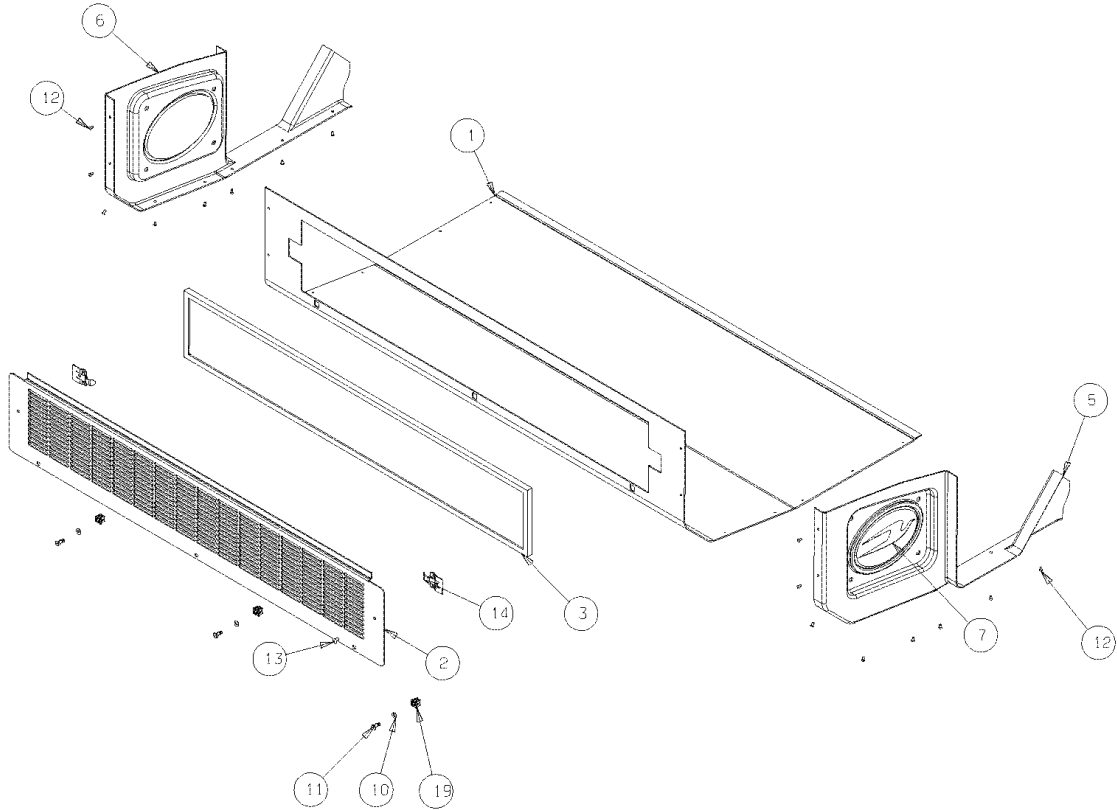


Models: **A3FE, A3RE, BBCV**
COMFORT AIR AC
DUCTED
COVER ASSY, EVAPORATOR, 55, 74HR

Key	PartNumber	Qty	Description	Comment
	0090088		COVER,EVAPORATOR,55K DUCTED	
1			COVER 1	
2			COVER 2	
3	0105413		GRILLE,EVAPORATOR,CME 55,24-7763	
4	0105415		FILTER,EVAPORATOR,CME,55,26-1256	
5	0103148		SEAL,BULB,MCC,28-1108	
6	0091367		DECAL,A/C,FOIL,SYSTEM CAPACITY,COMFORT	
7			END COVER, D, RH, 74	
8			END COVER, D, LH, 74	
9			INSULATION 1/4 IN	
10			RECEPTACLE	
11			RETAINER	
12			STUD OVAL SLOTTED	
13			POP RIVET	
14			POP RIVET	
15			WASHER M5 SS	
16			SNAP FASTENER	
17			M5 X 25 PHIL SCREW	
18			FOAM	

Models: A3FE, A3RE, BBCV
 COMFORT AIR AC
 DUCTED
 COVER ASSY, EVAPORATOR, 55, 77HR

Key	PartNumber	Qty	Description	Comment
-----	------------	-----	-------------	---------



Models: **A3FE, A3RE, BBCV**
COMFORT AIR AC
DUCTED
COVER ASSY, EVAPORATOR, 55, 77HR

Key	PartNumber	Qty	Description	Comment
	0090084		COVER,EVAPORATOR,55K DUCTED	<i>CONSISTS OF THE FOLLOWING</i>
1			COVER, CME 55, 77 HR	
2	0105413		GRILLE,EVAPORATOR,CME 55,24-7763	
3	0105415		FILTER,EVAPORATOR,CME,55,26-1256	
NI	0103148		SEAL,BULB,MCC,28-1108	
5			END COVER, DUCTED, RH, 77 HR	
6			END COVER, DUCTED, LH, 77 HR	
7	0091367	2	DECAL,A/C,FOIL,SYSTEM CAPACITY,COMFORT	
8			INSULATION, 1/4	
9		3	RECEPTACLE	
10			RETAINER	
11		3	STUD, OVAL SLOTTED	
12		AR	POP RIVET	
13		AR	POP RIVET	
14		2	SNAP FASTENER	
NI			INSULATION 3/16 X 1/2	
NI			INSULATION 3/4 X 3	
NI			INSULATION 3/8 X 5/8	

Models: A3FE, BBCV
 COMFORT AIR AC
 DUCTED
With Features: EVAPORATOR KIT 12V CME 45 DUCTED
 FEATURE 30007-01 -02 -04

Key	PartNumber	Qty	Description	Comment
	0085187		KIT,EVAPORATOR,12V,19-7046 CME 45,DUCTED	<i>CONSISTS OF THE FOLLOWING</i>
		2	TUBE, CL PVC 1/2 IN ID 10 FT LONG	
		6	DRAIN HOSE CLAMP 1/2 IN	
	0096297	2	VALVE,DRAIN,END,MCC,(KUZOO)	
	0096298	2	CONNECTOR,DRAIN,1/2 IN,MCC,(KUZOO)	
			REFRIGERANT HOSE ASSY NO 12	
			REFRIGERANT HOSE ASSY NO 12	
			REFRIGERANT HOSE ASSY NO 6	
			REFRIGERANT HOSE ASSY NO 6	
		2	PIPE INSULATION 1 1/8 IN ID, 3 FT LONG	
		8	M8 X 25 HEX HEAD SCREW	ZINC
		8	M8 WASHER CLEAR ZINC	
		8	M8 WASHER SPRING LOCK	
	0094918	2	EVAPORATOR,ASSY,12V,CME,45 DUCTED,	<i>SEE 0094918 FOR DRAWING</i>
	0092856		KIT,A/C,HOSE SPLICE,#6 QUICK CLICK	<i>CONSISTS OF 1 STRAIGHT SPLICE, 4 CLIPS, 2 CAGES</i>
	0092858		KIT,A/C,HOSE SPLICE,#12 QUICK CLICK	<i>CONSISTS OF 1 STRAIGHT SPLICE, 4 CLIPS, 2 CAGES</i>

Models: A3FE
**COMFORT AIR AC
 DUCTED
 EVAPORATOR KIT 12V CME 55 DUCTED
 With Features:** FEATURE 30007-07

Key	PartNumber	Qty	Description	Comment
	0088052		KIT,EVAPORATOR,12V,W/RFTOP COND,55K,	<i>CONSISTS OF THE FOLLOWING</i>
		2	TUBE, CL PVC 1/2 IN ID 10 FT LONG	
		6	DRAIN HOSE CLAMP 1/2 IN	
	0096297	2	VALVE,DRAIN,END,MCC,(KUZOO)	
	0096298	2	CONNECTOR,DRAIN,1/2 IN,MCC,(KUZOO)	
			REFRIGERANT HOSE ASSY NO 6	
			REFRIGERANT HOSE ASSY NO 12	
			REFRIGERANT HOSE ASSY NO 6	
			REFRIGERANT HOSE ASSY NO 8	
			REFRIGERANT HOSE ASSY NO 8	
			REFRIGERANT HOSE ASSY NO 12	
		2	PIPE INSULATION 1 1/8 IN ID, 3 FT LONG	
	0090084		COVER,EVAPORATOR,55K DUCTED	<i>SEE 090084 FOR DRAWING</i>
		8	M5 X 25 PHIL HEAD SCREW	<i>ZINC</i>
		8	M8 X 25 HEX HEAD SCREW	<i>ZINC</i>
		8	M8 WASHER CLEAR ZINC	
		8	M8 WASHER SPRING LOCK	
	0091179	2	EVAPORATOR,ASSY,12V,CME,55 DUCTED,	<i>SEE 0091179 FOR DRAWING</i>
	0092856		KIT,A/C,HOSE SPLICE,#6 QUICK CLICK	<i>CONSISTS OF 1 STRAIGHT SPLICE, 4 CLIPS, 2 CAGES</i>
	0092858		KIT,A/C,HOSE SPLICE,#12 QUICK CLICK	<i>CONSISTS OF 1 STRAIGHT SPLICE, 4 CLIPS, 2 CAGES</i>

Models: A3FE, A3RE, BBCV
**COMFORT AIR AC
 DUCTED
 EVAPORATOR KIT 12V CME 55 DUCTED**
With Features: FEATURE 30007-02 -03 FEATURE 30007-05 -06

Key	PartNumber	Qty	Description	Comment
	0085188		KIT,EVAPORATOR,12V,19-7047 CME 55,DUCTED	<i>CONSISTS OF THE FOLLOWING</i>
		2	TUBE, CL PVC 1/2 IN ID 10 FT LONG	
		6	DRAIN HOSE CLAMP 1/2 IN	
	0096297	2	VALVE,DRAIN,END,MCC,(KUZOO)	
	0096298	2	CONNECTOR,DRAIN,1/2 IN,MCC,(KUZOO)	
			REFRIGERANT HOSE ASSY NO 12	
			REFRIGERANT HOSE ASSY NO 12	
			REFRIGERANT HOSE ASSY NO 6	
			REFRIGERANT HOSE ASSY NO 6	
		2	PIPE INSULATION 1 1/8 IN ID, 3 FT LONG	
		8	M8 X 25 HEX HEAD SCREW	<i>ZINC</i>
		8	M8 WASHER CLEAR ZINC	
		8	M8 WASHER SPRING LOCK	
	0091179	2	EVAPORATOR,ASSY,12V,CME,55 DUCTED,	<i>SEE 0091179 FOR DRAWING</i>
	0092856		KIT,A/C,HOSE SPLICE,#6 QUICK CLICK	<i>CONSISTS OF 1 STRAIGHT SPLICE, 4 CLIPS, 2 CAGES</i>
	0092858		KIT,A/C,HOSE SPLICE,#12 QUICK CLICK	<i>CONSISTS OF 1 STRAIGHT SPLICE, 4 CLIPS, 2 CAGES</i>

Models: A3FE
**COMFORT AIR AC
 DUCTED
 FITTING KIT, DUAL SYSTEM**
With Features: FEATURE 30007-07

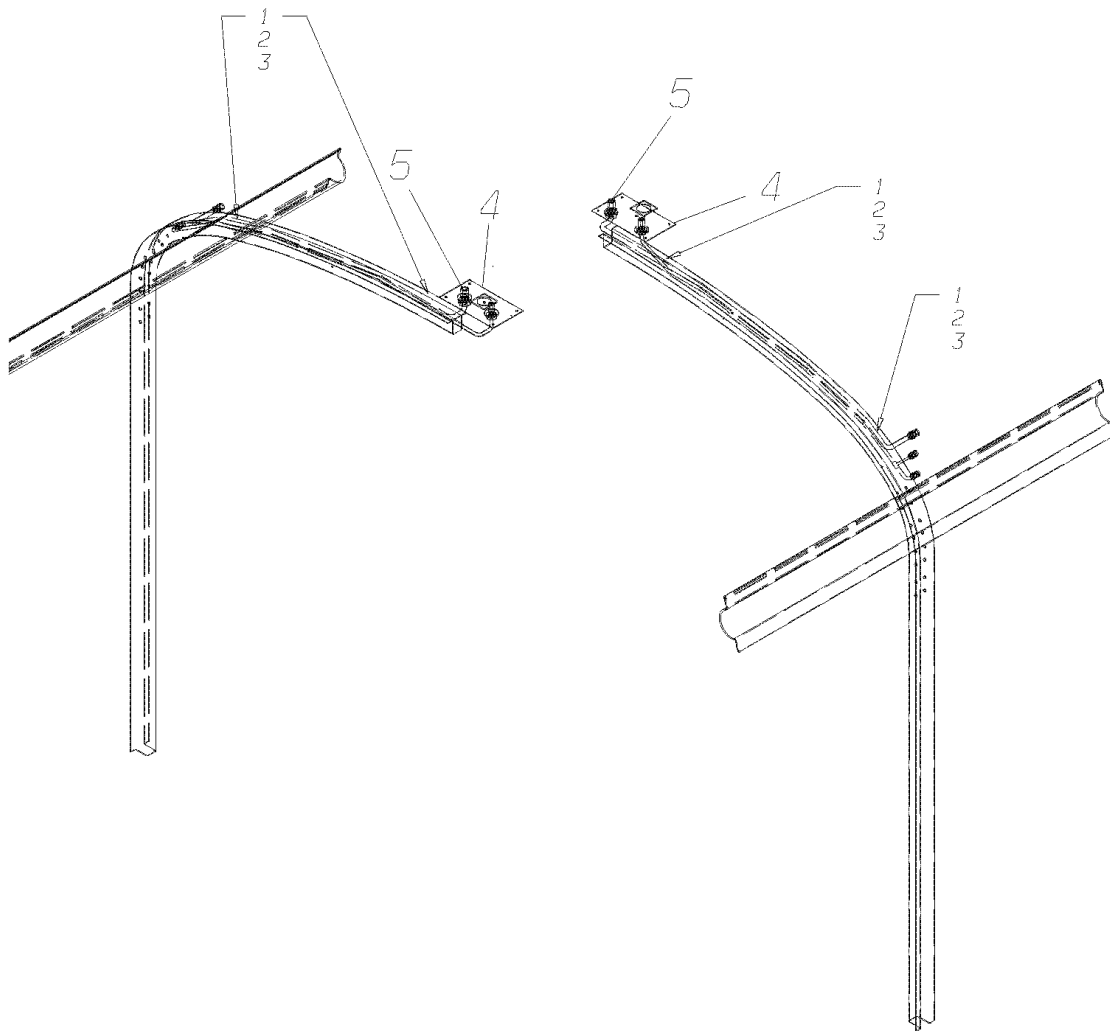
Key	PartNumber	Qty	Description	Comment
	0088314		KIT,FITTING,RF MNT CONDENSER,W/35"FRT	<i>INCLUDES THE FOLLOWING</i>
			T-SPLICER NO 12	
		2	CAGE NO 6	
		4	CAGE NO 8	
		7	CAGE NO 12	
		4	CLIP NO 6	
		8	CLIP NO 8	
		14	CLIP NO 12	
			STRAIGHT SPLICER NO 6	
		2	STRAIGHT SPLICER NO 8 W/HS SER. P.	
		2	STRAIGHT SPLICER NO 12 W/LS SER. P.	

Models: A3FE
**COMFORT AIR AC
 DUCTED
 FITTING KIT, DUAL SYSTEM**
With Features: FEATURE 30007-07

Key	PartNumber	Qty	Description	Comment
	0088315		KIT,PIPING,RF MNT CONDENSER,W/35"FR T 28"	<i>INCLUDES THE FOLLOWING</i>
			NO 6 TUBE ASSY, FRONT	
			NO 8 TUBE ASSY, FRONT	
			NO 6 TUBE ASSY, REAR	
			NO 8 TUBE ASSY, REAR	
		2	LOCK NUT NO 6 ORS	
		2	LOCK NUM NO 8 ORS	
		2	SQUARE GASKET	
		2	NO 6 ORS GASKET	
		2	NO 8 GASKET	

Models: A3FE
COMFORT AIR AC
DUCTED
With Features: INSTALLATION PIPING KIT
FEATURE 30007-07

Key	PartNumber	Qty	Description	Comment
-----	------------	-----	-------------	---------



Models: A3FE
**COMFORT AIR AC
 DUCTED
 INSTALLATION PIPING KIT**
With Features: FEATURE 30007-07

Key	PartNumber	Qty	Description	Comment
1	0854612	4	CLAMP,LOOP,.500	
2	1170083	4	CLAMP,LOOP,.375	
3	1589522	4	SCREW,10-16 X 3/4,AB,PH1,PAN HD,YEL ZN	
4	0087634		PLATE,REINF,B/HEAD FITTINGS,ROOFTOP	
5	0088315		KIT,PIPING,RF MNT CONDENSER,W/35"FR T 28"	

Models:

**A3FE
COMFORT AIR AC
DUCTED
KIT, DUCT TRANSITION, EXIT DOOR, DUAL SYSTEM**

With Features:

FEATURE 30007-07

Key	PartNumber	Qty	Description	Comment
	0088137		KIT,DUCT,EXIT DOOR TRANSITION,77HR,TSW	
	0091863		END CAP,RH,TRANSITION	<i>INCLUDED IN KIT</i>
	0091862		END CAP,LH,TRANSITION	<i>INCLUDED IN KIT</i>

Models: A3FE, A3RE, BBCV
 COMFORT AIR AC
 DUCTED
With Features: MOUNTING EVAPORATOR KIT DUCTED
 FEATURE 30007-01 - 06

Key	PartNumber	Qty	Description	Comment
	0087918		KIT,BRACKET,MTG,DUCTED EVAPORATOR,MCC	
			BRACKET	
			BRACKET	

Models: A3FE
COMFORT AIR AC
DUCTED AND FREEBLOW
CHASSIS HOSE KIT
ROOF MOUNTED CONDENSER
With Features: FEATURE 30006-03, -06, FEATURE 30007-02, -05

Key	PartNumber	Qty	Description	Comment
	0085465		KIT,HOSE,CHASSIS,19-7080,ROOF MTD COND WIRING HARNESS REFRIGERANT HOSE ASSY NO 6 REFRIGERANT HOSE ASSY NO 12 REFRIGERANT HOSE ASSY NO 8 REFRIGERANT HOSE ASSY NO 12 REFRIGERANT HOSE ASSY NO 8 REFRIGERANT HOSE ASSY NO 12 CORRUGATED CONDUIT ASSY 7 FT LONG	CONSISTS OF THE FOLLOWING <i>BLUE</i> <i>BLUE</i> <i>BLACK</i> <i>BLACK</i>
	0092856		KIT,A/C,HOSE SPLICE,#6 QUICK CLICK	CONSISTS OF 1 STRAIGHT SPLICE, 4 CLIPS, 2 CAGES
	0092857		KIT,A/C,HOSE SPLICE,#8 QUICK CLICK	CONSISTS OF 1 STRAIGHT SPLICE, 4 CLIPS, 2 CAGES
	0092858		KIT,A/C,HOSE SPLICE,#12 QUICK CLICK	CONSISTS OF 1 STRAIGHT SPLICE, 4 CLIPS, 2 CAGES

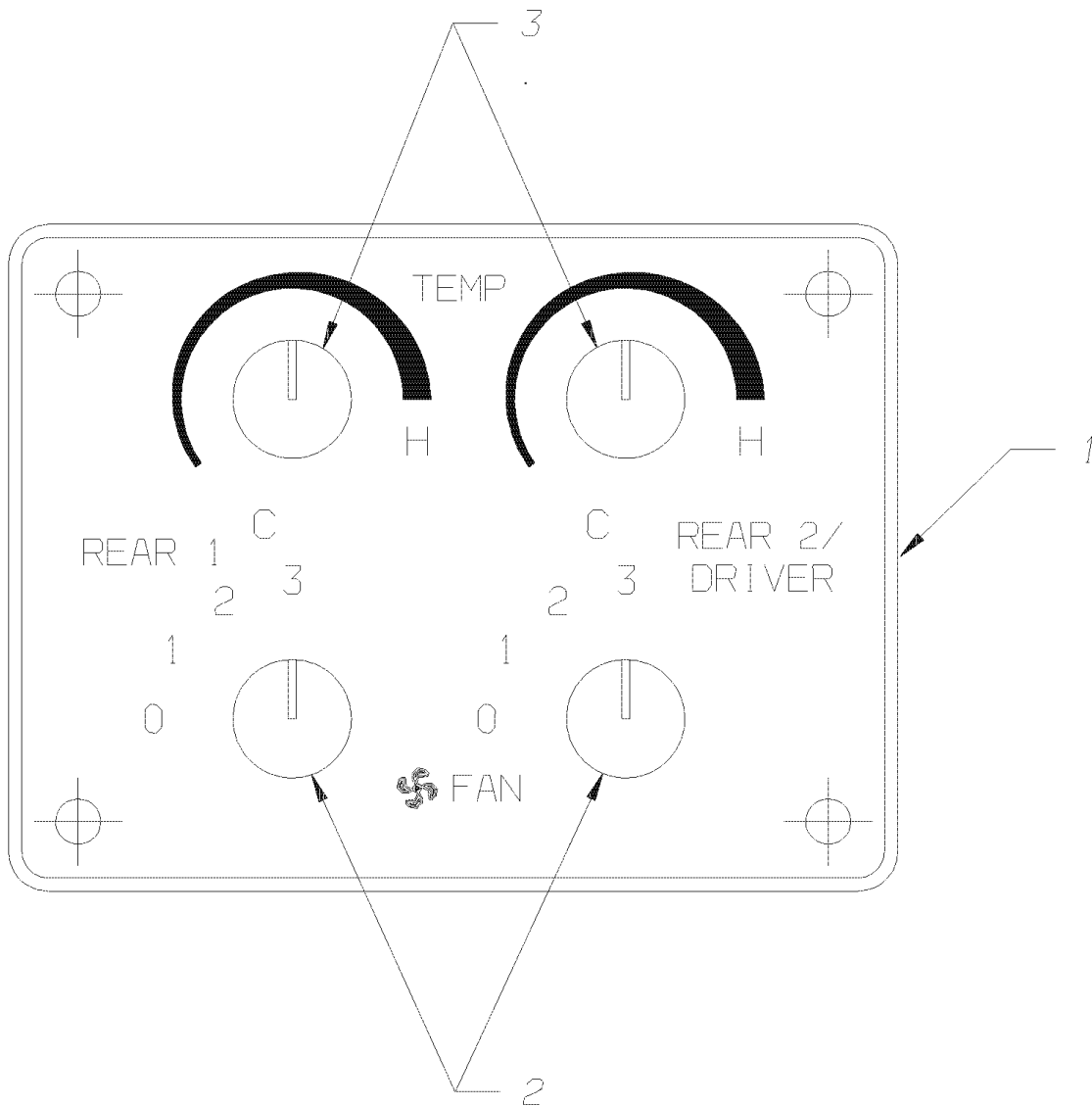
Models: A3FE
COMFORT AIR AC
DUCTED AND FREEBLOW
CHASSIS HOSE KIT
SKIRT MOUNTED CONDENSER
With Features: FEATURE 30006-03, -06, FEATURE 30007-02, -05

Key	PartNumber	Qty	Description	Comment
	0085178		KIT,HOSE,CHASSIS,19-7052,SKIRT MTD CND, WIRING HARNESS	<i>CONSISTS OF THE FOLLOWING</i>
			REFRIGERANT HOSE ASSY NO 6	
			REFRIGERANT HOSE ASSY NO 12	
			REFRIGERANT HOSE ASSY NO 12	<i>BLUE</i>
			REFRIGERANT HOSE ASSY NO 8	<i>BLUE</i>
			REFRIGERANT HOSE ASSY NO 8	<i>BLACK</i>
			REFRIGERANT HOSE ASSY NO 12	<i>BLACK</i>
		10	CLAMP P 3 IN SS	
		10	CLAMP P 2.25 IN SS	
			CORRUGATED CONDUIT ASSY 7 FT LONG	
	0092856		KIT,A/C,HOSE SPLICE,#6 QUICK CLICK	<i>CONSISTS OF 1 STRAIGHT SPLICE, 4 CLIPS, 2 CAGES</i>
	0092857		KIT,A/C,HOSE SPLICE,#8 QUICK CLICK	<i>CONSISTS OF 1 STRAIGHT SPLICE, 4 CLIPS, 2 CAGES</i>
	0092858		KIT,A/C,HOSE SPLICE,#12 QUICK CLICK	<i>CONSISTS OF 1 STRAIGHT SPLICE, 4 CLIPS, 2 CAGES</i>

Models: A3FE, A3RE, BBCV
 COMFORT AIR AC
 DUCTED AND FREEBLOW
 CONTROL KIT DUAL SYSTEM

With Features: FEATURE 30006-02 THRU 07 FEATURE 30007-01 THRU 06

Key	PartNumber	Qty	Description	Comment
-----	------------	-----	-------------	---------



Models: A3FE, A3RE, BBCV
**COMFORT AIR AC
 DUCTED AND FREEBLOW
 CONTROL KIT DUAL SYSTEM**

With Features: FEATURE 30006-02 THRU 07 FEATURE 30007-01 THRU 06

Key	PartNumber	Qty	Description	Comment
	0067851		PANEL ASSY,CONTROL,MCC,HVAC, A3,BBCV	<i>CONSISTS OF THE FOLLOWING</i>
1	0067849	1	PANEL,CONTROL,MCC,HVAC, A3/BBCV	
2	0102223	2	SWITCH,ROTARY,SQUARE CASE,HVAC PANEL	
3	0102224	2	SWITCH,TEMP,POTENTIOMETER,HVAC,A1/B1	
	0102222	4	KNOB,PANEL ASSY,OCNTROL	

Models: A3FE, A3RE, BBCV
 COMFORT AIR AC
 DUCTED AND FREEBLOW
 FITTING KIT, DUAL SYSTEM
 FE/RE

With Features: FEATURE 30006-03 -04 -06 -07 FEATURE 30007-02 -03 -05 -06

Key	PartNumber	Qty	Description	Comment
	0090349		KIT,FITTING,DUAL A/C SYSTEM A3FE/RE	<i>CONSISTS OF THE FOLLOWING</i>
		5	O-RING NO 6	
		2	O-RING NO 8	
		2	FITTING (F) 3/4 IN 16X90X NO8	
		3	FITTING, (F)5/8 IN 18X90X NO6	
			T-SPLICER NO 12	
		5	CAGE NO 6	
		6	CAGE NO 8	
		7	CAGE NO 12	
		10	CLIP NO 6	
		12	CLIP NO 8	
		14	CLIP NO 12	
		2	FITTING (F) 5/8 IN 18 FEX 180X NO 6	
		2	STRAIGHT SPLICER NO 8 W/SERV PORT	
		2	STRAIGHT SPLICER NO 12 W/SERV PORT	
			TEE MALE NO 6	<i>BRAZED</i>
		10	CLAMP P 3 IN SS	
		10	CLAMP P 2.25 IN SS	

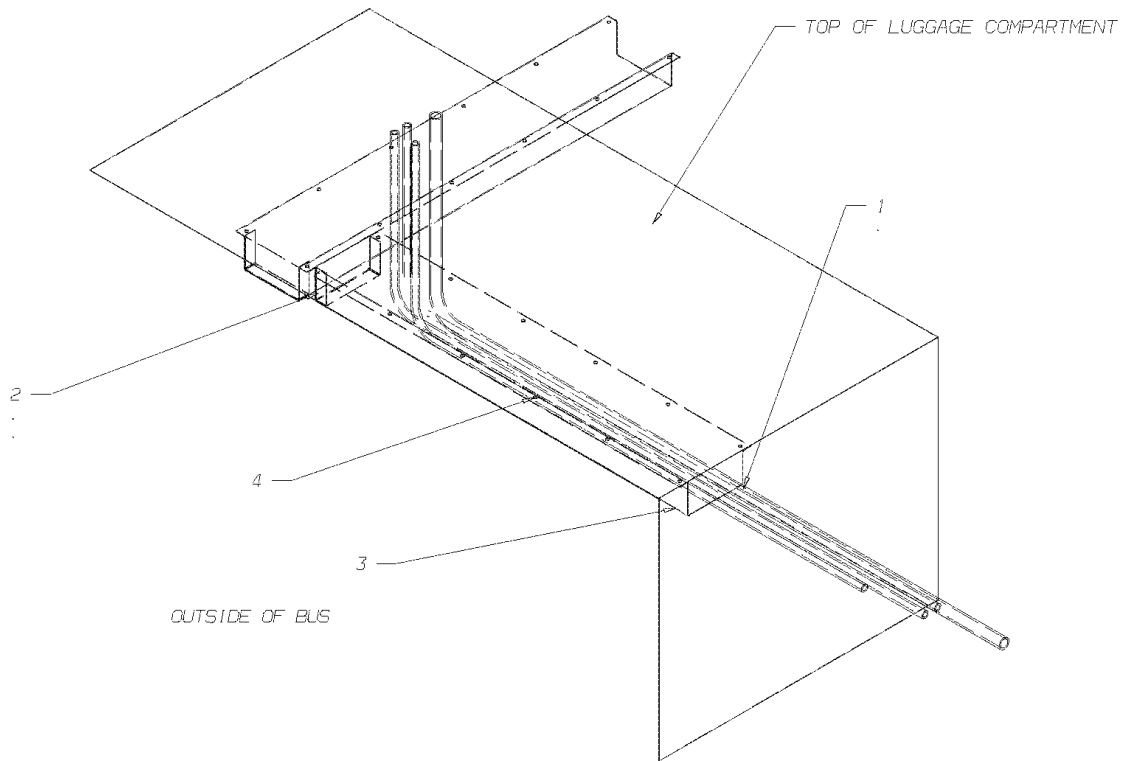
Models: A3FE, A3RE, BBCV
 COMFORT AIR AC
 DUCTED AND FREEBLOW
 FITTING KIT, DUAL SYSTEM
 FE/RE

With Features: FEATURE 30006-03 -04 -06 -07 FEATURE 30007-02 -03 -05 -06

Key	PartNumber	Qty	Description	Comment
	0087353		KIT,FITTING,RF MNT CONDENSER,W/28"FR	
		2	STRAIGHT SPLICER NO 12	
		2	STRAIGHT SPLICER NO 8 W/SERV PORT	
			SPLICER NO 6	
			T-SPLICER NO 12	
		5	CAGE NO 6	
		6	CAGE NO 8	
		7	CAGE NO 12	
		10	CLIP NO 6	
		12	CLIP NO 8	
		14	CLIP NO 12	

Models: A3FE, A3RE, BBCV
COMFORT AIR AC
DUCTED AND FREEBLOW
HOSE COVER, A/C WITH LUGGAGE INSTALLATION DIAGRAM

Key	PartNumber	Qty	Description	Comment
-----	------------	-----	-------------	---------

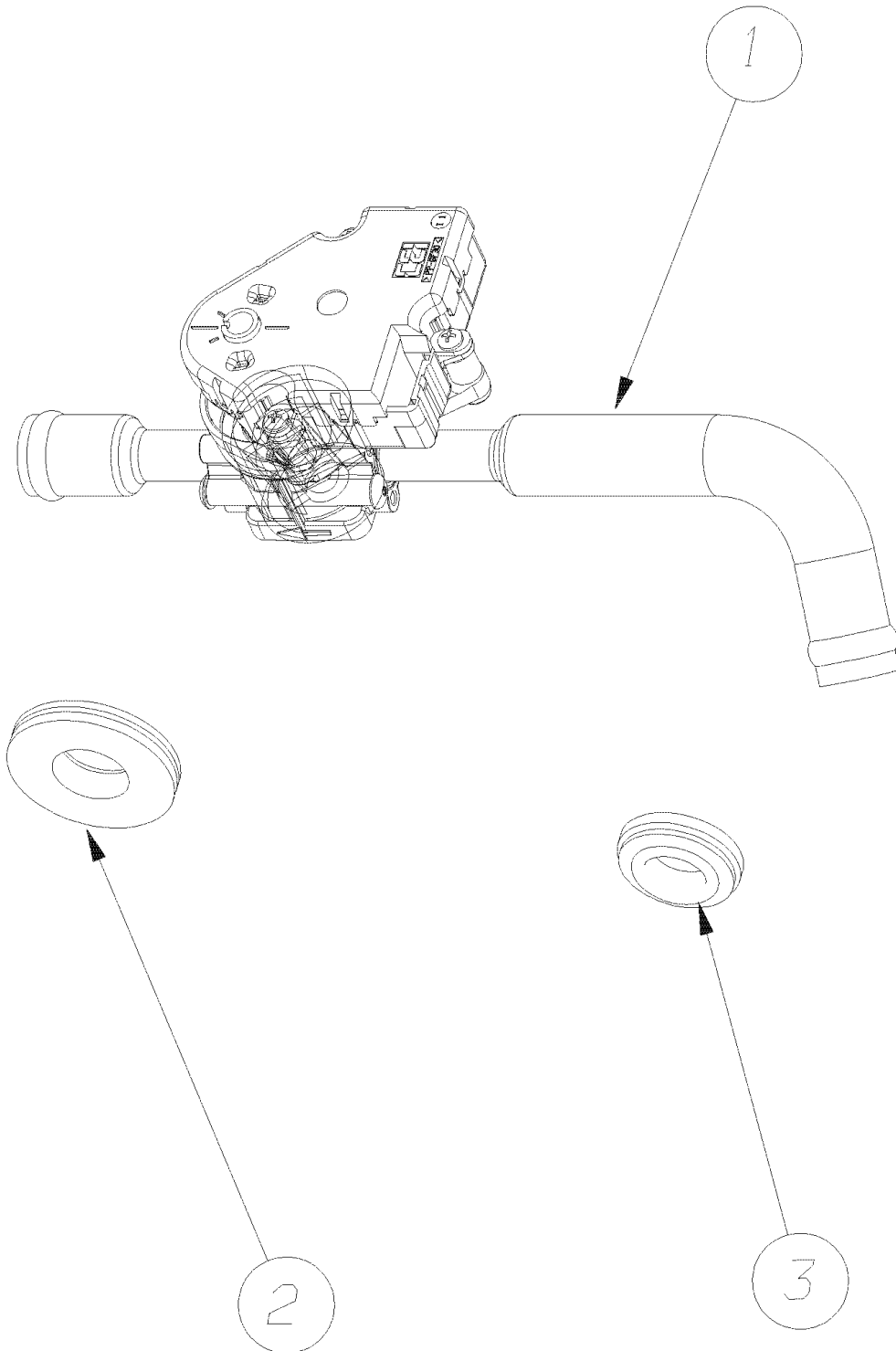


Models: **A3FE, A3RE, BBCV**
COMFORT AIR AC
DUCTED AND FREEBLOW
HOSE COVER, A/C WITH LUGGAGE INSTALLATION DIAGRAM

Key	PartNumber	Qty	Description	Comment
1	0026853	2	GROMMET,RUBBER,2.125 I.D.	
2	0091794		COVER,HOSE,END CLOSEOUT,LUGGAGE	
3	1572551		COVER,HEATER HOSE,UNDER FLOOR	
4	0071609	16	SCREW,TAPPING,10-16 X 3/4,PN HD,BLKZN,	

Models: A3FE, A3RE
COMFORT AIR AC
DUCTED AND FREEBLOW
HOSE COVER, A/C WITH LUGGAGE INSTALLATION DIAGRAM

Key	PartNumber	Qty	Description	Comment
-----	------------	-----	-------------	---------

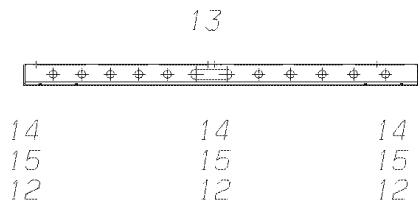
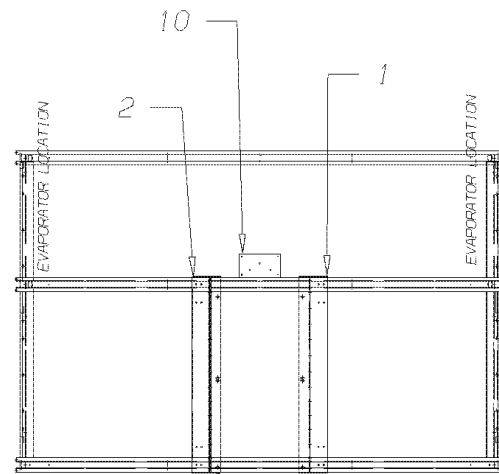
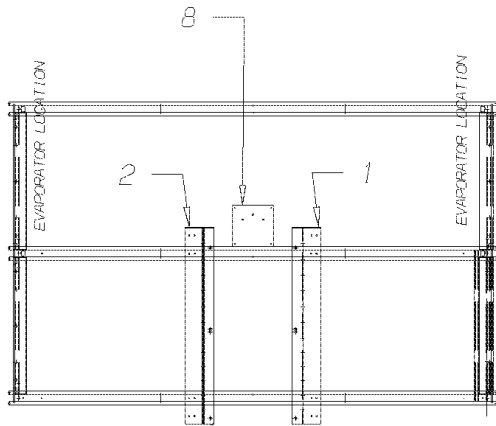


Models: **A3FE, A3RE**
COMFORT AIR AC
DUCTED AND FREEBLOW
HOSE COVER, A/C WITH LUGGAGE INSTALLATION DIAGRAM

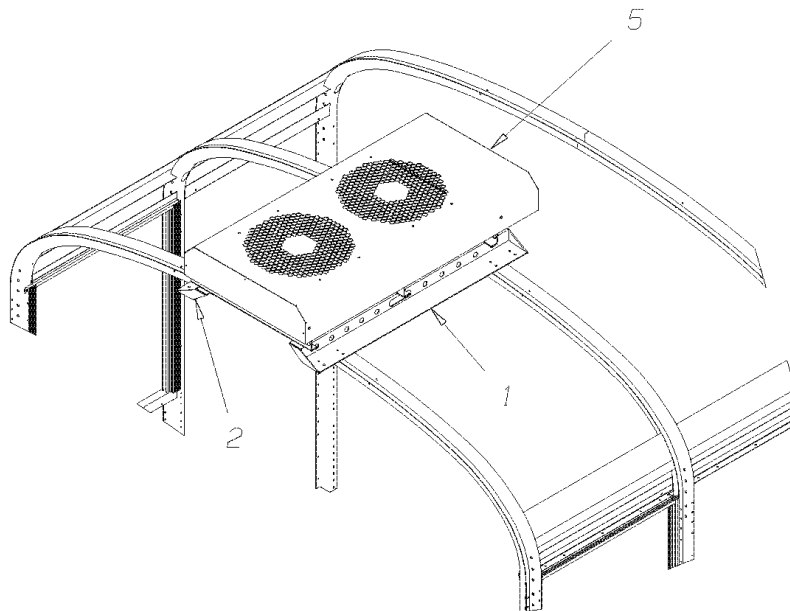
Key	PartNumber	Qty	Description	Comment
	0091624		KIT,ASSY,WATER VALVE,A/C FRT HEATER,	<i>CONSISTS OF THE FOLLOWING</i>
1	0091776		VALVE,ASSY,WATER,HEATER/AC,A3FE	
2			GROMMET	
3		2	GROMMET	

Models: BBCV, A3FE
COMFORT AIR AC
DUCTED AND FREEBLOW
INSTALLATION ROOFTOP CONDENSER
With Features: FEATURE 30006-08, 30007-07

Key	PartNumber	Qty	Description	Comment
-----	------------	-----	-------------	---------



14	14	14
15	15	15
12	12	12

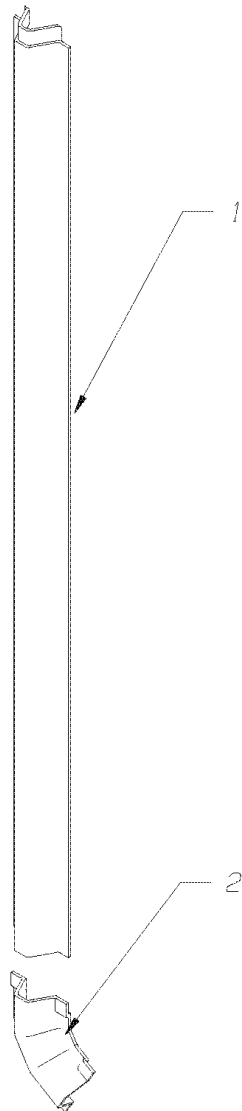


Models: BBCV, A3FE
COMFORT AIR AC
DUCTED AND FREEBLOW
INSTALLATION ROOFTOP CONDENSER
With Features: FEATURE 30006-08, 30007-07

Key	PartNumber	Qty	Description	Comment
1	0087191		BRACKET,ASSY,ROOFTOP CONDENSER,MCC	
2	0087226		BRACKET ASSY,LH,ROOFTOP CONDENSER,MCC	
3	0076256	15	TAPE,ADHES,DBL SI,3M,.50X.062X36YD,#4655	
4	0007614	16	FASTENER,HUCK,.25 BLIND,MAGNA-LOK,MGLP-	
5	0087286	2	KIT,CONDENSER,ROOF MOUNT,19-7075 MCC	
6	0087353	2	KIT,FITTING,RF MNT CONDENSER,W/28"FR	
7	0087298	2	PLATE,ACCESS,MCC	
8	0087371		PLATE,REINF,ROOF SHEET,ROOF MOUNT	
9	0087232	4	INSERT,BOW,MOUNTING ROOFTOP	
10	0087634		PLATE,REINF,B/HEAD FITTINGS,ROOFTOP	
12	2235331	12	NUT,HEX,5/16-18,ZN3	
13	2250652	4	CAPSCREW,HEX,5/16-18 X 1,GR 5,ZN3	
14	2001048	12	WASHER,FLAT,11/32 X 11/16 X 1/16,YEL	
15	0052296	12	WASHER,LOCK,5/16 ZINC PLATED GR5	

Models: A3FE, A3RE, BBCV
COMFORT AIR AC
DUCTED AND FREEBLOW
KIT, HOSE COVER

Key	PartNumber	Qty	Description	Comment
-----	------------	-----	-------------	---------



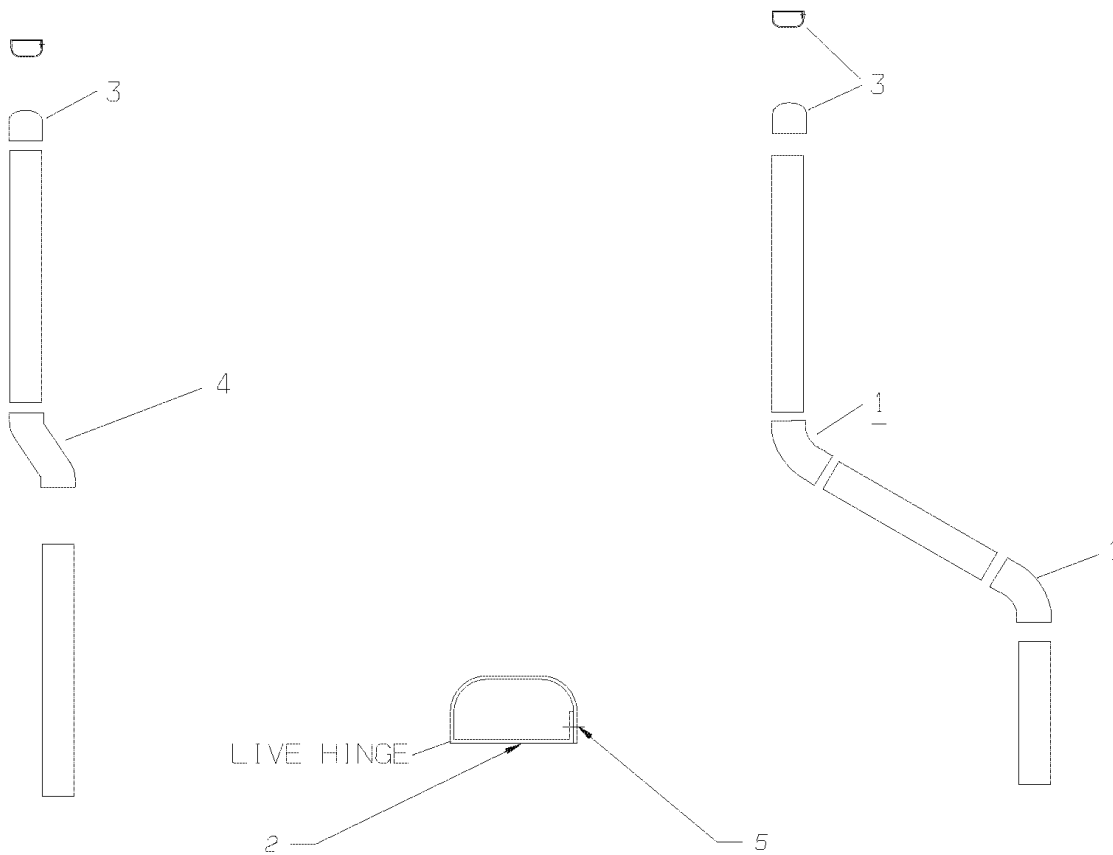
Models: **A3FE, A3RE, BBCV
COMFORT AIR AC
DUCTED AND FREEBLOW
KIT, HOSE COVER**

Key	PartNumber	Qty	Description	Comment
	0092869		KIT,A/C,HOSE COVER,SINGLE DRAIN LINE	<i>CONSISTS OF THE FOLLOWING</i>
1	0097691		FAN,12 VOLT,CONDENSER,MCC,15-1301	
2	0097692		HARNES,MIRROR,PIGTAIL,SWITCH,FOR	

Models: A3FE, A3RE, BBCV
**COMFORT AIR AC
 DUCTED AND FREEBLOW
 KIT, HOSE COVER**

Key	PartNumber	Qty	Description	Comment
-----	------------	-----	-------------	---------

BELOW ARE TWO EXAMPLES OF POSSIBLE CONFIGURATIONS.

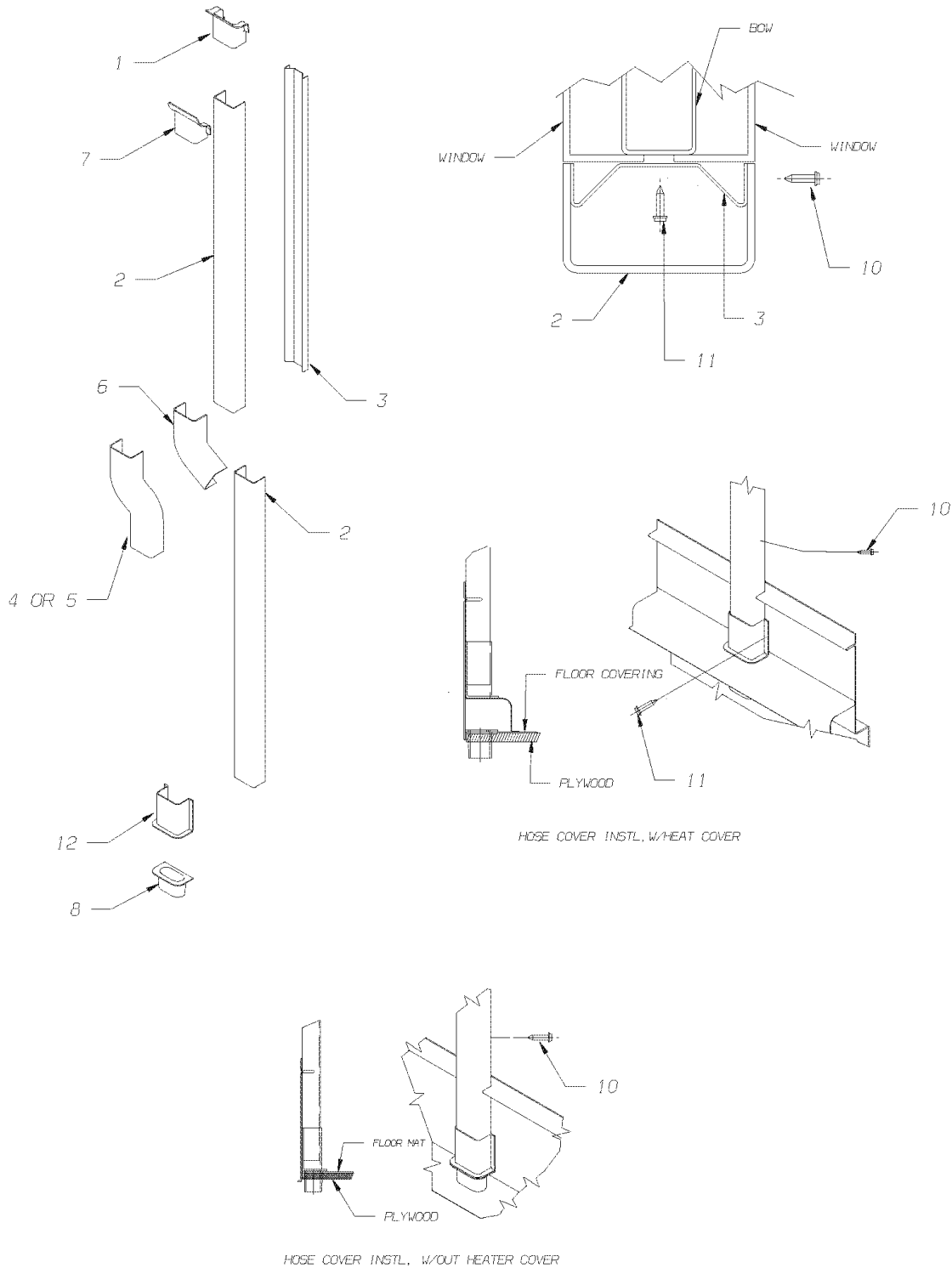


Models: **A3FE, A3RE, BBCV
COMFORT AIR AC
DUCTED AND FREEBLOW
KIT, HOSE COVER**

Key	PartNumber	Qty	Description	Comment
	0089856		KIT,COVER,HOSE AND WIRE,W/ROOF	<i>CONSISTS OF THE FOLLOWING</i>
1	0091858		COVER,HOSE,WIRE,ANGLE,FREEBLOW	
2	0091860		COVER,HOSE,WIRE,W/HINGE 8FT,BREEBLOW	
3	0091859		COVER,HOSE,WIRE,CAP,FREEBLOW	
4	0091832		COVER,HOSE,WIRE,S SHAPE,FREEBLOW	
5	0089636		CLIP,NYLON,KEY HOLE,A/C,WIRE AND HOSE	<i>KEY HOSE, A/C, WIRE & HOSE COVER</i>

Models: **A3FE, A3RE, BBCV
COMFORT AIR AC
DUCTED AND FREEBLOW
KIT, HOSE COVER**

Key	PartNumber	Qty	Description	Comment
-----	------------	-----	-------------	---------



Models: **A3FE, A3RE, BBCV
COMFORT AIR AC
DUCTED AND FREEBLOW
KIT, HOSE COVER**

Key	PartNumber	Qty	Description	Comment
1	0098398		CAP,COVER,A/C HOSE TO WIRE MOLD,77HR	
2	0092112		COVER,HOSE,A/C COMFORT AIRE	
3	0092111		CHANNEL,MTG,HOSE COVER,COMFORT AIRE	
4	0095226		ELBOW,COVER,A/C HOSE,3IN OFFSET	
5	0095357		ELBOW,COVER,A/C HOSE,3IN OFFSET,LH	
6	0095227		ELBOW,COVER,A/C HOSE,60 DEGREE	
7	0098412		CAP,COVER,A/C HOSE TO WIRE MOLD,74HR	
8	0098911		GROMMET,PLASTIC,A/C HOSE THRU FLOOR	
10	0093010		SCREW,HEX HD,NO 8-18 X 1/2 TEKS 2 ZINC	
11	0071609	18	SCREW,TAPPING,10-16 X 3/4,PN HD,BLKZN,	
12	0751883		SEALANT,SILICONE,CLEAR,CARTRIDGE	

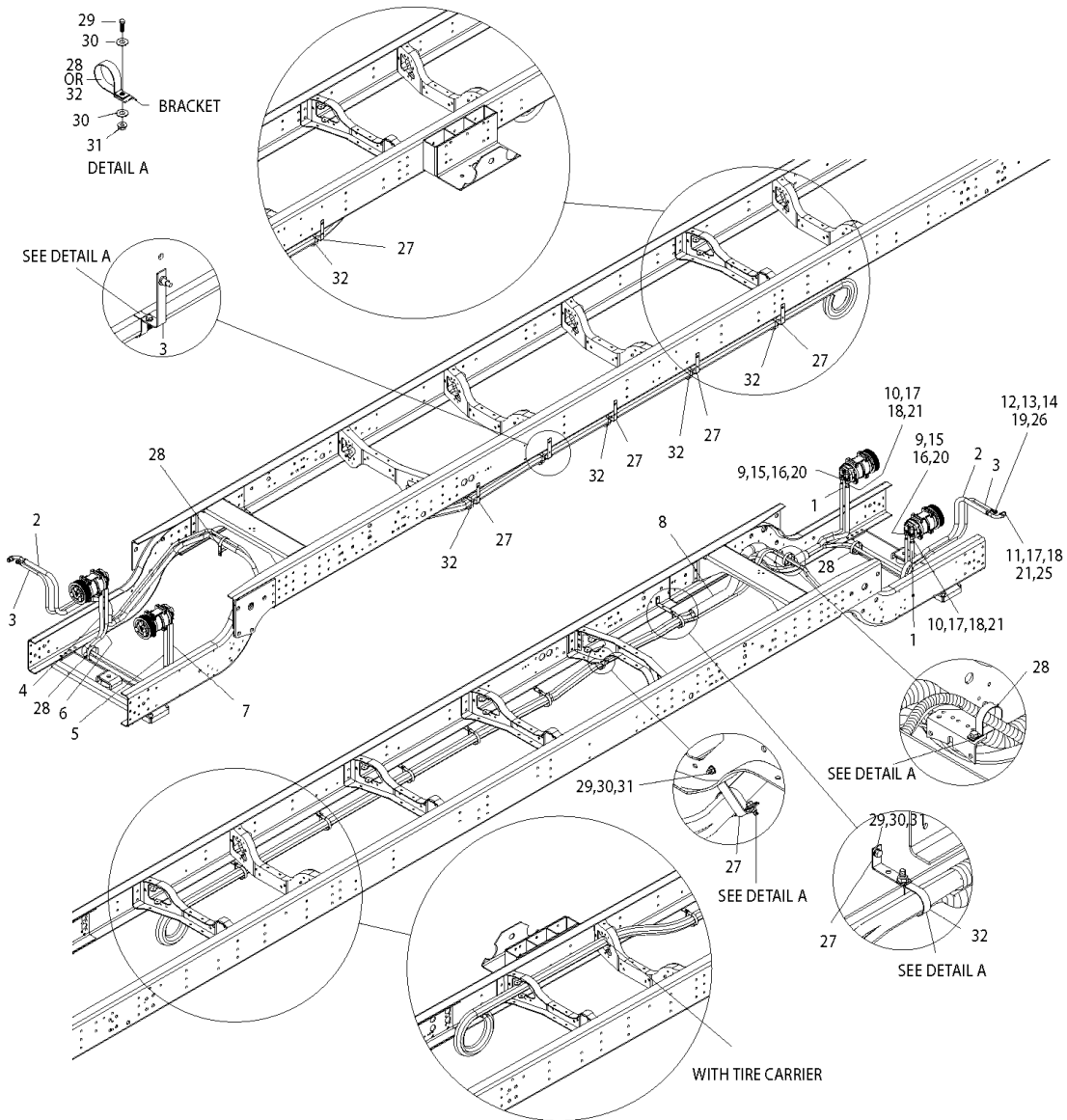
Models: A3FE, BBCV
**COMFORT AIR AC
 DUCTED AND FREEBLOW
 ROOF MOUNT CONDENSER KIT**

With Features: FEATURE 30006 30007

Key	PartNumber	Qty	Description	Comment
	0087286		KIT,CONDENSER,ROOF MOUNT,19-7075 MCC	<i>INCLUDES THE FOLLOWING</i>
	0091181	2	CONDENSER,12 VOLT,ROOF MT,COMFORT AIRE, REFRIGERATION HOSE ASSY NO 6 REFRIGERATION HOSE ASSY NO 8 O-RING NO 6 ORS O-RING NO 8 ORS	<i>SEE DRAWING 0091181</i>
	0092856		KIT,A/C,HOSE SPLICE,#6 QUICK CLICK	<i>CONSISTS OF 1 STRAIGHT SPLICE, 4 CLIPS, 2 CAGES</i>
	0092857		KIT,A/C,HOSE SPLICE,#8 QUICK CLICK	<i>CONSISTS OF 1 STRAIGHT SPLICE, 4 CLIPS, 2 CAGES</i>

Models: A3FE
COMFORT AIR AC
ENGINE HOSE INSTALLATION
ISB 07

Key	PartNumber	Qty	Description	Comment
-----	------------	-----	-------------	---------



Models: **A3FE**
COMFORT AIR AC
ENGINE HOSE INSTALLATION
ISB 07

Key	PartNumber	Qty	Description	Comment
1	0114377		HARNES,A/C,CHASSIS,MCC 25-1979	
2	0113024		HOSE,A/C,#12,WEATHERHEAD E-Z CLIP,COLOR	
3	0113019		HOSE,A/C,#6,WEATHERHEAD E-Z CLIP,COLOR	
4	0113024		HOSE,A/C,#12,WEATHERHEAD E-Z CLIP,COLOR	
5	0088309		HOSE,A/C,#12,WEATHERHEAD E-Z CLIP	
6	0113021	AR	HOSE,A/C,#8,WEATHERHEAD E-Z CLIP,COLOR	
7	0088307	AR	HOSE,A/C,#8,WEATHERHEAD E-Z CLIP	
8	0113011		LOOM,CORRUGATED,BLACK,NYLON,2.00 I.D. SS	
9	0112522	2	FITTING,STRAIGHT,EZ CLIP,FM 0808S	
10	0112524	2	FITTING,ELBOW,EZ CLIP,FM 45-1012S	
11	0112527		FITTING,ELBOW,EZ CLIP,MALE,1012S	
12	0112521		FITTING,STRAIGHT,EZ CLIP,FM,0606	
13	0112867		GUARD,HOSE,#6,WEATHERHEAD E-Z CLIP	
14	0112868	2	CLIP,HOSE,#6,WEATHERHEAD E-Z CLIP	
15	0088554	6	GUARD,HOSE,#8,WEATHERHEAD E-Z CLIP	
16	0088555	12	CLIP,HOSE,#8,WEATHERHEAD E-Z CLIP	
17	0088551	7	GUARD,HOSE,#12,WEATHERHEAD E-Z CLIP	
18	0088552	14	CLIP,HOSE,#12,WEATHERHEAD E-Z CLIP	
19	0088556		O RING,SEAL,#6	
20	0088994	2	O RING,SEAL,#8	
21	0088553	3	O RING,SEAL,#12	
22	0113030		PLUG,PLASTIC,#6 REFRIGERATION HOSE	
23	0113031	2	PLUG,PLASTIC,#8 REFRIGERATION HOSE	
24	0113032	3	PLUG,PLASTIC,#12 REFRIGERATION HOSE	
25	0113033		PLUG,PLASTIC,REFRIG FITTING,FM #12	
26	0113034		PLUG,PLASTIC,REFRIG FITTING,MALE #6	
27	0086160	7	BRACKET,SUPPORT,A/C HOSES	
28	1674217	3	CLAMP,LOOP,2.25	
29	0870477	17	CAPSCREW,HEX HD,1/4-20 X 1,GR 8,YEL ZN	
30	1467000	34	WASHER,FLAT, .281 X.750X.078 HARDENED,BLK	
31	1339639	17	NUT,HEX HD,1/4-20,PRVLG TORQUE,FLG,YEL	
32	0008340	7	CLAMP,LOOP,3.00	

Models: **A3FE, A3RE**
COMFORT AIR AC
ENGINE KIT CAT C7

Key	PartNumber	Qty	Description	Comment
	0085171		KIT,ENGINE,TM21 12V,19-7056,CAT C7,	<i>CONSISTS OF THE FOLLOWING</i>
	0095240		KIT,COMPRESSOR,MOUNT,MCC,A3,CAT C7	<i>CONSISTS OF THE FOLLOWING</i>
			CRANKSHAFT PULLEY	
	0095225		BRACKET,MOUNT,COMPRESSOR,RH,MCC,A3	
	0095224		BRACKET,MOUNT,COMPRESSOR,LH,MCC,A3	
	0095232		KIT,BOLT,COMPRESSOR MT,MCC,A3	
	0095131		IDLER,PULLEY,MCC,A3,COMP MT	
	0095233		NUT,BEARING,10M,COMPRESSOR MNT KIT,MCC,	
	0095132		BOLT,ADJUST,MCC,A3,COMPT MT	
	0095234		SPACER,3/4,CONE,COMPRESSOR MT,MCC,A3	
	0095235		SHIM,COMPRESSOR,MOUNT,MCC,A3	
	4325940		BELT,A/C COMPRESSOR Q BUS, DAYCO 17450	
	0095405	2	COMPRESSOR,ASSY,TM-21,V BLT,A3	
	0096021		MANIFOLD,HORIZONTAL,A/C COMPRESSOR,	
	0103598		KIT,SEAL,SHAFT,COMPRESSOR,TM21,MC	

Models: A3FE, A3RE
 COMFORT AIR AC
 ENGINE KIT CAT C7, FLORIDA

Key	PartNumber	Qty	Description	Comment
	0096892		KIT,ENGINE,TM21 12V,19-7148,CAT C7 FLA COMPRESSOR MOUNT KIT CAT C7 19-7149 CRANKSHAFT PULLEY	<i>CONSISTS OF THE FOLLOWING</i>
	0095225		BRACKET,MOUNT,COMPRESSOR,RH,MCC,A3	
	0095224		BRACKET,MOUNT,COMPRESSOR,LH,MCC,A3	
	0095232		KIT,BOLT,COMPRESSOR MT,MCC,A3	
	0095131		IDLER,PULLEY,MCC,A3,COMP MT	
	0095233		NUT,BEARING,10M,COMPRESSOR MNT KIT,MCC,	
	0095132		BOLT,ADJUST,MCC,A3,COMPT MT	
	0095234		SPACER,3/4,CONE,COMPRESSOR MT,MCC,A3	
	0095235		SHIM,COMPRESSOR,MOUNT,MCC,A3	
	4325940		BELT,A/C COMPRESSOR Q BUS, DAYCO 17450	
	0102501	2	COMPRESSOR,12 VOLT,MCC,26-1332 MANIFOLD, HORIZONTAL, A/C COMPRESSOR,	

Models: A3FE, A3RE, BBCV
 COMFORT AIR AC
 FREEBLOW
With Features: EVAPORATOR KIT 12V, CME 45
 FEATURE 30006-02 -03 -04 -05

Key	PartNumber	Qty	Description	Comment
	0085185		KIT, EVAPORATOR, 12V, 19-7044 CME 45, TUBE, CL, PVC 1/2 IN ID, 10FT	CONSISTS OF THE FOLLOWING
	0091919		CLAMP, DRAIN, HOSE, 1/2 IN, EVAPORATOR, MCC	
	0096297		VALVE, DRAIN, END, MCC, (KUZOO)	
	0096298		CONNECTOR, DRAIN, 1/2 IN, MCC, (KUZOO)	
			REFRIGERANT HOSE ASSY NO 12	
			REFRIGERANT HOSE ASSY NO 12	
			REFRIGERANT HOSE ASSY NO 6	
			REFRIGERANT HOSE ASSY NO 6	
			PIPE INSULATION 1 1/8 IN ID 3 FT LONG	
			M8 X 25 HEX HEAD SCREW	ZINC
			M8 WASHER CLEAR ZINC	
			M8 WASHER SPRING LOCK	
	0100862		EVAPORATOR, 12 VOLT, ASSY, CME45, FREEBLOW,	SEE 0100862 FOR DRAWING
	0092856		KIT, A/C, HOSE SPLICE, #6 QUICK CLICK	CONSISTS OF 1 STRAIGHT SPLICE, 4 CLIPS, 2 CAGES
	0092858		KIT, A/C, HOSE SPLICE, #12 QUICK CLICK	CONSISTS OF 1 STRAIGHT SPLICE, 4 CLIPS, 2 CAGES

Models: A3FE, A3RE, BBCV
COMFORT AIR AC
FREEBLOW
EVAPORATOR KIT 12V, CME 55
With Features: FEATURE 30006-05 -06 -07

Key	PartNumber	Qty	Description	Comment
	0085186		KIT,EVAPORATOR,12V,19-7045 CME 55,	<i>CONSISTS OF THE FOLLOWING</i>
		2	TUBE, CL PVC 1/2 IN ID 10FT LONG	
		6	DRAIN HOSE CLAMP 1/2 IN	
	0096297	2	VALVE,DRAIN,END,MCC,(KUZOO)	
	0096298	2	CONNECTOR,DRAIN,1/2 IN,MCC,(KUZOO)	
			REFRIGERANT HOSE ASSY NO 12	
			REFRIGERANT HOSE ASSY NO 12	
			REFRIGERANT HOSE ASSY NO 6	
			REFRIGERANT HOSE ASSY NO 6	
			PIPE INSULATION 1 1/8 IN ID 3 FT LONG	
			M8 X 25 HEX HEAD SCREW	<i>ZINC</i>
			M8 WASHER CLEAR ZINC	
			M8 WASHER SPRING LOCK	
	0091176		EVAPORATOR,ASSY,12V,CME,55 FREEBLOW,	<i>SEE 0091176 FOR DRAWING</i>
	0092856		KIT,A/C,HOSE SPLICE,#6 QUICK CLICK	<i>CONSISTS OF 1 STRAIGHT SPLICE, 4 CLIPS, 2 CAGES</i>
	0092858		KIT,A/C,HOSE SPLICE,#12 QUICK CLICK	<i>CONSISTS OF 1 STRAIGHT SPLICE, 4 CLIPS, 2 CAGES</i>

Models: A3FE, A3RE, BBCV
 COMFORT AIR AC
 FREEBLOW
With Features: MOUNTING EVAPORATOR KIT
 FEATURE 30006-02 THRU 07

Key	PartNumber	Qty	Description	Comment
	0088314		KIT,FITTING,RF MNT CONDENSER,W/35"FRT	
		2	BRACKET	
		2	BRACKET	

Models:

**A3FE, A3RE, BBCV
COMFORT AIR AC
FREEBLOW
SKIRT MOUNT CONDENSER KIT 12V**

With Features:

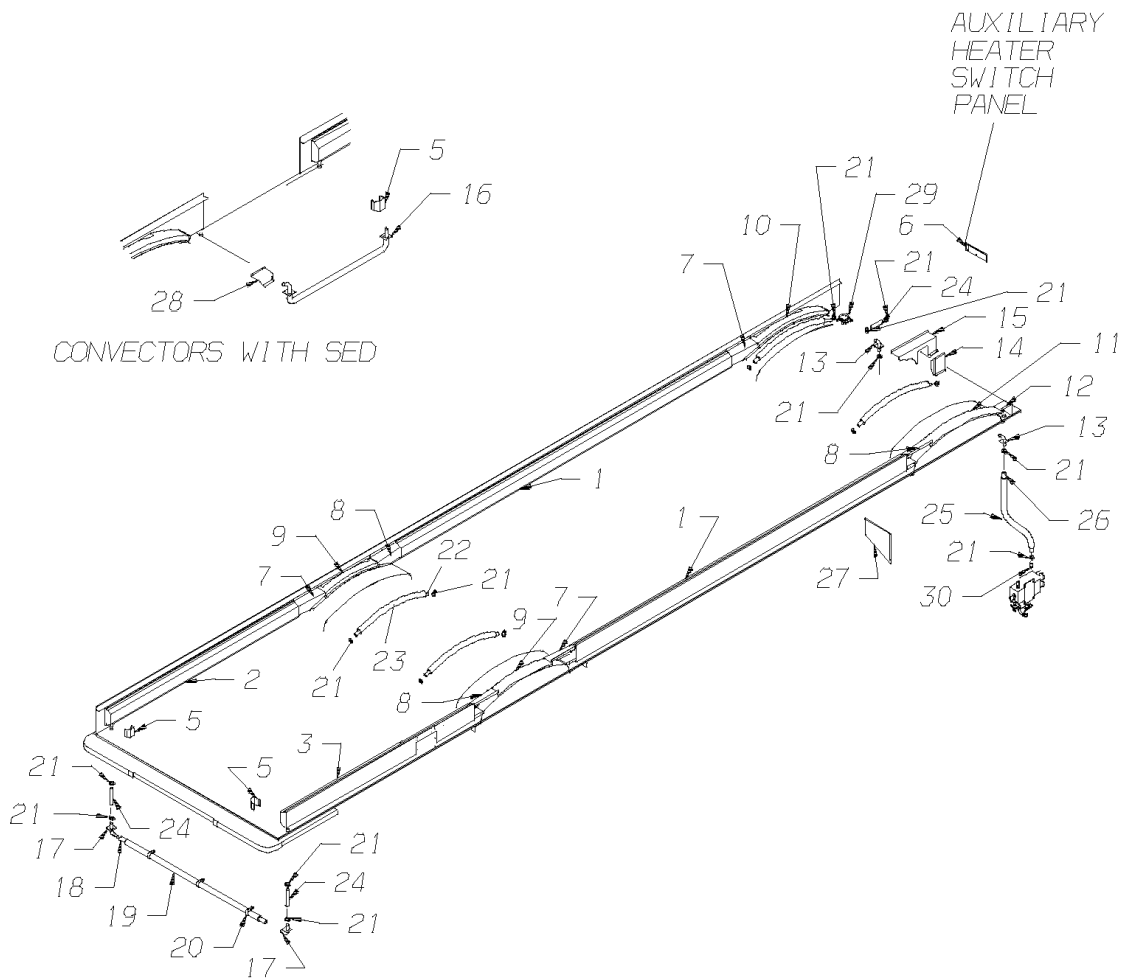
FEATURE 30006-02 THRU 07 FEATURE 30007-01 THRU 06

Key	PartNumber	Qty	Description	Comment
	0085183		KIT,CONDENSER,TM21 12V,19-7042	<i>CONSISTS OF FOLLOWING</i>
	0097730		GRILLE,A/C,SKRT MT CONDENSER,MCC	
		14	1/4-20X1 IN SS HEXHEAD CAP SCREW	
		14	WASHER 1/4 IN SS FLAT	
		14	SPRING LOCKWASHER 1/4 IN SS	
	0091182		CONDENSER,12 VOLT,TM21,SKIRT,COMFT AIRE,	<i>SEE 0091182 FOR DRAWING</i>

Models: **A3FE
CONVECTION HEATING
KITS**

With Features: **FEATURE 30059**

Key	PartNumber	Qty	Description	Comment
-----	------------	-----	-------------	---------



Models: A3FE
**CONVECTION HEATING
 KITS**
With Features: FEATURE 30059

Key	PartNumber	Qty	Description	Comment
	0049010		KIT,HEATER,CONVECTION,2803, A3FE	<i>CONSISTS OF THE FOLLOWING</i>
1	0049000		HEATER ASSY,CONVECTION,TYPE 3,90.00	
2	0048993		HEATER ASSY,CONVECTION,TYPE 1,79.50	
3	0049005		HEATER ASSY,CONVECTION,TYPE 4,79.50	
4	0014927	46	CLIP,MTG,HEATER,CONVECTION	
5	0000847	2	COVER,HEATER,CONVECTION HEATING,	
	0049011		KIT,HEATER,CONVECTION,3007, A3FE	<i>CONSISTS OF THE FOLLOWING</i>
1	0049001		HEATER ASSY,CONVECTION,TYPE 3,118.00	
2	0048993		HEATER ASSY,CONVECTION,TYPE 1,79.50	
3	0049005		HEATER ASSY,CONVECTION,TYPE 4,79.50	
4	0014927		CLIP,MTG,HEATER,CONVECTION	
5	0000847		COVER,HEATER,CONVECTION HEATING,	
	0049012		KIT,HEATER,CONVECTION,3211, A3FE	<i>CONSISTS OF THE FOLLOWING</i>
1	0049002		HEATER ASSY,CONVECTION,TYPE 3,139.00	
2	0048994		HEATER ASSY,CONVECTION,TYPE 1,86.50	
3	0049006		HEATER ASSY,CONVECTION,TYPE 4,86.50	
4	0014927		CLIP,MTG,HEATER,CONVECTION	
5	0000847		COVER,HEATER,CONVECTION HEATING,	
	0049013		KIT,HEATER,CONVECTION,3408, A3FE	<i>CONSISTS OF THE FOLLOWING</i>
1	0049002		HEATER ASSY,CONVECTION,TYPE 3,139.00	
2	0048995		HEATER ASSY,CONVECTION,TYPE 1,107.50	
3	0049007		HEATER ASSY,CONVECTION,TYPE 4,107.50	
4	0014927		CLIP,MTG,HEATER,CONVECTION	
5	0000847		COVER,HEATER,CONVECTION HEATING,	
	0049014		KIT,HEATER,CONVECTION,3700, A3FE	<i>CONSISTS OF THE FOLLOWING</i>
1	0049003		HEATER ASSY,CONVECTION,TYPE 3,160.00	
2	0048997		HEATER ASSY,CONVECTION,TYPE 1,114.50	
3	0049008		HEATER ASSY,CONVECTION,TYPE 4,114.50	
4	0014927		CLIP,MTG,HEATER,CONVECTION	
5	0000847		COVER,HEATER,CONVECTION HEATING,	
	0049015		KIT,HEATER,CONVECTION,3904, A3FE	<i>CONSISTS OF THE FOLLOWING</i>
1	0049004		HEATER ASSY,CONVECTION,TYPE 3,181.00	
2	0048999		HEATER ASSY,CONVECTION,TYPE 1,121.50	

Models: A3FE
**CONVECTION HEATING
 KITS**
With Features: FEATURE 30059

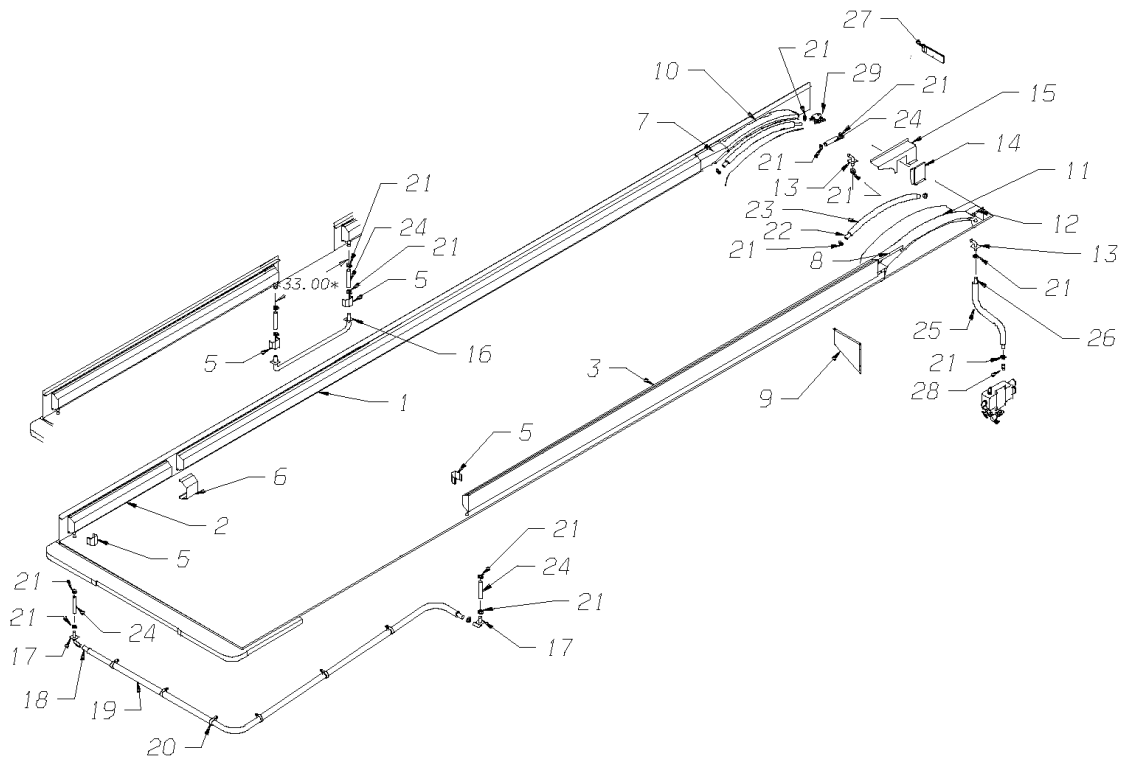
Key	PartNumber	Qty	Description	Comment
3	0049009		HEATER ASSY,CONVECTION,TYPE 4,121.50	
4	0014927		CLIP,MTG,HEATER,CONVECTION	
5	0000847		COVER,HEATER,CONVECTION HEATING,	
	0049104		KIT,HEATER,CONVECTION,2803,LH SED, A3FE	CONSISTS OF THE FOLLOWING
1	0049102		HEATER ASSY,CONVECTION,TYPE 1,55.50	
2	0048993		HEATER ASSY,CONVECTION,TYPE 1,79.50	
3	0049005		HEATER ASSY,CONVECTION,TYPE 4,79.50	
4	0049000		HEATER ASSY,CONVECTION,TYPE 3,90.00	
5	0014927	46	CLIP,MTG,HEATER,CONVECTION	
6	0000847	3	COVER,HEATER,CONVECTION HEATING,	
	0049105		KIT,HEATER,CONVECTION,3007,LH SED, A3FE	CONSISTS OF THE FOLLOWING
1	0049103		HEATER ASSY,CONVECTION,TYPE 1,83.50	
2	0048993		HEATER ASSY,CONVECTION,TYPE 1,79.50	
3	0049005		HEATER ASSY,CONVECTION,TYPE 4,79.50	
4	0049001		HEATER ASSY,CONVECTION,TYPE 3,118.00	
5	0014927	46	CLIP,MTG,HEATER,CONVECTION	
6	0000847	3	COVER,HEATER,CONVECTION HEATING,	
	0049240		KIT,HEATER,CONVECTION,2803,LIFT, A3FE	CONSISTS OF THE FOLLOWING
1	0049000		HEATER ASSY,CONVECTION,TYPE 3,90.00	
2	0048993		HEATER ASSY,CONVECTION,TYPE 1,79.50	
3	0049232		HEATER ASSY,CONVECTION,TYPE 2,90.00	
4	0014927	46	CLIP,MTG,HEATER,CONVECTION	
5	0000847	2	COVER,HEATER,CONVECTION HEATING,	
	0049241		KIT,HEATER,CONVECTION,3007,LIFT, A3FE	CONSISTS OF THE FOLLOWING
1	0049001		HEATER ASSY,CONVECTION,TYPE 3,118.00	
2	0048993		HEATER ASSY,CONVECTION,TYPE 1,79.50	
3	0049233		HEATER ASSY,CONVECTION,TYPE 2,118.00	
4	0014927	46	CLIP,MTG,HEATER,CONVECTION	
5	0000847	2	COVER,HEATER,CONVECTION HEATING,	
	0049242		KIT,HEATER,CONVECTION,3211,LIFT, A3FE	CONSISTS OF THE FOLLOWING
1	0049002		HEATER ASSY,CONVECTION,TYPE 3,139.00	
2	0048994		HEATER ASSY,CONVECTION,TYPE 1,86.50	
3	0048234		BRACKET,LATCH,PIVOT,REAR,H4RE	

Models: A3FE
**CONVECTION HEATING
 KITS**
With Features: FEATURE 30059

Key	PartNumber	Qty	Description	Comment
4	0014927	46	CLIP,MTG,HEATER,CONVECTION	
5	0000847	2	COVER,HEATER,CONVECTION HEATING,	<i>CONSISTS OF THE FOLLOWING</i>
	0049243		KIT,HEATER,CONVECTION,3408,LIFT, A3FE	
1	0049002		HEATER ASSY,CONVECTION,TYPE 3,139.00	
2	0048995		HEATER ASSY,CONVECTION,TYPE 1,107.50	
3	0049234		HEATER ASSY,CONVECTION,TYPE 2,139.00	
4	0014927	54	CLIP,MTG,HEATER,CONVECTION	
5	0000847	2	COVER,HEATER,CONVECTION HEATING,	<i>CONSISTS OF THE FOLLOWING</i>
	0049244		KIT,HEATER,CONVECTION,3700,LIFT, A3FE	
1	0049003		HEATER ASSY,CONVECTION,TYPE 3,160.00	
2	0048997		HEATER ASSY,CONVECTION,TYPE 1,114.50	
3	0049235		HEATER ASSY,CONVECTION,TYPE 2,160.00	
4	0014927	54	CLIP,MTG,HEATER,CONVECTION	
5	0000847	2	COVER,HEATER,CONVECTION HEATING,	<i>CONSISTS OF THE FOLLOWING</i>
	0049245		KIT,HEATER,CONVECTION,3904,LIFT, A3FE	
1	0049004		HEATER ASSY,CONVECTION,TYPE 3,181.00	
2	0048999		HEATER ASSY,CONVECTION,TYPE 1,121.50	
3	0049033		HEATER ASSY,CONVECTION,TYPE 2,181.00	
4	0014927	54	CLIP,MTG,HEATER,CONVECTION	
5	0000847	2	COVER,HEATER,CONVECTION HEATING,	<i>CONSISTS OF THE FOLLOWING</i>
	0049259		KIT,HEATER,CONVECTION,2803,LH SED,LIFT	
1	0049102		HEATER ASSY,CONVECTION,TYPE 1,55.50	
2	0048993		HEATER ASSY,CONVECTION,TYPE 1,79.50	
3	0049232		HEATER ASSY,CONVECTION,TYPE 2,90.00	
4	0014927	46	CLIP,MTG,HEATER,CONVECTION	
5	0000847	2	COVER,HEATER,CONVECTION HEATING,	<i>CONSISTS OF THE FOLLOWING</i>
	0049260		KIT,HEATER,CONVECTION,3007,LH SED,LIFT	
1	0049103		HEATER ASSY,CONVECTION,TYPE 1,83.50	
2	0048993		HEATER ASSY,CONVECTION,TYPE 1,79.50	
3	0049233		HEATER ASSY,CONVECTION,TYPE 2,118.00	
4	0014927	46	CLIP,MTG,HEATER,CONVECTION	
5	0000847	2	COVER,HEATER,CONVECTION HEATING,	

Models: A3FE
**CONVECTION HEATING
 KITS
 FOR FLAT FLOOR UNITS
 WITH FEATURES:** FEATURE 30059

Key	PartNumber	Qty	Description	Comment
-----	------------	-----	-------------	---------



Models: A3FE
**CONVECTION HEATING
 KITS
 FOR FLAT FLOOR UNITS
 With Features:** FEATURE 30059

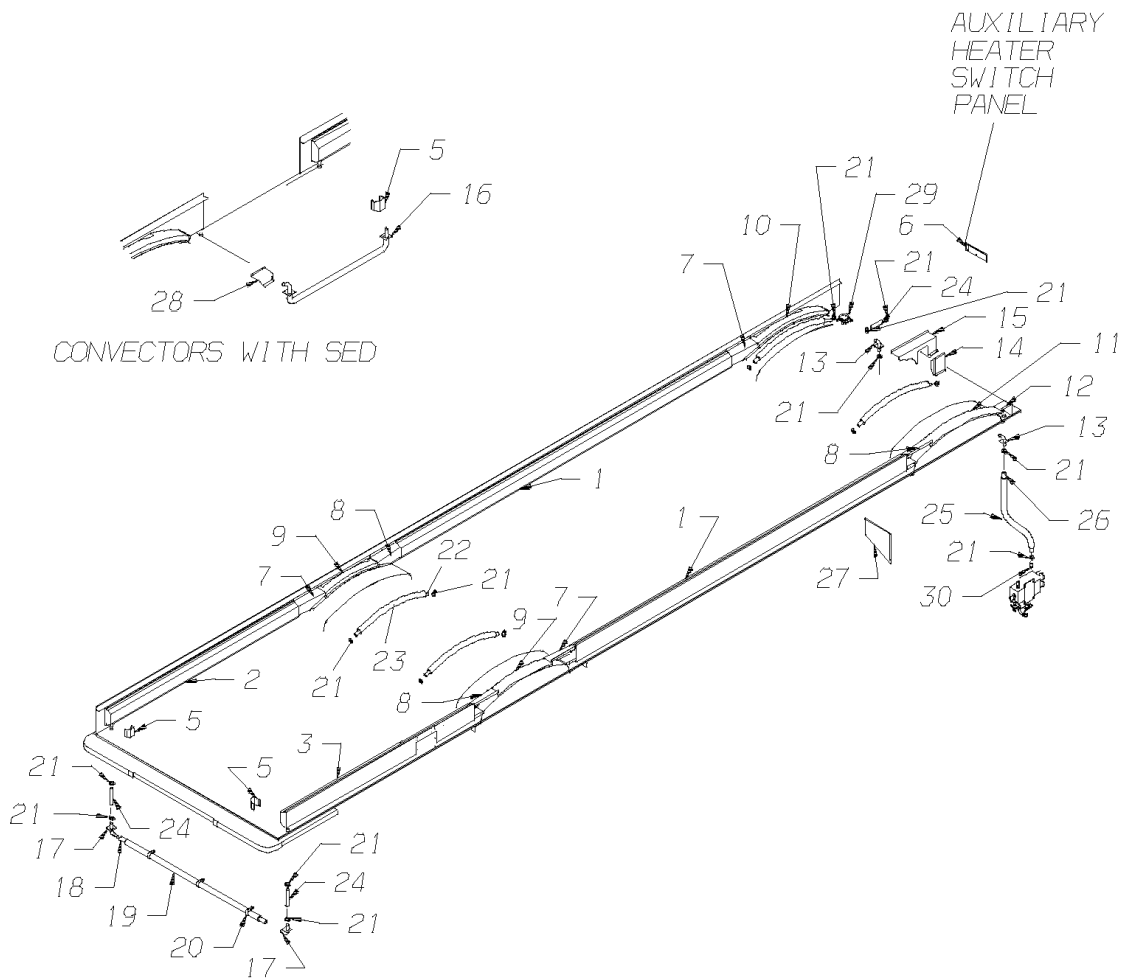
Key	PartNumber	Qty	Description	Comment
	0049106		KIT,HEATER,CONVECTION,2803,LH SED,FLAT	CONSIST OF THE FOLLOWING
1	0049102		HEATER ASSY,CONVECTION,TYPE 1,55.50	
2	0049115		HEATER ASSY,CONVECTION,TYPE 15,134.50	
3	0049032		HEATER ASSY,CONVECTION,TYPE 2,153.00	
4	0014927	46	CLIP,MTG,HEATER,CONVECTION	
5	0000847	4	COVER,HEATER,CONVECTION HEATING,	
	0049107		KIT,HEATER,CONVECTION,3007,LH SED,FLAT	CONSIST OF THE FOLLOWING
1	0049103		HEATER ASSY,CONVECTION,TYPE 1,83.50	
2	0049116		HEATER ASSY,CONVECTION,TYPE 15,162.50	
3	0049033		HEATER ASSY,CONVECTION,TYPE 2,181.00	
4	0014927	46	CLIP,MTG,HEATER,CONVECTION	
5	0000847	4	COVER,HEATER,CONVECTION HEATING,	
	0049040		KIT,HEATER,CONVECTION,2803,FLAT FLOOR,	CONSIST OF THE FOLLOWING
1	0049029		HEATER ASSY,CONVECTION,TYPE 13,97.00	
2	0049026		HEATER ASSY,CONVECTION,TYPE 12,119.00	
3	0049032		HEATER ASSY,CONVECTION,TYPE 2,153.00	
4	0014927	54	CLIP,MTG,HEATER,CONVECTION	
5	0000847	2	COVER,HEATER,CONVECTION HEATING,	
6	0016152		COVER,HEATER,CONVECTION HEATER	
	0049041		KIT,HEATER,CONVECTION,3007,FLAT FLOOR,	CONSIST OF THE FOLLOWING
1	0049029		HEATER ASSY,CONVECTION,TYPE 13,97.00	
2	0049027		HEATER ASSY,CONVECTION,TYPE 12,147.00	
3	0049033		HEATER ASSY,CONVECTION,TYPE 2,181.00	
4	0014927	54	CLIP,MTG,HEATER,CONVECTION	
5	0000847	2	COVER,HEATER,CONVECTION HEATING,	
6	0016152		COVER,HEATER,CONVECTION HEATER	
	0049042		KIT,HEATER,CONVECTION,3211,FLAT FLOOR,	CONSIST OF THE FOLLOWING
1	0049029		HEATER ASSY,CONVECTION,TYPE 13,97.00	
2	0049028		HEATER ASSY,CONVECTION,TYPE 12,175.00	
3	0049023		HEATER ASSY,CONVECTION,TYPE 11,100.50	
4	0049031		HEATER ASSY,CONVECTION,TYPE 14,97.00	
5	0014927	54	CLIP,MTG,HEATER,CONVECTION	
6	0000847	2	COVER,HEATER,CONVECTION HEATING,	

Models: **A3FE**
CONVECTION HEATING
KITS
FOR FLAT FLOOR UNITS
With Features: **FEATURE 30059**

Key	PartNumber	Qty	Description	Comment
7	0016152	2	COVER,HEATER,CONVECTION HEATER	
	0049043		KIT,HEATER,CONVECTION,3408,FLAT FLOOR,	<i>CONSIST OF THE FOLLOWING</i>
1	0049030		HEATER ASSY,CONVECTION,TYPE 13,146.00	
2	0049027		HEATER ASSY,CONVECTION,TYPE 12,147.00	
3	0049023		HEATER ASSY,CONVECTION,TYPE 11,100.50	
4	0049031		HEATER ASSY,CONVECTION,TYPE 14,97.00	
5	0014927	54	CLIP,MTG,HEATER,CONVECTION	
6	0000847	2	COVER,HEATER,CONVECTION HEATING,	
7	0016152	2	COVER,HEATER,CONVECTION HEATER	

Models: A3FE
**CONVECTION HEATING
 KITS**
With Features: HOSE ROUTING
 FEATURE 30059

Key	PartNumber	Qty	Description	Comment
-----	------------	-----	-------------	---------



Models: A3FE
**CONVECTION HEATING
 KITS
 HOSE ROUTING
 With Features:** FEATURE 30059

Key	PartNumber	Qty	Description	Comment
6	0049444		SWITCH,HEATER,CONVECTION HEATING	ENDING WITH CSN
6	0053262		SWITCH,SLIDE,HTR,CONVECTION,10K POT	BEGIN WITH CSN
7	0013365	AR	COVER,WHEELHOUSING-CONVECTOR,HTR	
8	0013366	AR	COVER,WHEELHOUSING-CONVECTOR,HTR	
9	0013361		COVER,WHEELHOUSING,HTR HOSE,RR,	
10	0013360		COVER,WHEELHOUSING,HTR HOSE,LH,FRT,	
11	0013358		COVER,WHEELHOUSING,HTR HOSE,RH,FRT,	
12	1569623		COVER,HEATER PIPE,W/H,REAR,SED,PLY FLOOR	
13	0049139	2	CONNECTOR ASSY,HTR HOSE,BULKHEAD,45	
14	1407014		COVER,ACCESS,HOSE CLAMP,US HEATER,TCFC	
15	0001211		COVER,HEATER PIPE,FRT W/H,DRFL	
16	0049188		TUBE ASSY,HTR PPG,SED	
17	0013362	2	CONNECTOR ASSY,HTR HOSE,BULKHEAD,90	
18	2003317	AR	HOSE,HEATER,1 INCH BRAID,BLACK	
18	1143866	AR	HOSE,HEATER,1 INCH ID,SILICONE	
18	1250760	AR	HOSE,HEATER,1",GY HI MILER,BLUE W/WHT	
19	0020702		INSULATION,ARMAFLEX,1-5/8 ID X 3/8 WALL	
20	1107937	3	CLAMP,LOOP,2.00	
21	2008522		CLAMP,1IN HOSE	
21	1894799		CLAMP,CONSTANT TORQUE,13/16 TO 1-1/2 DIA	
22	2003317	AR	HOSE,HEATER,1 INCH BRAID,BLACK	
22	1143866	AR	HOSE,HEATER,1 INCH ID,SILICONE	
22	1250760	AR	HOSE,HEATER,1",GY HI MILER,BLUE W/WHT	
23	0020702	AR	INSULATION,ARMAFLEX,1-5/8 ID X 3/8 WALL	
24	2003317		HOSE,HEATER,1 INCH BRAID,BLACK	
24	1143866		HOSE,HEATER,1 INCH ID,SILICONE	
24	1250760		HOSE,HEATER,1",GY HI MILER,BLUE W/WHT	
25	0020702		INSULATION,ARMAFLEX,1-5/8 ID X 3/8 WALL	
26	2003317		HOSE,HEATER,1 INCH BRAID,BLACK	
26	1143866		HOSE,HEATER,1 INCH ID,SILICONE	
26	1250760		HOSE,HEATER,1",GY HI MILER,BLUE W/WHT	
27	0016823		SHIELD,HEATER HOSE,CONVECTION HEATING,	
28	1568492		COVER,HEATER PIPE,W/H,FRONT,SED,PLY	

Models: A3FE
CONVECTION HEATING
KITS
With Features: HOSE ROUTING
FEATURE 30059

Key	PartNumber	Qty	Description	Comment
29	0031247		ACTUATOR ASSY,WATER FLOW,1 ID HOSE	
30	0315200		ADAPTER,HTR,3/4 PIPE X 1 HOSE	

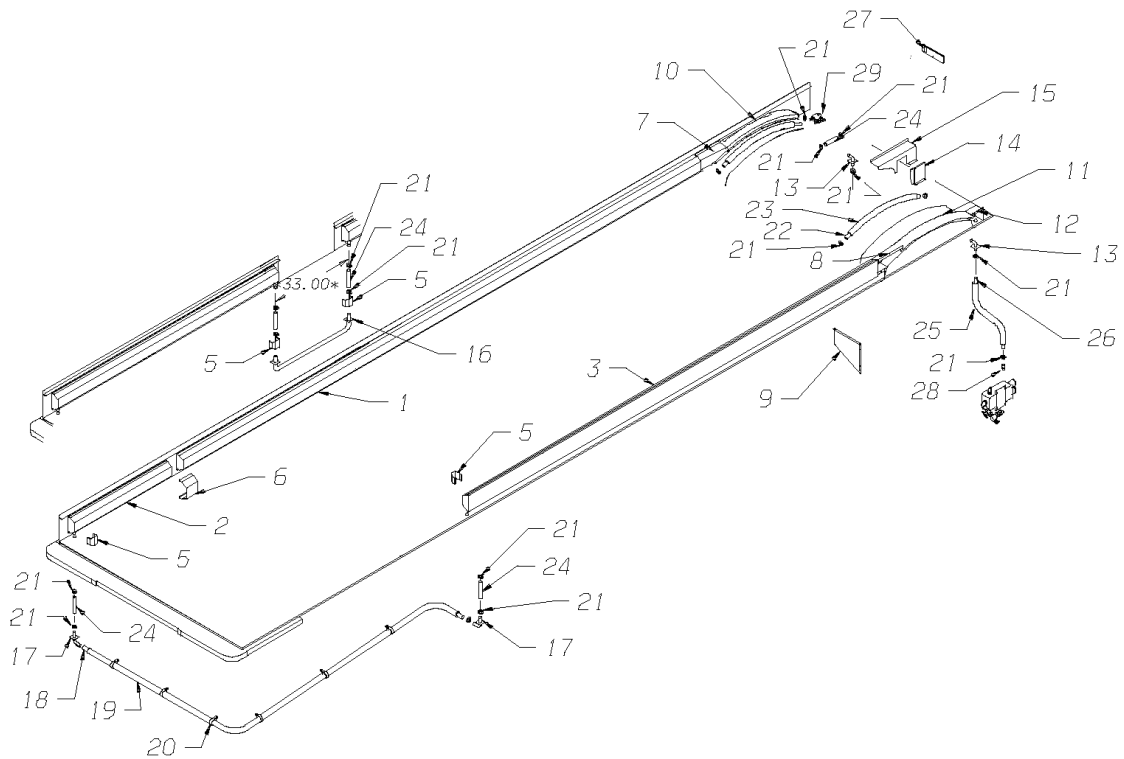
Models:

**A3FE
CONVECTION HEATING
KITS**

With Features:

**HOSE ROUTING FOR FLAT FLOOR UNITS
FEATURE 30059**

Key	PartNumber	Qty	Description	Comment
-----	------------	-----	-------------	---------



Models:

**A3FE
CONVECTION HEATING
KITS**

With Features:

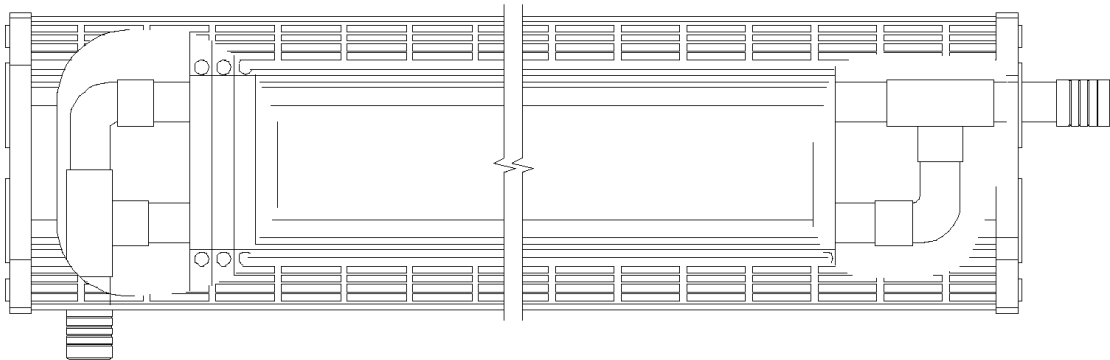
**HOSE ROUTING FOR FLAT FLOOR UNITS
FEATURE 30059**

Key	PartNumber	Qty	Description	Comment
7	0013365		COVER,WHEELHOUSING-CONVECTOR,HTR	
8	0013366		COVER,WHEELHOUSING-CONVECTOR,HTR	
9	0016823		SHIELD,HEATER HOSE,CONVECTION HEATING,	
10	0013360		COVER,WHEELHOUSING,HTR HOSE,LH,FRT,	
11	0013358		COVER,WHEELHOUSING,HTR HOSE,RH,FRT,	
12	1569623		COVER,HEATER PIPE,W/H,REAR,SED,PLY FLOOR	
13	0049139	2	CONNECTOR ASSY,HTR HOSE,BULKHEAD,45	
14	1407014		COVER,ACCESS,HOSE CLAMP,US HEATER,TCFC	
15	0001211		COVER,HEATER PIPE,FRT W/H,DRFL	
16	0049188		TUBE ASSY,HTR PPG,SED	
17	0013362	2	CONNECTOR ASSY,HTR HOSE,BULKHEAD,90	
18	2003317	AR	HOSE,HEATER,1 INCH BRAID,BLACK	
18	1143866	AR	HOSE,HEATER,1 INCH ID,SILICONE	
18	1250760	AR	HOSE,HEATER,1",GY HI MILER,BLUE W/WHT	
19	0020702	AR	INSULATION,ARMAFLEX,1-5/8 ID X 3/8 WALL	
20	1107937	6	CLAMP,LOOP,2.00	
21	2008522	17	CLAMP,1IN HOSE	
21	1894799	17	CLAMP,CONSTANT TORQUE,13/16 TO 1-1/2 DIA	
22	2003317	AR	HOSE,HEATER,1 INCH BRAID,BLACK	
22	1143866	AR	HOSE,HEATER,1 INCH ID,SILICONE	
22	1250760	AR	HOSE,HEATER,1",GY HI MILER,BLUE W/WHT	
23	0020702		INSULATION,ARMAFLEX,1-5/8 ID X 3/8 WALL	
24	2003317	AR	HOSE,HEATER,1 INCH BRAID,BLACK	
24	1143866	AR	HOSE,HEATER,1 INCH ID,SILICONE	
24	1250760	AR	HOSE,HEATER,1",GY HI MILER,BLUE W/WHT	
25	0020702		INSULATION,ARMAFLEX,1-5/8 ID X 3/8 WALL	
26	2003317	AR	HOSE,HEATER,1 INCH BRAID,BLACK	
26	1143866	AR	HOSE,HEATER,1 INCH ID,SILICONE	
26	1250760	AR	HOSE,HEATER,1",GY HI MILER,BLUE W/WHT	
27	0049444		SWITCH,HEATER,CONVECTION HEATING	
28	0315200		ADAPTER,HTR,3/4 PIPE X 1 HOSE	
29	0031247		ACTUATOR ASSY,WATER FLOW,1 ID HOSE	

Models: A1VC, A3FE, BBCV, B1VC, B2VC, C4RE, GMCV, SBCV, TCFE
CONVECTION HEATING

With Features: FEATURE 30059

Key	PartNumber	Qty	Description	Comment
-----	------------	-----	-------------	---------



Models: A1VC, A3FE, BBCV, B1VC, B2VC, C4RE, GMCV, SBCV, TCFE

**CONVECTION HEATING
TYPE 1**

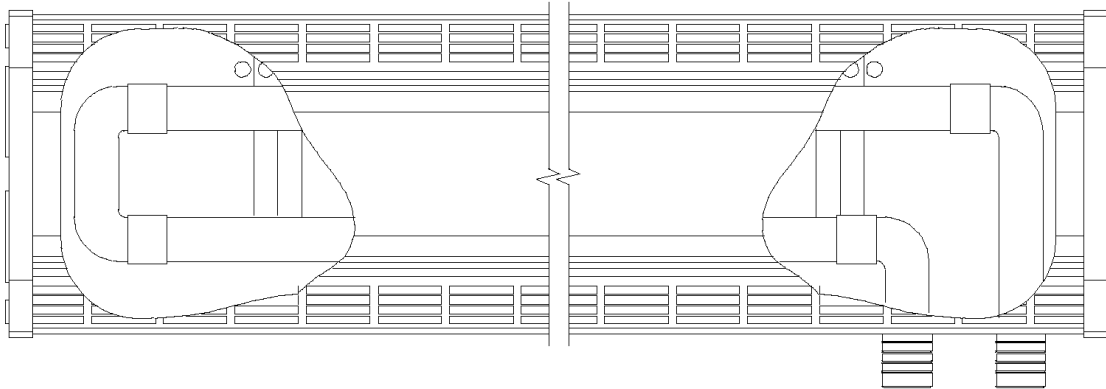
With Features: FEATURE 30059

Key	PartNumber	Qty	Description	Comment
			HEATER ASSEMBLY, CONVECTION TYPE 1	
	0013370		HEATER ASSY,CONVECTION,TYPE 1,56.10	
	0013354		HEATER ASSY,CONVECTION,TYPE 1,93.75	
	0013357		HEATER ASSY,CONVECTION,TYPE 1,100.75	
	0013377		HEATER ASSY,CONVECTION,TYPE 1,121.75	
	0048993		HEATER ASSY,CONVECTION,TYPE 1,79.50	
	0048994		HEATER ASSY,CONVECTION,TYPE 1,86.50	
	0048995		HEATER ASSY,CONVECTION,TYPE 1,107.50	
	0048997		HEATER ASSY,CONVECTION,TYPE 1,114.50	
	0048999		HEATER ASSY,CONVECTION,TYPE 1,121.50	
	0049102		HEATER ASSY,CONVECTION,TYPE 1,55.50	
	0049103		HEATER ASSY,CONVECTION,TYPE 1,83.50	
	0054454		HEATER ASSY,CONVECTION,TYPE 1,93.50	
	0054456		HEATER ASSY,CONVECTION,TYPE 1,142.50	
	0054457		HEATER ASSY,CONVECTION,TYPE 1,156.50	
	0054425		HEATER ASSY,CONVECTION,TYPE 1,177.50	
	0060165		HEATER ASSY,CONVECTION,TYPE 1,18.51	
	0060166		HEATER ASSY,CONVECTION,TYPE 1,101.75	

Models: A1VC, A3FE, BBCV, B1VC, B2VC, C4RE, GMCV, M4RE, SBCV, TCPE
CONVECTION HEATING

With Features: FEATURE 30059

Key	PartNumber	Qty	Description	Comment
-----	------------	-----	-------------	---------



Models: A1VC, A3FE, BBCV, B1VC, B2VC, C4RE, GMCV, M4RE, SBCV, TCPE

CONVECTION HEATING

TYPE 10

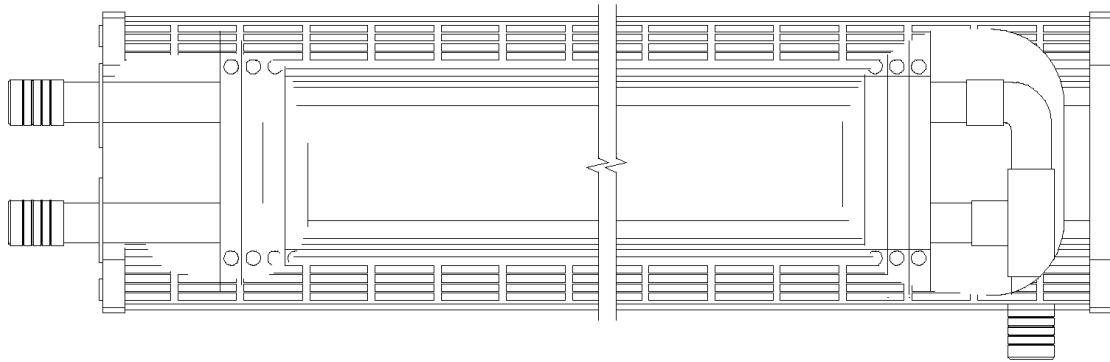
With Features: FEATURE 30059

Key	PartNumber	Qty	Description	Comment
			HEATER ASSEMBLY, CONVECTION TYPE 10	
	0054314		HEATER ASSY,CONVECTION,TYPE 10,47.17	
	0054026		HEATER ASSY,CONVECTION,TYPE 10,67.17	
	0039921		HEATER ASSY,CONVECTION,TYPE 10,104.15	
	0052926		HEATER ASSY,CONVECTION,TYPE 10,151.40	
	0068286		HEATER ASSY,CONVECTION,TYPE 10,149.00	
	0068287		HEATER ASSY,CONVECTION,TYPE 10,101.00	

Models: A1VC, A3FE, BBCV, B1VC, B2VC, C4RE, GMCV, SBCV, TCFE
CONVECTION HEATING

With Features: FEATURE 30059

Key	PartNumber	Qty	Description	Comment
-----	------------	-----	-------------	---------



Models: A1VC, A3FE, BBCV, B1VC, B2VC, C4RE, GMCV, SBCV, TCFE

**CONVECTION HEATING
TYPE 11**

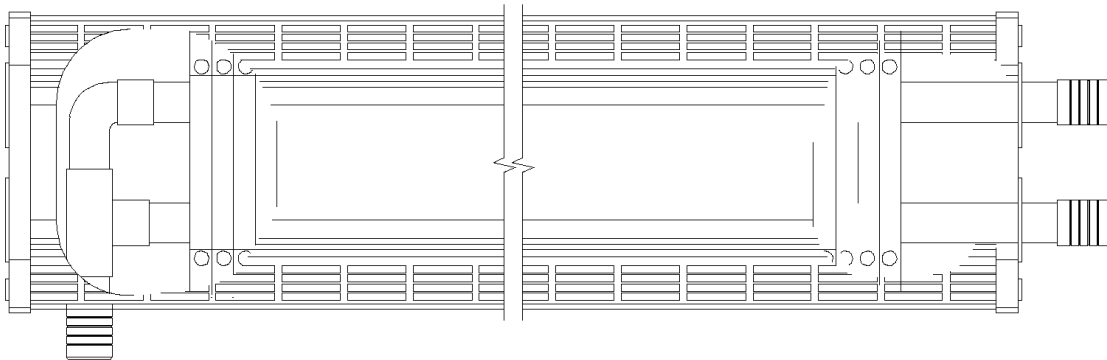
With Features: FEATURE 30059

Key	PartNumber	Qty	Description	Comment
			HEATER ASSEMBLY, CONVECTION TYPE 11	
	0049023		HEATER ASSY,CONVECTION,TYPE 11,100.50	
	0049024		HEATER ASSY,CONVECTION,TYPE 11,153.00	
	0049025		HEATER ASSY,CONVECTION,TYPE 11,181.00	
	0060170		HEATER ASSY,CONVECTION,TYPE 11,118.25	

Models: A1VC, A3FE, BBCV, B1VC, B2VC, C4RE, GMCV, SBCV, TCFE
CONVECTION HEATING

With Features: FEATURE 30059

Key	PartNumber	Qty	Description	Comment
-----	------------	-----	-------------	---------



Models: A1VC, A3FE, BBCV, B1VC, B2VC, C4RE, GMCV, SBCV, TCFE

**CONVECTION HEATING
TYPE 12**

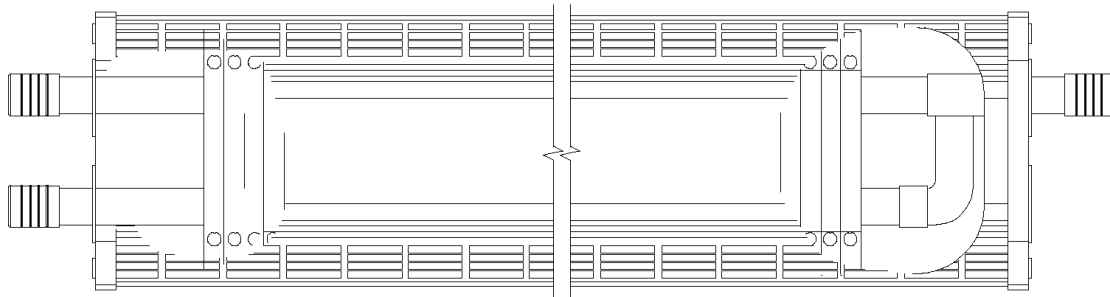
With Features: FEATURE 30059

Key	PartNumber	Qty	Description	Comment
			HEATER ASSEMBLY, CONVECTION TYPE 12	
	0049026		HEATER ASSY,CONVECTION,TYPE 12,119.00	
	0049027		HEATER ASSY,CONVECTION,TYPE 12,147.00	
	0049028		HEATER ASSY,CONVECTION,TYPE 12,175.00	
	0060171		HEATER ASSY,CONVECTION,TYPE 12,118.25	

Models: A1VC, A3FE, BBCV, B1VC, B2VC, C4RE, GMCV, SBCV, TCFE
CONVECTION HEATING

With Features: FEATURE 30059

Key	PartNumber	Qty	Description	Comment
-----	------------	-----	-------------	---------



Models: A1VC, A3FE, BBCV, B1VC, B2VC, C4RE, GMCV, SBCV, TCFE

**CONVECTION HEATING
TYPE 13**

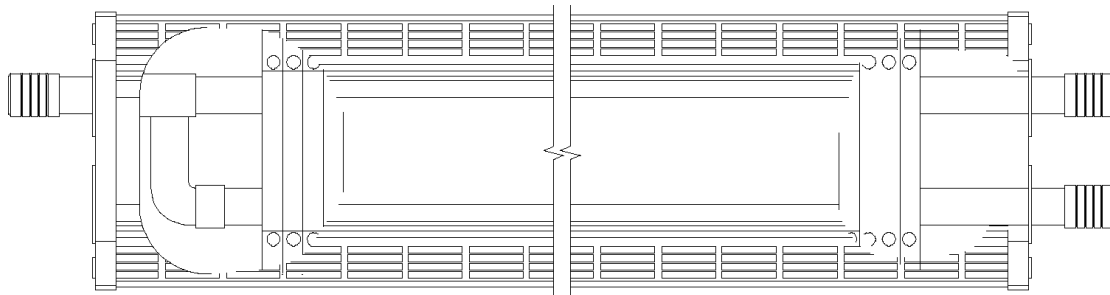
With Features: FEATURE 30059

Key	PartNumber	Qty	Description	Comment
			HEATER ASSEMBLY, CONVECTION TYPE 13	
	0049029		HEATER ASSY,CONVECTION,TYPE 13,97.00	
	0049030		HEATER ASSY,CONVECTION,TYPE 13,146.00	
	0060173		HEATER ASSY,CONVECTION,TYPE 13,102.00	

Models: A1VC, A3FE, BBCV, B1VC, B2VC, C4RE, GMCV, SBCV, TCFE
CONVECTION HEATING

With Features: FEATURE 30059

Key	PartNumber	Qty	Description	Comment
-----	------------	-----	-------------	---------



Models: A1VC, A3FE, BBCV, B1VC, B2VC, C4RE, GMCV, SBCV, TCFE

**CONVECTION HEATING
TYPE 14**

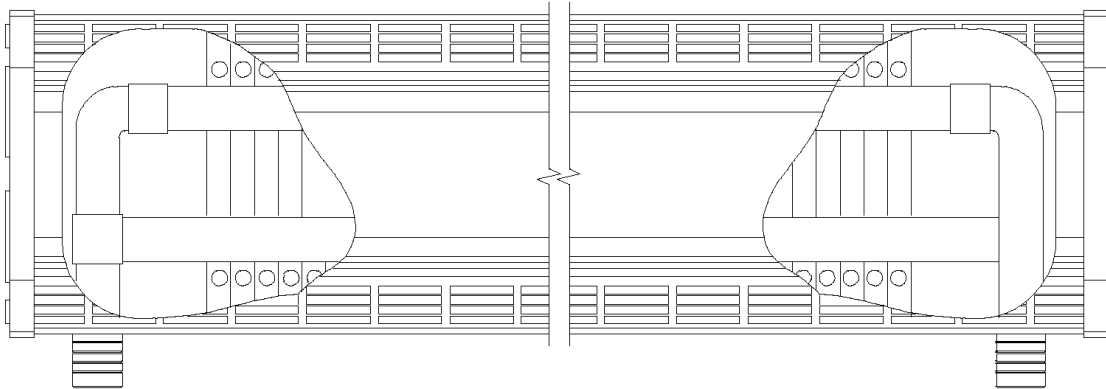
With Features: FEATURE 30059

Key	PartNumber	Qty	Description	Comment
			HEATER ASSEMBLY, CONVECTION TYPE 14	
	0049031		HEATER ASSY,CONVECTION,TYPE 14,97.00	
	0060174		HEATER ASY,CONVECTION,TYPE 14,102.00	

Models: A1VC, A3FE, BBCV, B1VC, B2VC, C4RE, GMCV, SBCV, TCFE
CONVECTION HEATING

With Features: FEATURE 30059

Key	PartNumber	Qty	Description	Comment
-----	------------	-----	-------------	---------



Models: A1VC, A3FE, BBCV, B1VC, B2VC, C4RE, GMCV, SBCV, TCFE

CONVECTION HEATING

TYPE 15

With Features: FEATURE 30059

Key	PartNumber	Qty	Description	Comment
			HEATER ASSEMBLY, CONVECTION TYPE 15	
	0049115		HEATER ASSY,CONVECTION,TYPE 15,134.50	
	0049116		HEATER ASSY,CONVECTION,TYPE 15,162.50	
	0060177		HEATER ASSY,CONVECTION,TYPE 15,146.48"	
	0060176		HEATER ASSY,CONVECTION,TYPE 15,90.48	
	0060178		HEATER ASSY,CONVECTION,TYPE 15,168.75	
	0060175		HEATER ASSY,CONVECTION,TYPE 15,23.48	

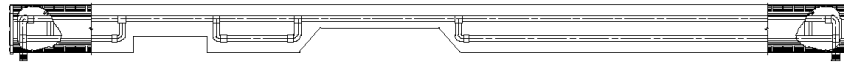
Models: A1VC, A3FE, BBCV, B1VC, B2VC, C4RE, GMCV, SBCV, TCFE

**CONVECTION HEATING
TYPE 16**

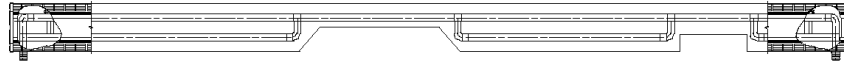
With Features: FEATURE 30059

Key	PartNumber	Qty	Description	Comment
-----	------------	-----	-------------	---------

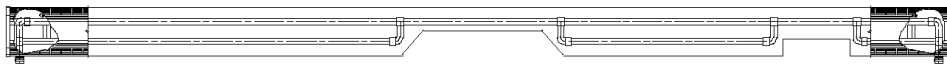
0054448 HEATER ASSY, CONVECTION, TYPE 16, 110, 14 FORD



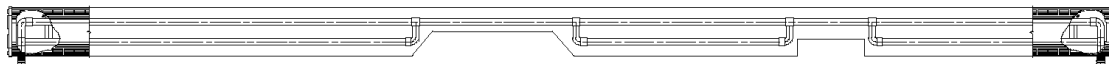
0054028 HEATER ASSY, CONVECTION, TYPE 16, 110, 14



0054199 HEATER ASSY, CONVECTION, TYPE 16, 124, 14



0049074 HEATER ASSY, CONVECTION, TYPE 16, 145, 14



Models: A1VC, A3FE, BBCV, B1VC, B2VC, C4RE, GMCV, SBCV, TCFE

CONVECTION HEATING

TYPE 16

With Features: FEATURE 30059

Key	PartNumber	Qty	Description	Comment
			HEATER ASSEMBLY, CONVECTION TYPE 16	
1	0054448		HEATER ASSY,CONVECTION,TYPE 16,110.14,	
2	0054028		HEATER ASSY,CONVECTION,TYPE 16,110.14	
3	0054199		HEATER ASSY,CONVECTION,TYPE 16,124.14	
4	0049074		HEATER ASSY,CONVECTION,TYPE 16,145.14	

Models: A1VC, A3FE, BBCV, B1VC, B2VC, C4RE, GMCV, SBCV, TCFE
CONVECTION HEATING

With Features: FEATURE 30059

Key	PartNumber	Qty	Description	Comment
-----	------------	-----	-------------	---------

0054024 HEATER ASSY, CONVECTION, TYPE 17, 116.43



0054193 HEATER ASSY, CONVECTION, TYPE 17, 130.43



0049075 HEATER ASSY, CONVECTION, TYPE 17, 151.43



Models: A1VC, A3FE, BBCV, B1VC, B2VC, C4RE, GMCV, SBCV, TCFE

**CONVECTION HEATING
TYPE 17**

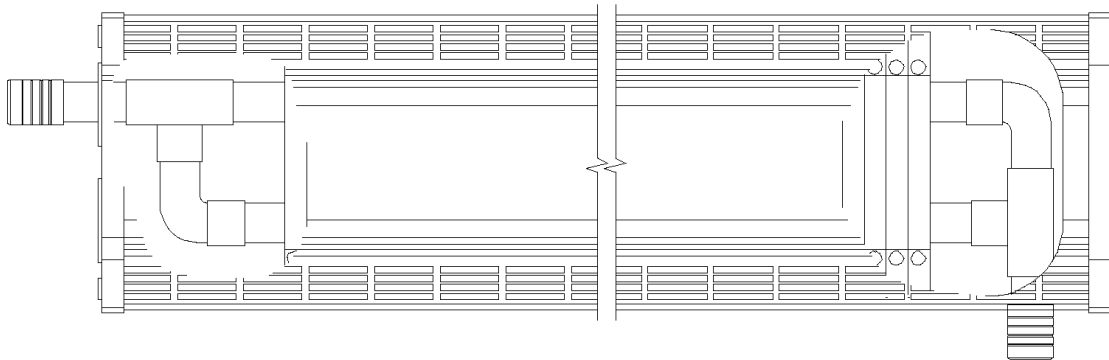
With Features: FEATURE 30059

Key	PartNumber	Qty	Description	Comment
			HEATER ASSEMBLY, CONVECTION TYPE 17	
	0054024		HEATER ASSY,CONVECTION,TYPE 17,116.43	
	0054193		HEATER ASSY,CONVECTION,TYPE 17,130.43	
	0049075		HEATER ASSY,CONVECTION,TYPE 17,151.43	

Models: A1VC, A3FE, BBCV, B1VC, B2VC, C4RE, GMCV, SBCV, TCFE
CONVECTION HEATING

With Features: FEATURE 30059

Key	PartNumber	Qty	Description	Comment
-----	------------	-----	-------------	---------



Models: A1VC, A3FE, BBCV, B1VC, B2VC, C4RE, GMCV, SBCV, TCFE

**CONVECTION HEATING
TYPE 2**

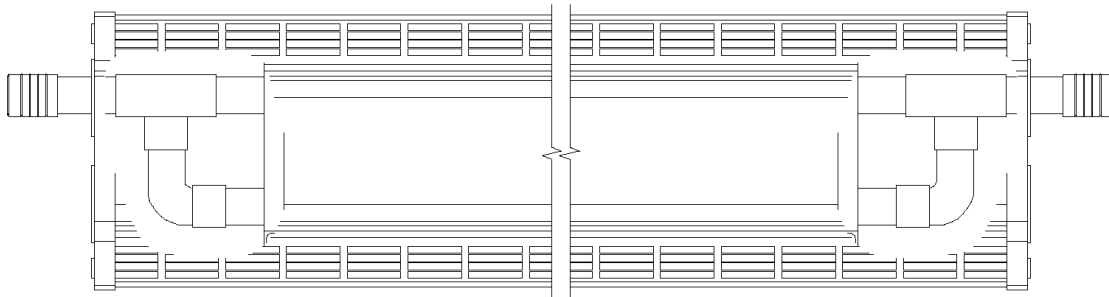
With Features: FEATURE 30059

Key	PartNumber	Qty	Description	Comment
			HEATER ASSEMBLY, CONVECTION TYPE 2	
	0013382		HEATER ASSY,CONVECTION,TYPE 2,158.50	
	0049032		HEATER ASSY,CONVECTION,TYPE 2,153.00	
	0049033		HEATER ASSY,CONVECTION,TYPE 2,181.00	
	0049232		HEATER ASSY,CONVECTION,TYPE 2,90.00	
	0049233		HEATER ASSY,CONVECTION,TYPE 2,118.00	
	0049234		HEATER ASSY,CONVECTION,TYPE 2,139.00	
	0049235		HEATER ASSY,CONVECTION,TYPE 2,160.00	
	0060167		HEATER ASSY,CONVECTION,TYPE 2,101.75	
	0060168		HEATER ASSY,CONVECTION,TYPE 2,168.75	

Models: A1VC, A3FE, BBCV, B1VC, B2VC, C4RE, GMCV, SBCV, TCFE
CONVECTION HEATING

With Features: FEATURE 30059

Key	PartNumber	Qty	Description	Comment
-----	------------	-----	-------------	---------



Models: A1VC, A3FE, BBCV, B1VC, B2VC, C4RE, GMCV, SBCV, TCFE

**CONVECTION HEATING
TYPE 3**

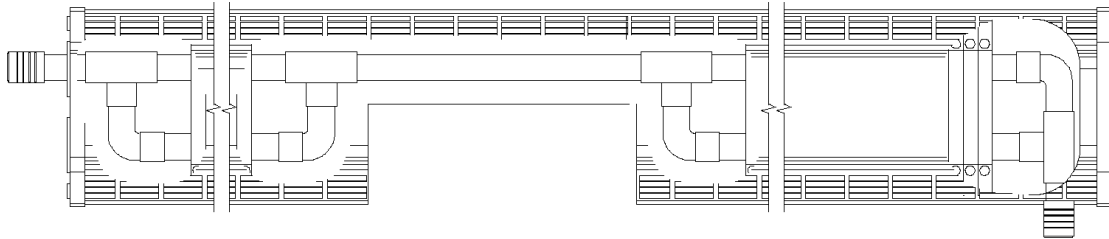
With Features: FEATURE 30059

Key	PartNumber	Qty	Description	Comment
			HEATER ASSEMBLY, CONVECTION TYPE 3	
	0013374		HEATER ASSY,CONVECTION,TYPE 3,165.40	
	0013376		HEATER ASSY,CONVECTION,TYPE 3,186.40	
	0049000		HEATER ASSY,CONVECTION,TYPE 3,90.00	
	0049001		HEATER ASSY,CONVECTION,TYPE 3,118.00	
	0049002		HEATER ASSY,CONVECTION,TYPE 3,139.00	
	0049003		HEATER ASSY,CONVECTION,TYPE 3,160.00	
	0049004		HEATER ASSY,CONVECTION,TYPE 3,181.00	
	0054426		HEATER ASSY,CONVECTION,TYPE 3,84.00	
	0054427		HEATER ASSY,CONVECTION,TYPE 3,112.00	
	0054428		HEATER ASSY,CONVECTION,TYPE 3,133.00	
	0054429		HEATER ASSY,CONVECTION,TYPE 3,147.00	
	0054430		HEATER ASSY,CONVECTION,TYPE 3,168.00	
	0060169		HEATER ASSY,CONVECTION,TYPE 3,41.81	

Models: A1VC, A3FE, BBCV, B1VC, B2VC, C4RE, GMCV, SBCV, TCFE
CONVECTION HEATING

With Features: FEATURE 30059

Key	PartNumber	Qty	Description	Comment
-----	------------	-----	-------------	---------



Models: A1VC, A3FE, BBCV, B1VC, B2VC, C4RE, GMCV, SBCV, TCFE

**CONVECTION HEATING
TYPE 4**

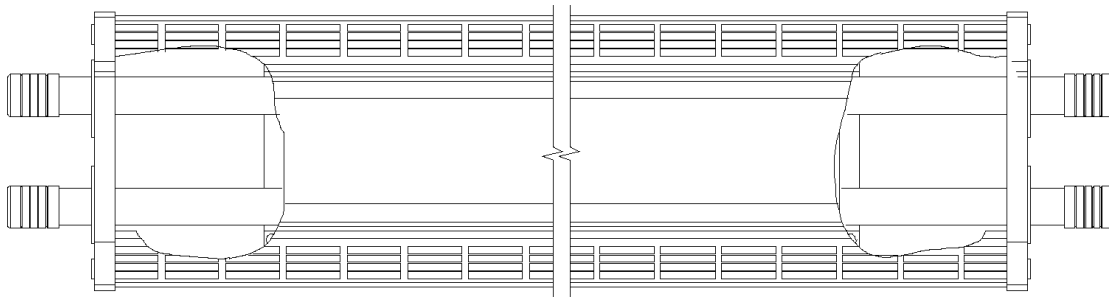
With Features: FEATURE 30059

Key	PartNumber	Qty	Description	Comment
			HEATER ASSEMBLY, CONVECTION TYPE 4	
	0013371		HEATER ASSY,CONVECTION,TYPE 4,93.75	
	0013372		HEATER ASSY,CONVECTION,TYPE 4,100.75	
	0013381		HEATER ASSY,CONVECTION,TYPE 4,121.75	
	0049005		HEATER ASSY,CONVECTION,TYPE 4,79.50	
	0049006		HEATER ASSY,CONVECTION,TYPE 4,86.50	
	0049007		HEATER ASSY,CONVECTION,TYPE 4,107.50	
	0049008		HEATER ASSY,CONVECTION,TYPE 4,114.50	
	0049009		HEATER ASSY,CONVECTION,TYPE 4,121.50	
	0059494		HEATER ASSY,CONVECTION,TYPE 4,93.50	

Models: A1VC, A3FE, BBCV, B1VC, B2VC, C4RE, GMCV, M4RE, SBCV, TCPE
CONVECTION HEATING

With Features: FEATURE 30059

Key	PartNumber	Qty	Description	Comment
-----	------------	-----	-------------	---------



Models: A1VC, A3FE, BBCV, B1VC, B2VC, C4RE, GMCV, M4RE, SBCV, TCPE

**CONVECTION HEATING
TYPE 5**

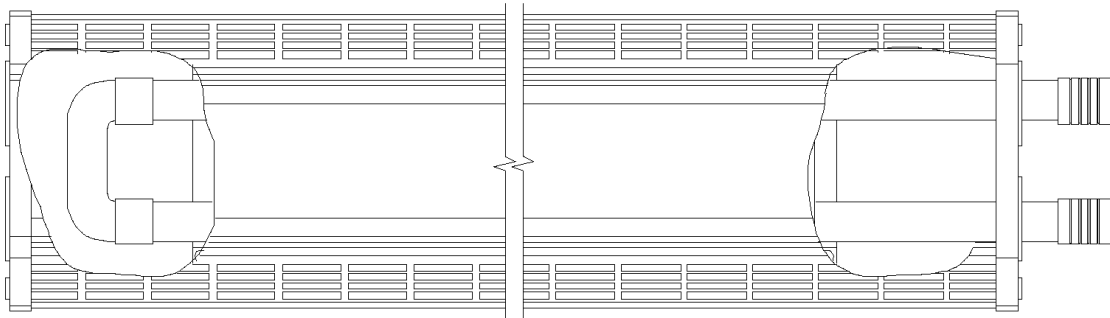
With Features: FEATURE 30059

Key	PartNumber	Qty	Description	Comment
			HEATER ASSEMBLY, CONVECTION TYPE 5	
	0028135		HEATER ASSY,CONVECTION,TYPE 5,65.75	
	0028136		HEATER ASSY,CONVECTION,TYPE 5,72.75	
	0029456		HEATER ASSY,CONVECTION,TYPE 5,86.75	
	0028137		HEATER ASSY,CONVECTION,TYPE 5,92.75	
	0028138		HEATER ASSY,CONVECTION,TYPE 5,106.25	
	0028139		HEATER ASSY,CONVECTION,TYPE 5,114.75	
	0028141		HEATER ASSY,CONVECTION,TYPE 5,128.75	
	0023643		HEATER ASSY,CONVECTION,TYPE 5,149.75	
	0018568		HEATER ASSY,CONVECTION,TYPE 5,156.75	
	0018574		HEATER ASSY,CONVECTION,TYPE 5,169.25	
	0023646		HEATER ASSY,CONVECTION,TYPE 5,170.75	
	0061426		HEATER ASSY,CONVECTION,TYPE 5,160.50	
	0061427		HEATER ASSY,CONVECTION,TYPE 5,185.00	

Models: A1VC, A3FE, BBCV, B1VC, B2VC, C4RE, GMCV, M4RE, SBCV, TCPE
CONVECTION HEATING

With Features: FEATURE 30059

Key	PartNumber	Qty	Description	Comment
-----	------------	-----	-------------	---------



Models: A1VC, A3FE, BBCV, B1VC, B2VC, C4RE, GMCV, M4RE, SBCV, TCPE

**CONVECTION HEATING
TYPE 6**

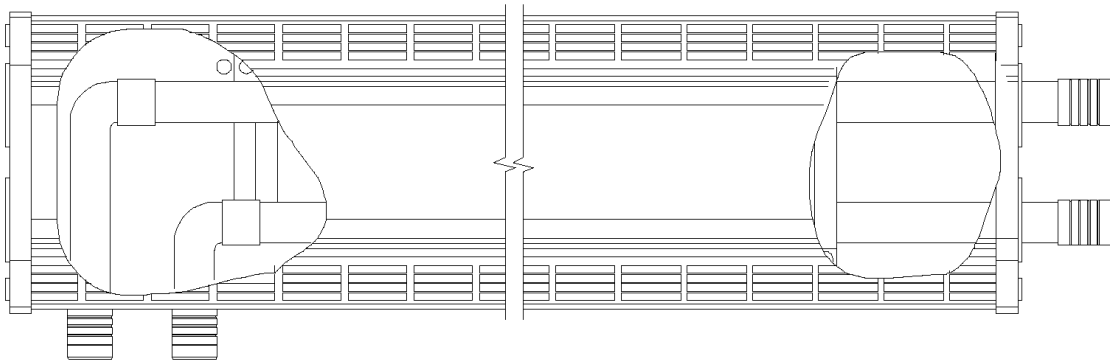
With Features: FEATURE 30059

Key	PartNumber	Qty	Description	Comment
			HEATER ASSEMBLY, CONVECTION TYPE 6	
	0028142		HEATER ASSY,CONVECTION,TYPE 6,74.25	
	0028143		HEATER ASSY,CONVECTION,TYPE 6,81.75	
	0029457		HEATER ASSY,CONVECTION,TYPE 6,95.25	
	0028144		HEATER ASSY,CONVECTION,TYPE 6,100.65	
	0028145		HEATER ASSY,CONVECTION,TYPE 6,114.75	
	0028146		HEATER ASSY,CONVECTION,TYPE 6,123.25	
	0028147		HEATER ASSY,CONVECTION,TYPE 6,137.25	
	0023644		HEATER ASSY,CONVECTION,TYPE 6,158.25	
	0018569		HEATER ASSY,CONVECTION,TYPE 6,165.25	
	0018575		HEATER ASSY,CONVECTION,TYPE 6,177.75	

Models: A1VC, A3FE, BBCV, B1VC, B2VC, C4RE, GMCV, M4RE, SBCV, TCPE
CONVECTION HEATING

With Features: FEATURE 30059

Key	PartNumber	Qty	Description	Comment
-----	------------	-----	-------------	---------



Models: A1VC, A3FE, BBCV, B1VC, B2VC, C4RE, GMCV, M4RE, SBCV, TCPE

**CONVECTION HEATING
TYPE 7**

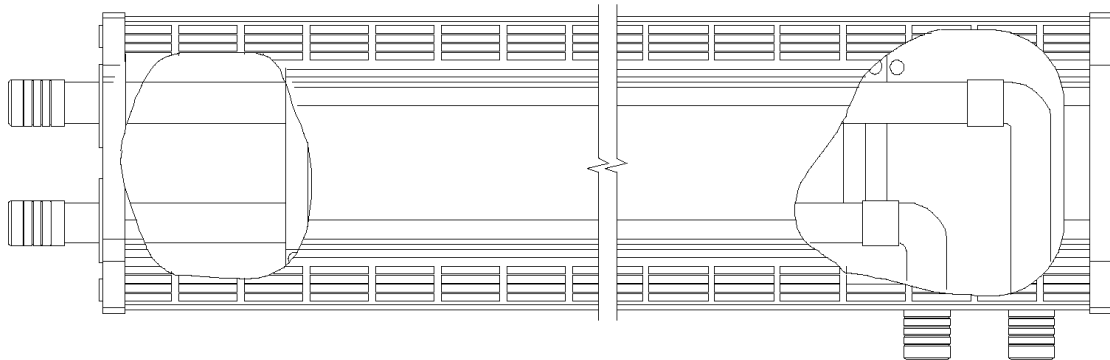
With Features: FEATURE 30059

Key	PartNumber	Qty	Description	Comment
			HEATER ASSEMBLY, CONVECTION TYPE 7	
	0028148		HEATER ASSY,CONVECTION,TYPE 7,44.25	
	0028149		HEATER ASSY,CONVECTION,TYPE 7,51.25	
	0028150		HEATER ASSY,CONVECTION,TYPE 7,66.75	
	0028151		HEATER ASSY,CONVECTION,TYPE 7,79.25	
	0028152		HEATER ASSY,CONVECTION,TYPE 7,80.50	
	0029459		HEATER ASSY,CONVECTION,TYPE 7,89.25	
	0023632		HEATER ASSY,CONVECTION,TYPE 7,93.25	
	0023638		HEATER ASSY,CONVECTION,TYPE 7,100.25	
	0023649		HEATER ASSY,CONVECTION,TYPE 7,107.25	
	0018570		HEATER ASSY,CONVECTION,TYPE 7,108.75	
	0023654		HEATER ASSY,CONVECTION,TYPE 7,114.25	
	0018573		HEATER ASSY,CONVECTION,TYPE 7,115.75	
	0068288		HEATER ASSY,CONVECTION,TYPE 7,129.50	
	0068289		HEATER ASSY,CONVECTION,TYPE 7,153.50	

Models: A1VC, A3FE, BBCV, B1VC, B2VC, C4RE, GMCV, SBCV, TCFE
CONVECTION HEATING

With Features: FEATURE 30059

Key	PartNumber	Qty	Description	Comment
-----	------------	-----	-------------	---------



Models: A1VC, A3FE, BBCV, B1VC, B2VC, C4RE, GMCV, SBCV, TCFE

**CONVECTION HEATING
TYPE 8**

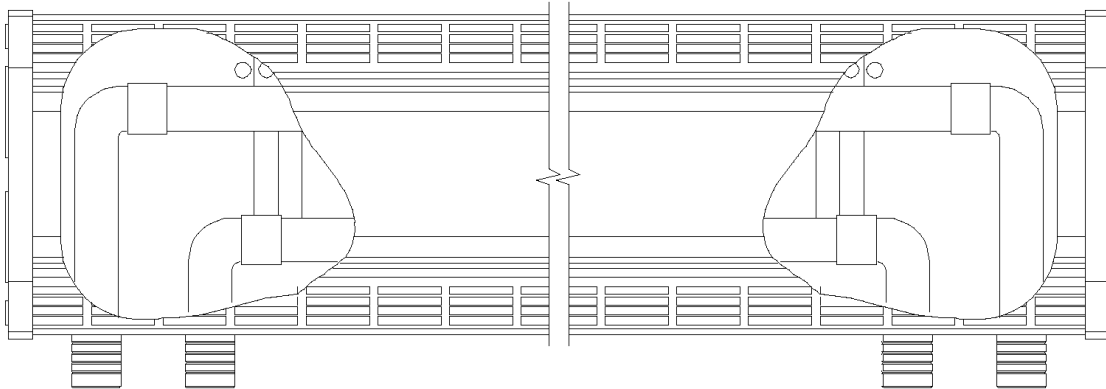
With Features: FEATURE 30059

Key	PartNumber	Qty	Description	Comment
			HEATER ASSEMBLY, CONVECTION TYPE 8	
	0028153		HEATER ASSY,CONVECTION,TYPE 8,44.25	
	0028154		HEATER ASSY,CONVECTION,TYPE 8,51.25	
	0028155		HEATER ASSY,CONVECTION,TYPE 8,66.75	
	0028156		HEATER ASSY,CONVECTION,TYPE 8,79.25	
	0028157		HEATER ASSY,CONVECTION,TYPE 8,80.50	
	0023634		HEATER ASSY,CONVECTION,TYPE 8,93.25	
	0023640		HEATER ASSY,CONVECTION,TYPE 8,100.25	
	0023650		HEATER ASSY,CONVECTION,TYPE 8,107.25	
	0023650		HEATER ASSY,CONVECTION,TYPE 8,107.25	
	0018577		HEATER ASSY,CONVECTION,TYPE 8,108.75	
	0023657		HEATER ASSY,CONVECTION,TYPE 8,114.25	
	0018576		HEATER ASSY,CONVECTION,TYPE 8,115.75	

Models: A1VC, A3FE, BBCV, B1VC, B2VC, C4RE, GMCV, SBCV, TCFE
CONVECTION HEATING

With Features: FEATURE 30059

Key	PartNumber	Qty	Description	Comment
-----	------------	-----	-------------	---------



Models: A1VC, A3FE, BBCV, B1VC, B2VC, C4RE, GMCV, SBCV, TCFE

**CONVECTION HEATING
TYPE 9**

With Features: FEATURE 30059

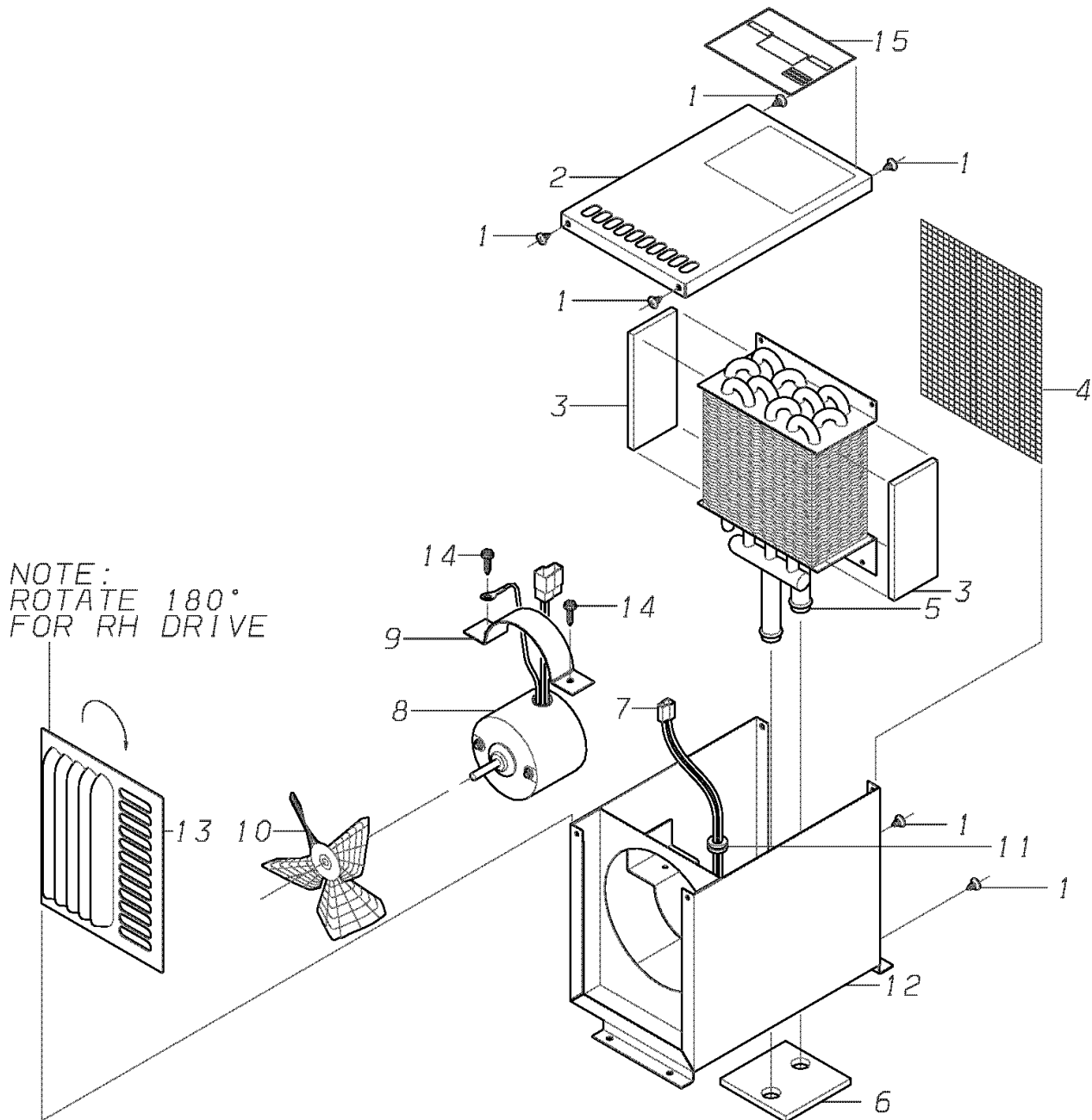
Key	PartNumber	Qty	Description	Comment
			HEATER ASSEMBLY, CONVECTION TYPE 9	
	0029461		HEATER ASSY,CONVECTION,TYPE 9,79.50	
	0026452		HEATER ASSY,CONVECTION,TYPE 9,72.50	
	0026984		HEATER ASSY,CONVECTION,TYPE 9,65.86	
	0026987		HEATER ASSY,CONVECTION,TYPE 9,58.86	
	0026989		HEATER ASSY,CONVECTION,TYPE 9,51.86	
	0028158		HEATER ASSY,CONVECTION,TYPE 9,4.86	
	0039917		HEATER ASSY,CONVECTION,TYPE 9,97.88	
	0038427		HEATER ASSY,CONVECTION,TYPE 9,86.50	

Models: A3FE, A3RE, C1FE, C3FE, C4RE, CSFE, CSRE, QBRE, TCEV, TCPE, TCRE, TSPE
DRIVER'S HEATER
 BSN: From BSN 182348

Key	PartNumber	Qty	Description	Comment
-----	------------	-----	-------------	---------

DR.1/16/95 BY DB		1654482A	
APP.1/16/95 BY AB	FRT		REV

© BLUE BIRD BODY COMPANY. ALL RIGHTS RESERVED



Models: A3FE, A3RE, C1FE, C3FE, C4RE, CSFE, CSRE, QBRE, TCEV, TCPE, TCRE, TSFE
DRIVER'S HEATER
BSN: From BSN 182348

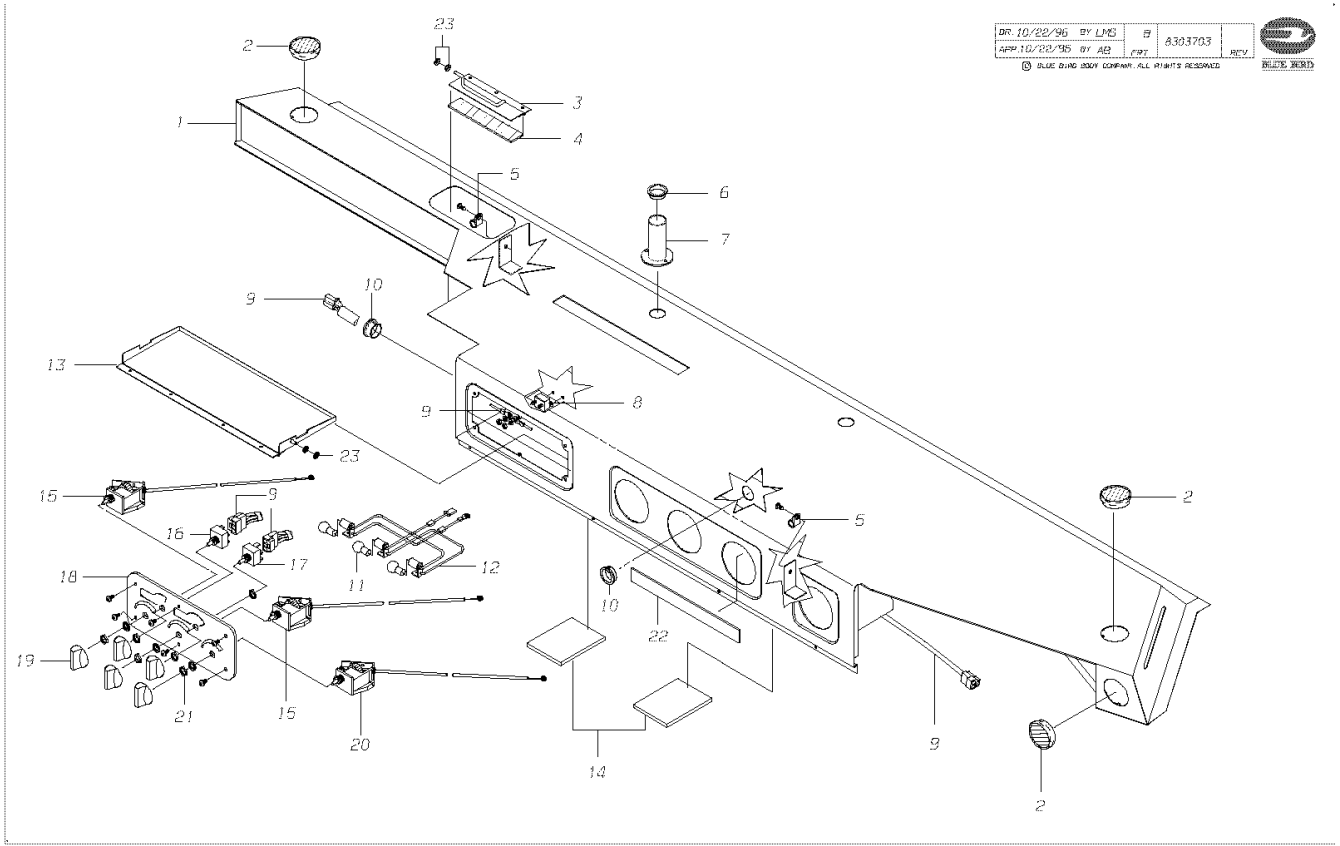
Key	PartNumber	Qty	Description	Comment
1	2186401	6	SCREW,10-16 X 1/2,AB,PH1,PAN HD,YEL ZN	
2	1444025		PANEL,TOP,DRIVERS HEATER, TCFC	
3	1438506	2	SEAL,DRIVERS HEATER COIL,SIDE	
4	1438100		SCREEN,END,DRIVERS HEATER	
5	1438118		COIL,DRIVERS HEATER,2.50 X 5.00 X 7.00	
6	1438175		SEAL,DRIVERS HEATER COIL,TUBES	
7	1656370		HARNASS,WRG,HEATER,DRIVERS,TCFC/RE	
8	1438480		MOTOR ASSY,W/TERMINAL PLUG,DRIVERS	
9	1450717		CLAMP,MOTOR MOUNT,DRIVERS HEATER	
10	1438126		FAN,5.00 IN HEATER,METAL,4 BLADE	
11	2003168		GROMMET,RUBBER	
12	1438191		HOUSING ASSY,DRIVERS HEATER	
13	1443480		PANEL,OUTLET,DRIVERS HEATER,TCFC	
14	1285923	2	SCREW,10-16 X 3/4,AB/B,PH1,HEX HD,	
15	1501535		PLATE,HEATER NAME,12M BTU	


Models: A3FE, A3RE, C1FE, CSFE, CSRE, TCFE, TCRE, TSFE

**FRONT HEATER
HEATER ASSY
CONTROLS AND SWITCHES**

BSN: From *(BSN 0001263, 0260163, 0022484, 0191751, 0373871)
To BSN B10035319, F10020224, L10032854, M10041329, 10009289

Key	PartNumber	Qty	Description	Comment
-----	------------	-----	-------------	---------



DR. 10/22/96	BY LMS	#	A303703	 <small>BLUE BIRD BODY COMPANY ALL RIGHTS RESERVED</small>
APP. 10/20/95	BY AEB	REV		

Models: A3FE, A3RE, C1FE, CSFE, CSRE, TCFE, TCRE, TSFE
FRONT HEATER
HEATER ASSY
CONTROLS AND SWITCHES

BSN: From *(BSN 0001263, 0260163, 0022484, 0191751, 0373871)
 To BSN B10035319, F10020224, L10032854, M10041329, 10009289

Key	PartNumber	Qty	Description	Comment
1			WELDMONT-DUCT	
2	8303091		LOUVER, TC HEATER"	
3			WELDMONT- DRIVER DOOR	
4			URETHANE	
5	4316790		CLAMP, CABLE HTR.	
6			BUSHING	
7			BUSHING	
8	8303109		BREAKER, 10-AMP TC HEATER"	
9	8304081		HARNESS, WIRE KYSOR 222858"	
9	8304099		HARNESS, WIRE KYSOR 222860"	<i>WITHOUT DR. SWITCH</i>
10			BUSHING, SNAP	
11	8303117		LAMP, 12V HEATER	
12	8303125		SOCKET, WIRE TC HEATER"	
13			WELDMONT- DOOR HEAT	
14			PAD-NEOPRENE	
15	8303133		CONTROL CABLE ASSY. 42"" TC HEATER"	
16	8303141		SWITCH, 2-SPEED TC HEATER"	
17	4320925		SWITCH,FAN,HEATER,CONV"	
NI	1838499		CONNECTOR,5 CIRC,SWITCH	
18	0007545		PLATE,PLASTIC,FRESH AIR DOOR W/SWITCH	
18	0007546		PLATE,PLASTIC,FRESH AIR DOOR W/O SWITCH	
19	8303158		KNOB, TC HEATER PANEL"	
20	8303166		CONTROL CABLE ASSY. 63"" TC HEATER"	
21	4316774		NUT, SWITCH LH FRT HTR.	
22			FOAM	
23	4316477		NUT, CABLE END	
NI			FOR HEATER ASSY 1913763 AND 0003017	

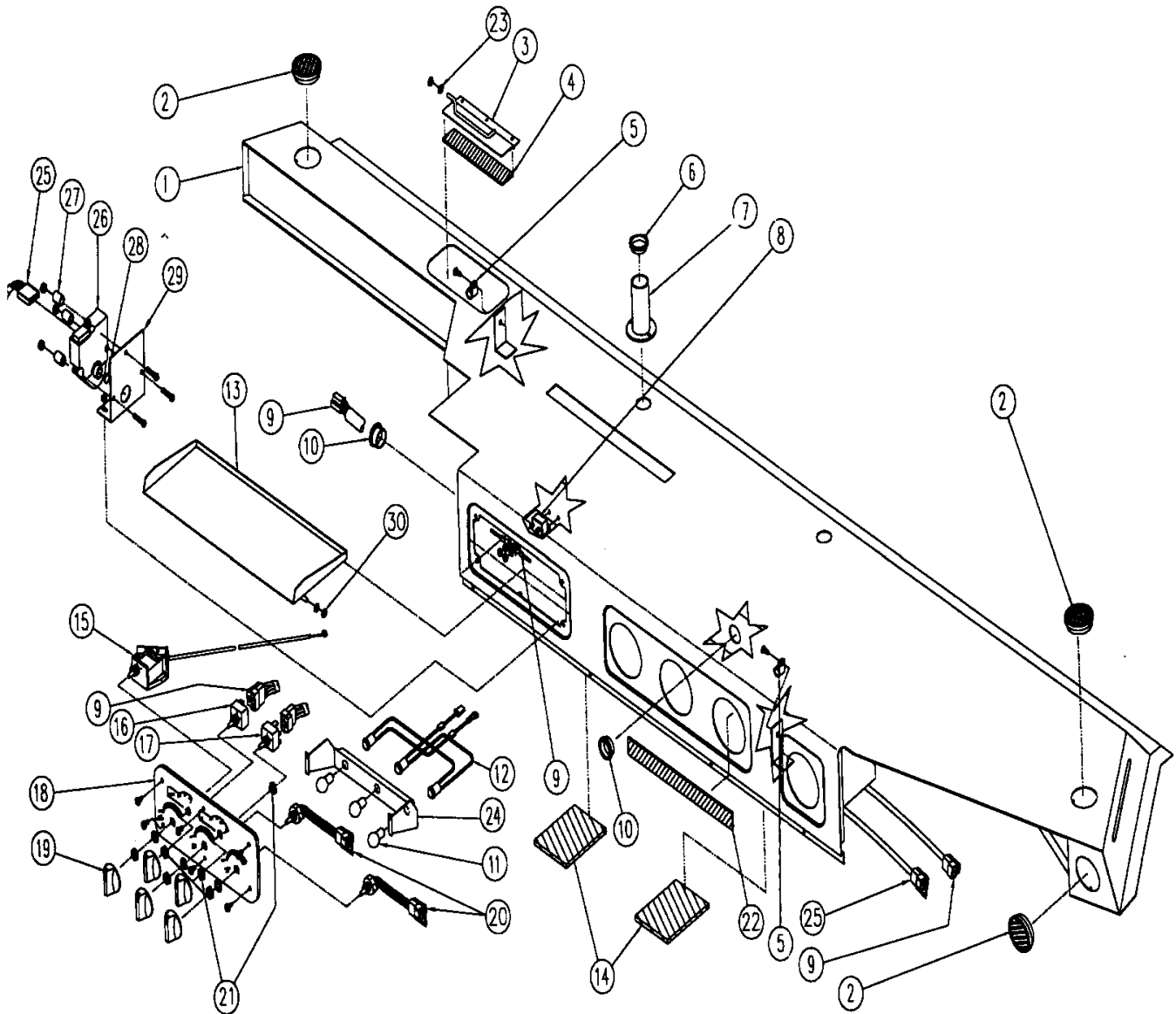
Models: A3FE, A3RE, C1FE, C3FE, CSFE, CSRE, TCFE, TCRE, TSFE

FRONT HEATER
HEATER ASSY
CONTROLS AND SWITCHES

BSN: From BSN B10035320, F10020225, L10032855, M10041330, X10009290

Key	PartNumber	Qty	Description	Comment
-----	------------	-----	-------------	---------

1749372



Models: A3FE, A3RE, C1FE, C3FE, CSFE, CSRE, TCFE, TCRE, TSFE

**FRONT HEATER
HEATER ASSY
CONTROLS AND SWITCHES**

BSN: From BSN B10035320, F10020225, L10032855, M10041330, X10009290

Key	PartNumber	Qty	Description	Comment
1			WELDMONT-DUCT	
2	8303091		LOUVER, TC HEATER"	
3			WELDMONT- DRIVER DOOR	
4			URETHANE	
5	4316790		CLAMP, CABLE HTR.	
6			BUSHING	
7			BUSHING	
8	8303109		BREAKER, 10-AMP TC HEATER"	
9	0021266		HARNES, WIRE W/DOOR SWITCH 222989	SEE NOTE AT BOTTOM OF PAGE)
9	0021267		HARNES, WIRE W/O DOOR SWITCH 222988	WITHOUT DR. SWITCH
10			BUSHING, SNAP	
11	8303117		LAMP, 12V HEATER	
12			SOCKET- WIRE	
13			WELDMONT- DOOR HEAT	
14			PAD-NEOPRENE	
15	8303133		CONTROL CABLE ASSY. 42"" TC HEATER"	SEE NOTE AT BOTTOM OF PAGE
16	8303141		SWITCH, 2-SPEED TC HEATER"	SEE NOTE AT BOTTOM OF PAGE
17	4320925		SWITCH,FAN,HEATER,CONV"	SEE NOTE AT BOTTOM OF PAGE
NI	1838499		CONNECTOR,5 CIRC,SWITCH	
18	0021268		PLATE, W/DR SWITCH 360890 KYSOR	SEE NOTE AT BOTTOM OF PAGE)
18	0021269		PLATE W/O DR SWITCH 360891 KYSOR	SEE NOTE AT BOTTOM OF PAGE)
19	8303158		KNOB, TC HEATER PANEL"	SEE NOTE AT BOTTOM OF PAGE
20	0016333		SWITCH ASSY,AIR CONTROL ACTUATOR	SEE NOTE AT BOTTOM OF PAGE
21	4316774		NUT, SWITCH LH FRT HTR.	SEE NOTE AT BOTTOM OF PAGE
22			FOAM	
23	4316477		NUT, CABLE END	
24			BRACKET - LIGHT	
25	0021270		ACTUATOR 274327 KYSOR	
26	0010591		MOTOR ACTUATOR,RED,KYSOR #274327	
27			SPACER	
28			PLUG - (D) - 45 DEG.	
29			BRACKET - MTG.	
30			WASHER - NYLON	


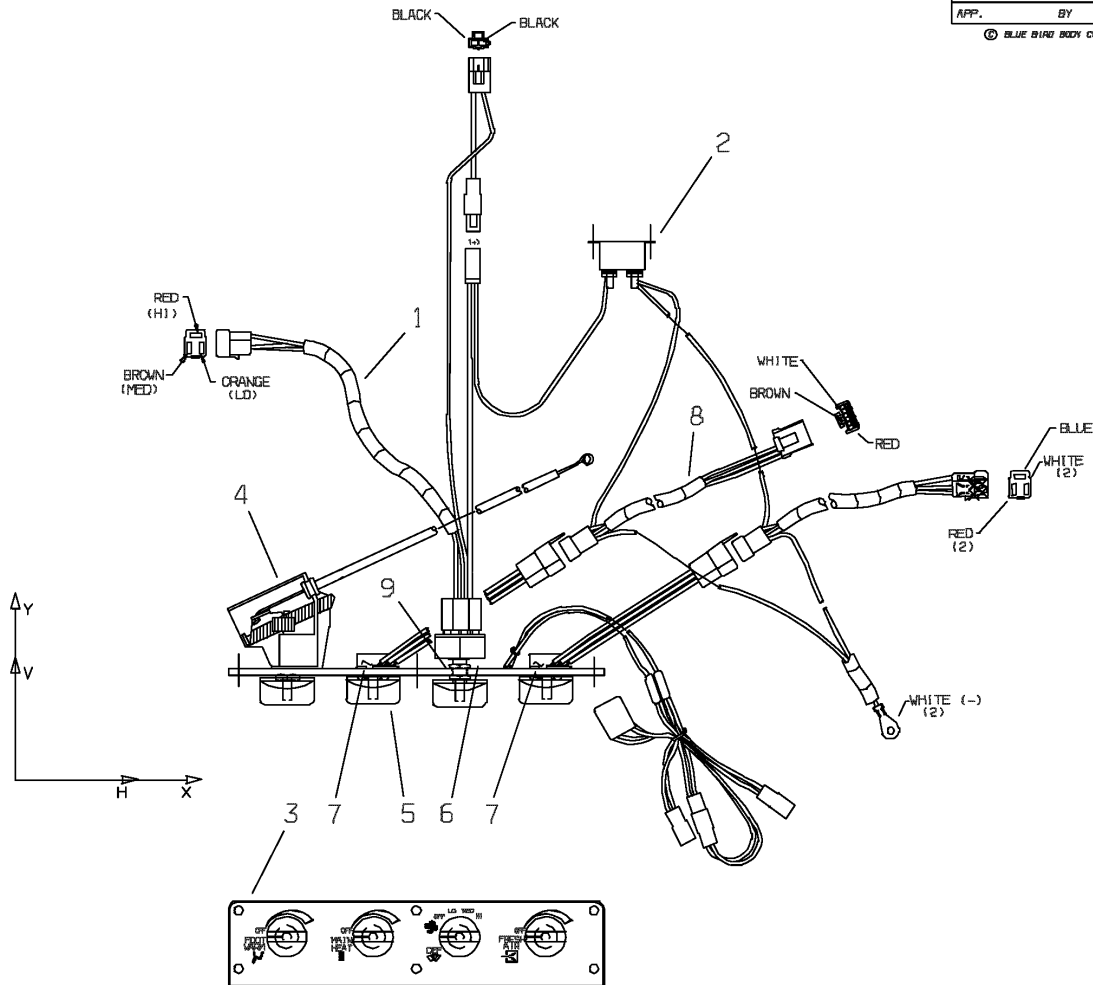
Models: A3FE, A3RE, C1FE, C3FE, CSFE, CSRE, TCFE, TCRE, TSFE
FRONT HEATER
HEATER ASSY
CONTROLS AND SWITCHES
CONTROL PANEL ASSEMBLY
BSN: From BSN F10064340, F10035825, F20035860, L10059260, M10074850 1-22

-01

Key	PartNumber	Qty	Description	Comment
-----	------------	-----	-------------	---------

DR. 04-10-01	BY MC	2502631	
APP.	BY	FRT	REV

© BLUE BIRD BODY COMPANY. ALL RIGHTS RESERVED

Models: A3FE, A3RE, C1FE, C3FE, CSFE, CSRE, TCFE, TCRE, TSFE
FRONT HEATER
HEATER ASSY
CONTROLS AND SWITCHES
CONTROL PANEL ASSEMBLY

BSN: From BSN F10064340, F10035825, F20035860, L10059260, M10074850 1-22

-01

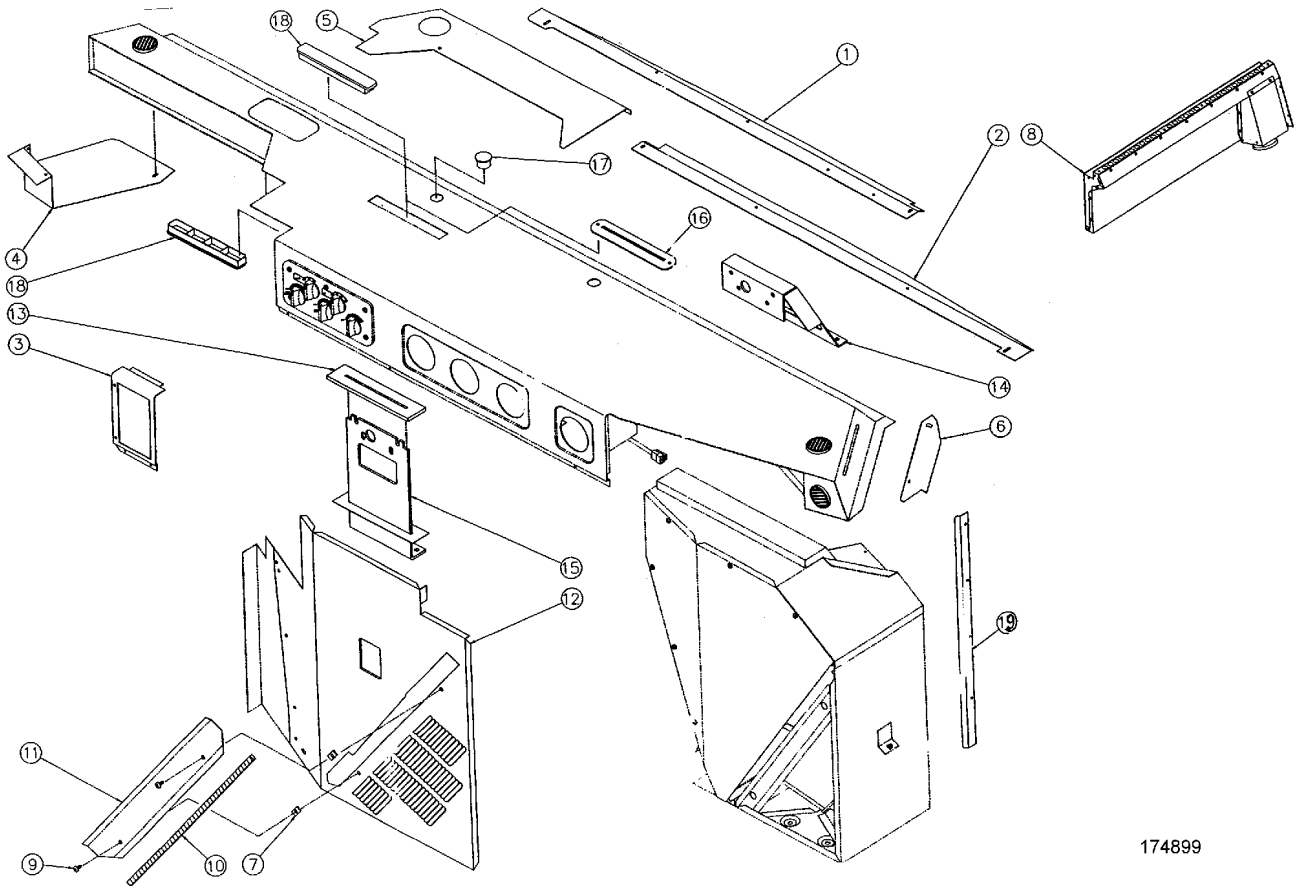
Key	PartNumber	Qty	Description	Comment
	0037588		CONTROL ASSY, TRANSIT 250263	<i>CONSISTS OF THE FOLLOWING</i>
1	0038984		HARNESS,FRT HTR,KYSOR CONTROL PANEL	
2	8303109		BREAKER, 10-AMP TC HEATER"	
3	0038985		PLATE,SWITCH, FRT HTR KYSOR CONTROL	
4	0038986		CONTROL CABLE 42IN, FRT HTR, KYSOR	
5	0031531		KNOB,TEMPERATURE CONTROL,HEATER WATER	
6	0037788		SWITCH, BLOWER, FAN, 4 POSITION, CV	
7	0016333		SWITCH ASSY,AIR CONTROL ACTUATOR	
8	0038989		HARNESS,ACTUATOR KYSOR CONTROL PANEL	
9	4316774		NUT, SWITCH LH FRT HTR.	

Models: A3FE, A3RE, C1FE, CSFE, CSRE, TCFE, TCRE, TSFE

**FRONT HEATER
HEATER ASSY
DASH PANELS AND TRIM**

BSN: From *(BSN 0191751, 0022484, 0373871, 0260163, 0001263)
To BSN B10035319, F10020224, L10032854, M10041329, 10009289

Key	PartNumber	Qty	Description	Comment
-----	------------	-----	-------------	---------



174899

Models: A3FE, A3RE, C1FE, CSFE, CSRE, TCFE, TCRE, TSFE
FRONT HEATER
HEATER ASSY
DASH PANELS AND TRIM
BSN: From *(BSN 0191751, 0022484, 0373871, 0260163, 0001263)
 To BSN B10035319, F10020224, L10032854, M10041329, 10009289

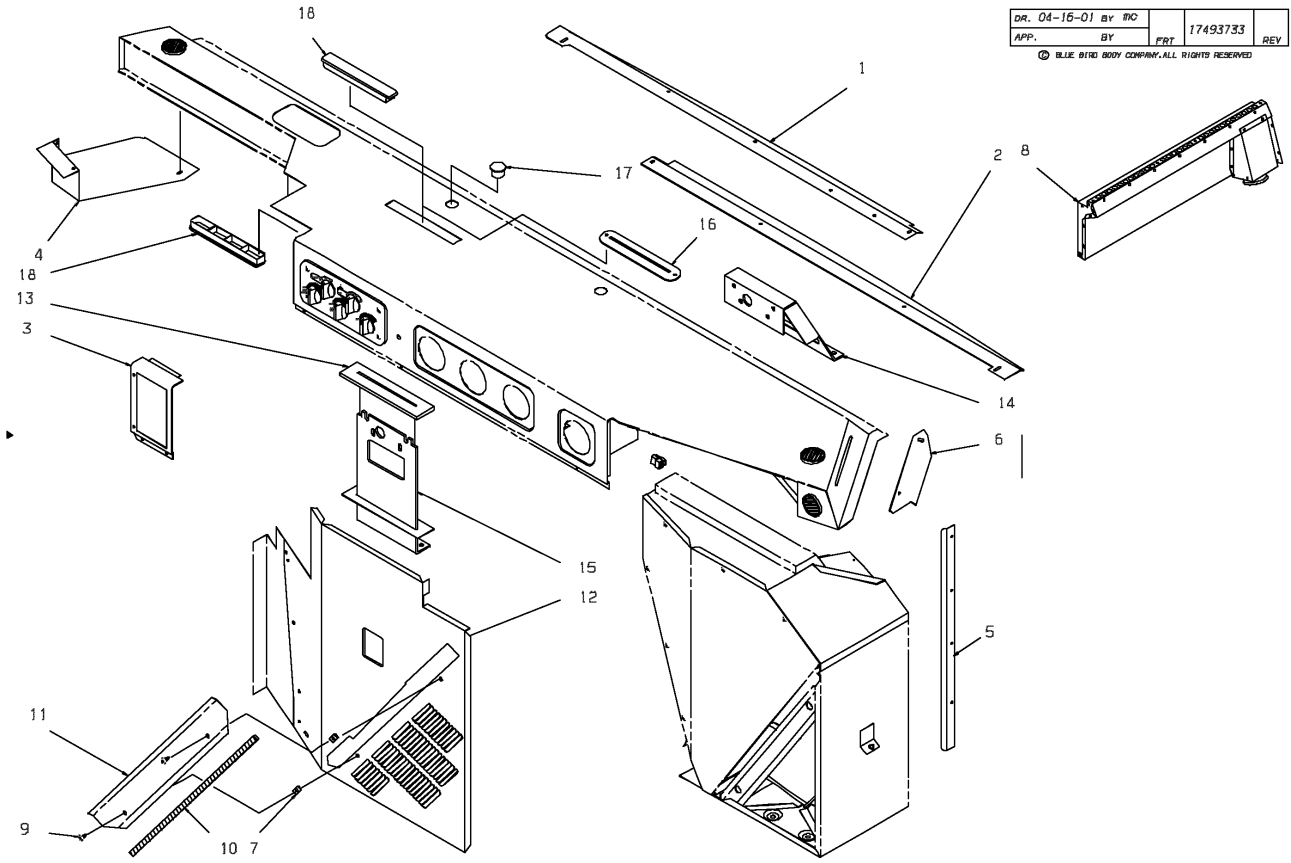
Key	PartNumber	Qty	Description	Comment
1			TRIM, LH BELT	
2			TRIM, RH BELT	
3			PANEL, FRONT DASH	
4			TRIM, LH FRONT	
5			PANEL, DASH	
6			PLATE, COVER RH	
7	0035469		NUT-SPEED, KYSOR 290241, FRT HTR	
8			ASSEMBLY, DUCT SIDE	
9	0035467		FASTENER, KYSOR 290378, FRT HTR	
10	4316550		RUBBER, .25 X .50 HEATER CV KYSOR	
11			COVER, FILTER	
12			PANEL - INTERIOR	
13			SEAL, DOOR	
14			BRKT, FRONT MAN. DOOR	
15			BRKT, WLDT MAN. DOOR	
16			PLATE, COVER	
17	0022751		PLUG,BUTTON,1" OD HOLE 1914134	
18	0022752		PLUG,QB LONG HOLE 1914134	
19	0031090		ANGLE,FRONT CORNER HEATER TC2000	
			KITS AS FOLLOWS	
A	1914142		KIT,DASH & HEATER COVER,CSRE	CONTAINS ITEMS 4,5,6,7,9,10,11,12 TCRE, CSRE
B	1914134		KIT,DUCT CLOSURE FOR PWR DOOR CTRLS	CONTAINS ITEMS 17 & 18
C	1914126		KIT,MANUAL DOOR CONTROL BRACKETS,	CONTAINS ITEMS 13,14,15,16
D	1913862		KIT,DASH & HEATER COVER,TCFE	CONTAINS ITEMS 4,5,6,7,9,10,11,12, TCFE, CSFE, TSFE, C1FE
E	1913847		KIT,TRIM,DASH W/PUSH BUTTON SHIFTER,2CF	CONTAINS ITEMS 1 AND 2
F	1913821		KIT,TRIM,DASH W/STD AUTOMATIC TRANS	CONTAINS ITEMS 1,2, AND 3
G	0006768		KIT, FRONT HEATER COVER, A3	CONTAINS ITEMS 4,5,6,7,9,10,11, & 12
NI			FOR HEATER ASSY 0003017 AND 1913763	

Models: A3FE, A3RE, C1FE, C3FE, CSFE, CSRE, TCFE, TCRE, TSFE

**FRONT HEATER
HEATER ASSY
DASH PANELS AND TRIM**


BSN: From BSN B10035320, F10020225, L10032855, M10041330, X10009290

Key	PartNumber	Qty	Description	Comment
-----	------------	-----	-------------	---------



DR. 04-16-01	BY: JIC	17493733	REV
APP.	BY	PRT	REV

© BLUE BIRD BODY COMPANY, ALL RIGHTS RESERVED



Models: A3FE, A3RE, C1FE, C3FE, CSFE, CSRE, TCFE, TCRE, TSFE

**FRONT HEATER
HEATER ASSY
DASH PANELS AND TRIM**

BSN: From BSN B10035320, F10020225, L10032855, M10041330, X10009290

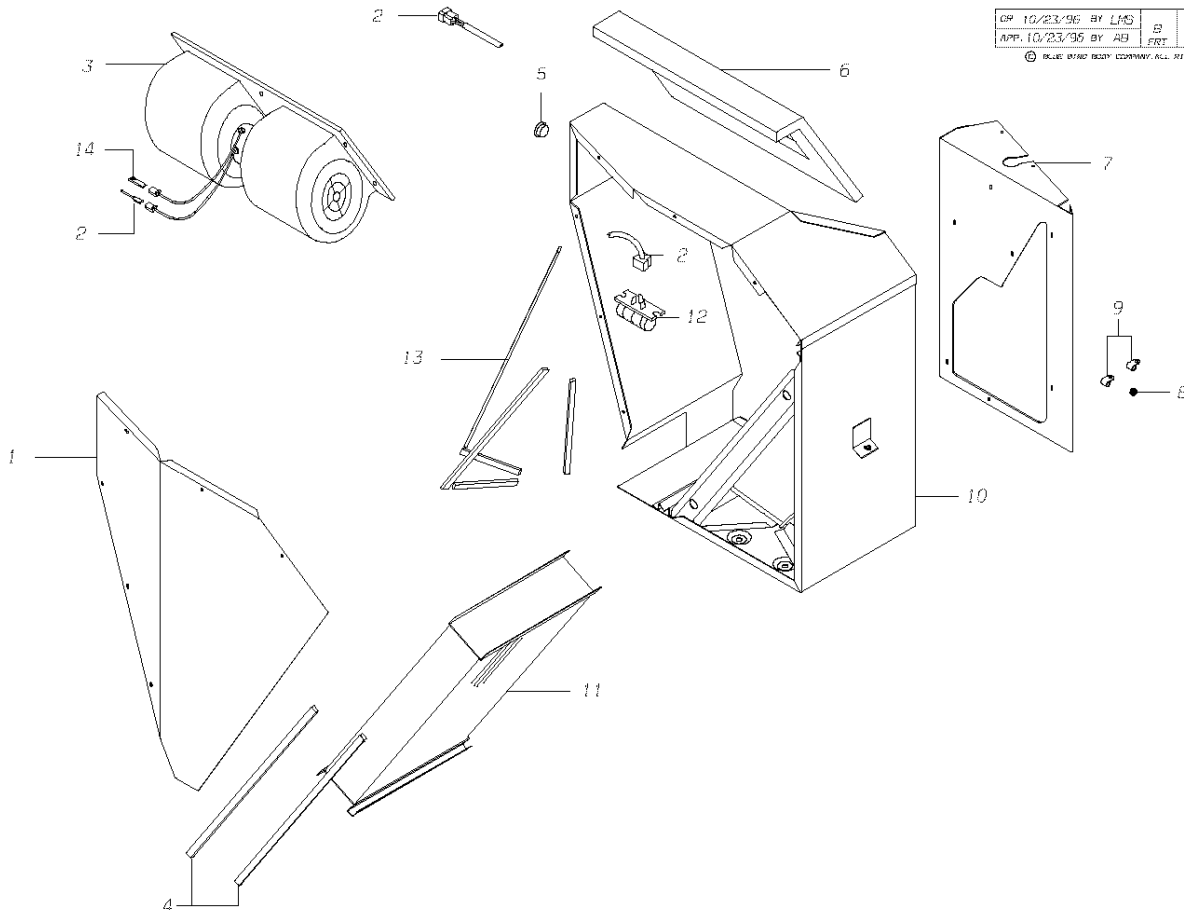
Key	PartNumber	Qty	Description	Comment
1			TRIM, LH BELT	
2			TRIM, RH BELT	
3			PANEL, FRONT DASH	
4	0061998		TRIM,LH,FRONT DASH, PART OF KIT 0015272	FOR PART OF KIT 0015272
5	0031090		ANGLE,FRONT CORNER HEATER TC2000	
6			PLATE, COVER, RH	
7			NUT, SPEED	
8			ASSEMBLY, DUCT SIDE	
9			FASTENER, #12	
10	4316550		RUBBER, .25 X .50 HEATER CV KYSOR	
11			COVER, FILTER	
12	0092319		COVER,WELDMENT,HEATER,TC	
13			SEAL, DOOR	
14			BRKT, FRONT MAN DOOR	
15			BRKT WELDMENT, MAN DOOR	
16			PLATE, COVER	
17	0022751		PLUG,BUTTON,1" OD HOLE 1914134	
18	0022752		PLUG,QB LONG HOLE 1914134	
			KITS AS FOLLOWS	
A	0015273		KIT,DASH & HEATER COVER,A3RE	CONTAINS ITEMS 4,6,7,9,10,11,& 12, A3RE
B	0015274		KIT,DASH & HEATER COVER,A3FE	CONTAINS ITEMS 4,6,7,9,10,11,& 12, A3FE
C	0015269		KIT,DASH & HEATER COVER,TC/CS/A3 RE	CONTAINS ITEMS 4,6,7,9,10,11,& 12, TCRE
D	1914134		KIT,DUCT CLOSURE FOR PWR DOOR CTRLS	CONTAINS ITEMS 17 AND 18
E	1914142		KIT,DASH & HEATER COVER,CSRE	CONTAINS ITEMS 13,14,15,16
F	0015272		KIT,DASH & HEATER COVER,TCFE	CONTAINS ITEMS 4,6,7,9,10,11,12, TCFE
G	1913847		KIT,TRIM,DASH W/PUSH BUTTON SHIFTER,2CF	CONTAINS ITEMS 1 & 2
H	1913821		KIT,TRIM,DASH W/STD AUTOMATIC TRANS	CONTAINS ITEMS 1,2, AND 3
NI			FOR HEATER ASSY 0015281 AND 0015279	

Models: A3FE, A3RE, C1FE, CSFE, CSRE, TCFE, TCRE, TSFE

**FRONT HEATER
HEATER ASSY
PANELS AND BLOWER**

BSN: From *BSN 0001263, 0260163, 0022484, 0191751, 0373871
To BSN B-10035319, F-10020224, L-10032854, M-10041329, X-10009289

Key	PartNumber	Qty	Description	Comment
-----	------------	-----	-------------	---------



Models: A3FE, A3RE, C1FE, CSFE, CSRE, TCFE, TCRE, TSFE

**FRONT HEATER
HEATER ASSY
PANELS AND BLOWER**

BSN: From *BSN 0001263, 0260163, 0022484, 0191751, 0373871
To BSN B-10035319, F-10020224, L-10032854, M-10041329, X-10009289

Key	PartNumber	Qty	Description	Comment
1			PANEL-COVER	
2	8316853		HARNESS,WIRING,TC,HTR."	
3	8303182		BLOWER ASSY. TC HEATER	<i>INCLUDES THE FOLLOWING:</i>
	8313223	8	SPRING CLIP,HEATER BLOWER,KYSOR"	
	0078280		BASE,BLOWER,MOUNTING,FRONT HEATER,	
	0078281		HOUSING,BLOWER,TOP,FRONT HEATER,BERG,	
	0014626	2	GRILLE, END BLOWER ASSY 360870	
	8307365		WHEEL,HTR BLOWER 8303182(PLASTIC)"	
	8307373		MOTOR,12 VOLT,HEATER,FOR 8303182"	
	0013477		MOTOR STRAP	
4	4316550		RUBBER, .25 X .50 HEATER CV KYSOR	
5	4316345		BUSHING, SNAP WIRING HARNESS CV HTR	
6	8303174		GASKET, BLOWER OUTLET	
7	0031091		PANEL, FRONT CLOSEOUT,HEATER	
8	4316477		NUT, CABLE END	
9	4316790		CLAMP, CABLE HTR.	
10	0019167		WELDMENT,CASE TC2000 HEATER FRT.	
11			COIL	
	8303208		COIL, HEATER TC"	
	1987726		COIL,MAIN FRONT HEATER,A3FE	
12	4316295		RESISTOR, 12V 3-SPD. HTR MOTOR"	
13			FELT	
14			TERMINAL WIRE	
NI			FOR HEATER ASSY 0003017 AND 1913763	

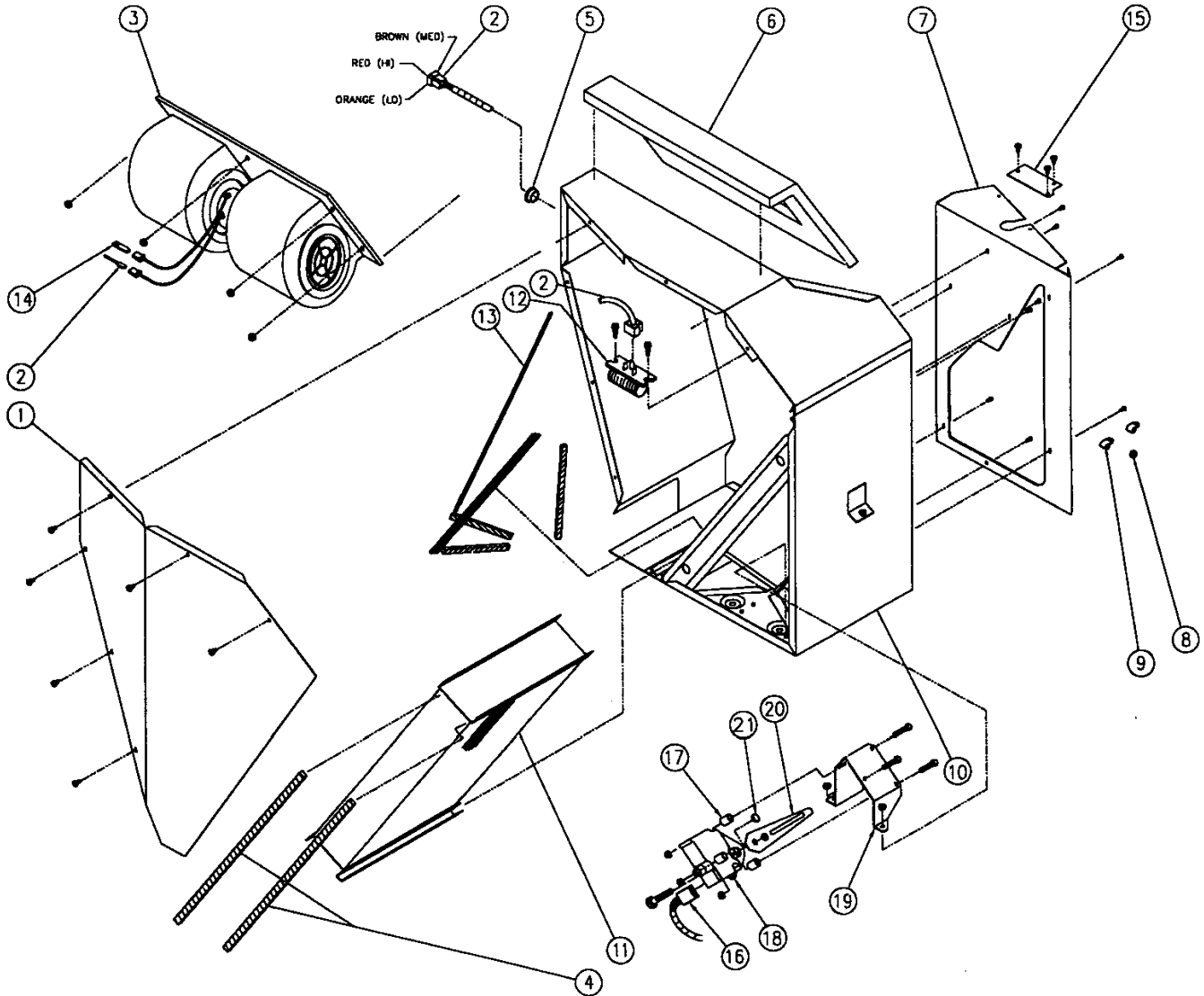
Models: A3FE, A3RE, C1FE, C3FE, CSFE, CSRE, TCFE, TCRE, TSFE

FRONT HEATER
HEATER ASSY
PANELS AND BLOWER

BSN: From BSN B10035320, F10020225, L10032855, M10041330, X10009290

Key	PartNumber	Qty	Description	Comment
-----	------------	-----	-------------	---------

1749371



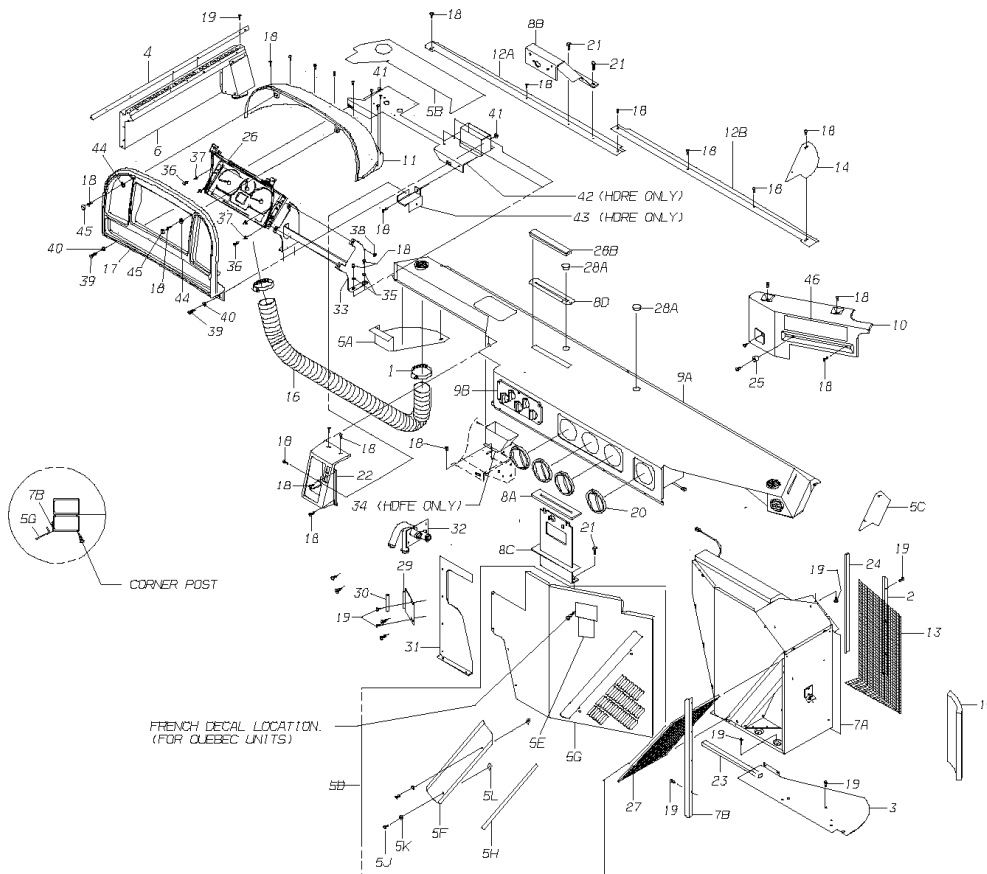
Models: A3FE, A3RE, C1FE, C3FE, CSFE, CSRE, TCFE, TCRE, TSFE
**FRONT HEATER
 HEATER ASSY
 PANELS AND BLOWER**

BSN: From BSN B10035320, F10020225, L10032855, M10041330, X10009290

Key	PartNumber	Qty	Description	Comment
1	0103620		PANEL,COVER,FRONT HEATER,BERG	
2	8316853		HARNESS,WIRING,TC,HTR."	
3	8303182		BLOWER ASSY. TC HEATER	<i>INCLUDES THE FOLLOWING:</i>
	8313223	8	SPRING CLIP,HEATER BLOWER,KYSOR"	
	0078280		BASE,BLOWER,MOUNTING,FRONT HEATER,	
	0078281		HOUSING,BLOWER,TOP,FRONT HEATER,BERG,	
	0014626	2	GRILLE, END BLOWER ASSY 360870	
	8307365		WHEEL,HTR BLOWER 8303182(PLASTIC)"	
	8307373		MOTOR,12 VOLT,HEATER,FOR 8303182"	
	0013477		MOTOR STRAP	
4			URETHANE	
5			BUSHING-SNAP	
6	8303174		GASKET, BLOWER OUTLET	
7	0046298		PANEL,FRT.CLOSEOUT,KYSOR	
8	4316477		NUT, CABLE END	
9	4316790		CLAMP, CABLE HTR.	
10	0038740		WELDMENT BLOWER COVER FRT HTR	
11	8303208		COIL, HEATER TC"	
11	0006766		COIL,HEATER,A3	
12	4316295		RESISTOR, 12V 3-SPD. HTR MOTOR"	
13			FELT	
14			TERMINAL WIRE	
15			PLATE - WIRE	
16			HARNESS - WIRE ACTUATOR	
17			SPACER - .44	
18	0010591		MOTOR ACTUATOR,RED,KYSOR #274327	
19	0021264		BRACKET, MTG, 518317 KYSOR	
20	0021265		LEVER, PIVOT, 518321 KYSOR	
21			PLUG - (D) 45 IN.	
NI			FOR HEATER ASSY 0015281 AND 0015279	

Models: A3FE, A3RE
FRONT HEATER
HEATER INSTALLATION
To BSN F10020224

Key	PartNumber	Qty	Description	Comment
-----	------------	-----	-------------	---------



Models: **A3FE, A3RE**
FRONT HEATER
HEATER INSTALLATION
To BSN F10020224

Key	PartNumber	Qty	Description	Comment
1	1572304		CLAMP,HOSE,SIZE 36,UNLINED,2.75	
2	1532910		ANGLE,SCREEN RET,HTR AIR INTAKE	
3	1988773		PANEL,CLOSEOUT,HEATER TO COWL,DRFL	
4	1532761		ANGLE,AIR DEFLECTOR DRV WDO DEFR	
6	1494178		DUCT ASSY,DRIVERS WINDOW DEFROSTER	
	1513316		DUCT ASSY,DRIVERS WDO,DEFROSTER,TSW	
7	0003017		HEATER ASSY,PURCHASED IN ASSEMBLY,, A3FE	<i>INCLUDES ITEMS 7A & 7B</i>
7A			HEATER ASSY.	
7B	0031090		ANGLE,FRONT CORNER HEATER TC2000	
8	1914126		KIT,MANUAL DOOR CONTROL BRACKETS,	<i>INCLUDES ITEMS 8A, 8B, 8C, 8D</i>
8A			SEAL, DOOR	
8B			BRACKET, FRONT	
8C			BRACKET, REAR	
8D			PLATE, COVER	
9	1913789		DUCT ASSY,STD PURCHASED IN ASSEMBLY,	<i>INCLUDES ITEMS 9A & 9B</i>
9A			DUCT ASSY.	
9B			CONTROL ASSY.	
9	1913805		DUCT ASSY,W/O DRV HTR,PUR IN ASSY,	<i>INCLUDES ITEMS 9A & 9B</i>
9A			DUCT ASSY.	
9B			CONTROL ASSY.	
10	1914316		COVER,DASH,RH REAR,TCFE/RE	
11	0013375		COVER,FRONT,INSTRUMENT HOUSING,AA	
12	1913847		KIT,TRIM,DASH W/PUSH BUTTON SHIFTER,2CF	<i>INCLUDES ITEMS 12A & 12B</i>
12			TRIM, LH BELT BAR	
12			TRIM, RH BELT BAR	
13	1532902		SCREEN,HTR AIR INTAKE,TCFC/RE	
14	1925759		TRIM,RH FRONT CORNER OF DASH,TCFE/RE	
15	1532936		INSULATION & SEAL,RH COWL	
16	1508381		HOSE,FLEXIBLE,DUCT,2.50X28.00	
17	0013391		HOUSING,INSTRUMENT,AA	
18	1143676	31	SCREW,10-16 X 3/4, AB,PH1,PAN HD,BLK ZN,	
19	1589522	30	SCREW,10-16 X 3/4,AB,PH1,PAN HD,YEL ZN	
20	0530253	4	DIFFUSER,AIR,BLACK,MB	

Models: **A3FE, A3RE**
FRONT HEATER
HEATER INSTALLATION
To BSN F10020224

Key	PartNumber	Qty	Description	Comment
21	2000198	4	SCREW,5/16-18 X 1,D,HEX HD,YEL ZN DICH	
22	0013383		BEZEL,SHIFTER,KEYPAD,AA	KEYPAD
	0009159		BEZEL,TRANSMISSION SHIFTER,MANUAL	
23	0830059		TAPE,FOAM,1/2X3/4,CLSD CELL NEOPRENE ADH	
24	0758292		TAPE,FOAM,PCV,3/16 X 3/8 WIDTH,W/ADH	
25	1486919		BUMPER,RUBBER RECESS,.469 X .719 DIA	
26	1935931		CLUSTER,INSTR,BB-1,BK,ENGLISH,AIR BRK	
	1935956		CLUSTER,INSTR,BB-1,BK,METRIC,AIR BRK	
27	1922384		FILTER,MAIN HTR,10 X 21.06 X.43 FRM	
28	1914134		KIT,DUCT CLOSURE FOR PWR DOOR CTRLS	INCLUDES ITEMS 28A &28B
28	0022751		PLUG,BUTTON,1" OD HOLE 1914134	
28	0022752		PLUG,QB LONG HOLE 1914134	
29	0000059		BRACKET,HEATER PANEL TO DUCT	
30	2004547	25	TRIM,INSTRUMENT HOOD,VINYL EDGE,BLACK	
31	0005256		PANEL,HEATER TO ENGINE HOOD, HDFE	
32			CONNECTOR ASSY., HEATER PPG, CAT	
32	0003021		CONNECTOR ASSY,HTR PPG,CAT,FIREWALL,	ENDING WITH BSN F10012979, L10020744
	0010842		CONNECTOR ASSY,HTR PPG,CAT/ISC,F/WALL,	BEGIN WITH BSN F10012980, L10020745
			CONNECTOR ASSY., HEATER PPD, ISB/ISC	
	1948074		CONNECTOR ASSY,HTR PPG,ISB/ISC F/WALL,	ENDING WITH BSN F10012979, L10020744
	0010841		CONNECTOR ASSY,HTR PPG,ISB FIREWALL,,	BEGIN WITH BSN F10012980, L10020745
33	0019612		BRACKET ASSY,MTG,VDO CLUSTER	
34			DUCT, DRIVERS FOOTWARMER	
	1988740		DUCT,DRIVERS FOOTWARMER	ENDING WITH BSN F10014699, L10023425. 5-23-99
	0011217		DUCT,DRIVERS FOOTWARMER, A3FE	BEGIN WITH BSN F10014700, L10023425. 5-24-99
35	2001105	4	WASHER,FLAT,13/64 X,1/2 X 3/64,YEL ZN DICH	
36	1221399	4	SCREW,10-32 X 3/4,PH,TRUSS,YEL ZN DICH	
37	2001162	4	LOCKWASHER,SPLIT RING, 3/16,MED,YEL ZN	
38	2001287	4	NUT,HEX HD,10-32,YEL ZN DICH	
39	2000057	2	CAPSCREW,HEX HD,1/4-20 X 1,GR 5,YEL ZN	
40	1247709	2	WASHER,FLAT,17/64 ID X,5/8,YEL ZN DICH	

Models: A3FE, A3RE
**FRONT HEATER
 HEATER INSTALLATION
 To BSN F10020224**

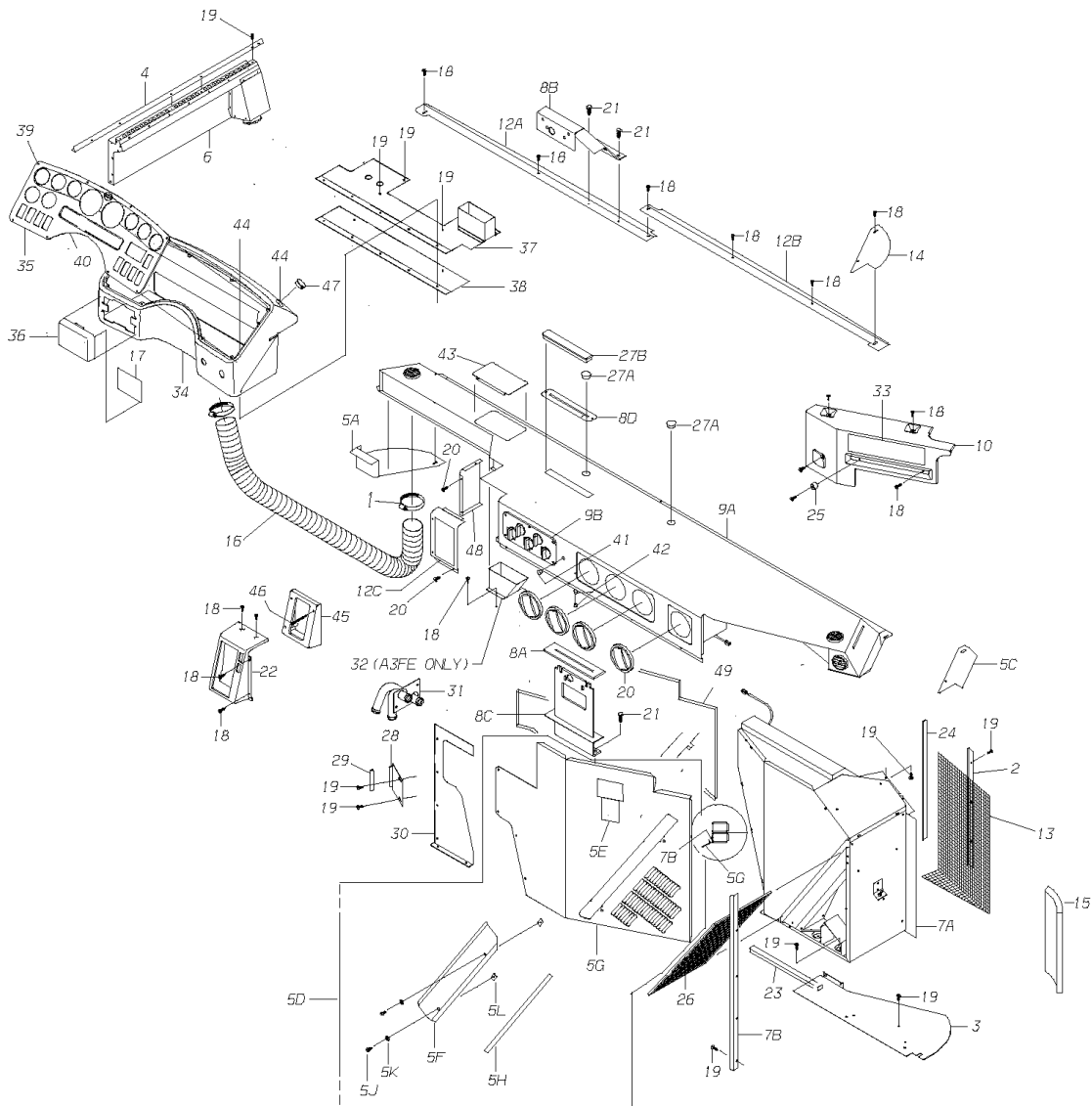
Key	PartNumber	Qty	Description	Comment
41	0659979	2	NUT,HEX,FLANGE SER,1/4-20,BLACK ZINC	
42	0011486		PANEL ASSY,MTG,INSTR PNL COVER, DRRE	
43	0016485		BRACKET,MOUNTING,SHIFTER COVER, DRRE	
44	3775863	2	WASHER,COUNTERSUNK,12/12,WL	
45	2144038	2	COVER,SCREWHEAD,BLACK,NO 12/12	
46			NAMEPLATE, DASH	
	0000100		NAMEPLATE,DASH,ALL AMERICAN	
	0000101		NAMEPLATE,DASH,CANADIAN	
			A3FE	
5	0003018		KIT,DASH & HEATER COVER,, A3FE	<i>INCLUDES ITEMS 5A THRU 5L</i>
5A			TRIM, LH FRONT	
5B			TRIM, LH	
5C			TRIM, RH	
5D			COVER ASSY.	
5E			TAG	
5F			COVER, FILTER	
5G			PANEL INTERIOR	
5H	4316550	2F	RUBBER, .25 X .50 HEATER CV KYSOR	
5J	0035467	2	FASTENER, KYSOR 290378, FRT HTR	
5K	0035468	2	RETAINER, KYSOR 290343, FRT HTR	
5L	0035469	2	NUT-SPEED, KYSOR 290241, FRT HTR	
26	1935949		CLUSTER,INSTR,BB-1,BK,ENGLISH,HYD BRK	
	1935964		CLUSTER,INSTR,BB-1,BK,METRIC,HYD BRK	
			A3RE	
5			KIT, DASH & HEATER COVER	<i>INCLUDES ITEMS 5A THRU 5L</i>
	1914142		KIT,DASH & HEATER COVER,CSRE	<i>ENDING WITH BSN 10021750</i>
	0008840		KIT,DASH & HEATER COVER,A3RE	<i>BEGIN WITH BSN 10021750</i>
5A			TRIM, LH FRONT	
5B			TRIM, LH	
5C			TRIM, RH	
5D			COVER ASSY.	
5E			TAG	
5F			COVER, FILTER	

Models: **A3FE, A3RE**
FRONT HEATER
HEATER INSTALLATION
To BSN F10020224

Key	PartNumber	Qty	Description	Comment
5G			PANEL, INTERIOR	
5H	4316550	2F	RUBBER, .25 X .50 HEATER CV KYSOR	
5J	0035467	2	FASTENER, KYSOR 290378, FRT HTR	
5K	0035468	2	RETAINER, KYSOR 290343, FRT HTR	
5L	0035469	2	NUT-SPEED, KYSOR 290241, FRT HTR	

Models: A3FE, A3RE
FRONT HEATER
HEATER INSTALLATION
BSN: From BSN F10020225
 To BSN F10035824, L10059259

Key	PartNumber	Qty	Description	Comment
-----	------------	-----	-------------	---------



Models: A3FE, A3RE
**FRONT HEATER
 HEATER INSTALLATION**
BSN: From BSN F10020225
 To BSN F10035824, L10059259

Key	PartNumber	Qty	Description	Comment
1	1572304	2	CLAMP,HOSE,SIZE 36,UNLINED,2.75	
2	1532910		ANGLE,SCREEN RET,HTR AIR INTAKE	
3	1988773		PANEL,CLOSEOUT,HEATER TO COWL,DRFL	
4	1532761		ANGLE,AIR DEFLECTOR DRV WDO DEFR	
6	1494178		DUCT ASSY,DRIVERS WINDOW DEFROSTER	
	1513316		DUCT ASSY,DRIVERS WDO,DEFROSTER,TSW	
7	0015279		HEATER ASSY,TRANSIT MAIN,PIA,VERT FEED PURCHASED IN ASSEMBLY	<i>INCLUDES ITEMS 7A & 7B</i>
7A			HEATER ASSY.	
7B	0031090		ANGLE,FRONT CORNER HEATER TC2000	
8	1914126		KIT,MANUAL DOOR CONTROL BRACKETS,	<i>INCLUDES ITEMS 8A, 8B, 8C, 8D</i>
8A			SEAL, DOOR	
8B			BRACKET, FRONT	
8C			BRACKET, REAR	
8D			PLATE, COVER	
9	0015278		DUCT ASSY,DEF,TRANSIT,PIA,W/DRV HTR PURCHASED IN ASSEMBLY	<i>WITHOUT OPT,1237 INCLUDES ITEMS 9A & 9B</i>
9A			DUCT ASSY.	
9B	0037588		CONTROL ASSY, TRANSIT 250263	<i>REFER TO DRAWING 2502631</i>
9	0015276		DUCT ASSY,DEF,TRANSIT,PIA,W/O DRV HTR PURCHASED IN ASSY	<i>WITHOUT OPT,1237 INCLUDES ITEMS 9A & 9B</i>
9A			DUCT ASSY.	
9B			CONTROL ASSY.	
10	1914316		COVER,DASH,RH REAR,TCFE/RE	
12	1913821		KIT,TRIM,DASH W/STD AUTOMATIC TRANS INCLUDES ITEMS 12A & 12B	<i>WITH STANDARD SHIFTER ONLY</i>
12			TRIM, LH BELT BAR	
12			TRIM, RH BELT BAR	
12	1913847		KIT,TRIM,DASH W/PUSH BUTTON SHIFTER,2CF INCLUDES ITEMS 12A & 12B	<i>WITH PUSH BUT SHIFTER ONLY WITH WORLD TRANSMISSION</i>
12			TRIM, LH BELT BAR	
12			TRIM, RH BELT BAR	
13	1532902		SCREEN,HTR AIR INTAKE,TCFC/RE	

Models: A3FE, A3RE
**FRONT HEATER
 HEATER INSTALLATION**
BSN: From BSN F10020225
 To BSN F10035824, L10059259

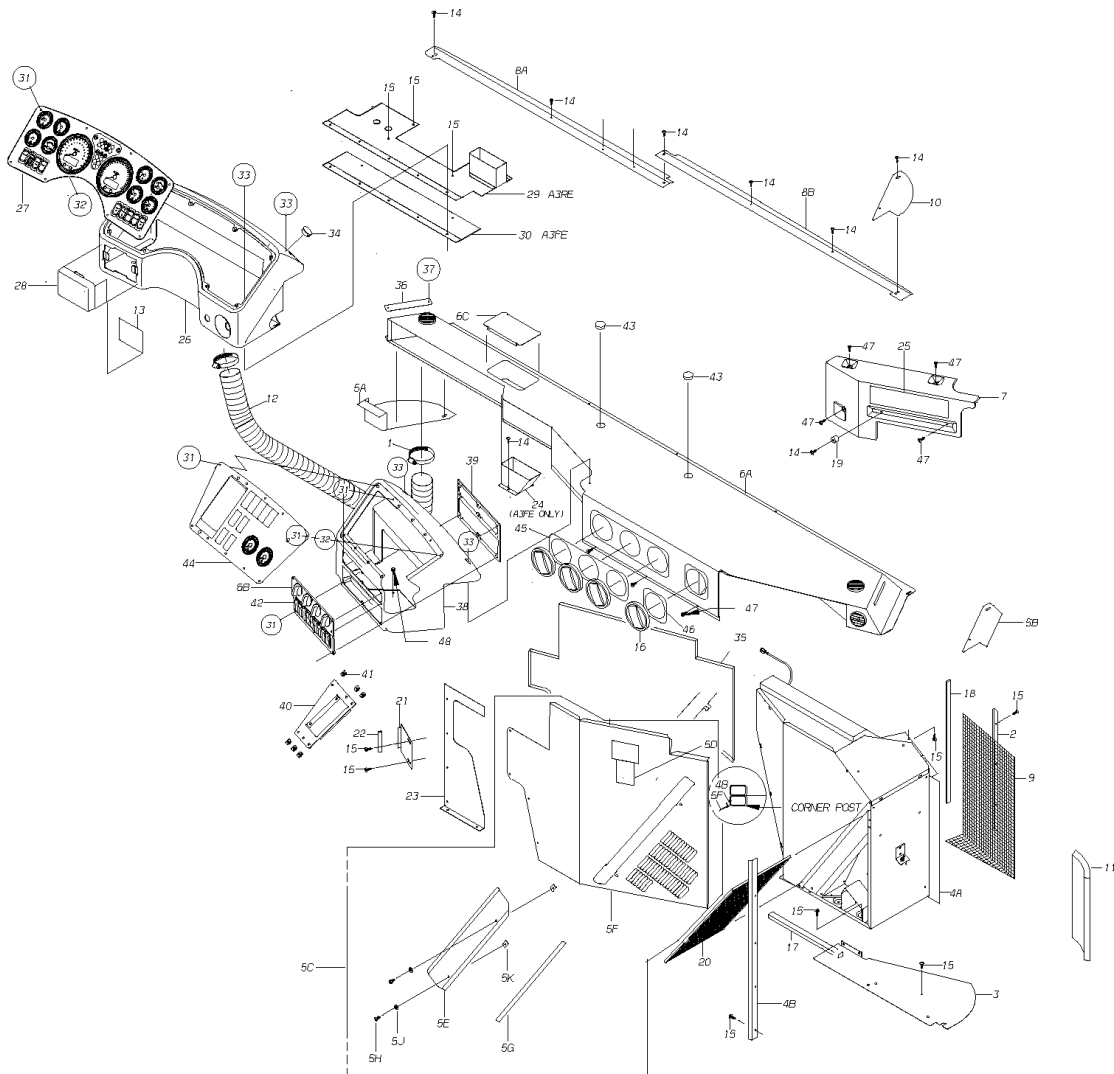
Key	PartNumber	Qty	Description	Comment
14	1925759		TRIM,RH FRONT CORNER OF DASH,TCFE/RE	
15	1532936		INSULATION & SEAL,RH COWL	
16	1508381		HOSE,FLEXIBLE,DUCT,2.50X28.00	
17	0013460		DECAL,FUSE BLOCK, HD/CSRE	A3RE ONLY
18	1143676	31	SCREW,10-16 X 3/4, AB,PH1,PAN HD,BLK ZN,	
19	1589522	30	SCREW,10-16 X 3/4,AB,PH1,PAN HD,YEL ZN	
20	0530253		DIFFUSER,AIR,BLACK,MB	
21	2000198	4	SCREW,5/16-18 X 1,D,HEX HD,YEL ZN DICH	
22	0017644		BEZEL,SHIFTER,KEYPAD	WITH WORLD TRANSMISSION ONLY
23	0830059		TAPE,FOAM,1/2X3/4,CLSD CELL NEOPRENE ADH	
24	0758292		TAPE,FOAM,PCV,3/16 X 3/8 WIDTH,W/ADH	
25	1486919		BUMPER,RUBBER RECESS,.469 X .719 DIA	
26	1922384		FILTER,MAIN HTR,10 X 21.06 X.43 FRM	
27	1914134		KIT,DUCT CLOSURE FOR PWR DOOR CTRLS	INCLUDES ITEMS 28A &28B
27	0022751		PLUG,BUTTON,1" OD HOLE 1914134	
27	0022752		PLUG,QB LONG HOLE 1914134	
28	0000059		BRACKET,HEATER PANEL TO DUCT	
29	2004547		TRIM,INSTRUMENT HOOD,VINYL EDGE,BLACK	
30	0005256		PANEL,HEATER TO ENGINE HOOD, HDPE	
31	0010842		CONNECTOR ASSY,HTR PPG,CAT/ISC,F/WALL,	WITH CAT 3126 OR ISC
	0010841		CONNECTOR ASSY,HTR PPG,ISB FIREWALL,,	
32	0011217		DUCT,DRIVERS FOOTWARMER, A3FE	
33			NAMEPLATE, DASH	
	0000100		NAMEPLATE,DASH,ALL AMERICAN	
	0000101		NAMEPLATE,DASH,CANADIAN	
34	0012194		HOUSING,PANEL ASSY,INSTRUMENT,2000	
35	0016317		PANEL ASSY,INSTRUMENT,BLK W/GRAY,	
36	0017276		COVER,FUSE BLOCK W/O CIRCUIT BREAKERS	
37	0016854		PLATE ASSY,MOUNTING,DASH HOUSING	
38	0016369		PLATE,MOUNTING,INSTRUMENT HOUSING,,	A3FE ONLY
39	1315100	1	SCREW,MACH,10-32X1,PHI,PAN HD,BLK	
40	1315118		WELLNUT Q-1032,.377 X 5/8	
41	1422864		PLUG,BUTTON,BLACK,DP-437,HEYCO 2633	WITHOUT OPTION 1240 OR 1242

Models: A3FE, A3RE
**FRONT HEATER
 HEATER INSTALLATION**
BSN: From BSN F10020225
 To BSN F10035824, L10059259

Key	PartNumber	Qty	Description	Comment
42	1626159		PLUG,BUTTON,BLACK,DP-375,HEYCO 2617	WITHOUT OPTION 1240 OR 1242
43	0017831		TRIM,ACCESS OPENING,FOOTWARMER DOOR	
44	0017645		SCREW,1/4-20 X.75,TYPE F W/WSHR,PAN HD,	
45	1528579		COVER,SHIFTER	
46	1557693		SCREW,10-16 X 2-1/2,AB,PH1,TRUSS HD, BLK	
47	0017694		PLUG,PRY-OUT,.875 HOLE,HEYCO 3083	
48	1528561		PANEL,DASH,END CAP	
49	0008386		INSULATION,THERMAL,HEATER COVER, A3FE	A3FE ONLY
			A3FE	
5	0015274		KIT,DASH & HEATER COVER,A3FE	INCLUDES ITEMS 5A THRU 5L
5A			TRIM, LH FRONT	
5C			TRIM, RH	
5D			COVER ASSY.	
5E			TAG	
5F			COVER, FILTER	
5G			PANEL INTERIOR	
5H	4316550	2F	RUBBER, .25 X .50 HEATER CV KYSOR	
5J	0035467	2	FASTENER, KYSOR 290378, FRT HTR	
5K	0035468	2	RETAINER, KYSOR 290343, FRT HTR	
5L	0035469	2	NUT-SPEED, KYSOR 290241, FRT HTR	
			A3RE	
5	0015273		KIT,DASH & HEATER COVER,A3RE	INCLUDES ITEMS 5A THRU 5L
5A			TRIM, LH FRONT	
5C			TRIM, RH	
5D			COVER ASSY.	
5E			TAG	
5F			COVER, FILTER	
5G			PANEL, INTERIOR	
5H	4316550	2F	RUBBER, .25 X .50 HEATER CV KYSOR	
5J	0035467	2	FASTENER, KYSOR 290378, FRT HTR	
5K	0035468	2	RETAINER, KYSOR 290343, FRT HTR	
5L	0035469	2	NUT-SPEED, KYSOR 290241, FRT HTR	

Models: **A3FE, A3RE**
FRONT HEATER
HEATER INSTALLATION
DASH INSTALLATION & PANELS WITH POWER DOOR CONTROL
 BSN: **From BSN F10068990, L10133500**

Key	PartNumber	Qty	Description	Comment
-----	------------	-----	-------------	---------



Models: A3FE, A3RE
**FRONT HEATER
 HEATER INSTALLATION
 DASH INSTALLATION & PANELS WITH POWER DOOR CONTROL**
BSN: From BSN F10068990, L10133500

Key	PartNumber	Qty	Description	Comment
1	1572304	2	CLAMP,HOSE,SIZE 36,UNLINED,2.75	
2	1532910		ANGLE,SCREEN RET,HTR AIR INTAKE	
3			PANEL, CLOSEOUT, HEATER TO COWL	
	0010683		PANEL,CLOSEOUT,HEATER TO COWL,DRFL	A3FE
	1564699		PLATE,CLOSEOUT,MAIN HTR TO COWL	A3RE
4	0015279		HEATER ASSY,TRANSIT MAIN,PIA,VERT FEED	
4A			HEATER ASSY	
4B			ANGLE, FRONT COVER	
**	0015274		KIT,DASH & HEATER COVER,A3FE	
			PLATE, HEATER NAME, 90M BTU, FRENCH	ADD 1246388 TO QUEBEC UNITS
			QUEBEC UNITS.	
5A	0061998		TRIM,LH,FRONT DASH, PART OF KIT 0015272	
5B			TRIM, RH	
5C			COVER ASSY	
5D	4316402		PLATE, ID HEATER CV KYSOR WESTRAN 342384	
5E			COVER, FILTER	
5F			PANEL, INTERIOR	
5G	4316550		RUBBER, .25 X .50 HEATER CV KYSOR	
5H	0035467		FASTENER, KYSOR 290378, FRT HTR	
5J	0035468		RETAINER, KYSOR 290343, FRT HTR	
5K	0035469		NUT-SPEED, KYSOR 290241, FRT HTR	
**	0015269		KIT,DASH & HEATER COVER,TC/CS/A3 RE	
			PLATE, HEATER NAME, 90M BTU, FRENCH	ADD 1246388 TO QUEBEC UNITS
			QUEBEC UNITS.	
5A	0061998		TRIM,LH,FRONT DASH, PART OF KIT 0015272	
5B			TRIM, RH	
5C			COVER ASSY	
5D	4316402		PLATE, ID HEATER CV KYSOR WESTRAN 342384	
5E			COVER, FILTER	
5F			PANEL, INTERIOR	
5G	4316550		RUBBER, .25 X .50 HEATER CV KYSOR	
5H	0035467		FASTENER, KYSOR 290378, FRT HTR	
5J	0035468		RETAINER, KYSOR 290343, FRT HTR	

Models: A3FE, A3RE
**FRONT HEATER
 HEATER INSTALLATION
 DASH INSTALLATION & PANELS WITH POWER DOOR CONTROL**
BSN: From BSN F10068990, L10133500

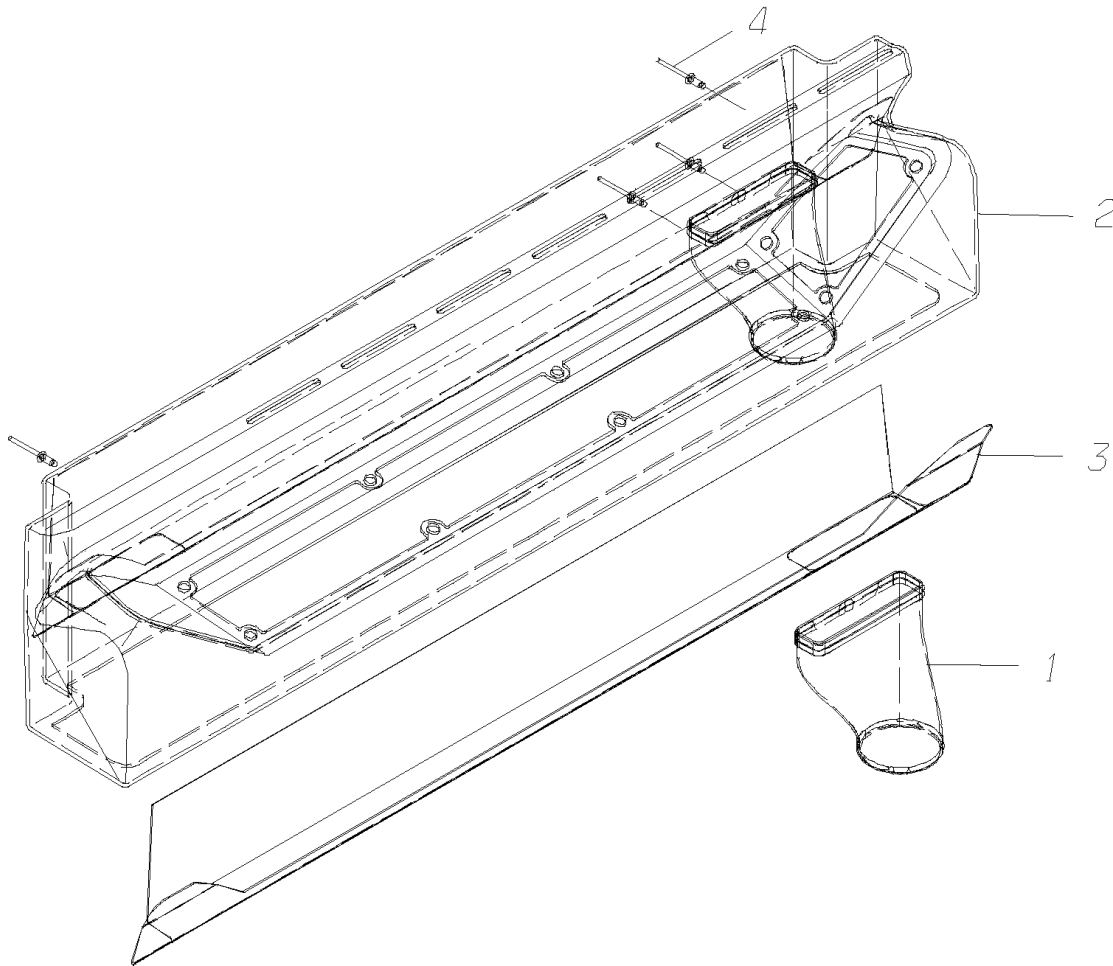
Key	PartNumber	Qty	Description	Comment
5K	0035469		NUT-SPEED, KYSOR 290241, FRT HTR	
6	0028726		DUCT ASSY,DEF,WITH UNMOUNTED CONTROLS	
6A			DUCT ASSY	
6B			CONTROL ASSY	
6C	0030465		TRIM,ACCESS OPENING,FOOTWARMER DOOR	
7	0031645		COVER,DASH,RH REAR,TC/A3	
8	1913847		KIT,TRIM,DASH W/PUSH BUTTON SHIFTER,2CF	
8A			TRIM, LH BELT BAR	
8B			TRIM, RH BELT BAR	
9	1532902		SCREEN,HTR AIR INTAKE,TCFC/RE	
10	1925759		TRIM,RH FRONT CORNER OF DASH,TCFE/RE	
11	1532936		INSULATION & SEAL,RH COWL	
12	1508381		HOSE,FLEXIBLE,DUCT,2.50X28.00	
13	0041799		DECAL,FUSE BLOCK	
14	1143676		SCREW,10-16 X 3/4, AB,PH1,PAN HD,BLK ZN,	
15	1589522		SCREW,10-16 X 3/4,AB,PH1,PAN HD,YEL ZN	
16	0530253		DIFFUSER,AIR,BLACK,MB	
17	0830059		TAPE,FOAM,1/2X3/4,CLSD CELL NEOPRENE ADH	
18	0758292		TAPE,FOAM,PCV,3/16 X 3/8 WIDTH,W/ADH	
19	1486919		BUMPER,RUBBER RECESS,.469 X .719 DIA	
20	1922384		FILTER,MAIN HTR,10 X 21.06 X.43 FRM	
21	0000059		BRACKET,HEATER PANEL TO DUCT	
22	2004547		TRIM,INSTRUMENT HOOD,VINYL EDGE,BLACK	
23	0005256		PANEL,HEATER TO ENGINE HOOD, HDPE	
24	0011217		DUCT,DRIVERS FOOTWARMER, A3FE	
25			NAMEPLATE, DASH	
	0000100		NAMEPLATE,DASH,ALL AMERICAN	
	0000101		NAMEPLATE,DASH,CANADIAN	
26	0031025		HOUSING,PANEL ASSY,INSTRUMENT,2001	
27	0077816		PANEL ASSY,INSTRUMENT,PURCHAS,ACTIA,	
28	0017276		COVER,FUSE BLOCK W/O CIRCUIT BREAKERS	
29	0016854		PLATE ASSY,MOUNTING,DASH HOUSING	
30	0016369		PLATE,MOUNTING,INSTRUMENT HOUSING,,	

Models: A3FE, A3RE
FRONT HEATER
HEATER INSTALLATION
DASH INSTALLATION & PANELS WITH POWER DOOR CONTROL
BSN: From BSN F10068990, L10133500

Key	PartNumber	Qty	Description	Comment
31	1315100		SCREW,MACH,10-32X1,PHI,PAN HD,BLK	
32	1315118		WELLNUT Q-1032,.377 X 5/8	
33	0017645		SCREW,1/4-20 X.75,TYPE F W/WSHR,PAN HD,	
34	0017694		PLUG,PRY-OUT,.875 HOLE,HEYCO 3083	
35	0008386		INSULATION,THERMAL,HEATER COVER, A3FE	
36	0000852		TAG,VEHICLE IDENTIFICATION NUMBER,.032	
37	0422915		RIVET,1/8 DIA,ALUMINUM,W/ST STEM	
38	0025579		HOUSING,VEHICLE CONTROL COMPONENTS	
39	0028997		PLATE,REINFORCEMENT,HTR SWITCH PNL,A3	
40	0023394		PANEL,MTG,SHIFT SELECTOR TO HOUSING,LH	
41	0025522		U-NUT,10-32	
42	0028949		PANEL ASSY,SWITCH,AUX HEATERS,W/CMPS	
43	1351071		PLUG,BUTTON,BLACK,DP-1000 HEYCO 2713	
44			PANEL ASSY, SWITCH, SHIFTER, W/	
	0079089		PANEL ASSY,SWITCH,SHIFTER,	
	0080497		PANEL ASSY,SWITCH,SHIFTER,W/COMP,	
45	0031699		DECAL,INSERT,HEATER DIFFUSER,DASH,3-	
46	0031700		DECAL,INSERT,HEATER DIFFUSER,DASH,1-	
47	0033684		SCREW,10-16 X 3/4,AB,PHI,PN/HD,BZDICH,	
48	2000016		SCREW,1/4-14 X 5/8,B,HEX,W/PLAIN WASH,	

Models: A3FE, A3RE, CSFE, CSRE, TCFE
FRONT HEATER
HEATER INSTALLATION
DRIVER'S WINDOW DEFROSTER DUCT
BSN: From BSN F10035825, L10059260

Key	PartNumber	Qty	Description	Comment
-----	------------	-----	-------------	---------

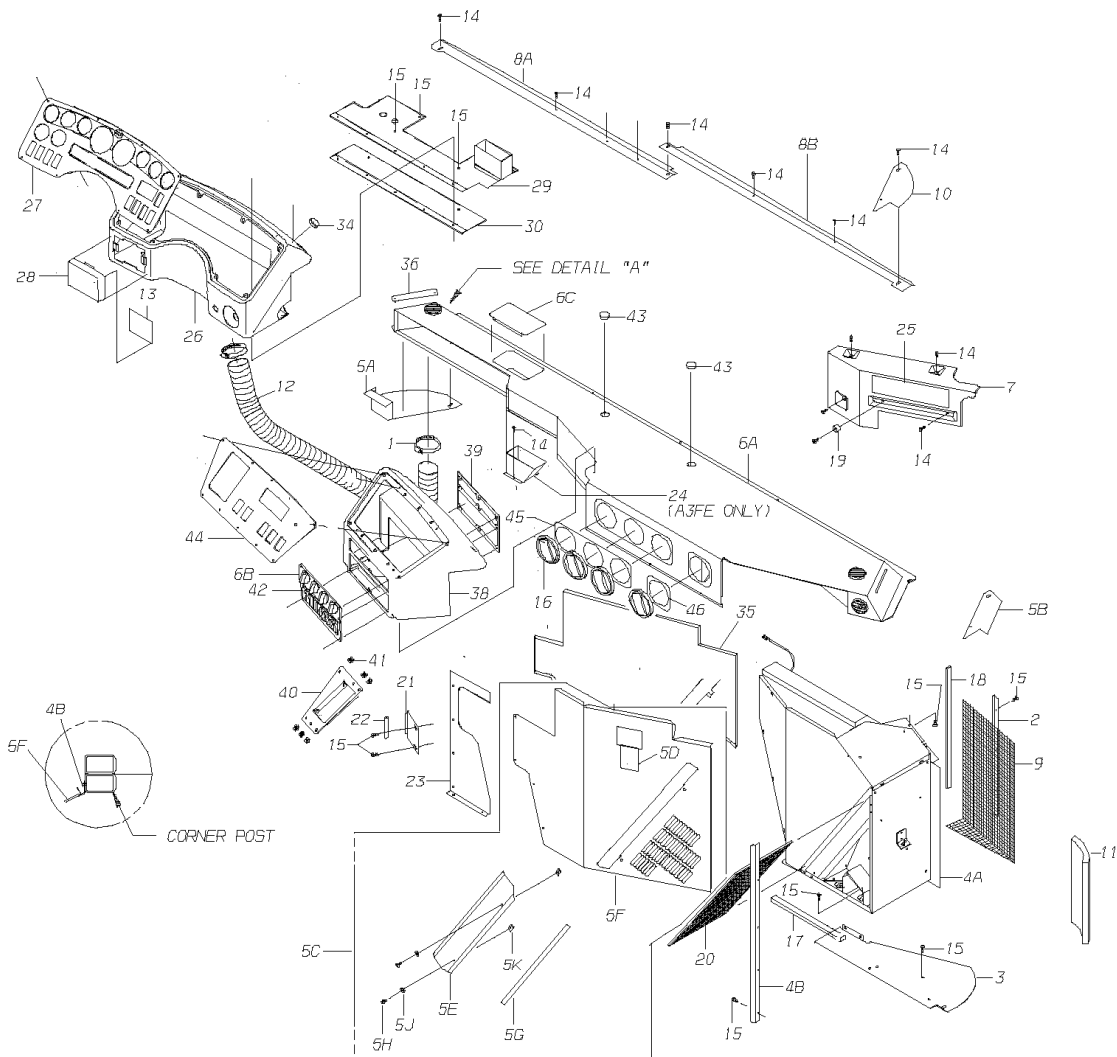


Models: A3FE, A3RE, CSFE, CSRE, TCFE
FRONT HEATER
HEATER INSTALLATION
DRIVER'S WINDOW DEFROSTER DUCT
BSN: From BSN F10035825, L10059260

Key	PartNumber	Qty	Description	Comment
			HOUSING ASSY. DRIVERS WINDOW	
			CONSIST OF THE FOLLOWING:	
1	0028140		DUCT,TRANSITION,DRIVERS WINDOW	
2			HOUSING, DRIVER'S SWITCH CONSOLE	
	0025577		HOUSING,DRIVERS SWITCH CONSOLE	
	0031702		HOUSING,DRIVERS SWITCH CONSOLE,RH	
3			BAFFLE, CLOSE-OUT, DRIVERS WINDOW	
	0031146		BAFFLE,CLOSE-OUT,DRIVERS WINDOW DEF	
	0031760		BAFFLE,CLOSE-OUT,DR WIN DEF DUCT,RH	
4	1415769		RIVET,POP,.18 X .45,CHERRY SSPS-6-4	

Models: **A3FE, A3RE, C3FE**
FRONT HEATER
HEATER INSTALLATION
LH DRIVE
 BSN: **From BSN F10035825, L10059260**
To BSN F10068989, L10133499

Key	PartNumber	Qty	Description	Comment
-----	------------	-----	-------------	---------



Models: A3FE, A3RE, C3FE
**FRONT HEATER
 HEATER INSTALLATION
 LH DRIVE**
BSN: From BSN F10035825, L10059260
 To BSN F10068989, L10133499

Key	PartNumber	Qty	Description	Comment
1	1572304	2	CLAMP,HOSE,SIZE 36,UNLINED,2.75	
2	1532910		ANGLE,SCREEN RET,HTR AIR INTAKE	
3	0010683		PANEL,CLOSEOUT,HEATER TO COWL,DRFL	A3FE
3	1564699		PLATE,CLOSEOUT,MAIN HTR TO COWL	A3RE
4	0015279		HEATER ASSY,TRANSIT MAIN,PIA,VERT FEED	
4A			KYSOR 116918, HEATER ASSY.	
4B	0031090		ANGLE,FRONT CORNER HEATER TC2000	
5	0015274		KIT,DASH & HEATER COVER,A3FE	A3FE
5A	0061998		TRIM,LH,FRONT DASH, PART OF KIT 0015272	A3FE
5B			KYSOR 517601, TRIM, RH	A3FE
5C			KYSOR 411476, COVER ASSY.	A3FE
5D	4316402		PLATE, ID HEATER CV KYSOR WESTRAN 342384	A3FE
5E			KYSOR 518342, COVER, FILTER	A3FE
5F			KYSOR 518345, PANEL, INTERIOR	A3FE
5G	4316550	2	RUBBER, .25 X .50 HEATER CV KYSOR	A3FE
5H	0035467	2	FASTENER, KYSOR 290378, FRT HTR	A3FE
5J	0035468	2	RETAINER, KYSOR 290343, FRT HTR	A3FE
5K	0035469	2	NUT-SPEED, KYSOR 290241, FRT HTR	A3FE
5	0015269		KIT,DASH & HEATER COVER,TC/CS/A3 RE	A3RE
5A	0061998		TRIM,LH,FRONT DASH, PART OF KIT 0015272	A3RE
5B			KYSOR 517601, TRIM, RH	A3RE
5C			KYSOR 411474, COVER ASSY.	A3RE
5D	4316402		PLATE, ID HEATER CV KYSOR WESTRAN 342384	A3RE
5E			KYSOR 518342, COVER, FILTER	A3RE
5F			KYSOR 518341, PANEL, INTERIOR	A3RE
5G	4316550	2	RUBBER, .25 X .50 HEATER CV KYSOR	A3RE
5H	0035467	2	FASTENER, KYSOR 290378, FRT HTR	A3RE
5J	0035468	2	RETAINER, KYSOR 290343, FRT HTR	A3RE
5K	0035469	2	NUT-SPEED, KYSOR 290241, FRT HTR	A3RE
6	0028726		DUCT ASSY,DEF,WITH UNMOUNTED CONTROLS	WITH OPTION 1237
6A			KYSOR 170438, DUCT ASSY	W/OPT 1237
6B	0037588		CONTROL ASSY, TRANSIT 250263	WITH OPTION 1237. SEE DIAGRAM 2502631
6C	0030465		TRIM,ACCESS OPENING,FOOTWARMER DOOR	

Models: A3FE, A3RE, C3FE
**FRONT HEATER
 HEATER INSTALLATION
 LH DRIVE**
BSN: From BSN F10035825, L10059260
 To BSN F10068989, L10133499

Key	PartNumber	Qty	Description	Comment
7	0031645		COVER,DASH,RH REAR,TC/A3	
8	1913847		KIT,TRIM,DASH W/PUSH BUTTON SHIFTER,2CF	
8A			KYSOR 515538, TRIM, LH BELT BAR	
8B			KYSOR 517314, TRIM, RH BELT BAR	
9	1532902		SCREEN,HTR AIR INTAKE,TCFC/RE	
10	1925759		TRIM,RH FRONT CORNER OF DASH,TCFE/RE	
11	1532936		INSULATION & SEAL,RH COWL	
12	1508381		HOSE,FLEXIBLE,DUCT,2.50X28.00	
13	0041799		DECAL,FUSE BLOCK	A3RE ONLY
14	1143676	19	SCREW,10-16 X 3/4, AB,PH1,PAN HD,BLK ZN,	
15	1589522	30	SCREW,10-16 X 3/4,AB,PH1,PAN HD,YEL ZN	
16	0530253	4	DIFFUSER,AIR,BLACK,MB	
17	0830059	12	TAPE,FOAM,1/2X3/4,CLSD CELL NEOPRENE ADH	
18	0758292	18	TAPE,FOAM,PCV,3/16 X 3/8 WIDTH,W/ADH	
19	1486919		BUMPER,RUBBER RECESS,.469 X .719 DIA	
20	1922384		FILTER,MAIN HTR,10 X 21.06 X.43 FRM	
21	0000059		BRACKET,HEATER PANEL TO DUCT	
22	2004547		TRIM,INSTRUMENT HOOD,VINYL EDGE,BLACK	
23	0005256		PANEL,HEATER TO ENGINE HOOD, HDPE	
24	0011217		DUCT,DRIVERS FOOTWARMER, A3FE	
25	0000100		NAMEPLATE,DASH,ALL AMERICAN	
25	0000101		NAMEPLATE,DASH,CANADIAN	
26	0031025		HOUSING,PANEL ASSY,INSTRUMENT,2001	
27	0026348		PANEL ASSY,INSTRUMENT,BLK W/GRAY,	
28	0017276		COVER,FUSE BLOCK W/O CIRCUIT BREAKERS	
29	0016854		PLATE ASSY,MOUNTING,DASH HOUSING	A3RE
30	0016369		PLATE,MOUNTING,INSTRUMENT HOUSING,,	A3FE
31	1315100	29	SCREW,MACH,10-32X1,PHI,PAN HD,BLK	
32	1315118	14	WELLNUT Q-1032,.377 X 5/8	
33	0017645	8	SCREW,1/4-20 X.75,TYPE F W/WSHR,PAN HD,	
34	0017694	4	PLUG,PRY-OUT,.875 HOLE,HEYCO 3083	
35	0008386		INSULATION,THERMAL,HEATER COVER, A3FE	A3FE ONLY
36	0000852		TAG,VEHICLE IDENTIFICATION NUMBER,.032	

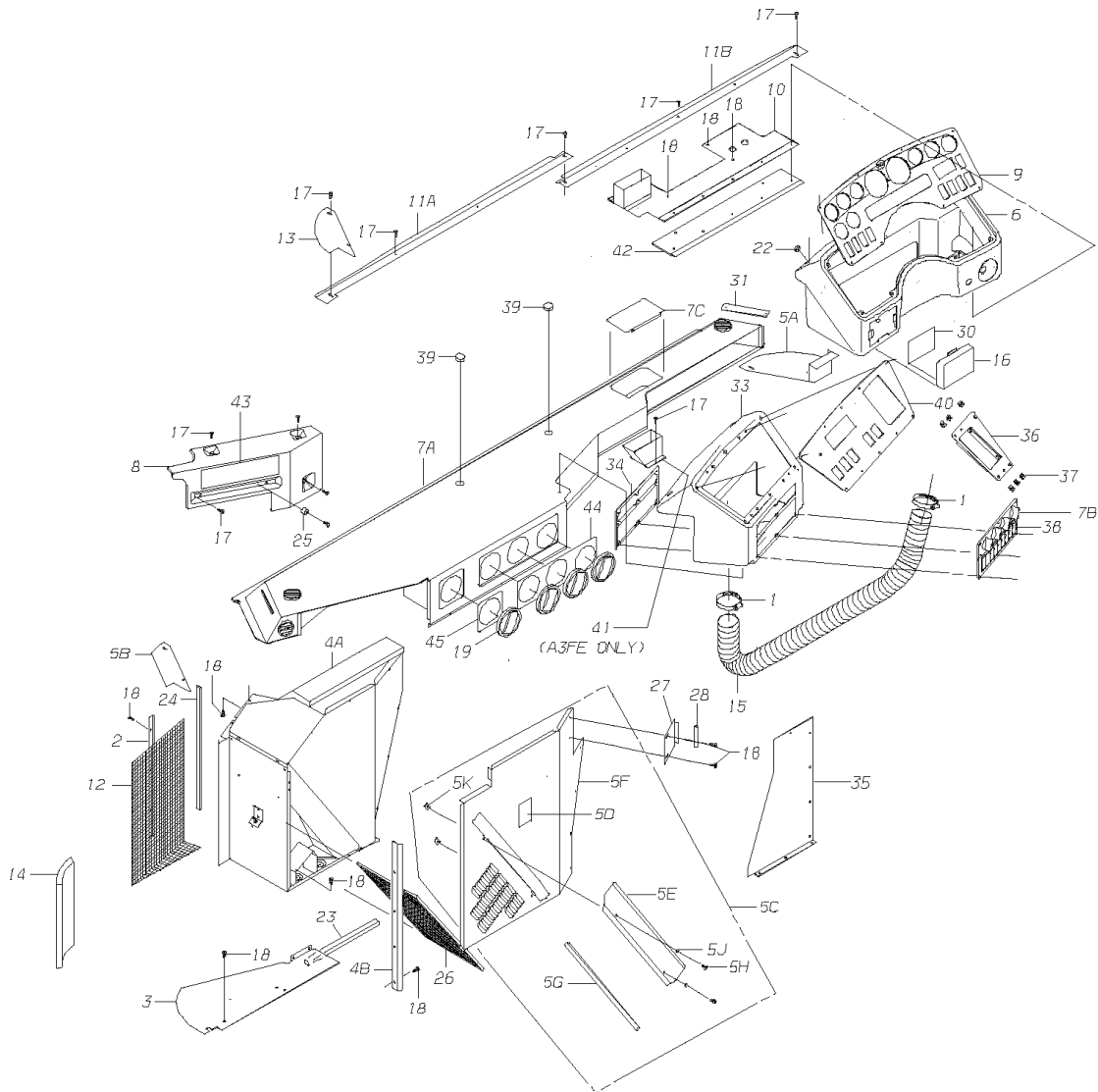
Models: A3FE, A3RE, C3FE
FRONT HEATER
HEATER INSTALLATION
LH DRIVE

BSN: From BSN F10035825, L10059260
 To BSN F10068989, L10133499

Key	PartNumber	Qty	Description	Comment
37	0422915	2	RIVET,1/8 DIA,ALUMINUM,W/ST STEM	
38	0025579		HOUSING,VEHICLE CONTROL COMPONENTS	
39	0028997		PLATE,REINFORCEMENT,HTR SWITCH PNL,A3	
40	0023394		PANEL,MTG,SHIFT SELECTOR TO HOUSING,LH	
41	0025522	6	U-NUT,10-32	
42	0028949		PANEL ASSY,SWITCH,AUX HEATERS,W/CMPS	
43	1351071	2	PLUG,BUTTON,BLACK,DP-1000 HEYCO 2713	
44	0027358		PANEL ASSY,SWITCH,SHIFTER,	
44	0030779		PANEL ASSY,SWITCH,SHIFTER,W/COMP,	
45	0031699		DECAL,INSERT,HEATER DIFFUSER,DASH,3-	
46	0031700		DECAL,INSERT,HEATER DIFFUSER,DASH,1-	

Models: **A3FE, A3RE**
FRONT HEATER
HEATER INSTALLATION
RH DRIVE
 BSN: **From BSN F10035825, L10059260**

Key	PartNumber	Qty	Description	Comment
-----	------------	-----	-------------	---------



Models: A3FE, A3RE
FRONT HEATER
HEATER INSTALLATION
RH DRIVE
BSN: From BSN F10035825, L10059260

Key	PartNumber	Qty	Description	Comment
1	1572304	2	CLAMP,HOSE,SIZE 36,UNLINED,2.75	
2	1751650		ANGLE,SCREEN RET,HTR AIR INTAKE, RH DRIVE	
3	1986249		PANEL,CLOSEOUT,HEATER TO COWL,RH DRV,	
4	0015280		HEATER ASSY,TRANSIT MAIN,PIA,HORIZ FEED,	
4A			KYSOR 116921, HEATER ASSY.	
4B	0031090		ANGLE,FRONT CORNER HEATER TC2000	
			CONSIST OF THE FOLLOWING	A3FE
5	0015270		KIT,DASH & HEATER COVER,TCFE RHD	
5A			KYSOR 516841, TRIM, LH FRONT	
5B			KYSOR 518334, TRIM, LH	
5C			KYSOR 411387, COVER ASSY.	
5D	4316402		PLATE, ID HEATER CV KYSOR WESTRAN 342384	
5E			KYSOR 517762, COVER, FILTER	
5F			KYSOR 517730, PANEL, INTERIOR	
5G	4316550	2	RUBBER, .25 X .50 HEATER CV KYSOR	
5H	0035467	2	FASTENER, KYSOR 290378, FRT HTR	
5J	0035468	2	RETAINER, KYSOR 290343, FRT HTR	
5K	0035469	2	NUT-SPEED, KYSOR 290241, FRT HTR	
			CONSIST OF THE FOLLOWING	A3RE
5	0015268		KIT,DASH & HEATER COVER,CSRE RHD	
5A			KYSOR 516841, TRIM, LH FRONT	
5B			KYSOR 518334, TRIM, LH	
5C			KYSOR 411388, COVER ASSY.	
5D	4316402		PLATE, ID HEATER CV KYSOR WESTRAN 342384	
5E			KYSOR 517762, COVER, FILTER	
5F			KYSOR 517733, PANEL, INTERIOR	
5G	4316550	2	RUBBER, .25 X .50 HEATER CV KYSOR	
5H	0035467	2	FASTENER, KYSOR 290378, FRT HTR	
5J	0035468	2	RETAINER, KYSOR 290343, FRT HTR	
5K	0035469	2	NUT-SPEED, KYSOR 290241, FRT HTR	
6	0031025		HOUSING,PANEL ASSY,INSTRUMENT,2001	
7	0028728		DUCT ASSY,DEF,WITH UNMOUNTED CONTROLS,	RHD. WITHOUT OPTION 1237
7A			KYSOR 170439, DUCT ASSY.	W/O OPT 1237
				W/O OPT 1237

Models: A3FE, A3RE
FRONT HEATER
HEATER INSTALLATION
RH DRIVE
BSN: From BSN F10035825, L10059260

Key	PartNumber	Qty	Description	Comment
7B			KYSOR , CONTROL ASSY.	
7C	0030465		TRIM,ACCESS OPENING,FOOTWARMER DOOR	
8	0031646		COVER,DASH,LH REAR,RH DRIVE, TC/A3"	
9	0026348		PANEL ASSY,INSTRUMENT,BLK W/GRAY,	
10	0018948		PLATE ASSY,MOUNTING,DASH HOUSING, RH	
11	1913854		KIT,TRIM,DASH,W/P BUT SHFT RH DRV,	
11			KYSOR 516837, TRIM, LH BELT BAR	
11			KYSOR 517727, TRIM, RH BELT BAR	
12	1729243		SCREEN,HEATER AIR INTAKE,RH DRIVE	
13	1925759		TRIM,RH FRONT CORNER OF DASH,TCFE/RE	
14	1532936		INSULATION & SEAL,RH COWL	
15	1508381		HOSE,FLEXIBLE,DUCT,2.50X28.00	
16	0017276		COVER,FUSE BLOCK W/O CIRCUIT BREAKERS	A3RE ONLY
17	1143676	19	SCREW,10-16 X 3/4, AB,PH1,PAN HD,BLK ZN,	
18	1589522	30	SCREW,10-16 X 3/4,AB,PH1,PAN HD,YEL ZN	
19	0530253	4	DIFFUSER,AIR,BLACK,MB	
20	1315100	29	SCREW,MACH,10-32X1,PHI,PAN HD,BLK	
21	1315118	14	WELLNUT Q-1032,.377 X 5/8	
22	0017694	4	PLUG,PRY-OUT,.875 HOLE,HEYCO 3083	
23	0830059	12	TAPE,FOAM,1/2X3/4,CLSD CELL NEOPRENE ADH	
24	0758292	18	TAPE,FOAM,PCV,3/16 X 3/8 WIDTH,W/ADH	
25	1486919		BUMPER,RUBBER RECESS,.469 X .719 DIA	
26	1922384		FILTER,MAIN HTR,10 X 21.06 X.43 FRM	
27	0000059		BRACKET,HEATER PANEL TO DUCT	
28	2004547		TRIM,INSTRUMENT HOOD,VINYL EDGE,BLACK	
29	0017645	8	SCREW,1/4-20 X.75,TYPE F W/WSHR,PAN HD,	
30	0026201		DECAL,FUSE BLOCK,CSRE/HDRE/HDFE	A3RE ONLY
31	0000852		TAG,VEHICLE IDENTIFICATION NUMBER,.032	
32	0422915	2	RIVET,1/8 DIA,ALUMINUM,W/ST STEM	
33	0032043		HOUSING,VEHICLE CONTROL COMPONENTS,RH	
34	0028997		PLATE,REINFORCEMENT,HTR SWITCH PNL,A3	
35	1988534		PANEL,HEATER CLOSEOUT,INTERIOR,RH DRV,	
36	0023396		PANEL,MTG,SHIFT SELECTOR TO HOUSING,RH	

Models: A3FE, A3RE
FRONT HEATER
HEATER INSTALLATION
RH DRIVE
BSN: From BSN F10035825, L10059260

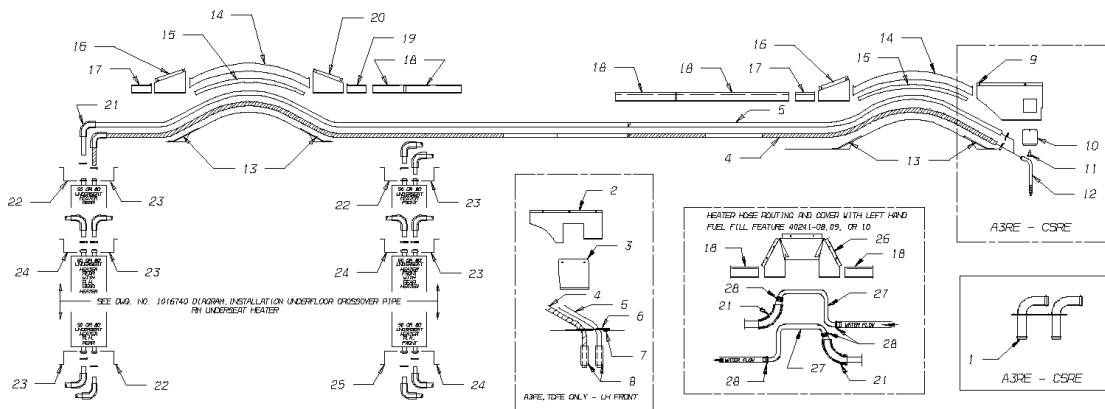
Key	PartNumber	Qty	Description	Comment
37	0025522	6	U-NUT,10-32	
38	0028949		PANEL ASSY,SWITCH,AUX HEATERS,W/CMPS	
39	1351071	2	PLUG,BUTTON,BLACK,DP-1000 HEYCO 2713	
40	0031044		CHART,PANEL ASSY,SWITCH,SHIFTR,	
41	0011217		DUCT,DRIVERS FOOTWARMER, A3FE	
42	0016369		PLATE,MOUNTING,INSTRUMENT HOUSING,,	
43			NAMEPLATE, DASH	
	0000100		NAMEPLATE,DASH,ALL AMERICAN	
	0000101		NAMEPLATE,DASH,CANADIAN	
			DECAL, INSERT, HEATER DIFFUSER, DASH	
44	0031699		DECAL,INSERT,HEATER DIFFUSER,DASH,3-	
45	0031700		DECAL,INSERT,HEATER DIFFUSER,DASH,1-	

Models: A3FE, A3RE, CSRE, TCFE

HEATER PIPING
BODY

With Features: FEATURE 30056

Key	PartNumber	Qty	Description	Comment
-----	------------	-----	-------------	---------



Models: A3FE, A3RE, CSRE, TCFE

HEATER PIPING

BODY

With Features: FEATURE 30056

Key	PartNumber	Qty	Description	Comment
1	0007060		CONNECTOR ASSY,HTR PIPE,TWO OFST 90	WITHOUT ISC07
1	0112151		CONNECTOR,HEATER,PIPE ASSY,THRU FLOOR	ISC07 ONLY
2	1404227		COVER,HTR PIPE,FRONT W/H,TCFC	
2	0001211		COVER,HEATER PIPE,FRT W/H,DRFL	
3	1407014		COVER,ACCESS,HOSE CLAMP,US HEATER,TCFC	FE ONLY
4	2003309		HOSE,HEATER,1 RED,1 BRAID	
5	2003317		HOSE,HEATER,1 INCH BRAID,BLACK	
6	1528439		SEAL,HEATER HOSE/ FIREWALL	
7	1489434		TRIM,VINYL,BLACK,DOUBLE LIP	
8	1369586		INSULATION,ARMAFLEX,1-3/8 ID X 3/8 WALL	
9	1904275		COVER,HTR PIPE,FRONT W/H	
9	0006340		COVER,HTR PIPE,FRONT W/H,PLY FLR,DRRE	
9	1766799		COVER,HTR PIPE,FRONT WHEELHOUSING,RH	
9	1766781		COVER,HTR PIPE,FRONT W/H,PLY FLOOR RH	
10	1056050		COVER,ACCESS,HOSE CLAMP,U/S HEATER	RE ONLY
11	1285923		SCREW,10-16 X 3/4,AB/B,PH1,HEX HD,	
12	1619691		CONNECTOR ASSY,HTR PIPE,FRONT W/H	
13	1053412		SUPPORT,W/H HEATER HOSE,FLOOR TO	
14	1052737		COVER,WHEELHOUSING HTR HOSE	
15	1727932		INSULATION,HEATER COVER,WHEELHOUSING	
16	1052703		TRIM,W/H HEATER HOSE COVER,REAR,	STANDARD
16	1052729		TRIM,W/H HEATER HOSE COVER,REAR,PLY	
17	1052760		COVER,FLOOR TO WHEELHOUSING,REAR	
NI	1572692		COVER,HEATER PIPE,SED,RH CLOSEOUT	
18	0363143		COVER,HTR PIPE,54IN SECT	
19	1052752		COVER,WHEELHOUSING TO FLOOR,FRONT	
20	1052695		TRIM,W/H HEATER HOSE COVER,FRONT,	STANDARD
20	1052711		TRIM,W/H HEATER HOSE COVER,FRONT,PLY	
21	1059278		SPLINT,1IN HOSE BEND,90 DEGREE,4.5IN.RAD	
22	1058361		TRIM,PIPE COVER,HEATER TO WALL,REAR	
23	1058379		TRIM,PIPE COVER,HEATER TO WALL,FRONT	
24	1058387		TRIM,UNDERSEAT HEATER PIPE COVER,FRT,2	
25	1058395		TRIM,UNDERSEAT HEATER PIPE COVER,REAR,	

Models: A3FE, A3RE, CSRE, TCFE

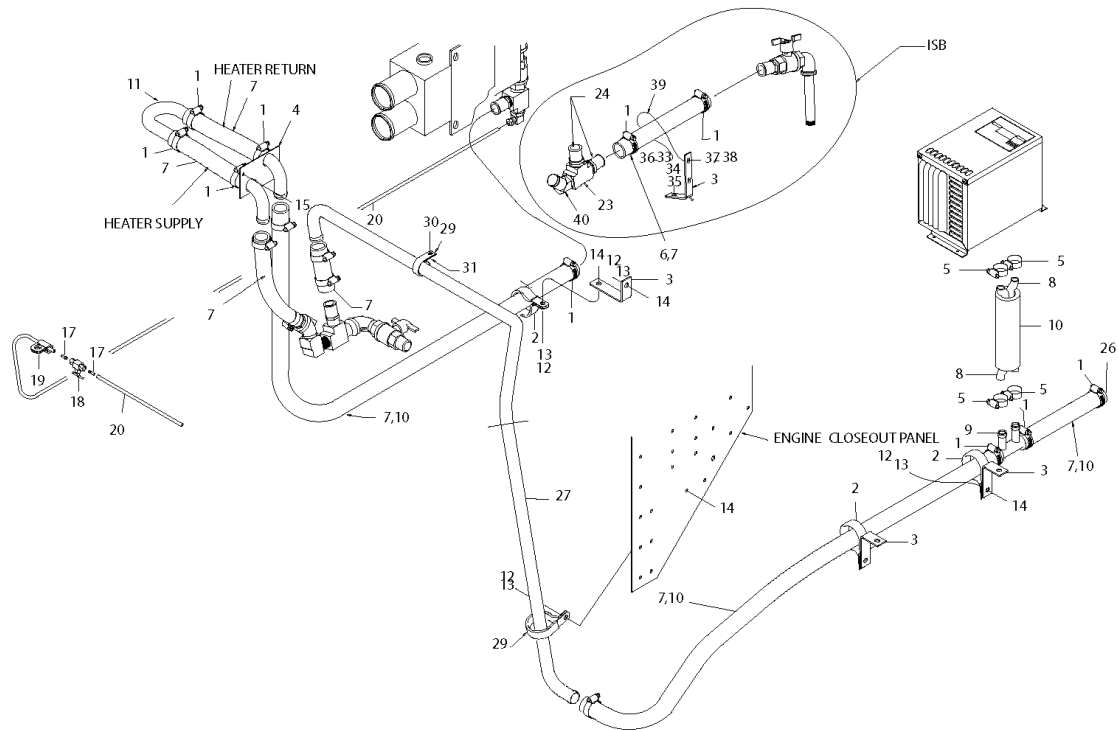
**HEATER PIPING
BODY**

With Features: FEATURE 30056

Key	PartNumber	Qty	Description	Comment
26	0023608		COVER ASSY,HEATER HOSE W/LH FUEL FILL	
27	0022023		TUBING,BRASS,UNDER ST HTR W/LH MM FUEL	
28	1894799		CLAMP,CONSTANT TORQUE,13/16 TO 1-1/2 DIA	
NI	1143866		HOSE,HEATER,1 INCH ID,SILICONE	<i>SILICONE. FEATURE 30056-01</i>
NI	1250760		HOSE,HEATER,1",GY HI MILER,BLUE W/WHT	<i>FEATURE 30056-04, 05</i>
NI	2008522		CLAMP,1IN HOSE	<i>STANDARD</i>
NI	1572692		COVER,HEATER PIPE,SED,RH CLOSEOUT	<i>WITH RH HTR W/O LH HEATER</i>

Models: A3FE, C3FE
HEATER PIPING
ENGINE AREA
CONVECTION HEATING
With Features: FEATURE 30059

Key	PartNumber	Qty	Description	Comment
-----	------------	-----	-------------	---------



Models: A3FE, C3FE
HEATER PIPING
ENGINE AREA
CONVECTION HEATING
With Features: FEATURE 30059

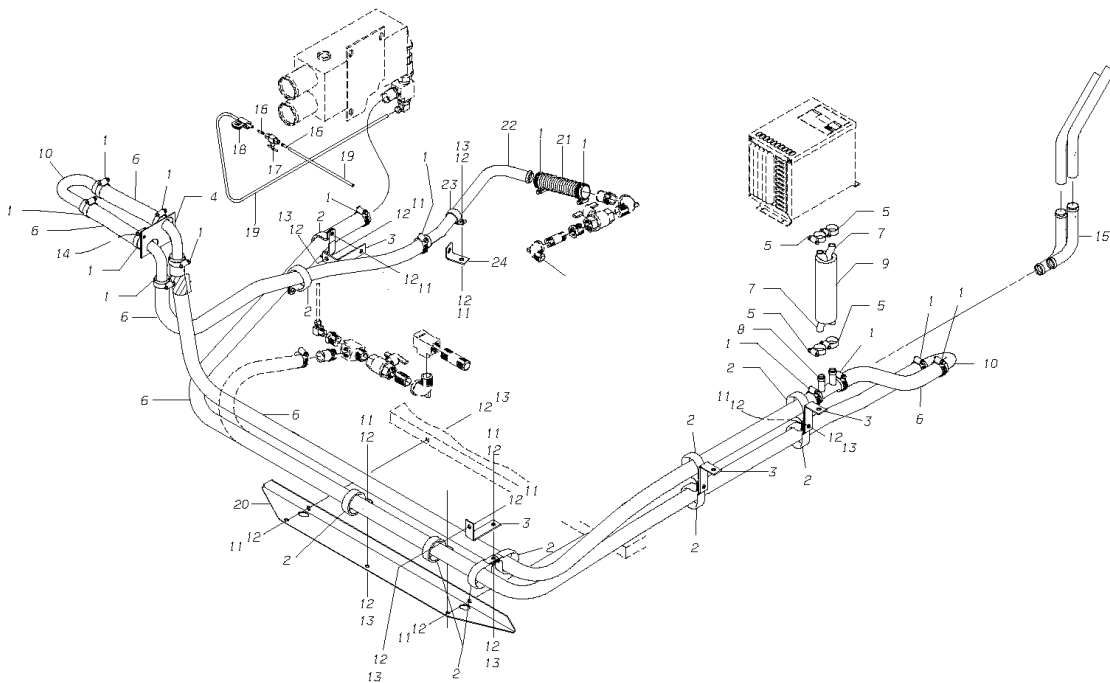
Key	PartNumber	Qty	Description	Comment
1	1894799	14	CLAMP,CONSTANT TORQUE,13/16 TO 1-1/2 DIA	
1	2008522	14	CLAMP,1IN HOSE	
2	1674217	8	CLAMP,LOOP,2.25	
3	1317247	3	BRACKET,ATCH,BRAKE LINE TO FRAME	
4	0054381		CONNECTOR ASSY,HTR PPG,FRT,RH, A3FE	
5	1894823	4	CLAMP,CONSTANT TORQUE,9/16 TO 1-1/16 DIA	
5	1025857	4	CLAMP,HOSE,SIZE 8,LINED	
6	1228840		LOOM,CORRUGATED,BLACK,NYLON,1 1/4ID,SS	
7	1250760	AR	HOSE,HEATER,1",GY HI MILER,BLUE W/WHT	
7	2003317	AR	HOSE,HEATER,1 INCH BRAID,BLACK	
7	1143866	AR	HOSE,HEATER,1 INCH ID,SILICONE	
8	1280569	AR	HOSE,HEATER,5/8",GY HI MILER,BLUE W/WHT	
8	0413153	AR	HOSE,HEATER,WATER,5/8 ID	
8	1163583	AR	HOSE, SILICON, 5/8 ID	
9	1360270	AR	TUBING ASSY,WATER SUPPLY/RET,RH WS DEF	
10	0020702		INSULATION,ARMAFLEX,1-5/8 ID X 3/8 WALL	
11	0195412	1	TUBING,180 DEGREE BRASS ELBOW	
12	0559195	9	CAPSCREW,HEX HD,3/8-16 X 1,GR 8,YEL ZN	
13	1107085	9	WASHER,FLAT,13/32 X 13/16 X 3/32,HDN,BLK	
14	0839027	9	NUT,HEX HD,3/8-16,GR G,SM FLG LK,YEL	
15	1943695	2	SCREW,10-16X3/4,AB,PH1,PAN HD,BLK ZN	
16	0281303	2	TUBING,BRASS,ELBOW,90 DEGREE	
17	0654970	2	INSERT,PLASTIC TUBING,1/4, 1484 X 4	
18	0878603		VALVE,COMPRESSION LINE SHUT OFF	
19	0854612		CLAMP,LOOP,.500	
20	0654962	8.5	TUBING,PLASTIC,1/4 OD,BLACK,SAE J844 TYPE	
21	0010103		ANGLE,SUPPORT,HEATER HOSES, A3FE	
22	1877166		ELBOW,STREET,3/4,3400 X 12	ISC ONLY
23	1900711		TEE,FEMALE RUN,3/4 FPT,BRASS	ISC ONLY
24	0315200	3	ADAPTER,HTR,3/4 PIPE X 1 HOSE	ISC ONLY
25	0020687	2	CLAMP,LOOP,1.75	
26	2027860		PLUG,PIPE,3/4,GALV	
27	0054380		TUBE,HTR PPG,SUPPLY LINE,CONVECTION,	

Models: A3FE, C3FE
HEATER PIPING
ENGINE AREA
CONVECTION HEATING
With Features: FEATURE 30059

Key	PartNumber	Qty	Description	Comment
28	0988873	2.5	INSULATION,ARMAFLEX,1-1/8 I.D. X 1/4 WALL	
29	0948141	2	CLAMP,LOOP,1.312	
30	1516608	1	SCREW,MACH,1/4-20X1-1/2,TRUSS HD,YEL	
31	0659979	1	NUT,HEX,FLANGE SER,1/4-20,BLACK ZINC	
32	2009272	1	ELBOW,STREET,3/4 45 DEG,GALV	
33	0024168	1	MOUNT,HEAVY DUTY,.25 HOLE SIZE	
34	1700442	1	CAPSCREW,HEX HD,M8-1.25 X 20MM,10.9	
35	2001188	1	LOCKWASHER,SPLIT RING, 5/16,MED,YEL ZN	
36	2000057	1	CAPSCREW,HEX HD,1/4-20 X 1,GR 5,YEL ZN	
37	2001121	1	WASHER,FLAT,5/16 X 3/4,X 5/64,YEL ZN DICH	
38	0659979	1	NUT,HEX,FLANGE SER,1/4-20,BLACK ZINC	
39	0029998	1	TIE,CABLE,250 LB	
40	0085292	1	FITTING,ELBOW,45 DEG,.75 MPT X 1 INCH	

Models: A3FE
HEATER PIPING
ENGINE AREA
CUMN 8.3 MECH
With Features: FEATURE 30056

Key	PartNumber	Qty	Description	Comment
-----	------------	-----	-------------	---------



Models: A3FE
HEATER PIPING
ENGINE AREA
CUMN 8.3 MECH
With Features: FEATURE 30056

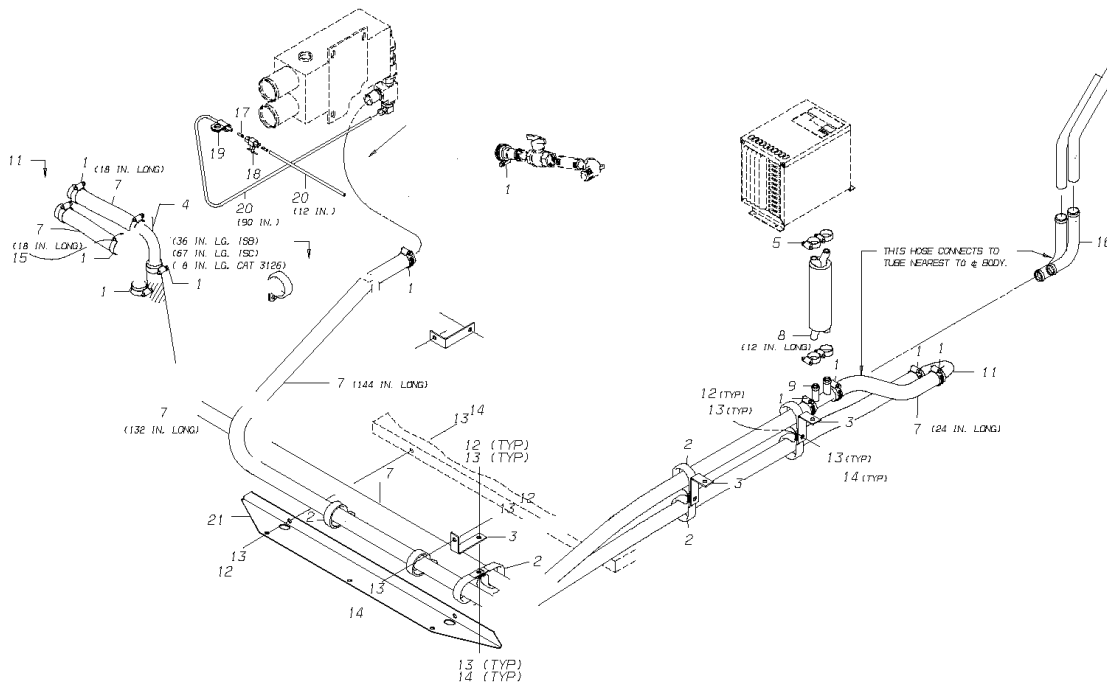
Key	PartNumber	Qty	Description	Comment
1			CLAMP	
	1894799	14	CLAMP,CONSTANT TORQUE,13/16 TO 1-1/2 DIA	
	2008522	14	CLAMP,1IN HOSE	
2	1107937	10	CLAMP,LOOP,2.00	
3	1317247	4	BRACKET,ATCH,BRAKE LINE TO FRAME	
4	0010841		CONNECTOR ASSY,HTR PPG,ISB FIREWALL,,	
5			CLAMP	
	1894823	4	CLAMP,CONSTANT TORQUE,9/16 TO 1-1/16 DIA	
	1025857	4	CLAMP,HOSE,SIZE 8,LINED	
6		28	HEATER HOSE	
	1143866	28	HOSE,HEATER,1 INCH ID,SILICONE	
	2003317	28	HOSE,HEATER,1 INCH BRAID,BLACK	
	1250760	28	HOSE,HEATER,1",GY HI MILER,BLUE W/WHT	
7		28	HEATER HOSE	
	1163583	2	HOSE, SILICON, 5/8 ID	
	0413153	2	HOSE,HEATER,WATER,5/8 ID	
	1280569	2	HOSE,HEATER,5/8",GY HI MILER,BLUE W/WHT	
8	1360270		TUBING ASSY,WATER SUPPLY/RET,RH WS DEF	
9	1369586	28	INSULATION,ARMAFLEX,1-3/8 ID X 3/8 WALL	
10	0195412	2	TUBING,180 DEGREE BRASS ELBOW	
11	0559195	17	CAPSCREW,HEX HD,3/8-16 X 1,GR 8,YEL ZN	
12	1107085	34	WASHER,FLAT,13/32 X 13/16 X 3/32,HDN,BLK	
13	0826297	17	NUT,HEX HD,3/8-16 LOCK,YEL ZN DICH	
14	1943695	2	SCREW,10-16X3/4,AB,PH1,PAN HD,BLK ZN	
15	0281303	2	TUBING,BRASS,ELBOW,90 DEGREE	
16	0654970	2	INSERT,PLASTIC TUBING,1/4, 1484 X 4	
17	0878603		VALVE,COMPRESSION LINE SHUT OFF	
18	0854612		CLAMP,LOOP,.500	
19	0654962	9	TUBING,PLASTIC,1/4 OD,BLACK,SAE J844 TYPE	
20	0010103		ANGLE,SUPPORT,HEATER HOSES, A3FE	
21	1228840	1	LOOM,CORRUGATED,BLACK,NYLON,1 1/4ID,SS . ISB ONLY	
22	0016870		TUBING,ENGINE TO FIREWALL,8.3 MECH., HDPE	
23	1517168		CLAMP,LOOP,.937	

Models: A3FE
HEATER PIPING
ENGINE AREA
With Features: CUMN 8.3 MECH
FEATURE 30056

Key	PartNumber	Qty	Description	Comment
24	1501097		BRACKET,ATCH,BRAKE LINE TO FRAME	

Models: A3FE
HEATER PIPING
ENGINE AREA
ISB, ISC, CAT
With Features: FEATURE 30056
To BSN 11/03/02

Key	PartNumber	Qty	Description	Comment
-----	------------	-----	-------------	---------



Models: A3FE
HEATER PIPING
ENGINE AREA
ISB, ISC, CAT
With Features: FEATURE 30056
To BSN 11/03/02

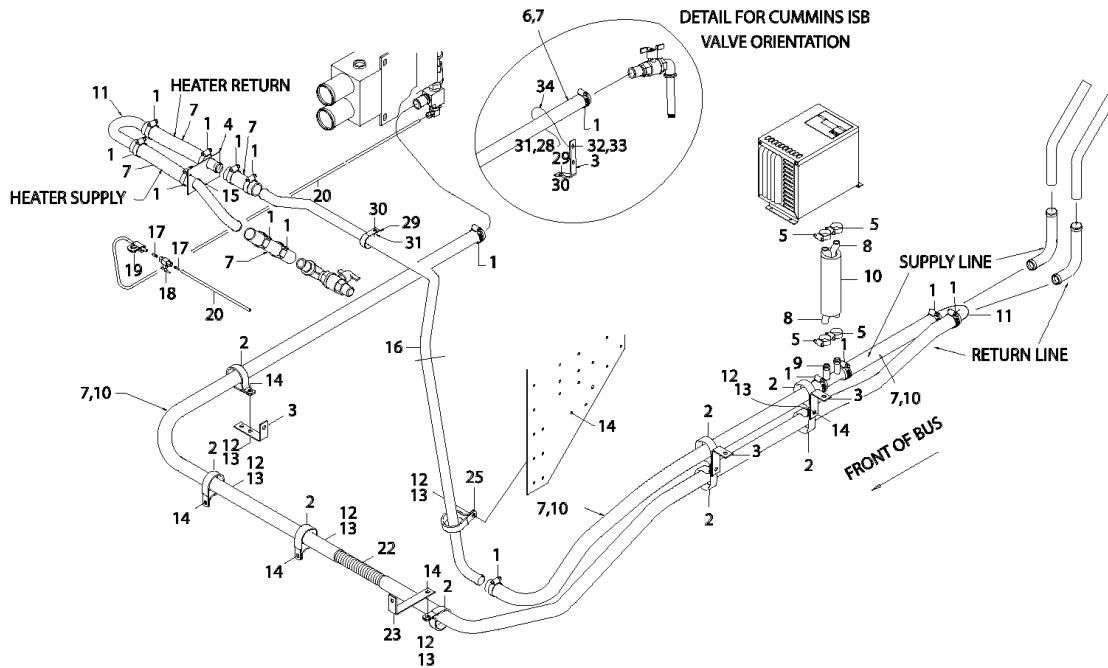
Key	PartNumber	Qty	Description	Comment
1			CLAMP	
	1894799	12	CLAMP,CONSTANT TORQUE,13/16 TO 1-1/2 DIA	
	2008522	12	CLAMP,1IN HOSE	
2	1107937	12	CLAMP,LOOP,2.00	
3	1317247	4	BRACKET,ATCH,BRAKE LINE TO FRAME	
4			CONNECTOR ASSY.	
	1948074		CONNECTOR ASSY,HTR PPG,ISB/ISC F/WALL,	ENDING WITH BSN 30028404
	0010841		CONNECTOR ASSY,HTR PPG,ISB FIREWALL,,	BEGIN WITH BSN 30028405
	0003021		CONNECTOR ASSY,HTR PPG,CAT,FIREWALL,	ENDING WITH BSN 30028404
	0010842		CONNECTOR ASSY,HTR PPG,CAT/ISC,F/WALL,	BEGIN WITH BSN 30028405
5			CLAMP	
	1894823	4	CLAMP,CONSTANT TORQUE,9/16 TO 1-1/16 DIA	
	1025857	4	CLAMP,HOSE,SIZE 8,LINED	
6			HEATER HOSE	
	1143866	AR	HOSE,HEATER,1 INCH ID,SILICONE	
	2003309	AR	HOSE,HEATER,1 RED,1 BRAID	
	1250760		HOSE,HEATER,1",GY HI MILER,BLUE W/WHT	
7	1143866	28	HOSE,HEATER,1 INCH ID,SILICONE	
	2003317	28	HOSE,HEATER,1 INCH BRAID,BLACK	
	1250760	28	HOSE,HEATER,1",GY HI MILER,BLUE W/WHT	
8	1163583	2	HOSE, SILICON, 5/8 ID	
	0413153	2	HOSE,HEATER,WATER,5/8 ID	
	1280569	2	HOSE,HEATER,5/8",GY HI MILER,BLUE W/WHT	
9	1360270		TUBING ASSY,WATER SUPPLY/RET,RH WS DEF	
10	1369586	35	INSULATION,ARMAFLEX,1-3/8 ID X 3/8 WALL	
11	0195412	2	TUBING,180 DEGREE BRASS ELBOW	
12	0559195	17	CAPSCREW,HEX HD,3/8-16 X 1,GR 8,YEL ZN	
13	1107085	34	WASHER,FLAT,13/32 X 13/16 X 3/32,HDN,BLK	
14	0826297	12	NUT,HEX HD,3/8-16 LOCK,YEL ZN DICH	
15	1943695	2	SCREW,10-16X3/4,AB,PH1,PAN HD,BLK ZN	
16	0001856		CONNECTOR ASSY,HEATER,FWD OF LH W/H,	
17	0654970	2	INSERT,PLASTIC TUBING,1/4, 1484 X 4	
18	0878603		VALVE,COMPRESSION LINE SHUT OFF	

Models: A3FE
HEATER PIPING
ENGINE AREA
ISB, ISC, CAT
With Features: FEATURE 30056
To BSN 11/03/02

Key	PartNumber	Qty	Description	Comment
19	0854612		CLAMP,LOOP,.500	
20	0654962	9	TUBING,PLASTIC,1/4 OD,BLACK,SAE J844 TYPE	
21	0010103		ANGLE,SUPPORT,HEATER HOSES, A3FE	
22	0012251		TUBING,ENGINE TO FIREWALL,5.9,HDFE	<i>ISB ONLY</i>
23	1228840	2	LOOM,CORRUGATED,BLACK,NYLON,1 1/4ID,SS	<i>ISB ONLY</i>

Models: A3FE
HEATER PIPING
ENGINE AREA
ISB, ISC, CAT
With Features: FEATURE 30056
BSN: From BSN 11/04/02

Key	PartNumber	Qty	Description	Comment
-----	------------	-----	-------------	---------



Models: A3FE
HEATER PIPING
ENGINE AREA
ISB, ISC, CAT
With Features: FEATURE 30056
BSN: From BSN 11/04/02

Key	PartNumber	Qty	Description	Comment
1	1894799	AR	CLAMP,CONSTANT TORQUE,13/16 TO 1-1/2 DIA	
1	2008522	AR	CLAMP,1IN HOSE	
2	1674217	8	CLAMP,LOOP,2.25	
3	1317247	3	BRACKET,ATCH,BRAKE LINE TO FRAME	
4	0054381		CONNECTOR ASSY,HTR PPG,FRT,RH, A3FE	
5	1894823	4	CLAMP,CONSTANT TORQUE,9/16 TO 1-1/16 DIA	
5	1025857	4	CLAMP,HOSE,SIZE 8,LINED	
6	1228840		LOOM,CORRUGATED,BLACK,NYLON,1 1/4ID,SS	
7	1250760	AR	HOSE,HEATER,1",GY HI MILER,BLUE W/WHT	
7	2003317	AR	HOSE,HEATER,1 INCH BRAID,BLACK	
7	1143866	AR	HOSE,HEATER,1 INCH ID,SILICONE	
8	1280569	AR	HOSE,HEATER,5/8",GY HI MILER,BLUE W/WHT	
8	0413153	AR	HOSE,HEATER,WATER,5/8 ID	
8	1163583	AR	HOSE, SILICON, 5/8 ID	
9	1360270		TUBING ASSY,WATER SUPPLY/RET,RH WS DEF	
10	0020702	AR	INSULATION,ARMAFLEX,1-5/8 ID X 3/8 WALL	
11	0195412	2	TUBING,180 DEGREE BRASS ELBOW	
12	0559195	9	CAPSCREW,HEX HD,3/8-16 X 1,GR 8,YEL ZN	
13	1107085	9	WASHER,FLAT,13/32 X 13/16 X 3/32,HDN,BLK	
14	0839027	9	NUT,HEX HD,3/8-16,GR G,SM FLG LK,YEL	
15	1943695	2	SCREW,10-16X3/4,AB,PH1,PAN HD,BLK ZN	
16	0054379		TUBE,HTR PPG,SUPPLY LINE,ENG CMPT,A3FE"	EXCEPT WITH RH DRIVE
16	1143866		HOSE,HEATER,1 INCH ID,SILICONE	FEATURE 30056-01, WITH RH DRIVE
16	1250760		HOSE,HEATER,1",GY HI MILER,BLUE W/WHT	FEATURE 30056-04, -05 W/RH DRIVE
16	2003317		HOSE,HEATER,1 INCH BRAID,BLACK	FEATURE 30056-02, -03 WITH RH DRIVE
17	0654970	2	INSERT,PLASTIC TUBING,1/4, 1484 X 4	
18	0878603		VALVE,COMPRESSION LINE SHUT OFF	
19	0854612		CLAMP,LOOP,.500	
20	0654962	8.5	TUBING,PLASTIC,1/4 OD,BLACK,SAE J844 TYPE	
21	0020687		CLAMP,LOOP,1.75	
22	1228840	AR	LOOM,CORRUGATED,BLACK,NYLON,1 1/4ID,SS	
23	0003844		BRACKET,FUEL LINE STND-OFF,ISC,W/TEX U-	


Models: A3FE
HEATER PIPING
ENGINE AREA
ISB, ISC, CAT
With Features: FEATURE 30056
BSN: From BSN 11/04/02

Key	PartNumber	Qty	Description	Comment
24	0988873	AR	INSULATION,ARMAFLEX,1-1/8 I.D. X 1/4 WALL	
25	0948141	2	CLAMP,LOOP,1.312	
26	1516608	1	SCREW,MACH,1/4-20X1-1/2,TRUSS HD,YEL	
27	0659979	1	NUT,HEX,FLANGE SER,1/4-20,BLACK ZINC	
28	0024168	1	MOUNT,HEAVY DUTY,,.25 HOLE SIZE	
29	1700442	1	CAPSCREW,HEX HD,M8-1.25 X 20MM,10.9	
30	2001188	1	LOCKWASHER,SPLIT RING, 5/16,MED,YEL ZN	
31	2000057	1	CAPSCREW,HEX HD,1/4-20 X 1,GR 5,YEL ZN	
32	2001121	1	WASHER,FLAT,5/16 X 3/4,X 5/64,YEL ZN DICH	
33	0659979	1	NUT,HEX,FLANGE SER,1/4-20,BLACK ZINC	
34	0029998	1	TIE,CABLE,250 LB	

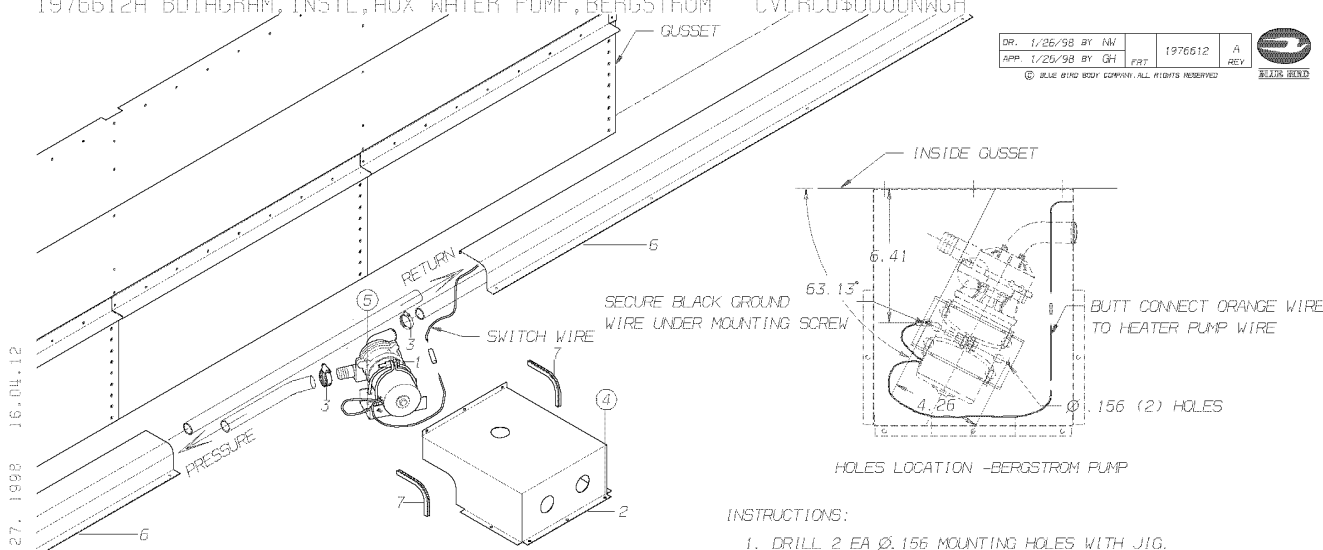
Models: AAFE, A3FE, BBCV, B1VC, B2VC, CSFE, MBWB, SBCV, T2RE, TCFE, TCRE
HEATER WATER PUMP
With Features: FEATURE 30058-01
BSN: From BSN AAFE 10000119

Key	PartNumber	Qty	Description	Comment
-----	------------	-----	-------------	---------

1976612A BDIAGRAM, INSTL, AUX WATER PUMP, BERGSTROM CVCRC050000NWGH

DR. 1/26/98 BY NW	1976612	A	
APP. 1/20/98 BY GH	PST	REV	

© BLUE BIRD BODY CORP. ALL RIGHTS RESERVED



INSTRUCTIONS:

1. DRILL 2 EA Ø.156 MOUNTING HOLES WITH JIG.
2. CONNECT HOSES TO PUMP *BE CERTAIN INLET TUBE ON PUMP IS PROPERLY ORIENTED AND SECURE.
3. MOUNT PUMP TO FLOOR CAPTURING GROUND WIRE.
4. MAKE WIRING CONNECTION.
5. INSTALL TRIMS (7) TO COVER.
6. FASTEN COVER TO FLOOR AND GUSSET WITH SCREWS (4).
7. INSTALL HOSE COVERS AGAINST PUMP COVER.

16.04.12
 27. 1998
 JANUARY 1
 FRAME 1
 nbtweat

Models: AAFE, A3FE, BBCV, B1VC, B2VC, CSFE, MBWB, SBCV, T2RE, TCPE, TCRE
HEATER WATER PUMP
With Features: FEATURE 30058-01
BSN: From BSN AAFE 10000119

Key	PartNumber	Qty	Description	Comment
1	1973981		PUMP,WATER,AUXILIARY HTR,BERGSTROM,12	
2	1973403		COVER,AUXILIARY WATER PUMP,BERGSTROM	
3	2008522	2	CLAMP,1IN HOSE	
4	1589522	8	SCREW,10-16 X 3/4,AB,PH1,PAN HD,YEL ZN	
5	2000586	2	SCREW,10-16X1-1/4,AB,PH1,PAN HD,YEL ZN	
6	0363143		COVER,HTR PIPE,54IN SECT	


Models: AAFE, A3FE, BBCV, B1VC, B2VC, CSFE, MBWB, SBCV, T2RE, TCFE, TCRE

With Features: HEATER WATER PUMP

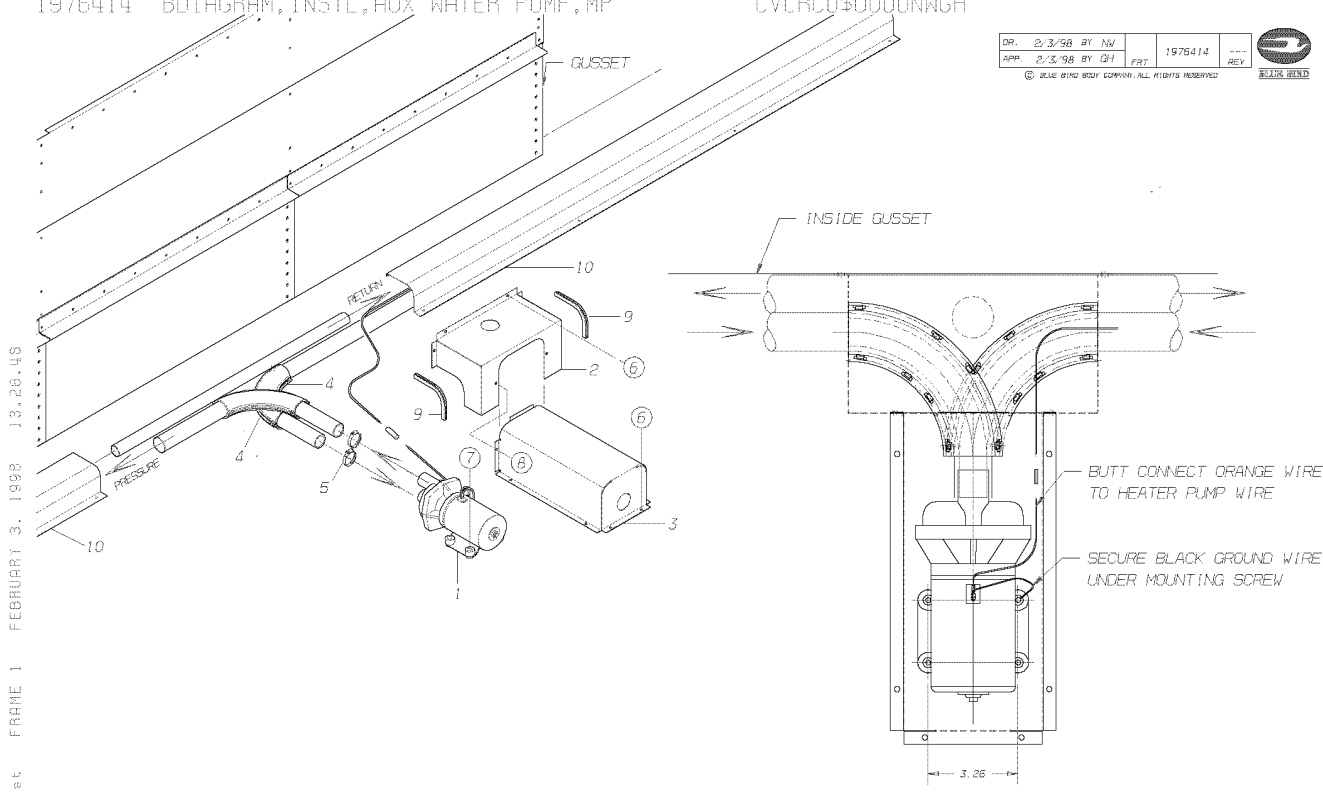
BSN: From BSN FAAFE1000119

Key	PartNumber	Qty	Description	Comment
-----	------------	-----	-------------	---------

1976414 BDIAGRAM, INSTL, AUX WATER PUMP, MP CVCRCO#0000NWH

DR.	2/3/98	BY	NW	1976414	REV	 BLUE BIRD
APP.	2/3/98	BY	GH			

© BLUE BIRD BODY CORP. ALL RIGHTS RESERVED



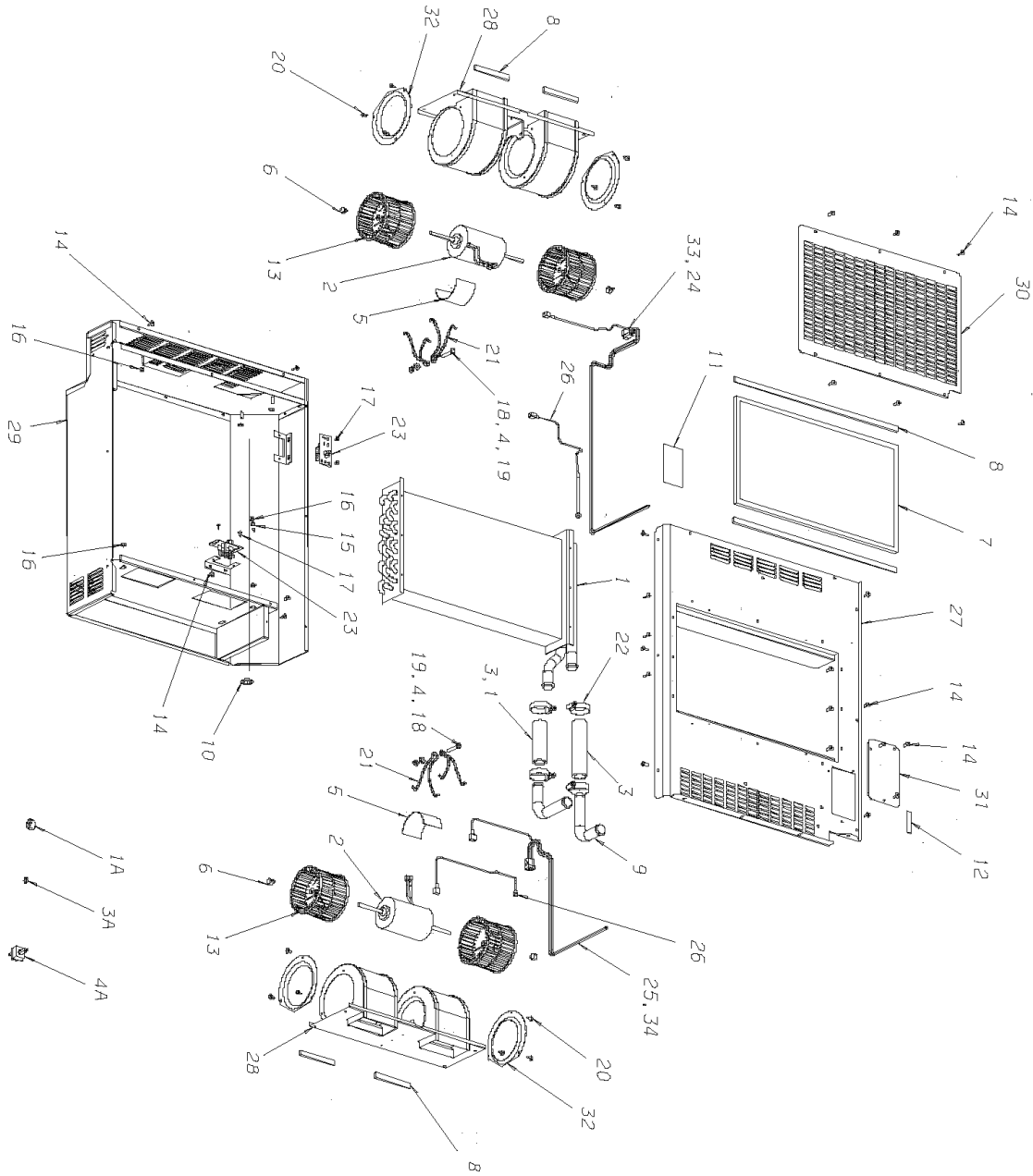
nbtweat
 FRAME 1
 FEBRUARY 3, 1998
 13.26. US

Models: AAFE, A3FE, BBCV, B1VC, B2VC, CSFE, MBWB, SBCV, T2RE, TCPE, TCRE
HEATER WATER PUMP
With Features: HEAVY DUTY, FEATURE 30058-02
BSN: From BSN FAAFE10000119

Key	PartNumber	Qty	Description	Comment
1	1973999		PUMP,WATER,AUXILIARY HTR,MP,12 VOLT	
2	1974005		COVER,HOSE CONNECTIONS,MP BOOSTER	
3	1974450		COVER,AUXILIARY WATER PUMP,MP BOOSTER	
4	1059278	2	SPLINT,1IN HOSE BEND,90 DEGREE,4.5IN.RAD	
5	2008522	2	CLAMP,1IN HOSE	
6	1589522	10	SCREW,10-16 X 3/4,AB,PH1,PAN HD,YEL ZN	
7	2000586	4	SCREW,10-16X1-1/4,AB,PH1,PAN HD,YEL ZN	
8	2186401	2	SCREW,10-16 X 1/2,AB,PH1,PAN HD,YEL ZN	
9	2004547	10	TRIM,INSTRUMENT HOOD,VINYL EDGE,BLACK	2 PC
10	0363143		COVER,HTR PIPE,54IN SECT	

Models: AAFE, A3FE, C1FE, GMCV, GPWB, MBWB, SBCV, TCFE, TSFE, VCTA
 HEATER, REAR WALL
 BERGSTROM
 HEATER ASSY COMPONENTS
 With Features: OPTION 1341
 To C1FE TSFE BSN F0190632 L0020822 4-11-96

Key	PartNumber	Qty	Description	Comment
-----	------------	-----	-------------	---------



Models: AAFE, A3FE, C1FE, GMCV, GPWB, MBWB, SBCV, TCFE, TSFE, VCTA
HEATER, REAR WALL
BERGSTROM
HEATER ASSY COMPONENTS
With Features: **OPTION 1341**
To C1FE TSFE BSN F0190632 L0020822 4-11-96

Key	PartNumber	Qty	Description	Comment
1	0035860		COIL, HEATER, BERGSTROM OPT 1341	
2	0035861	2	MOTOR,12 VOLT,DC DBL SHAFT BERGSTROM	
3			HOSE, HEATER BULK, 1 IN.	
4		2	WASHER, 1/4 IN. FLAT	
NI	1837194		KIT,REAR WALL HEATER CONTROL	CONSISTS OF THE FOLLOWING
1A	0035873	2	KNOB, CONTROL, BERGSTROM, OPT 1341,	
2A			BAG, PLASTIC, 4 IN. X 6 IN.	
3A	0035874	2	NUT, 7/16-28 SWITCH JAM, BERG, OPT 1341	
4A	0035875		SWITCH, 3SP ROTARY, INDAK, BERG, OPT 1341	
5		2	MOTOR INSULATION, .062 X 2.25 X 4.50	
6	0035862	4	CLIP, BLOWER WHEEL RETAINING, BERG OPT	
7	0035863		FILTER, AIR BERGSTROM, OPT 1341	
8		5	URETHANE, 3/8 X 1/2	
9		2	TUBE, 1 IN., 90 DEGREE HOSE	
10			GROMMET, 7/8 DIA.	
11	0035865		DECAL,NAME,BTU,BERGSTROM,OPT 1341	
12	0035866		DECAL, WATER IN, BERGSTROM, OPT 1341	
13	0033722	4	WHEEL,BLOWER,HTR,BERGSTROM,ASSY	
14		27	TRUSS HEAD, 10 X 5/8	
15			LOCKWASHER	
16		9	LOCKNUT, 10 - 32 HEX	
17		4	SCREW, HEX HD, 8 X 3/8 IN.	
18		2	SCREW, 1/4 - 20 X 1.50 HEX HD	
19		2	LOCKNUT, 1/4 - 20 W/NYLON	
20		12	SCREW, TAPPING, 10 X 1/2	
21	0035867	4	CLAMP, MOTOR MTG, BERGSTROM, OPT 1341	
22		4	CLAMP, HOSE	
23	0035868	2	RESISTOR, 12V W(2) 152C FUSE, BERG, OPT	
24	0035876		HARNES, LONG WIRE, BERGSTROM, OPT 1341	
25	0035877		HARNES, SHORT WIRE, BERG, OPT 1341	
26			WIRE, GROUND	
27			WELDMENT, COVER	
28	0035871	2	WELD, BLOWER, HOUSING, BERGSTROM, OPT	

Models: AAFE, A3FE, C1FE, GMCV, GPWB, MBWB, SBCV, TCFE, TSFE, VCTA
HEATER, REAR WALL
BERGSTROM
HEATER ASSY COMPONENTS

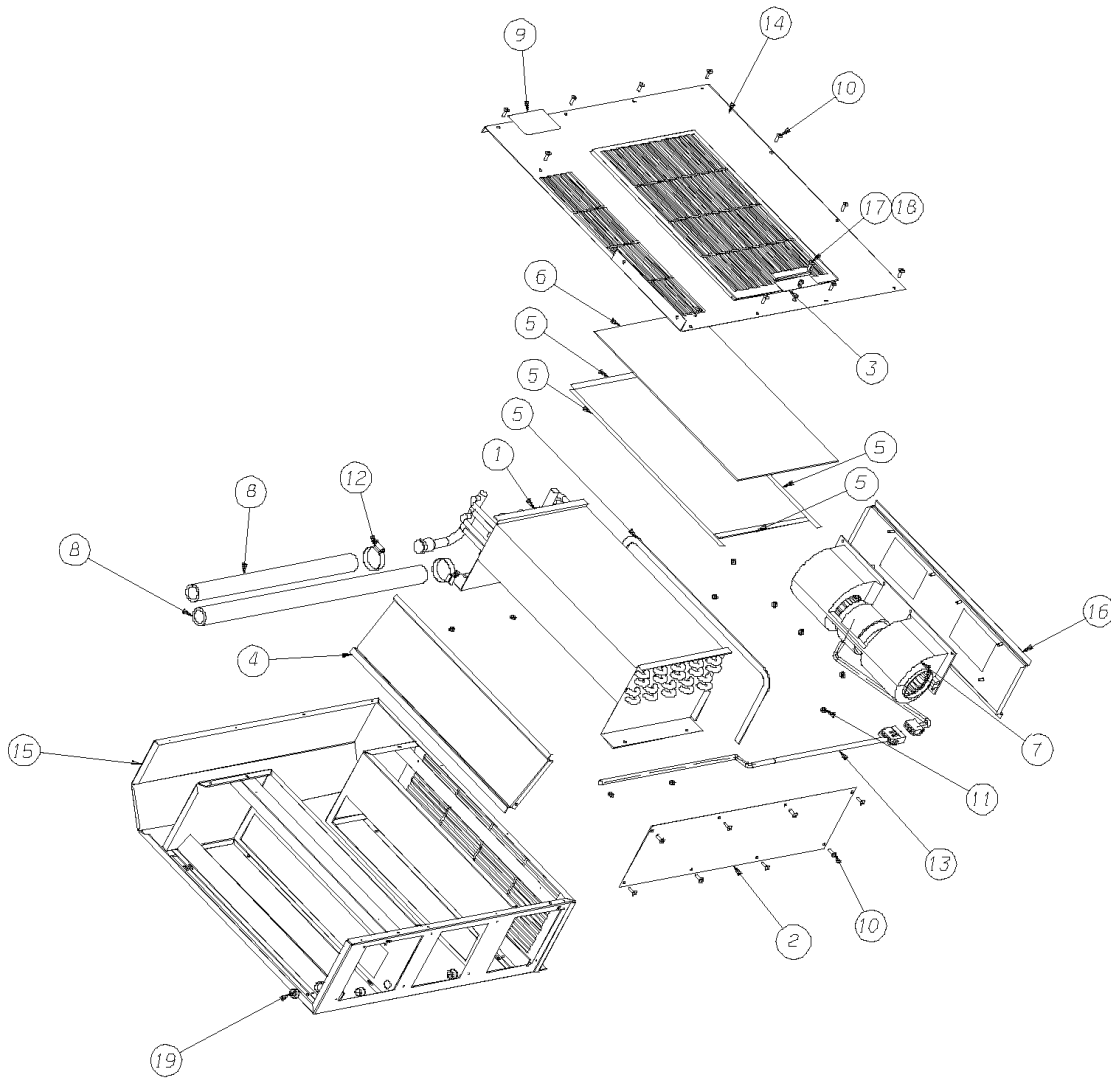
With Features: **OPTION 1341**
To C1FE TSFE BSN F0190632 L0020822 4-11-96

Key	PartNumber	Qty	Description	Comment
29	0063829		COVER ASSY,WELDMENT,RR WALL HTR,	
30			PLATE, FILTER COVER	
31			PLATE, HOSE COVER	
32		4	ORIFICE RING	
33	0035878		HARNESS, LONG WIRE, BERG, OPT 1341,	
34	0035879		HARNESS, SHORT WIRE, BERG, OPT 1341,	
NI			BREAKDOWN FOR HEATERS	(1888874 KIT) 1816131 ASSY, 0026361 ASSY

Models: A3FE, BBCV, B1VC, B2VC, SBCV
HEATER, REAR WALL

With Features: HEATER ASSY COMPONENTS
 OPTION 30060-05

Key	PartNumber	Qty	Description	Comment
-----	------------	-----	-------------	---------



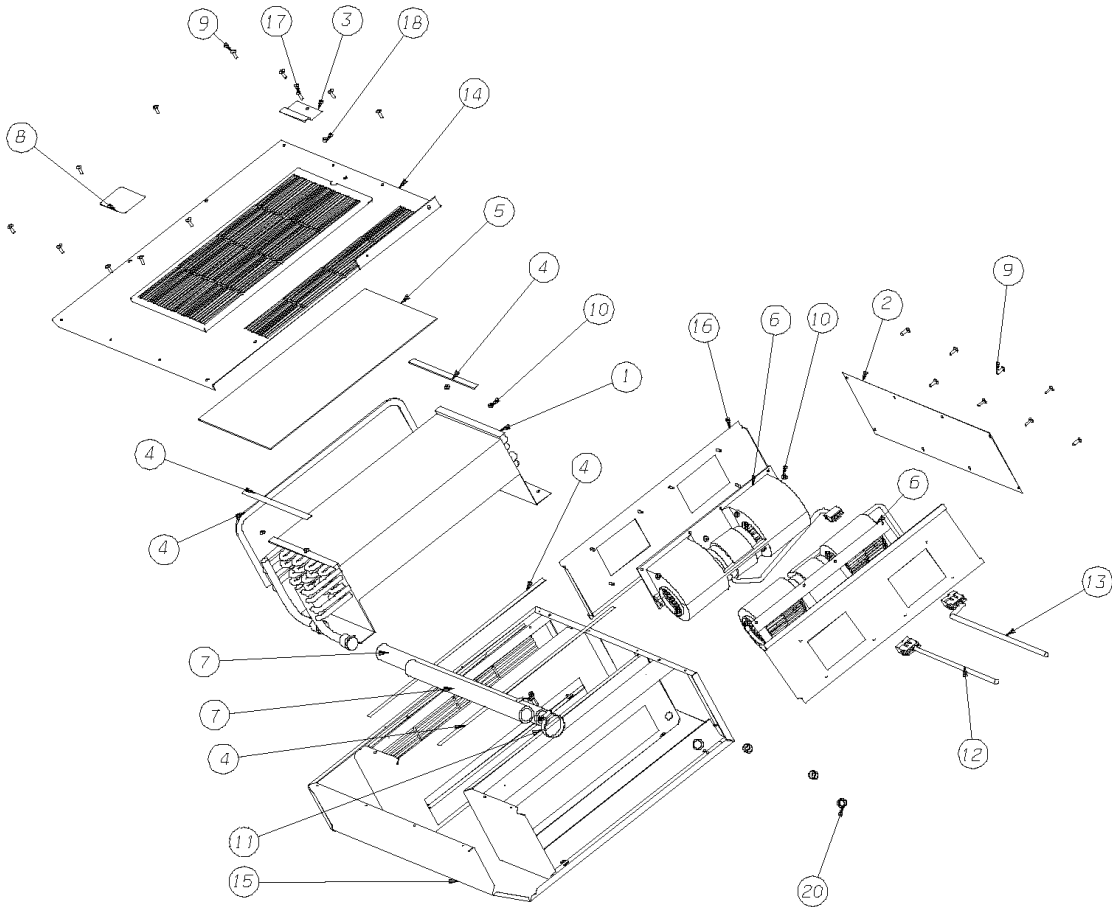
Models: A3FE, BBCV, B1VC, B2VC, SBCV
HEATER, REAR WALL
HEATER ASSY COMPONENTS
With Features: OPTION 30060-05

Key	PartNumber	Qty	Description	Comment
	0051529		HEATER ASSY,REAR WALL MOUNT,40K BTU,RH	CONSISTS OF THE FOLLOWING
1	0064090		COIL,HEATER,REAR WALL,BERGSTROM	
2			COVER, BLOWER	
3			ANGLE, MOUNTING	
4			PLATE, BLOWER BLANK	
5	0064091		GASKET,FILTER,COIL,HEATER,REAR WALL,	
6	0064092		FILTER,AIR,HEATER,REAR WALL,BERGSTROM	
7	0035883		ASSY, BLOWER/MOTOR, 12V, BERG, FEA 30060	
	0066114		WHEEL,BLOWER,W/CLIP,12V,BERG,0033835	PART OF ITEM 7
	0066115		MOTOR,BLOWER,12V,BERG,FOR 0033835	PART OF ITEM 7
8	0064093		HOSE,HEATER,BLUE STRIPE,REAR WALL,	
9	0035865		DECAL,NAME,BTU,BERGSTROM,OPT 1341	
10			SCREW, TAPPING #10	
11			LOCKNUT, #10-32	
12	0064094		CLAMP,HTR HOSE,REAR WALL,BERGSTROM	
13	0064095		HARNES, WIRING, HEATER, REAR WALL,	TOP
14			WELDMENT, COVER	
15			WELDMENT, CASE	
16			WELDMENT, BLOWER PLATE	
17			SCREW, #10-32	
18			NUT, #10-32	
20	0064097		BUSHING,HEATER,REAR WALL,BERGSTROM	

Models: A3FE, BBCV, B1VC, B2VC, SBCV
HEATER, REAR WALL
HEATER ASSY COMPONENTS

With Features: OPTION 30060-06

Key	PartNumber	Qty	Description	Comment
-----	------------	-----	-------------	---------



Models: A3FE, BBCV, B1VC, B2VC, SBCV
HEATER, REAR WALL
HEATER ASSY COMPONENTS
With Features: OPTION 30060-06


Key	PartNumber	Qty	Description	Comment
	0052498		HEATER ASSY,REAR WALL MOUNT,80K BTU,RH	CONSISTS OF THE FOLLOWING
1	0064090		COIL,HEATER,REAR WALL,BERGSTROM	
2			COVER, BLOWER	
3			ANGLE, MOUNTING	
4	0064091		GASKET,FILTER,COIL,HEATER,REAR WALL,	
5	0064092		FILTER,AIR,HEATER,REAR WALL,BERGSTROM	
6	0035883		ASSY, BLOWER/MOTOR, 12V, BERG, FEA 30060	
	0066114		WHEEL,BLOWER,W/CLIP,12V,BERG,0033835	PART OF ITEM 6
	0066115		MOTOR,BLOWER,12V,BERG,FOR 0033835	PART OF ITEM 6
7	0064093		HOSE,HEATER,BLUE STRIPE,REAR WALL,	
8	0035865		DECAL,NAME,BTU,BERGSTROM,OPT 1341	
9			SCREW, TAPPING #10	
10			LOCKNUT, #10-32	
11	0064094		CLAMP,HTR HOSE,REAR WALL,BERGSTROM	
12	0064095		HARNESS,WIRING,HEATER,REAR WALL,	TOP
13	0064096		HARNESS,WIRING,BOTTOM,HEATER,REAR	BOTTOM
14			WELDMENT, COVER	
15	0076722		WELDMENT,CASE,REAR WALL,80K,RH,0052498	
16			WELDMENT, BLOWER PLATE	
17			SCREW, #10-32	
18			NUT, #10-32	
20	0064097		BUSHING,HEATER,REAR WALL,BERGSTROM	

Models: AAFE, A3FE, C1FE, GMCV, GPWB, MBWB, SBCV, TCFE, TSFE, VCTA
**HEATER, REAR WALL
 HEATER MOUNTING
 WITH REAR EMERGENCY DOOR**

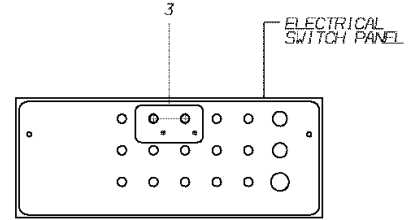
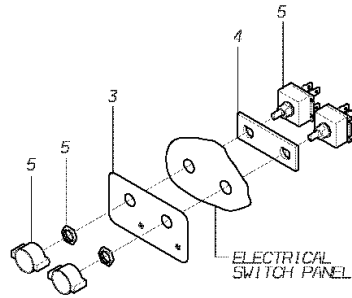
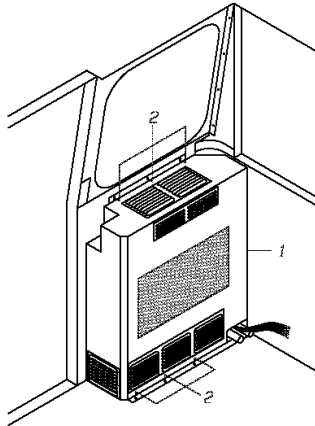
With Features: OPTION 1341
 To BSN B10064339 F10035824F20035859 L10059259

M10074849 X10019804

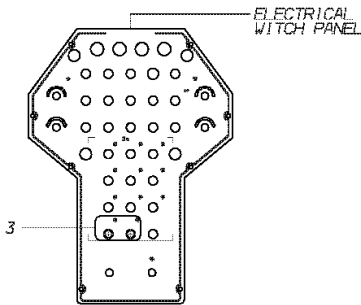
Key	PartNumber	Qty	Description	Comment
-----	------------	-----	-------------	---------

DR. 8/29/95	BY DB	1823624	A	
APP. 8/29/95	BY AB	PWT	REV	

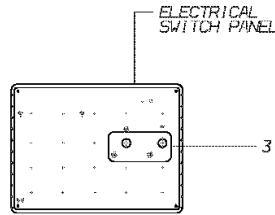
© BLUE BIRD BODY COMPANY. ALL RIGHTS RESERVED



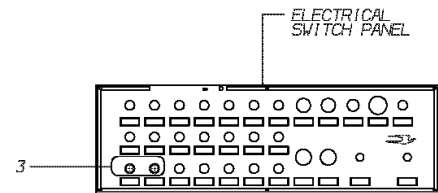
GPWB & VCTA



FORD
GMCV
INTERNATIONAL



MBWB



AAFE & TCFE

Models: AAFE, A3FE, C1FE, GMCV, GPWB, MBWB, SBCV, TCFE, TSFE, VCTA
**HEATER, REAR WALL
 HEATER MOUNTING
 WITH REAR EMERGENCY DOOR**

With Features: **OPTION 1341
 To BSN B10064339 F10035824F20035859 L10059259**

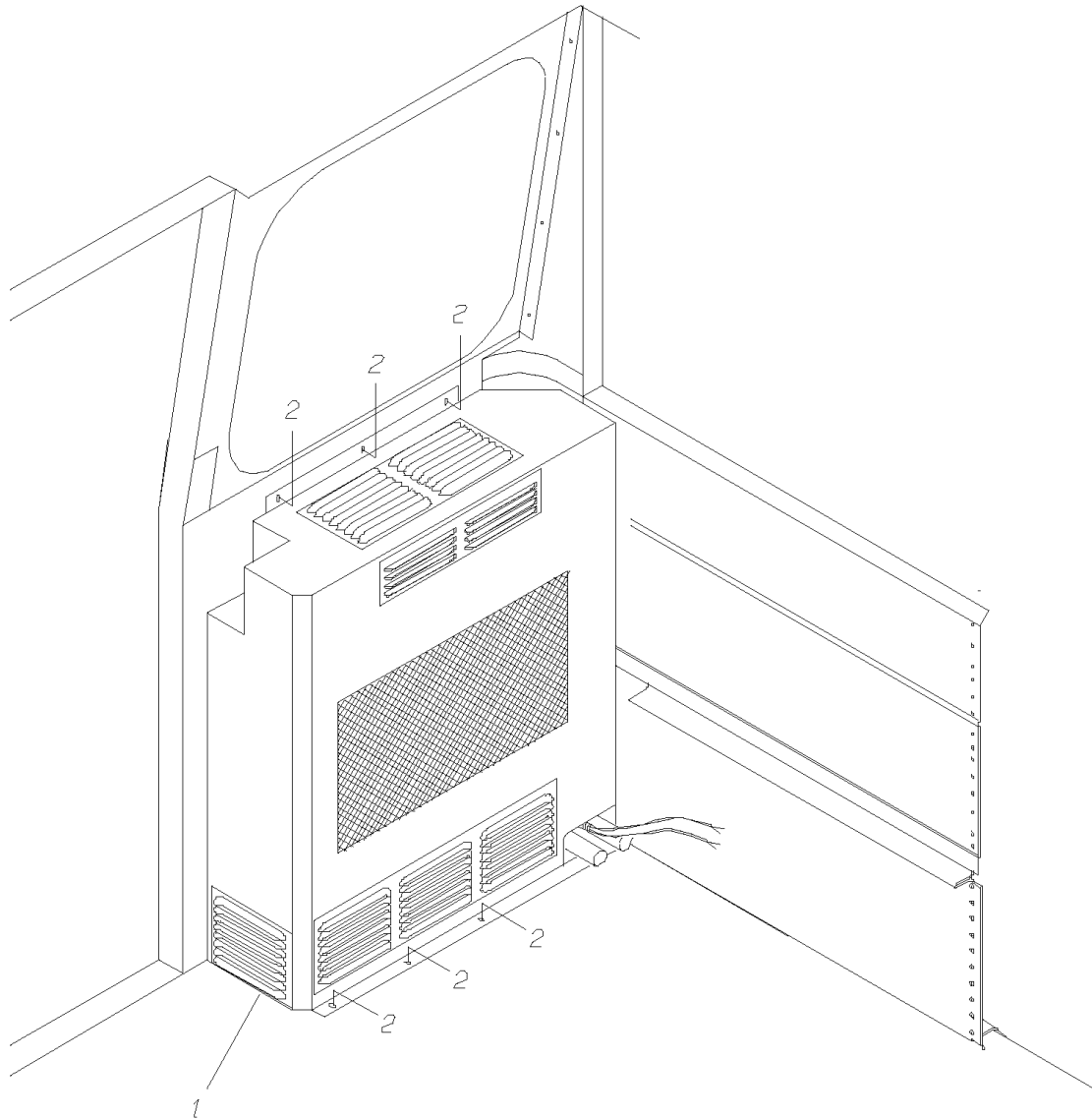
M10074849 X10019804

Key	PartNumber	Qty	Description	Comment
1	1816131		HEATER ASSY,REAR WALL MOUNT	<i>ENDING WITH BSN B0258065, F0190208, L0020265, M0371029, X0001043</i>
1	1888874		KIT,REAR WALL HEATER,WITH CONTROLS	<i>BEGIN WITH BSN B0258066, F0190209, L0020266, M0371030, X0001044 END W/BSN F0190632, L0020822 (C1FE & TSFE ONLY) CONSIST OF THE FOLLOWING</i>
	1816131		HEATER ASSY,REAR WALL MOUNT	
	1837194		KIT,REAR WALL HEATER CONTROL	
2	1164821	6	SCREW,10-16 X 3/4,AB,PH1,TRUSS HD, YEL ZN	
3	1838440		DECAL,SWITCH PANEL,REAR WALL HTR, MBWB	
3	1838457		DECAL,SWITCH PANEL,REAR WALL HTR,	
3	1838465		DECAL,SWITCH PANEL,REAR WALL HTR,	<i>SBCV, GMCV</i>
3	1838473		DECAL,SWITCH PANEL,REAR WALL HTR,	
4	1837129		PLATE,SWITCH,REAR WALL HTR, AAFE,	<i>TCFE, SBCV, AAFE, GMCV</i>
4	1838424		PLATE,SWITCH,REAR WALL HEATER, MBWB	
4	1838432		PLATE,SWITCH,REAR WALL HEATER,	
5	1837194		KIT,REAR WALL HEATER CONTROL	<i>BEGIN WITH BSN B0258066, F0190209 L0020266, M0371030, X0001044</i>
			INCLUDED W/1888874 HEATER KIT)	
NI	2007409	6	TERMINAL,BUTT CONN,14-16GA,INSULATED	
NI	2007417		TERMINAL,SLIDE,1/4,14-16 GA,INSULATED	
NI	2007433		TERMINAL,EYELET,NO.10,14-16 GA,INSULATED	
NI	1109271		LOOM,CORRUGATED,BLACK,NYLON,3/4 ID,SS	

Models: A3FE, B1VC, B2VC, GMCV, MBWB, SBCV, TCFE
HEATER, REAR WALL
HEATER MOUNTING
WITH REAR EMERGENCY DOOR

With Features: OPTION 1341, FEATURE 30060-28, -29
BSN: From BSN B10064340 F10035825 L10059260 M10074850 X10019805

Key	PartNumber	Qty	Description	Comment
-----	------------	-----	-------------	---------



Models: A3FE, B1VC, B2VC, GMCV, MBWB, SBCV, TCFE

HEATER, REAR WALL

HEATER MOUNTING

WITH REAR EMERGENCY DOOR

With Features: OPTION 1341, FEATURE 30060-28, -29

BSN: From BSN B10064340 F10035825 L10059260 M10074850 X10019805

Key	PartNumber	Qty	Description	Comment
1	0026361		HEATER ASSY,REAR WALL MOUNT	OPTION 1341, FEATURE 30060-29
2	1164821	6	SCREW,10-16 X 3/4,AB,PH1,TRUSS HD, YEL ZN	
NI	0363143		COVER,HTR PIPE,54IN SECT	
NI	1499094		SWITCH,3 POSN,HEATER	MBWB ONLY
NI	0027317		ROCKER,BUTTON,NGR,HEATER,REAR	STANDARD
NI	0033328		ROCKER,BUTTON,NGR,HEATER REAR,FR/BLNGL	FRENCH
NI	0027291		SWITCH,BASE,NGR,SPDT,ON-OFF-ON,HIGH	
NI	2007409		TERMINAL,BUTT CONN,14-16GA,INSULATED	MB AND CV ONLY
NI	2007417		TERMINAL,SLIDE,1/4,14-16 GA,INSULATED	MB AND CV ONLY
NI	2007433		TERMINAL,EYELET,NO.10,14-16 GA,INSULATED	MB AND CV ONLY
NI	0363143		COVER,HTR PIPE,54IN SECT	
NI	0034016		COVER,HTR PPG,REAR WALL HEATER	B1 ONLY
NI	1746387		RELAY,MICRO	ALL EXCEPT MB, B1 & B2
NI	1161876		RELAY,ISO,W/O TAB	B1 & B2 ONLY
NI	1334689		SCREW,10-32 X 3/8,F,PH1,PAN HD,YEL ZN	
NI	1952282		TERMINAL,BUTT CONN,STP DN,10-12/14-16,	ALL EXCEPT MB, B1, & B2
NI	2006112		BREAKER,CIRCUIT,20 AMP	
NI	1615814		BREAKER,CIRCUIT,20 AMP,COLE HERSEE	B1 & B2 ONLY
NI	0024546		HARNESS,WRG,HEATER,REAR WALL,500	
NI	0007060		CONNECTOR ASSY,HTR PIPE,TWO OFST 90	
1	0033835		HEATER ASSY,REAR WALL MOUNT,40K BTU	, FEATURE 30060-28 B1VC, B2VC ONLY
2	1164821	6	SCREW,10-16 X 3/4,AB,PH1,TRUSS HD, YEL ZN	
NI	0007060		CONNECTOR ASSY,HTR PIPE,TWO OFST 90	
NI	0363143		COVER,HTR PIPE,54IN SECT	
NI	0034016		COVER,HTR PPG,REAR WALL HEATER	GM ONLY
NI	2008522	AR	CLAMP,1IN HOSE	
NI	1894799	AR	CLAMP,CONSTANT TORQUE,13/16 TO 1-1/2 DIA	
NI	2003317	AR	HOSE,HEATER,1 INCH BRAID,BLACK	
NI	1143866	AR	HOSE,HEATER,1 INCH ID,SILICONE	
NI	1250760	AR	HOSE,HEATER,1"" ,GY HI MILER,BLUE W/WHT	
NI	1161876		RELAY,ISO,W/O TAB	B1 & B2 ONLY
NI	1615814		BREAKER,CIRCUIT,20 AMP,COLE HERSEE	B1 & B2 ONLY
NI	1947571		SWITCH,ROCKER,SPDT,OFF-ON-ON	

Models: A3FE, B1VC, B2VC, GMCV, MBWB, SBCV, TCFE
**HEATER, REAR WALL
 HEATER MOUNTING
 WITH REAR EMERGENCY DOOR**

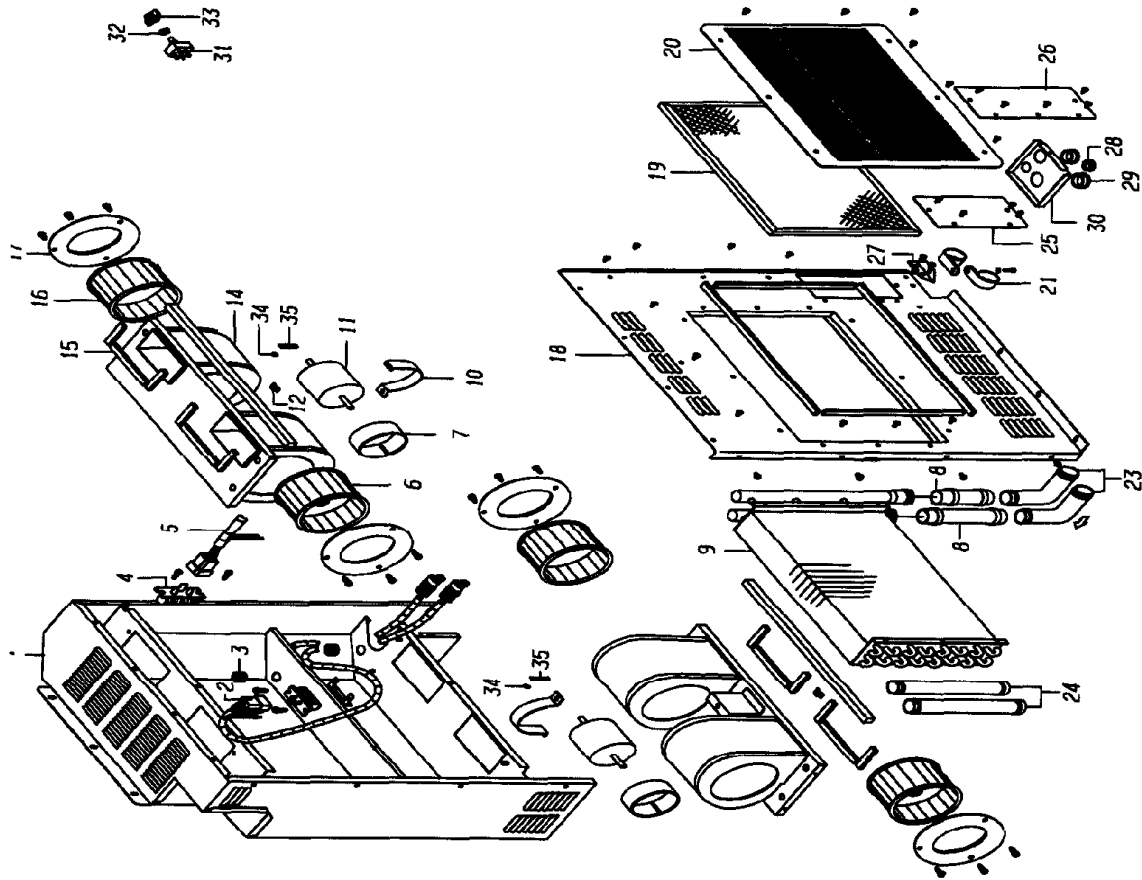
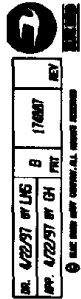
With Features: OPTION 1341, FEATURE 30060-28, -29
BSN: From BSN B10064340 F10035825 L10059260 M10074850 X10019805

Key	PartNumber	Qty	Description	Comment
	2009546		NIPPLE,PIPE,3/4 X 6,GALV	
NI	0035285		VALVE ASSY,HEATER WATER,UPPER	CONSISTS OF THE FOLLOWING
	1453810		ADAPTER,HTR,3/4 PIPE X 5/8 HOSE,YEL ZN	
	2009207		ELBOW,PIPE,3/4 X 90 DEG,GALV	
	2009538		NIPPLE,PIPE,3/4 X 4,GALV	
	1626431		VALVE,BALL,3/4,W/BUTTERFLY HANDLE	
	0315200		ADAPTER,HTR,3/4 PIPE X 1 HOSE	
NI	0035286		VALVE ASSY,HEATER WATER,LOWER	CONSISTS OF THE FOLLOWING
	1453810		ADAPTER,HTR,3/4 PIPE X 5/8 HOSE,YEL ZN	
	2009207		ELBOW,PIPE,3/4 X 90 DEG,GALV	
	2009538		NIPPLE,PIPE,3/4 X 4,GALV	
	1626431		VALVE,BALL,3/4,W/BUTTERFLY HANDLE	
	0315200		ADAPTER,HTR,3/4 PIPE X 1 HOSE	

Models: AAFE, A3FE, GMCV, GPWB, MBWB, SBCV, TCFE, VCTA
 HEATER, REAR WALL
 KYSOR WESTRAN
 HEATER ASSY COMPONENTS

With Features: OPTION 1341

Key	PartNumber	Qty	Description	Comment
-----	------------	-----	-------------	---------

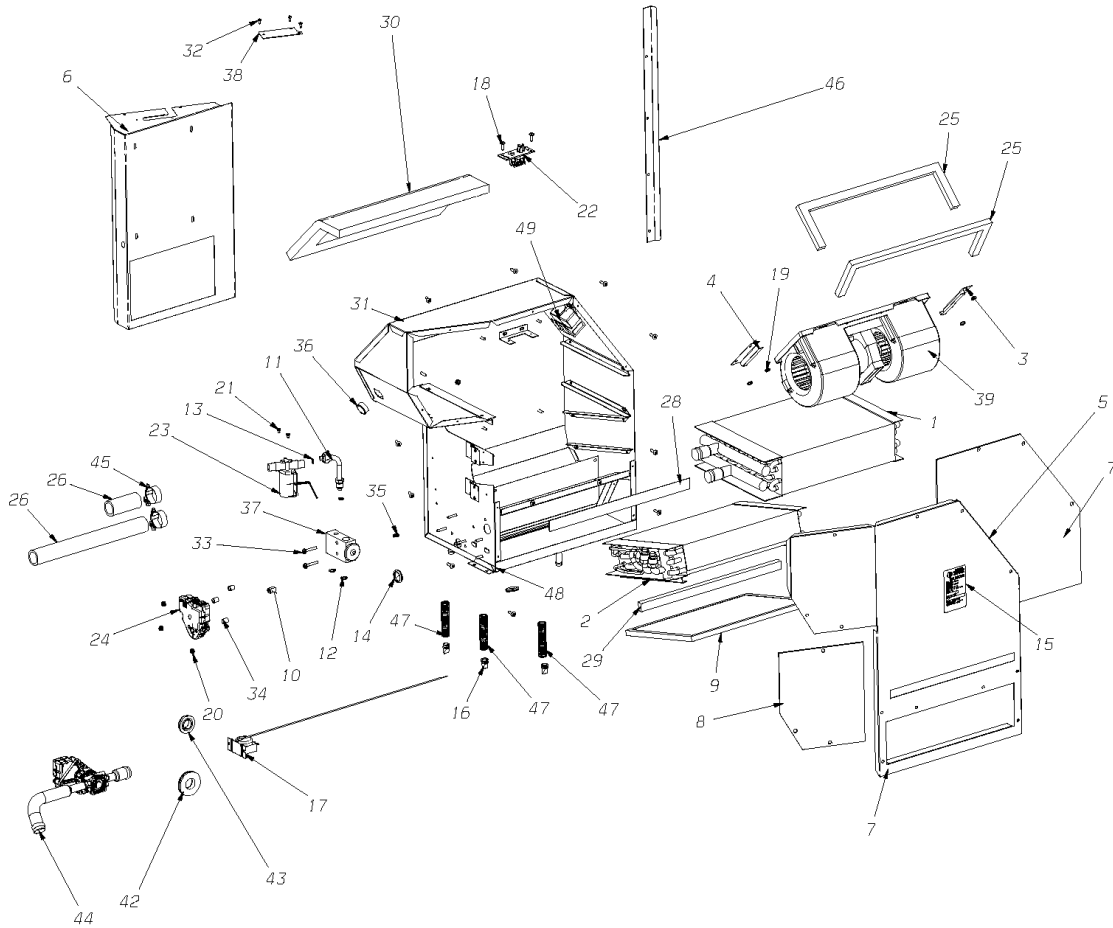


Models: AAFE, A3FE, GMCV, GPWB, MBWB, SBCV, TCFE, VCTA
HEATER, REAR WALL
KYSOR WESTRAN
HEATER ASSY COMPONENTS
With Features: OPTION 1341

Key	PartNumber	Qty	Description	Comment
1	8307332		WELDMENT,CASE, WALL MTD. HEATER	
2	8307316		HARNESS,WIRE, WALL MTD. HEATER	
3	8307308	2	GROMMET,L.0 DIA. WALL MTD. HEATER	
4	4316295	2	RESISTOR, 12V 3-SPD. HTR MOTOR"	
5	8307282		HARNESS,WIRE,WALL MTD. HEATER	
6	8304636	2	WHEEL, BLOWER WALL MTD. 1903525	
7	8307266	2	INSULATOR,MOTOR,WALL MTD. HEATER	
8	2003317	1	HOSE,HEATER,1 INCH BRAID,BLACK	
9	8304628		CORE,HEATER WALL MOUNTED 1903525	
10	8307241	2	STRAP,WALL MTD. HEATER"	
11	8304610	2	MOTOR,12 VOLT,WALL MTD. HEATER 1903525	
12	8307225	2	NUT,CAGE,WALL MTD. HEATER	
13	4316352	3	RUBBER, HEATER CV KYSOR WESTRAN 352800"	
14	8307217	2	WELDMENT,BLOWER,WALL MTD. HEATER,REAR,	
15	4316550	7	RUBBER, .25 X .50 HEATER CV KYSOR	
16	8304602	2	WHEEL,BLOWER WALL MTD. HEATER 1903525	
17	8307191	4	FOIL,WALL MTD. HEATER	
18	8307183		WELDMENT,COVER,WALL MTD. HEATER	
19	8304594		FILTER, WALL MOUNT HEATER PN 1903525"	
20	8307167		GRILLE, COVER, WALL MTD. HEATER	
21	8307159	2	CLAMP,1.0 DIA. WALL MTD. HTR.	
22	2008522	4	CLAMP,1IN HOSE	
23	8307142	2	TUBE,1.0 90 DEGREES COPPER,WALL MTD.	
25	8307126		PLATE,ACCESS,WALL MTD. HEATER	
31	4320925	2	SWITCH,FAN,HEATER,CONV"	
NI	1838499		CONNECTOR,5 CIRC,SWITCH	
32	4316774	2	NUT, SWITCH LH FRT HTR.	
33	4320917	2	KNOB,SWITCH,HEATER FAN,CONV"	
34	8307068	2	WASHER,GROUND,WALL MTD. HEATER	
35	4287090	2	PISTON ASSY,CLUTCH SLAVE CYLINDER	
NI	1837194		KIT,REAR WALL HEATER CONTROL	

Models: **A3FE**
HEATER/AC COMBO COMFORT AIRE
COMBO ASSY BERGSTROM

Key	PartNumber	Qty	Description	Comment
-----	------------	-----	-------------	---------



Models: **A3FE
HEATER/AC COMBO COMFORT AIRE
COMBO ASSY BERGSTROM**

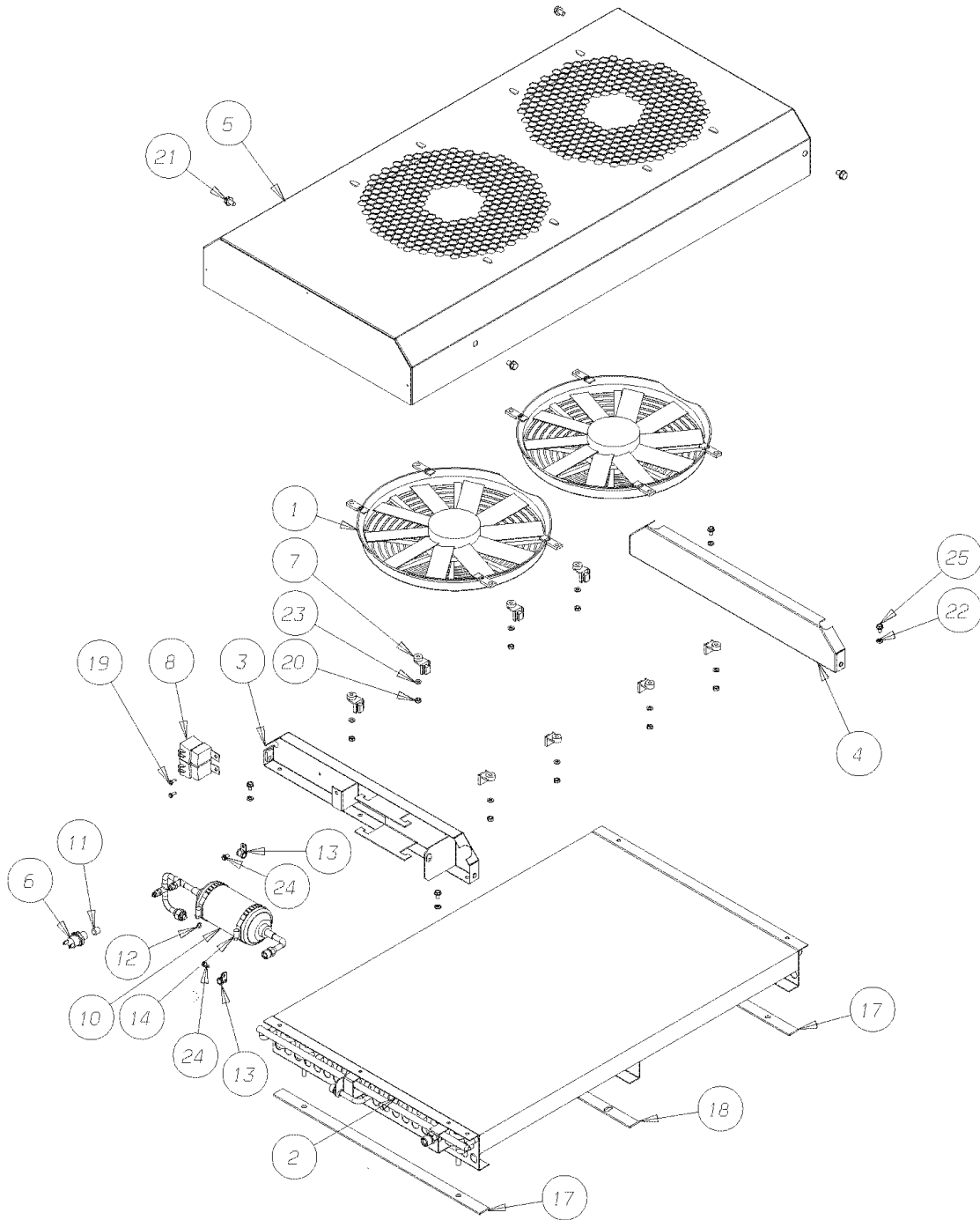
Key	PartNumber	Qty	Description	Comment
	0085145		KIT,HEATER,AIR CONDITIONING COMBO, A3FE	CONSISTS OF THE FOLLOWING
1	0091737		COIL,HEATER,COMBO,A3FE,BERGSTROM	
2	0091740		COIL,EVAPORATOR,HEAT/AC,COMBO,A3FE	
3	0091743		BRACKET,BLOWER,MOUNT,RH,HEATER/AC,	
4	0091744		BRACKET,BLOWER,MOUNT,LH,HEATER/AC,BERG	
5	0091745		COVER,CASE,HEATER/AC,A3,BERGSTROM	
6	0091766		PANEL,HEATER/AC COMBO,MAIN,A3,	
7	0091767		COVER,GASKET,FRONT,HEATER/AC,BERG	
8	0091768		COVER,GASKET,FRONT,LT,HEATER/AC,BERG	
9	0091769		FILTER,AIR,HEATER/AC,A3,BERG	
10			BUSHING ADAPTER	
11	0091770		TUBE ASSY,HEATER/AC COMBO,.375 X 90 DEG	
12		2	O-RING	
13		2	O-RING	
14		2	GROMMET, 7/8 DIA SPLIT DIAPHRAGM	
15	0091723		PLATE,ID,A3,BBCV,HEATER/AC,BERGSTROM	
16	0090196	3	VALVE,DRAIN,CHECK,HEATER/AC COMBO,BERG	
17	0090190		CONTROL,FRESH AIR,HEAT/AC COMBO,BERG	
18		20	NO 10 X 5/8 TRUSS, QUADREX 2/2	
19		7	NUT, 10-32 KEPS	
20		3	NUT, NO 8-32 NYLON INSERT	
21		2	SCREW HX HD NO 8-32 X .25 IN	
22	0035868		RESISTOR, 12V W(2) 152C FUSE, BERG, OPT	
23	0090197		SOLENOID,ASSY,12V,HEATER/AC COMBO,BERG	
24	0090191		ACTUATOR,HEATER/AC COMBO,BERG	
25	0091779	A/	GASKET,FOAM,HEATER/AC,A3,BERGSTROM	3.5 FT
26	0091780	A/	HOSE,SILICONE,HEATER/AC,A3,BERGSTROM	1.23 FT
27	0091765	A/	SEAL,HEATER/AC COMBO,2INX1.5FT,	NOT SHOWN. 1.5 FT
28		A/	FOAM, EPT -PS .25IN X 1.0IN (1.25 FT)	
29	0091781	A/	GASKET,FILTER,HEATER/AC,A3,BERGSTROM	1.25 FT
30	8303174		GASKET, BLOWER OUTLET	
31	0091727		WELDMENT,CASE,HEATER/AC,A3,BERGSTROM	
32		3	NO. 6 CROSS RECESS	

Models: **A3FE**
HEATER/AC COMBO COMFORT AIRE
COMBO ASSY BERGSTROM

Key	PartNumber	Qty	Description	Comment
33		2	SCREW, 10-32 X 1.25IN	
34	0091773	3	SPACER,HEATER/AC COMBO.25IN ID X.38IN OD	
35			GROMMET, RUBBER 0.25IN ID	
36	4316345		BUSHING, SNAP WIRING HARNESS CV HTR	
37	0010596		EXPANSION BLOCK,R134A,KYSOR # 404255	
38	0091772		PLATE,WIRE,HEATER/AC,A3,BERGSTROM	
39	0090195		BLOWER,ASSY,HEATER/AC COMBO,BERG	
40	0091774		HARNESS,WIRE,HEATER/AC,A3,BERGSTROM	NOT SHOWN
41	0090192	2	RELAY,12 VOLT,HEATER/AC COMBO,BERG	
42			GROMMET	
43			GROMMET	
44	0091776		VALVE,ASSY,WATER,HEATER/AC,A3FE	
45		2	CLAMP, 25.4 SILICONE HOSE	
46	0031090		ANGLE,FRONT CORNER HEATER TC2000	
47	0091757	A/	HOSE,DRAIN,HEATER/AC,BERGSTROM	.8FT
48		A/	SEALER	

Models: **A3FE, A3RE, BBCV**
HEATER/AC COMBO COMFORT AIRE
CONDENSER ASSY
SINGLE MOBILE CLIMATE

Key	PartNumber	Qty	Description	Comment
-----	------------	-----	-------------	---------

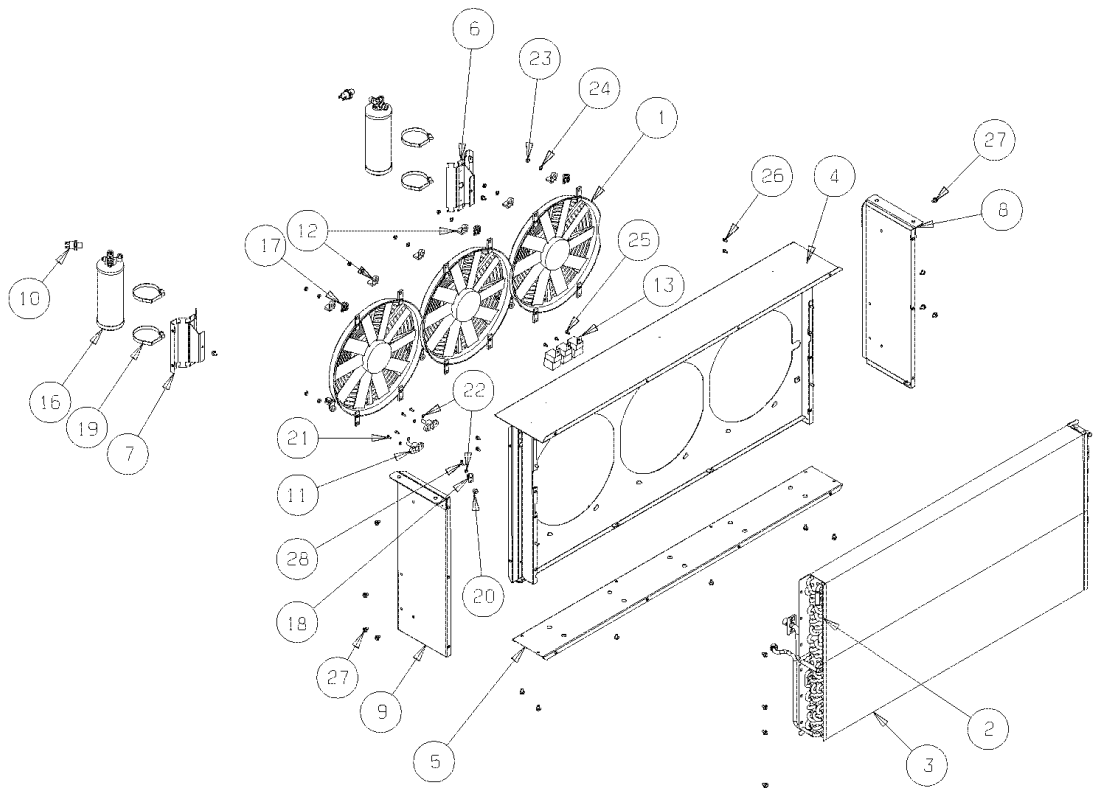


Models: A3FE, A3RE, BBCV
 HEATER/AC COMBO COMFORT AIRE
 CONDENSER ASSY
 SINGLE MOBILE CLIMATE

Key	PartNumber	Qty	Description	Comment
	0091181		CONDENSER,12 VOLT,ROOF MT,COMFORT AIRE,	
1	0097691	2	FAN,12 VOLT,CONDENSER,MCC,15-1301	
2	0091869		CONDENSER,COIL,SINGLE,MCC	
3	0091876		SUPPORT,CONDENSER,1,MCC	
4	0091877		SUPPORT,CONDENSER,2,MCC	
5	0091878		COVER,CONDENSER,SINGLE,MCC	
6	0091177		SWITCH,PRESSURE,REC/DRYER,COND/SNGL,	
7	0091901	8	MOUNT,FAN,CONDENSER,MCC	
8	0091904	2	RELAY,12 VOLT,CONDENSER,SINGLE,MCC	
9	0091911		HARNES, WIRING,CONDENSER,SINGLE,1956,	NOT SHOWN
10	0091915		FILTER,ASSY,CONDENSER,SINGLE,MCC	
11	0091928		CAP,CONDENSER,SCHRADER,MCC	
12			O-RING NO6	
13	0091924	2	CLAMP,CONDENSER,P,3/8IN,NO 6,SINGLE,MCC	
14	0091923	2	CLAMP,CONDENSER,GEAR,SINGLE,3 IN,MCC	
17	0091929	2	GASKET,COIL,1/8,CONDENSER,END,MCC	
18	0091930		GASKET,COIL,1/8,CONDENSER,CENTER,MCC	
19		2	M4X12 HEX BOLT	
20		8	M6 NUT	
21		4	M8X12 BOLT TAPTITE	
22		4	1/4IN LOCK	
23		8	M6 FLAT WASHER	
24		2	M5X10 YELL. CROM. TAP.	
25		4	M6X10 BOLT	
			PART OF KIT 0087286	

Models: A3FE, A3RE, BBCV
HEATER/AC COMBO COMFORT AIRE
CONDENSER ASSY, DUAL, MOBILE CLIMATE

Key	PartNumber	Qty	Description	Comment
-----	------------	-----	-------------	---------

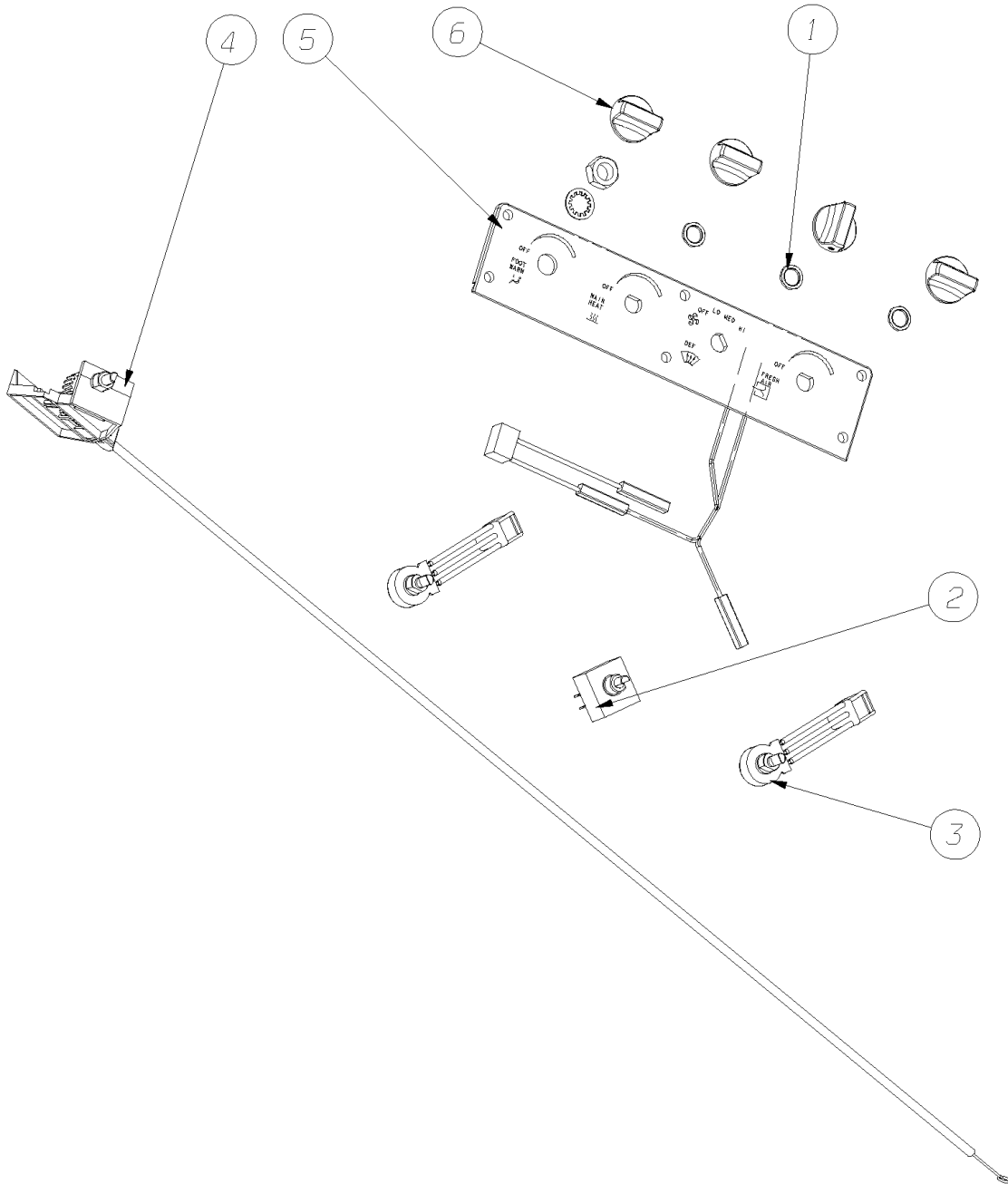


Models: **A3FE, A3RE, BBCV**
HEATER/AC COMBO COMFORT AIRE
CONDENSER ASSY, DUAL, MOBILE CLIMATE

Key	PartNumber	Qty	Description	Comment
	0091182		CONDENSER,12 VOLT,TM21,SKIRT,COMFT AIRE,	<i>CONSISTS OF THE FOLLOWING</i>
1	0102394	3	FAN,12 VOLT,CONDENSER,MCC,15-1303	
2	0091871		CONDENSER,COIL,DUAL,MCC,2	
3	0091870		CONDENSER,COIL,DUAL,MCC,1	
4	0091880		HOUSING,ASSY,CASING,CONDENSER,DUAL,	
5	0091891		COVER,BOTTOM,CONDENSER,DUAL,MCC	
6	0091875		BRACKET,MOUNTING,RECEIVER/DRYER,LH,MCC	<i>L</i>
7	0091874		BRACKET,MOUNTING,RECEIVER/DRYER,RH,MCC	<i>R</i>
8			SIDE 1	
9			SIDE 2	
10	0091177	2	SWITCH,PRESSURE,REC/DRYER,COND/SNGL,	
11	0091900	2	STUD,JUMPER,3/8 IN,MCC	
12	0091901	12	MOUNT,FAN,CONDENSER,MCC	
13	0091904	3	RELAY,12 VOLT,CONDENSER,SINGLE,MCC	
16	0091914	2	DRYER,RECEIVER,CONDENSER,DUAL,MCC	
17			P-CLAMP	
18	0091924		CLAMP,CONDENSER,P,3/8IN,NO 6,SINGLE,MCC	
19	0091923	4	CLAMP,CONDENSER,GEAR,SINGLE,3 IN,MCC	
20			NYLON SPACER 1/4IN X 1/2IN	
21		4	SCREW M4X12 PHL CL ZN	
22		5	WASHER M4	
23		12	NUT M6	
24		12	M6 FLAT WASHER	
25			M4X8	
26		7	M5X10 YELL. CROM. TAP.	
27		18	M6X10 YELL. CROM. TAP.	
28			SCREW M4X20 PHL CL ZN	
			PART OF KIT NUMBER 0085183	

Models: A3FE, A3RE
**HEATER/AC COMBO COMFORT AIRE
 CONTROL ASSEMBLY**

Key	PartNumber	Qty	Description	Comment
-----	------------	-----	-------------	---------

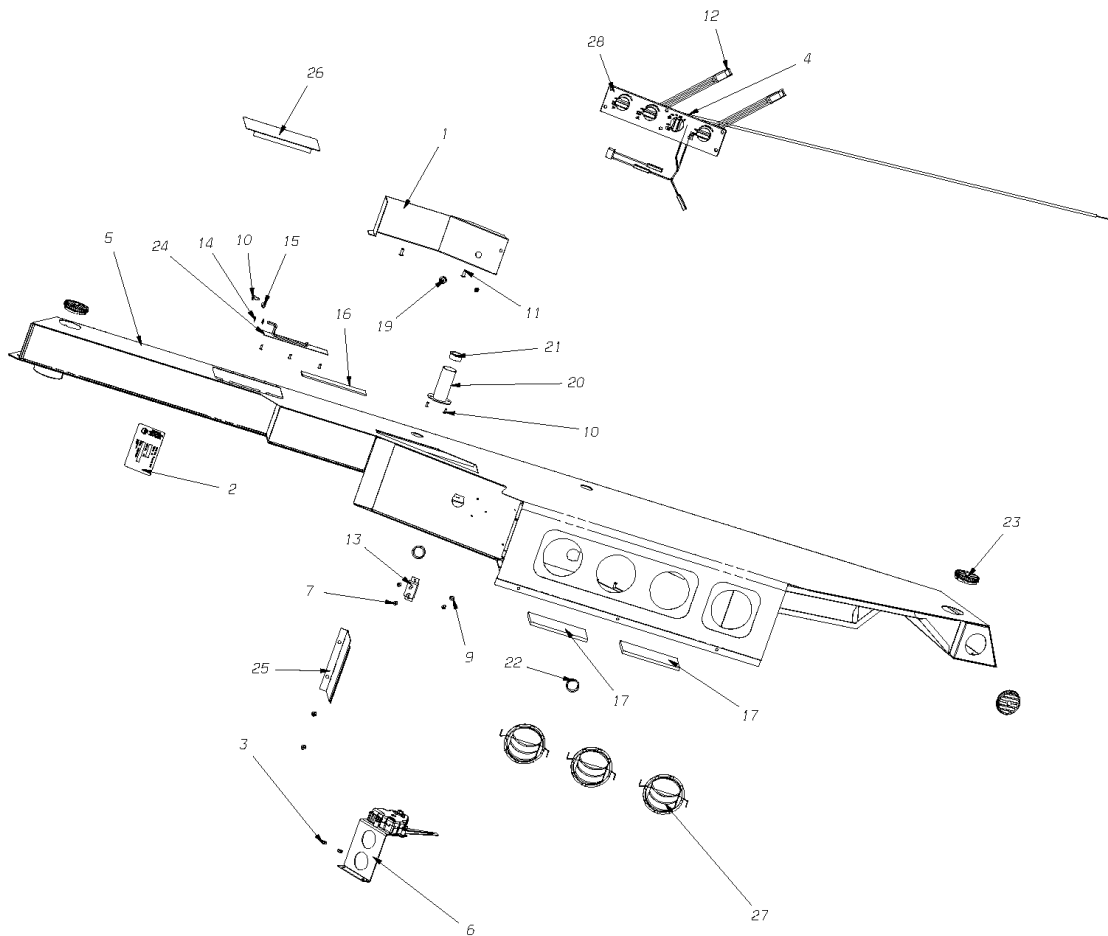


Models: **A3FE, A3RE**
HEATER/AC COMBO COMFORT AIRE
CONTROL ASSEMBLY

Key	PartNumber	Qty	Description	Comment
1	4316774	2	NUT, SWITCH LH FRT HTR.	
2	0037788		SWITCH, BLOWER, FAN, 4 POSITION, CV	
3	0016333	2	SWITCH ASSY,AIR CONTROL ACTUATOR	
4	0038986		CONTROL CABLE 42IN, FRT HTR, KYSOR	
5	0038985		PLATE,SWITCH, FRT HTR KYSOR CONTROL	
6	0031531	4	KNOB,TEMPERATURE CONTROL,HEATER WATER	

Models: A3FE, A3RE
 HEATER/AC COMBO COMFORT AIRE
 DUCTING ASSY

Key	PartNumber	Qty	Description	Comment
-----	------------	-----	-------------	---------

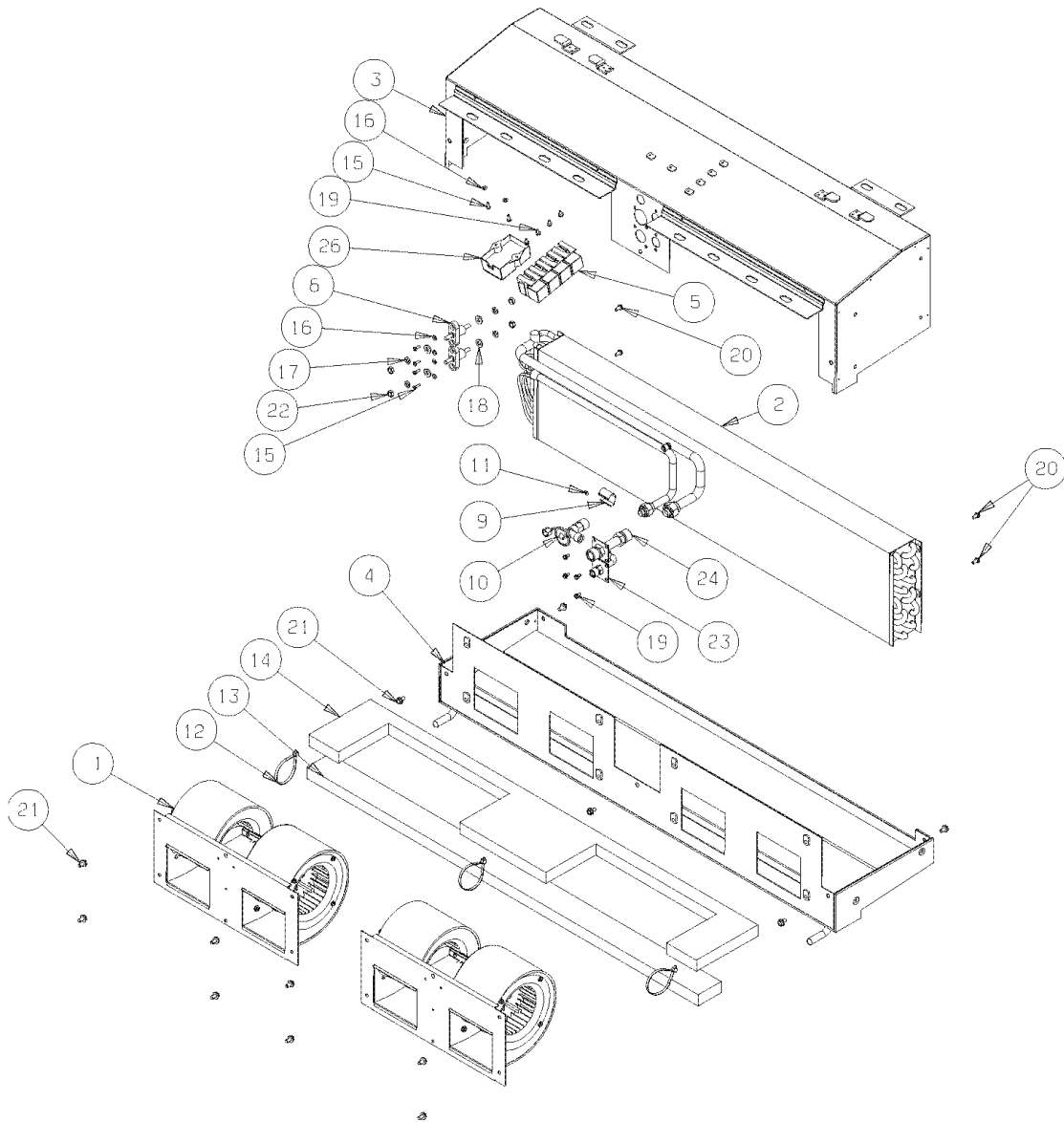


Models: **A3FE, A3RE**
HEATER/AC COMBO COMFORT AIRE
DUCTING ASSY

Key	PartNumber	Qty	Description	Comment
1	0090168		BAFFLE,DUCT,HEATER/AIR COMBO,BERG	
2	0091721		PLATE,ID,DUCTING,HEATER/AC,BERGSTROM	
3		2	NUT, 10-32	
4	0090172		HARNES, WIRING, TO CONTROL, HEAT/AC, BERG	
5	0091724		WELDMENT,CASE,HEATER/AC,DUCTING,	
6	0090173		ACTUATOR,ASSY,MODE,HEAT/AC,BERG	SEE DRAWING 0090173 FOR BREAKDOWN
7		4	SCREW, NO 8 1/2	
8		3	SCREW, NO 10 X 1/2	
9	8307068		WASHER,GROUND,WALL MTD. HEATER	
10		5	RIVET, POP 1/8	
11		2	RIVET, POP 3/16	
12	0090174		HARNES, WIRING, CONTROL, HEAT/AC, BERG	
13	8303109		BREAKER, 10-AMP TC HEATER"	
14	4316477	2	NUT, CABLE END	
15	4316790		CLAMP, CABLE HTR.	
16	0063633	AR	GASKET,HEATER,SP,P.S.,.25X2.62,BERG	.5 FT
17	0091735	AR	GASKET,PAD,HEATER/AC,BERG	.8 FT
18		2	PLASTIC TIE (NOT SHOWN)	
19			BUSHING, CABLE	
20			BUSHING, WIRING TUBES	
21			BUSHING, TOP	
22	4316345	2	BUSHING, SNAP WIRING HARNES CV HTR	
23	8303091	3	LOUVER, TC HEATER"	
24	0090177		DOOR,FOOT,HEAT/AC,BERG	
25	0090178		COVER,ACCESS,SIDE,HEAT/AC,BERG	
26	0090179		COVER,ACCESS,TOP,HEAT/AC,BERG	
27	0090180	3	LOUVER,HEATER/AC COMBO,BERG	
28	0090181		CONTROL,ASSY,HEAT/AC,DUCT,BERG	SEE DRAWING 0090181 FOR BREAKDOWN

Models: **A3FE, A3RE, BBCV
HEATER/AC COMBO COMFORT AIRE
EVAPORATOR ASSY
DUCTED, MOBILE CLIMATE**

Key	PartNumber	Qty	Description	Comment
-----	------------	-----	-------------	---------

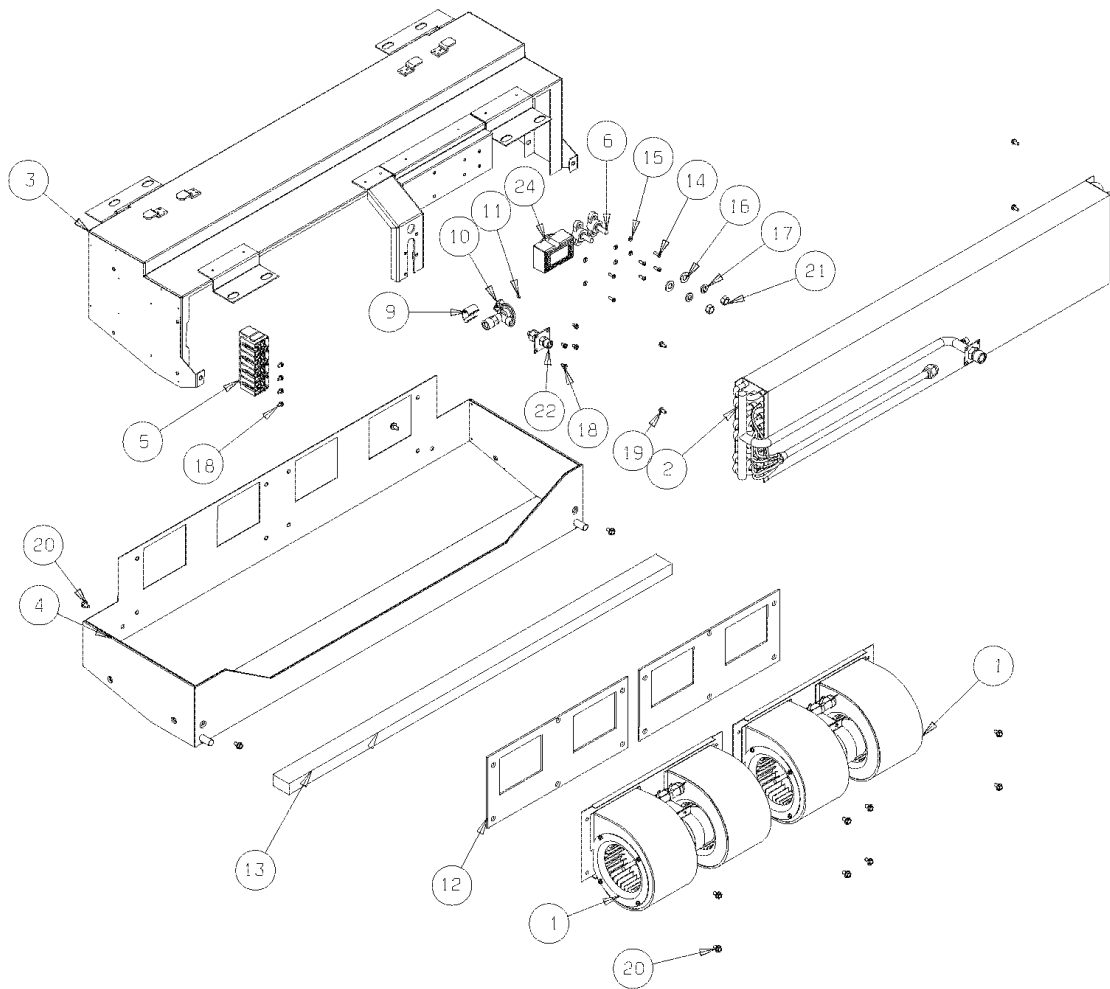


Models: **A3FE, A3RE, BBCV**
HEATER/AC COMBO COMFORT AIRE
EVAPORATOR ASSY
DUCTED, MOBILE CLIMATE

Key	PartNumber	Qty	Description	Comment
	0091179		EVAPORATOR,ASSY,12V,CME,55 DUCTED,	
1	0091868	2	BLOWER,ASSY,EVAPORATOR,MCC	
2	0091872		EVAPORATOR,COIL,DUCTED,MCC	
3	0091894		HOUSING,ASSY,CASING,EVAPORATOR,DUCTED,	
4	0091895		PAN,DRAIN,ASSY,EVAPORATOR,DUCTED,MCC	
5	0091898	4	RELAY,12 VOLT,EVAPORATOR,MCC	
6	0091902	2	STUD,JUMPER,1/4 IN - 20,MCC	
7	0091908		HARNES, WIRING, EVAPORATOR, DUCTED, 1927,	N/S
8	0091909		HARNES, WIRING, EVAP, BLOWER INT, 25-1954,	N/S
9	0091912		CLAMP, EVAPORATOR, COMFORT AIRE, MCC	
10	0091913		VALVE, EXPANSION, EVAPORATOR, MCC	
11			O-RING NO4	
12			TIE WRAP	
13			BB WICKING FOAM	
14			BB WICKING FOAM	
15		6	SCREW M4X12 PHL. CL ZN	
16		6	WASHER M4	
17			LOCKWASHER, 1/4 IN	
18			WASHER, 1/4 IN	
19		8	M4X8 YELL. CROM. TAP.	
20		4	M5X10 YELL. CROM. TAP.	
21		13	M6X10 YELL. CROM. TAP.	
22			1/4 IN NUT	
23	0103597		TUBE, COPPER, 3/8IN, 34-3051 MCC	
24			COPPER TUBE 5/8IN	
25	0091931		SENSOR, ASSY, EVAPORATOR, DUCTED, MCC	N/S
26	0091932		MODULE, THERMOSTAT, EVAPORATOR, 12V, MCC	
			PART OF KIT 0088052 AND 0085188	

Models: A3FE, A3RE, BBCV
**HEATER/AC COMBO COMFORT AIRE
 EVAPORATOR ASSY
 FREEBLOW, MOBILE CLIMATE**

Key	PartNumber	Qty	Description	Comment
-----	------------	-----	-------------	---------

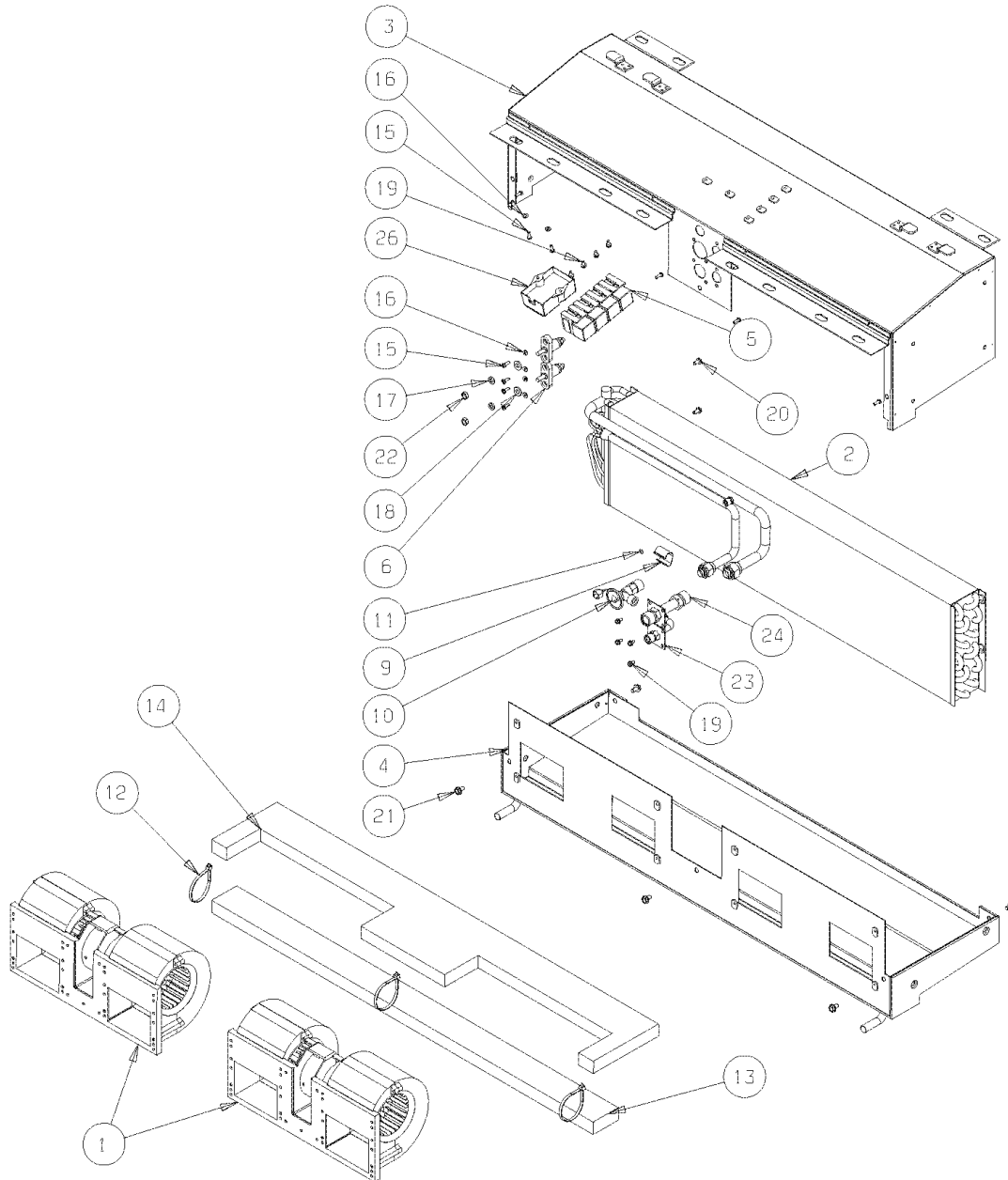


Models: **A3FE, A3RE, BBCV**
HEATER/AC COMBO COMFORT AIRE
EVAPORATOR ASSY
FREEBLOW, MOBILE CLIMATE

Key	PartNumber	Qty	Description	Comment
	0091176		EVAPORATOR,ASSY,12V,CME,55 FREEBLOW,	CONSISTS OF THE FOLLOWING
1	0091868	2	BLOWER,ASSY,EVAPORATOR,MCC	
	0096505		MOTOR,BLOWER,A/C,EVAP,MCC	
2	0091873		COIL,EVAPORATOR,FREEBLOW,MCC	
3	0091896		HOUSING,ASSY,CASING,EVAPORATOR,	
4	0091897		PAN,DRAIN,ASSY,EVAPORATOR,FREEBLOW,MCC	
5	0091898	4	RELAY,12 VOLT,EVAPORATOR,MCC	
6	0091900	2	STUD,JUMPER,3/8 IN,MCC	
NI	0091910		HARNESS,WIRING,EVAPORATOR,	
8			WIRE HARNESS	
9	0091912		CLAMP,EVAPORATOR,COMFORT AIRE,MCC	
10	0091913		VALVE,EXPANSION,EVAPORATOR,MCC	
11			O-RING NO4	
12	0091925	2	FOAM,BLOWER,EVAPORATOR,FREEBLOW,MCC	
13			BB WICKING FOAM	
14		6	SCREW M4X12 PHL. CL ZN	
16		6	WASHER M4	
17		2	M10 WASHER ZINC	
18		2	LOCK WASHER 3/8IN	
19		8	M4X8 YELL. CROM, TAP	
20		4	M5X10 YELL. CROM, TAP	
21		12	M6X10 YELL. CROM, TAP	
22		2	HEX NUT 3/8IN-16	
23			COPPER TUBE 3/8IN	
24	0091932		MODULE,THERMOSTAT,EVAPORATOR,12V,MCC	
			PART OF KIT 0085186 AND 0087572	

Models: A3FE, BBCV
 HEATER/AC COMBO COMFORT AIRE
 EVAPORATOR ASSY, 12V, CME 45, DUCTED

Key	PartNumber	Qty	Description	Comment
-----	------------	-----	-------------	---------

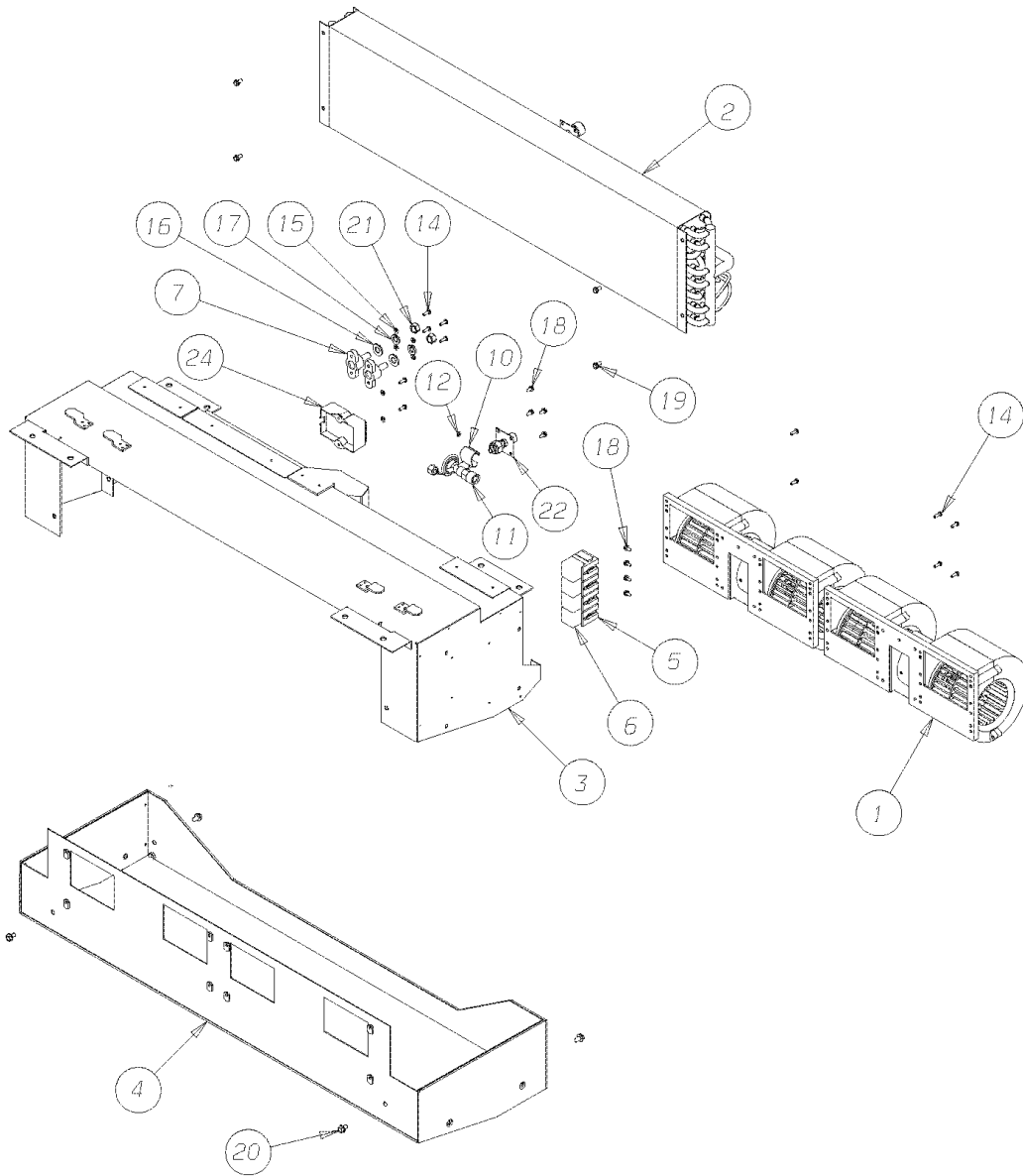


Models: A3FE, BBCV
**HEATER/AC COMBO COMFORT AIRE
 EVAPORATOR ASSY, 12V, CME 45, DUCTED**

Key	PartNumber	Qty	Description	Comment
	0094918		EVAPORATOR,ASSY,12V,CME,45 DUCTED,	CONSISTS OF THE FOLLOWING
1	0105366	2	BLOWER ASSEMBLY,EVAP,MCC,15-1561	
2	0091916		TUBE,DRAIN,EVAPORATOR,MCC	
3			CASING ASSY	
4			DRAIN PAN ASSY	
5	0091898	4	RELAY,12 VOLT,EVAPORATOR,MCC	
6	0091902	2	STUD,JUMPER,1/4 IN - 20,MCC	
NI	0105378		HARNES, WIRING,EVAP,25-1928,MCC	
NI	0091909	2	HARNES, WIRING,EVAP,BLOWER INT,25-1954,	
9	0091912		CLAMP,EVAPORATOR,COMFORT AIRE,MCC	
10	0091913		VALVE,EXPANSION,EVAPORATOR,MCC	
11			O-RING, NO 4	
12		3	TIE WRAP	
13			BB WICKING FOAM	
14			BB WICKING FOAM	
15		14	SCREW	
16		6	WASHER	
17		4	LOCK WASHER	
18		4	WASHER, 1/4 IN	
19		8	M4 X 8 YELL CROM TAP	
20		4	M5 X 10 YELL CROM TAP	
21		5	M6 X 10 YELL CROM TAP	
22		4	1/4 IN NUT	
23			COPPER TUBE, 3/8 IN	
24			COPPER TUBE, 5/8 IN	
NI	0091931		SENSOR,ASSY,EVAPORATOR,DUCTED,MCC	
26	0091932		MODULE,THERMOSTAT,EVAPORATOR,12V,MCC PART OF KIT 0085187	

Models: **A3FE, A3RE, BBCV**
HEATER/AC COMBO COMFORT AIRE
EVAPORATOR ASSY, 12V, CME 45, FREEBLOW

Key	PartNumber	Qty	Description	Comment
-----	------------	-----	-------------	---------

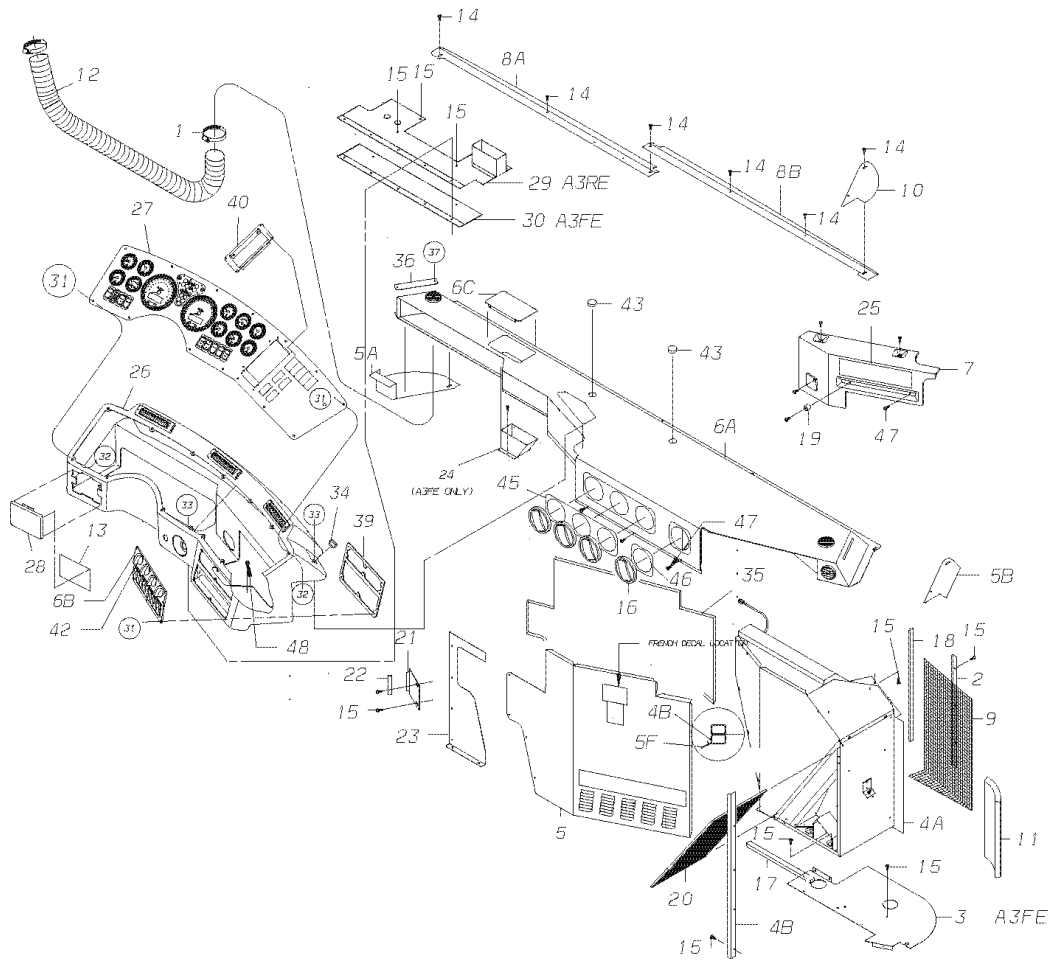


Models: A3FE, A3RE, BBCV
**HEATER/AC COMBO COMFORT AIRE
 EVAPORATOR ASSY, 12V, CME 45, FREEBLOW**

Key	PartNumber	Qty	Description	Comment
	0100862		EVAPORATOR,12 VOLT,ASSY,CME45,FREBLOW,	CONSISTS OF THE FOLLOWING
1	0105366		BLOWER ASSEMBLY,EVAP,MCC,15-1561	
2	0105367		COIL,EVAPORATOR,CME 45,FRBLOW,MCC,21	
3			CASING ASSY	
4			DRAIN PAN ASSY	
5	0105368		SOCKET,RELAY,EVAP,MCC,25-0221	
6	0091898		RELAY,12 VOLT,EVAPORATOR,MCC	
7	0091900		STUD,JUMPER,3/8 IN,MCC	
NI	0105369		HARNES, WIRING, EVAP, MAIN INT, 25-1930,	
NI	0091909		HARNES, WIRING, EVAP, BLOWER INT, 25-1954,	
10	0091912		CLAMP, EVAPORATOR, COMFORT AIRE, MCC	
11	0091913		VALVE, EXPANSION, EVAPORATOR, MCC	
12			O RING NO 4	
13			BB WICKING FOAM	
14			SCREW, M4 X 12	
15			WASHER, M4	
16			M10 WASHER	
17			LOCK WASHER, 3/8 IN	
18			M4 X 8 YELL CROM TAP	
19			M5 X 10 YELL CROM TAP	
20			M6 X 10 YELL CROM TAP	
21			HEX NUT 3/8 IN - 16	
22			COPPER TUBE 3/8 IN	
23	0091931		SENSOR, ASSY, EVAPORATOR, DUCTED, MCC	
24	0091932		MODULE, THERMOSTAT, EVAPORATOR, 12V, MCC	
			PART OF EVAPORATOR KIT 0085185	

Models: A3FE, A3RE
**HEATER/AC COMBO COMFORT AIRE
 HTR, DASH, PWR DOOR, A/C INSTALLATION**

Key	PartNumber	Qty	Description	Comment
-----	------------	-----	-------------	---------



Models: A3FE, A3RE
**HEATER/AC COMBO COMFORT AIRE
 HTR, DASH, PWR DOOR, A/C INSTALLATION**

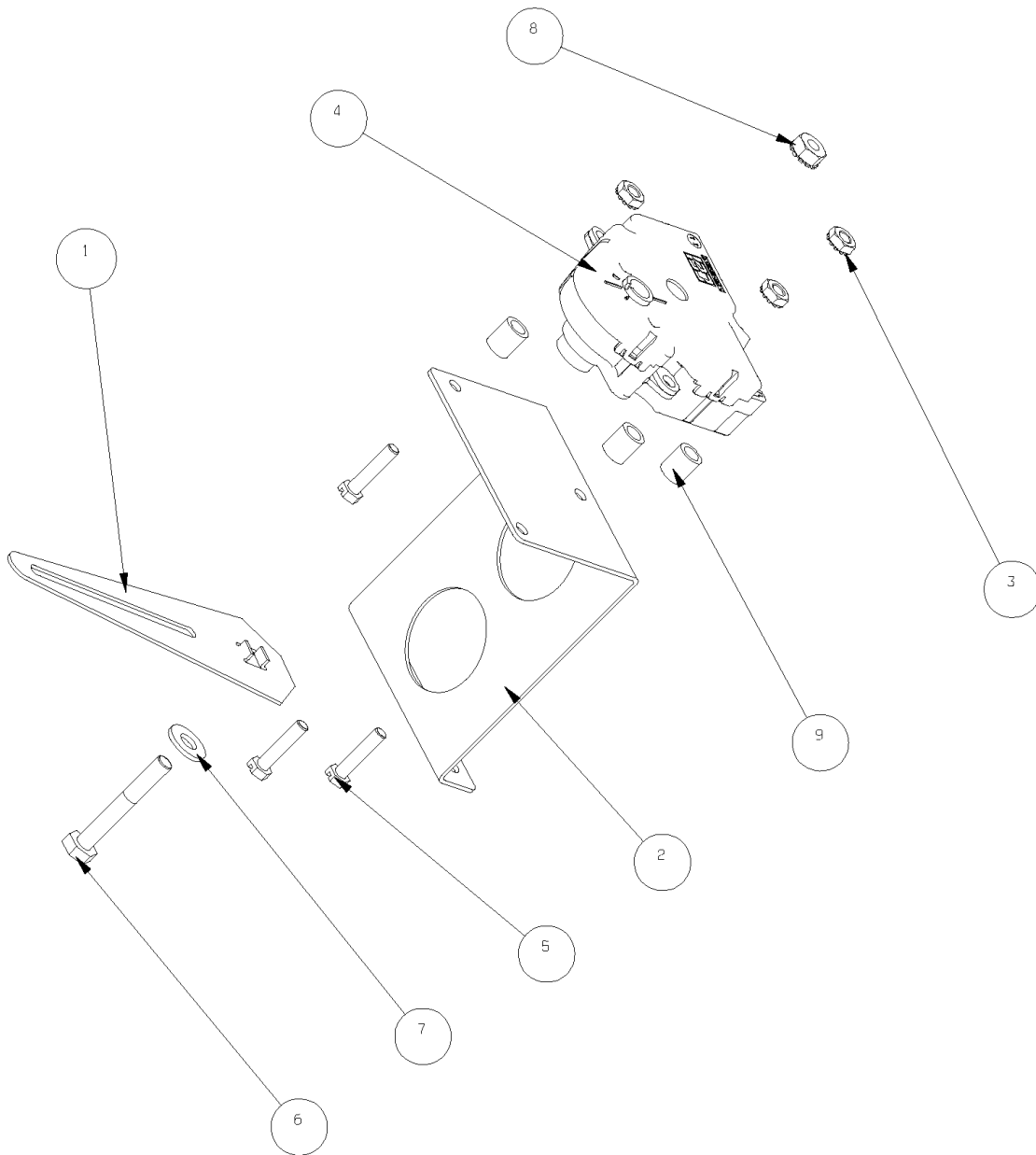
Key	PartNumber	Qty	Description	Comment
1	1572304	2	CLAMP,HOSE,SIZE 36,UNLINED,2.75	
2	1532910		ANGLE,SCREEN RET,HTR AIR INTAKE	
3	0091718		PANEL,CLOSEOUT,HEATER TO COWL W/AC,	
4	0085145		KIT,HEATER,AIR CONDITIONING COMBO, A3FE	
	0085146		KIT,HEATER,AIR CONDITIONING COMBO, A3RE	
4A			HEATER ASSY	
4B	0031090		ANGLE,FRONT CORNER HEATER TC2000	
5	0085150		PANEL,COVER,HTR,AC COMBO, A3FE	
	0087579		TRIM,RH,FRT HTR,TRANSIT,RH DRIVE	
	0085151		PANEL,COVER,HTR,AC COMBO, A3RE	
	0087579		TRIM,RH,FRT HTR,TRANSIT,RH DRIVE	
6	0028726		DUCT ASSY,DEF,WITH UNMOUNTED CONTROLS	
6A			KYSOR 170438 DUCT ASSY	
6B	0037588		CONTROL ASSY, TRANSIT 250263	
7	0031645		COVER,DASH,RH REAR,TC/A3	
8	1913847		KIT,TRIM,DASH W/PUSH BUTTON SHIFTER,2CF	
8A			KYSOR 515538 TRIM, LH BELT BAR	
8B			KYSOR 517314 TRIM, RH BELT BAR	
8	0080326		KIT,TRIM,DASH W/PUSH BUTTON SHIFTER,4FF	
8A			KYSOR TRIM, LH BELT BAR	
8B			KYSOR TRIM, LH BELT BAR	
9	1532902		SCREEN,HTR AIR INTAKE,TCFC/RE	
10	1925759		TRIM,RH FRONT CORNER OF DASH,TCFE/RE	
11	1532936		INSULATION & SEAL,RH COWL	
12	1508381		HOSE,FLEXIBLE,DUCT,2.50X28.00	
13	0041799		DECAL,FUSE BLOCK	
14	1143676	15	SCREW,10-16 X 3/4, AB,PH1,PAN HD,BLK ZN,	
15	1589522	30	SCREW,10-16 X 3/4,AB,PH1,PAN HD,YEL ZN	
16	0530253	4	DIFFUSER,AIR,BLACK,MB	
17	0830059	12	TAPE,FOAM,1/2X3/4,CLSD CELL NEOPRENE ADH	
18	0758292	18	TAPE,FOAM,PCV,3/16 X 3/8 WIDTH,W/ADH	
19	1486919		BUMPER,RUBBER RECESS,.469 X .719 DIA	
20	1922384		FILTER,MAIN HTR,10 X 21.06 X.43 FRM	

Models: **A3FE, A3RE**
HEATER/AC COMBO COMFORT AIRE
HTR, DASH, PWR DOOR, A/C INSTALLATION

Key	PartNumber	Qty	Description	Comment
21	0000059		BRACKET,HEATER PANEL TO DUCT	
22	2004547	.25	TRIM,INSTRUMENT HOOD,VINYL EDGE,BLACK	
23	0005256		PANEL,HEATER TO ENGINE HOOD, HDPE	
24	0011217		DUCT,DRIVERS FOOTWARMER, A3FE	
25	0000100		NAMEPLATE,DASH,ALL AMERICAN	
	0000101		NAMEPLATE,DASH,CANADIAN	
26	0087895		HOUSING ASSY,INSTRUMENT,AC COMBO, A3	
	0099934	3	LOUVER,A/C,DASH,EAGER,SLNTD CIRCULAR	
27	0086105		PANEL ASSY,INSTRUMENT,DASH,W/AC OPTION, <i>WITH AC OPTION A3</i>	
28	0017276		COVER,FUSE BLOCK W/O CIRCUIT BREAKERS	
29	0016854		PLATE ASSY,MOUNTING,DASH HOUSING	
30	0016369		PLATE,MOUNTING,INSTRUMENT HOUSING,,	
31	1315100	29	SCREW,MACH,10-32X1,PHI,PAN HD,BLK	
32	1315118	14	WELLNUT Q-1032,.377 X 5/8	
33	0017645	8	SCREW,1/4-20 X.75,TYPE F W/WSHR,PAN HD,	
34	0017694	4	PLUG,PRY-OUT,.875 HOLE,HEYCO 3083	
35	0008386		INSULATION,THERMAL,HEATER COVER, A3FE	
36	0000852		TAG,VEHICLE IDENTIFICATION NUMBER,.032	
37	0422915	2	RIVET,1/8 DIA,ALUMINUM,W/ST STEM	
39	0028997		PLATE,REINFORCEMENT,HTR SWITCH PNL,A3	
40	0091221		BRACKET,MTG,SHIFT,A/C W/FEA 40427-07,08	
	0091223		BRACKET ASSY,MTG,SHIFT,A/C W/FEA 40439	
41	0025522	6	U-NUT,10-32	
42	0028949		PANEL ASSY,SWITCH,AUX HEATERS,W/CMPS	
43	1351071	2	PLUG,BUTTON,BLACK,DP-1000 HEYCO 2713	
45	0031699		DECAL,INSERT,HEATER DIFFUSER,DASH,3-	
	0090180		LOUVER,HEATER/AC COMBO,BERG	
46	0031700		DECAL,INSERT,HEATER DIFFUSER,DASH,1-	
47	0033684	7	SCREW,10-16 X 3/4,AB,PHI,PN/HD,BZDICH,	
48	2000016		SCREW,1/4-14 X 5/8,B,HEX,W/PLAIN WASH,	

Models: A3FE, A3RE
HEATER/AC COMBO COMFORT AIRE
MODE ACTUATOR ASSEMBLY

Key	PartNumber	Qty	Description	Comment
-----	------------	-----	-------------	---------



Models: **A3FE, A3RE**
HEATER/AC COMBO COMFORT AIRE
MODE ACTUATOR ASSEMBLY

Key	PartNumber	Qty	Description	Comment
1	0091804		LEVER,ACTUATOR,MODE,HEATER/AC,	
2	0091803		BRACKET,ACTUATOR,MODE,HEATER/AC,	
3		3	NUT	
4	0090191		ACTUATOR,HEATER/AC COMBO,BERG	
5		3	SCREW	
6			BOLT, 1/4-20	
7			WASHER, 1/4 FLAT	
8			NUT, 1/4-20	
9	0091773		SPACER,HEATER/AC COMBO.25IN ID X.38IN OD	

Models: AAFE, AARE, A3FE, A3RE, MBWB, SBCV, VCTA
OPTIONS, SWITCHES, COVERS, TRIM & ACCESSORIES
ACCESSORIES

Key	PartNumber	Qty	Description	Comment
			HEATER HOSE & CONNECTORS	
	2003309		HOSE,HEATER,1 RED,1 BRAID	
	2003317		HOSE,HEATER,1 INCH BRAID,BLACK	
	0281303		TUBING,BRASS,ELBOW,90 DEGREE	
	1059278		SPLINT,1IN HOSE BEND,90 DEGREE,4.5IN.RAD	
	2008522		CLAMP,1IN HOSE	
			HEATER TUBING	
	2030336		STEEL TUBE RD, 1.00, OD 20GA 140.00 GAL	STANDARD
			140 IN. STRAIGHT SECTION	
	2004331		BRASS TUBE,1.00,OD X .035 WALL	OPTION 1414 SPECIFY LENGTH IN FEET
	0253989		PIPE,HEATER,BRASS,W/H SECT	OPTION 1414 CURVED OVER
			WHEELHOUSING	
			AUXILIARY WATER PUMP	
	0952887		PUMP,HEATER WATER,W/MTG BRKT	OPTION 1416 OR 1417
	0566919		COVER,AUXILIARY WATER PUMP,U/S	OPTION 1416 ONLY
			PUMP REPAIR PARTS:	
	2103299		MOTOR,ONLY,AUXILIARY WATER PUMP"	MOTOR ONLY
	2103307		KIT,REPAIR AUX. WATER PUMP (BRASS)"	
	2115780		IMPELLER,AUXILIARY WATER PUMP	
			MISCELLANEOUS	
	2102994		KIT,INTERIOR,PLUMBING UNDERSEAT HEATER"	

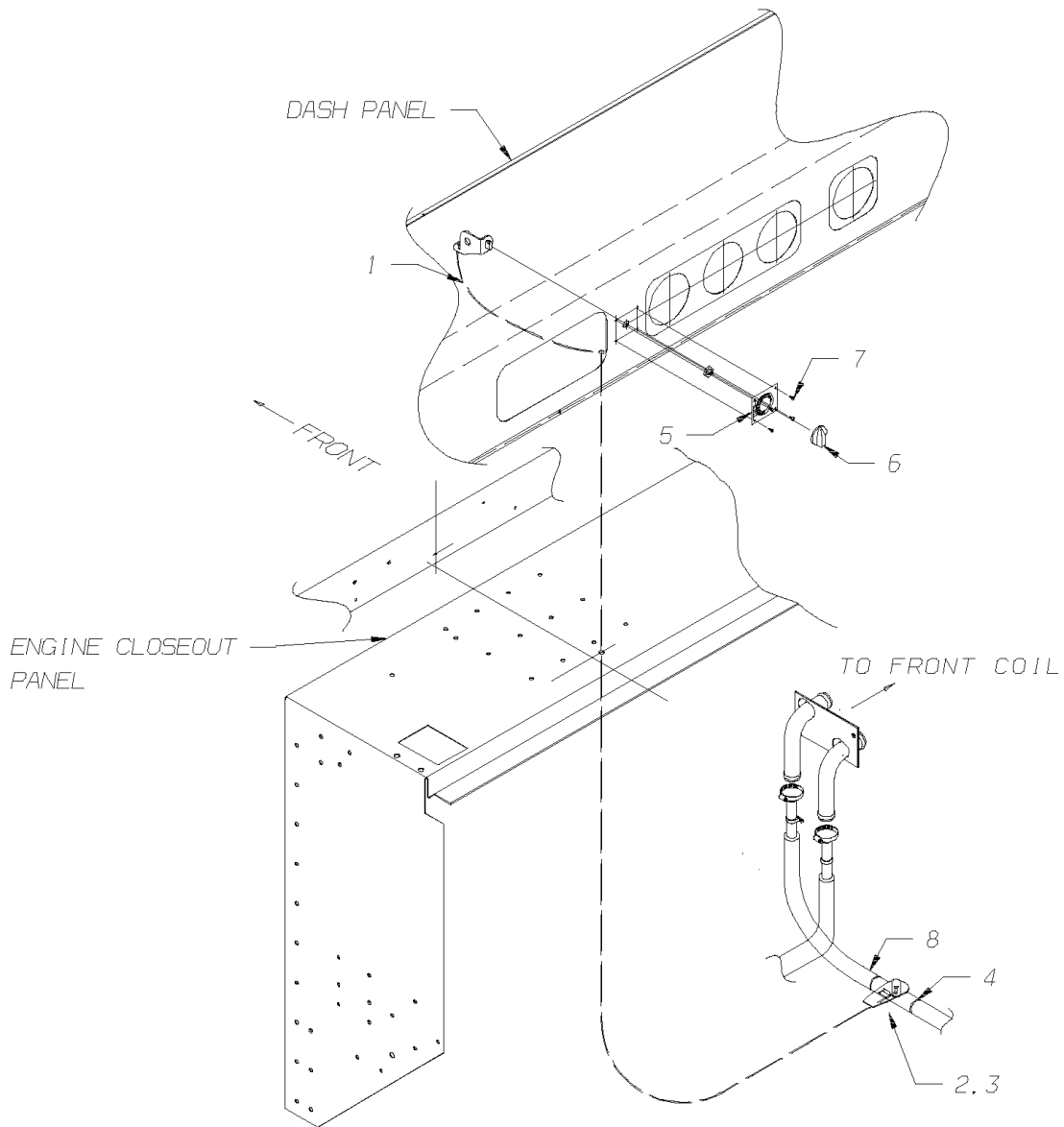
Models:

**A3FE, A3RE
OPTIONS, SWITCHES, COVERS, TRIM & ACCESSORIES
REMOTE CONTROL VALVE**

With Features:

**OPTION 1240 & 1242
To BSN 10-31-99**

Key	PartNumber	Qty	Description	Comment
-----	------------	-----	-------------	---------

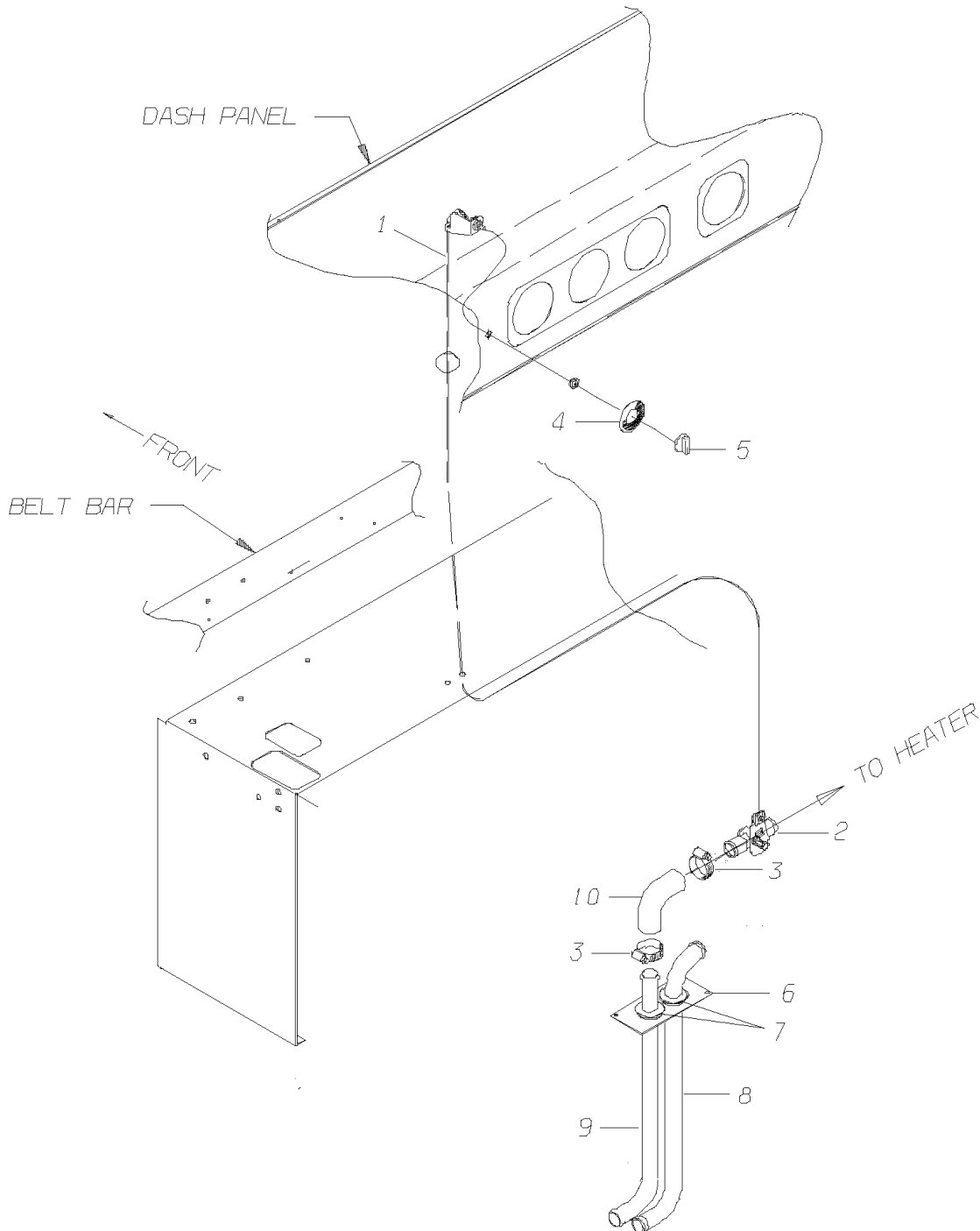


Models: A3FE, A3RE
OPTIONS, SWITCHES, COVERS, TRIM & ACCESSORIES
REMOTE CONTROL VALVE
With Features: OPTION 1240 & 1242
To BSN 10-31-99

Key	PartNumber	Qty	Description	Comment
1	0002942		CABLE,REMOTE CONTROL HEATER VALVE,22,	
1	1533074		CABLE,REMOTE CONTROL HTR VALVE,52,	
2	0651844		VALVE,REM CTRL,CABLE OPER,1" ID HOSE	OPTION 1240
2	1583665		VALVE ASSY,HTR FLOW REG FOR ESPAR,CBL	OPTION 1242
3	2008522	2	CLAMP,1IN HOSE	
4	1679372		PLATE,HEATER CONTROL IDENTIFICATION	
5	0758102		KNOB,VENT CONTROL,31W/1/4	
6	1560747	4	SCREW,6-20 X 1/2,AB,PH1,PAN HD,BLK	
7	0599704	2	TIE,CABLE,NYLON	
8	0020702	AR	INSULATION,ARMAFLEX,1-5/8 ID X 3/8 WALL	

Models: A3FE, A3RE
OPTIONS, SWITCHES, COVERS, TRIM & ACCESSORIES
REMOTE CONTROL VALVE
With Features: OPTION 1240 & 1242
BSN: From BSN F10020225 L10032685
 To BSN F10035824 L10059259

Key	PartNumber	Qty	Description	Comment
-----	------------	-----	-------------	---------

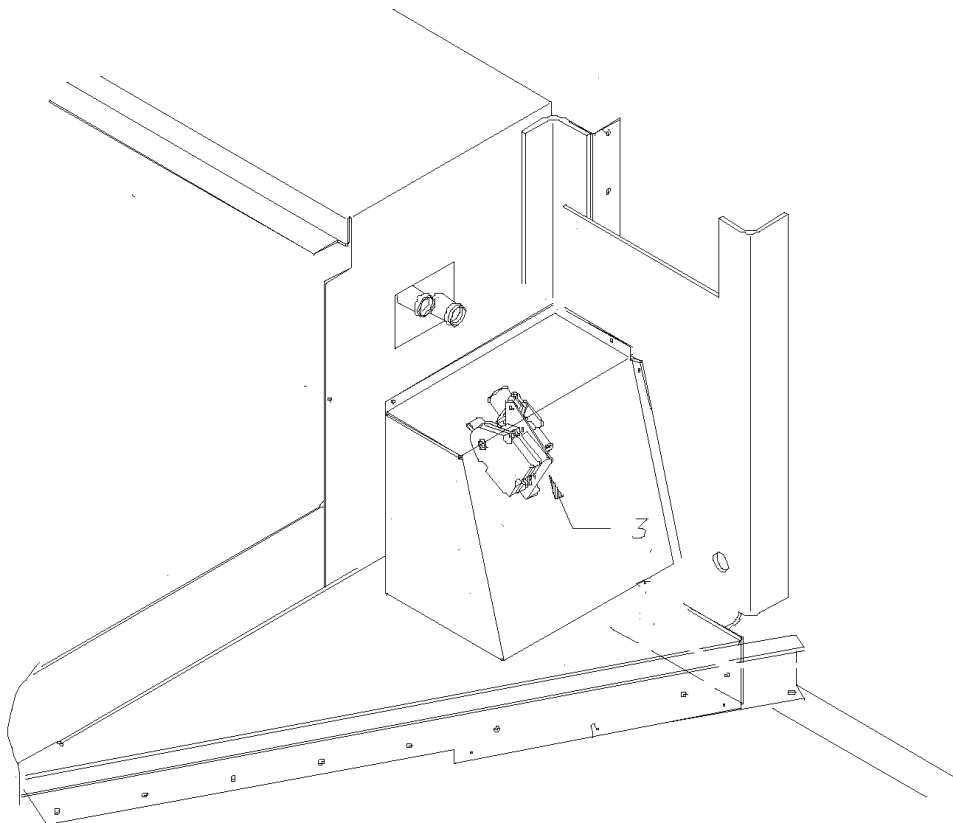
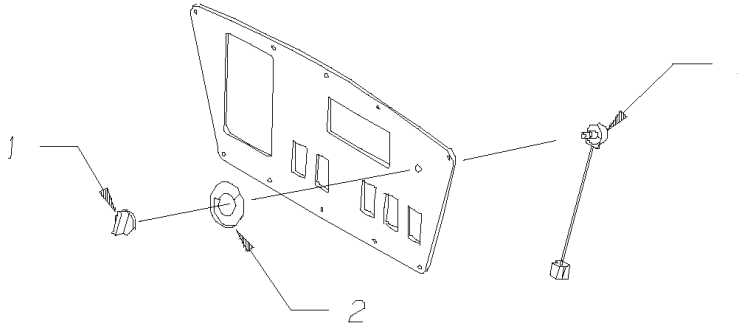


Models: A3FE, A3RE
OPTIONS, SWITCHES, COVERS, TRIM & ACCESSORIES
REMOTE CONTROL VALVE
With Features: OPTION 1240 & 1242
BSN: From BSN F10020225 L10032685
 To BSN F10035824 L10059259

Key	PartNumber	Qty	Description	Comment
1	0002942		CABLE,REMOTE CONTROL HEATER VALVE,22,	
1	1533074		CABLE,REMOTE CONTROL HTR VALVE,52,	
2	0651844		VALVE,REM CTRL,CABLE OPER,1" ID HOSE	OPTION 1240
2	1583665		VALVE ASSY,HTR FLOW REG FOR ESPAR,CBL	OPTION 1242
3		2	CLAMP, 1 IN.	
4	0017783		DECAL,TRANSIT HEATER TEMPERATURE	
5	0758102		KNOB,VENT CONTROL,31W/1/4	
6	1504778		PLATE,HEATER HOSE W/2 HOLES,TCRE	
7	2003200	2	GROMMET,RUBBER,1 IN. ID	
8	1504752		TUBING,BRASS,2 ELBOW W/90 DEGREES	
9	1785997		TUBING,BRASS,ELBOW,90 DEGREE	
10	1786508	AR	HOSE,RUBBER,2 ELBOW,W/90 DEG	
NI	1626159		PLUG,BUTTON,BLACK,DP-375,HEYCO 2617	
NI	1422864		PLUG,BUTTON,BLACK,DP-437,HEYCO 2633	

Models: A3FE
OPTIONS, SWITCHES, COVERS, TRIM & ACCESSORIES
REMOTE CONTROL VALVE
With Features: OPTION 1240, 1242
BSN: From BSN F10035825 L10059260

Key	PartNumber	Qty	Description	Comment
-----	------------	-----	-------------	---------

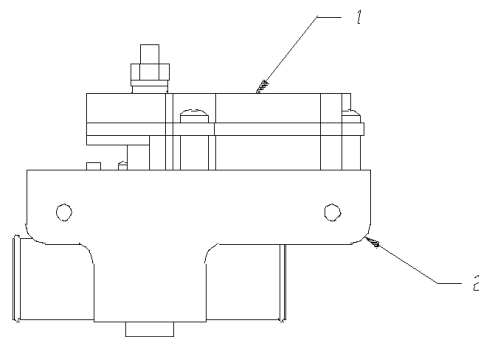
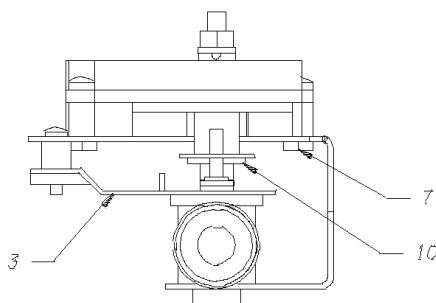
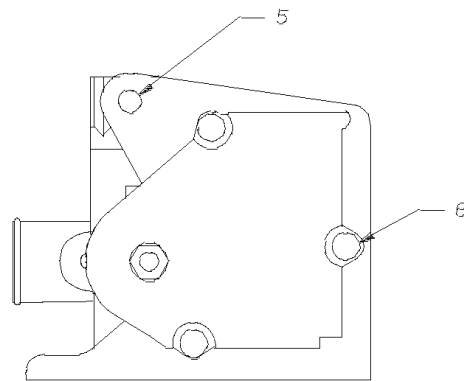
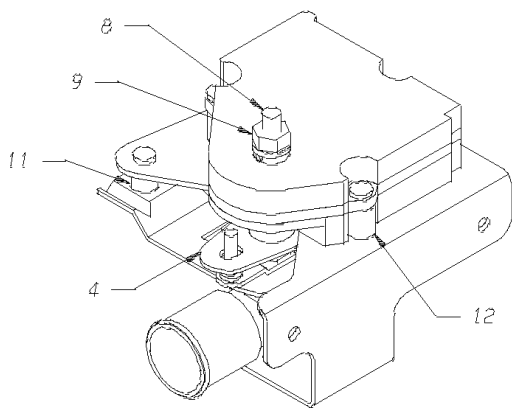


Models: A3FE
OPTIONS, SWITCHES, COVERS, TRIM & ACCESSORIES
REMOTE CONTROL VALVE
With Features: OPTION 1240, 1242
BSN: From BSN F10035825 L10059260

Key	PartNumber	Qty	Description	Comment
1	0031148		SWITCH ASSY,ACTUATOR	
	0031531		KNOB,TEMPERATURE CONTROL,HEATER WATER	
2	0031475		DECAL,TEMPERATURE CONTROL,HEATER	
3	0031247		ACTUATOR ASSY,WATER FLOW,1 ID HOSE	<i>WITH FEATURE 01240</i>
3	0031291		ACTUATOR ASSY,WATER FLOW,1 OD HOSE,	<i>WITH FEATURE 01242</i>

Models: A3FE, A3RE
OPTIONS, SWITCHES, COVERS, TRIM & ACCESSORIES
REMOTE CONTROL VALVE
ACTUATOR ASSY
With Features: OPTION 1240, 1242
BSN: From BSN F10035825 L10059260

Key	PartNumber	Qty	Description	Comment
-----	------------	-----	-------------	---------



Models: A3FE, A3RE
OPTIONS, SWITCHES, COVERS, TRIM & ACCESSORIES
REMOTE CONTROL VALVE
ACTUATOR ASSY
With Features: OPTION 1240, 1242
BSN: From BSN F10035825 L10059260

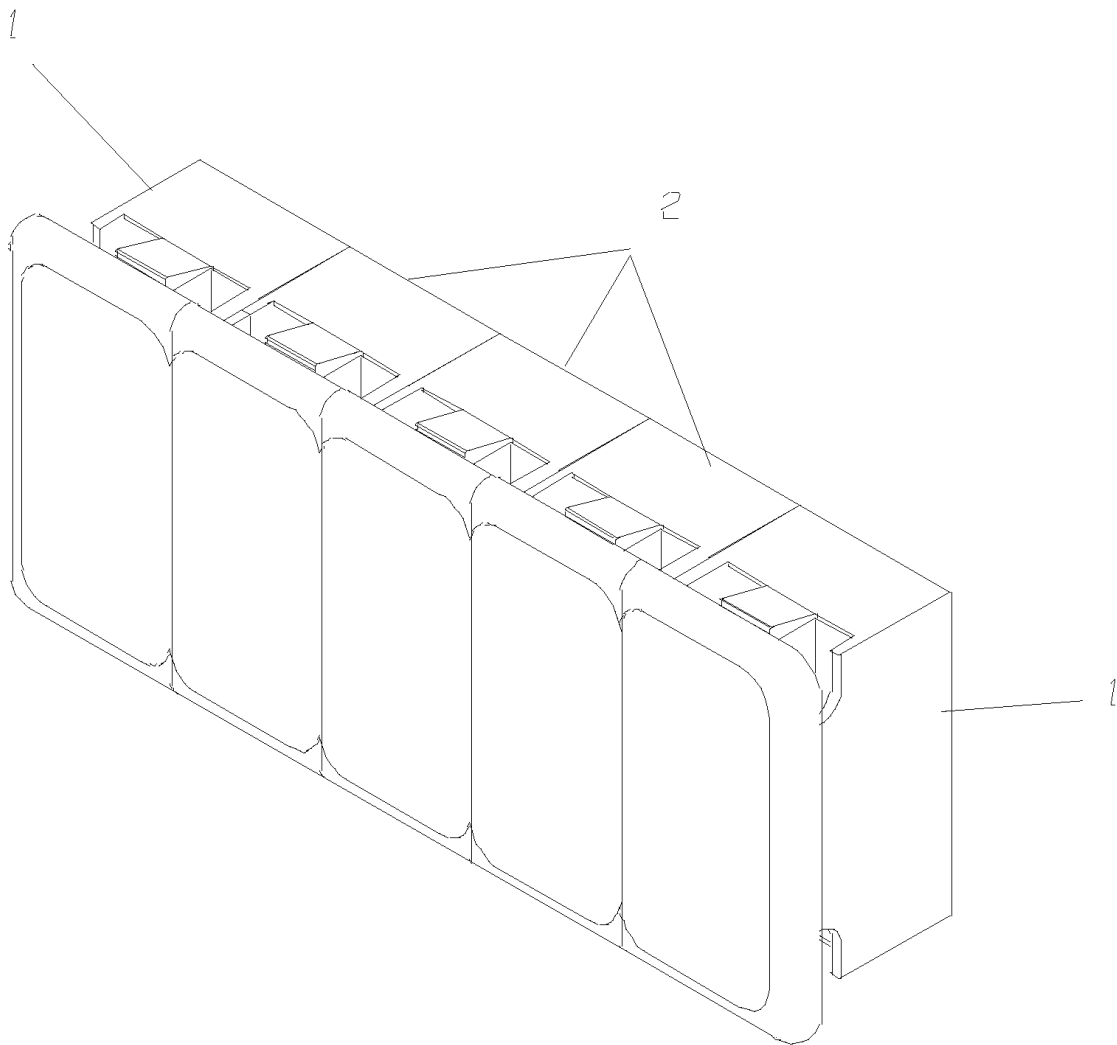
Key	PartNumber	Qty	Description	Comment
	0031247		ACTUATOR ASSY,WATER FLOW,1 ID HOSE	CONSIST OF THE FOLLOWING
	0031291		ACTUATOR ASSY,WATER FLOW,1 OD HOSE,	CONSIST OF THE FOLLOWING
1	0015418		ACTUATOR,ELECTRONIC,CEI 51067	
2	0031234		BRACKET,MTG,ACTUATOR	
3	0651844		VALVE,REM CTRL,CABLE OPER,1" ID HOSE	ACTUATOR ASSY. 0031247
3	1583665		VALVE ASSY,HTR FLOW REG FOR ESPAR,CBL	ACTUATOR ASSY. 0031291
4	0031290		LEVER,ACTUATOR	
5	0019129		SCREW,MACH,8-32X3/4,PH,PAN HD,YELZNDICH	
6	1315100	3	SCREW,MACH,10-32X1,PHI,PAN HD,BLK	
7	1495415	3	NUT,HEX HD,10-32 PRVLG TORQUE, GRADE A,	
8	1092337		CAPSCREW,HEX HD,1/4-20 X 2,GR 5,YEL ZN	
9	1339639		NUT,HEX HD,1/4-20,PRVLG TORQUE,FLG,YEL	
10	1991108		WASHER,FLAT,17/64 ID X 3/4,YELLOW ZINC	
11	0031313		SPACER,.250 ID X .375 OD X .35 LONG	
12	0031314	3	SPACER,.250 ID X .375 OD X .45 LONG	

Models: A3FE, A3RE, C1FE, CSFE, CSRE, GMCV, T2RE, TCFE, TCRE, TSFE, SBCV
OPTIONS, SWITCHES, COVERS, TRIM & ACCESSORIES
SWITCHES FOR OPTIONAL HEATERS

BSN: From BSN B10064340 F10035825 F20035860 L10059260 M10074850

X10019805

Key	PartNumber	Qty	Description	Comment
-----	------------	-----	-------------	---------



Models: A3FE, A3RE, C1FE, CSFE, CSRE, GMCV, T2RE, TCFE, TCRE, TSFE, SBCV
OPTIONS, SWITCHES, COVERS, TRIM & ACCESSORIES
SWITCHES FOR OPTIONAL HEATERS
BSN: From BSN B10064340 F10035825 F20035860 L10059260 M10074850
X10019805

Key	PartNumber	Qty	Description	Comment
1	0027347		BEZEL,END,NGR,SWITCH PANEL	
2	0027348		BEZEL,CENTER,NGR,SWITCH PANEL	
	0028949		PANEL ASSY,SWITCH,AUX HEATERS,W/CMPS	CONSIST OF THE FOLLOWING: REFER TO FEATURE ON PRODUCTION ORDER
	0027330		ROCKER,BUTTON,NGR,HEATER,DRIVERS	FEATURE 30055-01
	0027291		SWITCH,BASE,NGR,SPDT,ON-OFF-ON,HIGH	
	0027319		ROCKER,BUTTON,NGR,HEATER,PUMP	
	0027298		SWITCH,BASE,NGR,SPST,IND,OFF-ON,HIGH	
				APPLIES TO THE FOLLOWING FEATURES
			PUMP, HEATER	30058-01
			PUMP, HEATER, HEAVY DUTY	30058-02
			WEBASTO AUXILIARY HEATER (PUMP)	1345-01, 02 W/O 30058-01, 02
			EXPAR AUXILIARY HEATER (PUMP)	1345-03, 04 W/O 30058-01, 02
	0027317		ROCKER,BUTTON,NGR,HEATER,REAR	
	0027291		SWITCH,BASE,NGR,SPDT,ON-OFF-ON,HIGH	
				APPLIES TO THE FOLLOWING FEATURES
			50K BTU REAR, LH UNDERSEAT HEATER	1330-01, 6251-01
			50K BTU REAR, LH UNERSEAT HEATER (LAST	1330-02, 6251-02
			50K BTU REAR, LH UNDERSEAT HEATER (C1FE)	1330-03
			88K BTU REAR, LH WALL MOUNTED HEATER	1341-00
			80K BTU REAR, LH UNDERSEAT HEATER	1342-00, 6252-00
			50K BTU REAR, RH UNERSEAT HEATER, W/LH	1332-01
			50K BTU REAR, RH UNDERSEAT HEATER W/O	1332-02
			50K BTU REAR, RH UNDERSEAT HEATER (C1FE)	1332-03
			80K BTU REAR, RH UNDERSEAT HEATER W/LH	1343-01
			80K BTU REAR, RH UNDERSEAT HEATER W/O	1343-02
	0027316		ROCKER,BUTTON,NGR,HEATER,FRONT	
	0027291		SWITCH,BASE,NGR,SPDT,ON-OFF-ON,HIGH	
				APPLIES TO THE FOLLOWING FEATURES
			50K BTU FRONT, LH UNDERSEAT HEATER (1	1325-01
			50K BTU FRONT, LH UNDERSEAT HEATER (2	1325-02
			50K BTU FRONT, LH UNDERSEAT HEATER	1325-04

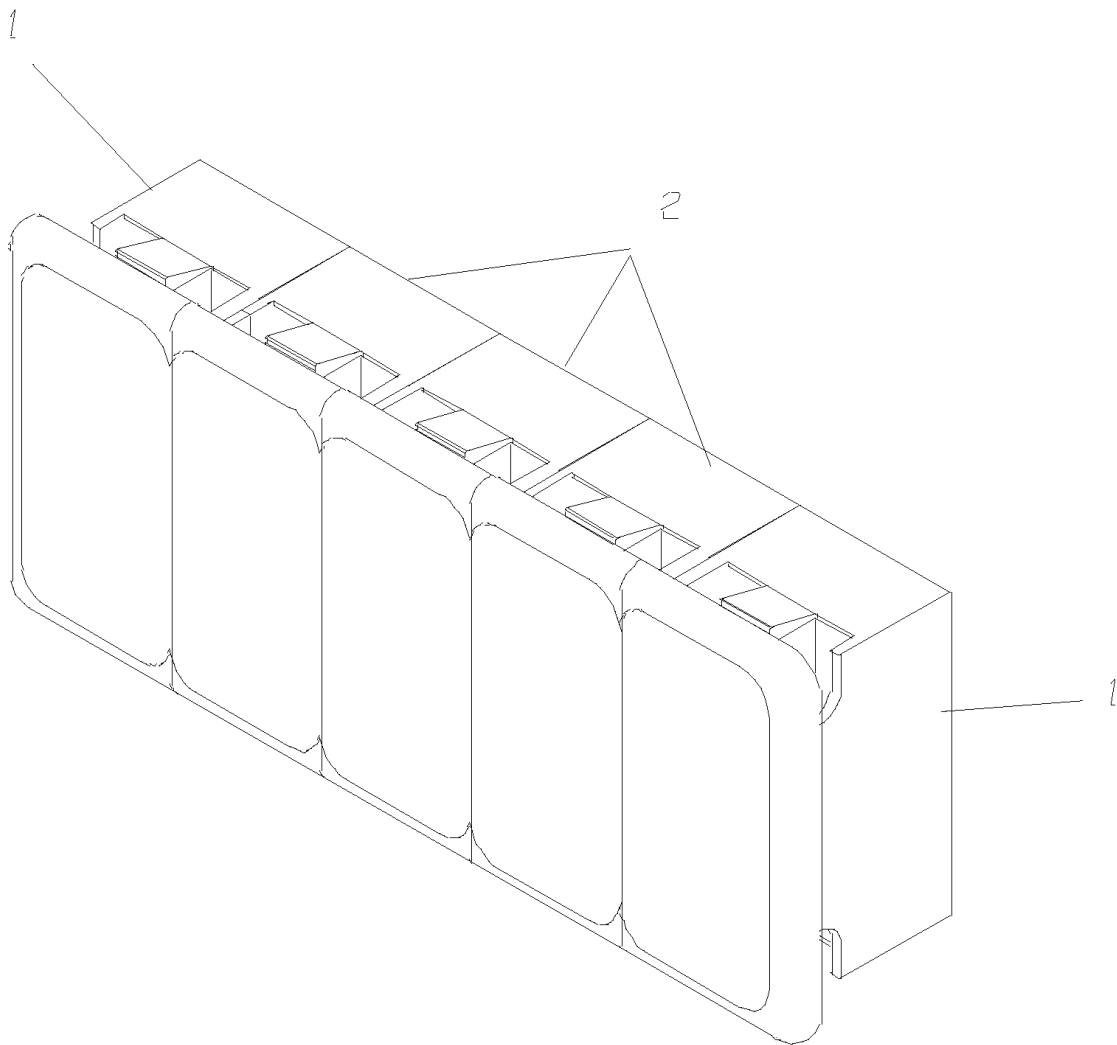
Models: A3FE, A3RE, C1FE, CSFE, CSRE, GMCV, T2RE, TCFE, TCRE, TSFE, SBCV
OPTIONS, SWITCHES, COVERS, TRIM & ACCESSORIES
SWITCHES FOR OPTIONAL HEATERS
BSN: From BSN B10064340 F10035825 F20035860 L10059260 M10074850
X10019805

Key	PartNumber	Qty	Description	Comment
			80K BTU FRONT, LH UNDERSEAT HEATER (1	
			80K BTU FRONT, LH UNDERSEAT HEATER (2	1336-02
			50K BTU FRONT, RH UNDERSEAT HEATER W/LH	1328-01
			50K BTU FRONT, RH UNDERSEAT HEATER W/O	1328-02
			50K BTU FRONT, RH UNDERSEAT HEATER	1328-03
			80K BTU FRONT, RH UNDERSEAT HEATER W/LH	1337-01
			80K BTU FRONT, RH UNDERSEAT HEATER W/O	1337-02
	0029026		ROCKER,BUTTON,NGR,HEATER,RH	FEATURE 1154
	0027291		SWITCH,BASE,NGR,SPDT,ON-OFF-ON,HIGH	
	0027332		ROCKER,BUTTON,NGR,STEP DE-ICE	FEATURE 1350-01
	0027287		SWITCH,BASE,NGR,SPST,IND,OFF-ON	
			ENTRANCE STEP, DE-ICER, LOWER STEP	1350-01
			ENTRANCE STEP, DE-ICER, LOWER & SECOND	1350-02
			RIGHT HAND DRIVE, BODY ONLY	FEATURE 3480

Models: A3FE, A3RE, C1FE, CSFE, CSRE, GMCV, T2RE, TCFE, TCRE, TSFE, SBCV
OPTIONS, SWITCHES, COVERS, TRIM & ACCESSORIES
SWITCHES FOR OPTIONAL HEATERS
With Features: OPTION 3075
BSN: From BSN B10064340 F10035825 F20035860 L10059260 M10074850

X10019805

Key	PartNumber	Qty	Description	Comment
-----	------------	-----	-------------	---------



Models: A3FE, A3RE, C1FE, CSFE, CSRE, GMCV, T2RE, TCFE, TCRE, TSFE, SBCV
OPTIONS, SWITCHES, COVERS, TRIM & ACCESSORIES
SWITCHES FOR OPTIONAL HEATERS
With Features: OPTION 3075
BSN: From BSN B10064340 F10035825 F20035860 L10059260 M10074850
X10019805

Key	PartNumber	Qty	Description	Comment
1	0027347		BEZEL,END,NGR,SWITCH PANEL	
2	0027348		BEZEL,CENTER,NGR,SWITCH PANEL	
	0034532		PANEL ASSY,SWITCH,AUX HEATER,W/CMP,	<i>CONSIST OF THE FOLLOWING: REFER TO FEATURE ON PRODUCTION ORDER</i>
	0033329		ROCKER,BUTTON,NGR,HEATER PUMP,FR/BLNGL	
	0027298		SWITCH,BASE,NGR,SPST,IND,OFF-ON,HIGH	<i>APPLIES TO THE FOLLOWING FEATURES</i>
			PUMP, HEATER	<i>30058-01</i>
			PUMP, HEATER, HEAVY DUTY	<i>30058-02</i>
			WEBASTO AUXILIARY HEATER (PUMP)	<i>1345-01, -02 W/O 30058-01, -02</i>
			ESPAR AUXILIARY HEATER (PUMP)	<i>1345-03-04 W/O 30058-01, -02</i>
	0033328		ROCKER,BUTTON,NGR,HEATER REAR,FR/BLNGL	
	0027291		SWITCH,BASE,NGR,SPDT,ON-OFF-ON,HIGH	<i>APPLIES TO THE FOLLOWING FEATURES</i>
			50K BTU REAR, LH UNDERSEAT HEATER	<i>1330-01</i>
			50K BTU REAR, LH UNDERSEAT HEATER (LAST	<i>1330-02</i>
			88K BTU REAR, LH WALL MOUNTED HEATER	<i>1341-00</i>
			80K BTU REAR, LH UNDERSEAT HEATER	<i>1342-00</i>
			50K BTU REAR, RH UNDERSEAT HEATER W/LH	<i>1332-01</i>
			50K BTU REAR, RH UNDERSEAT HEATER, W/O	<i>1332-02</i>
			80K BTU REAR, RH UNDERSEAT HEATER W/LH	<i>1343-01</i>
			80K BTU REAR, RH UNDERSEAT HEATER W/O	<i>1343-02</i>
	0033327		ROCKER,BUTTON,NGR,HEATER FRONT,	
	0027291		SWITCH,BASE,NGR,SPDT,ON-OFF-ON,HIGH	<i>APPLIES TO THE FOLLOWING FEATURES</i>
			80K BTU FRONT, LH UNDERSEAT HEATER (1	<i>1336-01</i>
			80K BTU FRONT, LH UNDERSEAT HEATER (2	<i>1336-02</i>
			50K BTU FRONT, LH UNDERSEAT HEATER (1	<i>1325-01</i>
			50K BTU FRONT, LH UNDERSEAT HEATER (2	<i>1325-02</i>
			50K BTU FRONT, RH UNDERSEAT HEATER W/LH	<i>1328-01</i>
			50K BTU FRONT, RH UNDERSEAT HEATER W/O	<i>1328-02</i>
			80K BTU FRONT, RH UNDERSEAT HEATER W/LH	<i>1337-01</i>

Models: A3FE, A3RE, C1FE, CSFE, CSRE, GMCV, T2RE, TCFE, TCRE, TSFE, SBCV
OPTIONS, SWITCHES, COVERS, TRIM & ACCESSORIES
SWITCHES FOR OPTIONAL HEATERS
With Features: OPTION 3075
BSN: From BSN B10064340 F10035825 F20035860 L10059260 M10074850
X10019805

Key	PartNumber	Qty	Description	Comment
			80K BTU FRONT, RH UNDERSEAT HEATER W/O	1337-02
			50K BTU FRONT, RH HEATER	1154
	0033331		ROCKER,BUTTON,NGR,STEP DE-ICE,FR/BLNGL	
	0027287		SWITCH,BASE,NGR,SPST,IND,OFF-ON	
				<i>APPLIES TO THE FOLLOWING FEATURES</i>
			ENTRANCE STEP DE-ICER, LOWER STEP	1350-01
			ENTRANCE STEP DE-ICER, LOWER & SECOND	1350-02
			CONVECTION HEATING	FEATURE 30059-01, -11

Models: **AAFE, AARE, A3FE, A3RE, MBWB, QBRE, SBCV, TCFE, TCRE, VCTA**
OPTIONS, SWITCHES, COVERS, TRIM & ACCESSORIES
VALVE ASSEMBLIES

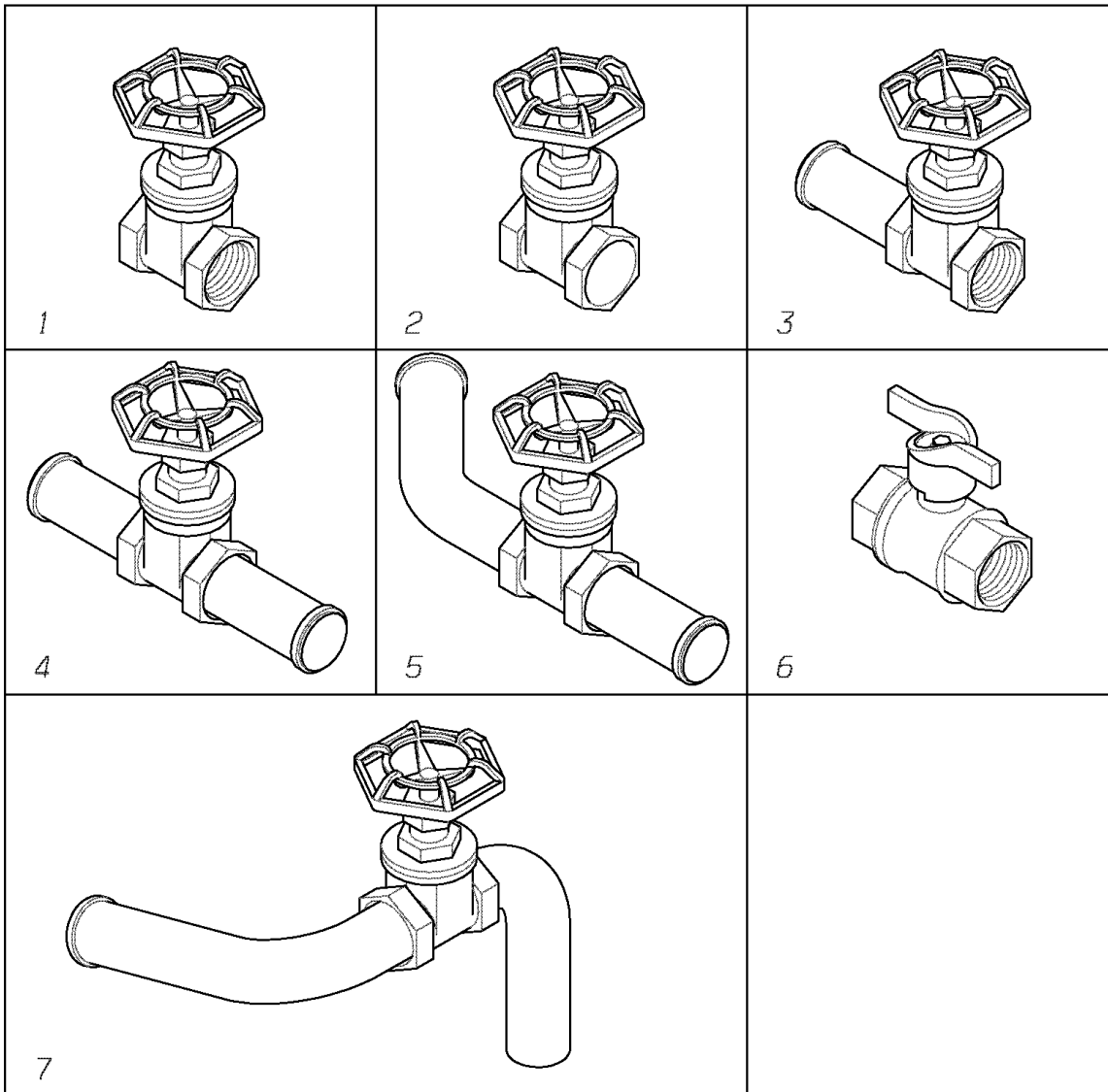
Key	PartNumber	Qty	Description	Comment
-----	------------	-----	-------------	---------

DR. 8/27/92 BY AWS		8009037	
APP. 8/27/92 BY VK	FRT		REV

© 1992 BLUE BIRD BODY COMPANY. ALL RIGHTS RESERVED



BLUE BIRD



Models: AAFE, AARE, A3FE, A3RE, MBWB, QBRE, SBCV, TCFE, TCRE, VCTA
OPTIONS, SWITCHES, COVERS, TRIM & ACCESSORIES
VALVE ASSEMBLIES

Key	PartNumber	Qty	Description	Comment
1	2052579		VALVE,GATE,3/4,CANADIAN	
2	0544361		VALVE,GATE,HEATER,REAMED 1 SIDE ONE INCH	
2	0544353		VALVE,GATE,HEATER,REAMED 2 SIDES ONE	
3	0250803		VALVE ASSY,HTR,DUAL CUT OFF VALVE	
4	0244475		VALVE ASSY,HTR,STRAIGHT THROUGH	
5	1203850		TUBING ASSY,W/VALVE LH HEATER	
6	1626431		VALVE,BALL,3/4,W/BUTTERFLY HANDLE	
7	0621664		VALVE ASSY,FRONT HEATER,AA	

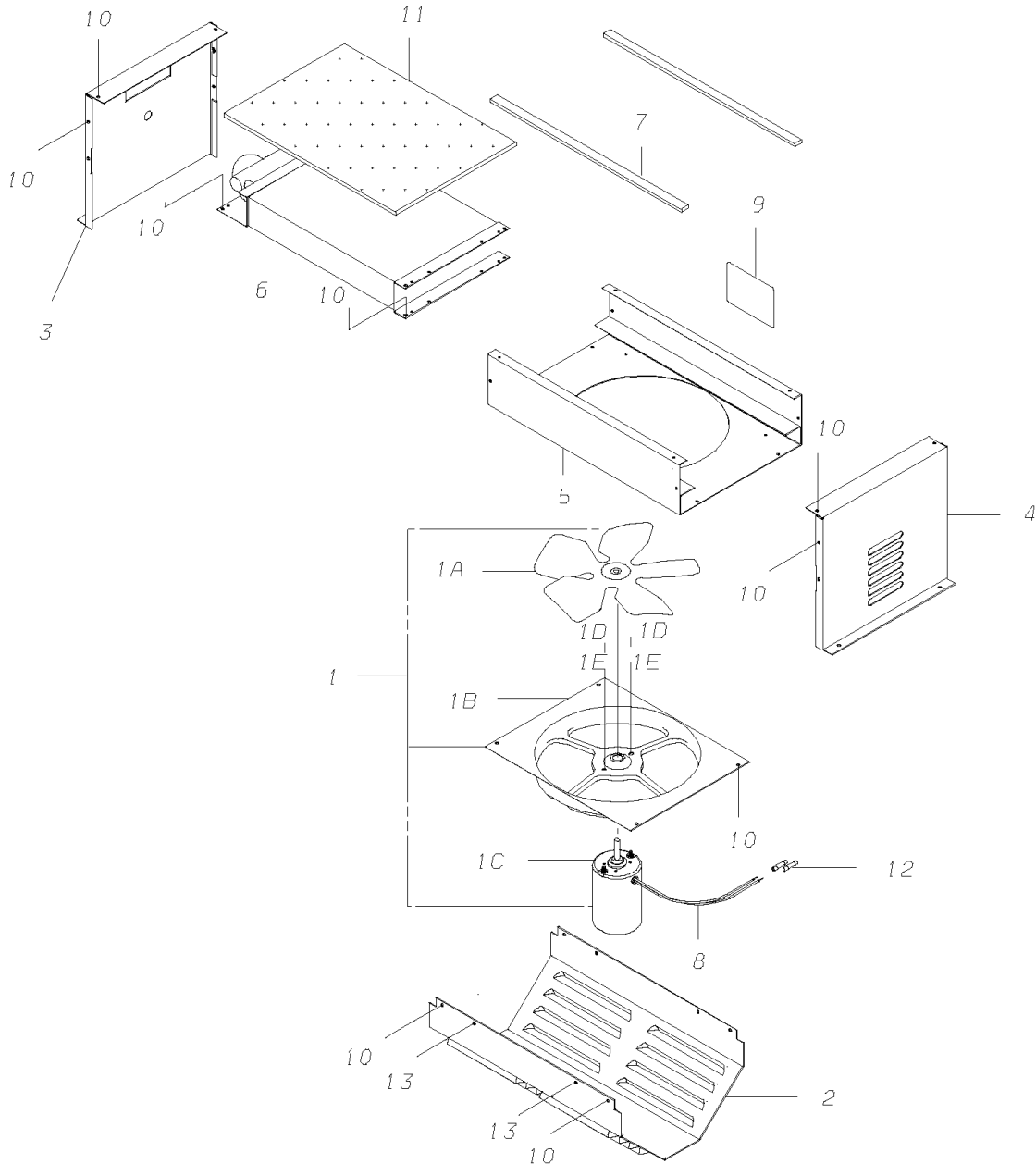
VCTA

Models: AAFE, AARE, A3FE, A3RE, BBCV, C1FE, C4RE, MBWB, QBRE, SBCV, TCPE, TCRE,

UNDERSEAT HEATER
50,000 BTU
FLOOR MOUNTED

With Features: **OPTION 1325, 1328, 1330, 1332, WITH 1348-01, 30060, 6127, 6147**

Key	PartNumber	Qty	Description	Comment
-----	------------	-----	-------------	---------



VCTA **Models:** **AAFE, AARE, A3FE, A3RE, BBCV, C1FE, C4RE, MBWB, QBRE, SBCV, TCPE, TCRE,**
With Features: **UNDERSEAT HEATER**
50,000 BTU
FLOOR MOUNTED
OPTION 1325, 1328, 1330, 1332, WITH 1348-01, 30060, 6127, 6147

Key	PartNumber	Qty	Description	Comment
NI			HEATER ASSY.	<i>INCLUDES ALL PARTS LISTED ON THIS PAGE</i>
	0007724		HEATER ASSY,50M BTU,U/S ALUM F/N COIL,	<i>OPT 1325, 1330, LH, 1328, 1332 RH W/1348 FLOOR MTD</i> <i>ENDING WITH BSN F10020224, B10035319, L10032854 M10041329, X10009289 10/31/99</i>
	0016883		HEATER ASSY,50M BTU,FLOOR MOUNTED	<i>BEGIN WITH BSN F10020225, B10035320, L10032855 M10041330, X10009290 11/01/99</i>
1	0007690		BLOWER ASSY,9 AMP MOTOR & FAN U/S HTR	
1A	2004307		FAN,10IN,HEATER,METAL,5 BLADE	<i>PART OF ITEM 1</i>
1B	0002956		HOUSING,10 IN FAN	<i>PART OF ITEM 1</i>
1C	0228072		MOTOR,HEATER,12V,2 SPEED,CW	<i>PART OF ITEM 1</i>
1D	2001279		NUT,HEX HD,10-24,YEL ZN DICH"	<i>PART OF ITEM 1</i>
1E	2001162		LOCKWASHER,SPLIT RING, 3/16,MED,YEL ZN	<i>PART OF ITEM 1</i>
2	0003210		PANEL,OUTLET,50M,UNDERSEAT HEATER,FMTD	
3	0003103		PANEL,WALL END,FLOOR MOUNTED HEATER	<i>ENDING WITH BSN F10020224, B10035319, L10032854 M10041329, X10009289</i>
3	0016889		PANEL,WALL END,FLOOR MOUNTED HEATER	<i>BEGIN WITH BSN F10020225, B10035320, L10032855, M10041330, X10009290</i>
4	0003012		PANEL,AISLE END,FLOOR MOUNTED HEATER	
5	0004135		HOUSING ASSY,50M U/S HTR,ALUM FIN COIL,	<i>ENDING WITH BSN F10020224, B10035319, L10032854 M10041329, X10009289</i>
5	0016913		HOUSING ASSY,50M BTU HEATER,FLOOR	<i>BEGIN WITH BSN F10020225, B10035320, L10032855, M10041330, X10009290</i>
6	1294099		COIL,HEATER,2 X 9 X 16.2,50M	
7	2003101	*	RUBBER,SPONGE,3/16 X 1/2 WITH PSA	
8	2005718	*	LOOM,ASPHALTUM,WIRE,5/16IN	
9	0659177		PLATE,HEATER NAME,50M BTU	
10	1943695	20	SCREW,10-16X3/4,AB,PH1,PAN HD,BLK ZN	
11	0015894	4	FILTER,AIR,10.38 X 14.75,UNDERSEAT HEATER	<i>FILTER AIR, 10.38 X 14.75 U/S HEATER BEGIN WITH BSN F10020225, B10035320, L10032855, M10041330, X10009290 11/01/99</i>
12	2007409		TERMINAL,BUTT CONN,14-16GA,INSULATED	

VCTA

Models: AAFE, AARE, A3FE, A3RE, BBCV, C1FE, C4RE, MBWB, QBRE, SBCV, TCPE, TCRE,

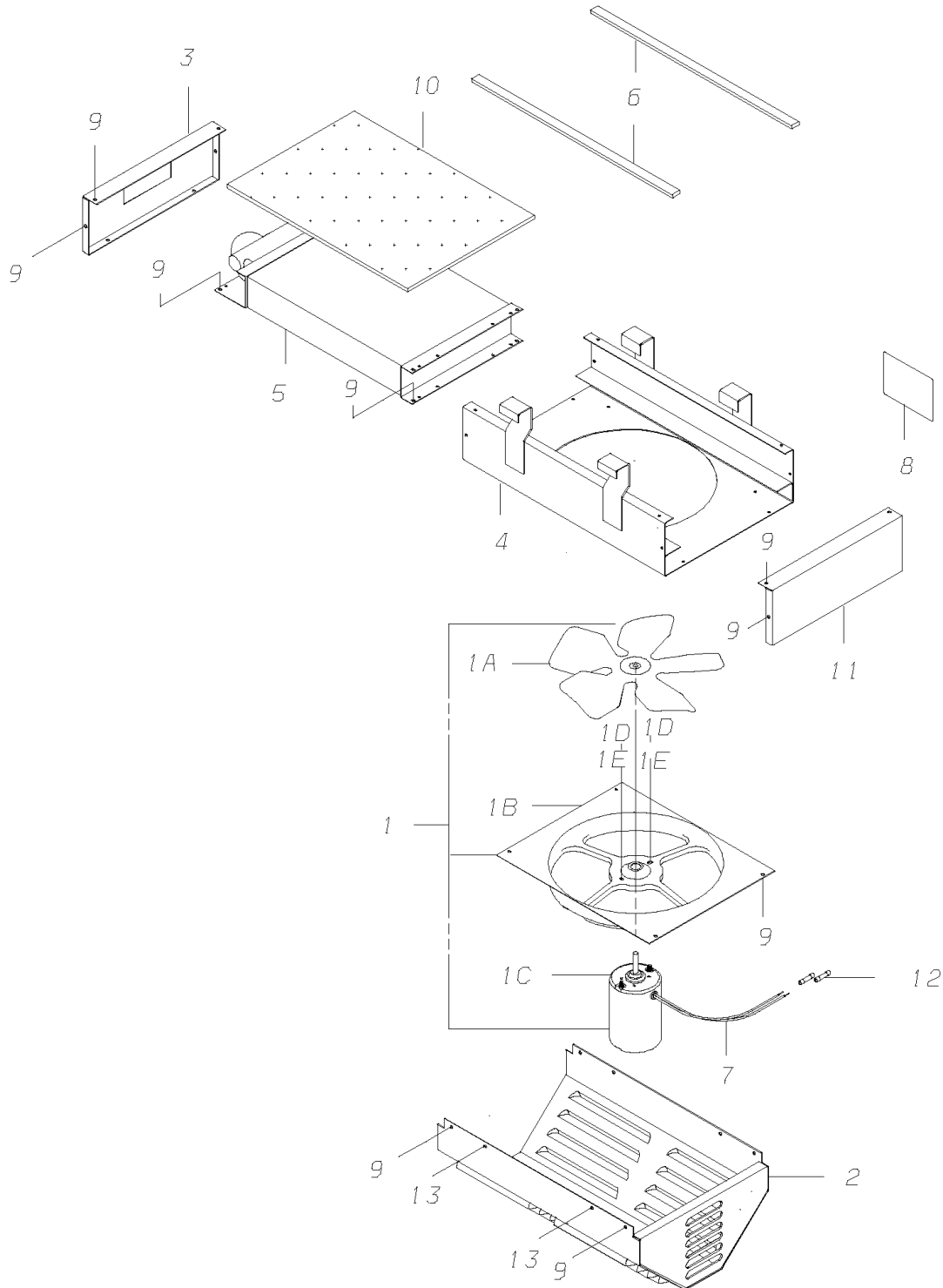
With Features: UNDERSEAT HEATER
 50,000 BTU
 FLOOR MOUNTED
 OPTION 1325, 1328, 1330, 1332, WITH 1348-01, 30060, 6127, 6147

Key	PartNumber	Qty	Description	Comment
13	1560754		SCREW,10-16 X 3/8,AB,PH1,PAN HD,BLK	
NI	0007252		SCREEN,SECURITY,U/S HEATER,50M BTU	OPTION 3724-01

Models: AAFE, AARE, A3FE, A3RE, BBCV, B1VC, B2VC, MBWB, SBCV, TCPE, TCRE, VCTA
UNDERSEAT HEATER
50,000 BTU
SEAT MOUNTED

With Features: OPTION 1325, 1328, 1330, 1332, 6251, 30052-01, 30052-02, 30054-01, 30060

Key	PartNumber	Qty	Description	Comment
-----	------------	-----	-------------	---------



Models: AAFE, AARE, A3FE, A3RE, BBCV, B1VC, B2VC, MBWB, SBCV, TCPE, TCRE, VCTA
UNDERSEAT HEATER
50,000 BTU
SEAT MOUNTED

With Features: **OPTION 1325, 1328, 1330, 1332, 6251, 30052-01, 30052-02, 30054-01, 30060**

Key	PartNumber	Qty	Description	Comment
NI			HEATER ASSY.	<i>INCLUDES ALL PARTS LISTED ON THIS PAGE</i>
	0007716		HEATER ASSY,50M BTU,U/S ALUM F/N COIL	<i>OPT 1325, 1330, 6251, 30052-01, 30052-02, 30054-01 LH</i> <i>ENDING WITH BSN F10020224, B10035319, L10032854, M10041329, X10009289 10/31/99</i>
	0016882		HEATER ASSY,50M BTU,UNDERSEAT	<i>BEGIN WITH BSN F10020225, B10035320, L10032855, M10041330, X10009290 11/01/99</i> <i>OPT 30052-02</i>
	0013647		HEATER ASSY,50M,U/S HTR,LH FRT, AFGM	<i>BEGIN WITH BSN F10020225, B10035320, L10032855, M10041330, X10009290 11/01/99</i> <i>OPT 1328, 1332 RH</i>
	0007757		HEATER ASSY,50M BTU,U/S ALUM F/N COIL,RH,	<i>ENDING WITH BSN F10020224, B10035319, L10032854, M10041329, X10009289 10/31/99</i>
	0016885		HEATER ASSY,50M BTU,UNDERSEAT,RH	<i>BEGIN WITH BSN F10020225, B10035320, L10032855, M10041330, X10009290</i>
1	0007690		BLOWER ASSY,9 AMP MOTOR & FAN U/S HTR	<i>INCLUDES THE FOLLOWING INDENTED PARTS</i>
1A	2004307		FAN,10IN,HEATER,METAL,5 BLADE	<i>PART OF ITEM 1</i>
1B	0002956		HOUSING,10 IN FAN	<i>PART OF ITEM 1</i>
1C	0228072		MOTOR,HEATER,12V,2 SPEED,CW	<i>PART OF ITEM 1</i>
1D	2001279		NUT,HEX HD,10-24,YEL ZN DICH"	<i>PART OF ITEM 1</i>
1E	2001162		LOCKWASHER,SPLIT RING, 3/16,MED,YEL ZN	<i>PART OF ITEM 1</i>
2	0003004		OUTLET ASSY,50M BTU UNDERSEAT HEATER	<i>OPTION 1325, 1328, 1330, 1332, 6251, 30052-01, 30054-01 LH</i>
2	0013646		OUTLET ASSY,50M,U/S HTR,LH FRT, AFGM	<i>OPTION 30052-02</i>
3	0003061		COVER,WALL END,ALUMINUM FIN COIL,U/S	<i>ENDING WITH BSN F10020224, B10035319, L10032854, M10041329, X10009289 10/31/99</i>
3	0016890		PANEL,WALL END,UNDERSEAT HEATER	<i>BEGIN WITH BSN F10020225, B10035320, L10032855, M10041330, X10009290</i>
4	0004127		HOUSING ASSY,50M U/S HTR,ALUM FIN COIL	<i>ENDING WITH BSN F10020224, B10035319, L10032854, M10041329, X10009289 10/31/99</i>

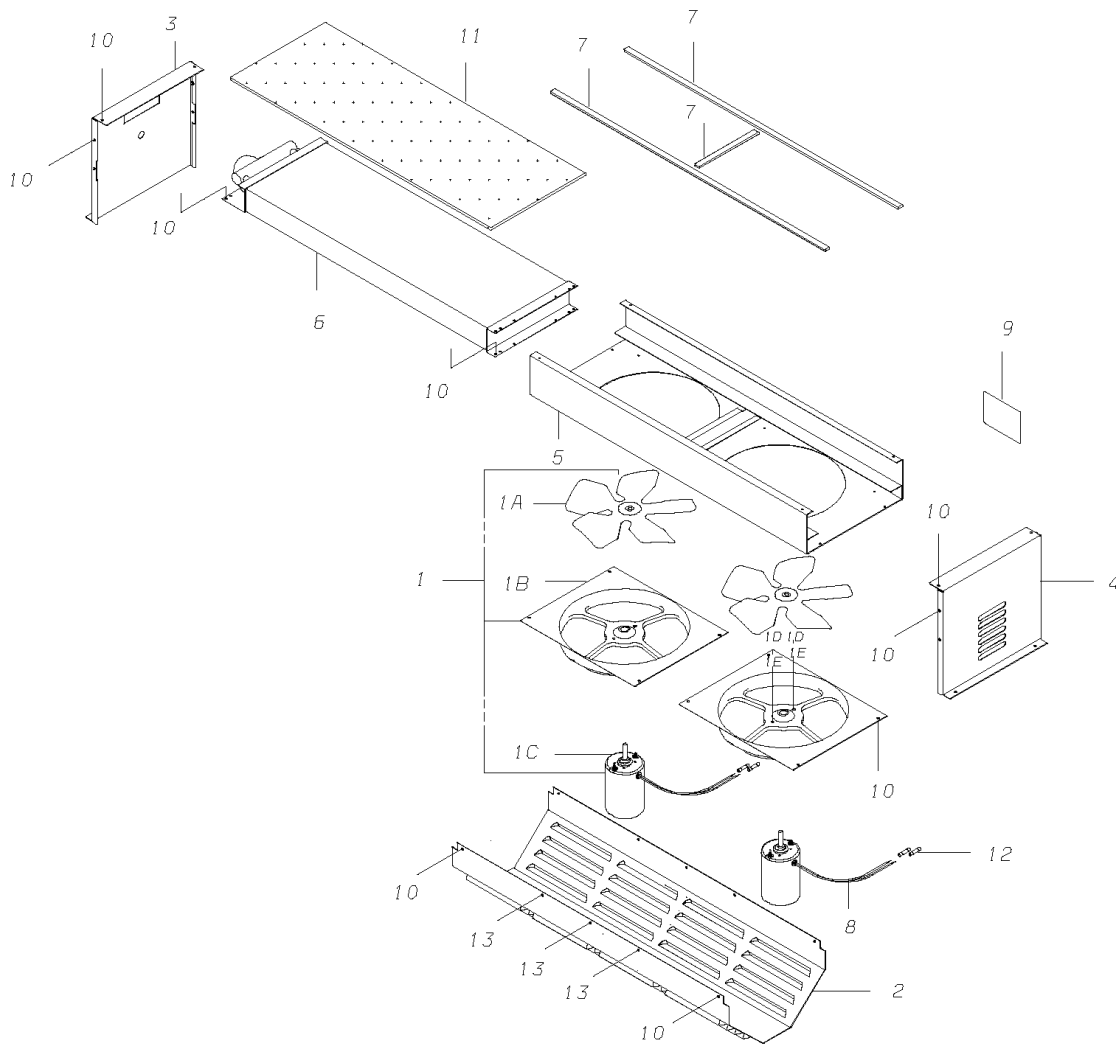
Models: AAFE, AARE, A3FE, A3RE, BBCV, B1VC, B2VC, MBWB, SBCV, TCPE, TCRE, VCTA
UNDERSEAT HEATER
50,000 BTU
SEAT MOUNTED

With Features: OPTION 1325, 1328, 1330, 1332, 6251, 30052-01, 30052-02, 30054-01,
30060

Key	PartNumber	Qty	Description	Comment
4	0016892		HOUSING ASSY,50M BTU HEATER,UNDERSEAT	BEGIN WITH BSN F10020225, B10035320, L10032855, M10041330, X10009290
5	1294099		COIL,HEATER,2 X 9 X 16.2,50M	
6	2003101		RUBBER,SPONGE,3/16 X 1/2 WITH PSA	SPECIFY LENGTH IN FEET
7	2005718		LOOM,ASPHALTUM,WIRE,5/16IN	SPECIFY LENGTH IN FEET
8	0659177		PLATE,HEATER NAME,50M BTU	
9	1943695	20	SCREW,10-16X3/4,AB,PH1,PAN HD,BLK ZN	
10	0015894	4	FILTER,AIR,10.38 X 14.75,UNDERSEAT HEATER	BEGIN WITH BSN F10020225, B10035320, L10032855, M10041330, X10009290 11/01/99
11	0003087		COVER,AISLE END,ALUM FIN COIL,U/S HEATER	
12	2007409		TERMINAL,BUTT CONN,14-16GA,INSULATED	
13	1560754		SCREW,10-16 X 3/8,AB,PH1,PAN HD,BLK	

Models: **AAFE, AARE, A3FE, A3RE, BBCV, MBWB, SBCV, TCFE, TCRE, VCTA**
UNDERSEAT HEATER
80,000 BTU
FLOOR MOUNTED
 With Features: **OPTION 1336, 1337, 1342, 1343 WITH 1348-02, 30060**

Key	PartNumber	Qty	Description	Comment
-----	------------	-----	-------------	---------



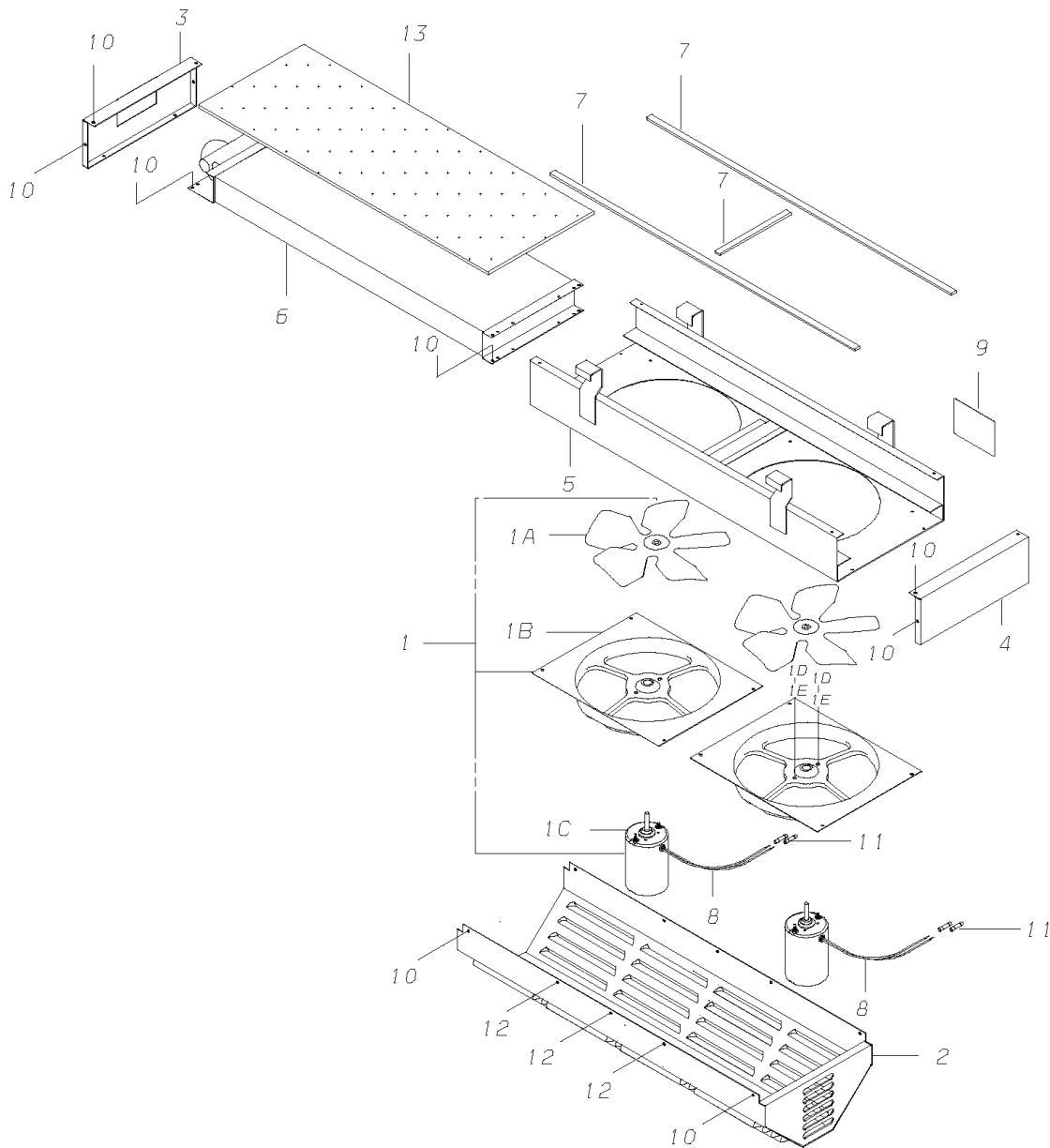
Models: AAFE, AARE, A3FE, A3RE, BBCV, MBWB, SBCV, TCFE, TCRE, VCTA
UNDERSEAT HEATER
80,000 BTU
FLOOR MOUNTED
With Features: OPTION 1336, 1337, 1342, 1343 WITH 1348-02, 30060

Key	PartNumber	Qty	Description	Comment
NI			HEATER ASSY.	<i>INCLUDES ALL PARTS LISTED ON THIS PAGE</i>
	0007732		HEATER ASSY,80M BTU,U/S ALUM F/N COIL,	<i>ENDING WITH BSN F10020224, B10035319, L10032854 M10041329, X10009289 10/31/99</i>
	0016884		HEATER ASSY,80M BTU,FLOOR MOUNTED	<i>BEGIN WITH BSN F10020225, B10035320, L10032855 M10041330, X10009290 11/01/99</i>
1	0007690	2	BLOWER ASSY,9 AMP MOTOR & FAN U/S HTR	
1A	2004307		FAN,10IN,HEATER,METAL,5 BLADE	<i>PART OF ITEM 1</i>
1B	0002956		HOUSING,10 IN FAN	<i>PART OF ITEM 1</i>
1C	0228072		MOTOR,HEATER,12V,2 SPEED,CW	<i>PART OF ITEM 1</i>
1D	2001279		NUT,HEX HD,10-24,YEL ZN DICH"	<i>PART OF ITEM 1</i>
1E	2001162		LOCKWASHER,SPLIT RING, 3/16,MED,YEL ZN	<i>PART OF ITEM 1</i>
2	0003202		PANEL,OUTLET,80M,UNDERSEAT HEATER,FMTD	
3	0003103		PANEL,WALL END,FLOOR MOUNTED HEATER	<i>ENDING WITH BSN F10020224, B10035319, L10032854 M10041329, X10009289 10/31/99</i>
3	0016889		PANEL,WALL END,FLOOR MOUNTED HEATER	<i>BEGIN WITH BSN F10020225, B10035320, L10032855 M10041330, X10009290 11/01/99</i>
4	0003012		PANEL,AISLE END,FLOOR MOUNTED HEATER	
5	0003079		HOUSING ASSY,80M BTU U/S HTR,ALUM F/C,FM	<i>ENDING WITH BSN F10020224, B10035319, L10032854 M10041329, X10009289 10/31/99</i>
5	0016914		HOUSING ASSY,80M BTU HEATER,FLOOR	<i>BEGIN WITH BSN F10020225, B10035320, L10032855 M10041330, X10009290 11/01/99</i>
6	1294081		COIL,HEATER,2 X 9 X 29.9,80M	
*7	2003101		RUBBER,SPONGE,3/16 X 1/2 WITH PSA	
*8	2005718		LOOM,ASPHALTUM,WIRE,5/16IN	
9	0659169		PLATE,HEATER NAME,80M BTU	
10	1943695	26	SCREW,10-16X3/4,AB,PH1,PAN HD,BLK ZN	
11	0015895	4	FILTER,AIR,10.38 X 28.50,UNDERSEAT HEATER	
12	2007409		TERMINAL,BUTT CONN,14-16GA,INSULATED	

Models: AAFE, AARE, A3FE, A3RE, BBCV, MBWB, SBCV, TCFE, TCRE, VCTA
UNDERSEAT HEATER
80,000 BTU
SEAT MOUNTED

With Features: OPTION 1336, 1337, 1342, 1343, 30060, 6252

Key	PartNumber	Qty	Description	Comment
-----	------------	-----	-------------	---------



Models: AAFE, AARE, A3FE, A3RE, BBCV, MBWB, SBCV, TCFE, TCRE, VCTA
UNDERSEAT HEATER
80,000 BTU
SEAT MOUNTED

With Features: **OPTION 1336, 1337, 1342, 1343, 30060, 6252**

Key	PartNumber	Qty	Description	Comment
NI			HEATER ASSY.	<i>INCLUDES ALL PARTS LISTED ON THIS PAGE</i> <i>OPT 1336, 1342 LH</i>
	0007740		HEATER ASSY,80M BTU,U/S ALUM F/N COIL,	<i>ENDING WITH BSN F10020224, B10035319, L10032854 M10041329, X10009289 10/31/99</i>
	0016880		HEATER ASSY,80M BTU,UNDERSEAT	<i>BEGIN WITH BSN F10020225, B10035320, L10032855 M10041330, X10009290 11/01/99</i> <i>OPT 1337, 1343 RH</i>
	0007765		HEATER ASSY,80M BTU,U/S ALUM F/N COIL,RH,	<i>ENDING WITH BSN F10020224, B10035319, L10032854, M10041329, X10009289</i>
	0016886		HEATER ASSY,80M BTU,UNDERSEAT,RH	<i>BEGIN WITH BSN F10020225, B10035320, L10032855, M10041330, X10009290</i> <i>OPT 6252, FEATURE 30060-33</i>
	0007708		HEATER ASSY,80M BTU,U/S ALUM F/N COIL,KY	<i>ENDING WITH BSN F10020224, B10035319, L10032854 M10041329, X10009289 10/31/99</i>
	0016887		HEATER ASSY,80M BTU,UNDERSEAT,KENTUCKY	<i>BEGIN WITH BSN F10020225, B10035320, L10032855, M10041330, X10009290</i>
1		2	BLOWER ASSY., 9 AMP MOTOR AND FAN	<i>INCLUDES THE FOLLOWING PARTS</i>
1	0007690		BLOWER ASSY,9 AMP MOTOR & FAN U/S HTR	<i>OPTION 1336, 1337, 1342, 1343</i>
1	0007682		BLOWER ASSY,MOTOR AND FAN,42,000 &	<i>OPTION 6252</i>
1A	2004307		FAN,10IN,HEATER,METAL,5 BLADE	
1B	0002956		HOUSING,10 IN FAN	
1C	0228072		MOTOR,HEATER,12V,2 SPEED,CW	<i>OPTION 1336, 1337, 1342, 1343</i>
1C	0159723		MOTOR,HEATER,CW-4 AMP	<i>OPTION 6252</i>
1D	2001279		NUT,HEX HD,10-24,YEL ZN DICH"	<i>OPTION 1336, 1337, 1342, 1343</i>
1D	2001287		NUT,HEX HD,10-32,YEL ZN DICH	<i>OPTION 6252</i>
1E	2001162		LOCKWASHER,SPLIT RING, 3/16,MED,YEL ZN	
2	0003020		OUTLET ASSY,BOM BTU UNDERSEAT HEATER	
3	0003061		COVER,WALL END,ALUMINUM FIN COIL,U/S	<i>ENDING WITH BSN F10020224, B10035319, L10032854 M10041329, X10009289 10/31/99</i>
3	0016890		PANEL,WALL END,UNDERSEAT HEATER	<i>BEGIN WITH BSN F10020225, B10035320, L10032855</i>

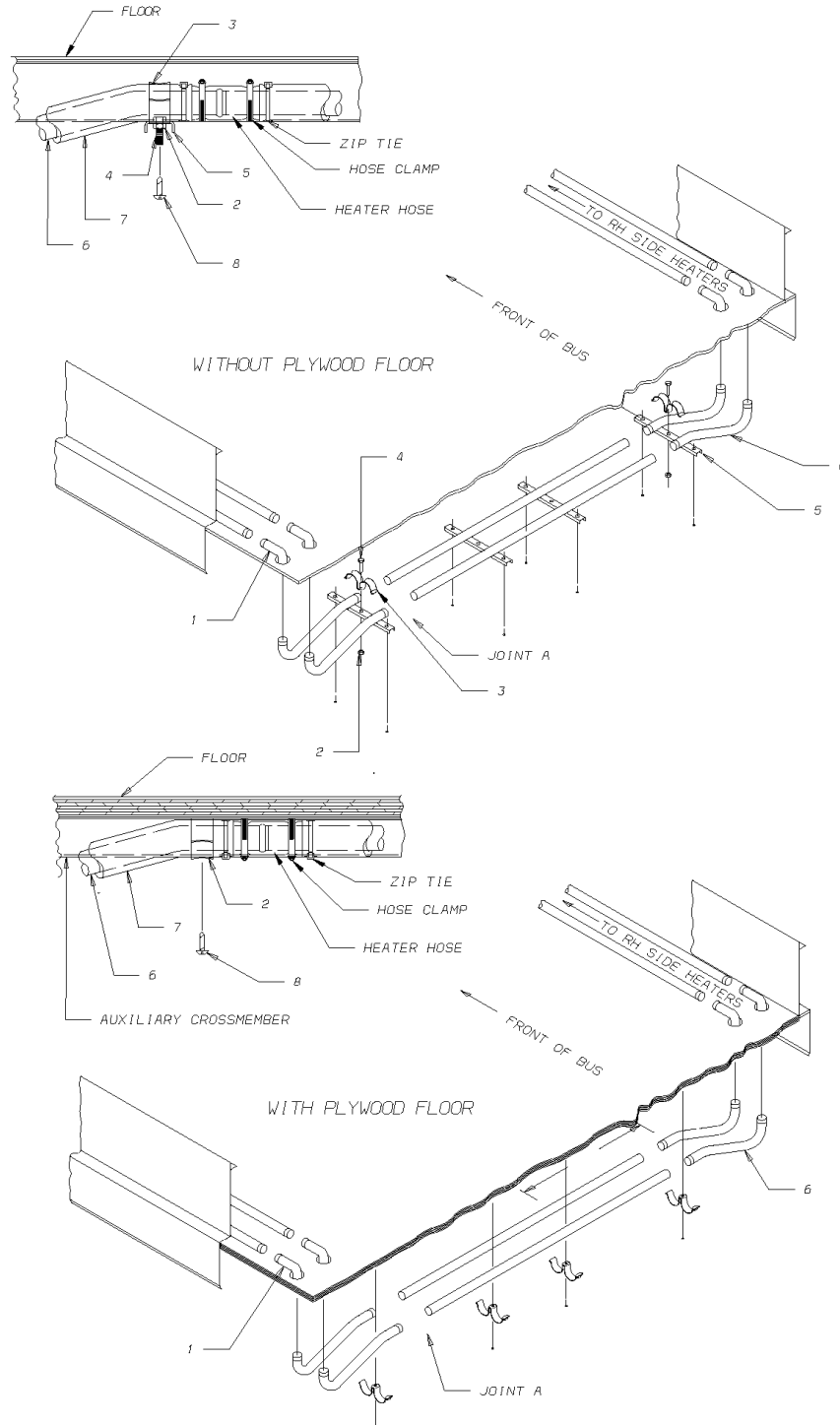
Models: AAFE, AARE, A3FE, A3RE, BBCV, MBWB, SBCV, TCFE, TCRE, VCTA
UNDERSEAT HEATER
80,000 BTU
SEAT MOUNTED

With Features: OPTION 1336, 1337, 1342, 1343, 30060, 6252

Key	PartNumber	Qty	Description	Comment
				M10041330, X10009290 11/01/99
4	0003087		COVER,AISLE END,ALUM FIN COIL,U/S HEATER	
5			HOUSING ASSY., 80M, UNDERSEAT HTR,	
5	0003053		HOUSING ASSY,80M BTU U/S HTR,ALUM FIN	ENDING WITH BSN F10020224, B10035319, L10032854 M10041329, X10009289 10/31/99
5	0016891		HOUSING ASSY,80M BTU HEATER,UNDERSEAT	BEGIN WITH BSN F10020225, B10035320, L10032855 M10041330, X10009290 11/01/99
6	1294081		COIL,HEATER,2 X 9 X 29.9,80M	
7	2003101		RUBBER,SPONGE,3/16 X 1/2 WITH PSA	SPECIFY LENGTH IN FEET
8	2005718		LOOM,ASPHALTUM,WIRE,5/16IN	SPECIFY LENGTH IN FEET
9	0659169		PLATE,HEATER NAME,80M BTU	
10	1943695	26	SCREW,10-16X3/4,AB,PH1,PAN HD,BLK ZN	
11	2007409		TERMINAL,BUTT CONN,14-16GA,INSULATED	
12	2000511	4	SCREW,10-16 X 1/2,AB,PH1,TRUSS HD,	
13	0015895		FILTER,AIR,10.38 X 28.50,UNDERSEAT HEATER	BEGIN WITH BSN F10020225 B10035320, L10032855, M10041330, X10009290 11/01/99
NI	0007260		SCREEN,SECURITY,U/S HEATER,80M BTU	OPTION 3724-02

Models: **AAFE, AARE, A3FE, A3RE, BBCV, MBWB, SBCV, TCFE, TCRE, VCTA**
UNDERSEAT HEATER
CROSSOVER PIPING

Key	PartNumber	Qty	Description	Comment
-----	------------	-----	-------------	---------



Models: **AAFE, AARE, A3FE, A3RE, BBCV, MBWB, SBCV, TCFE, TCRE, VCTA**
UNDERSEAT HEATER
CROSSOVER PIPING

Key	PartNumber	Qty	Description	Comment
1	0281303		TUBING,BRASS,ELBOW,90 DEGREE	
2	0659979		NUT,HEX,FLANGE SER,1/4-20,BLACK ZINC	
3	0601617		CLAMP,HEATER HOSE SUPPORT	
4	2000057		CAPSCREW,HEX HD,1/4-20 X 1,GR 5,YEL ZN	
5	1016732		CHANNEL,SUPPORT,UNDFLR C/OVR PIPE,RH US	
6	1016716		TUBING,UNDERFLOOR CROSSOVER,FOR RH U/S	
7	0988873		INSULATION,ARMAFLEX,1-1/8 I.D. X 1/4 WALL	
8	2000644		SCREW,1/4-14X 3/4,AB,PH1,TRUSS HD,	

Models: A3FE, A3RE, BBCV, B1VC, B2VC, C4RE, GMCV, SBCV
**UNDERSEAT HEATER
 HEATER OPTION/USAGE**

Key	PartNumber	Qty	Description	Comment
			HEATER, 50K, LH FRONT, UNDERSEAT	FEATURE 3006008
	0069754		HEATER ASSY,50K BTU,UNDERSEAT,S/M,LH"	
	1059278	2	SPLINT,1IN HOSE BEND,90 DEGREE,4.5IN.RAD	
	1058379		TRIM,PIPE COVER,HEATER TO WALL,FRONT	
	1058361		TRIM,PIPE COVER,HEATER TO WALL,REAR	WITH NO OTHER BODY HEATERS
	1058387		TRIM,UNDERSEAT HEATER PIPE COVER,FRT,2	WITH OTHER BODY HEATERS
	0363143	2	COVER,HTR PIPE,54IN SECT	
			HEATER, 50K, LH, FRONT, FLOOR MTD	FEATURE 3006009
	0069758		HEATER ASSY,50K BTU,UNDERSEAT,F/M"	
	1059278	2	SPLINT,1IN HOSE BEND,90 DEGREE,4.5IN.RAD	
	1058379		TRIM,PIPE COVER,HEATER TO WALL,FRONT	
	1058361		TRIM,PIPE COVER,HEATER TO WALL,REAR	WITH NO OTHER BODY HEATERS
	1058387		TRIM,UNDERSEAT HEATER PIPE COVER,FRT,2	WITH OTHER BODY HEATERS
	0363143	2	COVER,HTR PIPE,54IN SECT	
			HEATER, 50K, LH, REAR, UNDERSEAT	FEATURE 3006010
	0069754		HEATER ASSY,50K BTU,UNDERSEAT,S/M,LH"	
	1059278	2	SPLINT,1IN HOSE BEND,90 DEGREE,4.5IN.RAD	
	1058379		TRIM,PIPE COVER,HEATER TO WALL,FRONT	
	1058361		TRIM,PIPE COVER,HEATER TO WALL,REAR	WITH NO RH REAR BODY HEATERS
	1058387		TRIM,UNDERSEAT HEATER PIPE COVER,FRT,2	WITH REAR BODY HEATERS
	1052752		COVER,WHEELHOUSING TO FLOOR,FRONT	
	1052695		TRIM,W/H HEATER HOSE COVER,FRONT,	WITHOUT PLYWOOD FLOOR
	1052711		TRIM,W/H HEATER HOSE COVER,FRONT,PLY	WITH PLYWOOD FLOOR
	1052737		COVER,WHEELHOUSING HTR HOSE	
	1052703		TRIM,W/H HEATER HOSE COVER,REAR,	WITHOUT PLYWOOD FLOOR
	1052729		TRIM,W/H HEATER HOSE COVER,REAR,PLY	FLOOR. WITH PLYWOOD FLOOR
	1052760		COVER,FLOOR TO WHEELHOUSING,REAR	
	1053412	2	SUPPORT,W/H HEATER HOSE,FLOOR TO	
	0363143	AR	COVER,HTR PIPE,54IN SECT	
	1727932		INSULATION,HEATER COVER,WHEELHOUSING	
			HEATER, 50K, LH REAR, F/M	FEATURE 3006011
	0069758		HEATER ASSY,50K BTU,UNDERSEAT,F/M"	
	1059278	22	SPLINT,1IN HOSE BEND,90 DEGREE,4.5IN.RAD	

Models: **A3FE, A3RE, BBCV, B1VC, B2VC, C4RE, GMCV, SBCV**
UNDERSEAT HEATER
HEATER OPTION/USAGE

Key	PartNumber	Qty	Description	Comment
	1058379		TRIM,PIPE COVER,HEATER TO WALL,FRONT	<i>WITH NO RH REAR BODY HEATER</i>
	1058361		TRIM,PIPE COVER,HEATER TO WALL,REAR	<i>WITH /NO RH REAR BODY HEATERS</i>
	1058387		TRIM,UNDERSEAT HEATER PIPE COVER,FRT,2	<i>WITH REAR BODY HEATERS</i>
	1052752		COVER,WHEELHOUSING TO FLOOR,FRONT	
	1052695		TRIM,W/H HEATER HOSE COVER,FRONT,	<i>WITHOUT PLYWOOD FLOOR</i>
	1052711		TRIM,W/H HEATER HOSE COVER,FRONT,PLY	<i>WITH PLYWOOD FLOOR</i>
	1052737		COVER,WHEELHOUSING HTR HOSE	
	1052703		TRIM,W/H HEATER HOSE COVER,REAR,	<i>WITHOUT PLYWOOD FLOOR</i>
	1052729		TRIM,W/H HEATER HOSE COVER,REAR,PLY	<i>WITH PLYWOOD FLOOR</i>
	1052760		COVER,FLOOR TO WHEELHOUSING,REAR	
	1053412	2	SUPPORT,W/H HEATER HOSE,FLOOR TO	
	0363143	AR	COVER,HTR PIPE,54IN SECT	
	1727932		INSULATION,HEATER COVER,WHEELHOUSING	

Models: **A3FE, A3RE, BBCV, B1VC, B2VC, C4RE, GMCV, SBCV**
UNDERSEAT HEATER
HEATER OPTION/USAGE

Key	PartNumber	Qty	Description	Comment
			HEATER, 50K, LH FRONT, U/S DUAL	<i>FEATURE 3006012</i>
	0069754		HEATER ASSY,50K BTU,UNDERSEAT,S/M,LH"	
	1059278	4	SPLINT,1IN HOSE BEND,90 DEGREE,4.5IN.RAD	
	1058379	2	TRIM,PIPE COVER,HEATER TO WALL,FRONT	
	1058361		TRIM,PIPE COVER,HEATER TO WALL,REAR	<i>WITH NO RH REAR BODY HEATER</i>
	1058387	AR	TRIM,UNDERSEAT HEATER PIPE COVER,FRT,2	
	1052752		COVER,WHEELHOUSING TO FLOOR,FRONT	
	1092980		TRIM,W/H,HEATER HOSE COVER,FRT STD	<i>STANDARD FLOOR</i>
	1052737		COVER,WHEELHOUSING HTR HOSE	
	1092998		TRIM,W/H,HEATER HOSE COVER,REAR,STD FLR,	<i>STANDARD FLOOR</i>
	1052760		COVER,FLOOR TO WHEELHOUSING,REAR	
	1053412	2	SUPPORT,W/H HEATER HOSE,FLOOR TO	
	0363143	3	COVER,HTR PIPE,54IN SECT	
	1727932		INSULATION,HEATER COVER,WHEELHOUSING	
			HEATER, 50K, LH, FRONT, F/M, DUAL	<i>FEATURE 3006013</i>
	0069758		HEATER ASSY,50K BTU,UNDERSEAT,F/M"	
	1059278	4	SPLINT,1IN HOSE BEND,90 DEGREE,4.5IN.RAD	
	1058379	2	TRIM,PIPE COVER,HEATER TO WALL,FRONT	
	1058361		TRIM,PIPE COVER,HEATER TO WALL,REAR	<i>WITH NO RH REAR BODY HEATER</i>
	1058387	AR	TRIM,UNDERSEAT HEATER PIPE COVER,FRT,2	
	1052752		COVER,WHEELHOUSING TO FLOOR,FRONT	
	1092980		TRIM,W/H,HEATER HOSE COVER,FRT STD	<i>STANDARD FLOOR</i>
	1052737		COVER,WHEELHOUSING HTR HOSE	
	1092998		TRIM,W/H,HEATER HOSE COVER,REAR,STD FLR,	<i>STANDARD FLOOR</i>
	1052760		COVER,FLOOR TO WHEELHOUSING,REAR	
	1053412	2	SUPPORT,W/H HEATER HOSE,FLOOR TO	
	0363143	3	COVER,HTR PIPE,54IN SECT	
	1727932		INSULATION,HEATER COVER,WHEELHOUSING	
			HEATER, 50K, RH, FRONT, U/S	<i>FEATURE 3006014</i>
	0069753		HEATER ASSY,50K BTU,UNDERSEAT,S/M,RH"	
	1059278	2	SPLINT,1IN HOSE BEND,90 DEGREE,4.5IN.RAD	
	1058387		TRIM,UNDERSEAT HEATER PIPE COVER,FRT,2	
	1058395		TRIM,UNDERSEAT HEATER PIPE COVER,REAR,	

Models: **A3FE, A3RE, BBCV, B1VC, B2VC, C4RE, GMCV, SBCV**
UNDERSEAT HEATER
HEATER OPTION/USAGE

Key	PartNumber	Qty	Description	Comment
	0363143	.5	COVER,HTR PIPE,54IN SECT HEATER, 50K BTU, RH FRONT, FLOOR MOUNTED	<i>FEATURE 3006015</i>
	0069758		HEATER ASSY,50K BTU,UNDERSEAT,F/M"	
	1059278		SPLINT,1IN HOSE BEND,90 DEGREE,4.5IN.RAD	
	1058387		TRIM,UNDERSEAT HEATER PIPE COVER,FRT,2	
	1058395		TRIM,UNDERSEAT HEATER PIPE COVER,REAR,	
	0363143		COVER,HTR PIPE,54IN SECT	

Models: **A3FE, A3RE, BBCV, B1VC, B2VC, C4RE, GMCV, SBCV**
UNDERSEAT HEATER
HEATER OPTION/USAGE

Key	PartNumber	Qty	Description	Comment
			HEATER, 50K, RH REAR, U/S	<i>FEATURE 3006016</i>
	0069753		HEATER ASSY,50K BTU,UNDERSEAT,S/M,RH"	
	1059278	2	SPLINT,1IN HOSE BEND,90 DEGREE,4.5IN.RAD	
	1058361		TRIM,PIPE COVER,HEATER TO WALL,REAR	
	1058379		TRIM,PIPE COVER,HEATER TO WALL,FRONT	
	0363143	.5	COVER,HTR PIPE,54IN SECT	
	1727932		INSULATION,HEATER COVER,WHEELHOUSING	
			HEATER, 50K, RH, REAR, F/M	<i>FEATURE 3006017</i>
	0069758		HEATER ASSY,50K BTU,UNDERSEAT,F/M"	
	1059278	2	SPLINT,1IN HOSE BEND,90 DEGREE,4.5IN.RAD	
	1058361		TRIM,PIPE COVER,HEATER TO WALL,REAR	
	1058379		TRIM,PIPE COVER,HEATER TO WALL,FRONT	
	0363143	.5	COVER,HTR PIPE,54IN SECT	
	1727932		INSULATION,HEATER COVER,WHEELHOUSING	
			HEATER, 80K, LH, FRONT, U/S	<i>FEATURE 3006018</i>
	0069752		HEATER ASSY,80K BTU,UNDERSEAT,S/M,LH"	
	1059278	2	SPLINT,1IN HOSE BEND,90 DEGREE,4.5IN.RAD	
	1058379		TRIM,PIPE COVER,HEATER TO WALL,FRONT	
	1058361		TRIM,PIPE COVER,HEATER TO WALL,REAR	<i>WITH NO OTHER BODY HEATERS</i>
	1058387		TRIM,UNDERSEAT HEATER PIPE COVER,FRT,2	<i>WITH OTHER BODY HEATERS</i>
	0363143	2	COVER,HTR PIPE,54IN SECT	
			HEATER, 80K, LH FRONT, F/M	<i>FEATURE 3006019</i>
	0069757		HEATER ASSY,80K BTU,UNDERSEAT,F/M"	
	1059278	2	SPLINT,1IN HOSE BEND,90 DEGREE,4.5IN.RAD	
	1058379		TRIM,PIPE COVER,HEATER TO WALL,FRONT	
	1058361		TRIM,PIPE COVER,HEATER TO WALL,REAR	<i>WITH NO OTHER BODY HEATERS</i>
	1058387		TRIM,UNDERSEAT HEATER PIPE COVER,FRT,2	<i>WITH OTHER BODY HEATERS</i>
	0363143	2	COVER,HTR PIPE,54IN SECT	
			HEATER, 80K, LH, REAR, U/S	<i>FEATURE 3006020</i>
	0069752		HEATER ASSY,80K BTU,UNDERSEAT,S/M,LH"	
	1059278	2	SPLINT,1IN HOSE BEND,90 DEGREE,4.5IN.RAD	
	1058379		TRIM,PIPE COVER,HEATER TO WALL,FRONT	
	1058361		TRIM,PIPE COVER,HEATER TO WALL,REAR	<i>WITH NO RH REAR BODY HEATER</i>
				<i>WITH RH REAR BODY HEATER</i>

Models: **A3FE, A3RE, BBCV, B1VC, B2VC, C4RE, GMCV, SBCV**
UNDERSEAT HEATER
HEATER OPTION/USAGE

Key	PartNumber	Qty	Description	Comment
	1058387		TRIM,UNDERSEAT HEATER PIPE COVER,FRT,2	
	1052752		COVER,WHEELHOUSING TO FLOOR,FRONT	
	1052695		TRIM,W/H HEATER HOSE COVER,FRONT,	<i>WITHOUT PLYWOOD FLOOR</i>
	1052711		TRIM,W/H HEATER HOSE COVER,FRONT,PLY	<i>WITH PLYWOOD FLOOR</i>
	1052737		COVER,WHEELHOUSING HTR HOSE	
	1052703		TRIM,W/H HEATER HOSE COVER,REAR,	<i>WITHOUT PLYWOOD FLOOR</i>
	1052729		TRIM,W/H HEATER HOSE COVER,REAR,PLY	<i>WITH PLYWOOD FLOOR</i>
	1052760		COVER,FLOOR TO WHEELHOUSING,REAR	
	1053412		SUPPORT,W/H HEATER HOSE,FLOOR TO	
	0363143	AR	COVER,HTR PIPE,54IN SECT	
	1727932		INSULATION,HEATER COVER,WHEELHOUSING	

Models: **A3FE, A3RE, BBCV, B1VC, B2VC, C4RE, GMCV, SBCV**
UNDERSEAT HEATER
HEATER OPTION/USAGE

Key	PartNumber	Qty	Description	Comment
			HEATER, 80K, LH, REAR, F/M	<i>FEATURE 3006021</i>
	0069757		HEATER ASSY,80K BTU,UNDERSEAT,F/M"	
	1059278	2	SPLINT,1IN HOSE BEND,90 DEGREE,4.5IN.RAD	
	1058379		TRIM,PIPE COVER,HEATER TO WALL,FRONT	<i>WITH NO RH REAR BODY HEATER</i>
	1058361		TRIM,PIPE COVER,HEATER TO WALL,REAR	<i>WITH RH REAR BODY HEATER</i>
	1058387		TRIM,UNDERSEAT HEATER PIPE COVER,FRT,2	
	1052752		COVER,WHEELHOUSING TO FLOOR,FRONT	
	1052695		TRIM,W/H HEATER HOSE COVER,FRONT,	<i>WITHOUT PLYWOOD FLOOR</i>
	1052711		TRIM,W/H HEATER HOSE COVER,FRONT,PLY	<i>WITH PLYWOOD FLOOR</i>
	1052737		COVER,WHEELHOUSING HTR HOSE	
	1052703		TRIM,W/H HEATER HOSE COVER,REAR,	<i>WITHOUT PLYWOOD FLOOR</i>
	1052729		TRIM,W/H HEATER HOSE COVER,REAR,PLY	<i>WITH PLYWOOD FLOOR</i>
	1052760		COVER,FLOOR TO WHEELHOUSING,REAR	
	1053412	AR	SUPPORT,W/H HEATER HOSE,FLOOR TO	
	0363143		COVER,HTR PIPE,54IN SECT	
	1727932		INSULATION,HEATER COVER,WHEELHOUSING	
			HEATER, 80K, LH, FRONT, U/S, DUAL	<i>FEATURE 3006022</i>
	0069755		HEATER ASSY,80K BTU,UNDERSEAT,S/M,LH,KY	
	1059278	4	SPLINT,1IN HOSE BEND,90 DEGREE,4.5IN.RAD	
	1058379	2	TRIM,PIPE COVER,HEATER TO WALL,FRONT	
	1058361		TRIM,PIPE COVER,HEATER TO WALL,REAR	<i>WITH NO REAR BODY HEATER</i>
	1058387	AR	TRIM,UNDERSEAT HEATER PIPE COVER,FRT,2	
	1052752		COVER,WHEELHOUSING TO FLOOR,FRONT	
	1092980		TRIM,W/H,HEATER HOSE COVER,FRT STD	<i>STANDARD FLOOR</i>
	1052737		COVER,WHEELHOUSING HTR HOSE	
	1092998		TRIM,W/H,HEATER HOSE COVER,REAR,STD FLR,	<i>STANDARD FLOOR</i>
	1052760		COVER,FLOOR TO WHEELHOUSING,REAR	
	1053412	2	SUPPORT,W/H HEATER HOSE,FLOOR TO	
	0363143	3	COVER,HTR PIPE,54IN SECT	
	1727932		INSULATION,HEATER COVER,WHEELHOUSING	
			HEATER, 80K, LH, FRONT, F/M, DUAL	<i>FEATURE 3006023</i>
	0069757		HEATER ASSY,80K BTU,UNDERSEAT,F/M"	
	1059278	4	SPLINT,1IN HOSE BEND,90 DEGREE,4.5IN.RAD	

Models: **A3FE, A3RE, BBCV, B1VC, B2VC, C4RE, GMCV, SBCV**
UNDERSEAT HEATER
HEATER OPTION/USAGE

Key	PartNumber	Qty	Description	Comment
	1058379	2	TRIM,PIPE COVER,HEATER TO WALL,FRONT	
	1058361		TRIM,PIPE COVER,HEATER TO WALL,REAR	<i>WITH NO RH REAR BODY HEATER</i>
	1058387	AR	TRIM,UNDERSEAT HEATER PIPE COVER,FRT,2	
	1052752		COVER,WHEELHOUSING TO FLOOR,FRONT	
	1092980		TRIM,W/H,HEATER HOSE COVER,FRT STD	<i>STANDARD FLOOR</i>
	1052737		COVER,WHEELHOUSING HTR HOSE	
	1092998		TRIM,W/H,HEATER HOSE COVER,REAR,STD FLR,	<i>STANDARD FLOOR</i>
	1052760		COVER,FLOOR TO WHEELHOUSING,REAR	
	1053412	2	SUPPORT,W/H HEATER HOSE,FLOOR TO	
	0363143	3	COVER,HTR PIPE,54IN SECT	
	1727932		INSULATION,HEATER COVER,WHEELHOUSING	

Models: **A3FE, A3RE, BBCV, B1VC, B2VC, C4RE, GMCV, SBCV**
UNDERSEAT HEATER
HEATER OPTION/USAGE

Key	PartNumber	Qty	Description	Comment
			HEATER, 80K, RH, FRONT, U/S	FEATURE 3006024
	0069751		HEATER ASSY,80K BTU,UNDERSEAT,S/M,RH"	
	1059278	2	SPLINT,1IN HOSE BEND,90 DEGREE,4.5IN.RAD	
	1058387		TRIM,UNDERSEAT HEATER PIPE COVER,FRT,2	
	1058395		TRIM,UNDERSEAT HEATER PIPE COVER,REAR,	
	0363143	.5	COVER,HTR PIPE,54IN SECT	
			HEATER, 80K, RH, FRONT, F/M	FEATURE 3006025
	0069757		HEATER ASSY,80K BTU,UNDERSEAT,F/M"	
	1059278		SPLINT,1IN HOSE BEND,90 DEGREE,4.5IN.RAD	
	1058387		TRIM,UNDERSEAT HEATER PIPE COVER,FRT,2	
	1058395		TRIM,UNDERSEAT HEATER PIPE COVER,REAR,	
	0363143	.5	COVER,HTR PIPE,54IN SECT	
			HEATER, 80K, RH, REAR, U/S	FEATURE 3006026
	0069751		HEATER ASSY,80K BTU,UNDERSEAT,S/M,RH"	
	1059278	2	SPLINT,1IN HOSE BEND,90 DEGREE,4.5IN.RAD	
	1058361		TRIM,PIPE COVER,HEATER TO WALL,REAR	
	1058379		TRIM,PIPE COVER,HEATER TO WALL,FRONT	
	0363143	.5	COVER,HTR PIPE,54IN SECT	
	1727932		INSULATION,HEATER COVER,WHEELHOUSING	
			HEATER, 80K, RH REAR, F/M	FEATURE 3006027
	0069757		HEATER ASSY,80K BTU,UNDERSEAT,F/M"	
	1059278	2	SPLINT,1IN HOSE BEND,90 DEGREE,4.5IN.RAD	
	1058361		TRIM,PIPE COVER,HEATER TO WALL,REAR	
	1058379		TRIM,PIPE COVER,HEATER TO WALL,FRONT	
	0363143	.5	COVER,HTR PIPE,54IN SECT	
	1727932		INSULATION,HEATER COVER,WHEELHOUSING	
			HEATER, 80K, LH, REAR, U/S, KY	FEATURE 3006033
	0069755		HEATER ASSY,80K BTU,UNDERSEAT,S/M,LH,KY	
	1059278	2	SPLINT,1IN HOSE BEND,90 DEGREE,4.5IN.RAD	
	1058379		TRIM,PIPE COVER,HEATER TO WALL,FRONT	
	1058361		TRIM,PIPE COVER,HEATER TO WALL,REAR	WITH NO RH REAR BODY HEATER
	1058387		TRIM,UNDERSEAT HEATER PIPE COVER,FRT,2	WITH RH REAR BODY HEATER
	1052752		COVER,WHEELHOUSING TO FLOOR,FRONT	
				STANDARD FLOOR

Models: **A3FE, A3RE, BBCV, B1VC, B2VC, C4RE, GMCV, SBCV**
UNDERSEAT HEATER
HEATER OPTION/USAGE

Key	PartNumber	Qty	Description	Comment
	1092980		TRIM,W/H,HEATER HOSE COVER,FRT STD	
	1052737		COVER,WHEELHOUSING HTR HOSE	
	1092998		TRIM,W/H,HEATER HOSE COVER,REAR,STD FLR, <i>STANDARD FLOOR</i>	
	1052760		COVER,FLOOR TO WHEELHOUSING,REAR	
	1053412	2	SUPPORT,W/H HEATER HOSE,FLOOR TO	
	0363143	AR	COVER,HTR PIPE,54IN SECT	
	1727932		INSULATION,HEATER COVER,WHEELHOUSING	

Models: **A3FE, A3RE, BBCV, B1VC, B2VC, C4RE, GMCV, SBCV**
UNDERSEAT HEATER
HEATER OPTION/USAGE

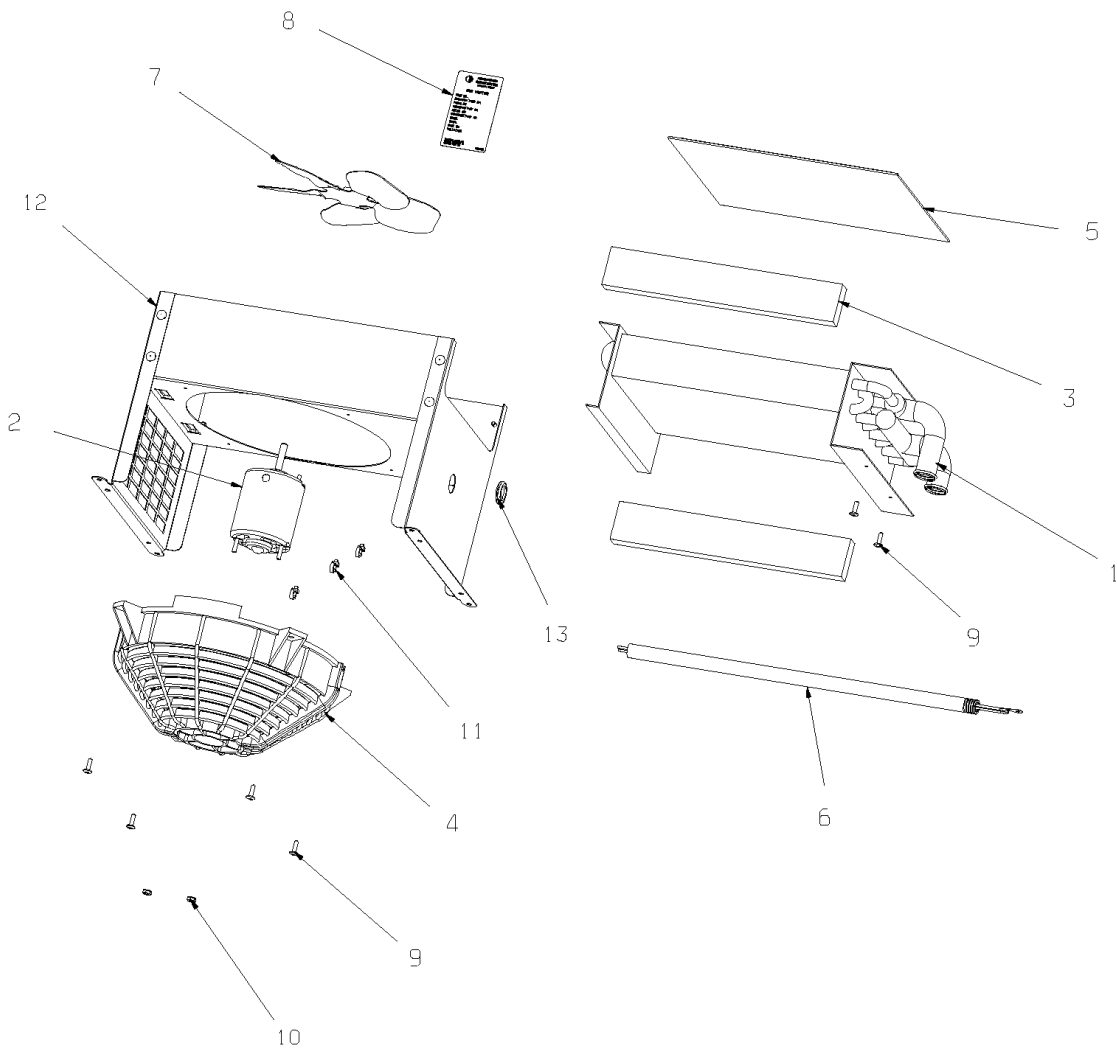
Key	PartNumber	Qty	Description	Comment
			HEATER, 80K, LH, REAR, F/M, KY	<i>FEATURE 3006034</i>
	0069757		HEATER ASSY,80K BTU,UNDERSEAT,F/M"	
	1059278	2	SPLINT,1IN HOSE BEND,90 DEGREE,4.5IN.RAD	
	1058379		TRIM,PIPE COVER,HEATER TO WALL,FRONT	
	1058361		TRIM,PIPE COVER,HEATER TO WALL,REAR	<i>WITH NO RH REAR BODY HEATER</i>
	1058387		TRIM,UNDERSEAT HEATER PIPE COVER,FRT,2	<i>WITH RH REAR BODY HEATER</i>
	1052752		COVER,WHEELHOUSING TO FLOOR,FRONT	
	1092980		TRIM,W/H,HEATER HOSE COVER,FRT STD	<i>STANDARD FLOOR</i>
	1052737		COVER,WHEELHOUSING HTR HOSE	
	1092998		TRIM,W/H,HEATER HOSE COVER,REAR,STD FLR,	<i>STANDARD FLOOR</i>
	1052760		COVER,FLOOR TO WHEELHOUSING,REAR	
	1053412	2	SUPPORT,W/H HEATER HOSE,FLOOR TO	
	0363143	AR	COVER,HTR PIPE,54IN SECT	
	1727932		INSULATION,HEATER COVER,WHEELHOUSING	

Models: **A3FE, A3RE, BBCV, B1VC, B2VC, C4RE, GMCV, SBCV**
UNDERSEAT HEATER
HEATER OPTION/USAGE

Key	PartNumber	Qty	Description	Comment
			ADD THE FOLLOWING TO TRANSIT UNITS WITH	
			DOES NOT APPLY TO FLAT FLOOR UNITS	30060-08 THRU 30060-29
	1052760		COVER,FLOOR TO WHEELHOUSING,REAR	
	1052703		TRIM,W/H HEATER HOSE COVER,REAR,	WITHOUT PLYWOOD FLOOR
	1052729		TRIM,W/H HEATER HOSE COVER,REAR,PLY	WITH PLYWOOD FLOOR
	1052737		COVER,WHEELHOUSING HTR HOSE	
	1727932		INSULATION,HEATER COVER,WHEELHOUSING	
	1053412		SUPPORT,W/H HEATER HOSE,FLOOR TO	
	1404227		COVER,HTR PIPE,FRONT W/H,TCFC	TCFE
	0001211		COVER,HEATER PIPE,FRT W/H,DRFL	A3FE
	1407014		COVER,ACCESS,HOSE CLAMP,US HEATER,TCFC	FORWARD ENGINE
	1528439		SEAL,HEATER HOSE/ FIREWALL	FORWARD ENGINE
	1489434	AR	TRIM,VINYL,BLACK,DOUBLE LIP	FORWARD ENGINE
	1904275		COVER,HTR PIPE,FRONT W/H	WITHOUT PLYWOOD FLOOR
	0006340		COVER,HTR PIPE,FRONT W/H,PLY FLR,DRRE	WITH PLYWOOD FLOOR
	1766799		COVER,HTR PIPE,FRONT WHEELHOUSING,RH	WITHOUT PLYWOOD FLOOR
	1766781		COVER,HTR PIPE,FRONT W/H,PLY FLOOR RH	WITH PLYWOOD FLOOR
	1056050		COVER,ACCESS,HOSE CLAMP,U/S HEATER	REAR ENGINE
	1619691		CONNECTOR ASSY,HTR PIPE,FRONT W/H	REAR ENGINE
	0007060		CONNECTOR ASSY,HTR PIPE,TWO OFST 90	REAR ENGINE

Models: A3FE, A3RE, BBCV, B1VC, B2VC, C4RE, GMCV, SBCV
UNDERSEAT HEATER BERGSTROM
50,000 BTU
FLOOR MOUNTED, LH

Key	PartNumber	Qty	Description	Comment
-----	------------	-----	-------------	---------

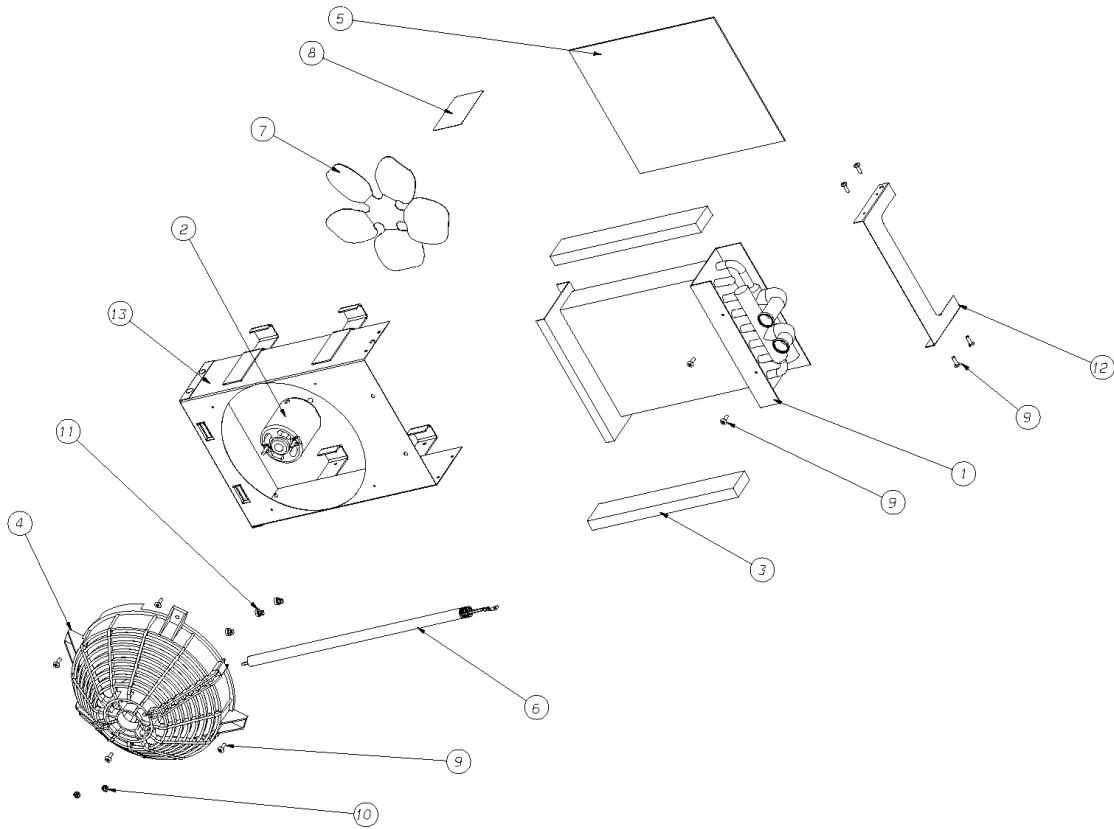


Models: **A3FE, A3RE, BBCV, B1VC, B2VC, C4RE, GMCV, SBCV**
UNDERSEAT HEATER BERGSTROM
50,000 BTU
FLOOR MOUNTED, LH

Key	PartNumber	Qty	Description	Comment
	0069758		HEATER ASSY,50K BTU,UNDERSEAT,F/M"	
1	0070764		COIL,HEATER,50K U/S,BERGSTROM	
2	0057157	2	MOTOR,HEATER,12V 2SPD CW, EXTERNAL	
3			GASKETS, SPACER	
4	0070769		GUARD,FAN,U/S HEATER,BERGSTROM"	
5	0070771	2	FILTER,AIR,50K,U/S HEATER,BERGSTROM"	
6			CONVOLUTED CONDUIT, SPLIT	
7	2004307	2	FAN,10IN,HEATER,METAL,5 BLADE	
8	0035865		DECAL,NAME,BTU,BERGSTROM,OPT 1341	
9		10	SCREW, NO 10 TRUSS HEAD	
10		2	LOCKNUT NO 10-32	
11		3	TIE CABLE	
12			SIDE, TUBE SIDE	
13	0071094		WELDMENT,CASE,LH,50K U/S,FLOOR MT,	

Models: A3FE, A3RE, BBCV, B1VC, B2VC, C4RE, GMCV, SBCV
UNDERSEAT HEATER BERGSTROM
50,000 BTU
SEAT MOUNTED RH

Key	PartNumber	Qty	Description	Comment
-----	------------	-----	-------------	---------

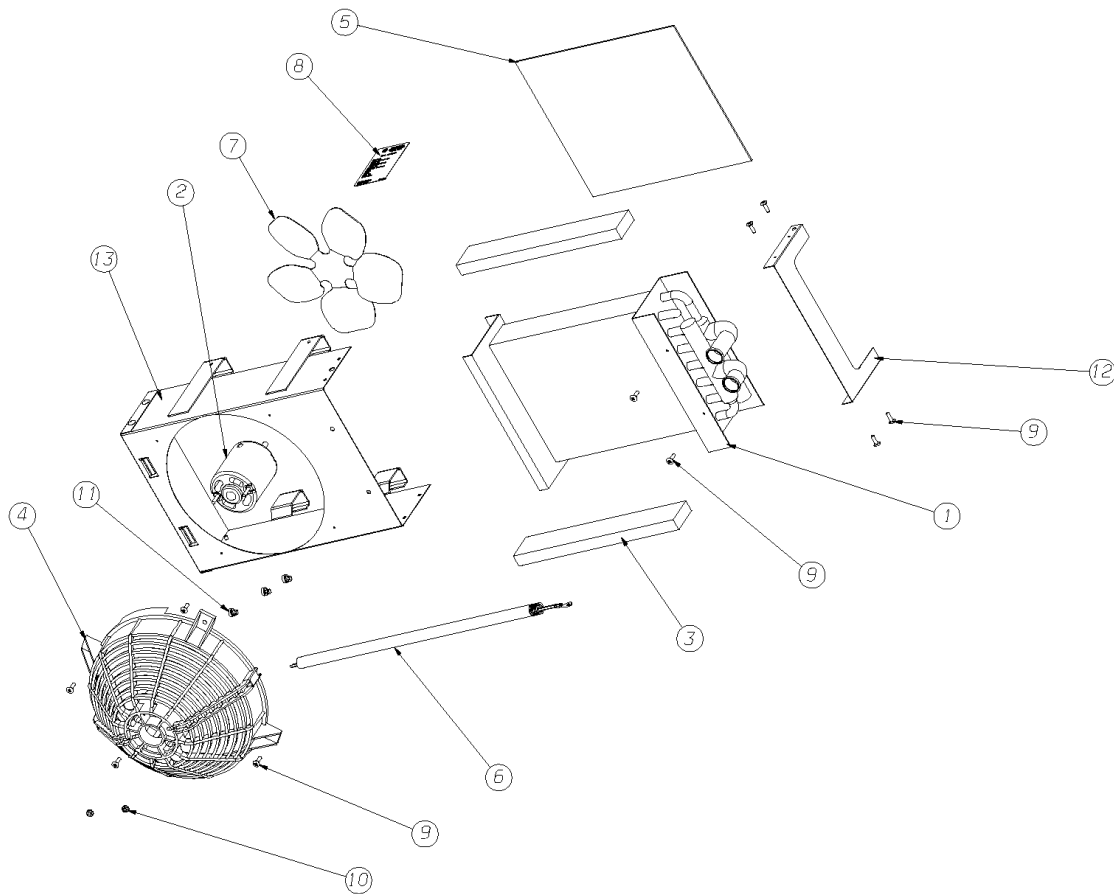


Models: **A3FE, A3RE, BBCV, B1VC, B2VC, C4RE, GMCV, SBCV**
UNDERSEAT HEATER BERGSTROM
50,000 BTU
SEAT MOUNTED RH

Key	PartNumber	Qty	Description	Comment
	0069753		HEATER ASSY,50K BTU,UNDERSEAT,S/M,RH"	<i>CONSISTS OF THE FOLLOWING</i>
1	0070764		COIL,HEATER,50K U/S,BERGSTROM	
2	0057157	2	MOTOR,HEATER,12V 2SPD CW, EXTERNAL	
3			GASKETS, SPACER	
4	0070769		GUARD,FAN,U/S HEATER,BERGSTROM"	
5	0070771		FILTER,AIR,50K,U/S HEATER,BERGSTROM"	
6			CONVOLUTED CONDUIT, SPLIT	
7	2004307		FAN,10IN,HEATER,METAL,5 BLADE	
8	0035865		DECAL,NAME,BTU,BERGSTROM,OPT 1341	
9		10	SCREW, NO 10 TRUSS HEAD	
10		2	LOCKNUT NO 10-32	
11		3	TIE CABLE	
12			SIDE, TUBE SIDE	
13	0070768		WELDMENT,CASE,RH,50K U/S,BERGSTROM	

Models: A3FE, A3RE, BBCV, B1VC, B2VC, C4RE, GMCV, SBCV
UNDERSEAT HEATER BERGSTROM
50,000 BTU
SEAT MOUNTED, LH

Key	PartNumber	Qty	Description	Comment
-----	------------	-----	-------------	---------

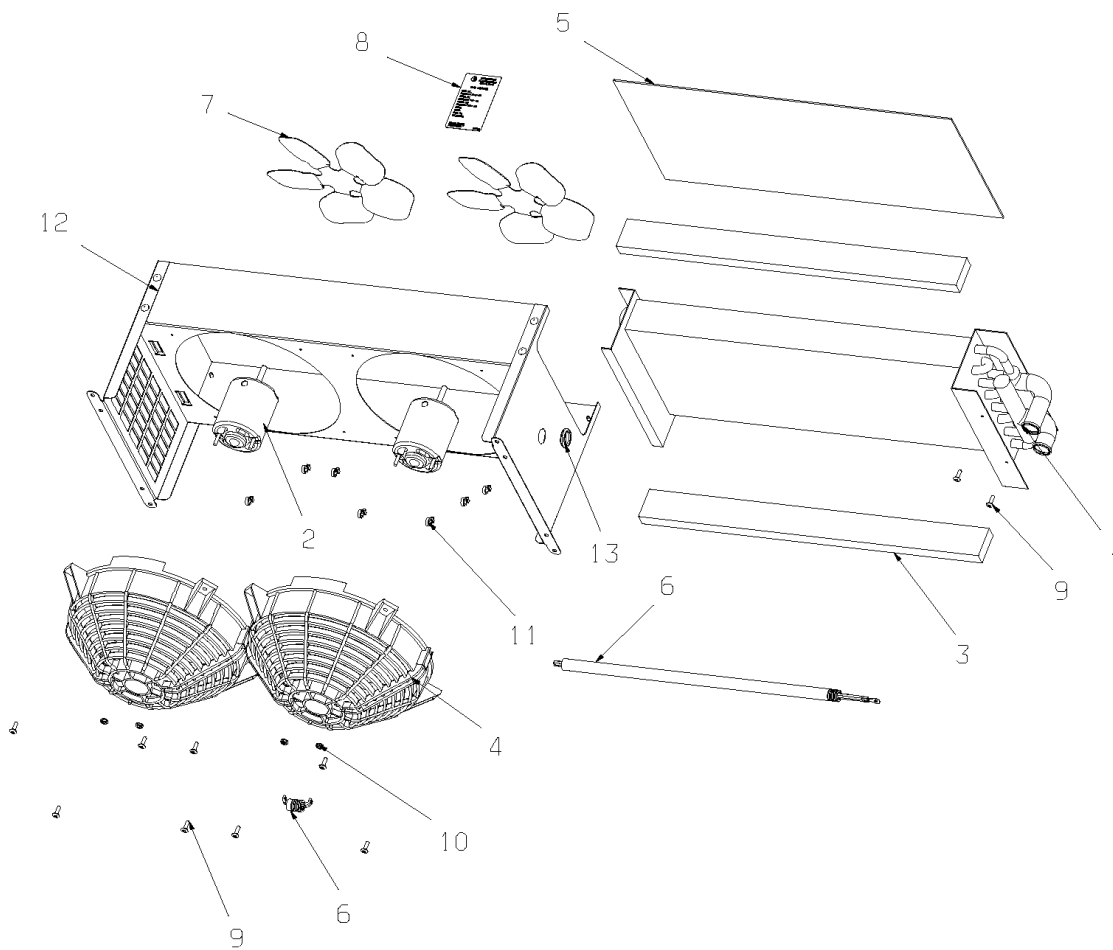


Models: **A3FE, A3RE, BBCV, B1VC, B2VC, C4RE, GMCV, SBCV**
UNDERSEAT HEATER BERGSTROM
50,000 BTU
SEAT MOUNTED, LH

Key	PartNumber	Qty	Description	Comment
	0069754		HEATER ASSY,50K BTU,UNDERSEAT,S/M,LH"	
1	0070764		COIL,HEATER,50K U/S,BERGSTROM	
2	0057157	2	MOTOR,HEATER,12V 2SPD CW, EXTERNAL	
3			GASKETS, SPACER	
4	0070769		GUARD,FAN,U/S HEATER,BERGSTROM"	
5	0070771		FILTER,AIR,50K,U/S HEATER,BERGSTROM"	
6			CONVOLUTED CONDUIT, SPLIT	
7	2004307		FAN,10IN,HEATER,METAL,5 BLADE	
8	0035865		DECAL,NAME,BTU,BERGSTROM,OPT 1341	
9		10	SCREW, NO 10 TRUSS HEAD	
10		2	LOCKNUT NO 10-32	
11		3	TIE CABLE	
12			SIDE, TUBE SIDE	
13	0070767		WELDMENT,CASE,LH,50K U/S,BERGSTROM	

Models: A3FE, A3RE, BBCV, B1VC, B2VC, C4RE, GMCV, SBCV
UNDERSEAT HEATER BERGSTROM
80,000 BTU
FLOOR MOUNTED, LH

Key	PartNumber	Qty	Description	Comment
-----	------------	-----	-------------	---------

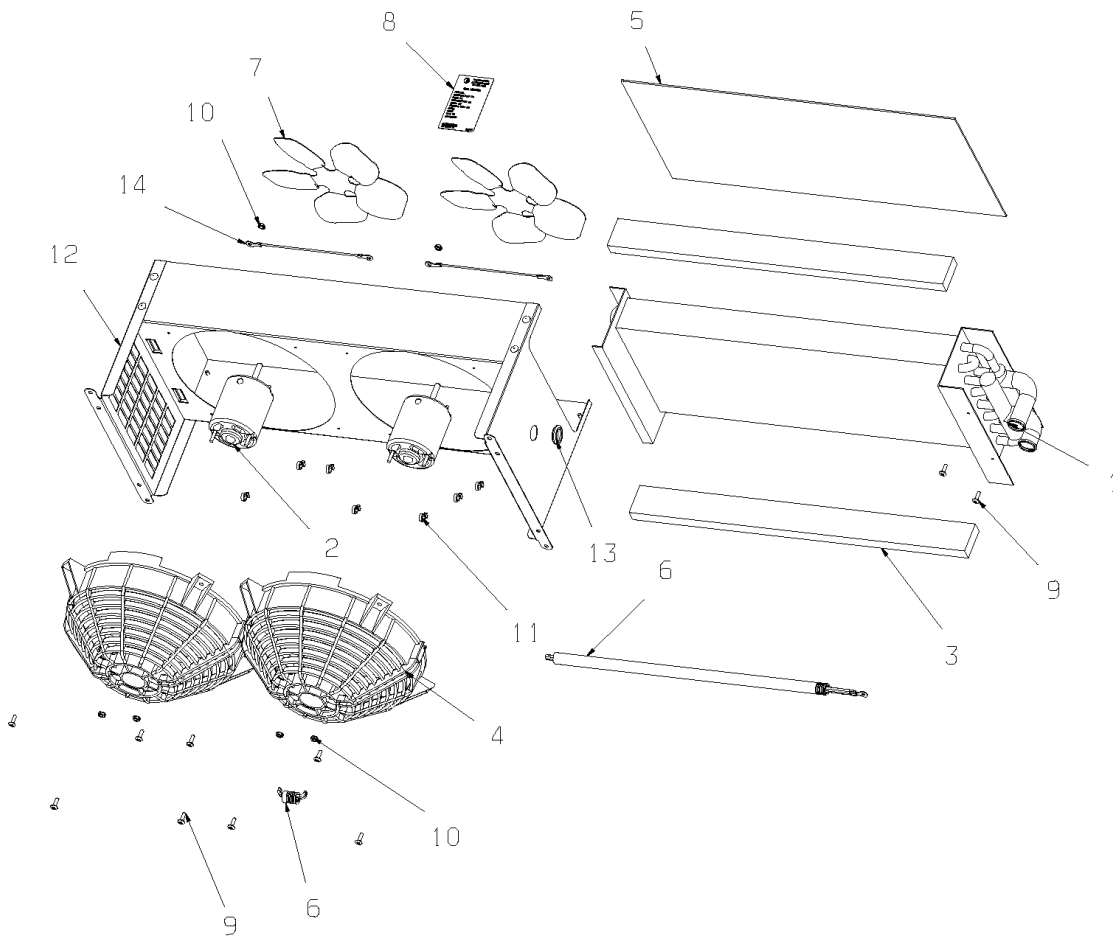


Models: **A3FE, A3RE, BBCV, B1VC, B2VC, C4RE, GMCV, SBCV**
UNDERSEAT HEATER BERGSTROM
80,000 BTU
FLOOR MOUNTED, LH

Key	PartNumber	Qty	Description	Comment
	0069757		HEATER ASSY,80K BTU,UNDERSEAT,F/M"	
1	0070762		COIL,HEATER,80K U/S,BERGSTROM	
2	0057157	2	MOTOR,HEATER,12V 2SPD CW, EXTERNAL	
3			GASKETS, SPACER	
4	0070769		GUARD,FAN,U/S HEATER,BERGSTROM"	
5	0070770	2	FILTER,AIR,80K,U/S HEATER,BERGSTROM"	
6			CONVOLUTED CONDUIT, SPLIT	
7	2004307	2	FAN,10IN,HEATER,METAL,5 BLADE	
8	0035865		DECAL,NAME,BTU,BERGSTROM,OPT 1341	
9		10	SCREW, NO 10 TRUSS HEAD	
10		2	LOCKNUT NO 10-32	
11		3	TIE CABLE	
12			SIDE, TUBE SIDE	
13	0071095		WELDMENT,CASE,LH,80K U/S,FLOOR MTD,	

Models: A3FE, A3RE, BBCV, B1VC, B2VC, C4RE, GMCV, SBCV
UNDERSEAT HEATER BERGSTROM
80,000 BTU
FLOOR MOUNTED, LH, KENTUCKY

Key	PartNumber	Qty	Description	Comment
-----	------------	-----	-------------	---------

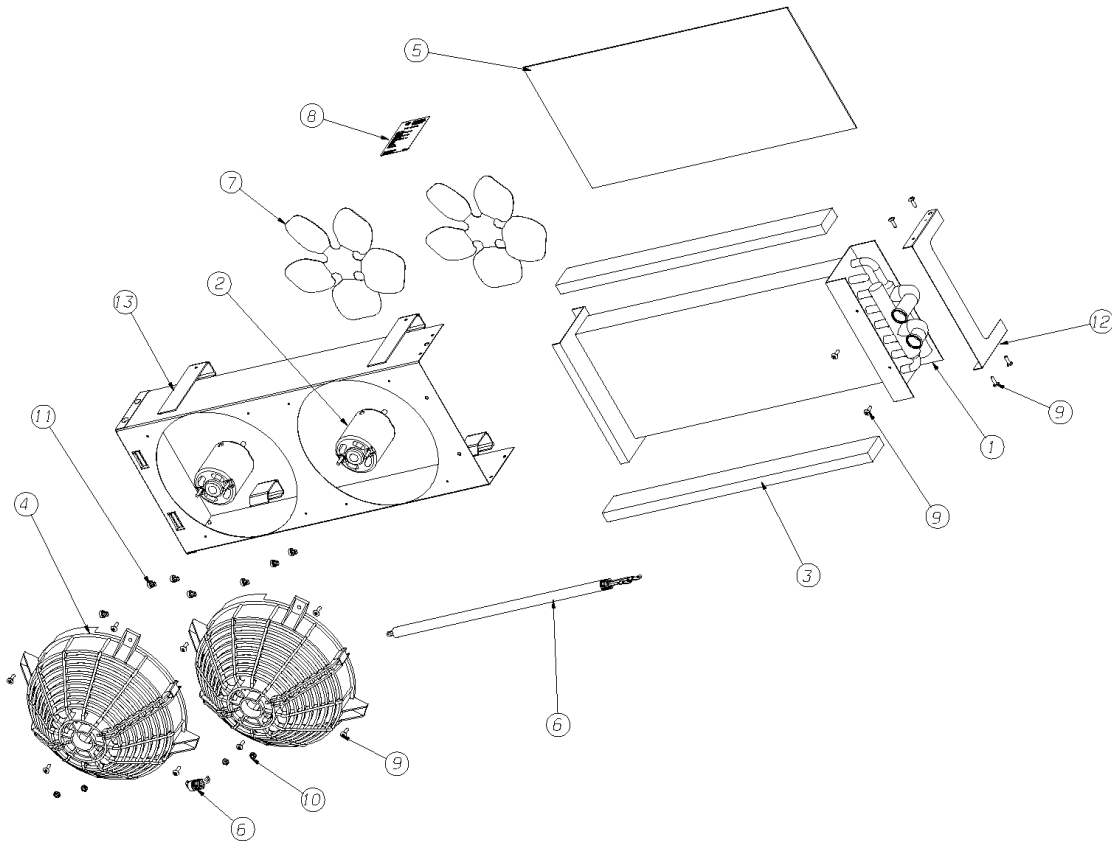


Models: **A3FE, A3RE, BBCV, B1VC, B2VC, C4RE, GMCV, SBCV**
UNDERSEAT HEATER BERGSTROM
80,000 BTU
FLOOR MOUNTED, LH, KENTUCKY

Key	PartNumber	Qty	Description	Comment
	0069756		HEATER ASSY,80K BTU,UNDERSEAT,F/M,LH,KY	
1	0070762		COIL,HEATER,80K U/S,BERGSTROM	
2	0159723	2	MOTOR,HEATER,CW-4 AMP	
3			GASKETS, SPACER	
4	0070769		GUARD,FAN,U/S HEATER,BERGSTROM"	
5	0070770	2	FILTER,AIR,80K,U/S HEATER,BERGSTROM"	
6			CONVOLUTED CONDUIT, SPLIT	
7	2004307	2	FAN,10IN,HEATER,METAL,5 BLADE	
8	0035865		DECAL,NAME,BTU,BERGSTROM,OPT 1341	
9		10	SCREW, NO 10 TRUSS HEAD	
10		2	LOCKNUT NO 10-32	
11		3	TIE CABLE	
12			SIDE, TUBE SIDE	
13	0071095		WELDMENT,CASE,LH,80K U/S,FLOOR MTD,	
14	0071093		WIRE ASSY,GROUND,KY,U/S,BERGSTROM	

Models: A3FE, A3RE, BBCV, B1VC, B2VC, C4RE, GMCV, SBCV
UNDERSEAT HEATER BERGSTROM
80,000 BTU
SEAT MOUNTED LH

Key	PartNumber	Qty	Description	Comment
-----	------------	-----	-------------	---------

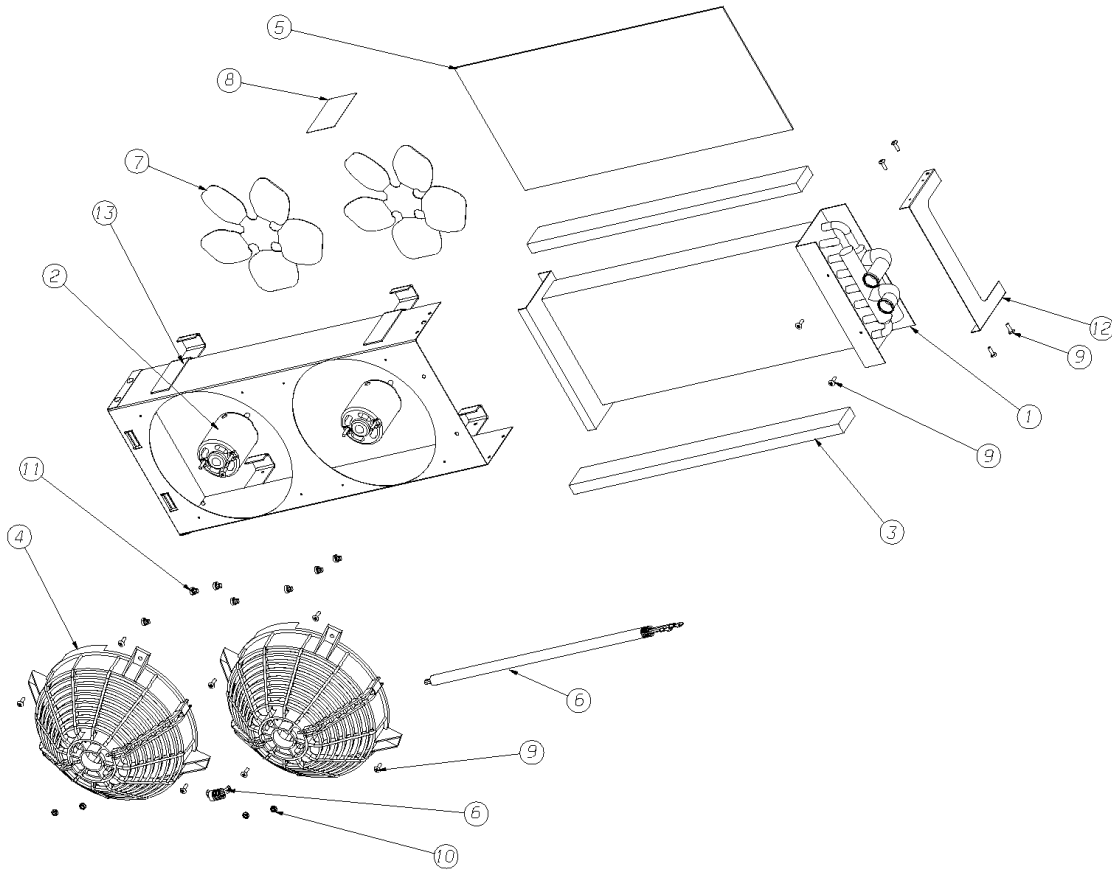


Models: **A3FE, A3RE, BBCV, B1VC, B2VC, C4RE, GMCV, SBCV**
UNDERSEAT HEATER BERGSTROM
80,000 BTU
SEAT MOUNTED LH

Key	PartNumber	Qty	Description	Comment
	0069752		HEATER ASSY,80K BTU,UNDERSEAT,S/M,LH"	<i>CONSISTS OF THE FOLLOWING</i>
1	0070762		COIL,HEATER,80K U/S,BERGSTROM	
2	0057157	2	MOTOR,HEATER,12V 2SPD CW, EXTERNAL	
3		2	GASKETS, SPACER	
4	0070769	2	GUARD,FAN,U/S HEATER,BERGSTROM"	
5	0070770		FILTER,AIR,80K,U/S HEATER,BERGSTROM"	
6			CONVOLUTED CONDUIT, SPLIT	
7	2004307	2	FAN,10IN,HEATER,METAL,5 BLADE	
8	0035865		DECAL,NAME,BTU,BERGSTROM,OPT 1341	
9		14	SCREW, NO 10 TRUSS HEAD	
10		4	LOCKNUT, NO 10-32	
11		7	TIE CABLE	
12			SIDE, TUBE SIDE	
13	0070765		WELDMENT,CASE,LH,80K U/S,BERGSTROM	

Models: A3FE, A3RE, BBCV, B1VC, B2VC, C4RE, GMCV, SBCV
UNDERSEAT HEATER BERGSTROM
80,000 BTU
SEAT MOUNTED RH

Key	PartNumber	Qty	Description	Comment
-----	------------	-----	-------------	---------

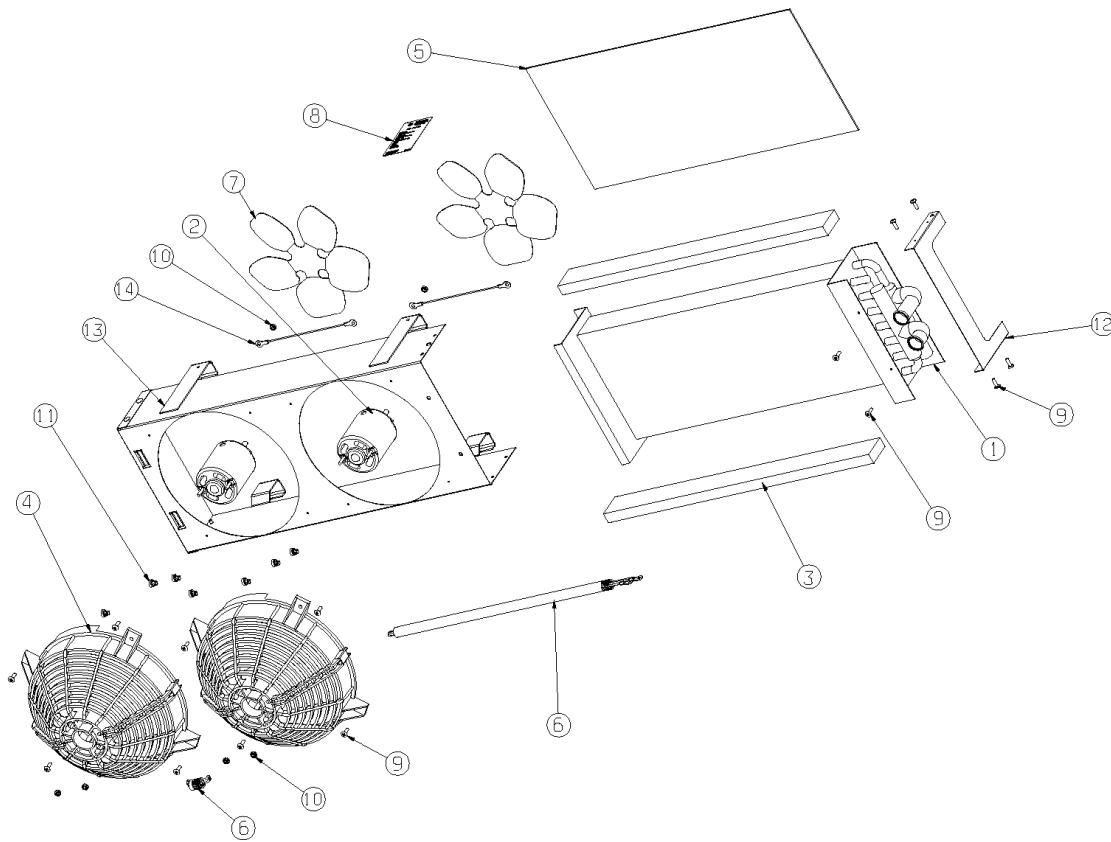


Models: **A3FE, A3RE, BBCV, B1VC, B2VC, C4RE, GMCV, SBCV**
UNDERSEAT HEATER BERGSTROM
80,000 BTU
SEAT MOUNTED RH

Key	PartNumber	Qty	Description	Comment
	0069751		HEATER ASSY,80K BTU,UNDERSEAT,S/M,RH"	<i>CONSISTS OF THE FOLLOWING</i>
1	0070762		COIL,HEATER,80K U/S,BERGSTROM	
2	0057157	2	MOTOR,HEATER,12V 2SPD CW, EXTERNAL	
3		2	GASKET, SPACER	
4	0070769	2	GUARD,FAN,U/S HEATER,BERGSTROM"	
5	0070770		FILTER,AIR,80K,U/S HEATER,BERGSTROM"	
6			CONVOLUTED CONDUIT, SPLIT	
7	2004307	2	FAN,10IN,HEATER,METAL,5 BLADE	
8	0035865		DECAL,NAME,BTU,BERGSTROM,OPT 1341	
9		14	SCREW, NO. 10 TRUSS HEAD	
10		4	LOCKNUT, NO 10-32	
11		7	TIE CABLE	
12			SIDE, TUBE SIDE	
13	0070766		WELDMENT,CASE,RH,80K U/S,BERGSTROM	

Models: A3FE, A3RE, BBCV, B1VC, B2VC, C4RE, GMCV, SBCV
UNDERSEAT HEATER BERGSTROM
80,000 BTU
SEAT MOUNTED, LH, KENTUCKY

Key	PartNumber	Qty	Description	Comment
-----	------------	-----	-------------	---------



Models: **A3FE, A3RE, BBCV, B1VC, B2VC, C4RE, GMCV, SBCV**
UNDERSEAT HEATER BERGSTROM
80,000 BTU
SEAT MOUNTED, LH, KENTUCKY

Key	PartNumber	Qty	Description	Comment
	0069755		HEATER ASSY,80K BTU,UNDERSEAT,S/M,LH,KY	
1	0070762		COIL,HEATER,80K U/S,BERGSTROM	
2	0057157	2	MOTOR,HEATER,12V 2SPD CW, EXTERNAL	
3			GASKETS, SPACER	
4	0070769		GUARD,FAN,U/S HEATER,BERGSTROM"	
5	0070770	2	FILTER,AIR,80K,U/S HEATER,BERGSTROM"	
6			CONVOLUTED CONDUIT, SPLIT	
7	2004307	2	FAN,10IN,HEATER,METAL,5 BLADE	
8	0035865		DECAL,NAME,BTU,BERGSTROM,OPT 1341	
9		10	SCREW, NO 10 TRUSS HEAD	
10		2	LOCKNUT NO 10-32	
11		3	TIE CABLE	
12			SIDE, TUBE SIDE	
13	0070765		WELDMENT,CASE,LH,80K U/S,BERGSTROM	
14	0071093		WIRE ASSY,GROUND,KY,U/S,BERGSTROM	