

Body

420 Lights & Lens

BACK-UP, MARKER, DOME, 5 INCH DIRECTIONAL, STEPWELL

1

BULB CHART, E-MARK

2

L E D, BRAKE, TURN, & BACKUP
 AMBULANCE PACKAGE
With: FEATURE 31063-01

3

L E D, REAR
With: FEATURE 30173-03; 30176-03

4

REAR EXTERIOR (LOCATION & IDENTIFICATION)

5

RH DRIVE
 EXTERIOR LIGHTS & REFLECTORS
With: FEATURE 30529-01

6

REAR EXTERIOR LIGHTS, EEC
With: FEATURE 30529-01

7

STROBE LIGHT
With: OPTION 2022

8

STROBE LIGHT, WHITE FLASHING
With: OPTION 2035, 2036 or FEATURE 30245

9

WARNING LIGHT SYSTEM
With: OPTION 1987

10

With: OPTION 6734

11

8 LAMP
With: OPTION 2013, 2016

12

WARNING, 7 INCH STOP & DIRECTIONAL, 4 INCH COMBINATION

13

WARNING, FRONT & REAR
With: FEATURE 30200-08, -09

14

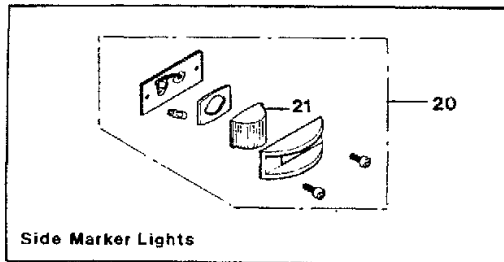
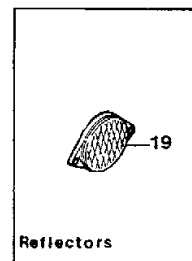
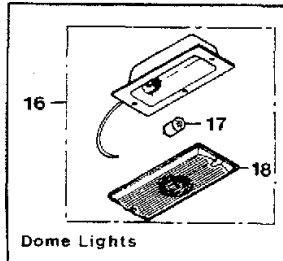
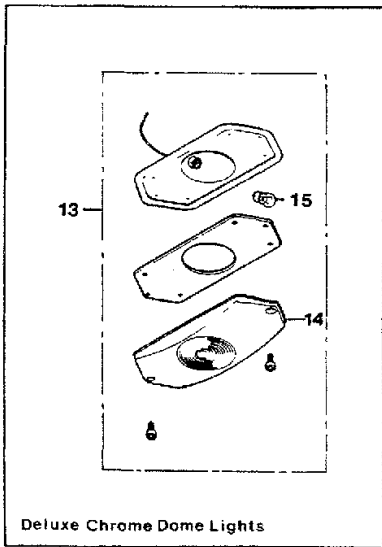
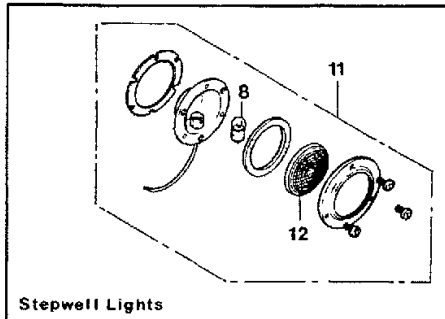
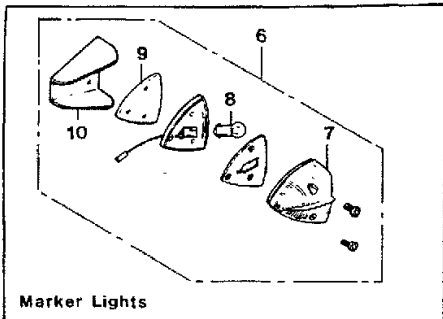
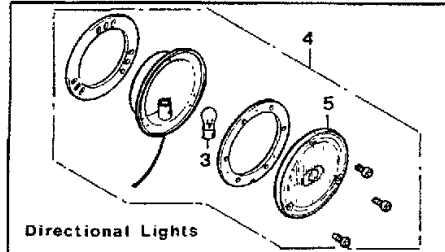
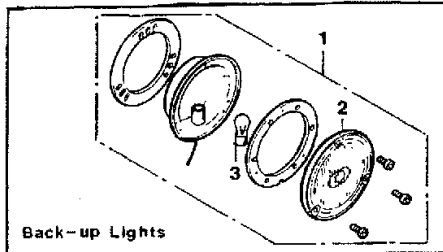
VCTA

Models: AAFE, AARE, A1VC, A3FE, A3RE, B1VC, B2VC, GPWB, MBWB, SBCV, TCPE, TCRL,
 BACK-UP, MARKER, DOME, 5 INCH DIRECTIONAL, STEPWELL

Key	PartNumber	Qty	Description	Comment
-----	------------	-----	-------------	---------

BACK-UP, MARKER, DOME,
 5" DIRECTIONAL, STEPWELL

DR. 6/2/82 BY JET
 APP. 6-2-82 BY DC
 8000531
 2 OF 2
 © 1983 BLUE BIRD BODY COMPANY
 ALL RIGHTS RESERVED



VCTA Models: **AAFE, AARE, A1VC, A3FE, A3RE, B1VC, B2VC, GPWB, MBWB, SBCV, TCPE, TCRL, BACK-UP, MARKER, DOME, 5 INCH DIRECTIONAL, STEPWELL**

Key	PartNumber	Qty	Description	Comment
1	0817122		LIGHT,BACK-UP,W/CLEAR LENS K-D LAMP	STANDARD K-D
1	1392075		LIGHT,BACK-UP,W/CLEAR LENS,W,3-1060-1100	STANDARD OPTION 2232, WELDON
1	0618777		LIGHT,BACK-UP,7IN,W	OPTION 2228, WELDON
1	1203686		LIGHT,BACK-UP,T	
1	1635127		LIGHT,BACK-UP,7 IN,FMVSS108	OPTION 2228, K-D
2	2103794		LENS,BACK-UP LIGHT	STANDARD K-D
2	4280293		LENS,BACK-UP LIGHT,WELDON (1392075)	STANDARD OPTION 2232, WELDON
2	2103224		LENS,BACK-UP LIGHT,7IN,CLEAR	OPTION 2228, WELDON
2	4311775		LENS,BACK-UP LIGHT,CLEAR,7"	OPTION 2228, K-D
2	2146173		GASKET,BACK-UP LIGHT LENS,KD"	STANDARD K-D
2	4280301		GASKET,LENS,1064,W	STANDARD OPTION 2232, WELDON
2	2134369		GASKET,LENS,7IN LIGHT,W	OPTION 2228, WELDON
3	1038215		BULB,CORNERING LIGHTS,GE1156	STANDARD & OPTION 2228, 2232 WELDON
3	2255669		BULB,1157	OPTION 2228 K-D
4			NOT APPLICABLE	
5			NOT APPLICABLE	
6	1586288		LIGHT,MARKER,RED	STANDARD, OPTION 0122, FEATURE 30102-04, 30103-03. DOES NOT INCLUDE SHIELD
6	1586296		LIGHT,MARKER,AMBER	STANDARD OPTION 1591, FEATURE 30102-04, 30103-03. DOES NOT INCLUDE SHIELD
6	2006336		LIGHT,MARKER,RED	OPTION 1576, 1581, 1642, FEATURE 30102-02, 30103-02. DOES NOT INCLUDE SHIELD
6	2006328		LIGHT,MARKER,AMBER	OPTION 1576, 1581, 1591, 1642, 1820, FEATURE 30102-02, 30103-02. DOES NOT INCLUDE SHIELD
6	1685890		LAMP,CLEARANCE,2-BULB,YELLOW	OPTION 1577, FEATURE 30102-03. DOES NOT INCLUDE SHIELD
6	1685882		LAMP,CLEARANCE,2-BULB,RED	OPTION 1577, FEATURE 30102-03. DOES NOT INCLUDE SHIELD
6	2083095		SCREW,10-16 X 3/4,AB,PH1,PANHD,YELZN,	
7	2103398		LENS,RED,ACRYLIC FOR 5050 LAMP"	OPTION 0122
7	2103406		LENS,AMBER,ACRYLIC FOR 505"	OPTION 1591
7	2101632		LENS,CLEARANCE LIGHT,RED,ARMORED	OPTION 1576, 1581, 1642
7	2101640		LENS,DIRECTIONAL LIGHT,AMBER,SIDE	OPTION 1576, 1581, 1591, 1642, 1820

VCTA **Models:** **AAFE, AARE, A1VC, A3FE, A3RE, B1VC, B2VC, GPWB, MBWB, SBCV, TCPE, TCRL, BACK-UP, MARKER, DOME, 5 INCH DIRECTIONAL, STEPWELL**

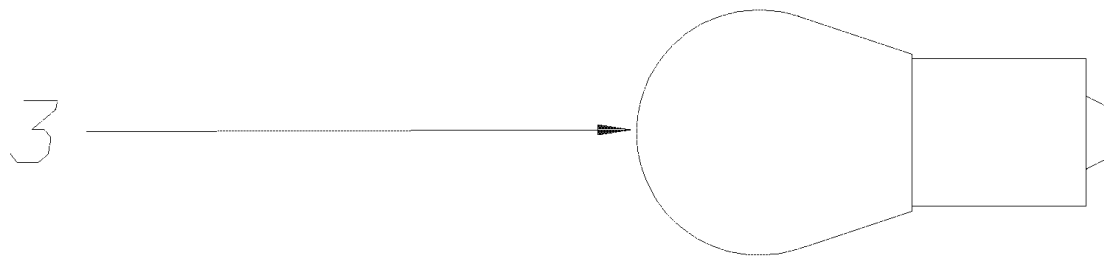
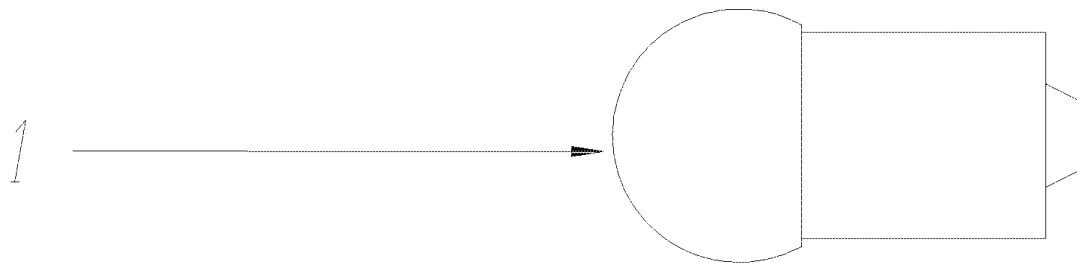
Key	PartNumber	Qty	Description	Comment
7	1685890		LAMP,CLEARANCE,2-BULB,YELLOW	OPTION 1577, FEATURE 30102-03
7	1685882		LAMP,CLEARANCE,2-BULB,RED	OPTION 1577, FEATURE 30102-03
8	2007557		BULB,TS-67	STANDARD, SINGLE CONTACT BAYONET. MARKER & STEPWELL LIGHTS.
8	4304697		BULB,GE161,WEDGE BASE,1CP	STANDARD WEDGE BASE. MARKER & STEPWELL LIGHTS
8	2007557		BULB,TS-67	OPTION 2233. MARKER & STEPWELL LIGHTS
9	2103653		GASKET,LENS,MARKER LIGHT,W	
10	0932020		SHIELD,ARMORED,W	OPTION 1581, 1583, 6674, WITH 1591, FEATURE 30104-01
NI	1125491		GASKET,ARMORED SHIELD,W 5024	
NI	1226695		LIGHT,DIRECTIONAL,AMBER,PETERSON	OPTION 6680, 6685, FEATURE 30102-05
NI	1228451		LIGHT,CLEARANCE,ARMOR,R,KD-541-1603	OPTION 6680; FEATURE 30102-05
11	1370048		LIGHT,STEPWELL,ENGINE COMPARTMENT	OPTION 0177, 0437, 0439, 0442, 0445, 0448, 0451, 6214, 7372
12	2100436		LENS,STEPWELL LIGHT	LENS ONLY
13	0817155		LIGHT,DOME,DELUXE,W	OPTION 1857
14	2103661		LENS,FOR 8010 DOME LIGHT	LENS ONLY
15	2007573		BULB,TS-93,15CP	
16	1058080		LIGHT ASSY,DOME,ARROW	WITH WEDGE BASE BULB
16	1257997		HOUSING,LIGHT,DOME,WITH 6CP BULB	WELDON & BLUE BIRD. OPTION 1825, 1828, 1831, 1832, 1839, 1840
16	1258003		LENS,DOME LIGHT,W/EMBLEM	WELDON & BLUE BIRD. OPTION 1825, 1828, 1831, 1832, 1839, 1840
17	2007565		BULB,DOME LIGHT	BULB, BAYONET BASE (FITS WELDON & BLUE BIRD LIGHTS). OPTION 1825, 1828, 1831, 1832, 1840, 3051, 3052, 3053, 3054, 3059, 3065.
17	2007573		BULB,TS-93,15CP	BULB, BAYONET BASE (FITS WELDON & BLUE BIRD LIGHTS). OPTION 0437, 0439, 0442, 0445, 0448, 0451, 6214, 7355
NI	2129534		BULB,DOME LIGHT,6CP,ARROW	BULB, WEDGE BASE (FITS ARROW LIGHT)STANDARD, 6CP
NI	1058205		BULB,DOME LIGHT,31CP TEXAS	BULB, WEDGE BASE (FITS ARROW LIGHT)OPTION 7355, 31CP

VCTA **Models:** **AAFE, AARE, A1VC, A3FE, A3RE, B1VC, B2VC, GPWB, MBWB, SBCV, TCPE, TCRL, BACK-UP, MARKER, DOME, 5 INCH DIRECTIONAL, STEPWELL**

Key	PartNumber	Qty	Description	Comment
18	1258003		LENS,DOME LIGHT,W/EMBLEM	<i>OPTION 1825, 1828, 1831, 1832, 1839, 1840</i>
18	2128080		LENS,DOME LIGHT,ARROW	<i>FITS ARROW.</i>
19	0526624		REFLECTOR,RED,WITH WHITE HOUSING	<i>3 INCH REFLECTOR</i>
19	1835479		REFLECTOR,RED,WITH SELF ADHESIVE	<i>3 INCH REFLECTOR</i>
19	0526632		REFLECTOR,AMBER,WITH WHITE HOUSING	<i>3 INCH REFLECTOR. OPTION 2653</i>
19	1835461		REFLECTOR,AMBER,WITH SELF ADHESIVE	<i>3 INCH REFLECTOR.</i>
19	0618579		REFLECTOR,BRACKET MOUNT,PETERSON	<i>3 INCH REFLECTOR. AMBER, OPTION 2668</i>
19	0618561		BRACKET,MTG,REFLECTOR,FRONT AMBER	<i>FRONT, OPTION 2668</i>
NI	2006278		REFLECTOR,RED,ARROW	<i>4 INCH REFLECTOR, OPTION 6920.</i>
NI	2006260		REFLECTOR,AMBER,ARROW	<i>4 INCH REFLECTOR, OPTION 6920.</i>
20	2006336		LIGHT,MARKER,RED	<i>OPTION 1576, 1581, 1642</i>
20	2006328		LIGHT,MARKER,AMBER	<i>OPTION 1576, 1581, 1591, 1642, 1820</i>
NI	1164359		LIGHT,SIDE DIR,ARROW 059-99000,21 CP	<i>OPTION 1821, 1823</i>
21	2101632		LENS,CLEARANCE LIGHT,RED,ARMORED	
21	2101640		LENS,DIRECTIONAL LIGHT,AMBER,SIDE	
NI	1941368		LIGHT,MARKER,RECESSED,AMBER	<i>FEATURE 30102-01, 30103-01</i>
NI	1941376		LIGHT,MARKER,RECESSED,RED	<i>FEATURE 30102-01, 30103-01</i>
NI	1936772		SCREW,8-18 X 3/4,AB,PH1,PAN HD,YL ZN,W/EX	

Models: A3FE
BULB CHART, E-MARK

Key	PartNumber	Qty	Description	Comment
-----	------------	-----	-------------	---------

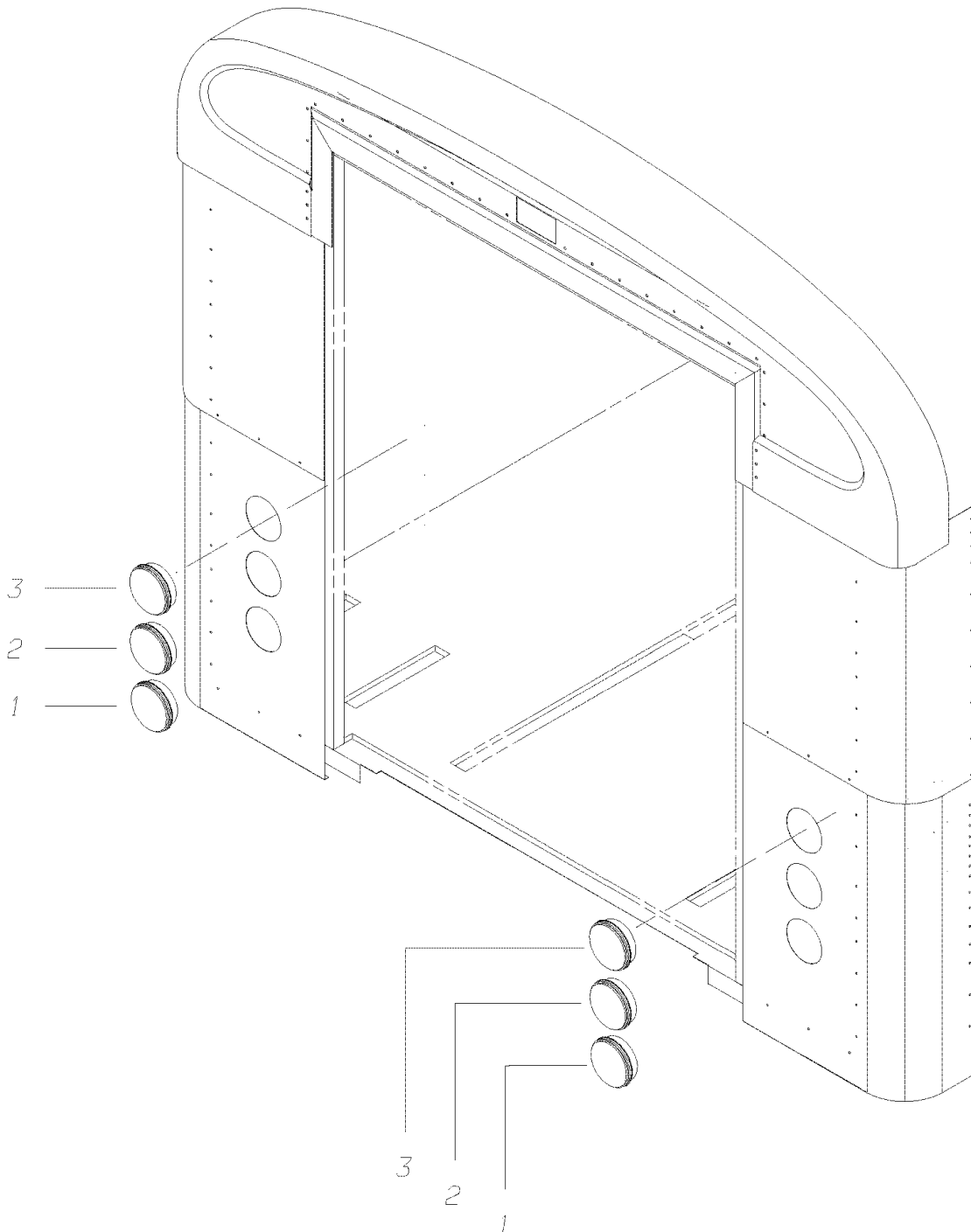


Models: **A3FE**
BULB CHART, E-MARK

Key	PartNumber	Qty	Description	Comment
1	0044350		BULB,12V5W,E-MARK	
1	0044349		BULB,12V10W,E-MARK	
2	0044351		BULB,12V3W,E-MARK	
3	0044352		BULB,12V21W,E-MARK	
4	0044353		BULB,12V5W,WEDGE,E-MARK	

Models: A3FE
LED, BRAKE, TURN, & BACKUP
AMBULANCE PACKAGE
With Features: FEATURE 31063-01

Key	PartNumber	Qty	Description	Comment
-----	------------	-----	-------------	---------

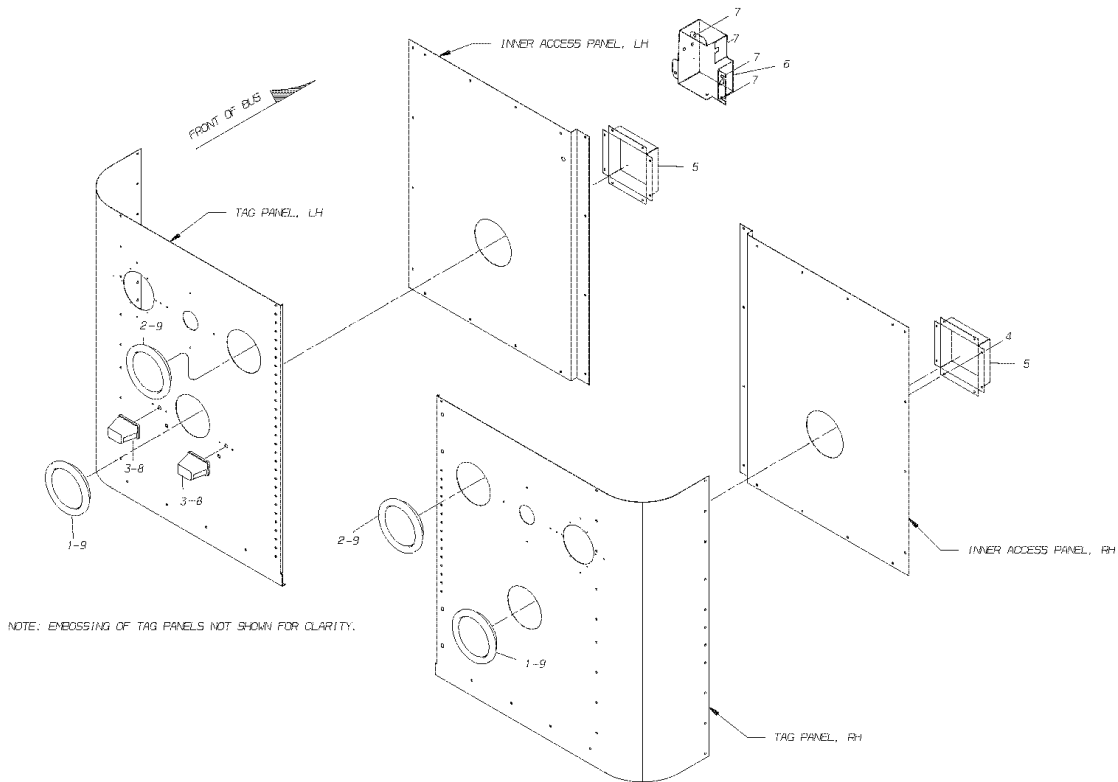


Models: A3FE
LED, BRAKE, TURN, & BACKUP
AMBULANCE PACKAGE
With Features: FEATURE 31063-01

Key	PartNumber	Qty	Description	Comment
1	0103092		LIGHT,LED,CLEAR BACKUP LAMP,4 INCH	
2	0107123		LIGHT,LED,AMBER,TURN,4 INCH	
3	0103082		LIGHT,LED,RED,STOP/TAIL,4 INCH	
NI	0099773		GROMMET,MOUNTING,LED LIGHT,4 INCH	

Models: A3FE, BBCV, B1VC, B2VC, SBCV
L E D, REAR
With Features: FEATURE 30173-03; 30176-03

Key	PartNumber	Qty	Description	Comment
-----	------------	-----	-------------	---------

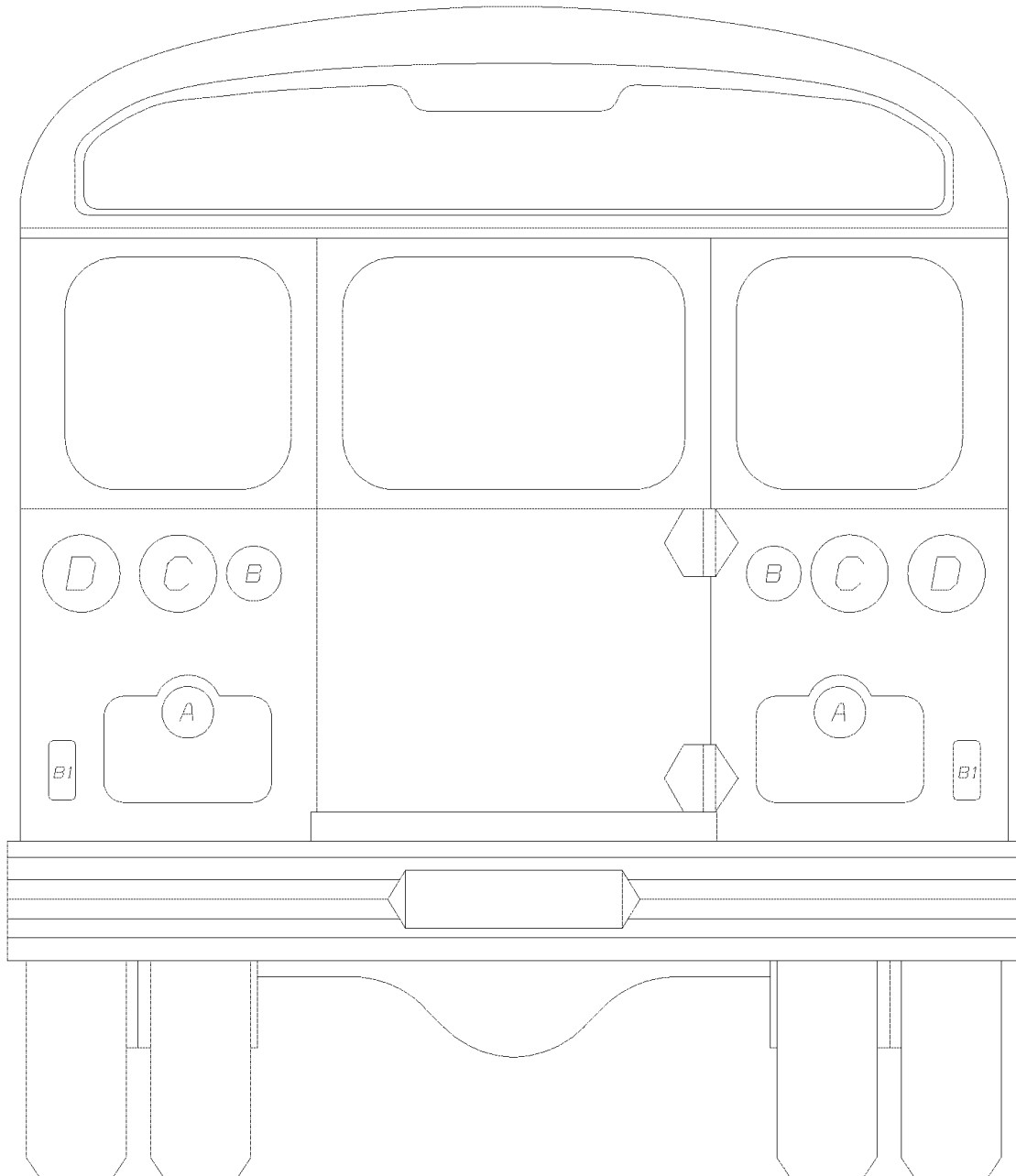


Models: A3FE, BBCV, B1VC, B2VC, SBCV
L E D, REAR
With Features: FEATURE 30173-03; 30176-03

Key	PartNumber	Qty	Description	Comment
1	0040858		LIGHT,LED,RED,STOP/TAIL,4 INCH	FEATURE 30173-03. ENDING WITH BSN F0091234
1	0099741		LIGHT,LED,RED,STOP/TAIL,4 INCH	FEATURE 30173-03. BEGIN WITH BSN F0091235, 05/01/06
1	0103082		LIGHT,LED,RED,STOP/TAIL,4 INCH	FEATURE 30173-03, WITH FEATURE 30328-06. WITH CONNECTOR
1	0103159		HARNES,WRG,PIGTAIL,STOP/TAIL LIGHT	FEATURE 30173-03, WITH 30328-06
2	0051796		LIGHT,LED,CLEAR BACKUP LAMP,4 INCH	FEATURE 30176-03. ENDING WITH BSN F0091234
2	0099776		LIGHT,LED,CLEAR BACKUP LAMP,4 INCH	FEATURE 30176-03. BEGIN WITH BSN F0091235, 05/01/06
2	0103092		LIGHT,LED,CLEAR BACKUP LAMP,4 INCH	FEATURE 30176-03, WITH FEATURE 30328-06. WITH CONNECTOR
2	0103153		HARNES,WRG,PIGTAIL,BACKUP LIGHT	FEATURE 30173-03 WITH 30328-06
3	0060244		LIGHT,TAG,PETERSON #M400	
4	1925833		SCREW,8-18 X 1/2,AB,PH1,PAN HD,BLK ZN	
5	0087843		COVER,LIGHT,INNER ACCESS,4IN LED,ASTRO	FEATURE 30400-01,ASTRO WHITE
5	0052696		COVER,LIGHT,INNER ACCESS,4IN LED LIGHT,	FEATURE 30400-02,FLORIDA GRAY
5	0087844		COVER,LIGHT,INNER ACCESS,4IN LED,KY BLUE	FEATURE 30400-03,KENTUCKY BLUE
5	0087845		COVER,LIGHT,INNER ACCESS,4IN LED,	FEATURE 30400-04,SEAFOAM GREEN
6	0007104		BUZZER & SWITCH,ASSY,VANDAL LOCK & SLD	FEATURE 30400-01,ASTRO WHITE
6	0076611		BUZZER & SWITCH,ASSY,VANDAL LOCK & SLD	FEATURE 30400-02,FLORIDA GRAY
6	0076612		BUZZER & SWITCH,ASSY,VANDAL LOCK & SLD	FEATURE 30400-03,KENTUCKY BLUE
6	0087811		BUZZER & SWITCH,ASSY,VANDAL LOCK & SLD	FEATURE 30400-04,SEAFOAM GREEN
7	2000636		SCREW,1/4-14 X 1/2,AB,PH1,PAN HD,YEL	
8	0074414		SCREW,PAN HD,8-18 X 1,AB,PH1,YL ZN,W/EX	
9	0040856		GROMMET,MOUNTING,LED LIGHT,4 INCH	WITH FEATURE 30173-03 OR 30176-03. ENDING WITH BSN F0091234
9	0099773		GROMMET,MOUNTING,LED LIGHT,4 INCH	WITH FEATURE 30173-03 OR 30176-03. BEGIN WITH BSN F0091235, 05/01/06

Models: A3FE, A3RE, GMCV, MBWB, SBCV, TCFE
REAR EXTERIOR (LOCATION & IDENTIFICATION)

Key	PartNumber	Qty	Description	Comment
-----	------------	-----	-------------	---------



Models: **A3FE, A3RE, GMCV, MBWB, SBCV, TCFE**
REAR EXTERIOR (LOCATION & IDENTIFICATION)

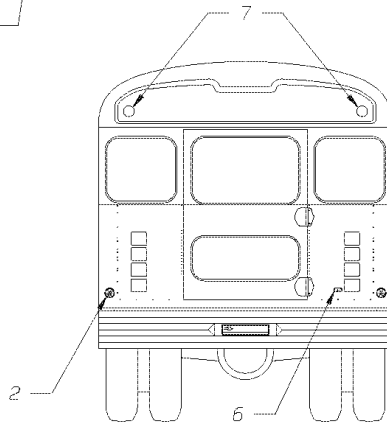
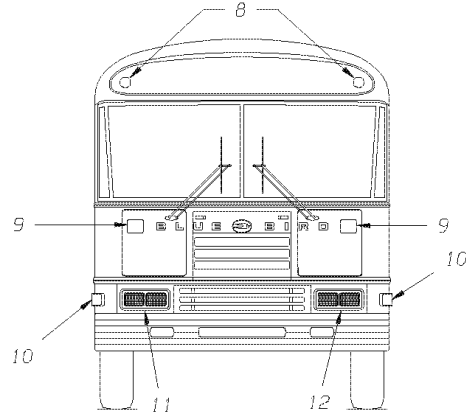
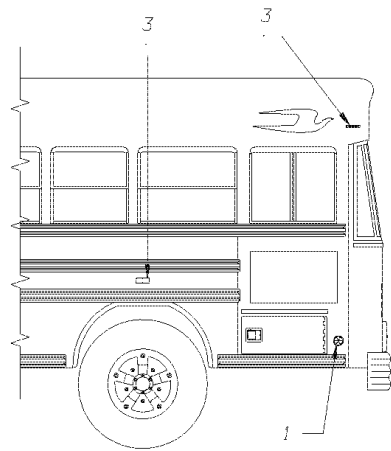
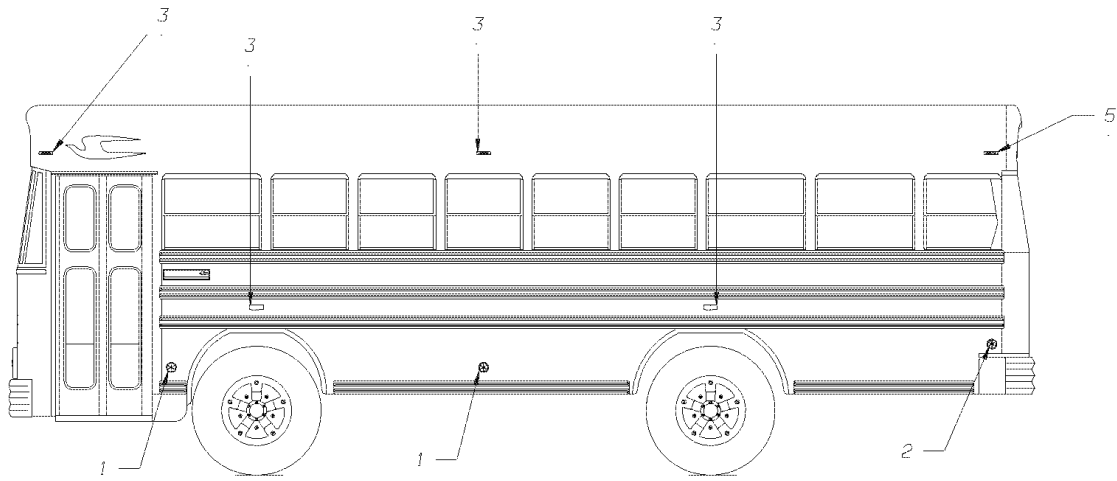
Key	PartNumber	Qty	Description	Comment
A	6098198		LIGHT,LICENSE PLATE,1998 MODEL	FEATURE 30173-02
A	0074414		SCREW,PAN HD,8-18 X 1,AB,PH1,YL ZN,W/EX	FEATURE 30173-02
A	0014581		LIGHT,STOP/TAIL,4IN,RED	FEATURE 30173-01
A	2083103		SCREW,1/4-14X3/4,AB,PH1,PANHD,YEL ZN,	FEATURE 30173-01
A	0040858		LIGHT,LED,RED,STOP/TAIL,4 INCH	FEATURE 30173-03
A	0040856		GROMMET,MOUNTING,LED LIGHT,4 INCH	FEATURE 30173-03
A	0060244		LIGHT,TAG,PETERSON #M400	FEATURE 30173-03
A	0074414		SCREW,PAN HD,8-18 X 1,AB,PH1,YL ZN,W/EX	FEATURE 30173-03
B	1392075		LIGHT,BACK-UP,W/CLEAR LENS,W,3-1060-1100	FEATURE 30176-01
B	2083095		SCREW,10-16 X 3/4,AB,PH1,PANHD,YELZN,	FEATURE 30176-01
B	0025926		LIGHT,BACK-UP,7 INCH,FMVSS 108	FEATURE 30176-02
B	2083095		SCREW,10-16 X 3/4,AB,PH1,PANHD,YELZN,	FEATURE 30176-02
B	0051796		LIGHT,LED,CLEAR BACKUP LAMP,4 INCH	FEATURE 30176-03
B	0040856		GROMMET,MOUNTING,LED LIGHT,4 INCH	FEATURE 30176-03
B1	0098253		LIGHT,BACK UP,INCAN,2.5X6	FEATURE 30176-05
B1	2083095		SCREW,10-16 X 3/4,AB,PH1,PANHD,YELZN,	FEATURE 30176-02
C	0566174		LIGHT,DIRECTIONAL,RED,PLAIN	FEATURE 30174-01
C	2083095		SCREW,10-16 X 3/4,AB,PH1,PANHD,YELZN,	FEATURE 30174-01
C	0063704		LIGHT,LED,RED,STOP & TAIL,7 INCH	FEATURE 30174-02
C	0074414		SCREW,PAN HD,8-18 X 1,AB,PH1,YL ZN,W/EX	FEATURE 30174-02
C	0078626		LIGHT,STOP/TAIL,LED,7INCH,W/DISCONNECT	FEATURE 30174-02, 30328-06
C	0074414		SCREW,PAN HD,8-18 X 1,AB,PH1,YL ZN,W/EX	FEATURE 30174-02 & 30328-06
C	0857656		LIGHT,STOP/TAIL,RED,W	FEATURE 30175-01
C	2083095		SCREW,10-16 X 3/4,AB,PH1,PANHD,YELZN,	FEATURE 30175-01
C	0063704		LIGHT,LED,RED,STOP & TAIL,7 INCH	FEATURE 30175-03
C	0074414		SCREW,PAN HD,8-18 X 1,AB,PH1,YL ZN,W/EX	FEATURE 30175-03
C	0078626		LIGHT,STOP/TAIL,LED,7INCH,W/DISCONNECT	FEATURE 30175-03, 30328-06
C	0074414		SCREW,PAN HD,8-18 X 1,AB,PH1,YL ZN,W/EX	FEATURE 30175-03, 30328-06
D	0566174		LIGHT,DIRECTIONAL,RED,PLAIN	FEATURE 30116-01
D	0817098		LIGHT,DIRECTIONAL,AMBER,PLAIN	FEATURE 30116-02
D	0566190		LIGHT,DIRECTIONAL,RED W/ARROW	FEATURE 30116-03
D	0566208		LIGHT,DIRECTIONAL,AMBER W/ARROW	FEATURE 30116-04
D	2083095		SCREW,10-16 X 3/4,AB,PH1,PANHD,YELZN,	FEATURE 30116-01, 02, 03, 04
				FEATURE 30116-05

Models: A3FE, A3RE, GMCV, MBWB, SBCV, TCFE
REAR EXTERIOR (LOCATION & IDENTIFICATION)

Key	PartNumber	Qty	Description	Comment
D	0063703		LIGHT,LED,AMBER,DIRECTIONAL,7 INCH	
D	0074414		SCREW,PAN HD,8-18 X 1,AB,PH1,YL ZN,W/EX	
D	0078625		LIGHT,DIRECTIONAL,LED,AMBER,	<i>FEATURE 30116-05, 30328-06</i>
D	0074414		SCREW,PAN HD,8-18 X 1,AB,PH1,YL ZN,W/EX	<i>FEATURE 30116-05 & 30328-06</i>

Models: A3FE
RH DRIVE
EXTERIOR LIGHTS & REFLECTORS
With Features: FEATURE 30529-01

Key	PartNumber	Qty	Description	Comment
-----	------------	-----	-------------	---------

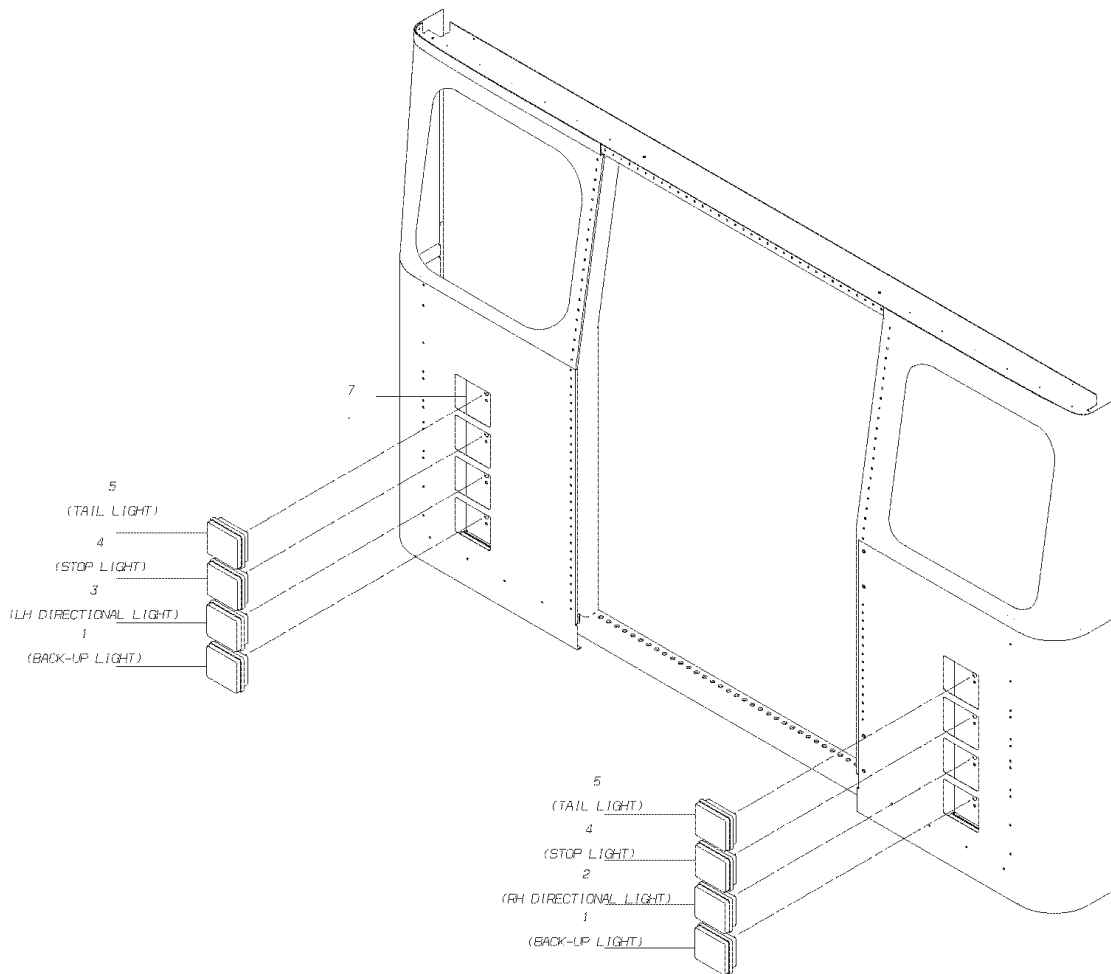


Models: A3FE
RH DRIVE
EXTERIOR LIGHTS & REFLECTORS
With Features: FEATURE 30529-01

Key	PartNumber	Qty	Description	Comment
1	0044341		REFLECTOR,AMBER,E-MARK	
2	0044340		REFLECTOR,RED,E-MARK	
3	0027925		LIGHT,LED,CLEARANCE/MARKER AMBER,	
3	0864579		SCREW,10-16 X 3/4,AB,PH1,PAN HD,SST	
5	0027926		LIGHT,LED,CLEARANCE/MARKER RED,	
5	0864579		SCREW,10-16 X 3/4,AB,PH1,PAN HD,SST	
6	0045038		LIGHT ASSY,LICENSE PLATE	
6	0864579		SCREW,10-16 X 3/4,AB,PH1,PAN HD,SST	
7	0045124		LIGHT ASSY,MARKER,REAR,E-MARK	
7	0864579		SCREW,10-16 X 3/4,AB,PH1,PAN HD,SST	
8	0045123		LIGHT ASSY,MARKER,FRONT,E-MARK	
8	0864579		SCREW,10-16 X 3/4,AB,PH1,PAN HD,SST	
9	0091175		LIGHT ASSY,MARKER,FRONT,AMBER,E-MARK	
10	0067586		LIGHT ASSY,PARK,DIRECTIONAL	
11	0044141		HEADLAMP ASSY,RECT DBL,HLGN,RH,RHD, A3	
12	0044142		HEADLAMP ASSY,RECT DBL,HLGN,LH,RHD, A3	

Models: A3FE
RH DRIVE
REAR EXTERIOR LIGHTS, EEC
With Features: FEATURE 30529-01

Key	PartNumber	Qty	Description	Comment
-----	------------	-----	-------------	---------



Models: A3FE
 RH DRIVE
 REAR EXTERIOR LIGHTS, EEC
With Features: FEATURE 30529-01

Key	PartNumber	Qty	Description	Comment
1	0091007	2	LIGHT ASSY,BACK UP,CLEAR,E-MARK	
2	0046542		LIGHT ASSY,DIRECTIONAL,AMBER,RH,E-MARK	
3	0046543		LIGHT ASSY,DIRECTIONAL,AMBER,LH,E-MARK	
4	0102652	2	LIGHT ASSY,STOP,RED,E-MARK	
5	0091042	2	LIGHT ASSY,TAIL LAMP,RED,E-MARK	
6	1529254	16	NUT,HEX HD,M6-1.0, LOCKING	
7	1657345	8	BRACKET,MTG,FRONT DIRECTIONAL LIGHTS	

Models: AAFE, AARE, A3FE, A3RE, GPWB, MBWB, TCFE, TCRE, VCTA
With Features: STROBE LIGHT
 OPTION 2022

Key	PartNumber	Qty	Description	Comment
NI	1685908		STROBE LGT,S/CNT PWR SPLY,DBL/FLSH,16	
NI	1410794		LIGHT,PILOT,.53 DIA,AMBER LENS,PL-20AC-10	TCFE
NI	2006799		LIGHT,PILOT,AMBER,17/32IN,PL-19AC-10	SBCV, MBWB, VCTA
NI	1073311		NUT,PANEL,HEX HD,1/2-20,YEL ZN DICH	
NI	1499102		SWITCH,2 POSN,ACCESSORY	
NI	1547165		MARKER,SWITCH PANEL,STROBE	
NI	2001105		WASHER,FLAT,13/64 X,1/2 X 3/64,YEL ZN DICH	
NI	2001162		LOCKWASHER,SPLIT RING, 3/16,MED,YEL ZN	
NI	2001287		NUT,HEX HD,10-32,YEL ZN DICH	
NI	2006112		BREAKER,CIRCUIT,20 AMP	

VCTA

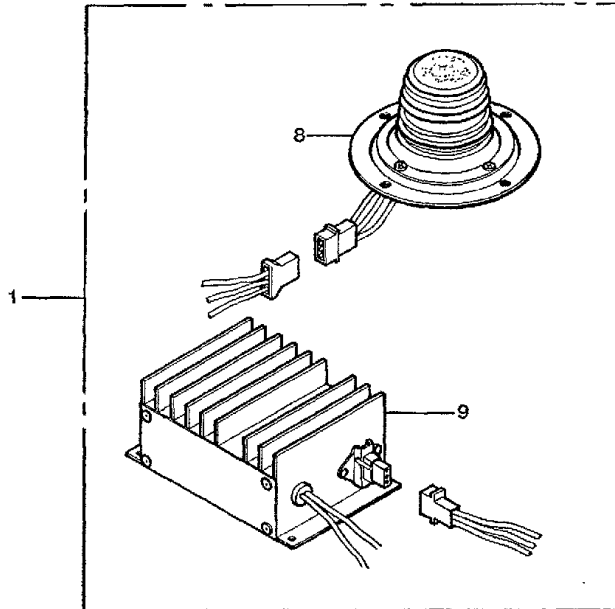
Models: AAFE, AARE, A3FE, A3RE, GMCV, GPWB, MBWB, SBCV, TCEV, TCPE, TCRE, TSPE,



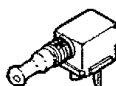
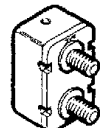
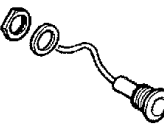
With Features: STROBE LIGHT, WHITE FLASHING
OPTION 2035, 2036 or FEATURE 30245

Key	PartNumber	Qty	Description	Comment
-----	------------	-----	-------------	---------

DR 4-14-89 BY DBW	FRT	8009300	REV
APP 5-23-89 BY HE			

© 1989 BLUE BIRD BODY COMPANY ALL RIGHTS RESERVED



<p>2</p> <p>WARNING</p> <p>STROBE WARNING LAMP POWER SUPPLY LOCATED BEHIND THIS ACCESS PANEL. PANEL MAY BE REMOVED ONLY BY QUALIFIED MECHANIC. IMPROPER HANDLING OF STROBE POWER SUPPLY MAY CAUSE ELECTRICAL BURNS.</p>	<p>3</p> 		
<p>4</p> 	<p>5</p> 	<p>6</p> 	<p>7</p> 

VCTA
Models: AAFE, AARE, A3FE, A3RE, GMCV, GPWB, MBWB, SBCV, TCEV, TCPE, TCRE, TSPE,
With Features: STROBE LIGHT, WHITE FLASHING
 OPTION 2035, 2036 or FEATURE 30245

Key	PartNumber	Qty	Description	Comment
			WHITE FLASHING STROBE LIGHT	OPTION 2035
1	1009281		STROBE,AEROFLASH M-100-C2B2-A,WHITE,DBL	
2	0879619		DECAL,STROBE WARNING	
3	0973404	2	NUT,HEX HD,10-32,BRASS,CIRCUIT BREAKER	
4	1073311		NUT,PANEL,HEX HD,1/2-20,YEL ZN DICH	
5	1120765		SWITCH,2 POSN,ACCESSORY	
6	2006112		BREAKER,CIRCUIT,20 AMP	
7	1410794		LIGHT,PILOT,.53 DIA,AMBER LENS,PL-20AC-10	
8	2147197		LIGHT ASSY,ONLY,STROBE 1009281"	LIGHT ASSEMBLY ONLY
9	2147205		POWER PACK ASSY,STROBE 1009281"	
NI	2147213		HARNES,WRG,STROBE 1009281"	
NI	2126928		BULB,STROBE,LOW PROFILE	
NI			WHITE FLASHING STROBE LIGHT	OPTION 2036
NI	1734011		LIGHT,STROBE,S/CNT POWER SUPPLY,DBL	
NI	1073311		NUT,PANEL,HEX HD,1/2-20,YEL ZN DICH	
NI	1410794		LIGHT,PILOT,.53 DIA,AMBER LENS,PL-20AC-10	
NI	1499102		SWITCH,2 POSN,ACCESSORY	
NI	0768218		BREAKER,CIRCUIT,10AMP	
NI	2006112		BREAKER,CIRCUIT,20 AMP	
NI	2001105		WASHER,FLAT,13/64 X,1/2 X 3/64,YEL ZN DICH	
NI	2001162		LOCKWASHER,SPLIT RING, 3/16,MED,YEL ZN	
NI	2001287		NUT,HEX HD,10-32,YEL ZN DICH	
NI			WHITE FLASHING STROBE LIGHT	FEATURE 30245
NI	1685908		STROBE LGT,S/CNT PWR SPLY,DBL/FLSH,16	
NI	1734011		LIGHT,STROBE,S/CNT POWER SUPPLY,DBL	

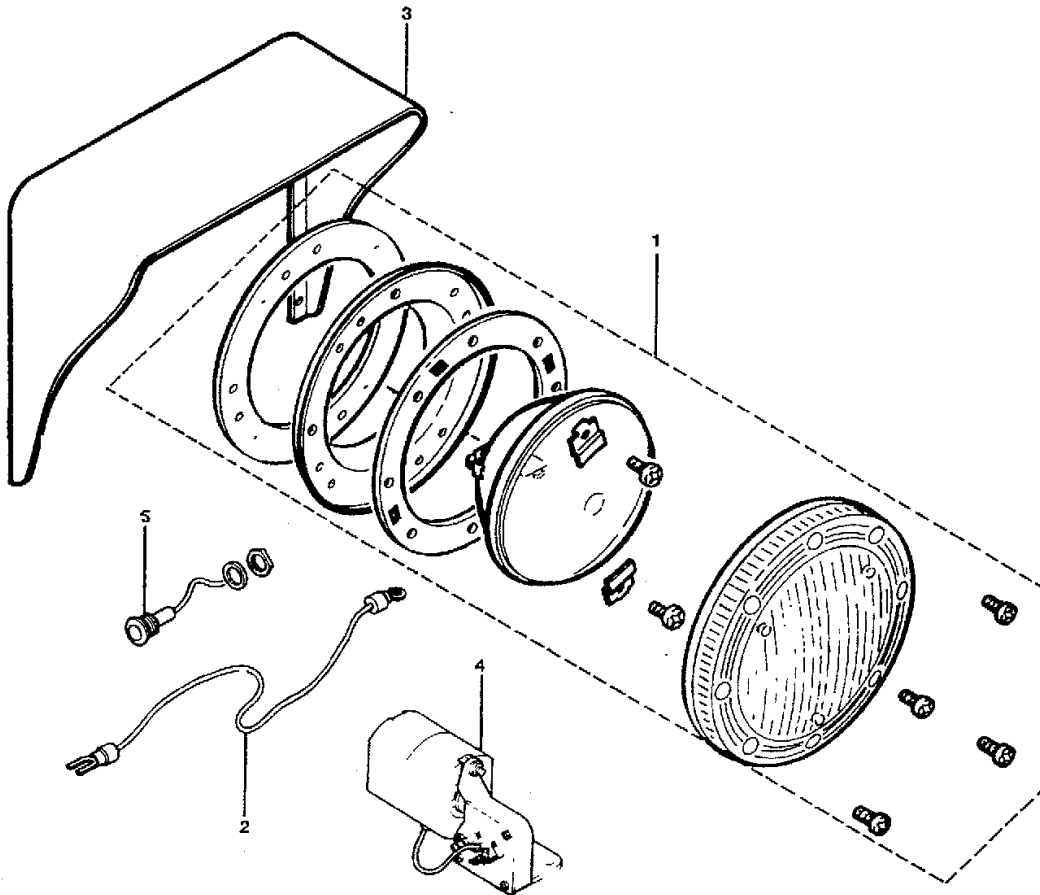
Models: AAFE, AARE, A3FE, A3RE, GPWB, MBWB, TCFE, TCRE, VCTA
 With Features: WARNING LIGHT SYSTEM
 OPTION 1987

Key	PartNumber	Qty	Description	Comment
-----	------------	-----	-------------	---------

OPT. 1987 WARNING LIGHT SYSTEM

DR 6-11-85	JLR	8003766
APP 6-11-85	DL	

FRONT © 1985 BLUE BIRD BODY COMPANY ALL RIGHTS RESERVED



Models: AAFE, AARE, A3FE, A3RE, GPWB, MBWB, TCFE, TCRE, VCTA

With Features: WARNING LIGHT SYSTEM
OPTION 1987

Key	PartNumber	Qty	Description	Comment
1	1225986	4	LIGHT,WARNING,RED,B	
2	1226455	4	STRAP ASSY,GROUND,BAADER WARNING LAMP	
3	0352310	4	HOOD,FRONT,WARNING LIGHT,SINGLE,PRIMED	
4	2005908		FLASHER,MOTOR DRIVEN	
5	1410802		LIGHT,PILOT,.53 DIA,RED LENS,PL-20RC-10	

Models: A3FE, A3RE, TSFE
With Features: WARNING LIGHT SYSTEM
 OPTION 6734

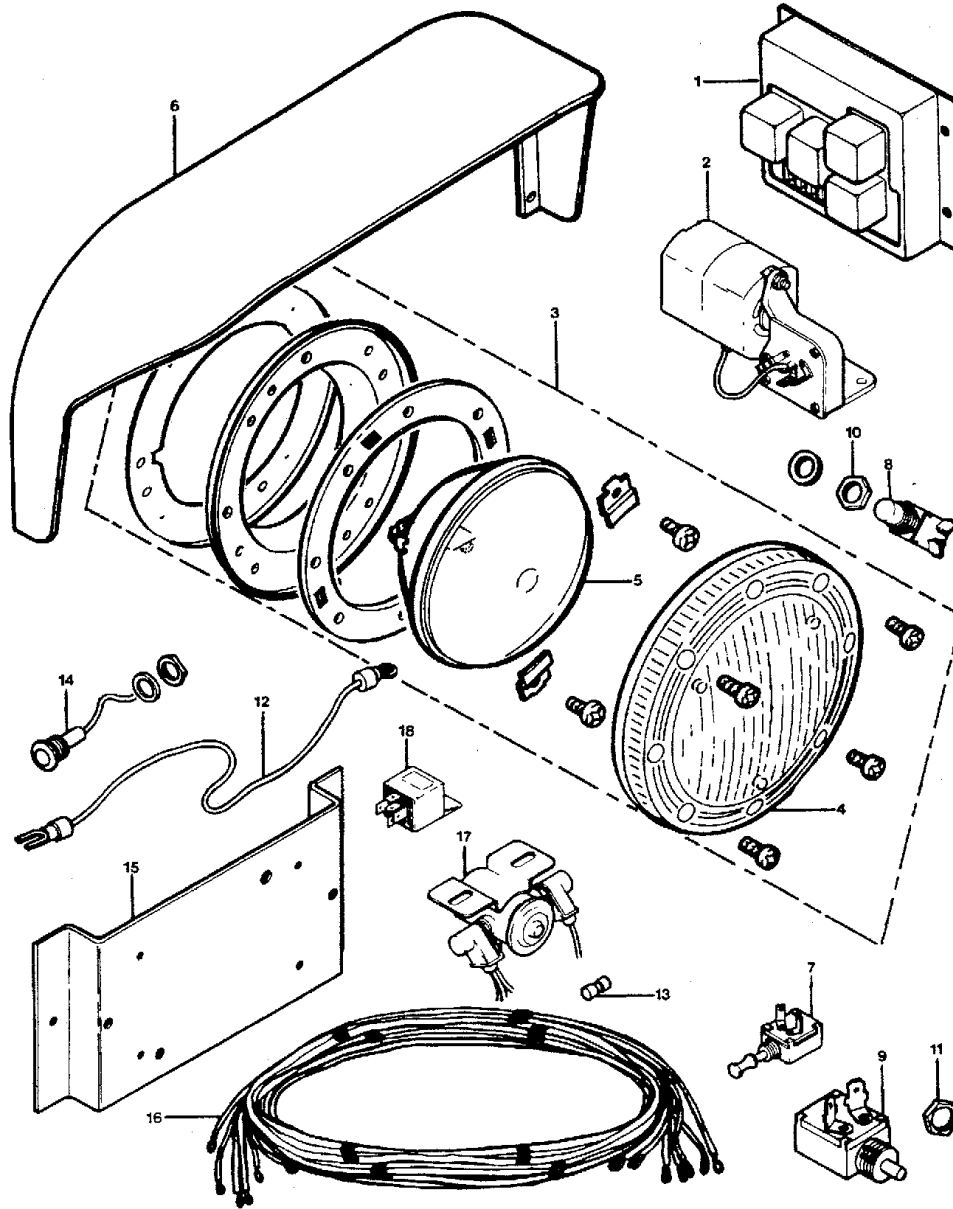
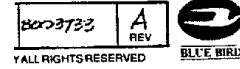
Key	PartNumber	Qty	Description	Comment
	1225986		LIGHT,WARNING,RED,B	
	1225994		LIGHT,WARNING,AMBER,B	
	0758342		HOOD,DUAL WARNING LIGHT,PRIMED	
	1161876		RELAY,ISO,W/O TAB	
	3866738		FUSE,20 AMP,M257-020	
	1499102		SWITCH,2 POSN,ACCESSORY	
	1124411		SWITCH,ADJUSTABLE,DPST (NC)	
	1155241		SWITCH,MANUAL	
	1656743		FLASHER SYSTEM,8 LAMP,WELDON 7000	
	1410794		LIGHT,PILOT,.53 DIA,AMBER LENS,PL-20AC-10	
	1410802		LIGHT,PILOT,.53 DIA,RED LENS,PL-20RC-10	

Models: AAFE, AARE, A3FE, A3RE, GPWB, MBWB, TCWE, TCRE, VCTA
 WARNING LIGHT SYSTEM
 8 LAMP

With Features: OPTION 2013, 2016

Key	PartNumber	Qty	Description	Comment
-----	------------	-----	-------------	---------

WARNING LAMP SYSTEM
 8 LAMP, OPT. 2016



REVISED 10-03-91

90VCT420

Models: AAFE, AARE, A3FE, A3RE, GPWB, MBWB, TCFE, TCRE, VCTA
WARNING LIGHT SYSTEM
8 LAMP
With Features: OPTION 2013, 2016

Key	PartNumber	Qty	Description	Comment
1	1366574		FLASHER SYSTEM,8 LAMP,AEROFLASH 165	OPTION 2013, 2016, AEROFLASH
1	1374149		FLASHER SYSTEM,8 LAMP,RAC NO760506	OPTION 2013, 2016, RAC
1	1656743		FLASHER SYSTEM,8 LAMP,WELDON 7000	OPTION, 2013, 2016, WELDON
3	0566182		LIGHT,WARNING,RED,W	
3	0755132		LIGHT,WARNING,AMBER,W	
3	1225986		LIGHT,WARNING,RED,B	
3	1225994		LIGHT,WARNING,AMBER,B	
4	2102788		LENS,WARNING LIGHT,RED"	
4	2103679		LENS,WARNING LIGHT,AMBER	
4	2132082		LENS,WARNING LIGHT,7IN RED,BB 2000	
4	2132090		LENS,WARNING LIGHT,7IN AMBER,BB 2000	
5	2101517	8	BULB,SEALED BEAM,7IN,WARNING LGT	
5	2146116	8	SEALED BEAM,CLEAR 5IN NO 4631-1,BAADER	
6	0758342		HOOD,DUAL WARNING LIGHT,PRIMED	OPTION 2013, 2016-01, -03
6	1111475		HOOD,WARNING LGT FOR 7 DIA RND LENS,	OPTION 2016-04
6	1625631		HOOD,DUAL WARNING LIGHT,E-COAT	OPTION 2309
NI	0810002		SWITCH,3 POSN,STOP ARM,W/RED KNOB	OPTION 2013 ONLY
NI	1499102		SWITCH,2 POSN,ACCESSORY	2013, 2016-03, 03
NI	1124411		SWITCH,ADJUSTABLE,DPST (NC)	
7			NOT APPLICABLE	
8	1155241		SWITCH,MANUAL	
9	1126176		SWITCH,MOMENTARY,SPST NC	OPTION 2016 ONLY
10	0196394		NUT,ADJUSTING,7/16IN-28,CAD	MANUAL SWITCH
11	1073311		NUT,PANEL,HEX HD,1/2-20,YEL ZN DICH	MOMENTARY SWITCH
12	0943092		STRAP ASSY,GROUND,WARNING LAMP	
13	3866738		FUSE,20 AMP,M257-020	
NI	2154037		FUSE,20 AMP,AEROFLASH & RAC FLASHER	
14	1410802		LIGHT,PILOT,.53 DIA,RED LENS,PL-20RC-10	
14	1410794		LIGHT,PILOT,.53 DIA,AMBER LENS,PL-20AC-10	
15	1052661		BRACKET,WARNING LIGHT FLASHER	
16			NO LONGER USED WITH NEW SWITCH PANEL	
17			NOT APPLICABLE	
18	1077718		RELAY,BOSCH,0-332-209-161,30 AMP	

OPTION 2013

Models: AAFE, AARE, A3FE, A3RE, GPWB, MBWB, TCFE, TCRE, VCTA

**WARNING LIGHT SYSTEM
8 LAMP**

With Features: OPTION 2013, 2016

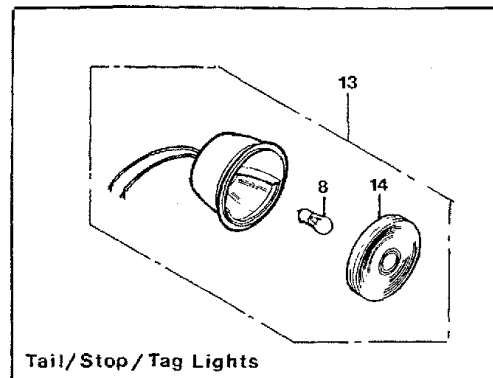
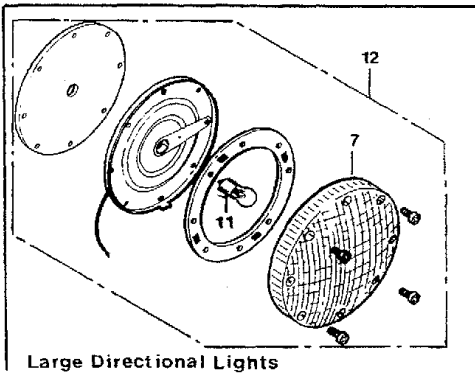
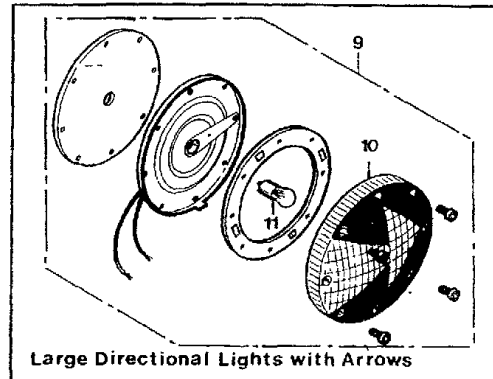
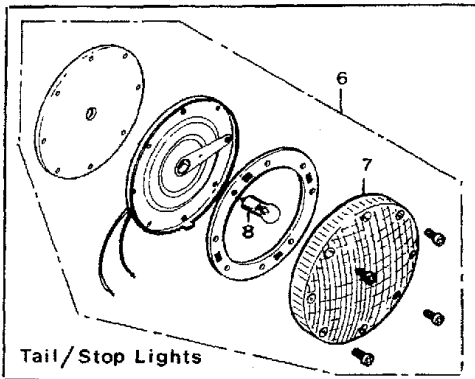
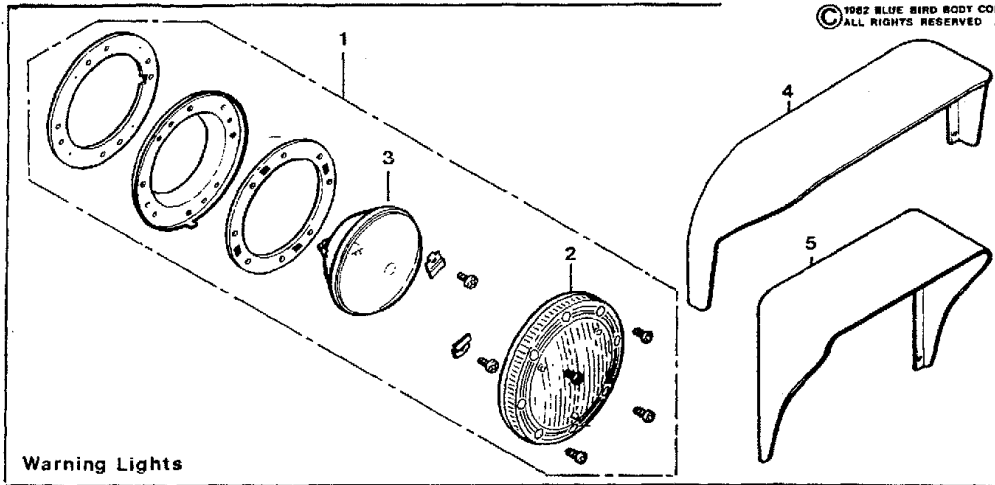
Key	PartNumber	Qty	Description	Comment
18	1120765		SWITCH,2 POSN,ACCESSORY	
18	1124411		SWITCH,ADJUSTABLE,DPST (NC)	OPTION 2013
18	1354646		NUT,PANEL,HEX HD,7/16-28,YEL ZN DICH	
NI	1161876		RELAY,ISO,W/O TAB	
NI	2005874		BRACKET,FLASHER,223 1840	
NI	1607928		ALARM,AUDIBLE CHIME	
NI	1608496		BRACKET,MOUNT,STOPARM ALARM	
NI	2006112		BREAKER,CIRCUIT,20 AMP	

Models: AAFE, AARE, A3FE, A3RE, B1VC, B2VC, GPWB, MBWB, SBCV, TCPE, TCRE, VCTA
 WARNING, 7 INCH STOP & DIRECTIONAL, 4 INCH COMBINATION

Key	PartNumber	Qty	Description	Comment
-----	------------	-----	-------------	---------

DR- 6/2/82 BY JET. 8000341
 APP- 6-1-82 BY [Signature] 1 of 2

© 1982 BLUE BIRD BODY COMPANY
 ALL RIGHTS RESERVED



Models: AAFE, AARE, A3FE, A3RE, B1VC, B2VC, GPWB, MBWB, SBCV, TCPE, TCRE, VCTA WARNING, 7 INCH STOP & DIRECTIONAL, 4 INCH COMBINATION

Key	PartNumber	Qty	Description	Comment
1	0566182		LIGHT,WARNING,RED,W	OPTION 1987, 1992, 2016, 2021
1	0755132		LIGHT,WARNING,AMBER,W	OPTION 2016, 2021
1	1225986		LIGHT,WARNING,RED,B	OPTION 1987, 1992, 2016, 2021
1	1225994		LIGHT,WARNING,AMBER,B	OPTION 2016, 2021
2	2102788		LENS,WARNING LIGHT,RED"	OPTION 1987, 1992, 2016, 2021
2	2103679		LENS,WARNING LIGHT,AMBER	OPTION 2016, 2021
2	2132082		LENS,WARNING LIGHT,7IN RED,BB 2000	OPTION 1987, 1992, 2016, 2021
2	2132090		LENS,WARNING LIGHT,7IN AMBER,BB 2000	OPTION 2016, 2021
NI	2134369		GASKET,LENS,7IN LIGHT,W	
NI	4280202		GASKET,LENS,INSIDE (BAADER BROWN)	
3	2101517		BULB,SEALED BEAM,7IN,WARNING LGT	
3	2146116		SEALED BEAM,CLEAR 5IN NO 4631-1,BAADER	
NI	2152239		GASKET,LIGHT,7 IN,BASE TO BODY,(MTG PAD)	
NI	4280194		GASKET,O/S,WRNG LGT HOUSING TO BODY	
4	0758342		HOOD,DUAL WARNING LIGHT,PRIMED	OPTION 2021
5	0352310		HOOD,FRONT,WARNING LIGHT,SINGLE,PRIMED	OPTION 1987, 6728
6	0857656		LIGHT,STOP/TAIL,RED,W	OPTION 1798, 1940, 1959
7	2102770		LENS,STOP LIGHT,RED,PLAIN	LENS ONLY
NI	2134369		GASKET,LENS,7IN LIGHT,W	
8	2255669		BULB,1157	ALL TAIL/STOP LIGHTS
NI	1203660		LIGHT,STOP/TAIL,T	OPTION 1798, 1940, 1959
NI	0027924		LIGHT,LED,RED,STOP,7 IN	FEATURE 30175-03, 30174-02
9	0566190		LIGHT,DIRECTIONAL,RED W/ARROW	OPTION 1788, 1727
9	0566208		LIGHT,DIRECTIONAL,AMBER W/ARROW	OPTION 1788, 1790, 1731, 1701
9	2132157		LIGHT,DIRECTIONAL,7IN,RED,W/ARROW BB	
9	2132140		LIGHT,DIRECTIONAL,7IN,AMBER,W/ARROW BB	
10	2102754		LENS,DIRECTIONAL LIGHT"	OPTION 1788
10	2102762		LENS,DIRECTIONAL LIGHT,AMBER ARROW"	OPTION 1788, 1790
10	2132173		LENS,DIRECTIONAL LIGHT,7IN,RED	
10	2132165		LENS,DIRECTIONAL LIGHT,7IN,AMBER	
NI	2134369		GASKET,LENS,7IN LIGHT,W	
NI	4280202		GASKET,LENS,INSIDE (BAADER BROWN)	
11	1038215		BULB,CORNERING LIGHTS,GE1156	

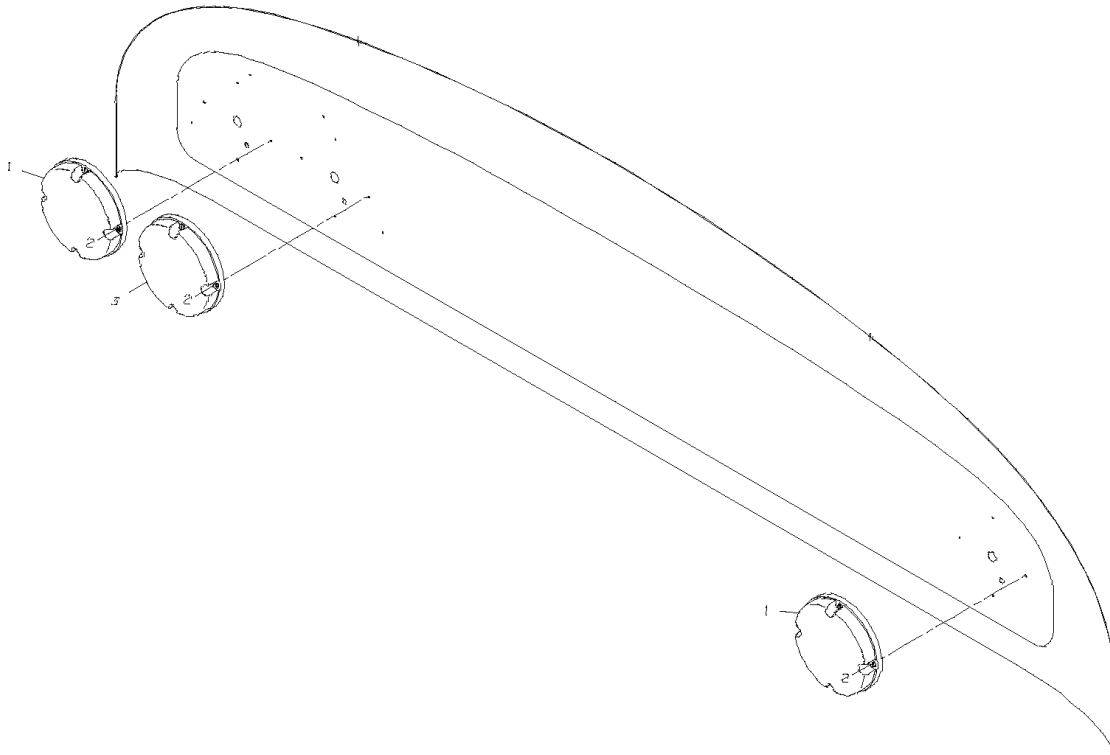
OPTION 1798, 1940

Models: **AAFE, AARE, A3FE, A3RE, B1VC, B2VC, GPWB, MBWB, SBCV, TCPE, TCRE, VCTA WARNING, 7 INCH STOP & DIRECTIONAL, 4 INCH COMBINATION**

Key	PartNumber	Qty	Description	Comment
12	0566174		LIGHT,DIRECTIONAL,RED,PLAIN	
12	0817098		LIGHT,DIRECTIONAL,AMBER,PLAIN	OPTION 1796, 1798
12	2132108		LIGHT,STOP,7IN,RED,BB SERIES 5000	
12	2132116		LIGHT,STOP,7IN,AMBER,B-B SERIES 5000	
12	2102770		LENS,STOP LIGHT,RED,PLAIN	OPTION 1798, 1940, 1959
12	2103109		LENS,DIRECTIONAL LIGHT,AMBER,PLAIN	OPTION 1796, 1798
12	2132124		LENS,STOP LIGHT,7IN RED,BB SERIES 5000	
12	2132132		LENS,STOP LIGHT,7IN AMBER,BB 5000 SERIES	
NI	0027923		LIGHT,L E D,AMBER,DIRECTIONAL	FEATURE 30116-05, 30120-03
NI	1203678		LIGHT,DIRECTIONAL,AMBER,T	OPTION 1798
13	0526657		LIGHT,TAIL,PLASTIC,70-6218-11	
14	2101657		LENS,COMBINATION LIGHT,RED	
NI	0044521		LIGHT,TRUCK LITE,MDL 12009R,LAMP KIT,	
NI	0014698		LIGHT,TRUCK-LITE,MODEL 12009Y	
NI	0044513		LAMP,RED,W/GASKET (KIT 12009R TRUCK LITE	
NI	0044514		LAMP,AMBER,W/GASKET (KIT 12009Y TRUCK	
NI	0044515		LAMP ONLY,RED,TRUCK LITE (12009R TRK LITE	
NI	0044516		LAMP ONLY,AMBER,TRUCK LITE (12009Y TRK	
NI	0044517		PIGTAIL FOR TRUCK LITE KIT 12009	
NI	0044518		MOUNTING BRACKET FOR TRUCK LITE KIT	
NI	0044519		MOUNTING BRACKET W/GASKET FOR TRUCK	
NI	0044520		GASKET,TRUCK LITE KIT 12009	

Models: A1VC, A3FE, A3RE, B1VC, B2VC, SBCV
With Features: WARNING, FRONT & REAR
FEATURE 30200-08, -09

Key	PartNumber	Qty	Description	Comment
-----	------------	-----	-------------	---------



Models: A1VC, A3FE, A3RE, B1VC, B2VC, SBCV
WARNING, FRONT & REAR
With Features: FEATURE 30200-08, -09

Key	PartNumber	Qty	Description	Comment
1	0054503		LIGHT,WARNING,LED,7IN,RED"	
1	0071213		LENS,LIGHT,WARNING,7IN LED,RED	
1	0071214		GASKET,LIGHT,WARNING,7IN LED	
2	2083095		SCREW,10-16 X 3/4,AB,PH1,PANHD,YELZN,	
3	0031978		LIGHT,WARNING,AMBER,HALOGEN,ATC	
3	0071188		LENS,LIGHT,AMBER,HALOGEN,ATC	