

**Body**

**440 Emergency Equipment**

FIRST AID KITS, FUSEES, AND WARNING DEVICES

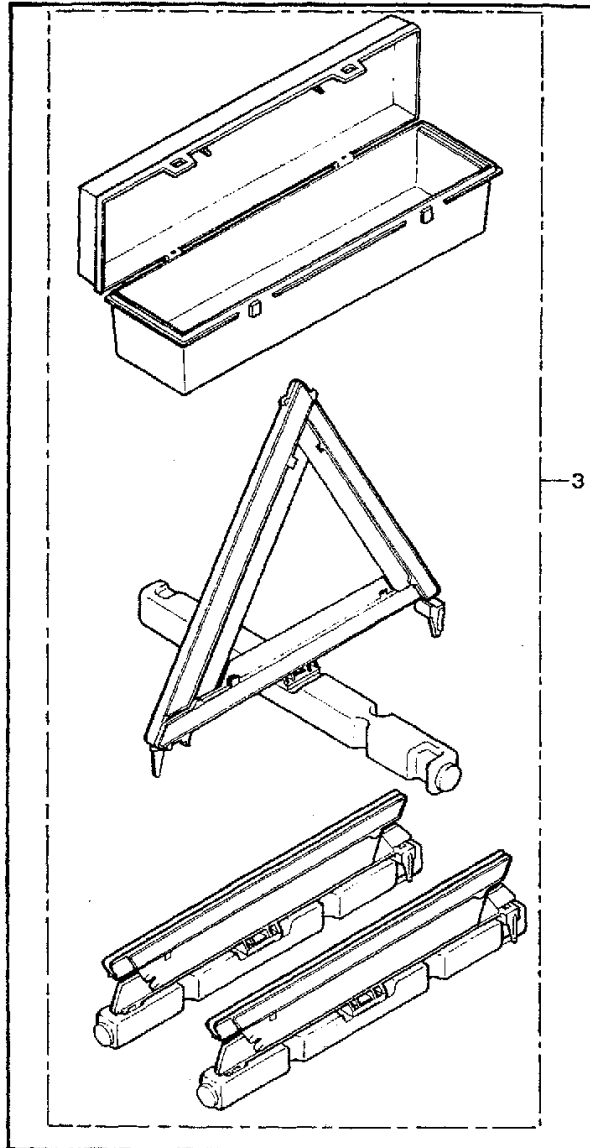
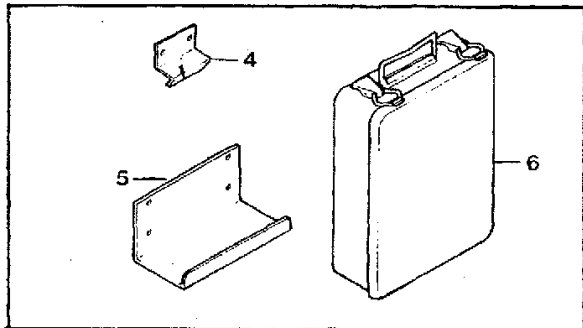
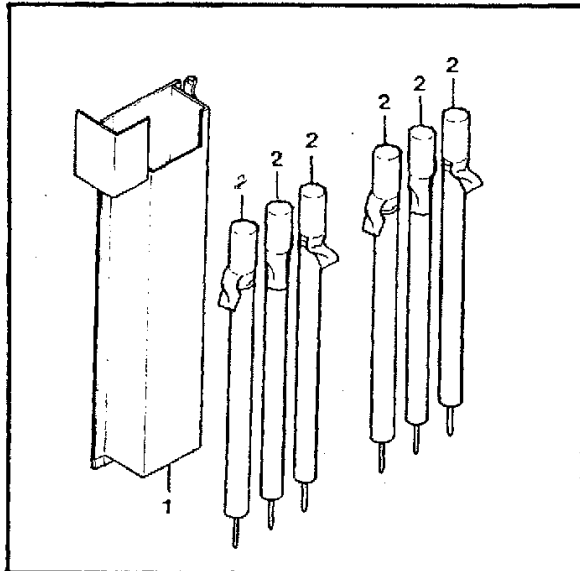
INDIVIDUAL FIRST AID KIT REPLACEMENT	1
MISCELLANEOUS ITEMS	2
	3

**Models:** AAFE, AARE, A3FE, A3RE, BBCV, B1VC, B2VC, GPWB, MBWB, TCPE, TCRE, VCTA  
**FIRST AID KITS, FUSEES, AND WARNING DEVICES**

Key	PartNumber	Qty	Description	Comment
-----	------------	-----	-------------	---------

DR 6/2/82 BY JET. 8000523  
 APP 6-2-82 BY LAS. 20F2

© 1982 BLUE BIRD BODY COMPANY  
 ALL RIGHTS RESERVED



**Models:** AAFE, AARE, A3FE, A3RE, BBCV, B1VC, B2VC, GPWB, MBWB, TCPE, TCRE, VCTA  
**FIRST AID KITS, FUSEES, AND WARNING DEVICES**

Key	PartNumber	Qty	Description	Comment
1	1544519		BOX ASSY,FUSEE	OPTION 0741, 3 FUSEES, 0742, 6 FUSEES, 6225, 3 FUSEES-
1				FEATURE NUMBERS 30741--04, -05,-06
2	2005320		FUSEE,30 MIN,17-1/4IN	OPTION 0741, 3 FUSEES, 0742, 6 FUSEES
2				FEATURE NUMBERS 30741-05, 30741-06
NI	1382811		FUSEE,30 MIN,TRIPOD BASE,DIETZ 8-44400	OPTION 6225 FEATURE NUMBER 30741-04
NI	1510726		WARNING KIT,SIX FUSEES W/ THREE TWD	OPTION 0758, FEATURE NUMBER 30741-03
NI	1510718		WARNING KIT,THREE TRI,RT80-3 W/LARGE BOX	OPTION 0758
NI				FEATURE 30741-03
NI	1510734		BRACKET,LOCKING,WARNING KIT,FUSEES W/	
NI				OPTION 0758 , FEATURE 30741 -03
3	1074111		WARNING KIT,TRIANGULAR,WITH OUT	OPTION 0753, 0754, 0755, 0756
3				FEATURE 30741-01,, -02
NI	2105427		CASE,ONLY (#130) TRIANGULAR WARNING	
4	0332783		BRACKET,FIRST AID KIT HANGER,ALL EXCEPT	ALL FAK OPTIONS
5	1162536		BRACKET,FIRST AID KIT SUPPORT	ALL FAK OPTIONS
NI			KIT, BODY FLUIDS CLEAN-UP	
NI	1591817		KIT,BODY FLUID CLEAN-UP,GEORGIA	OPTION 730, GEORGIA
NI	1592542		KIT,BODY FLUID CLEAN-UP,WASHINGTON	OPTION 731, WASHINGTON
NI	1636299		KIT, BODY FLUID CLEAN-UP, NEBRASKA	OPTION 732, NEBRASKA
NI	1637388		KIT,BODY FLUID CLEAN-UP,MISSISSIPPI	OPTION 734, MISSISSIPPI
NI			KITS ORDERED THROUGH CERTIFIED SAFETY.	

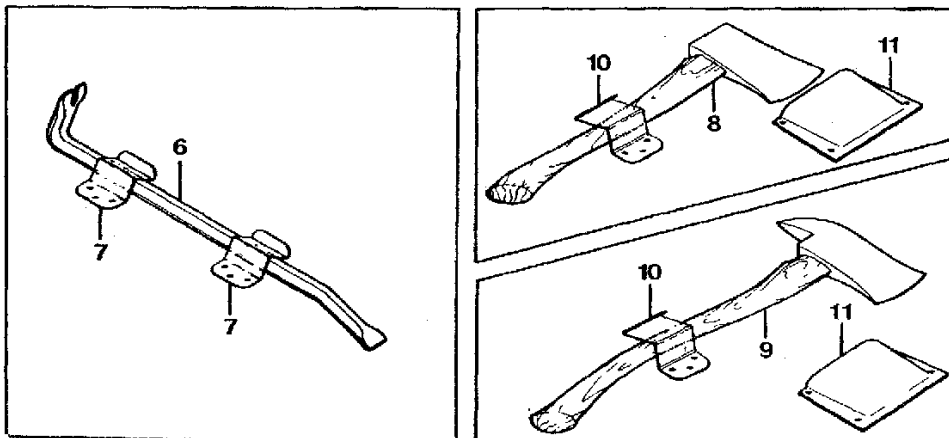
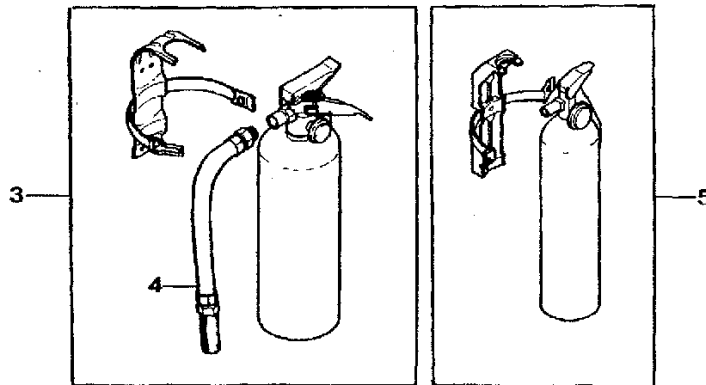
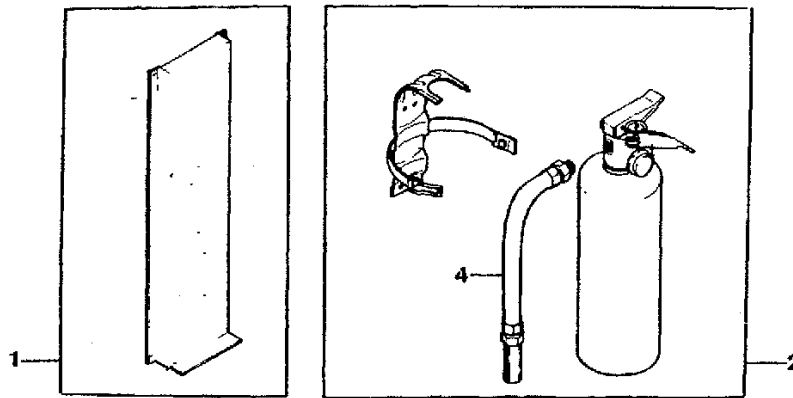
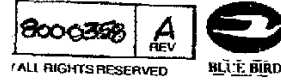
**Models:** AAFE, AARE, A3FE, A3RE, BBCV, B1VC, B2VC, GPWB, MBWB, TCPE, TCRE, VCTA  
**INDIVIDUAL FIRST AID KIT REPLACEMENT**

Key	PartNumber	Qty	Description	Comment
	2102127		AROM,SPIRITS OF AMMONIA,W/CUPS	
	2102135		CARBOLATED PETROLATUM,(BOX OF 2) 1/2 OZ	
	2102275		EYE DRESSING PACKET	
	2102283		WIRE SPLINT	
	2102291		TRIANGULAR BANDAGE	
	2102309		TAN-A-BURN	
	2102465		BANDAGE,COMPRESS,2IN"	
	2102333		BANDAGE,COMPRESS,4IN	
	2102341		GAUZE,COMPRESS	
	2102358		INHALENT,AMMONIA	
	2102366		GAUZE,BANDAGE	
	2102374		BANDAGE,ADHESIVE,PLASTIC	
	2102382		TAPE,ADHESIVE	
	2102390		GAUZE,COMPRESS	
	2102408		SWAB,IODINE	
	2102424		APPLICATOR,MERTHIOLATE	
	2102432		TOURNIQUET	
	2102457		FORCEPS & SCISSORS	
	2102473		GAUZE,BANDAGE,2IN X 6YDS	
	2102499		BANDAGE,ACE	
	2103125		BLADE,PADDED TONGUE	
	2102515		TOURNIQUET,FORCEPS & SCISSORS	
	2102523		TAPE,ADHESIVE,1/2 X 2 1/2 YDS	
	2104198		GAUZE,SQUARE YARD	
	2103216		BANDAGE,ADHESIVE,W/TELFAPAD	
	2104214		MANUAL,FIRST AID KIT	

Models: AAFE, AARE, A3FE, A3RE, BBCV, B1VC, B2VC, GPWB, MBWB, TCPE, TCRE, VCTA  
 MISCELLANEOUS ITEMS

Key	PartNumber	Qty	Description	Comment
-----	------------	-----	-------------	---------

EMERGENCY EQUIPMENT



**Models:** AAFE, AARE, A3FE, A3RE, BBCV, B1VC, B2VC, GPWB, MBWB, TCPE, TCRE, VCTA  
**MISCELLANEOUS ITEMS**

Key	PartNumber	Qty	Description	Comment
1	0002980		BRACKET,MTG,FIRE EXTINGUISHER	<i>ALL FIRE EXTINGUISHER OPTIONS</i>
2	1216894		EXTINGUISHER,FIRE,3A,40BC,W/BRKT,6#	<i>OPTION 0663 EXTINGUISHER, CLASS 3A-30 B:C: 6 LB.WITH HOSE</i>
3	1216704		EXTINGUISHER,FIRE,3A 40BC,5#	<i>OPTION 0661 EXTINGUISHER, CLASS 2A-10 B:C; 5 LB.. WITH HOSE</i>
4	2149821		HOSE,FIRE EXTINGUISHER,FOR AMEREX B400	<i>HOSE ONLY FOR 1216704</i>
5	0845040		EXTINGUISHER,FIRE,1A 10BC,2.5#	<i>OPTION 0657 EXTINGUISHER, CLASS 10 B:C; 2 3/4 LB.</i>
6	0948570		BAR,WRECKING,24IN,3.5LB,RED	<i>OPTION 0131, 24" LONG</i>
7	1225978		BRACKET,RETAINER,WRECKING BAR	
8	2004984		AXE,FIRE,FLAT HEAD,18 IN,RED	<i>OPTION 0125, FLAT HEAD AXE, 2 1/2 LB. HEAD</i>
9			PICKHEAD AXE, 2 1/2 LB. HEAD	
9	2004976		AXE,FIRE,PICK HEAD,24 IN,RED	<i>OPTION 0128, 24" LONG</i>
9	0821579		AXE,FIRE,PICK HEAD,27 IN,RED	<i>OPTION 0130, 28" LONG</i>
10	1225960		BRACKET,RETAINER,AXE	
11	1438415		BRACKET,SUPT,AXE	<i>ALL AXES</i>