

Body

450 Compartments

BATTERY

With: STD. _____ 1

HEAVY DUTY

With: OPTION 0156 _____ 2

SLIDING

*With: OPTION 0153
From BSN 10082595 8/8/05* _____ 3

LUGGAGE

DOUBLE

*With: OPTION 0168, 0169, 0174, 0175
From BSN 001549 185594 265588 365714* _____ 4

LIGHTS

With: OPTION 0165-01, 02 _____ 5

REAR CENTER

*With: OPTION 0177
To BSN A3 F10078964 6-5-05* _____ 6

From BSN F10078965 L10142775 6-6-05 _____ 7

OVERHEAD EMERGENCY EQUIPMENT COMPARTMENT

LOCKING

With: OPTION 0162 _____ 8

NON-LOCKING

With: OPTION 0161 _____ 9

TOOL

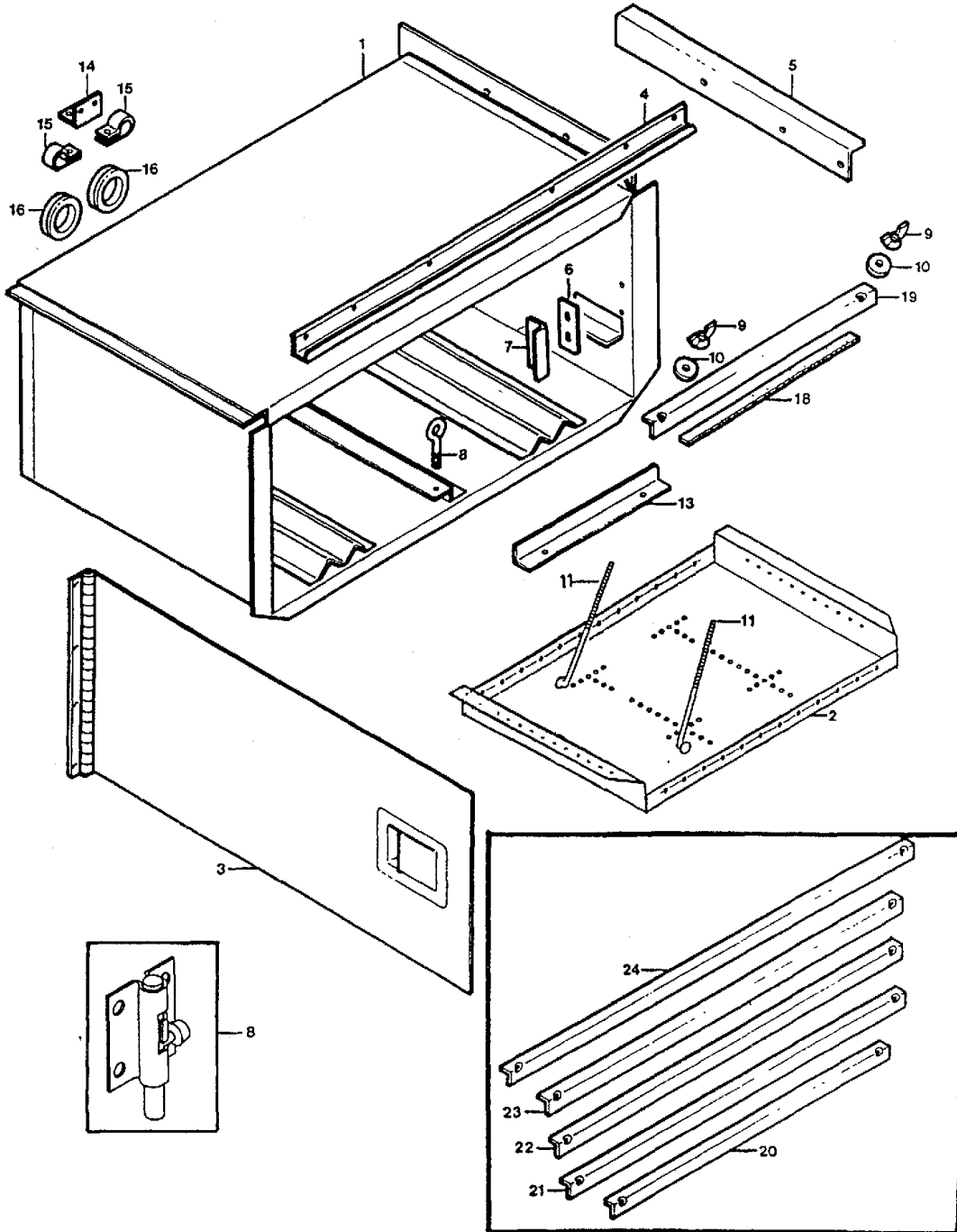
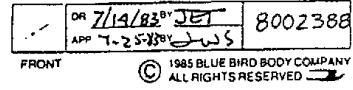
*With: OPTION 0194, 195
From BSN 011286 361175 GMCV 011438* _____ 10

BOX, LOCKING, UNDER SEAT

With: OPTION 3205 _____ 11

Models: AAFE, A3FE, A3RE, C1FE, C3FE, CSFE, TCFE, TCRE, TSFE
 With Features: BATTERY STD.

Key	PartNumber	Qty	Description	Comment
-----	------------	-----	-------------	---------



Models: AAFE, A3FE, A3RE, C1FE, C3FE, CSFE, TCFE, TCRE, TSFE
With Features: BATTERY STD.

Key	PartNumber	Qty	Description	Comment
1	0008856		BOX ASSY,SLIDING BATTERY,26 WIDTH,	
1	0008857		BOX ASSY,SLIDING BATTERY,LH,FRONT,CV	ENDING WITH BSN FE 30061805, RE 10061810
2	1162023		TRAY,BATTERY BOX	
3	1651777		PANEL ASSY,DOOR,SLIDING BAT BOX CMPT,	ENDING WITH BSN 0018804, 188870, 256957, 369411 LOCK NOT INCLUDED
3	1651777		PANEL ASSY,DOOR,SLIDING BAT BOX CMPT,	ENDING WITH BSN 0018804, 188870, 256957, 369411 LOCK NOT INCLUDED
3	1839885		PANEL,DOOR,SLIDING BATTERY BOX,E-COAT	BEGIN WITH BSN 0018805, 188871, 256958, 369412
NI	1842228	2	HINGE GUIDE	BEGIN WITH BSN 0018805, 188871, 256958, 369412
NI	1842582	2	PIN HINGE	BEGIN WITH BSN 0018805, 188871, 256958, 369412
NI	1842541	4	SCREW,12-14 X 1,AB,PH1,PAN HD,YELLOW	BEGIN WITH BSN 0018805, 188871, 256958, 369412
NI	1651868		LATCH,BATTERY BOX,PUNCHED,PRIMED	3 5/8 X 4 11/16
NI	1651835		LATCH,LOCK,W/SPLIT GASKET,PUNCHED,	WITH DUST SHUTTER & KEYS OPTION 0198 WITH KEYS
NI	0848747		KEY,LL-25,LOCKING COMPARTMENTS	KEY
4	0879676		MOLDING,DRIP,26,SLIDING BAT CMPT,PRIMED	
5	0307017		ANGLE,MTG,26IN WIDTH SLIDING BATTERY	
6	0525618		SPACER,STRIKER,LUGGAGE & TIRE	
7	0332544		PLATE,STRIKER,TIRE COMPARTMENT	
8	2000388		BOLT,EYE,BATTERY BOX TRAY,1/4 X 2"	
8	1422500		LATCH,BOLT,BARREL,SOUTH CAROLINA	OPTION 7365
N	1458843		BOLT & CABLE ASSY,RETAINER,BATTERY TRAY	OPTION 157
9	2001444	2	NUT,WING,5/16-18,YEL ZN DICH	
10	2001055	2	WASHER,FLAT,11/32 X 1 1/4 X 5/32,YEL ZN	
11	0885236	2	BOLT,BATTERY TIE DOWN	
12			NOT APPLICABLE	
13	0233387		ANGLE,LWR,BATTERY STOP	
14	0970269		ANGLE,CABLE CLAMP,SLIDING BATTERY CMPT	
15	0557710		CLAMP,LOOP,.812	
16	0421792	2	GROMMET,1 3/4 X 1/16 X 1 1/2	
17			NOT APPLICABLE	
18	2003101		RUBBER,SPONGE,3/16 X 1/2 WITH PSA	

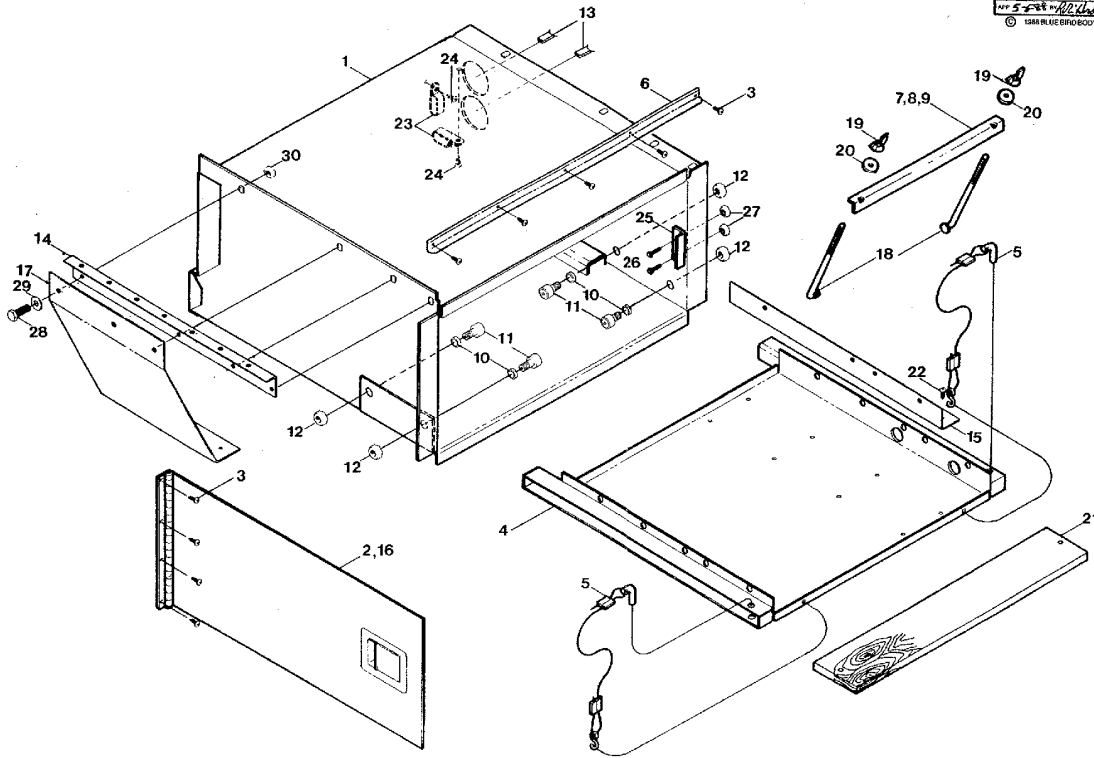
Models: AAFE, A3FE, A3RE, C1FE, C3FE, CSFE, TCFE, TCRE, TSFE
With Features: BATTERY
 STD.

Key	PartNumber	Qty	Description	Comment
19	1141779		ANGLE,BAT CLAMPING,FINISHED,15 3/4,	
20	1142199		ANGLE,BAT CLAMPING,FINISHED,19 1/2	
21	1142173		ANGLE,BAT CLAMPING,FINISHED,23 1/2	
22	1142165		ANGLE,BAT CLAMPING,FINISHED,24 1/4	
23	1142165		ANGLE,BAT CLAMPING,FINISHED,24 1/4	SAME AS ABOVE
24	1142181		ANGLE,BAT CLAMPING,FINISHED,28 1/4	
NI	1162015		ANGLE,BAT CLAMPING,FINISHED,15 3/4	

Models: AAFE, A3FE, A3RE, BBCV, C1FE, C3FE, CSFE, CSRE, SBCV, T2RE, TCFE, TSFE

With Features:
 BATTERY
 HEAVY DUTY
 OPTION 0156

Key	PartNumber	Qty	Description	Comment
-----	------------	-----	-------------	---------



Models: AAFE, A3FE, A3RE, BBCV, C1FE, C3FE, CSFE, CSRE, SBCV, T2RE, TCFE, TSFE

With Features: BATTERY
HEAVY DUTY
OPTION 0156

Key	PartNumber	Qty	Description	Comment
1	0035824		BOX ASSY,BATTERY,HEAVY DUTY	ALL EXCEPT 8.1 A3 AND CV
1	0035826		BOX ASSY,BATTERY,HEAVY DUTY,8.1, A3	
1	0035827		BOX ASSY,BATTERY,HEAVY DUTY,CV	
2			DOOR ASSY., NON-LOCKING, HEAVY DUTY BOX	LOCK NOT INCLUDED
NI	1651710		PANEL ASSY,DOOR,BATTERY BOX	ENDING WITH BSN 0018804, 188870, 256958, 369411
NI			PANEL ASSY,DOOR,BATTERY BOX	BEGIN WITH BSN 0018805, 188871, 256959, 369412 NO LONGER AN ASSEMBLY
NI	1839851		PANEL,DOOR,BATTERY BOX,HEAVY DUTY,E-	
NI	1842228		HINGE GUIDE	
NI	1842582		PIN HINGE	
NI	1842541		SCREW,12-14 X 1,AB,PH1,PAN HD,YELLOW	
NI	1651884		LATCH,BATTERY BOX,PUNCHED E-COAT	
3	2000024	9	SCREW,1/4-14 X 3/4,B,HEX HD,YEL ZN DICH	
4	0022924		TRAY ASSY,BATTERY BOX,HEAVY DUTY	STANDARD
4	0049206		TRAY ASSY,BATTERY BOX,HEAVY DUTY,SS,	
5	1159532	2	PIN & CABLE ASSY,RETAINER BATTERY TRAY	
6	1647908		MOLDING,DRIP,BATTERY COMPARTMENT,26,E-	
7	1582683		ANGLE,BATTERY CLAMPING,FINISHED,24.50	
8	1374545		ANGLE,BAT CLAMPING,FINISHED,16.33	
10	1071992	4	BUSHING,SMALL CAM FOLLOWER,WLFC	
11	1072263	4	BEARING,CAM FOLLOWER,RBC H-32 L	
12	2001501	4	NUT,HEX HD,FINISH,5/8-18,YEL ZN DICH	
13	1489434	18	TRIM,VINYL,BLACK,DOUBLE LIP	
14	1357227		ANGLE,MTG,TOOL BOX,LH	
NI	0079064		BRACE,BOX,BATTERY,HD,35 SECT,PAINTED, CV	
15	1374487		ANGLE,SUPPORT,BATTERY,HEAVY DUTY	
16	1465624		DOOR ASSY,LOCKING,BATTERY CMPT,AARE	
NI	1055284		LATCH,LOCK,W/DUST SHUTTER	OPTION 0198 WITH KEYS. INCLUDED WITH ITEM 16
NI	0848747		KEY,LL-25,LOCKING COMPARTMENTS	KEY
17	1378330		BRACE,BATTERY BOX,HEAVY DUTY,35 SECTION	
18	1091248	2	BOLT,BATTERY TIE DOWN,5/16-18 X 8 ZINC	
18	0885236	2	BOLT,BATTERY TIE DOWN	
19	2001444	2	NUT,WING,5/16-18,YEL ZN DICH	

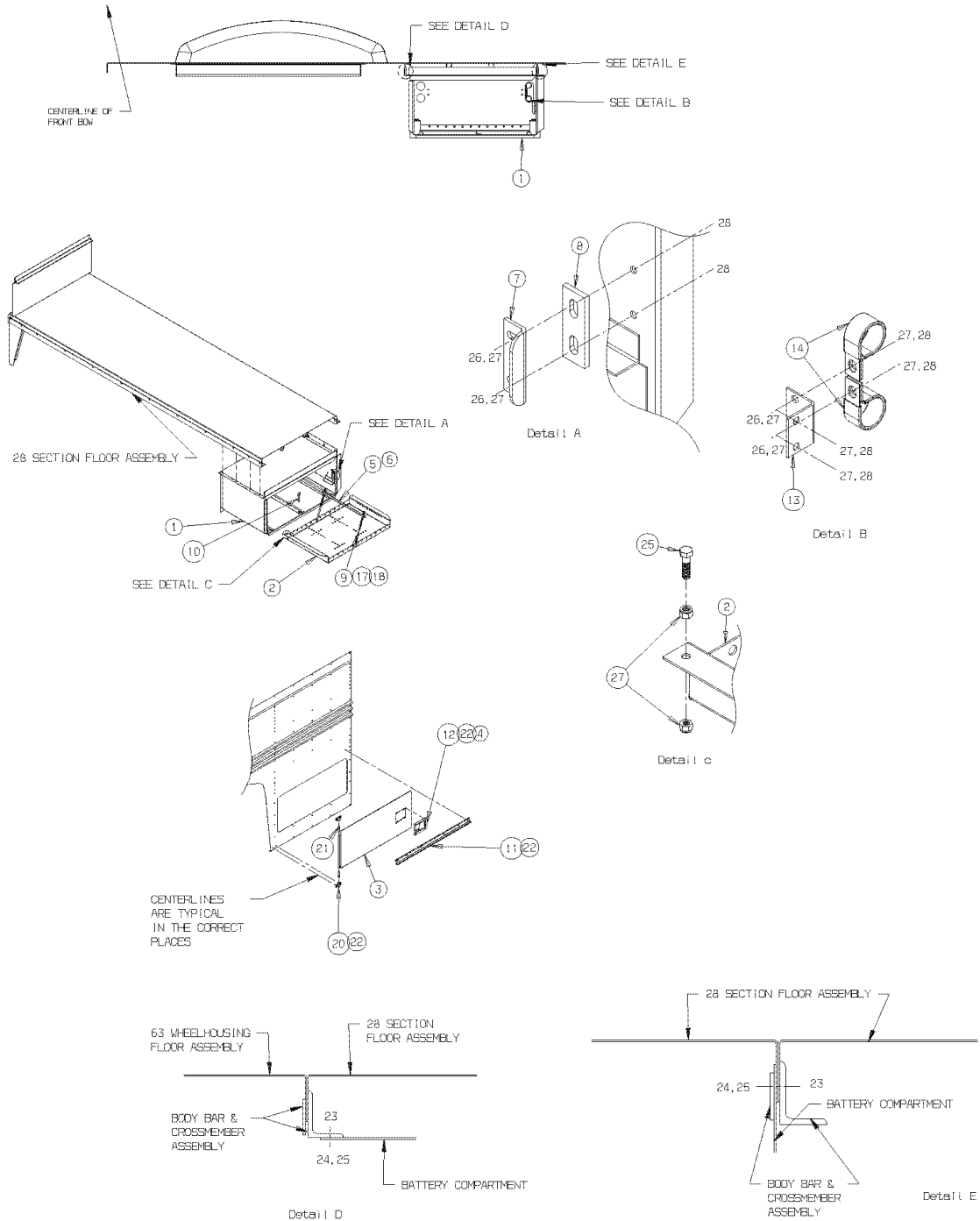
Models: AAFE, A3FE, A3RE, BBCV, C1FE, C3FE, CSFE, CSRE, SBCV, T2RE, TCFE, TSFE

With Features: BATTERY
HEAVY DUTY
OPTION 0156

Key	PartNumber	Qty	Description	Comment
20	2001055	2	WASHER,FLAT,11/32 X 1 1/4 X 5/32,YEL ZN	
21	1146778		PANEL,SPACER,BATTERY,ROLL OUT	
22	2000669	4	SCREW,1/4-14 X 3/4,TYP1,PH1,OVAL CNSK,YEL	
23	2021541	2	CLAMP,LOOP,.687 X 1.374	
24	1268119	2	SCREW,1/4-20X1/2,F,PH1,PAN HD,YEL ZN DICH	
25	1418201		PLATE,STRIKER,BATTERY CMPT,BAT DISC SW	
26	0962753	2	CAPSCREW,HEX HD,1/4-28,X,1,,GR5,YELDICH	
27	1039262	2	NUT,HEX HD,1/4-20,LOCK,ZINC	
28	0610725	8	CAPSCREW,HEX HD,5/16-18X1 1/4,GR8,	
29	2001048	8	WASHER,FLAT,11/32 X 11/16 X 1/16,YEL	
30	1465954	8	NUT,HEX HD,5/16-18,LK,NYLON INSERT,YEL	

Models: A3FE
BATTERY
SLIDING
With Features: OPTION 0153
BSN: From BSN 10082595 8/8/05

Key	PartNumber	Qty	Description	Comment
-----	------------	-----	-------------	---------



Models: A3FE
BATTERY
SLIDING
With Features: OPTION 0153
BSN: From BSN 10082595 8/8/05

Key	PartNumber	Qty	Description	Comment
1	0008857		BOX ASSY,SLIDING BATTERY,LH,FRONT,CV	
2	1162023		TRAY,BATTERY BOX	
3	1839885		PANEL,DOOR,SLIDING BATTERY BOX,E-COAT	
4	0848747		KEY,LL-25,LOCKING COMPARTMENTS	KEY, LL-25, LOCKING COMPARTMENTS
5	1162015		ANGLE,BAT CLAMPING,FINISHED,15 3/4	
6	2003101		RUBBER,SPONGE,3/16 X 1/2 WITH PSA	
7	1418201		PLATE,STRIKER,BATTERY CMPT,BAT DISC SW	BATTERY DISC SW OPTION
8	0525618		SPACER,STRIKER,LUGGAGE & TIRE	
9	0885236	2	BOLT,BATTERY TIE DOWN	
10	2000388		BOLT,EYE,BATTERY BOX TRAY,1/4 X 2"	
11	1647700		MOLDING,DRIP,26,SLIDING BAT CMPT,E-COAT	
12	1651884		LATCH,BATTERY BOX,PUNCHED E-COAT	
12	1651850		LATCH,LOCK,W/SPLIT GASKET,PUNCHED,E-	
13	0970269		ANGLE,CABLE CLAMP,SLIDING BATTERY CMPT	
14	0557710	2	CLAMP,LOOP,.812	
15	1244128	2	CAP,PLUG,1 3/4,DIA HOLE	
16	1489434		TRIM,VINYL,BLACK,DOUBLE LIP	
17	2001055	2	WASHER,FLAT,11/32 X 1 1/4 X 5/32,YEL ZN	
18	2001444	2	NUT,WING,5/16-18,YEL ZN DICH	
19	1465954	7	NUT,HEX HD,5/16-18,LK,NYLON INSERT,YEL	
20	1842228	2	HINGE GUIDE	
21	1842582	2	PIN HINGE	
22	1842541	14	SCREW,12-14 X 1,AB,PH1,PAN HD,YELLOW	
23	0069811	4	INSERT,THREAD,BLIND,5/16-18	
24	2001048	18	WASHER,FLAT,11/32 X 11/16 X 1/16,YEL	
25	0610725	11	CAPSCREW,HEX HD,5/16-18X1 1/4,GR8,	
26	0977132	8	CAPSCREW,HEX HD,1/4-20 X 3/4,GR 5,YEL	
27	1247709	10	WASHER,FLAT,17/64 ID X,5/8,YEL ZN DICH	
28	0659979	10	NUT,HEX,FLANGE SER,1/4-20,BLACK ZINC	

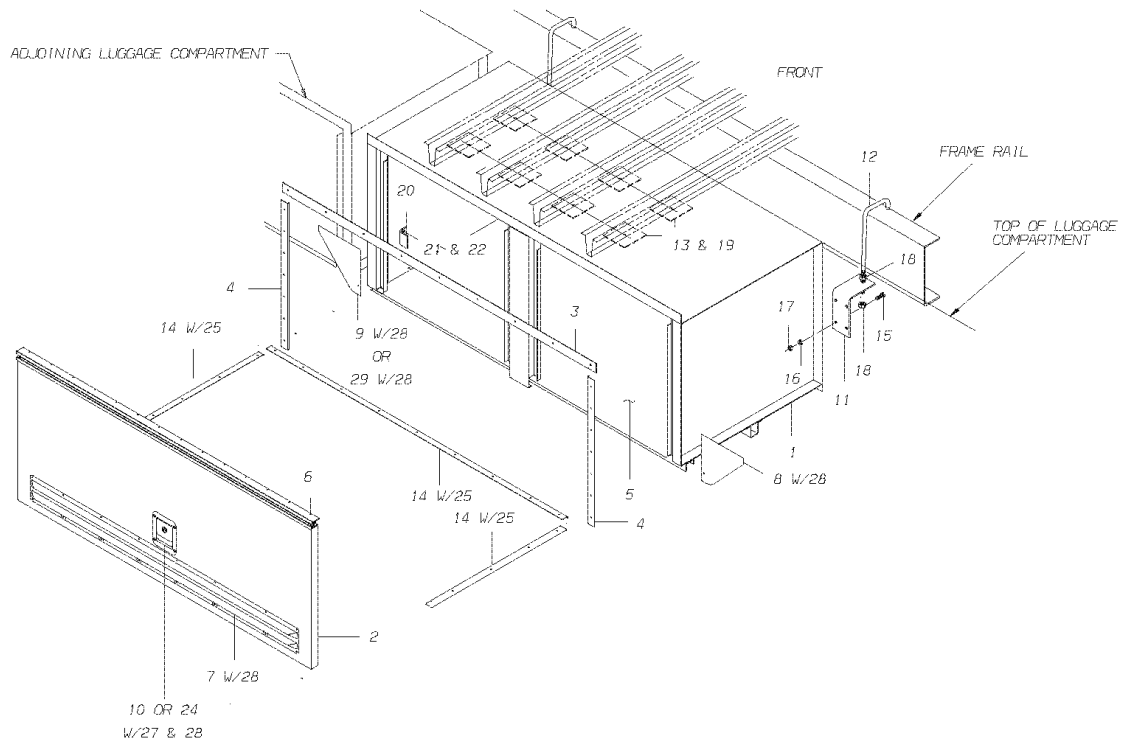
Models: AAFE, AARE, A3FE, A3RE, BBCV, GMCV, GPWB, MBWB, SBCV, TCPE, TCRE

**LUGGAGE
DOUBLE**

With Features: OPTION 0168, 0169, 0174, 0175

BSN: From BSN 001549 185594 265588 365714

Key	PartNumber	Qty	Description	Comment
-----	------------	-----	-------------	---------



Models: AAFE, AARE, A3FE, A3RE, BBCV, GMCV, GPWB, MBWB, SBCV, TCPE, TCRE
LUGGAGE
DOUBLE
With Features: OPTION 0168, 0169, 0174, 0175
BSN: From BSN 001549 185594 265588 365714

Key	PartNumber	Qty	Description	Comment
1	1822998		COMPARTMENT ASSY,LUG,DBL,19 H X 74 L, 28	OPTION 0168. ENDING 12-5-04
1	1822980		COMPARTMENT ASSY,LUG,DBL,19 H X 74 L, 25	OPTION 0168
1	1808609		COMPARTMENT ASSY,LUG,DBL,22 H X 97 L X 28	OPTION 0169. ENDING 12-5-04
1	1808591		COMPARTMENT ASSY,LUG,DBL,22 H X 97 L X 25	OPTION 0169
1	1808583		COMPARTMENT ASSY,LUG,DBL,22 H X 82 L X 28	OPTION 0174. ENDING 12-5-04
1	1808575		COMPARTMENT ASSY,LUG,DBL,22 H X 82 L X 25	OPTION 0174
1	1808542		COMPARTMENT ASSY,LUG,DBL,16 H X 82 L X 28	OPTION 0175. ENDING 12-5-04
1	1808534		COMPARTMENT ASSY,LUG,DBL,16 H X 82 L X 25	OPTION 0175
2	1826486	2	DOOR & HINGE ASSY,LUG,19HX35,16.25&19.75	OPTION 0168 WITHOUT OPTION 2383 OR 2385
2	1826502	2	DOOR & HINGE ASSY,LUG,19HX35,23.25 SKIRT	OPTION 0168 WITHOUT OPTION 2383 OR 2385
2	1809136	2	DOOR & HINGE ASSY,LUG,22HX46,16.25 SKIRT	OPTION 0169
2	1809169	2	DOOR & HINGE ASSY,LUG,22HX46,19.75 SKIRT	OPTION 0169
2	1809433	2	DOOR & HINGE ASSY,LUG,22HX46,25.75 SKIRT	OPTION 0169
2	1920792	2	DOOR & HINGE ASSY,LUG,22H X 46,25.75	OPTION 0169. CS UNITS ONLY
2	1809128	2	DOOR & HINGE ASSY,LUG,22HX38,16.25 SKIRT	OPTION 0174
2	1809425	2	DOOR & HINGE ASSY,LUG,22HX38,25.75 SKIRT	OPTION 0174
2	1809151	2	DOOR & HINGE ASSY,LUG,22HX38,19.75 SKIRT	OPTION 0174
2	1920784	2	DOOR & HINGE ASSY,LUG,22H X 38,25.75	OPTION 0174 CS UNITS ONLY
2	1809086	2	DOOR & HINGE ASSY,LUG,16HX38,16.25&19.75	OPTION 0175
3	1796051		TRIM,OUTER SKIN,HORIZONTAL,LUG	76.88, WITH OPTION 0168
3	1796069		TRIM,OUTER SKIN,HORIZONTAL,LUG	99.75, WITH OPTION 0169
3	1796077		TRIM,OUTER SKIN,HORIZONTAL,LUG	84.26, WITH OPTION 0174 & 0175
4	1764430	2	TRIM,OUTER SKIN,VERTICAL,LUG CMPT,20.00	FROM BSN 185594, 265584, 365697 TO BSN 257160, 189131, 0019074, 369721 WITH OPTION 0168
4	1823061	2	TRIM,OUTER SKIN,VERTICAL,LUG CMPT,20.50	BEGIN WITH BSN 257161, 189132, 0019075, 369722
4	1764448	2	TRIM,OUTER SKIN,VERTICAL,LUG CMPT,23.00	23" WITH OPTION 0169 & 0174
4	1764422		TRIM,OUTER SKIN,VERTICAL,LUG CMPT,17.00	17" WITH OPTION 0175
5	0854307	AR	FLOOR COVERING,SMTH,BLK,RUBBER,.125 X	
6	1200799	AR	SCREW,10-24 X 3/8,T,PH1,PAN HD, YEL ZN	
7	0309963	2	RUB RAIL,NO 04, 28 3/4 IN	NUMBER 4, 28 3/4" WITH OPTION 0168
7	0309989	2	RUB RAIL,NO 06, 42 3/4 IN	

Models: AAFE, AARE, A3FE, A3RE, BBCV, GMCV, GPWB, MBWB, SBCV, TCPE, TCRE
LUGGAGE
DOUBLE
With Features: OPTION 0168, 0169, 0174, 0175
BSN: From BSN 001549 185594 265588 365714

Key	PartNumber	Qty	Description	Comment
7	1809060	2	RUB RAIL,LUG CMPT,38.50	WITH OPTION 0174 & 0175
8	1544956		TRIM,SKIRT,LUG CMPT,19 HT,RH,16.25 SKIRT	FROM BSN 185594, 265584, 36569 TO BSN 257160, 189131, 0019074, 369721 WITH OTPION 0168
8	1826569		TRIM,SKIRT,LUG CMPT,19 HT,LH,16.25 SKIRT	BEGIN WITH BSN 257161, 189132, 0019075, 369722
8	1826585		TRIM,SKIRT,LUG CMPT,19 HT,RH,19.75 SKIRT	WITH OPTION 0168
8	1544279		TRIM,SKIRT,LUG CMPT,22 HT,RH,16.25 SKIRT	WITH OPTION 0169 & 0174
8	1325224		TRIM,SKIRT,22 HIGH LUGGAGE CMPT,RH	WITH OPTION 0169 & 0174
8	0325985		TRIM,SKIRT,16 1/4IN,LUG CMPT,FRONT	WITH OPTION 0175
9	1544949		TRIM,SKIRT,LUG CMPT,19 HT,LH,16.25 SKIRT	FROM BSN 185594, 265584, 365697 TO 257160, 189131, 0019074, 369721 WITH OPTION 0168
9	1826577		TRIM,SKIRT,LUG CMPT,19 HT,RH,16.25 SKIRT	BEGIN WITH BSN 257161, 189132, 0019075, 369722 WITH OPTION 0168
9	1325257		TRIM,SKIRT,19 HIGH LUGGAGE CMPT,LH	FROM BSN 185594, 265584, 365697 TO 257160, 189131, 0019074, 369721 WITH OPTION 0168
9	1826593		TRIM,SKIRT,LUG CMPT,19 HT,LH,19.75 SKIRT	BEGIN WITH BSN 257161, 189132, 0019075, 369722 WITH OPTION 0168
9	1544261		TRIM,SKIRT,LUG CMPT,22 HT,LH,16.25 SKIRT	WITH OPTION 0169
9	1325232		TRIM,SKIRT,22 HIGH LUGGAGE CMPT,LH	WITH OPTION 0169 & 0174
9	1544261		TRIM,SKIRT,LUG CMPT,22 HT,LH,16.25 SKIRT	WITH OPTION 0174
9	0325993		TRIM,SKIRT,16 1/4IN,LUG CMPT,REAR	WITH OPTION 0175
10	0058405	2	LOCK,PADDLE HANDLE,LOCKING,E-COAT	
10	2134468	2	CYLINDER,PADDLE LOCK,KEYED LL-25	KEYED, LL-25
10	4298956	2	SEAL,RUBBER,LOCK CYLINDER,LUGG COMPT	
10	4298964	2	RETAINER,SPRING CLIP,LOCK CYL,LUGG	
11	1677509	2	ANGLE ASSY,SUPPORT,25 IN DEEP LUGGAGE	
11	0524397	2	ANGLE,SUPPORT,TIRE COMPARTMENT	
12	0085877	2	HANGER,FRAME,J-BOLT,LUGGAGE	
13	1063114	8	PLATE,SUPT,PUSH THROUGH	
14	0802330	2	TRIM,DRIVERS FLOOR	
15	2028330	4	CAPSCREW,HEX HD,3/8-24 X 1,GR5,YEL ZN	

Models: AAFE, AARE, A3FE, A3RE, BBCV, GMCV, GPWB, MBWB, SBCV, TCPE, TCRE
LUGGAGE
DOUBLE
With Features: OPTION 0168, 0169, 0174, 0175
BSN: From BSN 001549 185594 265588 365714

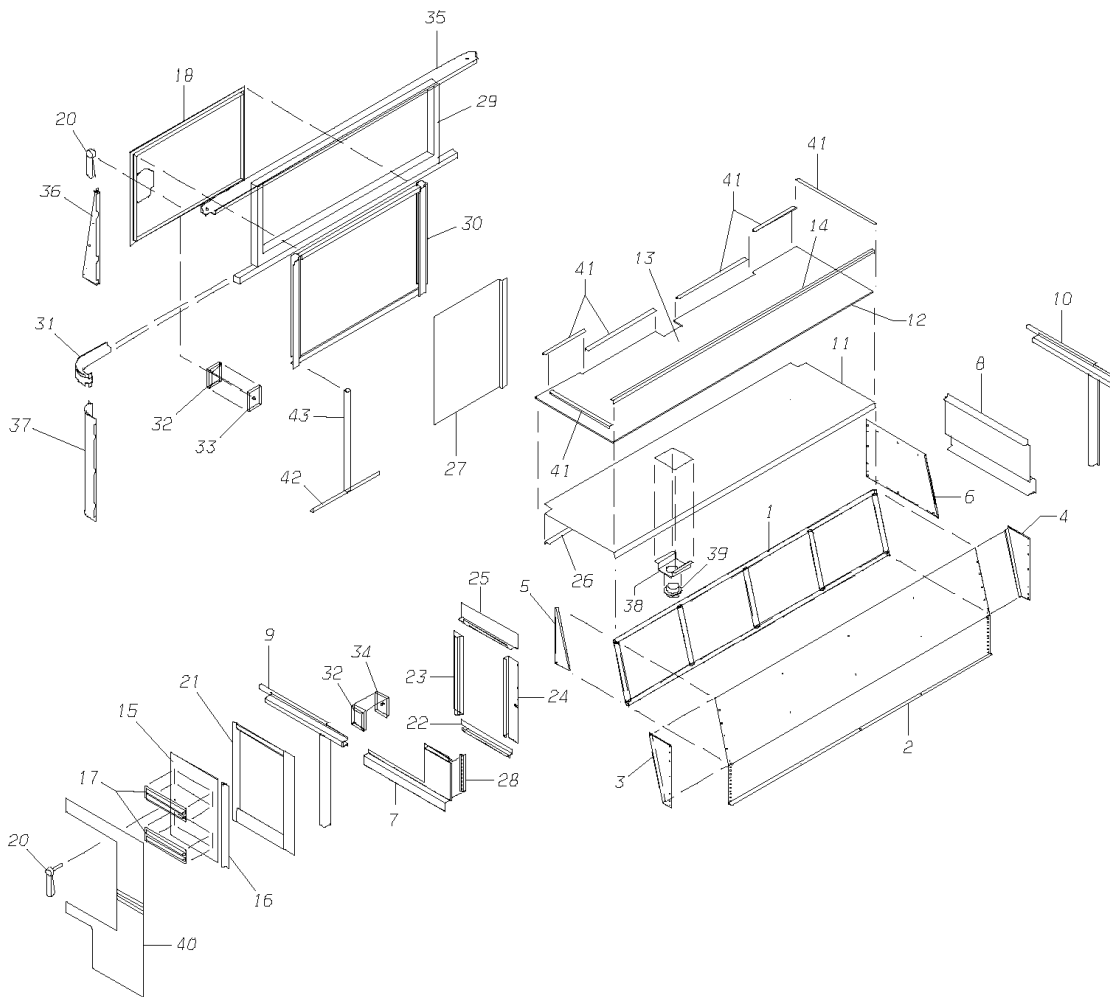
Key	PartNumber	Qty	Description	Comment
16	0882795	4	LOCKWASHER,SPLIT RING,3/8,MED,YELLOW	
17	2028223	4	NUT,HEXHD,3/8-24,STD LGT,SEMI-FIN,	STANDARD, LIGHT, SEMI-FIN.
18	2001485	4	NUT,HEX HD,1/2-20,ZINC	
19	2000073	8	SCREW,1/4-20 X 1,D,HEX HD,YEL ZN DICH	
20	0325910	4	PLATE,STRIKER,LUGGAGE COMPARTMENT	
20	0525618	4	SPACER,STRIKER,LUGGAGE & TIRE	REQUIRED TO ADJUST DOOR OPEN & SHUT FOR DOUBLE COMPARTMENT
21	0829317	8	CAPSCREW,HEX FLG,5/16-18X1.25,GR5,SER,	
22	0829390	8	NUT,HEX HD,5/16-18,SER WASHER,YEL ZN	
24	0948596	5	LOCK ASSY,LUG&TIRE,NON-LOCKING	
25	2000511	8	SCREW,10-16 X 1/2,AB,PH1,TRUSS HD,	
27	2051902		SEALANT,SILICONE,BLACK,CARTRIDGE	
28	0948521		RIVET,.187 X .375,WAGON BX,SOLID,STL,ZN-NI	
29	1802073		TRIM,SKIRT,DIVIDER,LUG CMPT	
NI	1068501		SEAL,RUBBER,A/C HOOD TRIM	
30	1167808		SCREW,1/4-14 X 3/4,AB,PH1,PAN HD,BLK ZN	

Models: AAFE, AARE, A3FE, A3RE, BBCV, GMCV, GPWB, MBWB, SBCV, TCPE, TCRE
LUGGAGE LIGHTS
With Features: OPTION 0165-01, 02

Key	PartNumber	Qty	Description	Comment
	1452952		LIGHT ASSY,LUGGAGE COMPARTMENT	<i>CONSISTS OF THE FOLLOWING</i>
	0198374		BRACKET,ENG CMPT LIGHT	
	1370048		LIGHT,STEPWELL,ENGINE COMPARTMENT	
	1120765		SWITCH,2 POSN,ACCESSORY	
	2007573		BULB,TS-93,15CP	
	1073311	2	NUT,PANEL,HEX HD,1/2-20,YEL ZN DICH	
	1960186	3	SCREW,10X1/2,AB,PH1,FLT CNSK,YEL,W/LK	

Models: AAFE, A3FE, GMCV, SBCV, TCFE
LUGGAGE
REAR CENTER
With Features: OPTION 0177
To BSN A3 F10078964 6-5-05

Key	PartNumber	Qty	Description	Comment
-----	------------	-----	-------------	---------



Models: AAFE, A3FE, GMCV, SBCV, TCFE
LUGGAGE
REAR CENTER
OPTION 0177
To BSN A3 F10078964 6-5-05

With Features:

Key	PartNumber	Qty	Description	Comment
1	1030030		FRAME ASSY,CMPT,RCLC	
2	1030048		PANEL,COMPARTMENT,FRONT,RCLC	
3	1030071		PANEL,I/S,RH, RCLC	
4	1030063		PANEL,I/S,LH, RCLC	
5	1031970		PANEL,COMPARTMENT,INNER SIDE,RH, RCLC	
6	1031988		PANEL,COMPARTMENT,INNER SIDE,LH, RCLC	
7	1892132		GUSSET,FLOOR,REAR,RH,RCLC	
8	1892140		GUSSET,FLOOR,REAR,LH,RCLC	
9	1030089		SUPPORT ASSY,COMPARTMENT,SIDE,RH,RCLC	
10	1030097		SUPPORT ASSY,COMPARTMENT,SIDE,LH,RCLC	
11	1030121		PANEL ASSY,SHELF,RCLC	
11	1114933		PANEL ASSY,SHELF,RCLC,NON-DOT	
12	1212075		SHELF,PLYWOOD,3/8IN,REAR CENTER L/CMPT	
13	0854307		FLOOR COVERING,SMTH,BLK,RUBBER,.125 X	
14	1095454		TRIM,COMPARTMENT SHELF,FRONT,RCLC	
15	0752345		DOOR ASSY,SIDE,RCLC	
16	0551499		HINGE ASSY,SIDE DOOR,REAR LUG CMPT	
17	0752477	2	RUB RAIL,SIDE DOOR,RCLC	
18	1113810		DOOR ASSY,REAR CENTER LUGGAGE	
NI	1520410		WEATHERSTRIP,SIDE,REAR CENTER LUGGAGE	
NI	1220433		MOLDING,DRIP,RCLC DOOR,74 & 77 74A & 77A	
NI	0603134		PLUNGER,3-1/4 DOOR HOLDER	
19	0360388		HINGE ASSY,RCLC DOOR	
20	1061928	2	HANDLE,O/S,S E D,LOCKING,W/O LL25 KEY	
NI	1075357		COVER,BZR SWITCH	
21	0752386		FRAME ASSY,SIDE DOOR,RCLC	
22	1356997		TRIM,LOWER,SIDE DOOR, RCLC	
23	0551473		TRIM,REAR,SIDE DOOR,RCLC	
24	0621060		TRIM,I/S FRONT,SIDE DOOR,RCLC	
25	1357003		TRIM,UPPER,SIDE DOOR, RCLC	
26	0308502		ANGLE,DAVENPORT SHELF PANEL,REAR	
27	1162098		PANEL,ACCESS,INNER,REAR,RH	
NI	1162106		PANEL,ACCESS,INNER,REAR,LH	

Models: AAFE, A3FE, GMCV, SBCV, TCFE
LUGGAGE
REAR CENTER
OPTION 0177
To BSN A3 F10078964 6-5-05

With Features:

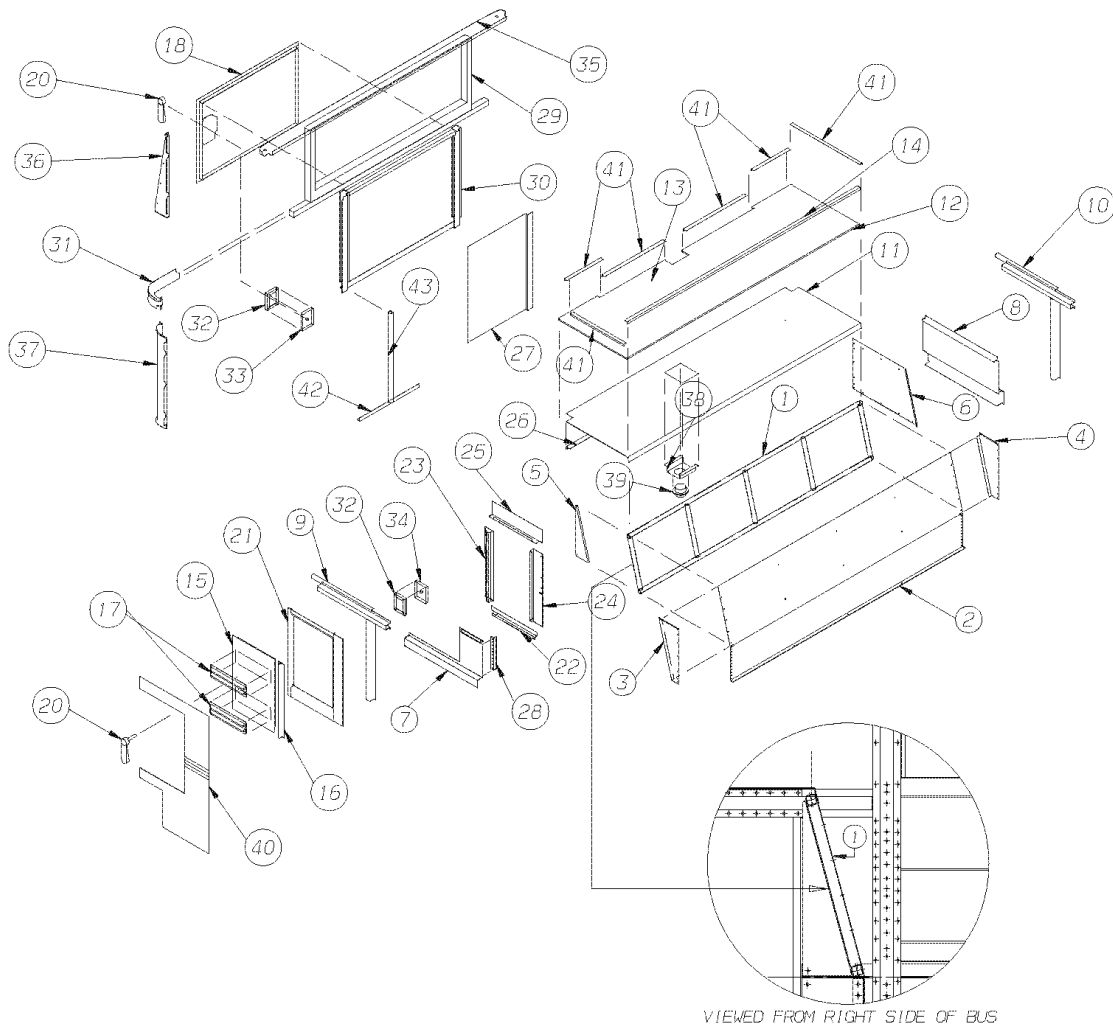
Key	PartNumber	Qty	Description	Comment
28	1030014	2	ANGLE,ATCH,FLOOR GUSSET TO PANEL,RCLC	
29	1840008		FRAME & WINDOW ASSY,RR EM WDO	
NI	0930453		TRIM,UPPER,I/S,REAR EMERGENCY WINDOW	
NI	0959650		TRIM,LOWER,I/S,REAR EMERGENCY WINDOW	
NI	0289223		TRIM,REAR EMERGENCY WINDOW,LOWER,	
NI	0833467	2	SPACER,PULLEY ASSY,CABLE LOCK	
NI	0833475		GUARD,T-BAR,CABLE LOCK	
NI	0833491		T-BAR,CABLE LOCK,RR EM WDO,CHROME PLATE	
NI	0839829		BRACKET,BUZZER SWITCH	
NI	0839837	2	PLATE,STRIKER,CABLE LOCK,REW	
NI	0839753	2	END BOLT ASSY,EMERGENCY WINDOW	
NI	0839761	3	ROLLER,CABLE	
NI	0839795		HANDLE ASSY,CABLE LOCK,NON-LOCKING TYPE	
NI	0839878	2	BRACKET,MTG,AIR SPRING,REW,FMVSS 217	
NI	0840124		GAS SPRING,FC 12,75 LB	
NI	0989020		SWITCH,ADJUSTABLE	
30	1114024		POST ASSY,REAR CENTER LUGGAGE CMPT	
31	0751859	2	BELT RAIL,REAR EMERGENCY WINDOW	
32	0815753	2	SPACER,LOCK,SIDE EM & RCLC DOORS	
33	1565290		LOCK ASSY,SINGLE PT,RH,POWDERED METAL	
34	1565308		LOCK ASSY,SINGLE PT,LH,POWDERED METAL	
35	1154731		HEADER,REAR,PRIMED	
36	0840264		POST,UPPER,REAR CORNER,RH	
NI	0840272		POST,UPPER,REAR CORNER,LH	
37	0986885	2	POST,REAR CORNER,LOWER	
38	0198374		BRACKET,ENG CMPT LIGHT	
39	1370048		LIGHT,STEPWELL,ENGINE COMPARTMENT	
NI	0828145		SWITCH,2 POSN,ACCESSORY	
NI	2018778		SOCKET,UNIVERSAL,A373	
40	0752246		PANEL,REAR SIDE,O/S,RH,16 1/4 SK,RCLC	
40	0765271		PANEL,REAR SIDE,O/S,RH,16 1/4 SK,NY,RCLC	
40	0752253		PANEL,REAR SIDE,O/S,RH,19 3/4 SK,RCLC	
40	0765289		PANEL, REAR, SIDE,O/S, RH, 19 3/4 SK, NY,	

Models: AAFE, A3FE, GMCV, SBCV, TCFE
LUGGAGE
REAR CENTER
With Features: **OPTION 0177**
To BSN A3 F10078964 6-5-05

Key	PartNumber	Qty	Description	Comment
41	1099829	5	TRIM,COMPARTMENT SHELF,REAR,RCLC	
42	1114776	2	ANGLE,REINF,RR CENTER LUGGAGE CMPT	
43	2084978	4	TUBE,STL,SQ, 1.00 X .071 X 27.37	
NI	1520428		WEATHERSTRIP,REAR CENTER LUGGAGE CMPT	

Models: A3FE, BBCV
LUGGAGE
REAR CENTER
BSN: From BSN F10078965 L10142775 6-6-05

Key	PartNumber	Qty	Description	Comment
-----	------------	-----	-------------	---------



Models: A3FE, BBCV
LUGGAGE
REAR CENTER
BSN: From BSN F10078965 L10142775 6-6-05

Key	PartNumber	Qty	Description	Comment
1	1030030		FRAME ASSY,CMPT,RCLC	
2	1030048		PANEL,COMPARTMENT,FRONT,RCLC	
3	1030071		PANEL,I/S,RH, RCLC	
4	1030063		PANEL,I/S,LH, RCLC	
5	1031970		PANEL,COMPARTMENT,INNER SIDE,RH, RCLC	
6	1031988		PANEL,COMPARTMENT,INNER SIDE,LH, RCLC	
7	1892132		GUSSET,FLOOR,REAR,RH,RCLC	
8	1892140		GUSSET,FLOOR,REAR,LH,RCLC	
9	1030089		SUPPORT ASSY,COMPARTMENT,SIDE,RH,RCLC	
10	1030097		SUPPORT ASSY,COMPARTMENT,SIDE,LH,RCLC	
11	1030121		PANEL ASSY,SHELF,RCLC	
11	1114933		PANEL ASSY,SHELF,RCLC,NON-DOT	
12	1212075		SHELF,PLYWOOD,3/8IN,REAR CENTER L/CMPT	
13	0854307		FLOOR COVERING,SMTH,BLK,RUBBER,.125 X	
14	1095454		TRIM,COMPARTMENT SHELF,FRONT,RCLC	
15	0752345		DOOR ASSY,SIDE,RCLC	
16	0551499		HINGE ASSY,SIDE DOOR,REAR LUG CMPT	
17	0752477		RUB RAIL,SIDE DOOR,RCLC	
18	1113810		DOOR ASSY,REAR CENTER LUGGAGE	
NI	1520410		WEATHERSTRIP,SIDE,REAR CENTER LUGGAGE	
NI	1220433		MOLDING,DRIP,RCLC DOOR,74 & 77 74A & 77A	
19	0360388		HINGE ASSY,RCLC DOOR	
20	1061928		HANDLE,O/S,S E D,LOCKING,W/O LL25 KEY	WITHOUT LL25 KEY
21	0752386		FRAME ASSY,SIDE DOOR,RCLC	
22	1356997		TRIM,LOWER,SIDE DOOR, RCLC	
23	0551473		TRIM,REAR,SIDE DOOR,RCLC	
24	0621060		TRIM,I/S FRONT,SIDE DOOR,RCLC	
25	1357003		TRIM,UPPER,SIDE DOOR, RCLC	
26	0308502		ANGLE,DAVENPORT SHELF PANEL,REAR	
27	0043825		PANEL,ACCESS,INNER,REAR,RH"	
NI	0043824		PANEL,ACCESS,INNER,REAR,LH"	
28	1030014		ANGLE,ATCH,FLOOR GUSSET TO PANEL,RCLC	
29	0081787		FRAME AND WINDOW ASSY,RR EM WDO,FMVSS	

Models: A3FE, BBCV
LUGGAGE
REAR CENTER
BSN: From BSN F10078965 L10142775 6-6-05

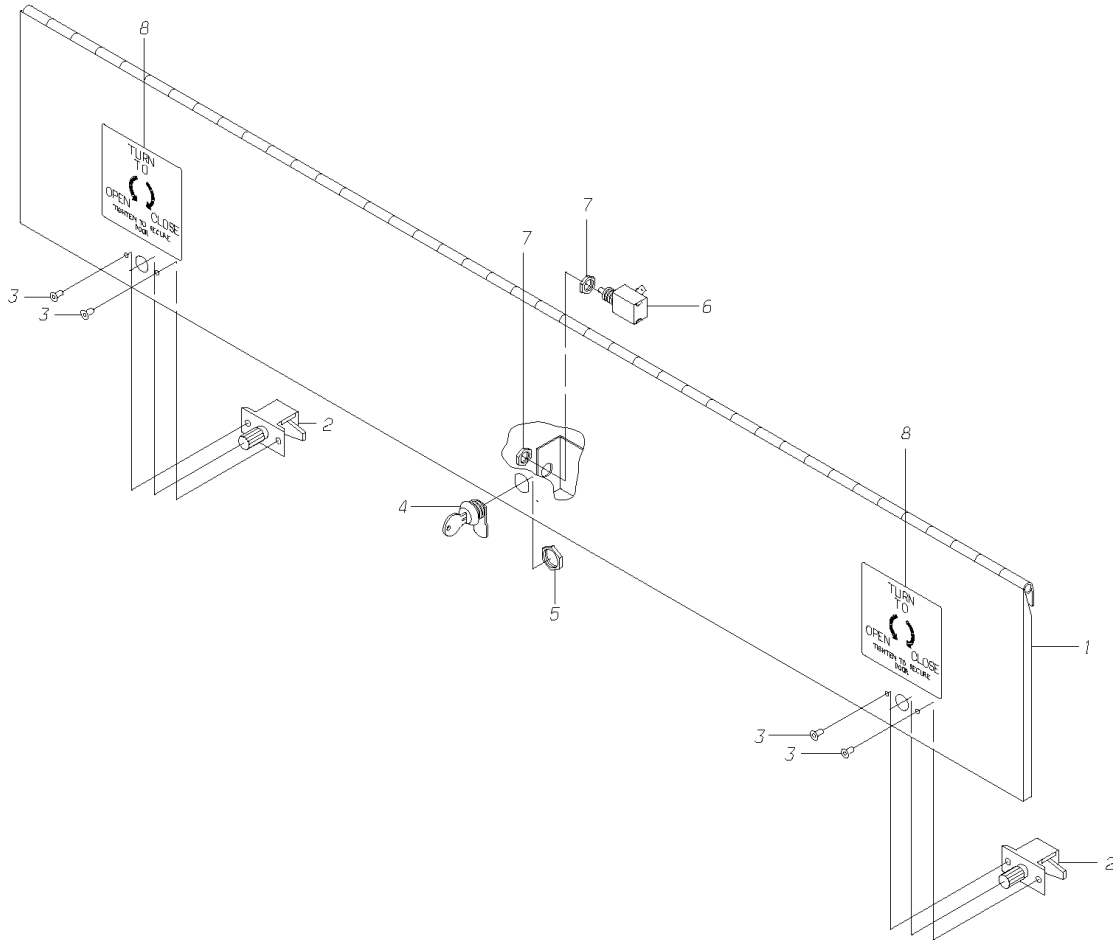
Key	PartNumber	Qty	Description	Comment
NI	0930453		TRIM,UPPER,I/S,REAR EMERGENCY WINDOW	
NI	0959650		TRIM,LOWER,I/S,REAR EMERGENCY WINDOW	
NI	0289223		TRIM,REAR EMERGENCY WINDOW,LOWER,	
NI	0839878		BRACKET,MTG,AIR SPRING,REW,FMVSS 217	
NI	0840124		GAS SPRING,FC 12,75 LB	
NI	0989020		SWITCH,ADJUSTABLE	
30	1114024		POST ASSY,REAR CENTER LUGGAGE CMPT	
31	0751859		BELT RAIL,REAR EMERGENCY WINDOW	
32	0815753		SPACER,LOCK,SIDE EM & RCLC DOORS	
33	1565290		LOCK ASSY,SINGLE PT,RH,POWDERED METAL	
34	1565308		LOCK ASSY,SINGLE PT,LH,POWDERED METAL	
35	1154731		HEADER,REAR,PRIMED	
36	0840264		POST,UPPER,REAR CORNER,RH	
NI	0840272		POST,UPPER,REAR CORNER,LH	
37	0986885		POST,REAR CORNER,LOWER	
38	0198374		BRACKET,ENG CMPT LIGHT	
39	1370048		LIGHT,STEPWELL,ENGINE COMPARTMENT	
NI	0840272		POST,UPPER,REAR CORNER,LH	
40	0092255		PANEL,REAR,SIDE,O/S,RH,16 1/4 SK,RCLC,	
40	0092269		PANEL,REAR,SIDE,O/S,RH,19 3/4 SK,RCLC A3	
40	0092287		PANEL,REAR,SIDE,O/S,RH,25 3/4 SK,RCLC,	
40	0092307		PANEL,REAR,SIDE,O/S,RH,25 3/4 SK,RCLC	
41	1099829		TRIM,COMPARTMENT SHELF,REAR,RCLC	
42	1114776		ANGLE,REINF,RR CENTER LUGGAGE CMPT	
43	2084978		TUBE,STL,SQ, 1.00 X .071 X 27.37	
NI	1520428		WEATHERSTRIP,REAR CENTER LUGGAGE CMPT	

Models: AAFE, AARE, A3FE, A3RE, BBCV, GMCV, SBCV, TCFE, TCRE, TSFE

**OVERHEAD EMERGENCY EQUIPMENT COMPARTMENT
LOCKING**

With Features: OPTION 0162

Key	PartNumber	Qty	Description	Comment
-----	------------	-----	-------------	---------



Models: AAFE, AARE, A3FE, A3RE, BBCV, GMCV, SBCV, TCFE, TCRE, TSFE

With Features: OVERHEAD EMERGENCY EQUIPMENT COMPARTMENT
LOCKING
OPTION 0162

Key	PartNumber	Qty	Description	Comment
NI	0910240		PANEL,ACCESS,FRT UPR INR,W/SIGN	ENDING WITH BSN 0015500, 185594, 254184, 365582, FOR ALL PRODUCTS EXCEPT TSFE.
NI	1762319		PANEL,ACCESS,FRT UPR INR,74HR,W/CMPT	BEGIN WITH BSN 0015501, 185595, 254185, 365583, FOR ALL PRODUCTS EXCEPT TSFE.
NI	1911155		PANEL ASSY,ACCESS,FRT UPR INR,W/EM CMPT,	FOR TSFE ONLY
NI	1765437		PANEL,ACS,FRT UPR INR,RAISED FL,W/EM	OPTION 3515, RAISED FLOOR, USED ON TCFE ONLY.
NI	0005102		PANEL,ACCESS,FRT UPR INR W/EM EQUIP	RIGHT HAND DRIVE
NI	0759142		PANEL,C/OUT,EMERGENCY EQUIPMENT CMPT	ENDING WITH BSN 0015500, 185594, 254184, 365582, FOR ALL PRODUCTS EXCEPT TSFE.
NI	1762335		PANEL,C/OUT,EMERGENCY EQUIP CMPT	BEGIN WITH BSN 0015501, 185595, 254185, 365583, FOR ALL PRODUCTS EXCEPT TSFE.
NI	1913755		PANEL,C/OUT,EMERGENCY EQUIP CMPT, TSFE	FOR TSFE ONLY
1	1420918		DOOR ASSY,EMER EQPT CMPT	ENDING WITH BSN 0015500, 185594, 254184, 365582
1	1762285		DOOR ASSY,EMERGENCY EQUIP CMPT,LOCKING	BEGIN WITH BSN 0015501, 185595, 254185, 365583
NI	1762244		SUPPORT,DOOR,SPRING,EMERGENCY EQUIP	BEGIN WITH BSN 0018805, 188871, 256959, 369412
2	0533737	2	LATCH,MOVING PAWL	ENDING WITH BSN 0015500, 185594, 254184, 365582
2	1766021	2	LATCH,DOOR,EMERGENCY EQUIPMENT	BEGIN WITH BSN 0015501, 185595, 254185, 365583
3	0422915	4	RIVET,1/8 DIA,ALUMINUM,W/ST STEM	
3	1415769	4	RIVET,POP,.18 X .45,CHERRY SSPS-6-4	
4	1060755		LOCK ASSY,DOOR,EMERGENCY EQUIPMENT	WITH KEY
4	1060748		LOCK ASSY,DOOR,F/TANK & GLOVE CMPT,W/O	WITHOUT KEY
NI	0848747		KEY,LL-25,LOCKING COMPARTMENTS	KEY, LL-25
5	1062108		NUT,PANEL,HEX HD,3/4-24,YEL ZN DICH	
6	1126176		SWITCH,MOMENTARY,SPST NC	
7	1073311	2	NUT,PANEL,HEX HD,1/2-20,YEL ZN DICH	
8	1360593	2	DECAL,TURN TO OPEN,CLOSE 4 X 4	
NI	1278316	10	TRIM,VINYL,BROWN,DOUBLE LIP,75000327	

Models: AAFE, AARE, A3FE, A3RE, BBCV, GMCV, SBCV, TCFE, TCRE, TSFE

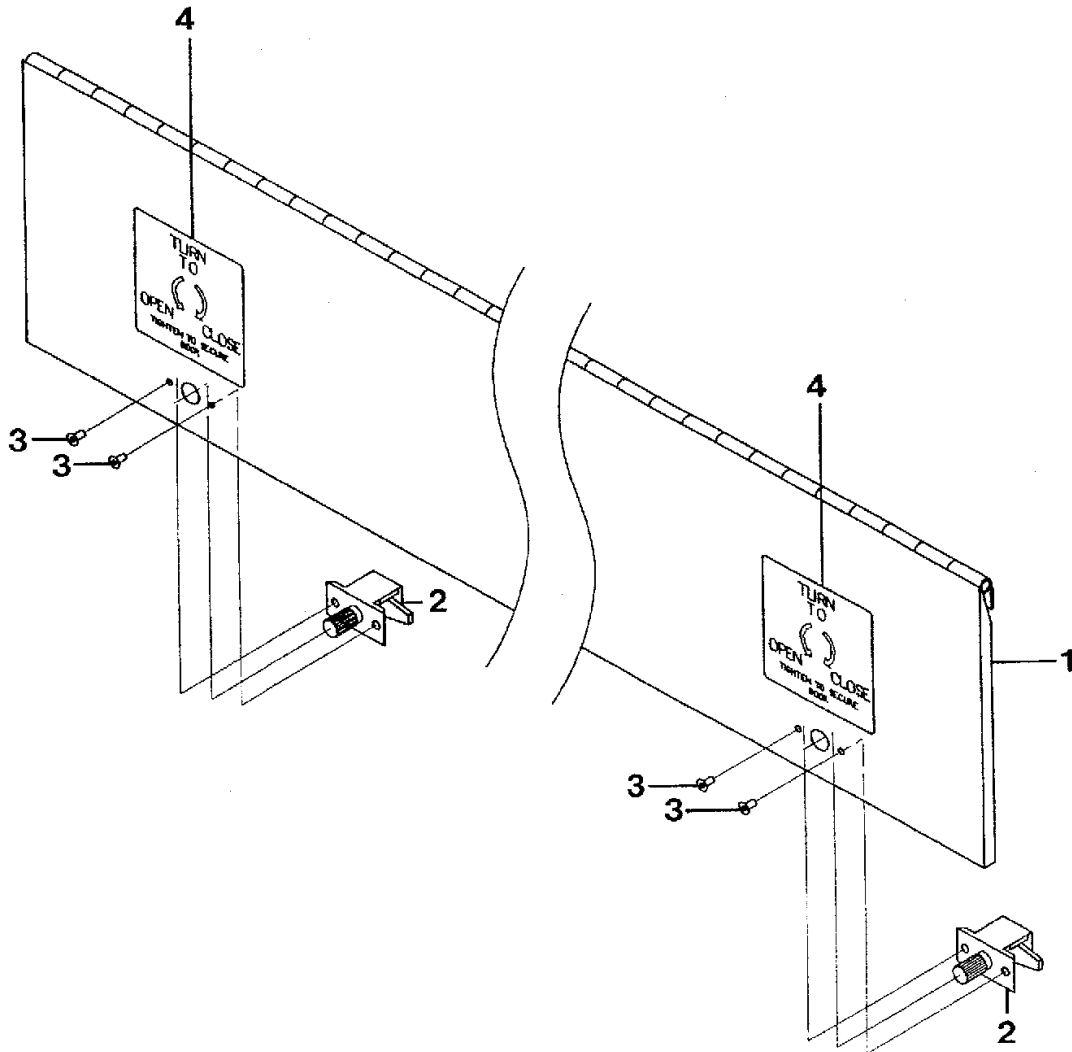
OVERHEAD EMERGENCY EQUIPMENT COMPARTMENT
NON-LOCKING
OPTION 0161

With Features:

Key	PartNumber	Qty	Description	Comment
-----	------------	-----	-------------	---------

EMERGENCY EQUIPMENT COMPARTMENT DOOR
NON-LOCKING, OPT.-0161

3008948 REV
ALL RIGHTS RESERVED



Models: AAFE, AARE, A3FE, A3RE, BBCV, GMCV, SBCV, TCFE, TCRE, TSFE

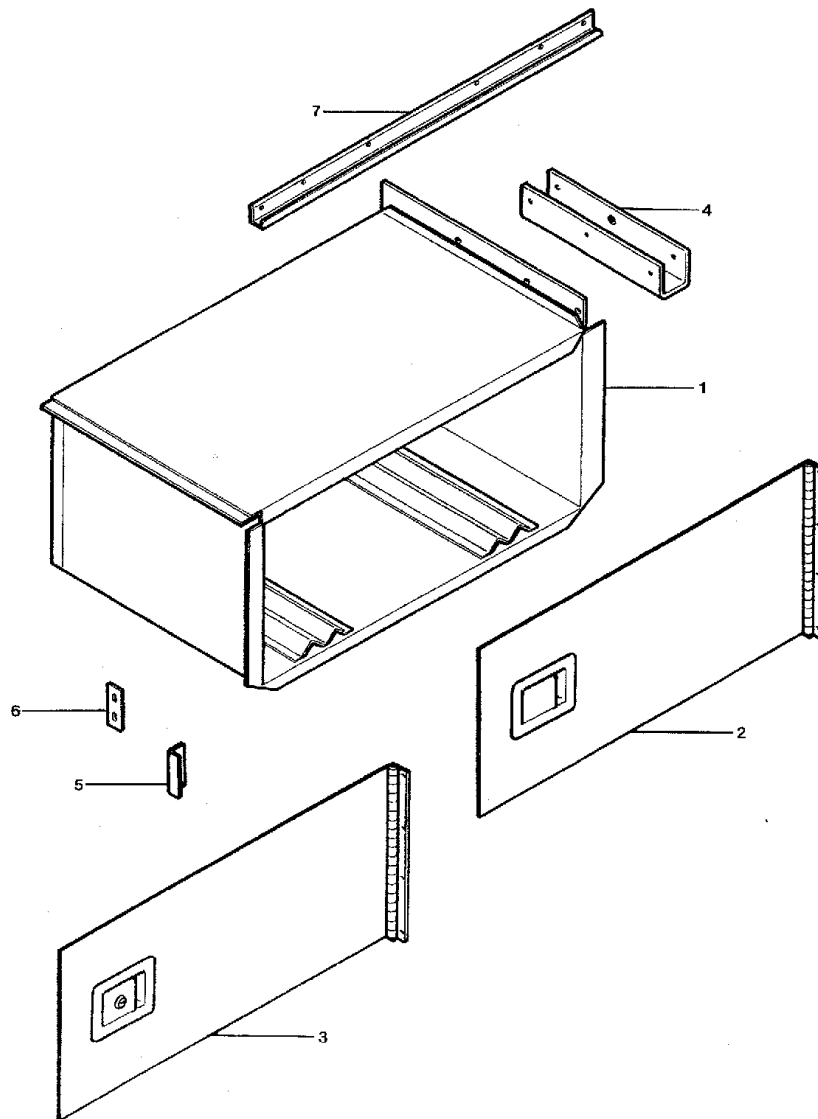
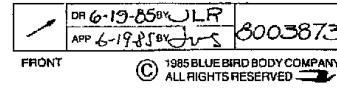
With Features: OVERHEAD EMERGENCY EQUIPMENT COMPARTMENT
NON-LOCKING
OPTION 0161

Key	PartNumber	Qty	Description	Comment
NI			PANEL, ACCESS, FRONT UPPER INNER	
NI			ALL EXCEPT TSFE	
NI	0910240		PANEL,ACCESS,FRT UPR INR,W/SIGN	ENDING WITH BSN 0015500, 185594, 254184, 365582
NI	1762319		PANEL,ACCESS,FRT UPR INR,74HR,W/CMPT	BEGIN WITH BSN 0015501, 185595, 254185, 365583
NI	1911155		PANEL ASSY,ACCESS,FRT UPR INR,W/EM CMPT,	TSFE ONLY
NI	1765437		PANEL,ACS,FRT UPR INR,RAISED FL,W/EM	OPTION 3515, RAISED FLOOR. USED ON TCFE ONLY
NI	0005102		PANEL,ACCESS,FRT UPR INR W/EM EQUIP	
1	1443142		DOOR ASSY,EMER EQPT CMPT,NON-LOCKING	ENDING WITH BSN 0015500, 185594, 254184, 365582
1	1762277		DOOR ASSY,EMERGENCY EQUIP CMPT	BEGIN WITH BSN 0015501, 185595, 254185, 365583
2	0533737	2	LATCH,MOVING PAWL	ENDING WITH BSN 0015500, 185594, 254184, 365582
2	1766021	2	LATCH,DOOR,EMERGENCY EQUIPMENT	BEGIN WITH BSN 0015501, 185595, 254185, 365583
NI	1762244		SUPPORT,DOOR,SPRING,EMERGENCY EQUIP	BEGIN WITH BSN 0018805, 188871, 256959, 369412
3	0422915	4	RIVET,1/8 DIA,ALUMINUM,W/ST STEM	
3	1415769	4	RIVET,POP,.18 X .45,CHERRY SSPS-6-4	
4	1360593	2	DECAL,TURN TO OPEN,CLOSE 4 X 4	
NI	0759159		DECAL,EMERGENCY EQUIPMENT,2IN RED	

Models: AAFE, AARE, A3FE, A3RE, BBCV, CSFE, CSRE, MBWB, SBCV, TCPE, TCRE, TSFE
 TOOL
 With Features: OPTION 0194, 195
 BSN: From BSN 011286 361175 GMCV 011438

Key	PartNumber	Qty	Description	Comment
-----	------------	-----	-------------	---------

OPT. 0195, TOOL COMPARTMENT



REVISED 10-2-89

20600

Models: AAFE, AARE, A3FE, A3RE, BBCV, CSFE, CSRE, MBWB, SBCV, TCPE, TCRE, TSFE
TOOL
With Features: OPTION 0194, 195
BSN: From BSN 011286 361175 GMCV 011438

Key	PartNumber	Qty	Description	Comment
1	1442318		BOX ASSY,TOOL,LH	
2			N/A	
3			DOOR ASSY, LOCKING	<i>WITH OUT KEYS, ENDING WITH BSN 0018804. 256958. 369411</i>
3	1651710		PANEL ASSY,DOOR,BATTERY BOX	<i>STANDARD WITH OUT KEYS ENDING WITH BSN 0018804. 256958. 369411</i>
3	1651736		PANEL ASSY,DOOR,BATTERY BOX,HD,E-COAT	<i>E-COAT, OPTION 2309 WITH OUT KEYS BEGIN WITH BSN 0018805, 256959, 369412</i>
NI	1839836	AR	PANEL,DOOR,BATTERY BOX,HEAVY DUTY,	<i>STANDARD</i>
NI	1839851	AR	PANEL,DOOR,BATTERY BOX,HEAVY DUTY,E-	<i>OPTION 2309. E-COAT</i>
NI	1842228	2	HINGE GUIDE	
NI	1842582	2	PIN HINGE	
NI	1842541	4	SCREW,12-14 X 1,AB,PH1,PAN HD,YELLOW	
NI	1651835		LATCH,LOCK,W/SPLIT GASKET,PUNCHED,	<i>WITH OUT KEYS</i>
NI	1651850		LATCH,LOCK,W/SPLIT GASKET,PUNCHED,E-	<i>WITH OUT KEYS</i>
NI	0848747		KEY,LL-25,LOCKING COMPARTMENTS	<i>KEY</i>
4	1492859		CHANNEL,MTG,HEAVY DUTY BATTERY BOX	<i>35" SECTION ONLY</i>
5	0332544		PLATE,STRIKER,TIRE COMPARTMENT	
6	0525618		SPACER,STRIKER,LUGGAGE & TIRE	
7	1124833		MOLDING,DRIP,BATTERY CMPT,26,PRIMED,	
NI	1244128		CAP,PLUG,1 3/4,DIA HOLE	
NI	0610725		CAPSCREW,HEX HD,5/16-18X1 1/4,GR8,	
NI	0984369		NUT,HEX HD,5/16-18,GR 8,ZINC	
NI	2001188		LOCKWASHER,SPLIT RING, 5/16,MED,YEL ZN	
NI	2000024		SCREW,1/4-14 X 3/4,B,HEX HD,YEL ZN DICH	
NI	2000057		CAPSCREW,HEX HD,1/4-20 X 1,GR 5,YEL ZN	
NI	2001345		NUT,HEX HD,1/4-20,LOCKING,YELLOW	
NI	2001170		LOCKWASHER,SPLIT RING, 1/4 ,MED,YEL ZN	

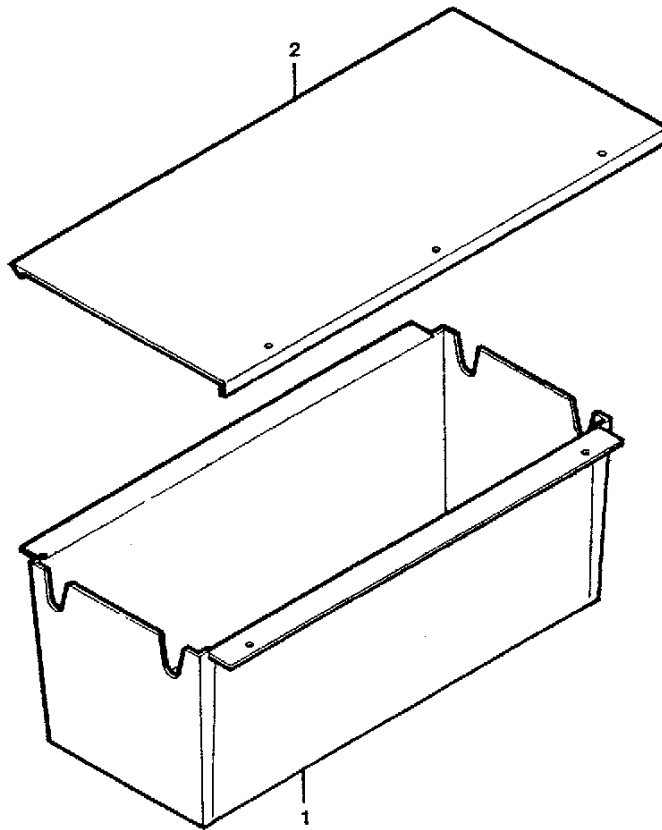
VCTA	Models:	AAFE, AARE, A3FE, A3RE, BBCV, CSFE, CSRE, MBWB, T2RE, TCPE, TCRE, TSPE,		
	With Features:	TOOL BOX, LOCKING, UNDER SEAT OPTION 3205		

Key	PartNumber	Qty	Description	Comment
-----	------------	-----	-------------	---------

OPT. 3205, LOCKING UNDERSEAT TOOL BOX

DR 7/14/83 BY JET	8002396
APP 7-25-83 BY JLS	

© 1983 BLUE BIRD BODY COMPANY
ALL RIGHTS RESERVED



VCTA

Models: AAFE, AARE, A3FE, A3RE, BBCV, CSFE, CSRE, MBWB, T2RE, TCPE, TCRE, TSPE,

With Features: TOOL
BOX, LOCKING, UNDER SEAT
OPTION 3205

Key	PartNumber	Qty	Description	Comment
1	0185850		TOOL BOX ASSY,UNDERSEAT	
1	0004978		BOX ASSEMBLY,TOOL,UNDERSEAT,PAINTED	
2	0193011		LID,UNDERSEAT TOOL BOX	
2	0004986		LID,UNDERSEAT TOOL BOX,PAINTED	