

Body

460 Accessories

AUXILIARY FAN
6 INCH

With: OPTION 0525, 0531, 0532, 0535, 0540, 0541, 0542, 0546, 0548 _____ 1

BLOWER, SQUIRREL CAGE

With: FEATURE 30026-08 _____ 2

CHART, ADD ON OPTIONS

_____ 3

_____ 4

_____ 5

CHIME

With: OPTION 3040 _____ 6

GRIP HANDLES

With: OPTION 3110 _____ 7

GROMMET CHART

_____ 8

HOLDER ASSY, CERTIFICATE

With: OPTION 2605, 2610 or FEATURE 30756 -01, -02 _____ 9

HORN ASSY, HIGH & LOW NOTE

_____ 10

HORN INSTALLATION, SLEEPING CHILD CHECK

With: FEATURE 30195-11 _____ 11

HORN, AIR

FOOT CONTROL

With: OPTION 4449 _____ 12

ROOF MOUNTED

With: OPTION 4427 _____ 13

HORN, BACKING SAFETY

With: FEATURE 30310 _____ 14

MAP & DOCUMENT COMPARTMENT

_____ 15

MUDFLAPS

<p><i>With: STD</i> <i>From BSN 0022484 0191751 0260162 0373871 997469</i></p> <hr/>	16
<p><i>With: OPTION 0579, 0581, 0582, 0584, 0586</i> <i>From BSN 0022484 0191751 0260162 0373871 997469</i></p> <hr/>	17
FULL WIDTH	
<p><i>With: OPTION 0602-01, 0602-02</i></p> <hr/>	18
MUDFLAPS & RUBBER FENDERS	
<p><i>With: OPTION 0580, 0586, 0600, 0605</i></p> <hr/>	19
ROOF EXHAUST	
<p><i>With: OPTION 0550, 0551</i></p> <hr/>	20
ROOF LUGGAGE RACK	
<p><i>With: OPTION 2629</i></p> <hr/>	21
SNOW CHAINS, ON SPOT INSTALLATION	
<p><i>With: FEATURE 40390-05</i></p> <hr/>	22
SUN VISOR ASSY	
<p><i>With: OPTION 3180, 3182; FEATURE 30767 -01, -02, -03, -04</i></p> <hr/>	23
TACHOGRAPH	
<p><i>With: OPTION 7830</i></p> <hr/>	24
TACHOGRAPH MODULES	
<p><i>With: OPTION 7830</i></p> <hr/>	25
TOOLS	
<hr/>	26
WIG-WAG, AIR, PRESSURE INDICATOR	
<p><i>With: OPTION 1462, 1463</i></p> <hr/>	27
<p><i>With: OPTION 1462</i></p> <hr/>	28
WINTER FRONT	
<p><i>With: FEATURE 40113-04</i></p> <hr/>	29

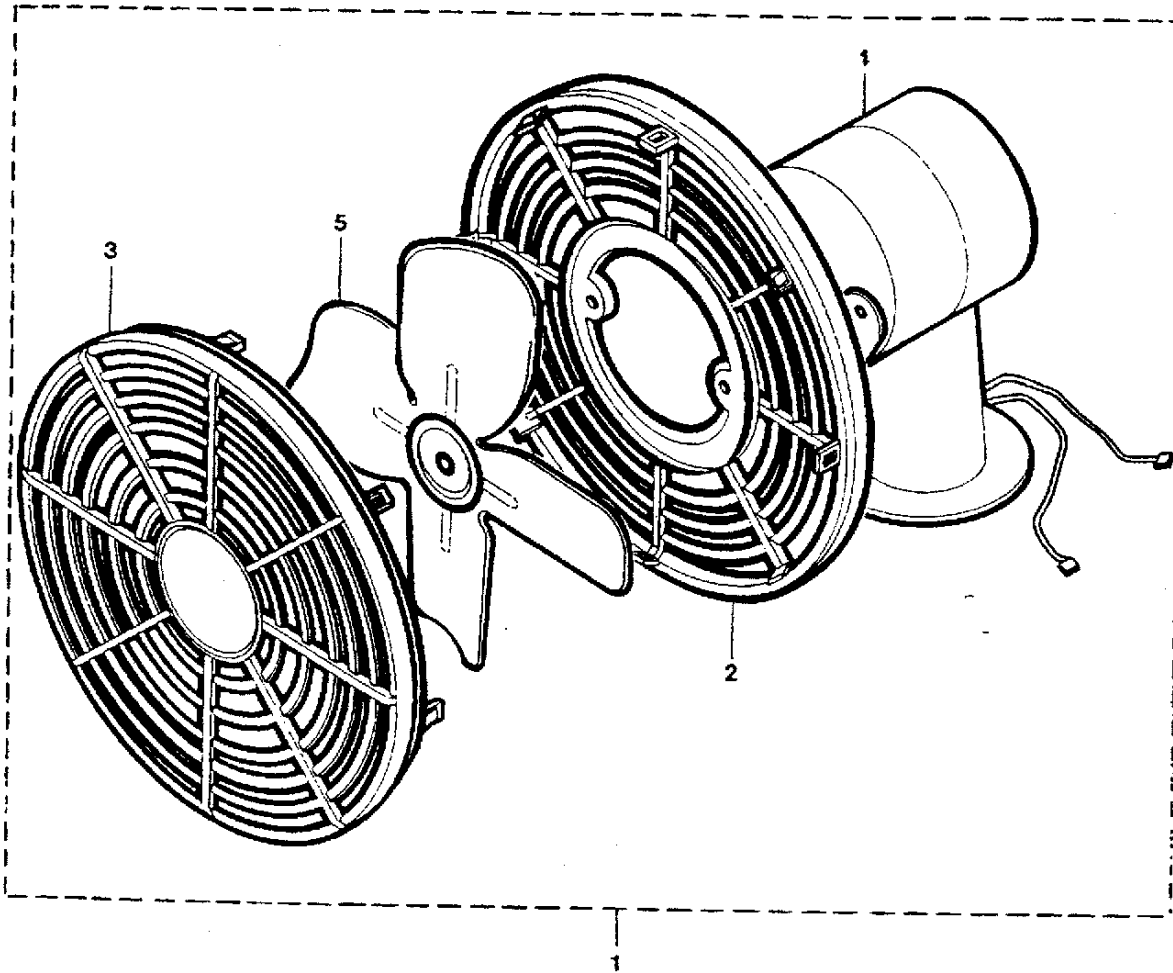
Models: AAFE, AARE, A3FE, A3RE, B1VC, B2VC, C1FE, CSFE, CSRE, GMCV, MBWB, SBCV, T2RE, TCFE, TCRE, TSFE, VCTA

**AUXILIARY FAN
6 INCH**

With Features: OPTION 0525, 0531, 0532, 0535, 0540, 0541, 0542, 0546, 0548

Key	PartNumber	Qty	Description	Comment
-----	------------	-----	-------------	---------

DR 6-26-85 BY LAD
 APP 6-27-85 BY [Signature] 80039 15
 FRONT
 © 1985 BLUE BIRD BODY COMPANY
 ALL RIGHTS RESERVED



Models: AAFE, AARE, A3FE, A3RE, B1VC, B2VC, C1FE, CSFE, CSRE, GMCV, MBWB, SBCV, T2RE, TCFE, TCRE, TSFE, VCTA

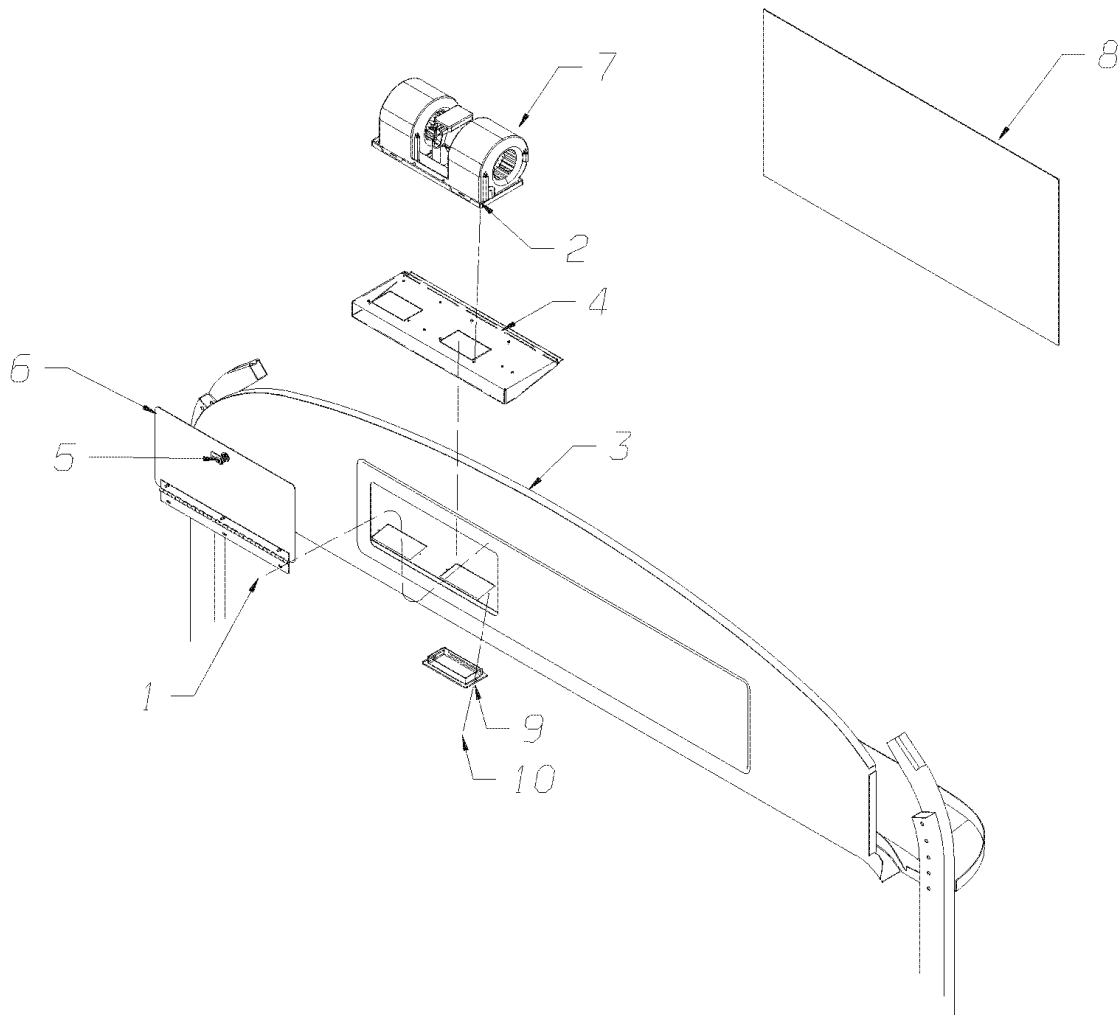
**AUXILIARY FAN
6 INCH**

With Features: OPTION 0525, 0531, 0532, 0535, 0540, 0541, 0542, 0546, 0548

Key	PartNumber	Qty	Description	Comment
1	0666719		FAN,AUXILIARY,2 SPEED,6IN	
2	2146694		GUARD,FRONT, 6" AUXILLIARY FAN	<i>INCLUDES. AVAILABLE ONLY IN KIT</i>
2			FRONT & REAR GUARD	
3	2146694		GUARD,FRONT, 6" AUXILLIARY FAN	<i>INCLUDES. AVAILABLE ONLY IN KIT</i>
3			FRONT & REAR GUARD	
4	0935494		MOTOR,DEFROSTER FAN	
5	2115483		BLADE,FAN,DEFROSTER,6IN,ELECTROHOME	
NI	2105013		BASE ASSY,6IN DEFROSTER FAN	
NI	1077643		PLATE,MTG,AUXILIARY FAN	<i>OPTION 0535</i>
NI	1073311		NUT,PANEL,HEX HD,1/2-20,YEL ZN DICH	
NI	1499094		SWITCH,3 POSN,HEATER	
NI	0890277		PLATE ASSY,MTG,AUXILIARY FAN, AA	<i>OPTION 0525</i>
NI	1434562		BRACKET,AUXILIARY FAN MOUNT, TCFC	
NI	1170869		BREAKER,CIRCUIT,8AMP	
NI	0004036		BRACKET,MTG,FAN,UPPER LEFT	<i>TSFE ONLY</i>

Models: A3FE, A3RE, BBCV
With Features: BLOWER, SQUIRREL CAGE
FEATURE 30026-08

Key	PartNumber	Qty	Description	Comment
-----	------------	-----	-------------	---------



Models: A3FE, A3RE, BBCV
With Features: BLOWER, SQUIRREL CAGE
 FEATURE 30026-08

Key	PartNumber	Qty	Description	Comment
1	2000511		SCREW,10-16 X 1/2,AB,PH1,TRUSS HD,	
2	1268119		SCREW,1/4-20X1/2,F,PH1,PAN HD,YEL ZN DICH	
3	0098397		PANEL,ACCESS,FRT UPPER INR,W/BLOWER,	
4	0098396		BRACKET,MTG,BLOWER ASSY,SQUIRREL CAGE,	
5	0098401		LATCH,DOOR,ACCESS,BLOWER,SQUIRREL	
6	0098392		DOOR,ASSY,ACCESS,BLOWER,SQUIRREL CAGE,	
7	0098407		BLOWER,ASSY,SQUIRREL CAGE,BERGSTROM	
8	0098470		FLOOR COVERING,CLOSEOUT,SQUIRREL CAGE	
9	3733003		LOUVRE,RECTANGULAR,ADJUSTABLE	
10	3750734		SCREW,SM,PH,PN/HD,6-20 X 3/4,TYPE AB,A3R	

Models: A3FE, A3RE, AAFE, AARE, B1VC, B2VC, C1FE, CSFE, CSRE, GMCV, MBWB, QBRE, SBCV, T2RE, TCEV, TCFE, TCRE, TSFE, VCTA
CHART, ADD ON OPTIONS

Key	PartNumber	Qty	Description	Comment
1	2130649		OPT 0122 AIR CONDITIONER ASSY AM-M4	OPTION 0122, AIR CONDITIONER ASSEMBLY ,AM-M45.5
2	2133080		OPT 0153 BATTERY BOX,COMPLETE NON-	OPTION 0153, BATTERY BOX, COMPLETE NON-LOCKING
3	2126548		OPT 0153 BATTERY BOX,W/OPT 0198-02	OPTION 0153, BATTERY BOX, WITH OPTION 0198-02, LOCKING
4	4280004		OPT 0156 BATT BOX,LGE ENCLOSED,OLD STYLE	OPTION 0156, BATTERY BOX, LARGE ENCLOSED, OLD STYLE
5	4305538		OPT 0156 BATT BOX,LGE ENCLOSED,NEW	OPTION 0156, BATTERY BOX, LARGE ENCLOSED, NEW STYLE
6	4311890		OPT 0156,BATTERY BOX,LRGE CLOSED LKG	OPTION 0156, BATTERY BOX, LARGE CLOSED LOCKING
7	4327268		OPT 166 SING LUG CMPT,NON/LKG,16 1/4 SKT	OPTION 0166, SINGLE LUGGAGE COMPARTMENT, NON-LOCKING, 16 1/4 SKIRT
8	4327250		OPT 166 SINGLE LUG CMPT,LKG,16 1/4 SKT	OPTION 0166, SINGLE LUGGAGE COMPARTMENT, LOCKING, 16 1/4 SKIRT
9	4319000		OPT 166 SINGLE LUG CMPT,LKG,19 3/4 SKT	OPTION 0166, SINGLE LUGGAGE COMPARTMENT, LOCKING, 19 3/4 SKIRT
10	4319018		OPT 166 SINGLE LUG CMPT,NON/LKG,19 3/4	OPTION 0166, SINGLE LUGGAGE COMPARTMENT, NON-LOCKING, 19 3/4 SKIRT
11	4301669		OPT.166,LUGGAGE COMPT,22HT CONV	OPTION 0166, SINGLE LUGGAGE COMPARTMENT, 22" CONV
12	4285326		OPT 0167 SNGL LUG CMPT,NON LKNG,16 & 19	OPTION 0167, SINGLE LUGGAGE COMPARTMENT, NON-LOCKING, 16 & 19 SKIRT
13	4284782		OPT 0168 DBL LUG CMPT LKG 16 & 19 SKIRT	OPTION 0168,DOUBLE LUGGAGE COMPARTMENT, LOCKING, 16 & 19 SKIRT
14	2152247		OPT 0168 DOUBLE LUGGAGE	OPTION 0168, DOUBLE LUGGAGE
15	4284790		OPT 0169-01&02,DBL LUG CMPT,RH/LH,16 & 19	OPTION 0169-01 & 02, DOUBLE LUGGAGE COMPARTMENT, RH/LH, 16 & 19 SKIRT
16	4322533		OPT 0169-09 & 02 LH OR RH DBLE LUG CMPT	OPTION 0169-09 & 02, LH OR RH DOUBLE LUGGAGE COMPARTMENT, LOCKING
17	2123354		OPT 0170 LUG CMPT W/OPT196 LK 16 & 19	OPTION 0170, LUGGAGE COMPARTMENT, WITH OPTION 196 LK, 16 & 19 SKIRT
18	2129484		OPT 0170 SNGL LUG NON-LOCKING, 16 & 19	OPTION 0170, SINGLE LUGGAGE COMPARTMENT, NON-LOCKING, 16 & 19 SKIRT
19	4297131		OPT 0174 DOUBLE LUGGAGE COMPT NEW LOOK	OPTION 0174, DOUBLE LUGGAGE COMPARTMENT, NEW LOOK
20	2123362		OPT 0175 DBL LUG CMPT W/OPT 197 LKG	OPTION 0175, DOUBLE LUGGAGE COMPARTMENT, WITH OPTION

Models: A3FE, A3RE, AAFE, AARE, B1VC, B2VC, C1FE, CSFE, CSRE, GMCV, MBWB, Q3RE, SBCV, T2RE, TCEV, TCFE, TCRE, TSFE, VCTA
CHART, ADD ON OPTIONS

Key	PartNumber	Qty	Description	Comment
				197, LOCKING HANDLE
21	4328522		OPT 0175 DBL LUG CMPT,W/OPT 197 & 4581	OPTION 0175, DOUBLE LUGGAGE COMPARTMENT, WITH OPTION 197 & 4581 LOCKING LE
22	2149474		OPT 0175 LUGGAGE COMPARTMENT	OPTION 0175 LUGGAGE COMPARTMENT, NON-LOCKING
23	2127868		OPT 0176-01 & 0197-01 DBL CMPT W/LOCK	OPTION 0176-01 & 0197-01, DOUBLE COMPARTMENT WITH LOCK
24	2133957		OPT 0179-03 PUSH THRU LUGGAGE	OPTION 0179-03, PUSH THRU LUGGAGE COMPARTMENT
25	4295366		OPT 0182-01 LUGGAGE RACK RR/DRIVER-	OPTION 0182-01, LUGGAGE RACK, REAR/ DRIVER-BLACK
26	2123388		OPT 0185 & 187 TIRE CMPT,W/LKG HANDLE	OPTION 0185 & 0187, TIRE COMPARTMENT, WITH LOCKING HANDLE
27	2149466		OPT 0185 TIRE COMPARTMENT NON/LOCKING	OPTION 0185, TIRE COMPARTMENT, NON-LOCKING
28	4283719		OPT 0193 TOOL COMPT RH	OPTION 0193, TOOL COMPARTMENT, RH
29	4282323		OPT 0195-01,TOOL COMPARTMENT,RH 28IN	OPTION 0195-01, TOOL COMPARTMENT, RH 28"
30	2126126		OPT 1330 U S HEATER 50,000 BTU	OPTION 1330, UNDERSEAT HEATER, 50,000 BTU
31	4297420		OPT 2553-03,BOOK RACK,2-28,1-35	OPTION 2553-03, BOOK RACK, 2-28, 1-35
32	2130425		OPT 2553-04 BOOK RACK 2-35,2-28 74 HR DOT	OPTION 2553-04, BOOK RACK, 2-35, 2-28, 74" HR, DOT
33	2133734		OPT 2553-04 BOOK RACK 74HR 4-28IN SECT	OPTION 2553-04, BOOK RACK, 74" HR, 4-28" SECTIONS
34	2129708		OPT 2553-07 BOOK RACK 6-28&1-35 FOR 2304	OPTION 2553-07, BOOK RACK, 6-28 & 1-35" SECTION FOR 2304
35	2131829		OPT 2553-07 BOOK RACK 7-28'S 74 HR NON-SB	OPTION 2553-07, BOOK RACK, 7-28" SECTIONS, 74" HR, NON-SCHOOL BUS
36	2133866		OPT 2553-08 BOOK RACK ALUMINIZED	OPTION 2553-08, BOOK RACK, ALUMINIZED
37	2130367		OPT 2553-09 BOOK RACK 5-28,3-35,2	OPTION 2553-09, BOOK RACK, 5-28, 3-35, 2
38	4280384		OPT 2553-09 BOOK RACK 9-28	OPTION 2553-09, BOOK RACK, 9-28
39	2130383		OPT 2553-09 BOOK RCK 6-28,3-35 74HR NON-	OPTION 2553-09, BOOK RACK, 6-28, 3-35, 74" HR NON-DOT
40	2130839		OPT 2553-10 BOOK RACK CV 2909	OPTION 2553-10, BOOK RACK, CV 2909
41	4280095		OPT 2553-10 BOOK RACK 2-35 8-28	OPTION 2553-10, BOOK RACK, 2-35, 8-28
42	2127769		OPT 2553-10 BOOK RACK 7-28-3-35	

Models: A3FE, A3RE, AAFE, AARE, B1VC, B2VC, C1FE, CSFE, CSRE, GMCV, MBWB, Q5RE, SBCV, T2RE, TCEV, TCFE, TCRE, TSFE, VCTA
CHART, ADD ON OPTIONS

Key	PartNumber	Qty	Description	Comment
				-28, 3-35
43	4299160		OPT 2553-11 BOOK RACK,11-28 SECTIONS	OPTION 2553-11, BOOK RACK, 11-28 SECTIONS
44	2149722		OPT 2555-11 BOOK RACK 10-28IN-2-35IN	OPTION 2555-11, BOOK RACK, 10-28, 2-35
45	2127157		OPT 2553-12 BOOK RACK 11-28&1-35 NON SB	OPTION 2553-12, BOOK RACK, 11-28 & 1-35, NON SCHOOL BUS
46	2123370		OPT 2553-14 BOOK RACK 74HR BODY	OPTION 2553-14, BOOK RACK, 74" HR, BODY MODEL 3903
47	4305132		OPT. 2615-11,PARCEL RACK,74 HR,W A/C	OPTION 2615-11, PARCEL RACK, 74" HR, WITH A/C
48	2127777		OPT 2615-03 DELUXE PARCEL RACK, MBCC	OPTION 2615-03, DELUXE PARCEL RACK MBCC

Models: A3FE, A3RE, AAFE, AARE, B1VC, B2VC, C1FE, CSFE, CSRE, GMCV, MBWB, QBRE, SBCV, T2RE, TCEV, TCFE, TCRE, TSFE, VCTA
CHART, ADD ON OPTIONS

Key	PartNumber	Qty	Description	Comment
49	8301087		OPT. 2615-03 PARCEL RACK	OPTION 2615-03, PARCEL RACK
50	2133940		OPT 2615-04 PARCEL RACK FOR, MBCC	OPTION 2615-04, PARCEL RACK FOR MBCC
51	2157832		OPT 2615-05 PARCEL RACK	OPTION 2615-05, PARCEL RACK
52	4300083		OPT 02615-05 PARCEL RACK,MBWB	OPTION 2615-05, PARCEL RACK, MBWB
53	2141059		OPT 2615-06 PARCEL RACK	OPTION 2615-06, PARCEL RACK
54	2149995		OPT 2615-07 PARCEL RACK	OPTION 2615-07, PARCEL RACK
55	2127223		OPT 2615-08 DELUXE PARCEL RACK	OPTION 2615-08, DELUXE PARCEL RACK
56	2140663		OPT 2615-09 DELUXE PARCEL RACK	OPTION 2615-09, DELUXE PARCEL RACK
57	4282414		OPT 2615-09 PARCEL RACK 28" SECT	OPTION 2615-09, PARCEL RACK, 28" SECTION
58	4297677		OPT 2615-09 PARCEL RACK 77" 12" OPEN	OPTION 2615-09, PARCEL RACK, 77" 12" OPENING
59	2126761		OPT 2615-10 PARCEL RACK 74HR BODY 3303	OPTION 2615-10, PARCEL RACK, 74" HR BODY 3303
60	2123446		OPT 2615-10 PARCEL RACK 74HR 28 SECT	OPTION 2615-10, PARCEL RACK, 74" HR 28 SECT
61	4322608		OPT 2615-10 PARCEL RACK,77 HR	OPTION 2615-10, PARCEL RACK, 77" HR
62	2127082		OPT 2615-11 DELUXE PARCEL RACK 11 28IN	OPTION 2615-11, DELUXE PARCEL RACK, 11 28" SECTIONS
63	4296919		OPT 2615-11 PARCEL RACK,5-35,6-28,77HR	OPTION 2615-11, PARCEL RACK, 5-35, 6-28, 77" HR
64	4282448		OPT 2615-11 PARCEL RACK,7-28 4-35	OPTION 2615-11, PARCEL RACK, 7- 28, 4-35
65	4278354		OPT 2615-11 SPECIAL FOR F-57823	OPTION 2615-11, SPECIAL FOR F -57823
66	2126902		OPT 2615-12 PARCEL RACK 74" HR	OPTION 2615-12, PARCEL RACK,74" HR
67	2147189		OPT 2615-13 PARCEL RACK	OPTION 2615-13, PARCEL RACK
68	4304002		OPT 2615-13 PARCEL RACK,74 HR,W/A/C	OPTION 2615-13, PARCEL RACK, 74" HR, WITH A/C
69	4313235		OPT 2615-13,DELUXE PARCEL RACK,77HR	OPTION 2615-13, DELUXE PARCEL RACK, 77" HR
70	2123792		OPT 2615-14 DEL PARCEL RACK 74" HR	OPTION 2615-14, DELUXE PARCEL RACK, 74" HR
71	4297065		OPT 2615-14 DELUXE PARCEL RACK 77HR	OPTION 2615-14, DELUXE PARCEL RACK, 77" HR
72	4297875		OPT 2615-14 PARCEL RACK,77",12" OPEN	OPTION 2615-14, PARCEL RACK, 77" HR, 12" OPENING
73	4319240		OPT 2615-14 W/58997-09,DEL PARCEL RACK,	OPTION 2615-14, WITH 58997 -09, DELUXE PARCEL RACK, OXEN
74	4312203		OPT 2629-03 ROOF RACK 3-28 SECT.	

Models: A3FE, A3RE, AAFE, AARE, B1VC, B2VC, C1FE, CSFE, CSRE, GMCV, MBWB, QBRE,
SBCV, T2RE, TCEV, TCFE, TCRE, TSFE, VCTA
CHART, ADD ON OPTIONS

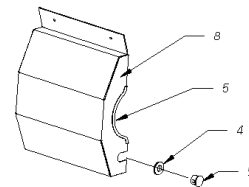
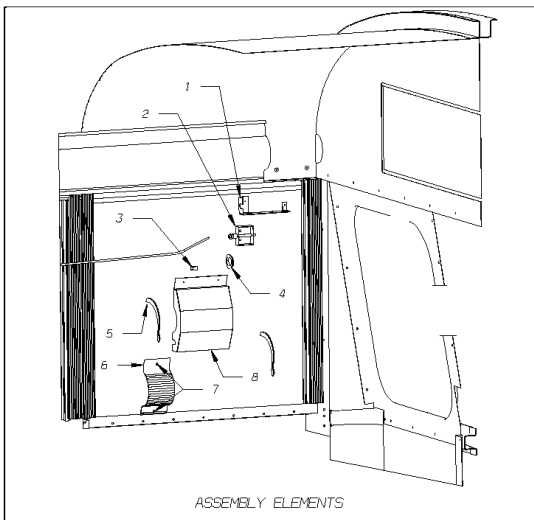
Key	PartNumber	Qty	Description	Comment
				-28 SECTIONS
75	2126860		OPT 2629-04 ROOF RACK 4-28 SECT	OPTION 2629-04, ROOF RACK, 4 -28 SECTIONS
76	2151561		OPT 2629-05 ROOF RACK	OPTION 2629-05, ROOF RACK
77	2153377		OPT 2629-06 ROOF RACK, (6-28)	OPTION 2629-06, ROOF RACK. 6 -28
78	4280368		OPT 2629-07 ROOF RACK	OPTION 2629-07, ROOF RACK
79	2127256		OPT 2629-08 ROOF LUGGAGE	OPTION 2629-08, ROOF LUGGAGE
80	2151223		OPT 2629-09 ROOF RACK	OPTION 2629-09, ROOF RACK
81	2126308		OPT 2630-04 ROOF LUGGAGE W/LADDER	OPTION 2630-04, ROOF LUGGAGE WITH LADDER
82	2127090		OPT 2630-06 ROOF LUGGAGE RACK 6-28 SECT	OPTION 2630-06, ROOF LUGGAGE RACK, 6-28 SECTIONS
83	2131894		OPT 2630-07 ROOF LUGGAGE RACK 7-28S	OPTION 2630-07, ROOF LUGGAGE RACK, 7-28 SECTIONS
84	2123347		OPT 2631-05 ROOF LUGGAGE RACK W/AC	OPTION 2631-05, ROOF LUGGAGE RACK WITH AC
85	2127702		OPT 2631-10 LUGGAGE ROOF RACK W/AC	OPTION 2631-10, LUGGAGE ROOF RACK WITH AC
86	2129252		OPT 2755-02 RESTRAINING BELT 39 SEAT	OPTION 2755-02, RESTRAINING BELT, 39 SEAT
87	2126407		OPT 2802-01 PADDED SEATING CMPT IND CMPT	OPTION 2802-01, PADDED SEATING COMPARTMENT, IND COMPARTMENT
88	2126415		OPT 2802-02 PADDED SEAT CMPT-ADD-ON	OPTION 2802-02, PADDED SEAT COMPARTMENT, ADD-ON
89	2126423		OPT 2802-03 PADDED SEATING CPT PLASTIC	OPTION 2802-03, PADDED SEATING COMPARTMENT, PLASTIC SHI
90	4296927		OPT 3051 DEST SIGN,FRONT OR REAR	OPTION 3051, DESTINATION SIGN, FRONT OR REAR
91	2126985		OPT 3078-10 DELUXE STANDEE RAIL	OPTION 3078-10, DELUXE, STANDEE RAIL
92	4301842		OPT. 3078-13,DELUXE STANDEE RAIL	OPTION 3078-13, DELUXE, STANDEE RAIL
93	2148682		OPT 3128 CROSSING CONTROL ARM,VAC	OPTION 3128, CROSSING CONTROL ARM, VAC AAFE & AARE
94	2141075		OPT 3128 FORD VAC,CROSSING ARM	OPTION 3128, FORD VAC, CROSSING ARM

Models: A3FE, A3RE, AAFE, AARE, B1VC, B2VC, C1FE, CSFE, CSRE, GMCV, MBWB, QBRE, SBCV, T2RE, TCEV, TCFE, TCRE, TSFE, VCTA
CHART, ADD ON OPTIONS

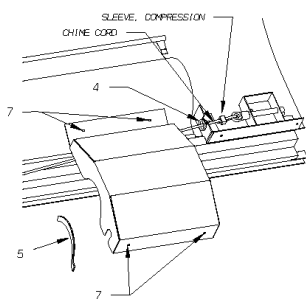
Key	PartNumber	Qty	Description	Comment
95	2141083		OPT 3128 GMC VAC CROSSING ARM	OPTION 3128, GMC
96	2141067		OPT 3128 IHC VAC,CROSSING ARM	OPTION 3128, IHC VAC, CROSSING ARM
97	4298816		OPT 3128-02 CROSSING CTRL ARM W/LIGHT	OPTION 3128-02, CROSSING CONTROL ARM WITH LIGHT, VAC
98	2148690		OPT 3129 CROSSING CONTROL ARM,AIR	OPTION 3129, CROSSING CONTROL ARM, AIR AAFC & AARE
99	2141091		OPT 3129 FORD AIR, CROSSING ARM	OPTION 3129, FORD AIR, CROSSING ARM
10	2141109		OPT 3129 GMC AIR CROSSING ARM	OPTION 3129, GMC
10	2141117		OPT 3129 IHC AIR CROSSING ARM	OPTION 3129, IHC AIR CROSSING ARM
10	4311130		OPT 3129-01,GMCV 200,AIR CROSSING ARM,	OPTION 3129-01, GMCV
10	2150985		OPT 3131 CONTROL ARM ELECTRIC,FORD	OPTION 3131, CONTROL ARM ELECTRIC, FORD
10	2150969		OPT 3131 CROSSING CTRL ARM ELEC GMC	OPTION 3131, GMC
10	2150993		OPT 3131 CROSSING CTRL ARM ELEC FLAT BPR	OPTION 3131, CROSSING CONTROL ARM, ELECTRIC FLAT BUMPER
10	2150977		OPT 3131 CROSSING CTRL ARM ELEC IHC	OPTION 3131, CROSSING CONTROL ARM, ELECTRIC IHC
10	2160901		OPT 3131-02 CROSSING CONTROL ARM,	OPTION 3131-02, CROSSING CONTROL ARM, ELECTRIC
10	2161560		OPT 3131-02 CROSSING CONTROL ARM,	OPTION 3131-02, CROSSING CONTROL ARM, ELECTRIC
10	2131100		OPT 6214 56 LIFT COMPLETE	OPTION 6214, 56 LIFT COMPLETE
11	2126118		OPT 6885 BOOK RACK PADDED,7-28 & 1-35	OPTION 6885, BOOK RACK PADDED, 7-28 & 1-35
11	2127322		OPT 6885-08 PADDED BOOK RACK	OPTION 6885-08, PADDED BOOK RACK

Models: A3FE, A3RE, BBCV, SBCV
CHIME
With Features: OPTION 3040

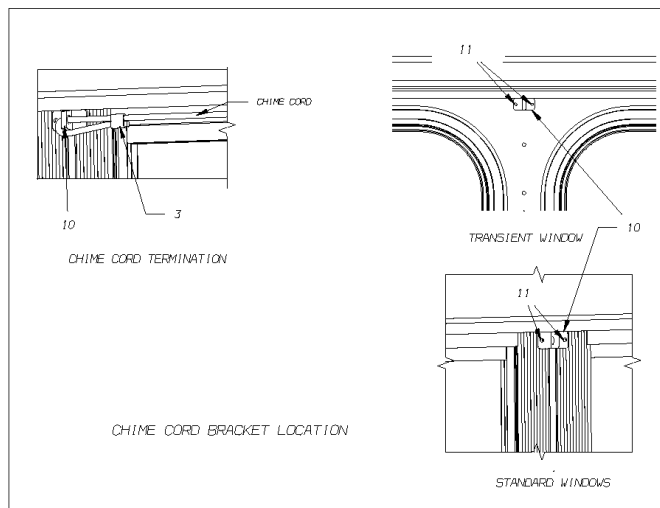
Key	PartNumber	Qty	Description	Comment
-----	------------	-----	-------------	---------



MID-MOUNT LIFT DOORS
AND EXIT DOORS



CHIME COVER INSTALLATION
ALL APPLICATIONS



Models: A3FE, A3RE, BBCV, SBCV
CHIME
With Features: OPTION 3040

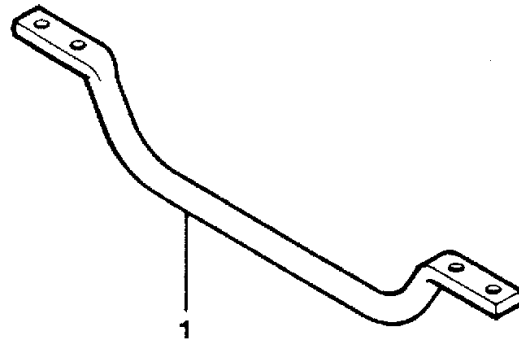
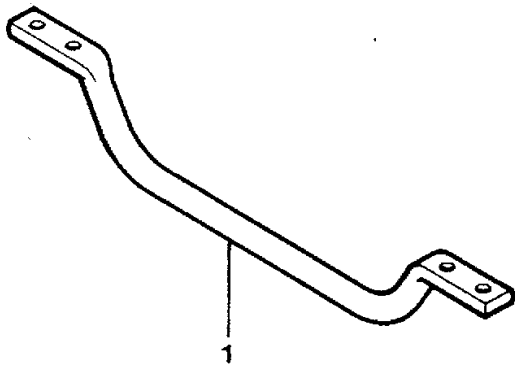
Key	PartNumber	Qty	Description	Comment
1			BRACKET, CHIME COVER	
1			74 HR	
1	0056437		BRACKET,COVER,CHIME,74,RH,OPT 03040	
1	0056908		BRACKET,COVER,CHIME,74,LH,OPT 03040	
1			77 HR	
1	0056438		BRACKET,COVER,CHIME,77,RH,OPT 03040	
1	0056909		BRACKET,COVER,CHIME,77,LH,OPT 03040	
2	2006179		SWITCH,PASSENGER SIGNAL	
3	0839886		SLEEVE,COMPRESSION,3/16,THIN WALL	
4	2003226		GROMMET,RUBBER,W/S WIPER	
5	2004547		TRIM,INSTRUMENT HOOD,VINYL EDGE,BLACK	
6	0052730		COVER,WIRE MOLDING JOINT	
7	0054228		SCREW,10-16 X 3/4,AB,PHI,PN/HD,ZINC,WHITE	
8			COVER ASSY, CHIME	
8	0057358		COVER ASSY,CHIME,74HR,OPT 03040	
8	0057359		COVER ASSY,CHIME,77HR,OPT 03040	
9	1351063		PLUG,BUTTON,BLACK,DP-500,HEYCO 2643	
10			BRACKET, CHIME CORD	
10	1024280		BRACKET,CHIME CORD	STANDARD
10	0602029		BRACKET,O/S CHAIN HOOK	WITH PARCEL RACKS OR BOOK RACKS
11	0527267		SCREW,6-20 X 1/2,AB,PH1,PAN HD,YEL ZN	
NI	2006161		CHIME,PASSENGER	
NI	1334689		SCREW,10-32 X 3/8,F,PH1,PAN HD,YEL ZN	
NI	2006153		CABLE,AIRCRAFT,GALV 6 VINYL	

Models: AAFE, AARE, A3FE, A3RE, CSFE, CSRE, T2RE, TCFE, TCRE, TSFE
With Features: GRIP HANDLES
OPTION 3110

Key	PartNumber	Qty	Description	Comment
-----	------------	-----	-------------	---------

DR 12-3-87	BY JB	8007148
APP	BY	

FRONT © 1988 BLUE BIRD BODY COMPANY
ALL RIGHTS RESERVED



Models: AAFE, AARE, A3FE, A3RE, CSFE, CSRE, T2RE, TCFE, TCRE, TSFE
With Features: GRIP HANDLES
OPTION 3110

Key	PartNumber	Qty	Description	Comment
1	1651496		HANDLE,GRAB,.50 DIA X 2.00 X 7.00,BLACK	
NI	1731017		SCREW,12-24 X 7/8,F,PH1,FLT CNSK HD,BLK	

Models: A1VC, A3FE, A3RE, B1VC, B2VC, B4RE, BBCV, BCCV, C1FE, CSFE, C4RE, C5EV, CSFE, CSRE, GMCV, GPWB, AARE, AAFE, H4RE, HDFE, L3RE, L4RE, M4RE, MBWB, Q4RE, QBEV, QBRE, SBCV, T2RE, TCEV, TCFE, TCRE, TSFE, VCTA, W4RE, WLWB
GROMMET CHART

Key	PartNumber	Qty	Description	Comment
	2003150		GROMMET,CHASSIS,COWL WIRING	.16 ID
	1619477		GROMMET,RUBBER,.25 ID X .38 OD	
	2003168		GROMMET,RUBBER	.31 ID
	0890566		GROMMET,RUBBER,ATLANTIC INDIA,NO 2758	.38 ID
	2003218		GROMMET,RUBBER,3/8 ID	.38 ID
	2003226		GROMMET,RUBBER,W/S WIPER	.44 ID
	1508613		GROMMET,RUBBER,ATLANTIC INDIA #2426	.50 ID
	2003192		GROMMET,RUBBER,FC	.75 ID
	2003234		GROMMET,RUBBER,CHASSIS COWL WIRES,3/4	
	1894187		GROMMET,RUBBER,.75 ID W/1.00 X .09	
	2003200		GROMMET,RUBBER,1 IN. ID	
	2003184		GROMMET,RUBBER,HEATER PANEL,1-1/4 IN. ID	
	1610450		GROMMET,RUBBER,1.38 ID X 1.718 OD	
	1652379		GROMMET,RUBBER,1.25 ID W/1.50 X .25	
	0421792		GROMMET,1 3/4 X 1/16 X 1 1/2	
	2003176		GROMMET,HEATER HOSE,1 1/2IN ID	
	0026853		GROMMET,RUBBER,2.125 I.D.	
	0053652		GROMMET,RUBBER,1/4IDX.0625WALL"	
	0063731		GROMMET,RUBBER,1.00 ID	
	0066468		GROMMET,RUBBER,13/32 ID,3/8 GW,5/8 GD	
	0112325		GROMMET,RUBBER,1.75ID W/2.00 X .25	

Models: AAFE, AARE, A3FE, A3RE, B1VC, B2VC, CSFE, CSRE, GMCV, MBWB, SBCV, T2RE, TCEV, TCFE, TCRE, TSFE, VCTA

With Features: HOLDER ASSY, CERTIFICATE
OPTION 2605, 2610 or FEATURE 30756 -01, -02

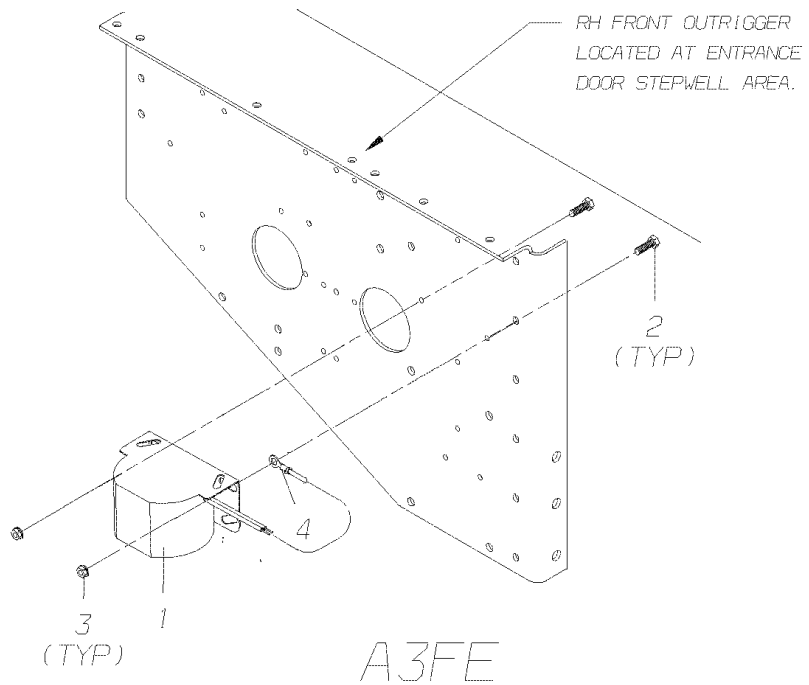
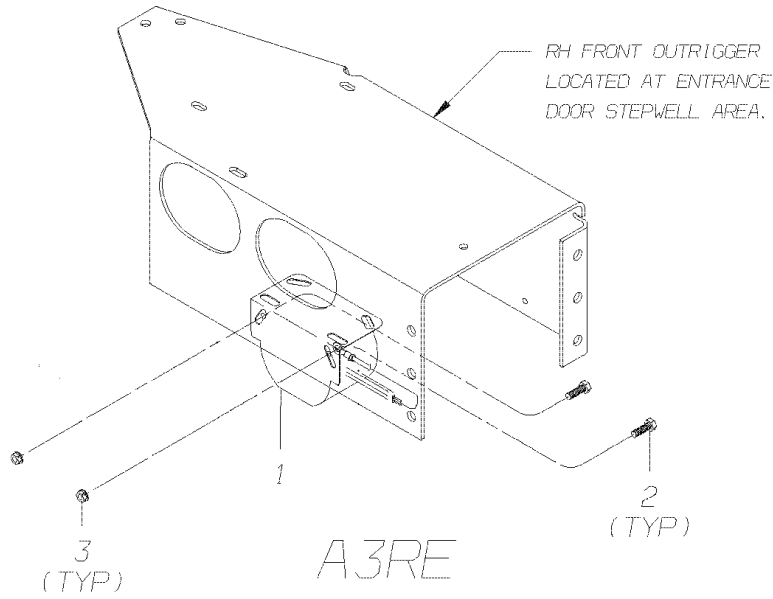
Key	PartNumber	Qty	Description	Comment
				<i>OPTION 2605 OR FEATURE 30756 -01</i>
NI	0960047		CERTIFICATE HOLDER ASSY,7.62 X 9.25	
NI	1560747	4	SCREW,6-20 X 1/2,AB,PH1,PAN HD,BLK	
NI	2001253	2	NUT,HEX HD,8-32,YELLOW DICHROMATE	
				<i>OPTION 2610 OR FEATURE 30756 -02</i>
NI	0960039		CERTIFICATE HOLDER ASSY,4X6	
NI	1560747	4	SCREW,6-20 X 1/2,AB,PH1,PAN HD,BLK	
NI	2001253	2	NUT,HEX HD,8-32,YELLOW DICHROMATE	

Models: A3FE, A3RE, C1FE, CSFE, CSRE, QBRE, TCFE, TCRE, TSFE
HORN ASSY, HIGH & LOW NOTE

Key	PartNumber	Qty	Description	Comment
NI	1985456		HORN ASSY,HIGH & LOW NOTE W/HORN	
NI	1985464		HORN ASSY,HIGH NOTE,DUAL	
NI	1985472		HORN ASSY,LOW NOTE,DUAL	
NI	1985480		HARNESS,WRG,HORN JUMPER	

Models: A3FE, A3RE
With Features: HORN INSTALLATION, SLEEPING CHILD CHECK
 FEATURE 30195-11

Key	PartNumber	Qty	Description	Comment
-----	------------	-----	-------------	---------

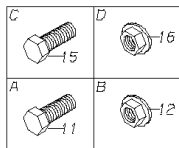
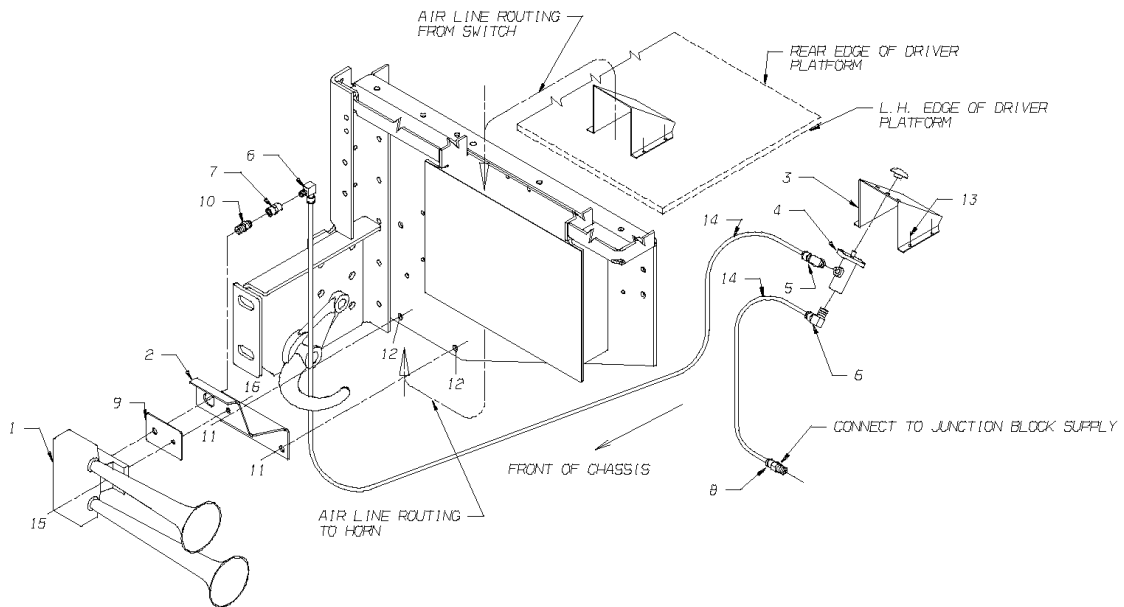


Models: A3FE, A3RE
With Features: HORN INSTALLATION, SLEEPING CHILD CHECK
FEATURE 30195-11

Key	PartNumber	Qty	Description	Comment
1	0003312		HORN,BACKING ALARM,112 DB	
2	1435023		CAPSCREW,HEX HD,5/16-18, X, 3/4,GR5,	
3	0829390		NUT,HEX HD,5/16-18,SER WASHER,YEL ZN	
4	1404383		TERMINAL,EYELET,5/16,14-16 GA,INSULATED"	

Models: **A3FE**
HORN, AIR
FOOT CONTROL
 With Features: **OPTION 4449**

Key	PartNumber	Qty	Description	Comment
-----	------------	-----	-------------	---------



Models: A3FE
HORN, AIR
FOOT CONTROL
With Features: OPTION 4449

Key	PartNumber	Qty	Description	Comment
1	0006315		HORN,AIR,DUAL TRUMPET,BLK	
2	0023585		BRKT,MTG,AIR HORN,DUAL TRUMPET, HD FE	
3	1507359		BRACKET,MTG,AIR HORN VALVE	
4	1337104		VALVE,FOOT CONTROL,AIR HORN,228672	
5	0009903		ELBOW,90 DEG,MALE1869X4-Z,.13MPT X .25T	
6	0009912		ELBOW,90 DEG,MALE1869X4X4-Z,.25MPT	
7	2027175		COUPLING,PIPE,1/4	
8	0009922		CONNECTOR,MALE,1868X4X4-Z,.25MPT X .25T"	
9	0006314		GASKET,AIR HORN,HADLEY,DUAL	
10	2023224		CONNECTOR,1/4 MPT X 1/4 TUBE,205183	
11	2028322	2	CAPSCREW,HEX HD,3/8-16, X, 1, ,GR 5,ZINC	
12	0839027	2	NUT,HEX HD,3/8-16,GR G,SM FLG LK,YEL	
13	1164821	4	SCREW,10-16 X 3/4,AB,PH1,TRUSS HD, YEL ZN	
14	0654962	6	TUBING,PLASTIC,1/4 OD,BLACK,SAE J844 TYPE	
15	0854406	2	CAPSCREW,HEX HD,5/16-18 X 1,GR8,YEL ZN	
16	0829390	2	NUT,HEX HD,5/16-18,SER WASHER,YEL ZN	

Models: AAFE, AARE, A3FE, A3RE, CSFE, CSRE, QBRE, TCFE, TCRE
With Features: HORN, AIR ROOF MOUNTED OPTION 4427

Key	PartNumber	Qty	Description	Comment
	0557983		VALVE,AIR HORN,AV-1	
	0557991		WASHER,AIR HORN SPRING	
	0558007		HORN,DUAL TRUMPET,AIR	
	0602029		BRACKET,O/S CHAIN HOOK	
	0839886		SLEEVE,COMPRESSION,3/16,THIN WALL	
	0003392		PLATE,AIR HORN INSPECTON	
	2006153	3	CABLE,AIRCRAFT,GALV 6 VINYL	<i>SOLD BY FOOT</i>
	2008050		BUSHING,PIPE,1/8 TO 1/4,BRASS	
	2008233		ELBOW,BRASS,69 X 4,1/8 X 1/4	
	2008431	11	TUBING,COPPER,1/4	<i>SOLD BY FOOT</i>

Models: A3FE, C1FE, CSFE, TCFE, TSFE
With Features: HORN, BACKING SAFETY
 FEATURE 30310

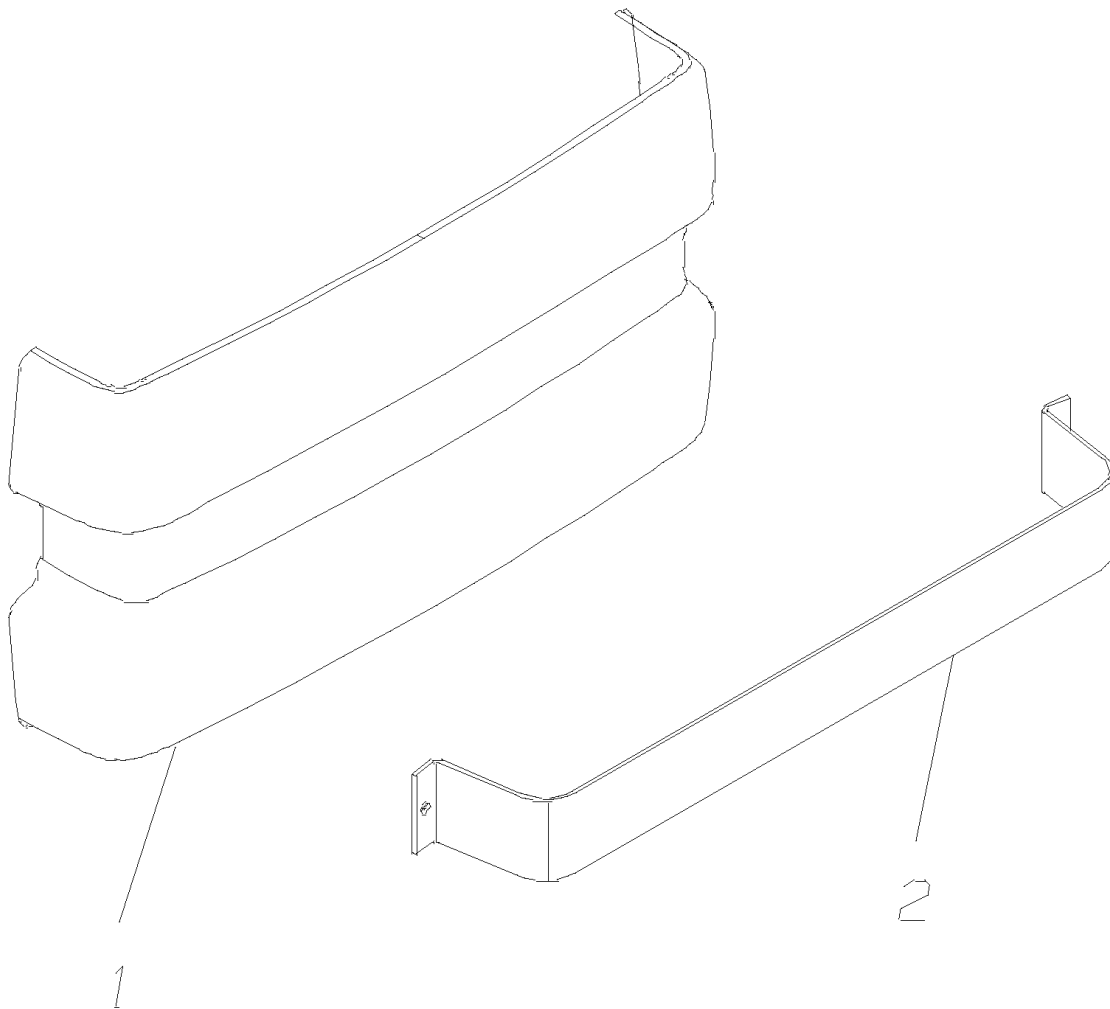
Key	PartNumber	Qty	Description	Comment
NI				<i>FEATURE 30310 -01</i>
NI	0003311		HORN,BACKING ALARM,107 DB	
NI	0072272	5	CLIP,WIRING	
NI	0829390	2	NUT,HEX HD,5/16-18,SER WASHER,YEL ZN	
NI	0989145	2	CAPSCREW,HEX HD,5/16-18, X, 1, ,GR5,	
NI	1341866		BRACKET,MTG,RELAY VALVE/BACKING HORN,	
NI	2001121		WASHER,FLAT,5/16 X 3/4,X 5/64,YEL ZN DICH	
NI	2000057	2	CAPSCREW,HEX HD,1/4-20 X 1,GR 5,YEL ZN	
NI	2001170	2	LOCKWASHER,SPLIT RING, 1/4 ,MED,YEL ZN	
NI	2001188	2	LOCKWASHER,SPLIT RING, 5/16,MED,YEL ZN	
NI	2001329	2	NUT,HEX HD,1/4-20,YELLOW DICHROMATE"	
NI				<i>FEATURE 30310 -02</i>
NI	0003312		HORN,BACKING ALARM,112 DB	
NI	0072272	5	CLIP,WIRING	
NI	0829390	2	NUT,HEX HD,5/16-18,SER WASHER,YEL ZN	
NI	0989145	2	CAPSCREW,HEX HD,5/16-18, X, 1, ,GR5,	
NI	1341866		BRACKET,MTG,RELAY VALVE/BACKING HORN,	
NI	2001121		WASHER,FLAT,5/16 X 3/4,X 5/64,YEL ZN DICH	
NI	2000057	2	CAPSCREW,HEX HD,1/4-20 X 1,GR 5,YEL ZN	
NI	2001170	2	LOCKWASHER,SPLIT RING, 1/4 ,MED,YEL ZN	
NI	2001188	2	LOCKWASHER,SPLIT RING, 5/16,MED,YEL ZN	
NI	2001329	2	NUT,HEX HD,1/4-20,YELLOW DICHROMATE"	
NI				<i>FEATURE 30310 -03</i>
NI	0052521		HORN,BACK ALARM,VARIABLE VOL,87-112 DBA	
NI	0052545		BRACKET,MNTG,BACK UP ALARM	
NI	2000057	4	CAPSCREW,HEX HD,1/4-20 X 1,GR 5,YEL ZN	
NI	2001121	6	WASHER,FLAT,5/16 X 3/4,X 5/64,YEL ZN DICH	
NI	2001170	4	LOCKWASHER,SPLIT RING, 1/4 ,MED,YEL ZN	
NI	2001329	4	NUT,HEX HD,1/4-20,YELLOW DICHROMATE"	
NI	0989145	2	CAPSCREW,HEX HD,5/16-18, X, 1, ,GR5,	
NI	2001188	2	LOCKWASHER,SPLIT RING, 5/16,MED,YEL ZN	
NI	0829390	2	NUT,HEX HD,5/16-18,SER WASHER,YEL ZN	
NI	1510775	10	LOOM,CORRUGATED,BLACK NYLON,1/4 ID,SS	

Models: A3FE, C1FE, CSFE, TCFE, TSFE
With Features: HORN, BACKING SAFETY
FEATURE 30310

Key	PartNumber	Qty	Description	Comment
NI	0072272	5	CLIP,WIRING	

Models: A3FE, A3RE, C1FE, CSFE, CSRE, TCFE
MAP & DOCUMENT COMPARTMENT

Key	PartNumber	Qty	Description	Comment
-----	------------	-----	-------------	---------



Models: A3FE, A3RE, C1FE, CSFE, CSRE, TCFE
MAP & DOCUMENT COMPARTMENT

Key	PartNumber	Qty	Description	Comment
1	1330554		COMPARTMENT,UTILITY,DRIVERS AREA,AARE	
2	1331891		STRAP,UTILITY COMPARTMENT MOUNT,AARE	
3	1415769	2	RIVET,POP,.18 X .45,CHERRY SSPS-6-4	

Models: A3FE
MUDFLAPS
With Features: STD
BSN: From BSN 0022484 0191751 0260162 0373871 997469

Key	PartNumber	Qty	Description	Comment
			LH FRONT TIRE W/ MUD GUARD	<i>PARTS LIST ON 1877422.</i>
NI	1340322		GUARD,MUD, FRONT OF LH FRONT WHEEL OR FRONT TIRE W/ REAR FLAP	
NI	1876713	2	RETAINER,MUDFLAP	
NI	1876697	2	MUDFLAP,23 X 14	
NI	1876705	2	MUDFLAP,23 X 25.25	
NI	2001055	16	WASHER,FLAT,11/32 X 1 1/4 X 5/32,YEL ZN	
NI	2001410	8	NUT,HEX HD,5/16-18,YEL ZN DICH"	
NI	0854406	8	CAPSCREW,HEX HD,5/16-18 X 1,GR8,YEL ZN	
NI	2001188	8	LOCKWASHER,SPLIT RING, 5/16,MED,YEL ZN	

Models: A3FE
MUDFLAPS
With Features: OPTION 0579, 0581, 0582, 0584, 0586
BSN: From BSN 0022484 0191751 0260162 0373871 997469


Key	PartNumber	Qty	Description	Comment
			MUDFLAPS, FRONT	OPTION 0579, IN FRONT OF REAR WHEELS
NI	1876713	2	RETAINER,MUDFLAP	
NI	1876697	2	MUDFLAP,23 X 14	
NI	0854406	8	CAPSCREW,HEX HD,5/16-18 X 1,GR8,YEL ZN	
NI	2001055	16	WASHER,FLAT,11/32 X 1 1/4 X 5/32,YEL ZN	
NI	2001410	8	NUT,HEX HD,5/16-18,YEL ZN DICH"	
NI	2001188	8	LOCKWASHER,SPLIT RING, 5/16,MED,YEL ZN	
NI	1876705	2	MUDFLAP,23 X 25.25	25.75 SKIRT ONLY
NI			MUDFLAP, REAR TIRE W/ REAR FLAP	OPTION 0581
NI	1875954		MUDFLAP,23 X 30	
NI			MUDFLAP, FULL LENGTH, FRONT TIRE W/ REAR	OPTION 0582
NI	1875954		MUDFLAP,23 X 30	
			MUDFLAPS	OPTION 0584-01
NI	0980383		MUDFLAP,BIRD LOGO,23.00 X 30.25	
	0953968		MUDFLAP,BLACK RUBBER,24 X 30	
			MUDFLAPS, REAR, REAR TIRE W/ REAR FLAP	OPTION 0586
NI	1876713	2	RETAINER,MUDFLAP	
	1875962	2	MUDFLAP,23 X 30,BLUE BIRD LOGO	
	0610725	8	CAPSCREW,HEX HD,5/16-18X1 1/4,GR8,	
	0854406	8	CAPSCREW,HEX HD,5/16-18 X 1,GR8,YEL ZN	
	2001055	16	WASHER,FLAT,11/32 X 1 1/4 X 5/32,YEL ZN	
	2001410	8	NUT,HEX HD,5/16-18,YEL ZN DICH"	
	2001188	8	LOCKWASHER,SPLIT RING, 5/16,MED,YEL ZN	

Models: AAFE, A3FE, CSFE, GMCV, SBCV, TCFE

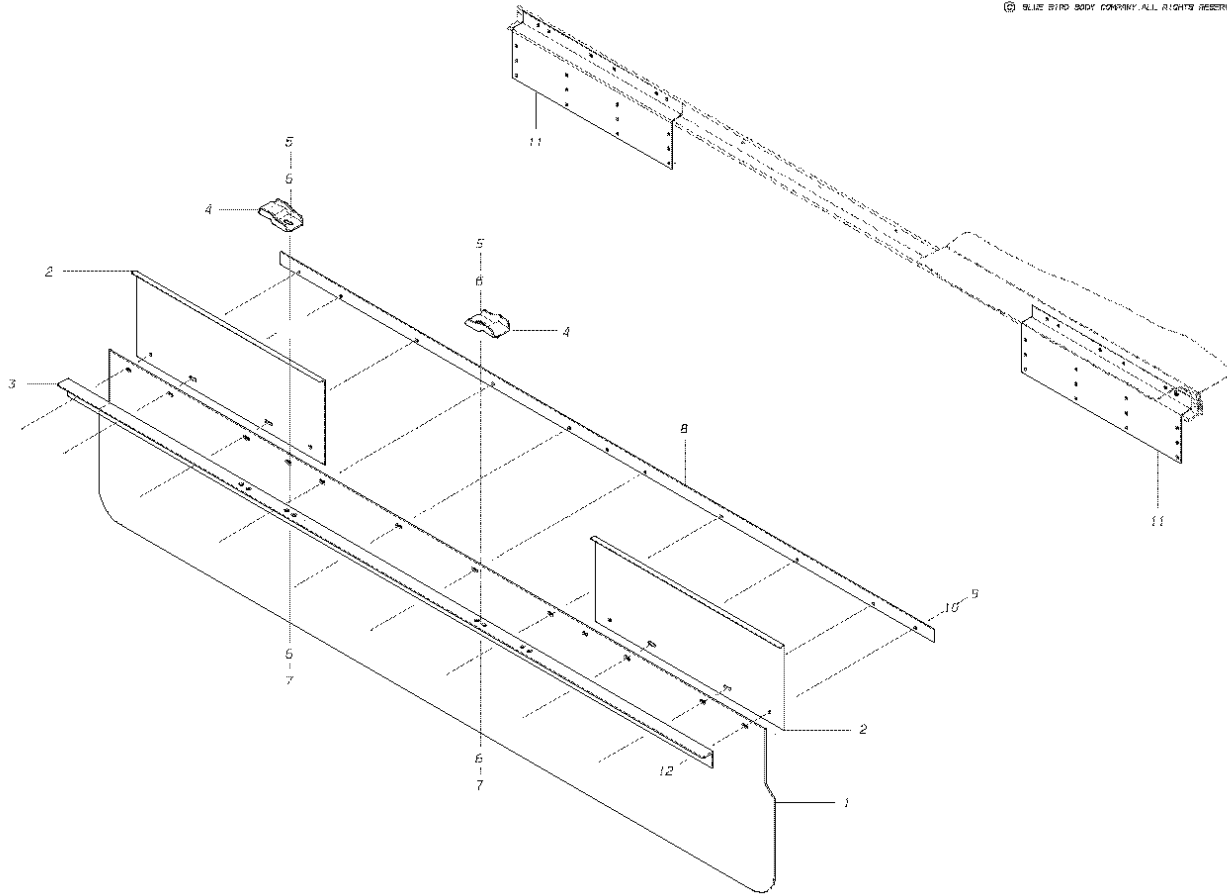
MUDFLAPS
FULL WIDTH

With Features: OPTION 0602-01, 0602-02

Key	PartNumber	Qty	Description	Comment
-----	------------	-----	-------------	---------

DRW. 1/29/99	BY J.L.		1877141	A	
APP. 1/29/99	BY JEB	FRJ		REV	

© BLUE BIRD BODY COMPANY. ALL RIGHTS RESERVED



Models: AAFE, A3FE, CSFE, GMCV, SBCV, TCFE

**MUDFLAPS
FULL WIDTH**

With Features: OPTION 0602-01, 0602-02

Key	PartNumber	Qty	Description	Comment
1	1566934		MUDFLAP,FULL WIDTH,.31 X 20 X 94.5 RUBBER	
2	0621151	2	EXTENSION,FULL WIDTH MUDFLAP	
3	0621177		ANGLE,MTG,MUDFLAP BRACKET,FULL WIDTH	
4	1385723	2	CLAMP,TIE DOWN	
5	0522342	2	CAPSCREW,HEX HD,7/16-20X1 1/2,GR5,	
6	1134097		WASHER,FLAT,15/32 X 1 1/8 X 5/64,HDN,BLK	
7	1134105		NUT,HEX HD,7/16-20,TOP LOCKING,CADMIUM	
8	0621169		BAR,MTG,FULL WIDTH MUD FLAP BRACKET	
9	0610725		CAPSCREW,HEX HD,5/16-18X1 1/4,GR8,	
10	1078922		WASHER,FLAT,3/8 X 7/8 X 5/64,YEL ZN DICH	
11		2	RETAINER, MUDFLAP	
11	1876713		RETAINER,MUDFLAP	<i>ENDING WITH BSN F10065534</i>
11	0075395		BRACKET,MTG,MUDFLAP	<i>BEGIN WITH BSN F10065535</i>
12	1480433		NUT,HEX HD,5/16-18,FLG PRVG TORQ,GR F,	

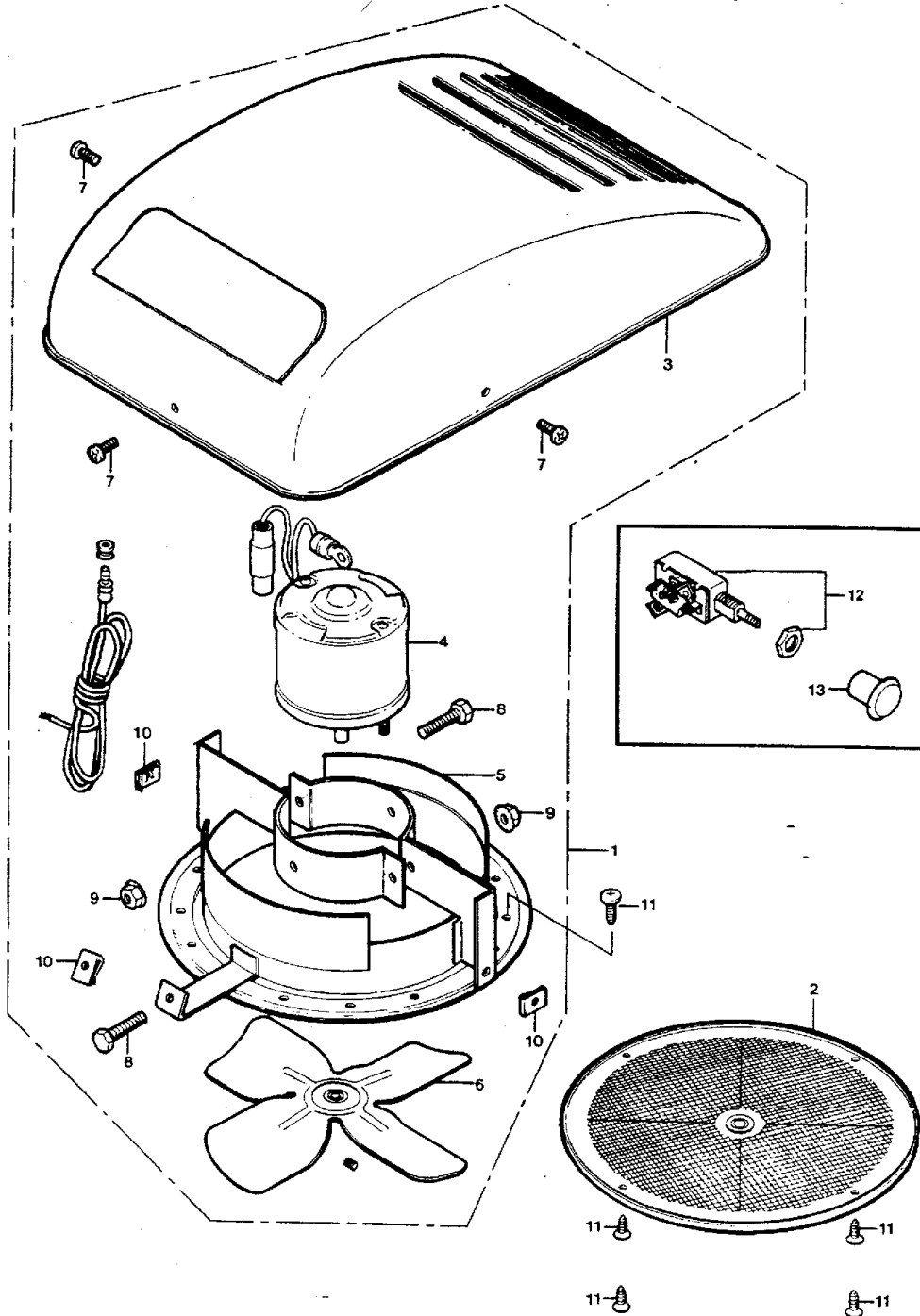
Models: A3FE, A3RE, CSFE, CSRE, TCFE, TCRE
MUDFLAPS & RUBBER FENDERS
With Features: OPTION 0580, 0586, 0600, 0605

Key	PartNumber	Qty	Description	Comment
			FRONT FLAPS	<i>OPTION 0580</i>
NI	0600718	2	PLATE,FRONT WHEEL,RUBBER MUD FLAP	
NI	0962753	6	CAPSCREW,HEX HD,1/4-28,X,1,,GR5,YELDICH	
NI	2003259	1	MUDFLAP,12IN X 24IN,BLACK,FRONT	<i>SOLD IN PAIRS</i>
			REAR FLAPS	<i>OPTION 0586</i>
NI		2	MUDFLAP, REAR	
NI	1591288		RETAINER,MUDFLAP,REAR, AARE/TCRE	<i>ENDING WITH BSN 19873, 189825, 257752, 370552</i>
NI	1876713		RETAINER,MUDFLAP	<i>BEGIN WITH BSN 19874, 189826, 257753, 370553</i>
NI		1	MUDFLAP, RR, 24X30, W/BIRD LOGO	<i>SOLD IN PAIRS</i>
NI	0980383		MUDFLAP,BIRD LOGO,23.00 X 30.25	<i>ENDING WITH BSN 19873, 189825, 257752, 370552</i>
NI	1875962		MUDFLAP,23 X 30,BIRD LOGO	<i>BEGIN WITH BSN 19874, 189826, 257753, 370553</i>
			RUBBER FENDERS	<i>OPTION 0600, 0605</i>
NI	0060400	2	FENDER,RUBBER	
NI	0193409	2	RETAINER,RUBBER FENDER	

Models: AAFE, AARE, A3FE, A3RE, CSFE, CSRE, GMCV, MBWB, SBCV, TCPE, TCRE
 With Features: ROOF EXHAUST
 OPTION 0550, 0551

Key	PartNumber	Qty	Description	Comment
-----	------------	-----	-------------	---------

DR. 2/19/83 BY JES
 8001943
 © 1982 BLUE BIRD BODY COMPANY
 ALL RIGHTS RESERVED

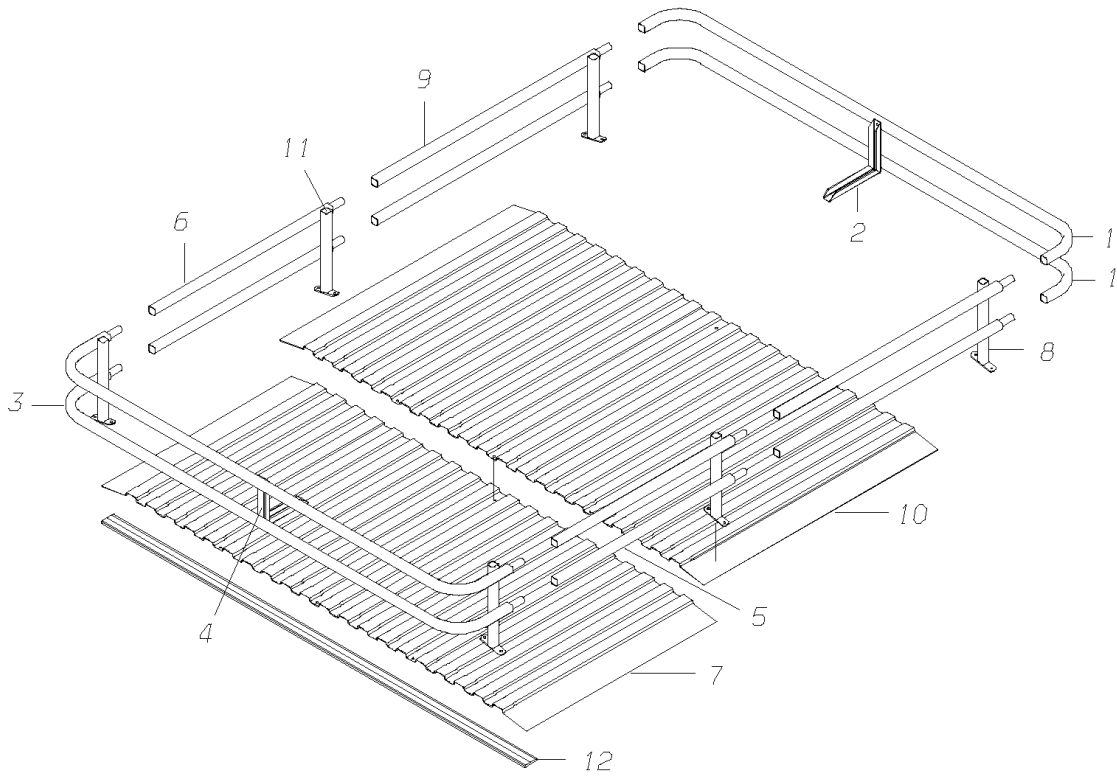


Models: AAFE, AARE, A3FE, A3RE, CSFE, CSRE, GMCV, MBWB, SBCV, TCPE, TCRE
With Features: ROOF EXHAUST
 OPTION 0550, 0551

Key	PartNumber	Qty	Description	Comment
1	1043157		FAN ASSY,VENT,COMPLETE KIT	
2	1043199		GRILLE,INTERIOR,EXHAUST FAN	
NI	1168020		PLATE,MTG,INTR GRILLE,ROOF MT EXH FAN	
3	1168103		HOOD,EXHAUST FAN,ROOF MOUNT,EVANS	
4	2128700		MOTOR,12V,ROOF EXH FANS,EVANS"	
5	2128718		RING ASSY,MTG,ROOF EXH FAN	
6	2104941		BLADE,FAN,BATHROOM VENT,WL	
7	2000750	3	SCREW,MACH,10-24 X 1/2,PH1,RD HD,YEL	
8	2000057	2	CAPSCREW,HEX HD,1/4-20 X 1,GR 5,YEL ZN	
9	0659979	2	NUT,HEX,FLANGE SER,1/4-20,BLACK ZINC	
10	2128726	3	NUT,SPEED,RETAINER,ROOF EXH FAN,EVANS	
11	0527333	4	SCREW,10-16 X 3/4,AB,PH1,OVAL CNSKHD,YEL	
12	1043207		SWITCH,2 SPEED,RESISTOR,HV 20089	<i>OPTION 0551, ONLY</i>
NI	1499102		SWITCH,2 POSN,ACCESSORY	<i>OPTION 0550, ONLY</i>
13	1045897		KNOB,VENT FAN SWITCH,HV 2067L	<i>OPTION 0551, ONLY</i>

Models: A3FE, A3RE, GMCV, SBCV, TCFE
With Features: ROOF LUGGAGE RACK
 OPTION 2629

Key	PartNumber	Qty	Description	Comment
-----	------------	-----	-------------	---------



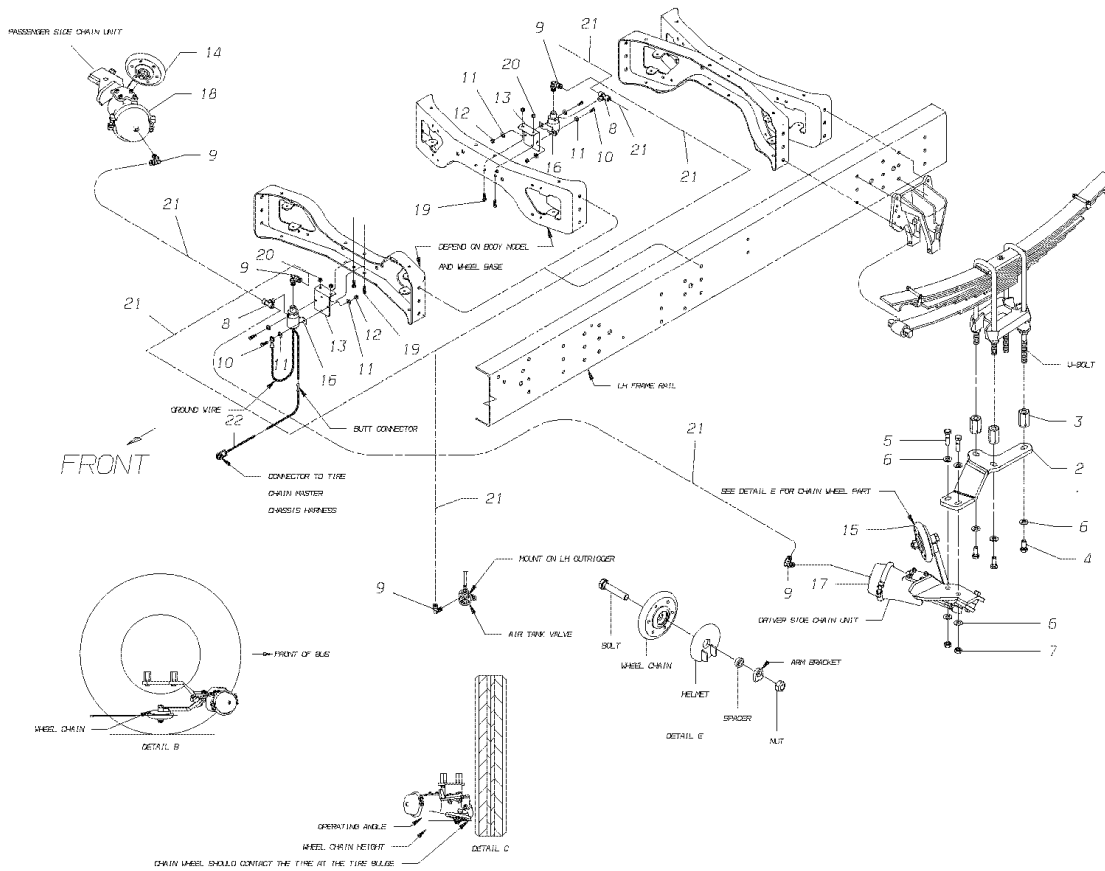
Models: A3FE, A3RE, GMCV, SBCV, TCFE
With Features: ROOF LUGGAGE RACK
 OPTION 2629

Key	PartNumber	Qty	Description	Comment
1	0975201	2	RAIL,END,FRONT,ROOF RACK	
2	0975425		BRACE,FRONT,CENTER ROOF RACK	
3	0975227		RAIL ASSY,REAR,ROOF RACK	
4	0975417		BRACE,REAR CENTER,ROOF RACK	
5	0980029		RAIL ASSY,RH,28IN,ROOF RACK	
6	0980037		RAIL ASSY,LH,28IN,ROOF RACK	
7	0334425		PANEL,ROOF LUG,28IN	
8	0980045		RAIL ASSY,RH,35IN,ROOF RACK	
9	0980052		RAIL ASSY,LH,34IN,ROOF RACK	
10	0334433		PANEL,ROOF LUG,35IN	
11	0862490	6	CAPLUG,FOR 1IN SQ TUBE	
12	0356253		STRIP, MTG. CHASSIS 200 FT. ROLL	
NI			LADDER ASSY.	
NI	0974220		LADDER ASSY,9IN	
NI	0974238		LADDER ASSY,14IN	
NI			BRACKET, MTG, LADDER ASSY.	
NI	0974196		BRACKET,MTG,LADDER ASSY,9IN	
NI	0974204		BRACKET,MTG,LADDER ASSY,14IN	
NI	0974329		BRACKET,LADDER TO PLATFORM,14IN	
			ALSO SEE "CHART, ADD ON OPTIONS" IN	

Models: **A3FE, BBCV, C3FE**
SNOW CHAINS, ON SPOT
INSTALLATION

With Features: **FEATURE 40390-05**

Key	PartNumber	Qty	Description	Comment
-----	------------	-----	-------------	---------



Models: A3FE, BBCV, C3FE
**SNOW CHAINS, ON SPOT
 INSTALLATION**
With Features: FEATURE 40390-05

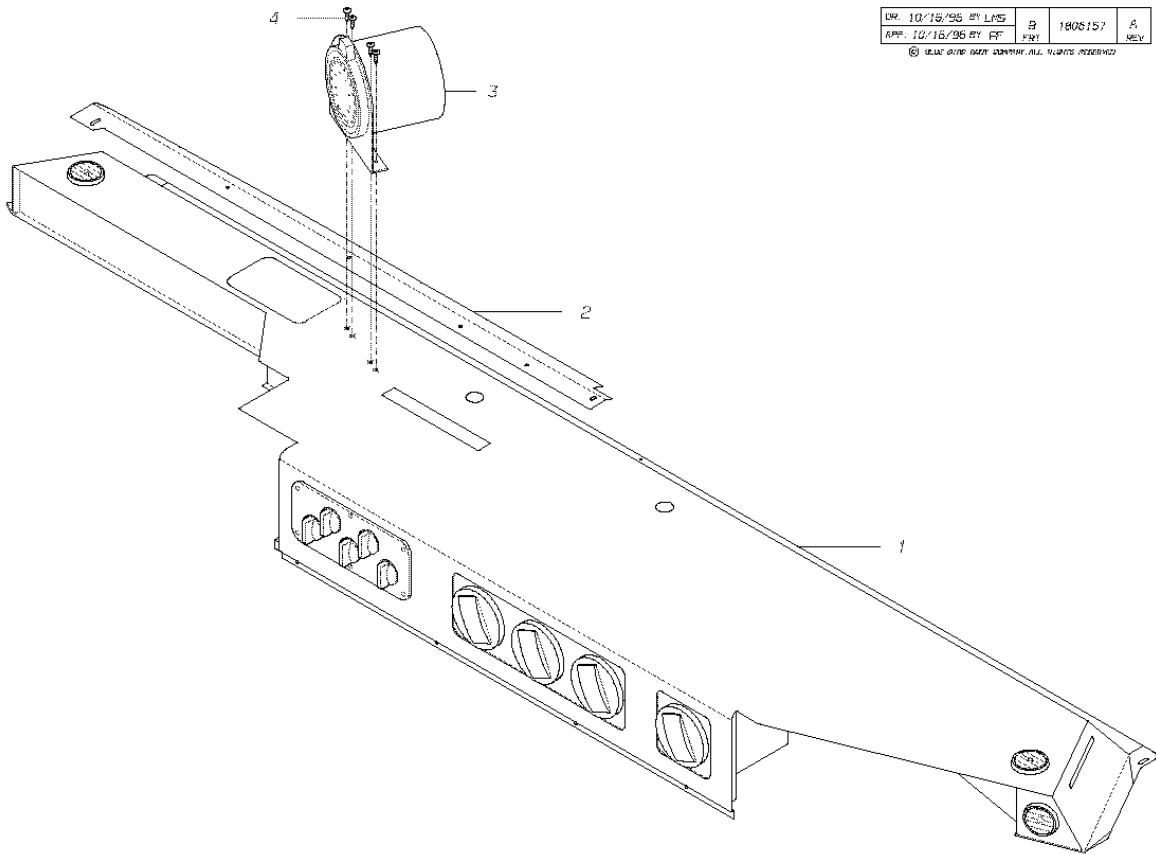
Key	PartNumber	Qty	Description	Comment
	0082349		BRACKET,MOUNTING,SNOW CHAINS,05-6452-B	CONSISTS ON THE FOLLOWING
1			BRACKET, MTG, CHAIN UNIT, PASSENGER	
2			BRACKET, MTG, CHAIN UNIT, DRIVER	
2	0082350		KIT,TIRE,CHAIN,ONSPOT 05-001	CONSISTS OF THE FOLLOWING
3		6	ADAPTER NUTS	
4		6	CAPSCREW, 5/8-11 X 1-1/2 LONG	
5		4	CAPSCREW, 5/8-11 X 2-1/4 LONG	
6		14	FLAT WASHER, 5/8	
7		4	LOCKNUT, 5/8-11	
8			CONNECTOR TEE	
9		4	CONNECTOR ELBOW	
10		2	CAPSCREW, 1/4-20 X 1 LONG	
11		4	FLATWASHER, 1/4	
12		2	LOCKNUT, 1/4-20	
13			BRACKET, MOIUNTING VALVE	
14			CHAIN WHEEL, BLUE, PASSENGER SIDE	
15			CHAIN WHEE, RED, DRIVER SIDE	
16			SOLENOID, VALVE	
17			CHAIN UNIT, DRIVER SIDE	
18			CHAIN UNIT, PASSENGER SIDE	
19	0977132	2	CAPSCREW,HEX HD,1/4-20 X 3/4,GR 5,YEL	
20	0659979	2	NUT,HEX,FLANGE SER,1/4-20,BLACK ZINC	
21	0989319	AR	TUBING,PLASTIC,3/8 OD,BLACK,SAE J844 TYPE	
22	0084313		WIRE,ASSY,TIRE CHAINS,FEA 40390-05	
NI	0036507		TERMINAL,BUTT CONN,14-16GA,INSL,HEAT	BBCV ONLY
NI	0103224		HARNESS,WRG,TIRE CHAIN,FEA 40390-05,	BBCV ONLY
NI	0084312		HARNESS,WRG,TIRE CHAINS,MSTR CHAS	A3/C3 ONLY
NI	1161876		RELAY,ISO,W/O TAB	A3/C3 ONLY


Models: A3FE, A3RE, B1VC, B2VC, C1FE, CSFE, CSRE, GMCV, MBWB, SBCV, TCEV, TCPL,
TSFE
With Features: SUN VISOR ASSY
 OPTION 3180, 3182; FEATURE 30767 -01, -02, -03, -04

Key	PartNumber	Qty	Description	Comment
NI			SUN VISOR ASSY.	
	1468123		SUN VISOR ASSY,OPAQUE BLACK	
	1221167		SUN VISOR ASSY,30,PLEXIGLAS	
NI			SUN VISOR	
NI	1468115		SUN VISOR,OPAQUE BLACK	
NI	1221126		SUN VISOR,PLEXIGLAS,30I	
NI	1215383		EXTRUSION,SUN VISOR,30,PLEXIGLAS	
NI	1221142	4	BRACKET,MTG,SUN VISOR,PLEXIGLAS	
NI	1221159	2	SUPPORT,SUN VISOR,PLEXIGLAS	
NI	1247709	4	WASHER,FLAT,17/64 ID X,5/8,YEL ZN DICH	
NI	1047711	8	WASHER,1/4 X 11/16 X 1/16,NYLON	
NI	0977132	2	CAPSCREW,HEX HD,1/4-20 X 3/4,GR 5,YEL	
NI	2001345	2	NUT,HEX HD,1/4-20,LOCKING,YELLOW	
NI	1230614	2	SCREW,STUD,1/4 DIA W/HEX CENTER	
NI	1230622	2	NUT,HEX HD,1/4-28,NYLON INSERT,YEL ZN	
NI			TRIM, VINYL, DOUBLE LIP	
NI	1278316		TRIM,VINYL,BROWN,DOUBLE LIP,75000327	
NI	1702547		TRIM,VINYL,GRAY,DOUBLE LIP,75000321	
Par				

Models: A3FE, CSFE, CSRE, TCFE, TCRE, TSFE
With Features: TACHOGRAPH
 OPTION 7830

Key	PartNumber	Qty	Description	Comment
-----	------------	-----	-------------	---------



REV. 10/16/96 BY LMS	B	1806157	A	 BLUE BIRD
APP. 10/16/96 BY FF	FF		MEY	

© 1996 BLUE BIRD COMPANY, ALL RIGHTS RESERVED

Models: A3FE, CSFE, CSRE, TCFE, TCRE, TSFE
With Features: TACHOGRAPH
 OPTION 7830

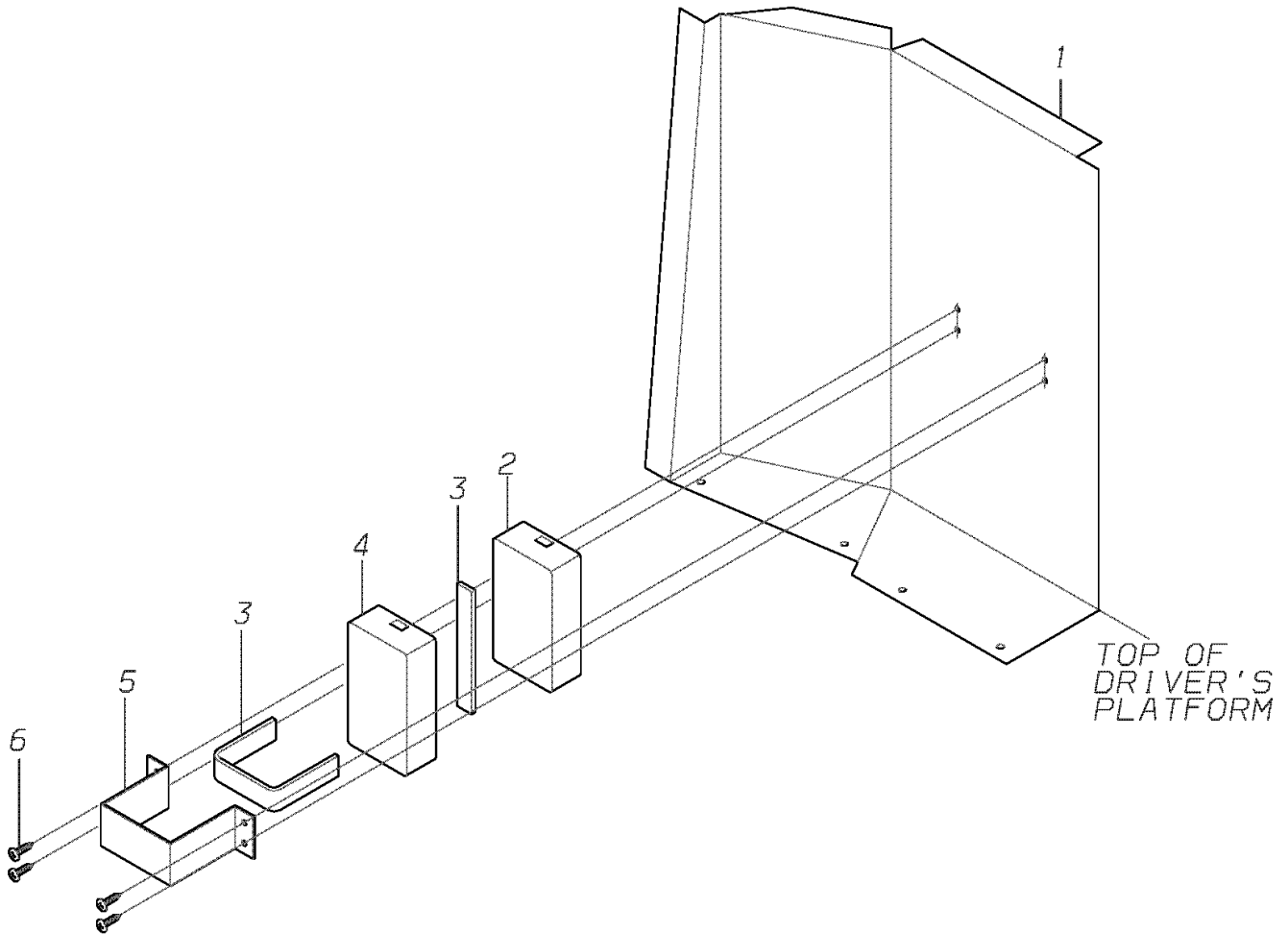
Key	PartNumber	Qty	Description	Comment
1	1913789		DUCT ASSY,STD PURCHASED IN ASSEMBLY,	<i>STANDARD, PURCHASED IN ASSEMBLY</i>
1			170414 DUCT ASSY.	
1			250221 CONTROL ASSY	
1	1913805		DUCT ASSY,W/O DRV HTR,PUR IN ASSY,	
1			170414 DUCT ASSY.	
1			250222 CONTROL ASSY.	
2	1913821		KIT,TRIM,DASH W/STD AUTOMATIC TRANS	<i>WITH STANDARD AUTOMATIC TRANSMISSION</i>
2			515538 TRIM, LH BELT BAR	
2	1913847		KIT,TRIM,DASH W/PUSH BUTTON SHIFTER,2CF	
2			515538 TRIM, LH BELT BAR	
3	1809656		TACHOGRAPH,MPH/RPM,7-DY,12V,3300RPM,	<i>OPTION 7830</i>
3	1809680		BRACKET,MTG,TACHOGRAPH,OPT 7830	<i>OPTION 7830</i>
3	1809698	RE	PAPER,GRAPH,TACHOGRAPH,7-DAY	
4	1266600	4	SCREW,10-16 X 3/4,AB,PH1,OVAL CNSK HD,	

Models: A3FE, CSFE, CSRE, TCFE, TCRE, TSFE
TACHOGRAPH MODULES
With Features: OPTION 7830

Key	PartNumber	Qty	Description	Comment
-----	------------	-----	-------------	---------

DR. 9/7/95	BY DB		1817147	B
APP. 9/7/95	BY AB	FRT		REV

© BLUE BIRD BODY COMPANY. ALL RIGHTS RESERVED



Models: A3FE, CSFE, CSRE, TCFE, TCRE, TSFE
TACHOGRAPH MODULES
With Features: OPTION 7830

Key	PartNumber	Qty	Description	Comment
1	1644780		PANEL ASSY,CLOSEOUT,DRIVER SIDE, TC/QB	
2	1809664		MODULE,FREQUENCY,MPH,OPT 7830	OPTION 7830
3	1362292	12	TAPE,FOAM,3/16X3/4,CLSD CELL,NEOPRENE	
4	1809672		MODULE,FREQUENCY,RPM,OPT 7830	OPTION 7830
5	1816750		BRACKET,MTG,MODULES,TACHOGRAPH	
6	1334689	4	SCREW,10-32 X 3/8,F,PH1,PAN HD,YEL ZN	
7	1816313		CONNECTOR,4 CIRC,M,150 SERIES,METRI-PACK	
8	1819317		LOCK, SECONDARY, 4CIRC, 150 SERIES,	
9	1816321	2	TERMINAL,M,16-18 GA,150 S,METRI-PACK	

Models: AAFE, AARE, A3FE, A3RE, B1VC, B2VC, C1FE, CSFE, CSRE, GMCV, GPWB, MBWB, QBRE, SBCV, TCFE, TCRE, TSFE, VCTA
TOOLS

Key	PartNumber	Qty	Description	Comment
	2133650		GUN,CHERRY RIVET,W/HEAD HEAVY DUTY NOSE PIECE	<i>INTERCHANGEABLE ON PULLING HEAD</i>
	2103968		NOSE PIECE,CHERRY RIVET PULLING HEAD	
	2103976		NOSE PIECE,NAIL,RIVET,PULLING HEAD,3/16	
	2126894		RIVETER,MANUAL,W/INTEGRAL PULLING HEAD	<i>WITH PULLING HEAD. NAIL RIVET ONLY</i>
	2012441		TOOL,WRENCH TYPE RIVNUT,1/4 IN C 722	
	2011856		HANDLE,ONLY, GLASS FILLERSTRIP TOOL	
	2011849		HOOK,INSTALLATION,GLASS TOOL 756476	
	2011831		EYE INSTALLATION RUBBER TOOL 756461	
	2104008		WRENCH,ALLEN,1/8	
	2014207		SET,BRAZIER HD RIVET 1/4 IN	<i>FOR 3/16 RIVET</i>
	2014215		SET,BRAZIER HD RIVET P89215 5/16 IN	<i>FOR 1/4 RIVET</i>
	2104628		DETECTOR,SHORT CIRCUIT,CAL-VAN NO69	
	2605186		CHEST,PARTS AND TOOLS	

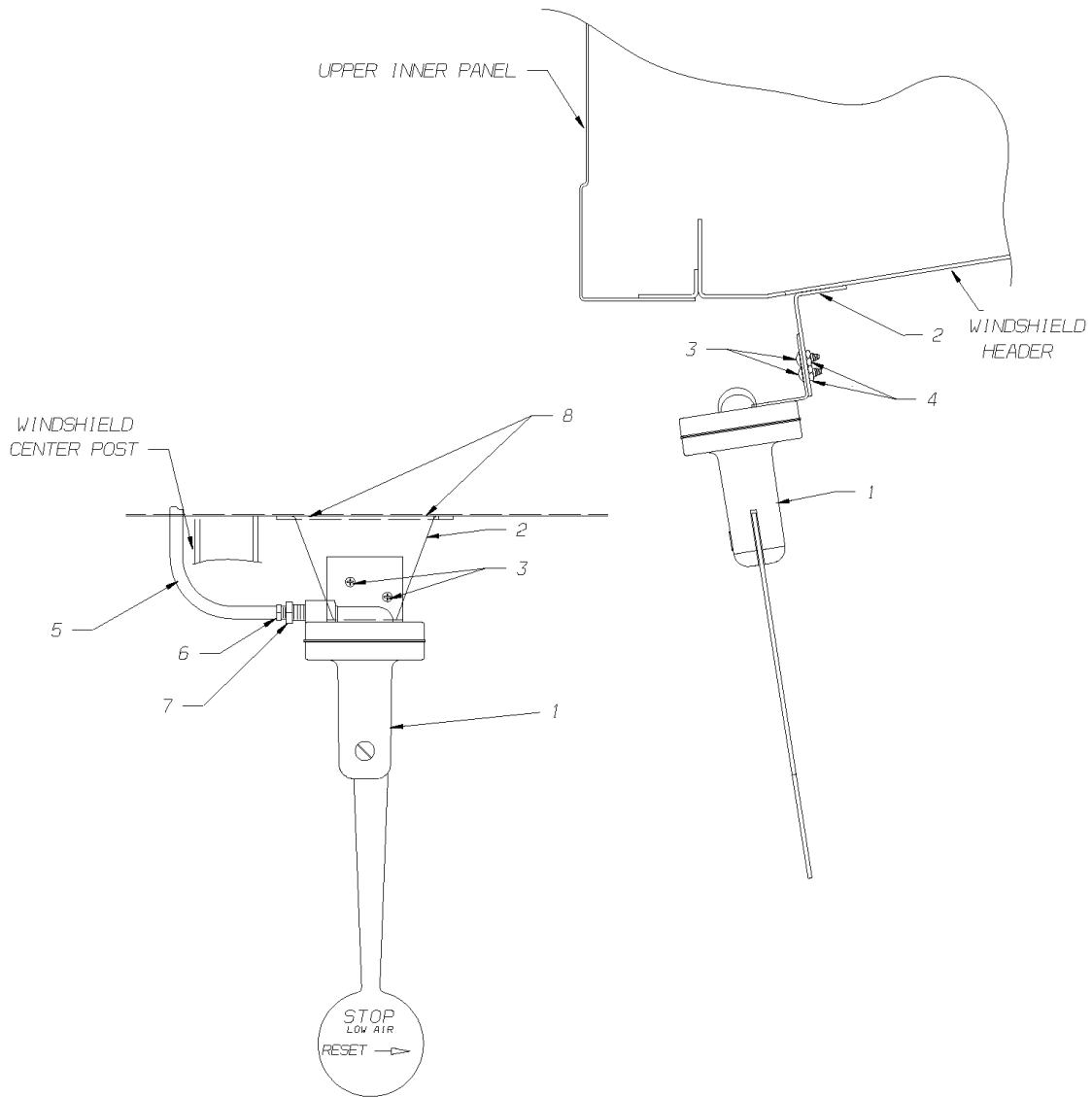
Models: AAFE, AARE, A3FE, C1FE, CSFE, CSRE, GMCV, SBCV, TCFE, TCRE, TSFE
WIG-WAG, AIR, PRESSURE INDICATOR

With Features: OPTION 1462, 1463

Key	PartNumber	Qty	Description	Comment
	0007302		BRACKET,SUR-VAC&WIG-WAG ATCH,2FF2,4FF2,	
	0557652	10'	TUBING,COPPER,1/8 OD	
	0557660	2	NUT,THREADED,SLEEVE 1/8,TUBE 6100 X 2	
	0557686	2	CONNECTOR,MALE,THRD SLVE 1/8 T 1/8 P	
	1339571		INDICATOR,LOW PRESS,AIR,WIG-WAG,RH	
	2008209		COUPLING,BRASS,PIPE,1/8MPT	
	2008563		CLAMP,HALF,.250	

Models: A3FE, A3RE, SBCV
With Features: WIG-WAG, AIR, PRESSURE INDICATOR
 OPTION 1462

Key	PartNumber	Qty	Description	Comment
-----	------------	-----	-------------	---------



Models: A3FE, A3RE, SBCV
With Features: WIG-WAG, AIR, PRESSURE INDICATOR
 OPTION 1462

Key	PartNumber	Qty	Description	Comment
1	1339571		INDICATOR,LOW PRESS,AIR,WIG-WAG,RH	
2			BRACKET, SUR-VAC & WIG-WAG ATCH	
2	0007302		BRACKET,SUR-VAC&WIG-WAG ATCH,2FF2,4FF2,	<i>FEATURE 30400-01, ASTRO WHITE</i>
2	0075888		BRACKET,MTG,SUR-VAC & WIG-WAG,FLORIDA	<i>FEATURE 30400-02, FLORIDA GRAY</i>
2	0075925		BRACKET,MTG,SUR-VAC & WIG-WAG,KENTUCKY	<i>FEATURE 30400-03, KENTUCKY BLUE</i>
2	0086941		BRACKET,MTG,SUR-VAC & WIG-WAG,GREEN	<i>FEATURE 30400-04, SEA FOAM GREEN</i>
3	2000750		SCREW,MACH,10-24 X 1/2,PH1,RD HD,YEL	
4	2001279		NUT,HEX HD,10-24,YEL ZN DICH"	
5	0557652		TUBING,COPPER,1/8 OD	
6	0557660		NUT,THREADED,SLEEVE 1/8,TUBE 6100 X 2	
7	0557686		CONNECTOR,MALE,THRD SLVE 1/8 T 1/8 P	
8	1164821		SCREW,10-16 X 3/4,AB,PH1,TRUSS HD, YEL ZN	

Models: A3FE
With Features: WINTER FRONT
FEATURE 40113-04

Key	PartNumber	Qty	Description	Comment
NI	0082546		COVER,GRILLE,RADIATOR,A3FE	
NI	0527309		SCREW,6-20 X 1/2,AB,PH1,OVAL CNSK HD,YEL	
NI	2007219		STUD,CLINCH TYPE	