

**Body**

**480 Paint & Decals**

3M SCOTCHLITE REFLECTIVE MATERIAL

DECALS \_\_\_\_\_ 1

\_\_\_\_\_ 2

\_\_\_\_\_ 3

DECALS, CANADA, MAX FINE \$2,000

*With: FEATURE 30359-02* \_\_\_\_\_ 4

DECALS, EMERGENCY EXIT, KENTUCKY

*With: FEATURE 30441-02, -04; 30445-02, -03, -04* \_\_\_\_\_ 5

DECALS, LOCATION OF DECALS ABOVE WIRE MOLDING

\_\_\_\_\_ 6

DECALS, STOP ON FLASHING, RED ON WHITE

*With: OPTION 01536-02* \_\_\_\_\_ 7

PAINT

\_\_\_\_\_ 8

REFLECTIVE TAPE

\_\_\_\_\_ 9

INSTALLATION

\_\_\_\_\_ 10

SEALERS & ADHESIVES

\_\_\_\_\_ 11

STENCILS, LETTERING

\_\_\_\_\_ 12

STENCILS, MISCELLANEOUS

\_\_\_\_\_ 13

Models: AAFE, AARE, A1VC, A3FE, A3RE, B1VC, B2VC, BBCV, GMCV, GPWB, MBWB, SBCV, T2RE, TCEV, TCFE, TCRE, TSFE  
 3M SCOTCHLITE REFLECTIVE MATERIAL

Key	PartNumber	Qty	Description	Comment
NI	4306718		KIT,3M REFLECTIVE TAPE,DIAMOND GRADE	<i>INCLUDES ITEMS INDICATED BY *</i>
*	4305942		STRIPE, SIDE HORIZONTAL,3M,DIMND GRDE	
*	4305918		STRIPE, REAR VERTICAL,3M,DIMND GRADE	
*	4308961		STRIPE,RR HORIZ,DG,15' X 1 3/4''''	
*	4305892		SIGN,SCHOOL BUS,3M,DIAMOND GRADE SCHOOL BUS SIGN	
NI	1669399		SIGN,SCHOOL BUS,8"LTRS,SERIES B,1 1/4"	
NI	1669381		SIGN,SCHOOL BUS,8" LTRS,SERIES B,1"STRK	
NI	1669407		SIGN,ECOLIERS,8"LTRS,SERIES B,1 1/4"STRK TAPE, REFLECTIVE	
	1635028		TAPE,REFLECTIVE,YELLOW,DIAMOND	
	1635036		TAPE,REFLECTIVE,YELLOW,DIAMOND	
	1717529		TAPE,REFLECTIVE,YELLOW,DIAMOND	
	0053152		TAPE,REFLECTIVE,RED,DIAMOND GRADE,1.00	
	4309027		STRIPE,BELT LINE,AG,30' X 6''''	
NI			HIGH INTENSITY GRADE	
	4309068		KIT,3M REFLECTIVE TAPE,HI-INT,W/6IN LTRS	<i>INCLUDES ITEMS INDICATED BY *</i>
	4308979		STRIPE,BLT LINE,HI,30' X 6''''	
	4308987		STRIPE,RR VERT,HI,10' X 2"	
	4308995		STRIPE,RR,HORIZ,HI,1 3/4'''' X 15'''	
	4309001		SIGN,SCHOOL BUS,HI,44'''' X 10''''	
NI			AUTOMOTIVE GRADE	
NI	4309027		STRIPE,BELT LINE,AG,30' X 6''''	
NI	4309035		STRIPE,RR VERT,AG,10' X 2"	
NI	4309043		STRIPE,RR HORIZ,AG,15' X 1 3/4"	
NI	4309183		SIGN,SCHOOL BUS,3-M,AG	
NI			FRONT BUMPER STRIPES	
NI	4309019		STRIPE,FRT BUMPER,BLK/BLK,AG,104'''' X 2''''	
NI	4305934		STRIPE,FRONT BUMPER, BLACK/YELLOW,AG REAR BUMPER STRIPES	
	4309050		STRIPE,RR BUMPER,BLK/BLK,AG,104" X 2"	
	4305926		STRIPE,REAR BUMPER, BLACK/YELLOW,AG	
NI			APPLICATION TOOLS	

**Models:** AAFE, AARE, A1VC, A3FE, A3RE, B1VC, B2VC, BBCV, GMCV, GPWB, MBWB, SBCV, T2RE, TCEV, TCFE, TCRE, TSFE  
**3M SCOTCHLITE REFLECTIVE MATERIAL**

Key	PartNumber	Qty	Description	Comment
NI	4309225		AIR RELEASE,3M TAPE	
NI	4309233		TOOL,RIVET CUTTING,3M TAPE"	
NI	4309241		SQUEEZGEE, BLUE, 3M TAPE PKG OF 25	
NI	4309258		SQUEEGEE SLEEVE,3M TAPE	
NI	4309266		SEALER,CLEAR EDGE,HI,QUART CAN.	<i>PINT</i>

Models: AAFE, AARE, A1VC, A3FE, A3RE, B1VC, B2VC, C1FE, CSEV, CSFE, CSRE, GMCV, GPWB, MBWB, Q4RE, QBEV, QBRE, SBCV, T2RE, TCEV, TCFE, TCRE, TSFE  
DECALS

Key	PartNumber	Qty	Description	Comment
NI			MISCELLANEOUS DECALS	
			SIGN, SCHOOL BUS	
	1669381		SIGN,SCHOOL BUS,8" LTRS,SERIES B,1"STRK	ENDING WITH BSN 184819
	1746106		SIGN,SCHOOL BUS,8"LTRS,SERIES B,1" STRK	FROM BSN 184820 TO BSN 194104
	1965698		SIGN,SCHOOL BUS,8"LTRS,SERIES B,1"STRK	BEGIN WITH BSN 194105
NI	0069748		STREAMER,BLACK,STRIPE,3" X 150' ROLL" EMERGENCY DOOR	
	0042566		DECAL,ENTRANCE,DOOR,EM RELEASE	"OPEN". OPTION 0220
	0847707		DECAL,EMERGENCY DOOR,2IN BLACK	OPTION 1509, 2" BLACK LETTERS
	0852475		DECAL,2IN RED,EM DOOR	OPTION 1510, 2" RED LETTERS
	1084896		DECAL,NO STANDEES PERMITTED,2IN BLACK	OPTION 1513
	2007060		DECAL,DO NOT STAND FWD OF LINE WHILE	OPTION 1508
	0840074		DECAL,EMERGENCY EXIT,REAR EM WINDOW	SEE INSTRUCTIONS BELOW. OPTIONS 3344, 3345, 3346, 3349
	1495530		DECAL,EMERGENCY EXIT,PUSHOUT WDO,FMVSS	OPTION 3344, 3345, 3346, 3349
	1495399		DECAL,EMERGENCY EXIT,REAR EM WDO,FMVSS	SEE INSTRUCTIONS BELOW. OPTION 3344, 3345, 3346, 3349
			INSTRUCTIONS, PUSHOUT WINDOWS	
	0812222		DECAL,S/S POW INSTR	
	0990200		DECAL,SS POW INSTR,BILINGUAL	
			INSTRUCTIONS, REAR & SIDE EMERGENCY	OPTION 0428, 0429
	0812248		DECAL,REAR & SIDE EM DR INSTR,SM	
	0990192		DECAL,REAR & SIDE EM DR INSTR,BI-LINGUAL	
	0990226		DECAL,PORTE DE SECOURS INSIDE	OPTION 0428, 0429
	0990234		DECAL,SORTIE DE SECOURS,INSIDE	
NI			FRONT OVERHEAD EMERGENCY EQUIPMENT	OPTION 0162
NI	0759159		DECAL,EMERGENCY EQUIPMENT,2IN RED	
NI	0759167		DECAL,FIRST AID KIT,1/2 RED	
NI	0759175		DECAL,FIRE EXTINGUISHER,1/2IN RED	
NI	0759183		DECAL,WARNING DEVICES,1/2IN RED	
NI	0759191		DECAL,AXE,1/2IN,RED	
NI	0759209		DECAL,WRECKING BAR,1/2IN RED	
NI	1360593		DECAL,TURN TO OPEN,CLOSE 4 X 4	

**Models:** AAFE, AARE, A1VC, A3FE, A3RE, B1VC, B2VC, C1FE, CSEV, CSFE, CSRE, GMCV, GPWB, MBWB, Q4RE, QBEV, QBRE, SBCV, T2RE, TCEV, TCFE, TCRE, TSFE  
**DECALS**

Key	PartNumber	Qty	Description	Comment
NI	1530666		LOGO,BIRD,LEFT HAND,VINYL	
NI	1530658		LOGO,BIRD,RIGHT HAND,VINYL	
NI	0355321		DECAL,YOUR CHILDRENS SAFETY	
NI	1352327		DECAL,VANDAL LOCK,EM DOOR IGN	
NI	0871517		DECAL,REAR STOP/START SELECTOR	
NI	1105477		DECAL,ENGINE START	
NI	1512359		DECAL,CONTROL BOX,REAR,AARE	
NI	1498708		DECAL,INSIDE,CORPORATE LOGO	

Models: AAFE, AARE, A1VC, A3FE, A3RE, B1VC, B2VC, C1FE, CSEV, CSFE, CSRE, GMCV, GPWB, MBWB, Q4RE, QBEV, QBRE, SBCV, T2RE, TCEV, TCFE, TCRE, TSFE  
DECALS

Key	PartNumber	Qty	Description	Comment
	0414011		DECAL,FRONT,INNER ROOF, AA	
	1147495		DECAL,INSTRUCTIONS,REW LOCK	
	0356535		DECAL,ANTIFREEZE CHECK	
	2193050		DECAL,LUBRICATION,DRIVERS WINDOW SILICONE SPRAY"	
	0356535		DECAL,ANTIFREEZE CHECK	
	0982306		DECAL,SWITCH PANEL,US/HTR FAN,FMVSS101	
	1298678		DECAL,WATCH YOUR STEP	
	1298686		DECAL,WATCH YOUR STEP,FRENCH	
	2007060		DECAL,DO NOT STAND FWD OF LINE WHILE	
	0061690		DECAL,EMERGENCY,IDENT,DO NOT BLOCK,	
	1218650		DECAL,OIL,HYDRAULIC FAN,DRIVE SYSTEM	
	1343185		DECAL,AIR CTRL,ACCELERATOR	
	2193050		DECAL,LUBRICATION,DRIVERS WINDOW	
	1147495		DECAL,INSTRUCTIONS,REW LOCK	EMERGENCY EXIT-TO OPEN-PULL UP...
	1147503		DECAL,INSTRUCTIONS,REW LOCK,BI-LINGUAL	
	1495399		DECAL,EMERGENCY EXIT,REAR EM WDO,FMVSS	
	0002571		DECAL,NO SMOKING,2IN BLACK LETTERS	
	1221381		DECAL,WARNING,KNEELING FEATURE,	
	1826973		DECAL,WARNING,KNEELING FEATURE, A KNEELING FEATURE...	
	1167287		DECAL,WARNING,KNEELING FEATURE,INTERIOR A KNEELING FEATURE...	
	0017824		DECAL,WARNING,KNEELING FEATURE,EXT,	
	0009409		DECAL,FRT. LD. CENTER, 1999 LTC40	
	0011138		DECAL,EMERGENCY RELEASE,ENT DOOR,	
	0011139		DECAL,EMERGENCY EXIT,0.13,RED LETTERS,	
	0011140		DECAL,NO SMOKING,2IN LETTERS,ENG/FR,BLK	
	0011141		DECAL,EMERGENCY EXIT,2IN LETTERS,ENG/FR,	
	0011143		DECAL,DO NOT STAND FORWARD,ENG/FR,1/2,	
	1684141		DECAL,BACK-UP ALARM	
	1242080		DECAL,BE SAFE,BUCKLE UP	
	1512193		DECAL,FUEL FILL CAUTION, 35GAL SM TK,	

**Models:** AAFE, AARE, A1VC, A3FE, A3RE, B1VC, B2VC, C1FE, CSEV, CSFE, CSRE, GMCV, GPWB, MBWB, Q4RE, QBEV, QBRE, SBCV, T2RE, TCEV, TCFE, TCRE, TSFE  
**DECALS**

Key	PartNumber	Qty	Description	Comment
	1512201		DECAL,FUEL FILL CAUTION, 132 L SM TK,	<i>132 LITRES</i>
	0018224		DECAL,PROPANE,DIAMOND SHAPE	
	0018306		DECAL,PROPANE,TANK VALVE DOOR	
	0018828		DECAL,ARROW VINYL,90 DEG,PROPANE	
	1056175		DECAL,REAR & SIDE EM DR INSTR,SM	
	0053930		DECAL,CHILD RESTRAINT SEAT	

**Models:** A1VC, A3FE, A3RE, B1VC, B2VC, BBCV, SBCV  
**With Features:** DECALS, CANADA, MAX FINE \$2,000  
FEATURE 30359-02

Key	PartNumber	Qty	Description	Comment
-----	------------	-----	-------------	---------





**Models:** A1VC, A3FE, A3RE, B1VC, B2VC, BBCV, SBCV  
**With Features:** DECALS, CANADA, MAX FINE \$2,000  
 FEATURE 30359-02

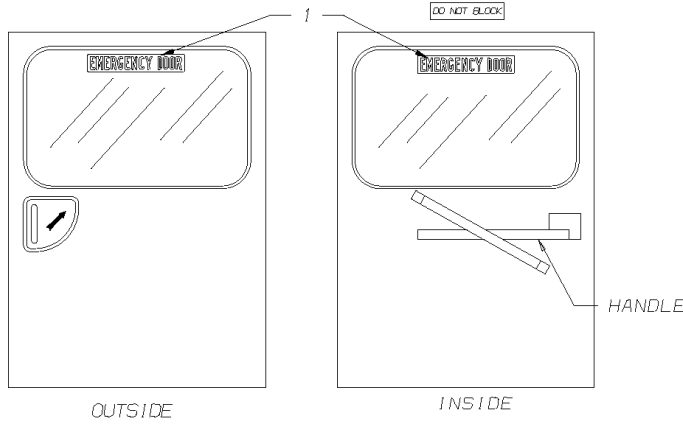
Key	PartNumber	Qty	Description	Comment
1			DECAL, CANADA, "MAX FINE \$2,000"	<i>W/ ILLUSTRATION</i>
	0085861		DECAL,CANADA,MAX FINE \$2,000,	
	0085862		DECAL,CANADA,AMENDE MAXIMALE 2000\$,	

**Models:** A1VC, A3FE, A3RE, B1VC, B2VC, BBCV, SBCV  
**With Features:** DECALS, EMERGENCY EXIT, KENTUCKY  
 FEATURE 30441-02, -04; 30445-02, -03, -04

Key	PartNumber	Qty	Description	Comment
-----	------------	-----	-------------	---------

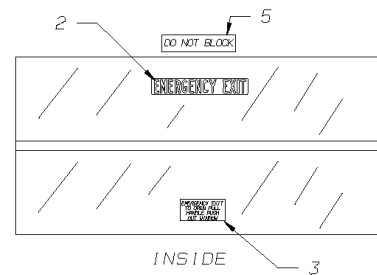
*EMERGENCY DOOR*

OPTION 30445-03



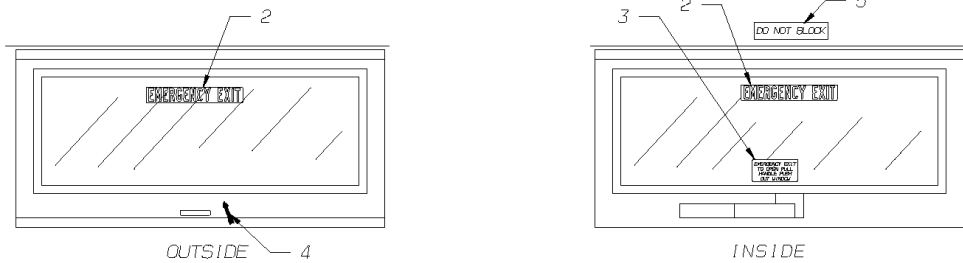
*PUSHOUT WINDOW*

OPTION 30441-04



*REAR EMERGENCY WINDOW*

OPTION 30445-02

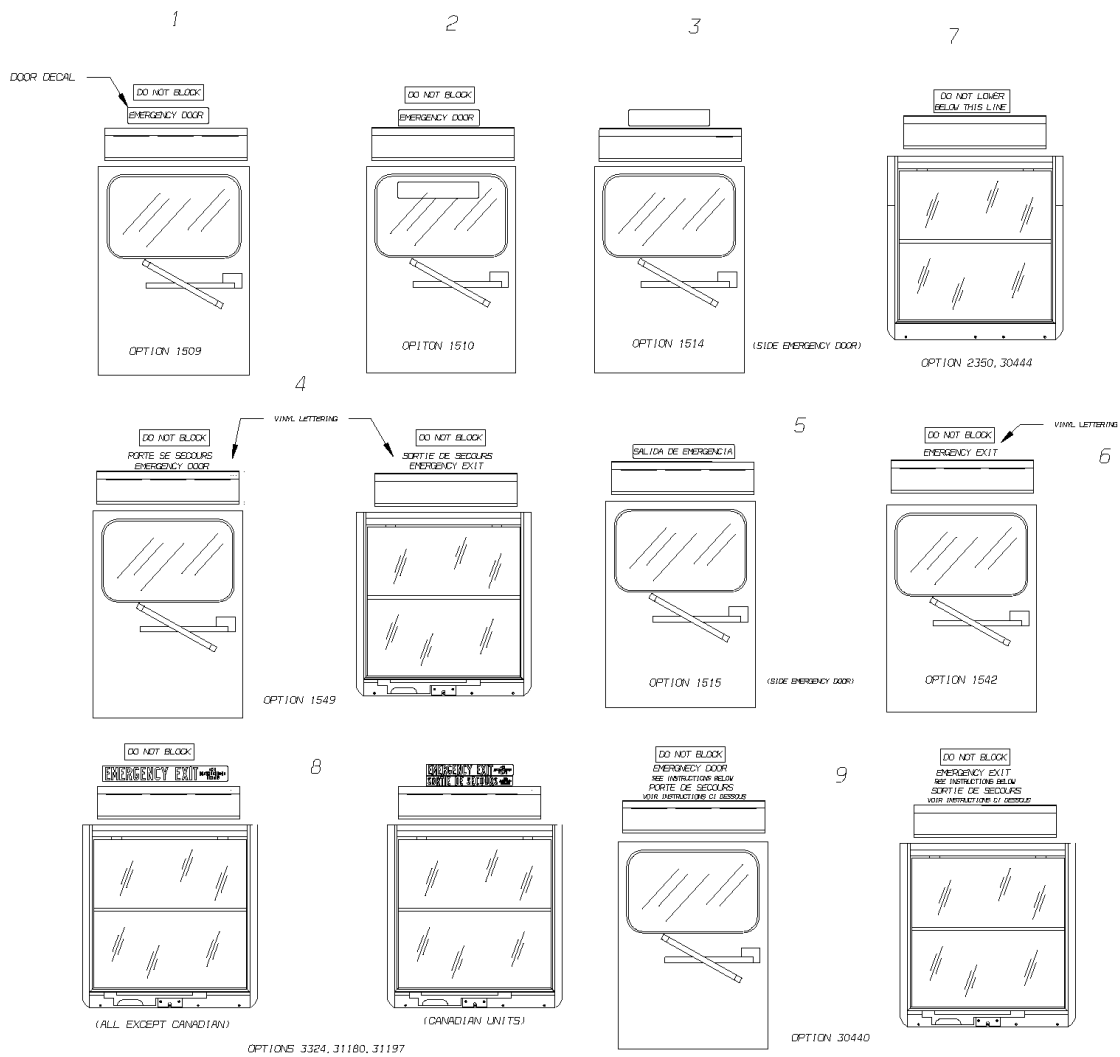


**Models:** A1VC, A3FE, A3RE, B1VC, B2VC, BBCV, SBCV  
**With Features:** DECALS, EMERGENCY EXIT, KENTUCKY  
 FEATURE 30441-02, -04; 30445-02, -03, -04

Key	PartNumber	Qty	Description	Comment
1	0053160		DECAL,EMERGENCY DOOR,FMVSS 217,KY	
2	0053158		DECAL,EMERGENCY EXIT,FMVSS 217,KY	
3	0053163		DECAL,S/S POW INSTR KY	
4	1643592		DECAL,ARROW,BLACK,EMERGENCY EXIT,	
5	0061690		DECAL,EMERGENCY,IDENT,DO NOT BLOCK,	

**Models:** A1VC, A3FE, A3RE, BBCV, B1VC, B2VC, GMCV, MBWB, SBCV, TCPE, TCRE  
**DECALS, LOCATION OF DECALS ABOVE WIRE MOLDING**

Key	PartNumber	Qty	Description	Comment
-----	------------	-----	-------------	---------



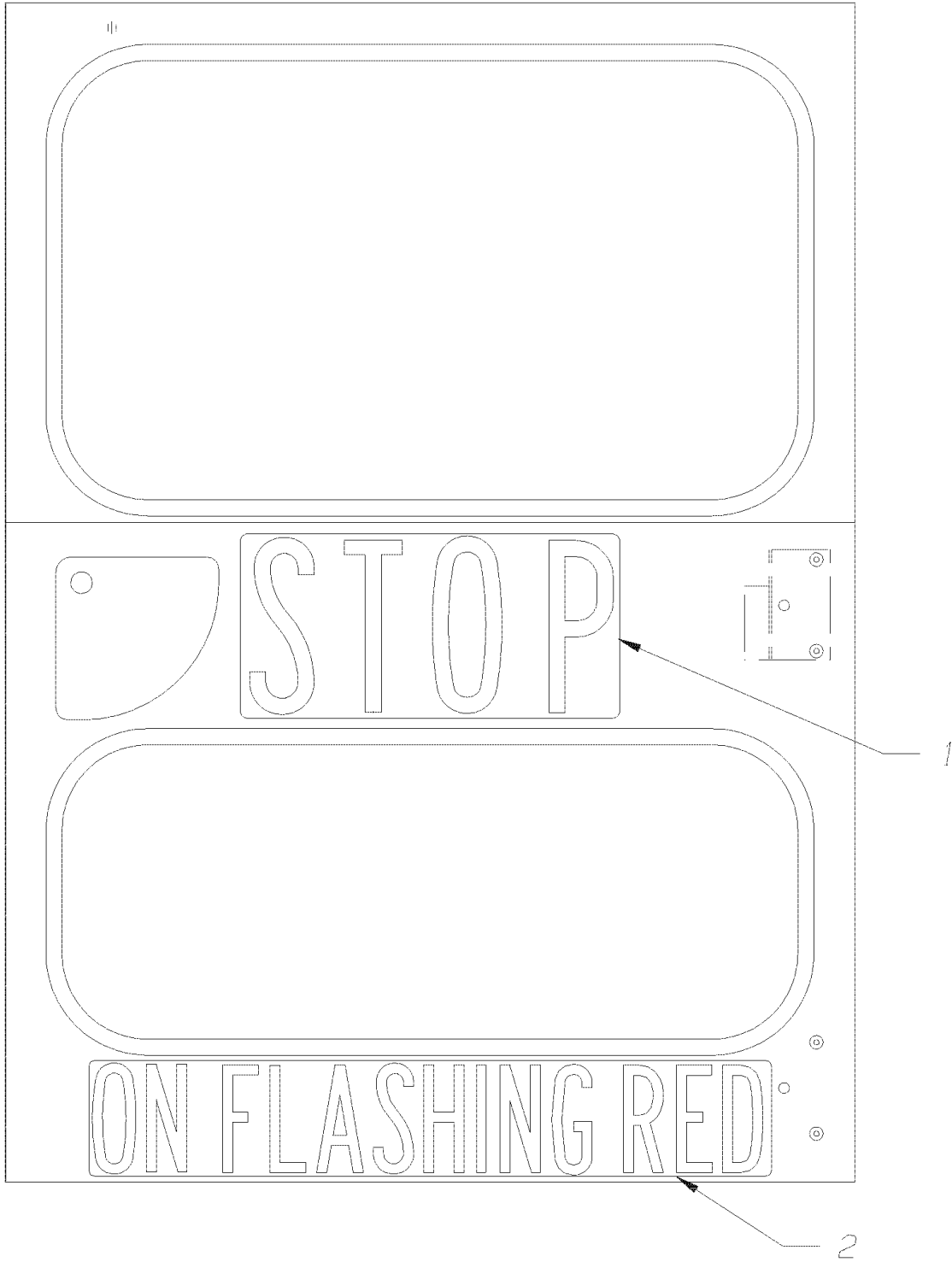
**Models:** **A1VC, A3FE, A3RE, BBCV, B1VC, B2VC, GMCV, MBWB, SBCV, TCPE, TCRE**  
**DECALS, LOCATION OF DECALS ABOVE WIRE MOLDING**

Key	PartNumber	Qty	Description	Comment
1	0061690		DECAL,EMERGENCY,IDENT,DO NOT BLOCK,	OPTION 1509
2	0061690		DECAL,EMERGENCY,IDENT,DO NOT BLOCK,	OPTION 1510
2	0852475		DECAL,2IN RED,EM DOOR	OPTION 1510
3	1041847		DECAL,EMERGENCY EXIT,ARABIC	OPTION 1514
4	0061690		DECAL,EMERGENCY,IDENT,DO NOT BLOCK,	OPTION 1549
5	1092592		DECAL,EMERGENCY EXIT,SPANISH	OPTION 1515
6	0061690		DECAL,EMERGENCY,IDENT,DO NOT BLOCK,	OPTION 1542
7	2007052		DECAL,DO NOT LOWER BELOW THIS LINE	OPTION 2350, 30444
8	0061690		DECAL,EMERGENCY,IDENT,DO NOT BLOCK,	OPTION 3324, 31180, 31197
8	1495399		DECAL,EMERGENCY EXIT,REAR EM WDO,FMVSS	"SEE INSTRUCTIONS BELOW". OPTION 3324, 31180, 31197
8	1495555		DECAL,SORTIE DE SECOURS,INSIDE	OPTION 3324, 31180, 31197
9	0061690		DECAL,EMERGENCY,IDENT,DO NOT BLOCK,	OPTION 30440

This text displays if there is no Blue Bird Part

**Models:** A3FE, BBCV, SBCV  
**With Features:** DECALS, STOP ON FLASHING, RED ON WHITE  
OPTION 01536-02

Key	PartNumber	Qty	Description	Comment
-----	------------	-----	-------------	---------



REAR EMERGENCY DOOR

**Models:** A3FE, BBCV, SBCV  
**With Features:** DECALS, STOP ON FLASHING, RED ON WHITE  
OPTION 01536-02

Key	PartNumber	Qty	Description	Comment
1	0100679		DECAL,LETTERING,'STOP',RED ON WHITE,8IN	
2	0100680		DECAL,LETTERING,'ON FLSHG RED',	

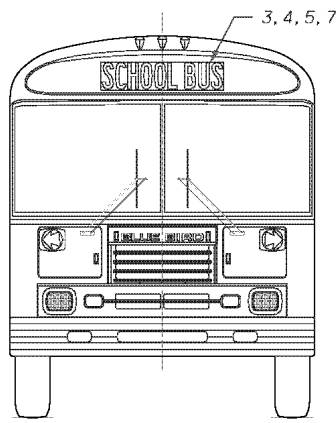
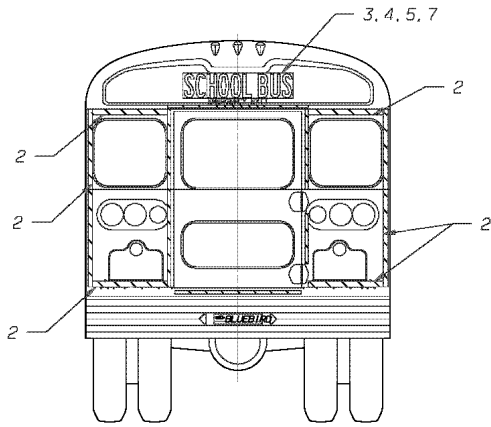
**Models:** AAFE, AARE, A1VC, A3FE, A3RE, B1VC, B2VC, C1FE, CSEV, CSFE, CSRE, GMCV, GPWB, MBWB, Q4RE, QBEV, QBRE, SBCV, T2RE, TCEV, TCFE, TCRE, TSFE  
**PAINT**

Key	PartNumber	Qty	Description	Comment
NI	1258235		PAINT,AIR DRY,SB YELL,HS NO LEAD E11YM051	
NI	2053148		PAINT,ENAMEL,CENTRAL ACRYLIC,BLACK	<i>BUMPERS, RUBRAIL, ETC.</i>
NI	1067099		PAINT,TAN,TRIM,AIR DRY,HI-GLOSS E27NM006	
NI	2052728		PRIMER,RED OXIDE,AIR DRY 026R0001	<i>GALLON ONLY</i>
NI	1314376		PAINT,AIR DRY,BROWN,SEAT FRAME,E51NM003	<i>FOR TOUCH UP ONLY. GALLON</i>
NI	1449800		PAINT,SANDSTONE,HS AIR DRY E11HM019	<i>INTERIOR TOUCH UP. SATIN FINISH</i>
			ALL ABOVE PAINTS ARE AIR DRY ACRYLIC	
	2003093		PAINT,AIR DRY,GRAY SPATER,E31KD014 MT1- SEALANT, DEVAN 270	<i>CARTRIDGE</i>
	1585264		SEALANT,YELLOW,DEVAN 270,INC.	
	1585272		SEALANT,WHITE,DEVAN 270,CARTRIDGE	
	1585280		SEALANT,BLACK,DEVAN 270,CARTRIDGE	
	1609221		SEALANT,GREY,DEVAN 270,CARTRIDGE	
	1609239		SEALANT,GREEN,DEVAN 270,CARTRIDGE	



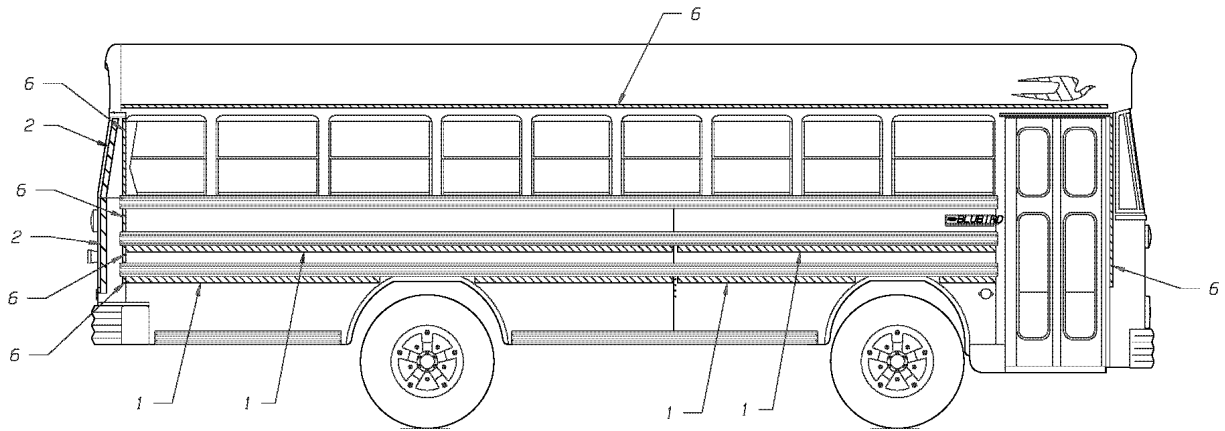
Models: A3FE, TCFE  
REFLECTIVE TAPE

Key	PartNumber	Qty	Description	Comment
-----	------------	-----	-------------	---------



DR. 05/15/05	BY: HFR	1723980	L	
APP.	BY: FRT	REV.		

© BLUE BIRD BODY COMPANY. ALL RIGHTS RESERVED



Models: **A3FE, TCFE  
REFLECTIVE TAPE**

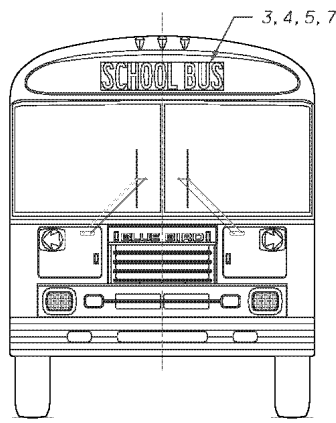
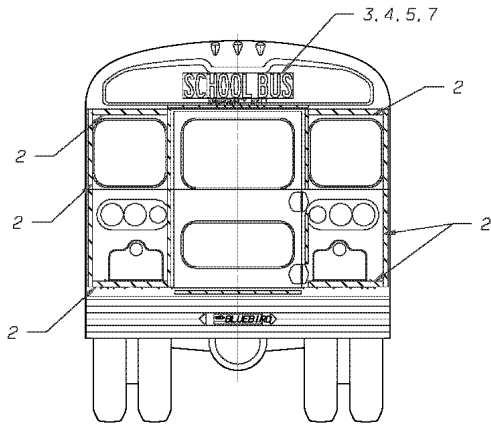
Key	PartNumber	Qty	Description	Comment
* 1			TAPE, REFLECTIVE, YELLOW, 2.00 IN.	
* 1	1635028		TAPE,REFLECTIVE,YELLOW,DIAMOND	FEATURE 30430-07, -26,-28. DIAMOND GRADE
* 1	0104534		TAPE,REFL,YELLOW,REFLEXITE,2.00	FEATURE 30430-28, -36. REFLEXITE
* 1			TAPE, REFLECTIVE, WHITE, 2.00 IN.	
* 1	0029482		TAPE,REFLECTIVE,WHITE,DIAMOND	FEATURE 30430-20, -26,-28. DIAMOND GRADE
* 1	0104532		TAPE,REFL,WHITE,REFLEXITE,2.00	FEATURE 30430-28, -46. REFLEXITE
* 2			TAPE, REFLECTIVE, YELLOW, 1.75 IN.	
* 2	1635036		TAPE,REFLECTIVE,YELLOW,DIAMOND	FEATURE 30430-08. DIAMOND GRADE
* 2	0104535		TAPE,REFL,YELLOW,REFLEXITE,1.75	FEATURE 30430-37. REFLEXITE
* 2			TAPE, REFLECTIVE, WHITE, 1.75 IN.	
* 2	0002008		TAPE,REFLECTIVE,WHITE,DIAMOND	FEATURE 30430-10. DIAMOND GRADE
* 2	0104531		TAPE,REFL,WHITE,REFLEXITE,1.75	FEATURE 30430-42. REFLEXITE
3			SIGN, SCHOOL BUS, 8 IN. LETTERS, SERIES B,	
3	0002726		SIGN,SCHOOL BUS,8IN LTRS,SERIES B,1.00	FEATURE 30430-05, -06. YELLOW
3	0104544		SIGN,SCHOOL BUS,8IN LTR,SERIES B,1.00	FEATURE 30430-50, -51. YELLOW
3	0030464		SIGN,S/B,8IN LTRS,SERIES B,1.00 STRK,WH	FEATURE 30430-18, -19. WHITE
3	0104539		SIGN,SCHOOL BUS,8IN LTR,SER B,1.00 STRK,	FEATURE 30430-53, -54. WHITE
4			SIGN, SCHOOL BUS, 8 IN. LETTERS, SERIES B,	
4	0002705		SIGN,SCHOOL BUS,8IN LTRS,SERIES B,1.25	FEATURE 30430-05, -06. YELLOW
4	0104543		SIGN,SCHOOL BUS,8IN LTR,SERIES B,1.25	FEATURE 30430-50, -51. YELLOW
4	0030462		SIGN,S/B,8IN LTRS,SERIES B,1.25 STRK,WH	FEATURE 30430-18 ,-19. WHITE
4	0104805		SIGN,SCHOOL BUS,8IN LTRS,SER B,1.25 STRK	FEATURE 30430-53, -54. WHITE
5			SIGN ECOLIERS, 8 N LETTERS, SERIES B, 1.25	
5	1971415		SIGN,ECOLIERS,8IN LTRS,SERIES B,1.25 STRK	FEATURE 30430-05, -06. YELLOW
5	0104542		SIGN,REFL,ECOLIERS,8IN LTR,SER B,1.25 STRK	FEATURE 30430-50, -51. YELLOW
5	0030463		SIGN,ECOLIERS,8IN LTRS,SERIES B,1.25 STRK,	FEATURE 30430-18, -19. WHITE
5	0104806		SIGN,REFL,ECOLIERS,8IN LTRS,SER B,1.25	FEATURE 30430-53, -54. WHITE
* 6			TAPE, REFLECTIVE, YELLOW, 1.00 IN.	
* 6	1717529		TAPE,REFLECTIVE,YELLOW,DIAMOND	FEATURE 30430-13. DIAMOND GRADE
* 6	0104536		TAPE,REFL,YELLOW,REFLEXITE,1.00	FEATURE 30430-39. REFLEXITE
* 6			TAPE, REFLECTIVE, WHITE, 1.00 IN.	

**Models:** A3FE, TCFE  
REFLECTIVE TAPE

Key	PartNumber	Qty	Description	Comment
* 6	1837996		TAPE,REFLECTIVE,3M,WHITE,DIAMOND GR,W.	<i>FEATURE 30430-23. DIAMOND GRADE</i>
* 6	0104537		TAPE,REFL,WHITE,REFLEXITE,W.VA	<i>FEATURE 30430-55. REFLEXITE</i>
7			SIGN, MFSAB, 8 IN. LETTERS, SERIES B, 1.25	
7	0074834		SIGN,DEST,MFSAB,8 IN LTRS,SERIES B,1.25	<i>FEATURE 31139-02</i>
7	0104540		SIGN,DEST,MFSAB,8IN LTR,SERIES B,1.25	<i>FEATURE 30430-49</i>

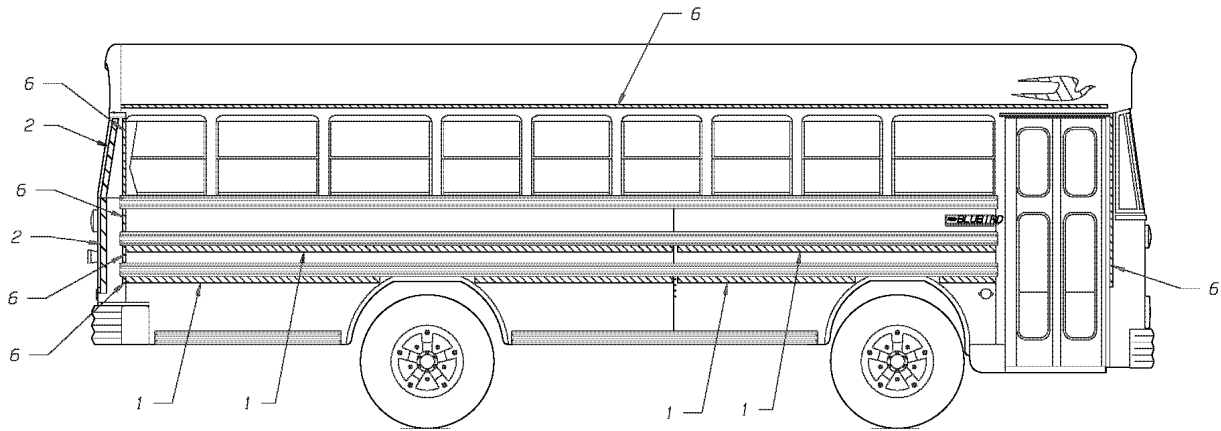
Models: A3FE, TCFE  
REFLECTIVE TAPE  
INSTALLATION

Key	PartNumber	Qty	Description	Comment
-----	------------	-----	-------------	---------



DR. 05/15/05	BY: MFR	1723980	L	
APP.	BY: FRT	REV.		

© BLUE BIRD BODY COMPANY. ALL RIGHTS RESERVED



**Models:** **A3FE, TCFE**  
**REFLECTIVE TAPE**  
**INSTALLATION**

Key	PartNumber	Qty	Description	Comment
1	1635028		TAPE,REFLECTIVE,YELLOW,DIAMOND	
2	1635036		TAPE,REFLECTIVE,YELLOW,DIAMOND	
3	0002726		SIGN,SCHOOL BUS,8IN LTRS,SERIES B,1.00	
4	0002705		SIGN,SCHOOL BUS,8IN LTRS,SERIES B,1.25	
5	1971415		SIGN,ECOLIERS,8IN LTRS,SERIES B,1.25 STRK	
6	1717529		TAPE,REFLECTIVE,YELLOW,DIAMOND	
1	0029482		TAPE,REFLECTIVE,WHITE,DIAMOND	
2	0002008		TAPE,REFLECTIVE,WHITE,DIAMOND	
3	0030464		SIGN,S/B,8IN LTRS,SERIES B,1.00 STRK,WH	
4	0030462		SIGN,S/B,8IN LTRS,SERIES B,1.25 STRK,WH	
5	0030463		SIGN,ECOLIERS,8IN LTRS,SERIES B,1.25 STRK,	
6	1837996		TAPE,REFLECTIVE,3M,WHITE,DIAMOND GR,W.	
7	0074834		SIGN,DEST,MFSAB,8 IN LTRS,SERIES B,1.25	

**Models:** AAFE, AARE, A1VC, A3FE, A3RE, B1VC, B2VC, C1FE, CSEV, CSFE, CSRE, GMCV, GPWB, MBWB, Q4RE, QBEV, QBRE, SBCV, T2RE, TCEV, TCFE, TCRE, TSFE  
**SEALERS & ADHESIVES**

Key	PartNumber	Qty	Description	Comment
NI			CONTACT CEMENT	
NI	2648137		CEMENT,CONTACT,FLOOR COVERING,	GALLON
NI	2002814		CEMENT,3 M QUART	QUART
			SEALERS	RTV
	2051902		SEALANT,SILICONE,BLACK,CARTRIDGE	11 OZ. TUBE
	0751883		SEALANT,SILICONE,CLEAR,CARTRIDGE	10 OZ. TUBE
	1363233		SEALANT,SILICONE,YELLOW,CARTRIDGE	10 OZ. CARTRIDGE
	0898627		SEALANT,CARTRIDGE,SM5522,VINYL GRAY	11 OZ. TUBE
	2115772		KIT,ADHESIVE,REPAIR,AMICON KT-74	

**Models:** AAFE, AARE, A1VC, A3FE, A3RE, B1VC, B2VC, C1FE, CSEV, CSFE, CSRE, GMCV, GPWB, MBWB, QBEV, QBRE, SBCV, T2RE, TCEV, TCFE, TCRE, TSFE, VCTA  
**STENCILS, LETTERING**

Key	PartNumber	Qty	Description	Comment
	2009652		STENCIL,A,2 IN	
	2010031		STENCIL,A,3 IN	
	2010411		STENCIL,A,4 IN	
	2010809		STENCIL,A,5 IN	
	2011195		STENCIL,A,6 IN	
	2009660		STENCIL,B,2 IN	
	2010049		STENCIL,B,3 IN	
	2010429		STENCIL,B,4 IN	
	2010817		STENCIL,B,5 IN	
	2011203		STENCIL,B,6 IN	
	2009678		STENCIL,C,2 IN	
	2010056		STENCIL,C,3 IN	
	2010437		STENCIL,C,4 IN	
	2010825		STENCIL,C,5 IN	
	2011211		STENCIL,C,6 IN	
	2009686		STENCIL,D,2 IN	
	2010064		STENCIL,D,3 IN	
	2010445		STENCIL,D,4 IN	
	2010833		STENCIL,D,5 IN	
	2011229		STENCIL,D,6 IN	
	2009694		STENCIL,E,2 IN	
	2010072		STENCIL,E,3 IN	
	2010452		STENCIL,E,4 IN	
	2010841		STENCIL,E,5 IN	
	2011237		STENCIL,E,6 IN	
	2009702		STENCIL,F,2 IN	
	2010080		STENCIL,F,3 IN	
	2010460		STENCIL,F,4 IN	
	2010858		STENCIL,F,5 IN	
	2011245		STENCIL,F,6 IN	
	2009710		STENCIL,G,2 IN	
	2010098		STENCIL,G,3 IN	
	2010478		STENCIL,G,4 IN	

**Models:** AAFE, AARE, A1VC, A3FE, A3RE, B1VC, B2VC, C1FE, CSEV, CSFE, CSRE, GMCV, GPWB, MBWB, QBEV, QBRE, SBCV, T2RE, TCEV, TCFE, TCRE, TSFE, VCTA  
**STENCILS, LETTERING**

Key	PartNumber	Qty	Description	Comment
	2010866		STENCIL,G,5 IN	
	2011252		STENCIL,G,6 IN	
	2009728		STENCIL,H,2 IN	
	2010106		STENCIL,H,3 IN	
	2010486		STENCIL,H,4 IN	
	2010874		STENCIL,H,5 IN	
	2011260		STENCIL,H,6 IN	
	2009736		STENCIL,I,2 IN	
	2010114		STENCIL,I,3 IN	
	2010494		STENCIL,I,4 IN	
	2010882		STENCIL,I,5 IN	
	2011278		STENCIL,I,6 IN	
	2009744		STENCIL,J,2 IN	
	2010122		STENCIL,J,3 IN	
	2010502		STENCIL,J,4 IN	
	2010890		STENCIL,J,5 IN	
	2011286		STENCIL,J,6 IN	
	2009751		STENCIL,K,2 IN	
	2010130		STENCIL,K,3 IN	
	2010510		STENCIL,K,4 IN	
	2010908		STENCIL,K,5 IN	
	2011294		STENCIL,K,6 IN	
	2009769		STENCIL,L,2 IN	
	2010148		STENCIL,L,3 IN	
	2010528		STENCIL,L,4 IN	
	2010916		STENCIL,L,5 IN	
	2011302		STENCIL,L,6 IN	
	2009777		STENCIL,M,2 IN	
	2010155		STENCIL,M,3 IN	
	2010536		STENCIL,M,4 IN	
	2010924		STENCIL,M,5 IN	
	2011310		STENCIL,M,6 IN	
	2009785		STENCIL,N,2 IN	



**Models:** AAFE, AARE, A1VC, A3FE, A3RE, B1VC, B2VC, C1FE, CSEV, CSFE, CSRE, GMCV, GPWB, MBWB, QBEV, QBRE, SBCV, T2RE, TCEV, TCFE, TCRE, TSFE, VCTA  
**STENCILS, LETTERING**

Key	PartNumber	Qty	Description	Comment
	2010163		STENCIL,N,3 IN	
	2010544		STENCIL,N,4 IN	
	2010932		STENCIL,N,5 IN	
	2011328		STENCIL,N,6 IN	
	2009793		STENCIL,O,2 IN	
	2010171		STENCIL,O,3 IN	
	2010551		STENCIL,O,4 IN	
	2010940		STENCIL,O,5 IN	
	2011336		STENCIL,O,6 IN	
	2009801		STENCIL,P,2 IN	
	2010189		STENCIL,P,3 IN	
	2010569		STENCIL,P,4 IN	
	2010957		STENCIL,P,5 IN	
	2011344		STENCIL,P,6 IN	
	2009819		STENCIL,Q,2 IN	
	2010197		STENCIL,Q,3 IN	
	2010577		STENCIL,Q,4 IN	
	2010965		STENCIL,Q,5 IN	
	2011351		STENCIL,Q,6 IN	
	2009827		STENCIL,R,2 IN	
	2010205		STENCIL,R,3 IN	
	2010585		STENCIL,R,4 IN	
	2010973		STENCIL,R,5 IN	
	2011369		STENCIL,R,6 IN	
	2009835		STENCIL,S,2 IN	
	2010213		STENCIL,S,3 IN	
	2010593		STENCIL,S,4 IN	
	2010981		STENCIL,S,5 IN	
	2011377		STENCIL,S,6 IN	
	2009843		STENCIL,T,2 IN	
	2010221		STENCIL,T,3 IN	
	2010601		STENCIL,T,4 IN	
	2010999		STENCIL,T,5 IN	

**Models:** AAFE, AARE, A1VC, A3FE, A3RE, B1VC, B2VC, C1FE, CSEV, CSFE, CSRE, GMCV, GPWB, MBWB, QBEV, QBRE, SBCV, T2RE, TCEV, TCFE, TCRE, TSFE, VCTA  
**STENCILS, LETTERING**

Key	PartNumber	Qty	Description	Comment
	2011385		STENCIL,T,6 IN	
	2009850		STENCIL,U,2 IN	
	2010239		STENCIL,U,3 IN	
	2010619		STENCIL,U,4 IN	
	2011005		STENCIL,U,5 IN	
	2011393		STENCIL,U,6 IN	
	2009868		STENCIL,V,2 IN	
	2010247		STENCIL,V,3 IN	
	2010627		STENCIL,V,4 IN	
	2011013		STENCIL,V,5 IN	
	2011401		STENCIL,V,6 IN	
	2009876		STENCIL,W,2 IN	
	2010254		STENCIL,W,3 IN	
	2010635		STENCIL,W,4 IN	
	2011021		STENCIL,W,5 IN	
	2011419		STENCIL,W,6 IN	
	2009884		STENCIL,X,2 IN	
	2010262		STENCIL,X,3 IN	
	2010643		STENCIL,X,4 IN	
	2011039		STENCIL,X,5 IN	
	2011427		STENCIL,X,6 IN	
	2009892		STENCIL,Y,2 IN	
	2010270		STENCIL,Y,3 IN	
	2010650		STENCIL,Y,4 IN	
	2011047		STENCIL,Y,5 IN	
	2011435		STENCIL,Y,6 IN	
	2009900		STENCIL,Z,2 IN	
	2010288		STENCIL,Z,3 IN	
	2010668		STENCIL,Z,4 IN	
	2011054		STENCIL,Z,5 IN	
	2011443		STENCIL,Z,6 IN	
	2009918		STENCIL,1,2 IN	
	2010338		STENCIL,1,3 IN	

**Models:** AAFE, AARE, A1VC, A3FE, A3RE, B1VC, B2VC, C1FE, CSEV, CSFE, CSRE, GMCV, GPWB, MBWB, QBEV, QBRE, SBCV, T2RE, TCEV, TCFE, TCRE, TSFE, VCTA  
**STENCILS, LETTERING**

Key	PartNumber	Qty	Description	Comment
	2010676		STENCIL,1,4 IN	
	2011062		STENCIL,1,5 IN	
	2050854		STENCIL,1,6 IN	
	2009926		STENCIL,2,2 IN	
	2010346		STENCIL,2,3 IN	
	2010684		STENCIL,2,4 IN	
	2011070		STENCIL,2,5 IN	
	2050862		STENCIL,2,6 IN	
	2009934		STENCIL,3,2 IN	
	2010353		STENCIL,3,3 IN	
	2010692		STENCIL,3,4 IN	
	2011088		STENCIL,3,5 IN	
	2050870		STENCIL,3,6 IN	
	2009942		STENCIL,4,2 IN	
	2010361		STENCIL,4,3 IN	
	2010700		STENCIL,4,4 IN	
	2011096		STENCIL,4,5 IN	
	2050888		STENCIL,4,6 IN	
	2009959		STENCIL,5,2 IN	
	2010379		STENCIL,5,3 IN	
	2010718		STENCIL,5,4 IN	
	2011104		STENCIL,5,5 IN	
	2050896		STENCIL,5,6 IN	
	2009967		STENCIL,6/9,2 IN	
	2010387		STENCIL,6/9,3 IN	
	2010726		STENCIL,6/9,4 IN	
	2011112		STENCIL,6/9,5 IN	
	2050904		STENCIL,6/9,6 IN	
	2009975		STENCIL,7,2 IN	
	2010395		STENCIL,7,3 IN	
	2010734		STENCIL,7,4 IN	
	2011120		STENCIL,7,5 IN	
	2050912		STENCIL,7,6 IN	

**Models:** AAFE, AARE, A1VC, A3FE, A3RE, B1VC, B2VC, C1FE, CSEV, CSFE, CSRE, GMCV, GPWB, MBWB, QBEV, QBRE, SBCV, T2RE, TCEV, TCFE, TCRE, TSFE, VCTA  
**STENCILS, LETTERING**

Key	PartNumber	Qty	Description	Comment
	2009983		STENCIL,8,2 IN	
	2010403		STENCIL,8,3 IN	
	2010742		STENCIL,8,4 IN	
	2011138		STENCIL,8,5 IN	
	2050920		STENCIL,8,6 IN	
	2009967		STENCIL,6/9,2 IN	
	2010387		STENCIL,6/9,3 IN	
	2010726		STENCIL,6/9,4 IN	
	2011112		STENCIL,6/9,5 IN	
	2050904		STENCIL,6/9,6 IN	
	2009991		STENCIL,PERIOD,2 IN	(.)
	2010296		STENCIL,PERIOD,3 IN	(.)
	2010759		STENCIL,PERIOD,4 IN	(.)
	2011146		STENCIL,PERIOD,5 IN	(.)
			INDIVIDUAL LETTER, NUMBER & SYMBOL	(.)
	2010007		STENCIL,COMMA,2 IN	(,)
	2010304		STENCIL,COMMA,3 IN	(,)
	2010767		STENCIL,COMMA,4 IN	(,)
	2011153		STENCIL,COMMA,5 IN	(,)
			INDIVIDUAL LETTER, NUMBER & SYMBOL	(,)
	2010015		STENCIL,DASH,2 IN	(-)
	2010312		STENCIL,DASH,3 IN	(-)
	2010775		STENCIL,DASH,4 IN	(-)
	2011161		STENCIL,DASH,5 IN	(-)
			INDIVIDUAL LETTER, NUMBER & SYMBOL	(-)
	2010023		STENCIL,AMPERSAND,2IN, CBPP	(&)
	2010320		STENCIL,AMPERSAND,3IN	(&)
	2010783		STENCIL,AMPERSAND,4IN, CBPP	(&)
	2011179		STENCIL,AND,5IN LETTERS	(&)
			INDIVIDUAL LETTER, NUMBER & SYMBOL	(&)
			INDIVIDUAL LETTER, NUMBER & SYMBOL	(#)
			INDIVIDUAL LETTER, NUMBER & SYMBOL	(#)
	2010791		STENCIL,NUMBER,4 IN, CBPP	(#)
				(#)

**Models:** AAFE, AARE, A1VC, A3FE, A3RE, B1VC, B2VC, C1FE, CSEV, CSFE, CSRE, GMCV, GPWB, MBWB, QBEV, QBRE, SBCV, T2RE, TCEV, TCFE, TCRE, TSFE, VCTA  
**STENCILS, LETTERING**

Key	PartNumber	Qty	Description	Comment
	2011187		STENCIL,NUMBER,5 IN, CBPP	
			INDIVIDUAL LETTER, NUMBER & SYMBOL	(#)

**Models:** AAFE, AARE, A1VC, A3FE, A3RE, B1VC, B2VC, C1FE, CSEV, CSFE, CSRE, GMCV, GPWB, MBWB, Q4RE, QBEV, QBRE, SBCV, T2RE, TCEV, TCFE, TCRE, TSFE  
**STENCILS, MISCELLANEOUS**

Key	PartNumber	Qty	Description	Comment
NI			MISCELLANEOUS STENCILS	
	2011542		STENCIL,BIRD,RH	
	2011559		STENCIL,BIRD,LH	
	2011518		STENCIL,SCHOOL BUS,8 IN	
	2011617		STENCIL,STOP,9 IN	
	0753814		STENCIL,STOP,6 INCHES	
	0753780		STENCIL,ON SIGNAL,6 INCHES	
	2011492		STENCIL,EM DR,2 IN	