

Chassis

030 Brakes, Air

AIR DRYER ASSY

AD-9

*With: FEATURE 40081-01, OPTION 4330; FEATURE 40070 WITH OUT 40081-01, 11
From CSN 991333*

1

WITH CNG & HENDRICKSON SUSPENSION

With: FEATURE 40081-01 WITH 40004-07

2

AD-SP

*With: FEATURE 40081-11
From CSN 10061815*

3

BRAKE ASSY, FRONT

5 INCH

EXT SERVICE

*With: OPTION 4353 9/24/95 AND BEFORE, STD 9/25/95 AND AFTER
To CSN 30079479 01/21/01*

4

I120 WITH MERITOR BRAKES

*With: FEATURE 40052-01, 03, 40000-01, OPTION 4353-01, 02
From CSN 30079480 FE 10077010 01/22/01
To CSN 30096775 FE 10096695 RE 11/04/01*

5

I146 WITH MERITOR BRAKES

*With: FEATURE 40052-01
From CSN 30079480 FE 10077010 01/22/01
To CSN 30096775 FE 10096695 RE 11/04/01*

6

*With: FEATURE 4227 OR 40000-02, 40052-02
From CSN 30079480 FE 10077010 01/22/01
To CSN 30096775 FE 10096695 RE 11/04/01*

7

*With: FEATURE 40000-03
From CSN 30079480 FE 10077010 01/22/01
To CSN 30096775 FE 10096695 RE 11/04/01*

8

*With: FEATURE 40000-03, 40052-03
From CSN 30079480 FE 10077010 01/22/01
To CSN 30096775 FE 10096695 RE 11/04/01*

9

MERITOR

From CSN 30096776 FE 10096696 RE 11/05/01

10

From CSN 30096776 FE 10096696 RE 11/05/01

11

6 INCH

EXT SERVICE

*With: OPTION 4351, 4355
To CSN 30079479 FE 10077009 RE 01/21/01* 12

FF967, MERITOR

From CSN 30096776 FE 10096696 RE 11/05/01 13

FG941, MERITOR

From CSN 10096696 RE 11/05/01 14

I120 WITH MERITOR BRAKES

*With: FEATURE 40052-01, 03, 40000-01, OPTION 4351, 4354, 4355
From CSN 30079480 FE 10077010 RE 01/22/01
To CSN 30096775 FE 10096695 RE 11/04/01* 15

*With: FEATURE 40052-02
From CSN 30079480 FE 10077010 RE 01/22/01
To CSN 30096775 FE 10096695 RE 11/04/01* 16

I146 WITH MERITOR BRAKES

*With: FEATURE 40052-01, 03, 40000-02, OPTION 4227, 4324, 4336, 4351, 4355
From CSN 30079480 FE 10077010 RE 01/22/01
To CSN 30096775 FE 10096695 RE 11/04/01* 17

*With: FEATURE 40052-02, 40000-02, OPTION 4227
From CSN 30079480 FE 10077010 RE 01/22/01
To CSN 30096775 FE 10096695 RE 11/04/01* 18

*With: FEATURE 40052-03, 40000-03
From CSN 10077010 RE 01/22/01
To CSN 10096695 RE 11/04/01* 19

*With: FEATURE 40000-03
From CSN 10077010 RE 01/22/01
To CSN 10096695 RE 11/04/01* 20

MERITOR

From CSN 30096776 FE 10096696 RE 11/05/01 21

UK BUS

22

BRAKE ASSY, REAR

10 INCH

HENDRICKSON

From CSN 10096696 RE 11/05/01 23

RIDWL, HS

From CSN 10096696 RE 11/05/01 24

RIDWL, MS	
<i>From CSN 10096696 RE 11/05/01</i>	25
<hr/>	
7 INCH	
EXT SERVICE	
SPRING SUSPENSION	
<i>With: FEATURE 40070-01, 02</i>	
<i>From CSN 0996888</i>	
<i>To CSN 30096776 FE 10096696 RE 11/05/01</i>	26
<hr/>	
HENDRICKSON, MERITOR	
<i>From CSN 30096776 FE 10096696 RE 11/05/01</i>	27
<hr/>	
J190, J210 WITH MERITOR	
<i>With: FEATURE 40052-01, 03, OPTION 4353, 4355</i>	
<i>From CSN 30079480 FE 10077010 RE 01/22/01</i>	
<i>To CSN 30096775 FE 10096695 RE 11/04/01</i>	28
<hr/>	
<i>With: FEATURE 40052-02, OPTION 4353, 4355</i>	
<i>From CSN 30079480 FE 10077010 RE 01/22/01</i>	
<i>To CSN 30096775 FE 10096695 RE 11/04/01</i>	29
<hr/>	
J230 WITH MERITOR	
<i>With: FEATURE 40052-03</i>	
<i>From CSN 30079480 FE 10077010 RE 01/22/01</i>	
<i>To CSN 30096775 FE 10096695 RE 11/04/01</i>	30
<hr/>	
<i>With: FEATURE 40052-02</i>	
<i>From CSN 30079480 FE 10077010 RE 01/22/01</i>	
<i>To CSN 30096775 FE 10096695 RE 11/04/01</i>	31
<hr/>	
RIDWL, HS, MERITOR	
<i>From CSN 30096776 FE 10096696 RE 11/05/01</i>	32
<hr/>	
RIDWL, MS, MERITOR	
<i>From CSN 30096776 FE 10096696 RE 11/05/01</i>	33
<hr/>	
STD SERVICE	
J230 AXLE WITH SPRING SUSPENSION	
<i>With: FEATURE 40070-01, 02 WITH 40018</i>	
<i>To CSN 30096775 FE 10096695 RE 11/04/01</i>	34
<hr/>	
8.62 INCH	
HENDRICKSON, MERITOR	
<i>From CSN 30096776 FE 10096696 RE 11/05/01</i>	35
<hr/>	

J230 WITH MERITOR

*With: FEATURE 40052-03, OPTION 4324, 4351
From CSN 30079480 FE 10077010 RE 01/22/01
To CSN 30096775 FE 10096695 RE 11/04/01*

36

*With: FEATURE 40052-02, OPTION 4351
From CSN 30079480 FE 10077010 RE 01/22/01
To CSN 30096775 FE 10096695 RE 11/04/01*

37

RIDWL, HS, MERITOR

From CSN 30096776 FE 10096696 RE 11/05/01

38

RIDWL, MS, MERITOR

From CSN 30096776 FE 10096696 RE 11/05/01

39

SPRING SUSPENSION, EXT SERVICE

With: STD

40

UK BUS

41

BRAKE CHAMBERS

FRONT AND REAR

42

JUNCTION BLOCK ASSY

BRAKE PEDAL

NON-ABS

To CSN 10058619 04/30/00

43

From CSN 10058620 05/01/00

44

BRAKE, TREADLE WITH RETARDER

ABS

To CSN 10058619 04/30/00

45

From CSN 10058620 05/01/00

46

OPTIONAL EQUIPMENT

ADDITIONAL AIR TANK

*With: OPTION 4339, FEATURE 40081-05
From CSN 982768*

47

BRAKE INTERLOCK

With: OPTION 4347, FEATURE 40051-02

48

BRAKE/LIFT INTERLOCK

RELAY INSTALLATION

With: FEATURE 40051

49

HUB COVERS	
STAINLESS STEEL, PHOENIX WITH HUB PILOTED WHEELS	
<i>With: FEATURE 40441-04, 05, OPTION 25347</i>	50
RESERVOIR DRAIN VALVE	
HEATED	
<i>With: FEATURE 40081</i>	51
REMOTE MOUNTED	
<i>With: OPTION 4338, FEATURE 40081-04</i>	52
<i>With: FEATURE 40081-04</i>	53
RESERVOIR ASSY	
ACCESSORY, EEC	54
FRONT & ACCESSORY	
<i>With: FEATURE 40081-01</i>	
<i>From CSN 10061815 05/30/00</i>	55
WITH AD-SP AIR DRYER	
<i>With: FEATURE 40081-11</i>	
<i>From CSN 10061815 05/30/00</i>	56
PRIMARY TANK	
EEC	57
REAR	
1800 CU IN	
<i>With: FEATURE 40070</i>	
<i>From CSN 10043410 11/01/99</i>	58
SECONDARY TANK	
EEC	59
WET TANK	
AUXILIARY WITH RIDEWELL	
TRACTION CONTROL	
<i>With: FEATURE 40453-01 WITH RIDEWELL</i>	
<i>From CSN 0233135 4/10/06</i>	60
AUXILIARY, SPRING SUSPENSION	
<i>From CSN 10009670 07/22/98</i>	61

SYSTEM

4 CHANNEL, ABS

*With: FEATURE 40070 WITH 40076-01, 40280-05, 40177
From CSN A3RE, C3RE 0188790 2/2/05 40004-07 W/04569* 62

*With: FEATURE 40070, 40076-01
From CSN 10000323 01/15/98
To CSN 10037079 07/25/99* 63

*With: FEATURE 40070, 70076-01
From CSN 10037080 07/26/99* 64

From CSN 0198630 5/1/05 65

ABS

FRONT

*From CSN 988534
To CSN 30028830* 66

REAR

*From CSN 988534
To CSN 30028830* 67

EEC

68

RIDEWELL SUSPENSION

With: FEATURE 40004=08 69

VALVE ASSY

BRAKE TREADLE & PEDAL
WITH RETARDER

*From CSN 10028920 04/26/99
To CSN 10052364 03/05/00* 70

From CSN 10052365 03/06/00 71

DOUBLE CHECK

72

GOVERNOR

To CSN 10052364 03/05/00 73

From CSN 10052365 03/06/00 74

MANIFOLD

AIR OPTIONS

<i>From CSN 30046540 FE 10046619 RE 01/02/00</i>	77
<hr/>	
<i>From CSN 30046541 FE 10046620 RE 01/03/00 To CSN 30079479 FE 10077009 RE 01/21/01</i>	78
<hr/>	
<i>From CSN 30079480 FE 10077010 RE 01/22/01</i>	79
<hr/>	
PARKING BRAKE, INTERLOCK	
<i>With: FEATURE 40051-07</i>	80
<hr/>	
INSTALLATION	
<i>With: FEATURE 40051-07</i>	81
<hr/>	
QUICK RELEASE	
<i>To CSN 10046619 01/02/00</i>	82
<hr/>	
<i>From CSN 10046620 01/03/00</i>	83
<hr/>	
SPRING & SERVICE BRAKE	
<hr/>	84
4 CHANNEL, ABS	
<i>With: FEATURE 40070; 40076-01 To CSN 10037079 07/25/99</i>	85
<hr/>	
<i>With: FEATURE 40070; 40076-01 From CSN 10037080 07/25/99 To CSN 10058619 04/30/00</i>	86
<hr/>	
<i>With: FEATURE 40070 WITH 40076-01 From CSN 10058620 05/01/00 To CSN 10086279 05/06/01</i>	87
<hr/>	
<i>With: FEATURE 40070; 40076-01 From CSN 10086280 05/07/01</i>	88
<hr/>	
4 CHANNEL, ABS, EEC	
<hr/>	89
TRACTION CONTROL	
<i>With: FEATURE 40453-01 From CSN 0233135 4/10/06</i>	90
<hr/>	
CNG	
<i>With: FEATURE 40453-01 WITH CNG From CSN 0233135 4/10/06</i>	91
<hr/>	

WHEEL END COMPONENTS

FRONT, DRUM BRAKES, HUB PILOTED

5 INCH

ALUMN WHEELS

From CSN 30096776 FE 10096696 RE 11/05/01 92

STEEL WHEELS

From CSN 30096776 FE 10096696 RE 11/05/01 93

6 INCH

*With: FEATURE 40070
From CSN 06/15/98
To CSN 30052394 FE 10052364 RE 03/05/00* 94

*With: FEATURE 40070
From CSN 30052395 FE 10052365 RE 03/06/00
To CSN 30096775 FE 10096695 RE 11/04/01* 95

ALUMN WHEELS

From CSN 30096776 FE 10096696 RE 11/05/01 96

STEEL WHEELS

From CSN 30096776 FE 10096696 RE 11/05/01 97

UK RH DRIVE

With: UK RH DRIVE 98

REAR, DRUM BRAKES, HUB PILOTED

J190, J210

7 INCH

*With: FEATURE 40070-01, 02
From CSN 10008675 RE 30008585 FE 07/13/98
To 01/17/99* 99

*With: FEATURE 40070-01, 02
From CSN 01/18/98
To CSN 30096775 FE 10096695 RE 11/04/01* 100

J230

7 INCH

*With: FEATURE 40070-01, 02
From CSN 10007080 RE 30007075 FE 06/18/98
To CSN 10013294 RE 30013644 FE 09/13/98* 101

*With: FEATURE 40070-01, 02
From CSN 10013295 RE 30013645 FE 09/14/98
To CSN 30096775 FE 10096695 RE 11/04/01* 102

8.62 INCH

*With: FEATURE 40070-03
From CSN 3007075 FE 10007080 RE 06/18/98
To CSN 10068459 RE 08/13/00* 103

*With: FEATURE 40070-03
From CSN 10068460 RE 08/14/00
To CSN 30096775 FE 10096695 RE 11/04/01* 104

MERITOR

10 INCH ALUMN WHEELS

From CSN 30096776 FE 10096696 RE 11/05/01 105

10 INCH STEEL WHEELS

From CSN 30096776 FE 10096696 RE 11/05/01 106

7 INCH ALUMN WHEELS/DAYTON

From CSN 30096776 FE 10096696 RE 11/05/01 107

7 INCH ALUMN WHEELS/WEBB

From CSN 30096776 FE 10096696 RE 11/05/01 108

7 INCH STEEL WHEELS/DAYTON

From CSN 30096776 FE 10096696 RE 11/05/01 109

7 INCH STEEL WHEELS/WEBB

From CSN 30096776 FE 10096696 RE 11/05/01 110

8.62 INCH ALUMN WHEELS/DAYTON

From CSN 30096776 FE 10096696 RE 11/05/01 111

8.62 INCH ALUMN WHEELS/WEBB

From CSN 30096776 FE 10096696 RE 11/05/01 112

8.62 INCH STEEL WHEELS/DAYTON

From CSN 30096776 FE 10096696 RE 11/05/01 113

8.62 INCH STEEL WHEELS/WEBB

From CSN 30096776 FE 10096696 RE 11/05/01 114

RS23160

8.62 INCH

*With: RH DRIVE
From CSN 30096776 FE 10096696 RE 11/05/01* 115

REAR, DRUM BRAKES, STUD PILOTED

J190, J210

7 INCH

*From CSN 10008675 RE 30008585 FE 07/13/98
To 01/17/99*

116

*From CSN 01/18/99
To CSN 30079479 FE 1007709 RE 01/21/01*

117

J230

7 INCH

*From CSN 10007080 RE 30007075 FE 06/18/98
To CSN 10011119 RE 30011019 FE 08/09/98*

118

*From CSN 10011120 RE 30011020 FE 08/10/98
To CSN 30079479 FE 1007709 RE 01/21/01*

119

*With: FEATURE 40070-01, 02
From CSN 11/28/00
To CSN 30096775 FE 10096695 RE 11/04/01*

120

8.62 INCH

*From CSN 10007080 RE 30007075 FE 06/18/98
To CSN 10028919 04/25/99*

121

*With: FEATURE 40076
From CSN 10028920 RE 04/26/99
To CSN 30079479 FE 1007709 RE 01/21/01*

122

*With: FEATURE 40070 WITH 40076
From CSN 11/28/00
To CSN 30096775 FE 10096695 RE 11/04/01*

123

J230 WITH 12R22.5 TIRES

7 INCH

*From CSN 10007080 RE 30007075 FE 06/18/98
To 05/30/99*

124

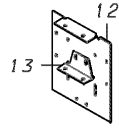
*From CSN 05/31/99
To CSN 30079479 FE 1007709 RE 01/21/01*

125

Models: A3RE, CSRE, QBRE
AIR DRYER ASSY
AD-9

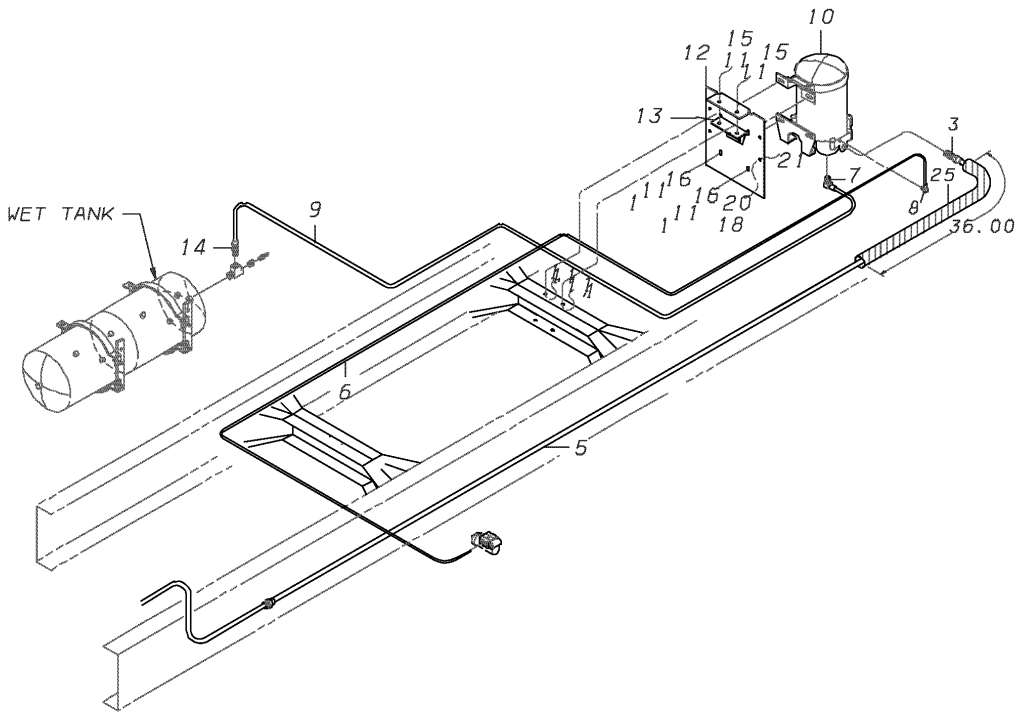
With Features: FEATURE 40081-01, OPTION 4330; FEATURE 40070 WITH OUT 40081-01, 11
BSN: From CSN 991333

Key	PartNumber	Qty	Description	Comment
-----	------------	-----	-------------	---------



DR. 03/05/02 BY TFM	17408101	Z	
APP. BY FRT	REV		

© BLUE BIRD BODY COMPANY. ALL RIGHTS RESERVED



Models: A3RE, CSRE, QBRE

AIR DRYER ASSY

AD-9


With Features: FEATURE 40081-01, OPTION 4330; FEATURE 40070 WITH OUT 40081-01, 11

BSN: From CSN 991333

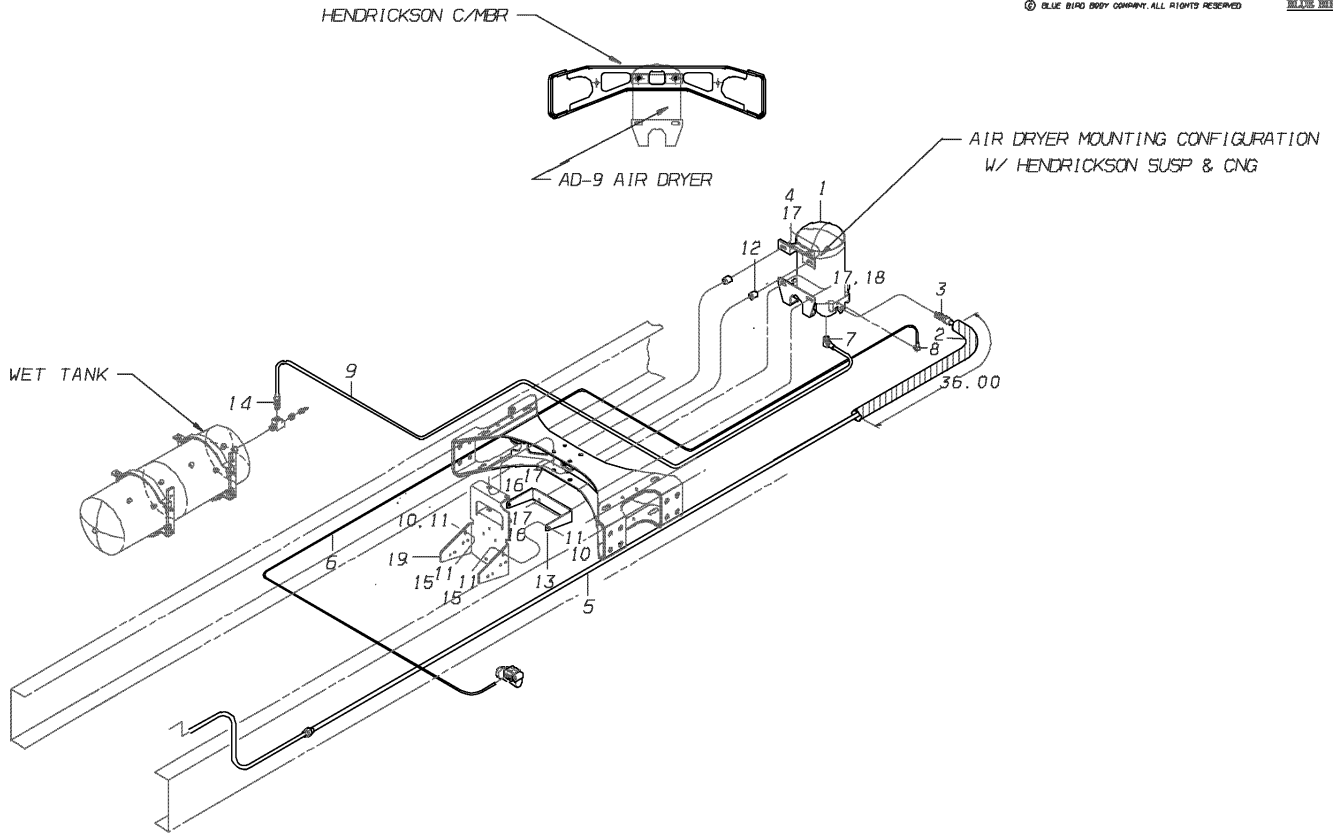
Key	PartNumber	Qty	Description	Comment
1	0826297	8	NUT,HEX HD,3/8-16 LOCK,YEL ZN DICH	
2			CURRENTLY NOT USED	
3	2023356	1	CONNECTOR,1/2 MPT X 5/8 TUBE	
4			CURRENTLY NOT USED	
5	2027407	11	TUBING,COPPER,5/8,TYPE L (S04060)	
6	0654962	20	TUBING,PLASTIC,1/4 OD,BLACK,SAE J844 TYPE	
7	0009907	1	ELBOW,90 DEG,MALE1869X8X8-Z,.50MPT	
8	0009912	1	ELBOW,90 DEG,MALE1869X4X4-Z,.25MPT	
9	1346865	72	TUBING,PLASTIC,1/2 OD,BLACK,SAE J844 TYPE	
10	0031687	1	AIR DRYER,AD-9,RH SUPPLY,STD	
NI	4311908	1	ELEMENT ONLY,AIR DRYER AD-9,1539089"	CARTRIDGE ONLY
11	1107085	16	WASHER,FLAT,13/32 X 13/16 X 3/32,HDN,BLK	
12	1594266	1	BRACKET,MTG,LONG ANGLE,AIR DRYER	
13	1594274	1	BRACKET,MTG,SHORT ANGLE,AIR DRYER	
14	0009920	1	CONNECTOR,MALE,1868X8X8-Z,.50MPT X .50T"	
15	0803213	4	CAPSCREW,HEX HD,3/8-16X1 1/4,GR8,YEL	
16	0559195	4	CAPSCREW,HEX HD,3/8-16 X 1,GR 8,YEL ZN	
17			CURRENTLY NOT USED	
18	0977132	1	CAPSCREW,HEX HD,1/4-20 X 3/4,GR 5,YEL	
19			CURRENTLY NOT USED	
20	1467000	1	WASHER,FLAT,.281 X.750X.078 HARDENED,BLK	
21	2001345	1	NUT,HEX HD,1/4-20,LOCKING,YELLOW	
22			CURRENTLY NOT USED	
23			CURRENTLY NOT USED	
24			CURRENTLY NOT USED	
25	1741925	.50	INSULATION,PIPE,POLYETHYLENE,1/2 THICK	
NI	2085298	4	TIE,CABLE,STUD MOUNT,TYTON NO T120R/SM	
NI	1225598	1	CLAMP,LOOP,1.25	
NI	1674217	5	CLAMP,LOOP,2.25	

Models: A3RE
AIR DRYER ASSY
 AD-9
WITH CNG & HENDRICKSON SUSPENSION
With Features: FEATURE 40081-01 WITH 40004-07

Key	PartNumber	Qty	Description	Comment
-----	------------	-----	-------------	---------

DATE: 03/05/02	BY: TFM	17408102	Z	
APP:	BY:	REV	REV	

© BLUE BIRD BODY COMPANY. ALL RIGHTS RESERVED




Models: **A3RE**
AIR DRYER ASSY
AD-9
WITH CNG & HENDRICKSON SUSPENSION
With Features: **FEATURE 40081-01 WITH 40004-07**

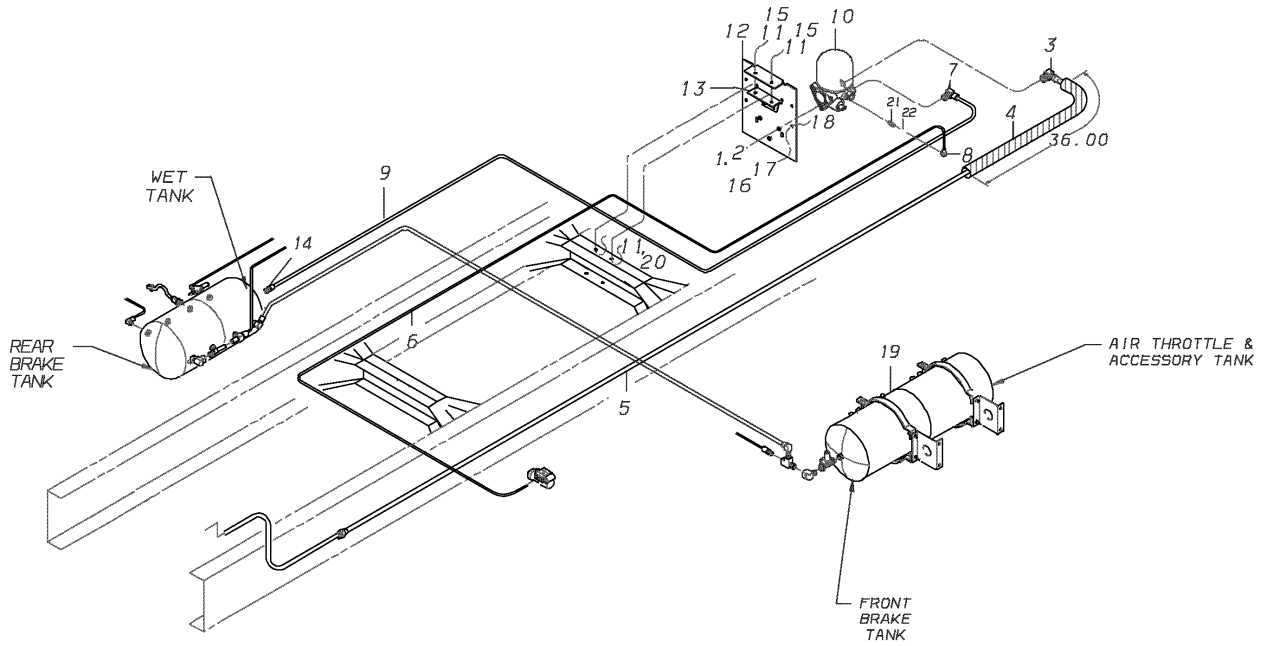
Key	PartNumber	Qty	Description	Comment
1	0031687	1	AIR DRYER,AD-9,RH SUPPLY,STD	
NI	4311908	1	ELEMENT ONLY,AIR DRYER AD-9,1539089"	CARTRIDGE ONLY
2	1741925	.50	INSULATION,PIPE,POLYETHYLENE,1/2 THICK	
3	2023356	1	CONNECTOR,1/2 MPT X 5/8 TUBE	
4	0801910	2	CAPSCREW,HEX HD,3/8-16 X 2,GR8,YEL ZN	
5	2027407	11	TUBING,COPPER,5/8,TYPE L (S04060)	
6	0654962	20	TUBING,PLASTIC,1/4 OD,BLACK,SAE J844 TYPE	
7	0009907	1	ELBOW,90 DEG,MALE1869X8X8-Z,.50MPT	
8	0009912	1	ELBOW,90 DEG,MALE1869X4X4-Z,.25MPT	
9	1346865	72	TUBING,PLASTIC,1/2 OD,BLACK,SAE J844 TYPE	
10	2001345	2	NUT,HEX HD,1/4-20,LOCKING,YELLOW	
11	1467000	4	WASHER,FLAT,.281 X.750X.078 HARDENED,BLK	
12	1643394	2	SPACER,1.00 OD X .406 ID X 1.00 THK	
13	0031212	1	BRACE,MOUNTING,AIR DRYER,AD-9"	
14	0009920	1	CONNECTOR,MALE,1868X8X8-Z,.50MPT X .50T"	
15	0977132	2	CAPSCREW,HEX HD,1/4-20 X 3/4,GR 5,YEL	
16	0826297	4	NUT,HEX HD,3/8-16 LOCK,YEL ZN DICH	
17	1107085	8	WASHER,FLAT,13/32 X 13/16 X 3/32,HDN,BLK	
18	0559195	2	CAPSCREW,HEX HD,3/8-16 X 1,GR 8,YEL ZN	
19	1646447	RE	BRACKET,MTG,ECU&MODUL,4 ABS,A/DRYER	
NI	2085298	4	TIE,CABLE,STUD MOUNT,TYTON NO T120R/SM	
NI	1225598	1	CLAMP,LOOP,1.25	
NI	1674217	5	CLAMP,LOOP,2.25	

Models: A3RE
AIR DRYER ASSY
AD-SP
With Features: FEATURE 40081-11
BSN: From CSN 10061815

Key	PartNumber	Qty	Description	Comment
-----	------------	-----	-------------	---------

DR. 03/05/02	BY TFM	17408103	Z	
APP.	BY	FRY	REV	

© BLUE BIRD BODY COMPANY. ALL RIGHTS RESERVED



Models: A3RE
AIR DRYER ASSY
AD-SP
With Features: FEATURE 40081-11
BSN: From CSN 10061815

Key	PartNumber	Qty	Description	Comment
1	1942135	3	CAPSCREW,HEX HD 1/2-13X 1 1/4,GR8,	
2	0990655	3	LOCKWASHER,SPLIT RING, 1/2 ,MED,YEL ZN	
3	0754879	1	ELBOW,1/2 MPT X 5/8 TUBE	
4	1741925	.5	INSULATION,PIPE,POLYETHYLENE,1/2 THICK	
5	2027407	10	TUBING,COPPER,5/8,TYPE L (S04060)	
6	0654962	20	TUBING,PLASTIC,1/4 OD,BLACK,SAE J844 TYPE	
7	0009907	1	ELBOW,90 DEG,MALE1869X8X8-Z,.50MPT	
8	0009912	1	ELBOW,90 DEG,MALE1869X4X4-Z,.25MPT	
9	1346865	14	TUBING,PLASTIC,1/2 OD,BLACK,SAE J844 TYPE	
10	0024269	1	AIR DRYER,AD-SP,SYSTEM PURGE	
NI	0024452	1	VALVE,CHECK,SINGLE,AD-SP AIR DRYER	
11	1107085	8	WASHER,FLAT,13/32 X 13/16 X 3/32,HDN,BLK	
12	1594266	1	BRACKET,MTG,LONG ANGLE,AIR DRYER	
13	1594274	1	BRACKET,MTG,SHORT ANGLE,AIR DRYER	
14	1340462	1	CONNECTOR,MALE,1468X8X8Z,.5MP X .5T	
15	0803213	4	CAPSCREW,HEX HD,3/8-16X1 1/4,GR8,YEL	
16	1977132	1	** PART NOT FOUND **	
17	1467000	1	WASHER,FLAT,.281 X.750X.078 HARDENED,BLK	
18	2001345	1	NUT,HEX HD,1/4-20,LOCKING,YELLOW	
19	0024908	1	RESERVOIR ASSY,FRT BRK&ACC,AIRDRY,AD-SP,	
	1764802	1	RESERVOIR ASSY,FRT,BRAKE & ACCESSORY, RE <i>DELETE FROM HDRE</i>	
20	0826297	4	NUT,HEX HD,3/8-16 LOCK,YEL ZN DICH	
NI	2085298	4	TIE,CABLE,STUD MOUNT,TYTON NO T120R/SM	
NI	1225598	1	CLAMP,LOOP,1.25	
NI	1674217	5	CLAMP,LOOP,2.25	

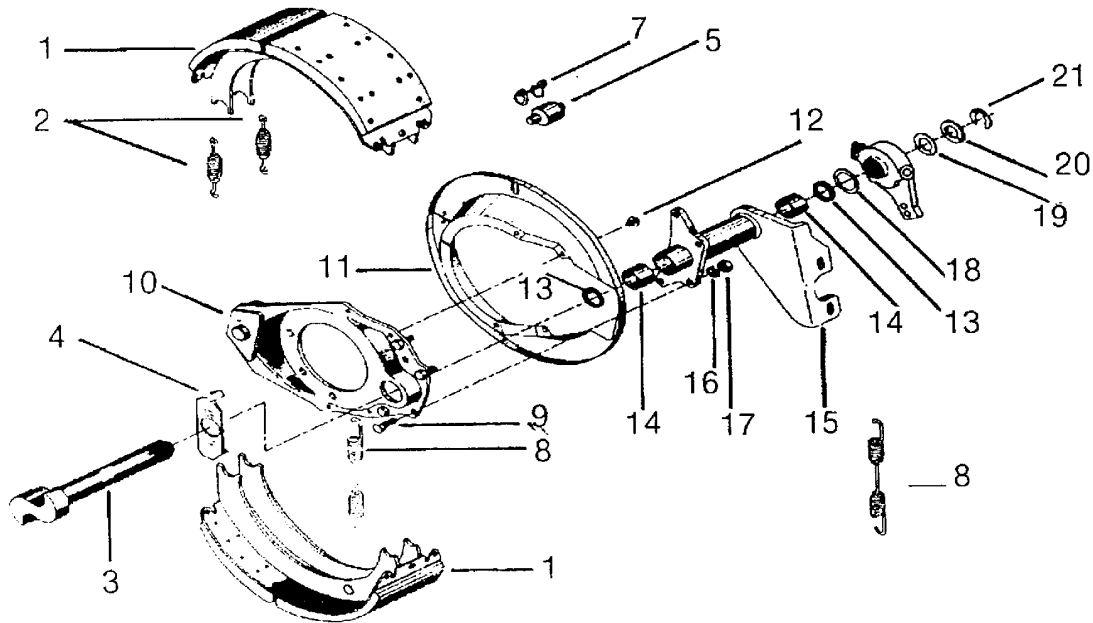
Models: A3FE, A3RE
BRAKE ASSY, FRONT
5 INCH
EXT SERVICE

With Features: OPTION 4353 9/24/95 AND BEFORE, STD 9/25/95 AND AFTER
 To CSN 30079479 01/21/01

Key	PartNumber	Qty	Description	Comment
-----	------------	-----	-------------	---------

DR.11/14/95 BY DB		4317616	
APP.11/14/95 BY AB	FRT		REV

© BLUE BIRD BODY COMPANY. ALL RIGHTS RESERVED



Models: A3FE, A3RE
BRAKE ASSY, FRONT
5 INCH
EXT SERVICE

With Features: **OPTION 4353 9/24/95 AND BEFORE, STD 9/25/95 AND AFTER**
To CSN 30079479 01/21/01

Key	PartNumber	Qty	Description	Comment
1	4318457	4	SHOE & LINING ASSY,FRT,5",,ES"	AAFE, AARE. ENDING WITH CSN 0996887
1	8302937	4	SHOE & LINING ASSY,5" FRT	AAFE, AARE, A3FE, A3RE. BEGIN WITH CSN 0996888
	4317327	4	SHOE,BRAKE,FRT 5" ""	AAFE, AARE. ENDING WITH CSN 0996887 SHOE ONLY, FRONT BRAKE, 5"
	8304693	4	SHOE,BRAKE,FRT,5",,ES-II"	AAFE, AARE, A3FE, A3RE. BEGIN WITH CSN 0996888 SHOE ONLY, FRONT BRAKE,5"
NI	4318713		KIT,LINING,FRT,5",,ES"	
2	4317244	3	SPRING,SHOE RETAINER"	EATON, AAFE, AARE. ENDING WITH CSN 0996887
2	8302986	3	SPRING,SHOE RETAINING,NEW HOT SHOE"	EATON, AAFE, AARE, A3FE, A3RE. BEGIN WITH CSN 0996888, EATON
3	4317251	1	CAMSHAFT,5" RH,FRT EXT SER"	
3	4317277	1	CAMSHAFT,5" LH,FRT EXT SER"	
4	4317269	4	WASHER,CAMSHAFT"	
5	4317335	4	ROLLER,CAMSHAFT"	
7	4317343	2	RETAINER,ROLLER"	
8	4317350	2	SPRING,RELEASE,BROWN"	BROWN OR GRAY
9	2157949	8	BOLT,CHAMBER BRKT TO BRAKE SPIDER (CAST)	
10	4310439		SPIDER,BRAKE,FRT 5" LH EATON"	
10	4310447		SPIDER,BRAKE,FRT,5" RH EATON"	
11	1836014	2	KIT,DUSTSHIELD,AIR BRAKE,EATON,STEER	
12	4310116	8	SCREW,DUSTSHIELD"	
13	2627370	8	SEAL,BRAKE SPIDER & CAMSHAFT	
14	4310488	4	BUSHING,CAMSHAFT,BRAKES EATON"	
15	4317376		BRACKET ASSY,CAMSHAFT,LH"	EATON
15	4317368		BRACKET ASSY,CAMSHAFT,RH"	EATON
16	4310058	8	LOCKWASHER	
17	2137289	8	NUT,HEX,EATON BRAKES	
18	4310546	2	WASHER,INNER,SLACK ADJUSTER"	
19	2630267		WASHER,CAMSHAFT SPACER .032	
20	4310561		WASHER,CAMSHAFT SHIM .60"	
21	4310231	2	SNAPRING,CAMSHAFT"	
22	4317384	2	FITTING,GREASE"	

Models: A3FE, A3RE
BRAKE ASSY, FRONT
5 INCH
EXT SERVICE

With Features: **OPTION 4353 9/24/95 AND BEFORE, STD 9/25/95 AND AFTER**
To CSN 30079479 01/21/01

Key	PartNumber	Qty	Description	Comment
23	8302911	2	KIT,SLACK ADJUSTER & BRACKET	996887
23	4320016	2	SLACK ADJUSTER,5"/ 6",EXT SERV"	AAFE, AARE, A3FE, A3RE. BEGIN WITH CSN 996888
NI	1513670	AR	BUSHING,.50"X.62",HALDEX,452-10058	
NI	4319778		KIT,MAJOR OVERHAUL,5" EXT SERV"	INCLUDES 1, 2, 5 AND 8. SERVICES ONE BRAKE
NI	4317434		KIT,STANDARD,SERVICE,OVERHAUL,	INCLUDES 2, 5 AND 8. SERVICES ONE BRAKE

Models: A3RE, CSFE, CSRE, TCFE, TCRE, QBRE
 BRAKE ASSY, FRONT
 5 INCH

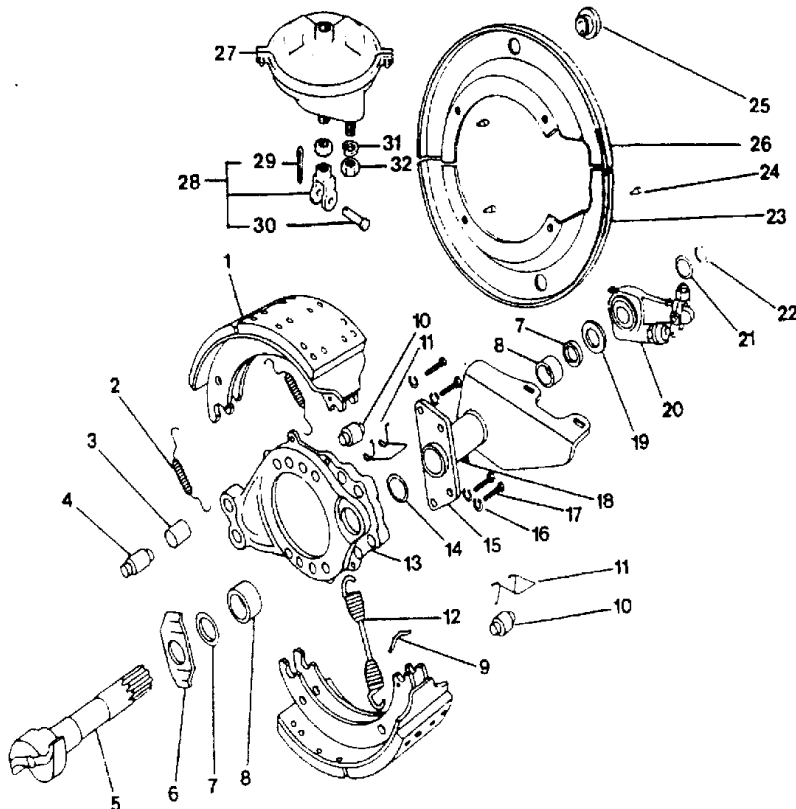
With Features: FEATURE 40052-01, 03, 40000-01, OPTION 4353-01, 02
 BSN: From CSN 30079480 FE 10077010 01/22/01
 To CSN 30096775 FE 10096695 RE 11/04/01

Key	PartNumber	Qty	Description	Comment
-----	------------	-----	-------------	---------

FRONT BRAKES, Q-TYPE

DR	BY	Q158541
APP	BY	

© 1985 BLUE BIRD BODY COMPANY
 ALL RIGHTS RESERVED



PAGE 6

Models: A3RE, CSFE, CSRE, TCFE, TCRE, QBRE

BRAKE ASSY, FRONT

5 INCH

I120 WITH MERITOR BRAKES

With Features: FEATURE 40052-01, 03, 40000-01, OPTION 4353-01, 02

BSN: From CSN 30079480 FE 10077010 01/22/01
To CSN 30096775 FE 10096695 RE 11/04/01

Key	PartNumber	Qty	Description	Comment
1			KIT, BRAKE SHOE & LINING ASSY.	
NI	0034132		KIT, MAJOR OVERHAUL, MERITOR, 5"	<i>INCLUDES ITEMS 1, 2, 3, 4, 9, 10, 11, 12</i>
NI	0027027		KIT, MINOR, 16.5 X 6, TAG, ROCKWELL, KIT	<i>INCLUDES ITEMS 2, 3, 4, 9, 10, 11, 12</i>
2			KIT, SPRING, BRAKE SHOE RETAINING	
3			KIT, BUSHING, ANCHOR PIN	
4			KIT, ANCHOR PIN, BRAKE SHOE	
5	2121606		CAMSHAFT, Q BRAKE, LH FRONT"	
5	2121614		CAMSHAFT, RH, Q BRAKE, FRONT"	
NI	0034413		KIT, BUSHING & SEAL, CAMSHAFT, MERITOR"	<i>INCLUDES ITEMS 7, 8</i>
NI	0034905		KIT, CAMSHAFT REBUILD, MERITOR	<i>INCLUDES ITEMS 6, 7, 8, 14, 18, 19, 21, 22</i>
6			KIT, WASHER, CAMHEAD	
7			KIT, SEAL, CAMSHAFT	
8			KIT, BUSHING, CAMSHAFT SPIDER & BRKT.	
9			KIT, PIN, BRAKE SHOE RETURN SPRING	
10			KIT, ROLLER, BRAKE SHOE	
11			KIT, RETAINER, SHOE ROLLER	
12			KIT, RETURN SPRING, BRAKE SHOE	
13	0034151		SPIDER, LH, MERITOR	
13	0034152		SPIDER, RH, MERITOR	
14			KIT, GASKET, CHAMBER BRKT.	
15	0034263		BRACKET, CAMSHAFT, LH, MERITOR	<i>INCLUDES ITEMS 15, 16, 17</i>
15	0034264		BRACKET, CAMSHAFT, RH, MERITOR	<i>INCLUDES ITEMS 15, 16, 17</i>
16			KIT, WASHER, CHAMBER BRKT.	
17			KIT, CAPSCREW, CHAMBER BRKT.	
18			KIT, FITTING, GREASE	
19			KIT, WASHER, CAMSHAFT	
20	0034251		SLACK ADJ, MERITOR, 5.5-28, L/R, 16/20	
21			KIT, WASHER, SPACING	
22			KIT, LOCKRING, CAMSHAFT	
23	0034274		CHAMBER, BRAKE, MGM, 20"	
NI	0034225		KIT, CLEVIS, MERITOR	<i>INCLUDES ITEMS 24, 25, 26</i>
24			KIT, PIN COTTER, BRAKE CHAMBER	

Models: A3RE, CSFE, CSRE, TCFE, TCRE, QBRE
BRAKE ASSY, FRONT
5 INCH

With Features: I120 WITH MERITOR BRAKES
BSN: FEATURE 40052-01, 03, 40000-01, OPTION 4353-01, 02
From CSN 30079480 FE 10077010 01/22/01
To CSN 30096775 FE 10096695 RE 11/04/01

Key	PartNumber	Qty	Description	Comment
25			KIT, PIN, BRAKE CHAMBER YOKE	
26			KIT, YOKE	
27			WASHER, BRAKE CHAMBER	
28			NUT, BRAKE CHAMBER STUD	

Models: A3FE, A3RE, CSFE, CSRE, TCFE, TCRE, QBRE
BRAKE ASSY, FRONT
5 INCH

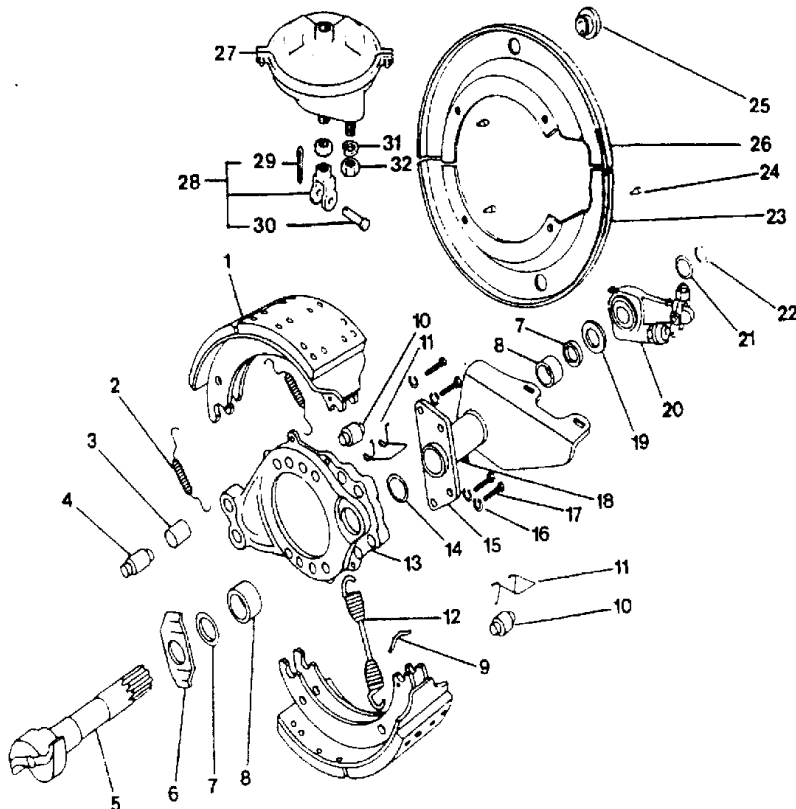
With Features: FEATURE 40052-01
BSN: From CSN 30079480 FE 10077010 01/22/01
 To CSN 30096775 FE 10096695 RE 11/04/01

Key	PartNumber	Qty	Description	Comment
-----	------------	-----	-------------	---------

FRONT BRAKES, Q-TYPE

DR	BY	Q158541
APP	BY	

© 1985 BLUE BIRD BODY COMPANY
 ALL RIGHTS RESERVED



PAGE 6

Models: A3FE, A3RE, CSFE, CSRE, TCFE, TCRE, QBRE
BRAKE ASSY, FRONT
5 INCH
I146 WITH MERITOR BRAKES
With Features: FEATURE 40052-01
BSN: From CSN 30079480 FE 10077010 01/22/01
 To CSN 30096775 FE 10096695 RE 11/04/01

Key	PartNumber	Qty	Description	Comment
1			KIT, BRAKE SHOE & LINING ASSY.	
NI	0034132		KIT, MAJOR OVERHAUL, MERITOR, 5"	<i>INCLUDES ITEMS 1, 2, 3, 4, 9, 10, 11, 12</i>
NI	0027027		KIT, MINOR, 16.5 X 6, TAG, ROCKWELL, KIT	<i>INCLUDES ITEMS 2, 3, 4, 9, 10, 11, 12</i>
2			KIT, SPRING, BRAKE SHOE RETAINING	
3			KIT, BUSHING, ANCHOR PIN	
4			KIT, ANCHOR PIN, BRAKE SHOE	
5	2121606		CAMSHAFT, Q BRAKE, LH FRONT"	
5	2121614		CAMSHAFT, RH, Q BRAKE, FRONT"	
NI	0034413		KIT, BUSHING & SEAL, CAMSHAFT, MERITOR"	<i>INCLUDES ITEMS 7, 8</i>
NI	0034905		KIT, CAMSHAFT REBUILD, MERITOR	<i>INCLUDES ITEMS 6, 7, 8, 14, 18, 19, 21, 22</i>
6			KIT, WASHER, CAMHEAD	
7			KIT, SEAL, CAMSHAFT	
8			KIT, BUSHING, CAMSHAFT SPIDER & BRKT.	
9			KIT, PIN, BRAKE SHOE RETURN SPRING	
10			KIT, ROLLER, BRAKE SHOE	
11			KIT, RETAINER, SHOE ROLLER	
12			KIT, RETURN SPRING, BRAKE SHOE	
13	0034151		SPIDER, LH, MERITOR	
13	0034152		SPIDER, RH, MERITOR	
14			KIT, GASKET, CHAMBER BRKT.	
15	0034263		BRACKET, CAMSHAFT, LH, MERITOR	<i>INCLUDES ITEMS 15, 16, 17</i>
15	0034264		BRACKET, CAMSHAFT, RH, MERITOR	<i>INCLUDES ITEMS 15, 16, 17</i>
16			KIT, WASHER, CHAMBER BRKT.	
17			KIT, CAPSCREW, CHAMBER BRKT.	
18			KIT, FITTING, GREASE	
19			KIT, WASHER, CAMSHAFT	
20	0034252		SLACK ADJ, MERITOR, 5.5-28, L/R, 24/30	
21			KIT, WASHER, SPACING	
22			KIT, LOCKRING, CAMSHAFT	
23	0034275		CHAMBER, BRAKE, MGM, 24"	<i>LH</i>
NI	0034225		KIT, CLEVIS, MERITOR	<i>INCLUDES ITEMS 24, 25, 26</i>
24			KIT, PIN COTTER, BRAKE CHAMBER	

Models: A3FE, A3RE, CSFE, CSRE, TCFE, TCRE, QBRE
BRAKE ASSY, FRONT
5 INCH
I146 WITH MERITOR BRAKES

With Features: FEATURE 40052-01
BSN: From CSN 30079480 FE 10077010 01/22/01
 To CSN 30096775 FE 10096695 RE 11/04/01

Key	PartNumber	Qty	Description	Comment
25			KIT, PIN, BRAKE CHAMBER YOKE	
26			KIT, YOKE	
27			WASHER, BRAKE CHAMBER	
28			NUT, BRAKE CHAMBER STUD	

Models: A3FE, A3RE, CSFE, CSRE, TCFE, QBRE
 BRAKE ASSY, FRONT
 5 INCH

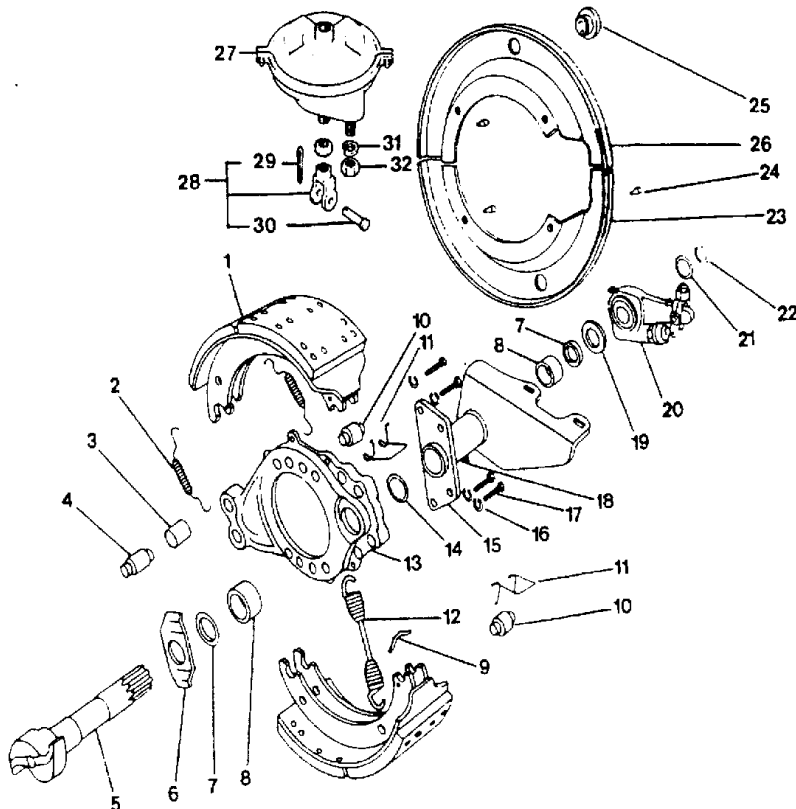
With Features: FEATURE 4227 OR 40000-02, 40052-02
 BSN: From CSN 30079480 FE 10077010 01/22/01
 To CSN 30096775 FE 10096695 RE 11/04/01

Key	PartNumber	Qty	Description	Comment
-----	------------	-----	-------------	---------

FRONT BRAKES, Q-TYPE

DR	BY	Q158541
APP	BY	

© 1985 BLUE BIRD BODY COMPANY
 ALL RIGHTS RESERVED



PAGE 6

Models: A3FE, A3RE, CSFE, CSRE, TCFE, QBRE

BRAKE ASSY, FRONT

5 INCH

I146 WITH MERITOR BRAKES

With Features: FEATURE 4227 OR 40000-02, 40052-02

BSN: From CSN 30079480 FE 10077010 01/22/01
To CSN 30096775 FE 10096695 RE 11/04/01

Key	PartNumber	Qty	Description	Comment
1			KIT, BRAKE SHOE & LINING ASSY.	
NI	0034132		KIT, MAJOR OVERHAUL, MERITOR, 5"	INCLUDES ITEMS 1, 2, 3, 4, 9, 10, 11, 12
NI	0027027		KIT, MINOR, 16.5 X 6, TAG, ROCKWELL, KIT	INCLUDES ITEMS 2, 3, 4, 9, 10, 11, 12
2			KIT, SPRING, BRAKE SHOE RETAINING	
3			KIT, BUSHING, ANCHOR PIN	
4			KIT, ANCHOR PIN, BRAKE SHOE	
5	2121606		CAMSHAFT, Q BRAKE, LH FRONT"	
5	2121614		CAMSHAFT, RH, Q BRAKE, FRONT"	
NI	0034413		KIT, BUSHING & SEAL, CAMSHAFT, MERITOR"	INCLUDES ITEMS 7, 8
NI	0034905		KIT, CAMSHAFT REBUILD, MERITOR	INCLUDES ITEMS 6, 7, 8, 14, 18, 19, 21, 22
6			KIT, WASHER, CAMHEAD	
7			KIT, SEAL, CAMSHAFT	
8			KIT, BUSHING, CAMSHAFT SPIDER & BRKT.	
9			KIT, PIN, BRAKE SHOE RETURN SPRING	
10			KIT, ROLLER, BRAKE SHOE	
11			KIT, RETAINER, SHOE ROLLER	
12			KIT, RETURN SPRING, BRAKE SHOE	
13	0034151		SPIDER, LH, MERITOR	
13	0034152		SPIDER, RH, MERITOR	
14			KIT, GASKET, CHAMBER BRKT.	
15	0034263		BRACKET, CAMSHAFT, LH, MERITOR	INCLUDES ITEMS 15, 16, 17
15	0034264		BRACKET, CAMSHAFT, RH, MERITOR	INCLUDES ITEMS 15, 16, 17
16			KIT, WASHER, CHAMBER BRKT.	
17			KIT, CAPSCREW, CHAMBER BRKT.	
18			KIT, FITTING, GREASE	
19			KIT, WASHER, CAMSHAFT	
20	4311262		KIT, SLACK ADJ. REAR 7/8.62"	
NI	0034893		BRACKET ASSY, SLACK ADJ, HALDEX	
21			KIT, WASHER, SPACING	
22			KIT, LOCKRING, CAMSHAFT	
23	0034275		CHAMBER, BRAKE, MGM, 24"	LH
NI	0034225		KIT, CLEVIS, MERITOR	INCLUDES ITEMS 24, 25, 26

Models: A3FE, A3RE, CSFE, CSRE, TCFE, QBRE

BRAKE ASSY, FRONT

5 INCH

I146 WITH MERITOR BRAKES

With Features: FEATURE 4227 OR 40000-02, 40052-02

BSN: From CSN 30079480 FE 10077010 01/22/01

To CSN 30096775 FE 10096695 RE 11/04/01

Key	PartNumber	Qty	Description	Comment
24			KIT, PIN COTTER, BRAKE CHAMBER	
25			KIT, PIN, BRAKE CHAMBER YOKE	
26			KIT, YOKE	
27			WASHER, BRAKE CHAMBER	
28			NUT, BRAKE CHAMBER STUD	

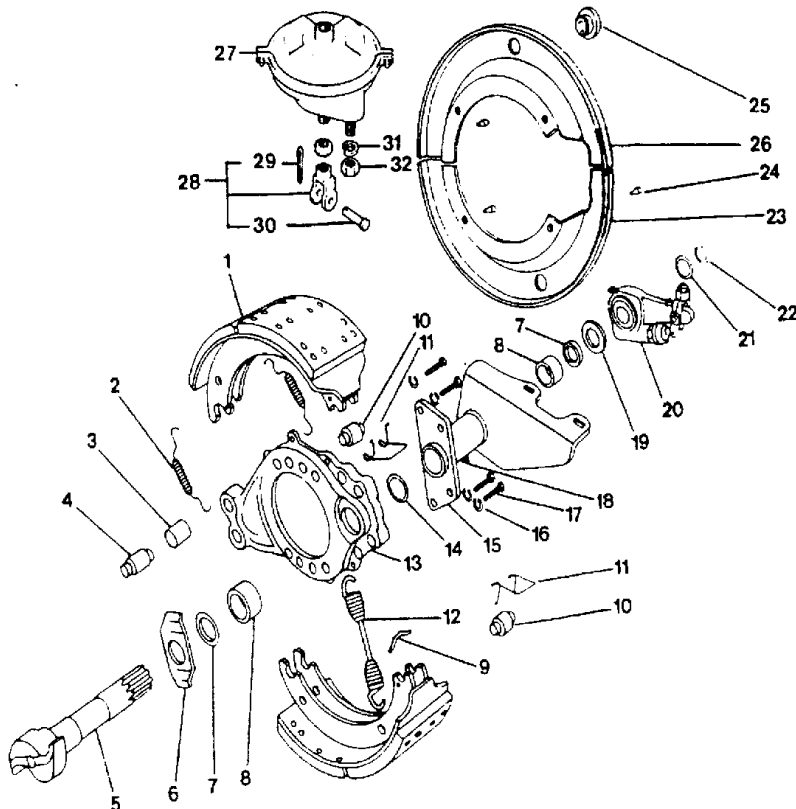
Models: A3RE
 BRAKE ASSY, FRONT
 5 INCH
 I146 WITH MERITOR BRAKES
 With Features: FEATURE 40000-03
 BSN: From CSN 30079480 FE 10077010 01/22/01
 To CSN 30096775 FE 10096695 RE 11/04/01

Key	PartNumber	Qty	Description	Comment
-----	------------	-----	-------------	---------

FRONT BRAKES, Q-TYPE

DR	BY	Q158541
APP	BY	

© 1985 BLUE BIRD BODY COMPANY
 ALL RIGHTS RESERVED



PAGE 6

Models: A3RE
BRAKE ASSY, FRONT
5 INCH
I146 WITH MERITOR BRAKES
With Features: FEATURE 40000-03
BSN: From CSN 30079480 FE 10077010 01/22/01
 To CSN 30096775 FE 10096695 RE 11/04/01

Key	PartNumber	Qty	Description	Comment
1			KIT, BRAKE SHOE & LINING ASSY.	
NI	0034132		KIT, MAJOR OVERHAUL, MERITOR, 5"	INCLUDES ITEMS 1, 2, 3, 4, 9, 10, 11, 12
NI	0027027		KIT, MINOR, 16.5 X 6, TAG, ROCKWELL, KIT	INCLUDES ITEMS 2, 3, 4, 9, 10, 11, 12
2			KIT, SPRING, BRAKE SHOE RETAINING	
3			KIT, BUSHING, ANCHOR PIN	
4			KIT, ANCHOR PIN, BRAKE SHOE	
5	2121606		CAMSHAFT, Q BRAKE, LH FRONT"	
5	2121614		CAMSHAFT, RH, Q BRAKE, FRONT"	
NI	0034413		KIT, BUSHING & SEAL, CAMSHAFT, MERITOR"	INCLUDES ITEMS 7, 8
NI	0034905		KIT, CAMSHAFT REBUILD, MERITOR	INCLUDES ITEMS 6, 7, 8, 14, 18, 19, 21, 22
6			KIT, WASHER, CAMHEAD	
7			KIT, SEAL, CAMSHAFT	
8			KIT, BUSHING, CAMSHAFT SPIDER & BRKT.	
9			KIT, PIN, BRAKE SHOE RETURN SPRING	
10			KIT, ROLLER, BRAKE SHOE	
11			KIT, RETAINER, SHOE ROLLER	
12			KIT, RETURN SPRING, BRAKE SHOE	
13	0034151		SPIDER, LH, MERITOR	
13	0034152		SPIDER, RH, MERITOR	
14			KIT, GASKET, CHAMBER BRKT.	
15	0034264		BRACKET, CAMSHAFT, RH, MERITOR	INCLUDES ITEMS 15, 16, 17
15	0034263		BRACKET, CAMSHAFT, LH, MERITOR	INCLUDES ITEMS 15, 16, 17
16			KIT, WASHER, CHAMBER BRKT.	
17			KIT, CAPSCREW, CHAMBER BRKT.	
18			KIT, FITTING, GREASE	
19			KIT, WASHER, CAMSHAFT	
20	4311262		KIT, SLACK ADJ. REAR 7/8.62"	
NI	0034893		BRACKET ASSY, SLACK ADJ, HALDEX	
21			KIT, WASHER, SPACING	
22			KIT, LOCKRING, CAMSHAFT	
23	0034275		CHAMBER, BRAKE, MGM, 24"	LH
23	0034278		CHAMBER, BRAKE, MGM, 24"	RH

Models: A3RE
 BRAKE ASSY, FRONT
 5 INCH
 I146 WITH MERITOR BRAKES

With Features: FEATURE 40000-03

BSN: From CSN 30079480 FE 10077010 01/22/01
 To CSN 30096775 FE 10096695 RE 11/04/01

Key	PartNumber	Qty	Description	Comment
NI	0034225		KIT,CLEVIS,MERITOR	
24			KIT, PIN COTTER, BRAKE CHAMBER	
25			KIT, PIN, BRAKE CHAMBER YOKE	
26			KIT, YOKE	
27			WASHER, BRAKE CHAMBER	
28			NUT, BRAKE CHAMBER STUD	

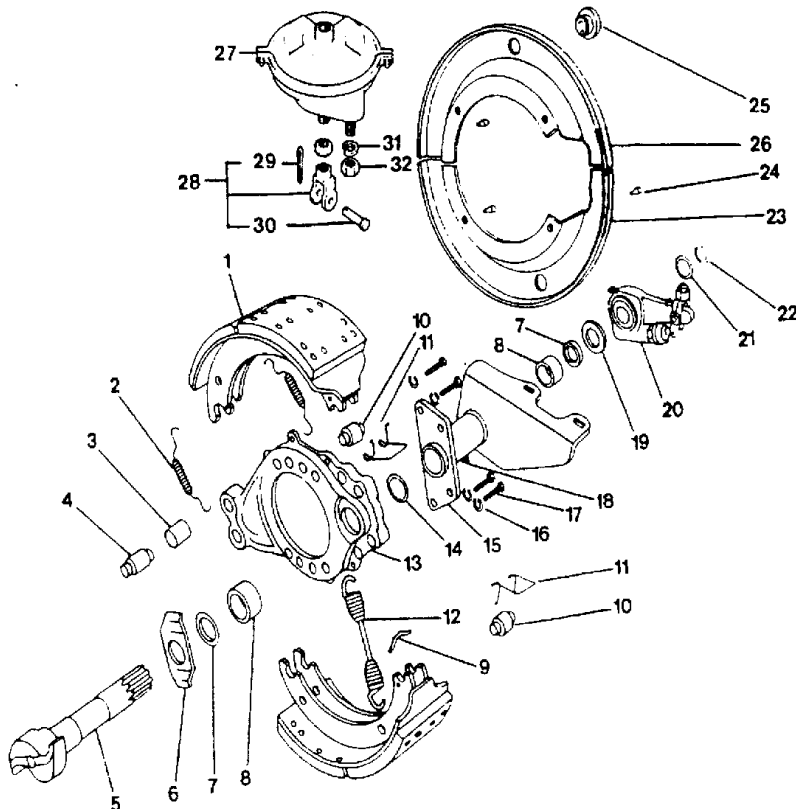
Models: **A3RE**
BRAKE ASSY, FRONT
5 INCH
I146 WITH MERITOR BRAKES
 With Features: **FEATURE 40000-03, 40052-03**
 BSN: **From CSN 30079480 FE 10077010 01/22/01**
To CSN 30096775 FE 10096695 RE 11/04/01

Key	PartNumber	Qty	Description	Comment
-----	------------	-----	-------------	---------

FRONT BRAKES, Q-TYPE

DR	BY	Q158541
APP	BY	

© 1985 BLUE BIRD BODY COMPANY
 ALL RIGHTS RESERVED



PAGE 6

Models: A3RE
BRAKE ASSY, FRONT
5 INCH
I146 WITH MERITOR BRAKES
With Features: FEATURE 40000-03, 40052-03
BSN: From CSN 30079480 FE 10077010 01/22/01
 To CSN 30096775 FE 10096695 RE 11/04/01

Key	PartNumber	Qty	Description	Comment
1			KIT, BRAKE SHOE & LINING ASSY.	
NI	0034132		KIT, MAJOR OVERHAUL, MERITOR, 5"	INCLUDES ITEMS 1, 2, 3, 4, 9, 10, 11, 12
NI	0027027		KIT, MINOR, 16.5 X 6, TAG, ROCKWELL, KIT	INCLUDES ITEMS 2, 3, 4, 9, 10, 11, 12
2			KIT, SPRING, BRAKE SHOE RETAINING	
3			KIT, BUSHING, ANCHOR PIN	
4			KIT, ANCHOR PIN, BRAKE SHOE	
5	2121606		CAMSHAFT, Q BRAKE, LH FRONT"	
5	2121614		CAMSHAFT, RH, Q BRAKE, FRONT"	
NI	0034413		KIT, BUSHING & SEAL, CAMSHAFT, MERITOR"	INCLUDES ITEMS 7, 8
NI	0034905		KIT, CAMSHAFT REBUILD, MERITOR	INCLUDES ITEMS 6, 7, 8, 14, 18, 19, 21, 22
6			KIT, WASHER, CAMHEAD	
7			KIT, SEAL, CAMSHAFT	
8			KIT, BUSHING, CAMSHAFT SPIDER & BRKT.	
9			KIT, PIN, BRAKE SHOE RETURN SPRING	
10			KIT, ROLLER, BRAKE SHOE	
11			KIT, RETAINER, SHOE ROLLER	
12			KIT, RETURN SPRING, BRAKE SHOE	
13	0034151		SPIDER, LH, MERITOR	
13	0034152		SPIDER, RH, MERITOR	
14			KIT, GASKET, CHAMBER BRKT.	
15	0034263		BRACKET, CAMSHAFT, LH, MERITOR	INCLUDES ITEMS 15, 16, 17
15	0034264		BRACKET, CAMSHAFT, RH, MERITOR	INCLUDES ITEMS 15, 16, 17
16			KIT, WASHER, CHAMBER BRKT.	
17			KIT, CAPSCREW, CHAMBER BRKT.	
18			KIT, FITTING, GREASE	
19			KIT, WASHER, CAMSHAFT	
20	0034252		SLACK ADJ, MERITOR, 5.5-28, L/R, 24/30	
21			KIT, WASHER, SPACING	
22			KIT, LOCKRING, CAMSHAFT	
23	0034275		CHAMBER, BRAKE, MGM, 24"	LH
23	0034278		CHAMBER, BRAKE, MGM, 24"	RH
NI	0034225		KIT, CLEVIS, MERITOR	INCLUDES ITEMS 24, 25, 26

Models: A3RE
BRAKE ASSY, FRONT
5 INCH
I146 WITH MERITOR BRAKES
With Features: FEATURE 40000-03, 40052-03
BSN: From CSN 30079480 FE 10077010 01/22/01
To CSN 30096775 FE 10096695 RE 11/04/01

Key	PartNumber	Qty	Description	Comment
24			KIT, PIN COTTER, BRAKE CHAMBER	
25			KIT, PIN, BRAKE CHAMBER YOKE	
26			KIT, YOKE	
27			WASHER, BRAKE CHAMBER	
28			NUT, BRAKE CHAMBER STUD	

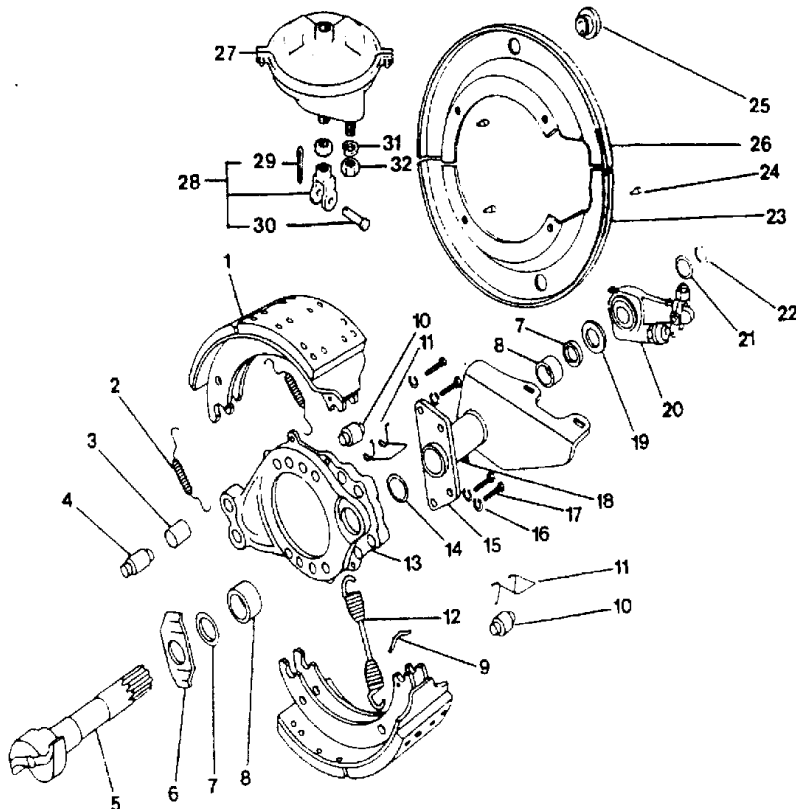
Models: A3RE, CSFE, QBRE, TCFE
 BRAKE ASSY, FRONT
 5 INCH
 MERITOR
 BSN: From CSN 30096776 FE 10096696 RE 11/05/01

Key	PartNumber	Qty	Description	Comment
-----	------------	-----	-------------	---------

FRONT BRAKES, Q-TYPE

DR	BY	Q158541
APP	BY	

© 1985 BLUE BIRD BODY COMPANY
 ALL RIGHTS RESERVED



PAGE 6

Models: A3RE, CSFE, QBRE, TCFE
BRAKE ASSY, FRONT
5 INCH
MERITOR
BSN: From CSN 30096776 FE 10096696 RE 11/05/01

Key	PartNumber	Qty	Description	Comment
1			KIT, BRAKE SHOE & LINING ASSY.	
NI	0034132		KIT, MAJOR OVERHAUL, MERITOR, 5"	<i>INCLUDES ITEMS 1, 2, 3, 4, 9, 10, 11, 12</i>
NI	0027027		KIT, MINOR, 16.5 X 6, TAG, ROCKWELL, KIT	<i>INCLUDES ITEMS 2, 3, 4, 9, 10, 11, 12</i>
2			KIT, SPRING, BRAKE SHOE RETAINING	
3			KIT, BUSHING, ANCHOR PIN	
4			KIT, ANCHOR PIN, BRAKE SHOE	
5	2121606		CAMSHAFT, Q BRAKE, LH FRONT"	
5	2121614		CAMSHAFT, RH, Q BRAKE, FRONT"	
NI	0044939		KIT, BUSHING & SEAL"	<i>INCLUDES ITEMS 7, 8</i>
NI	0038801		KIT, WASHER & SNAP RING, CAMSHAFT, MERITOR	<i>INCLUDES ITEMS 19, 21, 22</i>
6	2121663		WASHER, FLAT, CAMSHAFT, THICK, Q BRAKE"	
7			KIT, SEAL, CAMSHAFT	
8			KIT, BUSHING, CAMSHAFT SPIDER & BRKT.	
9			KIT, PIN, BRAKE SHOE RETURN SPRING	
10			KIT, ROLLER, BRAKE SHOE	
11			KIT, RETAINER, SHOE ROLLER	
12			KIT, RETURN SPRING, BRAKE SHOE	
13	0034151		SPIDER, LH, MERITOR	
13	0034152		SPIDER, RH, MERITOR	
14	2644235		SEAL, FELT, BRAKE SPIDER	
15	0034263		BRACKET, CAMSHAFT, LH, MERITOR	<i>INCLUDES ITEMS 15, 16, 17</i>
15	0034264		BRACKET, CAMSHAFT, RH, MERITOR	<i>INCLUDES ITEMS 15, 16, 17</i>
16			WASHER, CHAMBER BRKT.	
17			CAPSCREW, CHAMBER BRKT.	
18			FITTING, GREASE	
19			KIT, WASHER, CAMSHAFT	
20	0045363		SLACK ADJ, LH/RH, MERITOR	
20	0045335		KIT, SLACK ADJ, 1.5-28 X 5.5, HALDEX	
NI	0045337		KIT, BRACKET, SLACK ADJ, HALDEX	<i>HALDEX ONLY</i>
21			KIT, WASHER, SPACING	
22			KIT, LOCKRING, CAMSHAFT	
NI	0040682		CHAMBER, BRAKE, 20 IN, WELDED CLEVIS, MGM	
NI	0034225		KIT, CLEVIS, MERITOR	

Models: A3RE, CSFE, QBRE, TCFE
BRAKE ASSY, FRONT
5 INCH
MERITOR
BSN: From CSN 30096776 FE 10096696 RE 11/05/01

Key	PartNumber	Qty	Description	Comment
23	0031491		DUSTSHIELD KIT,AIR BRAKE,16.5X5 & 6,QP	
24			KIT, CAPSCREW, DUSTSHIELD	

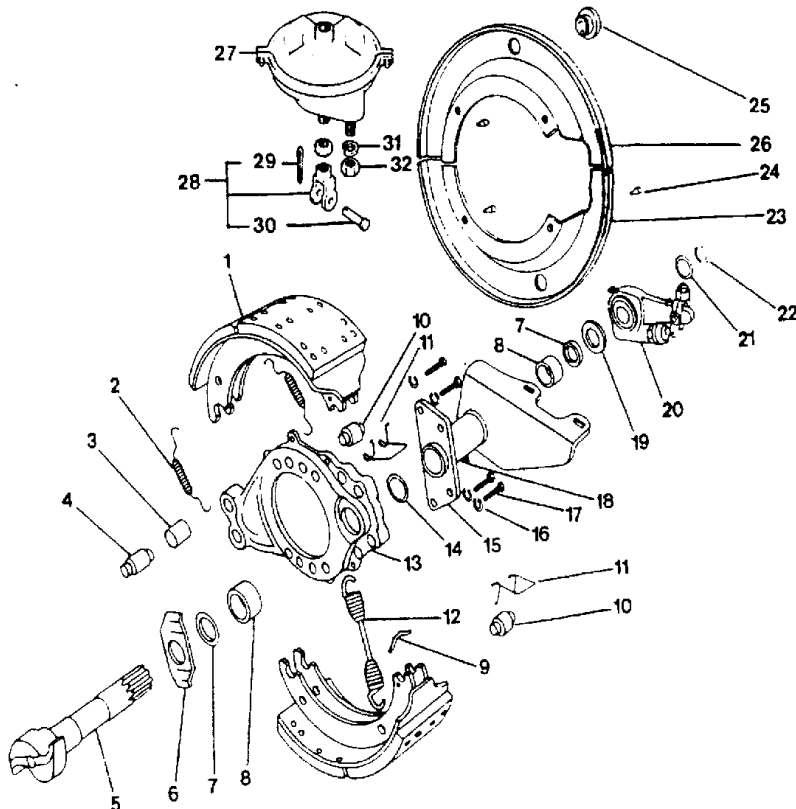
Models: A3FE, A3RE, C3FE, C4RE, CSFE, CSRE, QBRE, TCFE
 BRAKE ASSY, FRONT
 5 INCH
 MERITOR
 BSN: From CSN 30096776 FE 10096696 RE 11/05/01

Key	PartNumber	Qty	Description	Comment
-----	------------	-----	-------------	---------

FRONT BRAKES, Q-TYPE

DR	BY	Q158541
APP	BY	

© 1985 BLUE BIRD BODY COMPANY
 ALL RIGHTS RESERVED



PAGE 6

Models: A3FE, A3RE, C3FE, C4RE, CSFE, CSRE, QBRE, TCFE
BRAKE ASSY, FRONT
5 INCH
MERITOR
BSN: From CSN 30096776 FE 10096696 RE 11/05/01

Key	PartNumber	Qty	Description	Comment
1			KIT, BRAKE SHOE & LINING ASSY.	
NI	0034132		KIT, MAJOR OVERHAUL, MERITOR, 5"	INCLUDES ITEMS 1, 2, 3, 4, 9, 10, 11, 12
NI	0027027		KIT, MINOR, 16.5 X 6, TAG, ROCKWELL, KIT	INCLUDES ITEMS 2, 3, 4, 9, 10, 11, 12
2			KIT, SPRING, BRAKE SHOE RETAINING	
3			KIT, BUSHING, ANCHOR PIN	
4			KIT, ANCHOR PIN, BRAKE SHOE	
5	2121606		CAMSHAFT, Q BRAKE, LH FRONT"	
5	2121614		CAMSHAFT, RH, Q BRAKE, FRONT"	
NI	0044939		KIT, BUSHING & SEAL"	INCLUDES ITEMS 7, 8
NI	0038801		KIT, WASHER & SNAP RING, CAMSHAFT, MERITOR	INCLUDES ITEMS 19, 21, 22
6	2121663		WASHER, FLAT, CAMSHAFT, THICK, Q BRAKE"	
7			KIT, SEAL, CAMSHAFT	
8			KIT, BUSHING, CAMSHAFT SPIDER & BRKT.	
9			KIT, PIN, BRAKE SHOE RETURN SPRING	
10			KIT, ROLLER, BRAKE SHOE	
11			KIT, RETAINER, SHOE ROLLER	
12			KIT, RETURN SPRING, BRAKE SHOE	
13	0034151		SPIDER, LH, MERITOR	
13	0034152		SPIDER, RH, MERITOR	
14	2644235		SEAL, FELT, BRAKE SPIDER	
15	0034263		BRACKET, CAMSHAFT, LH, MERITOR	INCLUDES ITEMS 15, 16, 17
15	0034264		BRACKET, CAMSHAFT, RH, MERITOR	INCLUDES ITEMS 15, 16, 17
16			WASHER, CHAMBER BRKT.	
17			CAPSCREW, CHAMBER BRKT.	
18			FITTING, GREASE	
19			KIT, WASHER, CAMSHAFT	
20	0045365		SLACK ADJ, LH/RH, MERITOR"	
20	0045335		KIT, SLACK ADJ, 1.5-28 X 5.5, HALDEX	
NI	0045337		KIT, BRACKET, SLACK ADJ, HALDEX	HALDEX ONLY
21			KIT, WASHER, SPACING	
22			KIT, LOCKRING, CAMSHAFT	
NI	0045347		CHAMBER, BRAKE, TYPE 24"	
NI	0034225		KIT, CLEVIS, MERITOR	

Models: A3FE, A3RE, C3FE, C4RE, CSFE, CSRE, QBRE, TCFE
BRAKE ASSY, FRONT
5 INCH
MERITOR
BSN: From CSN 30096776 FE 10096696 RE 11/05/01

Key	PartNumber	Qty	Description	Comment
23	0031491		DUSTSHIELD KIT,AIR BRAKE,16.5X5 & 6,QP	
24			KIT, CAPSCREW, DUSTSHIELD	

Models: A3FE, A3RE, AAFE, AARE

BRAKE ASSY, FRONT

6 INCH

EXT SERVICE

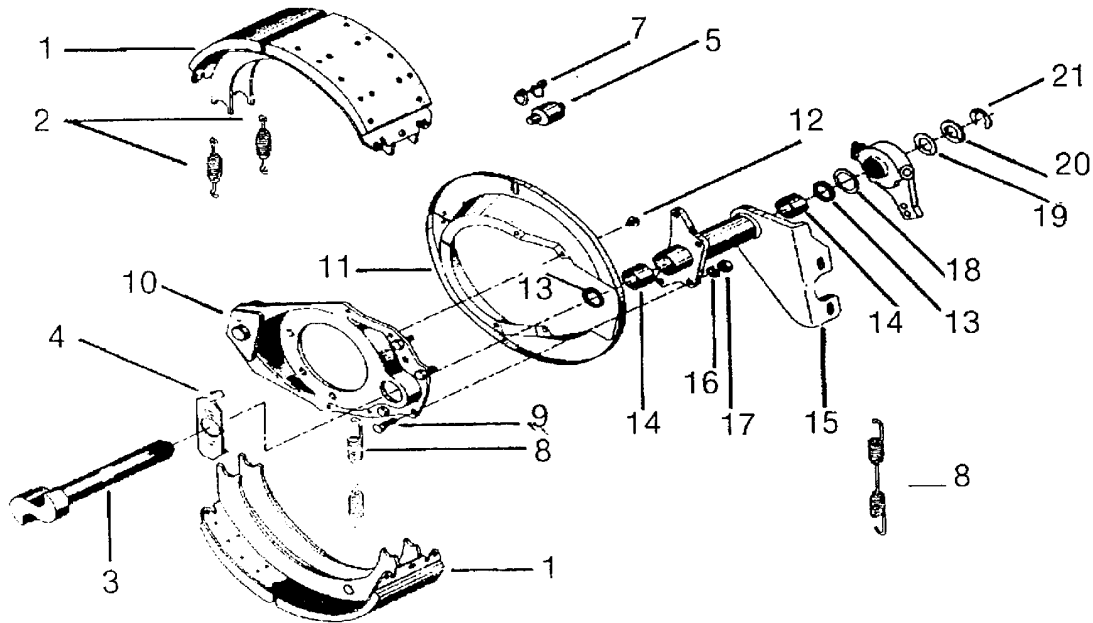
With Features: OPTION 4351, 4355

To CSN 30079479 FE 10077009 RE 01/21/01

Key	PartNumber	Qty	Description	Comment
-----	------------	-----	-------------	---------

DR.11/14/95 BY DB		4317616	
APP.11/14/95 BY AB	FRT		REV

© BLUE BIRD BODY COMPANY. ALL RIGHTS RESERVED



Models: A3FE, A3RE, AAFE, AARE

BRAKE ASSY, FRONT

6 INCH

EXT SERVICE

With Features: OPTION 4351, 4355

To CSN 30079479 FE 10077009 RE 01/21/01

Key	PartNumber	Qty	Description	Comment
1	4318465	4	SHOE & LINING ASSY,FRT,6",,ES"	ENDING WITH CSN 996887
1	8302945	4	SHOE & LINING ASSY,6" FRT	BEGIN WITH CSN 996888
	4320099	4	SHOE ONLY,16.5 X 6	ENDING WITH CSN 996887. SHOE ONLY
	8304701	4	SHOE,BRAKE,FRT,6",,ES-II"	BEGIN WITH CSN 996888. SHOE ONLY
NI	4318705		KIT,LINING,FRT,6",,ES"	
2	4317244	3	SPRING,SHOE RETAINER"	EATON,. ENDING WITH CSN 996887
2	8302986	3	SPRING,SHOE RETAINING,NEW HOT SHOE"	EATON. BEGIN WITH CSN 996888
3	4317251	1	CAMSHAFT,5" RH,FRT EXT SER"	
3	4317277	1	CAMSHAFT,5" LH,FRT EXT SER"	
4	4317269	4	WASHER,CAMSHAFT"	
5	4317335	4	ROLLER,CAMSHAFT"	
7	4317343	2	RETAINER,ROLLER"	
8	4317350	2	SPRING,RELEASE,BROWN"	BROWN OR GRAY
9	2157949	8	BOLT,CHAMBER BRKT TO BRAKE SPIDER (CAST)	
10	4310439		SPIDER,BRAKE,FRT 5" LH EATON"	
10	4310447		SPIDER,BRAKE,FRT,5" RH EATON"	
11	1836014	2	KIT,DUSTSHIELD,AIR BRAKE,EATON,STEER	
12	4310116	8	SCREW,DUSTSHIELD"	
13	2627370	8	SEAL,BRAKE SPIDER & CAMSHAFT	
14	4310488	4	BUSHING,CAMSHAFT,BRAKES EATON"	
15	4317376		BRACKET ASSY,CAMSHAFT,LH"	EATON
15	4317368		BRACKET ASSY,CAMSHAFT,RH"	EATON
16	4310058	8	LOCKWASHER	
17	2137289	8	NUT,HEX,EATON BRAKES	
18	4310546	2	WASHER,INNER,SLACK ADJUSTER"	
	4320016		SLACK ADJUSTER,5"/ 6",,EXT SERV"	

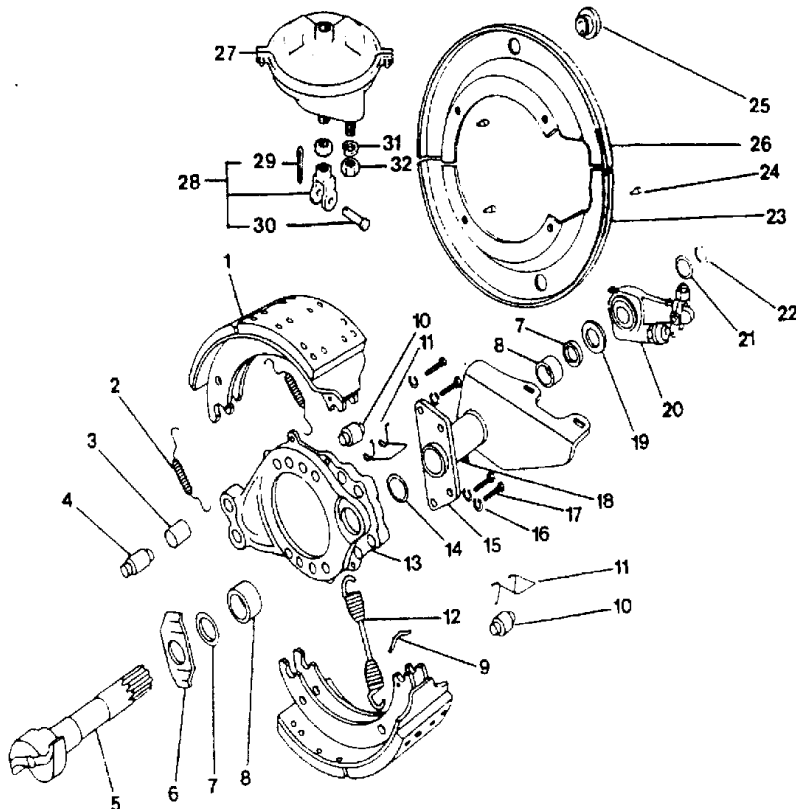
Models: A3FE, A3RE, C3FE, CSRE, QBRE, TCFE
 BRAKE ASSY, FRONT
 6 INCH
 FF967, MERITOR
 BSN: From CSN 30096776 FE 10096696 RE 11/05/01

Key	PartNumber	Qty	Description	Comment
-----	------------	-----	-------------	---------

FRONT BRAKES, Q-TYPE

DR	BY	Q158541
APP	BY	

© 1985 BLUE BIRD BODY COMPANY
 ALL RIGHTS RESERVED



PAGE 6

Models: A3FE, A3RE, C3FE, CSRE, QBRE, TCFE
BRAKE ASSY, FRONT
6 INCH
FF967, MERITOR
BSN: From CSN 30096776 FE 10096696 RE 11/05/01

Key	PartNumber	Qty	Description	Comment
1			KIT, BRAKE SHOE & LINING ASSY.	
NI	0034133		KIT, MAJOR OVERHAUL, MERITOR, 6" ""	<i>INCLUDES ITEMS 1, 2, 3, 4, 9, 10, 11, 12</i>
NI	0044940		KIT, MINOR OVERHAUL, 16.5 X 6, MERITOR	<i>INCLUDES ITEMS 3, 4, 9, 10, 11, 12</i>
2			KIT, SPRING, BRAKE SHOE RETAINING	
3			KIT, BUSHING, ANCHOR PIN	
4			KIT, ANCHOR PIN, BRAKE SHOE	
5	2121606		CAMSHAFT, Q BRAKE, LH FRONT"	
5	2121614		CAMSHAFT, RH, Q BRAKE, FRONT"	
NI	0044939		KIT, BUSHING & SEAL"	<i>INCLUDES ITEMS 7, 8</i>
NI	0038801		KIT, WASHER & SNAP RING, CAMSHAFT, MERITOR	<i>INCLUDES ITEMS 19, 21, 22</i>
6	2121663		WASHER, FLAT, CAMSHAFT, THICK, Q BRAKE"	
7			KIT, SEAL, CAMSHAFT	
8			KIT, BUSHING, CAMSHAFT SPIDER & BRKT.	
9			KIT, PIN, BRAKE SHOE RETURN SPRING	
10			KIT, ROLLER, BRAKE SHOE	
11			KIT, RETAINER, SHOE ROLLER	
12			KIT, RETURN SPRING, BRAKE SHOE	
13	0034151		SPIDER, LH, MERITOR	
13	0034152		SPIDER, RH, MERITOR	
14	2644235		SEAL, FELT, BRAKE SPIDER	
15	0034263		BRACKET, CAMSHAFT, LH, MERITOR	<i>INCLUDES ITEMS 15, 16, 17</i>
15	0034264		BRACKET, CAMSHAFT, RH, MERITOR	<i>INCLUDES ITEMS 15, 16, 17</i>
16			WASHER, CHAMBER BRKT.	
17			CAPSCREW, CHAMBER BRKT.	
18			FITTING, GREASE	
19			KIT, WASHER, CAMSHAFT	
20	0045365		SLACK ADJ, LH/RH, MERITOR"	
20	0045335		KIT, SLACK ADJ, 1.5-28 X 5.5, HALDEX	
NI	0045337		KIT, BRACKET, SLACK ADJ, HALDEX	<i>HALDEX ONLY</i>
21			KIT, WASHER, SPACING	
22			KIT, LOCKRING, CAMSHAFT	
NI	0045347		CHAMBER, BRAKE, TYPE 24"	
NI	0034225		KIT, CLEVIS, MERITOR	

Models: A3FE, A3RE, C3FE, CSRE, QBRE, TCFE
BRAKE ASSY, FRONT
6 INCH
FF967, MERITOR
BSN: From CSN 30096776 FE 10096696 RE 11/05/01

Key	PartNumber	Qty	Description	Comment
23	0031491		DUSTSHIELD KIT,AIR BRAKE,16.5X5 & 6,QP	
24			KIT, CAPSCREW, DUSTSHIELD	

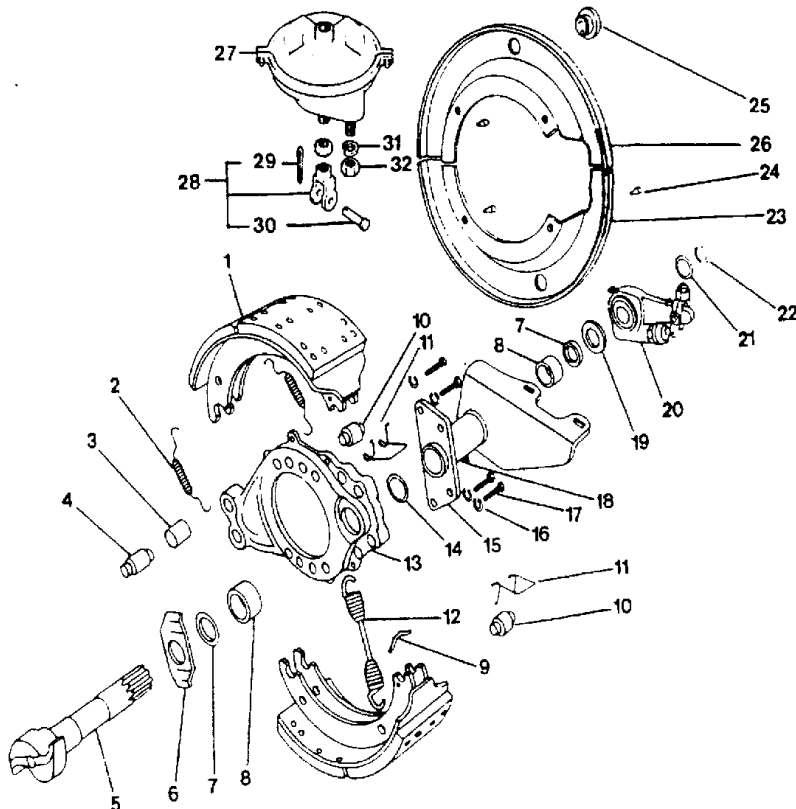
Models: A3RE, CSRE
 BRAKE ASSY, FRONT
 6 INCH
 FG941, MERITOR
 BSN: From CSN 10096696 RE 11/05/01

Key	PartNumber	Qty	Description	Comment
-----	------------	-----	-------------	---------

FRONT BRAKES, Q-TYPE

DR	BY	Q158541
APP	BY	

© 1985 BLUE BIRD BODY COMPANY
 ALL RIGHTS RESERVED



PAGE 6

Models: A3RE, CSRE
BRAKE ASSY, FRONT
6 INCH
FG941, MERITOR
BSN: From CSN 10096696 RE 11/05/01

Key	PartNumber	Qty	Description	Comment
1			KIT, BRAKE SHOE & LINING ASSY.	
NI	0034133		KIT,MAJOR OVERHAUL,MERITOR,6""	<i>INCLUDES ITEMS 1, 2, 3, 4, 9, 10, 11, 12</i>
NI	0044940		KIT,MINOR OVERHAUL,16.5 X 6,MERITOR	<i>INCLUDES ITEMS 3, 4, 9, 10, 11, 12</i>
2			KIT, SPRING, BRAKE SHOE RETAINING	
3			KIT, BUSHING, ANCHOR PIN	
4			KIT, ANCHOR PIN, BRAKE SHOE	
5	2121606		CAMSHAFT,Q BRAKE,LH FRONT"	
5	2121614		CAMSHAFT,RH,Q BRAKE,FRONT"	
NI	0044939		KIT,BUSHING & SEAL"	<i>INCLUDES ITEMS 7, 8</i>
NI	0038801		KIT,WASHER & SNAP RING,CAMSHAFT,MERITOR	<i>INCLUDES ITEMS 19, 21, 22</i>
6	2121663		WASHER,FLAT,CAMSHAFT,THICK,Q BRAKE"	
7			KIT, SEAL, CAMSHAFT	
8			KIT, BUSHING, CAMSHAFT SPIDER & BRKT.	
9			KIT, PIN, BRAKE SHOE RETURN SPRING	
10			KIT, ROLLER, BRAKE SHOE	
11			KIT, RETAINER, SHOE ROLLER	
12			KIT, RETURN SPRING, BRAKE SHOE	
13	0034151		SPIDER,LH,MERITOR	
13	0034152		SPIDER,RH,MERITOR	
14	2644235		SEAL,FELT,BRAKE SPIDER	
15	0034263		BRACKET,CAMSHAFT,LH,MERITOR	<i>INCLUDES ITEMS 15, 16, 17</i>
15	0034264		BRACKET,CAMSHAFT,RH,MERITOR	<i>INCLUDES ITEMS 15, 16, 17</i>
16			WASHER, CHAMBER BRKT.	
17			CAPSCREW, CHAMBER BRKT.	
18			FITTING, GREASE	
19			KIT, WASHER, CAMSHAFT	
20	0045365		SLACK ADJ,LH/RH,MERITOR"	
20	0045335		KIT,SLACK ADJ,1.5-28 X 5.5,HALDEX	
NI	0045337		KIT,BRACKET,SLACK ADJ,HALDEX	<i>HALDEX ONLY</i>
21			KIT, WASHER, SPACING	
22			KIT, LOCKRING, CAMSHAFT	
NI	0045347		CHAMBER,BRAKE,TYPE 24"	
NI	0034225		KIT,CLEVIS,MERITOR	

Models: A3RE, CSRE
BRAKE ASSY, FRONT
6 INCH
FG941, MERITOR
BSN: From CSN 10096696 RE 11/05/01

Key	PartNumber	Qty	Description	Comment
23	0031491		DUSTSHIELD KIT,AIR BRAKE,16.5X5 & 6,QP	
24			KIT, CAPSCREW, DUSTSHIELD	

Models: A3RE, CSFE, CSRE, TCFE, QBRE
BRAKE ASSY, FRONT
6 INCH

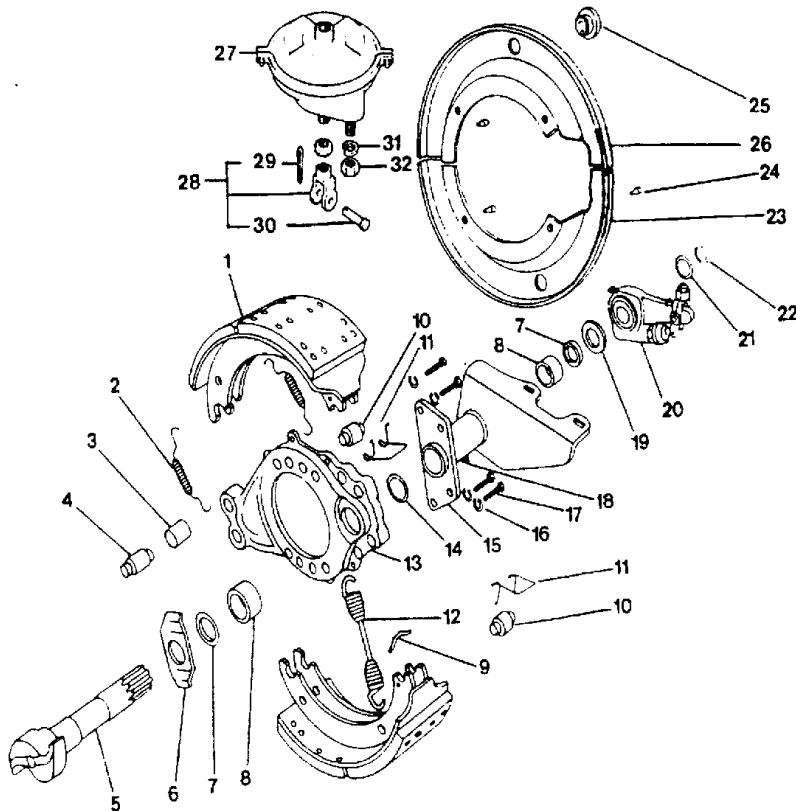
With Features: FEATURE 40052-01, 03, 40000-01, OPTION 4351, 4354, 4355
BSN: From CSN 30079480 FE 10077010 RE 01/22/01
 To CSN 30096775 FE 10096695 RE 11/04/01

Key	PartNumber	Qty	Description	Comment
-----	------------	-----	-------------	---------

FRONT BRAKES, Q-TYPE

DR	BY	Q158541
APP	BY	

© 1985 BLUE BIRD BODY COMPANY
 ALL RIGHTS RESERVED



PAGE 6

Models: A3RE, CSFE, CSRE, TCFE, QBRE

BRAKE ASSY, FRONT

6 INCH

I120 WITH MERITOR BRAKES

With Features: FEATURE 40052-01, 03, 40000-01, OPTION 4351, 4354, 4355

BSN: From CSN 30079480 FE 10077010 RE 01/22/01

To CSN 30096775 FE 10096695 RE 11/04/01

Key	PartNumber	Qty	Description	Comment
1			KIT, BRAKE SHOE & LINING ASSY.	
NI	0034133		KIT, MAJOR OVERHAUL, MERITOR, 6" ""	INCLUDES ITEMS 1, 2, 3, 4, 9, 10, 11, 12
NI	0027027		KIT, MINOR, 16.5 X 6, TAG, ROCKWELL, KIT	INCLUDES ITEMS 2, 3, 4, 9, 10, 11, 12
2			KIT, SPRING, BRAKE SHOE RETAINING	
3			KIT, BUSHING, ANCHOR PIN	
4			KIT, ANCHOR PIN, BRAKE SHOE	
5	2121606		CAMSHAFT, Q BRAKE, LH FRONT"	
5	2121614		CAMSHAFT, RH, Q BRAKE, FRONT"	
NI	0034413		KIT, BUSHING & SEAL, CAMSHAFT, MERITOR"	INCLUDES ITEMS 7, 8
NI	0034905		KIT, CAMSHAFT REBUILD, MERITOR	INCLUDES ITEMS 6, 7, 8, 14, 18, 19, 21, 22
6			KIT, WASHER, CAMHEAD	
7			KIT, SEAL, CAMSHAFT	
8			KIT, BUSHING, CAMSHAFT SPIDER & BRKT.	
9			KIT, PIN, BRAKE SHOE RETURN SPRING	
10			KIT, ROLLER, BRAKE SHOE	
11			KIT, RETAINER, SHOE ROLLER	
12			KIT, RETURN SPRING, BRAKE SHOE	
13	0034151		SPIDER, LH, MERITOR	
13	0034152		SPIDER, RH, MERITOR	
14			KIT, GASKET, CHAMBER BRKT.	
15	0034263		BRACKET, CAMSHAFT, LH, MERITOR	INCLUDES ITEMS 15, 16, 17
15	0034264		BRACKET, CAMSHAFT, RH, MERITOR	INCLUDES ITEMS 15, 16, 17
16			KIT, WASHER, CHAMBER BRKT.	
17			KIT, CAPSCREW, CHAMBER BRKT.	
18			KIT, FITTING, GREASE	
19			KIT, WASHER, CAMSHAFT	
20	0034251		SLACK ADJ, MERITOR, 5.5-28, L/R, 16/20	
21			KIT, WASHER, SPACING	
22			KIT, LOCKRING, CAMSHAFT	
23	0034274		CHAMBER, BRAKE, MGM, 20"	
NI	0034225		KIT, CLEVIS, MERITOR	INCLUDES ITEMS 24, 25, 26
24			KIT, PIN COTTER, BRAKE CHAMBER	

Models: A3RE, CSFE, CSRE, TCFE, QBRE

BRAKE ASSY, FRONT

6 INCH

I120 WITH MERITOR BRAKES

With Features: FEATURE 40052-01, 03, 40000-01, OPTION 4351, 4354, 4355

BSN: From CSN 30079480 FE 10077010 RE 01/22/01

To CSN 30096775 FE 10096695 RE 11/04/01

Key	PartNumber	Qty	Description	Comment
25			KIT, PIN, BRAKE CHAMBER YOKE	
26			KIT, YOKE	
27			WASHER, BRAKE CHAMBER	
28			NUT, BRAKE CHAMBER STUD	

Models: A3RE, CSFE, CSRE, TCFE, QBRE
 BRAKE ASSY, FRONT
 6 INCH

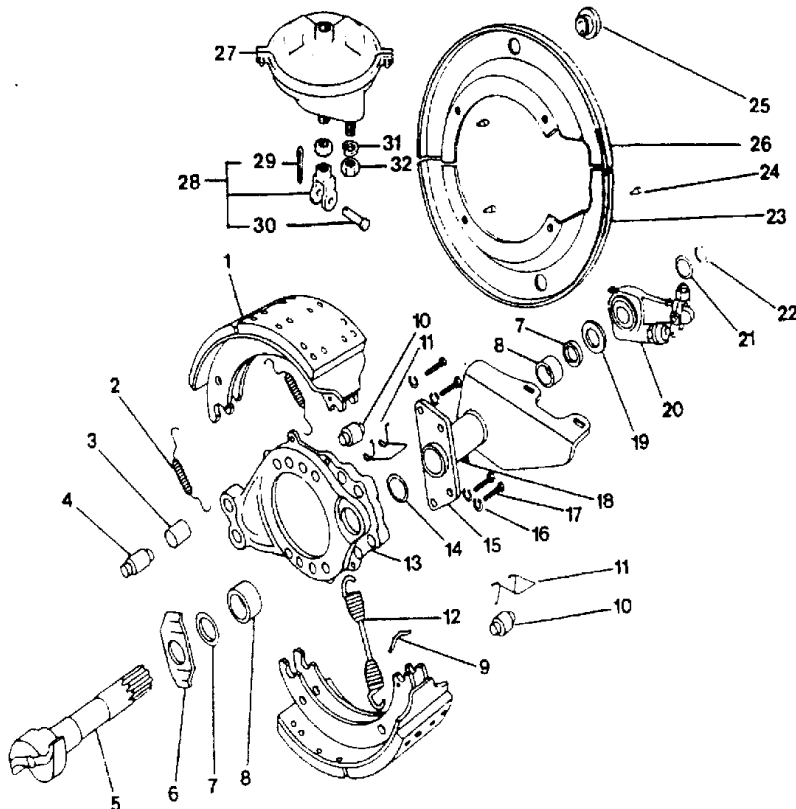
With Features: I120 WITH MERITOR BRAKES
 FEATURE 40052-02
 BSN: From CSN 30079480 FE 10077010 RE 01/22/01
 To CSN 30096775 FE 10096695 RE 11/04/01

Key	PartNumber	Qty	Description	Comment
-----	------------	-----	-------------	---------

FRONT BRAKES, Q-TYPE

DR	BY	Q158541
APP	BY	

© 1985 BLUE BIRD BODY COMPANY
 ALL RIGHTS RESERVED



PAGE 6

Models: A3RE, CSFE, CSRE, TCFE, QBRE

BRAKE ASSY, FRONT

6 INCH

I120 WITH MERITOR BRAKES

With Features: FEATURE 40052-02

BSN: From CSN 30079480 FE 10077010 RE 01/22/01

To CSN 30096775 FE 10096695 RE 11/04/01

Key	PartNumber	Qty	Description	Comment
1			KIT, BRAKE SHOE & LINING ASSY.	
NI	0034133		KIT, MAJOR OVERHAUL, MERITOR, 6" ""	INCLUDES ITEMS 1, 2, 3, 4, 9, 10, 11, 12
NI	0027027		KIT, MINOR, 16.5 X 6, TAG, ROCKWELL, KIT	INCLUDES ITEMS 2, 3, 4, 9, 10, 11, 12
2			KIT, SPRING, BRAKE SHOE RETAINING	
3			KIT, BUSHING, ANCHOR PIN	
4			KIT, ANCHOR PIN, BRAKE SHOE	
5	2121606		CAMSHAFT, Q BRAKE, LH FRONT"	
5	2121614		CAMSHAFT, RH, Q BRAKE, FRONT"	
NI	0034413		KIT, BUSHING & SEAL, CAMSHAFT, MERITOR"	INCLUDES ITEMS 7, 8
NI	0034905		KIT, CAMSHAFT REBUILD, MERITOR	INCLUDES ITEMS 6, 7, 8, 14, 18, 19, 21, 22
6			KIT, WASHER, CAMHEAD	
7			KIT, SEAL, CAMSHAFT	
8			KIT, BUSHING, CAMSHAFT SPIDER & BRKT.	
9			KIT, PIN, BRAKE SHOE RETURN SPRING	
10			KIT, ROLLER, BRAKE SHOE	
11			KIT, RETAINER, SHOE ROLLER	
12			KIT, RETURN SPRING, BRAKE SHOE	
13	0034151		SPIDER, LH, MERITOR	
13	0034152		SPIDER, RH, MERITOR	
14			KIT, GASKET, CHAMBER BRKT.	
15	0034263		BRACKET, CAMSHAFT, LH, MERITOR	INCLUDES ITEMS 15, 16, 17
15	0034264		BRACKET, CAMSHAFT, RH, MERITOR	INCLUDES ITEMS 15, 16, 17
16			KIT, WASHER, CHAMBER BRKT.	
17			KIT, CAPSCREW, CHAMBER BRKT.	
18			KIT, FITTING, GREASE	
19			KIT, WASHER, CAMSHAFT	
20	4311262		KIT, SLACK ADJ. REAR 7/8.62" ""	
NI	0034893		BRACKET ASSY, SLACK ADJ, HALDEX	
21			KIT, WASHER, SPACING	
22			KIT, LOCKRING, CAMSHAFT	
23	0034274		CHAMBER, BRAKE, MGM, 20"	
NI	0034225		KIT, CLEVIS, MERITOR	INCLUDES ITEMS 24, 25, 26

Models: A3RE, CSFE, CSRE, TCFE, QBRE
 BRAKE ASSY, FRONT
 6 INCH

With Features: I120 WITH MERITOR BRAKES
FEATURE 4052-02
BSN: From CSN 30079480 FE 10077010 RE 01/22/01
 To CSN 30096775 FE 10096695 RE 11/04/01

Key	PartNumber	Qty	Description	Comment
24			KIT, PIN COTTER, BRAKE CHAMBER	
25			KIT, PIN, BRAKE CHAMBER YOKE	
26			KIT, YOKE	
27			WASHER, BRAKE CHAMBER	
28			NUT, BRAKE CHAMBER STUD	

Models: A3FE, A3RE, CSFE, CSRE, TCFE, QBRE
 BRAKE ASSY, FRONT
 6 INCH

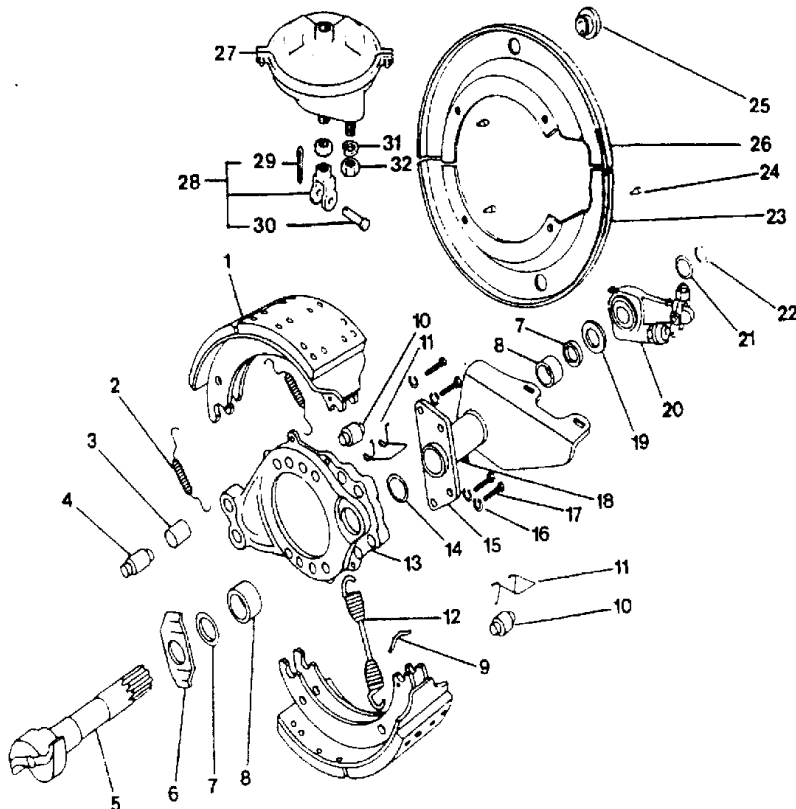
With Features: I146 WITH MERITOR BRAKES
 FEATURE 40052-01, 03, 40000-02, OPTION 4227, 4324, 4336, 4351, 4355
 BSN: From CSN 30079480 FE 10077010 RE 01/22/01
 To CSN 30096775 FE 10096695 RE 11/04/01

Key	PartNumber	Qty	Description	Comment
-----	------------	-----	-------------	---------

FRONT BRAKES, Q-TYPE

DR	BY	Q158541
APP	BY	

© 1985 BLUE BIRD BODY COMPANY
 ALL RIGHTS RESERVED



PAGE 6

Models: A3FE, A3RE, CSFE, CSRE, TCFE, QBRE

BRAKE ASSY, FRONT

6 INCH

I146 WITH MERITOR BRAKES

With Features: FEATURE 40052-01, 03, 40000-02, OPTION 4227, 4324, 4336, 4351, 4355

BSN: From CSN 30079480 FE 10077010 RE 01/22/01

To CSN 30096775 FE 10096695 RE 11/04/01

Key	PartNumber	Qty	Description	Comment
1			KIT, BRAKE SHOE & LINING ASSY.	
NI	0034133		KIT, MAJOR OVERHAUL, MERITOR, 6" ""	<i>INCLUDES ITEMS 1, 2, 3, 4, 9, 10, 11, 12</i>
NI	0027027		KIT, MINOR, 16.5 X 6, TAG, ROCKWELL, KIT	<i>INCLUDES ITEMS 2, 3, 4, 9, 10, 11, 12</i>
2			KIT, SPRING, BRAKE SHOE RETAINING	
3			KIT, BUSHING, ANCHOR PIN	
4			KIT, ANCHOR PIN, BRAKE SHOE	
5	2121606		CAMSHAFT, Q BRAKE, LH FRONT"	
5	2121614		CAMSHAFT, RH, Q BRAKE, FRONT"	
NI	0034413		KIT, BUSHING & SEAL, CAMSHAFT, MERITOR"	<i>INCLUDES ITEMS 7, 8</i>
NI	0034905		KIT, CAMSHAFT REBUILD, MERITOR	<i>INCLUDES ITEMS 6, 7, 8, 14, 18, 19, 21, 22</i>
6			KIT, WASHER, CAMHEAD	
7			KIT, SEAL, CAMSHAFT	
8			KIT, BUSHING, CAMSHAFT SPIDER & BRKT.	
9			KIT, PIN, BRAKE SHOE RETURN SPRING	
10			KIT, ROLLER, BRAKE SHOE	
11			KIT, RETAINER, SHOE ROLLER	
12			KIT, RETURN SPRING, BRAKE SHOE	
13	0034151		SPIDER, LH, MERITOR	
13	0034152		SPIDER, RH, MERITOR	
14			KIT, GASKET, CHAMBER BRKT.	
15	0034263		BRACKET, CAMSHAFT, LH, MERITOR	<i>INCLUDES ITEMS 15, 16, 17</i>
15	0034264		BRACKET, CAMSHAFT, RH, MERITOR	<i>INCLUDES ITEMS 15, 16, 17</i>
16			KIT, WASHER, CHAMBER BRKT.	
17			KIT, CAPSCREW, CHAMBER BRKT.	
18			KIT, FITTING, GREASE	
19			KIT, WASHER, CAMSHAFT	
20	0034252		SLACK ADJ, MERITOR, 5.5-28, L/R, 24/30	
21			KIT, WASHER, SPACING	
22			KIT, LOCKRING, CAMSHAFT	
23	0034275		CHAMBER, BRAKE, MGM, 24"	<i>LH</i>
NI	0034225		KIT, CLEVIS, MERITOR	<i>INCLUDES ITEMS 24, 25, 26</i>
24			KIT, PIN COTTER, BRAKE CHAMBER	

Models: A3FE, A3RE, CSFE, CSRE, TCFE, QBRE
 BRAKE ASSY, FRONT
 6 INCH

I146 WITH MERITOR BRAKES
With Features: FEATURE 40052-01, 03, 40000-02, OPTION 4227, 4324, 4336, 4351, 4355
BSN: From CSN 30079480 FE 10077010 RE 01/22/01
 To CSN 30096775 FE 10096695 RE 11/04/01

Key	PartNumber	Qty	Description	Comment
25			KIT, PIN, BRAKE CHAMBER YOKE	
26			KIT, YOKE	
27			WASHER, BRAKE CHAMBER	
28			NUT, BRAKE CHAMBER STUD	

Models: A3FE, A3RE, CSFE, CSRE, TCFE, QBRE
 BRAKE ASSY, FRONT
 6 INCH

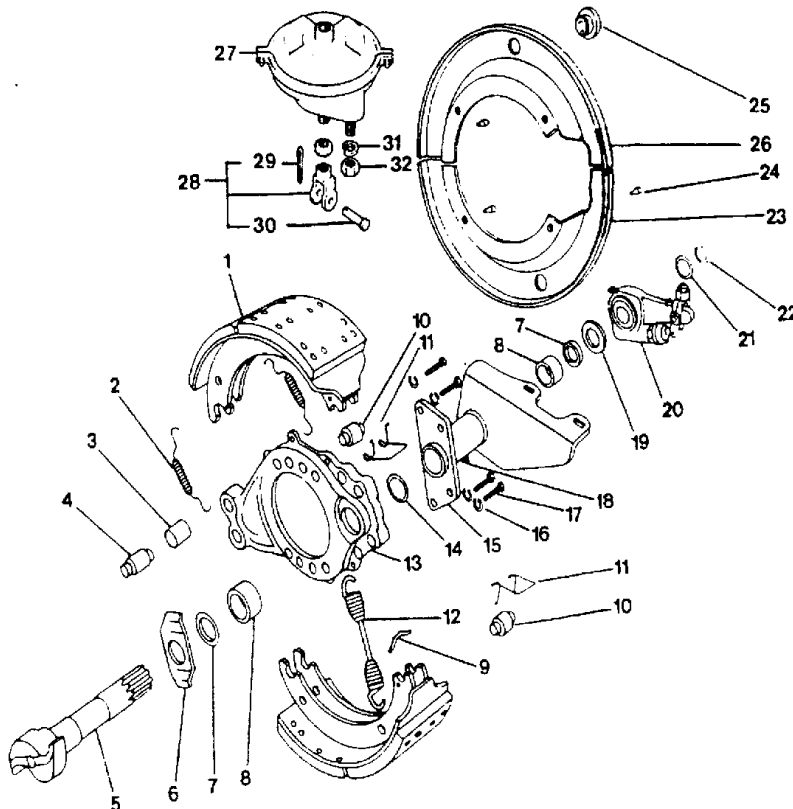
With Features: I146 WITH MERITOR BRAKES
 FEATURE 40052-02, 40000-02, OPTION 4227
 BSN: From CSN 30079480 FE 10077010 RE 01/22/01
 To CSN 30096775 FE 10096695 RE 11/04/01

Key	PartNumber	Qty	Description	Comment
-----	------------	-----	-------------	---------

FRONT BRAKES, Q-TYPE

DR	BY	Q158541
APP	BY	

© 1985 BLUE BIRD BODY COMPANY
 ALL RIGHTS RESERVED



PAGE 6

Models: A3FE, A3RE, CSFE, CSRE, TCFE, QBRE

BRAKE ASSY, FRONT

6 INCH

I146 WITH MERITOR BRAKES

With Features: FEATURE 40052-02, 40000-02, OPTION 4227

BSN: From CSN 30079480 FE 10077010 RE 01/22/01

To CSN 30096775 FE 10096695 RE 11/04/01

Key	PartNumber	Qty	Description	Comment
1			KIT, BRAKE SHOE & LINING ASSY.	
NI	0034133		KIT, MAJOR OVERHAUL, MERITOR, 6" ""	INCLUDES ITEMS 1, 2, 3, 4, 9, 10, 11, 12
NI	0027027		KIT, MINOR, 16.5 X 6, TAG, ROCKWELL, KIT	INCLUDES ITEMS 2, 3, 4, 9, 10, 11, 12
2			KIT, SPRING, BRAKE SHOE RETAINING	
3			KIT, BUSHING, ANCHOR PIN	
4			KIT, ANCHOR PIN, BRAKE SHOE	
5	2121606		CAMSHAFT, Q BRAKE, LH FRONT"	
5	2121614		CAMSHAFT, RH, Q BRAKE, FRONT"	
NI	0034413		KIT, BUSHING & SEAL, CAMSHAFT, MERITOR"	INCLUDES ITEMS 7, 8
NI	0034905		KIT, CAMSHAFT REBUILD, MERITOR	INCLUDES ITEMS 6, 7, 8, 14, 18, 19, 21, 22
6			KIT, WASHER, CAMHEAD	
7			KIT, SEAL, CAMSHAFT	
8			KIT, BUSHING, CAMSHAFT SPIDER & BRKT.	
9			KIT, PIN, BRAKE SHOE RETURN SPRING	
10			KIT, ROLLER, BRAKE SHOE	
11			KIT, RETAINER, SHOE ROLLER	
12			KIT, RETURN SPRING, BRAKE SHOE	
13	0034151		SPIDER, LH, MERITOR	
13	0034152		SPIDER, RH, MERITOR	
14			KIT, GASKET, CHAMBER BRKT.	
15	0034263		BRACKET, CAMSHAFT, LH, MERITOR	INCLUDES ITEMS 15, 16, 17
15	0034264		BRACKET, CAMSHAFT, RH, MERITOR	INCLUDES ITEMS 15, 16, 17
16			KIT, WASHER, CHAMBER BRKT.	
17			KIT, CAPSCREW, CHAMBER BRKT.	
18			KIT, FITTING, GREASE	
19			KIT, WASHER, CAMSHAFT	
20	4311262		KIT, SLACK ADJ. REAR 7/8.62" ""	
NI	0034893		BRACKET ASSY, SLACK ADJ, HALDEX	
21			KIT, WASHER, SPACING	
22			KIT, LOCKRING, CAMSHAFT	
23	0034275		CHAMBER, BRAKE, MGM, 24"	LH
NI	0034225		KIT, CLEVIS, MERITOR	INCLUDES ITEMS 24, 25, 26

Models: A3FE, A3RE, CSFE, CSRE, TCFE, QBRE

BRAKE ASSY, FRONT

6 INCH

I146 WITH MERITOR BRAKES

With Features: FEATURE 40052-02, 40000-02, OPTION 4227

BSN: From CSN 30079480 FE 10077010 RE 01/22/01

To CSN 30096775 FE 10096695 RE 11/04/01

Key	PartNumber	Qty	Description	Comment
24			KIT, PIN COTTER, BRAKE CHAMBER	
25			KIT, PIN, BRAKE CHAMBER YOKE	
26			KIT, YOKE	
27			WASHER, BRAKE CHAMBER	
28			NUT, BRAKE CHAMBER STUD	

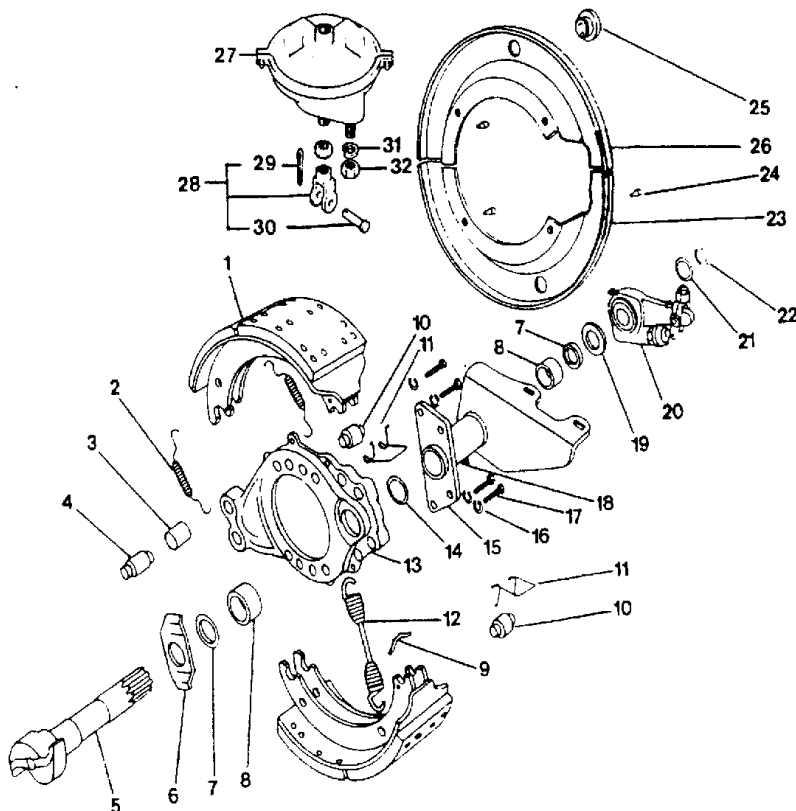
Models: **A3RE**
BRAKE ASSY, FRONT
6 INCH
I146 WITH MERITOR BRAKES
 With Features: **FEATURE 40052-03, 40000-03**
 BSN: **From CSN 10077010 RE 01/22/01**
To CSN 10096695 RE 11/04/01

Key	PartNumber	Qty	Description	Comment
-----	------------	-----	-------------	---------

FRONT BRAKES, Q-TYPE

DR	BY	Q158541
APP	BY	

© 1985 BLUE BIRD BODY COMPANY
 ALL RIGHTS RESERVED



PAGE 6

Models: A3RE
BRAKE ASSY, FRONT
6 INCH
I146 WITH MERITOR BRAKES
With Features: FEATURE 40052-03, 40000-03
BSN: From CSN 10077010 RE 01/22/01
 To CSN 10096695 RE 11/04/01

Key	PartNumber	Qty	Description	Comment
1			KIT, BRAKE SHOE & LINING ASSY.	
NI	0034133		KIT, MAJOR OVERHAUL, MERITOR, 6" ""	INCLUDES ITEMS 1, 2, 3, 4, 9, 10, 11, 12
NI	0027027		KIT, MINOR, 16.5 X 6, TAG, ROCKWELL, KIT	INCLUDES ITEMS 2, 3, 4, 9, 10, 11, 12
2			KIT, SPRING, BRAKE SHOE RETAINING	
3			KIT, BUSHING, ANCHOR PIN	
4			KIT, ANCHOR PIN, BRAKE SHOE	
5	2121606		CAMSHAFT, Q BRAKE, LH FRONT"	
5	2121614		CAMSHAFT, RH, Q BRAKE, FRONT"	
NI	0034413		KIT, BUSHING & SEAL, CAMSHAFT, MERITOR"	INCLUDES ITEMS 7, 8
NI	0034905		KIT, CAMSHAFT REBUILD, MERITOR	INCLUDES ITEMS 6, 7, 8, 14, 18, 19, 21, 22
6			KIT, WASHER, CAMHEAD	
7			KIT, SEAL, CAMSHAFT	
8			KIT, BUSHING, CAMSHAFT SPIDER & BRKT.	
9			KIT, PIN, BRAKE SHOE RETURN SPRING	
10			KIT, ROLLER, BRAKE SHOE	
11			KIT, RETAINER, SHOE ROLLER	
12			KIT, RETURN SPRING, BRAKE SHOE	
13	0034151		SPIDER, LH, MERITOR	
13	0034152		SPIDER, RH, MERITOR	
14			KIT, GASKET, CHAMBER BRKT.	
15	0034263		BRACKET, CAMSHAFT, LH, MERITOR	INCLUDES ITEMS 15, 16, 17
15	0034264		BRACKET, CAMSHAFT, RH, MERITOR	INCLUDES ITEMS 15, 16, 17
16			KIT, WASHER, CHAMBER BRKT.	
17			KIT, CAPSCREW, CHAMBER BRKT.	
18			KIT, FITTING, GREASE	
19			KIT, WASHER, CAMSHAFT	
20	0034251		SLACK ADJ, MERITOR, 5.5-28, L/R, 16/20	
21			KIT, WASHER, SPACING	
22			KIT, LOCKRING, CAMSHAFT	
23	0034275		CHAMBER, BRAKE, MGM, 24"	LH
23	0034278		CHAMBER, BRAKE, MGM, 24"	RH
NI	0034225		KIT, CLEVIS, MERITOR	INCLUDES ITEMS 24, 25, 26

Models: A3RE
 BRAKE ASSY, FRONT
 6 INCH
 I146 WITH MERITOR BRAKES

With Features: FEATURE 40052-03, 40000-03

BSN: From CSN 10077010 RE 01/22/01
 To CSN 10096695 RE 11/04/01

Key	PartNumber	Qty	Description	Comment
24			KIT, PIN COTTER, BRAKE CHAMBER	
25			KIT, PIN, BRAKE CHAMBER YOKE	
26			KIT, YOKE	
27			WASHER, BRAKE CHAMBER	
28			NUT, BRAKE CHAMBER STUD	

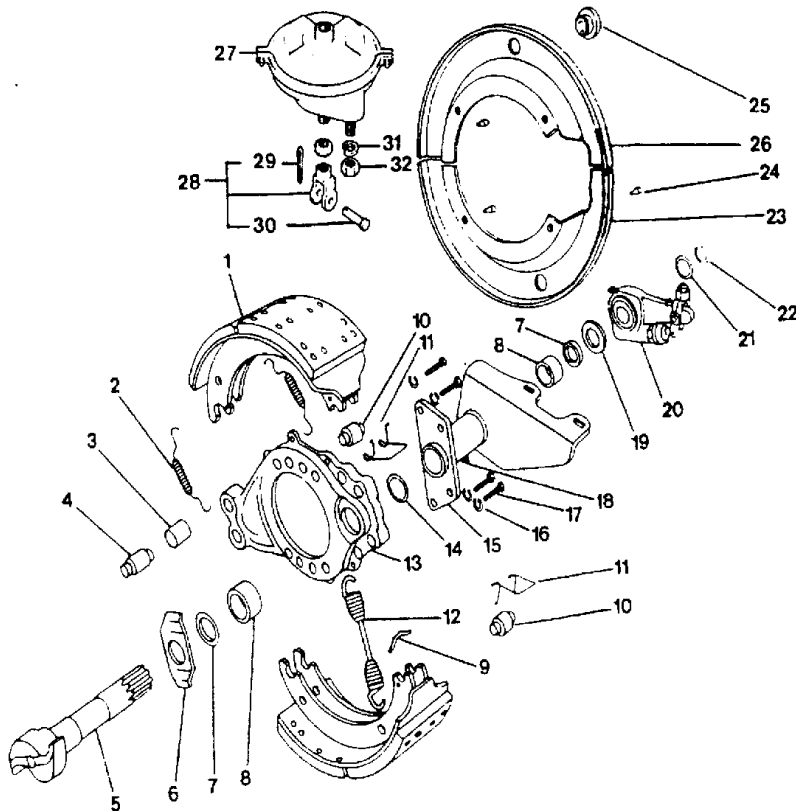
Models: **A3RE**
BRAKE ASSY, FRONT
6 INCH
I146 WITH MERITOR BRAKES
 With Features: **FEATURE 40000-03**
 BSN: **From CSN 10077010 RE 01/22/01**
To CSN 10096695 RE 11/04/01

Key	PartNumber	Qty	Description	Comment
-----	------------	-----	-------------	---------

FRONT BRAKES, Q-TYPE

DR	BY	Q158541
APP	BY	

© 1985 BLUE BIRD BODY COMPANY
 ALL RIGHTS RESERVED



PAGE 6

Models: A3RE
BRAKE ASSY, FRONT
6 INCH
I146 WITH MERITOR BRAKES
With Features: FEATURE 40000-03
BSN: From CSN 10077010 RE 01/22/01
 To CSN 10096695 RE 11/04/01

Key	PartNumber	Qty	Description	Comment
1			KIT, BRAKE SHOE & LINING ASSY.	
NI	0034133		KIT, MAJOR OVERHAUL, MERITOR, 6" ""	INCLUDES ITEMS 1, 2, 3, 4, 9, 10, 11, 12
NI	0027027		KIT, MINOR, 16.5 X 6, TAG, ROCKWELL, KIT	INCLUDES ITEMS 2, 3, 4, 9, 10, 11, 12
2			KIT, SPRING, BRAKE SHOE RETAINING	
3			KIT, BUSHING, ANCHOR PIN	
4			KIT, ANCHOR PIN, BRAKE SHOE	
5	2121606		CAMSHAFT, Q BRAKE, LH FRONT"	
5	2121614		CAMSHAFT, RH, Q BRAKE, FRONT"	
NI	0034413		KIT, BUSHING & SEAL, CAMSHAFT, MERITOR"	INCLUDES ITEMS 7, 8
NI	0034905		KIT, CAMSHAFT REBUILD, MERITOR	INCLUDES ITEMS 6, 7, 8, 14, 18, 19, 21, 22
6			KIT, WASHER, CAMHEAD	
7			KIT, SEAL, CAMSHAFT	
8			KIT, BUSHING, CAMSHAFT SPIDER & BRKT.	
9			KIT, PIN, BRAKE SHOE RETURN SPRING	
10			KIT, ROLLER, BRAKE SHOE	
11			KIT, RETAINER, SHOE ROLLER	
12			KIT, RETURN SPRING, BRAKE SHOE	
13	0034151		SPIDER, LH, MERITOR	
13	0034152		SPIDER, RH, MERITOR	
14			KIT, GASKET, CHAMBER BRKT.	
15	0034263		BRACKET, CAMSHAFT, LH, MERITOR	INCLUDES ITEMS 15, 16, 17
15	0034264		BRACKET, CAMSHAFT, RH, MERITOR	INCLUDES ITEMS 15, 16, 17
16			KIT, WASHER, CHAMBER BRKT.	
17			KIT, CAPSCREW, CHAMBER BRKT.	
18			KIT, FITTING, GREASE	
19			KIT, WASHER, CAMSHAFT	
20	4311262		KIT, SLACK ADJ. REAR 7/8.62" ""	
NI	0034893		BRACKET ASSY, SLACK ADJ, HALDEX	
21			KIT, WASHER, SPACING	
22			KIT, LOCKRING, CAMSHAFT	
23	0034275		CHAMBER, BRAKE, MGM, 24"	LH
23	0034278		CHAMBER, BRAKE, MGM, 24"	RH

Models: A3RE
 BRAKE ASSY, FRONT
 6 INCH
 I146 WITH MERITOR BRAKES

With Features: FEATURE 40000-03
BSN: From CSN 10077010 RE 01/22/01
 To CSN 10096695 RE 11/04/01

Key	PartNumber	Qty	Description	Comment
NI	0034225		KIT,CLEVIS,MERITOR	
24			KIT, PIN COTTER, BRAKE CHAMBER	
25			KIT, PIN, BRAKE CHAMBER YOKE	
26			KIT, YOKE	
27			WASHER, BRAKE CHAMBER	
28			NUT, BRAKE CHAMBER STUD	

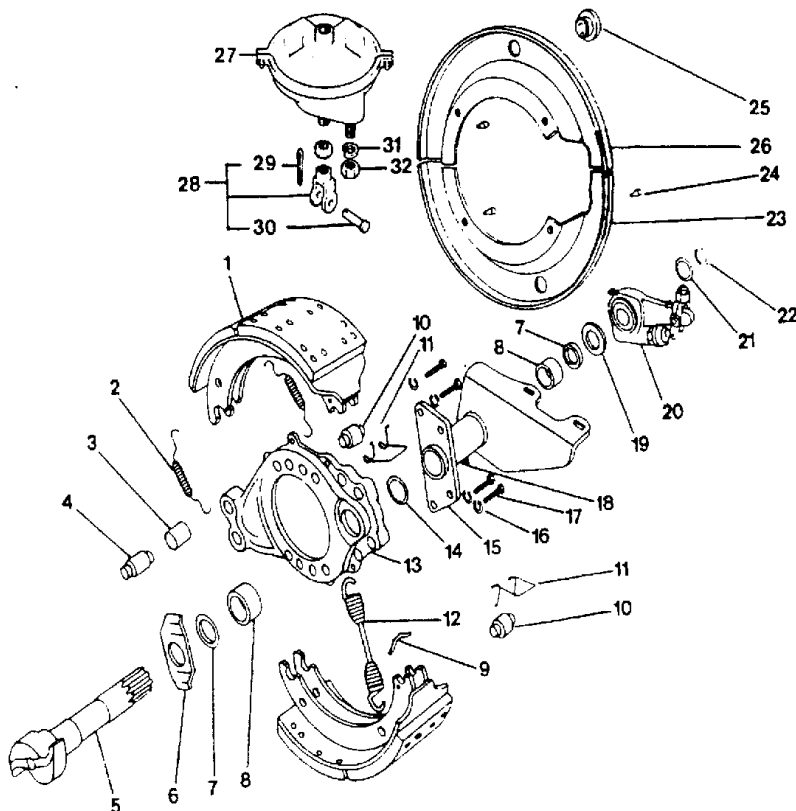
Models: A3RE, C4RE, CSFE, QBRE, TCFE
 BRAKE ASSY, FRONT
 6 INCH
 MERITOR
 BSN: From CSN 30096776 FE 10096696 RE 11/05/01

Key	PartNumber	Qty	Description	Comment
-----	------------	-----	-------------	---------

FRONT BRAKES, Q-TYPE

DR	BY	Q158541
APP	BY	

© 1985 BLUE BIRD BODY COMPANY
 ALL RIGHTS RESERVED



PAGE 6

Models: A3RE, C4RE, CSFE, QBRE, TCFE
BRAKE ASSY, FRONT
6 INCH
MERITOR
BSN: From CSN 30096776 FE 10096696 RE 11/05/01

Key	PartNumber	Qty	Description	Comment
1			KIT, BRAKE SHOE & LINING ASSY.	
NI	0034133		KIT,MAJOR OVERHAUL,MERITOR,6""	<i>INCLUDES ITEMS 1, 2, 3, 4, 9, 10, 11, 12</i>
NI	0044940		KIT,MINOR OVERHAUL,16.5 X 6,MERITOR	<i>INCLUDES ITEMS 3, 4, 9, 10, 11, 12</i>
2			KIT, SPRING, BRAKE SHOE RETAINING	
3			KIT, BUSHING, ANCHOR PIN	
4			KIT, ANCHOR PIN, BRAKE SHOE	
5	2121606		CAMSHAFT,Q BRAKE,LH FRONT"	
5	2121614		CAMSHAFT,RH,Q BRAKE,FRONT"	
NI	0044939		KIT,BUSHING & SEAL"	<i>INCLUDES ITEMS 7, 8</i>
NI	0038801		KIT,WASHER & SNAP RING,CAMSHAFT,MERITOR	<i>INCLUDES ITEMS 19, 21, 22</i>
6	2121663		WASHER,FLAT,CAMSHAFT,THICK,Q BRAKE"	
7			KIT, SEAL, CAMSHAFT	
8			KIT, BUSHING, CAMSHAFT SPIDER & BRKT.	
9			KIT, PIN, BRAKE SHOE RETURN SPRING	
10			KIT, ROLLER, BRAKE SHOE	
11			KIT, RETAINER, SHOE ROLLER	
12			KIT, RETURN SPRING, BRAKE SHOE	
13	0034151		SPIDER,LH,MERITOR	
13	0034152		SPIDER,RH,MERITOR	
14	2644235		SEAL,FELT,BRAKE SPIDER	
15	0034263		BRACKET,CAMSHAFT,LH,MERITOR	<i>INCLUDES ITEMS 15, 16, 17</i>
15	0034264		BRACKET,CAMSHAFT,RH,MERITOR	<i>INCLUDES ITEMS 15, 16, 17</i>
16			WASHER, CHAMBER BRKT.	
17			CAPSCREW, CHAMBER BRKT.	
18			FITTING, GREASE	
19			KIT, WASHER, CAMSHAFT	
20	0045363		SLACK ADJ,LH/RH,MERITOR	
20	0045335		KIT,SLACK ADJ,1.5-28 X 5.5,HALDEX	
NI	0045337		KIT,BRACKET,SLACK ADJ,HALDEX	<i>HALDEX ONLY</i>
21			KIT, WASHER, SPACING	
22			KIT, LOCKRING, CAMSHAFT	
NI	0040682		CHAMBER,BRAKE,20 IN,WELDED CLEVIS,MGM	
NI	0034225		KIT,CLEVIS,MERITOR	

Models: A3RE, C4RE, CSFE, QBRE, TCFE
BRAKE ASSY, FRONT
6 INCH
MERITOR
BSN: From CSN 30096776 FE 10096696 RE 11/05/01

Key	PartNumber	Qty	Description	Comment
23	0031491		DUSTSHIELD KIT,AIR BRAKE,16.5X5 & 6,QP	
24			KIT, CAPSCREW, DUSTSHIELD	

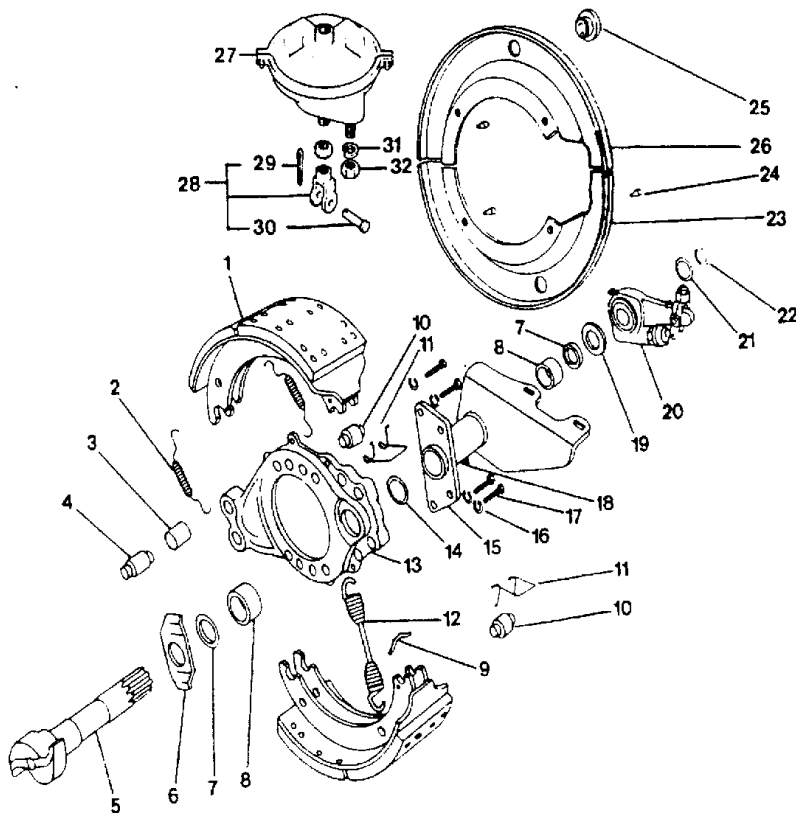
Models: **A3RE
BRAKE ASSY, FRONT
6 INCH
UK BUS**

Key	PartNumber	Qty	Description	Comment
-----	------------	-----	-------------	---------

FRONT BRAKES, Q-TYPE

DR	BY	Q158541
APP	BY	

© 1985 BLUE BIRD BODY COMPANY
ALL RIGHTS RESERVED



PAGE 6

Models: A3RE
BRAKE ASSY, FRONT
6 INCH
UK BUS

Key	PartNumber	Qty	Description	Comment
1			KIT, BRAKE SHOE & LINING ASSY.	
NI	0034133		KIT,MAJOR OVERHAUL,MERITOR,6""	<i>INCLUDES ITEMS 1, 2, 3, 4, 9, 10, 11, 12</i>
NI	0044940		KIT,MINOR OVERHAUL,16.5 X 6,MERITOR	<i>INCLUDES ITEMS 3, 4, 9, 10, 11, 12</i>
2			KIT, SPRING, BRAKE SHOE RETAINING	
3			KIT, BUSHING, ANCHOR PIN	
4			KIT, ANCHOR PIN, BRAKE SHOE	
5	2121606		CAMSHAFT,Q BRAKE,LH FRONT"	
5	2121614		CAMSHAFT,RH,Q BRAKE,FRONT"	
NI	0044939		KIT,BUSHING & SEAL"	<i>INCLUDES ITEMS 7, 8</i>
NI	0038801		KIT,WASHER & SNAP RING,CAMSHAFT,MERITOR	<i>INCLUDES ITEMS 19, 21, 22</i>
6	8302721		WASHER,CAMHEAD,FLAT	
7			KIT, SEAL, CAMSHAFT	
8			KIT, BUSHING, CAMSHAFT SPIDER & BRKT.	
9			KIT, PIN, BRAKE SHOE RETURN SPRING	
10			KIT, ROLLER, BRAKE SHOE	
11			KIT, RETAINER, SHOE ROLLER	
12			KIT, RETURN SPRING, BRAKE SHOE	
13			SPIDER, BRAKE	
	0034151		SPIDER,LH,MERITOR	
	0034152		SPIDER,RH,MERITOR	
14	2644235		SEAL,FELT,BRAKE SPIDER	
15	0034263		BRACKET,CAMSHAFT,LH,MERITOR	<i>INCLUDES ITEMS 15, 16, 17</i>
15	0034264		BRACKET,CAMSHAFT,RH,MERITOR	<i>INCLUDES ITEMS 15, 16, 17</i>
16			WASHER, CHAMBER BRKT.	
17			CAPSCREW, CHAMBER BRKT.	
18			FITTING, GREASE	
19			KIT, WASHER, CAMSHAFT	
20	0045365		SLACK ADJ,LH/RH,MERITOR"	
21			KIT, WASHER, SPACING	
22			KIT, LOCKRING, CAMSHAFT	
NI	0045347		CHAMBER,BRAKE,TYPE 24"	
23			KIT, DUSTSHIELD	
24			CAPSCREW, DUSTSHIELD	

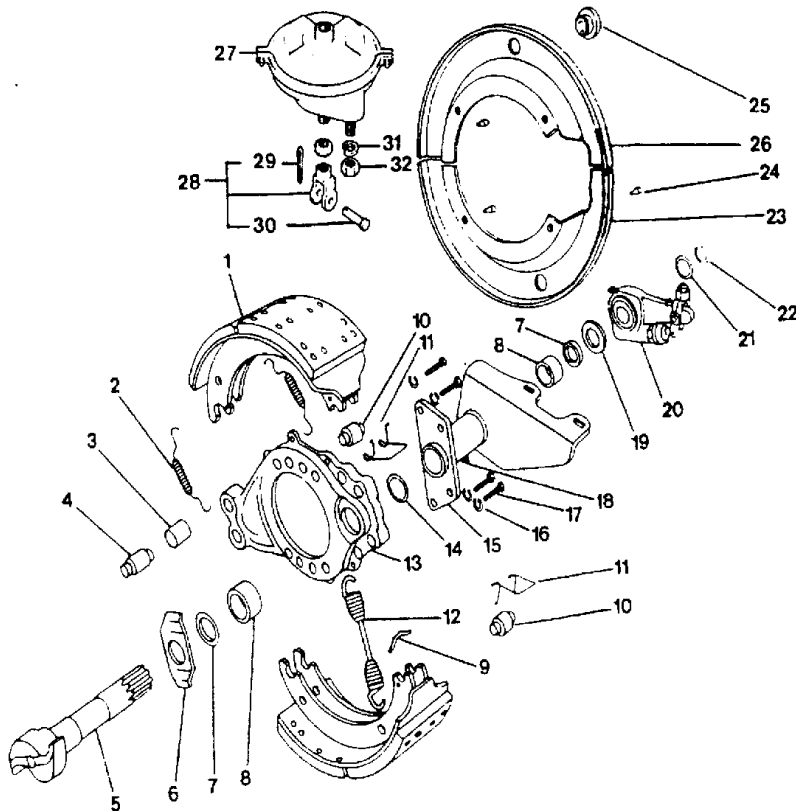
Models: A3RE, C4RE
 BRAKE ASSY, REAR
 10 INCH
 HENDRICKSON
 BSN: From CSN 10096696 RE 11/05/01

Key	PartNumber	Qty	Description	Comment
-----	------------	-----	-------------	---------

FRONT BRAKES, Q-TYPE

DR	BY	Q158541
APP	BY	

© 1985 BLUE BIRD BODY COMPANY
 ALL RIGHTS RESERVED



PAGE 6

Models: A3RE, C4RE
BRAKE ASSY, REAR
10 INCH
HENDRICKSON
BSN: From CSN 10096696 RE 11/05/01

Key	PartNumber	Qty	Description	Comment
1			KIT, BRAKE SHOE & LINING ASSEMBLY	
NI	0044937		KIT, MAJOR OVERHAUL, 16.5 X 10, MERITOR	<i>INCLUDES ITEMS 1, 2, 3, 4, 9, 10, 11, 12</i>
NI	2151389		KIT, HARDWARE, CAM BRAKE MINOR	<i>INCLUDES ITEMS 2, 3, 4, 9, 10, 11, 12</i>
2			KIT, SPRING, BRAKE SHOE RETAINING	
3			KIT, BUSHING, ANCHOR PIN	
4			KIT, ANCHOR PIN, BRAKE SHOE	
5	0029122		CAMSHAFT, LH, Q-TYPE	
5	0029123		CAMSHAFT, RH, Q TYPE	
NI	0044938		KIT, BUSHING & SEAL"	<i>INCLUDES ITEMS 7, 8</i>
NI	0038801		KIT, WASHER & SNAP RING, CAMSHAFT, MERITOR	<i>INCLUDES ITEMS 19, 21, 22</i>
6	8302721		WASHER, CAMHEAD, FLAT	
7			KIT, SEAL, CAMSHAFT	
8			KIT, BUSHING, CAMSHAFT SPIDER & BRACKET	
9			KIT, PIN, BRAKE SHOE RETURN SPRING	
10			KIT, ROLLER, BRAKE SHOE	
11			KIT, RETAINER, SHOE ROLLER	
12			KIT, RETURN SPRING, BRAKE SHOE	
13	0034157		SPIDER, LH/RH, MERITOR	
14	2644235		SEAL, FELT, BRAKE SPIDER	
15	0045320		BRACKET, CAMSHAFT, LH	
15	0045321		BRACKET, CAMSHAFT, RH	
16			WASHER, CHAMBER BRACKET	
17			CAPSCREW, CHAMBER BRACKET	
18			FITTING, GREASE	
19			KIT, WASHER, CAMSHAFT	
20	0034255		SLACK ADJ, MERITOR, 6-28, LH, 30 CHAMBER"	
20	0034256		SLACK ADJ, MERITOR, 6-28, RH, 30 CHAMBER"	
20	0034286		SLACK ADJ, HALDEX"	
NI	0034893		BRACKET ASSY, SLACK ADJ, HALDEX	<i>HALDEX ONLY</i>
21			KIT, WASHER, SPACING	
22			KIT, LOCKRING, CAMSHAFT	
NI	0041403		CHAMBER, BRAKE, 3030, MGM	
NI	0034225		KIT, CLEVIS, MERITOR	

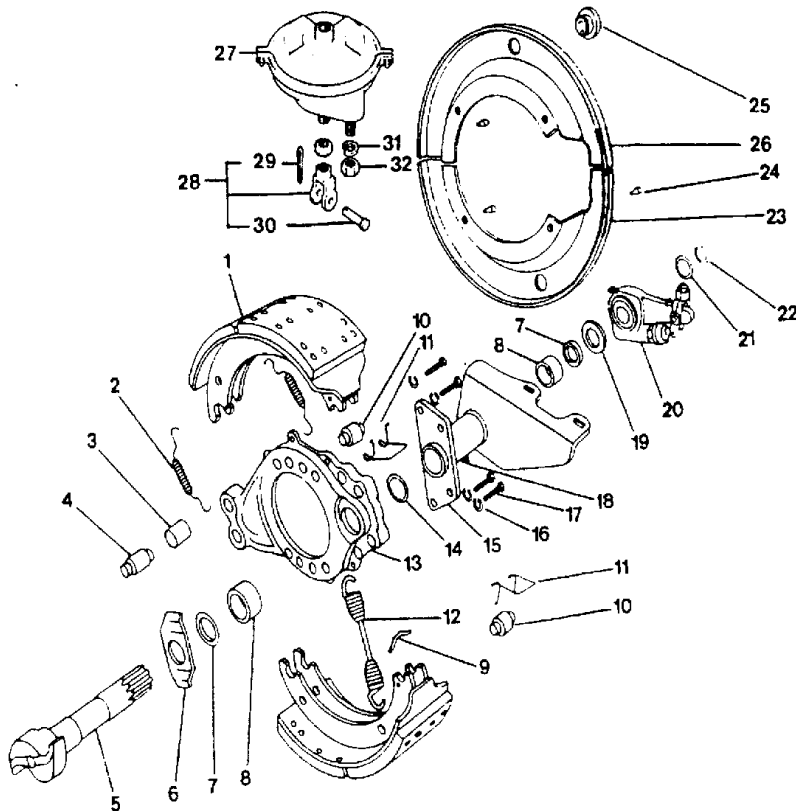
Models: A3RE, C4RE
 BRAKE ASSY, REAR
 10 INCH
 RIDWL, HS
 BSN: From CSN 10096696 RE 11/05/01

Key	PartNumber	Qty	Description	Comment
-----	------------	-----	-------------	---------

FRONT BRAKES, Q-TYPE

DR	BY	Q158541
APP	BY	

© 1985 BLUE BIRD BODY COMPANY
 ALL RIGHTS RESERVED



PAGE 6

Models: A3RE, C4RE
BRAKE ASSY, REAR
10 INCH
RIDWL, HS
BSN: From CSN 10096696 RE 11/05/01

Key	PartNumber	Qty	Description	Comment
1			KIT, BRAKE SHOE & LINING ASSEMBLY	
NI	0044937		KIT, MAJOR OVERHAUL, 16.5 X 10, MERITOR	<i>INCLUDES ITEMS 1, 2, 3, 4, 9, 10, 11, 12</i>
NI	2151389		KIT, HARDWARE, CAM BRAKE MINOR	<i>INCLUDES ITEMS 2, 3, 4, 9, 10, 11, 12</i>
2			KIT, SPRING, BRAKE SHOE RETAINING	
3			KIT, BUSHING, ANCHOR PIN	
4			KIT, ANCHOR PIN, BRAKE SHOE	
5	0045313		CAMSHAFT, LH	
5	0045314		CAMSHAFT, RH	
NI	0044938		KIT, BUSHING & SEAL"	<i>INCLUDES ITEMS 7, 8</i>
NI	0038801		KIT, WASHER & SNAP RING, CAMSHAFT, MERITOR	<i>INCLUDES ITEMS 19, 21, 22</i>
6	8302721		WASHER, CAMHEAD, FLAT	
7			KIT, SEAL, CAMSHAFT	
8			KIT, BUSHING, CAMSHAFT SPIDER & BRACKET	
9			KIT, PIN, BRAKE SHOE RETURN SPRING	
10			KIT, ROLLER, BRAKE SHOE	
11			KIT, RETAINER, SHOE ROLLER	
12			KIT, RETURN SPRING, BRAKE SHOE	
13	0034157		SPIDER, LH/RH, MERITOR	
14	2644235		SEAL, FELT, BRAKE SPIDER	
15	0045322		BRACKET, CAMSHAFT, LH/RH	
16			WASHER, CHAMBER BRACKET	
17			CAPSCREW, CHAMBER BRACKET	
18			FITTING, GREASE	
19			KIT, WASHER, CAMSHAFT	
20	0045339		SLACK ADJ, LH, HALDEX"	
20	0045340		SLACK ADJ, RH, HALDEX"	
NI	1233543		KIT ASSY, BRACKET, HALDEX 427-10430	
21			KIT, WASHER, SPACING	
22			KIT, LOCKRING, CAMSHAFT	
NI	0041403		CHAMBER, BRAKE, 3030, MGM	
NI	0034225		KIT, CLEVIS, MERITOR	

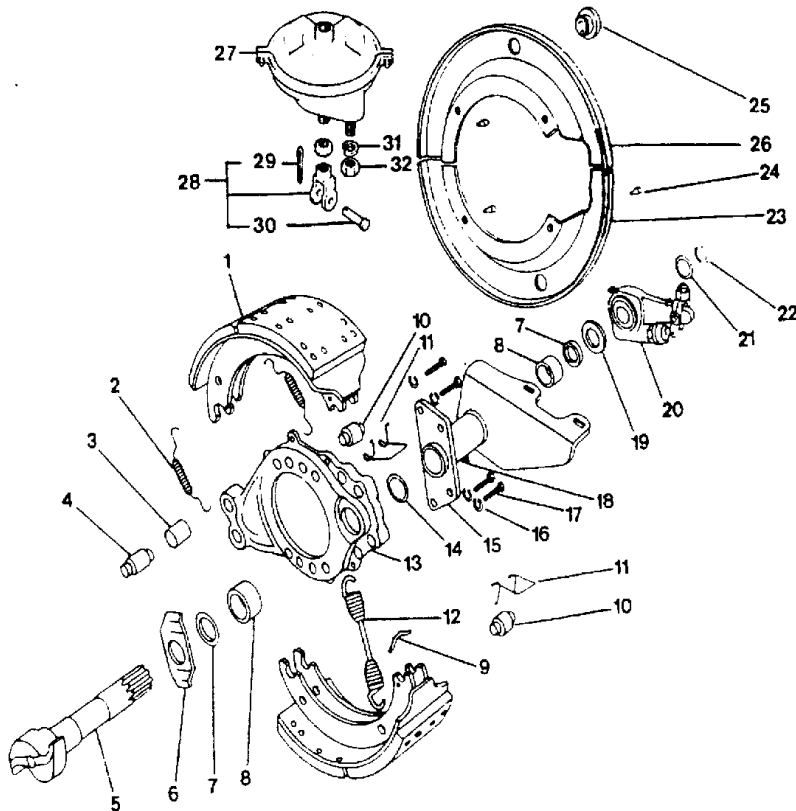
Models: A3RE, C4RE
 BRAKE ASSY, REAR
 10 INCH
 RIDWL, MS
 BSN: From CSN 10096696 RE 11/05/01

Key	PartNumber	Qty	Description	Comment
-----	------------	-----	-------------	---------

FRONT BRAKES, Q-TYPE

DR	BY	Q158541
APP	BY	

© 1985 BLUE BIRD BODY COMPANY
 ALL RIGHTS RESERVED



PAGE 6

Models: A3RE, C4RE
BRAKE ASSY, REAR
10 INCH
RIDWL, MS
BSN: From CSN 10096696 RE 11/05/01

Key	PartNumber	Qty	Description	Comment
1			KIT, BRAKE SHOE & LINING ASSEMBLY	
NI	0044937		KIT, MAJOR OVERHAUL, 16.5 X 10, MERITOR	<i>INCLUDES ITEMS 1, 2, 3, 4, 9, 10, 11, 12</i>
NI	2151389		KIT, HARDWARE, CAM BRAKE MINOR	<i>INCLUDES ITEMS 2, 3, 4, 9, 10, 11, 12</i>
2			KIT, SPRING, BRAKE SHOE RETAINING	
3			KIT, BUSHING, ANCHOR PIN	
4			KIT, ANCHOR PIN, BRAKE SHOE	
5	0045313		CAMSHAFT, LH	
5	0045314		CAMSHAFT, RH	
NI	0044938		KIT, BUSHING & SEAL"	<i>INCLUDES ITEMS 7, 8</i>
NI	0038801		KIT, WASHER & SNAP RING, CAMSHAFT, MERITOR	<i>INCLUDES ITEMS 19, 21, 22</i>
6	8302721		WASHER, CAMHEAD, FLAT	
7			KIT, SEAL, CAMSHAFT	
8			KIT, BUSHING, CAMSHAFT SPIDER & BRACKET	
9			KIT, PIN, BRAKE SHOE RETURN SPRING	
10			KIT, ROLLER, BRAKE SHOE	
11			KIT, RETAINER, SHOE ROLLER	
12			KIT, RETURN SPRING, BRAKE SHOE	
13	0034157		SPIDER, LH/RH, MERITOR	
14	2644235		SEAL, FELT, BRAKE SPIDER	
15	0045322		BRACKET, CAMSHAFT, LH/RH	
16			WASHER, CHAMBER BRACKET	
17			CAPSCREW, CHAMBER BRACKET	
18			FITTING, GREASE	
19			KIT, WASHER, CAMSHAFT	
20	0034255		SLACK ADJ, MERITOR, 6-28, LH, 30 CHAMBER"	
20	0034256		SLACK ADJ, MERITOR, 6-28, RH, 30 CHAMBER"	
21			KIT, WASHER, SPACING	
22			KIT, LOCKRING, CAMSHAFT	
NI	0045348		CHAMBER, BRAKE, MGM, TYPE 30"	
NI	0034225		KIT, CLEVIS, MERITOR	
NI	0045353		YOKE, BRAKE CHAMBER"	

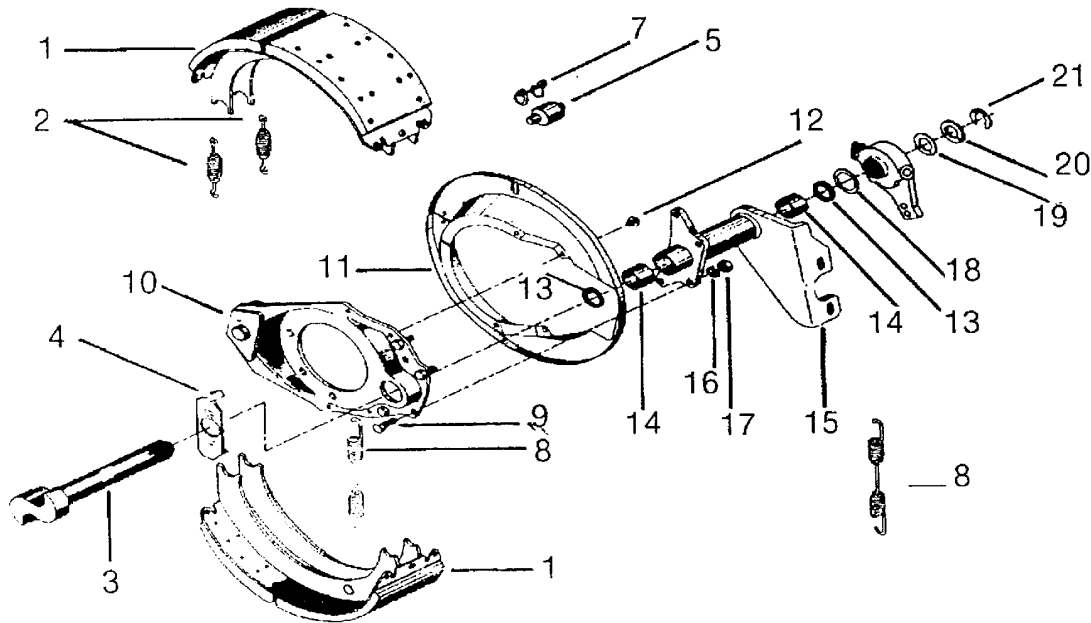
Models: A3FE, A3RE
BRAKE ASSY, REAR
7 INCH
EXT SERVICE
SPRING SUSPENSION

With Features: FEATURE 40070-01, 02
BSN: From CSN 0996888
 To CSN 30096776 FE 10096696 RE 11/05/01

Key	PartNumber	Qty	Description	Comment
-----	------------	-----	-------------	---------

DR.11/14/95 BY DB		4317616	
APP.11/14/95 BY AB	FRT		REV

© BLUE BIRD BODY COMPANY. ALL RIGHTS RESERVED



Models: A3FE, A3RE
BRAKE ASSY, REAR
7 INCH
EXT SERVICE
SPRING SUSPENSION
With Features: FEATURE 40070-01, 02
BSN: From CSN 0996888
 To CSN 30096776 FE 10096696 RE 11/05/01

Key	PartNumber	Qty	Description	Comment
1	4318473	4	SHOE & LINING ASSY,REAR,7",,ES"	ENDING WITH CSN 996887
1	8302952	4	SHOE & LINING ASSY,7" REAR,ALL EXCEPT	BEGIN WITH CSN 996888
NI	4320107	4	SHOE ONLY,16.5 X 7	ENDING WITH CSN 996887 SHOE ONLY
NI	8304719	4	SHOE,BRAKE,REAR,7",,ES-II"	BEGIN WITH CSN 996888 SHOE ONLY
NI	4318689		KIT,LINING,REAR,7",,J230,ES"	
2	4317244	3	SPRING,SHOE RETAINER"	EATON,. ENDING WITH CSN 996887
2	8302986	3	SPRING,SHOE RETAINING,NEW HOT SHOE"	EATON. BEGIN WITH CSN 996888
3	4317442	1	CAMSHAFT,16.5 X 7,REAR LH"	
3	4317459	1	CAMSHAFT,16.5 X 7,REAR RH"	
4	4317269	4	WASHER,CAMSHAFT"	
5	4317335	4	ROLLER,CAMSHAFT"	
7	4317343	2	RETAINER,ROLLER"	
8	4317350	2	SPRING,RELEASE,BROWN"	BROWN OR GRAY
9	2157949	8	BOLT,CHAMBER BRKT TO BRAKE SPIDER (CAST)	
10	4317509		SPIDER,LH,7"'"	EATON
10	4317517		SPIDER,RH,7"'"	EATON
11	1836022	2	KIT,DUSTSHIELD,AIR BRAKE,EATON,16.5X7,	
12	4310116	8	SCREW,DUSTSHIELD"	
13	2627370	8	SEAL,BRAKE SPIDER & CAMSHAFT	
14	4310488	4	BUSHING,CAMSHAFT,BRAKES EATON"	
15	4310769		BRKT.ASSY. BRAKE CHMB, 7"'"LH 132"'" WB"	
15	4310777		BRKT.ASSY.BRAKE CHMB,7"'" RH 132"'" WB"	
16	4310058	8	LOCKWASHER	
17	2137289	8	NUT,HEX,EATON BRAKES	
18	4310546	2	WASHER,INNER,SLACK ADJUSTER"	
19	2630267		WASHER,CAMSHAFT SPACER .032	
20	4310561		WASHER,CAMSHAFT SHIM .60"	
21	4310231	2	SNAPRING,CAMSHAFT"	
22	4317384	2	FITTING,GREASE"	
23	4317475	2	SLACK ADJUSTER,16.5 X 7,REAR LH/RH"	ENDING WITH CSN 996887
23	4320040	2	SLACK ADJUSTER,7"'" ,8.62,RIDEWELL,J230"	BEGIN WITH CSN 996888
NI	1513670	AR	BUSHING,.50"'"X.62"'" ,HALDEX,452-10058	

Models: A3FE, A3RE
BRAKE ASSY, REAR
7 INCH
EXT SERVICE
SPRING SUSPENSION

With Features: **FEATURE 40070-01, 02**
BSN: **From CSN 0996888**
To CSN 30096776 FE 10096696 RE 11/05/01

Key	PartNumber	Qty	Description	Comment
NI	4319794	1	KIT,MAJOR OVERHAUL,7"" EXT SERV"	<i>1, 2, 5 AND 8</i>
NI	4317434	1	KIT,STANDARD,SERVICE,OVERHAUL,	<i>INCLUDES 2, 5 AND 8. SERVICES ONE BRAKE</i>
NI	4311080		KIT, CAMSHAFT, BUSHING 16.5 X 5,6,7,8.62	<i>INCLUDES 13, 14 & 21 SERVICES TWO BRAKES</i>

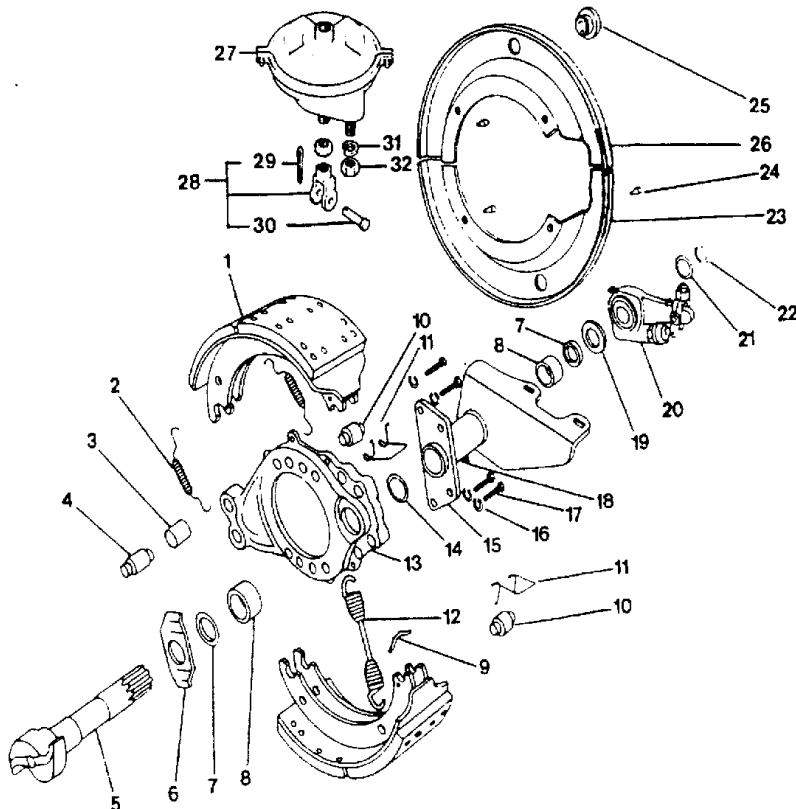
Models: A3FE, A3RE, C3FE, CSFE, CSRE, QBRE, TCFE
 BRAKE ASSY, REAR
 7 INCH
 HENDRICKSON, MERITOR
 BSN: From CSN 30096776 FE 10096696 RE 11/05/01

Key	PartNumber	Qty	Description	Comment
-----	------------	-----	-------------	---------

FRONT BRAKES, Q-TYPE

DR	BY	Q158541
APP	BY	

© 1985 BLUE BIRD BODY COMPANY
 ALL RIGHTS RESERVED



PAGE 6

Models: A3FE, A3RE, C3FE, CSFE, CSRE, QBRE, TCFE
BRAKE ASSY, REAR
7 INCH
HENDRICKSON, MERITOR
BSN: From CSN 30096776 FE 10096696 RE 11/05/01

Key	PartNumber	Qty	Description	Comment
1			KIT, BRAKE SHOE & LINING ASSY.	
NI	0034136		KIT, MAJOR OVERHAUL, MERITOR, 7"	INCLUDES ITEMS 1, 2, 3, 4, 9, 10, 11, 12
NI	0041750		KIT, MINOR OVERHAUL, HD, 8.62, MERITOR	INCLUDES ITEMS 2, 3, 4, 9, 10, 11, 12
2			KIT, SPRING, BRAKE SHOE RETAINING	
3			KIT, BUSHING, ANCHOR PIN	
4			KIT, ANCHOR PIN, BRAKE SHOE	
5	2137099		CAMSHAFT, 7IN Q-BRAKE, RH, AARE	REAR BRAKE
5	2137107		CAMSHAFT, 7IN Q-BRAKE, LH, AARE	REAR BRAKE
NI	0044938		KIT, BUSHING & SEAL"	INCLUDES ITEMS 7, 8
NI	0038801		KIT, WASHER & SNAP RING, CAMSHAFT, MERITOR	INCLUDES ITEMS 19, 21, 22
6	8302721		WASHER, CAMHEAD, FLAT	
7			KIT, SEAL, CAMSHAFT	
8			KIT, BUSHING, CAMSHAFT SPIDER & BRKT.	
9			KIT, PIN, BRAKE SHOE RETURN SPRING	
10			KIT, ROLLER, BRAKE SHOE	
11			KIT, RETAINER, SHOE ROLLER	
12			KIT, RETURN SPRING, BRAKE SHOE	
13	0034157		SPIDER, LH/RH, MERITOR	
14	2644235		SEAL, FELT, BRAKE SPIDER	
15	0071476		BRACKET, CAMSHAFT, LH, 88 DEG, MERITOR	
15	0071475		BRACKET, CAMSHAFT, RH, 88 DEG, MERITOR	
16			WASHER, CHAMBER BRKT.	
17			CAPSCREW, CHAMBER BRKT.	
18			FITTING, GREASE	
19			KIT, WASHER, CAMSHAFT	
20	0034253		SLACK ADJ, MERITOR, 5.5-28, L, 24/30 CHAMBER	
20	0034254		SLACK ADJ, MERITOR, 5.5-28, RH, 24/30	
	4311262		KIT, SLACK ADJ. REAR 7/8.62"	
NI	0034893		BRACKET ASSY, SLACK ADJ, HALDEX	HALDEX ONLY
21			KIT, WASHER, SPACING	
22			KIT, LOCKRING, CAMSHAFT	
NI	0041403		CHAMBER, BRAKE, 3030, MGM	
NI	0034225		KIT, CLEVIS, MERITOR	

Models: A3FE, A3RE, C3FE, CSFE, CSRE, QBRE, TCFE
BRAKE ASSY, REAR
7 INCH
HENDRICKSON, MERITOR
BSN: From CSN 30096776 FE 10096696 RE 11/05/01

Key	PartNumber	Qty	Description	Comment
23	0031492		DUSTSHIELD KIT,AIR BRAKE,16.5X7 QP,23K	
24			KIT, CAPSCREW, DUSTSHIELD	

Models: A3FE, A3RE, CSFE, CSRE, TCFE, TCRE, QBRE
 BRAKE ASSY, REAR
 7 INCH

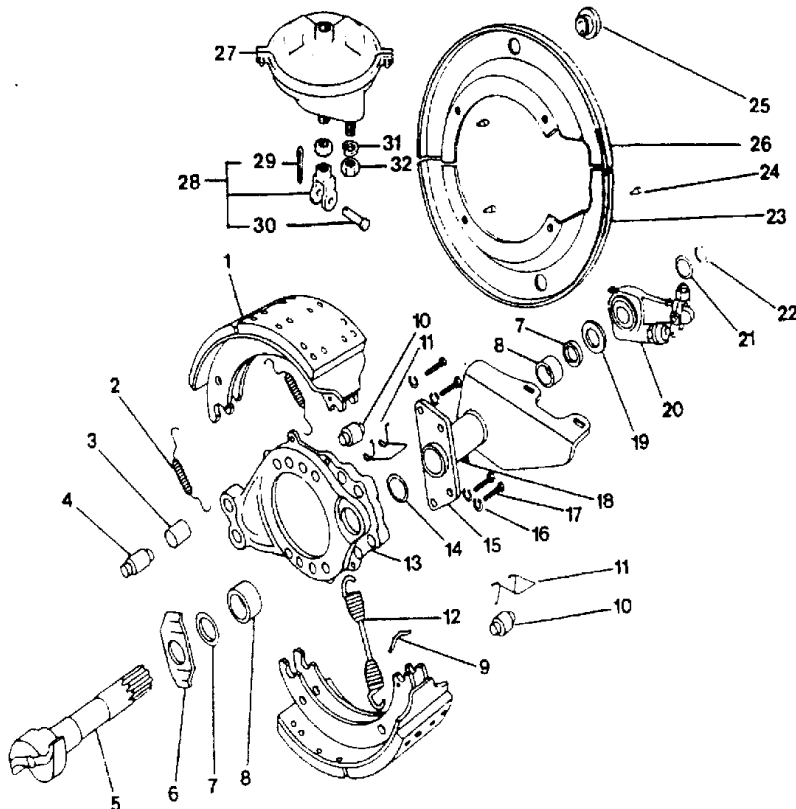
With Features: FEATURE 40052-01, 03, OPTION 4353, 4355
 BSN: From CSN 30079480 FE 10077010 RE 01/22/01
 To CSN 30096775 FE 10096695 RE 11/04/01

Key	PartNumber	Qty	Description	Comment
-----	------------	-----	-------------	---------

FRONT BRAKES, Q-TYPE

DR	BY	Q158541
APP	BY	

© 1985 BLUE BIRD BODY COMPANY
 ALL RIGHTS RESERVED



PAGE 6

Models: A3FE, A3RE, CSFE, CSRE, TCFE, TCRE, QBRE
BRAKE ASSY, REAR
7 INCH

With Features: FEATURE 40052-01, 03, OPTION 4353, 4355
BSN: From CSN 30079480 FE 10077010 RE 01/22/01
 To CSN 30096775 FE 10096695 RE 11/04/01

Key	PartNumber	Qty	Description	Comment
1			KIT, BRAKE SHOE & LINING ASSY.	
NI	0034136		KIT, MAJOR OVERHAUL, MERITOR, 7"	<i>INCLUDES ITEMS 1, 2, 3, 4, 9, 10, 11, 12</i>
NI	2151389		KIT, HARDWARE, CAM BRAKE MINOR	<i>INCLUDES ITEMS 2, 3, 4, 9, 10, 11, 12</i>
2			KIT, SPRING, BRAKE SHOE RETAINING	
3			KIT, BUSHING, ANCHOR PIN	
4			KIT, ANCHOR PIN, BRAKE SHOE	
5	0029123		CAMSHAFT, RH, Q TYPE	<i>FRONT BRAKE</i>
5	0029122		CAMSHAFT, LH, Q-TYPE	<i>FRONT BRAKE</i>
NI	0034412		KIT, BUSHING & SEAL, CAMSHAFT, MERITOR"	<i>INCLUDES ITEMS 7, 8</i>
NI	0036937		KIT, CAMSHAFT REBUILD, MERITOR	<i>INCLUDES ITEMS 6, 7, 8, 14, 18, 19, 21, 22</i>
6			KIT, WASHER, CAMHEAD	
7			KIT, SEAL, CAMSHAFT	
8			KIT, BUSHING, CAMSHAFT SPIDER & BRKT.	
9			KIT, PIN, BRAKE SHOE RETURN SPRING	
10			KIT, ROLLER, BRAKE SHOE	
11			KIT, RETAINER, SHOE ROLLER	
12			KIT, RETURN SPRING, BRAKE SHOE	
13	0034153		SPIDER, LH, MERITOR"	
13	0034154		SPIDER, RH, MERITOR"	
14			KIT, GASKET, CHAMBER BRKT.	
15	0034265		BRACKET, CAMSHAFT, LH, MERITOR"	<i>INCLUDES ITEMS 15, 16, 17</i>
15	0034266		BRACKET, CAMSHAFT, LH, MERITOR"	<i>INCLUDES ITEMS 15, 16, 17</i>
16			KIT, WASHER, CHAMBER BRKT.	
17			KIT, CAPSCREW, CHAMBER BRKT.	
18			KIT, FITTING, GREASE	
19			KIT, WASHER, CAMSHAFT	
20	0034253		SLACK ADJ, MERITOR, 5.5-28, L, 24/30 CHAMBER	
20	0034254		SLACK ADJ, MERITOR, 5.5-28, RH, 24/30	
21			KIT, WASHER, SPACING	
22			KIT, LOCKRING, CAMSHAFT	
23	0034276		CHAMBER, BRAKE, LH, MGM, 30"	
23	0034277		CHAMBER, BRAKE, RH, MGM, 30"	

Models: A3FE, A3RE, CSFE, CSRE, TCFE, TCRE, QBRE
 BRAKE ASSY, REAR
 7 INCH

With Features: J190, J210 WITH MERITOR
BSN: FEATURE 40052-01, 03, OPTION 4353, 4355
 From CSN 30079480 FE 10077010 RE 01/22/01
 To CSN 30096775 FE 10096695 RE 11/04/01

Key	PartNumber	Qty	Description	Comment
NI	0034225		KIT,CLEVIS,MERITOR	
24			KIT, PIN COTTER, BRAKE CHAMBER	
25			KIT, PIN, BRAKE CHAMBER YOKE	
26			KIT, YOKE	
27			WASHER, BRAKE CHAMBER	
28			NUT, BRAKE CHAMBER STUD	

Models: A3FE, A3RE, CSFE, CSRE, TCFE
BRAKE ASSY, REAR
7 INCH

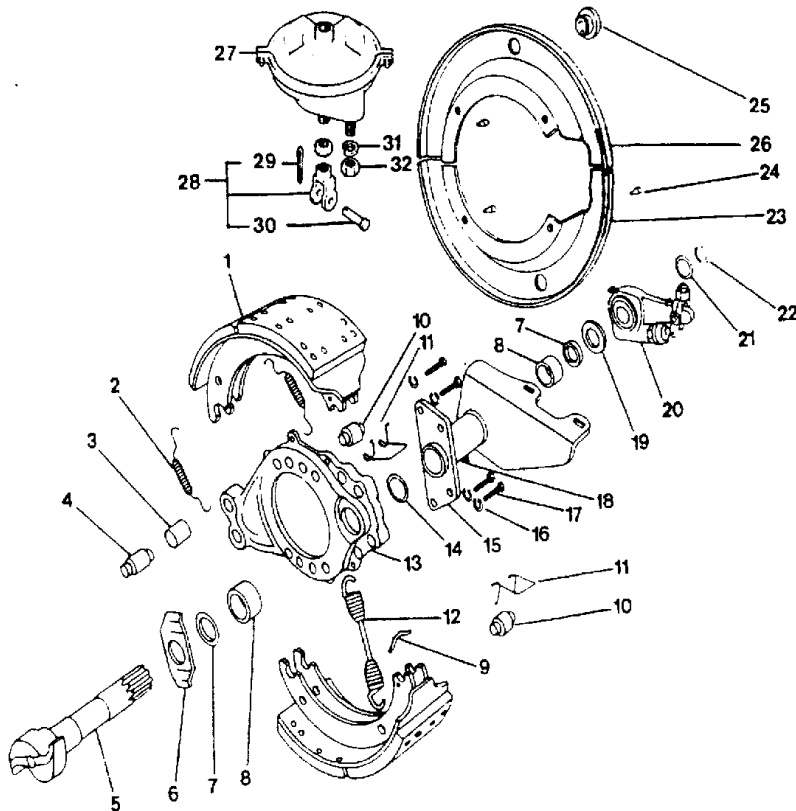
With Features: FEATURE 40052-02, OPTION 4353, 4355
BSN: From CSN 30079480 FE 10077010 RE 01/22/01
 To CSN 30096775 FE 10096695 RE 11/04/01

Key	PartNumber	Qty	Description	Comment
-----	------------	-----	-------------	---------

FRONT BRAKES, Q-TYPE

DR	BY	Q158541
APP	BY	

© 1985 BLUE BIRD BODY COMPANY
 ALL RIGHTS RESERVED



PAGE 6

Models: A3FE, A3RE, CSFE, CSRE, TCFE

BRAKE ASSY, REAR

7 INCH

J190, J210 WITH MERITOR

With Features: FEATURE 40052-02, OPTION 4353, 4355

BSN: From CSN 30079480 FE 10077010 RE 01/22/01

To CSN 30096775 FE 10096695 RE 11/04/01

Key	PartNumber	Qty	Description	Comment
1			KIT, BRAKE SHOE & LINING ASSY.	
NI	0034136		KIT,MAJOR OVERHAUL,MERITOR,7"	<i>INCLUDES ITEMS 1, 2, 3, 4, 9, 10, 11, 12</i>
NI	2151389		KIT,HARDWARE,CAM BRAKE MINOR	<i>INCLUDES ITEMS 2, 3, 4, 9, 10, 11, 12</i>
2			KIT, SPRING, BRAKE SHOE RETAINING	
3			KIT, BUSHING, ANCHOR PIN	
4			KIT, ANCHOR PIN, BRAKE SHOE	
5	0029123		CAMSHAFT, RH, Q TYPE	<i>FRONT BRAKE</i>
5	0029122		CAMSHAFT, LH, Q-TYPE	<i>FRONT BRAKE</i>
NI	0034412		KIT,BUSHING & SEAL,CAMSHAFT,MERITOR"	<i>INCLUDES ITEMS 7, 8</i>
NI	0036937		KIT,CAMSHAFT REBUILD,MERITOR	<i>INCLUDES ITEMS 6, 7, 8, 14, 18, 19, 21, 22</i>
6			KIT, WASHER, CAMHEAD	
7			KIT, SEAL, CAMSHAFT	
8			KIT, BUSHING, CAMSHAFT SPIDER & BRKT.	
9			KIT, PIN, BRAKE SHOE RETURN SPRING	
10			KIT, ROLLER, BRAKE SHOE	
11			KIT, RETAINER, SHOE ROLLER	
12			KIT, RETURN SPRING, BRAKE SHOE	
13	0034155		SPIDER,LH,MERITOR"	
13	0034156		SPIDER,RH,MERITOR"	
14			KIT, GASKET, CHAMBER BRKT.	
15	0034265		BRACKET,CAMSHAFT,LH,MERITOR"	<i>INCLUDES ITEMS 15, 16, 17</i>
15	0034266		BRACKET,CAMSHAFT,LH,MERITOR"	<i>INCLUDES ITEMS 15, 16, 17</i>
16			KIT, WASHER, CHAMBER BRKT.	
17			KIT, CAPSCREW, CHAMBER BRKT.	
18			KIT, FITTING, GREASE	
19			KIT, WASHER, CAMSHAFT	
20	0034292		SLACK ADJ,HALDEX"	
NI	0034895		BRACKET ASSY,SLACK ADJ,HALDEX"	
21			KIT, WASHER, SPACING	
22			KIT, LOCKRING, CAMSHAFT	
23	0034276		CHAMBER,BRAKE,LH,MGM,30"	
23	0034277		CHAMBER,BRAKE,RH,MGM,30"	

Models: A3FE, A3RE, CSFE, CSRE, TCFE
 BRAKE ASSY, REAR
 7 INCH

With Features: J190, J210 WITH MERITOR
BSN: FEATURE 40052-02, OPTION 4353, 4355
 From CSN 30079480 FE 10077010 RE 01/22/01
 To CSN 30096775 FE 10096695 RE 11/04/01

Key	PartNumber	Qty	Description	Comment
NI	0034225		KIT,CLEVIS,MERITOR	
24			KIT, PIN COTTER, BRAKE CHAMBER	
25			KIT, PIN, BRAKE CHAMBER YOKE	
26			KIT, YOKE	
27			WASHER, BRAKE CHAMBER	
28			NUT, BRAKE CHAMBER STUD	

Models: A3FE, A3RE, CSFE, CSRE, TCFE, TCRE, QBRE
 BRAKE ASSY, REAR
 7 INCH

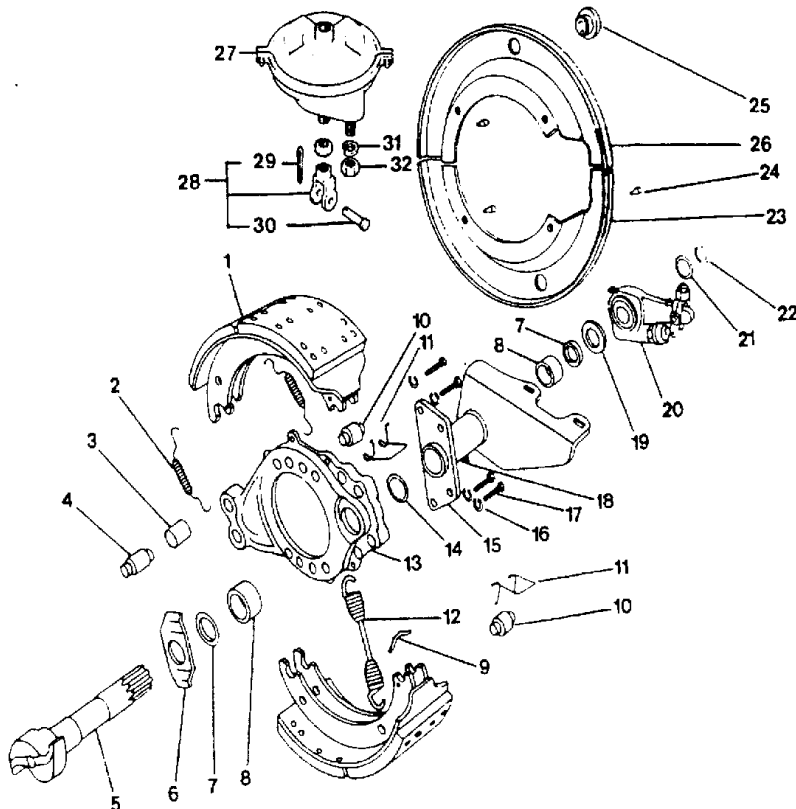
With Features: J230 WITH MERITOR
 FEATURE 40052-03
 BSN: From CSN 30079480 FE 10077010 RE 01/22/01
 To CSN 30096775 FE 10096695 RE 11/04/01

Key	PartNumber	Qty	Description	Comment
-----	------------	-----	-------------	---------

FRONT BRAKES, Q-TYPE

DR	BY	Q158541
APP	BY	

© 1985 BLUE BIRD BODY COMPANY
 ALL RIGHTS RESERVED



PAGE 6

Models: A3FE, A3RE, CSFE, CSRE, TCFE, TCRE, QBRE
 BRAKE ASSY, REAR
 7 INCH

With Features: J230 WITH MERITOR
FEATURE 40052-03
BSN: From CSN 30079480 FE 10077010 RE 01/22/01
 To CSN 30096775 FE 10096695 RE 11/04/01

Key	PartNumber	Qty	Description	Comment
1			KIT, BRAKE SHOE & LINING ASSY.	
NI	0034137		KIT, MAJOR OVERHAUL, MERITOR, 7" HD"	INCLUDES ITEMS 1, 2, 3, 4, 9, 10, 11, 12
NI	2151389		KIT, HARDWARE, CAM BRAKE MINOR	INCLUDES ITEMS 2, 3, 4, 9, 10, 11, 12
2			KIT, SPRING, BRAKE SHOE RETAINING	
3			KIT, BUSHING, ANCHOR PIN	
4			KIT, ANCHOR PIN, BRAKE SHOE	
5	0029123		CAMSHAFT, RH, Q TYPE	FRONT BRAKE
5	0029122		CAMSHAFT, LH, Q-TYPE	FRONT BRAKE
NI	0034412		KIT, BUSHING & SEAL, CAMSHAFT, MERITOR"	INCLUDES ITEMS 7, 8
NI	0034906		KIT, CAMSHAFT REBUILD, MERITOR	INCLUDES ITEMS 6, 7, 8, 14, 18, 19, 21, 22
6			KIT, WASHER, CAMHEAD	
7			KIT, SEAL, CAMSHAFT	
8			KIT, BUSHING, CAMSHAFT SPIDER & BRKT.	
9			KIT, PIN, BRAKE SHOE RETURN SPRING	
10			KIT, ROLLER, BRAKE SHOE	
11			KIT, RETAINER, SHOE ROLLER	
12			KIT, RETURN SPRING, BRAKE SHOE	
13	0034157		SPIDER, LH/RH, MERITOR	
13	0034157		SPIDER, LH/RH, MERITOR	
14			KIT, GASKET, CHAMBER BRKT.	
15	0034268		BRACKET, CAMSHAFT, LH, MERITOR"	INCLUDES ITEMS 15, 16, 17
15	0034269		BRACKET, CAMSHAFT, RH, MERITOR"	INCLUDES ITEMS 15, 16, 17
16			KIT, WASHER, CHAMBER BRKT.	
17			KIT, CAPSCREW, CHAMBER BRKT.	
18			KIT, FITTING, GREASE	
19			KIT, WASHER, CAMSHAFT	
20	0034255		SLACK ADJ, MERITOR, 6-28, LH, 30 CHAMBER"	
20	0034256		SLACK ADJ, MERITOR, 6-28, RH, 30 CHAMBER"	
21			KIT, WASHER, SPACING	
22			KIT, LOCKRING, CAMSHAFT	
23	0034276		CHAMBER, BRAKE, LH, MGM, 30"	
23	0034277		CHAMBER, BRAKE, RH, MGM, 30"	

Models: A3FE, A3RE, CSFE, CSRE, TCFE, TCRE, QBRE

BRAKE ASSY, REAR

7 INCH

J230 WITH MERITOR

With Features: FEATURE 40052-03

BSN: From CSN 30079480 FE 10077010 RE 01/22/01

To CSN 30096775 FE 10096695 RE 11/04/01

Key	PartNumber	Qty	Description	Comment
NI	0034225		KIT,CLEVIS,MERITOR	
24			KIT, PIN COTTER, BRAKE CHAMBER	
25			KIT, PIN, BRAKE CHAMBER YOKE	
26			KIT, YOKE	
27			WASHER, BRAKE CHAMBER	
28			NUT, BRAKE CHAMBER STUD	

Models: A3FE, A3RE, CSFE, CSRE, QBRE
BRAKE ASSY, REAR
7 INCH

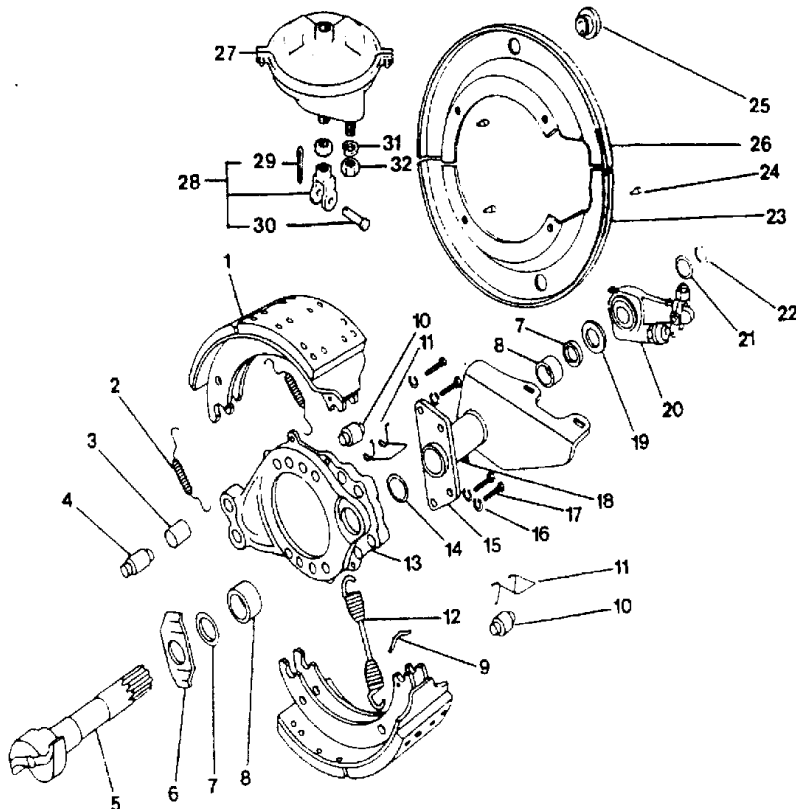
With Features: J230 WITH MERITOR
FEATURE 40052-02
BSN: From CSN 30079480 FE 10077010 RE 01/22/01
To CSN 30096775 FE 10096695 RE 11/04/01

Key	PartNumber	Qty	Description	Comment
-----	------------	-----	-------------	---------

FRONT BRAKES, Q-TYPE

DR	BY	Q158541
APP	BY	

© 1985 BLUE BIRD BODY COMPANY
ALL RIGHTS RESERVED



PAGE 6

Models: A3FE, A3RE, CSFE, CSRE, QBRE

BRAKE ASSY, REAR

7 INCH

J230 WITH MERITOR

With Features: FEATURE 40052-02

BSN: From CSN 30079480 FE 10077010 RE 01/22/01

To CSN 30096775 FE 10096695 RE 11/04/01

Key	PartNumber	Qty	Description	Comment
1			KIT, BRAKE SHOE & LINING ASSY.	
NI	0034137		KIT, MAJOR OVERHAUL, MERITOR, 7" HD"	INCLUDES ITEMS 1, 2, 3, 4, 9, 10, 11, 12
NI	2151389		KIT, HARDWARE, CAM BRAKE MINOR	INCLUDES ITEMS 2, 3, 4, 9, 10, 11, 12
2			KIT, SPRING, BRAKE SHOE RETAINING	
3			KIT, BUSHING, ANCHOR PIN	
4			KIT, ANCHOR PIN, BRAKE SHOE	
5	0029123		CAMSHAFT, RH, Q TYPE	FRONT BRAKE
5	0029122		CAMSHAFT, LH, Q-TYPE	FRONT BRAKE
NI	0034412		KIT, BUSHING & SEAL, CAMSHAFT, MERITOR"	INCLUDES ITEMS 7, 8
NI	0034906		KIT, CAMSHAFT REBUILD, MERITOR	INCLUDES ITEMS 6, 7, 8, 14, 18, 19, 21, 22
6			KIT, WASHER, CAMHEAD	
7			KIT, SEAL, CAMSHAFT	
8			KIT, BUSHING, CAMSHAFT SPIDER & BRKT.	
9			KIT, PIN, BRAKE SHOE RETURN SPRING	
10			KIT, ROLLER, BRAKE SHOE	
11			KIT, RETAINER, SHOE ROLLER	
12			KIT, RETURN SPRING, BRAKE SHOE	
13	0034157		SPIDER, LH/RH, MERITOR	
13	0034157		SPIDER, LH/RH, MERITOR	
14			KIT, GASKET, CHAMBER BRKT.	
15	0034268		BRACKET, CAMSHAFT, LH, MERITOR"	INCLUDES ITEMS 15, 16, 17
15	0034269		BRACKET, CAMSHAFT, RH, MERITOR"	INCLUDES ITEMS 15, 16, 17
16			KIT, WASHER, CHAMBER BRKT.	
17			KIT, CAPSCREW, CHAMBER BRKT.	
18			KIT, FITTING, GREASE	
19			KIT, WASHER, CAMSHAFT	
20	0034286		SLACK ADJ, HALDEX"	
NI	0034893		BRACKET ASSY, SLACK ADJ, HALDEX	
21			KIT, WASHER, SPACING	
22			KIT, LOCKRING, CAMSHAFT	
23	0034276		CHAMBER, BRAKE, LH, MGM, 30"	
23	0034277		CHAMBER, BRAKE, RH, MGM, 30"	

Models: A3FE, A3RE, CSFE, CSRE, QBRE

BRAKE ASSY, REAR

7 INCH

J230 WITH MERITOR

With Features: FEATURE 40052-02

BSN: From CSN 30079480 FE 10077010 RE 01/22/01

To CSN 30096775 FE 10096695 RE 11/04/01

Key	PartNumber	Qty	Description	Comment
NI	0034225		KIT,CLEVIS,MERITOR	
24			KIT, PIN COTTER, BRAKE CHAMBER	
25			KIT, PIN, BRAKE CHAMBER YOKE	
26			KIT, YOKE	
27			WASHER, BRAKE CHAMBER	
28			NUT, BRAKE CHAMBER STUD	

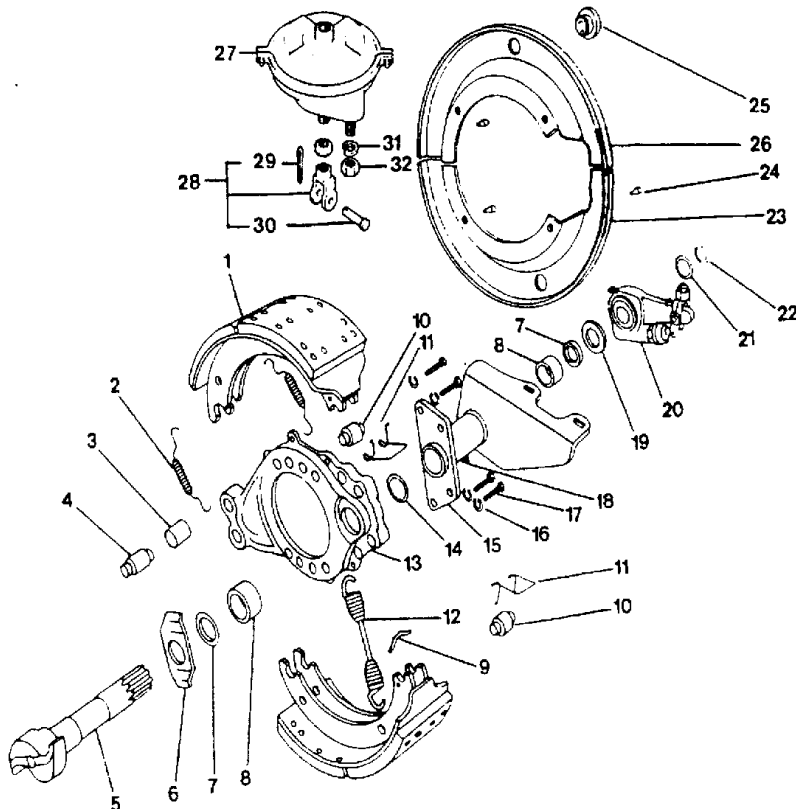
Models: A3FE, A3RE, C3FE, CSFE, CSRE, QBRE, TCFE
 BRAKE ASSY, REAR
 7 INCH
 RIDWL, HS, MERITOR
 BSN: From CSN 30096776 FE 10096696 RE 11/05/01

Key	PartNumber	Qty	Description	Comment
-----	------------	-----	-------------	---------

FRONT BRAKES, Q-TYPE

DR	BY	Q158541
APP	BY	

© 1985 BLUE BIRD BODY COMPANY
 ALL RIGHTS RESERVED



PAGE 6

Models: A3FE, A3RE, C3FE, CSFE, CSRE, QBRE, TCFE
BRAKE ASSY, REAR
7 INCH
RIDWL, HS, MERITOR
BSN: From CSN 30096776 FE 10096696 RE 11/05/01

Key	PartNumber	Qty	Description	Comment
1			KIT, BRAKE SHOE & LINING ASSY.	
NI	0034136		KIT, MAJOR OVERHAUL, MERITOR, 7"	INCLUDES ITEMS 1, 2, 3, 4, 9, 10, 11, 12
NI	0041750		KIT, MINOR OVERHAUL, HD, 8.62, MERITOR	INCLUDES ITEMS 2, 3, 4, 9, 10, 11, 12
2			KIT, SPRING, BRAKE SHOE RETAINING	
3			KIT, BUSHING, ANCHOR PIN	
4			KIT, ANCHOR PIN, BRAKE SHOE	
5	0045311		CAMSHAFT, LH	REAR BRAKE
5	0045312		CAMSHAFT, RH	REAR BRAKE
NI	0044938		KIT, BUSHING & SEAL"	INCLUDES ITEMS 7, 8
NI	0038801		KIT, WASHER & SNAP RING, CAMSHAFT, MERITOR	INCLUDES ITEMS 19, 21, 22
6	8302721		WASHER, CAMHEAD, FLAT	
7			KIT, SEAL, CAMSHAFT	
8			KIT, BUSHING, CAMSHAFT SPIDER & BRKT.	
9			KIT, PIN, BRAKE SHOE RETURN SPRING	
10			KIT, ROLLER, BRAKE SHOE	
11			KIT, RETAINER, SHOE ROLLER	
12			KIT, RETURN SPRING, BRAKE SHOE	
13	0034157		SPIDER, LH/RH, MERITOR	
14	2644235		SEAL, FELT, BRAKE SPIDER	
15	0034270		BRACKET, CAMSHAFT, LH/RH, MERITOR"	
16			WASHER, CHAMBER BRKT.	
17			CAPSCREW, CHAMBER BRKT.	
18			FITTING, GREASE	
19			KIT, WASHER, CAMSHAFT	
20	0045336		KIT, SLACK ADJ, HALDEX	
NI	1233543		KIT ASSY, BRACKET, HALDEX 427-10430	
21			KIT, WASHER, SPACING	
22			KIT, LOCKRING, CAMSHAFT	
NI	0041403		CHAMBER, BRAKE, 3030, MGM	
NI	0034225		KIT, CLEVIS, MERITOR	
23	0031492		DUSTSHIELD KIT, AIR BRAKE, 16.5X7 QP, 23K	
24			KIT, CAPSCREW, DUSTSHIELD	

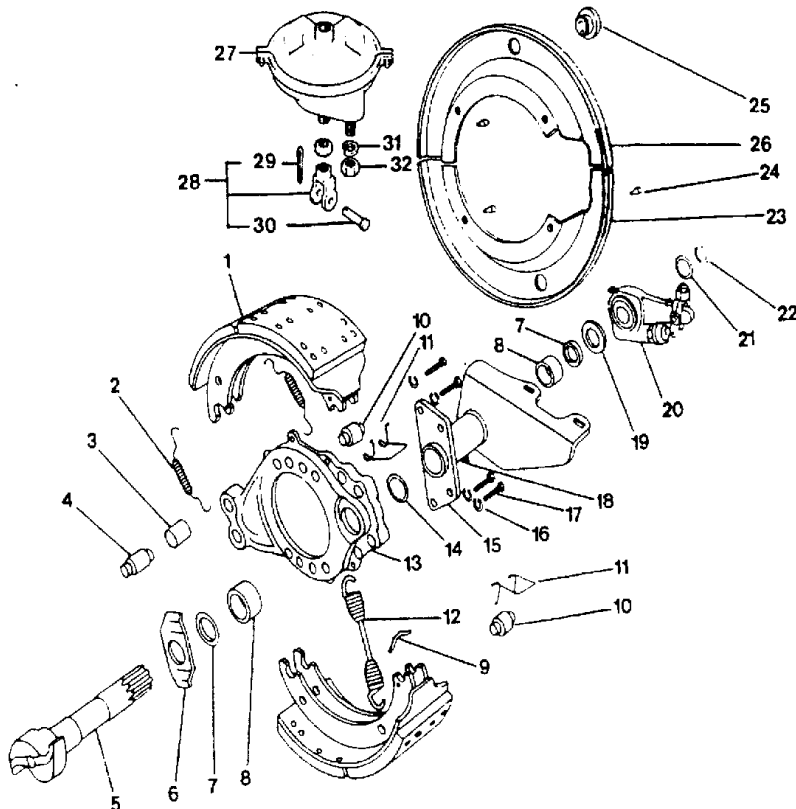
Models: A3FE, A3RE, C3FE, CSFE, CSRE, QBRE, TCFE
 BRAKE ASSY, REAR
 7 INCH
 RIDWL, MS, MERITOR
 BSN: From CSN 30096776 FE 10096696 RE 11/05/01

Key	PartNumber	Qty	Description	Comment
-----	------------	-----	-------------	---------

FRONT BRAKES, Q-TYPE

DR	BY	Q158541
APP	BY	

© 1985 BLUE BIRD BODY COMPANY
 ALL RIGHTS RESERVED



PAGE 6

Models: A3FE, A3RE, C3FE, CSFE, CSRE, QBRE, TCFE
BRAKE ASSY, REAR
7 INCH
RIDWL, MS, MERITOR
BSN: From CSN 30096776 FE 10096696 RE 11/05/01

Key	PartNumber	Qty	Description	Comment
1			KIT, BRAKE SHOE & LINING ASSY.	
NI	0034137		KIT,MAJOR OVERHAUL,MERITOR,7"" HD"	<i>INCLUDES ITEMS 1, 2, 3, 4, 9, 10, 11, 12</i>
NI	0041750		KIT,MINOR OVERHAUL,HD,8.62,MERITOR	<i>INCLUDES ITEMS 2, 3, 4, 9, 10, 11, 12</i>
2			KIT, SPRING, BRAKE SHOE RETAINING	
3			KIT, BUSHING, ANCHOR PIN	
4			KIT, ANCHOR PIN, BRAKE SHOE	
5	0029122		CAMSHAFT, LH, Q-TYPE	<i>REAR BARKE</i>
5	0029123		CAMSHAFT, RH, Q TYPE	<i>REAR BRAKE</i>
NI	0044938		KIT,BUSHING & SEAL"	<i>INCLUDES ITEMS 7, 8</i>
NI	0038801		KIT,WASHER & SNAP RING,CAMSHAFT,MERITOR	<i>INCLUDES ITEMS 19, 21, 22</i>
6	8302721		WASHER,CAMHEAD,FLAT	
7			KIT, SEAL, CAMSHAFT	
8			KIT, BUSHING, CAMSHAFT SPIDER & BRKT.	
9			KIT, PIN, BRAKE SHOE RETURN SPRING	
10			KIT, ROLLER, BRAKE SHOE	
11			KIT, RETAINER, SHOE ROLLER	
12			KIT, RETURN SPRING, BRAKE SHOE	
13	0034157		SPIDER,LH/RH,MERITOR	
14	2644235		SEAL,FELT,BRAKE SPIDER	
15	0047766		BRACKET ASSY,CAMSHAFT,LH"	
15	0047767		BRACKET ASSY,CAMSHAFT,RH	
16			WASHER, CHAMBER BRKT.	
17			CAPSCREW, CHAMBER BRKT.	
18			FITTING, GREASE	
19			KIT, WASHER, CAMSHAFT	
20	0034255		SLACK ADJ,MERITOR,6-28,LH,30 CHAMBER"	
20	0034256		SLACK ADJ,MERITOR,6-28,RH,30 CHAMBER"	
	0034286		SLACK ADJ,HALDEX"	
NI	0034893		BRACKET ASSY,SLACK ADJ,HALDEX	<i>HALDEX ONLY</i>
21			KIT, WASHER, SPACING	
22			KIT, LOCKRING, CAMSHAFT	
NI	0041403		CHAMBER,BRAKE,3030,MGM	
NI	0034225		KIT,CLEVIS,MERITOR	

Models: A3FE, A3RE, C3FE, CSFE, CSRE, QBRE, TCFE
BRAKE ASSY, REAR
7 INCH
RIDWL, MS, MERITOR
BSN: From CSN 30096776 FE 10096696 RE 11/05/01

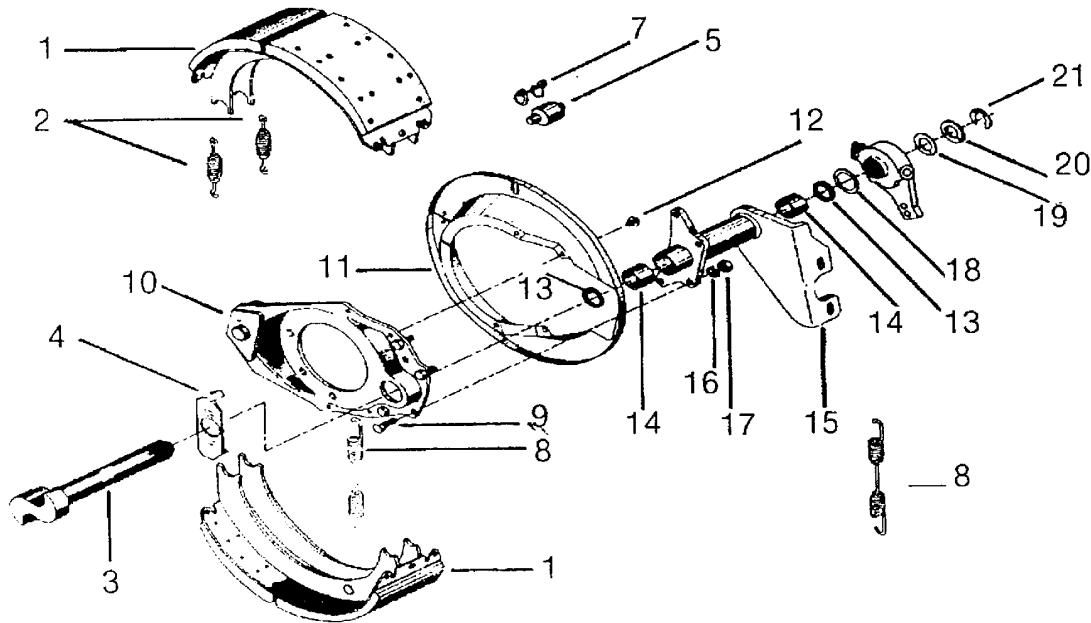
Key	PartNumber	Qty	Description	Comment
23	0031492		DUSTSHIELD KIT,AIR BRAKE,16.5X7 QP,23K	
24			KIT, CAPSCREW, DUSTSHIELD	

Models: A3FE, A3RE
BRAKE ASSY, REAR
7 INCH
STD SERVICE
J230 AXLE WITH SPRING SUSPENSION
With Features: FEATURE 40070-01, 02 WITH 40018
 To CSN 30096775 FE 10096695 RE 11/04/01

Key	PartNumber	Qty	Description	Comment
-----	------------	-----	-------------	---------

DR.11/14/95 BY DB		4317616	
APP.11/14/95 BY AB	FRT		REV

© BLUE BIRD BODY COMPANY. ALL RIGHTS RESERVED



Models: A3FE, A3RE
BRAKE ASSY, REAR
7 INCH
STD SERVICE
J230 AXLE WITH SPRING SUSPENSION
With Features: FEATURE 40070-01, 02 WITH 40018
To CSN 30096775 FE 10096695 RE 11/04/01

Key	PartNumber	Qty	Description	Comment
1	4318499		SHOE & LINING ASSY,REAR,7",J230,ES"	ENDING WITH CSN 996887
1	8302960		SHOE & LINING ASSY,7" REAR,ALL J230	BEGIN WITH CSN 996888
2	4317244	3	SPRING,SHOE RETAINER"	EATON,. ENDING WITH CSN 996887
2	8302986	3	SPRING,SHOE RETAINING,NEW HOT SHOE"	EATON. BEGIN WITH CSN 996888
3	4317442	1	CAMSHAFT,16.5 X 7,REAR LH"	
3	4317459	1	CAMSHAFT,16.5 X 7,REAR RH"	
4	4317269	4	WASHER,CAMSHAFT"	
5	4317335	4	ROLLER,CAMSHAFT"	
7	4317343	2	RETAINER,ROLLER"	
8	4317350	2	SPRING,RELEASE,BROWN"	BROWN OR GRAY
9	2157949	8	BOLT,CHAMBER BRKT TO BRAKE SPIDER (CAST)	
10	4310868		SPIDER, BRAKE, REAR, 7" LH EATON J230"	
10	4310850		SPIDER, BRAKE, REAR, 7" RH EATON J230"	
11	1836022	2	KIT,DUSTSHIELD,AIR BRAKE,EATON,16.5X7,	
12	4310116	8	SCREW,DUSTSHIELD"	
13	2627370	8	SEAL,BRAKE SPIDER & CAMSHAFT	
14	4310488	4	BUSHING,CAMSHAFT,BRAKES EATON"	
15	4317780		BRACKET ASSY,BRAKE CHAMBER,7",RDWL,	
15	4317780		BRACKET ASSY,BRAKE CHAMBER,7",RDWL,	
16	4310058	8	LOCKWASHER	
17	2137289	8	NUT,HEX,EATON BRAKES	
18	4310546	2	WASHER,INNER,SLACK ADJUSTER"	
19	2630267		WASHER,CAMSHAFT SPACER .032	
20	4310561		WASHER,CAMSHAFT SHIM .60"	
21	4310231	2	SNAPRING,CAMSHAFT"	
22	4317384	2	FITTING,GREASE"	
23	4317582		SLACK ADJ,REAR,7",EXT SER,J230,LH OR RH"	ENDING WITH CSN 996887
23	4320040	2	SLACK ADJUSTER,7",8.62,RIDEWELL,J230"	BEGIN WITH CSN 996888
	1640531		KIT ASSY,BRACKET,HALDEX 427-10543	AAFE, AARE, CSRE, TCRE, QBRE. ENDING WITH CSN 996887
	4320065		HARDWARE KIT,SLACK ADJ,7"/8.62"	AAFE, AARE, CSRE, TCRE, QBRE. BEGIN WITH CSN 996888
	1640531		KIT ASSY,BRACKET,HALDEX 427-10543	CSFE, TCFE. ENDING WITH CSN 999524
	4320065		HARDWARE KIT,SLACK ADJ,7"/8.62"	

Models: A3FE, A3RE
BRAKE ASSY, REAR
7 INCH
STD SERVICE
J230 AXLE WITH SPRING SUSPENSION
With Features: **FEATURE 40070-01, 02 WITH 40018**
To CSN 30096775 FE 10096695 RE 11/04/01

Key	PartNumber	Qty	Description	Comment
NI	1513670	AR	BUSHING,.50""X.62"" ,HALDEX,452-10058	
NI	4319810	1	KIT,MAJOR OVERHAUL,7"" EXT SERV,	<i>INCLUDES 1, 2, 5 AND 8</i>
NI	4317434	1	KIT,STANDARD,SERVICE,OVERHAUL,	<i>INCLUDES 2, 5 AND 8. SERVICES ONE BRAKE</i>
NI	4311080		KIT, CAMSHAFT, BUSHING 16.5 X 5,6,7,8.62	<i>INCLUDES 13, 14 & 21 SERVICES TWO BRAKES</i>

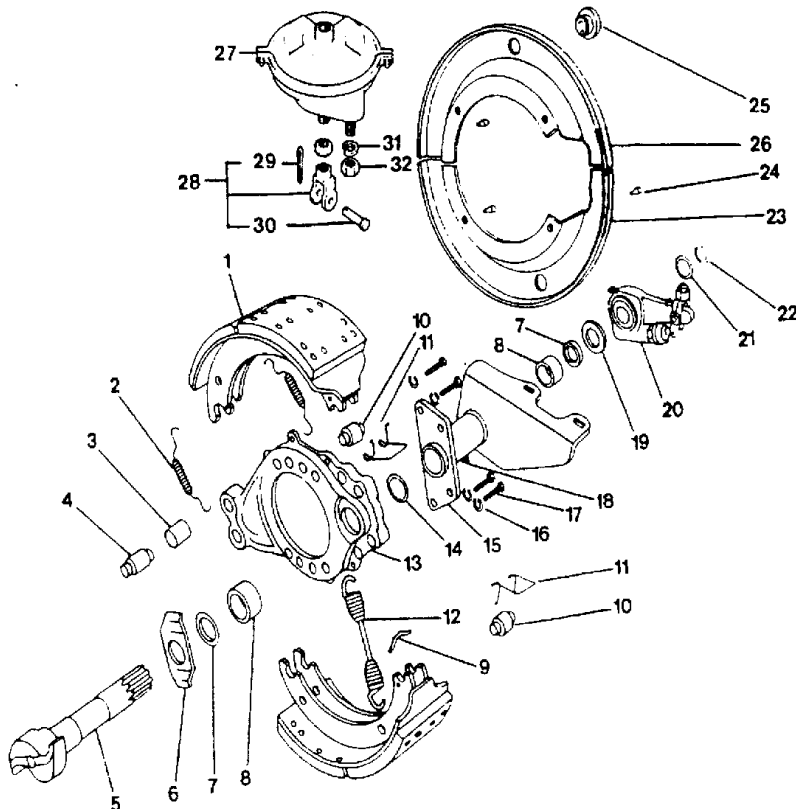
Models: A3FE, A3RE, C3FE, CSFE, CSRE, QBRE, TCFE
 BRAKE ASSY, REAR
 8.62 INCH
 HENDRICKSON, MERITOR
 BSN: From CSN 30096776 FE 10096696 RE 11/05/01

Key	PartNumber	Qty	Description	Comment
-----	------------	-----	-------------	---------

FRONT BRAKES, Q-TYPE

DR	BY	Q158541
APP	BY	

© 1985 BLUE BIRD BODY COMPANY
 ALL RIGHTS RESERVED



PAGE 6

Models: A3FE, A3RE, C3FE, CSFE, CSRE, QBRE, TCFE
BRAKE ASSY, REAR
8.62 INCH
HENDRICKSON, MERITOR
BSN: From CSN 30096776 FE 10096696 RE 11/05/01

Key	PartNumber	Qty	Description	Comment
1			KIT, BRAKE SHOE & LINING ASSEMBLY	
NI	0044936		KIT,MAJOR OVERHAUL,15 X 8.62,MERITOR"	<i>INCLUDES ITEMS 1, 2, 3, 4, 9, 10, 11, 12</i>
NI	8305302		KIT,HARDWARE,CAMBRAKE MINOR	<i>INCLUDES ITEMS 2, 3, 4, 9, 10, 11, 12</i>
2			KIT, SPRING, BRAKE SHOE RETAINING	
3			KIT, BUSHING, ANCHOR PIN	
4			KIT, ANCHOR PIN, BRAKE SHOE	
5	0029122		CAMSHAFT, LH, Q-TYPE	
5	0029123		CAMSHAFT, RH, Q TYPE	
NI	0044938		KIT,BUSHING & SEAL"	<i>INCLUDES ITEMS 7, 8</i>
NI	0038801		KIT,WASHER & SNAP RING,CAMSHAFT,MERITOR	<i>INCLUDES ITEMS 19, 21, 22</i>
6	8302721		WASHER,CAMHEAD,FLAT	
7			KIT, SEAL, CAMSHAFT	
8			KIT, BUSHING, CAMSHAFT SPIDER & BRACKET	
9			KIT, PIN, BRAKE SHOE RETURN SPRING	
10			KIT, ROLLER, BRAKE SHOE	
11			KIT, RETAINER, SHOE ROLLER	
12			KIT, RETURN SPRING, BRAKE SHOE	
13	0034157		SPIDER,LH/RH,MERITOR	
14	2644235		SEAL,FELT,BRAKE SPIDER	
15	0047766		BRACKET ASSY,CAMSHAFT,LH"	
15	0047767		BRACKET ASSY,CAMSHAFT,RH	
16			WASHER, CHAMBER BRACKET	
17			CAPSCREW, CHAMBER BRACKET	
18			FITTING, GREASE	
19			KIT, WASHER, CAMSHAFT	
20	0034255		SLACK ADJ,MERITOR,6-28,LH,30 CHAMBER"	
20	0034256		SLACK ADJ,MERITOR,6-28,RH,30 CHAMBER"	
20	0034286		SLACK ADJ,HALDEX"	
NI	0034893		BRACKET ASSY,SLACK ADJ,HALDEX	<i>HALDEX ONLY</i>
21			KIT, WASHER, SPACING	
22			KIT, LOCKRING, CAMSHAFT	
NI	0041403		CHAMBER,BRAKE,3030,MGM	
NI	0034225		KIT,CLEVIS,MERITOR	

Models: A3FE, A3RE, C3FE, CSFE, CSRE, QBRE, TCFE
BRAKE ASSY, REAR
8.62 INCH
HENDRICKSON, MERITOR
BSN: From CSN 30096776 FE 10096696 RE 11/05/01

Key	PartNumber	Qty	Description	Comment
23	0031493		DUSTSHIELD KIT,AIR BRAKE,16.5X8.62,QP"	
24			KIT, CAPSCREW, DUSTSHIELD	

Models: A3FE, A3RE, CSFE, CSRE, TCFE, TCRE, QBRE
BRAKE ASSY, REAR
8.62 INCH
J230 WITH MERITOR

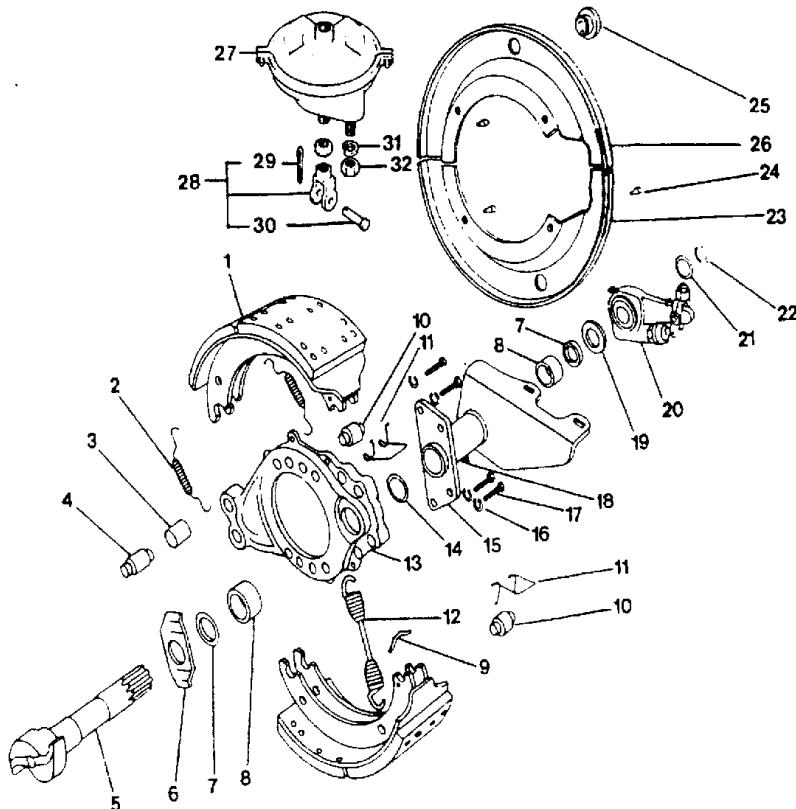
With Features: FEATURE 40052-03, OPTION 4324, 4351
BSN: From CSN 30079480 FE 10077010 RE 01/22/01
 To CSN 30096775 FE 10096695 RE 11/04/01

Key	PartNumber	Qty	Description	Comment
-----	------------	-----	-------------	---------

FRONT BRAKES, Q-TYPE

DR	BY	Q158541
APP	BY	

© 1985 BLUE BIRD BODY COMPANY
 ALL RIGHTS RESERVED



PAGE 6

Models: A3FE, A3RE, CSFE, CSRE, TCFE, TCRE, QBRE
 BRAKE ASSY, REAR
 8.62 INCH
 J230 WITH MERITOR

With Features: FEATURE 40052-03, OPTION 4324, 4351
BSN: From CSN 30079480 FE 10077010 RE 01/22/01
 To CSN 30096775 FE 10096695 RE 11/04/01

Key	PartNumber	Qty	Description	Comment
1			KIT, BRAKE SHOE & LINING ASSEMBLY	
NI	0034138		KIT,MAJOR OVERHAUL,MERITOR,16.5 X 8.62""	<i>INCLUDES ITEMS 1, 2, 3, 4, 9, 10, 11, 12</i>
NI	2151389		KIT,HARDWARE,CAM BRAKE MINOR	<i>INCLUDES ITEMS 2, 3, 4, 9, 10, 11, 12</i>
2			KIT, SPRING, BRAKE SHOE RETAINING	
3			KIT, BUSHING, ANCHOR PIN	
4			KIT, ANCHOR PIN, BRAKE SHOE	
5	0029123		CAMSHAFT, RH, Q TYPE	<i>FRONT BRAKE</i>
5	0029122		CAMSHAFT, LH, Q-TYPE	<i>FRONT BRAKE</i>
NI	0034412		KIT,BUSHING & SEAL,CAMSHAFT,MERITOR"	<i>INCLUDES ITEMS 7, 8</i>
NI	0034906		KIT,CAMSHAFT REBUILD,MERITOR	<i>INCLUDES ITEMS 6, 7, 8, 14, 18, 19, 21, 22</i>
6			KIT, WASHER, CAMHEAD	
7			KIT, SEAL, CAMSHAFT	
8			KIT, BUSHING, CAMSHAFT SPIDER & BRACKET	
9			KIT, PIN, BRAKE SHOE RETURN SPRING	
10			KIT, ROLLER, BRAKE SHOE	
11			KIT, RETAINER, SHOE ROLLER	
12			KIT, RETURN SPRING, BRAKE SHOE	
13	0034157		SPIDER,LH/RH,MERITOR	
13	0034157		SPIDER,LH/RH,MERITOR	
14			KIT, GASKET, CHAMBER BRACKET	
15	0034268		BRACKET,CAMSHAFT,LH,MERITOR"	<i>INCLUDES ITEMS 15, 16, 17</i>
15	0034269		BRACKET,CAMSHAFT,RH,MERITOR"	<i>INCLUDES ITEMS 15, 16, 17</i>
16			KIT, WASHER, CHAMBER BRACKET	
17			KIT, CAPSCREW, CHAMBER BRACKET	
18			KIT, FITTING, GREASE	
19			KIT, WASHER, CAMSHAFT	
20	0034255		SLACK ADJ,MERITOR,6-28,LH,30 CHAMBER"	
20	0034256		SLACK ADJ,MERITOR,6-28,RH,30 CHAMBER"	
21			KIT, WASHER, SPACING	
22			KIT, LOCKRING, CAMSHAFT	
23	0034276		CHAMBER,BRAKE,LH,MGM,30"	
23	0034277		CHAMBER,BRAKE,RH,MGM,30"	

Models: A3FE, A3RE, CSFE, CSRE, TCFE, TCRE, QBRE
BRAKE ASSY, REAR
8.62 INCH
J230 WITH MERITOR

With Features: FEATURE 40052-03, OPTION 4324, 4351
BSN: From CSN 30079480 FE 10077010 RE 01/22/01
 To CSN 30096775 FE 10096695 RE 11/04/01

Key	PartNumber	Qty	Description	Comment
NI	0034225		KIT,CLEVIS,MERITOR	
24			KIT, PIN COTTER, BRAKE CHAMBER	
25			KIT, PIN, BRAKE CHAMBER YOKE	
26			KIT, YOKE	
27			WASHER, BRAKE CHAMBER	
28			NUT, BRAKE CHAMBER STUD	

Models: A3FE, A3RE, CSFE, CSRE, QBRE
BRAKE ASSY, REAR
8.62 INCH
J230 WITH MERITOR

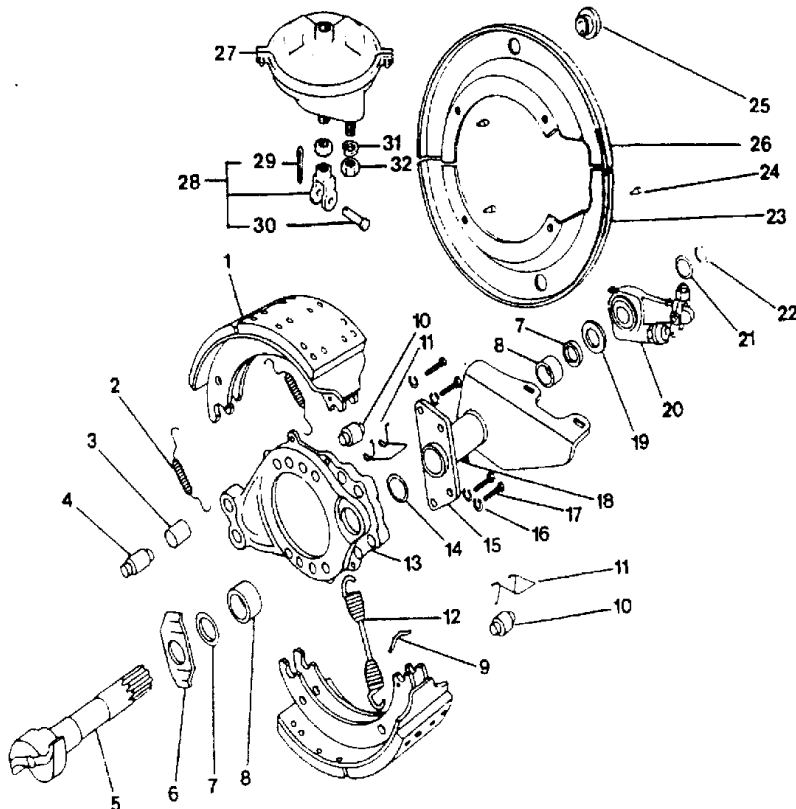
With Features: FEATURE 40052-02, OPTION 4351
BSN: From CSN 30079480 FE 10077010 RE 01/22/01
 To CSN 30096775 FE 10096695 RE 11/04/01

Key	PartNumber	Qty	Description	Comment
-----	------------	-----	-------------	---------

FRONT BRAKES, Q-TYPE

DR	BY	Q158541
APP	BY	

© 1985 BLUE BIRD BODY COMPANY
 ALL RIGHTS RESERVED



PAGE 6

Models: A3FE, A3RE, CSFE, CSRE, QBRE

BRAKE ASSY, REAR

8.62 INCH

J230 WITH MERITOR

With Features: FEATURE 40052-02, OPTION 4351

BSN: From CSN 30079480 FE 10077010 RE 01/22/01

To CSN 30096775 FE 10096695 RE 11/04/01

Key	PartNumber	Qty	Description	Comment
1			KIT, BRAKE SHOE & LINING ASSEMBLY	
NI	0034138		KIT,MAJOR OVERHAUL,MERITOR,16.5 X 8.62""	INCLUDES ITEMS 1, 2, 3, 4, 9, 10, 11, 12
NI	2151389		KIT,HARDWARE,CAM BRAKE MINOR	INCLUDES ITEMS 2, 3, 4, 9, 10, 11, 12
2			KIT, SPRING, BRAKE SHOE RETAINING	
3			KIT, BUSHING, ANCHOR PIN	
4			KIT, ANCHOR PIN, BRAKE SHOE	
5	0029123		CAMSHAFT, RH, Q TYPE	FRONT BRAKE
5	0029122		CAMSHAFT, LH, Q-TYPE	FRONT BRAKE
NI	0034412		KIT,BUSHING & SEAL,CAMSHAFT,MERITOR"	INCLUDES ITEMS 7, 8
NI	0034906		KIT,CAMSHAFT REBUILD,MERITOR	INCLUDES ITEMS 6, 7, 8, 14, 18, 19, 21, 22
6			KIT, WASHER, CAMHEAD	
7			KIT, SEAL, CAMSHAFT	
8			KIT, BUSHING, CAMSHAFT SPIDER & BRACKET	
9			KIT, PIN, BRAKE SHOE RETURN SPRING	
10			KIT, ROLLER, BRAKE SHOE	
11			KIT, RETAINER, SHOE ROLLER	
12			KIT, RETURN SPRING, BRAKE SHOE	
13	0034157		SPIDER,LH/RH,MERITOR	
13	0034157		SPIDER,LH/RH,MERITOR	
14			KIT, GASKET, CHAMBER BRACKET	
15	0034268		BRACKET,CAMSHAFT,LH,MERITOR"	INCLUDES ITEMS 15, 16, 17
15	0034269		BRACKET,CAMSHAFT,RH,MERITOR"	INCLUDES ITEMS 15, 16, 17
16			KIT, WASHER, CHAMBER BRACKET	
17			KIT, CAPSCREW, CHAMBER BRACKET	
18			KIT, FITTING, GREASE	
19			KIT, WASHER, CAMSHAFT	
20	0034286		SLACK ADJ,HALDEX"	
NI	0034893		BRACKET ASSY,SLACK ADJ,HALDEX	
21			KIT, WASHER, SPACING	
22			KIT, LOCKRING, CAMSHAFT	
23	0034276		CHAMBER,BRAKE,LH,MGM,30"	
23	0034277		CHAMBER,BRAKE,RH,MGM,30"	

Models: A3FE, A3RE, CSFE, CSRE, QBRE
 BRAKE ASSY, REAR
 8.62 INCH
 J230 WITH MERITOR

With Features: FEATURE 4052-02, OPTION 4351
BSN: From CSN 30079480 FE 10077010 RE 01/22/01
 To CSN 30096775 FE 10096695 RE 11/04/01

Key	PartNumber	Qty	Description	Comment
NI	0034225		KIT,CLEVIS,MERITOR	
24			KIT, PIN COTTER, BRAKE CHAMBER	
25			KIT, PIN, BRAKE CHAMBER YOKE	
26			KIT, YOKE	
27			WASHER, BRAKE CHAMBER	
28			NUT, BRAKE CHAMBER STUD	

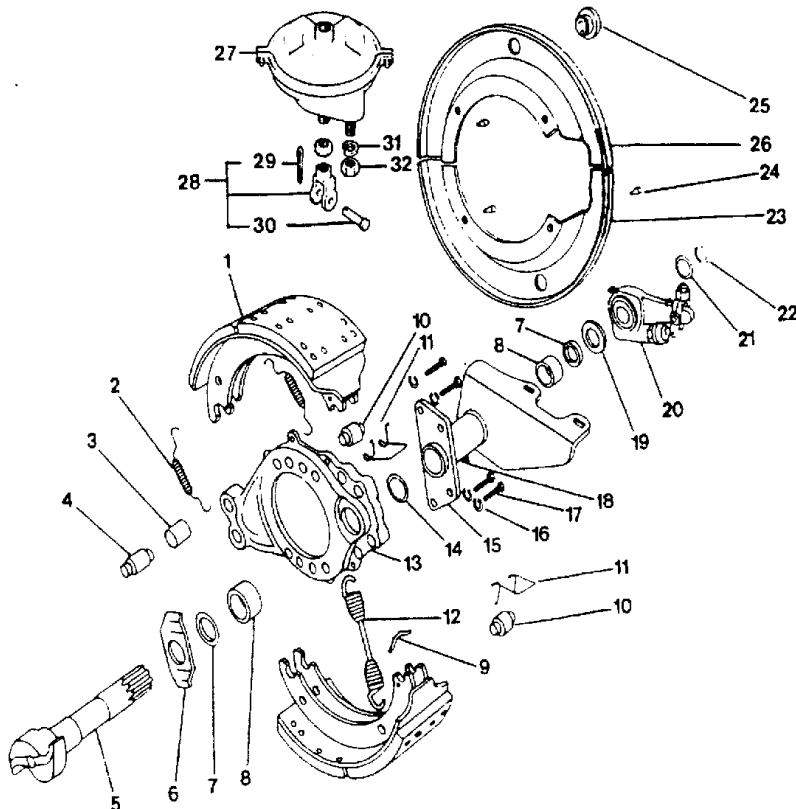
Models: A3FE, A3RE, C3FE, C4RE, CSFE, CSRE, QBRE, TCFE
 BRAKE ASSY, REAR
 8.62 INCH
 RIDWL, HS, MERITOR
 BSN: From CSN 30096776 FE 10096696 RE 11/05/01

Key	PartNumber	Qty	Description	Comment
-----	------------	-----	-------------	---------

FRONT BRAKES, Q-TYPE

DR	BY	Q158541
APP	BY	

© 1985 BLUE BIRD BODY COMPANY
 ALL RIGHTS RESERVED



PAGE 6

Models: A3FE, A3RE, C3FE, C4RE, CSFE, CSRE, QBRE, TCFE
BRAKE ASSY, REAR
8.62 INCH
RIDWL, HS, MERITOR
BSN: From CSN 30096776 FE 10096696 RE 11/05/01

Key	PartNumber	Qty	Description	Comment
1			KIT, BRAKE SHOE & LINING ASSEMBLY	
NI	0044936		KIT, MAJOR OVERHAUL, 15 X 8.62, MERITOR"	<i>INCLUDES ITEMS 1, 2, 3, 4, 9, 10, 11, 12</i>
NI	8305302		KIT, HARDWARE, CAMBRAKE MINOR	<i>INCLUDES ITEMS 2, 3, 4, 9, 10, 11, 12</i>
2			KIT, SPRING, BRAKE SHOE RETAINING	
3			KIT, BUSHING, ANCHOR PIN	
4			KIT, ANCHOR PIN, BRAKE SHOE	
5	0041751		CAMSHAFT, LH, MERITOR	
5	0041752		CAMSHAFT, RH, MERITOR	
NI	0044938		KIT, BUSHING & SEAL"	<i>INCLUDES ITEMS 7, 8</i>
NI	0038801		KIT, WASHER & SNAP RING, CAMSHAFT, MERITOR	<i>INCLUDES ITEMS 19, 21, 22</i>
6	8302721		WASHER, CAMHEAD, FLAT	
7			KIT, SEAL, CAMSHAFT	
8			KIT, BUSHING, CAMSHAFT SPIDER & BRACKET	
9			KIT, PIN, BRAKE SHOE RETURN SPRING	
10			KIT, ROLLER, BRAKE SHOE	
11			KIT, RETAINER, SHOE ROLLER	
12			KIT, RETURN SPRING, BRAKE SHOE	
13	0034157		SPIDER, LH/RH, MERITOR	
14	2644235		SEAL, FELT, BRAKE SPIDER	
15	0041755		BRACKET, CAMSHAFT, MERITOR	
16			WASHER, CHAMBER BRACKET	
17			CAPSCREW, CHAMBER BRACKET	
18			FITTING, GREASE	
19			KIT, WASHER, CAMSHAFT	
20	0045339		SLACK ADJ, LH, HALDEX"	
20	0045340		SLACK ADJ, RH, HALDEX"	
NI	1233543		KIT ASSY, BRACKET, HALDEX 427-10430	
21			KIT, WASHER, SPACING	
22			KIT, LOCKRING, CAMSHAFT	
NI	0041403		CHAMBER, BRAKE, 3030, MGM	
NI	0034225		KIT, CLEVIS, MERITOR	
23	0031493		DUSTSHIELD KIT, AIR BRAKE, 16.5X8.62, QP"	
24			KIT, CAPSCREW, DUSTSHIELD	

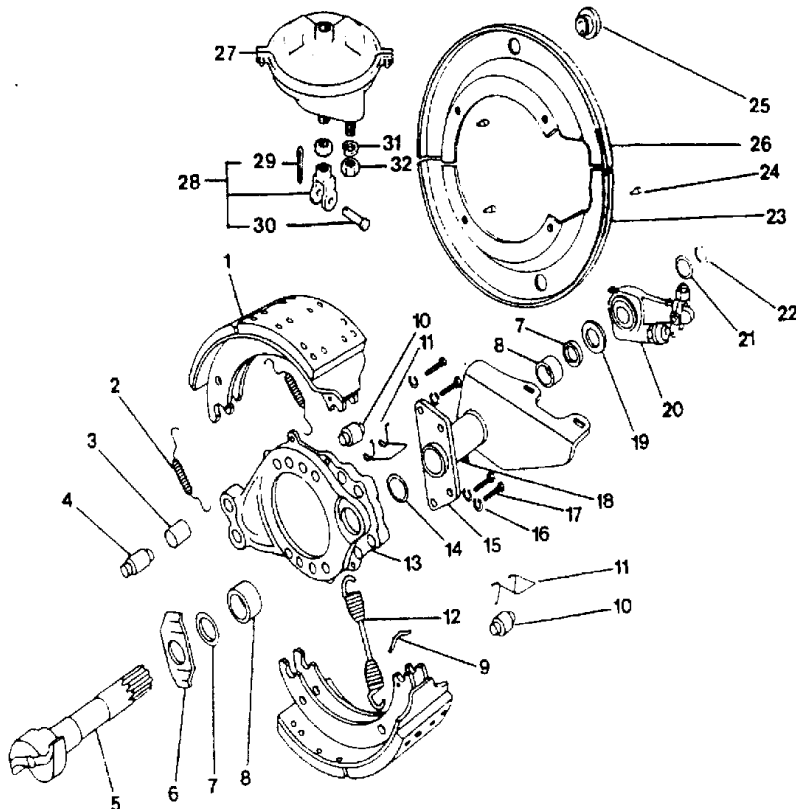
Models: A3FE, A3RE, C3FE, CSFE, CSRE, QBRE, TCFE
 BRAKE ASSY, REAR
 8.62 INCH
 RIDWL, MS, MERITOR
 BSN: From CSN 30096776 FE 10096696 RE 11/05/01

Key	PartNumber	Qty	Description	Comment
-----	------------	-----	-------------	---------

FRONT BRAKES, Q-TYPE

DR	BY	Q158541
APP	BY	

© 1985 BLUE BIRD BODY COMPANY
 ALL RIGHTS RESERVED



PAGE 6

Models: A3FE, A3RE, C3FE, CSFE, CSRE, QBRE, TCFE
BRAKE ASSY, REAR
8.62 INCH
RIDWL, MS, MERITOR
BSN: From CSN 30096776 FE 10096696 RE 11/05/01

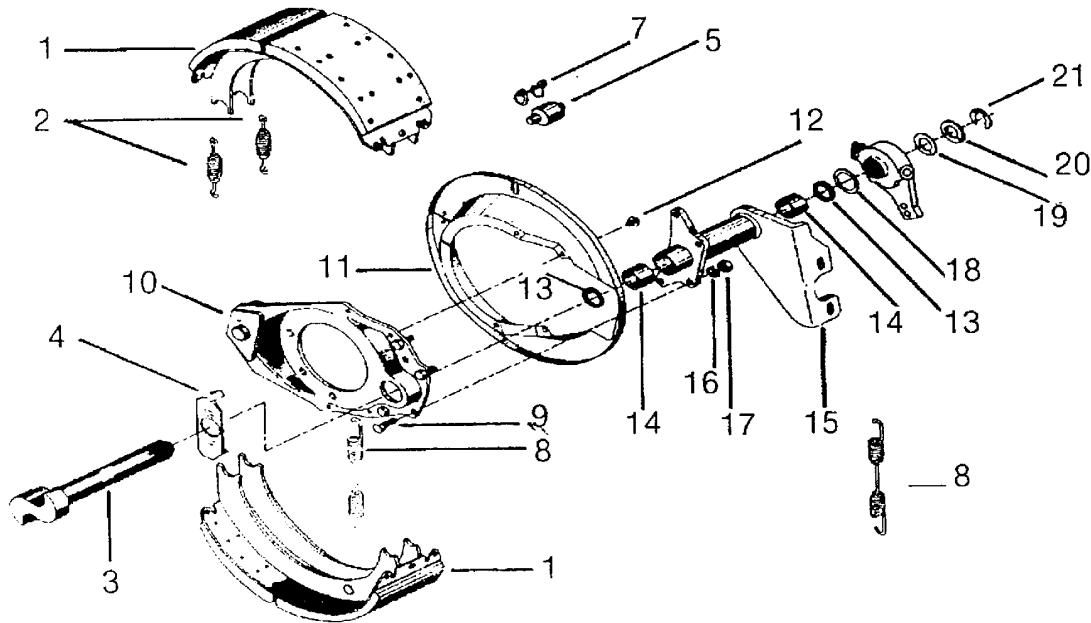
Key	PartNumber	Qty	Description	Comment
1			KIT, BRAKE SHOE & LINING ASSEMBLY	
NI	0044936		KIT, MAJOR OVERHAUL, 15 X 8.62, MERITOR"	<i>INCLUDES ITEMS 1, 2, 3, 4, 9, 10, 11, 12</i>
NI	8305302		KIT, HARDWARE, CAMBRAKE MINOR	<i>INCLUDES ITEMS 2, 3, 4, 9, 10, 11, 12</i>
2			KIT, SPRING, BRAKE SHOE RETAINING	
3			KIT, BUSHING, ANCHOR PIN	
4			KIT, ANCHOR PIN, BRAKE SHOE	
5	0041751		CAMSHAFT, LH, MERITOR	
5	0041752		CAMSHAFT, RH, MERITOR	
NI	0044938		KIT, BUSHING & SEAL"	<i>INCLUDES ITEMS 7, 8</i>
NI	0038801		KIT, WASHER & SNAP RING, CAMSHAFT, MERITOR	<i>INCLUDES ITEMS 19, 21, 22</i>
6	8302721		WASHER, CAMHEAD, FLAT	
7			KIT, SEAL, CAMSHAFT	
8			KIT, BUSHING, CAMSHAFT SPIDER & BRACKET	
9			KIT, PIN, BRAKE SHOE RETURN SPRING	
10			KIT, ROLLER, BRAKE SHOE	
11			KIT, RETAINER, SHOE ROLLER	
12			KIT, RETURN SPRING, BRAKE SHOE	
13	0034157		SPIDER, LH/RH, MERITOR	
14	2644235		SEAL, FELT, BRAKE SPIDER	
15	0041755		BRACKET, CAMSHAFT, MERITOR	
16			WASHER, CHAMBER BRACKET	
17			CAPSCREW, CHAMBER BRACKET	
18			FITTING, GREASE	
19			KIT, WASHER, CAMSHAFT	
20	0034255		SLACK ADJ, MERITOR, 6-28, LH, 30 CHAMBER"	
20	0034256		SLACK ADJ, MERITOR, 6-28, RH, 30 CHAMBER"	
21			KIT, WASHER, SPACING	
22			KIT, LOCKRING, CAMSHAFT	
NI	0045348		CHAMBER, BRAKE, MGM, TYPE 30"	
NI	0034225		KIT, CLEVIS, MERITOR	
NI	0045353		YOKE, BRAKE CHAMBER"	
23	0031493		DUSTSHIELD KIT, AIR BRAKE, 16.5X8.62, QP"	
24			KIT, CAPSCREW, DUSTSHIELD	

Models: A3FE, A3RE
 BRAKE ASSY, REAR
 8.62 INCH
 SPRING SUSPENSION, EXT SERVICE
 With Features: STD

Key	PartNumber	Qty	Description	Comment
-----	------------	-----	-------------	---------

DR.11/14/95 BY DB		4317616	
APP.11/14/95 BY AB	FRT		REV

© BLUE BIRD BODY COMPANY. ALL RIGHTS RESERVED



Models: A3FE, A3RE
 BRAKE ASSY, REAR
 8.62 INCH
 SPRING SUSPENSION, EXT SERVICE
With Features: STD

Key	PartNumber	Qty	Description	Comment
1	4318481		SHOE & LINING ASSY,REAR,8.62",ES"	ENDING WITH CSN 996887
1	8302978		SHOE & LINING ASSY,8.62" REAR,J230"	BEGIN WITH CSN 996888
	4319729	4	SHOE,BRAKE 8.62",EXT SERV	ENDING WITH CSN 996887 SHOE ONLY
	8304727	4	SHOE,BRAKE,REAR,8.62",ES-II"	BEGIN WITH CSN 996888 SHOE ONLY
NI	4318671		KIT,LINING,REAR,8.62",ES"	
2	4317244	3	SPRING,SHOE RETAINER"	EATON,. ENDING WITH CSN 996887
2	8302986	3	SPRING,SHOE RETAINING,NEW HOT SHOE"	EATON. BEGIN WITH CSN 996888
3	4317442	1	CAMSHAFT,16.5 X 7,REAR LH"	
3	4317459	1	CAMSHAFT,16.5 X 7,REAR RH"	
4	4317269	4	WASHER,CAMSHAFT"	
5	4317335	4	ROLLER,CAMSHAFT"	
7	4317343	2	RETAINER,ROLLER"	
8	4317350	2	SPRING,RELEASE,BROWN"	BROWN OR GRAY
9	2157949	8	BOLT,CHAMBER BRKT TO BRAKE SPIDER (CAST)	
10	4310850		SPIDER, BRAKE, REAR, 7" RH EATON J230"	
10	4310868		SPIDER, BRAKE, REAR, 7" LH EATON J230"	
11	1836030	2	KIT,DUSTSHIELD,AIR BRAKE,EATON,16.5X8.62,	
12	4317624	8	SCREW,DUSTSHIELD,8.62"'"	
13	2627370	8	SEAL,BRAKE SPIDER & CAMSHAFT	
14	4310488	4	BUSHING,CAMSHAFT,BRAKES EATON"	
15	4317798		BRACKET ASSY,BRAKE CHAMBER,7",	
15	4317780		BRACKET ASSY,BRAKE CHAMBER,7",RDWL,	
16	4310058	8	LOCKWASHER	
17	2137289	8	NUT,HEX,EATON BRAKES	
18	4310546	2	WASHER,INNER,SLACK ADJUSTER"	
NI	0010759		SLACK ADJUSTER,5.5,CB,SERVICE,CB-2100	

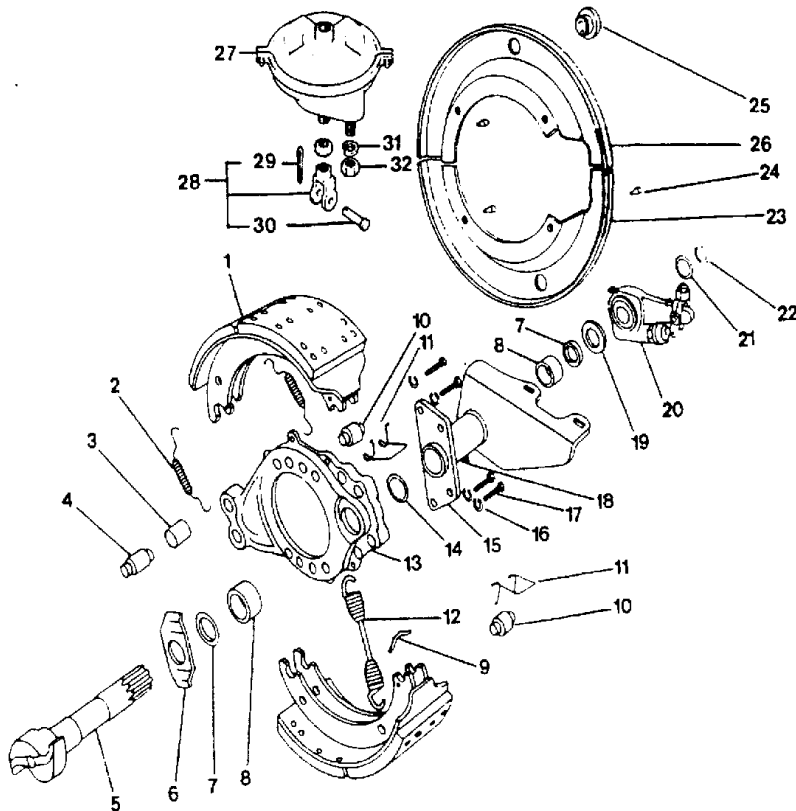
Models: **A3RE**
BRAKE ASSY, REAR
8.62 INCH
UK BUS

Key	PartNumber	Qty	Description	Comment
-----	------------	-----	-------------	---------

FRONT BRAKES, Q-TYPE

DR	BY	Q158541
APP	BY	

© 1985 BLUE BIRD BODY COMPANY
 ALL RIGHTS RESERVED



PAGE 6

Models: **A3RE**
BRAKE ASSY, REAR
8.62 INCH
UK BUS

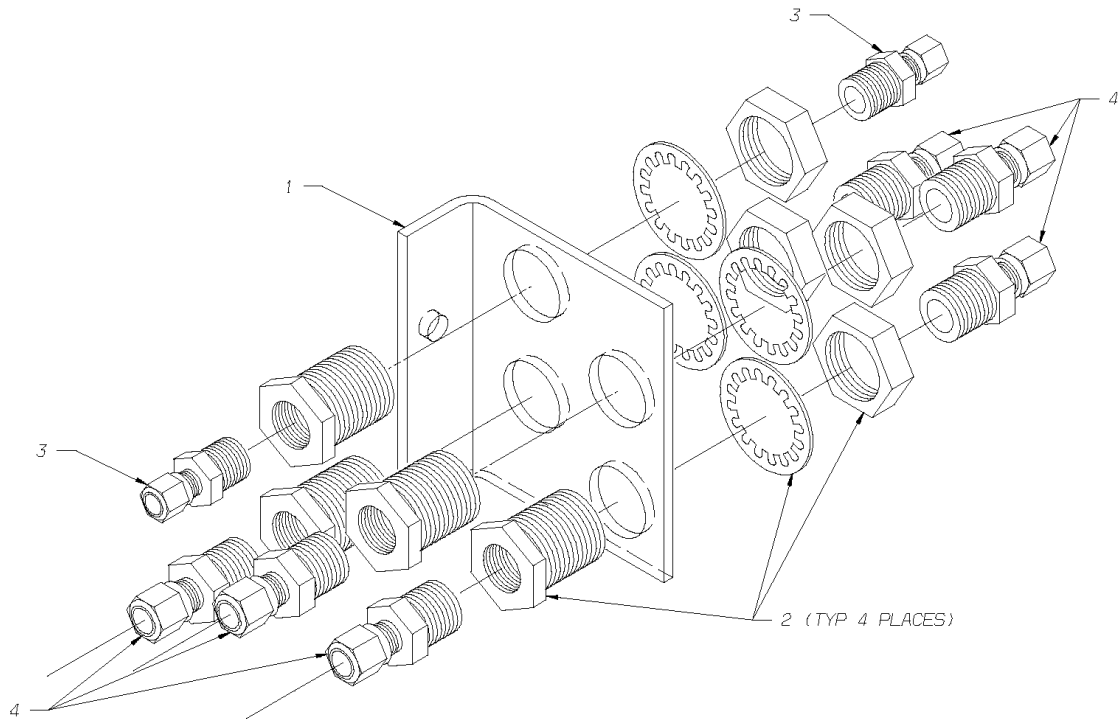
Key	PartNumber	Qty	Description	Comment
1			KIT, BRAKE SHOE & LINING ASSEMBLY	
NI	0034138		KIT,MAJOR OVERHAUL,MERITOR,16.5 X 8.62""	<i>INCLUDES ITEMS 1, 2, 3, 4, 9, 10, 11, 12</i>
NI	0041750		KIT,MINOR OVERHAUL,HD,8.62,MERITOR	<i>INCLUDES ITEMS 2, 3, 4, 9, 10, 11, 12</i>
2			KIT, SPRING, BRAKE SHOE RETAINING	
3			KIT, BUSHING, ANCHOR PIN	
4			KIT, ANCHOR PIN, BRAKE SHOE	
5	0029122		CAMSHAFT, LH, Q-TYPE	
5	0029123		CAMSHAFT, RH, Q TYPE	
NI	0044938		KIT,BUSHING & SEAL"	<i>INCLUDES ITEMS 7, 8</i>
NI	0038801		KIT,WASHER & SNAP RING,CAMSHAFT,MERITOR	<i>INCLUDES ITEMS 19, 21, 22</i>
6	8302721		WASHER,CAMHEAD,FLAT	
7			KIT, SEAL, CAMSHAFT	
8			KIT, BUSHING, CAMSHAFT SPIDER & BRACKET	
9			KIT, PIN, BRAKE SHOE RETURN SPRING	
10			KIT, ROLLER, BRAKE SHOE	
11			KIT, RETAINER, SHOE ROLLER	
12			KIT, RETURN SPRING, BRAKE SHOE	
13	0034157		SPIDER,LH/RH,MERITOR	
14	2644235		SEAL,FELT,BRAKE SPIDER	
15	0034255		SLACK ADJ,MERITOR,6-28,LH,30 CHAMBER"	<i>INCLUDES ITEMS 15, 16, 17</i>
15	0034256		SLACK ADJ,MERITOR,6-28,RH,30 CHAMBER"	<i>INCLUDES ITEMS 15, 16, 17</i>
16			WASHER, CHAMBER BRACKET	
17			CAPSCREW, CHAMBER BRACKET	
18			FITTING, GREASE	
19			KIT, WASHER, CAMSHAFT	
20	0045365		SLACK ADJ,LH/RH,MERITOR"	
21			KIT, WASHER, SPACING	
22			KIT, LOCKRING, CAMSHAFT	
NI	0047310		CHAMBER,BRAKE,TYPE 24,LH,MGM"	
NI	0047311		CHAMBER,BRAKE,TYPE 24,RH,MGM"	
23			KIT, DUSTSHIELD	
24			KIT, CAPSCREW, DUSTSHIELD	

Models: **A3FE, A3RE**
BRAKE CHAMBERS
FRONT AND REAR

Key	PartNumber	Qty	Description	Comment
	4317731		CHAMBER,BRAKE,5",EXT SER,I-120"	<i>5" WITH I-120</i>
	4317723		CHAMBER,BRAKE,5",EXT SER,I-146"	<i>5" WITH I-146</i>
	4317731		CHAMBER,BRAKE,5",EXT SER,I-120"	<i>6" WITH I-120</i>
	4317723		CHAMBER,BRAKE,5",EXT SER,I-146"	<i>6" WITH I-146</i>
	4317756		CHAMBER,BRAKE,7",EXT SER,SPRING W/J-210,	<i>7" RH WITH F170, J190, J210</i>
	4317749		CHAMBER,BRAKE,7",EXT SER,SPRING W/J-210,	<i>7" LH WITH F170, J190, J210</i>
	4320198		CHAMBER, 6" RH 30/30"	<i>7" RH WITH J230</i>
	4320164		CHAMBER, 6" LH 30/30"	<i>7" LH WITH J230</i>
	4320198		CHAMBER, 6" RH 30/30"	<i>8.62" RH WITH J230</i>
	4320164		CHAMBER, 6" LH 30/30"	<i>8.62" LH WITH J230</i>

Models: A3RE, CSRE, QBRE
JUNCTION BLOCK ASSY
BRAKE PEDAL
NON-ABS
To CSN 10058619 04/30/00

Key	PartNumber	Qty	Description	Comment
-----	------------	-----	-------------	---------

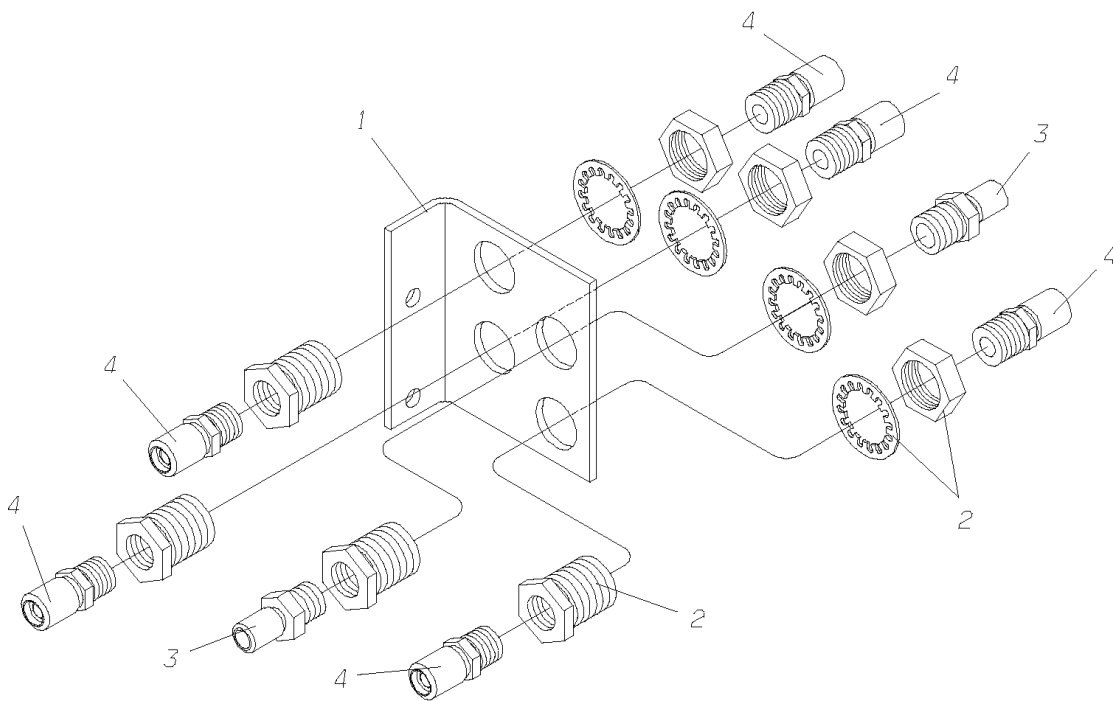


Models: **A3RE, CSRE, QBRE**
JUNCTION BLOCK ASSY
BRAKE PEDAL
NON-ABS
To CSN 10058619 04/30/00

Key	PartNumber	Qty	Description	Comment
I	1875061	1	ANGLE,MOUNTING,ANCHOR COUPLINGS	
2	1153600	4	COUPLING,ANCHOR,1/2 NPT	
3	1344118	2	CONNECTOR,MALE,1468X6X8-Z,.5MP X .38T	
4	0009920	6	CONNECTOR,MALE,1868X8X8-Z,.50MPT X .50T"	

Models: A3RE, CSRE, QBRE
JUNCTION BLOCK ASSY
BRAKE PEDAL
NON-ABS
BSN: From CSN 10058620 05/01/00

Key	PartNumber	Qty	Description	Comment
-----	------------	-----	-------------	---------




Models: A3RE, CSRE, QBRE
 JUNCTION BLOCK ASSY
 BRAKE PEDAL
 NON-ABS
BSN: From CSN 10058620 05/01/00

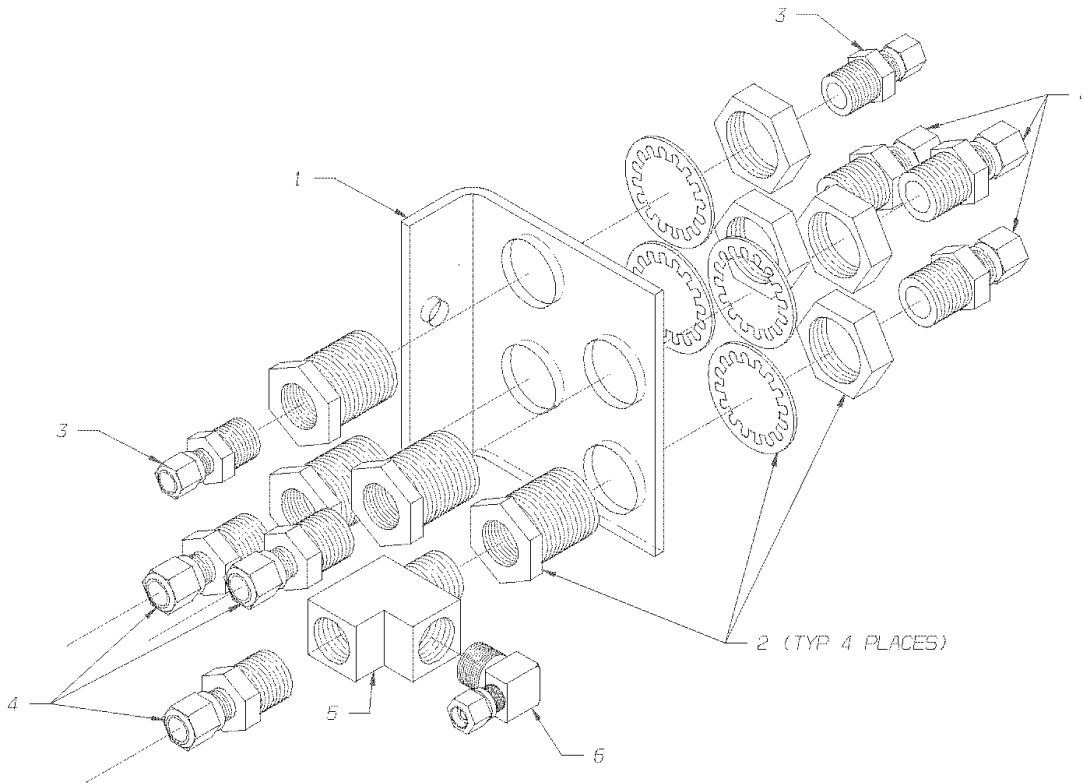
Key	PartNumber	Qty	Description	Comment
I	1875061		ANGLE,MOUNTING,ANCHOR COUPLINGS	
2	1153600	4	COUPLING,ANCHOR,1/2 NPT	
3	0009919	2	CONNECTOR,MALE,1868X6X8-Z,.50MPT X .38"	
4	0009920	6	CONNECTOR,MALE,1868X8X8-Z,.50MPT X .50"	

Models: A3RE, CSRE, QBRE, T2RE, TCRE
JUNCTION BLOCK ASSY
BRAKE, TREADLE WITH RETARDER
ABS
To CSN 10058619 04/30/00

Key	PartNumber	Qty	Description	Comment
-----	------------	-----	-------------	---------

DR. 8/13/99	BY J.L.	---	1875137	A	
APP. 9/13/99	BY AB	ERT		REY	

© BLUE BIRD BODY COMPANY. ALL RIGHTS RESERVED

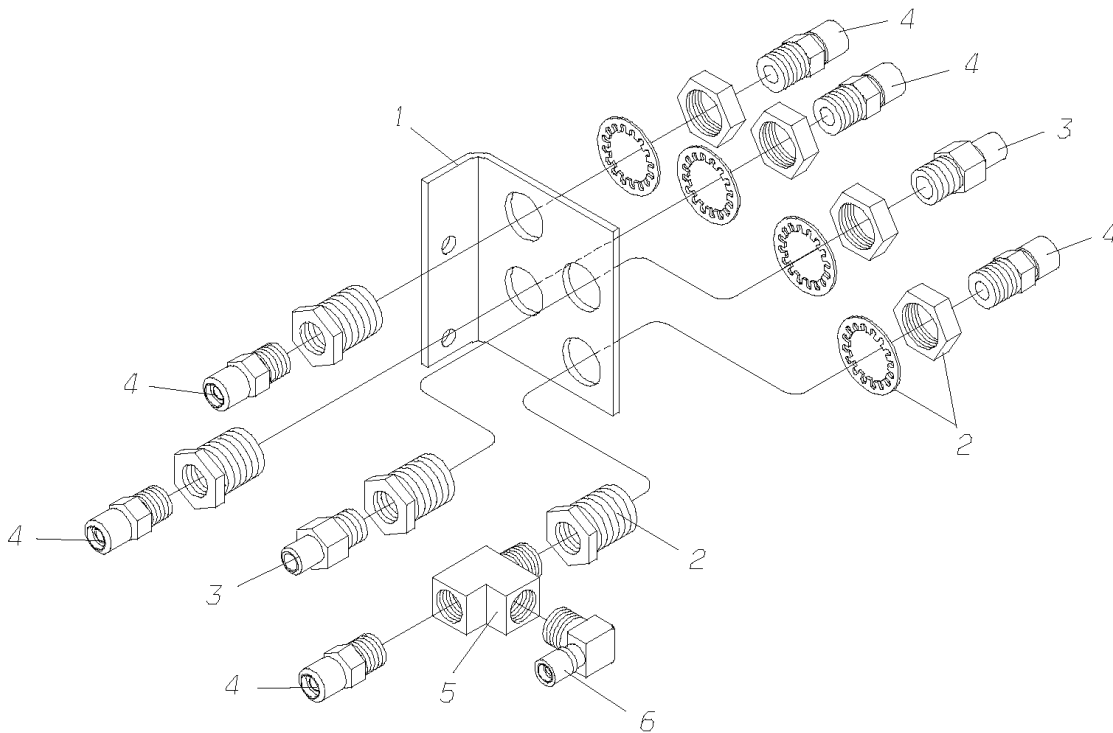


Models: **A3RE, CSRE, QBRE, T2RE, TCRE**
JUNCTION BLOCK ASSY
BRAKE, TREADLE WITH RETARDER
ABS
To CSN 10058619 04/30/00

Key	PartNumber	Qty	Description	Comment
1	1875061		ANGLE,MOUNTING,ANCHOR COUPLINGS	
2	1153600	4	COUPLING,ANCHOR,1/2 NPT	
3	1344118	2	CONNECTOR,MALE,1468X6X8-Z,.5MP X .38T	
4	0009920	6	CONNECTOR,MALE,1868X8X8-Z,.50MPT X .50T"	
5	0654350		TEE,1/2 PIPE,STREET	
6	0009909		ELBOW,90 DEG,MALE1869X6X8-Z,.50MPT	

Models: A3RE, CSRE, QBRE
JUNCTION BLOCK ASSY
BRAKE, TREADLE WITH RETARDER
ABS
BSN: From CSN 10058620 05/01/00

Key	PartNumber	Qty	Description	Comment
-----	------------	-----	-------------	---------



Models: A3RE, CSRE, QBRE
JUNCTION BLOCK ASSY
BRAKE, TREADLE WITH RETARDER
ABS
BSN: From CSN 10058620 05/01/00

Key	PartNumber	Qty	Description	Comment
1	1875061		ANGLE,MOUNTING,ANCHOR COUPLINGS	
2	1153600	4	COUPLING,ANCHOR,1/2 NPT	
3	0009919	2	CONNECTOR,MALE,1868X6X8-Z,.50MPT X .38"	
4	0009920	6	CONNECTOR,MALE,1868X8X8-Z,.50MPT X .50"	
5	0654350		TEE,1/2 PIPE,STREET	
6	0009909		ELBOW,90 DEG,MALE1869X6X8-Z,.50MPT	

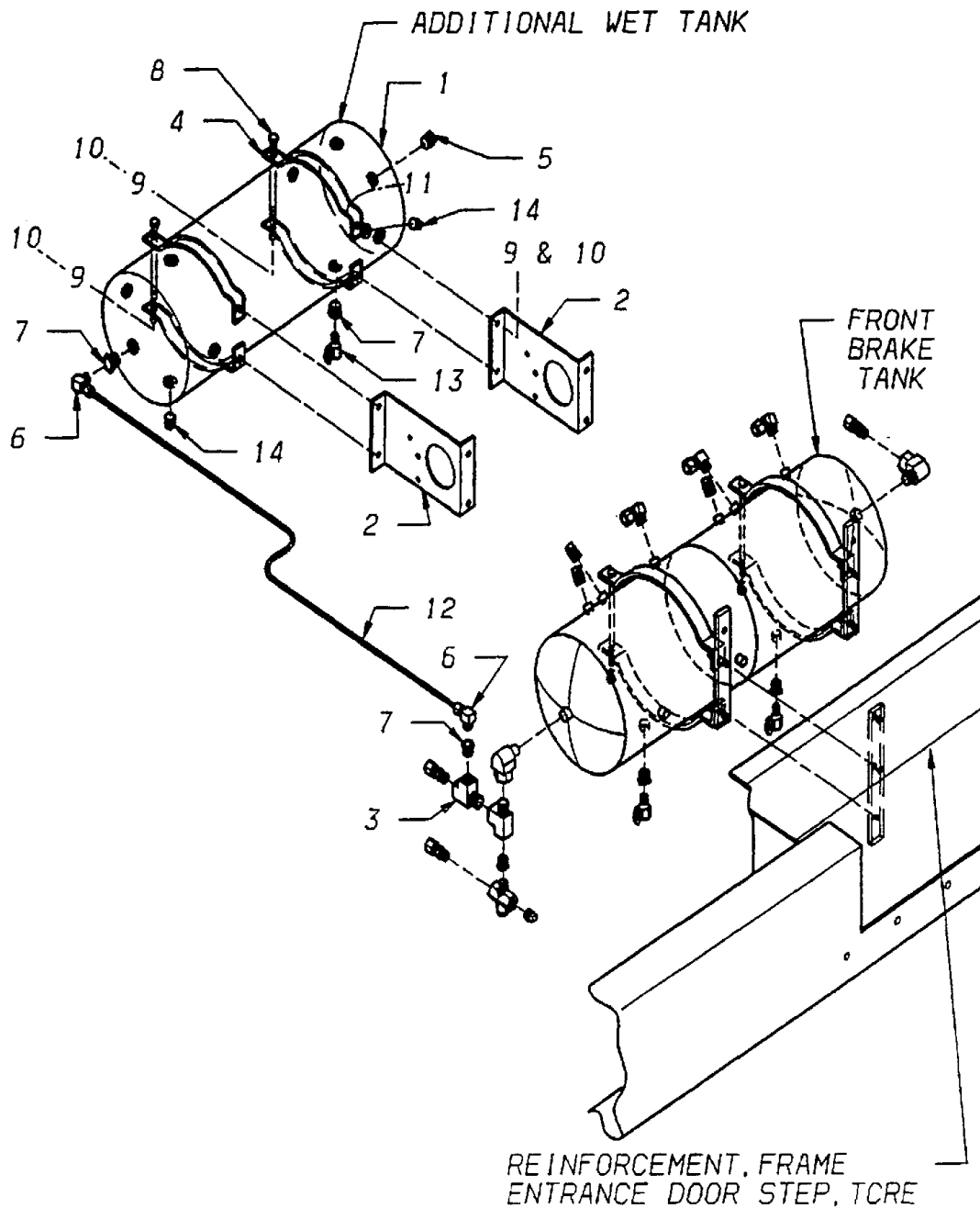
Models: A3RE, CSRE
 OPTIONAL EQUIPMENT
 ADDITIONAL AIR TANK
 With Features: OPTION 4339, FEATURE 40081-05
 BSN: From CSN 982768

Key	PartNumber	Qty	Description	Comment
-----	------------	-----	-------------	---------

DR. 3-20-92	BY SHC	1549849	D
APP. 3-20-92	BY DCV		



© 1992 BLUE BIRD BODY COMPANY. ALL RIGHTS RESERVED




Models: A3RE, CSRE
OPTIONAL EQUIPMENT
ADDITIONAL AIR TANK
With Features: **OPTION 4339, FEATURE 40081-05**
BSN: **From CSN 982768**

Key	PartNumber	Qty	Description	Comment
1	0754929		RESERVOIR,AIR,1240 CU.IN.	<i>OPTION 4339. ENDING WITH CSN 984681</i>
1	1586445		RESERVOIR,1650 CU.IN.	<i>OPTION 4339. BEGIN WITH CSN 984682</i>
1	1342054		RESERVOIR,9.5X29.5,2000 CU IN	<i>OPTION 4339 WITH OPTION 4333. ENDING WITH CSN 984681</i>
1	1607977		RESERVOIR,2000 CU.IN.,DUAL COMPARTMENT	<i>OPTION 4339 WITH OPTION 4333. BEGIN WITH CSN 984682</i>
2	1341841	2	BRACKET,MTG,AIR BRAKE TANK,TCFC	
3	0654350		TEE,1/2 PIPE,STREET	
4	1583608		BRACKET,MTG,RESERVOIR,1240 CU.IN.	<i>ENDING WITH CSN 984681</i>
4	0850586		BRACKET,MTG,9 1/2IN,AIR RESERVOIR	<i>BEGIN WITH CSN 984682</i>
5	0663427	7	PLUG,PIPE,1/2 SQ HD,3151 X 8Z,BRASS	
6	0009911	2	ELBOW,90 DEG,MALE1869X6X6-Z,.38MPT	
7	2009058	3	BUSHING,PIPE,GALV,3/8 X 1/2	
8	0851337	2	CAPSCREW,HEX HD,3/8-16X6 1/2,GR5,YEL	
9	1107085	6	WASHER,FLAT,13/32 X 13/16 X 3/32,HDN,BLK	
10	0826297	6	NUT,HEX HD,3/8-16 LOCK,YEL ZN DICH	
11	0803213	4	CAPSCREW,HEX HD,3/8-16X1 1/4,GR8,YEL	
12	0989319	6	TUBING,PLASTIC,3/8 OD,BLACK,SAE J844 TYPE	
13	1110188		VALVE,RESERVOIR,DRAIN	
14	2009595	2	PLUG,PIPE,3/8,GALV	

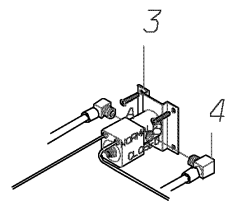
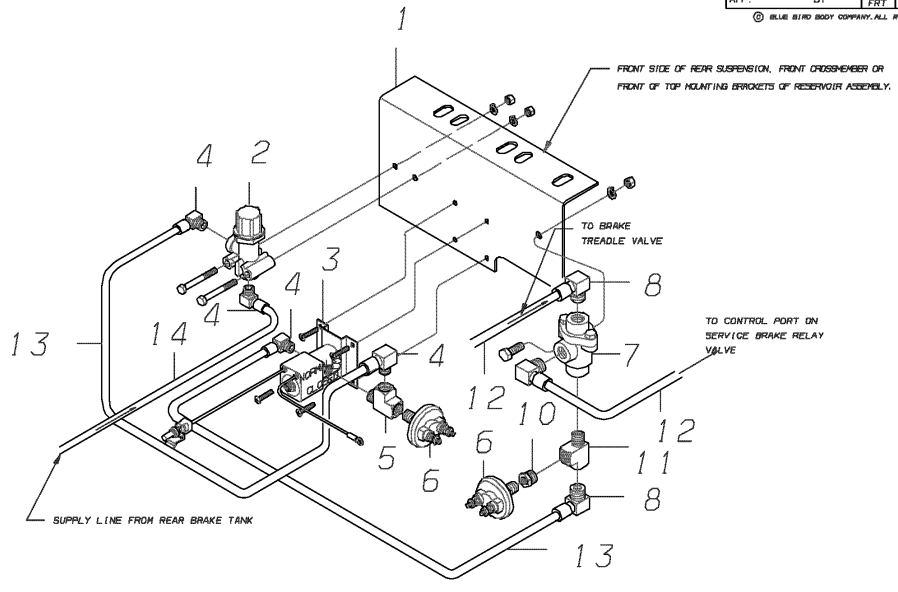
Models: A3RE, C1FE, CSFE, CSRE, QBRE, TCFE
OPTIONAL EQUIPMENT

With Features: BRAKE INTERLOCK
 OPTION 4347, FEATURE 40051-02

Key	PartNumber	Qty	Description	Comment
-----	------------	-----	-------------	---------

DR. 3-11-02	BY: MC	1530104	0	
APP.	BY:	FRT	REV.	

© BLUE BIRD BODY COMPANY. ALL RIGHTS RESERVED



Models: A3RE, C1FE, CSFE, CSRE, QBRE, TCFE

OPTIONAL EQUIPMENT

BRAKE INTERLOCK

With Features: OPTION 4347, FEATURE 40051-02

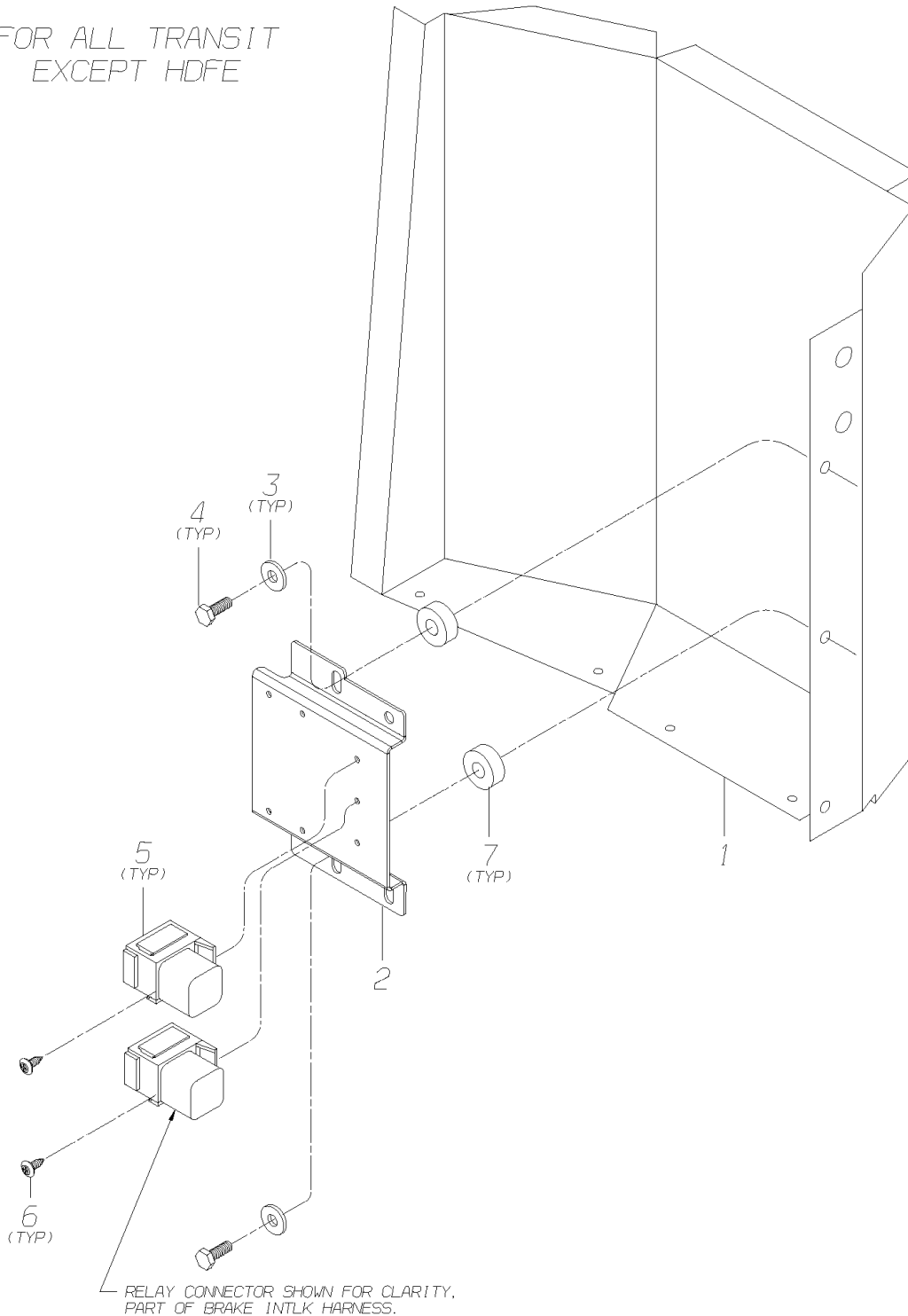
Key	PartNumber	Qty	Description	Comment
1	1530047	1	BRACKET,MTG,BRAKE INTERLOCK	
2	1102938	1	VALVE,PRESS REDU,RV-1,40 PSI,BW279926	
	1092337	2	CAPSCREW,HEX HD,1/4-20 X 2,GR 5,YEL ZN	
	2001170	2	LOCKWASHER,SPLIT RING, 1/4 ,MED,YEL ZN	
	2001337	2	NUT,HEX HD,1/4-20,ZINC	
3	1471648	1	VALVE ASSY,SOLENOID,NC,ALLEN AIR	<i>QBRE ONLY</i>
3	1686807	1	VALVE ASSY,SOLENOID,NC ALLEN AIR	<i>TCFE ONLY</i>
	2000768	4	SCREW,MACH,10-24 X 1, PH1,RD HD,YEL ZN	
	2001162	4	LOCKWASHER,SPLIT RING, 3/16,MED,YEL ZN	
	2001279	4	NUT,HEX HD,10-24,YEL ZN DICH"	
4	0009914	4	ELBOW,90 DEG,MALE1869X6-Z,.25MPT X .38T"	
5	0654277	1	TEE,STREET,1/4 PIPE,3750X4	
6	1940873	2	SWITCH ASSY,STOPLIGHT PRESSURE	
7	0654434	1	VALVE,DOUBLE CHECK,3/8 PIPE	
	0654459	1	CAPSCREW,HEX HD,5/16-18X7/8,GR5,YEL ZN	
	2001188	1	LOCKWASHER,SPLIT RING, 5/16,MED,YEL ZN	
	1142603	1	NUT,HEX HD,5/16-18,GR 8,YELLOW	
8	0009911	3	ELBOW,90 DEG,MALE1869X6X6-Z,.38MPT	
10	2027134	1	BUSHING,PIPE,3/8 X 1/4,BRASS	
11	1010065	1	TEE,STREET,3/8 PIPE 3750 X 6	
12	0989319		TUBING,PLASTIC,3/8 OD,BLACK,SAE J844 TYPE	
13	1346857	16	TUBING,PLASTIC,3/8 OD,BLUE,SAE J844 TYPE B	
14	1220037		TUBING,PLASTIC,3/8 OD,RED,SAE J844 TYPE B	

Models: A3FE, A3RE, C3FE
OPTIONAL EQUIPMENT
BRAKE/LIFT INTERLOCK
RELAY INSTALLATION

With Features: FEATURE 40051

Key	PartNumber	Qty	Description	Comment
-----	------------	-----	-------------	---------

FOR ALL TRANSIT
 EXCEPT HDFE



Models: A3FE, A3RE, C3FE
OPTIONAL EQUIPMENT
BRAKE/LIFT INTERLOCK
RELAY INSTALLATION
With Features: FEATURE 40051

Key	PartNumber	Qty	Description	Comment
1			PANEL ASSY, CLOSEOUT, DRIVER,S SIDE, LH	
2	0018299		BRACKET,MTG,RELAY,SPEED SWITCH	
3			WASHER, FLAT, 5/16 X 3/4 X 5/64, ZINC	
4			CAPSCREW, HEX HEAD, 1/4-20 X 1/2, GR 8,	
4	2000057	2	CAPSCREW,HEX HD,1/4-20 X 1,GR 5,YEL ZN	
5	1868017	2	RELAY,POTTER BRUMFIELD VF4-15F11-S01	
6	2186401	2	SCREW,10-16 X 1/2,AB,PH1,PAN HD,YEL ZN	
7	1202670	2	SPACER,1 OD X 13/32 ID X 3/8	

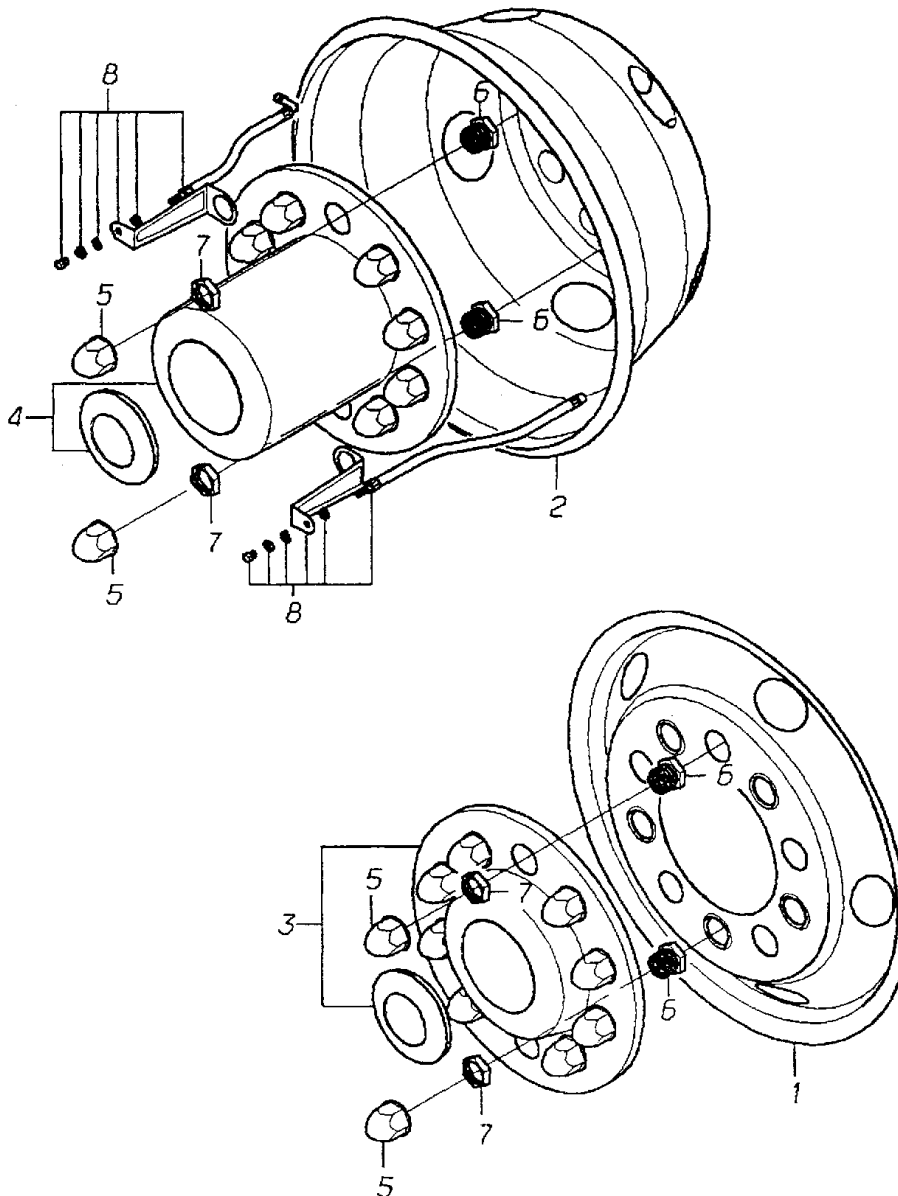
Models: A3FE, A3RE, C3FE, CSFE, CSRE, QBRE, TCFE, TCRE
 OPTIONAL EQUIPMENT

With Features: HUB COVERS
 STAINLESS STEEL, PHOENIX WITH HUB PILOTED WHEELS
 FEATURE 40441-04, 05, OPTION 25347

Key	PartNumber	Qty	Description	Comment
-----	------------	-----	-------------	---------

DR. 10-4-94	BY AJK	1721778	REV
APP. 10-4-94	BY DCV		

© BLUE BIRD BODY COMPANY, ALL RIGHTS RESERVED



PAGE 248

Models: A3FE, A3RE, C3FE, CSFE, CSRE, QBRE, TCFE, TCRE
OPTIONAL EQUIPMENT
HUB COVERS
STAINLESS STEEL, PHOENIX WITH HUB PILOTED WHEELS

With Features: FEATURE 40441-04, 05, OPTION 25347


Key	PartNumber	Qty	Description	Comment
1	0035073	2	COVER,HUB,SST,FRONT,22.50,HUB PILOTED	
1	4322574	2	CAP,CENTER,HUB CVR,ALUM WHEELS"	
2	0020637	2	COVER HUB, REAR SST, 7-5 HUB PILOTED	
	4322574	2	CAP,CENTER,HUB CVR,ALUM WHEELS"	
3	0030661	8	COVER,LUG NUT,WHEEL LINER FRT/RR	
4	0035074	8	STUD,EXTENDER,22 MM,HUB PILOTED	
5	0035075	8	JAM NUT,HUB PILOTED	
6	4326344	1	KIT,TIRE INFLATOR,DUAL WHEELS,SST	
NI	0035076	1	TOOL,INSTALLATION,HUB PILOTED	

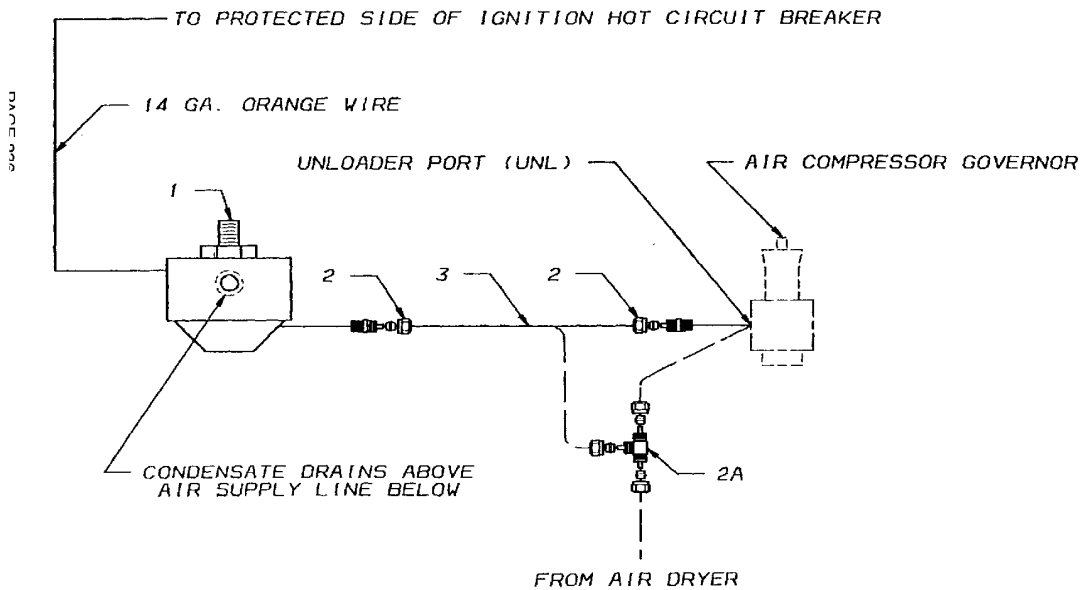
Models: A3FE, A3RE, C1FE, CSFE, CSRE, QBRE, TCFE
 OPTIONAL EQUIPMENT
 RESERVOIR DRAIN VALVE
 HEATED

With Features: FEATURE 40081

Key	PartNumber	Qty	Description	Comment
-----	------------	-----	-------------	---------

DR	BY	REV	1346774	C
APP	BY	REV		

© 1997 BLUE BIRD BODY COMPANY. ALL RIGHTS RESERVED. 



Models: A3FE, A3RE, C1FE, CSFE, CSRE, QBRE, TCFE
OPTIONAL EQUIPMENT
RESERVOIR DRAIN VALVE
HEATED
With Features: FEATURE 40081

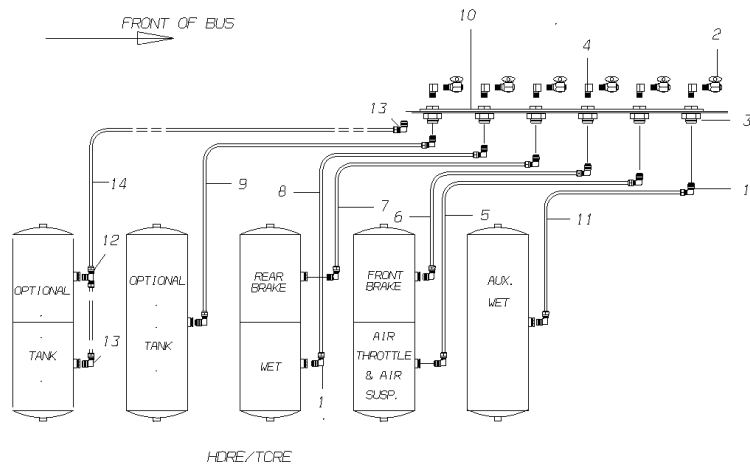
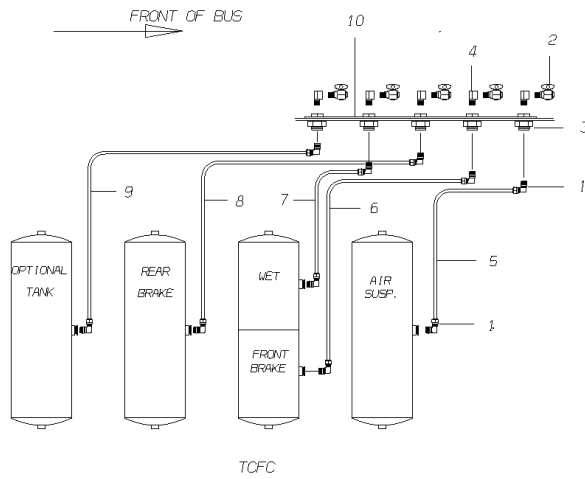
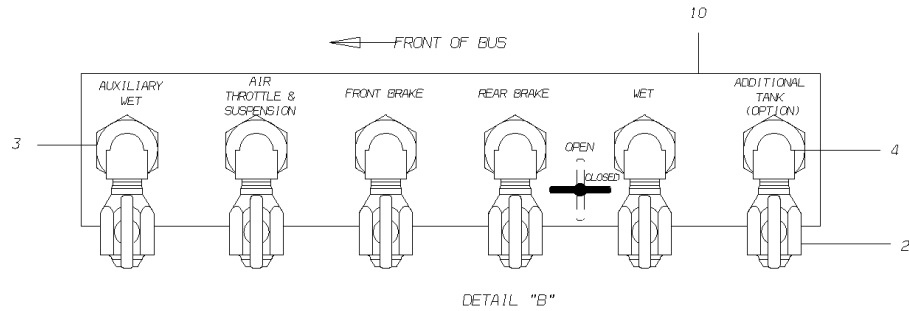
Key	PartNumber	Qty	Description	Comment
1	1686823	1	VALVE,THERMO,EXPELLO	
2	0009917	2	CONNECTOR,MALE,1868X4-Z,.13MP X .25T"	
3	0654962	5.5	TUBING,PLASTIC,1/4 OD,BLACK,SAE J844 TYPE	
4	0009987	1	TEE,UNION,1864X4,.25T	<i>WITH AIR DRYER ONLY</i>

Models: A3RE, C1FE, CSFE, CSRE, TCFE

OPTIONAL EQUIPMENT
RESERVOIR DRAIN VALVE
REMOTE MOUNTED

With Features: OPTION 4338, FEATURE 40081-04

Key	PartNumber	Qty	Description	Comment
-----	------------	-----	-------------	---------

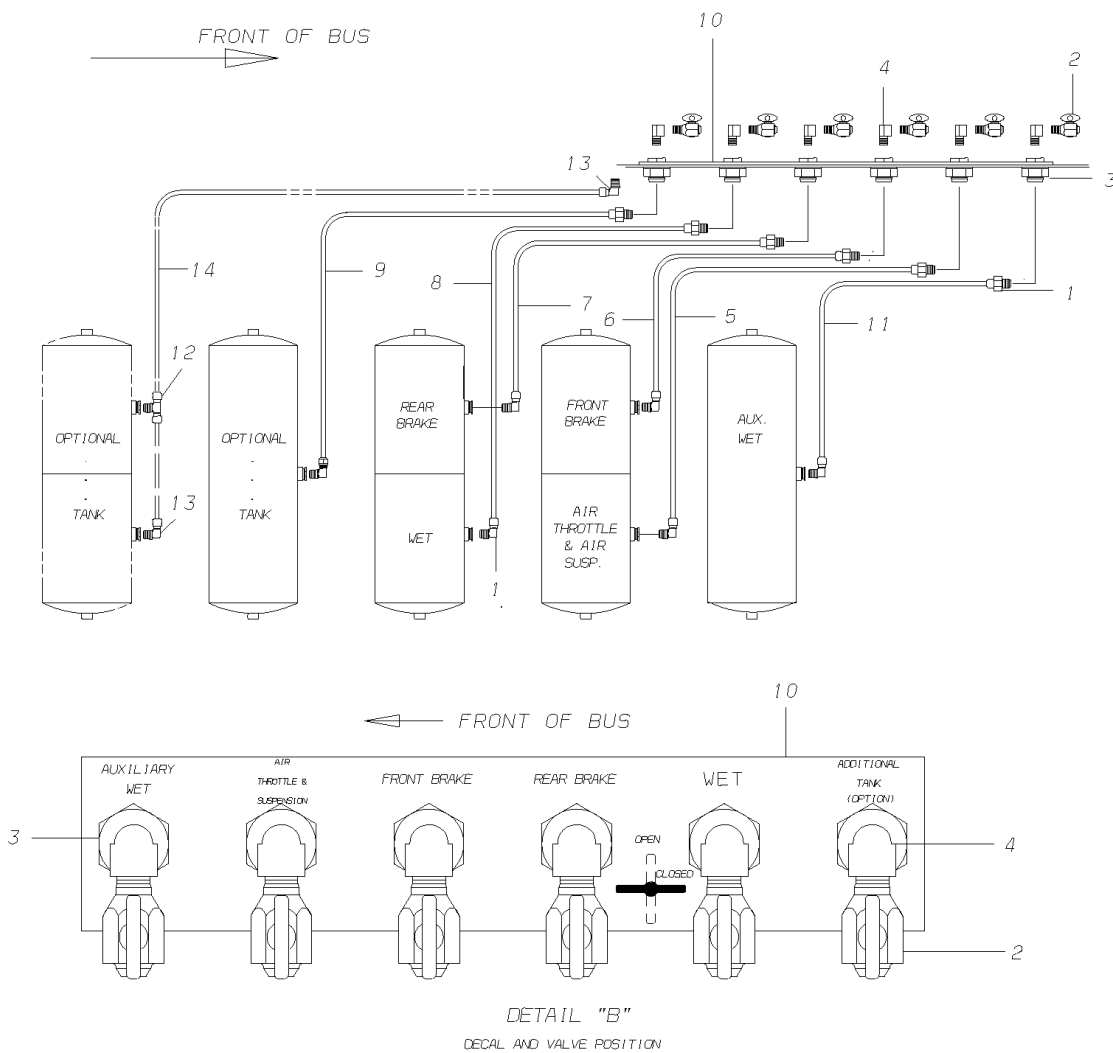


Models: A3RE, C1FE, CSFE, CSRE, TCFE
OPTIONAL EQUIPMENT
RESERVOIR DRAIN VALVE
REMOTE MOUNTED
With Features: **OPTION 4338, FEATURE 40081-04**

Key	PartNumber	Qty	Description	Comment
1	0009912		ELBOW,90 DEG,MALE1869X4X4-Z,.25MPT	<i>ENDING WITH 11/02/03. COMPRESSION FITTING</i>
1	0009914		ELBOW,90 DEG,MALE1869X6-Z,.25MPT X .38T"	<i>BEGIN WITH 11/03/03. QUICK DISCONNECT</i>
2	1110188		VALVE,RESERVOIR,DRAIN	
3	2023232		COUPLING,ANCHOR,205465	
4	2027233		ELBOW,STREET,1/4,3400X4Z	
5	0989319		TUBING,PLASTIC,3/8 OD,BLACK,SAE J844 TYPE	
6	1346857		TUBING,PLASTIC,3/8 OD,BLUE,SAE J844 TYPE B	
7	0012435		TUBING,PLASTIC,3/8 OD,BROWN,SAE J844	
8	0013086		TUBING,PLASTIC,3/8 OD,GRAY,SAE J844 TYPE B	
9	0012443		TUBING,PLASTIC,3/8 OD,GREEN,SAE J844 TYPE	
10	1610344		DECAL,AIR TANK DRAIN VALVES,TC	
11	0012450		TUBING,PLASTIC,3/8 OD,ORANGE,SAE J844	
12	0009926		TEE,MALE,BRANCH,1872X6-Z,.25MPT X .38T	<i>OPTION 4339 WITH 4333</i>
13	0009914		ELBOW,90 DEG,MALE1869X6-Z,.25MPT X .38T"	<i>OPTION 4339 WITH 4333</i>
14	1346857		TUBING,PLASTIC,3/8 OD,BLUE,SAE J844 TYPE B	<i>OPTION 4339 WITH 4333</i>

Models: A3RE
OPTIONAL EQUIPMENT
RESERVOIR DRAIN VALVE
REMOTE MOUNTED
With Features: FEATURE 40081-04

Key	PartNumber	Qty	Description	Comment
-----	------------	-----	-------------	---------

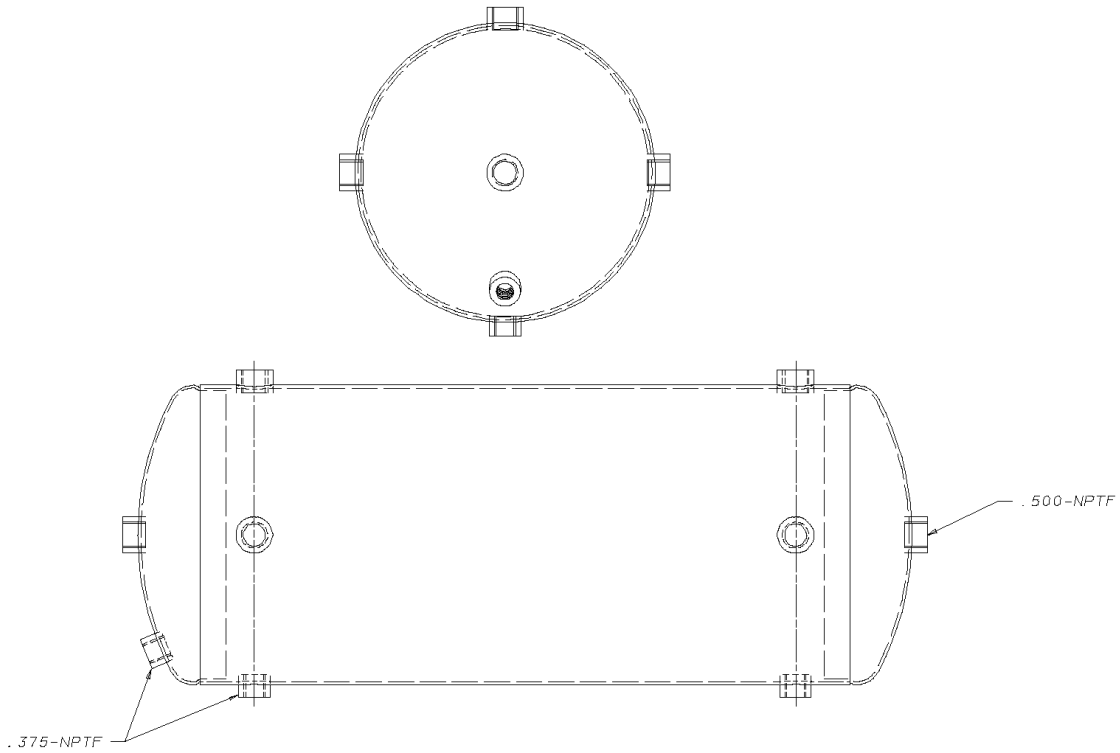


Models: A3RE
OPTIONAL EQUIPMENT
RESERVOIR DRAIN VALVE
REMOTE MOUNTED
With Features: FEATURE 40081-04

Key	PartNumber	Qty	Description	Comment
1	0009924		CONNECTOR,MALE,1868X6-Z,.25MPT X .38T"	
2	1110188		VALVE,RESERVOIR,DRAIN	
3	2023232		COUPLING,ANCHOR,205465	
4	2027233		ELBOW,STREET,1/4,3400X4Z	
5	0989319		TUBING,PLASTIC,3/8 OD,BLACK,SAE J844 TYPE	
6	1346857		TUBING,PLASTIC,3/8 OD,BLUE,SAE J844 TYPE B	
7	0012435		TUBING,PLASTIC,3/8 OD,BROWN,SAE J844	
8	0013086		TUBING,PLASTIC,3/8 OD,GRAY,SAE J844 TYPE B	
9	0012443		TUBING,PLASTIC,3/8 OD,GREEN,SAE J844 TYPE	
10	1610344		DECAL,AIR TANK DRAIN VALVES,TC	
11	0012450		TUBING,PLASTIC,3/8 OD,ORANGE,SAE J844	
12	0009926		TEE,MALE,BRANCH,1872X6-Z,.25MPT X .38T	FEATURE 40081-05 WITH OPTION 4333 ONLY
13	0009914		ELBOW,90 DEG,MALE1869X6-Z,.25MPT X .38T"	FEATURE 40081-05 WITH OPTION 4333 ONLY
14	1346857		TUBING,PLASTIC,3/8 OD,BLUE,SAE J844 TYPE B	FEATURE 40081-05 WITH OPTION 4333 ONLY

Models: A3RE
RESERVOIR ASSY
ACCESSORY, EEC

Key	PartNumber	Qty	Description	Comment
-----	------------	-----	-------------	---------



Models: **A3RE**
RESERVOIR ASSY
ACCESSORY, EEC

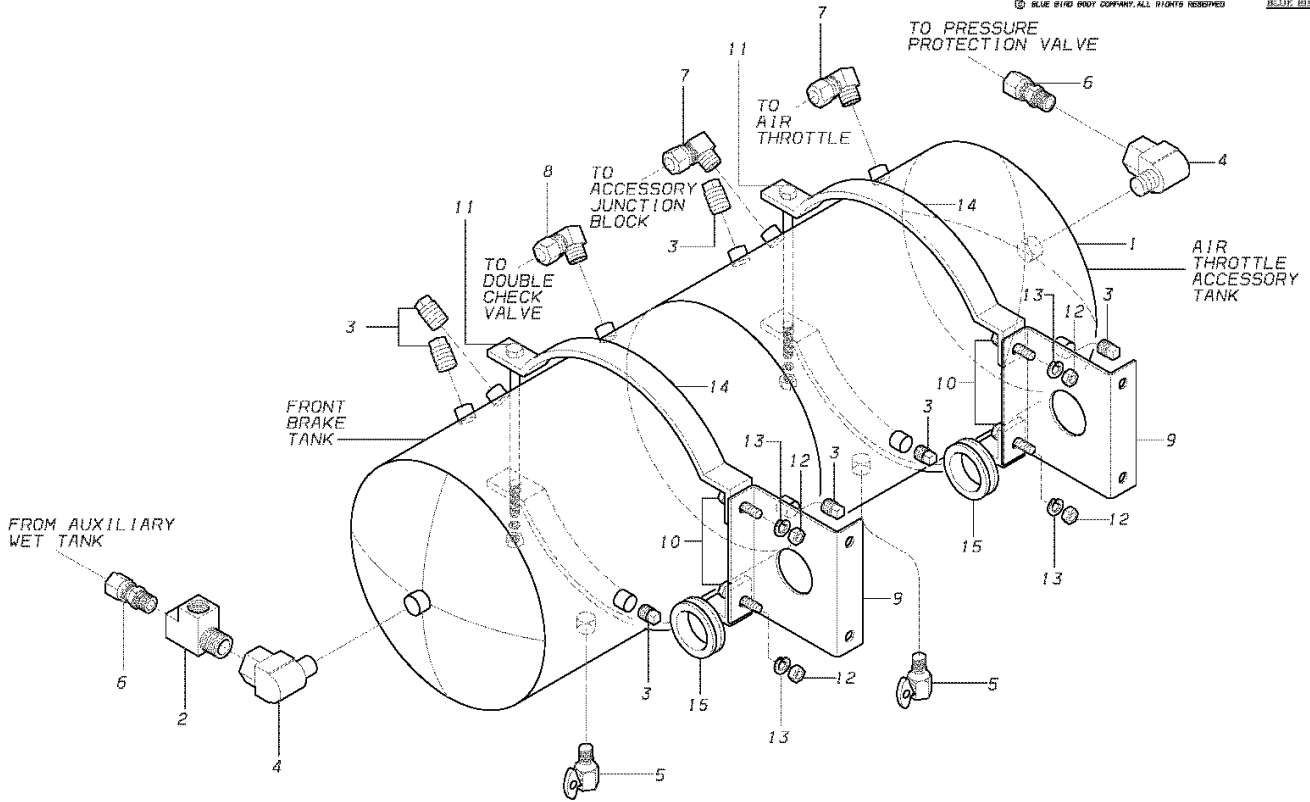
Key	PartNumber	Qty	Description	Comment
NI	1586445	1	RESERVOIR,1650 CU.IN.	
NI	0009906	3	ELBOW,90 DEG,MALE1869X8-Z,.38MPT X .50T	
NI	2023539	1	BUSHING,PIPE,1/2MPT X 3/8FPT,3220X8X6Z,	
NI	2027134	1	BUSHING,PIPE,3/8 X 1/4,BRASS	
NI	1344183	1	VALVE,PRESS PROTECTION,66 PSI,GT	
NI	0663427	6	PLUG,PIPE,1/2 SQ HD,3151 X 8Z,BRASS	
NI	1110188	1	VALVE,RESERVOIR,DRAIN	
NI	0850586	4	BRACKET,MTG,9 1/2IN,AIR RESERVOIR	
NI	1999911	1	BRACKET,MTG,OPTIONAL AIR TANK,UPPER"	
NI	1999929	1	BRACKET,MTG,OPTIONAL AIR TANK,LOWER	
NI	0851337	2	CAPSCREW,HEX HD,3/8-16X6 1/2,GR5,YEL	
NI	0803213	6	CAPSCREW,HEX HD,3/8-16X1 1/4,GR8,YEL	
NI	1107085	14	WASHER,FLAT,13/32 X 13/16 X 3/32,HDN,BLK	
NI	0826297	8	NUT,HEX HD,3/8-16 LOCK,YEL ZN DICH	
NI	3772159	3	PLUG,PIPE,0.375,BRASS W/SEALANT,HEX HD	

Models: **A3RE
RESERVOIR ASSY
FRONT & ACCESSORY**
With Features: **FEATURE 40081-01**
BSN: **From CSN 10061815 05/30/00**

Key	PartNumber	Qty	Description	Comment
-----	------------	-----	-------------	---------

DR. 2/9/95	BY DB	1754802	REV
APP. 2/9/95	BY AB	PRT	

© BLUE BIRD BODY COMPANY. ALL RIGHTS RESERVED. BLUE BIRD

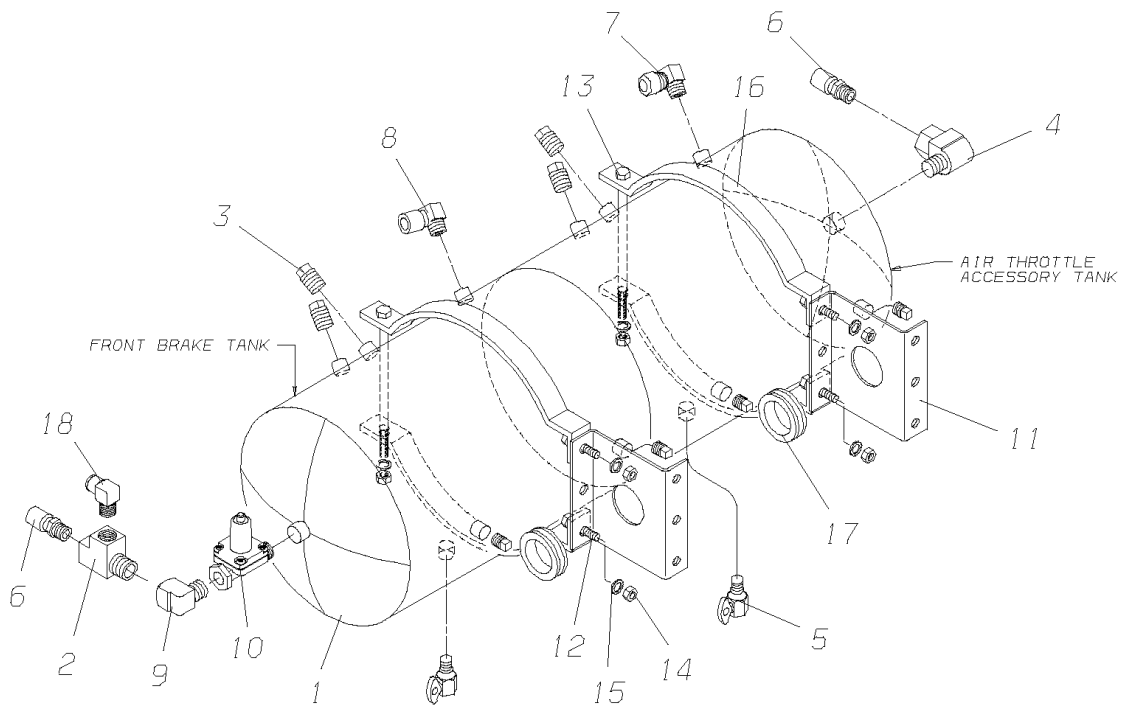


Models: A3RE
**RESERVOIR ASSY
 FRONT & ACCESSORY**
With Features: FEATURE 40081-01
BSN: From CSN 10061815 05/30/00

Key	PartNumber	Qty	Description	Comment
1	1802966	1	RESERVOIR,2000 CU.IN.,DUAL COMPARTMENT	
2	0654350	1	TEE,1/2 PIPE,STREET	
3	2009595	8	PLUG,PIPE,3/8,GALV	
4	0001135	2	VALVE,SINGLE CHECK,1/2 PIPE,90 DEGREE	
5	1110188	2	VALVE,RESERVOIR,DRAIN	
6	0009920	2	CONNECTOR,MALE,1868X8X8-Z,.50MPT X .50T"	
7	0009913	2	ELBOW,90 DEG,MALE1869X4X6-Z,.38MPT	
8	0009906	1	ELBOW,90 DEG,MALE1869X8-Z,.38MPT X .50T	
9	0003315	2	SPACER,AIR RESERVOIR BRACKET,HDFE	
10	2050839	4	CAPSCREW,HEX HD,3/8-16X1 1/2,GR5,YEL	
11	0851337	2	CAPSCREW,HEX HD,3/8-16X6 1/2,GR5,YEL	
12	0826297	6	NUT,HEX HD,3/8-16 LOCK,YEL ZN DICH	
13	0882795	6	LOCKWASHER,SPLIT RING,3/8,MED,YELLOW	
14	0850586	4	BRACKET,MTG,9 1/2IN,AIR RESERVOIR	
15	2003176	2	GROMMET,HEATER HOSE,1 1/2IN ID	

Models: A3RE
**RESERVOIR ASSY
 FRONT & ACCESSORY
 WITH AD-SP AIR DRYER**
With Features: FEATURE 4081-11
BSN: From CSN 10061815 05/30/00

Key	PartNumber	Qty	Description	Comment
-----	------------	-----	-------------	---------



Models: **A3RE**
RESERVOIR ASSY
FRONT & ACCESSORY
WITH AD-SP AIR DRYER
With Features: **FEATURE 40081-11**
BSN: **From CSN 10061815 05/30/00**

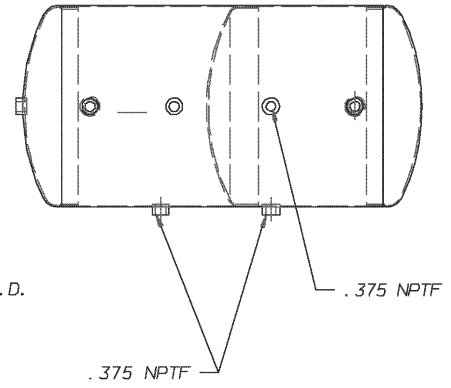
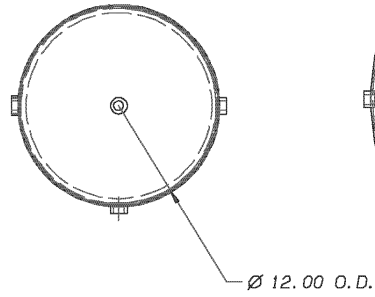
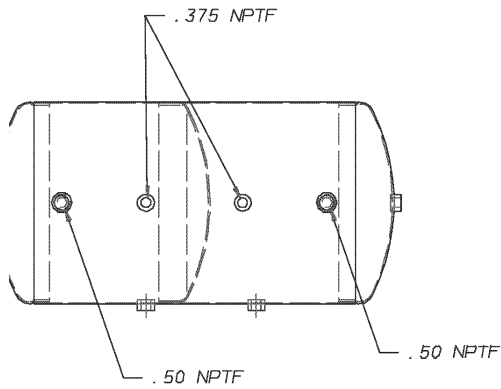
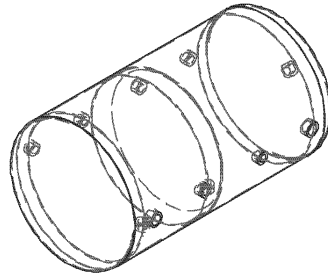
Key	PartNumber	Qty	Description	Comment
1	1802966	1	RESERVOIR,2000 CU.IN.,DUAL COMPARTMENT	
2	0654350	1	TEE,1/2 PIPE,STREET	
3	2009595	8	PLUG,PIPE,3/8,GALV	
4	0001135	1	VALVE,SINGLE CHECK,1/2 PIPE,90 DEGREE	
5	1110188	2	VALVE,RESERVOIR,DRAIN	
6	0009920	2	CONNECTOR,MALE,1868X8X8-Z,.50MPT X .50T"	
7	0009913	1	ELBOW,90 DEG,MALE1869X4X6-Z,.38MPT	
8	0009906	1	ELBOW,90 DEG,MALE1869X8-Z,.38MPT X .50T	
9	2008274	1	ELBOW,STREET,90 DEG,1/2MPT X	
10	0024452	1	VALVE,CHECK,SINGLE,AD-SP AIR DRYER	
11	0003315	2	SPACER,AIR RESERVOIR BRACKET,HDFE	
12	2050839	4	CAPSCREW,HEX HD,3/8-16X1 1/2,GR5,YEL	
13	0851337	2	CAPSCREW,HEX HD,3/8-16X6 1/2,GR5,YEL	
14	0826297	6	NUT,HEX HD,3/8-16 LOCK,YEL ZN DICH	
15	1078922	6	WASHER,FLAT,3/8 X 7/8 X 5/64,YEL ZN DICH	
16	0850586	4	BRACKET,MTG,9 1/2IN,AIR RESERVOIR	
17	2003176	2	GROMMET,HEATER HOSE,1 1/2IN ID	
18	0009907	1	ELBOW,90 DEG,MALE1869X8X8-Z,.50MPT	

Models: **A3RE
RESERVOIR ASSY
PRIMARY TANK
EEC**

Key	PartNumber	Qty	Description	Comment
-----	------------	-----	-------------	---------

DR. 02-11-02	BY MC		1999051	A	
APP.	BY	FRT		REV	

© BLUE BIRD BODY COMPANY. ALL RIGHTS RESERVED

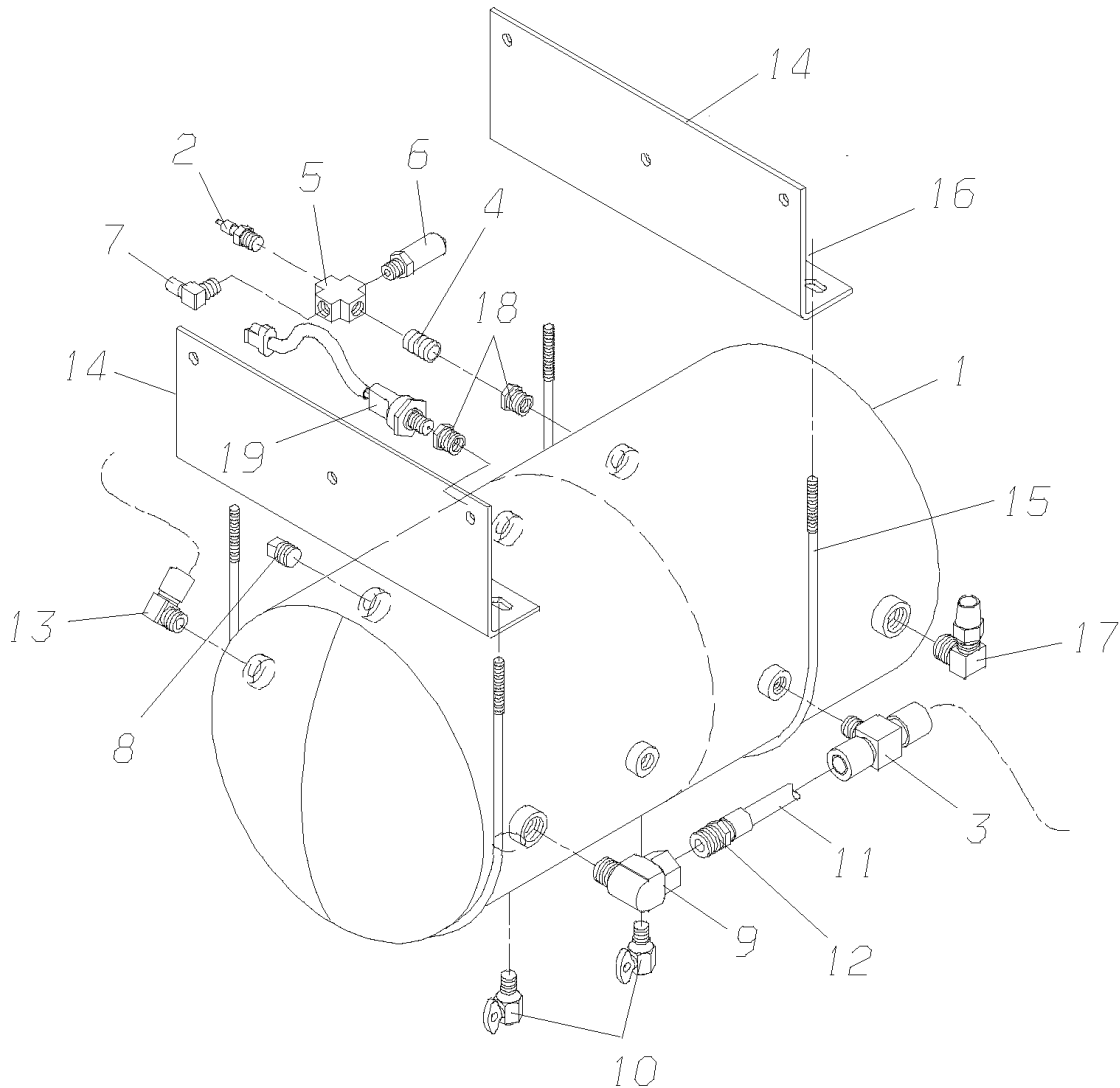


Models: **A3RE**
RESERVOIR ASSY
PRIMARY TANK
EEC

Key	PartNumber	Qty	Description	Comment
NI	1999051	1	RESERVOIR,12.00 OD 2500 CU IN	
NI	0818609	1	VALVE,SCHRADER,1/4 MPT	
NI	3772159	3	PLUG,PIPE,0.375,BRASS W/SEALANT,HEX HD	
NI	1110188	2	VALVE,RESERVOIR,DRAIN	
NI	0009920	1	CONNECTOR,MALE,1868X8X8-Z,.50MPT X .50T"	
NI	0009906	1	ELBOW,90 DEG,MALE1869X8-Z,.38MPT X .50T	
NI	0009907	1	ELBOW,90 DEG,MALE1869X8X8-Z,.50MPT	
NI	1346881	12	TUBING,PLASTIC,1/2 OD,RED,SAE J844 TYPE B	
NI	2027134	2	BUSHING,PIPE,3/8 X 1/4,BRASS	
NI	1659234	1	SWITCH,LOW AIR WARNING,TCFE/RE	
NI	1999044	2	BRACKET,MOUNTING,12.00 OD AIR TANK	
NI	1998947	2	U-BOLT,12.00 ID	
NI	1480433	4	NUT,HEX HD,5/16-18,FLG PRVG TORQ,GR F,	

Models: A3RE, CSRE, QBRE
RESERVOIR ASSY
REAR
1800 CU IN
With Features: FEATURE 40070
BSN: From CSN 10043410 11/01/99

Key	PartNumber	Qty	Description	Comment
-----	------------	-----	-------------	---------




Models: A3RE, CSRE, QBRE
RESERVOIR ASSY
REAR
1800 CU IN
With Features: FEATURE 40070
BSN: From CSN 10043410 11/01/99

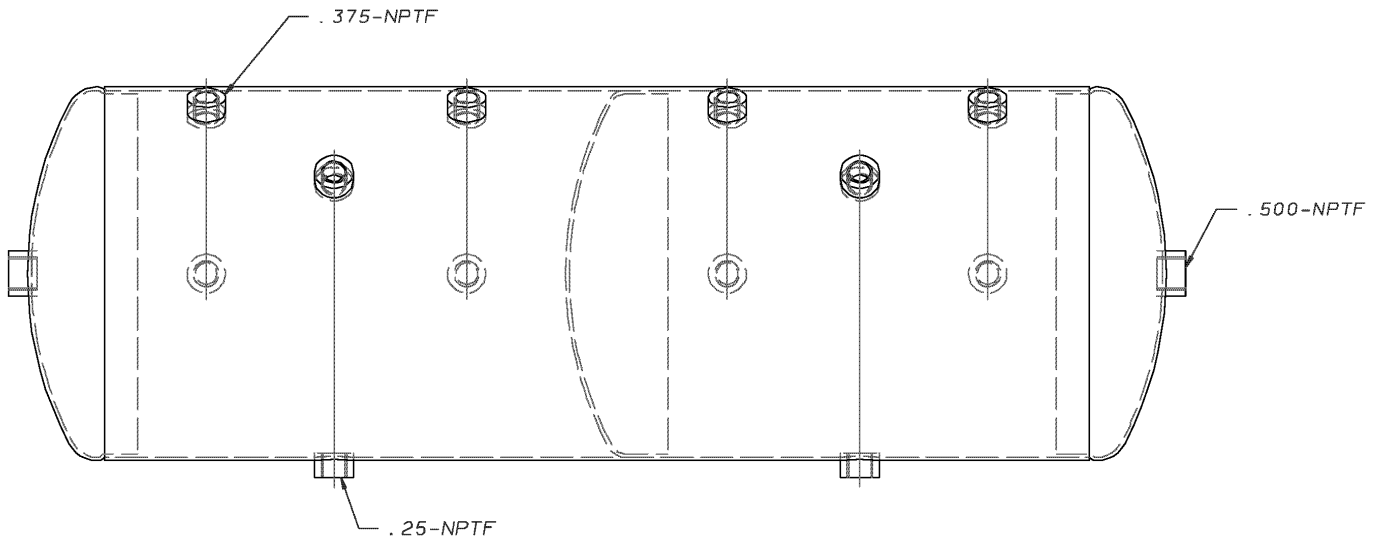
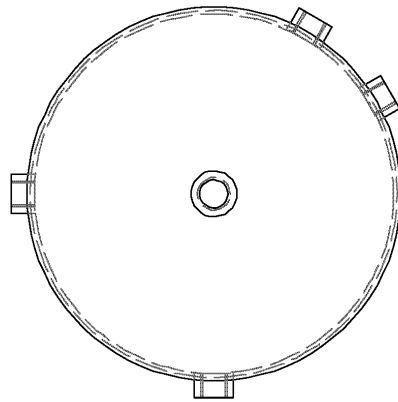
Key	PartNumber	Qty	Description	Comment
1	1999051	1	RESERVOIR,12.00 OD 2500 CU IN	
2	0818609	1	VALVE,SCHRADER,1/4 MPT	
3	0009925	1	TEE,MALE,BRANCH,1872X8-Z,.38MPT X .50T	
4	2027183	1	NIPPLE,1/4 CLOSE,BRASS	
5	0559054	1	CROSS,1/4 FEMALE PIPE,3950X4	
6	0839019	1	VALVE,SAFETY,1/4IN PIPE,BW NO284142	
7	0009912	1	ELBOW,90 DEG,MALE1869X4X4-Z,.25MPT	
8	3772159	2	PLUG,PIPE,0.375,BRASS W/SEALANT,HEX HD	
9	0001135	1	VALVE,SINGLE CHECK,1/2 PIPE,90 DEGREE	
10	1110188	2	VALVE,RESERVOIR,DRAIN	
11	1346881	10	TUBING,PLASTIC,1/2 OD,RED,SAE J844 TYPE B	
12	0009920	1	CONNECTOR,MALE,1868X8X8-Z,.50MPT X .50T"	
13	0009906	1	ELBOW,90 DEG,MALE1869X8-Z,.38MPT X .50T	
14	1999044	2	BRACKET,MOUNTING,12.00 OD AIR TANK	
15	1998947	2	U-BOLT,12.00 ID	
16	1480433	4	NUT,HEX HD,5/16-18,FLG PRVG TORQ,GR F,	
17	0754879	1	ELBOW,1/2 MPT X 5/8 TUBE	
18	2027134	2	BUSHING,PIPE,3/8 X 1/4,BRASS	
19	1659234	1	SWITCH,LOW AIR WARNING,TCFE/RE	

Models: **A3RE
RESERVOIR ASSY
SECONDARY TANK
EEC**

Key	PartNumber	Qty	Description	Comment
-----	------------	-----	-------------	---------

DR. 2-11-02	BY MC	1802966	A	
APP.	BY	FRT	REV.	

© BLUE BIRD BODY COMPANY. ALL RIGHTS RESERVED

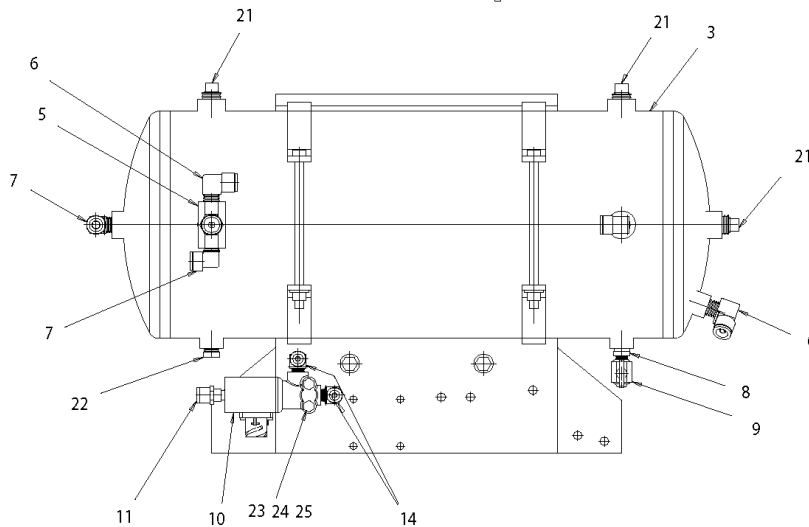
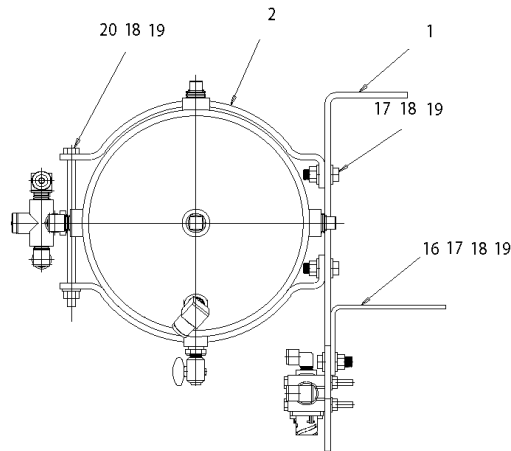
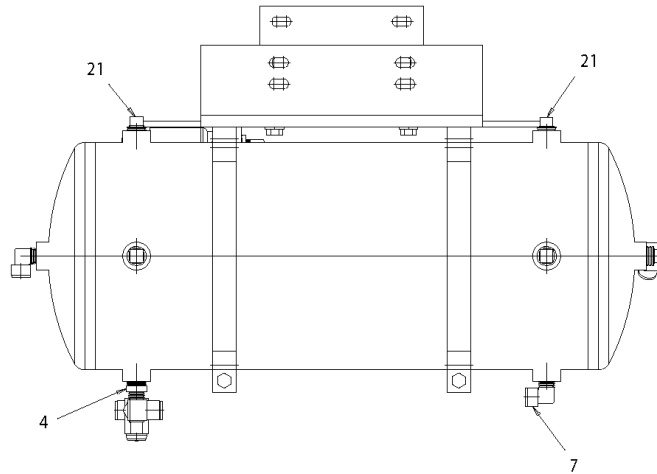


Models: **A3RE**
RESERVOIR ASSY
SECONDARY TANK
EEC

Key	PartNumber	Qty	Description	Comment
NI	1802966	1	RESERVOIR,2000 CU.IN.,DUAL COMPARTMENT	
NI	3772159	5	PLUG,PIPE,0.375,BRASS W/SEALANT,HEX HD	
NI	0009906	2	ELBOW,90 DEG,MALE1869X8-Z,.38MPT X .50T	
NI	0663427	1	PLUG,PIPE,1/2 SQ HD,3151 X 8Z,BRASS	
NI	0009911	2	ELBOW,90 DEG,MALE1869X6X6-Z,.38MPT	
NI	0012433	24	CM HD/C3FE FE40076-01 WRG DIAGRAM ISB,	
NI	0009907	1	ELBOW,90 DEG,MALE1869X8X8-Z,.50MPT	
NI	1110188	2	VALVE,RESERVOIR,DRAIN	
NI	1659234	1	SWITCH,LOW AIR WARNING,TCFE/RE	

Models: **A3RE
RESERVOIR ASSY
WET TANK
AUXILIARY WITH RIDEWELL
TRACTION CONTROL**
With Features: **FEATURE 40453-01 WITH RIDEWELL**
BSN: **From CSN 0233135 4/10/06**

Key	PartNumber	Qty	Description	Comment
-----	------------	-----	-------------	---------




Models: A3RE
RESERVOIR ASSY
WET TANK
AUXILIARY WITH RIDEWELL
TRACTION CONTROL
With Features: **FEATURE 40453-01 WITH RIDEWELL**
BSN: **From CSN 0233135 4/10/06**

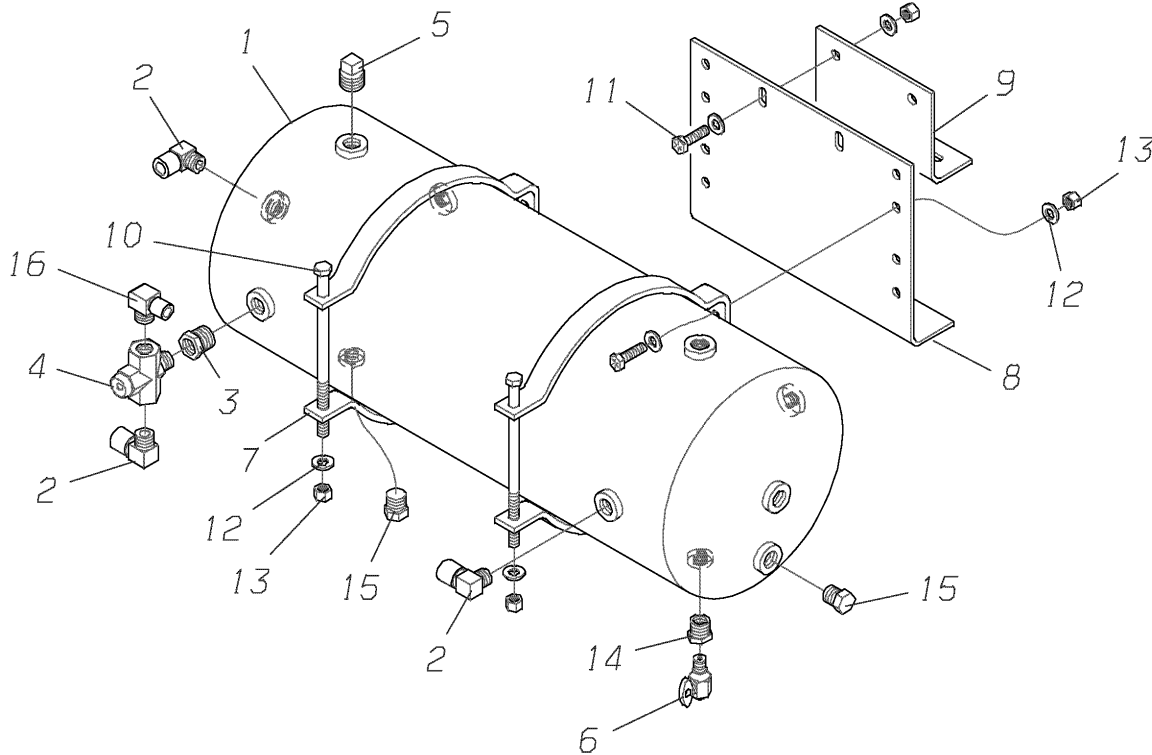
Key	PartNumber	Qty	Description	Comment
1	0102558	1	BRACKET,MOUNTING,KNEEL,ATC,BRKINLCK,	
2	0850586	4	BRACKET,MTG,9 1/2IN,AIR RESERVOIR	
3	1586445	1	RESERVOIR,1650 CU.IN.	
4	2023539	1	BUSHING,PIPE,1/2MPT X 3/8FPT,3220X8X6Z,	
5	1344183	1	VALVE,PRESS PROTECTION,66 PSI,GT	
6	0009911	2	ELBOW,90 DEG,MALE1869X6X6-Z,.38MPT	
7	0009906	3	ELBOW,90 DEG,MALE1869X8-Z,.38MPT X .50T	
8	2009033	1	BUSHING,PIPE,GALV,1/4 X 3/8	
9	1110188	1	VALVE,RESERVOIR,DRAIN	
10	0102339	1	VALVE,SOLENOID,TRACTION CONTROL,AIR	
11	0071528	1		
12			NOT USED	
13			NOT USED	
14	0009914	2	ELBOW,90 DEG,MALE1869X6-Z,.25MPT X .38T"	
15			NOT USED	
16	0083698	1	ANGLE,BRACE,AIR RESERVOIR BRKT	
17	0803213	6	CAPSCREW,HEX HD,3/8-16X1 1/4,GR8,YEL	
18	1107085	14	WASHER,FLAT,13/32 X 13/16 X 3/32,HDN,BLK	
19	0826297	8	NUT,HEX HD,3/8-16 LOCK,YEL ZN DICH	
20	0851337	2	CAPSCREW,HEX HD,3/8-16X6 1/2,GR5,YEL	
21	0663427	5	PLUG,PIPE,1/2 SQ HD,3151 X 8Z,BRASS	
22	3772159	2	PLUG,PIPE,0.375,BRASS W/SEALANT,HEX HD	
23	1246651	2	CAPSCREW,HEX HD,1/4-20X2 3/4,GR5,YEL	
24	1247709	2	WASHER,FLAT,17/64 ID X,5/8,YEL ZN DICH	
25	2001345	2	NUT,HEX HD,1/4-20,LOCKING,YELLOW	

Models: A3RE
RESERVOIR ASSY
WET TANK
AUXILIARY, SPRING SUSPENSION
BSN: From CSN 10009670 07/22/98

Key	PartNumber	Qty	Description	Comment
-----	------------	-----	-------------	---------

DR. 12/05/01	BY TFM	1605179	H	
APP.	BY	PRF.	REV.	

© BLUE BIRD BODY COMPANY. ALL RIGHTS RESERVED



Models: A3RE
RESERVOIR ASSY
WET TANK
AUXILIARY, SPRING SUSPENSION
BSN: From CSN 10009670 07/22/98

Key	PartNumber	Qty	Description	Comment
1	1586445	1	RESERVOIR,1650 CU.IN.	
2	0009906	3	ELBOW,90 DEG,MALE1869X8-Z,.38MPT X .50T	
3	2023539	1	BUSHING,PIPE,1/2MPT X 3/8FPT,3220X8X6Z,	
4	1344183	1	VALVE,PRESS PROTECTION,66 PSI,GT	
5	0663427	5	PLUG,PIPE,1/2 SQ HD,3151 X 8Z,BRASS	
6	1110188	1	VALVE,RESERVOIR,DRAIN	
7	0850586	4	BRACKET,MTG,9 1/2IN,AIR RESERVOIR	
8	1999911	1	BRACKET,MTG,OPTIONAL AIR TANK,UPPER"	
9	1999929	1	BRACKET,MTG,OPTIONAL AIR TANK,LOWER	
10	0851337	2	CAPSCREW,HEX HD,3/8-16X6 1/2,GR5,YEL	
11	0803213	10	CAPSCREW,HEX HD,3/8-16X1 1/4,GR8,YEL	
12	1107085	22	WASHER,FLAT,13/32 X 13/16 X 3/32,HDN,BLK	
13	0826297	12	NUT,HEX HD,3/8-16 LOCK,YEL ZN DICH	
14	2027134	1	BUSHING,PIPE,3/8 X 1/4,BRASS	
15	3772159	2	PLUG,PIPE,0.375,BRASS W/SEALANT,HEX HD	
16	0009911	1	ELBOW,90 DEG,MALE1869X6X6-Z,.38MPT	

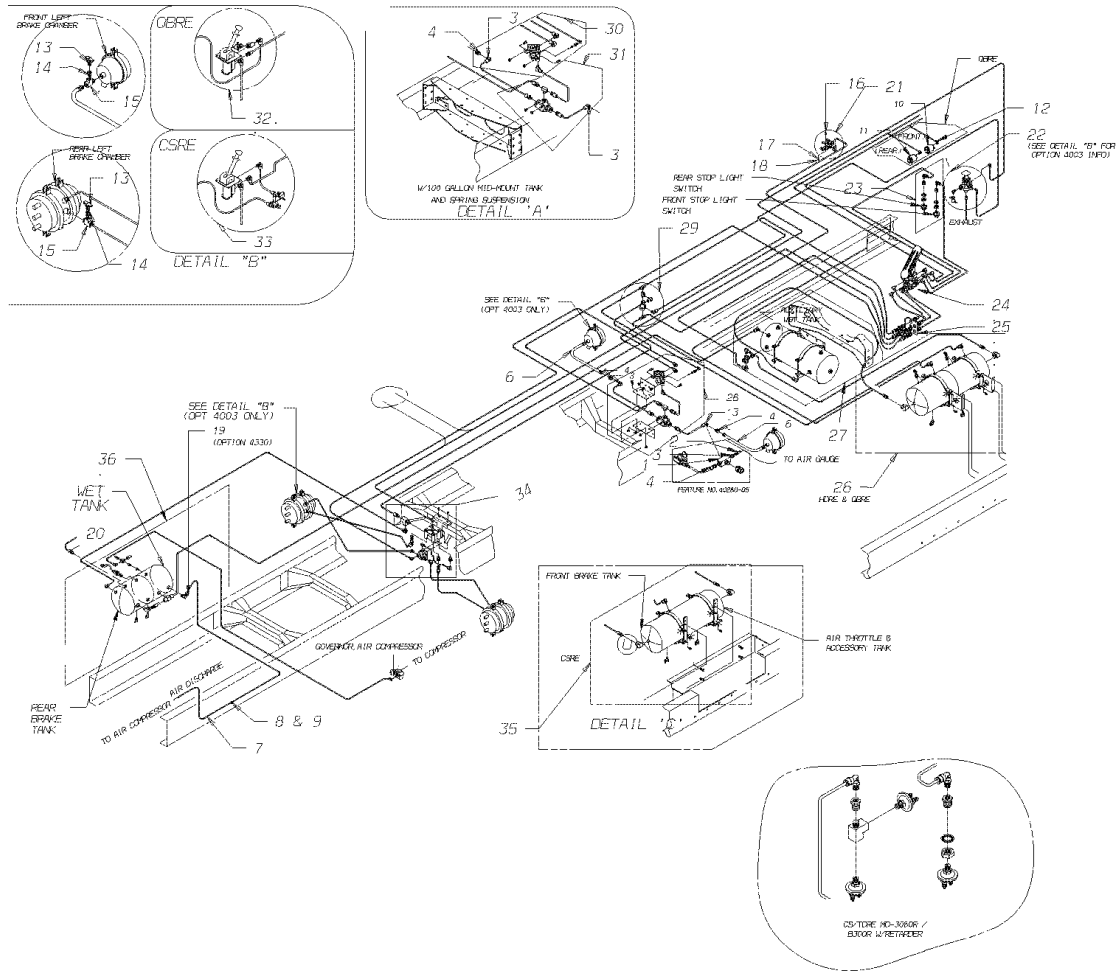
Models: A3RE, CSRE, QBRE
SYSTEM

4 CHANNEL, ABS

With Features: FEATURE 40070 WITH 40076-01, 40280-05, 40177

BSN: From CSN A3RE, C3RE 0188790 2/2/05 40004-07 W/04569

Key	PartNumber	Qty	Description	Comment
-----	------------	-----	-------------	---------



Models: A3RE, CSRE, QBRE
SYSTEM

4 CHANNEL, ABS

With Features: FEATURE 40070 WITH 40076-01, 40280-05, 40177

BSN: From CSN A3RE, C3RE 0188790 2/2/05 40004-07 W/04569

Key	PartNumber	Qty	Description	Comment
1	1797802	80	HOSE,.25 ID X .50 OD,W-H H00904	
2	1313816	1	INSERT,BARBED,SWIVEL,1/4 HOSE X 1/4 MALE	
3	0009906	2	ELBOW,90 DEG,MALE1869X8-Z,.38MPT X .50T	
4	0758698	2	COUPLING,ANCHOR,B-W 217709 BENDIX	
5	2026854	1	CONNECTOR,1/8 MPT X 1/4 IF	
6	0908244	2	HOSE ASSY,BRAKE,7/16,X 24 IN LONG	
7	1024975	1	HOSE ASSY,AIR CMPR DISCH,30 LONG	
8	2026763	1	FERRULE,60 X 10 5/8 IN	
9	2055846	1	NUT	
10	1345743	1	GAUGE,AIR PRESSURE,FRONT,BLK BEZEL,XL	
11	1345735	1	GAUGE,AIR PRESSURE,REAR,BLK BEZEL,XL	
12	1536879	2	ELBOW,90 DEG,SWIVEL,Q/D,1/8 MPT X 1/4	
12	0017219		ELBOW,90 DEG MALE SWIVEL,1869X4S	BEGIN WITH CSN 4-30-00
13	1704493	2	FITTING,TEST POINT,BRAKE CHAMBER,EEC	
14	2009033	2	BUSHING,PIPE,GALV,1/4 X 3/8	
15	1010065	2	TEE,STREET,3/8 PIPE 3750 X 6	
16	1667773	2	CAPSCREW,HEX HD,1/4-20X1 1/4,GR5,YEL	
17	2001121	2	WASHER,FLAT,5/16 X 3/4,X 5/64,YEL ZN DICH	
18	2001345	2	NUT,HEX HD,1/4-20,LOCKING,YELLOW	
19	0754879	1	ELBOW,1/2 MPT X 5/8 TUBE	
19	0009907		ELBOW,90 DEG,MALE1869X8X8-Z,.50MPT	BEGIN WITH CSN 4-30-00
20	0009919		CONNECTOR,MALE,1868X6X8-Z,.50MPT X .38T"	
21	1704535		MANIFOLD ASSY,AIR OPTIONS,TCFC	
22	0032238		VALVE ASSY,PARKING BRAKE,PP-1	
24	0023250		VALVE ASSY,BRK TRDL,WT,AIR THROTTLE,RE	
24	0020996		VALVE ASSY,BRK TRDL,WT W/RETDR,AIR	
24	0020990		VALVE ASSY,BRK TRDL,ELEC THROTTLE,QBRE	
24	0020992		VALVE ASSY,A/BRK TRDL,W/RETDR,ELEC	
24	0043370		VALVE ASSY,A/BRK TRDL,E/THRT,ABS,ADJ PED	
25	0024049		JUNCTION BLOCK ASSY,BRAKE PEDAL	WITH ABS
25	0024048		JUNCTION BLOCK ASSY,BRAKE PEDAL W/O ABS	WITHOUT ABS
26	1764802		RESERVOIR ASSY,FRT,BRAKE & ACCESSORY, RE	
27	1605179		RESERVOIR ASSY,AUXILIARY,WET,SPRG SUSP,	

Models: A3RE, CSRE, QBRE
SYSTEM

With Features: 4 CHANNEL, ABS
BSN: FEATURE 40070 WITH 40076-01, 40280-05, 40177
From CSN A3RE, C3RE 0188790 2/2/05 40004-07 W/04569

Key	PartNumber	Qty	Description	Comment
28	0020599		VALVE ASSY,SPRING BRK & QUICK REL,	
29	1501006		VALVE ASSY,DOUBLE CHECK,QBRE & TCRE	
30	0020603		VALVE ASSY,SPRING BRK	
31	1949031		VALVE ASSY,QUICK RELEASE	
32	0020595		VALVE ASSY,PARKING BRAKE	STANDARD
32	0020597		VALVE ASSY,CTRL,HAND,PARKING BRAKE,EEC	QBRE WITH 4003
33	0020596		VALVE ASSY,AIR MANF,W/OPTION 4003,CSRE	OPTION 40030097027
33	0020598		VALVE ASSY,CTRL,HAND,PARKING BRAKE,EEC	CSRE WITH 4003
34	1549260		VALVE ASSY,SPR&SVC BRK RLY	STANDARD
34	0017698		VALVE ASSY,SPR&SERV BRK RELAY,F40280-05	FEATURE 40280-05 STANDARD
34	0084966		VALVE ASSY,ABS,SPR&SERV,RE	FEATURE 40071-01 ABS-4 CHANNEL
34	0084964		VALVE ASSY,ABS,SPR&SERV,	FEATURE 40280-05 ABS-4 CHANNEL
34	0084969		VALVE ASSY,ABS,SPR&SERV W/CNG,RE	FEATURE 40076-01 ABS-4 CHANNED WITH CNG
34	0084968		VALVE ASSY,ABS,CNG,SPR&SERV W/40280-05,	FEATURE 40280005 ABS-4 CHANNEL WITH CNG
34	1589340		VALVE ASSY,SPR&SVC BRK RLY,CNG,TCRE	WITH CNG STANDARD
34	0017698		VALVE ASSY,SPR&SERV BRK RELAY,F40280-05	FEATURE 40280-05 STANDARD AIR BRAKES WITHOUT CNG
35	0014508		RESERVOIR ASSY,FRONT&WET TANK,	
36	0014695		RESERVOIR ASSY,REAR,AIR,1800 CU IN,T2RE	QB/CSRE WITH ISC, A3/CSRE WITH JD
36	0014694		RESERVOIR ASSY,REAR,AIR,1800 CU IN,	QB/CSRE WITH ISB
36	1852904		RESERVOIR ASSY,REAR,1800 CU.IN.,RE	
NI	0948141	5	CLAMP,LOOP,1.312	
NI	1666700	1	PEDAL ASSY,AIR BRAKE TREADLE W/RUBBER	WITH RUBBER COVER
NI	1317247	19	BRACKET,ATCH,BRAKE LINE TO FRAME	
NI	2001121	33	WASHER,FLAT,5/16 X 3/4,X 5/64,YEL ZN DICH	
NI	0989145	26	CAPSCREW,HEX HD,5/16-18, X, 1, ,GR5,	
NI	1142603	26	NUT,HEX HD,5/16-18,GR 8,YELLOW	
NI	0882803	8	CAPSCREW,HEX HD,3/8-16,X,1,,GR5,YELDICH	
NI	0882795	8	LOCKWASHER,SPLIT RING,3/8,MED,YELLOW	
NI	2001451	8	NUT,HEX HD,3/8-16,YELLOW DICHROMATE	
NI	1107937	24	CLAMP,LOOP,2.00	
NI	2026706	1	ELBOW,49X10,1/2MPT X 5/8 TUBE,FLARE	

Models: A3RE, CSRE, QBRE
SYSTEM

With Features: 4 CHANNEL, ABS

BSN: FEATURE 40070 WITH 40076-01, 40280-05, 40177

From CSN A3RE, C3RE 0188790 2/2/05 40004-07 W/04569

Key	PartNumber	Qty	Description	Comment
1	0016750		TEE,BRASS,3/8MPTX3/8FPTX3/8FPT,3600X6	WITH FEATURE 40280-05 APPLIED AIR
2	0009920		CONNECTOR,MALE,1868X8X8-Z,.50MPT X .50T"	WITH FEATURE 40280-05 APPLIED AIR
3	2027134		BUSHING,PIPE,3/8 X 1/4,BRASS	WITH FEATURE 40280-05 APPLIED AIR
4	0009921		CONNECTOR,MALE,1868X8-Z,.38MPT X .50T"	WITH FEATURE 40280-05 APPLIED AIR
3	0009906		ELBOW,90 DEG,MALE1869X8-Z,.38MPT X .50T	DELETE WITH FEATURE 40280-05 APPLIED AIR
NI	1346824		TUBING,PLASTIC,1/4 OD,BLUE,SAE J844 TYPE A	
NI	0654962		TUBING,PLASTIC,1/4 OD,BLACK,SAE J844 TYPE	
NI	1346832		TUBING,PLASTIC,1/4 OD,RED,SAE J844 TYPE A	
NI	1346808		TUBING,PLASTIC,1/4 OD,ORANGE,SAE J844	
NI	1346816		TUBING,PLASTIC,1/4 OD,YELLOW,SAE J844	
NI	1346790		TUBING,PLASTIC,1/4 OD,GREEN,SAE J844 TYPE	
NI	1220060		TUBING,PLASTIC,1/4 OD,GRAY,SAE J844 TYPE A	
NI	1220011		TUBING,PLASTIC,1/4 OD,BROWN,SAE J844	
NI	1346865		TUBING,PLASTIC,1/2 OD,BLACK,SAE J844 TYPE	
NI	1346873		TUBING,PLASTIC,1/2 OD,BLUE,SAE J844 TYPE B	
NI	1346881		TUBING,PLASTIC,1/2 OD,RED,SAE J844 TYPE B	
NI	1247444		TUBING,PLASTIC,1/2 OD,BROWN,SAE J844	
NI	1197177		TUBING,PLASTIC,1/2 OD,SILVER,SAE J844 TYPE	
NI	0989319		TUBING,PLASTIC,3/8 OD,BLACK,SAE J844 TYPE	
NI	2027407		TUBING,COPPER,5/8,TYPE L (S04060)	
NI	0012443		TUBING,PLASTIC,3/8 OD,GREEN,SAE J844 TYPE	

Models: A3RE, CSRE, QBRE, T2RE, TCRE
SYSTEM

4 CHANNEL, ABS

With Features: FEATURE 40070, 40076-01

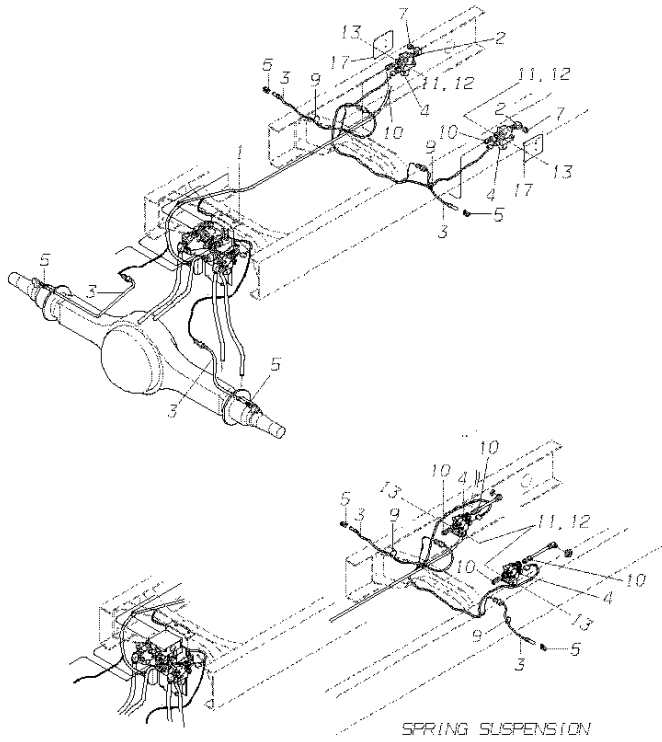
BSN: From CSN 10000323 01/15/98
 To CSN 10037079 07/25/99

Key	PartNumber	Qty	Description	Comment
-----	------------	-----	-------------	---------

OP 10/16/98 BY J.L.	---	1995877	E
APP. 10/16/98 BY AB	FRY		REV



© BLUE BIRD BODY COMPANY, ALL RIGHTS RESERVED



Models: A3RE, CSRE, QBRE, T2RE, TCRE
SYSTEM
4 CHANNEL, ABS
With Features: FEATURE 40070, 40076-01
BSN: From CSN 10000323 01/15/98
 To CSN 10037079 07/25/99

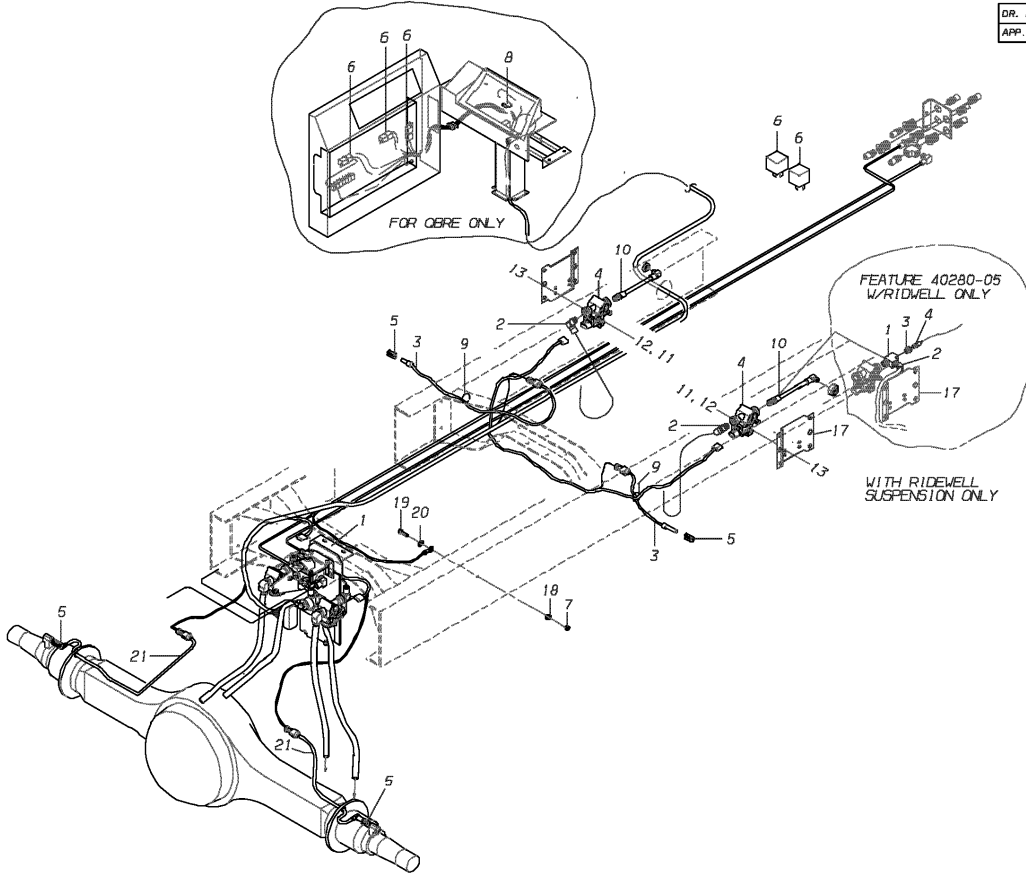
Key	PartNumber	Qty	Description	Comment
1	1995935		VALVE ASSY,SPR & SERV,ABS,TC/QBRE	<i>WITH SPRING OR REYCO SUSPENSION</i>
1	1995943		VALVE ASSY,SPR & SERV,ABS,RIDWL,TC/QBRE	<i>WITH RIDEWELL SUSPENSION</i>
1	1995950		VALVE ASSY,SPR & SERV,ABS,CNG,TC/QBRE	<i>WITH CNG</i>
2	2008274	2	ELBOW,STREET,90 DEG,1/2MPT X	
3	1990324	4	SENSOR,ABS,STRAIGHT,AIR,SQUARE PLUG	
4	1990332	2	MODULATOR,ABS,M-22	
5	1542471	4	SLEEVE,CLAMP,NOTCHED,HUB SENSOR,ABS	
6	1161876	2	RELAY,ISO,W/O TAB	<i>RELAY, ISO, WITHOUT TAB</i>
7	2023539	2	BUSHING,PIPE,1/2MPT X 3/8FPT,3220X8X6Z,	
8	1662105	1	BULB,WARNING LIGHTS,GM INSTR PNL,	<i>GM INSTR PNL. NOT USED WITH RIDEWELL</i>
9	1652379	2	GROMMET,RUBBER,1.25 ID W/1.50 X .25	
10	0009920	2	CONNECTOR,MALE,1868X8X8-Z,.50MPT X .50T"	
11	1226877	4	CAPSCREW,HEX HD,5/16X 3 1/2,GR8,YEL ZN	
12	2001048	4	WASHER,FLAT,11/32 X 11/16 X 1/16,YEL	
13	0829390	4	NUT,HEX HD,5/16-18,SER WASHER,YEL ZN	
14	0559195	4	CAPSCREW,HEX HD,3/8-16 X 1,GR 8,YEL ZN	
15	1107085	4	WASHER,FLAT,13/32 X 13/16 X 3/32,HDN,BLK	
16	1013689	4	NUT,HEX HD,3/8-16,WASHER SER,YEL ZN DICH	
17	1996016	2	SHIELD,MODULATOR,M-22 ABS VALVE	<i>NOT USED WITH SPRING SUSPENSION</i>

Models: A3RE, CSRE, QBRE
SYSTEM

With Features: FEATURE 40070, 70076-01

BSN: From CSN 10037080 07/26/99

Key	PartNumber	Qty	Description	Comment
-----	------------	-----	-------------	---------



DR. 4/27/01	BY J.L.	---	00144551	P
APP. 4/27/01	BY PF	ERT		REV

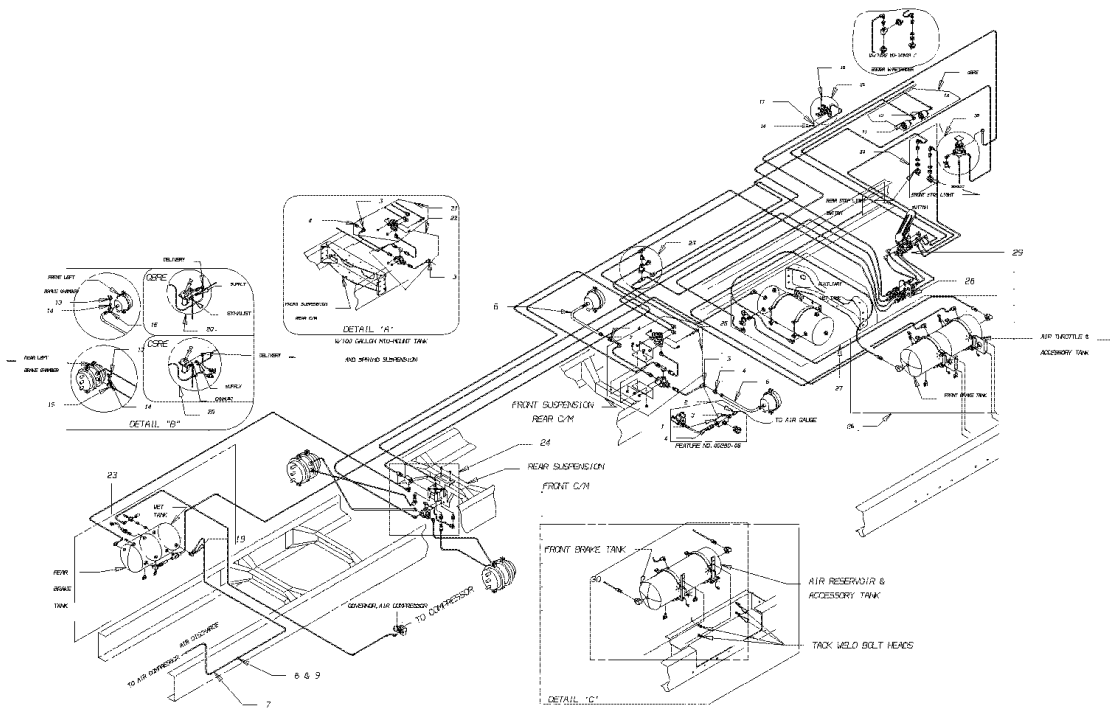
© BLUE BIRD BODY COMPANY, ALL RIGHTS RESERVED

Models: A3RE, CSRE, QBRE
SYSTEM
4 CHANNEL, ABS
With Features: FEATURE 40070, 70076-01
BSN: From CSN 10037080 07/26/99

Key	PartNumber	Qty	Description	Comment
1	0036926	1	VALVE ASSY,SPR&SERV,ABS,RE	ABS WITH SPRING & REYCO
1	0036925	1	VALVE ASSY,SPR&SERV,ABS,W/REYCO,W/40280	ABS WITH SPRING & REYCO WITH FEATURE 40280-05
1	0036923	1	VALVE ASSY,SPR&SERV,ABS,W/RDWL, RE	ABS WITH RIDEWELL
1	0036924	1	VALVE ASSY,SPR&SERV,ABS,W/RDWL,W/40280	ABS WITH RIDEWELL WITH FEATURE 40280-05
1	0036930	1	VALVE ASSY,SPR&SERV,ABS,CNG,RE	ABS WITH CNG
1	0036929	1	VALVE ASSY,SPR&SERV,ABS,CNG,W/40280-05	ABS WITH CNG WITH FEATURE 40280-05
1	0036926	1	VALVE ASSY,SPR&SERV,ABS,RE	ABS WITH HENDRICKSON
1	0036925	1	VALVE ASSY,SPR&SERV,ABS,W/REYCO,W/40280	ABS WITH HENDRICKSON WITH FEATURE 40280-05
2	0009907	2	ELBOW,90 DEG,MALE1869X8X8-Z,.50MPT	WITH RIDEWELL SUSPENSION ONLY
3	1990324	2	SENSOR,ABS,STRAIGHT,AIR,SQUARE PLUG	
4	0014460	2	MODULATOR,ABS,AIR BRAKE,BENDIX M-30	
5	1542471	4	SLEEVE,CLAMP,NOTCHED,HUB SENSOR,ABS	
6	1161876	AR	RELAY,ISO,W/O TAB	TCRE, CSRE ONLY
7	2001451	1	NUT,HEX HD,3/8-16,YELLOW DICHROMATE	
8	1535871	1	LIGHT,PILOT,ABS WARNING	QBRE ONLY
9	1652379	2	GROMMET,RUBBER,1.25 ID W/1.50 X .25	
10	0009920	4	CONNECTOR,MALE,1868X8X8-Z,.50MPT X .50T"	
11	1226877	4	CAPSCREW,HEX HD,5/16X 3 1/2,GR8,YEL ZN	
12	2001048	4	WASHER,FLAT,11/32 X 11/16 X 1/16,YEL	
13	0829390	4	NUT,HEX HD,5/16-18,SER WASHER,YEL ZN	
14	0559195	4	CAPSCREW,HEX HD,3/8-16 X 1,GR 8,YEL ZN	
15	1107085	4	WASHER,FLAT,13/32 X 13/16 X 3/32,HDN,BLK	
16	1013689	4	NUT,HEX HD,3/8-16,WASHER SER,YEL ZN DICH	
17	0014952	2	BRACKET,MTG,MODULATOR,M-21,RIDWL	RIDEWELL SUSPENSION ONLY
18	0882795	1	LOCKWASHER,SPLIT RING,3/8,MED,YELLOW	
19	2028322	1	CAPSCREW,HEX HD,3/8-16, X, 1, ,GR 5,ZINC	
20	1078922	1	WASHER,FLAT,3/8 X 7/8 X 5/64,YEL ZN DICH	
21	1990316	2	SENSOR,ABS,90 DEGREE,AIR	

Models: **A3RE
SYSTEM
4 CHANNEL, ABS**
BSN: **From CSN 0198630 5/1/05**

Key	PartNumber	Qty	Description	Comment
-----	------------	-----	-------------	---------



Models: **A3RE
SYSTEM
4 CHANNEL, ABS**
BSN: **From CSN 0198630 5/1/05**

Key	PartNumber	Qty	Description	Comment
1	0016750		TEE,BRASS,3/8MPTX3/8FPTX3/8FPT,3600X6	WITH FEATURE 40280-05 APPLIED AIR
2	0009920		CONNECTOR,MALE,1868X8X8-Z,.50MPT X .50T"	WITH FEATURE 40280-05 APPLIED AIR
3	0009906	2	ELBOW,90 DEG,MALE1869X8-Z,.38MPT X .50T	
3	2027134		BUSHING,PIPE,3/8 X 1/4,BRASS	WITH FEATURE 40280-05 APPLIED AIR
4	0758698	2	COUPLING,ANCHOR,B-W 217709 BENDIX	
4	0009921		CONNECTOR,MALE,1868X8-Z,.38MPT X .50T"	WITH FEATURE 40280-05 APPLIED AIR
6	0908244	2	HOSE ASSY,BRAKE,7/16,X 24 IN LONG	
7	1024975	1	HOSE ASSY,AIR CMPR DISCH,30 LONG	
8	2026763	1	FERRULE,60 X 10 5/8 IN	
9	2055846	1	NUT	
10	1345743	1	GAUGE,AIR PRESSURE,FRONT,BLK BEZEL,XL	
11	1345735	1	GAUGE,AIR PRESSURE,REAR,BLK BEZEL,XL	
12	0017219		ELBOW,90 DEG MALE SWIVEL,1869X4S	
13	1704493	2	FITTING,TEST POINT,BRAKE CHAMBER,EEC	OPTION 4003 ONLY
14	2009033	2	BUSHING,PIPE,GALV,1/4 X 3/8	OPTION 4003 ONLY
15	1010065	2	TEE,STREET,3/8 PIPE 3750 X 6	OPTION 4003 ONLY
16	1667773	2	CAPSCREW,HEX HD,1/4-20X1 1/4,GR5,YEL	
17	2001121	2	WASHER,FLAT,5/16 X 3/4,X 5/64,YEL ZN DICH	
18	2001345	2	NUT,HEX HD,1/4-20,LOCKING,YELLOW	
19	0754879	1	ELBOW,1/2 MPT X 5/8 TUBE	
19	0009907		ELBOW,90 DEG,MALE1869X8X8-Z,.50MPT	BEGIN WITH CSN 4-30-00
20	0020595		VALVE ASSY,PARKING BRAKE	STANDARD
20	0020597		VALVE ASSY,CTRL,HAND,PARKING BRAKE,EEC	QBRE WITH 4003
20	0020596		VALVE ASSY,AIR MANF,W/OPTION 4003,CSRE	WITH OPTION 4003. CSRE
20	0020598		VALVE ASSY,CTRL,HAND,PARKING BRAKE,EEC	CSRE WITH 4003
21	0020603		VALVE ASSY,SPRING BRK	
22	1949031		VALVE ASSY,QUICK RELEASE	
23	1501006		VALVE ASSY,DOUBLE CHECK,QBRE & TCRE	
24	1549260		VALVE ASSY,SPR&SVC BRK RLY	STANDARD
24	0017698		VALVE ASSY,SPR&SERV BRK RELAY,F40280-05	FEATURE 40280-05. STANDARD
24	0084966		VALVE ASSY,ABS,SPR&SERV,RE	FEATURE 40071-01 ABS-4. CHANNEL

Models: A3RE
SYSTEM
4 CHANNEL, ABS
BSN: From CSN 0198630 5/1/05


Key	PartNumber	Qty	Description	Comment
24	0084964		VALVE ASSY,ABS,SPR&SERV,	FEATURE 40280-05 ABS-4. CHANNEL
24	0084969		VALVE ASSY,ABS,SPR&SERV W/CNG,RE	FEATURE 40076-01 ABS-4. CHANNEL WITH CNG
24	0084968		VALVE ASSY,ABS,CNG,SPR&SERV W/40280-05,	FEATURE 40280005 ABS-4. CHANNEL WITH CNG
24	1589340		VALVE ASSY,SPR&SVC BRK RLY,CNG,TCRE	WITH CNG. STANDARD
24	0017698		VALVE ASSY,SPR&SERV BRK RELAY,F40280-05	FEATURE 40280-05, STANDARD, AIR BRAKES. WITHOUT CNG
25	0020599		VALVE ASSY,SPRING BRK & QUICK REL,	
26	1764802		RESERVOIR ASSY,FRT,BRAKE & ACCESSORY, RE	
26	0084964		VALVE ASSY,ABS,SPR&SERV,	FEATURE 40280-05, ABS-4. CHANNEL
27	1605179		RESERVOIR ASSY,AUXILIARY,WET,SPRG SUSP,	
28	0024049		JUNCTION BLOCK ASSY,BRAKE PEDAL	WITH ABS
28	0024048		JUNCTION BLOCK ASSY,BRAKE PEDAL W/O ABS	WITHOUT ABS
29	0023250		VALVE ASSY,BRK TRDL,WT,AIR THROTTLE,RE	
29	0020996		VALVE ASSY,BRK TRDL,WT W/RETDR,AIR	
29	0020990		VALVE ASSY,BRK TRDL,ELEC THROTTLE,QBRE	
29	0020992		VALVE ASSY,A/BRK TRDL,W/RETDR,ELEC	
29	0043370		VALVE ASSY,A/BRK TRDL,E/THRT,ABS,ADJ PED	
30	1704535		MANIFOLD ASSY,AIR OPTIONS,TCFC	
NI	0948141	5	CLAMP,LOOP,1.312	
NI	1666700	1	PEDAL ASSY,AIR BRAKE TREADLE W/RUBBER	
NI	1317247	19	BRACKET,ATCH,BRAKE LINE TO FRAME	
NI	2001121	33	WASHER,FLAT,5/16 X 3/4,X 5/64,YEL ZN DICH	
NI	0989145	26	CAPSCREW,HEX HD,5/16-18, X, 1, ,GR5,	
NI	1142603	26	NUT,HEX HD,5/16-18,GR 8,YELLOW	
NI	0882803	8	CAPSCREW,HEX HD,3/8-16,X,1,,GR5,YELDICH	
NI	0882795	8	LOCKWASHER,SPLIT RING,3/8,MED,YELLOW	
NI	2001451	8	NUT,HEX HD,3/8-16,YELLOW DICHROMATE	
NI	1107937	24	CLAMP,LOOP,2.00	
NI	2026706	1	ELBOW,49X10,1/2MPT X 5/8 TUBE,FLARE	
NI	1346824		TUBING,PLASTIC,1/4 OD,BLUE,SAE J844 TYPE A	
NI	0654962		TUBING,PLASTIC,1/4 OD,BLACK,SAE J844 TYPE	
NI	0654962		TUBING,PLASTIC,1/4 OD,BLACK,SAE J844 TYPE	

Models: A3RE
SYSTEM
4 CHANNEL, ABS
BSN: From CSN 0198630 5/1/05

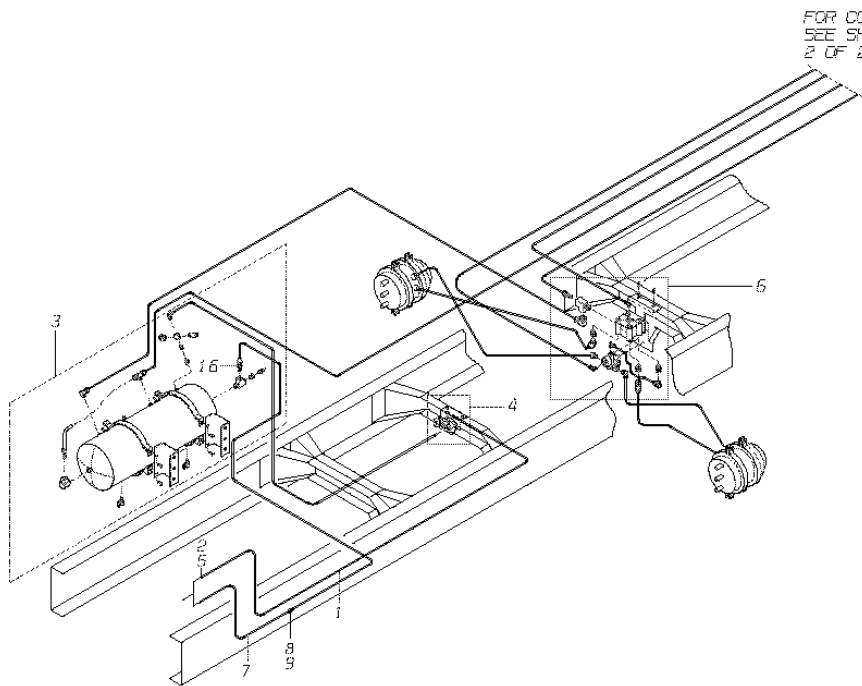
Key	PartNumber	Qty	Description	Comment
NI	1346816		TUBING,PLASTIC,1/4 OD,YELLOW,SAE J844	
NI	1346790		TUBING,PLASTIC,1/4 OD,GREEN,SAE J844 TYPE	
NI	1220060		TUBING,PLASTIC,1/4 OD,GRAY,SAE J844 TYPE A	
NI	1220011		TUBING,PLASTIC,1/4 OD,BROWN,SAE J844	
NI	1346865		TUBING,PLASTIC,1/2 OD,BLACK,SAE J844 TYPE	
NI	1346873		TUBING,PLASTIC,1/2 OD,BLUE,SAE J844 TYPE B	
NI	1346881		TUBING,PLASTIC,1/2 OD,RED,SAE J844 TYPE B	
NI	1247444		TUBING,PLASTIC,1/2 OD,BROWN,SAE J844	
NI	1197177		TUBING,PLASTIC,1/2 OD,SILVER,SAE J844 TYPE	
NI	0989319		TUBING,PLASTIC,3/8 OD,BLACK,SAE J844 TYPE	
NI	2027407		TUBING,COPPER,5/8,TYPE L (S04060)	
NI	0012443		TUBING,PLASTIC,3/8 OD,GREEN,SAE J844 TYPE	

Models: A3RE, CSRE, QBRE, TCRE
SYSTEM
ABS
FRONT
BSN: From CSN 988534
 To CSN 30028830

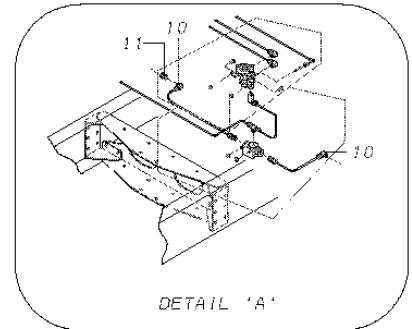
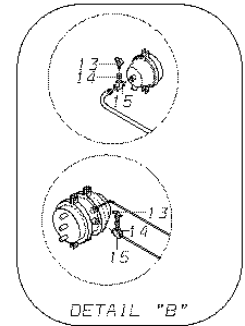
Key	PartNumber	Qty	Description	Comment
-----	------------	-----	-------------	---------

DR: 11/16/94 BY: CH	2	1568003	V	
APP: 11/16/94 BY: AB	1	1 OF 2	REV	

© BLUE BIRD BODY COMPANY, A.L. TRAVIS HOLDINGS



FOR CONTINUATION
 SEE SHEET 1668003
 2 OF 2




Models: A3RE, CSRE, QBRE, TCRE
SYSTEM
ABS
FRONT
BSN: From CSN 988534
 To CSN 30028830

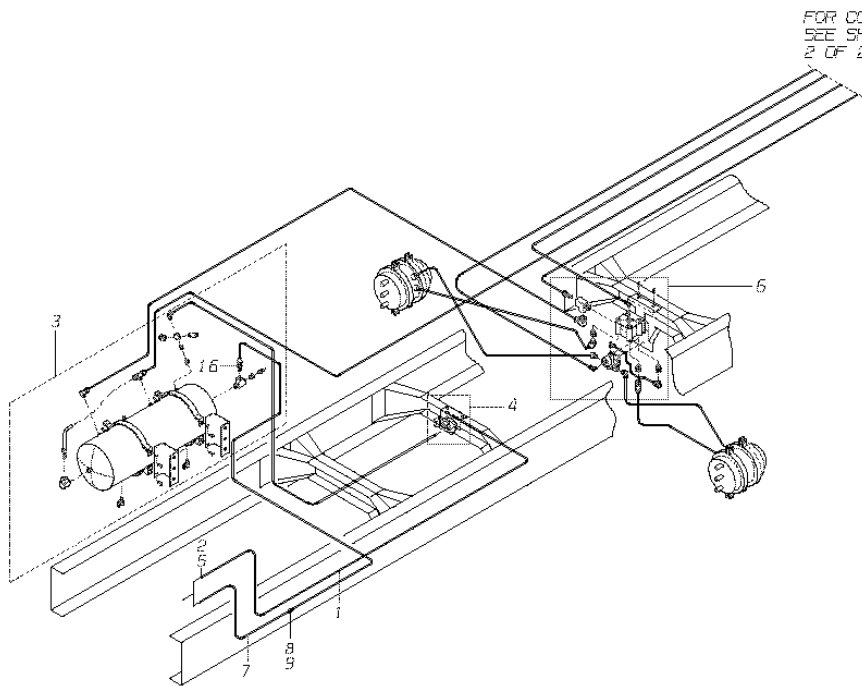
Key	PartNumber	Qty	Description	Comment
1	1605120		RESERVOIR ASSY,FRT BRAKE & ACCESSORY	
1	1764802		RESERVOIR ASSY,FRT,BRAKE & ACCESSORY, RE	
1	1982271		RESERVOIR ASSY,FRT BRAKE & ACC,98	
2	1949015		VALVE ASSY,SPR BRK&QUICK RELEASE	STANDARD
2	1949031		VALVE ASSY,QUICK RELEASE	OPTION 24619 WITH SPRING SUSPENSION. QUICK REL
2	1749969		VALVE ASSY,SPRING BRAKE,QBRE/TCRE	OPTION 24619 WITH SPRING SUSPENSION. SPRING BRK
3	0009906	2	ELBOW,90 DEG,MALE1869X8-Z,.38MPT X .50T	
4	0758698	2	COUPLING,ANCHOR,B-W 217709 BENDIX	
5	1501006		VALVE ASSY,DOUBLE CHECK,QBRE & TCRE	
6	0908244	2	HOSE ASSY,BRAKE,7/16,X 24 IN LONG	
7	1501048		ANCHOR ELBOW ASSY,QBRE & TCRE	ENDING WITH CSN 999128
	1704535		MANIFOLD ASSY,AIR OPTIONS,TCFC	BEGIN WITH CSN 0999129
8	1605179		RESERVOIR ASSY,AUXILIARY,WET,SPRG SUSP,	
9	1533744		VALVE ASSY,PARKING BRAKE, TC & QB	STANDARD
9	1704501		VALVE ASSY,CONTROL,HAND,PARKING BRAKE,	OPTION 4003
10	1345743		GAUGE,AIR PRESSURE,FRONT,BLK BEZEL,XL	QBRE ONLY
11	1345735		GAUGE,AIR PRESSURE,REAR,BLK BEZEL,XL	QBRE ONLY
12	1536879	2	ELBOW,90 DEG,SWIVEL,Q/D,1/8 MPT X 1/4	
13	1533751		DIAGRAM,INSTL,STOP LIGHT SW,AIR BRAKE	
NI	1666700		PEDAL ASSY,AIR BRAKE TREADLE W/RUBBER	
14	2009033		BUSHING,PIPE,GALV,1/4 X 3/8	OPTION 4003
15	1010065		TEE,STREET,3/8 PIPE 3750 X 6	OPTION 4003
16	1704493		FITTING,TEST POINT,BRAKE CHAMBER,EEC	OPTION 4003
17	1667971		VALVE ASSY,BRAKE TREADLE,TCRE	STANDARD TCRE, CSRE. ENDING WITH CSN 1000074
17	1500982		VALVE ASSY,BRAKE TREADLE,TCRE/QBRE	BEGIN WITH CSN 1000075
17	1500982		VALVE ASSY,BRAKE TREADLE,TCRE/QBRE	STANDARD QBRE
17	1909720		PEDAL ASSY,BRAKE,WT W/RETDR,CS/TCRE	TCRE, CSRE WITH RETARDER. ENDING WITH CSN 1000074
17	1950518		PEDAL ASSY,BRAKE,WORLD TRAN W/RETDR	BEGIN WITH CSN 1000075
17	1911395		PEDAL ASSY,BRAKE,WORLD TRAN W/RETDR,	QBRE WITH RETARDER
17	1998384		VALVE ASSY,BRAKE TREADLE,W/ABS,	

Models: A3RE, CSRE, QBRE, TCRE
SYSTEM
ABS
REAR
BSN: From CSN 988534
 To CSN 30028830

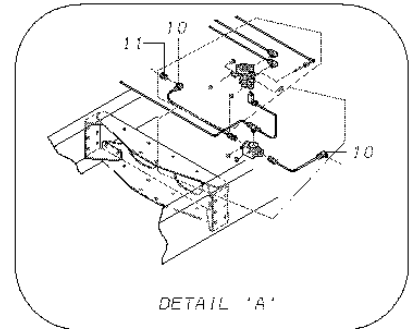
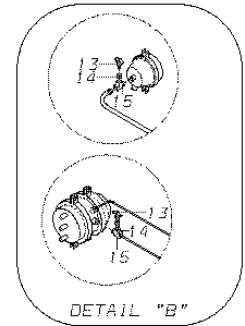
Key	PartNumber	Qty	Description	Comment
-----	------------	-----	-------------	---------

DR: 11/16/94 BY: CH	2	1568003	V	
APP: 11/16/94 BY: AB	1	CH 2	REV	

© BLUE BIRD BODY COMPANY, A.L. TRAVIS, ROSELAND



FOR CONTINUATION
 SEE SHEET 1668003
 2 OF 2



Models: A3RE, CSRE, QBRE, TCRE
SYSTEM
ABS
REAR
BSN: From CSN 988534
 To CSN 30028830

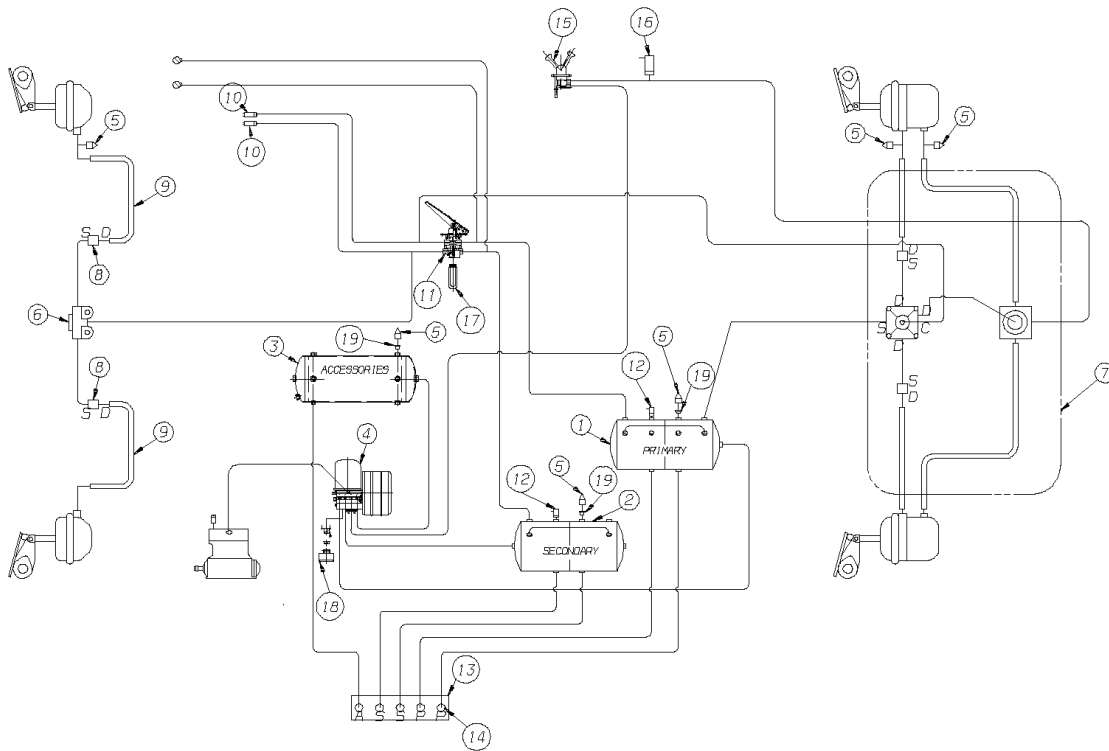
Key	PartNumber	Qty	Description	Comment
1	1797802	80	HOSE,.25 ID X .50 OD,W-H H00904	
2	1313816		INSERT,BARBED,SWIVEL,1/4 HOSE X 1/4 MALE	
3	1549302		TANK ASSY,REAR BRAKE AND WET,QBRE	<i>QBRE 5.9 ENDING WITH CSN 996140</i>
3	1579952		TANK ASSY,REAR BRAKE AND WET,QBRE	<i>QBRE 427, 8.3 & 5.9 WITH MTB643 ENDING WITH CSN 996140</i>
3	1678374		TANK ASSY,REAR BRAKE AND WET,TCRE	<i>TCRE 5.9 ENDING WITH CSN 996140</i>
3	1678382		TANK ASSY,REAR BRAKE AND WET,TCRE	<i>TCRE 427, 8.3, & 5.9 WITH MTB643 ENDING WITH CSN 996140</i>
3	1797661		RESERVOIR ASSY,REAR BRAKE,5.9 W/AT&MT,	<i>QBRE. FROM CSN 996141 TO CSN 30000190</i>
3	1982222		RESERVOIR ASSY,REAR,AIR,1800 CU-IN,	<i>BEGIN WITH CSN 30000191</i>
3	1797679		TANK ASSY,RR A/RESVR,5.9 W/AT & MT,TCRE	<i>TCRE FROM 996141 TO CSN 1000074</i>
3	1982685		RESERVOIR ASSY,REAR,AIR,TCRE	<i>FROM CSN 1000075 TO CSN 30000190</i>
3	1982222		RESERVOIR ASSY,REAR,AIR,1800 CU-IN,	<i>TCRE, QBRE, A3RE. BEGIN WITH CSN 30000191</i>
4	1501022		GOVERNOR ASSY,QBRE & TCRE	
5	2026854		CONNECTOR,1/8 MPT X 1/4 IF	
6	1549260		VALVE ASSY,SPR&SVC BRK RLY	<i>STANDARD</i>
6	1602184		VALVE ASSY,SPR & SERV BRK,SGL CHAN ABS,	<i>OPTION 4323-01 ABS, SINGLE CHANNEL</i>
6	1646454		VALVE ASSY,SPR & SERV,4 CHAN ABS,TC/QBRE	<i>OPTION 4323-03 ABS, 4 CHANNEL</i>
6	1995935		VALVE ASSY,SPR & SERV,ABS,TC/QBRE	<i>FEATURE 40076-01 ABS, 4 CHANNEL</i>
6	1646462		VALVE ASSY,SPR&SER BRK,4 CH ABS,CNG	<i>OPTION 4323-03 ABS, 4 CHANNEL CNG</i>
6	1995950		VALVE ASSY,SPR & SERV,ABS,CNG,TC/QBRE	<i>FEATURE 40076-01 ABS, 4 CHANNEL CNG</i>
6	1589340		VALVE ASSY,SPR&SVC BRK RLY,CNG,TCRE	
7	1024975		HOSE ASSY,AIR CMPR DISCH,30 LONG	
8	2026763		FERRULE,60 X 10 5/8 IN	
9	2055846		NUT	
10	0009906		ELBOW,90 DEG,MALE1869X8-Z,.38MPT X .50T	<i>OPTION 4003</i>
11	0758698		COUPLING,ANCHOR,B-W 217709 BENDIX	<i>OPTION 4003</i>
13	1704493		FITTING,TEST POINT,BRAKE CHAMBER,EEC	<i>OPTION 4003</i>
14	2009033		BUSHING,PIPE,GALV,1/4 X 3/8	<i>OPTION 4003</i>

Models: A3RE, CSRE, QBRE, TCRE
SYSTEM
ABS
REAR
BSN: From CSN 988534
To CSN 30028830

Key	PartNumber	Qty	Description	Comment
15	1010065		TEE,STREET,3/8 PIPE 3750 X 6	OPTION 4003

Models: A3RE
SYSTEM
EEC

Key	PartNumber	Qty	Description	Comment
-----	------------	-----	-------------	---------



Models: **A3RE**
SYSTEM
EEC

Key	PartNumber	Qty	Description	Comment
1	1999051	1	RESERVOIR,12.00 OD 2500 CU IN	
2	1802966	1	RESERVOIR,2000 CU.IN.,DUAL COMPARTMENT	
3	1586445	1	RESERVOIR,1650 CU.IN.	
4	0045858	1	AIR DRYER,ADIS,W/DLU EXTENDED	
5	1704493	6	FITTING,TEST POINT,BRAKE CHAMBER,EEC	
6	1940865	1	VALVE,QUICK RELEASE,3/8" INLET PORT	
7	0036926	1	VALVE ASSY,SPR&SERV,ABS,RE	
8	0014460	2	MODULATOR,ABS,AIR BRAKE,BENDIX M-30	
9	0908244	2	HOSE ASSY,BRAKE,7/16,X 24 IN LONG	
10	1940873	2	SWITCH ASSY,STOPLIGHT PRESSURE	
11	0045939	1	VALVE ASSY,BRK TRDL,ELEC THROTTLE,EEC"	
12	1659234	2	SWITCH,LOW AIR WARNING,TCFE/RE	
13	0045901	1	DECAL,AIR TANK DRAIN VALVES,EEC"	
14	1110188	1	VALVE,RESERVOIR,DRAIN	
15	0043941	1	VALVE,PARKING BRAKE,HAND CONTROL,EEC	
NI	1856251	2	CAPSCREW,HX HD,M8-1.25X50,CL10.9	
NI	0046050	1	SPACER,ASSY,MTG,HAND BRAKE,UK RHD,A3RE"	
NI	0046002	1	BRACKET,MOUNTING,HAND BRAKE,UK RHD,	
NI	1394675	1	LOCKWASHER,SPLIT RING,10 MM,MED,OLV DRB	
NI	1030998	1	NUT,HEX HD,M8-1.25,ZINC	
16	0045859	1	SWITCH,LP-3 LOW PRESSURE,PARK BRAKE,	
17	0048361	1	SILENCER,EXHAUST,VALVE,EEC	
18	0048365	1	SILENCER KIT,AD-IS AIR DRYER,EEC	
19	2027134	3	BUSHING,PIPE,3/8 X 1/4,BRASS	

Models: A3RE
SYSTEM
RIDEWELL SUSPENSION
With Features: FEATURE 40004=08

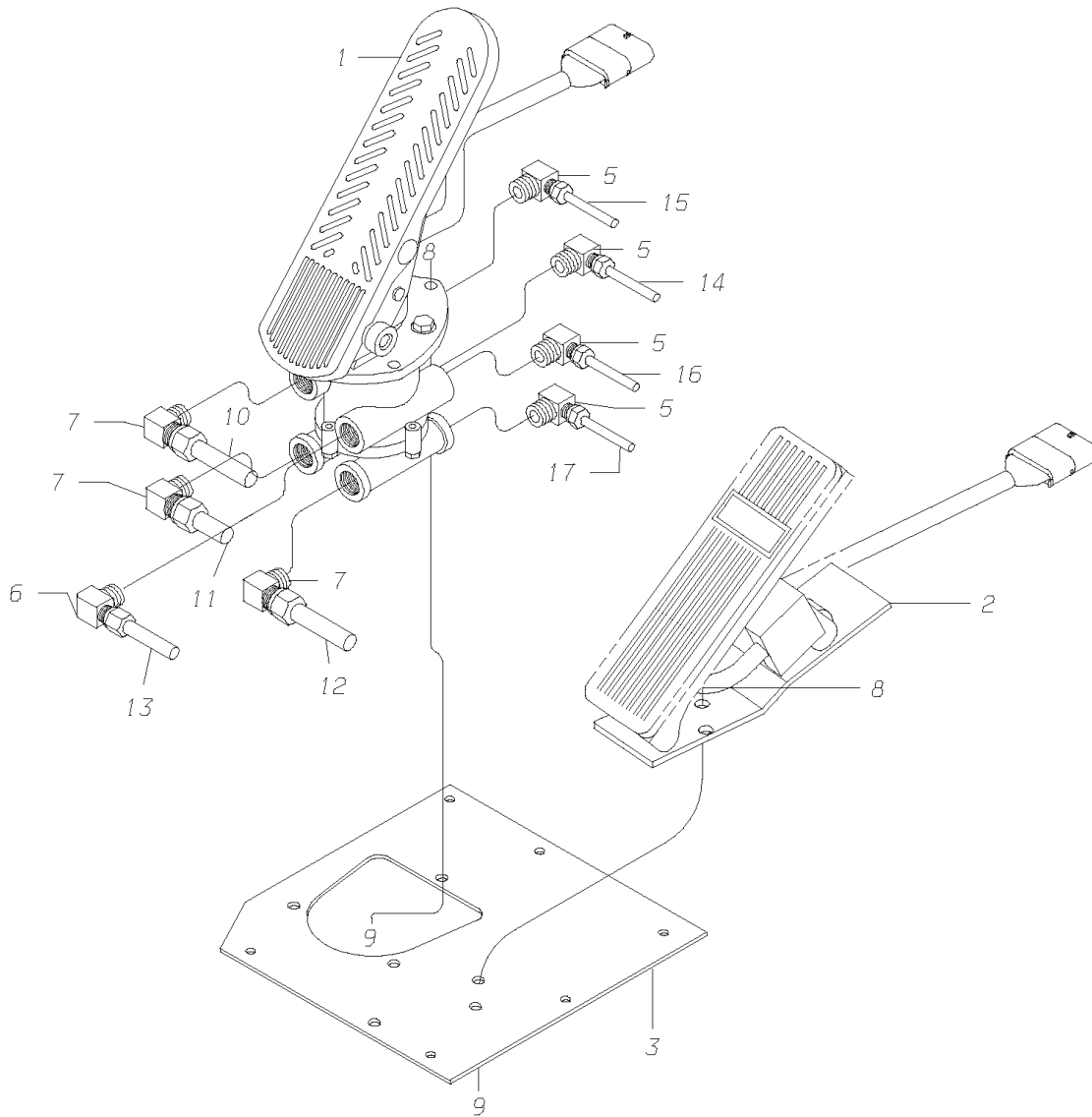
Key	PartNumber	Qty	Description	Comment
4	0758698	2	COUPLING,ANCHOR,B-W 217709 BENDIX	
6	0908244	2	HOSE ASSY,BRAKE,7/16,X 24 IN LONG	
7	1024975	1	HOSE ASSY,AIR CMPR DISCH,30 LONG	
8	2026763	1	FERRULE,60 X 10 5/8 IN	
9	2055846	1	NUT	
11	0009921	2	CONNECTOR,MALE,1868X8-Z,.38MPT X .50T"	
16	1667773	2	CAPSCREW,HEX HD,1/4-20X1 1/4,GR5,YEL	
17	2001121	35	WASHER,FLAT,5/16 X 3/4,X 5/64,YEL ZN DICH	
18	2001345	2	NUT,HEX HD,1/4-20,LOCKING,YELLOW	
19	0754879	1	ELBOW,1/2 MPT X 5/8 TUBE	
20	1704535	1	MANIFOLD ASSY,AIR OPTIONS,TCFC	
21	0032238	1	VALVE ASSY,PARKING BRAKE,PP-1	
23	1764802	1	RESERVOIR ASSY,FRT,BRAKE & ACCESSORY, RE	
24	0080464	1	RESERVOIR ASSY,AUXILIARY,WET,RDWL SUSP	
25	0080466	1	RESERVOIR ASSY,AUX,WET,KNEELING,RDWL,	
26	0020599	1	VALVE ASSY,SPRING BRK & QUICK REL,	
27	0036923	1	VALVE ASSY,SPR&SERV,ABS,W/RDWL, RE	
28	0014695	1	RESERVOIR ASSY,REAR,AIR,1800 CU IN,T2RE	
29	0009918	1	CONNECTOR,MALE,1868X6X6-Z,.38MPT X .38T"	
30	0041389	1	VALVE ASSY,MODULATOR,ABS,FRONT, C4RE	
31	2001451	10	NUT,HEX HD,3/8-16,YELLOW DICHROMATE	
32	1652379	2	GROMMET,RUBBER,1.25 ID W/1.50 X .25	
34	2001048	6	WASHER,FLAT,11/32 X 11/16 X 1/16,YEL	
35	0829390	30	NUT,HEX HD,5/16-18,SER WASHER,YEL ZN	
36	0559195	4	CAPSCREW,HEX HD,3/8-16 X 1,GR 8,YEL ZN	
37	1107085	10	WASHER,FLAT,13/32 X 13/16 X 3/32,HDN,BLK	
38	1013689	6	NUT,HEX HD,3/8-16,WASHER SER,YEL ZN DICH	
39	0882795	1	LOCKWASHER,SPLIT RING,3/8,MED,YELLOW	
40	2028322	1	CAPSCREW,HEX HD,3/8-16, X, 1, ,GR 5,ZINC	
41	1078922	5	WASHER,FLAT,3/8 X 7/8 X 5/64,YEL ZN DICH	
42	0899112	1	CAPSCREW,HEX HD,5/16-18X1 3/4,GR5,	
43	0083698	1	ANGLE,BRACE,AIR RESERVOIR BRKT	
44	0803213	1	CAPSCREW,HEX HD,3/8-16X1 1/4,GR8,YEL	

Models: A3RE
SYSTEM
RIDEWELL SUSPENSION
With Features: FEATURE 40004=08

Key	PartNumber	Qty	Description	Comment
45	0024049	1	JUNCTION BLOCK ASSY,BRAKE PEDAL	
46	0020990	1	VALVE ASSY,BRK TRDL,ELEC THROTTLE,QBRE	
46	0020992	1	VALVE ASSY,A/BRK TRDL,W/RETDR,ELEC	
46	0043370	1	VALVE ASSY,A/BRK TRDL,E/THRT,ABS,ADJ PED	
47	1501006	1	VALVE ASSY,DOUBLE CHECK,QBRE & TCRE	
48	1317247	19	BRACKET,ATCH,BRAKE LINE TO FRAME	
49	0003315	2	SPACER,AIR RESERVOIR BRACKET,HDFE	
50	2050839	4	CAPSCREW,HEX HD,3/8-16X1 1/2,GR5,YEL	
51	0851337	2	CAPSCREW,HEX HD,3/8-16X6 1/2,GR5,YEL	
52	0826297	6	NUT,HEX HD,3/8-16 LOCK,YEL ZN DICH	
53	0850586	4	BRACKET,MTG,9 1/2IN,AIR RESERVOIR	
54	2027407	20	TUBING,COPPER,5/8,TYPE L (S04060)	
55	1940873	2	SWITCH ASSY,STOPLIGHT PRESSURE	
56	2023232	2	COUPLING,ANCHOR,205465	
57	0025652	2	ELBOW,90 MALE SWVL,1869X4X4S-	
NI	0989145	26	CAPSCREW,HEX HD,5/16-18, X, 1, ,GR5,	
NI	0882803	8	CAPSCREW,HEX HD,3/8-16,X,1,,GR5,YELDICH	
NI	0882795	8	LOCKWASHER,SPLIT RING,3/8,MED,YELLOW	
NI	0948141	5	CLAMP,LOOP,1.312	
NI	1107937	24	CLAMP,LOOP,2.00	
61	0654350	2	TEE,1/2 PIPE,STREET	
62	0009922	2	CONNECTOR,MALE,1868X4X4-Z,.25MPT X .25T"	
63	0009921	1	CONNECTOR,MALE,1868X8-Z,.38MPT X .50T"	
64	2023539	1	BUSHING,PIPE,1/2MPT X 3/8FPT,3220X8X6Z,	
65	2027159	2	BUSHING,PIPE,1/2 X 1/4,BRASS	
66	1220060	15	TUBING,PLASTIC,1/4 OD,GRAY,SAE J844 TYPE A	
67	1220011	30	TUBING,PLASTIC,1/4 OD,BROWN,SAE J844	

Models: A3RE, CSRE, QBRE
 VALVE ASSY
 BRAKE TREADLE & PEDAL
 WITH RETARDER
 BSN: From CSN 10028920 04/26/99
 To CSN 10052364 03/05/00

Key	PartNumber	Qty	Description	Comment
-----	------------	-----	-------------	---------

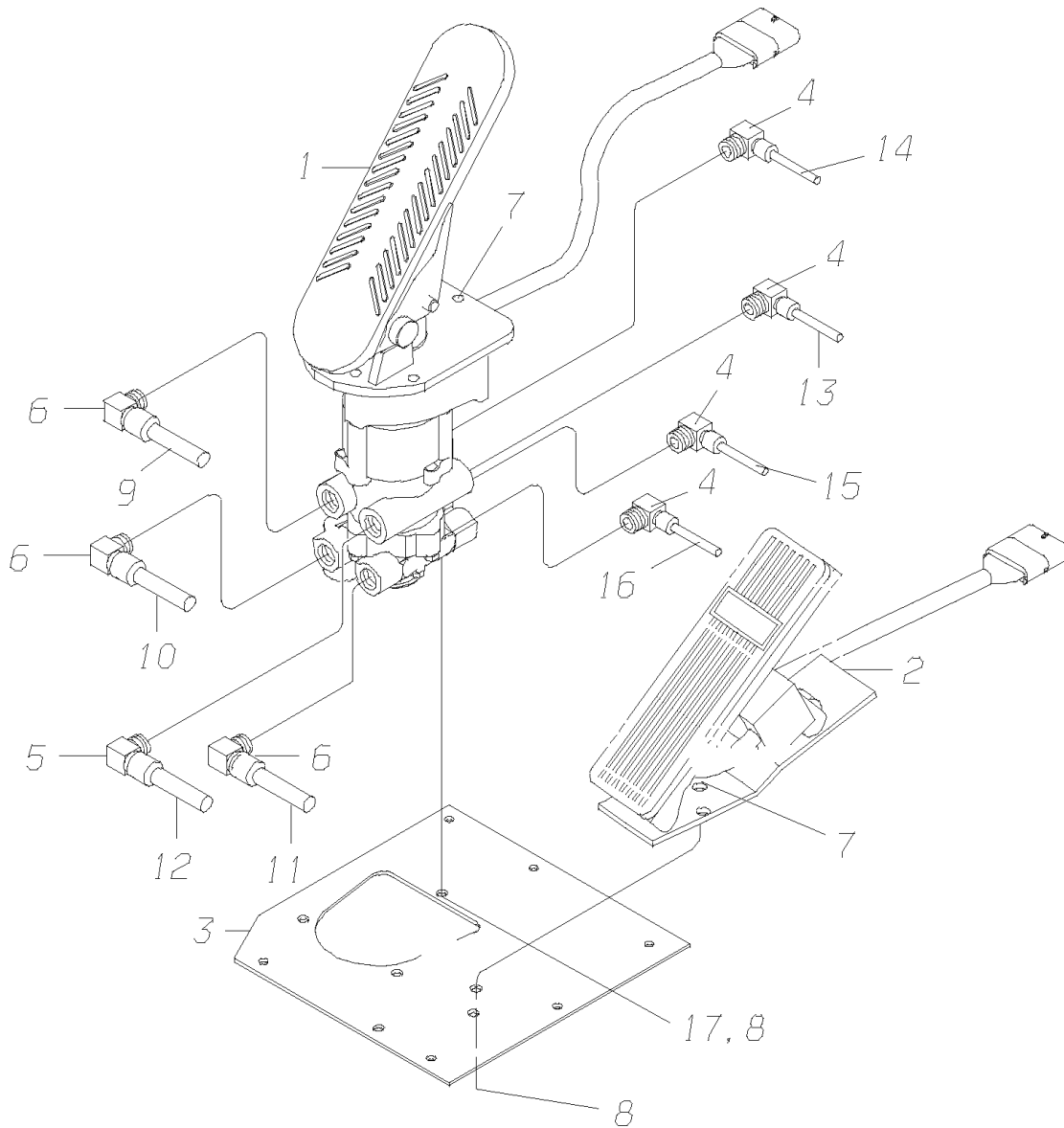


Models: A3RE, CSRE, QBRE
**VALVE ASSY
 BRAKE TREADLE & PEDAL
 WITH RETARDER**
BSN: From CSN 10028920 04/26/99
 To CSN 10052364 03/05/00

Key	PartNumber	Qty	Description	Comment
1	1905611	1	VALVE ASSY,TREADLE REWORK,WT W/RETDR,	
2		1	TREADLE, ELECTRONIC	ACCELERATOR
3	1852912	1	PLATE,MTG,A/BRK &ELEC THROT	
4	0009913	4	ELBOW,90 DEG,MALE1869X4X6-Z,.38MPT	
5	0009911	1	ELBOW,90 DEG,MALE1869X6X6-Z,.38MPT	
6	0009906	3	ELBOW,90 DEG,MALE1869X8-Z,.38MPT X .50T	
7	0854406	5	CAPSCREW,HEX HD,5/16-18 X 1,GR8,YEL ZN	
8	1480433	5	NUT,HEX HD,5/16-18,FLG PRVG TORQ,GR F,	
9	1346865	4	TUBING,PLASTIC,1/2 OD,BLACK,SAE J844 TYPE	
10	1346873	4	TUBING,PLASTIC,1/2 OD,BLUE,SAE J844 TYPE B	
11	1346881	4	TUBING,PLASTIC,1/2 OD,RED,SAE J844 TYPE B	
12	0989319	4	TUBING,PLASTIC,3/8 OD,BLACK,SAE J844 TYPE	
13	1346816	5	TUBING,PLASTIC,1/4 OD,YELLOW,SAE J844	
14	1346790	5	TUBING,PLASTIC,1/4 OD,GREEN,SAE J844 TYPE	
15	1346832	5	TUBING,PLASTIC,1/4 OD,RED,SAE J844 TYPE A	
16	0654962	5	TUBING,PLASTIC,1/4 OD,BLACK,SAE J844 TYPE	

Models: A3RE, CSRE, QBRE
 VALVE ASSY
 BRAKE TREADLE & PEDAL
 WITH RETARDER
 BSN: From CSN 10052365 03/06/00

Key	PartNumber	Qty	Description	Comment
-----	------------	-----	-------------	---------

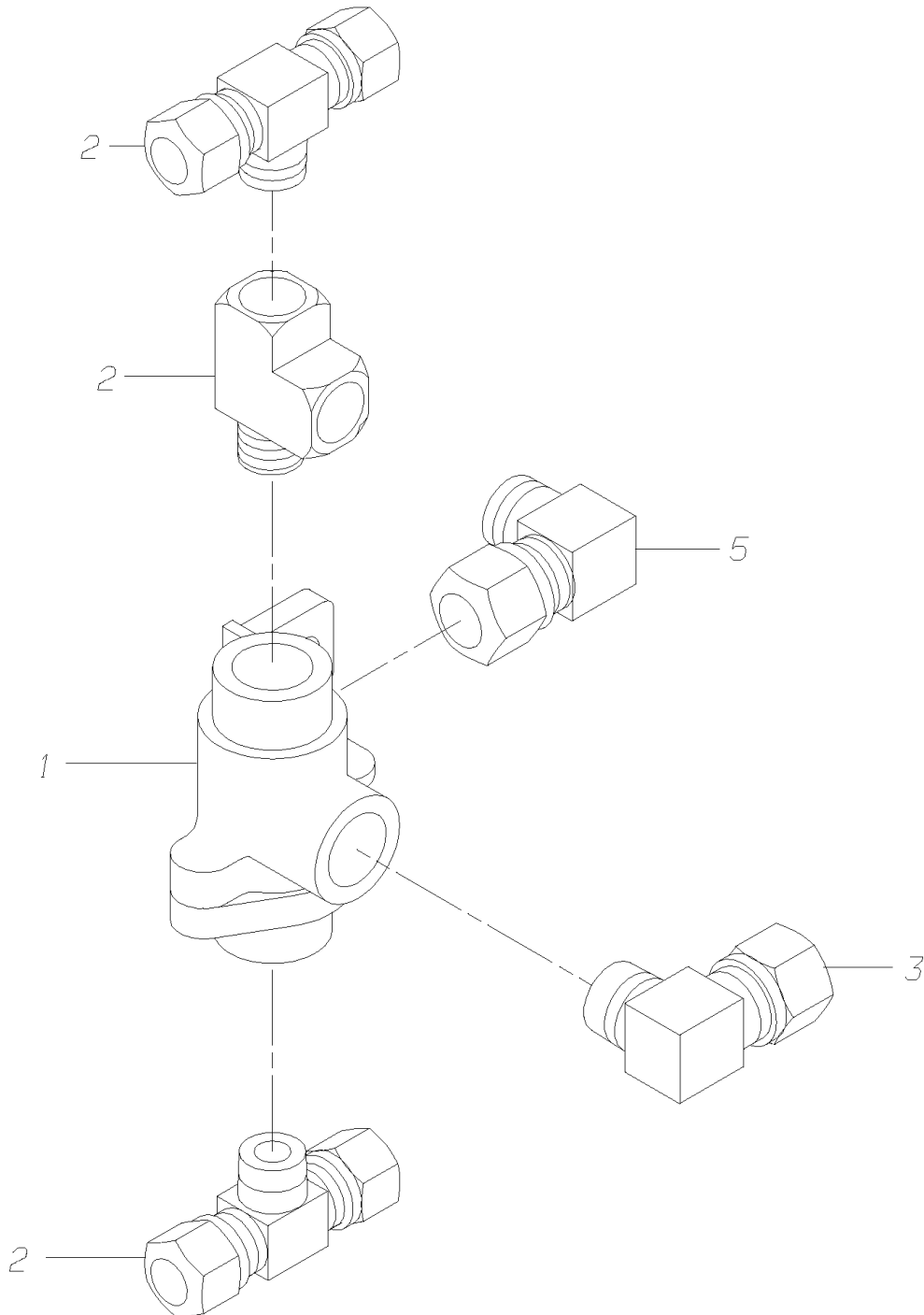


Models: A3RE, CSRE, QBRE
**VALVE ASSY
 BRAKE TREADLE & PEDAL
 WITH RETARDER**
BSN: From CSN 10052365 03/06/00

Key	PartNumber	Qty	Description	Comment
1	0020989	1	VALVE ASSY,TREADLE REWORK,WT W/RETDR,	
2		1	TREADLE, ELECTRONIC	ACCELERATOR
3	1852912	1	PLATE,MTG,A/BRK &ELEC THROT	
4	0009913	4	ELBOW,90 DEG,MALE1869X4X6-Z,.38MPT	
5	0009911	1	ELBOW,90 DEG,MALE1869X6X6-Z,.38MPT	
6	0009906	3	ELBOW,90 DEG,MALE1869X8-Z,.38MPT X .50T	
7	0854406	5	CAPSCREW,HEX HD,5/16-18 X 1,GR8,YEL ZN	
8	1480433	5	NUT,HEX HD,5/16-18,FLG PRVG TORQ,GR F,	
9	1346865	4	TUBING,PLASTIC,1/2 OD,BLACK,SAE J844 TYPE	
10	1346873	4	TUBING,PLASTIC,1/2 OD,BLUE,SAE J844 TYPE B	
11	1346881	4	TUBING,PLASTIC,1/2 OD,RED,SAE J844 TYPE B	
12	0989319	4	TUBING,PLASTIC,3/8 OD,BLACK,SAE J844 TYPE	
13	1346816	5	TUBING,PLASTIC,1/4 OD,YELLOW,SAE J844	
14	1346790	5	TUBING,PLASTIC,1/4 OD,GREEN,SAE J844 TYPE	
15	1346832	5	TUBING,PLASTIC,1/4 OD,RED,SAE J844 TYPE A	
16	0654962	5	TUBING,PLASTIC,1/4 OD,BLACK,SAE J844 TYPE	
17	2001121	3	WASHER,FLAT,5/16 X 3/4,X 5/64,YEL ZN DICH	

Models: A3RE, CSRE, QBRE
VALVE ASSY
DOUBLE CHECK

Key	PartNumber	Qty	Description	Comment
-----	------------	-----	-------------	---------

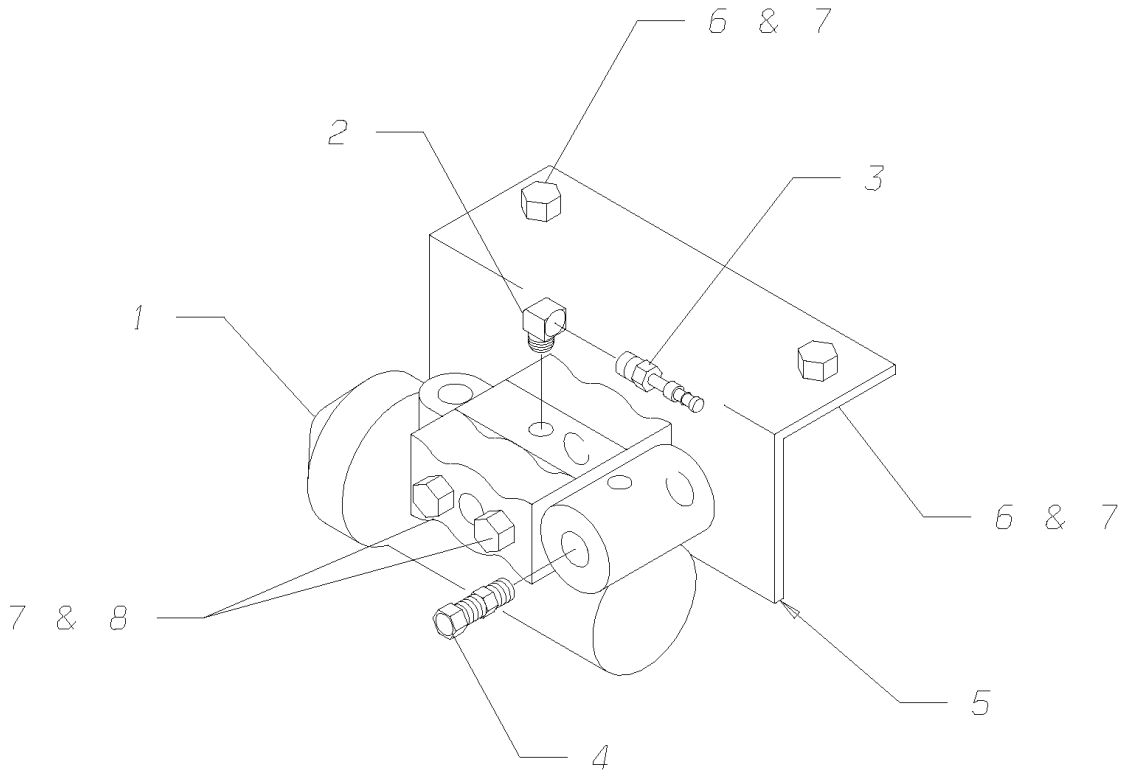


Models: A3RE, CSRE, QBRE
 VALVE ASSY
 DOUBLE CHECK

Key	PartNumber	Qty	Description	Comment
1	0654434		VALVE,DOUBLE CHECK,3/8 PIPE	
2	0009925	2	TEE,MALE,BRANCH,1872X8-Z,.38MPT X .50T	
3	0009913		ELBOW,90 DEG,MALE1869X4X6-Z,.38MPT	
4	1010065		TEE,STREET,3/8 PIPE 3750 X 6	
5	0009906		ELBOW,90 DEG,MALE1869X8-Z,.38MPT X .50T	

Models: A3RE, CSRE, QBRE, TCRE
VALVE ASSY
GOVERNOR
To CSN 10052364 03/05/00

Key	PartNumber	Qty	Description	Comment
-----	------------	-----	-------------	---------

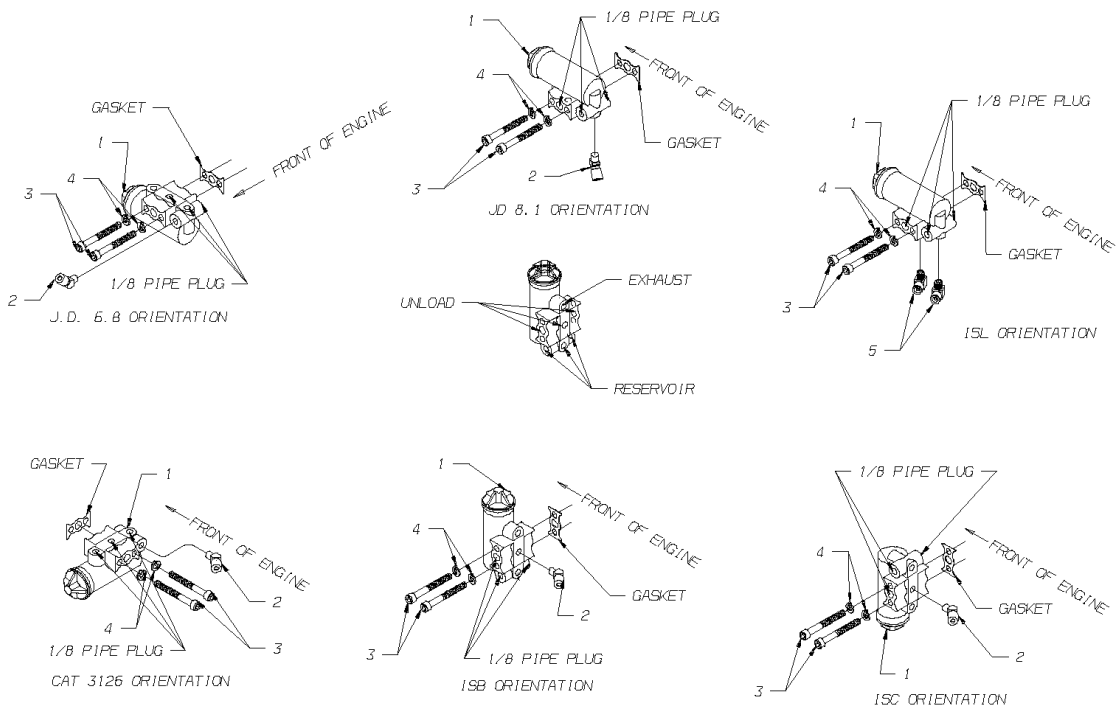


**Models: A3RE, CSRE, QBRE, TCRE
VALVE ASSY
GOVERNOR
To CSN 10052364 03/05/00**

Key	PartNumber	Qty	Description	Comment
1	0908160		GOVERNOR,AIR COMPRESSOR,275491	
2	2026979		ELBOW,MALE,INVERTED FLARE,1/4 TUBE X 1/8	
3	1313816		INSERT,BARBED,SWIVEL,1/4 HOSE X 1/4 MALE	
4	0009917		CONNECTOR,MALE,1868X4-Z,.13MP X .25T"	
5	1501105		BRACKET,AIR GOVERNOR,TCRE	
6	0854414	2	CAPSCREW,HEX HD,5/16-18X7/8,GR8,YEL ZN	
7	0829390	4	NUT,HEX HD,5/16-18,SER WASHER,YEL ZN	
8	2028306	2	CAPSCREW,HEX HD,5/16-18X3,GR 5,YEL ZN	

Models: **A3RE, CSRE, QBRE**
VALVE ASSY
GOVERNOR
 BSN: **From CSN 10052365 03/06/00**

Key	PartNumber	Qty	Description	Comment
-----	------------	-----	-------------	---------



Models: A3RE, CSRE, QBRE
VALVE ASSY
GOVERNOR
BSN: From CSN 10052365 03/06/00

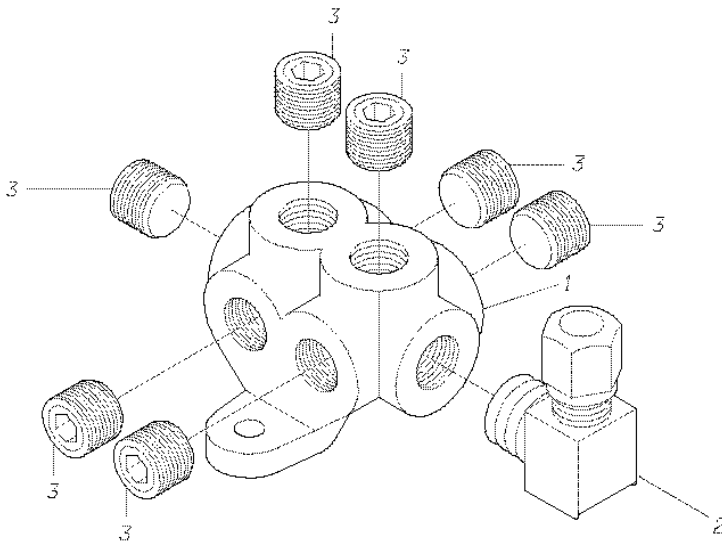
Key	PartNumber	Qty	Description	Comment
1	0908160	1	GOVERNOR,AIR COMPRESSOR,275491	
2	0027181	1	ELBOW,45 DEG,MALE,1880X4-Z,.12MPT X .25T"	
2	0027181	2	ELBOW,45 DEG,MALE,1880X4-Z,.12MPT X .25T"	<i>WITH 40081-01</i>
3	0035607	2	CAPSCREW,ALLEN,SOC HD,5/16-18X2 3/4,BLK	<i>WITH CAT OR JD</i>
3	0002746	2	CAPSCREW,ALLEN,SOC HD,M8-1.25 X 70MM,	<i>WITH CUMMINS ISB, ISC OR ISL</i>
4	2001188	2	LOCKWASHER,SPLIT RING, 5/16,MED,YEL ZN	
5	0009903	2	ELBOW,90 DEG,MALE1869X4-Z,.13MPT X .25T	

Models: A3RE, C1FE, C4RE, CSFE, CSRE, QBRE, TCFE
 VALVE ASSY
 MANIFOLD
 AIR OPTIONS

Key	PartNumber	Qty	Description	Comment
-----	------------	-----	-------------	---------

DR. 7/17/98	BY J.L.				
APP. 7/17/98	BY AB	FRIT	1704535	A	REV

© BLUE BIRD BODY COMPANY. ALL RIGHTS RESERVED



Models: A3RE, C1FE, C4RE, CSFE, CSRE, QBRE, TCFE
VALVE ASSY
MANIFOLD
AIR OPTIONS

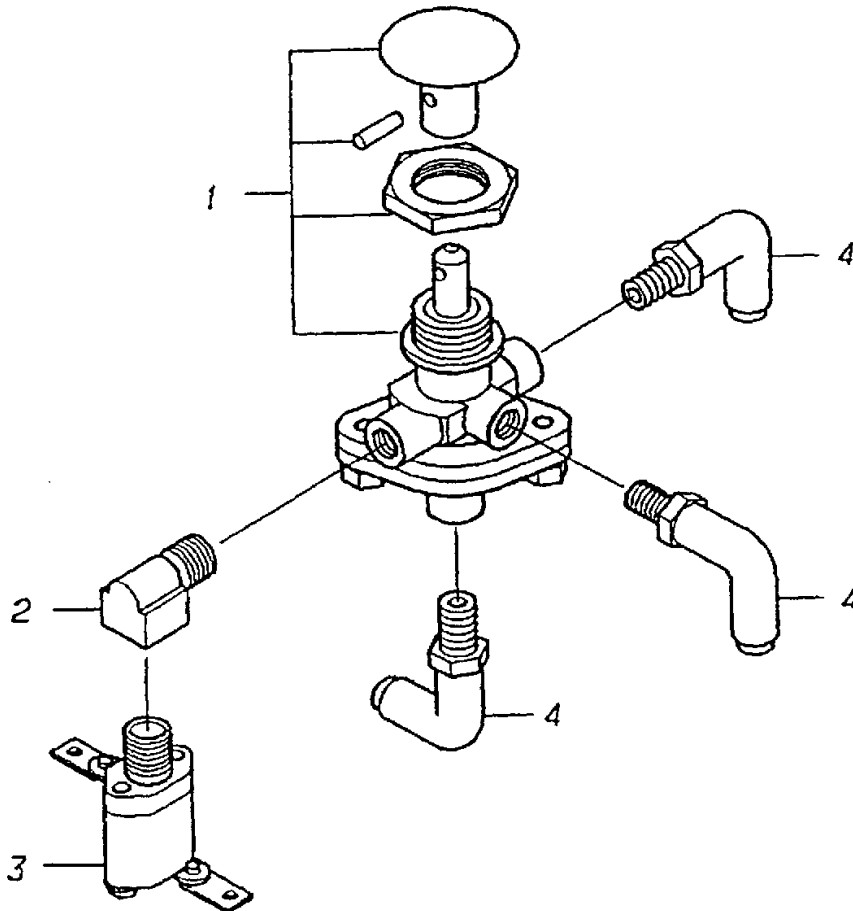
Key	PartNumber	Qty	Description	Comment
1	2023083		FITTING,MANIFOLD,212322	
2	0009911		ELBOW,90 DEG,MALE1869X6X6-Z,.38MPT	
3	2023513	7	PLUG,PIPE,1/4,ALLEN HEX HD,BRASS	

Models: A3FE, A3RE, C1FE, CSFE, CSRE, QBRE, T2RE, TCFE, TCRE, TSFE
 VALVE ASSY
 PARKING BRAKE
 To CSN 30046540 FE 10046619 RE 01/02/00

Key	PartNumber	Qty	Description	Comment
-----	------------	-----	-------------	---------

DR.	BY			
APP.	BY	FRT	1533744	B
				REV

© 1991 BLUE BIRD BODY COMPANY. ALL RIGHTS RESERVED.

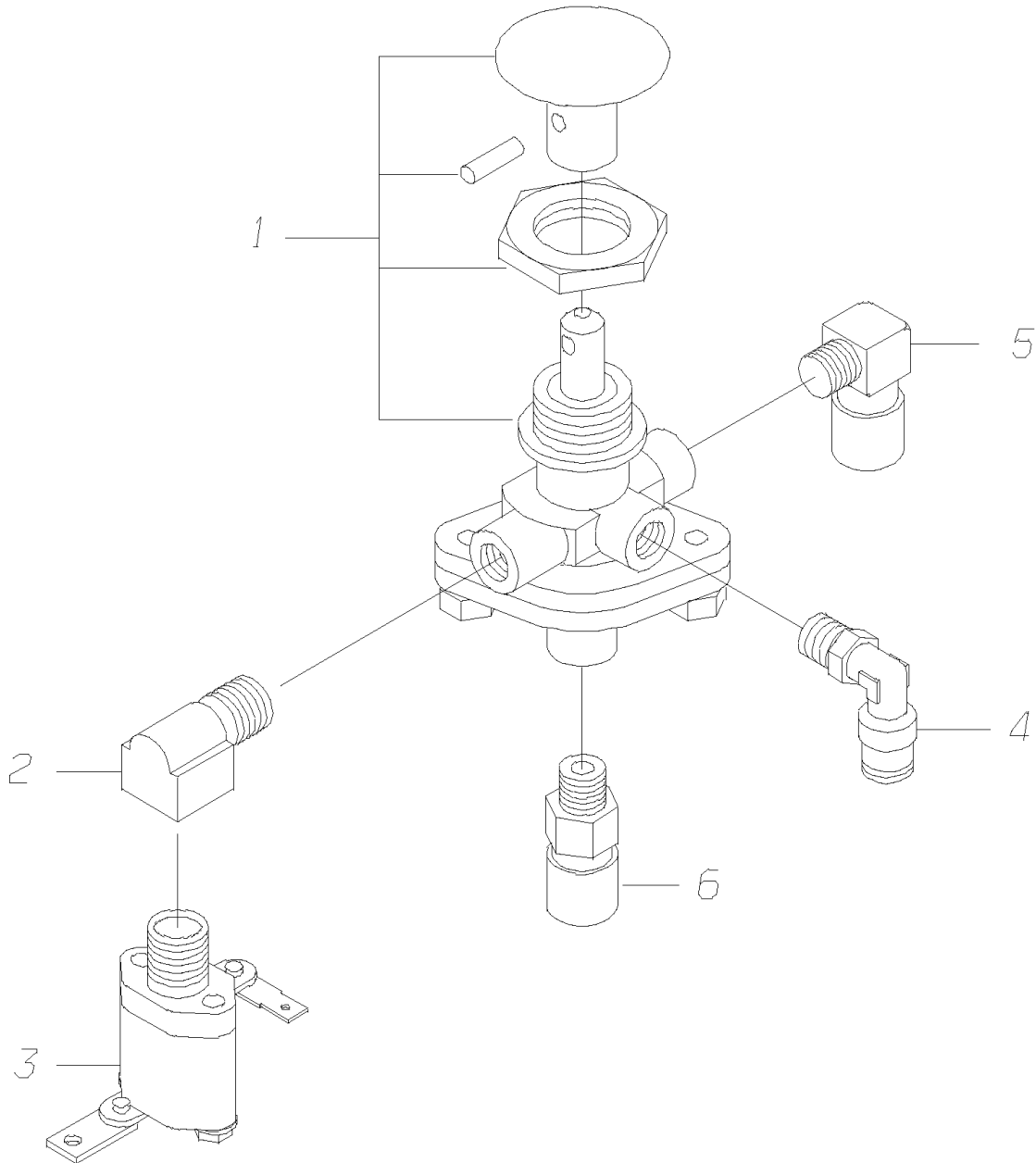


Models: A3FE, A3RE, C1FE, CSFE, CSRE, QBRE, T2RE, TCFE, TCRE, TSFE
VALVE ASSY
PARKING BRAKE
To CSN 30046540 FE 10046619 RE 01/02/00

Key	PartNumber	Qty	Description	Comment
1	0900266		VALVE,PARKING BRAKE	
NI	2705051		KIT,REPAIR,FOR 0900266 PARKING BRAKE	
NI	2705697		KNOB,PARKING BRAKE VALVE (240302)	
NI	2705762	1	PIN,SPIROL,FOR PARKING BRAKE VALVE KNOB	
2	0605188		ELBOW,REDUCING,STREET,1/4 X 1/8 PIPE	
3	0982918		INDICATOR,LOW PRESSURE,LP-3,30 PSI	
4	1536879		ELBOW,90 DEG,SWIVEL,Q/D,1/8 MPT X 1/4	

Models: A3FE, A3RE, C1FE, CSRE, QBRE
VALVE ASSY
PARKING BRAKE
BSN: From CSN 30046541 FE 10046620 RE 01/03/00
To CSN 30079479 FE 10077009 RE 01/21/01

Key	PartNumber	Qty	Description	Comment
-----	------------	-----	-------------	---------

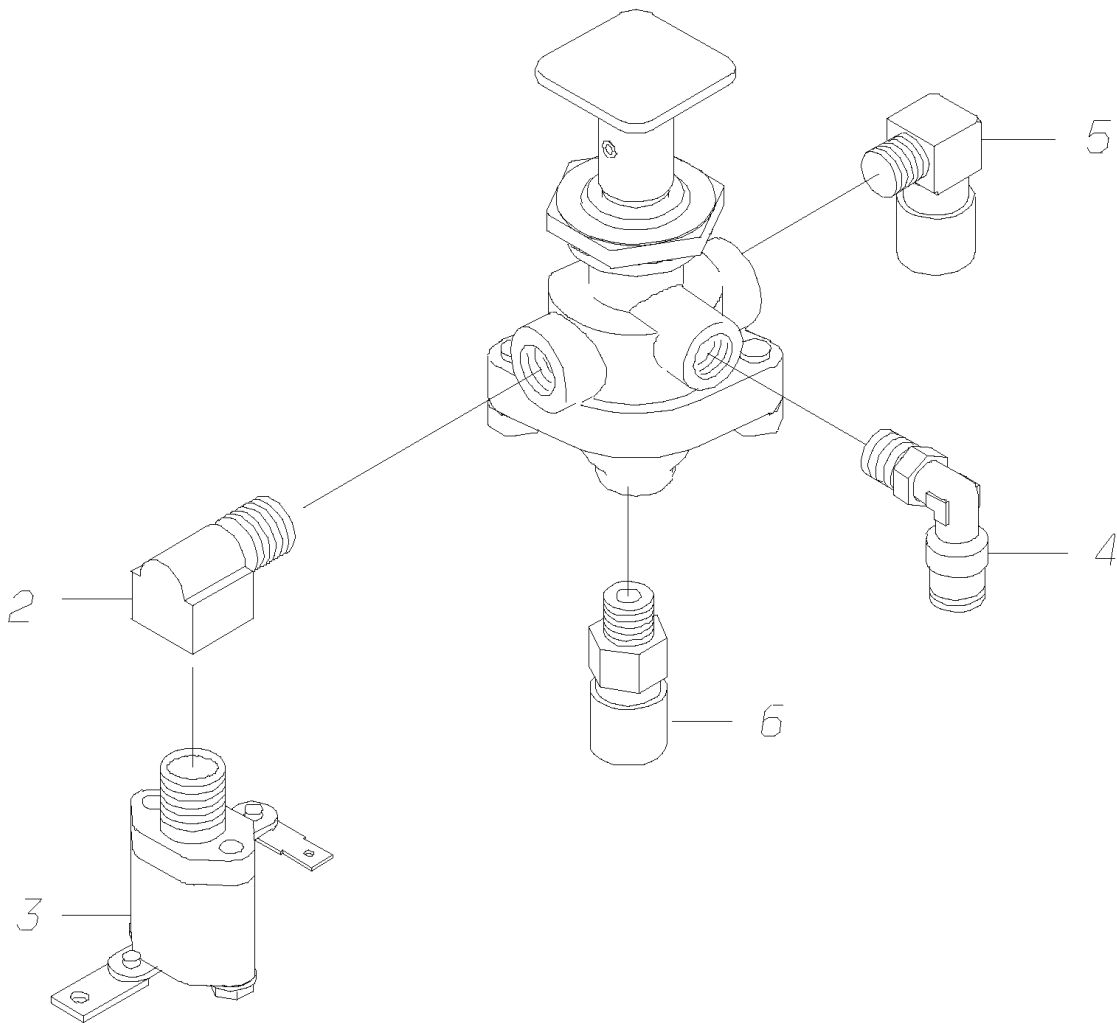


Models: A3FE, A3RE, C1FE, CSRE, QBRE
VALVE ASSY
PARKING BRAKE
BSN: From CSN 30046541 FE 10046620 RE 01/03/00
 To CSN 30079479 FE 10077009 RE 01/21/01

Key	PartNumber	Qty	Description	Comment
1	0900266	1	VALVE,PARKING BRAKE	
NI	2705051	1	KIT,REPAIR,FOR 0900266 PARKING BRAKE	
NI	2705697	1	KNOB,PARKING BRAKE VALVE (240302)	
NI	2705762	1	PIN,SPIROL,FOR PARKING BRAKE VALVE KNOB	
2	0605188	1	ELBOW,REDUCING,STREET,1/4 X 1/8 PIPE	
3	0982918	1	INDICATOR,LOW PRESSURE,LP-3,30 PSI	
4	0017219	1	ELBOW,90 DEG MALE SWIVEL,1869X4S	
5	0009989	1	ELBOW,90,MALE,1869X6X2-Z.13MP X .38T	
6	0013103	1	CONNECTOR,MALE,1868X6X2-Z,.13MP X .38T	

Models: A3FE, A3RE, C1FE, C3FE, CSRE, QBRE
VALVE ASSY
PARKING BRAKE
BSN: From CSN 30079480 FE 10077010 RE 01/22/01

Key	PartNumber	Qty	Description	Comment
-----	------------	-----	-------------	---------

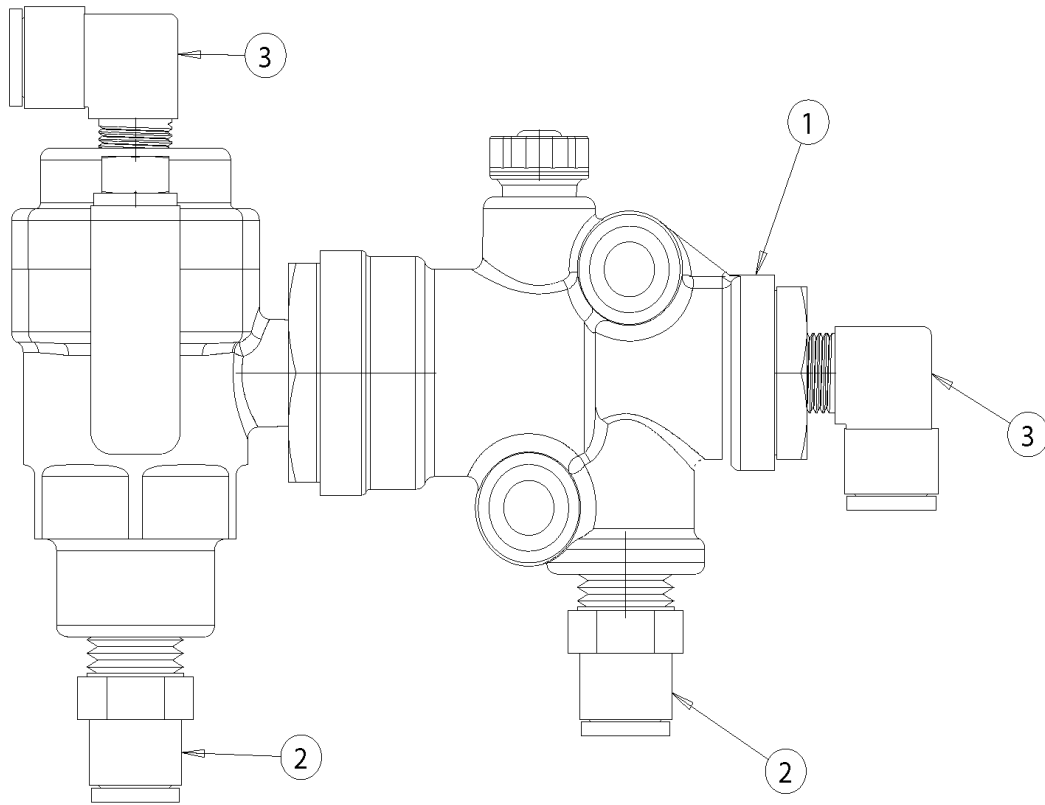


Models: A3FE, A3RE, C1FE, C3FE, CSRE, QBRE
VALVE ASSY
PARKING BRAKE
BSN: From CSN 30079480 FE 10077010 RE 01/22/01

Key	PartNumber	Qty	Description	Comment
1	0032235	1	VALVE,PARKING BRAKE,PP-1	
NI	0054535	1	KIT,REPAIR FOR 0032235 VALVE"	
NI	0054536	1	BUTTON,FOR VALVE 0032235"	
NI	2705762	1	PIN,SPIROL,FOR PARKING BRAKE VALVE KNOB	
2	0605188	1	ELBOW,REDUCING,STREET,1/4 X 1/8 PIPE	
3	0982918	1	INDICATOR,LOW PRESSURE,LP-3,30 PSI	
4	0017219	1	ELBOW,90 DEG MALE SWIVEL,1869X4S	
5	0009989	1	ELBOW,90,MALE,1869X6X2-Z.13MP X .38T	
6	0013103	1	CONNECTOR,MALE,1868X6X2-Z,.13MP X .38T	

Models: A3RE, AAFE, C3FE
VALVE ASSY
PARKING BRAKE, INTERLOCK
With Features: FEATURE 40051-07

Key	PartNumber	Qty	Description	Comment
-----	------------	-----	-------------	---------



Models: A3RE, AAFE, C3FE
VALVE ASSY
PARKING BRAKE, INTERLOCK

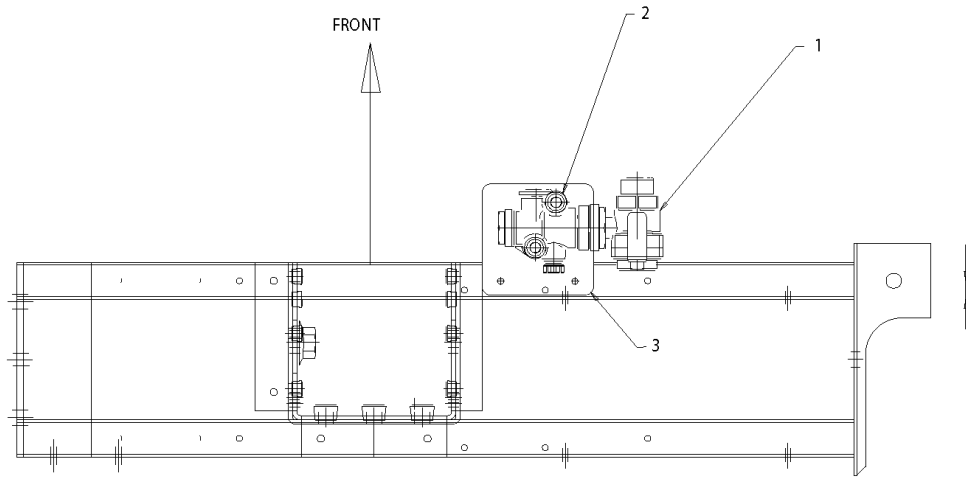
With Features: FEATURE 40051-07

Key	PartNumber	Qty	Description	Comment
1	0107383	1	VALVE ASSY,INTERLOCK,PARK BRK,TWO STEP	
2	0009922	2	CONNECTOR,MALE,1868X4X4-Z,.25MPT X .25T"	
3	0009912	2	ELBOW,90 DEG,MALE1869X4X4-Z,.25MPT	

Models: A3FE, A3RE, C3FE
VALVE ASSY
PARKING BRAKE, INTERLOCK
INSTALLATION

With Features: FEATURE 40051-07

Key	PartNumber	Qty	Description	Comment
-----	------------	-----	-------------	---------



Models: A3FE, A3RE, C3FE
VALVE ASSY
PARKING BRAKE, INTERLOCK
INSTALLATION

With Features: FEATURE 40051-07


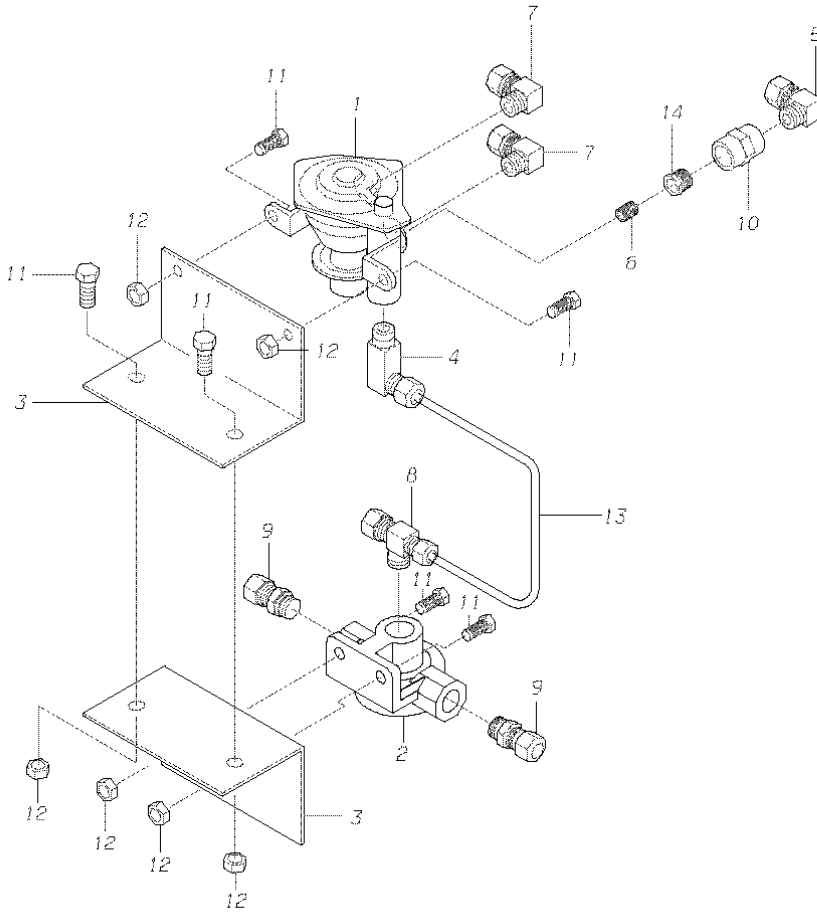
Key	PartNumber	Qty	Description	Comment
1	0108157	1	VALVE ASSY,INTERLOCK,PARK BRAKE,TWO	
2	1586502	2	SPACER,.75 OD X.437 ID X.437 LG	
3	0107909	1	PLATE,MTG,VALVE,INTERLOCK,PARK BRAKE	

Models: A3RE, CSRE, QBRE, TCRE
VALVE ASSY
QUICK RELEASE
To CSN 10046619 01/02/00

Key	PartNumber	Qty	Description	Comment
-----	------------	-----	-------------	---------

DR 08/10/98 BY SFC	1949015		
APP. 08/10/98 BY AG	FRT	REV	

© BLUE BIRD BODY COMPANY, ALL RIGHTS RESERVED

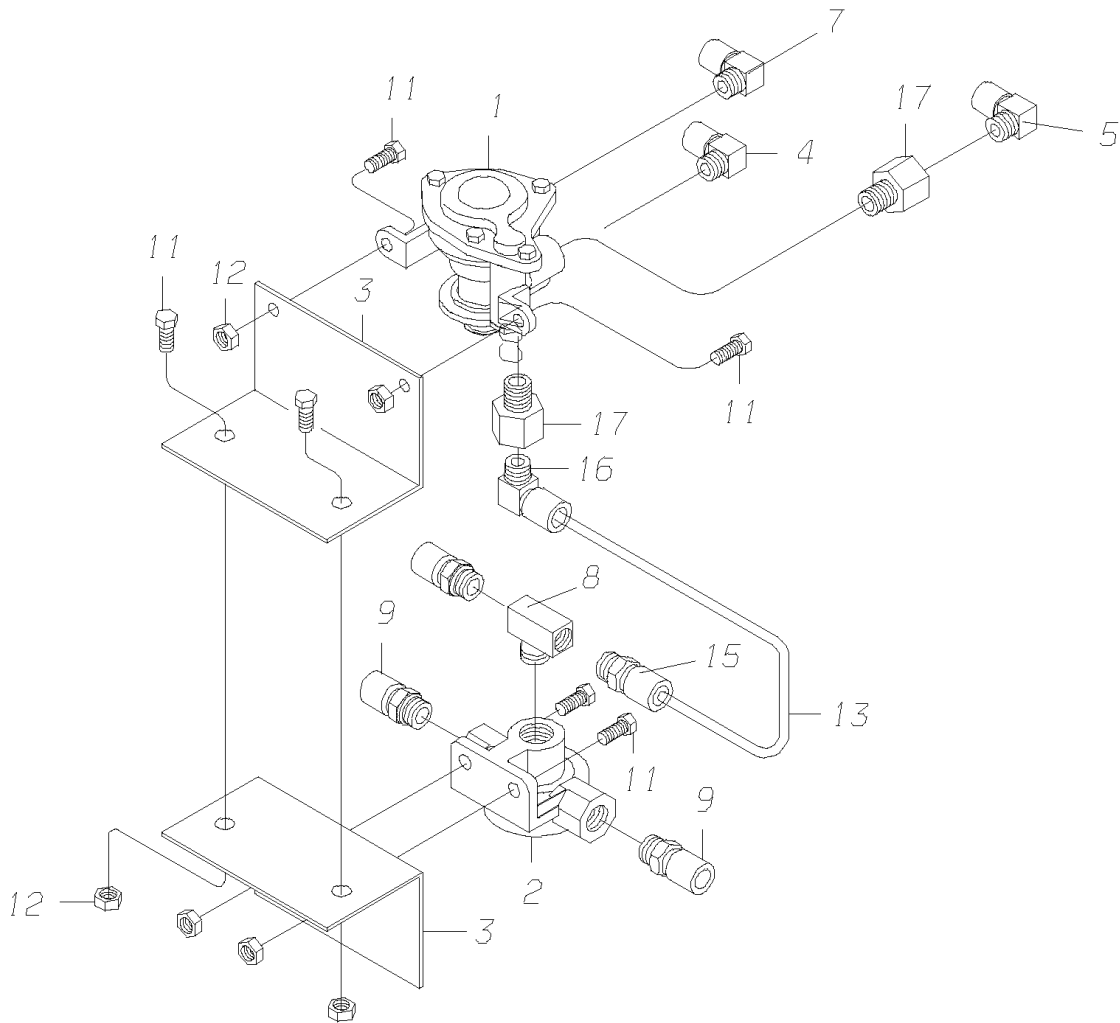



Models: **A3RE, CSRE, QBRE, TCRE**
VALVE ASSY
QUICK RELEASE
To CSN 10046619 01/02/00

Key	PartNumber	Qty	Description	Comment
1	0654426		VALVE,SPRING BRAKE	
2	1940865		VALVE,QUICK RELEASE,3/8" INLET PORT	
3	1501089	2	BRACKET,FRONT BRAKE RELAY,TCRE	
4	1344076		ELBOW,90 DEG,MALE,1469X-6-L-Z,.25 MP	
5	0009906		ELBOW,90 DEG,MALE1869X8-Z,.38MPT X .50T	
6	2027183		NIPPLE,1/4 CLOSE,BRASS	
7	0009912	2	ELBOW,90 DEG,MALE1869X4X4-Z,.25MPT	
8	1344035		TEE,MALE,	
9	0009921	2	CONNECTOR,MALE,1868X8-Z,.38MPT X .50T"	
10	1002898		COUPLING,3/8 X 3/8 PIPE	
11	1542430	4	CAPSCREW,HEX FLG,5/16-18X1.25,GRD5,	
12	0829390	6	NUT,HEX HD,5/16-18,SER WASHER,YEL ZN	
13	1346857	7	TUBING,PLASTIC,3/8 OD,BLUE,SAE J844 TYPE B	
14	2027134		BUSHING,PIPE,3/8 X 1/4,BRASS	

Models: A3RE, CSRE, QBRE
VALVE ASSY
QUICK RELEASE
BSN: From CSN 10046620 01/03/00

Key	PartNumber	Qty	Description	Comment
-----	------------	-----	-------------	---------

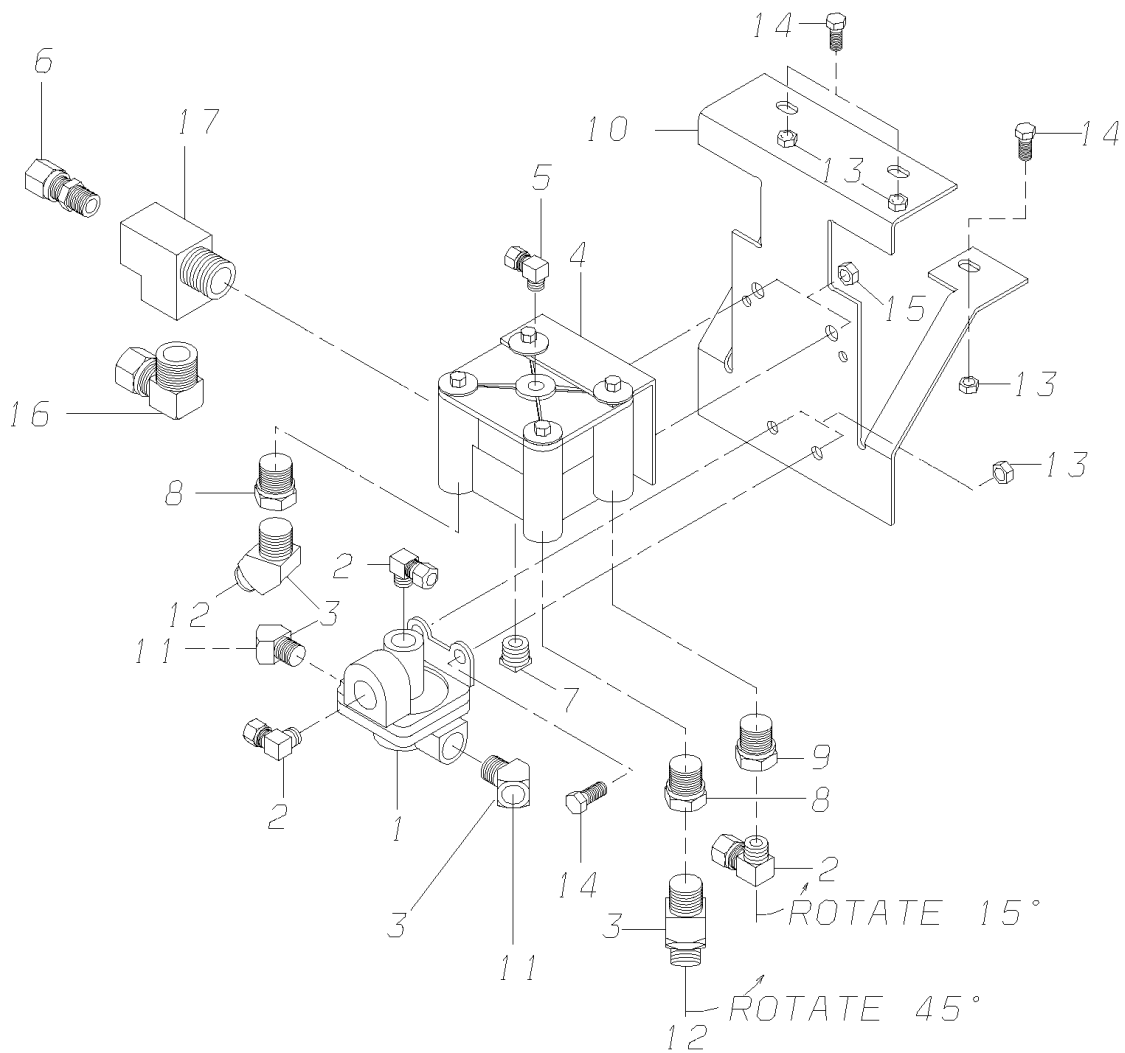


Models: A3RE, CSRE, QBRE
VALVE ASSY
QUICK RELEASE
BSN: From CSN 10046620 01/03/00

Key	PartNumber	Qty	Description	Comment
1	0654426	1	VALVE,SPRING BRAKE	
2	1940865	1	VALVE,QUICK RELEASE,3/8" INLET PORT	
3	1501089	2	BRACKET,FRONT BRAKE RELAY,TCRE	
4	0009914	1	ELBOW,90 DEG,MALE1869X6-Z,.25MPT X .38T"	
5	0009906	1	ELBOW,90 DEG,MALE1869X8-Z,.38MPT X .50T"	
6			NOT CURRENTLY USED	
7	0009912	1	ELBOW,90 DEG,MALE1869X4X4-Z,.25MPT	
8	0016750	1	TEE,BRASS,3/8MPTX3/8FPTX3/8FPT,3600X6	
9	0009921	3	CONNECTOR,MALE,1868X8-Z,.38MPT X .50T"	
10			NOT CURRENTLY USED	
11	1884378	6	CAPSCREW,HEX FLG,5/16-18X7/8,GR5,BLK ZN	
12	0829390	6	NUT,HEX HD,5/16-18,SER WASHER,YEL ZN	
13	1346857	18	TUBING,PLASTIC,3/8 OD,BLUE,SAE J844 TYPE B	
14			NOT CURRENTLY USED	
15	0009918	1	CONNECTOR,MALE,1868X6X6-Z,.38MPT X .38T"	
16	0009911	1	ELBOW,90 DEG,MALE1869X6X6-Z,.38MPT	
17	0766188	2	ADAPTER,3/8 FPT X 1/4 MPT	

Models: A3RE, CSRE, QBRE
 VALVE ASSY
 SPRING & SERVICE BRAKE

Key	PartNumber	Qty	Description	Comment
-----	------------	-----	-------------	---------



**Models: A3RE, CSRE, QBRE
VALVE ASSY
SPRING & SERVICE BRAKE**


Key	PartNumber	Qty	Description	Comment
1	1220128		VALVE,SPRING BRAKE,RELAY,QR-1C	
2	0009912	3	ELBOW,90 DEG,MALE1869X4X4-Z,.25MPT	
3	2008282	4	ELBOW,STREET,45 DEG,3350X6Z,BRASS	
4	1066679		VALVE,SERVICE BRK RELAY,R12,W/LH SUP	
5	0009914		ELBOW,90 DEG,MALE1869X6-Z,.25MPT X .38T"	
6	0009920		CONNECTOR,MALE,1868X8X8-Z,.50MPT X .50T"	
7	0663427		PLUG,PIPE,1/2 SQ HD,3151 X 8Z,BRASS	
8	2023539	2	BUSHING,PIPE,1/2MPT X 3/8FPT,3220X8X6Z,	
9	2027159		BUSHING,PIPE,1/2 X 1/4,BRASS	
10	1546829		BRACKET,MTG,RELAY VALVE/BKG HORN,TC	
11	0770883	2	HOSE ASSY,BRAKE,7/16 X 20 IN LONG	
12	0770909	2	HOSE ASSY,BRAKE,7/16 X 23 IN LONG	
13	0829390	6	NUT,HEX HD,5/16-18,SER WASHER,YEL ZN	
14	0854414	6	CAPSCREW,HEX HD,5/16-18X7/8,GR8,YEL ZN	
15	0839027	2	NUT,HEX HD,3/8-16,GR G,SM FLG LK,YEL	
16	0009907		ELBOW,90 DEG,MALE1869X8X8-Z,.50MPT	
17	0654350		TEE,1/2 PIPE,STREET	

Models: A3RE, CSRE, QBRE, T2RE, TCRE
VALVE ASSY

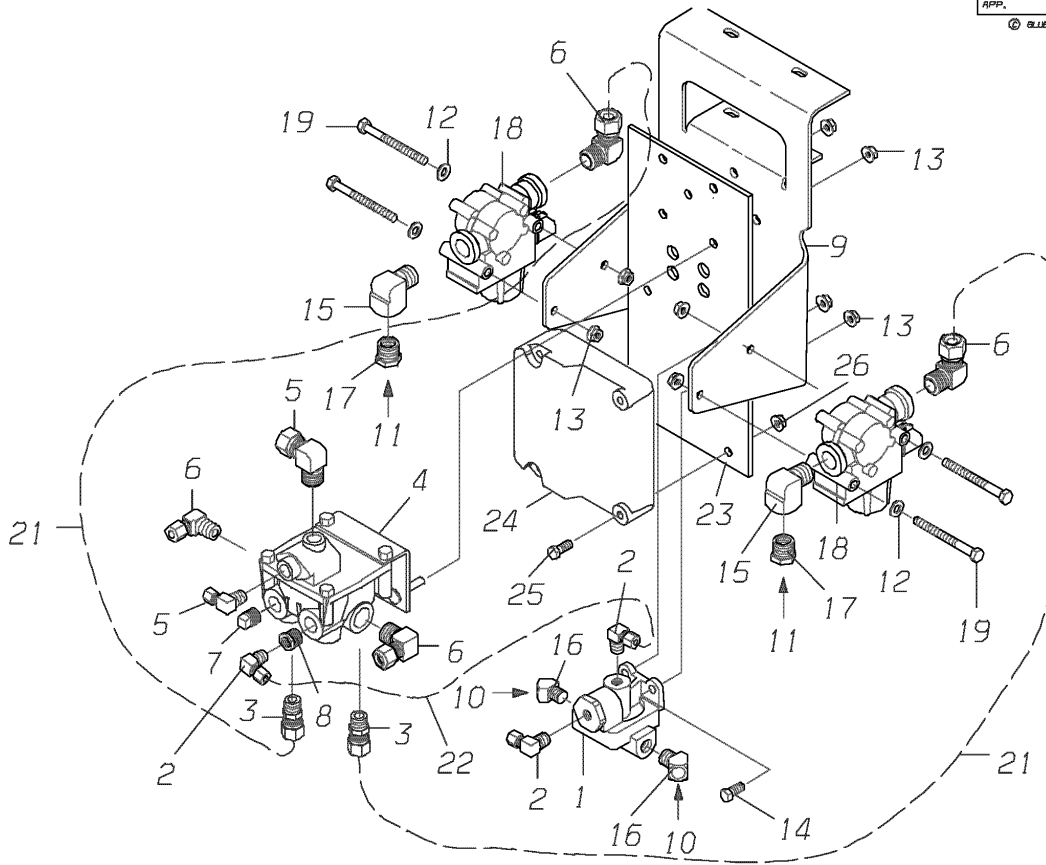
SPRING & SERVICE BRAKE
4 CHANNEL, ABS

With Features: FEATURE 40070; 40076-01
 To CSN 10037079 07/25/99

Key	PartNumber	Qty	Description	Comment
-----	------------	-----	-------------	---------

DR. 07/17/02 BY TFM	1995935	E	
APP. BY	FRT	REV	

© BLUE BIRD BODY COMPANY. ALL RIGHTS RESERVED



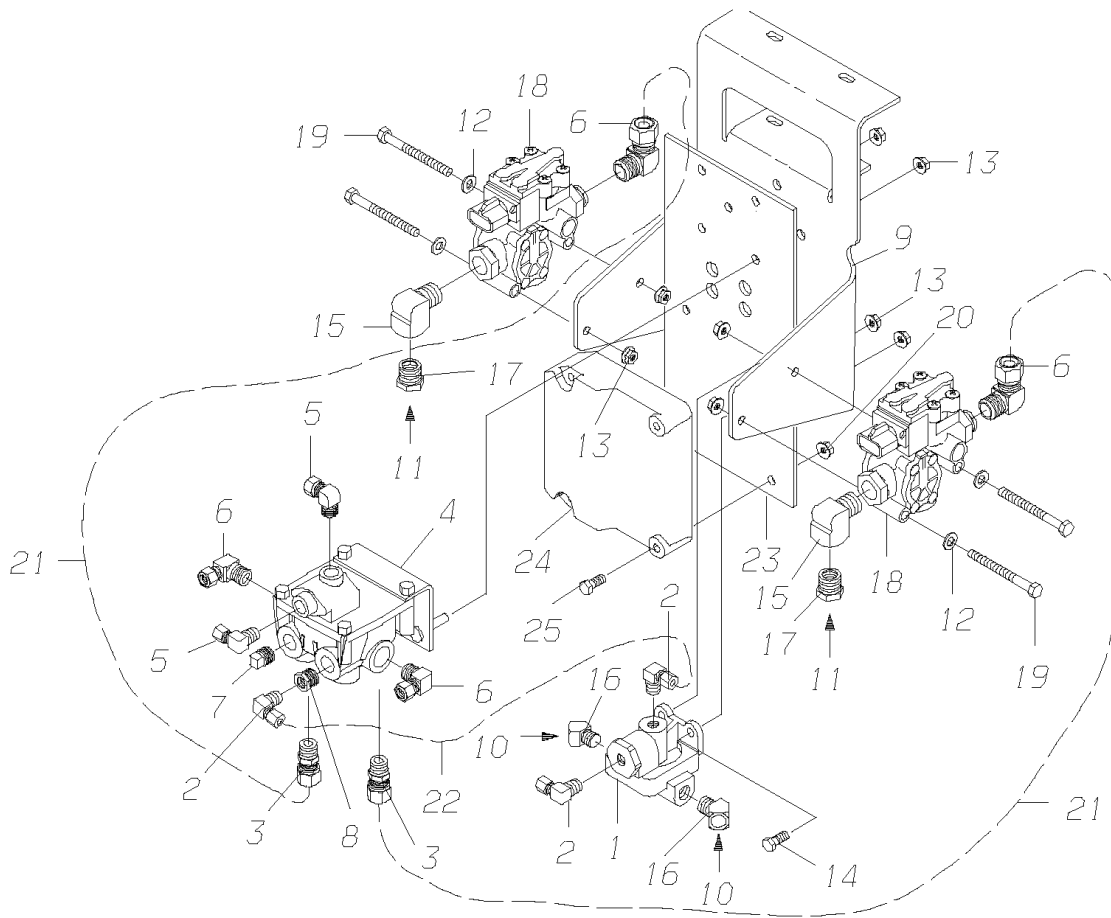
Models: A3RE, CSRE, QBRE, T2RE, TCRE
VALVE ASSY
SPRING & SERVICE BRAKE
4 CHANNEL, ABS
With Features: FEATURE 40070; 40076-01
To CSN 10037079 07/25/99

Key	PartNumber	Qty	Description	Comment
1	1220128	1	VALVE,SPRING BRAKE,RELAY,QR-1C	
2	1344092	3	ELBOW,90 DEG,MALE,1469X4X4-Z,.25 MP X .25	
3	1344134	2	CONNECTOR,MALE,1468X8-Z,.38MPT X .5T	
4	1995851	1	VALVE,RELAY,R12 W/DOUBLE CHECK,ABS	
5	1344068	2	ELBOW,90 DEG,MALE,1469X6-Z,.25 MP X .38 T	
6	1344084	4	ELBOW,90 DEG,MALE,1469X8X8-Z,.50 MP X .5	
7	3772159	1	PLUG,PIPE,0.375,BRASS W/SEALANT,HEX HD	
8	2027134	1	BUSHING,PIPE,3/8 X 1/4,BRASS	
9	1646447	1	BRACKET,MTG,ECU&MODUL,4 ABS,A/DRYER	
10	0770883	2	HOSE ASSY,BRAKE,7/16 X 20 IN LONG	
11	0770909	2	HOSE ASSY,BRAKE,7/16 X 23 IN LONG	
12	2001048	4	WASHER,FLAT,11/32 X 11/16 X 1/16,YEL	
13	0829390	8	NUT,HEX HD,5/16-18,SER WASHER,YEL ZN	
14	0854414	2	CAPSCREW,HEX HD,5/16-18X7/8,GR8,YEL ZN	
15	2008274	2	ELBOW,STREET,90 DEG,1/2MPT X	
16	2008282	2	ELBOW,STREET,45 DEG,3350X6Z,BRASS	
17	2023539	2	BUSHING,PIPE,1/2MPT X 3/8FPT,3220X8X6Z,	
18	1990332	2	MODULATOR,ABS,M-22	
19	0660431	4	CAPSCREW,HEX HD,5/16-18, X, 3, ,GR 8,ZINC	
20			NOT CURRENTLY USED	
21	1346873	A/	TUBING,PLASTIC,1/2 OD,BLUE,SAE J844 TYPE B	
22	0654962	A/	TUBING,PLASTIC,1/4 OD,BLACK,SAE J844 TYPE	
23	1996289	1	BRACKET,MTG,ECU,ABS	
24	1990308	1	ELECTRONIC CONTROL UNIT,6X4 ABS &	
25	1672153	4	CAPSCREW,HEX HD 1/4-20 X 1 3/4,GR5,YEL	
26	1339639	4	NUT,HEX HD,1/4-20,PRVLG TORQUE,FLG,YEL	

Models: A3RE, CSRE, QBRE
VALVE ASSY
SPRING & SERVICE BRAKE
4 CHANNEL, ABS

With Features: FEATURE 40070; 40076-01
BSN: From CSN 10037080 07/25/99
 To CSN 10058619 04/30/00

Key	PartNumber	Qty	Description	Comment
-----	------------	-----	-------------	---------



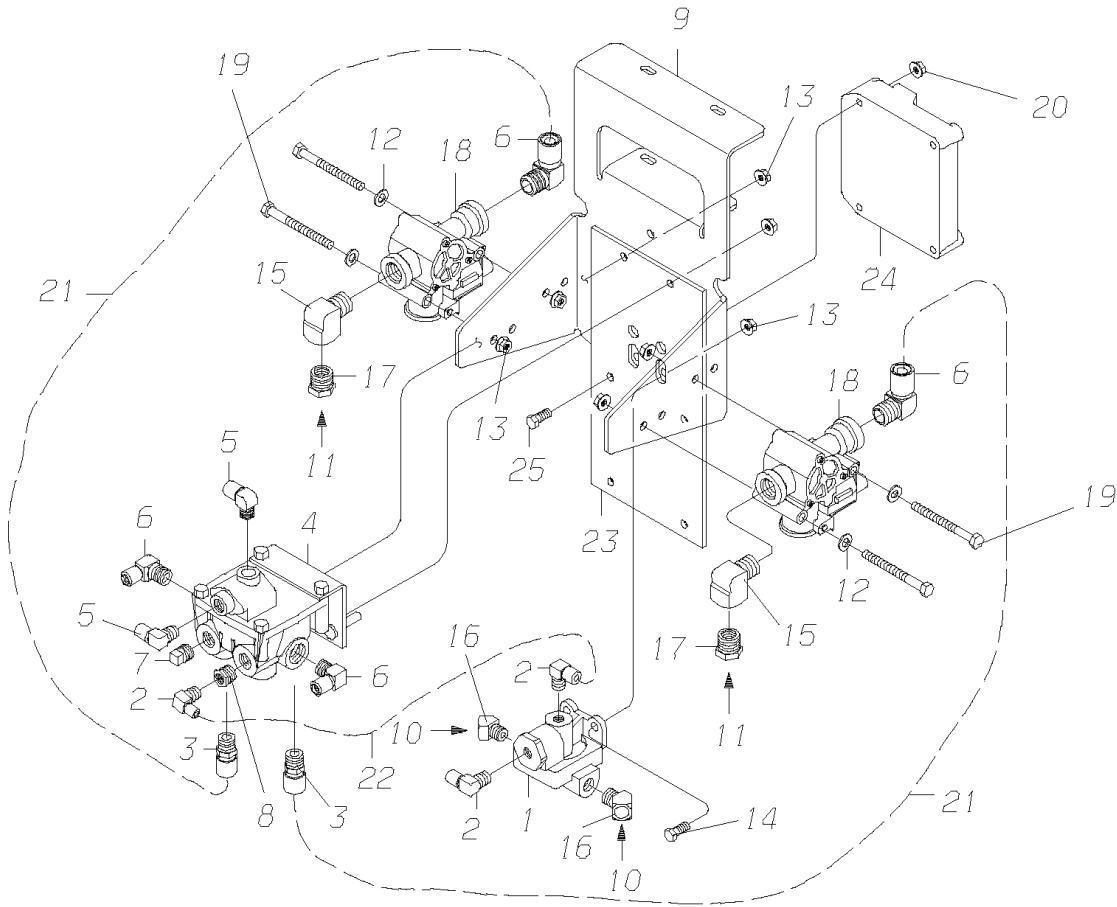
Models: A3RE, CSRE, QBRE
VALVE ASSY
SPRING & SERVICE BRAKE
4 CHANNEL, ABS
With Features: FEATURE 40070; 40076-01
BSN: From CSN 10037080 07/25/99
 To CSN 10058619 04/30/00

Key	PartNumber	Qty	Description	Comment
1	1220128	1	VALVE,SPRING BRAKE,RELAY,QR-1C	
2	1344092	3	ELBOW,90 DEG,MALE,1469X4X4-Z,.25 MP X .25	
3	1344134	2	CONNECTOR,MALE,1468X8-Z,.38MPT X .5T	
4	1995851	1	VALVE,RELAY,R12 W/DOUBLE CHECK,ABS	
5	1344068	2	ELBOW,90 DEG,MALE,1469X6-Z,.25 MP X .38 T	
6	1344084	4	ELBOW,90 DEG,MALE,1469X8X8-Z,.50 MP X .5	
7	3772159	1	PLUG,PIPE,0.375,BRASS W/SEALANT,HEX HD	
8	2027134	1	BUSHING,PIPE,3/8 X 1/4,BRASS	
9	1646447	1	BRACKET,MTG,ECU&MODUL,4 ABS,A/DRYER	
10	0770883	2	HOSE ASSY,BRAKE,7/16 X 20 IN LONG	
11	0770909	2	HOSE ASSY,BRAKE,7/16 X 23 IN LONG	
12	2001048	4	WASHER,FLAT,11/32 X 11/16 X 1/16,YEL	
13	0829390	8	NUT,HEX HD,5/16-18,SER WASHER,YEL ZN	
14	0854414	2	CAPSCREW,HEX HD,5/16-18X7/8,GR8,YEL ZN	
15	2008274	2	ELBOW,STREET,90 DEG,1/2MPT X	
16	2008282	2	ELBOW,STREET,45 DEG,3350X6Z,BRASS	
17	2023539	2	BUSHING,PIPE,1/2MPT X 3/8FPT,3220X8X6Z,	
18	1608728	2	MODULATOR,M-21,ABS,4 CHANNEL,BENDIX	
19	0660431	4	CAPSCREW,HEX HD,5/16-18, X, 3, ,GR 8,ZINC	
20	1339639	4	NUT,HEX HD,1/4-20,PRVLG TORQUE,FLG,YEL	
21	1346873	A/	TUBING,PLASTIC,1/2 OD,BLUE,SAE J844 TYPE B	
22	0654962	A/	TUBING,PLASTIC,1/4 OD,BLACK,SAE J844 TYPE	
23	1996289	1	BRACKET,MTG,ECU,ABS	
24	1990308	1	ELECTRONIC CONTROL UNIT,6X4 ABS &	
25	1672153	4	CAPSCREW,HEX HD 1/4-20 X 1 3/4,GR5,YEL	

Models: A3RE, CSRE, QBRE
VALVE ASSY
SPRING & SERVICE BRAKE
4 CHANNEL, ABS

With Features: FEATURE 40070 WITH 40076-01
BSN: From CSN 10058620 05/01/00
 To CSN 10086279 05/06/01

Key	PartNumber	Qty	Description	Comment
-----	------------	-----	-------------	---------



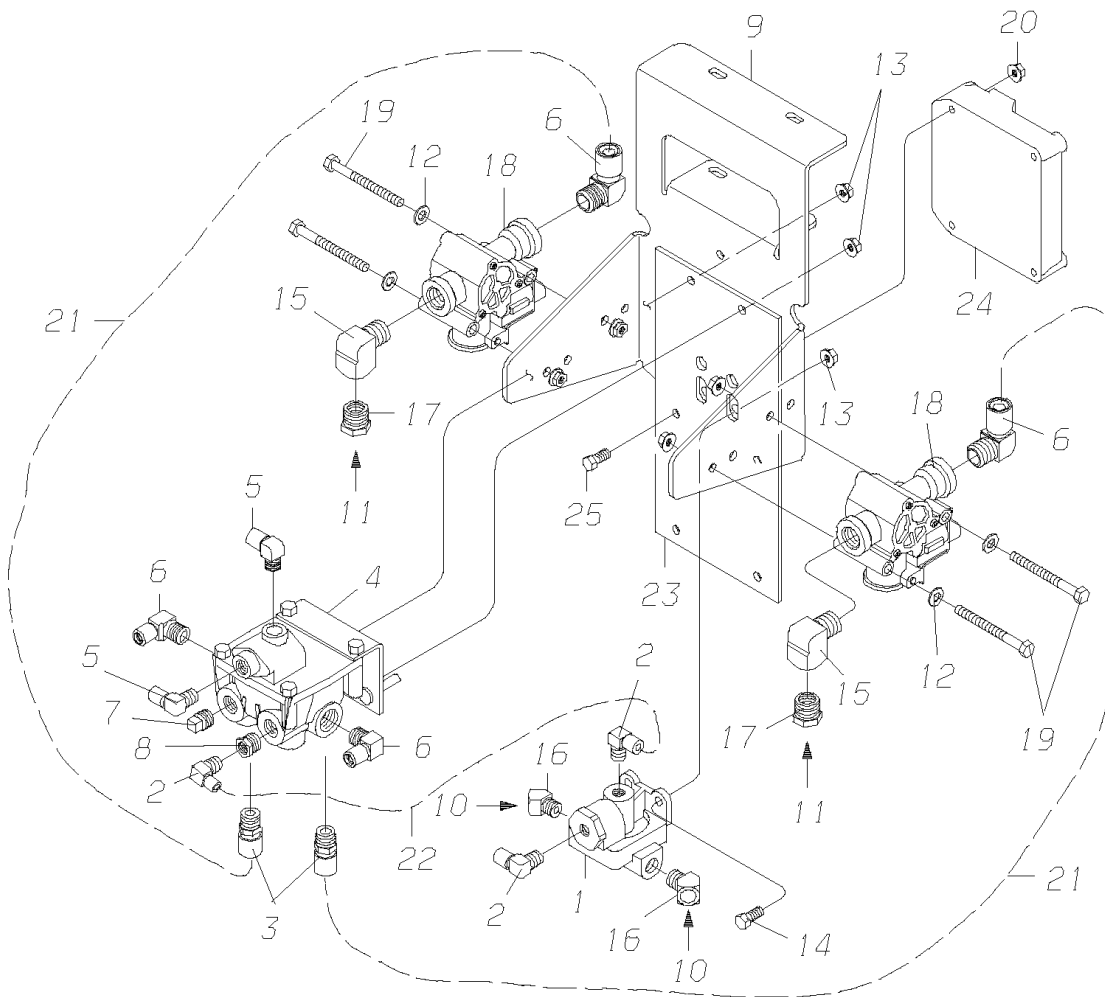
Models: A3RE, CSRE, QBRE
VALVE ASSY
SPRING & SERVICE BRAKE
4 CHANNEL, ABS
With Features: FEATURE 40070 WITH 40076-01
BSN: From CSN 10058620 05/01/00
 To CSN 10086279 05/06/01

Key	PartNumber	Qty	Description	Comment
1	1220128	1	VALVE,SPRING BRAKE,RELAY,QR-1C	
2	0009912	3	ELBOW,90 DEG,MALE1869X4X4-Z,.25MPT	
3	0009921	2	CONNECTOR,MALE,1868X8-Z,.38MPT X .50T"	
4	1995851	1	VALVE,RELAY,R12 W/DOUBLE CHECK,ABS	
5	0009914	2	ELBOW,90 DEG,MALE1869X6-Z,.25MPT X .38T"	
6	0009907	4	ELBOW,90 DEG,MALE1869X8X8-Z,.50MPT	
7	3772159	1	PLUG,PIPE,0.375,BRASS W/SEALANT,HEX HD	
8	2027134	1	BUSHING,PIPE,3/8 X 1/4,BRASS	
9	1646447	1	BRACKET,MTG,ECU&MODUL,4 ABS,A/DRYER	
10	0770883	2	HOSE ASSY,BRAKE,7/16 X 20 IN LONG	
11	0770909	2	HOSE ASSY,BRAKE,7/16 X 23 IN LONG	
12	2001048	4	WASHER,FLAT,11/32 X 11/16 X 1/16,YEL	
13	0829390	8	NUT,HEX HD,5/16-18,SER WASHER,YEL ZN	
14	0854414	2	CAPSCREW,HEX HD,5/16-18X7/8,GR8,YEL ZN	
15	2008274	2	ELBOW,STREET,90 DEG,1/2MPT X	
16	2008282	2	ELBOW,STREET,45 DEG,3350X6Z,BRASS	
17	2023539	2	BUSHING,PIPE,1/2MPT X 3/8FPT,3220X8X6Z,	
18	0014460	2	MODULATOR,ABS,AIR BRAKE,BENDIX M-30	
19	0660431	4	CAPSCREW,HEX HD,5/16-18, X, 3, ,GR 8,ZINC	
20	1339639	4	NUT,HEX HD,1/4-20,PRVLG TORQUE,FLG,YEL	
21	1346873	A/	TUBING,PLASTIC,1/2 OD,BLUE,SAE J844 TYPE B	
22	0654962	A/	TUBING,PLASTIC,1/4 OD,BLACK,SAE J844 TYPE	
23	0029851	1	BRACKET,MTG,ECU,ABS,CS/Q4/HDRE	
24	0029673	1	ELECTRONIC CONTROL UNIT,6X4 ABS&TRACT,	
25	1672153	4	CAPSCREW,HEX HD 1/4-20 X 1 3/4,GR5,YEL	

Models: A3RE, CSRE, QBRE
VALVE ASSY
SPRING & SERVICE BRAKE
4 CHANNEL, ABS

With Features: FEATURE 40070; 40076-01
BSN: From CSN 10086280 05/07/01

Key	PartNumber	Qty	Description	Comment
-----	------------	-----	-------------	---------

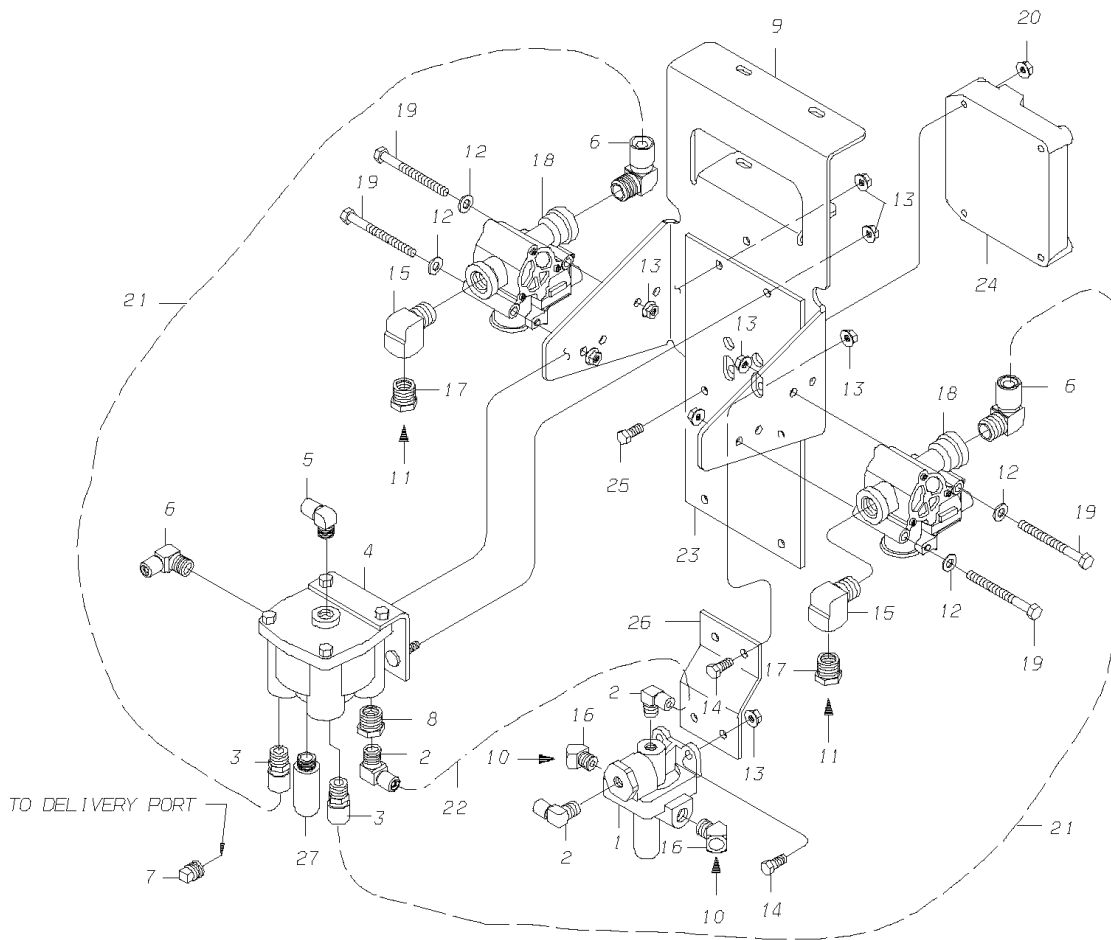


Models: A3RE, CSRE, QBRE
VALVE ASSY
SPRING & SERVICE BRAKE
4 CHANNEL, ABS
With Features: FEATURE 40070; 40076-01
BSN: From CSN 10086280 05/07/01

Key	PartNumber	Qty	Description	Comment
1	1220128	1	VALVE,SPRING BRAKE,RELAY,QR-1C	
2	0009912	3	ELBOW,90 DEG,MALE1869X4X4-Z,.25MPT	
3	0009921	2	CONNECTOR,MALE,1868X8-Z,.38MPT X .50T"	
4	1995851	1	VALVE,RELAY,R12 W/DOUBLE CHECK,ABS	
5	0009914	2	ELBOW,90 DEG,MALE1869X6-Z,.25MPT X .38T"	
6	0009907	4	ELBOW,90 DEG,MALE1869X8X8-Z,.50MPT	
7	3772159	1	PLUG,PIPE,0.375,BRASS W/SEALANT,HEX HD	
8	2027134	1	BUSHING,PIPE,3/8 X 1/4,BRASS	
9	1646447	1	BRACKET,MTG,ECU&MODUL,4 ABS,A/DRYER	
10	0770883	2	HOSE ASSY,BRAKE,7/16 X 20 IN LONG	
11	0770909	2	HOSE ASSY,BRAKE,7/16 X 23 IN LONG	
12	2001048	4	WASHER,FLAT,11/32 X 11/16 X 1/16,YEL	
13	0829390	8	NUT,HEX HD,5/16-18,SER WASHER,YEL ZN	
14	0854414	2	CAPSCREW,HEX HD,5/16-18X7/8,GR8,YEL ZN	
15	2008274	2	ELBOW,STREET,90 DEG,1/2MPT X	
16	2008282	2	ELBOW,STREET,45 DEG,3350X6Z,BRASS	
17	2023539	2	BUSHING,PIPE,1/2MPT X 3/8FPT,3220X8X6Z,	
18	0014460	2	MODULATOR,ABS,AIR BRAKE,BENDIX M-30	
19	0660431	4	CAPSCREW,HEX HD,5/16-18, X, 3, ,GR 8,ZINC	
20	1339639	4	NUT,HEX HD,1/4-20,PRVLG TORQUE,FLG,YEL	
21	1346873	A/	TUBING,PLASTIC,1/2 OD,BLUE,SAE J844 TYPE B	
22	0654962	A/	TUBING,PLASTIC,1/4 OD,BLACK,SAE J844 TYPE	
23	0029851	1	BRACKET,MTG,ECU,ABS,CS/Q4/HDRE	
24	0046009	1	ECU,ABS,BENDIX,EC-30	
25	1672153	4	CAPSCREW,HEX HD 1/4-20 X 1 3/4,GR5,YEL	

Models: **A3RE**
VALVE ASSY
SPRING & SERVICE BRAKE
4 CHANNEL, ABS, EEC

Key	PartNumber	Qty	Description	Comment
-----	------------	-----	-------------	---------

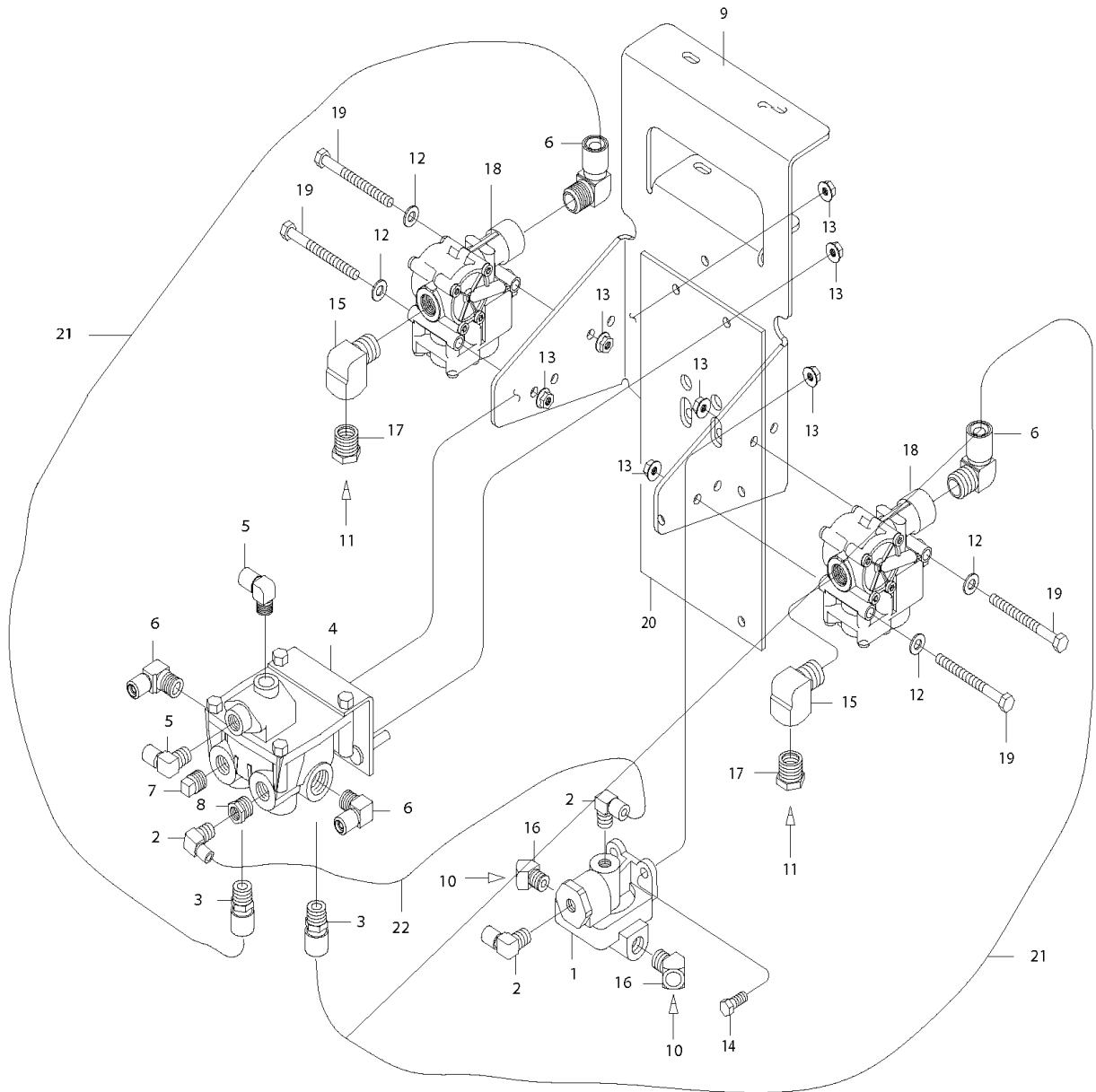


Models: **A3RE**
VALVE ASSY
SPRING & SERVICE BRAKE
4 CHANNEL, ABS, EEC

Key	PartNumber	Qty	Description	Comment
1	0048364	1	VALVE,QUICK RELEASE,QR-1C,W/SILENCER,EEC	
2	0009912	3	ELBOW,90 DEG,MALE1869X4X4-Z,.25MPT	
3	0009921	2	CONNECTOR,MALE,1868X8-Z,.38MPT X .50T"	
4	0048350	1	VALVE,RELAY,R-12,ABS,EEC	
5	0009914	2	ELBOW,90 DEG,MALE1869X6-Z,.25MPT X .38T"	
6	0009907	4	ELBOW,90 DEG,MALE1869X8X8-Z,.50MPT	
7	3772159	1	PLUG,PIPE,0.375,BRASS W/SEALANT,HEX HD	
8	2027134	1	BUSHING,PIPE,3/8 X 1/4,BRASS	
9	1646447	1	BRACKET,MTG,ECU&MODUL,4 ABS,A/DRYER	
10	0770883	2	HOSE ASSY,BRAKE,7/16 X 20 IN LONG	
11	0770909	2	HOSE ASSY,BRAKE,7/16 X 23 IN LONG	
12	2001048	4	WASHER,FLAT,11/32 X 11/16 X 1/16,YEL	
13	0829390	10	NUT,HEX HD,5/16-18,SER WASHER,YEL ZN	
14	0854414	4	CAPSCREW,HEX HD,5/16-18X7/8,GR8,YEL ZN	
15	2008274	2	ELBOW,STREET,90 DEG,1/2MPT X	
16	2008282	2	ELBOW,STREET,45 DEG,3350X6Z,BRASS	
17	2023539	2	BUSHING,PIPE,1/2MPT X 3/8FPT,3220X8X6Z,	
18	0048352	2	MODULATOR,ABS,AIR BRAKE,BENDIX M-30,EEC	
19	0660431	4	CAPSCREW,HEX HD,5/16-18, X, 3, ,GR 8,ZINC	
20	1339639	4	NUT,HEX HD,1/4-20,PRVLG TORQUE,FLG,YEL	
21	1346873	3	TUBING,PLASTIC,1/2 OD,BLUE,SAE J844 TYPE B	
22	0654962	1	TUBING,PLASTIC,1/4 OD,BLACK,SAE J844 TYPE	
23	0029851	1	BRACKET,MTG,ECU,ABS,CS/Q4/HDRE	
24	0048355	1	ECU,ABS,BENDIX,EC-30,EEC	
25	1672153	4	CAPSCREW,HEX HD 1/4-20 X 1 3/4,GR5,YEL	
26	0048344	1	BRACKET,MTG,OFFSET,QR-1C RELAY VALVE	
27	0048361	1	SILENCER,EXHAUST,VALVE,EEC	

Models: A3RE
VALVE ASSY
SPRING & SERVICE BRAKE
TRACTION CONTROL
With Features: FEATURE 40453-01
BSN: From CSN 0233135 4/10/06

Key	PartNumber	Qty	Description	Comment
-----	------------	-----	-------------	---------

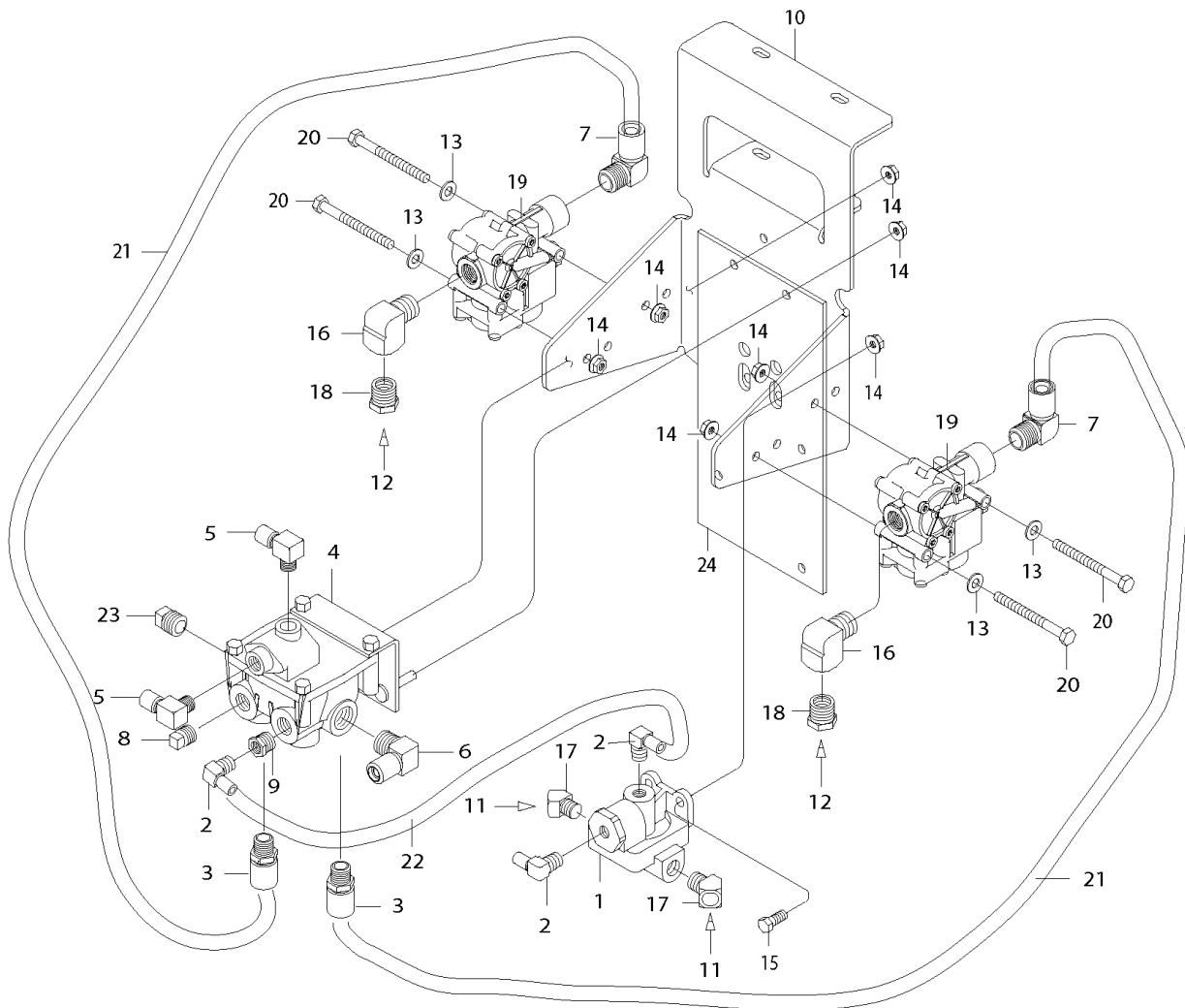


Models: A3RE
VALVE ASSY
SPRING & SERVICE BRAKE
TRACTION CONTROL
With Features: FEATURE 40453-01
BSN: From CSN 0233135 4/10/06

Key	PartNumber	Qty	Description	Comment
1	1220128	1	VALVE,SPRING BRAKE,RELAY,QR-1C	
2	0009912	3	ELBOW,90 DEG,MALE1869X4X4-Z,.25MPT	
3	0009921	2	CONNECTOR,MALE,1868X8-Z,.38MPT X .50T"	
4	1995851	1	VALVE,RELAY,R12 W/DOUBLE CHECK,ABS	
5	0009914	2	ELBOW,90 DEG,MALE1869X6-Z,.25MPT X .38T"	
6	0009907	4	ELBOW,90 DEG,MALE1869X8X8-Z,.50MPT	
7	0009907	1	ELBOW,90 DEG,MALE1869X8X8-Z,.50MPT	
8	2027134	1	BUSHING,PIPE,3/8 X 1/4,BRASS	
9	1646447	1	BRACKET,MTG,ECU&MODUL,4 ABS,A/DRYER	
10	0770883	2	HOSE ASSY,BRAKE,7/16 X 20 IN LONG	
11	0770909	2	HOSE ASSY,BRAKE,7/16 X 23 IN LONG	
12	2001048	4	WASHER,FLAT,11/32 X 11/16 X 1/16,YEL	
13	0829390	8	NUT,HEX HD,5/16-18,SER WASHER,YEL ZN	
14	0854406	2	CAPSCREW,HEX HD,5/16-18 X 1,GR8,YEL ZN	
15	2008274	2	ELBOW,STREET,90 DEG,1/2MPT X	
16	2008282	2	ELBOW,STREET,45 DEG,3350X6Z,BRASS	
17	2023539	2	BUSHING,PIPE,1/2MPT X 3/8FPT,3220X8X6Z,	
18	0060035	2	MODULATOR,ABS,AIR BRAKE,M32QR	
19	0660431	4	CAPSCREW,HEX HD,5/16-18, X, 3, ,GR 8,ZINC	
20	0084944	1	BRACKET,MOUNTING,ECU,AIR BRAKES,ABS	
21	1346873	2.5	TUBING,PLASTIC,1/2 OD,BLUE,SAE J844 TYPE B	
22	0654962	1F	TUBING,PLASTIC,1/4 OD,BLACK,SAE J844 TYPE	

Models: A3RE
VALVE ASSY
SPRING & SERVICE BRAKE
TRACTION CONTROL
CNG
With Features: FEATURE 40453-01 WITH CNG
BSN: From CSN 0233135 4/10/06

Key	PartNumber	Qty	Description	Comment
-----	------------	-----	-------------	---------

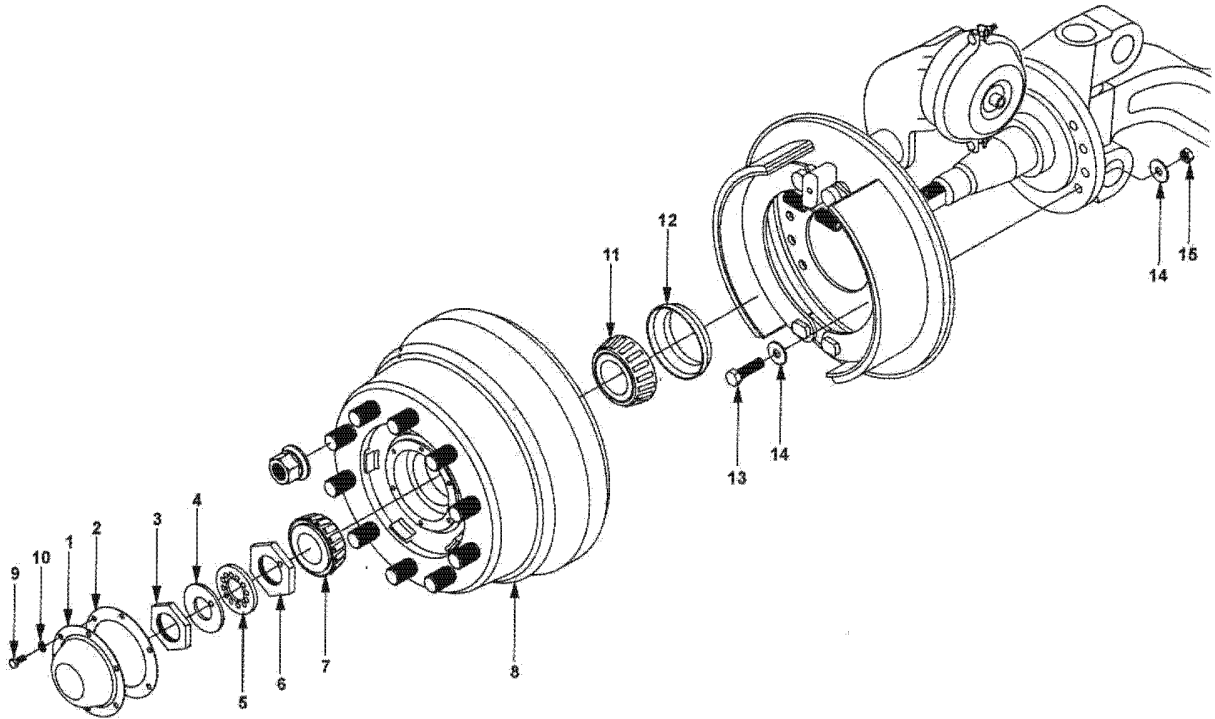


Models: A3RE
VALVE ASSY
SPRING & SERVICE BRAKE
TRACTION CONTROL
CNG
With Features: FEATURE 40453-01 WITH CNG
BSN: From CSN 0233135 4/10/06

Key	PartNumber	Qty	Description	Comment
1	1220128	1	VALVE,SPRING BRAKE,RELAY,QR-1C	
2	0009912	3	ELBOW,90 DEG,MALE1869X4X4-Z,.25MPT	
3	0025651	2	CONNECTOR,MALE,1868X10X6-Z,.38 MPT X .63	
4	1995851	1	VALVE,RELAY,R12 W/DOUBLE CHECK,ABS	
5	0009914	2	ELBOW,90 DEG,MALE1869X6-Z,.25MPT X .38T"	
6	0009907	1	ELBOW,90 DEG,MALE1869X8X8-Z,.50MPT	
7	0009908	2	ELBOW,90 DEG,MALE1869X10-Z,.50MPT X .63T	
8	3772159	1	PLUG,PIPE,0.375,BRASS W/SEALANT,HEX HD	
9	2027134	1	BUSHING,PIPE,3/8 X 1/4,BRASS	
10	1646447	1	BRACKET,MTG,ECU&MODUL,4 ABS,A/DRYER	
11	0770883	2	HOSE ASSY,BRAKE,7/16 X 20 IN LONG	
12	0770909	2	HOSE ASSY,BRAKE,7/16 X 23 IN LONG	
13	2001048	4	WASHER,FLAT,11/32 X 11/16 X 1/16,YEL	
14	0829390	8	NUT,HEX HD,5/16-18,SER WASHER,YEL ZN	
15	0854406	2	CAPSCREW,HEX HD,5/16-18 X 1,GR8,YEL ZN	
16	2008274	2	ELBOW,STREET,90 DEG,1/2MPT X	
17	2008282	2	ELBOW,STREET,45 DEG,3350X6Z,BRASS	
18	2023539	2	BUSHING,PIPE,1/2MPT X 3/8FPT,3220X8X6Z,	
19	0060035	2	MODULATOR,ABS,AIR BRAKE,M32QR	
20	1226877	4	CAPSCREW,HEX HD,5/16X 3 1/2,GR8,YEL ZN	
21	1643295	2.5	TUBING,PLASTIC,5/8 OD,BLUE,SAE J844 TYPE B	
22	0654962	1	TUBING,PLASTIC,1/4 OD,BLACK,SAE J844 TYPE	
23	0663427	1	PLUG,PIPE,1/2 SQ HD,3151 X 8Z,BRASS	
24	0084944	1	BRACKET,MOUNTING,ECU,AIR BRAKES,ABS	

Models: A3FE, A3RE, C3FE, CSFE, CSRE, QBRE, TCFE
WHEEL END COMPONENTS
FRONT, DRUM BRAKES, HUB PILOTED
5 INCH
ALUMN WHEELS
BSN: From CSN 30096776 FE 10096696 RE 11/05/01

Key	PartNumber	Qty	Description	Comment
-----	------------	-----	-------------	---------

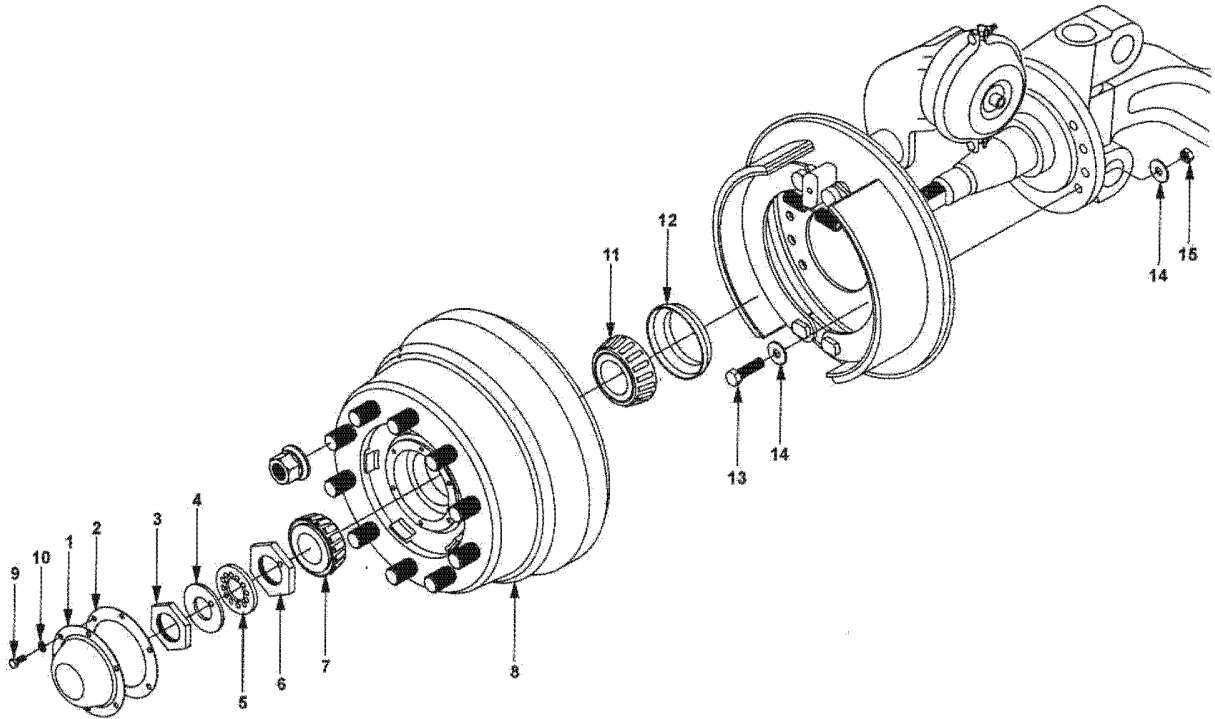


Models: A3FE, A3RE, C3FE, CSFE, CSRE, QBRE, TCFE
WHEEL END COMPONENTS
FRONT, DRUM BRAKES, HUB PILOTED
5 INCH
ALUMN WHEELS
BSN: From CSN 30096776 FE 10096696 RE 11/05/01

Key	PartNumber	Qty	Description	Comment
1	0929448	2	HUBCAP,FRONT,ROCKWELL	
2	2602449	2	GASKET,FRONT HUBCAP,RKWL	
NI	0048519	2	KIT,4 PIECE WHEEL END,MERITOR	
3			KIT, NUT, SPINDLE	
4			KIT, WASHER, SPINDLE	
5			KIT, WASHER, FLAT	
6			KIT, NUT, HEX HD	
7	0929414	2	BEARING,OUTER,FRONT AXLE	
8	0044665	2	HUB & DRUM(NOT SERVICED AS AN ASSY)	
NI	0044631	1	HUB & CUP ASSY,DAYTON 515954,ALUMN WHLS	
NI	2593093	1	CUP,WHEEL BEARING,INNER	
NI	2600179	1	CUP,OUTER WHEEL BEARING	
NI	0044639	10	STUD,SERRATED,M22 X 1.5-6G	
NI	0044651	10	CAPNUT,FLANGED,M22,MERITOR	
NI	0043875	1	DRUM,BRAKE,5",DAYTON"	
9	2593408	12	BOLT,ROTOR TO DRUM	
10	2600419	12	WASHER,ROTOR SLINGER	
11	0929406	2	BEARING,INNER,FRONT AXLE,TIMKEN	
12	0043367	2	SEAL ASSY,OIL	
13	0043378	16	CAPSCREW	
14	0929018	32	WASHER,FLAT,21/32 X 1 1/8 X 3/32,HDN,YEL	
15	2596591	16	NUT	

Models: A3FE, A3RE, C3FE, CSFE, CSRE, QBRE, TCFE
WHEEL END COMPONENTS
FRONT, DRUM BRAKES, HUB PILOTED
5 INCH
STEEL WHEELS
BSN: From CSN 30096776 FE 10096696 RE 11/05/01

Key	PartNumber	Qty	Description	Comment
-----	------------	-----	-------------	---------



Models: A3FE, A3RE, C3FE, CSFE, CSRE, QBRE, TCFE
WHEEL END COMPONENTS
FRONT, DRUM BRAKES, HUB PILOTED
5 INCH
STEEL WHEELS
BSN: From CSN 30096776 FE 10096696 RE 11/05/01

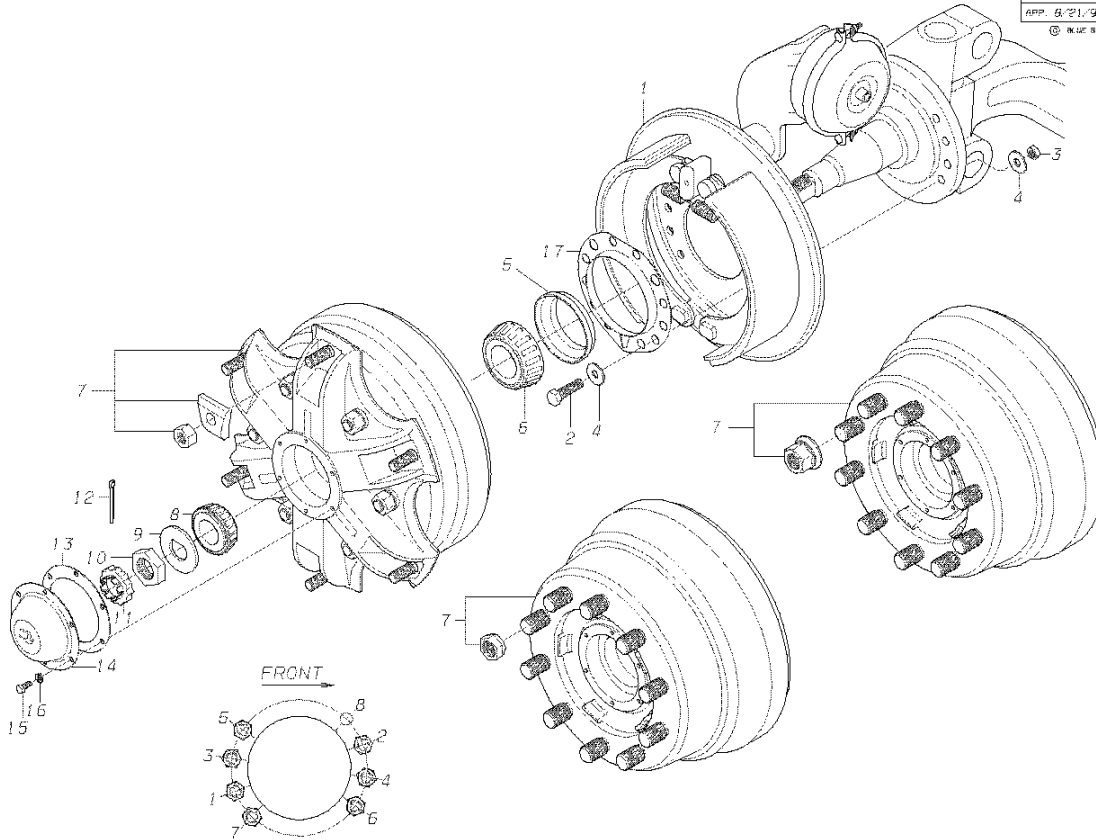
Key	PartNumber	Qty	Description	Comment
1	0929448	2	HUBCAP,FRONT,ROCKWELL	
2	2602449	2	GASKET,FRONT HUBCAP,RKWL	
NI	0048519	2	KIT,4 PIECE WHEEL END,MERITOR	
3			KIT, NUT, SPINDLE	
4			KIT, WASHER, SPINDLE	
5			KIT, WASHER, FLAT	
6			KIT, NUT, HEX HD	
7	0929414	2	BEARING,OUTER,FRONT AXLE	
8	0043888	2	HUB AND DRUM ASSY,STEER,5IN AIR,STL	
NI	0044630	1	HUB & CUP ASSY,DAYTON 515954,STL WHLS	
NI	2593093	1	CUP,WHEEL BEARING,INNER	
NI	2600179	1	CUP,OUTER WHEEL BEARING	
NI	0044637	10	STUD,SERRATED,M22 X 1.5-6G	
NI	0044651	10	CAPNUT,FLANGED,M22,MERITOR	
NI	0043875	1	DRUM,BRAKE,5",DAYTON"	
9	2593408	12	BOLT,ROTOR TO DRUM	
10	2600419	12	WASHER,ROTOR SLINGER	
11	0929406	2	BEARING,INNER,FRONT AXLE,TIMKEN	
12	0043367	2	SEAL ASSY,OIL	
13	0043378	16	CAPSCREW	
14	0929018	32	WASHER,FLAT,21/32 X 1 1/8 X 3/32,HDN,YEL	
15	2596591	16	NUT	

Models: A3FE, A3RE
WHEEL END COMPONENTS
FRONT, DRUM BRAKES, HUB PILOTED
6 INCH
With Features: FEATURE 40070
BSN: From CSN 06/15/98
 To CSN 30052394 FE 10052364 RE 03/05/00

Key	PartNumber	Qty	Description	Comment
-----	------------	-----	-------------	---------

DR. 8/21/98	BY JL	---	1755560	D
APP. 8/21/98	BY AE	FRT		REV

© BLUE BIRD BODY COMPANY ALL RIGHTS RESERVED



Models: A3FE, A3RE
WHEEL END COMPONENTS
FRONT, DRUM BRAKES, HUB PILOTED
6 INCH

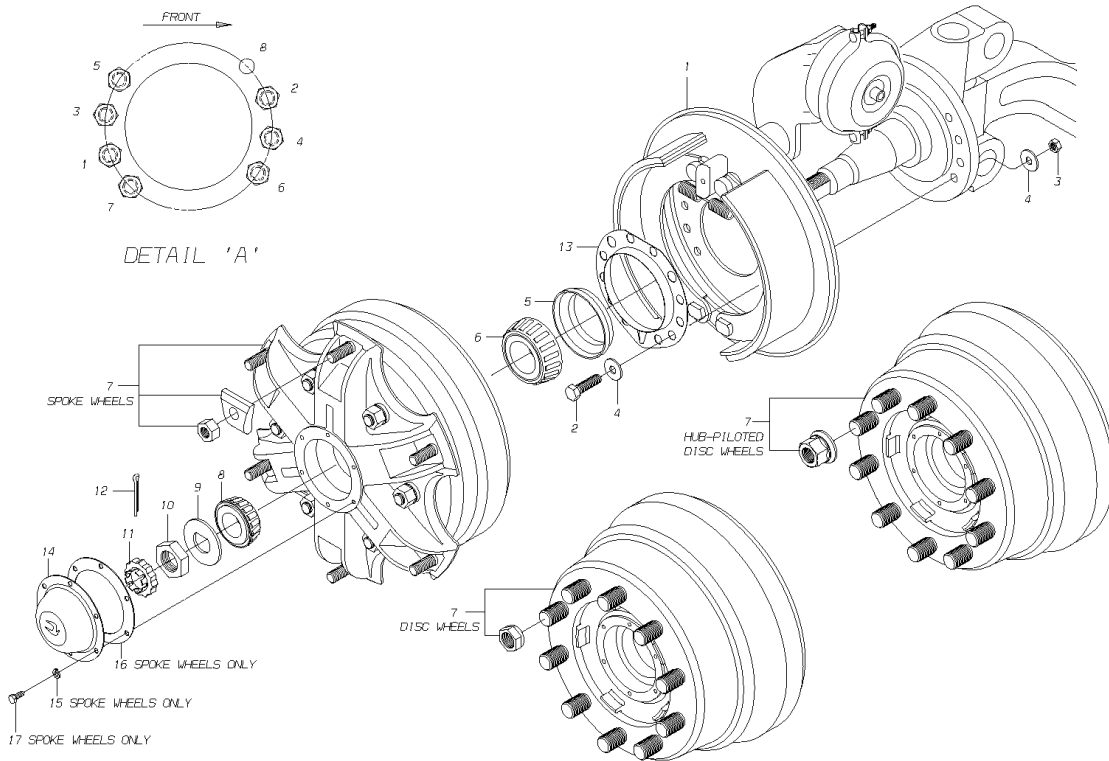
With Features: FEATURE 40070
BSN: From CSN 06/15/98
 To CSN 30052394 FE 10052364 RE 03/05/00

Key	PartNumber	Qty	Description	Comment
1			BRAKE ASSEMBLY	
2	1998400		CAPSCREW,HEX HD,5/8-18X2.25,GR8,YZD,	
3	0929000	14	NUT,HEX HD,5/8-18,LOCKING,GR 8,CADMIUM	
4	0929018		WASHER,FLAT,21/32 X 1 1/8 X 3/32,HDN,YEL	
5	1391572		SEAL,INNER,FRONT	
6	0929406		BEARING,INNER,FRONT AXLE,TIMKEN	
7	1827906	1	DRUM,BRAKE,16.5 X 6, WEBB 65179B	
8	0929414		BEARING,OUTER,FRONT AXLE	
9	1442771		WASHER, SPINDLE, SPICER, 1-120	
10	1442789		NUT,SPINDLE,SPICER I-120	
11	1442797		LOCKNUT,SPICER I-120	
12	1446590		PIN,COTTER,I-120 AXLE	
13	0998484		GASKET,FRONT HUBCAP	
14	1444652		HUBCAP,STEERING AXLE,GREASE LUBRICATED	
15	2028280	12	CAPSCREW,HEX HD,5/16-18X5/8,GR5,YEL ZN	
16	2001188		LOCKWASHER,SPLIT RING, 5/16,MED,YEL ZN	
17	1608389	2	SLINGER,OIL,WEBB 73615	
18	1714302		CAPNUT,FLANGED,22 MM,HUB PILOTED,	
19	1714328		STUD,SERRATED,22MM,FRT,HUB PILTD,	
20	8314213		HUB & CUP ASSY,W/TONE RING,FRONT,W/ABS,	
NI	2600179		CUP,OUTER WHEEL BEARING	
NI	2593093		CUP,WHEEL BEARING,INNER	

Models: A3FE, A3RE
WHEEL END COMPONENTS
FRONT, DRUM BRAKES, HUB PILOTED
6 INCH

With Features: FEATURE 40070
BSN: From CSN 30052395 FE 10052365 RE 03/06/00
 To CSN 30096775 FE 10096695 RE 11/04/01

Key	PartNumber	Qty	Description	Comment
-----	------------	-----	-------------	---------

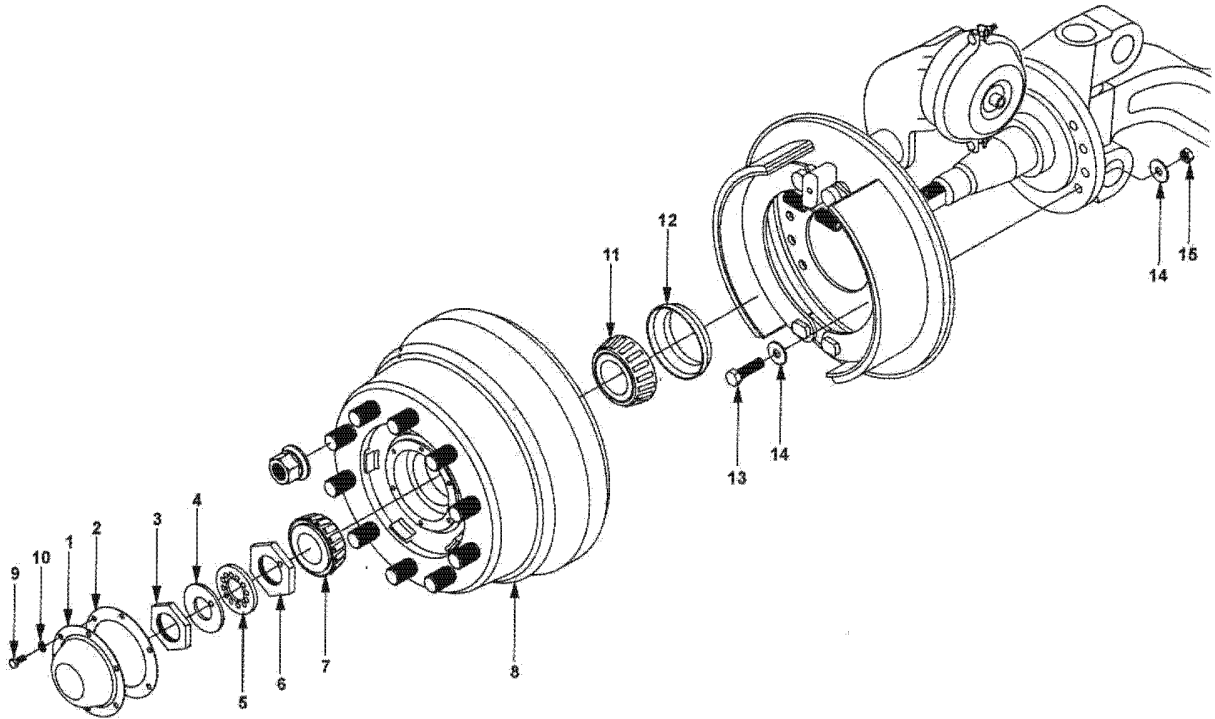


Models: A3FE, A3RE
WHEEL END COMPONENTS
FRONT, DRUM BRAKES, HUB PILOTED
6 INCH
With Features: FEATURE 40070
BSN: From CSN 30052395 FE 10052365 RE 03/06/00
 To CSN 30096775 FE 10096695 RE 11/04/01

Key	PartNumber	Qty	Description	Comment
1			BRAKE ASSEMBLY	
2	1998400	14	CAPSCREW,HEX HD,5/8-18X2.25,GR8,YZD,	
3	0929000	14	NUT,HEX HD,5/8-18,LOCKING,GR 8,CADMIUM	
4	0929018	28	WASHER,FLAT,21/32 X 1 1/8 X 3/32,HDN,YEL	
5	1391572	2	SEAL,INNER,FRONT	
6	0929406	2	BEARING,INNER,FRONT AXLE,TIMKEN	
7	0020113	2	HUB & DRUM ASSY,STR,6.00,HUB PILOT,STL	STEEL WHEELS
7	0020114	2	HUB & DRUM ASSY,STR,6.00,HUB PILOT,AL	ALUMINUM WHEELS
NI	0028868		HUB & CUP ASSY, HUB PILOT, STEEL, WEBB	STEEL WHEELS
NI	0028869		HUB & CUP ASSY, HUB PILOT, ALUMN, WEBB	ALUMINUM WHEELS
NI	2593093	1	CUP,WHEEL BEARING,INNER	
NI	2600179	1	CUP,OUTER WHEEL BEARING	
NI	8305344	10	STUD,SERRATED,M22 X 1.5	STEEL WHEELS
NI	1714294	10	STUD,SERRATED,22 MM,RR,HUB PILTD	ALUMINUM WHEELS
NI	4317079		FLANGE,CAPNUT,22MM"	
NI	1827906		DRUM,BRAKE,16.5 X 6, WEBB 65179B	
8	0929414	2	BEARING,OUTER,FRONT AXLE	
9	1442771	2	WASHER, SPINDLE, SPICER, 1-120	
10	1442789	2	NUT,SPINDLE,SPICER I-120	
11	1442797	2	LOCKNUT,SPICER I-120	
12	1446590	2	PIN,COTTER,I-120 AXLE	
13	1608389	2	SLINGER,OIL,WEBB 73615	
14	0014891	2	HUBCAP ASSY,STEER AXLE,GREASE,4.50 B.C.	
NI	2602449		GASKET,FRONT HUBCAP,RKWL	

Models: A3FE, A3RE, C3FE, C4RE, CSFE, CSRE, QBRE, TCFE
WHEEL END COMPONENTS
FRONT, DRUM BRAKES, HUB PILOTED
6 INCH
ALUMN WHEELS
BSN: From CSN 30096776 FE 10096696 RE 11/05/01

Key	PartNumber	Qty	Description	Comment
-----	------------	-----	-------------	---------

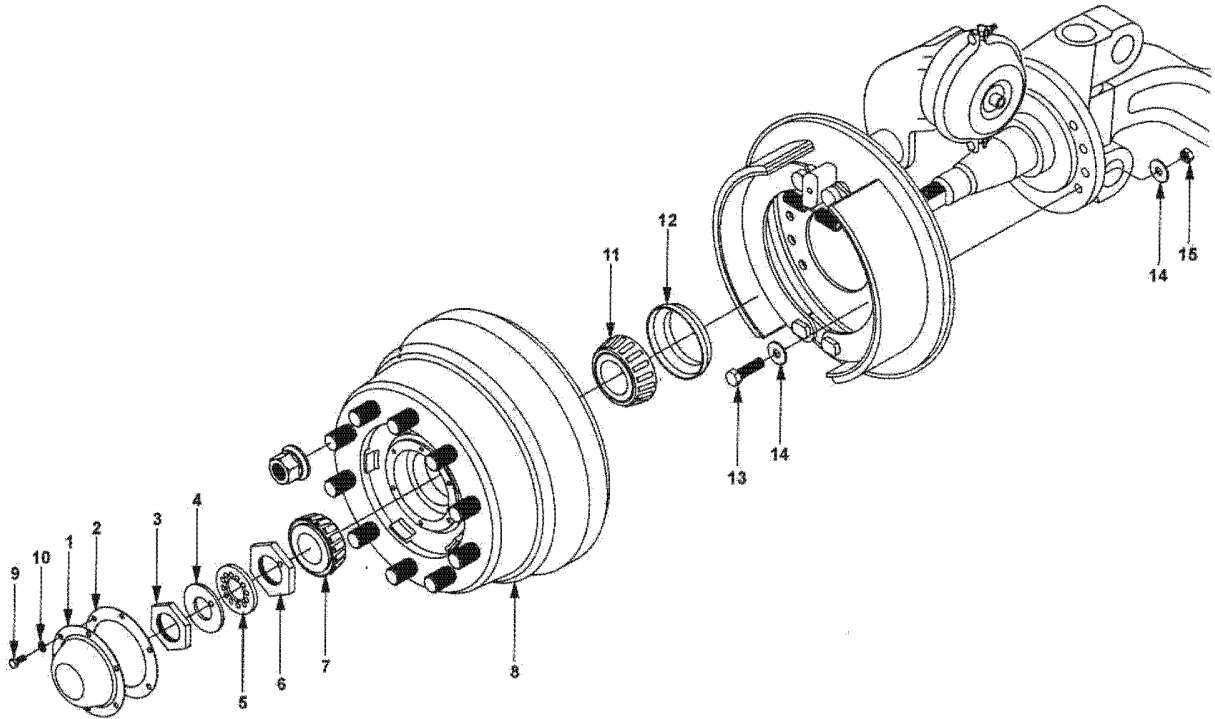


Models: A3FE, A3RE, C3FE, C4RE, CSFE, CSRE, QBRE, TCFE
WHEEL END COMPONENTS
FRONT, DRUM BRAKES, HUB PILOTED
6 INCH
ALUMN WHEELS
BSN: From CSN 30096776 FE 10096696 RE 11/05/01

Key	PartNumber	Qty	Description	Comment
1	0929448	2	HUBCAP,FRONT,ROCKWELL	
2	2602449	2	GASKET,FRONT HUBCAP,RKWL	
NI	0048519	2	KIT,4 PIECE WHEEL END,MERITOR	
3			KIT, NUT, SPINDLE	
4			KIT, WASHER, SPINDLE	
5			KIT, WASHER, FLAT	
6			KIT, NUT, HEX HD	
7	0929414	2	BEARING,OUTER,FRONT AXLE	
8	0044664	2	HUB AND DRUM ASSY,STEER,6IN AIR,ALUM	
NI	0044631	1	HUB & CUP ASSY,DAYTON 515954,ALUMN WHLS	
NI	2593093	1	CUP,WHEEL BEARING,INNER	
NI	2600179	1	CUP,OUTER WHEEL BEARING	
NI	0044639	10	STUD,SERRATED,M22 X 1.5-6G	
NI	0044651	10	CAPNUT,FLANGED,M22,MERITOR	
NI	0043874	1	DRUM,BRAKE,6",DAYTON	
9	2593408	12	BOLT,ROTOR TO DRUM	
10	2600419	12	WASHER,ROTOR SLINGER	
11	0929406	2	BEARING,INNER,FRONT AXLE,TIMKEN	
12	0043367	2	SEAL ASSY,OIL	
13	0043378	16	CAPSCREW	
14	0929018	32	WASHER,FLAT,21/32 X 1 1/8 X 3/32,HDN,YEL	
15	2596591	16	NUT	

Models: A3FE, A3RE, C3FE, C4RE, CSFE, CSRE, QBRE, TCFE
WHEEL END COMPONENTS
FRONT, DRUM BRAKES, HUB PILOTTED
6 INCH
STEEL WHEELS
BSN: From CSN 30096776 FE 10096696 RE 11/05/01

Key	PartNumber	Qty	Description	Comment
-----	------------	-----	-------------	---------



Models: A3FE, A3RE, C3FE, C4RE, CSFE, CSRE, QBRE, TCFE
WHEEL END COMPONENTS
FRONT, DRUM BRAKES, HUB PILOTED
6 INCH
STEEL WHEELS
BSN: From CSN 30096776 FE 10096696 RE 11/05/01

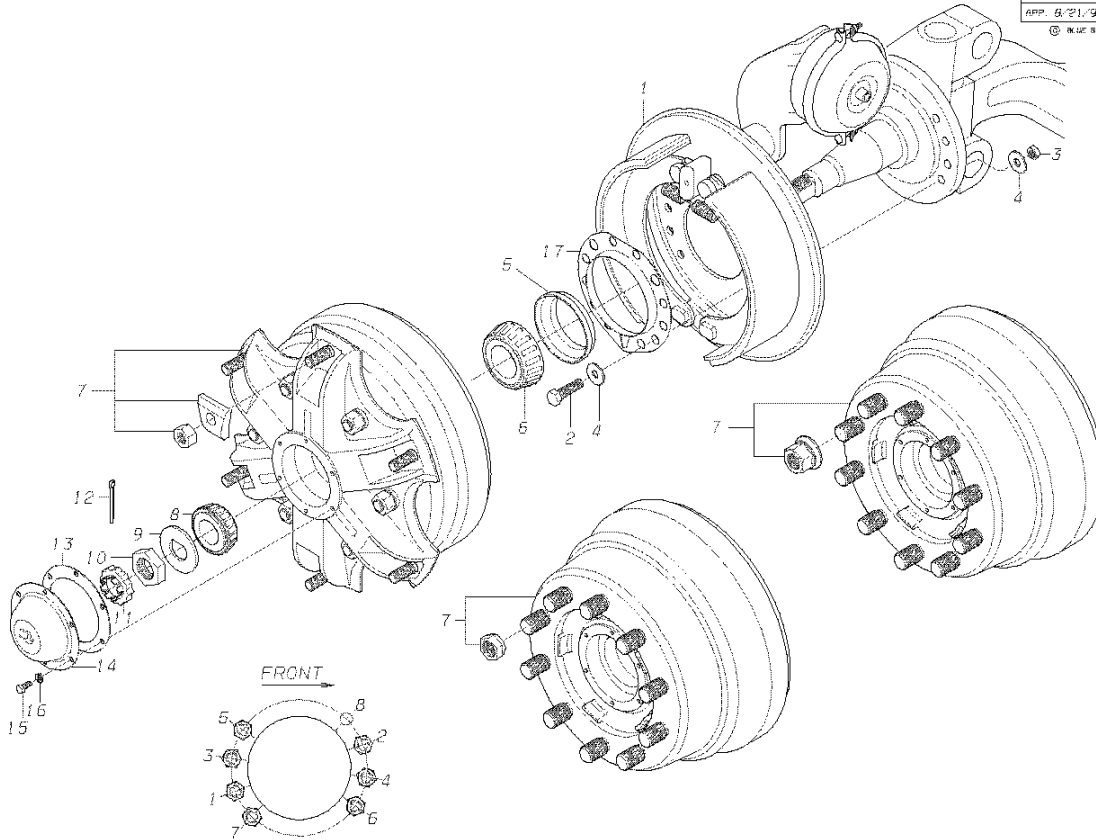
Key	PartNumber	Qty	Description	Comment
1	0929448	2	HUBCAP,FRONT,ROCKWELL	
2	2602449	2	GASKET,FRONT HUBCAP,RKWL	
NI	0048519	2	KIT,4 PIECE WHEEL END,MERITOR	
3			KIT, NUT, SPINDLE	
4			KIT, WASHER, SPINDLE	
5			KIT, WASHER, FLAT	
6			KIT, NUT, HEX HD	
7	0929414	2	BEARING,OUTER,FRONT AXLE	
8	0043886	2	HUB AND DRUM ASSY,STEER,6IN AIR,STL	
NI	0044630	1	HUB & CUP ASSY,DAYTON 515954,STL WHLS	
NI	2593093	1	CUP,WHEEL BEARING,INNER	
NI	2600179	1	CUP,OUTER WHEEL BEARING	
NI	0044637	10	STUD,SERRATED,M22 X 1.5-6G	
NI	0044651	10	CAPNUT,FLANGED,M22,MERITOR	
NI	0043874	1	DRUM,BRAKE,6",DAYTON	
9	2593408	12	BOLT,ROTOR TO DRUM	
10	2600419	12	WASHER,ROTOR SLINGER	
11	0929406	2	BEARING,INNER,FRONT AXLE,TIMKEN	
12	0043367	2	SEAL ASSY,OIL	
13	0043378	16	CAPSCREW	
14	0929018	32	WASHER,FLAT,21/32 X 1 1/8 X 3/32,HDN,YEL	
15	2596591	16	NUT	

Models: A3RE
WHEEL END COMPONENTS
FRONT, DRUM BRAKES, HUB PILOTED
6 INCH
UK RH DRIVE
With Features: UK RH DRIVE

Key	PartNumber	Qty	Description	Comment
-----	------------	-----	-------------	---------

DR. 8/21/96	BY JL	---	1755560	D
APP. 8/21/96	BY AE	FRT		REV

© BLUE BIRD BODY COMPANY ALL RIGHTS RESERVED



Models: **A3RE**
WHEEL END COMPONENTS
FRONT, DRUM BRAKES, HUB PILOTED
6 INCH
UK RH DRIVE
With Features: **UK RH DRIVE**

Key	PartNumber	Qty	Description	Comment
1			BRAKE ASSEMBLY	
2	0043378	14	CAPSCREW	
3	2596591	14	NUT	
4	0929018	28	WASHER,FLAT,21/32 X 1 1/8 X 3/32,HDN,YEL	
5	0043367	2	SEAL ASSY,OIL	
6	0929406	2	BEARING,INNER,FRONT AXLE,TIMKEN	
7	0043886	2	HUB AND DRUM ASSY,STEER,6IN AIR,STL	
NI	0044630	1	HUB & CUP ASSY,DAYTON 515954,STL WHLS	
NI	2593093	1	CUP,WHEEL BEARING,INNER	
NI	2600179	1	CUP,OUTER WHEEL BEARING	
NI	0044637		STUD,SERRATED,M22 X 1.5-6G	
NI	0044651		CAPNUT,FLANGED,M22,MERITOR	
NI	0043874		DRUM,BRAKE,6",DAYTON	
8	0929414	2	BEARING,OUTER,FRONT AXLE	
9	2600617	2	WASHER,WHEEL BEARING,ADJUSTING	
10	2599017	2	NUT,WHEEL BEARING,ADJUSTING	
11	2598217	2	NUT,JAM,OUTER WHEEL BEARING	
12	2600815	2	WASHER	
13	2602449	2	GASKET,FRONT HUBCAP,RKWL	
14	0929448	2	HUBCAP,FRONT,ROCKWELL	
15	2593408	12	BOLT,ROTOR TO DRUM	
16	2600419	12	WASHER,ROTOR SLINGER	


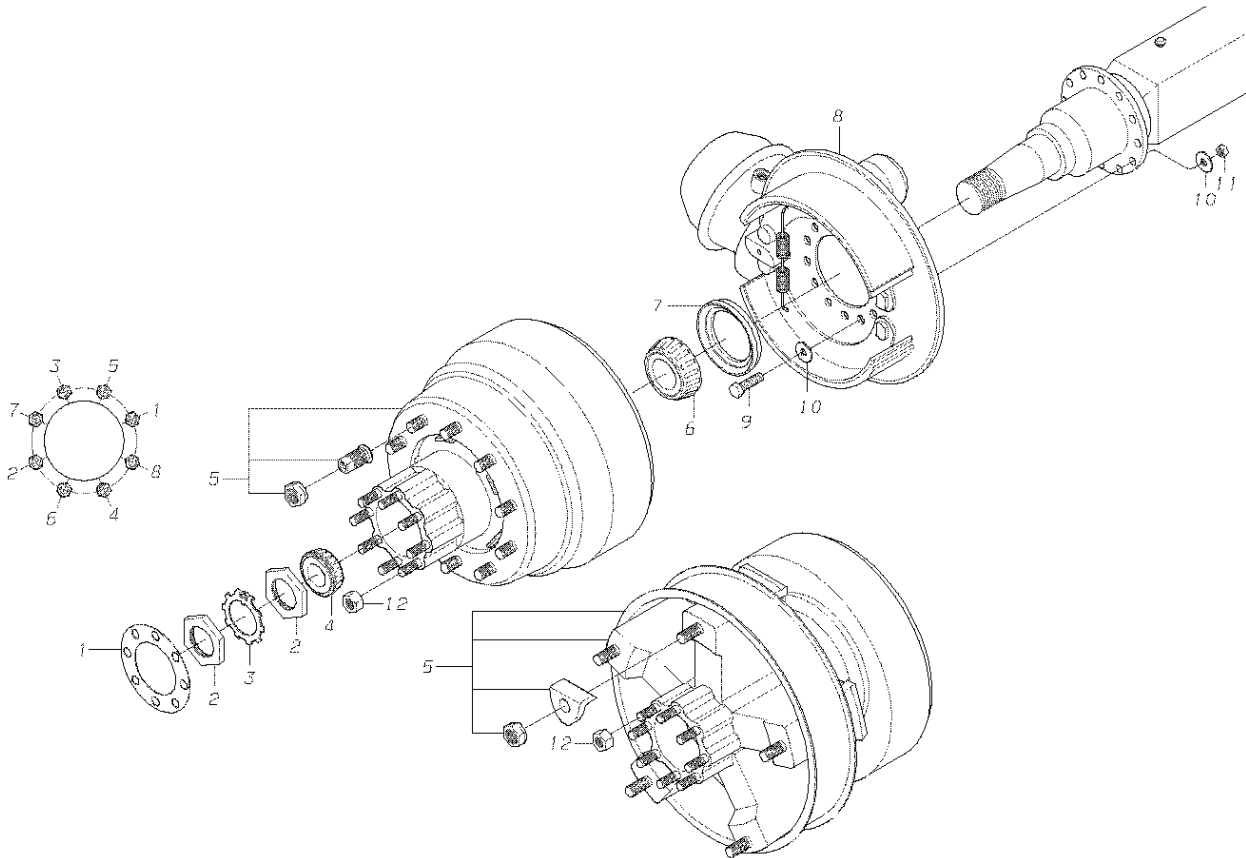
Models: A3FE, A3RE
WHEEL END COMPONENTS
REAR, DRUM BRAKES, HUB PILOTED
J190, J210
7 INCH

With Features: FEATURE 40070-01, 02
BSN: From CSN 10008675 RE 30008585 FE 07/13/98
 To 01/17/99

Key	PartNumber	Qty	Description	Comment
-----	------------	-----	-------------	---------

DR: B/21/98	BY: JL	1736602	C
APP: B/21/98	BY: AB	FRY	REV

© BLUE BIRD BODY COMPANY. ALL RIGHTS RESERVED

Models: A3FE, A3RE
WHEEL END COMPONENTS
REAR, DRUM BRAKES, HUB PILOTED
J190, J210
7 INCH

With Features: **FEATURE 40070-01, 02**
BSN: **From CSN 10008675 RE 30008585 FE 07/13/98**
To 01/17/99


Key	PartNumber	Qty	Description	Comment
1	1970854	2	GASKET,AXLE SHAFT,DRIVE, 23,000LB AXLE	
2	1543925	4	NUT,SPINDLE,REAR,J230SB,AA/TC	
3	1543941	2	WASHER,LOCK,REAR,J230SB,AA/TC	
4	0929059	2	BEARING,OUTER,AXLE SHAFT,ROCKWELL &	
5			HUB AND DRUM ASSEMBLY	<i>INCLUDES THE FOLLOWING ITEMS</i>
NI	0005563	2	HUB AND CUP ASSY.,	<i>INCLUDES CUPS</i>
NI	2622728	2	CUP,REAR OUTER	
NI	2623221	2	CUP,WHEEL BEARING	
NI	1459999	8	STUD,DRIVE,5/8-18,WEBB	
NI	1714294	10	STUD,SERRATED,22 MM,RR,HUB PILTD	
NI	1714302	10	CAPNUT,FLANGED,22 MM,HUB PILOTED,	
NI	1460062	2	DRUM,BRAKE,16.5 X 7.00,WEBB	
NI	1713775	2	SLINGER,GREASE,WEBB 73263	
6	0929042	2	BEARING,INNER,REAR AXLE	
7	0929067	2	SEAL,INNER,REAR AXLE OIL,LUBRICATED	
8			BRAKE ASSEMBLY	
9	0928994	16	CAPSCREW,HEX HD,5/8-18 X 2,GR 8,YEL ZN	
10	0929018	32	WASHER,FLAT,21/32 X 1 1/8 X 3/32,HDN,YEL	
11	0929000	16	NUT,HEX HD,5/8-18,LOCKING,GR 8,CADMIUM	
12	1483817	16	NUT,HEX HD,3/4-16,PRVLG TORQUE,GR8,YEL	

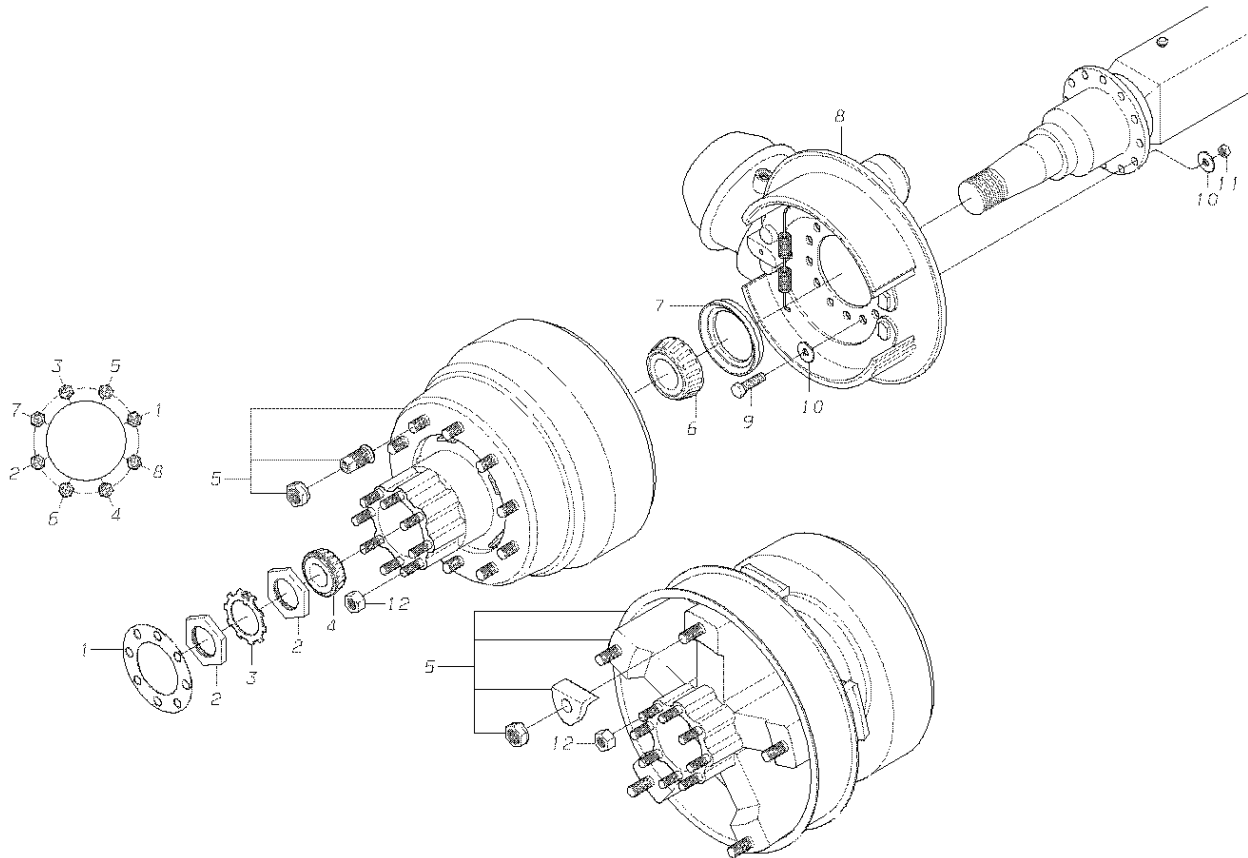
Models: A3FE, A3RE
WHEEL END COMPONENTS
REAR, DRUM BRAKES, HUB PILOTED
J190, J210
7 INCH

With Features: FEATURE 40070-01, 02
BSN: From CSN 01/18/98
 To CSN 30096775 FE 10096695 RE 11/04/01

Key	PartNumber	Qty	Description	Comment
-----	------------	-----	-------------	---------

DR: B/21/98	BY: JL	1736602	C
APP: B/21/98	BY: AB	FRY	REV

© BLUE BIRD BODY COMPANY. ALL RIGHTS RESERVED. 



Models: A3FE, A3RE
WHEEL END COMPONENTS
REAR, DRUM BRAKES, HUB PILOTED
J190, J210
7 INCH

With Features: FEATURE 40070-01, 02
BSN: From CSN 01/18/98
 To CSN 30096775 FE 10096695 RE 11/04/01


Key	PartNumber	Qty	Description	Comment
1	1970854	2	GASKET,AXLE SHAFT,DRIVE, 23,000LB AXLE	
2	1543925	4	NUT,SPINDLE,REAR,J230SB,AA/TC	
3	1543941	2	WASHER,LOCK,REAR,J230SB,AA/TC	
4	0929059	2	BEARING,OUTER,AXLE SHAFT,ROCKWELL &	
5			HUB AND DRUM ASSEMBLY	<i>INCLUDES THE FOLLOWING ITEMS</i>
NI	0015884	2	HUB AND CUP ASSY,HUB PILOTED,2915	<i>INCLUDES CUPS</i>
NI	2622728	2	CUP,REAR OUTER	
NI	2623221	2	CUP,WHEEL BEARING	
NI	1459999	8	STUD,DRIVE,5/8-18,WEBB	
NI	1714294	10	STUD,SERRATED,22 MM,RR,HUB PILTD	
NI	1714302	10	CAPNUT,FLANGED,22 MM,HUB PILOTED,	
NI	1460062	2	DRUM,BRAKE,16.5 X 7.00,WEBB	
NI	1713775	2	SLINGER,GREASE,WEBB 73263	
6	0929042	2	BEARING,INNER,REAR AXLE	
7	0929067	2	SEAL,INNER,REAR AXLE OIL,LUBRICATED	
8			BRAKE ASSEMBLY	
9	0928994	16	CAPSCREW,HEX HD,5/8-18 X 2,GR 8,YEL ZN	
10	0929018	32	WASHER,FLAT,21/32 X 1 1/8 X 3/32,HDN,YEL	
11	0929000	16	NUT,HEX HD,5/8-18,LOCKING,GR 8,CADMIUM	
12	1483817	16	NUT,HEX HD,3/4-16,PRVLG TORQUE,GR8,YEL	

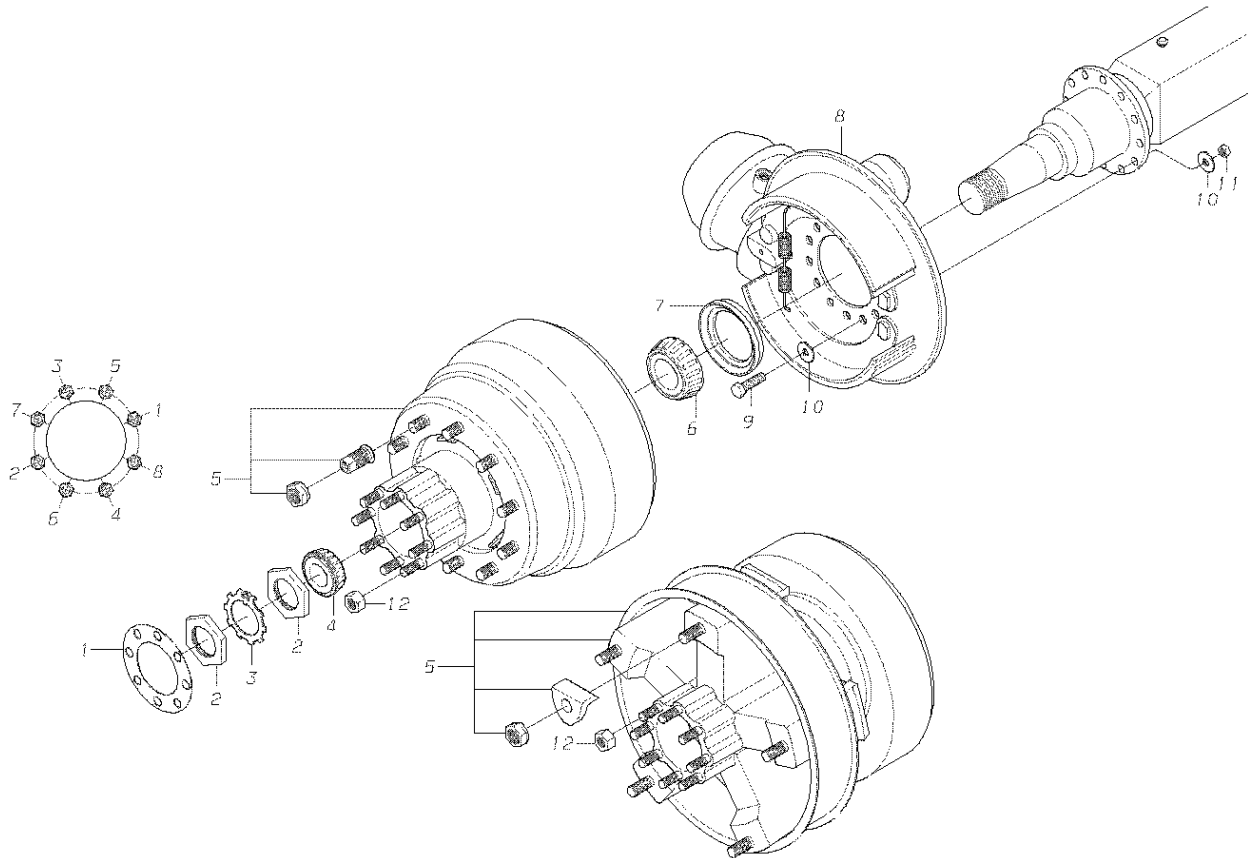
Models: A3FE, A3RE
WHEEL END COMPONENTS
REAR, DRUM BRAKES, HUB PILOTED
J230
7 INCH

With Features: FEATURE 40070-01, 02
BSN: From CSN 10007080 RE 30007075 FE 06/18/98
 To CSN 10013294 RE 30013644 FE 09/13/98

Key	PartNumber	Qty	Description	Comment
-----	------------	-----	-------------	---------

DR: B/21/98	BY: JL	1736602	C
APP: B/21/98	BY: AB	FRY	REV

© BLUE BIRD BODY COMPANY. ALL RIGHTS RESERVED. 



Models: A3FE, A3RE
WHEEL END COMPONENTS
REAR, DRUM BRAKES, HUB PILOTED
J230
7 INCH

With Features: **FEATURE 40070-01, 02**
BSN: **From CSN 10007080 RE 30007075 FE 06/18/98**
To CSN 10013294 RE 30013644 FE 09/13/98


Key	PartNumber	Qty	Description	Comment
1	1970854	2	GASKET,AXLE SHAFT,DRIVE, 23,000LB AXLE	
2	1543925	4	NUT,SPINDLE,REAR,J230SB,AA/TC	
3	1543941	2	WASHER,LOCK,REAR,J230SB,AA/TC	
4	0929059	2	BEARING,OUTER,AXLE SHAFT,ROCKWELL &	
5			HUB AND DRUM ASSEMBLY	<i>INCLUDES THE FOLLOWING ITEMS</i>
NI	1554757	2	HUB & CUP ASSY,REAR,WEBB 26721-N	<i>INCLUDES CUPS</i>
NI	2621779	2	CUP,WHEEL BEARING,REAR INNER,R-155,592A	
NI	2621571	2	CUP,OUTER WHEEL BEARING	
NI	1555119	8	STUD,DRIVE,3/4-16,WEBB	
NI	4317061	10	STUD,SERRATED,22MM"	
NI	1714302	10	CAPNUT,FLANGED,22 MM,HUB PILOTED,	
NI	1573401	2	DRUM,BRAKE,REAR,7IN,BAL,OIL GRV,WEBB	
NI	1573468	2	SLINGER,OIL,REAR BRAKES,WEBB 73623	
6	0929042	2	BEARING,INNER,REAR AXLE	
7	0929067	2	SEAL,INNER,REAR AXLE OIL,LUBRICATED	
8			BRAKE ASSEMBLY	
9	0928994	16	CAPSCREW,HEX HD,5/8-18 X 2,GR 8,YEL ZN	
10	0929018	32	WASHER,FLAT,21/32 X 1 1/8 X 3/32,HDN,YEL	
11	0929000	16	NUT,HEX HD,5/8-18,LOCKING,GR 8,CADMIUM	
12	1483817	16	NUT,HEX HD,3/4-16,PRVLG TORQUE,GR8,YEL	

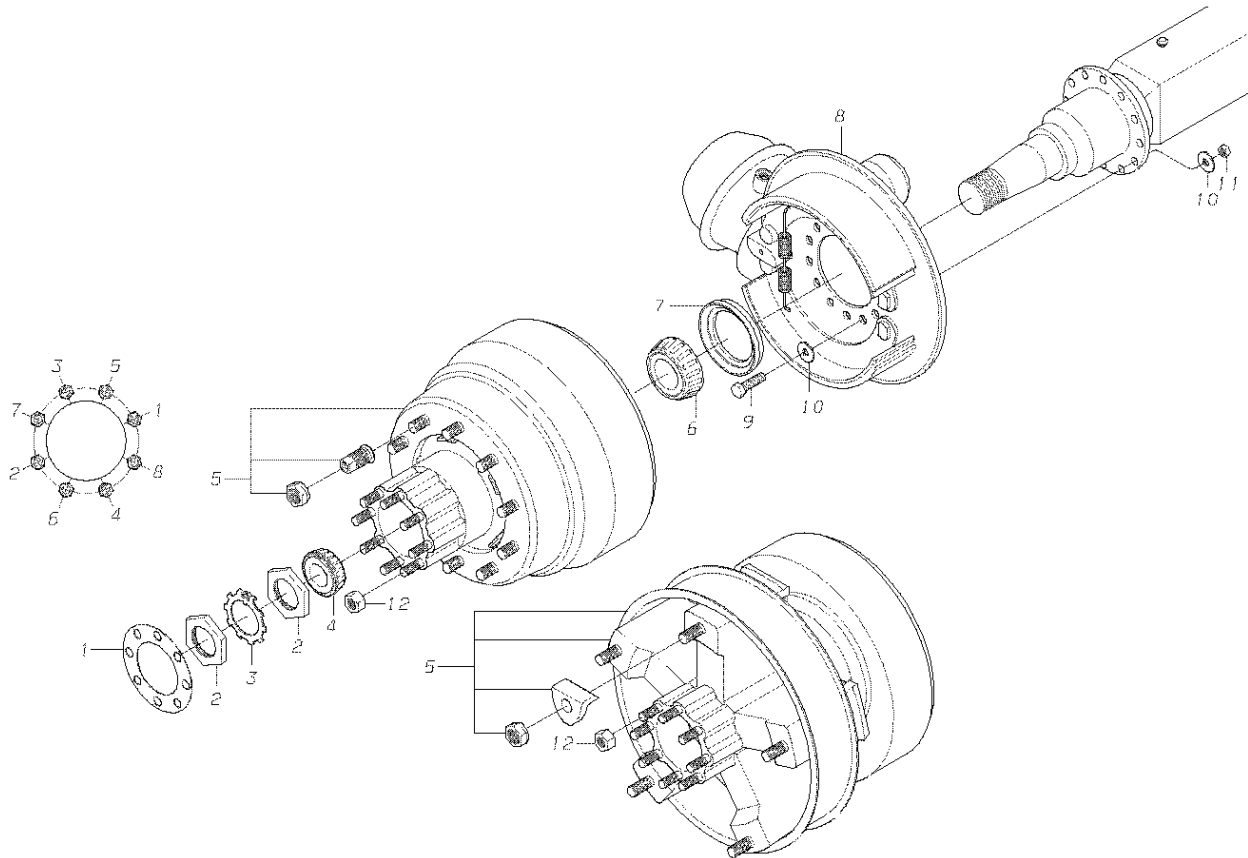
Models: A3FE, A3RE
WHEEL END COMPONENTS
REAR, DRUM BRAKES, HUB PILOTED
J230

With Features: FEATURE 40070-01, 02
BSN: From CSN 10013295 RE 30013645 FE 09/14/98
 To CSN 30096775 FE 10096695 RE 11/04/01

Key	PartNumber	Qty	Description	Comment
-----	------------	-----	-------------	---------

DR: B/21/98	BY: JL	1736602	C
APP: B/21/98	BY: AB	FRY	REV

© BLUE BIRD BODY COMPANY. ALL RIGHTS RESERVED. 



Models: A3FE, A3RE
WHEEL END COMPONENTS
REAR, DRUM BRAKES, HUB PILOTED
J230
7 INCH

With Features: FEATURE 40070-01, 02
BSN: From CSN 10013295 RE 30013645 FE 09/14/98
 To CSN 30096775 FE 10096695 RE 11/04/01

Key	PartNumber	Qty	Description	Comment
1	1970854	2	GASKET,AXLE SHAFT,DRIVE, 23,000LB AXLE	
2	1543925	4	NUT,SPINDLE,REAR,J230SB,AA/TC	
3	1543941	2	WASHER,LOCK,REAR,J230SB,AA/TC	
4	0929059	2	BEARING,OUTER,AXLE SHAFT,ROCKWELL &	
5*			HUB AND DRUM ASSEMBLY	<i>INCLUDES THE FOLLOWING ITEMS</i>
NI	0005457	2	HUB AND CUP ASSY.,W/CUPS J230 8.62	<i>INCLUDES CUPS</i>
NI	2621779	2	CUP,WHEEL BEARING,REAR INNER,R-155,592A	
NI	2621571	2	CUP,OUTER WHEEL BEARING	
NI	8200008	8	STUD,DRIVE,3/4	
NI	1714294	10	STUD,SERRATED,22 MM,RR,HUB PILTD	<i>STEEL WHEELS</i>
NI	0026318	10	STUD,SERRATED,22M	<i>ALUMINUM WHEELS</i>
NI	4317079	10	FLANGE,CAPNUT,22MM"	
NI	0005461	2	BRAKE DRUM,16.5 X 7 J230	
NI	1713775	2	SLINGER,GREASE,WEBB 73263	
6	0929042	2	BEARING,INNER,REAR AXLE	
7	0929067	2	SEAL,INNER,REAR AXLE OIL,LUBRICATED	
8			BRAKE ASSEMBLY	
9	0928994	16	CAPSCREW,HEX HD,5/8-18 X 2,GR 8,YEL ZN	
10	0929018	32	WASHER,FLAT,21/32 X 1 1/8 X 3/32,HDN,YEL	
11	0929000	16	NUT,HEX HD,5/8-18,LOCKING,GR 8,CADMIUM	
12	1483817	16	NUT,HEX HD,3/4-16,PRVLG TORQUE,GR8,YEL	


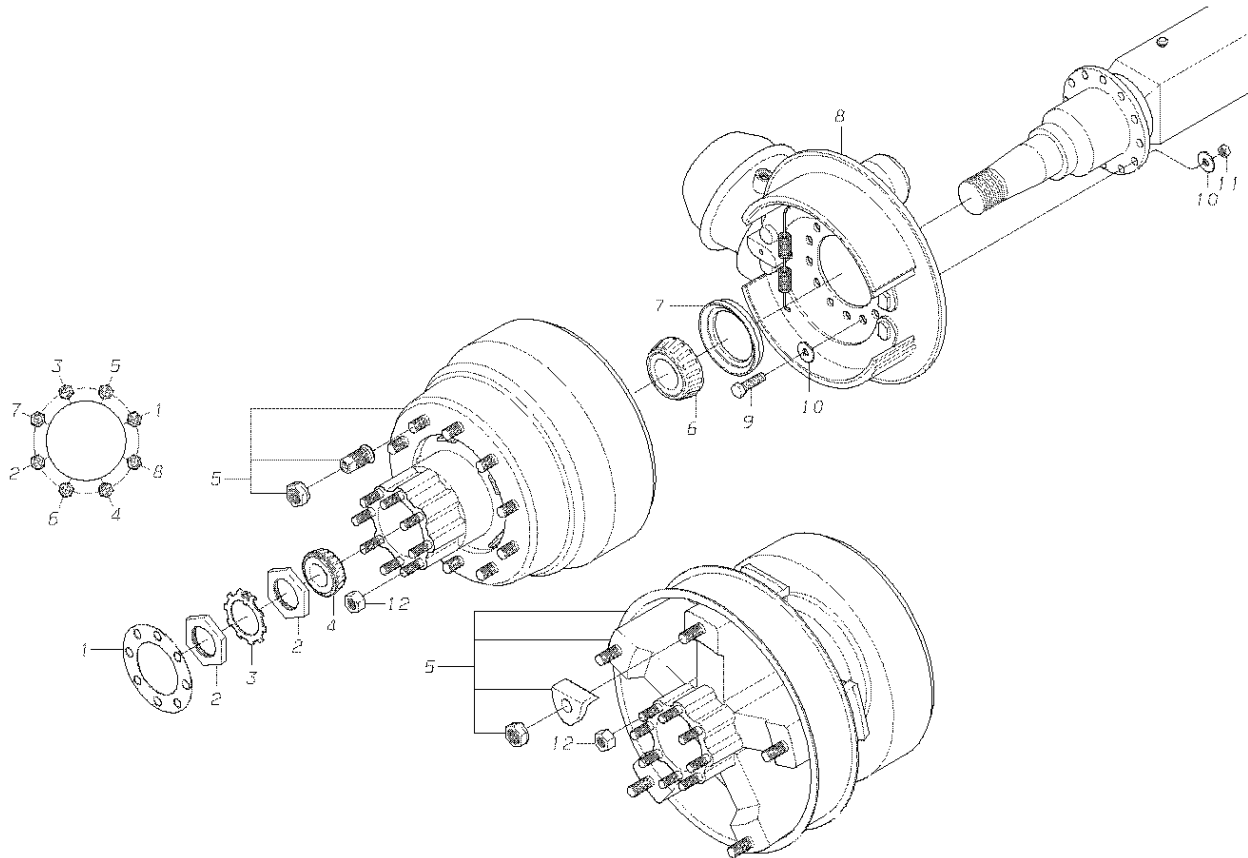
Models: A3FE, A3RE
WHEEL END COMPONENTS
REAR, DRUM BRAKES, HUB PILOTED
J230

8.62 INCH
With Features: FEATURE 40070-03
BSN: From CSN 3007075 FE 10007080 RE 06/18/98
 To CSN 10068459 RE 08/13/00

Key	PartNumber	Qty	Description	Comment
-----	------------	-----	-------------	---------

DR: B/21/98	BY: JL		1736602	C
APP: B/21/98	BY: AB	FRY		REV

© BLUE BIRD BODY COMPANY. ALL RIGHTS RESERVED

Models: A3FE, A3RE
WHEEL END COMPONENTS
REAR, DRUM BRAKES, HUB PILOTED
J230
8.62 INCH
With Features: FEATURE 40070-03
BSN: From CSN 3007075 FE 10007080 RE 06/18/98
 To CSN 10068459 RE 08/13/00


Key	PartNumber	Qty	Description	Comment
1	1970854	2	GASKET,AXLE SHAFT,DRIVE, 23,000LB AXLE	
2	1543925	4	NUT,SPINDLE,REAR,J230SB,AA/TC	
3	1543941	2	WASHER,LOCK,REAR,J230SB,AA/TC	
4	0929059	2	BEARING,OUTER,AXLE SHAFT,ROCKWELL &	
5			HUB AND DRUM ASSEMBLY	<i>INCLUDES THE FOLLOWING ITEMS</i>
NI	1554757	2	HUB & CUP ASSY,REAR,WEBB 26721-N	<i>INCLUDES CUPS</i>
NI	2621779	2	CUP,WHEEL BEARING,REAR INNER,R-155,592A	
NI	2621571	2	CUP,OUTER WHEEL BEARING	
NI	1555119	8	STUD,DRIVE,3/4-16,WEBB	
NI	4317061	10	STUD,SERRATED,22MM"	
NI	1714302	10	CAPNUT,FLANGED,22 MM,HUB PILOTED,	
NI	1594449	2	DRUM,BRAKE,16.5 X 8.62,BAL,WEBB 69827B	
NI	1573468	2	SLINGER,OIL,REAR BRAKES,WEBB 73623	
6	0929042	2	BEARING,INNER,REAR AXLE	
7	0929067	2	SEAL,INNER,REAR AXLE OIL,LUBRICATED	
8			SEE TABLE OF CONTENTS FOR BRAKE	
9	0928994	16	CAPSCREW,HEX HD,5/8-18 X 2,GR 8,YEL ZN	
10	0929018	32	WASHER,FLAT,21/32 X 1 1/8 X 3/32,HDN,YEL	
11	0929000	16	NUT,HEX HD,5/8-18,LOCKING,GR 8,CADMIUM	
12	1483817	16	NUT,HEX HD,3/4-16,PRVLG TORQUE,GR8,YEL	

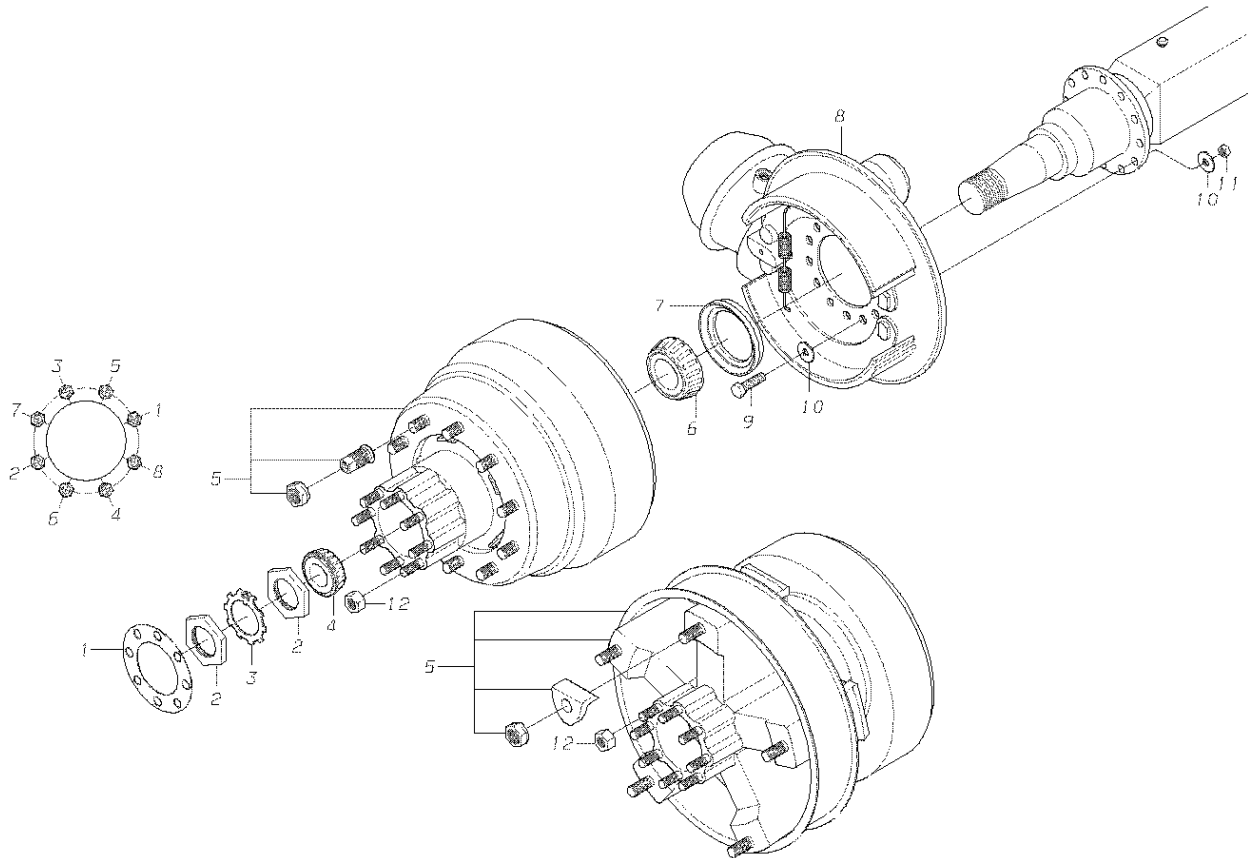
Models: A3FE, A3RE
WHEEL END COMPONENTS
REAR, DRUM BRAKES, HUB PILOTED
J230

8.62 INCH
With Features: FEATURE 40070-03
BSN: From CSN 10068460 RE 08/14/00
 To CSN 30096775 FE 10096695 RE 11/04/01

Key	PartNumber	Qty	Description	Comment
-----	------------	-----	-------------	---------

DR: B/21/98	BY: JL	1736602	C
APP: B/21/98	BY: AB	FRY	REV

© BLUE BIRD BODY COMPANY. ALL RIGHTS RESERVED. 

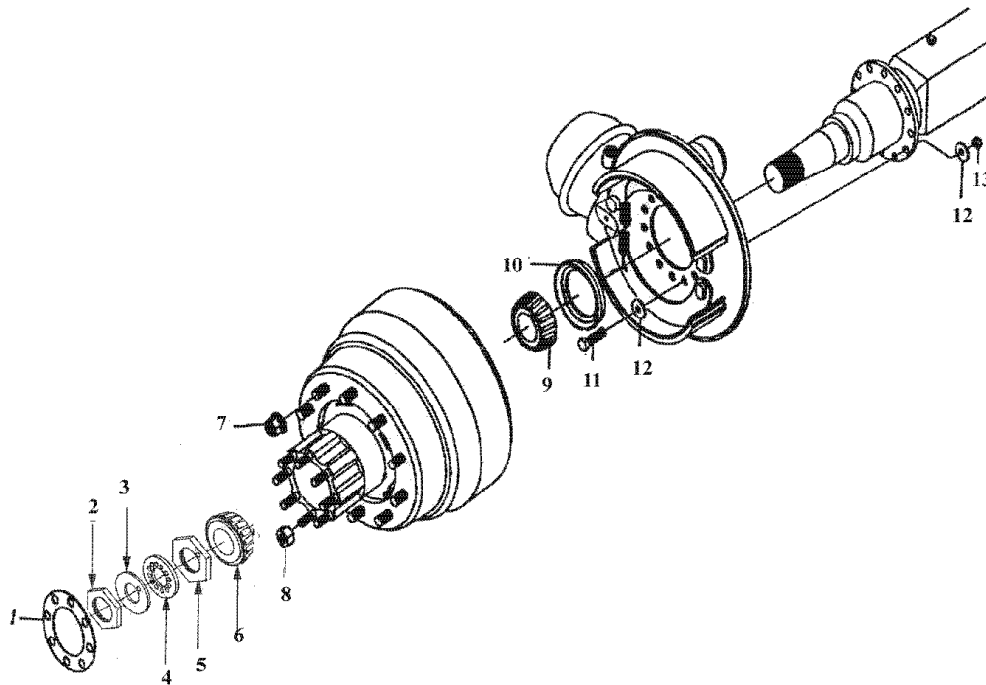


Models: A3FE, A3RE
WHEEL END COMPONENTS
REAR, DRUM BRAKES, HUB PILOTED
J230
8.62 INCH
With Features: FEATURE 40070-03
BSN: From CSN 10068460 RE 08/14/00
 To CSN 30096775 FE 10096695 RE 11/04/01

Key	PartNumber	Qty	Description	Comment
1	1970854	2	GASKET,AXLE SHAFT,DRIVE, 23,000LB AXLE	
2	1543925	4	NUT,SPINDLE,REAR,J230SB,AA/TC	
3	1543941	2	WASHER,LOCK,REAR,J230SB,AA/TC	
4	0929059	2	BEARING,OUTER,AXLE SHAFT,ROCKWELL &	
5			HUB AND DRUM ASSEMBLY	<i>INCLUDES THE FOLLOWING ITEMS</i>
NI	0005457	2	HUB AND CUP ASSY.,W/CUPS J230 8.62	<i>INCLUDES CUPS</i>
NI	2621779	2	CUP,WHEEL BEARING,REAR INNER,R-155,592A	
NI	2621571	2	CUP,OUTER WHEEL BEARING	
NI	8200008	8	STUD,DRIVE,3/4	
NI	1714294	10	STUD,SERRATED,22 MM,RR,HUB PILTD	
NI	4317079	10	FLANGE,CAPNUT,22MM"	
NI	0005458	2	BRAKE DRUM,16.5 X 8.62 J230	
NI	1713775	2	SLINGER,GREASE,WEBB 73263	
6	0929042	2	BEARING,INNER,REAR AXLE	
7	0929067	2	SEAL,INNER,REAR AXLE OIL,LUBRICATED	
8			SEE TABLE OF CONTENTS FOR BRAKE	
9	0928994	16	CAPSCREW,HEX HD,5/8-18 X 2,GR 8,YEL ZN	
10	0929018	32	WASHER,FLAT,21/32 X 1 1/8 X 3/32,HDN,YEL	
11	0929000	16	NUT,HEX HD,5/8-18,LOCKING,GR 8,CADMIUM	
12	1483817	16	NUT,HEX HD,3/4-16,PRVLG TORQUE,GR8,YEL	

Models: A3RE, C4RE
WHEEL END COMPONENTS
REAR, DRUM BRAKES, HUB PILOTED
MERITOR
10 INCH ALUMN WHEELS
BSN: From CSN 30096776 FE 10096696 RE 11/05/01

Key	PartNumber	Qty	Description	Comment
-----	------------	-----	-------------	---------

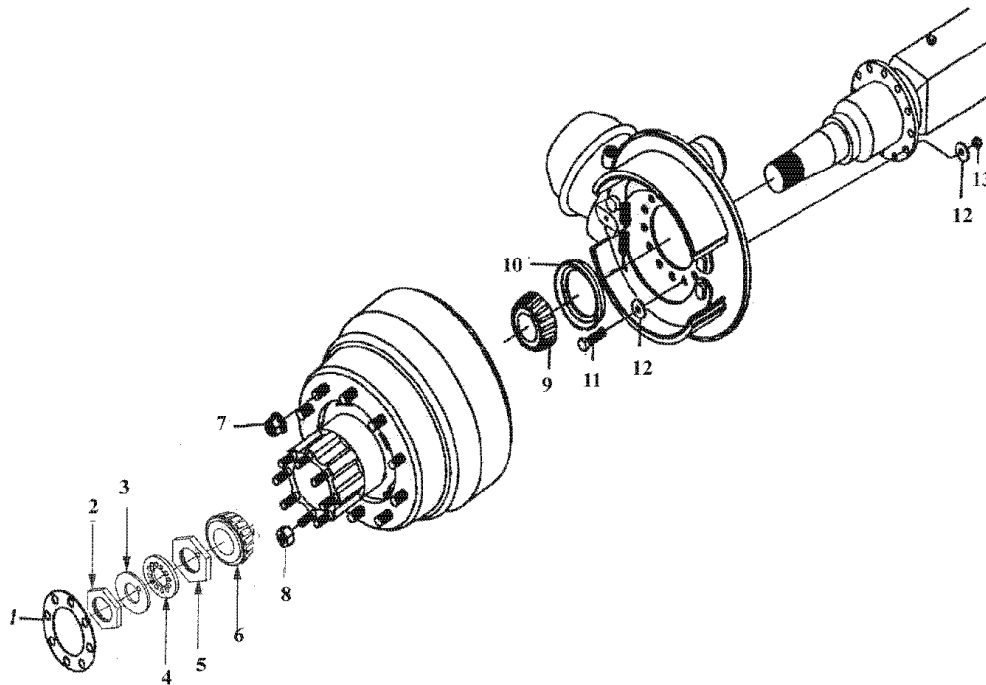


Models: A3RE, C4RE
WHEEL END COMPONENTS
REAR, DRUM BRAKES, HUB PILOTED
MERITOR
10 INCH ALUMN WHEELS
BSN: From CSN 30096776 FE 10096696 RE 11/05/01

Key	PartNumber	Qty	Description	Comment
1	0043449	2	GASKET	
2	2598613	2	NUT,WHEEL,BEARING,JAM,REAR AXLE	
3	0048533	2	WASHER,LOCK,SPINDLE	
4	2647238	2	LOCKWASHER,WHEEL BEARING NUT	
5	0043475	2	NUT,WHEEL,BEARING,ADJUSTING,REAR AXLE	
6	0929059	2	BEARING,OUTER,AXLE SHAFT,ROCKWELL &	
7	0044824	2	HUB & DRUM ASSY(NOT SERVICED AS AN	<i>INCLUDES THE FOLLOWING ITEMS</i>
NI	0044827	1	HUB & CUP ASSY,2643 SERIES,DUAL WHLS"	<i>INCLUDES CUPS AND STUDS</i>
NI	2621779	1	CUP,WHEEL BEARING,REAR INNER,R-155,592A	
NI	2621571	1	CUP,OUTER WHEEL BEARING	
NI	2138584	8	STUD,DRIVE,5/8-18	
NI	0026318	10	STUD,SERRATED,22M	
NI	4317079	10	FLANGE,CAPNUT,22MM"	
NI	0044825	1	DRUM,BRAKE"	
8	2594893	16	NUT,AXLE SHAFT	
NI	2603512	16	WASHER,AXLE SHAFT	
NI	0929091	16	DOWEL,AXLE SHAFT	
9	0929042	2	BEARING,INNER,REAR AXLE	
10	0043448	2	SEAL ASSY,OIL,INNER	
11	0928994	16	CAPSCREW,HEX HD,5/8-18 X 2,GR 8,YEL ZN	
12	0929018	32	WASHER,FLAT,21/32 X 1 1/8 X 3/32,HDN,YEL	
13	0929000	16	NUT,HEX HD,5/8-18,LOCKING,GR 8,CADMIUM	

Models: A3RE, C4RE
WHEEL END COMPONENTS
REAR, DRUM BRAKES, HUB PILOTED
MERITOR
10 INCH STEEL WHEELS
BSN: From CSN 30096776 FE 10096696 RE 11/05/01

Key	PartNumber	Qty	Description	Comment
-----	------------	-----	-------------	---------

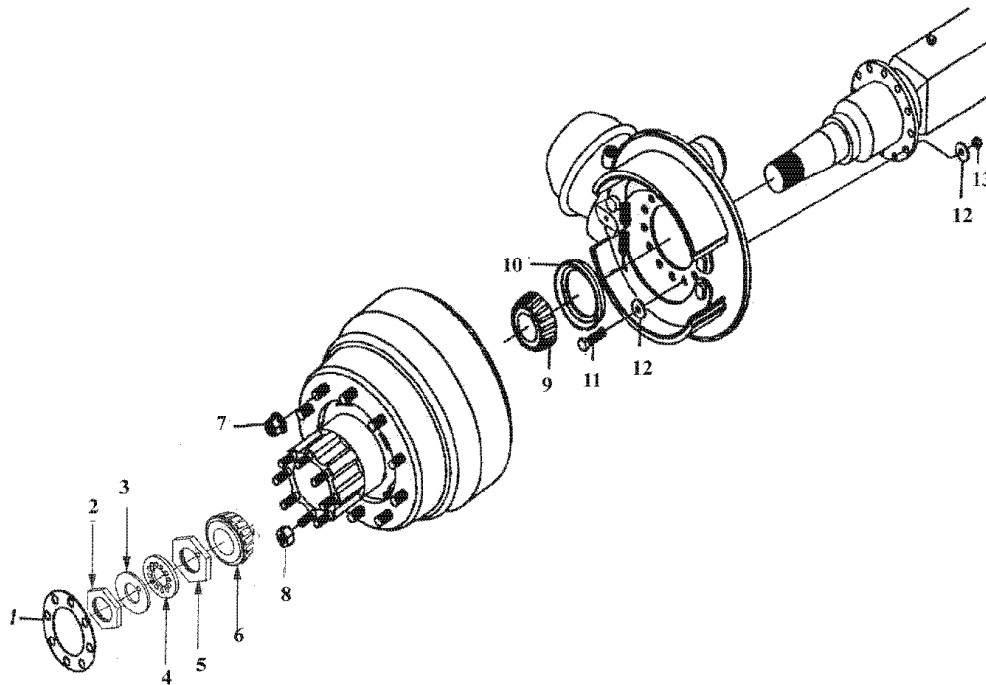


Models: A3RE, C4RE
WHEEL END COMPONENTS
REAR, DRUM BRAKES, HUB PILOTED
MERITOR
10 INCH STEEL WHEELS
BSN: From CSN 30096776 FE 10096696 RE 11/05/01

Key	PartNumber	Qty	Description	Comment
1	0043449	2	GASKET	
2	2598613	2	NUT,WHEEL,BEARING,JAM,REAR AXLE	
3	0048533	2	WASHER,LOCK,SPINDLE	
4	2647238	2	LOCKWASHER,WHEEL BEARING NUT	
5	0043475	2	NUT,WHEEL,BEARING,ADJUSTING,REAR AXLE	
6	0929059	2	BEARING,OUTER,AXLE SHAFT,ROCKWELL &	
7	0047201	2	HUB & DRUM ASSY(NOT SERVICED AS AN	<i>INCLUDES THE FOLLOWING ITEMS</i>
NI	0044826	1	HUB & CUP ASSY,2643 SERIES,STL WHLS	<i>INCLUDES CUPS AND STUDS</i>
NI	2621779	1	CUP,WHEEL BEARING,REAR INNER,R-155,592A	
NI	2621571	1	CUP,OUTER WHEEL BEARING	
NI	2138584	8	STUD,DRIVE,5/8-18	
NI	0026318	10	STUD,SERRATED,22M	
NI	4317079	10	FLANGE,CAPNUT,22MM"	
NI	0044825	1	DRUM,BRAKE"	
8	2594893	16	NUT,AXLE SHAFT	
NI	2603512	16	WASHER,AXLE SHAFT	
NI	0929091	16	DOWEL,AXLE SHAFT	
9	0929042	2	BEARING,INNER,REAR AXLE	
10	0043448	2	SEAL ASSY,OIL,INNER	
11	0928994	16	CAPSCREW,HEX HD,5/8-18 X 2,GR 8,YEL ZN	
12	0929018	32	WASHER,FLAT,21/32 X 1 1/8 X 3/32,HDN,YEL	
13	0929000	16	NUT,HEX HD,5/8-18,LOCKING,GR 8,CADMIUM	

Models: A3FE, A3RE, C3FE, CSFE, CSRE, QBRE, TCFE
WHEEL END COMPONENTS
REAR, DRUM BRAKES, HUB PILOTED
MERITOR
7 INCH ALUMN WHEELS/DAYTON
BSN: From CSN 30096776 FE 10096696 RE 11/05/01

Key	PartNumber	Qty	Description	Comment
-----	------------	-----	-------------	---------

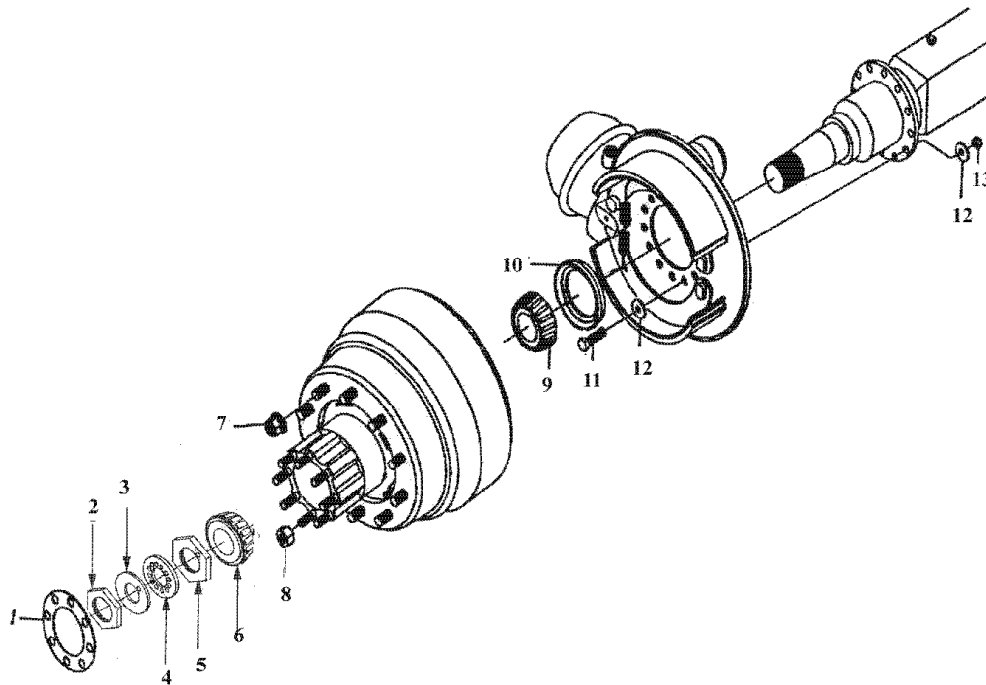


Models: A3FE, A3RE, C3FE, CSFE, CSRE, QBRE, TCFE
WHEEL END COMPONENTS
REAR, DRUM BRAKES, HUB PILOTED
MERITOR
7 INCH ALUMN WHEELS/DAYTON
BSN: From CSN 30096776 FE 10096696 RE 11/05/01

Key	PartNumber	Qty	Description	Comment
1	0043449	2	GASKET	
2	2598613	2	NUT,WHEEL,BEARING,JAM,REAR AXLE	
3	0048533	2	WASHER,LOCK,SPINDLE	
4	2647238	2	LOCKWASHER,WHEEL BEARING NUT	
5	0043475	2	NUT,WHEEL,BEARING,ADJUSTING,REAR AXLE	
6	0929059	2	BEARING,OUTER,AXLE SHAFT,ROCKWELL &	
7	0044658	2	HUB & DRUM ASSY(NOT SERVICED AS AN	<i>INCLUDES THE FOLLOWING ITEMS</i>
NI	0044626	1	HUB & CUP ASSY,DAYTON 415675,ALUMN WHLS	<i>INCLUDES CUPS AND STUDS</i>
NI	2621779	1	CUP,WHEEL BEARING,REAR INNER,R-155,592A	
NI	2621571	1	CUP,OUTER WHEEL BEARING	
NI	0044642	8	STUD,DRIVE,5/8	
NI	0044638	10	STUD,SERRATED,M22 X 1.5-6G	
NI	0044651	10	CAPNUT,FLANGED,M22,MERITOR	
NI	0043877	1	DRUM,BRAKE,7",DAYTON	
8	2594893	16	NUT,AXLE SHAFT	
NI	2603512	16	WASHER,AXLE SHAFT	
NI	0929091	16	DOWEL,AXLE SHAFT	
9	0929042	2	BEARING,INNER,REAR AXLE	
10	0043448	2	SEAL ASSY,OIL,INNER	
11	0928994	16	CAPSCREW,HEX HD,5/8-18 X 2,GR 8,YEL ZN	
12	0929018	32	WASHER,FLAT,21/32 X 1 1/8 X 3/32,HDN,YEL	
13	0929000	16	NUT,HEX HD,5/8-18,LOCKING,GR 8,CADMIUM	

Models: A3FE, A3RE, C3FE, CSFE, CSRE, QBRE, TCFE
WHEEL END COMPONENTS
REAR, DRUM BRAKES, HUB PILOTED
MERITOR
7 INCH ALUMN WHEELS/WEBB
BSN: From CSN 30096776 FE 10096696 RE 11/05/01

Key	PartNumber	Qty	Description	Comment
-----	------------	-----	-------------	---------

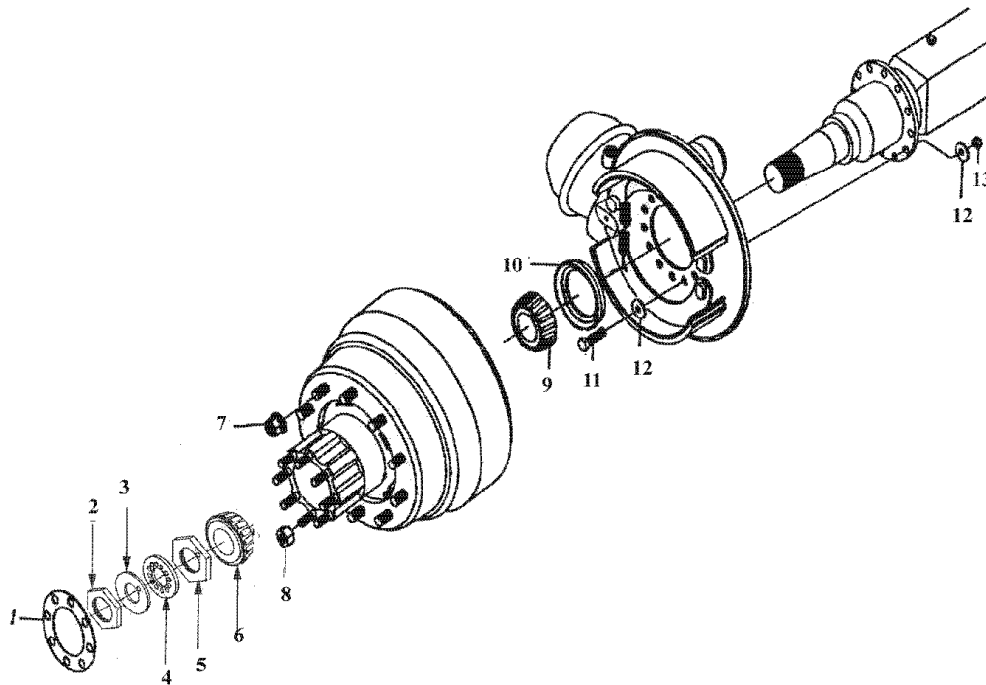


Models: A3FE, A3RE, C3FE, CSFE, CSRE, QBRE, TCFE
WHEEL END COMPONENTS
REAR, DRUM BRAKES, HUB PILOTED
MERITOR
7 INCH ALUMN WHEELS/WEBB
BSN: From CSN 30096776 FE 10096696 RE 11/05/01

Key	PartNumber	Qty	Description	Comment
1	0043449	2	GASKET	
2	2598613	2	NUT,WHEEL,BEARING,JAM,REAR AXLE	
3	0048533	2	WASHER,LOCK,SPINDLE	
4	2647238	2	LOCKWASHER,WHEEL BEARING NUT	
5	0043475	2	NUT,WHEEL,BEARING,ADJUSTING,REAR AXLE	
6	0929059	2	BEARING,OUTER,AXLE SHAFT,ROCKWELL &	
7	0044849	2	HUB & DRUM ASSY(NOT SERVICED AS AN	<i>INCLUDES THE FOLLOWING ITEMS</i>
NI	0044827	1	HUB & CUP ASSY,2643 SERIES,DUAL WHLS"	<i>INCLUDES CUPS AND STUDS</i>
NI	2621779	1	CUP,WHEEL BEARING,REAR INNER,R-155,592A	
NI	2621571	1	CUP,OUTER WHEEL BEARING	
NI	2138584	8	STUD,DRIVE,5/8-18	
NI	0026318	10	STUD,SERRATED,22M	
NI	4317079	10	FLANGE,CAPNUT,22MM"	
NI	0028036	1	DRUM,BRAKE,16.5 X 7.00,WEBB 66864B	
8	2594893	16	NUT,AXLE SHAFT	
NI	2603512	16	WASHER,AXLE SHAFT	
NI	0929091	16	DOWEL,AXLE SHAFT	
9	0929042	2	BEARING,INNER,REAR AXLE	
10	0043448	2	SEAL ASSY,OIL,INNER	
11	0928994	16	CAPSCREW,HEX HD,5/8-18 X 2,GR 8,YEL ZN	
12	0929018	32	WASHER,FLAT,21/32 X 1 1/8 X 3/32,HDN,YEL	
13	0929000	16	NUT,HEX HD,5/8-18,LOCKING,GR 8,CADMIUM	

Models: A3FE, A3RE, C3FE, CSFE, CSRE, QBRE, TCFE
WHEEL END COMPONENTS
REAR, DRUM BRAKES, HUB PILOTED
MERITOR
7 INCH STEEL WHEELS/DAYTON
BSN: From CSN 30096776 FE 10096696 RE 11/05/01

Key	PartNumber	Qty	Description	Comment
-----	------------	-----	-------------	---------

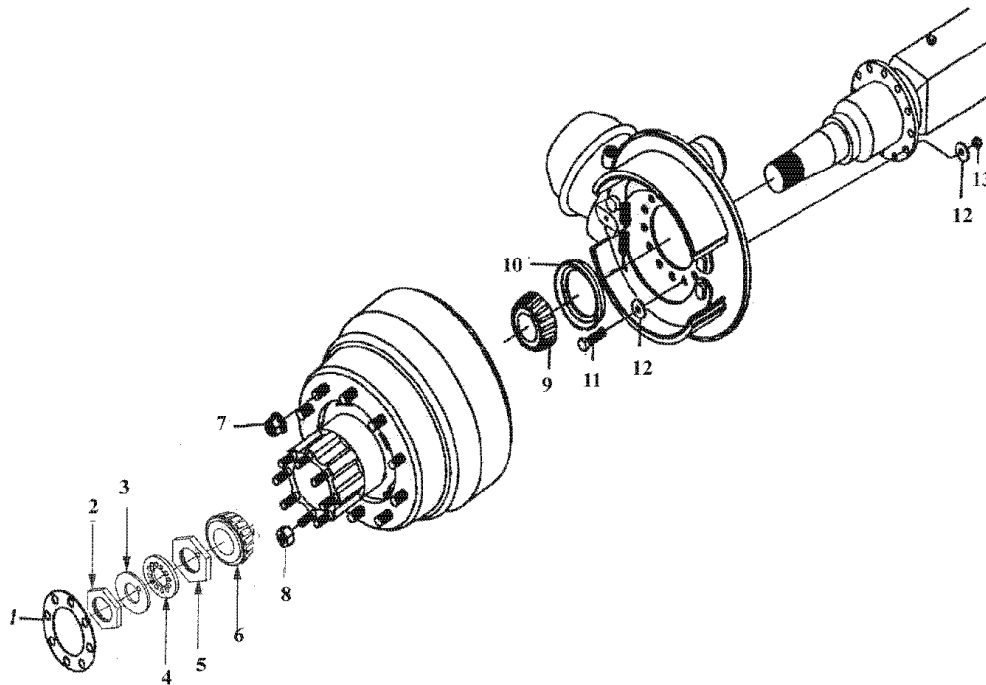


Models: A3FE, A3RE, C3FE, CSFE, CSRE, QBRE, TCFE
WHEEL END COMPONENTS
REAR, DRUM BRAKES, HUB PILOTED
MERITOR
7 INCH STEEL WHEELS/DAYTON
BSN: From CSN 30096776 FE 10096696 RE 11/05/01

Key	PartNumber	Qty	Description	Comment
1	0043449	2	GASKET	
2	2598613	2	NUT,WHEEL,BEARING,JAM,REAR AXLE	
3	0048533	2	WASHER,LOCK,SPINDLE	
4	2647238	2	LOCKWASHER,WHEEL BEARING NUT	
5	0043475	2	NUT,WHEEL,BEARING,ADJUSTING,REAR AXLE	
6	0929059	2	BEARING,OUTER,AXLE SHAFT,ROCKWELL &	
7	0044659	2	HUB & DRUM ASSY(NOT SERVICED AS AN	<i>INCLUDES THE FOLLOWING ITEMS</i>
NI	0044627	1	HUB & CUP ASSY,DAYTON 415675,STL WHLS	<i>INCLUDES CUPS AND STUDS</i>
NI	2621779	1	CUP,WHEEL BEARING,REAR INNER,R-155,592A	
NI	2621571	1	CUP,OUTER WHEEL BEARING	
NI	0044642	8	STUD,DRIVE,5/8	
NI	0044638	10	STUD,SERRATED,M22 X 1.5-6G	
NI	0044651	10	CAPNUT,FLANGED,M22,MERITOR	
NI	0043877	1	DRUM,BRAKE,7",DAYTON	
8	2594893	16	NUT,AXLE SHAFT	
NI	2603512	16	WASHER,AXLE SHAFT	
NI	0929091	16	DOWEL,AXLE SHAFT	
9	0929042	2	BEARING,INNER,REAR AXLE	
10	0043448	2	SEAL ASSY,OIL,INNER	
11	0928994	16	CAPSCREW,HEX HD,5/8-18 X 2,GR 8,YEL ZN	
12	0929018	32	WASHER,FLAT,21/32 X 1 1/8 X 3/32,HDN,YEL	
13	0929000	16	NUT,HEX HD,5/8-18,LOCKING,GR 8,CADMIUM	

Models: A3FE, A3RE, C3FE, CSFE, CSRE, QBRE, TCFE
WHEEL END COMPONENTS
REAR, DRUM BRAKES, HUB PILOTED
MERITOR
7 INCH STEEL WHEELS/WEBB
BSN: From CSN 30096776 FE 10096696 RE 11/05/01

Key	PartNumber	Qty	Description	Comment
-----	------------	-----	-------------	---------

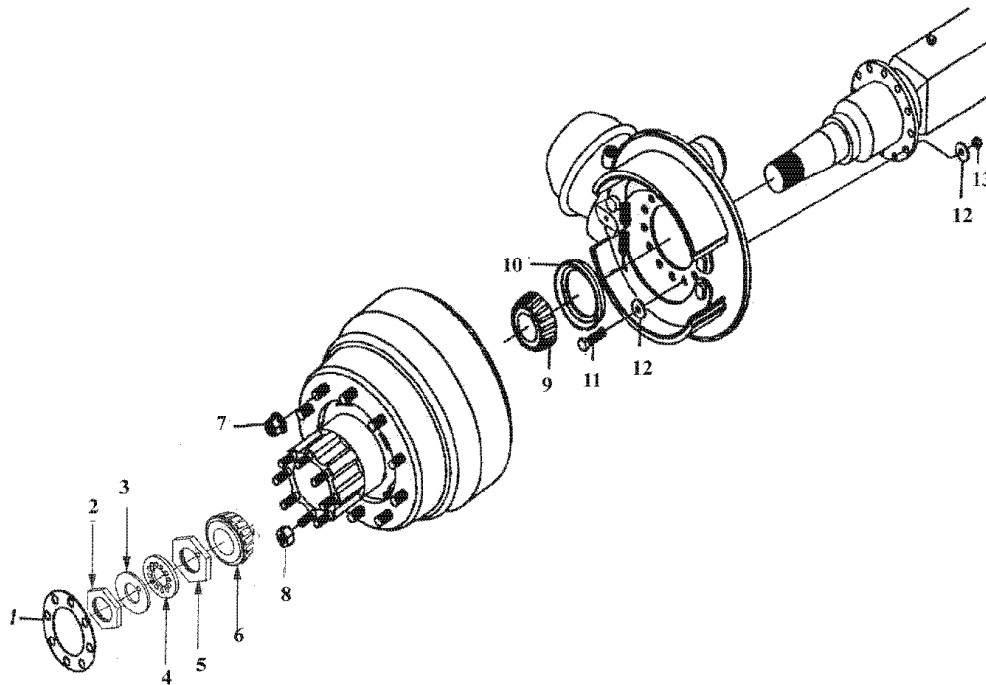


Models: A3FE, A3RE, C3FE, CSFE, CSRE, QBRE, TCFE
WHEEL END COMPONENTS
REAR, DRUM BRAKES, HUB PILOTED
MERITOR
7 INCH STEEL WHEELS/WEBB
BSN: From CSN 30096776 FE 10096696 RE 11/05/01

Key	PartNumber	Qty	Description	Comment
1	0043449	2	GASKET	
2	2598613	2	NUT,WHEEL,BEARING,JAM,REAR AXLE	
3	0048533	2	WASHER,LOCK,SPINDLE	
4	2647238	2	LOCKWASHER,WHEEL BEARING NUT	
5	0043475	2	NUT,WHEEL,BEARING,ADJUSTING,REAR AXLE	
6	0929059	2	BEARING,OUTER,AXLE SHAFT,ROCKWELL &	
7	0044848	2	HUB & DRUM ASSY(NOT SERVICED AS AN	<i>INCLUDES THE FOLLOWING ITEMS</i>
NI	0044826	1	HUB & CUP ASSY,2643 SERIES,STL WHLS	<i>INCLUDES CUPS AND STUDS</i>
NI	2621779	1	CUP,WHEEL BEARING,REAR INNER,R-155,592A	
NI	2621571	1	CUP,OUTER WHEEL BEARING	
NI	2138584	8	STUD,DRIVE,5/8-18	
NI	1714294	10	STUD,SERRATED,22 MM,RR,HUB PILTD	
NI	4317079	10	FLANGE,CAPNUT,22MM"	
NI	0028036	1	DRUM,BRAKE,16.5 X 7.00,WEBB 66864B	
8	2594893	16	NUT,AXLE SHAFT	
NI	2603512	16	WASHER,AXLE SHAFT	
NI	0929091	16	DOWEL,AXLE SHAFT	
9	0929042	2	BEARING,INNER,REAR AXLE	
10	0043448	2	SEAL ASSY,OIL,INNER	
11	0928994	16	CAPSCREW,HEX HD,5/8-18 X 2,GR 8,YEL ZN	
12	0929018	32	WASHER,FLAT,21/32 X 1 1/8 X 3/32,HDN,YEL	
13	0929000	16	NUT,HEX HD,5/8-18,LOCKING,GR 8,CADMIUM	

Models: A3FE, A3RE, C3FE, C4RE, CSFE, CSRE, QBRE, TCFE
WHEEL END COMPONENTS
REAR, DRUM BRAKES, HUB PILOTED
MERITOR
8.62 INCH ALUMN WHEELS/DAYTON
BSN: From CSN 30096776 FE 10096696 RE 11/05/01

Key	PartNumber	Qty	Description	Comment
-----	------------	-----	-------------	---------

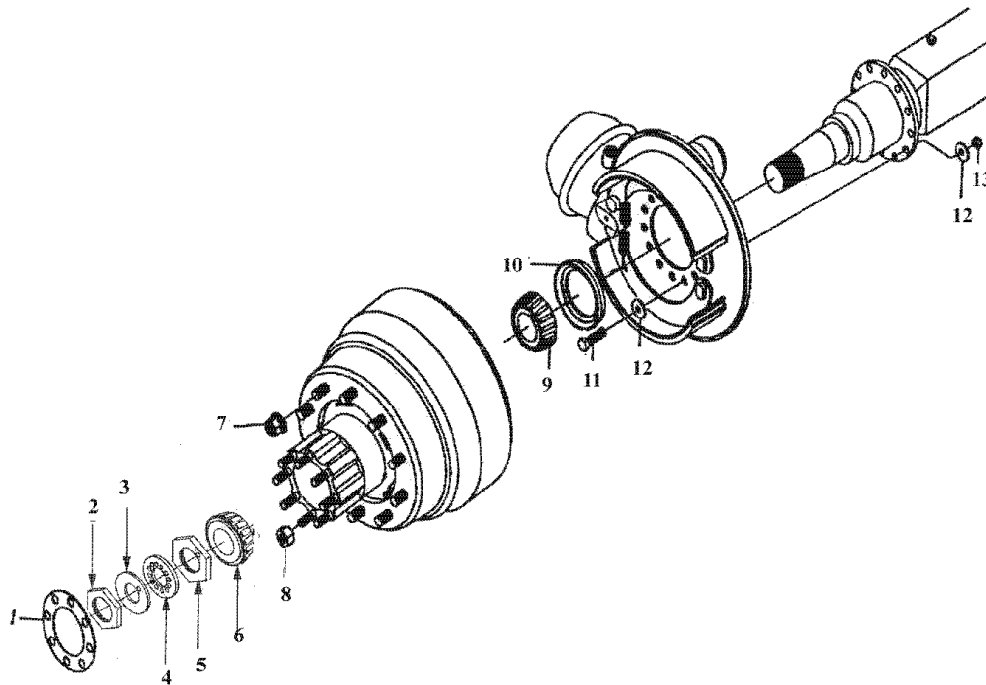


Models: A3FE, A3RE, C3FE, C4RE, CSFE, CSRE, QBRE, TCFE
WHEEL END COMPONENTS
REAR, DRUM BRAKES, HUB PILOTED
MERITOR
8.62 INCH ALUMN WHEELS/DAYTON
BSN: From CSN 30096776 FE 10096696 RE 11/05/01

Key	PartNumber	Qty	Description	Comment
1	0043449	2	GASKET	
2	2598613	2	NUT,WHEEL,BEARING,JAM,REAR AXLE	
3	0048533	2	WASHER,LOCK,SPINDLE	
4	2647238	2	LOCKWASHER,WHEEL BEARING NUT	
5	0043475	2	NUT,WHEEL,BEARING,ADJUSTING,REAR AXLE	
6	0929059	2	BEARING,OUTER,AXLE SHAFT,ROCKWELL &	
7	0044660	2	HUB & DRUM ASSY(NOT SERVICED AS AN	<i>INCLUDES THE FOLLOWING ITEMS</i>
NI	0044626	1	HUB & CUP ASSY,DAYTON 415675,ALUMN WHLS	<i>INCLUDES CUPS AND STUDS</i>
NI	2621779	1	CUP,WHEEL BEARING,REAR INNER,R-155,592A	
NI	2621571	1	CUP,OUTER WHEEL BEARING	
NI	0044642	8	STUD,DRIVE,5/8	
NI	0044638	10	STUD,SERRATED,M22 X 1.5-6G	
NI	0044651	10	CAPNUT,FLANGED,M22,MERITOR	
NI	0043876	1	DRUM,BRAKE,8.62",DAYTON	
8	2594893	16	NUT,AXLE SHAFT	
NI	2603512	16	WASHER,AXLE SHAFT	
NI	0929091	16	DOWEL,AXLE SHAFT	
9	0929042	2	BEARING,INNER,REAR AXLE	
10	0043448	2	SEAL ASSY,OIL,INNER	
11	0928994	16	CAPSCREW,HEX HD,5/8-18 X 2,GR 8,YEL ZN	
12	0929018	32	WASHER,FLAT,21/32 X 1 1/8 X 3/32,HDN,YEL	
13	0929000	16	NUT,HEX HD,5/8-18,LOCKING,GR 8,CADMIUM	

Models: A3FE, A3RE, C3FE, C4RE, CSFE, CSRE, QBRE, TCFE
WHEEL END COMPONENTS
REAR, DRUM BRAKES, HUB PILOTED
MERITOR
8.62 INCH ALUMN WHEELS/WEBB
BSN: From CSN 30096776 FE 10096696 RE 11/05/01

Key	PartNumber	Qty	Description	Comment
-----	------------	-----	-------------	---------

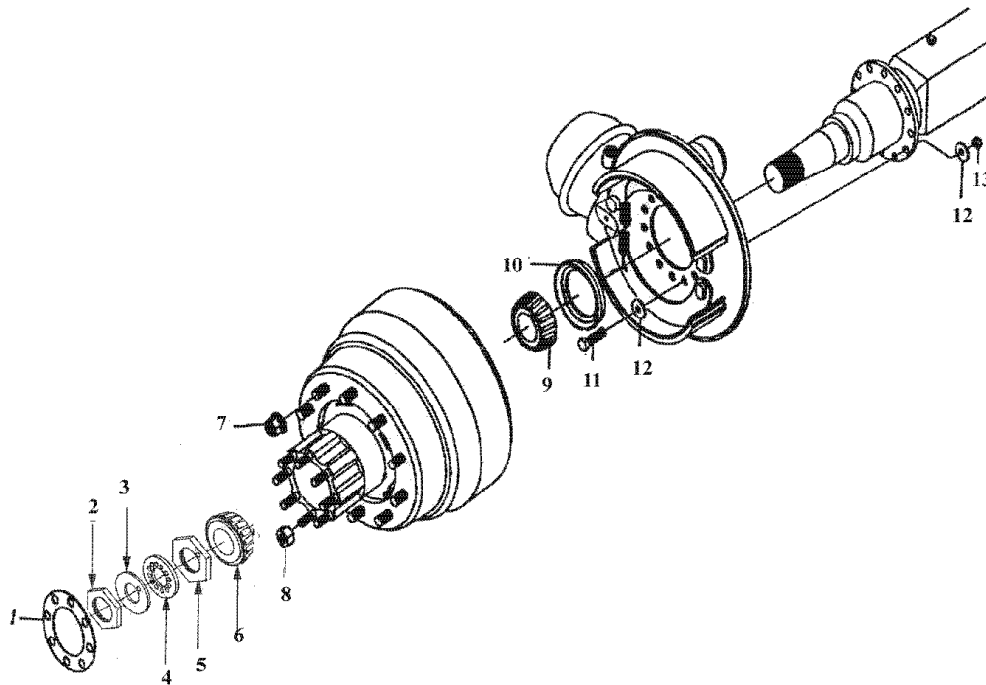


Models: A3FE, A3RE, C3FE, C4RE, CSFE, CSRE, QBRE, TCFE
WHEEL END COMPONENTS
REAR, DRUM BRAKES, HUB PILOTED
MERITOR
8.62 INCH ALUMN WHEELS/WEBB
BSN: From CSN 30096776 FE 10096696 RE 11/05/01

Key	PartNumber	Qty	Description	Comment
1	0043449	2	GASKET	
2	2598613	2	NUT,WHEEL,BEARING,JAM,REAR AXLE	
3	0048533	2	WASHER,LOCK,SPINDLE	
4	2647238	2	LOCKWASHER,WHEEL BEARING NUT	
5	0043475	2	NUT,WHEEL,BEARING,ADJUSTING,REAR AXLE	
6	0929059	2	BEARING,OUTER,AXLE SHAFT,ROCKWELL &	
7	0048518	2	HUB & DRUM ASSY,8.62,DUAL ALUMN	<i>INCLUDES THE FOLLOWING ITEMS</i>
NI	0044827	1	HUB & CUP ASSY,2643 SERIES,DUAL WHLS"	<i>INCLUDES CUPS AND STUDS</i>
NI	2621779	1	CUP,WHEEL BEARING,REAR INNER,R-155,592A	
NI	2621571	1	CUP,OUTER WHEEL BEARING	
NI	2138584	8	STUD,DRIVE,5/8-18	
NI	0026318	10	STUD,SERRATED,22M	
NI	4317079	10	FLANGE,CAPNUT,22MM"	
NI	0043878	1	DRUM,BRAKE	
8	2594893	16	NUT,AXLE SHAFT	
NI	2603512	16	WASHER,AXLE SHAFT	
NI	0929091	16	DOWEL,AXLE SHAFT	
9	0929042	2	BEARING,INNER,REAR AXLE	
10	0043448	2	SEAL ASSY,OIL,INNER	
11	0928994	16	CAPSCREW,HEX HD,5/8-18 X 2,GR 8,YEL ZN	
12	0929018	32	WASHER,FLAT,21/32 X 1 1/8 X 3/32,HDN,YEL	
13	0929000	16	NUT,HEX HD,5/8-18,LOCKING,GR 8,CADMIUM	

Models: A3FE, A3RE, C3FE, C4RE, CSFE, CSRE, QBRE, TCFE
WHEEL END COMPONENTS
REAR, DRUM BRAKES, HUB PILOTED
MERITOR
8.62 INCH STEEL WHEELS/DAYTON
BSN: From CSN 30096776 FE 10096696 RE 11/05/01

Key	PartNumber	Qty	Description	Comment
-----	------------	-----	-------------	---------

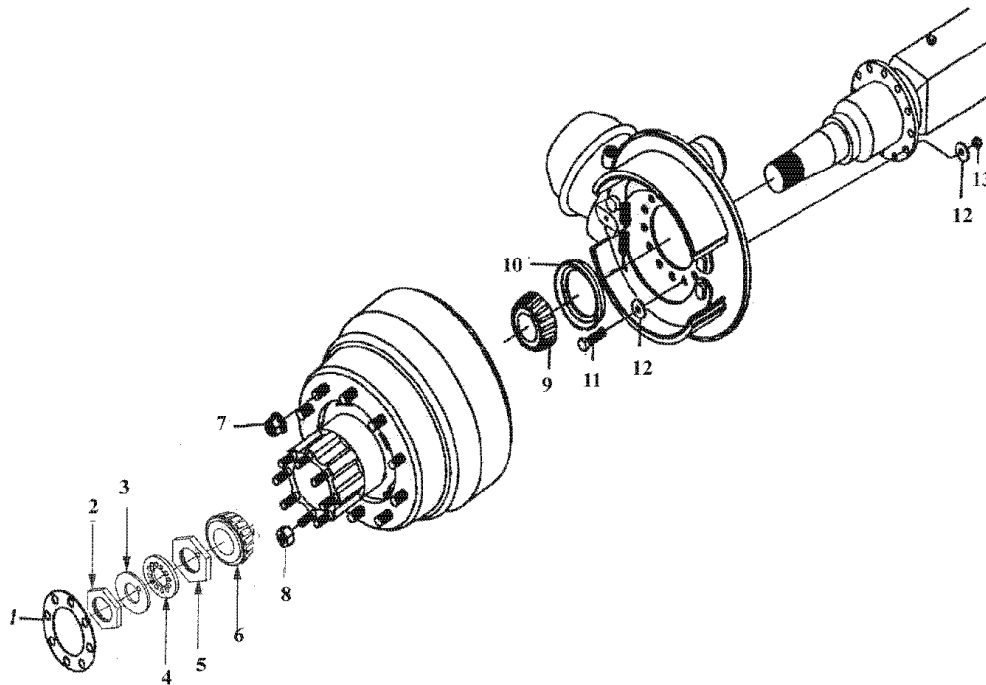


Models: A3FE, A3RE, C3FE, C4RE, CSFE, CSRE, QBRE, TCFE
WHEEL END COMPONENTS
REAR, DRUM BRAKES, HUB PILOTED
MERITOR
8.62 INCH STEEL WHEELS/DAYTON
BSN: From CSN 30096776 FE 10096696 RE 11/05/01

Key	PartNumber	Qty	Description	Comment
1	0043449	2	GASKET	
2	2598613	2	NUT,WHEEL,BEARING,JAM,REAR AXLE	
3	0048533	2	WASHER,LOCK,SPINDLE	
4	2647238	2	LOCKWASHER,WHEEL BEARING NUT	
5	0043475	2	NUT,WHEEL,BEARING,ADJUSTING,REAR AXLE	
6	0929059	2	BEARING,OUTER,AXLE SHAFT,ROCKWELL &	
7	0043887	2	HUB & DRUM ASSY(NOT SERVICED AS AN	<i>INCLUDES THE FOLLOWING ITEMS</i>
NI	0044627	1	HUB & CUP ASSY,DAYTON 415675,STL WHLS	<i>INCLUDES CUPS AND STUDS</i>
NI	2621779	1	CUP,WHEEL BEARING,REAR INNER,R-155,592A	
NI	2621571	1	CUP,OUTER WHEEL BEARING	
NI	0044642	8	STUD,DRIVE,5/8	
NI	0044639	10	STUD,SERRATED,M22 X 1.5-6G	
NI	0044651	10	CAPNUT,FLANGED,M22,MERITOR	
NI	0043876	1	DRUM,BRAKE,8.62",DAYTON	
8	2594893	16	NUT,AXLE SHAFT	
NI	2603512	16	WASHER,AXLE SHAFT	
NI	0929091	16	DOWEL,AXLE SHAFT	
9	0929042	2	BEARING,INNER,REAR AXLE	
10	0043448	2	SEAL ASSY,OIL,INNER	
11	0928994	16	CAPSCREW,HEX HD,5/8-18 X 2,GR 8,YEL ZN	
12	0929018	32	WASHER,FLAT,21/32 X 1 1/8 X 3/32,HDN,YEL	
13	0929000	16	NUT,HEX HD,5/8-18,LOCKING,GR 8,CADMIUM	

Models: A3FE, A3RE, C3FE, C4RE, CSFE, CSRE, QBRE, TCFE
WHEEL END COMPONENTS
REAR, DRUM BRAKES, HUB PILOTED
MERITOR
8.62 INCH STEEL WHEELS/WEBB
BSN: From CSN 30096776 FE 10096696 RE 11/05/01

Key	PartNumber	Qty	Description	Comment
-----	------------	-----	-------------	---------

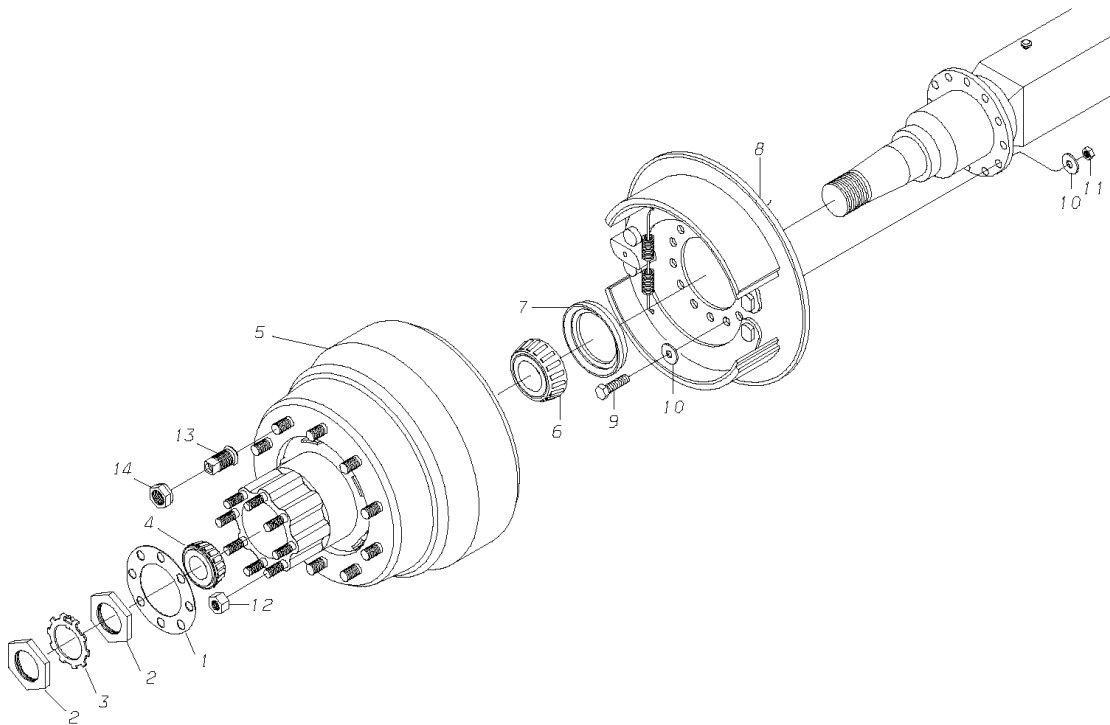


Models: A3FE, A3RE, C3FE, C4RE, CSFE, CSRE, QBRE, TCFE
WHEEL END COMPONENTS
REAR, DRUM BRAKES, HUB PILOTED
MERITOR
8.62 INCH STEEL WHEELS/WEBB
BSN: From CSN 30096776 FE 10096696 RE 11/05/01

Key	PartNumber	Qty	Description	Comment
1	0043449	2	GASKET	
2	2598613	2	NUT,WHEEL,BEARING,JAM,REAR AXLE	
3	0048533	2	WASHER,LOCK,SPINDLE	
4	2647238	2	LOCKWASHER,WHEEL BEARING NUT	
5	0043475	2	NUT,WHEEL,BEARING,ADJUSTING,REAR AXLE	
6	0929059	2	BEARING,OUTER,AXLE SHAFT,ROCKWELL &	
7	0045978	2	HUB & DRUM ASSY(NOT SERVICED AS AN	<i>INCLUDES THE FOLLOWING ITEMS</i>
NI	0044826	1	HUB & CUP ASSY,2643 SERIES,STL WHLS	<i>INCLUDES CUPS AND STUDS</i>
NI	2621779	1	CUP,WHEEL BEARING,REAR INNER,R-155,592A	
NI	2621571	1	CUP,OUTER WHEEL BEARING	
NI	2138584	8	STUD,DRIVE,5/8-18	
NI	1714294	10	STUD,SERRATED,22 MM,RR,HUB PILTD	
NI	4317079	10	FLANGE,CAPNUT,22MM"	
NI	0043878	1	DRUM,BRAKE	
8	2594893	16	NUT,AXLE SHAFT	
NI	2603512	16	WASHER,AXLE SHAFT	
NI	0929091	16	DOWEL,AXLE SHAFT	
9	0929042	2	BEARING,INNER,REAR AXLE	
10	0043448	2	SEAL ASSY,OIL,INNER	
11	0928994	16	CAPSCREW,HEX HD,5/8-18 X 2,GR 8,YEL ZN	
12	0929018	32	WASHER,FLAT,21/32 X 1 1/8 X 3/32,HDN,YEL	
13	0929000	16	NUT,HEX HD,5/8-18,LOCKING,GR 8,CADMIUM	

Models: A3RE
WHEEL END COMPONENTS
REAR, DRUM BRAKES, HUB PILOTED
RS23160
8.62 INCH
With Features: RH DRIVE
BSN: From CSN 30096776 FE 10096696 RE 11/05/01

Key	PartNumber	Qty	Description	Comment
-----	------------	-----	-------------	---------



Models: A3RE
WHEEL END COMPONENTS
REAR, DRUM BRAKES, HUB PILOTED
RS23160
8.62 INCH
RH DRIVE
With Features:
BSN: From CSN 30096776 FE 10096696 RE 11/05/01


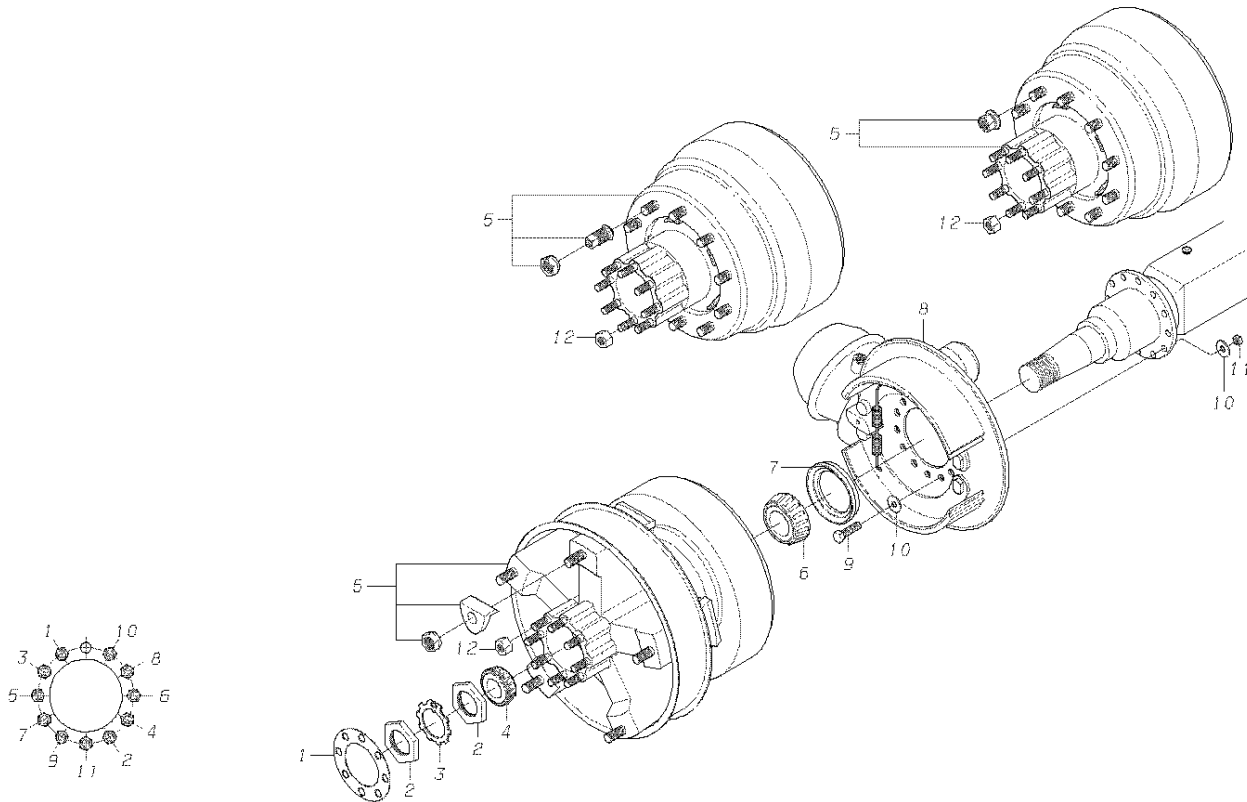
Key	PartNumber	Qty	Description	Comment
1	0043449	2	GASKET	
2	2594893	4	NUT,AXLE SHAFT	
3	2603512	2	WASHER,AXLE SHAFT	
4	0929059	2	BEARING,OUTER,AXLE SHAFT,ROCKWELL &	
5	0043887		HUB & DRUM ASSY(NOT SERVICED AS AN	<i>INCLUDES THE FOLLOWING ITEMS</i>
NI	0044627	2	HUB & CUP ASSY,DAYTON 415675,STL WHLS	<i>INCLUDES CUPS AND STUDS</i>
NI	2621779	2	CUP,WHEEL BEARING,REAR INNER,R-155,592A	
NI	2621571	2	CUP,OUTER WHEEL BEARING	
NI	0044642	8	STUD,DRIVE,5/8	
NI	0044639	10	STUD,SERRATED,M22 X 1.5-6G	
NI	0044651	10	CAPNUT,FLANGED,M22,MERITOR	
NI	0043876	2	DRUM,BRAKE,8.62"" ,DAYTON	
6	0929042	2	BEARING,INNER,REAR AXLE	
7	0043448	2	SEAL ASSY,OIL,INNER	
8			SEE TABLE OF CONTENTS FOR BRAKE	
9	0928994	16	CAPSCREW,HEX HD,5/8-18 X 2,GR 8,YEL ZN	
10	0929018	32	WASHER,FLAT,21/32 X 1 1/8 X 3/32,HDN,YEL	
11	0929000	16	NUT,HEX HD,5/8-18,LOCKING,GR 8,CADMIUM	
12	2594893	16	NUT,AXLE SHAFT	

Models: A3FE, A3RE
WHEEL END COMPONENTS
REAR, DRUM BRAKES, STUD PILOTED
J190, J210
7 INCH
BSN: From CSN 10008675 RE 30008585 FE 07/13/98
 To 01/17/99

Key	PartNumber	Qty	Description	Comment
-----	------------	-----	-------------	---------

DR. 6/21/98	BY J.L.	1735610	REV. 3
APP. 6/21/98	BY AB		REV. 3

© BLUE BIRD BODY COMPANY, P.L.L. ALL RIGHTS RESERVED





Models: A3FE, A3RE
WHEEL END COMPONENTS
REAR, DRUM BRAKES, STUD PILOTED
J190, J210
7 INCH
BSN: From CSN 10008675 RE 30008585 FE 07/13/98
 To 01/17/99

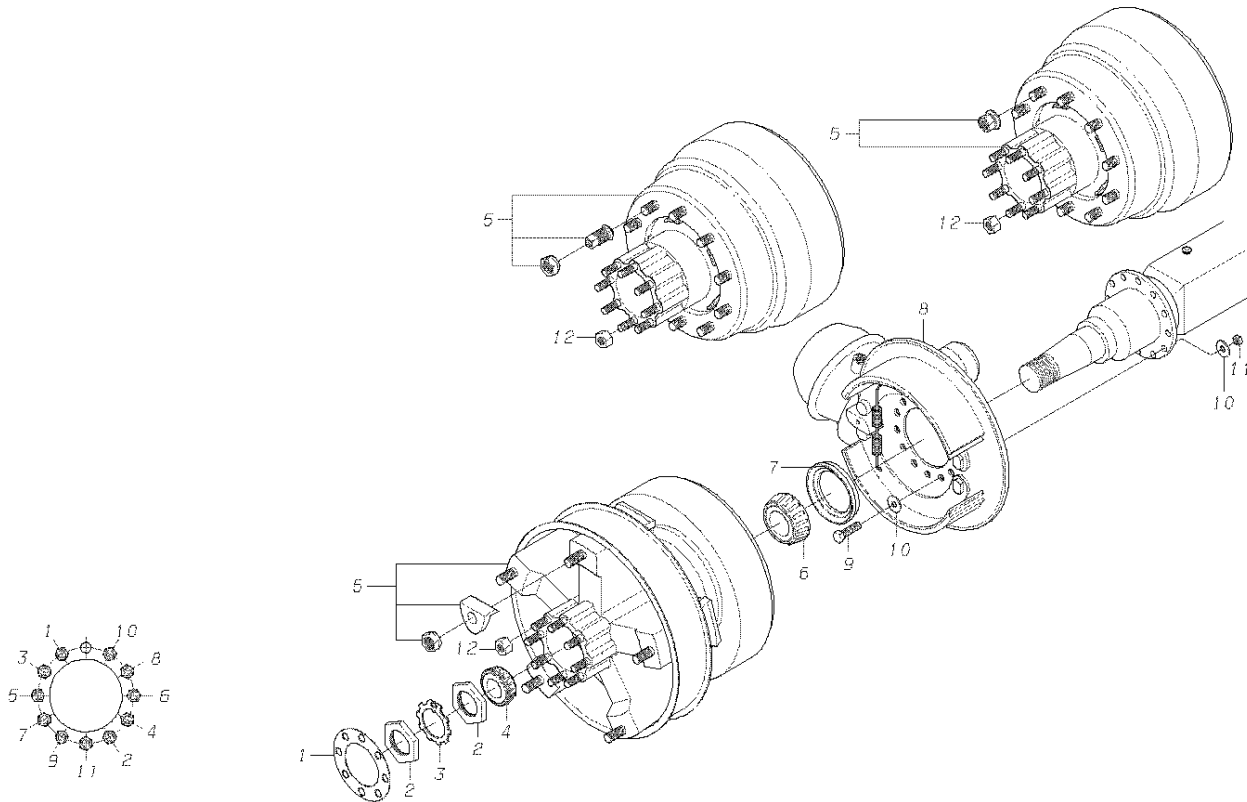
Key	PartNumber	Qty	Description	Comment
1	4281473	2	GASKET,AXLE SHAFT,J190S TCFC/TCRE/Q	
2	4281481	4	NUT,SPINDLE,REAR,J190S,TCFC/TCRE/Q	
3	4281499	2	WASHER,LOCK,REAR,J190S,TCFC/TCRE/Q	
4	2622926	2	BEARING,HUB,OUTER	
5			HUB AND DRUM ASSEMBLY	<i>INCLUDES THE FOLLOWING ITEMS</i>
NI	0005464	2	HUB AND CUP ASSY., J190,J210,7"	<i>INCLUDES CUPS</i>
NI	2623221	2	CUP,WHEEL BEARING	
NI	2622728	2	CUP,REAR OUTER	
NI	1713759	10	STUD,SERRATED,RH,WEBB 101172	
NI	1713767	10	STUD,SERRATED,LH,WEBB 101173	
NI	1459999	10	STUD,DRIVE,5/8-18,WEBB	
NI	1460005	10	CAPNUT,OUTER,RH,WEBB	
NI	1460013	10	CAPNUT,OUTER,LH,WEBB	
NI	1460021	10	CAPNUT,INNER,1 1/8 X 3/4,RH,WEBB	
NI	1460039	10	CAPNUT,INNER,1 1/8 X 3/4,LH,WEBB	
NI	1460062	2	DRUM,BRAKE,16.5 X 7.00,WEBB	
NI	1713775	2	SLINGER,GREASE,WEBB 73263	
6	2623320	2	BEARING,HUB,INNER	
7	1534569	2	SEAL,OIL,REAR AXLE	
8			BRAKE ASSEMBLY	
9	1453737	22	CAPCREW,HEX HD,9/16-18 X 2,GR 8,YEL ZN	
10	1494244	44	WASHER,FLAT,19/32 X 1 3/16 X 3/32,HRD,	
11	1524099	22	NUT,HEX HD,9/16-18,LOCK,GR 8,CADMIUM	
12	0929000	16	NUT,HEX HD,5/8-18,LOCKING,GR 8,CADMIUM	

Models: A3FE, A3RE, CSFE, CSRE, QBRE, TCFE
WHEEL END COMPONENTS
REAR, DRUM BRAKES, STUD PILOTED
J190, J210
7 INCH
BSN: From CSN 01/18/99
 To CSN 30079479 FE 1007709 RE 01/21/01

Key	PartNumber	Qty	Description	Comment
-----	------------	-----	-------------	---------

DR. 6/21/98	BY J.L.	1735610	REV. 3	
APP. 6/21/98	BY AB		REV. 3	

© BLUE BIRD BODY COMPANY, ALL RIGHTS RESERVED



Models: A3FE, A3RE, CSFE, CSRE, QBRE, TCFE
WHEEL END COMPONENTS
REAR, DRUM BRAKES, STUD PILOTED
J190, J210
7 INCH

BSN: From CSN 01/18/99
 To CSN 30079479 FE 1007709 RE 01/21/01

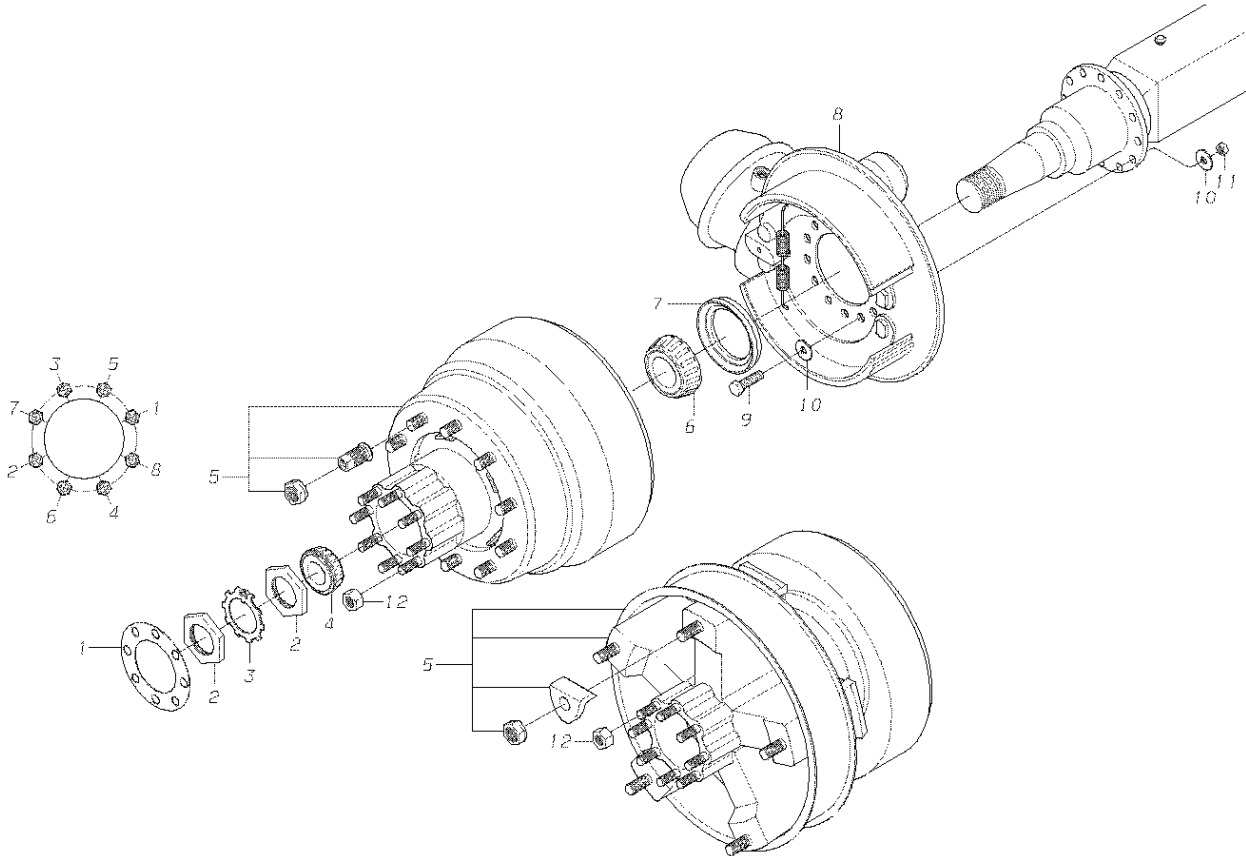
Key	PartNumber	Qty	Description	Comment
1	0006491	2	GASKET,AXLE SHAFT,DRIVE,19 - 21,000 LB	
2	4281481	4	NUT,SPINDLE,REAR,J190S,TCFC/TCRE/Q	
3	4281499	2	WASHER,LOCK,REAR,J190S,TCFC/TCRE/Q	
4	2622926	2	BEARING,HUB,OUTER	
5			HUB AND DRUM ASSEMBLY	<i>INCLUDES THE FOLLOWING ITEMS</i>
NI	0005464	2	HUB AND CUP ASSY., J190,J210,7"	<i>INCLUDES CUPS</i>
NI	2623221	2	CUP,WHEEL BEARING	
NI	2622728	2	CUP,REAR OUTER	
NI	1713759	10	STUD,SERRATED,RH,WEBB 101172	
NI	1713767	10	STUD,SERRATED,LH,WEBB 101173	
NI	1459999	10	STUD,DRIVE,5/8-18,WEBB	
NI	1311711	10	NUT,CAP,OUTER,RH,1 1/8 - 16	
NI	1311729	10	NUT,CAP,OUTER,LH,1 1/8 - 16	
NI	0005459	10	CAPNUT,INNER,RH 8.62 W/J230	
NI	0005460	10	CAPNUT,INNER,LH,8.62 W/J230	
NI	1460062	2	DRUM,BRAKE,16.5 X 7.00,WEBB	
NI	1713775	2	SLINGER,GREASE,WEBB 73263	
6	2623320	2	BEARING,HUB,INNER	
7	1534569	2	SEAL,OIL,REAR AXLE	
8			BRAKE ASSEMBLY	
9	1453737	22	CAPCREW,HEX HD,9/16-18 X 2,GR 8,YEL ZN	
10	1494244	44	WASHER,FLAT,19/32 X 1 3/16 X 3/32,HRD,	
11	1524099	22	NUT,HEX HD,9/16-18,LOCK,GR 8,CADMIUM	
12	0929000	16	NUT,HEX HD,5/8-18,LOCKING,GR 8,CADMIUM	

Models: A3FE, A3RE
WHEEL END COMPONENTS
REAR, DRUM BRAKES, STUD PILOTED
J230
7 INCH
BSN: From CSN 10007080 RE 30007075 FE 06/18/98
 To CSN 10011119 RE 30011019 FE 08/09/98

Key	PartNumber	Qty	Description	Comment
-----	------------	-----	-------------	---------

DR: B/21/98	BY: JL	1736602	C
APP: B/21/98	BY: AB	FRY	REV

© BLUE BIRD BODY COMPANY. ALL RIGHTS RESERVED.



Models: A3FE, A3RE
WHEEL END COMPONENTS
REAR, DRUM BRAKES, STUD PILOTED
J230
7 INCH
BSN: From CSN 10007080 RE 30007075 FE 06/18/98
 To CSN 10011119 RE 30011019 FE 08/09/98

Key	PartNumber	Qty	Description	Comment
1	1970854	2	GASKET,AXLE SHAFT,DRIVE, 23,000LB AXLE	
2	1543925	4	NUT,SPINDLE,REAR,J230SB,AA/TC	
3	1543941	2	WASHER,LOCK,REAR,J230SB,AA/TC	
4	0929059	2	BEARING,OUTER,AXLE SHAFT,ROCKWELL &	
5			HUB AND DRUM ASSEMBLY	<i>INCLUDES THE FOLLOWING ITEMS</i>
NI	1554757	2	HUB & CUP ASSY,REAR,WEBB 26721-N	<i>INCLUDES CUPS AND STUDS</i>
NI	2621779	2	CUP,WHEEL BEARING,REAR INNER,R-155,592A	
NI	2621571	2	CUP,OUTER WHEEL BEARING	
NI	1554799	10	STUD,LUG,RR AXLE,RH,STD,WEBB 101172	
NI	1554781	10	STUD,LUG,RR AXLE,LH,STD,WEBB 101173	
NI	1555119	10	STUD,DRIVE,3/4-16,WEBB	
NI	1460005	10	CAPNUT,OUTER,RH,WEBB	
NI	1460013	10	CAPNUT,OUTER,LH,WEBB	
NI	1460021	10	CAPNUT,INNER,1 1/8 X 3/4,RH,WEBB	
NI	1460039	10	CAPNUT,INNER,1 1/8 X 3/4,LH,WEBB	
NI	1573401	2	DRUM,BRAKE,REAR,7IN,BAL,OIL GRV,WEBB	
NI	1573468	2	SLINGER,OIL,REAR BRAKES,WEBB 73623	
6	0929042	2	BEARING,INNER,REAR AXLE	
7	0929067	2	SEAL,INNER,REAR AXLE OIL,LUBRICATED	
8			BRAKE ASSEMBLY	
9	0928994	16	CAPSCREW,HEX HD,5/8-18 X 2,GR 8,YEL ZN	
10	0929018	32	WASHER,FLAT,21/32 X 1 1/8 X 3/32,HDN,YEL	
11	0929000	16	NUT,HEX HD,5/8-18,LOCKING,GR 8,CADMIUM	
12	1483817	16	NUT,HEX HD,3/4-16,PRVLG TORQUE,GR8,YEL	

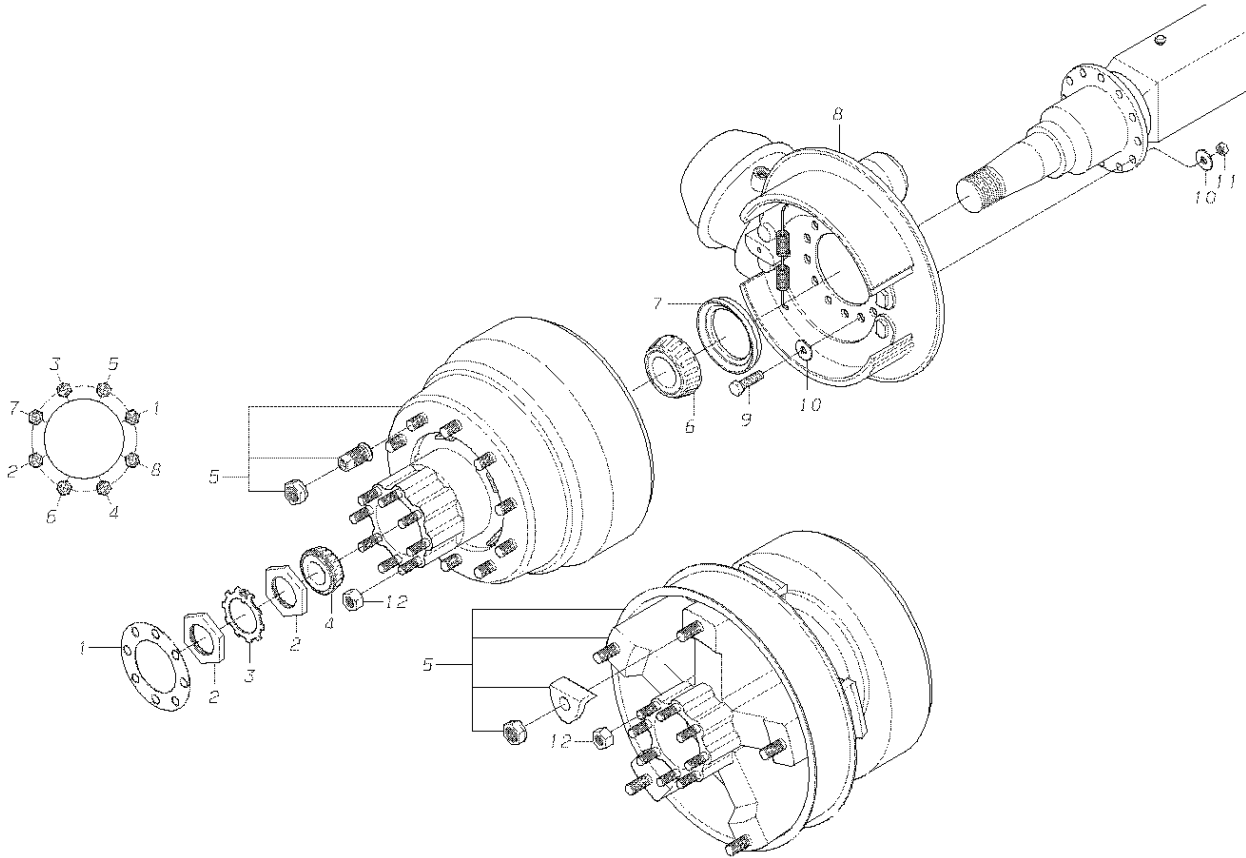
Models: A3FE, A3RE, CSFE, CSRE, QBRE, TCFE
WHEEL END COMPONENTS
REAR, DRUM BRAKES, STUD PILOTED
J230
7 INCH

BSN: From CSN 10011120 RE 30011020 FE 08/10/98
 To CSN 30079479 FE 1007709 RE 01/21/01

Key	PartNumber	Qty	Description	Comment
-----	------------	-----	-------------	---------

DR: B/21/98	BY: JL	1736602	C
APP: B/21/98	BY: AB	FRY	REV

© BLUE BIRD BODY COMPANY. ALL RIGHTS RESERVED



Models: A3FE, A3RE, CSFE, CSRE, QBRE, TCFE
WHEEL END COMPONENTS
REAR, DRUM BRAKES, STUD PILOTED
J230
7 INCH
BSN: From CSN 10011120 RE 30011020 FE 08/10/98
 To CSN 30079479 FE 1007709 RE 01/21/01


Key	PartNumber	Qty	Description	Comment
1	1970854	2	GASKET,AXLE SHAFT,DRIVE, 23,000LB AXLE	
2	1543925	4	NUT,SPINDLE,REAR,J230SB,AA/TC	
3	1543941	2	WASHER,LOCK,REAR,J230SB,AA/TC	
4	0929059	2	BEARING,OUTER,AXLE SHAFT,ROCKWELL &	
5			HUB AND DRUM ASSEMBLY	<i>INCLUDES THE FOLLOWING ITEMS</i>
NI	0011683	10	HUB AND CUP ASSY.,RH, W230,8.62'''	<i>INCLUDES CUPS AND STUDS</i>
NI	0011682	10	HUB AND CUP ASSY.,LH, W230,8.62'''	<i>INCLUDES CUPS AND STUDS</i>
NI	2621779	2	CUP,WHEEL BEARING,REAR INNER,R-155,592A	
NI	2621571	2	CUP,OUTER WHEEL BEARING	
NI	1713759	10	STUD,SERRATED,RH,WEBB 101172	
NI	1713767	10	STUD,SERRATED,LH,WEBB 101173	
NI	8200008	10	STUD,DRIVE,3/4	
NI	1460005	10	CAPNUT,OUTER,RH,WEBB	
NI	1460013	10	CAPNUT,OUTER,LH,WEBB	
NI	0005459	10	CAPNUT,INNER,RH 8.62 W/J230	
NI	0005460	10	CAPNUT,INNER,LH,8.62 W/J230	
NI	0005461	2	BRAKE DRUM,16.5 X 7 J230	
NI	1713775	2	SLINGER,GREASE,WEBB 73263	
6	0929042	2	BEARING,INNER,REAR AXLE	
7	0929067	2	SEAL,INNER,REAR AXLE OIL,LUBRICATED	
8			BRAKE ASSEMBLY	
9	0928994	16	CAPSCREW,HEX HD,5/8-18 X 2,GR 8,YEL ZN	
10	0929018	32	WASHER,FLAT,21/32 X 1 1/8 X 3/32,HDN,YEL	
11	0929000	16	NUT,HEX HD,5/8-18,LOCKING,GR 8,CADMIUM	
12	1483817	16	NUT,HEX HD,3/4-16,PRVLG TORQUE,GR8,YEL	

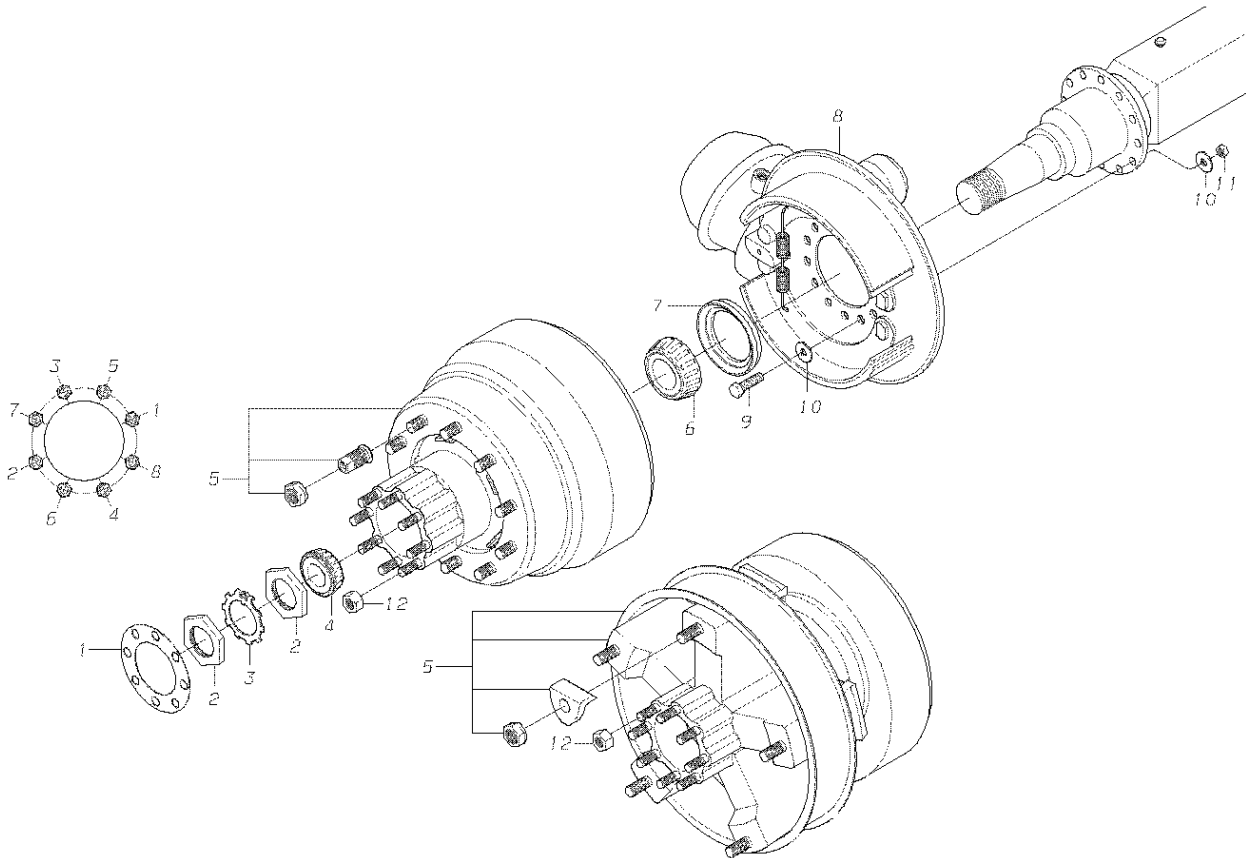
Models: A3FE, A3RE
WHEEL END COMPONENTS
REAR, DRUM BRAKES, STUD PILOTED
J230

With Features: FEATURE 40070-01, 02
BSN: From CSN 11/28/00
 To CSN 30096775 FE 10096695 RE 11/04/01

Key	PartNumber	Qty	Description	Comment
-----	------------	-----	-------------	---------

DR: B/21/98	BY: JL	1736602	C
APP: B/21/98	BY: AB	FRY	REV

© BLUE BIRD BODY COMPANY. ALL RIGHTS RESERVED. 



Models: A3FE, A3RE
WHEEL END COMPONENTS
REAR, DRUM BRAKES, STUD PILOTED
J230
7 INCH
With Features: FEATURE 40070-01, 02
BSN: From CSN 11/28/00
 To CSN 30096775 FF 10096695 RE 11/04/01

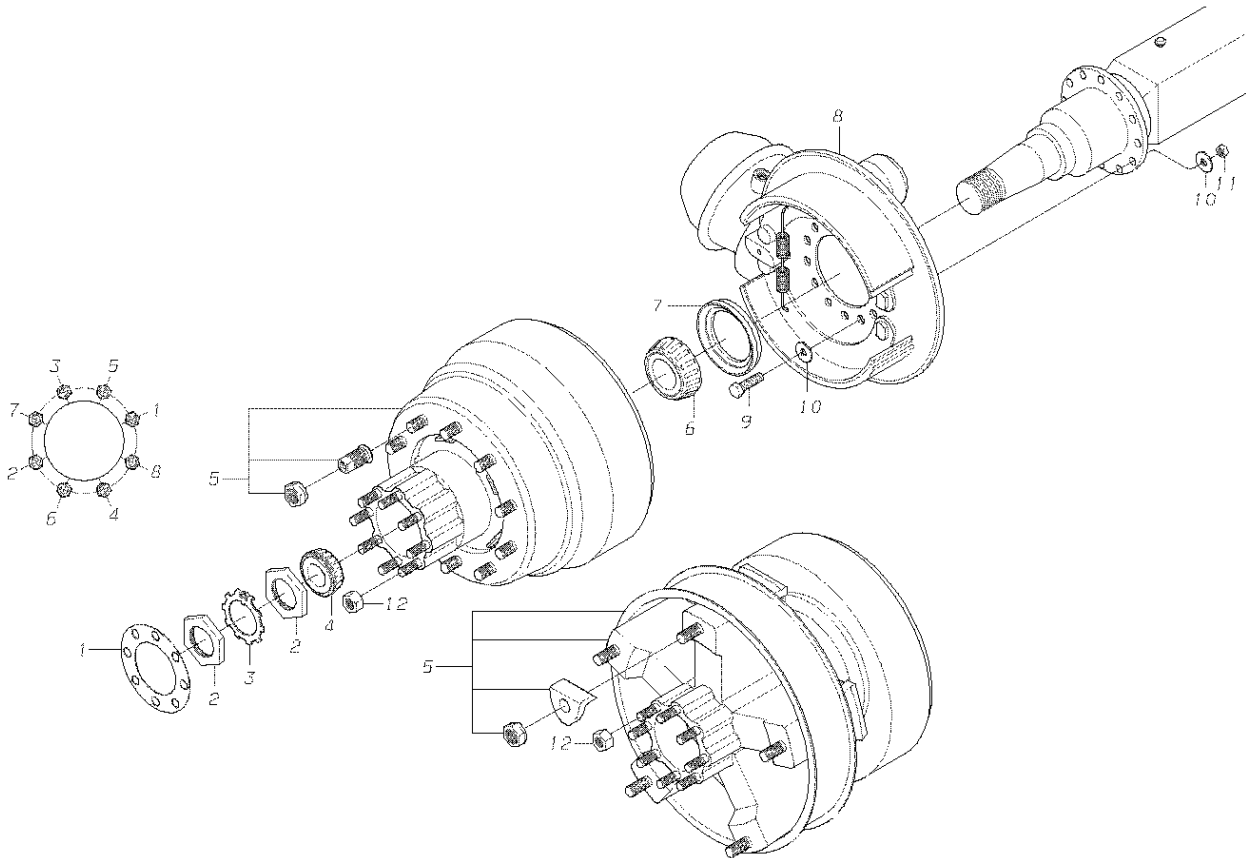
Key	PartNumber	Qty	Description	Comment
1	1970854	2	GASKET,AXLE SHAFT,DRIVE, 23,000LB AXLE	
2	1543925	4	NUT,SPINDLE,REAR,J230SB,AA/TC	
3	1543941	2	WASHER,LOCK,REAR,J230SB,AA/TC	
4	0929059	2	BEARING,OUTER,AXLE SHAFT,ROCKWELL &	
5			HUB AND DRUM ASSEMBLY	<i>INCLUDES THE FOLLOWING ITEMS</i>
NI	0011683	10	HUB AND CUP ASSY.,RH, W230,8.62"	<i>INCLUDES CUPS AND STUDS</i>
NI	0011682	10	HUB AND CUP ASSY.,LH, W230,8.62"	<i>INCLUDES CUPS AND STUDS</i>
NI	2621779	2	CUP,WHEEL BEARING,REAR INNER,R-155,592A	
NI	2621571	2	CUP,OUTER WHEEL BEARING	
NI	1713759	10	STUD,SERRATED,RH,WEBB 101172	
NI	1713767	10	STUD,SERRATED,LH,WEBB 101173	
NI	8200008	10	STUD,DRIVE,3/4	
NI	1460005	10	CAPNUT,OUTER,RH,WEBB	
NI	1460013	10	CAPNUT,OUTER,LH,WEBB	
NI		10	CAPNUT, INNER, RH	
NI		10	CAPNUT, INNER, LH	
NI	0005461	2	BRAKE DRUM,16.5 X 7 J230	
NI	1713775	2	SLINGER,GREASE,WEBB 73263	
6	0929042	2	BEARING,INNER,REAR AXLE	
7	0929067	2	SEAL,INNER,REAR AXLE OIL,LUBRICATED	
8			BRAKE ASSEMBLY	
9	0928994	16	CAPSCREW,HEX HD,5/8-18 X 2,GR 8,YEL ZN	
10	0929018	32	WASHER,FLAT,21/32 X 1 1/8 X 3/32,HDN,YEL	
11	0929000	16	NUT,HEX HD,5/8-18,LOCKING,GR 8,CADMIUM	
12	1483817	16	NUT,HEX HD,3/4-16,PRVLG TORQUE,GR8,YEL	

Models: A3FE, A3RE
WHEEL END COMPONENTS
REAR, DRUM BRAKES, STUD PILOTED
J230
8.62 INCH
BSN: From CSN 10007080 RE 30007075 FE 06/18/98
 To CSN 10028919 04/25/99

Key	PartNumber	Qty	Description	Comment
-----	------------	-----	-------------	---------

DR: B/21/98	BY: JL	1736602	C
APP: B/21/98	BY: AB	FRY	REV

© BLUE BIRD BODY COMPANY. ALL RIGHTS RESERVED



Models: A3FE, A3RE
WHEEL END COMPONENTS
REAR, DRUM BRAKES, STUD PILOTED
J230
8.62 INCH
BSN: From CSN 10007080 RE 30007075 FE 06/18/98
 To CSN 10028919 04/25/99


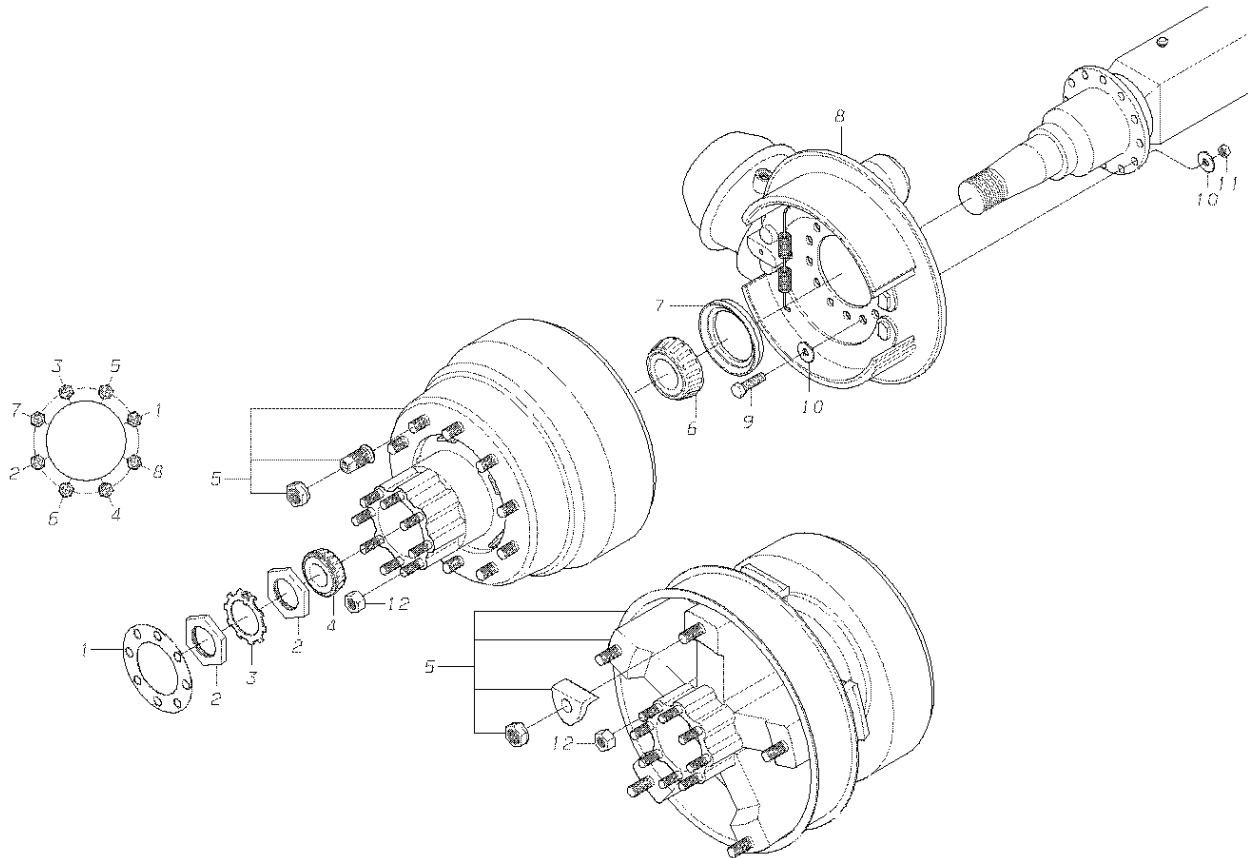
Key	PartNumber	Qty	Description	Comment
1	1970854	2	GASKET,AXLE SHAFT,DRIVE, 23,000LB AXLE	
2	1543925	4	NUT,SPINDLE,REAR,J230SB,AA/TC	
3	1543941	2	WASHER,LOCK,REAR,J230SB,AA/TC	
4	0929059	2	BEARING,OUTER,AXLE SHAFT,ROCKWELL &	
5*			HUB AND DRUM ASSEMBLY	
NI	1554757	2	HUB & CUP ASSY,REAR,WEBB 26721-N	<i>INCLUDES CUPS</i>
NI	2621779	2	CUP,WHEEL BEARING,REAR INNER,R-155,592A	
NI	2621571	2	CUP,OUTER WHEEL BEARING	
NI	1647619	10	STUD,LUG,RR AXLE,RH,8.62,WEBB 101178	
NI	1647601	10	STUD,LUG,RR AXLE,LH,8.62,WEBB 101179	
NI	8200008	8	STUD,DRIVE,3/4	
NI	1460005	10	CAPNUT,OUTER,RH,WEBB	
NI	1460013	10	CAPNUT,OUTER,LH,WEBB	
NI	1460021	10	CAPNUT,INNER,1 1/8 X 3/4,RH,WEBB	
NI	1460039	10	CAPNUT,INNER,1 1/8 X 3/4,LH,WEBB	
NI	1594449	2	DRUM,BRAKE,16.5 X 8.62,BAL,WEBB 69827B	
NI	1573468	2	SLINGER,OIL,REAR BRAKES,WEBB 73623	
6	0929042	2	BEARING,INNER,REAR AXLE	
7	0929067	2	SEAL,INNER,REAR AXLE OIL,LUBRICATED	
8			SEE TABLE OF CONTENTS FOR BRAKE	
9	0928994	16	CAPSCREW,HEX HD,5/8-18 X 2,GR 8,YEL ZN	
10	0929018	32	WASHER,FLAT,21/32 X 1 1/8 X 3/32,HDN,YEL	
11	0929000	16	NUT,HEX HD,5/8-18,LOCKING,GR 8,CADMIUM	
12	1483817	16	NUT,HEX HD,3/4-16,PRVLG TORQUE,GR8,YEL	

Models: A3FE, A3RE
WHEEL END COMPONENTS
REAR, DRUM BRAKES, STUD PILOTED
J230
8.62 INCH
With Features: FEATURE 40076
BSN: From CSN 10028920 RE 04/26/99
 To CSN 30079479 FE 1007709 RE 01/21/01

Key	PartNumber	Qty	Description	Comment
-----	------------	-----	-------------	---------

DR: B/21/98	BY: JL	REV: 1736602	C
APP: B/21/98	BY: AB	FRY	REV

© BLUE BIRD BODY COMPANY. ALL RIGHTS RESERVED

Models: A3FE, A3RE
WHEEL END COMPONENTS
REAR, DRUM BRAKES, STUD PILOTED
J230
8.62 INCH

With Features: **FEATURE 40076**
BSN: From CSN 10028920 RE 04/26/99
 To CSN 30079479 FE 1007709 RE 01/21/01

Key	PartNumber	Qty	Description	Comment
1	1970854	2	GASKET,AXLE SHAFT,DRIVE, 23,000LB AXLE	
2	1543925	4	NUT,SPINDLE,REAR,J230SB,AA/TC	
3	1543941	2	WASHER,LOCK,REAR,J230SB,AA/TC	
4	0929059	2	BEARING,OUTER,AXLE SHAFT,ROCKWELL &	
5*			HUB AND DRUM ASSEMBLY	<i>INCLUDES THE FOLLOWING ITEMS</i>
NI	0005457	2	HUB AND CUP ASSY.,W/CUPS J230 8.62	<i>INCLUDES CUPS</i>
NI	2621779	2	CUP,WHEEL BEARING,REAR INNER,R-155,592A	
NI	2621571	2	CUP,OUTER WHEEL BEARING	
NI	1713759	10	STUD,SERRATED,RH,WEBB 101172	
NI	1713767	10	STUD,SERRATED,LH,WEBB 101173	
NI	8200008	10	STUD,DRIVE,3/4	
NI	1460005	10	CAPNUT,OUTER,RH,WEBB	
NI	1460013	10	CAPNUT,OUTER,LH,WEBB	
NI	0005459	10	CAPNUT,INNER,RH 8.62 W/J230	
NI	0005460	10	CAPNUT,INNER,LH,8.62 W/J230	
NI	0005458	2	BRAKE DRUM,16.5 X 8.62 J230	
NI	1713775	2	SLINGER,GREASE,WEBB 73263	
6	0929042	2	BEARING,INNER,REAR AXLE	
7	0929067	2	SEAL,INNER,REAR AXLE OIL,LUBRICATED	
8			SEE TABLE OF CONTENTS FOR BRAKE	
9	0928994	16	CAPSCREW,HEX HD,5/8-18 X 2,GR 8,YEL ZN	
10	0929018	32	WASHER,FLAT,21/32 X 1 1/8 X 3/32,HDN,YEL	
11	0929000	16	NUT,HEX HD,5/8-18,LOCKING,GR 8,CADMIUM	
12	1483817	16	NUT,HEX HD,3/4-16,PRVLG TORQUE,GR8,YEL	


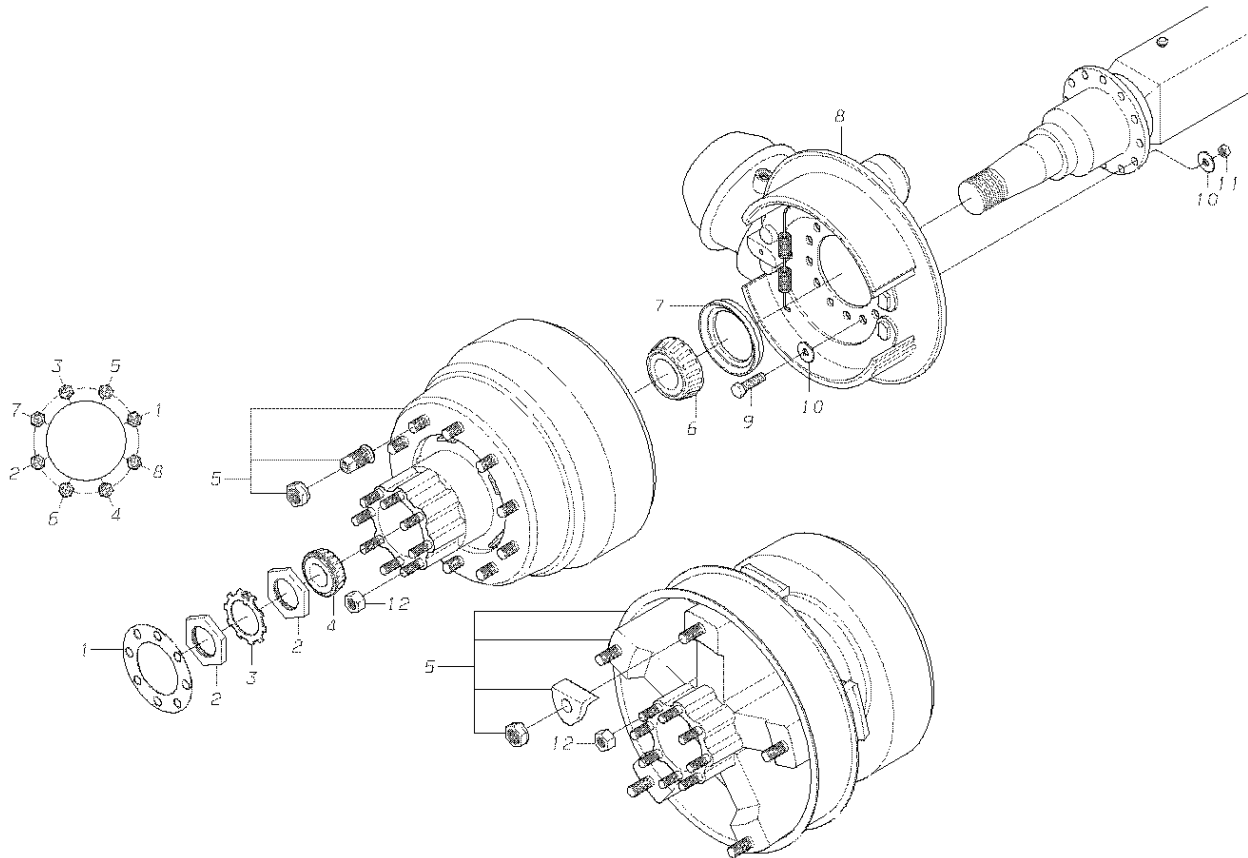
Models: A3FE, A3RE
WHEEL END COMPONENTS
REAR, DRUM BRAKES, STUD PILOTED
J230

8.62 INCH
With Features: FEATURE 40070 WITH 40076
BSN: From CSN 11/28/00
 To CSN 30096775 FE 10096695 RE 11/04/01

Key	PartNumber	Qty	Description	Comment
-----	------------	-----	-------------	---------

DR: B/21/98	BY: JL		1736602	C
APP: B/21/98	BY: AB	FRY		REV

© BLUE BIRD BODY COMPANY. ALL RIGHTS RESERVED

Models: A3FE, A3RE
WHEEL END COMPONENTS
REAR, DRUM BRAKES, STUD PILOTED
J230
8.62 INCH

With Features: FEATURE 40070 WITH 40076
BSN: From CSN 11/28/00
 To CSN 30096775 FE 10096695 RE 11/04/01

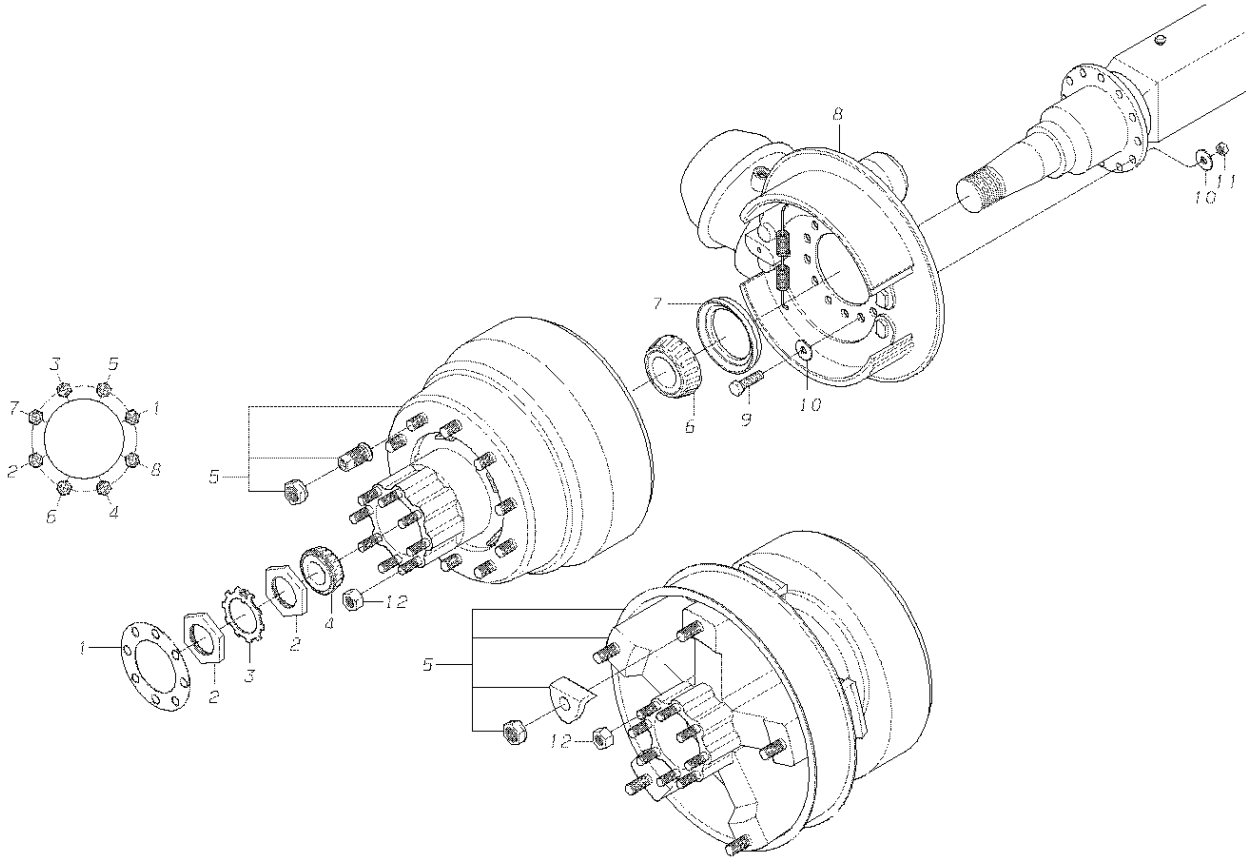
Key	PartNumber	Qty	Description	Comment
1	1970854	2	GASKET,AXLE SHAFT,DRIVE, 23,000LB AXLE	
2	1543925	4	NUT,SPINDLE,REAR,J230SB,AA/TC	
3	1543941	2	WASHER,LOCK,REAR,J230SB,AA/TC	
4	0929059	2	BEARING,OUTER,AXLE SHAFT,ROCKWELL &	
5*			HUB AND DRUM ASSEMBLY	<i>INCLUDES THE FOLLOWING ITEMS</i>
NI	0005457	2	HUB AND CUP ASSY.,W/CUPS J230 8.62	<i>INCLUDES CUPS</i>
NI	2621779	2	CUP,WHEEL BEARING,REAR INNER,R-155,592A	
NI	2621571	2	CUP,OUTER WHEEL BEARING	
NI	1713759	10	STUD,SERRATED,RH,WEBB 101172	
NI	1713767	10	STUD,SERRATED,LH,WEBB 101173	
NI	8200008	10	STUD,DRIVE,3/4	
NI	1460005	10	CAPNUT,OUTER,RH,WEBB	
NI	1460013	10	CAPNUT,OUTER,LH,WEBB	
NI	0005459	10	CAPNUT,INNER,RH 8.62 W/J230	
NI	0005460	10	CAPNUT,INNER,LH,8.62 W/J230	
NI	0005458	2	BRAKE DRUM,16.5 X 8.62 J230	
NI	1713775	2	SLINGER,GREASE,WEBB 73263	
6	0929042	2	BEARING,INNER,REAR AXLE	
7	0929067	2	SEAL,INNER,REAR AXLE OIL,LUBRICATED	
8			SEE TABLE OF CONTENTS FOR BRAKE	
9	0928994	16	CAPSCREW,HEX HD,5/8-18 X 2,GR 8,YEL ZN	
10	0929018	32	WASHER,FLAT,21/32 X 1 1/8 X 3/32,HDN,YEL	
11	0929000	16	NUT,HEX HD,5/8-18,LOCKING,GR 8,CADMIUM	
12	1483817	16	NUT,HEX HD,3/4-16,PRVLG TORQUE,GR8,YEL	

Models: A3FE, A3RE
WHEEL END COMPONENTS
REAR, DRUM BRAKES, STUD PILOTED
J230 WITH 12R22.5 TIRES
7 INCH
BSN: From CSN 10007080 RE 30007075 FE 06/18/98
 To 05/30/99

Key	PartNumber	Qty	Description	Comment
-----	------------	-----	-------------	---------

DR: B/21/98	BY: JL	1736602	C
APP: B/21/98	BY: AB	FRY	REV

© BLUE BIRD BODY COMPANY. ALL RIGHTS RESERVED



Models: A3FE, A3RE
WHEEL END COMPONENTS
REAR, DRUM BRAKES, STUD PILOTED
J230 WITH 12R22.5 TIRES
7 INCH
BSN: From CSN 10007080 RE 30007075 FE 06/18/98
 To 05/30/99


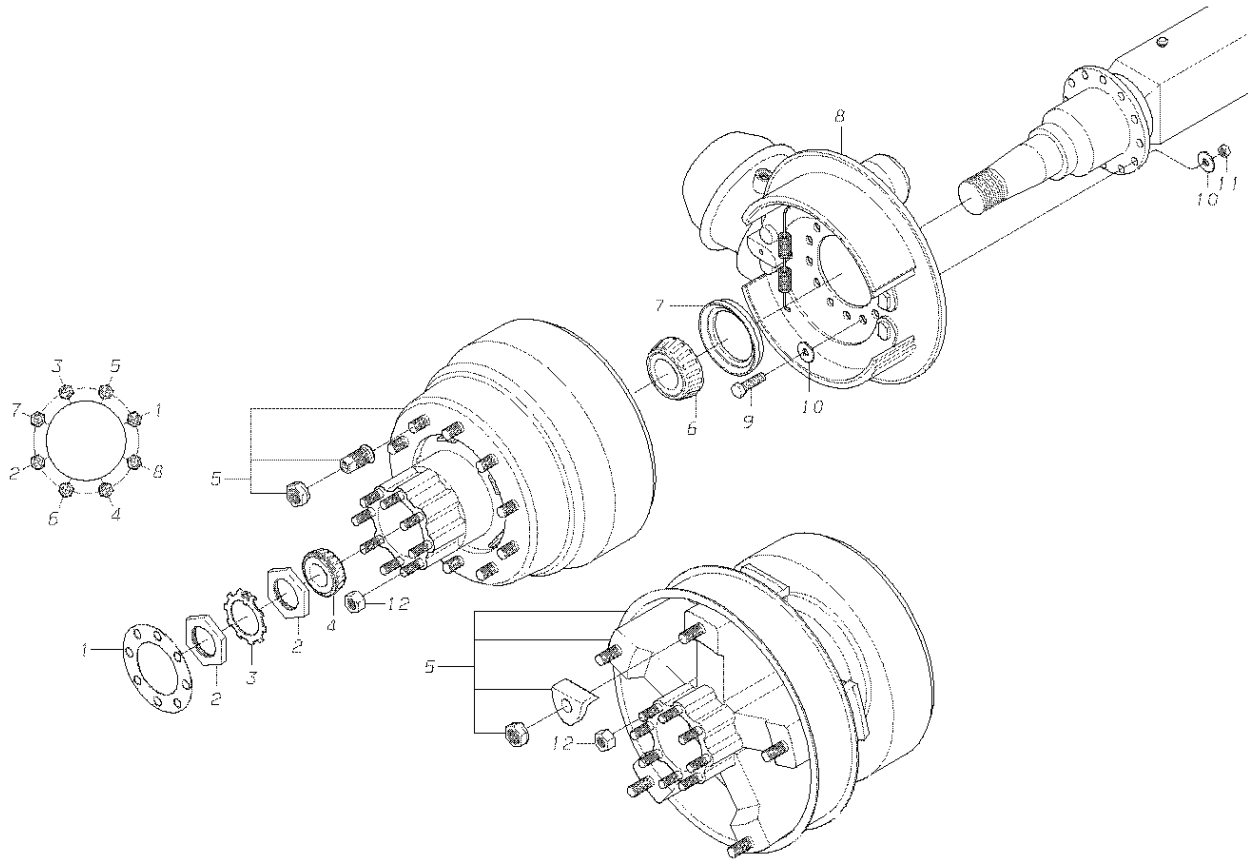
Key	PartNumber	Qty	Description	Comment
1	1970854	2	GASKET,AXLE SHAFT,DRIVE, 23,000LB AXLE	
2	1543925	4	NUT,SPINDLE,REAR,J230SB,AA/TC	
3	1543941	2	WASHER,LOCK,REAR,J230SB,AA/TC	
4	0929059	2	BEARING,OUTER,AXLE SHAFT,ROCKWELL &	
5			HUB AND DRUM ASSEMBLY	<i>INCLUDES THE FOLLOWING ITEMS</i>
NI	1554757	2	HUB & CUP ASSY,REAR,WEBB 26721-N	<i>INCLUDES CUPS</i>
NI	2621779	2	CUP,WHEEL BEARING,REAR INNER,R-155,592A	
NI	2621571	2	CUP,OUTER WHEEL BEARING	
NI	1554815	10	STUD,LUG,RR AXLE,RH,OPT TIRES,WEBB	
NI	1554807	10	STUD,LUG,RR AXLE,LH,OPT TIRES,WEBB	
NI	8200008	8	STUD,DRIVE,3/4	
NI	1460005	10	CAPNUT,OUTER,RH,WEBB	
NI	1460013	10	CAPNUT,OUTER,LH,WEBB	
NI	1460021	10	CAPNUT,INNER,1 1/8 X 3/4,RH,WEBB	
NI	1460039	10	CAPNUT,INNER,1 1/8 X 3/4,LH,WEBB	
NI	1573401	2	DRUM,BRAKE,REAR,7IN,BAL,OIL GRV,WEBB	
NI	1573468	2	SLINGER,OIL,REAR BRAKES,WEBB 73623	
6	0929042	2	BEARING,INNER,REAR AXLE	
7	0929067	2	SEAL,INNER,REAR AXLE OIL,LUBRICATED	
8			BRAKE ASSEMBLY	
9	0928994	16	CAPSCREW,HEX HD,5/8-18 X 2,GR 8,YEL ZN	
10	0929018	32	WASHER,FLAT,21/32 X 1 1/8 X 3/32,HDN,YEL	
11	0929000	16	NUT,HEX HD,5/8-18,LOCKING,GR 8,CADMIUM	
12	1483817	16	NUT,HEX HD,3/4-16,PRVLG TORQUE,GR8,YEL	

Models: A3FE, A3RE
WHEEL END COMPONENTS
REAR, DRUM BRAKES, STUD PILOTED
J230 WITH 12R22.5 TIRES
7 INCH
BSN: From CSN 05/31/99
 To CSN 30079479 FE 1007709 RE 01/21/01

Key	PartNumber	Qty	Description	Comment
-----	------------	-----	-------------	---------

DR: B/21/98	BY: JL		1736602	C
APP: B/21/98	BY: AB	FRY		REV

© BLUE BIRD BODY COMPANY. ALL RIGHTS RESERVED

Models: A3FE, A3RE
WHEEL END COMPONENTS
REAR, DRUM BRAKES, STUD PILOTED
J230 WITH 12R22.5 TIRES
7 INCH

BSN: From CSN 05/31/99
 To CSN 30079479 FE 1007709 RE 01/21/01

Key	PartNumber	Qty	Description	Comment
1	1970854	2	GASKET,AXLE SHAFT,DRIVE, 23,000LB AXLE	
2	1543925	4	NUT,SPINDLE,REAR,J230SB,AA/TC	
3	1543941	2	WASHER,LOCK,REAR,J230SB,AA/TC	
4	0929059	2	BEARING,OUTER,AXLE SHAFT,ROCKWELL &	
5			HUB AND DRUM ASSEMBLY	<i>INCLUDES THE FOLLOWING ITEMS</i>
NI	0005457	2	HUB AND CUP ASSY.,W/CUPS J230 8.62	<i>INCLUDES CUPS</i>
NI	2621779	2	CUP,WHEEL BEARING,REAR INNER,R-155,592A	
NI	2621571	2	CUP,OUTER WHEEL BEARING	
NI	1554815	10	STUD,LUG,RR AXLE,RH,OPT TIRES,WEBB	
NI	1554807	10	STUD,LUG,RR AXLE,LH,OPT TIRES,WEBB	
NI	8200008	8	STUD,DRIVE,3/4	
NI	1460005	10	CAPNUT,OUTER,RH,WEBB	
NI	1460013	10	CAPNUT,OUTER,LH,WEBB	
NI	1460021	10	CAPNUT,INNER,1 1/8 X 3/4,RH,WEBB	
NI	1460039	10	CAPNUT,INNER,1 1/8 X 3/4,LH,WEBB	
NI	0005461	2	BRAKE DRUM,16.5 X 7 J230	
NI	1573468	2	SLINGER,OIL,REAR BRAKES,WEBB 73623	
6	0929042	2	BEARING,INNER,REAR AXLE	
7	0929067	2	SEAL,INNER,REAR AXLE OIL,LUBRICATED	
8			BRAKE ASSEMBLY	
9	0928994	16	CAPSCREW,HEX HD,5/8-18 X 2,GR 8,YEL ZN	
10	0929018	32	WASHER,FLAT,21/32 X 1 1/8 X 3/32,HDN,YEL	
11	0929000	16	NUT,HEX HD,5/8-18,LOCKING,GR 8,CADMIUM	
12	1483817	16	NUT,HEX HD,3/4-16,PRVLG TORQUE,GR8,YEL	