

Chassis

050 Driveline

1550 SERIES

CAT, CUMMINS ISB, WITH AT545, 2000 TRANS

With: FEATURE 40177-02, 10, 11, 12; 40187-01, 08

1

1610 SERIES

CAT 3126B, CUMMINS 8.3 WITH MT643, MD3060 TRANS

To CSN 30096824

2

CAT, CUMMINS, B300, B300R

With: FEATURE 40184-03,-08,40187-11,-12

3

CAT, CUMMINS, ISB, ISC, JD 6.8, MD3060, MD3060R, B300, B300R

With: FEATURE 40184-04, 40187-03, 04, 40177-04, 06, 40182-01

4

CAT, MT643

With: FEATURE 40187-04

5

1710 SERIES

CAT 3116, CUMMINS 8.3 WITH MT647 TRANS

To CSN 30096824

6

CAT 3126B, CUMMINS 8.3 WITH MD3066, MD3066R, B400, B400R

To CSN 30096824

7

CAT, CUMMINS ISC, JD 8.1, MD3060, MD3060R, MD3066, MD3066R, B400, B400R

With: FEATURE 40184-04, 40187-03, 04, 40177-04, 06, 40182-01

8

CAT, CUMMINS, ISC, JD 8.1, B400, B400R

With: FEATURE 40184-07,-09, 40187-13, 40181-01

9

SPL 70 OR SPL 140

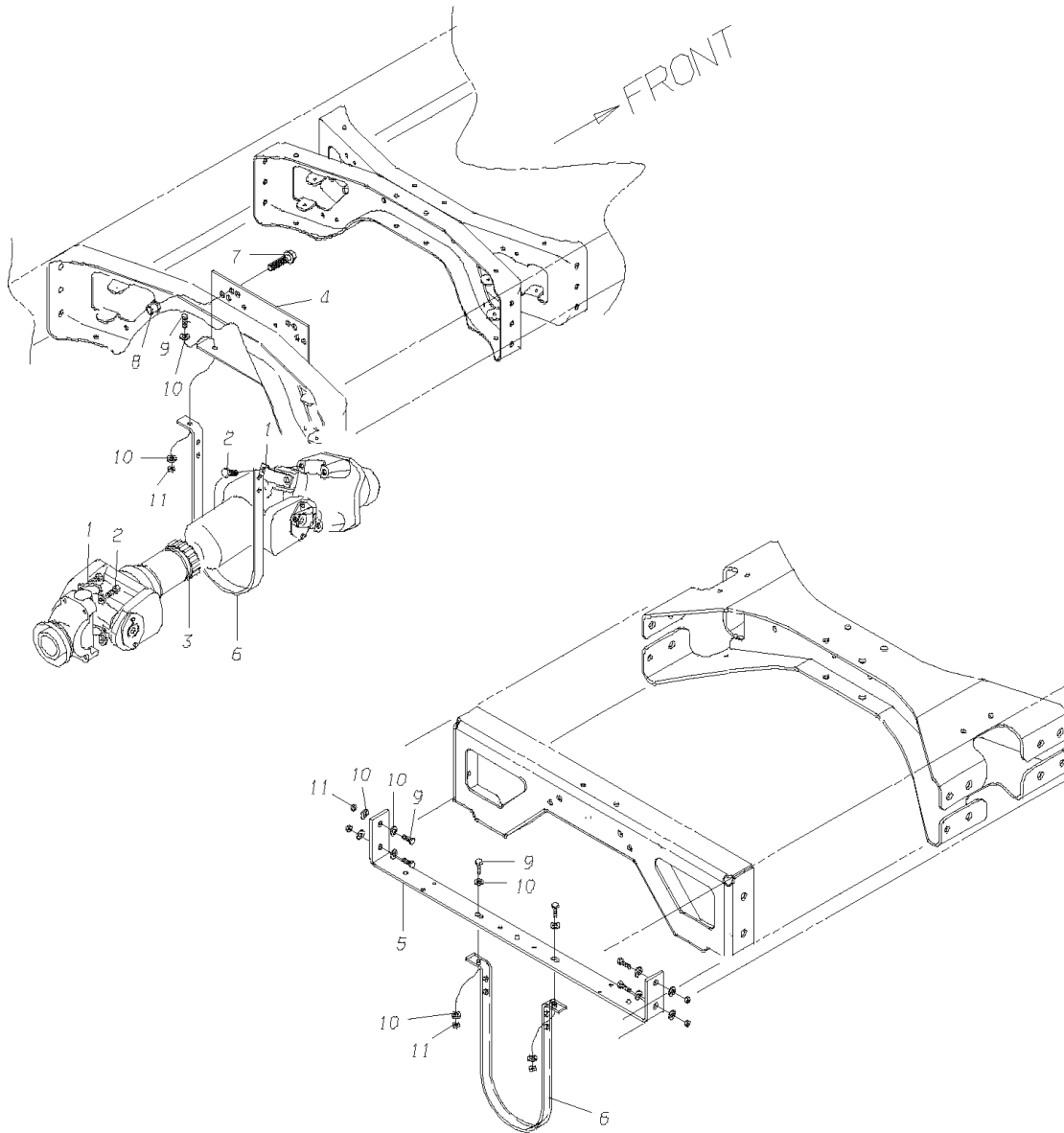
2500PTS, 3000PTS TRANSMISSION

With: FEATURE 40432

10

Models: A3RE, CSRE, QBRE
1550 SERIES
CAT, CUMMINS ISB, WITH AT545, 2000 TRANS
With Features: FEATURE 40177-02, 10, 11, 12; 40187-01, 08

Key	PartNumber	Qty	Description	Comment
-----	------------	-----	-------------	---------



Models: A3RE, CSRE, QBRE
1550 SERIES
CAT, CUMMINS ISB, WITH AT545, 2000 TRANS
With Features: FEATURE 40177-02, 10, 11, 12; 40187-01, 08

Key	PartNumber	Qty	Description	Comment
1	1326610	4	STRAP,YOKE,SPICER 3-70-99	
2	1567486	8	BOLT,3/8-24 X 3/4,SPICER 6-73-412	
3	0015199	1	SHAFT ASSY,1550,SLIP TYPE,24.21 I/L,PUR	WITH 19-21K AXLE
3	0038987	1	SHAFT ASSY,1550,SLIP TYPE,19.60 I/L,PUR	WITH 23K AXLE
4	1529320	1	ANGLE,MTG,DRIVE LINE GUARD, TCRE	
4	1725589	1	ANGLE,MOUNTING,DRIVE LINE GUARD,	
5	1760628	1	BRACKET,SUPT,DRV SHF GUARD,RDWL,	RIDEWELL/HENDRICKSON
6	1625052	1	STRAP,PROP SHAFT GUARD,RIDEWELL,AAFC	
6	1536069	1	STRAP,PROP SHAFT GUARD	
7	1636943	2	PIN,FLG HEAD,HUCKSPIN,.50X2.22,HSP8	SPRING SUSPENSION
8	1636968	2	COLLAR,HUCKSPIN,.50,HSCH-R16	SPRING SUSPENSION
9	0803171	2	CAPSCREW,HEXHD,3/8-16NCX1-1/2,GR8,	
10	1107085	4	WASHER,FLAT,13/32 X 13/16 X 3/32,HDN,BLK	
11	0826297	2	NUT,HEX HD,3/8-16 LOCK,YEL ZN DICH	

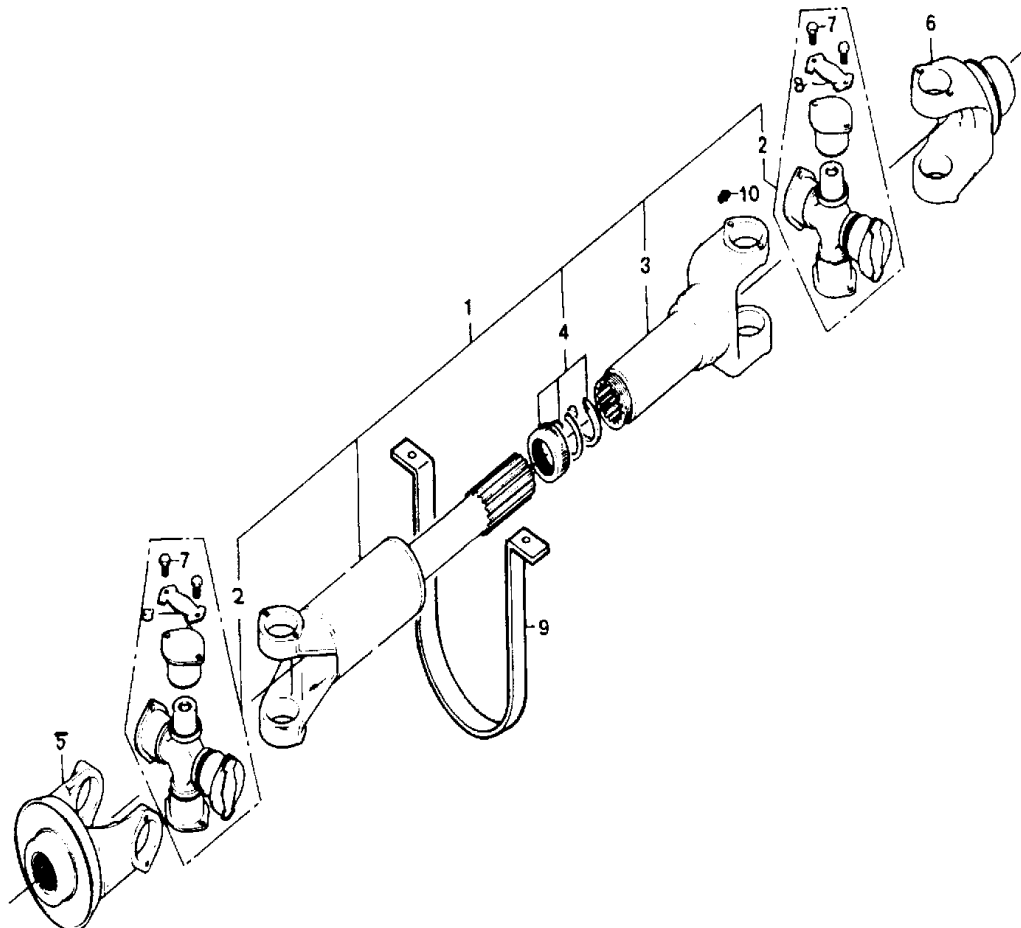
Models: A3RE
1610 SERIES
CAT 3126B, CUMMINS 8.3 WITH MT643, MD3060 TRANS
To CSN 30096824

Key	PartNumber	Qty	Description	Comment
-----	------------	-----	-------------	---------

DRIVELINE, 1610 SERIES

7701 - 050
APP BY 8003014

© 1984 BLUE BIRD BODY COMPANY
ALL RIGHTS RESERVED

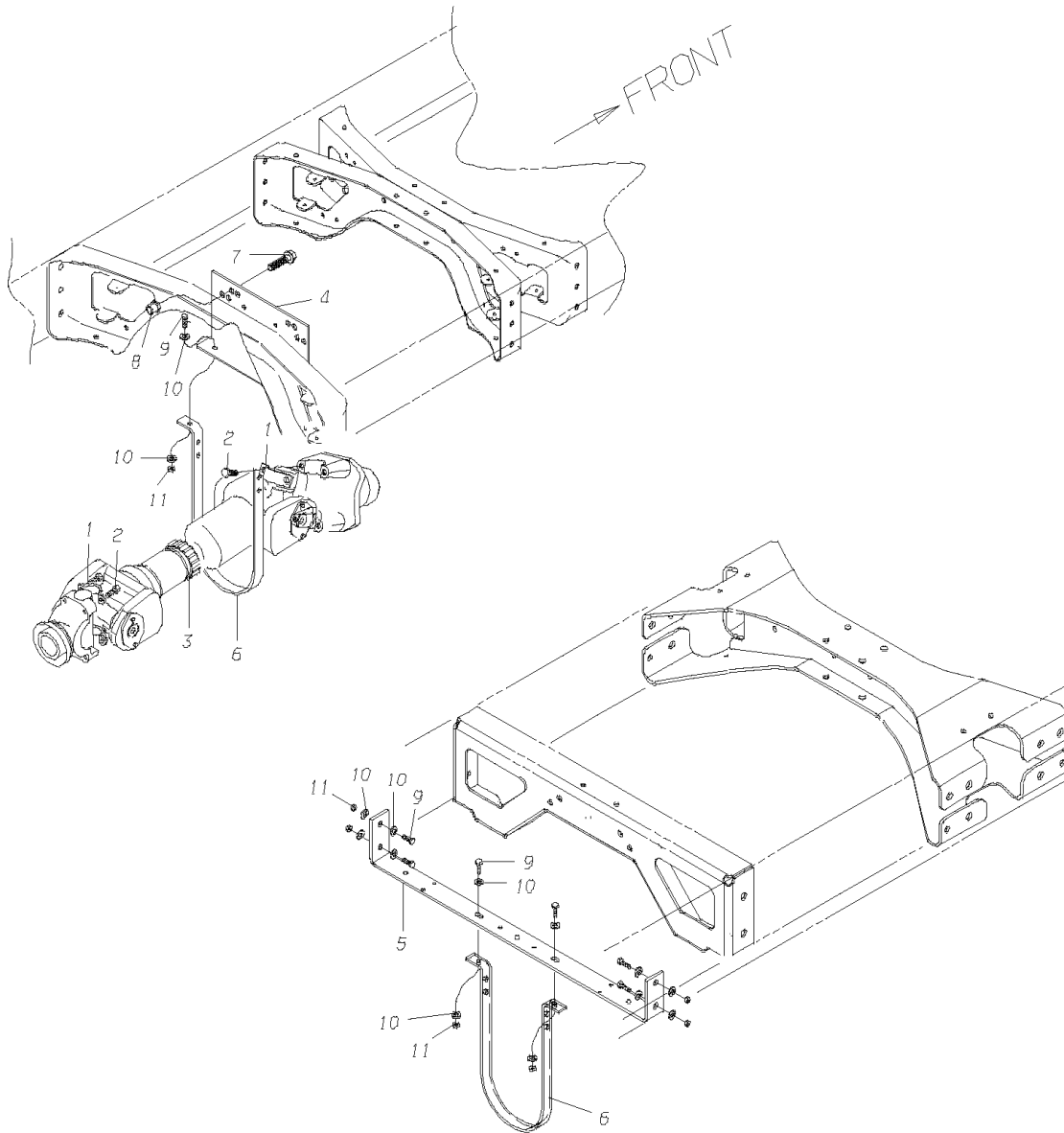


**Models: A3RE
1610 SERIES
CAT 3126B, CUMMINS 8.3 WITH MT643, MD3060 TRANS
To CSN 30096824**

Key	PartNumber	Qty	Description	Comment
1	1585520		SHAFT ASSY,1610,SLIP,COL-16.62,PURCHASED	FEATURE 40426-01
1	1753243		SHAFT ASSY,1610,SLIP,L=22.75,PURCHASED	FEATURE 40422-01-02
2	1062926		CROSS & BEARING KIT,1610 DRIVELINE	FEATURE 40426. FULL ROUND ENDING YOKE FRONT, UNIVERSAL JOINT
2	1564194		CROSS & BEARING KIT,1610,1/2 ROUND YOKE	FEATURE 40426. HALF ROUND ENDING YOKE REAR, UNIVERSAL JOINT
2	1564194	2	CROSS & BEARING KIT,1610,1/2 ROUND YOKE	FEATURE 40422-01 40122-02. HALF ROUND ENDING YOKE FRONT & REAR, UNIVERSAL JOINT
3	1531995		YOKE ASSY,SLIP 1610 SPICER 5-3-368X	FEATURE 40426 MT643
3	1062967		YOKE ASSY,SLIP 1610 SPICER 5-3-2261X	FEATURE 40422-01 40422-02 MD3060
4	1062975		SEAL,SLIP JOINT,1610 SPICER,5-86-68	
5			DRIVE YOKE	SEE GROUP 20 REAR AXLE
6			END YOKE	TRANSMISSION, REFER TO ENGINE TRIM - GROUP 60
7	1708239		BOLT 5/16-24,SELF LOCKING,SPICER 5-73-709	
8			N/A	
NI	1567478	2	STRAP,BEARING RETAINER,1610,1/2 RND,END	REAR ONLY
NI	1567486		BOLT,3/8-24 X 3/4,SPICER 6-73-412	REAR ONLY
9	1214766		STRAP,PROP SHAFT GUARD,PAINTED,BBC	
10	2027431		FITTING,GREASE,5000,1/8 MPT,STRAIGHT	

Models: A3RE, CSRE, QBRE
1610 SERIES
CAT, CUMMINS, B300, B300R
With Features: FEATURE 40184-03,-08,40187-11,-12

Key	PartNumber	Qty	Description	Comment
-----	------------	-----	-------------	---------



Models: A3RE, CSRE, QBRE
1610 SERIES
CAT, CUMMINS, B300, B300R
With Features: FEATURE 40184-03,-08,40187-11,-12

Key	PartNumber	Qty	Description	Comment
1	1567478	2	STRAP,BEARING RETAINER,1610,1/2 RND,END	
2	1567486	4	BOLT,3/8-24 X 3/4,SPICER 6-73-412	
3	1753243	1	SHAFT ASSY,1610,SLIP,L=22.75,PURCHASED	
3	1567445	1	SHAFT ASSY,1610,SLIP,L=21.00,PURCHASED	
4	1529320	1	ANGLE,MTG,DRIVE LINE GUARD, TCRE	
4	1725589	1	ANGLE,MOUNTING,DRIVE LINE GUARD,	
5	1760628	1	BRACKET,SUPT,DRV SHF GUARD,RDWL,	<i>BRACKET, SPR DRV SHFT GUARD. RIDEWELL/HENDRICKSON</i>
6	1625052	1	STRAP,PROP SHAFT GUARD,RIDEWELL,AAFC	
6	1536069	1	STRAP,PROP SHAFT GUARD	
7	1636943	2	PIN,FLG HEAD,HUCKSPIN,.50X2.22,HSP8	<i>PIN, FLANGE HD, HUCKSPIN, .50 X 2.22 HSP8. SPRING SUSPENSION</i>
8	1636968	2	COLLAR,HUCKSPIN,.50,HSCH-R16	<i>COLLAR, HUCKSPIN, .50 HSCHR16. SPRING SUSPENSION</i>
9	0803171	2	CAPSCREW,HEXHD,3/8-16NCX1-1/2,GR8,	
10	1107085	4	WASHER,FLAT,13/32 X 13/16 X 3/32,HDN,BLK	
11	0826297	2	NUT,HEX HD,3/8-16 LOCK,YEL ZN DICH	

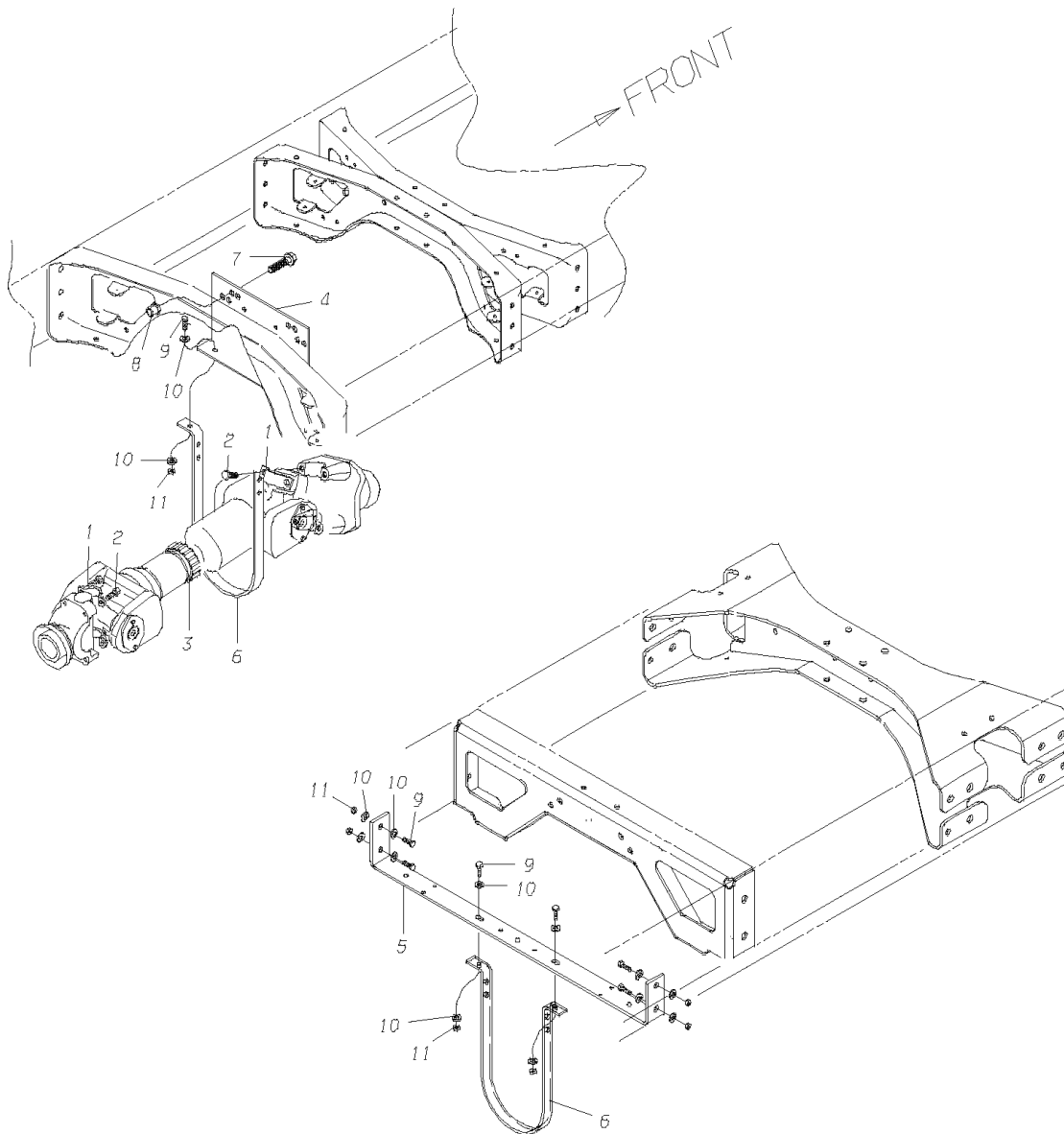
Models: A3RE, C4RE, CSRE, QBRE

1610 SERIES

CAT, CUMMINS, ISB, ISC, JD 6.8, MD3060, MD3060R, B300, B300R

With Features: FEATURE 40184-04, 40187-03, 04, 40177-04, 06, 40182-01

Key	PartNumber	Qty	Description	Comment
-----	------------	-----	-------------	---------



Models: A3RE, C4RE, CSRE, QBRE

1610 SERIES

CAT, CUMMINS, ISB, ISC, JD 6.8, MD3060, MD3060R, B300, B300R

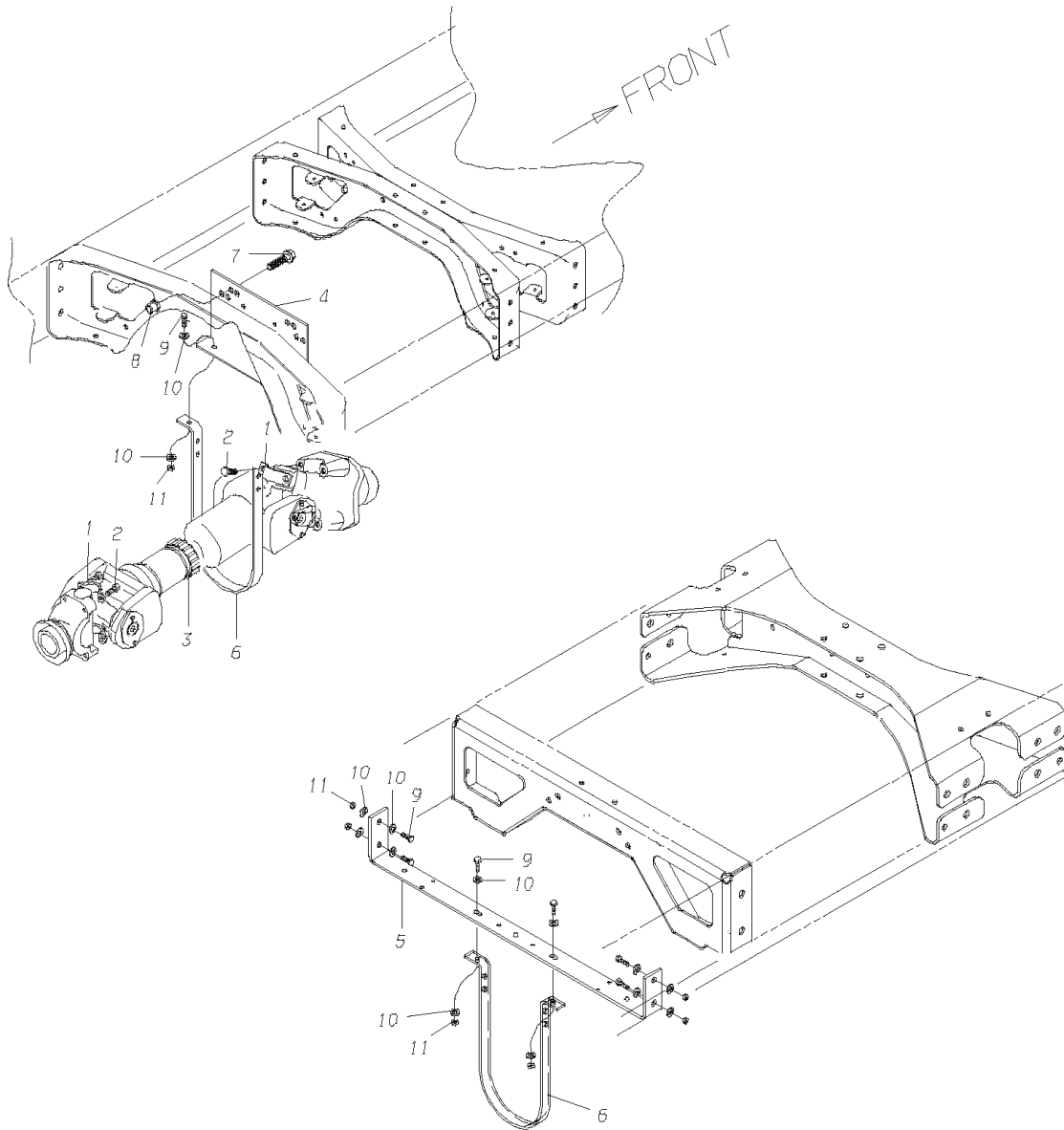
With Features: FEATURE 40184-04, 40187-03, 04, 40177-04, 06, 40182-01

Key	PartNumber	Qty	Description	Comment
1	1567478	4	STRAP,BEARING RETAINER,1610,1/2 RND,END	
2	1567486	8	BOLT,3/8-24 X 3/4,SPICER 6-73-412	
3			SHAFT ASSEMBLY, 1610, SLIP TYPE	
3	1753250	1	SHAFT ASSY,1610,SLIP,L=22.75,PAINTED	<i>WITH 19-21K AXLE</i>
3	1567437	1	SHAFT ASSY,1610,SLIP,L=21.00,PAINTED	<i>WITH 23K AXLE</i>
4			ANGLE, MOUNTING DRIVELINE GUARD	
4	1529320	1	ANGLE,MTG,DRIVE LINE GUARD, TCRE	
4	1725589	1	ANGLE,MOUNTING,DRIVE LINE GUARD,	
5	1760628	1	BRACKET,SUPT,DRV SHF GUARD,RDWL,	<i>RIDEWELL/HENDRICKSON</i>
6			STRAP, PROP SHAFT GUARD	
6	1625052	1	STRAP,PROP SHAFT GUARD,RIDEWELL,AAFC	
6	1536069	1	STRAP,PROP SHAFT GUARD	
7	1636943	2	PIN,FLG HEAD,HUCKSPIN,.50X2.22,HSP8	<i>SPRING SUSPENSION</i>
8	1636968	2	COLLAR,HUCKSPIN,.50,HSCH-R16	<i>SPRING SUSPENSION</i>
9	0803171	2	CAPSCREW,HEXHD,3/8-16NCX1-1/2,GR8,	
10	1107085	4	WASHER,FLAT,13/32 X 13/16 X 3/32,HDN,BLK	
11	0826297	2	NUT,HEX HD,3/8-16 LOCK,YEL ZN DICH	

Models: A3RE, CSRE, QBRE
1610 SERIES
CAT, MT643

With Features: FEATURE 40187-04

Key	PartNumber	Qty	Description	Comment
-----	------------	-----	-------------	---------



Models: A3RE, CSRE, QBRE

1610 SERIES


CAT, MT643

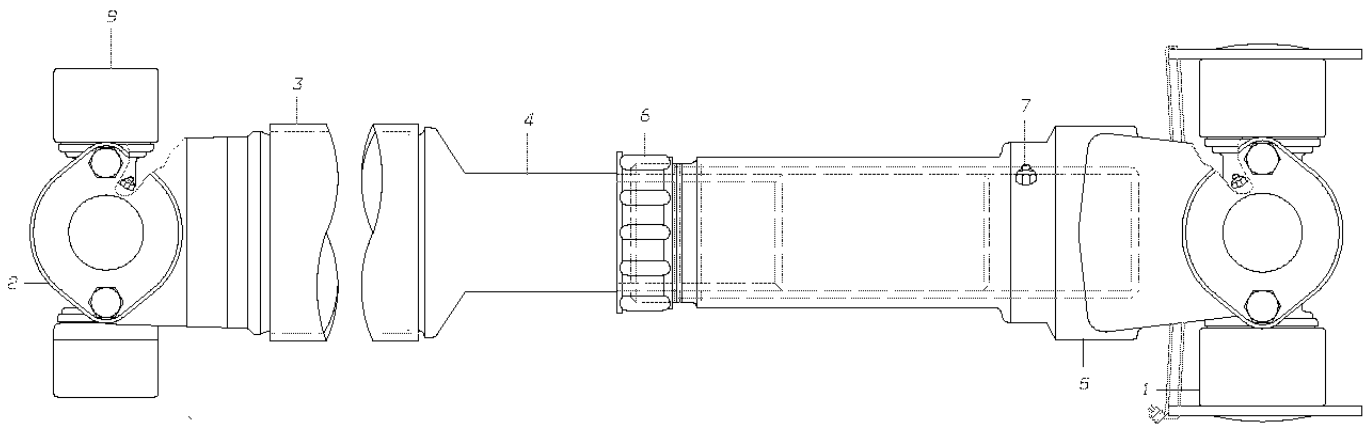
With Features: FEATURE 40187-04

Key	PartNumber	Qty	Description	Comment
1	1567478	2	STRAP,BEARING RETAINER,1610,1/2 RND,END	
2	1567486	4	BOLT,3/8-24 X 3/4,SPICER 6-73-412	
3	1551613	1	SHAFT ASSY,1610,SLIP,COL-18.31,PAINTED	<i>WITH ALL AXLES</i>
4	1529320	1	ANGLE,MTG,DRIVE LINE GUARD, TCRE	
4	1725589	1	ANGLE,MOUNTING,DRIVE LINE GUARD,	
5	1760628	1	BRACKET,SUPT,DRV SHF GUARD,RDWL,	<i>RIDEWELL/HENDRICKSON</i>
6	1625052	1	STRAP,PROP SHAFT GUARD,RIDEWELL,AAFC	
6	1536069	1	STRAP,PROP SHAFT GUARD	
7	1636943	2	PIN,FLG HEAD,HUCKSPIN,.50X2.22,HSP8	<i>SPRING SUSP</i>
8	1636968	2	COLLAR,HUCKSPIN,.50,HSCH-R16	<i>COLLAR, HUCKSPIN, .50 HSCHR16. SPRING SUSPENSION</i>
9	0803171	2	CAPSCREW,HEXHD,3/8-16NCX1-1/2,GR8,	
10	1107085	4	WASHER,FLAT,13/32 X 13/16 X 3/32,HDN,BLK	
11	0826297	2	NUT,HEX HD,3/8-16 LOCK,YEL ZN DICH	

Models: **A3RE**
1710 SERIES
CAT 3116, CUMMINS 8.3 WITH MT647 TRANS
To CSN 30096824

Key	PartNumber	Qty	Description	Comment
-----	------------	-----	-------------	---------

DR. 3/26/97	BY LMS	ET	1604576	E	
APP. 3/26/97	BY DM	PMT		REV	
© BLUE BIRD BODY COMPANY. ALL RIGHTS RESERVED					1710 SERIES



Models: **A3RE**
1710 SERIES
CAT 3116, CUMMINS 8.3 WITH MT647 TRANS
To CSN 30096824

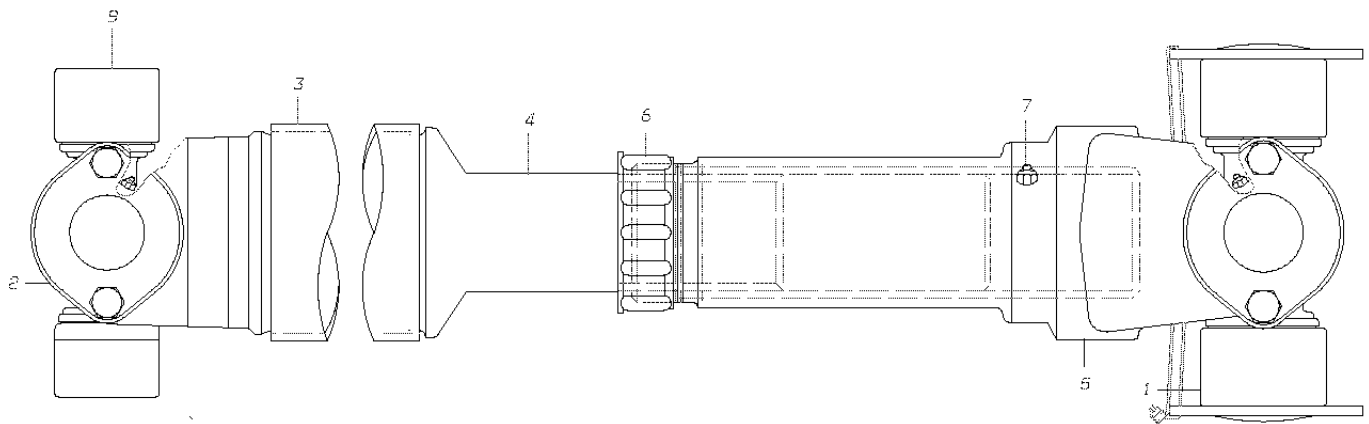
Key	PartNumber	Qty	Description	Comment
NI	1855766		SHAFT ASSY,1710,SLIP,HALF RND,COL=21.56	
1	4307666		KIT,BEARING,JOURNAL	
2			YOKE, STUD BALL	
3			N/A	
4			N/A	
5	4309878		YOKE ASSY, SLIP 6-3-2651KX	
6	1121581		SEAL,SLIP JOINT,1710 SPICER,6.3-86-18,	
7	2027431		FITTING,GREASE,5000,1/8 MPT,STRAIGHT	
8			YOKE, FLANGE	<i>SEE GROUP 60 ENGINE TRIM AARE</i>
9	4307666		KIT,BEARING,JOURNAL	

Models: **A3RE**
1710 SERIES
CAT 3126B, CUMMINS 8.3 WITH MD3066, MD3066R, B400, B400R
To CSN 30096824

Key	PartNumber	Qty	Description	Comment
-----	------------	-----	-------------	---------

DR. 3/26/97	BY LMS	ET	1604576	E
APP. 3/26/97	BY DM	PMT		REV

© BLUE BIRD BODY COMPANY. ALL RIGHTS RESERVED



Models: **A3RE**
1710 SERIES
CAT 3126B, CUMMINS 8.3 WITH MD3066, MD3066R, B400, B400R
To CSN 30096824

Key	PartNumber	Qty	Description	Comment
NI	1855766		SHAFT ASSY,1710,SLIP,HALF RND,COL=21.56	
1	4307666		KIT,BEARING,JOURNAL	
2			YOKE, STUD BALL	
3			N/A	
4			N/A	
5	4309878		YOKE ASSY, SLIP 6-3-2651KX	
6	1121581		SEAL,SLIP JOINT,1710 SPICER,6.3-86-18,	
7	2027431		FITTING,GREASE,5000,1/8 MPT,STRAIGHT	
8			YOKE, FLANGE	<i>SEE GROUP 60 ENGINE TRIM AARE</i>
9	4307666		KIT,BEARING,JOURNAL	

Models: A3RE, C4RE, CSRE, QBRE

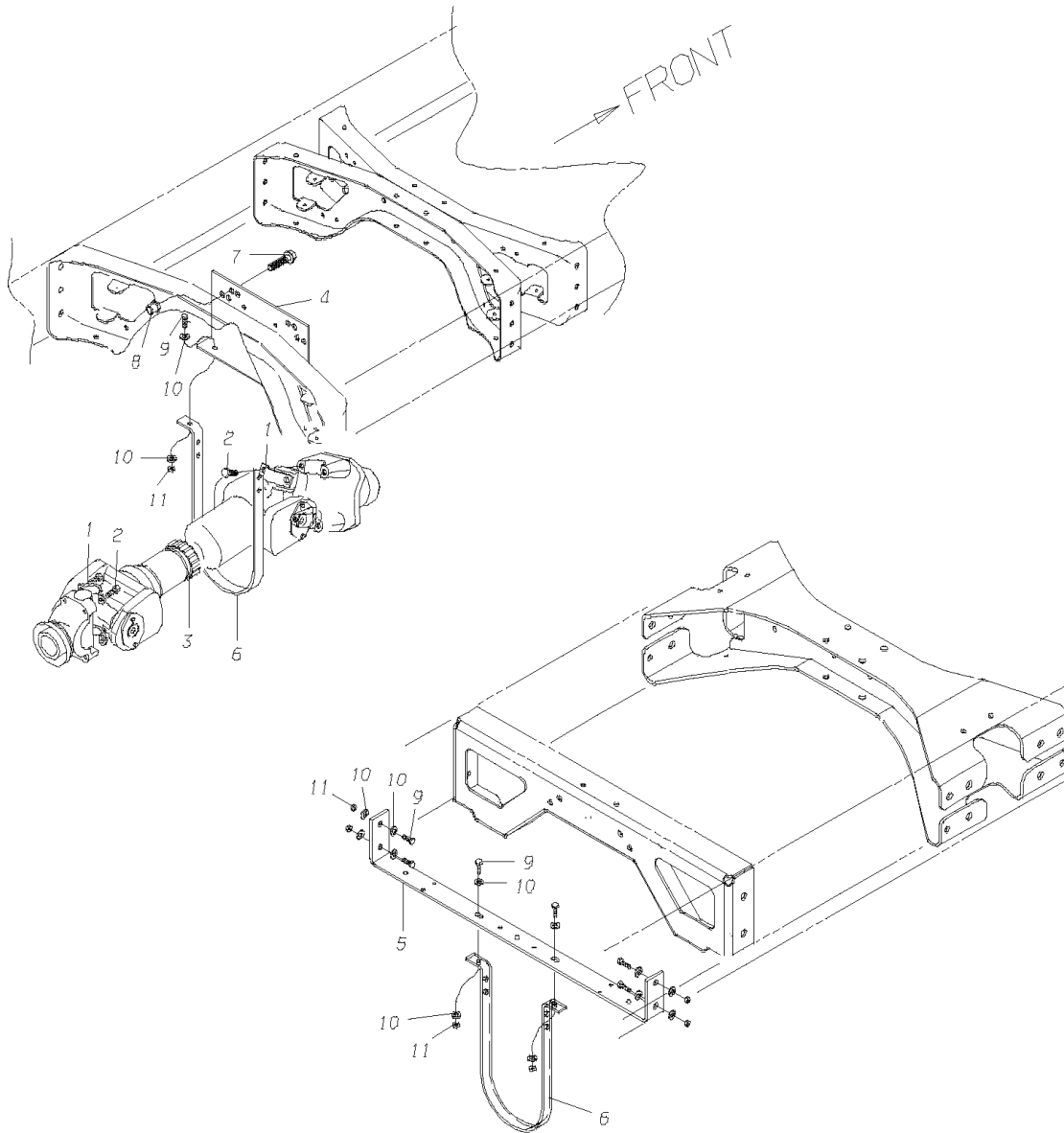
1710 SERIES

CAT, CUMMINS ISC, JD 8.1, MD3060, MD3060R, MD3066, MD3066R, B400,

B400R

With Features: FEATURE 40184-04, 40187-03, 04, 40177-04, 06, 40182-01

Key	PartNumber	Qty	Description	Comment
-----	------------	-----	-------------	---------



Models: A3RE, C4RE, CSRE, QBRE
1710 SERIES
 CAT, CUMMINS ISC, JD 8.1, MD3060, MD3060R, MD3066, MD3066R, B400,
B400R
With Features: FEATURE 40184-04, 40187-03, 04, 40177-04, 06, 40182-01

Key	PartNumber	Qty	Description	Comment
1	1631506	2	KIT,STRAP AND BOLT,6.5-70-18X	
2			INCLUDED IN KIT ABOVE	
3	1797752	1	SHAFT ASSY,1710,SLIP,HALF RND,COL-19.00	ALL AXLES EXCEPT JD 8.1" CSRE WITH 23K
3	0038988	1	SHAFT ASSY,1710,SLIP,SHORT CPLD,COL-16.97	WITH 23K AXLE ONLY)
4	1529320	1	ANGLE,MTG,DRIVE LINE GUARD, TCRE	
4	1725589	1	ANGLE,MOUNTING,DRIVE LINE GUARD,	
5	1760628	1	BRACKET,SUPT,DRV SHF GUARD,RDWL,	RIDWELL/HENDRICKSON
6	1625052	1	STRAP,PROP SHAFT GUARD,RIDWELL,AAFC	
6	1536069	1	STRAP,PROP SHAFT GUARD	
7	1636943	2	PIN,FLG HEAD,HUCKSPIN,.50X2.22,HSP8	SPRING SUSPENSION
8	1636968	2	COLLAR,HUCKSPIN,.50,HSCH-R16	COLLAR, HUCKSPIN, .50 HSCHR16. SPRING SUSPENSION
9	0803171	2	CAPSCREW,HEXHD,3/8-16NCX1-1/2,GR8,	
10	1107085	4	WASHER,FLAT,13/32 X 13/16 X 3/32,HDN,BLK	
11	0826297	2	NUT,HEX HD,3/8-16 LOCK,YEL ZN DICH	

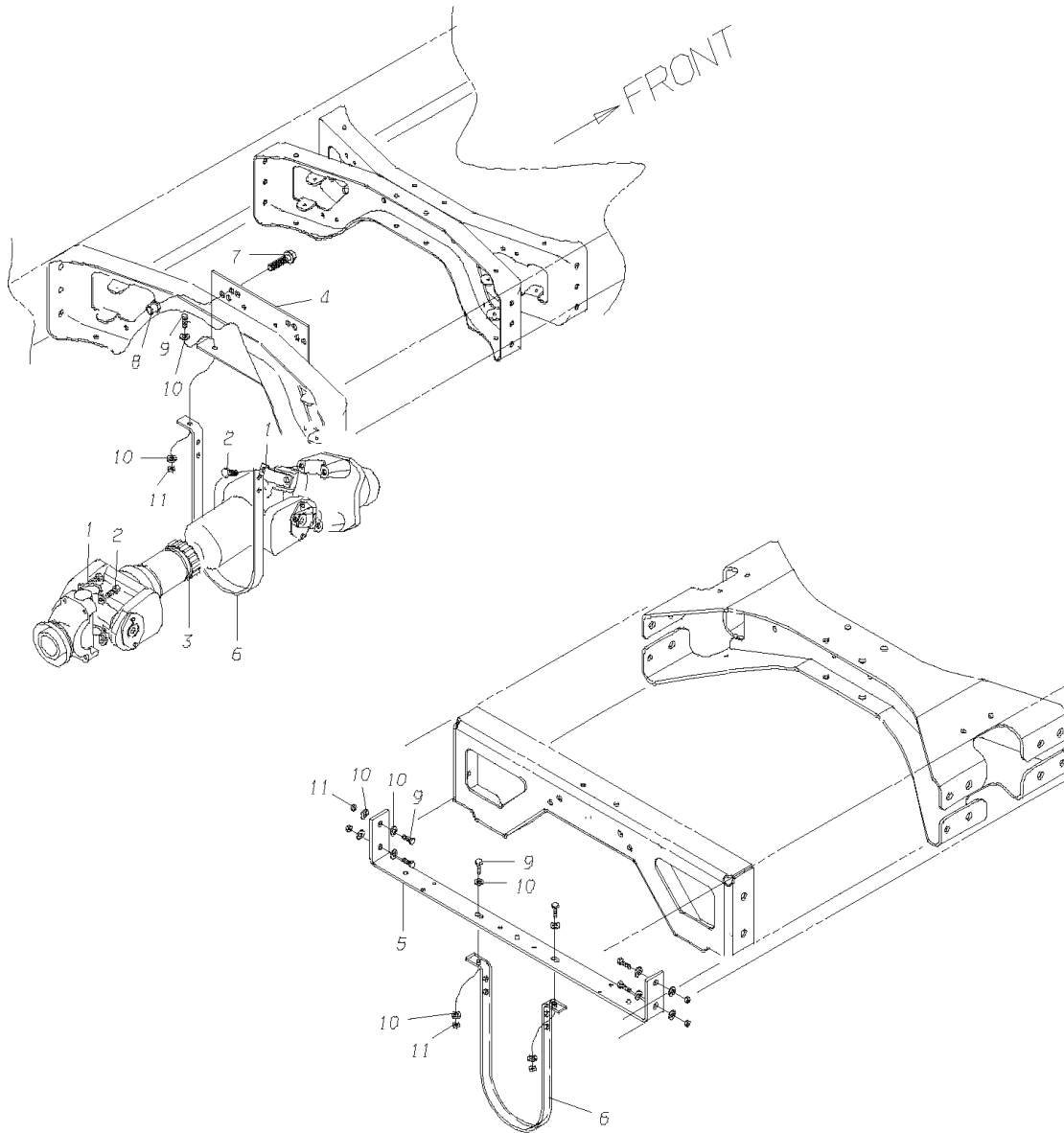
Models: A3RE, C4RE, CSRE, QBRE

1710 SERIES

CAT, CUMMINS, ISC, JD 8.1, B400, B400R

With Features: FEATURE 40184-07,-09, 40187-13, 40181-01

Key	PartNumber	Qty	Description	Comment
-----	------------	-----	-------------	---------

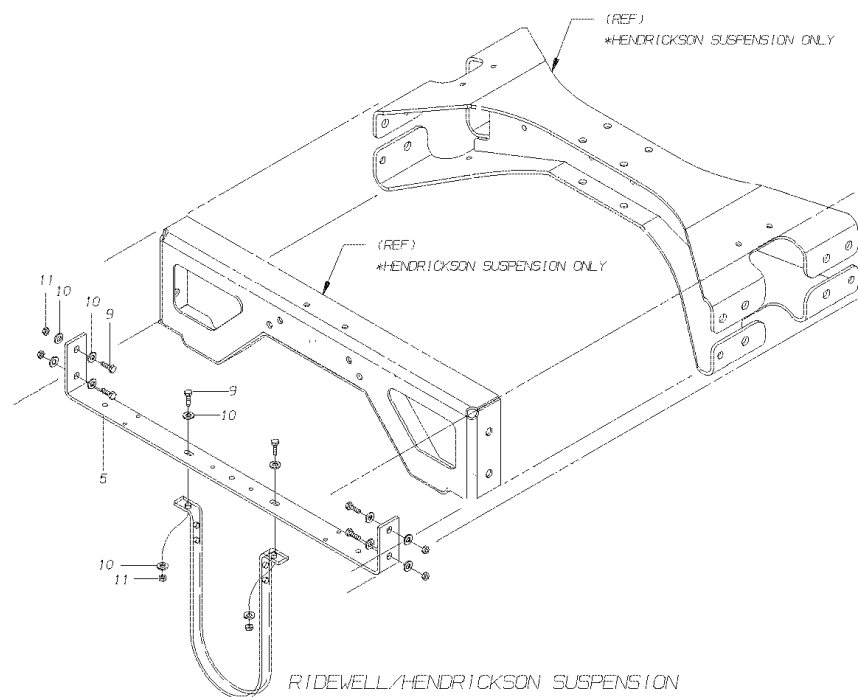
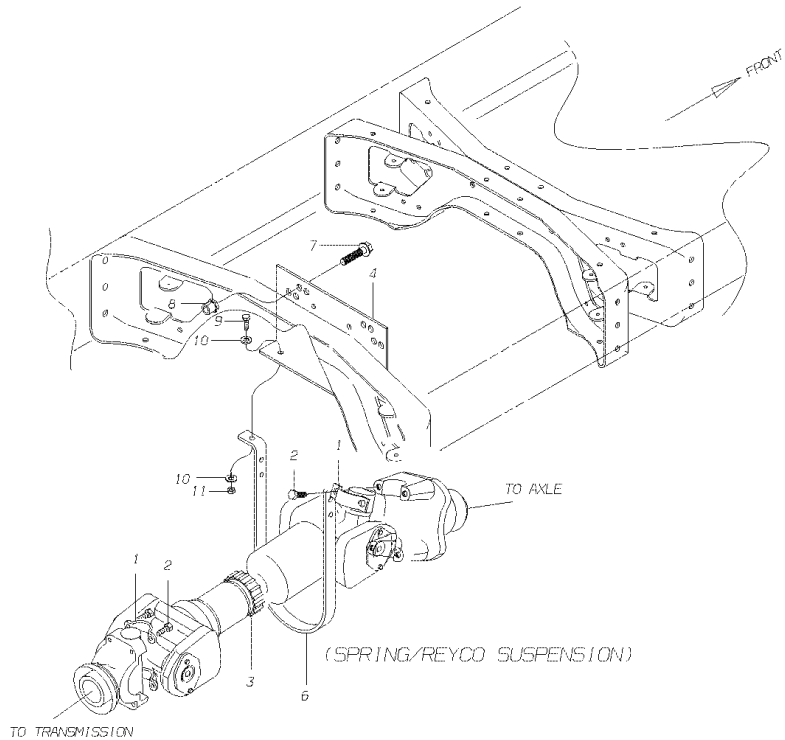


Models: A3RE, C4RE, CSRE, QBRE
1710 SERIES
CAT, CUMMINS, ISC, JD 8.1, B400, B400R
With Features: FEATURE 40184-07,-09, 40187-13, 40181-01

Key	PartNumber	Qty	Description	Comment
1	1631506		KIT,STRAP AND BOLT,6.5-70-18X	
2	1631506		KIT,STRAP AND BOLT,6.5-70-18X	
3	1797760		SHAFT ASSY,1710,SLIP,HALF RND,COL-19.00	ALL AXLES EXCEPT CSRE WITH JD 8.1 WITH 23K AXLE
3	0038988		SHAFT ASSY,1710,SLIP,SHORT CPLD,COL-16.97	WITH 23K AXLE ONLY)
4	1529320		ANGLE,MTG,DRIVE LINE GUARD, TCRE	
4	1725589		ANGLE,MOUNTING,DRIVE LINE GUARD,	
5	1760628		BRACKET,SUPT,DRV SHF GUARD,RDWL,	BRACKET, SUPT DRIVE SHAFT GUARD. RIDEWELL/HENDRICKSON
6	1625052		STRAP,PROP SHAFT GUARD,RIDEWELL,AAFC	
6	1536069		STRAP,PROP SHAFT GUARD	
7	1636943		PIN,FLG HEAD,HUCKSPIN,.50X2.22,HSP8	SPRING SUSPENSION
8	1636968		COLLAR,HUCKSPIN,.50,HSCH-R16	SPRING SUSPENSION
9	0803171		CAPSCREW,HEXHD,3/8-16NCX1-1/2,GR8,	
10	1107085		WASHER,FLAT,13/32 X 13/16 X 3/32,HDN,BLK	
11	0826297		NUT,HEX HD,3/8-16 LOCK,YEL ZN DICH	

Models: A3RE, C4RE
SPL 70 OR SPL 140
2500PTS, 3000PTS TRANSMISSION
With Features: FEATURE 40432

Key	PartNumber	Qty	Description	Comment
-----	------------	-----	-------------	---------



Models: A3RE, C4RE
SPL 70 OR SPL 140
2500PTS, 3000PTS TRANSMISSION
With Features: FEATURE 40432

Key	PartNumber	Qty	Description	Comment
1	1326610		STRAP,YOKE,SPICER 3-70-99	FOR SPL 70 DRIVELINE WITH FEATURE, 40432 0,-09 2500PTS TRANSMISSION
2	1567486		BOLT,3/8-24 X 3/4,SPICER 6-73-412	FOR SPL 70 DRIVELINE WITH FEATURE, 40432 0,-09 2500PTS TRANSMISSION
3	0076753		SHAFT ASSY,SPL70,SLIP W/O CTR BRG,23.32	FOR SPL 70 DRIVELINE WITH FEATURE, 40432 0,-09 2500PTS TRANSMISSION
4	1529320		ANGLE,MTG,DRIVE LINE GUARD, TCRE	FOR SPL 70 DRIVELINE WITH FEATURE, 40432 0,-09 2500PTS TRANSMISSION
4	1725589		ANGLE,MOUNTING,DRIVE LINE GUARD,	FOR SPL 70 DRIVELINE WITH FEATURE, 40432 0,-09 2500PTS TRANSMISSION
5	1760628		BRACKET,SUPT,DRV SHF GUARD,RDWL,	RIDEWELL/ HENDRICKSON FOR SPL 70 DRIVELINE WITH FEATURE, 40432 0,-09 2500PTS TRANSMISSION
6	1625052		STRAP,PROP SHAFT GUARD,RIDEWELL,AAFC	RIDEWELL/ HENDRICKSON FOR SPL 70 DRIVELINE WITH FEATURE, 40432 0,-09 2500PTS TRANSMISSION
6	1536069		STRAP,PROP SHAFT GUARD	FOR SPL 70 DRIVELINE WITH FEATURE, 40432 0,-09 2500PTS TRANSMISSION
7	1636943		PIN,FLG HEAD,HUCKSPIN,.50X2.22,HSP8	FOR SPL 70 DRIVELINE WITH FEATURE, 40432 0,-09 2500PTS TRANSMISSION
8	1636968		COLLAR,HUCKSPIN,.50,HSCH-R16	
9	0803171		CAPSCREW,HEXHD,3/8-16NCX1-1/2,GR8,	FOR SPL 70 DRIVELINE WITH FEATURE, 40432 0,-09 2500PTS TRANSMISSION
10	1107085		WASHER,FLAT,13/32 X 13/16 X 3/32,HDN,BLK	FOR SPL 70 DRIVELINE WITH FEATURE, 40432 0,-09 2500PTS TRANSMISSION
11	0826297		NUT,HEX HD,3/8-16 LOCK,YEL ZN DICH	FOR SPL 70 DRIVELINE WITH FEATURE, 40432 0,-09 2500PTS TRANSMISSION
1	0077110		KIT,STRAP,AND BOLT,140-70-18X	FOR SPL 140 DRIVELINE WITH FEATURE 40432- 04-05,-06,-07,-10,-11,-12 OR -13 WITH FEATURE 40423-03,-04, 05, 06 OR 5 SPEED OR 6 SPEED OR 2200/2400 TRANSMISSION
2	0077110		KIT,STRAP,AND BOLT,140-70-18X	FOR SPL 140 DRIVELINE WITH FEATURE 40432- 04-05,-06,-07,-10,-11,-12 OR -13 WITH FEATURE 40423-03,-04, 05, 06 OR 5 SPEED OR 6 SPEED OR 2200/2400 TRANSMISSION

Models: A3RE, C4RE
SPL 70 OR SPL 140
2500PTS, 3000PTS TRANSMISSION
With Features: FEATURE 40432

Key	PartNumber	Qty	Description	Comment
3	0076756		SHAFT ASSY,SPL140,SLIP,21.5,PUR	FOR SPL 140 DRIVELINE WITH FEATURE 40432- 04-05,-06,-07,-10,-11,-12 OR -13 WITH FEATURE 40423-03,-04, 05, 06 OR 5 SPEED OR 6 SPEED OR B200/B400 TRANSMISSION
4	1529320		ANGLE,MTG,DRIVE LINE GUARD, TCRE	FOR SPL 140 DRIVELINE WITH FEATURE 40432- 04-05,-06,-07,-10,-11,-12 OR -13 WITH FEATURE 40423-03,-04, 05, 06 OR 5 SPEED OR 6 SPEED OR B200/B400 TRANSMISSION
4	1725589		ANGLE,MOUNTING,DRIVE LINE GUARD,	FOR SPL 140 DRIVELINE WITH FEATURE 40432- 04-05,-06,-07,-10,-11,-12 OR -13 WITH FEATURE 40423-03,-04, 05, 06 OR 5 SPEED OR 6 SPEED OR B200/B400 TRANSMISSION
5	1760628		BRACKET,SUPT,DRV SHF GUARD,RDWL,	RIDEWELL/ HENDRICKSON FOR SPL 140 DRIVELINE WITH FEATURE 40432- 04-05,-06,-07,-10,-11,-12 OR -13 WITH FEATURE 40423-03,-04, 05, 06 OR 5 SPEED OR 6 SPEED OR B200/B400 TRANSMISSION
6	1625052		STRAP,PROP SHAFT GUARD,RIDEWELL,AAFC	FOR SPL 140 DRIVELINE WITH FEATURE 40432- 04-05,-06,-07,-10,-11,-12 OR -13 WITH FEATURE 40423-03,-04, 05, 06 OR 5 SPEED OR 6 SPEED OR B200/B400 TRANSMISSION
6	1536069		STRAP,PROP SHAFT GUARD	FOR SPL 140 DRIVELINE WITH FEATURE 40432- 04-05,-06,-07,-10,-11,-12 OR -13 WITH FEATURE 40423-03,-04, 05, 06 OR 5 SPEED OR 6 SPEED OR B200/B400 TRANSMISSION
7	1636943		PIN,FLG HEAD,HUCKSPIN,.50X2.22,HSP8	FOR SPL 140 DRIVELINE WITH FEATURE 40432- 04-05,-06,-07,-10,-11,-12 OR -13 WITH FEATURE 40423-03,-04, 05, 06 OR 5 SPEED OR 6 SPEED OR B200/B400 TRANSMISSION
8	1636968		COLLAR,HUCKSPIN,.50,HSCH-R16	FOR SPL 140 DRIVELINE WITH FEATURE 40432- 04-05,-06,-07,-10,-11,-12 OR -13 WITH FEATURE 40423-03,-04, 05, 06 OR 5 SPEED OR 6 SPEED OR B200/B400 TRANSMISSION
9	0803171		CAPSCREW,HEXHD,3/8-16NCX1-1/2,GR8,	FOR SPL 140 DRIVELINE WITH FEATURE 40432- 04-05,-06,-07,-10,-11,-12 OR -13 WITH FEATURE 40423-03,-04, 05, 06 OR 5 SPEED OR 6 SPEED OR B200/B400 TRANSMISSION
10	1107085		WASHER,FLAT,13/32 X 13/16 X 3/32,HDN,BLK	FOR SPL 140 DRIVELINE WITH FEATURE 40432- 04-05,-06,-07,-10,-11,-12 OR -13 WITH

Models: A3RE, C4RE
 SPL 70 OR SPL 140
 2500PTS, 3000PTS TRANSMISSION
With Features: FEATURE 40432

Key	PartNumber	Qty	Description	Comment
11	0826297		NUT,HEX HD,3/8-16 LOCK,YEL ZN DICH	FEATURE 40423-03,-04, 05, 06 OR 5 SPEED OR 6 SPEED OR B200/B400 TRANSMISSION FOR SPL 140 DRIVELINE WITH FEATURE 40432- 04-05,-06,-07, -10,-11,-12 OR -13 WITH FEATURE 40423-03,-04, 05, 06 OR 5 SPEED OR 6 SPEED OR B200/B400 TRANSMISSION