

Chassis

090 Frame

BUMPERS

FRONT

With: FEATURE 40088-01 _____ 1

EXTENDED 2 IN

With: FEATURE 40087-03 _____ 2

REAR

With: FEATURE 40086-04 OR 40087-02 _____ 3

ENGINE MOUNTING

JD 8.1

With: FEATURE 40181 _____ 4

FRAME ASSEMBLY

*From CSN 10016975 (11/02/98)
To CSN F10148859* _____ 5

From CSN F10148860 _____ 6

CNG

189 WHEELBASE

_____ 7

273 WB

*From CSN 10016975 (11/02/98)
To CSN F10148859* _____ 8

From CSN F10148860 _____ 9

RIDEWELL SUSPENSION

DIESEL

With: FEATURE 40004-08 (FRONT) & 40005-07 (REAR) _____ 10

RIGHT HAND DRIVE

245 WHEELBASE

To CSN F10148864 _____ 11

From CSN F10148865 _____ 12

TOW HOOKS

FRONT


With: FEATURE 40411-01 _____ 13

REAR

With: FEATURE 40411-02

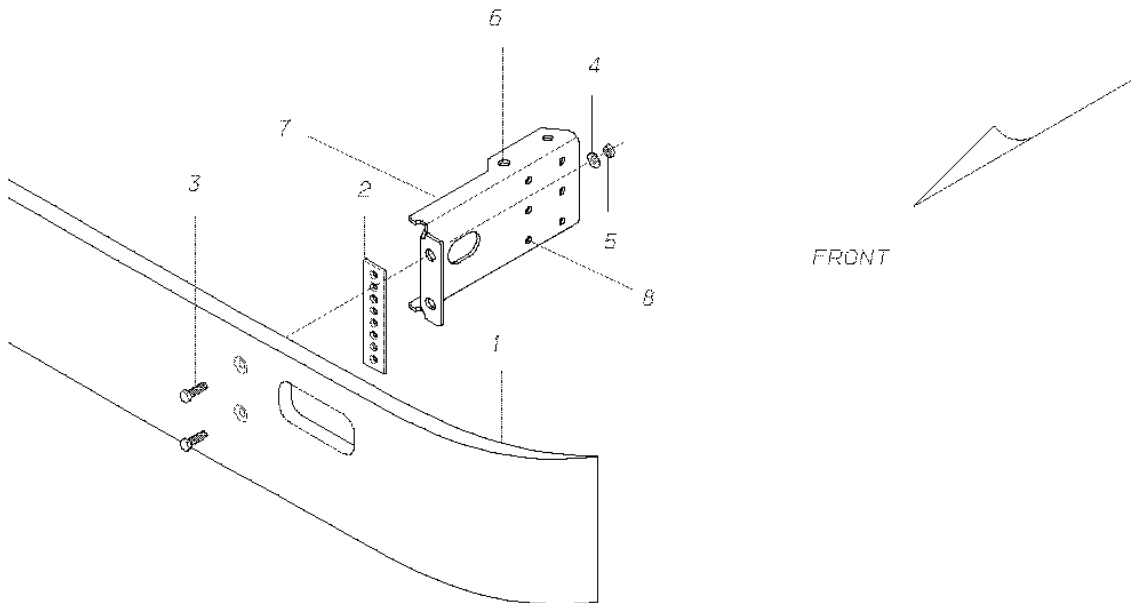
Models: **A3RE
BUMPERS
FRONT**
With Features: **FEATURE 40088-01**

Key	PartNumber	Qty	Description	Comment
-----	------------	-----	-------------	---------

DR. 10/27/96 BY NW		00147041	---	 BLUE BIRD
APP. 10/27/98 BY MT	FRT		REV	

© BLUE BIRD BODY COMPANY ALL RIGHTS RESERVED

FRONT BUMPER




Models: A3RE
BUMPERS
FRONT
With Features: FEATURE 40088-01

Key	PartNumber	Qty	Description	Comment
1	0031117	1	BUMPER,FRT,12,.25 THK,W/STEP,PAINTED,	
2	1679232	6	PLATE,SPACER,BUMPER,QBRE	
3	0014339	4	BOLT,1/2-13 X 2.00,ROUND SOCKET HEAD	
4	1003045	4	WASHER,FLAT,17/32 X 1 1/16 X 7/64,HDN,	
5	0850800	4	NUT,HEX HD,1/2-13,LOCKING,GR 8,CAD WAX	
6	0012729	1	BRACKET,MOUNTING,LH,FRONT,BUMPER	
7	1636943	12	PIN,FLG HEAD,HUCKSPIN,.50X2.22,HSP8	
8	1636968	12	COLLAR,HUCKSPIN,.50,HSCH-R16	
9	0012728	1	BRACKET,MOUNTING,RH,FRONT,BUMPER	

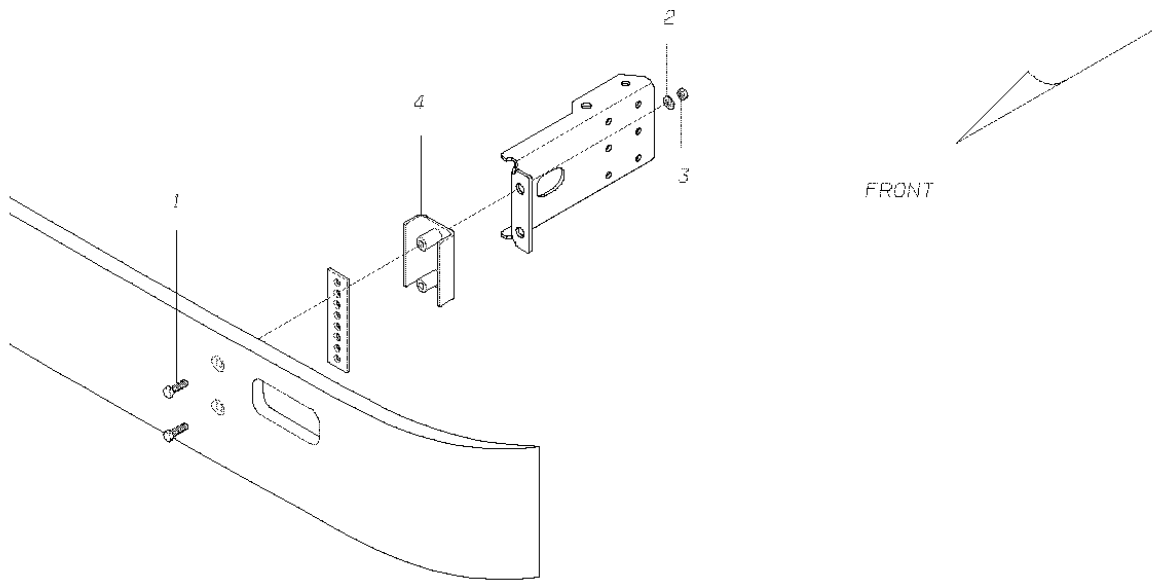
Models: A3RE
BUMPERS
FRONT
EXTENDED 2 IN
With Features: FEATURE 40087-03

Key	PartNumber	Qty	Description	Comment
-----	------------	-----	-------------	---------

DR. 10/28/98 BY NW		00147042	---	 <small>BLUE BIRD</small>
APP. 10/28/98 BY HT	FRT		REV	

© BLUE BIRD BODY COMPANY ALL RIGHTS RESERVED

2" EXTENDED FRONT BUMPER



Models:

**A3RE
BUMPERS
FRONT
EXTENDED 2 IN**

With Features:

FEATURE 40087-03


Key	PartNumber	Qty	Description	Comment
1	0014346	4	BOLT,1/2-13 X 4.00,ROUND SOCKET HEAD	
2	1003045	4	WASHER,FLAT,17/32 X 1 1/16 X 7/64,HDN,	
3	0850800	4	NUT,HEX HD,1/2-13,LOCKING,GR 8,CAD WAX	
4	1459262	2	SPACER ASSY,FRT BUMPER BRACKET	
5	1679232	6	PLATE,SPACER,BUMPER,QBRE	
6	0012729	1	BRACKET,MOUNTING,LH,FRONT,BUMPER	
7	1636943	12	PIN,FLG HEAD,HUCKSPIN,.50X2.22,HSP8	
8	1636968	12	COLLAR,HUCKSPIN,.50,HSCH-R16	
9	0031117	1	BUMPER,FRT,12,.25 THK,W/STEP,PAINTED,	
10	0012728	1	BRACKET,MOUNTING,RH,FRONT,BUMPER	

Models: A3RE
BUMPERS
REAR

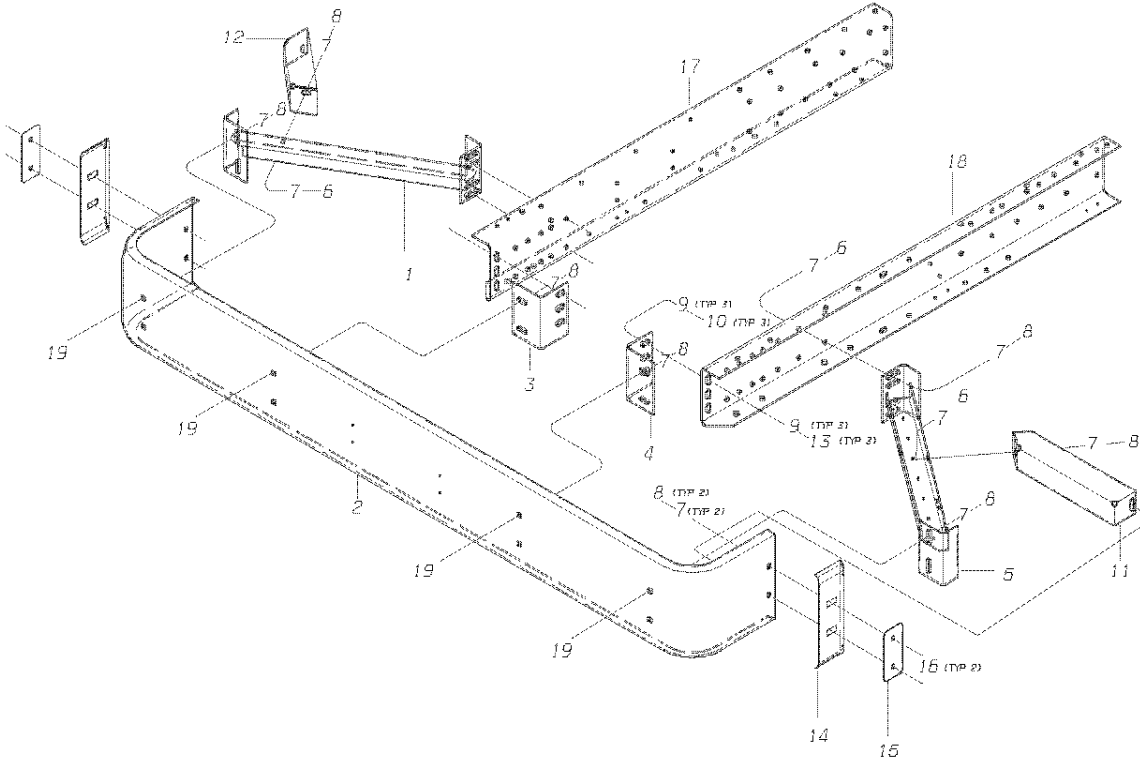
With Features: FEATURE 40086-04 OR 40087-02

Key	PartNumber	Qty	Description	Comment
-----	------------	-----	-------------	---------

REAR BUMPER

DR. 10/20/90 BY NJ	REV	00147045	
APP. 10/26/98 BY MT	REV		

© BLUE BIRD BODY COMPANY. ALL RIGHTS RESERVED



Models: A3RE

BUMPERS

REAR

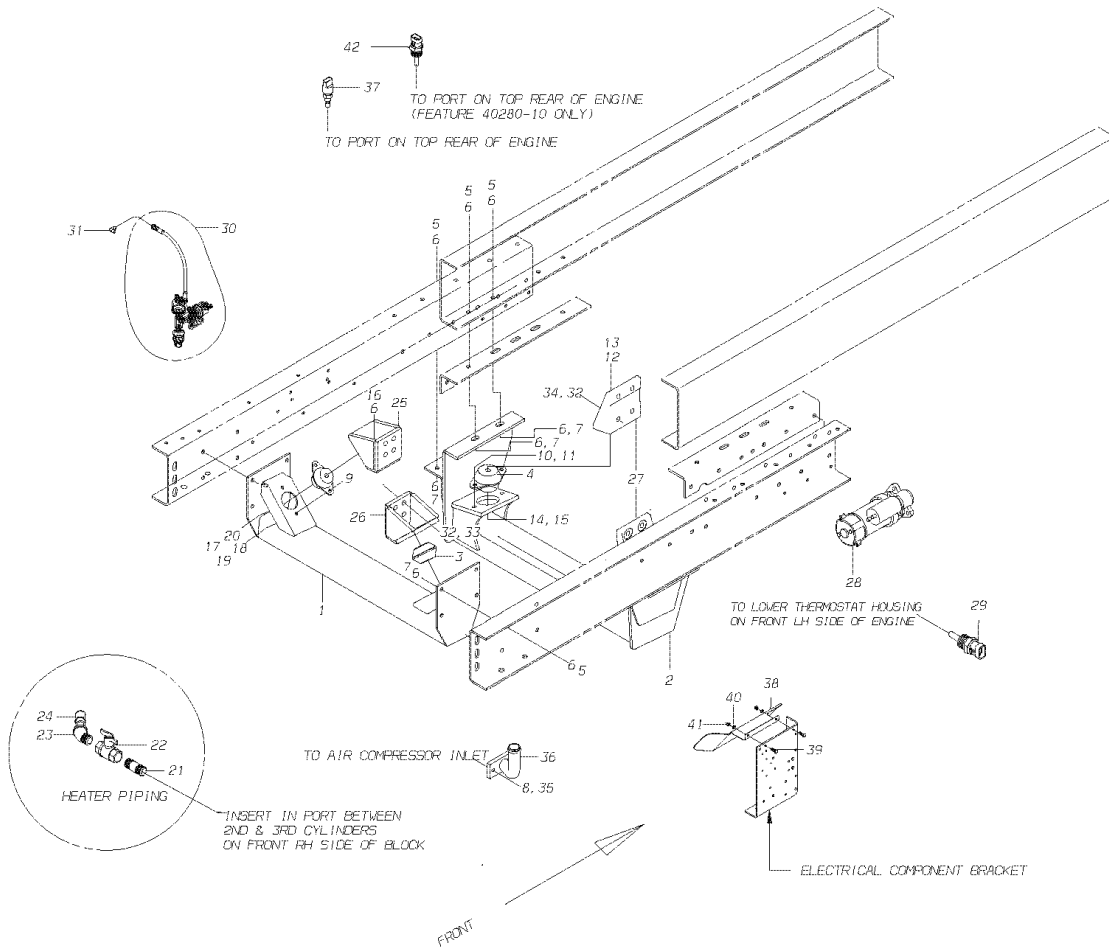
With Features: FEATURE 40086-04 OR 40087-02

Key	PartNumber	Qty	Description	Comment
1	0014688	1	BRACE ASSY,MOUNTING,BUMPER,LH,HDRE	FEATURE 40086-04
1	0014803	1	BRACE ASSY,MTG,BUMPER,EXTENDED,LH,HDRE	FEATURE 40087-02
2	0009555	1	BUMPER,REAR,12,.18 THK,PAINTED,W/O HOLE	FEATURE 40086-04
2	0015673	1	BUMPER,REAR,12,.18 THK,EXTENDED 2",	FEATURE 40087-02
3	0014597	1	BRACKET,12 IN BUMPER,REAR,LH,HDRE	FEATURE 40086-04
3	0014878	1	BRACKET,12 IN,BUMPER,EXTENDED,REAR,LH,	FEATURE 40087-02
4	0014647	1	BRACKET,12 IN BUMPER,REAR,RH,HDRE	FEATURE 40086-04
4	0014886	1	BRACKET,12 IN,BUMPER,EXTENDED,REAR,RH,	FEATURE 40087-02
5	0014696	1	BRACE ASSY,MOUNTING,BUMPER,RH,HDRE	FEATURE 40086-04
5	0014852	1	BRACE ASSY,MTG BUMPER,EXTENDED,RH,HDRE	FEATURE 40187-02
6	0803239	6	CAPSCREW,HEX HD,1/2-13 X1 1/2,GR8	
7	0850776	24	WASHER,FLAT,17/32 X 1 1/16 X 3/32,	
8	0850800	18	NUT,HEX HD,1/2-13,LOCKING,GR 8,CAD WAX	
9	0929018	12	WASHER,FLAT,21/32 X 1 1/8 X 3/32,HDN,YEL	
10	0939827	6	NUT,HEX HD,5/8-11,GR 8,LOCK,CADMIUM WAX	
11	0014662	1	BRACE,MOUNTING,BUMPER TO BRACE,RH,HDRE	
12	0014613	1	BRACE,MOUNTING,BUMPER TO BRACE,LH,HDRE	
13	1107879	6	CAPSCREW,HEX HD,5/8-11 X1 3/4,GR8,	
14	1585975	2	TRIM,BUMPER,REAR	
15	1585967	2	PLATE,ATTACHING,BUMPER TRIM	
16	2000420	4	BOLT,CARRIAGE,1/2-13 X 1/12,BLACK ZN,FL	
17	0014746	1	FRAME,SUB,REAR,LH,RE	
18	0014753	1	FRAME,SUB,REAR,RH,RE	
19	0001961	8	BOLT,1/2-13 X 1.50,ROUND SOCKET HEAD	
20	1597434	1	TRIM,BODY TO EXTENDED BUMPER,RH, DRRE	FEATURE 40187-02
21	1597442	1	TRIM,BODY TO EXTENDED BUMPER,LH, TCRE	FEATURE 40187-02

Models: A3RE
ENGINE MOUNTING
 JD 8.1

With Features: FEATURE 40181

Key	PartNumber	Qty	Description	Comment
-----	------------	-----	-------------	---------



Models: A3RE
ENGINE MOUNTING
JD 8.1
With Features: FEATURE 40181

Key	PartNumber	Qty	Description	Comment
1	1926328		CROSSMEMBER ASSY,FRT ENG MTG,JD 8.1,RE	
2	1855451		CROSSMEMBER ASSY,RR ENG MTG,JD 8.1	
3	1855519		ISOLATOR,MOTOR MOUNT,BARRY	
4	1743848		INSOLATOR,MTR MNT,BARRY	
5	0803239	16	CAPSCREW,HEX HD,1/2-13 X1 1/2,GR8	
6	0850776	38	WASHER,FLAT,17/32 X 1 1/16 X 3/32,	
7	0850800	20	NUT,HEX HD,1/2-13,LOCKING,GR 8,CAD WAX	
8	2001188		LOCKWASHER,SPLIT RING, 5/16,MED,YEL ZN	
9	0803213	8	CAPSCREW,HEX HD,3/8-16X1 1/4,GR8,YEL	
10	2001212		LOCKWASHER,SPLIT RING, 1/2 ,LHT,YEL ZN	
11	1754498	8	CAPSCREW,HEX HD,1/2-13X3/4,GR 8,ZINC	
12	0607036	2	WASHER,FLAT,13/16 X 1 3/8 X 7/64 ZP,HRD	
13	1317783	8	CAPSCREW,HEX HD,3/4-10 X 5,GR 8,YEL ZN	
14	1080316		WASHER,FLAT,FRONT ENGINE MTG,YEL ZN	
15	0933879	2	NUT,HEX HD,3/4-10,PRVLG TORQ,GR8,CAD	
16	1003078	8	CAPSCREW,HEX HD,1/2-13 X 3,GR 8,YEL ZN	
17	1010024	2	NUT,HEX HD,1/2-13,GR 8,LG FL,L/N,YEL ZN	
18	1107085		WASHER,FLAT,13/32 X 13/16 X 3/32,HDN,BLK	
19	0826297		NUT,HEX HD,3/8-16 LOCK,YEL ZN DICH	
20	1855758		WASHER,.531 X 2.500 X 11 GA,YEL ZINC DICH	
21	2009538	4	NIPPLE,PIPE,3/4 X 4,GALV	
22	1626431		VALVE,BALL,3/4,W/BUTTERFLY HANDLE	
23	2009272		ELBOW,STREET,3/4 45 DEG,GALV	
24	0315200		ADAPTER,HTR,3/4 PIPE X 1 HOSE	
25	1820810		CASTING,ENGINE TO C/M ASSY,FRT,LH,JD 8.1	
26	1820828		CASTING,ENGINE TO C/M ASSY,FRT,RH,JD 8.1	
27	1820802	2	CASTING,ENGINE TO C/M ASSY,RR,JD 8.1	
28	1839281	1	STARTER,NIPPONDENSO,12V,JOHN DEERE 8.1	
29	0007733		SENDER,WATER TEMPERATURE,1/2 PIPE,250	
30	0019636		MANIFOLD ASSY,OIL PRESS,VDO DASH,JD	
31	2008241	1	ELBOW,MALE,1/4 TUBE X 1/8 PIPE	
32	2001220		LOCKWASHER,SPLIT RING, 5/8 ,LHT,YEL ZN	
33	1885128	8	CAPSCREW,HEX HD,5/8-11 X 2.75 GR8,YEL	

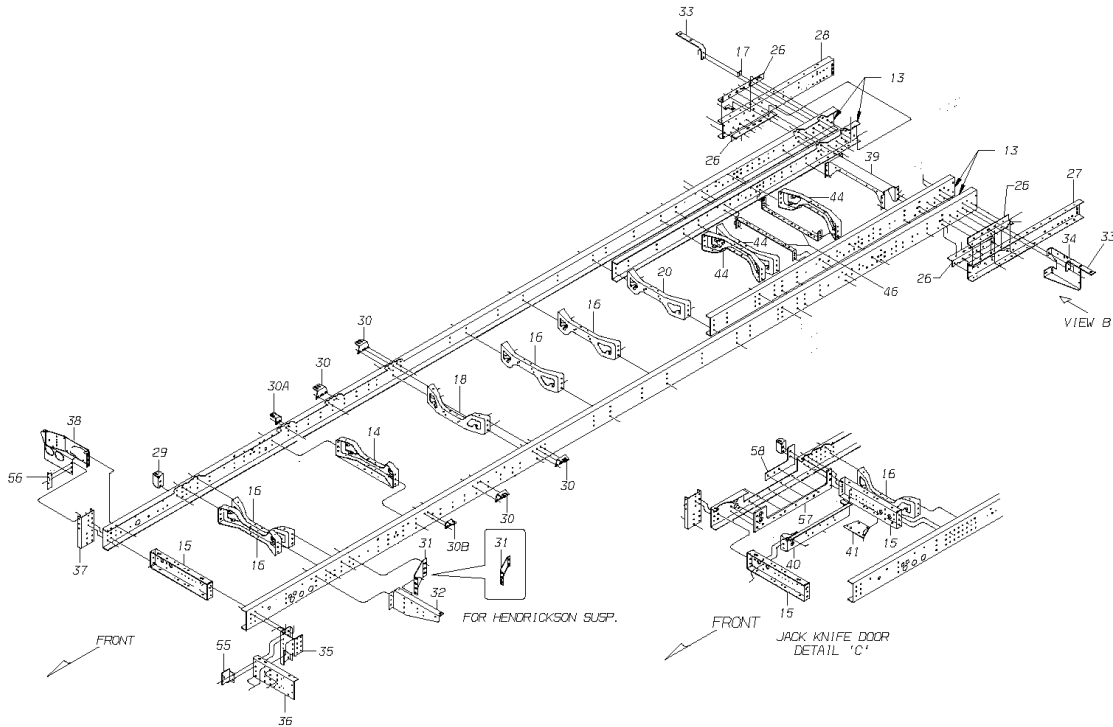
Models: **A3RE**
ENGINE MOUNTING
JD 8.1

With Features: **FEATURE 40181**

Key	PartNumber	Qty	Description	Comment
34	1107895	8	CAPSCREW,HEX HD,5/8-11 X 2,GR8,YEL ZN	
35	0989145	1	CAPSCREW,HEX HD,5/16-18, X, 1, ,GR5,	
36	0000085		ADAPTER ASSY,AIR COMPRESSOR INLET,J/D	
37	1847391		ALARMSTAT,225 DEGREE,METRI-PACK,KYSOR	
38	0045372	1	SHIELD,HEAT,TURBO,JD 8.1, RE	
39	0870477		CAPSCREW,HEX HD,1/4-20 X 1,GR 8,YEL ZN	
40	2001170		LOCKWASHER,SPLIT RING, 1/4 ,MED,YEL ZN	
41	2001329		NUT,HEX HD,1/4-20,YELLOW DICHROMATE"	
42	0007733		SENDER,WATER TEMPERATURE,1/2 PIPE,250	<i>WITH FEATURE 40280-10 ONLY</i>
NI	0964908		ADAPTER,849-FSO-12X12,37 DEG	
NI	1526987		DECAL,VALVE,HYDRAULIC CAUTION,	
NI	1139559	8	CAPSCREW,HEX HD,1/2-13 X 4,GR8,YEL ZN	
NI	1839174		COVER,DUST,IDLER PULLEY	
NI	1839182		PULLEY,IDLER,8 RIB DAYCO	
NI	1839240		SPACER,IDLER	
NI	1839257		BOLT,SHOULDER,FLANGED SOCKET HEAD	
NI	1868223	1	BELT,POLY-VEE,8V X 1730 MM (68.11 IN)	<i>68.11 IN)</i>
NI	1786870		PULLEY,ALTERNATOR,8 GROOVE,JOHN DEERE	
NI	1884956		KIT,SENSOR,TEMPERATURE,TANK,NATURAL	
NI	1891142		COVER,ATO FUSE,RD,630 SERIES,METRI-PACK	

Models: A3RE
FRAME ASSEMBLY
BSN: From CSN 10016975 (11/02/98)
 To CSN F10148859

Key	PartNumber	Qty	Description	Comment
-----	------------	-----	-------------	---------



Models: A3RE
FRAME ASSEMBLY
BSN: From CSN 10016975 (11/02/98)
 To CSN F10148859

Key	PartNumber	Qty	Description	Comment
1	1636943		PIN,FLG HEAD,HUCKSPIN,.50X2.22,HSP8	
2	1636950		PIN,FLG HEAD,HUCKSPIN,.50X2.60,HSP8	
3	1746817		PIN,FLG HEAD,HUCKSPIN,.50X2.85,HSP8	
4	1636968		COLLAR,HUCKSPIN,.50,HSCH-R16	
5	0803148		CAPSCREW,HEX HD,1/2-13 X 1 3/4,GR8,	
6	1003045		WASHER,FLAT,17/32 X 1 1/16 X 7/64,HDN,	
7	0850800		NUT,HEX HD,1/2-13,LOCKING,GR 8,CAD WAX	
8	0803239		CAPSCREW,HEX HD,1/2-13 X1 1/2,GR8	
9			CURRENTLY NOT USED	
10	1107085		WASHER,FLAT,13/32 X 13/16 X 3/32,HDN,BLK	
11	0882803		CAPSCREW,HEX HD,3/8-16,X,1,,GR5,YELDICH	
12	0803163		CAPSCREW,HEX HD,1/2-13 X2 1/2,GR8,	
13	0031754		FRAME RAIL SET,189WB,SPR/HEND,LHDRV,	<i>DIESEL ONLY, 189 IN WHEELBASE, ENDING WITH BSN F10139549</i>
13	0063424		FRAME RAIL SET,189WB,SPR/HEN,LHRDV,DSL	<i>DIESEL ONLY, 189 IN WHEELBASE, BEGIN WITH BSN F10139550</i>
13	0031204		FRAME RAIL SET,217WB,SPR/HEND,LHDRV,	<i>DIESEL ONLY, 217 IN WHEELBASE, ENDING WITH BSN F10139549</i>
13	0063414		FRAME RAIL SET,217WB,LHDRV, HDRE	<i>DIESEL ONLY, 217 IN WHEELBASE, BEGIN WITH BSN F10139550</i>
13	0031756		FRAME RAIL SET,217WB,SPR/HEND,40242-01	<i>CNG FUEL SYSTEM-FEATURE 40242-01 ONLY, 217 IN WHEELBASE, ENDING WITH BSN F10139549</i>
13	0063437		FRAME RAIL SET,217WB,SPR/HEN,CNG, HDRE	<i>CNG FUEL SYSTEM-FEATURE 40242-01 ONLY, 217 IN WHEELBASE, BEGIN WITH BSN F10139550</i>
13	0031757		FRAME RAIL SET,245WB,SPR/HEND,LHDRV,	<i>DIESEL ONLY, 245 IN. WHEELBASE, ENDING WITH BSN F10139549</i>
13	0063446		FRAME RAIL SET,245WB,SPR/HEN,LHDRV,DSL,	<i>DIESEL ONLY, 245 IN. WHEELBASE, BEGIN WITH BSN F10139550</i>
13	0032765		FRAME RAIL SET,273WB,SPR/HEND,LHDRV,	<i>DIESEL ONLY, 273 IN WHEELBASE, ENDING WITH BSN F10139549</i>
13	0063425		FRAME RAIL SET,273WB,LHDRV, HDRE	<i>DIESEL ONLY, 273 IN WHEELBASE, BEGIN WITH BSN F10139550</i>

Models: A3RE
FRAME ASSEMBLY
BSN: From CSN 10016975 (11/02/98)
 To CSN F10148859

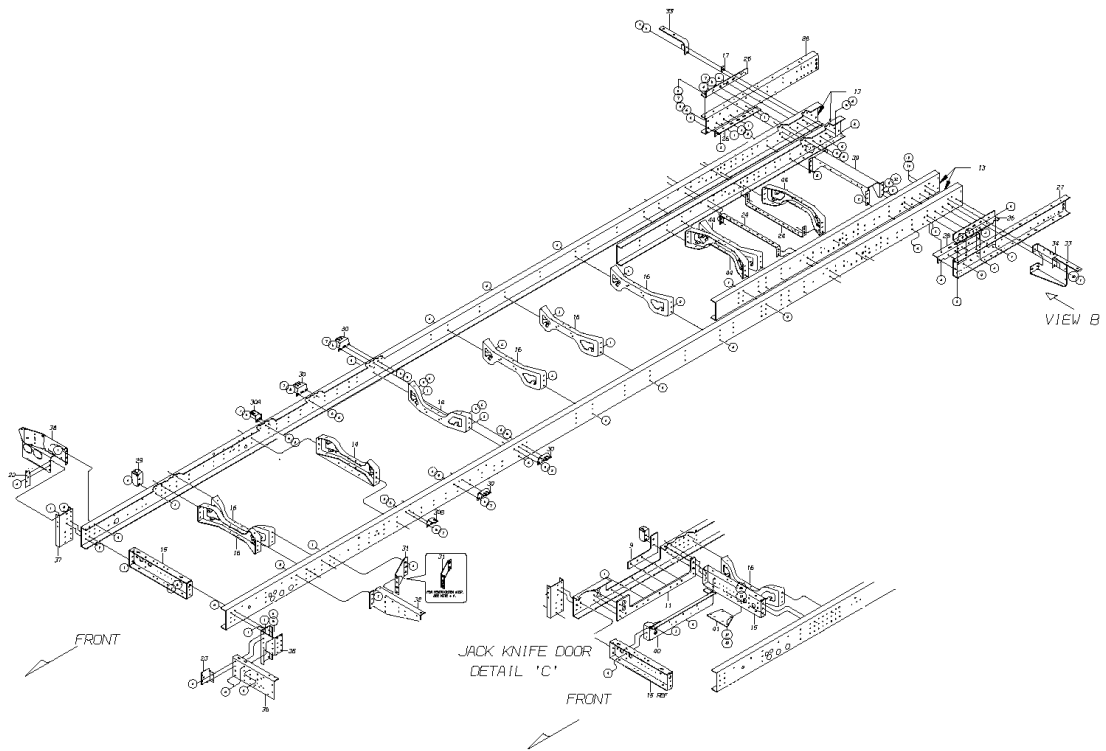
Key	PartNumber	Qty	Description	Comment
14	1807643		CROSSMEMBER ASSY,REINF,F/TANK END	
15	1487826		CROSSMEMBER,FLAT,FRONT W/AIR SUSP,TCRE,	
16	1807577		CROSSMEMBER,STAMPED,34 INCH	
17	1731736		SPACER,.250X1.25X1.25 W/.531 HOLE,RAW,	
18	1807650		CROSSMEMBER ASSY,FUEL TANK END GUARD	
19			CURRENTLY NOT USED	
20	1807676		CROSSMEMBER ASSY,RWK FOR INS,PAINTED	
21			CURRENTLY NOT USED	
22			CURRENTLY NOT USED	
23			CURRENTLY NOT USED	
24			CURRENTLY NOT USED	
25			CURRENTLY NOT USED	
26	1875053		ANGLE,ATTACHING SUBFRAME TO FRAME	
27	0014746		FRAME,SUB,REAR,LH,RE	
28	0014753		FRAME,SUB,REAR,RH,RE	
29	1880384		BRACKET,TIE DOWN,BODY,FRONT,RH,RE	
30	1509637		ANGLE,TIE DOWN,BODY,TCFE	
30	0009420		ANGLE,TIE DOWN BRKT,RR OF FRT W/H,RH,	
30	0009437		ANGLE,TIE DOWN BRKT,RR OF FRT W/H,LH,	
31	1886043		BRACE,OUTRIGGER TO FRAME,LH,RE	FEATURE 40004-03. SPRING SUSPENSION
31	1992395		BRACE, OUTRIGGER TO FRAME, LH, AIR SUSP,	FEATURE 40004-05. AIR SUSPENSION
32	1478395		OUTRIGGER,REAR,DRIVERS PLATFORM,TCRE	
33	1851385		OUTRIGGER,DAVENPORT,RH,W/S/FRM,CEC III	
34	1951664		OUTRIGGER,DAVENPORT,LEFT HAND,W/SUB-FR	
35	1470681		BRACKET,MTG,STRG GEAR,BRKT TO FRM,TCFC	
36	1557446		OUTRIGGER,FRONT,LH,TC	
37	1489756		CHANNEL,MTG,FRONT BUMPER,RH,TC/QB	
38	0000925		OUTRIGGER,FRONT,RH	
39	1897610		CROSSMEMBER,ONE PIECE,W/INSERT, CEC RE	
40	0027410		BRACKET,REINFORCEMENT,FRM,ENT DOOR	
41	1525450		GUSSET,C/MBR,FRONT SUSPENSION, TCRE	
42	1139591		CAPSCREW,HEX HD,3/8-24X1 1/2,GR8,YEL	
43	1522713		NUT,HEX HD,3/8-24,LOCK,GR 8,YEL ZNDICH	

Models: A3RE
FRAME ASSEMBLY
BSN: From CSN 10016975 (11/02/98)
 To CSN F10148859

Key	PartNumber	Qty	Description	Comment
44	1807684		CROSSMEMBER ASSY,REINF,REWORKED FOR	
45	0006366		BRACKET,MTG,CLAMP,BATTERY CABLES, HDRE	
46	1760628		BRACKET,SUPT,DRV SHF GUARD,RDWL,	<i>WITH SRPING SUSPENSION ONLY</i>
55	1507821		BRACKET,MTG,HEADLAMP PANEL,REAR,LH,TCFC	
56	1507813		BRACKET,MTG,HEADLAMP PANEL,REAR,RH,TCFC	
57	0022410		PLATE,REINFORCEMENT,FRAME,STEPWELL	

Models: A3RE
FRAME ASSEMBLY
BSN: From CSN F10148860

Key	PartNumber	Qty	Description	Comment
-----	------------	-----	-------------	---------



Models: A3RE
FRAME ASSEMBLY
BSN: From CSN F10148860

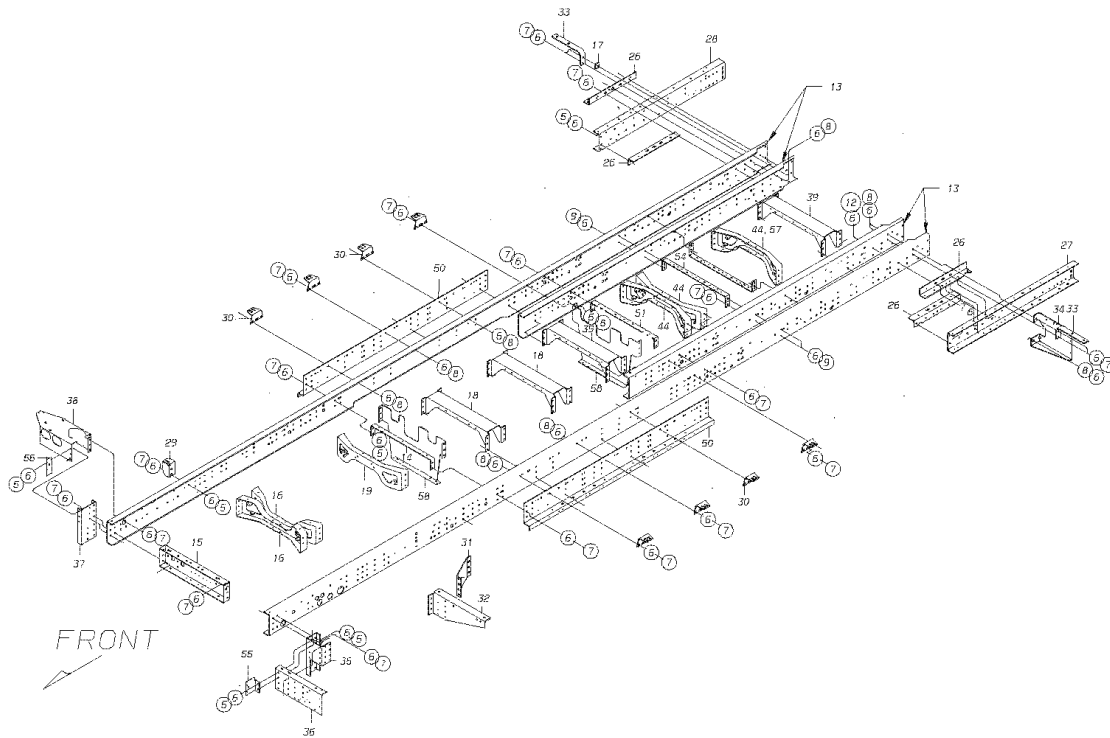
Key	PartNumber	Qty	Description	Comment
1	1636943		PIN,FLG HEAD,HUCKSPIN,.50X2.22,HSP8	
2	1636950		PIN,FLG HEAD,HUCKSPIN,.50X2.60,HSP8	
3	1746817		PIN,FLG HEAD,HUCKSPIN,.50X2.85,HSP8	
4	1636968		COLLAR,HUCKSPIN,.50,HSCH-R16	
5	0803148		CAPSCREW,HEX HD,1/2-13 X 1 3/4,GR8,	
6	1003045		WASHER,FLAT,17/32 X 1 1/16 X 7/64,HDN,	
7	0850800		NUT,HEX HD,1/2-13,LOCKING,GR 8,CAD WAX	
8	0803239		CAPSCREW,HEX HD,1/2-13 X1 1/2,GR8	
9	0027718		PLATE,REINF,FRAME,OUTSIDE,STEPWELL	
10	1107085		WASHER,FLAT,13/32 X 13/16 X 3/32,HDN,BLK	
11	0022410		PLATE,REINFORCEMENT,FRAME,STEPWELL	
12	0803163		CAPSCREW,HEX HD,1/2-13 X2 1/2,GR8,	
13	0063424		FRAME RAIL SET,189WB,SPR/HEN,LHRDV,DSL	<i>DIESEL ONLY</i>
13	0063414		FRAME RAIL SET,217WB,LHDRV, HDRE	<i>DIESEL ONLY</i>
13	0063437		FRAME RAIL SET,217WB,SPR/HEN,CNG, HDRE	<i>FEATURE 40242-01 ONLY</i>
13	0063446		FRAME RAIL SET,245WB,SPR/HEN,LHDRV,DSL,	<i>DIESEL ONLY</i>
13	0063425		FRAME RAIL SET,273WB,LHDRV, HDRE	<i>DIESEL ONLY</i>
14	1807643		CROSSMEMBER ASSY,REINF,F/TANK END	
15	1487826		CROSSMEMBER,FLAT,FRONT W/AIR SUSP,TCRE,	
16	1807577		CROSSMEMBER,STAMPED,34 INCH	
17	1731736		SPACER,.250X1.25X1.25 W/.531 HOLE,RAW,	
18	1807650		CROSSMEMBER ASSY,FUEL TANK END GUARD	
19			CURRENTLY NOT USED	
20	1807676		CROSSMEMBER ASSY,RWK FOR INS,PAINTED	
21			CURRENTLY NOT USED	
22	1507813		BRACKET,MTG,HEADLAMP PANEL,REAR,RH,TCFC	
23	1507821		BRACKET,MTG,HEADLAMP PANEL,REAR,LH,TCFC	
24	1760628		BRACKET,SUPT,DRV SHF GUARD,RDWL,	
25	0006366		BRACKET,MTG,CLAMP,BATTERY CABLES, HDRE	
26	1875053		ANGLE,ATTACHING SUBFRAME TO FRAME	
27	0014746		FRAME,SUB,REAR,LH,RE	
28	0014753		FRAME,SUB,REAR,RH,RE	
29			ANGLE, TIE DOWN, BODY, FRONT	

Models: A3RE
FRAME ASSEMBLY
BSN: From CSN F10148860

Key	PartNumber	Qty	Description	Comment
29	0065528		BRACKET,TIE DOWN,BODY,FRONT,RH,HDRE	<i>WHEELBASE,</i>
29	0065528		BRACKET,TIE DOWN,BODY,FRONT,RH,HDRE	<i>217 IN WHEELBASE WITH 8.1 CNG ENDING WITH CSN F10188950</i>
29	0080328		BRACKET,TIE DOWN,BODY,FRONT,RH., HDRE	<i>217 IN WHEELBASE WITH 8.1 CNG BEGIN WITH CSN F10188951</i>
30	1509637		ANGLE,TIE DOWN,BODY,TCFE	
30	0009420		ANGLE,TIE DOWN BRKT,RR OF FRT W/H,RH,	
30	0009437		ANGLE,TIE DOWN BRKT,RR OF FRT W/H,LH,	
31	1886043		BRACE,OUTRIGGER TO FRAME,LH,RE	<i>WITH SPRING SUSPENSION</i>
31	1992395		BRACE, OUTRIGGER TO FRAME, LH, AIR SUSP,	<i>WITH HENDRICKSON AIR FRONT SUSPENSION</i>
32	0065541		OUTRIGGER,REAR,DRIVERS PLATFORM,LH,	
33	0054060		SUPPORT,SPRING,BODY	
34	0022289		BRACKET,MTG,TRANS ECU,HTR LIFT PUMP,A3RE	<i>ENDING WITH CSN F0227189</i>
34	0092924		BRACKET,MTG,TRANS,CONTROL MODULE, A3RE	<i>BEGIN WITH CSN F0227190</i>
35	1470681		BRACKET,MTG,STRG GEAR,BRKT TO FRM,TCFC	
36	1557446		OUTRIGGER,FRONT,LH,TC	
37	1489756		CHANNEL,MTG,FRONT BUMPER,RH,TC/QB	
38	0000925		OUTRIGGER,FRONT,RH	
39	1897610		CROSSMEMBER,ONE PIECE,W/INSERT, CEC RE	
40	0027410		BRACKET,REINFORCEMENT,FRM,ENT DOOR	
41	1525450		GUSSET,C/MBR,FRONT SUSPENSION, TCRE	
42	1139591		CAPSCREW,HEX HD,3/8-24X1 1/2,GR8,YEL	
43	1522713		NUT,HEX HD,3/8-24,LOCK,GR 8,YEL ZNDICH	
44	1807684		CROSSMEMBER ASSY,REINF,REWORKED FOR	

Models: **A3RE**
FRAME ASSEMBLY
CNG
189 WHEELBASE

Key	PartNumber	Qty	Description	Comment
-----	------------	-----	-------------	---------



Models: **A3RE**
FRAME ASSEMBLY
CNG
189 WHEELBASE

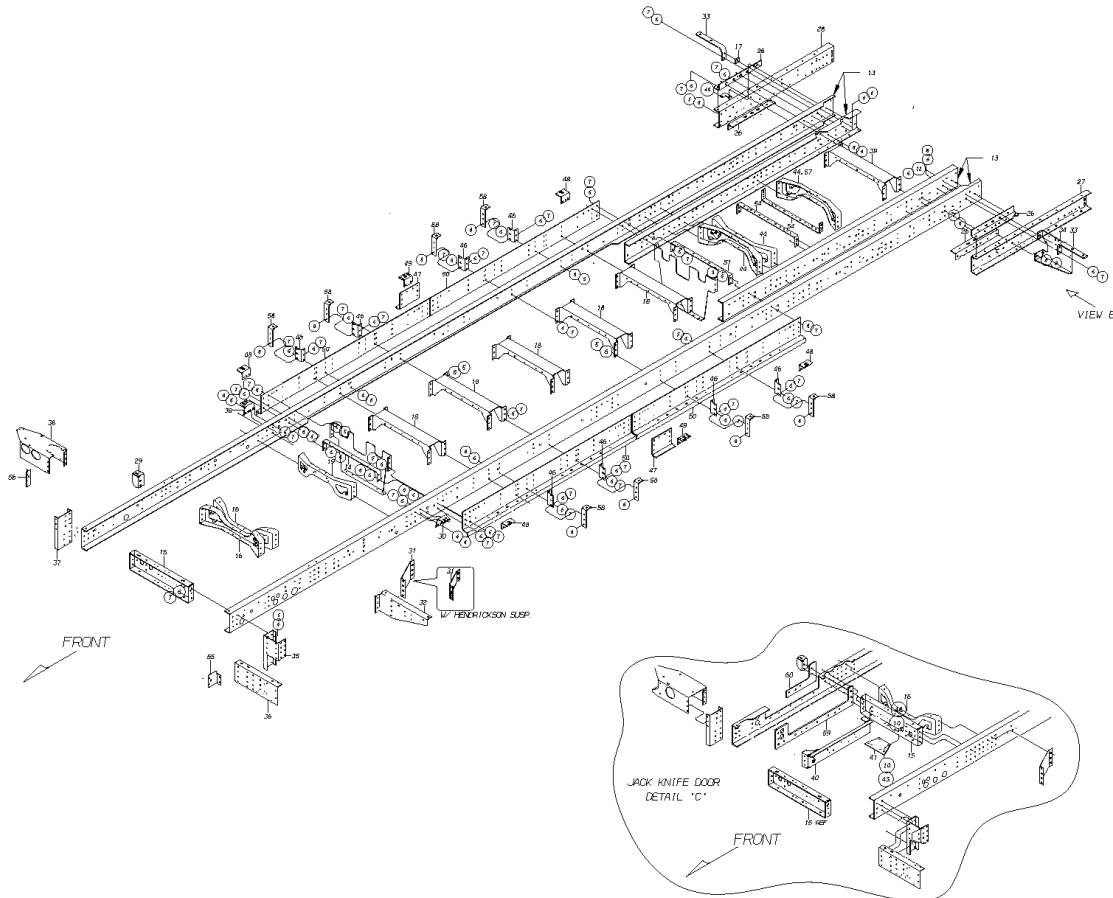
Key	PartNumber	Qty	Description	Comment
5	0803148		CAPSCREW,HEX HD,1/2-13 X 1 3/4,GR8,	
6	1003045		WASHER,FLAT,17/32 X 1 1/16 X 7/64,HDN,	
7	0850800		NUT,HEX HD,1/2-13,LOCKING,GR 8,CAD WAX	
8	0803239		CAPSCREW,HEX HD,1/2-13 X1 1/2,GR8	
9	0803205		CAPSCREW,HEX HD,1/2-13 X 2,GR 8,YEL ZN	
12	0803163		CAPSCREW,HEX HD,1/2-13 X2 1/2,GR8,	
13	0083811		FRAME RAIL SET,189WB,LHD,CNG, HDRE	
14	1583087		BRACKET,SUPP,DRIVE SHAFT	
15	1487826		CROSSMEMBER,FLAT,FRONT W/AIR SUSP,TCRE,	
16	1807577		CROSSMEMBER,STAMPED,34 INCH	
17	0998526		SPACER,.250X1.25X1.25 W/.531 HOLE,PAINTED	
18	1874809		CROSSMEMBER,ONE PIECE, CEC III RE	
19	1807668		CROSSMEMBER ASSY,REINFORCED	
26	1875053		ANGLE,ATTACHING SUBFRAME TO FRAME	
27	0014746		FRAME,SUB,REAR,LH,RE	
28	0014753		FRAME,SUB,REAR,RH,RE	
29	0080328		BRACKET,TIE DOWN,BODY,FRONT,RH., HDRE	
30	1509637		ANGLE,TIE DOWN,BODY,TCFE	
31	1886043		BRACE,OUTRIGGER TO FRAME,LH,RE	
31	1992395		BRACE, OUTRIGGER TO FRAME, LH, AIR SUSP,	
32	0065541		OUTRIGGER,REAR,DRIVERS PLATFORM,LH,	
33	0054060		SUPPORT,SPRING,BODY	
34	0022289		BRACKET,MTG,TRANS ECU,HTR LIFT PUMP,A3RE <i>ENDING WITH CSN F0227189</i>	
34	0092924		BRACKET,MTG,TRANS,CONTROL MODULE, A3RE <i>BEGIN WITH CSN F0227190</i>	
35	1470681		BRACKET,MTG,STRG GEAR,BRKT TO FRM,TCFC	
36	1557446		OUTRIGGER,FRONT,LH,TC	
37	1489756		CHANNEL,MTG,FRONT BUMPER,RH,TC/QB	
38	0000925		OUTRIGGER,FRONT,RH	
39	1897610		CROSSMEMBER,ONE PIECE,W/INSERT, CEC RE	
44	1807684		CROSSMEMBER ASSY,REINF,REWORKED FOR	
50	1842806		ANGLE,REINFORCING,FRAME,273,CEC III, TCRE	
51	1760628		BRACKET,SUPT,DRV SHF GUARD,RDWL,	
54	1760628		BRACKET,SUPT,DRV SHF GUARD,RDWL,	

Models: **A3RE**
FRAME ASSEMBLY
CNG
189 WHEELBASE

Key	PartNumber	Qty	Description	Comment
55	1507821		BRACKET,MTG,HEADLAMP PANEL,REAR,LH,TCFC	
56	1507813		BRACKET,MTG,HEADLAMP PANEL,REAR,RH,TCFC	
57	1807676		CROSSMEMBER ASSY,RWK FOR INS,PAINTED	
58	1842715		BRACKET,CLOSURE,FRONT END,CNG CYL,	

Models: A3RE
FRAME ASSEMBLY
CNG
273 WB
BSN: From CSN 10016975 (11/02/98)
To CSN F10148859

Key	PartNumber	Qty	Description	Comment
-----	------------	-----	-------------	---------



Models: A3RE
FRAME ASSEMBLY
CNG
273 WB
BSN: From CSN 10016975 (11/02/98)
 To CSN F10148859

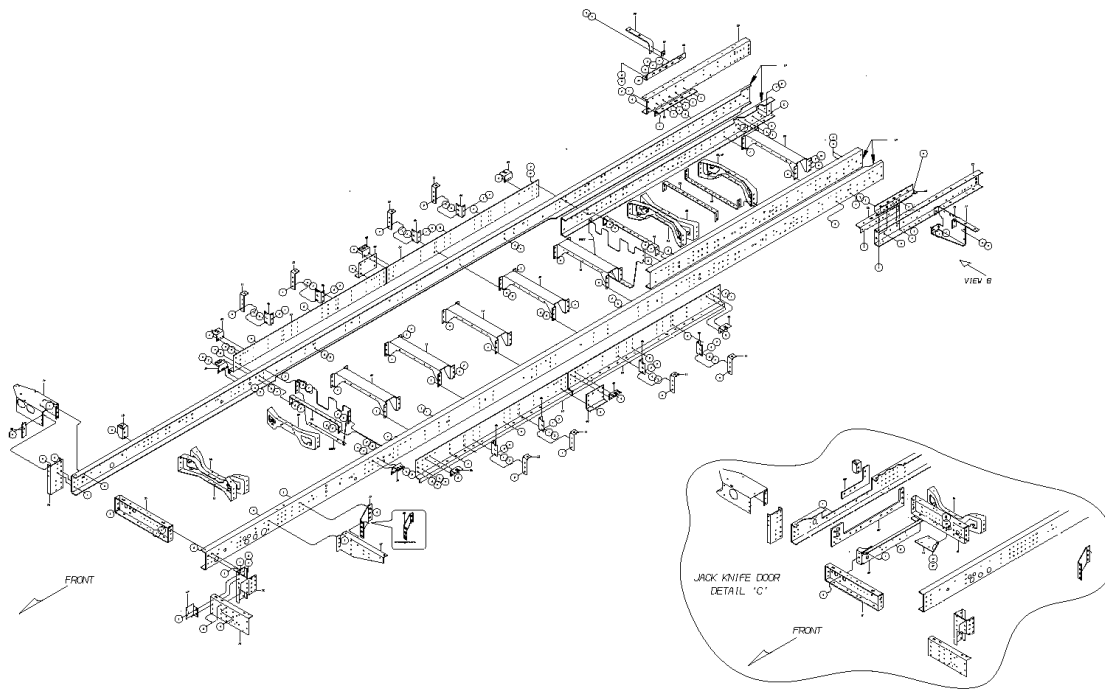
Key	PartNumber	Qty	Description	Comment
1	1636943	AR	PIN,FLG HEAD,HUCKSPIN,.50X2.22,HSP8	
2	1636950	AR	PIN,FLG HEAD,HUCKSPIN,.50X2.60,HSP8	
3	1746817	2	PIN,FLG HEAD,HUCKSPIN,.50X2.85,HSP8	
4	1636968	AR	COLLAR,HUCKSPIN,.50,HSCH-R16	
5	0803148	26	CAPSCREW,HEX HD,1/2-13 X 1 3/4,GR8,	
6	1003045	12	WASHER,FLAT,17/32 X 1 1/16 X 7/64,HDN,	
7	0850800	58	NUT,HEX HD,1/2-13,LOCKING,GR 8,CAD WAX	
8	0803239	31	CAPSCREW,HEX HD,1/2-13 X1 1/2,GR8	
9	0803205	6	CAPSCREW,HEX HD,1/2-13 X 2,GR 8,YEL ZN	
10	1107085	8	WASHER,FLAT,13/32 X 13/16 X 3/32,HDN,BLK	
11			NOT CURRENTLY USED	
12	0803163	2	CAPSCREW,HEX HD,1/2-13 X2 1/2,GR8,	
13	0031758		FRAME RAIL SET,273WB,W/FRT,& RR INSERT	ENDING WITH BSN F10056064, L10107629
13	0063421		FRAME RAIL SET,273WB,LHDRV,CNG, HDRE	BEGIN WITH BSN F10056065, L10107630
14	1583087	1	BRACKET,SUPP,DRIVE SHAFT	
15	1487826	AR	CROSSMEMBER,FLAT,FRONT W/AIR SUSP,TCRE,	
16	1807577	AR	CROSSMEMBER,STAMPED,34 INCH	
17	0998526	2	SPACER,.250X1.25X1.25 W/.531 HOLE,PAINTED	
18	1874809	4	CROSSMEMBER,ONE PIECE, CEC III RE	
19	1807668	1	CROSSMEMBER ASSY,REINFORCED	
20	1897628	2	SPACER,6.70 X 2.25 X .25 THK, CEC RE	ENDING WITH BSN F10056064, L10107629
21	0803213	5	CAPSCREW,HEX HD,3/8-16X1 1/4,GR8,YEL	
22			NOT CURRENTLY USED	
23			NOT CURRENTLY USED	
24			NOT CURRENTLY USED	
25	1851401	1	ANGLE,MOUNTING OUTRIGGER TO SUBFRAME,	
26	1875053	4	ANGLE,ATTACHING SUBFRAME TO FRAME	
27	0014746	1	FRAME,SUB,REAR,LH,RE	
28	0014753	1	FRAME,SUB,REAR,RH,RE	
29	1880384	1	BRACKET,TIE DOWN,BODY,FRONT,RH,RE	
30	1509637	2	ANGLE,TIE DOWN,BODY,TCFE	
31	1886043	1	BRACE,OUTRIGGER TO FRAME,LH,RE	

Models: A3RE
FRAME ASSEMBLY
CNG
273 WB
BSN: From CSN 10016975 (11/02/98)
 To CSN F10148859

Key	PartNumber	Qty	Description	Comment
31	1992395	1	BRACE, OUTRIGGER TO FRAME, LH, AIR SUSP,	
32	1478395	1	OUTRIGGER,REAR,DRIVERS PLATFORM,TCRE	WITH FEATURE 40004-5
33	0054060	2	SUPPORT,SPRING,BODY	
34	0022289	1	BRACKET,MTG,TRANS ECU,HTR LIFT PUMP,A3RE	
35	1470681	1	BRACKET,MTG,STRG GEAR,BRKT TO FRM,TCFC	
36	1557446	1	OUTRIGGER,FRONT,LH,TC	
37	1489756	1	CHANNEL,MTG,FRONT BUMPER,RH,TC/QB	
38	0000925	1	OUTRIGGER,FRONT,RH	
39	1897610	2	CROSSMEMBER,ONE PIECE,W/INSERT, CEC RE	
40	0027410	1	BRACKET,REINFORCEMENT,FRM,ENT DOOR	
41	1525450	1	GUSSET,C/MBR,FRONT SUSPENSION, TCRE	
42	1139591	6	CAPSCREW,HEX HD,3/8-24X1 1/2,GR8,YEL	
43	1522713	2	NUT,HEX HD,3/8-24,LOCK,GR 8,YEL ZNDICH	
44	0024410	1	DECAL,PANEL,ELEC,O/S ACCESS,FRT,DDEC, Q4	IN DETAIL C OF DRAWING
44	1807684		CROSSMEMBER ASSY,REINF,REWORKED FOR	
45	0027718	1	PLATE,REINF,FRAME,OUTSIDE,STEPWELL	IN DETAIL C OF DRAWING
45	0006366	1	BRACKET,MTG,CLAMP,BATTERY CABLES, HDRE	
46	1864156	8	ANGLE,MTG,OUTRIGGER,INT CONST	
47	1868231	2	ANGLE,REINFORCING,FRAME WITH CNG	
48	1855741	4	ANGLE,TIE DOWN,BODY CNG	
49	1852623	2	ANGLE,TIE DOWN,BODY,CNG,MIDDLE	
50	1842806	4	ANGLE,REINFORCING,FRAME,273,CEC III, TCRE	
51	1760628	1	BRACKET,SUPT,DRV SHF GUARD,RDWL,	
52			NOT CURRENTLY USED	
53			NOT CURRENTLY USED	
54	1760628	2	BRACKET,SUPT,DRV SHF GUARD,RDWL,	WITH SPR SUSPENSION ONLY
NI	1896869	2	CHANNEL,MTG,WRG HARN,48.75,CEC,JD 8.1,	
NI	1896877	1	CHANNEL,MTG,WRG HARN,67.50,CEC,JD 8.1,	
55	1507821	1	BRACKET,MTG,HEADLAMP PANEL,REAR,LH,TCFC	
56	1507813	1	BRACKET,MTG,HEADLAMP PANEL,REAR,RH,TCFC	
57	1807676	1	CROSSMEMBER ASSY,RWK FOR INS,PAINTED	
58	0020520	8	BRACKET,TIE DOWN,NON-INTEGRAL	

Models: A3RE
FRAME ASSEMBLY
CNG
273 WB
BSN: From CSN F10148860

Key	PartNumber	Qty	Description	Comment
-----	------------	-----	-------------	---------



Models: **A3RE**
FRAME ASSEMBLY
CNG
273 WB
BSN: **From CSN F10148860**

Key	PartNumber	Qty	Description	Comment
1	1636943		PIN,FLG HEAD,HUCKSPIN,.50X2.22,HSP8	
2	1636950		PIN,FLG HEAD,HUCKSPIN,.50X2.60,HSP8	
3	1746817		PIN,FLG HEAD,HUCKSPIN,.50X2.85,HSP8	
4	1636968		COLLAR,HUCKSPIN,.50,HSCH-R16	
5	0803148		CAPSCREW,HEX HD,1/2-13 X 1 3/4,GR8,	
6	1003045		WASHER,FLAT,17/32 X 1 1/16 X 7/64,HDN,	
7	0850800		NUT,HEX HD,1/2-13,LOCKING,GR 8,CAD WAX	
8	0803239		CAPSCREW,HEX HD,1/2-13 X1 1/2,GR8	
9	0803205		CAPSCREW,HEX HD,1/2-13 X 2,GR 8,YEL ZN	
10	1107085		WASHER,FLAT,13/32 X 13/16 X 3/32,HDN,BLK	
11	0020520		BRACKET,TIE DOWN,NON-INTEGRAL	
12	0803163		CAPSCREW,HEX HD,1/2-13 X2 1/2,GR8,	
13	0063421		FRAME RAIL SET,273WB,LHDRV,CNG, HDRE	
14	1583087		BRACKET,SUPP,DRIVE SHAFT	
15	1487826		CROSSMEMBER,FLAT,FRONT W/AIR SUSP,TCRE,	
16	1807577		CROSSMEMBER,STAMPED,34 INCH	
17	0998526		SPACER,.250X1.25X1.25 W/.531 HOLE,PAINTED	
18	1874809		CROSSMEMBER,ONE PIECE, CEC III RE	
19	1807668		CROSSMEMBER ASSY,REINFORCED	
20	1807676		CROSSMEMBER ASSY,RWK FOR INS,PAINTED	
21	0803213		CAPSCREW,HEX HD,3/8-16X1 1/4,GR8,YEL	
22	1507813		BRACKET,MTG,HEADLAMP PANEL,REAR,RH,TCFC	
23	1507821		BRACKET,MTG,HEADLAMP PANEL,REAR,LH,TCFC	
24	1760628		BRACKET,SUPT,DRV SHF GUARD,RDWL,	
25	1851401		ANGLE,MOUNTING OUTRIGGER TO SUBFRAME,	
26	1875053		ANGLE,ATTACHING SUBFRAME TO FRAME	
27	0014746		FRAME,SUB,REAR,LH,RE	
28	0014753		FRAME,SUB,REAR,RH,RE	
29	0065528		BRACKET,TIE DOWN,BODY,FRONT,RH,HDRE	<i>ENDING WITH CSN F0188959</i>
29	0080328		BRACKET,TIE DOWN,BODY,FRONT,RH., HDRE	<i>BEGIN WITH CSN F0188960</i>
30	1509637		ANGLE,TIE DOWN,BODY,TCFE	
31	1886043		BRACE,OUTRIGGER TO FRAME,LH,RE	
31	1992395		BRACE, OUTRIGGER TO FRAME, LH, AIR SUSP,	

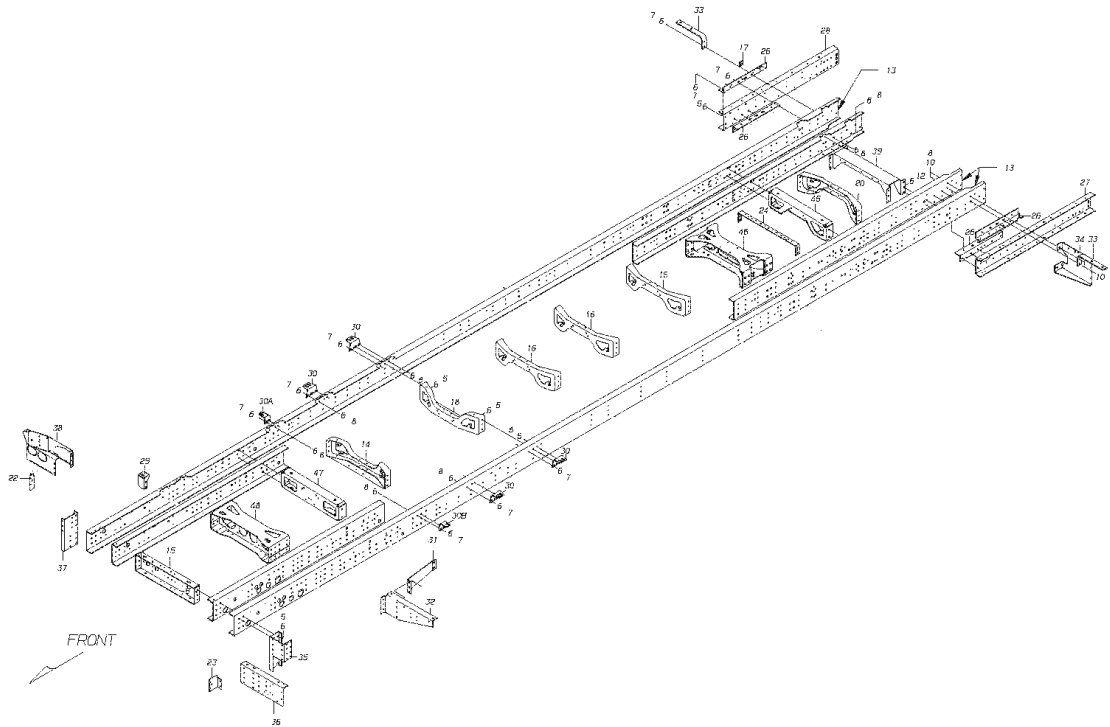
Models: A3RE
 FRAME ASSEMBLY
 CNG
 273 WB
BSN: From CSN F10148860

Key	PartNumber	Qty	Description	Comment
32	0065541		OUTRIGGER,REAR,DRIVERS PLATFORM,LH,	
33	0054060		SUPPORT,SPRING,BODY	
34	0022289		BRACKET,MTG,TRANS ECU,HTR LIFT PUMP,A3RE	ENDING WITH CSN F0227189
34	0092924		BRACKET,MTG,TRANS,CONTROL MODULE, A3RE	BEGIN WITH CSN F0227190
35	1470681		BRACKET,MTG,STRG GEAR,BRKT TO FRM,TCFC	
36	1557446		OUTRIGGER,FRONT,LH,TC	
37	1489756		CHANNEL,MTG,FRONT BUMPER,RH,TC/QB	
38	0000925		OUTRIGGER,FRONT,RH	
39	1897610		CROSSMEMBER,ONE PIECE,W/INSERT, CEC RE	
40	0027410		BRACKET,REINFORCEMENT,FRM,ENT DOOR	
41	1525450		GUSSET,C/MBR,FRONT SUSPENSION, TCRE	
42	1139591		CAPSCREW,HEX HD,3/8-24X1 1/2,GR8,YEL	
43	1522713		NUT,HEX HD,3/8-24,LOCK,GR 8,YEL ZNDICH	
44	1807684		CROSSMEMBER ASSY,REINF,REWORKED FOR	
45	0006366		BRACKET,MTG,CLAMP,BATTERY CABLES, HDRE	ENDING WITH CSN 0163204
46	1864156		ANGLE,MTG,OUTRIGGER,INT CONST	
47	1868231		ANGLE,REINFORCING,FRAME WITH CNG	
48	1855741		ANGLE,TIE DOWN,BODY CNG	
49	1852623		ANGLE,TIE DOWN,BODY,CNG,MIDDLE	
50	1842806		ANGLE,REINFORCING,FRAME,273,CEC III, TCRE	
51	1760628		BRACKET,SUPT,DRV SHF GUARD,RDWL,	
52	0022410		PLATE,REINFORCEMENT,FRAME,STEPWELL	
53	0027718		PLATE,REINF,FRAME,OUTSIDE,STEPWELL	
NI	1896869		CHANNEL,MTG,WRG HARN,48.75,CEC,JD 8.1,	
NI	1896877		CHANNEL,MTG,WRG HARN,67.50,CEC,JD 8.1,	

Models: **A3RE**
FRAME ASSEMBLY
RIDEWELL SUSPENSION
DIESEL

With Features: **FEATURE 40004-08 (FRONT) & 40005-07 (REAR)**

Key	PartNumber	Qty	Description	Comment
-----	------------	-----	-------------	---------



Models:

**A3RE
FRAME ASSEMBLY
RIDEWELL SUSPENSION
DIESEL**

With Features:

FEATURE 40004-08 (FRONT) & 40005-07 (REAR)

Key	PartNumber	Qty	Description	Comment
5	0803148		CAPSCREW,HEX HD,1/2-13 X 1 3/4,GR8,	
6	1003045		WASHER,FLAT,17/32 X 1 1/16 X 7/64,HDN,	
7	0850800		NUT,HEX HD,1/2-13,LOCKING,GR 8,CAD WAX	
8	0803239		CAPSCREW,HEX HD,1/2-13 X1 1/2,GR8	
10	1107085		WASHER,FLAT,13/32 X 13/16 X 3/32,HDN,BLK	
12	0803163		CAPSCREW,HEX HD,1/2-13 X2 1/2,GR8,	
13	0080513		FRAME RAIL SET,189WB,FRT&RR INSERT,DSL	
13	0080514		FRAME RAIL SET,217WB,FRT&RR INSERT,DSL	
13	0080515		FRAME RAIL SET,245WB,FRT&RR INSERT,DSL	
13	0080323		FRAME RAIL SET,273WB,FRT&RR INSERT,DSL	
14	1807643		CROSSMEMBER ASSY,REINF,F/TANK END	
15	0080519		CROSSMEMBER,FLAT,FRONT,33.00,RIDEWELL,	
16	1807577		CROSSMEMBER,STAMPED,34 INCH	
17	1731736		SPACER,.250X1.25X1.25 W/.531 HOLE,RAW,	
18	1807650		CROSSMEMBER ASSY,FUEL TANK END GUARD	
20	1807676		CROSSMEMBER ASSY,RWK FOR INS,PAINTED	
22	1507813		BRACKET,MTG,HEADLAMP PANEL,REAR,RH,TCFC	
23	1507821		BRACKET,MTG,HEADLAMP PANEL,REAR,LH,TCFC	
24	1760628		BRACKET,SUPT,DRV SHF GUARD,RDWL,	
26	1875053		ANGLE,ATTACHING SUBFRAME TO FRAME	
27	0014746		FRAME,SUB,REAR,LH,RE	
28	0014753		FRAME,SUB,REAR,RH,RE	
29	0080328		BRACKET,TIE DOWN,BODY,FRONT,RH., HDRE	
30	1509637		ANGLE,TIE DOWN,BODY,TCFE	
30	0009420		ANGLE,TIE DOWN BRKT,RR OF FRT W/H,RH,	
30	0009437		ANGLE,TIE DOWN BRKT,RR OF FRT W/H,LH,	
31	1886043		BRACE,OUTRIGGER TO FRAME,LH,RE	
32	0065541		OUTRIGGER,REAR,DRIVERS PLATFORM,LH,	
33	0054060		SUPPORT,SPRING,BODY	
34	0022289		BRACKET,MTG,TRANS ECU,HTR LIFT PUMP,A3RE <i>ENDING WITH CSN F0227189</i>	
34	0092924		BRACKET,MTG,TRANS,CONTROL MODULE, A3RE <i>BEGIN WITH CSN F0227190</i>	
35	1470681		BRACKET,MTG,STRG GEAR,BRKT TO FRM,TCFC	
36	1557446		OUTRIGGER,FRONT,LH,TC	

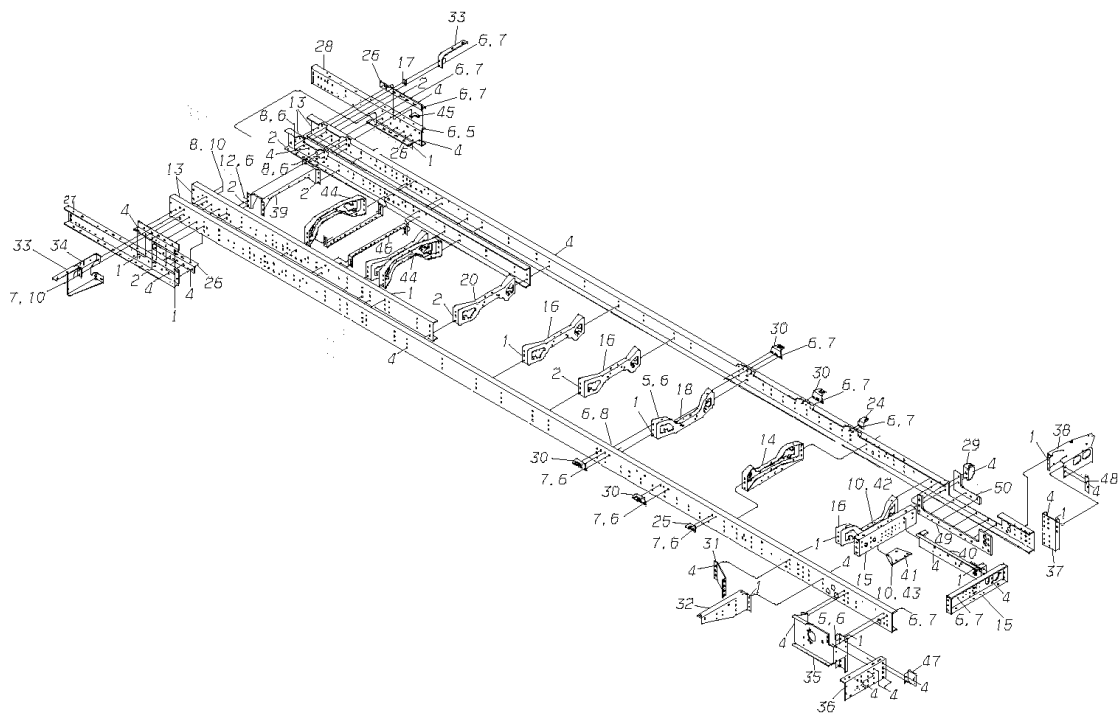
Models: **A3RE**
FRAME ASSEMBLY
RIDEWELL SUSPENSION
DIESEL

With Features: **FEATURE 40004-08 (FRONT) & 40005-07 (REAR)**

Key	PartNumber	Qty	Description	Comment
37	1489756		CHANNEL,MTG,FRONT BUMPER,RH,TC/QB	
38	0000925		OUTRIGGER,FRONT,RH	
39	1897610		CROSSMEMBER,ONE PIECE,W/INSERT, CEC RE	
44	1807684		CROSSMEMBER ASSY,REINF,REWORKED FOR	
45	0032080		CROSSMEMBER ASSY,RR,RR SUSP	
46	0032213		CROSSMEMBER ASSY,FRT,RR SUSP	
47	0032136		CROSSMEMBER ASSY,REAR,AIR SUSP	
48	0032222		CROSSMEMBER ASSY,FRT,FRT SUSP	

Models: **A3RE**
FRAME ASSEMBLY
RIGHT HAND DRIVE
245 WHEELBASE
To CSN F10148864

Key	PartNumber	Qty	Description	Comment
-----	------------	-----	-------------	---------



Models: **A3RE**
FRAME ASSEMBLY
RIGHT HAND DRIVE
245 WHEELBASE
To CSN F10148864

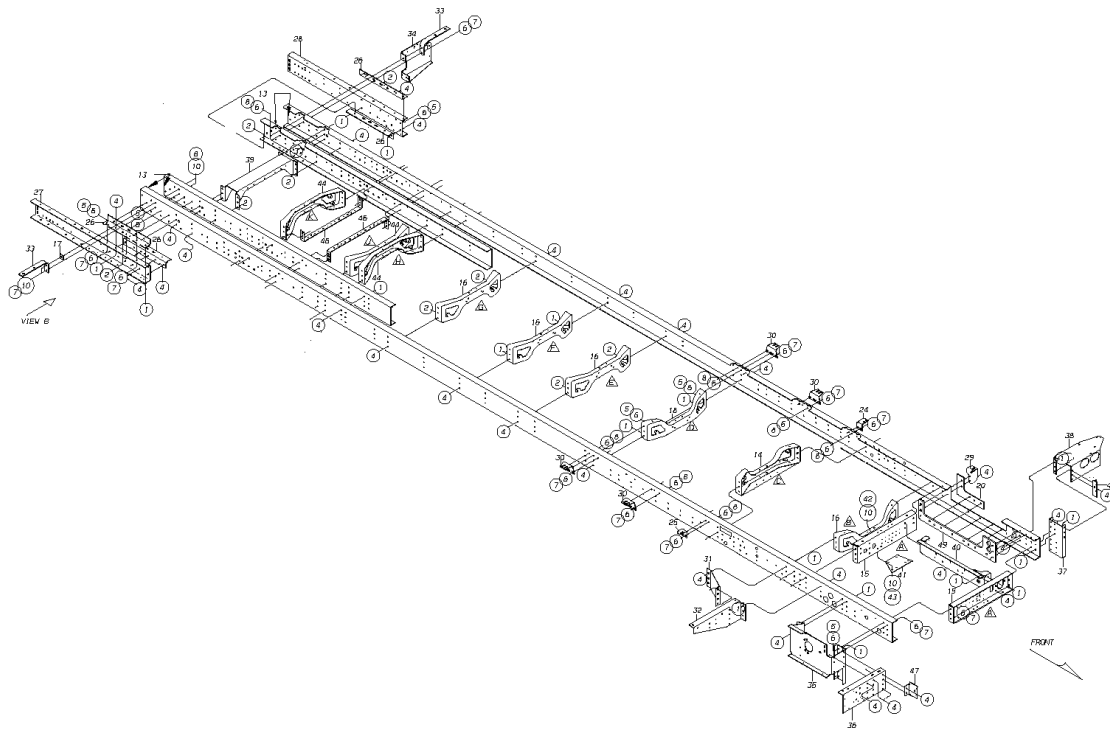
Key	PartNumber	Qty	Description	Comment
1	1636943	46	PIN,FLG HEAD,HUCKSPIN,.50X2.22,HSP8	
2	1636950	70	PIN,FLG HEAD,HUCKSPIN,.50X2.60,HSP8	
3	1746817	2	PIN,FLG HEAD,HUCKSPIN,.50X2.85,HSP8	
4	1636968	11	COLLAR,HUCKSPIN,.50,HSCH-R16	
5	0803148	8	CAPSCREW,HEX HD,1/2-13 X 1 3/4,GR8,	
6	1003045	64	WASHER,FLAT,17/32 X 1 1/16 X 7/64,HDN,	
7	0850800	32	NUT,HEX HD,1/2-13,LOCKING,GR 8,CAD WAX	
8	0803239	22	CAPSCREW,HEX HD,1/2-13 X1 1/2,GR8	
9			CURRENTLY NOT USED	
10	1107085	12	WASHER,FLAT,13/32 X 13/16 X 3/32,HDN,BLK	
11			CURRENTLY NOT USED	
12	0803163	2	CAPSCREW,HEX HD,1/2-13 X2 1/2,GR8,	
13	0042887		FRAME RAIL SET,245WB,SPR/HEND,RHDRV,	<i>ENDING WITH CSN F10139554</i>
13	0063427		FRAME RAIL SET,245WB,SPR/HEN,RHDRV,DSL.	<i>BEGIN WITH CSN F10139555</i>
14	1807643	RE	CROSSMEMBER ASSY,REINF,F/TANK END	
15	1537190	2	CROSSMEMBER,FLAT,FRONT W/AIR SUSP,RH,	
16	1807577	3	CROSSMEMBER,STAMPED,34 INCH	
17	1731736	1	SPACER,.250X1.25X1.25 W/.531 HOLE,RAW,	
18	1807650	RE	CROSSMEMBER ASSY,FUEL TANK END GUARD	
19			CURRENTLY NOT USED	
20	1807676	1	CROSSMEMBER ASSY,RWK FOR INS,PAINTED	
21			CURRENTLY NOT USED	
22			CURRENTLY NOT USED	
23			CURRENTLY NOT USED	
24	0009437	RE	ANGLE,TIE DOWN BRKT,RR OF FRT W/H,LH,	
25	0009420	RE	ANGLE,TIE DOWN BRKT,RR OF FRT W/H,RH,	
26	1875053	4	ANGLE,ATTACHING SUBFRAME TO FRAME	
27	0014746	1	FRAME,SUB,REAR,LH,RE	
28	0014753	1	FRAME,SUB,REAR,RH,RE	
29	0042921	1	BRACKET,TIE DOWN,BODY,FRONT,LH, RE	
30	1509637	RE	ANGLE,TIE DOWN,BODY,TCFE	
31	0042922	1	BRACE,OUTRIGGER TO FRAME,RH, RE	
32	1535053	1	OUTRIGGER,REAR,DRIVERS PLATFORM,RH,	

Models: **A3RE**
FRAME ASSEMBLY
RIGHT HAND DRIVE
245 WHEELBASE
To CSN F10148864

Key	PartNumber	Qty	Description	Comment
33	0054060	2	SUPPORT,SPRING,BODY	
34	0022289	1	BRACKET,MTG,TRANS ECU,HTR LIFT PUMP,A3RE	
35	1668862	1	BRACKET ASSY,MTG,STEERING GEAR,RH DRV	
36	1535020	1	OUTRIGGER,FRONT,RH,RH DRIVE, TC/QB	
37	1669522	1	CHANNEL,MTG,FRONT BUMPER,RH DRIVE	
38	0007688	1	OUTRIGGER,FRONT,LH	
39	1897610	1	CROSSMEMBER,ONE PIECE,W/INSERT, CEC RE	
40	0042923	1	BRACKET,REINFORCEMENT,FRM,ENT DOOR	
41	1525450	1	GUSSET,C/MBR,FRONT SUSPENSION, TCRE	
42	1139591	6	CAPSCREW,HEX HD,3/8-24X1 1/2,GR8,YEL	
43	1522713	6	NUT,HEX HD,3/8-24,LOCK,GR 8,YEL ZNDICH	
44	1807684	RE	CROSSMEMBER ASSY,REINF,REWORKED FOR	
45	0006366	1	BRACKET,MTG,CLAMP,BATTERY CABLES, HDRE	
46	1760628	2	BRACKET,SUPT,DRV SHF GUARD,RDWL,	
47	1742451	1	BRACKET,MTG HEADLAMP PANEL,RR,RH,RH	
48	1742444	1	BRACKET,MTG HEADLAMP PANEL,RR,LH,RH	
49	0022410	1	PLATE,REINFORCEMENT,FRAME,STEPWELL	
50	0027718	1	PLATE,REINF,FRAME,OUTSIDE,STEPWELL	

Models: A3RE
FRAME ASSEMBLY
RIGHT HAND DRIVE
245 WHEELBASE
BSN: From CSN F10148865

Key	PartNumber	Qty	Description	Comment
-----	------------	-----	-------------	---------



Models: A3RE
FRAME ASSEMBLY
RIGHT HAND DRIVE
245 WHEELBASE
BSN: From CSN F10148865

Key	PartNumber	Qty	Description	Comment
1	1636943		PIN,FLG HEAD,HUCKSPIN,.50X2.22,HSP8	
2	1636950		PIN,FLG HEAD,HUCKSPIN,.50X2.60,HSP8	
3	1746817		PIN,FLG HEAD,HUCKSPIN,.50X2.85,HSP8	
4	1636968		COLLAR,HUCKSPIN,.50,HSCH-R16	
5	0803148		CAPSCREW,HEX HD,1/2-13 X 1 3/4,GR8,	
6	1003045		WASHER,FLAT,17/32 X 1 1/16 X 7/64,HDN,	
7	0850800		NUT,HEX HD,1/2-13,LOCKING,GR 8,CAD WAX	
8	0803239		CAPSCREW,HEX HD,1/2-13 X1 1/2,GR8	
9			CURRENTLY NOT USED	
10	1107085		WASHER,FLAT,13/32 X 13/16 X 3/32,HDN,BLK	
11			CURRENTLY NOT USED	
12	0803163		CAPSCREW,HEX HD,1/2-13 X2 1/2,GR8,	
13	0063427		FRAME RAIL SET,245WB,SPR/HEN,RHDRV,DSL.	
14	1807643		CROSSMEMBER ASSY,REINF,F/TANK END	
15	1537190		CROSSMEMBER,FLAT,FRONT W/AIR SUSP,RH,	
16	1807577		CROSSMEMBER,STAMPED,34 INCH	
17	1731736		SPACER,.250X1.25X1.25 W/.531 HOLE,RAW,	
18	1807650		CROSSMEMBER ASSY,FUEL TANK END GUARD	
19			CURRENTLY NOT USED	
20	0027718		PLATE,REINF,FRAME,OUTSIDE,STEPWELL	
21			CURRENTLY NOT USED	
22			CURRENTLY NOT USED	
23			CURRENTLY NOT USED	
24	0009437		ANGLE,TIE DOWN BRKT,RR OF FRT W/H,LH,	
25	0009420		ANGLE,TIE DOWN BRKT,RR OF FRT W/H,RH,	
26	1875053		ANGLE,ATTACHING SUBFRAME TO FRAME	
27	0014746		FRAME,SUB,REAR,LH,RE	
28	0014753		FRAME,SUB,REAR,RH,RE	
29	0065528		BRACKET,TIE DOWN,BODY,FRONT,RH,HDRE	ENDING WITH CSN F0188959
29	0080383		BRACKET,TIE DOWN,BODY,FRONT,LH., HDRE	BEGIN WITH CSN F0188960
30	1509637		ANGLE,TIE DOWN,BODY,TCFE	
31	0042922		BRACE,OUTRIGGER TO FRAME,RH, RE	
32	0065543		OUTRIGGER,REAR,DRIVERS PLATFORM,RH DRV	

Models: **A3RE**
FRAME ASSEMBLY
RIGHT HAND DRIVE
245 WHEELBASE

BSN: **From CSN F10148865**


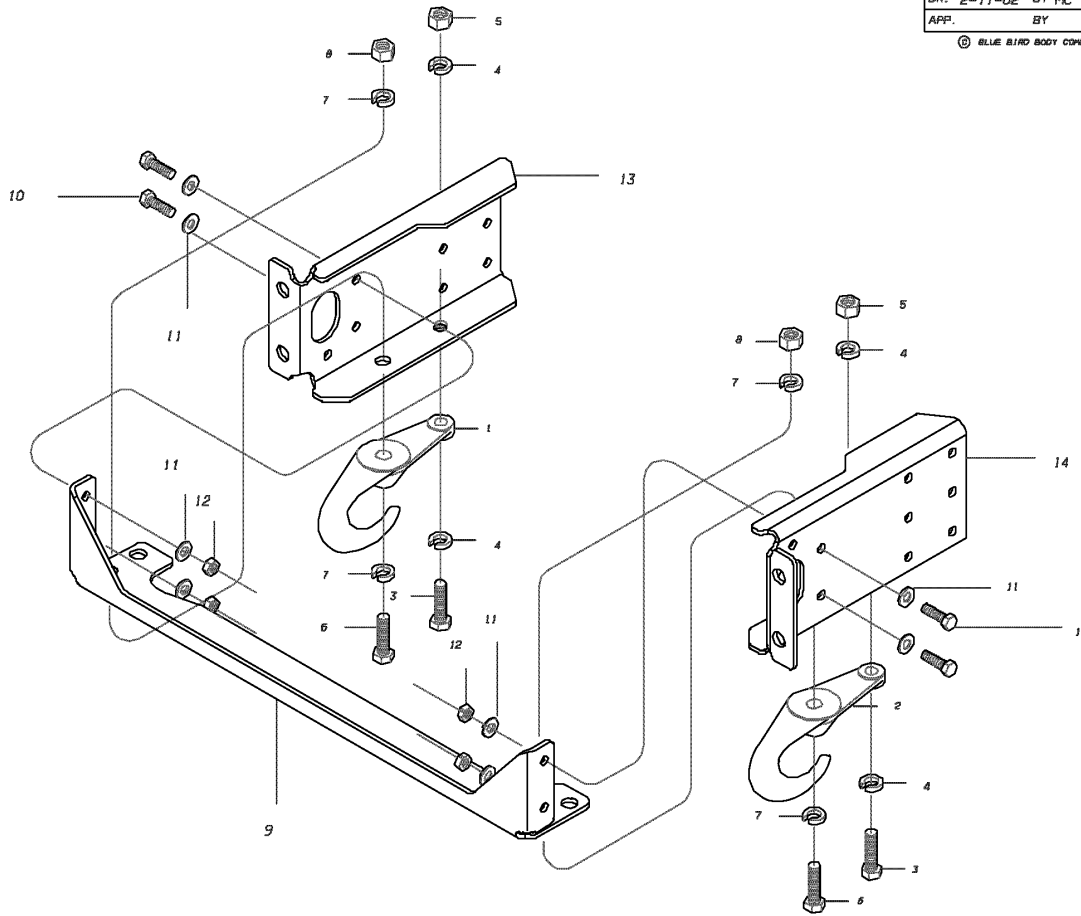
Key	PartNumber	Qty	Description	Comment
33	0054060		SUPPORT,SPRING,BODY	
34	0022289		BRACKET,MTG,TRANS ECU,HTR LIFT PUMP,A3RE	<i>ENDING WITH CSN F0227190</i>
34	0092924		BRACKET,MTG,TRANS,CONTROL MODULE, A3RE	<i>BEGIN WITH CSN F0227189</i>
35	1668862		BRACKET ASSY,MTG,STEERING GEAR,RH DRV	
36	1535020		OUTRIGGER,FRONT,RH,RH DRIVE, TC/QB	
37	1669522		CHANNEL,MTG,FRONT BUMPER,RH DRIVE	
38	0007688		OUTRIGGER,FRONT,LH	
39	1897610		CROSSMEMBER,ONE PIECE,W/INSERT, CEC RE	
40	0042923		BRACKET,REINFORCEMENT,FRM,ENT DOOR	
41	1525450		GUSSET,C/MBR,FRONT SUSPENSION, TCRE	
42	1139591		CAPSCREW,HEX HD,3/8-24X1 1/2,GR8,YEL	
43	1522713		NUT,HEX HD,3/8-24,LOCK,GR 8,YEL ZNDICH	
44	1807684		CROSSMEMBER ASSY,REINF,REWORKED FOR	
46	1760628		BRACKET,SUPT,DRV SHF GUARD,RDWL,	
47	1742451		BRACKET,MTG HEADLAMP PANEL,RR,RH,RH	
48	1742444		BRACKET,MTG HEADLAMP PANEL,RR,LH,RH	
49	0022410		PLATE,REINFORCEMENT,FRAME,STEPWELL	

Models: A3RE
TOW HOOKS
FRONT
With Features: FEATURE 40411-01

Key	PartNumber	Qty	Description	Comment
-----	------------	-----	-------------	---------

DR. 2-11-02	BY MC	00147043	
APP.	BY	FRT	REV

© BLUE BIRD BODY COMPANY, ALL RIGHTS RESERVED

FRONT TOW HOOKS

Models: **A3RE**

TOW HOOKS

FRONT

With Features: **FEATURE 40411-01**

Key	PartNumber	Qty	Description	Comment
1	1258680	1	HOOK,TOW,LH,PAINTED	
2	1258698	1	HOOK,TOW,RH,PAINTED	
3	0939835	2	CAPSCREW,HEX HD,5/8-11 X2 1/2,GR8,	
4	0929018	2	WASHER,FLAT,21/32 X 1 1/8 X 3/32,HDN,YEL	
5	0939827	2	NUT,HEX HD,5/8-11,GR 8,LOCK,CADMIUM WAX	
6	0963322	2	CAPSCREW,HEX HD,3/4-10 X3 1/2,GR8,	
7	1434695	2	WASHER,FLAT,3/4 X 1 1/8 X 7/64 HRD,YEL ZN	
8	0933879	2	NUT,HEX HD,3/4-10,PRVLG TORQ,GR8,CAD	
9	0010557	1	BRACE,TOW HOOK,BUMPER BRKT,FRONT	
10	0803239	4	CAPSCREW,HEX HD,1/2-13 X1 1/2,GR8	
11	1003045	8	WASHER,FLAT,17/32 X 1 1/16 X 7/64,HDN,	
12	0850800	4	NUT,HEX HD,1/2-13,LOCKING,GR 8,CAD WAX	
13	0012728	1	BRACKET,MOUNTING,RH,FRONT,BUMPER	
14	0012729	1	BRACKET,MOUNTING,LH,FRONT,BUMPER	

Models: A3RE
TOW HOOKS
REAR
With Features: FEATURE 40411-02

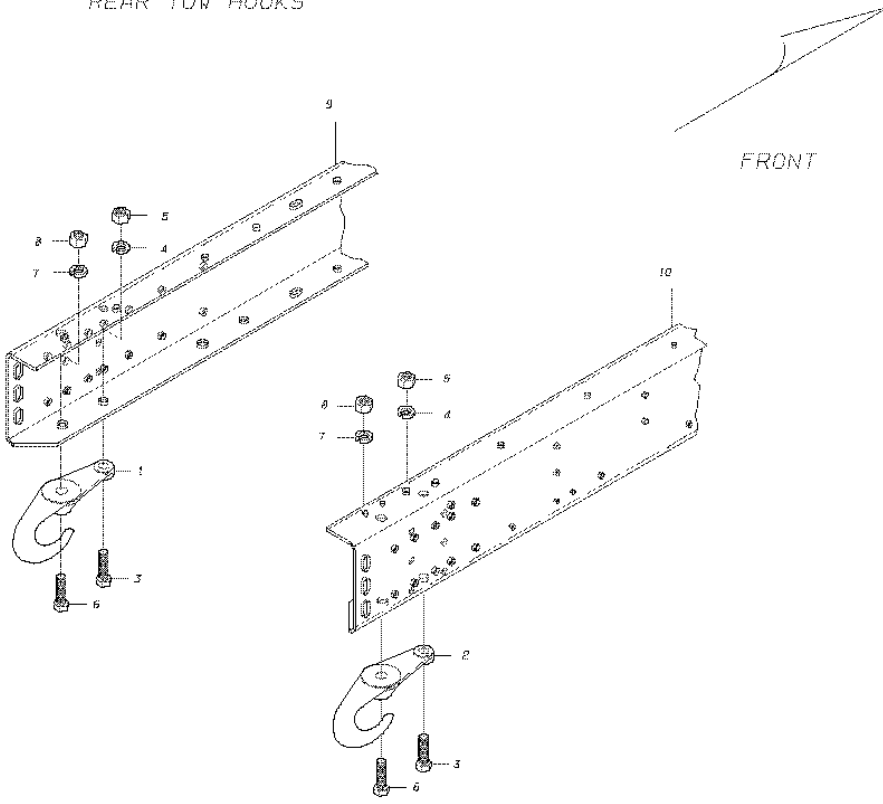
Key	PartNumber	Qty	Description	Comment
-----	------------	-----	-------------	---------

DR. 10/28/98 BY MW		00147044	---
APP. 10/28/98 BY MT	FRT		REV



© BLUE BIRD BODY COMPANY. ALL RIGHTS RESERVED

REAR TOW HOOKS



Models: **A3RE**
TOW HOOKS
REAR

With Features: **FEATURE 40411-02**

Key	PartNumber	Qty	Description	Comment
1	1258680	1	HOOK,TOW,LH,PAINTED	
2	1258698	1	HOOK,TOW,RH,PAINTED	
3	0939835	2	CAPSCREW,HEX HD,5/8-11 X2 1/2,GR8,	
4	0929018	4	WASHER,FLAT,21/32 X 1 1/8 X 3/32,HDN,YEL	
5	0939827	2	NUT,HEX HD,5/8-11,GR 8,LOCK,CADMIUM WAX	
6	0963322	2	CAPSCREW,HEX HD,3/4-10 X3 1/2,GR8,	
7	1434695	4	WASHER,FLAT,3/4 X 1 1/8 X 7/64 HRD,YEL ZN	
8	0933879	2	NUT,HEX HD,3/4-10,PRVLG TORQ,GR8,CAD	
9	0014746	1	FRAME,SUB,REAR,LH,RE	
10	0014753	1	FRAME,SUB,REAR,RH,RE	