

Chassis

100 Fuel

CAT

C7

MIDMOUNT

*With: FEATURE 40421-01, -02, -08, -10
From CSN 0198630 5/02/05*

1

C7 07

MIDMOUNT TANK

With: FEATURE 40241-01, -02, -08, -10

2

CAT & CUMMINS

ISB, 3126

60 OR 100 GALLON MIDMOUNT

With: FEATURE 40421 WITH FEATURE 40177 OR 40187

3

CHART, FUEL SENDERS

4

5

CNG

*With: FEATURE 40242-01, -03
To CSN 10019741*

6

*With: FEATURE 40242-01, -03
From CSN 10019742*

7

*With: FEATURE 40242-03
To CSN 10019929*

8

*With: FEATURE 40242-03
From A3RE CSN 10019930
To A3RECSN 10042119*

9

*With: FEATURE 40242-03
From CSN 10042120*

10

With: FEATURE 40242-03 WITH 273 WB

11

With: FEATURE 40245-03 WITH FEATURE 40243-05

12

With: FEATURE 40245-03

13

With: FEATURE 40245-03 WITH 273 WB

14



CHASSIS COMPONENTS	
<i>With: FEATURE 40242-15</i>	15
<hr/>	
CYLINDER & BARRIER INSTALLATION	
<i>With: FEATURE 40242-01 WITH 217IN WB From CSN 10048310</i>	16
<hr/>	
<i>With: FEATURE 40242-01 From CSN 10074805</i>	17
<hr/>	
<i>With: FEATURE 40242-03, WITH 40243-05</i>	18
<hr/>	
2-PST CE1661	
<i>With: FEATURE 40242-01 From CSRE CSN 10016215 To W/CSN 10074804</i>	19
<hr/>	
FILTER / REGULATOR ASSEMBLY	
FILTER ASSY	
SEE NOTE AT BOTTOM OF TEXT FOR BEGIN WITH CSN	
<i>With: A3RE FEATURE 40242-03, 40243-01 BEGIN WITH CSN 10038121 CS, QB OPTION 4847, FROM CSN 10038125 TO CSN 10053027 CS, QB OPTION 4885, FROM CSN 10038125 TO CSN 10058530 CS, QB FEATURE 40242, BEGIN WCSN 10047910</i>	20
<hr/>	
SEE NOTE AT BOTTOM OF TEXT FOR END WCSN	
<i>With: A3RE FEATURE 40242-01, -03, FROM CSN 10018620 TO CSN 10038120 CS, QB ENDING WITH CSN 10038124 T2RE FEATURE 40242-03, 40243-01, BEGIN WITH CSN 10016750 TCRE OPTION 4888, 4889 ENDING WITH CSN 0998874</i>	21
<hr/>	
JOHN DEERE	
SEE NOTE AT BOTTOM OF TEXT	
<i>With: A3RE 40242 CSRE FEATURE 40242-01, -02, FROM 10016215 TO 10039304 T2RE FEATURE 40242-03, FROM 10017870 TO 10019954</i>	22
<hr/>	
<i>With: A3RE FEATURE 40242-01, BEGIN WITH CSN 10021225 FEATURE 40242-03 BEGIN WITH CSN 10019936 CSRE FEATURE 40242-10 BEGIN WITH CSN 10047910 FEATURE 40242-10 BEEGIN WITH CSN 10039305 QBRE FEATURE 40242-10, -11, BEGIN WITH CSN 10048040 FEATURE 40242-12 BEGIN WITH CSN 10050370 T2RE FEATURE 40242-03, BEGIN WITH CSN 10019955</i>	23
<hr/>	
FRAME COMPONENTS	
<i>With: FEATURE 40242-15</i>	24
<hr/>	
FRONT FILL	
<i>With: FEATURE 40242-15</i>	25
<hr/>	
REAR FILL	
<i>With: FEATURE 40242-15</i>	26
<hr/>	

LARGE DOOR, LATCHING	27
<hr/>	
REAR FILL	
<i>With: FEATURE 40243-05</i>	
<i>-06</i>	28
<hr/>	
VENT PIPE	
<i>With: FEATURE 40242-15</i>	29
<hr/>	
<i>With: FEATURE 40245-03</i>	30
<hr/>	
CUMMINS	
ISB-E	
60 OR 100 GALLON MIDMOUNT	
<i>With: FEATURE 40241 WITH FEATURE 40361-01</i>	31
<hr/>	
ISC	
60 OR 100 GALLON MIDMOUNT	
<i>With: FEATURE 40421 WITH FEATURE 40184</i>	32
<hr/>	
ISC 05	
MIDMOUNT	
<i>With: FEATURE 40241-01, -02, -08, -10</i>	
<i>From CSN 0198630 5/02/05</i>	33
<hr/>	
ISC 07	
MIDMOUNT	
<i>With: FEATURE 40241</i>	
<i>From CSN 0198630 5/02/05</i>	34
<hr/>	
ISC, MECHANICAL (EXPORT)	
60, 96, OR 100 GALLON MIDMOUNT	
<i>With: FEATURE 40241-01,-02,-08,-10,-21</i>	35
<hr/>	
ISC03, 05	
MIDMOUNT	
<i>With: FEATURE 40241</i>	36
<hr/>	

FUEL AND WATER SEPARATOR

<i>With: FEATURE 40233-01, STANDARD QBRE ONLY</i>	37
<hr/>	
<i>With: FEATURE 40233-02</i>	38
<hr/>	
<i>With: FEATURE 40233-03 QBRE ONLY, STANDARD</i>	39
<hr/>	
<i>With: FEATURE 40233-04</i>	40
<hr/>	
<i>With: FEATURE 40233-05</i>	41
<hr/>	
<i>With: FEATURE 40233-06</i>	42

HEATED

<i>With: FEATURE 40233-06</i>	43
-------------------------------	----

RACOR

ISB 07

<i>With: FEATURE 40233-09, -10 From 1-29-07</i>	44
---	----

ISC 07

<i>With: FEATURE 40233-10 From 3-19-07</i>	45
--	----

TANK INSTALLATION

MIDMOUNT

60, 90, OR 100 GALLON

<i>With: FEATURE 40241 To CSN FE30073029 RE10073064</i>	46
---	----

<i>With: FEATURE 40241 From CSN FE30073030 RE 10073065 To CSN 11/3/02</i>	47
---	----

<i>With: FEATURE 40241 From RE ONLY CSN RE10124660</i>	48
--	----

Models: A3RE

CAT

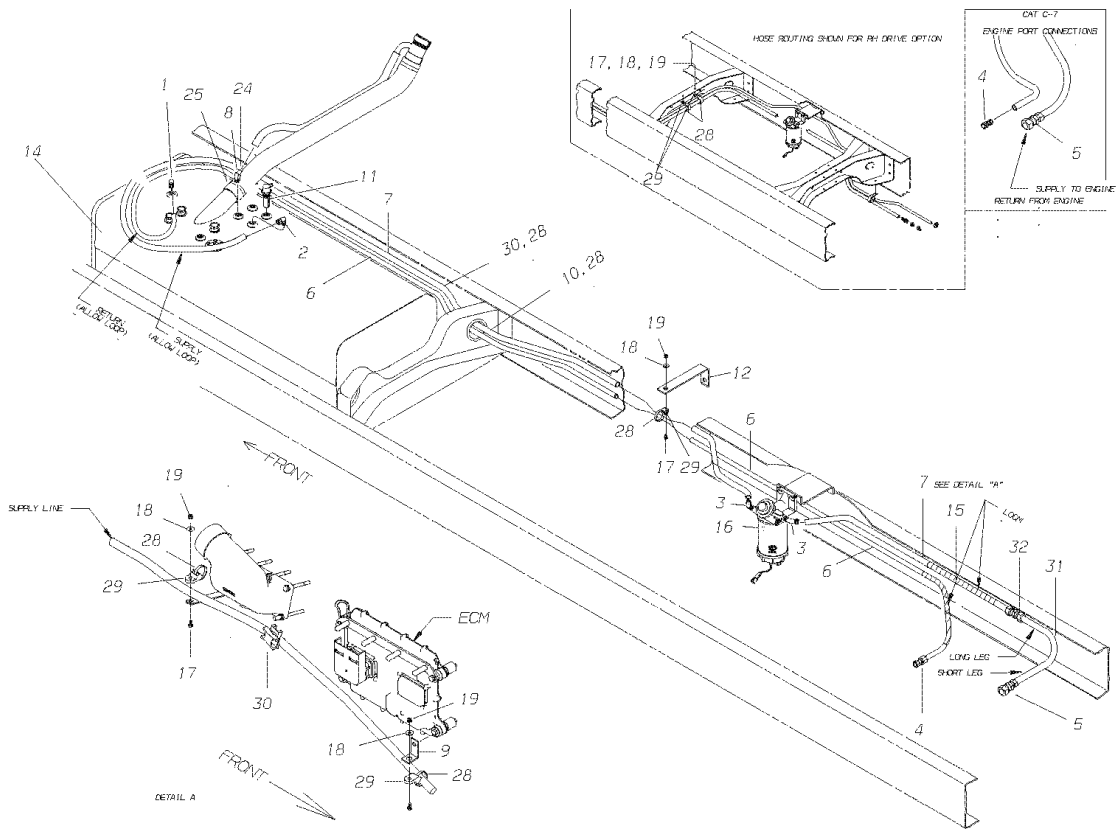
C7

MIDMOUNT

With Features: FEATURE 40421-01, -02, -08, -10

BSN: From CSN 0198630 5/02/05

Key	PartNumber	Qty	Description	Comment
-----	------------	-----	-------------	---------



Models:

A3RE

CAT

C7

MIDMOUNT

With Features: **FEATURE 40421-01, -02, -08, -10**

BSN: **From CSN 0198630 5/02/05**

Key	PartNumber	Qty	Description	Comment
1	0082596		FITTING,PARKER,MALE ELBOW,VS269NTA-8-8	
2	0087404		FITTING,PARKER,MALE ELBOW,VS269NTA-12-8	
3	0087402		FITTING,PARKER,45 DEG,VS279NTA-12-6	
4	0087403		FITTING,PARKER,FEMALE CONN,66NTAF-8-6	
5	0087350		FITTING,PARKER,NTA TO FLARE,SR66NTAFSV	
6	0082608		TUBING,PARFLEX,BRN,1/2 OD,DIESEL FUEL	
7	0087406		TUBING,PARFLEX,BRN,3/4 OD,DIESEL FUEL	
8	0082604		FITTING,PARKER,45 DEG,179HB-12-8	
9	1501097		BRACKET,ATCH,BRAKE LINE TO FRAME	
10	0030876		2 WAY SADDLE MOUNT,S2HM25	
11	0066606		VENT,FUEL TANK,2989-1	
12	0003844		BRACKET,FUEL LINE STND-OFF,ISC,W/TEX U-	
13	2001048		WASHER,FLAT,11/32 X 11/16 X 1/16,YEL	
14	0068152		TANK ASSY,FUEL,60GAL,MM,RIGHT FILL	
	0093338		SENDER,FUEL TANK,FOR 21.5 IN DEEP TANK	
14	0068151		TANK ASSY,FUEL,100GAL,MM,RIGHT FILL	
14	0068150		TANK ASSY,FUEL,60GAL,MM,LS FILL	
14	0068149		TANK ASSY,FUEL,100GAL,MM,LS FILL	
14	0087876		TANK ASSY,FUEL,96,MM,RIGHT FILL,10%, HDRE	
15	1109271		LOOM,CORRUGATED,BLACK,NYLON,3/4 ID,SS	
16	0082935		FILTER,ASSY,F/WAT SEP,490R,W/O	FEATURE 40233-06
16	0082934		FILTER,ASSY,F/WAT SEP,490R,	FEATURE 40233-06
17	2000081		CAPSCREW,HEX HD,1/4-20X1 1/2,GR8,YEL	
18	1991108		WASHER,FLAT,17/64 ID X 3/4,YELLOW ZINC	
19	1339639		NUT,HEX HD,1/4-20,PRVLG TORQUE,FLG,YEL	
20	1030998		NUT,HEX HD,M8-1.25,ZINC	
21	2001410		NUT,HEX HD,5/16-18,YEL ZN DICH"	
22	0989145		CAPSCREW,HEX HD,5/16-18, X, 1, ,GR5,	
23	1517168		CLAMP,LOOP,.937	
24	0023412		CAP,PROTECTOR,3/4 THREAD X 1.250 LONG	
25	0031124		CAP,BLACK VINYL PLASTIC,2.50 X 1.50	
26	0803213		CAPSCREW,HEX HD,3/8-16X1 1/4,GR8,YEL	
27	0839027		NUT,HEX HD,3/8-16,GR G,SM FLG LK,YEL	

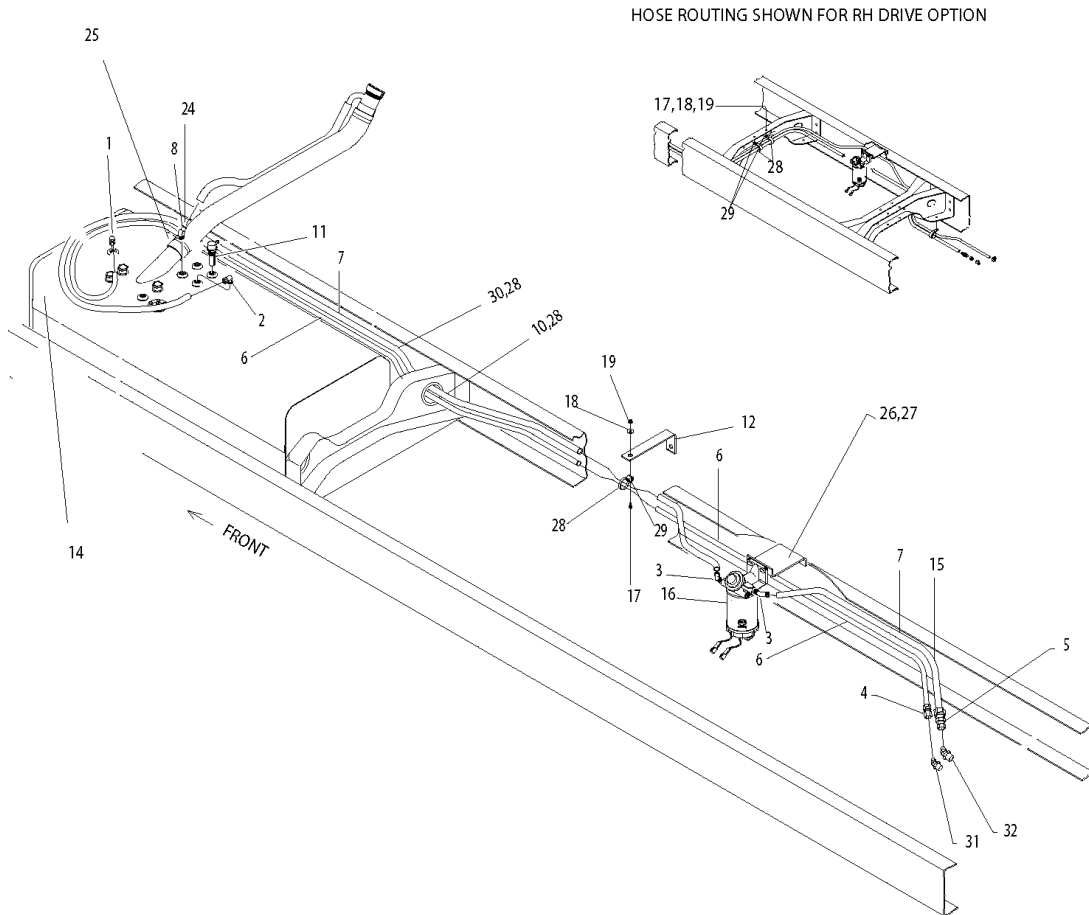
Models:**A3RE****CAT****C7****MIDMOUNT****With Features:** **FEATURE 40421-01, -02, -08, -10****BSN:** **From CSN 0198630 5/02/05**

Key	PartNumber	Qty	Description	Comment
28	0029998		TIE,CABLE,250 LB	
29	0024168		MOUNT,HEAVY DUTY,.25 HOLE SIZE	
30	0029253		SADDLE,DUAL SWIVEL,MOUNT	
31	0087376		TUBING,FUEL,ELBOW,CAT C7,HTFL,BBCV,A3FE,	
32	0087848		FITTING,PARKER,UNION 62NTA-12	

Models:
A3RE
CAT
C7 07

With Features:
FEATURE 40241-01, -02, -08, -10

Key	PartNumber	Qty	Description	Comment
-----	------------	-----	-------------	---------



Models:
A3RE
CAT
C7 07
MIDMOUNT TANK
With Features:
FEATURE 40241-01, -02, -08, -10

Key	PartNumber	Qty	Description	Comment
1	0082596	1	FITTING,PARKER,MALE ELBOW,VS269NTA-8-8	CAT, C7-07
2	0087404	1	FITTING,PARKER,MALE ELBOW,VS269NTA-12-8	CAT, C7-07
3	0087402	2	FITTING,PARKER,45 DEG,VS279NTA-12-6	CAT, C7-07
4	0087403	1	FITTING,PARKER,FEMALE CONN,66NTAF-8-6	CAT, C7-07
5	0087350	1	FITTING,PARKER,NTA TO FLARE,SR66NTAFSV	CAT, C7-07
6	0082608	AR	TUBING,PARFLEX,BRN,1/2 OD,DIESEL FUEL	WITH WHEELBASE 189, 217, 245, AND 273
7	0087406	AR	TUBING,PARFLEX,BRN,3/4 OD,DIESEL FUEL	WITH WHEELBASE 189, 217,245, AND 273
8	0082604	1	FITTING,PARKER,45 DEG,179HB-12-8	CAT, C7-07
9	1501097	2	BRACKET,ATCH,BRAKE LINE TO FRAME	CAT, C7-07
10	0030876	1	2 WAY SADDLE MOUNT,S2HM25	CAT, C7-07
11	0066606	1	VENT,FUEL TANK,2989-1	CAT, C7-07
12	0003844	6	BRACKET,FUEL LINE STND-OFF,ISC,W/TEX U-	CAT, C7-07
13	2001048	6	WASHER,FLAT,11/32 X 11/16 X 1/16,YEL	CAT, C7-07
14	0068152	1	TANK ASSY,FUEL,60GAL,MM,RIGHT FILL	CAT,C7-07, INCLUDES SENDER
14	0068151	1	TANK ASSY,FUEL,100GAL,MM,RIGHT FILL	CAT, C7-07, INCLUDES SENDER
14	0068150	1	TANK ASSY,FUEL,60GAL,MM,LS FILL	CAT, C7-07, INCLUDES SENDER
14	0068149	1	TANK ASSY,FUEL,100GAL,MM,LS FILL	CAT, C7-07, INCLUDES SENDER
14	0087876	1	TANK ASSY,FUEL,96,MM,RIGHT FILL,10%, HDRE	CAT, C7-07. WITH FEATURE 40241-21, INCLUDES SENDER
15	1109271	4	LOOM,CORRUGATED,BLACK,NYLON,3/4 ID,SS	CAT, C7-07
16	0111266	1	FILTER ASSY,FUEL,490RP1210 W/30880,	CAT, C7-07
17	2000081		CAPSCREW,HEX HD,1/4-20X1 1/2,GR8,YEL	
18	1991108	AR	WASHER,FLAT,17/64 ID X 3/4,YELLOW ZINC	WITH WHEELBASE 189, 217, 245, AND 273
19	1339639	AR	NUT,HEX HD,1/4-20,PRVLG TORQUE,FLG,YEL	WITH WHEELBASE 189, 217, 245, AND 273
20	1030998	AR	NUT,HEX HD,M8-1.25,ZINC	WITH WHEELBASE 189, 217, 245, AND 273
21	2001410	1	NUT,HEX HD,5/16-18,YEL ZN DICH"	CAT, C7-07
22	0989145	2	CAPSCREW,HEX HD,5/16-18, X, 1, ,GR5,	CAT, C7-07
23	1517168	2	CLAMP,LOOP,.937	CAT, C7-07
24	0023412	2	CAP,PROTECTOR,3/4 THREAD X 1.250 LONG	CAT, C7-07
25	0031124	1	CAP,BLACK VINYL PLASTIC,2.50 X 1.50	CAT, C7-07
26	0803213	1	CAPSCREW,HEX HD,3/8-16X1 1/4,GR8,YEL	CAT, C7-07
27	0839027	2	NUT,HEX HD,3/8-16,GR G,SM FLG LK,YEL	CAT, C7-07


Models: A3RE
 CAT
 C7 07
MIDMOUNT TANK
With Features: FEATURE 40241-01, -02, -08, -10

Key	PartNumber	Qty	Description	Comment
28	0029998	2	TIE,CABLE,250 LB	CAT, C7-07
29	0024168	AR	MOUNT,HEAVY DUTY,.25 HOLE SIZE	WITH WHEELBASE 189, 217, 245, AND 273
30	0029253	AR	SADDLE,DUAL SWIVEL,MOUNT	WITH WHEELBASE 189, 217, 245, AND 273
31	0116126	2		CAT, C7-07
32	0116127	1		CAT, C7-07

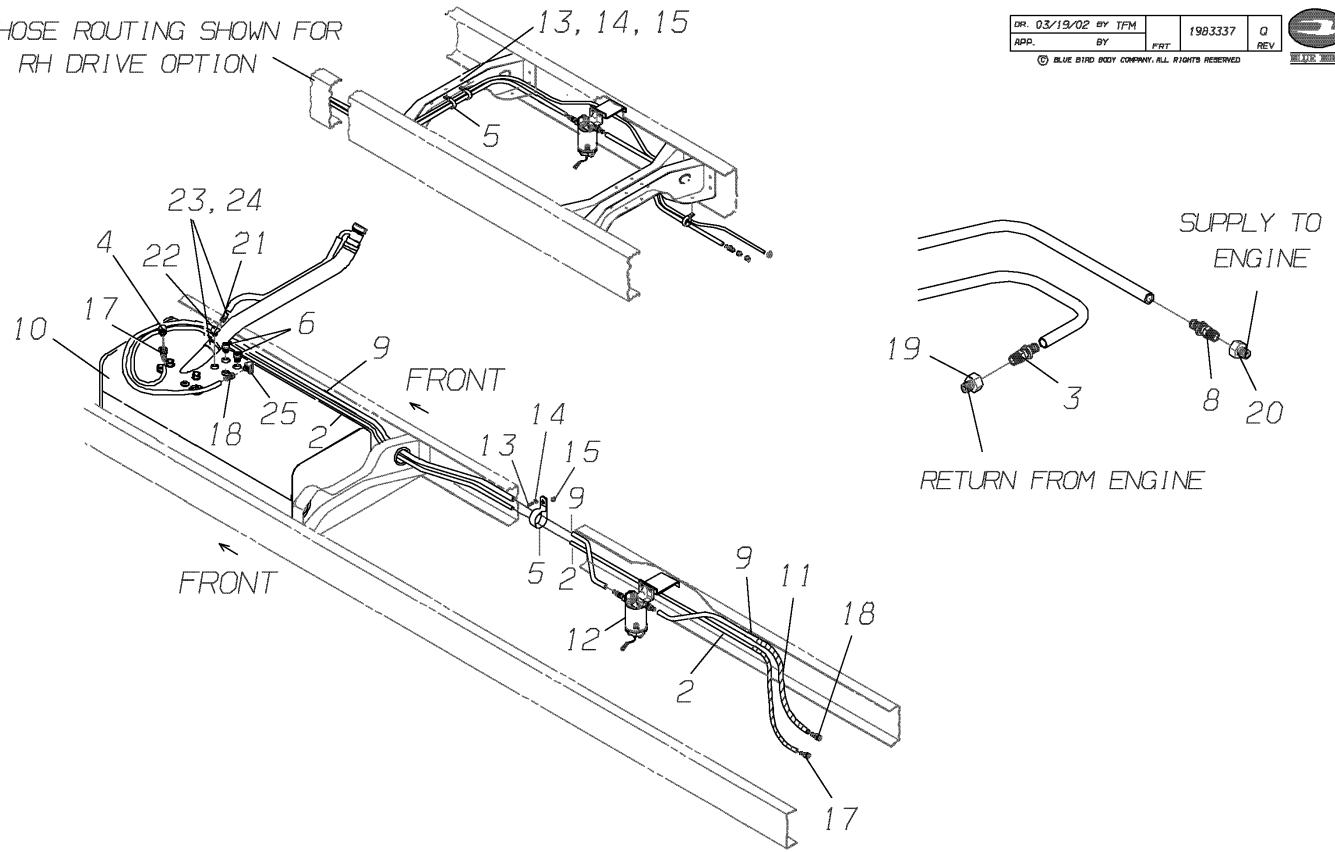
Models: A3RE
CAT & CUMMINS
ISB, 3126
60 OR 100 GALLON MIDMOUNT
With Features: FEATURE 40421 WITH FEATURE 40177 OR 40187

Key	PartNumber	Qty	Description	Comment
-----	------------	-----	-------------	---------

HOSE ROUTING SHOWN FOR
 RH DRIVE OPTION

CHK: 03/19/02	BY: TFM	1983337	0	
APP:	BY:	FRY	REV	

© BLUE BIRD BODY COMPANY. ALL RIGHTS RESERVED



Models:
A3RE
CAT & CUMMINS
ISB, 3126
60 OR 100 GALLON MIDMOUNT
With Features:
FEATURE 40421 WITH FEATURE 40177 OR 40187

Key	PartNumber	Qty	Description	Comment
1	2027571		CLAMP,HOSE,6203	
2	1797810	AR	HOSE,.37 ID X .62 OD,W-H H00906	
3	1313808		SWIVEL,MALE,3/8 HOSE X 3/8 INV FL10006B-	
4	0032911	6	ELBOW,90 DEG,3/8FL X 1/2MPT,WH 49X6X8	
5	0948141	AR	CLAMP,LOOP,1.312	
6	0066606	2	VENT,FUEL TANK,2989-1	
7	1500313	2	ELBOW,402X8X8,1/2 MPT X 1/2 IF	
8	1490481		SWIVEL,INVERTED MALE,1/2T X 1/2 MIF	ISB, FEATURE 40177
8	1490481	2	SWIVEL,INVERTED MALE,1/2T X 1/2 MIF	3126, FEATURE 40187
9	1797828	AR	HOSE,.50 ID X .78 OD,W-H H00908	
10	0068152		TANK ASSY,FUEL,60GAL,MM,RIGHT FILL	FEATURE 40241-01 HDRE
10	0068151		TANK ASSY,FUEL,100GAL,MM,RIGHT FILL	FEATURE 40241-02 HDRE
10	0068150		TANK ASSY,FUEL,60GAL,MM,LS FILL	FEATURE 40241-08
10	0068149		TANK ASSY,FUEL,100GAL,MM,LS FILL	FEATURE 40241-10
11	1109271		LOOM,CORRUGATED,BLACK,NYLON,3/4 ID,SS	
12	1567049		FILTER ASSY,FUEL/WATER SEPAR,RACOR	FEATURE 40233-03
12	0004148		FILTER ASSY,FUEL/WATER SEP,RACOR 325R-BB	FEATURE 40233-01 EXCEPT WITH HENDRICKSON SUSPENSION
12	0019544		FILTER ASSY,F/W SEP,RACOR 325-BB-01	FEATURE 40233-01 WITH HENDRICKSON SUSPENSION
12	0028973		FILTER ASSY,F/WAT SEP,490R,.50 LN,W/O	FEATURE 40233-06
12	0028972		FILTER ASSY,F/WAT SEP,490R,.50 LN,W/HEND	FEATURE 40233-06 WITH HENDRICKSON SUSPENSION
NI	0877597		VALVE,CHECK	
13	0559195	AR	CAPSCREW,HEX HD,3/8-16 X 1,GR 8,YEL ZN	
14	1107085	AR	WASHER,FLAT,13/32 X 13/16 X 3/32,HDN,BLK	
15	2171809	AR	NUT,HEX HD,3/8-16,ZINC,SM FLG LK,YEL	
16	2023539		BUSHING,PIPE,1/2MPT X 3/8FPT,3220X8X6Z,	ENDING WITH CSN 10075580
17	1944099		SWIVEL,FEMALE,45FL,3/8H X 3/8T,1000GB-406	
18	1944107		SWIVEL,FEMALE,45FL,1/2HX1/2T,WH10008B	
19	2026870		CONNECTOR,200 X 6 1/4 MPT X 3/8,IF	ENDING WITH CSN 10124565
20	1497494		ADAPTER,INVERTED	ENDING WITH CSN 10124565
21	0021443		INSERT,.75 HOSE X .50 PIPE	
22	1831890		ELBOW,STREET,45DEG,3350X8,1/2MPTX1/2FPT	
23	0023412		CAP,PROTECTOR,3/4 THREAD X 1.250 LONG	

Models: **A3RE**
CAT & CUMMINS
ISB, 3126
60 OR 100 GALLON MIDMOUNT

With Features: **FEATURE 40421 WITH FEATURE 40177 OR 40187**

Key	PartNumber	Qty	Description	Comment
24	0031124		CAP,BLACK VINYL PLASTIC,2.50 X 1.50	
25	1002864		ELBOW,90 DEG,1/2 FL X 1/2 MPT WH 49X8X8	
26	0803213	2	CAPSCREW,HEX HD,3/8-16X1 1/4,GR8,YEL	
27	0839027	2	NUT,HEX HD,3/8-16,GR G,SM FLG LK,YEL	
28	1501097	2	BRACKET,ATCH,BRAKE LINE TO FRAME	<i>C7 ONLY</i>
29	1517168	2	CLAMP,LOOP,.937	<i>C7 ONLY</i>
30	0989145	2	CAPSCREW,HEX HD,5/16-18, X, 1, ,GR5,	<i>C7 ONLY</i>
31	2001410	2	NUT,HEX HD,5/16-18,YEL ZN DICH"	<i>C7 ONLY</i>
32	1030998		NUT,HEX HD,M8-1.25,ZINC	<i>C7 ONLY</i>
33	2001048	6	WASHER,FLAT,11/32 X 11/16 X 1/16,YEL	

Models: AAFE, AARE, A3FE, A3RE, BBCV, B4RE, C1FE, C3FE, C4RE, C5FE, CSRE, H4RE, L4RE, Q4RE, QBRE, T2RE, TCFE, TCRE, TSFE, WLWB, W4RE
CHART, FUEL SENDERS

Key	PartNumber	Qty	Description	Comment
			TANK ASSEMBLY, FUEL	
	1935501		TANK ASSY,FUEL,60 GAL,MM,RH FILL,A3RE	
	1601947		TANK ASSY,FUEL,100 GAL,MIDMOUNT,RIGHT	
	1935493		TANK ASSY,FUEL,100 GAL,MM,RH FILL,A3RE	
	1997576		TANK ASSY,FUEL,100 GALLON,MIDMOUNT,RH	
	1866375		TANK ASSY,FUEL,100 GAL,MM,RH FILL, CEC/RE	
	0021432		CAP,FUEL TANK FILLER,BORGWARNER	
	0011895		TANK ASSY,FUEL,60 GAL,MM,LEFT FILL, A3RE	
	0011897		TANK ASSY,FUEL,100 GAL,MM,LEFT FILL, A3RE	
	4311155		SENDING UNIT,100 GAL FUEL TANK A1380AE"	
			TANK ASSEMBLY, FUEL	
	1667682		TANK ASSY,FUEL,45 GALLON,SIDEMOUNT,	
	4328746		CAP,FUEL TANK,GASOLINE/DIESEL"	
	1531417		TANK ASSY,FUEL,60 GAL,SIDEMOUNT,RIGHT	
	1667690		TANK ASSY,FUEL,60 GALLON,SIDEMOUNT,R/F	
	4328746		CAP,FUEL TANK,GASOLINE/DIESEL"	
	1784933		TANK ASSY,FUEL,60 GAL,M/M,RH FILL,	
	4323622		GASKET,SENDER,60 GAL FUEL TANK"	
	1667716		TANK ASSY,FUEL,60 GALLON,MIDMOUNT,RIGHT	
	0049389		TANK ASSY,FUEL,60 GALLON,MM,RH FILLBBCV,	
	4323622		GASKET,SENDER,60 GAL FUEL TANK"	
	4312609		FLANGE,PLUG,FUSE #873,FUEL TANK	
	0044488		PLUG,FUSE #873,FUEL TANK,1667716	
	1667732		TANK ASSY,FUEL,90 GALLON,MIDMOUNT,RIGHT	
	1997642		TANK ASSY,FUEL,90 GALLON,MIDMOUNT,RH	
	0067240		TANK ASSY,FUEL,100 GAL,MM,RH FILL	
	1997501		TANK ASSY,FUEL,100 GALLON,MIDMOUNT,RH	
	0049387		TANK ASSY,FUEL,100 GALLON,MM,RH	
	4323622		GASKET,SENDER,60 GAL FUEL TANK"	
	4312609		FLANGE,PLUG,FUSE #873,FUEL TANK	
	0044488		PLUG,FUSE #873,FUEL TANK,1667716	
	1667708		TANK ASSY,FUEL,60 GALLON,SIDEMOUNT,LEFT	
	1667724		TANK ASSY,FUEL,60 GALLON,MIDMOUNT,LEFT	

Models: AAFE, AARE, A3FE, A3RE, BBCV, B4RE, C1FE, C3FE, C4RE, CSFE, CSRE, H4RE, L4RE, Q4RE, QBRE, T2RE, TCFE, TCRE, TSFE, WLWB, W4RE
CHART, FUEL SENDERS

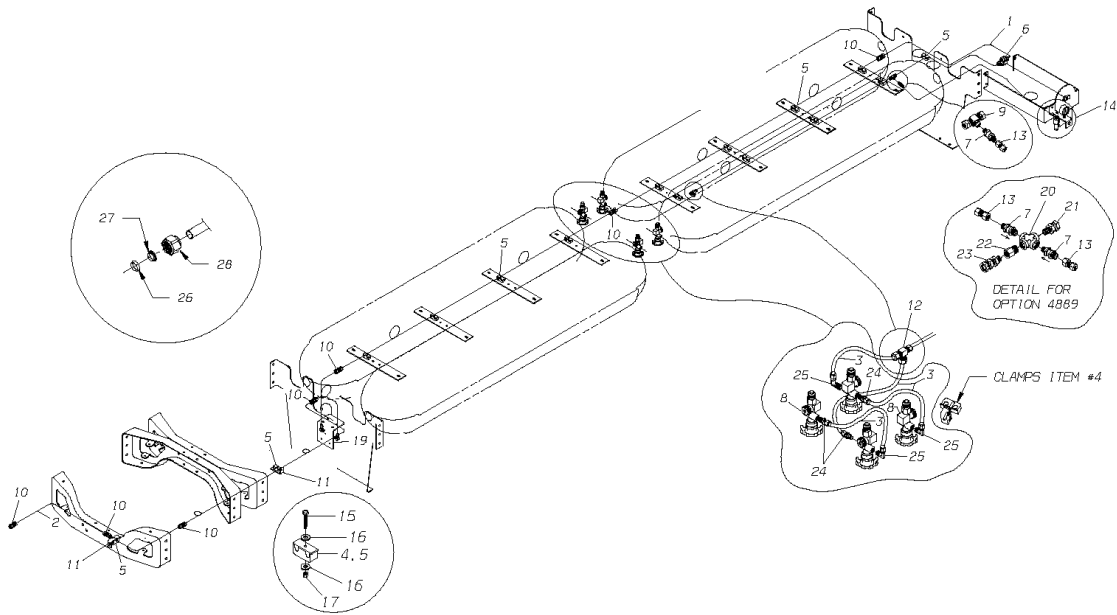
Key	PartNumber	Qty	Description	Comment
	0049390		TANK ASSY,FUEL,60 GALLON,MM,LH FILL, A3FE	
	0011896		TANK ASSY,FUEL,100 GAL,MM,LEFT FILL, FE	
	0049388		TANK ASSY,FUEL,100 GALLON,MM,LH FILL,	
	4315248		SENDING UNIT,45,60, OR 90 GAL FUEL TANK"	

Models: AAFE, AARE, A3FE, A3RE, BBCV, B4RE, C1FE, C3FE, C4RE, C5FE, C5RE, H4RE, L4RE, Q4RE, QBRE, T2RE, TCFE, TCRE, TSFE, WLWB, W4RE
CHART, FUEL SENDERS

Key	PartNumber	Qty	Description	Comment
			TANK ASSEMBLY, FUEL	
	1574805		TANK ASSY,FUEL 60 GALLON GAS, 49 STATE,	
	1637859		TANK ASSY,FUEL 40 GAL GAS,49 STATE,ALUM	
	4327052		SENDER W/PUMP,40 GAL,GAS,427	
	1574987		FITTING,SWAGELOK TO AN UNION 3/8,TUBE,TC	
	1574979		FITTING,SWAGELOK TO AN UNION,5/16 TUBE,	
	1943232		TANK ASSY,FUEL,176 GAL,TRNSV MT,DUAL FILL	
	8312639		SENDING UNIT,176 GAL. TANK LTC"	
	1533348		TANK ASSY,FUEL,60 GAL,SIDEMOUNT,LEFT FILL	
	2008001		SENDING UNIT,60 GAL FUEL TANK (90 OHM)	90 OHM
	0036591		TANK ASSY,FUEL,105 GALLON,TRNV,RH FILL	
	0056335		TANK ASSY,FUEL,105 GAL,TRANSVERSE RT	
	0056967	2	SENDING UNIT, 45 GAL. TANK (9021058)	
	0056836		TANK ASSY,FUEL,100 GALLON W/SENDER,	
	0086581		SENDER,FUEL TANK,100 GALLON,COMMERCIAL	
	9021058		TO,TANK ASSY,FUEL,45GAL,SIDEMT,EMCO	
	0056967		SENDING UNIT, 45 GAL. TANK (9021058)	
	0070805		TANK ASSY,FUEL,100 GAL,MIDMOUNT,LH FILL	
	0094754		SENDER,FUEL TANK,105 GAL,TRANSVERSE,RH	
	0068149		TANK ASSY,FUEL,100GAL,MM,LS FILL	
	0068150		TANK ASSY,FUEL,60GAL,MM,LS FILL	
	0068151		TANK ASSY,FUEL,100GAL,MM,RIGHT FILL	
	0068152		TANK ASSY,FUEL,60GAL,MM,RIGHT FILL	
	0087876		TANK ASSY,FUEL,96,MM,RIGHT FILL,10%, HDRE	
	0093338		SENDER,FUEL TANK,FOR 21.5 IN DEEP TANK	
	0068146		TANK ASSY,FUEL,60GAL,SIDEMNT,RF	
	0068147		TANK ASSY,FUEL,100GAL,MM,LEFT FILL	
	0068148		TANK ASSY,FUEL,60GAL,MM,LEFT FILL	
	0067239		TANK ASSY,FUEL,60 GAL,MM,RH FILL	
	0081017		SENDER,FUEL TANK,FOR 14 IN DEEP TANK"	

Models: A3RE, T2RE
CNG
With Features: FEATURE 40242-01, -03
 To CSN 10019741

Key	PartNumber	Qty	Description	Comment
-----	------------	-----	-------------	---------



Models: A3RE, T2RE
CNG

With Features: FEATURE 40242-01, -03
To CSN 10019741

Key	PartNumber	Qty	Description	Comment
1	1585009	80	TUBE,SS,RD, .375 OD X .049 X 20.00FT,SS 316	
2	0002575		HOSE ASSY,CNG W/TUBE NUT & FER PARKER	
3	0001653	4	HOSE ASSY,CNG W/TUBE NUT & FER PARKER	
4	1589290	16	CLAMP,DUAL,1/2 O.D. TUBING,CNG VENT LINE	
5	1589084	16	CLAMP,DUAL,3/8 O.D. TUBING,CNG FUEL LINE	
6	0000289		FRAME ASSY,SEAT,39,FMTD,SED,HBK,LH, SBTF	
7	0002290		VALVE,CHECK,MALE	
8	1585041	2	PLUG,BRASS,1/4 NPT FOR CNG VALVE	
9	0002163		FITTING,F BRANCH TEE,PARKER 6-6-6 OZ-SS	
10	0002622	7	FITTING,UNION,PARKER 6-6 HZ-316	
11	1317247	6	BRACKET,ATCH,BRAKE LINE TO FRAME	
12	0001650		FITTING,UNION TEE,PARKER 6-6-6 JZ SS	
13	0003410		FITTING,FEMALE CONNECTOR,PARKER 6-6 GZ	
14	1828052		FILL&FILTER ASSY,CNG,NGV1, QBRE	
15	2000099	32	SCREW,1/4-20 X 1-1/2,D,HEX HD,YEL ZN DICH"	
16	2001121	64	WASHER,FLAT,5/16 X 3/4,X 5/64,YEL ZN DICH	
17	1039262	32	NUT,HEX HD,1/4-20,LOCK,ZINC	
18	1884956		KIT,SENSOR,TEMPERATURE,TANK,NATURAL	
19	1880681		FILTER ASSY,CNG,DEERE,CEC	
20	0003425		FITTING,CROSS,PARKER 3/8KMMOO-316	
21	0003411		FITTING,MALE CONNECTOR,PARKER 6-6 FZ-316	
22	0002293		FITTING,PI THRD REDU,PARKER 3/8X1/4PTR	
23	0003412		FITTING,MALE BLKHD CON,PARKER 6-4 FH2Z	
24	0001652	3	FITTING,MALE CONNECTOR,PARKER 6-4 FZ-316	
25	0001649	3	FITTING,MALE ELBOW,PARKER 6-4 CZ-316	
26	0002171	32	FITTING,FERRULE FRONT,PARKER,6FF6	
27	0002174	32	FITTING,FERRULE BACK PARKER,6BF6-316, 3/8	
28	0002173	32	FITTING,NUT,PARKER 6NU6-316	
NI	0004187	2	DETECTOR,TATL-LEAK,PARKER 1 GALLON	
NI	0004188	1	SEALANT,ANAEROBIC PIPE THD SEAL,MS-PTS	
NI	0003177		LAYOUT,CHAS DIM,273 WB W/CNG & JD 8.1	
NI	0002796		INSTRUCTIONS,PARKER TUBE FITTINGS	
NI	0004454		CHART,VEHICLE IDENTIFICATION,CNG,PST	

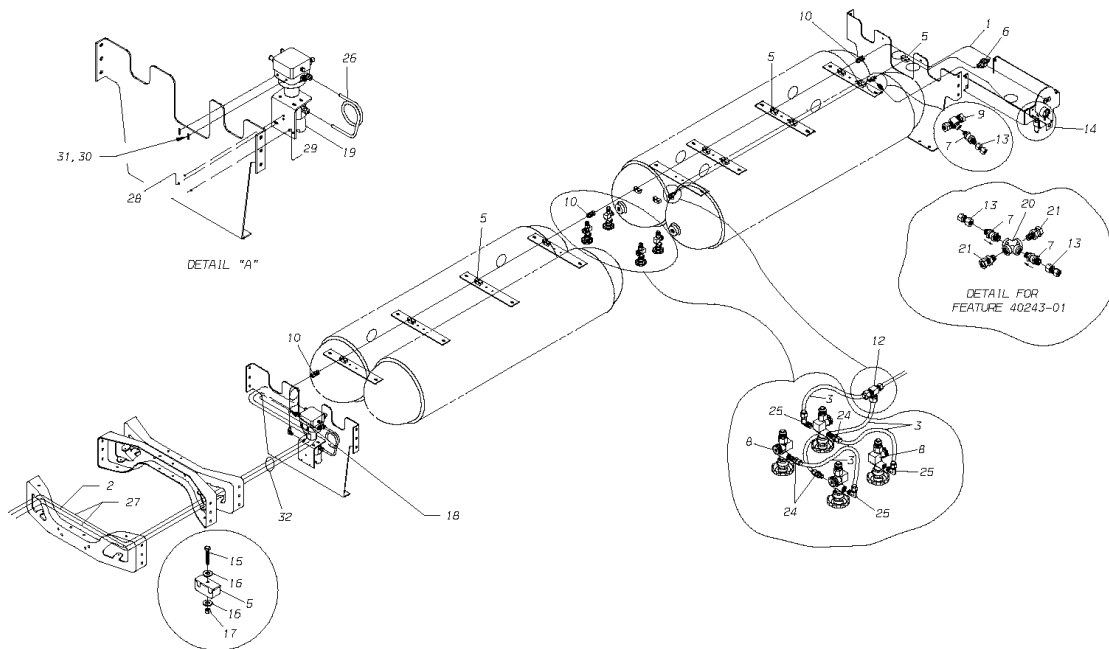
Models: A3RE, T2RE
CNG

With Features: FEATURE 40242-01, -03
To CSN 10019741

Key	PartNumber	Qty	Description	Comment
NI	0004453		LABEL,VEHICLE,ID,40242-03,CNG,4-CE1575	

Models: A3RE, T2RE
CNG
With Features: FEATURE 40242-01, -03
BSN: From CSN 10019742

Key	PartNumber	Qty	Description	Comment
-----	------------	-----	-------------	---------



Models: A3RE, T2RE
CNG
With Features: FEATURE 40242-01, -03
BSN: From CSN 10019742

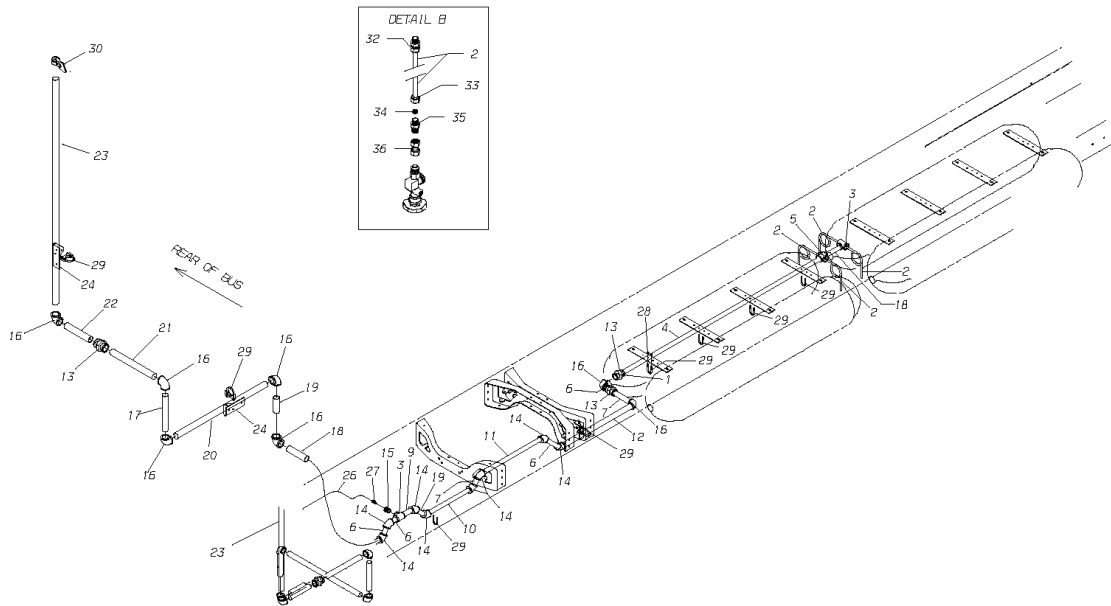
Key	PartNumber	Qty	Description	Comment
1	1585009	60	TUBE,SS,RD, .375 OD X .049 X 20.00FT,SS 316	
2	0008671		HOSE ASSY,CNG,WH H366,DEERE 6.8 FOR	
3	0001653	4	HOSE ASSY,CNG W/TUBE NUT & FER PARKER	
5	1589084	17	CLAMP,DUAL,3/8 O.D. TUBING,CNG FUEL LINE	
6	0002289		VALVE,BALL,3/8T,PARKER 6A-B6LJ2-BN-SSP	
7	0002290		VALVE,CHECK,MALE	
8	0004383	2	PLUG,SS,HEX HEAD PLUG,PARKER 4 PH-316	
9	0002163		FITTING,F BRANCH TEE,PARKER 6-6-6 OZ-SS	
10	0002622	3	FITTING,UNION,PARKER 6-6 HZ-316	
11	1317247	4	BRACKET,ATCH,BRAKE LINE TO FRAME	
12	0001650		FITTING,UNION TEE,PARKER 6-6-6 JZ SS	
13	0003410		FITTING,FEMALE CONNECTOR,PARKER 6-6 GZ	
14	0007949		FILL & FILTER ASSY,CNG,NGV1,PARKER	
14	0020206		FILL & FILTER ASSEMBLY,CNG,NGV1,P36	
15	2000099	32	SCREW,1/4-20 X 1-1/2,D,HEX HD,YEL ZN DICH"	
16	2001121	64	WASHER,FLAT,5/16 X 3/4,X 5/64,YEL ZN DICH	
17	1039262	32	NUT,HEX HD,1/4-20,LOCK,ZINC	
18	1884956		KIT,SENSOR,TEMPERATURE,TANK,NATURAL	
19	0006111		FILTER ASSY,CNG,DEERE FOR CONOFLOW	
20	0003425		FITTING,CROSS,PARKER 3/8KMMOO-316	
21	0003411		FITTING,MALE CONNECTOR,PARKER 6-6 FZ-316	
24	0001652	3	FITTING,MALE CONNECTOR,PARKER 6-4 FZ-316	
25	0001649	3	FITTING,MALE ELBOW,PARKER 6-4 CZ-316	
26	0002572		TUBE,CONN,CNG,CONOFLOW TO FILTER ASSY	
27	1666585	30	HOSE,HEATER,SILCON,.50 I.D.	
28	0659979	3	NUT,HEX,FLANGE SER,1/4-20,BLACK ZINC	
29	1542372	3	CAPSCREW,HEX FLG,1/4-20X.75,GRD5,BLACK	
30	2001188	2	LOCKWASHER,SPLIT RING, 5/16,MED,YEL ZN	
31	0997759	2	CAPSCREW,HX HD,M8-1.25X25,CL10.9,	
32	0006748	15	HOSE,FIRESLEEVE,STRAIGHT,1.75 IN ID	
33	1765445	4	CLAMP,HOSE,LINED,.50 INCH HOSE	
34	0002171	32	FITTING,FERRULE FRONT,PARKER,6FF6	
35	0002174	32	FITTING,FERRULE BACK PARKER,6BF6-316, 3/8	

Models: A3RE, T2RE
CNG
With Features: FEATURE 40242-01, -03
BSN: From CSN 10019742

Key	PartNumber	Qty	Description	Comment
36	0002173	32	FITTING,NUT,PARKER 6NU6-316	
37	0004453		LABEL,VEHICLE,ID,40242-03,CNG,4-CE1575	
37	0020223		LABEL,VEH,ID,40242-03 W/40243-04	
NI	0004188	1	SEALANT,ANAEROBIC PIPE THD SEAL,MS-PTS	
NI	0004187	2	DETECTOR,TATL-LEAK,PARKER 1 GALLON	

Models: A3RE, T2RE
CNG
With Features: FEATURE 40242-03
 To CSN 10019929

Key	PartNumber	Qty	Description	Comment
-----	------------	-----	-------------	---------



Models: A3RE, T2RE

CNG
With Features: FEATURE 40242-03
To CSN 10019929

Key	PartNumber	Qty	Description	Comment
1	1873637	5	FITTING,BUSHING,1 1/4 X 1/2 HEX, BIP	
2	1588789	10	TUBING,COPPER,1/2,TYPE KF (KS03060)	
3	1844182	2	FITTING,TEE,BIP,1 1/4	
4	1880632		PIPE,1-1/4 X 81.50,CNG VENT	
5	1873629		FITTING,CROSS,1 1/4 PIPE,BIP	
6	1640887	7	PIPE,1-1/4,2.50 IN,CNG VENT	
7	1619303	2	PIPE,1-1/4,7.00 IN,CNG VENT	
9	1800846		PIPE,1-1/4M3.50 IN,CNG VENT	
10	1880665		PIPE,1-1/4 X, 17.00,CNG VENT	
11	1889732		PIPE,1 1/4 X 23.50,CNG VENT TYPE A	
12	1880657		PIPE,1-1/4 X, 29.75,CNG VENT	
13	1588870	3	UNION,1 1/4 BLACK IRON,SCHEDULE 40	
14	1588854	8	ELBOW,45DEG,1 1/4,BLACK IRON,SCHEDULE 40	
15	1875806		FITTING,BUSHING,1 1/4 X 3/4,HEX,BIP	
16	1588847	7	ELBOW,90DEG,1 1/4,BLACK IRON,SCHEDULE 40	
17	1889708		PIPE,1 1/4 X 8.00,CNG VENT TYPE A	TYPE A
18	1889716	2	PIPE,1 1/4 X 6.00,CNG VENT TYPE A	TYPE A
19	1889724	2	PIPE,1 1/4 X 4.00,CNG VENT TYPE A	TYPE A
20	1619311		PIPE,1-1/4,28.00 IN,CNG VENT	TYPE A
21	1889690		PIPE,1 1/4 X 14.00,CNG VENT TYPE A	TYPE A
22	1889708		PIPE,1 1/4 X 8.00,CNG VENT TYPE A	TYPE A
23	1889674		PIPE, 1 1/4 X 64.00 CNG VENT TYPE A	TYPE A
24	1886266	2	BRACKET,MTR CNG VENT LINE,CEC	
26	1885136		HOSE ASSY,F4210669-12-12-12X60	
27	1169200		ADAPTER,1/2 MPT X 3/4 HOSE,37 FL,1012-8	
28	2021129	18	NUT,HEX HD,3/8-16,ELASTIC STOP,YEL ZN	
29	1616226	8	CLAMP,U-BOLT & SADDLE, 1.62 ID	
30	1588771		RAIN CAP,1 3/4 DIA,WALKER 35226	
31	1873637	4	FITTING,BUSHING,1 1/4 X 1/2 HEX, BIP	
32	1588797	4	FITTING,MALE CONNE 1/2 X 1/2P,WH68X8X8	
33	0004367	4	FITTING,NUT,PARKER 8BZ-B	
34	0004368	4	FITTING,FERRULE,PARKER 8TZ-B	
35	0002356	4	FITTING,UNION,PARKER 8-8 HZ-B	BODY ONLY

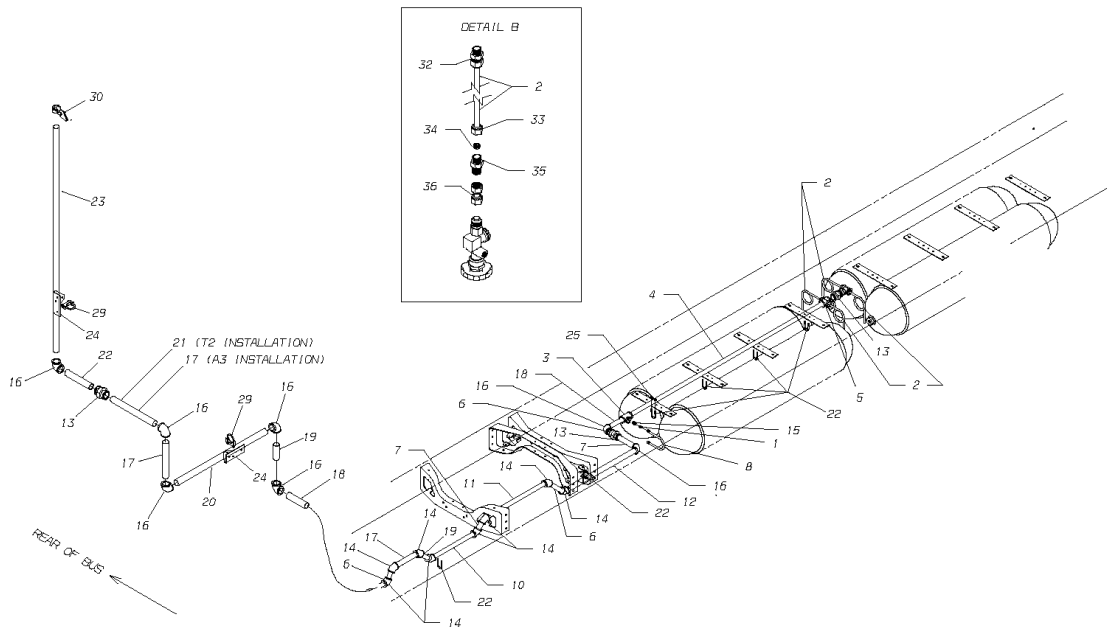
Models: A3RE, T2RE
CNG

With Features: FEATURE 40242-03
To CSN 10019929

Key	PartNumber	Qty	Description	Comment
36	0002354	4	FITTING,37DEG FLARE ADAPTER,	

Models: A3RE, T2RE
CNG
With Features: FEATURE 40242-03
BSN: From A3RE CSN 10019930
 To A3RECSN 10042119

Key	PartNumber	Qty	Description	Comment
-----	------------	-----	-------------	---------



Models: A3RE, T2RE
CNG
With Features: FEATURE 40242-03
BSN: From A3RE CSN 10019930
 To A3RECSN 10042119

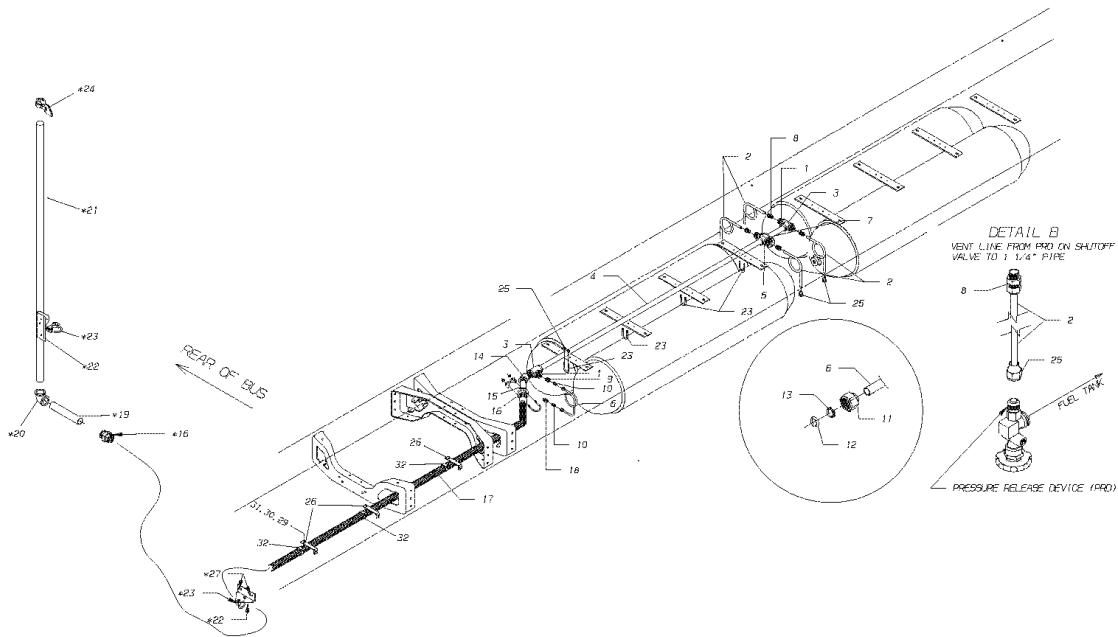
Key	PartNumber	Qty	Description	Comment
1	1873637	5	FITTING,BUSHING,1 1/4 X 1/2 HEX, BIP	
2	1588789	10	TUBING,COPPER,1/2,TYPE KF (KS03060)	
3	1844182	2	FITTING,TEE,BIP,1 1/4	
4	1880632		PIPE,1-1/4 X 81.50,CNG VENT	
5	1873629		FITTING,CROSS,1 1/4 PIPE,BIP	
6	1640887	7	PIPE,1-1/4,2.50 IN,CNG VENT	
7	1619303	2	PIPE,1-1/4,7.00 IN,CNG VENT	
9	1800846		PIPE,1-1/4M3.50 IN,CNG VENT	
10	1880665		PIPE,1-1/4 X, 17.00,CNG VENT	
11	1889732		PIPE,1 1/4 X 23.50,CNG VENT TYPE A	
12	1880657		PIPE,1-1/4 X, 29.75,CNG VENT	
13	1588870	3	UNION,1 1/4 BLACK IRON,SCHEDULE 40	
14	1588854	8	ELBOW,45DEG,1 1/4,BLACK IRON,SCHEDULE 40	
15	1875806		FITTING,BUSHING,1 1/4 X 3/4,HEX,BIP	
16	1588847	7	ELBOW,90DEG,1 1/4,BLACK IRON,SCHEDULE 40	
17	1889708	2	PIPE,1 1/4 X 8.00,CNG VENT TYPE A	TYPE A
18	1889716	3	PIPE,1 1/4 X 6.00,CNG VENT TYPE A	TYPE A
19	1889724	2	PIPE,1 1/4 X 4.00,CNG VENT TYPE A	TYPE A
20	1619311		PIPE,1-1/4,28.00 IN,CNG VENT	TYPE A
21	1889690		PIPE,1 1/4 X 14.00,CNG VENT TYPE A	TYPE A
22	1889708		PIPE,1 1/4 X 8.00,CNG VENT TYPE A	TYPE A
23	1889674		PIPE, 1 1/4 X 64.00 CNG VENT TYPE A	TYPE A
24	1886266	2	BRACKET,MTR CNG VENT LINE,CEC	
26	1885136		HOSE ASSY,F4210669-12-12-12X60	
27	1169200		ADAPTER,1/2 MPT X 3/4 HOSE,37 FL,1012-8	
28	2021129	18	NUT,HEX HD,3/8-16,ELASTIC STOP,YEL ZN	
29	1616226	8	CLAMP,U-BOLT & SADDLE, 1.62 ID	
30	1588771		RAIN CAP,1 3/4 DIA,WALKER 35226	
31	1873637	4	FITTING,BUSHING,1 1/4 X 1/2 HEX, BIP	
32	1588797	4	FITTING,MALE CONNE 1/2 X 1/2P,WH68X8X8	
33	0004367	4	FITTING,NUT,PARKER 8BZ-B	
34	0004368	4	FITTING,FERRULE,PARKER 8TZ-B	
35	0002356	4	FITTING,UNION,PARKER 8-8 HZ-B	BODY ONLY

Models: A3RE, T2RE
CNG
With Features: FEATURE 40242-03
BSN: From A3RE CSN 10019930
To A3RECSN 10042119

Key	PartNumber	Qty	Description	Comment
36	0002354	4	FITTING,37DEG FLARE ADAPTER,	

Models: A3RE
 CNG
With Features: FEATURE 40242-03
BSN: From CSN 10042120

Key	PartNumber	Qty	Description	Comment
-----	------------	-----	-------------	---------



Models: A3RE
CNG
With Features: FEATURE 40242-03
BSN: From CSN 10042120

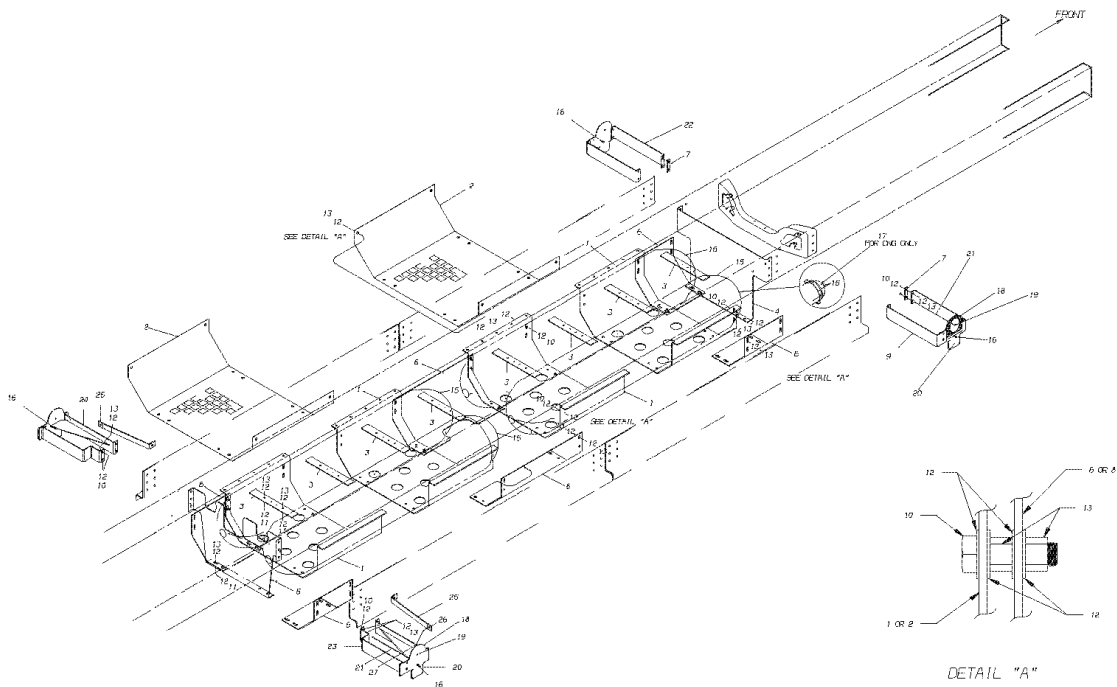
Key	PartNumber	Qty	Description	Comment
1	1873637	5	FITTING,BUSHING,1 1/4 X 1/2 HEX, BIP	
2	1588789	10	TUBING,COPPER,1/2,TYPE KF (KS03060)	
3	1844182	2	FITTING,TEE,BIP,1 1/4	
4	1880632		PIPE,1-1/4 X 81.50,CNG VENT	
5	1873629		FITTING,CROSS,1 1/4 PIPE,BIP	
6	0002572		TUBE,CONN,CNG,CONOFLOW TO FILTER ASSY	
7	1889716		PIPE,1 1/4 X 6.00,CNG VENT TYPE A	
8	1588797	4	FITTING,MALE CONNE 1/2 X 1/2P,WH68X8X8	
9	2027159		BUSHING,PIPE,1/2 X 1/4,BRASS	
10	0001652	2	FITTING,MALE CONNECTOR,PARKER 6-4 FZ-316	
11	0002173	2	FITTING,NUT,PARKER 6NU6-316	
12	0002171	2	FITTING,FERRULE FRONT,PARKER,6FF6	
13	0002174	2	FITTING,FERRULE BACK PARKER,6BF6-316, 3/8	
14	1842756		ELBOW,STREET,1 1/4, 45 DEG,BIP	
15	1640887		PIPE,1-1/4,2.50 IN,CNG VENT	
16	1588870	2	UNION,1 1/4 BLACK IRON,SCHEDULE 40	
17	0014326		PIPE,CNG,PARKER,FLEXVENTLINE,1 1/4 X 180	
18	2027175		COUPLING,PIPE,1/4	
19	1800846		PIPE,1-1/4M3.50 IN,CNG VENT	
19	1889708		PIPE,1 1/4 X 8.00,CNG VENT TYPE A	
20	1588847		ELBOW,90DEG,1 1/4,BLACK IRON,SCHEDULE 40	
21	1889674		PIPE, 1 1/4 X 64.00 CNG VENT TYPE A	
22	1886266	2	BRACKET,MTR CNG VENT LINE,CEC	
23	1616226	AR	CLAMP,U-BOLT & SADDLE, 1.62 ID	
24	1588771		RAIN CAP,1 3/4 DIA,WALKER 35226	
25	2027084	4	NUT,1110 X 8 1/2,FLARE	
26	1317247	8	BRACKET,ATCH,BRAKE LINE TO FRAME	
27	2000685	2	SCREW,1/4-14 X 1,AB,PH1,PAN HD,YEL ZN"	
28	0610725	13	CAPSCREW,HEX HD,5/16-18X1 1/4,GR8,	
29	2001121	26	WASHER,FLAT,5/16 X 3/4,X 5/64,YEL ZN DICH	
30	0829390	5	NUT,HEX HD,5/16-18,SER WASHER,YEL ZN	
31	1465954	13	NUT,HEX HD,5/16-18,LK,NYLON INSERT,YEL	
32	0020687	AR	CLAMP,LOOP,1.75	

Models:**A3RE****CNG****With Features:** **FEATURE 40242-03****BSN:** **From CSN 10042120**

Key	PartNumber	Qty	Description	Comment
NI	1805092	2	BRACKET,CNG,ATCH VENT TO FRAME	
NI	1341304	4	ANGLE,MTG,CLAMP,TCFC	

Models: A3RE
CNG
With Features: FEATURE 40242-03 WITH 273 WB

Key	PartNumber	Qty	Description	Comment
-----	------------	-----	-------------	---------

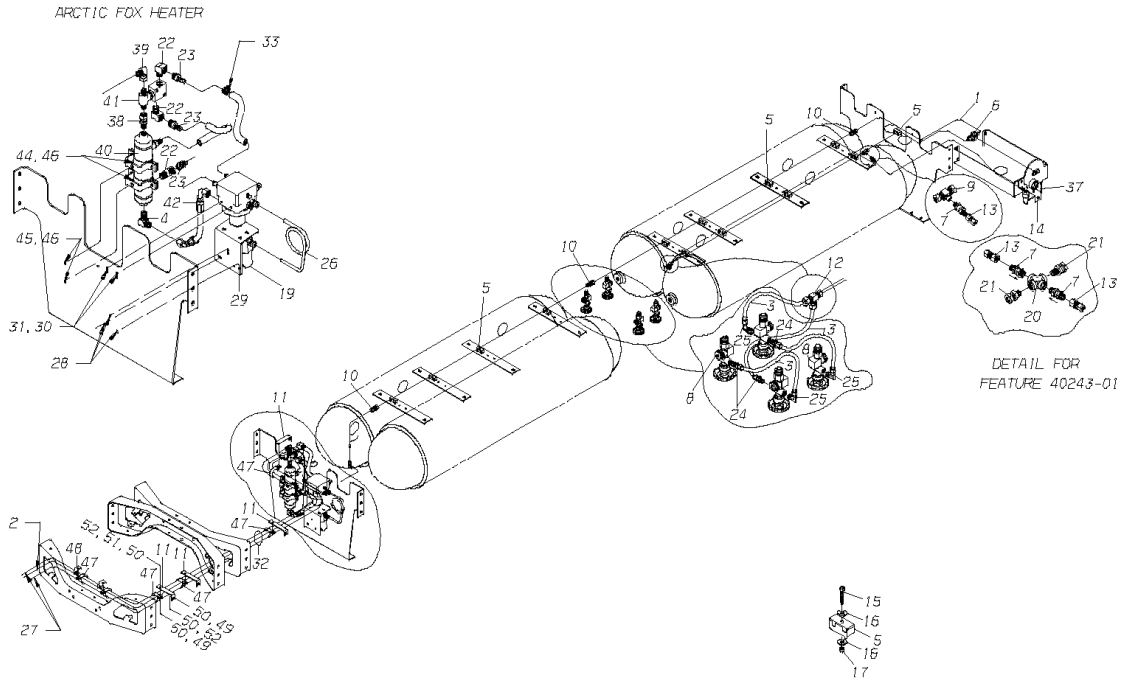


Models: A3RE
CNG
With Features: FEATURE 40242-03 WITH 273 WB

Key	PartNumber	Qty	Description	Comment
1	1842822	4	BARRIER,CNG CYL BETWEEN FRAME	
2	1855642	2	SCREEN,STONE GUARD,CENTER,CNG TANK,	
3	1868249	8	PLATE,ATTACHING,CNG CYLINDERS	
4	1842715		BRACKET,CLOSURE,FRONT END,CNG CYL,	
5	1842723		BRACKET,CLOSURE,REAR END,CNG CYL, CECIII	
6	1842731		BRACKET,CLOSURE,LOWER END,FRT&RR,CNG	
7	1842749		PLATE,SPACER,SHUTOFF VALVE MTG BRKT,CEC	
8	1874957	2	BRACKET,CLOSEOUT,CNTR,CNG CYLINDERS	
9	1875814		BRACKET ASSY, MTG SHTOFF	
10	0803148	AR	CAPSCREW,HEX HD,1/2-13 X 1 3/4,GR8,	
11	0803239	AR	CAPSCREW,HEX HD,1/2-13 X1 1/2,GR8	
12	1003045	AR	WASHER,FLAT,17/32 X 1 1/16 X 7/64,HDN,	
13	0850800	AR	NUT,HEX HD,1/2-13,LOCKING,GR 8,CAD WAX	
15	0003507		KIT,CNG TANKS & BRACKETS,FEATURE 40242	
NI	0020218		CYLINDER,CNG,PRESSED STEEL,CE1575	
NI	0004057		BRACKET,KIT,PST 030P9021,15.67 IN CYL	
16	1637677		STUD,CNG GROUND,CEC, AARE	
17	1584770	4	LETTERING,FOR CNG ONLY,VINYL	FOR CNG ONLY, VINYL
18	1888890		DECAL,CNG CUTOFF,FRAME,CEC PHASE III	
19	1842764		BUSHING,NYLON,.375 HEYCO	
20	1860006		LABEL,VEHICLE IDENTIFICATION,CNG,4-15X84	
21	0004189		EXTENSION,V STEM,CNG,PARKER2725-VALVE	
22	1875871		BRACKET ASSY,MTG SHTOFF VLV&DECALLH	
23	0081806		BRACKET ASSY,MTG,SHTOFF VLV,CNG,RH,	
24	0081807		BRACKET ASSY,MTG,SHTOFF VLV,CNG,LH, A3RE	
25	0081810		BRACE,DIAGONAL,SHTOFF VLV MTG BRKT,CNG	
26	2028322		CAPSCREW,HEX HD,3/8-16, X, 1, ,GR 5,ZINC	
27	0826297		NUT,HEX HD,3/8-16 LOCK,YEL ZN DICH	

Models: A3RE
CNG
With Features: FEATURE 40245-03 WITH FEATURE 40243-05

Key	PartNumber	Qty	Description	Comment
-----	------------	-----	-------------	---------



Models: A3RE
 CNG
With Features: FEATURE 40245-03 WITH FEATURE 40243-05

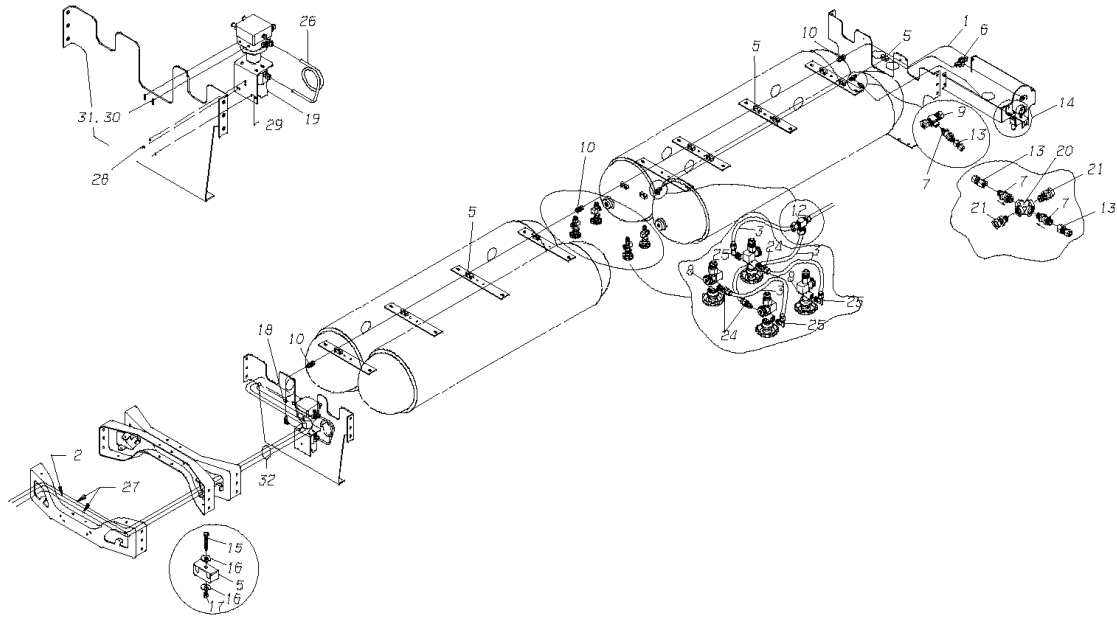
Key	PartNumber	Qty	Description	Comment
1	1585009	AR	TUBE,SS,RD, .375 OD X .049 X 20.00FT,SS 316	
2	0001653	4	HOSE ASSY,CNG W/TUBE NUT & FER PARKER	<i>INCLUDES NUTS AND FERRULES</i>
5	1589084	AR	CLAMP,DUAL,3/8 O.D. TUBING,CNG FUEL LINE	
6	0002289		VALVE,BALL,3/8T,PARKER 6A-B6LJ2-BN-SSP	
7	0002290		VALVE,CHECK,MALE	
8	0004383	2	PLUG,SS,HEX HEAD PLUG,PARKER 4 PH-316	
9	0002163		FITTING,F BRANCH TEE,PARKER 6-6-6 OZ-SS	
10	0002622	3	FITTING,UNION,PARKER 6-6 HZ-316	
11	1317247	4	BRACKET,ATCH,BRAKE LINE TO FRAME	
12	0001650		FITTING,UNION TEE,PARKER 6-6-6 JZ SS	
13	0003410		FITTING,FEMALE CONNECTOR,PARKER 6-6 GZ	
14	0007949		FILL & FILTER ASSY,CNG,NGV1,PARKER	
14	0020206		FILL & FILTER ASSEMBLY,CNG,NGV1,P36	
15	2000099	AR	SCREW,1/4-20 X 1-1/2,D,HEX HD,YEL ZN DICH"	
16	2001121	AR	WASHER,FLAT,5/16 X 3/4,X 5/64,YEL ZN DICH	
17	1039262	AR	NUT,HEX HD,1/4-20,LOCK,ZINC	
18	1884956		KIT,SENSOR,TEMPERATURE,TANK,NATURAL	<i>SUPPLIED W/ENGINE)</i>
19	0006111		FILTER ASSY,CNG,DEERE FOR CONOFLOW	
20	0003425		FITTING,CROSS,PARKER 3/8KMMOO-316	
21	0003411		FITTING,MALE CONNECTOR,PARKER 6-6 FZ-316	
24	0001652	3	FITTING,MALE CONNECTOR,PARKER 6-4 FZ-316	
25	0001649	3	FITTING,MALE ELBOW,PARKER 6-4 CZ-316	
26	0002572		TUBE,CONN,CNG,CONOFLOW TO FILTER ASSY	
27	1666585	AR	HOSE,HEATER,SILCON,.50 I.D.	
28	0659979	3	NUT,HEX,FLANGE SER,1/4-20,BLACK ZINC	
29	1542372	3	CAPSCREW,HEX FLG,1/4-20X.75,GRD5,BLACK	
30	2001188	2	LOCKWASHER,SPLIT RING, 5/16,MED,YEL ZN	
31	0997759	2	CAPSCREW,HX HD,M8-1.25X25,CL10.9,	
33	1765445	8	CLAMP,HOSE,LINED,.50 INCH HOSE	
34	0002171	32	FITTING,FERRULE FRONT,PARKER,6FF6	
35	0002174	32	FITTING,FERRULE BACK PARKER,6BF6-316, 3/8	
36	0002173	32	FITTING,NUT,PARKER 6NU6-316	
37	0032672		LABEL,VEH,ID,40245-03 W/40243-03	

Models: A3RE
CNG
With Features: FEATURE 40245-03 WITH FEATURE 40243-05

Key	PartNumber	Qty	Description	Comment
NI	0004188		SEALANT,ANAEROBIC PIPE THD SEAL,MS-PTS	
NI	1584762		SNOOP LIQUID LEAK DETECTOR,1 GALLON	
2	0030712		HOSE ASSY,CNG,WH H366,164 IN	
4	0047604		ELBOW,90 DEG,1/2 FL X 1/2 MPT WH	
22	2008274	3	ELBOW,STREET,90 DEG,1/2MPT X	
23	1341643	4	INSERT,BARBED,STRAIGHT, .50, HOSE X .50	
32	0030781	AR	SLEEVE,PROTECTIVE,PARTEK PS-B-33,1.81 DIA	
38	1630102		FITTING,FEM SWIV TO MALE PIPE	
39	1198811		ELBOW,90 DEG,FEM SAE,37 DEG FLARE,879-FS	
40	0027988		HEATER,FUEL,CNG,ACTIC FOX SF-2587-8	
41	0027989		THERMOSTAT,SHUTOFF,CNG,WOODARD 1736	
42	0027990		HOSE ASSY.5CNG,PARKER 5CNGLT379080808	
44	0559195	2	CAPSCREW,HEX HD,3/8-16 X 1,GR 8,YEL ZN	
45	0826297	2	NUT,HEX HD,3/8-16 LOCK,YEL ZN DICH	
46	1078922	4	WASHER,FLAT,3/8 X 7/8 X 5/64,YEL ZN DICH	
47	1107937	11	CLAMP,LOOP,2.00	
48	1341304	2	ANGLE,MTG,CLAMP,TCFC	
49	0610725	15	CAPSCREW,HEX HD,5/16-18X1 1/4,GR8,	
50	2001121	30	WASHER,FLAT,5/16 X 3/4,X 5/64,YEL ZN DICH	
51	0829390	11	NUT,HEX HD,5/16-18,SER WASHER,YEL ZN	
52	1465954	11	NUT,HEX HD,5/16-18,LK,NYLON INSERT,YEL	

Models: A3RE
CNG
With Features: FEATURE 40245-03

Key	PartNumber	Qty	Description	Comment
-----	------------	-----	-------------	---------



Models: A3RE
 CNG
With Features: FEATURE 40245-03

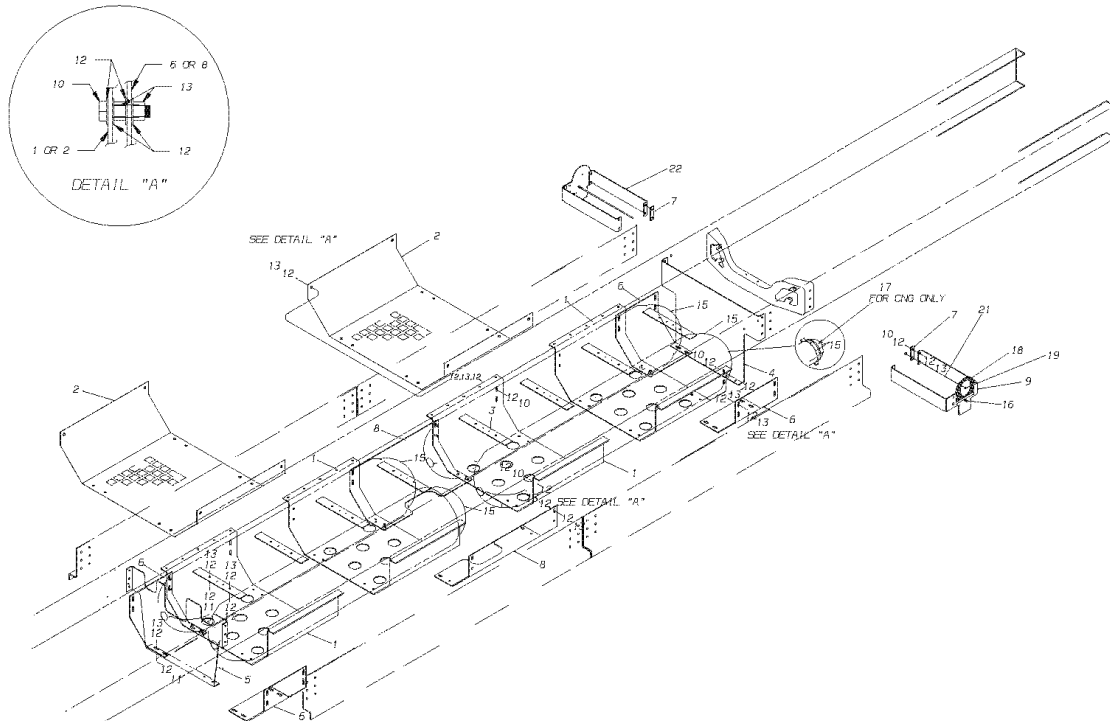
Key	PartNumber	Qty	Description	Comment
1	1585009	60	TUBE,SS,RD, .375 OD X .049 X 20.00FT,SS 316	
2	0008671		HOSE ASSY,CNG,WH H366,DEERE 6.8 FOR	
3	0001653	4	HOSE ASSY,CNG W/TUBE NUT & FER PARKER	
5	1589084	17	CLAMP,DUAL,3/8 O.D. TUBING,CNG FUEL LINE	
6	0002289		VALVE,BALL,3/8T,PARKER 6A-B6LJ2-BN-SSP	
7	0002290		VALVE,CHECK,MALE	
8	0004383	2	PLUG,SS,HEX HEAD PLUG,PARKER 4 PH-316	
9	0002163		FITTING,F BRANCH TEE,PARKER 6-6-6 OZ-SS	
10	0002622	3	FITTING,UNION,PARKER 6-6 HZ-316	
11	1317247	4	BRACKET,ATCH,BRAKE LINE TO FRAME	
12	0001650		FITTING,UNION TEE,PARKER 6-6-6 JZ SS	
13	0003410		FITTING,FEMALE CONNECTOR,PARKER 6-6 GZ	
14	0007949		FILL & FILTER ASSY,CNG,NGV1,PARKER	
14	0020206		FILL & FILTER ASSEMBLY,CNG,NGV1,P36	
15	2000099	32	SCREW,1/4-20 X 1-1/2,D,HEX HD,YEL ZN DICH"	
16	2001121	64	WASHER,FLAT,5/16 X 3/4,X 5/64,YEL ZN DICH	
17	1039262	32	NUT,HEX HD,1/4-20,LOCK,ZINC	
18	1884956		KIT,SENSOR,TEMPERATURE,TANK,NATURAL	
19	0006111		FILTER ASSY,CNG,DEERE FOR CONOFLOW	
20	0003425		FITTING,CROSS,PARKER 3/8KMMOO-316	
21	0003411		FITTING,MALE CONNECTOR,PARKER 6-6 FZ-316	
24	0001652	3	FITTING,MALE CONNECTOR,PARKER 6-4 FZ-316	
25	0001649	3	FITTING,MALE ELBOW,PARKER 6-4 CZ-316	
26	0002572		TUBE,CONN,CNG,CONOFLOW TO FILTER ASSY	
27	1666585	30	HOSE,HEATER,SILCON,.50 I.D.	
28	0659979	3	NUT,HEX,FLANGE SER,1/4-20,BLACK ZINC	
29	1542372	3	CAPSCREW,HEX FLG,1/4-20X.75,GRD5,BLACK	
30	2001188	2	LOCKWASHER,SPLIT RING, 5/16,MED,YEL ZN	
31	0997759	2	CAPSCREW,HX HD,M8-1.25X25,CL10.9,	
32	0006748	15	HOSE,FIRESLEEVE,STRAIGHT,1.75 IN ID	
33	1765445	4	CLAMP,HOSE,LINED,.50 INCH HOSE	
34	0002171	32	FITTING,FERRULE FRONT,PARKER,6FF6	
35	0002174	32	FITTING,FERRULE BACK PARKER,6BF6-316, 3/8	

Models: A3RE
 CNG
With Features: FEATURE 40245-03

Key	PartNumber	Qty	Description	Comment
36	0002173	32	FITTING,NUT,PARKER 6NU6-316	
37	0004453		LABEL,VEHICLE,ID,40242-03,CNG,4-CE1575	
37	0020223		LABEL,VEH,ID,40242-03 W/40243-04	
NI	0004188	1	SEALANT,ANAEROBIC PIPE THD SEAL,MS-PTS	
NI	0004187	2	DETECTOR,TATL-LEAK,PARKER 1 GALLON	

Models: A3RE
CNG
With Features: FEATURE 40245-03 WITH 273 WB

Key	PartNumber	Qty	Description	Comment
-----	------------	-----	-------------	---------



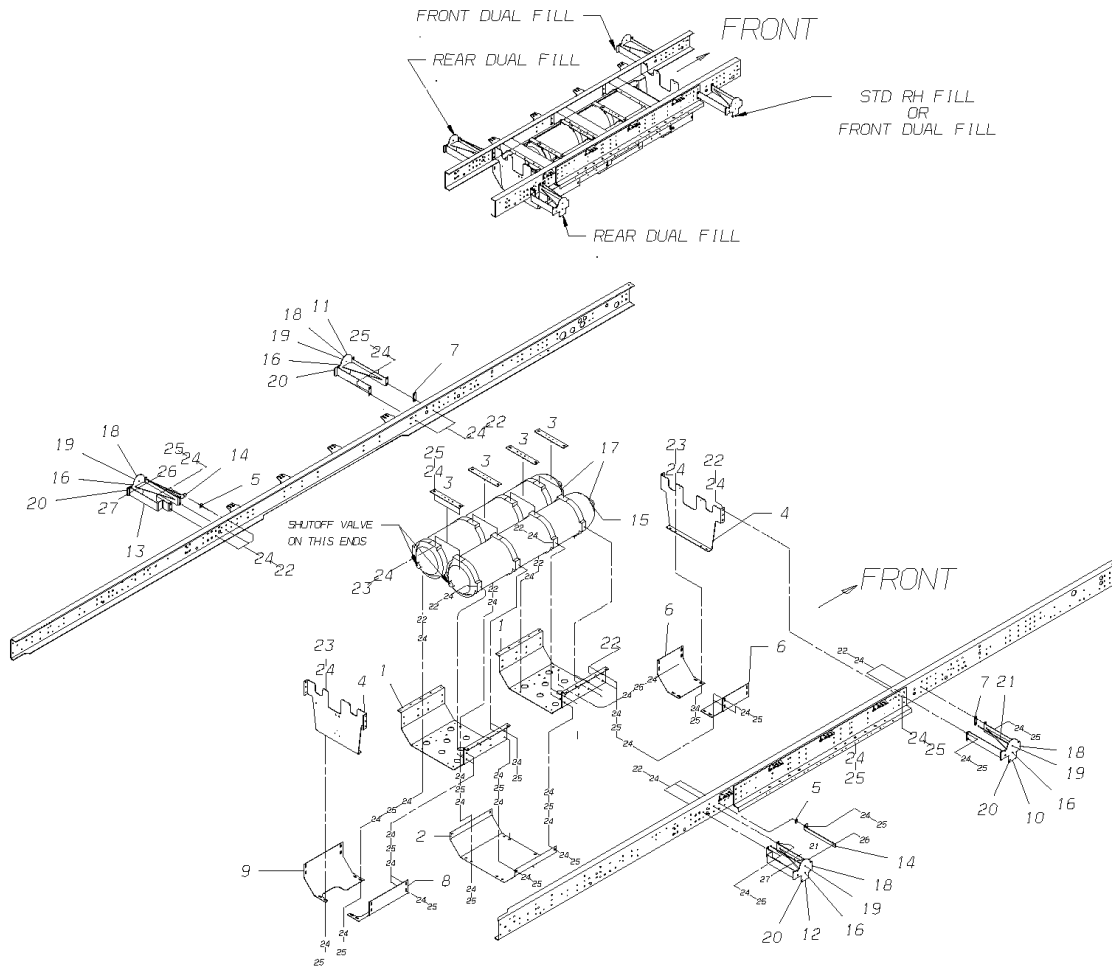
Models: A3RE
CNG
With Features: FEATURE 40245-03 WITH 273 WB

Key	PartNumber	Qty	Description	Comment
1	1842822	4	BARRIER,CNG CYL BETWEEN FRAME	
2	1855642	2	SCREEN,STONE GUARD,CENTER,CNG TANK,	
3	1868249	8	PLATE,ATTACHING,CNG CYLINDERS	
4	1842715		BRACKET,CLOSURE,FRONT END,CNG CYL,	
5	1842723		BRACKET,CLOSURE,REAR END,CNG CYL, CECIII	
6	1842731		BRACKET,CLOSURE,LOWER END,FRT&RR,CNG	
7	1842749		PLATE,SPACER,SHUTOFF VALVE MTG BRKT,CEC	
8	1874957	2	BRACKET,CLOSEOUT,CNTR,CNG CYLINDERS	
9	1875814		BRACKET ASSY, MTG SHTOFF	
10	0803148	AR	CAPSCREW,HEX HD,1/2-13 X 1 3/4,GR8,	
11	0803239	AR	CAPSCREW,HEX HD,1/2-13 X1 1/2,GR8	
12	1003045	AR	WASHER,FLAT,17/32 X 1 1/16 X 7/64,HDN,	
13	0850800	AR	NUT,HEX HD,1/2-13,LOCKING,GR 8,CAD WAX	
15	0032620		KIT,CNG TANKS & BRACKETS,FEATURE 40245	
NI	0032643		CYLINDER,CNG,15.52 X 78.30,TYPE 2,SCI	
16	1637677		STUD,CNG GROUND,CEC, AARE	
17	1584770	4	LETTERING,FOR CNG ONLY,VINYL	FOR CNG ONLY, VINYL
18	1888890		DECAL,CNG CUTOFF,FRAME,CEC PHASE III	
19	1842764		BUSHING,NYLON,.375 HEYCO	
21	0004189		EXTENSION,V STEM,CNG,PARKER2725-VALVE	
22	1875871		BRACKET ASSY,MTG SHTOFF VLV&DECALLH	
NI	0004188		SEALANT,ANAEROBIC PIPE THD SEAL,MS-PTS	

Models: A3RE
CNG
CHASSIS COMPONENTS

With Features: FEATURE 40242-15

Key	PartNumber	Qty	Description	Comment
-----	------------	-----	-------------	---------



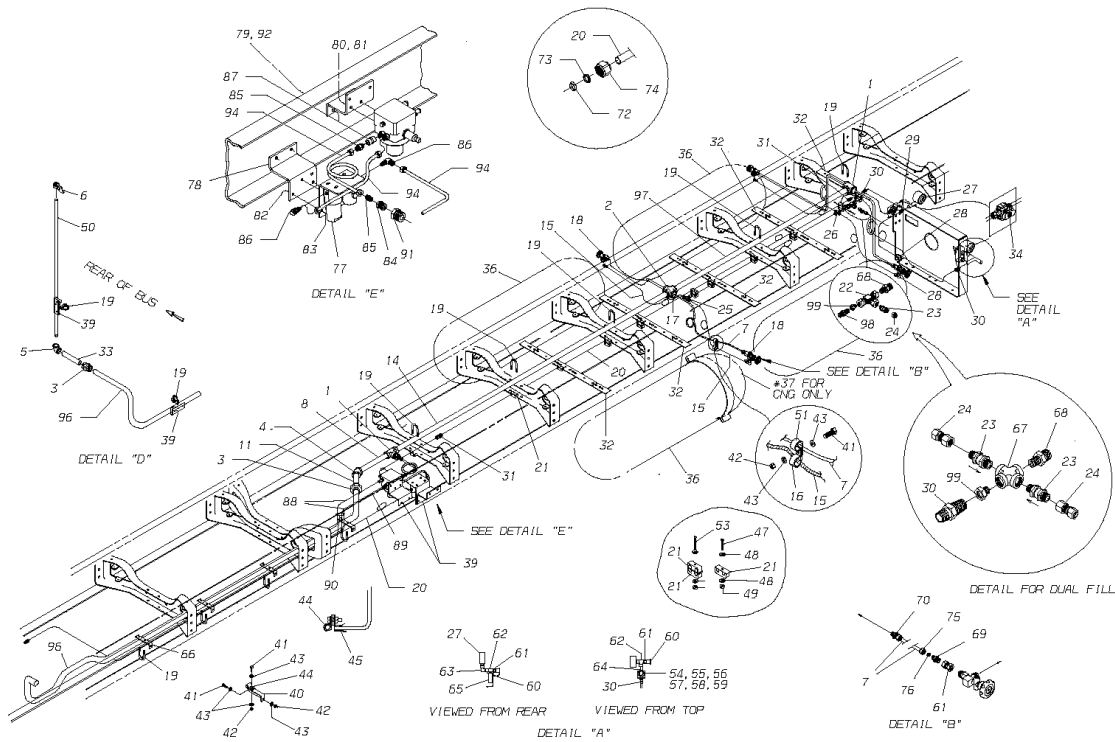
Models: A3RE
CNG
CHASSIS COMPONENTS
With Features: FEATURE 40242-15

Key	PartNumber	Qty	Description	Comment
1	1842822	2	BARRIER,CNG CYL BETWEEN FRAME	
2	1855642	1	SCREEN,STONE GUARD,CENTER,CNG TANK,	
3	1868249	4	PLATE,ATTACHING,CNG CYLINDERS	
4	1842715	2	BRACKET,CLOSURE,FRONT END,CNG CYL,	
5	0998526	A/	SPACER,.250X1.25X1.25 W/.531 HOLE,PAINTED	
6	1842731	2	BRACKET,CLOSURE,LOWER END,FRT&RR,CNG	
7	1842749	A/	PLATE,SPACER,SHUTOFF VALVE MTG BRKT,CEC	
8	0067694	1	BRACKET,CLOSEOUT,RH,RR,189 WB,CNG, HDRE	
9	0067695	1	BRACKET,CLOSEOUT,LH,RR,189 WB,CNG, HDRE	
10	1875814	A/	BRACKET ASSY, MTG SHTOFF	
11	1875871	A/	BRACKET ASSY,MTG SHTOFF VLV&DECALLH	
12	0081806	A/	BRACKET ASSY,MTG,SHTOFF VLV,CNG,RH,	
13	0081807	A/	BRACKET ASSY,MTG,SHTOFF VLV,CNG,LH, A3RE	
14	0081810	A/	BRACE,DIAGONAL,SHTOFF VLV MTG BRKT,CNG	
15	0083816	1	KIT,CYLINDER,CNG,SCI,4024215	FEATURE 4024215
16	1637677	A/	STUD,CNG GROUND,CEC, AARE	
17	1584770	2	LETTERING,FOR CNG ONLY,VINYL	FOR CNG ONLY, VINYL
18	1888890	A/	DECAL,CNG CUTOFF,FRAME,CEC PHASE III	
19	1842764	1A/	BUSHING,NYLON,.375 HEYCO	
20	0083363	1A/	LABEL,VEH,ID,40242-14 W/40243-04	
21	0004189	1	EXTENSION,V STEM,CNG,PARKER2725-VALVE	
22	0803148	A/	CAPSCREW,HEX HD,1/2-13 X 1 3/4,GR8,	
23	0803239	16	CAPSCREW,HEX HD,1/2-13 X1 1/2,GR8	
24	1003045	A/	WASHER,FLAT,17/32 X 1 1/16 X 7/64,HDN,	
25	0850800	A/	NUT,HEX HD,1/2-13,LOCKING,GR 8,CAD WAX	
26	2028322	A/	CAPSCREW,HEX HD,3/8-16, X, 1, ,GR 5,ZINC	
27	0826297	A/	NUT,HEX HD,3/8-16 LOCK,YEL ZN DICH	
NI	1422195	A/	SEALANT,LOCTITE,THREADLOCKER 242, BLUE	
NI	1161322	A/	SEALANT,GLYPTAL RED ENAMEL,GE NO 1201	

Models: A3RE
 CNG
CYLINDER & BARRIER INSTALLATION

With Features: FEATURE 40242-01 WITH 217IN WB
BSN: From CSN 10048310

Key	PartNumber	Qty	Description	Comment
-----	------------	-----	-------------	---------



Models: A3RE
 CNG
CYLINDER & BARRIER INSTALLATION
With Features: FEATURE 40242-01 WITH 217IN WB
BSN: From CSN 10048310

Key	PartNumber	Qty	Description	Comment
1	1844182	2	FITTING,TEE,BIP,1 1/4	
2	1873629		FITTING,CROSS,1 1/4 PIPE,BIP	
3	1588870		UNION,1 1/4 BLACK IRON,SCHEDULE 40	
4	1588854		ELBOW,45DEG,1 1/4,BLACK IRON,SCHEDULE 40	
5	1588847		ELBOW,90DEG,1 1/4,BLACK IRON,SCHEDULE 40	
6	1588771		RAIN CAP,1 3/4 DIA,WALKER 35226	
7	1588789	17	TUBING,COPPER,1/2,TYPE KF (KS03060)	
8	1640887		PIPE,1-1/4,2.50 IN,CNG VENT	
11	1619303		PIPE,1-1/4,7.00 IN,CNG VENT	
14	1854090		PIPE,1 1/4,54.50,CNG VENT	
15	0002575	3	HOSE ASSY,CNG W/TUBE NUT & FER PARKER	
16	0557710	6	CLAMP,LOOP,.812	
17	1873637	4	FITTING,BUSHING,1 1/4 X 1/2 HEX, BIP	
18	0004383	3	PLUG,SS,HEX HEAD PLUG,PARKER 4 PH-316	
19	1616226	7	CLAMP,U-BOLT & SADDLE, 1.62 ID	
*1	1616226	2	CLAMP,U-BOLT & SADDLE, 1.62 ID	
20	1585009	80	TUBE,SS,RD, .375 OD X .049 X 20.00FT,SS 316	
21	1589084	18	CLAMP,DUAL,3/8 O.D. TUBING,CNG FUEL LINE	
22	0004419		FITTING,TEE,PARKER 3/8 MMO-316	
23	0002290	4	VALVE,CHECK,MALE	
24	0003410		FITTING,FEMALE CONNECTOR,PARKER 6-6 GZ	
25	0002357		FITTING,FEM BRANCH TEE,PARKER 6-6-4 OZ	
26	0002296	2	FITTING,UNION CROSS,PARKER 6 KZ-316	
27	0004381	2	GAUGE,PRESSURE,CNG,	
28	0001649	5	FITTING,MALE ELBOW,PARKER 6-4 CZ-316	
29	0002355		FITTING,FEM BLKHD CONN,PARKER 6-4 GH2Z	
30	0003412		FITTING,MALE BLKHD CON,PARKER 6-4 FH2Z	
31	0002622		FITTING,UNION,PARKER 6-6 HZ-316	
32	1641620	3	BRACKET,SUPPORT,CNG,TUBING, AARE	
33	1800853		PIPE,1-1/4,8.50 IN,CNG VENT	
34	0002289		VALVE,BALL,3/8T,PARKER 6A-B6LJ2-BN-SSP	
35	1884956		KIT,SENSOR,TEMPERATURE,TANK,NATURAL	
36	0004112	2	BARRIER & CYLINDER ASSY,2-PST CE1661	ENDING WITH CSN 10074804

Models: A3RE
CNG
CYLINDER & BARRIER INSTALLATION
With Features: FEATURE 40242-01 WITH 217IN WB
BSN: From CSN 10048310

Key	PartNumber	Qty	Description	Comment
36	0004867		DIAGRAM,BARRIER & CYL ASSY,2-PST 16FR61	
37	1584770	4	LETTERING,FOR CNG ONLY,VINYL	FOR CNG ONLY, VINYL
38	1888890		DECAL,CNG CUTOFF,FRAME,CEC PHASE III	
39	1886266	2	BRACKET,MTR CNG VENT LINE,CEC	
40	1317247	3	BRACKET,ATCH,BRAKE LINE TO FRAME	
41	0803213	12	CAPSCREW,HEX HD,3/8-16X1 1/4,GR8,YEL	
42	0826297	12	NUT,HEX HD,3/8-16 LOCK,YEL ZN DICH	
43	1107085	20	WASHER,FLAT,13/32 X 13/16 X 3/32,HDN,BLK	
44	1170083	9	CLAMP,LOOP,.375	
45	1589308	3	CLIP,WIRE AND TUBE CLAMP,1/8 - 1/4 FLANGE	
47	2000099		SCREW,1/4-20 X 1-1/2,D,HEX HD,YEL ZN DICH"	
48	2001121		WASHER,FLAT,5/16 X 3/4,X 5/64,YEL ZN DICH	
49	1039262		NUT,HEX HD,1/4-20,LOCK,ZINC	
50	1889674		PIPE, 1 1/4 X 64.00 CNG VENT TYPE A	TYPE A
51	0854612	6	CLAMP,LOOP,.500	
52	1169200		ADAPTER,1/2 MPT X 3/4 HOSE,37 FL,1012-8	
53	1092337	8	CAPSCREW,HEX HD,1/4-20 X 2,GR 5,YEL ZN	
54	2028322		CAPSCREW,HEX HD,3/8-16, X, 1, ,GR 5,ZINC	
55	0839027		NUT,HEX HD,3/8-16,GR G,SM FLG LK,YEL	
56	1328632		WASHER,FLAT,.06 X .406 ID X 1.125 OD,BLK	
57	1649516		BRACKET,MOUNTING,CNG FILTER,S1R 6C04	
58	2001170	2	LOCKWASHER,SPLIT RING, 1/4 ,MED,YEL ZN	
59	0807958	2	CAPSCREW,HEX HD,1/4-20X 1/2,GR8,YEL ZN	
60	0007950		RECEPTACLE,CNG FILL,NGV1,P30,PARKER	
60	0020166		RECEPTACLE,CNG FILL,NGV1,P36,PARKER	
61	0002354	4	FITTING,37DEG FLARE ADAPTER,	
62	0002804		FITTING,FEMALE PIPE TEE,PARKER 1/4-MMO	
63	0002292		FITTING,STREET ELBOW,PARKER 4-4SE-316	
64	0002294	4	FITTING,PIPE NIPPLE,PARKER 1/4FF-316	
65	1649375		FILTER ASSY,S1RX1,STAINLESS,1/4 NPT,FOR	
66	1805092	8	BRACKET,CNG,ATCH VENT TO FRAME	
67	0003425		FITTING,CROSS,PARKER 3/8KMMOO-316	
68	0003411		FITTING,MALE CONNECTOR,PARKER 6-6 FZ-316	

BODY ONLY

Models: A3RE
 CNG
 CYLINDER & BARRIER INSTALLATION
With Features: FEATURE 40242-01 WITH 217IN WB
BSN: From CSN 10048310

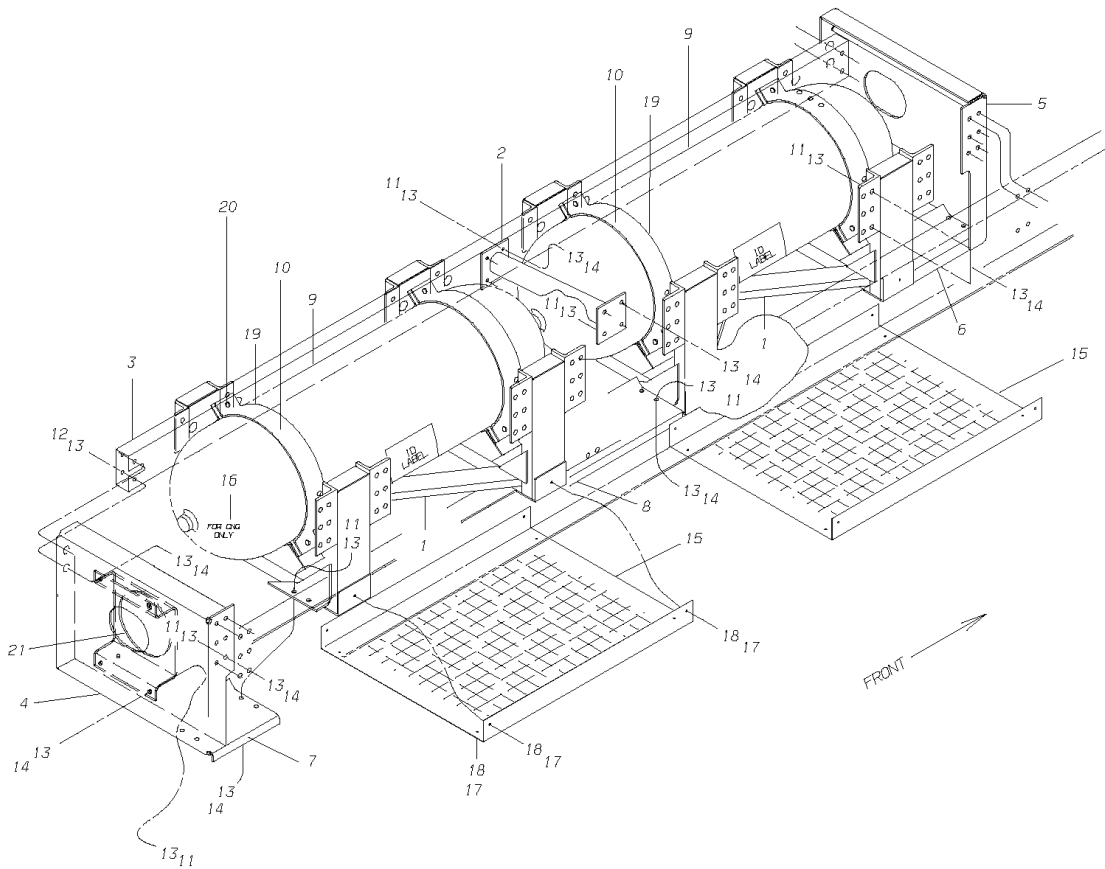
Key	PartNumber	Qty	Description	Comment
69	0002356	4	FITTING,UNION,PARKER 8-8 HZ-B	
70	1588797	4	FITTING,MALE CONNE 1/2 X 1/2P,WH68X8X8	
72	0002171	15	FITTING,FERRULE FRONT,PARKER,6FF6	
73	0002174	15	FITTING,FERRULE BACK PARKER,6BF6-316, 3/8	
74	0002173	15	FITTING,NUT,PARKER 6NU6-316	
75	0004367	4	FITTING,NUT,PARKER 8BZ-B	
76	0004368	4	FITTING,FERRULE,PARKER 8TZ-B	
95	0002520		LABEL,VEHICLE,ID,40242-01,08,CNG,4-CE1661	
95	0020221		LABEL,VEH,ID,40242-01,08 W/40243-04	
96	0023605		PIPE,CNG,PARKER,FLEX VENT LINE,1 1/4 X 130	
97	1889674		PIPE, 1 1/4 X 64.00 CNG VENT TYPE A	
99	0002293		FITTING,PI THRD REDU,PARKER 3/8X1/4PTR	
NI	0004188	1	SEALANT,ANAEROBIC PIPE THD SEAL,MS-PTS	
NI	0004187	2	DETECTOR,TATL-LEAK,PARKER 1 GALLON	
NI	1589316	4	CLIP,WIRE AND TUBE CLAMP,5/16 -1/2 FLANGE	
77	0006111		FILTER ASSY,CNG,DEERE FOR CONOFLOW	ADD FEATURE WITH 40181 OR 40182 JD CNG
78	1612829	2	BRACKET,MTG,TRANS,OIL FILTER & CNG	ADD FEATURE WITH 40181 OR 40182 JD CNG
79	0854422	4	CAPSCREW,HEX HD,3/8-16X1 1/8,G8,YEL ZN	ADD FEATURE WITH 40181 OR 40182 JD CNG
80	2001188	2	LOCKWASHER,SPLIT RING, 5/16,MED,YEL ZN	ADD FEATURE WITH 40181 OR 40182 JD CNG
81	0997759	2	CAPSCREW,HX HD,M8-1.25X25,CL10.9,	ADD FEATURE WITH 40181 OR 40182 JD CNG
82	0659979	3	NUT,HEX,FLANGE SER,1/4-20,BLACK ZINC	ADD FEATURE WITH 40181 OR 40182 JD CNG
83	1542372	3	CAPSCREW,HEX FLG,1/4-20X.75,GRD5,BLACK	ADD FEATURE WITH 40181 OR 40182 JD CNG
84	2027159		BUSHING,PIPE,1/2 X 1/4,BRASS	ADD FEATURE WITH 40181 OR 40182 JD CNG
85	0001652	2	FITTING,MALE CONNECTOR,PARKER 6-4 FZ-316	ADD FEATURE WITH 40181 OR 40182 JD CNG
86	0001649	2	FITTING,MALE ELBOW,PARKER 6-4 CZ-316	ADD FEATURE WITH 40181 OR 40182 JD CNG
87	2027175		COUPLING,PIPE,1/4	ADD FEATURE WITH 40181 OR 40182 JD CNG
88	1666585	30	HOSE,HEATER,SILCON,.50 I.D.	ADD FEATURE WITH 40181 OR 40182 JD CNG
89	0008671		HOSE ASSY,CNG,WH H366,DEERE 6.8 FOR	ADD FEATURE WITH 40181 OR 40182 JD CNG

Models: A3RE
 CNG
CYLINDER & BARRIER INSTALLATION
With Features: FEATURE 40242-01 WITH 217IN WB
BSN: From CSN 10048310

Key	PartNumber	Qty	Description	Comment
90	0006748	15	HOSE,FIRESLEEVE,STRAIGHT,1.75 IN ID	40182 JD CNG
91	1873637		FITTING,BUSHING,1 1/4 X 1/2 HEX, BIP	ADD FEATURE WITH 40181 OR 40182 JD CNG
92	1107085	8	WASHER,FLAT,13/32 X 13/16 X 3/32,HDN,BLK	ADD FEATURE WITH 40181 OR 40182 JD CNG
93	0839027	4	NUT,HEX HD,3/8-16,GR G,SM FLG LK,YEL	ADD FEATURE WITH 40181 OR 40182 JD CNG
94	1585009	7	TUBE,SS,RD, .375 OD X .049 X 20.00FT,SS 316	ADD FEATURE WITH 40181 OR 40182 JD CNG

Models: A3RE, CSRE
CNG
CYLINDER & BARRIER INSTALLATION
With Features: FEATURE 40242-01
BSN: From CSN 10074805

Key	PartNumber	Qty	Description	Comment
-----	------------	-----	-------------	---------



Models: A3RE, CSRE
CNG
CYLINDER & BARRIER INSTALLATION
With Features: FEATURE 40242-01
BSN: From CSN 10074805

Key	PartNumber	Qty	Description	Comment
	0004112		BARRIER & CYLINDER ASSY,2-PST CE1661	<i>ENDING WITH CSN 10074804</i>
NI	0026324		KIT,CNG TANKS & BRACKETS,FEAT 40242 CONSIST OF THE FOLLOWING	<i>BEGIN WITH CSN 10074805</i>
1	1988765	2	BARRIER ASSY,CNG FUEL TANK,PST,16 X 61	
2	1593177		BRACE ASSY,CNG FUEL TANK BARRIER	
3	1868009		BARRIER,HORIZ,CNG,15X60,DUAL	
4	1861921		END CAP ASSY,CNG,BARRIER,RH FRT,LH	
5	1861939		END CAP ASSY,CNG,BARRIER,LH FRT,RH	
6	1861962		PLATE,REIN.END CAP,LOWER,FRONT,15X60	
7	1862150		PLATE,REINF,END CAP,LOWER,FRONT,15X50	
8	1862176		PLATE, REINF, END CAP, LOWER, CNTR, 15 X	
9	0020217	2	CYLINDER,CNG,PRESSED STEEL,CE1661	
10	0002654	2	STRAP,TOP,PST,030P9023,16.1 IN DIA CYL	
11	0803239	15	CAPSCREW,HEX HD,1/2-13 X1 1/2,GR8	
12	1003078	4	CAPSCREW,HEX HD,1/2-13 X 3,GR 8,YEL ZN	
13	1003045	31	WASHER,FLAT,17/32 X 1 1/16 X 7/64,HDN,	
14	0850800	15	NUT,HEX HD,1/2-13,LOCKING,GR 8,CAD WAX	
15	1862101	2	SCREEN, STONE GUARD, CNG TANKS, 15 X50,	
16	1584770	2	LETTERING,FOR CNG ONLY,VINYL	<i>FOR CNG ONLY, VINYL</i>
17	1409788	16	SCREW,1/4-20 X 3/4,D,HEX HD,YEL ZN DICH	
18	2001121	16	WASHER,FLAT,5/16 X 3/4,X 5/64,YEL ZN DICH	
19	0002655	2	ISOLATOR,RUBBER,	
20	0002656	2	FASTENER,PST,ATTACHING BASE TO TOP	
21	0006121		SPACER,GUARD,VLV,CNG CYL.	

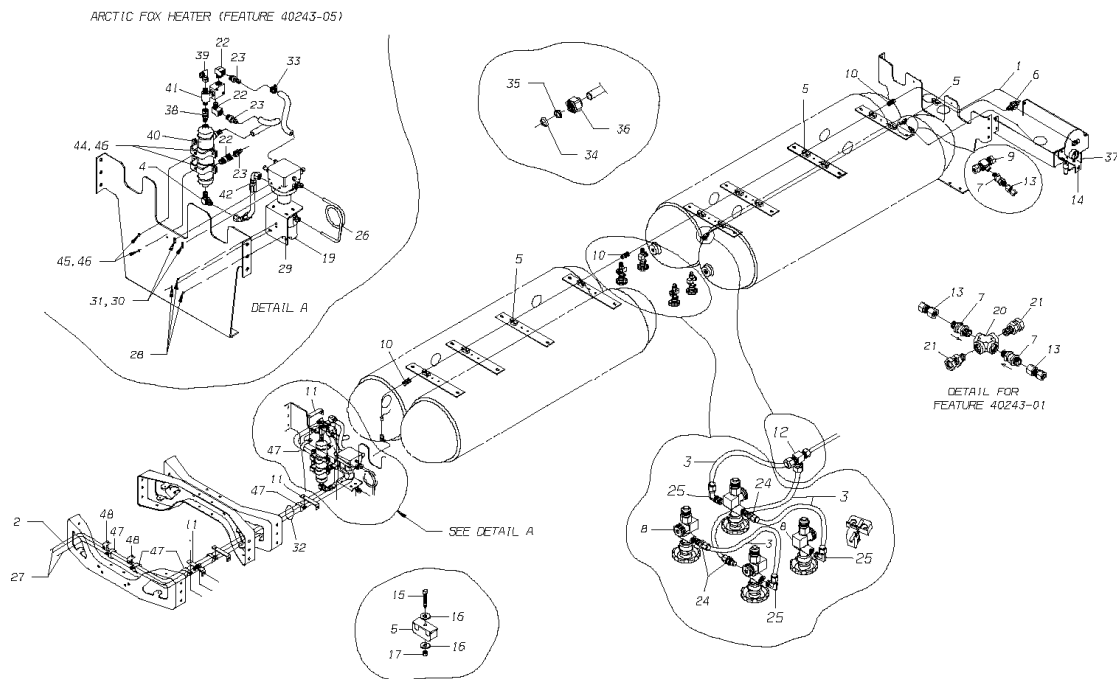
Models: A3RE

CNG

CYLINDER & BARRIER INSTALLATION

With Features: FEATURE 40242-03, WITH 40243-05

Key	PartNumber	Qty	Description	Comment
-----	------------	-----	-------------	---------



Models: A3RE
CNG
CYLINDER & BARRIER INSTALLATION
With Features: FEATURE 40242-03, WITH 40243-05

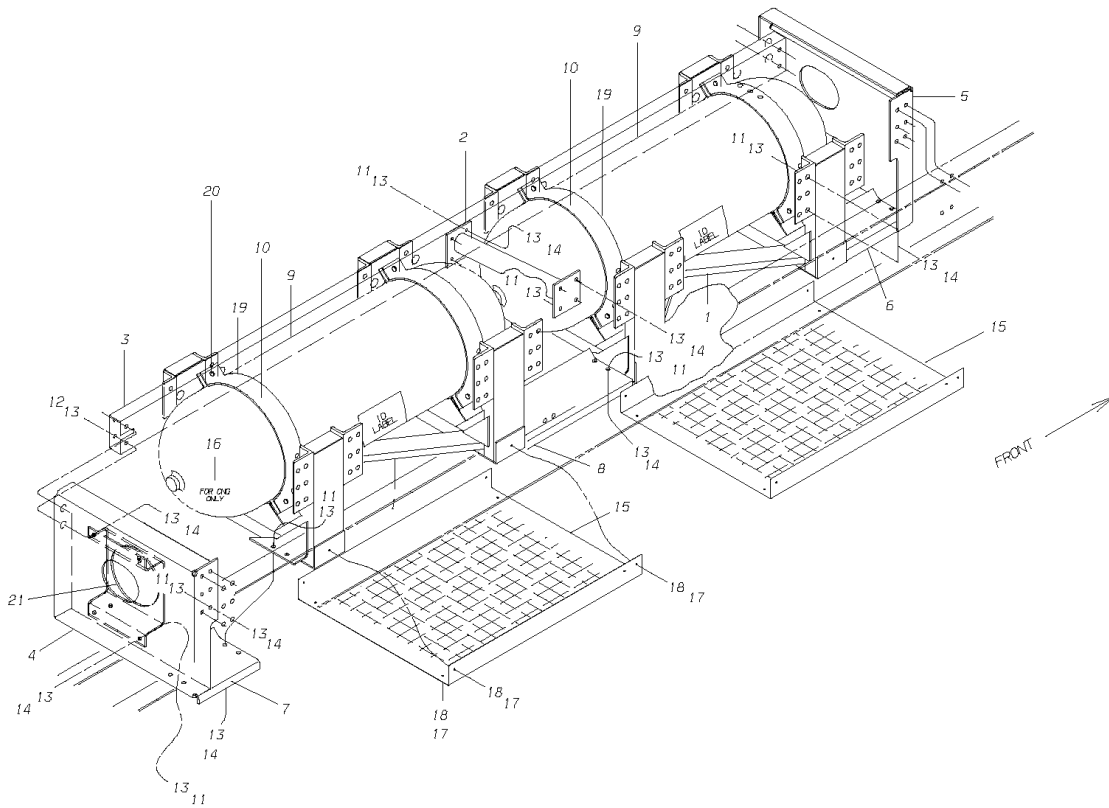
Key	PartNumber	Qty	Description	Comment
1	1585009	AR	TUBE,SS,RD, .375 OD X .049 X 20.00FT,SS 316	
3	0001653	4	HOSE ASSY,CNG W/TUBE NUT & FER PARKER	
5	1589084	17	CLAMP,DUAL,3/8 O.D. TUBING,CNG FUEL LINE	
6	0002289		VALVE,BALL,3/8T,PARKER 6A-B6LJ2-BN-SSP	
7	0002290		VALVE,CHECK,MALE	
8	0004383	2	PLUG,SS,HEX HEAD PLUG,PARKER 4 PH-316	
9	0002163		FITTING,F BRANCH TEE,PARKER 6-6-6 OZ-SS	
10	0002655	3	ISOLATOR,RUBBER,	
11	1317247	4	BRACKET,ATCH,BRAKE LINE TO FRAME	
12	0001650		FITTING,UNION TEE,PARKER 6-6-6 JZ SS	
13	0003410		FITTING,FEMALE CONNECTOR,PARKER 6-6 GZ	
14	0007949		FILL & FILTER ASSY,CNG,NGV1,PARKER	
14	0020206		FILL & FILTER ASSEMBLY,CNG,NGV1,P36	
15	2000099	32	SCREW,1/4-20 X 1-1/2,D,HEX HD,YEL ZN DICH"	
16	2001121	64	WASHER,FLAT,5/16 X 3/4,X 5/64,YEL ZN DICH	
17	1039262	32	NUT,HEX HD,1/4-20,LOCK,ZINC	
18	1884956		KIT,SENSOR,TEMPERATURE,TANK,NATURAL	
19	0006111		FILTER ASSY,CNG,DEERE FOR CONOFLOW	
20	0003425		FITTING,CROSS,PARKER 3/8KMMOO-316	FEATURE 40243-01 ONLY
21	0003411		FITTING,MALE CONNECTOR,PARKER 6-6 FZ-316	
24	0001652	3	FITTING,MALE CONNECTOR,PARKER 6-4 FZ-316	
25	0001649	3	FITTING,MALE ELBOW,PARKER 6-4 CZ-316	
26	0002572		TUBE,CONN,CNG,CONOFLOW TO FILTER ASSY	
27	1666585	30	HOSE,HEATER,SILCON,.50 I.D.	
28	0659979	3	NUT,HEX,FLANGE SER,1/4-20,BLACK ZINC	
29	1542372	3	CAPSCREW,HEX FLG,1/4-20X.75,GRD5,BLACK	
30	2001188	2	LOCKWASHER,SPLIT RING, 5/16,MED,YEL ZN	
31	0997759	2	CAPSCREW,HX HD,M8-1.25X25,CL10.9,	
32	0030781	14	SLEEVE,PROTECTIVE,PARTEK PS-B-33,1.81 DIA	
33	1765445	8	CLAMP,HOSE,LINED,.50 INCH HOSE	
34	0002171	32	FITTING,FERRULE FRONT,PARKER,6FF6	
35	0002174	32	FITTING,FERRULE BACK PARKER,6BF6-316, 3/8	
36	0002173	32	FITTING,NUT,PARKER 6NU6-316	

Models: A3RE
 CNG
CYLINDER & BARRIER INSTALLATION
With Features: FEATURE 40242-03, WITH 40243-05

Key	PartNumber	Qty	Description	Comment
37	0004453		LABEL,VEHICLE,ID,40242-03,CNG,4-CE1575	
37	0020223		LABEL,VEH,ID,40242-03 W/40243-04	
2	0030562		DIAGRAM,CNG,CYL INSTL,FEAT40242-10	
4	0047604		ELBOW,90 DEG,1/2 FL X 1/2 MPT WH	
22	2008274	3	ELBOW,STREET,90 DEG,1/2MPT X	
23	1341643	4	INSERT,BARBED,STRAIGHT, .50, HOSE X .50	
38	1630102		FITTING,FEM SWIV TO MALE PIPE	
39	1198811		ELBOW,90 DEG,FEM SAE,37 DEG FLARE,879-FS	
40	0027988		HEATER,FUEL,CNG,ACTIC FOX SF-2587-8	
41	0027989		THERMOSTAT,SHUTOFF,CNG,WOODARD 1736	
42	0027990		HOSE ASSY.5CNG,PARKER 5CNGLT379080808	
44	0559195	2	CAPSCREW,HEX HD,3/8-16 X 1,GR 8,YEL ZN	
45	0826297	2	NUT,HEX HD,3/8-16 LOCK,YEL ZN DICH	
46	1078922	4	WASHER,FLAT,3/8 X 7/8 X 5/64,YEL ZN DICH	
47	1107937	11	CLAMP,LOOP,2.00	
48	1341304	2	ANGLE,MTG,CLAMP,TCFC	
49	0610725	15	CAPSCREW,HEX HD,5/16-18X1 1/4,GR8,	
50	2001121	30	WASHER,FLAT,5/16 X 3/4,X 5/64,YEL ZN DICH	
51	0829390	11	NUT,HEX HD,5/16-18,SER WASHER,YEL ZN	
52	1465954	11	NUT,HEX HD,5/16-18,LK,NYLON INSERT,YEL	

Models: A3RE, CSRE
CNG
CYLINDER & BARRIER INSTALLATION
2-PST CE1661
With Features: FEATURE 40242-01
BSN: From CSRE CSN 10016215
 To W/CSN 10074804

Key	PartNumber	Qty	Description	Comment
-----	------------	-----	-------------	---------



Models: A3RE, CSRE
CNG
CYLINDER & BARRIER INSTALLATION
2-PST CE1661

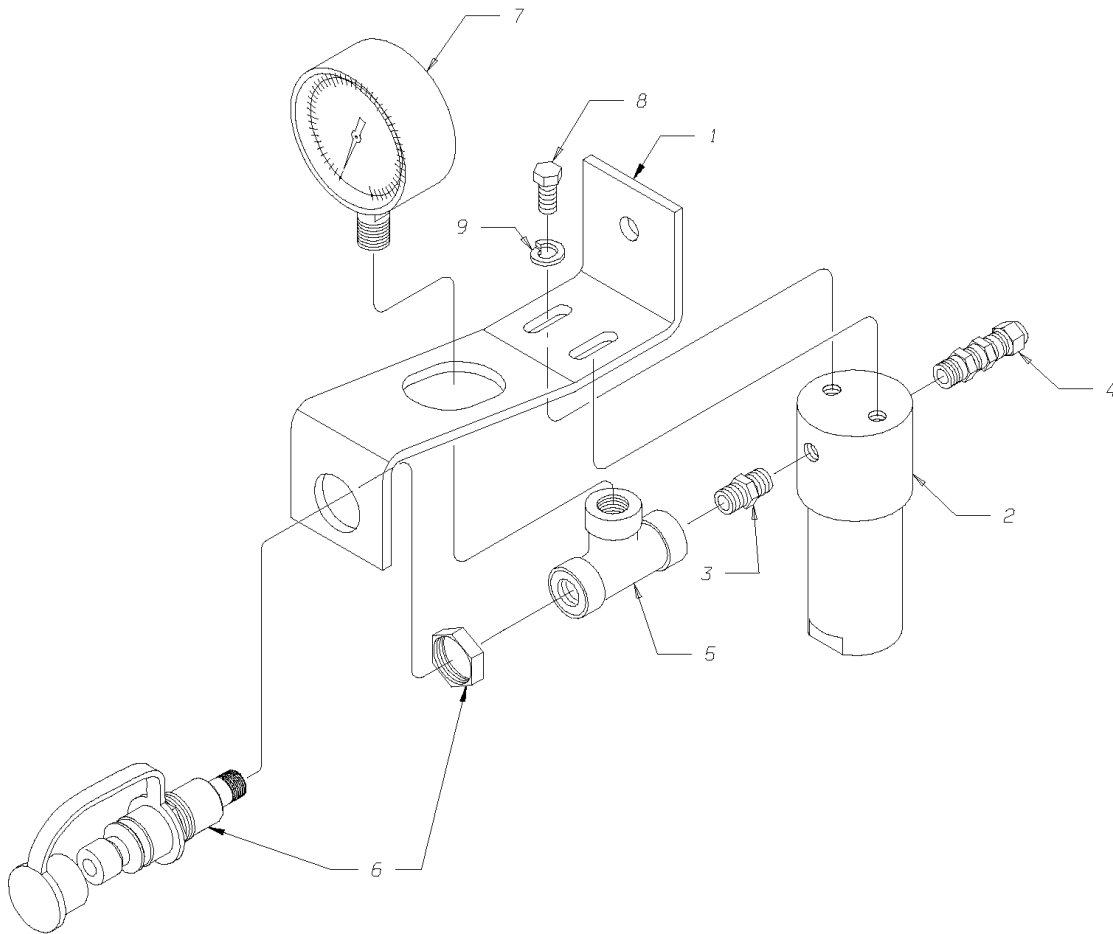
With Features: FEATURE 40242-01
BSN: From CSRE CSN 10016215
 To W/CSN 10074804

Key	PartNumber	Qty	Description	Comment
1	1988765	2	BARRIER ASSY,CNG FUEL TANK,PST,16 X 61	
2	1593177		BRACE ASSY,CNG FUEL TANK BARRIER	
3	1868009		BARRIER,HORIZ,CNG,15X60,DUAL	
4	1861921		END CAP ASSY,CNG,BARRIER,RH FRT,LH	
5	1861939		END CAP ASSY,CNG,BARRIER,LH FRT,RH	
6	1861962		PLATE,REIN.END CAP,LOWER,FRONT,15X60	
7	1862150		PLATE,REINF,END CAP,LOWER,FRONT,15X50	
8	1862176		PLATE, REINF, END CAP, LOWER, CNTR, 15 X	
9	0020217	2	CYLINDER,CNG,PRESSED STEEL,CE1661	
10	0002654	2	STRAP,TOP,PST,030P9023,16.1 IN DIA CYL	
11	0803239	15	CAPSCREW,HEX HD,1/2-13 X1 1/2,GR8	
12	1003078	4	CAPSCREW,HEX HD,1/2-13 X 3,GR 8,YEL ZN	
13	1003045	31	WASHER,FLAT,17/32 X 1 1/16 X 7/64,HDN,	
14	0850800	15	NUT,HEX HD,1/2-13,LOCKING,GR 8,CAD WAX	
15	1862101	2	SCREEN, STONE GUARD, CNG TANKS, 15 X50,	
16	1584770	2	LETTERING,FOR CNG ONLY,VINYL	FOR CNG ONLY, VINYL
17	1409788	16	SCREW,1/4-20 X 3/4,D,HEX HD,YEL ZN DICH	
18	2001121	16	WASHER,FLAT,5/16 X 3/4,X 5/64,YEL ZN DICH	
19	0002655	2	ISOLATOR,RUBBER,	
20	0002656	2	FASTENER,PST,ATTACHING BASE TO TOP	

Models: A3RE, CSRE, QBRE
 CNG
 FILTER / REGULATOR ASSEMBLY
 FILTER ASSY

With Features: A3RE FEATURE 40242-03, 40243-01 BEGIN WITH CSN 10038121
 CS, QB OPTION 4847, FROM CSN 10038125 TO CSN 10053027
 CS, QB OPTION 4885, FROM CSN 10038125 TO CSN 10058530

Key	PartNumber	Qty	Description	Comment
-----	------------	-----	-------------	---------



Models: A3RE, CSRE, QBRE
 CNG
 FILTER / REGULATOR ASSEMBLY
 FILTER ASSY
 SEE NOTE AT BOTTOM OF TEXT FOR BEGIN WITH CSN
With Features: A3RE FEATURE 40242-03, 40243-01 BEGIN WITH CSN 10038121
 CS, QB OPTION 4847, FROM CSN 10038125 TO CSN 10053027
 CS. OR OPTION 4885. FROM CSN 10038125 TO CSN 10058530

Key	PartNumber	Qty	Description	Comment
1	0007949		FILL & FILTER ASSY,CNG,NGV1,PARKER	
2	1826858		BRACKET,MTG,CNG FLTR,S1R,6C04-023 & FIL	
3	1649375		FILTER ASSY,S1RX1,STAINLESS,1/4 NPT,FOR	
4	0002294		FITTING,PIPE NIPPLE,PARKER 1/4FF-316	
5	0003412		FITTING,MALE BLKHD CON,PARKER 6-4 FH2Z	BODY ONLY
6	0002804		FITTING,FEMALE PIPE TEE,PARKER 1/4-MMO	
7	0007950		RECEPTACLE,CNG FILL,NGV1,P30,PARKER	
8	0004381		GAUGE,PRESSURE,CNG,	
9	1542372	2	CAPSCREW,HEX FLG,1/4-20X.75,GRD5,BLACK	
10	2001170	2	LOCKWASHER,SPLIT RING, 1/4 ,MED,YEL ZN	

Models: A3RE, CSRE, QBRE, T2RE, TCRE
 CNG
 FILTER / REGULATOR ASSEMBLY
 FILTER ASSY

SEE NOTE AT BOTTOM OF TEXT FOR END WCSN

With Features: A3RE FEATURE 40242-01, -03, FROM CSN 10018620 TO CSN 10038124
 CS, QB ENDING WITH CSN 10038124

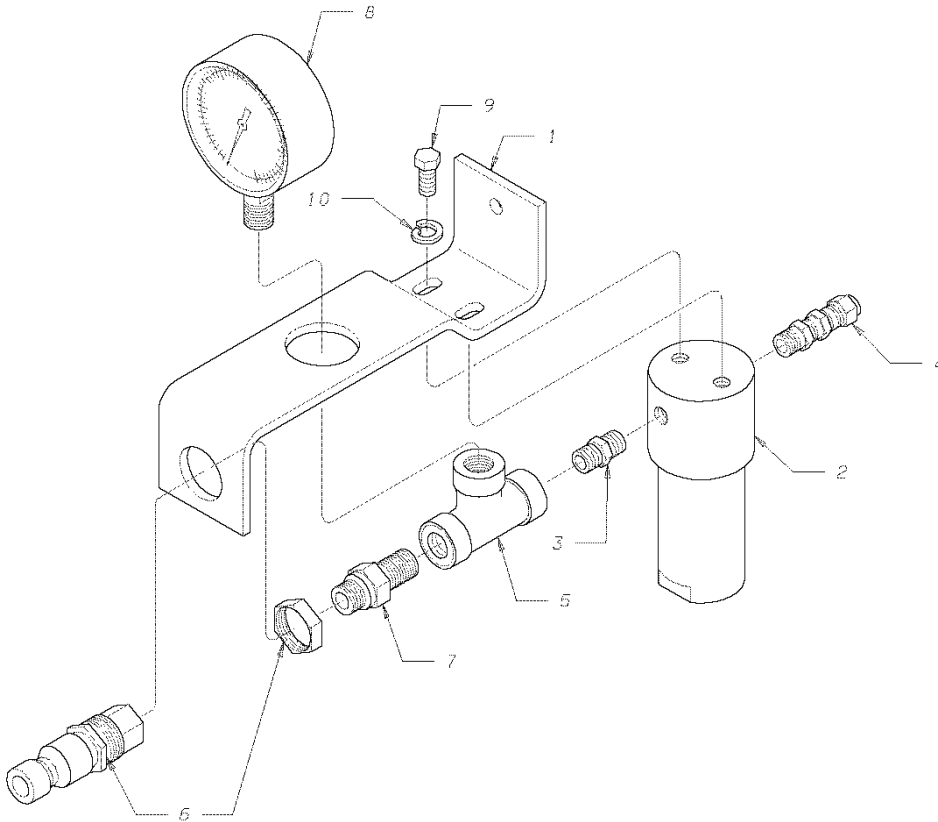
T2RE FEATURE 40242-03, 40243-01. BEGIN WITH CSN 10016750

Key	PartNumber	Qty	Description	Comment
-----	------------	-----	-------------	---------

DR. 8/26/00	BY JL	---	1828052	D
APP. 8/26/00	BY PF	FRT		REV



© BLUE BIRD BODY COMPANY. ALL RIGHTS RESERVED



Models: A3RE, CSRE, QBRE, T2RE, TCRE
 CNG
 FILTER / REGULATOR ASSEMBLY
 FILTER ASSY
 SEE NOTE AT BOTTOM OF TEXT FOR END WCSN

With Features: A3RE FEATURE 40242-01, -03, FROM CSN 10018620 TO CSN 10038120
 CS, QB ENDING WITH CSN 10038124
 T2RE FEATURE 40242-03, 40243-01. BEGIN WITH CSN 10016750

Key	PartNumber	Qty	Description	Comment
	1828052		FILL&FILTER ASSY,CNG,NGV1, QBRE	
1	1826858		BRACKET,MTG,CNG FLTR,S1R,6C04-023 & FIL	
2	1649375		FILTER ASSY,S1RX1,STAINLESS,1/4 NPT,FOR	
3	0002294		FITTING,PIPE NIPPLE,PARKER 1/4FF-316	
4	0003412		FITTING,MALE BLKHD CON,PARKER 6-4 FH2Z	BODY ONLY
5	0002804		FITTING,FEMALE PIPE TEE,PARKER 1/4-MMO	
6	1828037		RECEPTACLE,CNG,FILL,NGV1,P30,LE3006.9/16	
7	0004876		FITTING,ADAPTER,PARKER 6-1/4-F50F-316,	
8	0004381		GAUGE,PRESSURE,CNG,	
9	1542372	2	CAPSCREW,HEX FLG,1/4-20X.75,GRD5,BLACK	
10	2001170	2	LOCKWASHER,SPLIT RING, 1/4 ,MED,YEL ZN	


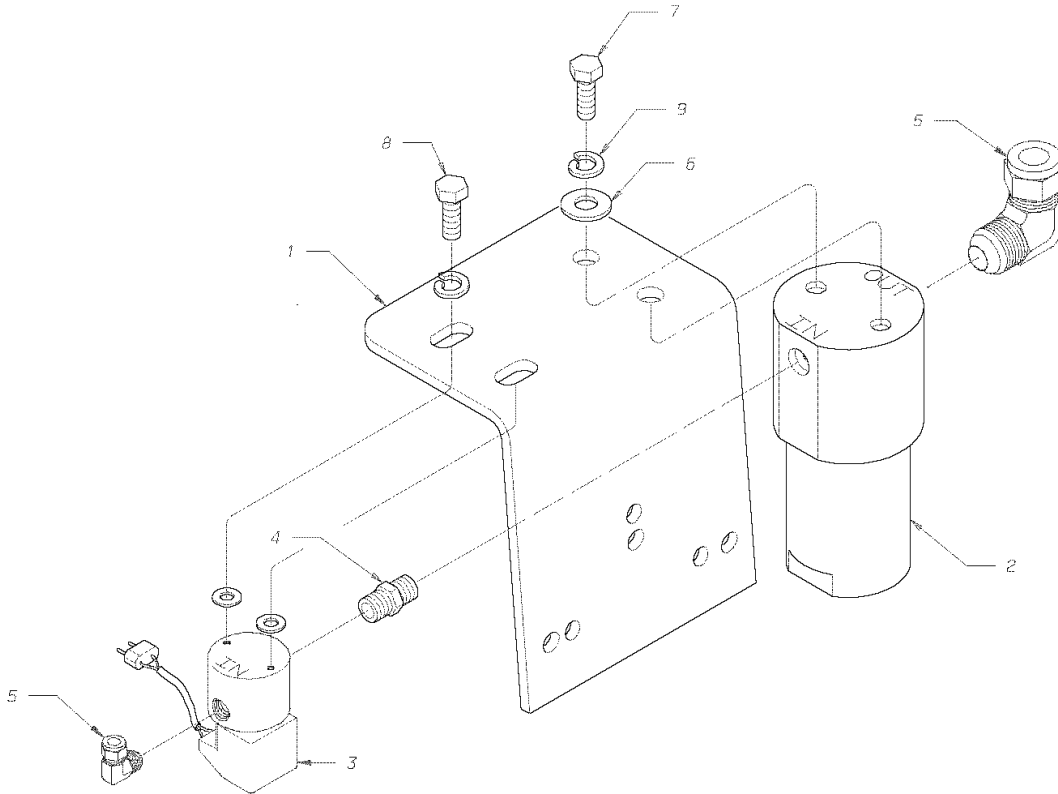
Models: A3RE, CSRE, QBRE
 CNG
 FILTER / REGULATOR ASSEMBLY
 JOHN DEERE
 SEE NOTE AT BOTTOM OF TEXT

With Features: A3RE 40242
 CSRE FEATURE 40242 01, -02, FROM 10016215 TO 10039304
 T2RE FEATURE 40242 03, FROM 10017870 TO 10019954

Key	PartNumber	Qty	Description	Comment
-----	------------	-----	-------------	---------

DR. 8/26/00	BY JL	---	1890681	E
APP. 8/26/00	BY PFF	FRT		REV

© BLUE BIRD BIRD COMPANY. ALL RIGHTS RESERVED.

Models: A3RE, CSRE, QBRE
 CNG
 FILTER / REGULATOR ASSEMBLY
 JOHN DEERE
 SEE NOTE AT BOTTOM OF TEXT

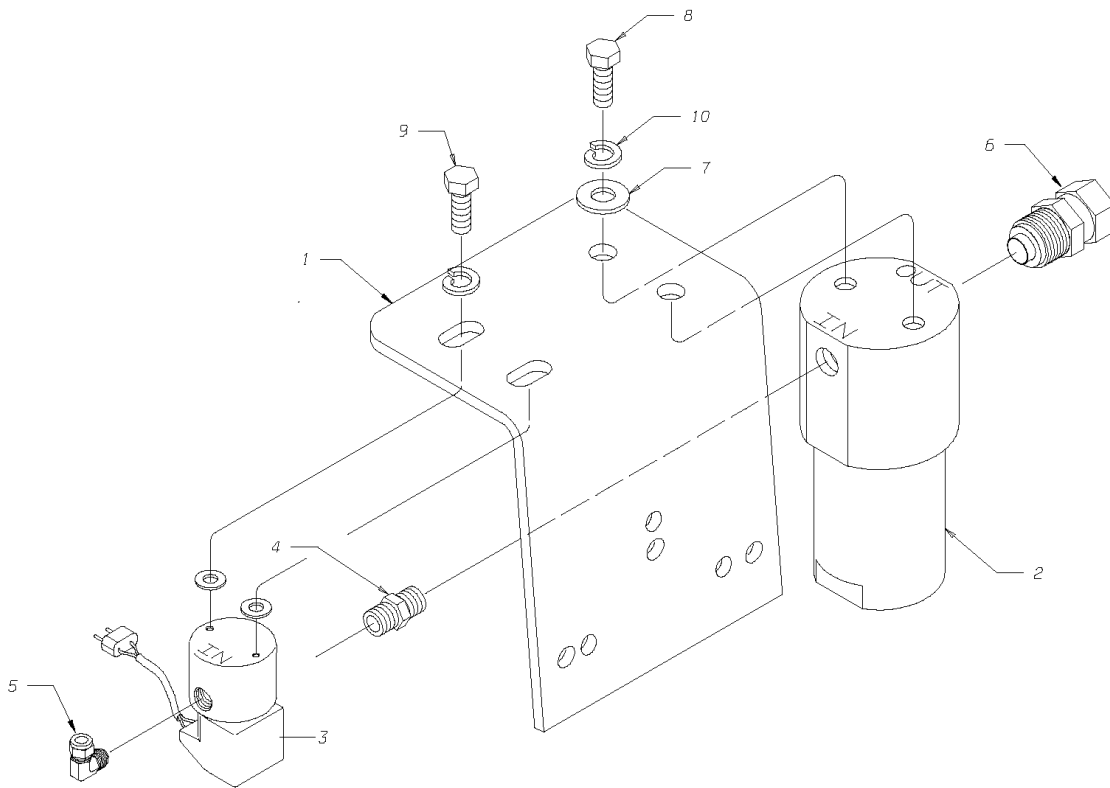
With Features: A3RE 40242
 CSRE FEATURE 40242-01, -02, FROM 10016215 TO 10039304
 T2RE FEATURE 40242-03, FROM 10017870 TO 10019954

Key	PartNumber	Qty	Description	Comment
1	1880699		BRACKET,FILTER,CNG,DEERE,FFC-112-10	
2	1808187		FILTER,NATURAL GAS,FFC-112-10	
3	0064085		VALVE ASSY,FUEL,S/O,CNG,SKINNER	
4	0002294		FITTING,PIPE NIPPLE,PARKER 1/4FF-316	BEGIN WITH CSN 10014340
5	0001649	2	FITTING,MALE ELBOW,PARKER 6-4 CZ-316	
6	1167485	4	WASHER,FLAT,11/32 X 11/16 X 5/64,HDN,BLK	
7	2000131	2	CAPSCREW,HEX HD,5/16-24X3/4,GR5,YEL ZN	
8	0971747	2	CAPSCREW,HX HD,M6-1 X 16,CL 10.9,	
9	2001188	4	LOCKWASHER,SPLIT RING, 5/16,MED,YEL ZN	
NI	1584978		FITTING,HEX NIPPLE,CAJON SS-4-HN	ENDING 10014339
NI	1588953		FITTING,MALE ELBOW,SWAG SS-600-2-4	ENDING 10014339

Models: A3RE, CSRE, QBRE
 CNG
 FILTER / REGULATOR ASSEMBLY
 JOHN DEERE
 SEE NOTE AT BOTTOM OF TEXT

With Features: A3RE FEATURE 40242-01, BEGIN WITH CSN 10021225 FEATURE 40242-03
 BEGIN WITH CSN 10019936
 CSRE FEATURE 40242-10 BEGIN WITH CSN 10047910 FEATURE 40242-10 BEGIN WITH CSN

Key	PartNumber	Qty	Description	Comment
-----	------------	-----	-------------	---------



Models: A3RE, CSRE, QBRE
 CNG
 FILTER / REGULATOR ASSEMBLY
 JOHN DEERE
 SEE NOTE AT BOTTOM OF TEXT

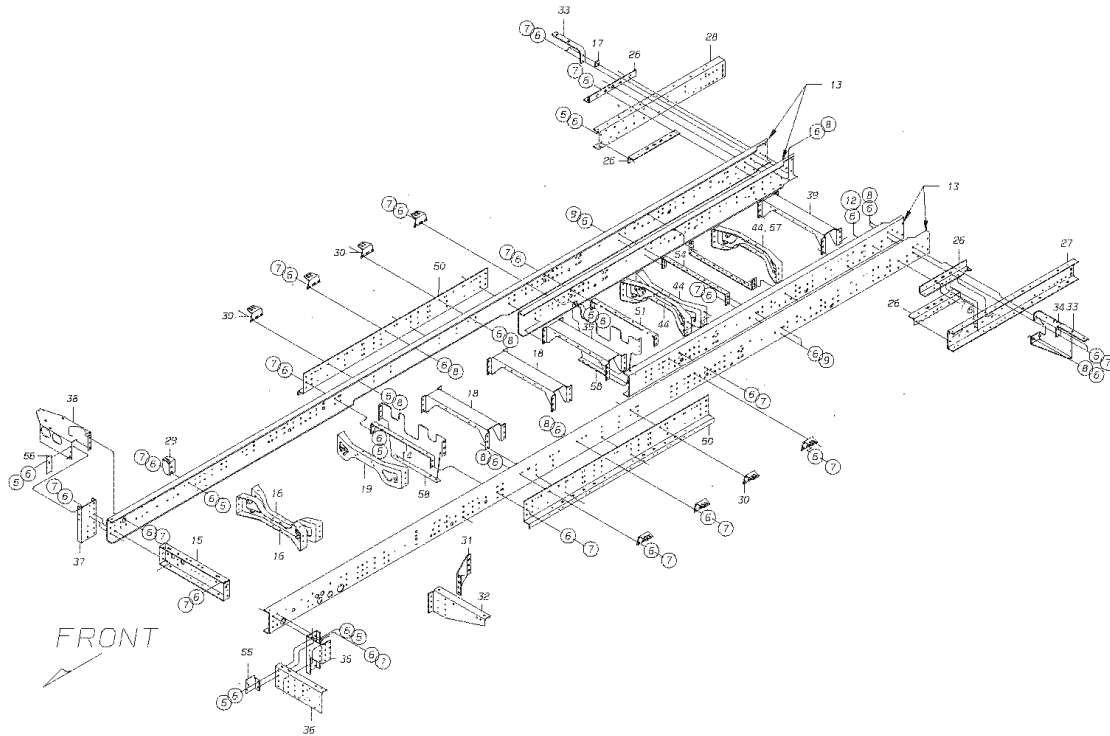
With Features: A3RE FEATURE 40242-01, BEGIN WITH CSN 10021225 FEATURE 40242-03
 BEGIN WITH CSN 10019936
 CSRE FEATURE 40242-10 BEGIN WITH CSN 10047910 FEATURE 40242-10 BEGIN WITH CSN

Key	PartNumber	Qty	Description	Comment
	0006111		FILTER ASSY,CNG,DEERE FOR CONOFLOW	<i>CONSIST OF THE FOLLOWING</i>
1	1880699		BRACKET,FILTER,CNG,DEERE,FFC-112-10	
2	1808187		FILTER,NATURAL GAS,FFC-112-10	
3	0064085		VALVE ASSY,FUEL,S/O,CNG,SKINNER	
4	0002294		FITTING,PIPE NIPPLE,PARKER 1/4FF-316	
5	0001649		FITTING,MALE ELBOW,PARKER 6-4 CZ-316	
6	0001652		FITTING,MALE CONNECTOR,PARKER 6-4 FZ-316	
7	1167485	4	WASHER,FLAT,11/32 X 11/16 X 5/64,HDN,BLK	
8	2000131	2	CAPSCREW,HEX HD,5/16-24X3/4,GR5,YEL ZN	
9	0971747	2	CAPSCREW,HX HD,M6-1 X 16,CL 10.9,	
10	2001188	4	LOCKWASHER,SPLIT RING, 5/16,MED,YEL ZN	
NI	0002174	2	FITTING,FERRULE BACK PARKER,6BF6-316, 3/8	
NI	0002171	2	FITTING,FERRULE FRONT,PARKER,6FF6	

Models: A3RE
CNG
FRAME COMPONENTS

With Features: FEATURE 40242-15

Key	PartNumber	Qty	Description	Comment
-----	------------	-----	-------------	---------



Models: A3RE
CNG
With Features: FRAME COMPONENTS
FEATURE 40242-15

Key	PartNumber	Qty	Description	Comment
1	1636943	78	PIN,FLG HEAD,HUCKSPIN,.50X2.22,HSP8	
2	1636950	44	PIN,FLG HEAD,HUCKSPIN,.50X2.60,HSP8	
3	1746817	3	PIN,FLG HEAD,HUCKSPIN,.50X2.85,HSP8	
4	1636968	12	COLLAR,HUCKSPIN,.50,HSCH-R16	
5	0803148	30	CAPSCREW,HEX HD,1/2-13 X 1 3/4,GR8,	
6	1003045	13	WASHER,FLAT,17/32 X 1 1/16 X 7/64,HDN,	
7	0850800	65	NUT,HEX HD,1/2-13,LOCKING,GR 8,CAD WAX	
8	0803239	22	CAPSCREW,HEX HD,1/2-13 X1 1/2,GR8	
9	0803205	11	CAPSCREW,HEX HD,1/2-13 X 2,GR 8,YEL ZN	
12	0803163	2	CAPSCREW,HEX HD,1/2-13 X2 1/2,GR8,	
13	0083811	1	FRAME RAIL SET,189WB,LHD,CNG, HDRE	
14	1583087	1	BRACKET,SUPP,DRIVE SHAFT	
15	1487826	1	CROSSMEMBER,FLAT,FRONT W/AIR SUSP,TCRE,	
16	1807577	2	CROSSMEMBER,STAMPED,34 INCH	
17	0998526	1	SPACER,.250X1.25X1.25 W/.531 HOLE,PAINTED	
18	1874809	2	CROSSMEMBER,ONE PIECE, CEC III RE	
19	1807668	1	CROSSMEMBER ASSY,REINFORCED	
26	1875053	4	ANGLE,ATTACHING SUBFRAME TO FRAME	
27	0014746	1	FRAME,SUB,REAR,LH,RE	
28	0014753	1	FRAME,SUB,REAR,RH,RE	
29	0080328	1	BRACKET,TIE DOWN,BODY,FRONT,RH., HDRE	
30	1509637	8	ANGLE,TIE DOWN,BODY,TCFE	
31	1886043	1	BRACE,OUTRIGGER TO FRAME,LH,RE	
	1992395	1	BRACE, OUTRIGGER TO FRAME, LH, AIR SUSP,	
32	0065541	1	OUTRIGGER,REAR,DRIVERS PLATFORM,LH,	
33	0054060	2	SUPPORT,SPRING,BODY	
34	0022289	1	BRACKET,MTG,TRANS ECU,HTR LIFT PUMP,A3RE	
35	1470681	1	BRACKET,MTG,STRG GEAR,BRKT TO FRM,TCFC	
36	1557446	1	OUTRIGGER,FRONT,LH,TC	
37	1489756	1	CHANNEL,MTG,FRONT BUMPER,RH,TC/QB	
38	0000925	1	OUTRIGGER,FRONT,RH	
39	1897610	2	CROSSMEMBER,ONE PIECE,W/INSERT, CEC RE	
44	1807684	RE	CROSSMEMBER ASSY,REINF,REWORKED FOR	

Models: A3RE
 CNG
FRAME COMPONENTS
With Features: FEATURE 40242-15

Key	PartNumber	Qty	Description	Comment
50	1842806	1	ANGLE,REINFORCING,FRAME,273,CEC III, TCRE	
51	1760628	1	BRACKET,SUPT,DRV SHF GUARD,RDWL,	
54	1760628	2	BRACKET,SUPT,DRV SHF GUARD,RDWL,	
55	1507821	1	BRACKET,MTG,HEADLAMP PANEL,REAR,LH,TCFC	
56	1507813	1	BRACKET,MTG,HEADLAMP PANEL,REAR,RH,TCFC	
57	1807676	1	CROSSMEMBER ASSY,RWK FOR INS,PAINTED	
58	1842715	RE	BRACKET,CLOSURE,FRONT END,CNG CYL,	

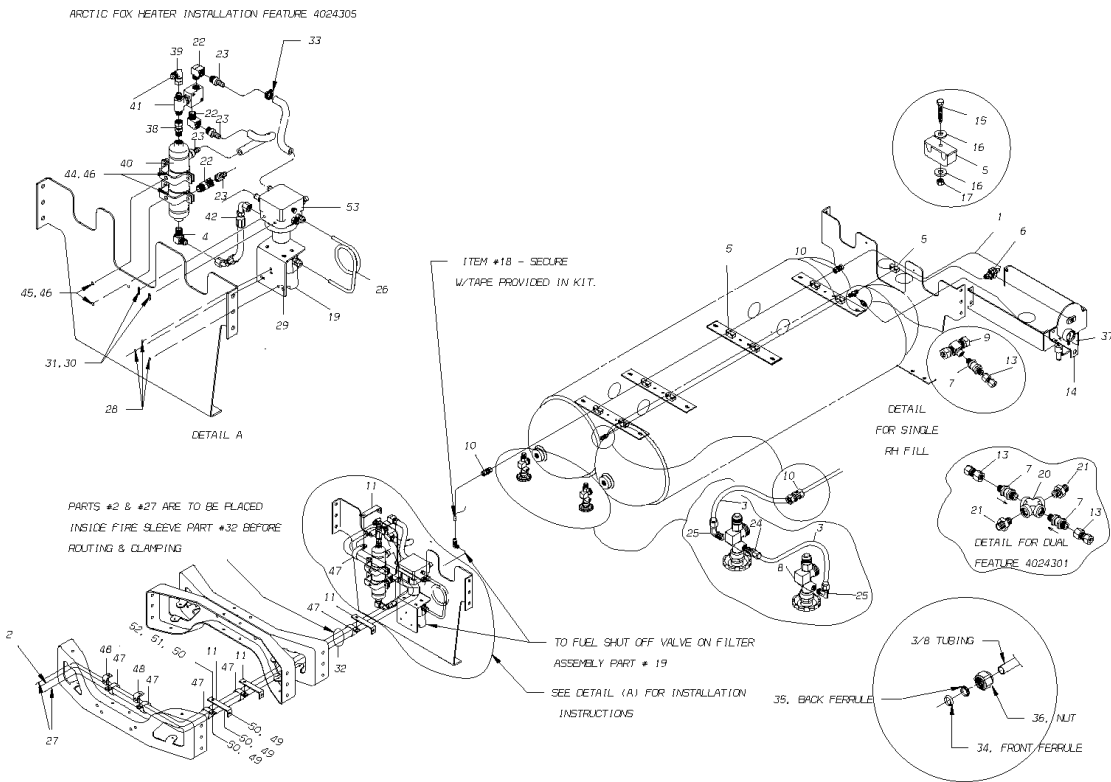
Models: A3RE

CNG

FRONT FILL

With Features: FEATURE 40242-15

Key	PartNumber	Qty	Description	Comment
-----	------------	-----	-------------	---------



Models: A3RE

CNG

FRONT FILL

With Features: FEATURE 40242-15

Key	PartNumber	Qty	Description	Comment
1	1585009	A/	TUBE,SS,RD, .375 OD X .049 X 20.00FT,SS 316	
3	0001653	2	HOSE ASSY,CNG W/TUBE NUT & FER PARKER	
5	1589084	A/	CLAMP,DUAL,3/8 O.D. TUBING,CNG FUEL LINE	
6	0002289	1	VALVE,BALL,3/8T,PARKER 6A-B6LJ2-BN-SSP	
7	0002290	A/	VALVE,CHECK,MALE	
8	0004383	1	PLUG,SS,HEX HEAD PLUG,PARKER 4 PH-316	
9	0002163	A/	FITTING,F BRANCH TEE,PARKER 6-6-6 OZ-SS	
10	0002622	3	FITTING,UNION,PARKER 6-6 HZ-316	
11	1317247	4	BRACKET,ATCH,BRAKE LINE TO FRAME	
13	0003410	A/	FITTING,FEMALE CONNECTOR,PARKER 6-6 GZ	
14	0020206	A/	FILL & FILTER ASSEMBLY,CNG,NGV1,P36	
15	2000099	A/	SCREW,1/4-20 X 1-1/2,D,HEX HD,YEL ZN DICH"	
16	2001121	A/	WASHER,FLAT,5/16 X 3/4,X 5/64,YEL ZN DICH	
17	1039262	A/	NUT,HEX HD,1/4-20,LOCK,ZINC	
18	1884956	*R	KIT,SENSOR,TEMPERATURE,TANK,NATURAL	
19	0006111	1	FILTER ASSY,CNG,DEERE FOR CONOFLOW	
20	0003425	A/	FITTING,CROSS,PARKER 3/8KMMOO-316	
21	0003411	A/	FITTING,MALE CONNECTOR,PARKER 6-6 FZ-316	
24	0001652	1	FITTING,MALE CONNECTOR,PARKER 6-4 FZ-316	
25	0001649	2	FITTING,MALE ELBOW,PARKER 6-4 CZ-316	
26	0002572	1	TUBE,CONN,CNG,CONOFLOW TO FILTER ASSY	
27	1666585	30	HOSE,HEATER,SILCON,.50 I.D.	
28	0659979	3	NUT,HEX,FLANGE SER,1/4-20,BLACK ZINC	
29	1542372	3	CAPSCREW,HEX FLG,1/4-20X.75,GRD5,BLACK	
30	2001188	2	LOCKWASHER,SPLIT RING, 5/16,MED,YEL ZN	
31	0997759	2	CAPSCREW,HX HD,M8-1.25X25,CL10.9,	
33	1765445	8	CLAMP,HOSE,LINED,.50 INCH HOSE	
34	0002171	32	FITTING,FERRULE FRONT,PARKER,6FF6	
35	0002174	32	FITTING,FERRULE BACK PARKER,6BF6-316, 3/8	
36	0002173	32	FITTING,NUT,PARKER 6NU6-316	
37	0083817	RE	LABEL,VEH,ID,4024215 W/4024304	
2	0030712	1	HOSE ASSY,CNG,WH H366,164 IN	FEATURE 4024305, WITH HEATER
4	0047604	1	ELBOW,90 DEG,1/2 FL X 1/2 MPT WH	FEATURE 4024305, WITH HEATER FEATURE 4024305, WITH HEATER

Models:

**A3RE
CNG
FRONT FILL**

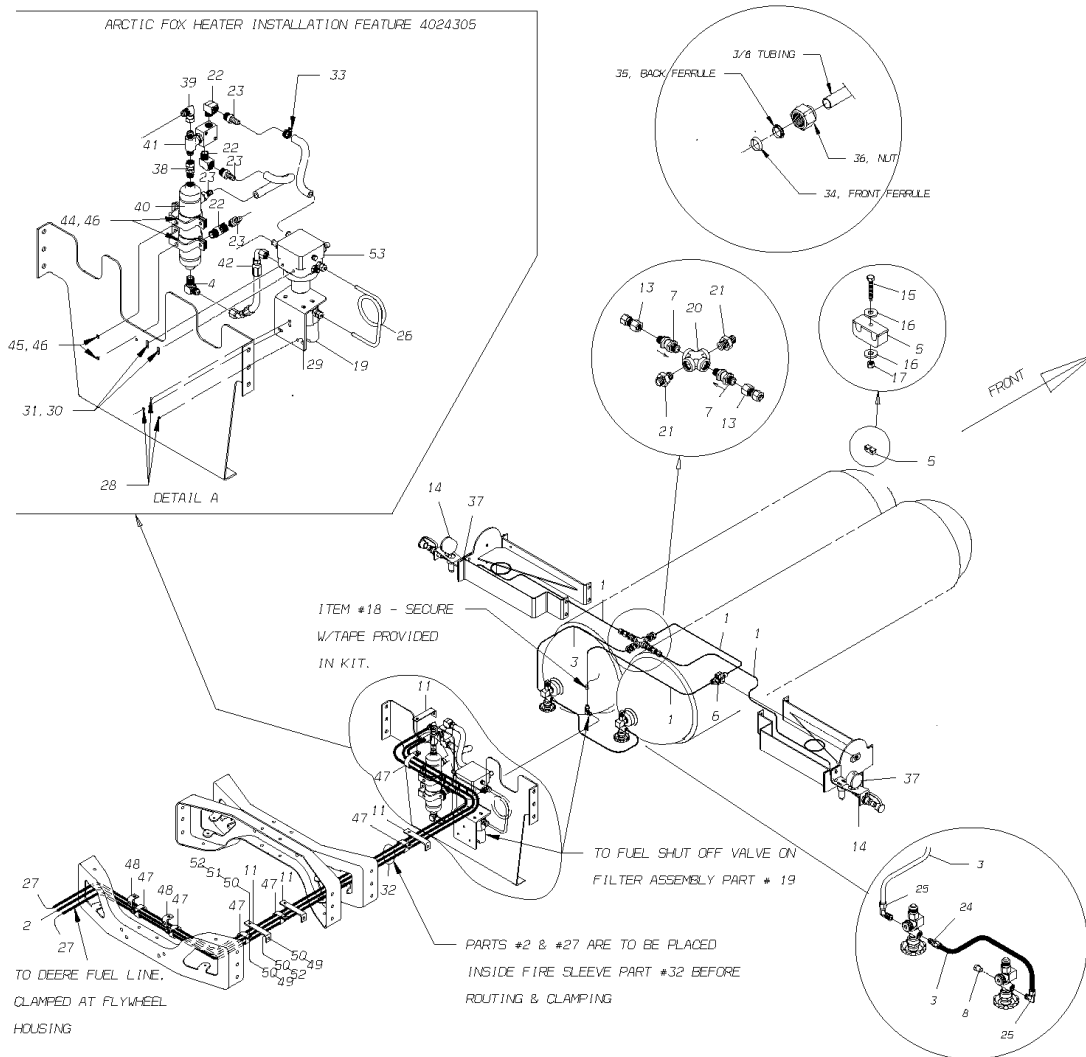
With Features:

FEATURE 40242-15

Key	PartNumber	Qty	Description	Comment
22	2008274	3	ELBOW,STREET,90 DEG,1/2MPT X	
23	1341643	4	INSERT,BARBED,STRAIGHT, .50, HOSE X .50	FEATURE 4024305, WITH HEATER
32	0006748	15	HOSE,FIRESLEEVE,STRAIGHT,1.75 IN ID	FEATURE 4024305, WITH HEATER
38	1630102	1	FITTING,FEM SWIV TO MALE PIPE	FEATURE 4024305, WITH HEATER
39	1198811	1	ELBOW,90 DEG,FEM SAE,37 DEG FLARE,879-FS	FEATURE 4024305, WITH HEATER
40	0027988	1	HEATER,FUEL,CNG,ACTIC FOX SF-2587-8	FEATURE 4024305, WITH HEATER
41	0027989	1	THERMOSTAT,SHUTOFF,CNG,WOODARD 1736	FEATURE 4024305, WITH HEATER
42	0027990	1	HOSE ASSY.5CNG,PARKER 5CNGLT379080808	FEATURE 4024305, WITH HEATER
44	0559195	2	CAPSCREW,HEX HD,3/8-16 X 1,GR 8,YEL ZN	FEATURE 4024305, WITH HEATER
45	0826297	2	NUT,HEX HD,3/8-16 LOCK,YEL ZN DICH	FEATURE 4024305, WITH HEATER
46	1078922	4	WASHER,FLAT,3/8 X 7/8 X 5/64,YEL ZN DICH	FEATURE 4024305, WITH HEATER
47	1107937	6	CLAMP,LOOP,2.00	FEATURE 4024305, WITH HEATER
48	1341304	2	ANGLE,MTG,CLAMP,TCFC	FEATURE 4024305, WITH HEATER
49	0610725	12	CAPSCREW,HEX HD,5/16-18X1 1/4,GR8,	FEATURE 4024305, WITH HEATER
50	2001121	18	WASHER,FLAT,5/16 X 3/4,X 5/64,YEL ZN DICH	FEATURE 4024305, WITH HEATER
51	0829390	6	NUT,HEX HD,5/16-18,SER WASHER,YEL ZN	FEATURE 4024305, WITH HEATER
52	1465954	6	NUT,HEX HD,5/16-18,LK,NYLON INSERT,YEL	FEATURE 4024305, WITH HEATER
53	0075729	1	REGULATOR,ASSY,JD 8.1	FEATURE 4024305, WITH HEATER

Models: A3RE
CNG
REAR FILL
With Features: FEATURE 40242-15

Key	PartNumber	Qty	Description	Comment
-----	------------	-----	-------------	---------



Models: A3RE
CNG
REAR FILL
With Features: FEATURE 40242-15

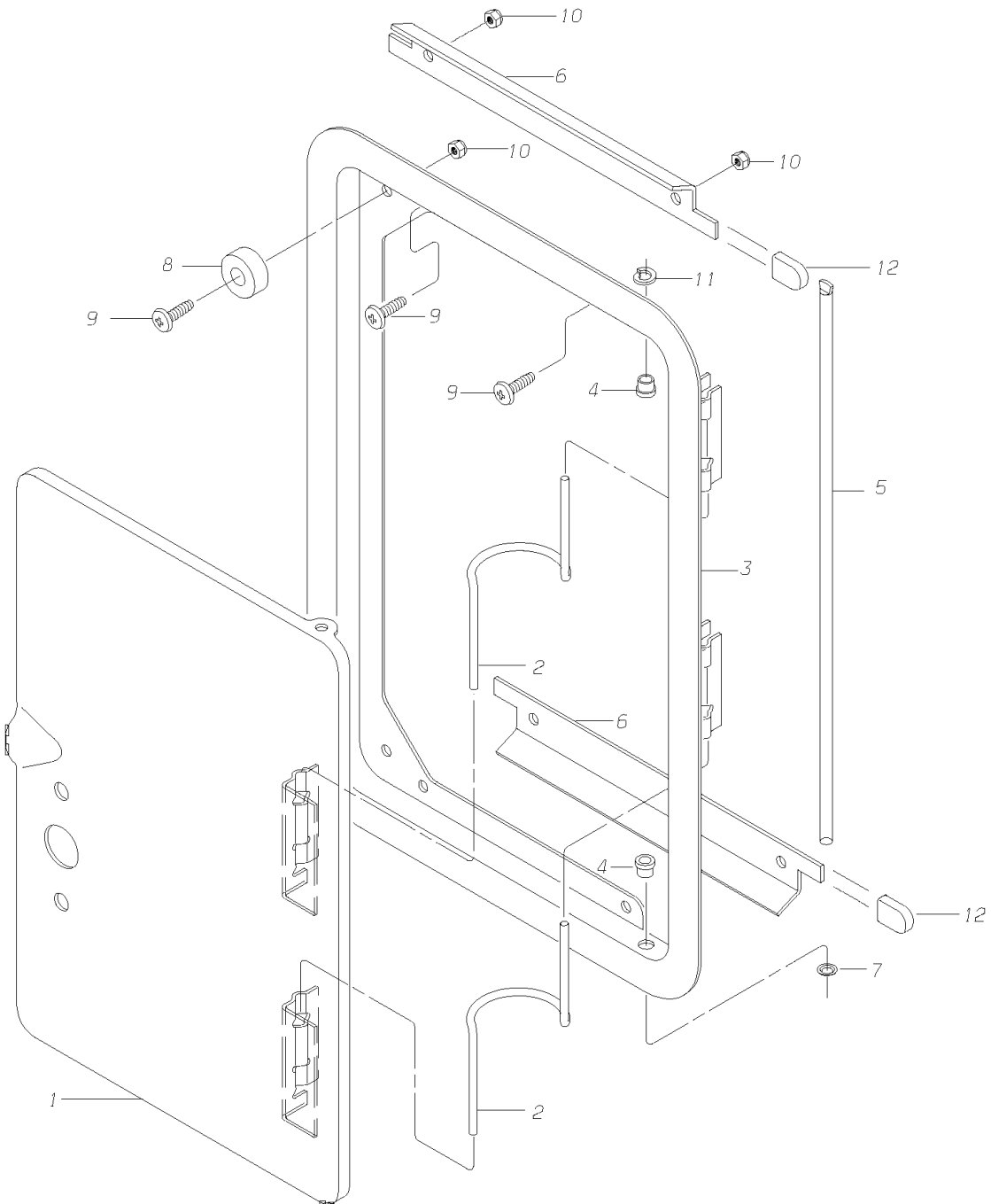
Key	PartNumber	Qty	Description	Comment
1	1585009	15	TUBE,SS,RD, .375 OD X .049 X 20.00FT,SS 316	
3	0001653	2	HOSE ASSY,CNG W/TUBE NUT & FER PARKER	
6	0002289	1	VALVE,BALL,3/8T,PARKER 6A-B6LJ2-BN-SSP	
7	0002290	2	VALVE,CHECK,MALE	
8	0004383	1	PLUG,SS,HEX HEAD PLUG,PARKER 4 PH-316	
11	1317247	4	BRACKET,ATCH,BRAKE LINE TO FRAME	
13	0003410	2	FITTING,FEMALE CONNECTOR,PARKER 6-6 GZ	
14	0020206	2	FILL & FILTER ASSEMBLY,CNG,NGV1,P36	
18	1884956	(R	KIT,SENSOR,TEMPERATURE,TANK,NATURAL	
19	0006111	1	FILTER ASSY,CNG,DEERE FOR CONOFLOW	
20	0003425	1	FITTING,CROSS,PARKER 3/8KMMOO-316	
21	0003411	2	FITTING,MALE CONNECTOR,PARKER 6-6 FZ-316	
24	0001652	1	FITTING,MALE CONNECTOR,PARKER 6-4 FZ-316	
25	0001649	2	FITTING,MALE ELBOW,PARKER 6-4 CZ-316	
26	0002572	1	TUBE,CONN,CNG,CONOFLOW TO FILTER ASSY	
27	1666585	30	HOSE,HEATER,SILCON,.50 I.D.	
28	0659979	3	NUT,HEX,FLANGE SER,1/4-20,BLACK ZINC	
29	1542372	3	CAPSCREW,HEX FLG,1/4-20X.75,GRD5,BLACK	
30	2001188	2	LOCKWASHER,SPLIT RING, 5/16,MED,YEL ZN	
31	0997759	2	CAPSCREW,HX HD,M8-1.25X25,CL10.9,	
33	1765445	8	CLAMP,HOSE,LINED,.50 INCH HOSE	
34	0002171	32	FITTING,FERRULE FRONT,PARKER,6FF6	
35	0002174	32	FITTING,FERRULE BACK PARKER,6BF6-316, 3/8	
36	0002173	32	FITTING,NUT,PARKER 6NU6-316	
37	0083817	RE	LABEL,VEH,ID,4024215 W/4024304	
4	0047604	1	ELBOW,90 DEG,1/2 FL X 1/2 MPT WH	FEATURE 4024305, WITH HEATER
22	2008274	3	ELBOW,STREET,90 DEG,1/2MPT X	FEATURE 4024305, WITH HEATER
23	1341643	4	INSERT,BARBED,STRAIGHT, .50, HOSE X .50	FEATURE 4024305, WITH HEATER
32	0006748	15	HOSE,FIRESLEEVE,STRAIGHT,1.75 IN ID	FEATURE 4024305, WITH HEATER
38	1630102	1	FITTING,FEM SWIV TO MALE PIPE	FEATURE 4024305, WITH HEATER
39	1198811	1	ELBOW,90 DEG,FEM SAE,37 DEG FLARE,879-FS	FEATURE 4024305, WITH HEATER
40	0027988	1	HEATER,FUEL,CNG,ACTIC FOX SF-2587-8	FEATURE 4024305, WITH HEATER
41	0027989	1	THERMOSTAT,SHUTOFF,CNG,WOODARD 1736	FEATURE 4024305, WITH HEATER
				FEATURE 4024305, WITH HEATER

Models: A3RE
 CNG
 REAR FILL
With Features: FEATURE 40242-15

Key	PartNumber	Qty	Description	Comment
42	0027990	1	HOSE ASSY.5CNG,PARKER 5CNGLT379080808	
44	0559195	2	CAPSCREW,HEX HD,3/8-16 X 1,GR 8,YEL ZN	FEATURE 4024305, WITH HEATER
45	0826297	2	NUT,HEX HD,3/8-16 LOCK,YEL ZN DICH	FEATURE 4024305, WITH HEATER
46	1078922	4	WASHER,FLAT,3/8 X 7/8 X 5/64,YEL ZN DICH	FEATURE 4024305, WITH HEATER
47	1107937	6	CLAMP,LOOP,2.00	FEATURE 4024305, WITH HEATER
48	1341304	2	ANGLE,MTG,CLAMP,TCFC	FEATURE 4024305, WITH HEATER
49	0610725	12	CAPSCREW,HEX HD,5/16-18X1 1/4,GR8,	FEATURE 4024305, WITH HEATER
50	2001121	18	WASHER,FLAT,5/16 X 3/4,X 5/64,YEL ZN DICH	FEATURE 4024305, WITH HEATER
51	0829390	6	NUT,HEX HD,5/16-18,SER WASHER,YEL ZN	FEATURE 4024305, WITH HEATER
52	1465954	6	NUT,HEX HD,5/16-18,LK,NYLON INSERT,YEL	FEATURE 4024305, WITH HEATER
53	0075729	1	REGULATOR,ASSY,JD 8.1	FEATURE 4024305, WITH HEATER

Models:
A3RE
CNG
REAR FILL
LARGE DOOR, LATCHING

Key	PartNumber	Qty	Description	Comment
-----	------------	-----	-------------	---------



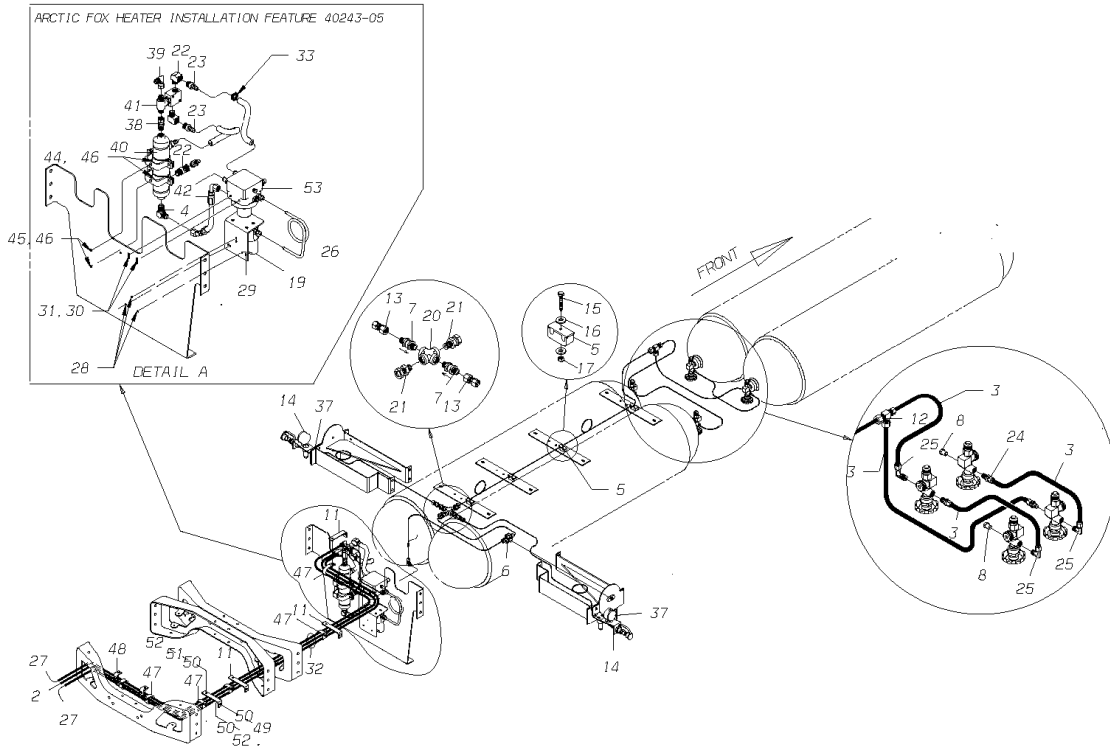
Models: **A3RE**
CNG
REAR FILL
LARGE DOOR, LATCHING

Key	PartNumber	Qty	Description	Comment
	0054743		DOOR & FRAME ASSY,FUEL FILL,LARGE,E-COAT,	<i>CONSISTS OF THE FOLLOWING</i>
1	0054687		DOOR ASSEMBLY,FUEL FILLER,LARGE,E-COAT,	
2	1849595	2	SPRING,FUEL TANK DOOR	
3	1856723		FRAME,FUEL FILL DOOR,LARGE,E-COAT	
4	1849561	2	BUSHING,HINGE PIN,FUEL FILL DOOR	
5	1876952		PIN,HINGE,FUEL FILL DOOR,LARGE	
6	0040128	2	RETAINER,FUEL FILL DOOR ASSY,LARGE	
7	1878412		RETAINER,GROOVELESS RING,PUSH-ON,.187	
8	1486919	2	BUMPER,RUBBER RECESS,.469 X .719 DIA	
9	1795459	6	SCREW,MACH 10-24X 1/2 P HD,BLK	
10	1469287	6	NUT,HEX,10-24,ELASTIC LOCKNUT,YEL ZN DICH	
11	2001162		LOCKWASHER,SPLIT RING, 3/16,MED,YEL ZN	
12	0038825	2	PAD,STOP,FUEL TANK DOOR	
NI	1766021		LATCH,DOOR,EMERGENCY EQUIPMENT	

Models: A3RE
CNG
REAR FILL
REAR FILL
With Features: FEATURE 40243-05

-06

Key	PartNumber	Qty	Description	Comment
-----	------------	-----	-------------	---------



Models: A3RE
 CNG
 REAR FILL
 REAR FILL
With Features: FEATURE 40243-05

-06

Key	PartNumber	Qty	Description	Comment
1	1585009	30	TUBE,SS,RD, .375 OD X .049 X 20.00FT,SS 316	
3	0001653	4	HOSE ASSY,CNG W/TUBE NUT & FER PARKER	
5	1589084	8	CLAMP,DUAL,3/8 O.D. TUBING,CNG FUEL LINE	
6	0002289		VALVE,BALL,3/8T,PARKER 6A-B6LJ2-BN-SSP	
7	0002290	2	VALVE,CHECK,MALE	
8	0004383	2	PLUG,SS,HEX HEAD PLUG,PARKER 4 PH-316	
11	1317247	4	BRACKET,ATCH,BRAKE LINE TO FRAME	
12	0001650		FITTING,UNION TEE,PARKER 6-6-6 JZ SS	
13	0003410	2	FITTING,FEMALE CONNECTOR,PARKER 6-6 GZ	
14	0020206	2	FILL & FILTER ASSEMBLY,CNG,NGV1,P36	
15	2000099	23	SCREW,1/4-20 X 1-1/2,D,HEX HD,YEL ZN DICH"	
16	2001121	46	WASHER,FLAT,5/16 X 3/4,X 5/64,YEL ZN DICH	
17	1039262	23	NUT,HEX HD,1/4-20,LOCK,ZINC	
18	1884956	A/	KIT,SENSOR,TEMPERATURE,TANK,NATURAL	
19	0006111		FILTER ASSY,CNG,DEERE FOR CONOFLOW	QUWERY FOR BREAKDOWN)
20	0003425		FITTING,CROSS,PARKER 3/8KMMOO-316	
21	0003411	2	FITTING,MALE CONNECTOR,PARKER 6-6 FZ-316	
24	0001652	3	FITTING,MALE CONNECTOR,PARKER 6-4 FZ-316	
25	0001649	3	FITTING,MALE ELBOW,PARKER 6-4 CZ-316	
26	0002572		TUBE,CONN,CNG,CONOFLOW TO FILTER ASSY	
27	1666585	30	HOSE,HEATER,SILCON,.50 I.D.	
28	0659979	3	NUT,HEX,FLANGE SER,1/4-20,BLACK ZINC	
29	1542372	3	CAPSCREW,HEX FLG,1/4-20X.75,GRD5,BLACK	
30	2001188	2	LOCKWASHER,SPLIT RING, 5/16,MED,YEL ZN	
31	0997759	2	CAPSCREW,HX HD,M8-1.25X25,CL10.9,	
33	1765445	8	CLAMP,HOSE,LINED,.50 INCH HOSE	
34	0002171	32	FITTING,FERRULE FRONT,PARKER,6FF6	
35	0002174	32	FITTING,FERRULE BACK PARKER,6BF6-316, 3/8	
36	0002173	32	FITTING,NUT,PARKER 6NU6-316	
37	0020223	2	LABEL,VEH,ID,40242-03 W/40243-04	
2	0030712	1	HOSE ASSY,CNG,WH H366,164 IN	
4	0047604	1	ELBOW,90 DEG,1/2 FL X 1/2 MPT WH	
22	2008274	3	ELBOW,STREET,90 DEG,1/2MPT X	

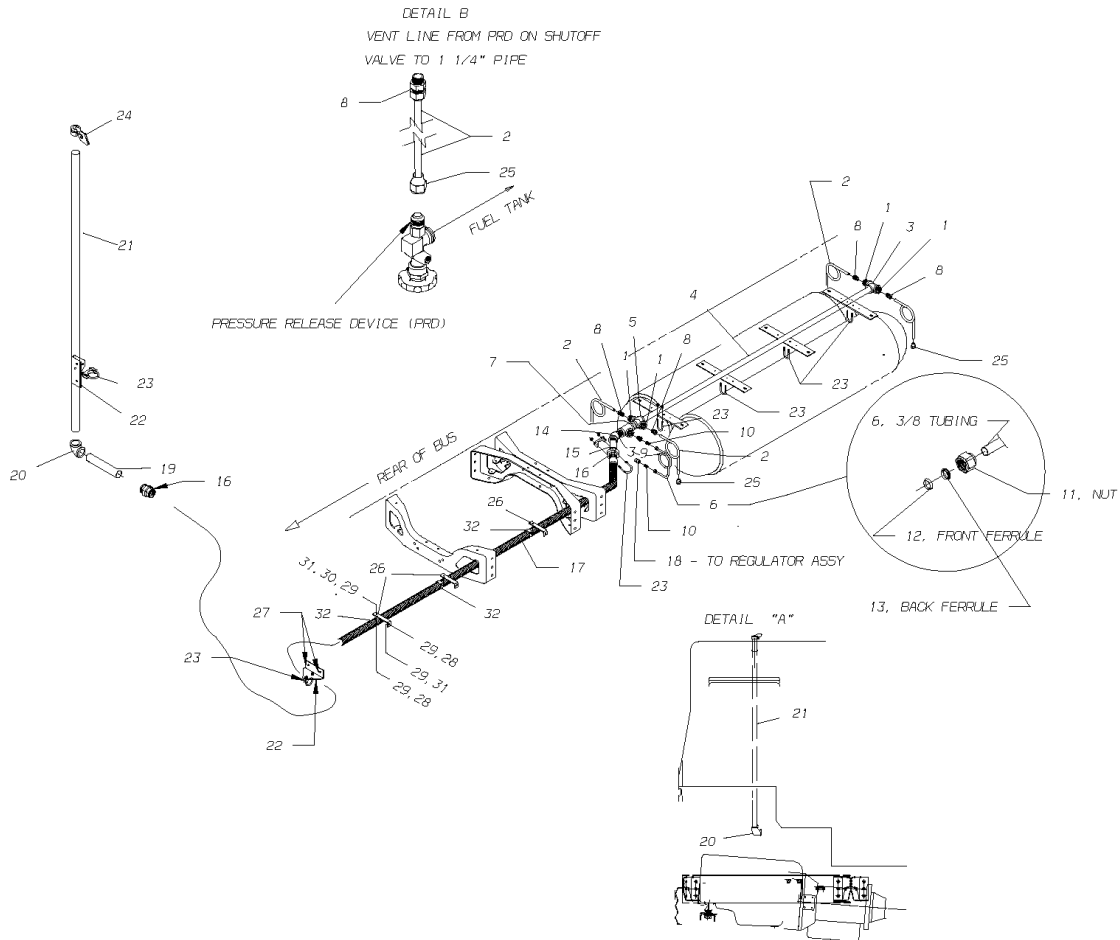
Models: A3RE
 CNG
 REAR FILL
 REAR FILL
With Features: FEATURE 40243-05

-06

Key	PartNumber	Qty	Description	Comment
23	1341643	4	INSERT,BARBED,STRAIGHT, .50, HOSE X .50	
32	0006748	15	HOSE,FIRESLEEVE,STRAIGHT,1.75 IN ID	
38	1630102	1	FITTING,FEM SWIV TO MALE PIPE	
39	1198811	1	ELBOW,90 DEG,FEM SAE,37 DEG FLARE,879-FS	
40	0027988	1	HEATER,FUEL,CNG,ACTIC FOX SF-2587-8	
41	0027989	1	THERMOSTAT,SHUTOFF,CNG,WOODARD 1736	
42	0027990	1	HOSE ASSY.5CNG,PARKER 5CNGLT379080808	
44	0559195	2	CAPSCREW,HEX HD,3/8-16 X 1,GR 8,YEL ZN	
45	0826297	2	NUT,HEX HD,3/8-16 LOCK,YEL ZN DICH	
46	1078922	4	WASHER,FLAT,3/8 X 7/8 X 5/64,YEL ZN DICH	
47	1107937	11	CLAMP,LOOP,2.00	
48	1341304	2	ANGLE,MTG,CLAMP,TCFC	
49	0610725	15	CAPSCREW,HEX HD,5/16-18X1 1/4,GR8,	
50	2001121	30	WASHER,FLAT,5/16 X 3/4,X 5/64,YEL ZN DICH	
51	0829390	11	NUT,HEX HD,5/16-18,SER WASHER,YEL ZN	
52	1465954	11	NUT,HEX HD,5/16-18,LK,NYLON INSERT,YEL	
53	0075729	1	REGULATOR,ASSY,JD 8.1	

Models: A3RE
CNG
VENT PIPE
With Features: FEATURE 40242-15

Key	PartNumber	Qty	Description	Comment
-----	------------	-----	-------------	---------

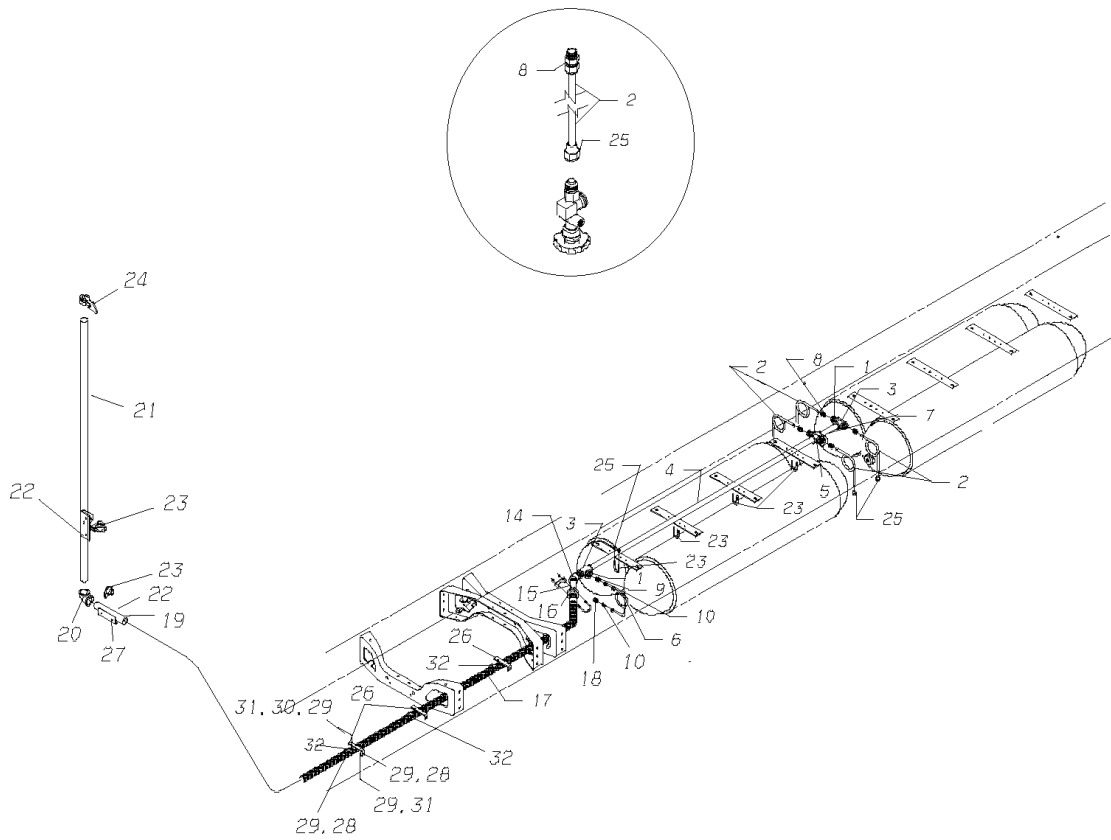


Models:
A3RE
CNG
VENT PIPE
With Features:
FEATURE 40242-15

Key	PartNumber	Qty	Description	Comment
1	1873637	4	FITTING,BUSHING,1 1/4 X 1/2 HEX, BIP	
2	1588789	8	TUBING,COPPER,1/2,TYPE KF (KS03060)	
3	1844182	2	FITTING,TEE,BIP,1 1/4	
4	1880632	1	PIPE,1-1/4 X 81.50,CNG VENT	
5	1873629	1	FITTING,CROSS,1 1/4 PIPE,BIP	
6	0002572	1	TUBE,CONN,CNG,CONOFLOW TO FILTER ASSY	
7	2254183	1	NIPPLE,CLOSE,1 1/4IN PIPE"	
8	1588797	4	FITTING,MALE CONNE 1/2 X 1/2P,WH68X8X8	
9	2027159	1	BUSHING,PIPE,1/2 X 1/4,BRASS	
10	0001652	2	FITTING,MALE CONNECTOR,PARKER 6-4 FZ-316	
11	0002173	2	FITTING,NUT,PARKER 6NU6-316	
12	0002171	2	FITTING,FERRULE FRONT,PARKER,6FF6	
13	0002174	2	FITTING,FERRULE BACK PARKER,6BF6-316, 3/8	
14	1842756	1	ELBOW,STREET,1 1/4, 45 DEG,BIP	
15	1640887	1	PIPE,1-1/4,2.50 IN,CNG VENT	
16	1588870	1	UNION,1 1/4 BLACK IRON,SCHEDULE 40	
17	0014326	1	PIPE,CNG,PARKER,FLEXVENTLINE,1 1/4 X 180	
18	2027175	1	COUPLING,PIPE,1/4	
19	1800846	1	PIPE,1-1/4M3.50 IN,CNG VENT	
20	1588847	1	ELBOW,90DEG,1 1/4,BLACK IRON,SCHEDULE 40	
21	1889674	1	PIPE, 1 1/4 X 64.00 CNG VENT TYPE A	TYPE A
22	1886266	1	BRACKET,MTR CNG VENT LINE,CEC	
23	1616226	2	CLAMP,U-BOLT & SADDLE, 1.62 ID	
23	1616226	5	CLAMP,U-BOLT & SADDLE, 1.62 ID	
24	1588771	1	RAIN CAP,1 3/4 DIA,WALKER 35226	
25	2027084	4	NUT,1110 X 8 1/2,FLARE	
26	1317247	8	BRACKET,ATCH,BRAKE LINE TO FRAME	
27	2000685	2	SCREW,1/4-14 X 1,AB,PH1,PAN HD,YEL ZN"	
28	0610725	13	CAPSCREW,HEX HD,5/16-18X1 1/4,GR8,	
29	2001121	26	WASHER,FLAT,5/16 X 3/4,X 5/64,YEL ZN DICH	
30	0829390	5	NUT,HEX HD,5/16-18,SER WASHER,YEL ZN	
31	1465954	13	NUT,HEX HD,5/16-18,LK,NYLON INSERT,YEL	
32	0020687	5	CLAMP,LOOP,1.75	

Models: A3RE
 CNG
 VENT PIPE
With Features: FEATURE 40245-03

Key	PartNumber	Qty	Description	Comment
-----	------------	-----	-------------	---------



Models:
A3RE
CNG
VENT PIPE
With Features:
FEATURE 40245-03

Key	PartNumber	Qty	Description	Comment
1	1873637	5	FITTING,BUSHING,1 1/4 X 1/2 HEX, BIP	
2	1588789	10	TUBING,COPPER,1/2,TYPE KF (KS03060)	
3	1844182	2	FITTING,TEE,BIP,1 1/4	
4	1880632		PIPE,1-1/4 X 81.50,CNG VENT	
5	1873629		FITTING,CROSS,1 1/4 PIPE,BIP	
6	0002572		TUBE,CONN,CNG,CONOFLOW TO FILTER ASSY	
7	1889716		PIPE,1 1/4 X 6.00,CNG VENT TYPE A	TYPE A
8	1588797	4	FITTING,MALE CONNE 1/2 X 1/2P,WH68X8X8	
9	2027159		BUSHING,PIPE,1/2 X 1/4,BRASS	
10	0001652	2	FITTING,MALE CONNECTOR,PARKER 6-4 FZ-316	
11	0002173	2	FITTING,NUT,PARKER 6NU6-316	
12	0002171	2	FITTING,FERRULE FRONT,PARKER,6FF6	
13	0002174	2	FITTING,FERRULE BACK PARKER,6BF6-316, 3/8	
14	1842756		ELBOW,STREET,1 1/4, 45 DEG,BIP	
15	1640887		PIPE,1-1/4,2.50 IN,CNG VENT	
16	1588870	2	UNION,1 1/4 BLACK IRON,SCHEDULE 40	
17	0014326		PIPE,CNG,PARKER,FLEXVENTLINE,1 1/4 X 180	
18	2027175		COUPLING,PIPE,1/4	
19	1800846		PIPE,1-1/4M3.50 IN,CNG VENT	TYPE A
19	1889708		PIPE,1 1/4 X 8.00,CNG VENT TYPE A	TYPE A
20	1588847		ELBOW,90DEG,1 1/4,BLACK IRON,SCHEDULE 40	
21	1889674		PIPE, 1 1/4 X 64.00 CNG VENT TYPE A	TYPE A
22	1886266	2	BRACKET,MTR CNG VENT LINE,CEC	
23	1616226	AR	CLAMP,U-BOLT & SADDLE, 1.62 ID	
24	1588771		RAIN CAP,1 3/4 DIA,WALKER 35226	
25	2027084	4	NUT,1110 X 8 1/2,FLARE	
26	1317247	8	BRACKET,ATCH,BRAKE LINE TO FRAME	
27	2000685	2	SCREW,1/4-14 X 1,AB,PH1,PAN HD,YEL ZN"	
28	0610725	13	CAPSCREW,HEX HD,5/16-18X1 1/4,GR8,	
29	2001121	26	WASHER,FLAT,5/16 X 3/4,X 5/64,YEL ZN DICH	
30	0829390	5	NUT,HEX HD,5/16-18,SER WASHER,YEL ZN	
31	1465954	13	NUT,HEX HD,5/16-18,LK,NYLON INSERT,YEL	
32	0020687	AR	CLAMP,LOOP,1.75	

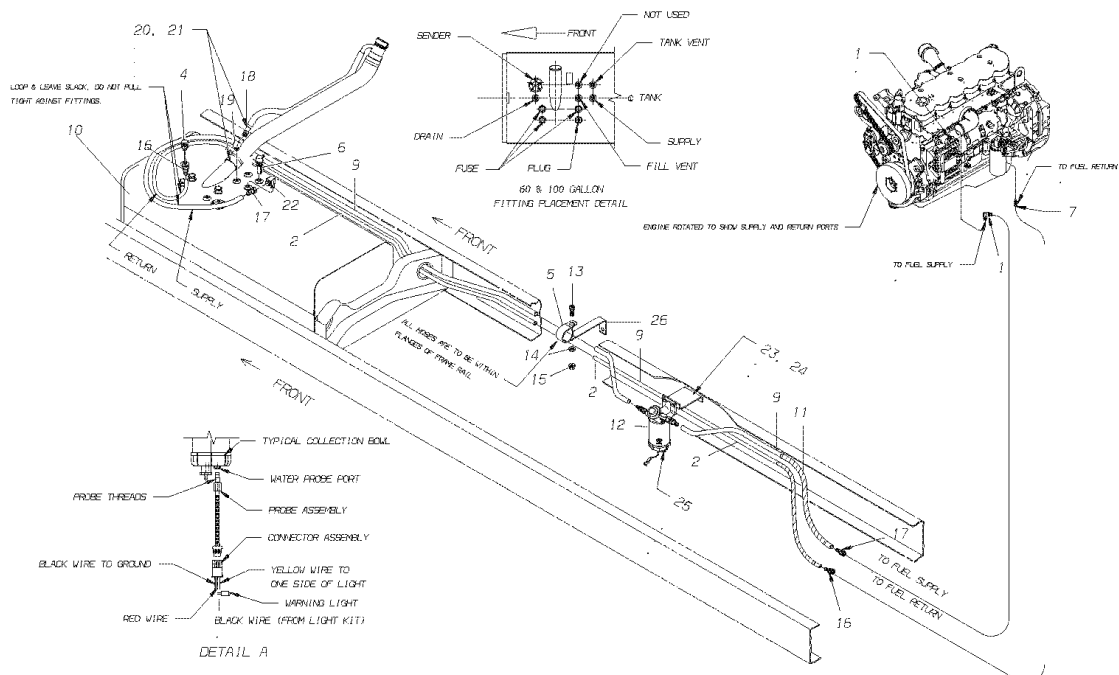
Models: A3RE
CNG
VENT PIPE
With Features: FEATURE 40245-03

Key	PartNumber	Qty	Description	Comment
NI	1805092	2	BRACKET,CNG,ATCH VENT TO FRAME	
NI	1341304	4	ANGLE,MTG,CLAMP,TCFC	

Models:
A3RE
CUMMINS
ISB-E

With Features:
60 OR 100 GALLON MIDMOUNT
FEATURE 40241 WITH FEATURE 40361-01

Key	PartNumber	Qty	Description	Comment
-----	------------	-----	-------------	---------



Models: **A3RE**
CUMMINS
ISB-E


With Features: **60 OR 100 GALLON MIDMOUNT**
FEATURE 40241 WITH FEATURE 40361-01

Key	PartNumber	Qty	Description	Comment
1	0044669		FITTING,MALE ELBOW,PARKER 8M12C870MXS,	
2	1797810		HOSE,.37 ID X .62 OD,W-H H00906	
3	1313808		SWIVEL,MALE,3/8 HOSE X 3/8 INV FL10006B-	
4	0032911		ELBOW,90 DEG,3/8FL X 1/2MPT,WH 49X6X8	
5	0948141		CLAMP,LOOP,1.312	
6	0066606		VENT,FUEL TANK,2989-1	
7	0044670		FITTING,MALE CONN,PARKER 6M12SHF50S,	
8	1490481		SWIVEL,INVERTED MALE,1/2T X 1/2 MIF	
9	1797828		HOSE,.50 ID X .78 OD,W-H H00908	
10	0068152		TANK ASSY,FUEL,60GAL,MM,RIGHT FILL	
10	0068151		TANK ASSY,FUEL,100GAL,MM,RIGHT FILL	
10	0068150		TANK ASSY,FUEL,60GAL,MM,LS FILL	
10	0038149		SEAT,DRV,VILLA,BENTLEY II,W/0,LMB,ULT	
11	1109271		LOOM,CORRUGATED,BLACK,NYLON,3/4 ID,SS	
12	0028973		FILTER ASSY,F/WAT SEP,490R,.50 LN,W/O	FEATURE 40233-06
12	0028972		FILTER ASSY,F/WAT SEP,490R,.50 LN,W/HEND	FEATURE 40233-06
13	0559195	AR	CAPSCREW,HEX HD,3/8-16 X 1,GR 8,YEL ZN	
14	1107085	AR	WASHER,FLAT,13/32 X 13/16 X 3/32,HDN,BLK	
15	2171809	AR	NUT,HEX HD,3/8-16,ZINC,SM FLG LK,YEL	
16	1944099	2	SWIVEL,FEMALE,45FL,3/8H X 3/8T,1000GB-406	
17	1944107	2	SWIVEL,FEMALE,45FL,1/2HX1/2T,WH10008B	
18	0021443		INSERT,.75 HOSE X .50 PIPE	
19	1831890		ELBOW,STREET,45DEG,3350X8,1/2MPTX1/2FPT	
20	0023412		CAP,PROTECTOR,3/4 THREAD X 1.250 LONG	
21	0031124		CAP,BLACK VINYL PLASTIC,2.50 X 1.50	
22	1002864		ELBOW,90 DEG,1/2 FL X 1/2 MPT WH 49X8X8	
23	0803213	2	CAPSCREW,HEX HD,3/8-16X1 1/4,GR8,YEL	
24	0839027	2	NUT,HEX HD,3/8-16,GR G,SM FLG LK,YEL	
25	0044852		WATER SENSOR,RACOR,RK 30880	
26	0003844	6	BRACKET,FUEL LINE STND-OFF,ISC,W/TEX U-	

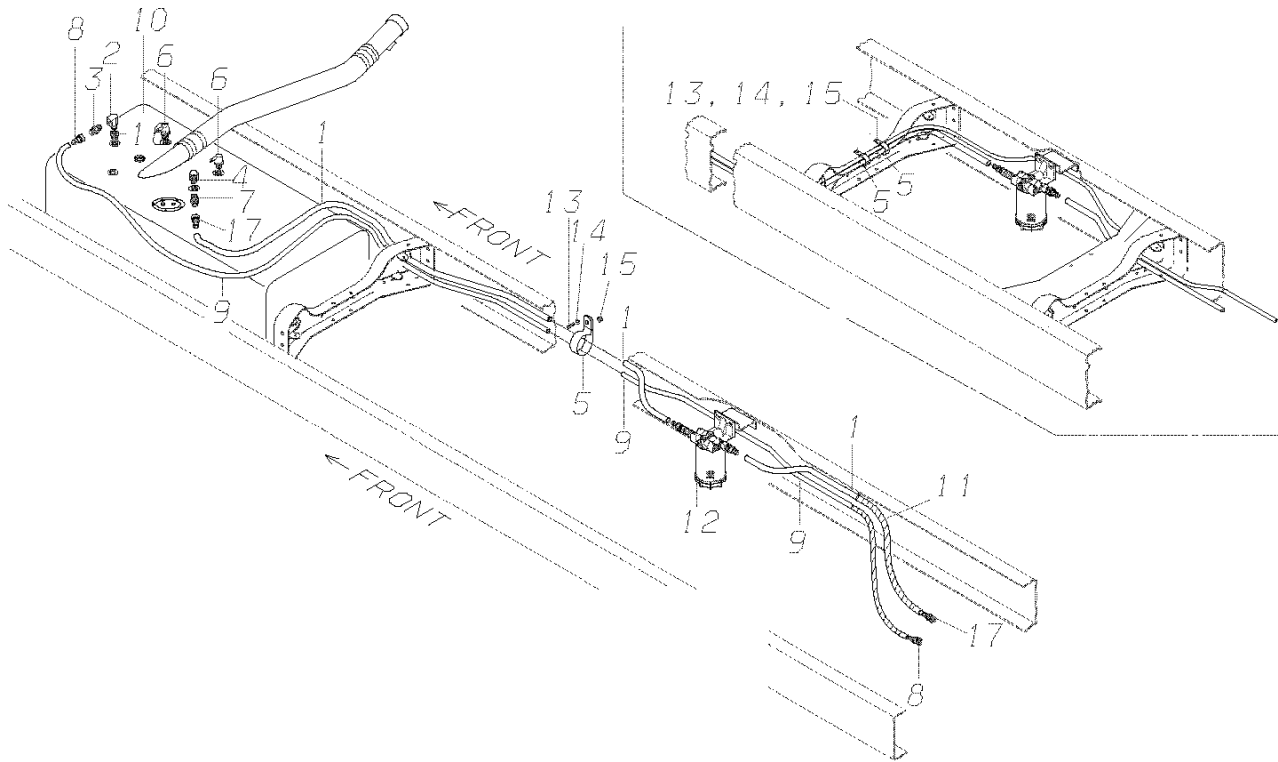
Models: A3RE, CSRE
CUMMINS
ISC

With Features: 60 OR 100 GALLON MIDMOUNT
FEATURE 40421 WITH FEATURE 40184

Key	PartNumber	Qty	Description	Comment
-----	------------	-----	-------------	---------

DR. 10/1/98 BY NW	1903311	---	
APP. 10/1/98 BY MT	REV	---	

© BLUE BIRD BODY COMPANY. ALL RIGHTS RESERVED



Models: A3RE, CSRE

CUMMINS

ISC

60 OR 100 GALLON MIDMOUNT

With Features: FEATURE 40421 WITH FEATURE 40184

Key	PartNumber	Qty	Description	Comment
1	1313774		HOSE,.625 ID X .906 OD,WH H10110	
2	2027241		ELBOW,STREET,90 DEG,3/8MPT X	
3	2026664		CONNECTOR,MALE,1/2T X 3/8MPT,48X8Z	
4	2008274		ELBOW,STREET,90 DEG,1/2MPT X	
5	0948141	20	CLAMP,LOOP,1.312	
6	1237072	2	VENT,FUEL TANK	
7	2026672		CONNECTOR,MALE,45 FL,5/8T X 1/2MPT,48 X	
8	1944107	2	SWIVEL,FEMALE,45FL,1/2HX1/2T,WH10008B	
9	1797828		HOSE,.50 ID X .78 OD,W-H H00908	
10	1935501		TANK ASSY,FUEL,60 GAL,MM,RH FILL,A3RE	FEATURE 40241-01, 60 GAL, RH. A3RE
10	1667716		TANK ASSY,FUEL,60 GALLON,MIDMOUNT,RIGHT	FEATURE 40241-01, 60 GAL, RH. CSRE
10	1935493		TANK ASSY,FUEL,100 GAL,MM,RH FILL,A3RE	FEATURE 40241-02, 100 GAL, RH. A3RE
10	1997576		TANK ASSY,FUEL,100 GALLON,MIDMOUNT,RH	FEATURE 40241-02, 100 GAL, RH. CSRE
10	0011895		TANK ASSY,FUEL,60 GAL,MM,LEFT FILL, A3RE	FEATURE 40241-08, 60 GAL, LH. A3RE
10	1667724		TANK ASSY,FUEL,60 GALLON,MIDMOUNT,LEFT	FEATURE 40241-08, 60 GAL, LH. CSRE
10	0011897		TANK ASSY,FUEL,100 GAL,MM,LEFT FILL, A3RE	FEATURE 40241-10, 100 GAL, LH. A3RE
10	1997584		TANK ASSY,FUEL,100 GALLON,MIDMOUNT,LH	FEATURE 40241-10, 100 GAL, LH. CSRE
NI	4311155		SENDING UNIT,100 GAL FUEL TANK A1380AE"	
11	1109271		LOOM,CORRUGATED,BLACK,NYLON,3/4 ID,SS	
12	1983287		FILTER ASSY,FUEL/WATER SEP,RACOR 690R-BB	FEATURE 40233-04
12	1983303		FILTER ASSY,FUEL/WATER SEP,RACOR 690R-BB	FEATURE 40233-05 HEATED
12	0028970		FILTER ASSY,F/WAT SEP,490R,.62 LN,W/O	FEATURE 40233-06
12	0028971		FILTER ASSY,F/WAT SEP,490R,.62 LN,W/HEND	FEATURE 40233-06 WITH HENDRICKSON SUSPENSION
13	0559195	20	CAPSCREW,HEX HD,3/8-16 X 1,GR 8,YEL ZN	
14	1107085	20	WASHER,FLAT,13/32 X 13/16 X 3/32,HDN,BLK	
15	2171809	20	NUT,HEX HD,3/8-16,ZINC,SM FLG LK,YEL	
16	2023539		BUSHING,PIPE,1/2MPT X 3/8FPT,3220X8X6Z,	
17	1912765	2	SWIVEL,FEMALE,45 FL,5/8H X 5/8T,10010B-410	
18	0003844		BRACKET,FUEL LINE STND-OFF,ISC,W/TEX U-	
19	0021443		INSERT,.75 HOSE X .50 PIPE	

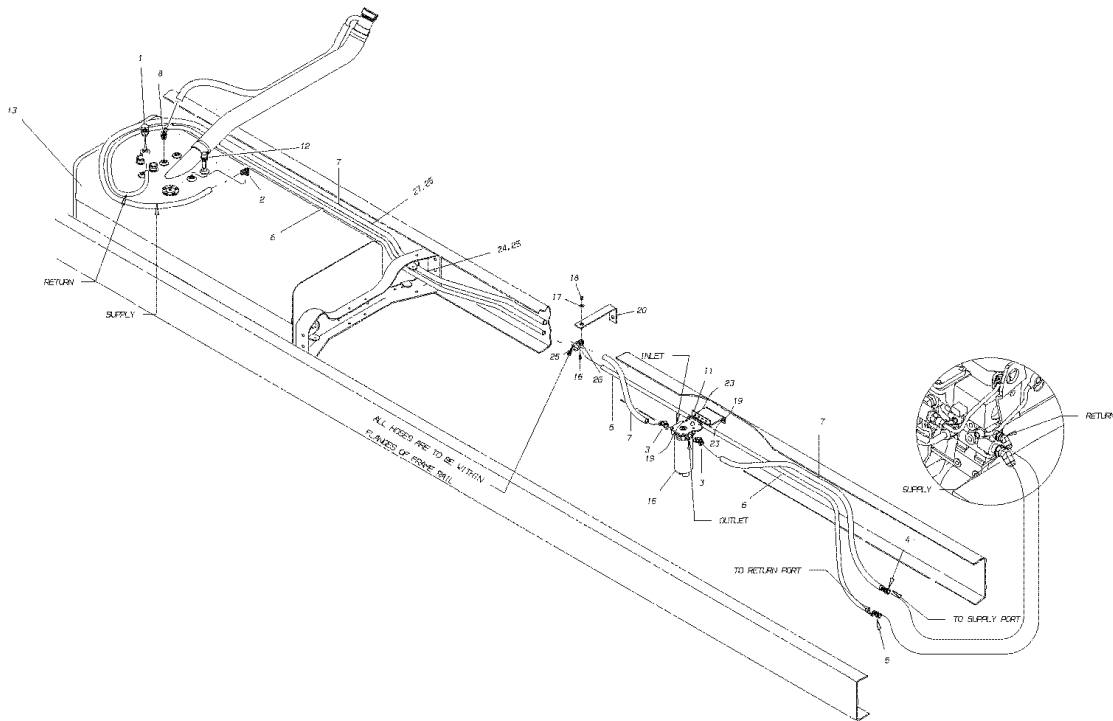
Models: A3RE, CSRE
CUMMINS
ISC
With Features: 60 OR 100 GALLON MIDMOUNT
FEATURE 40421 WITH FEATURE 40184

Key	PartNumber	Qty	Description	Comment
20	1831890		ELBOW,STREET,45DEG,3350X8,1/2MPTX1/2FPT	

Models:
A3RE
CUMMINS
ISC 05
MIDMOUNT

With Features: **FEATURE 40241-01, -02, -08, -10**
BSN: **From CSN 0198630 5/02/05**

Key	PartNumber	Qty	Description	Comment
-----	------------	-----	-------------	---------



Models: A3RE
CUMMINS
ISC 05
MIDMOUNT
With Features: FEATURE 40241-01, -02, -08, -10
BSN: From CSN 0198630 5/02/05

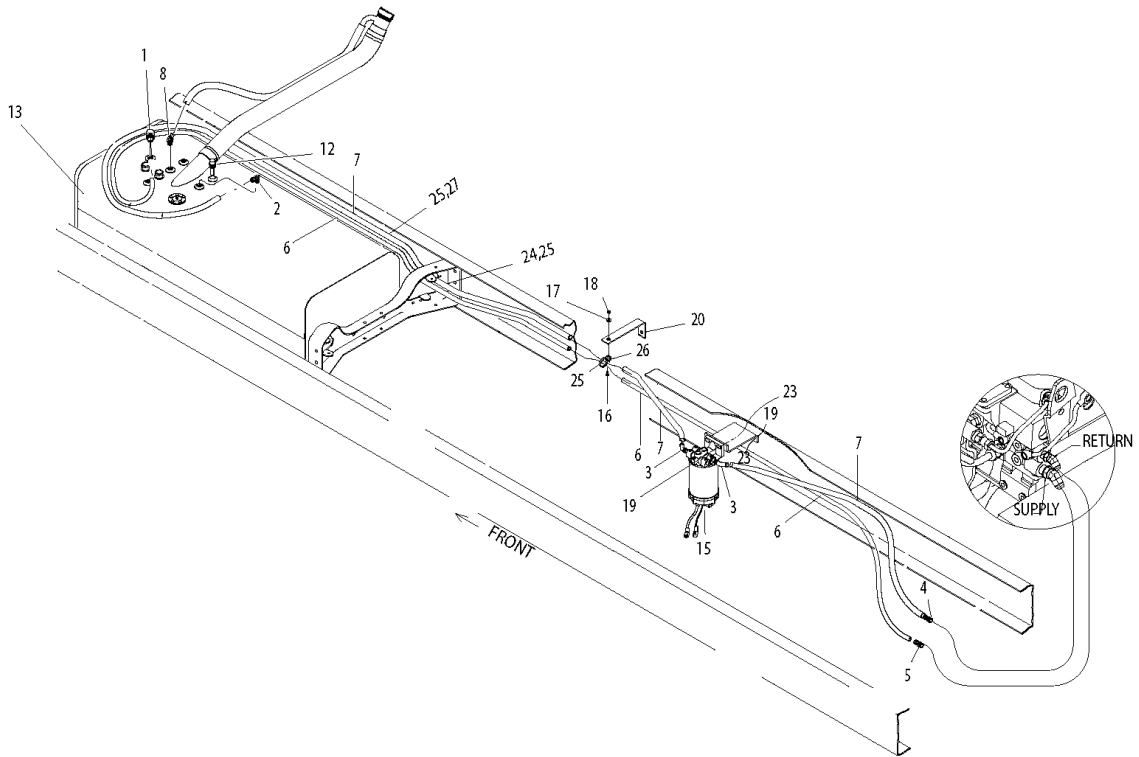
Key	PartNumber	Qty	Description	Comment
1	0082596		FITTING,PARKER,MALE ELBOW,VS269NTA-8-8	
2	0087404		FITTING,PARKER,MALE ELBOW,VS269NTA-12-8	
3	0087877		FITTING,PARKER,45 DEG,Q1795NTA-12-10	
4	0088020		FITTING,PARKER,FEMALE CONN,66NTAF-12-10	
5	0088013		FITTING,PARKER,FEMALE CONN,66NTAF-8-8	
6	0082608		TUBING,PARFLEX,BRN,1/2 OD,DIESEL FUEL	
7	0087406		TUBING,PARFLEX,BRN,3/4 OD,DIESEL FUEL	
8	0082604		FITTING,PARKER,45 DEG,179HB-12-8	
11	0015661		BRACKET,MTG,FUEL/WATER SEP,RACOR,	
11	1541804		BRACKET,MTG,FUEL/WATER SEPARATOR,RACOR	
12	0066606		VENT,FUEL TANK,2989-1	
13	0068152		TANK ASSY,FUEL,60GAL,MM,RIGHT FILL	
13	0068151		TANK ASSY,FUEL,100GAL,MM,RIGHT FILL	
13	0068150		TANK ASSY,FUEL,60GAL,MM,LS FILL	
13	0068149		TANK ASSY,FUEL,100GAL,MM,LS FILL	
13	0087876		TANK ASSY,FUEL,96,MM,RIGHT FILL,10%, HDRE	
15			FILTER ASSEMBLY	<i>FS9354 PRIMARY FUEL FILTER</i>
16	2000081		CAPSCREW,HEX HD,1/4-20X1 1/2,GR8,YEL	
17	1991108		WASHER,FLAT,17/64 ID X 3/4,YELLOW ZINC	
18	1339639		NUT,HEX HD,1/4-20,PRVLG TORQUE,FLG,YEL	
19	0839027		NUT,HEX HD,3/8-16,GR G,SM FLG LK,YEL	
20	0003844		BRACKET,FUEL LINE STND-OFF,ISC,W/TEX U-	
21	0023412		CAP,PROTECTOR,3/4 THREAD X 1.250 LONG	
22	0031124		CAP,BLACK VINYL PLASTIC,2.50 X 1.50	
23	0803213		CAPSCREW,HEX HD,3/8-16X1 1/4,GR8,YEL	
24	0030876		2 WAY SADDLE MOUNT,S2HM25	
25	0029998		TIE,CABLE,250 LB	
26	0024168		MOUNT,HEAVY DUTY,.25 HOLE SIZE	
27	0029253		SADDLE,DUAL SWIVEL,MOUNT	

Models: A3RE
 CUMMINS
 ISC 07
 MIDMOUNT

With Features: FEATURE 40241

BSN: From CSN 0198630 5/02/05

Key	PartNumber	Qty	Description	Comment
-----	------------	-----	-------------	---------



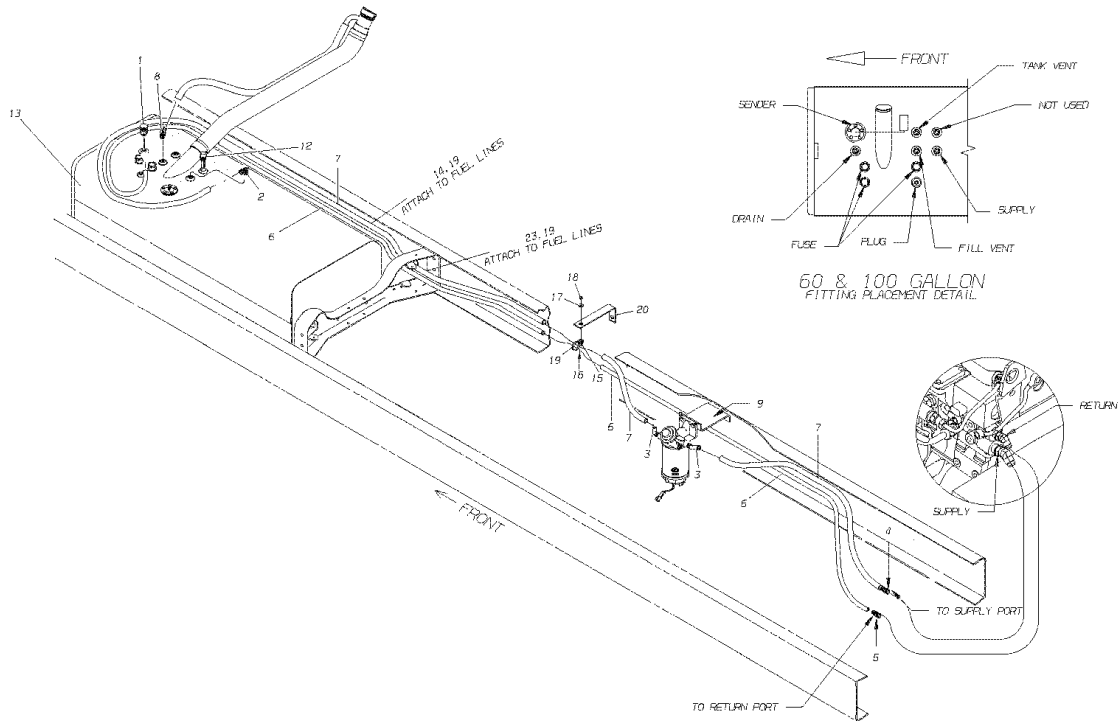
Models: A3RE
CUMMINS
ISC 07
MIDMOUNT
With Features: FEATURE 40241
BSN: From CSN 0198630 5/02/05

Key	PartNumber	Qty	Description	Comment
1	0082596		FITTING,PARKER,MALE ELBOW,VS269NTA-8-8	
2	0087404		FITTING,PARKER,MALE ELBOW,VS269NTA-12-8	
3	0087402	2	FITTING,PARKER,45 DEG,VS279NTA-12-6	
4	0088020		FITTING,PARKER,FEMALE CONN,66NTAF-12-10	
5	0088013		FITTING,PARKER,FEMALE CONN,66NTAF-8-8	
6	0082608	AR	TUBING,PARFLEX,BRN,1/2 OD,DIESEL FUEL	
7	0087406	AR	TUBING,PARFLEX,BRN,3/4 OD,DIESEL FUEL	
8	0082604		FITTING,PARKER,45 DEG,179HB-12-8	
12	0066606		VENT,FUEL TANK,2989-1	
13	0068152		TANK ASSY,FUEL,60GAL,MM,RIGHT FILL	INCLUDES SENDER
13	0068151		TANK ASSY,FUEL,100GAL,MM,RIGHT FILL	INCLUDES SENDER
13	0068150		TANK ASSY,FUEL,60GAL,MM,LS FILL	INCLUDES SENDER
13	0068149		TANK ASSY,FUEL,100GAL,MM,LS FILL	INCLUDES SENDER
13	0087876	AR	TANK ASSY,FUEL,96,MM,RIGHT FILL,10%, HDRE	INCLUDES SENDER
15	0111263	AR	FILTER ASSY,FUEL,690RP1210 W/56140,ISC07	
16	2000081	AR	CAPSCREW,HEX HD,1/4-20X1 1/2,GR8,YEL	
17	1991108	AR	WASHER,FLAT,17/64 ID X 3/4,YELLOW ZINC	
18	1339639	AR	NUT,HEX HD,1/4-20,PRVLG TORQUE,FLG,YEL	
19	0839027	4	NUT,HEX HD,3/8-16,GR G,SM FLG LK,YEL	
20	0003844	6	BRACKET,FUEL LINE STND-OFF,ISC,W/TEX U-	
21	0023412		CAP,PROTECTOR,3/4 THREAD X 1.250 LONG	
22	0031124		CAP,BLACK VINYL PLASTIC,2.50 X 1.50	
23	0803213	4	CAPSCREW,HEX HD,3/8-16X1 1/4,GR8,YEL	
24	0030876		2 WAY SADDLE MOUNT,S2HM25	
25	0029998	AR	TIE,CABLE,250 LB	
26	0024168	AR	MOUNT,HEAVY DUTY,.25 HOLE SIZE	
27	0029253		SADDLE,DUAL SWIVEL,MOUNT	

Models: A3RE
 CUMMINS
 ISC, MECHANICAL (EXPORT)
 60, 96, OR 100 GALLON MIDMOUNT

With Features: FEATURE 40241-01,-02,-08,-10,-21

Key	PartNumber	Qty	Description	Comment
-----	------------	-----	-------------	---------

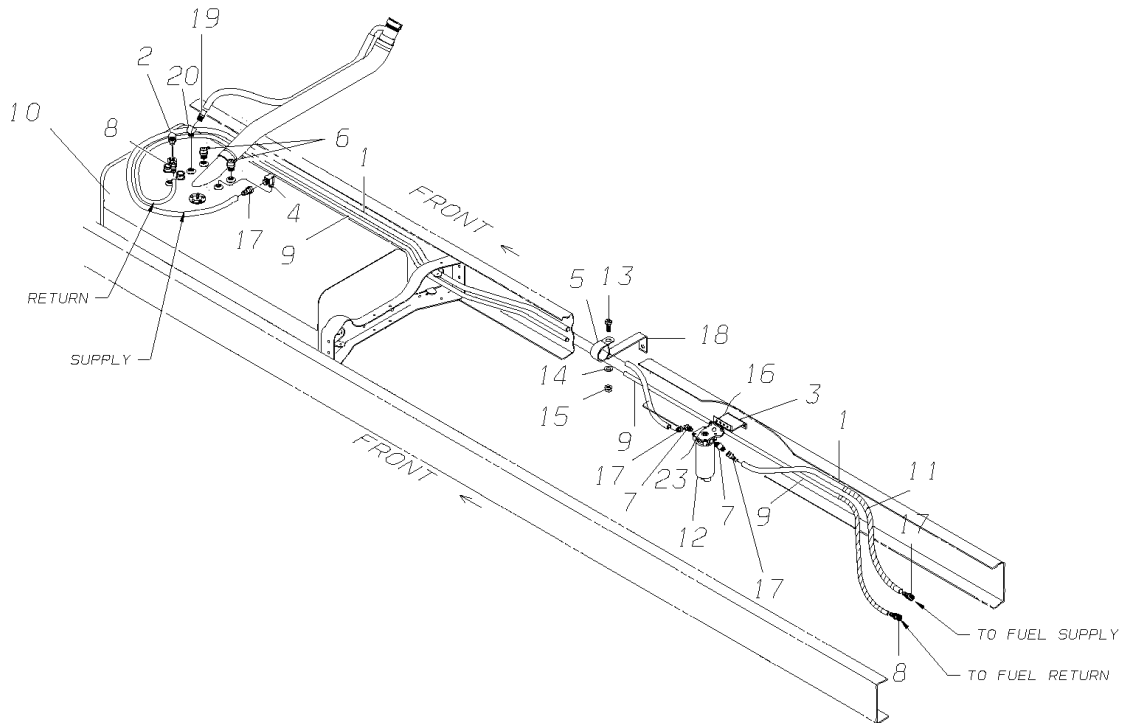


Models: A3RE
CUMMINS
ISC, MECHANICAL (EXPORT)
60, 96, OR 100 GALLON MIDMOUNT
With Features: FEATURE 40241-01,-02,-08,-10,-21

Key	PartNumber	Qty	Description	Comment
1	0082596		FITTING,PARKER,MALE ELBOW,VS269NTA-8-8	
2	0087404		FITTING,PARKER,MALE ELBOW,VS269NTA-12-8	
3	0087402		FITTING,PARKER,45 DEG,VS279NTA-12-6	
4	0088020		FITTING,PARKER,FEMALE CONN,66NTAF-12-10	
5	0088013		FITTING,PARKER,FEMALE CONN,66NTAF-8-8	
6	0082608		TUBING,PARFLEX,BRN,1/2 OD,DIESEL FUEL	
7	0087406		TUBING,PARFLEX,BRN,3/4 OD,DIESEL FUEL	
8	0082604		FITTING,PARKER,45 DEG,179HB-12-8	
9	0082935		FILTER,ASSY,F/WAT SEP,490R,W/O	WITHOUT HENDRICKSON
10	0803213		CAPSCREW,HEX HD,3/8-16X1 1/4,GR8,YEL	
11	0839027		NUT,HEX HD,3/8-16,GR G,SM FLG LK,YEL	
12	0066606		VENT,FUEL TANK,2989-1	
13	0068152		TANK ASSY,FUEL,60GAL,MM,RIGHT FILL	FEATURE 40241-01, INCLUDES SENDER
13	0068151		TANK ASSY,FUEL,100GAL,MM,RIGHT FILL	FEATURE 40241-02, INCLUDES SENDER
13	0068150		TANK ASSY,FUEL,60GAL,MM,LS FILL	FEATURE 40241-08, INCLUDES SENDER
13	0068149		TANK ASSY,FUEL,100GAL,MM,LS FILL	FEATURE 40241-10, INCLUDES SENDER
13	0087876		TANK ASSY,FUEL,96,MM,RIGHT FILL,10%, HDRE	FEATURE 40241-21, INCLUDES SENDER
14	0029253		SADDLE,DUAL SWIVEL,MOUNT	
15	0024168		MOUNT,HEAVY DUTY,.25 HOLE SIZE	
16	2000081		CAPSCREW,HEX HD,1/4-20X1 1/2,GR8,YEL	
17	1991108		WASHER,FLAT,17/64 ID X 3/4,YELLOW ZINC	
18	1339639		NUT,HEX HD,1/4-20,PRVLG TORQUE,FLG,YEL	
19	0029998		TIE,CABLE,250 LB	
20	0003844		BRACKET,FUEL LINE STND-OFF,ISC,W/TEX U-	
21	0023412		CAP,PROTECTOR,3/4 THREAD X 1.250 LONG	
22	0031124		CAP,BLACK VINYL PLASTIC,2.50 X 1.50	
23	0030876		2 WAY SADDLE MOUNT,S2HM25	

Models: A3RE
CUMMINS
ISC03, 05
MIDMOUNT
With Features: FEATURE 40241

Key	PartNumber	Qty	Description	Comment
-----	------------	-----	-------------	---------

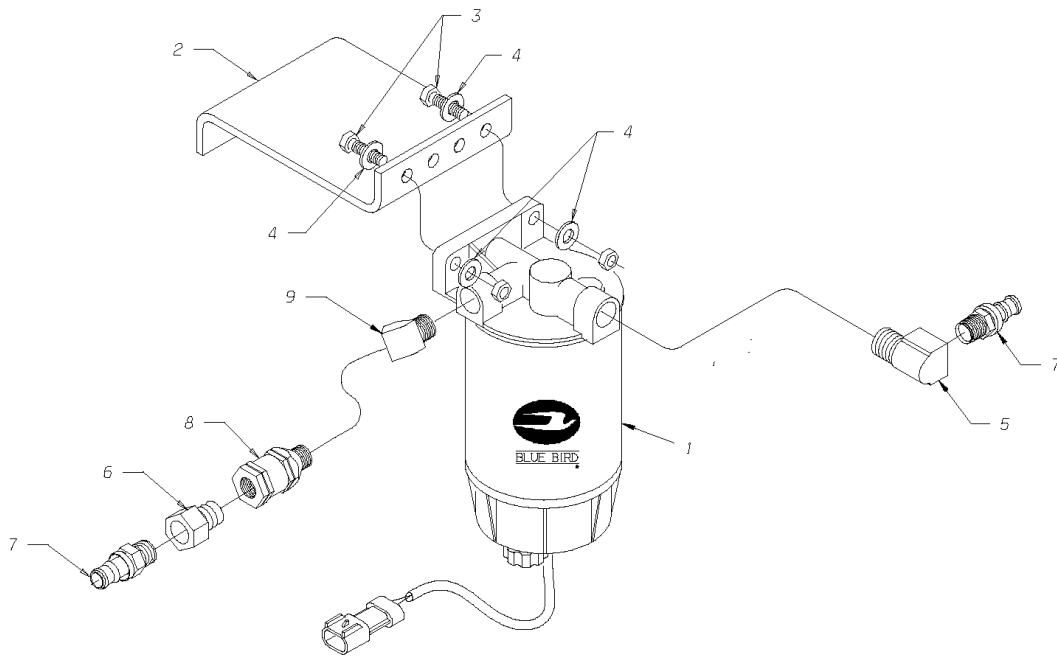


Models: A3RE
CUMMINS
ISC03, 05
MIDMOUNT
With Features: FEATURE 40241

Key	PartNumber	Qty	Description	Comment
1	1313774		HOSE,.625 ID X .906 OD,WH H10110	
2	1002864		ELBOW,90 DEG,1/2 FL X 1/2 MPT WH 49X8X8	
3	0015661		BRACKET,MTG,FUEL/WATER SEP,RACOR,	
3	1541804		BRACKET,MTG,FUEL/WATER SEPARATOR,RACOR	
4	2026706		ELBOW,49X10,1/2MPT X 5/8 TUBE,FLARE	
5	0948141	AR	CLAMP,LOOP,1.312	
6	0066606	2	VENT,FUEL TANK,2989-1	
7	0070421	2	ELBOW,45 DEG,7/8-14 STOR X 7/8-14 SAE 37	
8	1944107	2	SWIVEL,FEMALE,45FL,1/2HX1/2T,WH10008B	
9	1797828	AR	HOSE,.50 ID X .78 OD,W-H H00908	
10	0068152		TANK ASSY,FUEL,60GAL,MM,RIGHT FILL	
10	0068151		TANK ASSY,FUEL,100GAL,MM,RIGHT FILL	
10	0068150		TANK ASSY,FUEL,60GAL,MM,LS FILL	
10	0068149		TANK ASSY,FUEL,100GAL,MM,LS FILL	
11	1109271	AR	LOOM,CORRUGATED,BLACK,NYLON,3/4 ID,SS	
13	0559195	AR	CAPSCREW,HEX HD,3/8-16 X 1,GR 8,YEL ZN	
14	1107085	AR	WASHER,FLAT,13/32 X 13/16 X 3/32,HDN,BLK	
15	2171809	AR	NUT,HEX HD,3/8-16,ZINC,SM FLG LK,YEL	
16	0839027		NUT,HEX HD,3/8-16,GR G,SM FLG LK,YEL	
17	1912765	4	SWIVEL,FEMALE,45 FL,5/8H X 5/8T,10010B-410	
18	0003844	6	BRACKET,FUEL LINE STND-OFF,ISC,W/TEX U-	
19	0021443		INSERT,.75 HOSE X .50 PIPE	
20	1831890		ELBOW,STREET,45DEG,3350X8,1/2MPTX1/2FPT	
21	0023412		CAP,PROTECTOR,3/4 THREAD X 1.250 LONG	
22	0031124		CAP,BLACK VINYL PLASTIC,2.50 X 1.50	
23	0803213	4	CAPSCREW,HEX HD,3/8-16X1 1/4,GR8,YEL	

Models: A3FE, A3RE, C1FE, CSFE, CSRE, QBRE, TCFE, TSFE
With Features: FUEL AND WATER SEPARATOR
FEATURE 40233-01, STANDARD QBRE ONLY

Key	PartNumber	Qty	Description	Comment
-----	------------	-----	-------------	---------

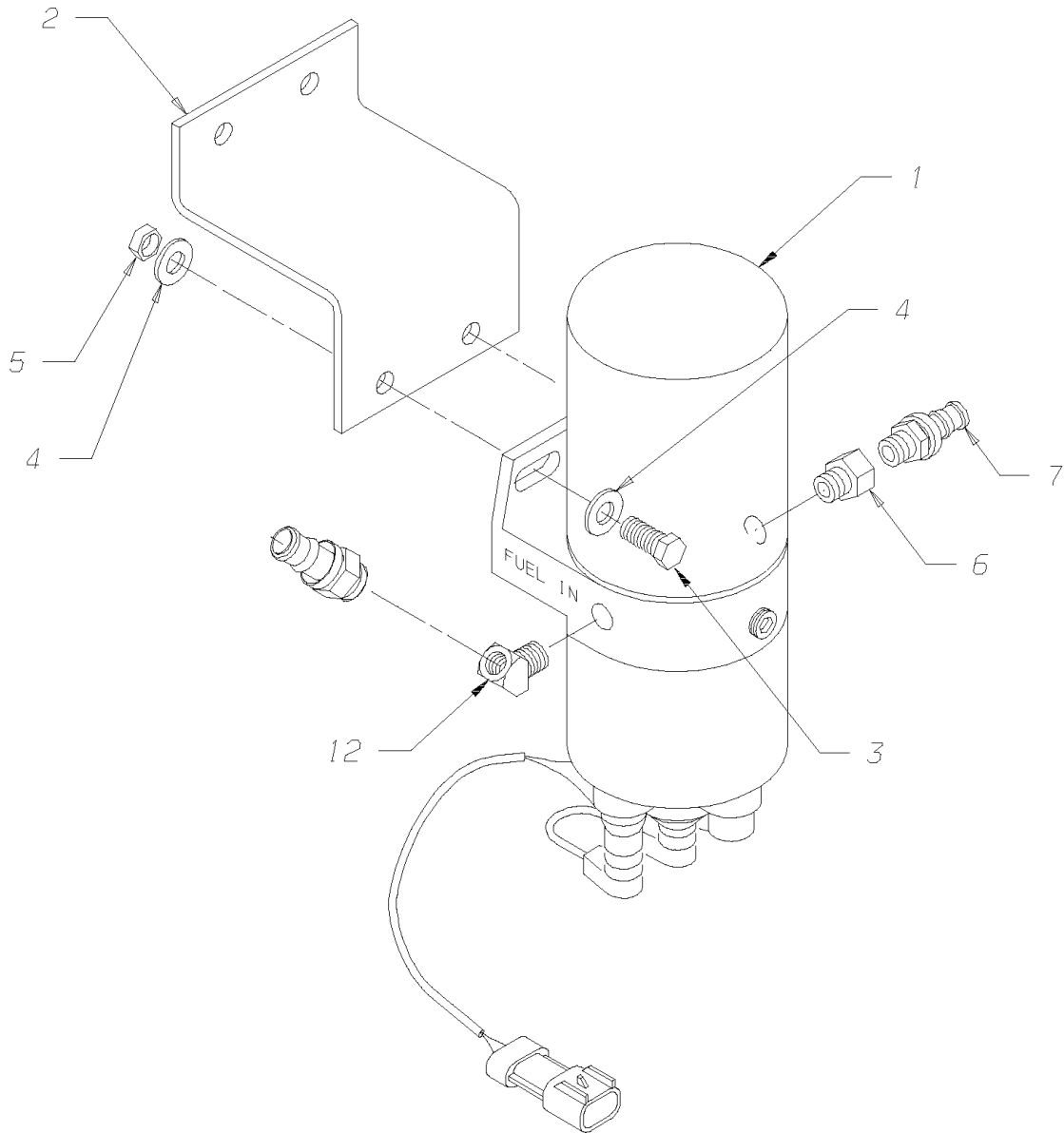


Models: A3FE, A3RE, C1FE, CSFE, CSRE, QBRE, TCFE, TSFE
FUEL AND WATER SEPARATOR
With Features: FEATURE 40233-01, STANDARD QBRE ONLY

Key	PartNumber	Qty	Description	Comment
	0004148		FILTER ASSY,FUEL/WATER SEP,RACOR 325R-BB	<i>ALL PRODUCTS EXCEPT RE WITH HENDRICKSON SUSPENSION</i>
	0019544		FILTER ASSY,F/W SEP,RACOR 325-BB-01	<i>FILTER ASSY CONSIST OF THE FOLLOWING</i>
1	0004274		FILTER,FUEL/WATER SEPAR,RACOR 325R-BB-01	
2	0015661		BRACKET,MTG,FUEL/WATER SEP,RACOR,	<i>ALL PRODUCTS EXCEPT RE WITH HENDRICKSON SUSPENSION</i>
2	1541804		BRACKET,MTG,FUEL/WATER SEPARATOR,RACOR	
3	2050839		CAPSCREW,HEX HD,3/8-16X1 1/2,GR5,YEL	
4	1107085	4	WASHER,FLAT,13/32 X 13/16 X 3/32,HDN,BLK	
NI	0826297	2	NUT,HEX HD,3/8-16 LOCK,YEL ZN DICH	
5	2026995		ELBOW,400 X 8 3/8 MPT X 1/2 IF	
6	1494699		ADAPTER,INVERTED FLARE,1/2T X 3/8MPT	
7	1490481		SWIVEL,INVERTED MALE,1/2T X 1/2 MIF	
8	0877597		VALVE,CHECK	
9	2008282		ELBOW,STREET,45 DEG,3350X6Z,BRASS	
NI	4299582		ELEMENT,FUEL FILTER,WATER SEPARATOR,	
NI	4299616		KIT,SEAL,FUEL FILTER,RACOR R325	
NI	4299608		O-RING,BOWL,RACOR FILTER R325	
NI	4299624		BOWL ONLY,RACOR FILTER,R325	<i>BOWL. ONLY</i>

Models: A3FE, A3RE, CSFE, TCFE
FUEL AND WATER SEPARATOR
With Features: FEATURE 40233-02

Key	PartNumber	Qty	Description	Comment
-----	------------	-----	-------------	---------



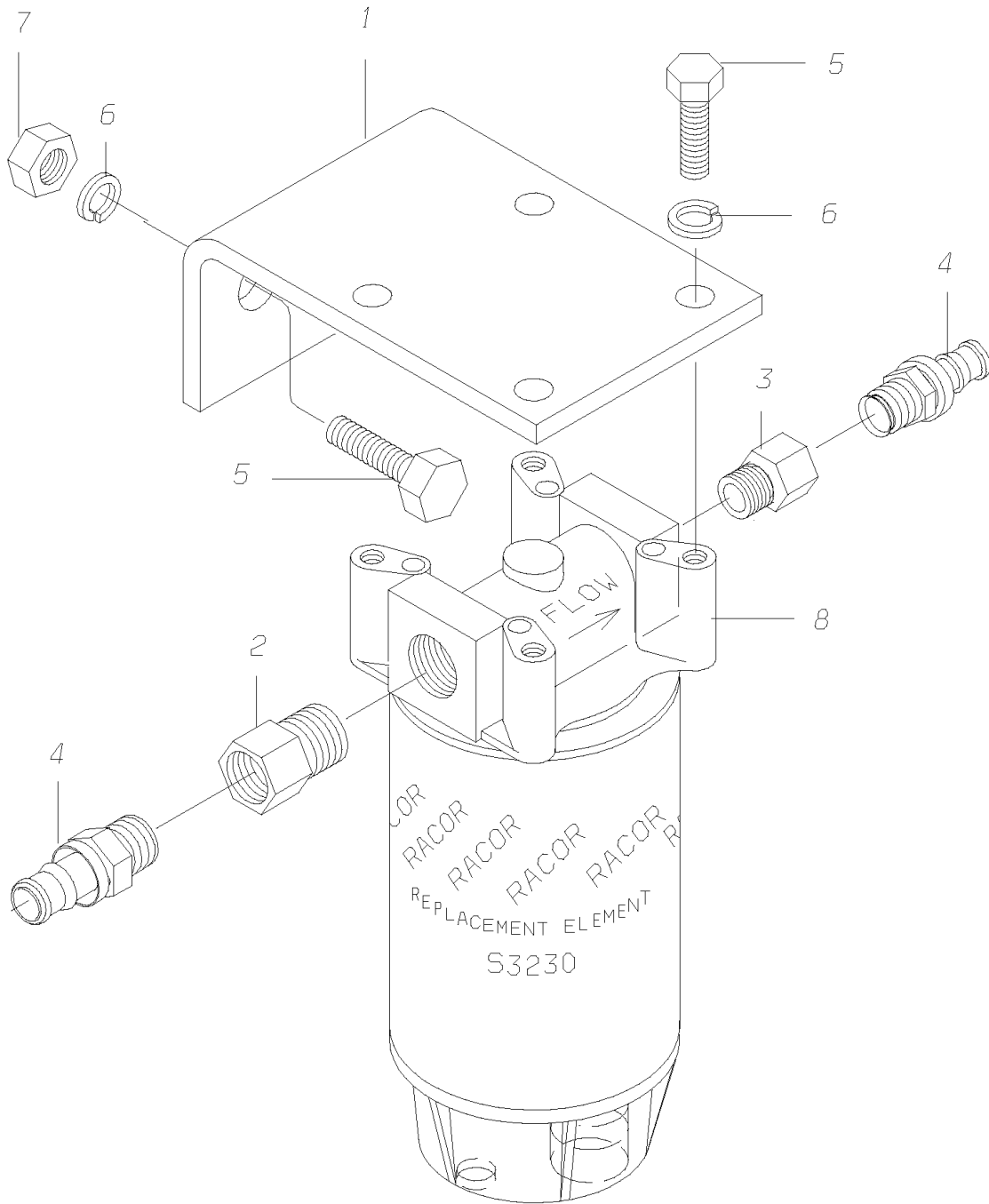
Models: A3FE, A3RE, CSFE, TCFE
With Features: FUEL AND WATER SEPARATOR
 FEATURE 40233-02

Key	PartNumber	Qty	Description	Comment
	0004546		FILTER ASSY,FUEL,DAVCO 210,CUMN 5.9	<i>CONSIST OF THE FOLLOWING</i>
1	1671411		FILTER,FUEL/WATER SEPAR,DAVCO 210-014,	
2	1671437		BRACKET,FUEL FILTER,DAVCO 210	
3	2028363	2	BOLT,HEX HD,3/8-16,1-1/4,GR 5,YEL ZN DICH	
4	1107085	4	WASHER,FLAT,13/32 X 13/16 X 3/32,HDN,BLK	
5	0826297	2	NUT,HEX HD,3/8-16 LOCK,YEL ZN DICH	
6	1497494	2	ADAPTER,INVERTED	
7	1490481	2	SWIVEL,INVERTED MALE,1/2T X 1/2 MIF	
NI	1613611		CONNECTOR,2CIRC,M,280 SERIES,METRI-PACK	
NI	1613645		LOCK,SEAL,SECD,2CIR,280 SERIES,METRI-	
NI	1925940	2	TERMINAL,PIN,14-16 GA,280 SERIES,METRI-	
NI	1613108	2	SEAL,WIRE,CBL/DIA.080-.112,GREEN,METRI-	

Models: A3FE, A3RE, C1FE, CSFE, CSRE, QBRE, TCFE, TSFE

With Features: FUEL AND WATER SEPARATOR
FEATURE 40233-03 QBRE ONLY, STANDARD

Key	PartNumber	Qty	Description	Comment
-----	------------	-----	-------------	---------




Models: A3FE, A3RE, C1FE, CSFE, CSRE, QBRE, TCFE, TSFE
FUEL AND WATER SEPARATOR
With Features: FEATURE 40233-03 QBRE ONLY, STANDARD

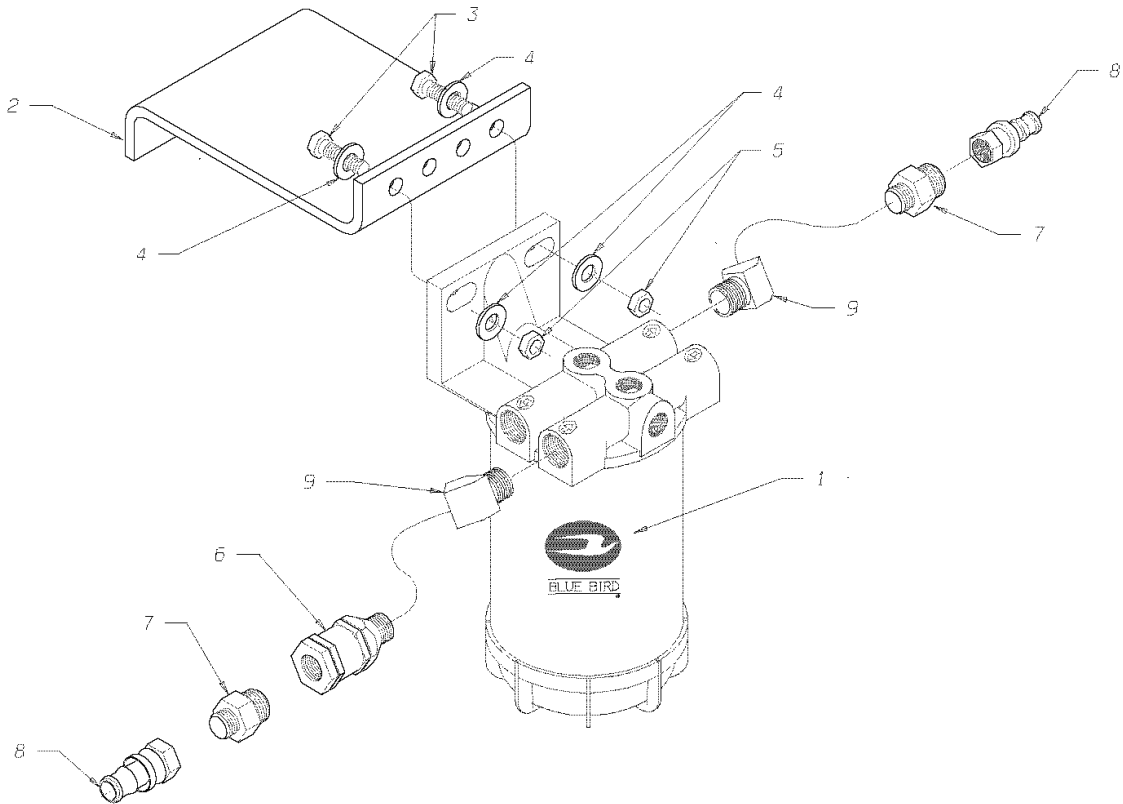
Key	PartNumber	Qty	Description	Comment
	1567049		FILTER ASSY,FUEL/WATER SEPAR,RACOR	<i>CONSIST OF THE FOLLOWING</i>
1	0015662		BRACKET,MTG,RACOR FUEL FILTER,EXTENDED	
2	1569177		ADAPTER,INVERTED FLARE 1/2P X 1/2IF	
3	1494699		ADAPTER,INVERTED FLARE,1/2T X 3/8MPT	
4	1490481		SWIVEL,INVERTED MALE,1/2T X 1/2 MIF	
5	0882803	6	CAPSCREW,HEX HD,3/8-16,X,1,,GR5,YELDICH	
6	0882795		LOCKWASHER,SPLIT RING,3/8,MED,YELLOW	
7	2001451	2	NUT,HEX HD,3/8-16,YELLOW DICHROMATE	
8	1568997		FILTER,FUEL/WATER SEPAR,RACOR 320R-BB-01	
NI	4311684		BOWL ONLY,RACOR FUEL FILTER,S3230	<i>GLASS BOWL ONLY</i>
9	2008282	2	ELBOW,STREET,45 DEG,3350X6Z,BRASS	
NI	4309159		ELEMENT,FUEL FLTR,WATER SEP,PA,#1568997"	
NI	4311676		BASE ASSY,RACOR FUEL FILTER,1568997	

Models: A3FE, A3RE, CSFE, QBRE
FUEL AND WATER SEPARATOR
With Features: FEATURE 40233-04

Key	PartNumber	Qty	Description	Comment
-----	------------	-----	-------------	---------

DR. 9/1/00	BY: JL	---	1983287	A	 <small>BLUE BIRD</small>
APP. 9/1/00	BY: PF	FRT		REV	

© BLUE BIRD BODY COMPANY. ALL RIGHTS RESERVED




Models: A3FE, A3RE, CSFE, QBRE
With Features: FUEL AND WATER SEPARATOR
 FEATURE 40233-04

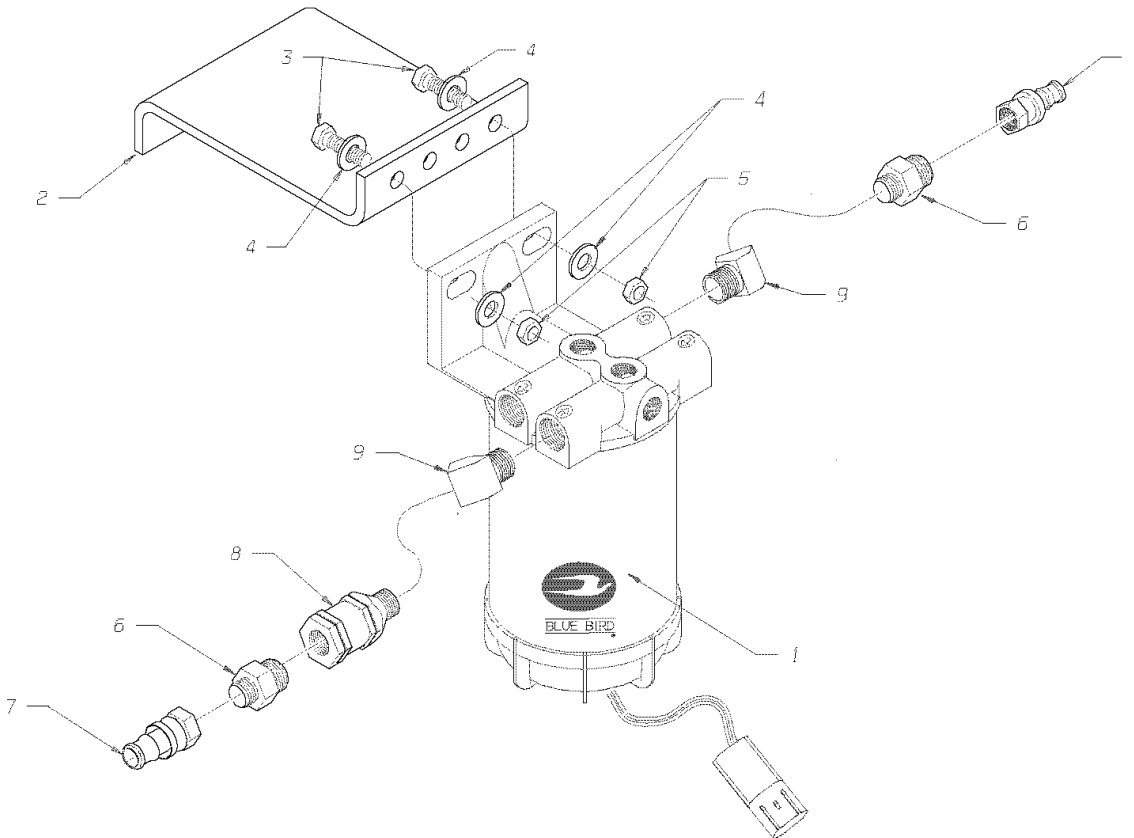
Key	PartNumber	Qty	Description	Comment
	1983287		FILTER ASSY,FUEL/WATER SEP,RACOR 690R-BB	<i>ALL PRODUCTS EXCEPT RE WITH HENDRICKSON SUSPENSION</i>
	0019546		FILTER ASSY,F/W SEP,RACOR 690-BB-02	<i>CONSIST OF THE FOLLOWING</i>
1	1958156		FILTER,FUEL/WATER SEPAR,RACOR 690R-BB-02	
2			BRACKET, MTG, FUEL/WATER SEP	
2	0015661		BRACKET,MTG,FUEL/WATER SEP,RACOR,	<i>ALL PRODUCTS EXCEPT RE WITH HENDRICKSON SUSPENSION</i>
2	1541804		BRACKET,MTG,FUEL/WATER SEPARATOR,RACOR	
3	2050839	2	CAPSCREW,HEX HD,3/8-16X1 1/2,GR5,YEL	
4	1107085	4	WASHER,FLAT,13/32 X 13/16 X 3/32,HDN,BLK	
5	0826297	2	NUT,HEX HD,3/8-16 LOCK,YEL ZN DICH	
6	0877597		VALVE,CHECK	
7	1705771	2	CONNECTOR,MALE,45 FL,5/8T X	
8	1912765	2	SWIVEL,FEMALE,45 FL,5/8H X 5/8T,10010B-410	
9	2008282	2	ELBOW,STREET,45 DEG,3350X6Z,BRASS	
NI	1967009		ELEMENT,FUEL/WATER SEPARATOR,R90P,30M	

Models: A3FE, A3RE, CSFE, QBRE
FUEL AND WATER SEPARATOR
With Features: FEATURE 40233-05

Key	PartNumber	Qty	Description	Comment
-----	------------	-----	-------------	---------

DR. 9/1/00	BY JL	---	1983303	A	
APP. 9/1/00	BY PF	FRT		REV	

© BLUE BIRD BODY COMPANY. ALL RIGHTS RESERVED

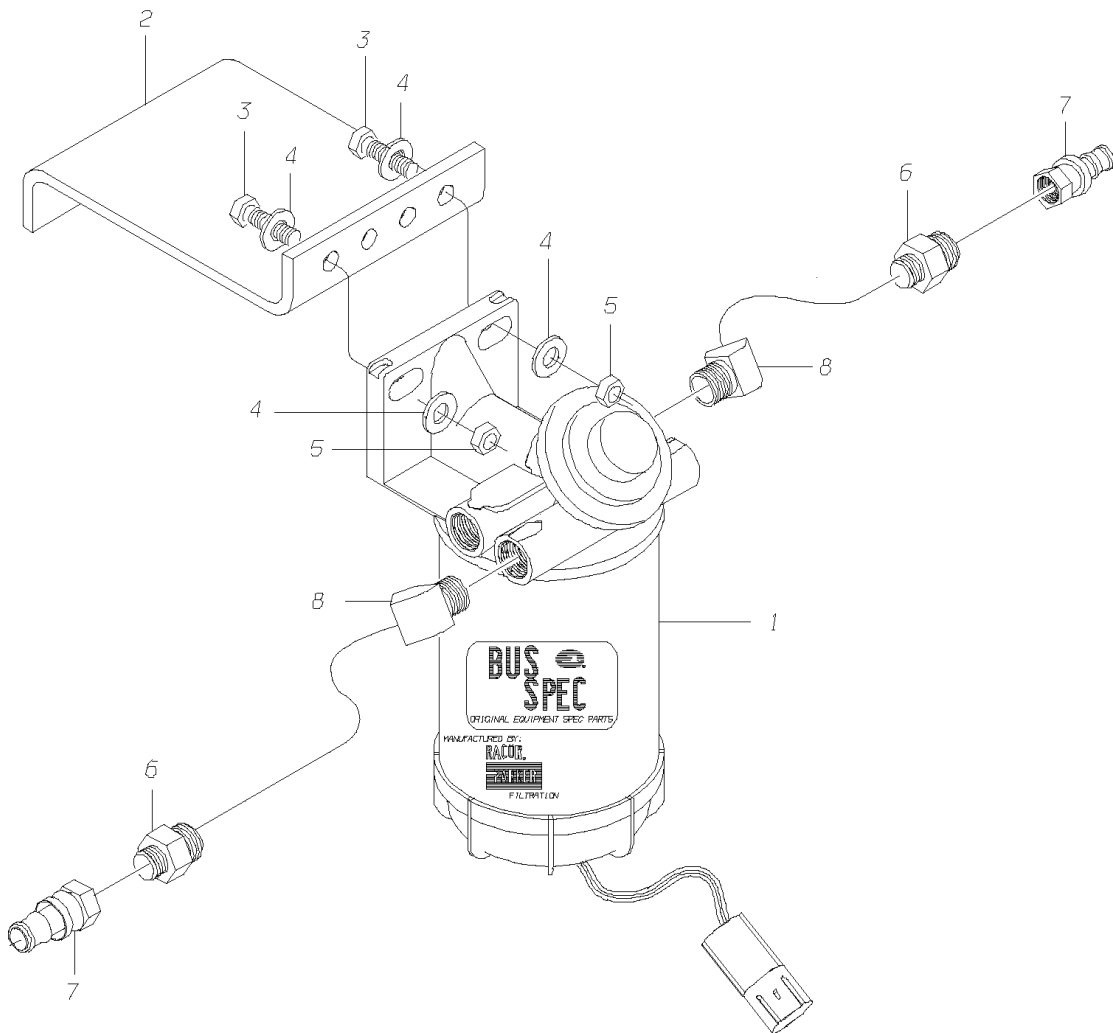


Models: A3FE, A3RE, CSFE, QBRE
With Features: FUEL AND WATER SEPARATOR
 FEATURE 40233-05

Key	PartNumber	Qty	Description	Comment
	1983303		FILTER ASSY,FUEL/WATER SEP,RACOR 690R-BB	<i>ALL PRODUCTS EXCEPT RE WITH HENDRICKSON SUSPENSION</i>
	0019545		FILTER ASSY,F/W SEP,RACOR 690-BB-01	<i>CONSIST OF THE FOLLOWING</i>
1	1958164		FILTER,FUEL/WATER SEPAR,RACOR 690R-BB-01	
	0072986		BASE,ASSEMBLY,FILTER,PACK,690R,1958164"	
2	0015661		BRACKET,MTG,FUEL/WATER SEP,RACOR,	<i>ALL PRODUCTS EXCEPT RE WITH HENDRICKSON SUSPENSION</i>
2	1541804		BRACKET,MTG,FUEL/WATER SEPARATOR,RACOR	
3	2050839	2	CAPSCREW,HEX HD,3/8-16X1 1/2,GR5,YEL	
4	1107085	4	WASHER,FLAT,13/32 X 13/16 X 3/32,HDN,BLK	
5	0826297	2	NUT,HEX HD,3/8-16 LOCK,YEL ZN DICH	
6	0877597		VALVE,CHECK	
7	1705771	2	CONNECTOR,MALE,45 FL,5/8T X	
8	1912765	2	SWIVEL,FEMALE,45 FL,5/8H X 5/8T,10010B-410	
9	2008282	2	ELBOW,STREET,45 DEG,3350X6Z,BRASS	
NI	1967009		ELEMENT,FUEL/WATER SEPARATOR,R90P,30M	

Models: A3FE, A3RE, BBCV, C1FE, C3FE, CSFE, CSRE, QBRE
With Features: FUEL AND WATER SEPARATOR
FEATURE 40233-06

Key	PartNumber	Qty	Description	Comment
-----	------------	-----	-------------	---------



Models: A3FE, A3RE, BBCV, C1FE, C3FE, CSFE, CSRE, QBRE

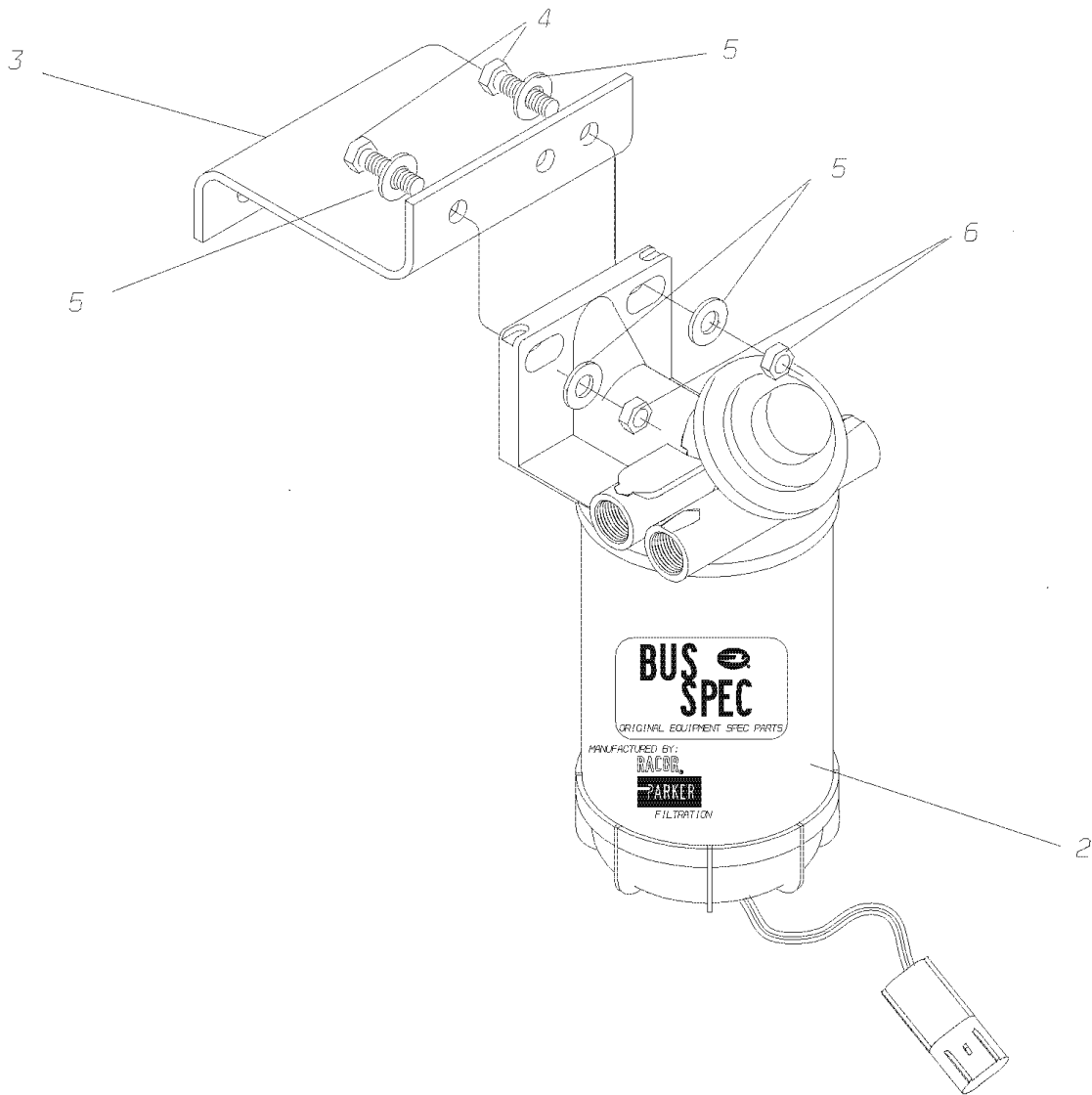
With Features: FUEL AND WATER SEPARATOR
FEATURE 40233-06

Key	PartNumber	Qty	Description	Comment
NI	0028970		FILTER ASSY,F/WAT SEP,490R,.62 LN,W/O	ISC ONLY
NI	0028971		FILTER ASSY,F/WAT SEP,490R,.62 LN,W/HEND	ISC ONLY
NI	0028972		FILTER ASSY,F/WAT SEP,490R,.50 LN,W/HEND	
NI	0028973		FILTER ASSY,F/WAT SEP,490R,.50 LN,W/O	
1	0030160		FILTER,FUEL/WATER SEP,RACOR 490R-BB-01	
NI	1967009		ELEMENT,FUEL/WATER SEPARATOR,R90P,30M	
NI	0048220		BASE ASSY,RACOR FUEL FILTER,W/PRIME	
2			BRACKET MTG FUEL/WATER SEPARATOR RACOR	
2	0015661		BRACKET,MTG,FUEL/WATER SEP,RACOR,	WITHOUT HENRICKSON SUSPENSION
2	1541804		BRACKET,MTG,FUEL/WATER SEPARATOR,RACOR	
3	2050839	2	CAPSCREW,HEX HD,3/8-16X1 1/2,GR5,YEL	
4	1107085	4	WASHER,FLAT,13/32 X 13/16 X 3/32,HDN,BLK	
5	0826297	2	NUT,HEX HD,3/8-16 LOCK,YEL ZN DICH	
6	1705771		CONNECTOR,MALE,45 FL,5/8T X	ISC ONLY
6	2026664		CONNECTOR,MALE,1/2T X 3/8MPT,48X8Z	
7	1912765		SWIVEL,FEMALE,45 FL,5/8H X 5/8T,10010B-410	
7	1494632		SWIVEL,FEMALE,37FL,1/2HX1/2T,WH10008B	
8	2008282		ELBOW,STREET,45 DEG,3350X6Z,BRASS	

Models: **A3RE
FUEL AND WATER SEPARATOR
HEATED**

With Features: **FEATURE 40233-06**

Key	PartNumber	Qty	Description	Comment
-----	------------	-----	-------------	---------



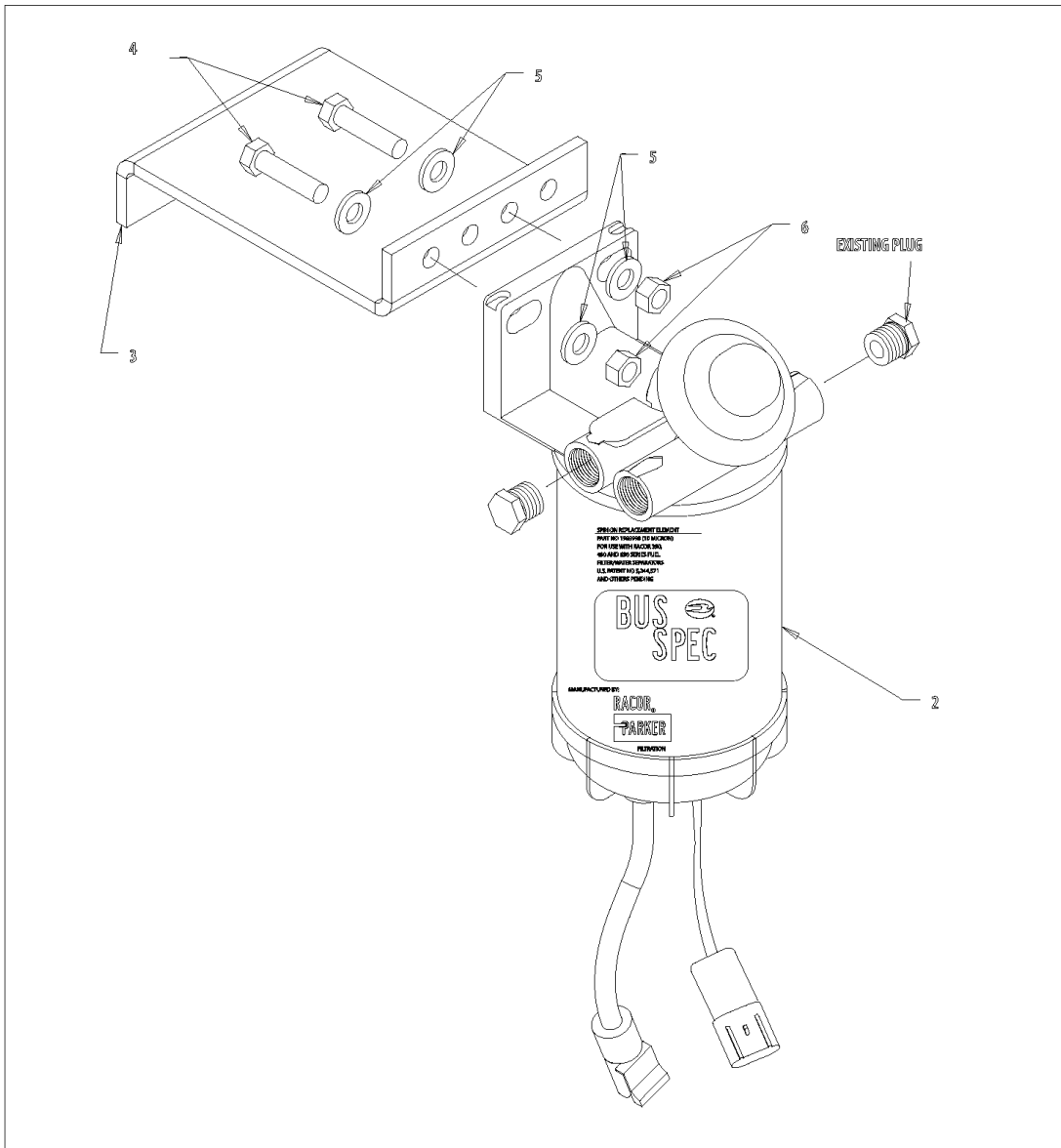
Models: **A3RE**
FUEL AND WATER SEPARATOR
HEATED

With Features: **FEATURE 40233-06**

Key	PartNumber	Qty	Description	Comment
	0082934		FILTER,ASSY,F/WAT SEP,490R,	
2	0030160		FILTER,FUEL/WATER SEP,RACOR 490R-BB-01	
	1967009		ELEMENT,FUEL/WATER SEPARATOR,R90P,30M	
3	1541804		BRACKET,MTG,FUEL/WATER SEPARATOR,RACOR	
4	2050839	2	CAPSCREW,HEX HD,3/8-16X1 1/2,GR5,YEL	
5	1107085	4	WASHER,FLAT,13/32 X 13/16 X 3/32,HDN,BLK	
6	0826297	2	NUT,HEX HD,3/8-16 LOCK,YEL ZN DICH	

Models: A3FE, C3FE, A3RE
FUEL AND WATER SEPARATOR
RACOR
ISB 07
With Features: FEATURE 40233-09, -10
BSN: From 1-29-07

Key	PartNumber	Qty	Description	Comment
-----	------------	-----	-------------	---------



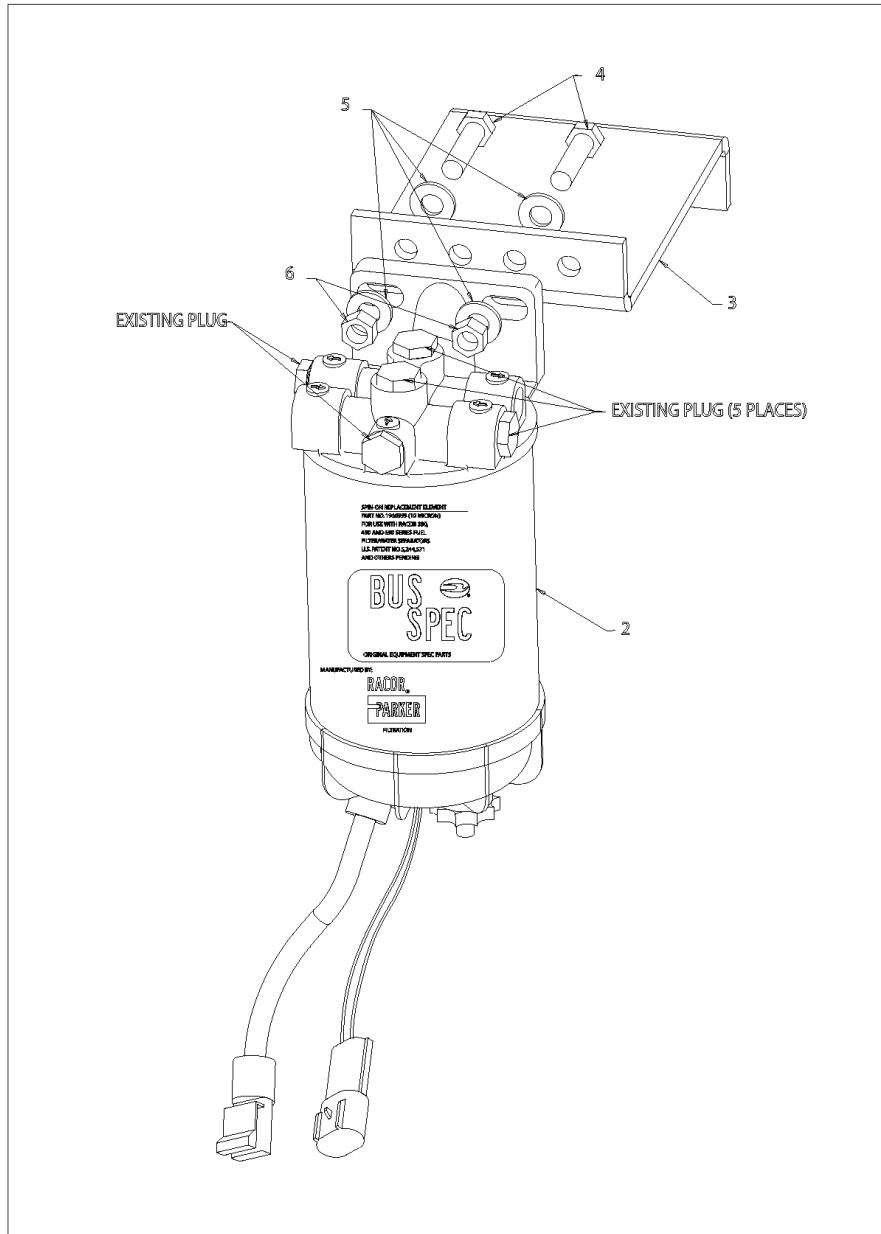
1

Models: A3FE, C3FE, A3RE
FUEL AND WATER SEPARATOR
RACOR
ISB 07
With Features: FEATURE 40233-09, -10
BSN: From 1-29-07

Key	PartNumber	Qty	Description	Comment
1	0111264		FILTER ASSY,FUEL,490RP1210 W/56140,ISB07	<i>ISB07</i>
2	0110889		FILTER,FUEL,WATER SEP,	
	1966993		ELEMENT,FUEL/WATER SEPARATOR,R90T,10M	
	1613611		CONNECTOR,2CIRC,M,280 SERIES,METRI-PACK	
	1613645		LOCK,SEAL,SECD,2CIR,280 SERIES,METRI-	
	1925940		TERMINAL,PIN,14-16 GA,280 SERIES,METRI-	
	1613108		SEAL,WIRE,CBL/DIA.080-.112,GREEN,METRI-	
3	0015661	ar	BRACKET,MTG,FUEL/WATER SEP,RACOR,	
4	2050839	ar	CAPSCREW,HEX HD,3/8-16X1 1/2,GR5,YEL	
5	1107085	ar	WASHER,FLAT,13/32 X 13/16 X 3/32,HDN,BLK	
6	0826297		NUT,HEX HD,3/8-16 LOCK,YEL ZN DICH	

Models: A3RE
FUEL AND WATER SEPARATOR
RACOR
ISC 07
With Features: FEATURE 40233-10
BSN: From 3-19-07

Key	PartNumber	Qty	Description	Comment
-----	------------	-----	-------------	---------



1

Models: A3RE
FUEL AND WATER SEPARATOR
RACOR
ISC 07
With Features: FEATURE 40233-10
BSN: From 3-19-07

Key	PartNumber	Qty	Description	Comment
1	0111263		FILTER ASSY,FUEL,690RP1210 W/56140,ISC07	<i>WITH 56140, ISC07, A3RE</i>
2	0110896		FILTER,FUEL,WATER SEP,RACOR690RP1210	<i>WITH 56140</i>
	1966993		ELEMENT,FUEL/WATER SEPARATOR,R90T,10M	
	1613611		CONNECTOR,2CIRC,M,280 SERIES,METRI-PACK	
	1613645		LOCK,SEAL,SECD,2CIR,280 SERIES,METRI-	
	1925940		TERMINAL,PIN,14-16 GA,280 SERIES,METRI-	
	1613108		SEAL,WIRE,CBL/DIA.080-.112,GREEN,METRI-	
3	0015661		BRACKET,MTG,FUEL/WATER SEP,RACOR,	
4	2050839	2	CAPSCREW,HEX HD,3/8-16X1 1/2,GR5,YEL	
5	1107085	4	WASHER,FLAT,13/32 X 13/16 X 3/32,HDN,BLK	
6	0826297	2	NUT,HEX HD,3/8-16 LOCK,YEL ZN DICH	

Models: A3FE, A3RE, CSFE, TCFE

**TANK INSTALLATION
MIDMOUNT**

60, 90, OR 100 GALLON


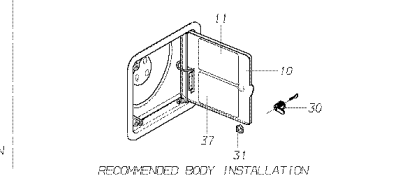
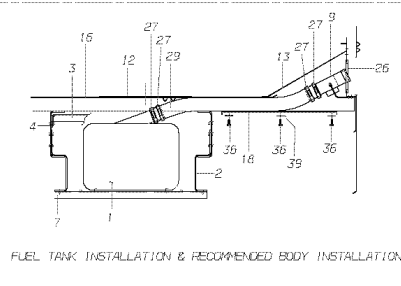
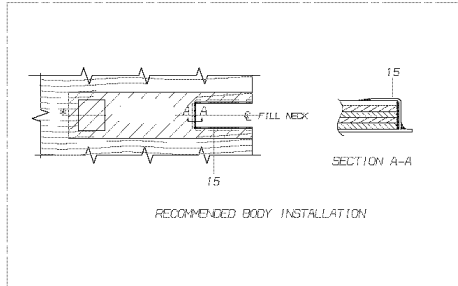
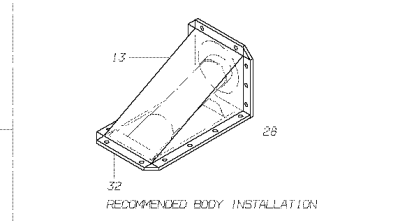
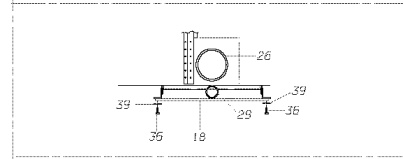
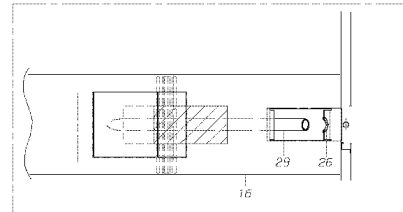
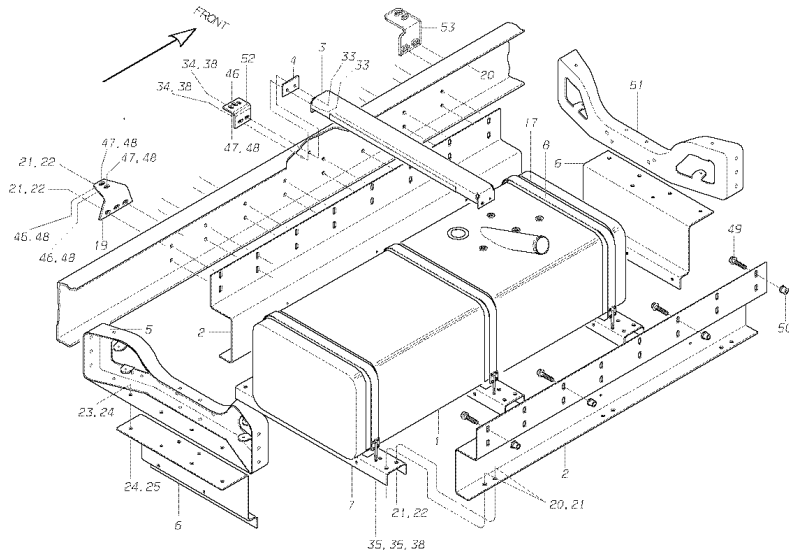
With Features: FEATURE 40241

To CSN FE30073029 RE10073064

Key	PartNumber	Qty	Description	Comment
-----	------------	-----	-------------	---------

DR. 9/17/99	BY J.	---	198.3329	K.
APP. 9/17/99	BY AB	WRT		REV

© BLUE BIRD BODY COMPANY. ALL RIGHTS RESERVED

Models: A3FE, A3RE, CSFE, TCFE
**TANK INSTALLATION
MIDMOUNT
60, 90, OR 100 GALLON**
With Features: FEATURE 40241
To CSN FE30073029 RE10073064

Key	PartNumber	Qty	Description	Comment
1	1667716		TANK ASSY,FUEL,60 GALLON,MIDMOUNT,RIGHT	FE, STANDARD 60 GALLON RIGHT HAND FILL
1	1997642		TANK ASSY,FUEL,90 GALLON,MIDMOUNT,RH	FE, FEATURE 40241-03 90 GALLON, MIDMOUNT, RH FILL
1	1997501		TANK ASSY,FUEL,100 GALLON,MIDMOUNT,RH	FE, FEATURE 40241-02 100 GALLON, MIDMOUNT, RH FILL
1	1935501		TANK ASSY,FUEL,60 GAL,MM,RH FILL,A3RE	HDRE
1	1667716		TANK ASSY,FUEL,60 GALLON,MIDMOUNT,RIGHT	TCRE
1	1935493		TANK ASSY,FUEL,100 GAL,MM,RH FILL,A3RE	A3RE, FEATURE 40241-02
NI	4311155		SENDING UNIT,100 GAL FUEL TANK A1380AE"	
1	1997576		TANK ASSY,FUEL,100 GALLON,MIDMOUNT,RH	TCRE, FEATURE 40241-02
1	1667724		TANK ASSY,FUEL,60 GALLON,MIDMOUNT,LEFT	OPTION 6193
1	0011894		TANK ASSY,FUEL,90 GAL,MIDMOUNT,LEFT FILL	OPTION 6193
1	0011896		TANK ASSY,FUEL,100 GAL,MM,LEFT FILL, FE	OPTION 6193
1	0011897		TANK ASSY,FUEL,100 GAL,MM,LEFT FILL, A3RE	OPTION 6193
1	1997584		TANK ASSY,FUEL,100 GALLON,MIDMOUNT,LH	OPTION 6193
1	0011895		TANK ASSY,FUEL,60 GAL,MM,LEFT FILL, A3RE	OPTION 6193
1	1667724		TANK ASSY,FUEL,60 GALLON,MIDMOUNT,LEFT	OPTION 6193
2	1466077		BARRIER,MIDMOUNT FUEL TANK,60 GALLON,	STANDARD 60 GAL
2	1483536		BARRIER,MIDMOUNT FUEL TANK,90 GALLON,	FEATURE 40241-03 90 GALLON
2	1997691		BARRIER,MIDMOUNT FUEL TK,100 GAL HDFE,	FEATURE 40241-02 100 GALLON
2	1924166		BARRIER,MIDMOUNT FUEL TANK,60 GAL, HDRE	STANDARD 60 GAL
2	1924158		BARRIER,MIDMOUNT FUEL TANK,100 GAL,	FEATURE 40241-02, 100 GALLON
3	1466119		CROSSMEMBER ASSY,UPPER,MIDMOUNT	
4	1466093		SPACER,MIDMOUNT FUEL TANK CROSSMEMBER	
5	1807650		CROSSMEMBER ASSY,FUEL TANK END GUARD	WITH FEATURE 4000501 SPRING SUSP
6	1466069		GUARD,FUEL TANK END	
6	1621101		GUARD,FUEL TK END,MM TANK,100 GALLON	
7	1466051	3	CROSSMEMBER,TANK SUPPORT	
7	1619220		CROSSMEMBER,TANK SUPPORT,100 GAL MM	
8	1466242		STRAP ASSY,FUEL TANK,60 GAL MIDMOUNT	
8	1997550	2	STRAP ASSY,FUEL TANK,100 GAL,MM,60.25	
9	1475987		NECK ASSY,FUEL FILLER,MIDMOUNT TANK,TCRE	
NI	4328746		CAP,FUEL TANK,GASOLINE/DIESEL"	
10	1857085		DOOR & FRAME ASSY,FUEL FILL,SMALL,E-COAT	STANDARD

Models: A3FE, A3RE, CSFE, TCFE
**TANK INSTALLATION
MIDMOUNT
60, 90, OR 100 GALLON**
With Features: FEATURE 40241
To CSN FE30073029 RE10073064

Key	PartNumber	Qty	Description	Comment
10	1857093		DOOR & FRAME ASSY,FUEL FILL,LKG,SMALL,	<i>LOCKING OPT 0505</i>
11	1476001		DECAL,FUEL FILL CAUTION, 60GAL MM TK,	
11	1487271		DECAL,FUEL FILL CAUTION, 90GAL MM TK,	
11	1487289		DECAL,FUEL FILL CAUTION,100GAL MM TK,	
12	1587880		PLATE,COVER,SENDER ACCESS,PLYWOOD	
13	1469923		COVER,FUEL NECK	<i>ENDING WITH CSN, 10016390</i>
13	0004465		COVER,FUEL NECK	<i>BEGIN WITH CSN, 10016389</i>
15	1499912		TRIM,FLOOR CUTOUT,FUEL NECK	<i>FEATURE, 31025 & 31026</i>
16	1587922		PANEL ASSY,FLR,21 WITH MM FUEL NECK	<i>WITH MM FUEL NECK CUTOUT</i>
17	2007649	AR	PAD,FUEL TANK STRAP	
18	1502293		GUARD,FUEL NECK,UNDERFLOOR,21.00 INCH	
18	1906536		GUARD,FUEL NECK,UNDERFLOOR,28 FLR	
18	0010613		GUARD,FUEL NECK,UNDERFLOOR,28 FLR,A3RE	
19	1483544	AR	ANGLE,TIE DOWN,BODY,W/MID-MOUNT TANK,	
19	1509637	AR	ANGLE,TIE DOWN,BODY,TCFE	
20	0803239	AR	CAPSCREW,HEX HD,1/2-13 X1 1/2,GR8	
21	1003045	AR	WASHER,FLAT,17/32 X 1 1/16 X 7/64,HDN,	
22	0850800	AR	NUT,HEX HD,1/2-13,LOCKING,GR 8,CAD WAX	
23	0801936	AR	CAPSCREW,HEX HD,7/16-14X1 1/4,GR8,	
24	0997072	AR	WASHER,FLAT,15/32 X 15/16 X 5/64,HDN,	
25	0997080	AR	NUT,HEX HD,7/16-14,LOCKING,GR 8,CADMIUM	
26	2004547		TRIM,INSTRUMENT HOOD,VINYL EDGE,BLACK	
27	0569095	4	CLAMP,HOSE,3IN	
28	1589522	18	SCREW,10-16 X 3/4,AB,PH1,PAN HD,YEL ZN	
29	1504042		HOSE,FUEL FILL,2.50 ID X 36.00	
30	1789882		LOCK ASSY,SECURITY,O/O DOOR W/OUT KEY	<i>O/O DOOR OPT 0505</i>
31	1062108		NUT,PANEL,HEX HD,3/4-24,YEL ZN DICH	<i>3/4-24 OPTION 0505</i>
32	0830059	5	TAPE,FOAM,1/2X3/4,CLSD CELL NEOPRENE ADH	
33	0803171	AR	CAPSCREW,HEXHD,3/8-16NCX1-1/2,GR8,	
34	0826297	AR	NUT,HEX HD,3/8-16 LOCK,YEL ZN DICH	
35	2001451	12	NUT,HEX HD,3/8-16,YELLOW DICHROMATE	
36	2000073	6	SCREW,1/4-20 X 1,D,HEX HD,YEL ZN DICH	
37	1489491		DECAL,FUEL FILL CAUTION, 227 L MM TK,	<i>CANADIAN UNITS ONLY</i> <i>CANADIAN UNITS ONLY</i>

Models: A3FE, A3RE, CSFE, TCFE
**TANK INSTALLATION
MIDMOUNT
60, 90, OR 100 GALLON**
With Features: FEATURE 40241
To CSN FE30073029 RE10073064

Key	PartNumber	Qty	Description	Comment
37	1489509		DECAL,FUEL FILL CAUTION, 340 L MM TK,	
37	1489517		DECAL,FUEL FILL CAUTION,100GAL MM TK,	CANADIAN UNITS ONLY
38	1078922	AR	WASHER,FLAT,3/8 X 7/8 X 5/64,YEL ZN DICH	
39	2001121	6	WASHER,FLAT,5/16 X 3/4,X 5/64,YEL ZN DICH	
40	1339811		CAPSCREW,HEX HD,1/4-20X 5/8,GR5,YEL ZN	
41	2028280		CAPSCREW,HEX HD,5/16-18X5/8,GR5,YEL ZN	
42	1504018		CAPSCREW,HEX HD,1/4-20X1 1/8,GR5,YEL	
43	1504026		CAPSCREW,HEX HD,5/16X 1 1/8,GD5,YEL ZN	
44	0659979	20	NUT,HEX,FLANGE SER,1/4-20,BLACK ZINC	
45	1435015	4	NUT,HEX HD,5/16-18,FLANGED,YELLOW	
46	0522342	AR	CAPSCREW,HEX HD,7/16-20X1 1/2,GR5,	
47	1134105	AR	NUT,HEX HD,7/16-20,TOP LOCKING,CADMIUM	
48	0997072	AR	WASHER,FLAT,15/32 X 15/16 X 5/64,HDN,	
49	1636943	AR	PIN,FLG HEAD,HUCKSPIN,.50X2.22,HSP8	
50	1636968	AR	COLLAR,HUCKSPIN,.50,HSCH-R16	
51	1807643		CROSSMEMBER ASSY,REINF,F/TANK END	
52	1584887	2	CLIP,TIE DOWN,MIDMOUNT CROSSMEMBER,TC	
53	0009420		ANGLE,TIE DOWN BRKT,RR OF FRT W/H,RH,	
NI	0009437		ANGLE,TIE DOWN BRKT,RR OF FRT W/H,LH,	

Models: A3FE, A3RE, CSFE, TCFE
**TANK INSTALLATION
MIDMOUNT
60, 90, OR 100 GALLON**
With Features: FEATURE 40241
BSN: From CSN FE30073030 RE 10073065
To CSN 11/3/02

Key	PartNumber	Qty	Description	Comment
1	1667716		TANK ASSY,FUEL,60 GALLON,MIDMOUNT,RIGHT	FE ONLY
1	1997642		TANK ASSY,FUEL,90 GALLON,MIDMOUNT,RH	FE ONLY
1	1997501		TANK ASSY,FUEL,100 GALLON,MIDMOUNT,RH	FE ONLY
1	1935501		TANK ASSY,FUEL,60 GAL,MM,RH FILL,A3RE	RE ONLY
1	1935493		TANK ASSY,FUEL,100 GAL,MM,RH FILL,A3RE	RE ONLY
NI	4311155		SENDING UNIT,100 GAL FUEL TANK A1380AE"	
1	1667724		TANK ASSY,FUEL,60 GALLON,MIDMOUNT,LEFT	FE ONLY
1	0011894		TANK ASSY,FUEL,90 GAL,MIDMOUNT,LEFT FILL	FE ONLY
1	0011896		TANK ASSY,FUEL,100 GAL,MM,LEFT FILL, FE	FE ONLY
1	0011897		TANK ASSY,FUEL,100 GAL,MM,LEFT FILL, A3RE	RE ONLY
1	0011895		TANK ASSY,FUEL,60 GAL,MM,LEFT FILL, A3RE	RE ONLY
2	1466077	2	BARRIER,MIDMOUNT FUEL TANK,60 GALLON,	FE ONLY
2	1483536	2	BARRIER,MIDMOUNT FUEL TANK,90 GALLON,	FE ONLY
2	1997691	2	BARRIER,MIDMOUNT FUEL TK,100 GAL HDFE,	FE ONLY
2	1924166	2	BARRIER,MIDMOUNT FUEL TANK,60 GAL, HDRE	RE ONLY
2	1924158	2	BARRIER,MIDMOUNT FUEL TANK,100 GAL,	RE ONLY
3	1466119	AR	CROSSMEMBER ASSY,UPPER,MIDMOUNT	
4	1466093	AR	SPACER,MIDMOUNT FUEL TANK CROSSMEMBER	
5	1807650		CROSSMEMBER ASSY,FUEL TANK END GUARD	WITH SPRING SUSPENSION
6	1466069	2	GUARD,FUEL TANK END	FE ONLY
6	1621101	2	GUARD,FUEL TK END,MM TANK,100 GALLON	RE ONLY
7	1466051	AR	CROSSMEMBER,TANK SUPPORT	FE ONLY
7	1619220	AR	CROSSMEMBER,TANK SUPPORT,100 GAL MM	RE ONLY
8	1466242	AR	STRAP ASSY,FUEL TANK,60 GAL MIDMOUNT	FE ONLY
8	1997550	AR	STRAP ASSY,FUEL TANK,100 GAL,MM,60.25	RE ONLY
9	0019785		NECK ASSY,FUEL FILL,MM,DIESEL W/EXT VENT	
10	1857085		DOOR & FRAME ASSY,FUEL FILL,SMALL,E-COAT	
10	1856665		DOOR ASSEMBLY,FUEL FILLER,SMALL,E-COAT	
10	1857093		DOOR & FRAME ASSY,FUEL FILL,LKG,SMALL,	WITH OPTION 0505 & 2309
10	1856772		DOOR ASSY,FUEL FILLER,LK,SMALL,E-COAT	
	1849595		SPRING,FUEL TANK DOOR	PART OF ITEM 10
	1856707		FRAME,FUEL FILL DOOR,SMALL,E-COAT	PART OF ITEM 10
	1849561		BUSHING,HINGE PIN,FUEL FILL DOOR	PART OF ITEM 10
				PART OF ITEM 10

Models: A3FE, A3RE, CSFE, TCFE
**TANK INSTALLATION
MIDMOUNT
60, 90, OR 100 GALLON**
With Features: FEATURE 40241
BSN: From CSN FE30073030 RE 10073065
To CSN 11/3/02

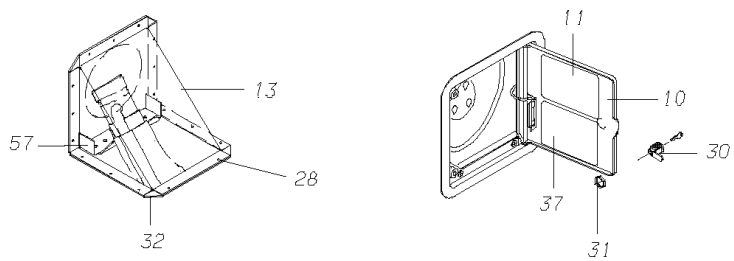
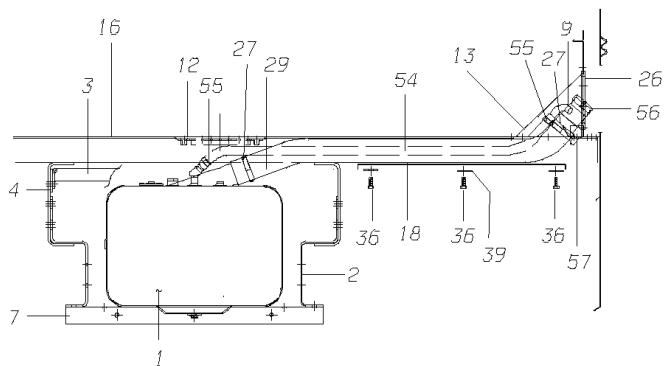
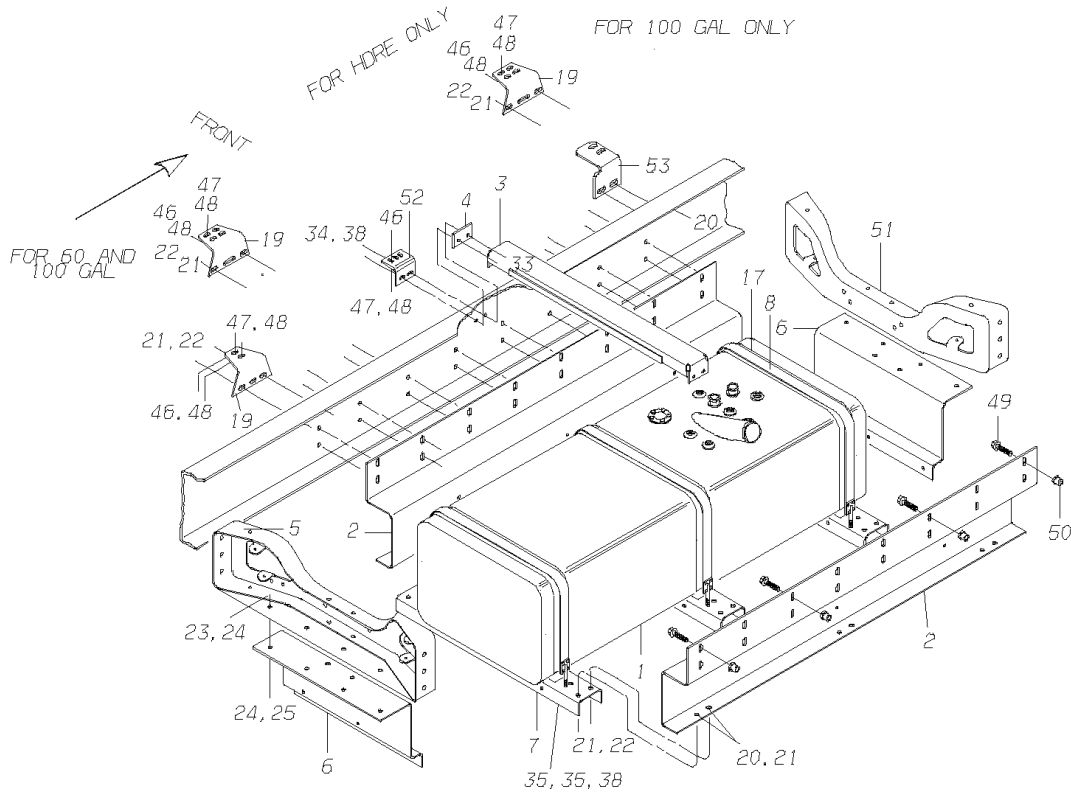
Key	PartNumber	Qty	Description	Comment
	1876960		PIN,HINGE,FUEL FILL DOOR,SMALL	
	0040127		RETAINER,FUEL FILL DOOR ASSY	PART OF ITEM 10
	1878412		RETAINER,GROOVELESS RING,PUSH-ON,.187	PART OF ITEM 10
	1486919		BUMPER,RUBBER RECESS,.469 X .719 DIA	PART OF ITEM 10
	2000768		SCREW,MACH,10-24 X 1, PH1,RD HD,YEL ZN	PART OF ITEM 10
	1795459		SCREW,MACH 10-24X 1/2 P HD,BLK	PART OF ITEM 10
	1469287		NUT,HEX,10-24,ELASTIC LOCKNUT,YEL ZN DICH	PART OF ITEM 10
	0038825		PAD,STOP,FUEL TANK DOOR	PART OF ITEM 10
	2001162		LOCKWASHER,SPLIT RING, 3/16,MED,YEL ZN	PART OF ITEM 10
11	1476001		DECAL,FUEL FILL CAUTION, 60GAL MM TK,	FE & RE
11	1487271		DECAL,FUEL FILL CAUTION, 90GAL MM TK,	FE ONLY
11	1487289		DECAL,FUEL FILL CAUTION,100GAL MM TK,	FE & RE ONLY
12	1642206		PANEL,ACCESS,INSPECTION PLATE, MBWB	EXCEPT CANADA
12	0047591		PLATE,ACCESS,FUEL SNDR,UPPER	UPPER, CANADA ONLY
12	0047465		PLATE,ACCESS,FUEL SENDER	CANADA ONLY
	1588128		TRIM,AISLE,EXTRUDED 16 INCH SECTION	
13	0020643		COVER,FUEL NECK	
15	0021465		TRIM,FUEL FILL COVER	
16	0021347		PANEL ASSY,FLR,21 WITH MM NECK CUTOUT	FE ONLY
16	0021431		PANEL,ASSY,FLR,28,WITH MM FUEL NECK	RE ONLY
17	2007649	AR	PAD,FUEL TANK STRAP	
18	1502293		GUARD,FUEL NECK,UNDERFLOOR,21.00 INCH	FE ONLY
18	0010613		GUARD,FUEL NECK,UNDERFLOOR,28 FLR,A3RE	RE ONLY
19	1483544	AR	ANGLE,TIE DOWN,BODY,W/MID-MOUNT TANK,	FE ONLY
19	1509637	AR	ANGLE,TIE DOWN,BODY,TCFE	RE ONLY
20	0803239	AR	CAPSCREW,HEX HD,1/2-13 X1 1/2,GR8	
21	1003045	AR	WASHER,FLAT,17/32 X 1 1/16 X 7/64,HDN,	
22	0850800	AR	NUT,HEX HD,1/2-13,LOCKING,GR 8,CAD WAX	
23	0801936	AR	CAPSCREW,HEX HD,7/16-14X1 1/4,GR8,	
24	0997072	AR	WASHER,FLAT,15/32 X 15/16 X 5/64,HDN,	
25	0997080	AR	NUT,HEX HD,7/16-14,LOCKING,GR 8,CADMIUM	
26	2004547	4	TRIM,INSTRUMENT HOOD,VINYL EDGE,BLACK	
27	1905488	2	CLAMP,CONSTANT TORQUE,2 1/4 TO 3 1/8 DIA	

Models: A3FE, A3RE, CSFE, TCFE
**TANK INSTALLATION
MIDMOUNT
60, 90, OR 100 GALLON**
With Features: FEATURE 40241
BSN: From CSN FE30073030 RE 10073065
To CSN 11/3/02

Key	PartNumber	Qty	Description	Comment
28	1589522	18	SCREW,10-16 X 3/4,AB,PH1,PAN HD,YEL ZN	
29	0019789		HOSE,FUEL FILL,MM,DIESEL,FORMED GATES	
30	1789882		LOCK ASSY,SECURITY,O/O DOOR W/OUT KEY	ONLY WITH OPTION 0505
31	1062108		NUT,PANEL,HEX HD,3/4-24,YEL ZN DICH	ONLY WITH OPTION 0505
32	0830059	5	TAPE,FOAM,1/2X3/4,CLSD CELL NEOPRENE ADH	
33	0803171	AR	CAPSCREW,HEXHD,3/8-16NCX1-1/2,GR8,	
34	0826297	AR	NUT,HEX HD,3/8-16 LOCK,YEL ZN DICH	
35	2001451	AR	NUT,HEX HD,3/8-16,YELLOW DICHROMATE	
36	2000073	6	SCREW,1/4-20 X 1,D,HEX HD,YEL ZN DICH	
37	1489517		DECAL,FUEL FILL CAUTION,100GAL MM TK,	
38	1078922	AR	WASHER,FLAT,3/8 X 7/8 X 5/64,YEL ZN DICH	
39	2001121	AR	WASHER,FLAT,5/16 X 3/4,X 5/64,YEL ZN DICH	
40	1339811	AR	CAPSCREW,HEX HD,1/4-20X 5/8,GR5,YEL ZN	
41	2028280	AR	CAPSCREW,HEX HD,5/16-18X5/8,GR5,YEL ZN	
42	1504018	AR	CAPSCREW,HEX HD,1/4-20X1 1/8,GR5,YEL	
43	1504026	AR	CAPSCREW,HEX HD,5/16X 1 1/8,GD5,YEL ZN	
44	0659979	AR	NUT,HEX,FLANGE SER,1/4-20,BLACK ZINC	
45	1435015	4	NUT,HEX HD,5/16-18,FLANGED,YELLOW	
46	0522342	AR	CAPSCREW,HEX HD,7/16-20X1 1/2,GR5,	
47	1134105	AR	NUT,HEX HD,7/16-20,TOP LOCKING,CADMIUM	
48	0997072	AR	WASHER,FLAT,15/32 X 15/16 X 5/64,HDN,	
49			HUCKSPIN	
50			COLLAR, HUCKSPIN	
51	1807643		CROSSMEMBER ASSY,REINF,F/TANK END	
52	1584887	2	CLIP,TIE DOWN,MIDMOUNT CROSSMEMBER,TC	FE ONLY
53	0009437		ANGLE,TIE DOWN BRKT,RR OF FRT W/H,LH,	RE ONLY
54	1886357	4	HOSE,.75 ID X 1.03 OD,W-H H10112	
55	1025857	2	CLAMP,HOSE,SIZE 8,LINED	
56	0021432		CAP,FUEL TANK FILLER,BORGLWARNER	
57	0021072		ANGLE,SUPPORT,FUEL NECK ASSEMBLY	
58	2100667	4	RIVET,DRIVE-IN,1/4 X 5/16	
59	1494004	2	CROSSMEMBER,BODY BAR ANGLE,MM TANK,	

Models: **A3FE, A3RE, C3FE**
TANK INSTALLATION
MIDMOUNT
60, 90, OR 100 GALLON
 With Features: **FEATURE 40241**
 BSN: **From RE ONLY CSN RE10124660**

Key	PartNumber	Qty	Description	Comment
-----	------------	-----	-------------	---------



Models: A3FE, A3RE, C3FE
**TANK INSTALLATION
MIDMOUNT
60, 90, OR 100 GALLON**
With Features: FEATURE 40241
BSN: From RE ONLY CSN RE10124660

Key	PartNumber	Qty	Description	Comment
1	0049389		TANK ASSY,FUEL,60 GALLON,MM,RH FILLBBCV,	
1	0049387		TANK ASSY,FUEL,100 GALLON,MM,RH	
1	1935501		TANK ASSY,FUEL,60 GAL,MM,RH FILL,A3RE	RE ONLY
1	1935493		TANK ASSY,FUEL,100 GAL,MM,RH FILL,A3RE	RE ONLY
1	0049390		TANK ASSY,FUEL,60 GALLON,MM,LH FILL, A3FE	
1	0049388		TANK ASSY,FUEL,100 GALLON,MM,LH FILL,	
1	0011897		TANK ASSY,FUEL,100 GAL,MM,LEFT FILL, A3RE	
1	0011895		TANK ASSY,FUEL,60 GAL,MM,LEFT FILL, A3RE	
2	1466077	2	BARRIER,MIDMOUNT FUEL TANK,60 GALLON,	FE ONLY
2	1997691	2	BARRIER,MIDMOUNT FUEL TK,100 GAL HDFE,	FE ONLY
2	1924166	2	BARRIER,MIDMOUNT FUEL TANK,60 GAL, HDRE	RE ONLY
2	1924158	2	BARRIER,MIDMOUNT FUEL TANK,100 GAL,	RE ONLY
3	1466119	AR	CROSSMEMBER ASSY,UPPER,MIDMOUNT	
4	1466093	AR	SPACER,MIDMOUNT FUEL TANK CROSSMEMBER	
5	1807650		CROSSMEMBER ASSY,FUEL TANK END GUARD	WITH SPRING SUSPENSION
6	1466069	2	GUARD,FUEL TANK END	FE ONLY
6	1621101	2	GUARD,FUEL TK END,MM TANK,100 GALLON	RE ONLY
7	1466051	AR	CROSSMEMBER,TANK SUPPORT	FE ONLY
7	1619220	AR	CROSSMEMBER,TANK SUPPORT,100 GAL MM	RE ONLY
8	1466242	AR	STRAP ASSY,FUEL TANK,60 GAL MIDMOUNT	FE ONLY
8	1997550	AR	STRAP ASSY,FUEL TANK,100 GAL,MM,60.25	RE ONLY
9	0019785		NECK ASSY,FUEL FILL,MM,DIESEL W/EXT VENT	
10	1857085		DOOR & FRAME ASSY,FUEL FILL,SMALL,E-COAT	
10	1856665		DOOR ASSEMBLY,FUEL FILLER,SMALL,E-COAT	
10	1857093		DOOR & FRAME ASSY,FUEL FILL,LKG,SMALL,	WITH OPTION 0505 & 2309
10	1856772		DOOR ASSY,FUEL FILLER,LK,SMALL,E-COAT	
	1849595		SPRING,FUEL TANK DOOR	PART OF ITEM 10
	1856707		FRAME,FUEL FILL DOOR,SMALL,E-COAT	PART OF ITEM 10
	1849561		BUSHING,HINGE PIN,FUEL FILL DOOR	PART OF ITEM 10
	1876960		PIN,HINGE,FUEL FILL DOOR,SMALL	PART OF ITEM 10
	0040127		RETAINER,FUEL FILL DOOR ASSY	PART OF ITEM 10
	1878412		RETAINER,GROOVELESS RING,PUSH-ON,.187	PART OF ITEM 10
	1486919		BUMPER,RUBBER RECESS,.469 X .719 DIA	PART OF ITEM 10
				PART OF ITEM 10

Models: A3FE, A3RE, C3FE
**TANK INSTALLATION
MIDMOUNT
60, 90, OR 100 GALLON**
With Features: FEATURE 40241
BSN: From RE ONLY CSN RE10124660

Key	PartNumber	Qty	Description	Comment
	2000768		SCREW,MACH,10-24 X 1, PH1,RD HD,YEL ZN	
	1795459		SCREW,MACH 10-24X 1/2 P HD,BLK	PART OF ITEM 10
	1469287		NUT,HEX,10-24,ELASTIC LOCKNUT,YEL ZN DICH	PART OF ITEM 10
	0038825		PAD,STOP,FUEL TANK DOOR	PART OF ITEM 10
	2001162		LOCKWASHER,SPLIT RING, 3/16,MED,YEL ZN	PART OF ITEM 10
11	1476001		DECAL,FUEL FILL CAUTION, 60GAL MM TK,	
11	1487289		DECAL,FUEL FILL CAUTION,100GAL MM TK,	
12	0047591		PLATE,ACCESS,FUEL SNDR,UPPER	
12	0047465		PLATE,ACCESS,FUEL SENDER	
12	1588128		TRIM,AISLE,EXTRUDED 16 INCH SECTION	
13	0020643		COVER,FUEL NECK	
15	0021465		TRIM,FUEL FILL COVER	
16	0049368		PANEL ASSY,FLOOR,21,SNDR-NK ACS,RH	FE ONLY
16	0049369		PANEL ASSY,FLOOR,21,SNDR-NK ACS,LH	FE ONLY
16	0021431		PANEL,ASSY,FLR,28,WITH MM FUEL NECK	RE ONLY
17	2007649	AR	PAD,FUEL TANK STRAP	
18	1502293		GUARD,FUEL NECK,UNDERFLOOR,21.00 INCH	FE ONLY
18	0010613		GUARD,FUEL NECK,UNDERFLOOR,28 FLR,A3RE	RE ONLY
19	1483544	AR	ANGLE,TIE DOWN,BODY,W/MID-MOUNT TANK,	FE ONLY
19	1509637	AR	ANGLE,TIE DOWN,BODY,TCFE	RE ONLY
20	0803239	AR	CAPSCREW,HEX HD,1/2-13 X1 1/2,GR8	
21	1003045	AR	WASHER,FLAT,17/32 X 1 1/16 X 7/64,HDN,	
22	0850800	AR	NUT,HEX HD,1/2-13,LOCKING,GR 8,CAD WAX	
23	0801936	AR	CAPSCREW,HEX HD,7/16-14X1 1/4,GR8,	
24	0997072	AR	WASHER,FLAT,15/32 X 15/16 X 5/64,HDN,	
25	0997080	AR	NUT,HEX HD,7/16-14,LOCKING,GR 8,CADMIUM	
26	2004547	4	TRIM,INSTRUMENT HOOD,VINYL EDGE,BLACK	
27	1905488	2	CLAMP,CONSTANT TORQUE,2 1/4 TO 3 1/8 DIA	
28	1589522	18	SCREW,10-16 X 3/4,AB,PH1,PAN HD,YEL ZN	
29	0019789		HOSE,FUEL FILL,MM,DIESEL,FORMED GATES	
30	1789882		LOCK ASSY,SECURITY,O/O DOOR W/OUT KEY	ONLY WITH OPTION 0505
31	1062108		NUT,PANEL,HEX HD,3/4-24,YEL ZN DICH	ONLY WITH OPTION 0505
32	0830059	5	TAPE,FOAM,1/2X3/4,CLSD CELL NEOPRENE ADH	

Models: A3FE, A3RE, C3FE
**TANK INSTALLATION
MIDMOUNT
60, 90, OR 100 GALLON**
With Features: FEATURE 40241
BSN: From RE ONLY CSN RE10124660

Key	PartNumber	Qty	Description	Comment
33	0803171	AR	CAPSCREW,HEXHD,3/8-16NCX1-1/2,GR8,	
34	0826297	AR	NUT,HEX HD,3/8-16 LOCK,YEL ZN DICH	
35	2001451	AR	NUT,HEX HD,3/8-16,YELLOW DICHROMATE	
36	2000073	6	SCREW,1/4-20 X 1,D,HEX HD,YEL ZN DICH	
37	1489517		DECAL,FUEL FILL CAUTION,100GAL MM TK,	
38	1078922	AR	WASHER,FLAT,3/8 X 7/8 X 5/64,YEL ZN DICH	
39	2001121	AR	WASHER,FLAT,5/16 X 3/4,X 5/64,YEL ZN DICH	
40	1339811	AR	CAPSCREW,HEX HD,1/4-20X 5/8,GR5,YEL ZN	
41	2028280	AR	CAPSCREW,HEX HD,5/16-18X5/8,GR5,YEL ZN	
42	1504018	AR	CAPSCREW,HEX HD,1/4-20X1 1/8,GR5,YEL	
43	1504026	AR	CAPSCREW,HEX HD,5/16X 1 1/8,GD5,YEL ZN	
44	0659979	AR	NUT,HEX,FLANGE SER,1/4-20,BLACK ZINC	
45	1435015	4	NUT,HEX HD,5/16-18,FLANGED,YELLOW	
46	0522342	AR	CAPSCREW,HEX HD,7/16-20X1 1/2,GR5,	
47	1134105	AR	NUT,HEX HD,7/16-20,TOP LOCKING,CADMIUM	
48	0997072	AR	WASHER,FLAT,15/32 X 15/16 X 5/64,HDN,	
49			HUCKSPIN	
50			COLLAR, HUCKSPIN	
51	1807643		CROSSMEMBER ASSY,REINF,F/TANK END	
52	1584887	2	CLIP,TIE DOWN,MIDMOUNT CROSSMEMBER,TC	FE ONLY
53	0009437		ANGLE,TIE DOWN BRKT,RR OF FRT W/H,LH,	RE ONLY
54	1886357	4	HOSE,.75 ID X 1.03 OD,W-H H10112	
55	1025857	2	CLAMP,HOSE,SIZE 8,LINED	
56	0021432		CAP,FUEL TANK FILLER,BORGWARNER	
57	0021072		ANGLE,SUPPORT,FUEL NECK ASSEMBLY	