

Chassis

110 Instruments

PANEL

To CSN 10043414 _____ 1

*From CSN 10043415
To CSN RE10077009* _____ 2

*From CSN FE30076985 RE 10077010
To CSN FE30181395 RE10181430 11-01-04* _____ 3

*From CSN FE30181395 RE10181430; 11-01-04
To CSN 0235290 4-30-06* _____ 4

*From CSN 0235291 5-1-06
To CSN 0246529 1-7-07* _____ 5

DIAGNOSTIC

With: FEATURE 30001 _____ 6

WITH 4-In-1

From CSN 0264530 1-8-07 _____ 7

WITH AC

With: FEATURE 30006 AND 30007 _____ 8

*From CSN 0235291 5-1-06
To CSN 0246529 1-7-07* _____ 9

WITH AC WITH 4-In-1

From CSN 0264530 1-8-07 _____ 10

WITH AC WITH 4-In-1, EEC

From CSN 0264530 1-8-07 _____ 11

WITH AC, WITH EEC


*From CSN 0235291 5-1-06
To CSN 0246529 1-7-07* _____ 12

SWITCH, CRUISE CONTROL

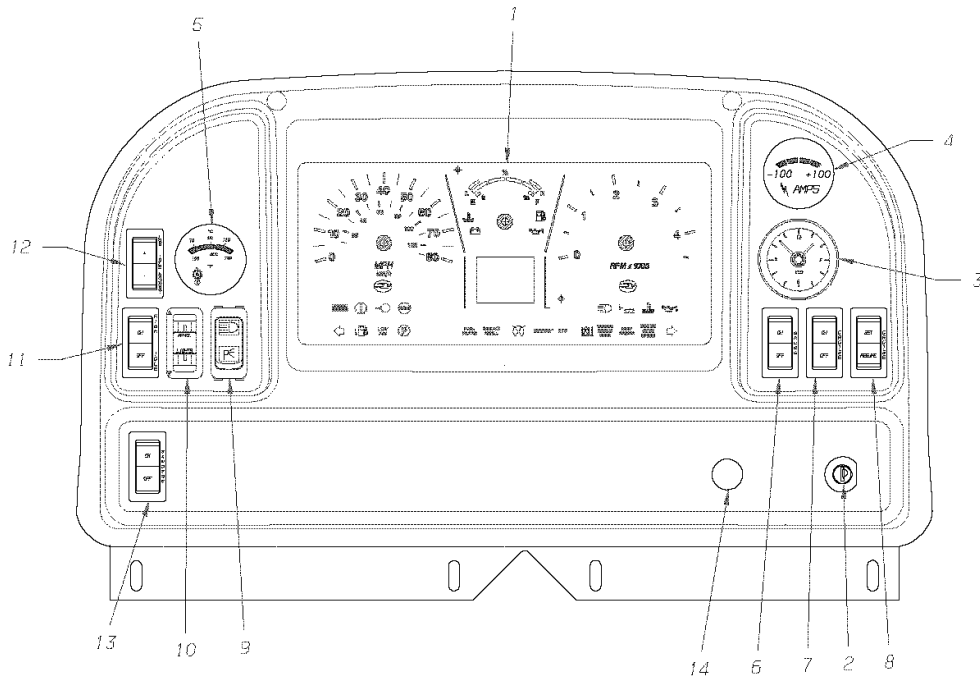
With: FEATURE 40098 _____ 13

Models: **A3RE
PANEL
To CSN 10043414**

Key	PartNumber	Qty	Description	Comment
-----	------------	-----	-------------	---------

DR. 10/22/99 BY J.L.	00133161	REV	
APP. 10/22/99 BY AB	REV	REV	

© BLUE BIRD BODY COMPANY ALL RIGHTS RESERVED



Models: **A3RE
PANEL
To CSN 10043414**

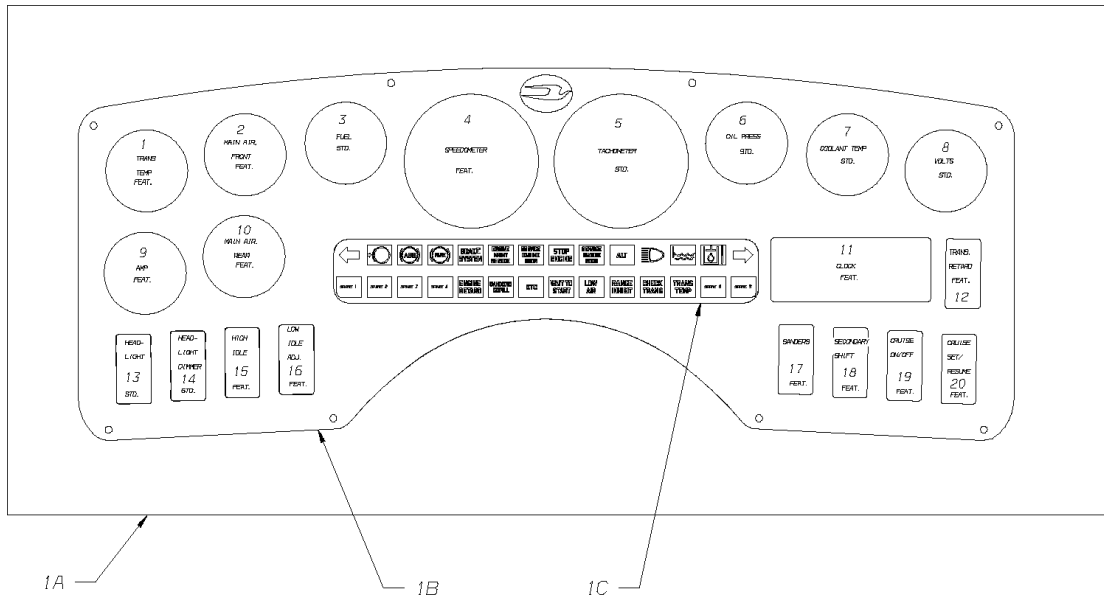
Key	PartNumber	Qty	Description	Comment
1			CLUSTER, INSTRUMENT	
	0004094		CLUSTER, INSTR, BB-1, BK, DUAL SCALE, AIR BRK	FEATURE 40070 & 40280-04
	0004095		CLUSTER, INSTR, BB-1, BK, DUAL SCALE, HYD BRK	FEATURE 40071 & 40280-04
	0004096		CLUSTER, INSTR, BB-1, BK, METRIC, AIR BRK	FEATURE 40070 & 40280-03
	0004097		CLUSTER, INSTR, BB-1, BK, METRIC, HYD BRK	FEATURE 40071 & 40280-03
2	1010685		SWITCH, IGN	
	0004583		PLATE, IGNITION SWITCH, HD FE/RE	
3	0001873		CLOCK, 12 VOLT, ANALOG, HD FE/HDRE	
4	1654417		GAUGE, AMMETER, TCFC/RE	FEATURE 40280-02
	1963693		HARNES, WRG, AMMETER GAUGE, TC FE/RE	
5			GAUGE, TRANSMISSION OIL TEMPERATURE	
	1654409		GAUGE, TRANSMISSION OIL TEMP, TCFC/RE	FEATURE 40280-01 WITH 40426 OR 40421
	1914167		GAUGE, TRANS TEMP, 29507538, MD3060/B300	FEATURE 40280-01 WITH 40422 -01
	1914175		GAUGE, TRANS TEMP, 29506679,	FEATURE 40280-01 WITH 40422 -02
	1668888		HARNES, WRG, TRANS TEMP GAUGE, TCFC/RE	
6	1969997		SWITCH, MULTI FUCTION GAUGE	
7	1962364		SWITCH, CRUISE, ON/OFF	FEATURE 40098-01
8	1962372		SWITCH, CRUISE, SET/RESUME	FEATURE 40098-01
9	0001876		SWITCH, HEADLIGHT, ROCKER, HD FE/HDRE	
10	0001877		SWITCH, DIMMER, PANEL LIGHTS, HD FE/HDRE	
11			SWITCH, HIGH IDLE	
	1656412		SWITCH, HIGH IDLE, 427, TC RE	FEATURE 40187
	1656487		SWITCH, HIGH IDLE, B5.9, TC RE	FEATURE 40177 OR 40184
12	1962380		SWITCH, LOW IDLE ADJUST, B5.9/C8.3	FEATURE 40177 OR 40184
13	1656420		SWITCH, SANDERS, TCFC/RE	OPTION 2689
14	1533744		VALVE ASSY, PARKING BRAKE, TC & QB	
	0900266		VALVE, PARKING BRAKE	
	0605188		ELBOW, REDUCING, STREET, 1/4 X 1/8 PIPE	
	0982918		INDICATOR, LOW PRESSURE, LP-3, 30 PSI	
	1536879		ELBOW, 90 DEG, SWIVEL, Q/D, 1/8 MPT X 1/4	
NI			SENDER, WATER TEMPERATURE, 1/2 PIPE	
	0000031		SENDER, WATER TEMP, 1/2 PIPE, 250 DEG F	

Models: **A3RE**
PANEL
To CSN 10043414

Key	PartNumber	Qty	Description	Comment
	1945567		SENDER,WATER TEMP,1/2 PIPE,250 DEG F	
NI	1947431		SENDER,OIL PRESSURE,0-150 PSI	<i>FE ONLY</i>
NI	1543800		MODULE,HYDRAULIC BRAKE BOOSTER	<i>FE ONLY</i>
NI	2004547		TRIM,INSTRUMENT HOOD,VINYL EDGE,BLACK	
NI	8312704		BULB,MULTIFUNCTION,LIGHT,VDO DASH"	
NI	8312712		BULB,TELLTALE LIGHT,VDO DASH"	
NI	8314783		LENS,CLEAR,VDO INSTRUMENT CLUSTER"	

Models: **A3RE**
PANEL
BSN: **From CSN 10043415**
To CSN RE10077009

Key	PartNumber	Qty	Description	Comment
-----	------------	-----	-------------	---------



Models: **A3RE**
PANEL
BSN: **From CSN 10043415**
To CSN RE10077009

Key	PartNumber	Qty	Description	Comment
1A	0016317		PANEL ASSY,INSTRUMENT,BLK W/GRAY,	A3FE, A3RE, C1FE, CSFE, HDFE, HDRE, COMPLETE WITH GAUGES
1A	0016318		PANEL ASSY,INTRUMENT,BLK,PURCHASED	TCFE ONLY, COMPLETE WITH GAUGES
1B	0012193		PANEL ONLY,INSTRUMENT,WO/GUAGES &	A3FE, A3RE, C1FE, CSFE, HDFE, HDRE
1B	0012192		PANEL ONLY,INSTRUMENT,W/O GUAGES &	TCFE ONLY
1C	0016136		LIGHT BAR,TELLTALE INDICATOR,DISCRETE,4	
NI	0020282		DECAL,WARNING LIGHT OVERLAY,U.S.	
NI	0009666		DECAL,WARNING LIGHT OVERLAY,ISO	
NI	0016137		HARNES,WRG,INSTR PANEL,DISCRETE	
1	0014499		GAUGE,TRANSMISSION OIL TEMP,VDO	FEATURE 4028001
NI	0014504		SOCKET ONLY,LIGHT,GAUGE,VDO	
NI	1151406		BULB,GE 194,2CP	
NI	0014503		RING,MTG,VDO,2.0625	
NI	2545325		O-RING,136	
2	0013628		GAUGE,AIR PRESSURE,VDO,DUAL	
NI	0020285		DECAL,AIR GAUGE,FRONT/REAR	
2	0014495		GAUGE,AIR PRESSURE,VDO,FRONT	
NI	0014504		SOCKET ONLY,LIGHT,GAUGE,VDO	
NI	1151406		BULB,GE 194,2CP	
3	0014497		GAUGE,FUEL LEVEL,VDO	
NI	0014504		SOCKET ONLY,LIGHT,GAUGE,VDO	
NI	1151406		BULB,GE 194,2CP	
NI	0014503		RING,MTG,VDO,2.0625	
NI	2545325		O-RING,136	
4	0014490		GAUGE,SPEEDOMETER,VDO,ENGLISH	
4	0014491		GAUGE,SPEEDOMETER,VDO,METRIC	
NI	0014504		SOCKET ONLY,LIGHT,GAUGE,VDO	
NI	1151406		BULB,GE 194,2CP	
NI	0014502		RING,MTG,VDO,3.375	
NI	2545473		O-RING,152	
NI	0083414		HARNES,SPEEDOMETER,PROGRAMMING,VDO,	
5	0014492		GAUGE,TACHOMETER,VDO	
NI	0014504		SOCKET ONLY,LIGHT,GAUGE,VDO	

Models: A3RE
PANEL
BSN: From CSN 10043415
 To CSN RE10077009

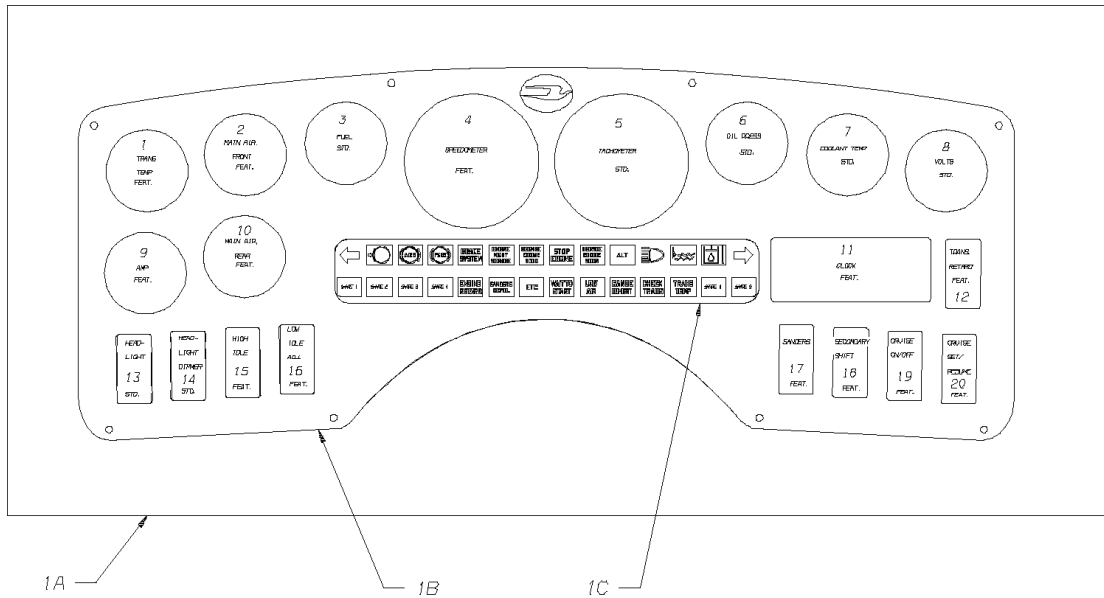
Key	PartNumber	Qty	Description	Comment
NI	1151406		BULB,GE 194,2CP	
NI	0014502		RING,MTG,VDO,3.375	
NI	2545473		O-RING,152	
6	0014501		GAUGE,OIL PRESSURE,VDO	
NI	0014504		SOCKET ONLY,LIGHT,GAUGE,VDO	
NI	1151406		BULB,GE 194,2CP	
NI	0014503		RING,MTG,VDO,2.0625	
NI	2545325		O-RING,136	
NI	1947431		SENDER,OIL PRESSURE,0-150 PSI	<i>ALL EXCEPT HDFE WITH COLUMN 8.3. MECHANICAL</i>
NI	1969062		SENDER,OIL PRESSURE,FLOATING GROUND,	
7	0014500		GAUGE,ENGINE COOLANT TEMP,VDO	
NI	0000031		SENDER,WATER TEMP,1/2 PIPE,250 DEG F	
NI	1945567		SENDER,WATER TEMP,1/2 PIPE,250 DEG F	
NI	1969047		SENDER,WATER TEMP,1/2 PIPE,VDO	
NI	0014504		SOCKET ONLY,LIGHT,GAUGE,VDO	
NI	1151406		BULB,GE 194,2CP	
NI	0014503		RING,MTG,VDO,2.0625	
NI	2545325		O-RING,136	
8	0014494		GAUGE,VOLTMETER,VDO	
NI	0014504		SOCKET ONLY,LIGHT,GAUGE,VDO	
NI	1151406		BULB,GE 194,2CP	
NI	0014503		RING,MTG,VDO,2.0625	
NI	2545325		O-RING,136	
9	0014493		GAUGE,AMMETER,VDO	
NI	0019098		SOCKET,BULB,GAUGE,VDO	
NI	2545325		O-RING,136	
10	0014496		GAUGE,AIR PRESSURE,VDO,REAR	
NI	0014504		SOCKET ONLY,LIGHT,GAUGE,VDO	
NI	1151406		BULB,GE 194,2CP	
NI	0013628		GAUGE,AIR PRESSURE,VDO,DUAL	
NI	0006189	2	FITTING,QUICK CONNECT,90 DEG,FEMALE,	
NI	0905745		SEALANT,PIPE,LOCTITE 567,W/TEFLON 250CC	
11	1975382		CLOCK,12,VOLT DIGITAL,AA	

Models: **A3RE**
PANEL
BSN: **From CSN 10043415**
To CSN RE10077009

Key	PartNumber	Qty	Description	Comment
12	0014724		SWITCH,ROCKER,NGR,TRANSMISSION	<i>TEMP. OPT</i>
12	0023182		SWITCH,ROCKER,NGR,EXHAUST BRAKE"	<i>BEGIN WITH CSN 10031915. HDRE FEATURE 40050-01</i>
13	0014715		SWITCH,ROCKER,NGR,HEADLIGHT	
14	0014716		SWITCH,DIMMER,SLIDE,NGR,PANEL DIMMER	
15	0014717		SWITCH,ROCKER,NGR,HIGH IDLE,OFF-MOM	<i>CAT 3126B ONLY</i>
15	0014718		SWITCH,ROCKER,NGR,HIGH IDLE,OFF-ON	
16	0014719		SWITCH,ROCKER,NGR,LOW IDLE ADJ	
17	0014723		SWITCH,ROCKER,NGR,SANDERS	
18	0014725		SWITCH,ROCKER,NGR,SECONDARY SHIFT	
19	0014721		SWITCH,ROCKER,NGR,CRUISE ON/OFF	
20	0014722		SWITCH,ROCKER,NGR,CRUISE SET/RESUME	
NI	0014504		SOCKET ONLY,LIGHT,GAUGE,VDO	
NI	1151406		BULB,GE 194,2CP	
NI	0014503		RING,MTG,VDO,2.0625	
NI	0014502		RING,MTG,VDO,3.375	
NI	0002697		CONNECTOR,2 CIRC,RECP, .250 SER,MARK 1,	
NI	0002696		TERMINAL,RECP, .250 SER,14-18 GA,AMP	

Models: A3FE, A3RE, C1FE, C3FE, CSFE, CSRE, TCFE
PANEL
BSN: From CSN FE30076985 RE 10077010
 To CSN FE30181395 RE10181430 11-01-04

Key	PartNumber	Qty	Description	Comment
-----	------------	-----	-------------	---------



Models: A3FE, A3RE, C1FE, C3FE, CSFE, CSRE, TCFE
PANEL
BSN: From CSN FE30076985 RE 10077010
 To CSN FE30181395 RE10181430 11-01-04

Key	PartNumber	Qty	Description	Comment
1A	0026348		PANEL ASSY,INSTRUMENT,BLK W/GRAY,	A3FE, A3RE, C1FE, CSFE, HDRE, HDRE
1A	0026349		PANEL ASSY,INSTRUMENT,BLK,PURCHASED	TCFE ONLY
1A	0046289		PANEL ASSY,INSTR,BLK W/GRAY,PURCH,RHD,	A3RE-UK)
1B	0012193		PANEL ONLY,INSTRUMENT,WO/GUAGES &	A3FE, A3RE, C1FE, CSFE, HDRE, HDRE
1B	0012192		PANEL ONLY,INSTRUMENT,W/O GUAGES &	TCFE ONLY
1C	0029485		LIGHT BAR,TELLTALE INDICATOR,DISCRETE,6	
NI	0020282		DECAL,WARNING LIGHT OVERLAY,U.S.	
NI	0009666		DECAL,WARNING LIGHT OVERLAY,ISO	
1C	0046272		LIGHT BAR,TELLTALE,INDICATOR,DISC,RHD,UK	
NI	0016137		HARNESS,WRG,INSTR PANEL,DISCRETE	
1	0014499		GAUGE,TRANSMISSION OIL TEMP,VDO	
NI	0014504		SOCKET ONLY,LIGHT,GAUGE,VDO	
NI	1151406		BULB,GE 194,2CP	
NI	0014503		RING,MTG,VDO,2.0625	
NI	2545325		O-RING,136	
8	0014494		GAUGE,VOLTMETER,VDO	
NI	0014504		SOCKET ONLY,LIGHT,GAUGE,VDO	
NI	1151406		BULB,GE 194,2CP	
NI	0014503		RING,MTG,VDO,2.0625	
NI	2545325		O-RING,136	
9	0014493		GAUGE,AMMETER,VDO	
NI	0019098		SOCKET,BULB,GAUGE,VDO	
NI	2545325		O-RING,136	
2	0014495		GAUGE,AIR PRESSURE,VDO,FRONT	
NI	0014504		SOCKET ONLY,LIGHT,GAUGE,VDO	
NI	1151406		BULB,GE 194,2CP	
NI	0013628		GAUGE,AIR PRESSURE,VDO,DUAL	
NI	0006189	2	FITTING,QUICK CONNECT,90 DEG,FEMALE,	
NI	0905745		SEALANT,PIPE,LOCTITE 567,W/TEFLON 250CC	
NI	0020285		DECAL,AIR GAUGE,FRONT/REAR	
3	0014497		GAUGE,FUEL LEVEL,VDO	
NI	0014504		SOCKET ONLY,LIGHT,GAUGE,VDO	
NI	1151406		BULB,GE 194,2CP	

Models: A3FE, A3RE, C1FE, C3FE, CSFE, CSRE, TCFC
PANEL
BSN: From CSN FE30076985 RE 10077010
 To CSN FE30181395 RE10181430 11-01-04

Key	PartNumber	Qty	Description	Comment
NI	0014503		RING,MTG,VDO,2.0625	
NI	2545325		O-RING,136	
4	0014490		GAUGE,SPEEDOMETER,VDO,ENGLISH	
4	0014491		GAUGE,SPEEDOMETER,VDO,METRIC	
NI	0014504		SOCKET ONLY,LIGHT,GAUGE,VDO	
NI	1151406		BULB,GE 194,2CP	
NI	0014502		RING,MTG,VDO,3.375	
NI	2545473		O-RING,152	
NI	0083414		HARNES, SPEEDOMETER, PROGRAMMING, VDO,	
5	0014492		GAUGE,TACHOMETER,VDO	
NI	0014504		SOCKET ONLY,LIGHT,GAUGE,VDO	
NI	1151406		BULB,GE 194,2CP	
NI	0014502		RING,MTG,VDO,3.375	
NI	2545473		O-RING,152	
6	0014501		GAUGE,OIL PRESSURE,VDO	
NI	0014504		SOCKET ONLY,LIGHT,GAUGE,VDO	
NI	1151406		BULB,GE 194,2CP	
NI	0014503		RING,MTG,VDO,2.0625	
NI	2545325		O-RING,136	
7	0014500		GAUGE,ENGINE COOLANT TEMP,VDO	
NI	0014504		SOCKET ONLY,LIGHT,GAUGE,VDO	
NI	1151406		BULB,GE 194,2CP	
NI	0014503		RING,MTG,VDO,2.0625	
NI	2545325		O-RING,136	
8	0014494		GAUGE,VOLTMETER,VDO	
NI	0014504		SOCKET ONLY,LIGHT,GAUGE,VDO	
NI	1151406		BULB,GE 194,2CP	
NI	0014503		RING,MTG,VDO,2.0625	
NI	2545325		O-RING,136	
9	0014493		GAUGE,AMMETER,VDO	
NI	0019098		SOCKET,BULB,GAUGE,VDO	
NI	2545325		O-RING,136	
10	0014496		GAUGE,AIR PRESSURE,VDO,REAR	


Models: A3FE, A3RE, C1FE, C3FE, CSFE, CSRE, TCFE
PANEL
BSN: From CSN FE30076985 RE 10077010
 To CSN FE30181395 RE10181430 11-01-04

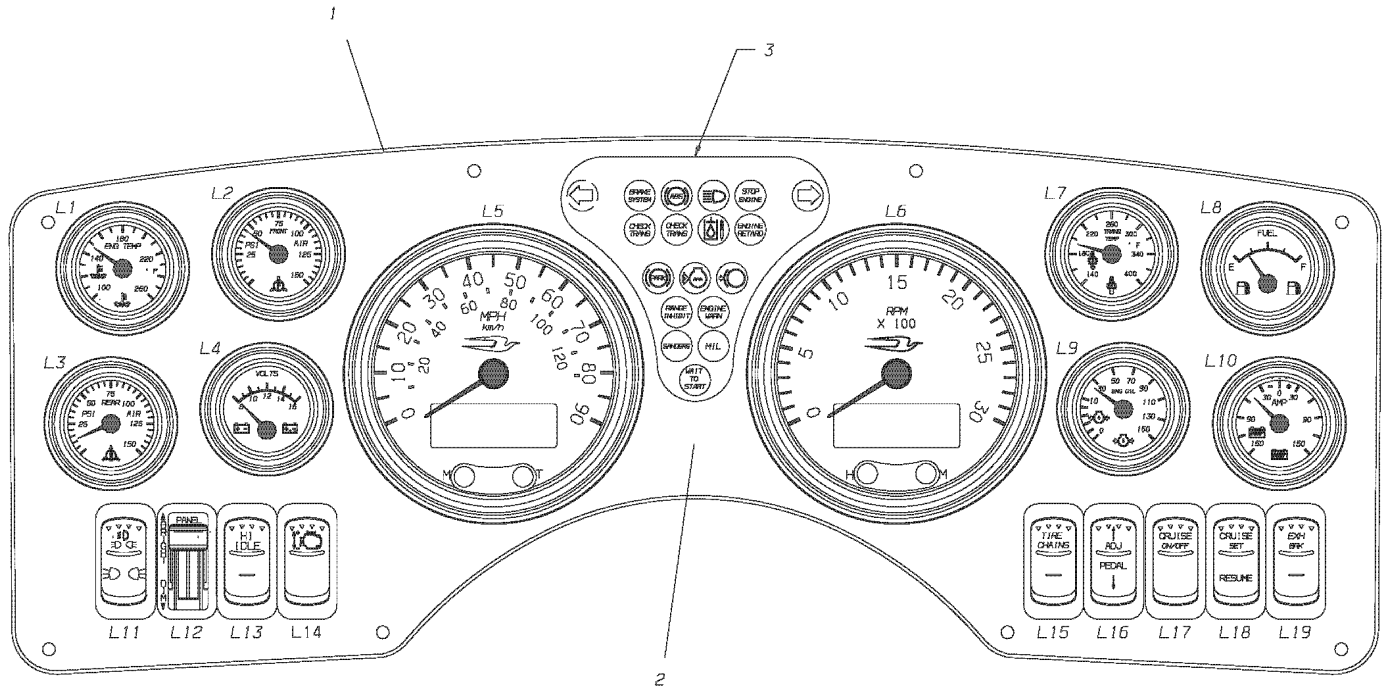
Key	PartNumber	Qty	Description	Comment
NI	0014504		SOCKET ONLY,LIGHT,GAUGE,VDO	
NI	1151406		BULB,GE 194,2CP	
NI	0013628		GAUGE,AIR PRESSURE,VDO,DUAL	
NI	0006189	2	FITTING,QUICK CONNECT,90 DEG,FEMALE,	
NI	0905745		SEALANT,PIPE,LOCTITE 567,W/TEFLON 250CC	
NI	0020285		DECAL,AIR GAUGE,FRONT/REAR	
11	1975382		CLOCK,12,VOLT DIGITAL,AA	
12	0023182		SWITCH,ROCKER,NGR,EXHAUST BRAKE"	
12	0074656		INDICATOR,WATER,IN FUEL	A3RE ONLY
13	0014715		SWITCH,ROCKER,NGR,HEADLIGHT	
14	0014716		SWITCH,DIMMER,SLIDE,NGR,PANEL DIMMER	
15	0014717		SWITCH,ROCKER,NGR,HIGH IDLE,OFF-MOM	CAT 3126B ONLY
15	0014718		SWITCH,ROCKER,NGR,HIGH IDLE,OFF-ON	
16	0014719		SWITCH,ROCKER,NGR,LOW IDLE ADJ	
17	0014723		SWITCH,ROCKER,NGR,SANDERS	
19	0014721		SWITCH,ROCKER,NGR,CRUISE ON/OFF	
20	0014722		SWITCH,ROCKER,NGR,CRUISE SET/RESUME	
NI	0020438		DECAL,EMBLEM OVERLAY	
			DECAL, WARNING LIGHT OVERLAY	

Models: A3FE, A3RE, C3FE
PANEL
BSN: From CSN FE30181395 RE10181430; 11-01-04
 To CSN 0235290 4-30-06

Key	PartNumber	Qty	Description	Comment
-----	------------	-----	-------------	---------

DR. 5-5-04	BY RR		0077815	
APP.	BY	FRT	REV	

© BLUE BIRD BODY COMPANY. ALL RIGHTS RESERVED. 

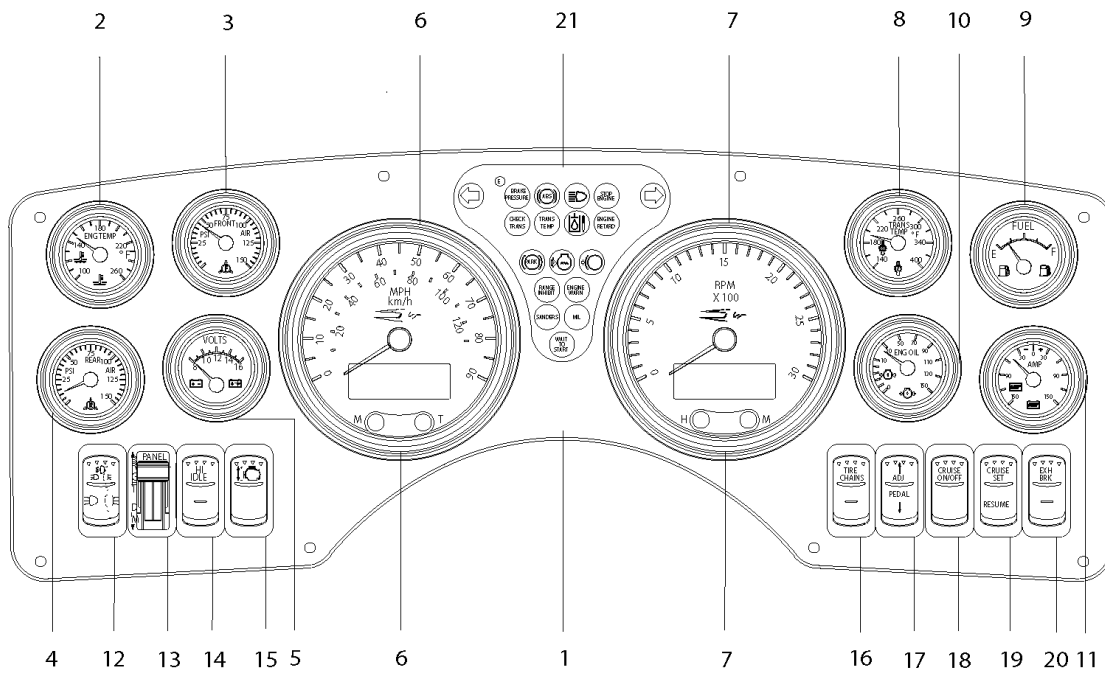


Models: A3FE, A3RE, C3FE
PANEL
BSN: From CSN FE30181395 RE10181430; 11-01-04
 To CSN 0235290 4-30-06

Key	PartNumber	Qty	Description	Comment
1	0077816		PANEL ASSY,INSTRUMENT,PURCHAS,ACTIA,	COMPLETE WITH GAUGES
2	0079104		PANEL,INSTRUMENT,BLACK,ACTIA GUAGES,	
3	0079105		MODULE,TELLTAIL,18 POSITION	
3	0079106		MODULE,WARNING BANK	
3	0079107		MODULE,TELLTAIL,FOAM DIVIDER	
3	0090689		DECAL,LIGHT,TELLTALE,18 POS,ENGLISH, A3	
3	0090690		DECAL,LIGHT,TELLTALE,18 POS,METRIC, A3	
L1	0057504		GAUGE,COOLANT TEMP,ACTIA	
L2	0057506		GAUGE,AIR PRESSURE,FRONT,ACTIA	
L3	0057507		GAUGE,AIR PRESSURE,REAR,ACTIA	
L4	0057505		GAUGE,VOLTMETER,ACTIA	
L5	0086739		KIT,SERVICE,GAUGE,SPEEDOMETER,ENGLISH,	
L5	0079092		GAUGE,SPEEDOMETER,METRIC,ACTIA	
L6	0057500		GAUGE,TACHOMETER,ACTIA	
L7	0057509		GAUGE,TRANSMISSION TEMP,ACTIA	
L8	0057501		GAUGE,FUEL LEVEL,ACTIA	
L9	0057503		GAUGE,OIL PRESSURE,ACTIA	
L1	0057511		GAUGE,AMMETER,ACTIA	
L1	0051024		SWITCH,BASE,NGR,SPKR,ON-ON-ON	
L1	0051039		ROCKER,NGR,HEAD/PARK LIGHTS	
L1	0027933		SWITCH,SLIDE,DIMMER,PANEL,GANG	
L1	0014717		SWITCH,ROCKER,NGR,HIGH IDLE,OFF-MOM	CAT C7
L1	0014718		SWITCH,ROCKER,NGR,HIGH IDLE,OFF-ON	CUMN ISC, JD 8.1)
L1	0014719		SWITCH,ROCKER,NGR,LOW IDLE ADJ	
L1	0087234		INDICATOR,LIGHT,NGR,EXHAUST FILTER	
L1	0083726		ROCKER,BUTTON,NGR,TIRE CHAINS	
L1	0027287		SWITCH,BASE,NGR,SPST,IND,OFF-ON	
L1	0038288		ROCKER,BUTTON,NGR,ADJ PEDAL	
L1	0027296		SWITCH,BASE,NGR,SPDT,MOM ON-OFF-MOM	
L1	0014721		SWITCH,ROCKER,NGR,CRUISE ON/OFF	
L1	0014722		SWITCH,ROCKER,NGR,CRUISE SET/RESUME	
L1	0023132		SINK,CENTURA,TWINSTAR,S929684-S DAWN	

Models: **A3FE, A3RE, C3FE**
PANEL
 BSN: **From CSN 0235291 5-1-06**
To CSN 0246529 1-7-07

Key	PartNumber	Qty	Description	Comment
-----	------------	-----	-------------	---------



Models: A3FE, A3RE, C3FE
PANEL
BSN: From CSN 0235291 5-1-06
 To CSN 0246529 1-7-07

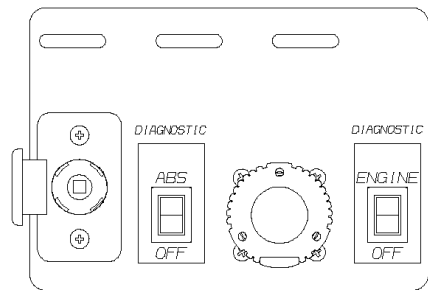
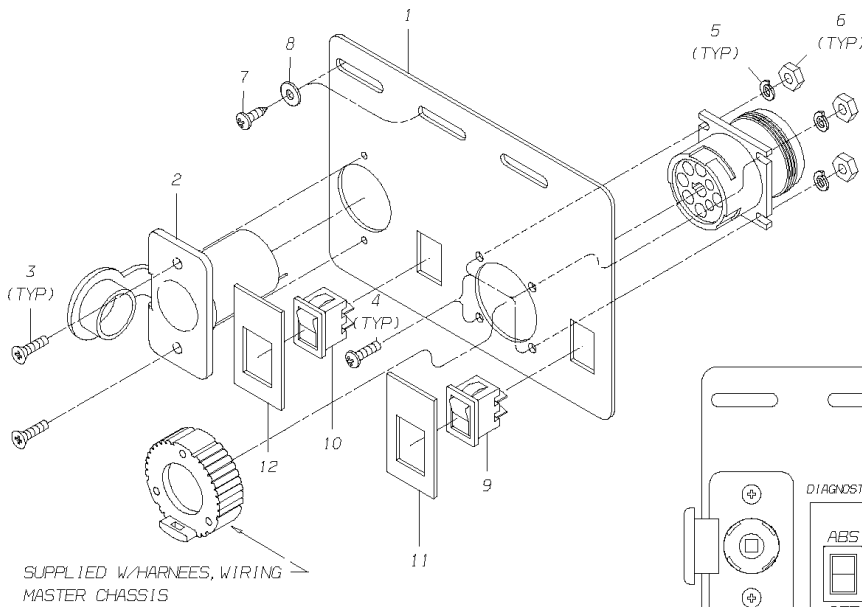
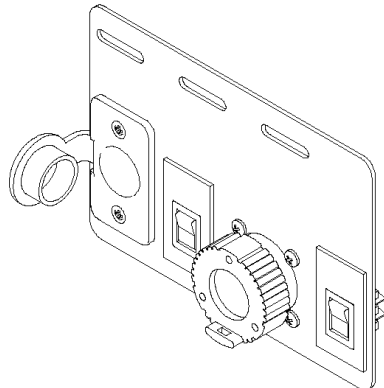
Key	PartNumber	Qty	Description	Comment
1	0101023		PANEL ASSY,INSTRUMENT,PURCHAS,ACTIA,	Panel with Gauges
2	0057504		GAUGE,COOLANT TEMP,ACTIA	STANDARD
3	0057506		GAUGE,AIR PRESSURE,FRONT,ACTIA	FEATURE 40070-06 THRU -08, A3FE/RE
3	0057506		GAUGE,AIR PRESSURE,FRONT,ACTIA	FEATURE 40070-09, A3RE
4	0057507		GAUGE,AIR PRESSURE,REAR,ACTIA	FEATURE 40070-06 THRU -08, A3FE/RE
4	0057507		GAUGE,AIR PRESSURE,REAR,ACTIA	FEATURE 40070-09
5	0057505		GAUGE,VOLTMETER,ACTIA	STANDARD
6	0079092		GAUGE,SPEEDOMETER,METRIC,ACTIA	FEATURE 40280-03
6	0079091		GAUGE,SPEEDOMETER,ENGLISH,ACTIA	FEATURE 40280-04
7	0057500		GAUGE,TACHOMETER,ACTIA	STANDARD
8	0057509		GAUGE,TRANSMISSION TEMP,ACTIA	FEATURE 40280-01
9	0057501		GAUGE,FUEL LEVEL,ACTIA	STANDARD
10	0057503		GAUGE,OIL PRESSURE,ACTIA	STANDARD
11	0057511		GAUGE,AMMETER,ACTIA	FEATURE 40280-02
12	0051021		SWITCH,BASE,NGR,DPDT,ON-OFF-ON	STANDARD
12	0051039		ROCKER,NGR,HEAD/PARK LIGHTS	STANDARD
13	0027933		SWITCH,SLIDE,DIMMER,PANEL,GANG	STANDARD
14	0014718		SWITCH,ROCKER,NGR,HIGH IDLE,OFF-ON	FEATURE 40181-03, -04,A3RE. 40184-03, --05, -08 THRU 16, A3RE.40187-09 THRU -14, A3FE/RE. 40187-15, -16,A3RE. 40187-17, -23,A3FE/RE. 40187-24 A3RE ONLY. 40170-01, 02
15	0014719		SWITCH,ROCKER,NGR,LOW IDLE ADJ	FEATURE 40184-03, -05, -08 THRU 16,A3RE
15	0087234		INDICATOR,LIGHT,NGR,EXHAUST FILTER	FEATURE 40187-16, A3RE
16	0083726		ROCKER,BUTTON,NGR,TIRE CHAINS	FEATURE 40390-05, -08
16	0027287		SWITCH,BASE,NGR,SPST,IND,OFF-ON	FEATURE 40390-05, -08
16	0051032		ROCKER,NGR,KNEEL	FEATURE 04569-00
16	0059226		SWITCH,BASE,NGR,SPDT,MOM ON-OFF-MOM	FEATURE 04569-00
16	0027422		INDICATOR,LUG DOOR	FEATURE 00164-01
17	0038288		ROCKER,BUTTON,NGR,ADJ PEDAL	FEATURE 40099-01,A3FE/RE
17	0027296		SWITCH,BASE,NGR,SPDT,MOM ON-OFF-MOM	FEATURE 40099-01,A3FE/RE
17	0091688		INDICATOR,LIGHT,NGR,KNEEL	FEATURE 04569-00
18	0014721		SWITCH,ROCKER,NGR,CRUISE ON/OFF	FEATURE 40098-01, A3FE/RE
19	0014722		SWITCH,ROCKER,NGR,CRUISE SET/RESUME	FEATURE 40098-01,A3FE/RE

Models: A3FE, A3RE, C3FE
PANEL
BSN: From CSN 0235291 5-1-06
 To CSN 0246529 1-7-07

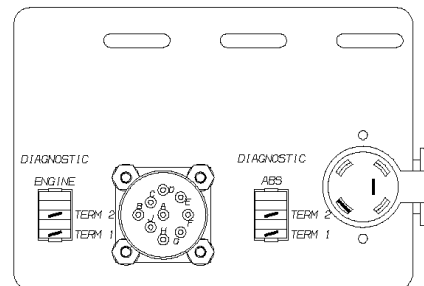
Key	PartNumber	Qty	Description	Comment
20	0023182		SWITCH,ROCKER,NGR,EXHAUST BRAKE"	FEATURE 40050-01,A3RE
20	0108836		SWITCH,ROCKER,NGR,VGT BRAKE	FEATURE 40050-03
21	0090690		DECAL,LIGHT,TELLTALE,18 POS,METRIC, A3	FEATURE 40280-03
21	0090689		DECAL,LIGHT,TELLTALE,18 POS,ENGLISH, A3	FEATURE 40280-04
NI	0079105		MODULE,TELLTAIL,18 POSITION	LED BOARD
NI	0079107		MODULE,TELLTAIL,FOAM DIVIDER	

Models: A3FE, A3RE, C1FE, TCFE, TSFE
PANEL
DIAGNOSTIC
With Features: FEATURE 30001

Key	PartNumber	Qty	Description	Comment
-----	------------	-----	-------------	---------



FRONT VIEW

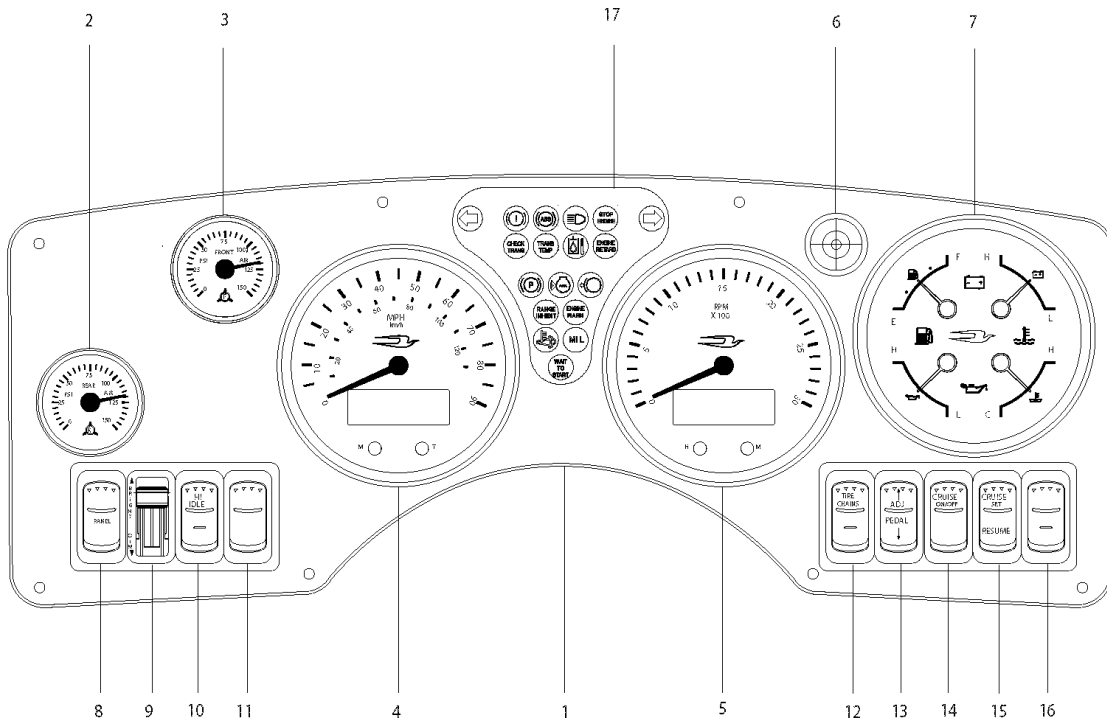


Models: A3FE, A3RE, C1FE, TCFE, TSFE
PANEL
DIAGNOSTIC
With Features: FEATURE 30001

Key	PartNumber	Qty	Description	Comment
1	0013564		BRACKET,MTG,DIAGN,MODEL 2000	
2	0016122		SOCKET,ACCESSORY POWER,W/CAP	FEATURE 30001
NI	1876572		PLUG,BUTTON,BLACK,DP-1093,HEYCO 2723	FEATURE 30001
3	0019126	2	SCREW,6-32 X 3/8,F,PH1,OVAL CNSH HD,BLK	FEATURE 30001
4	1903020	4	SCREW,MACH,6/32 X 1/2,PH1,PN HD,YEL ZN	
5	2001162	4	LOCKWASHER,SPLIT RING, 3/16,MED,YEL ZN	
6	1711191	4	NUT,HEX HD,6-32,YEL ZN DICH	
7	0019061	2	SCREW,10-32 X 1/2,F,PH1,PAN HD,BLACK ZINC	
8	0019062	2	WASHER,FLAT,13/64 X 1/2 X 3/64,BLACK ZINC	
9	0016138		SWITCH,ROCKER,ARCO,DIAGNOSTIC,OFF-ON	ISB/ISC
9	0016140		SWITCH,ROCKER,ARCO,DIAGNOSTIC,OFF-MOM	CAT 3126B, B5.9 CNG
9	6012066		SWITCH,BLANK,ARCO ELECTRIC	B5.9, C8.3, JD 6.8, JD 8.1
10	0016140		SWITCH,ROCKER,ARCO,DIAGNOSTIC,OFF-MOM	HYDRAULIC BRAKE W/ABS
10	6012066		SWITCH,BLANK,ARCO ELECTRIC	
11	0016141		DECAL,DIAGNOSTIC,ENGINE	ENDING 11-01-99
11	0016141		DECAL,DIAGNOSTIC,ENGINE	A3 ENDING WITH CSN 10043415
11	0016141		DECAL,DIAGNOSTIC,ENGINE	C1/TC ENDING WITH CSN 10043415
12	0016142		DECAL,DIAGNOSTIC,ABS	ENDING 11-01-99
12	0016142		DECAL,DIAGNOSTIC,ABS	A3 ENDING WITH CSN 10043415
12	0016142		DECAL,DIAGNOSTIC,ABS	C1/TCENDING WITH CSN 30043325
NI	0017747		DECAL,DIAGNOSTIC,BRACKET	BEGIN 11-02-99
NI	0017747		DECAL,DIAGNOSTIC,BRACKET	A3 BEGIN WITH CSN 10043416
NI	0017747		DECAL,DIAGNOSTIC,BRACKET	C1/TC BEGIN WITH CSN 30043326

Models: A3FE, A3RE, C3FE
PANEL
WITH 4-In-1
BSN: From CSN 0264530 1-8-07

Key	PartNumber	Qty	Description	Comment
-----	------------	-----	-------------	---------



Models: A3FE, A3RE, C3FE
PANEL
WITH 4-In-1
BSN: From CSN 0264530 1-8-07

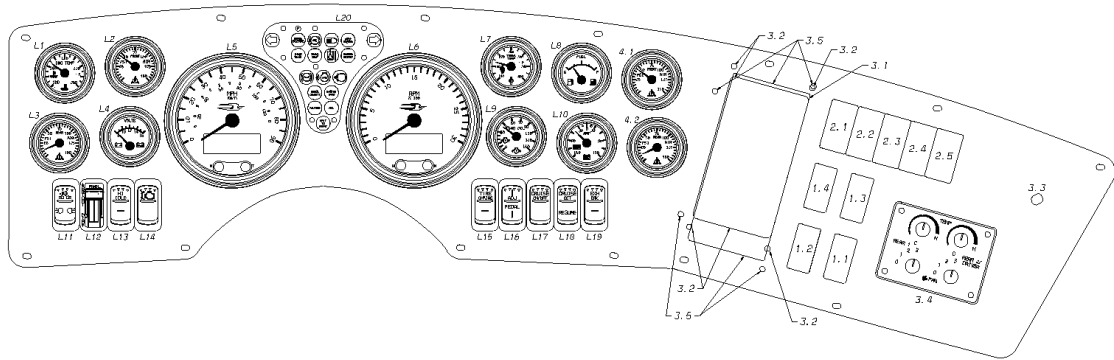
Key	PartNumber	Qty	Description	Comment
1	0109789		PANEL,INSTR,W/4-IN-1 GAUGE	
2	0110411		GAUGE,AIR PRESSURE,REAR,ACTIA	FEATURE 40070-06 THRU -08, A3FE/RE. WITH 4007-09, A3RE ONLY
3	0110410		GAUGE,AIR PRESSURE,FRONT,ACTIA	FEATURE 40070-06 THRU -08, A3FE/RE. WITH 40070-09, A3RE ONLY
4	0110408		GAUGE,SPEEDOMETER,METRIC,ACTIA	FEATURE 40280-03
4	0110407		GAUGE,SPEEDOMETER,ENGLISH,ACTIA	FEATURE 40280-04
5	0110409		GAUGE,TACHOMETER,ACTIA	STANDARD
6	0110424		BUZZER,INSTRUMENTATION,ACTIA	STANDARD
7	0109790		GAUGE,FUEL,OIL,VOLT,CLNT,ACTIA	STANDARD
8	0051021		SWITCH,BASE,NGR,DPDT,ON-OFF-ON	STANDARD
8	0051039		ROCKER,NGR,HEAD/PARK LIGHTS	STANDARD
9	0027933		SWITCH,SLIDE,DIMMER,PANEL,GANG	STANDARD
10	0014718		SWITCH,ROCKER,NGR,HIGH IDLE,OFF-ON	FEATURE 40181-03, -04, A3RE. WITH 40184-03, -05, -08 THRU 16, A3RE. WITH 40187-09 THRU 14, -17, -18, A3FE/RE. WITH 40187-15, -16, A3RE. WITH 40187-19 THRU 22, A3FE/RE
11	0014719		SWITCH,ROCKER,NGR,LOW IDLE ADJ	FEATURE 40184-03, -05, -08 THRU -16, A3RE
11	0087234		INDICATOR,LIGHT,NGR,EXHAUST FILTER	FEATURE 40187-16, A3RE ONLY
11	0087234		INDICATOR,LIGHT,NGR,EXHAUST FILTER	FEATURE 40187-19, A3FE/RE
12	0083726		ROCKER,BUTTON,NGR,TIRE CHAINS	FEATURE 40390-05, -08
12	0027287		SWITCH,BASE,NGR,SPST,IND,OFF-ON	FEATURE 40390-05, -08
12	0051032		ROCKER,NGR,KNEEL	FEATURE 04569-00
12	0059226		SWITCH,BASE,NGR,SPDT,MOM ON-OFF-MOM	FEATURE 04569-00
12	0027422		INDICATOR,LUG DOOR	FEATURE 00164-01
13	0038288		ROCKER,BUTTON,NGR,ADJ PEDAL	FEATURE 40099-01, A3FE/RE
13	0027296		SWITCH,BASE,NGR,SPDT,MOM ON-OFF-MOM	FEATURE 40099-01, A3FE/RE
13	0091688		INDICATOR,LIGHT,NGR,KNEEL	FEATURE 04569-00
14	0014721		SWITCH,ROCKER,NGR,CRUISE ON/OFF	FEATURE 40098-01, A3FE/RE
15	0014722		SWITCH,ROCKER,NGR,CRUISE SET/RESUME	FEATURE 40098-01, A3FE/RE
16	0023182		SWITCH,ROCKER,NGR,EXHAUST BRAKE"	FEATURE 40050-01, A3FE/RE
16	0108836		SWITCH,ROCKER,NGR,VGT BRAKE	FEATURE 40050-03
17	0109791		DECAL,LIGHT,TELLTALE,18 POS,METRIC,A3	FEATURE 40280-03
17	0109792		DECAL,LIGHT,TELLTALE,18 POS,ENGLISH,A3	FEATURE 40280-04

Models: A3FE, A3RE, C3FE
PANEL
WITH 4-In-1
BSN: From CSN 0264530 1-8-07

Key	PartNumber	Qty	Description	Comment
17	0110337		MODULE,WARNING BANK,W/ AIR BRAKE,ACTIA,	<i>FEATURE 40070-06, A3FE/RE</i>
17	0110337		MODULE,WARNING BANK,W/ AIR BRAKE,ACTIA,	<i>FEATURE 40070-09,A3RE</i>
17	0110490		MODULE,WARNING BANK,W/ HYD BRAKES,	<i>FEATURE 40071-05, A3FE</i>

Models: A3FE, A3RE
PANEL WITH AC
With Features: FEATURE 30006 AND 30007

Key	PartNumber	Qty	Description	Comment
-----	------------	-----	-------------	---------



Models: A3FE, A3RE
PANEL WITH AC
With Features: FEATURE 30006 AND 30007

Key	PartNumber	Qty	Description	Comment
1	0086105		PANEL ASSY,INSTRUMENT,DASH,W/AC OPTION,	<i>WITH AC OPTION. COMPLETE WITH GAUGES</i>
1	0105908		PANEL,INSTRUMENT,W/A/C CUTOUT,SERVICE	<i>ORDER BY BODY NUMBER</i>
1.1	0027328		ROCKER,BUTTON,NGR,DOOR,SERVICE	
1.1	0042456		SWITCH,BASE,NGR,DPDT,MOM ON-OFF-MOM	<i>FEAT 30978-06</i>
1.1	0042458		SWITCH,BASE,NGR,SPDT,MOM ON-OFF-MOM	<i>FEAT 30978-04</i>
1.1	0042457		SWITCH,BASE,NGR,DPST,ON-ON-ON,BLUE	<i>FEAT 30978-07</i>
1.2	0027329		ROCKER,BUTTON,NGR,DOOR,EXIT	
1.2	0027296		SWITCH,BASE,NGR,SPDT,MOM ON-OFF-MOM	<i>FEAT 00472, 00475</i>
1.3	0027289		SWITCH,BASE,NGR,SPST,OFF-MOM ON	
1.3	0027305		ROCKER,BUTTON,NGR,CROSS ARM,CANCEL	<i>FEAT 30227-01</i>
1.3	0027303		ROCKER,BUTTON,NGR,STOP ARM CANCEL	<i>FEAT 30227-02</i>
1.3	0027306		ROCKER,BUTTON,NGR,STOP/CROSS ARM,	<i>FEAT 30227-03</i>
1.3	0027285		SWITCH,BASE,NGR,SPST,ON-ON,HIGH	
1.3	0027308		ROCKER,BUTTON,NGR,CROSS ARM,LIGHT	<i>FEAT 30286-03</i>
*2	0027287		SWITCH,BASE,NGR,SPST,IND,OFF-ON	
*2	0027581		ROCKER,BUTTON,NGR,W/L,MASTER,RED	<i>FEATURE 30218-01</i>
*2	0027299		ROCKER,BUTTON,NGR,W/L,MASTER,GREEN	<i>FEATURE 30218-02</i>
*2	0027293		SWITCH,BASE,NGR,SPST,ON-MOM-OFF	
*2	0027650		ROCKER,BUTTON,NGR,W/L,CANCEL	<i>FEATURE 30218-03</i>
*2	0027290		SWITCH,BASE,NGR,DPST,OFF-ON,RED	
*2	0027302		ROCKER,BUTTON,NGR,W/L,EMERGENCY	<i>FEATURE 30222-04</i>
*2	0027714		SWITCH,BASE,NGR,DPST,OFF-MOM ON,RED	
*2	0027302		ROCKER,BUTTON,NGR,W/L,EMERGENCY	<i>FEATURE 30222-05</i>
*2	0027295		SWITCH,BASE,NGR,SPST,OFF-MOM ON,AMBER	
*2	0027300		ROCKER,BUTTON,NGR,W/L,START	<i>FEATURE 30225-01</i>
*2	0046646		SWITCH,BASE,NGR,SPDT,ON-OFF-ON	
*2	0027301		ROCKER,BUTTON,NGR,W/L,SELECT START	<i>FEATURE 30225-04</i>
*2	0027335		INDICATOR,W/L,MONITOR,RED	<i>FEATURE 30195-05, 30195-06, 30228-01</i>
*2	0027334		INDICATOR,W/L,RED/AMBER	<i>FEATURE 30228-02</i>
*2	0027477		INDICATOR,W/L,MONITOR,AMBER	<i>FEATURE 30228-03</i>
3.1			PUSH BUTTON SHIFT SELECTOR, SEE GROUP	
3.2			HANDLE SHIFT SELECTOR, SEE GROUP 160	
3.3			HEATER WATER REGULATING VALVE SEE	

Models: A3FE, A3RE
PANEL WITH AC
With Features: FEATURE 30006 AND 30007

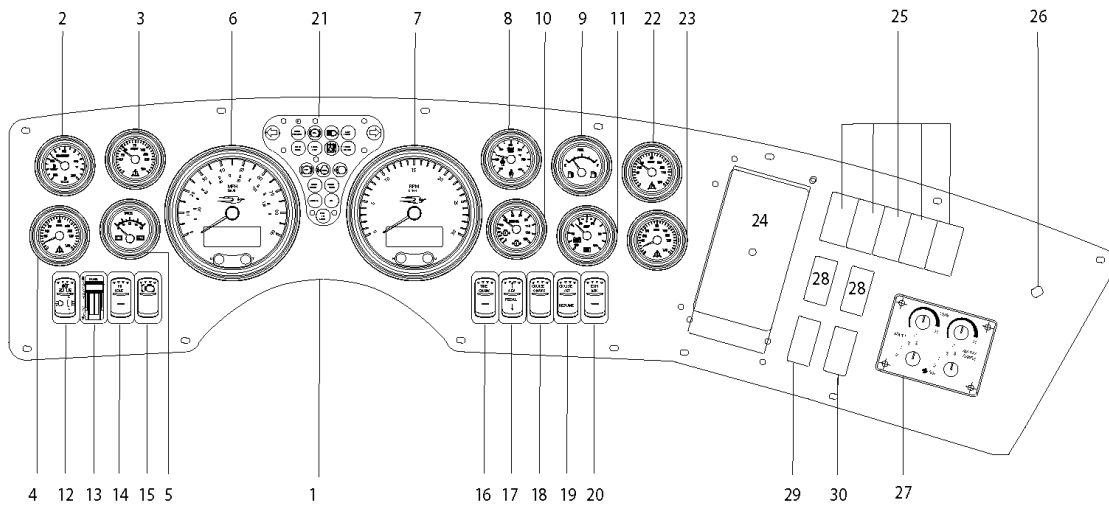
Key	PartNumber	Qty	Description	Comment
3.4			A/C CONTROL PANEL SEE GROUP 370	
3.5			SHIFT SELECTOR, SEE GROUP 160	
4.1	0090543		GAUGE,AIR,RESTRICTION,VDO	FEATURE 40280-11
4.5	0095058		KIT,ASSY,AIR GAUGE,HYD BRAKES/AIR SUSP	FEATURE 40280-12
L1	0057504		GAUGE,COOLANT TEMP,ACTIA	
L2	0057506		GAUGE,AIR PRESSURE,FRONT,ACTIA	FEATURE 40070-06, 07, 08, 09
L3	0057507		GAUGE,AIR PRESSURE,REAR,ACTIA	FEATURE 40070-06, 07, 08, 09
L4	0057505		GAUGE,VOLTMETER,ACTIA	
L5			GAUGE, SPEEDOMETER	
L5	0086739		KIT,SERVICE,GAUGE,SPEEDOMETER,ENGLISH,	FEATURE 4028004
L5	0079092		GAUGE,SPEEDOMETER,METRIC,ACTIA	FEATURE 4028003
L6	0057500		GAUGE,TACHOMETER,ACTIA	
L7	0057509		GAUGE,TRANSMISSION TEMP,ACTIA	FEATURE 4028001
L8	0057501		GAUGE,FUEL LEVEL,ACTIA	
L9	0057503		GAUGE,OIL PRESSURE,ACTIA	
L1	0057511		GAUGE,AMMETER,ACTIA	FEATURE 4028002
L1	0051024		SWITCH,BASE,NGR,SPKR,ON-ON-ON	
L1	0051039		ROCKER,NGR,HEAD/PARK LIGHTS	
L1	0027933		SWITCH,SLIDE,DIMMER,PANEL,GANG	
L1	0014717		SWITCH,ROCKER,NGR,HIGH IDLE,OFF-MOM	CAT C7)
L1	0014718		SWITCH,ROCKER,NGR,HIGH IDLE,OFF-ON	CUMN ISC, JD 8.1
L1	0014719		SWITCH,ROCKER,NGR,LOW IDLE ADJ	
L1	0087234		INDICATOR,LIGHT,NGR,EXHAUST FILTER	
L1	0083726		ROCKER,BUTTON,NGR,TIRE CHAINS	FEATURE 40390-05
L1	0027287		SWITCH,BASE,NGR,SPST,IND,OFF-ON	FEATURE 40390-05
L1	0051032		ROCKER,NGR,KNEEL	FEATURE 04569
L1	0059226		SWITCH,BASE,NGR,SPDT,MOM ON-OFF-MOM	FEATURE 04569-02
L1	0027422		INDICATOR,LUG DOOR	OPTION 00164-01
L1	0038288		ROCKER,BUTTON,NGR,ADJ PEDAL	FEATURE 4009901
L1	0027296		SWITCH,BASE,NGR,SPDT,MOM ON-OFF-MOM	FEATURE 4009901
L1	0091688		INDICATOR,LIGHT,NGR,KNEEL	FEATURE 04569
L1	0014721		SWITCH,ROCKER,NGR,CRUISE ON/OFF	FEATURE 40098-01
L1	0014722		SWITCH,ROCKER,NGR,CRUISE SET/RESUME	FEATURE 40098-01
				FEATURE 40050-01

Models: A3FE, A3RE
PANEL WITH AC
With Features: FEATURE 30006 AND 30007

Key	PartNumber	Qty	Description	Comment
L1	0023132		SINK,CENTURA,TWINSTAR,S929684-S DAWN	
L2	0079105		MODULE,TELLTAIL,18 POSITION	
L2	0079106		MODULE,WARNING BANK	
L2	0079107		MODULE,TELLTAIL,FOAM DIVIDER	
L2	0090689		DECAL,LIGHT,TELLTALE,18 POS,ENGLISH, A3	
L2	0090690		DECAL,LIGHT,TELLTALE,18 POS,METRIC, A3	

Models: A3FE, A3RE, C3FE
PANEL WITH AC
BSN: From CSN 0235291 5-1-06
 To CSN 0246529 1-7-07

Key	PartNumber	Qty	Description	Comment
-----	------------	-----	-------------	---------



Models: A3FE, A3RE, C3FE
PANEL WITH AC
BSN: From CSN 0235291 5-1-06
 To CSN 0246529 1-7-07

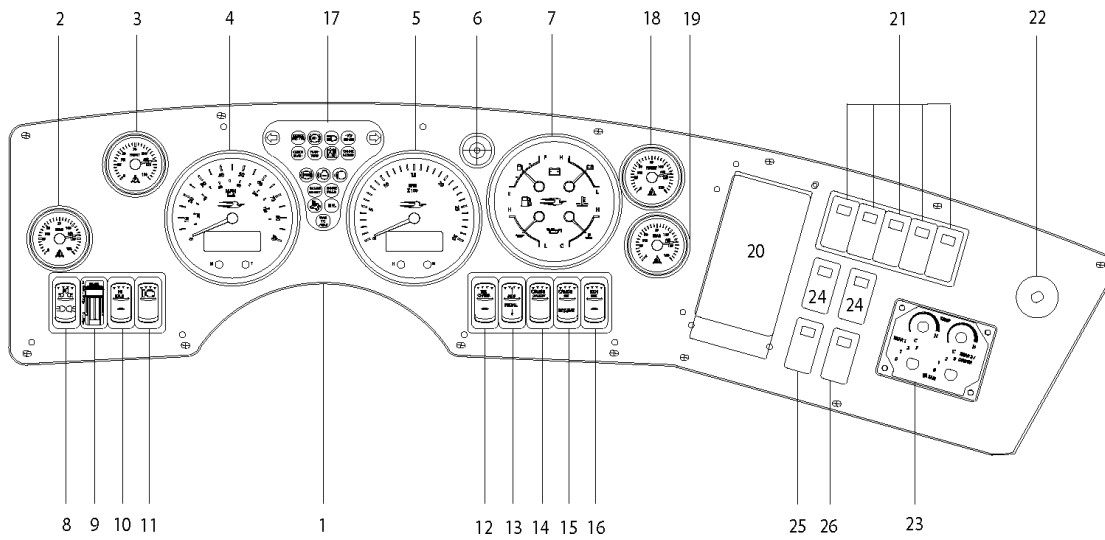
Key	PartNumber	Qty	Description	Comment
1	0103547		PANEL ASSY,INSTRUMENT,DASH W/AC OPTION	A3
1	0085244		PANEL,INSTRUMENT,GENERIC,W/AC,CUTOUPS	A3
1	0027347		BEZEL,END,NGR,SWITCH PANEL	AS REQUIRED
1	0027348		BEZEL,CENTER,NGR,SWITCH PANEL	AS REQUIRED
2	0057504		GAUGE,COOLANT TEMP,ACTIA	STANDARD
3	0057506		GAUGE,AIR PRESSURE,FRONT,ACTIA	FEATURE 40070-06 THRU -08, A3FE/RE. WITH 40070-09, A3RE
4	0057507		GAUGE,AIR PRESSURE,REAR,ACTIA	FEATURE 40070-06 THRU -08, A3FE/RE. WITH 40070-09, A3RE
5	0057505		GAUGE,VOLTMETER,ACTIA	STANDARD
6	0079091		GAUGE,SPEEDOMETER,ENGLISH,ACTIA	FEATURE 40280-04
6	0079092		GAUGE,SPEEDOMETER,METRIC,ACTIA	FEATURE 40280-03
7	0057500		GAUGE,TACHOMETER,ACTIA	STANDARD
8	0057509		GAUGE,TRANSMISSION TEMP,ACTIA	FEATURE 40280-01
9	0057501		GAUGE,FUEL LEVEL,ACTIA	STANDARD
10	0057503		GAUGE,OIL PRESSURE,ACTIA	STANDARD
11	0057511		GAUGE,AMMETER,ACTIA	FEATURE 40280-02
12	0051021		SWITCH,BASE,NGR,DPDT,ON-OFF-ON	STANDARD
12	0051039		ROCKER,NGR,HEAD/PARK LIGHTS	STANDARD
13	0027933		SWITCH,SLIDE,DIMMER,PANEL,GANG	STANDARD
14	0014718		SWITCH,ROCKER,NGR,HIGH IDLE,OFF-ON	FEATURE 40181-03, -04, A3RE. WITH 40184-03, -05, -08 THRU -16, A3RE. 40187-09 THRU 14, A3FE/RE. WITH 40187, -18 THRU -23, A3FE/RE. WITH 40187-17 THRU 22, A3FE/RE
15	0014719		SWITCH,ROCKER,NGR,LOW IDLE ADJ	FEATURE 40184-03, -05, -08 THRU -16.
15	0087234		INDICATOR,LIGHT,NGR,EXHAUST FILTER	FEATURE 40187-16, A3RE. WITH 40187-19, A3FE/RE
16	0083726		ROCKER,BUTTON,NGR,TIRE CHAINS	FEATURE 40390-05, -08
16	0027287		SWITCH,BASE,NGR,SPST,IND,OFF-ON	FEATURE 40390-05, -08
16	0051032		ROCKER,NGR,KNEEL	FEATURE 04569-00
16	0059226		SWITCH,BASE,NGR,SPDT,MOM ON-OFF-MOM	FEATURE 04569-00
16	0027422		INDICATOR,LUG DOOR	FEATURE 00164-01
17	0038288		ROCKER,BUTTON,NGR,ADJ PEDAL	FEATURE 40099-01, A3FE/RE
17	0027296		SWITCH,BASE,NGR,SPDT,MOM ON-OFF-MOM	FEATURE 40099-01, A3FE/RE
17	0091688		INDICATOR,LIGHT,NGR,KNEEL	FEATURE 04569-00
				FEATURE 40098-01, A3FE/RE

Models: A3FE, A3RE, C3FE
PANEL WITH AC
BSN: From CSN 0235291 5-1-06
 To CSN 0246529 1-7-07

Key	PartNumber	Qty	Description	Comment
18	0014721		SWITCH,ROCKER,NGR,CRUISE ON/OFF	
19	0014722		SWITCH,ROCKER,NGR,CRUISE SET/RESUME	FEATURE 40098-01 A3FE/RE
20	0023182		SWITCH,ROCKER,NGR,EXHAUST BRAKE"	FEATURE 40050-01, A3RE
20	0108836		SWITCH,ROCKER,NGR,VGT BRAKE	FEATURE 40050-03
21	0090690		DECAL,LIGHT,TELLTALE,18 POS,METRIC, A3	FEATURE 40280-03
21	0090689		DECAL,LIGHT,TELLTALE,18 POS,ENGLISH, A3	FEATURE 40280-04
22	0063530		KIT,GAUGE,APPLIED AIR	FEATURE 40280-05
22	0060669		GAUGE,AIR PRESSURE,FRONT,APPLIED,ACTIA	
	0062695		MODULE,CONTROL,TELLTALE,APPLIED AIR	
	0062732		HARNES,WRG,LIN BUS,APPLIED AIR	
23	0060670		GAUGE,AIR PRESSURE,REAR,APPLIED,ACTIA	
	0062695		MODULE,CONTROL,TELLTALE,APPLIED AIR	
	0062732		HARNES,WRG,LIN BUS,APPLIED AIR	
24				See Goup 160 Transmission
25				See group 80 Electrical
26			HEATER WATER REGULATING VALVE	See Group 370 Heaters
27			ELECTRONIC CLIMATE CONTROL	See Group 370 Heaters
28	0027305		ROCKER,BUTTON,NGR,CROSS ARM,CANCEL	FEATURE 30227-01
28	0027303		ROCKER,BUTTON,NGR,STOP ARM CANCEL	FEATURE 30227-02
28	0027289		SWITCH,BASE,NGR,SPST,OFF-MOM ON	FEATURE 30227-03
28	0027308		ROCKER,BUTTON,NGR,CROSS ARM,LIGHT	FEATURE 30286-03
28	0027285		SWITCH,BASE,NGR,SPST,ON-ON,HIGH	FEATURE 30286-03
29	0027329		ROCKER,BUTTON,NGR,DOOR,EXIT	FEATURE 0472, 0475
29	0027296		SWITCH,BASE,NGR,SPDT,MOM ON-OFF-MOM	FEATURE 0472, 0475
30	0027328		ROCKER,BUTTON,NGR,DOOR,SERVICE	FEATURE 30978-04, -16, -07
30	0042456		SWITCH,BASE,NGR,DPDT,MOM ON-OFF-MOM	FEATURE 30978-06
30	0042458		SWITCH,BASE,NGR,SPDT,MOM ON-OFF-MOM	FEATURE 30978-04
30	0027296		SWITCH,BASE,NGR,SPDT,MOM ON-OFF-MOM	FEATURE 30978-07

Models: A3FE, A3RE, C3FE
PANEL
WITH AC WITH 4-In-1
BSN: From CSN 0264530 1-8-07

Key	PartNumber	Qty	Description	Comment
-----	------------	-----	-------------	---------



Models: A3FE, A3RE, C3FE
PANEL
WITH AC WITH 4-In-1
BSN: From CSN 0264530 1-8-07

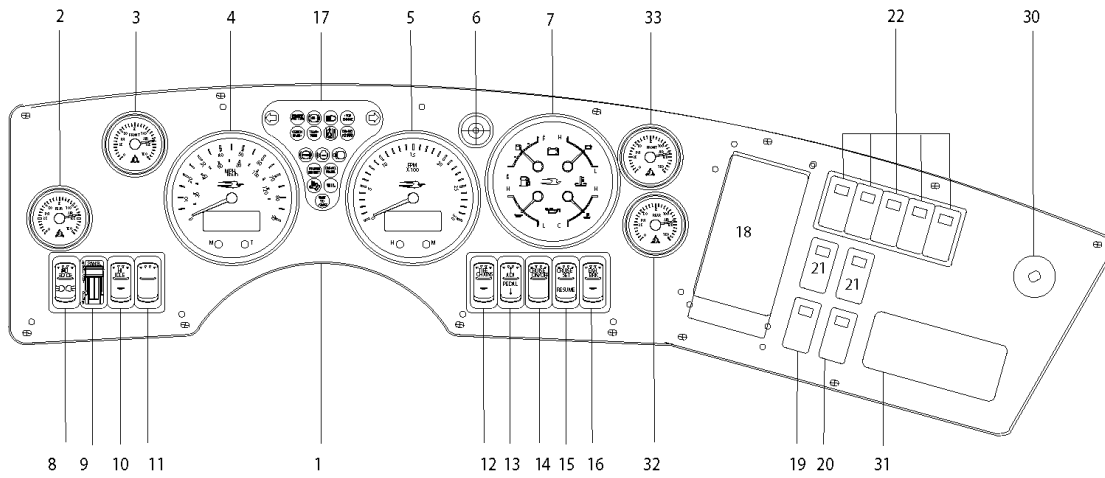
Key	PartNumber	Qty	Description	Comment
1	0109783		PANEL ASSY, INSTR, DASH W/4-IN-1, W/AC OPT,	A3
1	0109786		PANEL, INSTR, GENERIC, W/4-IN-1, W/AC OPT	A3
1	0027347		BEZEL, END, NGR, SWITCH PANEL	AS REQUIRED
1	0027348		BEZEL, CENTER, NGR, SWITCH PANEL	AS REQUIRED
2	0110411		GAUGE, AIR PRESSURE, REAR, ACTIA	FEATURE 40070-06 THRU -08, A3FE/RE. WITH 40070-09, A3RE
3	0110410		GAUGE, AIR PRESSURE, FRONT, ACTIA	FEATURE 40070-06 THRU -08, A3FE/RE. WITH 40070-09, A3RE
4	0110407		GAUGE, SPEEDOMETER, ENGLISH, ACTIA	FEATURE 40280-04
4	0110408		GAUGE, SPEEDOMETER, METRIC, ACTIA	FEATURE 40280-03
5	0110409		GAUGE, TACHOMETER, ACTIA	STANDARD
6	0110424		BUZZER, INSTRUMENTATION, ACTIA	STANDARD
7	0109790		GAUGE, FUEL, OIL, VOLT, CLNT, ACTIA	STANDARD
8	0051021		SWITCH, BASE, NGR, DPDT, ON-OFF-ON	STANDARD
8	0051039		ROCKER, NGR, HEAD/PARK LIGHTS	STANDARD
9	0027933		SWITCH, SLIDE, DIMMER, PANEL, GANG	STANDARD
10	0014718		SWITCH, ROCKER, NGR, HIGH IDLE, OFF-ON	FEATURE 40181-03, -04, A3RE. WITH 40184-03,, -05,, -08 THRU -06, 40187-15, -16, -24, A3RE ONLY. WITH 40187-09 THRU -14, -17, -18 THRU -23, A3FE/RE. WITH 40170-01, -02 THRU -07
11	0014719		SWITCH, ROCKER, NGR, LOW IDLE ADJ	FEATURE 40184-03, -05, , -08 THRU -16, A3RE
11	0087234		INDICATOR, LIGHT, NGR, EXHAUST FILTER	FEATURE 40187-16, A3RE. WITH 40187-19, A3FE/RE
12	0083726		ROCKER, BUTTON, NGR, TIRE CHAINS	FEATURE 40390-05, -08
12	0027287		SWITCH, BASE, NGR, SPST, IND, OFF-ON	FEATURE 40390-05, -08
12	0051032		ROCKER, NGR, KNEEL	FEATURE 04569-00
12	0059226		SWITCH, BASE, NGR, SPDT, MOM ON-OFF-MOM	FEATURE 04569-00
12	0027422		INDICATOR, LUG DOOR	FEATURE 00164-01
13	0038288		ROCKER, BUTTON, NGR, ADJ PEDAL	FEATURE 40099-01, A3FE/RE
13	0091688		INDICATOR, LIGHT, NGR, KNEEL	FEATURE 04569-00
14	0014721		SWITCH, ROCKER, NGR, CRUISE ON/OFF	FEATURE 40098-01, A3FE/RE
15	0014722		SWITCH, ROCKER, NGR, CRUISE SET/RESUME	FEATURE 40098-01, A3FE/RE
16	0023182		SWITCH, ROCKER, NGR, EXHAUST BRAKE"	FEATURE 40050-01, A3FE/RE
16	0108836		SWITCH, ROCKER, NGR, VGT BRAKE	FEATURE 40050-03
17	0109791		DECAL, LIGHT, TELLTALE, 18 POS, METRIC, A3	FEATURE 40280-03 FEATURE 40280-04

Models: A3FE, A3RE, C3FE
PANEL
WITH AC WITH 4-In-1
BSN: From CSN 0264530 1-8-07

Key	PartNumber	Qty	Description	Comment
17	0109792		DECAL,LIGHT,TELLTALE,18 POS,ENGLISH,A3	
17	0110337		MODULE,WARNING BANK,W/ AIR BRAKE,ACTIA,	FEATURE 40070-06, A3FE/RE. WITH 40070-09, A3RE ONLY
17	0110490		MODULE,WARNING BANK,W/ HYD BRAKES,	FEATURE 40071-05, A3FE
18	0063530		KIT,GAUGE,APPLIED AIR	FEATURE 40280-05
18	0110412		GAUGE,AIR PRESSURE,FRONT,APPLIED,ACTIA	
	0062695		MODULE,CONTROL,TELLTALE,APPLIED AIR	
	0062732		HARNES,WRG,LIN BUS,APPLIED AIR	
19	0110413		GAUGE,AIR PRESSURE,REAR,APPLIED,ACTIA	
	0062695		MODULE,CONTROL,TELLTALE,APPLIED AIR	
	0062732		HARNES,WRG,LIN BUS,APPLIED AIR	
20				See Goup 160 Transmission
21				See group 80 Electrical
22			HEATER WATER REGULATING VALVE	See Group 370 Heaters
23			ELECTRONIC CLIMATE CONTROL	See Group 370 Heaters
24	0027305		ROCKER,BUTTON,NGR,CROSS ARM,CANCEL	FEATURE 30227-01
24	0027303		ROCKER,BUTTON,NGR,STOP ARM CANCEL	FEATURE 30227-02
24	0027289		SWITCH,BASE,NGR,SPST,OFF-MOM ON	FEATURE 30227-01, -02
24	0027308		ROCKER,BUTTON,NGR,CROSS ARM,LIGHT	FEATURE 30286-03
24	0027285		SWITCH,BASE,NGR,SPST,ON-ON,HIGH	FEATURE 30286-03
25	0027329		ROCKER,BUTTON,NGR,DOOR,EXIT	FEATURE 472, 475
25	0027296		SWITCH,BASE,NGR,SPDT,MOM ON-OFF-MOM	FEATURE 472, 475
26	0027328		ROCKER,BUTTON,NGR,DOOR,SERVICE	FEATURE 30978-04, -06, -07
26	0042456		SWITCH,BASE,NGR,DPDT,MOM ON-OFF-MOM	FEATURE 30978-06
26	0042458		SWITCH,BASE,NGR,SPDT,MOM ON-OFF-MOM	FEATURE 30978-04
26	0042457		SWITCH,BASE,NGR,DPST,ON-ON-ON,BLUE	FEATURE 30978-07

Models: A3FE, A3RE, C3FE
PANEL
WITH AC WITH 4-In-1, EEC
BSN: From CSN 0264530 1-8-07

Key	PartNumber	Qty	Description	Comment
-----	------------	-----	-------------	---------



Models: A3FE, A3RE, C3FE
PANEL
WITH AC WITH 4-In-1, EEC
BSN: From CSN 0264530 1-8-07

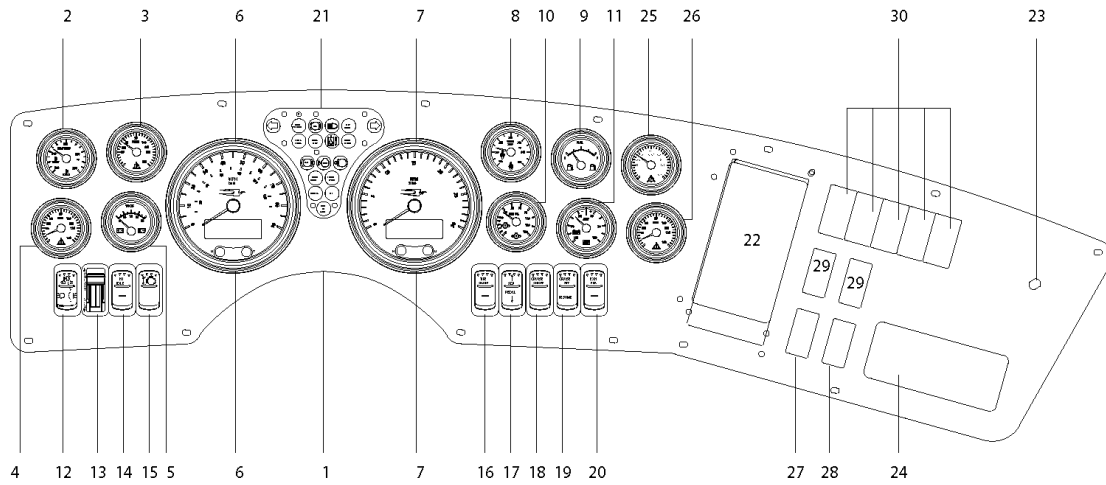
Key	PartNumber	Qty	Description	Comment
1	0109774		PANEL ASSY, INSTR, DASH, W/AC, W/ECC, CNTR	Panel with Gauges
	0109784		PANEL, INSTR, W/4-IN-1, W/ACC, W/ECC CNTRL	Panel with out Gauges
2	0110411		GAUGE, AIR PRESSURE, REAR, ACTIA	FEATURE 40070-06 THRU -08, A3FE/RE. WITH 40070-09, A3RE ONLY
3	0110410		GAUGE, AIR PRESSURE, FRONT, ACTIA	FEATURE 40070-06 THRU -08, A3FE/RE. WITH 40070-09, A3RE ONLY
4	0110407		GAUGE, SPEEDOMETER, ENGLISH, ACTIA	FEATURE 40280-04
4	0110408		GAUGE, SPEEDOMETER, METRIC, ACTIA	FEATURE 40280-03
5	0110409		GAUGE, TACHOMETER, ACTIA	STANDARD
6	0110424		BUZZER, INSTRUMENTATION, ACTIA	STANDARD
7	0109790		GAUGE, FUEL, OIL, VOLT, CLNT, ACTIA	STANDARD
8	0051021		SWITCH, BASE, NGR, DPDT, ON-OFF-ON	STANDARD
8	0051039		ROCKER, NGR, HEAD/PARK LIGHTS	STANDARD
9	0027933		SWITCH, SLIDE, DIMMER, PANEL, GANG	STANDARD
10	0014718		SWITCH, ROCKER, NGR, HIGH IDLE, OFF-ON	FEATURE 40181-03, -04. WITH 40184-03, -05, -08 THRU -16, A3RE. WITH 40187-09 THRU -14, -17, -18 THRU -23. WITH 40179 -01, -03 THRU -07. WITH 40179 -08 THRU -12, A3FE/RE, A3RE/RE
11	0014719		SWITCH, ROCKER, NGR, LOW IDLE ADJ	FEATURE 40184-03, -05, -08 THRU -16, A3RE
11	0087234		INDICATOR, LIGHT, NGR, EXHAUST FILTER	FEATURE 40187-16, A3RE
12	0083726		ROCKER, BUTTON, NGR, TIRE CHAINS	FEATURE 40390-05, -08
12	0027287		SWITCH, BASE, NGR, SPST, IND, OFF-ON	FEATURE 40390-05, -08
12	0051032		ROCKER, NGR, KNEEL	FEATURE 04569-00
12	0027422		INDICATOR, LUG DOOR	FEATURE 00164-01
13	0038288		ROCKER, BUTTON, NGR, ADJ PEDAL	FEATURE 40099-01, A3FE/RE
13	0027296		SWITCH, BASE, NGR, SPDT, MOM ON-OFF-MOM	FEATURE 40099-01, A3FE/RE
13	0091688		INDICATOR, LIGHT, NGR, KNEEL	FEATURE 04569-00
14	0014721		SWITCH, ROCKER, NGR, CRUISE ON/OFF	FEATURE 40098-01, A3FE/RE
15	0014722		SWITCH, ROCKER, NGR, CRUISE SET/RESUME	FEATURE 40098-01, A3FE/RE
16	0023182		SWITCH, ROCKER, NGR, EXHAUST BRAKE"	FEATURE 40050-01, A3FE/RE
16	0108836		SWITCH, ROCKER, NGR, VGT BRAKE	FEATURE 40050-03
16	0027347		BEZEL, END, NGR, SWITCH PANEL	
16	0027348		BEZEL, CENTER, NGR, SWITCH PANEL	
17	0109791		DECAL, LIGHT, TELLTALE, 18 POS, METRIC, A3	FEATURE 40280-03

Models: A3FE, A3RE, C3FE
PANEL
WITH AC WITH 4-In-1, EEC
BSN: From CSN 0264530 1-8-07

Key	PartNumber	Qty	Description	Comment
17	0110337		MODULE,WARNING BANK,W/ AIR BRAKE,ACTIA,	FEATURE 40070-06 THRU -08, A3FE/RE. WITH 40070-09, A3RE
17	0110490		MODULE,WARNING BANK,W/ HYD BRAKES,	FEATURE 40071-05, A3FE
18				See Transmission Group 160
19	0027329		ROCKER,BUTTON,NGR,DOOR,EXIT	
19	0027296		SWITCH,BASE,NGR,SPDT,MOM ON-OFF-MOM	
20	0027328		ROCKER,BUTTON,NGR,DOOR,SERVICE	FEATURE 30978-04, -06, -07
20	0042458		SWITCH,BASE,NGR,SPDT,MOM ON-OFF-MOM	FEATURE 30978-04
20	0042456		SWITCH,BASE,NGR,DPDT,MOM ON-OFF-MOM	FEATURE 30978-06
20	0042457		SWITCH,BASE,NGR,DPST,ON-ON-ON,BLUE	FEATURE 30978-07
21	0027289		SWITCH,BASE,NGR,SPST,OFF-MOM ON	FEATURE 30227-01, -02, -03
21	0027305		ROCKER,BUTTON,NGR,CROSS ARM,CANCEL	FEATURE 30227-01
21	0027303		ROCKER,BUTTON,NGR,STOP ARM CANCEL	FEATURE 30227-02
21	0027306		ROCKER,BUTTON,NGR,STOP/CROSS ARM,	FEATURE 30227-03
21	0027285		SWITCH,BASE,NGR,SPST,ON-ON,HIGH	FEATURE 30286-03
21	0027308		ROCKER,BUTTON,NGR,CROSS ARM,LIGHT	FEATURE 30286-03
22				SEE ELECTRICAL GROUP 80
30			HEATER WATER REGULATING VALVE	SEE HEATERS GROUP 370
31			ELECTRONIC CLIMATE CONTROL	SEE HEATERS GROUP 380 ECC
	0063530		KIT,GAUGE,APPLIED AIR	CONSIST OF 32 AND 33
32	0110413		GAUGE,AIR PRESSURE,REAR,APPLIED,ACTIA	
33	0110412		GAUGE,AIR PRESSURE,FRONT,APPLIED,ACTIA	
NI	0062695		MODULE,CONTROL,TELLTALE,APPLIED AIR	
NI	0062732		HARNES,WRG,LIN BUS,APPLIED AIR	

Models: A3FE, A3RE, C3FE
PANEL
WITH AC, WITH EEC
BSN: From CSN 0235291 5-1-06
 To CSN 0246529 1-7-07

Key	PartNumber	Qty	Description	Comment
-----	------------	-----	-------------	---------



Models: A3FE, A3RE, C3FE
PANEL
WITH AC, WITH EEC
BSN: From CSN 0235291 5-1-06
 To CSN 0246529 1-7-07

Key	PartNumber	Qty	Description	Comment
1	0105106		PANEL ASSY, INSTR, DASH, W/A/C, W/ECC CNTR	A3
1	0085244		PANEL, INSTRUMENT, GENERIC, W/AC, CUTOUTS	A3
1	0027347		BEZEL, END, NGR, SWITCH PANEL	AS REQUIRED
1	0027348		BEZEL, CENTER, NGR, SWITCH PANEL	AS REQUIRED
2	0057504		GAUGE, COOLANT TEMP, ACTIA	STANDARD
3	0057506		GAUGE, AIR PRESSURE, FRONT, ACTIA	FEATURE 40070-06 THRU -08, A3FE/RE. WITH 40070-09, A3RE ONLY
4	0057507		GAUGE, AIR PRESSURE, REAR, ACTIA	FEATURE 40070-06 THRU -08, A3FE/RE. WITH 40070-09, A3RE
5	0057505		GAUGE, VOLTMETER, ACTIA	STANDARD
6	0079091		GAUGE, SPEEDOMETER, ENGLISH, ACTIA	FEATURE 40280-04
6	0079092		GAUGE, SPEEDOMETER, METRIC, ACTIA	FEATURE 40280-03
7	0057500		GAUGE, TACHOMETER, ACTIA	STANDARD
8	0057509		GAUGE, TRANSMISSION TEMP, ACTIA	FEATURE 40280-01
9	0057501		GAUGE, FUEL LEVEL, ACTIA	STANDARD
10	0057503		GAUGE, OIL PRESSURE, ACTIA	STANDARD
11	0057511		GAUGE, AMMETER, ACTIA	FEATURE 40280-02
12	0051021		SWITCH, BASE, NGR, DPDT, ON-OFF-ON	STANDARD
12	0051039		ROCKER, NGR, HEAD/PARK LIGHTS	STANDARD
13	0027933		SWITCH, SLIDE, DIMMER, PANEL, GANG	STANDARD
14	0014718		SWITCH, ROCKER, NGR, HIGH IDLE, OFF-ON	FEATURE 40181-03, -04, 40184-03, -05, -08 THRU -016, 40187-15, -16,, -24, A3RE ONLY. WITH 40187-09 THRU -14, -17, -18 THRU -23, A3FE/RE. WITH 40179-01, -02 THRU -07 WITH 40170-01
15	0014719		SWITCH, ROCKER, NGR, LOW IDLE ADJ	FEATURE 40184-03, -05, -08 THRU -16, A3RE
15	0087234		INDICATOR, LIGHT, NGR, EXHAUST FILTER	FEATURE 40187-16, A3RE
16	0083726		ROCKER, BUTTON, NGR, TIRE CHAINS	
16	0027287		SWITCH, BASE, NGR, SPST, IND, OFF-ON	FEATURE 40390-05, -08
16	0051032		ROCKER, NGR, KNEEL	FEATURE 04569-00
16	0059226		SWITCH, BASE, NGR, SPDT, MOM ON-OFF-MOM	FEATURE 04569-00
16	0027422		INDICATOR, LUG DOOR	FEATURE 00164-01
17	0038288		ROCKER, BUTTON, NGR, ADJ PEDAL	FEATURE 40099-01, A3FE/RE
17	0027296		SWITCH, BASE, NGR, SPDT, MOM ON-OFF-MOM	FEATURE 40099-01, A3FE/RE
17	0091688		INDICATOR, LIGHT, NGR, KNEEL	FEATURE 40099-01, A3FE/RE

Models: A3FE, A3RE, C3FE
PANEL
WITH AC, WITH EEC
BSN: From CSN 0235291 5-1-06
 To CSN 0246529 1-7-07

Key	PartNumber	Qty	Description	Comment
18	0014721		SWITCH,ROCKER,NGR,CRUISE ON/OFF	FEATURE 40098-01, A3FE/RE
19	0014722		SWITCH,ROCKER,NGR,CRUISE SET/RESUME	FEATURE 40098-01, A3FE/RE
20	0023182		SWITCH,ROCKER,NGR,EXHAUST BRAKE"	FEATURE 40050-01, A3RE
20	0108836		SWITCH,ROCKER,NGR,VGT BRAKE	FEATURE 40050-03
21	0090690		DECAL,LIGHT,TELLTALE,18 POS,METRIC, A3	FEATURE 40280-03
21	0090689		DECAL,LIGHT,TELLTALE,18 POS,ENGLISH, A3	FEATURE 40280-04
22				See Transmission Group 190
23			HEATER WATER REGULATING VALVE	See Heaters group 370
24			ELECTRONIC CLIMATE CONTROL	See Heaters group 370
	0063530		KIT,GAUGE,APPLIED AIR	Consist of 25 and 26
25	0060669		GAUGE,AIR PRESSURE,FRONT,APPLIED,ACTIA	
26	0060670		GAUGE,AIR PRESSURE,REAR,APPLIED,ACTIA	
NI	0062695		MODULE,CONTROL,TELLTALE,APPLIED AIR	
NI	0062732		HARNES,WRG,LIN BUS,APPLIED AIR	

Models: A3FE, A3RE, C1FE, C3FE, CSFE, CSRE, QBRE, TCFE, TCRE, TSFE
With Features: SWITCH, CRUISE CONTROL
 FEATURE 40098

Key	PartNumber	Qty	Description	Comment
NI	1962364		SWITCH,CRUISE,ON/OFF	
NI	1962372		SWITCH,CRUISE,SET/RESUME	
NI	1779446		RELAY,SPDT,40A,12V,W/BRACKET	
NI	0044861		BRACKET,MTG,DIAGNOSTIC,RHD	<i>RH DRIVE UK</i>
NI	1876572		PLUG,BUTTON,BLACK,DP-1093,HEYCO 2723	
NI	1903020	4	SCREW,MACH,6/32 X 1/2,PH1,PN HD,YEL ZN	
NI	2001162	4	LOCKWASHER,SPLIT RING, 3/16,MED,YEL ZN	
NI	1711191	4	NUT,HEX HD,6-32,YEL ZN DICH	
NI	0019061	2	SCREW,10-32 X 1/2,F,PH1,PAN HD,BLACK ZINC	
NI	0019062	2	WASHER,FLAT,13/64 X 1/2 X 3/64,BLACK ZINC	
NI	0016138		SWITCH,ROCKER,ARCO,DIAGNOSTIC,OFF-ON	
NI	0017747		DECAL,DIAGNOSTIC,BRACKET	