

Chassis

130 Suspension

AIR

FRONT

HENDRICKSON AIRTEK
INSTALLATION

With: FEATURE 40004-12, -13, -14 1

HENDRICKSON PARASTEER
INSTALLATION

*With: FEATURE 40004-05
To CSN 10096834 30096824 ALL EXCEPT CSRE AND QBRE* 2

*With: FEATURE 40004-07
From CSN 10096835 30096825* 3

KIT PARTS BREAKDOWN

*With: FEATURE 40004-05
From CSN 10035075 30037925 7-5-99
To CSN 10046455 30046520 1-2-00* 4

*With: FEATURE 40004-05
From CSN 10046456 30046521 01-03-00
To CSN 10096695 30096790 11-4-01* 5

*With: FEATURE 40004-07
From CSN 10096835 30096825* 6

RIDEWELL W KNEELING FEATURE

With: FEATURE 40004-08 WITH 4569 7

RIDEWELL WITH OUT KNEELING FEATURE

With: FEATURE 40004-08 8

FRONT AND REAR

HENDRICKSON
AIR PIPING

With: FEATURE 40004-05 9

With: FEATURE 40004-05, -07, 40005-06 10

VALVE ASSY

With: FEATURE 40004 -07 11

HENDRICKSON WITH KNEELING FEATURE

AIR PIPING

With: FEATURE 40004-07 WITH 4569 12

REAR

HENDRICKSON, COMFORT AIR
AIR PIPING

With: FEATURE 40005-03, -06 13

BREAKDOWN

With: FEATURE 40005-05,-06 14

INSTALLATION

With: FEATURE 40005-06 15

HENDRICKSON, HAS
INSTALLATION

With: FEATURE 40005-03 16

RESERVOIR ASSEMBLIES

AUXILIARY, WET, KNEELING RIDEWELL

With: FEATURE 4004-08 W4569 17

With: FEATURE 40004-08 WITH FEATURE 4569 WITH FEATURE 40453-01 18

AUXILIARY, WET, RIDEWELL SUSP

With: FEATURE 40004-08 WITH O 4569 19

SPRING

FRONT

With: FEATURE 40004-02 20

HENDRICKSON SOFTEK, INSTALLATION
HENDRICKSON AXLE

With: FEATURE 40004-12, -13, -14 21

PARABOLIC

To CSN10094704 22

*From CSN 10094705 30094685
To CSN 05/02/05* 23

HENDRICKSON AXLE

To 11/5/06 24

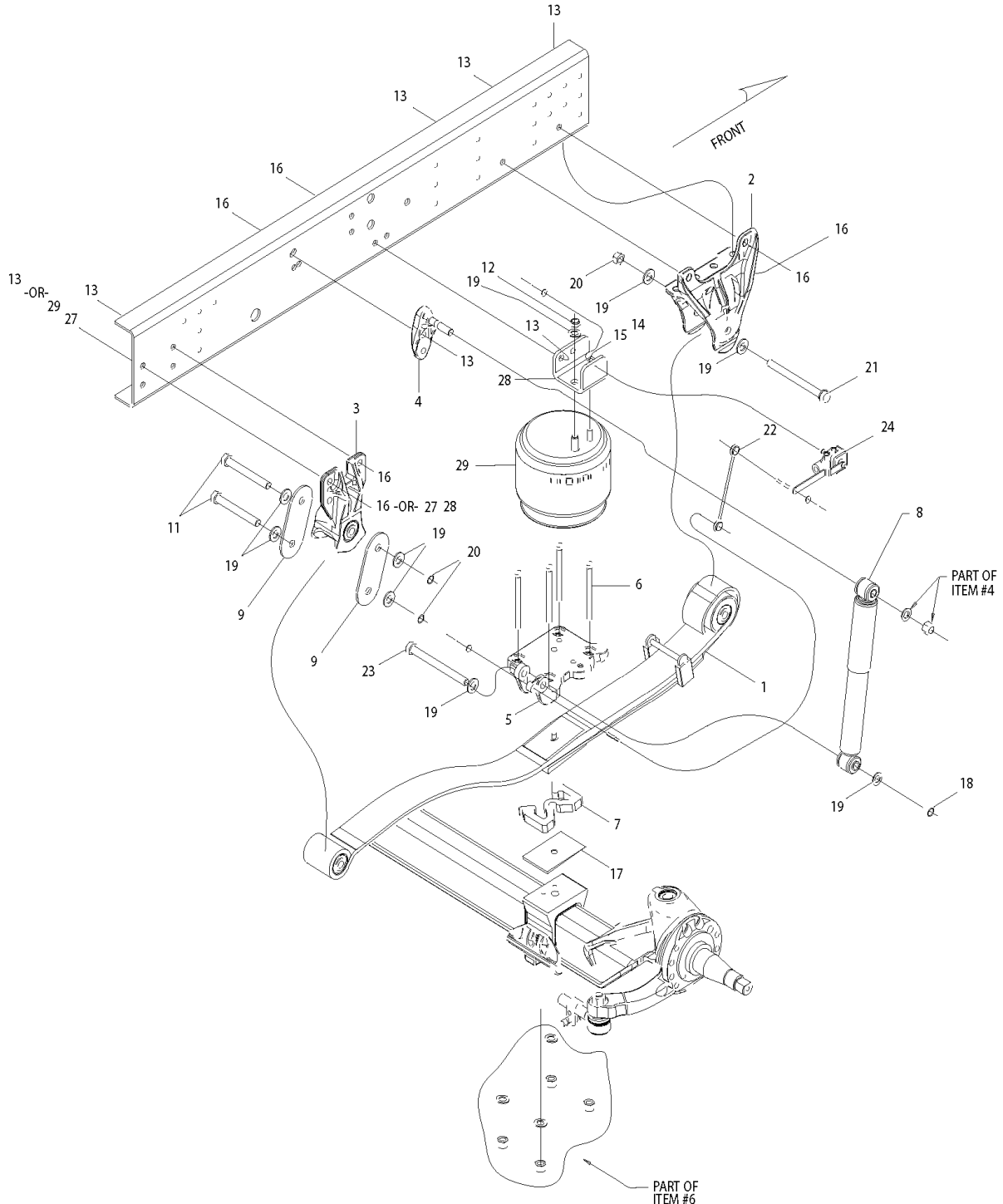
STABILIZER BAR FRONT

*With: OPTION 4565, 4566, 40004-06
To CSN 30039909 (9/5/99)* 25

<i>With: OPTION 4565, 4566, 40004-06 From CSN 30039910 (9/7/99) To CSN 05/02/05</i>	26
STABILIZER BAR FRONT AND MOUNTING	
<i>With: OPTION 4565, 4566, 40004-06 To CSN 30039909 (9/5/99)</i>	27
REAR	
REAR FLAT LEAF	
<i>With: FEATURE 40005-01</i>	28
<i>With: FEATURE 40005-10-11-12-13</i>	29
STABILIZER BAR REAR	
<i>With: OPTION 4566, 4568-01, 40005-04</i>	30
STABILIZER BAR REAR AND MOUNTING	
<i>With: OPTION 4566, 4568-01, 40005-04</i>	31
SPACER ASSY, CHART	
	32

Models: A3FE, A3RE, C3FE
AIR FRONT HENDRICKSON AIRTEK INSTALLATION
With Features: FEATURE 40004-12, -13, -14

Key	PartNumber	Qty	Description	Comment
-----	------------	-----	-------------	---------



Models: A3FE, A3RE, C3FE
**AIR
 FRONT
 HENDRICKSON AIRTEK
 INSTALLATION**
With Features: FEATURE 40004-12, -13, -14

Key	PartNumber	Qty	Description	Comment
1	0106302	2	SPRING ASSY,FRT,AIR SUSP	
2	0112694	2	HANGER,SUSP,FRONT,FRAME	
3	0106297	2	BRACKET,SHACKLE,SUSP,FRONT	
4	0107809		BRACKET,SHOCK,UPPER,FRONT	
5	0106298		PAD,AXLE,TOP,AIR SUSP,FRONT,LH	
5	0106299		PAD,AXLE,TOP,AIR SUSP,FRONT,RH	
6	0055011		KIT,BOLT,SUSP,FRONT,AIR,BBCV	W/O 40011-01
	0107926		KIT,BOLT,SUSP,FRONT,AIR,35MM SPACER	With 40011-01
	0107927		KIT,BOLT,SUSP,FRONT,AIR,85MM SPACER	With 30940-01
7	0107806	2	SPACER,SUSP,FRONT,25MM	With 40011-01
	0107861	2	SPACER,SUSP,FRONT,75MM	With 30940-01
8	0110808	2	SHOCK ABSORBER,FRONT,AIR SUSP	
9	0111659	2	SPACER,SHOCK,SUSP,FRONT,LOWER,.52 TK	
10	0107811	4	PLATE,SHACKLE,SUSP,FRONT	
11	0109147	4	CAPSCREW,HEX HD,M20-2.50X150,GR10.9,	
12	0985549	2	NUT,HEX HD,3/4-16,NYLON LOCK,YEL ZN DICH	
13	0054994	AR	PIN,FLG HEAD,HUCKSPIN,.62 X 2.238	
14	0850800	4	NUT,HEX HD,1/2-13,LOCKING,GR 8,CAD WAX	
15	1003045	4	WASHER,FLAT,17/32 X 1 1/16 X 7/64,HDN,	
16	0054997	AR	COLLAR,HUCKSPIN,.62,HSCF-R20	
17	1731678		WEDGE,CASTER,1 DEGREE	
18	0933879	4	NUT,HEX HD,3/4-10,PRVLG TORQ,GR8,CAD	
19	0607036	20	WASHER,FLAT,13/16 X 1 3/8 X 7/64 ZP,HRD	
20	0054951	2	NUT,HEX HD,M20-2.50,GR10.9,LOCK,OLIVZN	
21	0054950	2	CAPSCREW,HEX HD,M20-2.50X170,GR10.9,	
22	0107860	2	LINKAGE,VALVE,LEVELING,FRT,AIR SUSP	
23	1317783	2	CAPSCREW,HEX HD,3/4-10 X 5,GR 8,YEL ZN	
24	0014860	2	VALVE ASSY,HT CONTROL,HENDRICKSON	
25	0106306	2	BRACKET,SUPT,AIR SPRG,FRAME	
26	0106305	2	SPRING ASSY,AIR,AIR SUSP,FRT,14.6K	
27	0929018	8	WASHER,FLAT,21/32 X 1 1/8 X 3/32,HDN,YEL	A3RE WITH DIESEL
28	0939827	4	NUT,HEX HD,5/8-11,GR 8,LOCK,CADMIUM WAX	A3RE WITH DIESEL
29	1107895	4	CAPSCREW,HEX HD,5/8-11 X 2,GR8,YEL ZN	A3RE WITH DIESEL

Models: A3FE, A3RE, C3FE
 AIR
 FRONT
 HENDRICKSON AIRTEK
 INSTALLATION

With Features: FEATURE 40004-12, -13, -14

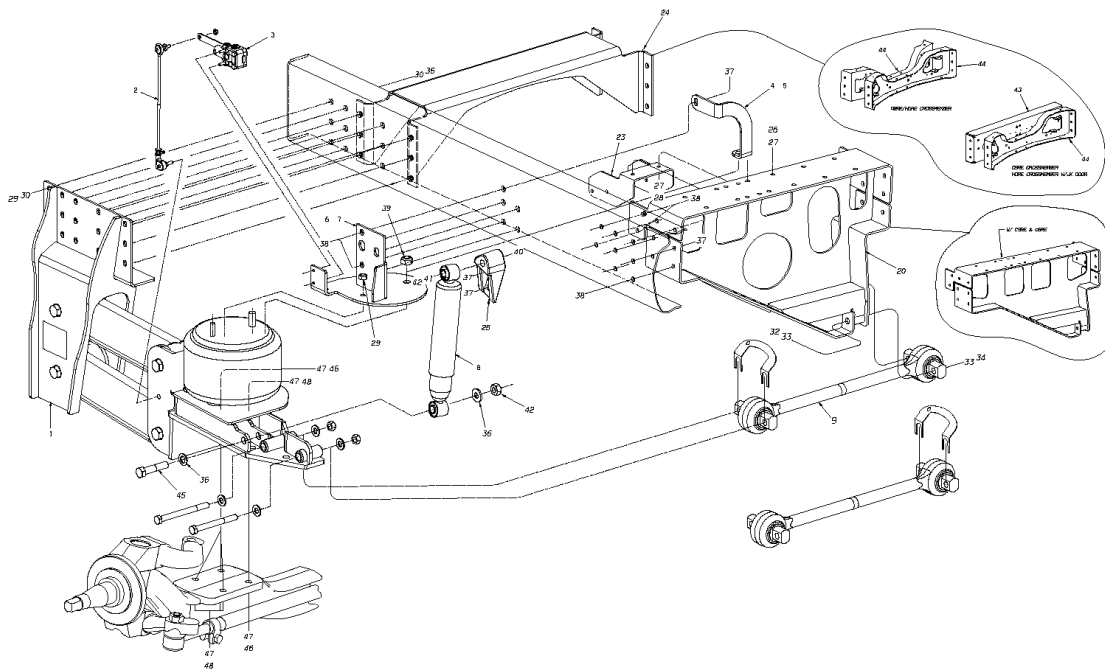
Key	PartNumber	Qty	Description	Comment
30	1021815	2	CAPSCREW,HEX HD,3/4-10 X4 1/2,GR8,	
31	0063492		WASHER,FLAT,.531 X 1.625 X 11 GA,HDN,	<i>RH SIDE ONLY</i>
32	0054995	AR	PIN,FLG HEAD,HUCKSPIN,.62 X 2.755	

Models: A3FE, A3RE, C1FE, CSFE, CSRE, QBRE, TCFE

**AIR
FRONT
HENDRICKSON PARASTEER
INSTALLATION**

With Features: FEATURE 40004-05
To CSN 10096834 30096824 ALL EXCEPT CSRE AND QBRE

Key	PartNumber	Qty	Description	Comment
-----	------------	-----	-------------	---------



Models: A3FE, A3RE, C1FE, CSFE, CSRE, QBRE, TCFE

**AIR
FRONT
HENDRICKSON PARASTEER
INSTALLATION**

With Features: **FEATURE 40004-05
To CSN 10096834 30096824 ALL EXCEPT CSRE AND QBRE**

Key	PartNumber	Qty	Description	Comment
2	0015248	2	LINK ASSY,LVLG VLV,HENDRICKSON 58994-010	
3	0014860	2	VALVE ASSY,HT CONTROL,HENDRICKSON	
NI	0006723	2	AIR SPRING 002286	
NI	0985549	2	NUT,HEX HD,3/4-16,NYLON LOCK,YEL ZN DICH	AIR SPRING INLET NUT
NI	0006729	2	KIT,BOLT,AIR SPRING 002276	
4	0006606		BRACKET,REINFORCEMENT,AIR SPRING 002130	
5	0006609		BRACKET,REINFORCEMENT, AIR SPRING	
6	0006622		PLATE,AIR SPRING,UPPER RH 002270-02	
7	0006624		PLATE,AIR SPRING,UPPER LH 002270-1	
8	0015222	2	SHOCK ABSORBER,FRT,HENDRICKSON 59483	
8	0038890	2	SHOCK ABSORBER,FRONT,HENDRICKSON	RECOMENDED FOR SEVERE APPLICATION
9	0020978		TRACK ROD,HENDRICKSON	
NI	1317783	2	CAPSCREW,HEX HD,3/4-10 X 5,GR 8,YEL ZN	
NI	0607036	4	WASHER,FLAT,13/16 X 1 3/8 X 7/64 ZP,HRD	
NI	0933879	2	NUT,HEX HD,3/4-10,PRVLG TORQ,GR8,CAD	
NI	0006724		KIT,CROSSMEMBER BOLT 02399	
NI	0006728		KIT,PIVOT BOLT 002521	
NI	0006720		LEAF,TRANSVERSE,1/2"X6"X38" 002319	
NI	0006721	4	SPACER,SUSPENSION, 1.0" 002576	A3FE, HDPE ONLY
NI	0006722	16	WEAR PAD 002268	
NI	0006727		KIT,BOLT,TRANSVERSE LEAF 002592	
NI	0006725		KIT,BOLT,TRANSVERSE LEAF 002274	
NI	0006704		HANGER ASSEMBLY,LH	
NI	0006710		HANGER ASSEMBLY,RH	
NI	0006711	2	BEAM ASSEMBLY,UPPER 002571	
NI	0006713	2	BEAM ASSEMBLY,LOWER 002282	
NI	0006717		AXLE SEAT WELDMENT,RH 002480-2	
NI	0006715		AXLE SEAT WELDMENT,LH 002480-1	
NI	0006716		AXLE SEAT WELDMENT,RH 002283-2	
NI	0006714		AXLE SEAT WELDMENT,LH 002283-1	
NI	0006719		CROSSMEMBER WELDMENT 002494	
20	0023372		CROSSMEMBER ASSY,TRACK ROD,8.5 RIDE HT	
20	0023408		CROSSMEMBER ASSY,TRACK ROD,5.75 RIDE HT	CSRE AND QBRE ONLY

Models: A3FE, A3RE, C1FE, CSFE, CSRE, QBRE, TCFE

**AIR
FRONT
HENDRICKSON PARASTEER
INSTALLATION**

With Features: **FEATURE 40004-05
To CSN 10096834 30096824 ALL EXCEPT CSRE AND QBRE**

Key	PartNumber	Qty	Description	Comment
21			NOT USED	
22			NOT USED	
23	0020089		BRACKET,MTG,MODULATOR VALVE,ABS	
24	1969716		CROSSMEMBER,TRANSMISSION CLEARANCE,	
25	1767409	2	BRACKET,MOUNTING,SHOCK TO FRAME,FRONT	
26	0801936	2	CAPSCREW,HEX HD,7/16-14X1 1/4,GR8,	
27	2028546	4	WASHER,FLAT,7/16,X 1 1/32 X 5/64,YL ZN	
28	0997080	2	NUT,HEX HD,7/16-14,LOCKING,GR 8,CADMIUM	
29	0850800	48	NUT,HEX HD,1/2-13,LOCKING,GR 8,CAD WAX	
30	1003045	78	WASHER,FLAT,17/32 X 1 1/16 X 7/64,HDN,	
31	1942135	14	CAPSCREW,HEX HD 1/2-13X 1 1/4,GR8,	
32	1022805	2	CAPSCREW,HEX HD,5/8-11 X 5,GR 8,YEL ZN	
33	0870907	4	WASHER,FLAT,11/16 X 1 3/16 X 1/8,BLK ZN	
34	0939827	2	NUT,HEX HD,5/8-11,GR 8,LOCK,CADMIUM WAX	
35	0803239	28	CAPSCREW,HEX HD,1/2-13 X1 1/2,GR8	
36	0870915	4	WASHER,FLAT,27/32 X 1 1/2 X 1/8,YEL ZN	
37	1636943	20	PIN,FLG HEAD,HUCKSPIN,.50X2.22,HSP8	
38	1636968	18	COLLAR,HUCKSPIN,.50,HSCH-R16	
39	0985549	2	NUT,HEX HD,3/4-16,NYLON LOCK,YEL ZN DICH	
40	1317783	2	CAPSCREW,HEX HD,3/4-10 X 5,GR 8,YEL ZN	
41	0607036	2	WASHER,FLAT,13/16 X 1 3/8 X 7/64 ZP,HRD	
42	0933879	2	NUT,HEX HD,3/4-10,PRVLG TORQ,GR8,CAD	
43	1487826		CROSSMEMBER,FLAT,FRONT W/AIR SUSP,TCRE,	
44	1807577		CROSSMEMBER,STAMPED,34 INCH	
45	0870873	2	CAPSCREW,HEX HD,3/4-10 X 4,GR 8,YEL ZN	
46	0008068	8	CAPSCREW,HEX HD,3/4-10X3,GR8,YELZNDICH	
47	0607036	16	WASHER,FLAT,13/16 X 1 3/8 X 7/64 ZP,HRD	
48	1023464	8	NUT,HEX HD,3/4-10,HVY,NY INS,GR8,YEL	
NI	0026381		KIT,DAMPER,HENDRICKSON,RETROFIT	CONSISTS OF THE FOLLOWING
NI	0025269		CROSSMEMBER,STABILIZER SHOCK KIT,	
NI	0025271		SHOCK,STABILIZER SHOCK KIT,HENDRICKSON	
NI	0025272		BRACKET,SHOCK,AXLE SEAT,STABILIZER	
NI	0025270		BRKT,CROSSMEMBER SHOCK,STABILIZER	

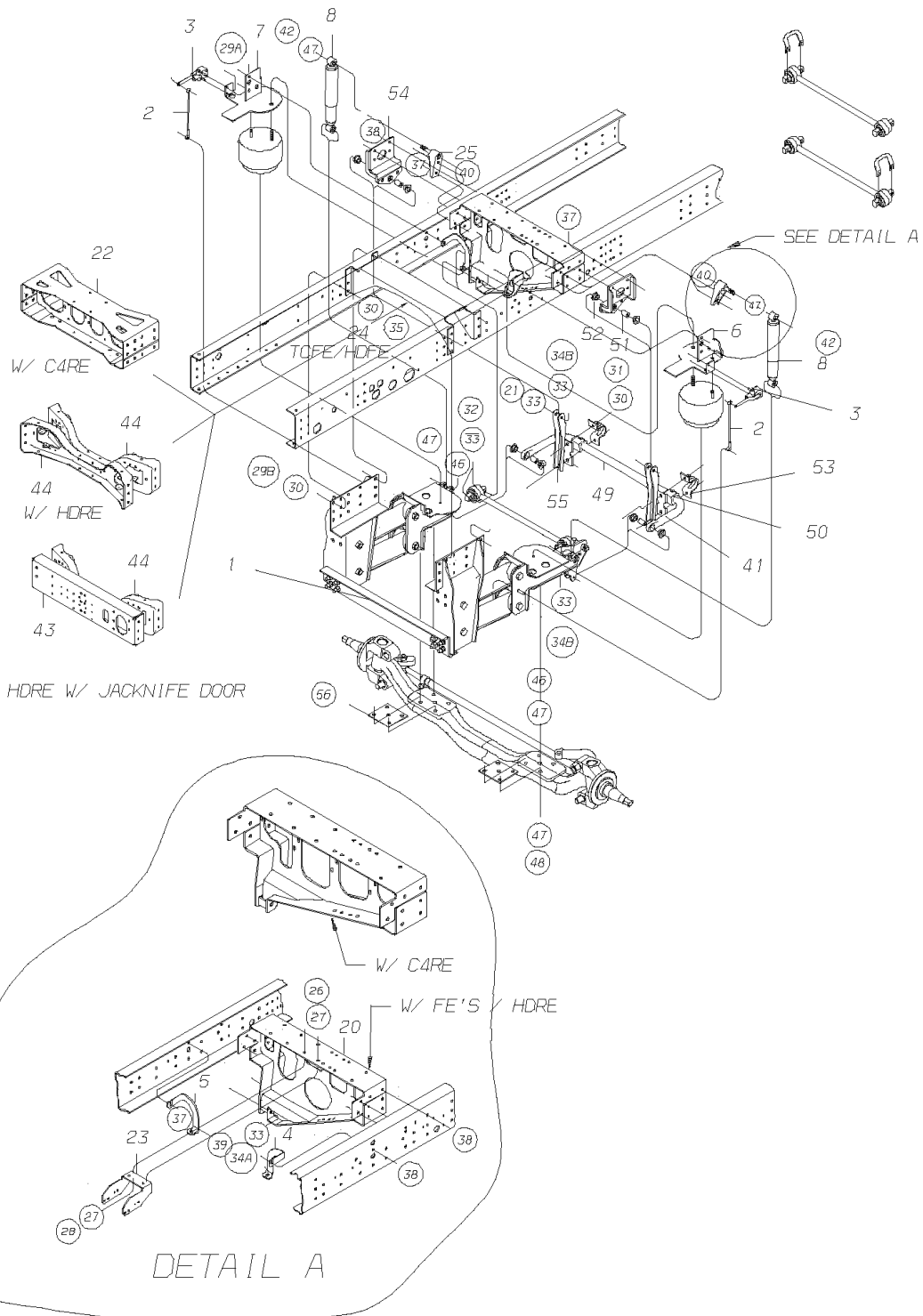
Models: A3FE, A3RE, C1FE, CSFE, CSRE, QBRE, TCFE
 AIR
 FRONT
 HENDRICKSON PARASTEER
 INSTALLATION

With Features: FEATURE 40004-05
 To CSN 10096834 30096824 ALL EXCEPT CSRE AND QBRE

Key	PartNumber	Qty	Description	Comment
NI	0025273		WASHER,3/4,HARDENED,STABILIZER SHOCK	
NI	0025274		HEX BOLT,3/4" X 4 1/4",STABILIZER SHOCK	
NI	0025275		HEX BOLT,3/4" X 2 1/4",STABILIZER SHOCK	
NI	0025276		LOCKNUT,3/4",STABILIZER SHOCK KIT,	
NI	0025277		HEX BOLT,5/8" X 2.25",STABILIZER SHOCK KIT,	
NI	0023033		WASHER,HENDRICKSON,22962-004	
NI	0023032		LOCKNUT,5/8-11,HENDRICKSON,47764-000	

Models: A3FE, A3RE, C1FE, C3FE, C4RE, CSFE, TCFE, TSFE
 AIR
 FRONT
 HENDRICKSON PARASTEER
 INSTALLATION
 With Features: FEATURE 40004-07
 BSN: From CSN 10096835 30096825

Key	PartNumber	Qty	Description	Comment
-----	------------	-----	-------------	---------



Models: A3FE, A3RE, C1FE, C3FE, C4RE, CSFE, TCFE, TSFE

**AIR
FRONT
HENDRICKSON PARASTEER
INSTALLATION**

With Features: FEATURE 40004-07
BSN: From CSN 10096835 30096825

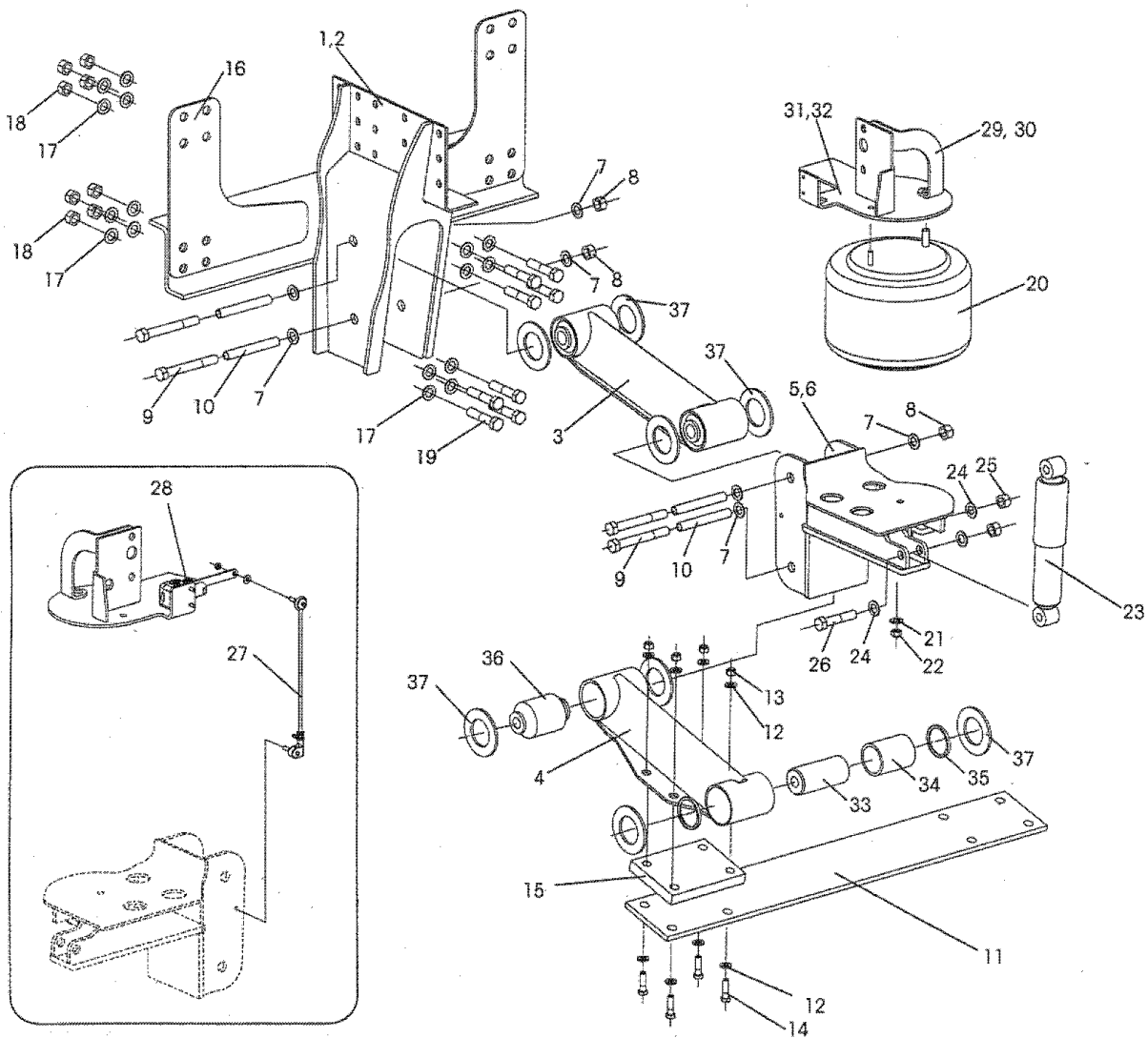
Key	PartNumber	Qty	Description	Comment
2	0015248	2	LINK ASSY,LVLG VLV,HENDRICKSON 58994-010	
3	0014860		VALVE ASSY,HT CONTROL,HENDRICKSON	
	0014415		KIT,FRM COMP,SUSP,FRT,HEND 59553-000	CONSISTS OF ITEMS 4 THRU 7
4	0006606		BRACKET,REINFORCEMENT,AIR SPRING 002130	
5	0006609		BRACKET,REINFORCEMENT, AIR SPRING	
6	0006624		PLATE,AIR SPRING,UPPER LH 002270-1	
7	0006622		PLATE,AIR SPRING,UPPER RH 002270-02	
8	0040015	2	SHOCK ABSORBER,FRT,HENDRICKSON 60998	
20	0023372		CROSSMEMBER ASSY,TRACK ROD,8.5 RIDE HT	8.5 RIDE HT. ALL EXCEPT C4RE
20	0033592		CROSSMEMBER ASSY,TRACK ROD,, RE	
21	0014348	4	CAPSCREW,HEX HEAD,5/8-11X3.75 GR8,YEL	
22	0032222		CROSSMEMBER ASSY,FRT,FRT SUSP	
23	0020089		BRACKET,MTG,MODULATOR VALVE,ABS	
24	1969716		CROSSMEMBER,TRANSMISSION CLEARANCE,	
24	1969815		CROSSMEMBER,TRANSMISSION CLEARANCE,	
25	0043465	2	BRACKET,MOUNTING,SHOCK TO FRAME,FRONT	
26	0801936	2	CAPSCREW,HEX HD,7/16-14X1 1/4,GR8,	
27	2028546	4	WASHER,FLAT,7/16,X 1 1/32 X 5/64,YL ZN	
28	0997080	2	NUT,HEX HD,7/16-14,LOCKING,GR 8,CADMIUM	
29	0850800	2	NUT,HEX HD,1/2-13,LOCKING,GR 8,CAD WAX	
29	0850800	46	NUT,HEX HD,1/2-13,LOCKING,GR 8,CAD WAX	
30	1003045	78	WASHER,FLAT,17/32 X 1 1/16 X 7/64,HDN,	
31	1942135	14	CAPSCREW,HEX HD 1/2-13X 1 1/4,GR8,	
32	1022805	2	CAPSCREW,HEX HD,5/8-11 X 5,GR 8,YEL ZN	
33	0870907	4	WASHER,FLAT,11/16 X 1 3/16 X 1/8,BLK ZN	
34	0939827	2	NUT,HEX HD,5/8-11,GR 8,LOCK,CADMIUM WAX	
34	0939827	4	NUT,HEX HD,5/8-11,GR 8,LOCK,CADMIUM WAX	
35	0803239	28	CAPSCREW,HEX HD,1/2-13 X1 1/2,GR8	
36	4609871		GREASE,AQUALUBE,SWAY BAR	
39	0985549	2	NUT,HEX HD,3/4-16,NYLON LOCK,YEL ZN DICH	
40	1317783	2	CAPSCREW,HEX HD,3/4-10 X 5,GR 8,YEL ZN	
41	0020088	2	BRACKET,RETAINER,BUSHING,STAB BAR,2.12	
42	0933879	4	NUT,HEX HD,3/4-10,PRVLG TORQ,GR8,CAD	

Models: A3FE, A3RE, C1FE, C3FE, C4RE, CSFE, TCFE, TSFE
AIR FRONT HENDRICKSON PARASTEER INSTALLATION
With Features: FEATURE 40004-07
BSN: From CSN 10096835 30096825

Key	PartNumber	Qty	Description	Comment
43	1487826		CROSSMEMBER,FLAT,FRONT W/AIR SUSP,TCRE,	
44	1807577		CROSSMEMBER,STAMPED,34 INCH	
45	0870873	2	CAPSCREW,HEX HD,3/4-10 X 4,GR 8,YEL ZN	
46	0008068	8	CAPSCREW,HEX HD,3/4-10X3,GR8,YELZNDICH	
47	0607036		WASHER,FLAT,13/16 X 1 3/8 X 7/64 ZP,HRD	
48	1023464	8	NUT,HEX HD,3/4-10,HVY,NY INS,GR8,YEL	
49	0027286		BAR,TORSION,1.75 IN O.D.,FRONT SUSP,HEND	
50	0040030	2	BUSHING,MIDSECTION,1.75 ID,ADDCO	
51	0030668	4	BUSHING,LINK,STABILIZER BAR	
52	0030670	8	BUSHING,STABILIZER BAR,URETHANE,ADDCO	
53	0024706	2	BRACKET,MIDSECTION,ADDCO RH801	
54	0035459	2	BRACKET ASSY,MOUNTING,STAB BAR,FRONT,	
55	0043209	2	LINK,STABILIZER BAR"	
56	0046585	2	PLATE,SPACER,,SUSPENSION,25TK	CARE ONLY

Models: A3FE, A3RE, C1FE, CSFE, CSRE, QBRE, TCFE
AIR FRONT HENDRICKSON PARASTEER KIT PARTS BREAKDOWN
With Features: FEATURE 40004-05
BSN: From CSN 10035075 30037925 7-5-99
 To CSN 10046455 30046520 1-2-00

Key PartNumber Qty Description Comment



Models: A3FE, A3RE, C1FE, CSFE, CSRE, QBRE, TCFE
AIR FRONT HENDRICKSON PARASTEER KIT PARTS BREAKDOWN
With Features: FEATURE 40004-05
BSN: From CSN 10035075 30037925 7-5-99
 To CSN 10046455 30046520 1-2-00

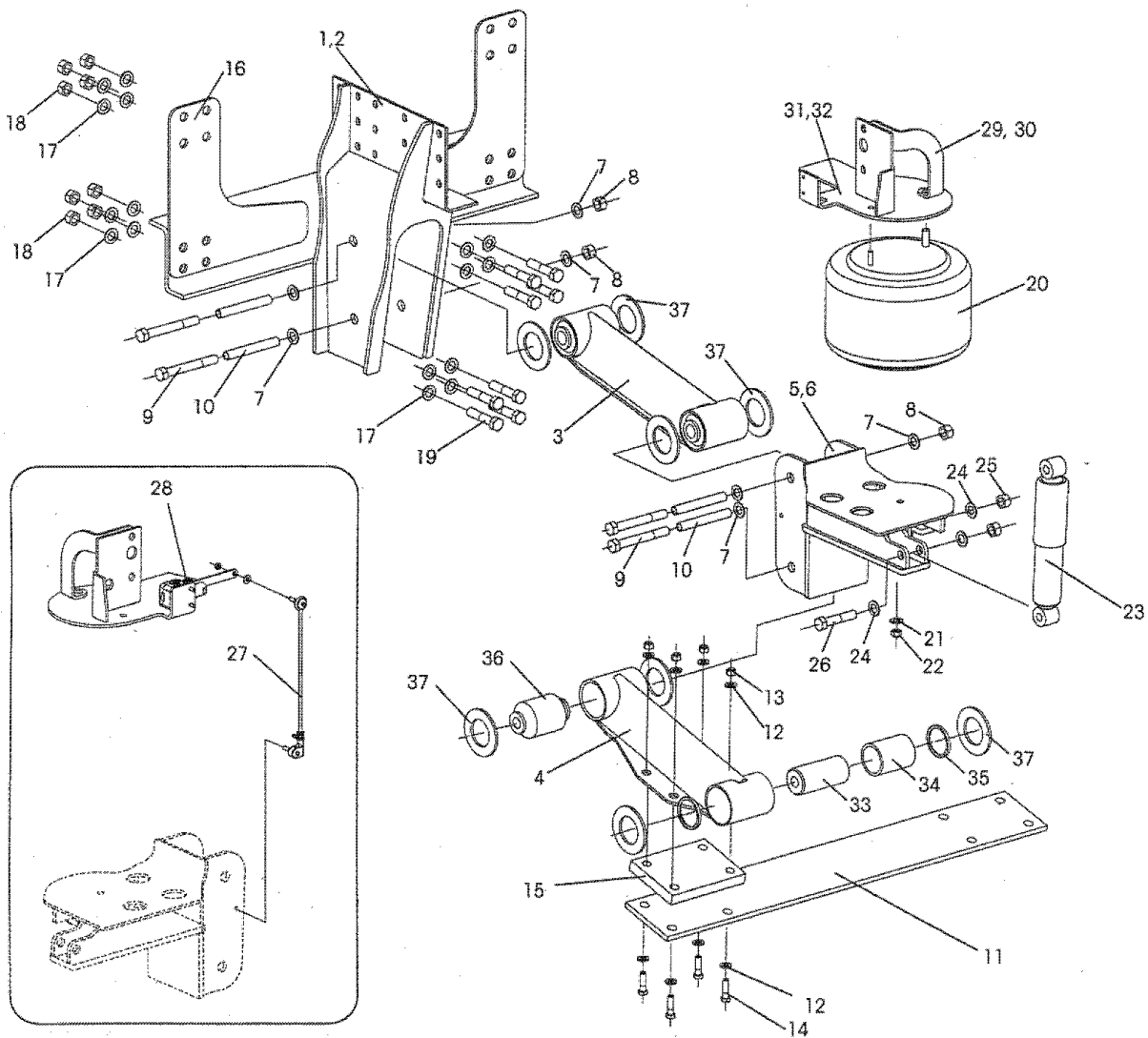
Key	PartNumber	Qty	Description	Comment
	0008067		SUSPENSION ASSY,HEND 59543-002,13HT	
	0008069		SUSPENSION ASSY,FLT FLR,HEND 59543-006	
	0015164		SUSPENSION ASSY,HEND HFB04 59543-004,	
	0014530		SUSPENSION ASSY,HEND HFB05 59543-005,	
	0015131		SUSPENSION ASSY,HEND HFB01 59543-001,	
	0015156		SUSPENSION ASSY,HEND HFB03 59543-003,	
1	0006704		HANGER ASSEMBLY,LH	
2	0006710		HANGER ASSEMBLY,RH	
3	0006711	2	BEAM ASSEMBLY,UPPER 002571	
4	0035141	2	TORQUE ARM, LWR W/BUSHINGS INSTLD HEND	
5	0049049		AXLE SEAT WELDMENT, LH TS/C1/TC FLT FLR	
5	0049046		AXLE SEAT WELDMENT, LH TC/CSRE	
5	0006714		AXLE SEAT WELDMENT,LH 002283-1	
5	0006715		AXLE SEAT WELDMENT,LH 002480-1	
6	0049050		AXLE SEAT WELDMENT, RH TS/C1/TC FLT FLR	
6	0049048		AXLE SEAT WELDMENT, RH, TC/CSRE	
6	0006716		AXLE SEAT WELDMENT,RH 002283-2	
6	0006717		AXLE SEAT WELDMENT,RH 002480-2	
6	0006728		KIT,PIVOT BOLT 002521	CONTAINS ITEMS 7, 8, 9, AND 10
7	0038339		WASHER,HARDENED,7/8",HENDRICKSON	
8	0034234		NUT,(ASSY 0011783), KEY #1	
9	0034244		BOLT,(ASSY 0011783),KEY #1	
10	0023031		TUBE,PLASTIC LINER,HENDRICKSON,59504	
11	0006720		LEAF,TRANSVERSE,1/2"X6"X38" 002319	
	0006725		KIT,BOLT,TRANSVERSE LEAF 002274	CONTAINS ITEMS 12, 13, AND 14
			TRANSVERSE LEAF FASTENER KIT, 59565-002	CONTAINS ITEMS 12, 13, AND 14, CSFE, TCFE
	0006727		KIT,BOLT,TRANSVERSE LEAF 002592	CONTAINS ITEMS 12, 13, AND 14
12	0025273		WASHER,3/4,HARDENED,STABILIZER SHOCK	
13	0025276		LOCKNUT,3/4",STABILIZER SHOCK KIT,	
14	0025275		HEX BOLT,3/4" X 2 1/4",STABILIZER SHOCK	INCLUDED WITH KIT 0006725
14			HEX BOLT,3/4" X 2 1/4",STABILIZER SHOCK	INCLUDED WITH KIT 59568-002
14	0025274		HEX BOLT,3/4" X 4 1/4",STABILIZER SHOCK	INCLUDED WITH KIT 0006727
15	0006721		SPACER,SUSPENSION, 1.0" 002576	CSFE, HDPE, TCFE ONLY

Models: A3FE, A3RE, C1FE, CSFE, CSRE, QBRE, TCFE
AIR FRONT HENDRICKSON PARASTEER KIT PARTS BREAKDOWN
With Features: FEATURE 40004-05
BSN: From CSN 10035075 30037925 7-5-99
 To CSN 10046455 30046520 1-2-00

Key	PartNumber	Qty	Description	Comment
16	0006719		CROSSMEMBER WELDMENT 002494	
	0006724		KIT,CROSSMEMBER BOLT 02399	CONTAINS 17, 18, AND 19
17	0025273		WASHER,3/4,HARDENED,STABILIZER SHOCK	
18	0025276		LOCKNUT,3/4",STABILIZER SHOCK KIT,	
19	0006729		KIT,BOLT,AIR SPRING 002276	CONTAINS ITEMS 21, AND 22, CSFE, CSRE, HDFE, HDRE, RCFE, TCRE
19			TRANSVERSE LEAF FASTENER KIT, 49177-008	C1FE, TSFE
20	0006723		AIR SPRING 002286	CSFE, CSRE, HDFE, HDRE, RCFE, TCRE
20	0049092		AIR SPRING,HENDRICKSON,TSFE/C1FE	C1FE, TSFE
21			WASHER, FLAT, 1/2	
22			NUT, HEX, LCO, 1/2-13	
23		2	SHOCK ABSORBER	NOT INCLUDED WITH SUSPENSION KIT
			SHOCK FASTENER KIT	CONTAINS ITEMS 24, 25 AND 26
24	0025273		WASHER,3/4,HARDENED,STABILIZER SHOCK	
25	0025276		LOCKNUT,3/4",STABILIZER SHOCK KIT,	
26	0025278		HEX BOLT,3/4" X 3.75",STABILIZER SHOCK KIT,	
27	0015248		LINK ASSY,LVLG VLV,HENDRICKSON 58994-010	NOT INCLUDED WITH SUSPENSION KIT
28	0014860		VALVE ASSY,HT CONTROL,HENDRICKSON	NOT INCLUDED WITH SUSPENSION KIT
	0014415		KIT,FRM COMP,SUSP,FRT,HEND 59553-000	CONTAINS ITEMS 29, 30, 21, AND 32
29	0006606		BRACKET,REINFORCEMENT,AIR SPRING 002130	
30	0006609		BRACKET,REINFORCEMENT, AIR SPRING	
31	0006624		PLATE,AIR SPRING,UPPER LH 002270-1	
32	0006622		PLATE,AIR SPRING,UPPER RH 002270-02	
	0035138		KIT,UPR & LWR TORQUE ARM FRT/REAR BUSH	CONTAINS ITEMS 33, 34, 35, & 37
33	0038925		BUSHING,INNER METAL,HENDRICKSON	NOT INCLUDED WITH SUSPENSION KIT
34	0029395		BUSHING,FRONT HANGER,HENDRICKSON	
35	0029778		O-RING,SEAL,HENDRICKSON	
36	0029022		BUSHING,TORQUE ARM,	
37	0006722		WEAR PAD 002268	NOT INCLUDED WITH SUSPENSION KIT

Models: A3RE, CSFE, TCFE
 AIR
 FRONT
 HENDRICKSON PARASTEER
 KIT PARTS BREAKDOWN
 With Features: FEATURE 40004-05
 BSN: From CSN 10046456 30046521 01-03-00
 To CSN 10096695 30096790 11-4-01

Key PartNumber Qty Description Comment



Models: A3RE, CSFE, TCFE
AIR FRONT HENDRICKSON PARASTEER KIT PARTS BREAKDOWN
With Features: **FEATURE 40004-05**
BSN: From CSN 10046456 30046521 01-03-00
 To CSN 10096695 30096790 11-4-01

Key	PartNumber	Qty	Description	Comment
	0020236		SUSPENSION ASSY,HEND60300	CONSISTS OF THE FOLLOWING
1	0006704		HANGER ASSEMBLY,LH	
2	0006710		HANGER ASSEMBLY,RH	
3	0006711	2	BEAM ASSEMBLY,UPPER 002571	
4	0006711	2	BEAM ASSEMBLY,UPPER 002571	
5	0039759		AXLE SEAT,HENDRICKSON	
6	0006716		AXLE SEAT WELDMENT,RH 002283-2	
10	0023031		TUBE,PLASTIC LINER,HENDRICKSON,59504	
11	0006720		LEAF,TRANSVERSE,1/2"X6"X38" 002319	
15	0006721		SPACER,SUSPENSION, 1.0" 002576	CSFE AND TCFE ONLY
	0006729		KIT,BOLT,AIR SPRING 002276	INCLUDES KEY NUMBERS 20, 21, AND 22
20			AIR SPRING	
21			HARDENED FLAT WASHER	
22			NYLOCK NUT	
23	0040015		SHOCK ABSORBER,FRT,HENDRICKSON 60998	
27	0015248		LINK ASSY,LVLG VLV,HENDRICKSON 58994-010	
28	0014860		VALVE ASSY,HT CONTROL,HENDRICKSON	
	0014415		KIT,FRM COMP,SUSP,FRT,HEND 59553-000	INCLUDES KEY NUMBERS 29, 30, 31, AND 32
29	0066066		ARM ASSY,MIRROR,PASS,W/BRACE,SS,HTD,	
30	0006609		BRACKET,REINFORCEMENT, AIR SPRING	
31	0006624		PLATE,AIR SPRING,UPPER LH 002270-1	
32	0006622		PLATE,AIR SPRING,UPPER RH 002270-02	
	0035138		KIT,UPR & LWR TORQUE ARM FRT/REAR BUSH	INCLUDES KEY NUMBERS 33, 34, 35, 36, AND 37
33	0038925	2	BUSHING,INNER METAL,HENDRICKSON	
34	0029395	2	BUSHING,FRONT HANGER,HENDRICKSON	
35	0029778	4	O-RING,SEAL,HENDRICKSON	
36	0029022	6	BUSHING,TORQUE ARM,	
37	0006722	16	WEAR PAD 002268	
	0025273	20	WASHER,3/4,HARDENED,STABILIZER SHOCK	
	0038339	16	WASHER,HARDENED,7/8",HENDRICKSON	
	0023033	4	WASHER,HENDRICKSON,22962-004	
	0023036		BOLT,HEX,5/8-11X7,HENDRICKSON,32043-007	

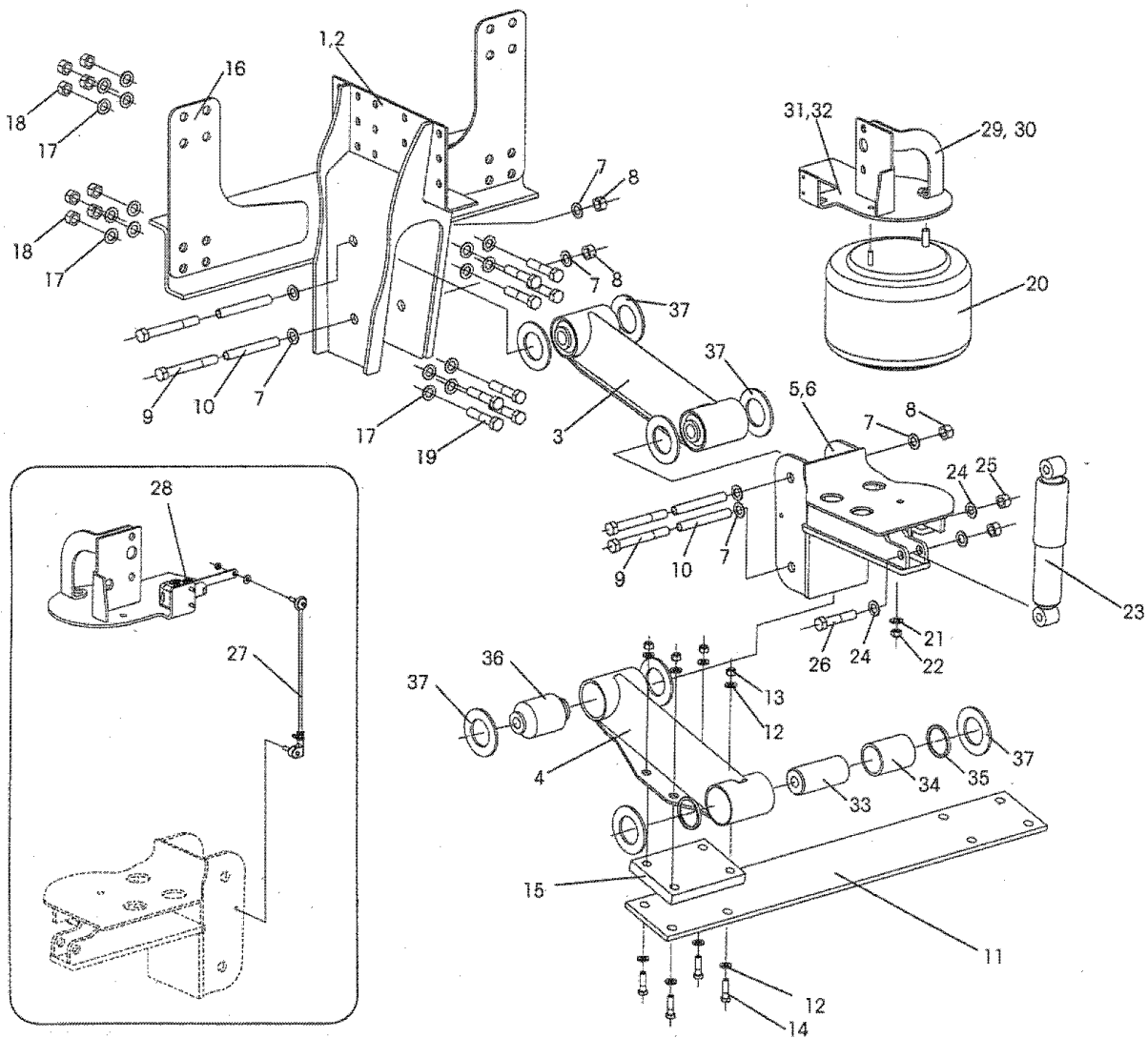
Models: A3RE, CSFE, TCFE
 AIR
 FRONT
 HENDRICKSON PARASTEER
 KIT PARTS BREAKDOWN

With Features: FEATURE 4004-05
BSN: From CSN 10046456 30046521 01-03-00
 To CSN 10096695 30096790 11-4-01

Key	PartNumber	Qty	Description	Comment
	0023035		BOLT,HEX,5/8-11 X 6.25	
	0023032	2	LOCKNUT,5/8-11,HENDRICKSON,47764-000	
	0025276	10	LOCKNUT,3/4",STABILIZER SHOCK KIT,	
	0034234	8	NUT,(ASSY 0011783), KEY #1	
	0025278	2	HEX BOLT,3/4" X 3.75",STABILIZER SHOCK KIT,	
	0025275		HEX BOLT,3/4" X 2 1/4",STABILIZER SHOCK	
	0034244	8	BOLT,(ASSY 0011783),KEY #1	
	0023039	16	WASHER,THRUST,HENDRICKSON,59803-000"	

Models: A3RE, CSFE, TCFE
 AIR
 FRONT
 HENDRICKSON PARASTEER
 KIT PARTS BREAKDOWN
 With Features: FEATURE 4004-07
 BSN: From CSN 10096835 30096825

Key	PartNumber	Qty	Description	Comment
-----	------------	-----	-------------	---------



Models: A3RE, CSFE, TCFE
AIR FRONT HENDRICKSON PARASTEER KIT PARTS BREAKDOWN FEATURE 40004-07
With Features: **From CSN 10096835 30096825**
BSN:

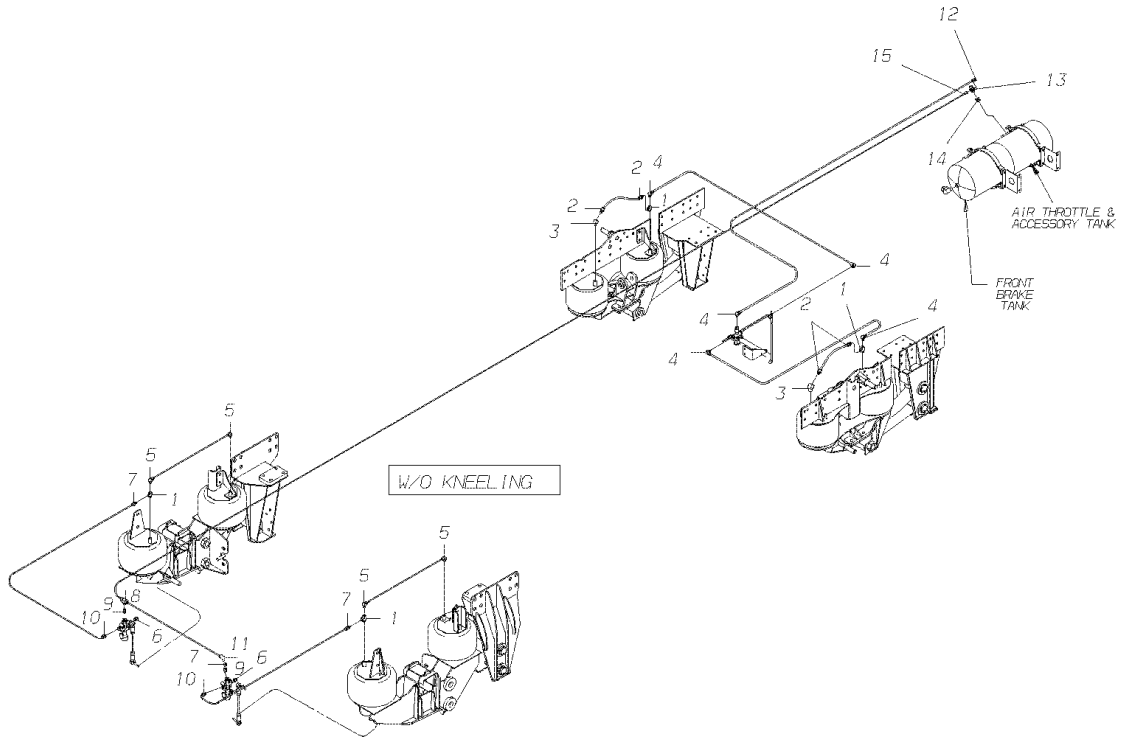
Key	PartNumber	Qty	Description	Comment
	0040034		SUSPENSION ASSY,HEND60300	CONSISTS OF THE FOLLOWING
1	0006704		HANGER ASSEMBLY,LH	
2	0006710		HANGER ASSEMBLY,RH	
3	0006711	2	BEAM ASSEMBLY,UPPER 002571	
4	0006711	2	BEAM ASSEMBLY,UPPER 002571	
5	0039759		AXLE SEAT,HENDRICKSON	
6	0006716		AXLE SEAT WELDMENT,RH 002283-2	
10	0023031		TUBE,PLASTIC LINER,HENDRICKSON,59504	
	0006729		KIT,BOLT,AIR SPRING 002276	INCLUDES KEY NUMBERS 20, 21, AND 22
20			AIR SPRING	
21			HARDENED FLAT WASHER	
22			NYLOCK NUT	
23	0040015		SHOCK ABSORBER,FRT,HENDRICKSON 60998	
27	0015248		LINK ASSY,LVLG VLV,HENDRICKSON 58994-010	
28	0014860		VALVE ASSY,HT CONTROL,HENDRICKSON	
	0014415		KIT,FRM COMP,SUSP,FRT,HEND 59553-000	INCLUDES KEY NUMBERS 29, 30, 31, AND 32
29	0066066		ARM ASSY,MIRROR,PASS,W/BRACE,SS,HTD,	
30	0006609		BRACKET,REINFORCEMENT, AIR SPRING	
31	0006624		PLATE,AIR SPRING,UPPER LH 002270-1	
32	0006622		PLATE,AIR SPRING,UPPER RH 002270-02	
	0035138		KIT,UPR & LWR TORQUE ARM FRT/REAR BUSH	INCLUDES KEY NUMBERS 33, 34, 35, 36, AND 37
33	0038925	2	BUSHING,INNER METAL,HENDRICKSON	
34	0029395	2	BUSHING,FRONT HANGER,HENDRICKSON	
35	0029778	4	O-RING,SEAL,HENDRICKSON	
36	0029022	6	BUSHING,TORQUE ARM,	
37	0006722	16	WEAR PAD 002268	
	0025273	20	WASHER,3/4,HARDENED,STABILIZER SHOCK	
	0038339	16	WASHER,HARDENED,7/8",HENDRICKSON	
	0023033	4	WASHER,HENDRICKSON,22962-004	
	0023036		BOLT,HEX,5/8-11X7,HENDRICKSON,32043-007	
	0023035		BOLT,HEX,5/8-11 X 6.25	
	0023032	2	LOCKNUT,5/8-11,HENDRICKSON,47764-000	

Models: A3RE, CSFE, TCFE
 AIR
 FRONT
 HENDRICKSON PARASTEER
 KIT PARTS BREAKDOWN
With Features: FEATURE 40004-07
BSN: From CSN 10096835 30096825

Key	PartNumber	Qty	Description	Comment
	0025276		LOCKNUT,3/4",STABILIZER SHOCK KIT,	
	0034234		NUT,(ASSY 0011783), KEY #1	
	0025275		HEX BOLT,3/4" X 2 1/4",STABILIZER SHOCK	
	0034244	8	BOLT,(ASSY 0011783),KEY #1	
	0023039		WASHER,THRUST,HENDRICKSON,59803-000"	
	0020978		TRACK ROD,HENDRICKSON	

Models: A3RE
AIR
FRONT
RIDEWELL W KNEELING FEATURE
With Features: FEATURE 40004-08 WITH 4569

Key	PartNumber	Qty	Description	Comment
-----	------------	-----	-------------	---------

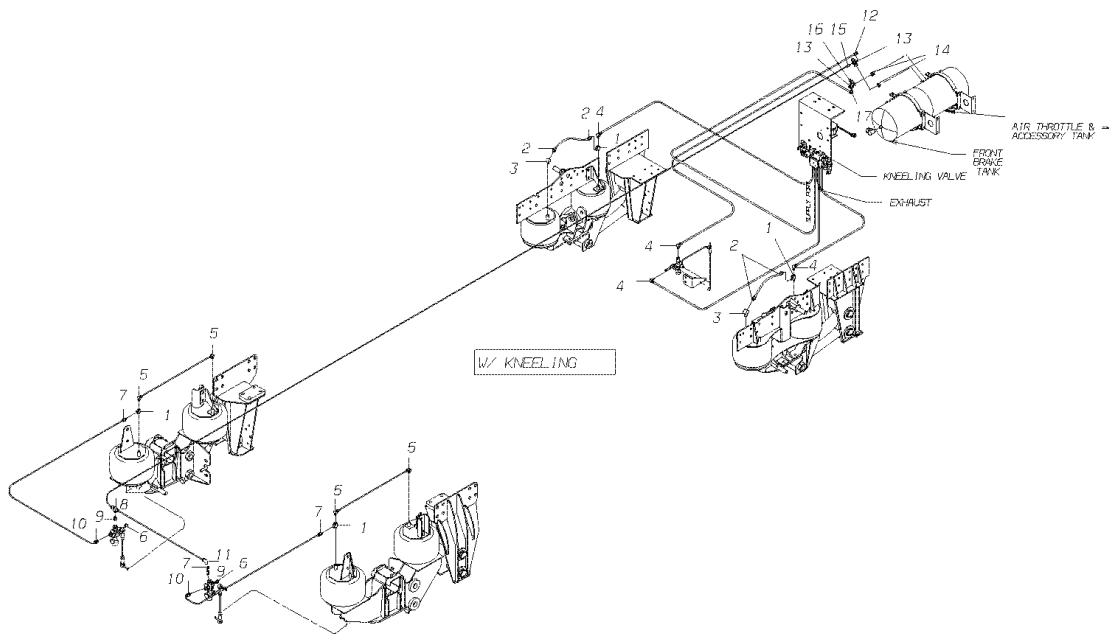


Models: A3RE
AIR
FRONT
RIDEWELL W KNEELING FEATURE
With Features: FEATURE 40004-08 WITH 4569

Key	PartNumber	Qty	Description	Comment
1	0654277	4	TEE,STREET,1/4 PIPE,3750X4	
2	0009924	4	CONNECTOR,MALE,1868X6-Z,.25MPT X .38T"	
3	2027209	2	ELBOW,STREET,45 DEG,3350X4	
4	0009914	4	ELBOW,90 DEG,MALE1869X6-Z,.25MPT X .38T"	
5	0009912	4	ELBOW,90 DEG,MALE1869X4X4-Z,.25MPT	
6	4760380	2	FITTING PLUG M12	
7	0009922	3	CONNECTOR,MALE,1868X4X4-Z,.25MPT X .25T"	
8	0009929	1	TEE,MALE,BRANCH,1872X4-Z,.13MPT X .25T	
9	4760375	2	FITTING ADAPTOR M12X1/4NPT	
10	4760378	2	FITTING CONN MALE M12X1/4OD	
11	4760379	1	FITTING UNION ELBOW 1/4OD	
12	0009911	1	ELBOW,90 DEG,MALE1869X6X6-Z,.38MPT	
13	1344183	2	VALVE,PRESS PROTECTION,66 PSI,GT	
14	2023539	2	BUSHING,PIPE,1/2MPT X 3/8FPT,3220X8X6Z,	
15	0009913	1	ELBOW,90 DEG,MALE1869X4X6-Z,.38MPT	
16	3772159	1	PLUG,PIPE,0.375,BRASS W/SEALANT,HEX HD	
17	0009906	1	ELBOW,90 DEG,MALE1869X8-Z,.38MPT X .50T	
NI	0654962		TUBING,PLASTIC,1/4 OD,BLACK,SAE J844 TYPE	
NI	1346824		TUBING,PLASTIC,1/4 OD,BLUE,SAE J844 TYPE A	
NI	0012450		TUBING,PLASTIC,3/8 OD,ORANGE,SAE J844	
NI	0013086		TUBING,PLASTIC,3/8 OD,GRAY,SAE J844 TYPE B	
NI	1197177		TUBING,PLASTIC,1/2 OD,SILVER,SAE J844 TYPE	
NI	0989319		TUBING,PLASTIC,3/8 OD,BLACK,SAE J844 TYPE	

Models: A3RE
 AIR
 FRONT
RIDEWELL WITH OUT KNEELING FEATURE
With Features: FEATURE 40004-08

Key	PartNumber	Qty	Description	Comment
-----	------------	-----	-------------	---------

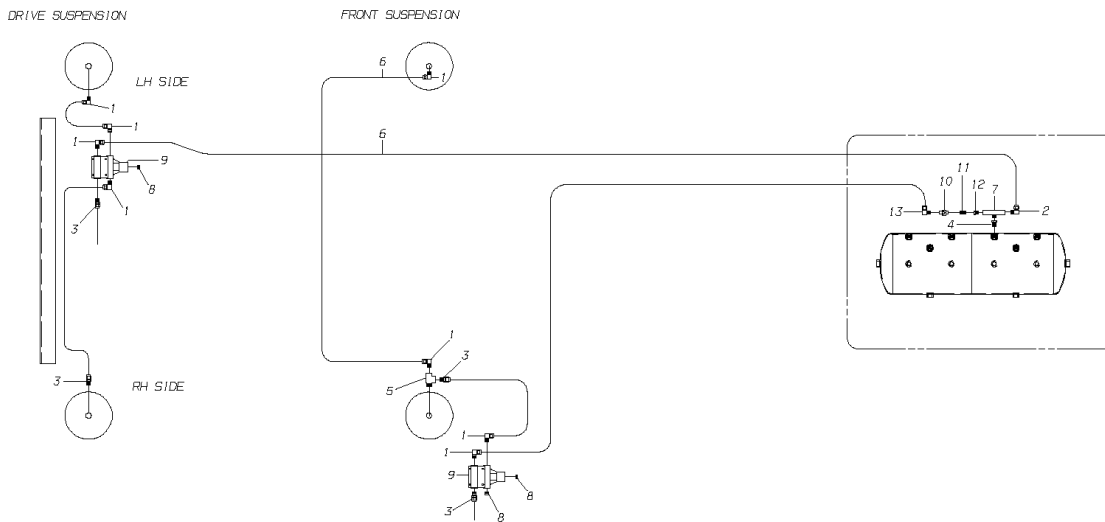


Models: A3RE
 AIR
 FRONT
With Features: RIDEWELL WITH OUT KNEELING FEATURE
 FEATURE 40004-08

Key	PartNumber	Qty	Description	Comment
1	0654277	4	TEE,STREET,1/4 PIPE,3750X4	
2	0009924	4	CONNECTOR,MALE,1868X6-Z,.25MPT X .38T"	
3	2027209	2	ELBOW,STREET,45 DEG,3350X4	
4	0009914	4	ELBOW,90 DEG,MALE1869X6-Z,.25MPT X .38T"	
5	0009912	4	ELBOW,90 DEG,MALE1869X4X4-Z,.25MPT	
6	4760380	2	FITTING PLUG M12	
7	0009922	3	CONNECTOR,MALE,1868X4X4-Z,.25MPT X .25T"	
8	0009929	1	TEE,MALE,BRANCH,1872X4-Z,.13MPT X .25T	
9	4760380	2	FITTING PLUG M12	
10	4760378	2	FITTING CONN MALE M12X1/4OD	
11	4760379	1	FITTING UNION ELBOW 1/4OD	
12	0009911	1	ELBOW,90 DEG,MALE1869X6X6-Z,.38MPT	
13	1344183	2	VALVE,PRESS PROTECTION,66 PSI,GT	
14	2023539	2	BUSHING,PIPE,1/2MPT X 3/8FPT,3220X8X6Z,	
15	0009913	1	ELBOW,90 DEG,MALE1869X4X6-Z,.38MPT	
16	3772159	1	PLUG,PIPE,0.375,BRASS W/SEALANT,HEX HD	
17	0009906	1	ELBOW,90 DEG,MALE1869X8-Z,.38MPT X .50T	
NI	0654962		TUBING,PLASTIC,1/4 OD,BLACK,SAE J844 TYPE	
NI	1346824		TUBING,PLASTIC,1/4 OD,BLUE,SAE J844 TYPE A	
NI	0012450		TUBING,PLASTIC,3/8 OD,ORANGE,SAE J844	
NI	0013086		TUBING,PLASTIC,3/8 OD,GRAY,SAE J844 TYPE B	
NI	1197177		TUBING,PLASTIC,1/2 OD,SILVER,SAE J844 TYPE	
NI	0989319		TUBING,PLASTIC,3/8 OD,BLACK,SAE J844 TYPE	

Models: A3RE, CSRE, QBRE, TCRE
AIR
FRONT AND REAR
HENDRICKSON
AIR PIPING
With Features: FEATURE 40004-05

Key	PartNumber	Qty	Description	Comment
-----	------------	-----	-------------	---------



Models: A3RE, CSRE, QBRE, TCRE
AIR
FRONT AND REAR
HENDRICKSON
AIR PIPING
With Features: FEATURE 40004-05

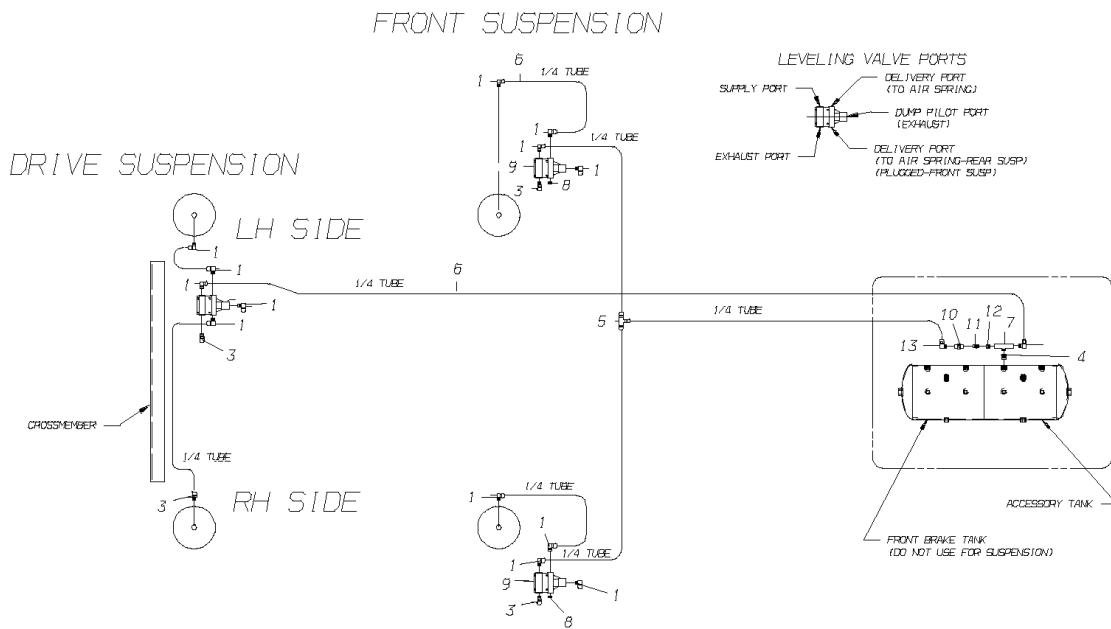
Key	PartNumber	Qty	Description	Comment
1	1344092	8	ELBOW,90 DEG,MALE,1469X4X4-Z,.25 MP X .25	
2	1344100		ELBOW,90 DEG,MALE,1469X4X6-Z,.38 MP X .25	
3	1414382	4	CONNECTOR,MALE,1468X4X4-Z,.25 MP X .25T	
4	2027134		BUSHING,PIPE,3/8 X 1/4,BRASS	
5	0654277		TEE,STREET,1/4 PIPE,3750X4	
6	0654962	60	TUBING,PLASTIC,1/4 OD,BLACK,SAE J844 TYPE	
7	0559047		TEE,MALE,BRANCH,1/4 PIPE,3600X4	
8	2023513	3	PLUG,PIPE,1/4,ALLEN HEX HD,BRASS	
9	0014860	2	VALVE ASSY,HT CONTROL,HENDRICKSON	
10	1164870		VALVE,CHECK,1/8 PIPE,HUMPHREY C-125	
11	2051381		NIPPLE,BRASS,1/8 CLOSE 3326 X 2	
12	2008050		BUSHING,PIPE,1/8 TO 1/4,BRASS	
13	1340371		ELBOW,90 DEG,MALE,1469X4-Z,.13MP X,.25T	

Models: A3RE, C4RE, CSRE, QBRE, TCRE

AIR
FRONT AND REAR
HENDRICKSON

With Features: FEATURE 40004-05, -07, 40005-06

Key	PartNumber	Qty	Description	Comment
-----	------------	-----	-------------	---------



Models: A3RE, C4RE, CSRE, QBRE, TCRE

AIR
FRONT AND REAR
HENDRICKSON

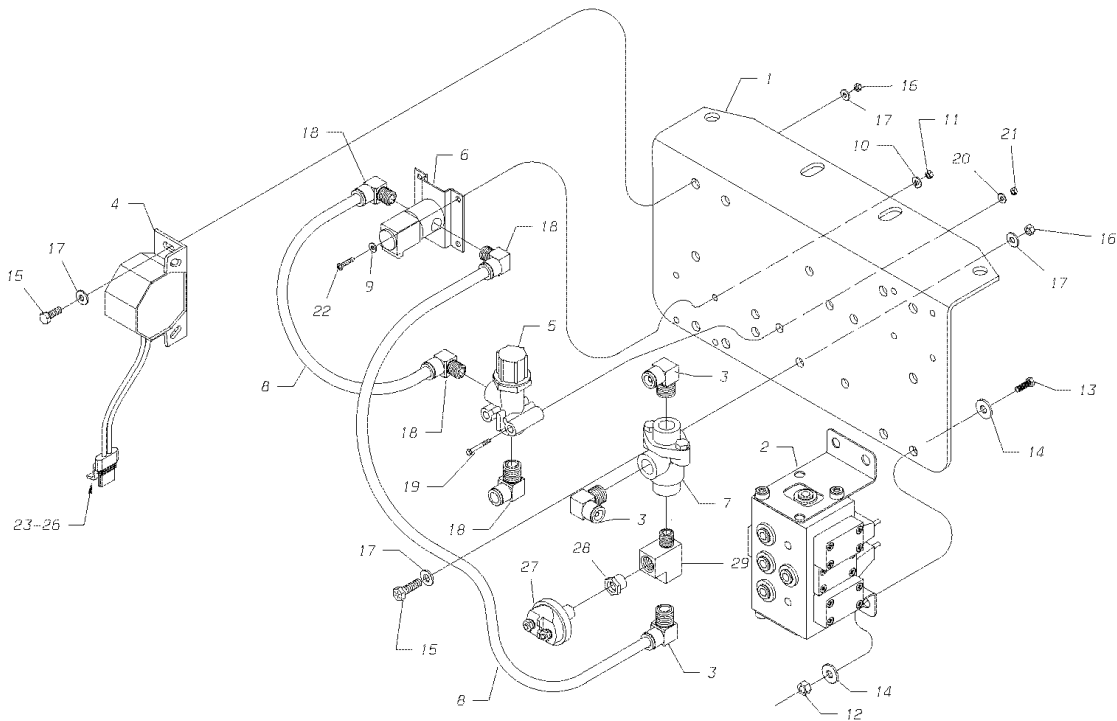
AIR PIPING

With Features: FEATURE 40004-05, -07, 40005-06

Key	PartNumber	Qty	Description	Comment
1	0009912	13	ELBOW,90 DEG,MALE1869X4X4-Z,.25MPT	
2	0009913		ELBOW,90 DEG,MALE1869X4X6-Z,.38MPT	
3	0009922	4	CONNECTOR,MALE,1868X4X4-Z,.25MPT X .25T"	
4	2027134		BUSHING,PIPE,3/8 X 1/4,BRASS	
5	0009987		TEE,UNION,1864X4,.25T	
6	0654962	60	TUBING,PLASTIC,1/4 OD,BLACK,SAE J844 TYPE	
7	0559047		TEE,MALE,BRANCH,1/4 PIPE,3600X4	
8	2023513	2	PLUG,PIPE,1/4,ALLEN HEX HD,BRASS	
9	0014860	3	VALVE ASSY,HT CONTROL,HENDRICKSON	
10	1164870		VALVE,CHECK,1/8 PIPE,HUMPHREY C-125	
11	2051381		NIPPLE,BRASS,1/8 CLOSE 3326 X 2	
12	2008050		BUSHING,PIPE,1/8 TO 1/4,BRASS	
13	0009903		ELBOW,90 DEG,MALE1869X4-Z,.13MPT X .25T	

Models: A3RE
 AIR
 FRONT AND REAR
 HENDRICKSON
 VALVE ASSY
With Features: FEATURE 40004 -07

Key	PartNumber	Qty	Description	Comment
-----	------------	-----	-------------	---------

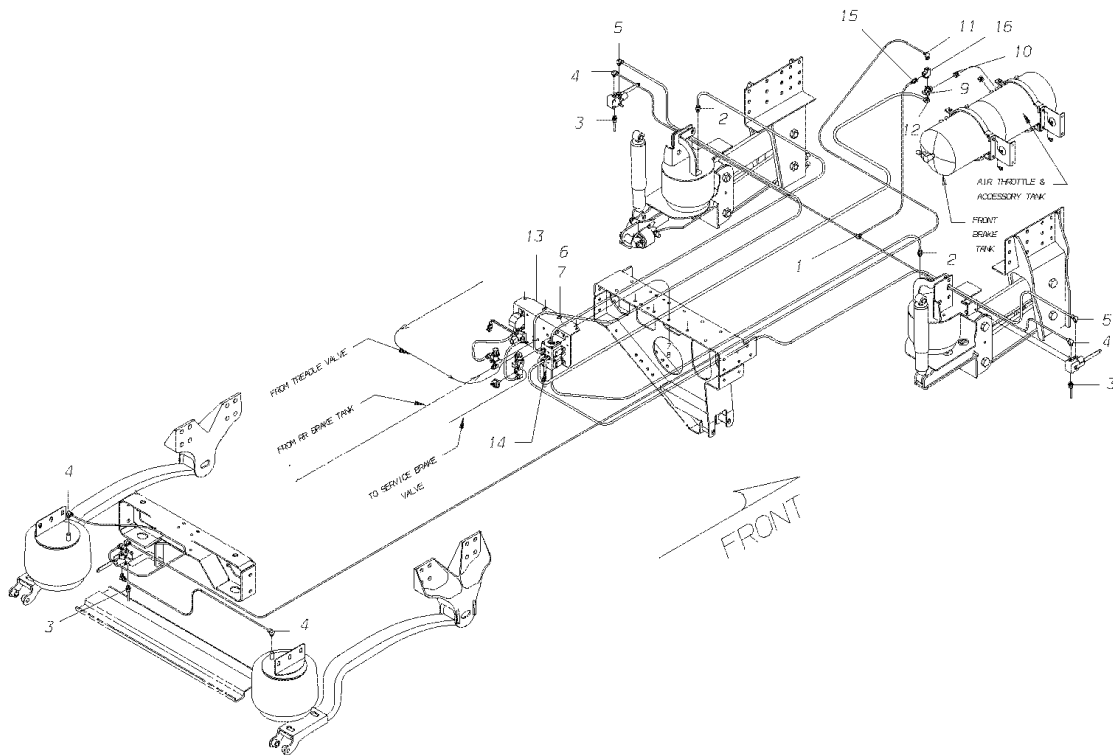


Models: A3RE
 AIR
 FRONT AND REAR
 HENDRICKSON
 VALVE ASSY
With Features: FEATURE 40004 -07

Key	PartNumber	Qty	Description	Comment
1	0085071		BRACKET,MTG,VALVE ASSY,KNEELING,HEND,	
2	0050588		VALVE,CONTROL,KNEELING,HEND SUSP,C4RE"	
3	0009911	3	ELBOW,90 DEG,MALE1869X6X6-Z,.38MPT	
4	0003311		HORN,BACKING ALARM,107 DB	
5	1102938		VALVE,PRESS REDU,RV-1,40 PSI,BW279926	
6	1686807		VALVE ASSY,SOLENOID,NC ALLENAIR	
7	0654434		VALVE,DOUBLE CHECK,3/8 PIPE	
8	1346857	AR	TUBING,PLASTIC,3/8 OD,BLUE,SAE J844 TYPE B	
9	2001105	4	WASHER,FLAT,13/64 X,1/2 X 3/64,YEL ZN DICH	
10	2001162	4	LOCKWASHER,SPLIT RING, 3/16,MED,YEL ZN	
11	2001279	4	NUT,HEX HD,10-24,YEL ZN DICH"	
12	0826297	4	NUT,HEX HD,3/8-16 LOCK,YEL ZN DICH	
13	0803213	4	CAPSCREW,HEX HD,3/8-16X1 1/4,GR8,YEL	
14	1107085	8	WASHER,FLAT,13/32 X 13/16 X 3/32,HDN,BLK	
15	0654459	2	CAPSCREW,HEX HD,5/16-18X7/8,GR5,YEL ZN	
16	1981844	3	NUT,HEX HD,5/16-18,LOCK,YEL DICH	
17	2001121	6	WASHER,FLAT,5/16 X 3/4,X 5/64,YEL ZN DICH	
18	0009914	4	ELBOW,90 DEG,MALE1869X6-Z,.25MPT X .38T"	
19	1092337	2	CAPSCREW,HEX HD,1/4-20 X 2,GR 5,YEL ZN	
20	1247709	2	WASHER,FLAT,17/64 ID X,5/8,YEL ZN DICH	
21	2001345	2	NUT,HEX HD,1/4-20,LOCKING,YELLOW	
22	2000768	4	SCREW,MACH,10-24 X 1, PH1,RD HD,YEL ZN	
23	1781392		CONNECTOR,2F,150 SERIES,METRI-PACK	
24	1781400		LOCK,SECONDARY,2 POSITION,METRI-PACK	
25	1460922	2	TERMINAL,SOC,16-20 GA,150 SERIES,METRI-	
26	1461466	2	SEAL,WIRE,CBL/DIA.080-.112,RD,150 S,	
27	1940873		SWITCH ASSY,STOPLIGHT PRESSURE	
28	2027134		BUSHING,PIPE,3/8 X 1/4,BRASS	
29	1010065		TEE,STREET,3/8 PIPE 3750 X 6	

Models: A3RE, C4RE, CSRE, QBRE, TCRE
AIR
FRONT AND REAR
HENDRICKSON WITH KNEELING FEATURE
AIR PIPING
With Features: FEATURE 40004-07 WITH 4569

Key	PartNumber	Qty	Description	Comment
-----	------------	-----	-------------	---------



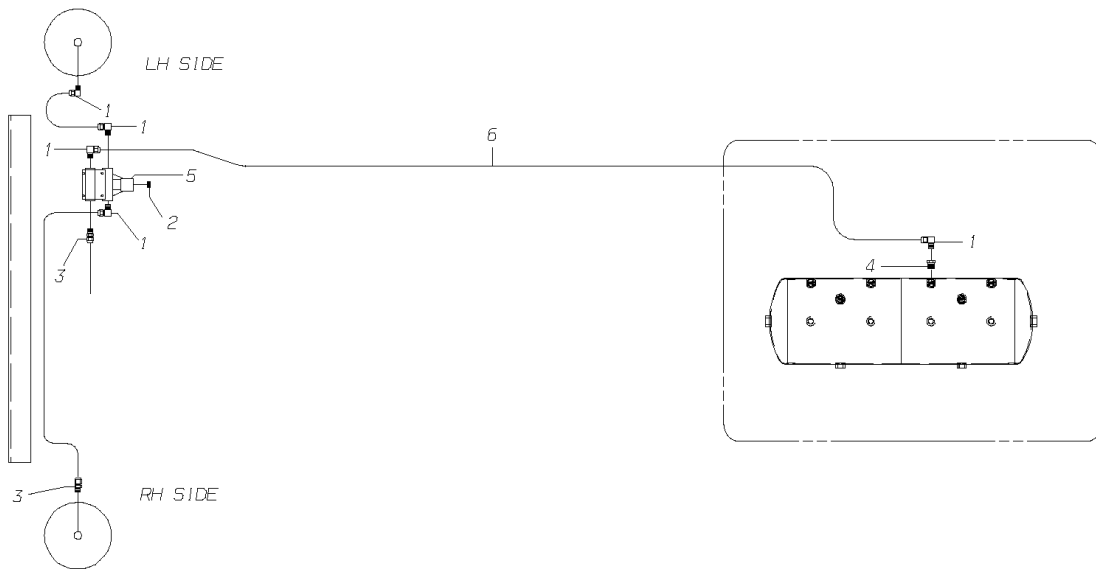
Models: A3RE, C4RE, CSRE, QBRE, TCRE
AIR
FRONT AND REAR
HENDRICKSON WITH KNEELING FEATURE
AIR PIPING
With Features: FEATURE 40004-07 WITH 4569

Key	PartNumber	Qty	Description	Comment
1	0009987		TEE,UNION,1864X4,.25T	
2	0009924	2	CONNECTOR,MALE,1868X6-Z,.25MPT X .38T"	
3	0009922	3	CONNECTOR,MALE,1868X4X4-Z,.25MPT X .25T"	
4	0009912	7	ELBOW,90 DEG,MALE1869X4X4-Z,.25MPT	
5	0009914	2	ELBOW,90 DEG,MALE1869X6-Z,.25MPT X .38T"	
6	0803213	4	CAPSCREW,HEX HD,3/8-16X1 1/4,GR8,YEL	
7	1107085	8	WASHER,FLAT,13/32 X 13/16 X 3/32,HDN,BLK	
8	0826297	4	NUT,HEX HD,3/8-16 LOCK,YEL ZN DICH	
9	1344183		VALVE,PRESS PROTECTION,66 PSI,GT	
10	2023539	2	BUSHING,PIPE,1/2MPT X 3/8FPT,3220X8X6Z,	
11	3772159		PLUG,PIPE,0.375,BRASS W/SEALANT,HEX HD	
12	0009906		ELBOW,90 DEG,MALE1869X8-Z,.38MPT X .50T	
13	0085108		VALVE ASSY,AIR,KNEELING,HEND SUSP, RE	
14	0012450	10	TUBING,PLASTIC,3/8 OD,ORANGE,SAE J844	
15	0023776		CONNECTOR,MALE,1868X4X6-Z,.38MPT X .25T	
16	1010065		TEE,STREET,3/8 PIPE 3750 X 6	
	0654962		TUBING,PLASTIC,1/4 OD,BLACK,SAE J844 TYPE	
	1346824		TUBING,PLASTIC,1/4 OD,BLUE,SAE J844 TYPE A	
	0012450		TUBING,PLASTIC,3/8 OD,ORANGE,SAE J844	
	1220060		TUBING,PLASTIC,1/4 OD,GRAY,SAE J844 TYPE A	
	1197177		TUBING,PLASTIC,1/2 OD,SILVER,SAE J844 TYPE	
	0012435		TUBING,PLASTIC,3/8 OD,BROWN,SAE J844	
	0012443		TUBING,PLASTIC,3/8 OD,GREEN,SAE J844 TYPE	
	1220037		TUBING,PLASTIC,3/8 OD,RED,SAE J844 TYPE B	

Models: A3RE, C4RE, CSRE, QBRE, TCRE
AIR
REAR
HENDRICKSON, COMFORT AIR
AIR PIPING
With Features: FEATURE 40005-03, -06

Key	PartNumber	Qty	Description	Comment
-----	------------	-----	-------------	---------

DRIVE SUSPENSION



Models: A3RE, C4RE, CSRE, QBRE, TCRE
 AIR
 REAR
 HENDRICKSON, COMFORT AIR
 AIR PIPING
With Features: FEATURE 40005-03, -06

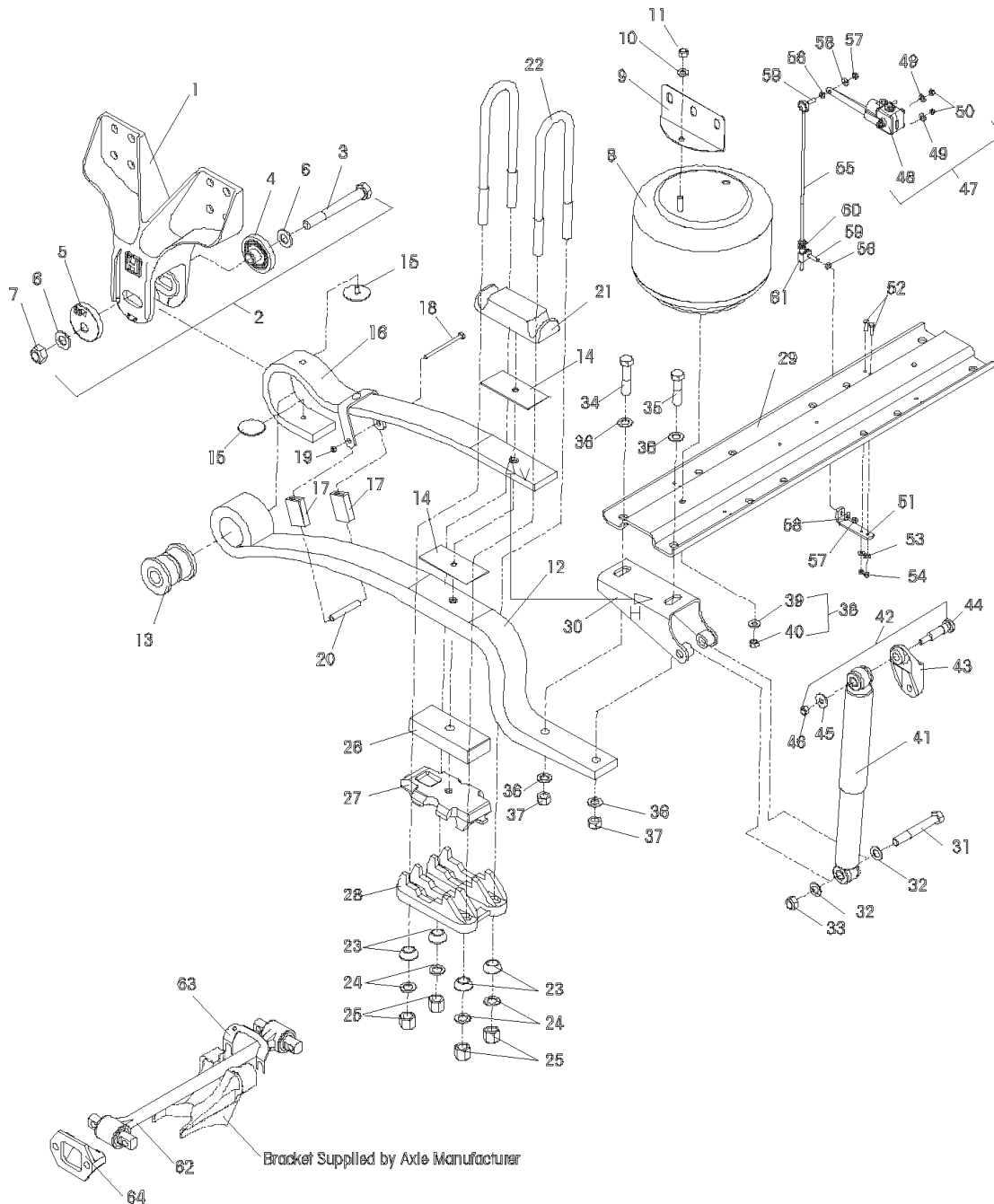
Key	PartNumber	Qty	Description	Comment
1	0009912	5	ELBOW,90 DEG,MALE1869X4X4-Z,.25MPT	
2	2023513		PLUG,PIPE,1/4,ALLEN HEX HD,BRASS	
3	0009922	2	CONNECTOR,MALE,1868X4X4-Z,.25MPT X .25T"	
4	2027134		BUSHING,PIPE,3/8 X 1/4,BRASS	
5	0014860		VALVE ASSY,HT CONTROL,HENDRICKSON	
6	0654962	50	TUBING,PLASTIC,1/4 OD,BLACK,SAE J844 TYPE	

Models: A3FE, A3RE, BBCV, C1FE, C3FE, C4RE, CSFE, TCFE

**AIR
REAR
HENDRICKSON, COMFORT AIR
BREAKDOWN**

With Features: FEATURE 40005-05,-06

Key	PartNumber	Qty	Description	Comment
-----	------------	-----	-------------	---------



Models: A3FE, A3RE, BBCV, C1FE, C3FE, C4RE, CSFE, TCFE

**AIR
REAR
HENDRICKSON, COMFORT AIR
BREAKDOWN**

With Features: FEATURE 40005-05,-06

Key	PartNumber	Qty	Description	Comment
1	0058596		HANGER,FRAME,HEND COMFORT AIR"	
2	0063263	4	KIT,QUICK-ALIGN,HEND,COMFAIR	<i>KIT INCLUDES 3-7</i>
2	0058597		KIT,PIVOT BUSHING,SERVICE,COMFORT AIR	<i>INCLUDES 3,6,7,13, AND 15 1 SIDE ONLY</i>
3		2	1 IN 8 UNC 7.50 IN BOLT	
4		3	QUICK- ALIGN CONCENTRIC COLLAR	
5			QUICK- ALIGN ECCENTRIC COLLAR	
6		4	1 IN HARDENED WASHER	
7		2	1 IN 8 UNC LOCKNUT	
13	0058601	2	BUSHING,PIVOT,COMFORT AIR,HEND"	
15	0068246	4	PLATE,SUPPORT,MAIN MEMBER,HEND,(PUCK)	
	0058599	2	AIR SPRING ASSY,RE,COMFORT AIR,HEND"	<i>NCLUDES 8, 9, 10, 11</i>
	0058600	2	AIR SPRING ASSY,FE,COMFORT AIR,HEND"	<i>NCLUDES 8, 9, 10, 11</i>
8		2	AIR SPRING	
9		2	AIR SPRING HANGER	
10		2	WASHER	
11		2	1/2 IN 13 UNC NYLOCKNUT	
	0068268	2	LEAF,SUPPORT,MAIN,MEMBER,HENDRICKSON	<i>INCLUDES KEY NOS 12-20</i>
12		2	MAIN SUPPORT MEMBER	
14		4	LINER, SUPPORT, MAIN MEMBER,	<i>NOT SERVICED SEPARATELY</i>
16		4	SECONDARY LEAF	
17	0058602	4	SLEEVE,SPRING CLIP, COMFORT AIR,HEND	
18		2	7/16 IN 14 UNC BOLT	
NI			7/16 IN WASHER	
19		2	7/16 IN 14 UNC NUT	
20		2	CLIP BOLT SPACER	
21	0006579	2	PAD,TOP,HAS 56805000	<i>ALL EXCEPT C1FE</i>
21	0006578	2	PAD,TOP,HAS 57224000	<i>C1FE ONLY</i>
	0058693		KIT,U-BOLT 3/4X16,C1FE HEND COMF AIR	<i>INCLUDES 22, 23, 24, 25, C1FE ONLY</i>
	0006562		KIT,U-BOLT HARDWARE 48718023	<i>INCLUDES 22, 23, 24, 25, A3FE, BBCV, CSFE, TCFE, A3RE, C4RE</i>
	0058694		KIT,U-BOLT 7/8X16.25, CS/TC W/FLT FLR	<i>INCLUDES 22, 23, 24, 25, BBCV, CSFE, TCFE W/ FLAT FLOOR</i>
22			U-BOLT	
23	0038336	8	WASHER,SPHERICAL,HENDRICKSON	

Models: A3FE, A3RE, BBCV, C1FE, C3FE, C4RE, CSFE, TCFE

**AIR
REAR
HENDRICKSON, COMFORT AIR
BREAKDOWN**

With Features: FEATURE 40005-05,-06

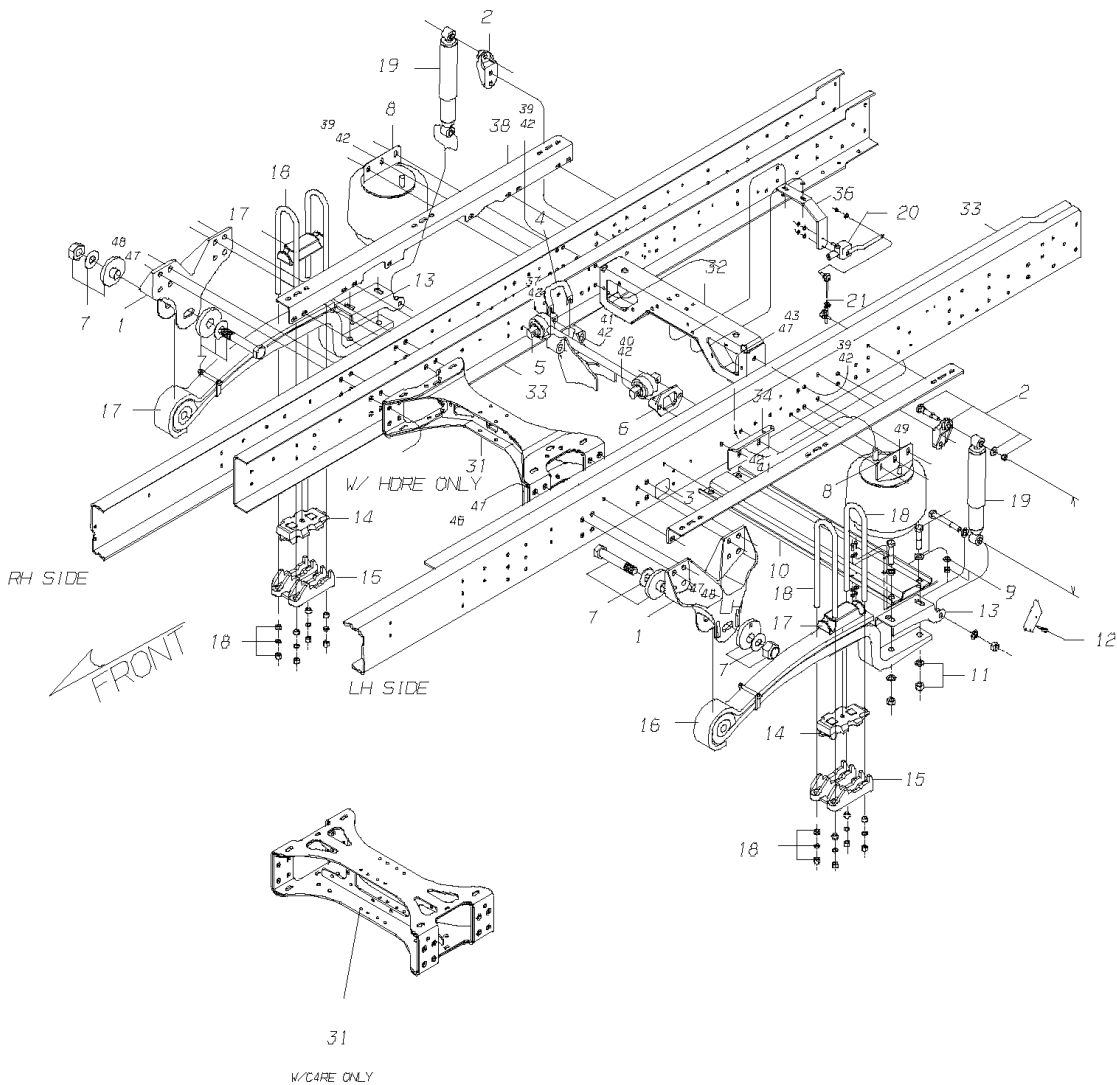
Key	PartNumber	Qty	Description	Comment
24	0038339	8	WASHER,HARDENED,7/8",HENDRICKSON	
24	0025273	8	WASHER,3/4,HARDENED,STABILIZER SHOCK	15,000 LB CAPACITY
25	0038340	8	NUT,7/8-14,HENDRICKSON	15,000 LB CAPACITY
26	0064386	AR	SEAT,SPRING,O PINION ANGLE,LH/RH,HEND,	
27	0060745	4	SPRING SEAT, 2.00 DEGREE	
27	0064387	4	SEAT,SPRING,SPACER,1.5 IN,HEND,COMFAIR	
28			AXLE BOTTOM CAP	
29			CROSS CHANNEL	
	0058603		ASSY,BRACKET,LOWER SHOCK,COMFORT AIR,	INCLUDED 30, 31, 32, 33
30		2	LOWER SHOCK BRACKET	
31		2	3/4 IN 10 UNC 5.50 IN BOLT	
32	0025273	4	WASHER,3/4,HARDENED,STABILIZER SHOCK	
33	0025276	2	LOCKNUT,3/4",STABILIZER SHOCK KIT,	
34		2	3/4 IN 10 UNC 3.50 IN BOLT	
35		2	3/4 IN 10 UNC 3.00 IN BOLT	
36	0025273	8	WASHER,3/4,HARDENED,STABILIZER SHOCK	
37	0025276	4	LOCKNUT,3/4",STABILIZER SHOCK KIT,	
38	0058604		KIT, AIR SPRING FASTENER,COMFORT AIR,	INCLUDES 39 AND 40
39		2	1/2 IN HARDENED WASHER	
40		2	1/2 IN 13 UNC NYLOCKNUT	
41	0085991	2	SHOCK ABSORBER,AIR SUSP,REAR,HEND	
42	0058605		ASSY,BRACKET,UPPER SHOCK FRAME,COMFORT	INCLUDES 43, 44, 45, 46
43		2	SHOCK FRAME HANGER	
44		2	1/2" 13 UNC SERRATED SHANK BOLT	
45		2	1/2 IN HARDENED WASHER	
46		2	1/2 IN 13 UNC LOCKNUT	
47	0058606		KIT,HEIGHT CONTROL VALVE,COMFORT AIR,	INCLUDES 48, 49, 50
48			HEIGHT CONTROL VALVE	
49		2	1/4 IN HARDENED WASHER	
50		2	1/4" 20 UNC LOCKNUT	
	0058608		KIT,BRKT,LOWER CONTROL VALVE LINK,FE	INCLUDES 51, 52, 53, 54ALL EXCEPT REAR ENGINE
	0058609		KIT,BRKT,LOWER CONTROL VALVE LINK,RE	INCLUDES 51, 52, 53, 54REAR ENGINE ONLY
51			CONTROL VALVE LINK BRACKET	

Models: A3FE, A3RE, BBCV, C1FE, C3FE, C4RE, CSFE, TCFE
AIR REAR HENDRICKSON, COMFORT AIR BREAKDOWN
With Features: FEATURE 40005-05,-06

Key	PartNumber	Qty	Description	Comment
52		2	1/4 IN 20 UNC 1.00 IN BOLT	
53		4	1/4 IN HARDENED WASHER	
54		2	1/4 IN 20 UNC LOCKNUT	
	0014951		LINK ASSY,LVLG VLV,HENDRICKSON 58994-009	<i>INCLUDES 55, 56, 57, 58, 59, 60, 61, C1FE ONLY</i>
	0014902		LINK ASSY,LVLG VLV,HENDRICKSON 58994-008	<i>INCLUDES 55, 56, 57, 58, 59, 60, 61, ALL EXCEPT C1FE</i>
55			EXTENSION ROD	
56		2	5/16 IN 18 UNC JAM NUT	
57		2	5/16 IN 18 UNC LOCKNUT	
58		2	5/16 IN HARDENED WASHER	
59		2	5/16 IN 18 UNC STUD	
60			VALVE ARM CLAMP	
61			ADJUSTABLE VALVE ARM JOINT	
62	0058708		TORQUE ROD ASSY,TRNSVRS,HEND COMR AIR,	<i>C1FE ONLY</i>
62	0058707		TORQUE ROD ASSY,TRNSVRSE,HEND COMF	
62	0058706		TORQUE ROD ASSY,TRNVRSE,HEND COMF AIR	
62	0058710		TORQUE ROD ASSY,TRNSVRS,HEND RE W/10 IN	
63	0058726	AR	SHIM,TORQUE ROD,HEND COMF AIR	
64	0025981		BRACKET, TRANSVERSE ROD, FRAME	

Models: A3RE, C4RE
AIR
REAR
HENDRICKSON, COMFORT AIR
INSTALLATION
With Features: FEATURE 40005-06

Key	PartNumber	Qty	Description	Comment
-----	------------	-----	-------------	---------



Models: A3RE, C4RE
 AIR
 REAR
 HENDRICKSON, COMFORT AIR
 INSTALLATION
With Features: FEATURE 40005-06

Key	PartNumber	Qty	Description	Comment
	0040016		KIT,CMP,FRM,SUSP,RR,HEND 48648-048,RSAXL	CONSIST OF ITEMS 1-6
	0040017		KIT,CMP,FRM,SUSP,RR,HEND 48648-046,RC23	CONSIST OF ITEMS 1-6
1	0058596	2	HANGER,FRAME,HEND COMFORT AIR"	
2	0058605	2	ASSY,BRACKET,UPPER SHOCK FRAME,COMFORT	
3		2	STICKER, TORQUE REQUIREMENTS	
4			SHIM, TORQUE ROD	
5	0058706		TORQUE ROD ASSY,TRNVRS,HEND COMF AIR	
6	0025981		BRACKET, TRANSVERSE ROD, FRAME	
7		2	QUICK-ALIGN KIT	
	0040021		KIT,CMP,R/AXL,HEND48646-703,RS19	CONSISTS OF ITEMS 8-19
8	0058599	2	AIR SPRING ASSY,RE,COMFORT AIR,HEND"	
9	0058604		KIT, AIR SPRING FASTENER,COMFORT AIR,	
10			CROSS CHANNEL	
11			CROSS CHANNEL T=FASTENER KIT	
12	0058609		KIT,BRKT,LOWER CONTROL VALVE LINK,RE	
13	0058603		ASSY,BRACKET,LOWER SHOCK,COMFORT AIR,	
14			SPRING SEAT	4.5 DEGREES
15			SPRING SEAT SPACER	
15			AXLE BOTTOM CAP	
16			MAIN SUPPORT MEMBER	
17	0066579		TUBE,BRACKET,BREATHER,CRANKCASE,CNG	
18	0006562		KIT,U-BOLT HARDWARE 48718023	
19	0085991		SHOCK ABSORBER,AIR SUSP,REAR,HEND	
20	0014860		VALVE ASSY,HT CONTROL,HENDRICKSON	
21	0015529		LINK ASSY,LVLG VLV,HENDRICKSON 58994-007	
31	0026242		CROSSMEMBER ASSY,FRT,REAR SUSPN,	
31	0032213		CROSSMEMBER ASSY,FRT,RR SUSP	
32	0032080		CROSSMEMBER ASSY,RR,RR SUSP	
33			FRAME INSERT, COMES BUNDLED WITH FRAME	
34	0014845	2	ANGLE,REINFORCEMENT,FRAME RAIL,	
36	0015487		BRACKET,MTG,LEVELING VALVE	
37	1631068	2	CAPSCREW,HX HD,5/8-11 X 4 1/2,GR8,	
38	0039436	2	ANGLE,TIE DOWN,BODY,REAR SUSP, RE	

Models: A3RE, C4RE
 AIR
 REAR
 HENDRICKSON, COMFORT AIR
 INSTALLATION

With Features: FEATURE 40005-06

Key	PartNumber	Qty	Description	Comment
39	1107895	12	CAPSCREW,HEX HD,5/8-11 X 2,GR8,YEL ZN	
40	1022805	2	CAPSCREW,HEX HD,5/8-11 X 5,GR 8,YEL ZN	
41	0939827	12	NUT,HEX HD,5/8-11,GR 8,LOCK,CADMIUM WAX	
42	0929018	24	WASHER,FLAT,21/32 X 1 1/8 X 3/32,HDN,YEL	
43	0985549	2	NUT,HEX HD,3/4-16,NYLON LOCK,YEL ZN DICH	
46	0008068	12	CAPSCREW,HEX HD,3/4-10X3,GR8,YELZNDICH	
47	0870915	34	WASHER,FLAT,27/32 X 1 1/2 X 1/8,YEL ZN	
48	0933879	12	NUT,HEX HD,3/4-10,PRVLG TORQ,GR8,CAD	
49	0850800	2	NUT,HEX HD,1/2-13,LOCKING,GR 8,CAD WAX	

Models: A3RE, CSRE, QBRE, TCRE

AIR

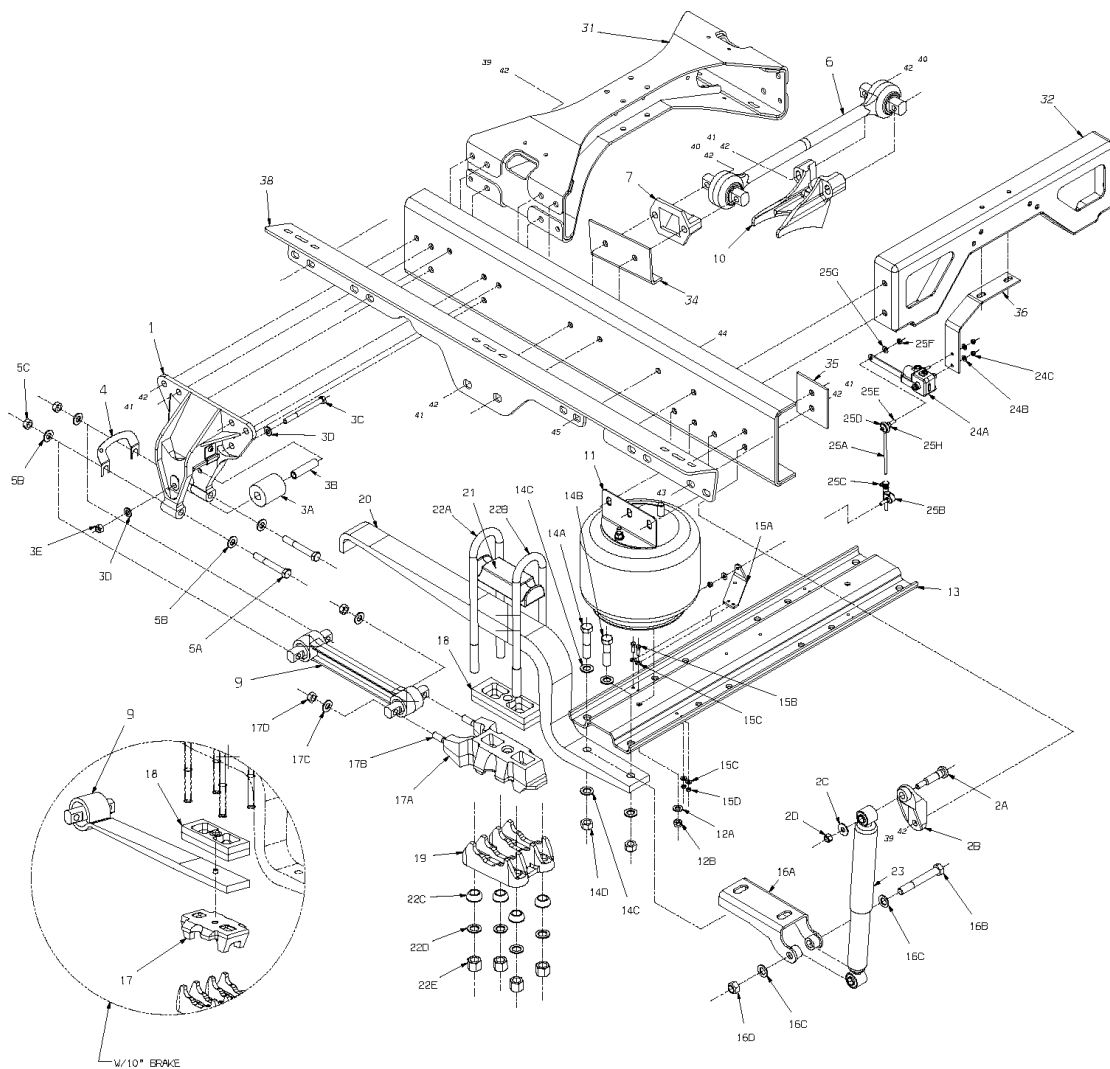
REAR

HENDRICKSON, HAS

INSTALLATION

With Features: FEATURE 4005-03

Key	PartNumber	Qty	Description	Comment
-----	------------	-----	-------------	---------



Models: A3RE, CSRE, QBRE, TCRE

AIR

REAR

HENDRICKSON, HAS

INSTALLATION

With Features: FEATURE 40005-03

Key	PartNumber	Qty	Description	Comment
1	0006554	2	HANGER ASSY,FRAME HAS 57190002	
	1107895	AR	CAPSCREW,HEX HD,5/8-11 X 2,GR8,YEL ZN	
	0929018	AR	WASHER,FLAT,21/32 X 1 1/8 X 3/32,HDN,YEL	
	0939827	AR	NUT,HEX HD,5/8-11,GR 8,LOCK,CADMIUM WAX	
2	0006556	2	BRACKET ASSY,SHOCK HAS 57322002	KIT
2A			1/2 IN. STUD	2 INCLUDED IN KIT
2B			SHOCK HANGER	MACH., 2 INCLUDED IN KIT
	1107895	AR	CAPSCREW,HEX HD,5/8-11 X 2,GR8,YEL ZN	
	0929018	AR	WASHER,FLAT,21/32 X 1 1/8 X 3/32,HDN,YEL	
	0939827	AR	NUT,HEX HD,5/8-11,GR 8,LOCK,CADMIUM WAX	
2C			1/2 IN. FLAT WASHER	2 INCLUDED IN KIT
2D			1/2 IN. LOCKNUT	2 INCLUDED IN KIT
3	0006550		KIT,REBOUND ROLLER 49175019	KIT
3A			REBOUND ROLLER	2 INCLUDED IN KIT
3B			REBOUND BOLT SPACER	2 INCLUDED IN KIT
3C			1/2 IN. REBOUND BOLT	2 INCLUDED IN KIT
3D			1/2 IN. FLAT WASHER	4 INCLUDED IN KIT
3E			1/2 IN. REBOUND BOLT NUT	2 INCLUDED IN KIT
4	0006553		SHIM,TORQUE ROD HA/E4 49689000	
5	0006552		KIT,TORQUE ROD FASTENER 49176003	
5A			5/8 IN. TORQUE ROD BOLT	4 INCLUDED IN KIT
5B	0023033		WASHER,HENDRICKSON,22962-004	8 INCLUDED IN KIT
5C	0023032		LOCKNUT,5/8-11,HENDRICKSON,47764-000	4 INCLUDED" KIT
6	0006548		TRANSVERSE TORQUE ROD 23" 32271115	
	1022805	AR	CAPSCREW,HEX HD,5/8-11 X 5,GR 8,YEL ZN	
	0929018	AR	WASHER,FLAT,21/32 X 1 1/8 X 3/32,HDN,YEL	
	0939827	AR	NUT,HEX HD,5/8-11,GR 8,LOCK,CADMIUM WAX	
7	0006545		BRKT,FRAME,TORQUE ROD	
9	0006557	2	TORQUE ROD ASSY,HAS 14.41 48411013	
10	0006602		BRACKET,AXLE,TRANSVERSE 59018000	
	1022805	AR	CAPSCREW,HEX HD,5/8-11 X 5,GR 8,YEL ZN	
	0929018	AR	WASHER,FLAT,21/32 X 1 1/8 X 3/32,HDN,YEL	
	0939827	AR	NUT,HEX HD,5/8-11,GR 8,LOCK,CADMIUM WAX	

Models: A3RE, CSRE, QBRE, TCRE

AIR

REAR

HENDRICKSON, HAS

INSTALLATION

With Features: FEATURE 40005-03

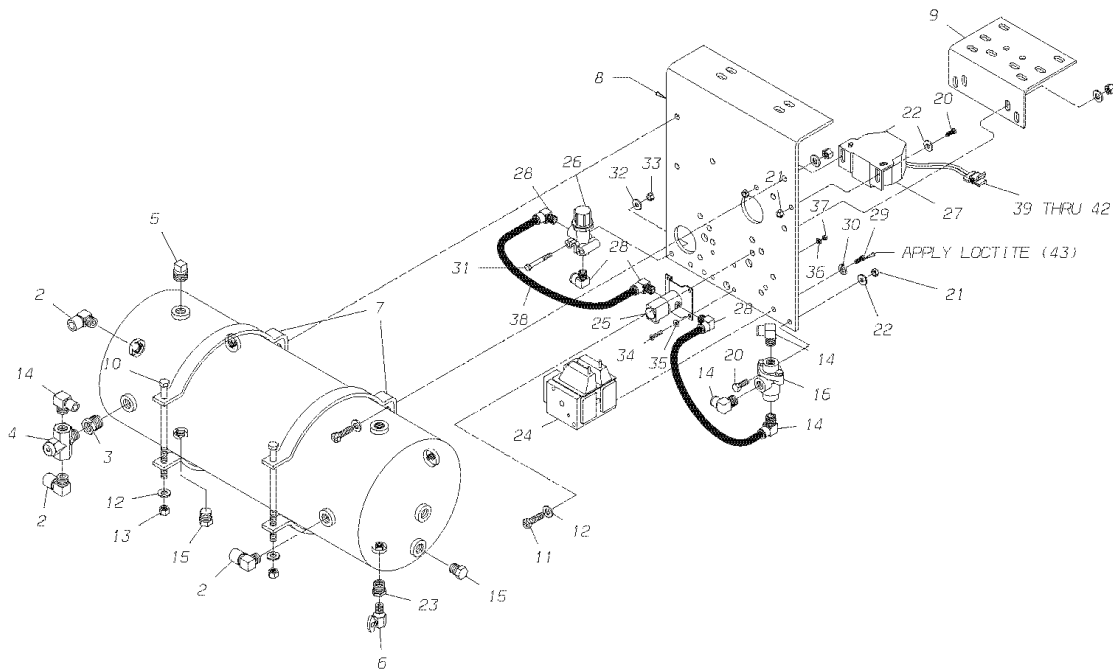
Key	PartNumber	Qty	Description	Comment
11	0006595	2	AIR SPRING ASSY,HAS 59031002	
11	0006596	2	AIR SPRING ASSY,HAS 58983002	
	1107895	AR	CAPSCREW,HEX HD,5/8-11 X 2,GR8,YEL ZN	
	0929018	AR	WASHER,FLAT,21/32 X 1 1/8 X 3/32,HDN,YEL	
	0939827	AR	NUT,HEX HD,5/8-11,GR 8,LOCK,CADMIUM WAX	
12	0006567		KIT,U-BOLT HARDWARE 49177006	
12			1/2 IN. FLAT WASHER	2 INCLUDED IN KIT
12			1/2 IN. LOCKNUT	2 INCLUDED IN KIT
13	0006581		CROSSCHANNEL,HAS 58982000	
13	0006580		CROSSCHANNEL,HAS 57317001	
14	0006568		KIT,AIR SPRING FASTENER 50763002	
14	0006570		KIT,CHANNEL FASTENER,HAS 50763004	
14			3/4 10, HEX HD. BOLT FRONT	2 INCLUDED IN KIT
14			3/4 10, HEX HD. BOLT BACK	2 INCLUDED IN KIT
14			3/4 IN. FLAT WASHER	8 INCLUDED IN KIT
14			3/4 IN. LOCKNUT	4 INCLUDED IN KIT
15	0006586		KIT,CONTROL VALVE BRACKET 57430003	
15			CONTROL VALVE LOWER BRACKET	1 INCLUDED IN KIT
15			1/4 IN. HEX BOLT	2 INCLUDED IN KIT
15			1/4 IN. FLAT WASHER	4 INCLUDED IN KIT
15			1/4 IN. LOCKNUT	2 INCLUDED IN KIT
16	0006583	2	BRACKET,LOWER SHOCK,HAS 57125000	
16			LOWER SHOCK BRACKET	2 INCLUDED IN KIT
16			3/4 IN. HEX BOLT	2 INCLUDED IN KIT
16			3/4 IN. FLAT WASHER	4 INCLUDED IN KIT
16			3/4 IN. LOCKNUT	2 INCLUDED IN KIT
17	0006589	2	SPRING SEAT,4.50 DEG, 5" 59866000	L/H, R/H
17	0006592	2	SPRING SEAT,4.50 DEG,5"	L/H, R/H
17			SPRING SEAT MACHINING	LH/ RH, 2 INCLUDED IN KIT
17			SPRING SEAT STUD	4 INCLUDED IN KIT
17			5/8 IN. FLAT WASHER	4 INCLUDED IN KIT
17			5/8 IN. HEX NUT	4 INCLUDED IN KIT
18	0006560	2	SPACER,SPRING SEAT 1.5 48903000	

Models: A3RE, CSRE, QBRE, TCRE
AIR
REAR
HENDRICKSON, HAS
INSTALLATION
With Features: FEATURE 40005-03

Key	PartNumber	Qty	Description	Comment
18	0006561	2	SPACER,SPRING SEAT 1.0" 48902000	
19	0006588	2	CAP,AXLE BOTTOM 58980000	L.H/ R.H
20	0006573	2	MAIN SUPPORT MEMBER,HAS 1.88" 56931002	
20	0006576	2	MAIN SUPPORT MEMBER,HAS 2.00" 56934002	
21	0006579	2	PAD,TOP,HAS 56805000	
22	0006563		KIT,U-BOLT HARDWARE 48718051	
22	0006564		KIT,HARDWARE U-BOLT 48718053	
22			7/8 IN. U-BOLT	FRONT, 2 INCLUDED IN KIT
22			7/8 IN. U-BOLT	BACK, 2 INCLUDED IN KIT
22			SPHERICAL WASHER, 7/8	8 INCLUDED IN KIT
22			7/8 IN. FLAT WASHER	8 INCLUDED IN KIT
22			7/8 IN. U-BOLT NUT	8 INCLUDED IN KIT
23	0014605	2	SHOCK ABSORBER,RR,HENDRICKSON 59057	STANDARD
23	0038891	2	SHOCK ABSORBER,REAR,HENDRICKSON 64103	RECOMENDED FOR SEVERE APPLICATION
24	0014860		VALVE ASSY,HT CONTROL,HENDRICKSON	
24			LEVELING VALVE	1 INCLUDED IN KIT
24			1/4 IN. FLAT WASHER	2 INCLUDED IN KIT
24			1/4 IN. LOCKWASHER	2 INCLUDED IN KIT
25	0015529		LINK ASSY,LVLG VLV,HENDRICKSON 58994-007	
25			5/16 IN. EXTENSION ROD	1 INCLUDED IN KIT
25			P-MOUNT	1 INCLUDED IN KIT
25			HOSE CLAMP	1 INCLUDED IN KIT
25			GROMMET	1 INCLUDED IN KIT
25			5/16 IN. HEX STUD	2 INCLUDED IN KIT
25			5/16 IN. LOCKNUT	2 INCLUDED IN KIT
25			5/16 IN. FLAT WASHER	2 INCLUDED IN KIT
25			5/16 IN. NUT	2 INCLUDED IN KIT
NI	0011957		CROSSMEMBER ASSY,RR SUSP,HEND AIR,33.00	
NI	1992429		CROSSMEMBER ASSY,AIR SUS,RR/RR,33.00	
NI	0014845		ANGLE,REINFORCEMENT,FRAME RAIL,	
NI	0014829		PLATE,BACKING,SHOCK,RR SUSP,	
NI	0015487		BRACKET,MTG,LEVELING VALVE	

Models: A3RE
 AIR
 RESERVOIR ASSEMBLIES
 AUXILIARY, WET, KNEELING RIDEWELL
With Features: FEATURE 4004-08 W4569

Key	PartNumber	Qty	Description	Comment
-----	------------	-----	-------------	---------



Models:

**A3RE
AIR
RESERVOIR ASSEMBLIES
AUXILIARY, WET, KNEELING RIDEWELL
FEATURE 4004-08 W4569**

With Features:

Key	PartNumber	Qty	Description	Comment
1	1586445	1	RESERVOIR,1650 CU.IN.	
2	0009906	6	ELBOW,90 DEG,MALE1869X8-Z,.38MPT X .50T	
3	2023539	1	BUSHING,PIPE,1/2MPT X 3/8FPT,3220X8X6Z,	
4	1344183	1	VALVE,PRESS PROTECTION,66 PSI,GT	
5	0663427	5	PLUG,PIPE,1/2 SQ HD,3151 X 8Z,BRASS	
6	1110188	1	VALVE,RESERVOIR,DRAIN	
7	0050586	4	SP BUSV21611 158 ECD 4R SB FF, 0WC 24C	
8	0080463	1	BRACKET,MTG,RESERVOIR,AIR, HDRE	
9	0083698	1	ANGLE,BRACE,AIR RESERVOIR BRKT	
10	0851337	2	CAPSCREW,HEX HD,3/8-16X6 1/2,GR5,YEL	
11	0803213	6	CAPSCREW,HEX HD,3/8-16X1 1/4,GR8,YEL	
12	1107085	14	WASHER,FLAT,13/32 X 13/16 X 3/32,HDN,BLK	
13	0826297	8	NUT,HEX HD,3/8-16 LOCK,YEL ZN DICH	
14	0009911	4	ELBOW,90 DEG,MALE1869X6X6-Z,.38MPT	
15	3772159	2	PLUG,PIPE,0.375,BRASS W/SEALANT,HEX HD	
16	0654434	1	VALVE,DOUBLE CHECK,3/8 PIPE	
20	0654459	3	CAPSCREW,HEX HD,5/16-18X7/8,GR5,YEL ZN	
21	1981844	3	NUT,HEX HD,5/16-18,LOCK,YEL DICH	
22	2001121	3	WASHER,FLAT,5/16 X 3/4,X 5/64,YEL ZN DICH	
23	2009033	1	BUSHING,PIPE,GALV,1/4 X 3/8	
24	0040814	1	VALVE,CONTROL,KNEELING,RIDEWELL SUSP,	
25	1686807	1	VALVE ASSY,SOLENOID,NC ALLENAIR	
26	1102938	1	VALVE,PRESS REDU,RV-1,40 PSI,BW279926	
27	0003311	1	HORN,BACKING ALARM,107 DB	
28	0009914	5	ELBOW,90 DEG,MALE1869X6-Z,.25MPT X .38T"	
29	1700442	2	CAPSCREW,HEX HD,M8-1.25 X 20MM,10.9	
30	2001188	2	LOCKWASHER,SPLIT RING, 5/16,MED,YEL ZN	
31	1092337	2	CAPSCREW,HEX HD,1/4-20 X 2,GR 5,YEL ZN	
32	1247709	2	WASHER,FLAT,17/64 ID X,5/8,YEL ZN DICH	
33	2001345	2	NUT,HEX HD,1/4-20,LOCKING,YELLOW	
34	2000768	4	SCREW,MACH,10-24 X 1, PH1,RD HD,YEL ZN	
35	2001105	4	WASHER,FLAT,13/64 X,1/2 X 3/64,YEL ZN DICH	
36	2001162	4	LOCKWASHER,SPLIT RING, 3/16,MED,YEL ZN	

Models:

**A3RE
AIR
RESERVOIR ASSEMBLIES
AUXILIARY, WET, KNEELING RIDEWELL
FEATURE 4004-08 W4569**

With Features:

Key	PartNumber	Qty	Description	Comment
37	2001279	4	NUT,HEX HD,10-24,YEL ZN DICH"	
38	1346857	2	TUBING,PLASTIC,3/8 OD,BLUE,SAE J844 TYPE B	
39	1781392	1	CONNECTOR,2F,150 SERIES,METRI-PACK	
40	1781400	1	LOCK,SECONDARY,2 POSITION,METRI-PACK	
41	1460922	2	TERMINAL,SOC,16-20 GA,150 SERIES,METRI-	
42	1461466	2	SEAL,WIRE,CBL/DIA.080-.112,RD,150 S,	
43	1422195	.01	SEALANT,LOCTITE,THREADLOCKER 242, BLUE	

Models: A3RE

AIR

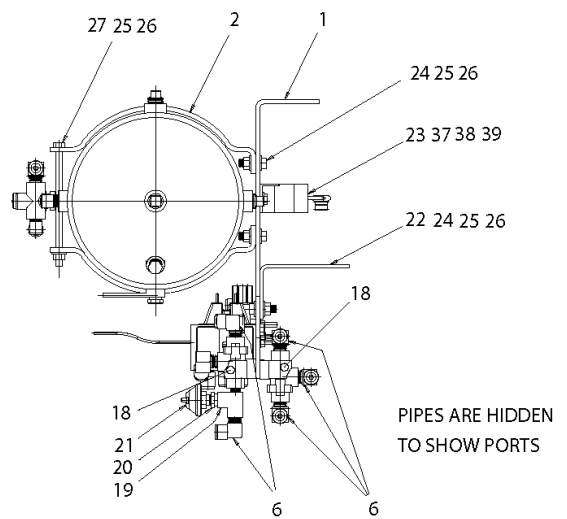
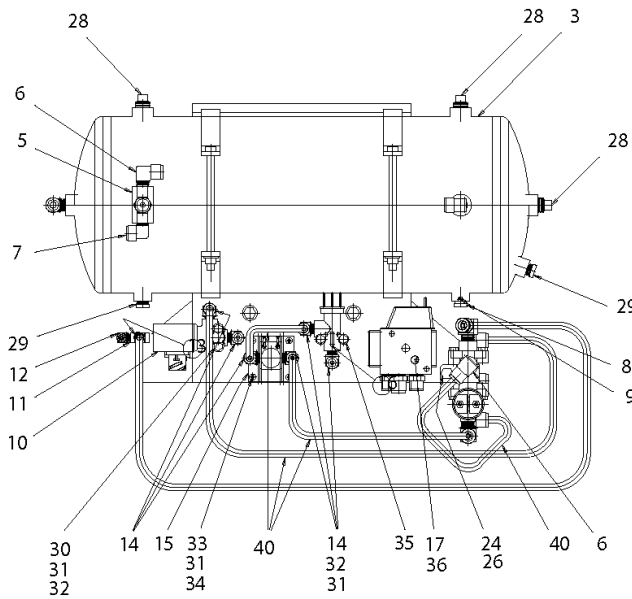
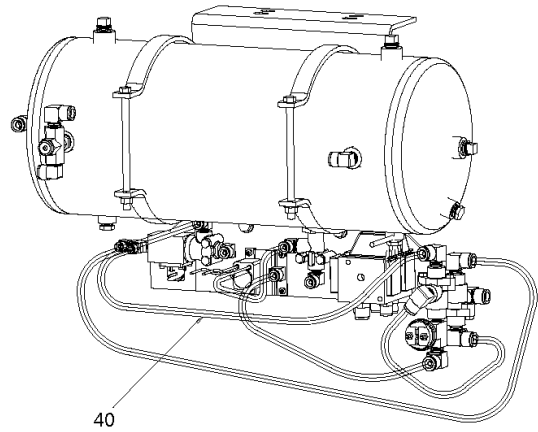
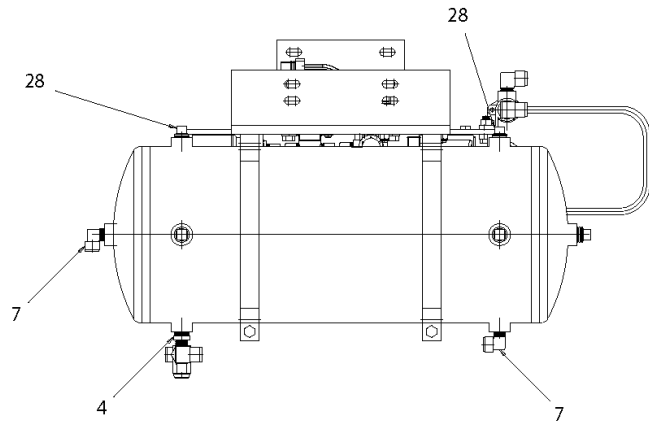
RESERVOIR ASSEMBLIES

AUXILIARY, WET, KNEELING RIDEWELL

With Features:

FEATURE 40004-08 WITH FEATURE 4569 WITH FEATURE 40453-01

Key	PartNumber	Qty	Description	Comment
-----	------------	-----	-------------	---------



Models: **A3RE**

**AIR
RESERVOIR ASSEMBLIES
AUXILIARY, WET, KNEELING RIDEWELL**

With Features: **FEATURE 40004-08 WITH FEATURE 4569 WITH FEATURE 40453-01**

Key	PartNumber	Qty	Description	Comment
1	0102558	1	BRACKET,MOUNTING,KNEEL,ATC,BRKINLCK,	
2	0850586	4	BRACKET,MTG,9 1/2IN,AIR RESERVOIR	
3	1586445	1	RESERVOIR,1650 CU.IN.	
4	2023539	1	BUSHING,PIPE,1/2MPT X 3/8FPT,3220X8X6Z,	
5	1344183	1	VALVE,PRESS PROTECTION,66 PSI,GT	
6	0009911	7	ELBOW,90 DEG,MALE1869X6X6-Z,.38MPT	
7	0009906	3	ELBOW,90 DEG,MALE1869X8-Z,.38MPT X .50T	
8	2009033	1	BUSHING,PIPE,GALV,1/4 X 3/8	
9	1110188	1	VALVE,RESERVOIR,DRAIN	
10	0102339	1	VALVE,SOLENOID,TRACTION CONTROL,AIR	
11	1047133	1	FITTING,T,BRASS,1/8 FPT PARKER 2203 P-2	
12	0009989	1	ELBOW,90,MALE,1869X6X2-Z.13MP X .38T	
13	0013103	1	CONNECTOR,MALE,1868X6X2-Z,.13MP X .38T	
14	0009914	6	ELBOW,90 DEG,MALE1869X6-Z,.25MPT X .38T"	
15	1686807	1	VALVE ASSY,SOLENOID,NC ALLEN AIR	
16	1102938	1	VALVE,PRESS REDU,RV-1,40 PSI,BW279926	
17	0040814	1	VALVE,CONTROL,KNEELING,RIDEWELL SUSP,	
18	0654434	2	VALVE,DOUBLE CHECK,3/8 PIPE	
19	1010065	1	TEE,STREET,3/8 PIPE 3750 X 6	
20	2027134	1	BUSHING,PIPE,3/8 X 1/4,BRASS	
21	1940873	1	SWITCH ASSY,STOPLIGHT PRESSURE	
22	0083698	1	ANGLE,BRACE,AIR RESERVOIR BRKT	
23	0003311	1	HORN,BACKING ALARM,107 DB	
24	0803213	7	CAPSCREW,HEX HD,3/8-16X1 1/4,GR8,YEL	
25	1107085	14	WASHER,FLAT,13/32 X 13/16 X 3/32,HDN,BLK	
26	0826297	9	NUT,HEX HD,3/8-16 LOCK,YEL ZN DICH	
27	0851337	2	CAPSCREW,HEX HD,3/8-16X6 1/2,GR5,YEL	
28	0663427	5	PLUG,PIPE,1/2 SQ HD,3151 X 8Z,BRASS	
29	3772159	2	PLUG,PIPE,0.375,BRASS W/SEALANT,HEX HD	
30	1246651	2	CAPSCREW,HEX HD,1/4-20X2 3/4,GR5,YEL	
31	1247709	8	WASHER,FLAT,17/64 ID X,5/8,YEL ZN DICH	
32	2001345	4	NUT,HEX HD,1/4-20,LOCKING,YELLOW	
33	2000768	4	SCREW,MACH,10-24 X 1, PH1,RD HD,YEL ZN	

Models:

A3RE

AIR

RESERVOIR ASSEMBLIES

AUXILIARY, WET, KNEELING RIDEWELL

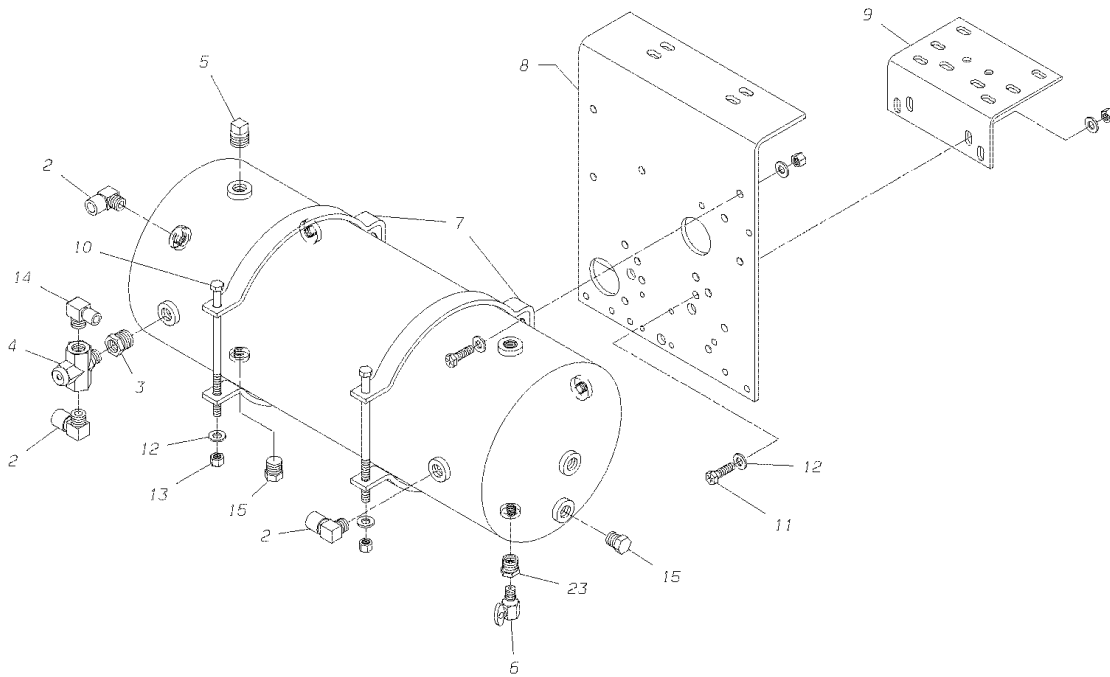
With Features:

FEATURE 40004-08 WITH FEATURE 4569 WITH FEATURE 40453-01

Key	PartNumber	Qty	Description	Comment
34	1469287	4	NUT,HEX,10-24,ELASTIC LOCKNUT,YEL ZN DICH	
35	1092337	2	CAPSCREW,HEX HD,1/4-20 X 2,GR 5,YEL ZN	
36	0971739	2	CAPSCREW,HX HD,M8-1.25X20,CL 8.8,	
37	0654459	2	CAPSCREW,HEX HD,5/16-18X7/8,GR5,YEL ZN	
38	2001121	2	WASHER,FLAT,5/16 X 3/4,X 5/64,YEL ZN DICH	
39	1465954	2	NUT,HEX HD,5/16-18,LK,NYLON INSERT,YEL	
40	1346857	3"	TUBING,PLASTIC,3/8 OD,BLUE,SAE J844 TYPE B	

Models: A3RE
 AIR
 RESERVOIR ASSEMBLIES
 AUXILIARY, WET, RIDEWELL SUSP
With Features: FEATURE 40004-08 WITH O 4569

Key	PartNumber	Qty	Description	Comment
-----	------------	-----	-------------	---------



Models: A3RE
 AIR
 RESERVOIR ASSEMBLIES
 AUXILIARY, WET, RIDEWELL SUSP
With Features: FEATURE 40004-08 WITH O 4569

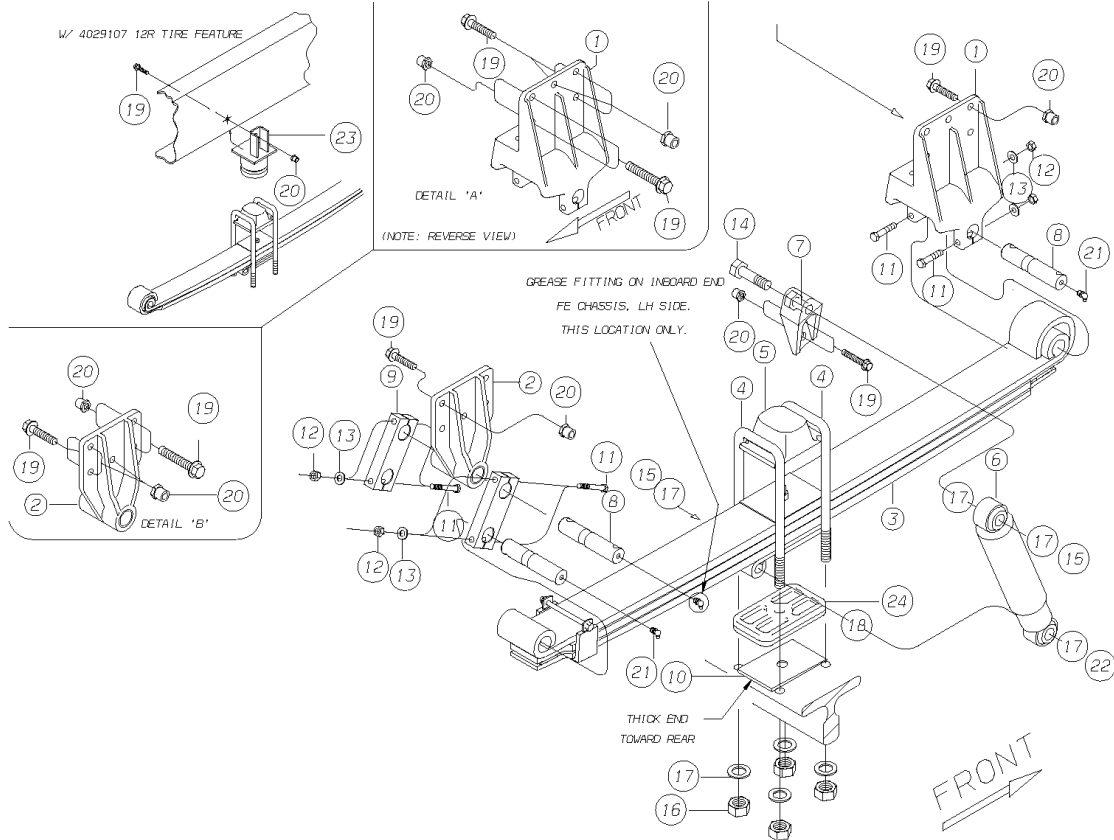
Key	PartNumber	Qty	Description	Comment
1	1586445	1	RESERVOIR,1650 CU.IN.	
2	0009906	6	ELBOW,90 DEG,MALE1869X8-Z,.38MPT X .50T	
3	2023539	1	BUSHING,PIPE,1/2MPT X 3/8FPT,3220X8X6Z,	
4	1344183	1	VALVE,PRESS PROTECTION,66 PSI,GT	
5	0663427	5	PLUG,PIPE,1/2 SQ HD,3151 X 8Z,BRASS	
6	1110188	1	VALVE,RESERVOIR,DRAIN	
7	0850586	4	BRACKET,MTG,9 1/2IN,AIR RESERVOIR	
8	0080463	1	BRACKET,MTG,RESERVOIR,AIR, HDRE	
9	0083698	1	ANGLE,BRACE,AIR RESERVOIR BRKT	
10	0851337	2	CAPSCREW,HEX HD,3/8-16X6 1/2,GR5,YEL	
11	0803213	6	CAPSCREW,HEX HD,3/8-16X1 1/4,GR8,YEL	
12	1107085	14	WASHER,FLAT,13/32 X 13/16 X 3/32,HDN,BLK	
13	0826297	8	NUT,HEX HD,3/8-16 LOCK,YEL ZN DICH	
14	0009911	1	ELBOW,90 DEG,MALE1869X6X6-Z,.38MPT	
15	3772159	2	PLUG,PIPE,0.375,BRASS W/SEALANT,HEX HD	
23	2009033	1	BUSHING,PIPE,GALV,1/4 X 3/8	

Models: A3FE, A3RE, C3FE

**SPRING
FRONT**

With Features: FEATURE 40004-02

Key	PartNumber	Qty	Description	Comment
-----	------------	-----	-------------	---------



Models: A3FE, A3RE, C3FE

SPRING

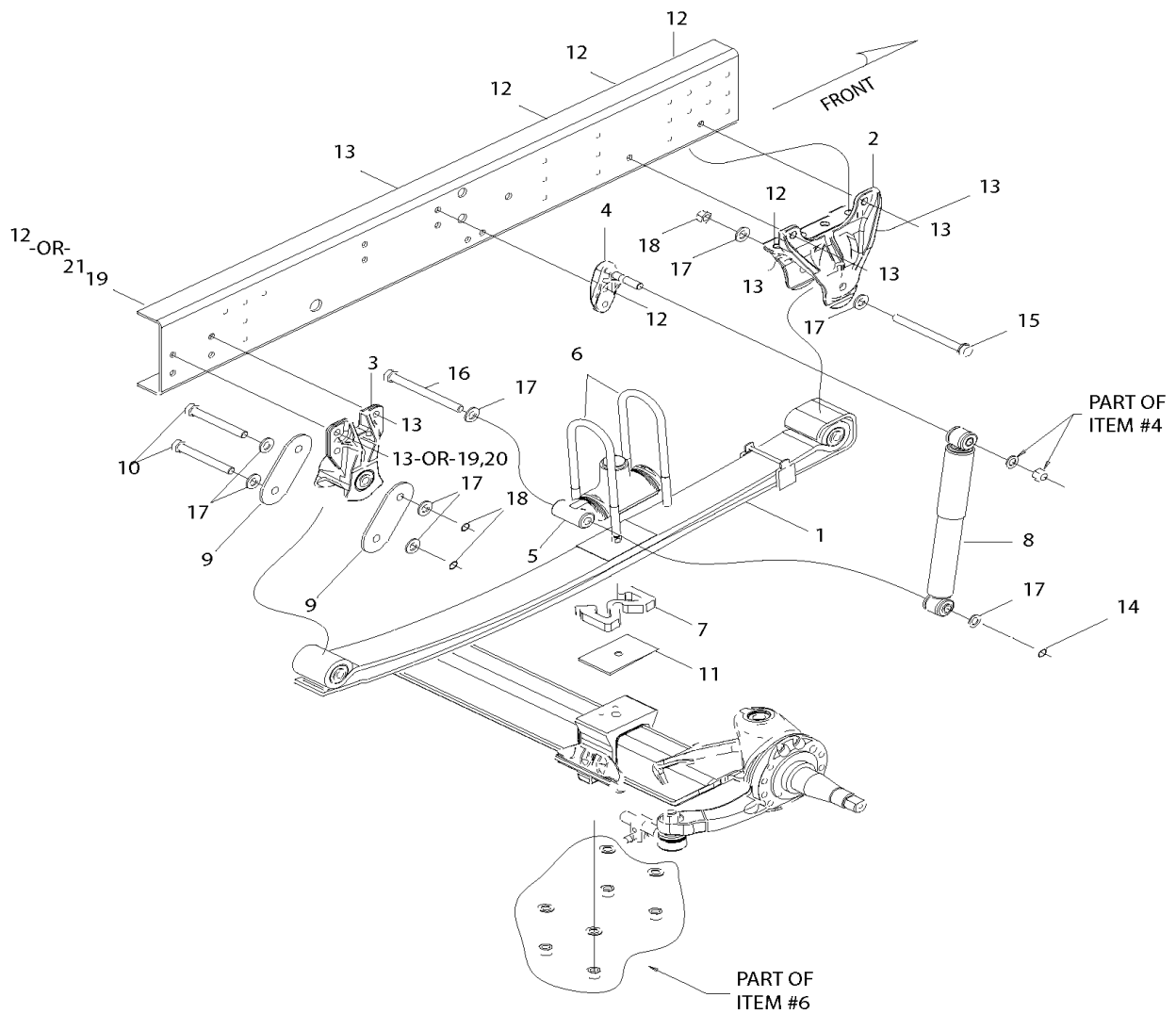
FRONT

With Features: FEATURE 40004-02

Key	PartNumber	Qty	Description	Comment
1	0008605	2	BRACKET,SPRING HANGER,FRONT,PARABOLIC	
2	1662410		BRACKET ASSY,SHACKLE,FRT AXLE,PARAB SPR	
3	0083576	2	SPRING,FRT,PARAB,4X56,3 LF,2005	WITH FEATURE 4000402
	0085209		PAD,TIP INSERT,SPRING,FRONT, HDFEHDRE	FRONT SERVICE ONLY
	0085211		SLEEVE,SPRING CLIP,SPRING FRONT,	FRONT SERVICE ONLY
3	0083577	2	SPRING,FRT,PARAB,4X56,2 LF,2005	FEATURE 4000401
	0085209		PAD,TIP INSERT,SPRING,FRONT, HDFEHDRE	FRONT SERVICE ONLY
	0085211		SLEEVE,SPRING CLIP,SPRING FRONT,	FRONT SERVICE ONLY
4	1847458	4	U-BOLT,3/4-16X7.0 W/4 IN FRONT SPRING	WITHOUT 4001101 SPACER OR FLAT FLOOR FEATURE
4	1746338	4	U-BOLT,3/4-16X9,W/4 IN FRONT SPRING	WITH 4001101 AXLE SPACER FEATURE
4	1920396	4	U-BOLT,3/4-16X11.0,W/4 IN FRONT SPRING	WITH 3094001 FLAT FLOOR FEATURE
5	0045825	2	DIAGRAM,LOCATION,DECAL,SED,35	
6	1658525	2	SHOCK ABSORBER,FRONT,PARABOLIC SPRING	
7	0043465	2	BRACKET,MOUNTING,SHOCK TO FRAME,FRONT	
8	0051758	6	PIN,SPRING,PARABOLIC SUSPENSION,FRONT,4	
9	1661966	4	SHACKLE,PARABOLIC SUSPENSION,FRONT	
10	1731678	2	WEDGE,CASTER,1 DEGREE	
11	1362094	12	CAPSCREW,HEX HD,7/16-14X3 1/4,GR8,	
12	0997080	12	NUT,HEX HD,7/16-14,LOCKING,GR 8,CADMIUM	
13	0997072	12	WASHER,FLAT,15/32 X 15/16 X 5/64,HDN,	
14	1317783	2	CAPSCREW,HEX HD,3/4-10 X 5,GR 8,YEL ZN	
15	0933879	4	NUT,HEX HD,3/4-10,PRVLG TORQ,GR8,CAD	
16	0817965	8	NUT,HEX HD,3/4-16,YEL ZN DICH	
17	0607036	16	WASHER,FLAT,13/16 X 1 3/8 X 7/64 ZP,HRD	
18	1660083	2	SPACER,25/32 ID X 1-1/2 OD X 3/4 THK,STEEL	
19			HUCK SPIN	
20			HUCK SPIN	
21	2027472	6	FITTING,GREASE,5400,1/8 MPT,90 DEG	
22	1700749	2	CAPSCREW,HEX HD,3/4-10 X 8,GR 8,YEL ZN	
23	1843788	2	SNUBBER ASSEMBLY,SUSPENSION,FRONT	WITH 4029107 12 R TIRE FEATURE
24	0081574	AR	SPACER,SUSP,4 IN WIDE X 1 IN TK,CAST	

Models: A3FE, A3RE, C3FE
SPRING FRONT HENDRICKSON SOFTEK, INSTALLATION HENDRICKSON AXLE
With Features: FEATURE 40004-12, -13, -14

Key	PartNumber	Qty	Description	Comment
-----	------------	-----	-------------	---------



Models: A3FE, A3RE, C3FE
SPRING FRONT HENDRICKSON SOFTEK, INSTALLATION HENDRICKSON AXLE
With Features: FEATURE 40004-12, -13, -14

Key	PartNumber	Qty	Description	Comment
1	0106296	2	SPRING ASSY,FRT,PARAB,2LF,13.2K	Feature 40004-12
	0106295	2	SPRING ASSY,FRT,PARAB,2LF,14.6K	Feature 40004-13
2	0112694	2	HANGER,SUSP,FRONT,FRAME	
3	0106297	2	BRACKET,SHACKLE,SUSP,FRONT	
4	0107809	2	BRACKET,SHOCK,UPPER,FRONT	
5	0106307	2	STOP ASSY,AXLE,SPRG SUSP,FRONT	
6	0108265		KIT,U-BOLT,SUSP,FRONT,SPRING,10MM SPCR	W/O 40011-01, or-02
	0107924		KIT,U-BOLT,SUSP,FRONT,SPRING,35MM SPCR	With 40011-01
	0108266		KIT,U-BOLT,SUSP,FRONT,SPRING,60MM SPCR	With 40072-01
	0107925		KIT,U-BOLT,SUSP,FRONT,SPRING,85MM SPCR	With 30940-01
7	0055007		SPACER,SUSP,FRONT,10MM	RE LH W/O 4011-01
	0107806		SPACER,SUSP,FRONT,25MM	RH W/40011-01
	0107807		SPACER,SUSP,FRONT,35MM	LH W/40011-01
	0060514		SPACER,SUSP,FRONT,50MM	RH W/40072-01
	0060515		SPACER,SUSP,FRONT,60MM	LH W/40072-01
	0107861		SPACER,SUSP,FRONT,75MM	RH W/30940-01
	0107862		SPACER,SUSP,FRONT,85MM	LH W/30940-01
8	0106303	2	SHOCK ABSORBER,FRONT,SPRG SUSP	
9	0107811	4	PLATE,SHACKLE,SUSP,FRONT	
10	0109147	4	CAPSCREW,HEX HD,M20-2.50X150,GR10.9,	
11	1731678		WEDGE,CASTER,1 DEGREE	
12	0054994		PIN,FLG HEAD,HUCKSPIN,.62 X 2.238	
13	0054997		COLLAR,HUCKSPIN,.62,HSCF-R20	
14	0933879	4	NUT,HEX HD,3/4-10,PRVLG TORQ,GR8,CAD	
15	0054950	2	CAPSCREW,HEX HD,M20-2.50X170,GR10.9,	
16	1700749	2	CAPSCREW,HEX HD,3/4-10 X 8,GR 8,YEL ZN	
17	0607036	18	WASHER,FLAT,13/16 X 1 3/8 X 7/64 ZP,HRD	
18	0054951	6	NUT,HEX HD,M20-2.50,GR10.9,LOCK,OLIVZN	
19	0929018	8	WASHER,FLAT,21/32 X 1 1/8 X 3/32,HDN,YEL	A3RE WITH DIESEL
20	0939827	4	NUT,HEX HD,5/8-11,GR 8,LOCK,CADMIUM WAX	A3RE WITH DIESEL
21	1107895	4	CAPSCREW,HEX HD,5/8-11 X 2,GR8,YEL ZN	A3RE WITH DIESEL
22	1021815	2	CAPSCREW,HEX HD,3/4-10 X4 1/2,GR8,	
23	0055004	2	SPACER,SHOCK,SUSP,FRONT, BBCV	

Models: A3FE, A3RE, C3FE
SPRING
FRONT
HENDRICKSON SOFTEK, INSTALLATION
HENDRICKSON AXLE

With Features: FEATURE 40004-12, -13, -14

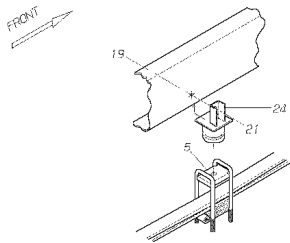
Key	PartNumber	Qty	Description	Comment
24	0054995		PIN,FLG HEAD,HUCKSPIN,.62 X 2.755	

Models: A3RE, CSRE, QBRE, TCRE
SPRING
FRONT
PARABOLIC
To CSN10094704

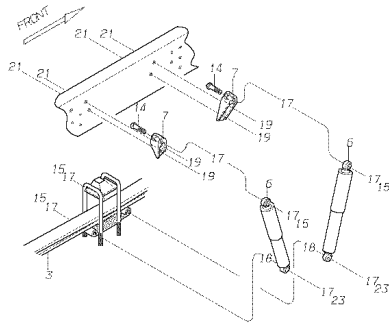
Key	PartNumber	Qty	Description	Comment
-----	------------	-----	-------------	---------

DR. 8/17/99	BY JL	---	1896059	5
APP. 9/17/99	BY AB	MDT		REV

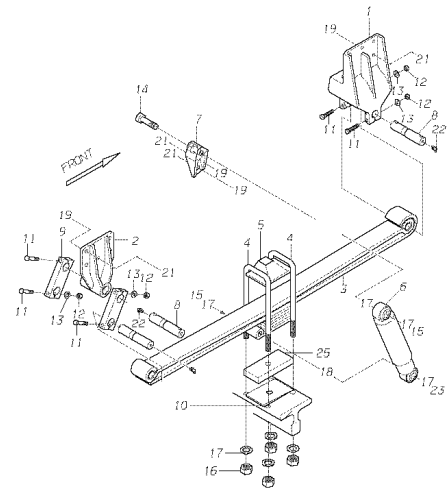
© BLUE BIRD BODY COMPANY. ALL RIGHTS RESERVED

TCRE W/ 0.3515 RAISED FLOOR
OR TSFE



DUAL SHOCK INSTALLATION



Models: A3RE, CSRE, QBRE, TCRE
SPRING
FRONT
PARABOLIC
To CSN10094704

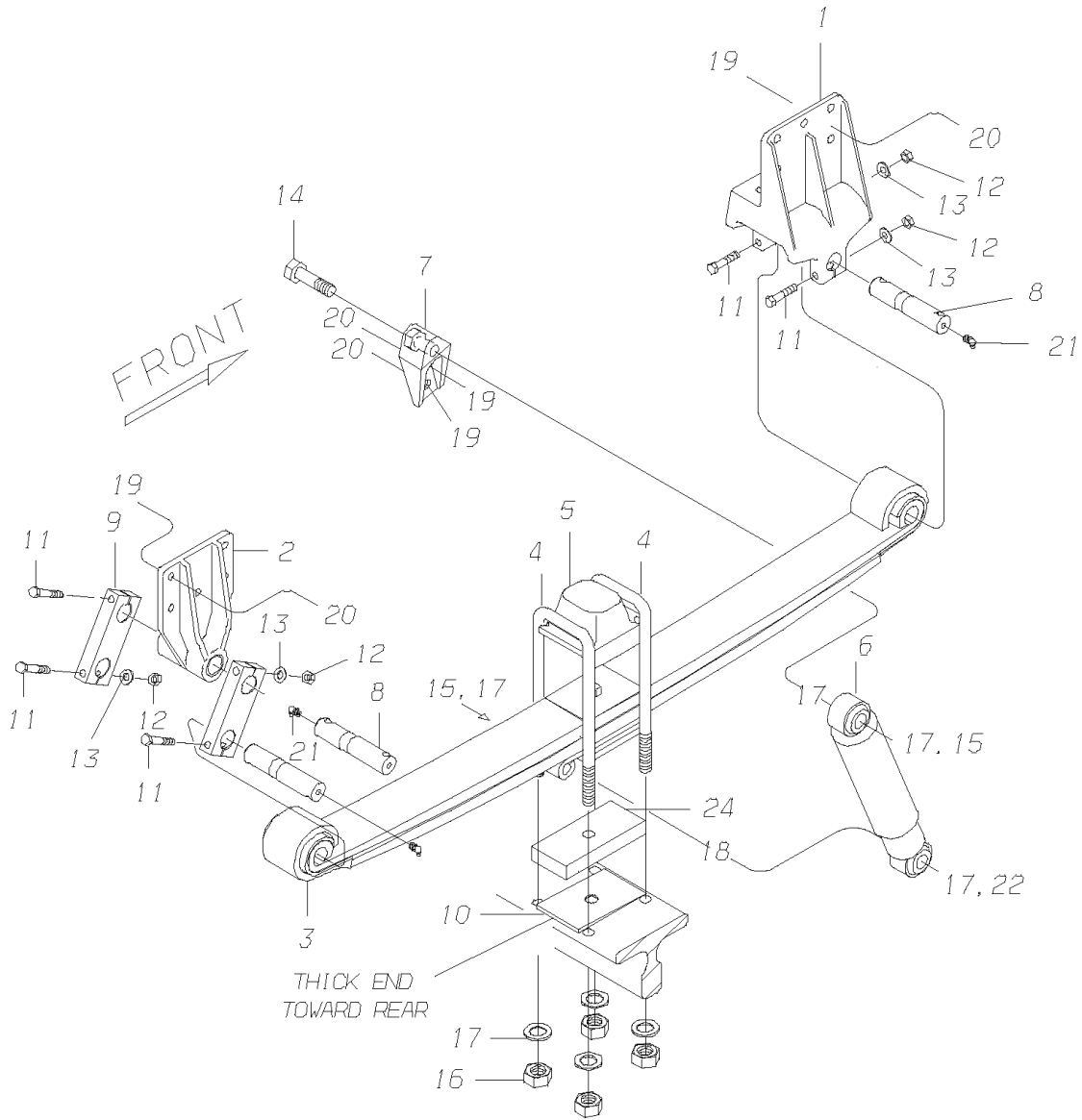
Key	PartNumber	Qty	Description	Comment
1	1672526	2	BRACKET,SPRING HNGR,FRT,PARABOLIC SUSP	
2	1662410	2	BRACKET ASSY,SHACKLE,FRT AXLE,PARAB SPR	
3	1658830	2	SPRING,FRT,PARAB,4 X 56,2 LF	STANDARD A3RE, HDRE
3	1847359	2	SPRING,FRT,PARAB,4 X 56,2 LF	STANDARD CSRE, QBRE
3	1864727	2	SPRING,FRT,FLAT LEAF,4 X 56	OPTION 4528, 40004-03 A3RE, HDRE
3	1670397	2	SPRING,FRT,PARAB,4 X 56,3 LF	OPTION 40004-02 A3RE, CSRE, HDRE, QBRE
3	1864586	2	SPRING ASSY,DUAL SHK,FRT SUSP	OPTION 4533-03, 40004-01 A3RE, HDRE
3	1864594	2	SPRING ASSY,DUAL SHK,FRT SUSP	OPTION 4533-03, 40004-01 CSRE, TCRE, QBRE
3	1897602	2	SPRING ASSY,3 LF,DUAL SHK,FRT SUSP	OPTION 4533-03, 40004-02 A3RE, CSRE, HDRE, QBRE
3	1941426	2	SPRING ASSY,FLAT LF,DUAL SHK,FRT SUSP	OPTION 4533-03, A3RE, HDRE
NI	1209246		BUSHING,SHACKLE,B-1853-B,AARE	
4	1847458	4	U-BOLT,3/4-16X7.0 W/4 IN FRONT SPRING	
4	1746338	4	U-BOLT,3/4-16X9,W/4 IN FRONT SPRING	
5	1746767	2	AXLE PAD,FRONT,PARAB SUSP	
6	1658525	2	SHOCK ABSORBER,FRONT,PARABOLIC SPRING	40009-01 A3, HD
7	1767409	2	BRACKET,MOUNTING,SHOCK TO FRAME,FRONT	40009-01 A3,HD
8	0051758	6	PIN,SPRING,PARABOLIC SUSPENSION,FRONT,4	
9	1661966	4	SHACKLE,PARABOLIC SUSPENSION,FRONT	
NI	1731660		BUSHING,SHACKLE BRACKET,BRONZE	
10	1701440	2	WEDGE,CASTER,3 DEGREE	
11	1362094	12	CAPSCREW,HEX HD,7/16-14X3 1/4,GR8,	
12	0997080	12	NUT,HEX HD,7/16-14,LOCKING,GR 8,CADMIUM	
13	0997072	12	WASHER,FLAT,15/32 X 15/16 X 5/64,HDN,	
14	1317783	2	CAPSCREW,HEX HD,3/4-10 X 5,GR 8,YEL ZN	40009-01 A3,HD
15	0933879	4	NUT,HEX HD,3/4-10,PRVLG TORQ,GR8,CAD	
16	0817965	8	NUT,HEX HD,3/4-16,YEL ZN DICH	
17	0607036	16	WASHER,FLAT,13/16 X 1 3/8 X 7/64 ZP,HRD	
18	1660083	2	SPACER,25/32 ID X 1-1/2 OD X 3/4 THK,STEEL	40009-01 A3,HD
22	2027472	6	FITTING,GREASE,5400,1/8 MPT,90 DEG	
23	1700749	2	CAPSCREW,HEX HD,3/4-10 X 8,GR 8,YEL ZN	40009-01 A3,HD
24	1843788	2	SNUBBER ASSEMBLY,SUSPENSION,FRONT	TCFE/TSFE WITH FLAT FLOOR OPT

Models: A3RE, CSRE, QBRE, TCRE
SPRING
FRONT
PARABOLIC
To CSN10094704

Key	PartNumber	Qty	Description	Comment
25	1481712	2	SPACER ASSY,SUSPENSION,4IN WIDE	

Models: A3FE, A3RE, C1FE, C3FE, CSFE, CSRE, QBRE, TCFE, TSFE
SPRING
FRONT
PARABOLIC
BSN: From CSN 10094705 30094685
 To CSN 05/02/05

Key	PartNumber	Qty	Description	Comment
-----	------------	-----	-------------	---------



Models: A3FE, A3RE, C1FE, C3FE, CSFE, CSRE, QBRE, TCFE, TSFE
SPRING FRONT PARABOLIC
BSN: From CSN 10094705 30094685
 To CSN 05/02/05

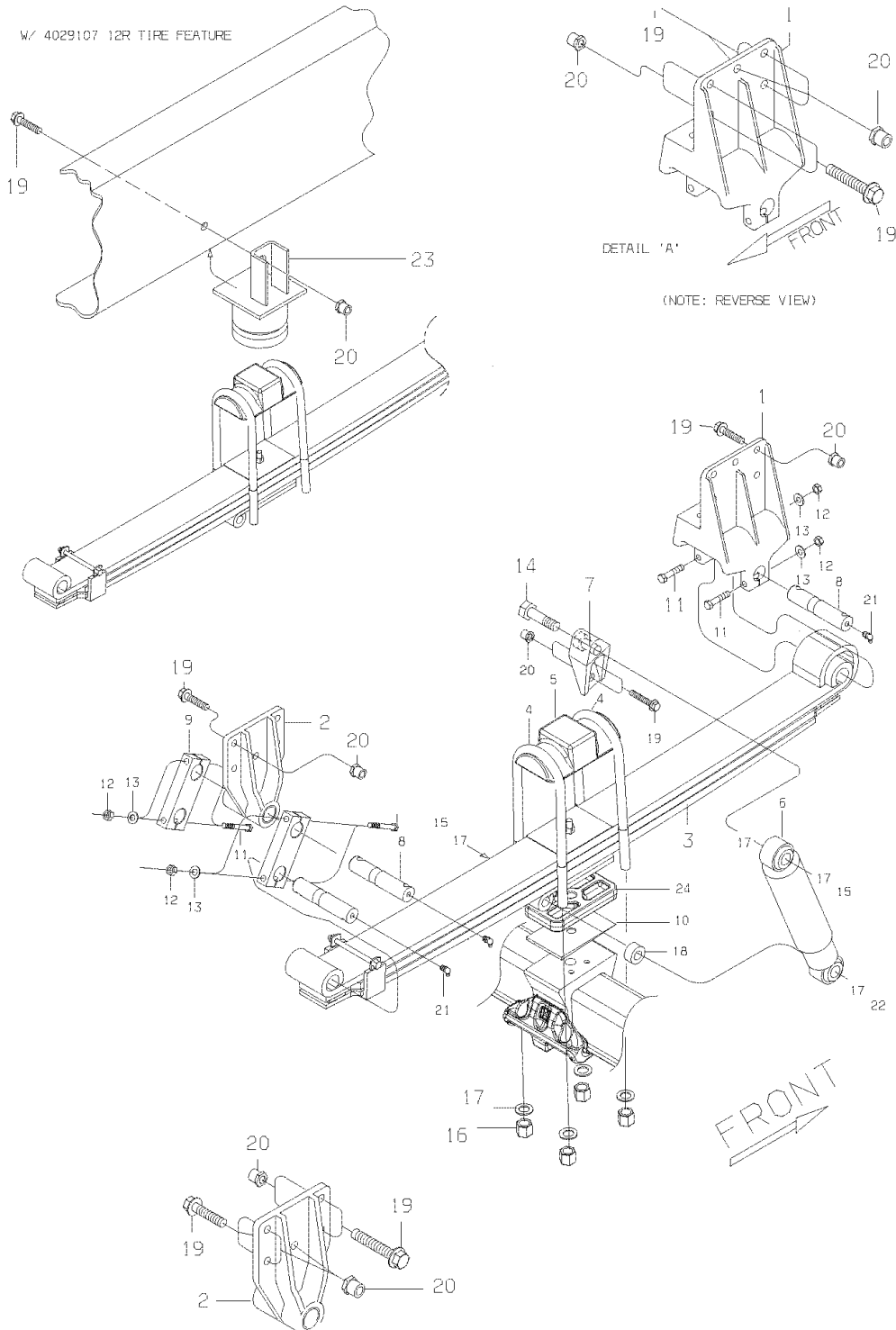
Key	PartNumber	Qty	Description	Comment
1	0008605	2	BRACKET,SPRING HANGER,FRONT,PARABOLIC	
2	1662410	2	BRACKET ASSY,SHACKLE,FRT AXLE,PARAB SPR	
3	0020453	2	SPRING,FRT,PARAB,4X56,2 LF	<i>TCFE/CSFE/HDFE/HDRE WITH STANDARD OR FEATURE 4000401</i>
3	0027639	2	SPRING,FRT,PARAB,4X56,2 LF	<i>CSRE/QBRE WITH STANDARD SPRING</i>
3	0020831	2	SPRING,FRT,PARAB,4X56,3 LF	<i>TCFE/CSFE/CSRE/QBRE/HDRE WITH 4531 OR 4000402</i>
	1209246		BUSHING,SHACKLE,B-1853-B,AARE	
3	0027666	2	SPRING,FRT,FLAT,4X56,8 LF	<i>TCFE/CSFE/HDFE/HDRE W/4528 OR 4000403 FLAT LEAF SPRING</i>
3A	0035994	2	SPRING ASSY,2 LF,DUAL SHK,FRT SUSP	<i>WITH STANDARD OR 4000401 SPRING & 4533 OR 4000901 DUAL SHOCK</i>
3A	0035995	2	SPRING ASSY,2 LF,DUAL SHK,FRT SUSP	<i>2LF CSRE/QBRE WITH STANDARD SPRING & 453300 DUAL SHOCK</i>
3A	0035996	2	SPRING ASSY,3 LF,DUAL SHK,FRT SUSP	<i>TCFE/CSFE/QBRE/C1FE/HDFE/HDRE W/4531 OR 4000402 HD SPRING & 4530 OR 4000901 DUAL SHOCK</i>
3A	0035997	2	SPRING ASSY,FLAT LF,DUAL SHK,FRT SUSP	<i>TCFE/CSFE/HDFE/HDRE W/452800 OR 4000403 FLAT SPRING & 0453300 OR 4000901 DUAL SHOCK</i>
NI	0070390		INSERT,SPRING,LEAF,HENDRICKSON,	
4	1847458	4	U-BOLT,3/4-16X7.0 W/4 IN FRONT SPRING	
4	1746338	4	U-BOLT,3/4-16X9,W/4 IN FRONT SPRING	
4	1864669	4	U-BOLT,3/4-16X10.0,W/4 IN FRONT SPRING	
4	1920396	4	U-BOLT,3/4-16X11.0,W/4 IN FRONT SPRING	
5	0045826	2	PAD,AXLE,FRONT,SPRING SUSP,2.32 HIGH	
6	1658525	AR	SHOCK ABSORBER,FRONT,PARABOLIC SPRING	
7	0043465	AR	BRACKET,MOUNTING,SHOCK TO FRAME,FRONT	
8	0051758	6	PIN,SPRING,PARABOLIC SUSPENSION,FRONT,4	
9	1661966	4	SHACKLE,PARABOLIC SUSPENSION,FRONT	
10	1731678	2	WEDGE,CASTER,1 DEGREE	
11	1362094	12	CAPSCREW,HEX HD,7/16-14X3 1/4,GR8,	
12	0997080	12	NUT,HEX HD,7/16-14,LOCKING,GR 8,CADMIUM	
13	0997072	12	WASHER,FLAT,15/32 X 15/16 X 5/64,HDN,	
14	1317783	AR	CAPSCREW,HEX HD,3/4-10 X 5,GR 8,YEL ZN	
15	0933879	AR	NUT,HEX HD,3/4-10,PRVLG TORQ,GR8,CAD	

Models: A3FE, A3RE, C1FE, C3FE, CSFE, CSRE, QBRE, TCFE, TSFE
SPRING
FRONT
PARABOLIC
BSN: From CSN 10094705 30094685
 To CSN 05/02/05

Key	PartNumber	Qty	Description	Comment
16	0817965	8	NUT,HEX HD,3/4-16,YEL ZN DICH	
17	0607036	AR	WASHER,FLAT,13/16 X 1 3/8 X 7/64 ZP,HRD	
18	1660083		SPACER,25/32 ID X 1-1/2 OD X 3/4 THK,STEEL	
21	2027472	6	FITTING,GREASE,5400,1/8 MPT,90 DEG	
22	1700749	AR	CAPSCREW,HEX HD,3/4-10 X 8,GR 8,YEL ZN	
NA	1843788	AR	SNUBBER ASSEMBLY,SUSPENSION,FRONT	A3FE, C1FE, OR TCFE W/FLAT FLOOR
24	0081574	AR	SPACER,SUSP,4 IN WIDE X 1 IN TK,CAST	

Models: **A3FE, A3RE, C3FE**
SPRING
FRONT
PARABOLIC
HENDRICKSON AXLE
To 11/5/06

Key	PartNumber	Qty	Description	Comment
-----	------------	-----	-------------	---------



Models: A3FE, A3RE, C3FE
**SPRING
 FRONT
 PARABOLIC
 HENDRICKSON AXLE
 To 11/5/06**

Key	PartNumber	Qty	Description	Comment
1	0008605	2	BRACKET,SPRING HANGER,FRONT,PARABOLIC	
2	1662410	2	BRACKET ASSY,SHACKLE,FRT AXLE,PARAB SPR	
3	0083576	2	SPRING,FRT,PARAB,4X56,3 LF,2005	WITH 40004-02 SPRING FEATURE (SHOWN)
3	0083577	2	SPRING,FRT,PARAB,4X56,2 LF,2005	WITH 40004-01 SPRING FEATURE (NOT SHOWN)
4	0105290	4	U-BOLT,.75-16,4.78X13.00,ROUND TOP	WITHOUT 40011-01 SPACER FEATURE OR 3094001 FLT FLR
4	0105325	4	U-BOLT,.75-16,4.78X14.00,ROUND TOP	WITHOUT 40011-01 SPACER FEATURE OR 3094001 FLT FLR
4	0105326	4	U-BOLT,.75-16,4.78X15.00,ROUND TOP	WITH 40011-01 1" AXLE SPACER FEATURE
4	0105327	4	U-BOLT,.75-16,4.78X16.00,ROUND TOP	WITH 40072-01 2" AXLE SPACER FEATURE
4	0107620	4	U-BOLT,.75-16,4.78X17.00,ROUND TOP	WITH 30940-01 FLAT FLOOR FEATURE (3" SPACER)
5	0105241	2	PAD,AXLE,FRT,SPRG SUSP,HEND AXLE	
6	1658525	2	SHOCK ABSORBER,FRONT,PARABOLIC SPRING	
7	0043465	2	BRACKET,MOUNTING,SHOCK TO FRAME,FRONT	
8	0051758	6	PIN,SPRING,PARABOLIC SUSPENSION,FRONT,4	
9	1661966	4	SHACKLE,PARABOLIC SUSPENSION,FRONT	
10	1598812	2	WEDGE,CASTER,2 DEGREE,2.5 X 4 SPRING	
11	1362094	12	CAPSCREW,HEX HD,7/16-14X3 1/4,GR8,	
12	0997080	12	NUT,HEX HD,7/16-14,LOCKING,GR 8,CADMIUM	
13	0997072	12	WASHER,FLAT,15/32 X 15/16 X 5/64,HDN,	
14	1317783	2	CAPSCREW,HEX HD,3/4-10 X 5,GR 8,YEL ZN	
15	0933879	4	NUT,HEX HD,3/4-10,PRVLG TORQ,GR8,CAD	
16	0817965	8	NUT,HEX HD,3/4-16,YEL ZN DICH	
17	0607036	16	WASHER,FLAT,13/16 X 1 3/8 X 7/64 ZP,HRD	
18	1660083	2	SPACER,25/32 ID X 1-1/2 OD X 3/4 THK,STEEL	
19	1636943	24	PIN,FLG HEAD,HUCKSPIN,.50X2.22,HSP8	QTY-26 WITH 4029107 12R TIRE FEATURE
20	1636968	24	COLLAR,HUCKSPIN,.50,HSCH-R16	QTY-26 WITH 4029107 12R TIRE FEATURE
21	2027472	6	FITTING,GREASE,5400,1/8 MPT,90 DEG	
22	1700749	2	CAPSCREW,HEX HD,3/4-10 X 8,GR 8,YEL ZN	
23	1843788	2	SNUBBER ASSEMBLY,SUSPENSION,FRONT	WITH 4029107 12R TIRE FEATURE
24	0081574	2	SPACER,SUSP,4 IN WIDE X 1 IN TK,CAST	WITH 4001101 1" AXLE SPACER FEATURE

Models: **A3FE, A3RE, C3FE**
SPRING
FRONT
PARABOLIC
HENDRICKSON AXLE
To 11/5/06

Key	PartNumber	Qty	Description	Comment
24	0081574	4	SPACER,SUSP,4 IN WIDE X 1 IN TK,CAST	<i>WITH 4007201 2" AXLE SPACER FEATURE</i>
24	0081574	6	SPACER,SUSP,4 IN WIDE X 1 IN TK,CAST	<i>WITH 3094001 FLAT FLOOR FEATURE (3")</i>

Models: A3FE, A3RE, C1FE, CSFE, CSRE, QBRE, TCFE, TCRE, TSFE

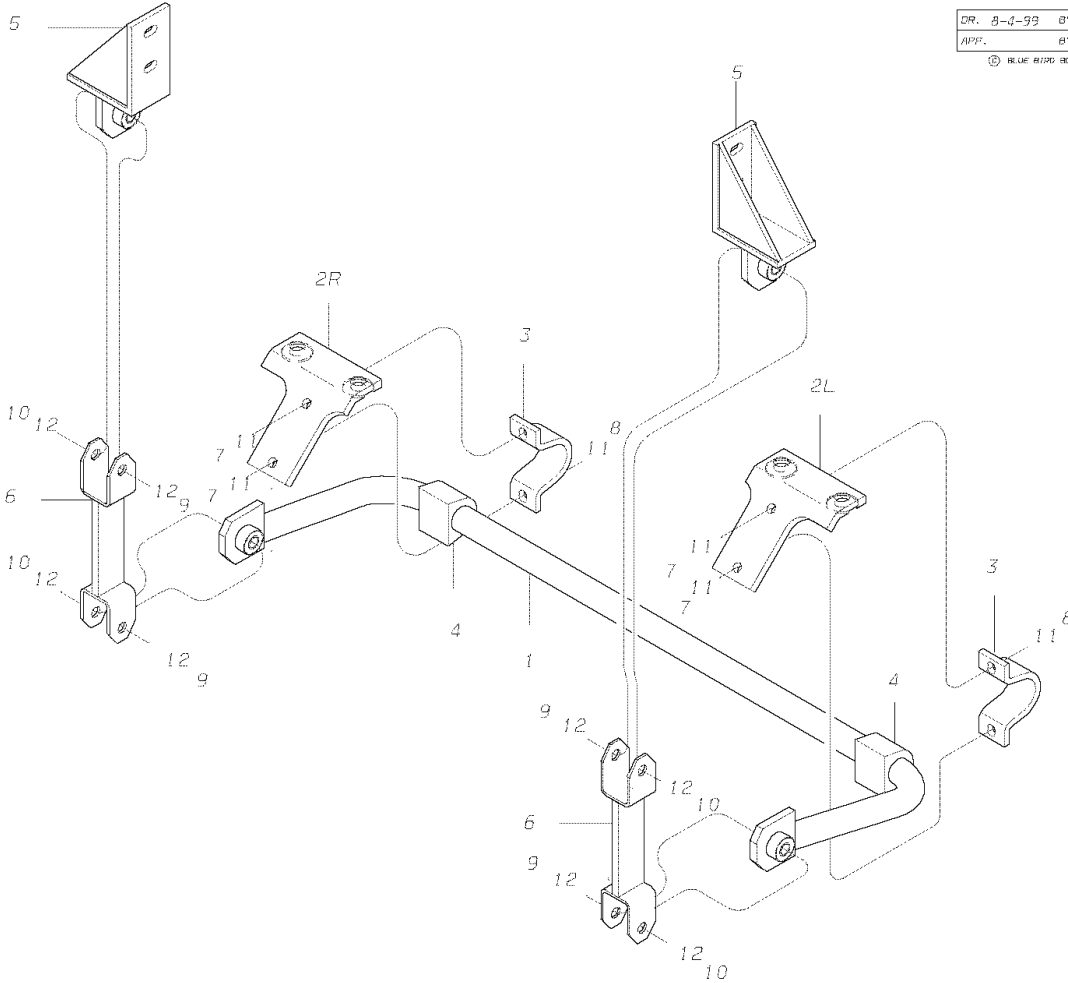
SPRING

FRONT

STABILIZER BAR FRONT

With Features: OPTION 4565, 4566, 40004-06
To CSN 30039909 (9/5/99)

Key	PartNumber	Qty	Description	Comment
-----	------------	-----	-------------	---------



DR. 8-1-99	BY MIT	1858315	D
APP.	BY	FRT	REV

© BLUE BIRD BODY COMPANY. ALL RIGHTS RESERVED.

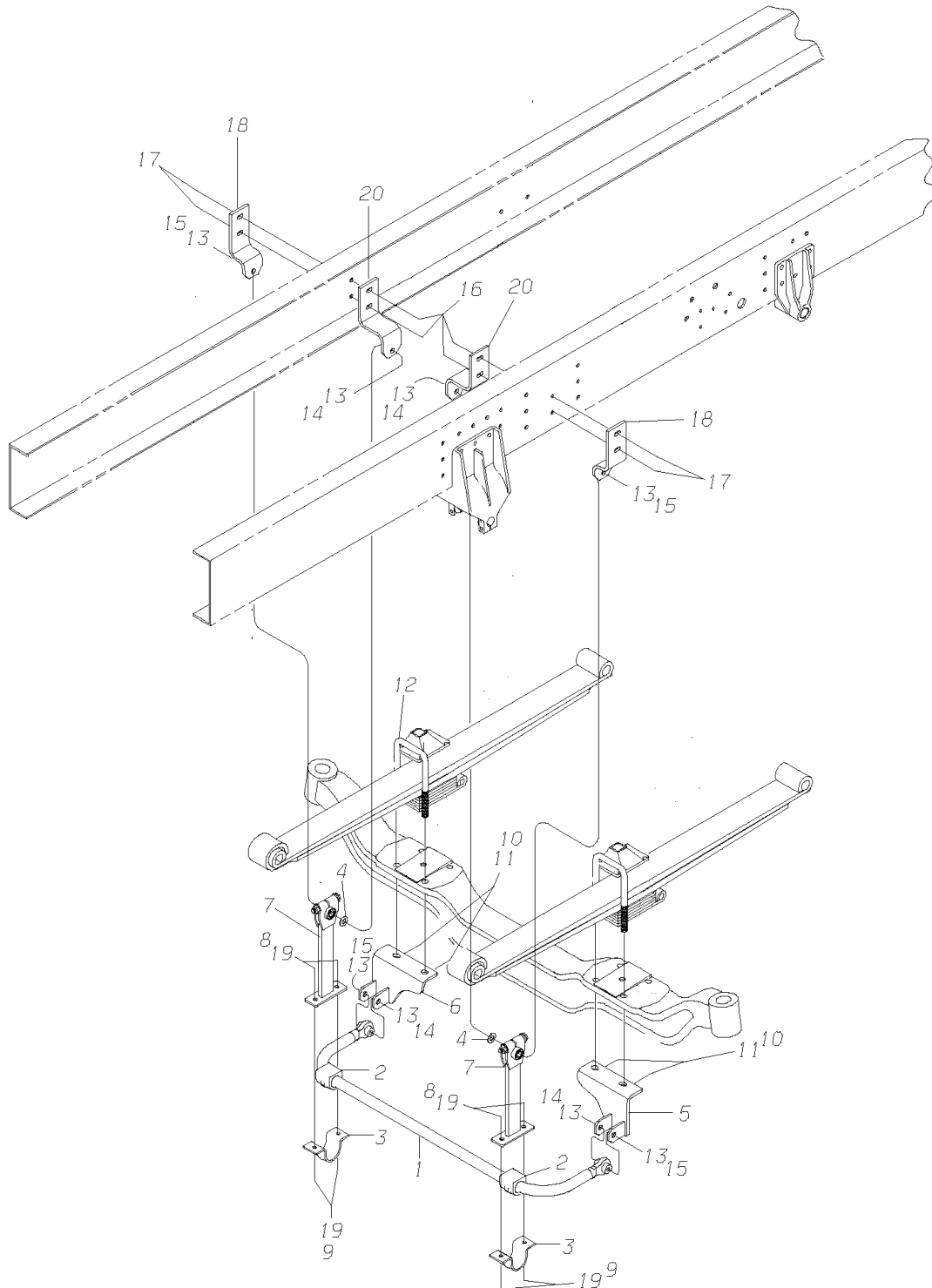


Models: A3FE, A3RE, C1FE, CSFE, CSRE, QBRE, TCFE, TCRE, TSFE
SPRING FRONT STABILIZER BAR FRONT
With Features: OPTION 4565, 4566, 40004-06
 To CSN 30039909 (9/5/99)

Key	PartNumber	Qty	Description	Comment
	1858315		KIT,STABILIZER BAR,SPRING SUSP,FRONT	
1	8314148		TORSION BAR OPT4565 TB7081	
2	8312464		ANGLE BRACKET,SPRING MOUNT AB-306-R	
2	8312456		ANGLE BRACKET,SPRING MOUNT AB306L	
3	8312472	2	UPLATE,BUSHING,MOUNT 3LP-376	
4	8312449	2	BUSHING,D,POLY 1.37DIA PB876	
5	8310013	2	FRAME BRACKET,WELDED W/BUSHING,FB-308"	
6	8314437		HANGER BRACKET, WELDED HB-309"	
7	8303638	4	CAPSCREW 1/2 X 1.75 CX-310	
8	8303646	4	LOCKNUT, SLOVER SLN-91"	
9	8303653	4	CAPSCREW 5/8 X 3.75 CS-138	
10	8303661	4	LOCKNUT,SLOVER 5/8 SLN-33"	
11	8303679	8	WASHER, FLAT, 1/2 WA-43"	
12	8303687	8	WASHER, FLAT, 5/8 WA-137"	
NI	8310278		BUSHING,RUBBER,OLD STYLE,1.37,	
NI	0014345		BUSHING,RUBBER,NEW STYLE	

Models: A3FE, A3RE, C1FE, C3FE, CSFE, CSRE, QBRE, TCFE, TCRE, TSFE
 SPRING
 FRONT
 STABILIZER BAR FRONT
 With Features: OPTION 4565, 4566, 40004-06
 BSN: From CSN 30039910 (9/7/99)
 To CSN 05/02/05

Key	PartNumber	Qty	Description	Comment
-----	------------	-----	-------------	---------



Models: A3FE, A3RE, C1FE, C3FE, CSFE, CSRE, QBRE, TCFE, TCRE, TSFE

SPRING

FRONT

STABILIZER BAR FRONT

With Features: OPTION 4565, 4566, 40004-06

BSN: From CSN 30039910 (9/7/99)

To CSN 05/02/05

Key	PartNumber	Qty	Description	Comment
1	0014342		BAR,TORSION,1.37DIA,W/BUSHING	
NI	0014345	2	BUSHING,RUBBER,NEW STYLE	
2	0014343	2	BUSHING,D,POLYURETH,1.37DIA	
3	0014344	2	PLATE,U,BUSHING MOUNT	
4	1003037	2	WASHER,FLAT,21/32 X 1 3/16 X 13/64,BLK ZN	HDFE ONLY
5	0012738		BRACKET ASSY,UBOLT,LH,STABILIZER BAR,	
6	0012739		BRACKET ASSY,UBOLT,RH,STABILIZER BAR,	
7	0014341	2	HANGER,FINAL ASSY,FRAME,STABILIZER BAR,	
8	0803148	4	CAPSCREW,HEX HD,1/2-13 X 1 3/4,GR8,	
9	0850800	4	NUT,HEX HD,1/2-13,LOCKING,GR 8,CAD WAX	
10	0817965		NUT,HEX HD,3/4-16,YEL ZN DICH	
11	0607036		WASHER,FLAT,13/16 X 1 3/8 X 7/64 ZP,HRD	
12			U-BOLT	SEE SPRING SUSPENSION FOR APPROPRIATE PRODUCT
13	0929018	8	WASHER,FLAT,21/32 X 1 1/8 X 3/32,HDN,YEL	
14	0939827	4	NUT,HEX HD,5/8-11,GR 8,LOCK,CADMIUM WAX	
15	0014348	4	CAPSCREW,HEX HEAD,5/8-11X3.75 GR8,YEL	
18	0014931	2	BRACKET,FRAME,OUTSIDE,STABILIZER BAR,	
19	2001139	8	WASHER,FLAT,1/2 X 1 1/4 X 3/32,YEL ZN DICH	
20	0012735	2	BRACKET,FRAME,STABILIZER BAR,FRONT,	

Models: A3FE, A3RE, C1FE, CSFE, CSRE, QBRE, TCFE, TCRE, TSFE

SPRING

FRONT

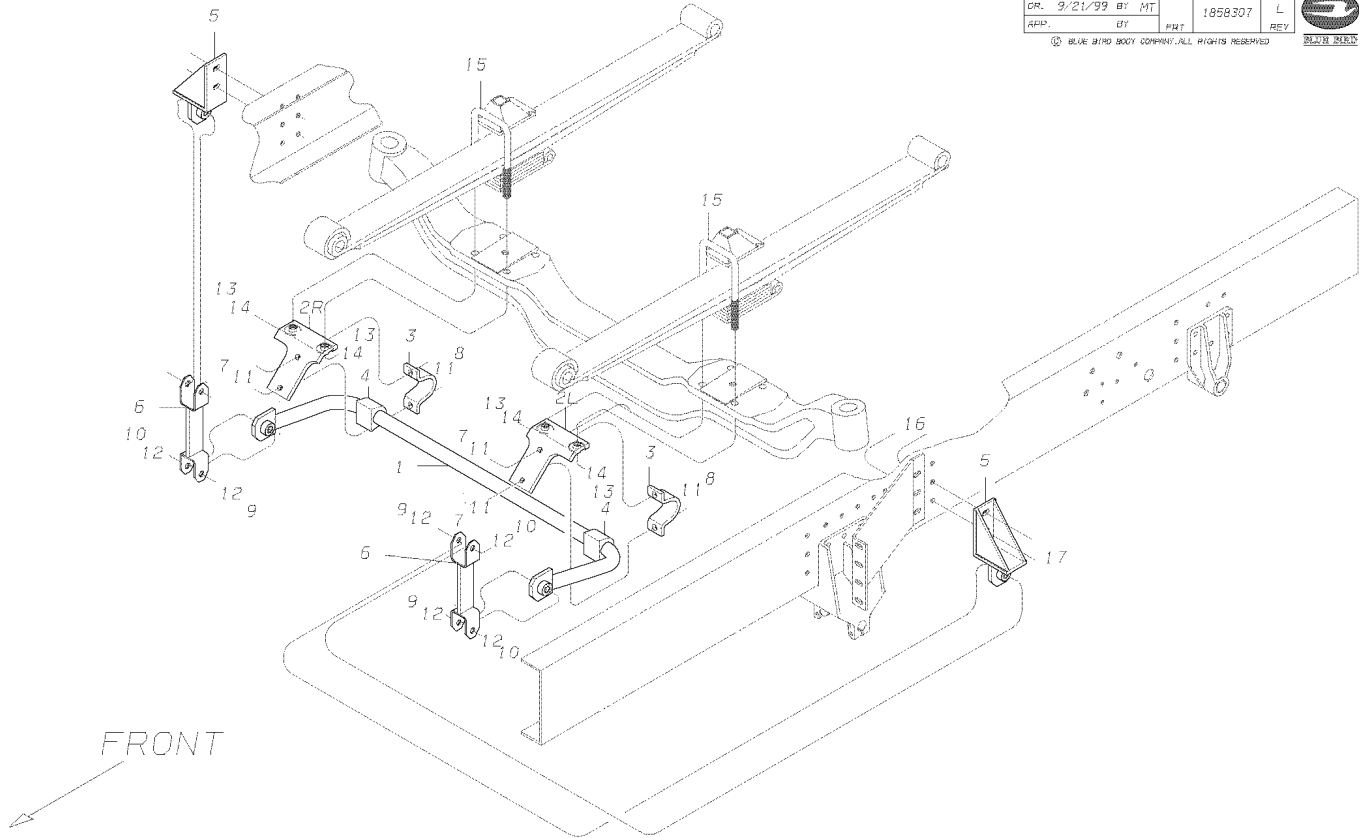
STABILIZER BAR FRONT AND MOUNTING

With Features: OPTION 4565, 4566, 40004-06
To CSN 30039909 (9/5/99)

Key	PartNumber	Qty	Description	Comment
-----	------------	-----	-------------	---------

GR.	9/21/99	BY	MT	1858307	L
APP.		BY			REV

© BLUE BIRD BODY CORP. ALL RIGHTS RESERVED



Models: A3FE, A3RE, C1FE, CSFE, CSRE, QBRE, TCFE, TCRE, TSFE

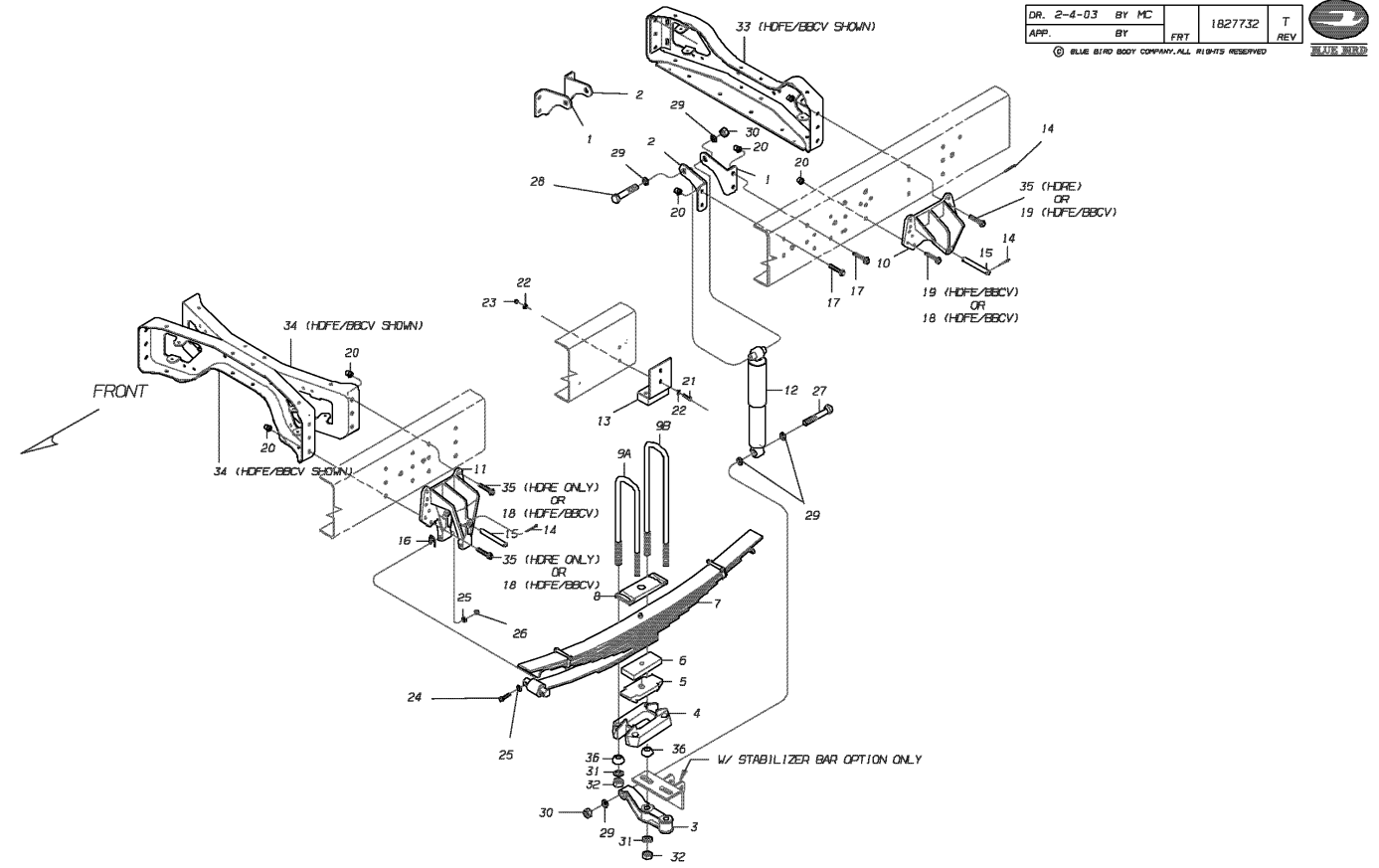
**SPRING
FRONT
STABILIZER BAR FRONT AND MOUNTING**

With Features: OPTION 4565, 4566, 40004-06
To CSN 30039909 (9/5/99)

Key	PartNumber	Qty	Description	Comment
	1858315		KIT,STABILIZER BAR,SPRING SUSP,FRONT	
1	8314148		TORSION BAR OPT4565 TB7081	
2			ANGLE BRACKET, SPRING MOUNT	
3	8312472	2	UPLATE,BUSHING,MOUNT 3LP-376	
4	8312449	2	BUSHING,D,POLY 1.37DIA PB876	
5	8310013	2	FRAME BRACKET,WELDED W/BUSHING,FB-308"	
6	8314437		HANGER BRACKET, WELDED HB-309"	
7	8303638	4	CAPSCREW 1/2 X 1.75 CX-310	
8	8303646	4	LOCKNUT, SLOVER SLN-91"	
9	8303653	4	CAPSCREW 5/8 X 3.75 CS-138	
10	8303661	4	LOCKNUT,SLOVER 5/8 SLN-33"	
11	8303679	8	WASHER, FLAT, 1/2 WA-43"	
12	8303687	8	WASHER, FLAT, 5/8 WA-137"	
NI	8310278		BUSHING,RUBBER,OLD STYLE,1.37,	
NI	0014345		BUSHING,RUBBER,NEW STYLE	
13	0817965	AR	NUT,HEX HD,3/4-16,YEL ZN DICH	
14	0607036	AR	WASHER,FLAT,13/16 X 1 3/8 X 7/64 ZP,HRD	
15	1858323	2	U-BOLT,3/4-16X8.0 W/4 IN FRONT SPRING	
15	1858372	2	U-BOLT,3/4-16X6.0 W/4 IN FRONT SPRING	TC/CS/QBRE ONLY

Models: A3FE, A3RE, BBCV, C3FE
SPRING
REAR
REAR FLAT LEAF
With Features: FEATURE 40005-01

Key	PartNumber	Qty	Description	Comment
-----	------------	-----	-------------	---------



Models: A3FE, A3RE, BBCV, C3FE

SPRING

REAR

REAR FLAT LEAF

With Features: FEATURE 40005-01

Key	PartNumber	Qty	Description	Comment
1	1969856	2	BRACKET,SHOCK MOUNT,UPPER,REAR,RH	
2	1969864	2	BRACKET,SHOCK MOUNT,UPPER,REAR,LH	
3	1897800	2	BRACKET,SHOCK MOUNT,LOWER	
4	0031424	2	BRACKET,RR SPRING U-BOLT,J-SERIES	
5	1348424	2	SADDLE,SPRING,REAR SUSP,0 DEGREE	BEGIN WITH CSN 30046540
5	1486695	2	SADDLE,SPRING,REAR SUSP,-4.5 DEGREE,RE	BEGIN WITH CSN 30046540
5	0017907	2	SADDLE,SPRING,REAR SUSP,4.5 DEGREE	BEGIN WITH CSN 30046540
5	0055032	2	SADDLE,SPRING,REAR SUSP,2 DEGREE,BBCV	BEGIN WITH CSN 30046540
6	1864719	2	SPACER ASSY,SUSPENSION,3.00IN WIDE	A3RE, HDRE, EXCEPT WITH 40361
7	1873603	2	SPRING ASSY,13 LEAF,SLIP TYPE,8200LB	
7	1874684	2	SPRING ASSY,14 LEAF,SLIP TYPE,10400LB	
7	0055019	2	SPRING ASSY,RR,15 LEAF,SLIP TYPE,9300LB	
NI	1874726		BUSHING,RUBBER,BONDED	
8	1351410	2	SEAT,U-BOLT,TOP,RR SUSP,19000 LB RR AX	
9A	1317874	2	U-BOLT,3/4-16 X 17.0 W/3 IN REAR SPRING	
9A	1897594	2	U-BOLT,3/4-16 X 18.0 W/3 IN REAR SPRING	
9A	0006632	2	U-BOLT,3/4-16 X 19.0 W/3 IN REAR SPRING	
9B	1897594	2	U-BOLT,3/4-16 X 18.0 W/3 IN REAR SPRING	ENDING WITH CSN 30046539
9B	0006632		U-BOLT,3/4-16 X 19.0 W/3 IN REAR SPRING	* SEE PAGE SET NOTES
9B	1858075	2	U-BOLT,3/4-16 X 20.0 W/3 IN REAR SPRING	BEGIN WITH CSN 30046540 WITH RS 21, 23, BBCV, HDRE
9B	1941467	21	U-BOLT,3/4-16 X 21.0 W/3 IN REAR SPRING	
10	1362078	2	BRACKET,SPR HNGR,RR SUSP,RR,CAST,TCFC	
11	1864610	2	BRACKET,SPRING HANGER,RR SUSP,FRT,CAST	
12	1707405	2	SHOCK ABSORBER,MONROE	
13	0011932	2	PAD ASSY,BUMPER,RR AXLE RUBBER,SPRG	
14	1362086	8	PIN,COTTER,1/8 X 2	
15	0043589	4	PIN,REBOUND,REAR SUSPENSION	
16	1973312		SHIM,SPRING SUSP,REAR,1/8	
16	1973411		SHIM,SPRING SUSP,REAR,1/16	
16	0044745		SHIM,SPRING SUSP,REAR,1/32	
16	0044747		SHIM,SPRING SUSP,REAR,1/64	
21	0803171	6	CAPSCREW,HEXHD,3/8-16NCX1-1/2,GR8,	
22	1107085	10	WASHER,FLAT,13/32 X 13/16 X 3/32,HDN,BLK	

Models: A3FE, A3RE, BBCV, C3FE

SPRING

REAR

REAR FLAT LEAF

With Features: FEATURE 40005-01

Key	PartNumber	Qty	Description	Comment
23	0839027	6	NUT,HEX HD,3/8-16,GR G,SM FLG LK,YEL	
24	1022805	4	CAPSCREW,HEX HD,5/8-11 X 5,GR 8,YEL ZN	
25	0929018	8	WASHER,FLAT,21/32 X 1 1/8 X 3/32,HDN,YEL	
26	0939827	4	NUT,HEX HD,5/8-11,GR 8,LOCK,CADMIUM WAX	
27	1317783	2	CAPSCREW,HEX HD,3/4-10 X 5,GR 8,YEL ZN	
28	1021815	2	CAPSCREW,HEX HD,3/4-10 X4 1/2,GR8,	
29	0954420	10	WASHER,FLAT,3/4 ID X 1 1/8 OD X3/16TK,	
30	0933879	4	NUT,HEX HD,3/4-10,PRVLG TORQ,GR8,CAD	
31	0607036	8	WASHER,FLAT,13/16 X 1 3/8 X 7/64 ZP,HRD	
32	0817965	8	NUT,HEX HD,3/4-16,YEL ZN DICH	
33	1807643		CROSSMEMBER ASSY,REINF,F/TANK END	
33	1807684		CROSSMEMBER ASSY,REINF,REWORKED FOR	
34	1807577	2	CROSSMEMBER,STAMPED,34 INCH	
34	1807684	2	CROSSMEMBER ASSY,REINF,REWORKED FOR	
36	0018486	8	WASHER,SPHERICAL,3/4	

Models: A3FE, A3RE, BBCV, C3FE

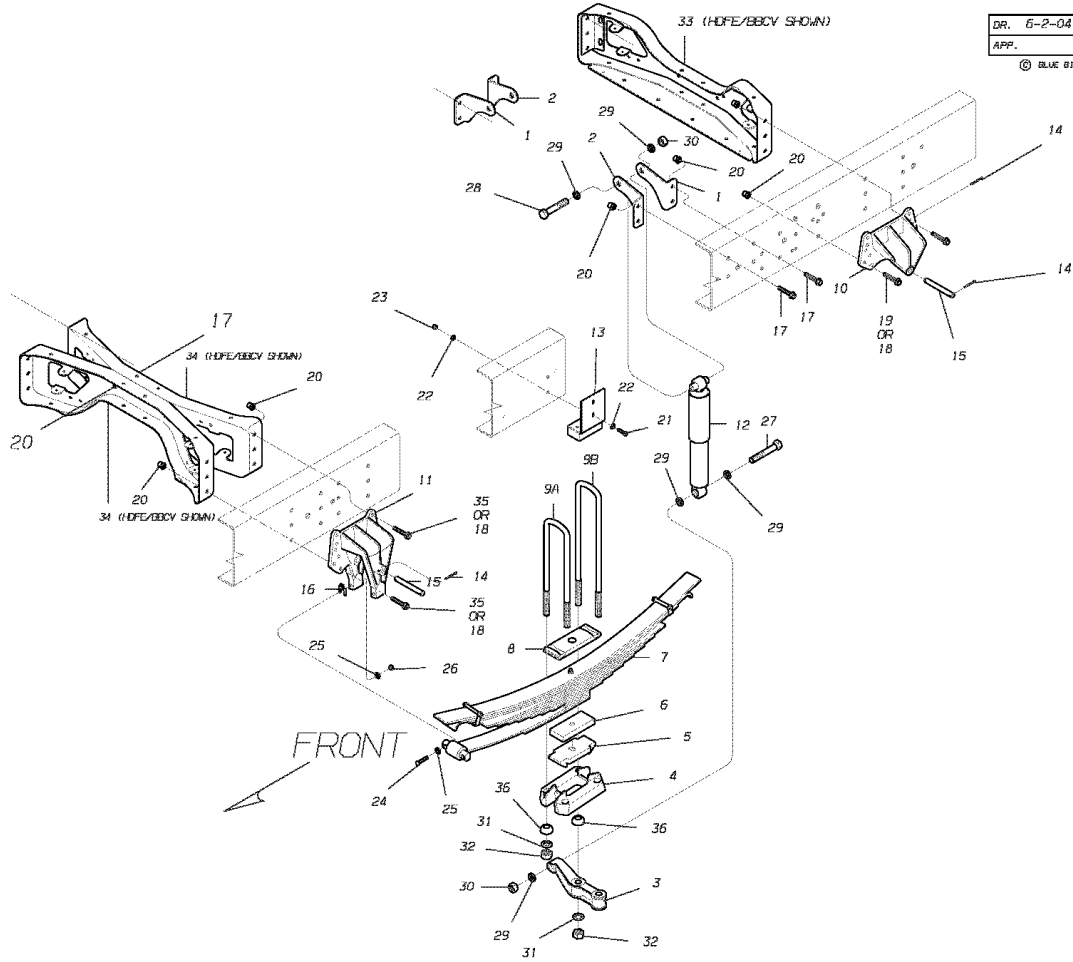
SPRING

REAR

REAR FLAT LEAF

With Features: FEATURE 40005-10-11-12-13

Key	PartNumber	Qty	Description	Comment
-----	------------	-----	-------------	---------



DR. 6-2-04	BY MR	0077616	REV
APP.	BY	FRT	REV

© BLUE BIRD BODY COMPANY. ALL RIGHTS RESERVED

Models: A3FE, A3RE, BBCV, C3FE

SPRING

REAR

REAR FLAT LEAF

With Features: FEATURE 40005-10-11-12-13

Key	PartNumber	Qty	Description	Comment
1	1969856	2	BRACKET,SHOCK MOUNT,UPPER,REAR,RH	
2	1969864	2	BRACKET,SHOCK MOUNT,UPPER,REAR,LH	
3	1897800	2	BRACKET,SHOCK MOUNT,LOWER	
4	0031424	2	BRACKET,RR SPRING U-BOLT,J-SERIES	
5	1348424	2	SADDLE,SPRING,REAR SUSP,0 DEGREE	<i>HDFE 195-232 IN WB</i>
5	1486695	2	SADDLE,SPRING,REAR SUSP,-4.5 DEGREE,RE	<i>HDRE</i>
5	0017907	2	SADDLE,SPRING,REAR SUSP,4.5 DEGREE	<i>HDFE 141, 169 WB, BBCV 189 WB</i>
5	0055032	2	SADDLE,SPRING,REAR SUSP,2 DEGREE,BBCV	<i>BBCV 217-273 WB</i>
6	1864719	2	SPACER ASSY,SUSPENSION,3.00IN WIDE	<i>HDRE</i>
7	0076828		SPRING ASSY,2 STAGE,SLIP TYPE,7200LB	<i>FEATURE 4000510</i>
7	0077609		SPRING ASSY,2 STAGE,SLIP TYPE,8200LB	<i>FEATURE 4000511</i>
7	0076830		SPRING ASSY,2 STAGE,SLIP TYPE,9200LB	<i>FEATURE 4000512</i>
7	0076832		SPRING ASSY,2 STAGE,SLIP TYPE,10200LB	<i>FEATURE 4000513</i>
8	1351410	2	SEAT,U-BOLT,TOP,RR SUSP,19000 LB RR AX	
9A	1317874	2	U-BOLT,3/4-16 X 17.0 W/3 IN REAR SPRING	<i>HDFE</i>
9A	1897594	2	U-BOLT,3/4-16 X 18.0 W/3 IN REAR SPRING	<i>BBCV</i>
9A	0006632	2	U-BOLT,3/4-16 X 19.0 W/3 IN REAR SPRING	<i>HDRE</i>
9B	0006632	2	U-BOLT,3/4-16 X 19.0 W/3 IN REAR SPRING	<i>WITH FEATURE 4000510 & 11</i>
9B	1858075	2	U-BOLT,3/4-16 X 20.0 W/3 IN REAR SPRING	<i>WITH FEATURE 4000512 & 13, HDRE</i>
10	1362078	2	BRACKET,SPR HNGR,RR SUSP,RR,CAST,TCFC	
11	1864610	2	BRACKET,SPRING HANGER,RR SUSP,FRT,CAST	
12	1707405	2	SHOCK ABSORBER,MONROE	
13	0011932	2	PAD ASSY,BUMPER,RR AXLE RUBBER,SPRG	
14	1362086	8	PIN,COTTER,1/8 X 2	
15	0043589	4	PIN,REBOUND,REAR SUSPENSION	
16	1973312		SHIM,SPRING SUSP,REAR,1/8	
16	1973411		SHIM,SPRING SUSP,REAR,1/16	
16	0044745		SHIM,SPRING SUSP,REAR,1/32	
16	0044747		SHIM,SPRING SUSP,REAR,1/64	
17			HUCKSPIN FASTENER	
18			HUCKSPIN FASTENER	
19			HUCKSPIN FASTENER	
20			HUCKSPIN FASTENER	

Models: A3FE, A3RE, BBCV, C3FE

SPRING

REAR

REAR FLAT LEAF

With Features: FEATURE 40005-10-11-12-13


Key	PartNumber	Qty	Description	Comment
21	0803171	8	CAPSCREW,HEXHD,3/8-16NCX1-1/2,GR8,	
22	1107085	10	WASHER,FLAT,13/32 X 13/16 X 3/32,HDN,BLK	
23	0839027	6	NUT,HEX HD,3/8-16,GR G,SM FLG LK,YEL	
24	1022805	4	CAPSCREW,HEX HD,5/8-11 X 5,GR 8,YEL ZN	
25	0929018	8	WASHER,FLAT,21/32 X 1 1/8 X 3/32,HDN,YEL	
26	0939827	4	NUT,HEX HD,5/8-11,GR 8,LOCK,CADMIUM WAX	
27	1317783	2	CAPSCREW,HEX HD,3/4-10 X 5,GR 8,YEL ZN	
28	1021815	2	CAPSCREW,HEX HD,3/4-10 X4 1/2,GR8,	
29	0954420	10	WASHER,FLAT,3/4 ID X 1 1/8 OD X3/16TK,	
30	0933879	4	NUT,HEX HD,3/4-10,PRVLG TORQ,GR8,CAD	
31	0607036	8	WASHER,FLAT,13/16 X 1 3/8 X 7/64 ZP,HRD	
32	0817965	8	NUT,HEX HD,3/4-16,YEL ZN DICH	
33	1807643		CROSSMEMBER ASSY,REINF,F/TANK END	<i>HD FE ONLY</i>
33	1807684		CROSSMEMBER ASSY,REINF,REWORKED FOR	<i>HD RE ONLY</i>
34	1807577		CROSSMEMBER,STAMPED,34 INCH	
34	1807684		CROSSMEMBER ASSY,REINF,REWORKED FOR	<i>HD RE ONLY</i>
36	0018486	8	WASHER,SPHERICAL,3/4	

Models: A3FE, A3RE, C1FE, C3FE, CSFE, CSRE, QBRE, TCFE, TCRE, TSFE

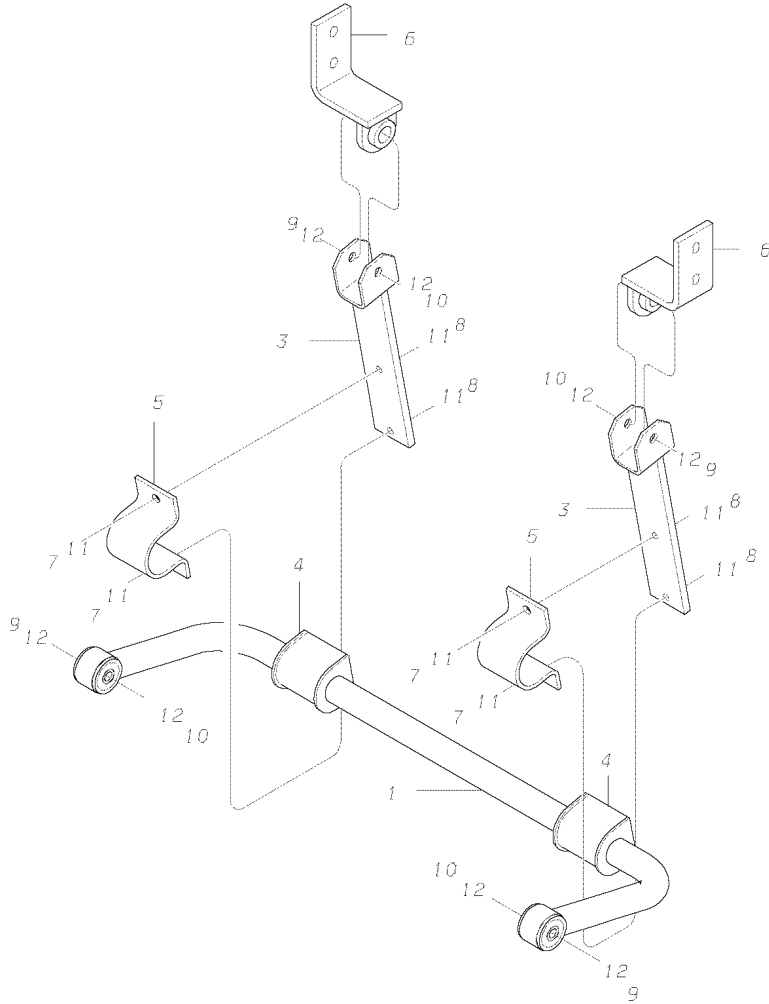
**SPRING
REAR
STABILIZER BAR REAR**

With Features: OPTION 4566, 4568-01, 40005-04

Key	PartNumber	Qty	Description	Comment
-----	------------	-----	-------------	---------

DR. 9/20/99	BY MT	1656331	A	
APP.	BY	FRT	REV	

© BLUE BIRD BODY COMPANY. ALL RIGHTS RESERVED



Models: A3FE, A3RE, C1FE, C3FE, CSFE, CSRE, QBRE, TCFE, TCRE, TSFE

**SPRING
REAR
STABILIZER BAR REAR**

With Features: OPTION 4566, 4568-01, 40005-04

Key	PartNumber	Qty	Description	Comment
1	8303588		BAR, TORSION TB7082	
3	8303596	2	BRKT. HANGER, BUSHING MTG. HB285"	
4	8303604	2	BUSHING, 1.75 POLYURETHANE PB-152"	
5	8303612	2	U-PLATE, BUSHING MOUNT UP-148"	
6	8303620	2	BRKT.,FRAME,WELDED, W/BUSHING FB-286"	
7	8303638	4	CAPSCREW 1/2 X 1.75 CX-310	
8	8303646	4	LOCKNUT, SLOVER SLN-91"	
9	8303653	4	CAPSCREW 5/8 X 3.75 CS-138	
10	8303661	4	LOCKNUT,SLOVER 5/8 SLN-33"	
11	8303679	8	WASHER, FLAT, 1/2 WA-43"	
12	8303687	8	WASHER, FLAT, 5/8 WA-137"	
13			PART NOT USED	

Models: A3FE, A3RE, C1FE, C3FE, CSFE, CSRE, QBRE, TCFE, TCRE, TSFE

SPRING
REAR

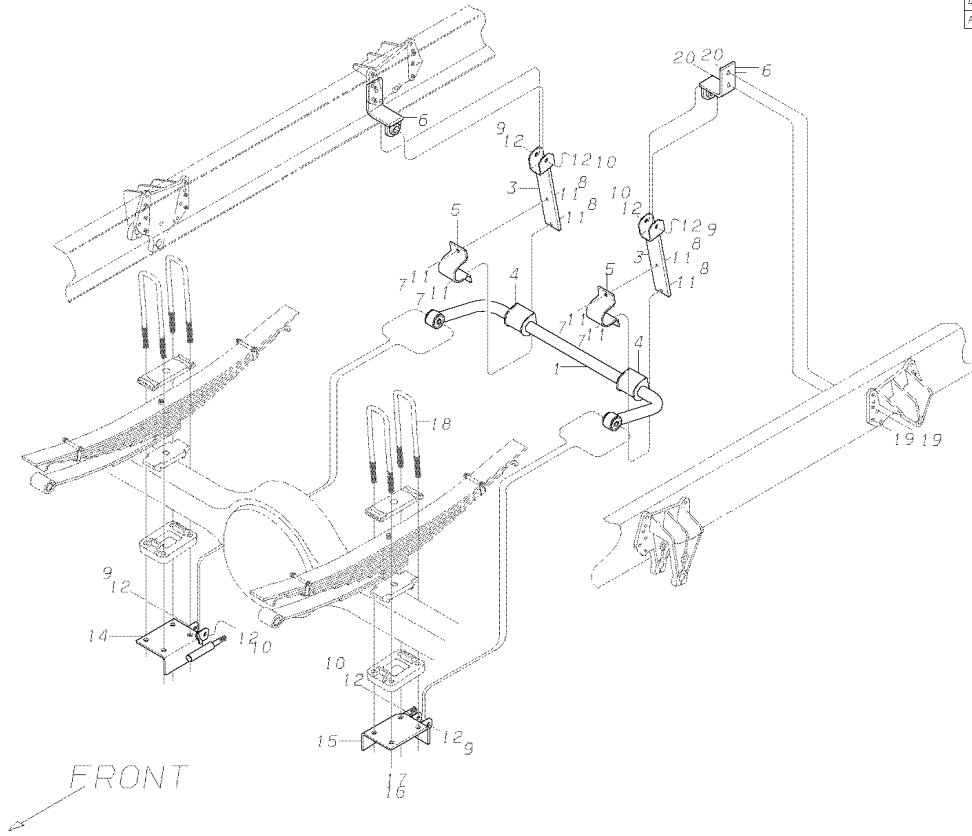
STABILIZER BAR REAR AND MOUNTING

With Features: OPTION 4566, 4568-01, 40005-04

Key	PartNumber	Qty	Description	Comment
-----	------------	-----	-------------	---------

DR. 9/26/97	BY NJW		1858406	B
APP. 9/26/97	BY QJ	FRT		RELY

© BLUE BIRD BODY COMPANY. ALL RIGHTS RESERVED. 



Models: A3FE, A3RE, C1FE, C3FE, CSFE, CSRE, QBRE, TCFE, TCRE, TSFE

SPRING

REAR

STABILIZER BAR REAR AND MOUNTING

With Features: OPTION 4566, 4568-01, 40005-04

Key	PartNumber	Qty	Description	Comment
1	8303588		BAR, TORSION TB7082	
3	8303596	2	BRKT. HANGER, BUSHING MTG. HB285"	
4	8303604	2	BUSHING, 1.75 POLYURETHANE PB-152"	
5	8303612	2	U-PLATE, BUSHING MOUNT UP-148"	
6	8303620	2	BRKT.,FRAME,WELDED, W/BUSHING FB-286"	
7	8303638	4	CAPSCREW 1/2 X 1.75 CX-310	
8	8303646	4	LOCKNUT, SLOVER SLN-91"	
9	8303653	4	CAPSCREW 5/8 X 3.75 CS-138	
10	8303661	4	LOCKNUT,SLOVER 5/8 SLN-33"	
11	8303679	8	WASHER, FLAT, 1/2 WA-43"	
12	8303687	8	WASHER, FLAT, 5/8 WA-137"	
13			PART NOT USED	
14	1858455		BRACKET ASSY,SHK,RR SUSP W/STAB,RH,J190	EXCLUDING A3FE, A3RE ENDING WITH CSN F30055764
14	0022596		BRACKET ASSY,SHK,RR SUSP W/STAB,RH,J190	J190-230 FROM CSN WITH CSN F30055765 TO F30077079
14	0033696		BRACKET ASSY,SHK,RR SUSP W/STAB,RH,J190	J190-230 BEGIN WITH CSN F30077080
14	1858471		BRACKET ASSY,SHK,RR SUSP W/STAB,RH,S	EXCLUDING A3FE, A3RE
14	0022644		BRACKET ASSY,SHK,RR SUSP W/STAB,RH,S150	ENDING WITH CSN 30094779 S150. C1FE/TSFE ONLY
14	0040320		BRACKET ASSY,SHK,RR SUSP,W/STAB,RH,RS15	BEGIN WITH CSN 30094780. RS15 - C1FE ONLY
15	1858463		BRACKET ASSY,SHK,RR SUSP W/STAB,LH,J190	EXCLUDING A3FE, A3RE) ENDING WITH CSN F30055764
15	0022597		BRACKET ASSY,SHK,RR SUSP W/STAB,LH,J190	J190-230 FROM CSN WITH CSN F30055765 TO F30077079
15	0033698		BRACKET ASSY,SHK,RR SUSP W/STAB,LH,J190	J190-230 BEGIN WITH CSN F30077080
15	1858489		BRACKET ASSY,SHK,RR SUSP W/STAB,LH,S-150	EXCLUDING A3FE, A3RE
15	0022646		BRACKET ASSY,SHK,RR SUSP W/STAB,LH,S150	ENDING WITH CSN 30094779 S150. C1FE/TSFE ONLY
15	0040321		BRACKET ASSY,SHK,RR SUSP,W/STAB,RH,RS15	BEGIN WITH CSN 30094780. RS15 - C1FE ONLY
16	0008595	2	BRACKET ASSY,MTG,STABILIZER BAR	A3FE, A3RE ONLY

Models: AAFE, A3FE, A3RE, C1FE, C3FE, CSFE, CSRE, QBRE, T2RE, TCPE
SPRING
SPACER ASSY, CHART

Key	PartNumber	Qty	Description	Comment
			SPACER ASSEMBLY, SPRING SUSPENSION	
	1481704		SPACER ASSY,SUSPENSION,3IN WIDE	
	1481712		SPACER ASSY,SUSPENSION,4IN WIDE	
	1836246		SPACER ASSY,SUSP,1.75 INCH	
	1864719		SPACER ASSY,SUSPENSION,3.00IN WIDE	
	1896000		SPACER ASSY,SUSPENSION,4 INCH WIDE X 2	
	1895994		SPACER ASSY,SUSPENSION,3 INCH WIDE X 2	
	0018332		SPACER ASSY,SUSPENSION,4 INCH WIDE X 3	