

Chassis

160 Transmission

AUTOMATIC, COMPONENTS

2000 SERIES

1550

*With: FEATURE 40177-02,-08,-10,-11,-12; 40187-01,-08 WITH FEATURE 40434-01
From CSN 08/18/99
To 05/02/04 (CSN F163229)*

1

*With: FEATURE 40177-01,-10,-11,-12; 40187-09,-10 FEATURE 40434-01
From CSN F163230; 05/03/04*

2

2500 SERIES

With: FEATURE 40187-09,-10,-14 WITH FEATURE 40432-03

3

2500 SERIES, GEN 4

With: FEATURE 40187-09,-10,-14 WITH FEATURE 40432-09

4

3000 SERIES

To CSN F0227189

5

3000 SERIES, GEN 4

From CSN F0227190

6

3000(R) SERIES

With: FEATURE 40432-05,-07; 40423-04

7

3000(R) SERIES, GEN 4

With: FEATURE 40432-10,-11,-12,-13; 40423-05,-06

8

AT545

1480

*With: FEATURE 40421-01, 02
From CSN 11/02/98*

9

MD3060, B300

ISB-E

With: FEATURE 40422-01, 02

10

MD3060, MD3066, B300, B400

*With: FEATURE 40422, 40431 WITH 40177, 40184, 40187
From CSN F10016975; 11/02/98*

11

MD3060R, MD3066R, B300R, B400R

*With: FEATURE 40187, 40184, 40177, 40182 OR 40181 WITH 40422, 40431, 40423 OR 40424
From CSN 11/02/98*

12

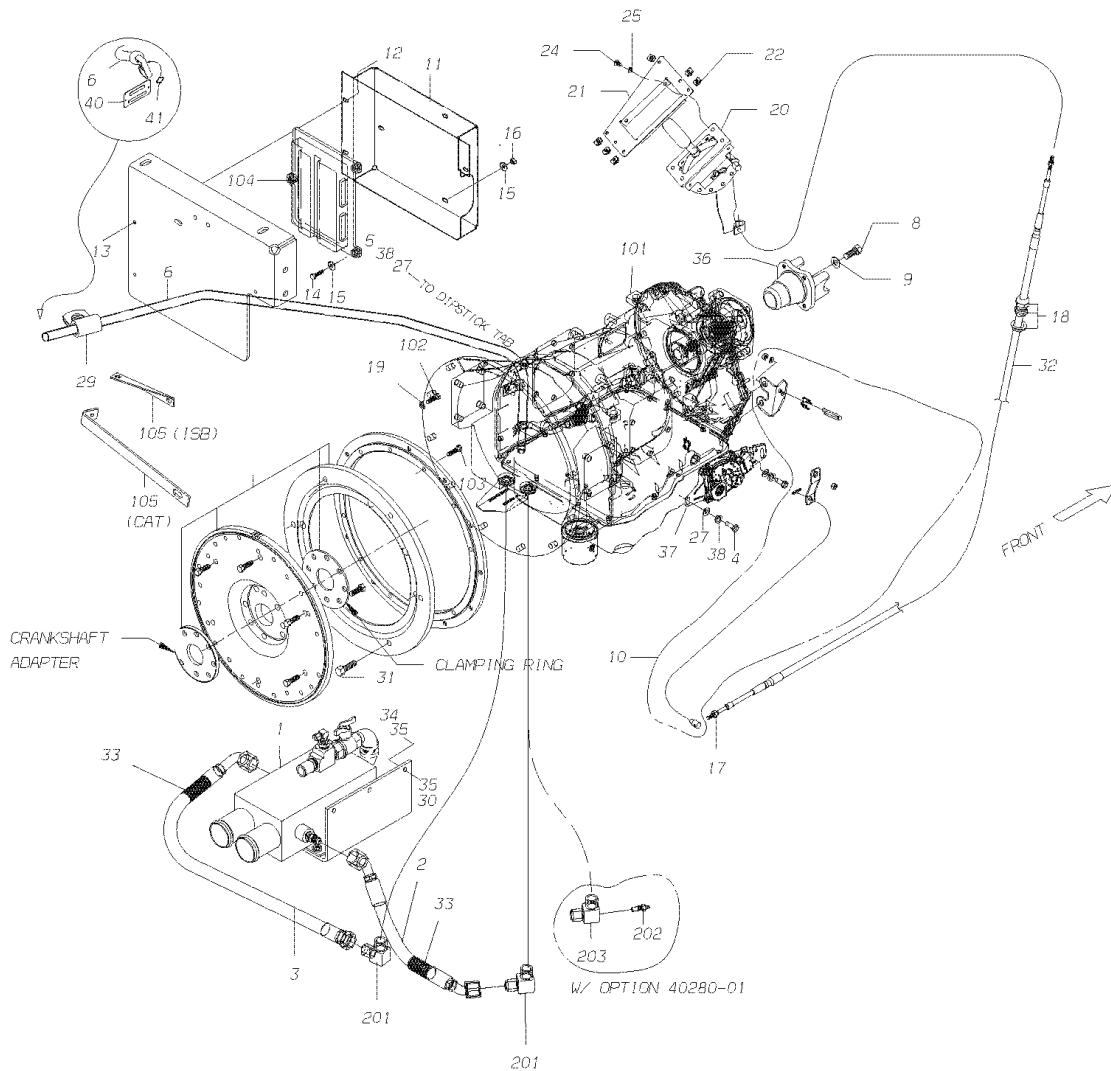
MT643

1610

*With: FEATURE 40426-01
From CSN 11/02/98*

Models: A3RE
AUTOMATIC, COMPONENTS
2000 SERIES
1550
With Features: FEATURE 40177-02,-08,-10,-11,-12; 40187-01,-08 WITH FEATURE 40434-01
BSN: From CSN 08/18/99
 To 05/02/04 (CSN F163229)

Key	PartNumber	Qty	Description	Comment
-----	------------	-----	-------------	---------



Models: **A3RE**
AUTOMATIC, COMPONENTS
2000 SERIES
1550

With Features: **FEATURE 40177-02,-08,-10,-11,-12; 40187-01,-08 WITH FEATURE 40434-01**
BSN: **From CSN 08/18/99**
To 05/02/04 (CSN F163229)

Key	PartNumber	Qty	Description	Comment
1	1868322		COOLER ASSY,TRANS,MD3060/3066,B300/400	
2	0049609		HOSE ASSY,WH H23912E-692-692-A02000,45	
3	0049617		HOSE ASSY,WH H23912E-612-672-A03400	
4	1700442		CAPSCREW,HEX HD,M8-1.25 X 20MM,10.9	
5	2000198	1	SCREW,5/16-18 X 1,D,HEX HD,YEL ZN DICH	
6	0065419	1	TUBE & D/STK ASSY,TRANS,2000 SERIES,A3RE	
7	1518612		BRACKET,MTG,HYD HOSES TO TRANSMISSION	
8	0015471		BOLT,HEX,1/2-20,2000 SERIES,29536847	
9	0015472		WASHER,SEALING,2000 SERIES TRANSMISSION	
10	0015526		KIT,TRANS SELECTOR,2000 SERIES,RE	
11	0016476	1	COVER,TRANS,TCM,ALLISON,2000	
12	0854414	3	CAPSCREW,HEX HD,5/16-18X7/8,GR8,YEL ZN	
13	1480433		NUT,HEX HD,5/16-18,FLG PRVG TORQ,GR F,	
14	0870477	8	CAPSCREW,HEX HD,1/4-20 X 1,GR 8,YEL ZN	
15	1991108		WASHER,FLAT,17/64 ID X 3/4,YELLOW ZINC	
16	2001345		NUT,HEX HD,1/4-20,LOCKING,YELLOW	
17	2001402		NUT,HEX HD,1/4-28,YEL ZN DICH	
18	1217439		CONNECTOR,TUBING,WATERPROOF,HEYCO	
19	1394675		LOCKWASHER,SPLIT RING,10 MM,MED,OLV DRB	
20	0028757		SELECTOR,SHIFT,TRANS,A2000,W/NEU SW	
21	0023394		PANEL,MTG,SHIFT SELECTOR TO HOUSING,LH	
22	0025522		U-NUT,10-32	
23			NOT CURRENTLY USED	
24	2000792		SCREW,MACH,1/4-20X1/2,PH1,RD HD,YEL ZN	
25	2001170	2	LOCKWASHER,SPLIT RING, 1/4 ,MED,YEL ZN	
26			NOT CURRENTLY USED	
27	2001048	11	WASHER,FLAT,11/32 X 11/16 X 1/16,YEL	
28			NOT CURRENTLY USED	
29	0557710	1	CLAMP,LOOP,.812	
30	0826297		NUT,HEX HD,3/8-16 LOCK,YEL ZN DICH	
31	1854173	6	BOLT,HEX HD,M10 X 15,ALLISON 23049056	
32	0015355		CABLE,TRANSMISSION SHIFT,438 IN. LONG	273 WB
32	0015352		CABLE,TRANSMISSION SHIFT,410 IN. LONG	245 WB
				217 WB

Models: **A3RE**
AUTOMATIC, COMPONENTS
2000 SERIES
1550

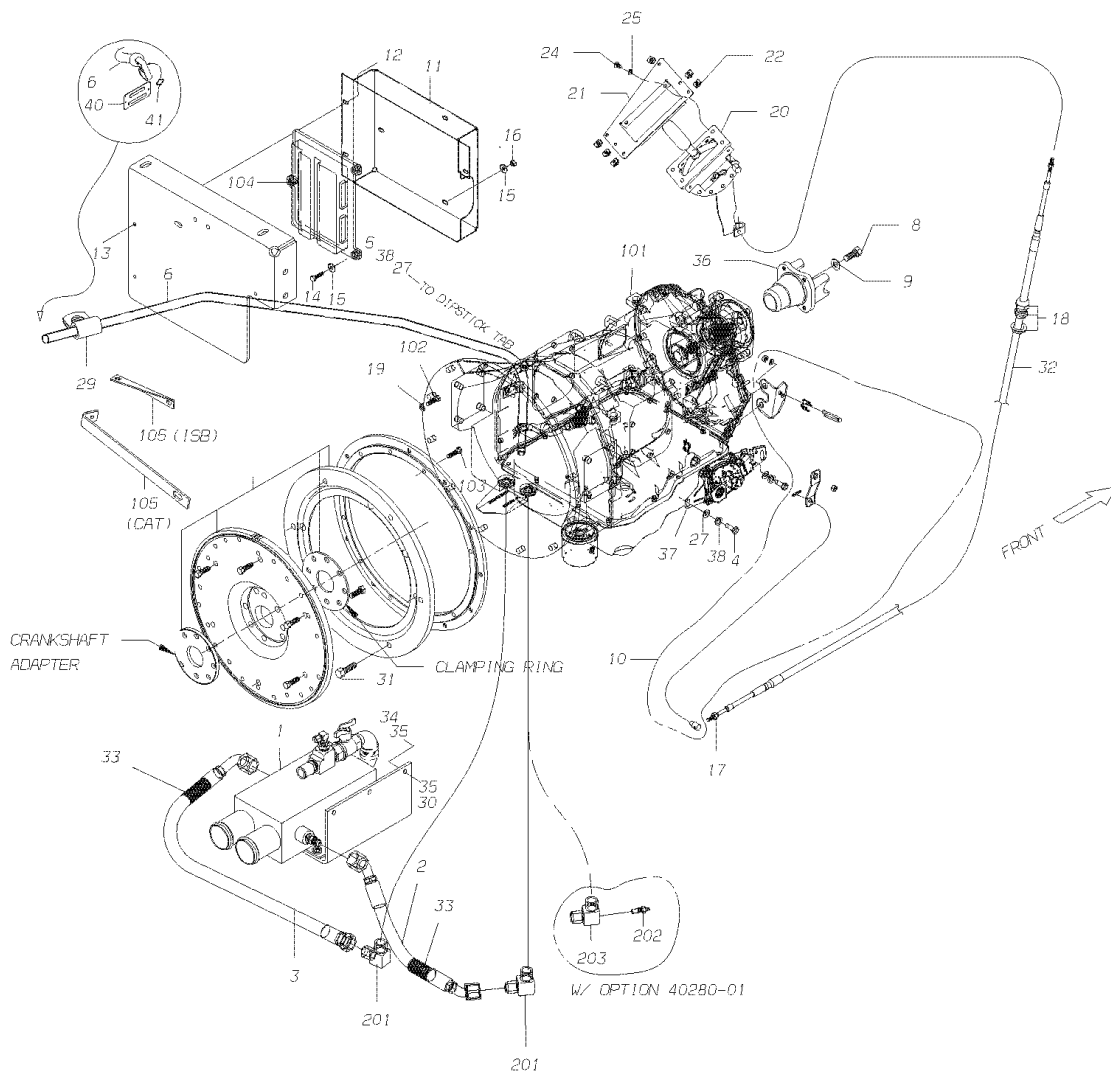
With Features: **FEATURE 40177-02,-08,-10,-11,-12; 40187-01,-08 WITH FEATURE 40434-01**
BSN: **From CSN 08/18/99**
To 05/02/04 (CSN F163229)

Key	PartNumber	Qty	Description	Comment
32	0015351		CABLE,TRANSMISSION SHIFT,382 IN. LONG	
32	1502301		CABLE,TRANSMISSION SHIFT,350 IN. LONG	189 WB
33	1109271		LOOM,CORRUGATED,BLACK,NYLON,3/4 ID,SS	
34	0803213	3	CAPSCREW,HEX HD,3/8-16X1 1/4,GR8,YEL	
35	1107085	6	WASHER,FLAT,13/32 X 13/16 X 3/32,HDN,BLK	
36	0015425		YOKE,TRANS,1550 W/PARK BRK FLANGE,	
37	0044103		SWITCH,NSBU,2000 SERIES,29540479	ENDING 05/02/04
38	3840915		WASHER,LOCK,HELICAL SPRING,5/16,ZN3	
NI	1486547		FLUID,TRANS,DEXRON III	
10			TRANSMISSION	SUPPLIED BY VENDOR
10	0997734	12	CAPSCREW,HX HD,M10-1.5X35,CL10.9,	FEATURE 40434-01 WITH 40177-02, 08, 10, 11, 12
10	1863422	12	SCREW,MACH,FT/HD,10MM,ALLISON 11514283	FEATURE 40434-01 WITH 40187-01, 08
10	1863430	10	CAPSCREW,M10-1.5X15MM,LOCTITE 23049056	40434-01 W/ 40187-01, 08
10	0020362		TRANSMISSION CTRL MOD,A2000,2500RPM,	40187-01, 08 OR 40177-01, 10, 11
10	0020372		TRANSMISSION CTRL MOD,	40177-02, 08, 12
10	1461813		STRAP,AIR INTAKE TUBE TO TURBO	40434-01 W/ 40177-10, 11, 12
	0050891	1	BRACKET,SUPPORT,TRANS DIPSTICK,CAT 3126,	40434-01 W/ 40187-09, 10
20	0964908		ADAPTER,849-FSO-12X12,37 DEG	40434-01
20	1939982		SENDER,TRANSMISSION OIL TEMPERATURE,	40434-01 W/ 40280-01
20	0017061		ELBOW,90 DEGREE WITH 1/8-27 NPT	40434-01 W/ 40280-01

Models: A3RE
AUTOMATIC, COMPONENTS
2000 SERIES
1550

With Features: FEATURE 40177-01,-10,-11,-12; 40187-09,-10 FEATURE 40434-01
BSN: From CSN F163230; 05/03/04

Key	PartNumber	Qty	Description	Comment
-----	------------	-----	-------------	---------



Models: **A3RE**
AUTOMATIC, COMPONENTS
2000 SERIES
1550

With Features: **FEATURE 40177-01,-10,-11,-12; 40187-09,-10 FEATURE 40434-01**
BSN: **From CSN F163230; 05/03/04**

Key	PartNumber	Qty	Description	Comment
1	1868322		COOLER ASSY,TRANS,MD3060/3066,B300/400	
2	0049609		HOSE ASSY,WH H23912E-692-692-A02000,45	
3	0049617		HOSE ASSY,WH H23912E-612-672-A03400	
4	1700442		CAPSCREW,HEX HD,M8-1.25 X 20MM,10.9	
5	2000198		SCREW,5/16-18 X 1,D,HEX HD,YEL ZN DICH	
6	0065419		TUBE & D/STK ASSY,TRANS,2000 SERIES,A3RE	
8	0015471		BOLT,HEX,1/2-20,2000 SERIES,29536847	
9	0015472		WASHER,SEALING,2000 SERIES TRANSMISSION	
10	0015526		KIT,TRANS SELECTOR,2000 SERIES,RE	
11	0016476		COVER,TRANS,TCM,ALLISON,2000	
12	0854414		CAPSCREW,HEX HD,5/16-18X7/8,GR8,YEL ZN	
13	1480433		NUT,HEX HD,5/16-18,FLG PRVG TORQ,GR F,	
14	0870477		CAPSCREW,HEX HD,1/4-20 X 1,GR 8,YEL ZN	
15	1991108		WASHER,FLAT,17/64 ID X 3/4,YELLOW ZINC	
16	2001345		NUT,HEX HD,1/4-20,LOCKING,YELLOW	
17	2001402		NUT,HEX HD,1/4-28,YEL ZN DICH	
18	1217439		CONNECTOR,TUBING,WATERPROOF,HEYCO	
19	1394675		LOCKWASHER,SPLIT RING,10 MM,MED,OLV DRB	
20	0028757		SELECTOR,SHIFT,TRANS,A2000,W/NEU SW	
21	0023394		PANEL,MTG,SHIFT SELECTOR TO HOUSING,LH	
22	0025522		U-NUT,10-32	
24	2000792		SCREW,MACH,1/4-20X1/2,PH1,RD HD,YEL ZN	
25	2001170		LOCKWASHER,SPLIT RING, 1/4 ,MED,YEL ZN	
27	2001048		WASHER,FLAT,11/32 X 11/16 X 1/16,YEL	
29	0557710		CLAMP,LOOP,.812	
30	0826297		NUT,HEX HD,3/8-16 LOCK,YEL ZN DICH	
31	1854173		BOLT,HEX HD,M10 X 15,ALLISON 23049056	
32	1502301		CABLE,TRANSMISSION SHIFT,350 IN. LONG	350 IN. LONG
32	0015351		CABLE,TRANSMISSION SHIFT,382 IN. LONG	382 IN. LONG
32	0015352		CABLE,TRANSMISSION SHIFT,410 IN. LONG	410 IN. LONG
32	0015355		CABLE,TRANSMISSION SHIFT,438 IN. LONG	438 IN. LONG
33	1109271		LOOM,CORRUGATED,BLACK,NYLON,3/4 ID,SS	
34	0803213		CAPSCREW,HEX HD,3/8-16X1 1/4,GR8,YEL	

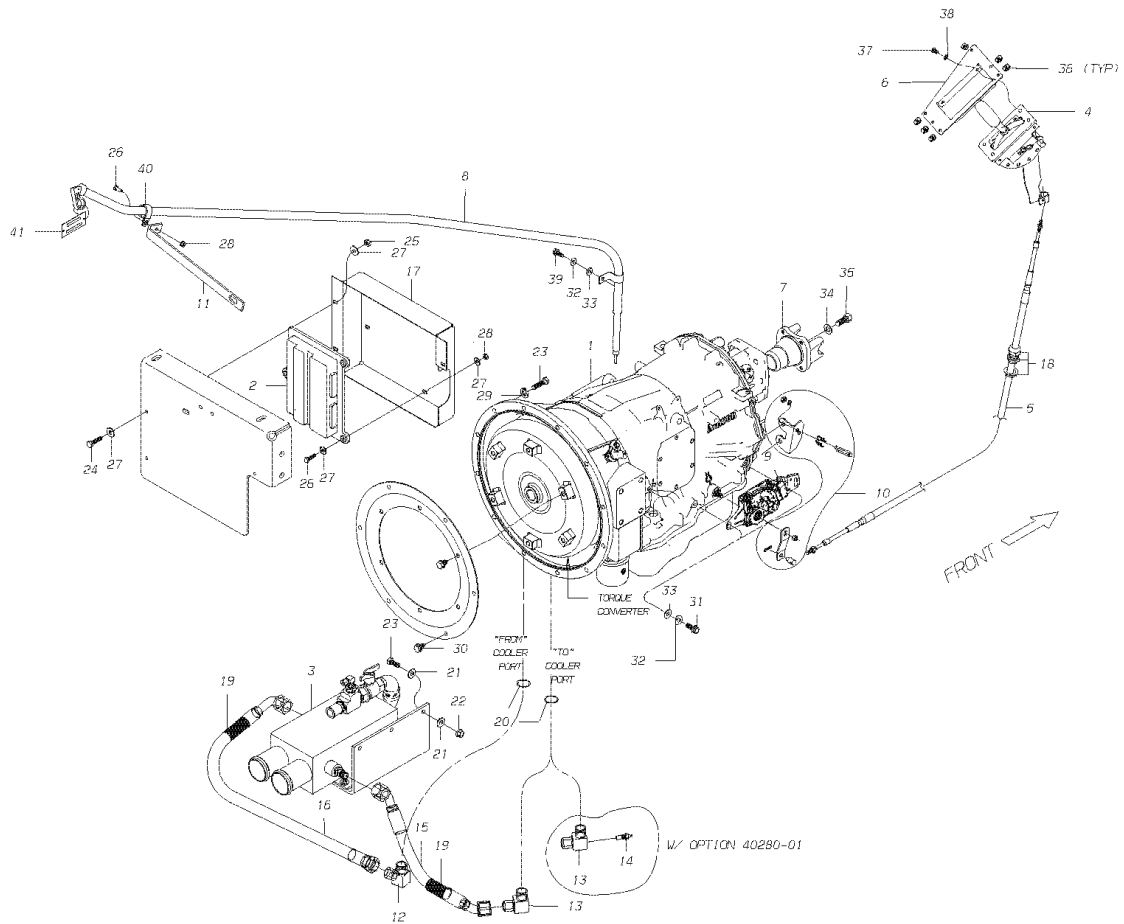
Models: **A3RE**
AUTOMATIC, COMPONENTS
2000 SERIES
1550

With Features: **FEATURE 40177-01,-10,-11,-12; 40187-09,-10 FEATURE 40434-01**
BSN: **From CSN F163230; 05/03/04**

Key	PartNumber	Qty	Description	Comment
35	1107085		WASHER,FLAT,13/32 X 13/16 X 3/32,HDN,BLK	
36	0015425		YOKE,TRANS,1550 W/PARK BRK FLANGE,	
37	0070156		SWITCH,TRANS,NSBU,2000 SERIES,29541852	
38	3840915		WASHER,LOCK,HELICAL SPRING,5/16,ZN3	
40	0024934		TAG,WARNING,SYNTHETIC OIL	<i>WITH FEATURE 40111-02</i>
41	0024935		RING,ATTACHING,DIAMOND	<i>WITH FEATURE 40111-02</i>
10			TRANSMISSION	<i>SUPPLIED BY VENDOR</i>
10	0997734		CAPSCREW,HX HD,M10-1.5X35,CL10.9,	<i>FEATURE 40434-01 WITH 40177-10,-11,-12</i>
10	0803213		CAPSCREW,HEX HD,3/8-16X1 1/4,GR8,YEL	<i>FEATURE 40434-01 WITH 40187-09,-10</i>
10	1854173		BOLT,HEX HD,M10 X 15,ALLISON 23049056	<i>FEATURE 40434-01 WITH 40187-09,-10</i>
10	0020362		TRANSMISSION CTRL MOD,A2000,2500RPM,	<i>FEATURE 40177-01,-10,-11</i>
10	0020372		TRANSMISSION CTRL MOD,	<i>FEATURE 40177-12</i>
10	0056528		TRANSMISSION CTRL MOD,A2000,2500RPM,LIM	<i>FEATURE 40187-09,-10</i>
10	1461813		STRAP,AIR INTAKE TUBE TO TURBO	<i>FEATURE 40434-01 WITH 40177-10,-11,-12</i>
	0050891		BRACKET,SUPPORT,TRANS DIPSTICK,CAT 3126,	<i>FEATURE 40434-01 WITH 40187-09,-10</i>
20	0964908		ADAPTER,849-FSO-12X12,37 DEG	<i>FEATURE 40434-01 WITH or WITHOUT 40280-01</i>
20	1939982		SENDER,TRANSMISSION OIL TEMPERATURE,	<i>FEATURE 40434-01 WITH 40280-01</i>
20	0017061		ELBOW,90 DEGREE WITH 1/8-27 NPT	<i>FEATURE 40434-01 WITH 40280-01</i>

Models: A3RE
AUTOMATIC, COMPONENTS
2500 SERIES
With Features: FEATURE 40187-09,-10,-14 WITH FEATURE 40432-03

Key	PartNumber	Qty	Description	Comment
-----	------------	-----	-------------	---------



Models: **A3RE**
AUTOMATIC, COMPONENTS
2500 SERIES
With Features: **FEATURE 40187-09,-10,-14 WITH FEATURE 40432-03**

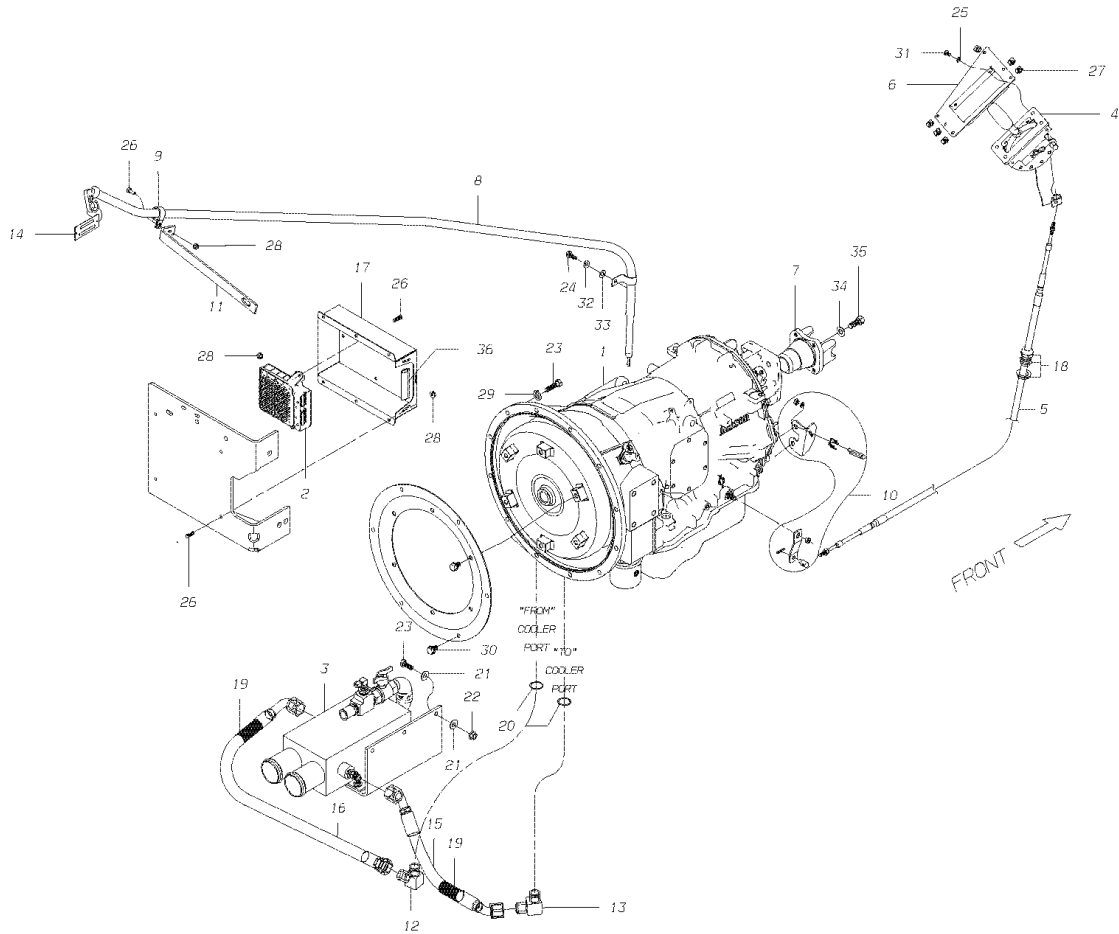
Key	PartNumber	Qty	Description	Comment
1	0075271		TRANSMISSION,ALLISON,2500 PTS SERIES,	<i>FEATURE 40187-09,-10</i>
1	0078970		TRANSMISSION,ALLISON,2500 PTS SERIES,	<i>FEATURE 40187-14</i>
2	0076155		MODULE,CONTROL,TRANS,2500PTS,LIM	
3	1868322		COOLER ASSY,TRANS,MD3060/3066,B300/400	
4	0028757		SELECTOR,SHIFT,TRANS,A2000,W/NEU SW	
5	1502301		CABLE,TRANSMISSION SHIFT,350 IN. LONG	<i>350 IN. LONG</i>
5	0015351		CABLE,TRANSMISSION SHIFT,382 IN. LONG	<i>382 IN. LONG</i>
5	0015352		CABLE,TRANSMISSION SHIFT,410 IN. LONG	<i>410 IN. LONG</i>
5	0015355		CABLE,TRANSMISSION SHIFT,438 IN. LONG	<i>438 IN. LONG</i>
6	0023394		PANEL,MTG,SHIFT SELECTOR TO HOUSING,LH	<i>ENDING WITH CSN F186269</i>
6	0085554		PANEL,MTG,SHIFT SELECTOR TO HOUSING,LH	<i>BEGIN WITH CSN F186270. 01/10/05</i>
7	0015527		YOKE,TRANS,1550_SPL-70,SPICER 4-4-4801-1X	
8	0065419		TUBE & D/STK ASSY,TRANS,2000 SERIES,A3RE	
9	0070156		SWITCH,TRANS,NSBU,2000 SERIES,29541852	
10	0015526		KIT,TRANS SELECTOR,2000 SERIES,RE	
11	0050891		BRACKET,SUPPORT,TRANS DIPSTICK,CAT 3126,	
12	0964908		ADAPTER,849-FSO-12X12,37 DEG	
13	0017061		ELBOW,90 DEGREE WITH 1/8-27 NPT	<i>WITH FEATURE 40280-01 ONLY. ENDING WITH CSN 0221829</i>
13	0964908		ADAPTER,849-FSO-12X12,37 DEG	<i>WITHOUT FEATURE 40280-01</i>
14	1939982		SENDER,TRANSMISSION OIL TEMPERATURE,	<i>WITH FEATURE 40280-01. ENDING WITH CSN F0221829</i>
15	0085523		HOSE ASSY,TRANS,OIL CLR,#12-45-45	
16	0085528		HOSE ASSY,TRANS,OIL CLR,#12-STR-90-34"	
17	0016476		COVER,TRANS,TCM,ALLISON,2000	
18	1217439		CONNECTOR,TUBING,WATERPROOF,HEYCO	
19	1228840		LOOM,CORRUGATED,BLACK,NYLON,1 1/4ID,SS	
19	1109271		LOOM,CORRUGATED,BLACK,NYLON,3/4 ID,SS	
20	0048094		O-RING,VITON,12 HYD FITTINGS	
21	1107085		WASHER,FLAT,13/32 X 13/16 X 3/32,HDN,BLK	
22	0826297		NUT,HEX HD,3/8-16 LOCK,YEL ZN DICH	
23	0803213		CAPSCREW,HEX HD,3/8-16X1 1/4,GR8,YEL	
24	0854414		CAPSCREW,HEX HD,5/16-18X7/8,GR8,YEL ZN	
25	1480433		NUT,HEX HD,5/16-18,FLG PRVG TORQ,GR F,	

Models: **A3RE**
AUTOMATIC, COMPONENTS
2500 SERIES
With Features: **FEATURE 40187-09,-10,-14 WITH FEATURE 40432-03**

Key	PartNumber	Qty	Description	Comment
26	0870477		CAPSCREW,HEX HD,1/4-20 X 1,GR 8,YEL ZN	
27	1991108		WASHER,FLAT,17/64 ID X 3/4,YELLOW ZINC	
28	2001345		NUT,HEX HD,1/4-20,LOCKING,YELLOW	
29	1394675		LOCKWASHER,SPLIT RING,10 MM,MED,OLV DRB	
30	1854173		BOLT,HEX HD,M10 X 15,ALLISON 23049056	
31	1700442		CAPSCREW,HEX HD,M8-1.25 X 20MM,10.9	
32	2001188		LOCKWASHER,SPLIT RING, 5/16,MED,YEL ZN	
33	2001048		WASHER,FLAT,11/32 X 11/16 X 1/16,YEL	
34	0015472		WASHER,SEALING,2000 SERIES TRANSMISSION	
35	0015471		BOLT,HEX,1/2-20,2000 SERIES,29536847	
36	0025522		U-NUT,10-32	
37	2000792		SCREW,MACH,1/4-20X1/2,PH1,RD HD,YEL ZN	
38	2001170		LOCKWASHER,SPLIT RING, 1/4 ,MED,YEL ZN	
39	2000198		SCREW,5/16-18 X 1,D,HEX HD,YEL ZN DICH	
40	0557710		CLAMP,LOOP,.812	
41	0075461		LABEL,ALLISON,TRANSYND,WITH TIE RAP	<i>WITH FEATURE 40111-02</i>

Models: A3RE
AUTOMATIC, COMPONENTS
2500 SERIES, GEN 4
With Features: FEATURE 40187-09,-10,-14 WITH FEATURE 40432-09

Key	PartNumber	Qty	Description	Comment
-----	------------	-----	-------------	---------



Models: **A3RE**
AUTOMATIC, COMPONENTS
2500 SERIES, GEN 4
With Features: **FEATURE 40187-09,-10,-14 WITH FEATURE 40432-09**

Key	PartNumber	Qty	Description	Comment
1	0089715		TRANSMISSION,ALLISON,GEN4,2500PTS,TC221	<i>FEATURE 40187-09,-10</i>
1	0089716		TRANSMISSION,ALLISON,GEN4,2500PTS,TC222	<i>FEATURE 40187-14</i>
2	0090354		MODULE,TCM,2500PTS,GEN4,2500RPM,5SP,	<i>ENDING WITH CSN F0225970</i>
2	0100861		MODULE,TCM,2500PTS,GEN4,2500RPM,5SP,	<i>BEGIN WITH CSN F0225971. 12/19/05</i>
3	1868322		COOLER ASSY,TRANS,MD3060/3066,B300/400	
4	0028757		SELECTOR,SHIFT,TRANS,A2000,W/NEU SW	
5	1502301		CABLE,TRANSMISSION SHIFT,350 IN. LONG	<i>350 IN. LONG</i>
5	0015351		CABLE,TRANSMISSION SHIFT,382 IN. LONG	<i>382 IN. LONG</i>
5	0015352		CABLE,TRANSMISSION SHIFT,410 IN. LONG	<i>410 IN. LONG</i>
5	0015355		CABLE,TRANSMISSION SHIFT,438 IN. LONG	<i>438 IN. LONG</i>
6	0085554		PANEL,MTG,SHIFT SELECTOR TO HOUSING,LH	
7	0015527		YOKE,TRANS,1550_SPL-70,SPICER 4-4-4801-1X	
8	0065419		TUBE & D/STK ASSY,TRANS,2000 SERIES,A3RE	
9	0557710		CLAMP,LOOP,.812	
10	0015526		KIT,TRANS SELECTOR,2000 SERIES,RE	
11	0050891		BRACKET,SUPPORT,TRANS DIPSTICK,CAT 3126,	
12	0964908		ADAPTER,849-FSO-12X12,37 DEG	
13	0964908		ADAPTER,849-FSO-12X12,37 DEG	
14	0075461		LABEL,ALLISON,TRANSYND,WITH TIE RAP	
15	0085523		HOSE ASSY,TRANS,OIL CLR,#12-45-45	
16	0085528		HOSE ASSY,TRANS,OIL CLR,#12-STR-90-34"	
17	0092944		COVER,TRANS,CTRL MODULE,ALLISON,GEN 4,	
18	1217439		CONNECTOR,TUBING,WATERPROOF,HEYCO	
19	1228840		LOOM,CORRUGATED,BLACK,NYLON,1 1/4ID,SS	
20	0048094		O-RING,VITON,12 HYD FITTINGS	
21	1107085		WASHER,FLAT,13/32 X 13/16 X 3/32,HDN,BLK	
22	0826297		NUT,HEX HD,3/8-16 LOCK,YEL ZN DICH	
23	0803213		CAPSCREW,HEX HD,3/8-16X1 1/4,GR8,YEL	
24	2000198		SCREW,5/16-18 X 1,D,HEX HD,YEL ZN DICH	
25	2001170		LOCKWASHER,SPLIT RING, 1/4 ,MED,YEL ZN	
26	0870477		CAPSCREW,HEX HD,1/4-20 X 1,GR 8,YEL ZN	
27	0025522		U-NUT,10-32	
28	1339639		NUT,HEX HD,1/4-20,PRVLG TORQUE,FLG,YEL	

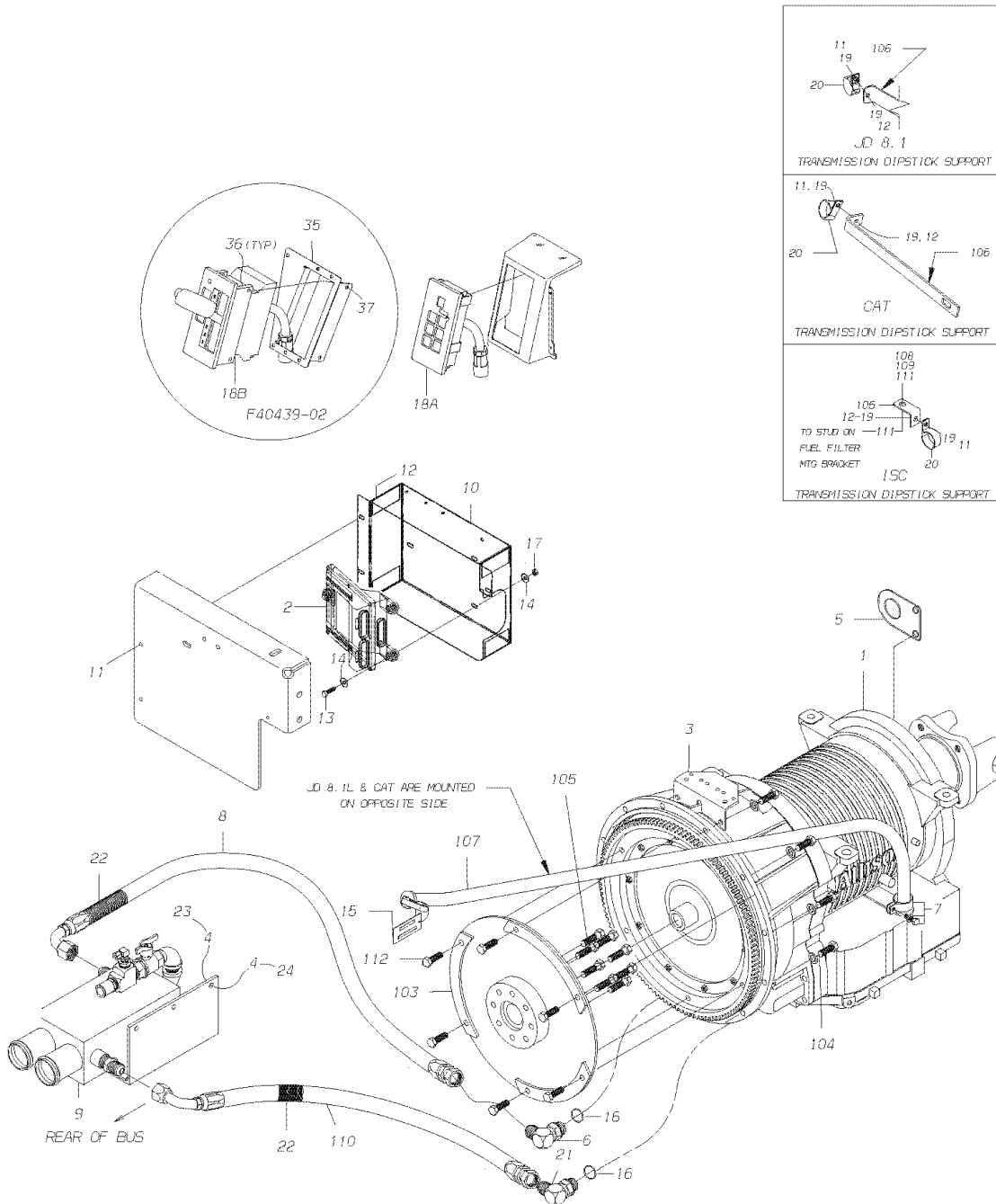
Models: **A3RE**
AUTOMATIC, COMPONENTS
2500 SERIES, GEN 4

With Features: **FEATURE 40187-09,-10,-14 WITH FEATURE 40432-09**

Key	PartNumber	Qty	Description	Comment
29	1394675		LOCKWASHER,SPLIT RING,10 MM,MED,OLV DRB	
30	1854173		BOLT,HEX HD,M10 X 15,ALLISON 23049056	
31	2000792		SCREW,MACH,1/4-20X1/2,PH1,RD HD,YEL ZN	
32	2001188		LOCKWASHER,SPLIT RING, 5/16,MED,YEL ZN	
33	2001048		WASHER,FLAT,11/32 X 11/16 X 1/16,YEL	
34	0015472		WASHER,SEALING,2000 SERIES TRANSMISSION	
35	0015471		BOLT,HEX,1/2-20,2000 SERIES,29536847	
36	0063055		SEAL,DOOR,.50 BULB X 1.90 FLG MT,UNI-GRIP	

Models: A3RE, C4RE
AUTOMATIC, COMPONENTS
3000 SERIES
To CSN F0227189

Key	PartNumber	Qty	Description	Comment
-----	------------	-----	-------------	---------



Models: **A3RE, C4RE**
AUTOMATIC, COMPONENTS
3000 SERIES
To CSN F0227189

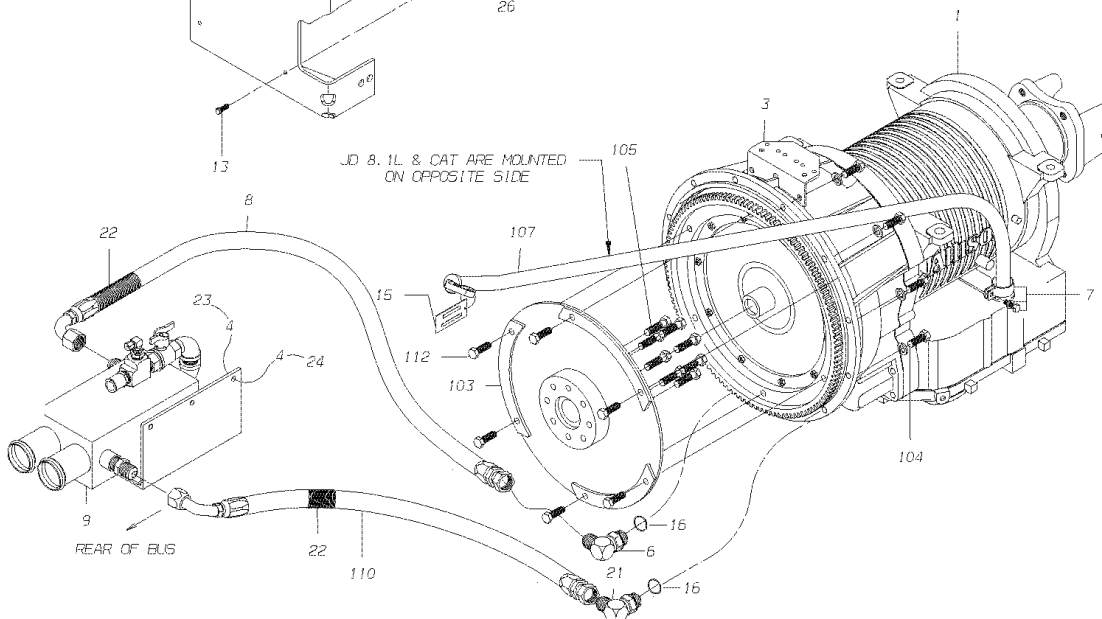
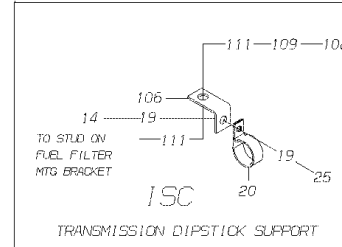
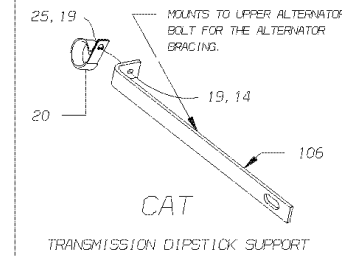
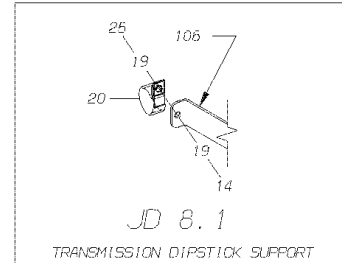
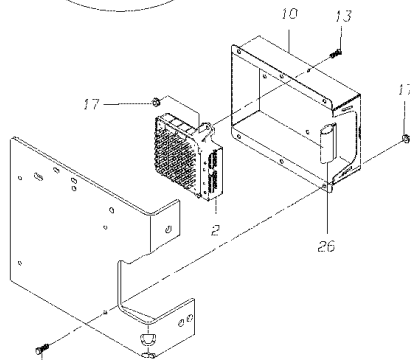
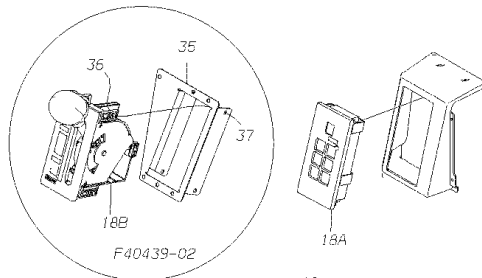
Key	PartNumber	Qty	Description	Comment
1			ENGINE & TRANSMISSION	SUPPLIED BY VENDOR
2			ENGINE & TRANSMISSION	SUPPLIED BY VENDOR
3	1839315		BRACKET,MTG,HYD HOSES TO TRANSMISSION	
4	1107085	6	WASHER,FLAT,13/32 X 13/16 X 3/32,HDN,BLK	
5	1815992		PLATE,MOUNTING,PIGTAIL HARNESS TO TRANS	
6	0964908		ADAPTER,849-FSO-12X12,37 DEG	
7	1595362		CLAMP,INSULATED 1.00 ID	
8	0085527		HOSE ASSY,TRANS,OIL CLR,#12-STR-90-32"	
9	1868322		COOLER ASSY,TRANS,MD3060/3066,B300/400	
10	1978303		COVER,TRANSMISSION ECU,ALLISON, RE	
11	1480433	3	NUT,HEX HD,5/16-18,FLG PRVG TORQ,GR F,	
12	0854414	3	CAPSCREW,HEX HD,5/16-18X7/8,GR8,YEL ZN	
13	0870477	3	CAPSCREW,HEX HD,1/4-20 X 1,GR 8,YEL ZN	
14	1991108	6	WASHER,FLAT,17/64 ID X 3/4,YELLOW ZINC	
15	0075461		LABEL,ALLISON,TRANSYND,WITH TIE RAP	WITH FEATURE 40111-02
16	0048094	2	O-RING,VITON,12 HYD FITTINGS	
17	2001345	3	NUT,HEX HD,1/4-20,LOCKING,YELLOW	
18	0031122		SELECTOR,SHIFT,PUSHBUTTON,3000 SRS,	
18	0086738		SELECTOR,SHIFT,LEVER TYPE,3000 SRS,	FEATURE 40439-02
19	1078922	2	WASHER,FLAT,3/8 X 7/8 X 5/64,YEL ZN DICH	
20	1517168		CLAMP,LOOP,.937	
21	0964908		ADAPTER,849-FSO-12X12,37 DEG	
22	1228840	8'	LOOM,CORRUGATED,BLACK,NYLON,1 1/4ID,SS	
23	0803213	3	CAPSCREW,HEX HD,3/8-16X1 1/4,GR8,YEL	
24	0826297	3	NUT,HEX HD,3/8-16 LOCK,YEL ZN DICH	
18	0086738		SELECTOR,SHIFT,LEVER TYPE,3000 SRS,	USE WITH FEATURE 40439-02
35	0067732		PANEL ASSY,MTG,SHIFT SELECTOR TO	USE WITH FEATURE 40439-02
36	0870477	4	CAPSCREW,HEX HD,1/4-20 X 1,GR 8,YEL ZN	USE WITH FEATURE 40439-02
37	2001345	4	NUT,HEX HD,1/4-20,LOCKING,YELLOW	USE WITH FEATURE 40439-02
10	1760834		KIT,ENG ADAPT,CAT 3116,WORLD T/M	CAT C7 W/ 3000PTS. 5 SPEED/6 SPEED OR B300 OR B400 TRANS
10	1760842		KIT,ENG ADAPT,5.9 & 8.3,WORLD T/M	CUMMINS ISC W/ 3000PTS. 5 SPEED/6 SPEED OR B300 OR B400 TRANS
10	1829811		ENGINE ADAPTATION KIT,JD 8.1 W/WORLD	

Models: **A3RE, C4RE**
AUTOMATIC, COMPONENTS
3000 SERIES
To CSN F0227189

Key	PartNumber	Qty	Description	Comment
10	1761113		BOLT/WASHER KIT,FWH,CATERPILLAR	CAT C7 W/ 3000PTS. 5 SPEED/6 SPEED OR B300 OR B400 TRANS
10	1760867		BOLT/WASHER KIT,FWH,CUMMINS	CUMMINS ISC W/ 3000PTS. 5 SPEED/6 SPEED OR B300 OR B400 TRANS
10	1789502		BOLT/WASHER KIT,FWH,JOHN DEERE	
10	1596709		BOLT,CRANKSHAFT,MD3060/CAT,ALLISON	CAT C7 W/ 3000PTS. 5 SPEED/6 SPEED OR B300 OR B400 TRANS
10	1596717		BOLT,CRANKSHAFT,MD3060/CUM,ALLISON	CUMMINS ISC W/ 3000PTS. 5 SPEED/6 SPEED OR B300 OR B400 TRANS
10	0803205		CAPSCREW,HEX HD,1/2-13 X 2,GR 8,YEL ZN	
10	0050891		BRACKET,SUPPORT,TRANS DIPSTICK,CAT 3126,	CAT C7
10	1501097		BRACKET,ATCH,BRAKE LINE TO FRAME	CUMMINS ISC
			BRACKET SUPPLIED WITH ENGINE	JOHN DEERE 8.1
10	0065798		TUBE & D/STK ASSY,TRANS,MD/B SRS,CAT/JD,	CAT C7 & JOHN DEERE 8.1
10	0065797		TUBE & D/STK ASSY,TRANS,MD/B SERIES,ISC,	CUMMINS ISC
10	1030998		NUT,HEX HD,M8-1.25,ZINC	CUMMINS ISC
10	2001188		LOCKWASHER,SPLIT RING, 5/16,MED,YEL ZN	CUMMINS ISC
11	0085524		HOSE ASSY,TRANS,OIL CLR,#12-STR-45-22"	CAT C7, CUMMINS ISC, JOHN DEERE 8.1
11	1167485	2	WASHER,FLAT,11/32 X 11/16 X 5/64,HDN,BLK	CUMMINS ISC
11	1760859	6	BOLT,FLEXPLATE TO FLEXPLATE ADAPT,WORLD	CAT C7, CUMMINS ISC
11	1789494	6	BOLT,FLEXPLT TO FLEXPLT ADAPT,W/T,JOHN	JOHN DEERE 8.1

Models: A3RE, C4RE
AUTOMATIC, COMPONENTS
3000 SERIES, GEN 4
BSN: From CSN F0227190

Key	PartNumber	Qty	Description	Comment
-----	------------	-----	-------------	---------



Models: A3RE, C4RE
AUTOMATIC, COMPONENTS
3000 SERIES, GEN 4
BSN: From CSN F0227190

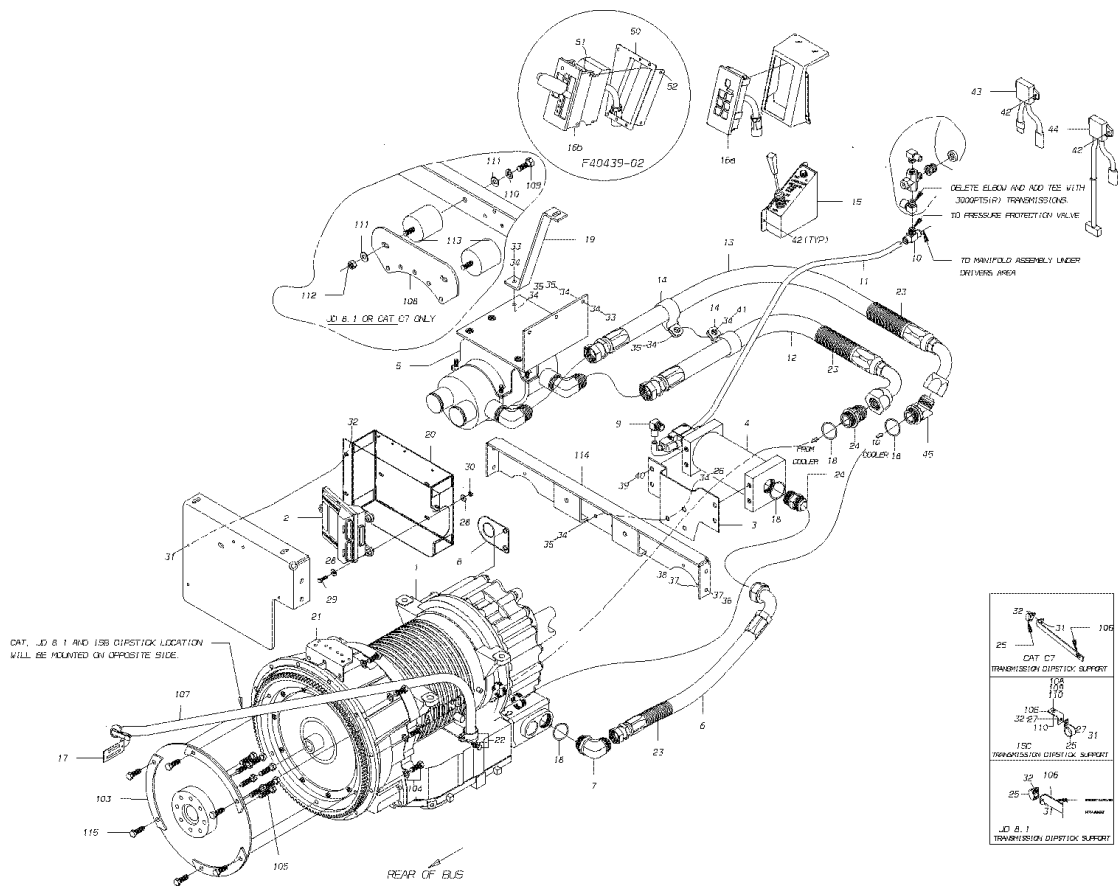
Key	PartNumber	Qty	Description	Comment
1			ENGINE AND TRANSMISSION	SUPPLIED BY VENDOR
2			ENGINE AND TRANSMISSION	SUPPLIED BY VENDOR
3	1839315		BRACKET,MTG,HYD HOSES TO TRANSMISSION	
4	1107085		WASHER,FLAT,13/32 X 13/16 X 3/32,HDN,BLK	
6	0964908		ADAPTER,849-FSO-12X12,37 DEG	
7	1595362		CLAMP,INSULATED 1.00 ID	
8	0085527		HOSE ASSY,TRANS,OIL CLR,#12-STR-90-32"	
9	1868322		COOLER ASSY,TRANS,MD3060/3066,B300/400	
10	0092944		COVER,TRANS,CTRL MODULE,ALLISON,GEN 4,	
11	1480433		NUT,HEX HD,5/16-18,FLG PRVG TORQ,GR F,	
12	0854414		CAPSCREW,HEX HD,5/16-18X7/8,GR8,YEL ZN	
13	0870477		CAPSCREW,HEX HD,1/4-20 X 1,GR 8,YEL ZN	
14	0854414		CAPSCREW,HEX HD,5/16-18X7/8,GR8,YEL ZN	
15	0075461		LABEL,ALLISON,TRANSYND,WITH TIE RAP	WITH FEATURE 40111-02
16	0048094		O-RING,VITON,12 HYD FITTINGS	
17	1339639		NUT,HEX HD,1/4-20,PRVLG TORQUE,FLG,YEL	
18	0087654		SELECTOR,SHIFT,PUSHBUTTON,3000 SRS,GEN	
18	0087656		SELECTOR,SHIFT,LEVER TYPE,3000 SRS,GEN 4	WITH FEATURE 40439-02
19	1078922		WASHER,FLAT,3/8 X 7/8 X 5/64,YEL ZN DICH	
20	1517168		CLAMP,LOOP,.937	
21	0964908		ADAPTER,849-FSO-12X12,37 DEG	
22	1228840		LOOM,CORRUGATED,BLACK,NYLON,1 1/4ID,SS	
23	0803213		CAPSCREW,HEX HD,3/8-16X1 1/4,GR8,YEL	
24	0826297		NUT,HEX HD,3/8-16 LOCK,YEL ZN DICH	
25	1480433		NUT,HEX HD,5/16-18,FLG PRVG TORQ,GR F,	
26	0063055		SEAL,DOOR,.50 BULB X 1.90 FLG MT,UNI-GRIP	
18	0087656		SELECTOR,SHIFT,LEVER TYPE,3000 SRS,GEN 4	USE WITH FEATURE 40439-02
35	0067732		PANEL ASSY,MTG,SHIFT SELECTOR TO	USE WITH FEATURE 40439-02
36	0870477		CAPSCREW,HEX HD,1/4-20 X 1,GR 8,YEL ZN	USE WITH FEATURE 40439-02
37	2001345		NUT,HEX HD,1/4-20,LOCKING,YELLOW	USE WITH FEATURE 40439-02
10	1760834		KIT,ENG ADAPT,CAT 3116,WORLD T/M	CAT C7 W/ 3000PTS. 5 SPEED/6 SPEED OR B300 OR B400 TRANS
10	1760842		KIT,ENG ADAPT,5.9 & 8.3,WORLD T/M	CUMMINS ISC W/ 3000PTS. 5 SPEED/6 SPEED OR B300 OR B400 TRANS

Models: A3RE, C4RE
AUTOMATIC, COMPONENTS
3000 SERIES, GEN 4
BSN: From CSN F0227190

Key	PartNumber	Qty	Description	Comment
10	1829811		ENGINE ADAPTATION KIT,JD 8.1 W/WORLD	
10	1761113		BOLT/WASHER KIT,FWH,CATERPILLAR	CAT C7 W/ 3000PTS. 5 SPEED/6 SPEED OR B300 OR B400 TRANS
10	1760867		BOLT/WASHER KIT,FWH,CUMMINS	CUMMINS ISC W/ 3000PTS. 5 SPEED/6 SPEED OR B300 OR B400 TRANS
10	1789502		BOLT/WASHER KIT,FWH,JOHN DEERE	
10	1596709		BOLT,CRANKSHAFT,MD3060/CAT,ALLISON	CAT C7 W/ 3000PTS. 5 SPEED/6 SPEED OR B300 OR B400 TRANS
10	1596717		BOLT,CRANKSHAFT,MD3060/CUM,ALLISON	CUMMINS ISC W/ 3000PTS. 5 SPEED/6 SPEED OR B300 OR B400 TRANS
10	0803205		CAPSCREW,HEX HD,1/2-13 X 2,GR 8,YEL ZN	
10	0050891		BRACKET,SUPPORT,TRANS DIPSTICK,CAT 3126,	CAT C7
10	1501097		BRACKET,ATCH,BRAKE LINE TO FRAME	CUMMINS ISC
			BRACKET SUPPLIED WITH ENGINE	JOHN DEERE 8.1
10	0065798		TUBE & D/STK ASSY,TRANS,MD/B SRS,CAT/JD,	CAT C7 & JOHN DEERE 8.1)
10	0065797		TUBE & D/STK ASSY,TRANS,MD/B SERIES,ISC,	CUMMINS ISC
10	1030998		NUT,HEX HD,M8-1.25,ZINC	CUMMINS ISC
10	2001188		LOCKWASHER,SPLIT RING, 5/16,MED,YEL ZN	CUMMINS ISC
11	0085524		HOSE ASSY,TRANS,OIL CLR,#12-STR-45-22"	CAT C7, CUMMINS ISC, JOHN DEERE 8.1
11	1167485	2	WASHER,FLAT,11/32 X 11/16 X 5/64,HDN,BLK	CUMMINS ISC
11	1760859	6	BOLT,FLEXPLATE TO FLEXPLATE ADAPT,WORLD	CAT C7, CUMMINS ISC
11	1789494	6	BOLT,FLEXPLT TO FLEXPLT ADAPT,W/T,JOHN	JOHN DEERE 8.1

Models: A3RE
AUTOMATIC, COMPONENTS
3000(R) SERIES
With Features: FEATURE 40432-05,-07; 40423-04

Key	PartNumber	Qty	Description	Comment
-----	------------	-----	-------------	---------



Models: A3RE
AUTOMATIC, COMPONENTS
3000(R) SERIES
With Features: FEATURE 40432-05,-07; 40423-04

Key	PartNumber	Qty	Description	Comment
1		1	ENGINE AND TRANSMISSION	REFER TO "PAGE SET NOTES" FOR THIS PAGE.
2	0081434		MODULE,CTRL,TRAN,3000PTS,2200RPM,5 SPD,	FEATURE 40181-01,-03; 40184-10,-13
2	0081436		MODULE,CTRL,TRAN,3000PTS,2200RPM,6 SPD,	FEATURE 40184-10,-13
2	0081435		MODULE,CTRL,TRAN,3000PTS,2400RPM,5 SPD,	FEATURE 40184-08,-11; 40187-11,-12,-13
2	0081437		MODULE,CTRL,TRAN,3000PTS,2400RPM,6 SPD,	FEATURE 40184-08,-11; 40187-11,-12,-13
2	0082551		MODULE,CTRL,TRAN,3000PTS,2200RPM,5 SPD,	FEATURE 40184-09,-12
2	0082552		MODULE,CTRL,TRAN,3000PTS,2400RPM,5 SPD,	FEATURE 40187-15
2	0083252		MODULE,CTRL,TRAN,3000PTS,2400RPM,6 SPD,	FEATURE 40187-15
3	1839406	1	BRACKET,MTG,ACCUMULATOR,MD3060R /	
4	1818210	1	ACCUMULATOR ASSY,RETARDER,ALLISON	
5	1851427	1	COOLER ASSY,TRANS,RETARDER ISC/6.8, RE	
6	0085533	1	HOSE ASSY,TRANS,OIL CLR,#20-STR-90-18"	
7	1805431	1	ADAPTER,2503-20-20,90 DEG,O-RING	
8	1815992	1	PLATE,MOUNTING,PIGTAIL HARNESS TO TRANS	
9	0009906	1	ELBOW,90 DEG,MALE1869X8-Z,.38MPT X .50T	
10	0027594	1	TEE,MALE,BRANCH,117-63686	
11	1346865	31	TUBING,PLASTIC,1/2 OD,BLACK,SAE J844 TYPE	
12	0085534	1	HOSE ASSY,TRANS,OIL CLR,#20-STR-90-28"	
13	0085535	1	HOSE ASSY,TRANS,OIL CLR,#20-STR-90-42"	
14	1039486	2	CLAMP,LOOP,1.50	
15	1901610	1	RETARDER CTRL,FINAL ASSY,MD/B TRANS	
16	0031122	1	SELECTOR,SHIFT,PUSHBUTTON,3000 SRS,	
17	0075461	1	LABEL,ALLISON,TRANSYND,WITH TIE RAP	
18	0048093	4	O-RING,VITON,20 HYD FITTINGS	
19	1820729	1	BRACE,MOUNTING,CLR BRKT TO S/FRM	
20	1978303	1	COVER,TRANSMISSION ECU,ALLISON, RE	
21	1839315	1	BRACKET,MTG,HYD HOSES TO TRANSMISSION	
22	1595362	1	CLAMP,INSULATED 1.00 ID	
23	1228840	8	LOOM,CORRUGATED,BLACK,NYLON,1 1/4ID,SS	
24	1875186	2	CONNECTOR,STRAIGHT THREAD 20 F50X-S	
25	1517168	1	CLAMP,LOOP,.937	
26	0854422	3	CAPSCREW,HEX HD,3/8-16X1 1/8,G8,YEL ZN	

Models: **A3RE**
AUTOMATIC, COMPONENTS
3000(R) SERIES
With Features: **FEATURE 40432-05,-07; 40423-04**

Key	PartNumber	Qty	Description	Comment
27	1078922	2	WASHER,FLAT,3/8 X 7/8 X 5/64,YEL ZN DICH	
28	1991108	6	WASHER,FLAT,17/64 ID X 3/4,YELLOW ZINC	
29	0870477	3	CAPSCREW,HEX HD,1/4-20 X 1,GR 8,YEL ZN	
30	2001345	3	NUT,HEX HD,1/4-20,LOCKING,YELLOW	
31	1480433	3	NUT,HEX HD,5/16-18,FLG PRVG TORQ,GR F,	
32	0854414	3	CAPSCREW,HEX HD,5/16-18X7/8,GR8,YEL ZN	
33	0803213	4	CAPSCREW,HEX HD,3/8-16X1 1/4,GR8,YEL	
34	1107085	16	WASHER,FLAT,13/32 X 13/16 X 3/32,HDN,BLK	
35	0826297	8	NUT,HEX HD,3/8-16 LOCK,YEL ZN DICH	
36	0803239	4	CAPSCREW,HEX HD,1/2-13 X1 1/2,GR8	
37	1003045	8	WASHER,FLAT,17/32 X 1 1/16 X 7/64,HDN,	
38	0850800	4	NUT,HEX HD,1/2-13,LOCKING,GR 8,CAD WAX	
39	1754498	4	CAPSCREW,HEX HD,1/2-13X3/4,GR 8,ZINC	
40	2001212	4	LOCKWASHER,SPLIT RING, 1/2 ,LHT,YEL ZN	
41	0559195	1	CAPSCREW,HEX HD,3/8-16 X 1,GR 8,YEL ZN	
42	1334689	7	SCREW,10-32 X 3/8,F,PH1,PAN HD,YEL ZN	
43	1829845	1	MODULE,RES,PED,BRK,E-10R/E-15R,BENDIX	
44	1829837	1	MODULE,RESISTANCE,LEVER,MD3060R/B300R	
45	0006225	1	ELBOW,45 DEG,O-RING,W/H TF5365X20	
16	0086738	1	SELECTOR,SHIFT,LEVER TYPE,3000 SRS,	USE WITH FEATURE 40439-02 ONLY
50	0067732	1	PANEL ASSY,MTG,SHIFT SELECTOR TO	USE WITH FEATURE 40439-02 ONLY
51	0870477	4	CAPSCREW,HEX HD,1/4-20 X 1,GR 8,YEL ZN	USE WITH FEATURE 40439-02 ONLY
52	2001345	4	NUT,HEX HD,1/4-20,LOCKING,YELLOW	USE WITH FEATURE 40439-02 ONLY
10	1760834	1	KIT,ENG ADAPT,CAT 3116,WORLD T/M	CAT C7 FEATURE 40187-11,-12,-13, OR -15 WITH 40432-05,-07 OR 40423-04, WITH 3000 PTS- R, 5 SPEED/ 6 SPEED OR B300-R, OR B400-R
10	1761113	1	BOLT/WASHER KIT,FWH,CATERPILLAR	CAT C7 FEATURE 40187-11,-12,-13, OR -15 WITH 40432-05,-07 OR 40423-04, WITH 3000 PTS- R, 5 SPEED/ 6 SPEED OR B300-R, OR B400-R
10	1596709	8	BOLT,CRANKSHAFT,MD3060/CAT,ALLISON	CAT C7 FEATURE 40187-11,-12,-13, OR -15 WITH 40432-05,-07 OR 40423-04, WITH 3000 PTS- R, 5 SPEED/ 6 SPEED OR B300-R,

Models: A3RE
AUTOMATIC, COMPONENTS
3000(R) SERIES
With Features: FEATURE 40432-05,-07; 40423-04

Key	PartNumber	Qty	Description	Comment
				OR B400-R
10	0050891	1	BRACKET,SUPPORT,TRANS DIPSTICK,CAT 3126,	CAT C7 FEATURE 40187-11,-12,-13, OR -15 WITH 40432-05,-07 OR 40423-04, WITH 3000 PTS- R, 5 SPEED/ 6 SPEED OR B300-R, OR B400-R
10	0065798	1	TUBE & D/STK ASSY,TRANS,MD/B SRS,CAT/JD,	CAT C7 FEATURE 40187-11,-12,-13, OR -15 WITH 40432-05,-07 OR 40423-04, WITH 3000 PTS- R, 5 SPEED/ 6 SPEED OR B300-R, OR B400-R
10	1786664	1	PLATE,MTG ISOLATORS TO TRANS,	CAT C7 FEATURE 40187-11,-12,-13, OR -15 WITH 40432-05,-07 OR 40423-04, WITH 3000 PTS- R, 5 SPEED/ 6 SPEED OR B300-R, OR B400-R
10	1784792	2	CAPSCREW,HEX HD 1/2-20 X 1 ZINC	CAT C7 FEATURE 40187-11,-12,-13, OR -15 WITH 40432-05,-07 OR 40423-04, WITH 3000 PTS- R, 5 SPEED/ 6 SPEED OR B300-R, OR B400-R
11	0990655	2	LOCKWASHER,SPLIT RING, 1/2 ,MED,YEL ZN	CAT C7 FEATURE 40187-11,-12,-13, OR -15 WITH 40432-05,-07 OR 40423-04, WITH 3000 PTS- R, 5 SPEED/ 6 SPEED OR B300-R, OR B400-R
11	1003045	4	WASHER,FLAT,17/32 X 1 1/16 X 7/64,HDN,	CAT C7 FEATURE 40187-11,-12,-13, OR -15 WITH 40432-05,-07 OR 40423-04, WITH 3000 PTS- R, 5 SPEED/ 6 SPEED OR B300-R, OR B400-R
11	1436765	2	NUT,HEX HD,1/2-20,LOCKING,GR 8,CADMIUM	CAT C7 FEATURE 40187-11,-12,-13, OR -15 WITH 40432-05,-07 OR 40423-04, WITH 3000 PTS- R, 5 SPEED/ 6 SPEED OR B300-R, OR B400-R
11	1758846	2	ISOLATOR,RUBBER,LORD J-5425-27	CAT C7 FEATURE 40187-11,-12,-13, OR -15 WITH 40432-05,-07 OR 40423-04, WITH 3000 PTS- R, 5 SPEED/ 6 SPEED OR B300-R, OR B400-R
11	1987163	1	CROSSMEMBER ASSY,MTG	CAT C7 FEATURE 40187-11,-12,-13, OR -15 WITH 40432-05,-07 OR 40423-04, WITH 3000 PTS- R, 5 SPEED/ 6 SPEED OR B300-R, OR B400-R
11	1760859	6	BOLT,FLEXPLATE TO FLEXPLATE ADAPT,WORLD	CAT C7 FEATURE 40187-11,-12,-13, OR -15 WITH 40432-05,-07 OR 40423-04, WITH 3000 PTS- R, 5 SPEED/ 6 SPEED OR B300-R, OR B400-R

Models: A3RE
AUTOMATIC, COMPONENTS
3000(R) SERIES
With Features: FEATURE 40432-05,-07; 40423-04

Key	PartNumber	Qty	Description	Comment
10	1760842	1	KIT,ENG ADAPT,5.9 & 8.3,WORLD T/M	FEATURE 40184-03,-05,-08,-09, OR -10 WITH 40432-05,-07 OR 40423-04 40424-04 ISC, WITH 3000 PTS- R 5 SPEED/ 6 SPEED, B300R OR B400R
10	1760867	1	BOLT/WASHER KIT,FWH,CUMMINS	FEATURE 40184-03,-05,-08,-09, OR -10 WITH 40432-05,-07 OR 40423-04 40424-04 ISC, WITH 3000 PTS- R 5 SPEED/ 6 SPEED, B300R OR B400R
10	1596717	8	BOLT,CRANKSHAFT,MD3060/CUM,ALLISON	FEATURE 40184-03,-05,-08,-09, OR -10 WITH 40432-05,-07 OR 40423-04 40424-04 ISC, WITH 3000 PTS- R 5 SPEED/ 6 SPEED, B300R OR B400R
10	1501097	1	BRACKET,ATCH,BRAKE LINE TO FRAME	FEATURE 40184-03,-05,-08,-09, OR -10 WITH 40432-05,-07 OR 40423-04 40424-04 ISC, WITH 3000 PTS- R 5 SPEED/ 6 SPEED, B300R OR B400R
10	0065797	1	TUBE & D/STK ASSY,TRANS,MD/B SERIES,ISC,	FEATURE 40184-03,-05,-08,-09, OR -10 WITH 40432-05,-07 OR 40423-04 40424-04 ISC, WITH 3000 PTS- R 5 SPEED/ 6 SPEED, B300R OR B400R
10	1030998	1	NUT,HEX HD,M8-1.25,ZINC	FEATURE 40184-03,-05,-08,-09, OR -10 WITH 40432-05,-07 OR 40423-04 40424-04 ISC, WITH 3000 PTS- R 5 SPEED/ 6 SPEED, B300R OR B400R
10	2001188	1	LOCKWASHER,SPLIT RING, 5/16,MED,YEL ZN	FEATURE 40184-03,-05,-08,-09, OR -10 WITH 40432-05,-07 OR 40423-04 40424-04 ISC, WITH 3000 PTS- R 5 SPEED/ 6 SPEED, B300R OR B400R
11	1167485	2	WASHER,FLAT,11/32 X 11/16 X 5/64,HDN,BLK	FEATURE 40184-03,-05,-08,-09, OR -10 WITH 40432-05,-07 OR 40423-04 40424-04 ISC, WITH 3000 PTS- R 5 SPEED/ 6 SPEED, B300R OR B400R
11	1987163	1	CROSSMEMBER ASSY,MTG	FEATURE 40184-03,-05,-08,-09, OR -10 WITH 40432-05,-07 OR 40423-04 40424-04 ISC, WITH 3000 PTS- R 5 SPEED/ 6 SPEED, B300R OR B400R
11	1760859	6	BOLT,FLEXPLATE TO FLEXPLATE ADAPT,WORLD	FEATURE 40184-03,-05,-08,-09, OR -10 WITH 40432-05,-07 OR 40423-04 40424-04 ISC, WITH 3000 PTS- R 5 SPEED/ 6 SPEED, B300R OR B400R

Models: A3RE
AUTOMATIC, COMPONENTS
3000(R) SERIES
With Features: FEATURE 40432-05,-07; 40423-04

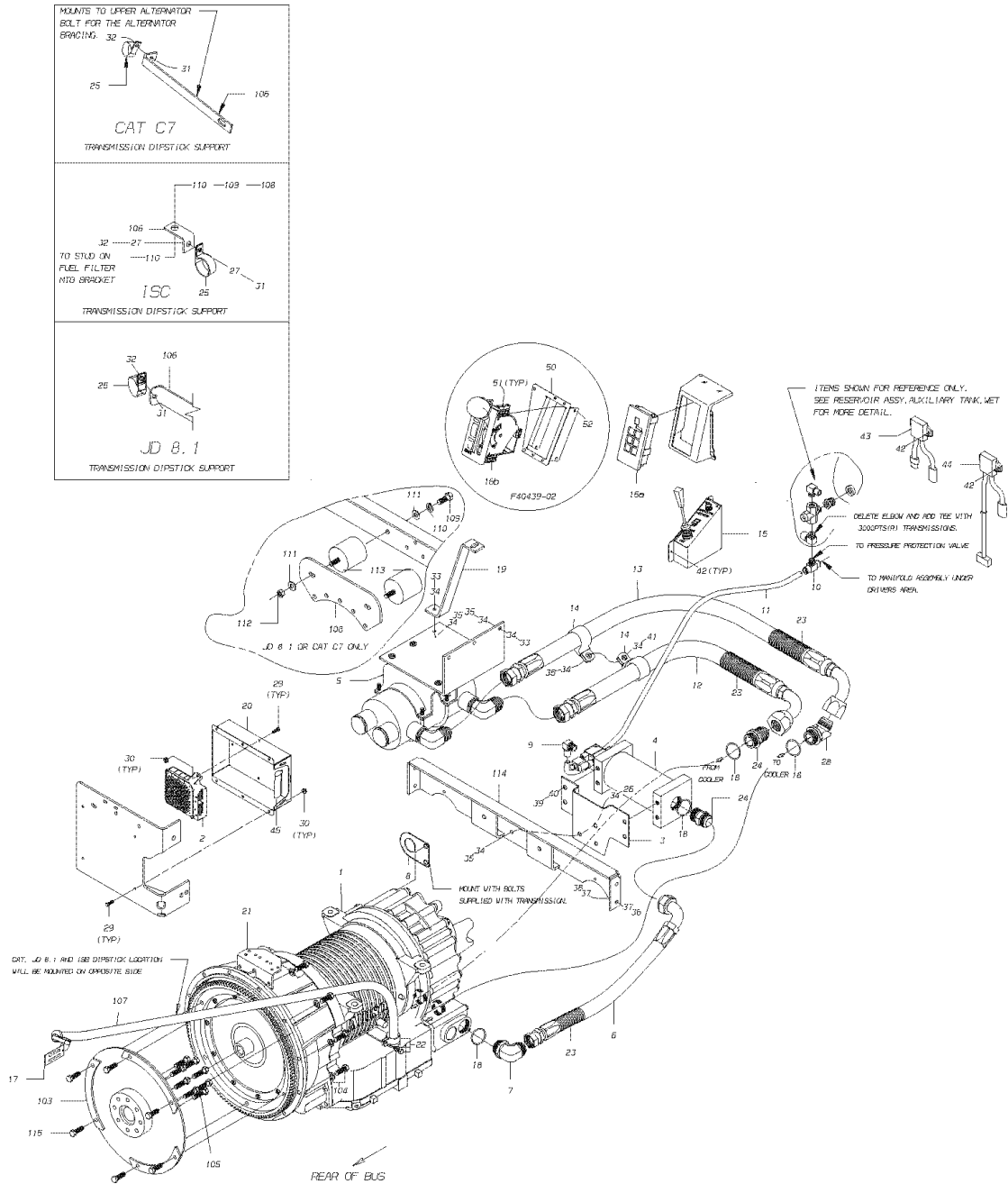
Key	PartNumber	Qty	Description	Comment
10	1829811	1	ENGINE ADAPTATION KIT,JD 8.1 W/WORLD	FEATURE40181-03 WITH 40432-05 OR 40423-04, JOHN DEERE 8.1L WITH 3000 PTS- R OR B300-R
10	1789502	1	BOLT/WASHER KIT,FWH,JOHN DEERE	FEATURE40181-03 WITH 40432-05 OR 40423-04, JOHN DEERE 8.1L WITH 3000 PTS- R OR B300-R
10	0803205	6	CAPSCREW,HEX HD,1/2-13 X 2,GR 8,YEL ZN	FEATURE40181-03 WITH 40432-05 OR 40423-04, JOHN DEERE 8.1L WITH 3000 PTS- R OR B300-R
10		-	BRACKET SUPPLIED WITH ENGINE	PART NOT USED
10	0065798	1	TUBE & D/STK ASSY,TRANS,MD/B SRS,CAT/JD,	FEATURE40181-03 WITH 40432-05 OR 40423-04, JOHN DEERE 8.1L WITH 3000 PTS- R OR B300-R
10	1786664	1	PLATE,MTG ISOLATORS TO TRANS,	FEATURE40181-03 WITH 40432-05 OR 40423-04, JOHN DEERE 8.1L WITH 3000 PTS- R OR B300-R
10	1784792	2	CAPSCREW,HEX HD 1/2-20 X 1 ZINC	FEATURE40181-03 WITH 40432-05 OR 40423-04, JOHN DEERE 8.1L WITH 3000 PTS- R OR B300-R
11	0990655	2	LOCKWASHER,SPLIT RING, 1/2 ,MED,YEL ZN	FEATURE40181-03 WITH 40432-05 OR 40423-04, JOHN DEERE 8.1L WITH 3000 PTS- R OR B300-R
11	1003045	4	WASHER,FLAT,17/32 X 1 1/16 X 7/64,HDN,	FEATURE40181-03 WITH 40432-05 OR 40423-04, JOHN DEERE 8.1L WITH 3000 PTS- R OR B300-R
11	1436765	2	NUT,HEX HD,1/2-20,LOCKING,GR 8,CADMIUM	FEATURE40181-03 WITH 40432-05 OR 40423-04, JOHN DEERE 8.1L WITH 3000 PTS- R OR B300-R
11	1758846	2	ISOLATOR,RUBBER,LORD J-5425-27	FEATURE40181-03 WITH 40432-05 OR 40423-04, JOHN DEERE 8.1L WITH 3000 PTS- R OR B300-R
11	1987163	1	CROSSMEMBER ASSY,MTG	FEATURE40181-03 WITH 40432-05 OR 40423-04, JOHN DEERE 8.1L WITH 3000 PTS- R OR B300-R
11	1789494	6	BOLT,FLEXPLT TO FLEXPLT ADAPT,W/T,JOHN	FEATURE40181-03 WITH 40432-05 OR 40423-04, JOHN DEERE 8.1L WITH 3000 PTS- R OR B300-R
NI	1852888	1	PLUG,RETARDER BYPASS JD 8.1	FEATURE40181-03 WITH 40432-05 OR 40423-04, JOHN DEERE

Models: A3RE
AUTOMATIC, COMPONENTS
3000(R) SERIES
With Features: FEATURE 40432-05,-07; 40423-04

Key	PartNumber	Qty	Description	Comment
				8.1L WITH 3000 PTS- R OR B300-R

Models: A3RE, C4RE
AUTOMATIC, COMPONENTS
3000(R) SERIES, GEN 4
With Features: FEATURE 40432-10,-11,-12,-13; 40423-05,-06

Key	PartNumber	Qty	Description	Comment
-----	------------	-----	-------------	---------



Models: A3RE, C4RE
AUTOMATIC, COMPONENTS
3000(R) SERIES, GEN 4
With Features: FEATURE 40432-10,-11,-12,-13; 40423-05,-06

Key	PartNumber	Qty	Description	Comment
1			ENGINE AND TRANSMISSION SUPPLIED BY	REFER TO "PAGE SET NOTES" FOR THIS PAGE.
2	0092638		MODULE,TCM,3000PTS,GEN4,2400RPM,5SP,	FEATURE 40184-11, 40187-11, -12,-13,-16 WITH 40432-10,-11
2	0092642		MODULE,TCM,3000PTS,GEN4,2400RPM,5SP,HI,	FEATURE 40187-15 WITH 40432 -10,-11
2	0092640		MODULE,TCM,3000PTS,GEN4,2400RPM,6SP,	FEATURE 40184-11, 40187-11, -12,-13 WITH 40432-12,-13
2	0092643		MODULE,TCM,3000PTS,GEN4,2400RPM,6SP,HI,	FEATURE 40187-15 WITH 40432 -12,-13
2	0092641		MODULE,TCM,3000PTS,GEN4,2200RPM,5SP,HI,	FEATURE 40184-12 WITH 40432 -10,-11
2	0092637		MODULE,TCM,3000PTS,GEN4,2200RPM,5SP,	FEATURE 40181-03, 40184-13 WITH 40432-10,-11
2	0092639		MODULE,TCM,3000PTS,GEN4,2200RPM,6SP,	FEATURE 40184-13 WITH 40432 -12,-13
2	0096479		MODULE,TCM,3000PTS,GEN4,2200RPM,6SP,HI,	FEATURE 40184-12 WITH 40432 -12
2	0092645		MODULE,TCM,B300,GEN4,2400RPM,5SP,STD,	FEATURE 40184-11, 40187-11, -12 WITH 40423-05,-06
2	0092647		MODULE,TCM,B400,GEN4,2400RPM,5SP,STD,	FEATURE 40187-13 WITH 40424 -05,-06
2	0092646		MODULE,TCM,B400,GEN4,2200RPM,5SP,STD,	FEATURE 40184-13 WITH 40423 -06, 40424-05
2	0096617		MODULE,TCM,B300,GEN4,2500RPM,5SP,STD,	FEATURE 40179-07 WITH 40423 -05
2	0092644		MODULE,TCM,B300,GEN4,2200RPM,5SP,STD,	FEATURE 40181-01 WITH 40423 -05,-06
3	1839406		BRACKET,MTG,ACCUMULATOR,MD3060R /	
4	0094011		ACCUMULATOR ASSY,RETARDER,ALLISON GEN	
5	1851427		COOLER ASSY,TRANS,RETARDER ISC/6.8, RE	
6	0085533		HOSE ASSY,TRANS,OIL CLR,#20-STR-90-18"	
7	1805431		ADAPTER,2503-20-20,90 DEG,O-RING	
8	1815992		PLATE,MOUNTING,PIGTAIL HARNESS TO TRANS	ENDING WITH CSN
9	0009906		ELBOW,90 DEG,MALE1869X8-Z,.38MPT X .50T	
10	0027594		TEE,MALE,BRANCH,117-63686	
11	1346865		TUBING,PLASTIC,1/2 OD,BLACK,SAE J844 TYPE	
12	0085534		HOSE ASSY,TRANS,OIL CLR,#20-STR-90-28"	
13	0085535		HOSE ASSY,TRANS,OIL CLR,#20-STR-90-42"	
14	1039486		CLAMP,LOOP,1.50	
15	1901610		RETARDER CTRL,FINAL ASSY,MD/B TRANS	
16	0087654		SELECTOR,SHIFT,PUSHBUTTON,3000 SRS,GEN	

Models: A3RE, C4RE
AUTOMATIC, COMPONENTS
3000(R) SERIES, GEN 4
With Features: FEATURE 40432-10,-11,-12,-13; 40423-05,-06

Key	PartNumber	Qty	Description	Comment
16	0087656		SELECTOR,SHIFT,LEVER TYPE,3000 SRS,GEN 4	FEATURE 40439-02
17	0075461		LABEL,ALLISON,TRANSYND,WITH TIE RAP	WITH FEATURE 40111-02
18	0048093		O-RING,VITON,20 HYD FITTINGS	
19	1820729		BRACE,MOUNTING,CLR BRKT TO S/FRM	
20	0092944		COVER,TRANS,CTRL MODULE,ALLISON,GEN 4,	
21	1839315		BRACKET,MTG,HYD HOSES TO TRANSMISSION	
22	1595362		CLAMP,INSULATED 1.00 ID	
23	1228840		LOOM,CORRUGATED,BLACK,NYLON,1 1/4ID,SS	
24	1875186		CONNECTOR,STRAIGHT THREAD 20 F50X-S	
25	1517168		CLAMP,LOOP,.937	
26	0854422		CAPSCREW,HEX HD,3/8-16X1 1/8,G8,YEL ZN	
27	1078922		WASHER,FLAT,3/8 X 7/8 X 5/64,YEL ZN DICH	
28	0006225		ELBOW,45 DEG,O-RING,W/H TF5365X20	
29	0870477		CAPSCREW,HEX HD,1/4-20 X 1,GR 8,YEL ZN	
30	1339639		NUT,HEX HD,1/4-20,PRVLG TORQUE,FLG,YEL	
31	1480433		NUT,HEX HD,5/16-18,FLG PRVG TORQ,GR F,	
32	0854414		CAPSCREW,HEX HD,5/16-18X7/8,GR8,YEL ZN	
33	0803213		CAPSCREW,HEX HD,3/8-16X1 1/4,GR8,YEL	
34	1107085		WASHER,FLAT,13/32 X 13/16 X 3/32,HDN,BLK	
35	0826297		NUT,HEX HD,3/8-16 LOCK,YEL ZN DICH	
36	0803239		CAPSCREW,HEX HD,1/2-13 X1 1/2,GR8	
37	1003045		WASHER,FLAT,17/32 X 1 1/16 X 7/64,HDN,	
38	0850800		NUT,HEX HD,1/2-13,LOCKING,GR 8,CAD WAX	
39	1754498		CAPSCREW,HEX HD,1/2-13X3/4,GR 8,ZINC	
40	2001212		LOCKWASHER,SPLIT RING, 1/2 ,LHT,YEL ZN	
41	0559195		CAPSCREW,HEX HD,3/8-16 X 1,GR 8,YEL ZN	
42	1334689		SCREW,10-32 X 3/8,F,PH1,PAN HD,YEL ZN	
43	1829845		MODULE,RES,PED,BRK,E-10R/E-15R,BENDIX	
44	1829837		MODULE,RESISTANCE,LEVER,MD3060R/B300R	
45	0063055		SEAL,DOOR,.50 BULB X 1.90 FLG MT,UNI-GRIP	
16	0087656		SELECTOR,SHIFT,LEVER TYPE,3000 SRS,GEN 4	FEATURE 40439-02
50	0067732		PANEL ASSY,MTG,SHIFT SELECTOR TO	FEATURE 40439-02
51	0870477		CAPSCREW,HEX HD,1/4-20 X 1,GR 8,YEL ZN	FEATURE 40439-02
				FEATURE 40439-02

Models: A3RE, C4RE
AUTOMATIC, COMPONENTS
3000(R) SERIES, GEN 4
With Features: FEATURE 40432-10,-11,-12,-13; 40423-05,-06

Key	PartNumber	Qty	Description	Comment
52	2001345		NUT,HEX HD,1/4-20,LOCKING,YELLOW	
10	1760834		KIT,ENG ADAPT,CAT 3116,WORLD T/M	FEATURE 40187-11,-12,-13 or -15 WITH 40432-11,-13 or 40423-06 or 40424-06 [CAT C7 ENGINE WITH 3000 PT- R, 5 SPEED/ 6 SPEED or B300R or B400R
10	1761113		BOLT/WASHER KIT,FWH,CATERPILLAR	FEATURE 40187-11,-12,-13 or -15 WITH 40432-11,-13 or 40423-06 or 40424-06 [CAT C7 ENGINE WITH 3000 PT- R, 5 SPEED/ 6 SPEED or B300R or B400R
10	1596709		BOLT,CRANKSHAFT,MD3060/CAT,ALLISON	FEATURE 40187-11,-12,-13 or -15 WITH 40432-11,-13 or 40423-06 or 40424-06 [CAT C7 ENGINE WITH 3000 PT- R, 5 SPEED/ 6 SPEED or B300R or B400R
10	0050891		BRACKET,SUPPORT,TRANS DIPSTICK,CAT 3126,	FEATURE 40187-11,-12,-13 or -15 WITH 40432-11,-13 or 40423-06 or 40424-06 [CAT C7 ENGINE WITH 3000 PT- R, 5 SPEED/ 6 SPEED or B300R or B400R
10	0065798		TUBE & D/STK ASSY,TRANS,MD/B SRS,CAT/JD,	FEATURE 40187-11,-12,-13 or -15 WITH 40432-11,-13 or 40423-06 or 40424-06 [CAT C7 ENGINE WITH 3000 PT- R, 5 SPEED/ 6 SPEED or B300R or B400R
10	1786664		PLATE,MTG ISOLATORS TO TRANS,	FEATURE 40187-11,-12,-13 or -15 WITH 40432-11,-13 or 40423-06 or 40424-06 [CAT C7 ENGINE WITH 3000 PT- R, 5 SPEED/ 6 SPEED or B300R or B400R
10	1784792		CAPSCREW,HEX HD 1/2-20 X 1 ZINC	FEATURE 40187-11,-12,-13 or -15 WITH 40432-11,-13 or 40423-06 or 40424-06 [CAT C7 ENGINE WITH 3000 PT- R, 5 SPEED/ 6 SPEED or B300R or B400R
11	0990655		LOCKWASHER,SPLIT RING, 1/2 ,MED,YEL ZN	FEATURE 40187-11,-12,-13 or -15 WITH 40432-11,-13 or 40423-06 or 40424-06 [CAT C7 ENGINE WITH 3000 PT- R, 5 SPEED/ 6 SPEED or B300R or B400R
11	1003045		WASHER,FLAT,17/32 X 1 1/16 X 7/64,HDN,	FEATURE 40187-11,-12,-13 or -15 WITH 40432-11,-13 or 40423-06 or 40424-06 [CAT C7 ENGINE WITH 3000 PT- R, 5 SPEED/ 6 SPEED or B300R or B400R
11	1436765		NUT,HEX HD,1/2-20,LOCKING,GR 8,CADMIUM	FEATURE 40187-11,-12,-13 or -15 WITH 40432-11,-13 or 40423-06 or 40424-06 [CAT C7 ENGINE WITH 3000 PT- R, 5 SPEED/ 6 SPEED or B300R or B400R

Models: A3RE, C4RE
AUTOMATIC, COMPONENTS
3000(R) SERIES, GEN 4
With Features: FEATURE 40432-10,-11,-12,-13; 40423-05,-06

Key	PartNumber	Qty	Description	Comment
11	1758846		ISOLATOR,RUBBER,LORD J-5425-27	FEATURE 40187-11,-12,-13 or -15 WITH 40432-11,-13 or 40423-06 or 40424-06 [CAT C7 ENGINE WITH 3000 PT- R, 5 SPEED/ 6 SPEED or B300R or B400R
11	1987163		CROSSMEMBER ASSY,MTG	FEATURE 40187-11,-12,-13 or -15 WITH 40432-11,-13 or 40423-06 or 40424-06 [CAT C7 ENGINE WITH 3000 PT- R, 5 SPEED/ 6 SPEED or B300R or B400R
11	1760859		BOLT,FLEXPLATE TO FLEXPLATE ADAPT,WORLD	FEATURE 40187-11,-12,-13 or -15 WITH 40432-11,-13 or 40423-06 or 40424-06 [CAT C7 ENGINE WITH 3000 PT- R, 5 SPEED/ 6 SPEED or B300R or B400R
NI	1422195		SEALANT,LOCTITE,THREADLOCKER 242, BLUE	FEATURE 40187-11,-12,-13 or -15 WITH 40432-11,-13 or 40423-06 or 40424-06 [CAT C7 ENGINE WITH 3000 PT- R, 5 SPEED/ 6 SPEED or B300R or B400R
10	1760842		KIT,ENG ADAPT,5.9 & 8.3,WORLD T/M	FEATURE 40184-03,-05,-08,-09 or -10 WITH 40432-11,-13 or 40423-06 or 40424-06 [CUMMINS ISC ENG WITH 3000 PTS- R, 5 SPEED/ 6 SPEED or B300- R or B400- R
10	1760867		BOLT/WASHER KIT,FWH,CUMMINS	FEATURE 40184-03,-05,-08,-09 or -10 WITH 40432-11,-13 or 40423-06 or 40424-06 [CUMMINS ISC ENG WITH 3000 PTS- R, 5 SPEED/ 6 SPEED or B300- R or B400- R
10	1596717		BOLT,CRANKSHAFT,MD3060/CUM,ALLISON	FEATURE 40184-03,-05,-08,-09 or -10 WITH 40432-11,-13 or 40423-06 or 40424-06 [CUMMINS ISC ENG WITH 3000 PTS- R, 5 SPEED/ 6 SPEED or B300- R or B400- R
10	1501097		BRACKET,ATCH,BRAKE LINE TO FRAME	FEATURE 40184-03,-05,-08,-09 or -10 WITH 40432-11,-13 or 40423-06 or 40424-06 [CUMMINS ISC ENG WITH 3000 PTS- R, 5 SPEED/ 6 SPEED or B300- R or B400- R
10	0065797		TUBE & D/STK ASSY,TRANS,MD/B SERIES,ISC,	FEATURE 40184-03,-05,-08,-09 or -10 WITH 40432-11,-13 or 40423-06 or 40424-06 [CUMMINS ISC ENG WITH 3000 PTS- R, 5 SPEED/ 6 SPEED or B300- R or B400- R
10	1030998		NUT,HEX HD,M8-1.25,ZINC	FEATURE 40184-03,-05,-08,-09 or -10 WITH 40432-11,-13 or 40423-06 or 40424-06 [CUMMINS ISC ENG WITH 3000 PTS- R, 5 SPEED/ 6 SPEED or B300- R or B400- R

Models: A3RE, C4RE
AUTOMATIC, COMPONENTS
3000(R) SERIES, GEN 4
With Features: FEATURE 40432-10,-11,-12,-13; 40423-05,-06

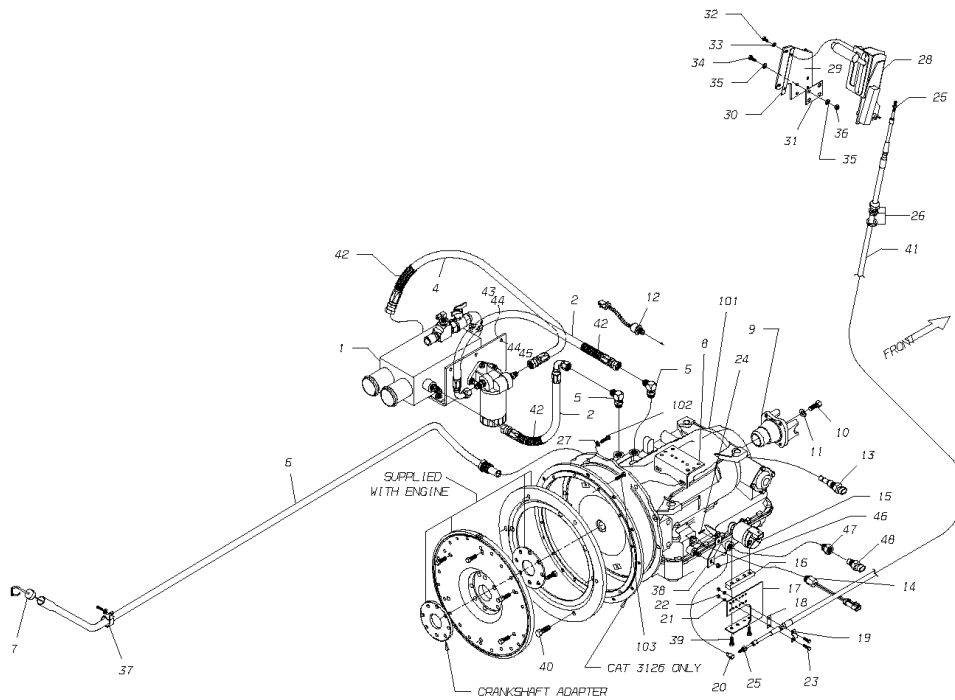
Key	PartNumber	Qty	Description	Comment
10	2001188		LOCKWASHER,SPLIT RING, 5/16,MED,YEL ZN	FEATURE 40184-03,-05,-08,-09 or -10 WITH 40432-11,-13 or 40423-06 or 40424-06 [CUMMINS ISC ENG WITH 3000 PTS- R, 5 SPEED/ 6 SPEED or B300- R or B400- R
11	1167485		WASHER,FLAT,11/32 X 11/16 X 5/64,HDN,BLK	FEATURE 40184-03,-05,-08,-09 or -10 WITH 40432-11,-13 or 40423-06 or 40424-06 [CUMMINS ISC ENG WITH 3000 PTS- R, 5 SPEED/ 6 SPEED or B300- R or B400- R
11	1987163		CROSSMEMBER ASSY,MTG	FEATURE 40184-03,-05,-08,-09 or -10 WITH 40432-11,-13 or 40423-06 or 40424-06 [CUMMINS ISC ENG WITH 3000 PTS- R, 5 SPEED/ 6 SPEED or B300- R or B400- R
11	1760859		BOLT,FLEXPLATE TO FLEXPLATE ADAPT,WORLD	FEATURE 40184-03,-05,-08,-09 or -10 WITH 40432-11,-13 or 40423-06 or 40424-06 [CUMMINS ISC ENG WITH 3000 PTS- R, 5 SPEED/ 6 SPEED or B300- R or B400- R
10	1829811		ENGINE ADAPTATION KIT,JD 8.1 W/WORLD	FEATURE 40181-03 WITH 40432 -11 or 40423-06 WITH JOHN DEERE 8.1L 3000 PT-R or B300R
10	1789502		BOLT/WASHER KIT,FWH,JOHN DEERE	FEATURE 40181-03 WITH 40432 -11 or 40423-06 WITH JOHN DEERE 8.1L 3000 PT-R or B300R
10	0803205		CAPSCREW,HEX HD,1/2-13 X 2,GR 8,YEL ZN	FEATURE 40181-03 WITH 40432 -11 or 40423-06 WITH JOHN DEERE 8.1L 3000 PT-R or B300R
10			BRACKET SUPPLIED WITH ENGINE	FEATURE 40181-03 WITH 40432 -11 or 40423-06 WITH JOHN DEERE 8.1L 3000 PT-R or B300R
10	0065798		TUBE & D/STK ASSY,TRANS,MD/B SRS,CAT/JD,	FEATURE 40181-03 WITH 40432 -11 or 40423-06 WITH JOHN DEERE 8.1L 3000 PT-R or B300R
10	1786664		PLATE,MTG ISOLATORS TO TRANS,	FEATURE 40181-03 WITH 40432 -11 or 40423-06 WITH JOHN DEERE 8.1L 3000 PT-R or B300R
10	1784792		CAPSCREW,HEX HD 1/2-20 X 1 ZINC	FEATURE 40181-03 WITH 40432 -11 or 40423-06 WITH JOHN DEERE 8.1L 3000 PT-R or B300R
11	0990655		LOCKWASHER,SPLIT RING, 1/2 ,MED,YEL ZN	FEATURE 40181-03 WITH 40432 -11 or 40423-06 WITH JOHN DEERE 8.1L 3000 PT-R or B300R
11	1003045		WASHER,FLAT,17/32 X 1 1/16 X 7/64,HDN,	FEATURE 40181-03 WITH 40432 -11 or 40423-06 WITH JOHN DEERE 8.1L 3000 PT-R or B300R
11	1436765		NUT,HEX HD,1/2-20,LOCKING,GR 8,CADMIUM	FEATURE 40181-03 WITH 40432 -11 or 40423-06 WITH JOHN

Models: A3RE, C4RE
AUTOMATIC, COMPONENTS
3000(R) SERIES, GEN 4
With Features: FEATURE 40432-10,-11,-12,-13; 40423-05,-06

Key	PartNumber	Qty	Description	Comment
11	1758846		ISOLATOR,RUBBER,LORD J-5425-27	DEERE 8.1L 3000 PT-R or B300R FEATURE 40181-03 WITH 40432 -11 or 40423-06 WITH JOHN DEERE 8.1L 3000 PT-R or B300R
11	1987163		CROSSMEMBER ASSY,MTG	DEERE 8.1L 3000 PT-R or B300R FEATURE 40181-03 WITH 40432 -11 or 40423-06 WITH JOHN DEERE 8.1L 3000 PT-R or B300R
11	1789494		BOLT,FLEXPLT TO FLEXPLT ADAPT,W/T,JOHN	DEERE 8.1L 3000 PT-R or B300R FEATURE 40181-03 WITH 40432 -11 or 40423-06 WITH JOHN DEERE 8.1L 3000 PT-R or B300R
NI	1852888		PLUG,RETARDER BYPASS JD 8.1	DEERE 8.1L 3000 PT-R or B300R FEATURE 40181-03 WITH 40432 -11 or 40423-06 WITH JOHN DEERE 8.1L 3000 PT-R or B300R

Models: A3RE
AUTOMATIC, COMPONENTS
 AT545
 1480
With Features: FEATURE 40421-01, 02
BSN: From CSN 11/02/98

Key	PartNumber	Qty	Description	Comment
-----	------------	-----	-------------	---------



Models: A3RE
AUTOMATIC, COMPONENTS
AT545
1480
With Features: FEATURE 40421-01, 02
BSN: From CSN 11/02/98

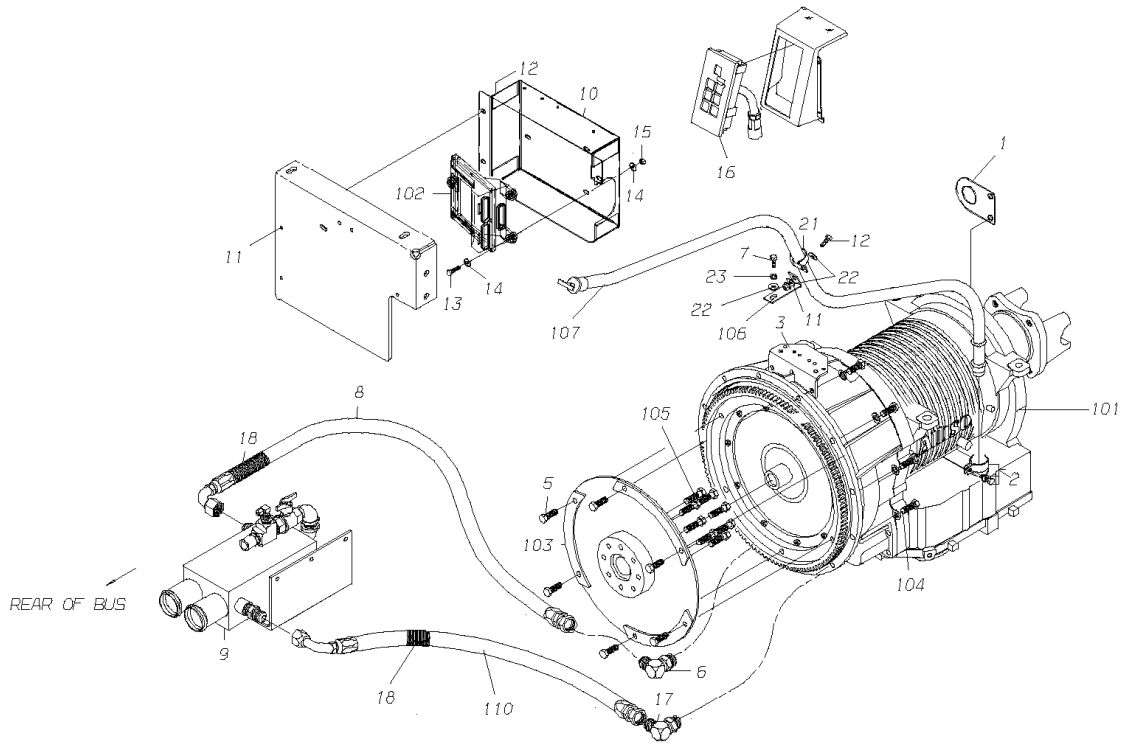
Key	PartNumber	Qty	Description	Comment
1	0000760	1	COOLER ASSY,TRANS,AT545,W/SFRM, HDRE	
NI	1408996	1	COOLER,TRANS OIL,RADIATOR	COOLER ONLY,
NI	1626431	1	VALVE,BALL,3/4,W/BUTTERFLY HANDLE	
2	1795384	2	HOSE ASSY,5.9 W/AT-545,2110639-8-8-8-18	
3	1795392	1	HOSE ASSY,5.9 W/AT-545,2110639-8-8-8-14	
4	1616135	1	HOSE ASSY,2110606-8-8-33.00	
5	1166107	2	ELBOW,90 DEG,SAE,37 DEG FLARE,849-FS0	
6	1529262	1	TUBE ASSY,FILL,TRANS,CUMN 5.9,AT545	
7	0036965	1	DIPSTICK,TRANSMISSION,AT545,55.65 IN. LG,	
8	1518612	1	BRACKET,MTG,HYD HOSES TO TRANSMISSION	
9	1319649	1	YOKE,TRANS 1480 W/PARKING BRAKE,	
10	1854140	1	BOLT,H/LK,1/2-20 UNFX1 1/2,ALLISON	
11	1003045	1	WASHER,FLAT,17/32 X 1 1/16 X 7/64,HDN,	
12	1659218	1	SWITCH,BACK-UP LIGHTS	
13	1793207	1	SENSOR,SPEEDOMETER,ELEC,ALLISON TRANS	
14	1656461	1	SWITCH,START,NEUTRAL	
15	1948017	1	MODULATOR,ELECTRONIC SHIFT,12V AT&MT	
16	1616150	1	SPACER,BRACKET,MTG,TRANS,CNTRL	
17	1616143	1	BRACKET,MOUNTING,TRANS CBL TO TRANS	
18	0620120	1	SHIM,CABLE CLAMP	
19	0620138	1	CLAMP,CABLE,MORSE CONTROL,1/2	
20	0885343	1	TRUNION,TRANS CONTROL CABLE,MT643	
21	2001162	2	LOCKWASHER,SPLIT RING, 3/16,MED,YEL ZN	
22	2001287	2	NUT,HEX HD,10-32,YEL ZN DICH	
23	2000776	2	SCREW,MACH, 10-32 X 3/4,PH1,RD HD,	
24	2008860	1	PIN,COTTER,3/32 X 1,YEL ZN DICH	
25	2001402	2	NUT,HEX HD,1/4-28,YEL ZN DICH	
26	1217439	1	CONNECTOR,TUBING,WATERPROOF,HEYCO	
27	1394675	12	LOCKWASHER,SPLIT RING,10 MM,MED,OLV DRB	
28	1644996	1	SELECTOR,SHIFT,TRANSMISSION,TCFC/RE	
29	1542869	1	BRACKET,MTG,SHIFTER	
30	1582717	AR	SPACER,ADJUSTMENT,SELECTOR,TC/QB	
31	1582709	AR	SPACER,ADJUSTMENT,SELECTOR MTG,BRKT,	

Models: A3RE
AUTOMATIC, COMPONENTS
AT545
1480
With Features: FEATURE 40421-01, 02
BSN: From CSN 11/02/98

Key	PartNumber	Qty	Description	Comment
32	0807958	2	CAPSCREW,HEX HD,1/4-20X 1/2,GR8,YEL ZN	
33	2001170	2	LOCKWASHER,SPLIT RING, 1/4 ,MED,YEL ZN	
34	1032283	4	CAPSCREW,HEX HD,5/16-18,X,3/4,GR5,	
35	2001048	8	WASHER,FLAT,11/32 X 11/16 X 1/16,YEL	
36	1142603	4	NUT,HEX HD,5/16-18,GR 8,YELLOW	
37	0557710	1	CLAMP,LOOP,.812	
38	1316967	1	LEVER,SELECTOR,TRANS,3 DEG,HT TREATED,	
39	1542430	2	CAPSCREW,HEX FLG,5/16-18X1.25,GRD5,	
40	1854173	6	BOLT,HEX HD,M10 X 15,ALLISON 23049056	
41	1355551	1	CABLE,TRANSMISSION SHIFT,446 IN. LONG	273 WB
41	1502327	1	CABLE,TRANSMISSION SHIFT,418 IN. LONG	245 WB
41	1502319	1	CABLE,TRANSMISSION SHIFT,390 IN. LONG	217 WB
41	1564269	1	CABLE,TRANSMISSION SHIFT,362 IN. LONG	189 WB
42	1109271		LOOM,CORRUGATED,BLACK,NYLON,3/4 ID,SS	
43	0803213	3	CAPSCREW,HEX HD,3/8-16X1 1/4,GR8,YEL	
44	1107085	6	WASHER,FLAT,13/32 X 13/16 X 3/32,HDN,BLK	
45	0826297	3	NUT,HEX HD,3/8-16 LOCK,YEL ZN DICH	
46	1854157	1	NUT,HEX HD,M10-1.50,ALLISON 29520052	
NI	1486547	5	FLUID,TRANS,DEXRON III	
47	1659192	1	BUSHING,TRANS TEMP SENDER,TCFC/RE	
48	1656446	1	SENDER,TRANSMISSION OIL TEMPERATURE	
10		1	TRANSMISSION	SUPPLIED BY VENDOR
10				
10	0997734	12	CAPSCREW,HX HD,M10-1.5X35,CL10.9,	FEATURE 40421-01 WITH 40177-01, 02
10	1863422	12	SCREW,MACH,FT/HD,10MM,ALLISON 11514283	FEATURE 40421-01 WITH 40187-01
10	1863430	10	CAPSCREW,M10-1.5X15MM,LOCTITE 23049056	40421-01 WITH 40187-01 ONLY
	0005454			INCLUDED ON THIS PAGE: 1472778, 0015811

Models: A3RE
AUTOMATIC, COMPONENTS
MD3060, B300
ISB-E
With Features: FEATURE 40422-01, 02

Key	PartNumber	Qty	Description	Comment
-----	------------	-----	-------------	---------

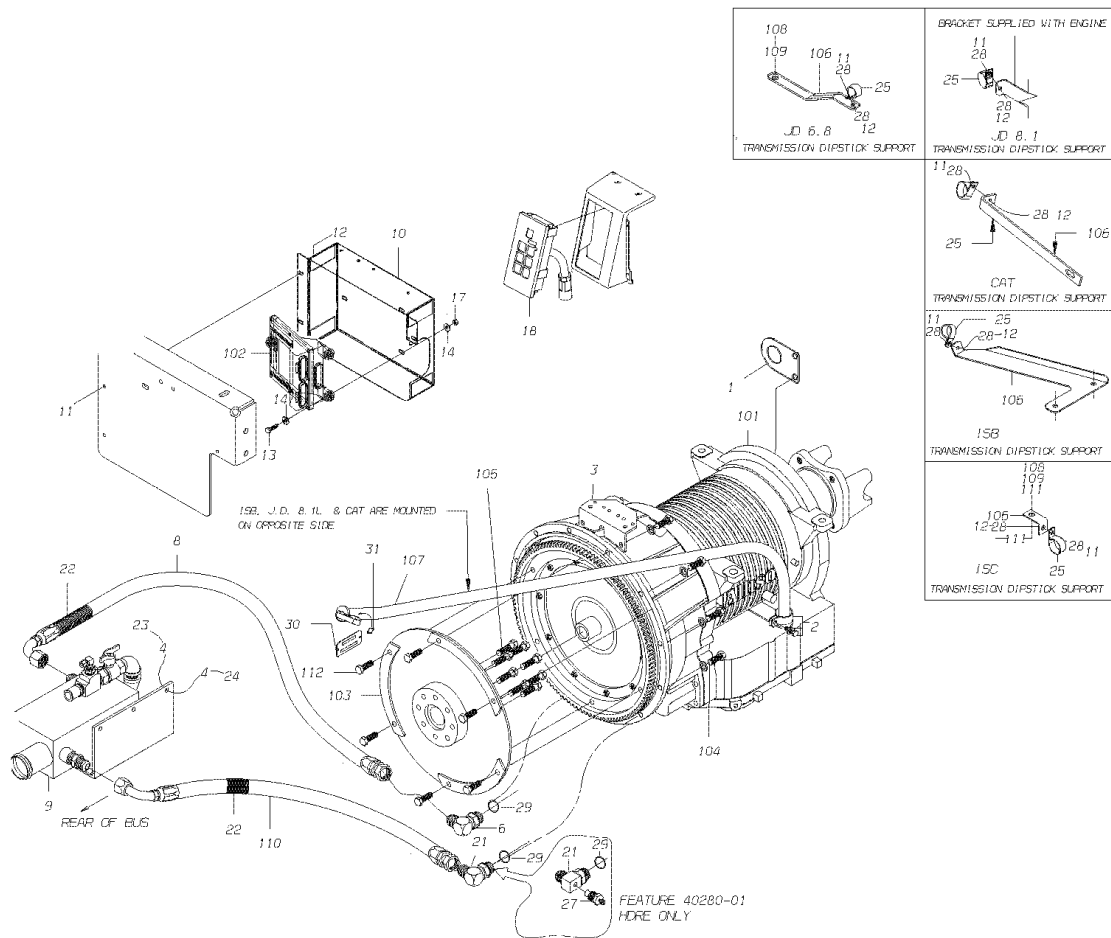


Models: A3RE
AUTOMATIC, COMPONENTS
MD3060, B300
ISB-E
With Features: **FEATURE 40422-01, 02**

Key	PartNumber	Qty	Description	Comment
1	1815992	1	PLATE,MOUNTING,PIGTAIL HARNESS TO TRANS	
2	1595362	1	CLAMP,INSULATED 1.00 ID	
3	1839315	1	BRACKET,MTG,HYD HOSES TO TRANSMISSION	
4	1107085	6	WASHER,FLAT,13/32 X 13/16 X 3/32,HDN,BLK	
5	1760859	6	BOLT,FLEXPLATE TO FLEXPLATE ADAPT,WORLD	
6	0964908	1	ADAPTER,849-FSO-12X12,37 DEG	
7	0971739	1	CAPSCREW,HX HD,M8-1.25X20,CL 8.8,	
8	1786045	1	HOSE ASSY,2110639-12-12-12-32,CS/QB/HDRE	
9	1868322	1	COOLER ASSY,TRANS,MD3060/3066,B300/400	
NI	1626431	1	VALVE,BALL,3/4,W/BUTTERFLY HANDLE	
10	1978303	1	COVER,TRANSMISSION ECU,ALLISON, RE	
11	1480433	3	NUT,HEX HD,5/16-18,FLG PRVG TORQ,GR F,	
12	0854414	3	CAPSCREW,HEX HD,5/16-18X7/8,GR8,YEL ZN	
13	0870477	3	CAPSCREW,HEX HD,1/4-20 X 1,GR 8,YEL ZN	
14	1991108	6	WASHER,FLAT,17/64 ID X 3/4,YELLOW ZINC	
15	2001345	3	NUT,HEX HD,1/4-20,LOCKING,YELLOW	
16	0031122	1	SELECTOR,SHIFT,PUSHBUTTON,3000 SRS,	
17	0964908	1	ADAPTER,849-FSO-12X12,37 DEG	
18	1228840	8	LOOM,CORRUGATED,BLACK,NYLON,1 1/4ID,SS	
19	0803213	3	CAPSCREW,HEX HD,3/8-16X1 1/4,GR8,YEL	
20	0826297	3	NUT,HEX HD,3/8-16 LOCK,YEL ZN DICH	
21	1517168	1	CLAMP,LOOP,.937	
22	1078922	3	WASHER,FLAT,3/8 X 7/8 X 5/64,YEL ZN DICH	
23	2001188	1	LOCKWASHER,SPLIT RING, 5/16,MED,YEL ZN	
10			ENGINE AND TRANSMISSION	SUPPLIED BY VENDOR
10			ENGINE AND TRANSMISSION	SUPPLIED BY VENDOR
10	1760842	1	KIT,ENG ADAPT,5.9 & 8.3,WORLD T/M	
10	1760867	1	BOLT/WASHER KIT,FWH,CUMMINS	
10	1596717	8	BOLT,CRANKSHAFT,MD3060/CUM,ALLISON	CUMMINS ISC W/ B300, B400, ISB W/ B300
10	0045373	1	BRACKET,SUPPORT,DIPSTICK TUBE,ISB-E	
10	0045040	1	TUBE & DIPSTICK ASSY,TRANS OIL,ISB-E, RE	
11	0015581	1	HOSE ASSY,WH 06912N-612692A02200	

Models: A3RE, C4RE
AUTOMATIC, COMPONENTS
 MD3060, MD3066, B300, B400
With Features: FEATURE 40422, 40431 WITH 40177, 40184, 40187
BSN: From CSN F10016975; 11/02/98

Key	PartNumber	Qty	Description	Comment
-----	------------	-----	-------------	---------



Models: A3RE, C4RE
AUTOMATIC, COMPONENTS
MD3060, MD3066, B300, B400
With Features: FEATURE 40422, 40431 WITH 40177, 40184, 40187
BSN: From CSN F10016975; 11/02/98

Key	PartNumber	Qty	Description	Comment
1	1815992	1	PLATE,MOUNTING,PIGTAIL HARNESS TO TRANS	
2	1595362	1	CLAMP,INSULATED 1.00 ID	
3	1839315	1	BRACKET,MTG,HYD HOSES TO TRANSMISSION	A3RE ONLY
4	1107085	6	WASHER,FLAT,13/32 X 13/16 X 3/32,HDN,BLK	
6	0964908	1	ADAPTER,849-FSO-12X12,37 DEG	
7			NOT CURRENTLY USED	
8	0049616	1	HOSE ASSY,WH H23912E-612-672-A03200	
9	1868322	1	COOLER ASSY,TRANS,MD3060/3066,B300/400	
10	1978303	1	COVER,TRANSMISSION ECU,ALLISON, RE	
11	1480433	3	NUT,HEX HD,5/16-18,FLG PRVG TORQ,GR F,	
12	0854414	3	CAPSCREW,HEX HD,5/16-18X7/8,GR8,YEL ZN	
13	0870477	3	CAPSCREW,HEX HD,1/4-20 X 1,GR 8,YEL ZN	
14	1991108	6	WASHER,FLAT,17/64 ID X 3/4,YELLOW ZINC	
15			NOT CURRENTLY USED	
16			NOT CURRENTLY USED	
17	2001345	3	NUT,HEX HD,1/4-20,LOCKING,YELLOW	
18	0031122	1	SELECTOR,SHIFT,PUSHBUTTON,3000 SRS,	
19		1	NOT CURRENTLY USED	
20		1	NOT CURRENTLY USED	
21	0964908	1	ADAPTER,849-FSO-12X12,37 DEG	
	0017061	1	ELBOW,90 DEGREE WITH 1/8-27 NPT	WITH FEATURE 40280-01. A3RE ONLY
22	1228840		LOOM,CORRUGATED,BLACK,NYLON,1 1/4ID,SS	
23	0803213	3	CAPSCREW,HEX HD,3/8-16X1 1/4,GR8,YEL	
24	0826297	3	NUT,HEX HD,3/8-16 LOCK,YEL ZN DICH	
25	1517168	1	CLAMP,LOOP,.937	
26			NOT CURRENTLY USED	
NI	1486547		FLUID,TRANS,DEXRON III	
NI	0024144		FLUID,TRANS,SYNTHETIC,TRANSYND,55 GAL	
27	1939982	1	SENDER,TRANSMISSION OIL TEMPERATURE,	WITH FEATURE 40280-01. A3RE ONLY
28	1078922	2	WASHER,FLAT,3/8 X 7/8 X 5/64,YEL ZN DICH	
29	0048094	2	O-RING,VITON,12 HYD FITTINGS	
30	0024934	1	TAG,WARNING,SYNTHETIC OIL	FEATURE 40111-02. A3RE ONLY
31	0024935	1	RING,ATTACHING,DIAMOND	FEATURE 40111-02. A3RE ONLY

Models: A3RE, C4RE
AUTOMATIC, COMPONENTS
MD3060, MD3066, B300, B400
With Features: FEATURE 40422, 40431 WITH 40177, 40184, 40187
BSN: From CSN F10016975; 11/02/98

Key	PartNumber	Qty	Description	Comment
10			ENGINE & TRANSMISSION	SUPPLIED BY VENDOR
10			ENGINE & TRANSMISSION	SUPPLIED BY VENDOR
10	1760834	1	KIT,ENG ADAPT,CAT 3116,WORLD T/M	
10	1760842	1	KIT,ENG ADAPT,5.9 & 8.3,WORLD T/M	
10	1760842	1	KIT,ENG ADAPT,5.9 & 8.3,WORLD T/M	
10	1829811	1	ENGINE ADAPTATION KIT,JD 8.1 W/WORLD	
10	1902931	1	ENGINE ADAPTATION KIT,JD 6.8,W/WORLD	
10	1761113	1	BOLT/WASHER KIT,FWH,CATERPILLAR	
10	1760867	1	BOLT/WASHER KIT,FWH,CUMMINS	
10	1760867	1	BOLT/WASHER KIT,FWH,CUMMINS	
10	1789502	1	BOLT/WASHER KIT,FWH,JOHN DEERE	
10	1789502	1	BOLT/WASHER KIT,FWH,JOHN DEERE	
10	1596709	8	BOLT,CRANKSHAFT,MD3060/CAT,ALLISON	
10	1596717	8	BOLT,CRANKSHAFT,MD3060/CUM,ALLISON	
10	1596717	8	BOLT,CRANKSHAFT,MD3060/CUM,ALLISON	
10	0803205	6	CAPSCREW,HEX HD,1/2-13 X 2,GR 8,YEL ZN	
10	0050891	1	BRACKET,SUPPORT,TRANS DIPSTICK,CAT 3126,	CAT 3126B ENGINE W/ MD3060 TRANS
10	1501097	1	BRACKET,ATCH,BRAKE LINE TO FRAME	CUMMIN ISC ENG W/ MD3060, MD3066, B300, B400 TRANS
10	1998434	1	BRACKET,DIPSTICK,WORLD TRANS,ISB MTG	CUM ISB ENGINE W/ MD3060, B300 TRANS
10	0019788	1	BRACE,DIPSTICK TUBE,JD 6.8	JD 6.8L ENGINE W/ MD3060, B300 TRANS
10	1876259		TUBE & DIPSTK ASSY,TRAN OIL,MD3060/B300,	CAT 3126B, C7 WITH MD3060 TRANSMISSION ENDING WITH CSN F0151894
10	0065798		TUBE & D/STK ASSY,TRANS,MD/B SRS,CAT/JD,	CAT 3126B, C7 WITH MD3060 TRANSMISSION BEGIN WITH CSN F0151895. 01/05/04
10	1652270		TUBE & DIPSTICK ASSY,TRANS OIL,MD-3060	CUMMINS ISC WITH MD3060, MD3066, B300, B400 TRANS ENDING WITH CSN F0151894
10	0065797		TUBE & D/STK ASSY,TRANS,MD/B SERIES,ISC,	CUMMINS ISC WITH MD3060, MD3066, B300, B400 TRANS BEGIN WITH CSN F0151895. 01/05/04
10	1652270		TUBE & DIPSTICK ASSY,TRANS OIL,MD-3060	CUMMINS ISB WITH MD3060, B300 TRANS ENDING WITH CSN F0151894
10	0065797		TUBE & D/STK ASSY,TRANS,MD/B SERIES,ISC,	CUMMINS ISB WITH MD3060, B300 TRANS BEGIN WITH CSN

Models: A3RE, C4RE
AUTOMATIC, COMPONENTS
 MD3060, MD3066, B300, B400
With Features: FEATURE 40422, 40431 WITH 40177, 40184, 40187
BSN: From CSN F10016975; 11/02/98

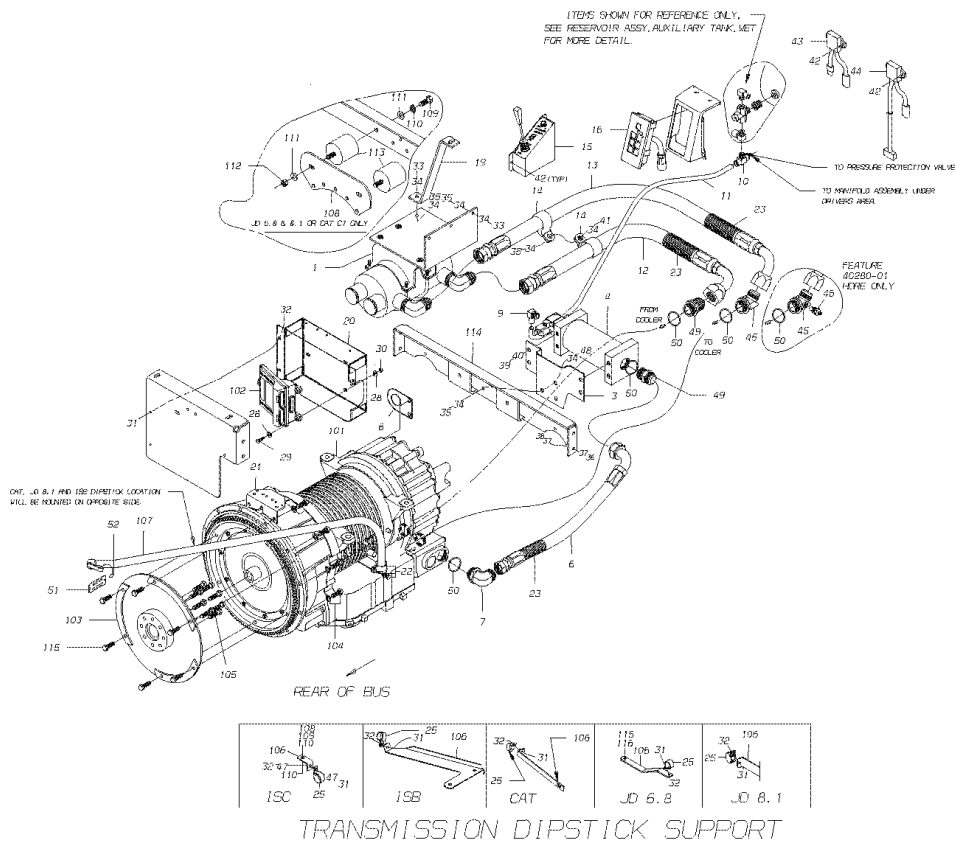
Key	PartNumber	Qty	Description	Comment
				<i>F0151895. 01/05/04</i>
10	1876259		TUBE & DIPSTK ASSY,TRAN OIL,MD3060/B300,	<i>JOHN DEERE 8.1 AND 6.8 WITH MD3060, B300 TRANS ENDING WITH CSN F0151894</i>
10	0065798		TUBE & D/STK ASSY,TRANS,MD/B SRS,CAT/JD,	<i>JOHN DEERE 8.1 AND 6.8 WITH MD3060, B300 TRANS BEGIN WITH CSN F0151895. 01/05/04</i>
10	0013654	1	CAPSCREW,HEX HD,M12-1.75 X 25,GRADE 10.9	<i>CUMMINS ISC ENG W/ MD3060, MD3066, B300, B400 TRANS</i>
10	2001212	1	LOCKWASHER,SPLIT RING, 1/2 ,LHT,YEL ZN	<i>40182 W/ 40422 OR 40423</i>
11	0049610	1	HOSE ASSY,WH H23912E-612-692-A02200	
11	1167485	1	WASHER,FLAT,11/32 X 11/16 X 5/64,HDN,BLK	<i>CUMMINS ISC ENG W/ MD3060, MD3066, B300, B400 TRANS</i>
11	1760859	6	BOLT,FLEXPLATE TO FLEXPLATE ADAPT,WORLD	<i>FEATURE 40187-11,-12,-13,-15 WITH FEATURE 40422-01,-03 or 40431-01</i>
11	1760859	6	BOLT,FLEXPLATE TO FLEXPLATE ADAPT,WORLD	<i>FEATURE 40184-03,-05,-06,-07 WITH 40422-01 or 40431-01 or 40423-01 or 40424-01</i>
11	1789494	6	BOLT,FLEXPLT TO FLEXPLT ADAPT,W/T,JOHN	<i>FEATURE 40181-01,-02 WITH 40422-01 or 40423-01</i>

Models: A3RE, C4RE
AUTOMATIC, COMPONENTS
 MD3060R, MD3066R, B300R, B400R

With Features: FEATURE 40187, 40184, 40177, 40182 OR 40181 WITH 40422, 40431, 40423
 OR 40424

BSN: From CSN 11/02/98

Key	PartNumber	Qty	Description	Comment
-----	------------	-----	-------------	---------



Models: A3RE, C4RE
AUTOMATIC, COMPONENTS
MD3060R, MD3066R, B300R, B400R
With Features: FEATURE 40187, 40184, 40177, 40182 OR 40181 WITH 40422, 40431, 40423
OR 40424
BSN: From CSN 11/02/98

Key	PartNumber	Qty	Description	Comment
1	1851427	1	COOLER ASSY,TRANS,RETARDER ISC/6.8, RE	
2			NOT CURRENTLY USED	
3	1839406	1	BRACKET,MTG,ACCUMULATOR,MD3060R /	
4	1818210	1	ACCUMULATOR ASSY,RETARDER,ALLISON	
NI	0013890	1	SOLENOID,AIR VALVE,ACCUMULATOR	
6	1424498	1	HOSE ASSY,TRANS OIL CLR,213R20JS20J90S20	
7	1805431	1	ADAPTER,2503-20-20,90 DEG,O-RING	
8	1815992	1	PLATE,MOUNTING,PIGTAIL HARNESS TO TRANS	
9	0009908	1	ELBOW,90 DEG,MALE1869X10-Z,.50MPT X .63T	
10	0027594	1	TEE,MALE,BRANCH,117-63686	
11	1346865	31	TUBING,PLASTIC,1/2 OD,BLACK,SAE J844 TYPE	
12	0085534	1	HOSE ASSY,TRANS,OIL CLR,#20-STR-90-28"	
13	0085535	1	HOSE ASSY,TRANS,OIL CLR,#20-STR-90-42"	
14	1039486	2	CLAMP,LOOP,1.50	
15	1901610	1	RETARDER CTRL,FINAL ASSY,MD/B TRANS	A3RE ONLY
	1802339		SWITCH,DPST,LIGHT IN ONE CIRCUIT	
	1051911		LIGHT,PILOT,RED,5/8IN,W/FORCE RING	
16	0031122	1	SELECTOR,SHIFT,PUSHBUTTON,3000 SRS,	
17			NOT CURRENTLY USED	
18			NOT CURRENTLY USED	
19	1820729	1	BRACE,MOUNTING,CLR BRKT TO S/FRM	
20	1978303	1	COVER,TRANSMISSION ECU,ALLISON, RE	A3RE ONLY
21	1839315	1	BRACKET,MTG,HYD HOSES TO TRANSMISSION	A3RE ONLY
22	1595362	1	CLAMP,INSULATED 1.00 ID	
23	1228840	8	LOOM,CORRUGATED,BLACK,NYLON,1 1/4ID,SS	
25	1517168	1	CLAMP,LOOP,.937	
26			NOT CURRENTLY USED	
27			NOT CURRENTLY USED	
28	1991108	6	WASHER,FLAT,17/64 ID X 3/4,YELLOW ZINC	
29	0870477	3	CAPSCREW,HEX HD,1/4-20 X 1,GR 8,YEL ZN	
30	2001345	3	NUT,HEX HD,1/4-20,LOCKING,YELLOW	
31	1480433	3	NUT,HEX HD,5/16-18,FLG PRVG TORQ,GR F,	A3RE ONLY
32	0854414	3	CAPSCREW,HEX HD,5/16-18X7/8,GR8,YEL ZN	A3RE ONLY

Models: A3RE, C4RE
AUTOMATIC, COMPONENTS
MD3060R, MD3066R, B300R, B400R
With Features: FEATURE 40187, 40184, 40177, 40182 OR 40181 WITH 40422, 40431, 40423
OR 40424
BSN: From CSN 11/02/98

Key	PartNumber	Qty	Description	Comment
33	0803213	4	CAPSCREW,HEX HD,3/8-16X1 1/4,GR8,YEL	
34	1107085	16	WASHER,FLAT,13/32 X 13/16 X 3/32,HDN,BLK	
35	0826297	8	NUT,HEX HD,3/8-16 LOCK,YEL ZN DICH	
36	0803239	4	CAPSCREW,HEX HD,1/2-13 X1 1/2,GR8	
37	1003045	8	WASHER,FLAT,17/32 X 1 1/16 X 7/64,HDN,	
38	0850800	4	NUT,HEX HD,1/2-13,LOCKING,GR 8,CAD WAX	
39	1754498	4	CAPSCREW,HEX HD,1/2-13X3/4,GR 8,ZINC	
40	2001212	4	LOCKWASHER,SPLIT RING, 1/2 ,LHT,YEL ZN	
41	0559195	1	CAPSCREW,HEX HD,3/8-16 X 1,GR 8,YEL ZN	
42	1334689	7	SCREW,10-32 X 3/8,F,PH1,PAN HD,YEL ZN	
43	1829845	1	MODULE,RES,PED,BRK,E-10R/E-15R,BENDIX	
44	1829837	1	MODULE,RESISTANCE,LEVER,MD3060R/B300R	A3RE ONLY
45	0006225	1	ELBOW,45 DEG,O-RING,W/H TF5365X20	
45	0018612	1	ELBOW,45 DEG,O-RING,TF5362X20,W/.12-27	WITH FEATURE 40280-01
46	1939982	1	SENDER,TRANSMISSION OIL TEMPERATURE,	WITH FEATURE 40280-01
47	1078922	2	WASHER,FLAT,3/8 X 7/8 X 5/64,YEL ZN DICH	
48	0854422	3	CAPSCREW,HEX HD,3/8-16X1 1/8,G8,YEL ZN	
49	1875186	1	CONNECTOR,STRAIGHT THREAD 20 F50X-S	
50	0048093	4	O-RING,VITON,20 HYD FITTINGS	
51	0024934		TAG,WARNING,SYNTHETIC OIL	TAG, WARNING, SYNTHETIC OIL. WITH FEATURE 40111-02A3RE ONLY
52	0024935		RING,ATTACHING,DIAMOND	WITH FEATURE 40111-02A3RE ONLY
10			ENGINE & TRANSMISSION	SUPPLIED BY VENDOR
10			ENGINE & TRANSMISSION	SUPPLIED BY VENDOR
10	1760834	1	KIT,ENG ADAPT,CAT 3116,WORLD T/M	
10	1760842	1	KIT,ENG ADAPT,5.9 & 8.3,WORLD T/M	
10	1902931	1	ENGINE ADAPTATION KIT,JD 6.8,W/WORLD	
10	1829811	1	ENGINE ADAPTATION KIT,JD 8.1 W/WORLD	
10	1761113	1	BOLT/WASHER KIT,FWH,CATERPILLAR	
10	1760867	1	BOLT/WASHER KIT,FWH,CUMMINS	
10	1789502	1	BOLT/WASHER KIT,FWH,JOHN DEERE	
10	1596709	8	BOLT,CRANKSHAFT,MD3060/CAT,ALLISON	
10	1596717	8	BOLT,CRANKSHAFT,MD3060/CUM,ALLISON	

Models: A3RE, C4RE
AUTOMATIC, COMPONENTS
MD3060R, MD3066R, B300R, B400R
With Features: FEATURE 40187, 40184, 40177, 40182 OR 40181 WITH 40422, 40431, 40423
OR 40424
BSN: From CSN 11/02/98

Key	PartNumber	Qty	Description	Comment
10	1789494	6	BOLT,FLEXPLT TO FLEXPLT ADAPT,W/T,JOHN	
10	0803205		CAPSCREW,HEX HD,1/2-13 X 2,GR 8,YEL ZN	
10	0050891	1	BRACKET,SUPPORT,TRANS DIPSTICK,CAT 3126,	CAT 3126, CAT C7
10	1998434		BRACKET,DIPSTICK,WORLD TRANS,ISB MTG	CUMMINS ISB
10	1501097	1	BRACKET,ATCH,BRAKE LINE TO FRAME	CUMMINS ISC
10	0019788	1	BRACE,DIPSTICK TUBE,JD 6.8	JOHN DEERE 6.8L
		1	BRACKET SUPPLIED	WITH ENGINE FOR JOHN DEERE 8.1L
10	1876259		TUBE & DIPSTK ASSY,TRAN OIL,MD3060/B300,	CAT 3126B, C7 ENDING WITH CSN F0151894
10	0065798		TUBE & D/STK ASSY,TRANS,MD/B SRS,CAT/JD,	CAT 3126B, C7 BEGIN WITH CSN F0151895. 01/05/04
10	1652270		TUBE & DIPSTICK ASSY,TRANS OIL,MD-3060	CUMMINS ISC ENDING WITH CSN F0151894
10	0065797		TUBE & D/STK ASSY,TRANS,MD/B SERIES,ISC,	CUMMINS ISC BEGIN WITH CSN F0151895. 01/05/04
10	1652270	1	TUBE & DIPSTICK ASSY,TRANS OIL,MD-3060	CUMMINS ISC
10	1876259		TUBE & DIPSTK ASSY,TRAN OIL,MD3060/B300,	CUMMINS ISC
10	1876259		TUBE & DIPSTK ASSY,TRAN OIL,MD3060/B300,	JOHN DEERE 8.1 ENDING WITH CSN F0151894
10	0065798		TUBE & D/STK ASSY,TRANS,MD/B SRS,CAT/JD,	JOHN DEERE 8.1 BEGIN WITH CSN F0151895. 01/05/04
10	1786664	1	PLATE,MTG ISOLATORS TO TRANS,	CAT 3126B, CAT C7
10	0019594	1	PLATE,MTG,TAILSHAFT,6.8 WITH RETARDER	JOHN DEERE 6.8L
10	1786664	1	PLATE,MTG ISOLATORS TO TRANS,	JOHN DEERE 8.1L
10	1030998	1	NUT,HEX HD,M8-1.25,ZINC	CUMMINS ISC ONLY
10	1784792	2	CAPSCREW,HEX HD 1/2-20 X 1 ZINC	ALL EXCEPT CUMMINS ISC
10	2001188	1	LOCKWASHER,SPLIT RING, 5/16,MED,YEL ZN	CUMMINS ISC ONLY
11	0990655	2	LOCKWASHER,SPLIT RING, 1/2 ,MED,YEL ZN	ALL EXCEPT CUMMINS ISC
11	1167485	1	WASHER,FLAT,11/32 X 11/16 X 5/64,HDN,BLK	CUMMINS ISC ONLY
11	1003045	4	WASHER,FLAT,17/32 X 1 1/16 X 7/64,HDN,	ALL EXCEPT CUMMINS ISC
11	1436765	2	NUT,HEX HD,1/2-20,LOCKING,GR 8,CADMIUM	ALL EXCEPT CUMMINS ISC
11	1758846	2	ISOLATOR,RUBBER,LORD J-5425-27	ALL EXCEPT CUMMINS ISC
11	1987163	1	CROSSMEMBER ASSY,MTG	
11	1946045	1	CROSSMEMBER,MTG,TRANS TAIL SUPPORT,	
11	0041472	1	CROSSMEMBER ASSY,MTG,TRANS TAIL SUPT,	C4RE ONLY
11	1852000	1	** PART NOT FOUND **	. JD 8.1L WITH MD3060R, B300R
11	0013654	1	CAPSCREW,HEX HD,M12-1.75 X 25,GRADE 10.9	CUMMINS ISC ONLY

Models: A3RE, C4RE
 AUTOMATIC, COMPONENTS
 MD3060R, MD3066R, B300R, B400R

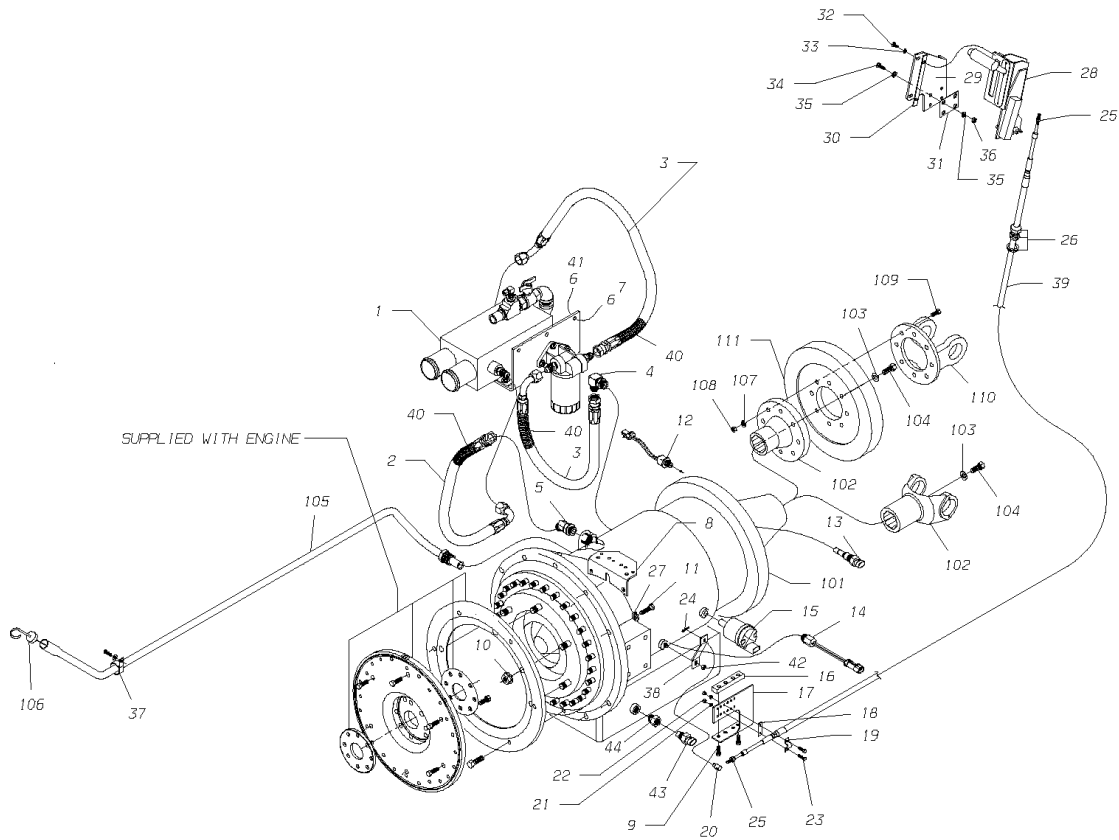
With Features: FEATURE 40187, 40184, 40177, 40182 OR 40181 WITH 40422, 40431, 40423
 OR 40424

BSN: From CSN 11/02/98

Key	PartNumber	Qty	Description	Comment
11	2001212	1	LOCKWASHER,SPLIT RING, 1/2 ,LHT,YEL ZN	CUMMINS ISC ONLY

Models: A3RE
AUTOMATIC, COMPONENTS
MT643
1610
With Features: FEATURE 40426-01
BSN: From CSN 11/02/98

Key	PartNumber	Qty	Description	Comment
-----	------------	-----	-------------	---------



Models: A3RE
AUTOMATIC, COMPONENTS
MT643
1610
With Features: FEATURE 40426-01
BSN: From CSN 11/02/98

Key	PartNumber	Qty	Description	Comment
1	0003001	1	COOLER ASSY,TRANS.MT643 W/SUBFRM,	
2	0049612	1	HOSE ASSY,WH H23912E-612-672-A02800	
3	0049611	2	HOSE ASSY,WH H23912E-612-672-A02250	
4	0964908	1	ADAPTER,849-FSO-12X12,37 DEG	
5	0753624	1	ELBOW,45 DEG,STRAIGHT THREAD O-RING	
6	1107085	6	WASHER,FLAT,13/32 X 13/16 X 3/32,HDN,BLK	
7	0826297	3	NUT,HEX HD,3/8-16 LOCK,YEL ZN DICH	
8	1839315	1	BRACKET,MTG,HYD HOSES TO TRANSMISSION	
9	1542430	2	CAPSCREW,HEX FLG,5/16-18X1.25,GRD5,	
10	1854132	6	NUT,FLANGE LOCK,3/8-24 UNF,ALLISON	
11	0997734	12	CAPSCREW,HX HD,M10-1.5X35,CL10.9,	
12	1659218	1	SWITCH,BACK-UP LIGHTS	
13	1793207		SENSOR,SPEEDOMETER,ELEC,ALLISON TRANS	
13	0016123		SENSOR,SPEED,DUAL COIL,ALLISON AT/MT	
14	1656461	1	SWITCH,START,NEUTRAL	
15	1948017	1	MODULATOR,ELECTRONIC SHIFT,12V AT&MT	
16	1616150	1	SPACER,BRACKET,MTG,TRANS,CNTRL	
17	1616143	1	BRACKET,MOUNTING,TRANS CBL TO TRANS	
18	0620120	1	SHIM,CABLE CLAMP	
19	0620138	1	CLAMP,CABLE,MORSE CONTROL,1/2	
20	0885343	1	TRUNION,TRANS CONTROL CABLE,MT643	
21	2001162	2	LOCKWASHER,SPLIT RING, 3/16,MED,YEL ZN	
22	2001287	2	NUT,HEX HD,10-32,YEL ZN DICH	
23	2000776	2	SCREW,MACH, 10-32 X 3/4,PH1,RD HD,	
24	2008860	1	PIN,COTTER,3/32 X 1,YEL ZN DICH	
25	2001402	2	NUT,HEX HD,1/4-28,YEL ZN DICH	
26	1217439	1	CONNECTOR,TUBING,WATERPROOF,HEYCO	
27	1394675	12	LOCKWASHER,SPLIT RING,10 MM,MED,OLV DRB	
28	1644996	1	SELECTOR,SHIFT,TRANSMISSION,TCFC/RE	
29	1542869	1	BRACKET,MTG,SHIFTER	
30	1582717	AR	SPACER,ADJUSTMENT,SELECTOR,TC/QB	
31	1582709	AR	SPACER,ADJUSTMENT,SELECTOR MTG,BRKT,	
32	0807958	2	CAPSCREW,HEX HD,1/4-20X 1/2,GR8,YEL ZN	

Models: A3RE
AUTOMATIC, COMPONENTS
MT643
1610
With Features: FEATURE 40426-01
BSN: From CSN 11/02/98

Key	PartNumber	Qty	Description	Comment
33	2001170	2	LOCKWASHER,SPLIT RING, 1/4 ,MED,YEL ZN	
34	1032283	4	CAPSCREW,HEX HD,5/16-18,X,3/4,GR5,	
35	2001048	8	WASHER,FLAT,11/32 X 11/16 X 1/16,YEL	
36	1142603	4	NUT,HEX HD,5/16-18,GR 8,YELLOW	
37	0557710	1	CLAMP,LOOP,.812	
38	1316967	1	LEVER,SELECTOR,TRANS,3 DEG,HT TREATED,	
39	1355551	1	CABLE,TRANSMISSION SHIFT,446 IN. LONG	273 WB
39	1502327	1	CABLE,TRANSMISSION SHIFT,418 IN. LONG	245 WB
39	1502319	1	CABLE,TRANSMISSION SHIFT,390 IN. LONG	217 WB
39	1564269	1	CABLE,TRANSMISSION SHIFT,362 IN. LONG	189 WB
40	1109271		LOOM,CORRUGATED,BLACK,NYLON,3/4 ID,SS	
41	0803213	3	CAPSCREW,HEX HD,3/8-16X1 1/4,GR8,YEL	
42	1854157	1	NUT,HEX HD,M10-1.50,ALLISON 29520052	
NI	1486547	5	FLUID,TRANS,DEXRON III	
43	1656446	1	SENDER,TRANSMISSION OIL TEMPERATURE	
44	1659192	1	BUSHING,TRANS TEMP SENDER,TCFC/RE	
10		1	TRANSMISSION	SUPPLIED BY VENDOR
10	0964833	1	YOKE,END,MT643 TRANS,3208 & 6V53 W/1610	CAT 3126B
	1266055	1	FLANGE,COMPANION,1610 5-1-5121 X	CUMMINS ISB/ISC
10	1003045	1	WASHER,FLAT,17/32 X 1 1/16 X 7/64,HDN,	
10	1854140	1	BOLT,H/LK,1/2-20 UNFX1 1/2,ALLISON	
10	1673813	1	TUBE ASSY,FILLER,TRANS,CUMN 8.3,MT643,	
10	1537083	1	TUBE ASSY,FILL,TRANS,CUMN 5.9,MT643,TCRE	
10	1673821	1	DIPSTICK,TRANS,72 IN,CUMN 8.3,MT643	
10	1210731	1	DIPSTICK,TRANSMISSION OIL CHECK,58IN	
10	0882795	8	LOCKWASHER,SPLIT RING,3/8,MED,YELLOW	WITH CUMMINS ISB/ISC
10	0803189	8	NUT,HEX,3/8-24,GR8,BLACK ZINC	WITH CUMMINS ISB/ISC
10	1267442	8	CAPSCREW,HEX HD,3/8-24 X 2 ,GR8,YEL ZN	WITH CUMMINS ISB/ISC
11	1035732	1	YOKE,FLANGE,BRG PLT CONST SPCR 5-2-279	WITH CUMMINS ISB/ISC
11	1308584	1	DAMPER,TORSIONAL,STAHL 630103	WITH CUMMINS ISB/ISC