

Body

300 Exterior

CENTER

ACCESS DOOR, ELECTRICAL PANEL

To BSN B10064339 F10035824 F20035859 L10059259 1

2

ADA LIFT DOOR INSTALLATION

77 HR

With: OPTION 0460
To BSN B10115769 F10056064 L10101209 M10119600 3

With: OPTION 0460
From BSN B10115770 F10056065 L10101210 4

FUEL TANK DOOR

With: OPTION 0500, 0505 WITH STD. SIDE FRAME TANKS
From BSN 019277 189393 257284 369946
To BSN B10085469 F10045379 F20045394 L10074839 M10099364 5

With: OPTION 0500, 0505 WITH STD. SIDE FRAME TANKS
From BSN B10085470 F10045380 F20045395 L10074840 M10099365 6

With: OPTION 0500, 0505 WITH OPTION 4581, 4607, 24619 (MID-MOUNT TANKS)
From BSN 019277 189393 257284 369946
To BSN B10085469
F10045379 F20045394 L10074839 M10099364 7

With: OPTION 0500, 0505 WITH OPTION 4581, 4607, 24619 (MID-MOUNT TANKS)
From BSN B10085470 F10045380 F20045395 L10074840 M10099365 8

OUTSIDE SIDE PANELS

9

ROOF PANELS & BOW CAPS

10

U.K. UNITS ONLY

ACCESS DOOR, ELECTRICAL PANEL

11

OUTSIDE SIDE PANELS

12

ROOF PANELS & BOW CAPS

13

FRONT

ASSY

14

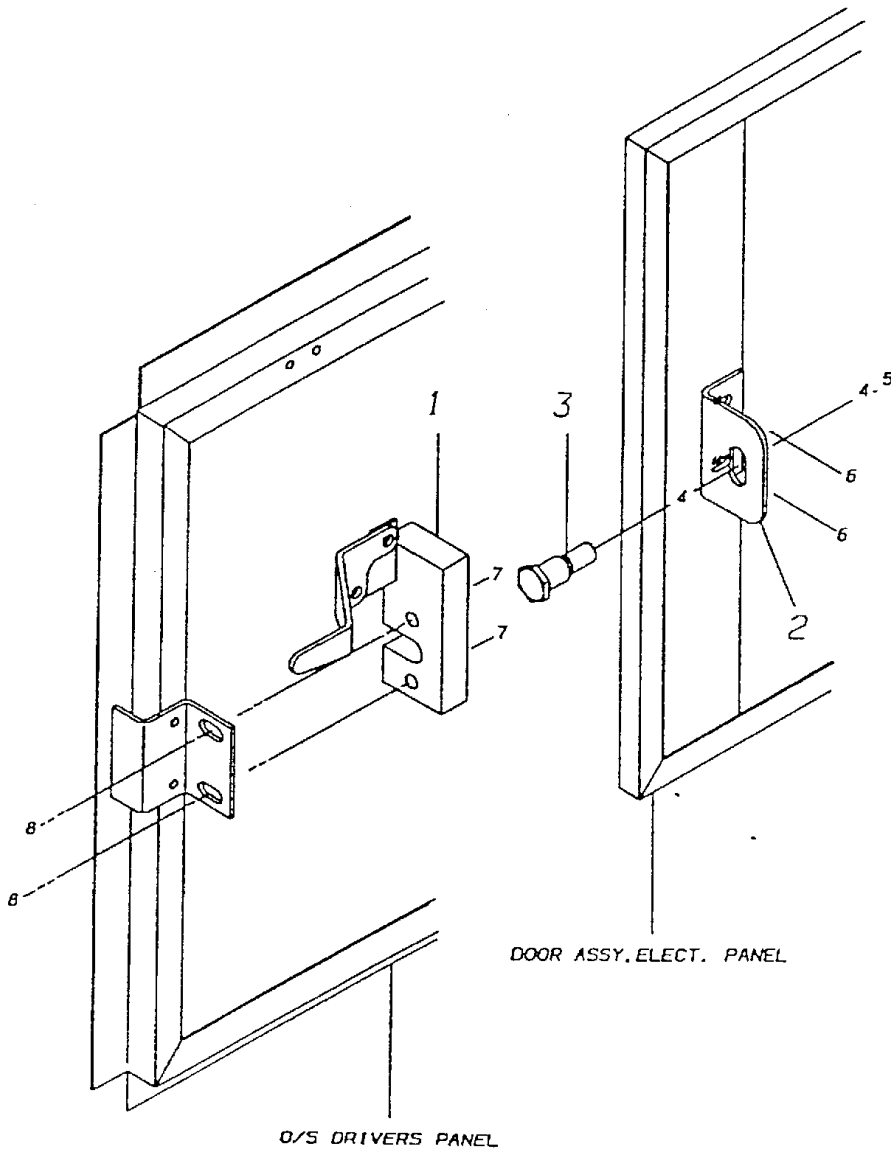
RH DRIVE ASSY	15
ROOF CAPS	16
U.K. UNITS ONLY RH DRIVE	17
ROOF CAPS	18
REAR	
<i>To BSN L10093819</i>	19
<i>From BSN L10093820 To BSN F10076864</i>	20
<i>From BSN F10076865</i>	21
ENGINE COMPARTMENT DOOR	
<i>From A3RE - BSN 188885 To A3RE - BSN 10101209 TCRE - BSN 188885</i>	22
<i>From BSN L10101210</i>	23
ROOF CAPS	24
U.K. UNITS ONLY	25
UPPER PANELS	26
RUBRAILS	
U.K. UNITS ONLY WITH BOTH ENDS FORMED	27
WITH ONE END FORMED	28
WITH BOTH ENDS FORMED	
<i>With: STD</i>	29
WITH ONE END FORMED	
<i>With: STD</i>	30

Models: A3FE, A3RE, CSFE, CSRE, TCFE
CENTER
ACCESS DOOR, ELECTRICAL PANEL
To BSN B10064339 F10035824 F20035859 L10059259

Key	PartNumber	Qty	Description	Comment
-----	------------	-----	-------------	---------

DR	BY	FRT	1628155	REV
APP	BY			

© 1991 BLUE BIRD BODY COMPANY. ALL RIGHTS RESERVED

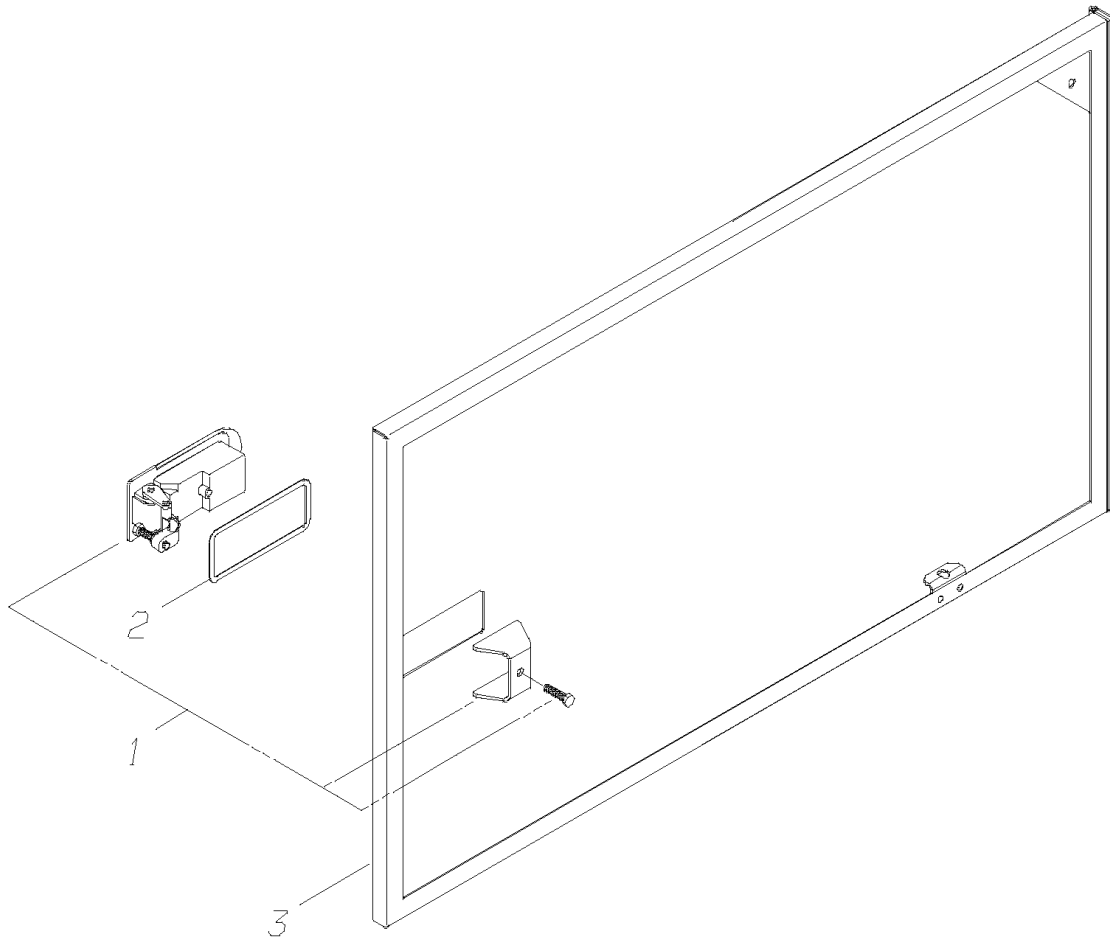


Models: **A3FE, A3RE, CSFE, CSRE, TCFE**
CENTER
ACCESS DOOR, ELECTRICAL PANEL
To BSN B10064339 F10035824 F20035859 L10059259

Key	PartNumber	Qty	Description	Comment
NI	1627785		DOOR ASSY,ELECTRICAL PANEL, AA/TC	
NI	1627777		PANEL ASSY,DOOR ELECTRICAL PANEL, AA/TC	
NI	1318997		HINGE,ACS DR,16.16 OS DRV S/PNL,PRIMED,AA	
1	1628031		LATCH ASSY,ELECTRICAL ACCESS DOOR,AA/TC	<i>STANDARD</i>
1	1728575		LATCH ASSY,ELEC ACCESS DOOR,RH DRIVE	<i>OPTION 3480. RH DRIVE</i>
2	1627793		BRACKET,STUD MOUNT	
3	1429711		STRIKER,PIN,FRONT ACCESS DOOR, AAFC/RE	
4	2028546		WASHER,FLAT,7/16,X 1 1/32 X 5/64,YL ZN	
5	0997080		NUT,HEX HD,7/16-14,LOCKING,GR 8,CADMIUM	
6	2000016		SCREW,1/4-14 X 5/8,B,HEX,W/PLAIN WASH,	
7	0829317		CAPSCREW,HEX FLG,5/16-18X1.25,GR5,SER,	
8	0829390		NUT,HEX HD,5/16-18,SER WASHER,YEL ZN	
NI	1684448		DECAL,ELECTRICAL PANEL,TC	
NI	1325679		DECAL,WARNING,DISCONNECT MAIN POWER	

Models: A3FE, A3RE, C1FE, CSFE, CSRE, GMCV, QBRE, SBCV, TCFE
CENTER
ACCESS DOOR, ELECTRICAL PANEL

Key	PartNumber	Qty	Description	Comment
-----	------------	-----	-------------	---------



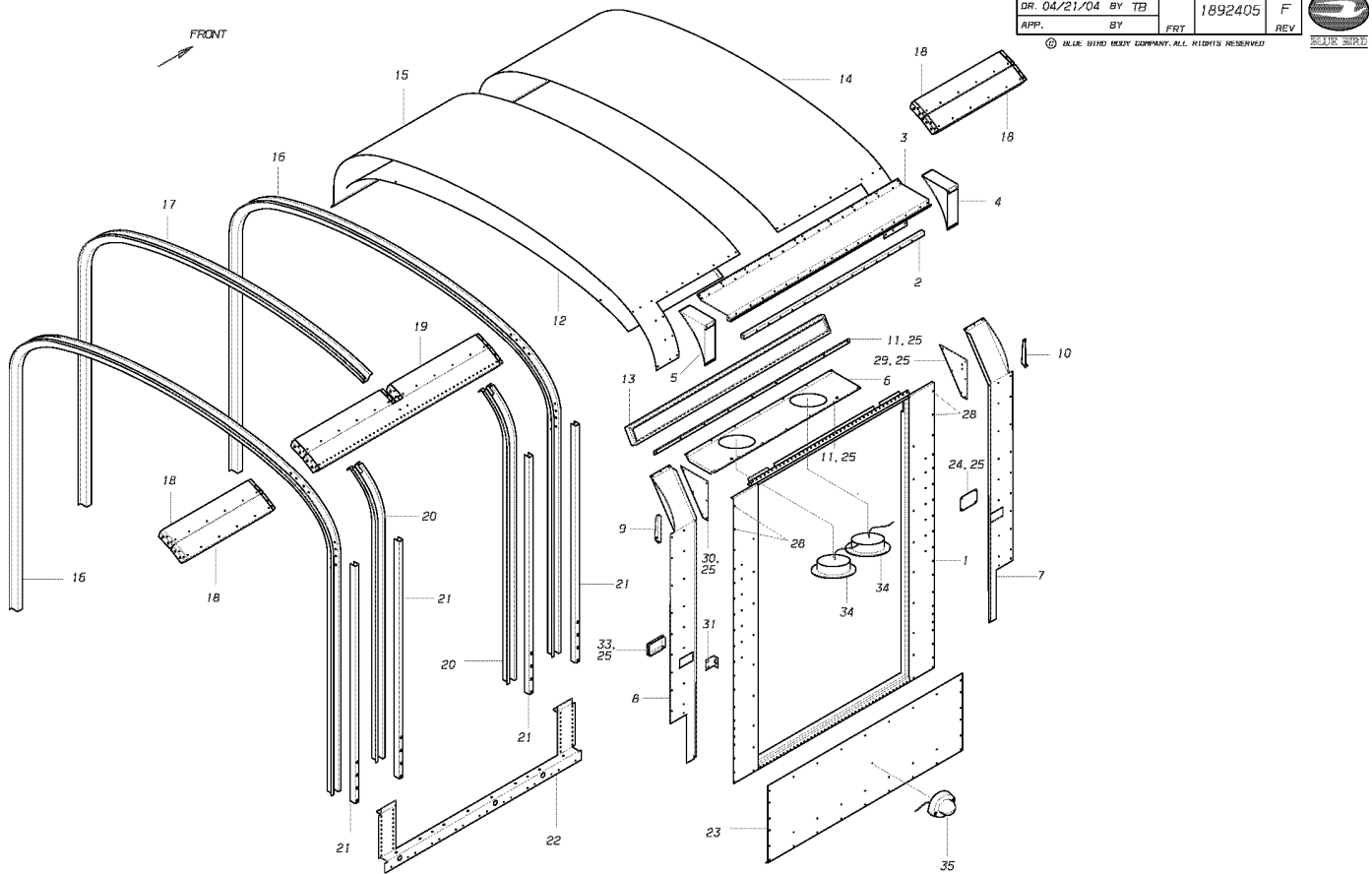
Models: **A3FE, A3RE, C1FE, CSFE, CSRE, GMCV, QBRE, SBCV, TCFE**
CENTER
ACCESS DOOR, ELECTRICAL PANEL

Key	PartNumber	Qty	Description	Comment
1	0027417		LATCH,ADJUSTABLE LEVER,SEALED	<i>STANDARD. NON-LOCKING</i>
1	0027419		LATCH,ADJUSTABLE LEVER,SEALED,LOCKING	<i>FEATURE 30921. LOCKING</i>
2	0027420		GASKET,ADJUSTABLE LEVER,SEALED	
3	0025512		DOOR ASSY,ELECTRICAL ACCESS,,CV/TRANSIT	<i>STANDARD</i>
3	0025601		DOOR ASSY,ELECTRICAL ACS,RH DRV,	<i>OPTION 3480. RH DRIVE</i>
	0040607		LOCK,PLUG,LATCH-0027419	<i>TO CHANGE OVER A NON-LOCKING LATCH TO A LOCKING, ORDER THIS PART.</i>
	0027420		GASKET,ADJUSTABLE LEVER,SEALED	<i>TO CHANGE OVER A NON-LOCKING LATCH TO A LOCKING, ORDER THIS PART.</i>

Models: A3FE, A3RE, SBCV
**CENTER
 ADA LIFT DOOR INSTALLATION
 77 HR**

With Features: OPTION 0460
 To BSN B10115769 F10056064 L10101209 M10119600

Key	PartNumber	Qty	Description	Comment
-----	------------	-----	-------------	---------



Models: A3FE, A3RE, SBCV
CENTER
ADA LIFT DOOR INSTALLATION
77 HR

With Features: **OPTION 0460**
To BSN B10115769 F10056064 L10101209 M10119600

Key	PartNumber	Qty	Description	Comment
1	1621945		FRAME ASSY,43 LIFT DOOR,ADA	
2	1626381		REINFORCEMENT,HEADER,FRM ASSY,77HR,ADA	
3	1631720		CAP,DRIP MOLDING,43 ADA LIFT,77 HR	
4	1632777		CAP ASSY,END,43 ADA LIFT,77 HR,RH	
5	1632785		CAP ASSY,END,43 ADA LIFT,77 HR,LH	
6	1730837		COVER,HEADER,ADA LIFT,77 HR	<i>ENDING WITH BSN B10064349, F10036124, L10059424, M10073980</i>
6	0028034		COVER,HEADER,ADA LIFT,77 HR	<i>BEGIN WITH BSN B10064350, F10036125, L10059425, M10073981</i>
7	1632850		TRIM,FRONT BOW,43 ADA LIFT,INSIDE,77 HR	
8	1632868		TRIM,REAR BOW,43 ADA LIFT,INSIDE,77 HR	
8	1621960		TRIM,REAR BOW,43 ADA LIFT,INSIDE,77 HR,	
9	0973966		CAP,WIRE MOLDING,77HR REAR,LIFT	
10	0973974		CAP,WIRE MOLDING,77HR FRONT,LIFT	
11	1632827		CHANNEL,HEADLINING TRIM,77 HR,ADA LIFT	
12	1635176		PANEL,H/L,28,77 HR,ADA LIFT	
12	1635184		PANEL,H/L,28,12 SS,TSW,77 HR,ADA LIFT	
12	1635200		PANEL,H/L,REAR,77 HR,ADA LIFT	
12	1635218		PANEL,H/L,REAR,12SS/TSW,77 HR,ADA LIFT	
13	1635242		PAD ASSY HDR,43 LIFT DOOR,ADA,4.00 X 57.25	
NI	2001030		WASHER,COUNTERSUNK,NO10,ZN W/ BLUE	
NI	2000594		SCREW,10-16X1-1/2,AB,PH1,OVAL CNSK,YEL	
14	1633007		PANEL,ROOF,O/S,28,ADA LIFT,77 HR,9 SS,FRT	
14	1632983		PANEL,ROOF,O/S,28,ADA LIFT,77 HR,12 SS,FRT	
15	1634955		PANEL,ROOF,O/S,28,ADA LIFT,77 HR,9 SS,RR	
15	1632991		PANEL,ROOF,O/S,28,ADA LIFT,77 HR,12 SS,RR	
16	1831171		BOW,77HR,ADA LIFT,43 DOOR	
17	1831155		BOW,77HR,ADA LIFT,43 DOOR,UPPER	
17	1831205		BOW,77HR,ADA LIFT,TSW	
18	1630292		HEADER ASSY,28,77 HR,ADA LIFT	
18	1630284		HEADER ASSY,35,77 HR,ADA LIFT	
19	1630300		HEADER ASSY,56,LIFT SECT,77 HR,ADA	
20	1830363		BOW ASSY,77HR,ADA LIFT,43 DOOR,	

Models: **A3FE, A3RE, SBCV
CENTER
ADA LIFT DOOR INSTALLATION
77 HR**

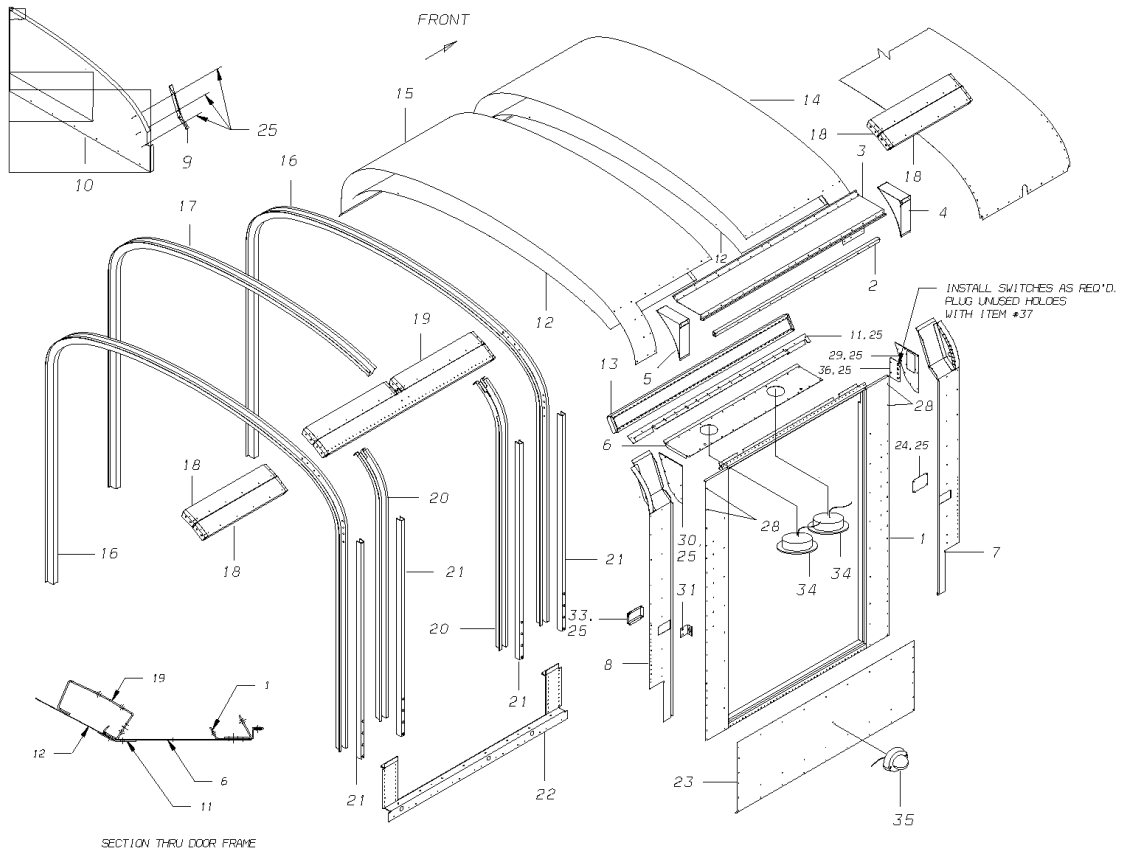
With Features: **OPTION 0460
To BSN B10115769 F10056064 L10101209 M10119600**

Key	PartNumber	Qty	Description	Comment
21	1626332		INSERT,BOW,60.00	
22	1892389		GUSSET,FLOOR,56 SECTION 43 LIFT DR,ADA	
22	1892397		GUSSET,FLOOR,REAR,56,ADA LIFT DOOR	
23	1621853		PANEL,O/SS,56 SECT,16.25 SK,ADA LIFT	
23	1621861		PANEL,O/SS,56 SECT,19.75 SK,ADA LIFT	
23	1621879		PANEL,O/SS,56 SECT,25.75 SK,ADA LIFT	
23	1621895		PANEL,O/SS,REAR,16.25 SK,RH,ADA LIFT	
23	1621911		PANEL,O/SS,REAR,19.75 SK,RH,ADA LIFT	
24	0003954		COVER,BUZZER ACCESS,ADA LIFT DR	
25	1589522		SCREW,10-16 X 3/4,AB,PH1,PAN HD,YEL ZN	
26	1549211		RIVET,CHERRY,SSPVH-204-4	
27	0948539		RIVET,.187 X .437,WAGON BX,SOLID,STL,ZN-NI	
28	2000073		SCREW,1/4-20 X 1,D,HEX HD,YEL ZN DICH	
29	0004937		PLATE,TRIM,INSIDE,ADA LIFT,77 HR	
30	0004945		PLATE,TRIM,INSIDE,ADA LIFT,77 HR,HINGE	
31	1639368		BRACKET,MTG,BUZZER SWITCH,ADA LIFT DR	
NI	0049454		SWITCH ASSY,POW,HORIZONTAL HINGE	
33	0003947		COVER,BUZZER SWITCH,ADA LIFT DR	
34	1392075		LIGHT,BACK-UP,W/CLEAR LENS,W,3-1060-1100	
NI	1334689		SCREW,10-32 X 3/8,F,PH1,PAN HD,YEL ZN	
35	1719293		LAMP,APPROACH,ADA LIFT,KD856-3-3-138	
NI	3940186		BUSHING,NYLON,.500 HEYCO	

Models: A3FE, A3RE, SBCV
CENTER
ADA LIFT DOOR INSTALLATION
77 HR

With Features: OPTION 0460
BSN: From BSN B10115770 F10056065 L10101210

Key	PartNumber	Qty	Description	Comment
-----	------------	-----	-------------	---------



Models: A3FE, A3RE, SBCV
CENTER
ADA LIFT DOOR INSTALLATION
77 HR
With Features: OPTION 0460
BSN: From BSN B10115770 F10056065 L10101210

Key	PartNumber	Qty	Description	Comment
1	1621945		FRAME ASSY,43 LIFT DOOR,ADA	
2	1626381		REINFORCEMENT,HEADER,FRM ASSY,77HR,ADA	
3	1631720		CAP,DRIP MOLDING,43 ADA LIFT,77 HR	
4	1632777		CAP ASSY,END,43 ADA LIFT,77 HR,RH	
5	1632785		CAP ASSY,END,43 ADA LIFT,77 HR,LH	
6	0060517		COVER,HEADER,ADA LIFT	
7	0060519		TRIM ASSY,INSIDE,FRONT BOW,ADA LIFT	
8	0060520		TRIM ASSY,INSIDE,REAR BOW,ADA LIFT,M/M	
8	0060516		TRIM,INSIDE,REAR BOW,ADA LIFT,REAR	
9	0060560		TRIM,FLANGE,REAR UPR INR,ADA LIFT	REAR LIFT LOCATION ONLY
10	0060581		PANEL,INSIDE,RR UPR,W/SCH,BUS SIGN,ADA	
10	0060582		PANEL,INSIDE,REAR UPPER,ADA LIFT	WITHOUT SCHOOL BUS SIGN
11	0060484		TRIM,HEADLINING,ADA LIFT	MID-MOUNT LIFT LOCATION ONLY
11	0060585		TRIM,HEADLINING,ADA LIFT,REAR	REAR LIFT LOCATION ONLY
12	0060530		PANEL,HEADLINING,28 SECTION,ADA LIFT	
12	0060531		PANEL,HEADLINING,28 SECTION,ADA LIFT,PERF	
12	0060533		PANEL,HEADLINING,REAR,28 SECT,ADA LIFT	REAR LIFT LOCATION ONLY
12	0060534		PANEL,HEADLINING,REAR,28 SECT,ADA LIFT,	REAR LIFT LOCATION ONLY
13	1635242		PAD ASSY HDR,43 LIFT DOOR,ADA,4.00 X 57.25	
NI	2001030	6	WASHER,COUNTERSUNK,NO10,ZN W/ BLUE	
NI	2000594	3	SCREW,10-16X1-1/2,AB,PH1,OVAL CNSK,YEL	
14	1632983		PANEL,ROOF,O/S,28,ADA LIFT,77 HR,12 SS,FRT	
15	1632991		PANEL,ROOF,O/S,28,ADA LIFT,77 HR,12 SS,RR	
16	1831171	2	BOW,77HR,ADA LIFT,43 DOOR	
17	1831155		BOW,77HR,ADA LIFT,43 DOOR,UPPER	
17	1831205		BOW,77HR,ADA LIFT,TSW	
18	1630292		HEADER ASSY,28,77 HR,ADA LIFT	
18	1630284		HEADER ASSY,35,77 HR,ADA LIFT	
19	1630300		HEADER ASSY,56,LIFT SECT,77 HR,ADA	
20	1830363	2	BOW ASSY,77HR,ADA LIFT,43 DOOR,	
21	1626332	4	INSERT,BOW,60.00	
22	1892389		GUSSET,FLOOR,56 SECTION 43 LIFT DR,ADA	
22	1892397		GUSSET,FLOOR,REAR,56,ADA LIFT DOOR	

Models: A3FE, A3RE, SBCV
CENTER
ADA LIFT DOOR INSTALLATION
77 HR
With Features: OPTION 0460
BSN: From BSN B10115770 F10056065 L10101210

Key	PartNumber	Qty	Description	Comment
23	1621853		PANEL,O/SS,56 SECT,16.25 SK,ADA LIFT	OPTION 2380-00
23	0090798		PANEL,O/SS,56 SECT,16.25 SK,16 GA,ADA LIFT	OPTION 2380-01
23	1621861		PANEL,O/SS,56 SECT,19.75 SK,ADA LIFT	OPTION 2380-00
23	0090803		PANEL,O/SS,56 SECT,19.75 SK,16 GA,ADA LIFT	OPTION 2380-01
23	1621879		PANEL,O/SS,56 SECT,25.75 SK,ADA LIFT	OPTION 2383-00
23	0090515		PANEL,O/SS,56 SECT,25.75 SK,16 GA,ADA LIFT	OPTION 2383-01
23	1621895		PANEL,O/SS,REAR,16.25 SK,RH,ADA LIFT	OPTION 2380-00
23	0090373		PANEL,OUTSIDE SIDE,RR,16.25SK,16GA,ADA	OPTION 2380-01
23	1621911		PANEL,O/SS,REAR,19.75 SK,RH,ADA LIFT	FEATURE 30959-02. ENDING WITH BSN F10071734
23	0085733		PANEL,O/SS,REAR,19.75 SK,56,RH,ADA LIFT	FEATURE 30959-02. BEGIN WITH BSN F10071735
23	0090402		PANEL,O/SS,REAR,19.75 SKRT,16GA,RH,ADA	FEATURE 30959-03
24	0003954		COVER,BUZZER ACCESS,ADA LIFT DR	
25	1589522	59	SCREW,10-16 X 3/4,AB,PH1,PAN HD,YEL ZN	
26	1549211	40	RIVET,CHERRY,SSPVH-204-4	
27	0948539	98	RIVET,.187 X .437,WAGON BX,SOLID,STL,ZN-NI	
28	2000073	18	SCREW,1/4-20 X 1,D,HEX HD,YEL ZN DICH	
29	0060488		TRIM,INSIDE,UPPER,FRONT BOW,ADA LIFT	
30	0060490		TRIM,INSIDE,UPPER,REAR BOW,ADA LIFT	STANDARD; FEATURE 31010-06
30	0087228		TRIM,INSIDE,UPPER,RR BOW,SEC LOCK,ADA	FEATURE 31010-05
31	1639368		BRACKET,MTG,BUZZER SWITCH,ADA LIFT DR	ENDING WITH BSN F10088394
31	0068042		BRACKET,MTG,BUZZER SWITCH,ADA LIFT	BEGIN WITH BSN F10088395
NI	0049454		SWITCH ASSY,POW,HORIZONTAL HINGE	
33	0003947		COVER,BUZZER SWITCH,ADA LIFT DR	
34	1392075	2	LIGHT,BACK-UP,W/CLEAR LENS,W,3-1060-1100	
NI	1334689	3	SCREW,10-32 X 3/8,F,PH1,PAN HD,YEL ZN	
35	1719293		LAMP,APPROACH,ADA LIFT,KD856-3-3-138	
36	0060970		PLATE,SWITCH,ADA LIFT	FEATURE 30400-01. ASTRO WHITE
36	0076646		PLATE,SWITCH,ADA LIFT,FLORIDA	FEATURE 30400-02. FLORIDA GRAY
36	0076649		PLATE,SWITCH,ADA LIFT,KENTUCKY	FEATURE 30400-03. KENTUCKY BLUE
36	0086960		PLATE,SWITCH,ADA LIFT,GREEN	FEATURE 30400-04. SEA FOAM GREEN
37	1351063		PLUG,BUTTON,BLACK,DP-500,HEYCO 2643	

Models: A3FE, A3RE, SBCV
CENTER
ADA LIFT DOOR INSTALLATION
77 HR
With Features: OPTION 0460
BSN: From BSN B10115770 F10056065 L10101210

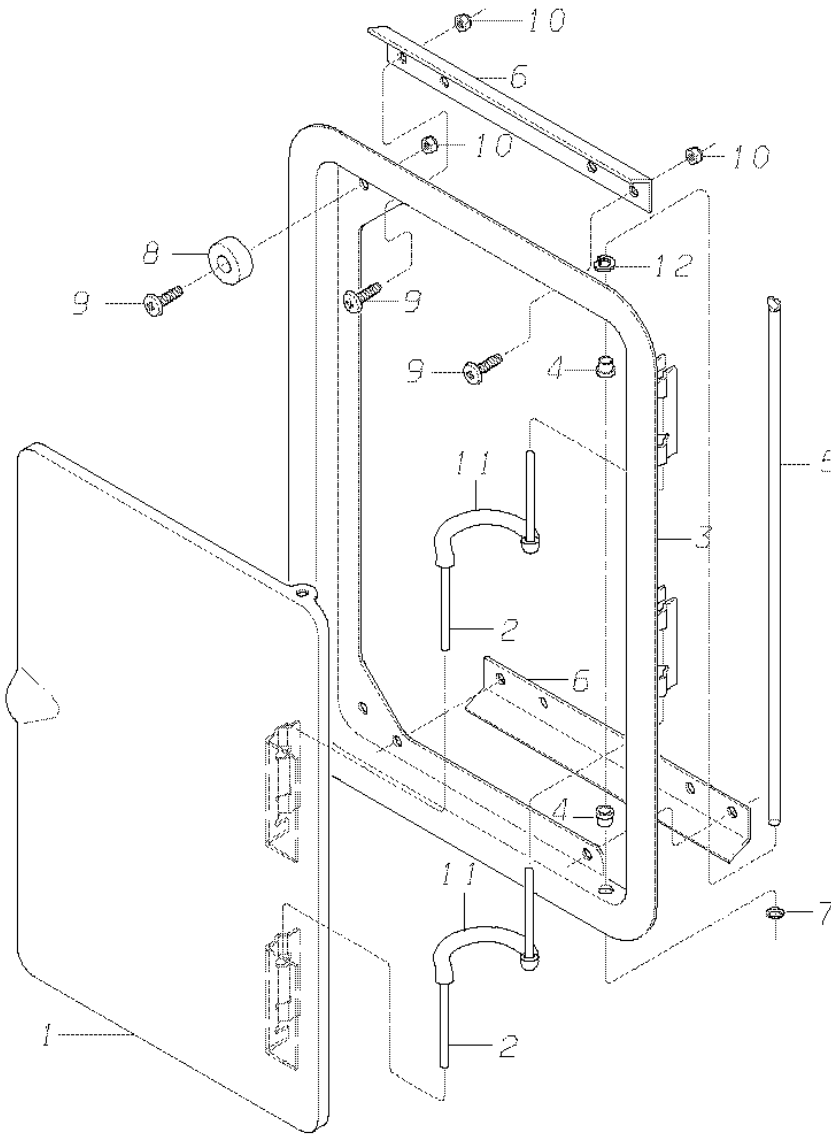
Key	PartNumber	Qty	Description	Comment
NI	1334689	2	SCREW,10-32 X 3/8,F,PH1,PAN HD,YEL ZN	
NI	3940186	14	BUSHING,NYLON,.500 HEYCO	

Models:
TCRE, TSFE

Models: AAFE, AARE, A3FE, A3RE, C1FE, CSFE, CSRE, GMCV, SBCV, T2RE, TCEV, TCPE,

With Features: CENTER
FUEL TANK DOOR
OPTION 0500, 0505 WITH STD. SIDE FRAME TANKS
BSN: From BSN 019277 189393 257284 369946
To BSN B10085469 F10045379 F20045394 L10074839 M10099364

Key	PartNumber	Qty	Description	Comment
-----	------------	-----	-------------	---------



DR	9/21/98	BY	CLM						
APP.	9/21/98	BY	PF	FR	1856228	N	REV		

© BLUE BIRD BODY COMPANY, ALL RIGHTS RESERVED



Models:
TCRE, TSFE

AAFE, AARE, A3FE, A3RE, C1FE, CSFE, CSRE, GMCV, SBCV, T2RE, TCEV, TCPE,

**CENTER
FUEL TANK DOOR**

With Features: **OPTION 0500, 0505 WITH STD. SIDE FRAME TANKS**

BSN: **From BSN 019277 189393 257284 369946**

To BSN B10085469 F10045379 F20045394 L10074839 M10099364


Key	PartNumber	Qty	Description	Comment
	1856228		DOOR & FRAME ASSY,FUEL FILL,LARGE	OPTION 0500. FUEL TANK DOOR
	1857127		DOOR & FRAME ASSY,FUEL FILL,LARGE,E-COAT	OPTION 0500 WITH OPTION 2309. E-COAT
	1857119		DOOR & FRAME ASSY,FUEL FILL,LOCKING,	OPTION 0505. LOCKING FUEL TANK DOOR
	1857135		DOOR & FRAME ASSY,FUEL FILL,LKG,LARGE,	OPTION 0505 WITH OPTION 2309. E-COAT
1	1856202		DOOR ASSY,FUEL FILLER,LARGE	OPTION 0500. FUEL TANK DOOR
1	1856681		DOOR ASSEMBLY,FUEL FILLER,LARGE,E-COAT	OPTION 0500 WITH OPTION 2309. E-COAT
1	1856780		DOOR ASSEMBLY,FUEL FILLER,LK,LARGE,PRIME	OPTION 0505. LOCKING FUEL TANK DOOR
1	1856806		DOOR ASSEMBLY,FUEL FILLER,LK,LARGE,E-	OPTION 0505 WITH OPTION 2309. E-COAT
2	1849595	2	SPRING,FUEL TANK DOOR	
3	1849637		FRAME,FUEL FILL DOOR,LARGE	OPTION 0500, 0505
3	1856723		FRAME,FUEL FILL DOOR,LARGE,E-COAT	OPTION 0500, 0505 WITH OPTION 2309. E-COAT
4	1849561	2	BUSHING,HINGE PIN,FUEL FILL DOOR	
5	1876952		PIN,HINGE,FUEL FILL DOOR,LARGE	
6	1856301	2	RETAINER,FUEL FILL DOOR ASSY	
7	1878412		RETAINER,GROOVELESS RING,PUSH-ON,,.187	
8	1486919	2	BUMPER,RUBBER RECESS,.469 X .719 DIA	
9	1795459	6	SCREW,MACH 10-24X 1/2 P HD,BLK	
10	1469287	6	NUT,HEX,10-24,ELASTIC LOCKNUT,YEL ZN DICH	
11	2003341	7	TUBE,EPDM,,.156ID X .281OD	
12	2001162		LOCKWASHER,SPLIT RING, 3/16,MED,YEL ZN	

Models: A3FE, A3RE, C1FE, CSFE, CSRE, GMCV, SBCV, TCFE
CENTER

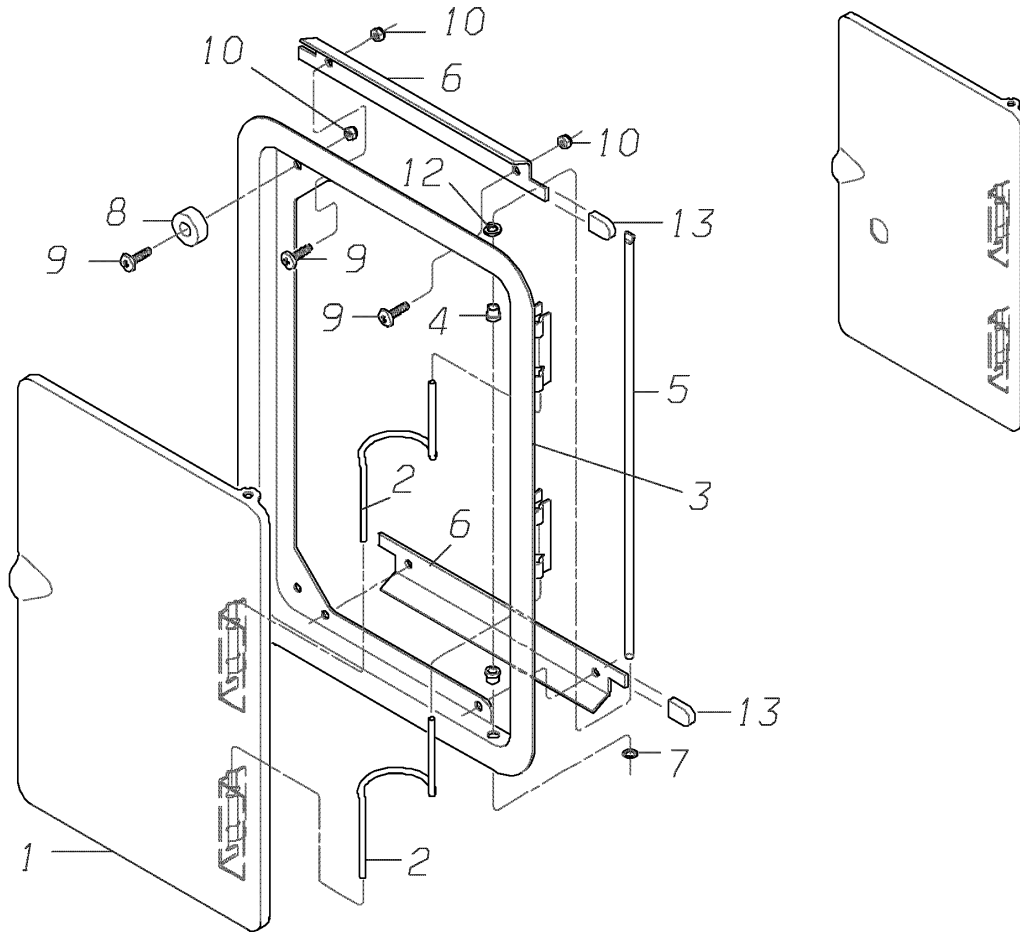
With Features: FUEL TANK DOOR
OPTION 0500, 0505 WITH STD. SIDE FRAME TANKS

BSN: From BSN B10085470 F10045380 F20045395 L10074840 M10099365

Key	PartNumber	Qty	Description	Comment
-----	------------	-----	-------------	---------

DR. 09/16/02	BY TFM	1067127	E	
APP.	BY	FRT	REV	

© BLUE BIRD BODY COMPANY. ALL RIGHTS RESERVED



Models: A3FE, A3RE, C1FE, CSFE, CSRE, GMCV, SBCV, TCFE
CENTER

With Features: FUEL TANK DOOR
OPTION 0500, 0505 WITH STD. SIDE FRAME TANKS

BSN: From BSN B10085470 F10045380 F20045395 L10074840 M10099365

Key	PartNumber	Qty	Description	Comment
	1857127		DOOR & FRAME ASSY,FUEL FILL,LARGE,E-COAT	NON-LOCKING. OPTION 0500
	1857135		DOOR & FRAME ASSY,FUEL FILL,LKG,LARGE,	LOCKING. OPTION 0505
1	1856681		DOOR ASSEMBLY,FUEL FILLER,LARGE,E-COAT	NON-LOCKING. OPTION 0500
1	1856806		DOOR ASSEMBLY,FUEL FILLER,LK,LARGE,E-	LOCKING. OPTION 0505
2	1849595		SPRING,FUEL TANK DOOR	
3	1856723		FRAME,FUEL FILL DOOR,LARGE,E-COAT	
4	1849561		BUSHING,HINGE PIN,FUEL FILL DOOR	
5	1876952		PIN,HINGE,FUEL FILL DOOR,LARGE	
6	0040128		RETAINER,FUEL FILL DOOR ASSY,LARGE	
7	1878412		RETAINER,GROOVELESS RING,PUSH-ON,.187	
8	1486919		BUMPER,RUBBER RECESS,.469 X .719 DIA	
9	1795459		SCREW,MACH 10-24X 1/2 P HD,BLK	
10	1469287		NUT,HEX,10-24,ELASTIC LOCKNUT,YEL ZN DICH	
12	2001162		LOCKWASHER,SPLIT RING, 3/16,MED,YEL ZN	
13	0038825		PAD,STOP,FUEL TANK DOOR	

Models:
TCRE, TSFE

Models: AAFE, AARE, A3FE, A3RE, C1FE, CSFE, CSRE, GMCV, SBCV, T2RE, TCEV, TCFE,

**CENTER
FUEL TANK DOOR**

With Features: OPTION 0500, 0505 WITH OPTION 4581, 4607, 24619 (MID-MOUNT TANKS)

BSN: From BSN 019277 189393 257284 369946

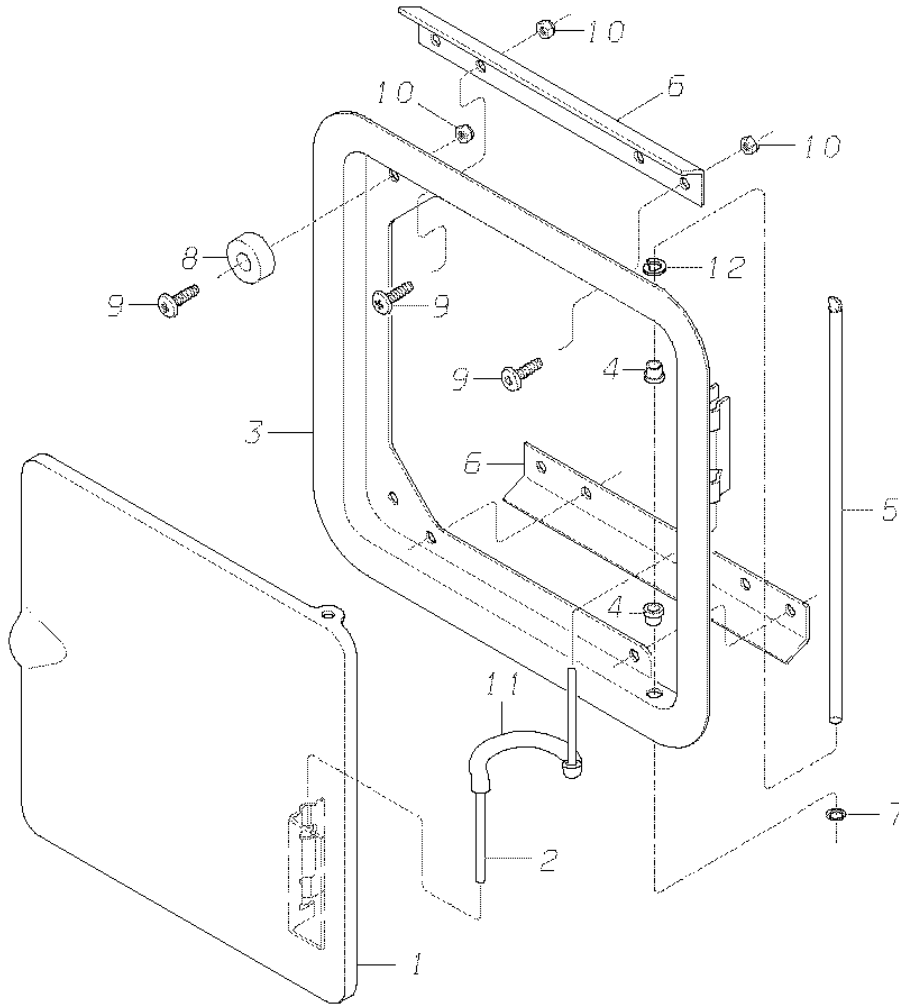
To BSN B10085469

F10045379 F20045394 L10074839 M10099364

Key	PartNumber	Qty	Description	Comment
-----	------------	-----	-------------	---------

DR. 9/23/98 BY JL	-----	1856210	G
APP. 9/23/98 BY AB	FPT		REV

© BLUE BIRD BODY COMPANY ALL RIGHTS RESERVED



Models:
TCRE, TSFE

AAFE, AARE, A3FE, A3RE, C1FE, CSFE, CSRE, GMCV, SBCV, T2RE, TCEV, TCPE,

**CENTER
FUEL TANK DOOR**

With Features: **OPTION 0500, 0505 WITH OPTION 4581, 4607, 24619 (MID-MOUNT TANKS)**

BSN: **From BSN 019277 189393 257284 369946**

To BSN B10085469

F10045379 F20045394 L10074839 M10099364

Key	PartNumber	Qty	Description	Comment
	1856210		DOOR & FRAME ASSY,FUEL FILL,SMALL"	OPTION 0500. FUEL TANK DOOR
	1857085		DOOR & FRAME ASSY,FUEL FILL,SMALL,E-COAT	OPTION 0500 WITH OPTION 2309. E-COAT
	1857101		DOOR & FRAME ASSY,FUEL FILL,LOCKING,	OPTION 0505. LOCKING FUEL TANK DOOR
	1857093		DOOR & FRAME ASSY,FUEL FILL,LKG,SMALL,	OPTION 0505 WITH OPTION 2309. E-COAT
1	1856194		DOOR ASSY,FUEL FILLER,SMALL	OPTION 0500. FUEL TANK DOOR
1	1856665		DOOR ASSEMBLY,FUEL FILLER,SMALL,E-COAT	OPTION 0500 WITH OPTION 2309. E-COAT
1	1856756		DOOR ASSEMBLY,FUEL FILLER,LK,SMALL,PRIME	OPTION 0505. LOCKING FUEL TANK DOOR
1	1856772		DOOR ASSY,FUEL FILLER,LK,SMALL,E-COAT	OPTION 0505 WITH OPTION 2309. E-COAT
2	1849595		SPRING,FUEL TANK DOOR	
3	1849629		FRAME,FUEL FILL DOOR,SMALL	OPTION 0500, 0505
3	1856707		FRAME,FUEL FILL DOOR,SMALL,E-COAT	OPTION 0500, 0505 WITH OPTION 2309. E-COAT
4	1849561	2	BUSHING,HINGE PIN,FUEL FILL DOOR	
5	1876960		PIN,HINGE,FUEL FILL DOOR,SMALL	
6	1856301	2	RETAINER,FUEL FILL DOOR ASSY	
7	1878412		RETAINER,GROOVELESS RING,PUSH-ON,,.187	
8	1486919	2	BUMPER,RUBBER RECESS,.469 X .719 DIA	
9	1795459	6	SCREW,MACH 10-24X 1/2 P HD,BLK	
10	1469287	6	NUT,HEX,10-24,ELASTIC LOCKNUT,YEL ZN DICH	
11	2003341	4&	TUBE,EPDM,,.156ID X .281OD	
12	2001162		LOCKWASHER,SPLIT RING, 3/16,MED,YEL ZN	


Models: A3FE, A3RE, CSFE, CSRE, GMCV, SBCV, TCFE


**CENTER
FUEL TANK DOOR**

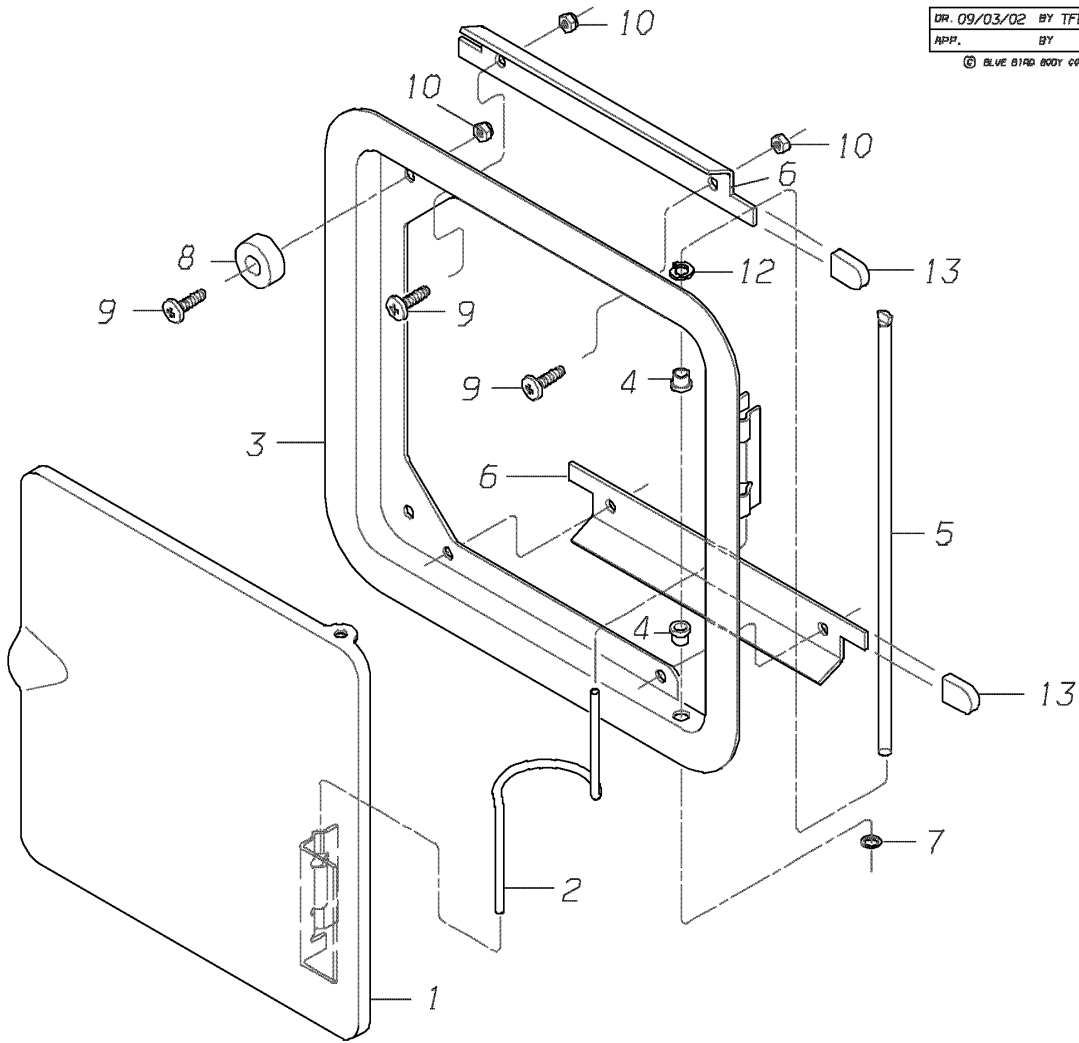
With Features: OPTION 0500, 0505 WITH OPTION 4581, 4607, 24619 (MID-MOUNT TANKS)

BSN: From BSN B10085470 F10045380 F20045395 L10074840 M10099365

Key	PartNumber	Qty	Description	Comment
-----	------------	-----	-------------	---------

DR. 09/03/02	BY TFM	1857085	D	
APP.	BY	PRT	REV	

© BLUE BIRD BODY COMPANY. ALL RIGHTS RESERVED 



Models: A3FE, A3RE, CSFE, CSRE, GMCV, SBCV, TCFC
CENTER

With Features: FUEL TANK DOOR
OPTION 0500, 0505 WITH OPTION 4581, 4607, 24619 (MID-MOUNT TANKS)

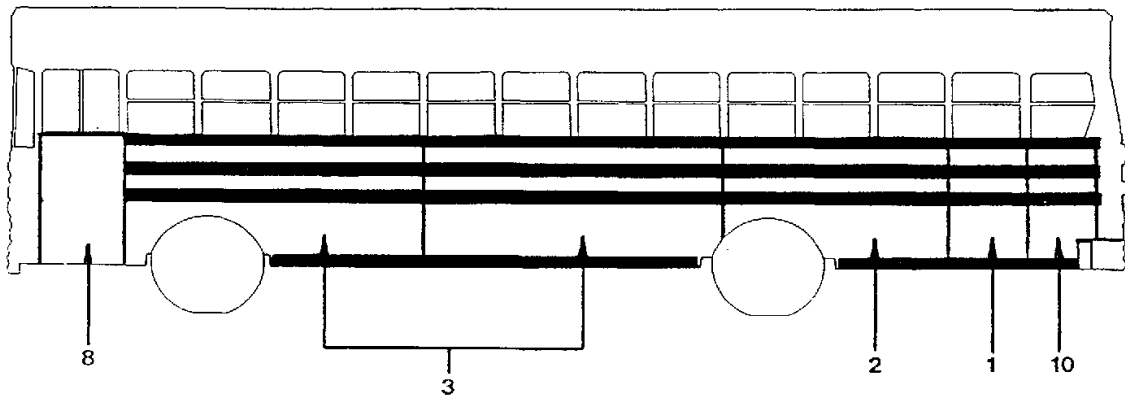
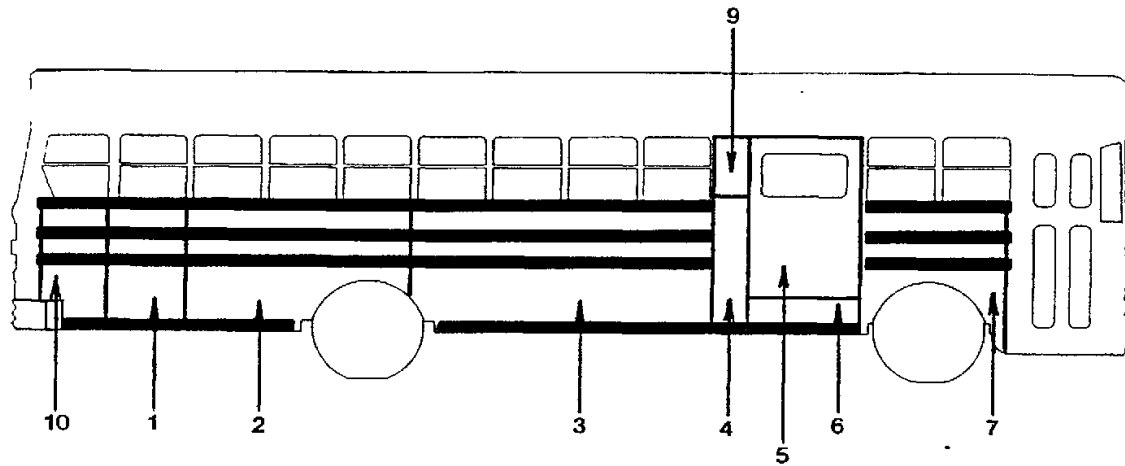
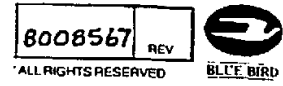
BSN: From BSN B10085470 F10045380 F20045395 L10074840 M10099365

Key	PartNumber	Qty	Description	Comment
	1857085		DOOR & FRAME ASSY,FUEL FILL,SMALL,E-COAT	NON-LOCKING. OPTION 0500
	1857093		DOOR & FRAME ASSY,FUEL FILL,LKG,SMALL,	LOCKING. OPTION 0505
1	1856665		DOOR ASSEMBLY,FUEL FILLER,SMALL,E-COAT	NON-LOCKING. OPTION 0500
1	1856772		DOOR ASSY,FUEL FILLER,LK,SMALL,E-COAT	LOCKING. OPTION 0505
2	1849595		SPRING,FUEL TANK DOOR	
3	1856707		FRAME,FUEL FILL DOOR,SMALL,E-COAT	
4	1849561		BUSHING,HINGE PIN,FUEL FILL DOOR	
5	1876960		PIN,HINGE,FUEL FILL DOOR,SMALL	
6	0040127		RETAINER,FUEL FILL DOOR ASSY	
7	1878412		RETAINER,GROOVELESS RING,PUSH-ON,.187	
8	1486919		BUMPER,RUBBER RECESS,.469 X .719 DIA	
9	1795459		SCREW,MACH 10-24X 1/2 P HD,BLK	
10	1469287		NUT,HEX,10-24,ELASTIC LOCKNUT,YEL ZN DICH	
12	2001162		LOCKWASHER,SPLIT RING, 3/16,MED,YEL ZN	
13	0038825		PAD,STOP,FUEL TANK DOOR	

Models: A3RE, TCRE
CENTER
OUTSIDE SIDE PANELS

Key	PartNumber	Qty	Description	Comment
-----	------------	-----	-------------	---------

OUTSIDE SIDE PANELS



Models: A3RE, TCRE
**CENTER
 OUTSIDE SIDE PANELS**

Key	PartNumber	Qty	Description	Comment
1	0837567		PANEL,O/SS,28,19 3/4 SK	STANDARD
1	0837336		PANEL,O/SS,28,19 3/4 SK	OPTION 2380
1	0832121		PANEL,O/SS,28,19 3/4 SK,FMVSS 221,G-60	OPTION 3475
1	0836593		PANEL,O/SS,28,19.75 SK,SMOOTH,16 GA,221	OPTION 2380 WITH OPTION 3475
1	0837559		PANEL,O/SS,35	STANDARD
1	0837328		PANEL,O/SS,35,19 3/4 SK,NY	OPTION 2380
1	0834853		PANEL,O/SS,35,19 3/4 SK	OPTION 3475
1	0836635		PANEL,O/SS,35,19.75 SK,SMOOTH,16 GA,221	OPTION 2380 WITH OPTION 3475
2				NOT APPLICABLE
3	0832162		PANEL,O/SS,112,19 3/4 SK	OPTION 3475
4	1259670		PANEL,O/SS,10 1/2,19 3/4 SK,FMVSS221	STANDARD; OPTION 3475
4	1259449		PANEL,O/SS,10 1/2,19 3/4 SK,NY,FMVSS221	OPTION 2380; OPTION 2380 WITH OPTION 3475
5				SEE SECTION ON DOORS, GROUP 350.
6	1260108		PANEL,O/SS,45 1/2,40 LIFT,19 3/4 SK	STANDARD; OPTION 3475
6	1260116		PANEL,O/SS,45 1/2,40 LIFT,19 3/4 SK,NY	OPTION 2380; OPTION 2380 WITH OPTION 3475
7	1506286		PANEL,O/SS,56 SECT,19.75 SK,FMVSS 221,G	OPTION 3475
NI	1419548		TRIM,FRONT BOW	TCRE. STANDARD. ENDING WITH BSN 185592
NI	1785427		TRIM,FRONT BOW,23.00	TCRE. STANDARD. BEGIN WITH BSN 185593
NI	1744416		TRIM,FRONT BOW,RH DRIVE	TCRE. OPTION 3480. ENDING WITH BSN 185592
NI	1796721		TRIM,FRONT BOW,23.00 STEP,RH DR, TC	TCRE. OPTION 3480. BEGIN WITH BSN 185593
NI	1782598		TRIM,FRONT BOW,24.75 STEP,TCFE	A3RE. FEATURE 30977-02, -03, -04
8	1383199		PANEL ASSY,DRIVERS,O/S,16GA,W/ACC,TCFC	STANDARD; OPTION 2380. ENDING WITH CSN 981024
8	1540665		PANEL ASSY,O/S,DRV,W/ACCESS,16GA, TCFC	STANDARD; OPTION 2380. FROM CSN 981025 TO 984863
8	1628114		PANEL ASSY,O/S,DRV,W/ACCESS,16GA,	STANDARD; OPTION 2380. BEGIN WITH CSN 984864
8	1383207		PANEL ASSY,DRIVERS,O/S,16GA,W/ACC,221,	OPTION 2380 WITH OPTION 3475. ENDING WITH CSN 981024
8	1540913		PANEL ASSY,O/S,DRV,W/ACCESS,16GA,DOT,	OPTION 2380 WITH OPTION 3475. FROM CSN 981025 TO 984863
8	1628122		PANEL ASSY,O/S,DRV,W/ACCESS,16GA,221,	OPTION 2380 WITH OPTION 3475. BEGIN WITH CSN 984864

Models: **A3RE, TCRE**
CENTER
OUTSIDE SIDE PANELS

Key	PartNumber	Qty	Description	Comment
9				<i>BOW CAPS, GROUP 300.</i>
10				<i>SEE "REAR" IN THIS GROUP OR GROUP 320 FOR OUTSIDE SIDE REAR PANELS.</i>
NI	1374776		RIM,WHEELHOUSING,PRIMED	
NI	0060400		FENDER,RUBBER	<i>OPTION 600, 605</i>
NI	0193409		RETAINER,RUBBER FENDER	<i>OPTION 600, 605</i>
NI	1499193		TRIM,STEPWELL TO SKIRT,23 STEP,19.75, TCRE	
NI	1561620		MOLDING,DRIP,ENTRANCE DOOR,36.75,TC	

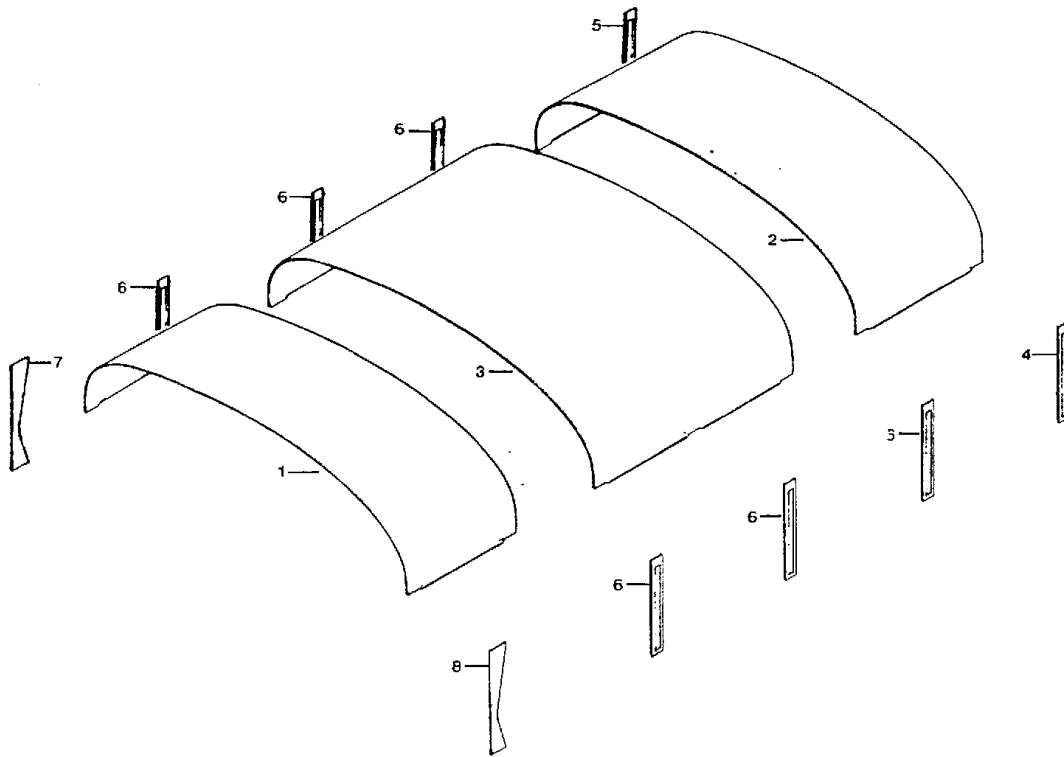
Models: A3RE, TCRE
 CENTER
 ROOF PANELS & BOW CAPS

Key	PartNumber	Qty	Description	Comment
-----	------------	-----	-------------	---------

ROOF PANELS & BOW CAPS

DR 6/11/84 BY JET	8002990
APP	BY

© 1984 BLUE BIRD BODY COMPANY
 ALL RIGHTS RESERVED



90AAF300

PAGE 015

Models: A3RE, TCRE
**CENTER
 ROOF PANELS & BOW CAPS**

Key	PartNumber	Qty	Description	Comment
1	1074913		PANEL,ROOF,O/S,28,74HR	STANDARD
1	1085778		PANEL,ROOF,O/S,28	OPTION 3339
1	1086719		PANEL,ROOF,O/S,28,12 SS,TSW,77HR	OPTION 3337
1	1086461		PANEL,ROOF,O/S,28,77HR	OPTION 3473
2	1551282		PANEL,ROOF,O/S,FRT,74HR,36.75, TC	J/K DOOR ONLY. STANDARD 74 HR. ENDING WITH BSN 184148
2	1842434		PANEL,ROOF,O/S,FRT,W/VENT,74HR,TC	J/K DOOR ONLY. STANDARD 74 HR. BEGIN WITH BSN 184149
2	1554716		PANEL,ROOF,O/S,FRT,W/O VENT,74HR,36.75,	J/K DOOR ONLY. OPTION 7266, 74 HR. ENDING WITH BSN 184148
2	1842426		PANEL,ROOF,O/S,FRT,W/O VENT,74HR, TC	J/K DOOR ONLY. OPTION 7266, 74 HR. BEGIN WITH BSN 184149
2	1551290		PANEL,ROOF,O/S,FRT,77HR,36.75, TC	J/K DOOR ONLY. OPTION 3337, 3473, 74 HR. ENDING WITH BSN 184148
2	1842418		PANEL,ROOF,O/S,FRT,W/VENT,77HR,TC	J/K DOOR ONLY. OPTION 3337, 3473, 74 HR. BEGIN WITH BSN 184149
2	1554724		PANEL,ROOF,O/S,FRT,W/O VENT,77HR,36.75,	J/K DOOR ONLY. OPTION 3337, 3473 W/ OPTION 7266, 77 HR. ENDING WITH BSN 184148
2	1842400		PANEL,ROOF,O/S,FRT,W/O VENT,77HR, TC	J/K DOOR ONLY. OPTION 3337, 3473 W/ OPTION 7266, 77 HR. BEGIN WITH BSN 184149
2	1789601		PANEL,ROOF,OUTSIDE,FRT,W/VENT,74HR,OO	O/O DOOR ONLY. STANDARD, 74 HR. ENDING WITH BSN 188045
2	1842236		PANEL,ROOF,O/S,FRT,W/VENT,74HR,O/O DR,TC	O/O DOOR ONLY. STANDARD, 74 HR. BEGIN WITH BSN 188046
2	1789619		PANEL,ROOF,OUTSIDE,FRT,W/O VENT,74,OO	O/O DOOR ONLY. OPTION 7266, 74 HR. ENDING WITH BSN 188045
2	1842244		PANEL,ROOF,O/S,FRT,W/O VENT,74HR,O/O DR,	O/O DOOR ONLY. OPTION 7266, 74 HR. BEGIN WITH BSN 188046
2	1789635		PANEL,ROOF,OUTSIDE,FRT,W/VENT,77HR,OO	O/O DOOR ONLY. OPTION 3473, 77 HR. ENDING WITH BSN 188045
2	1842269		PANEL,ROOF,O/S,FRT,W/VENT,77HR,O/O DR,TC	O/O DOOR ONLY. OPTION 3473, 77 HR. BEGIN WITH BSN 188046
2	1789643		PANEL,ROOF,OUTSIDE,FRT,W/O VENT,77,OO	O/O DOOR ONLY. OPTION 3473 WITH OPTION 7266, 77 HR. ENDING WITH BSN 188045
2	1842251		PANEL,ROOF,O/S,FRT,W/O VENT,77HR,O/O DR,	O/O DOOR ONLY. OPTION 3473 WITH OPTION 7266, 77 HR. BEGIN WITH BSN 188046
NI	1842434		PANEL,ROOF,O/S,FRT,W/VENT,74HR,TC	STANDARD. 74 HR WITH OPTION 3255

Models: A3RE, TCRE
**CENTER
 ROOF PANELS & BOW CAPS**

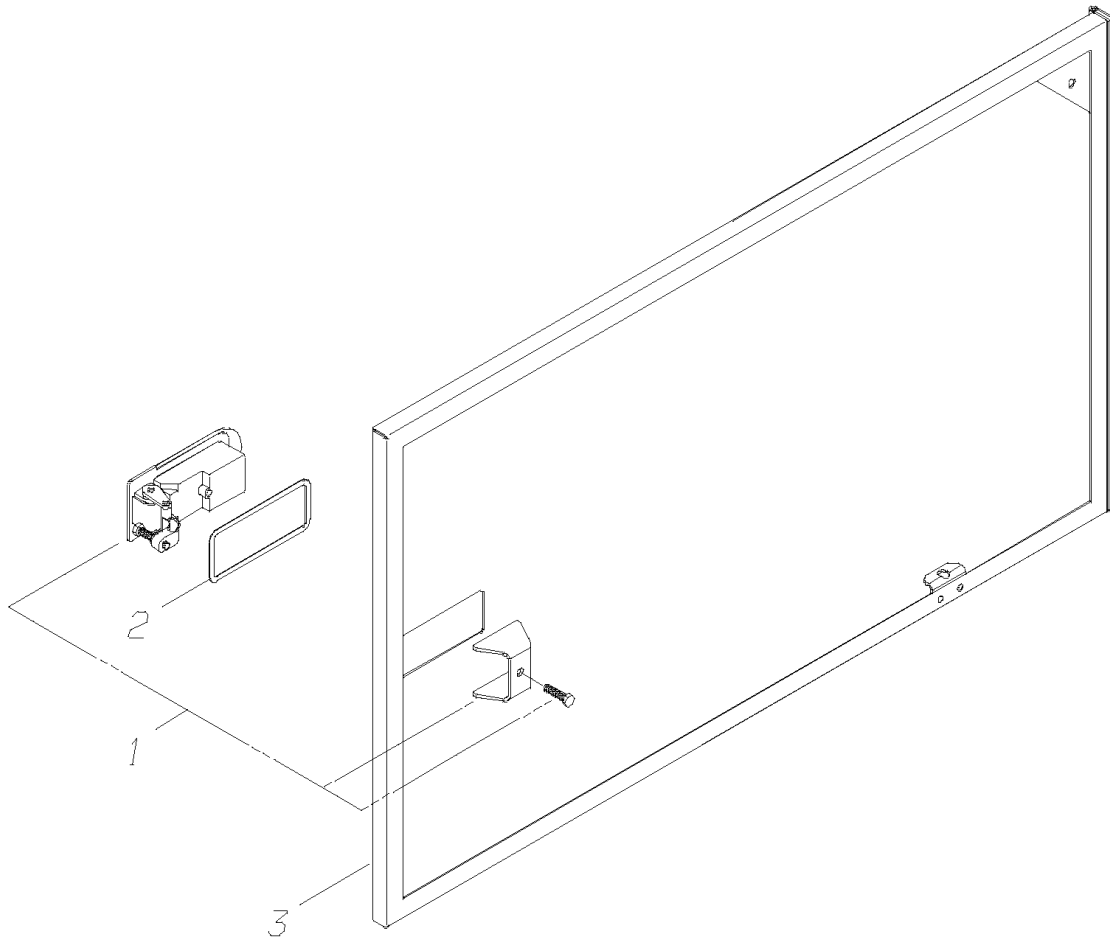
Key	PartNumber	Qty	Description	Comment
NI	1842418		PANEL,ROOF,O/S,FRT,W/VENT,77HR,TC	OPTION 3255
NI	0261149		VENT ASSY,STATIC AIR,ROOF	OPTION 3255
NI	0236307		COLLAR,STATIC AIR VENT	OPTION 3255
3	1074913		PANEL,ROOF,O/S,28,74HR	STANDARD
3	1086719		PANEL,ROOF,O/S,28,12 SS,TSW,77HR	OPTION 3337
3	1085778		PANEL,ROOF,O/S,28	OPTION 3339
3	1086461		PANEL,ROOF,O/S,28,77HR	OPTION 3473
3	1074921		PANEL,ROOF,O/S,35,74HR	STANDARD
3	1086727		PANEL,ROOF,O/S,35,12 SS,TSW,77HR	OPTION 3337
3	1085786		PANEL,ROOF,O/S,35,38 1/4 X 110 1/16	OPTION 3339
3	1086479		PANEL,ROOF,O/S,35,77HR	OPTION 3473
3	1074996		PANEL,ROOF,O/S,56,74HR	STANDARD
3	1086735		PANEL,ROOF,O/S,56,12 SS,TSW,77HR	OPTION 3337
3	1085794		PANEL,ROOF,O/S,56,59 1/2 X 110 1/16	OPTION 3339
3	1086511		PANEL,ROOF,O/S,56,77HR	OPTION 3473
4	0864942		BOW CAP,FRONT,STD WDO,HANDY BUS,FMVSS	STANDARD; OPTION 3475
4	0876565		TRIM,RIGHT FRONT,BOW CAP,12SS	OPTION 3337 OR 3339
5	1511831		BOW CAP,OUTER,LH FRONT	STANDARD
5	1511823		BOW CAP,OUTER,LH FRONT,FMVSS221	OPTION 3475
5	1511849		BOW CAP,OUTER,LH FRONT,W/O RR FLG	OPTION 3337; 3339
5	1554609		BOW CAP,OUTER,12SS,L/F,FMVSS221,36.75, TC	OPTION 3337; 3339 WITH OPTION 3475
6	1536705		BOW CAP,OUTER,STANDARD,FMVSS221	STANDARD OR OPTION 3475
6	1536614		BOW CAP,OUTER,12SS WINDOW,FMVSS221	OPTION 3337; 3339 OR OPTION 3337; 3339 WITH OPTION 3475
7	1536721		BOW CAP,OUTER,FRONT,SIDE EM DR,FMVSS221	STANDARD OR OPTION 3475
7	1536630		BOW CAP,OUTER,12SS WINDOW,L/R,FMVSS221	OPTION 3337; 3339 OR OPTION 3337; 3339 WITH OPTION 3475
8	1536713		BOW CAP,OUTER,FRONT,SIDE EX DR,FMVSS221	STANDARD OR OPTION 3475
8	1536622		BOW CAP,OUTER,12SS,L/F & R/R,FMVSS221	OPTION 3337; 3339 OR OPTION 3337; 3339 WITH OPTION 3475
NI	1536713		BOW CAP,OUTER,FRONT,SIDE EX DR,FMVSS221	OPTION 3475
NI	1536721		BOW CAP,OUTER,FRONT,SIDE EM DR,FMVSS221	OPTION 3475
NI	1268200		BOW CAP,O/S,10 1/2 BLIND SECT,FRONT,40	STANDARD
NI	1261312		BOW CAP,O/S,10 BLIND SECT,FRT,40 LIFT,12SS	OPTION 3337 OR 3339 STANDARD

Models: A3RE, TCRE
CENTER
ROOF PANELS & BOW CAPS

Key	PartNumber	Qty	Description	Comment
NI	1261304		BOW CAP,O/S,10 BLIND SECT,REAR,40	OPTION 3337 OR 3339

Models: A3RE
CENTER
U.K. UNITS ONLY
ACCESS DOOR, ELECTRICAL PANEL

Key	PartNumber	Qty	Description	Comment
-----	------------	-----	-------------	---------



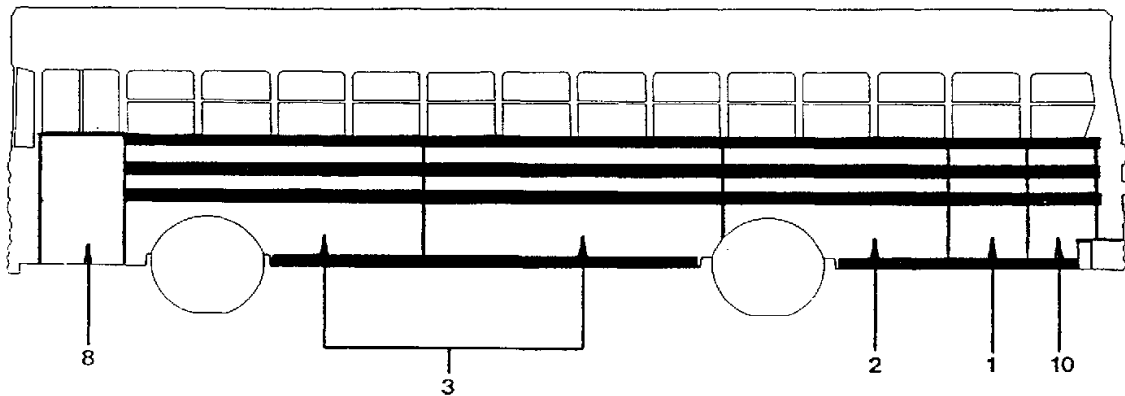
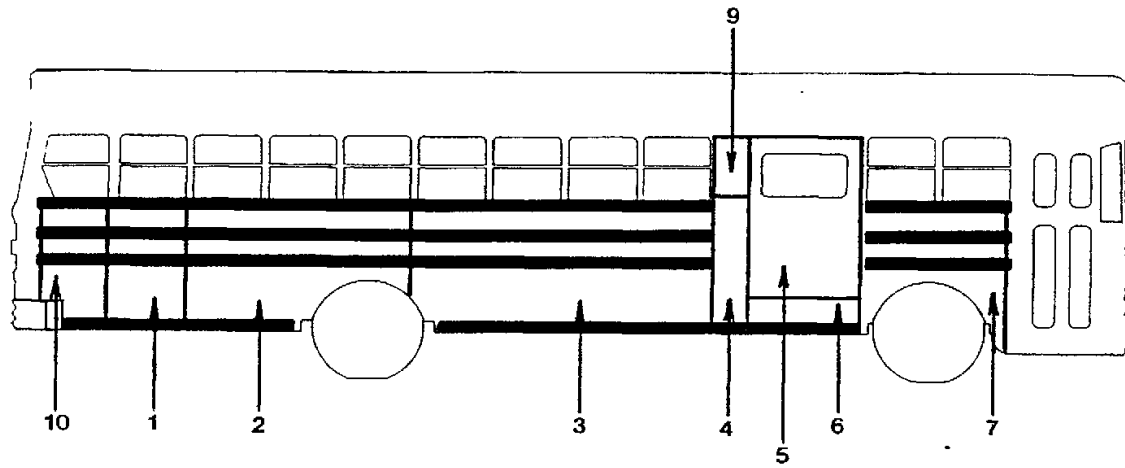
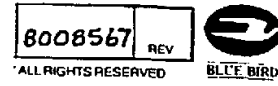
Models: **A3RE**
CENTER
U.K. UNITS ONLY
ACCESS DOOR, ELECTRICAL PANEL

Key	PartNumber	Qty	Description	Comment
1	0027417		LATCH,ADJUSTABLE LEVER,SEALED	
1	0027419		LATCH,ADJUSTABLE LEVER,SEALED,LOCKING	
2	0027420		GASKET,ADJUSTABLE LEVER,SEALED	
3	0025601		DOOR ASSY,ELECTRICAL ACS,RH DRV,	

Models: A3RE
CENTER
U.K. UNITS ONLY
OUTSIDE SIDE PANELS

Key	PartNumber	Qty	Description	Comment
-----	------------	-----	-------------	---------

OUTSIDE SIDE PANELS



Models: **A3RE**
CENTER
U.K. UNITS ONLY
OUTSIDE SIDE PANELS

Key	PartNumber	Qty	Description	Comment
1	1369610		PANEL,O/SS,28,25.75 SK,SMOOTH,16 GA,221	
1	1369750		PANEL,O/SS,35,25.75 SK,SMOOTH,16 GA,221	
2				REFER TO KEY #1.
3				REFER TO KEY #1.
4				REFER TO TABLE OF CONTENTS FOR "DOORS".
5				REFER TO TABLE OF CONTENTS FOR "DOORS".
NI	1570100		MOLDING,DRIP,28,SIDE EMERGENCY DR,FMVSS	
6				REFER TO TABLE OF CONTENTS FOR "DOORS".
7				REFER TO KEY #1.
NI	0045979		TRIM,STEP TO SKRT,25.75 STP,24.75 SKRT RHD	
NI	0043873		TRIM,FRONT BOW,25.75 STEP, UK-RHD	
8	0025711		PANEL ASSY,O/S DRV,25.75 SKT,16GA,RH	
9				REFER TO TABLE OF CONTENTS FOR "DOORS".
10	1886407		PANEL,O/SS,RR,25.75SK,16GA,RH,SED,HD BX,	A DETAILED DRAWING OF KEY #10 IS SEEN ON THE "EXTERIOR, REAR" DRAWING LOCATED IN THIS GROUP.
10	1886415		PANEL,OS/S,RR,25.75SK,16GA,LH,W/COOLER,	A DETAILED DRAWING OF KEY #10 IS SEEN ON THE "EXTERIOR, REAR" DRAWING LOCATED IN THIS GROUP.
NI	0046470		MOLDING,DRIP,ENTRANCE DOOR,36.75,UK-	
NI	0020786		RIM,WHEELHOUSING,FRT,25.75 SKIRT,E-COAT,	
NI	0020789		RIM,WHEELHOUSING,REAR,25.75 SKIRT,E-	
NI	0060400		FENDER,RUBBER	OPTION 0600, 0605
NI	1659036		RETAINER,RUBBER FENDER	OPTION 0600, 0605

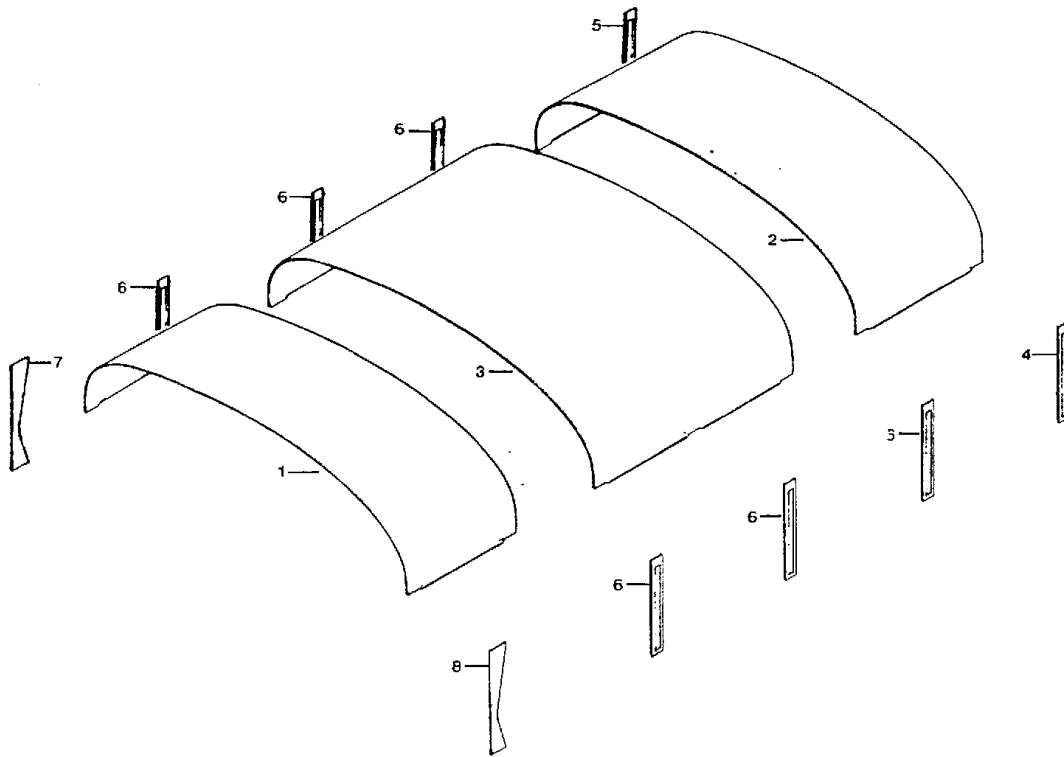
Models: A3RE
CENTER
U.K. UNITS ONLY
ROOF PANELS & BOW CAPS

Key	PartNumber	Qty	Description	Comment
-----	------------	-----	-------------	---------

ROOF PANELS & BOW CAPS

DR 6/11/84 BY JET	8002990
APP	BY

© 1984 BLUE BIRD BODY COMPANY
ALL RIGHTS RESERVED



90AAF300

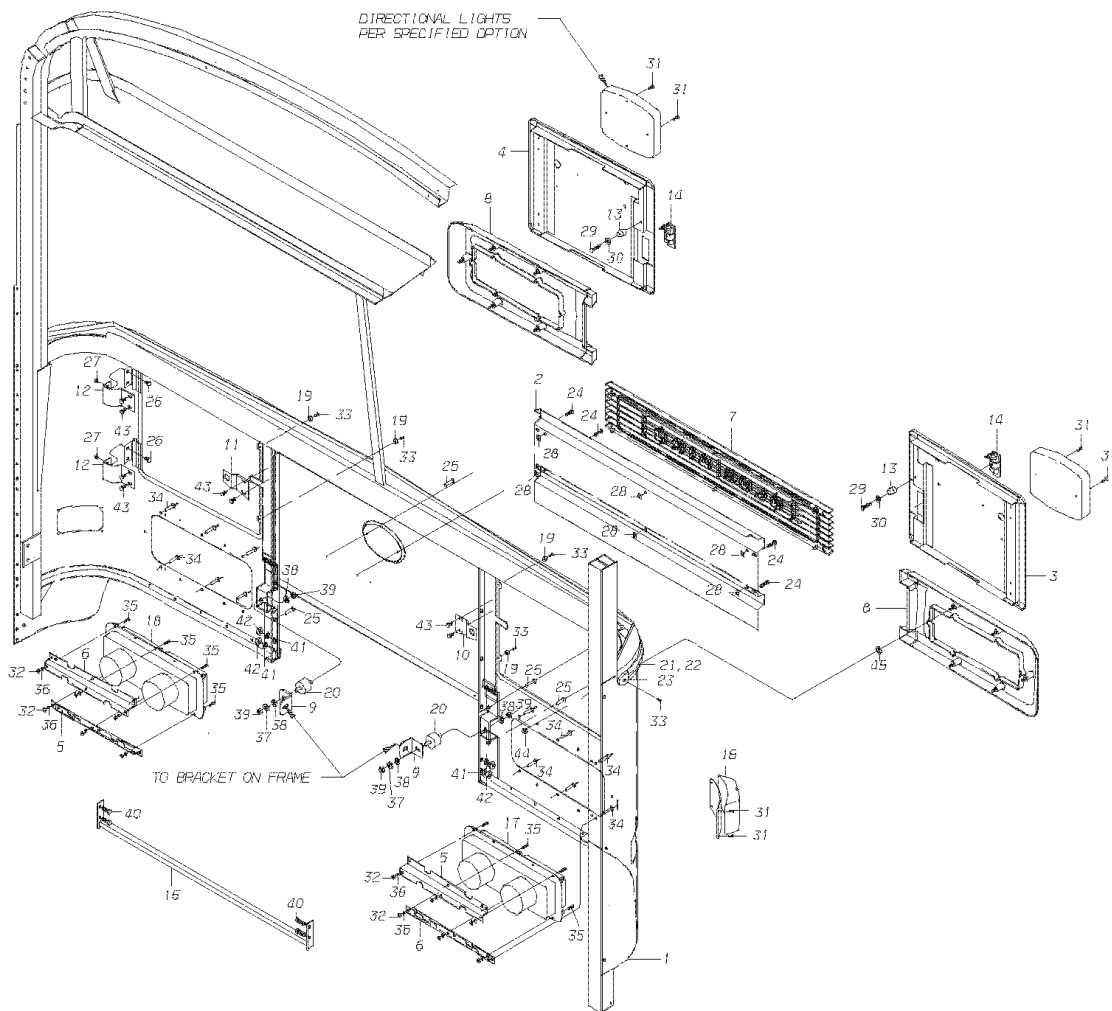
PAGE 015

Models: **A3RE**
CENTER
U.K. UNITS ONLY
ROOF PANELS & BOW CAPS

Key	PartNumber	Qty	Description	Comment
1	1086719		PANEL,ROOF,O/S,28,12 SS,TSW,77HR	31 1/4 X 114 3/4
2	1983915		PANEL,ROOF,O/S,FRT,W/VENT,77HR,RH DRV,	
NI	0261149		VENT ASSY,STATIC AIR,ROOF	
3	1086719		PANEL,ROOF,O/S,28,12 SS,TSW,77HR	31 1/4 X 114 3/4
3	1086727		PANEL,ROOF,O/S,35,12 SS,TSW,77HR	38 1/4 X 114 3/4
3	1086735		PANEL,ROOF,O/S,56,12 SS,TSW,77HR	59 1/2 X 114 3/4
4	1796887		BOW CAP,FRONT,OUTER,RH,12 SS WDO,RH DR,	
5	1796861		BOW CAP,FRONT,OUTER,LH,12 SS WDO,RH DR,	
6	1536614		BOW CAP,OUTER,12SS WINDOW,FMVSS221	
7	1536630		BOW CAP,OUTER,12SS WINDOW,L/R,FMVSS221	
8	1536622		BOW CAP,OUTER,12SS,L/F & R/R,FMVSS221	

Models: **A3RE**
FRONT
ASSY

Key	PartNumber	Qty	Description	Comment
-----	------------	-----	-------------	---------



Models: **A3RE
FRONT
ASSY**

Key	PartNumber	Qty	Description	Comment
1	0006098		FRONT ASSY,2CF,74 HR,20.09 BELT BAR, DRRE	<i>OPTION 3311, 3315. ENDING WITH BSN F10035824</i>
1	0027700		FRONT ASSY,2CF,74 HR,20.09 BELT BAR,,A3RE	<i>OPTION 3311, 3315. BEGIN WITH BSN F10035825</i>
1	0006114		FRONT ASSY,4FF,74 HR,20.09 BELT BAR, DRRE	<i>OPTION 3316, 3318. ENDING WITH BSN F10035824</i>
1	0027706		FRONT ASSY,4FF,74 HR,20.09,BELT BAR,,A3RE	<i>OPTION 3316, 3318. BEGIN WITH BSN F10035825</i>
1	0006106		FRONT ASSY,2CF,77 HR,20.09 BELT BAR, DRRE	<i>OPTION 3311, 3315. ENDING WITH BSN F10035824</i>
1	0027704		FRONT ASSY,2CF,77 HR,20.09 BELT BAR,,A3RE	<i>OPTION 3311, 3315. BEGIN WITH BSN F10035825</i>
1	0006122		FRONT ASSY,4FF,77 HR,20.09 BELT BAR, DRRE	<i>OPTION 3316, 3318. ENDING WITH BSN F10035824</i>
1	0027707		FRONT ASSY,4FF,77 HR,20.09 BELT BAR,, A3RE	<i>OPTION 3316, 3318. BEGIN WITH BSN F10035825</i>
1	0009399		FRONT ASSY,2CF,77 HR,20.09,RH DRV, DRRE	<i>OPTION 3311, 3315 WITH OPTION 3480 (RH DRIVE) ENDING WITH BSN F10035824</i>
1	0027709		FRONT ASSY,2CF,77 HR,20.09 BB,RH DRIVE,	<i>OPTION 3311, 3315 WITH OPTION 3480 (RH DRIVE) BEGIN WITH BSN F10035825</i>
1	0009407		FRONT ASSY,4FF,77 HR,20.09,RH DRV, DRRE	<i>OPTION 3316, 3318 WITH OPTION 3480 (RH DRIVE) ENDING WITH BSN F10035824</i>
1	0027711		FRONT ASSY,4FF,77 HR,20.09 BB,RH DRIVE,	<i>OPTION 3316, 3318 WITH OPTION 3480 (RH DRIVE) BEGIN WITH BSN F10035825</i>
2	0001155		GRILLE,LOWER,E-COAT,DRRE	
3	1809409		PANEL ASSY,FRT ACS,20.09 BELT BAR,RH,E-	<i>ENDING WITH BSN F10073054</i>
3	0075812		PANEL ASSY,ACCESS,FRONT,RH, A3RE	<i>BEGIN WITH BSN F10073055</i>
4	1814441		PANEL ASSY,FRT ACS,20.09 BELT BAR,LH,E-	<i>ENDING WITH BSN F10073054</i>
4	0075739		PANEL ASSY,ACCESS,FRONT,LH, A3FE/RE	<i>BEGIN WITH BSN F10073055</i>
5	0010058		BRACKET,MTG,HEADLIGHT,UPR,RH	<i>ENDING WITH BSN F10026089</i>
5	0024488		BRACKET,MTG,HEADLIGHT,UPP,RH	<i>BEGIN WITH BSN F10026090</i>
6	0010066		BRACKET,MTG,HEADLIGHT,LWR,RH	<i>ENDING WITH BSN F10026089</i>
6	0024486		BRACKET,MTG,HEADLIGHT,LWR,RH	<i>BEGIN WITH BSN F10026090</i>
7	0016337		INSERT,LOWER GRILLE,AA	
8	0016378		BEZEL,HEADLIGHT,AA	
9	0003728		CLIP,ATTACHING,COWL TO MOUNTING BRKT,	
10	1391184		BRACKET,SNUBBER ALIGNMENT,RH,ZINC PLTD	
11	1391200		BRACKET,SNUBBER ALIGNMENT,LH,ZINC PLTD	

Models: **A3RE
FRONT
ASSY**

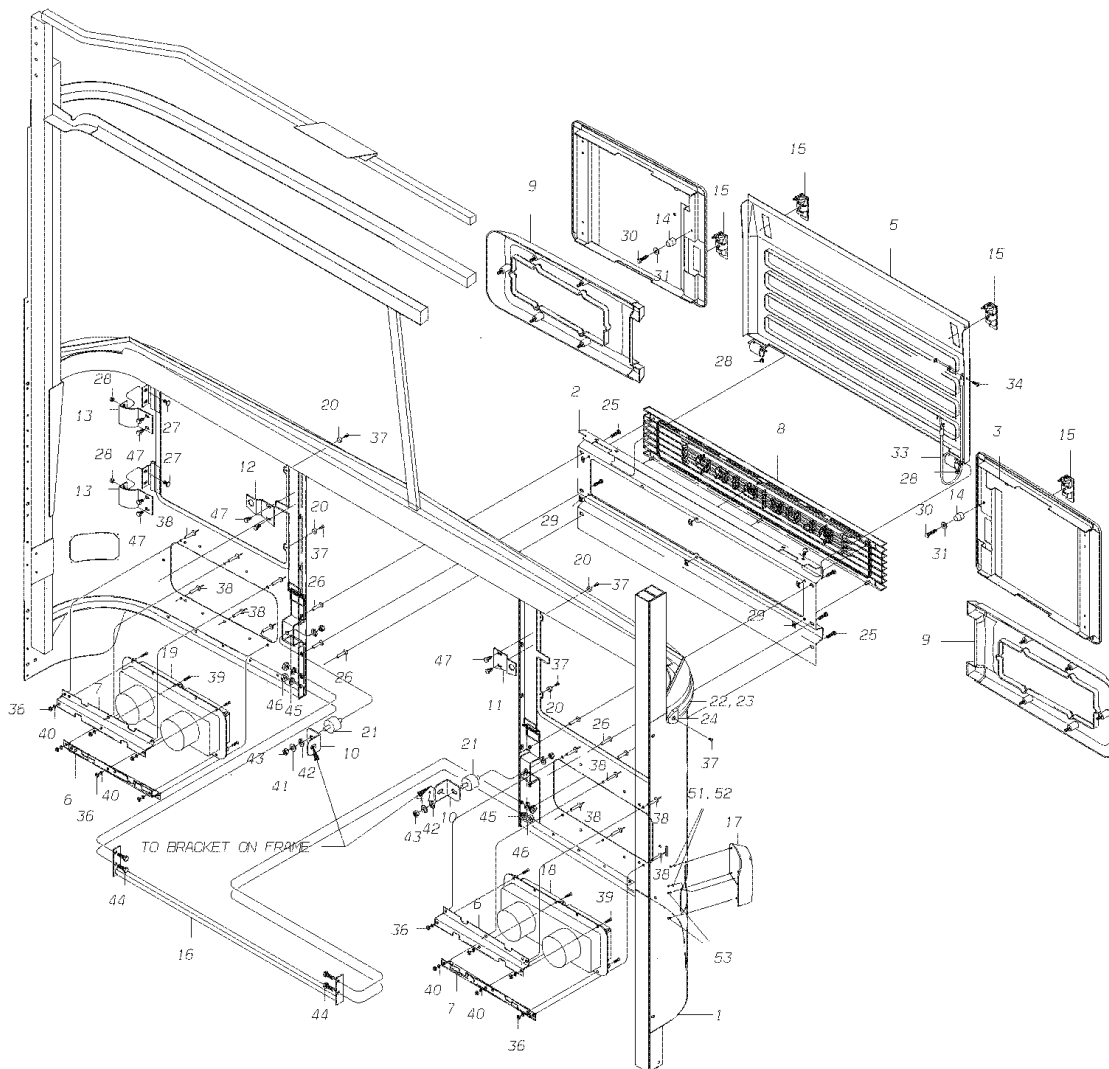
Key	PartNumber	Qty	Description	Comment
12	1385111		HINGE EXTENSION,FRONT ACCESS DOOR,	
13	1213685		SNUBBER,FRONT ACCESS PANEL	
14	1798420		LATCH,ADJUSTABLE LEVER,THIN GRIP	<i>FEATURE 07364. NON-LOCKING</i>
14	0027886		LATCH,ADJUSTABLE LEVER,THIN GRIP,LOCKING	<i>FEATURE 30921-01. LOCKING</i>
15	0009332		BRACE ASSY,CENTER,COWL PANEL	
16	1341700		LIGHT ASSY,PARKING,570 0825 W/1156 BULB	<i>ENDING WITH BSN B10135149, L10117249</i>
16	0067586		LIGHT ASSY,PARK,DIRECTIONAL	<i>BEGIN WITH BSN B10135150, L10117250</i>
17	0025628		HEADLAMP ASSY,RECT DBL,HLGN,RH,CS/A3	<i>STANDARD</i>
17	0025625		HEADLAMP ASSY,RECT DBL,HLGN,RH,RH DRV,	<i>OPTION 3480; RH DRIVE</i>
18	0025629		HEADLAMP ASSY,RECT DBL,HLGN,LH,CS/A3	<i>STANDARD</i>
18	0025627		HEADLAMP ASSY,RECT DBL,HLGN,LH,RH DRV,	<i>OPTION 3480; RH DRIVE</i>
19	1551381		BUMPER,.50 X .25,TC ACCESS DOOR	
20	1812346		ISOLATOR,RADIATOR MTG,SANDWICH MOUNT	
21	1318518		BAR,GRILLE,1.50,UPPER,AA	
22	1233964	10	TRIM,VINYL,GRILLE BAR,FILLER	
23	1320845		CAP,END,GRILLE BAR,1.50	
24	2000073		SCREW,1/4-20 X 1,D,HEX HD,YEL ZN DICH	
25	2001394		RIVNUT,NC,1/4"	
26	1675198		BOLT,CARRIAGE,1/4-20 X 5/8 ZINC PLATED	
27	2001345		NUT,HEX HD,1/4-20,LOCKING,YELLOW	
28	1410646		NUT,SELF THREADER,3/16	
28	0007996		CLIP,RETAINER,PUSH-ON,.25 STUD	
29	1422948		SCREW,1/4-20 X 1-1/4,D,HEX HD,YEL ZN DICH	
30	2001170		LOCKWASHER,SPLIT RING, 1/4 ,MED,YEL ZN	
31	2083095		SCREW,10-16 X 3/4,AB,PH1,PANHD,YELZN,	<i>WITH FEATURE 30120-01,-02</i>
31	0074414		SCREW,PAN HD,8-18 X 1,AB,PH1,YL ZN,W/EX	<i>WITH FEATURE 30120-03</i>
32	2001287		NUT,HEX HD,10-32,YEL ZN DICH	
33	1563816		SCREW,6-32X3/8,F,PH1,OVAL CNSK HD,	
34	1854397		RIVET,BLIND,.25 DIA,.38 GRIP	
35	1221399		SCREW,10-32 X 3/4,PH,TRUSS,YEL ZN DICH	
36	2001162		LOCKWASHER,SPLIT RING, 3/16,MED,YEL ZN	
37	1166750		WASHER,FLAT,25/64 X 13/16X 5/64,YEL ZN	
38	0882795		LOCKWASHER,SPLIT RING,3/8,MED,YELLOW	

Models: **A3RE
FRONT
ASSY**

Key	PartNumber	Qty	Description	Comment
39	2001451		NUT,HEX HD,3/8-16,YELLOW DICHROMATE	
40	0854406		CAPSCREW,HEX HD,5/16-18 X 1,GR8,YEL ZN	
41	2001188		LOCKWASHER,SPLIT RING, 5/16,MED,YEL ZN	
42	1142603		NUT,HEX HD,5/16-18,GR 8,YELLOW	
43	2000016		SCREW,1/4-14 X 5/8,B,HEX,W/PLAIN WASH,	
44	0659979	10	NUT,HEX,FLANGE SER,1/4-20,BLACK ZINC	
45	0002699	10	WASHER,RUBBER,.125 THK X .25 ID X .75 OD	
46	2001162	4	LOCKWASHER,SPLIT RING, 3/16,MED,YEL ZN	
47	2001279	4	NUT,HEX HD,10-24,YEL ZN DICH"	
48	2000750	4	SCREW,MACH,10-24 X 1/2,PH1,RD HD,YEL	

Models: **A3RE
FRONT
RH DRIVE
ASSY**

Key	PartNumber	Qty	Description	Comment
-----	------------	-----	-------------	---------



Models: A3RE
FRONT
RH DRIVE
ASSY

Key	PartNumber	Qty	Description	Comment
1	0059015		FRONT ASSY,2 PIECE CURVED FRONT, SCFE	
2	0001151		GRILLE,LOWER,E-COAT,DRFL	
3	0095393		PANEL ASSY,ACCESS,FRONT,RH,EEC, HDFE	
4	0095392		PANEL ASSY,ACCESS,FRONT,LH,EEC, HDFE	
5	0001153		PANEL ASSY,GRILLE,FRONT,E-COAT,DRFL	
6	0024488	2	BRACKET,MTG,HEADLIGHT,UPP,RH	
7	0024486	2	BRACKET,MTG,HEADLIGHT,LWR,RH	
8	0016337		INSERT,LOWER GRILLE,AA	
9	0016378	2	BEZEL,HEADLIGHT,AA	
10	0019265	2	CLIP,ATTACHING COWL TO MOUNTING	
11	1391184		BRACKET,SNUBBER ALIGNMENT,RH,ZINC PLTD	
12	1391200		BRACKET,SNUBBER ALIGNMENT,LH,ZINC PLTD	
13	1385111	4	HINGE EXTENSION,FRONT ACCESS DOOR,	
14	1213685	2	SNUBBER,FRONT ACCESS PANEL	
15	1798420	4	LATCH,ADJUSTABLE LEVER,THIN GRIP	
16	0009332		BRACE ASSY,CENTER,COWL PANEL	
17	0067586	2	LIGHT ASSY,PARK,DIRECTIONAL	
18	0044141		HEADLAMP ASSY,RECT DBL,HLGN,RH,RHD, A3	
19	0044142		HEADLAMP ASSY,RECT DBL,HLGN,LH,RHD, A3	
20	1551381	4	BUMPER,.50 X .25,TC ACCESS DOOR	
21	1812346	2	ISOLATOR,RADIATOR MTG,SANDWICH MOUNT	
22	1318518		BAR,GRILLE,1.50,UPPER,AA	
23	1233964	AR	TRIM,VINYL,GRILLE BAR,FILLER	
24	1320845	2	CAP,END,GRILLE BAR,1.50	
25	2000073	6	SCREW,1/4-20 X 1,D,HEX HD,YEL ZN DICH	
26	2001394	6	RIVNUT,NC,1/4"	
27	1675198	12	BOLT,CARRIAGE,1/4-20 X 5/8 ZINC PLATED	
28	2001345	12	NUT,HEX HD,1/4-20,LOCKING,YELLOW	
29	0007996	6	CLIP,RETAINER,PUSH-ON,.25 STUD	
30	1422948	2	SCREW,1/4-20 X 1-1/4,D,HEX HD,YEL ZN DICH	
31	2001170	2	LOCKWASHER,SPLIT RING, 1/4 ,MED,YEL ZN	
32	1589522	4	SCREW,10-16 X 3/4,AB,PH1,PAN HD,YEL ZN	
33	1253533		CABLE & HOOK ASSY,CMPT DOOR,25 3/4	

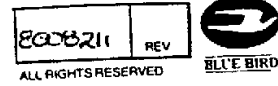
Models: **A3RE**
FRONT
RH DRIVE
ASSY

Key	PartNumber	Qty	Description	Comment
34	2000776		SCREW,MACH, 10-32 X 3/4,PH1,RD HD,	
35	2001105		WASHER,FLAT,13/64 X,1/2 X 3/64,YEL ZN DICH	
36	2001287	13	NUT,HEX HD,10-32,YEL ZN DICH	
37	1563816	6	SCREW,6-32X3/8,F,PH1,OVAL CNSK HD,	
38	1854397	12	RIVET,BLIND, .25 DIA, .38 GRIP	
39	1221399	12	SCREW,10-32 X 3/4,PH,TRUSS,YEL ZN DICH	
40	2001162	12	LOCKWASHER,SPLIT RING, 3/16,MED,YEL ZN	
41	1166750	2	WASHER,FLAT,25/64 X 13/16X 5/64,YEL ZN	
42	0882795	4	LOCKWASHER,SPLIT RING,3/8,MED,YELLOW	
43	2001451	4	NUT,HEX HD,3/8-16,YELLOW DICHROMATE	
44	0854406	4	CAPSCREW,HEX HD,5/16-18 X 1,GR8,YEL ZN	
45	2001188	4	LOCKWASHER,SPLIT RING, 5/16,MED,YEL ZN	
46	1142603	4	NUT,HEX HD,5/16-18,GR 8,YELLOW	
47	2000016	12	SCREW,1/4-14 X 5/8,B,HEX,W/PLAIN WASH,	
51	2001162	4	LOCKWASHER,SPLIT RING, 3/16,MED,YEL ZN	
52	2001279	4	NUT,HEX HD,10-24,YEL ZN DICH"	
53	2000750	4	SCREW,MACH,10-24 X 1/2,PH1,RD HD,YEL	

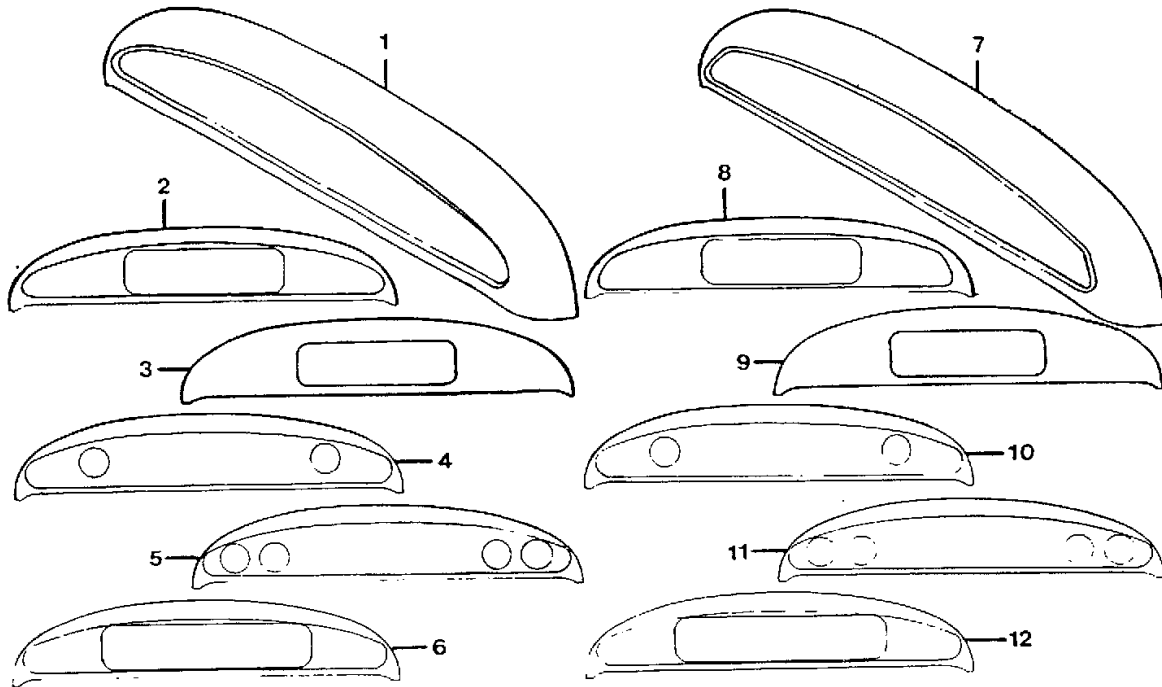
Models: A3RE, TCRE
FRONT
ROOF CAPS

Key	PartNumber	Qty	Description	Comment
-----	------------	-----	-------------	---------

ROOF CAPS, FRONT



AAFC,



Models: **A3RE, TCRE
FRONT
ROOF CAPS**

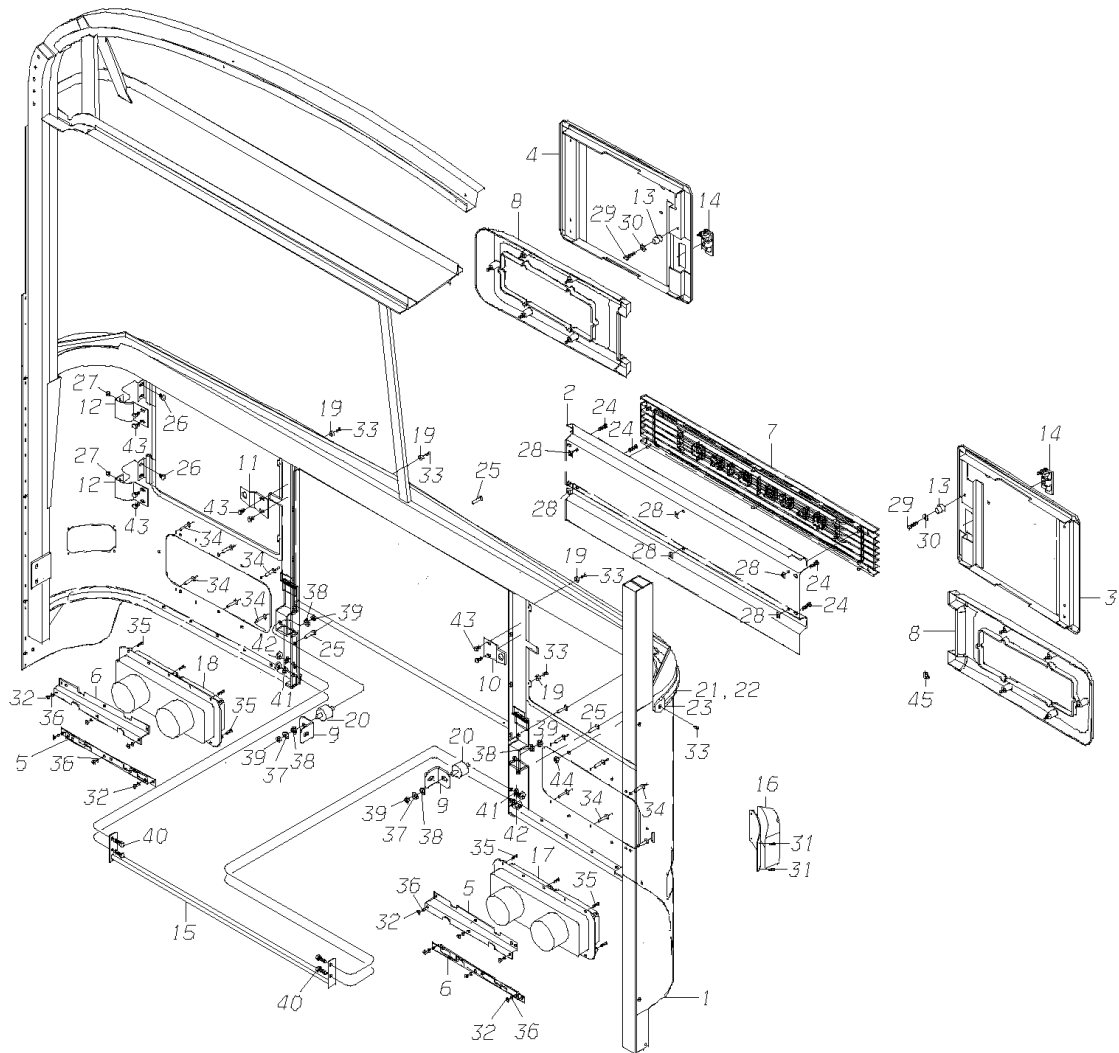
Key	PartNumber	Qty	Description	Comment
1	1065093		PANEL,FRONT ROOF CAP,74,PRIMED	74 HR. STANDARD, OPTION 3339. ENDING WITH BSN 184148
1	1761485		PANEL,FRONT ROOF CAP,74,HR PRIMED	74 HR. STANDARD, OPTION 3339. BEGIN WITH BSN 184149
1	1761501		PANEL,FRONT ROOF CAP,74 HR,E-COAT	74 HR, STANDARD OPTION 3339 WITH OPTION 2309. E-COAT
1	1053792		PANEL,ROOF CAP,FRT,77HR,PRIMED	77 HR, OPTION 3337, 3473
1	1625698		PANEL,ROOF CAP,FRT,77HR,E-COAT	77 HR, OPTION 3337, 3473 WITH OPTION 2309. E-COAT
2	1065028		PANEL,FRONT ROOF CAP,SB SIGN,LIGHTED	74 HR. STANDARD, OPTION 3339 WITH OPTION 3051, 3052, 3065. ENDING WITH BSN 184148
2	1761519		PANEL,FRONT ROOF CAP,SB SIGN,LGTD 74	74 HR. STANDARD, OPTION 3339 WITH OPTION 3051, 3052, 3065. BEGIN WITH BSN 184149
2	1771567		PANEL,FRONT ROOF CAP,36 SIGN,74 HR,E-	74 HR, STANDARD, OPTION 3339 WITH OPTION 3051, 3052, 3065 WITH OPTION 2309. E-COAT
2	1065275		PANEL,FRONT ROOF CAP,SB SIGN,77HR	77 HR, OPTION 3337, 3473 WITH OPTION 3051, 3052, 3065
2	1625755		PANEL,FRONT ROOF CAP,SB SIGN,77HR,E-COAT	77 HR, OPTION 3337, 3473 WITH OPTION 3051, 3052, 3065 WITH OPTION 2309. E-COAT
3				NOT APPLICABLE
4	1065036		PANEL,FRONT ROOF CAP,SGL W/L	74 HR. STANDARD, OPTION 3339 WITH OPTION 1987, 1992. ENDING WITH BSN 184148
4	1761667		PANEL,FRONT ROOF CAP,74 HR,4 LAMP PRIMED	74 HR. STANDARD, OPTION 3339 WITH OPTION 1987, 1992. BEGIN WITH BSN 184149
4	1761675		PANEL,FRONT ROOF CAP,74 HR,4 LAMP E-	74 HR, STANDARD, OPTION 3339 WITH OPTION 1987, 1992 WITH OPTION 2309. E-COAT
4	1065283		PANEL,FRONT ROOF CAP,SGL W/L,77HR	77 HR, OPTION 3337, 3473 WITH OPTION 1987, 1992
5	1065044		PANEL,FRONT ROOF CAP,DUAL W/L	74 HR. STANDARD, OPTION 3339 WITH OPTION 2013, 2016, 2021, 2025, 6720. ENDING WITH BSN 184148
5	1761683		PANEL,FRONT ROOF CAP,74 HR,8 LAMP PRIMED	74 HR. STANDARD, OPTION 3339 WITH OPTION 2013, 2016, 2021, 2025, 6720. BEGIN WITH BSN 184149
5	1761691		PANEL,FRONT ROOF CAP,74 HR,8 LAMP E-COAT	74 HR, STANDARD OPTION 3339 WITH OPTION 2013, 2016, 2021, 2025, 6720 WITH OPTION 2309
5	1065291		PANEL,FRONT ROOF CAP,DUAL W/L,77HR	77 HR, OPTION 3337, 3473 WITH OPTION 2013, 2016, 2021, 2025, 6720

Models: A3RE, TCRE
FRONT
ROOF CAPS

Key	PartNumber	Qty	Description	Comment
6	1761550		PANEL,FRONT ROOF CAP,ELECT SIGN,74HR,	<i>74 HR, STANDARD WITH OPTION 6165</i>
6	1771583		PANEL,FRONT ROOF CAP,ELECT SIGN,74,E-	<i>74 HR, STANDARD WITH OPTION 6165 WITH OPTION 2309. E-COAT</i>
6	1699446		PANEL,FRONT ROOF CAP,77HR W/OPT 6165	<i>77 HR, OPTION 3337, 3473 WITH OPTION 6165</i>
6	1698273		PANEL,FRT ROOF CAP,77HR,OPT6165	<i>77 HR, OPTION 3337, 3473 WITH OPTION 6165 WITH OPTION 2309. E-COAT</i>

Models: **A3RE
FRONT
U.K. UNITS ONLY
RH DRIVE**

Key	PartNumber	Qty	Description	Comment
-----	------------	-----	-------------	---------



Models: **A3RE**
FRONT
U.K. UNITS ONLY
RH DRIVE

Key	PartNumber	Qty	Description	Comment
1	0027709		FRONT ASSY,2CF,77 HR,20.09 BB,RH DRIVE,	
1	0027711		FRONT ASSY,4FF,77 HR,20.09 BB,RH DRIVE,	
NI	1625698		PANEL,ROOF CAP,FRT,77HR,E-COAT	
2	0001155		GRILLE,LOWER,E-COAT,DRRE	
3	0045081		PANEL ASSY,FRT ACS,20.09 BELT BAR,RH,RHD,	
4	0045082		PANEL ASSY,FRT ACS,20.09 BELT BAR,LH,RHD,	
5	0024488	2	BRACKET,MTG,HEADLIGHT,UPP,RH	
6	0024486	2	BRACKET,MTG,HEADLIGHT,LWR,RH	
7	0016337		INSERT,LOWER GRILLE,AA	
8	0016378	2	BEZEL,HEADLIGHT,AA	
9	0003728	2	CLIP,ATTACHING,COWL TO MOUNTING BRKT,	
10	1391184		BRACKET,SNUBBER ALIGNMENT,RH,ZINC PLTD	
11	1391200		BRACKET,SNUBBER ALIGNMENT,LH,ZINC PLTD	
12	1385111	4	HINGE EXTENSION,FRONT ACCESS DOOR,	
13	1213685	2	SNUBBER,FRONT ACCESS PANEL	
14	1798420		LATCH,ADJUSTABLE LEVER,THIN GRIP	
14	0027886		LATCH,ADJUSTABLE LEVER,THIN GRIP,LOCKING	<i>FEATURE 30921-01</i>
15	0009332		BRACE ASSY,CENTER,COWL PANEL	
16	1341700		LIGHT ASSY,PARKING,570 0825 W/1156 BULB	<i>ENDING WITH BSN B10135149, L10117249</i>
16	0067586		LIGHT ASSY,PARK,DIRECTIONAL	<i>BEGIN WITH BSN B10135150, L10117250</i>
17	0044141		HEADLAMP ASSY,RECT DBL,HLGN,RH,RHD, A3	
18	0044142		HEADLAMP ASSY,RECT DBL,HLGN,LH,RHD, A3	
19	1551381	4	BUMPER,.50 X .25,TC ACCESS DOOR	
20	1812346	2	ISOLATOR,RADIATOR MTG,SANDWICH MOUNT	
21	1318518		BAR,GRILLE,1.50,UPPER,AA	
22	1233964		TRIM,VINYL,GRILLE BAR,FILLER	
23	1320845	2	CAP,END,GRILLE BAR,1.50	
24	2000073	4	SCREW,1/4-20 X 1,D,HEX HD,YEL ZN DICH	
25	2001394	4	RIVNUT,NC,1/4"	
26	1675198	8	BOLT,CARRIAGE,1/4-20 X 5/8 ZINC PLATED	
27	2001345	8	NUT,HEX HD,1/4-20,LOCKING,YELLOW	
28	0007996	6	CLIP,RETAINER,PUSH-ON,.25 STUD	
29	1422948	2	SCREW,1/4-20 X 1-1/4,D,HEX HD,YEL ZN DICH	

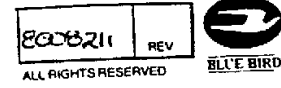
**Models: A3RE
FRONT
U.K. UNITS ONLY
RH DRIVE**

Key	PartNumber	Qty	Description	Comment
30	2001170	2	LOCKWASHER,SPLIT RING, 1/4 ,MED,YEL ZN	
31	1589522	8	SCREW,10-16 X 3/4,AB,PH1,PAN HD,YEL ZN	
32	2001287	12	NUT,HEX HD,10-32,YEL ZN DICH	
33	1563816	6	SCREW,6-32X3/8,F,PH1,OVAL CNSK HD,	
34	1854397	12	RIVET,BLIND, .25 DIA, .38 GRIP	
35	1221399	12	SCREW,10-32 X 3/4,PH,TRUSS,YEL ZN DICH	
36	2001162	12	LOCKWASHER,SPLIT RING, 3/16,MED,YEL ZN	
37	1166750	2	WASHER,FLAT,25/64 X 13/16X 5/64,YEL ZN	
38	0882795	4	LOCKWASHER,SPLIT RING,3/8,MED,YELLOW	
39	2001451	4	NUT,HEX HD,3/8-16,YELLOW DICHROMATE	
40	0854406	4	CAPSCREW,HEX HD,5/16-18 X 1,GR8,YEL ZN	
41	2001188	4	LOCKWASHER,SPLIT RING, 5/16,MED,YEL ZN	
42	1142603	4	NUT,HEX HD,5/16-18,GR 8,YELLOW	
43	2000016	12	SCREW,1/4-14 X 5/8,B,HEX,W/PLAIN WASH,	
44	0659979	10	NUT,HEX,FLANGE SER,1/4-20,BLACK ZINC	
45	0002699	10	WASHER,RUBBER,.125 THK X .25 ID X .75 OD	
46	2001162	4	LOCKWASHER,SPLIT RING, 3/16,MED,YEL ZN	
47	2001279	4	NUT,HEX HD,10-24,YEL ZN DICH"	
48	2000750	4	SCREW,MACH,10-24 X 1/2,PH1,RD HD,YEL	

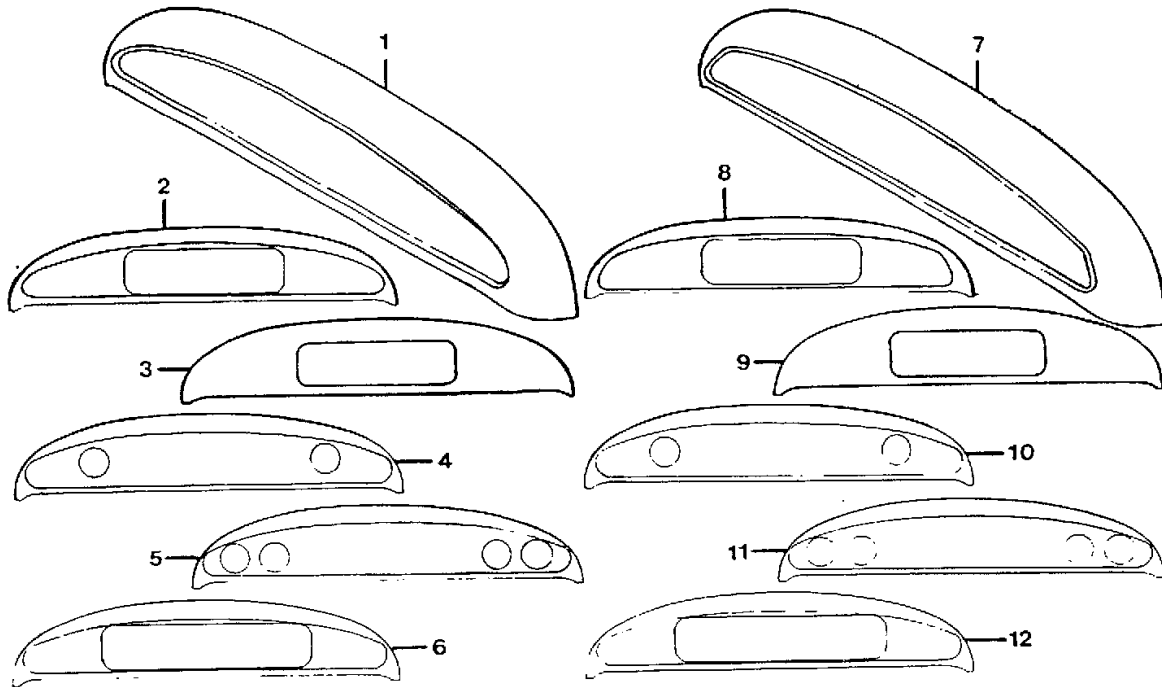
Models: A3RE
FRONT
U.K. UNITS ONLY
ROOF CAPS

Key	PartNumber	Qty	Description	Comment
-----	------------	-----	-------------	---------

ROOF CAPS, FRONT



AAFC,

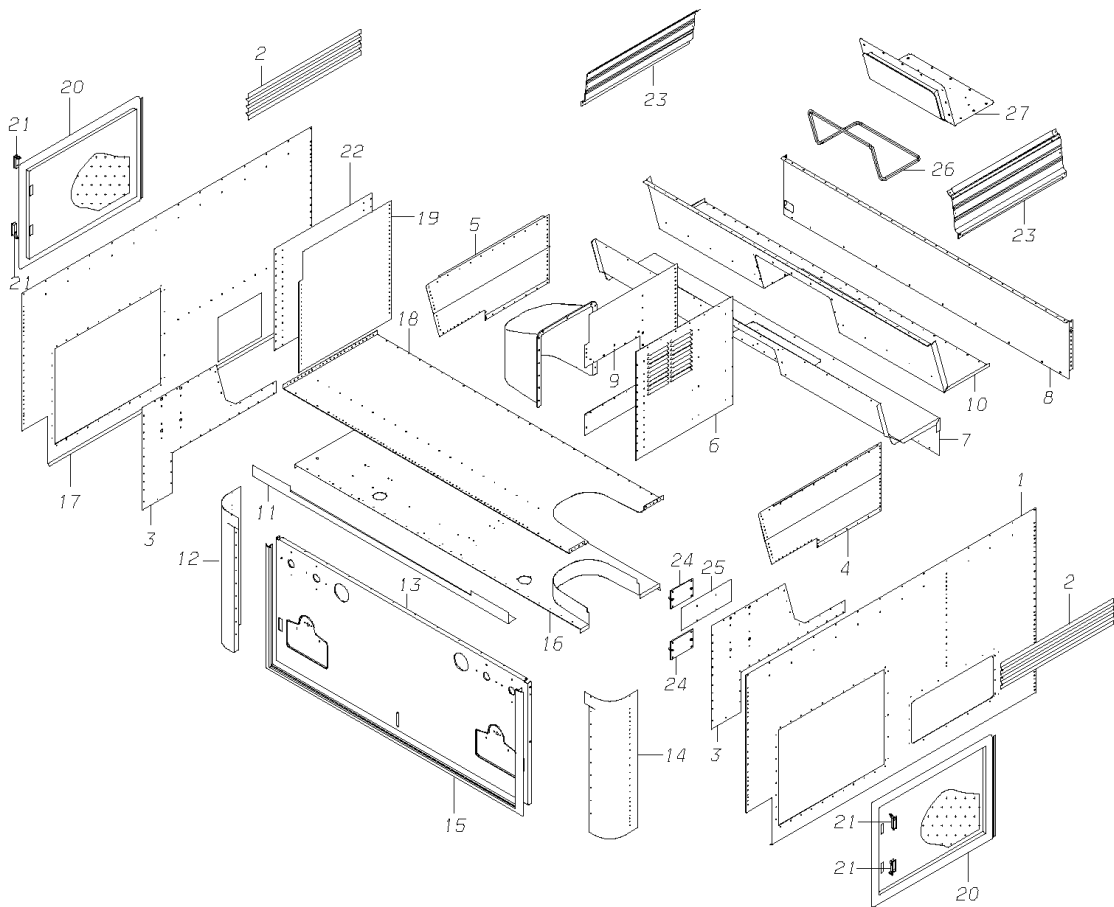


Models: A3RE
FRONT
U.K. UNITS ONLY
ROOF CAPS

Key	PartNumber	Qty	Description	Comment
1-3			NOT APPLICABLE	
4	0044145		PANEL,FRONT ROOF CAP,DUAL W/L,77HR,, UK-	
4	0044070		PANEL,REAR ROOF CAP,W/4 LAMP W/L SYS,UK-	

Models: **A3RE**
REAR
To BSN L10093819

Key	PartNumber	Qty	Description	Comment
-----	------------	-----	-------------	---------



Models: **A3RE
REAR
To BSN L10093819**

Key	PartNumber	Qty	Description	Comment
1	0009035		PANEL,O/SS,RR,RH,19.75SK,S/O BOX,DRRE	STANDARD WITH OPTION 0153.
1	0009027		PANEL,O/SS,RR,RH,19.75SK,H/D BOX,DRRE	STANDARD WITH OPTION 0156.
1	0009043		PANEL,O/SS,RR,RH,19.75SK,S/O BOX,SED,	STANDARD WITH OPTION 0153, 0428.
1	0011080		PANEL,O/SS,RR,19.75SK,221,RH,SED,HD	STANDARD WITH OPTION 0156, 0428, 3475.
1	0009068		PANEL,O/SS,RR,RH,25.75SK,S/O BOX,DRRE	OPTION 2384 WITH OPTION 0153.
1	0009050		PANEL,O/SS,RR,RH,25.75SK,H/D BOX, DRRE	OPTION 2384 WITH OPTION 0156.
1	0009076		PANEL,O/SS,RR,RH,25.75SK,S/O BOX,SED,	OPTION 2384 WITH OPTION 0153, 0428.
1	1886407		PANEL,O/SS,RR,25.75SK,16GA,RH,SED,HD BX,	OPTION 2384 WITH OPTION 0156, 0428, 2380.
1	0009068		PANEL,O/SS,RR,RH,25.75SK,S/O BOX,DRRE	OPTION 2386 WITH OPTION 0153.
1	0009050		PANEL,O/SS,RR,RH,25.75SK,H/D BOX, DRRE	OPTION 2386 WITH OPTION 0156.
2	1501840		PANEL,FLUTED,42.75,REAR SIDE,AARE	
2	1644020		PANEL,FLUTED,14.75,REAR SIDE EMER DOOR	
3	0011064	2	PANEL,CLOSEOUT,ENG CMPT,SIDE,DRRE	
4	0013300		PANEL,I/SS,TEXT ALUM STL,ENG CMPT,RH,	OPTION 2449.
4	0013326		PANEL,I/SS,VINYL,ENG CMPT,RH, DRRE	OPTION 2459.
4	0016527		PANEL,I/SS,TEXT ALUM STL,FL HM,ENG CPT,RH	OPTION 2449.
4	0004863		PANEL,I/SS,VINYL,ENG CMPT,56 SECT,RH,	OPTION 2459.
4	0004858		PANEL,I/SS,TEXT ALUM,ENG CMPT,56 SECT,RH	OPTION 2449.
4	0004860		PANEL,I/SS,TEXT ALUM,FL HM,ENG CPT,56,RH	OPTION 2449.
5	0013318		PANEL,I/SS,TEXT ALUM STL,ENG CMPT,LH,	OPTION 2449.
5	0013334		PANEL,I/SS,VINYL,ENG CMPT,LH, DRRE	OPTION 2459.
5	0016535		PANEL,I/SS,TEXT ALUM STL,FL HM,ENG CPT,LH	OPTION 2449.
5	0004862		PANEL,I/SS,TEXT ALUM,FL HM,ENG CPT,56,LH	OPTION 2449.
5	0004859		PANEL,I/SS,TEXT ALUM,ENG CMPT,56 SECT,LH	OPTION 2449.
5	0004864		PANEL,I/SS,VINYL,ENG CMPT,56 SECT,LH, DRRE	OPTION 2459.
6	0016519		PANEL,GRILLE,ENG AIR INTAKE, DRRE	STANDARD. WITH 9" SS WINDOWS
6	1886423		PANEL,GRILLE,ENG AIR INTAKE,12SS	OPTION 3337, 3339. WITH 12" SS WINDOWS
6	0044132		PANEL,GRILLE,ENG AIR INTAKE,12SS, UK-RHD	OPTION 3337, 3339. WITH 12" SS WINDOWS. A3RE UK-RH DRIVE ONLY
7	0009886		PANEL,ENGINE CLOSEOUT,LOWER,W/ACCESS,	

Models: **A3RE
REAR
To BSN L10093819**

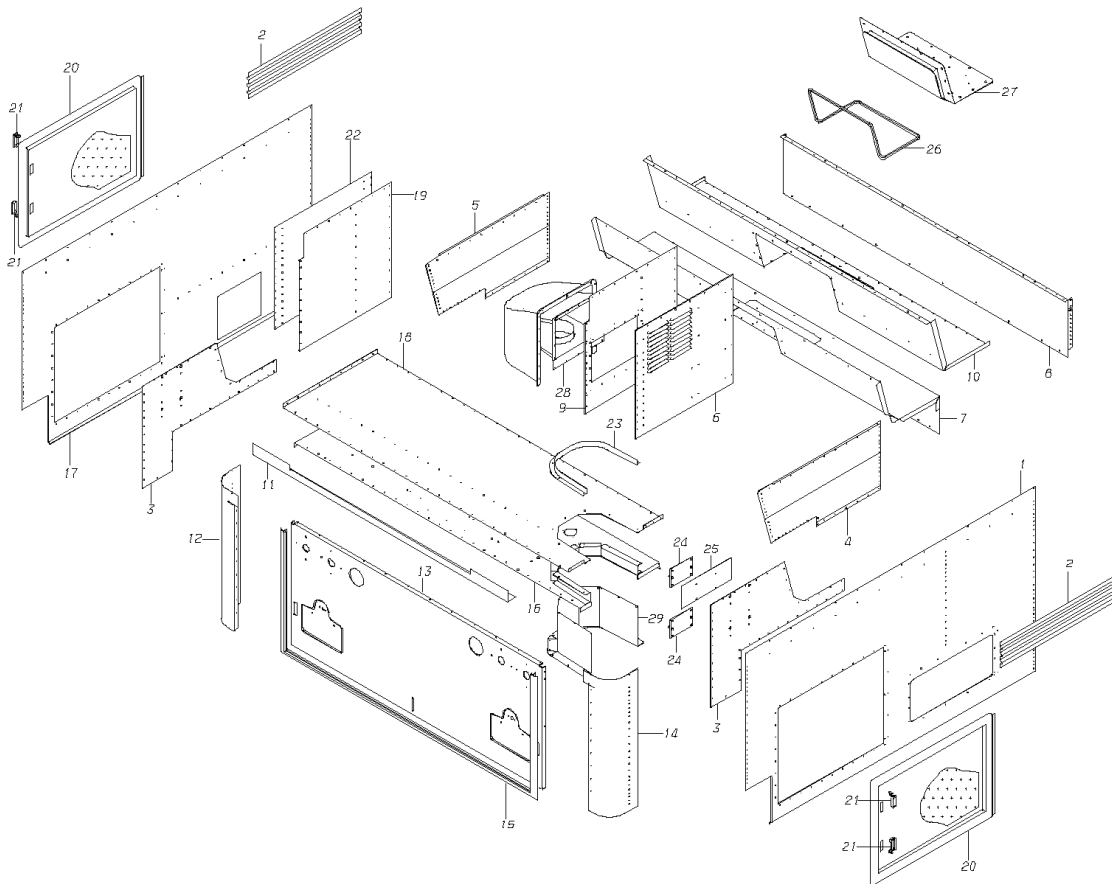
Key	PartNumber	Qty	Description	Comment
8	0009860		PANEL,DAVENPORT,FRONT, DRRE	
9	0013243		PANEL,I/SS,LAST SECTION,RH, DRRE	STANDARD
9	0018729		PANEL,I/SS,LAST SECTION,RH,PRE-CLEANER	FEATURE 40170-01
10	0009878		PANEL,DAVENPORT,TOP,BODY SIDE,W/ACCESS	
11	1842202		TRIM,REAR EMERGENCY WINDOW	
12	1890920		PANEL,CORNER,REAR,LH	STANDARD
12	1890961		PANEL,CORNER,REAR,LH,E COAT	OPTION 2309. E-COAT
13	0000803		DOOR ASSY,ENGINE COMPARTMENT,DRRE	
NI	1328616		GAS SPRING,FAN22P	
14	1890912		PANEL,CORNER,REAR,RH	STANDARD
14	1890953		PANEL,CORNER,REAR,RH,E COAT	OPTION 2309.
15	1906569		EXTRUSION,RUBBER,SEAL,ENGINE COMPT	
16	1800481		PANEL ASSY,DAVENPORT,TOP,ENGINE SIDE,	ENDING WITH BSN F-10007399
16	0006166		PANEL ASSY,DAVENPORT,TOP,ENGINE SIDE,	FROM BSN F-10007400 TO BSN F-10032149
16	0028318		PANEL ASSY,DAVENPORT,TOP,ENGINE SIDE,	BEGIN WITH BSN F-10032150
17	0011072		PANEL,O/SS,RR,19.75SK,16GA,221,	STANDARD WITH OPTION 3475.
17	1886415		PANEL,OS/S,RR,25.75SK,16GA,LH,W/COOLER,	OPTION 2384.
18	0011221		PANEL,DAVENPORT,TOP,BODY SIDE, DRRE	ENDING WITH BSN F-10032149
18	0028326		PANEL,DAVENPORT,TOP,BODY SIDE, DRRE	BEGIN WITH BSN F-10032150
19	1316157		PANEL,I/S,LAST SECT,LH,CAT,AARE	
20	1842145	2	DOOR ASSY,AIR INTAKE,TC/CS/QB RE	
21	1798420	4	LATCH,ADJUSTABLE LEVER,THIN GRIP	
22	0002564		PANEL,O/SS,LAST SECTION,9SS,DRRE	STANDARD. WITH 9" SS WINDOWS
22	1252584		PANEL,O/SS,LAST SECTION,AARE	OPTION 3337, 3339. WITH 12" SS WINDOWS
23	1824374	2	MOLDING,WIRE,REAR,28	
23	1824804	2	MOLDING,WIRE,REAR,28,TSW	OPTION 3365, 3367, 3376, 3377
24	0013359	2	PLATE ASSY,MTG,AIR CLEANER BRKT, DRRE	
25	0002873		PANEL,CLOSEOUT,AIR INTAKE, DRRE	
26	1829704	8	SEAL,RUBBER,CLEAN SEAL G-7056	
27	0009910		PANEL ASSY,DAVENPORT ACCESS COVER,	
NI	1549211		RIVET,CHERRY,SSPVH-204-4	
NI	1415769		RIVET,POP,.18 X .45,CHERRY SSPS-6-4	

**Models: A3RE
REAR
To BSN L10093819**

Key	PartNumber	Qty	Description	Comment
NI	1541176		SCREW,MACH 1/4-20 X 3/4,PH1,TRUSSHD,	
NI	2001394		RIVNUT,NC,1/4"	
NI	1854397		RIVET,BLIND,.25 DIA,.38 GRIP	
NI	2000636		SCREW,1/4-14 X 1/2,AB,PH1,PAN HD,YEL	
NI	0000097		NAMEPLATE,REAR BUMPER,YELLOW,AA	<i>BLACK LETTERS ON YELLOW BACKGROUND</i>
NI	0001157		NAMEPLATE,REAR BUMPER,WHITE,AA	<i>BLACK LETTERS ON WHITE BACKGROUND</i>
NI	2000891		SCREW,DRIVE,10 X 3/8IN,NAME PLATE	

Models: A3RE
REAR
BSN: From BSN L10093820
 To BSN F10076864

Key	PartNumber	Qty	Description	Comment
-----	------------	-----	-------------	---------



Models: A3RE
REAR
BSN: From BSN L10093820
 To BSN F10076864

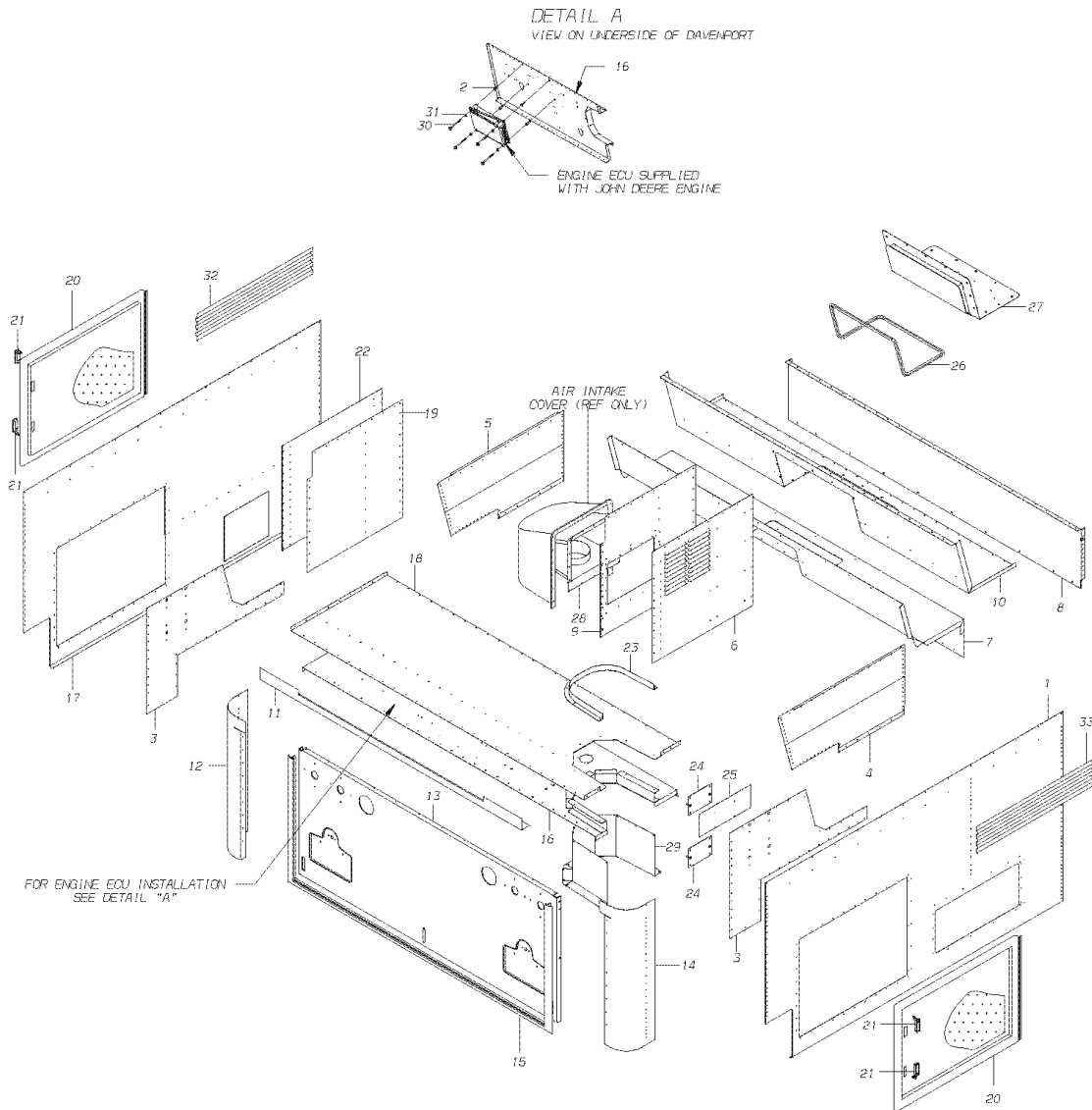
Key	PartNumber	Qty	Description	Comment
1	0009035		PANEL,O/SS,RR,RH,19.75SK,S/O BOX,DRRE	STANDARD WITH OPTION 0153.
1	0009027		PANEL,O/SS,RR,RH,19.75SK,H/D BOX,DRRE	STANDARD WITH OPTION 0156.
1	0009043		PANEL,O/SS,RR,RH,19.75SK,S/O BOX,SED,	STANDARD WITH OPTION 0153, 0428.
1	0011080		PANEL,O/SS,RR,19.75SK,221,RH,SED,HD	STANDARD WITH OPTION 0156, 0428, 3475.
1	0009068		PANEL,O/SS,RR,RH,25.75SK,S/O BOX,DRRE	OPTION 2384 WITH OPTION 0153.
1	0009050		PANEL,O/SS,RR,RH,25.75SK,H/D BOX, DRRE	OPTION 2384 WITH OPTION 0156.
1	0009076		PANEL,O/SS,RR,RH,25.75SK,S/O BOX,SED,	OPTION 2384 WITH OPTION 0153, 0428.
1	1886407		PANEL,O/SS,RR,25.75SK,16GA,RH,SED,HD BX,	OPTION 2384 WITH OPTION 0156, 0428, 2380.
2	1501840		PANEL,FLUTED,42.75,REAR SIDE,AARE	
2	1644020		PANEL,FLUTED,14.75,REAR SIDE EMER DOOR	
3	0011064	2	PANEL,CLOSEOUT,ENG CMPT,SIDE,DRRE	
4	0013300		PANEL,I/SS,TEXT ALUM STL,ENG CMPT,RH,	OPTION 2449.
4	0013326		PANEL,I/SS,VINYL,ENG CMPT,RH, DRRE	OPTION 2459.
4	0016527		PANEL,I/SS,TEXT ALUM STL,FL HM,ENG CPT,RH	OPTION 2449.
4	0004863		PANEL,I/SS,VINYL,ENG CMPT,56 SECT,RH,	OPTION 2459.
4	0004858		PANEL,I/SS,TEXT ALUM,ENG CMPT,56 SECT,RH	OPTION 2449.
4	0004860		PANEL,I/SS,TEXT ALUM,FL HM,ENG CPT,56,RH	OPTION 2449.
5	0013318		PANEL,I/SS,TEXT ALUM STL,ENG CMPT,LH,	OPTION 2449.
5	0013334		PANEL,I/SS,VINYL,ENG CMPT,LH, DRRE	OPTION 2459.
5	0016535		PANEL,I/SS,TEXT ALUM STL,FL HM,ENG CPT,LH	OPTION 2449.
5	0004862		PANEL,I/SS,TEXT ALUM,FL HM,ENG CPT,56,LH	OPTION 2449.
5	0004859		PANEL,I/SS,TEXT ALUM,ENG CMPT,56 SECT,LH	OPTION 2449.
5	0004864		PANEL,I/SS,VINYL,ENG CMPT,56 SECT,LH, DRRE	OPTION 2459.
6	0016519		PANEL,GRILLE,ENG AIR INTAKE, DRRE	STANDARD. WITH 9" SS WINDOWS
6	1886423		PANEL,GRILLE,ENG AIR INTAKE,12SS	OPTION 3337, 3339. WITH 12" SS WINDOWS
7	0009886		PANEL,ENGINE CLOSEOUT,LOWER,W/ACCESS,	
8	0009860		PANEL,DAVENPORT,FRONT, DRRE	
9	0052356		PANEL,I/SS,LAST SECTION,RH,74HR, DRRE	
9	0052410		PANEL,I/SS,LAST SECTION,RH,77HR, DRRE	
10	0009878		PANEL,DAVENPORT,TOP,BODY SIDE,W/ACCESS	

Models: A3RE
REAR
BSN: From BSN L10093820
 To BSN F10076864

Key	PartNumber	Qty	Description	Comment
11	1842202		TRIM,REAR EMERGENCY WINDOW	
12	1890961		PANEL,CORNER,REAR,LH,E COAT	
13	0000803		DOOR ASSY,ENGINE COMPARTMENT,DRRE	ENDING WITH BSN L10101209
13	0062885		DOOR ASSY,ENGINE CMPT,SOLID,UND 275HP,	BEGIN WITH BSN L10101210. FEATURE 31009-01
13	0062884		DOOR ASSY,ENGINE CMPT,PERFORATED,A3RE	BEGIN WITH BSN L10101210. FEATURE 31009-02
NI	1328616		GAS SPRING,FAN22P	
14	1890953		PANEL,CORNER,REAR,RH,E COAT	
15	1906569		EXTRUSION,RUBBER,SEAL,ENGINE COMPT	
16	0050899		PANEL ASSY,DAVENPORT,TOP,ENGINE SIDE,	
17	0011072		PANEL,O/SS,RR,19.75SK,16GA,221,	
17	1886415		PANEL,OS/S,RR,25.75SK,16GA,LH,W/COOLER,	
18	0050903		PANEL,DAVENPORT,TOP,BODY SIDE, DRRE	
19	0052689		PANEL,I/SS,LAST SECTION,LH,74HR, DRRE	
19	0052690		PANEL,I/SS,LAST SECTION,LH,77HR, DRRE	
20	1842145	2	DOOR ASSY,AIR INTAKE,TC/CS/QB RE	
21	1798420		LATCH,ADJUSTABLE LEVER,THIN GRIP	
21	0027886		LATCH,ADJUSTABLE LEVER,THIN GRIP,LOCKING	FEATURE 30921-01
22	0002564		PANEL,O/SS,LAST SECTION,9SS,DRRE	
22	1252584		PANEL,O/SS,LAST SECTION,AARE	
23	0050896		ANGLE ASSY,AIR INTAKE PANEL	
24	0013359	2	PLATE ASSY,MTG,AIR CLEANER BRKT, DRRE	
25	0002873		PANEL,CLOSEOUT,AIR INTAKE, DRRE	
26	1829704	8	SEAL,RUBBER,CLEAN SEAL G-7056	
27	0009910		PANEL ASSY,DAVENPORT ACCESS COVER,	
28	0052544		PLENUM ASSY,AIR INTAKE,DRRE	
29	0028320		PANEL ASSY,C/O,AIR PLENUM TO DVPT, DRRE	
NI	1549211		RIVET,CHERRY,SSPVH-204-4	
NI	1415769		RIVET,POP,.18 X .45,CHERRY SSPS-6-4	
NI	2000826	18	SCREW,MACH,1/4X20X3/4,PH1,TRUSSHD,	
NI	1686617	18	PLUSNUT,1/4-20,S25P280	
NI	1854397		RIVET,BLIND,.25 DIA,.38 GRIP	
NI	2000636		SCREW,1/4-14 X 1/2,AB,PH1,PAN HD,YEL	

Models: **A3RE**
REAR
 BSN: **From BSN F10076865**

Key	PartNumber	Qty	Description	Comment
-----	------------	-----	-------------	---------



Models: A3RE
REAR
BSN: From BSN F10076865

Key	PartNumber	Qty	Description	Comment
1	0009027		PANEL,O/SS,RR,RH,19.75SK,H/D BOX,DRRE	STANDARD WITH OPTION 0156 WITH FEATURE 30959-02
1	0090448		PANEL,OUTSIDE SIDE,RR,19.75SKT 16GA,RH	STANDARD WITH OPTION 0156 WITH FEATURE 30059-03
1	0011080		PANEL,O/SS,RR,19.75SK,221,RH,SED,HD	STANDARD WITH OPTION 0156, 0428, 3475 WITH FEATURE 30959-02
1	0090404		PANEL,OUTSIDE SIDE,RR,19.75 SKT,16GA,SED,	STANDARD WITH OPTION 0156, 0428, 3475 WITH FEATURE 30959-03
1	0009050		PANEL,O/SS,RR,RH,25.75SK,H/D BOX, DRRE	OPTION 2384 WITH OPTION 0156 WITH FEATURE 02385-00
1	0090439		PANEL,O/SS,REAR,25.75 SKIRT,16 GA,RH, A3RE	OPTION 2384 WITH OPTION 0156 WITH FEATURE 02385-01
1	1886407		PANEL,O/SS,RR,25.75SK,16GA,RH,SED,HD BX,	OPTION 2384 WITH OPTION 0156, 0428, 2380 WITH FEATURE 02385-00
1	0090442		PANEL,O/SS,REAR,25.75 SKRT,16GA,RH,SED	OPTION 2384 WITH OPTION 0156, 0428, 2380 WITH FEATURE 02385-01
2	2001394		RIVNUT,NC,1/4"	
3	0011064	2	PANEL,CLOSEOUT,ENG CMPT,SIDE,DRRE	
4	0013300		PANEL,I/SS,TEXT ALUM STL,ENG CMPT,RH,	OPTION 2449.
4	0013326		PANEL,I/SS,VINYL,ENG CMPT,RH, DRRE	OPTION 2459.
4	0016527		PANEL,I/SS,TEXT ALUM STL,FL HM,ENG CPT,RH	OPTION 2449.
4	0004863		PANEL,I/SS,VINYL,ENG CMPT,56 SECT,RH,	OPTION 2459.
4	0004858		PANEL,I/SS,TEXT ALUM,ENG CMPT,56 SECT,RH	OPTION 2449.
4	0004860		PANEL,I/SS,TEXT ALUM,FL HM,ENG CPT,56,RH	OPTION 2449.
5	0013318		PANEL,I/SS,TEXT ALUM STL,ENG CMPT,LH,	OPTION 2449.
5	0013334		PANEL,I/SS,VINYL,ENG CMPT,LH, DRRE	OPTION 2459.
5	0016535		PANEL,I/SS,TEXT ALUM STL,FL HM,ENG CPT,LH	OPTION 2449.
5	0004862		PANEL,I/SS,TEXT ALUM,FL HM,ENG CPT,56,LH	OPTION 2449.
5	0004859		PANEL,I/SS,TEXT ALUM,ENG CMPT,56 SECT,LH	OPTION 2449.
5	0004864		PANEL,I/SS,VINYL,ENG CMPT,56 SECT,LH, DRRE	OPTION 2459.
6	0016519		PANEL,GRILLE,ENG AIR INTAKE, DRRE	STANDARD. WITH 9" SS WINDOWS
6	1886423		PANEL,GRILLE,ENG AIR INTAKE,12SS	OPTION 3337, 3339. WITH 12" SS WINDOWS
7	0009886		PANEL,ENGINE CLOSEOUT,LOWER,W/ACCESS,	
8	0009860		PANEL,DAVENPORT,FRONT, DRRE	
9	0052356		PANEL,I/SS,LAST SECTION,RH,74HR, DRRE	

Models: A3RE
REAR
BSN: From BSN F10076865

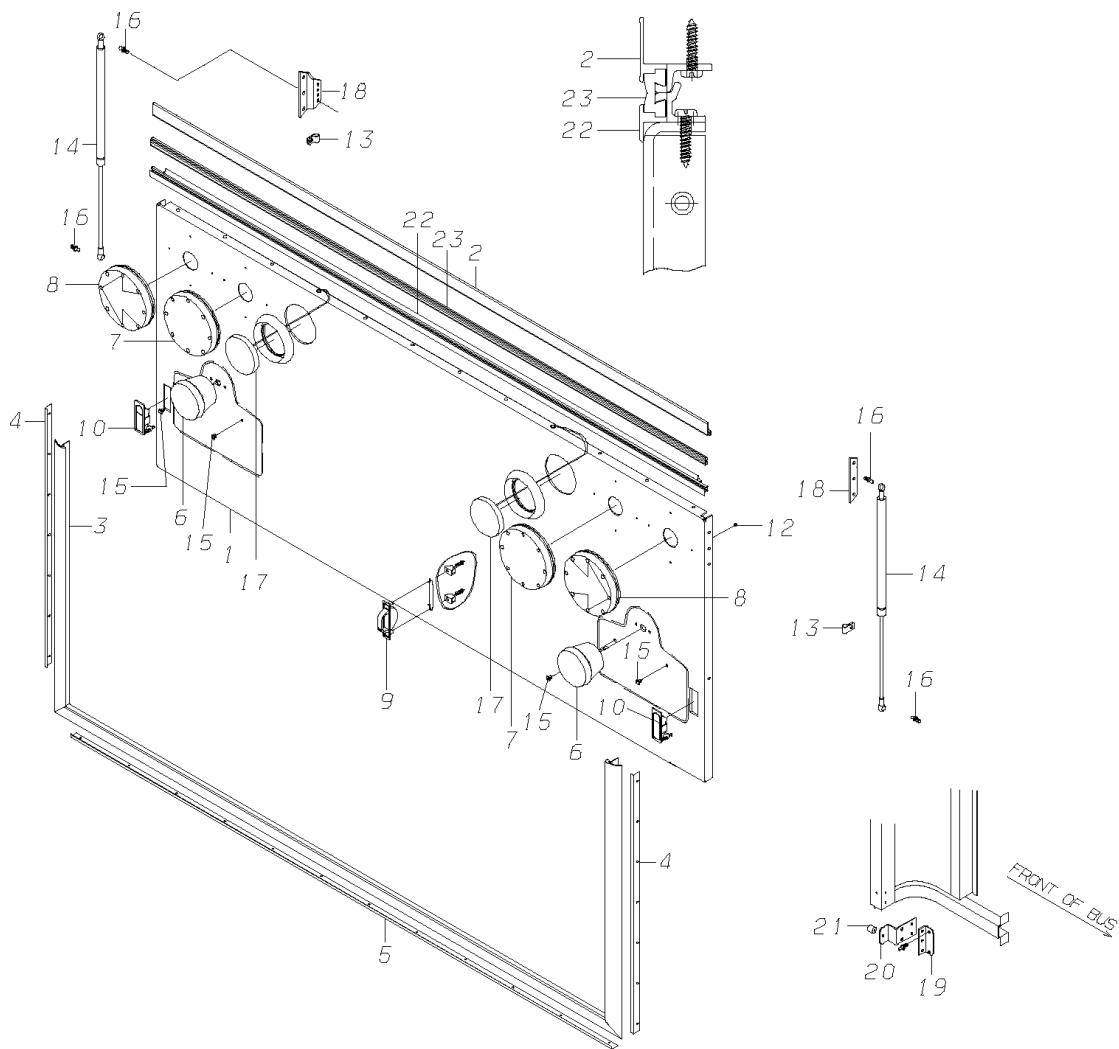
Key	PartNumber	Qty	Description	Comment
9	0052410		PANEL,I/SS,LAST SECTION,RH,77HR, DRRE	
10	0009878		PANEL,DAVENPORT,TOP,BODY SIDE,W/ACCESS	
11	1842202		TRIM,REAR EMERGENCY WINDOW	
12	1890961		PANEL,CORNER,REAR,LH,E COAT	
13	0078175		DOOR ASSY,ENGINE CMPT,PERFORATED, A3RE	WITH FEATURE 31009-02
13	0078176		DOOR ASSY,ENGINE CMPT,SOLID,UNDER	WITH FEATURE 31009-01
NI	1328616		GAS SPRING,FAN22P	
14	1890953		PANEL,CORNER,REAR,RH,E COAT	
15	1906569		EXTRUSION,RUBBER,SEAL,ENGINE COMPT	
16	0050899		PANEL ASSY,DAVENPORT,TOP,ENGINE SIDE,	
17	0011072		PANEL,O/SS,RR,19.75SK,16GA,221,	WITH FEATURE 30959-02
17	0090403		PANEL,OUTSIDE SIDE,RR,19.75SKT 16GA,LH	WITH FEATURE 30959-03
17	1886415		PANEL,OS/S,RR,25.75SK,16GA,LH,W/COOLER,	WITH FEATURE 02385-00
17	0090440		PANEL,O/SS,REAR,25.75 SKIRT,16 GA,LH, A3RE	WITH FEATURE 02385-01
18	0050903		PANEL,DAVENPORT,TOP,BODY SIDE, DRRE	
19	0052689		PANEL,I/SS,LAST SECTION,LH,74HR, DRRE	
19	0052690		PANEL,I/SS,LAST SECTION,LH,77HR, DRRE	
20	1842145	2	DOOR ASSY,AIR INTAKE,TC/CS/QB RE	
21	1798420	4	LATCH,ADJUSTABLE LEVER,THIN GRIP	
21	0027886		LATCH,ADJUSTABLE LEVER,THIN GRIP,LOCKING	FEATURE 30921-01
NI	1214956		CABLE & HOOK ASSY,CMPT DOOR,14 11/16	FEATURE 31009-03
NI	0602029		BRACKET,O/S CHAIN HOOK	FEATURE 31009-03
NI	0527317		SCREW,8-18 X 5/8,AB,PH1,OVAL CNSK HD,YEL	FEATURE 31009-03
NI	1215557	2	CHAIN,SASH,SIZE NO 35,ZINC PLATED	FEATURE 31009-03
NI	1486919		BUMPER,RUBBER RECESS,.469 X .719 DIA	FEATURE 31009-03
NI	1143684		SCREW,1/4-14 X 1,AB,PH1,PAN HD,BLK ZN,SST	FEATURE 31009-03
22	0002564		PANEL,O/SS,LAST SECTION,9SS,DRRE	
22	1252584		PANEL,O/SS,LAST SECTION,AARE	
23	0050896		ANGLE ASSY,AIR INTAKE PANEL	
24	0013359	2	PLATE ASSY,MTG,AIR CLEANER BRKT, DRRE	
25	0002873		PANEL,CLOSEOUT,AIR INTAKE, DRRE	
26	1829704	8	SEAL,RUBBER,CLEAN SEAL G-7056	
27	0009910		PANEL ASSY,DAVENPORT ACCESS COVER,	

Models: A3RE
REAR
BSN: From BSN F10076865

Key	PartNumber	Qty	Description	Comment
28	0052544		PLENUM ASSY,AIR INTAKE,DRRE	
29	0028320		PANEL ASSY,C/O,AIR PLENUM TO DVPT, DRRE	
30	1542398	4	CAPSCREW,HEX FLG,1/4-20X3.25,GRD5,BLACK	
31	2001170	4	LOCKWASHER,SPLIT RING, 1/4 ,MED,YEL ZN	
NI	1549211		RIVET,CHERRY,SSPVH-204-4	
NI	1415769		RIVET,POP,.18 X .45,CHERRY SSPS-6-4	
NI	1854397		RIVET,BLIND,.25 DIA,.38 GRIP	
NI	2000636		SCREW,1/4-14 X 1/2,AB,PH1,PAN HD,YEL	
NI	1541176		SCREW,MACH 1/4-20 X 3/4,PH1,TRUSSHD,	
NI	2001394		RIVNUT,NC,1/4"	
32	1501840		PANEL,FLUTED,42.75,REAR SIDE,AARE	<i>OPTION 30959-01</i>
33	1501840		PANEL,FLUTED,42.75,REAR SIDE,AARE	<i>FEATURE 30959-01</i>
33	1644020		PANEL,FLUTED,14.75,REAR SIDE EMER DOOR	<i>FEATURE 30959-01 WITH RH SIDE EMER DOOR</i>

Models: A3RE, TCRE
REAR
ENGINE COMPARTMENT DOOR
BSN: From A3RE - BSN 188885
 To A3RE - BSN 10101209 TCRE - BSN 188885

Key	PartNumber	Qty	Description	Comment
-----	------------	-----	-------------	---------



Models: A3RE, TCRE
REAR
ENGINE COMPARTMENT DOOR
BSN: From A3RE - BSN 188885
 To A3RE - BSN 10101209 TCRE - BSN 188885

Key	PartNumber	Qty	Description	Comment
1	1840032		DOOR ASSEMBLY,ENGINE COMPARTMENT	TCRE, ALL EXCEPT GM 427
1	1840065		DOOR ASSEMBLY,ENGINE CMPT,GM427 CNG,	TCRE, GM 427
1	0000803		DOOR ASSY,ENGINE COMPARTMENT,DRRE	
1	1890987		DOOR ASSY,ENGINE COMPARTMENT,CEC	WITH FEATURE 40184 -05, -06, -07, 40187 -06, -07, or 40181 -01
2	1988435		HINGE,TOP SECTION,ENGINE COMP DOOR	TCRE & A3RE, SCHOOL BUS ONLY
2	1842160		HINGE,TOP SECTION,ENGINE CMPT DOOR	
NI	0977132		CAPSCREW,HEX HD,1/4-20 X 3/4,GR 5,YEL	
NI	0659979	12	NUT,HEX,FLANGE SER,1/4-20,BLACK ZINC	
NI	2000230	11	SCREW,5/16-18 X 1-1/2,D,HEX HD,YEL ZN	
3	1844331		EXTRUSION,RUBBER SEAL,ENGINE CMPT DOOR	
3	1906569		EXTRUSION,RUBBER,SEAL,ENGINE COMPT	
4	1844323	2	RETAINER,RUBBER,ENGINE CMPT DOOR SIDE	
5	1528140		RETAINER,RUBBER,ENGINE CMPT DOOR,BTM	
NI	1457969	12	RIVET,BLIND,.18 X.45,CHERRY SSP-6-4Z1X,BLK	
6	0009129	2	LIGHT,STOP/TAIL,4IN,RED	
7	0857656	2	LIGHT,STOP/TAIL,RED,W	
8	0566208	2	LIGHT,DIRECTIONAL,AMBER W/ARROW	
NI	2000750	8	SCREW,MACH,10-24 X 1/2,PH1,RD HD,YEL	
9	1579366	2	PULL,CONCEALED,ENGINE,COMPARTMENT	
10	1798420	2	LATCH,ADJUSTABLE LEVER,THIN GRIP	
NI	1835479	2	REFLECTOR,RED,WITH SELF ADHESIVE	
12	1579374	24	FASTENER,PRESS-IN,10-24 UNC	
13	2027498	2	CLAMP,HOSE,NYLON,1/2 7	
NI	2000842	2	SCREW,MACH,1/4-20 X 3/4, PH1,FLT CNSK,	
NI	2001345	2	NUT,HEX HD,1/4-20,LOCKING,YELLOW	
14	1328616	2	GAS SPRING,FAN22P	
15	2001261	4	NUT,PLASTIC,EXPANSION"	
16	3758810	4	STUD,BALL,O/H CABINET 10MM,WL	
17	1203686	2	LIGHT,BACK-UP,T	
18	1923713	2	BRACKET,MOUNTING,GAS SPRING TO ENG	
19	1581891		BRACKET,MTG,GAS SPRING,LOWER,TCRE	ENDING WITH BSN 192301
19	8302408		BRACKET,MTG,GAS SPRING,ENG DOOR"	BEGIN WITH BSN 192302

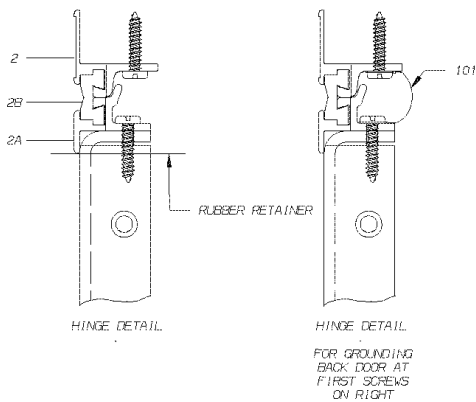
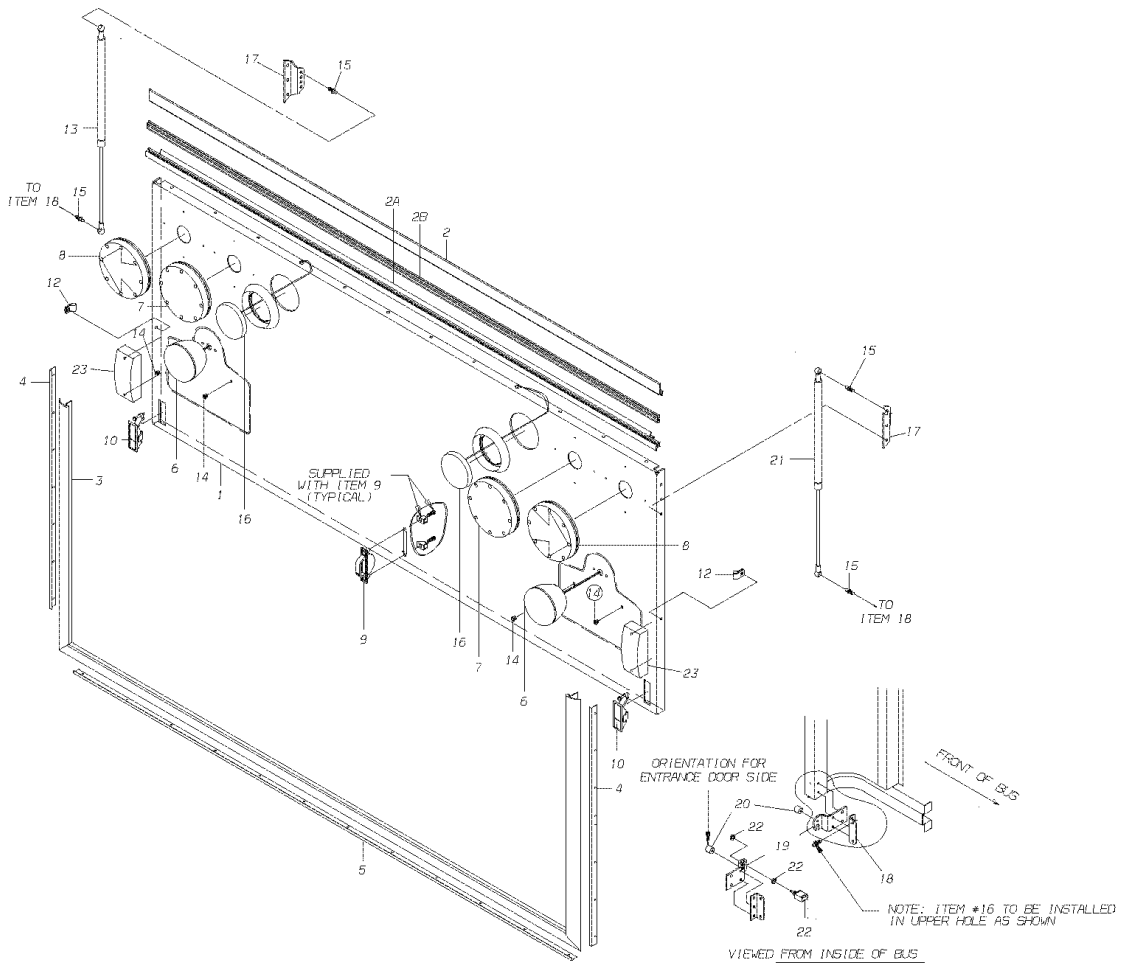
Models: A3RE, TCRE
 REAR
 ENGINE COMPARTMENT DOOR
BSN: From A3RE - BSN 188885
 To A3RE - BSN 10101209 TCRE - BSN 188885

Key	PartNumber	Qty	Description	Comment
NI	2000776		SCREW,MACH, 10-32 X 3/4,PH1,RD HD,	
NI	2001162	4	LOCKWASHER,SPLIT RING, 3/16,MED,YEL ZN	
NI	2001287		NUT,HEX HD,10-32,YEL ZN DICH	
20	1579382	2	PLATE,STRIKER,ENGINE COMPARTMENT DOOR	
NI	2000198	4	SCREW,5/16-18 X 1,D,HEX HD,YEL ZN DICH	
21	1486919	2	BUMPER,RUBBER RECESS,.469 X .719 DIA	
NI	2000776	2	SCREW,MACH, 10-32 X 3/4,PH1,RD HD,	
NI	2001162	2	LOCKWASHER,SPLIT RING, 3/16,MED,YEL ZN	
NI	2001287	2	NUT,HEX HD,10-32,YEL ZN DICH	
NI	0899096	4	WIRE,SAFETY,A9002,GAS SPRING	
22	1842152		HINGE,BOTTOM SECTION,ENGINE CMPT DOOR	
23	1200807		RUBBER,HINGE,STORAGE COMPARTMENT	
NI	1890359		GRILL,DOOR,ENGINE COMPARTMENT,CEC	

Models: **A3RE
REAR
ENGINE COMPARTMENT DOOR**

BSN: **From BSN L10101210**

Key	PartNumber	Qty	Description	Comment
-----	------------	-----	-------------	---------



Models: A3RE
 REAR
ENGINE COMPARTMENT DOOR
BSN: From BSN L10101210

Key	PartNumber	Qty	Description	Comment
1	0062885		DOOR ASSY,ENGINE CMPT,SOLID,UND 275HP,	FEATURE 31009-01. ENDING WITH BSN 10069019
1	0078176		DOOR ASSY,ENGINE CMPT,SOLID,UNDER	FEATURE 31009-01. BEGIN WITH BSN 10069020
1	0062884		DOOR ASSY,ENGINE CMPT,PERFORATED,A3RE	FEATURE 31009-02. ENDING WITH BSN 10069019
1	0078175		DOOR ASSY,ENGINE CMPT,PERFORATED, A3RE	FEATURE 31009-02. BEGIN WITH BSN 10069020
2	1988435		HINGE, TOP SECTION,ENGINE COMP DOOR	
2A	1842152		HINGE,BOTTOM SECTION,ENGINE CMPT DOOR	
2B	1200807		RUBBER,HINGE,STORAGE COMPARTMENT	
	1842541		SCREW,12-14 X 1,AB,PH1,PAN HD,YELLOW	
3	1906569		EXTRUSION,RUBBER,SEAL,ENGINE COMPT	
4	1844323		RETAINER,RUBBER,ENGINE CMPT DOOR SIDE	ENDING WITH BSN 10063154
4	0078269		RETAINER,RUBBER,ENG CMPT DR,SIDE, A3RE	BEGIN WITH BSN 10063155
	1457969	14	RIVET,BLIND,.18 X.45,CHERRY SSP-6-4Z1X,BLK	
5	1528140		RETAINER,RUBBER,ENGINE CMPT DOOR,BTM	
	1457969	14	RIVET,BLIND,.18 X.45,CHERRY SSP-6-4Z1X,BLK	
6	0014581	2	LIGHT,STOP/TAIL,4IN,RED	
	0070439	4	SCREW,MACH,8-32X1,PH,PAN HD,BLACK ZINC	
	0019196	4	WASHER,FLAT,NO 8,YEL ZN DICH	
	6098198		LIGHT,LICENSE PLATE,1998 MODEL	FEATURE 30173-02
	0019061	4	SCREW,10-32 X 1/2,F,PH1,PAN HD,BLACK ZINC	
7	0857656	2	LIGHT,STOP/TAIL,RED,W	
8	0566208	2	LIGHT,DIRECTIONAL,AMBER W/ARROW	
	0070439	8	SCREW,MACH,8-32X1,PH,PAN HD,BLACK ZINC	
9	1579366		PULL,CONCEALED,ENGINE,COMPARTMENT	
10	1798420	2	LATCH,ADJUSTABLE LEVER,THIN GRIP	
10	0027886	2	LATCH,ADJUSTABLE LEVER,THIN GRIP,LOCKING	FEATURE 30921-01
12	2027498	2	CLAMP,HOSE,NYLON,1/2 7	
	2000842	2	SCREW,MACH,1/4-20 X 3/4, PH1,FLT CNSK,	
	2001345	6	NUT,HEX HD,1/4-20,LOCKING,YELLOW	
13	1328616	2	GAS SPRING,FAN22P	
14	2001261	4	NUT,PLASTIC,EXPANSION"	
15	3758810	4	STUD,BALL,O/H CABINET 10MM,WL	
16	1203686	2	LIGHT,BACK-UP,T	

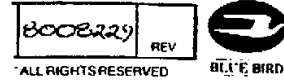
Models: A3RE
 REAR
ENGINE COMPARTMENT DOOR
BSN: From BSN L10101210

Key	PartNumber	Qty	Description	Comment
17	1923713	2	BRACKET,MOUNTING,GAS SPRING TO ENG	
	2000842	6	SCREW,MACH,1/4-20 X 3/4, PH1,FLT CNSK,	
	2001345	6	NUT,HEX HD,1/4-20,LOCKING,YELLOW	
18	8302408	2	BRACKET,MTG,GAS SPRING,ENG DOOR"	
	1339811		CAPSCREW,HEX HD,1/4-20X 5/8,GR5,YEL ZN	
	0659979		NUT,HEX,FLANGE SER,1/4-20,BLACK ZINC	
19	1579382		PLATE,STRIKER,ENGINE COMPARTMENT DOOR	ENDING WITH BSN F10075619
19	0087951		PLATE,STRIKER,ENGINE COMPARTMENT DR,	BEGIN WITH BSN F10075620
	2000198	4	SCREW,5/16-18 X 1,D,HEX HD,YEL ZN DICH	
20	1486919	2	BUMPER,RUBBER RECESS,.469 X .719 DIA	
	2000776		SCREW,MACH, 10-32 X 3/4,PH1,RD HD,	
	2001162		LOCKWASHER,SPLIT RING, 3/16,MED,YEL ZN	
	2001287		NUT,HEX HD,10-32,YEL ZN DICH	
21	1328616		GAS SPRING,FAN22P	WITH FEATURE 31009-04 NON LATCHING STANDARD
21	1983766		GAS SPRING,FAL 22,150 LB,LOCKING	WITH FEATURE 31009-05 LATCHING
NI	0899096		WIRE,SAFETY,A9002,GAS SPRING	
NI	1842541		SCREW,12-14 X 1,AB,PH1,PAN HD,YELLOW	
NI	0003477		WIRE ASSY,14 GA,WHITE,6. L,EYELET/EYELET	
NI	1890359		GRILL,DOOR,ENGINE COMPARTMENT,CEC	FEATURE 31009-02 [STANDARD]
NI	1457969	22	RIVET,BLIND,.18 X.45,CHERRY SSP-6-4Z1X,BLK	
22	1145168		SWITCH,ADJUSTABLE,DPST (NC) INTERNAL	WITH FEATURE 31048-09
	1073311	2	NUT,PANEL,HEX HD,1/2-20,YEL ZN DICH	WITH FEATURE 31048-09

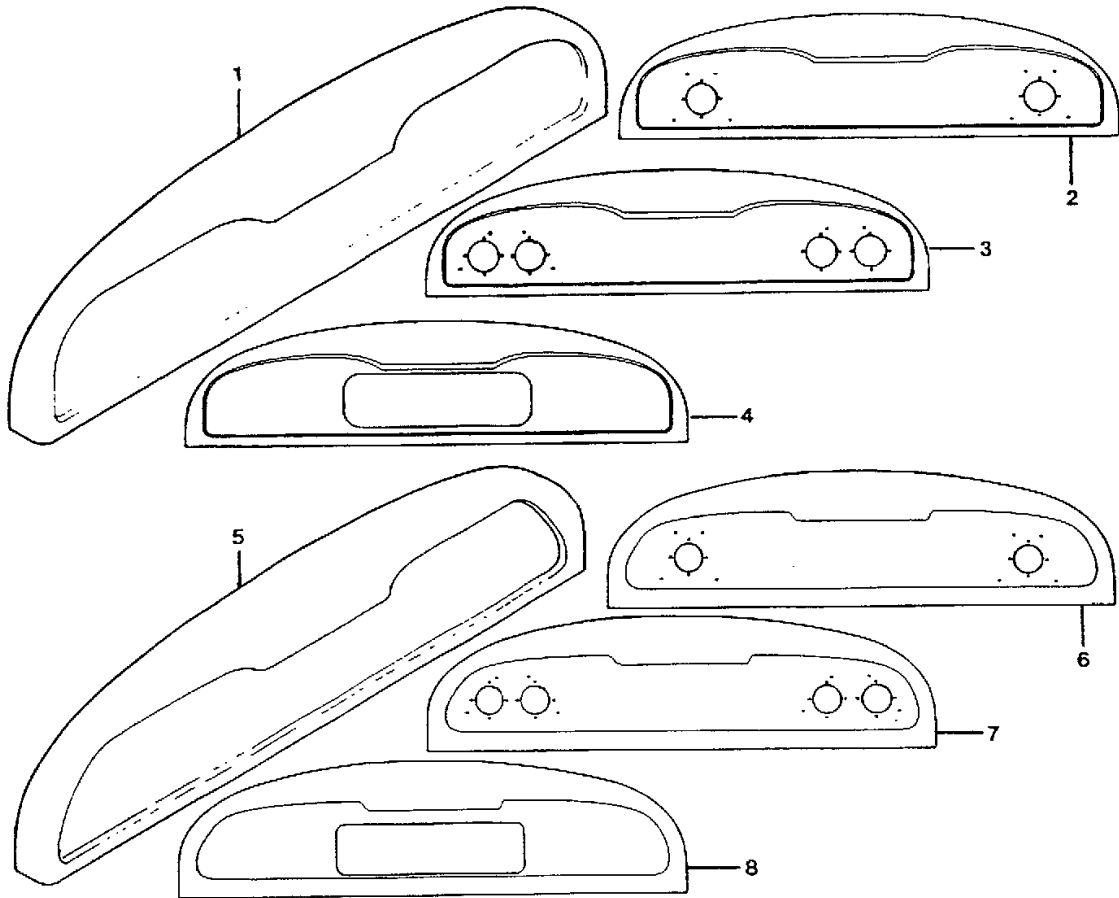
Models: A3FE, A3RE, TCFE, TCRE
REAR
ROOF CAPS

Key	PartNumber	Qty	Description	Comment
-----	------------	-----	-------------	---------

ROOF CAPS, REAR



AAFC,

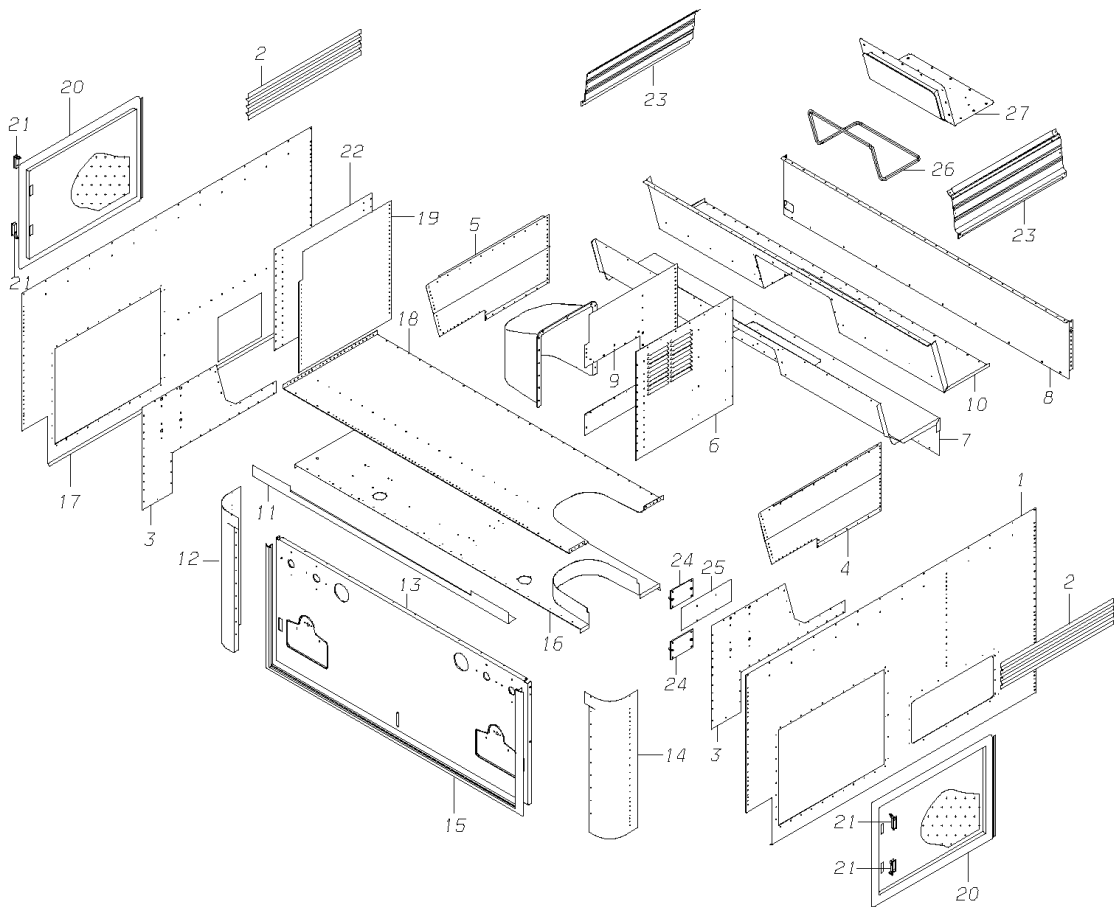


Models: A3FE, A3RE, TCFE, TCRE
**REAR
 ROOF CAPS**

Key	PartNumber	Qty	Description	Comment
1	1075191		PANEL,ROOF CAP,REAR,PRIMED	74 HR, STANDARD, OPTION 3339
1	1613694		PANEL,ROOF CAP,REAR,E-COAT	74 HR, STANDARD, OPTION 3339 WITH OPTION 2309. E-COAT
1	1056001		PANEL,ROOF CAP,REAR,77HR,PRIMED	77 HR, STANDARD, OPTION 3337, 3471, 3473
1	1625771		PANEL,ROOF CAP,REAR,77HR,E-COAT	77 HR, STANDARD, OPTION 3337, 3471, 3473 WITH OPTION 2309. E-COAT
2	1075209		PANEL,ROOF CAP,REAR,W/4 LP W/L SYSTEM	74 HR, STANDARD, OPTION 3339 WITH OPTION 1987, 1992
2	1065424		PANEL,REAR ROOF CAP,W/4 LAMP W/L SYSTEM	77 HR, OPTION 3337, 3471, 3473 WITH OPTION 1987, 1992
3	1075217		PANEL,ROOF CAP,REAR,W/8 LP W/L SYSTEM	74 HR, STANDARD, OPTION 3339 WITH OPTION 2016, 2025
3	1065432		PANEL,REAR ROOF CAP,W/8 LAMP W/L SYSTEM	77 HR, OPTION 3337, 3471, 3473 WITH OPTION 2016, 2025
4	1088251		PANEL,ROOF CAP,REAR,W/36 SIGN C/O	74 HR, STANDARD, OPTION 3339 WITH OPTION 3053, 3054
4	1625839		PANEL,ROOF CAP,REAR,W/36 SIGN C/O,E-COAT	74 HR, STANDARD, OPTION 3339 WITH OPTION 3053, 3054 WITH OPTION 2309. E-COAT
4	1065416		PANEL,REAR ROOF CAP,W/36 SIGN	77 HR, OPTION 3337, 3471, 3473 WITH OPTION 3053, 3054
4	1625797		PANEL,REAR ROOF CAP,36 SIGN C/O,77HR,E-	77 HR, OPTION 3337, 3471, 3473 WITH OPTION 3053, 3054 WITH OPTION 2309. E-COAT

Models: A3RE
 REAR
 U.K. UNITS ONLY

Key	PartNumber	Qty	Description	Comment
-----	------------	-----	-------------	---------



Models: A3RE
REAR
U.K. UNITS ONLY

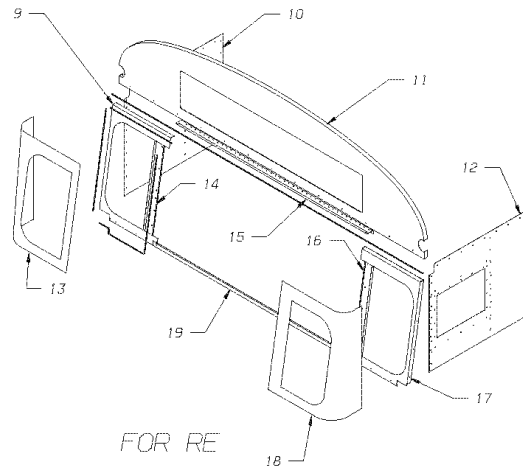
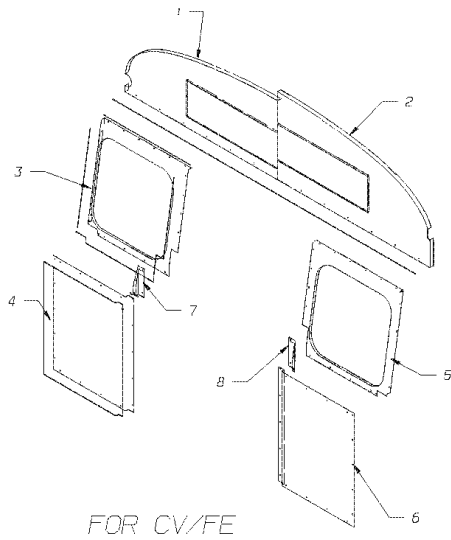
Key	PartNumber	Qty	Description	Comment
1	1886407		PANEL,O/SS,RR,25.75SK,16GA,RH,SED,HD BX,	
2	1501840		PANEL,FLUTED,42.75,REAR SIDE,AARE	
2	1644020		PANEL,FLUTED,14.75,REAR SIDE EMER DOOR	
3	0011064	2	PANEL,CLOSEOUT,ENG CMPT,SIDE,DRRE	
4	0013300		PANEL,I/SS,TEXT ALUM STL,ENG CMPT,RH,	
5	0013318		PANEL,I/SS,TEXT ALUM STL,ENG CMPT,LH,	
6	0044132		PANEL,GRILLE,ENG AIR INTAKE,12SS, UK-RHD	
7	0009886		PANEL,ENGINE CLOSEOUT,LOWER,W/ACCESS,	
8	0009860		PANEL,DAVENPORT,FRONT, DRRE	
9	0013243		PANEL,I/SS,LAST SECTION,RH, DRRE	
10	0009878		PANEL,DAVENPORT,TOP,BODY SIDE,W/ACCESS	
11	1842202		TRIM,REAR EMERGENCY WINDOW	
12	1890961		PANEL,CORNER,REAR,LH,E COAT	
13	0042981		DOOR,ENGINE COMPARTMENT,UK-RHD, A3RE	
NI	1328616		GAS SPRING,FAN22P	
14	1890953		PANEL,CORNER,REAR,RH,E COAT	
15	1906569		EXTRUSION,RUBBER,SEAL,ENGINE COMPT	
16	0028318		PANEL ASSY,DAVENPORT,TOP,ENGINE SIDE,	
17	1886415		PANEL,OS/S,RR,25.75SK,16GA,LH,W/COOLER,	
18	0028326		PANEL,DAVENPORT,TOP,BODY SIDE, DRRE	
19	1316157		PANEL,I/S,LAST SECT,LH,CAT,AARE	
20	0046819	2	DOOR ASSY,AIR INTAKE,SOLID,RHD,A3RE	
21	1798420	4	LATCH,ADJUSTABLE LEVER,THIN GRIP	
22	1252584		PANEL,O/SS,LAST SECTION,AARE	
23	1824374	2	MOLDING,WIRE,REAR,28	
24	0013359	2	PLATE ASSY,MTG,AIR CLEANER BRKT, DRRE	
25	0002873		PANEL,CLOSEOUT,AIR INTAKE, DRRE	
26	1829704	8	SEAL,RUBBER,CLEAN SEAL G-7056	
27	0009910		PANEL ASSY,DAVENPORT ACCESS COVER,	
NI	1549211		RIVET,CHERRY,SSPVH-204-4	
NI	1415769		RIVET,POP,.18 X .45,CHERRY SSSPS-6-4	
NI	2001394		RIVNUT,NC,1/4"	
NI	1854397		RIVET,BLIND,.25 DIA,.38 GRIP	

Models: **A3RE**
REAR
U.K. UNITS ONLY

Key	PartNumber	Qty	Description	Comment
NI	2000636		SCREW,1/4-14 X 1/2,AB,PH1,PAN HD,YEL	
NI	0001157		NAMEPLATE,REAR BUMPER,WHITE,AA	<i>BLACK LETTERS ON WHITE BACKGROUND</i>
NI	2000891		SCREW,DRIVE,10 X 3/8IN,NAME PLATE	

Models: A3FE, A3RE, SBCV
**REAR
 UPPER PANELS**

Key	PartNumber	Qty	Description	Comment
-----	------------	-----	-------------	---------



Models: **A3FE, A3RE, SBCV
REAR
UPPER PANELS**

Key	PartNumber	Qty	Description	Comment
1	0043839		PANEL,I/S,REAR UPPER,74HR"	
1	0043907		PANEL,I/S,REAR UPPER,74HR,W/SB SIGN	
2	0053410		PANEL,INSIDE,REAR UPPER,77 HR	
2	0053585		PANEL,INSIDE,REAR UPPER,W/SCH,BUS	
2	0086617		PANEL,ACCESS,RR UPR W/ACCESS PLATE,77HR	FEATURE 30881-03
2	0086618		PLATE,ACCESS,RR UPR INNER	FEATURE 30881-03
2	0105221		PANEL,INSIDE,REAR UPPER,74 HR,AC	FEATURE 30006-14
2	0105220		PANEL,INSIDE,REAR UPPER,77 HR,AC	FEATURE 30006-14
3	1113059		PANEL,ACCESS,I/S REAR VIS,LH,PRIMED	STANDARD. WITH REAR WINDOW
3	1117175		PANEL,I/S,REAR VISION,W/O WINDOW,LH	FEATURE 07436-04. WITHOUT REAR WINDOW
4	0043824		PANEL,ACCESS,INNER,REAR,LH"	
5	1113042		PANEL,ACCESS,I/S REAR VISION,RH	STANDARD. WITH REAR WINDOW
5	1117167		PANEL,I/S,REAR VISION,W/O WINDOW,RH	FEATURE 07436-04. WITHOUT REAR WINDOW
6	0043825		PANEL,ACCESS,INNER,REAR,RH"	
7	0837260		CAP,POST,REAR EMERGENCY DOOR,ACCESS,LH	
8	0837252		CAP,POST,REAR EMERGENCY DOOR,ACCESS,RH	
9	1030824		PANEL,REAR VISION,I/S,W/REW,LH,RCLC	STANDARD. WITH REAR WINDOW
9	1143601		PANEL,I/S,REAR VISION,W/O WINDOW,LH,	FEATURE 07436-04. WITHOUT REAR WINDOW
10	0052689		PANEL,I/SS,LAST SECTION,LH,74HR, DRRE	
10	0052690		PANEL,I/SS,LAST SECTION,LH,77HR, DRRE	
11	0043839		PANEL,I/S,REAR UPPER,74HR"	
11	0053410		PANEL,INSIDE,REAR UPPER,77 HR	
11	0086617		PANEL,ACCESS,RR UPR W/ACCESS PLATE,77HR	FEATURE 30881-03
11	0086618		PLATE,ACCESS,RR UPR INNER	FEATURE 30881-03
12	0052356		PANEL,I/SS,LAST SECTION,RH,74HR, DRRE	
12	0052410		PANEL,I/SS,LAST SECTION,RH,77HR, DRRE	
13	1687185		PANEL ASSY,RR VIS OUT,LH,W/R EMER WIN,	STANDARD. WITH REAR WINDOW
13	1259423		PANEL,REAR VISION,O/S,LH,W/O WDO,RR EM	FEATURE 07436-04. WITHOUT REAR WINDOW
14	1030808		PANEL,SMALL RR VISION,W/REW,LH,RCLC	WITHOUT FEATURE 07436-04
15	1050459		TRIM,UPPER,I/S,REAR EMERGENCY WINDOW,	WITH FEATURE 30945
15	0930453		TRIM,UPPER,I/S,REAR EMERGENCY WINDOW	WITHOUT FEATURE 30945
16	1519487		PANEL,SMALL RR VISION,W/REW,RH,RCLC	WITHOUT FEATURE 07436-04

Models: **A3FE, A3RE, SBCV**
REAR
UPPER PANELS

Key	PartNumber	Qty	Description	Comment
17	1030816		PANEL,REAR VISION,I/S,W/REW,RH,RCLC	<i>STANDARD. WITH REAR WINDOW</i>
17	1536085		PANEL,REAR VISION,I/S, W/O WINDOW,R.H.	<i>FEATURE 07436-04. WITHOUT REAR WINDOW</i>
18	1687169		PANEL ASSY,RR VIS OUT,RH,W/R EMER WIN,	<i>STANDARD. WITH REAR WINDOW</i>
18	1259415		PANEL,REAR VISION,O/S,RH,W/O WDO,RR EM	<i>FEATURE 07436-04. WITHOUT REAR WINDOW</i>
19	0289223		TRIM,REAR EMERGENCY WINDOW,LOWER,	

**Models: A3RE
RUBRAILS
U.K. UNITS ONLY
WITH BOTH ENDS FORMED**

Key	PartNumber	Qty	Description	Comment
	0309930		RUB RAIL,NO 01,,7 3/4 IN	
	0309948		RUB RAIL,NO 02, 14 3/4 IN	
	0309955		RUB RAIL,NO 03, 21 3/4 IN	
	0309963		RUB RAIL,NO 04, 28 3/4 IN	
	0309971		RUB RAIL,NO 05, 35 3/4 IN	
	0309989		RUB RAIL,NO 06, 42 3/4 IN	
	0309997		RUB RAIL,NO 07, 49 3/4 IN	
	0310003		RUB RAIL,NO 08, 56 3/4 IN"	
	0310011		RUB RAIL,NO 09, 63 3/4 IN"	
	0310029		RUB RAIL,NO 10, 70 3/4 IN"	
	0310037		RUB RAIL,NO 11, 77 3/4 IN"	
	0310045		RUB RAIL,NO 12, 84 3/4 IN"	
	0310052		RUB RAIL,NO 13, 91 3/4 IN"	
	0310060		RUB RAIL,NO 14, 98 3/4 IN"	
	0310078		RUB RAIL,NO 15,105 3/4 IN"	
	0310086		RUB RAIL,NO 16,112 3/4 IN"	
	0310094		RUB RAIL,NO 17,119 3/4 IN"	
	0310102		RUB RAIL,NO 18,126 3/4 IN"	
	0310110		RUB RAIL,NO 19,133 3/4 IN"	
	0310128		RUB RAIL,NO 20,140 3/4 IN"	
	0310136		RUB RAIL,NO 21,147 3/4 IN"	
	0310144		RUB RAIL,NO 22,154 3/4 IN"	
	0310151		RUB RAIL,NO 23,161 3/4 IN"	
	0310169		RUB RAIL,NO 24,168 3/4 IN"	
	0310177		RUB RAIL,NO 25,175 3/4 IN"	
	0310185		RUB RAIL,NO 26,182 3/4 IN"	
	0310193		RUB RAIL,NO 27,189 3/4 IN"	
	0310201		RUB RAIL,NO 28,196 3/4 IN"	
	0310219		RUB RAIL,NO 29,203 3/4 IN"	
	0310227		RUB RAIL,NO 30,210 3/4 IN"	
	0310235		RUB RAIL,NO 31,217 3/4 IN"	
	0310243		RUB RAIL,NO 32,224 3/4 IN	
	0312058		RUB RAIL,NO 33,231 3/4 IN	

**Models: A3RE
RUBRAILS
U.K. UNITS ONLY
WITH BOTH ENDS FORMED**

Key	PartNumber	Qty	Description	Comment
	0312066		RUB RAIL,NO 34,238 3/4 IN	
	0310300		RUB RAIL,NO 38,266 3/4 IN"	
	0310276		RUB RAIL,NO 35,245 3/4 IN"	
	0310318		RUB RAIL,NO 39,273 3/4 IN"	
	0310284		RUB RAIL,NO 36,252 3/4 IN"	
	0310326		RUB RAIL,NO 40,280 3/4 IN"	
	0310292		RUB RAIL,NO 37,259 3/4 IN"	
	0310334		RUB RAIL,NO 41,287 3/4 IN"	
	0310342		RUB RAIL,NO 42,294 3/4 IN"	
	0310359		RUB RAIL,NO 43,301 3/4 IN"	
	0310367		RUB RAIL,NO 44,308 3/4 IN"	
	0310375		RUB RAIL,NO 45,315 3/4 IN"	
	0310383		RUB RAIL,NO 46,322 3/4 IN"	
	0310391		RUB RAIL,NO 47,329 3/4 IN"	
	0310409		RUB RAIL,NO 48,336 3/4 IN"	
	0310417		RUB RAIL,NO 49,343 3/4 IN"	
	0310425		RUB RAIL,NO 50,350 3/4 IN"	
	0310433		RUB RAIL,NO 51,357 3/4 IN"	
	0310441		RUB RAIL,NO 52,364 3/4 IN"	
	0310458		RUB RAIL,NO 53,371 3/4 IN"	
	0310466		RUB RAIL,NO 54,378 3/4 IN"	
	0310474		RUB RAIL,NO 55,385 3/4 IN"	
	0310482		RUB RAIL,NO 56,392 3/4 IN"	
	0310490		RUB RAIL,NO 57,399 3/4 IN	
	0531558		RUB RAIL,NO 58,406 3/4 IN	
	0531566		RUB RAIL,NO 59,413 3/4 IN	
	0531574		RUB RAIL,NO 60,420 3/4 IN	
	0531582		RUB RAIL,NO 61,427 3/4 IN	
	0020390		RUB RAIL,NO 61.5 CONT,431 1/4 IN	
	0531590		RUB RAIL,NO 62,434 3/4 IN	
	0531608		RUB RAIL,NO 63,441 3/4 IN	
	0531616		RUB RAIL,NO 64,448 3/4 IN	
	0884643		RUB RAIL,NO 65,455 3/4 IN	

Models: **A3RE**
RUBRAILS
U.K. UNITS ONLY
WITH BOTH ENDS FORMED

Key	PartNumber	Qty	Description	Comment
	1780329		RUB RAIL,NO 67,469.75	

**Models: A3RE
RUBRAILS
U.K. UNITS ONLY
WITH ONE END FORMED**

Key	PartNumber	Qty	Description	Comment
NI	0310847		RUB RAIL,NO 01,,8 1/4 IN,(KD)"	RIGHT HAND FRONT AND LEFT HAND REAR. USED AS RUB RAIL END CAP
NI	0310854		RUB RAIL,NO 02, 15 1/4 IN,RH,(KD)"	RIGHT HAND FRONT AND LEFT HAND REAR.
NI	0310870		RUB RAIL,NO 03, 22 1/4 IN,RH,(KD)	RIGHT HAND FRONT AND LEFT HAND REAR.
NI	0310896		RUB RAIL,NO 04, 29 1/4 IN,RH, (KD)	RIGHT HAND FRONT AND LEFT HAND REAR.
NI	0310912		RUB RAIL,LENGTH 36 1/4IN,RH	RIGHT HAND FRONT AND LEFT HAND REAR.
NI	0310938		RUB RAIL,NO 06, 43 1/4 IN,RH,(KD)	RIGHT HAND FRONT AND LEFT HAND REAR.
NI	0310953		RUB RAIL,LENGTH 50 1/4IN,RH	RIGHT HAND FRONT AND LEFT HAND REAR.
NI	0310979		RUB RAIL,NO 08, 57 1/4 IN,RH	RIGHT HAND FRONT AND LEFT HAND REAR.
NI	0310995		RUB RAIL,LENGTH 64 1/4IN,RH	RIGHT HAND FRONT AND LEFT HAND REAR.
NI	0311019		RUB RAIL,LENGTH 71 1/4IN,RH	RIGHT HAND FRONT AND LEFT HAND REAR.
NI	0311035		RUB RAIL,LENGTH 78 1/4IN,RH	RIGHT HAND FRONT AND LEFT HAND REAR.
NI	0311050		RUB RAIL,LENGTH 85 1/4IN,RH	RIGHT HAND FRONT AND LEFT HAND REAR.
NI	0311076		RUB RAIL,LENGTH 92 1/4IN,RH	RIGHT HAND FRONT AND LEFT HAND REAR.
NI	0311092		RUB RAIL,LENGTH 99 1/4IN,RH	RIGHT HAND FRONT AND LEFT HAND REAR.
NI	0311118		RUB RAIL,LENGTH 106 1/4IN,RH	RIGHT HAND FRONT AND LEFT HAND REAR.
NI	0310847		RUB RAIL,NO 01,,8 1/4 IN,(KD)"	LEFT HAND FRONT AND RIGHT HAND REAR. USED AS RUB RAIL END CAP
NI	0310862		RUB RAIL,NO 02, 15 1/4 IN,LH,(KD)	LEFT HAND FRONT AND RIGHT HAND REAR.
NI	0310888		RUB RAIL,NO 03, 22 1/4 IN,LH,(KD)	LEFT HAND FRONT AND RIGHT HAND REAR.
NI	0310904		RUB RAIL,NO 04, 29 1/4 IN,LH,(KD)	LEFT HAND FRONT AND RIGHT HAND REAR.
NI	0310920		RUB RAIL,LENGTH 36 1/4IN,LH	LEFT HAND FRONT AND RIGHT HAND REAR.
NI	0310946		RUB RAIL,NO 06, 43 1/4 IN,LH, (KD)	LEFT HAND FRONT AND RIGHT HAND REAR.
NI	0310961		RUB RAIL,LENGTH 50 1/4IN,LH	LEFT HAND FRONT AND RIGHT HAND REAR.
NI	0310987		RUB RAIL,LENGTH 57 1/4IN,LH	LEFT HAND FRONT AND RIGHT HAND REAR.

Models: **A3RE**
RUBRAILS
U.K. UNITS ONLY
WITH ONE END FORMED

Key	PartNumber	Qty	Description	Comment
NI	0311001		RUB RAIL,64 1/4 IN,LH	<i>HAND REAR.</i>
NI	0311027		RUB RAIL,LENGTH 71 1/4IN,LH	<i>LEFT HAND FRONT AND RIGHT HAND REAR.</i>
NI	0311043		RUB RAIL,LENGTH 78 1/4IN,LH	<i>LEFT HAND FRONT AND RIGHT HAND REAR.</i>
NI	0311068		RUB RAIL,LENGTH 85 1/4IN,LH	<i>LEFT HAND FRONT AND RIGHT HAND REAR.</i>
NI	0311084		RUB RAIL,LENGTH 92 1/4IN,LH	<i>LEFT HAND FRONT AND RIGHT HAND REAR.</i>
NI	0311100		RUB RAIL,LENGTH 99 1/4IN,LH	<i>LEFT HAND FRONT AND RIGHT HAND REAR.</i>
NI	0311126		RUB RAIL,LENGTH 106 1/4IN,LH	<i>LEFT HAND FRONT AND RIGHT HAND REAR.</i>

Models: AAFE, AARE, A3FE, A3RE, GMCV, GPWB, MBWB, SBCV, TCPE, TCRL, VCTA

With Features: RUBRAILS
WITH BOTH ENDS FORMED
STD

Key	PartNumber	Qty	Description	Comment
	0309930		RUB RAIL,NO 01,,7 3/4 IN	
	0309948		RUB RAIL,NO 02, 14 3/4 IN	
	0309955		RUB RAIL,NO 03, 21 3/4 IN	
	0309963		RUB RAIL,NO 04, 28 3/4 IN	
	0309971		RUB RAIL,NO 05, 35 3/4 IN	
	0309989		RUB RAIL,NO 06, 42 3/4 IN	
	0309997		RUB RAIL,NO 07, 49 3/4 IN	
	0310003		RUB RAIL,NO 08, 56 3/4 IN"	
	0310011		RUB RAIL,NO 09, 63 3/4 IN"	
	0310029		RUB RAIL,NO 10, 70 3/4 IN"	
	0310037		RUB RAIL,NO 11, 77 3/4 IN"	
	0310045		RUB RAIL,NO 12, 84 3/4 IN"	
	0310052		RUB RAIL,NO 13, 91 3/4 IN"	
	0310060		RUB RAIL,NO 14, 98 3/4 IN"	
	0310078		RUB RAIL,NO 15,105 3/4 IN"	
	0310086		RUB RAIL,NO 16,112 3/4 IN"	
	0310094		RUB RAIL,NO 17,119 3/4 IN"	
	0310102		RUB RAIL,NO 18,126 3/4 IN"	
	0310110		RUB RAIL,NO 19,133 3/4 IN"	
	0310128		RUB RAIL,NO 20,140 3/4 IN"	
	0310136		RUB RAIL,NO 21,147 3/4 IN"	
	0310144		RUB RAIL,NO 22,154 3/4 IN"	
	0310151		RUB RAIL,NO 23,161 3/4 IN"	
	0310169		RUB RAIL,NO 24,168 3/4 IN"	
	0310177		RUB RAIL,NO 25,175 3/4 IN"	
	0310185		RUB RAIL,NO 26,182 3/4 IN"	
	0310193		RUB RAIL,NO 27,189 3/4 IN"	
	0310201		RUB RAIL,NO 28,196 3/4 IN"	
	0310219		RUB RAIL,NO 29,203 3/4 IN"	
	0310227		RUB RAIL,NO 30,210 3/4 IN"	
	0310235		RUB RAIL,NO 31,217 3/4 IN"	
	0310243		RUB RAIL,NO 32,224 3/4 IN	
	0312058		RUB RAIL,NO 33,231 3/4 IN	

Models: AAFE, AARE, A3FE, A3RE, GMCV, GPWB, MBWB, SBCV, TCPE, TCRE, VCTA
RUBRAILS
WITH BOTH ENDS FORMED
With Features: STD

Key	PartNumber	Qty	Description	Comment
	0312066		RUB RAIL,NO 34,238 3/4 IN	
	0310276		RUB RAIL,NO 35,245 3/4 IN"	
	0310284		RUB RAIL,NO 36,252 3/4 IN"	
	0310292		RUB RAIL,NO 37,259 3/4 IN"	
	0310300		RUB RAIL,NO 38,266 3/4 IN"	
	0310318		RUB RAIL,NO 39,273 3/4 IN"	
	0310326		RUB RAIL,NO 40,280 3/4 IN"	
	0310334		RUB RAIL,NO 41,287 3/4 IN"	
	0310342		RUB RAIL,NO 42,294 3/4 IN"	
	0310359		RUB RAIL,NO 43,301 3/4 IN"	
	0310367		RUB RAIL,NO 44,308 3/4 IN"	
	0310375		RUB RAIL,NO 45,315 3/4 IN"	
	0310383		RUB RAIL,NO 46,322 3/4 IN"	
	0310391		RUB RAIL,NO 47,329 3/4 IN"	
	0310409		RUB RAIL,NO 48,336 3/4 IN"	
	0310417		RUB RAIL,NO 49,343 3/4 IN"	
	0310425		RUB RAIL,NO 50,350 3/4 IN"	
	0310433		RUB RAIL,NO 51,357 3/4 IN"	
	0310441		RUB RAIL,NO 52,364 3/4 IN"	
	0310458		RUB RAIL,NO 53,371 3/4 IN"	
	0310466		RUB RAIL,NO 54,378 3/4 IN"	
	0310474		RUB RAIL,NO 55,385 3/4 IN"	
	0310482		RUB RAIL,NO 56,392 3/4 IN"	
	0310490		RUB RAIL,NO 57,399 3/4 IN	
	0531558		RUB RAIL,NO 58,406 3/4 IN	
	0531566		RUB RAIL,NO 59,413 3/4 IN	
	0531574		RUB RAIL,NO 60,420 3/4 IN	
	0531582		RUB RAIL,NO 61,427 3/4 IN	
	0531590		RUB RAIL,NO 62,434 3/4 IN	
	0531608		RUB RAIL,NO 63,441 3/4 IN	
	0531616		RUB RAIL,NO 64,448 3/4 IN	
	0884643		RUB RAIL,NO 65,455 3/4 IN	
	1780329		RUB RAIL,NO 67,469.75	

Models: AAFE, AARE, A3FE, A3RE, GMCV, GPWB, MBWB, SBCV, TCPE, TCRL, VCTA
RUBRAILS
WITH ONE END FORMED
With Features: STD

Key	PartNumber	Qty	Description	Comment
NI	0310847		RUB RAIL,NO 01,,8 1/4 IN,(KD)"	RIGHT HAND FRONT AND LEFT HAND REAR. USED AS RUB RAIL END CAP
NI	0310854		RUB RAIL,NO 02, 15 1/4 IN,RH,(KD)"	RIGHT HAND FRONT AND LEFT HAND REAR
NI	0310870		RUB RAIL,NO 03, 22 1/4 IN,RH,(KD)	RIGHT HAND FRONT AND LEFT HAND REAR
NI	0310896		RUB RAIL,NO 04, 29 1/4 IN,RH, (KD)	RIGHT HAND FRONT AND LEFT HAND REAR
NI	0310912		RUB RAIL,LENGTH 36 1/4IN,RH	RIGHT HAND FRONT AND LEFT HAND REAR
NI	0310938		RUB RAIL,NO 06, 43 1/4 IN,RH,(KD)	RIGHT HAND FRONT AND LEFT HAND REAR
NI	0310953		RUB RAIL,LENGTH 50 1/4IN,RH	RIGHT HAND FRONT AND LEFT HAND REAR
NI	0310979		RUB RAIL,NO 08, 57 1/4 IN,RH	RIGHT HAND FRONT AND LEFT HAND REAR
NI	0310995		RUB RAIL,LENGTH 64 1/4IN,RH	RIGHT HAND FRONT AND LEFT HAND REAR
NI	0311019		RUB RAIL,LENGTH 71 1/4IN,RH	RIGHT HAND FRONT AND LEFT HAND REAR
NI	0311035		RUB RAIL,LENGTH 78 1/4IN,RH	RIGHT HAND FRONT AND LEFT HAND REAR
NI	0311050		RUB RAIL,LENGTH 85 1/4IN,RH	RIGHT HAND FRONT AND LEFT HAND REAR
NI	0311076		RUB RAIL,LENGTH 92 1/4IN,RH	RIGHT HAND FRONT AND LEFT HAND REAR
NI	0311092		RUB RAIL,LENGTH 99 1/4IN,RH	RIGHT HAND FRONT AND LEFT HAND REAR
NI	0311118		RUB RAIL,LENGTH 106 1/4IN,RH	RIGHT HAND FRONT AND LEFT HAND REAR
NI	0310847		RUB RAIL,NO 01,,8 1/4 IN,(KD)"	LEFT HAND FRONT AND RIGHT HAND REAR. USED AS RUB RAIL END CAP
NI	0310862		RUB RAIL,NO 02, 15 1/4 IN,LH,(KD)	LEFT HAND FRONT AND RIGHT HAND REAR
NI	0310888		RUB RAIL,NO 03, 22 1/4 IN,LH,(KD)	LEFT HAND FRONT AND RIGHT HAND REAR
NI	0310904		RUB RAIL,NO 04, 29 1/4 IN,LH,(KD)	LEFT HAND FRONT AND RIGHT HAND REAR
NI	0310920		RUB RAIL,LENGTH 36 1/4IN,LH	LEFT HAND FRONT AND RIGHT HAND REAR
NI	0310946		RUB RAIL,NO 06, 43 1/4 IN,LH, (KD)	LEFT HAND FRONT AND RIGHT HAND REAR
NI	0310961		RUB RAIL,LENGTH 50 1/4IN,LH	LEFT HAND FRONT AND RIGHT HAND REAR
NI	0310987		RUB RAIL,LENGTH 57 1/4IN,LH	LEFT HAND FRONT AND RIGHT HAND REAR

Models: AAFE, AARE, A3FE, A3RE, GMCV, GPWB, MBWB, SBCV, TCPE, TCRL, VCTA
RUBRAILS
WITH ONE END FORMED
With Features: STD

Key	PartNumber	Qty	Description	Comment
NI	0311001		RUB RAIL,64 1/4 IN,LH	HAND REAR
NI	0311027		RUB RAIL,LENGTH 71 1/4IN,LH	LEFT HAND FRONT AND RIGHT HAND REAR
NI	0311043		RUB RAIL,LENGTH 78 1/4IN,LH	LEFT HAND FRONT AND RIGHT HAND REAR
NI	0311068		RUB RAIL,LENGTH 85 1/4IN,LH	LEFT HAND FRONT AND RIGHT HAND REAR
NI	0311084		RUB RAIL,LENGTH 92 1/4IN,LH	LEFT HAND FRONT AND RIGHT HAND REAR
NI	0311100		RUB RAIL,LENGTH 99 1/4IN,LH	LEFT HAND FRONT AND RIGHT HAND REAR
NI	0311126		RUB RAIL,LENGTH 106 1/4IN,LH	LEFT HAND FRONT AND RIGHT HAND REAR