

**Body**

**310 Structure**

CENTER

---

U.K. UNITS ONLY	1
-----------------	---

FLOOR

---

<i>To BSN L10118204</i>	3
-------------------------	---

---

<i>From BSN L10118205 F10056065</i>	4
-------------------------------------	---

FRONT

---

<i>To BSN B10135149 F10056064 L10117249</i>	5
---	---

---

<i>From BSN B10135150 F10056065 L10117250</i>	6
---	---

FRONT (RH DRIVE)

---

<i>To BSN B10135149 F10056064 L10117249</i>	7
---	---

---

<i>From BSN B10135150 F10056065 L10117250</i>	8
---	---

U.K. UNITS ONLY

---

	9
--	---

FRONT

DRIVER'S AREA

---

	10
--	----

DRIVER'S PLATFORM

---

<i>To BSN B10135149 F10056064 L10117249</i>	11
---	----

---

<i>From BSN B10135150 F10056065 L10117250</i>	12
---	----

DRIVER'S PLATFORM TRIM

---

	13
--	----

DRIVER'S PLATFORM, RH DRIVE

---

<i>With: FEATURE 40360-02 To BSN B10135149 F10056064 L10117249</i>	14
--	----

---

<i>With: FEATURE 40360-02 From BSN B10135150 F10056065 L10117250</i>	15
--	----

FRONT FLOOR

RH DRIVE

U.K. UNITS ONLY

*With: OPTION 3480  
To BSN B10135149 F10056064 L10117249* 16

---

*With: OPTION 3480  
From BSN B10135150 F10056065 L10117250* 17

---

REAR

REAR ASSY

*From BSN 10093855 11/04/02  
To 11/16/03* 18

---

*From BSN 11/17/03* 19

---

*From CSN 3/15/05  
To 12/13/05* 20

---

21

---

REAR ASSY BLIND METAL

*From BSN 3/31/05* 22

---

REAR ASSY COMPLETE

28, 28, 28

*From BSN 00076900* 23

---

28, 35, 28

*From BSN 00076900* 24

---

56 INCH REAR

*From BSN 00070675  
To 00076899* 25

---

63 INCH REAR

*From BSN 00070675  
To 00076899* 26

---

REAR ASSY COMPLETE BLIND METAL

28, 28, 28

*From BSN 00076900* 27

---

28, 35, 28

*From BSN 00076900* 28

---

REAR DAVENPORT

*With: STD* 29

---

WITH SIDE EMERGENCY DOOR

<i>With: OPTION 428, 429, 432, 434</i>	30
U.K. UNITS ONLY	
REAR ASSY	
<i>To CSN 11/03/02</i>	31
REAR DAVENPORT AREA, WITH ENGINE ACCESS	
<i>With: OPTION 0428</i>	32

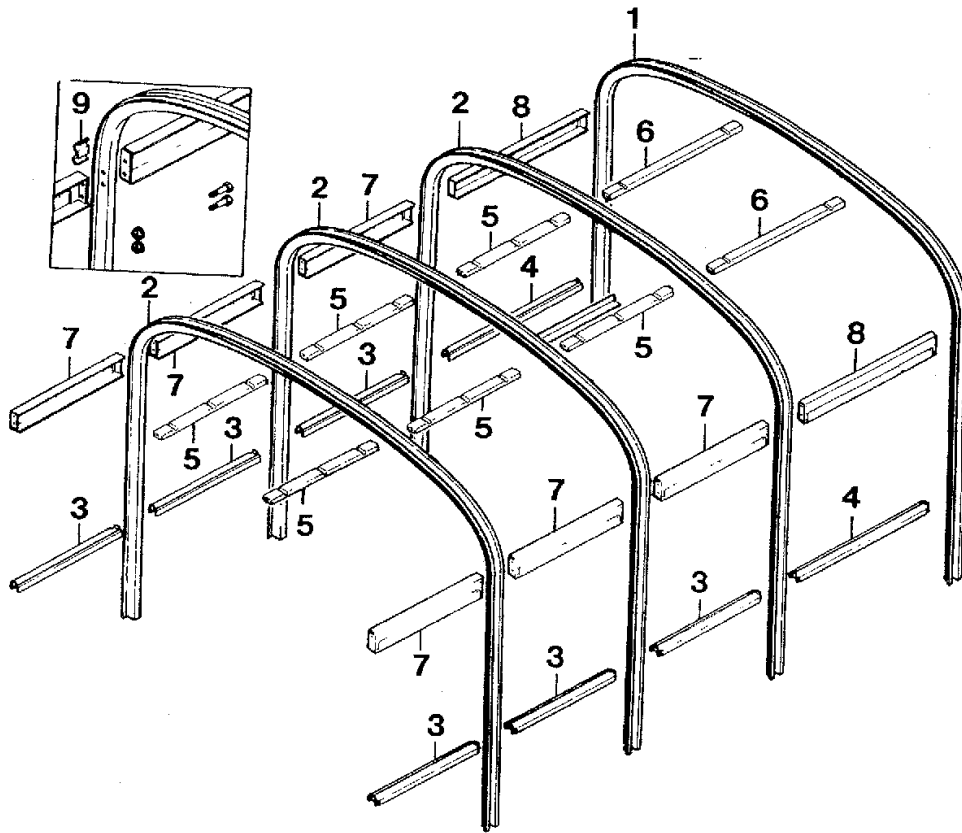
Models: AAFE, AARE, A3FE, A3RE, CSFE, CSRE, GMCV, SBCV, TCFE, TCRE, VCTA  
 CENTER

Key	PartNumber	Qty	Description	Comment
-----	------------	-----	-------------	---------

DR 3/06/84	BY JET	8002768
APP.	BY	

CENTER

© 1984 BLUE BIRD BODY COMPANY  
 ALL RIGHTS RESERVED



**Models:** AAFE, AARE, A3FE, A3RE, CSFE, CSRE, GMCV, SBCV, TCFE, TCRE, VCTA  
**CENTER**

Key	PartNumber	Qty	Description	Comment
1	1579499		BOW,74HR,FMVSS 221	STANDARD, OPTION 3339, ENDING WITH BSN 188882
1	1831064		BOW,74HR	STANDARD, OPTION 3339, BEGIN WITH BSN 188883
1	1582733		BOW,FRONT,77 HEADROOM,FMVSS-221	OPTION 3471, 3473, 3337, ENDING WITH BSN 188882
1	1831130		BOW,77HR,FRONT	OPTION 3471, 3473, 3337, BEGIN WITH BSN 188883
2	1579499		BOW,74HR,FMVSS 221	STANDARD, OPTION 3339, ENDING WITH BSN 188882
2	1831064		BOW,74HR	STANDARD, OPTION 3339, BEGIN WITH BSN 188883
2	1579507		BOW,77HR,FMVSS 221	OPTION 3471, 3473, 3337, ENDING WITH BSN 188882
2	1831056		BOW,77HR	OPTION 3471, 3473, 3337, BEGIN WITH BSN 188883
3	1311422		SILL,WINDOW,SS,28IN,FMVSS 221	STANDARD OPTION 3324, 3344, 3346 WITH OPTION 3337, 3339
4	1311430		SILL,WINDOW,SS,35IN,FMVSS 221	STANDARD OPTION 3324, 3345, 3349 WITH OPTION 3337, 3339
5	1160878		STRINGER,28IN ROOF	STANDARD
5	0305425		STRINGER,CENTER ROOF,28IN SECT,TEXAS	OPTION 7355
6	1160886		STRINGER,35IN ROOF	STANDARD
6	0305417		STRINGER,CENTER ROOF,35IN SECT,TEXAS	OPTION 7355
7	0914218		HEADER, SIDE WINDOW,STD, OPT, 3473	STANDARD
7	1224351		HEADER,SI WDO,28,12 SS,77 HR,FMVSS 221	OPTION 3337
7	1224336		HEADER,SI WDO,28,12 SS,74 HR,FMVSS 221	OPTION 3339
8	0914200		HEADER,SI WDO,35,9 SS,74 & 77 HR,FMVSS	STANDARD
8	1224369		HEADER,SI WDO,35,12 SS,77 HR,FMVSS 221	OPTION 3337
8	1224344		HEADER,SI WDO,35,12 SS,74 HR,FMVSS 221	OPTION 3339
NI	1434224		HEADER ASSY,28,3-PT BLT,74,STD SS,TC,FC,RE	STANDARD WITH OPTION 2826, 6938, DRIVERS SEAT BELT
NI	1434232		HEADER ASSY,35,3-PT BLT,74,STD,TC,FC,RE,CV	STANDARD WITH OPTION 2826, 6938, DRIVERS SEAT BELT
NI	1455625		HEADER ASSY,28,3-PT BLT,77,12SS,	WITH, OPTION 2826, 6938, DRIVERS SEAT BELT OPTION 3337
NI	1455633		HEADER ASSY,35,3-PT BLT,77,12SS,	WITH, OPTION 2826, 6938, DRIVERS SEAT BELT OPTION 3337
NI	1455740		HEADER ASSY,28,3-PT BLT,74,12SS, TC,FC,RE	WITH, OPTION 2826, 6938, DRIVERS SEAT BELT
NI	1455757		HEADER ASSY,35,3-PT BLT,74,12SS, TC,FC,RE	WITH, OPTION 2826, 6938, DRIVERS SEAT BELT OPTION

**Models:** AAFE, AARE, A3FE, A3RE, CSFE, CSRE, GMCV, SBCV, TCFE, TCRE, VCTA  
**CENTER**

Key	PartNumber	Qty	Description	Comment
				3339
NI	1450154		HEADER ASSY,28,3-PT BLT,77,STD, TC,FC,RE,	<i>WITH, OPTION 2826, 6938, DRIVERS SEAT BELT OPTION 3471, 3473</i>
NI	1450170		HEADER ASSY,35,3-PT BLT,77,STD, TC,FC,RE,	<i>WITH, OPTION 2826, 6938, DRIVERS SEAT BELT OPTION 3471, 3473</i>
9	0305409		SPACER,WINDOW HEADER	

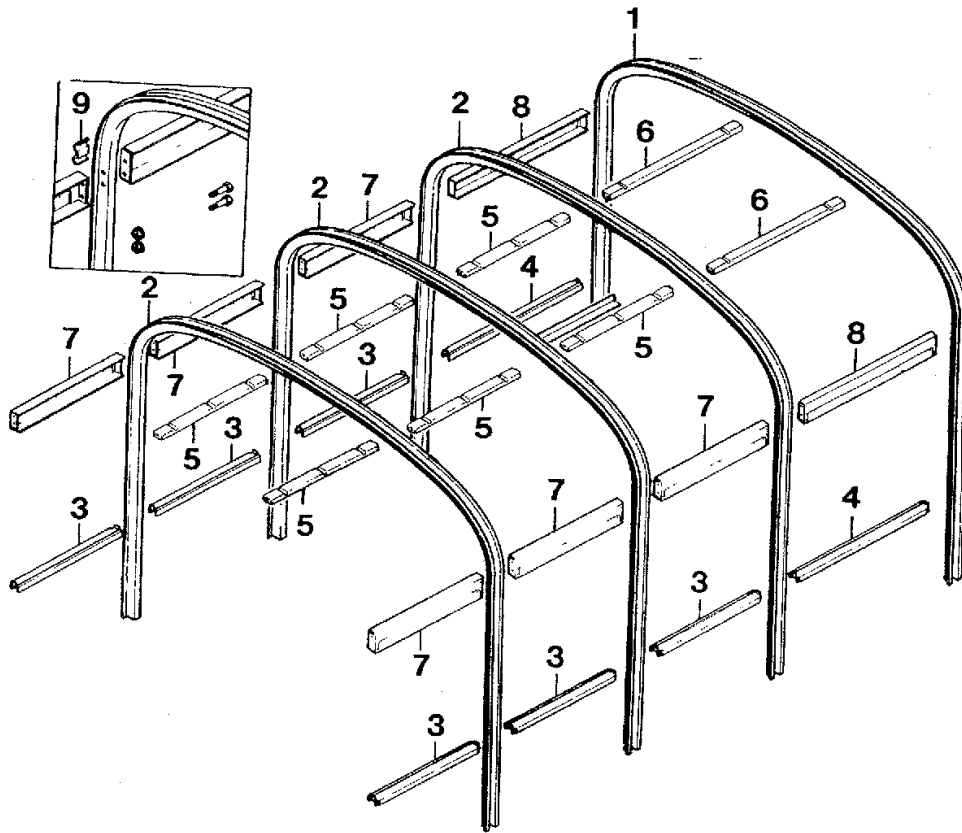
Models: A3RE  
 CENTER  
 U.K. UNITS ONLY

Key	PartNumber	Qty	Description	Comment
-----	------------	-----	-------------	---------

DR 3/06/84	BY JET	8002768
APP.	BY	

CENTER

© 1984 BLUE BIRD BODY COMPANY  
 ALL RIGHTS RESERVED



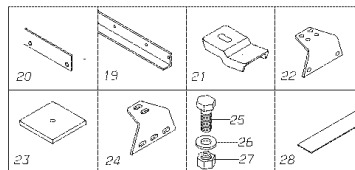
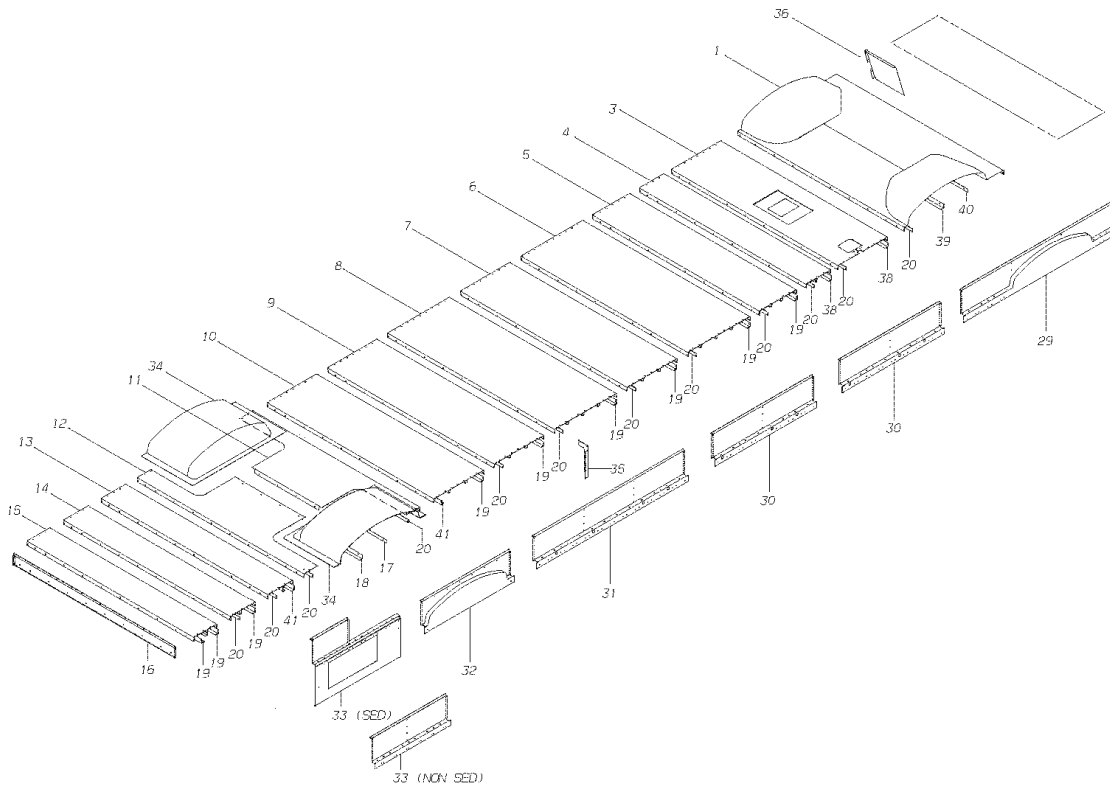
**Models:** **A3RE**  
**CENTER**  
**U.K. UNITS ONLY**

Key	PartNumber	Qty	Description	Comment
2	1831056		BOW,77HR	
3	1311422		SILL,WINDOW,SS,28IN,FMVSS 221	
4	1311430		SILL,WINDOW,SS,35IN,FMVSS 221	
5	1160878		STRINGER,28IN ROOF	
6	1160886		STRINGER,35IN ROOF	
7	1224351		HEADER,SI WDO,28,12 SS,77 HR,FMVSS 221	
8	1224369		HEADER,SI WDO,35,12 SS,77 HR,FMVSS 221	
NI	1225101		HEADER ASSY,SIDE WDO,28 SECT,77HR,12SS,	
NI	1225127		HEADER ASSY,SIDE WDO,35 SECT,77HR,12SS,	
9	0305409		SPACER,WINDOW HEADER	



**Models:** **A3RE**  
**FLOOR**  
**To BSN L10118204**

Key	PartNumber	Qty	Description	Comment
-----	------------	-----	-------------	---------



**Models:** **A3RE**  
**FLOOR**  
**To BSN L10118204**

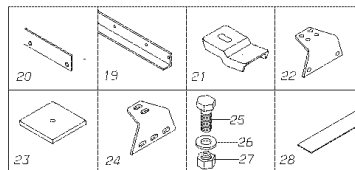
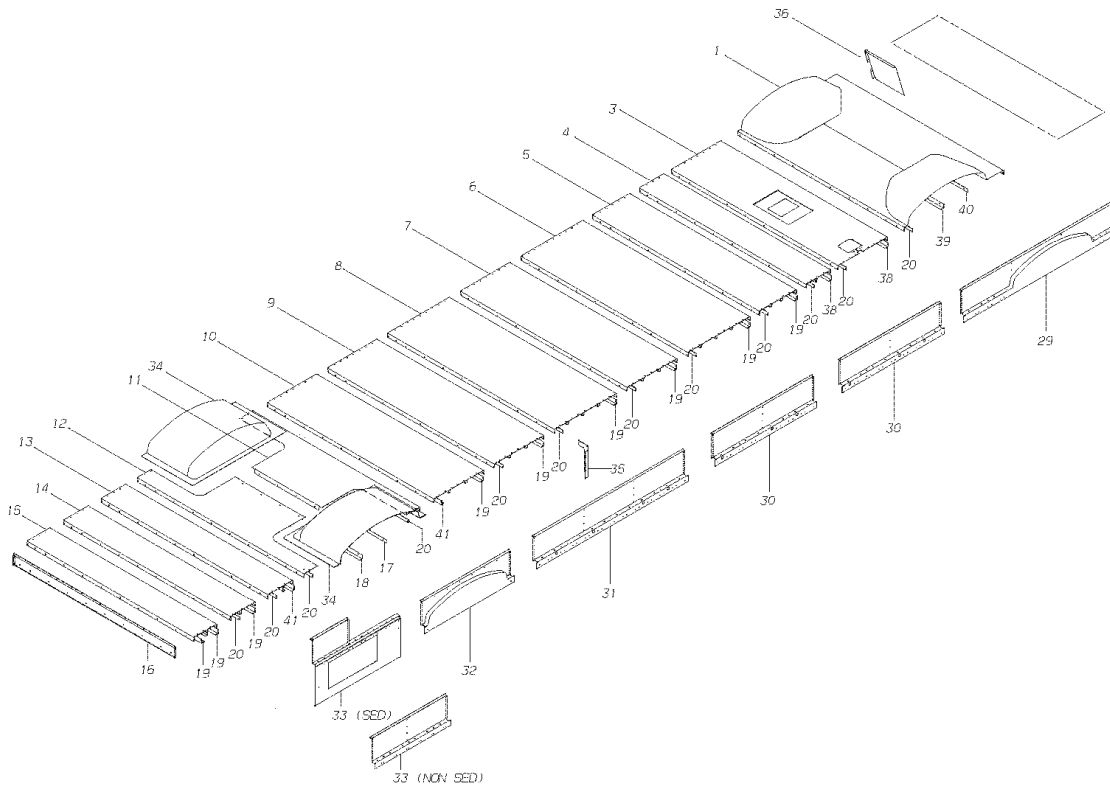
Key	PartNumber	Qty	Description	Comment
1	0412064	2	WHEELHOUSING,FRONT	
2	1433051		PANEL ASSY,FLR,#3,28,33.87 AXLE LOC, FC	
3	1864214		PANEL ASSY,FLOOR,28,W/MM FUEL C/O	<i>DIESEL, ENDING WITH BSN 10033664</i>
3	0021431		PANEL,ASSY,FLR,28,WITH MM FUEL NECK	<i>DIESEL, BEGIN WITH BSN 10033665</i>
3	0545798		PANEL ASSY,FLR,21	<i>CNG</i>
4	0299149		PANEL ASSY,FLR,14	
5	0545798		PANEL ASSY,FLR,21	
6	0299123		PANEL ASSY,FLR,35	
7	0299214		PANEL ASSY,FLR,28	
8	0299123		PANEL ASSY,FLR,35	
9	0299214		PANEL ASSY,FLR,28	
10	0299214		PANEL ASSY,FLR,28	
11	1884543		PANEL ASSY,REAR W/H,FORWARD	
12	1884527		PANEL ASSY,REAR W/H,REARWARD	
13	0009092		PANEL ASSY,FLOOR,14,SLIDE OUT BAT BOX,	<i>STANDARD. SLIDE OUT BATTERY BOX</i>
13	0009118		PANEL ASSY,FLOOR,14,H/D BATTERY BOX,	<i>OPTION 0156, HEAVY DUTY BATTERY BOX</i>
14	0299149		PANEL ASSY,FLR,14	
15	0009126		PANEL ASSY,FLOOR,13, DRRE	
16	0002683		CHANNEL,REINFORCEMENT,REAR FLOOR, DRRE	<i>ENDING WITH BSN 10010349</i>
16	0006206		CHANNEL,REINFORCEMENT,REAR FLOOR,DRRE	<i>BEGIN WITH BSN 10010350</i>
17	1883644		CROSSMEMBER,BODY BAR	
18	1883636		CROSSMEMBER,BODY BAR ANGLE	
19	0332825		CROSSMEMBER,BODY BAR ANGLE	
20	0890681		CROSSMEMBER,BODY BAR	
21	1385723		CLAMP,TIE DOWN	
22	1509637		ANGLE,TIE DOWN,BODY,TCFE	
23	1160373		PAD,RUBBER,MTG,.25 X 2.50 X 2.50,W/.25 DIA	
24	1483544		ANGLE,TIE DOWN,BODY,W/MID-MOUNT TANK,	
25	0522342		CAPSCREW,HEX HD,7/16-20X1 1/2,GR5,	
26	1134097		WASHER,FLAT,15/32 X 1 1/8 X 5/64,HDN,BLK	
27	1134105		NUT,HEX HD,7/16-20,TOP LOCKING,CADMIUM	
28	1159318		ISOLATOR,CHASSIS,MOUNTING BELT,	

Models: **A3RE  
FLOOR  
To BSN L10118204**

Key	PartNumber	Qty	Description	Comment
29	1894096		GUSSET,W/H FLR,84 RH,13 FRT,27.5 RR	
29	1894104		GUSSET,W/H FLR,84 LH,13 FRT,27.5 RR	
30	1892900		GUSSET, FLOOR,56 SECTION	
31	1893411		GUSSET,FLOOR,28 SECT,SED	SED
31	1892900		GUSSET, FLOOR,56 SECTION	
31	1892934		GUSSET,FLOOR,84 SECTION	
32	1894260		GUSSET,WHEELHOUSING FLOOR,49,RIGHT	SED
32	1892868		GUSSET,W/H FLOOR,56IN,LH	
32	1892207		GUSSET,W/H FLOOR,56IN,RH	
33	0002907		GUSSET,FLOOR,ENG CMPT,SED,RH, DRRE	
33	0000911		GUSSET,FLOOR,REAR SECTION,40.50,RH, DRRE	
33	0000924		GUSSET,FLOOR,REAR SECTION,40.50,LH, DRRE	
34	1883941	2	WHEELHOUSING,REAR	
35	1892082	3	GUSSET ASSY,TRI FLOOR,RH,25.75 SK,BAR, AA	
35	1892090	4	GUSSET ASSY,TRI FLOOR,LH,25.75 SK,BAR,AA	
36	1340322		GUARD,MUD, FRONT OF LH FRONT WHEEL OR	
37	1896133		BRACKET,MUDFLAP,LH,REAR, TCRE/CEC	
38	1494004		CROSSMEMBER,BODY BAR ANGLE,MM TANK,	

**Models:** A3RE  
**FLOOR**  
**BSN:** From BSN L10118205 F10056065

Key	PartNumber	Qty	Description	Comment
-----	------------	-----	-------------	---------



**Models:** **A3RE**  
**FLOOR**  
**BSN:** **From BSN L10118205 F10056065**

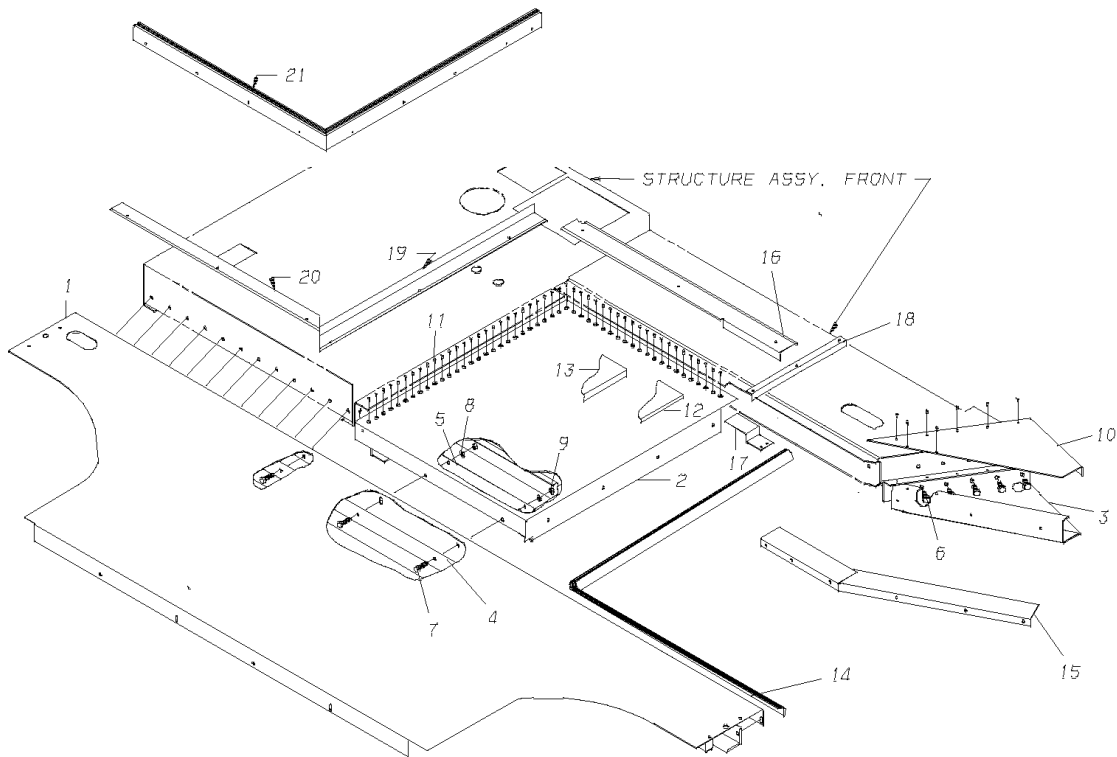
Key	PartNumber	Qty	Description	Comment
1	0071155		FLOOR ASSY,W/H,FRONT,LH DRIVE, A3RE	
3	0021431		PANEL,ASSY,FLR,28,WITH MM FUEL NECK	
4	0299149		PANEL ASSY,FLR,14	
5	0545798		PANEL ASSY,FLR,21	
6	0299123		PANEL ASSY,FLR,35	
7	0299214		PANEL ASSY,FLR,28	
8	0299123		PANEL ASSY,FLR,35	
9	0299214		PANEL ASSY,FLR,28	
10	0299214		PANEL ASSY,FLR,28	
11	1884543		PANEL ASSY,REAR W/H,FORWARD	
12	1884527		PANEL ASSY,REAR W/H,REARWARD	
13	0009092		PANEL ASSY,FLOOR,14,SLIDE OUT BAT BOX,	
13	0009118		PANEL ASSY,FLOOR,14,H/D BATTERY BOX,	
14	0299149		PANEL ASSY,FLR,14	
15	0009126		PANEL ASSY,FLOOR,13, DRRE	
16	0006206		CHANNEL,REINFORCEMENT,REAR FLOOR,DRRE	
17	1883644		CROSSMEMBER,BODY BAR	
18	1883636		CROSSMEMBER,BODY BAR ANGLE	
19	0332825		CROSSMEMBER,BODY BAR ANGLE	
20	0890681		CROSSMEMBER,BODY BAR	
21	1385723		CLAMP,TIE DOWN	
22	1509637		ANGLE,TIE DOWN,BODY,TCFE	
23	1160373		PAD,RUBBER,MTG,.25 X 2.50 X 2.50,W/.25 DIA	
24	1483544		ANGLE,TIE DOWN,BODY,W/MID-MOUNT TANK,	
25	0522342		CAPSCREW,HEX HD,7/16-20X1 1/2,GR5,	
26	1134097		WASHER,FLAT,15/32 X 1 1/8 X 5/64,HDN,BLK	
26	0997072		WASHER,FLAT,15/32 X 15/16 X 5/64,HDN,	
27	1134105		NUT,HEX HD,7/16-20,TOP LOCKING,CADMIUM	
28	1159318		ISOLATOR,CHASSIS,MOUNTING BELT,	
29	1894096		GUSSET,W/H FLR,84 RH,13 FRT,27.5 RR	
29	1894104		GUSSET,W/H FLR,84 LH,13 FRT,27.5 RR	
30	1892900		GUSSET, FLOOR,56 SECTION	
31	1892934		GUSSET,FLOOR,84 SECTION	

**Models: A3RE  
FLOOR  
BSN: From BSN L10118205 F10056065**

Key	PartNumber	Qty	Description	Comment
31	1893411		GUSSET,FLOOR,28 SECT,SED	
31	1892900		GUSSET, FLOOR,56 SECTION	
32	1894260		GUSSET,WHEELHOUSING FLOOR,49,RIGHT	
32	1892868		GUSSET,W/H FLOOR,56IN,LH	
32	1892207		GUSSET,W/H FLOOR,56IN,RH	
33	0002907		GUSSET,FLOOR,ENG CMPT,SED,RH, DRRE	
33	0000911		GUSSET,FLOOR,REAR SECTION,40.50,RH, DRRE	
33	0000924		GUSSET,FLOOR,REAR SECTION,40.50,LH, DRRE	
34	1883941		WHEELHOUSING,REAR	
35	1892082		GUSSET ASSY,TRI FLOOR,RH,25.75 SK,BAR, AA	
35	1892090		GUSSET ASSY,TRI FLOOR,LH,25.75 SK,BAR,AA	
36	1340322		GUARD,MUD, FRONT OF LH FRONT WHEEL OR	
38	1494004		CROSSMEMBER,BODY BAR ANGLE,MM TANK,	
39	0078971		ANGLE,BODY BAR,FRONT,WHEELHOUSING	
40	0412049		BODY BAR,FRONT WHEELHOUSING	
41	1770684		ANGLE ASSY,C/MBR,BODY BAR,BAT BX,LH FRT,	

**Models:** **A3RE**  
**FLOOR**  
**FRONT**  
**To BSN B10135149 F10056064 L10117249**

Key	PartNumber	Qty	Description	Comment
-----	------------	-----	-------------	---------



**Models:** **A3RE**  
**FLOOR**  
**FRONT**  
**To BSN B10135149 F10056064 L10117249**

Key	PartNumber	Qty	Description	Comment
1	1864008		PANEL ASSY,FLOOR,NO 2"	
2	1863992		PANEL ASSY,FRONT FLOOR"	
2	1780824		PANEL ASSY,FRONT FLOOR	
3	1554583		CHANNEL ASSY,FLOOR,FRONT	
4	1780832		CROSSMEMBER,BODY BAR ANGLE,FRONT	
5	1863976		CROSSMEMBER,BODY BAR	
6	0822817	5	SCREW,3/8-16 X 1,F,HEX WASH HD,YEL ZN	
7	0610725	14	CAPSCREW,HEX HD,5/16-18X1 1/4,GR8,	
8	2001188	14	LOCKWASHER,SPLIT RING, 5/16,MED,YEL ZN	
9	2001410	14	NUT,HEX HD,5/16-18,YEL ZN DICH"	
10	1558246		PLATE,CLOSEOUT,HEATER/FRONT FLOOR	
11	1854397	56	RIVET,BLIND,.25 DIA,.38 GRIP	
12	0001820		PLYWOOD,FLOOR,FRONT,.62,O/O, A3RE	<i>WITH OUTWARD OPENING DOOR WITH OPTION 0982. 5/8" PLYWOOD</i>
12	0001821		PLYWOOD,FLOOR,FRONT,FIR,.50,O/O, A3RE	<i>WITH OUTWARD OPENING DOOR WITH OPTION 0983. 1/2" PLYWOOD</i>
12	1864057		PLYWOOD,FLOOR,FRONT,.62 AB MARINE,O/O,	<i>WITH OUTWARD OPENING DOOR WITH OPTION 0985. 5/8" MARINE GRADE PLYWOOD</i>
12	1560911		PLYWOOD,FLOOR,FRONT,.62, CS/A3RE	<i>WITH JACKKNIFE DOOR WITH OPTION 0982. 5/8" PLYWOOD</i>
12	0043923		PLYWOOD,FLOOR,FRONT,FIR,.5, A3RE	<i>WITH JACKKNIFE DOOR WITH OPTION 0983. 1/2" PLYWOOD</i>
12	1864065		PLYWOOD,FLOOR,FRONT,.62,J/K,MARINE, A3RE	<i>WITH JACKKNIFE DOOR WITH OPTION 0985. 5/8" MARINE GRADE PLYWOOD</i>
13	2005486		FLOOR COVERING,AISLE,RIB,BLK,	<i>FEATURE 31021-01. RIBBED, BLACK, RUBBER</i>
13	2005445		FLOOR COVERING,RIBBED,GRN,RBR,.187 X	<i>FEATURE 31021-06. RIBBED, GREEN, RUBBER</i>
13	1066984		FLOOR COVERING,RIBBED,TAN,RBR,.187 X	<i>FEATURE 31021-07. RIBBED, TAN, RUBBER</i>
13	1832559		FLOOR COVERING,RIBBED,MED GRAY,36	<i>FEATURE 31021-09. RIBBED, MEDIUM GRAY</i>
13	1864032		STEPTREAD,FRT FLOOR,BLK,RBR,DRRE"	<i>WITH OUTWARD OPENING DOOR WITH FEATURE 31021-01 WITH 1026-03. BLACK, RUBBER</i>
13	1925163		STEPTREAD,FRONT FLOOR,GREEN,VINYL,	<i>WITH OUTWARD OPENING DOOR WITH FEATURE 31021-02 WITH 1026 WITH OPTION 0905. GREEN, VINYL</i>



**Models:** A3RE  
**FLOOR**  
**FRONT**  
**To BSN B10135149 F10056064 L10117249**

Key	PartNumber	Qty	Description	Comment
				WITH FEATURE 31021-03 WITH 1026 WITH OPTION 0907. TAN, VINYL
13	1992767		STEPTREAD,FRONT FLOOR,GREY 21,VINYL, CEC	WITH OUTWARD OPENING DOOR WITH FEATURE 31021-04 WITH 1026 WITH OPTION 0910. GRAY, VINYL
13	1852722		STEPTREAD,FRONT FLOOR,GRN,RBR, DRRE	WITH OUTWARD OPENING DOOR WITH FEATURE 31021-06 WITH 1026-03. GREEN, RUBBER
13	1852730		STEPTREAD,FT FLOOR,TAN,RBR,DRRE	WITH OUTWARD OPENING DOOR WITH FEATURE 31021-07 WITH 1026-03. TAN, RUBBER
13	1992759		STEPTREAD,FRT FLOOR,GRY 766,RBR, DRRE	WITH OUTWARD OPENING DOOR WITH FEATURE 31021-09 WITH 1026-03. GRAY, RUBBER
13	0011787		STEPTREAD,FRT FLOOR,BLK,ABR, DRRE	WITH OUTWARD OPENING DOOR WITH FEATURE 31021-01 WITH 1026-03 WITH 31160-03. BLACK, ABRASIVE STRIP
13	0011788		STEPTREAD,FRT FLOOR,GRN,ABR, DRRE	WITH OUTWARD OPENING DOOR WITH FEATURE 31021-06 WITH 1026-03 WITH 31160-03. GREEN, ABRASIVE STRIP
13	0011789		STEPTREAD,FRT FLOOR,TAN,ABR,DRRE	WITH OUTWARD OPENING DOOR WITH FEATURE 31021-07 WITH 1026-03 WITH 31160-03. TAN, ABRASIVE STRIP
13	0011790		STEPTREAD,FRT FLOOR,GRY 766,ABR,DRRE	WITH OUTWARD OPENING DOOR WITH FEATURE 31021-09 WITH 1026-03 WITH 31160-03. GRAY, ABRASIVE STRIP
13	0018386		STEPTREAD,FRT FLOOR,BLUE,ABR,DRRE	WITH OUTWARD OPENING DOOR WITH FEATURE 31021-11 WITH 1026-03 WITH 31160-03. BLUE, ABRASIVE STRIP
13	1561000		STEPTREAD,FRT FLOOR,J/K DOOR,BLK,RBR,	WITH JACKKNIFE DOOR WITH FEATURE 31021-01 WITH 1026-03. BLACK, RUBBER
13	1561018		STEPTREAD,FRT FLOOR,J/K DOOR,GRN,RBR,	WITH JACKKNIFE DOOR WITH FEATURE 31021-06 WITH 1026-03. GREEN, RUBBER
13	1561026		STEPTREAD,FRT FLOOR,J/K DOOR,TAN,RBR,	WITH JACKKNIFE DOOR WITH FEATURE 31021-07 WITH 1026-03. TAN, RUBBER
13	1811728		STEPTREAD,FRT FLOOR,J/K DR,GRY 766,RBR	WITH JACKKNIFE DOOR WITH FEATURE 31021-09 WITH 1026-03. GRAY, RUBBER
13	0011804		STEPTREAD,FRT FLOOR,J/K DOOR,BLK,ABR,	WITH JACKKNIFE DOOR WITH FEATURE 31021-01 WITH 1026

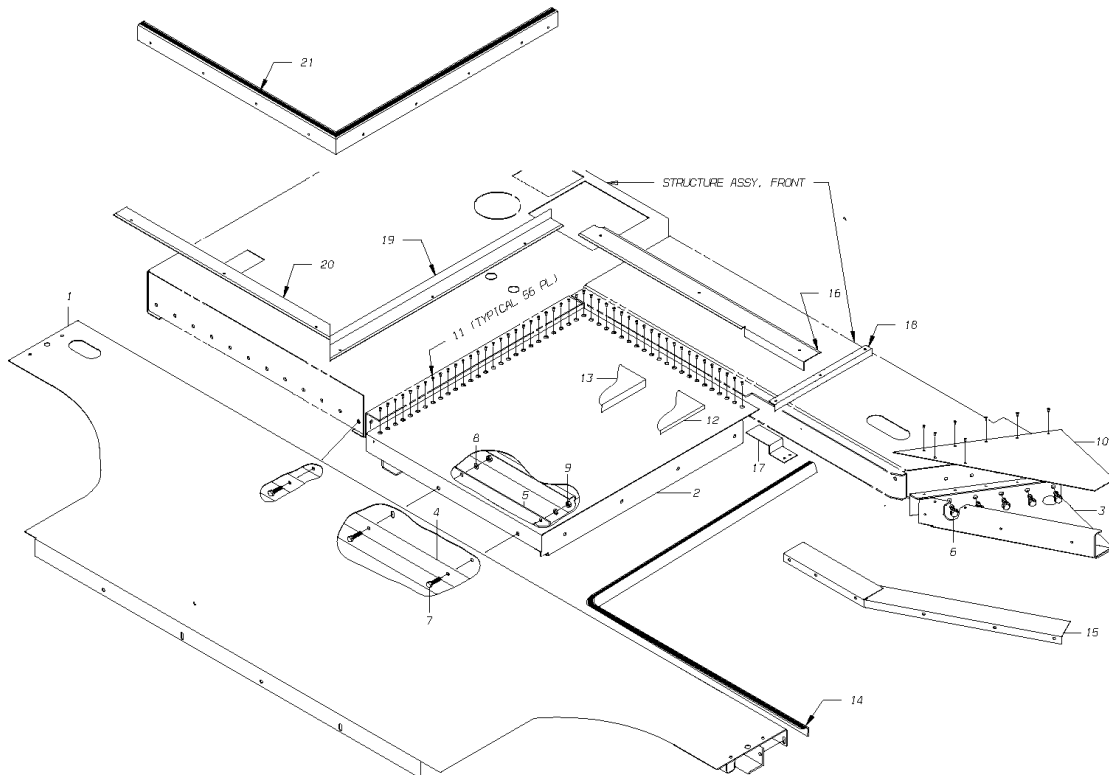
**Models:** **A3RE**  
**FLOOR**  
**FRONT**  
**To BSN B10135149 F10056064 L10117249**

Key	PartNumber	Qty	Description	Comment
				<i>-03 WITH 31160-03. BLACK, ABRASIVE STRIP</i>
13	0011805		STEPTREAD,FRT FLOOR,J/K DOOR,GRN,ABR,	<i>WITH JACKKNIFE DOOR WITH FEATURE 31021-06 WITH 1026</i>
				<i>-03 WITH 31160-03. GREEN, ABRASIVE STRIP</i>
13	0011806		STEPTREAD,FRT FLOOR,J/K DOOR,TAN,ABR,	<i>WITH JACKKNIFE DOOR WITH FEATURE 31021-07 WITH 1026</i>
				<i>-03 WITH 31160-03. TAN, ABRASIVE STRIP</i>
13	0011807		STEPTREAD,FRT FLOOR,J/K DR,GRY 766,ABR	<i>WITH JACKKNIFE DOOR WITH FEATURE 31021-09 WITH 1026</i>
				<i>-03 WITH 31160-03. GRAY, ABRASIVE STRIP</i>
13	0018387		STEPTREAD,FRT FLOOR,J/K DR,BLUE,ABR, DRRE	<i>WITH JACKKNIFE DOOR WITH FEATURE 31021-11 WITH 1026</i>
				<i>-03 WITH 31160-03. BLUE, ABRASIVE STRIP</i>
14	0001850		TRIM,STEPWELL,STANDARD, DRRE	<i>WITH OUTWARD OPENING DOOR WITH STANDARD</i>
14	0001851		TRIM,STEPWELL,PLYWOOD FLOOR,DRRE	<i>WITH OUTWARD OPENING DOOR WITH</i>
14	1561539		TRIM,STEPWELL,STANDARD FLOOR,36	<i>WITH JACKKNIFE DOOR WITH STANDARD</i>
14	1561513		TRIM,STEPWELL,PLYWOOD FLOOR	<i>WITH JACKKNIFE DOOR WITH</i>
14	0001822		TRIM,STEPWELL,REAR, DRRE	<i>WITH OUTWARD OPENING DOOR WITH OPTION 1026-03</i>
14	1864073		TRIM,STEPWELL,REAR,W/PLYWOOD FLOOR"	<i>WITH OUTWARD OPENING DOOR WITH PLYWOOD FLOORS WITH OPTION 1026-03</i>
14	1502434		TRIM,STEPWELL,REAR, TCRE	<i>WITH JACKKNIFE DOOR WITH OPTION 1026-03</i>
14	1502426		TRIM,STEPWELL,REAR.WITH PLYWOOD	<i>WITH JACKKNIFE DOOR WITH</i>
15	1903558		TRIM,STEPWELL,FRONT	
15	1564145		TRIM,STEPWELL,FRONT,36	
16	1864115		TRIM,NO 1 FLOOR,FORWARD,O/O,A3RE"	
16	1561059		TRIM,NO 1 FLOOR,FORWARD	
16	1561067		TRIM,NO 1 FLOOR,FORWARD,W/PLYWOOD	<i>WITH PLYWOOD FLOORS</i>
17	1903541		TRIM,STEPWELL,FRONT,Z SHAPE	<i>WITH PLYWOOD FLOORS</i>
18	1564764		TRIM,PLYWOOD,INSIDE STORAGE	<i>WITH PLYWOOD FLOORS</i>
19	1662394		TRIM,NO 1 FLR W/PLY TO DRIVER PLATFORM	<i>WITH PLYWOOD FLOORS</i>
20	1662402		TRIM,NO 2 FLR TO DRIVERS PANEL	<i>WITH PLYWOOD FLOORS</i>
21	1523885		TRIM,PLATFORM,DRIVERS SIDE	<i>WITH PLYWOOD FLOORS</i>

**Models:** A3RE  
**FLOOR**  
**FRONT**

**BSN:** From BSN B10135150 F10056065 L10117250

Key	PartNumber	Qty	Description	Comment
-----	------------	-----	-------------	---------



**Models:** A3RE  
**FLOOR**  
**FRONT**  
**BSN:** From BSN B10135150 F10056065 L10117250

Key	PartNumber	Qty	Description	Comment
1	1864008		PANEL ASSY,FLOOR,NO 2"	
2	1863992		PANEL ASSY,FRONT FLOOR"	
2	1780824		PANEL ASSY,FRONT FLOOR	
3	1554583		CHANNEL ASSY,FLOOR,FRONT	
4	0065535		CROSSMEMBER,ANGLE,BODY BAR,FRONT,A3RE	
5	1863976		CROSSMEMBER,BODY BAR	
6	0822817		SCREW,3/8-16 X 1,F,HEX WASH HD,YEL ZN	
7	0610725		CAPSCREW,HEX HD,5/16-18X1 1/4,GR8,	
8	2001188		LOCKWASHER,SPLIT RING, 5/16,MED,YEL ZN	
9	0079683		NUT,HEX HD,5/16-18,GR 8,PRVL TRQ,YEL DICH	
10	1558246		PLATE,CLOSEOUT,HEATER/FRONT FLOOR	
11	1854397		RIVET,BLIND,.25 DIA,.38 GRIP	
12	0001820		PLYWOOD,FLOOR,FRONT,.62,O/O, A3RE	WITH OUTWARD OPENING DOOR WITH OPTION 0982. 5/8"
12	0001821		PLYWOOD,FLOOR,FRONT,FIR,.50,O/O, A3RE	WITH OUTWARD OPENING DOOR WITH OPTION 0983. 1/2"
12	1864057		PLYWOOD,FLOOR,FRONT,.62 AB MARINE,O/O,	WITH OUTWARD OPENING DOOR WITH OPTION 0985. 5/8" MARINE GRADE
12	0072721		PLYWOOD,FLOOR,FRONT,.62 TREATED,O/O,	WITH OUTWARD OPENING DOOR WITH OPTION 0986. 5/8" TREATED
12	0072723		PLYWOOD,FLOOR,FRONT,.50 TREATED,O/O,	WITH OUTWARD OPENING DOOR WITH OPTION 0987. 1/2" TREATED
12	1560911		PLYWOOD,FLOOR,FRONT,.62, CS/A3RE	WITH JACKKNIFE DOOR WITH OPTION 0982. 5/8"
12	0043923		PLYWOOD,FLOOR,FRONT,FIR,.5, A3RE	WITH JACKKNIFE DOOR WITH OPTION 0983. 1/2" FIR
12	1864065		PLYWOOD,FLOOR,FRONT,.62,J/K,MARINE, A3RE	WITH JACKKNIFE DOOR WITH OPTION 0985. 5/8" AB MARINE GRADE
12	0072724		PLYWOOD,FLOOR,FRONT,.62,J/K,TREATED,	WITH JACKKNIFE DOOR WITH OPTION 0986. 5/8" TREATED
12	0072725		PLYWOOD,FLOOR,FRONT,.50 TREATED, A3RE	WITH JACKKNIFE DOOR WITH OPTION 0987. 1/2" TREATED
13	2005486		FLOOR COVERING,AISLE,RIB,BLK,	FEATURE 31021-01. RIBBED, BLACK, RUBBER
13	2005445		FLOOR COVERING,RIBBED,GRN,RBR,.187 X	FEATURE 31021-06. RIBBED, GREEN, RUBBER
13	1066984		FLOOR COVERING,RIBBED,TAN,RBR,.187 X	FEATURE 31021-07. RIBBED, TAN, RUBBER
13	1832559		FLOOR COVERING,RIBBED,MED GRAY,36	FEATURE 31021-09. RIBBED, MEDIUM GRAY

**Models:** A3RE  
**FLOOR**  
**FRONT**  
**BSN:** From BSN B10135150 F10056065 L10117250

Key	PartNumber	Qty	Description	Comment
13	1864032		STEPTREAD,FRT FLOOR,BLK,RBR,DRRE"	WITH OUTWARD OPENING DOOR WITH FEATURE 31021-01 WITH 1026-03. BLACK, RUBBER
13	1925163		STEPTREAD,FRONT FLOOR,GREEN,VINYL,	WITH OUTWARD OPENING DOOR WITH FEATURE 31021-02 WITH 1026 WITH OPTION 0905. GREEN, VINYL
13	1925171		STEPTREAD,FRONT FLOOR,TAN,VINYL,	WITH OUTWARD OPENING DOOR WITH FEATURE 31021-03 WITH 1026 WITH OPTION 0907. TAN, VINYL
13	1992767		STEPTREAD,FRONT FLOOR,GREY 21,VINYL, CEC	WITH OUTWARD OPENING DOOR WITH FEATURE 31021-04 WITH 1026 WITH OPTION 0910. GRAY, VINYL
13	1852722		STEPTREAD,FRONT FLOOR,GRN,RBR, DRRE	WITH OUTWARD OPENING DOOR WITH FEATURE 31021-06 WITH 1026-03. GREEN, RUBBER
13	1852730		STEPTREAD,FT FLOOR,TAN,RBR,DRRE	WITH OUTWARD OPENING DOOR WITH FEATURE 31021-07 WITH 1026-03. TAN, RUBBER
13	1992759		STEPTREAD,FRT FLOOR,GRY 766,RBR, DRRE	WITH OUTWARD OPENING DOOR WITH FEATURE 31021-09 WITH 1026-03. GRAY, RUBBER
13	0011787		STEPTREAD,FRT FLOOR,BLK,ABR, DRRE	WITH OUTWARD OPENING DOOR WITH FEATURE 31021-01 WITH 1026-03 WITH 31160-03. BLACK, ABRASIVE STRIP
13	0011788		STEPTREAD,FRT FLOOR,GRN,ABR, DRRE	WITH OUTWARD OPENING DOOR WITH FEATURE 31021-06 WITH 1026-03 WITH 31160-03. GREEN, ABRASIVE STRIP
13	0011789		STEPTREAD,FRT FLOOR,TAN,ABR,DRRE	WITH OUTWARD OPENING DOOR WITH FEATURE 31021-07 WITH 1026-03 WITH 31160-03. TAN, ABRASIVE STRIP
13	0011790		STEPTREAD,FRT FLOOR,GRY 766,ABR,DRRE	WITH OUTWARD OPENING DOOR WITH FEATURE 31021-09 WITH 1026-03 WITH 31160-03. GRAY, ABRASIVE STRIP
13	0018386		STEPTREAD,FRT FLOOR,BLUE,ABR,DRRE	WITH OUTWARD OPENING DOOR WITH FEATURE 31021-11 WITH 1026-03 WITH 31160-03. BLUE, ABRASIVE STRIP
13	1561000		STEPTREAD,FRT FLOOR,J/K DOOR,BLK,RBR,	WITH JACKKNIFE DOOR WITH FEATURE 31021-01 WITH 1026 -03. BLACK, RUBBER
13	1561018		STEPTREAD,FRT FLOOR,J/K DOOR,GRN,RBR,	WITH JACKKNIFE DOOR WITH FEATURE 31021-06 WITH 1026 -03. GREEN, RUBBER
13	1561026		STEPTREAD,FRT FLOOR,J/K DOOR,TAN,RBR,	

**Models:** A3RE  
**FLOOR**  
**FRONT**  
**BSN:** From BSN B10135150 F10056065 L10117250

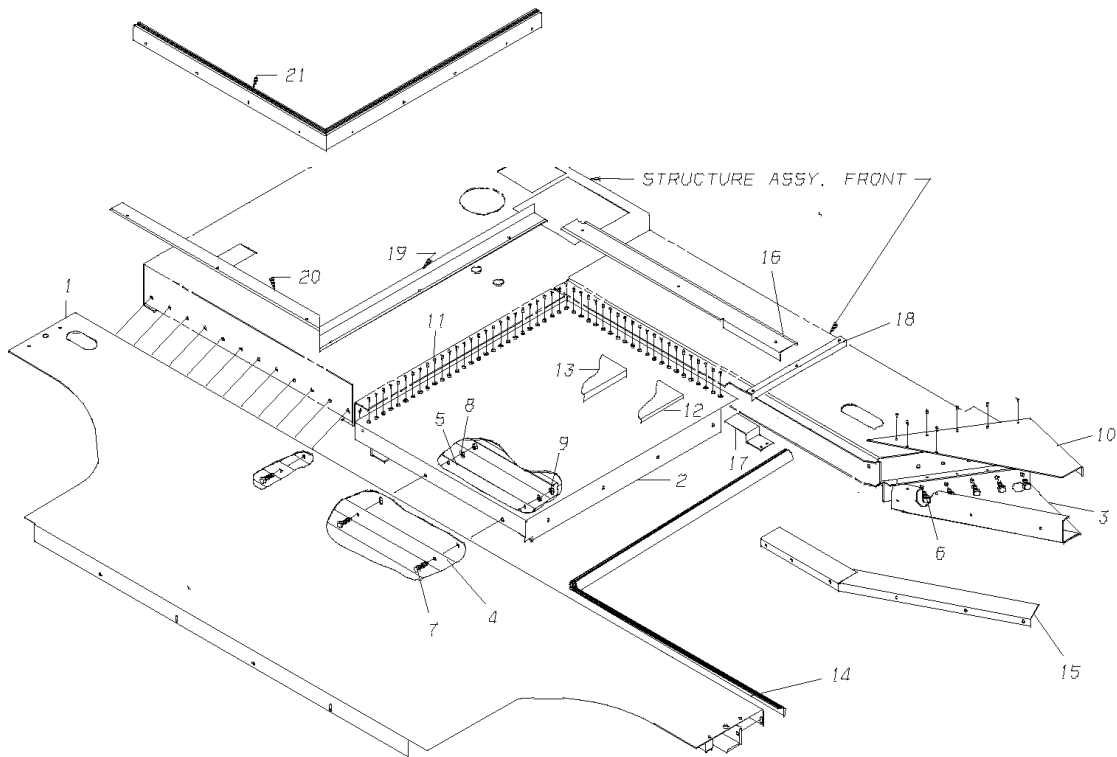
Key	PartNumber	Qty	Description	Comment
				<i>FEATURE 31021-07 WITH 1026-03. TAN, RUBBER</i>
13	1811728		STEPTREAD,FRT FLOOR,J/K DR,GRY 766,RBR	<i>WITH JACKKNIFE DOOR WITH FEATURE 31021-09 WITH 1026-03. GRAY, RUBBER</i>
13	0011804		STEPTREAD,FRT FLOOR,J/K DOOR,BLK,ABR,	<i>WITH JACKKNIFE DOOR WITH FEATURE 31021-01 WITH 1026-03 WITH 31160-03. BLACK, ABRASIVE STRIP</i>
13	0011805		STEPTREAD,FRT FLOOR,J/K DOOR,GRN,ABR,	<i>WITH JACKKNIFE DOOR WITH FEATURE 31021-06 WITH 1026-03 WITH 31160-03. GREEN, ABRASIVE STRIP</i>
13	0011806		STEPTREAD,FRT FLOOR,J/K DOOR,TAN,ABR,	<i>WITH JACKKNIFE DOOR WITH FEATURE 31021-07 WITH 1026-03 WITH 31160-03. TAN, ABRASIVE STRIP</i>
13	0011807		STEPTREAD,FRT FLOOR,J/K DR,GRY 766,ABR	<i>WITH JACKKNIFE DOOR WITH FEATURE 31021-09 WITH 1026-03 WITH 31160-03. GRAY, ABRASIVE STRIP</i>
13	0018387		STEPTREAD,FRT FLOOR,J/K DR,BLUE,ABR, DRRE	<i>WITH JACKKNIFE DOOR WITH FEATURE 31021-11 WITH 1026-03 WITH 31160-03. BLUE, ABRASIVE STRIP</i>
14	0001850		TRIM,STEPWELL,STANDARD, DRRE	<i>WITH OUTWARD OPENING DOOR WITH STANDARD</i>
14	0001851		TRIM,STEPWELL,PLYWOOD FLOOR,DRRE	<i>WITH OUTWARD OPENING DOOR WITH</i>
14	1561539		TRIM,STEPWELL,STANDARD FLOOR,36	<i>WITH JACKKNIFE DOOR, STANDARD</i>
14	1561513		TRIM,STEPWELL,PLYWOOD FLOOR	<i>WITH JACKKNIFE OPENING DOOR</i>
14	0001822		TRIM,STEPWELL,REAR, DRRE	<i>WITH OUTWARD OPENING DOOR WITH OPTION 1026-03</i>
14	1864073		TRIM,STEPWELL,REAR,W/PLYWOOD FLOOR"	<i>WITH OUTWARD OPENING DOOR WITH PLYWOOD FLOORS WITH OPTION 1026-03</i>
14	1502434		TRIM,STEPWELL,REAR, TCRE	<i>WITH JACKKNIFE OPENING DOOR WITH OPTION 1026-03</i>
14	1502426		TRIM,STEPWELL,REAR.WITH PLYWOOD	<i>WITH JACKKNIFE OPENING DOOR</i>
15	1903558		TRIM,STEPWELL,FRONT	
15	1564145		TRIM,STEPWELL,FRONT,36	
16	1864115		TRIM,NO 1 FLOOR,FORWARD,O/O,A3RE"	
16	1561059		TRIM,NO 1 FLOOR,FORWARD	
16	1561067		TRIM,NO 1 FLOOR,FORWARD,W/PLYWOOD	<i>WITH PLYWOOD FLOORS</i>

**Models:** **A3RE  
FLOOR  
FRONT**  
**BSN:** **From BSN B10135150 F10056065 L10117250**

Key	PartNumber	Qty	Description	Comment
17	1903541		TRIM,STEPWELL,FRONT,Z SHAPE	<i>WITH PLYWOOD FLOOR</i>
18	1564764		TRIM,PLYWOOD,INSIDE STORAGE	<i>WITH PLYWOOD FLOOR. J/K DOOR</i>
19	1662394		TRIM,NO 1 FLR W/PLY TO DRIVER PLATFORM	<i>WITH PLYWOOD FLOOR</i>
20	1662402		TRIM,NO 2 FLR TO DRIVERS PANEL	<i>WITH PLYWOOD FLOOR</i>
21	1523885		TRIM,PLATFORM,DRIVERS SIDE	<i>WITH PLYWOOD FLOOR</i>

**Models:** **A3RE**  
**FLOOR**  
**FRONT (RH DRIVE)**  
**To BSN B10135149 F10056064 L10117249**

Key	PartNumber	Qty	Description	Comment
-----	------------	-----	-------------	---------





**Models:** **A3RE**  
**FLOOR**  
**FRONT (RH DRIVE)**  
**To BSN B10135149 F10056064 L10117249**

Key	PartNumber	Qty	Description	Comment
1	0043345		PANEL ASSY,FLOOR,NO 2,RH DRIVE, A3RE	OPTION 3480
2	0043400		PANEL ASSY,FRONT FLOOR,RH DRIVE, A3RE	OPTION 3480
3	1744192		CHANNEL ASSY,FLOOR,FRONT,RH DRIVE	OPTION 3480
4	0043384		CROSSMEMBER,BODY BAR ANGLE,FRT,RH DR,	OPTION 3480
5	1499334		CROSSMEMBER,BODY BAR, TCRE	
6	0822817	5	SCREW,3/8-16 X 1,F,HEX WASH HD,YEL ZN	
7	0610725	14	CAPSCREW,HEX HD,5/16-18X1 1/4,GR8,	
8	2001188	14	LOCKWASHER,SPLIT RING, 5/16,MED,YEL ZN	
9	2001410	14	NUT,HEX HD,5/16-18,YEL ZN DICH"	
10	1744135		PLATE,CLOSEOUT,HEATER/FRONT FLOOR,RH	OPTION 3480
11	1854397	56	RIVET,BLIND,.25 DIA,.38 GRIP	
12	0001820		PLYWOOD,FLOOR,FRONT,.62,O/O, A3RE	WITH OUTWARD OPENING DOOR WITH OPTION 0982. 5/8" PLYWOOD
12	0001821		PLYWOOD,FLOOR,FRONT,FIR,.50,O/O, A3RE	OPTION 0983. 1/2" WITH OUTWARD OPENING DOOR WITH PLYWOOD
12	1864057		PLYWOOD,FLOOR,FRONT,.62 AB MARINE,O/O,	WITH OUTWARD OPENING DOOR WITH OPTION 0985. 5/8" MARINE GRADE PLYWOOD
12	1560911		PLYWOOD,FLOOR,FRONT,.62, CS/A3RE	WITH JACKKNIFE DOOR WITH OPTION 0982. 5/8" PLYWOOD
12	0043923		PLYWOOD,FLOOR,FRONT,FIR,.5, A3RE	OPTION 0983. 1/2" WITH JACKKNIFE DOOR WITH PLYWOOD
12	1864065		PLYWOOD,FLOOR,FRONT,.62,J/K,MARINE, A3RE	WITH JACKKNIFE DOOR WITH OPTION 0985. 5/8" MARINE GRADE PLYWOOD
13	2005486		FLOOR COVERING,AISLE,RIB,BLK,	FEATURE 31021-01. BLACK, RUBBER
13	2005445		FLOOR COVERING,RIBBED,GRN,RBR,.187 X	FEATURE 31021-06. GREEN, RUBBER
13	1066984		FLOOR COVERING,RIBBED,TAN,RBR,.187 X	FEATURE 31021-07. TAN, RUBBER
13	1832559		FLOOR COVERING,RIBBED,MED GRAY,36	FEATURE 31021-09. MEDIUM GRAY
13	1864032		STEPTREAD,FRT FLOOR,BLK,RBR,DRRE"	WITH OUTWARD OPENING DOOR WITHFEATURE 31021-01 WITH 1026-03. BLACK, RUBBER
13	1852722		STEPTREAD,FRONT FLOOR,GRN,RBR, DRRE	WITH OUTWARD OPENING DOOR WITHFEATURE 31021-06 WITH 1026-03. GREEN, RUBBER
13	1852730		STEPTREAD,FT FLOOR,TAN,RBR,DRRE	WITH OUTWARD OPENING DOOR WITHFEATURE 31021-07 WITH 1026-03. TAN, RUBBER

**Models:** **A3RE**  
**FLOOR**  
**FRONT (RH DRIVE)**  
**To BSN B10135149 F10056064 L10117249**

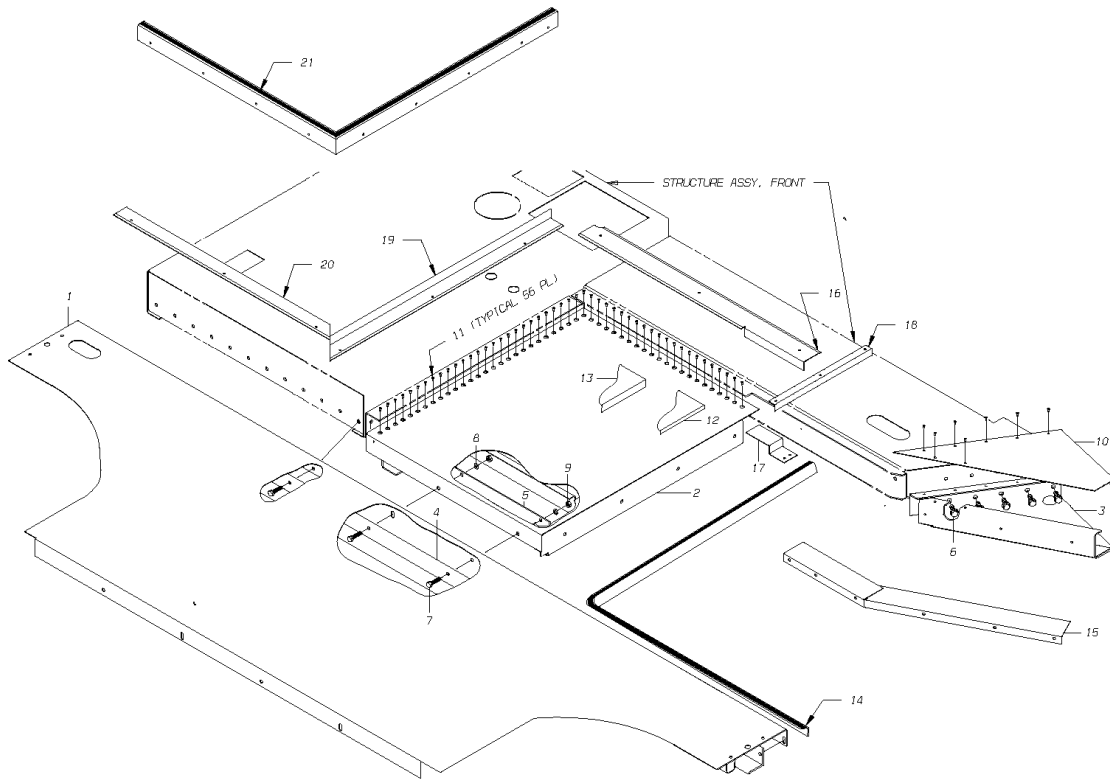
Key	PartNumber	Qty	Description	Comment
13	1992759		STEPTREAD,FRT FLOOR,GRY 766,RBR, DRRE	WITH OUTWARD OPENING DOOR WITHFEATURE 31021-09 WITH 1026-03. GRAY, RUBBER
13	0011787		STEPTREAD,FRT FLOOR,BLK,ABR, DRRE	WITH OUTWARD OPENING DOOR WITHFEATURE 31021-01 WITH 1026-03 WITH 31160-03. BLACK, ABRASIVE
13	0011788		STEPTREAD,FRT FLOOR,GRN,ABR, DRRE	WITH OUTWARD OPENING DOOR WITHFEATURE 31021-06 WITH 1026-03 WITH 31160-03. GREEN, ABRASIVE
13	0011789		STEPTREAD,FRT FLOOR,TAN,ABR,DRRE	WITH OUTWARD OPENING DOOR WITHFEATURE 31021-07 WITH 1026-03 WITH 31160-03. TAN, ABRASIVE
13	0011790		STEPTREAD,FRT FLOOR,GRY 766,ABR,DRRE	WITH OUTWARD OPENING DOOR WITHFEATURE 31021-09 WITH 1026-03 WITH 31160-03. GRAY, ABRASIVE
13	0018386		STEPTREAD,FRT FLOOR,BLUE,ABR,DRRE	WITH OUTWARD OPENING DOOR WITHFEATURE 31021-11 WITH 1026-03 WITH 31160-03. BLUE, ABRASIVE
13	1561000		STEPTREAD,FRT FLOOR,J/K DOOR,BLK,RBR,	WITH JACKKNIFE DOOR WITH FEATURE 31021-01 WITH 1026-03. BLACK, RUBBER
13	1561018		STEPTREAD,FRT FLOOR,J/K DOOR,GRN,RBR,	WITH JACKKNIFE DOOR WITH FEATURE 31021-06 WITH 1026-03. GREEN, RUBBER
13	1561026		STEPTREAD,FRT FLOOR,J/K DOOR,TAN,RBR,	WITH JACKKNIFE DOOR WITH FEATURE 31021-07 WITH 1026-03. TAN, RUBBER
13	1811728		STEPTREAD,FRT FLOOR,J/K DR,GRY 766,RBR	WITH JACKKNIFE DOOR WITH FEATURE 31021-09 WITH 1026-03. GRAY, RUBBER
13	0011804		STEPTREAD,FRT FLOOR,J/K DOOR,BLK,ABR,	WITH JACKKNIFE DOOR WITH FEATURE 31021-01 WITH 1026-03 WITH 31160-03. BLACK, ABRASIVE
13	0011805		STEPTREAD,FRT FLOOR,J/K DOOR,GRN,ABR,	WITH JACKKNIFE DOOR WITH FEATURE 31021-06 WITH 1026-03 WITH 31160-03. GREEN, ABRASIVE
13	0011806		STEPTREAD,FRT FLOOR,J/K DOOR,TAN,ABR,	WITH JACKKNIFE DOOR WITH FEATURE 31021-07 WITH 1026-03 WITH 31160-03. TAN, ABRASIVE
13	0011807		STEPTREAD,FRT FLOOR,J/K DR,GRY 766,ABR	WITH JACKKNIFE DOOR WITH FEATURE 31021-09 WITH 1026-03 WITH 31160-03. GRAY, ABRASIVE

**Models:** **A3RE**  
**FLOOR**  
**FRONT (RH DRIVE)**  
**To BSN B10135149 F10056064 L10117249**

Key	PartNumber	Qty	Description	Comment
13	0018387		STEPTREAD,FRT FLOOR,J/K DR,BLUE,ABR, DRRE	<i>WITH JACKKNIFE DOOR WITH FEATURE 31021-11 WITH 1026-03 WITH 31160-03. BLUE, ABRASIVE</i>
14	1766823		TRIM,STEPWELL,STANDARD FLOOR,36,RH	<i>STANDARD</i>
14	1744432		TRIM,STEPWELL,PLYWOOD FLOOR,RH DRIVE	<i>OPTION 0982, 0983, 0985. PLYWOOD FLOORS</i>
14	1502434		TRIM,STEPWELL,REAR, TCRE	<i>OPTION 1026-03</i>
14	1502426		TRIM,STEPWELL,REAR.WITH PLYWOOD	<i>OPTION 1026-03 WITH OPTION 0982, 0983, 0985</i>
15	1744440		TRIM,STEPWELL,FRONT,36,RH DRIVE	<i>OPTION 3480</i>
16	1744168		TRIM,NO 1 FLOOR,FORWARD,RH DRIVE	
16	1744176		TRIM,NO 1 FLOOR,FORWARD,W/PLYWOOD,RH	<i>OPTION 0982, 0983, 0985</i>
16	0043866		TRIM,NO 1 FLOOR,FORWARD,O/O,RH DRIVE,	
17	1903541		TRIM,STEPWELL,FRONT,Z SHAPE	<i>O/O DOOR W/ PLYWOOD FLOORS</i>
18	1564764		TRIM,PLYWOOD,INSIDE STORAGE	<i>WITH OPTION 0982, 0983, 0985</i>
19	1744150		TRIM,NO 1 FL W/PLY TO DRV PLATFORM,RH	
20	1744143		TRIM,NO 2 FLOOR TO DRIVERS PANEL,RH	
21	1744457		TRIM,PLATFORM,DRIVERS,SIDE,RH DRIVE	

Models: **A3RE  
FLOOR  
FRONT (RH DRIVE)**  
BSN: **From BSN B10135150 F10056065 L10117250**

Key	PartNumber	Qty	Description	Comment
-----	------------	-----	-------------	---------



**Models:** A3RE  
**FLOOR**  
**FRONT (RH DRIVE)**  
**BSN:** From BSN B10135150 F10056065 L10117250

Key	PartNumber	Qty	Description	Comment
1	0043345		PANEL ASSY,FLOOR,NO 2,RH DRIVE, A3RE	
2	0043400		PANEL ASSY,FRONT FLOOR,RH DRIVE, A3RE	
3	1744192		CHANNEL ASSY,FLOOR,FRONT,RH DRIVE	
4	0065689		CROSSMEMBER,ANGLE,BODY BAR,FRT,RH DRV,	
5	1499334		CROSSMEMBER,BODY BAR, TCRE	
6	0822817		SCREW,3/8-16 X 1,F,HEX WASH HD,YEL ZN	
7	0610725		CAPSCREW,HEX HD,5/16-18X1 1/4,GR8,	
8	2001188		LOCKWASHER,SPLIT RING, 5/16,MED,YEL ZN	
9	2001410		NUT,HEX HD,5/16-18,YEL ZN DICH"	
10	1744135		PLATE,CLOSEOUT,HEATER/FRONT FLOOR,RH	
11	1854397		RIVET,BLIND,.25 DIA,.38 GRIP	
12	0001820		PLYWOOD,FLOOR,FRONT,.62,O/O, A3RE	WITH OUTWARD OPENING DOOR, WITH OPTION 0982
12	0001821		PLYWOOD,FLOOR,FRONT,FIR,.50,O/O, A3RE	WITH OUTWARD OPENING DOOR, WITH OPTION 0983
12	1864057		PLYWOOD,FLOOR,FRONT,.62 AB MARINE,O/O,	WITH OUTWARD OPENING DOOR, WITH OPTION 0985
12	0072721		PLYWOOD,FLOOR,FRONT,.62 TREATED,O/O,	WITH OUTWARD OPENING DOOR, WITH OPTION 0986
12	0072723		PLYWOOD,FLOOR,FRONT,.50 TREATED,O/O,	WITH OUTWARD OPENING DOOR, WITH OPTION 0987
12	1560911		PLYWOOD,FLOOR,FRONT,.62, CS/A3RE	WITH JACKKNIFE DOOR WITH OPTION 0982
12	0043923		PLYWOOD,FLOOR,FRONT,FIR,.5, A3RE	WITH JACKKNIFE DOOR WITH OPTION 0983
12	1864065		PLYWOOD,FLOOR,FRONT,.62,J/K,MARINE, A3RE	WITH JACKKNIFE DOOR WITH OPTION 0985
12	0072724		PLYWOOD,FLOOR,FRONT,.62,J/K,TREATED,	WITH JACKKNIFE DOOR WITH OPTION 0986
12	0072725		PLYWOOD,FLOOR,FRONT,.50 TREATED, A3RE	WITH JACKKNIFE DOOR WITH OPTION 0987
13	2005486		FLOOR COVERING,AISLE,RIB,BLK,	FEATURE 31021-01. BLACK, RUBBER, RIBBED
13	2005445		FLOOR COVERING,RIBBED,GRN,RBR,.187 X	FEATURE 31021-06. GREEN, RUBBER, RIBBED
13	1066984		FLOOR COVERING,RIBBED,TAN,RBR,.187 X	FEATURE 31021-07. TAN, RUBBER, RIBBED
13	1832559		FLOOR COVERING,RIBBED,MED GRAY,36	FEATURE 31021-09. MED GRAY, RUBBER, RIBBED
13	1864032		STEPTREAD,FRT FLOOR,BLK,RBR,DRRE"	WITH OUTWARD OPENING DOOR WITH FEATURE 31021-01 WITH FEATURE 1026-03. BLACK, RUBBER

**Models:** A3RE  
**FLOOR**  
**FRONT (RH DRIVE)**  
**BSN:** From BSN B10135150 F10056065 L10117250

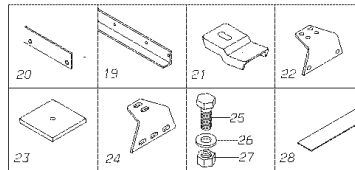
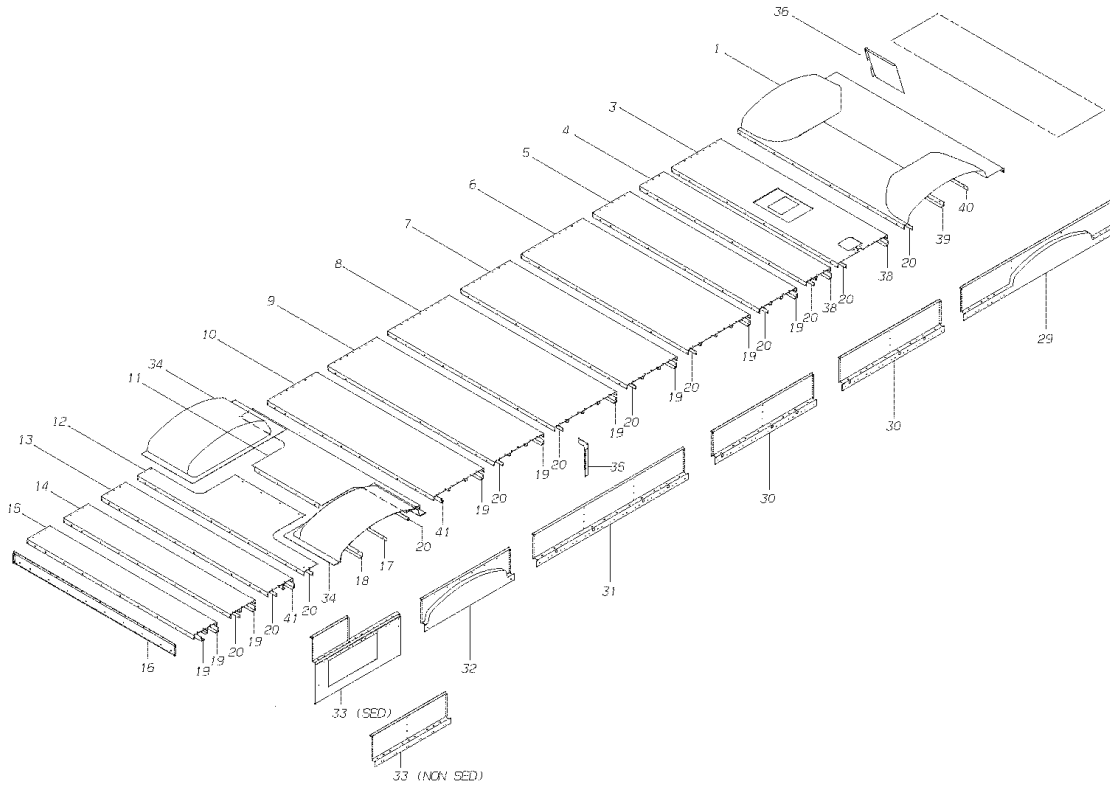
Key	PartNumber	Qty	Description	Comment
13	1852722		STEPTREAD,FRONT FLOOR,GRN,RBR, DRRE	<i>WITH FEATURE 31021-06 WITH FEATURE 1026-03. GREEN, RUBBER</i>
13	1852730		STEPTREAD,FT FLOOR,TAN,RBR,DRRE	<i>WITH OUTWARD OPENING DOOR WITH FEATURE 31021-07 WITH FEATURE 1026-03. TAN, RUBBER</i>
13	1992759		STEPTREAD,FRT FLOOR,GRY 766,RBR, DRRE	<i>WITH OUTWARD OPENING DOOR WITH FEATURE 31021-09 WITH FEATURE 1026-03. GRAY, RUBBER</i>
13	0011787		STEPTREAD,FRT FLOOR,BLK,ABR, DRRE	<i>WITH OUTWARD OPENING DOOR WITH FEATURE 31021-01 WITH FEATURE 1026-03 WITH FEATURE 31160-03. BLK, ABR</i>
13	0011788		STEPTREAD,FRT FLOOR,GRN,ABR, DRRE	<i>WITH OUTWARD OPENING DOOR WITH FEATURE 31021-06 WITH FEATURE 1026-03 WITH FEATURE 31160-03. GRN, ABR</i>
13	0011789		STEPTREAD,FRT FLOOR,TAN,ABR,DRRE	<i>WITH OUTWARD OPENING DOOR WITH WITH FEATURE 1026-03 WITH FEATURE 31160-03. TAN, ABR</i>
13	0011790		STEPTREAD,FRT FLOOR,GRY 766,ABR,DRRE	<i>WITH OUTWARD OPENING DOOR WITH FEATURE 31021-09 WITH FEATURE 1026-03 WITH FEATURE 31160-03. GRY, ABR</i>
13	0018386		STEPTREAD,FRT FLOOR,BLUE,ABR,DRRE	<i>WITH OUTWARD OPENING DOOR WITH FEATURE 31021-11 WITH FEATURE 1026-03 WITH FEATURE 31160-03. BLUE,ABR</i>
13	1561000		STEPTREAD,FRT FLOOR,J/K DOOR,BLK,RBR,	<i>WITH JACKKNIFE DOOR WITH FEATURE 31021-01 WITH FEATURE 1026-03. BLACK, RUBBER</i>
13	1561018		STEPTREAD,FRT FLOOR,J/K DOOR,GRN,RBR,	<i>WITH JACKKNIFE DOOR WITH FEATURE 31021-06 WITH FEATURE 1026-03. GREEN, RUBBER</i>
13	1561026		STEPTREAD,FRT FLOOR,J/K DOOR,TAN,RBR,	<i>WITH JACKKNIFE DOOR WITH FEATURE 31021-07 WITH FEATURE 1026-03. TAN, RUBBER</i>
13	1811728		STEPTREAD,FRT FLOOR,J/K DR,GRY 766,RBR	<i>WITH JACKKNIFE DOOR WITH FEATURE 31021-09 WITH FEATURE 1026-03. GRAY, RUBBER</i>
13	0011804		STEPTREAD,FRT FLOOR,J/K DOOR,BLK,ABR,	<i>WITH JACKKNIFE DOOR WITH FEATURE 31021-01 WITH FEATURE 1026-03 WITH FEATURE 31160-03. BLK, ABR</i>
13	0011805		STEPTREAD,FRT FLOOR,J/K DOOR,GRN,ABR,	

**Models:** A3RE  
**FLOOR**  
**FRONT (RH DRIVE)**  
**BSN:** From BSN B10135150 F10056065 L10117250

Key	PartNumber	Qty	Description	Comment
				<i>FEATURE 31021-06 WITH FEATURE 1026-03 WITH FEATURE 31160-03. GRN, ABR</i>
13	0011806		STEPTREAD,FRT FLOOR,J/K DOOR,TAN,ABR,	<i>WITH JACKKNIFE DOOR WITH FEATURE 31021-07 WITH FEATURE 1026-03 WITH FEATURE 31160-03. TAN, ABR</i>
13	0011807		STEPTREAD,FRT FLOOR,J/K DR,GRY 766,ABR	<i>WITH JACKKNIFE DOOR WITH FEATURE 31021-09 WITH FEATURE 1026-03 WITH FEATURE 31160-03. GRY, ABR</i>
13	0018387		STEPTREAD,FRT FLOOR,J/K DR,BLUE,ABR, DRRE	<i>WITH JACKKNIFE DOOR WITH FEATURE 31021-11 WITH FEATURE 1026-03 WITH FEATURE 31160-03. BLUE,ABR</i>
14	1502434		TRIM,STEPWELL,REAR, TCRE	<i>OPTION 1026-03 WITH STANDARD FLOOR</i>
14	1502426		TRIM,STEPWELL,REAR.WITH PLYWOOD	<i>OPTION 1026-03 WITH PLYWOOD FLOOR</i>
14	1766823		TRIM,STEPWELL,STANDARD FLOOR,36,RH	<i>WITH STANDARD FLOOR</i>
14	1744432		TRIM,STEPWELL,PLYWOOD FLOOR,RH DRIVE	<i>WITH PLYWOOD FLOOR</i>
15	1744440		TRIM,STEPWELL,FRONT,36,RH DRIVE	
16	1744168		TRIM,NO 1 FLOOR,FORWARD,RH DRIVE	<i>WITH JACKKNIFE DOOR</i>
16	1744176		TRIM,NO 1 FLOOR,FORWARD,W/PLYWOOD,RH	<i>WITH JACKKNIFE DOOR WITH PLYWOOD FLOOR</i>
16	0043866		TRIM,NO 1 FLOOR,FORWARD,O/O,RH DRIVE,	<i>WITH OUTWARD OPENING DOOR</i>
17	1903541		TRIM,STEPWELL,FRONT,Z SHAPE	
18	1564764		TRIM,PLYWOOD,INSIDE STORAGE	<i>WITH PLYWOOD FLOORS. J/K DOOR</i>
19	1744150		TRIM,NO 1 FL W/PLY TO DRV PLATFORM,RH	
20	1744143		TRIM,NO 2 FLOOR TO DRIVERS PANEL,RH	
21	1744457		TRIM,PLATFORM,DRIVERS,SIDE,RH DRIVE	

**Models:** A3RE  
**FLOOR**  
**U.K. UNITS ONLY**

Key	PartNumber	Qty	Description	Comment
-----	------------	-----	-------------	---------





**Models: A3RE  
FLOOR  
U.K. UNITS ONLY**

Key	PartNumber	Qty	Description	Comment
1	0412064	2	WHEELHOUSING,FRONT	
2	1433051		PANEL ASSY,FLR,#3,28,33.87 AXLE LOC, FC	
3	0021431		PANEL,ASSY,FLR,28,WITH MM FUEL NECK	
4	0299149		PANEL ASSY,FLR,14	
5	0545798		PANEL ASSY,FLR,21	
6	0299123		PANEL ASSY,FLR,35	
7	0299214		PANEL ASSY,FLR,28	
8	0299123		PANEL ASSY,FLR,35	
9	0299214		PANEL ASSY,FLR,28	
10	0299214		PANEL ASSY,FLR,28	
11	1884543		PANEL ASSY,REAR W/H,FORWARD	
12	1884527		PANEL ASSY,REAR W/H,REARWARD	
13	0009118		PANEL ASSY,FLOOR,14,H/D BATTERY BOX,	
14	0299149		PANEL ASSY,FLR,14	
15	0009126		PANEL ASSY,FLOOR,13, DRRE	
16	0006206		CHANNEL,REINFORCEMENT,REAR FLOOR,DRRE	
17	1883644		CROSSMEMBER,BODY BAR	
18	1883636		CROSSMEMBER,BODY BAR ANGLE	
19	0332825		CROSSMEMBER,BODY BAR ANGLE	
20	0890681		CROSSMEMBER,BODY BAR	
21	1385723		CLAMP,TIE DOWN	
22	1509637		ANGLE,TIE DOWN,BODY,TCFE	
23	1160373		PAD,RUBBER,MTG,.25 X 2.50 X 2.50,W/.25 DIA	
24	1483544		ANGLE,TIE DOWN,BODY,W/MID-MOUNT TANK,	
25	0522342		CAPSCREW,HEX HD,7/16-20X1 1/2,GR5,	
26	1134097		WASHER,FLAT,15/32 X 1 1/8 X 5/64,HDN,BLK	
27	1134105		NUT,HEX HD,7/16-20,TOP LOCKING,CADMIUM	
28	1159318		ISOLATOR,CHASSIS,MOUNTING BELT,	
29	1864099		GUSSET,W/H FLR,84 LH,13 FRT,27.5 RR	
29	1864081		GUSSET,W/H FLR,84 RH,13 FRT,27.5 RR	
30	1074830		GUSSET,FLOOR,42 SECT	
30	0890087		GUSSET,FLOOR,63 SECT	
31	0890087		GUSSET,FLOOR,63 SECT	

**Models: A3RE  
FLOOR  
U.K. UNITS ONLY**


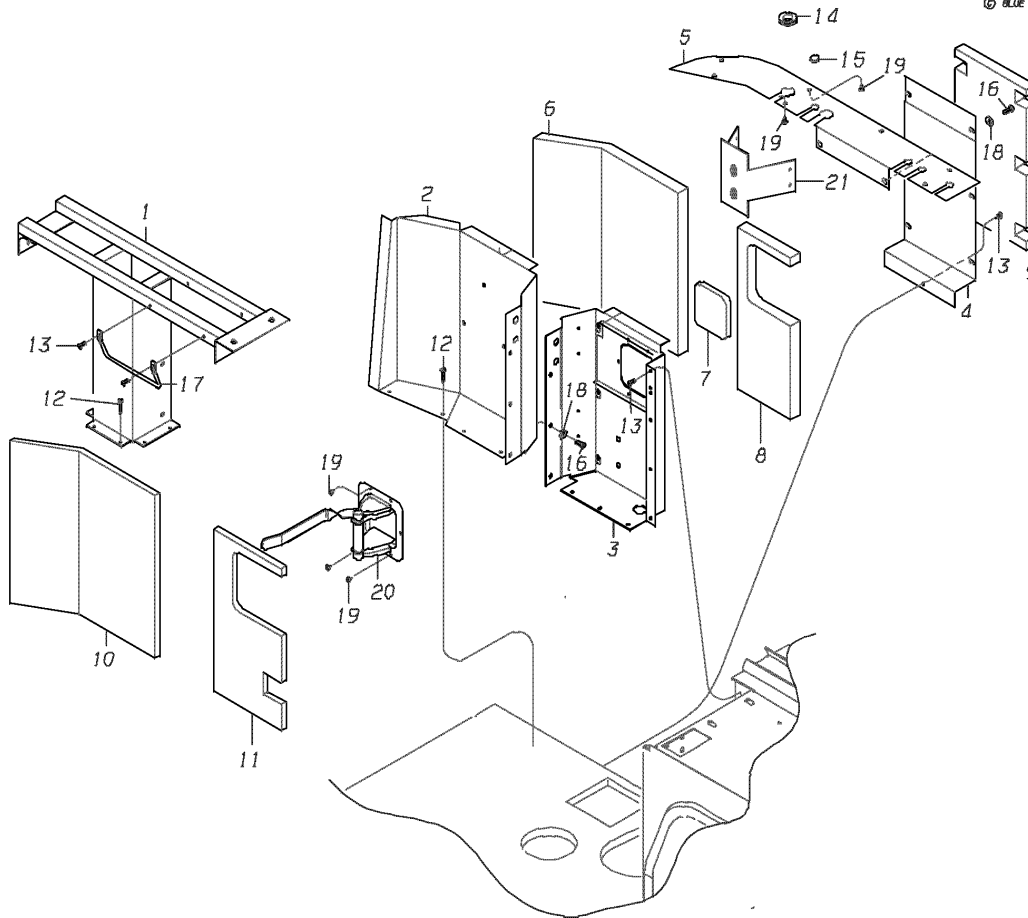
Key	PartNumber	Qty	Description	Comment
32	1880392		GUSSET,WHEELHOUSING FLOOR,49,RIGHT	
32	1270297		GUSSET,W/H FLOOR,56IN,LH	
33	0002907		GUSSET,FLOOR,ENG CMPT,SED,RH, DRRE	
33	0000924		GUSSET,FLOOR,REAR SECTION,40.50,LH, DRRE	
34	1883941	2	WHEELHOUSING,REAR	
35	1408558		GUSSET ASSY,TRI FLOOR,LH,25.75 SK,BAR,AA	
35	1408541		GUSSET ASSY,TRI FLOOR,RH,25.75 SK,BAR,AA	
36	1340322		GUARD,MUD, FRONT OF LH FRONT WHEEL OR	
37	1896133		BRACKET,MUDFLAP,LH,REAR, TCRE/CEC	
38	1494004		CROSSMEMBER,BODY BAR ANGLE,MM TANK,	

Models: **A3RE, QBRE**  
**FRONT**  
**DRIVER'S AREA**

Key	PartNumber	Qty	Description	Comment
-----	------------	-----	-------------	---------

DR. 11/16/01	BY TFM		1544806	P
APP.	BY	PRT		REV

© BLUE BIRD BODY COMPANY. ALL RIGHTS RESERVED

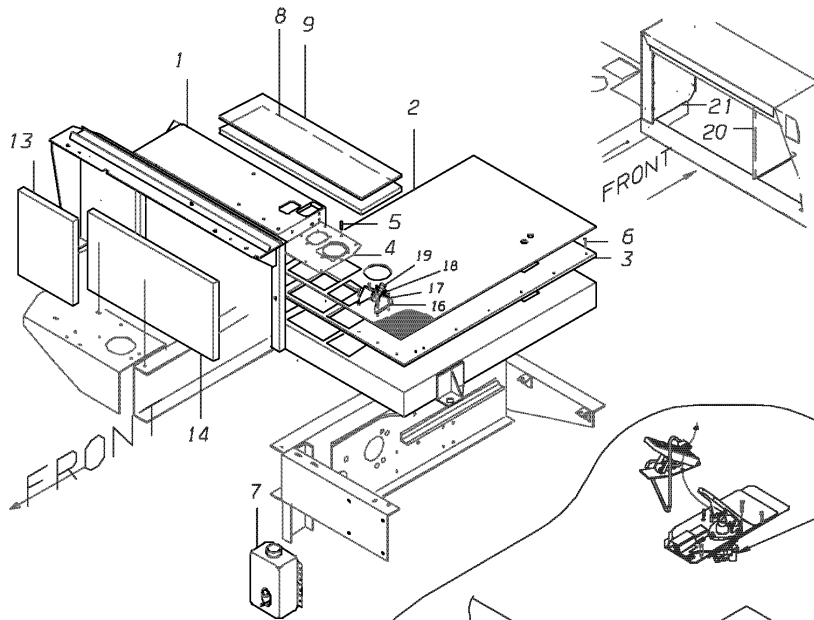




**Models:** A3RE, QBRE  
FRONT  
DRIVER'S AREA

Key	PartNumber	Qty	Description	Comment
1	1435858		TOWER ASSY,DASH SUPPORT,TCFC	
1	1795731		TOWER ASSY,DASH SUPT,TILT/TELE COL,RH	A3RE, U.K. ONLY
2	0007940		PANEL ASSY,CLOSEOUT,DRIVER SIDE,TC/QB	
2	0007941		PANEL ASSY,CLOSEOUT,DRIVER SIDE,RH DRIVE	A3RE, U.K. ONLY
3	1644764		PANEL ASSY,C/OUT,DRV SIDE,W/AIR VENT,	STANDARD ,
3	0042480		PANEL ASSY,C/OUT,D/SI,RH,W/VENT,W/40099	FEATURE 40099. ADJUSTABLE PEDALS
3	1672823		PANEL ASSY,C/OUT,DRV SIDE,W/AIR VENT,RH	A3RE, U.K. ONLY
4	1560432		PANEL,ACCESS,TOWER ASSY,ELECTRICAL	STANDARD
4	0045076		PANEL,ACCESS,TOWER ASSY,ELECT,W/40099,	FEATURE 40099. ADJUSTABLE PEDALS
5	1868488		PANEL,CLOSEOUT,DRIVER'S AREA,TOP	STANDARD
5	0045094		PANEL,CLOSEOUT,DRIVER'S AREA,TOP,	FEATURE 40099. ADJUSTABLE PEDALS
6	1554336		INSULATION,THERMAL,DRV C/OUT,O/S,LH	
7	1566157		INSULATION,THERMAL,DRV VENT DOOR, TC/HD	
8	1566165		INSULATION,THERMAL,DRV C/OUT,OUTSIDE,TC	STANDARD
8	0042796		INSULATION,THERMAL,DRIV C/O,O/S,W/40099	FEATURE 40099. ADJUSTABLE PEDALS
9	1560457		INSULATION,THERMAL,DRIVERS CLOSEOUT,	
10	1560358		INSULATION,THERMAL,DRV C/OUT,I/S,LH	OPTION 1502. INSULATED DRIVER'S AREA
10	0007944		INSULATION,THERMAL,DRV C/OUT,I/S,LH,ABS,	FEATURE 40076-03. HYDRAULIC ANTI-LOCK BRAKES
11	1566173		INSULATION,THERMAL,DRV C/OUT,INSIDE,TC	STANDARD
11	0042795		INSULATION,THERMAL,DRIV C/O,I/S,W/40099	FEATURE 40099. ADJUSTABLE PEDALS
12	0527325	13	SCREW,10-16 X 1,AB,PH1,OVAL CNSK HD, YEL	
13	1200799	7	SCREW,10-24 X 3/8,T,PH1,PAN HD, YEL ZN	
14	2003192		GROMMET,RUBBER,FC	
15	1330885	4	PLUG,BUTTON,BLACK,DP-625,HEYCO 2663	
16	0807958	14	CAPSCREW,HEX HD,1/4-20X 1/2,GR8,YEL ZN	
17	1578798		SUPPORT,FRESH AIR CONTROL HANDLE	
18	2001121	14	WASHER,FLAT,5/16 X 3/4,X 5/64,YEL ZN DICH	
19	1200799	13	SCREW,10-24 X 3/8,T,PH1,PAN HD, YEL ZN	
20	1566819		VENT ASSY,DRIVER'S,3.62 X 4.00,SALEM	
21	1759174		BRACKET ASSY,MTG RELAY BLOCK,TCFE/RE	

**Models:** A3RE, CSRE, QBRE  
**FRONT**  
**DRIVER'S PLATFORM**  
**To BSN B10135149 F10056064 L10117249**

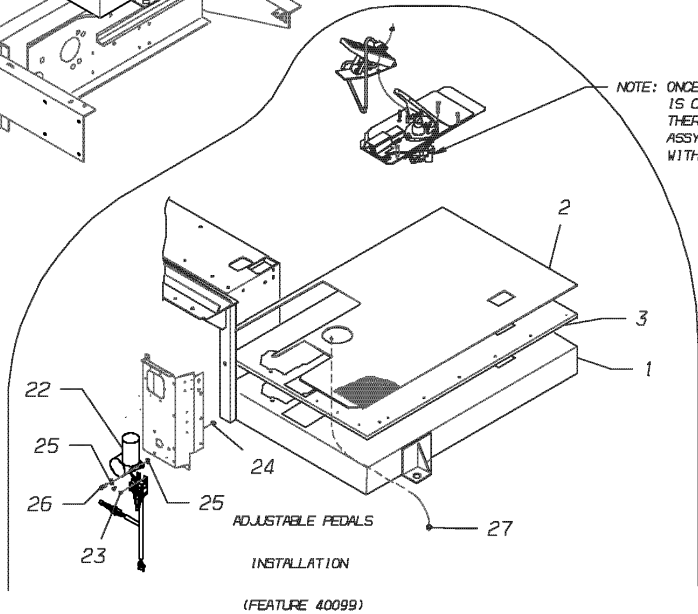
Key	PartNumber	Qty	Description	Comment
-----	------------	-----	-------------	---------



DR. 3-22-02	BY MC	1644699	V	
APP.	BY	FRT	REV	

© BLUE BIRD BODY COMPANY. ALL RIGHTS RESERVED. **BLADE BUILT**

NOTE: ONCE PLATE ASSY IS INSTALLED AND TUBING IS CONNECTED CLAMP THE TUBING SO THAT THERE IS ENOUGH SLACK TO ALLOW THE PEDAL ASSY TO MOVE THROUGH IT'S FULL RANGE WITHOUT RUBBING AGAINST OTHER COMPONENTS.



**Models:** **A3RE, CSRE, QBRE**  
**FRONT**  
**DRIVER'S PLATFORM**  
**To BSN B10135149 F10056064 L10117249**

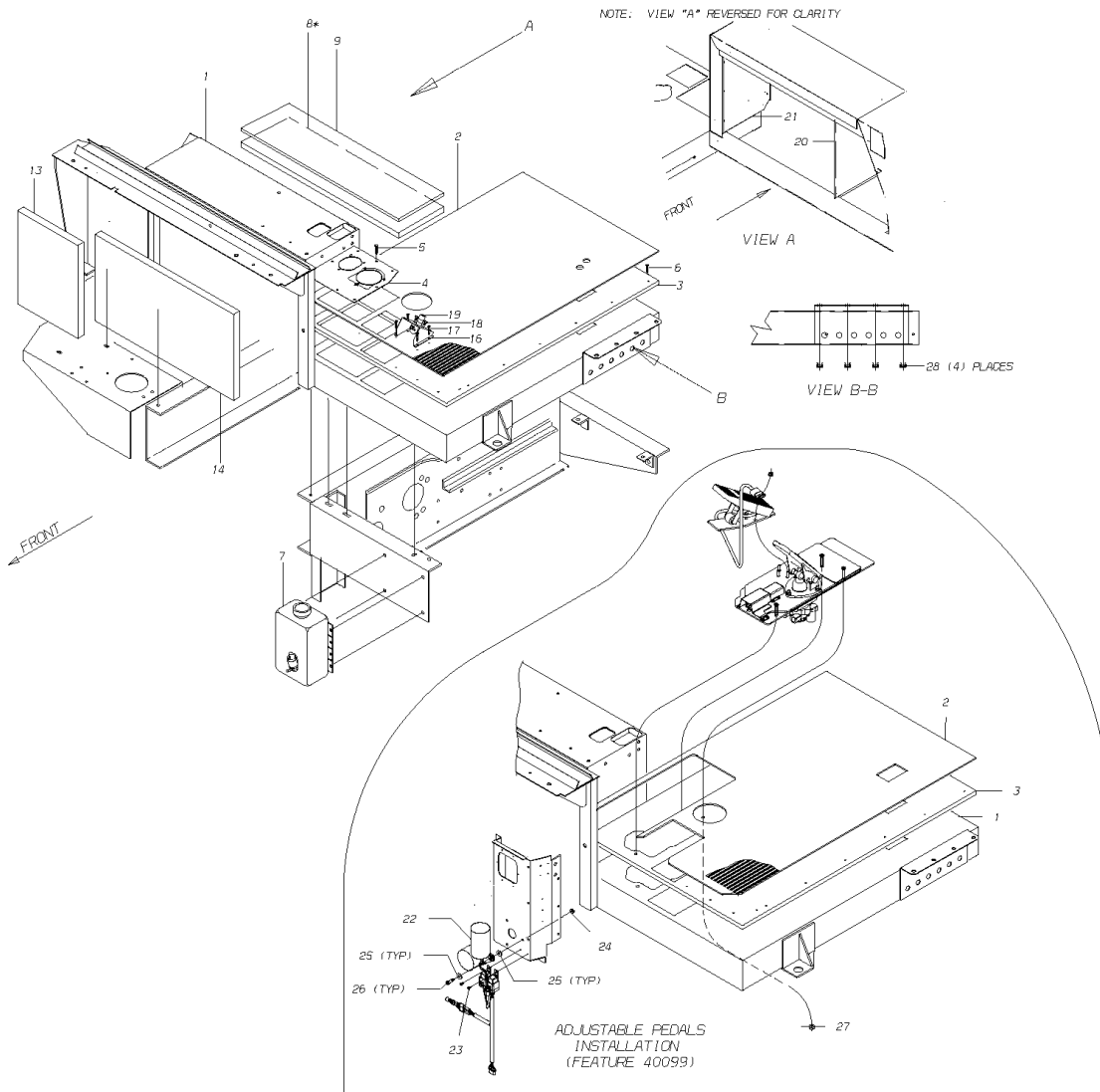
Key	PartNumber	Qty	Description	Comment
1	0006135		STRUCTURE ASSY,FRONT,W/OUTWARD OPEN	A3RE. WITH OUTWARD OPENING DOOR
1	1601566		STRUCTURE ASSY,FRONT	A3RE, CSRE. WITHOUT OUTWARD OPENING DOOR
1	0042412		STRUCTURE ASSY,FRONT,W/40099	A3RE. WITH ADJUSTABLE PEDALS. FEATURE 40099 WITH O/O DOOR
1	0042413		STRUCTURE ASSY,FRONT,W/40099,W/O/O DR	A3RE. WITH ADJUSTABLE PEDALS. FEATURE 40099 WITHOUT O/O DOOR
1	1593904		STRUCTURE ASSY,FRONT, QBRE	
2*	1560929		PATTERN,MAT,DRIVER'S PLATFORM, RE	WITHOUT ADJUSTABLE PEDALS
2*	0042801		PATTERN,MAT,DRIV PLTF,W/40099, RE	WITH ADJUSTABLE PEDALS. FEATURE 40099
3	1560978		PLYWOOD,FLR,DRIVERS PLATFORM	WITHOUT ADJUSTABLE PEDALS
3	0042416		PLYWOOD FLOOR,DRIVERS PLATFORM,	WITH ADJUSTABLE PEDALS. FEATURE 40099
4	0020993		PLATE,MTG,A/BRK TREADLE & THROTTLE, TCRE	
4	1716257		PLATE,MTG AIR BRK TRDL&THROT,	
5	2000099	8	SCREW,1/4-20 X 1-1/2,D,HEX HD,YEL ZN DICH"	
6	2000594	23	SCREW,10-16X1-1/2,AB,PH1,OVAL CNSK,YEL	
7				SEE GROUP 400 FOR WASHER BOTTLE INSTALLATION
8	1562255		PLYWOOD FLOOR,INSIDE STORAGE CMPT	
9				SEE CHART #1562263 FOR APPROPRIATE MAT
10	1107085	7	WASHER,FLAT,13/32 X 13/16 X 3/32,HDN,BLK	
11	0839027	7	NUT,HEX HD,3/8-16,GR G,SM FLG LK,YEL	
12	0559195	7	CAPSCREW,HEX HD,3/8-16 X 1,GR 8,YEL ZN	
13	1560903		INSULATION,THERMAL,FRONT,RH CLOSEOUT	
14	1560986		INSULATION,THERMAL,FRONT,CTR CLOSEOUT	
15	2002798	AR	ADHESIVE,CONTACT,RED,C2466-55G-RD	
16	1644756		BRACKET,MTG,DIMMER SWITCH,TCFC/RE	
16	1334903		BRACKET,MTG,DIMMER SWITCH,QBRE	
17	2000586	4	SCREW,10-16X1-1/4,AB,PH1,PAN HD,YEL ZN	
18	0807958	2	CAPSCREW,HEX HD,1/4-20X 1/2,GR8,YEL ZN	
19	1644525		SWITCH,DIMMER,HEADLIGHT,TCFC/RE	
19	1124676		SWITCH,HEADLIGHT DIMMER	
20	1504760		PANEL,HTR HOSE COVER, TCRE	

**Models:** **A3RE, CSRE, QBRE**  
**FRONT**  
**DRIVER'S PLATFORM**  
**To BSN B10135149 F10056064 L10117249**

Key	PartNumber	Qty	Description	Comment
21	1532357		PANEL,TRANSMISSION SHIFT CABLE COVER,	<i>WITH PUSH-BUTTON SHIFTER</i>
21	0014241		PANEL,CLOSEOUT,STORAGE CMPT,W/SHFT	<i>WITH T-HANDLE SHIFTER ON A3RE ONLY</i>
22	0043027		DRIVE MOTOR ASSEMBLY,ADJUSTABLE PEDALS	<i>WITH FEATURE 40099 (ADJ PEDALS) ONLY.</i>
23	1200799	2	SCREW,10-24 X 3/8,T,PH1,PAN HD, YEL ZN	<i>WITH FEATURE 40099 (ADJ PEDALS) ONLY.</i>
24	0829390	3	NUT,HEX HD,5/16-18,SER WASHER,YEL ZN	<i>WITH FEATURE 40099 (ADJ PEDALS) ONLY.</i>
25	1078922	6	WASHER,FLAT,3/8 X 7/8 X 5/64,YEL ZN DICH	<i>WITH FEATURE 40099 (ADJ PEDALS) ONLY.</i>
26	0045180	3	SCREW,SHOULDER,ALLEN,.375 X .625,.312	<i>WITH FEATURE 40099 (ADJ PEDALS) ONLY.</i>
27	0839027	6	NUT,HEX HD,3/8-16,GR G,SM FLG LK,YEL	<i>WITH FEATURE 40099 (ADJ PEDALS) ONLY.</i>

Models: **A3RE  
FRONT  
DRIVER'S PLATFORM**  
BSN: **From BSN B10135150 F10056065 L10117250**

Key	PartNumber	Qty	Description	Comment
-----	------------	-----	-------------	---------





**Models:** A3RE  
**FRONT**  
**DRIVER'S PLATFORM**  
**BSN:** From BSN B10135150 F10056065 L10117250

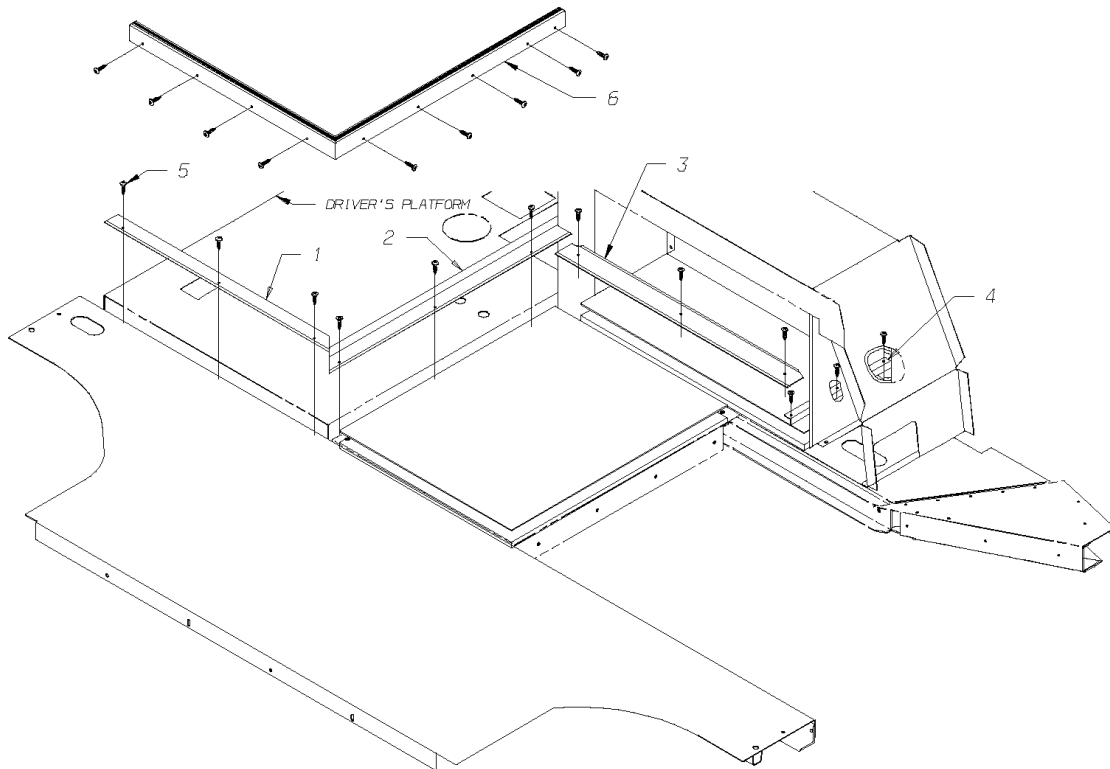
Key	PartNumber	Qty	Description	Comment
1	0063540		STRUCTURE ASSY,FRONT,W/OTWRD OPN DR,	A3RE. WITH OUTWARD OPENING DOOR
1	0063539		STRUCTURE ASSY,FRONT,DRVR,HDRE	A3RE. WITHOUT OUTWARD OPENING DOOR
1	0063541		STRUCTURE ASSY,FRONT,W/40099, HDRE	A3RE. WITH ADJUSTABLE PEDALS. FEATURE 40099 WITH O/O DOOR
1	0063542		STRUCTURE ASSY,FRONT,W/40099,W/O/O DR,	A3RE. WITH ADJUSTABLE PEDALS. FEATURE 40099 WITHOUT O/O DOOR
2	1560929		PATTERN,MAT,DRIVER'S PLATFORM, RE	WITHOUT ADJUSTABLE PEDALS. FEATURE 40099
2	0042801		PATTERN,MAT,DRIV PLTF,W/40099, RE	WITH ADJUSTABLE PEDALS. FEATURE 40099
3	0065641		PLYWOOD,FLOOR,DRIVERS PLATFORM, A3RE	WITHOUT ADJUSTABLE PEDALS. FEATURE 40099
3	0065642		PLYWOOD,FLOOR,DRIVERS PLATFORM,W/40099	WITH ADJUSTABLE PEDALS. FEATURE 40099
4	0020993		PLATE,MTG,A/BRK TREADLE & THROTTLE, TCRE	
4	1716257		PLATE,MTG AIR BRK TRDL&THROT,	
5	2000099		SCREW,1/4-20 X 1-1/2,D,HEX HD,YEL ZN DICH"	
6	2000594		SCREW,10-16X1-1/2,AB,PH1,OVAL CNSK,YEL	
7				SEE GROUP 400 FOR WASHER BOTTLE INSTALLATION
8	1562255		PLYWOOD FLOOR,INSIDE STORAGE CMPT	
9				SEE CHART 1562263 FOR APPROPRIATE MAT
*	1107085		WASHER,FLAT,13/32 X 13/16 X 3/32,HDN,BLK	
*	0839027		NUT,HEX HD,3/8-16,GR G,SM FLG LK,YEL	
*	0559195		CAPSCREW,HEX HD,3/8-16 X 1,GR 8,YEL ZN	
13	1560903		INSULATION,THERMAL,FRONT,RH CLOSEOUT	
14	1560986		INSULATION,THERMAL,FRONT,CTR CLOSEOUT	
NI	2002798		ADHESIVE,CONTACT,RED,C2466-55G-RD	
16	1644756		BRACKET,MTG,DIMMER SWITCH,TCFC/RE	
17	2000586		SCREW,10-16X1-1/4,AB,PH1,PAN HD,YEL ZN	
18	0807958		CAPSCREW,HEX HD,1/4-20X 1/2,GR8,YEL ZN	
19	1644525		SWITCH,DIMMER,HEADLIGHT,TCFC/RE	
20	1504760		PANEL,HTR HOSE COVER, TCRE	
21	1532357		PANEL,TRANSMISSION SHIFT CABLE COVER,	USE W/ PUSH BUTTON SHIFTER)
21	0014241		PANEL,CLOSEOUT,STORAGE CMPT,W/SHFT	USE W/ T-HANDLE SHIFTER

**Models:** A3RE  
**FRONT**  
**DRIVER'S PLATFORM**  
**BSN:** From BSN B10135150 F10056065 L10117250

Key	PartNumber	Qty	Description	Comment
22	0043027		DRIVE MOTOR ASSEMBLY,ADJUSTABLE PEDALS	PEDALS) ONLY.
23	1200799		SCREW,10-24 X 3/8,T,PH1,PAN HD, YEL ZN	WITH FEATURE 40099 (ADJ PEDALS) ONLY.
24	0829390		NUT,HEX HD,5/16-18,SER WASHER,YEL ZN	WITH FEATURE 40099 (ADJ PEDALS) ONLY.
25	1078922		WASHER,FLAT,3/8 X 7/8 X 5/64,YEL ZN DICH	WITH FEATURE 40099 (ADJ PEDALS) ONLY.
26	0045180		SCREW,SHOULDER,ALLEN,.375 X .625,.312	WITH FEATURE 40099 (ADJ PEDALS) ONLY.
27	0839027		NUT,HEX HD,3/8-16,GR G,SM FLG LK,YEL	WITH FEATURE 40099 (ADJ PEDALS) ONLY.
28	1322668		NUT,CAGE,.375-16	

Models: **A3RE  
FRONT  
DRIVER'S PLATFORM TRIM**

Key	PartNumber	Qty	Description	Comment
-----	------------	-----	-------------	---------




**Models:** **A3RE**  
**FRONT**  
**DRIVER'S PLATFORM TRIM**

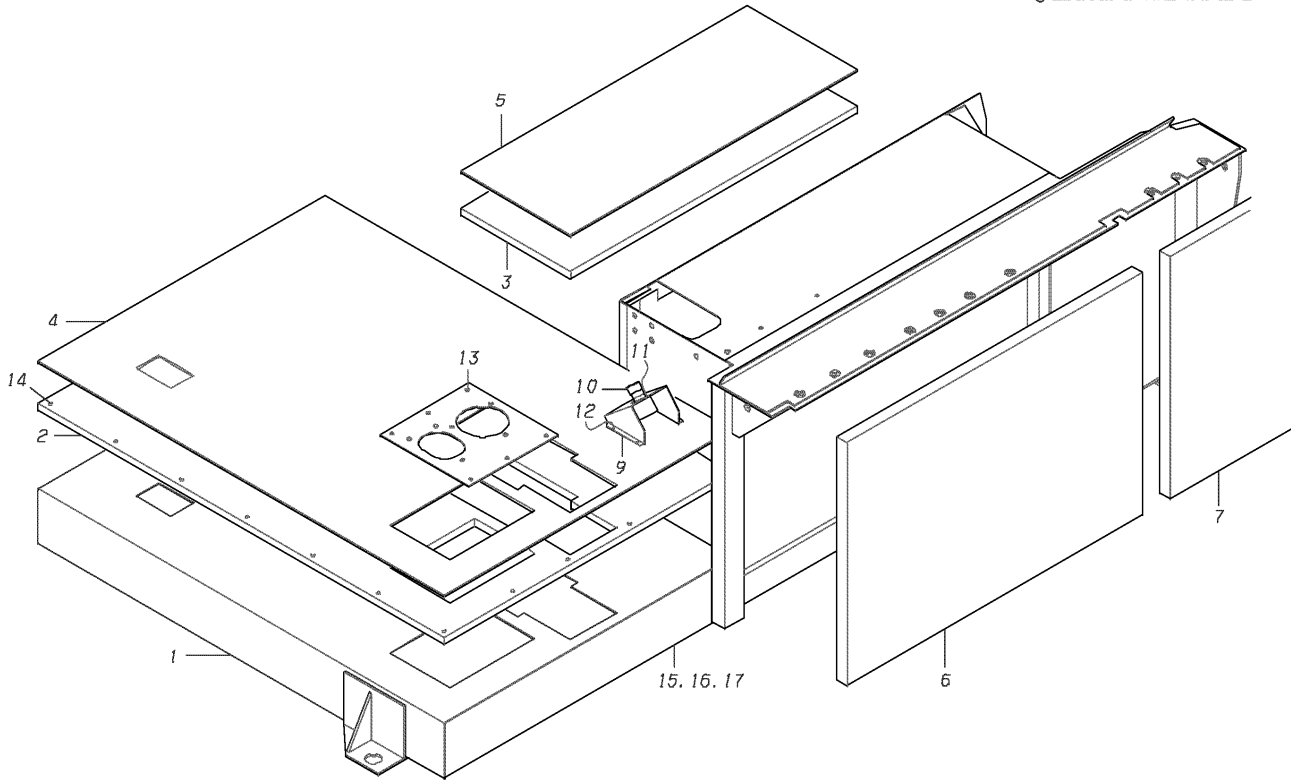
Key	PartNumber	Qty	Description	Comment
1	1662402		TRIM,NO 2 FLR TO DRIVERS PANEL	STANDARD OPTION 0982, 0983, 0985
2	1662394		TRIM,NO 1 FLR W/PLY TO DRIVER PLATFORM	STANDARD OPTION 0982, 0983, 0985
3	1864115		TRIM,NO 1 FLOOR,FORWARD,O/O,A3RE"	STANDARD OPTION 0982, 0983, 0985
3	1564764		TRIM,PLYWOOD,INSIDE STORAGE	OPTION 0982, 0983, 0985
5	1143676	21	SCREW,10-16 X 3/4, AB,PH1,PAN HD,BLK ZN,	
6	1523885		TRIM,PLATFORM,DRIVERS SIDE	STANDARD OPTION 0982, 0983, 0985

**Models:** A3RE  
**FRONT**  
**DRIVER'S PLATFORM, RH DRIVE**  
**With Features:** FEATURE 40360-02  
 To BSN B10135149 F10056064 L10117249

Key	PartNumber	Qty	Description	Comment
-----	------------	-----	-------------	---------

DR: 12/03/01 BY TFM	1673052	E	
APP: BY JRF		REV	

© BLUE BIRD BODY COMPANY. ALL RIGHTS RESERVED



**Models:** **A3RE**  
**FRONT**  
**DRIVER'S PLATFORM, RH DRIVE**

**With Features:** **FEATURE 40360-02**  
**To BSN B10135149 F10056064 L10117249**

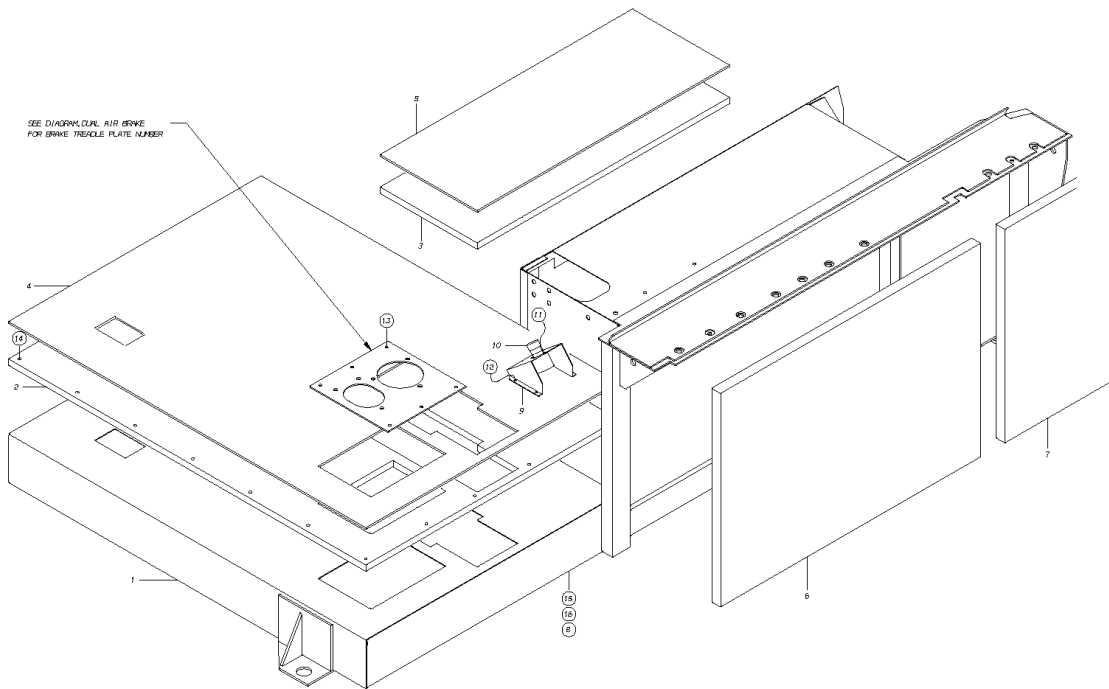
Key	PartNumber	Qty	Description	Comment
1	1744234		STRUCTURE ASSY,FRONT,RH DRIVE,	
2	1676261		PLYWOOD,FLOOR,DRIVERS PLATFORM,RH DRV,	
3	1562255		PLYWOOD FLOOR,INSIDE STORAGE CMPT	
4				SEE CHART 1801083 FOR APPROPRIATE MAT
5				SEE PATTERN 1562263 FOR APPROPRIATE MAT
6	1560986		INSULATION,THERMAL,FRONT,CTR CLOSEOUT	
7	1560903		INSULATION,THERMAL,FRONT,RH CLOSEOUT	
9	1644756		BRACKET,MTG,DIMMER SWITCH,TCFC/RE	
10	1644525		SWITCH,DIMMER,HEADLIGHT,TCFC/RE	
11	0807958	2	CAPSCREW,HEX HD,1/4-20X 1/2,GR8,YEL ZN	
12	2000586	4	SCREW,10-16X1-1/4,AB,PH1,PAN HD,YEL ZN	
13	2000099	6	SCREW,1/4-20 X 1-1/2,D,HEX HD,YEL ZN DICH"	
14	2000594	23	SCREW,10-16X1-1/2,AB,PH1,OVAL CNSK,YEL	
*1	1107085	8	WASHER,FLAT,13/32 X 13/16 X 3/32,HDN,BLK	
*1	0839027	8	NUT,HEX HD,3/8-16,GR G,SM FLG LK,YEL	
*1	0559195	8	CAPSCREW,HEX HD,3/8-16 X 1,GR 8,YEL ZN	

**Models:** A3RE  
**FRONT**  
**DRIVER'S PLATFORM, RH DRIVE**

**With Features:** FEATURE 40360-02

**BSN:** From BSN B10135150 F10056065 L10117250

Key	PartNumber	Qty	Description	Comment
-----	------------	-----	-------------	---------



**Models:** A3RE  
**FRONT**  
**DRIVER'S PLATFORM, RH DRIVE**  
**With Features:** FEATURE 40360-02  
**BSN:** From BSN B10135150 F10056065 L10117250

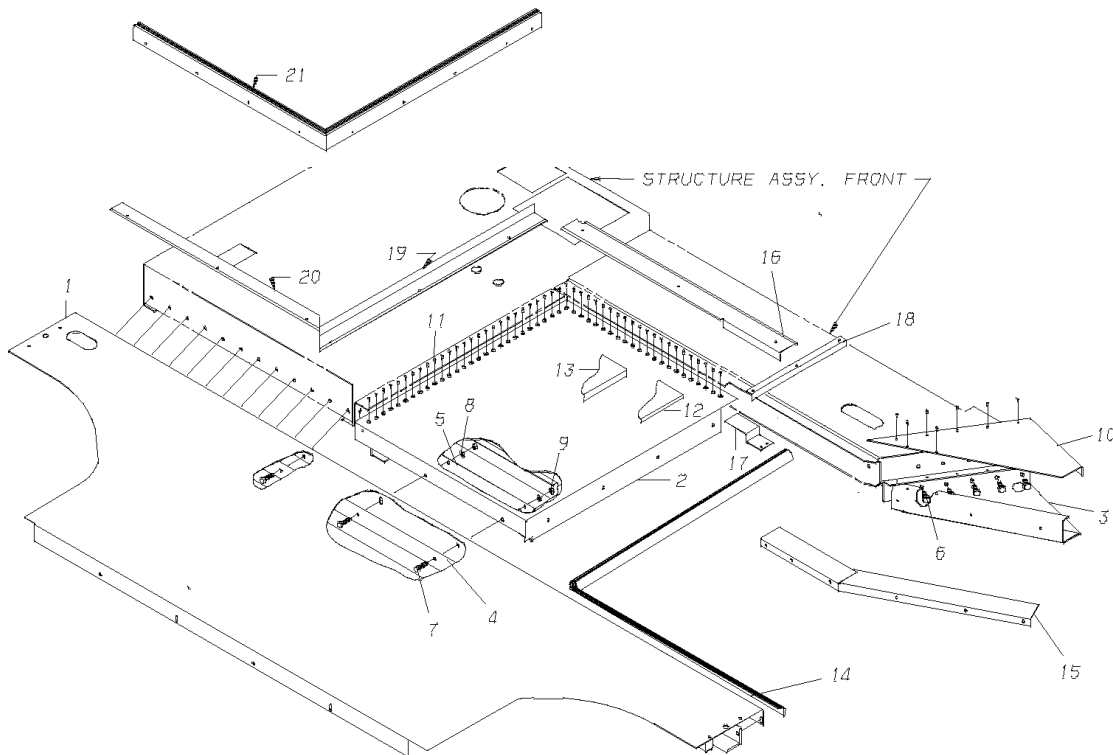
Key	PartNumber	Qty	Description	Comment
1	0065668		STRUCTURE ASSY,FRONT,DRVR,RH DRIVE,	
2	1676261		PLYWOOD,FLOOR,DRIVERS PLATFORM,RH DRV,	
3	1562255		PLYWOOD FLOOR,INSIDE STORAGE CMPT	
4				SEE CHART 1801083 FOR APPROPRIATE MAT
5				SEE PATTERN 1562263 FOR APPROPRIATE MAT
6	1560986		INSULATION,THERMAL,FRONT,CTR CLOSEOUT	
7	1560903		INSULATION,THERMAL,FRONT,RH CLOSEOUT	
*8	0559195		CAPSCREW,HEX HD,3/8-16 X 1,GR 8,YEL ZN	
9	1644756		BRACKET,MTG,DIMMER SWITCH,TCFC/RE	
10	1644525		SWITCH,DIMMER,HEADLIGHT,TCFC/RE	
11	0807958		CAPSCREW,HEX HD,1/4-20X 1/2,GR8,YEL ZN	
12	2000586		SCREW,10-16X1-1/4,AB,PH1,PAN HD,YEL ZN	
13	2000099		SCREW,1/4-20 X 1-1/2,D,HEX HD,YEL ZN DICH"	
14	2000594		SCREW,10-16X1-1/2,AB,PH1,OVAL CNSK,YEL	
*1	1107085		WASHER,FLAT,13/32 X 13/16 X 3/32,HDN,BLK	
*1	0839027		NUT,HEX HD,3/8-16,GR G,SM FLG LK,YEL	



**Models:** A3RE  
FRONT FLOOR  
RH DRIVE  
U.K. UNITS ONLY

**With Features:** OPTION 3480  
To BSN B10135149 F10056064 L10117249

Key	PartNumber	Qty	Description	Comment
-----	------------	-----	-------------	---------



**Models:** A3RE  
**FRONT FLOOR**  
**RH DRIVE**  
**U.K. UNITS ONLY**  
**With Features:** **OPTION 3480**  
**To BSN B10135149 F10056064 L10117249**

Key	PartNumber	Qty	Description	Comment
1	0043345		PANEL ASSY,FLOOR,NO 2,RH DRIVE, A3RE	
2	0043400		PANEL ASSY,FRONT FLOOR,RH DRIVE, A3RE	
3	1744192		CHANNEL ASSY,FLOOR,FRONT,RH DRIVE	
4	0043384		CROSSMEMBER,BODY BAR ANGLE,FRT,RH DR,	
5	1499334		CROSSMEMBER,BODY BAR, TCRE	
6	0822817	5	SCREW,3/8-16 X 1,F,HEX WASH HD,YEL ZN	
7	0610725	14	CAPSCREW,HEX HD,5/16-18X1 1/4,GR8,	
8	2001188	14	LOCKWASHER,SPLIT RING, 5/16,MED,YEL ZN	
9	2001410	14	NUT,HEX HD,5/16-18,YEL ZN DICH"	
10	1744135		PLATE,CLOSEOUT,HEATER/FRONT FLOOR,RH	
11	1854397		RIVET,BLIND,.25 DIA,.38 GRIP	
12	0001820		PLYWOOD,FLOOR,FRONT,.62,O/O, A3RE	WITH OUTWARD OPENING DOOR WITH OPTION 00982
12	0001821		PLYWOOD,FLOOR,FRONT,FIR,.50,O/O, A3RE	WITH OUTWARD OPENING DOOR WITH OPTION 00983
12	1864057		PLYWOOD,FLOOR,FRONT,.62 AB MARINE,O/O,	WITH OUTWARD OPENING DOOR WITH OPTION 00985
12	1560911		PLYWOOD,FLOOR,FRONT,.62, CS/A3RE	WITH JACKKNIFE DOOR WITH OPTION 00982
12	0043923		PLYWOOD,FLOOR,FRONT,FIR,.5, A3RE	WITH JACKKNIFE DOOR WITH OPTION 00983
12	1864065		PLYWOOD,FLOOR,FRONT,.62,J/K,MARINE, A3RE	WITH JACKKNIFE DOOR WITH OPTION 00985
13	2005486		FLOOR COVERING,AISLE,RIB,BLK,	FEATURE 31021-01. BLACK, RUBBER, RIBBED
13	2005445		FLOOR COVERING,RIBBED,GRN,RBR,.187 X	FEATURE 31021-06. GREEN, RUBBER, RIBBED
13	1066984		FLOOR COVERING,RIBBED,TAN,RBR,.187 X	FEATURE 31021-07. TAN, RUBBER, RIBBED
13	1832559		FLOOR COVERING,RIBBED,MED GRAY,36	FEATURE 31021-09. DARK GRAY, RUBBER, RIBBED
13	1864032		STEPTREAD,FRT FLOOR,BLK,RBR,DRRE"	WITH OUTWARD OPENING DOOR WITH FEATURE 31021-01 WITH FEATURE 1026-03. BLACK, RUBBER
13	1852722		STEPTREAD,FRONT FLOOR,GRN,RBR, DRRE	WITH OUTWARD OPENING DOOR WITH FEATURE 31021-06 WITH FEATURE 1026-03. GREEN, RUBBER
13	1852730		STEPTREAD,FT FLOOR,TAN,RBR,DRRE	WITH OUTWARD OPENING DOOR WITH FEATURE 31021-07 WITH FEATURE 1026-03. TAN, RUBBER
13	1992759		STEPTREAD,FRT FLOOR,GRY 766,RBR, DRRE	WITH OUTWARD OPENING DOOR WITH FEATURE 31021-09 WITH

**Models:**

**A3RE  
FRONT FLOOR  
RH DRIVE  
U.K. UNITS ONLY**

**With Features:**

**OPTION 3480  
To BSN B10135149 F10056064 L10117249**

Key	PartNumber	Qty	Description	Comment
				<i>FEATURE 1026-03. GRAY, RUBBER</i>
13	0011787		STEPTREAD,FRT FLOOR,BLK,ABR, DRRE	<i>WITH OUTWARD OPENING DOOR WITH FEATURE 31021-01 WITH FEATURE 1026-03 WITH FEATURE 31160-03. BLK, ABR</i>
13	0011788		STEPTREAD,FRT FLOOR,GRN,ABR, DRRE	<i>WITH OUTWARD OPENING DOOR WITH FEATURE 31021-06 WITH FEATURE 1026-03 WITH FEATURE 31160-03. GRN, ABR</i>
13	0011789		STEPTREAD,FRT FLOOR,TAN,ABR,DRRE	<i>WITH OUTWARD OPENING DOOR WITH FEATURE 31021-07 WITH FEATURE 1026-03 WITH FEATURE 31160-03. TAN, ABR</i>
13	0011790		STEPTREAD,FRT FLOOR,GRY 766,ABR,DRRE	<i>WITH OUTWARD OPENING DOOR WITH FEATURE 31021-09 WITH FEATURE 1026-03 WITH FEATURE 31160-03. GRY, ABR</i>
13	0018386		STEPTREAD,FRT FLOOR,BLUE,ABR,DRRE	<i>WITH OUTWARD OPENING DOOR WITH FEATURE 31021-11 WITH FEATURE 1026-03 WITH FEATURE 31160-03. BLUE,ABR</i>
13	1561000		STEPTREAD,FRT FLOOR,J/K DOOR,BLK,RBR,	<i>WITH JACKKNIFE DOOR WITH FEATURE 31021-01 WITH FEATURE 1026-03. BLACK, RUBBER</i>
13	1561018		STEPTREAD,FRT FLOOR,J/K DOOR,GRN,RBR,	<i>WITH JACKKNIFE DOOR WITH FEATURE 31021-06 WITH FEATURE 1026-03. GREEN, RUBBER</i>
13	1561026		STEPTREAD,FRT FLOOR,J/K DOOR,TAN,RBR,	<i>FEATURE 31021-07 WITH FEATURE 1026-03. TAN, RUBBERWITH JACKKNIFE DOOR WITH</i>
13	1811728		STEPTREAD,FRT FLOOR,J/K DR,GRY 766,RBR	<i>WITH JACKKNIFE DOOR WITH FEATURE 31021-09 WITH FEATURE 1026-03. GRAY, RUBBER</i>
13	0011804		STEPTREAD,FRT FLOOR,J/K DOOR,BLK,ABR,	<i>WITH JACKKNIFE DOOR WITH FEATURE 31021-01 WITH FEATURE 1026-03 WITH FEATURE 31160-03. BLK, ABR</i>
13	0011805		STEPTREAD,FRT FLOOR,J/K DOOR,GRN,ABR,	<i>WITH JACKKNIFE DOOR WITH FEATURE 31021-06 WITH FEATURE 1026-03 WITH FEATURE 31160-03. GRN, ABR</i>
13	0011806		STEPTREAD,FRT FLOOR,J/K DOOR,TAN,ABR,	<i>WITH JACKKNIFE DOOR WITH FEATURE 31021-07 WITH FEATURE 1026-03 WITH FEATURE 31160-03. TAN, ABR</i>
13	0011807		STEPTREAD,FRT FLOOR,J/K DR,GRY 766,ABR	

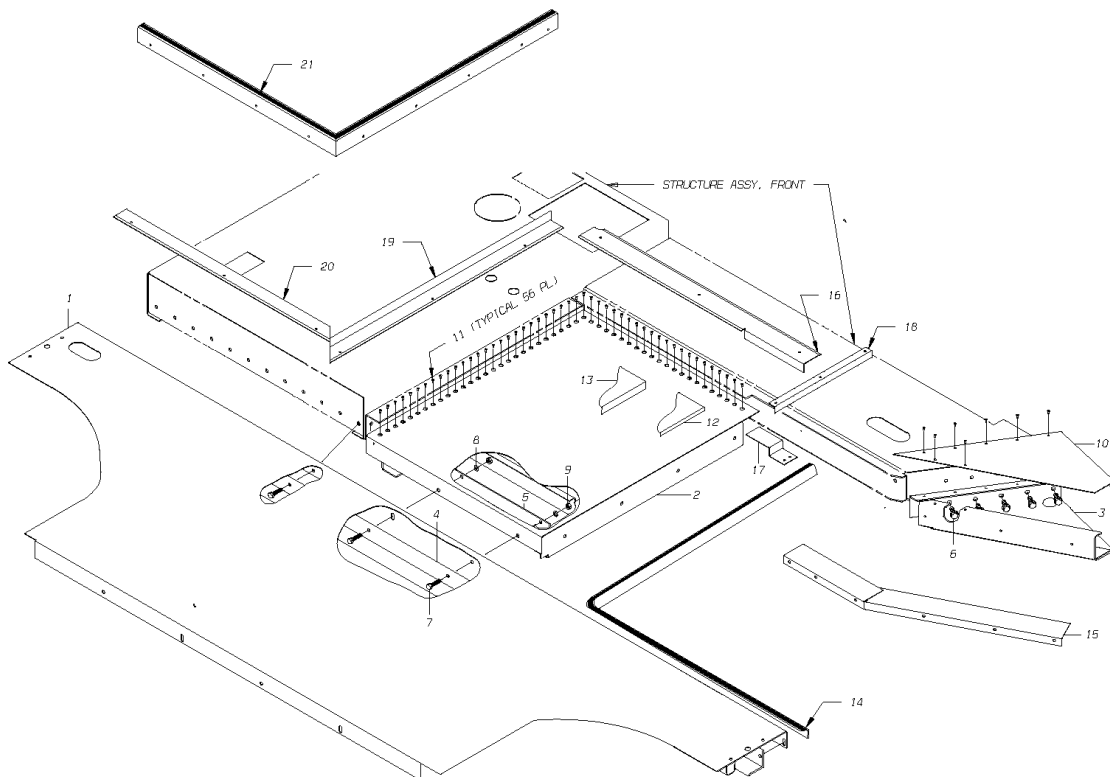
**Models:** A3RE  
**FRONT FLOOR**  
**RH DRIVE**  
**U.K. UNITS ONLY**  
**With Features:** **OPTION 3480**  
**To BSN B10135149 F10056064 L10117249**

Key	PartNumber	Qty	Description	Comment
				<i>FEATURE 31021-09 WITH FEATURE 1026-03 WITH FEATURE 31160-03. GRY, ABR</i>
13	0018387		STEPTREAD,FRT FLOOR,J/K DR,BLUE,ABR, DRRE	<i>WITH JACKKNIFE DOOR WITH FEATURE 31021-11 WITH FEATURE 1026-03 WITH FEATURE 31160-03. BLUE,ABR</i>
14	1502434		TRIM,STEPWELL,REAR, TCRE	<i>OPTION 1026-03 WITH STANDARD FLOOR</i>
14	1502426		TRIM,STEPWELL,REAR.WITH PLYWOOD	<i>OPTION 1026-03 WITH PLYWOOD FLOOR</i>
14	1766823		TRIM,STEPWELL,STANDARD FLOOR,36,RH	<i>WITH STANDARD FLOOR</i>
14	1744432		TRIM,STEPWELL,PLYWOOD FLOOR,RH DRIVE	<i>WITH PLYWOOD FLOOR</i>
15	1744440		TRIM,STEPWELL,FRONT,36,RH DRIVE	
16	1744168		TRIM,NO 1 FLOOR,FORWARD,RH DRIVE	<i>WITH JACKKNIFE DOOR</i>
16	1744176		TRIM,NO 1 FLOOR,FORWARD,W/PLYWOOD,RH	<i>WITH JACKKNIFE DOOR WITH PLYWOOD FLOOR</i>
16	0043866		TRIM,NO 1 FLOOR,FORWARD,O/O,RH DRIVE,	<i>WITH OUTWARD OPENING DOOR</i>
17	1903541		TRIM,STEPWELL,FRONT,Z SHAPE	
18	1564764		TRIM,PLYWOOD,INSIDE STORAGE	
19	1744150		TRIM,NO 1 FL W/PLY TO DRV PLATFORM,RH	
20	1744143		TRIM,NO 2 FLOOR TO DRIVERS PANEL,RH	
21	1744457		TRIM,PLATFORM,DRIVERS,SIDE,RH DRIVE	

**Models:** A3RE  
 FRONT FLOOR  
 RH DRIVE  
 U.K. UNITS ONLY

**With Features:** OPTION 3480  
**BSN:** From BSN B10135150 F10056065 L10117250

Key	PartNumber	Qty	Description	Comment
-----	------------	-----	-------------	---------



**Models:** A3RE  
**FRONT FLOOR**  
**RH DRIVE**  
**U.K. UNITS ONLY**  
**With Features:** OPTION 3480  
**BSN:** From BSN B10135150 F10056065 L10117250

Key	PartNumber	Qty	Description	Comment
1	0043345		PANEL ASSY,FLOOR,NO 2,RH DRIVE, A3RE	
2	0043400		PANEL ASSY,FRONT FLOOR,RH DRIVE, A3RE	
3	1744192		CHANNEL ASSY,FLOOR,FRONT,RH DRIVE	
4	0065689		CROSSMEMBER,ANGLE,BODY BAR,FRT,RH DRV,	
5	1499334		CROSSMEMBER,BODY BAR, TCRE	
6	0822817		SCREW,3/8-16 X 1,F,HEX WASH HD,YEL ZN	
7	0610725		CAPSCREW,HEX HD,5/16-18X1 1/4,GR8,	
8	2001188		LOCKWASHER,SPLIT RING, 5/16,MED,YEL ZN	
9	2001410		NUT,HEX HD,5/16-18,YEL ZN DICH"	
10	1744135		PLATE,CLOSEOUT,HEATER/FRONT FLOOR,RH	
11	1854397		RIVET,BLIND,.25 DIA,.38 GRIP	
12	0001820		PLYWOOD,FLOOR,FRONT,.62,O/O, A3RE	WITH OUTWARD OPENING DOOR WITH OPTION 0982
12	0001821		PLYWOOD,FLOOR,FRONT,FIR,.50,O/O, A3RE	WITH OUTWARD OPENING DOOR WITH OPTION 0983
12	1864057		PLYWOOD,FLOOR,FRONT,.62 AB MARINE,O/O,	WITH OUTWARD OPENING DOOR WITH OPTION 0985
12	0072721		PLYWOOD,FLOOR,FRONT,.62 TREATED,O/O,	WITH OUTWARD OPENING DOOR WITH OPTION 0986
12	0072723		PLYWOOD,FLOOR,FRONT,.50 TREATED,O/O,	WITH OUTWARD OPENING DOOR WITH OPTION 0987
12	1560911		PLYWOOD,FLOOR,FRONT,.62, CS/A3RE	WITH JACKKNIFE DOOR WITH OPTION 0982
12	0043923		PLYWOOD,FLOOR,FRONT,FIR,.5, A3RE	WITH JACKKNIFE DOOR WITH OPTION 0983
12	1864065		PLYWOOD,FLOOR,FRONT,.62,J/K,MARINE, A3RE	WITH JACKKNIFE DOOR WITH OPTION 0985
12	0072724		PLYWOOD,FLOOR,FRONT,.62,J/K,TREATED,	WITH JACKKNIFE DOOR WITH OPTION 0986
12	0072725		PLYWOOD,FLOOR,FRONT,.50 TREATED, A3RE	WITH JACKKNIFE DOOR WITH OPTION 0987
13	2005486		FLOOR COVERING,AISLE,RIB,BLK,	FEATURE 31021-01. BLACK, RUBBER, RIBBED
13	2005445		FLOOR COVERING,RIBBED,GRN,RBR,.187 X	FEATURE 31021-06. GREEN, RUBBER, RIBBED
13	1066984		FLOOR COVERING,RIBBED,TAN,RBR,.187 X	FEATURE 31021-07. TAN, RUBBER, RIBBED
13	1832559		FLOOR COVERING,RIBBED,MED GRAY,36	FEATURE 31021-09. MED GRAY, RUBBER, RIBBED
13	1864032		STEPTREAD,FRT FLOOR,BLK,RBR,DRRE"	WITH OUTWARD OPENING DOOR WITH FEATURE 31021-01 WITH FEATURE 1026-03. BLACK, RUBBER

**Models:** A3RE  
**FRONT FLOOR**  
**RH DRIVE**  
**U.K. UNITS ONLY**  
**With Features:** OPTION 3480  
**BSN:** From BSN B10135150 F10056065 L10117250

Key	PartNumber	Qty	Description	Comment
13	1852722		STEPTREAD,FRONT FLOOR,GRN,RBR, DRRE	<i>WITH FEATURE 31021-06 WITH FEATURE 1026-03. GREEN, RUBBER</i>
13	1852730		STEPTREAD,FT FLOOR,TAN,RBR,DRRE	<i>WITH OUTWARD OPENING DOOR WITH FEATURE 31021-07 WITH FEATURE 1026-03. TAN, RUBBER</i>
13	1992759		STEPTREAD,FRT FLOOR,GRY 766,RBR, DRRE	<i>WITH OUTWARD OPENING DOOR WITH FEATURE 31021-09 WITH FEATURE 1026-03. GRAY, RUBBER</i>
13	0011787		STEPTREAD,FRT FLOOR,BLK,ABR, DRRE	<i>WITH OUTWARD OPENING DOOR WITH FEATURE 31021-01 WITH FEATURE 1026-03 WITH FEATURE 31160-03. BLK, ABR</i>
13	0011788		STEPTREAD,FRT FLOOR,GRN,ABR, DRRE	<i>WITH OUTWARD OPENING DOOR WITH FEATURE 31021-06 WITH FEATURE 1026-03 WITH FEATURE 31160-03. GRN, ABR</i>
13	0011789		STEPTREAD,FRT FLOOR,TAN,ABR,DRRE	<i>WITH OUTWARD OPENING DOOR WITH FEATURE 31021-07 WITH FEATURE 1026-03 WITH FEATURE 31160-03. TAN, ABR</i>
13	0011790		STEPTREAD,FRT FLOOR,GRY 766,ABR,DRRE	<i>WITH OUTWARD OPENING DOOR WITH FEATURE 31021-09 WITH FEATURE 1026-03 WITH FEATURE 31160-03. GRY, ABR</i>
13	0018386		STEPTREAD,FRT FLOOR,BLUE,ABR,DRRE	<i>WITH OUTWARD OPENING DOOR WITH FEATURE 31021-11 WITH FEATURE 1026-03 WITH FEATURE 31160-03. BLUE,ABR</i>
13	1561000		STEPTREAD,FRT FLOOR,J/K DOOR,BLK,RBR,	<i>WITH JACKKNIFE DOOR WITH FEATURE 31021-01 WITH FEATURE 1026-03. BLACK, RUBBER</i>
13	1561018		STEPTREAD,FRT FLOOR,J/K DOOR,GRN,RBR,	<i>WITH JACKKNIFE DOOR WITH FEATURE 31021-06 WITH FEATURE 1026-03. GREEN, RUBBER</i>
13	1561026		STEPTREAD,FRT FLOOR,J/K DOOR,TAN,RBR,	<i>WITH JACKKNIFE DOOR WITH FEATURE 31021-07 WITH FEATURE 1026-03. TAN, RUBBER</i>
13	1811728		STEPTREAD,FRT FLOOR,J/K DR,GRY 766,RBR	<i>WITH JACKKNIFE DOOR WITH FEATURE 31021-09 WITH FEATURE 1026-03. GRAY, RUBBER</i>
13	0011804		STEPTREAD,FRT FLOOR,J/K DOOR,BLK,ABR,	<i>WITH JACKKNIFE DOOR WITH FEATURE 31021-01 WITH FEATURE 1026-03 WITH FEATURE 31160-03. BLK, ABR</i>
13	0011805		STEPTREAD,FRT FLOOR,J/K DOOR,GRN,ABR,	

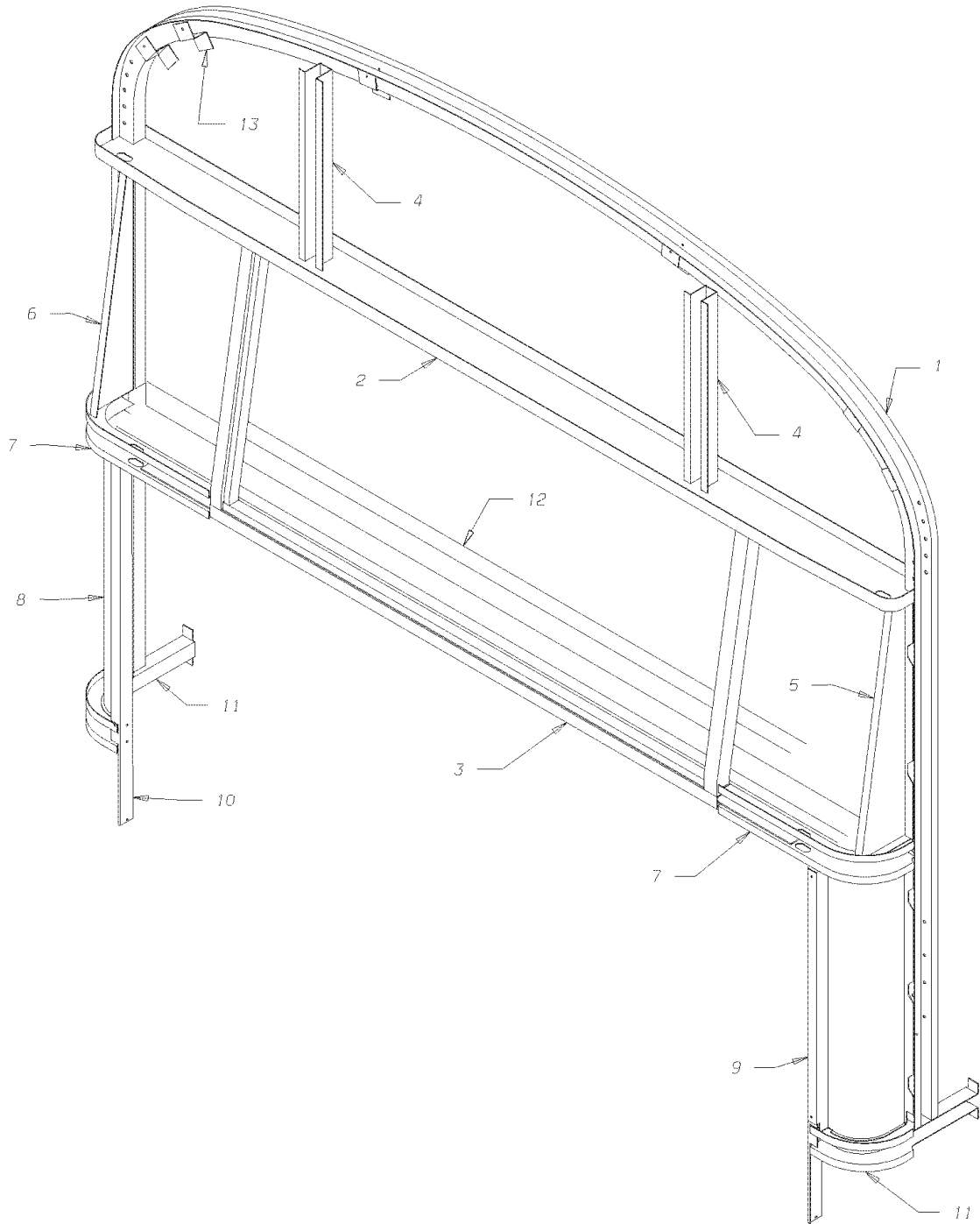
**Models:** A3RE  
**FRONT FLOOR**  
**RH DRIVE**  
**U.K. UNITS ONLY**  
**With Features:** OPTION 3480  
**BSN:** From BSN B10135150 F10056065 L10117250

Key	PartNumber	Qty	Description	Comment
				<i>FEATURE 31021-06 WITH FEATURE 1026-03 WITH FEATURE 31160-03. GRN, ABR</i>
13	0011806		STEPTREAD,FRT FLOOR,J/K DOOR,TAN,ABR,	<i>WITH JACKKNIFE DOOR WITH FEATURE 31021-07 WITH FEATURE 1026-03 WITH FEATURE 31160-03. TAN, ABR</i>
13	0011807		STEPTREAD,FRT FLOOR,J/K DR,GRY 766,ABR	<i>WITH JACKKNIFE DOOR WITH FEATURE 31021-09 WITH FEATURE 1026-03 WITH FEATURE 31160-03. GRY, ABR</i>
13	0018387		STEPTREAD,FRT FLOOR,J/K DR,BLUE,ABR, DRRE	<i>WITH JACKKNIFE DOOR WITH FEATURE 31021-11 WITH FEATURE 1026-03 WITH FEATURE 31160-03. BLUE,ABR</i>
14	1502434		TRIM,STEPWELL,REAR, TCRE	<i>OPTION 1026-03 WITH STANDARD FLOOR</i>
14	1502426		TRIM,STEPWELL,REAR.WITH PLYWOOD	<i>OPTION 1026-03 WITH PLYWOOD FLOOR</i>
14	1766823		TRIM,STEPWELL,STANDARD FLOOR,36,RH	<i>WITH STANDARD FLOOR</i>
14	1744432		TRIM,STEPWELL,PLYWOOD FLOOR,RH DRIVE	<i>WITH PLYWOOD FLOOR</i>
15	1744440		TRIM,STEPWELL,FRONT,36,RH DRIVE	
16	1744168		TRIM,NO 1 FLOOR,FORWARD,RH DRIVE	<i>WITH JACKKNIFE DOOR</i>
16	1744176		TRIM,NO 1 FLOOR,FORWARD,W/PLYWOOD,RH	<i>WITH JACKKNIFE DOOR WITH PLYWOOD FLOOR</i>
16	0043866		TRIM,NO 1 FLOOR,FORWARD,O/O,RH DRIVE,	<i>WITH OUTWARD OPENING DOOR</i>
17	1903541		TRIM,STEPWELL,FRONT,Z SHAPE	
18	1564764		TRIM,PLYWOOD,INSIDE STORAGE	<i>WITH PLYWOOD FLOORS. J/K DOOR</i>
19	1744150		TRIM,NO 1 FL W/PLY TO DRV PLATFORM,RH	
20	1744143		TRIM,NO 2 FLOOR TO DRIVERS PANEL,RH	
21	1744457		TRIM,PLATFORM,DRIVERS,SIDE,RH DRIVE	



Models: **A3RE  
REAR  
REAR ASSY**  
BSN: **From BSN 10093855 11/04/02  
To 11/16/03**

Key	PartNumber	Qty	Description	Comment
-----	------------	-----	-------------	---------

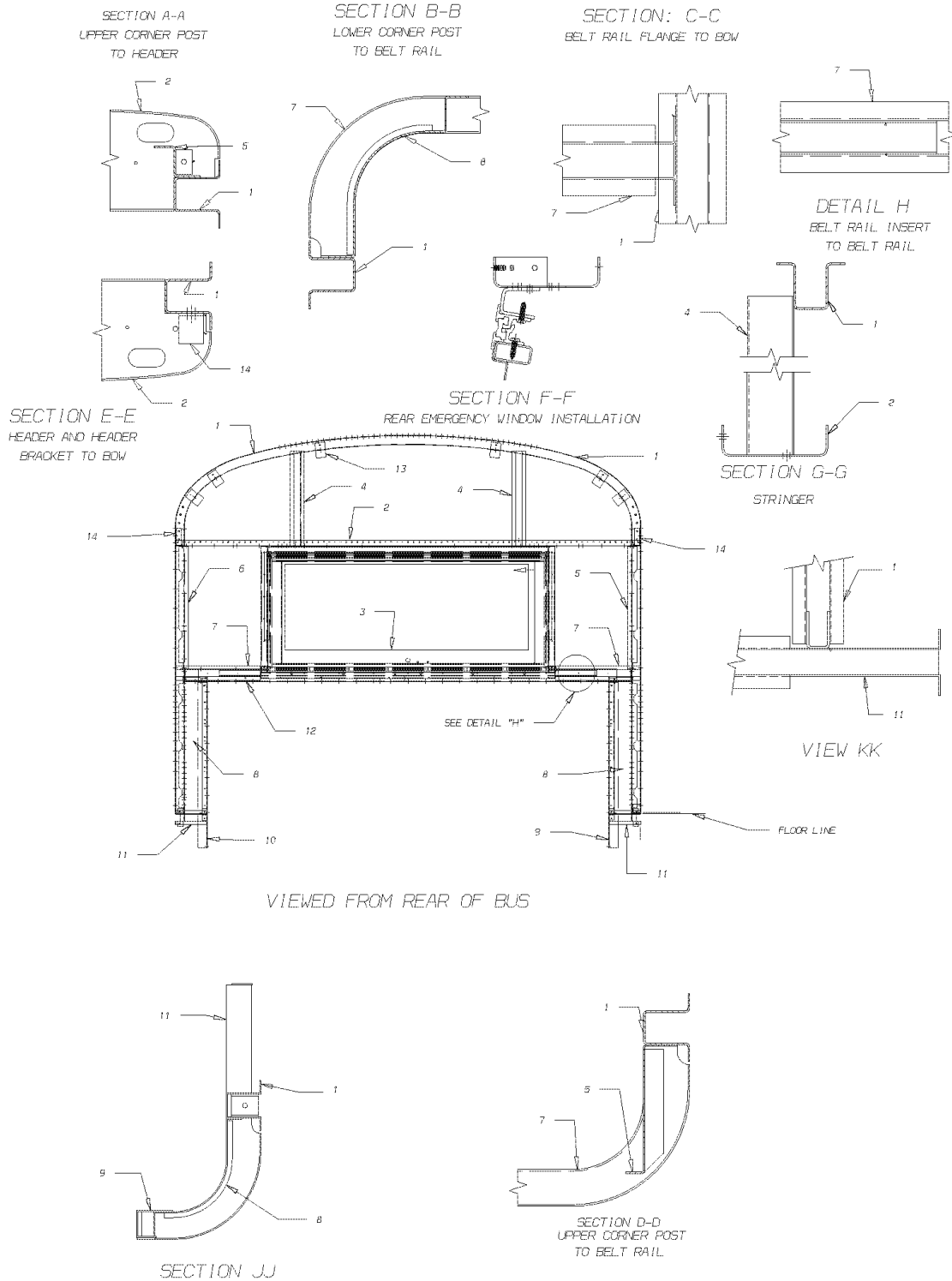


**Models:** A3RE  
 REAR  
 REAR ASSY  
**BSN:** From BSN 10093855 11/04/02  
 To 11/16/03

Key	PartNumber	Qty	Description	Comment
	0052661		STRUCTURE ASSY,REAR,74HR, DRRE	<i>CONSISTS OF THE FOLLOWING</i>
1	0052660		BOW ASSY,74 HR,REAR, DRRE	
2	1154731		HEADER,REAR,PRIMED	
3	1994391		FRAME & WINDOW ASSY,RR EM WDO,217	
4	1074962	2	STRINGER,REAR ROOF,74 HR	
5	0840264		POST,UPPER,REAR CORNER,RH	
6	0840272		POST,UPPER,REAR CORNER,LH	
7	0751859	2	BELT RAIL,REAR EMERGENCY WINDOW	
8	0986885	2	POST,REAR CORNER,LOWER	
9	1580711		CHANNEL,REAR CORNER POST,RH	
10	1580729		CHANNEL,REAR CORNER POST,LH	
11	1524347	2	BELT RAIL,LOWER,TCRE	
12	0006165		CLOSURE,REAR,DAVENPORT, DRRE	
13	0063754		BRACKET,SUPPORT,UPPER INNER,REAR	

Models: **A3RE  
REAR  
REAR ASSY**  
BSN: **From BSN 11/17/03**

Key	PartNumber	Qty	Description	Comment
-----	------------	-----	-------------	---------

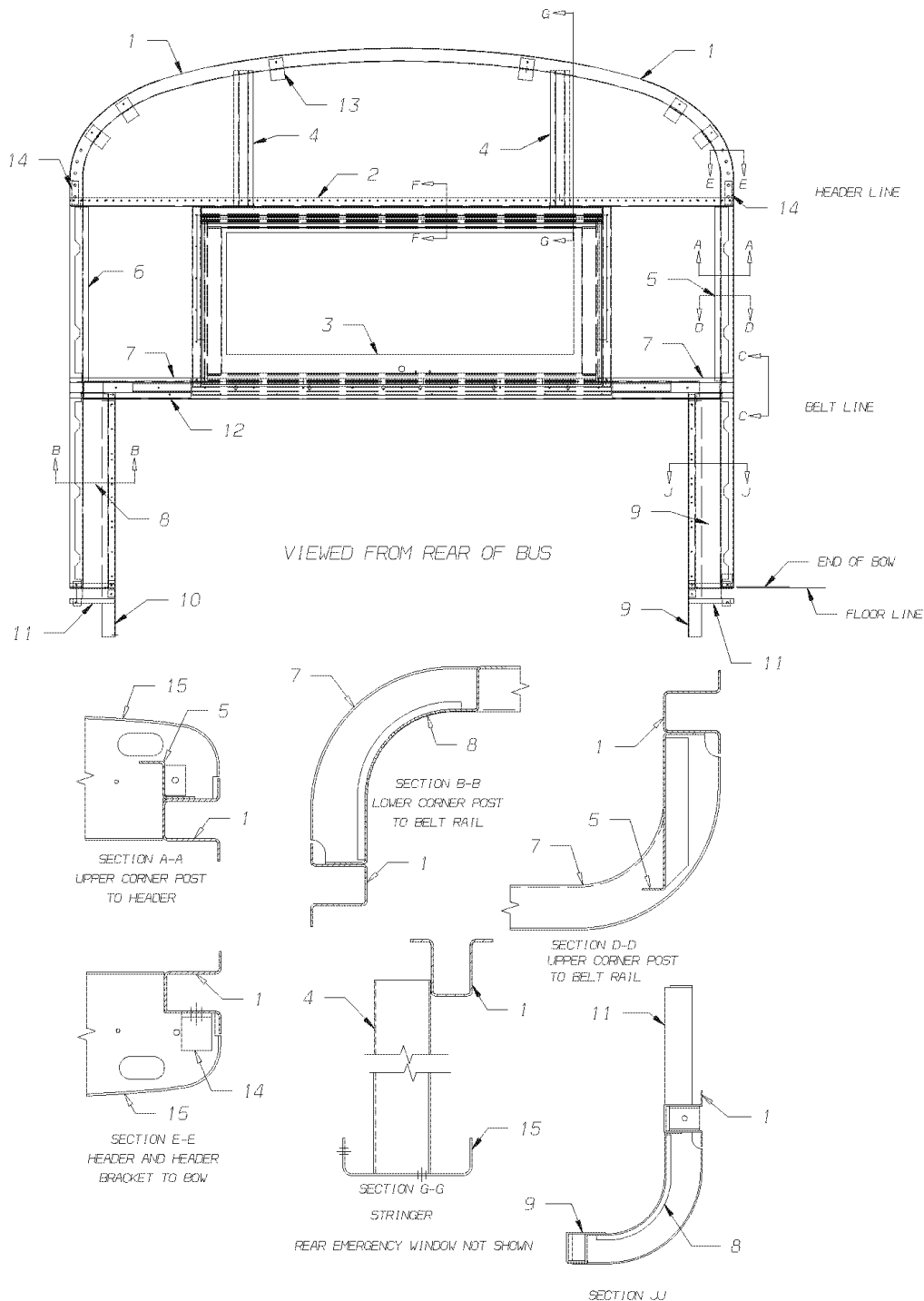


**Models:** A3RE  
 REAR  
 REAR ASSY  
**BSN:** From BSN 11/17/03

Key	PartNumber	Qty	Description	Comment
	0070383		STRUCTURE ASSY,REAR,74HR, A3RE	<i>CONSISTS OF THE FOLLOWING</i>
	0070384		STRUCTURE ASSY,REAR,77HR, A3RE	<i>CONSISTS OF THE FOLLOWING</i>
1	0052660		BOW ASSY,74 HR,REAR, DRRE	
1	0052665		BOW ASSY,77HR,REAR, DRRE	
2	1154731		HEADER,REAR,PRIMED	
3	1994391		FRAME & WINDOW ASSY,RR EM WDO,217	
4	1074962	2	STRINGER,REAR ROOF,74 HR	
4	1084888	2	STRINGER,REAR ROOF,77HR	
5	0840264		POST,UPPER,REAR CORNER,RH	
6	0840272		POST,UPPER,REAR CORNER,LH	
7	0751859	2	BELT RAIL,REAR EMERGENCY WINDOW	
8	0986885	2	POST,REAR CORNER,LOWER	
9	1580711		CHANNEL,REAR CORNER POST,RH	
10	1580729		CHANNEL,REAR CORNER POST,LH	
11	1524347	2	BELT RAIL,LOWER,TCRE	
12	0006165		CLOSURE,REAR,DAVENPORT, DRRE	
13	0063754		BRACKET,SUPPORT,UPPER INNER,REAR	
14	0671776	2	BRACE,HEADER TO BOW,REAR	

**Models:** A3RE  
 REAR  
 REAR ASSY  
**BSN:** From CSN 3/15/05  
 To 12/13/05

Key	PartNumber	Qty	Description	Comment
-----	------------	-----	-------------	---------

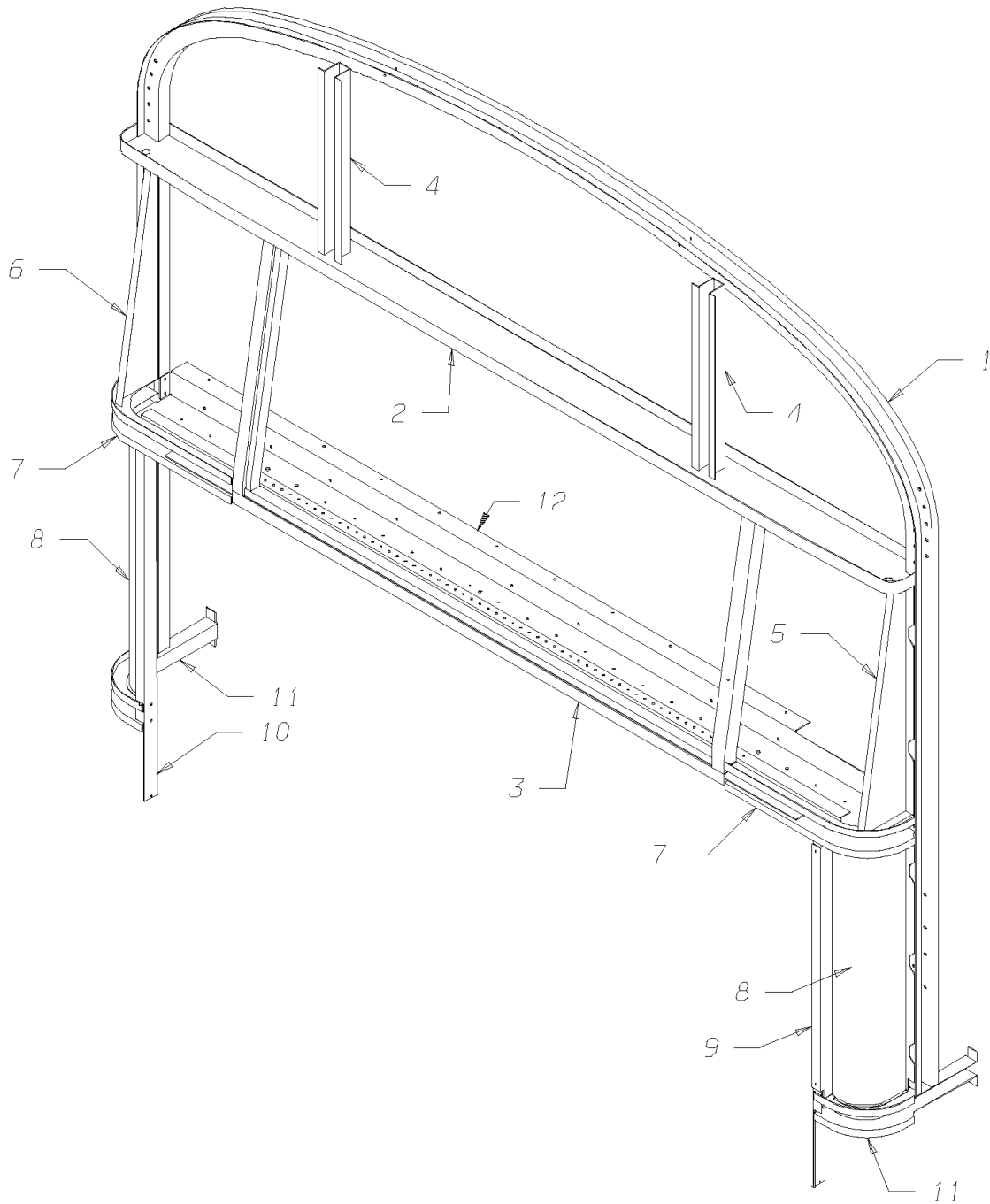


**Models:** A3RE  
 REAR  
 REAR ASSY  
**BSN:** From CSN 3/15/05  
 To 12/13/05

Key	PartNumber	Qty	Description	Comment
	0088497		STRUCTURE ASSY,REAR,74 HR, A3RE	
	0088505		STRUCTURE ASSY,REAR,77 HR, A3RE	
1	0052665		BOW ASSY,77HR,REAR, DRRE	
2	0105372		HEADER ASSY,REAR,W/EM WDO,FMVSS 221	
3	1994391		FRAME & WINDOW ASSY,RR EM WDO,217	
4	1074962	2	STRINGER,REAR ROOF,74 HR	
4	1084888	2	STRINGER,REAR ROOF,77HR	
5	0840264		POST,UPPER,REAR CORNER,RH	
6	0840272		POST,UPPER,REAR CORNER,LH	
7	0751859	2	BELT RAIL,REAR EMERGENCY WINDOW	
8	0986885	2	POST,REAR CORNER,LOWER	
9	1580711		CHANNEL,REAR CORNER POST,RH	
10	1580729		CHANNEL,REAR CORNER POST,LH	
11	1524347	2	BELT RAIL,LOWER,TCRE	
12	0088452		PANEL,REAR,CLOSURE,DAVENPORT, A3RE	
13	0063754	6	BRACKET,SUPPORT,UPPER INNER,REAR	
14	0671776	2	BRACE,HEADER TO BOW,REAR	
15	1154731		HEADER,REAR,PRIMED	

Models: A3RE  
REAR  
REAR ASSY

Key	PartNumber	Qty	Description	Comment
-----	------------	-----	-------------	---------



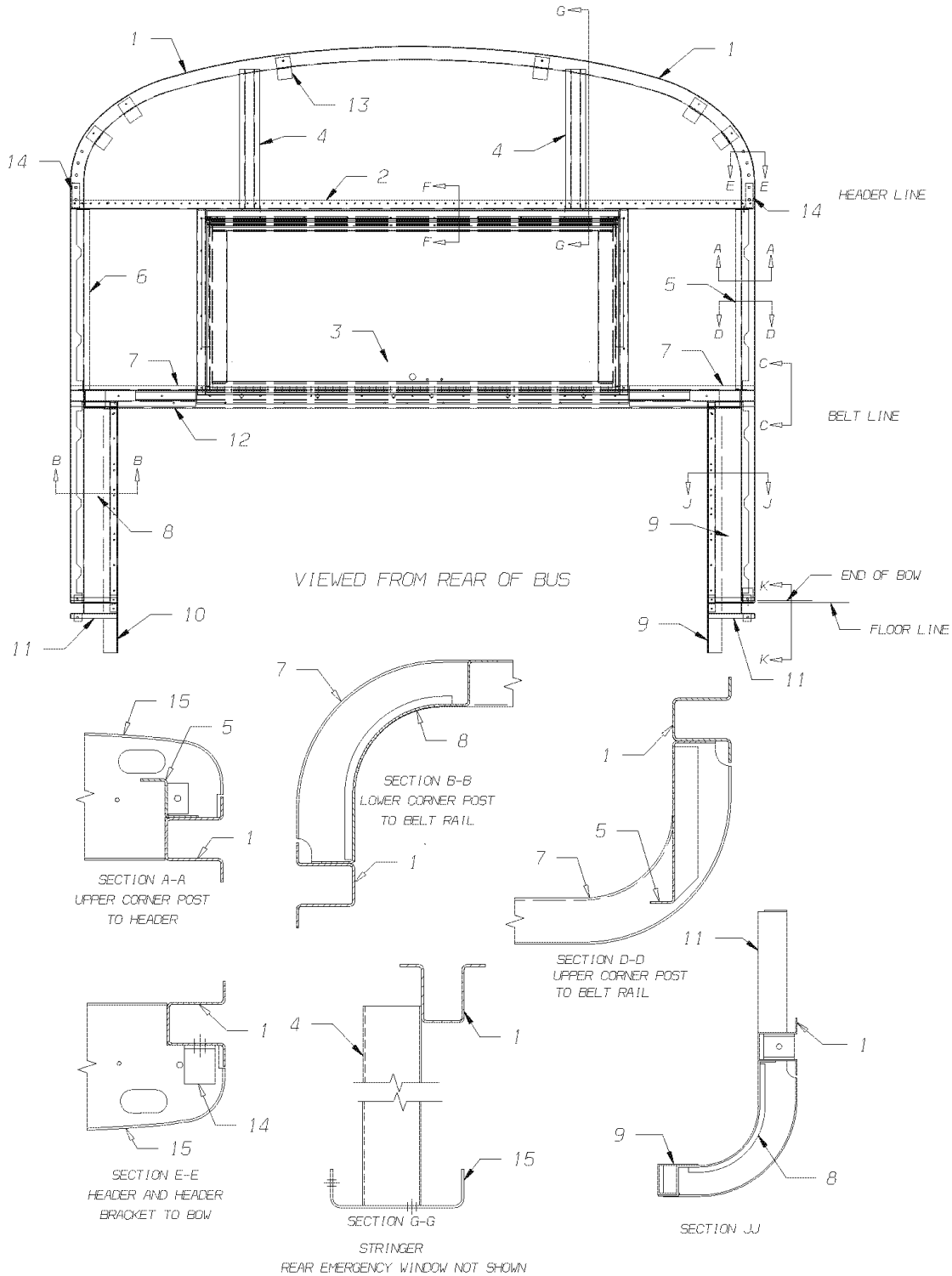
**Models:** **A3RE**  
**REAR**  
**REAR ASSY**

Key	PartNumber	Qty	Description	Comment
	0009019		STRUCTURE ASSY,REAR,74HR, DRRE	<i>STANDARD. 74" HR</i>
	0002733		STRUCTURE ASSY,REAR 77HR, DRRE	<i>OPTION 3473. 77" HR</i>
1	0016394		BOW ASSY,74 HR,REAR,DRRE	<i>STANDARD. 74" HR</i>
1	0013284		BOW ASSY,77HR,REAR, DRRE	<i>OPTION 3473. 77" HR</i>
2	1154731		HEADER,REAR,PRIMED	
3	1840008		FRAME & WINDOW ASSY,RR EM WDO	
4	1074962		STRINGER,REAR ROOF,74 HR	<i>STANDARD. 74" HR</i>
4	1084888		STRINGER,REAR ROOF,77HR	<i>OPTION 3473. 77" HR</i>
5	0840264		POST,UPPER,REAR CORNER,RH	
6	0840272		POST,UPPER,REAR CORNER,LH	
7	0751859		BELT RAIL,REAR EMERGENCY WINDOW	
8	0986885		POST,REAR CORNER,LOWER	
9	1580711		CHANNEL,REAR CORNER POST,RH	
10	1580729		CHANNEL,REAR CORNER POST,LH	
11	1524347		BELT RAIL,LOWER,TCRE	
12	0002725		CLOSURE,REAR,DAVENPORT, DRRE	



Models: **A3RE  
REAR  
REAR ASSY BLIND METAL**  
BSN: **From BSN 3/31/05**

Key	PartNumber	Qty	Description	Comment
-----	------------	-----	-------------	---------

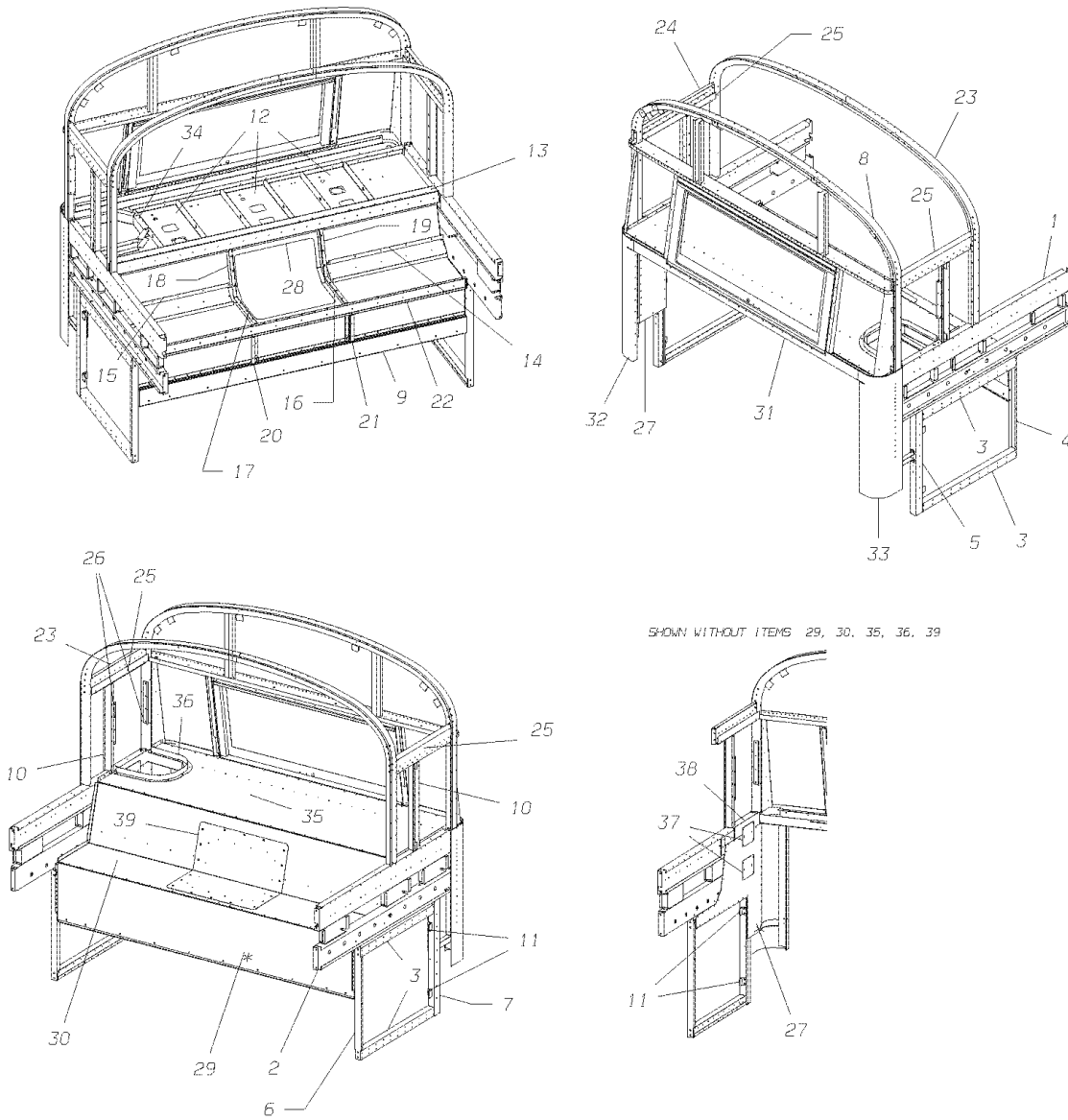


**Models:** A3RE  
 REAR  
 REAR ASSY BLIND METAL  
**BSN:** From BSN 3/31/05

Key	PartNumber	Qty	Description	Comment
	0088673		STRUCTURE ASSY,REAR,74 HR W/BLIND REW,	
	0088674		STRUCTURE ASSY,REAR,77 HR W/BLIND REW,	
1	0052660		BOW ASSY,74 HR,REAR, DRRE	
1	0052665		BOW ASSY,77HR,REAR, DRRE	
2	0105372		HEADER ASSY,REAR,W/EM WDO,FMVSS 221	
3	0088533		FRAME AND WINDOW ASSY,BLIND,RR EMERG	
4	1074962	2	STRINGER,REAR ROOF,74 HR	
4	1084888	2	STRINGER,REAR ROOF,77HR	
5	0840264		POST,UPPER,REAR CORNER,RH	
6	0840272		POST,UPPER,REAR CORNER,LH	
7	0751859	2	BELT RAIL,REAR EMERGENCY WINDOW	
8	0986885	2	POST,REAR CORNER,LOWER	
9	1580711		CHANNEL,REAR CORNER POST,RH	
10	1580729		CHANNEL,REAR CORNER POST,LH	
11	1524347	2	BELT RAIL,LOWER,TCRE	
12	0088452		PANEL,REAR,CLOSURE,DAVENPORT, A3RE	
13	0063754	6	BRACKET,SUPPORT,UPPER INNER,REAR	
14	0671776	2	BRACE,HEADER TO BOW,REAR	
15	1154731		HEADER,REAR,PRIMED	

Models: **A3RE  
REAR  
REAR ASSY COMPLETE  
28, 28, 28**  
BSN: **From BSN 00076900**

Key	PartNumber	Qty	Description	Comment
-----	------------	-----	-------------	---------



**Models:** A3RE  
 REAR  
 REAR ASSY COMPLETE  
 28, 28, 28  
**BSN:** From BSN 00076900

Key	PartNumber	Qty	Description	Comment
	0088493		STRUCTURE ASSY,DAVENPORT,28,28,28,74 HR,	CONSISTS OF THE FOLLOWING
	0088494		STRUCTURE ASSY,DAVENPORT,28,28,28,77 HR,	CONSISTS OF THE FOLLOWING
1	0004790		RAIL ASSY,HORIZ BOW SUPT,RR,56 SECT,RH	
2	0004791		RAIL ASSY,HORIZ BOW SUPT,RR,56 SECT,LH	
3	1840750	4	REINFORCEMENT,LWR SKIRT,ENG COMPT	
4	0002824		CHANNEL,GRILL OPNG,FORWARD,RH,DRRE	
5	0013227		CHANNEL,REINF,VERT,REAR STRUCTURE,RH,	
6	0002832		CHANNEL,GRILL OPNG,FORWARD,LH,DRRE	
7	0013235		CHANNEL,REINF,VERT,REAR STRUCTURE,LH,	
8	0088497		STRUCTURE ASSY,REAR,74 HR, A3RE	
8	0088505		STRUCTURE ASSY,REAR,77 HR, A3RE	
9	0006206		CHANNEL,REINFORCEMENT,REAR FLOOR,DRRE	
10	0052686		POST ASSY,BOW,INTERMEDIATE,9SS, DRRE	
10	0052688	2	POST ASSY,BOW,INTERMEDIATE,12SS, DRRE	
11	1529429	4	PLATE,STRIKER,SIDE ACCESS DOOR,A3RE	
12	0006162	3	TRAY,REINFORCEMENT,DVPT SEAT SHELF,	
13	0002717		CROSSBAR,DAVENPORT SEAT,CENTER, DRRE	
14	0002709		SUPPORT,DAVENPORT,SEAT,LH, DRRE	
15	0002691		SUPPORT,DAVENPORT,SEAT,RH, DRRE	
16	0005439		TRIM,DAVENPORT,ACCESS COVER,LOWER,LH,	
17	0005421		TRIM,DAVENPORT,ACCESS COVER,LOWER,RH,	
18	1809490		TRIM,DAVENPORT,ACCESS COVER,UPPER,RH	
19	1809508		TRIM,DAVENPORT,ACCESS COVER,UPPER,LH	
20	0002808		REINFORCEMENT,VERTICAL,DAVENPORT,RH,	
21	0002816		REINFORCEMENT,VERTICAL,DAVENPORT,LH,	
22	0002865		DAVENPORT,SUPPORT,LEDGE, DRRE	
23	1830280		BOW ASSY,74HR,2ND-3RD FROM RR, AARE	
23	1830306		BOW ASSY,77HR,2ND-3RD FROM RRAARE	
24	0043800	2	HEADER,SIDE,28,9 SS,74 HR,FMVSSCMVSS	
24	0043810	2	HEADER,SI WDO,28,12 SS,77 HR,	
25	0043812		ANGLE,HEADER,74HR,28 SECTION	
25	0043814		ANGLE,HEADER,77HR,28 SECTION	
26	0052623	2	ANGLE,MOUNT,AIR PLENUM, DRRE	

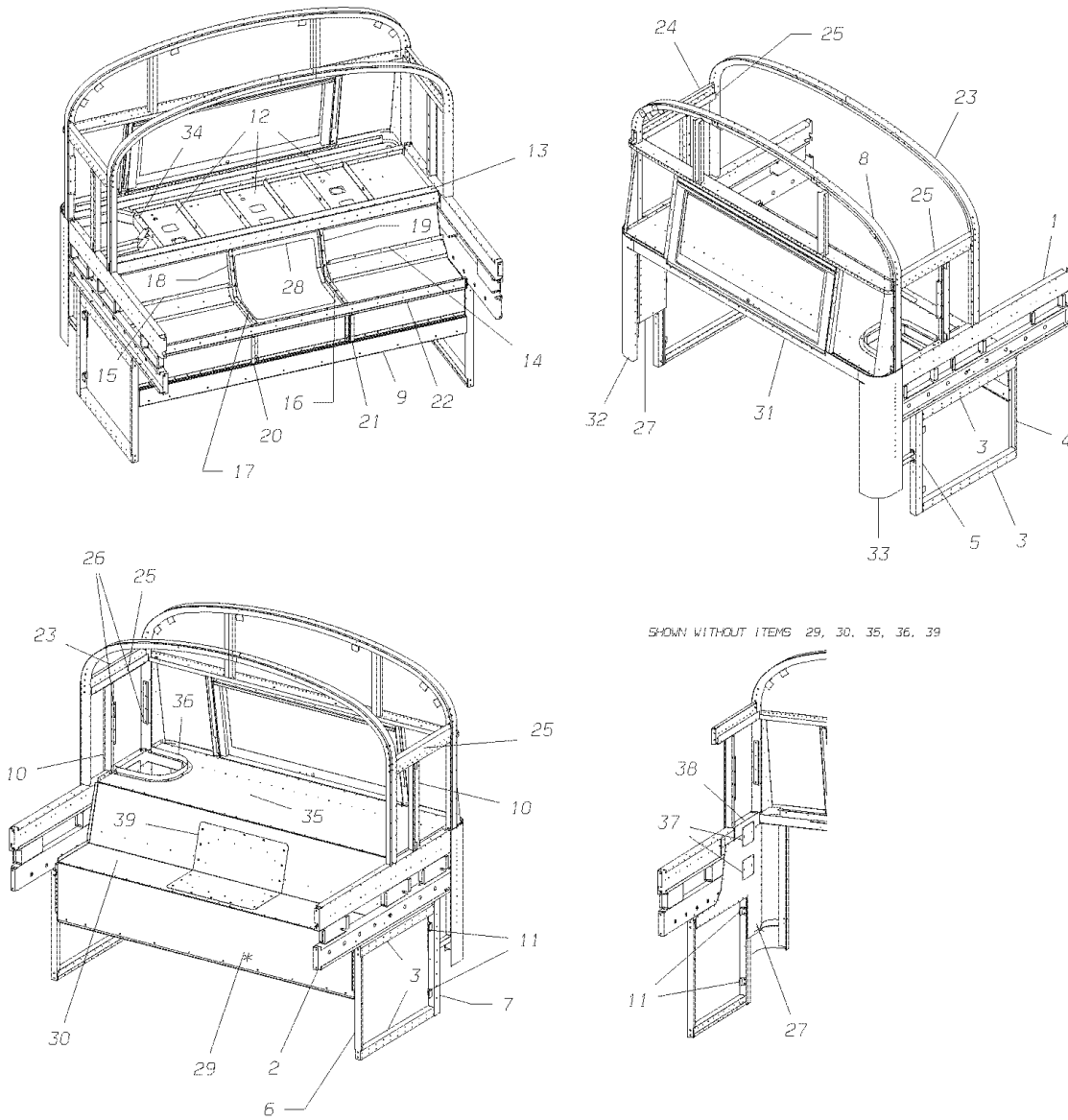
**Models:** A3RE  
 REAR  
 REAR ASSY COMPLETE  
 28, 28, 28  
**BSN:** From BSN 00076900

Key	PartNumber	Qty	Description	Comment
27	0011064	2	PANEL,CLOSEOUT,ENG CMPT,SIDE,DRRE	
28	0009886		PANEL,ENGINE CLOSEOUT,LOWER,W/ACCESS,	
29	0009860		PANEL,DAVENPORT,FRONT, DRRE	
30	0009878		PANEL,DAVENPORT,TOP,BODY SIDE,W/ACCESS	
31	1842202		TRIM,REAR EMERGENCY WINDOW	
32	1890961		PANEL,CORNER,REAR,LH,E COAT	
33	1890953		PANEL,CORNER,REAR,RH,E COAT	
34	0050899		PANEL ASSY,DAVENPORT,TOP,ENGINE SIDE,	
35	0050903		PANEL,DAVENPORT,TOP,BODY SIDE, DRRE	
36	0050896		ANGLE ASSY,AIR INTAKE PANEL	
37	0013359	2	PLATE ASSY,MTG,AIR CLEANER BRKT, DRRE	
38	0002873		PANEL,CLOSEOUT,AIR INTAKE, DRRE	
39	0009910		PANEL ASSY,DAVENPORT ACCESS COVER,	

**Models:** A3RE  
 REAR  
 REAR ASSY COMPLETE  
 28, 35, 28

**BSN:** From BSN 00076900

Key	PartNumber	Qty	Description	Comment
-----	------------	-----	-------------	---------



**Models:** A3RE  
 REAR  
 REAR ASSY COMPLETE  
 28, 35, 28  
**BSN:** From BSN 00076900

Key	PartNumber	Qty	Description	Comment
	0088495		STRUCTURE ASSY,DAVENPORT,28,35,28,74 HR,	CONSISTS OF THE FOLLOWING
	0088496		STRUCTURE ASSY,DAVENPORT,28,35,28,77 HR,	CONSISTS OF THE FOLLOWING
1	0016352		RAIL ASSY,HORIZONTAL BOW SUPT,REAR,RH,	
2	0016360		RAIL ASSY,HORIZONTAL BOW SUPT,REAR,LH,	
3	1840750	4	REINFORCEMENT,LWR SKIRT,ENG COMPT	
4	0002824		CHANNEL,GRILL OPNG,FORWARD,RH,DRRE	
5	0013227		CHANNEL,REINF,VERT,REAR STRUCTURE,RH,	
6	0002832		CHANNEL,GRILL OPNG,FORWARD,LH,DRRE	
7	0013235		CHANNEL,REINF,VERT,REAR STRUCTURE,LH,	
8	0088497		STRUCTURE ASSY,REAR,74 HR, A3RE	
8	0088505		STRUCTURE ASSY,REAR,77 HR, A3RE	
9	0006206		CHANNEL,REINFORCEMENT,REAR FLOOR,DRRE	
10	0052686		POST ASSY,BOW,INTERMEDIATE,9SS, DRRE	
10	0052688	2	POST ASSY,BOW,INTERMEDIATE,12SS, DRRE	
11	1529429	4	PLATE,STRIKER,SIDE ACCESS DOOR,A3RE	
12	0006162	3	TRAY,REINFORCEMENT,DVPT SEAT SHELF,	
13	0002717		CROSSBAR,DAVENPORT SEAT,CENTER, DRRE	
14	0002709		SUPPORT,DAVENPORT,SEAT,LH, DRRE	
15	0002691		SUPPORT,DAVENPORT,SEAT,RH, DRRE	
16	0005439		TRIM,DAVENPORT,ACCESS COVER,LOWER,LH,	
17	0005421		TRIM,DAVENPORT,ACCESS COVER,LOWER,RH,	
18	1809490		TRIM,DAVENPORT,ACCESS COVER,UPPER,RH	
19	1809508		TRIM,DAVENPORT,ACCESS COVER,UPPER,LH	
20	0002808		REINFORCEMENT,VERTICAL,DAVENPORT,RH,	
21	0002816		REINFORCEMENT,VERTICAL,DAVENPORT,LH,	
22	0002865		DAVENPORT,SUPPORT,LEDGE, DRRE	
23	1830280		BOW ASSY,74HR,2ND-3RD FROM RR, AARE	
23	1830306		BOW ASSY,77HR,2ND-3RD FROM RRAARE	
24	0043800	2	HEADER,SIDE,28,9 SS,74 HR,FMVSSCMVSS	
24	0043810	2	HEADER,SI WDO,28,12 SS,77 HR,	
25	0043812		ANGLE,HEADER,74HR,28 SECTION	
25	0043814		ANGLE,HEADER,77HR,28 SECTION	
26	0052623	2	ANGLE,MOUNT,AIR PLENUM, DRRE	

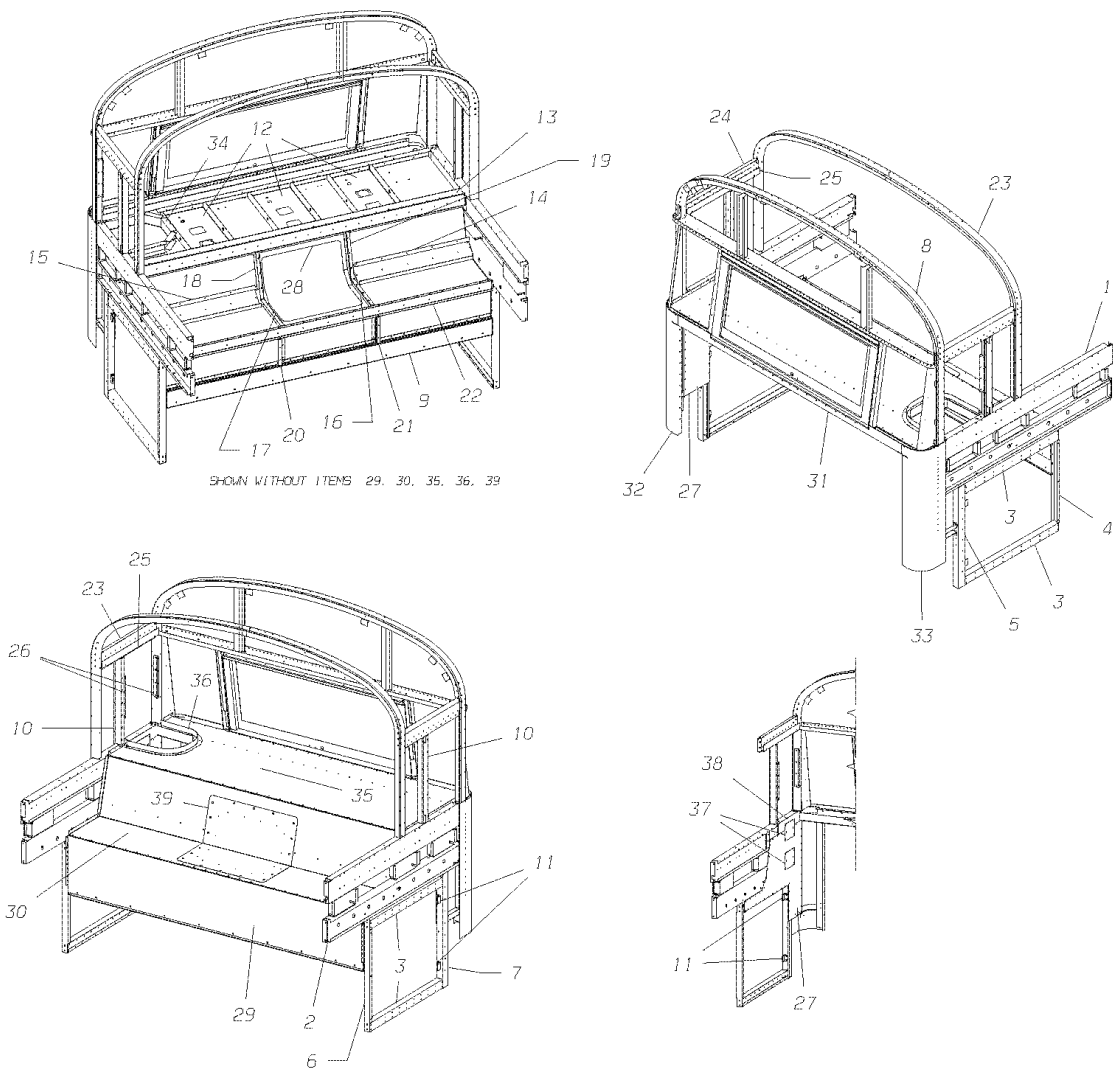
**Models:** A3RE  
 REAR  
 REAR ASSY COMPLETE  
 28, 35, 28  
**BSN:** From BSN 00076900

Key	PartNumber	Qty	Description	Comment
27	0011064	2	PANEL,CLOSEOUT,ENG CMPT,SIDE,DRRE	
28	0009886		PANEL,ENGINE CLOSEOUT,LOWER,W/ACCESS,	
29	0009860		PANEL,DAVENPORT,FRONT, DRRE	
30	0009878		PANEL,DAVENPORT,TOP,BODY SIDE,W/ACCESS	
31	1842202		TRIM,REAR EMERGENCY WINDOW	
32	1890961		PANEL,CORNER,REAR,LH,E COAT	
33	1890953		PANEL,CORNER,REAR,RH,E COAT	
34	0050899		PANEL ASSY,DAVENPORT,TOP,ENGINE SIDE,	
35	0050903		PANEL,DAVENPORT,TOP,BODY SIDE, DRRE	
36	0050896		ANGLE ASSY,AIR INTAKE PANEL	
37	0013359	2	PLATE ASSY,MTG,AIR CLEANER BRKT, DRRE	
38	0002873		PANEL,CLOSEOUT,AIR INTAKE, DRRE	
39	0009910		PANEL ASSY,DAVENPORT ACCESS COVER,	



**Models:** A3RE  
 REAR  
 REAR ASSY COMPLETE  
 56 INCH REAR  
**BSN:** From BSN 00070675  
 To 00076899

Key	PartNumber	Qty	Description	Comment
-----	------------	-----	-------------	---------



**Models:** A3RE  
 REAR  
 REAR ASSY COMPLETE  
 56 INCH REAR  
**BSN:** From BSN 00070675  
 To 00076899

Key	PartNumber	Qty	Description	Comment
	0085960		STRUCTURE ASSY,DAVENPORT,28,28,28,74HR,	CONSISTS OF THE FOLLOWING
	0085963		STRUCTURE ASSY,DAVENPORT,28,28,28,77HR,	CONSISTS OF THE FOLLOWING
1	0004790		RAIL ASSY,HORIZ BOW SUPT,RR,56 SECT,RH	
2	0004791		RAIL ASSY,HORIZ BOW SUPT,RR,56 SECT,LH	
3	1840750	4	REINFORCEMENT,LWR SKIRT,ENG COMPT	
4	0002824		CHANNEL,GRILL OPNG,FORWARD,RH,DRRE	
5	0013227		CHANNEL,REINF,VERT,REAR STRUCTURE,RH,	
6	0002832		CHANNEL,GRILL OPNG,FORWARD,LH,DRRE	
7	0013235		CHANNEL,REINF,VERT,REAR STRUCTURE,LH,	
8	0070383		STRUCTURE ASSY,REAR,74HR, A3RE	
8	0070384		STRUCTURE ASSY,REAR,77HR, A3RE	
9	0006206		CHANNEL,REINFORCEMENT,REAR FLOOR,DRRE	
10	0052686		POST ASSY,BOW,INTERMEDIATE,9SS, DRRE	
10	0052688	2	POST ASSY,BOW,INTERMEDIATE,12SS, DRRE	
11	1529429	4	PLATE,STRIKER,SIDE ACCESS DOOR,A3RE	
12	0006162	3	TRAY,REINFORCEMENT,DVPT SEAT SHELF,	
13	0002717		CROSSBAR,DAVENPORT SEAT,CENTER, DRRE	
14	0002709		SUPPORT,DAVENPORT,SEAT,LH, DRRE	
15	0002691		SUPPORT,DAVENPORT,SEAT,RH, DRRE	
16	0005439		TRIM,DAVENPORT,ACCESS COVER,LOWER,LH,	
17	0005421		TRIM,DAVENPORT,ACCESS COVER,LOWER,RH,	
18	1809490		TRIM,DAVENPORT,ACCESS COVER,UPPER,RH	
19	1809508		TRIM,DAVENPORT,ACCESS COVER,UPPER,LH	
20	0002808		REINFORCEMENT,VERTICAL,DAVENPORT,RH,	
21	0002816		REINFORCEMENT,VERTICAL,DAVENPORT,LH,	
22	0002865		DAVENPORT,SUPPORT,LEDGE, DRRE	
23	1830280		BOW ASSY,74HR,2ND-3RD FROM RR, AARE	
23	1830306		BOW ASSY,77HR,2ND-3RD FROM RRAARE	
24	0043800	2	HEADER,SIDE,28,9 SS,74 HR,FMVSSCMVSS	
24	0043810	2	HEADER,SI WDO,28,12 SS,77 HR,	
25	0043812		ANGLE,HEADER,74HR,28 SECTION	
25	0043814		ANGLE,HEADER,77HR,28 SECTION	
26	0052623	2	ANGLE,MOUNT,AIR PLENUM, DRRE	

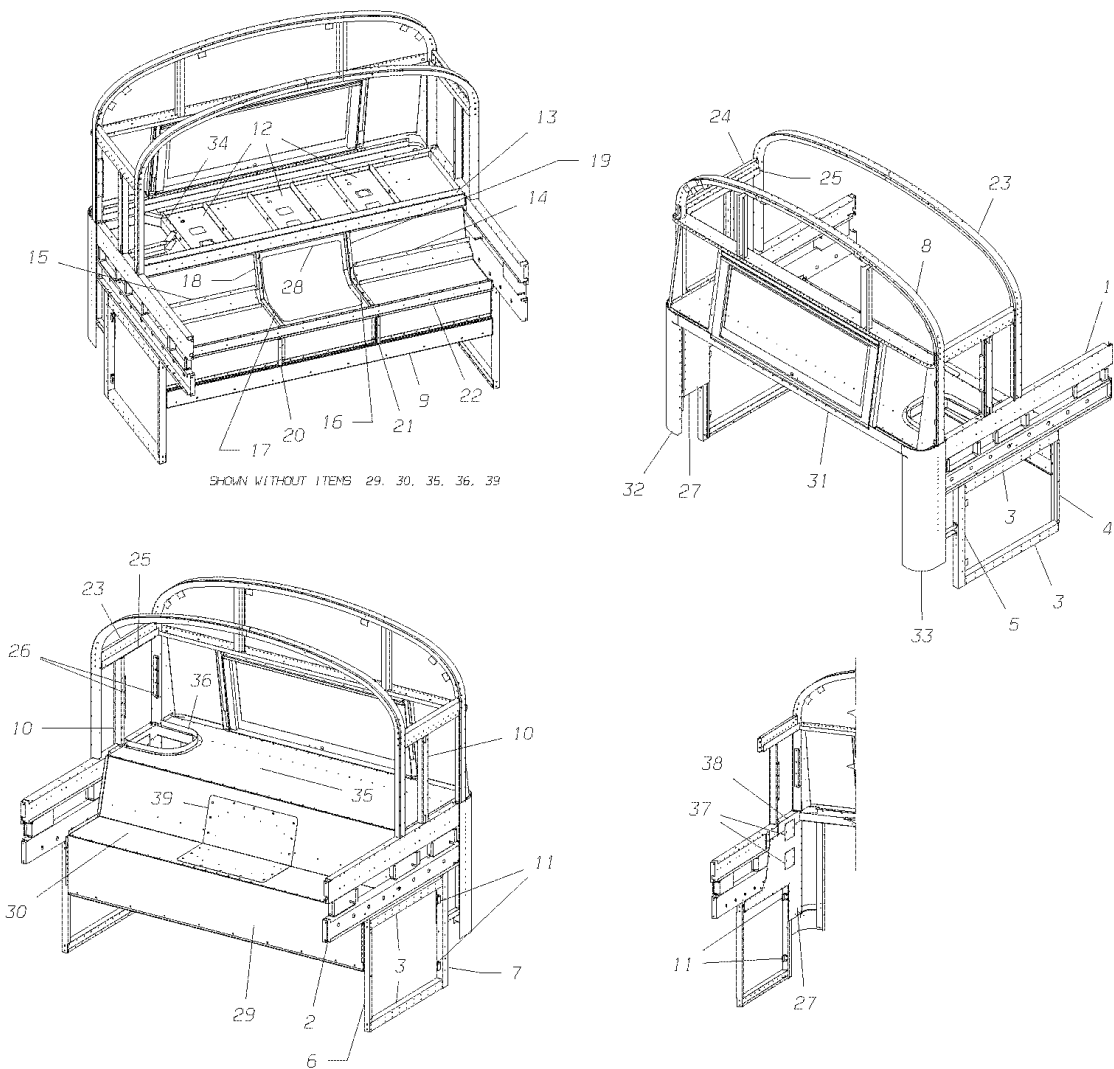
**Models:** A3RE  
 REAR  
 REAR ASSY COMPLETE  
 56 INCH REAR  
**BSN:** From BSN 00070675  
 To 00076899

Key	PartNumber	Qty	Description	Comment
27	0011064	2	PANEL,CLOSEOUT,ENG CMPT,SIDE,DRRE	
28	0009886		PANEL,ENGINE CLOSEOUT,LOWER,W/ACCESS,	
29	0009860		PANEL,DAVENPORT,FRONT, DRRE	
30	0009878		PANEL,DAVENPORT,TOP,BODY SIDE,W/ACCESS	
31	1842202		TRIM,REAR EMERGENCY WINDOW	
32	1890961		PANEL,CORNER,REAR,LH,E COAT	
33	1890953		PANEL,CORNER,REAR,RH,E COAT	
34	0050899		PANEL ASSY,DAVENPORT,TOP,ENGINE SIDE,	
35	0050903		PANEL,DAVENPORT,TOP,BODY SIDE, DRRE	
36	0050896		ANGLE ASSY,AIR INTAKE PANEL	
37	0013359	2	PLATE ASSY,MTG,AIR CLEANER BRKT, DRRE	
38	0002873		PANEL,CLOSEOUT,AIR INTAKE, DRRE	
39	0009910		PANEL ASSY,DAVENPORT ACCESS COVER,	

**Models:** A3RE  
 REAR  
 REAR ASSY COMPLETE  
 63 INCH REAR

**BSN:** From BSN 00070675  
 To 00076899

Key	PartNumber	Qty	Description	Comment
-----	------------	-----	-------------	---------



**Models:** A3RE  
 REAR  
 REAR ASSY COMPLETE  
 63 INCH REAR  
**BSN:** From BSN 00070675  
 To 00076899

Key	PartNumber	Qty	Description	Comment
	0085962		STRUCTURE ASSY,DAVENPORT,28,35,28,74HR,	CONSISTS OF THE FOLLOWING
	0085964		STRUCTURE ASSY,DAVENPORT,28,35,28,77HR,	CONSISTS OF THE FOLLOWING
1	0016352		RAIL ASSY,HORIZONTAL BOW SUPT,REAR,RH,	
2	0016360		RAIL ASSY,HORIZONTAL BOW SUPT,REAR,LH,	
3	1840750	4	REINFORCEMENT,LWR SKIRT,ENG COMPT	
4	0002824		CHANNEL,GRILL OPNG,FORWARD,RH,DRRE	
5	0013227		CHANNEL,REINF,VERT,REAR STRUCTURE,RH,	
6	0002832		CHANNEL,GRILL OPNG,FORWARD,LH,DRRE	
7	0013235		CHANNEL,REINF,VERT,REAR STRUCTURE,LH,	
8	0070383		STRUCTURE ASSY,REAR,74HR, A3RE	
8	0070384		STRUCTURE ASSY,REAR,77HR, A3RE	
9	0006206		CHANNEL,REINFORCEMENT,REAR FLOOR,DRRE	
10	0052686		POST ASSY,BOW,INTERMEDIATE,9SS, DRRE	
10	0052688	2	POST ASSY,BOW,INTERMEDIATE,12SS, DRRE	
11	1529429	4	PLATE,STRIKER,SIDE ACCESS DOOR,A3RE	
12	0006162	3	TRAY,REINFORCEMENT,DVPT SEAT SHELF,	
13	0002717		CROSSBAR,DAVENPORT SEAT,CENTER, DRRE	
14	0002709		SUPPORT,DAVENPORT,SEAT,LH, DRRE	
15	0002691		SUPPORT,DAVENPORT,SEAT,RH, DRRE	
16	0005439		TRIM,DAVENPORT,ACCESS COVER,LOWER,LH,	
17	0005421		TRIM,DAVENPORT,ACCESS COVER,LOWER,RH,	
18	1809490		TRIM,DAVENPORT,ACCESS COVER,UPPER,RH	
19	1809508		TRIM,DAVENPORT,ACCESS COVER,UPPER,LH	
20	0002808		REINFORCEMENT,VERTICAL,DAVENPORT,RH,	
21	0002816		REINFORCEMENT,VERTICAL,DAVENPORT,LH,	
22	0002865		DAVENPORT,SUPPORT,LEDGE, DRRE	
23	1830280		BOW ASSY,74HR,2ND-3RD FROM RR, AARE	
23	1830306		BOW ASSY,77HR,2ND-3RD FROM RRAARE	
24	0043800	2	HEADER,SIDE,28,9 SS,74 HR,FMVSSCMVSS	
24	0043810	2	HEADER,SI WDO,28,12 SS,77 HR,	
25	0043812		ANGLE,HEADER,74HR,28 SECTION	
25	0043814		ANGLE,HEADER,77HR,28 SECTION	
26	0052623	2	ANGLE,MOUNT,AIR PLENUM, DRRE	

**Models:** A3RE  
 REAR  
 REAR ASSY COMPLETE  
 63 INCH REAR  
**BSN:** From BSN 00070675  
 To 00076899

Key	PartNumber	Qty	Description	Comment
27	0011064	2	PANEL,CLOSEOUT,ENG CMPT,SIDE,DRRE	
28	0009886		PANEL,ENGINE CLOSEOUT,LOWER,W/ACCESS,	
29	0009860		PANEL,DAVENPORT,FRONT, DRRE	
30	0009878		PANEL,DAVENPORT,TOP,BODY SIDE,W/ACCESS	
31	1842202		TRIM,REAR EMERGENCY WINDOW	
32	1890961		PANEL,CORNER,REAR,LH,E COAT	
33	1890953		PANEL,CORNER,REAR,RH,E COAT	
34	0050899		PANEL ASSY,DAVENPORT,TOP,ENGINE SIDE,	
35	0050903		PANEL,DAVENPORT,TOP,BODY SIDE, DRRE	
36	0050896		ANGLE ASSY,AIR INTAKE PANEL	
37	0013359	2	PLATE ASSY,MTG,AIR CLEANER BRKT, DRRE	
38	0002873		PANEL,CLOSEOUT,AIR INTAKE, DRRE	
39	0009910		PANEL ASSY,DAVENPORT ACCESS COVER,	



**Models:** A3RE  
 REAR  
 REAR ASSY COMPLETE BLIND METAL  
 28, 28, 28  
**BSN:** From BSN 00076900

Key	PartNumber	Qty	Description	Comment
	0090900		STRUCTURE ASSY,DVPT,28,28,28,74HR,BLIND,	CONSISTS OF THE FOLLOWING
	0090902		STRUCTURE ASSY,DVPT,28,28,28,77HR,BLIND,	CONSISTS OF THE FOLLOWING
1	0004790		RAIL ASSY,HORIZ BOW SUPT,RR,56 SECT,RH	
2	0004791		RAIL ASSY,HORIZ BOW SUPT,RR,56 SECT,LH	
3	1840750	4	REINFORCEMENT,LWR SKIRT,ENG COMPT	
4	0002824		CHANNEL,GRILL OPNG,FORWARD,RH,DRRE	
5	0013227		CHANNEL,REINF,VERT,REAR STRUCTURE,RH,	
6	0002832		CHANNEL,GRILL OPNG,FORWARD,LH,DRRE	
7	0013235		CHANNEL,REINF,VERT,REAR STRUCTURE,LH,	
8	0088673		STRUCTURE ASSY,REAR,74 HR W/BLIND REW,	
8	0088674		STRUCTURE ASSY,REAR,77 HR W/BLIND REW,	
9	0006206		CHANNEL,REINFORCEMENT,REAR FLOOR,DRRE	
10	0052686		POST ASSY,BOW,INTERMEDIATE,9SS, DRRE	
10	0052688	2	POST ASSY,BOW,INTERMEDIATE,12SS, DRRE	
11	1529429	4	PLATE,STRIKER,SIDE ACCESS DOOR,A3RE	
12	0006162	3	TRAY,REINFORCEMENT,DVPT SEAT SHELF,	
13	0002717		CROSSBAR,DAVENPORT SEAT,CENTER, DRRE	
14	0002709		SUPPORT,DAVENPORT,SEAT,LH, DRRE	
15	0002691		SUPPORT,DAVENPORT,SEAT,RH, DRRE	
16	0005439		TRIM,DAVENPORT,ACCESS COVER,LOWER,LH,	
17	0005421		TRIM,DAVENPORT,ACCESS COVER,LOWER,RH,	
18	1809490		TRIM,DAVENPORT,ACCESS COVER,UPPER,RH	
19	1809508		TRIM,DAVENPORT,ACCESS COVER,UPPER,LH	
20	0002808		REINFORCEMENT,VERTICAL,DAVENPORT,RH,	
21	0002816		REINFORCEMENT,VERTICAL,DAVENPORT,LH,	
22	0002865		DAVENPORT,SUPPORT,LEDGE, DRRE	
23	1830280		BOW ASSY,74HR,2ND-3RD FROM RR, AARE	
23	1830306		BOW ASSY,77HR,2ND-3RD FROM RRAARE	
24	0043800	2	HEADER,SIDE,28,9 SS,74 HR,FMVSSCMVSS	
24	0043810	2	HEADER,SI WDO,28,12 SS,77 HR,	
25	0043812		ANGLE,HEADER,74HR,28 SECTION	
25	0043814		ANGLE,HEADER,77HR,28 SECTION	
26	0052623	2	ANGLE,MOUNT,AIR PLENUM, DRRE	

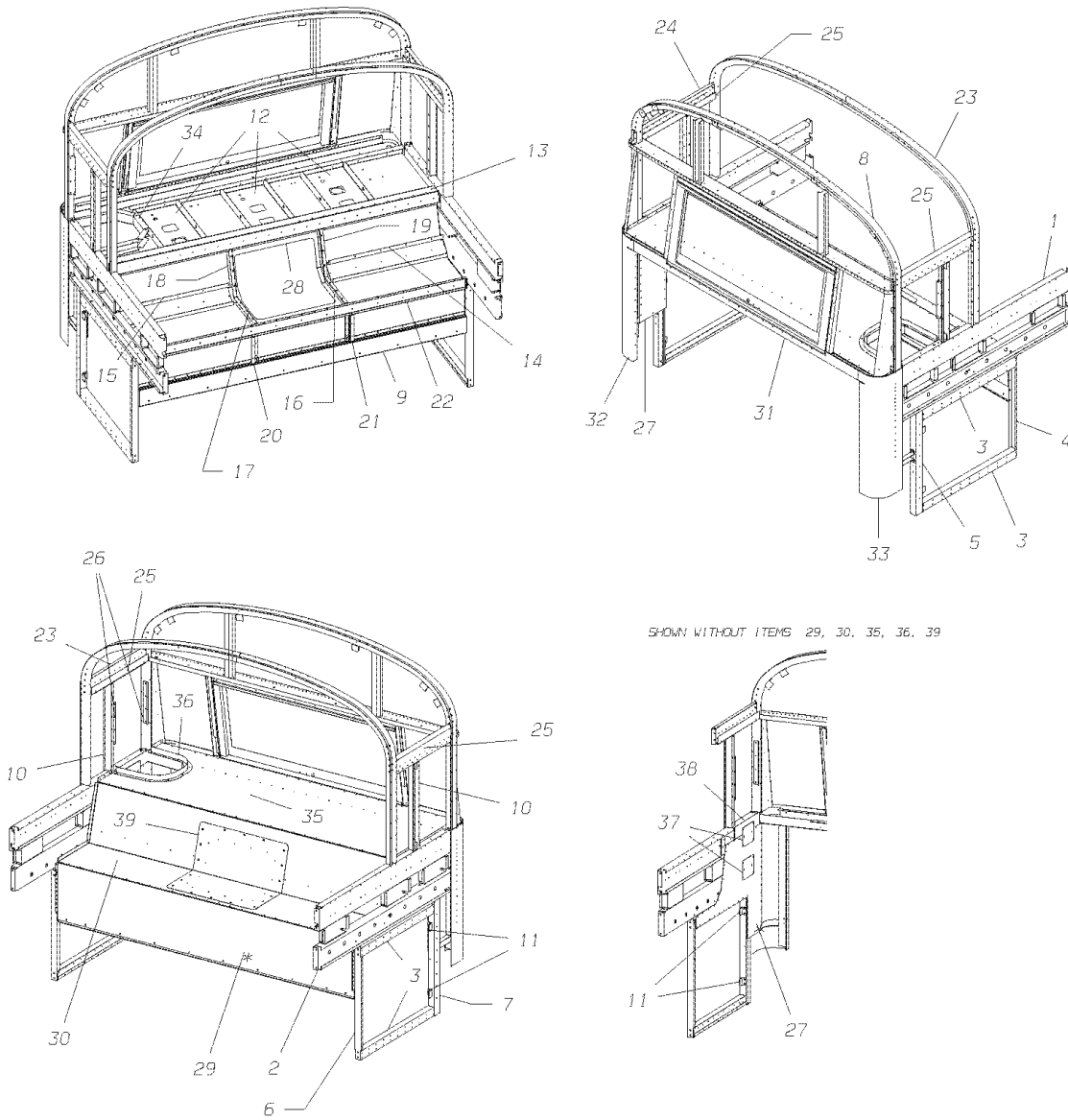


**Models:** A3RE  
 REAR  
 REAR ASSY COMPLETE BLIND METAL  
 28, 28, 28  
**BSN:** From BSN 00076900

Key	PartNumber	Qty	Description	Comment
27	0011064	2	PANEL,CLOSEOUT,ENG CMPT,SIDE,DRRE	
28	0009886		PANEL,ENGINE CLOSEOUT,LOWER,W/ACCESS,	
29	0009860		PANEL,DAVENPORT,FRONT, DRRE	
30	0009878		PANEL,DAVENPORT,TOP,BODY SIDE,W/ACCESS	
31	1842202		TRIM,REAR EMERGENCY WINDOW	
32	1890961		PANEL,CORNER,REAR,LH,E COAT	
33	1890953		PANEL,CORNER,REAR,RH,E COAT	
34	0050899		PANEL ASSY,DAVENPORT,TOP,ENGINE SIDE,	
35	0050903		PANEL,DAVENPORT,TOP,BODY SIDE, DRRE	
36	0050896		ANGLE ASSY,AIR INTAKE PANEL	
37	0013359	2	PLATE ASSY,MTG,AIR CLEANER BRKT, DRRE	
38	0002873		PANEL,CLOSEOUT,AIR INTAKE, DRRE	
39	0009910		PANEL ASSY,DAVENPORT ACCESS COVER,	

Models: **A3RE  
REAR  
REAR ASSY COMPLETE BLIND METAL  
28, 35, 28**  
BSN: **From BSN 00076900**

Key	PartNumber	Qty	Description	Comment
-----	------------	-----	-------------	---------



**Models:** A3RE  
 REAR  
 REAR ASSY COMPLETE BLIND METAL  
 28, 35, 28  
**BSN:** From BSN 00076900

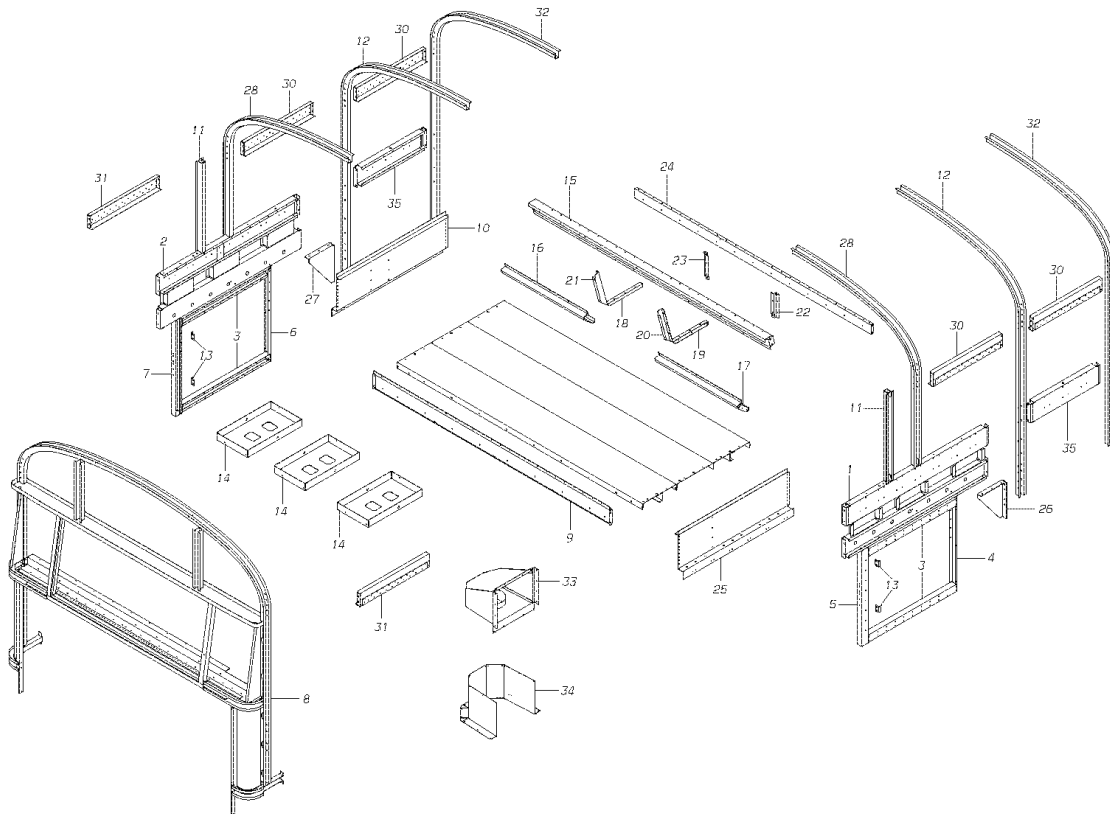
Key	PartNumber	Qty	Description	Comment
	0090901		STRUCTURE ASSY,DVPT,28,35,28,74HR,BLIND,	CONSISTS OF THE FOLLOWING
	0090903		STRUCTURE ASSY,DVPT,28,35,28,77HR,BLIND,	CONSISTS OF THE FOLLOWING
1	0016352		RAIL ASSY,HORIZONTAL BOW SUPT,REAR,RH,	
2	0016360		RAIL ASSY,HORIZONTAL BOW SUPT,REAR,LH,	
3	1840750	4	REINFORCEMENT,LWR SKIRT,ENG COMPT	
4	0002824		CHANNEL,GRILL OPNG,FORWARD,RH,DRRE	
5	0013227		CHANNEL,REINF,VERT,REAR STRUCTURE,RH,	
6	0002832		CHANNEL,GRILL OPNG,FORWARD,LH,DRRE	
7	0013235		CHANNEL,REINF,VERT,REAR STRUCTURE,LH,	
8	0088673		STRUCTURE ASSY,REAR,74 HR W/BLIND REW,	
8	0088674		STRUCTURE ASSY,REAR,77 HR W/BLIND REW,	
9	0006206		CHANNEL,REINFORCEMENT,REAR FLOOR,DRRE	
10	0052686		POST ASSY,BOW,INTERMEDIATE,9SS, DRRE	
10	0052688	2	POST ASSY,BOW,INTERMEDIATE,12SS, DRRE	
11	1529429	4	PLATE,STRIKER,SIDE ACCESS DOOR,A3RE	
12	0006162	3	TRAY,REINFORCEMENT,DVPT SEAT SHELF,	
13	0002717		CROSSBAR,DAVENPORT SEAT,CENTER, DRRE	
14	0002709		SUPPORT,DAVENPORT,SEAT,LH, DRRE	
15	0002691		SUPPORT,DAVENPORT,SEAT,RH, DRRE	
16	0005439		TRIM,DAVENPORT,ACCESS COVER,LOWER,LH,	
17	0005421		TRIM,DAVENPORT,ACCESS COVER,LOWER,RH,	
18	1809490		TRIM,DAVENPORT,ACCESS COVER,UPPER,RH	
19	1809508		TRIM,DAVENPORT,ACCESS COVER,UPPER,LH	
20	0002808		REINFORCEMENT,VERTICAL,DAVENPORT,RH,	
21	0002816		REINFORCEMENT,VERTICAL,DAVENPORT,LH,	
22	0002865		DAVENPORT,SUPPORT,LEDGE, DRRE	
23	1830280		BOW ASSY,74HR,2ND-3RD FROM RR, AARE	
23	1830306		BOW ASSY,77HR,2ND-3RD FROM RRAARE	
24	0043800	2	HEADER,SIDE,28,9 SS,74 HR,FMVSSCMVSS	
24	0043810	2	HEADER,SI WDO,28,12 SS,77 HR,	
25	0043812		ANGLE,HEADER,74HR,28 SECTION	
25	0043814		ANGLE,HEADER,77HR,28 SECTION	
26	0052623	2	ANGLE,MOUNT,AIR PLENUM, DRRE	

**Models:** A3RE  
 REAR  
 REAR ASSY COMPLETE BLIND METAL  
 28, 35, 28  
**BSN:** From BSN 00076900

Key	PartNumber	Qty	Description	Comment
27	0011064	2	PANEL,CLOSEOUT,ENG CMPT,SIDE,DRRE	
28	0009886		PANEL,ENGINE CLOSEOUT,LOWER,W/ACCESS,	
29	0009860		PANEL,DAVENPORT,FRONT, DRRE	
30	0009878		PANEL,DAVENPORT,TOP,BODY SIDE,W/ACCESS	
31	1842202		TRIM,REAR EMERGENCY WINDOW	
32	1890961		PANEL,CORNER,REAR,LH,E COAT	
33	1890953		PANEL,CORNER,REAR,RH,E COAT	
34	0050899		PANEL ASSY,DAVENPORT,TOP,ENGINE SIDE,	
35	0050903		PANEL,DAVENPORT,TOP,BODY SIDE, DRRE	
36	0050896		ANGLE ASSY,AIR INTAKE PANEL	
37	0013359	2	PLATE ASSY,MTG,AIR CLEANER BRKT, DRRE	
38	0002873		PANEL,CLOSEOUT,AIR INTAKE, DRRE	
39	0009910		PANEL ASSY,DAVENPORT ACCESS COVER,	

**Models:** A3RE  
 REAR  
 REAR DAVENPORT  
**With Features:** STD

Key	PartNumber	Qty	Description	Comment
-----	------------	-----	-------------	---------



Models: **A3RE  
REAR  
REAR DAVENPORT**  
With Features: **STD**

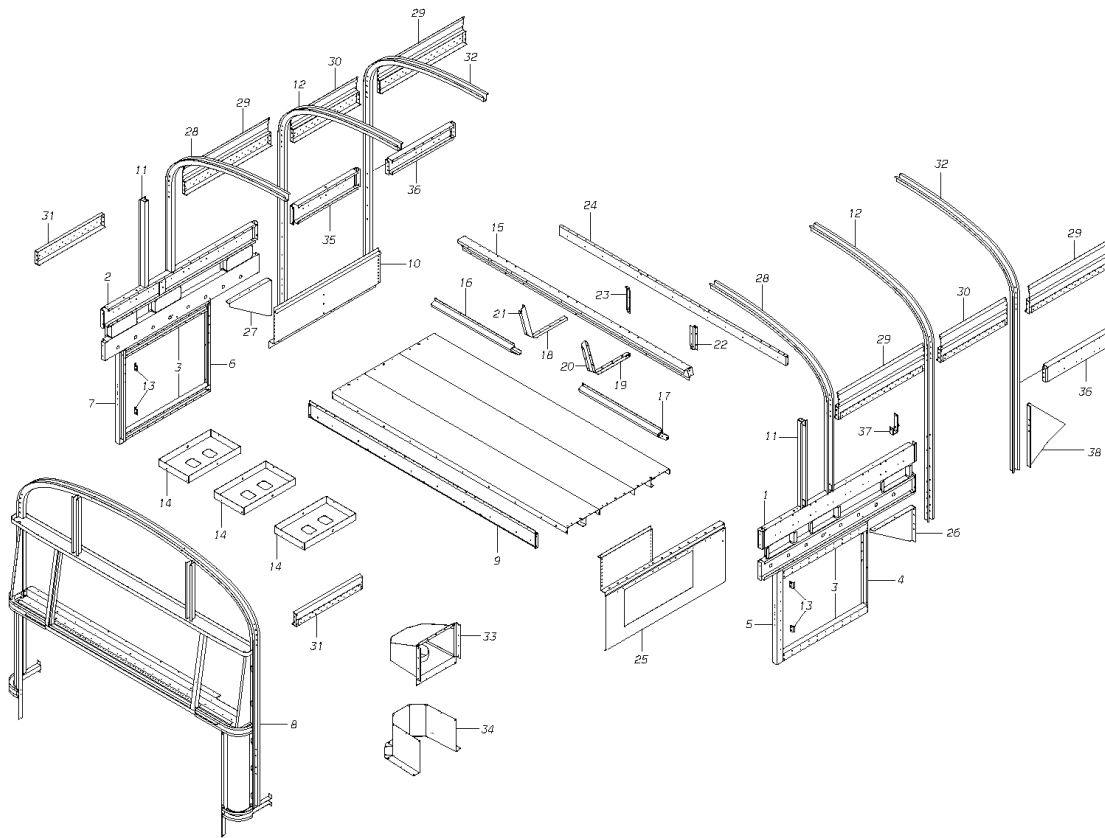
Key	PartNumber	Qty	Description	Comment
1	0004790		RAIL ASSY,HORIZ BOW SUPT,RR,56 SECT,RH	
2	0004791		RAIL ASSY,HORIZ BOW SUPT,RR,56 SECT,LH	
3	1840750	4	REINFORCEMENT,LWR SKIRT,ENG COMPT	
4	0002824		CHANNEL,GRILL OPNG,FORWARD,RH,DRRE	
5	0013227		CHANNEL,REINF,VERT,REAR STRUCTURE,RH,	
6	0002832		CHANNEL,GRILL OPNG,FORWARD,LH,DRRE	
7	0013235		CHANNEL,REINF,VERT,REAR STRUCTURE,LH,	
8	0009019		STRUCTURE ASSY,REAR,74HR, DRRE	STANDARD
8	0002733		STRUCTURE ASSY,REAR 77HR, DRRE	OPTION 3473. 77" HR
9	0002683		CHANNEL,REINFORCEMENT,REAR FLOOR, DRRE	ENDING WITH BSN 10010349
9	0006206		CHANNEL,REINFORCEMENT,REAR FLOOR,DRRE	BEGIN WITH BSN 10010350
10	0000924		GUSSET,FLOOR,REAR SECTION,40.50,LH, DRRE	
11	0009026	2	POST ASSY,BOW,INTERMEDIATE,9SS, DRRE	STANDARD OPTION 3473. 74" HR, 77" HR WITH 9" SS
11	0009029	2	POST ASSY,BOW,INTERMEDIATE,12SS, DRRE	OPTION 3337, 3339. 74" HR, 77" HR WITH 12" SS
12	0016428		BOW ASSY,74 HR,REAR,SED, DRRE	STANDARD
12	0013219		BOW ASSY,77 HR,REAR,SED, DRRE	OPTION 3473. 77" HR
13	1529429	4	PLATE,STRIKER,SIDE ACCESS DOOR,A3RE	
14	0006162	3	TRAY,REINFORCEMENT,DVPT SEAT SHELF,	
15	0002717		CROSSBAR,DAVENPORT SEAT,CENTER, DRRE	
16	0002709		SUPPORT,DAVENPORT,SEAT,LH, DRRE	
17	0002691		SUPPORT,DAVENPORT,SEAT,RH, DRRE	
18	0005439		TRIM,DAVENPORT,ACCESS COVER,LOWER,LH,	
19	0005421		TRIM,DAVENPORT,ACCESS COVER,LOWER,RH,	
20	1809490		TRIM,DAVENPORT,ACCESS COVER,UPPER,RH	
21	1809508		TRIM,DAVENPORT,ACCESS COVER,UPPER,LH	
22	0002808		REINFORCEMENT,VERTICAL,DAVENPORT,RH,	
23	0002816		REINFORCEMENT,VERTICAL,DAVENPORT,LH,	
24	0002865		DAVENPORT,SUPPORT,LEDGE, DRRE	
25	0000911		GUSSET,FLOOR,REAR SECTION,40.50,RH, DRRE	
26	0004794		GUSSET,RAIL,BOW SUPPORT,56 SECT,RH,	
27	0004795		GUSSET,RAIL,BOW SUPPORT,56 SECT,LH, DRRE	
28	1830280		BOW ASSY,74HR,2ND-3RD FROM RR, AARE	STANDARD
28	1830306		BOW ASSY,77HR,2ND-3RD FROM RRAARE	OPTION 3473

**Models:** A3RE  
 REAR  
 REAR DAVENPORT  
**With Features:** STD

Key	PartNumber	Qty	Description	Comment
30	0914218	4	HEADER, SIDE WINDOW,STD, OPT, 3473	74 & 77" HR WITH 9" SS, 28 IN SECTION
30	1224336	4	HEADER,SI WDO,28,12 SS,74 HR,FMVSS 221	OPTION 3339
30	1224351	4	HEADER,SI WDO,28,12 SS,77 HR,FMVSS 221	OPTION 3337
30	0998179	4	HEADER ASSY,SIDE WDO,28 SECT,74HR,STD,	STANDARD
30	1225119	4	HEADER ASSY,SIDE WDO,28 SECT,74HR,12SS,	OPTION 3339
30	0998195	4	HEADER ASSY,SIDE WDO,28 SECT,77HR,STD,	OPTION 3473
30	1225101	4	HEADER ASSY,SIDE WDO,28 SECT,77HR,12SS,	OPTION 3337
30	1479534	4	HEADER ASSY,TSW,28.00 SECT, FMVSS 221	
31	1256346	2	HEADER ASSY,28,BLIND PANELS,IS & OS, RE	
31	1224351	2	HEADER,SI WDO,28,12 SS,77 HR,FMVSS 221	HEADER, SIDE WINDOW, OPTION 3337. 77" HR WITH 12" SS
32	1831064		BOW,74HR	STANDARD
32	1831056		BOW,77HR	OPTION 3473
33	0028325		PLENUM ASSY,AIR INTAKE,DRRE	
34	0028320		PANEL ASSY,C/O,AIR PLENUM TO DVPT, DRRE	
35	0001219	2	RAIL,HORIZ BOW SUPPORT,28,REAR, DRRE	
NI	2000198	2	SCREW,5/16-18 X 1,D,HEX HD,YEL ZN DICH	
NI	2000073	2	SCREW,1/4-20 X 1,D,HEX HD,YEL ZN DICH	
NI	1167808	8	SCREW,1/4-14 X 3/4,AB,PH1,PAN HD,BLK ZN	
NI	2000156	65	CAPSCREW,HEX HD,5/16-24X 1,GR 5,YEL ZN	
NI	0971978	55	NUT,HEX HD,5/16,YELLOW DICHROMATE	
NI	0530485	34	NUT,HEX HD,5/16-24,LOCK,GR 5,YEL ZN DICH	
NI	2000255	24	CAPSCREW,HEX HD,5/16-24X2 1/4,GR5,	
NI	2001121	24	WASHER,FLAT,5/16 X 3/4,X 5/64,YEL ZN DICH	
NI	0870477	10	CAPSCREW,HEX HD,1/4-20 X 1,GR 8,YEL ZN	
NI	0659979	10	NUT,HEX,FLANGE SER,1/4-20,BLACK ZINC	
NI	2000024	12	SCREW,1/4-14 X 3/4,B,HEX HD,YEL ZN DICH	
NI	2000636	24	SCREW,1/4-14 X 1/2,AB,PH1,PAN HD,YEL	
NI	1854397	8	RIVET,BLIND,.25 DIA,.38 GRIP	

**Models:** A3RE  
 REAR  
 REAR DAVENPORT  
 WITH SIDE EMERGENCY DOOR  
**With Features:** OPTION 428, 429, 432, 434

Key	PartNumber	Qty	Description	Comment
-----	------------	-----	-------------	---------





**Models:** A3RE  
 REAR  
 REAR DAVENPORT  
 WITH SIDE EMERGENCY DOOR  
**With Features:** OPTION 428, 429, 432, 434

Key	PartNumber	Qty	Description	Comment
1	0016352		RAIL ASSY,HORIZONTAL BOW SUPT,REAR,RH,	
2	0016360		RAIL ASSY,HORIZONTAL BOW SUPT,REAR,LH,	
3	1840750	4	REINFORCEMENT,LWR SKIRT,ENG COMPT	
4	0002824		CHANNEL,GRILL OPNG,FORWARD,RH,DRRE	
5	0013227		CHANNEL,REINF,VERT,REAR STRUCTURE,RH,	
6	0002832		CHANNEL,GRILL OPNG,FORWARD,LH,DRRE	
7	0013235		CHANNEL,REINF,VERT,REAR STRUCTURE,LH,	
8				SEE TABLE OF CONTENTS FOR REAR STRUCTURE ASSEMBLY
9	0002683		CHANNEL,REINFORCEMENT,REAR FLOOR, DRRE	ENDING WITH BSN F10010349
9	0006206		CHANNEL,REINFORCEMENT,REAR FLOOR,DRRE	BEGIN WITH BSN F10010350
10	0000924		GUSSET,FLOOR,REAR SECTION,40.50,LH, DRRE	
11	0016402	2	POST ASSY,BOW,INTERMEDIATE,9 SS, DRRE	STANDARD, ENDING WITH BSN F10012514
11	0009026	2	POST ASSY,BOW,INTERMEDIATE,9SS, DRRE	STANDARD, BEGIN WITH BSN F10012515
11	0000458	2	POST ASSY,BOW,INTERMEDIATE,12 SS, DRRE	OPTION 3337, 3339, ENDING WITH BSN F10012514
11	0009029	2	POST ASSY,BOW,INTERMEDIATE,12SS, DRRE	OPTION 3337, 3339, BEGIN WITH BSN F10012515
12	0016428		BOW ASSY,74 HR,REAR,SED, DRRE	STANDARD OPTION 3339
12	0013219		BOW ASSY,77 HR,REAR,SED, DRRE	OPTION 3337, 3473
13	1529429	4	PLATE,STRIKER,SIDE ACCESS DOOR,A3RE	
14	0002881	3	TRAY,REINFORCEMENT,DVPT SEAT SHELF,	ENDING WITH BSN F10007399
14	0006162	3	TRAY,REINFORCEMENT,DVPT SEAT SHELF,	BEGIN WITH BSN F10007400
15	0002717		CROSSBAR,DAVENPORT SEAT,CENTER, DRRE	
16	0002709		SUPPORT,DAVENPORT,SEAT,LH, DRRE	
17	0002691		SUPPORT,DAVENPORT,SEAT,RH, DRRE	
18	0005439		TRIM,DAVENPORT,ACCESS COVER,LOWER,LH,	
19	0005421		TRIM,DAVENPORT,ACCESS COVER,LOWER,RH,	
20	1809490		TRIM,DAVENPORT,ACCESS COVER,UPPER,RH	
21	1809508		TRIM,DAVENPORT,ACCESS COVER,UPPER,LH	
22	0002808		REINFORCEMENT,VERTICAL,DAVENPORT,RH,	
23	0002816		REINFORCEMENT,VERTICAL,DAVENPORT,LH,	
24	0002865		DAVENPORT,SUPPORT,LEDGE, DRRE	
25	0002907		GUSSET,FLOOR,ENG CMPT,SED,RH, DRRE	WITH SIDE EMERGENCY DOOR

**Models:** A3RE  
 REAR  
 REAR DAVENPORT  
 WITH SIDE EMERGENCY DOOR  
**With Features:** OPTION 428, 429, 432, 434

Key	PartNumber	Qty	Description	Comment
				DOOR
26	0002782		GUSSET,RAIL,BOW SUPPORT,RH, DRRE	
27	0002790		GUSSET,RAIL,BOW SUPPORT,LH, DRRE	
28	1830280		BOW ASSY,74HR,2ND-3RD FROM RR, AARE	STANDARD OPTION 3339
28	1830306		BOW ASSY,77HR,2ND-3RD FROM RRAARE	OPTION 3337, 3473
29	0998187	4	HEADER ASSY,SIDE WDO,35 SECT,74HR,STD,	STANDARD, WITH OPTION 432, 434, 35 IN. SIDE EMERGENCY DOOR
29	0998203	4	HEADER ASSY,SIDE WDO,35 SECT,77HR,STD,	OPTION 3473, WITH OPTION 432, 434, 35 IN. SIDE EMERGENCY DOOR
29	1225127	4	HEADER ASSY,SIDE WDO,35 SECT,77HR,12SS,	OPTION 3337, WITH OPTION 432, 434, 35 IN. SIDE EMERGENCY DOOR
29	1225135	4	HEADER ASSY,SIDE WDO,35 SECT,74HR,12SS,	OPTION 3339, WITH OPTION 432, 434, 35 IN. SIDE EMERGENCY DOOR
29	1479542	4	HEADER ASSY,TSW,35.00 SECT, FMVSS 221	OPTION 3365, 3367, 3376, 3377, WITH OPTION 432, 434, 35 IN. SIDE EMERGENCY DOOR
29	0914200	4	HEADER,SI WDO,35,9 SS,74 & 77 HR,FMVSS	STANDARD, OPTION 3473, WITHOUT OPTION 432, 434, 35 IN. SIDE EMERGENCY DOOR
29	1224344	4	HEADER,SI WDO,35,12 SS,74 HR,FMVSS 221	OPTION 3339, WITHOUT OPTION 432, 434, 35 IN. SIDE EMERGENCY DOOR
29	1224369	4	HEADER,SI WDO,35,12 SS,77 HR,FMVSS 221	OPTION 3337, WITHOUT OPTION 432, 434, 35 IN. SIDE EMERGENCY DOOR
30	0998179	2	HEADER ASSY,SIDE WDO,28 SECT,74HR,STD,	STANDARD. 74" HR, WITHOUT OPTION 428, 429, 28 IN. SIDE EMERGENCY DOOR
30	1225101	2	HEADER ASSY,SIDE WDO,28 SECT,77HR,12SS,	OPTION 3337, WITHOUT OPTION 428, 429, 28 IN. SIDE EMERGENCY DOOR
30	1225119	2	HEADER ASSY,SIDE WDO,28 SECT,74HR,12SS,	OPTION 3339 SECTION, WITHOUT OPTION 428, 429, 28 IN. SIDE EMERGENCY DOOR
30	0998195	2	HEADER ASSY,SIDE WDO,28 SECT,77HR,STD,	OPTION 3473, WITHOUT OPTION 428, 429, 28 IN. SIDE EMERGENCY DOOR
30	1479534	2	HEADER ASSY,TSW,28.00 SECT, FMVSS 221	OPTION 3365, 3367, 3376, 3377, WITHOUT OPTION 428, 429, 28 IN. SIDE EMERGENCY DOOR
30	0998187	2	HEADER ASSY,SIDE WDO,35 SECT,74HR,STD,	STANDARD. 74" HR, WITHOUT OPTION 432, 434, 35 IN. SIDE EMERGENCY DOOR

**Models:** A3RE  
 REAR  
 REAR DAVENPORT  
 WITH SIDE EMERGENCY DOOR  
**With Features:** OPTION 428, 429, 432, 434

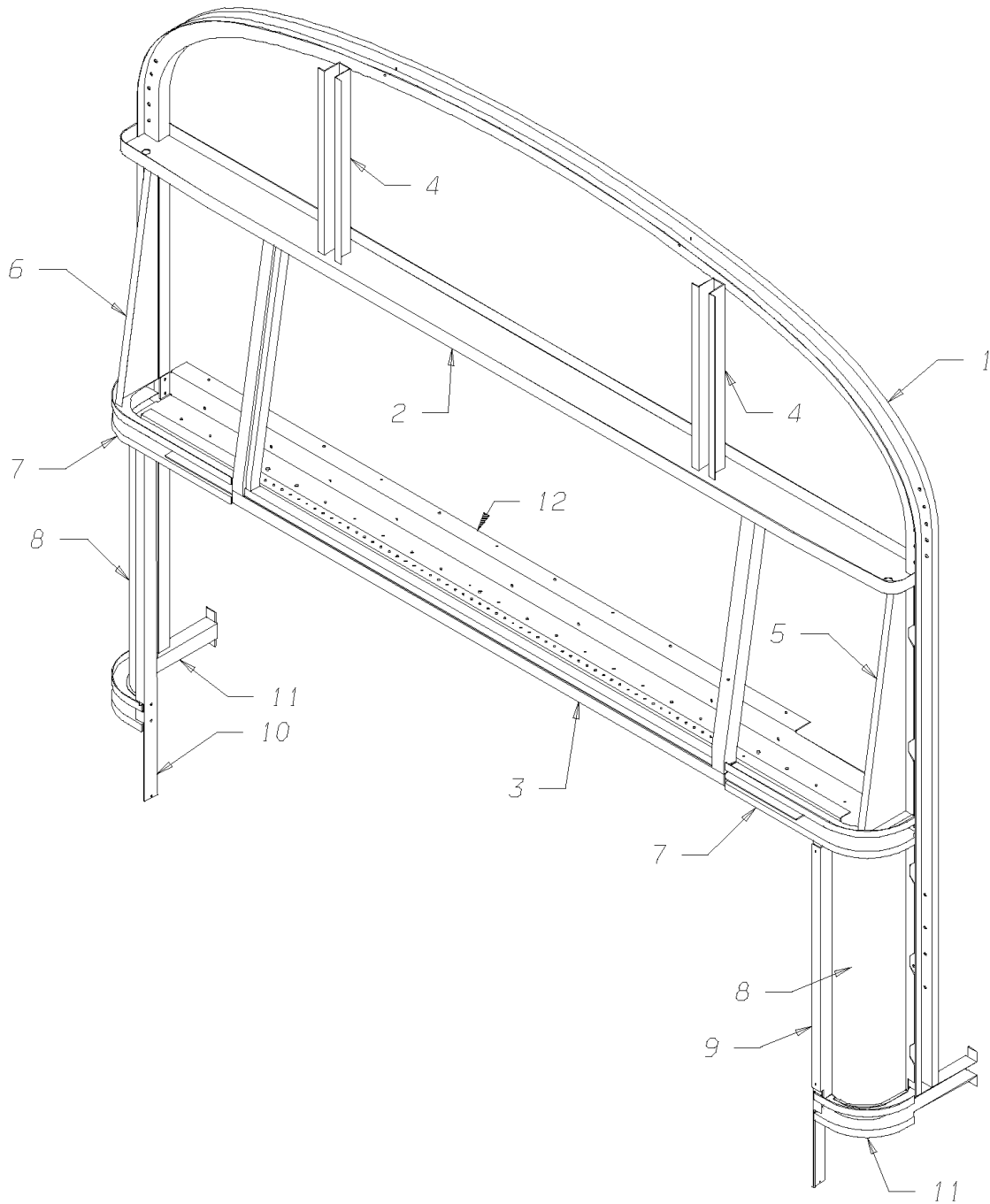
Key	PartNumber	Qty	Description	Comment
30	1225135	2	HEADER ASSY,SIDE WDO,35 SECT,74HR,12SS,	OPTION 3339, WITHOUT OPTION 432, 434, 35 IN. SIDE EMERGENCY DOOR
30	0998203	2	HEADER ASSY,SIDE WDO,35 SECT,77HR,STD,	OPTION 3473. 77" HR, WITHOUT OPTION 432, 434, 35 IN. SIDE EMERGENCY DOOR
30	1225127	2	HEADER ASSY,SIDE WDO,35 SECT,77HR,12SS,	OPTION 3337, WITHOUT OPTION 432, 434, 35 IN. SIDE EMERGENCY DOOR
30	0914218	2	HEADER, SIDE WINDOW,STD, OPT, 3473	STANDARD. 74" HR, OPTION 3473. 77" HR, 28 IN. WITHOUT OPTION 428, 429, 28 IN. SIDE EMERGENCY DOOR
30	1224336	2	HEADER,SI WDO,28,12 SS,74 HR,FMVSS 221	OPTION 3339, WITHOUT OPTION 428, 429, 28 IN. SIDE EMERGENCY DOOR
30	1224351	2	HEADER,SI WDO,28,12 SS,77 HR,FMVSS 221	OPTION 3337, WITHOUT OPTION 428, 429, 28 IN. SIDE EMERGENCY DOOR
30	0914200	2	HEADER,SI WDO,35,9 SS,74 & 77 HR,FMVSS	STANDARD. 74" HR, OPTION 3473. 77" HR, 28 IN. WITHOUT OPTION 428, 429, 28 IN. SIDE EMERGENCY DOOR
30	1224344	2	HEADER,SI WDO,35,12 SS,74 HR,FMVSS 221	OPTION 3339, WITHOUT OPTION 428, 429, 28 IN. SIDE EMERGENCY DOOR
30	1224369	2	HEADER,SI WDO,35,12 SS,77 HR,FMVSS 221	OPTION 3337, WITHOUT OPTION 428, 429, 28 IN. SIDE EMERGENCY DOOR
31	1256346	2	HEADER ASSY,28,BLIND PANELS,IS & OS, RE	
31	1224351	2	HEADER,SI WDO,28,12 SS,77 HR,FMVSS 221	OPTION 3337
32	0016386		BOW,74 HR,REAR, DRRE	STANDARD, 74 HR, ENDING WITH BSN F10014079
32	1831064		BOW,74HR	STANDARD, 74 HR, BEGIN WITH BSN F10014080
32	0013276		BOW,77HR,REAR, DRRE	OPTION 3473, 77 HR, ENDING WITH BSN F10012984
32	1831056		BOW,77HR	OPTION 3473, 77 HR, BEGIN WITH BSN F10012985
33	0002857		PLENUM ASSY,AIR INTAKE, DRRE	ENDING WITH BSN F10032149
33	0028325		PLENUM ASSY,AIR INTAKE,DRRE	BEGIN WITH BSN F10032150
34	0000655		PANEL,CLOSEOUT,AIR PLENUM TO DVPT, DRRE	ENDING WITH BSN F10007799
34	0007827		PANEL ASSY,C/O,AIR PLENUM TO DVPT, DRRE	FROM BSN F10007800 TO BSN F10032149
34	0028320		PANEL ASSY,C/O,AIR PLENUM TO DVPT, DRRE	BEGIN WITH BSN F10032150
35	0001219		RAIL,HORIZ BOW SUPPORT,28,REAR, DRRE	

**Models:** A3RE  
 REAR  
 REAR DAVENPORT  
 WITH SIDE EMERGENCY DOOR  
**With Features:** OPTION 428, 429, 432, 434

Key	PartNumber	Qty	Description	Comment
36	1599471	2	RAIL,HORIZ BOW SUPPORT,UPPER,35	
37	0000656		BRACKET ASSY,SWITCH,BUZZER,SED, DRRE	
38	1608041		GUSSET,TRI,BOW TO FLOOR,AT W/H	<i>ENDING WITH BSN F10019099</i>
38	1609726		GUSSET,TRI,BOW TO FLOOR,AT W/H,35 SED	<i>BEGIN WITH BSN F10019100</i>
NI	2000198	2	SCREW,5/16-18 X 1,D,HEX HD,YEL ZN DICH	
NI	2000073	2	SCREW,1/4-20 X 1,D,HEX HD,YEL ZN DICH	
NI	1167808	8	SCREW,1/4-14 X 3/4,AB,PH1,PAN HD,BLK ZN	
NI	2000156	73	CAPSCREW,HEX HD,5/16-24X 1,GR 5,YEL ZN	
NI	0971978	63	NUT,HEX HD,5/16,YELLOW DICHROMATE	
NI	0530485	42	NUT,HEX HD,5/16-24,LOCK,GR 5,YEL ZN DICH	
NI	2000255	32	CAPSCREW,HEX HD,5/16-24X2 1/4,GR5,	
NI	2001121	32	WASHER,FLAT,5/16 X 3/4,X 5/64,YEL ZN DICH	
NI	0870477	13	CAPSCREW,HEX HD,1/4-20 X 1,GR 8,YEL ZN	
NI	0659979	13	NUT,HEX,FLANGE SER,1/4-20,BLACK ZINC	
NI	2000024	12	SCREW,1/4-14 X 3/4,B,HEX HD,YEL ZN DICH	
NI	2000636	24	SCREW,1/4-14 X 1/2,AB,PH1,PAN HD,YEL	
NI	1854397	8	RIVET,BLIND, .25 DIA, .38 GRIP	

**Models:** A3RE  
 REAR  
 U.K. UNITS ONLY  
 REAR ASSY  
 To CSN 11/03/02

Key	PartNumber	Qty	Description	Comment
-----	------------	-----	-------------	---------

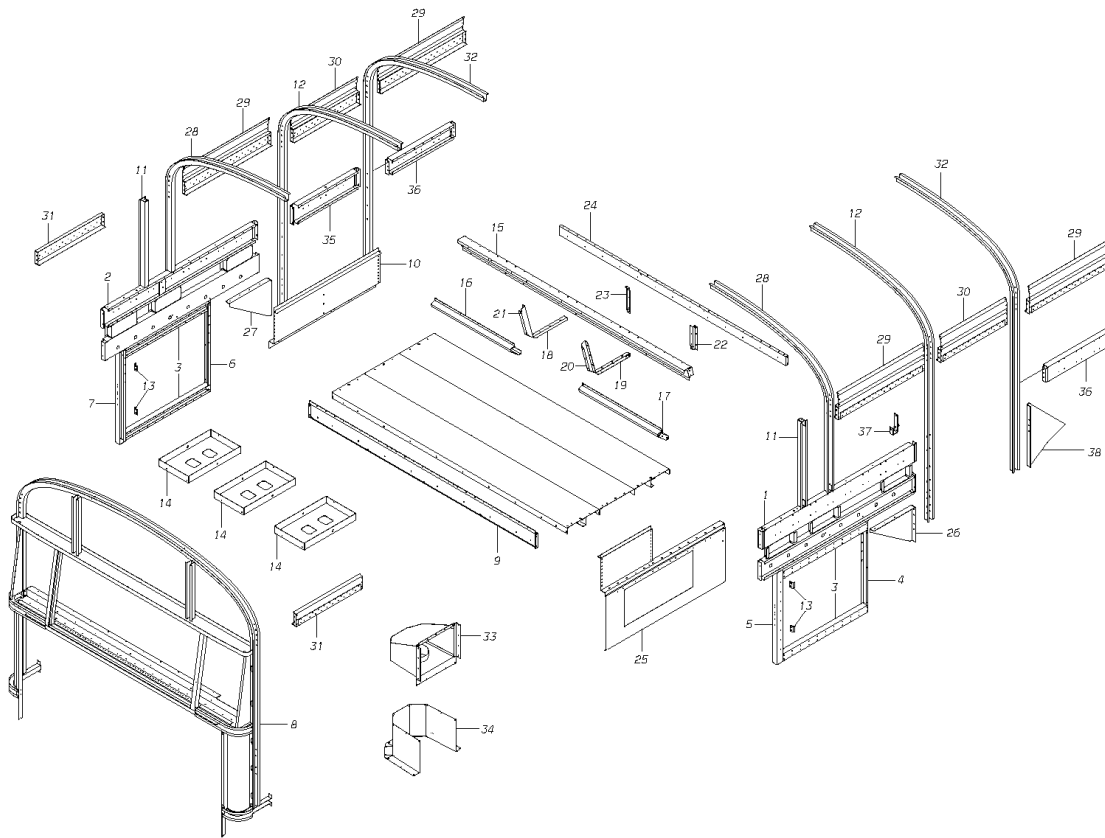


**Models:** **A3RE**  
**REAR**  
**U.K. UNITS ONLY**  
**REAR ASSY**  
**To CSN 11/03/02**

Key	PartNumber	Qty	Description	Comment
	0002733		STRUCTURE ASSY,REAR 77HR, DRRE	
1	0013219		BOW ASSY,77 HR,REAR,SED, DRRE	
2	1154731		HEADER,REAR,PRIMED	
3	1840024		FRAME & WINDOW ASSY,RR EM WDO	
4	1084888		STRINGER,REAR ROOF,77HR	
5	0840264		POST,UPPER,REAR CORNER,RH	
6	0840272		POST,UPPER,REAR CORNER,LH	
7	0751859		BELT RAIL,REAR EMERGENCY WINDOW	
8	0986885		POST,REAR CORNER,LOWER	
9	1580711		CHANNEL,REAR CORNER POST,RH	
10	1580729		CHANNEL,REAR CORNER POST,LH	
11	1524347		BELT RAIL,LOWER,TCRE	
12	0006165		CLOSURE,REAR,DAVENPORT, DRRE	

**Models:** A3RE  
 REAR  
 U.K. UNITS ONLY  
**With Features:** REAR DAVENPORT AREA, WITH ENGINE ACCESS  
 OPTION 0428

Key	PartNumber	Qty	Description	Comment
-----	------------	-----	-------------	---------



**Models:** A3RE  
 REAR  
 U.K. UNITS ONLY  
**With Features:** REAR DAVENPORT AREA, WITH ENGINE ACCESS  
 OPTION 0428

Key	PartNumber	Qty	Description	Comment
1	0016352		RAIL ASSY,HORIZONTAL BOW SUPT,REAR,RH,	
2	0016360		RAIL ASSY,HORIZONTAL BOW SUPT,REAR,LH,	
3	1840750	4	REINFORCEMENT,LWR SKIRT,ENG COMPT	
4	0002824		CHANNEL,GRILL OPNG,FORWARD,RH,DRRE	
5	0013227		CHANNEL,REINF,VERT,REAR STRUCTURE,RH,	
6	0002832		CHANNEL,GRILL OPNG,FORWARD,LH,DRRE	
7	0013235		CHANNEL,REINF,VERT,REAR STRUCTURE,LH,	
8	0002733		STRUCTURE ASSY,REAR 77HR, DRRE	
9	0006206		CHANNEL,REINFORCEMENT,REAR FLOOR,DRRE	
10	0000924		GUSSET,FLOOR,REAR SECTION,40.50,LH, DRRE	
11	0009029	2	POST ASSY,BOW,INTERMEDIATE,12SS, DRRE	
12	0013219		BOW ASSY,77 HR,REAR,SED, DRRE	
13	1529429	4	PLATE,STRIKER,SIDE ACCESS DOOR,A3RE	
14	0006162	3	TRAY,REINFORCEMENT,DVPT SEAT SHELF,	
15	0002717		CROSSBAR,DAVENPORT SEAT,CENTER, DRRE	
16	0002709		SUPPORT,DAVENPORT,SEAT,LH, DRRE	
17	0002691		SUPPORT,DAVENPORT,SEAT,RH, DRRE	
18	0005439		TRIM,DAVENPORT,ACCESS COVER,LOWER,LH,	
19	0005421		TRIM,DAVENPORT,ACCESS COVER,LOWER,RH,	
20	1809490		TRIM,DAVENPORT,ACCESS COVER,UPPER,RH	
21	1809508		TRIM,DAVENPORT,ACCESS COVER,UPPER,LH	
22	0002808		REINFORCEMENT,VERTICAL,DAVENPORT,RH,	
23	0002816		REINFORCEMENT,VERTICAL,DAVENPORT,LH,	
24	0002865		DAVENPORT,SUPPORT,LEDGE, DRRE	
25	0002907		GUSSET,FLOOR,ENG CMPT,SED,RH, DRRE	
26	0002782		GUSSET,RAIL,BOW SUPPORT,RH, DRRE	
27	0002790		GUSSET,RAIL,BOW SUPPORT,LH, DRRE	
28	1830306		BOW ASSY,77HR,2ND-3RD FROM RRAARE	
29	1225127	4	HEADER ASSY,SIDE WDO,35 SECT,77HR,12SS,	
30	1224369	2	HEADER,SI WDO,35,12 SS,77 HR,FMVSS 221	
31	1224351	2	HEADER,SI WDO,28,12 SS,77 HR,FMVSS 221	
32	1831056		BOW,77HR	
33	0028325		PLENUM ASSY,AIR INTAKE,DRRE	



**Models:** A3RE  
 REAR  
 U.K. UNITS ONLY  
**With Features:** REAR DAVENPORT AREA, WITH ENGINE ACCESS  
 OPTION 0428

Key	PartNumber	Qty	Description	Comment
34	0028320		PANEL ASSY,C/O,AIR PLENUM TO DVPT, DRRE	
35	0001219		RAIL,HORIZ BOW SUPPORT,28,REAR, DRRE	
36	1599463	2	RAIL,HORIZ BOW SUPPORT,UPPER,28	
37	0000656		BRACKET ASSY,SWITCH,BUZZER,SED, DRRE	
38	1609726		GUSSET,TRI,BOW TO FLOOR,AT W/H,35 SED	
NI	2000198	2	SCREW,5/16-18 X 1,D,HEX HD,YEL ZN DICH	
NI	2000073	2	SCREW,1/4-20 X 1,D,HEX HD,YEL ZN DICH	
NI	1167808	8	SCREW,1/4-14 X 3/4,AB,PH1,PAN HD,BLK ZN	
NI	2000156	73	CAPSCREW,HEX HD,5/16-24X 1,GR 5,YEL ZN	
NI	0971978	63	NUT,HEX HD,5/16,YELLOW DICHROMATE	
NI	0530485	42	NUT,HEX HD,5/16-24,LOCK,GR 5,YEL ZN DICH	
NI	2000255	32	CAPSCREW,HEX HD,5/16-24X2 1/4,GR5,	
NI	2001121	32	WASHER,FLAT,5/16 X 3/4,X 5/64,YEL ZN DICH	
NI	0870477	13	CAPSCREW,HEX HD,1/4-20 X 1,GR 8,YEL ZN	
NI	0659979	13	NUT,HEX,FLANGE SER,1/4-20,BLACK ZINC	
NI	2000024	12	SCREW,1/4-14 X 3/4,B,HEX HD,YEL ZN DICH	
NI	2000636	24	SCREW,1/4-14 X 1/2,AB,PH1,PAN HD,YEL	
NI	1854397	8	RIVET,BLIND, .25 DIA, .38 GRIP	