

Body

320 Interior

CENTER

43 INCH LIFT
74 HR

77 HR

HEADLINING & INSIDE SIDE PANELS

PARCEL RACK BRACKET, INSTALLATION

With: OPTION 2615 -04, -05, -06, -07, -08, -09, -10, -12, -13, -14

U.K. UNITS ONLY

HEADLINING PANELS, INSIDE SIDE PANELS & WIRE MOLDING

WIRE MOLDING INSTALLATION

To BSN B20107259 L10093804

From BSN B20107260 L10093805

WIRE MOLDING INSTALLATION, WITH TRANSIT WINDOWS

FRONT

To BSN B10064339 F10035824 L10059259

*From BSN B10064340 F10035825 L10059260
To BSN L10093804*

From BSN L10093805

COVER, ANTENNA ACCESS

2-WAY RADIO WRG, CENTER DASH MOUNT

With: FEATURE 30281

RADIO, AM/FM CASSETTE, CONSOLE MTD

With: FEATURE 30260

DASH INSTALLATION

To BSN 10020224

*From BSN 10020225
To BSN F10035824 L10059259*

WITH MANUAL DOOR CONTROL	
<i>From BSN F10035825, L10059260</i>	
_____	16
WITH POWER DOOR CONTROL	
<i>From BSN F10035825 L10059260</i>	
<i>To BSN F10068989 L10133499</i>	
_____	17
<i>From BSN F10068990 L10133500</i>	
_____	18
DASH, DRIVER'S AREA COMPONENTS	
_____	19
FRONT GLOVE COMPARTMENT LATCH	
_____	20
FUSE BLOCK COMPARTMENT ASSY	
<i>To BSN F10020224</i>	
_____	21
OVERHEAD DRIVER'S STORAGE COMPARTMENT LOCKING, WITH ALARM	
<i>With: FEATURE 30906-04</i>	
_____	22
NON-LOCKING AND LOCKING	
<i>With: FEATURE 30906 -01, -02</i>	
_____	23
OVERHEAD EMERGENCY EQUIPMENT COMPARTMENT LOCKING	
<i>With: OPTION 0162</i>	
_____	24
NON-LOCKING	
<i>With: OPTION 0161</i>	
_____	25
U.K. UNITS ONLY	
_____	26
REAR	
_____	27
REAR CLOSEOUT PANEL, AIR INTAKE	
_____	28
U.K. UNITS ONLY	
_____	29
REAR CLOSEOUT PANEL, AIR INTAKE	
_____	30
UPPER PANELS	
_____	31
REAR DAVENPORT	

DAVENPORT PAD, BETWEEN SEATS

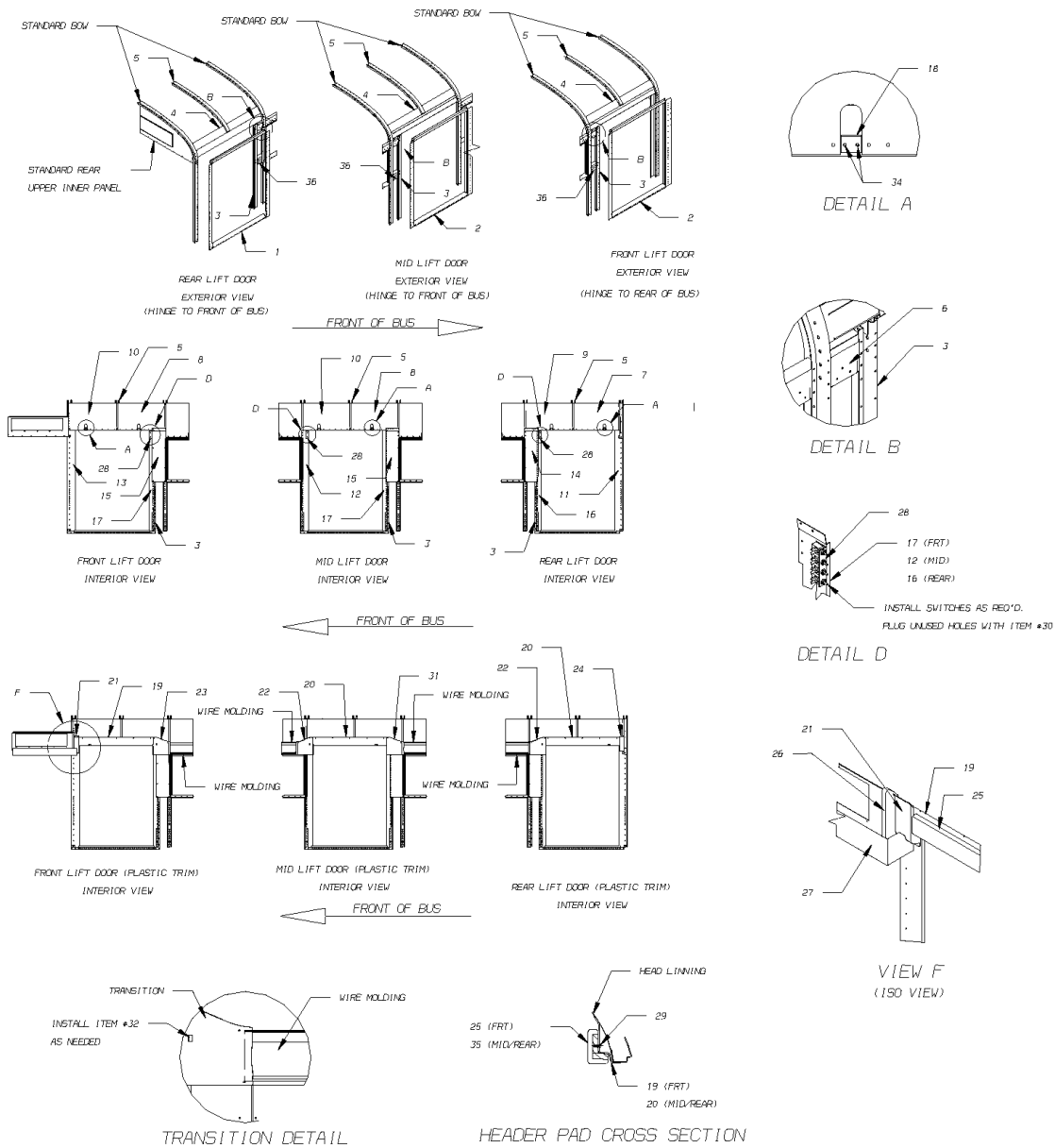
32

INSULATION

33

Models: A3FE, A3RE, BBCV, SBCV, TCFE
CENTER
43 INCH LIFT
74 HR

Key	PartNumber	Qty	Description	Comment
-----	------------	-----	-------------	---------



Models: A3FE, A3RE, BBCV, SBCV, TCFE
CENTER
43 INCH LIFT
74 HR

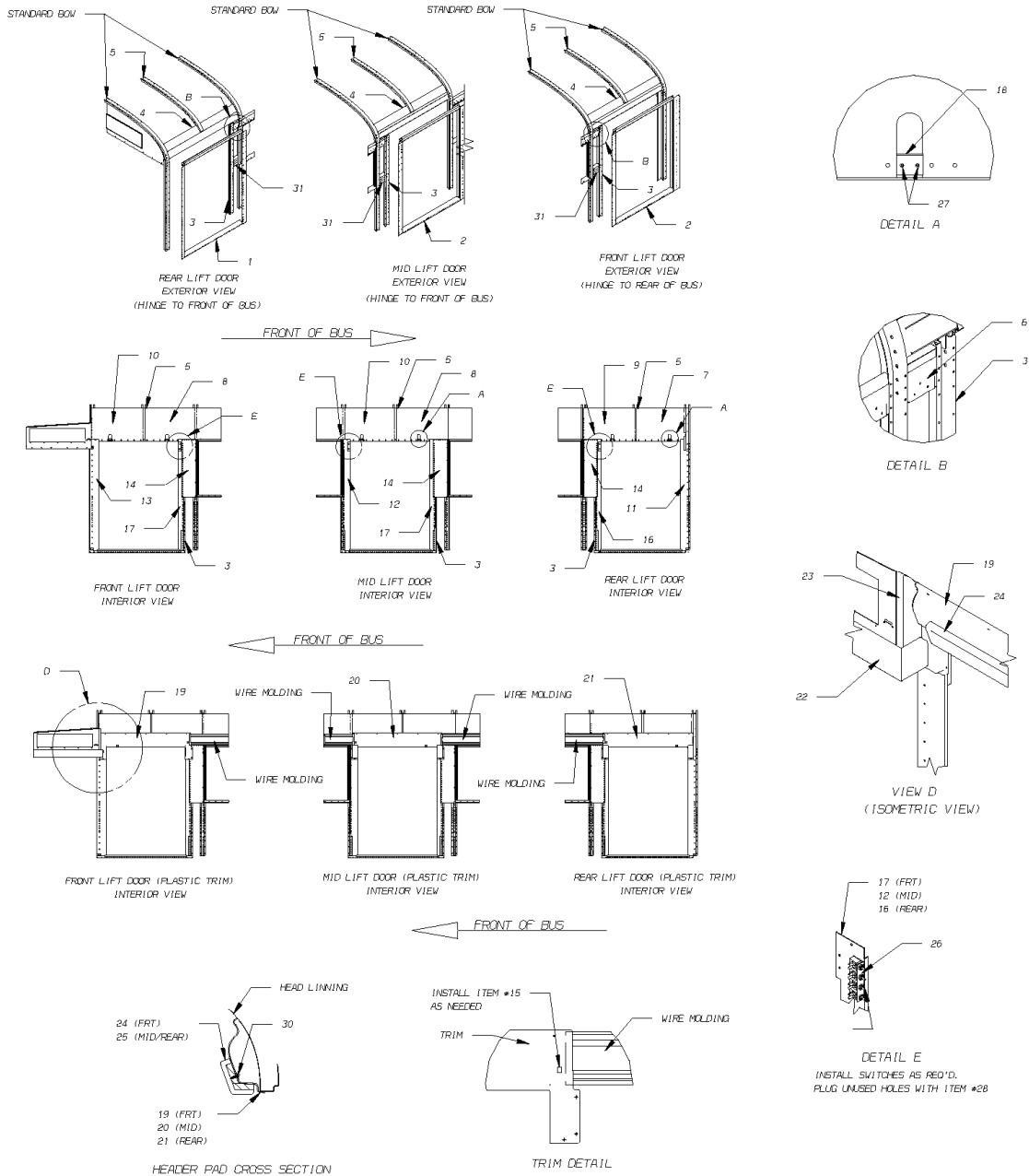
Key	PartNumber	Qty	Description	Comment
1	0051303		FRAME ASSY,LIFT DOOR,REAR,74HR	
2	0051304		FRAME ASSY,LIFT DOOR,FRT/MID,74HR	
3	1830629		BOW ASSY,INTERMEDIATE POST,74HR,COLLINS	
4	1536135		HEADER ASSY,SIDE WDO,56,74HR,LIFT,FMVSS	
5	1831189		BOW,74HR,LIFT DOOR,UPPER	
6	0051019		HEADER ASSY,LIFT DOOR,UPPER,7.00,74HR	
7	0051482		PANEL,H/L,LIFT,REAR,74HR	
7	0051483		PANEL,H/L,LIFT,REAR,PERFORATED,74HR	
8	0051463		PANEL,H/L,LIFT,REARWARD,74HR	
8	0051464		PANEL,H/L,LIFT,REARWARD,PERFORATED,74HR	
9	0051615		PANEL,H/L,REAR LIFT,FORWARD,74HR	
9	0051616		PANEL,H/L,REAR LIFT,FORWARD,	
10	0051459		PANEL,H/L,LIFT,FORWARD,74HR	
10	0051460		PANEL,H/L,LIFT,FORWARD,PERFORATED,74HR	
11	0087460		TRIM,I/S,REAR BOW,REAR W/C LIFT,74HR	
12	0051107		TRIM,I/S,FRONT BOW,MID LIFT,74HR	
13	0087453		TRIM,I/S,FRT BOW,FRT W/C LIFT,74HR	
14	0051261		PANEL,I/S,BLIND,7.00,REAR LIFT,74HR	
14	0051262		PANEL,I/S,BLIND,7.00,RR LIFT,74HR,NON-DOT	
15	0051066		PANEL,I/S,BLIND,7.00,FRT/MID LIFT,74HR	
15	0051068		PANEL,I/S,BLIND,7.00,FRT/MID LIFT,74,NON-	
16	0051106		TRIM,I/S,FRONT BOW,REAR LIFT,74HR	
17	0087455		TRIM,I/S,REAR BOW,FRT/MID W/C LIFT,74HR	
18	0051233		BRACKET,BUZZER SWITCH,LIFT DOOR,74HR	FEATURE 30400-01. ASTRO WHITE
18	0076263		BRACKET,SWITCH,BUZZER,LIFT DR,74HR,	FEATURE 30400-02. FLORIDA GRAY
18	0076264		BRACKET,SWITCH,BUZZER,LIFT DR,74HR,KY	FEATURE 30400-03. KENTUCKY BLUE
18	0086947		BRACKET,SWITCH,BUZZER,LIFT DR,74HR,	FEATURE 30400-04. SEA FOAM GREEN
19	0051592		MOLDING,WIRE,LIFT DOOR,FRONT,74HR	
20	0052326		MOLDING,WIRE,LIFT DOOR,MID/REAR,74HR	
21	0051597		TRIM,WIRE MOLDING,LIFT DOOR,ENT DR,74HR	
22	0053154		TRANSITION,WIRE MLDG,LFT DR,74,LH	
23	0053153		TRANSITION,WIRE MLDG,LFT DR,74,RH	

Models: **A3FE, A3RE, BBCV, SBCV, TCFE**
CENTER
43 INCH LIFT
74 HR

Key	PartNumber	Qty	Description	Comment
24	0051599		TRIM,WIRE MOLDING,LIFT DR,RR UPR	
25	0053722		PAD ASSY,HDR,LIFT DOOR,FRT,74 HR	
26	0058433		PAD ASSY,HDR,O/O ENT DR,REAR,W/LIFT,74	<i>FEATURE 30977-02. OUTWARD OPENING DOOR</i>
26	0053689		PAD ASSY,HDR,J/K ENT D00R,REAR,	<i>FEATURE 30977-03. JACKKNIFE DOOR</i>
27	0045798		PAD ASSY,HDR,O/O ENT DR,CMVSS,74HR., CV	<i>BBCV, SBCV, FEATURE 30977-02. OUTWARD OPENING DOOR</i>
27	1426998		PAD ASSY,HDR,3.00 X 31.00	<i>BBCV, SBCV, FEATURE 30977-03. JACKKNIFE DOOR</i>
27	0045800		PAD ASSY,HDR,O/O ENT DR,CMVSS,74HR,	<i>A3FE. A3RE. TCFE,FEATURE 30977-02. OUTWARD OPENING DOOR</i>
27	1578459		PAD ASSY,HDR,ENT DR, 3.00 X 35.00	<i>A3FE. A3RE. TCFE,FEATURE 30977-03. JACKKNIFE DOOR</i>
28	0053591		BRACKET,MOUNTING,SWITCHES,LIFT DOOR	
29	2000644		SCREW,1/4-14X 3/4,AB,PH1,TRUSS HD,	
30	1351063		PLUG,BUTTON,BLACK,DP-500,HEYCO 2643	
31	0053322		TRANSITION,WIRE MLDG,LFT DR,74,RH W/O	
32	6012066		SWITCH,BLANK,ARCO ELECTRIC	
33	0054228		SCREW,10-16 X 3/4,AB,PHI,PN/HD,ZINC,WHITE	
34	1415769		RIVET,POP,.18 X .45,CHERRY SSPS-6-4	
35	0053715		PAD ASSY,HDR,LIFT DOOR,MID/REAR,74 HR	
36	1467505		BELT BAR ASSY,WINDOW LINE,TSW,7 SECTION	

Models: A3FE, A3RE, BBCV, SBCV, TCFE
CENTER
43 INCH LIFT
77 HR

Key	PartNumber	Qty	Description	Comment
-----	------------	-----	-------------	---------



Models: **A3FE, A3RE, BBCV, SBCV, TCFE**
CENTER
43 INCH LIFT
77 HR

Key	PartNumber	Qty	Description	Comment
1	0051326		FRAME ASSY,LIFT DOOR,REAR,77HR	
2	0051496		FRAME ASSY,LIFT DOOR,FRT/MID,77HR	
3	0051260		BOW ASSY,LIFT,INTERMEDIATE,77HR	
4	0044424		HEADER ASSY,SIDE WDO,56,77HR,LIFT,FMVSS	
5	1825439		BOW,77HR,LIFT DOOR,UPPER	
6	0052196		HEADER ASSY,LIFT DOOR,UPPER,7.00,77HR	
7	0051501		PANEL,H/L,REAR LIFT,REAR,77HR	
7	0051502		PANEL,H/L,REAR LIFT,REAR,PERFORATED,77HR	
8	0051498		PANEL,H/L,LIFT,REARWARD,77HR	
8	0051499		PANEL,H/L,LIFT,REARWARD,PERFORATED,77HR	
9	0051632		PANEL,H/L,REAR LIFT,FORWARD,77HR	
9	0051633		PANEL,H/L,REAR LIFT,FORWARD,	
10	0051491		PANEL,H/L,LIFT,FORWARD,77HR	
10	0051492		PANEL,H/L,LIFT,FORWARD,PERFORATED,77HR	
11	0087457		TRIM,I/S,REAR BOW,REAR W/C LIFT,77HR	
12	0051266		TRIM,I/S,FRONT BOW,MID LIFT,77HR	
13	0087488		TRIM,I/S,FRONT BOW,FRT W/C LIFT,77HR	
14	0051239		PANEL,BLIND,7.00,FRT/MID LIFT DOOR,77HR	
14	0051893		PANEL,BLIND,7.00,FRT/MID LIFT DR,77HR,	
15	6012066		SWITCH,BLANK,ARCO ELECTRIC	
16	0051267		TRIM,I/S,FRONT BOW,REAR LIFT,77HR	
17	0087490		TRIM,I/S,REAR BOW,FRT/MID W/C LIFT,77HR	
18	0051325		BRACKET,BUZZER SWITCH,LIFT DOOR,77HR	<i>FEATURE 30400-01. ASTRO WHITE</i>
18	0076261		BRACKET,SWITCH,BUZZER,LIFT DR,77HR,	<i>FEATURE 30400-02. FLORIDA GRAY</i>
18	0076262		BRACKET,SWITCH,BUZZER,LIFT DR,77HR,KY	<i>FEATURE 30400-03. KENTUCKY BLUE</i>
18	0086948		BRACKET,SWITCH,BUZZER,LIFT DR,77HR,	<i>FEATURE 30400-04. SEA FOAM GREEN</i>
19	0053635		TRIM,WIRE MOLDING.FRT LIFT DOOR,77 HR	
20	0053622		TRIM,WIRE MOLDING,MID LIFT DOOR,77 HR	
21	0053636		TRIM,WIRE MOLDING,REAR LIFT DOOR,77 HR	
22	0053695		PAD ASSY,HDR,O/O ENT DR,W/LIFT,77HR., CV	<i>BBCV, SBCV, FEATURE 30977-02, OUTWARD OPENING DOOR</i>
22	1426998		PAD ASSY,HDR,3.00 X 31.00	<i>BBCV, SBCV, FEATURE 30977-02, OUTWARD OPENING DOOR</i>

Models: **A3FE, A3RE, BBCV, SBCV, TCFE**
CENTER
43 INCH LIFT
77 HR

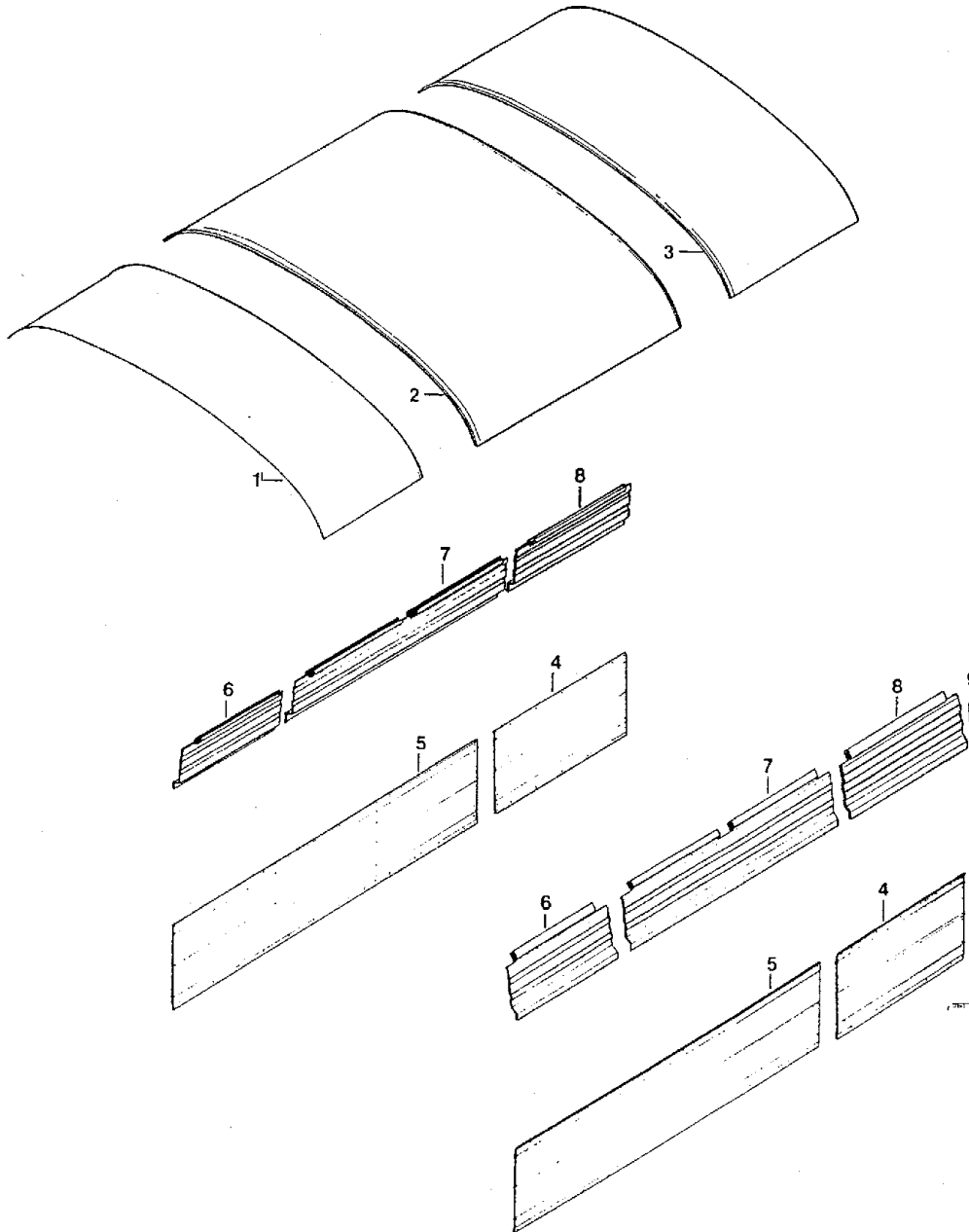
Key	PartNumber	Qty	Description	Comment
22	0053694		PAD ASSY,HDR,O/O ENT DR,W/LIFT,77HR., A3	<i>A3FE. A3RE. TCFE,FEATURE 30977-02. OUTWARD OPENING DOOR</i>
22	1578459		PAD ASSY,HDR,ENT DR, 3.00 X 35.00	<i>A3FE. A3RE. TCFE,FEATURE 30977-03. JACKKNIFE DOOR</i>
23	0057508		PAD ASSY,HDR,O/O ENT DR,REAR 77HR	<i>FEATURE 30977-02. OUTWARD OPENING DOOR</i>
23	0053082		PAD ASSY,HDR,J/K ENT D00R,REAR,77HR	<i>FEATURE 30977-03. JACKKNIFE DOOR</i>
24	0053721		PAD ASSY,HDR,LIFT DOOR,FRT,77 HR	
25	0053318		PAD ASSY,HDR,LIFT DOOR,MID/REAR,77 HR	
26	0053591		BRACKET,MOUNTING,SWITCHES,LIFT DOOR	
27	1415769		RIVET,POP,.18 X .45,CHERRY SSPS-6-4	
28	1351063		PLUG,BUTTON,BLACK,DP-500,HEYCO 2643	
29	0054228		SCREW,10-16 X 3/4,AB,PHI,PN/HD,ZINC,WHITE	
30	2000644		SCREW,1/4-14X 3/4,AB,PH1,TRUSS HD,	
31	1467505		BELT BAR ASSY,WINDOW LINE,TSW,7 SECTION	

Models: A3FE, A3RE, TCFE, TCRE
CENTER
HEADLINING & INSIDE SIDE PANELS

Key	PartNumber	Qty	Description	Comment
-----	------------	-----	-------------	---------

DR 6/2/82 BY JGT
APP. 6-2-82 BY DB 8000135

© 1982 BLUE BIRD BODY COMPANY
ALL RIGHTS RESERVED



**Models: A3FE, A3RE, TCFE, TCRE
CENTER
HEADLINING & INSIDE SIDE PANELS**

Key	PartNumber	Qty	Description	Comment
1	1074970		PANEL,H/L,REAR,28	74" HR, STANDARD
1	1086438		PANEL,H/L,REAR,28,77 HR	77" HR, OPTION 3471
NI	1824168		PANEL,H/L,REAR,28,PERF,74HR,9SS	OPTION 1503 WITH OPTION 1494, 1504, STANDARD
NI	1908425		PANEL,H/L,REAR,28,PERF, TSFE	OPTION 1503 WITH OPTION 1494, 1504, TSFE ONLY
NI	1824036		PANEL,H/L,REAR,28,PERF,77HR,12SS	OPTION 1503 WITH OPTION 1494, 1504, OPTION 3337
NI	1824044		PANEL,H/L,REAR,28,PERF,74HR,12SS	OPTION 1503 WITH OPTION 1494, 1504, OPTION 3339
NI	1824176		PANEL,H/L,REAR,28,PERF,77HR,9SS	OPTION 1503 WITH OPTION 1494, 1504, OPTION 3471
2	1075019		PANEL,H/L,28,74HR	STANDARD, 74 IN. HR, ENDING WITH BSN B10107204, F10056064, L10093804
2	0043805		PANEL,H/L,28 SECT,74HR"	STANDARD, 74 IN. HR, BEGIN WITH BSN B10107205, F10056065, L10093805
2	1075001		PANEL,H/L,35,74HR	STANDARD, 74 IN. HR
2	1309582		PANEL,H/L,56,74HR	STANDARD, 74 IN. HR
2	1086396		PANEL,H/L,28,77HR	OPTION 3471, 77 IN. HR
2	1086388		PANEL,H/L,35,77HR	OPTION 3471, 77 IN. HR
2	1309608		PANEL,H/L,56,77HR	OPTION 3471, 77 IN. HR
2	0834655		PANEL,H/L,28,12 SS,74 HR	OPTION 3339
2	0834663		PANEL,H/L,HEM,35IN,12SS,74HR	OPTION 3339
2	1086644		PANEL,H/L,28,12 SS,77 HR	OPTION 3337, ENDING WITH BSN B10107204, F10056064, L10093804
2	0043804		PANEL,H/L,28 SECT,77HR	OPTION 3337, BEGIN WITH BSN B10107205, F10056065, L10093805
2	1086651		PANEL,H/L,35,12SS,77HR	OPTION 3337,
2	1309590		PANEL,H/L,56,12SS,TSW,77HR	OPTION 3337,
3				SEE TABLE OF CONTENTS, FRONT INTERIOR & ELECTRICAL PANEL
4-5	1310317		PANEL,I/S,1-10.50,22GA,CRSZC	STANDARD, ENDING WITH BSN 188882
4-5	1310309		PANEL,I/S,1-19.12,22GA,CRSZC	STANDARD, ENDING WITH BSN 188882
4-5	1310200		PANEL,I/S,1-28,22GA	STANDARD, ENDING WITH BSN 188882
4-5	1310275		PANEL,I/S,1-35,22GA	STANDARD, ENDING WITH BSN 188882
4-5	1310218		PANEL,I/S,2-28,22GA	

**Models: A3FE, A3RE, TCFE, TCRE
CENTER
HEADLINING & INSIDE SIDE PANELS**

Key	PartNumber	Qty	Description	Comment
				188882
4-5	1310283		PANEL,I/S,2-35,22GA	STANDARD, ENDING WITH BSN 188882
4-5	1310226		PANEL,I/S,3-28,22GA	STANDARD, ENDING WITH BSN 188882
4-5	1310291		PANEL,I/S,3-35,22GA	STANDARD, ENDING WITH BSN 188882
4-5	1310234		PANEL,I/S,4-28,22GA	STANDARD, ENDING WITH BSN 188882
4-5	1310242		PANEL,I/S,5-28,22GA	STANDARD, ENDING WITH BSN 188882
4-5	1830579		PANEL,I/SS,TEXT ALUM STL,7.00	TSFE, STANDARD, BEGIN WITH BSN 188883
4-5	1830587		PANEL,I/SS,TEXT ALUM STL,1-10.5	STANDARD, BEGIN WITH BSN 188883
4-5	1830611		PANEL,I/SS,TEXT ALUM STL,1-19.12	STANDARD, BEGIN WITH BSN 188883
4-5	1830454		PANEL,I/SS,TEXT ALUM STL,1-28	STANDARD, BEGIN WITH BSN 188883
4-5	1830504		PANEL,I/SS,TEXT ALUM STL,1-35	STANDARD, BEGIN WITH BSN 188883
4-5	1830462		PANEL,I/SS,TEXT ALUM STL,2-28	STANDARD, BEGIN WITH BSN 188883
4-5	1882224		PANEL,I/SS,63,FWD LFT DR, TSFE	TSFE, STANDARD, BEGIN WITH BSN 188883
4-5	1830512		PANEL,I/SS,TEXT ALUM STL,2-35	STANDARD, BEGIN WITH BSN 188883
4-5	1830470		PANEL,I/SS,TEXT ALUM STL,3-28	STANDARD, BEGIN WITH BSN 188883
4-5	1830520		PANEL,I/SS,TEXT ALUM STL,3-35	STANDARD, BEGIN WITH BSN 188883
4-5	1830488		PANEL,I/SS,TEXT ALUM STL,4-28	STANDARD, BEGIN WITH BSN 188883
4-5	1830546		PANEL,I/SS,TEXT ALUM STL,5-28	STANDARD, BEGIN WITH BSN 188883
4-5	1501204		PANEL,I/S,TEX ALUM STL,1-10.50 SECT	OPTION 2448, ENDING WITH BSN 188882
4-5	1501238		PANEL,I/S,TEX ALUM STL,1-19.12 SECT	OPTION 2448, ENDING WITH BSN 188882
4-5	1501246		PANEL,I/S,TEX ALUM STL,1-28.00 SECT	OPTION 2448, ENDING WITH BSN 188882
4-5	1501295		PANEL,I/S,TEX ALUM STL,1-35.00 SECT	OPTION 2448, ENDING WITH BSN 188882
4-5	1501253		PANEL,I/S,TEX ALUM STL,2-28.00 SECT	OPTION 2448, ENDING WITH BSN 188882
4-5	1501303		PANEL,I/S,TEX ALUM STL,2-35.00 SECT	OPTION 2448, ENDING WITH BSN 188882

Models: A3FE, A3RE, TCFE, TCRE
**CENTER
 HEADLINING & INSIDE SIDE PANELS**

Key	PartNumber	Qty	Description	Comment
4-5	1501261		PANEL,I/S,TEX ALUM STL,3-28.00 SECT	OPTION 2448, ENDING WITH BSN 188882
4-5	1501311		PANEL,I/S,TEX ALUM STL,3-35.00 SECT	OPTION 2448, ENDING WITH BSN 188882
4-5	1501279		PANEL,I/S,TEX ALUM STL,4-28.00 SECT	OPTION 2448, ENDING WITH BSN 188882
4-5	1848555		PANEL,I/SS,TEXT ALUM STL,FULL HEM,RH,7,	OPTION 2449
4-5	1924596		PANEL,I/SS,TEXT ALUM STL,F/HEM,SED 1-7,2	OPTION 2449
4-5	1848662		PANEL,I/SS,TEXT ALUM STL,FULL HEM,SED,2-28	OPTION 2449
4-5	1848365		PANEL,I/SS,TEXT ALUM STL,FULL HEM,RH,4-28	OPTION 2449
4-5	1848472		PANEL,I/SS,TEXT ALUM STL,FULL HEM,LH,4-28	OPTION 2449
4-5	1848688		PANEL,I/SS,TEXT ALUM STL,FULL HEM,SED,4-28	OPTION 2449
4-5	1848373		PANEL,I/SS,TEXT ALUM STL,FULL HEM,RH,5-28	OPTION 2449
4-5	1848480		PANEL,I/SS,TEXT ALUM STL,FULL HEM,LH,5-28	OPTION 2449
4-5	1830116		PANEL,I/SS,VINYL,1-7,22 GA	OPTION 2459
4-5	1830058		PANEL,I/SS,VINYL,1-10.5,22 GA	OPTION 2459
4-5	1830066		PANEL,I/SS,VINYL,1-19.12,22 GA	OPTION 2459
4-5	1830025		PANEL,I/SS,VINYL,1-28,22 GA	OPTION 2459
4-5	1830074		PANEL,I/SS,VINYL,1-35,22 GA	OPTION 2459
4-5	1830033		PANEL,I/SS,VINYL,2-28,22 GA	OPTION 2459
4-5	1907187		PANEL,I/SS,VINYL,63,FWD LFT DR,22 GA, TSFE	OPTION 2459
4-5	1907195		PANEL,I/SS,VINYL,4-28,22 GA, TSFE	OPTION 2459
4-5	1907203		PANEL,I/SS,VINYL,5-28,22 GA, TSFE	OPTION 2459
4-5	1830082		PANEL,I/SS,VINYL,2-35,22 GA	OPTION 2459
4-5	1830041		PANEL,I/SS,VINYL,3-28,22 GA	OPTION 2459
6			WIRE MOLDING; REAR SECTION	SEE INTERIOR REAR SECTION
7-8	1824390		MOLDING,WIRE,LIFT DOOR,40,1-10.5	
7-8	1264654		MOLDING,WIRE,LIFT DOOR,1-19 1/8	
7-8	1824275		MOLDING,WIRE,1-28	
7-8	1824325		MOLDING,WIRE,1-35	
7-8	1824283		MOLDING,WIRE,2-28	
7-8	1824333		MOLDING,WIRE,2-35	
7-8	1824291		MOLDING,WIRE,3-28	
7-8	1824341		MOLDING,WIRE,3-35	
7-8	1824309		MOLDING,WIRE,4-28	

Models: A3FE, A3RE, TCFE, TCRE
**CENTER
 HEADLINING & INSIDE SIDE PANELS**

Key	PartNumber	Qty	Description	Comment
7-8	1824317		MOLDING,WIRE,5-28	
NI	1511740		MOLDING,WIRE,FRONT,LH, TCFC/CV	
9	1511781		CAP,WIRE,DRIVERS WINDOW, CONV	STANDARD
9	0836569		CAP,WIRE MOLDING,FRONT,12SS,74HR,TSW	OPTION 3339
9	0836601		CAP,WIRE MOLDING,FRONT,12SS,77HR,TSW	OPTION 3337, 3471
NI	1511773		CAP,WIRE,DRIVERS WINDOW, TCFC/AAFC	
NI	1825066		MOLDING,WIRE,LIFT DOOR,40,9SS,FIRST,	STANDARD
NI	1825058		MOLDING,WIRE,LIFT DOOR,40,9SS,SECOND	STANDARD
NI	1825033		MOLDING,WIRE,LIFT DOOR,49,9SS,M/M	STANDARD
NI	1825116		MOLDING,WIRE,LIFT DOOR,40,9SS,REAR,45.5	STANDARD
NI	1824903		MOLDING,WIRE,LIFT DOOR,40-43,12SS,FIRST	OPTION 3339
NI	1824911		MOLDING,WIRE,LIFT DOOR,40,12SS,M/M	OPTION 3339
NI	1824937		MOLDING,WIRE,LIFT DOOR,40-43,12SS,REAR	OPTION 3339
NI	1824275		MOLDING,WIRE,1-28	OPTION 2826 WITH, 28" STANDARD OPTION 3337, 3339, 3471
NI	1824325		MOLDING,WIRE,1-35	OPTION 2826 WITH, 35" STANDARD OPTION 3337, 3339, 3471
NI	1824317		MOLDING,WIRE,5-28	OPTION 2826 WITH, 140"; STANDARD OPTION 3337; 3339; 3473
NI	1429232		PAN,CLOSEOUT,3-POINT BELT,74HR,STD SS	STANDARD
NI	1457225		PAN,CLOSEOUT,3-POINT BELT,77HR,TSW/12SS	OPTION 3337
NI	1457217		PAN,CLOSEOUT,3-POINT BELT,74HR,12SS	OPTION 3339
NI	1443639		PAN,CLOSEOUT,3-POINT BELT,77HR,STD SS	OPTION 3471
NI	1434182		BRACKET,RETRACTOR,3-PT BELT,74HR,STD SS	STANDARD . 5"
NI	1449669		BRACKET,RETRACTOR,3-PT BELT,74HR,STD	STANDARD . 10"
NI	1455542		BRACKET,RETRACTOR,3-PT BELT,77HR,12SS	OPTION 3337
NI	1455591		BRACKET,RETRACTOR,3-PT BELT,74HR,12SS	OPTION 3339
NI	1434190		BRACKET,D-RING,3 POINT BELT,74SS-5	STANDARD. 5"
NI	1443647		BRACKET,D-RING,3-POINT BELT,74SS-10	STANDARD. 10"
NI	1455609		BRACKET,D-RING,3-POINT	OPTION 3337
NI	1455682		BRACKET,D-RING,3-POINT BELT,74HR,12SS	OPTION 3339
NI	1443613		BRACKET,D-RING,3-POINT BELT,77SS-5	OPTION 3471. 5"
NI	1450162		BRACKET,D-RING,3-POINT BELT,77SS-10	OPTION 3471. 10"

Models: A3FE, A3RE, TCFE, TCRE
CENTER
HEADLINING & INSIDE SIDE PANELS

Key	PartNumber	Qty	Description	Comment
NI	1554096		CAP,WIRE,DRIVERS WINDOW,36.75,TC	

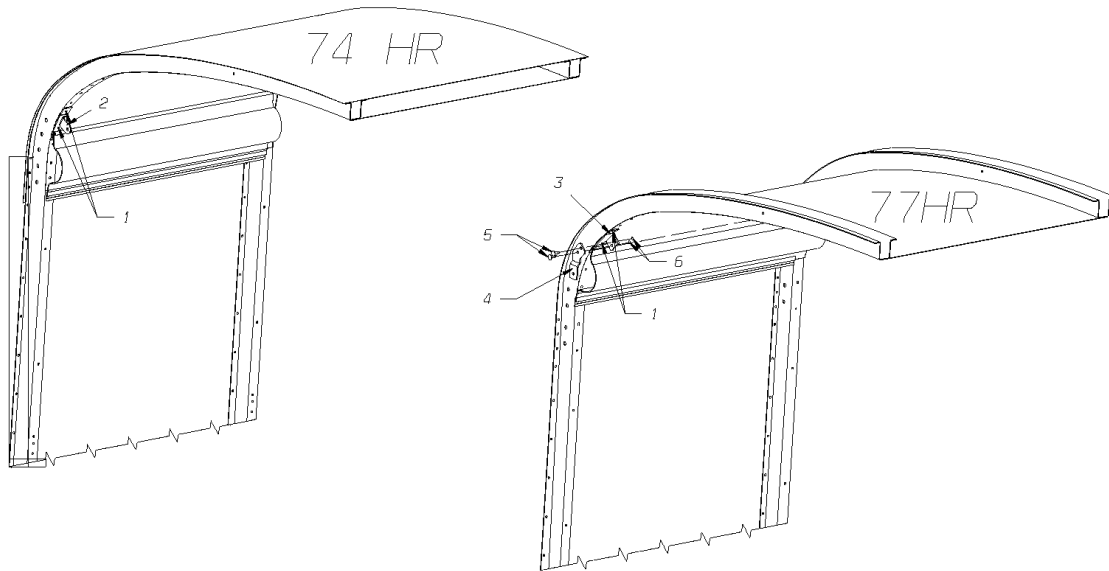
Models: A3FE, A3RE, BBCV, SBCV

CENTER

PARCEL RACK BRACKET, INSTALLATION

With Features: OPTION 2615 -04, -05, -06, -07, -08, -09, -10, -12, -13, -14

Key	PartNumber	Qty	Description	Comment
-----	------------	-----	-------------	---------



Models: A3FE, A3RE, BBCV, SBCV

CENTER

PARCEL RACK BRACKET, INSTALLATION

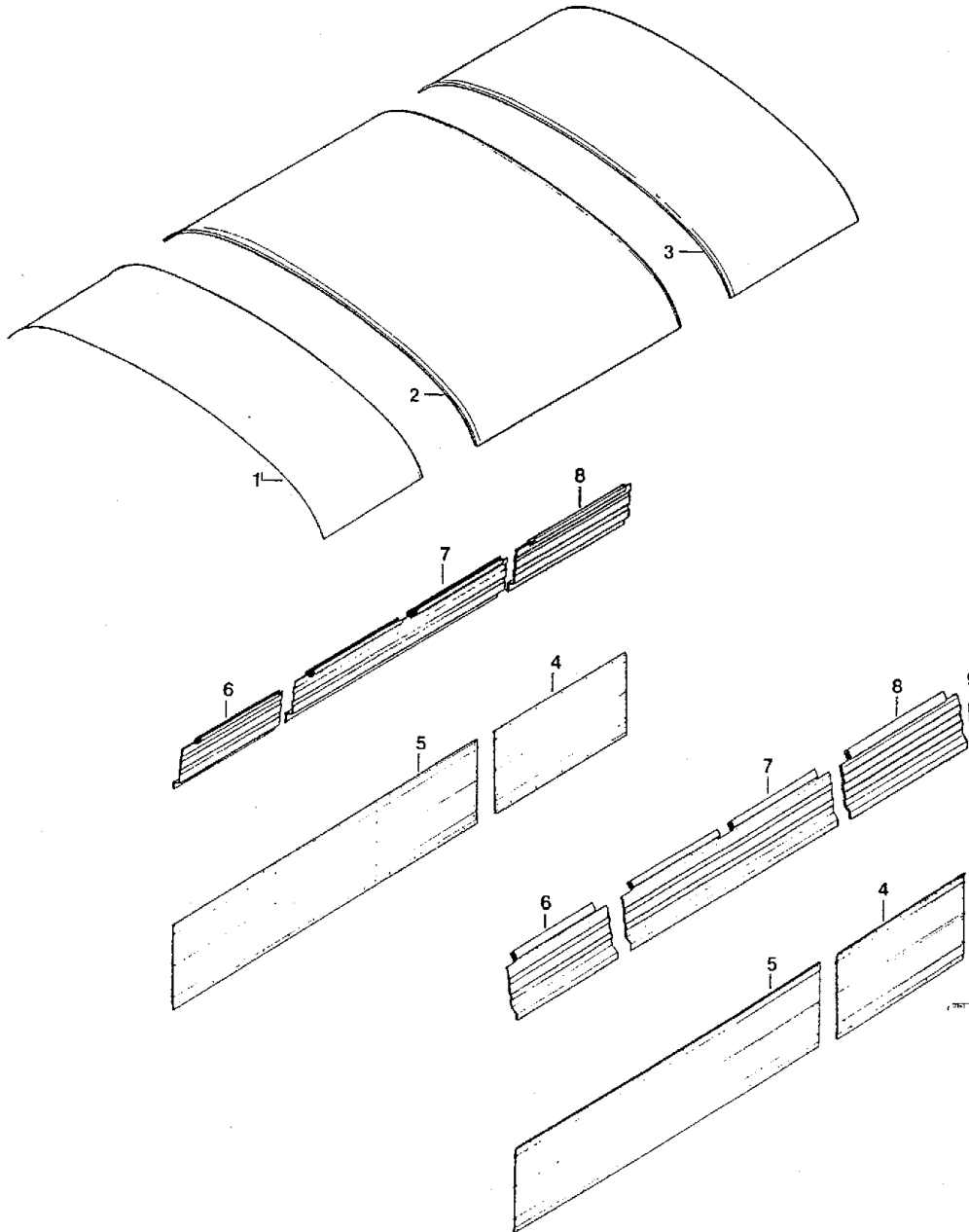
With Features: OPTION 2615 -04, -05, -06, -07, -08, -09, -10, -12, -13, -14

Key	PartNumber	Qty	Description	Comment
1	1167808	2	SCREW,1/4-14 X 3/4,AB,PH1,PAN HD,BLK ZN	
2	0056268		BRACKET ASSY,MTG PARCEL RACK,74 HR	
3	0056269		BRACKET,WALL MOUNT,PARCEL RACK,77 HR	
4	0056270		BRACKET,MTG PARCEL RACK,77 HR	
5	2000792	2	SCREW,MACH,1/4-20X1/2,PH1,RD HD,YEL ZN	
6	2001360	2	NUT,ACORN,1/4-20,NICKEL"	

Models: **A3RE
CENTER
U.K. UNITS ONLY
HEADLINING PANELS, INSIDE SIDE PANELS & WIRE MOLDING**

Key	PartNumber	Qty	Description	Comment
-----	------------	-----	-------------	---------

DR 6/2/82 BY JGT
APP. 6-2-82 BY DB
8000135
© 1982 BLUE BIRD BODY COMPANY
ALL RIGHTS RESERVED

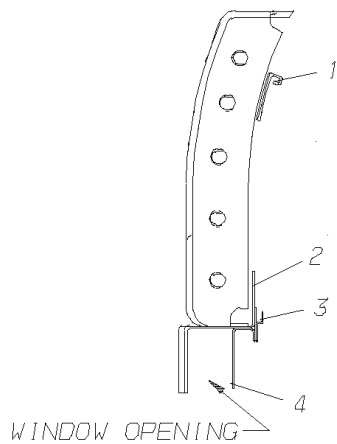
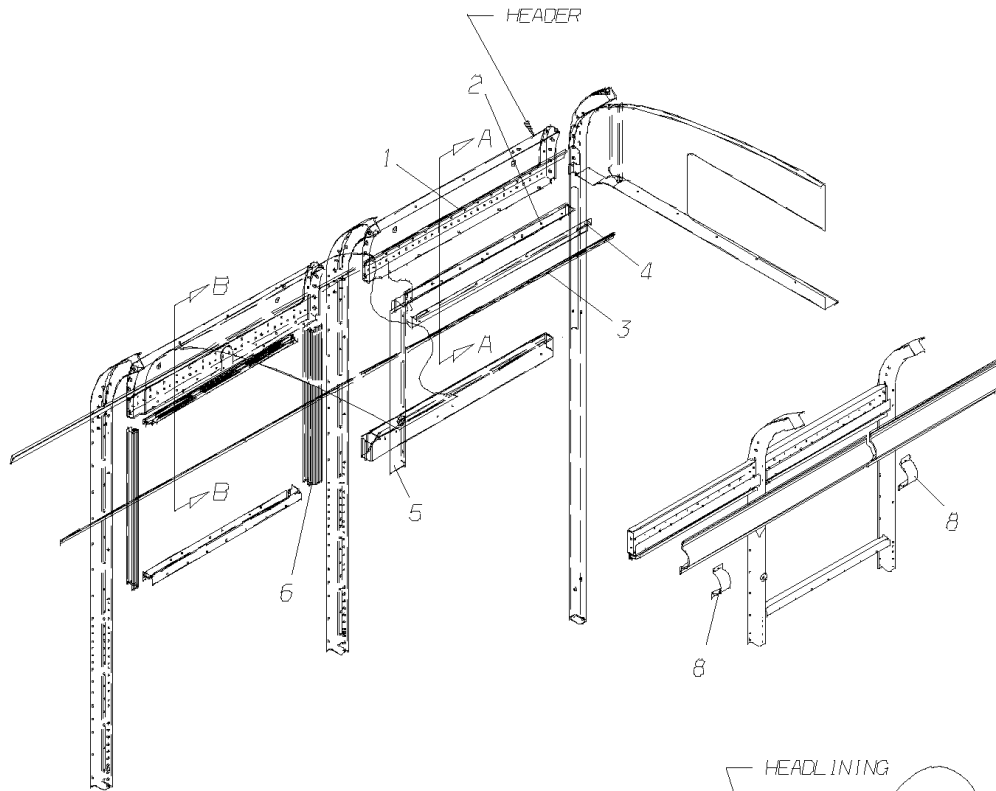


**Models: A3RE
 CENTER
 U.K. UNITS ONLY
 HEADLINING PANELS, INSIDE SIDE PANELS & WIRE MOLDING**

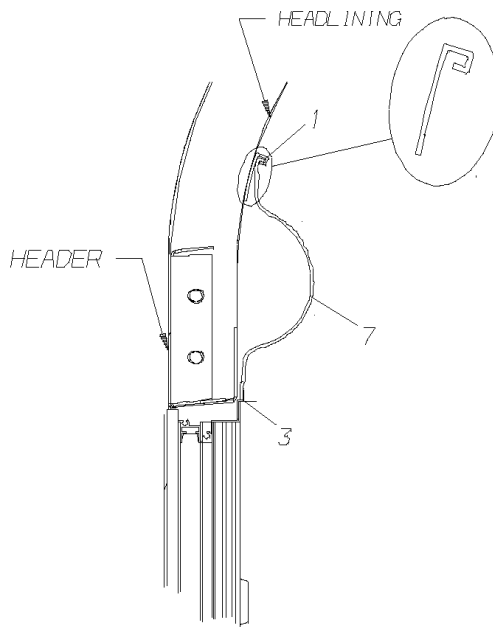
Key	PartNumber	Qty	Description	Comment
1	1091057		PANEL,H/L,REAR,28,12 SS,TSW,77 HR	
2	1086651		PANEL,H/L,35,12SS,77HR	
2	1309590		PANEL,H/L,56,12SS,TSW,77HR	
3	1752542		PANEL,H/L,FRT,DRV DOME,TSW & 12SS,77HR,	
NI	1744325		PANEL,I/S,DRV'S,36.75,TSW,77 HR,FMV221,	
4-5	1830454		PANEL,I/SS,TEXT ALUM STL,1-28	
4-5	1830462		PANEL,I/SS,TEXT ALUM STL,2-28	
4-5	1830520		PANEL,I/SS,TEXT ALUM STL,3-35	
4-5	1830546		PANEL,I/SS,TEXT ALUM STL,5-28	
NI	0013243		PANEL,I/SS,LAST SECTION,RH, DRRE	
6	1824374		MOLDING,WIRE,REAR,28	
7-8	1824275		MOLDING,WIRE,1-28	
7-8	1824325		MOLDING,WIRE,1-35	
7-8	1824283		MOLDING,WIRE,2-28	<i>56 IN SECTION</i>
7-8	1824366		MOLDING,WIRE,1-28,1-35,LH	<i>63 IN SECTION</i>
7-8	1824358		MOLDING,WIRE,1-28,1-35,RH	<i>63 IN SECTION</i>
7-8	1824341		MOLDING,WIRE,3-35	<i>105 IN SECTION</i>
7-8	1824317		MOLDING,WIRE,5-28	<i>140 INCH SECTION</i>
9				<i>NOT APPLICABLE</i>

Models: A3FE, A3RE, GMCV, SBCV, TCFE
 CENTER
 WIRE MOLDING INSTALLATION
 To BSN B20107259 L10093804

Key	PartNumber	Qty	Description	Comment
-----	------------	-----	-------------	---------



SECTION "A - A"
 DRIVER'S WINDOW



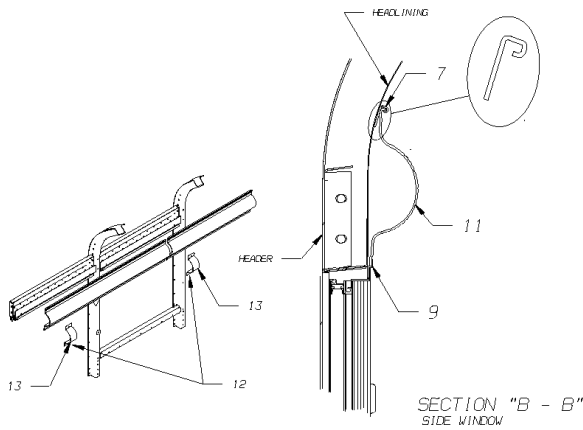
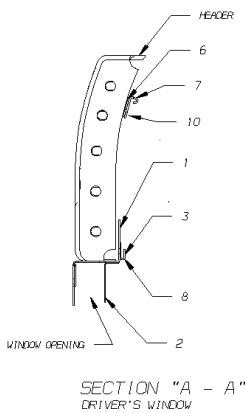
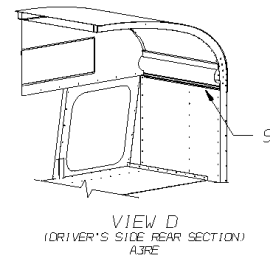
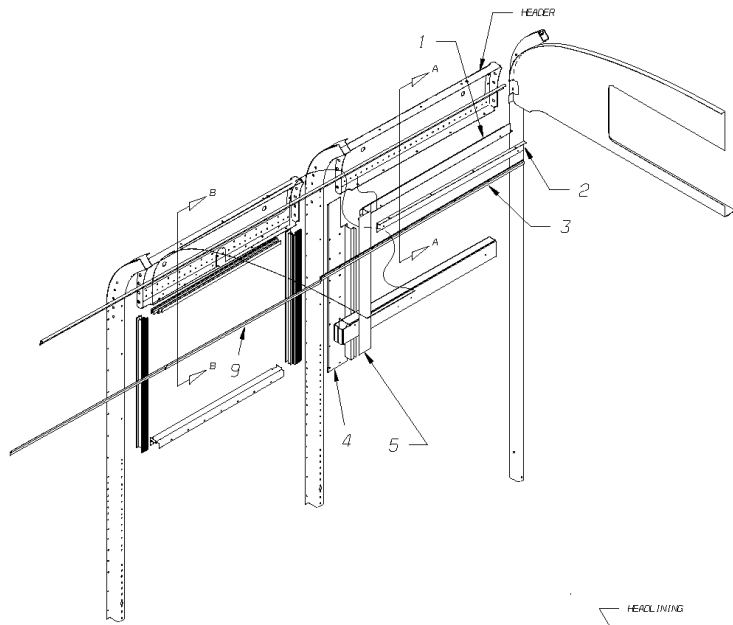
SECTION "B - B"
 SIDE WINDOW

**Models: A3FE, A3RE, GMCV, SBCV, TCFE
CENTER
WIRE MOLDING INSTALLATION
To BSN B20107259 L10093804**

Key	PartNumber	Qty	Description	Comment
1	0050637		EXTRUSION,RETAINER,WIRE MOLDING,UPPER	
NI	1415769		RIVET,POP,.18 X .45,CHERRY SSPS-6-4	
2	0046116		TRIM,DRV WDO,OUTER,UPR, A3/TC	
2	0046115		TRIM,DRV WDO,OUTER,UPR, CV	<i>GMCV, SBCV-INTERNATIONAL</i>
2	0046577		TRIM,UPPER,DRIVERS WINDOW,CMVSS, FTLR	
3	0044886		TRACK,WIRE MOLDING,LOWER	
4	0046570		TRIM,UPPER,DRIVERS WINDOW,CMVSS, TC/A3	
4	0046569		TRIM,UPPER,DRIVERS WINDOW,CMVSS, CV	<i>GMCV, SBCV-INTERNATIONAL</i>
4	0046577		TRIM,UPPER,DRIVERS WINDOW,CMVSS, FTLR	
5	0044453		CAP,WIRE,DRIVERS WINDOW,, TC/A3	
5	0044426		CAP,WIRE,DRIVERS WINDOW, CV	<i>GMCV, SBCV</i>
6	0047477		BOW CAP,OUTER,LH,FRONT,74 HR, A3	<i>74 HR</i>
6	0047479		BOW CAP,OUTER,LH FRONT,74 HR,CV	<i>GMCV, SBCV. 74" HR</i>
6	0047480		BOW CAP,OUTER,12 S/S,LH,FRONT,221, FTLR	
6	0047478		BOW CAP,OUTER,LH FRONT,77 HR, A3	<i>77 HR</i>
6	0047476		BOW CAP,OUTER,LH,FRONT,77 HR, CV	<i>GMCV, SBCV. 77" HR</i>
7	0050697		MOLDING,WIRE,EXTRUDED RPVC	
8	0052730		COVER,WIRE MOLDING JOINT	
NI	0052711		FASTENER,PUSH-IN,.182 X 1.15	

Models: A3FE, A3RE, BBCV, GMCV, SBCV
 CENTER
 WIRE MOLDING INSTALLATION
 BSN: From BSN B20107260 L10093805

Key	PartNumber	Qty	Description	Comment
-----	------------	-----	-------------	---------



Models: A3FE, A3RE, BBCV, GMCV, SBCV
CENTER
WIRE MOLDING INSTALLATION
BSN: From BSN B20107260 L10093805

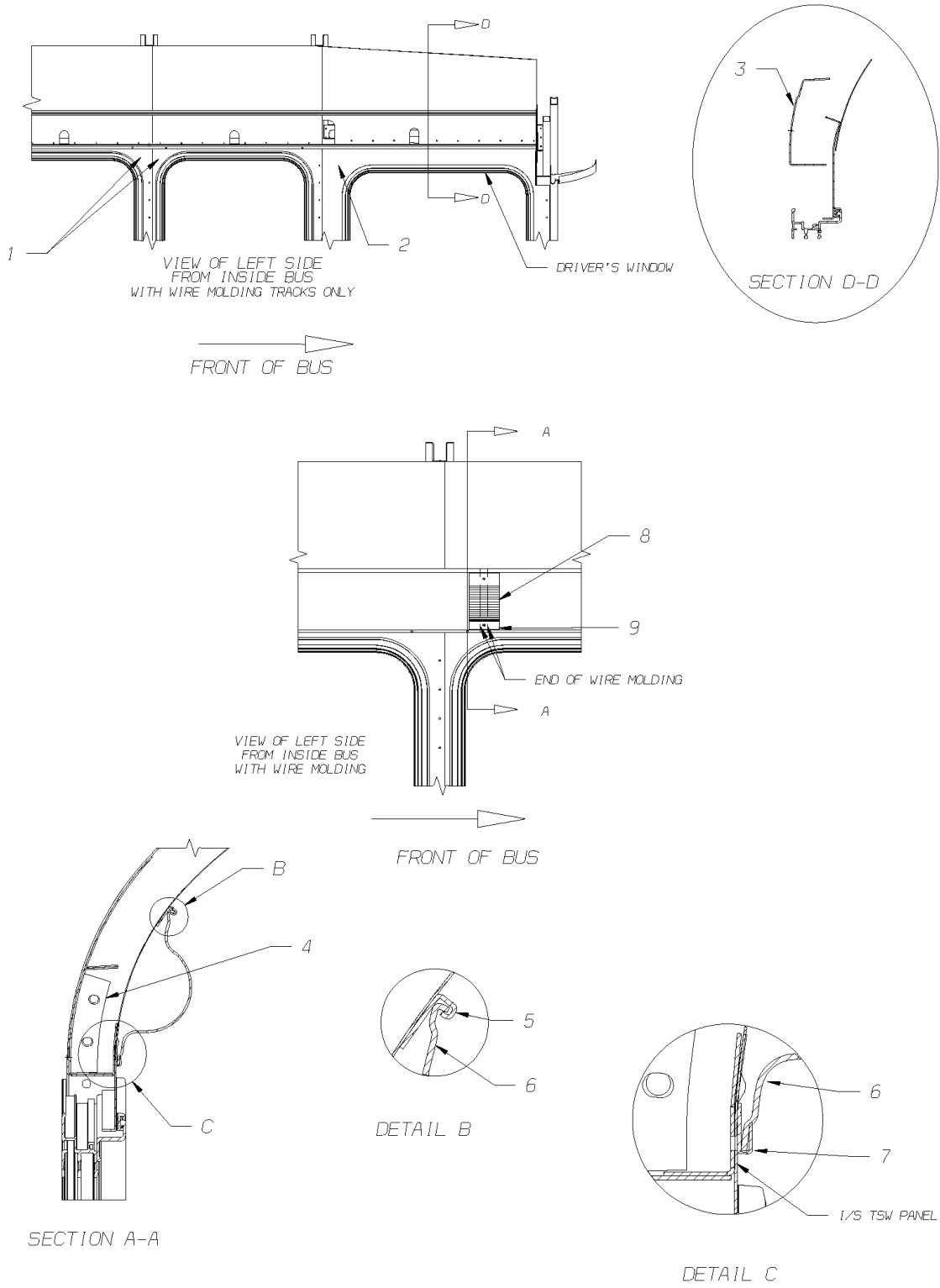
Key	PartNumber	Qty	Description	Comment
1	0054964		TRIM,DRV WDO,OUTER,UPR,74HR, A3	A3FE, A3RE
1	0054965		TRIM,DRV WDO,OUTER,UPR,74HR, CV	BBCV, GMCV, SBCV
1	0055234		TRIM,DRV WDO,OUTER,UPR,77HR, A3	A3FE, A3RE
1	0059067		TRIM,DRV WDO,OUTER,UPR,77HR, CV	BBCV, GMCV, SBCV
2	0054944		TRIM,UPPER,DRIVERS WINDOW,ASTRO WHITE,	A3FE, A3RE, FEATURE 30400-01. ASTRO WHITE INTERIOR PAINT
2	0057490		TRIM,UPPER,DRIVERS WINDOW,FLORIDA GRAY,	A3FE, A3RE, FEATURE 30400-02. FLORIDA INTERIOR PAINT
2	0086954		TRIM,UPPER,DRIVERS WINDOW,SEAFOAM	A3FE, A3RE, FEATURE 30400-04. SEA FOAM GREEN INTERIOR PAINT
2	0054945		TRIM,UPPER,DRIVERS WINDOW,ASTRO WHITE,	BBCV, GMCV, SBCV, FEATURE 30400-01. ASTRO WHITE INTERIOR PAINT
2	0057443		TRIM,UPPER,DRIVERS WINDOW,FLORIDA GRAY,	BBCV, GMCV, SBCV, FEATURE 30400-02. FLORIDA INTERIOR PAINT
2	0086955		TRIM,UPPER,DRIVERS WINDOW,SEAFOAM	BBCV, GMCV, SBCV, FEATURE 30400-04. SEA FOAM GREEN INTERIOR PAINT
3	0055282		TRACK,WIRE MOLDING,LOWER,DRIVERS WDO,	A3FE, A3RE
3	0055281		TRACK,WIRE MOLDING,LOWER,DRIVERS, WDO,	BBCV, GMCV, SBCV
4	0047477		BOW CAP,OUTER,LH,FRONT,74 HR, A3	A3FE, A3RE
4	0047479		BOW CAP,OUTER,LH FRONT,74 HR,CV	BBCV, GMCV, SBCV
4	0047478		BOW CAP,OUTER,LH FRONT,77 HR, A3	A3FE, A3RE
4	0047476		BOW CAP,OUTER,LH,FRONT,77 HR, CV	BBCV, GMCV, SBCV
5	0057515		CAP,WIRE,DRIVERS WINDOW,, TC/A3	WITHOUT, SHOULDER BELTA3FE, A3RE
5	0057112		CAP,WIRE,DRIVERS WINDOW,CV	WITHOUT, SHOULDER BELTBBCV, GMCV, SBCV
5	0057657		CAP,WIRE,DRIVERS WINDOW,W/SHLDR	WITH SHOULDER BELT, A3FE, A3RE ONLY
5	0057655		CAP,WIRE,DRIVERS WINDOW,W/SHLDR	WITH SHOULDER BELT, A3FE, A3RE ONLY
6	0621953		TAPE,FOAM,1/8X3/4X50FT,CLSD.CELL NEOP.	
7	0053239		EXTRUSION,RETAINER,WIRE MOLDING,UPPER	
8	1494160		RIVET,.12,CHERRY SSP-42	
9	0044886		TRACK,WIRE MOLDING,LOWER	
10	1415769		RIVET,POP,.18 X .45,CHERRY SSPS-6-4	
11	0050697		MOLDING,WIRE,EXTRUDED RPVC	
12	0054228		SCREW,10-16 X 3/4,AB,PHI,PN/HD,ZINC,WHITE	

Models: A3FE, A3RE, BBCV, GMCV, SBCV
CENTER
BSN: WIRE MOLDING INSTALLATION
From BSN B20107260 L10093805

Key	PartNumber	Qty	Description	Comment
13	0052730		COVER,WIRE MOLDING JOINT	

Models: **A3FE, A3RE, BBCV, GMCV, SBCV**
CENTER
WIRE MOLDING INSTALLATION, WITH TRANSIT WINDOWS

Key	PartNumber	Qty	Description	Comment
-----	------------	-----	-------------	---------

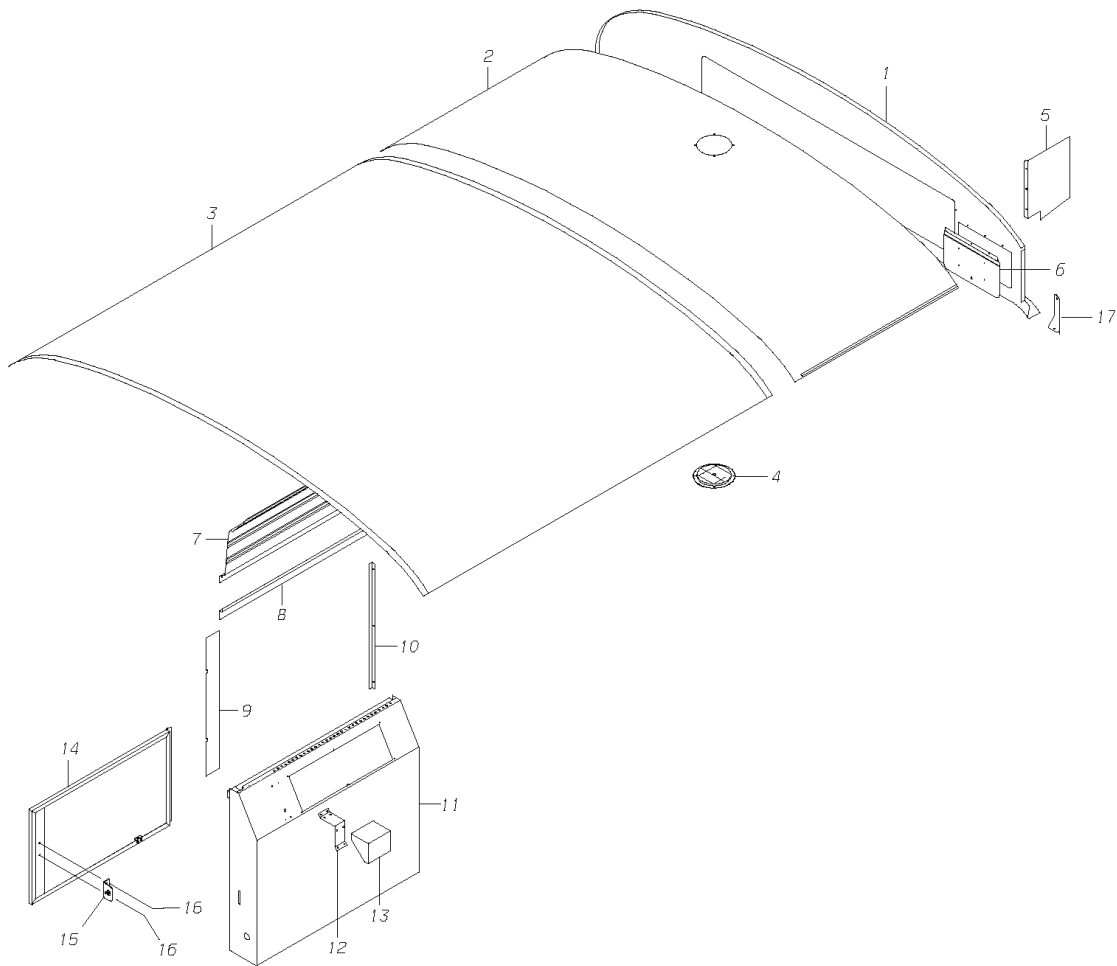


Models: **A3FE, A3RE, BBCV, GMCV, SBCV**
CENTER
WIRE MOLDING INSTALLATION, WITH TRANSIT WINDOWS

Key	PartNumber	Qty	Description	Comment
1	0053734		PANEL,I/S,WDO,TSW,28 SECT,77 HR	
1	0053740		PANEL,I/S,REAR WDO,TSW,28SECT,RH,77HR	
1	0053772		PANEL,I/S,REAR WDO,TSW,28SECT,LH,77HR	
1	0054516		PANEL,I/S,WDO,TSW,35 SECT,77 HR	
1	0053736		PANEL,I/S,WDO,TSW,56 SECT,77 HR	
1	0053738		PANEL,I/S,WDO,TSW,63 SECT28-35,77HR	28-35
1	0054506		PANEL,I/S,WDO,TSW,63 SECT35-28,77HR	35-28
1	0053739		PANEL,I/S,WDO,TSW,70 SECT,77HR	
2	0055410		PANEL,I/S,DRV WDO,TSW,77 HR,CV, FMVSS	BBCV, GMCV, SBCV
2	0055416		PANEL,I/S,DRV,36.75,TSW,77HR,FMVSS221, TC	
3	1511880		HEADER,TSW,DRIVERS SECTION,FMVSS221,	BBCV, GMCV, SBCV
3	0055784		HEADER ASSY,DRIVER'S,TSW, A3	
4	0044150		HEADER ASSY,SIDE WDO,28 SECT,77HR,12SS,	EXTENDED OVERHANG
4	0044146		HEADER ASSY,SIDE WDO,35 SECT,77HR,12SS,	EXTENDED OVERHANG
4	0053589		HEADER ASSY,TSW,56.00 SECT	
4	0053587		HEADER ASSY,TSW,63.00 SECTION,LH	
4	0053588		HEADER ASSY,TSW,63.00 SECTION,RH	
4	0053590		HEADER ASSY,TSW,70.00 SECTION	
5	0053239		EXTRUSION,RETAINER,WIRE MOLDING,UPPER	
6	0050697		MOLDING,WIRE,EXTRUDED RPVC	
7	0054963		TRACK,WIRE MOLDING,LOWER,TSW	
8	0052730		COVER,WIRE MOLDING JOINT	
9	0054228		SCREW,10-16 X 3/4,AB,PHI,PN/HD,ZINC,WHITE	
10	1494160		RIVET,.12,CHERRY SSP-42	

Models: A3FE, A3RE, TCFE, TCRE
FRONT
 To BSN B10064339 F10035824 L10059259

Key	PartNumber	Qty	Description	Comment
-----	------------	-----	-------------	---------



**Models: A3FE, A3RE, TCFE, TCRE
FRONT
To BSN B10064339 F10035824 L10059259**

Key	PartNumber	Qty	Description	Comment
1	1399021		PANEL,ACCESS,FRT UPR INR,74HR	STANDARD
1	1752609		PANEL,ACCESS,FRT UPR INR, RH DRIVE	OPTION 3480
1	1744283		PANEL,ACCESS,FRT UPR INR,W/SIGN, RH DRIVE	OPTION 3480 WITH OPTION 6184. FRONT DESTINATION SIGN
2	1551308		PANEL,H/L,FRONT,74HR,36.75,TC	STANDARD
2	1551316		PANEL,H/L,FRONT,DRV DOME,74HR,36.75, TC	WITH OPTION 1840
2	1551324		PANEL,H/L,FRONT,W/O VENT,74HR,36.75, TC	WITH OPTION 7266
2	1551365		PANEL,H/L,FRONT,PERF,74HR,36.75,TC	WITH OPTION 1494, 1504, 1507-01, 1507-02
2	1551332		PANEL,H/L,FRONT,12SS,74HR,36.75, TC	WITH OPTION 3339
2	1551340		PANEL,H/L,FRONT,12SS,DRV DOME,74HR,36.75, TC	WITH OPTION 1840
2	1551373		PANEL,H/L,FRONT,PERF,12SS,74HR,36.75, TC	WITH OPTION 1494, 1504, 1507-01, 1507-02, WITH OPTION 3339
2	1551399		PANEL,H/L,FRONT,77HR,36.75,TC	OPTION 3471, 3473
2	1551407		PANEL,H/L,FRONT,DRV DOME,77HR,36.75,TC	OPTION 3471, 3473 WITH OPTION 1840
2	1551449		PANEL,H/L,FRONT,PERF,77HR,36.75,TC	OPTION 3471, 3473 WITH OPTION 1494, 1504, 1507-01, 1507-02
2	1551415		PANEL,H/L,FRONT,TSW & 12SS,77HR,36.75, TC	OPTION 3471, 3473 WITH OPTION 3337, 3365, 3367
2	1551423		PANEL,H/L,FRONT,DRV DOME,TSW&12SS,77HR,	OPTION 3471, 3473 WITH OPTION 1840, 3337, 3365, 3367
2	1551456		PANEL,H/L,FRONT,PERF,TSW&12SS,77HR,36.75	OPTION 3471, 3473 WITH OPTION 1494, 1504, 1507-01, 1507-02, WITH OPTION 3337
2	1786086		PANEL,H/L,FRONT,77HR,36.75,RH DRIVE, TC	OPTION 3480
2	1786102		PANEL,H/L,FRONT,DRV DOME,77HR,36.75,RH	OPTION 3480 WITH OPTION 30155-01. DRIVER'S DOME LIGHT
2	1786110		PANEL,H/L,FRONT,TSW&12SS,77HR,36.75,RH	OPTION 3480 WITH OPTION 3337, 3365, 3367. 12" SS & TSW
2	1752542		PANEL,H/L,FRT,DRV DOME,TSW & 12SS,77HR,	OPTION 3480 WITH OPTION 3337, 3365, 3367 WITH OPTION 30155-01
2	1786144		PANEL,H/L,FRONT,PERF,DRV DOME,77HR,RH	OPTION 3480 WITH 30155-01 WITH OPTION 1507. PERFORATED
2	1786151		PANEL,H/L,FRONT,PERF,TSW&12SS,77HR,RH	OPTION 3480 WITH OPTION 3337, 3365, 3367 WITH OPTION 1507
2	1786532		PANEL,H/L,FRT,PERF,DRV DOME,TSW&12SS,RH	OPTION 3480 WITH OPTION 3337, 3365, 3367 WITH OPTION 30155-01 WITH OPTION 1507
3	1309582		PANEL,H/L,56,74HR	STANDARD

Models: A3FE, A3RE, TCFE, TCRE
FRONT
To BSN B10064339 F10035824 L10059259

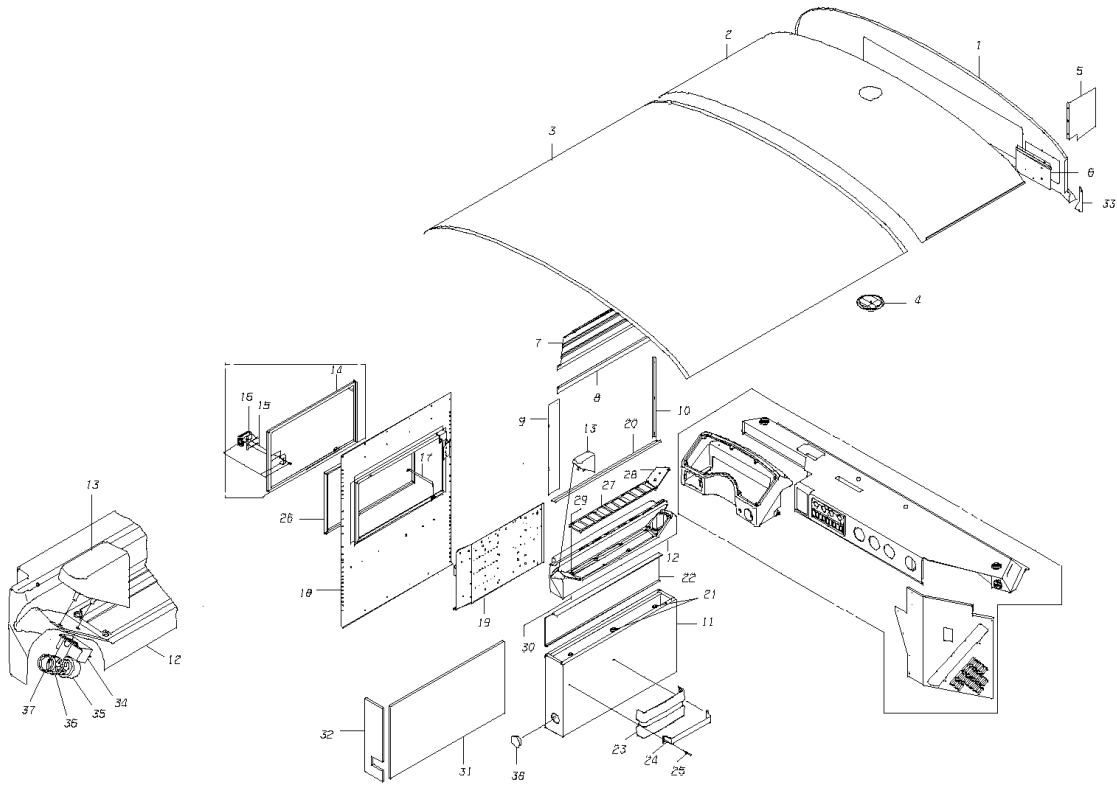
Key	PartNumber	Qty	Description	Comment
3	1309608		PANEL,H/L,56,77HR	3480
4	0251611		VENT ASSY,I/S STATIC AIR,CLOSING TYPE	CLOSING TYPE. OPTION 3252
4	1297613		VENT,I/S,STATIC AIR,PERFORATED	
5	0913020		BAFFLE,GLOVE COMPARTMENT	
5	1744291		BAFFLE,GLOVE COMPARTMENT,RH DRIVE	RH DRIVE. OPTION 3480
6	0004176		DOOR ASSY,GLOVE COMPARTMENT	STANDARD OPTION 3480
6	0003244		DOOR ASSY,GLOVE COMPARTMENT,LOCKING	OPTION 0162. LOCKING
6	0011502		DOOR ASSEMBLY,GLOVE CMPT W/ELECTRIC	OPTION 0275-04. ELECTRIC DOOR
6	0011711		DOOR ASSEMBLY,GLOVE CMPT,LK,W/ELECTRIC	OPTION 0275-04 WITH OPTION 0162. LOCKING ELECTRIC DOOR
7	1545888		MOLDING,WIRE,FRONT LH,36.75, TC	STANDARD, ENDING WITH BSN 188882
7	1824465		MOLDING,WIRE,FRONT,LH,TC	STANDARD, BEGIN WITH BSN 188883
7	1549500		MOLDING,WIRE,FRT,LH,TSW,FMVSS 221,36.75,	OPTION 3365, 3367, TRANSIT SLIDING WINDOWS, ENDING WITH BSN 188882
7	1824846		MOLDING,WIRE,FRONT,LH,TSW, TC	OPTION 3365, 3367, TRANSIT SLIDING WINDOWS, BEGIN WITH BSN 188883
8	0007229		TRIM,DRV WDO,INR UPR,LH,W/W MLDG,36,	
8	1744424		TRIM,DRV WDO,OUTER,UPR,36.00 & 36.75	OPTION 3480
9	1554096		CAP,WIRE,DRIVERS WINDOW,36.75,TC	
9	1752583		CAP,WIRE,DRIVER'S WINDOW,36.75,RH DRIVE	OPTION 3480
10	1513241		TRIM,DRIVERS WDO,FRT,VERT, TCFC	ENDING WITH BSN F-10007800, L-10013059, B-10013049
10	0004507		TRIM,DRIVERS,WDO,FRT,VERT,ASTRO WHITE,	BEGIN WITH BSN F-10007801, L-10013060, B-10013050
11	0004903		PANEL ASSY,DRIVERS,I/S STATIONARY,TC	STANDARD
11	0004911		PANEL ASSY,DRIVERS,I/S STATIONARY,TSW,	OPTION 3365, 3367. TRANSIT SLIDING WINDOWS
11	0005025		PANEL ASSY,DRIVERS,I/S STATIONARY,RH DR	OPTION 3480. RH DRIVE
11	0005017		PANEL ASSY,DRIVERS,I/S STATIONARY,RH DR,	OPTION 3480 WITH OPTION 3365, 3367
11	1628023		PANEL ASSY,DRV,I/S,STA,W/RETDR TRAN	OPTION 4310, ENDING WITH BSN 185592
11	1667393		PANEL ASSY,DRV,I/S,STA,W/RTDR TRAN, TC	OPTION 4310, BEGIN WITH BSN 185593
11	1627991		PANEL ASSY,DRV,I/S,STA,TSW W/RTDR TRAN	OPTION 4310 WITH OPTION 3365, 3367, ENDING WITH BSN 185592

Models: **A3FE, A3RE, TCFE, TCRE**
FRONT
To BSN B10064339 F10035824 L10059259

Key	PartNumber	Qty	Description	Comment
11	1667385		PANEL ASSY,DRV,I/S,STA,TSW,W/RTDR TRAN	<i>OPTION 4310 WITH OPTION 3365, 3367, BEGIN WITH BSN 185593</i>
12	0004374		BRACKET,ARMREST,DRIVERS,TCFE	
13	1327071		PAD ASSY,ARMREST,DRV,TCFC	
13	1467208		PAD ASSY,ARMREST,DRV,BROWN KEVLAR,TCFC	
14	1627785		DOOR ASSY,ELECTRICAL PANEL, AA/TC	
14	1728559		DOOR ASSY,ELEC PANEL ACCESS,RH DRIVE	<i>OPTION 3480 WITH OPTION 3365, 3367</i>
15	1627793		BRACKET,STUD MOUNT	
16	2000016		SCREW,1/4-14 X 5/8,B,HEX,W/PLAIN WASH,	
17	0011500		TRIM,EXTENSION,GLOVE CMPT W/ELECTRIC	<i>WITH ELECTRIC DOOR. OPTION 275-04</i>
NI	0005090		COVER,CLOSEOUT,REAR OF I/S STA PNL,RH	<i>OPTION 3480</i>
NI	0005108		COVER,CLOSEOUT,REAR W/O PLY FLR,RH	<i>OPTION 3480</i>

Models: A3FE, A3RE, TCFE
FRONT
BSN: From BSN B10064340 F10035825 L10059260
 To BSN L10093804

Key	PartNumber	Qty	Description	Comment
-----	------------	-----	-------------	---------



Models: A3FE, A3RE, TCFE
FRONT
BSN: From BSN B10064340 F10035825 L10059260
 To BSN L10093804

Key	PartNumber	Qty	Description	Comment
1	1399021		PANEL,ACCESS,FRT UPR INR,74HR	STANDARD
1	1752609		PANEL,ACCESS,FRT UPR INR, RH DRIVE	OPTION 3480
1	1744283		PANEL,ACCESS,FRT UPR INR,W/SIGN, RH DRIVE	OPTION 3480 WITH OPTION 6184. FRONT DESTINATION SIGN
2	1551308		PANEL,H/L,FRONT,74HR,36.75,TC	STANDARD
2	1551316		PANEL,H/L,FRONT,DRV DOME,74HR,36.75, TC	OPTION 1840
2	1551324		PANEL,H/L,FRONT,W/O VENT,74HR,36.75, TC	OPTION 7266
2	1551365		PANEL,H/L,FRONT,PERF,74HR,36.75,TC	OPTION 1494, 1504, 1507-01, 1507-02
2	1551332		PANEL,H/L,FRONT,12SS,74HR,36.75, TC	OPTION 3339
2	1551340		PANEL,H/L,FRONT,12SS,DRV DOME,74HR,3675,	OPTION 1840
2	1551373		PANEL,H/L,FRONT,PERF,12SS,74HR,36.75, TC	OPTION 1494, 1504, 1507-01, 1507-02, WITH OPTION 3339
2	1551399		PANEL,H/L,FRONT,77HR,36.75,TC	OPTION 3471, 3473
2	1551407		PANEL,H/L,FRONT,DRV DOME,77HR,36.75,TC	OPTION 3471, 3473 WITH OPTION 1840
2	1551449		PANEL,H/L,FRONT,PERF,77HR,36.75,TC	OPTION 3471, 3473 WITH OPTION 1494, 1504, 1507-01, 1507-02
2	1551415		PANEL,H/L,FRONT,TSW & 12SS,77HR,36.75, TC	OPTION 3471, 3473 WITH OPTION 3337, 3365, 3367
2	1551423		PANEL,H/L,FRONT,DRV DOME,TSW&12SS,77HR,	OPTION 3471, 3473 WITH OPTION 1840, 3337, 3365, 3367
2	1551456		PANEL,H/L,FRONT,PERF,TSW&12SS,77HR,36.75	OPTION 3471, 3473 WITH OPTION 1494, 1504, 1507-01, 1507-02, WITH OPTION 3337
2	1786086		PANEL,H/L,FRONT,77HR,36.75,RH DRIVE, TC	OPTION 3480
2	1786102		PANEL,H/L,FRONT,DRV DOME,77HR,36.75,RH	OPTION 3480 WITH OPTION 30155-01. DRIVER'S DOME LIGHT
2	1786110		PANEL,H/L,FRONT,TSW&12SS,77HR,36.75,RH	OPTION 3480 WITH OPTION 3337, 3365, 3367. 12" SS & TSW
2	1752542		PANEL,H/L,FRT,DRV DOME,TSW & 12SS,77HR,	OPTION 3480 WITH OPTION 3337, 3365, 3367 WITH OPTION 30155-01
2	1786144		PANEL,H/L,FRONT,PERF,DRV DOME,77HR,RH	OPTION 3480 WITH 30155-01 WITH OPTION 1507. PERFORATED
2	1786151		PANEL,H/L,FRONT,PERF,TSW&12SS,77HR,RH	OPTION 3480 WITH OPTION 3337, 3365, 3367 WITH OPTION 1507
2	1786532		PANEL,H/L,FRT,PERF,DRV DOME,TSW&12SS,RH	OPTION 3480 WITH OPTION 3337, 3365, 3367 WITH OPTION 30155-01 WITH OPTION 1507
3	1309582		PANEL,H/L,56,74HR	STANDARD)
3	1309608		PANEL,H/L,56,77HR	77" HR. OPTION 3471, 3473, 3480

Models: A3FE, A3RE, TCFE
FRONT
BSN: From BSN B10064340 F10035825 L10059260
 To BSN L10093804

Key	PartNumber	Qty	Description	Comment
4	0251611		VENT ASSY,I/S STATIC AIR,CLOSING TYPE	OPTION 3252
5	0913020		BAFFLE,GLOVE COMPARTMENT	
5	1744291		BAFFLE,GLOVE COMPARTMENT,RH DRIVE	OPTION 3480
6	0004176		DOOR ASSY,GLOVE COMPARTMENT	STANDARD OPTION 3480
6	0003244		DOOR ASSY,GLOVE COMPARTMENT,LOCKING	OPTION 0162. LOCKING
6	0011502		DOOR ASSEMBLY,GLOVE CMPT W/ELECTRIC	OPTION 0275-04. ELECTRIC DOOR
6	0011711		DOOR ASSEMBLY,GLOVE CMPT,LK,W/ELECTRIC	OPTION 0275-04 WITH OPTION 0162. LOCKING ELECTRIC DOOR
7	1824465		MOLDING,WIRE,FRONT,LH,TC	STANDARD OPTION 3480
7	1824846		MOLDING,WIRE,FRONT,LH,TSW, TC	OPTION 3365, 3367; OPTION 3480 WITH OPTION 3365, 3367. TRANSIT SLIDING WINDOWS
7	1830355		MOLDING,WIRE,FRT,LH,TSW,W/T/A A/C,DUAL,	OPTION 3480 WITH OPTION 3365, 3367 WITH TRANSMISSION AIR A/C, DUAL
NI	0044968		TRIM,ASSY,FRT,WIRE MDG,12.00 SS 36.75	
8	0007229		TRIM,DRV WDO,INR UPR,LH,W/W MLDG,36,	
8	1744424		TRIM,DRV WDO,OUTER,UPR,36.00 & 36.75	OPTION 3480
9	0031925		CAP,WIRE,DRIVERS WINDOW.36.75, TC	STANDARD
9	0031761		CAP,WIRE,DRIVERS WINDOW,36.75,RH DRV,	OPTION 3480. RH DRIVE
9	0031927		CAP,WIRE,DRIVERS WINDOW W/RAISED	OPTION 3515. RAISED, FLAT FLOOR. AVAILABLE ON TCFE ONLY
9	0031931		CAP,WIRE,DRIVERS WINDOW,9SS ADJ D, TC	OPTION 2836. ADJ. DRIVER'S 3 PT BELT WITH 9" SS
9	0031929		CAP,WIRE,DRIVERS WINDOW,12SS ADJ D, TC	OPTION 2836 WITH OPTION 3337, 3339. ADJ. DRIVER'S 3 PT BELT WITH 12" SS
10	0004507		TRIM,DRIVERS,WDO,FRT,VERT,ASTRO WHITE,	
11	0028212		PANEL ASSY,DRIVERS,STATIONARY	STANDARD
11	0028360		PANEL ASSY,DRIVERS,STATIONARY,RH DRIVE	OPTION 3480. RH DRIVE
12	0025577		HOUSING,DRIVERS SWITCH CONSOLE	STANDARD
12	0031702		HOUSING,DRIVERS SWITCH CONSOLE,RH	OPTION 3480. RH DRIVE
13	0030285		ARMREST,TRANSIT SWITCH PANEL	STANDARD
13	0028953		ARMREST,TRANSIT SWITCH PANEL,RHD	OPTION 3480. RH DRIVE
14	0025512		DOOR ASSY,ELECTRICAL ACCESS,,CV/TRANSIT	STANDARD
14	0025601		DOOR ASSY,ELECTRICAL ACS,RH DRV,	OPTION 3480. RH DRIVE
15	0027420		GASKET,ADJUSTABLE LEVER,SEALED	

Models: A3FE, A3RE, TCFE
FRONT
BSN: From BSN B10064340 F10035825 L10059260
 To BSN L10093804

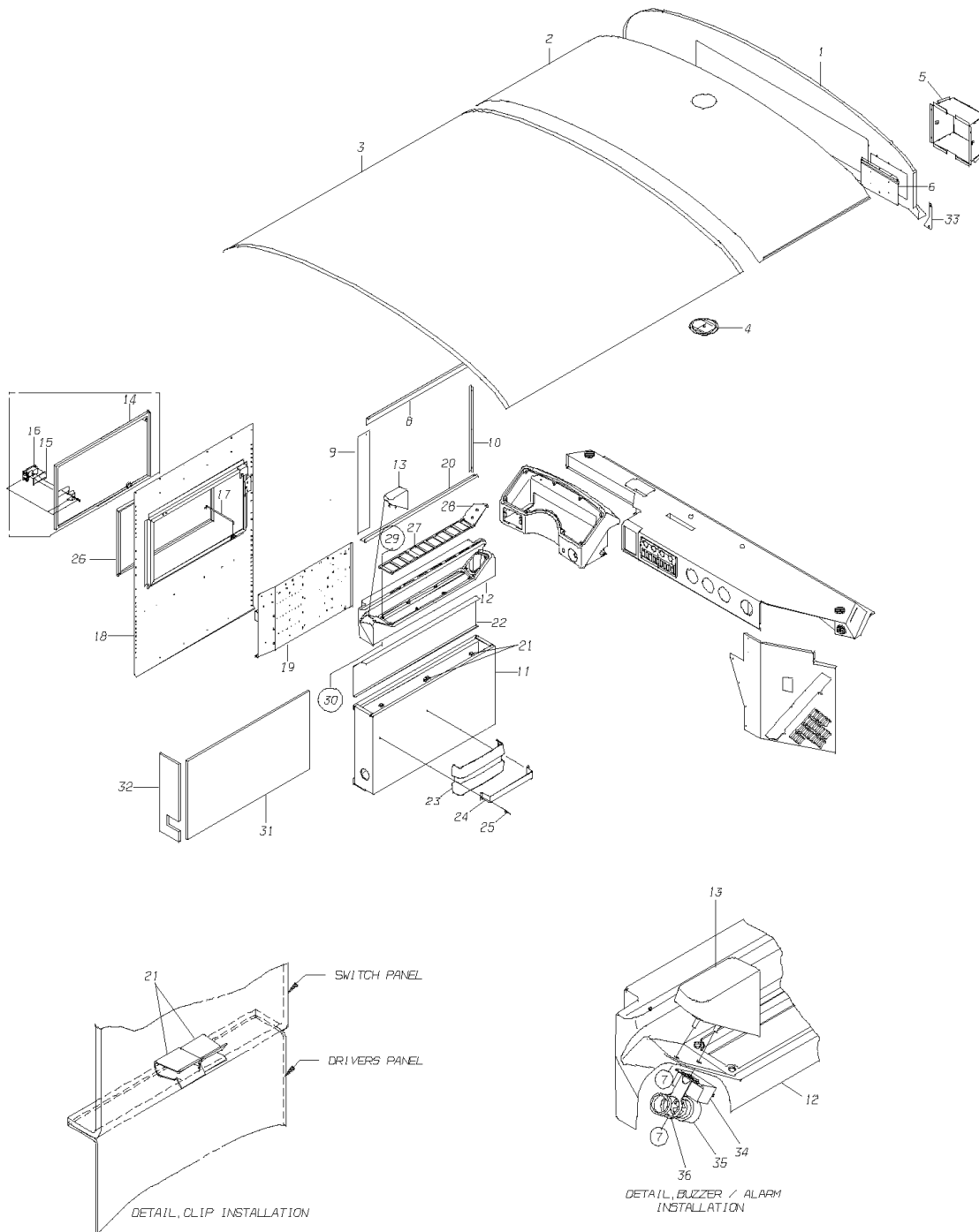
Key	PartNumber	Qty	Description	Comment
16	0027417		LATCH,ADJUSTABLE LEVER,SEALED	
16	0027419		LATCH,ADJUSTABLE LEVER,SEALED,LOCKING	FEATURE 30921-01, 30921-02. LOCKING
17	1542034		PROP,DOOR,ELECTRICAL ACCESS,AA/TC	
18	0025717		PANEL ASSY,O/S DRV,W/ACS,16GA,,TCFC	
18	0028924		PANEL ASSY,O/S,DRV,W/ACS,16GA,221.,TC	
18	0025720		PANEL ASSY,O/S DRV,25.75 SKT,16GA,,TQ	
18	0025719		PANEL ASSY,O/S DRV,25.75 SKT,16GA,221,TC	
18	0025710		PANEL ASSY,O/S,DRV,W/ACS,16GA,RH DRIVE.	OPTION 3480
18	0025726		PANEL ASSY,O/S,W/ACS,19.75 SKT, C1FE	C1FE ONLY
18	0025709		PANEL ASSY,O/S DRVS,25.75SK,16GA,RH DRV,	OPTION 3480. CSFE, CSRE ONLY
18	0025722		PANEL ASSY,O/S,FRONT LEFT HAND,68.94, QB	QBRE ONLY
18	0025725		PANEL ASSY,O/S,LWR,LH FRT,TRANS DUTY,	QBRE ONLY
19	0025907		PANEL ASSY,ELEC LOAD CENTER,CV & TRANSIT	STANDARD
19	0025908		PANEL ASSY,ELEC LOAD CTR,RH DRV,	OPTION 3480. RH DRIVE
20	0028956		TRIM,DRIVERS WINDOW LOWER INSIDE,	STANDARD
20	0034992		TRIM,DRIVERS WINDOW,LOWER I/S,W/TSW,	OPTION 3365, 3367. TRANSIT SLIDING WINDOWS
21	0031766	4	CLIP,PANEL, 3/16	
22	0028954		CHANNEL,DRIVERS WINDOW SUPT,LH DRV,	STANDARD
22	0036391		CHANNEL,DRIVERS WINDOW SUPT,RH DRV,	OPTION 3480. RH DRIVE
23	1330554		COMPARTMENT,UTILITY,DRIVERS AREA,AARE	
24	1331891		STRAP,UTILITY COMPARTMENT MOUNT,AARE	
25	1415769	2	RIVET,POP,.18 X .45,CHERRY SSPS-6-4	
26	1539659		GASKET,ELECTRICAL BOX ACCESS DOOR,AA/TC	
27				SEE GROUP 80, ELECTRICAL FOR DRIVER'S SIDE SWITCH PANEL ASSEMBLY
28	0031485		PANEL,W/S WIPER,LHD,FEA 3444-01 & 3444-03	STANDARD & FEATURE 3444-01. ELEC INTERMITTENT WPRS, SINGLE SWITCH, LH DRIVE
28	0031486		PANEL,W/S WIPER,LHD,FEA 3443	FEATURE 3443. DUAL 2 SPEED W/S WIPER SWITCHES, LH DRIVE
28	0031487		PANEL,W/S WIPER,LHD,FEA 3444-02	FEATURE 3444-02. ELEC INTERMITTENT WIPERS, DUAL SWITCH, LH DRIVE
28	0031488		PANEL,W/S WIPER,RHD,FEA 3444-01 & 3444-03	STANDARD & FEATURE 3444-01. ELEC INTERMITTENT WPRS, SINGLE SWITCH, RH DRIVE

Models: A3FE, A3RE, TCFE
FRONT
BSN: From BSN B10064340 F10035825 L10059260
 To BSN L10093804

Key	PartNumber	Qty	Description	Comment
28	0031489		PANEL,W/S WIPER,RHD,FEA 3443	<i>W/S WIPER SWITCHES, R DRIVE</i>
28	0031490		PANEL,W/S WIPER,RHD,FEA 3444-02	<i>FEATURE 3444-02. ELEC INTERMITTENT WIPERS, DUAL SWITCH, RH DRIVE</i>
29	1315100	11	SCREW,MACH,10-32X1,PHI,PAN HD,BLK	
30	1315118	11	WELLNUT Q-1032,.377 X 5/8	
31	0034896		INSULATION,SIDE,STATIONARY DRV PNL,	
32	0034899		INSULATION,REAR,STATIONARY DRV PNL,	
33	0011500		TRIM,EXTENSION,GLOVE CMPT W/ELECTRIC	
34	0021437		BUZZER, R.E.D / R.E.W / P.O.W	
35	1607928		ALARM,AUDIBLE CHIME	
36	1608496		BRACKET,MOUNT,STOPARM ALARM	
37	0659979	2	NUT,HEX,FLANGE SER,1/4-20,BLACK ZINC	
38	0036715		PLUG,BUTTON,BLACK,DP-2.50,HEYCO 2790	<i>C1FE, CSFE ONLY</i>

Models: A3FE, A3RE
FRONT
BSN: From BSN L10093805

Key	PartNumber	Qty	Description	Comment
-----	------------	-----	-------------	---------



Models: A3FE, A3RE
FRONT
BSN: From BSN L10093805

Key	PartNumber	Qty	Description	Comment
1	1399021		PANEL,ACCESS,FRT UPR INR,74HR	
1	0045718		PANEL,ACCESS,FRT UPR INR,77HR	
2	0045914		PANEL,H/L,FRONT,74HR, A3	STANDARD
2	0046461		PANEL,H/L,FRT,W/SGL DM LGT,74HR, A3	STANDARD WITH FEATURE 30155-01
2	0046462		PANEL,H/L,FRT,DUAL DM LGTS,74HR, A3	STANDARD WITH FEATURE 30155-02
2	0046458		PANEL,H/L,FRT,W/O VENT,74HR, A3	STANDARD WITH OPTION 07266
2	0046463		PANEL,H/L,FRT,PERF,74HR,A3	
2	0046464		PANEL,H/L,FRT,PERF,DUAL DM LGT,74HR, A3	FEATURE 30155-02
2	0054736		PANEL,H/L,FRONT,77HR, A3	
2	0054737		PANEL,H/L,FRT,SGL DM LGT,77HR, A3	FEATURE 30155-01
2	0054738		PANEL,H/L,FRT,DUAL DM LGT,77HR, A3	FEATURE 30155-02
2	0054739		PANEL,H/L,FRT,PERF,77HR,A3	
2	0054740		PANEL,H/L,FRT,PERF,DUAL DM LGT,77HR, A3	FEATURE 30155-02
3	0043787		PANEL,H/L,56 SECTION,74HR	
3	0043786		PANEL,H/L,56 SECTION,77HR	
4	0251611		VENT ASSY,I/S STATIC AIR,CLOSING TYPE	
5	0056965		BOX,GLOVE COMPARTMENT	FEATURE 30400-01. ASTRO WHITE
5	0076257		COMPARTMENT,GLOVE BOX,FLORIDA	FEATURE 30400-02. FLORIDA GRAY
5	0076258		COMPARTMENT,GLOVE BOX,KENTUCKY	FEATURE 30400-03. KENTUCKY BLUE
5	0086956		COMPARTMENT,GLOVE BOX,GREEN	FEATURE 30400-04. SEA FOAM GREEN
6	0004176		DOOR ASSY,GLOVE COMPARTMENT	NON-LOCKING,STANDARD WITH FEATURE 30400-01. ASTRO WHITE
6	0075890		DOOR,ASSY,GLOVE COMPARTMENT,FLORIDA	NON-LOCKING,STANDARD WITH FEATURE 30400-02. FLORIDA GRAY
6	0075927		DOOR,ASSY,GLOVE COMPARTMENT,KENTUCKY	NON-LOCKING,STANDARD WITH FEATURE 30400-03. KENTUCKY BLUE
6	0086916		DOOR,ASSY,GLOVE COMPARTMENT,GREEN	NON-LOCKING,STANDARD WITH FEATURE 30400-04. SEA FOAM GREEN
6	0011502		DOOR ASSEMBLY,GLOVE CMPT W/ELECTRIC	NON-LOCKING,STANDARD WITH
6	0003244		DOOR ASSY,GLOVE COMPARTMENT,LOCKING	LOCKING, FEATURE 0162 WITH FEATURE 30400-01. ASTRO WHITE

Models: A3FE, A3RE
FRONT
BSN: From BSN L10093805

Key	PartNumber	Qty	Description	Comment
6	0057429		DOOR ASSY,GLOVE COMPARTMENT,LOCKING,	LOCKING, FEATURE 0162 WITH FEATURE 30400-02. FLORIDA GRAY
6	0060143		DOOR ASSY,GLOVE COMPARTMENT,LOCKING,	LOCKING, FEATURE 0162 WITH FEATURE 30400-03. KENTUCKY BLUE
6	0086910		DOOR ASSY,GLOVE BOX,LOCKING,GREEN	LOCKING, FEATURE 0162 WITH FEATURE 30400-04. SEA FOAM GREEN
6	0011711		DOOR ASSEMBLY,GLOVE CMPT,LK,W/ELECTRIC	LOCKING,
7	0659979	2	NUT,HEX,FLANGE SER,1/4-20,BLACK ZINC	
8	0054944		TRIM,UPPER,DRIVERS WINDOW,ASTRO WHITE,	FEATURE 30400-01. ASTRO WHITE
8	0057490		TRIM,UPPER,DRIVERS WINDOW,FLORIDA GRAY,	FEATURE 30400-02. FLORIDA GRAY
8	0060124		TRIM,UPPER,DRIVERS WINDOW,KENTUCKY	FEATURE 30400-03. KENTUCKY BLUE
8	0086954		TRIM,UPPER,DRIVERS WINDOW,SEAFOAM	FEATURE 30400-04. SEA FOAM GREEN
9	0057515		CAP,WIRE,DRIVERS WINDOW,, TC/A3	STANDARD
9	0057657		CAP,WIRE,DRIVERS WINDOW,W/SHLDR	
9	0057655		CAP,WIRE,DRIVERS WINDOW,W/SHLDR	
NI	0527275	4	SCREW,10-16 X 3/8,AB,PH1,PAN,YEL ZINC	FOR ATTACHING KEY #9 TO O/S TRIM
10	0004507		TRIM,DRIVERS,WDO,FRT,VERT,ASTRO WHITE,	FEATURE 30400-01. ASTRO WHITE
10	0057481		TRIM,DRIVERS,WDO,FRT,VERT,FLORIDA BLUE,	FEATURE 30400-02. FLORIDA GRAY
10	0060150		TRIM,DRIVERS,WDO,FRT,VERT,KENTUCKY BLUE	FEATURE 30400-03. KENTUCKY BLUE
10	0086929		TRIM,DRIVERS,WDO,FRT,VERT,GREEN, TCFE	FEATURE 30400-04. SEA FOAM GREEN
11	0028212		PANEL ASSY,DRIVERS,STATIONARY	
11	0063402		PANEL ASSY,STATIONARY,DRIVERS, A3RE	
12	0025577		HOUSING,DRIVERS SWITCH CONSOLE	
13	0030285		ARMREST,TRANSIT SWITCH PANEL	
14	0025512		DOOR ASSY,ELECTRICAL ACCESS,,CV/TRANSIT	
15	0027420		GASKET,ADJUSTABLE LEVER,SEALED	
16	0027417		LATCH,ADJUSTABLE LEVER,SEALED	
16	0027419		LATCH,ADJUSTABLE LEVER,SEALED,LOCKING	NOT AVAILABLE IN MARYLAND
17	1542034		PROP,DOOR,ELECTRICAL ACCESS,AA/TC	
18	0080545		PANEL ASSY,O/S,DRV,W/ACS,16 GA, A3	WITH FEATURE 30959-02

Models: A3FE, A3RE
FRONT
BSN: From BSN L10093805

Key	PartNumber	Qty	Description	Comment
18	0090771		PANEL ASSY,O/S,DRV,19.75 SKT,16 GA, A3	WITH FEATURE 30959-03
18	0080544		PANEL ASSY,O/S,DRV,W/ACS,16 GA,221, A3	WITH FEATURE 30959-02
18	0090771		PANEL ASSY,O/S,DRV,19.75 SKT,16 GA, A3	WITH FEATURE 30959-03
18	0080550		PANEL ASSY,O/S,DRV,25.75 SKT,16 GA, A3	WITH FEATURE 02385-00
18	0090752		PANEL ASSY,O/S,DRV,25.75 SK,16 GA,SMOOTH	WITH FEATURE 02385-01
18	0080548		PANEL ASSY,O/S,DRV,25.75 SKT,16 GA,221, A3	WITH FEATURE 02383-00
18	0090519		PANEL ASSY,O/S,DRV,25.75 SKIRT,16 GA, A3	WITH FEATURE 02383-01)
19	0025907		PANEL ASSY,ELEC LOAD CENTER, CV & TRANSIT	
20	0028956		TRIM,DRIVERS WINDOW LOWER INSIDE,	STANDARD
20	0034992		TRIM,DRIVERS WINDOW,LOWER I/S,W/TSW,	
21	0031766	4	CLIP,PANEL, 3/16	
22	0028954		CHANNEL,DRIVERS WINDOW SUPT,LH DRV,	
23	1330554		COMPARTMENT,UTILITY,DRIVERS AREA,AARE	
24	1331891		STRAP,UTILITY COMPARTMENT MOUNT,AARE	
25	1415769	2	RIVET,POP,.18 X .45,CHERRY SSPS-6-4	
26	1539659		GASKET,ELECTRICAL BOX ACCESS DOOR,AA/TC	ENDING WITH BSN F10060974
	4763284		SEAL,RBR,EPDM,RIBBED,.315X.563,ADH BACK	BEGIN WITH BSN F10060975)
27	0028894		PANEL ASSY,SWITCH,DRVR SI,A3 W/ MANUAL	
27	0030125		PANEL ASSY,SWITCH,DRVR SI,A3 W/O MANUAL	
27	0030134		PANEL ASSY,SWITCH,DRIVER SI,W/COMP,FR/B,	
27	0083656		PANEL ASSY,SWITCH,DRVR SI,A3 W/FEA 02016	WITH FEATURE 02016-05. LH WARNING SYSTEM & ENT DOOR CONTROLS
28	0031485		PANEL,W/S WIPER,LHD,FEA 3444-01 & 3444-03	STANDARD & FEATURE 3444-01)
28	0031486		PANEL,W/S WIPER,LHD,FEA 3443	FEATURE 3443
28	0031487		PANEL,W/S WIPER,LHD,FEA 3444-02	FEATURE 3444-02
29	1315100	11	SCREW,MACH,10-32X1,PHI,PAN HD,BLK	
30	1315118	11	WELLNUT Q-1032,.377 X 5/8	
31	0034896		INSULATION,SIDE,STATIONARY DRV PNL,	
32	0034899		INSULATION,REAR,STATIONARY DRV PNL,	
33	0011500		TRIM,EXTENSION,GLOVE CMPT W/ELECTRIC	
34	0021437		BUZZER, R.E.D / R.E.W / P.O.W	
35	1607928		ALARM,AUDIBLE CHIME	
	0083762		ALARM,AUDIBLE,CONSTANT	FEATURE 30291-04

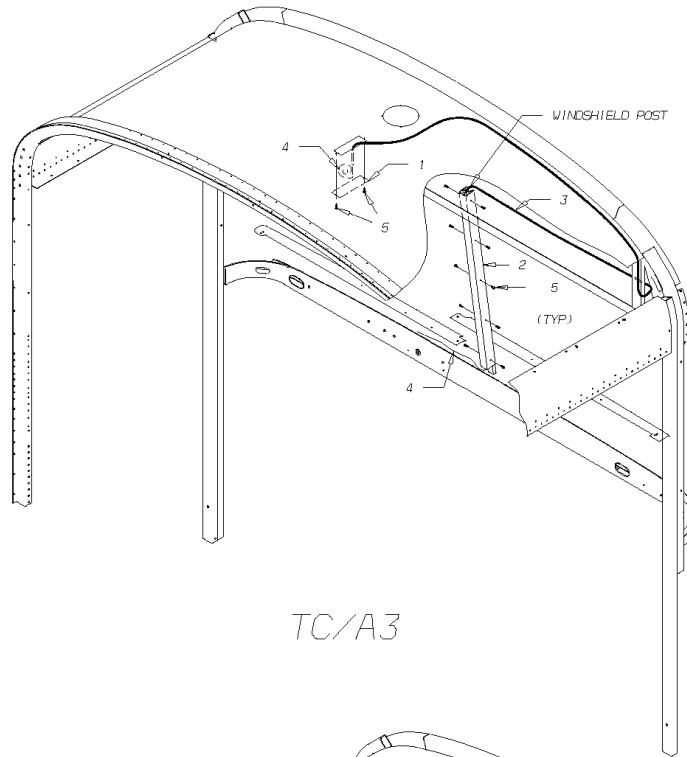
Models: A3FE, A3RE
FRONT
BSN: From BSN L10093805

Key	PartNumber	Qty	Description	Comment
36	1608496		BRACKET,MOUNT,STOPARM ALARM	
NI	1334689	4	SCREW,10-32 X 3/8,F,PH1,PAN HD,YEL ZN	

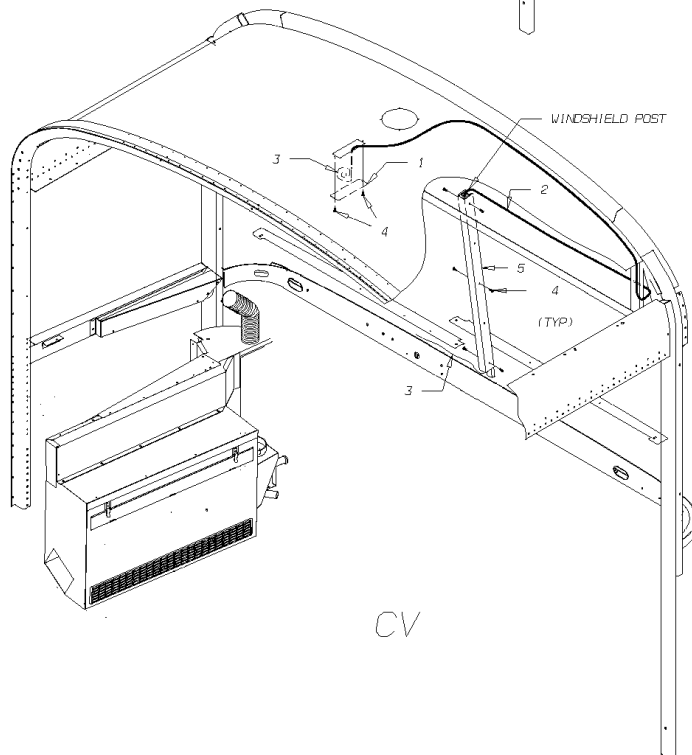
Models: A3FE, A3RE, BBCV, SBCV
FRONT COVER, ANTENNA ACCESS 2-WAY RADIO WRG, CENTER DASH MOUNT FEATURE 30281

With Features: FEATURE 30281

Key	PartNumber	Qty	Description	Comment
-----	------------	-----	-------------	---------



TC/A3



CV

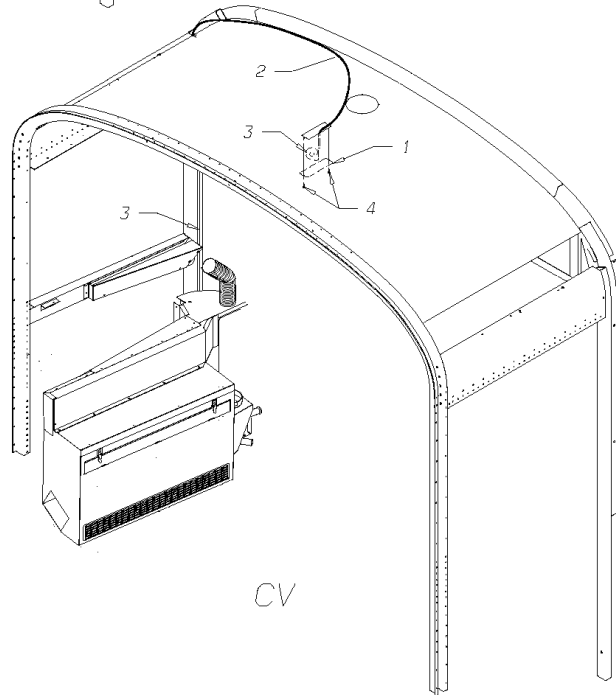
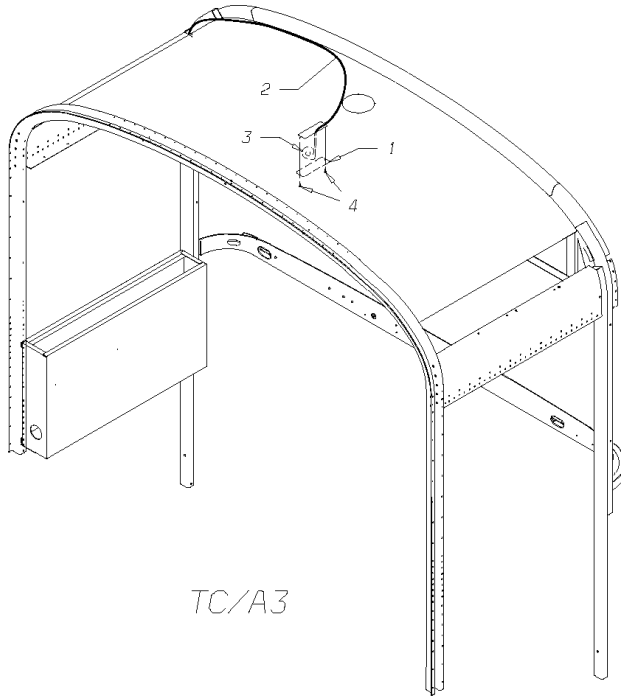
Models: A3FE, A3RE, BBCV, SBCV
FRONT COVER, ANTENNA ACCESS
2-WAY RADIO WRG, CENTER DASH MOUNT
With Features: FEATURE 30281

Key	PartNumber	Qty	Description	Comment
1			COVER, ACCESS, ANTENNA	FOR A3FE AND A3RE UNITS, USE THE FOLLOWING
1	0038394		COVER,ACCESS,ANTENNA,FEA 30281-01	FEATURE 30400-01. ASTRO WHITE
1	0076259		COVER,ACCESS,ANTENNA,FLORIDA	FEATURE 30400-02. FLORIDA GRAY
1	0076260		COVER,ACCESS,ANTENNA,KENTUCKY	FEATURE 30400-03. KENTUCKY BLUE
1	0086944		COVER,ACCESS,ANTENNA,GREEN	FEATURE 30400-04. SEA FOAM GREEN
2	0038495		COVER,CABLE,ANTENNA,STRAIGHT,FEA 30281	
2	0038496		COVER,CABLE,ANTENNA,CURVED,FEA 30281	
3	1812049		CONDUIT,GREENFIELD,FLEXIBLE, 1/2	
4	0517532		WIRE,14 GA,SXL,BK 32,CHM CRS-LK,POL	
5	2000438		SCREW,6-32 X 1/4,F,PH1,TRUSS HD,YEL ZN	
1			COVER, ACCESS, ANTENNA	FOR BBCV AND SBCV UNITS, USE THE FOLLOWING
1	0038394		COVER,ACCESS,ANTENNA,FEA 30281-01	FEATURE 30400-01. ASTRO WHITE
1	0076259		COVER,ACCESS,ANTENNA,FLORIDA	FEATURE 30400-02. FLORIDA GRAY
1	0076260		COVER,ACCESS,ANTENNA,KENTUCKY	FEATURE 30400-03. KENTUCKY BLUE
1	0086944		COVER,ACCESS,ANTENNA,GREEN	FEATURE 30400-04. SEA FOAM GREEN
2	1812049		CONDUIT,GREENFIELD,FLEXIBLE, 1/2	
3	0517532		WIRE,14 GA,SXL,BK 32,CHM CRS-LK,POL	
4	2000438		SCREW,6-32 X 1/4,F,PH1,TRUSS HD,YEL ZN	
5	0065370		COVER,CABLE,ANTENNA STRAIGHT,FEA 30281	

Models: A3FE, A3RE, BBCV, SBCV
FRONT COVER, ANTENNA ACCESS RADIO, AM/FM CASSETTE, CONSOLE MTD FEATURE 30260

With Features: FEATURE 30260

Key	PartNumber	Qty	Description	Comment
-----	------------	-----	-------------	---------



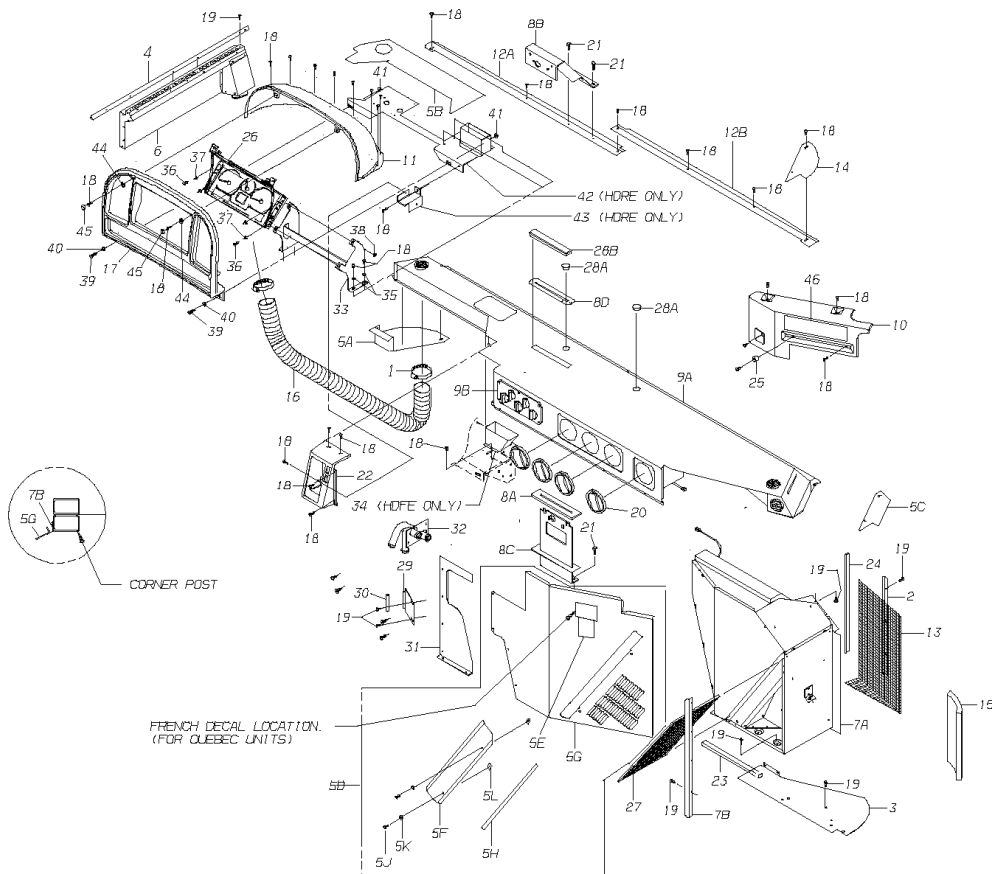
Models: A3FE, A3RE, BBCV, SBCV
**FRONT
 COVER, ANTENNA ACCESS
 RADIO, AM/FM CASSETTE, CONSOLE MTD**

With Features: **FEATURE 30260**

Key	PartNumber	Qty	Description	Comment
1	0038394		COVER,ACCESS,ANTENNA,FEA 30281-01	<i>FEATURE 30400-01. ASTRO WHITE</i>
1	0076259		COVER,ACCESS,ANTENNA,FLORIDA	<i>FEATURE 30400-02. FLORIDA GRAY</i>
1	0076260		COVER,ACCESS,ANTENNA,KENTUCKY	<i>FEATURE 30400-03. KENTUCKY BLUE</i>
1	0086944		COVER,ACCESS,ANTENNA,GREEN	<i>FEATURE 30400-04. SEA FOAM GREEN</i>
2	1812049		CONDUIT,GREENFIELD,FLEXIBLE, 1/2	
3	0517532		WIRE,14 GA,SXL,BK 32,CHM CRS-LK,POL	
4	2000438		SCREW,6-32 X 1/4,F,PH1,TRUSS HD,YEL ZN	

Models: A3FE, A3RE
**FRONT
 DASH INSTALLATION
 To BSN 10020224**

Key	PartNumber	Qty	Description	Comment
-----	------------	-----	-------------	---------



Models: A3FE, A3RE
FRONT
DASH INSTALLATION
To BSN 10020224

Key	PartNumber	Qty	Description	Comment
1	1572304	2	CLAMP,HOSE,SIZE 36,UNLINED,2.75	
2	1532910		ANGLE,SCREEN RET,HTR AIR INTAKE	
3	1988773		PANEL,CLOSEOUT,HEATER TO COWL,DRFL	
4	1532761		ANGLE,AIR DEFLECTOR DRV WDO DEFR	
6	1494178		DUCT ASSY,DRIVERS WINDOW DEFROSTER	STANDARD
6	1513316		DUCT ASSY,DRIVERS WDO,DEFROSTER,TSW	
7	0003017		HEATER ASSY,PURCHASED IN ASSEMBLY,, A3FE	INCLUDES ITEMS 7A & 7B
7A			HEATER ASSEMBLY	
7B			ANGLE, FRONT COVER	
8	1914126		KIT,MANUAL DOOR CONTROL BRACKETS,	INCLUDES ITEMS 8A, 8B, 8C, 8D
8A			SEAL, DOOR	
8B			BRACKET, FRONT	
8C			BRACKET, REAR	
8D			PLATE, COVER	
9	1913789		DUCT ASSY,STD PURCHASED IN ASSEMBLY,	STANDARD. WITH DRIVERS HEATER, INCLUDES ITEMS 9A AND 9B
9	1913805		DUCT ASSY,W/O DRV HTR,PUR IN ASSY,	OPTION 1237. WITHOUT DRIVERS HEATER, INCLUDES ITEMS 9A AND 9B
9A			DUCT ASSY.,	
9B			CONTROL ASSEMBLY	
10	1914316		COVER,DASH,RH REAR,TCFE/RE	
11	0013375		COVER,FRONT,INSTRUMENT HOUSING,AA	
12	1913847		KIT,TRIM,DASH W/PUSH BUTTON SHIFTER,2CF	INCLUDES ITEMS 12A & 12B
12			TRIM, LH BELT BAR	
12			TRIM, RH BELT BAR	
13	1532902		SCREEN,HTR AIR INTAKE,TCFC/RE	
14	1925759		TRIM,RH FRONT CORNER OF DASH,TCFE/RE	
15	1532936		INSULATION & SEAL,RH COWL	
16	1508381		HOSE,FLEXIBLE,DUCT,2.50X28.00	
17	0013391		HOUSING,INSTRUMENT,AA	
18	1143676	30	SCREW,10-16 X 3/4, AB,PH1,PAN HD,BLK ZN,	
19	1589522	30	SCREW,10-16 X 3/4,AB,PH1,PAN HD,YEL ZN	
20	0530253	4	DIFFUSER,AIR,BLACK,MB	

Models: A3FE, A3RE
FRONT
DASH INSTALLATION
To BSN 10020224

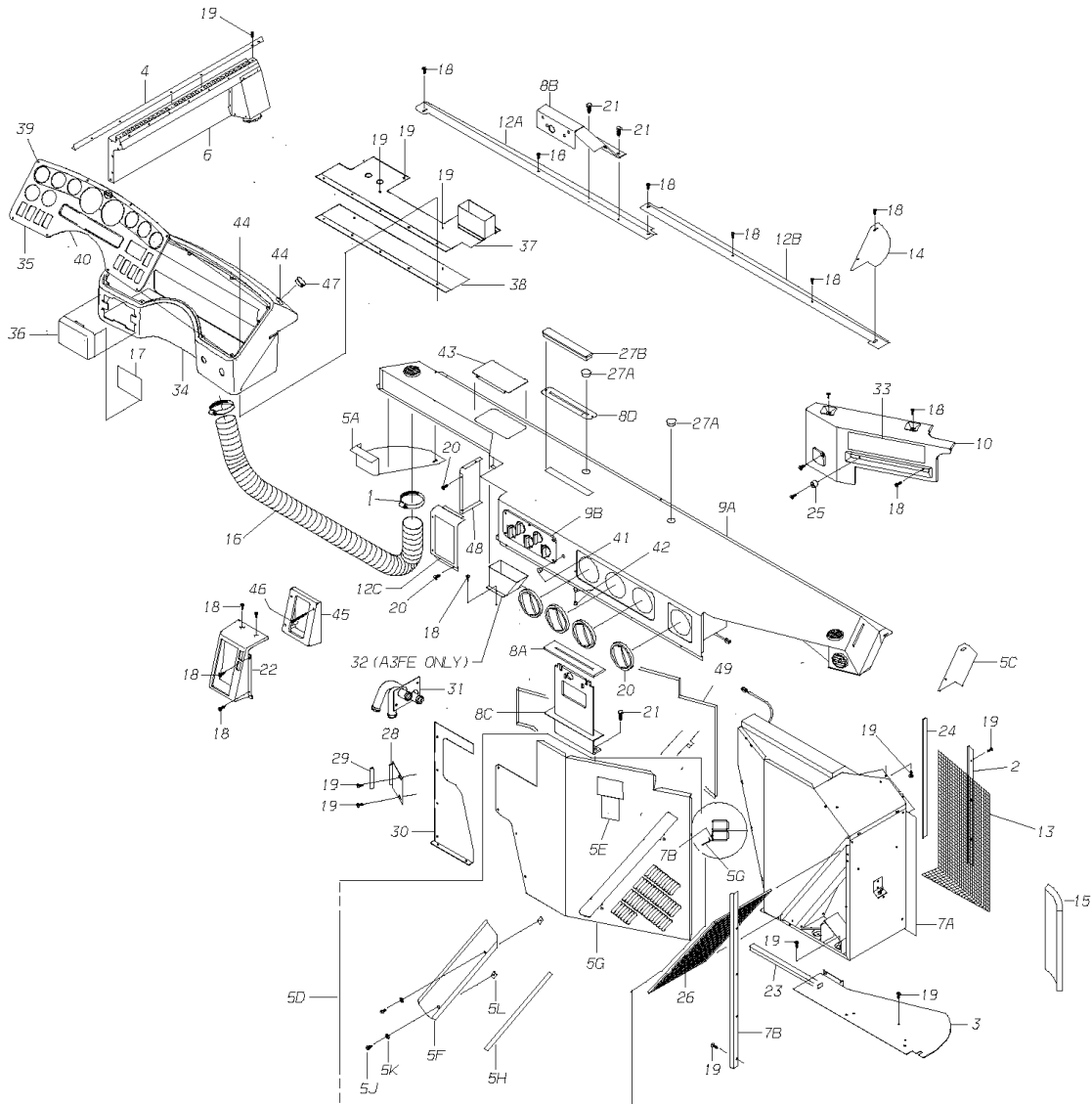
Key	PartNumber	Qty	Description	Comment
21	2000198	4	SCREW,5/16-18 X 1,D,HEX HD,YEL ZN DICH	
22	0013383		BEZEL,SHIFTER,KEYPAD,AA	KEYPAD
22	0009159		BEZEL,TRANSMISSION SHIFTER,MANUAL	
23	0830059	12	TAPE,FOAM,1/2X3/4,CLSD CELL NEOPRENE ADH	
24	0758292	18	TAPE,FOAM,PCV,3/16 X 3/8 WIDTH,W/ADH	
25	1486919		BUMPER,RUBBER RECESS,.469 X .719 DIA	
26	1935931		CLUSTER,INSTR,BB-1,BK,ENGLISH,AIR BRK	
26	1935956		CLUSTER,INSTR,BB-1,BK,METRIC,AIR BRK	
27	1922384		FILTER,MAIN HTR,10 X 21.06 X.43 FRM	
28	1914134		KIT,DUCT CLOSURE FOR PWR DOOR CTRLS	INCLUDES ITEMS 28A & 28B
28			PLUG, HOLE	1 PER KIT
28			PLUG, COVER	2 PER KIT
29	0000059		BRACKET,HEATER PANEL TO DUCT	
30	2004547	.25	TRIM,INSTRUMENT HOOD,VINYL EDGE,BLACK	
31	0005256		PANEL,HEATER TO ENGINE HOOD, HDFE	
32	0003021		CONNECTOR ASSY,HTR PPG,CAT,FIREWALL,	ENDING WITH BSN F-10012979, L-10020744
32	0010842		CONNECTOR ASSY,HTR PPG,CAT/ISC,F/WALL,	BEGIN WITH BSN F-10012980, L -10020745
32	1948074		CONNECTOR ASSY,HTR PPG,ISB/ISC F/WALL,	ENDING WITH BSN F-10012979, L-10020744
32	0010841		CONNECTOR ASSY,HTR PPG,ISB FIREWALL,,	BEGIN WITH BSN F-10012980, L -10020745
33	0019612		BRACKET ASSY,MTG,VDO CLUSTER	
34	1988740		DUCT,DRIVERS FOOTWARMER	ENDING WITH BSN F-10014699, L-10023425
34	0011217		DUCT,DRIVERS FOOTWARMER, A3FE	BEGIN WITH BSN F-10014700, L -10023425
35	2001105	4	WASHER,FLAT,13/64 X,1/2 X 3/64,YEL ZN DICH	
36	1221399	4	SCREW,10-32 X 3/4,PH,TRUSS,YEL ZN DICH	
37	2001162	4	LOCKWASHER,SPLIT RING, 3/16,MED,YEL ZN	
38	2001287	4	NUT,HEX HD,10-32,YEL ZN DICH	
39	2000057	2	CAPSCREW,HEX HD,1/4-20 X 1,GR 5,YEL ZN	
40	1247709	2	WASHER,FLAT,17/64 ID X,5/8,YEL ZN DICH	
41	0659979	2	NUT,HEX,FLANGE SER,1/4-20,BLACK ZINC	
42	0011486		PANEL ASSY,MTG,INSTR PNL COVER, DRRE	ASRE. DRRE ONLY
43	0016485		BRACKET,MOUNTING,SHIFTER COVER, DRRE	

Models: **A3FE, A3RE**
FRONT
DASH INSTALLATION
To BSN 10020224

Key	PartNumber	Qty	Description	Comment
44	3775863	2	WASHER,COUNTERSUNK,12/12,WL	
45	2144038	2	COVER,SCREWHEAD,BLACK,NO 12/12	
46	0000100		NAMEPLATE,DASH,ALL AMERICAN	
46	0000101		NAMEPLATE,DASH,CANADIAN	
5	0003018		KIT,DASH & HEATER COVER,, A3FE	<i>A3FE, INCLUDES ITEMS 5A THRU 5L</i>
5A			TRIM, LH FRONT	
5B			TRIM, LH	
5C			TRIM, RH	
5D			COVER ASSEMBLY	
5E			TAG	
5F			COVER, FILTER	
5G			PANEL, INTERIOR	
5H		2	URETHANE, 1/4 x 1/2	
5J		2	FASTENER, #12 PHI HD	
5K		2	RETAINER	
5L		2	NUT, SPEED	
26	1935949		CLUSTER,INSTR,BB-1,BK,ENGLISH,HYD BRK	
26	1935964		CLUSTER,INSTR,BB-1,BK,METRIC,HYD BRK	
5	1914142		KIT,DASH & HEATER COVER,CSRE	<i>A3RE, INCLUDES ITEMS 5A THRU 5L, ENDING WITH BSN F-10010344</i>
5	0008840		KIT,DASH & HEATER COVER,A3RE	<i>A3RE, INCLUDES ITEMS 5A THRU 5L, FROM BSN F-10010345 TO BSN F-10020224</i>
5A			TRIM, LH FRONT	
5B			TRIM, LH	
5C			TRIM, RH	
5D			COVER ASSEMBLY	
5E			TAG	
5F			COVER, FILTER	
5G			PANEL, INTERIOR	
5H		2	URETHANE, 1/4 x 1/2	
5J		2	FASTENER, #12 PHI HD	
5K		2	RETAINER	
5L		2	NUT, SPEED	

Models: A3FE, A3RE
FRONT DASH INSTALLATION
BSN: From BSN 10020225
 To BSN F10035824 L10059259

Key	PartNumber	Qty	Description	Comment
-----	------------	-----	-------------	---------



Models: A3FE, A3RE
FRONT
DASH INSTALLATION
BSN: From BSN 10020225
 To BSN F10035824 L10059259

Key	PartNumber	Qty	Description	Comment
1	1572304	2	CLAMP,HOSE,SIZE 36,UNLINED,2.75	
2	1532910		ANGLE,SCREEN RET,HTR AIR INTAKE	
3	1988773		PANEL,CLOSEOUT,HEATER TO COWL,DRFL	<i>ENDING WITH BSN F10018474, L10029759</i>
3	0010683		PANEL,CLOSEOUT,HEATER TO COWL,DRFL	<i>FROM BSN F10018475, L10029760 TO BSN F10035824, L10059259</i>
4	1532761		ANGLE,AIR DEFLECTOR DRV WDO DEFR	
5	0015274		KIT,DASH & HEATER COVER,A3FE	
5A			TRIM, LH FRONT	
5C			TRIM, RH	
5D			COVER ASSEMBLY	
5E			TAG	
5F			COVER, FILTER	
5G			PANEL, INTERIOR	
5H		2	URETHANE, 1/4 X 1/2	
5J		2	FASTENER #12, PH1, HD	
5K		2	RETAINER	
5L		2	NUT-SPEED	
5	0015269		KIT,DASH & HEATER COVER,TC/CS/A3 RE	
5A			TRIM, LH FRONT	
5C			TRIM, RH	
5D			COVER ASSEMBLY	
5E			TAG	
5F			COVER, FILTER	
5G			PANEL, INTERIOR	
5H		2	URETHANE, 1/4 X 1/2	
5J		2	FASTENER #12, PH1, HD	
5K		2	RETAINER	
5L		2	NUT-SPEED	
6	1494178		DUCT ASSY,DRIVERS WINDOW DEFROSTER	
6	1513316		DUCT ASSY,DRIVERS WDO,DEFROSTER,TSW	
7	0015279		HEATER ASSY,TRANSIT MAIN,PIA,VERT FEED	
7A			HEATER ASSEMBLY	
7B			ANGLE, FRONT COVER	

Models: A3FE, A3RE
FRONT DASH INSTALLATION
BSN: From BSN 10020225
 To BSN F10035824 L10059259

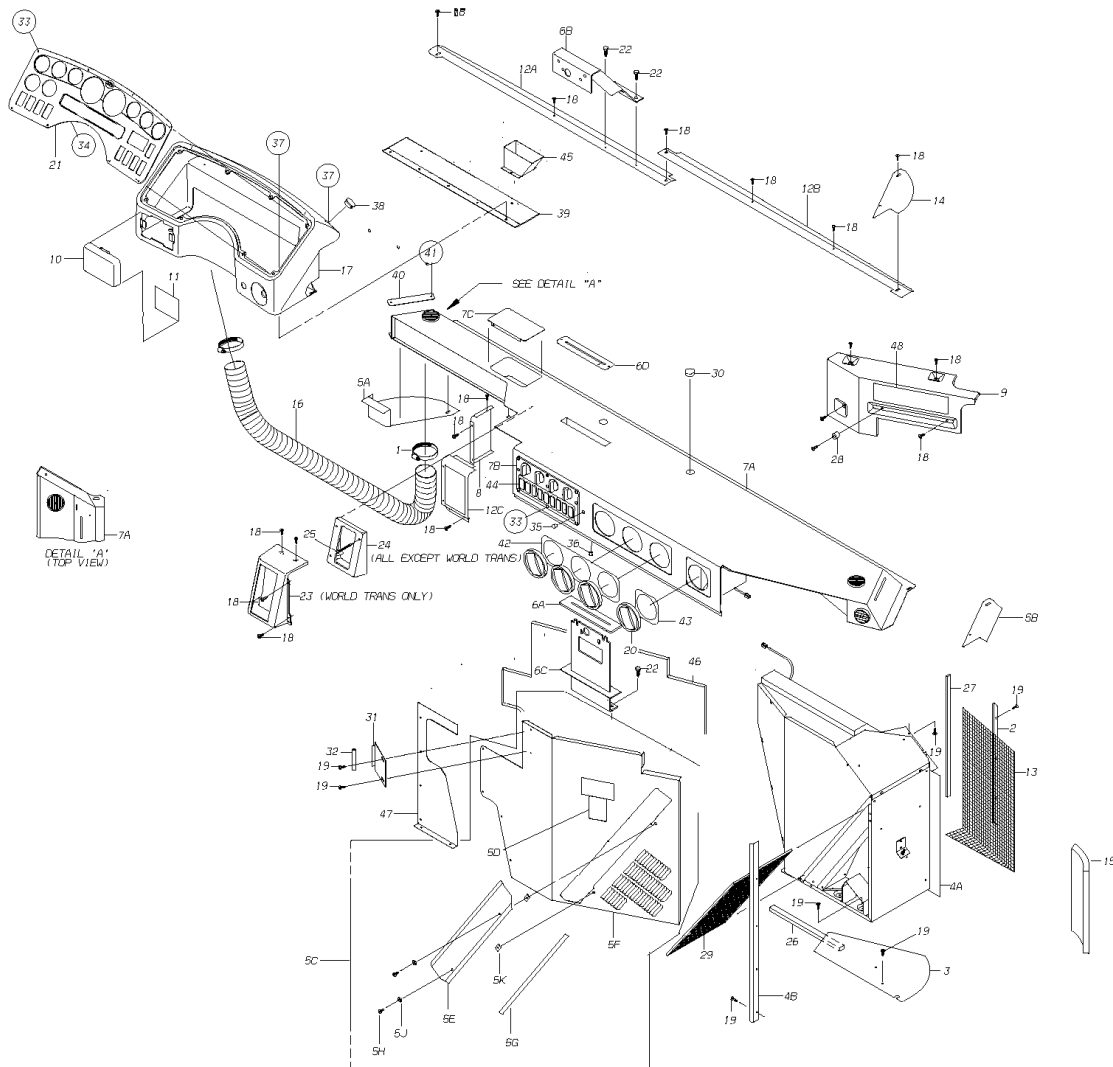
Key	PartNumber	Qty	Description	Comment
8	1914126		KIT,MANUAL DOOR CONTROL BRACKETS,	
8A			SEAL, DOOR	
8B			BRACKET, FRONT	
8C			BRACKET, REAR	
8D			PLATE, COVER	
9	0015278		DUCT ASSY,DEF,TRANSIT,PIA,W/DRV HTR	WITHOUT OPTION 1237
9A			DUCT ASSEMBLY	
9B			CONTROL ASSEMBLY	
9	0015276		DUCT ASSY,DEF,TRANSIT,PIA,W/O DRV HTR	WITHOUT OPTION 1237
9A			DUCT ASSEMBLY	
9B			CONTROL ASSEMBLY	
10	1914316		COVER,DASH,RH REAR,TCFE/RE	
12	1913821		KIT,TRIM,DASH W/STD AUTOMATIC TRANS	WITH STANDARD AUTOMATIC TRANS
12			TRIM, BELT BAR, LH	
12			TRIM, BELT BAR, RH	
12			PANEL, SHIFTER TRIM	
12	1913847		KIT,TRIM,DASH W/PUSH BUTTON SHIFTER,2CF	
12			TRIM, BELT BAR, LH	
12			TRIM, BELT BAR, RH	
13	1532902		SCREEN,HTR AIR INTAKE,TCFC/RE	
14	1925759		TRIM,RH FRONT CORNER OF DASH,TCFE/RE	
15	1532936		INSULATION & SEAL,RH COWL	
16	1508381		HOSE,FLEXIBLE,DUCT,2.50X28.00	
17	0026201		DECAL,FUSE BLOCK,CSRE/HDRE/HDFE	A3RE ONLY
18	1143676	19	SCREW,10-16 X 3/4, AB,PH1,PAN HD,BLK ZN,	
19	1589522	30	SCREW,10-16 X 3/4,AB,PH1,PAN HD,YEL ZN	
20	0530253	4	DIFFUSER,AIR,BLACK,MB	
21	2000198	4	SCREW,5/16-18 X 1,D,HEX HD,YEL ZN DICH	
22	0017644		BEZEL,SHIFTER,KEYPAD	WORLD TRANSMISSION ONLY
23	0830059	12	TAPE,FOAM,1/2X3/4,CLSD CELL NEOPRENE ADH	
24	0758292		TAPE,FOAM,PCV,3/16 X 3/8 WIDTH,W/ADH	
25	1486919		BUMPER,RUBBER RECESS,.469 X .719 DIA	
26	1922384		FILTER,MAIN HTR,10 X 21.06 X.43 FRM	

Models: A3FE, A3RE
FRONT
DASH INSTALLATION
BSN: From BSN 10020225
 To BSN F10035824 L10059259

Key	PartNumber	Qty	Description	Comment
27	1914134		KIT,DUCT CLOSURE FOR PWR DOOR CTRLS	
27			PLUG, HOLE	
27		2	PLUG, COVER	UPPER & LOWER SLOTS
28	0000059		BRACKET,HEATER PANEL TO DUCT	
29	2004547	1	TRIM,INSTRUMENT HOOD,VINYL EDGE,BLACK	
30	0005256		PANEL,HEATER TO ENGINE HOOD, HDFE	
32	0011217		DUCT,DRIVERS FOOTWARMER, A3FE	
33	0000100		NAMEPLATE,DASH,ALL AMERICAN	
33	0000101		NAMEPLATE,DASH,CANADIAN	
34	0012194		HOUSING,PANEL ASSY,INSTRUMENT,2000	
35	0026348		PANEL ASSY,INSTRUMENT,BLK W/GRAY,	
36	0017276		COVER,FUSE BLOCK W/O CIRCUIT BREAKERS	
37	0016854		PLATE ASSY,MOUNTING,DASH HOUSING	
38	0016369		PLATE,MOUNTING,INSTRUMENT HOUSING,,	A3FE ONLY
39	1315100	8	SCREW,MACH,10-32X1,PHI,PAN HD,BLK	
40	1315118	8	WELLNUT Q-1032,.377 X 5/8	
41	1422864		PLUG,BUTTON,BLACK,DP-437,HEYCO 2633	WITHOUT OPTION 1240 OR 1242
42	1626159	2	PLUG,BUTTON,BLACK,DP-375,HEYCO 2617	WITHOUT OPTION 1240 OR 1242
43	0017831		TRIM,ACCESS OPENING,FOOTWARMER DOOR	
44	0017645	5	SCREW,1/4-20 X.75,TYPE F W/WSHR,PAN HD,	
45	1528579		COVER,SHIFTER	
46	1557693	4	SCREW,10-16 X 2-1/2,AB,PH1,TRUSS HD, BLK	
47	0017694	2	PLUG,PRY-OUT,.875 HOLE,HEYCO 3083	
48	1528561		PANEL,DASH,END CAP	
49	0008386		INSULATION,THERMAL,HEATER COVER, A3FE	A3FE ONLY

Models: A3FE, A3RE
FRONT DASH INSTALLATION WITH MANUAL DOOR CONTROL
BSN: From BSN F10035825, L10059260

Key	PartNumber	Qty	Description	Comment
-----	------------	-----	-------------	---------



Models: A3FE, A3RE
**FRONT
 DASH INSTALLATION
 WITH MANUAL DOOR CONTROL**
BSN: From BSN F10035825, L10059260

Key	PartNumber	Qty	Description	Comment
1	1572304	2	CLAMP,HOSE,SIZE 36,UNLINED,2.75	
2	1532910		ANGLE,SCREEN RET,HTR AIR INTAKE	
3	0010683		PANEL,CLOSEOUT,HEATER TO COWL,DRFL	
4	0015279		HEATER ASSY,TRANSIT MAIN,PIA,VERT FEED	
4A			HEATER ASSEMBLY	
4B	0031090		ANGLE,FRONT CORNER HEATER TC2000	
5	0015274		KIT,DASH & HEATER COVER,A3FE	
5A			TRIM, LH FRONT	
5B			TRIM, RH	
5C			COVER ASSEMBLY	
5D	4316402		PLATE, ID HEATER CV KYSOR WESTRAN 342384	
5E			COVER, FILTER	
5F			PANEL, INTERIOR	
5G	4316550	AR	RUBBER, .25 X .50 HEATER CV KYSOR	
5H	0035467	2	FASTENER, KYSOR 290378, FRT HTR	
5J	0035468	2	RETAINER, KYSOR 290343, FRT HTR	
5K	0035469	2	NUT-SPEED, KYSOR 290241, FRT HTR	
6	0031450		KIT,MANUAL DOOR CONTROL BRACKETS	
6A			SEAL, DOOR	
6B			BRACKET, FRONT, MED GRAY	
6C			BRACKET, REAR, MED GRAY	
6D			PLATE, COVER, MED GRAY	
7	0028724		DUCT ASSY,DEF,WITH MOUNTED CONTROLS	
7A			DUCT ASSEMBLY	
7B	0037588		CONTROL ASSY, TRANSIT 250263	SEE DRAWING 2502631
7C	0030465		TRIM,ACCESS OPENING,FOOTWARMER DOOR	
8	1528561		PANEL,DASH,END CAP	
9	0031645		COVER,DASH,RH REAR,TC/A3	
10	0017276		COVER,FUSE BLOCK W/O CIRCUIT BREAKERS	
11	0041799		DECAL,FUSE BLOCK	
12	0032833		KIT,TRIM,DASH W/STD AUTO SHIFTER,2CF,A3	WITH STANDARD AUTOMATIC TRANSMISSION
12			TRIM, LH BELT BAR	
12			TRIM, RH BELT BAR	

Models: A3FE, A3RE
FRONT DASH INSTALLATION WITH MANUAL DOOR CONTROL
BSN: From BSN F10035825, L10059260

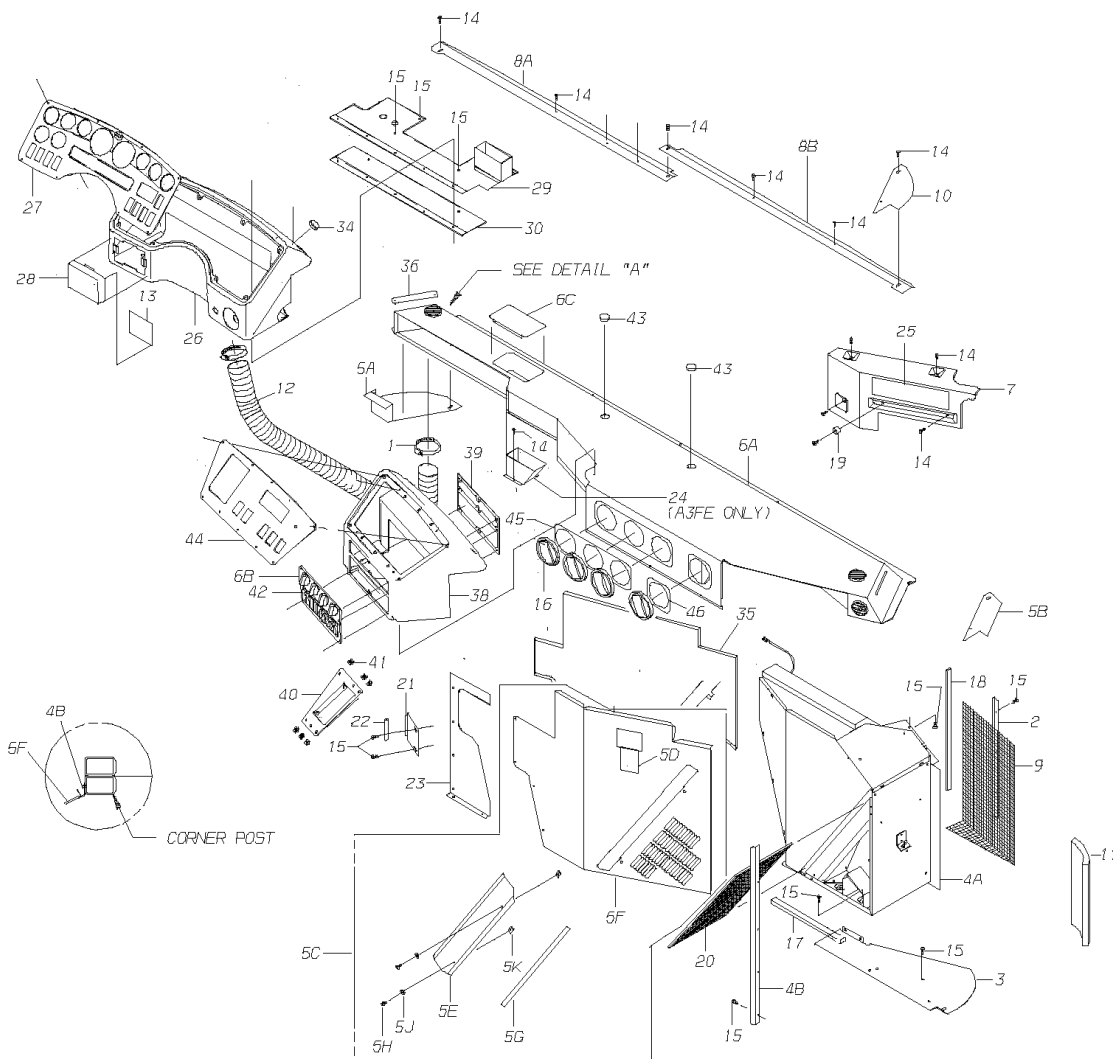
Key	PartNumber	Qty	Description	Comment
12			PANEL, SHIFTER, MED GRAY	
12	1913847		KIT,TRIM,DASH W/PUSH BUTTON SHIFTER,2CF	
12			TRIM, LH BELT BAR	
12			TRIM, RH BELT BAR	
13	1532902		SCREEN,HTR AIR INTAKE,TCFC/RE	
14	1925759		TRIM,RH FRONT CORNER OF DASH,TCFE/RE	
15	1532936		INSULATION & SEAL,RH COWL	
16	1508381		HOSE,FLEXIBLE,DUCT,2.50X28.00	
17	0031025		HOUSING,PANEL ASSY,INSTRUMENT,2001	
18	1143676	25	SCREW,10-16 X 3/4, AB,PH1,PAN HD,BLK ZN,	
19	1589522	30	SCREW,10-16 X 3/4,AB,PH1,PAN HD,YEL ZN	
20	0530253	4	DIFFUSER,AIR,BLACK,MB	
21	0026348		PANEL ASSY,INSTRUMENT,BLK W/GRAY,	
22	2000198	4	SCREW,5/16-18 X 1,D,HEX HD,YEL ZN DICH	
23	0035231		BEZEL,SHIFTER,KEYPAD,A3/TC	KEYPAD
24	1528579		COVER,SHIFTER	
25	1557693	4	SCREW,10-16 X 2-1/2,AB,PH1,TRUSS HD, BLK	
26	0830059	12	TAPE,FOAM,1/2X3/4,CLSD CELL NEOPRENE ADH	
27	0758292		TAPE,FOAM,PCV,3/16 X 3/8 WIDTH,W/ADH	
28	1486919		BUMPER,RUBBER RECESS,.469 X .719 DIA	
29	1922384		FILTER,MAIN HTR,10 X 21.06 X.43 FRM	
30	1351071		PLUG,BUTTON,BLACK,DP-1000 HEYCO 2713	
31	0000059		BRACKET,HEATER PANEL TO DUCT	
32	2004547	AR	TRIM,INSTRUMENT HOOD,VINYL EDGE,BLACK	
33	1315100	8	SCREW,MACH,10-32X1,PHI,PAN HD,BLK	
34	1315118	8	WELLNUT Q-1032,.377 X 5/8	
35	1422864		PLUG,BUTTON,BLACK,DP-437,HEYCO 2633	
36	1626159		PLUG,BUTTON,BLACK,DP-375,HEYCO 2617	
37	0017645	5	SCREW,1/4-20 X.75,TYPE F W/WSHR,PAN HD,	WITHOUT OPTION 1240
38	0017694	2	PLUG,PRY-OUT,.875 HOLE,HEYCO 3083	WITHOUT OPTION 1240
39	0016389		CABINET,MEDICINE,VANITY,LAMINATE,LX2000D	
40	0000852		TAG,VEHICLE IDENTIFICATION NUMBER,.032	
41	0422915	2	RIVET,1/8 DIA,ALUMINUM,W/ST STEM	

Models: A3FE, A3RE
FRONT
DASH INSTALLATION
WITH MANUAL DOOR CONTROL
BSN: From BSN F10035825, L10059260

Key	PartNumber	Qty	Description	Comment
42	0031699		DECAL,INSERT,HEATER DIFFUSER,DASH,3-	
43	0031700		DECAL,INSERT,HEATER DIFFUSER,DASH,1-	
44	0028949		PANEL ASSY,SWITCH,AUX HEATERS,W/CMPS	
45	0011217		DUCT,DRIVERS FOOTWARMER, A3FE	
46	0008386		INSULATION,THERMAL,HEATER COVER, A3FE	
47	0005256		PANEL,HEATER TO ENGINE HOOD, HDPE	
48	0000100		NAMEPLATE,DASH,ALL AMERICAN	
48	0000101		NAMEPLATE,DASH,CANADIAN	

Models: A3FE, A3RE
FRONT DASH INSTALLATION WITH POWER DOOR CONTROL
BSN: From BSN F10035825 L10059260 To BSN F10068989 L10133499

Key	PartNumber	Qty	Description	Comment
-----	------------	-----	-------------	---------



Models: A3FE, A3RE
FRONT
DASH INSTALLATION
WITH POWER DOOR CONTROL
BSN: From BSN F10035825 L10059260
 To BSN F10068989 L10133499

Key	PartNumber	Qty	Description	Comment
1	1572304	2	CLAMP,HOSE,SIZE 36,UNLINED,2.75	
2	1532910		ANGLE,SCREEN RET,HTR AIR INTAKE	
3	0010683		PANEL,CLOSEOUT,HEATER TO COWL,DRFL	A3FE
3	1564699		PLATE,CLOSEOUT,MAIN HTR TO COWL	A3RE
4	0015279		HEATER ASSY,TRANSIT MAIN,PIA,VERT FEED	
4A			HEATER ASSEMBLY	
4B			ANGLE, FRONT COVER	
**	0015274		KIT,DASH & HEATER COVER,A3FE	
5A			TRIM, LH HEATER	
5B			TRIM, RH	
5C			COVER ASSY	
5D	4316402		PLATE, ID HEATER CV KYSOR WESTRAN 342384	
5E			COVER, FILTER	
5F			PANEL, INTERIOR	
5G	4316550		RUBBER, .25 X .50 HEATER CV KYSOR	
5H	0035467		FASTENER, KYSOR 290378, FRT HTR	
5J	0035468		RETAINER, KYSOR 290343, FRT HTR	
5K	0035469		NUT-SPEED, KYSOR 290241, FRT HTR	
**	0015269		KIT,DASH & HEATER COVER,TC/CS/A3 RE	
5A			TRIM, LH FRONT	
5B			TRIM, RH	
5C			COVER ASSEMBLY	
5D			TAG	
5E			COVER, FILTER	
5F			PANEL, INTERIOR	
5G			URETHANE, 1/4 X 1/2	
5H			FASTENER, #12 PH1 HD	
5J			RETAINER	
5K			NUT-SPEED	
6	0028726		DUCT ASSY,DEF,WITH UNMOUNTED CONTROLS	
6A			DUCT ASSY	
6B			CONTROL ASSEMBLY	
6C	0030465		TRIM,ACCESS OPENING,FOOTWARMER DOOR	

Models: A3FE, A3RE
FRONT
DASH INSTALLATION
WITH POWER DOOR CONTROL
BSN: From BSN F10035825 L10059260
 To BSN F10068989 L10133499

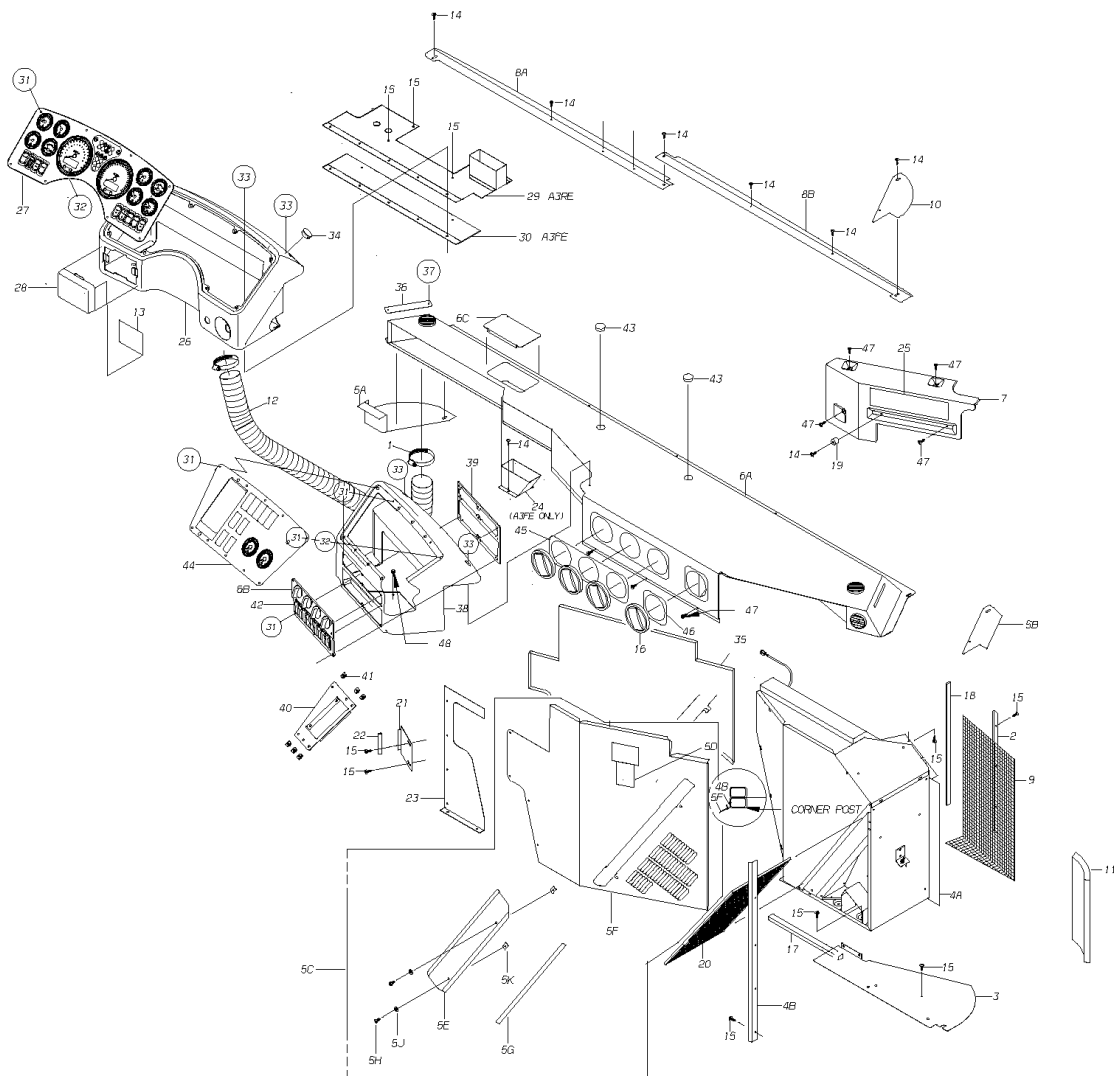
Key	PartNumber	Qty	Description	Comment
7	0031645		COVER,DASH,RH REAR,TC/A3	
8	1913847		KIT,TRIM,DASH W/PUSH BUTTON SHIFTER,2CF	
8A			TRIM, LH BELT BAR	
8B			TRIM, RH BELT BAR	
9	1532902		SCREEN,HTR AIR INTAKE,TCFC/RE	
10	1925759		TRIM,RH FRONT CORNER OF DASH,TCFE/RE	
11	1532936		INSULATION & SEAL,RH COWL	
12	1508381		HOSE,FLEXIBLE,DUCT,2.50X28.00	
13	0041799		DECAL,FUSE BLOCK	
14	1143676	15	SCREW,10-16 X 3/4, AB,PH1,PAN HD,BLK ZN,	
15	1589522	30	SCREW,10-16 X 3/4,AB,PH1,PAN HD,YEL ZN	
16	0530253	4	DIFFUSER,AIR,BLACK,MB	
17	0830059	1	TAPE,FOAM,1/2X3/4,CLSD CELL NEOPRENE ADH	
18	0758292		TAPE,FOAM,PCV,3/16 X 3/8 WIDTH,W/ADH	
19	1486919		BUMPER,RUBBER RECESS,.469 X .719 DIA	
20	1922384		FILTER,MAIN HTR,10 X 21.06 X.43 FRM	
21	0000059		BRACKET,HEATER PANEL TO DUCT	
22	2004547		TRIM,INSTRUMENT HOOD,VINYL EDGE,BLACK	
23	0005256		PANEL,HEATER TO ENGINE HOOD, HDPE	
24	0011217		DUCT,DRIVERS FOOTWARMER, A3FE	
25	0000100		NAMEPLATE,DASH,ALL AMERICAN	
25	0000101		NAMEPLATE,DASH,CANADIAN	
26	0031025		HOUSING,PANEL ASSY,INSTRUMENT,2001	
27	0026348		PANEL ASSY,INSTRUMENT,BLK W/GRAY,	
28	0017276		COVER,FUSE BLOCK W/O CIRCUIT BREAKERS	
29	0016854		PLATE ASSY,MOUNTING,DASH HOUSING	
30	0016369		PLATE,MOUNTING,INSTRUMENT HOUSING,,	
31	1315100	29	SCREW,MACH,10-32X1,PHI,PAN HD,BLK	
32	1315118	14	WELLNUT Q-1032,.377 X 5/8	
33	0017645	8	SCREW,1/4-20 X.75,TYPE F W/WSHR,PAN HD,	
34	0017694	4	PLUG,PRY-OUT,.875 HOLE,HEYCO 3083	
35	0008386		INSULATION,THERMAL,HEATER COVER, A3FE	
36	0000852		TAG,VEHICLE IDENTIFICATION NUMBER,.032	

Models: A3FE, A3RE
FRONT
DASH INSTALLATION
WITH POWER DOOR CONTROL
BSN: From BSN F10035825 L10059260
 To BSN F10068989 L10133499

Key	PartNumber	Qty	Description	Comment
37	0422915	2	RIVET,1/8 DIA,ALUMINUM,W/ST STEM	
38	0025579		HOUSING,VEHICLE CONTROL COMPONENTS	
39	0028997		PLATE,REINFORCEMENT,HTR SWITCH PNL,A3	
40	0023394		PANEL,MTG,SHIFT SELECTOR TO HOUSING,LH	
41	0025522		U-NUT,10-32	
42	0028949		PANEL ASSY,SWITCH,AUX HEATERS,W/CMPS	
43	1351071	2	PLUG,BUTTON,BLACK,DP-1000 HEYCO 2713	
44	0027358		PANEL ASSY,SWITCH,SHIFTER,	
44	0030779		PANEL ASSY,SWITCH,SHIFTER,W/COMP,	
45	0031699		DECAL,INSERT,HEATER DIFFUSER,DASH,3-	
46	0031700		DECAL,INSERT,HEATER DIFFUSER,DASH,1-	
47	0033684	4	SCREW,10-16 X 3/4,AB,PHI,PN/HD,BZDICH,	

Models: A3FE, A3RE
FRONT DASH INSTALLATION WITH POWER DOOR CONTROL
BSN: From BSN F10068990 L10133500

Key	PartNumber	Qty	Description	Comment
-----	------------	-----	-------------	---------



Models: A3FE, A3RE
**FRONT
 DASH INSTALLATION
 WITH POWER DOOR CONTROL**
BSN: From BSN F10068990 L10133500

Key	PartNumber	Qty	Description	Comment
1	1572304	2	CLAMP,HOSE,SIZE 36,UNLINED,2.75	
2	1532910		ANGLE,SCREEN RET,HTR AIR INTAKE	
3	0010683		PANEL,CLOSEOUT,HEATER TO COWL,DRFL	A3FE
3	1564699		PLATE,CLOSEOUT,MAIN HTR TO COWL	A3RE
4	0015279		HEATER ASSY,TRANSIT MAIN,PIA,VERT FEED	
4A			HEATER ASSEMBLY	
4B			ANGLE, FRONT COVER	
**	0015274		KIT,DASH & HEATER COVER,A3FE	
5A	0061998		TRIM,LH,FRONT DASH, PART OF KIT 0015272	
5B			TRIM, RH	
5C			COVER ASSEMBLY	
5D	4316402		PLATE, ID HEATER CV KYSOR WESTRAN 342384	
5E			COVER, FILTER	
5F			PANEL, INTERIOR	
5G	4316550		RUBBER, .25 X .50 HEATER CV KYSOR	
5H	0035467		FASTENER, KYSOR 290378, FRT HTR	
5J	0035468		RETAINER, KYSOR 290343, FRT HTR	
5K	0035469		NUT-SPEED, KYSOR 290241, FRT HTR	
**	0015269		KIT,DASH & HEATER COVER,TC/CS/A3 RE	
5A	0061998		TRIM,LH,FRONT DASH, PART OF KIT 0015272	
5B			TRIM, RH	
5C			COVER ASSEMBLY	
5D	4316402		PLATE, ID HEATER CV KYSOR WESTRAN 342384	
5E			COVER, FILTER	
5F			PANEL, INTERIOR	
5G	4316550		RUBBER, .25 X .50 HEATER CV KYSOR	
5H	0035467		FASTENER, KYSOR 290378, FRT HTR	
5J	0035468		RETAINER, KYSOR 290343, FRT HTR	
5K	0035469		NUT-SPEED, KYSOR 290241, FRT HTR	
6	0028726		DUCT ASSY,DEF,WITH UNMOUNTED CONTROLS	
6A			DUCT ASSEMBLY	
6B			CONTROL ASSEMBLY	
6C	0030465		TRIM,ACCESS OPENING,FOOTWARMER DOOR	

Models: A3FE, A3RE
FRONT
DASH INSTALLATION
WITH POWER DOOR CONTROL
BSN: From BSN F10068990 L10133500

Key	PartNumber	Qty	Description	Comment
7	0031645		COVER,DASH,RH REAR,TC/A3	
8	1913847		KIT,TRIM,DASH W/PUSH BUTTON SHIFTER,2CF	
8A			TRIM, LH BELT BAR	
8B			TRIM, RH BELT BAR	
9	1532902		SCREEN,HTR AIR INTAKE,TCFC/RE	
10	1925759		TRIM,RH FRONT CORNER OF DASH,TCFE/RE	
11	1532936		INSULATION & SEAL,RH COWL	
12	1508381		HOSE,FLEXIBLE,DUCT,2.50X28.00	
13	0041799		DECAL,FUSE BLOCK	
14	1143676		SCREW,10-16 X 3/4, AB,PH1,PAN HD,BLK ZN,	
15	1589522		SCREW,10-16 X 3/4,AB,PH1,PAN HD,YEL ZN	
16	0530253		DIFFUSER,AIR,BLACK,MB	
17	0830059		TAPE,FOAM,1/2X3/4,CLSD CELL NEOPRENE ADH	
18	0758292		TAPE,FOAM,PCV,3/16 X 3/8 WIDTH,W/ADH	
19	1486919		BUMPER,RUBBER RECESS,.469 X .719 DIA	
20	1922384		FILTER,MAIN HTR,10 X 21.06 X.43 FRM	
21	0000059		BRACKET,HEATER PANEL TO DUCT	
22	2004547		TRIM,INSTRUMENT HOOD,VINYL EDGE,BLACK	
23	0005256		PANEL,HEATER TO ENGINE HOOD, HDPE	
24	0011217		DUCT,DRIVERS FOOTWARMER, A3FE	
25	0000100		NAMEPLATE,DASH,ALL AMERICAN	
25	0000101		NAMEPLATE,DASH,CANADIAN	
26	0031025		HOUSING,PANEL ASSY,INSTRUMENT,2001	
27	0077816		PANEL ASSY,INSTRUMENT,PURCHAS,ACTIA,	
28	0017276		COVER,FUSE BLOCK W/O CIRCUIT BREAKERS	
29	0016854		PLATE ASSY,MOUNTING,DASH HOUSING	
30	0016369		PLATE,MOUNTING,INSTRUMENT HOUSING,,	
31	1315100		SCREW,MACH,10-32X1,PHI,PAN HD,BLK	
32	1315118		WELLNUT Q-1032,.377 X 5/8	
33	0017645		SCREW,1/4-20 X.75,TYPE F W/WSHR,PAN HD,	
34	0017694		PLUG,PRY-OUT,.875 HOLE,HEYCO 3083	
35	0008386		INSULATION,THERMAL,HEATER COVER, A3FE	
36	0000852		TAG,VEHICLE IDENTIFICATION NUMBER,.032	

Models: A3FE, A3RE
FRONT
DASH INSTALLATION
WITH POWER DOOR CONTROL
BSN: From BSN F10068990 L10133500

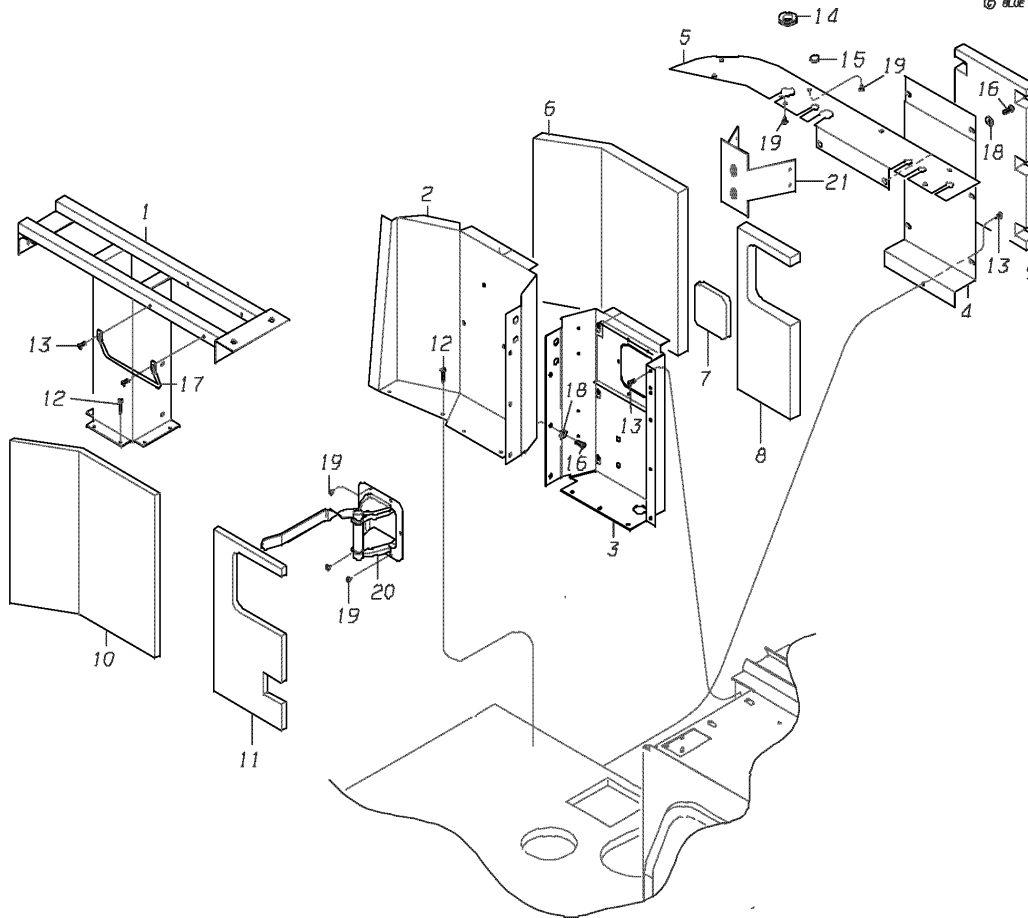
Key	PartNumber	Qty	Description	Comment
37	0422915		RIVET,1/8 DIA,ALUMINUM,W/ST STEM	
38	0025579		HOUSING,VEHICLE CONTROL COMPONENTS	
39	0028997		PLATE,REINFORCEMENT,HTR SWITCH PNL,A3	
40	0023394		PANEL,MTG,SHIFT SELECTOR TO HOUSING,LH	
41	0025522		U-NUT,10-32	
42	0028949		PANEL ASSY,SWITCH,AUX HEATERS,W/CMPS	
43	1351071		PLUG,BUTTON,BLACK,DP-1000 HEYCO 2713	
44	0079089		PANEL ASSY,SWITCH,SHIFTER,	<i>WITH COMPONENTS</i>
44	0080497		PANEL ASSY,SWITCH,SHIFTER,W/COMP,	<i>WITH COMPONENTS</i>
45	0031699		DECAL,INSERT,HEATER DIFFUSER,DASH,3-	
46	0031700		DECAL,INSERT,HEATER DIFFUSER,DASH,1-	
47	0033684		SCREW,10-16 X 3/4,AB,PHI,PN/HD,BZDICH,	
48	2000016		SCREW,1/4-14 X 5/8,B,HEX,W/PLAIN WASH,	

Models: A3RE, C1FE, CSFE, CSRE, QBRE, TCFE
FRONT DASH, DRIVER'S AREA COMPONENTS

Key	PartNumber	Qty	Description	Comment
-----	------------	-----	-------------	---------

DR. 11/16/01	BY TFM		1844806	P
APP.	BY	PRT		REV

© BLUE BIRD BODY COMPANY. ALL RIGHTS RESERVED

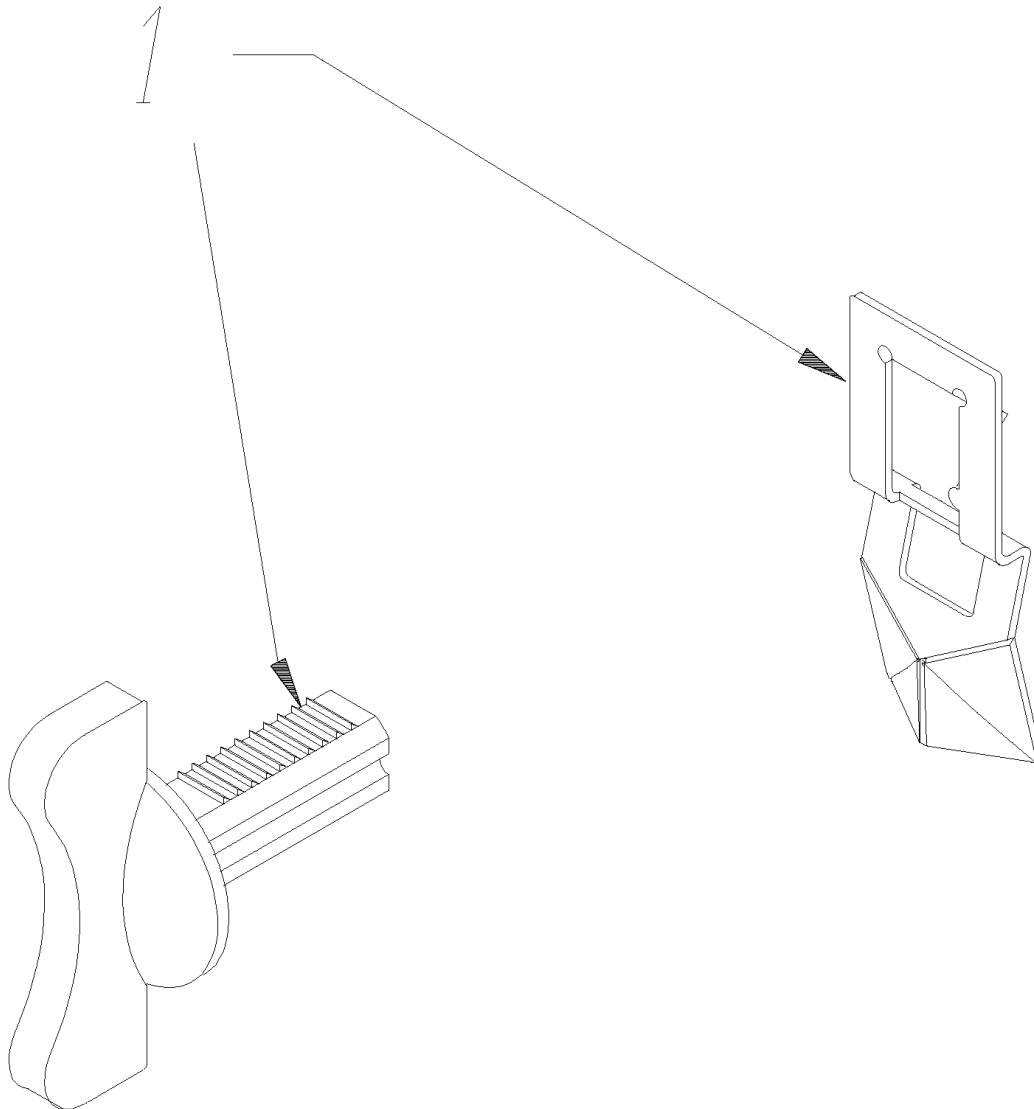


Models: A3RE, C1FE, CSFE, CSRE, QBRE, TCFE
**FRONT
 DASH, DRIVER'S AREA COMPONENTS**

Key	PartNumber	Qty	Description	Comment
1	1435858		TOWER ASSY,DASH SUPPORT,TCFC	
1	0004086		TOWER ASSY,DASH SUPPORT,TILT/TELE COL,	
2	1644780		PANEL ASSY,CLOSEOUT,DRIVER SIDE, TC/QB	ENDING WITH BSN B-10018409, F-10010589, L-10017339
2	0007940		PANEL ASSY,CLOSEOUT,DRIVER SIDE,TC/QB	BEGIN WITH BSN B-10018410, F-10010590, L-10017340
3	1644764		PANEL ASSY,C/OUT,DRV SIDE,W/AIR VENT,	
4	1560432		PANEL,ACCESS,TOWER ASSY,ELECTRICAL	
5	1868488		PANEL,CLOSEOUT,DRIVER'S AREA,TOP	
6	1554336		INSULATION,THERMAL,DRV C/OUT,O/S,LH	OS LH-WITH OPTION 1502-01, 02
7	1566157		INSULATION,THERMAL,DRV VENT DOOR, TC/HD	DR ASSY WITH OPTION 1502-01, 02
8	1566165		INSULATION,THERMAL,DRV C/OUT,OUTSIDE,TC	OS, RH-WITH OPTION 1502-01, 02
9	1560457		INSULATION,THERMAL,DRIVERS CLOSEOUT,	CTR-WITH OPTION 1502-01, 02
10	1560358		INSULATION,THERMAL,DRV C/OUT,I/S,LH	
10	1686906		INSULATION,THERM,DRV C/OUT,I/S,	5.9- WITH OPTION 1502-01, 02 & 5.9
10	1686914		INSULATION,THERM,DRV C/OUT,I/S,LH,427,	427- WITH OPTION 1502-01 & 427
10	1686922		INSULATION,THERM,DRV C/OUT,I/S,LH,427,	427- WITH OPTION 1502-02 & 427
11	1566173		INSULATION,THERMAL,DRV C/OUT,INSIDE,TC	RH-WITH OPTION 1502-01, 02
12	0527325	13	SCREW,10-16 X 1,AB,PH1,OVAL CNSK HD, YEL	
13	1200799	7	SCREW,10-24 X 3/8,T,PH1,PAN HD, YEL ZN	
14	2003192		GROMMET,RUBBER,FC	
15	1330885	4	PLUG,BUTTON,BLACK,DP-625,HEYCO 2663	
16	0807958	14	CAPSCREW,HEX HD,1/4-20X 1/2,GR8,YEL ZN	
17	1578798		SUPPORT,FRESH AIR CONTROL HANDLE	
18	2001121	14	WASHER,FLAT,5/16 X 3/4,X 5/64,YEL ZN DICH	
19	1200799	13	SCREW,10-24 X 3/8,T,PH1,PAN HD, YEL ZN	
20	1566819		VENT ASSY,DRIVER'S,3.62 X 4.00,SALEM	
21	1759174		BRACKET ASSY,MTG RELAY BLOCK,TCFE/RE	
22	1589522		SCREW,10-16 X 3/4,AB,PH1,PAN HD,YEL ZN	
23	1686864		MODULE,SPEEDOMETER/TACHOMETER	

Models: A3FE, A3RE, BBCV, GMCV, SBCV, TCFE
FRONT
FRONT GLOVE COMPARTMENT LATCH

Key	PartNumber	Qty	Description	Comment
-----	------------	-----	-------------	---------

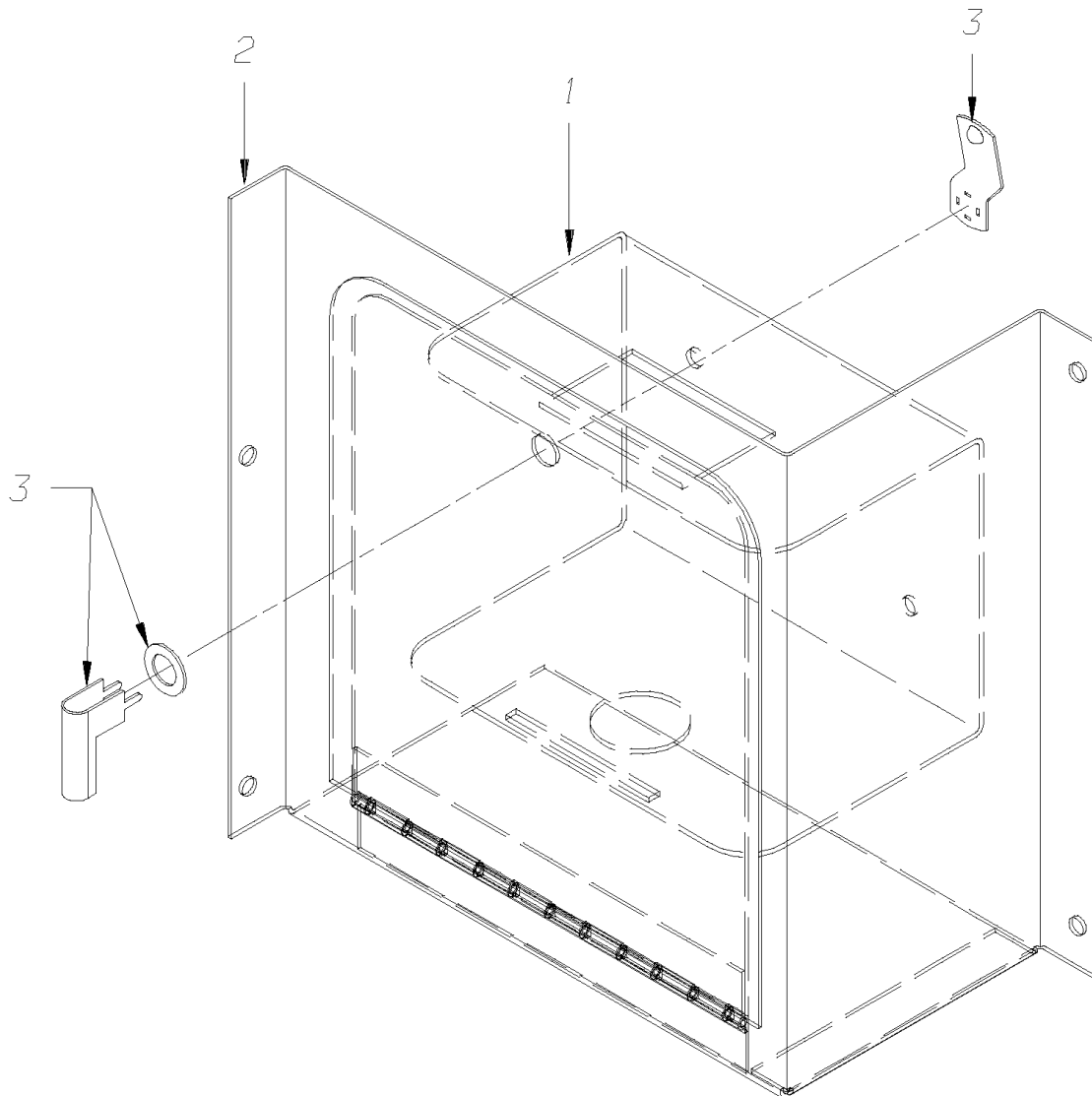


Models: A3FE, A3RE, BBCV, GMCV, SBCV, TCFE
FRONT
FRONT GLOVE COMPARTMENT LATCH

Key	PartNumber	Qty	Description	Comment
1	0043455		LATCH,GLOVE COMPARTMENT,WING HEAD	

Models: A3RE
FRONT
FUSE BLOCK COMPARTMENT ASSY
To BSN F10020224

Key	PartNumber	Qty	Description	Comment
-----	------------	-----	-------------	---------

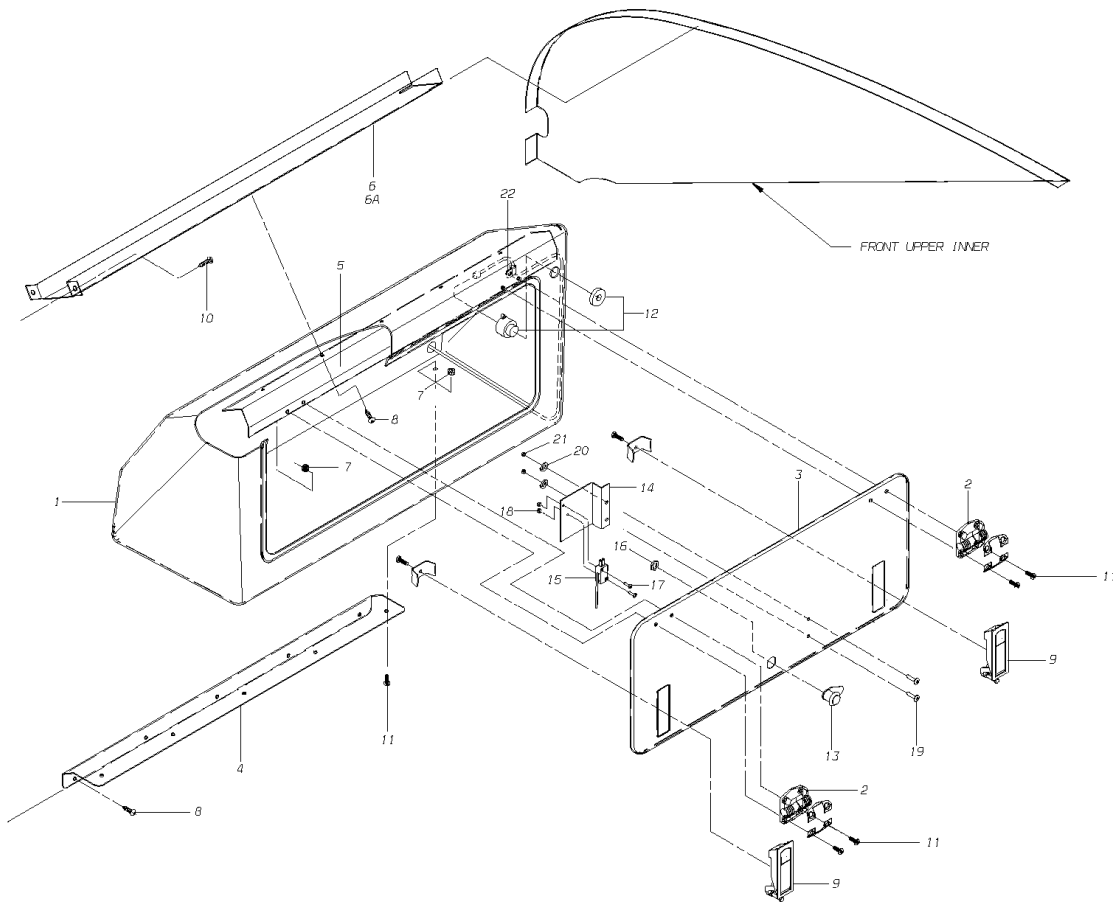


Models: **A3RE**
FRONT
FUSE BLOCK COMPARTMENT ASSY
To BSN F10020224

Key	PartNumber	Qty	Description	Comment
1	0000606		BRACKET,MTG,FUSE BLOCK, HDRE	
2	0000607		COMPARTMENT ASSY,FUSE BLOCK, HDRE	
	0001772		BRACKET,FUSE BLOCK COMPARTMENT, HDRE	<i>PART OF ITEM 2</i>
	0000608		DOOR,FUSE BLOCK COMPARTMENT, HDRE	<i>PART OF ITEM 2</i>
	0000609		HINGE,FUSE BLOCK COMPARTMENT, HDRE	<i>PART OF ITEM 2</i>
3	2007292		LATCH,GLOVE CMPT	
NI	1334689	6	SCREW,10-32 X 3/8,F,PH1,PAN HD,YEL ZN	
NI	0001952		DECAL,FUSE BLOCK, HDRE	
NI	0001954		DECAL,FUSE PANEL INSIDE	
NI	0001953		DECAL,RELAY BLOCK,HDRE	

Models: A3FE, A3RE, BBCV, SBCV
FRONT OVERHEAD DRIVER'S STORAGE COMPARTMENT LOCKING, WITH ALARM
With Features: FEATURE 30906-04

Key	PartNumber	Qty	Description	Comment
-----	------------	-----	-------------	---------



Models: A3FE, A3RE, BBCV, SBCV

**FRONT
OVERHEAD DRIVER'S STORAGE COMPARTMENT
LOCKING, WITH ALARM**

With Features: FEATURE 30906-04

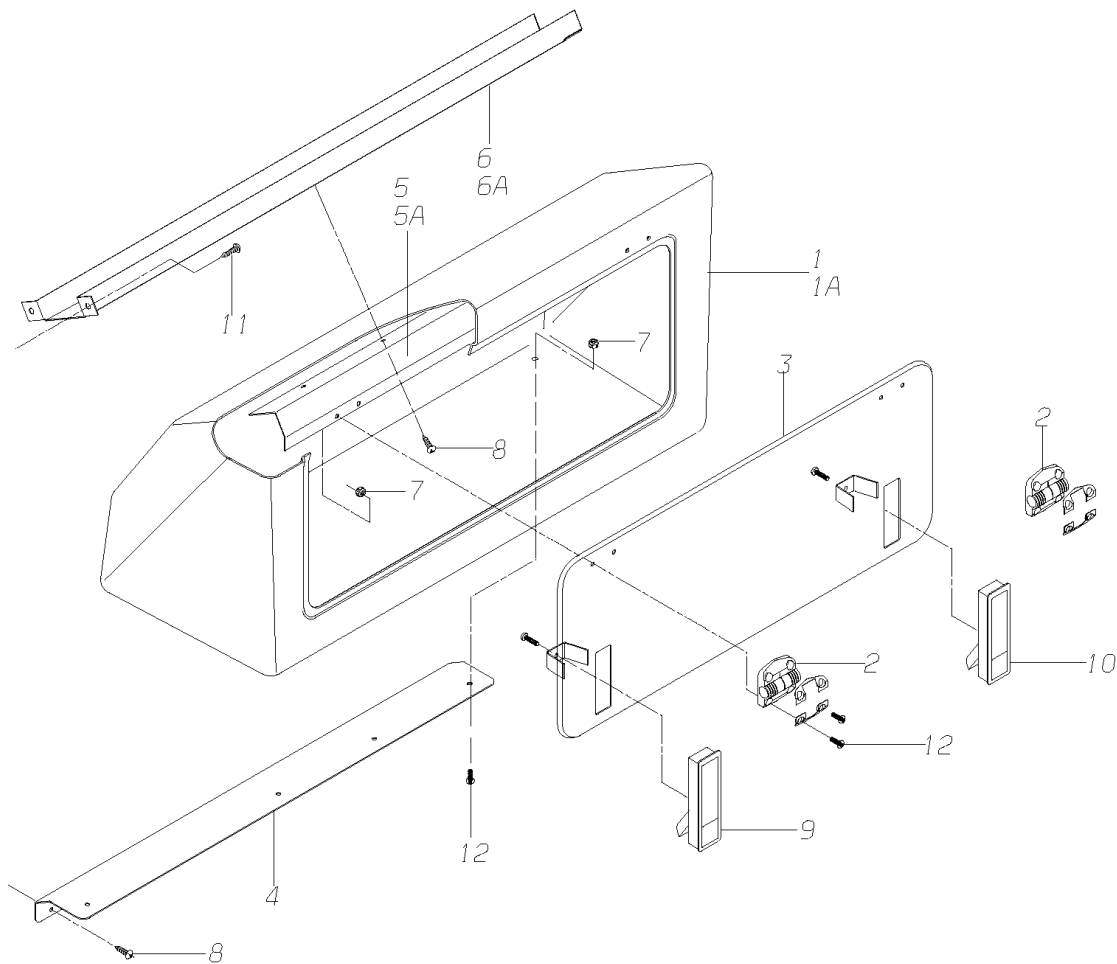
Key	PartNumber	Qty	Description	Comment
1	0080375		COMPARTMENT,DRVR,OVERHD	
2	0016554	2	HINGE,SOUTHCO,C6-6	
3	0080378		PANEL,DOOR,DRIVERS STORAGE CMPT LKG,	
4	0046487		ANGLE,MOUNTING,LWR,DRVS OH STOR,CMVSS	FEATURE 30400-01. ASTRO WHITE
4	0076270		ANGLE,MOUNTING,LOWER,DRVS OH STORAGE,	FEATURE 30400-02. FLORIDA
4	0076271		ANGLE,MOUNTING,LOWER,DRVS OH STORAGE,	FEATURE 30400-03. KENTUCKY BLUE
4	0086945		ANGLE,MOUNTING,LOWER,DRVS OH STORAGE,	FEATURE 30400-04. SEA FOAM GREEN
5	0018503		ANGLE,MOUNTING,UPPER,DRIVERS OH	
6	0018505		STRINGER,REINF,DRIVERS OH STORAGE,CV	BBCV, SBCV UNITS ONLY
6	0018506		STRINGER,REINF,DRIVERS OH STORAGE,	A3FE, A3RE UNITS ONLY
7	1469287	13	NUT,HEX,10-24,ELASTIC LOCKNUT,YEL ZN DICH	
8	1589522	10	SCREW,10-16 X 3/4,AB,PH1,PAN HD,YEL ZN	
9	1798420	2	LATCH,ADJUSTABLE LEVER,THIN GRIP	
10	2000024	2	SCREW,1/4-14 X 3/4,B,HEX HD,YEL ZN DICH	
11	2000750	13	SCREW,MACH,10-24 X 1/2,PH1,RD HD,YEL	
12	0081846		INDICATOR,SIGNAL,AUDIBLE	
13	1060755		LOCK ASSY,DOOR,EMERGENCY EQUIPMENT	
14	0080379		BRACKET,MTG,SWITCH,STORAGE,CMPT,	
15	0081801		SWITCH,ELECTRICAL,MINIATURE SNAP-ACTING	
16	1073311	2	NUT,PANEL,HEX HD,1/2-20,YEL ZN DICH	
17	2259828	2	SCREW,MACH,PH,PN/HD,4-40 X 3/4 ZN3	
18	2259836	2	NUT,HEX,4-40,ZN3	
19	1966837	2	SCREW,MACH,10-32X1/2,PH1,PAN HD,BLK ZN	
20	2001162	2	LOCKWASHER,SPLIT RING, 3/16,MED,YEL ZN	
21	2001287	2	NUT,HEX HD,10-32,YEL ZN DICH	
22	1170083		CLAMP,LOOP,.375	

Models: A3FE, A3RE, BBCV, GMCV, SBCV, TCFE

**FRONT
OVERHEAD DRIVER'S STORAGE COMPARTMENT
NON-LOCKING AND LOCKING**

With Features: FEATURE 30906 -01, -02

Key	PartNumber	Qty	Description	Comment
-----	------------	-----	-------------	---------



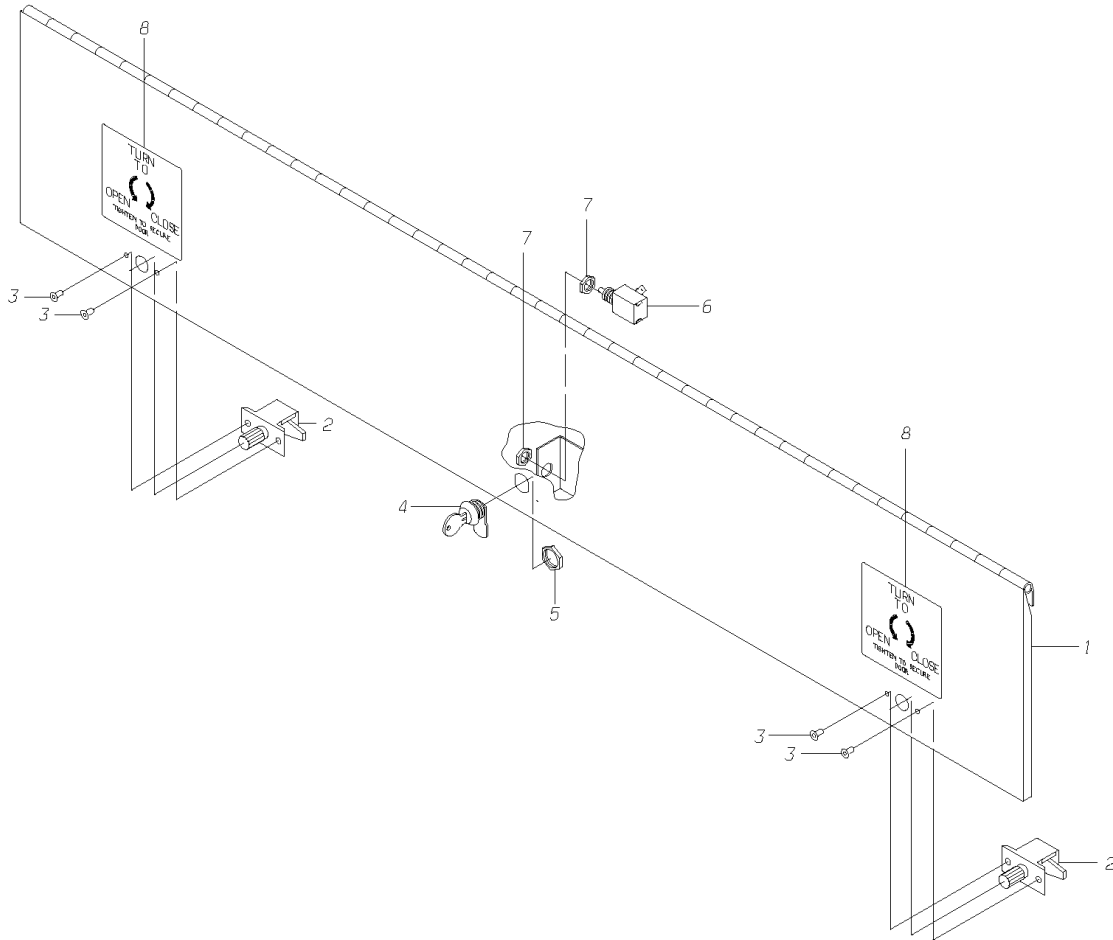
Models: A3FE, A3RE, BBCV, GMCV, SBCV, TCFE
FRONT
OVERHEAD DRIVER'S STORAGE COMPARTMENT
NON-LOCKING AND LOCKING
With Features: FEATURE 30906 -01, -02

Key	PartNumber	Qty	Description	Comment
1	0015869		COMPARTMENT,DRIVERS OVERHEAD	
1	0015870		COMPARTMENT,DRIVERS OVERHEAD	
2	0016554	2	HINGE,SOUTHCO,C6-6	
3	0012331		PANEL,DOOR,DRIVERS STORAGE	
4	0046487		ANGLE,MOUNTING,LWR,DRVS OH STOR,CMVSS	FEATURE 30400-01. ASTRO WHITE
4	0076270		ANGLE,MOUNTING,LOWER,DRVS OH STORAGE,	FEATURE 30400-02. FLORIDA GRAY
4	0076271		ANGLE,MOUNTING,LOWER,DRVS OH STORAGE,	FEATURE 30400-03. KENTUCKY BLUE
4	0086945		ANGLE,MOUNTING,LOWER,DRVS OH STORAGE,	FEATURE 30400-04. SEA FOAM GREEN
5	0018503		ANGLE,MOUNTING,UPPER,DRIVERS OH	
5	0018504		ANGLE,MOUNTING,UPPER,DRIVERS OH	
6	0018505		STRINGER,REINF,DRIVERS OH STORAGE,CV	GMCV, SBCV
6	0018506		STRINGER,REINF,DRIVERS OH STORAGE,	
7	1469287	13	NUT,HEX,10-24,ELASTIC LOCKNUT,YEL ZN DICH	
8	1589522	10	SCREW,10-16 X 3/4,AB,PH1,PAN HD,YEL ZN	
*9	1774421		LATCH,LOCKING,ADJUSTABLE LEVER,SOUTHCO	ENDING WITH BSN B10064339, F10035824, L10059259, M10074849, X10019804
9	0027886		LATCH,ADJUSTABLE LEVER,THIN GRIP,LOCKING	BEGIN WITH BSN B10064340, F10035825, L10059260, M10074850, X10019805
10	1798420		LATCH,ADJUSTABLE LEVER,THIN GRIP	* IF LOCKING FEATURE, FEATURE 30906-0 IS REQUIRED, USE LOCKING, LATCH IN REAR LATCH POSITION AND NON-LOCKING LATCH IN FORWARD POSITION
11	2000024	2	SCREW,1/4-14 X 3/4,B,HEX HD,YEL ZN DICH	
12	2000750	13	SCREW,MACH,10-24 X 1/2,PH1,RD HD,YEL	

Models: AAFE, AARE, A3FE, A3RE, GMCV, SBCV, TCFE, TCRE, TSFE
FRONT OVERHEAD EMERGENCY EQUIPMENT COMPARTMENT LOCKING

With Features: OPTION 0162

Key	PartNumber	Qty	Description	Comment
-----	------------	-----	-------------	---------



Models: AAFE, AARE, A3FE, A3RE, GMCV, SBCV, TCFE, TCRE, TSFE

**FRONT
OVERHEAD EMERGENCY EQUIPMENT COMPARTMENT
LOCKING**

With Features: **OPTION 0162**

Key	PartNumber	Qty	Description	Comment
NI	0910240		PANEL,ACCESS,FRT UPR INR,W/SIGN	ENDING WITH BSN 0015500, 185594, 254184, 365582. FOR ALL PRODUCTS EXCEPT TSFE.
	1762319		PANEL,ACCESS,FRT UPR INR,74HR,W/CMPT	BEGIN WITH BSN 0015501, 185595, 254185, 365583. FOR ALL PRODUCTS EXCEPT TSFE.
	1911155		PANEL ASSY,ACCESS,FRT UPR INR,W/EM CMPT,	FOR TSFE ONLY
	1765437		PANEL,ACS,FRT UPR INR,RAISED FL,W/EM	OPTION 3515, RAISED FLOOR. USED ON TCFE ONLY
	0005102		PANEL,ACCESS,FRT UPR INR W/EM EQUIP	RIGHT HAND DRIVE
NI	0759142		PANEL,C/OUT,EMERGENCY EQUIPMENT CMPT	ENDING WITH BSN 0015500, 185594, 254184, 365582. FOR ALL PRODUCTS EXCEPT TSFE.
	1762335		PANEL,C/OUT,EMERGENCY EQUIP CMPT	BEGIN WITH BSN 0015501, 185595, 254185, 365583. FOR ALL PRODUCTS EXCEPT TSFE.
	1913755		PANEL,C/OUT,EMERGENCY EQUIP CMPT, TSFE	FOR TSFE ONLY
1	1420918		DOOR ASSY,EMER EQPT CMPT	ENDING WITH BSN 0015500, 185594, 254184, 365582
1	1762285		DOOR ASSY,EMERGENCY EQUIP CMPT,LOCKING	BEGIN WITH BSN 0015501, 185595, 254185, 365583
NI	1762244		SUPPORT,DOOR,SPRING,EMERGENCY EQUIP	BEGIN WITH BSN 0018805, 188871, 256959, 369412
2	0533737	2	LATCH,MOVING PAWL	ENDING WITH BSN 0015500, 185594, 254184, 365582
2	1766021	2	LATCH,DOOR,EMERGENCY EQUIPMENT	BEGIN WITH BSN 0015501, 185595, 254185, 365583
3	0422915	4	RIVET,1/8 DIA,ALUMINUM,W/ST STEM	
3	1415769	4	RIVET,POP,.18 X .45,CHERRY SSPS-6-4	
4	1060755		LOCK ASSY,DOOR,EMERGENCY EQUIPMENT	WITH KEY
4	1060748		LOCK ASSY,DOOR,F/TANK & GLOVE CMPT,W/O	WITHOUT KEY
NI	0848747		KEY,LL-25,LOCKING COMPARTMENTS	KEY, LL-25
5	1062108		NUT,PANEL,HEX HD,3/4-24,YEL ZN DICH	
6	1126176		SWITCH,MOMENTARY,SPST NC	
7	1073311	2	NUT,PANEL,HEX HD,1/2-20,YEL ZN DICH	
8	1360593	2	DECAL,TURN TO OPEN,CLOSE 4 X 4	
NI	1278316	10	TRIM,VINYL,BROWN,DOUBLE LIP,75000327	

Models: AAFE, AARE, A3FE, A3RE, GMCV, SBCV, TCFE, TCRE, TSFE

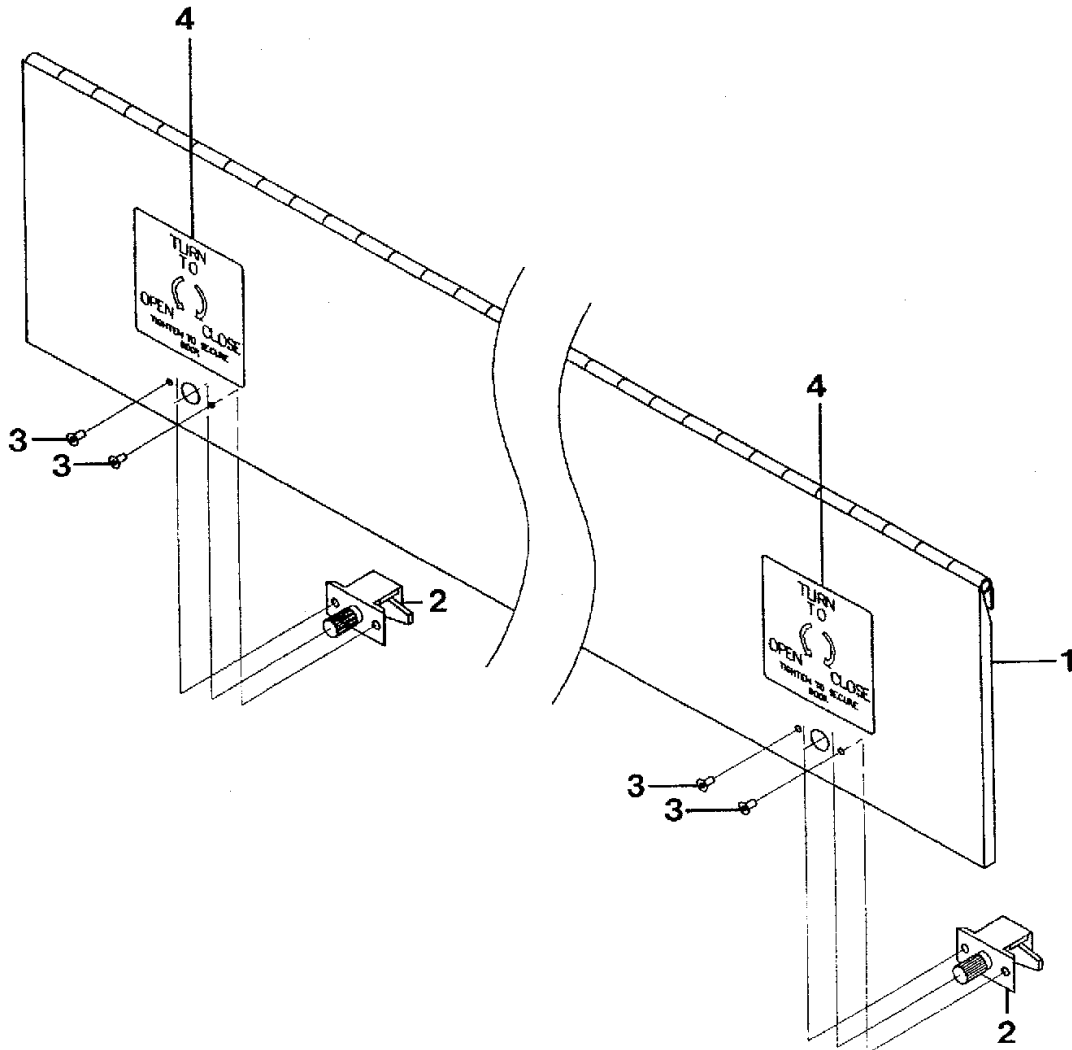
FRONT
OVERHEAD EMERGENCY EQUIPMENT COMPARTMENT
NON-LOCKING
OPTION 0161

With Features:

Key	PartNumber	Qty	Description	Comment
-----	------------	-----	-------------	---------

EMERGENCY EQUIPMENT COMPARTMENT DOOR
NON-LOCKING, OPT.-0161

8008948 REV
ALL RIGHTS RESERVED



Models: AAFE, AARE, A3FE, A3RE, GMCV, SBCV, TCFE, TCRE, TSFE

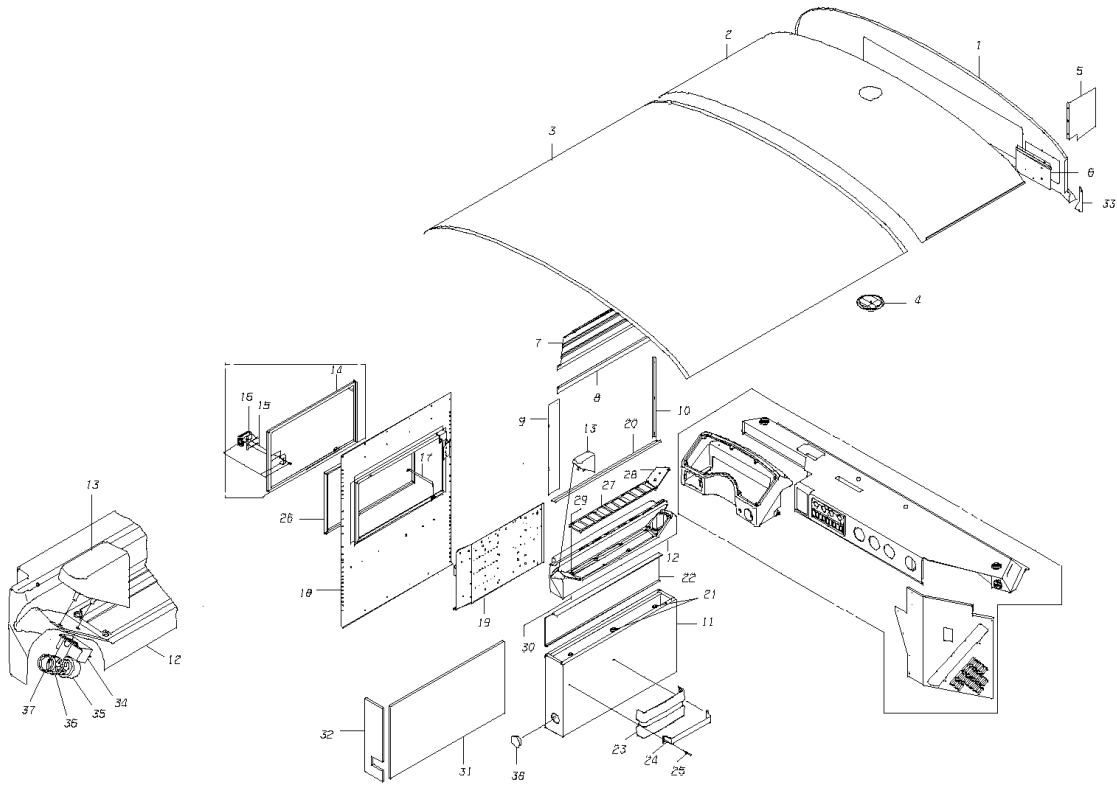
**FRONT
OVERHEAD EMERGENCY EQUIPMENT COMPARTMENT
NON-LOCKING
OPTION 0161**

With Features:

Key	PartNumber	Qty	Description	Comment
NI	0910240		PANEL,ACCESS,FRT UPR INR,W/SIGN	ALL EXCEPT TSFEENDING WITH BSN 0015500, 185594, 254184, 365582
NI	1762319		PANEL,ACCESS,FRT UPR INR,74HR,W/CMPT	ALL EXCEPT TSFEBEGIN WITH BSN 0015501, 185595, 254185, 365583
NI	1911155		PANEL ASSY,ACCESS,FRT UPR INR,W/EM CMPT,	TSFE ONLY
NI	1765437		PANEL,ACS,FRT UPR INR,RAISED FL,W/EM	OPTION 3515, RAISED FLOOR. USED ON TCFE ONLY
NI	0005102		PANEL,ACCESS,FRT UPR INR W/EM EQUIP	
1	1443142		DOOR ASSY,EMER EQPT CMPT,NON-LOCKING	ENDING WITH BSN 0015500, 185594, 254184, 365582
1	1762277		DOOR ASSY,EMERGENCY EQUIP CMPT	BEGIN WITH BSN 0015501, 185595, 254185, 365583
2	0533737	2	LATCH,MOVING PAWL	ENDING WITH BSN 0015500, 185594, 254184, 365582
2	1766021	2	LATCH,DOOR,EMERGENCY EQUIPMENT	BEGIN WITH BSN 0015501, 185595, 254185, 365583
NI	1762244		SUPPORT,DOOR,SPRING,EMERGENCY EQUIP	BEGIN WITH BSN 0018805, 188871, 256959, 369412
3	0422915	4	RIVET,1/8 DIA,ALUMINUM,W/ST STEM	
3	1415769	4	RIVET,POP,.18 X .45,CHERRY SSPS-6-4	
4	1360593	2	DECAL,TURN TO OPEN,CLOSE 4 X 4	
NI	0759159		DECAL,EMERGENCY EQUIPMENT,2IN RED	

Models: **A3RE
FRONT
U.K. UNITS ONLY**

Key	PartNumber	Qty	Description	Comment
-----	------------	-----	-------------	---------



Models: **A3RE
FRONT
U.K. UNITS ONLY**

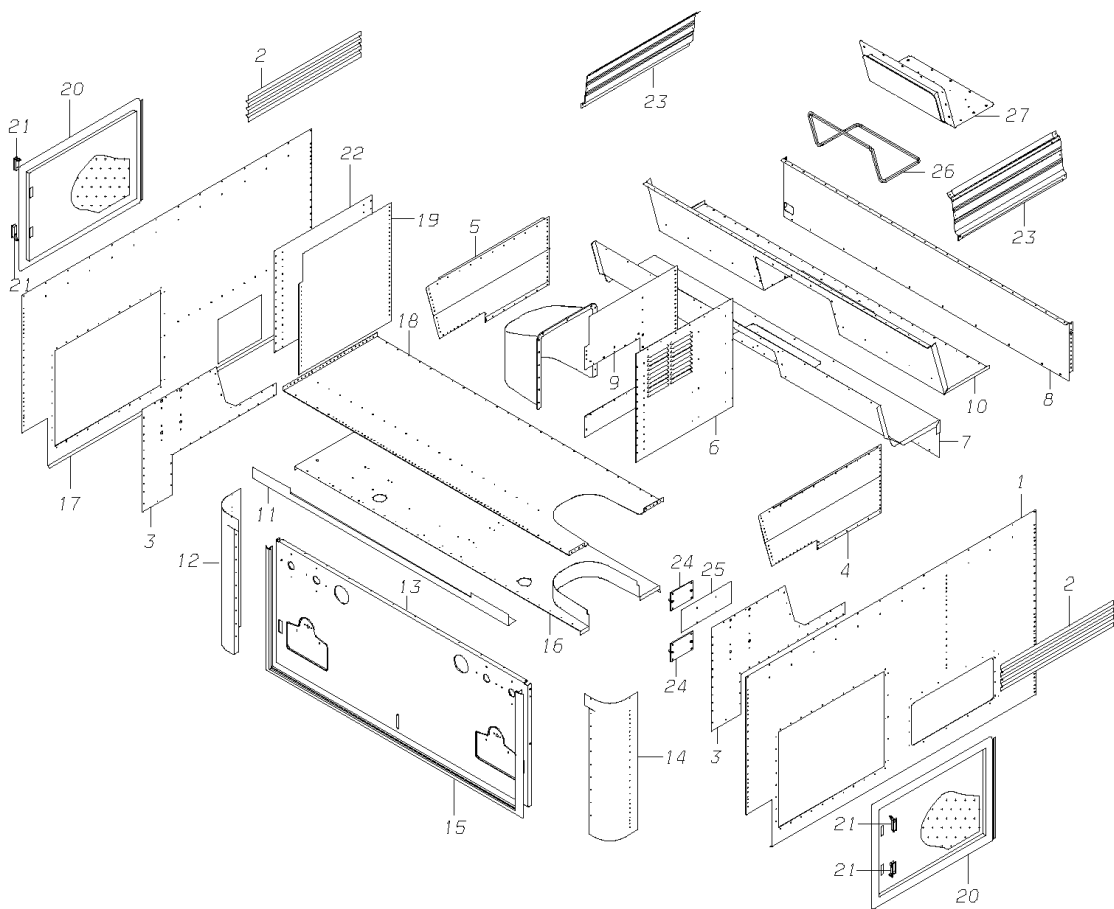
Key	PartNumber	Qty	Description	Comment
NI	0000100		NAMEPLATE,DASH,ALL AMERICAN	
1	1752609		PANEL,ACCESS,FRT UPR INR, RH DRIVE	
2	1752542		PANEL,H/L,FRT,DRV DOME,TSW & 12SS,77HR,	
3	1309590		PANEL,H/L,56,12SS,TSW,77HR	
4	1297613		VENT,I/S,STATIC AIR,PERFORATED	
5	1744291		BAFFLE,GLOVE COMPARTMENT,RH DRIVE	
6	0004176		DOOR ASSY,GLOVE COMPARTMENT	
7	1824465		MOLDING,WIRE,FRONT,LH,TC	
8	1744424		TRIM,DRV WDO,OUTER,UPR,36.00 & 36.75	
9	0031925		CAP,WIRE,DRIVERS WINDOW.36.75, TC	
10	0004507		TRIM,DRIVERS,WDO,FRT,VERT,ASTRO WHITE,	
11	0045917		PANEL ASSY,DRIVERS STATIONARY,UK-RHD,	
NI	0017694		PLUG,PRY-OUT,.875 HOLE,HEYCO 3083	
NI	0031766	4	CLIP,PANEL, 3/16	
12	0031702		HOUSING,DRIVERS SWITCH CONSOLE,RH	
13	0028953		ARMREST,TRANSIT SWITCH PANEL,RHD	
14	0025601		DOOR ASSY,ELECTRICAL ACS,RH DRV,	
15	0027420		GASKET,ADJUSTABLE LEVER,SEALED	
16	0027417		LATCH,ADJUSTABLE LEVER,SEALED	
16	0027419		LATCH,ADJUSTABLE LEVER,SEALED,LOCKING	
17	1542034		PROP,DOOR,ELECTRICAL ACCESS,AA/TC	
18	0025711		PANEL ASSY,O/S DRV,25.75 SKT,16GA,RH	
19	0045903		PANEL ASSY,ELEC LOAD CENTER,UK-RHD, A3RE	
20	0028956		TRIM,DRIVERS WINDOW LOWER INSIDE,	
22	0036391		CHANNEL,DRIVERS WINDOW SUPT,RH DRV,	
23	1330554		COMPARTMENT,UTILITY,DRIVERS AREA,AARE	
24	1331891		STRAP,UTILITY COMPARTMENT MOUNT,AARE	
25	1415769	2	RIVET,POP,.18 X .45,CHERRY SSPS-6-4	
26	1539659		GASKET,ELECTRICAL BOX ACCESS DOOR,AA/TC	
27				SEE GROUP 80 "ELECTRICAL" FOR DRIVER'S SIDE SWITCH PANEL
28			SWITCH PANEL	SEE GROUP 80 "ELECTRICAL" FOR WINDSHIELD WIPER
29	1315100	11	SCREW,MACH,10-32X1,PHI,PAN HD,BLK	
30	1315118	11	WELLNUT Q-1032,.377 X 5/8	

Models: **A3RE**
FRONT
U.K. UNITS ONLY

Key	PartNumber	Qty	Description	Comment
31	0034896		INSULATION,SIDE,STATIONARY DRV PNL,	
32	0034899		INSULATION,REAR,STATIONARY DRV PNL,	
33	0011500		TRIM,EXTENSION,GLOVE CMPT W/ELECTRIC	
34	0021437		BUZZER, R.E.D / R.E.W / P.O.W	

Models: A3RE
REAR

Key	PartNumber	Qty	Description	Comment
-----	------------	-----	-------------	---------



Models: A3RE
REAR

Key	PartNumber	Qty	Description	Comment
1	0009035		PANEL,O/SS,RR,RH,19.75SK,S/O BOX,DRRE	STANDARD WITH OPTION 153. 19.75 SK, S/O BOX
1	0009027		PANEL,O/SS,RR,RH,19.75SK,H/D BOX,DRRE	STANDARD WITH OPTION 156. 19.75 SK, H/D BOX
1	0009043		PANEL,O/SS,RR,RH,19.75SK,S/O BOX,SED,	STANDARD WITH OPTION 153, 428. 19.75 SK, S/O BOX, SED
1	0011080		PANEL,O/SS,RR,19.75SK,221,RH,SED,HD	STANDARD WITH OPTION 156, 428, 3475. 19.75 SK, H/D BOX, SED, 221
1	0009068		PANEL,O/SS,RR,RH,25.75SK,S/O BOX,DRRE	OPTION 2384 WITH OPTION 153. 25.75 SK, S/O BOX
1	0009050		PANEL,O/SS,RR,RH,25.75SK,H/D BOX, DRRE	OPTION 2384 WITH OPTION 156. 25.75 SK, H/D BOX
1	0009076		PANEL,O/SS,RR,RH,25.75SK,S/O BOX,SED,	OPTION 2384 WITH OPTION 153, 428. 25.75 SK, S/O BOX, SED
1	1886407		PANEL,O/SS,RR,25.75SK,16GA,RH,SED,HD BX,	OPTION 2384 WITH OPTION 156, 428, 2380. 25.75 SK, H/D BOX. SED, 16 GA
1	0009068		PANEL,O/SS,RR,RH,25.75SK,S/O BOX,DRRE	OPTION 2386 WITH OPTION 153. 25.75 SK, S/O BOX
1	0009050		PANEL,O/SS,RR,RH,25.75SK,H/D BOX, DRRE	OPTION 2386 WITH OPTION 156. 25.75 SK, H/D BOX
2	1501840	2	PANEL,FLUTED,42.75,REAR SIDE,AARE	
2	1644020		PANEL,FLUTED,14.75,REAR SIDE EMER DOOR	
3	0011064	2	PANEL,CLOSEOUT,ENG CMPT,SIDE,DRRE	
4	0013300		PANEL,I/SS,TEXT ALUM STL,ENG CMPT,RH,	OPTION 2449. TEXT ALUMINUM STEEL
4	0013326		PANEL,I/SS,VINYL,ENG CMPT,RH, DRRE	OPTION 2459. VINYL
4	0016527		PANEL,I/SS,TEXT ALUM STL,FL HM,ENG CPT,RH	OPTION 2449. TEXT ALUMINUM STEEL 63 REAR, FL HM
4	0004863		PANEL,I/SS,VINYL,ENG CMPT,56 SECT,RH,	OPTION 2459. VINYL 56" SECTION
4	0004858		PANEL,I/SS,TEXT ALUM,ENG CMPT,56 SECT,RH	OPTION 2449. TEXT ALUMINUM STEEL 56" SECTION
4	0004860		PANEL,I/SS,TEXT ALUM,FL HM,ENG CPT,56,RH	OPTION 2449. TEXT ALUMINUM STEEL 56" SECTION, FL HM
5	0013318		PANEL,I/SS,TEXT ALUM STL,ENG CMPT,LH,	OPTION 2449. TEXT ALUMINUM STEEL
5	0013334		PANEL,I/SS,VINYL,ENG CMPT,LH, DRRE	OPTION 2459. VINYL
5	0016535		PANEL,I/SS,TEXT ALUM STL,FL HM,ENG CPT,LH	OPTION 2449. TEXT ALUMINUM STEEL 63 REAR, FL HM
5	0004862		PANEL,I/SS,TEXT ALUM,FL HM,ENG CPT,56,LH	OPTION 2449. TEXT ALUMINUM STEEL 56" SECTION, FL HM
5	0004859		PANEL,I/SS,TEXT ALUM,ENG CMPT,56 SECT,LH	OPTION 2449. TEXT ALUMINUM STEEL 56" SECTION
5	0004864		PANEL,I/SS,VINYL,ENG CMPT,56 SECT,LH, DRRE	

Models: A3RE
REAR

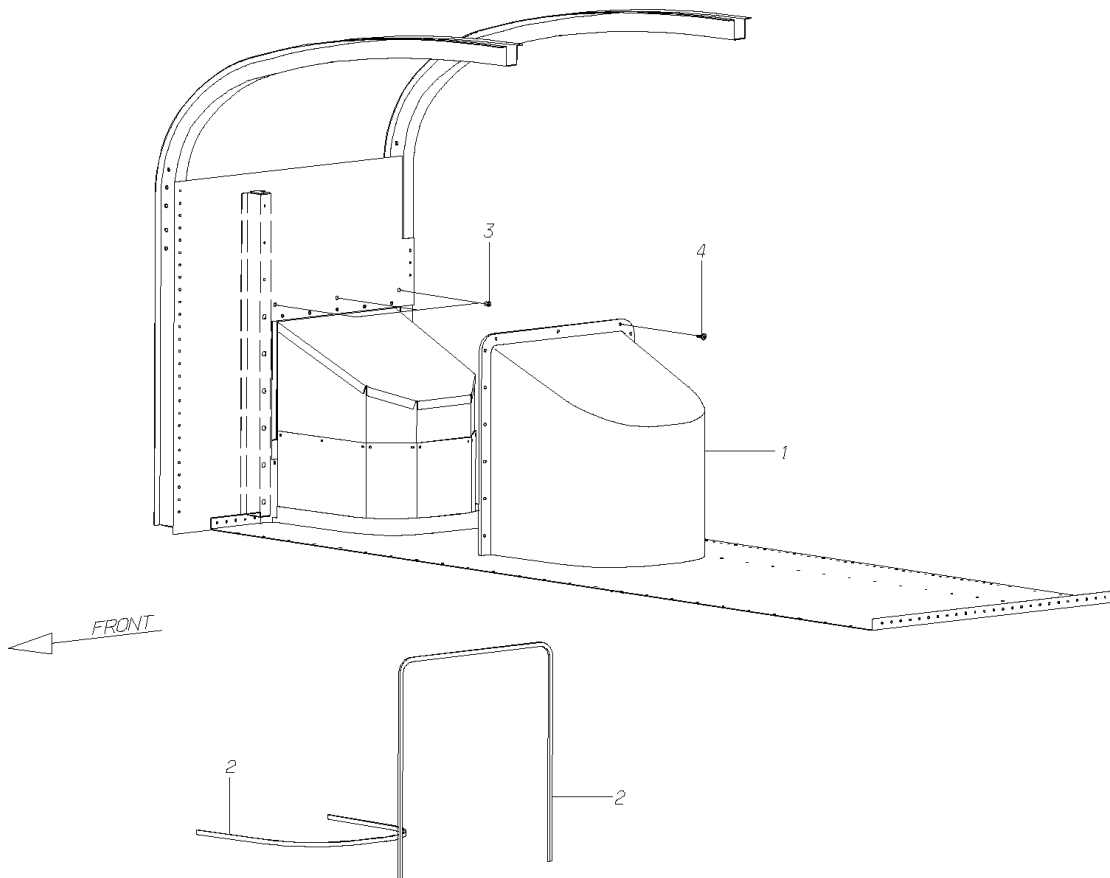
Key	PartNumber	Qty	Description	Comment
				<i>SECTION</i>
6	0016519		PANEL,GRILLE,ENG AIR INTAKE, DRRE	<i>STANDARD. 9" SS</i>
6	1886423		PANEL,GRILLE,ENG AIR INTAKE,12SS	<i>OPTION 3337, 3339. 12" SS</i>
6	0044132		PANEL,GRILLE,ENG AIR INTAKE,12SS, UK-RHD	<i>OPTION 3337, 3339. 12 SS. R3RE UK-RH DRIVE ONLY</i>
7	0009886		PANEL,ENGINE CLOSEOUT,LOWER,W/ACCESS,	
8	0009860		PANEL,DAVENPORT,FRONT, DRRE	
9	0013243		PANEL,I/SS,LAST SECTION,RH, DRRE	<i>STANDARD</i>
9	0018729		PANEL,I/SS,LAST SECTION,RH,PRE-CLEANER	<i>FEATURE 40170-01</i>
10	0009878		PANEL,DAVENPORT,TOP,BODY SIDE,W/ACCESS	
11	1842202		TRIM,REAR EMERGENCY WINDOW	
12	1890920		PANEL,CORNER,REAR,LH	<i>STANDARD</i>
12	1890961		PANEL,CORNER,REAR,LH,E COAT	<i>OPTION 2309. E-COAT</i>
13	0000803		DOOR ASSY,ENGINE COMPARTMENT,DRRE	
NI	1328616		GAS SPRING,FAN22P	
14	1890912		PANEL,CORNER,REAR,RH	<i>STANDARD</i>
14	1890953		PANEL,CORNER,REAR,RH,E COAT	<i>OPTION 2309. E-COAT</i>
15	1906569		EXTRUSION,RUBBER,SEAL,ENGINE COMPT	
16	1800481		PANEL ASSY,DAVENPORT,TOP,ENGINE SIDE,	<i>ENDING WITH BSN F-10007399</i>
16	0006166		PANEL ASSY,DAVENPORT,TOP,ENGINE SIDE,	<i>FROM BSN F-10007400 TO BSN F-10032149</i>
16	0028318		PANEL ASSY,DAVENPORT,TOP,ENGINE SIDE,	<i>BEGIN WITH BSN F-10032150</i>
17	0011072		PANEL,O/SS,RR,19.75SK,16GA,221,	<i>STANDARD WITH OPTION 3475. 19.75 SK, 221</i>
17	1886415		PANEL,OS/S,RR,25.75SK,16GA,LH,W/COOLER,	<i>OPTION 2384. 25.75 SK</i>
18	0011221		PANEL,DAVENPORT,TOP,BODY SIDE, DRRE	<i>ENDING WITH BSN F-10032149</i>
18	0028326		PANEL,DAVENPORT,TOP,BODY SIDE, DRRE	<i>BEGIN WITH BSN F-10032150</i>
19	1316157		PANEL,I/S,LAST SECT,LH,CAT,AARE	
20	1842145	2	DOOR ASSY,AIR INTAKE,TC/CS/QB RE	
21	1798420	4	LATCH,ADJUSTABLE LEVER,THIN GRIP	
22	0002564		PANEL,O/SS,LAST SECTION,9SS,DRRE	<i>STANDARD. 9" SS</i>
22	1252584		PANEL,O/SS,LAST SECTION,AARE	<i>OPTION 3337, 3339. 12" SS</i>
23	1824374	2	MOLDING,WIRE,REAR,28	
23	1824804	2	MOLDING,WIRE,REAR,28,TSW	<i>TSW. OPTION 3365, 3367, 3376, 3377</i>

Models: A3RE
REAR

Key	PartNumber	Qty	Description	Comment
25	0002873		PANEL,CLOSEOUT,AIR INTAKE, DRRE	
26	1829704	8	SEAL,RUBBER,CLEAN SEAL G-7056	
27	0009910		PANEL ASSY,DAVENPORT ACCESS COVER,	
NI	1549211		RIVET,CHERRY,SSPVH-204-4	
NI	1415769		RIVET,POP,.18 X .45,CHERRY SSPS-6-4	
NI	1541176		SCREW,MACH 1/4-20 X 3/4,PH1,TRUSSHD,	
NI	2001394		RIVNUT,NC,1/4"	
NI	1854397		RIVET,BLIND,.25 DIA,.38 GRIP	
NI	2000636		SCREW,1/4-14 X 1/2,AB,PH1,PAN HD,YEL	
TH				

Models: A3RE
REAR
REAR CLOSEOUT PANEL, AIR INTAKE

Key	PartNumber	Qty	Description	Comment
-----	------------	-----	-------------	---------

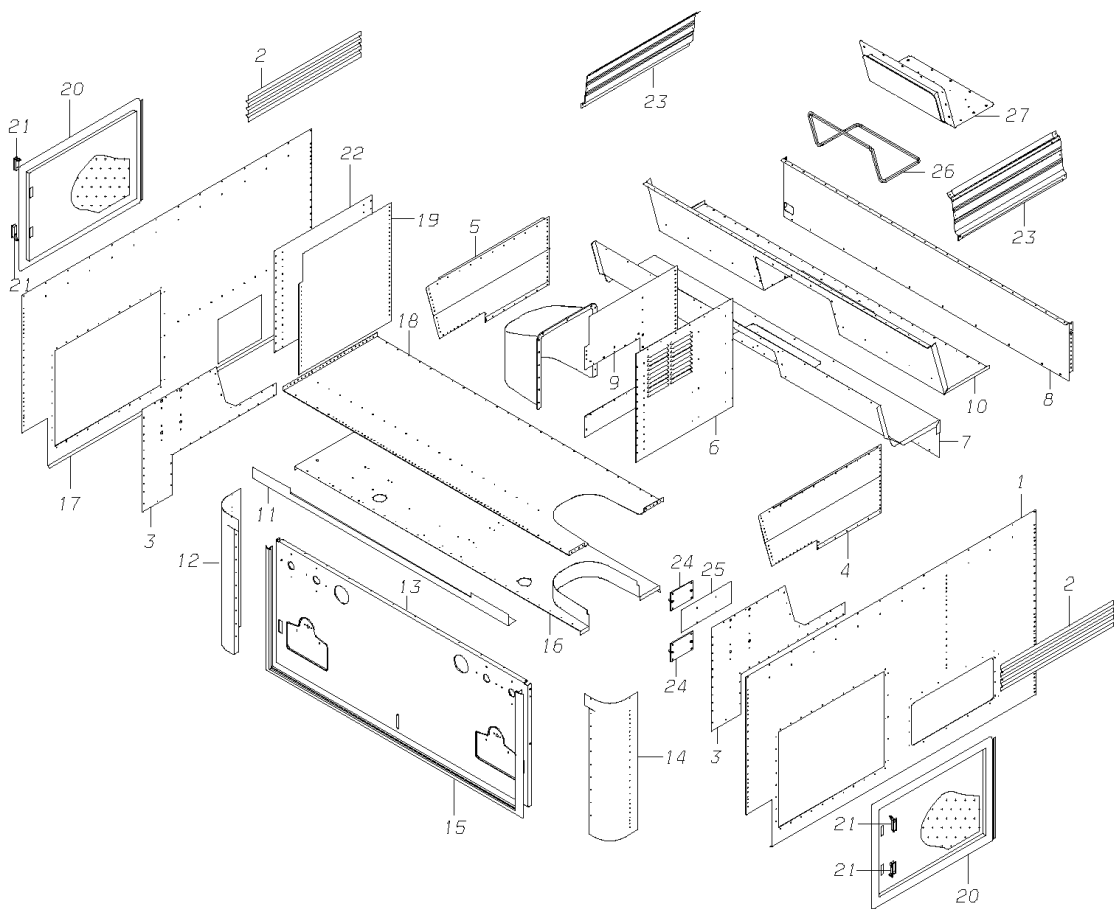


Models: **A3RE**
REAR
REAR CLOSEOUT PANEL, AIR INTAKE

Key	PartNumber	Qty	Description	Comment
1	0013268		PANEL,CLOSEOUT,AIR INTAKE,REAR	
2	1056928		SEAL,RIB SPONGE,3/16 X 3/8 X 77.875	
3	2001394	3	RIVNUT,NC,1/4"	
4	1541176	15	SCREW,MACH 1/4-20 X 3/4,PH1,TRUSSHD,	
NI	0001647		INSULATION,THERMAL,CLOSEOUT,AIR INTAKE,	
NI	0001648		INSULATION,THERMAL,CLOSEOUT,AIR INTAKE	

Models: A3RE
 REAR
 U.K. UNITS ONLY

Key	PartNumber	Qty	Description	Comment
-----	------------	-----	-------------	---------



Models: **A3RE**
REAR
U.K. UNITS ONLY

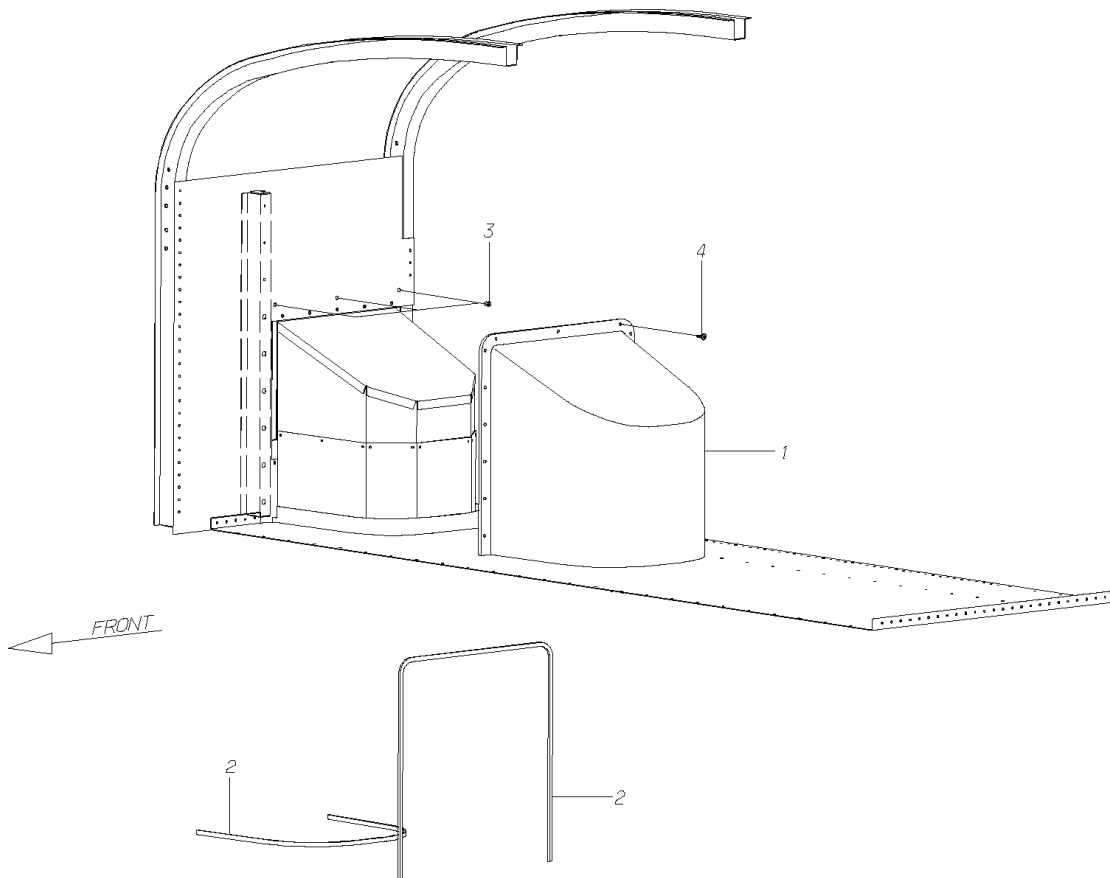
Key	PartNumber	Qty	Description	Comment
1	1886407		PANEL,O/SS,RR,25.75SK,16GA,RH,SED,HD BX,	
2	1501840	2	PANEL,FLUTED,42.75,REAR SIDE,AARE	
2	1644020		PANEL,FLUTED,14.75,REAR SIDE EMER DOOR	
3	0011064	2	PANEL,CLOSEOUT,ENG CMPT,SIDE,DRRE	
4	0013300		PANEL,I/SS,TEXT ALUM STL,ENG CMPT,RH,	
5	0013318		PANEL,I/SS,TEXT ALUM STL,ENG CMPT,LH,	
6	0044132		PANEL,GRILLE,ENG AIR INTAKE,12SS, UK-RHD	
7	0009886		PANEL,ENGINE CLOSEOUT,LOWER,W/ACCESS,	
8	0009860		PANEL,DAVENPORT,FRONT, DRRE	
9	0013243		PANEL,I/SS,LAST SECTION,RH, DRRE	
10	0009878		PANEL,DAVENPORT,TOP,BODY SIDE,W/ACCESS	
11	1842194		TRIM ASSY,REAR EMERGENCY WINDOW,E-COAT	
12	1890961		PANEL,CORNER,REAR,LH,E COAT	
NI	1030824		PANEL,REAR VISION,I/S,W/REW,LH,RCLC	
13	0042981		DOOR,ENGINE COMPARTMENT,UK-RHD, A3RE	
NI	1328616		GAS SPRING,FAN22P	
14	1890953		PANEL,CORNER,REAR,RH,E COAT	
NI	1030816		PANEL,REAR VISION,I/S,W/REW,RH,RCLC	
15	1906569		EXTRUSION,RUBBER,SEAL,ENGINE COMPT	
16	0028318		PANEL ASSY,DAVENPORT,TOP,ENGINE SIDE,	
17	1886415		PANEL,OS/S,RR,25.75SK,16GA,LH,W/COOLER,	
18	0028326		PANEL,DAVENPORT,TOP,BODY SIDE, DRRE	
19	1316157		PANEL,I/S,LAST SECT,LH,CAT,AARE	
20	0046819	2	DOOR ASSY,AIR INTAKE,SOLID,RHD,A3RE	
21	1798420	4	LATCH,ADJUSTABLE LEVER,THIN GRIP	
22	1252584		PANEL,O/SS,LAST SECTION,AARE	
23	1824374	2	MOLDING,WIRE,REAR,28	
24	0013359	2	PLATE ASSY,MTG,AIR CLEANER BRKT, DRRE	
25	0002873		PANEL,CLOSEOUT,AIR INTAKE, DRRE	
26	1829704	8	SEAL,RUBBER,CLEAN SEAL G-7056	
27	0009910		PANEL ASSY,DAVENPORT ACCESS COVER,	
NI	1549211		RIVET,CHERRY,SSPVH-204-4	
NI	1415769		RIVET,POP,.18 X .45,CHERRY SSPS-6-4	

Models: A3RE
REAR
U.K. UNITS ONLY

Key	PartNumber	Qty	Description	Comment
NI	1541176		SCREW,MACH 1/4-20 X 3/4,PH1,TRUSSHD,	
NI	2001394		RIVNUT,NC,1/4"	
NI	1854397		RIVET,BLIND,.25 DIA,.38 GRIP	
NI	2000636		SCREW,1/4-14 X 1/2,AB,PH1,PAN HD,YEL	

Models: A3RE
REAR
U.K. UNITS ONLY
REAR CLOSEOUT PANEL, AIR INTAKE

Key	PartNumber	Qty	Description	Comment
-----	------------	-----	-------------	---------

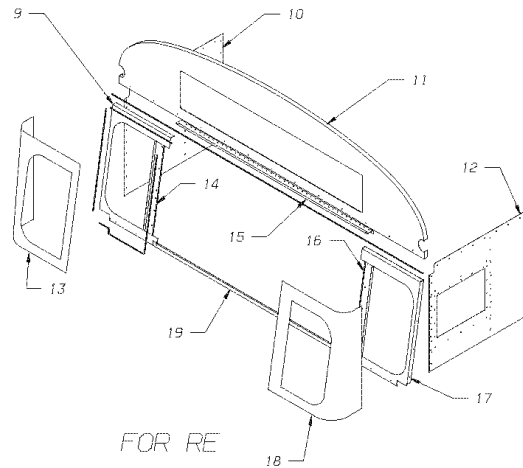
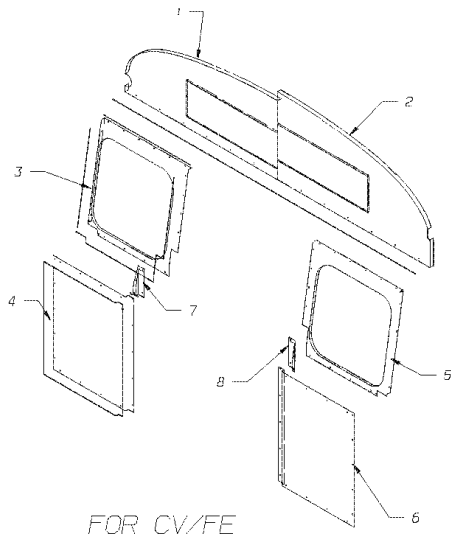


Models: **A3RE**
REAR
U.K. UNITS ONLY
REAR CLOSEOUT PANEL, AIR INTAKE

Key	PartNumber	Qty	Description	Comment
1	0013268		PANEL,CLOSEOUT,AIR INTAKE,REAR	
2	1056928		SEAL,RIB SPONGE,3/16 X 3/8 X 77.875	
3	2001394	3	RIVNUT,NC,1/4"	
4	1541176	15	SCREW,MACH 1/4-20 X 3/4,PH1,TRUSSHD,	
NI	0001647		INSULATION,THERMAL,CLOSEOUT,AIR INTAKE,	
NI	0001648		INSULATION,THERMAL,CLOSEOUT,AIR INTAKE	

Models: A3FE, A3RE, BBCV, SBCV
**REAR
 UPPER PANELS**

Key	PartNumber	Qty	Description	Comment
-----	------------	-----	-------------	---------



Models: **A3FE, A3RE, BBCV, SBCV**
REAR
UPPER PANELS

Key	PartNumber	Qty	Description	Comment
1	0043839		PANEL,I/S,REAR UPPER,74HR"	
1	0043907		PANEL,I/S,REAR UPPER,74HR,W/SB SIGN	
2	0053410		PANEL,INSIDE,REAR UPPER,77 HR	
2	0053585		PANEL,INSIDE,REAR UPPER,W/SCH,BUS	
2	0086617		PANEL,ACCESS,RR UPR W/ACCESS PLATE,77HR	FEATURE 30881-03
2	0086618		PLATE,ACCESS,RR UPR INNER	FEATURE 30881-03
2	0105521		LIGHT,TAG,LED	FEATURE 30006-14
2	0105520		SCHEMATIC,WRG,A/C,W/ECC,SKRT CON,2/TM	FEATURE 30006-14
3	1113059		PANEL,ACCESS,I/S REAR VIS,LH,PRIMED	STANDARD. WITH REAR WINDOW
3	1117175		PANEL,I/S,REAR VISION,W/O WINDOW,LH	FEATURE 07436-04. WITHOUT REAR WINDOW
4	0043824		PANEL,ACCESS,INNER,REAR,LH"	
5	1113042		PANEL,ACCESS,I/S REAR VISION,RH	STANDARD. WITH REAR WINDOW
5	1117167		PANEL,I/S,REAR VISION,W/O WINDOW,RH	FEATURE 07436-04. WITHOUT REAR WINDOW
6	0043825		PANEL,ACCESS,INNER,REAR,RH"	
7	0837260		CAP,POST,REAR EMERGENCY DOOR,ACCESS,LH	
8	0837252		CAP,POST,REAR EMERGENCY DOOR,ACCESS,RH	
9	1030824		PANEL,REAR VISION,I/S,W/REW,LH,RCLC	WITH REAR EMERGENCY WINDOW, LH, STANDARD. WITH REAR WINDOW
9	1143601		PANEL,I/S,REAR VISION,W/O WINDOW,LH,	WITH REAR EMERGENCY WINDOW, LH, FEATURE 07436-04. WITHOUT REAR WINDOW
10	0052689		PANEL,I/SS,LAST SECTION,LH,74HR, DRRE	
10	0052690		PANEL,I/SS,LAST SECTION,LH,77HR, DRRE	
11	0043839		PANEL,I/S,REAR UPPER,74HR"	
11	0053410		PANEL,INSIDE,REAR UPPER,77 HR	
11	0086617		PANEL,ACCESS,RR UPR W/ACCESS PLATE,77HR	FEATURE 30881-03
11	0086618		PLATE,ACCESS,RR UPR INNER	FEATURE 30881-03
12	0052356		PANEL,I/SS,LAST SECTION,RH,74HR, DRRE	
12	0052410		PANEL,I/SS,LAST SECTION,RH,77HR, DRRE	
13	1687185		PANEL ASSY,RR VIS OUT,LH,W/R EMER WIN,	STANDARD. WITH REAR WINDOW
13	1259423		PANEL,REAR VISION,O/S,LH,W/O WDO,RR EM	FEATURE 07436-04. WITHOUT REAR WINDOW
14	1030808		PANEL,SMALL RR VISION,W/REW,LH,RCLC	WITHOUT FEATURE 07436-04
15	1050459		TRIM,UPPER,I/S,REAR EMERGENCY WINDOW,	WITH FEATURE 30945

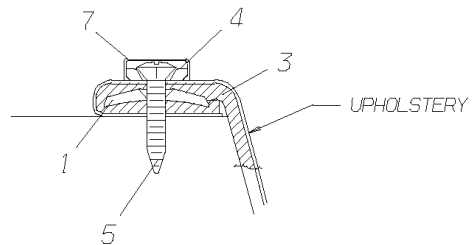
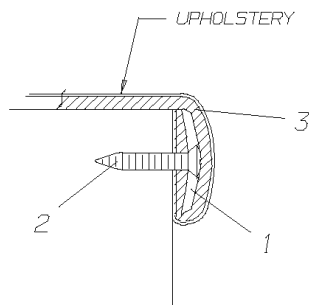
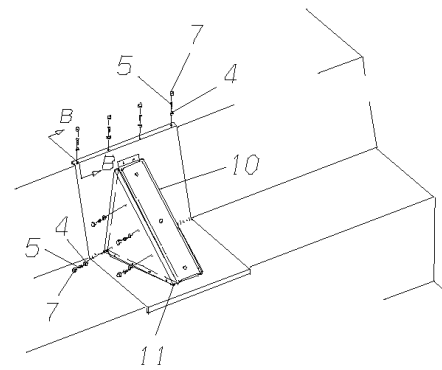
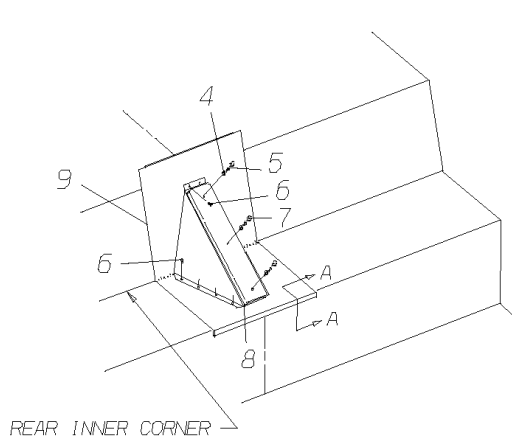
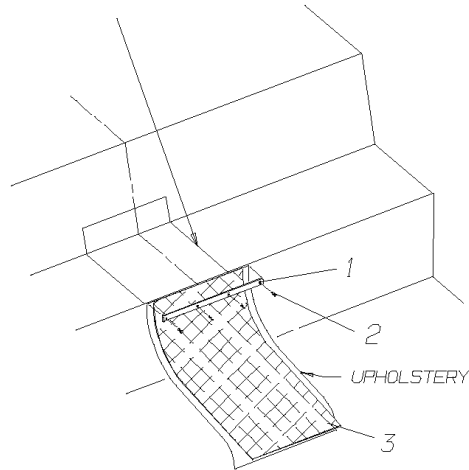
Models: **A3FE, A3RE, BBCV, SBCV**
REAR
UPPER PANELS

Key	PartNumber	Qty	Description	Comment
15	0930453		TRIM,UPPER,I/S,REAR EMERGENCY WINDOW	
16	1519487		PANEL,SMALL RR VISION,W/REW,RH,RCLC	<i>WITHOUT FEATURE 07436-04</i>
17	1030816		PANEL,REAR VISION,I/S,W/REW,RH,RCLC	<i>STANDARD. WITH REAR WINDOW</i>
17	1536085		PANEL,REAR VISION,I/S, W/O WINDOW,R.H.	<i>FEATURE 07436-04. WITHOUT REAR WINDOW</i>
18	1687169		PANEL ASSY,RR VIS OUT,RH,W/R EMER WIN,	<i>STANDARD. WITH REAR WINDOW</i>
18	1259415		PANEL,REAR VISION,O/S,RH,W/O WDO,RR EM	<i>FEATURE 07436-04. WITHOUT REAR WINDOW</i>
19	0289223		TRIM,REAR EMERGENCY WINDOW,LOWER,	

Models: **A3RE**
REAR DAVENPORT
DAVENPORT PAD, BETWEEN SEATS

Key	PartNumber	Qty	Description	Comment
-----	------------	-----	-------------	---------

ENGINE ACCESS PANEL

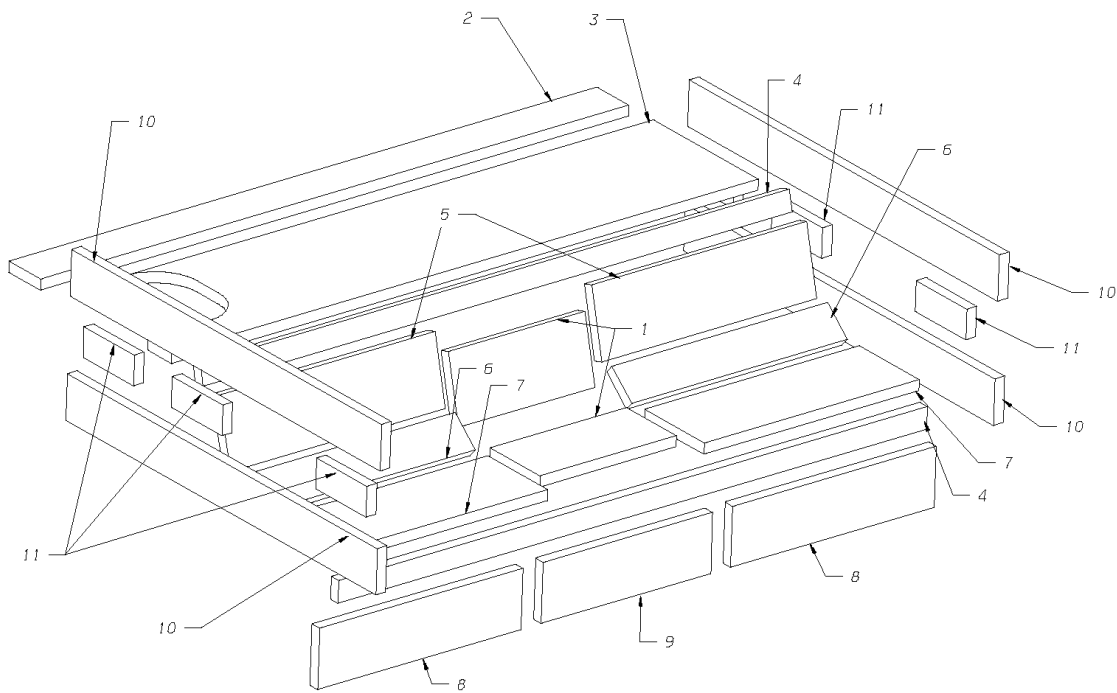


Models: **A3RE**
REAR DAVENPORT
DAVENPORT PAD, BETWEEN SEATS

Key	PartNumber	Qty	Description	Comment
1	1573278		RETAINER,PAD,DAVENPORT,BETWEEN SEATS,	
2	2000495		SCREW,8-18 X1,AB,PH1,OVAL CNSK HD,	
3	0003467		SHIELD,CENTER,DAVENPORT SEAT, AARE	
4	1589522		SCREW,10-16 X 3/4,AB,PH1,PAN HD,YEL ZN	
5	1103035		LATCH,SPR,SOUTHCO	
6	0527325		SCREW,10-16 X 1,AB,PH1,OVAL CNSK HD, YEL	
7	1589522		SCREW,10-16 X 3/4,AB,PH1,PAN HD,YEL ZN	
8	2144038		COVER,SCREWHEAD,BLACK,NO 12/12	
9	0058328		PAD ASSY,SEAT,GUARD,LH,DVPT SHLD, RE	
10	0058327		PAD ASSY,SEAT,GUARD,RH,DVPT SHLD, RE	

Models: **A3RE**
REAR DAVENPORT
INSULATION

Key	PartNumber	Qty	Description	Comment
-----	------------	-----	-------------	---------



Models: **A3RE**
REAR DAVENPORT
INSULATION

Key	PartNumber	Qty	Description	Comment
1	0009936		INSULATION,PANEL ASSY,DVPT ACCESS DOOR	
2	0009951		INSULATION,CLOSURE,DAVENPORT, DRRE	
3	0009969		INSULATION,DAVENPORT,SHELF, DRRE	
4	0009977		INSULATION,CROSSBAR & ACCESS SUPPORT,	
5	0009985		INSULATION,DAVENPORT SEAT,BACK,	
6	0009993		INSULATION,RAIL,UPPER,DVPT,W/ACCESS,	
7	0010009		INSULATION,DAVENPORT SEAT,W/ACCESS,	
8	0010017		INSULATION,SEAT LEDGE,DAVENPORT, DRRE	
9	0010025		INSULATION,SEAT LEDGE,DAVENPORT,CENTER	
10	0010033		INSULATION,RAIL,DAVENPORT, DRRE	
11	0010041		INSULATION,BRACE,RAIL SUPPORT, DRRE	