

Body

330 Floor Covering

With: STANDARD _____ 1

LUGGAGE
CNG

With: FEATURE 0158 _____ 2

TRIM & COVE MOLDINGS

_____ 3

WHEELHOUSING TRIM

With: STANDARD
From BSN 0001386 0023460 0192331 0260959 0375036 _____ 4

With: OPTION 1014-00 1014-01 31024-02 31024-04 _____ 5

TCRE
Models:

AAFE, AARE, A1VC, A3FE, A3RE, BBCV, C1FE, C3FE, C4RE, MBWB, SBCV, TCPE,

With Features:

STANDARD

Key	PartNumber	Qty	Description	Comment
NI	2648137		CEMENT,CONTACT,FLOOR COVERING,	GALLON
NI			FLOOR COVERING 1/8 IN. X 38 13/16 IN.,	SPECIFY LENGTH IN YARDS
NI	0854307		FLOOR COVERING,SMTH,BLK,RUBBER,.125 X	STANDARD FEATURE 31021-01
NI	0854315		FLOOR COVERING,SMTH,GRN,.125 X 38.12	OPTION 905, FEATURE 31021-06
NI	1992833		FLOOR COVERING,SMTH,GRY,RBR,.125X 38.12	OPTION 906, FEATURE 31021-09
NI	1066968		FLOOR COVERING,SMTH,TAN,RUBBER,.125 X	FEATURE 31021-07
NI	1685361		FLOOR COVERING,SMTH,GRY,.125 X 38.12	
NI	0018388		FLOOR COVERING,SMOOTH,BLUE,RBR,.125X	FEATURE 31021-11
NI			FLOOR COVERING 1/8 IN. X 37 IN., SMOOTH	SPECIFY LENGTH IN YARDS
NI	1673300		FLOOR COVERING,SMOOTH,MEDIUM GRAY	OPTION 906, FEATURE 31021-09
NI	0018389		FLOOR COVERING,SMOOTH,RCA BLUE	FEATURE 31021-11
NI			FLOOR COVERING 1/8 IN. X 28.62 IN., SMOOTH	SPECIFY LENGTH IN YARDS
NI	0039037		FLOOR COVERING,SMTH,BLK,RUBBER,.125 X	STANDARD FEATURE 31021-01
NI	0039039		FLOOR COVERING,SMTH,GRN,RUBBER,.125 X	FEATURE 31021-06
NI	0039038		FLOOR COVERING,SMTH,TAN,RUBBER,.125 X	FEATURE 31021-07
NI	0039040		FLOOR COVERING,SMTH,GRY,RBR,.125X28.62	FEATURE 31021-09
NI	0039041		FLOOR COVERING,SMTH,BLUE,RBR,.125 X	FEATURE 31021-11
NI			FLOOR COVERING 1/8 IN. X 33.37 IN., SMOOTH	SPECIFY LENGTH IN YARDS
NI	0039037		FLOOR COVERING,SMTH,BLK,RUBBER,.125 X	STANDARD. FEATURE 31021-01
NI	0039310		FLOOR COVERING,SMTH,GRN,RUBBER,.125 X	FEATURE 31021-06
NI	0039308		FLOOR COVERING,SMTH,TAN,RUBBER,.125 X	FEATURE 31021-07
NI	0039311		FLOOR COVERING,SMTH,GRY,RBR,.125X33.37	FEATURE 31021-09
NI	0039312		FLOOR COVERING,SMTH,BLUE,RBR,.125 X	FEATURE 31021-11
NI			FLOOR COVERING 1/8 IN. X 3.9 IN., SMOOTH	SPECIFY LENGTH IN YARDS
NI	0046108		FLOOR COVERING,SMTH,TAN,RUBBER,.125X39	FEATURE 31021-07
NI	0046110		FLOOR COVERING,SMOOTH,GRAY RUB,.125X39"	FEATURE 31021-09
NI	0046111		FLOOR COVERING,SMOOTH,BLUE	FEATURE 31021-11
NI			AISLE COVERING, 3/16 IN. X 13 1/2 IN.,	SPECIFY LENGTH IN YARDS
NI	0854323		FLOOR COVERING,RIB,BLK,RUBBER,.1875 X	STANDARD. FEATURE 31021-01
NI	1992841		FLOOR COVERING,RIB,GRY,RBR,.187 X 13.50	OPTION 906, FEATURE 31021-09
NI	0854331		FLOOR COVERING,RIBBED,GRN,RBR,.187 X	FEATURE 31021-06
NI	1066935		FLOOR COVERING,RIBBED,TAN,RBR,.187 X	FEATURE 31021-07, -27
NI	1685379		FLOOR COVERING,RIBVBED,GRY,RBR,.187 X	FEATURE 31021-08
				FEATURE 31021-11

TCRE

Models: AAFE, AARE, A1VC, A3FE, A3RE, BBCV, C1FE, C3FE, C4RE, MBWB, SBCV, TCPE,

With Features: STANDARD

Key	PartNumber	Qty	Description	Comment
NI	0018391		FLOOR COVERING,RIB,BLUE,RBR,.187 X 13.50	
NI			AISLE COVERING, 3/16 IN. X 22 IN., RIBBED	<i>SPECIFY LENGTH IN YARDS</i>
NI	0978031		FLOOR COVERING,RIB,BLK,RUBBER,.1875 X	<i>STANDARD. FEATURE 31021-07</i>
NI	1992858		FLOOR COVERING,RIB,GRY,RBR,.187 X 22.00	<i>OPTION 906, FEATURE 31021-09</i>
NI	0977975		FLOOR COVERING,RIBBED,GRN,RBR,.187 X	<i>FEATURE 31021-06</i>
NI	1066992		FLOOR COVERING,RIBBED,TAN,RBR,.187 X	<i>FEATURE 31021-07</i>
NI	1685395		FLOOR COVERING,RIBBED,GRY,RBR,.187 X	<i>FEATURE 31021-08</i>
NI	0018392		FLOOR COVERING,RIB,BLUE,RBR,.187 X 22.00	<i>FEATURE 31021-11</i>
NI			AISLE COVERING, 3/16 IN. X 27.50 IN., RIBBED	<i>SPECIFY LENGTH IN YARDS</i>
NI	1525104		FLOOR COVERING,AISLE,RIB,BLK,	<i>STANDARD BLACK RUBBER</i>
NI	1992866		FLOOR COVERING,RIB,GRY,RBR,.187 X 27.50	<i>OPTION 906, FEATURE 31021-09</i>
NI	1525120		FLOOR COVERING,RIBBED,GRN,RBR,.187 X	<i>FEATURE 31021-06</i>
NI	1525112		FLOOR COVERING,RIBBED,TAN,RBR,.187 X	<i>FEATURE 31021-07</i>
NI	1525120		FLOOR COVERING,RIBBED,GRN,RBR,.187 X	<i>FEATURE 31021-08</i>
NI	0018393		FLOOR COVERING,RIB,BLUE,RBR,.187 X 27.50	<i>FEATURE 31021-11</i>
NI			AISLE COVERING,3/16 IN X 31 IN., RIBBED	<i>SPECIFY LENGTH IN YARDS</i>
NI	1673318		FLOOR COVERING,RIBBED,MEDIUM GRAY 31""	<i>OPTION 906, FEATURE 31021-09. MEDIUM GRAY RUBBER, SPECIFY LENGTH IN YARDS</i>
NI	0046109		FLOOR COVERING,RIBBED,TAN,	<i>FEATURE 31021-07, TAN RUBBER, SPECIFY LENGTH IN YARDS</i>
NI	0018394		FLOOR COVERING,RIBBED,BLUE,.1875 X 31.00	<i>FEATURE 31021-11, BLUE RUBBER, SPECIFY LENGTH IN YARDS</i>
NI			AISLE COVERING, 3/16 IN. X 36 IN., RIBBED	<i>SPECIFY LENGTH IN YARDS</i>
NI	2005486		FLOOR COVERING,AISLE,RIB,BLK,	<i>STANDARD. BLACK RUBBER, SPECIFY LENGTH IN YARDS</i>
NI	1832559		FLOOR COVERING,RIBBED,MED GRAY,36	<i>OPTION 906, FEATURE 31021-09, MEDIUM GRAY RUBBER , SPECIFY LENGTH IN YARDS</i>
NI	2005445		FLOOR COVERING,RIBBED,GRN,RBR,.187 X	<i>FEATURE 31021-06, GREEN RUBBER, SPECIFY LENGTH IN YARDS</i>
NI	1066984		FLOOR COVERING,RIBBED,TAN,RBR,.187 X	<i>FEATURE 31021-07, TAN RUBBER, SPECIFY LENGTH IN YARDS</i>
NI	1685387		FLOOR COVERING,RIBBED,GRY,RBR,.187 X	<i>FEATURE 31021-08, MEDIUM GRAY RUBBER, SPECIFY LENGTH IN YARDS</i>
NI	0018395		FLOOR COVERING,RIBBED,BLUE,.1875 X 36.00	<i>FEATURE 31021-11, BLUE RUBBER, SPECIFY LENGTH IN</i>

TCRE

Models: AAFE, AARE, A1VC, A3FE, A3RE, BBCV, C1FE, C3FE, C4RE, MBWB, SBCV, TCFE,

With Features: STANDARD

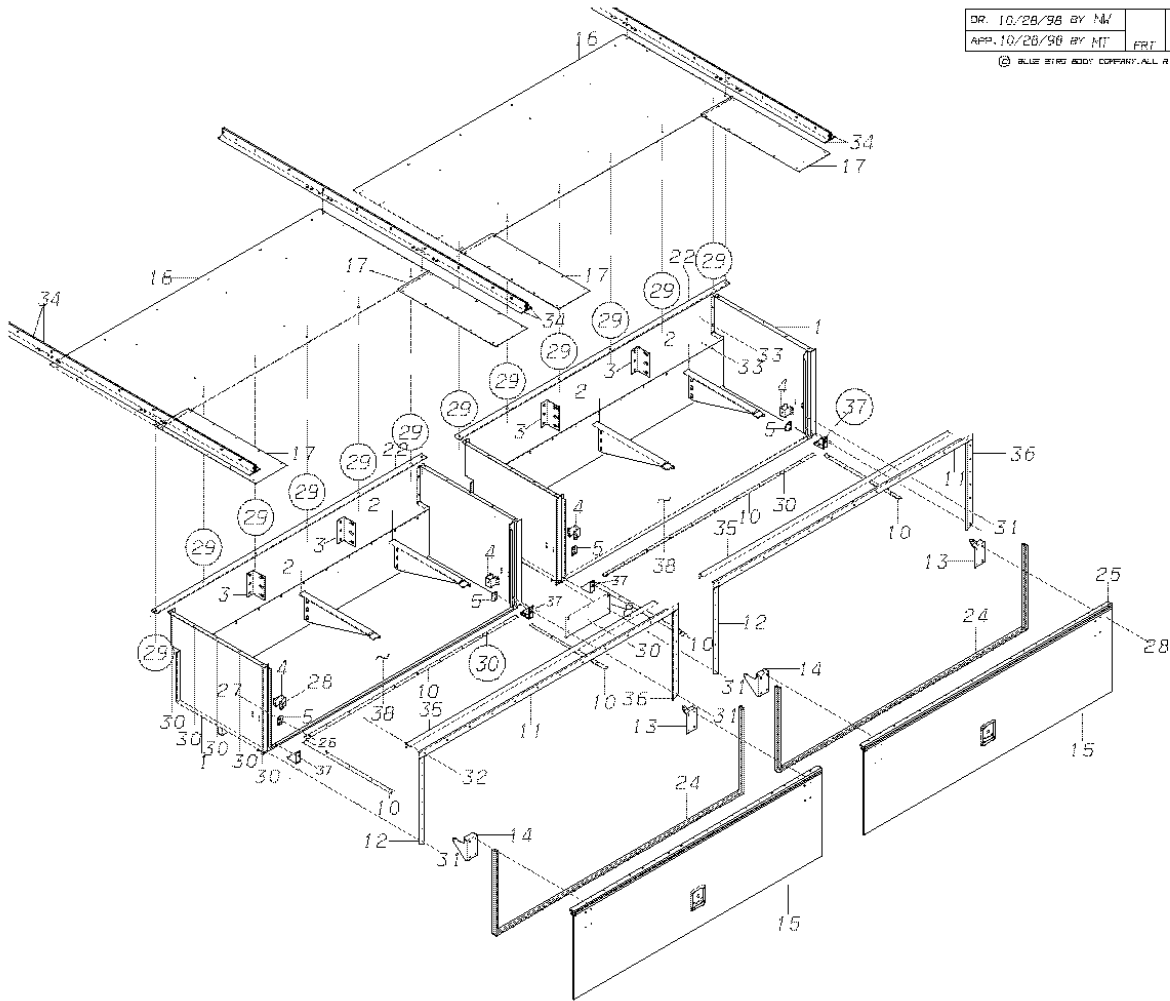
Key	PartNumber	Qty	Description	Comment
				YARDS
NI			AISLE COVERING, 3/16 IN. X 27 1/2 IN.,	SPECIFY LENGTH IN YARDS
NI	0087001		FLOOR COVERING,RIBBED,TAN,RBR,.187 X	FEATURE 31021-27
NI			AISLE,COVERING.3/16 IN. X 27 1/2 IN., RIBBED	SPECIFY LENGTH IN YARDS
NI	1525104		FLOOR COVERING,AISLE,RIB,BLK,	OPTION 7360, BLACK, SPECIFY LENGTH IN YARDS
NI	1525112		FLOOR COVERING,RIBBED,TAN,RBR,.187 X	OPTION 7360, TAN, SPECIFY LENGTH IN YARDS
NI			MAT ENTRANCE, RIBBED, RUBBER	3/16X36; AAFE,CSRE,TCRE,TCFE; SPECIFY LENGTH IN YARDS
NI	2005486		FLOOR COVERING,AISLE,RIB,BLK,	STANDARD. BLACK, AAFE,CSRE, SCFE,TCRE,TCFE, SPECIFY LENGTH IN YARDS
NI	2005445		FLOOR COVERING,RIBBED,GRN,RBR,.187 X	OPTION 905, GREEN, AAFE,CSRE, CSFE,TCRE,TCFE
NI	1066984		FLOOR COVERING,RIBBED,TAN,RBR,.187 X	OPTION 907, TAN, AAFE,CSRE, CSFE,TCRE,TCFE,SPECIFY LENGTH IN YARDS
NI	1685387		FLOOR COVERING,RIBBED,GRY,RBR,.187 X	OPTION 910, GRAY, AAFE,CSRE, CSFE,CRE,TCFE, SPECIFY LENGTH IN YARDS
NI			VCTA	
NI	1273218		PATTERN,MAT,ENTRANCE,RIBBED, VCTA	STANDARD. BLACK, VCTA
NI	1273234		MAT,ENT,RIB RBR,TAN,14 1/4, VCTA	OPTION 909, TAN, VCTA
NI			MAT,ENTRANCE,RIBBED RUBBER; AARE,	AARE, 2 YARDS REQUIRED PER MAT
NI	1392810		MAT,ENT,RIB RBR,BLK,39-39 ST,36, AARE	STANDARD. BLACK,AARE, 2 YARDS REQUIRED PER MAT
NI	1392836		MAT,ENT,RIB RBR,TAN,36, AARE	OPTION 907, TAN, AARE, 2 YARDS REQUIRED PER MAT
NI			SBCV	
NI	0978031		FLOOR COVERING,RIB,BLK,RUBBER,.1875 X	STANDARD. BLACK, SBCV
NI	0977975		FLOOR COVERING,RIBBED,GRN,RBR,.187 X	OPTION 905, GREEN, SBCV
NI	1066992		FLOOR COVERING,RIBBED,TAN,RBR,.187 X	OPTION 907, TAN, SBCV
NI	1391259		NOSING,RUBBER,WEAR PLT,REAR,WHITE,36,	AAFE, SBCV
NI			RUBBER NOSING, WHITE	OPTION 1026, SBCV
NI	0801076		STEPTREAD,NOSING,WHT,WEAR PLT,RBR EDGE,	SBCV, OPTION 1026
NI	1338953		NOSING,RUBBER,WEAR PLT,WHT,TCFC	TCFE, OPTION 1026
NI	1377308		STEPTREAD,NOSING,WHT,WEAR PLATE,AARE	AARE,TCRE
NI	0867929		MARKER,13.50 AISLE,WHITE RUBBER,4 INCH	OPTION 1012, AA/TCFE, SBCV
NI	0854307		FLOOR COVERING,SMTH,BLK,RUBBER,.125 X	OPTION 1056, AAFE/RE,SBCV, TCFE/RE,MBWB


TCRE **Models:** **AAFE, AARE, A1VC, A3FE, A3RE, BBCV, C1FE, C3FE, C4RE, MBWB, SBCV, TCFE,**
With Features: **STANDARD**

Key	PartNumber	Qty	Description	Comment
NI			COVER, WHEELHOUSE, MOLDED RUBBER	<i>OPTION 1056, AAFE/RE,SBCV, TCFE/RE,MBWB</i>
NI	0297655		COVER,WHEELHOUSE,MOLDED RUBBER,RR,CV	<i>RR, OPTION 1062, AAFE/RE, MBWB,SBCV,TCFE/RE</i>
NI	0412072		COVER,WHEELHOUSE,MOLDED RUBBER,FRT,FC	<i>OPTION 1063, AAFE/RE,TCFE/RE</i>
NI			FLOOR COVERING RUBBER, DRIVER'S	<i>C4RE ONLY</i>
NI	0046970		COVERING,FLR,SMOOTH,GREY,DRVRS PLTFRM,	<i>GREY, C4RE ONLY</i>
NI	0046971		COVERING,FLR,SMOOTH,BLUE,DRVRS PLTFRM,	<i>BLUE, C4RE</i>
NI	0046972		COVERING,FLR,SMOOTH,TAN,DRVRS PLTFRM,	<i>TAN, C4RE</i>

Models: A3RE
LUGGAGE
CNG
With Features: FEATURE 0158

Key	PartNumber	Qty	Description	Comment
-----	------------	-----	-------------	---------



DR. 10/28/98 BY MW	1671987	R	
APP. 10/28/98 BY MJ	FRT	REV	

© BLUE BIRD BODY COMPANY. ALL RIGHTS RESERVED

Models: A3RE
LUGGAGE
CNG
With Features: FEATURE 0158

Key	PartNumber	Qty	Description	Comment
1	1864263	4	COMPARTMENT ASSY,77.00 LUGGAGE"	
2	1864164		OUTRIGGER,INT CONST,CNG,RH	
2	1864172		OUTRIGGER,INT CONST,CNG,LH"	
3	1864156		ANGLE,MTG,OUTRIGGER,INT CONST	
4	1857820	8	BRACKET,MTG,GAS SPR-END PNL,P/THRU LUG	
5	1263839	8	STRIKER PLATE,1 7/16 X 2	
6	1852607	4	ANGLE,.187 X 1.50 X 2.00,73.00 LONG	
8	1852599	2	TRIM,SKIRT,DIVIDER,77 L/CMPT	
10	0802330	10	TRIM,DRIVERS FLOOR	
11	1852573	4	TRIM,OUTER,HORIZONTAL,77.00 L/CMPT	
12	1896976	4	TRIM,OUTER,VERT,LH,PASS THRU L/CMPT,AARE	
13	1906452	4	BRACKET,MTG,GAS SPR-DOOR,RH,P/THRU LUG	
14	1906460	4	BRACKET,MTG,GAS SPR-DOOR,LH,P/THRU LUG	
15	1872035	4	DOOR ASSY,FINAL,77.00 L/CMPT,TCRE/CEC	
16	1887660	2	PANEL,C/OUT,I/S FRAME,77 L/CMPT, TCRE/CEC	
17	1887678	8	PANEL,C/OUT,O/S FRAME,77 L/CMPT	
NI	1872118	2	PANEL,C/OUT,O/S FRAME,77 L/CMPT,2,	
NI	1872092		PANEL,C/OUT,I/S FRAME,77 L/CMPT,RR	
NI	1872142	2	PANEL,C/OUT,O/S FRAME,77 L/CMPT,3,	
NI	1852581	2	PANEL,C/OUT,O/S FRAME 77 L/CMPT,4,	
22	1887686	4	PAD,MTG,77 L/CMPT	
23	1872134	2	PAD,RUBBER MTG,77 L/CMPT,RR, TCRE/CEC	
24	1068501	40	SEAL,RUBBER,A/C HOOD TRIM	
25	1200799	76	SCREW,10-24 X 3/8,T,PH1,PAN HD, YEL ZN	
26	1542372	16	CAPSCREW,HEX FLG,1/4-20X.75,GRD5,BLACK	
27	0659979	16	NUT,HEX,FLANGE SER,1/4-20,BLACK ZINC	
28	1449909	64	RIVET,.250 X .375,WAGON BX,SOLID,STL,ZN-NI	
29	1160399	28	PIN,RATCHET,TYPE ONE,RUBBER PAD,PC 47486	
30	1589522	13	SCREW,10-16 X 3/4,AB,PH1,PAN HD,YEL ZN	
31	0948547	56	RIVET,.187 X .500,WAGON BX,SOLID,STL,ZN-NI	
32	1854397	48	RIVET,BLIND,.25 DIA,.38 GRIP	
33	1576172	60	SCREW,HEX,WASH,5/16X3/4,TYPE F,YEL ZN	
34	0332825	6	CROSSMEMBER,BODY BAR ANGLE	

Models: A3RE
LUGGAGE
CNG
With Features: FEATURE 0158

Key	PartNumber	Qty	Description	Comment
35	1894658	4	TRIM,INNER,HORIZONTAL,77.00 L/CMPT	
36	1894666	4	TRIM,OUTER,VERT,RH,PASS THRU L/CMPT	
37	1911130	8	BRACKET,STRIKER,LUGGAGE COMPARTMENT	
38	1066968	9	FLOOR COVERING,SMTH,TAN,RUBBER,.125 X	
NI	1858000		DECAL,DOOR,LUGGAGE COMPARTMENT COMPONENTS FOR GAS SPRING	
NI	1719103	8	GAS SPRING,FBN 12D,75 LB	
NI	0899096	16	WIRE,SAFETY,A9002,GAS SPRING	
NI	3758810	16	STUD,BALL,O/H CABINET 10MM,WL	
NI	0829390	16	NUT,HEX HD,5/16-18,SER WASHER,YEL ZN	

TCRE, VCTA

Models: AAFE, AARE, A1VC, A3FE, A3RE, BBCV, C1FE, C3FE, C4RE, MBWB, SBCV, TCFE,

TRIM & COVE MOLDINGS

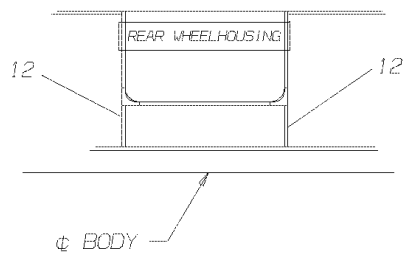
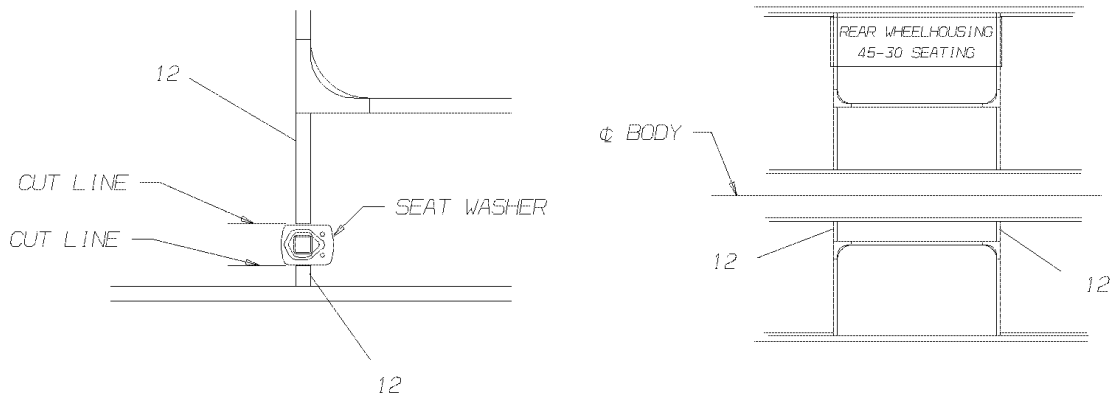
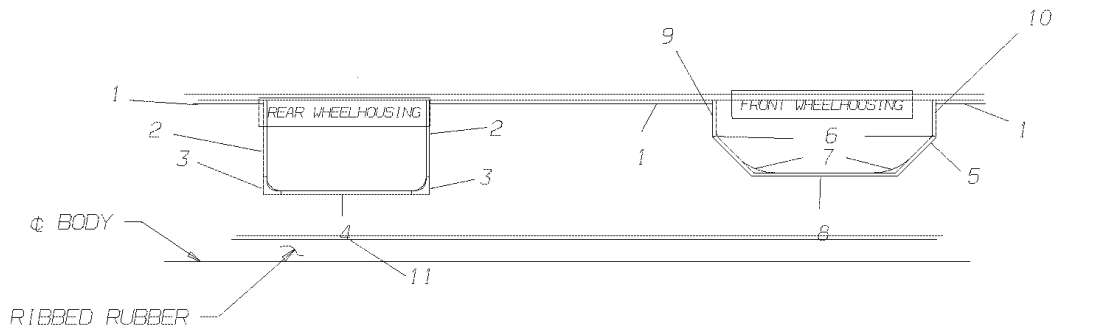
Key	PartNumber	Qty	Description	Comment
NI	1451996		TRIM,W/H FLOOR	
NI	0754606		MOLDING,COVE,WALL TO FLOOR	<i>AAFE, MBWB, SBCV, TCFE</i>
NI	0754614		MOLDING,COVE,REAR CORNER	
NI	1528900		MOLDING,COVE,REAR WHEELHOUSING,FRONT	<i>TCRE</i>
NI			TRIM, R.E.D. SILL	<i>AAFE, VCTA, SBCV, MBWB</i>
NI	1197060		TRIM,FLOOR COVER,REAR EM DOOR	<i>STANDARD</i>
NI	1168350		TRIM,FLOOR COVER,REAR EM DOOR,W/PLY	<i>OPTION 982</i>
NI	1531052		TRIM,NO 1 FLOOR,FORWARD,W/OPT 1026,	
NI			FLOORBOARD MAT, RH	<i>AAFE</i>
NI	1392752		MAT,FLOOR,RH FRONT CORNER,BLACK RUBBER	<i>STANDARD. BLACK</i>
NI	1392778		MAT,FLOOR,RH FRONT CORNER,TAN RUBBER,	<i>OPTION 907, TAN</i>
NI	1538677		MAT,FLOOR,STEP TO HOOD,BLACK,SMOOTH,	
NI	1538677		MAT,FLOOR,STEP TO HOOD,BLACK,SMOOTH,	
NI	0235424		TRIM,AISLE,EXTRUDED,12FT SECT,ALUMINUM	<i>SPECIFY LENGTH IN FEET, SOLD IN 12 FEET SECTIONS.</i>
NI	1528900		MOLDING,COVE,REAR WHEELHOUSING,FRONT	<i>21 IN.. AARE</i>
NI	1932359		MOLDING,FLOOR,REAR CORNER	
NI	1662394		TRIM,NO 1 FLR W/PLY TO DRIVER PLATFORM	<i>CSRE, TCRE</i>
NI	1662402		TRIM,NO 2 FLR TO DRIVERS PANEL	<i>CSRE, TCRE</i>
NI	1662790		TRIM,NO.2 FLOOR TO DRIVERS PLATFORM,TCFC	<i>CSFE, TCFE</i>
NI	0802330		TRIM,DRIVERS FLOOR	<i>AARE, SBCV, MBWB</i>
NI	1058007		TRIM,DRIVERS TOEBOARD FLOOR,REAR, AARE	<i>AARE</i>
NI	1929462		TRIM,COVE,WALL TO FLOOR	

Models: AAFE, AARE, A3FE, A3RE
WHEELHOUSING TRIM
With Features: STANDARD
BSN: From BSN 0001386 0023460 0192331 0260959 0375036

Key	PartNumber	Qty	Description	Comment
NI	1919067	2	TRIM,WHEELHOUSING,FRT	
NI	1919059	2	TRIM,WHEELHOUSING,RR	
NI	1451996		TRIM,W/H FLOOR	1 X 39.75
NI	1561059		TRIM,NO 1 FLOOR,FORWARD	
NI	1530971		TRIM,STEPWELL TO HEATER,TCRE	

Models: A3FE, A3RE, BBCV
WHEELHOUSING TRIM
With Features: OPTION 1014-00 1014-01 31024-02 31024-04

Key	PartNumber	Qty	Description	Comment
-----	------------	-----	-------------	---------



Models: A3FE, A3RE, BBCV
WHEELHOUSING TRIM
With Features: OPTION 1014-00 1014-01 31024-02 31024-04

Key	PartNumber	Qty	Description	Comment
1	0754606		MOLDING,COVE,WALL TO FLOOR	
1	0086896		MOLDING,COVE,WALL TO FLOOR,S/S	
2	1528900		MOLDING,COVE,REAR WHEELHOUSING,FRONT	
2	0086902		MOLDING,COVE,REAR W/H,FRONT & REAR,S/S	
3	0215244		TRIM,W/H,CORNER	
3	0086097		ARM,EXHAUST,PACBRAKE"	
4	0083442		TRIM,W/H,REAR W/H,SIDE	
4	0086898		TRIM,W/H,REAR W/H,SIDE,S/S	
5	0412007		TRIM,FRONT WHEELHOUSING,CORNER	
5	0086900		TRIM,FRONT,WHEELHOUSING,CORNER,S/S	
6	0411991		TRIM,FRONT WHEELHOUSING,FRONT & REAR	
6	0087130		TRIM,W/H,FRONT,FRONT & REAR CORNER,S/S	
7	0411983		TRIM,FRONT WHEELHOUSING,CENTER,CORNER	
7	0087129		TRIM,W/H,FRONT,CENTER,CORNER RADIUS,S/S	
8	0412015		TRIM,FRONT WHEELHOUSING,CENTER	
8	0086901		TRIM,FRONT,WHEELHOUSING,CENTER,S/S	
9	0412023		TRIM,FRONT WHEELHOUSING,RH FRONT & LH	
9	0086899		TRIM,FRONT,W/H,RH FRONT & LH REAR,S/S	
9	0413088		TRIM,FRONT WHEELHOUSING,LH FRONT & RH	
9	0086904		TRIM,FRONT,WHEELHOUSING,LH FRONT & RH	
10	0413088		TRIM,FRONT WHEELHOUSING,LH FRONT & RH	
10	0086904		TRIM,FRONT,WHEELHOUSING,LH FRONT & RH	
10	0412023		TRIM,FRONT WHEELHOUSING,RH FRONT & LH	
10	0086899		TRIM,FRONT,W/H,RH FRONT & LH REAR,S/S	
11	0235424		TRIM,AISLE,EXTRUDED,12FT SECT,ALUMINUM	ALUMINUM, OPTION 31024-02
11	0527325		SCREW,10-16 X 1,AB,PH1,OVAL CNSK HD, YEL	
11	0083153		TRIM,AISLE,STAINLESS STEEL,96	96. OPTION 31024-04
11	1529536		SCREW,6-20 X 3/4,AB,PH1,OVAL CNSK HD,SST	
12	0235424		TRIM,AISLE,EXTRUDED,12FT SECT,ALUMINUM	ALUMINUM, OPTION 31024-02
12	0083153		TRIM,AISLE,STAINLESS STEEL,96	96. OPTION 31024-04