

**Body**

**340 Stepwells & Handrails**

HANDRAILS

ENTRANCE DOOR BARRIER

*With: FEATURE 31049*

1

FORWARD HANDRAIL

*With: OPTION 0288, FEATURE 31049-09*

2

HANDRAIL ASSY, SQUARE STEPWELL

3904 MODEL

*With: FEATURE 31049-01*

3

RH DRIVE

A3RE U.K.

4

STEPWELL

JACKKNIFE DOOR, MANUAL

*With: FEATURE 30977 WITH 30978 or OPTION 10239*

5

OUTWARD OPENING DOOR

*With: STD*

6

RH DRIVE

JACKKNIFE DOOR, 25.75 INCH STEP

A3RE U.K.

*With: FEATURE 30977-03*

7

STEPTREADS, PEBBLETOP

*With: FEATURE 31160-04*

8

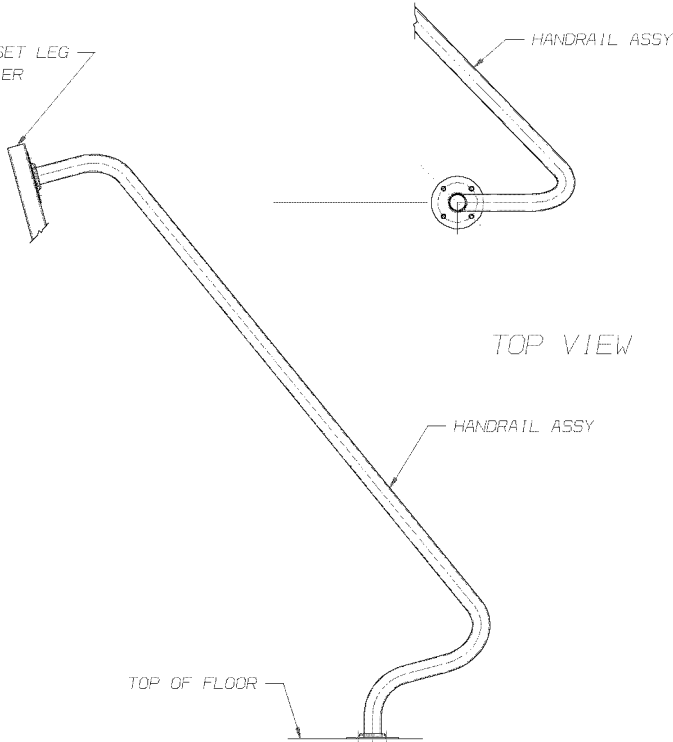
Models: AAFE, AARE, A1VC, A3FE, A3RE, B1VC, B2VC, GMCV, MBWB, SBCV, TCEV, TCRE

HANDRAILS  
ENTRANCE DOOR BARRIER  
FEATURE 31049

With Features:

Key	PartNumber	Qty	Description	Comment
-----	------------	-----	-------------	---------

TOP OF OFFSET LEG  
FOR BARRIER



CR: 5/1/98	BY: NW	1959674	F	
APP: 5/1/98	BY: AB	REV	REV	

© BLUE BIRD BODY COMPANY. ALL RIGHTS RESERVED

**Models:** AAFE, AARE, A1VC, A3FE, A3RE, B1VC, B2VC, GMCV, MBWB, SBCV, TCEV, TCRE

**With Features:** HANDRAILS  
ENTRANCE DOOR BARRIER  
FEATURE 31049

Key	PartNumber	Qty	Description	Comment
	0011247		HANDRAIL ASSY,ENT DOOR,BARRIER AT 22.75	FEATURE 31049-08, RIGHT HAND HANDRAIL
	0011239		HANDRAIL,ENT DOOR,BARRIER AT 22.75	FEATURE 31049-08, RIGHT HAND HANDRAIL
	0414268		FLANGE, HANDRAIL	FEATURE 31049-08, RIGHT HAND HANDRAIL
	1140318		FLANGE,HANDRAIL,RH,JK ENTRANCE DOOR	FEATURE 31049-08, RIGHT HAND HANDRAIL
	1972876	30	TUBE,SS,RD,1.000 OD X.050X69.25,	FEATURE 31049-08, RIGHT HAND HANDRAIL
	2000644	2	SCREW,1/4-14X 3/4,AB,PH1,TRUSS HD,	FEATURE 31049-08, RIGHT HAND HANDRAIL
	1657469	4	SCREW,1/4-14X1-1/2,AB,PH1,TRUSSHD,	FEATURE 31049-08, RIGHT HAND HANDRAIL
	0013433		HANDRAIL ASSY,ENT DOOR,30 BARRIER AT	
	0013441		HANDRAIL,ENT DOOR,30 BARRIER AT 22.75	FEATURE 31049-08, RIGHT HAND HANDRAIL 30 IN. BARRIER
	0414268		FLANGE, HANDRAIL	FEATURE 31049-08, RIGHT HAND HANDRAIL 30 IN. BARRIER
	1140318		FLANGE,HANDRAIL,RH,JK ENTRANCE DOOR	FEATURE 31049-08, RIGHT HAND HANDRAIL 30 IN. BARRIER
	1972876		TUBE,SS,RD,1.000 OD X.050X69.25,	FEATURE 31049-08, RIGHT HAND HANDRAIL 30 IN. BARRIER
	2000644	2	SCREW,1/4-14X 3/4,AB,PH1,TRUSS HD,	FEATURE 31049-08, RIGHT HAND HANDRAIL 30 IN. BARRIER
	1657469	4	SCREW,1/4-14X1-1/2,AB,PH1,TRUSSHD,	FEATURE 31049-08, RIGHT HAND HANDRAIL 30 IN. BARRIER
	1968684		HANDRAIL ASSY,ENT DOOR,SQUARE	FEATURE 31049-01, RIGHT HAND HANDRAIL
	1945948		HANDRAIL,ENT DOOR SQUARE STEPWELL	FEATURE 31049-01, RIGHT HAND HANDRAIL
	2058147	30	TUBE,SS,RD,1.000 OD X .050 X 60.06,SS 304	FEATURE 31049-01, RIGHT HAND HANDRAIL
	0414268		FLANGE, HANDRAIL	FEATURE 31049-01, RIGHT HAND HANDRAIL
	1140318		FLANGE,HANDRAIL,RH,JK ENTRANCE DOOR	FEATURE 31049-01, RIGHT HAND HANDRAIL
	2000644	6	SCREW,1/4-14X 3/4,AB,PH1,TRUSS HD,	FEATURE 31049-01, RIGHT HAND HANDRAIL
	1975671		HANDRAIL ASSY,ENT DOOR,SQUARE STEPWELL,	FEATURE 31049-01, LEFT HAND HANDRAIL
	1945948		HANDRAIL,ENT DOOR SQUARE STEPWELL	FEATURE 31049-01, LEFT HAND HANDRAIL
	2058147	30	TUBE,SS,RD,1.000 OD X .050 X 60.06,SS 304	FEATURE 31049-01, LEFT HAND HANDRAIL
	0414268		FLANGE, HANDRAIL	FEATURE 31049-01, LEFT HAND HANDRAIL

**Models:** AAFE, AARE, A1VC, A3FE, A3RE, B1VC, B2VC, GMCV, MBWB, SBCV, TCEV, TCRE

**HANDRAILS  
ENTRANCE DOOR BARRIER  
FEATURE 31049**

**With Features:**

Key	PartNumber	Qty	Description	Comment
				<i>HANDRAIL</i>
	2000644		SCREW,1/4-14X 3/4,AB,PH1,TRUSS HD,	<i>FEATURE 31049-01, LEFT HAND HANDRAIL</i>
	1996560		HANDRAIL ASSY,ENT DOOR,SQUARE	<i>FEATURE 31049-01, RIGHT HAND HANDRAIL 30 IN. BARRIER</i>
	1945948		HANDRAIL,ENT DOOR SQUARE STEPWELL	<i>FEATURE 31049-01, RIGHT HAND HANDRAIL 30 IN. BARRIER</i>
	2058147	30	TUBE,SS,RD,1.000 OD X .050 X 60.06,SS 304	<i>FEATURE 31049-01, RIGHT HAND HANDRAIL 30 IN. BARRIER</i>
	0414268		FLANGE, HANDRAIL	<i>FEATURE 31049-01, RIGHT HAND HANDRAIL 30 IN. BARRIER</i>
	1140318		FLANGE,HANDRAIL,RH,JK ENTRANCE DOOR	<i>FEATURE 31049-01, RIGHT HAND HANDRAIL 30 IN. BARRIER</i>
	2000644		SCREW,1/4-14X 3/4,AB,PH1,TRUSS HD,	<i>FEATURE 31049-01, RIGHT HAND HANDRAIL 30 IN. BARRIER</i>
	1996578		HANDRAIL ASSY,ENT DOOR,SQUARE	<i>FEATURE 31049-01, LEFT HAND HANDRAIL 30 IN. BARRIER</i>
	1945948		HANDRAIL,ENT DOOR SQUARE STEPWELL	<i>FEATURE 31049-01, LEFT HAND HANDRAIL 30 IN. BARRIER</i>
	2058147	30	TUBE,SS,RD,1.000 OD X .050 X 60.06,SS 304	<i>FEATURE 31049-01, LEFT HAND HANDRAIL 30 IN. BARRIER</i>
	0414268		FLANGE, HANDRAIL	<i>FEATURE 31049-01, LEFT HAND HANDRAIL 30 IN. BARRIER</i>
	1140318		FLANGE,HANDRAIL,RH,JK ENTRANCE DOOR	<i>FEATURE 31049-01, LEFT HAND HANDRAIL 30 IN. BARRIER</i>
	2000644		SCREW,1/4-14X 3/4,AB,PH1,TRUSS HD,	<i>FEATURE 31049-01, LEFT HAND HANDRAIL 30 IN. BARRIER</i>

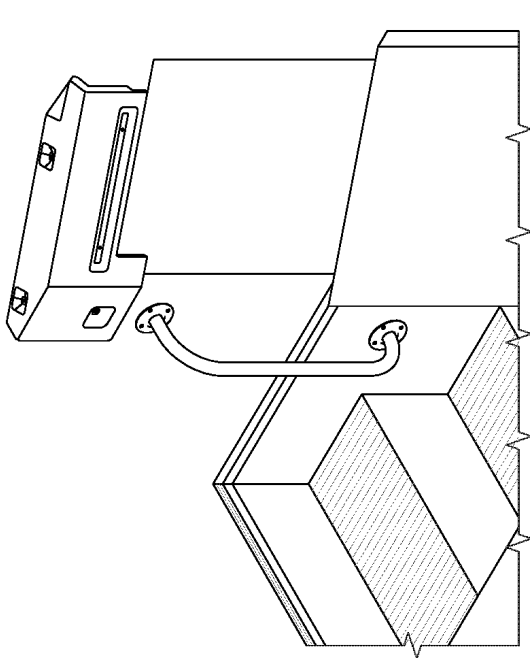
**Models:** A3RE  
**HANDRAILS**  
**FORWARD HANDRAIL**  
**With Features:** OPTION 0288, FEATURE 31049-09

Key	PartNumber	Qty	Description	Comment
-----	------------	-----	-------------	---------

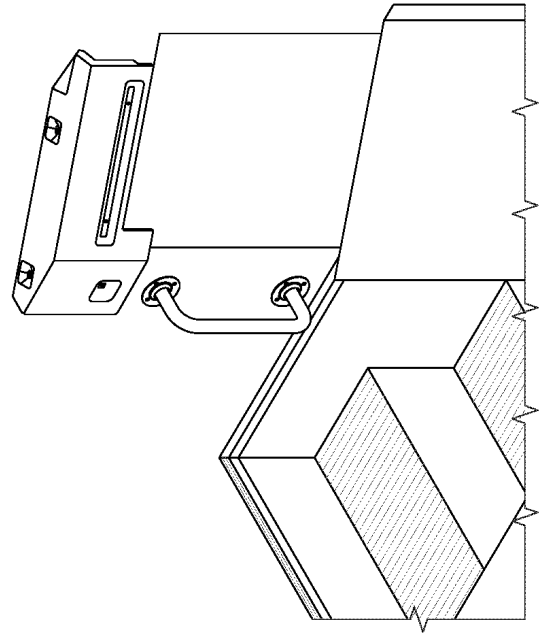


DR. 05/15/05	BY MP	00545772	FRT	E	REV
APP.	BY				

© BLUE BIRD BODY COMPANY. ALL RIGHTS RESERVED



A3RE W/FEA 31049-09



A3RE W/OPT 0288

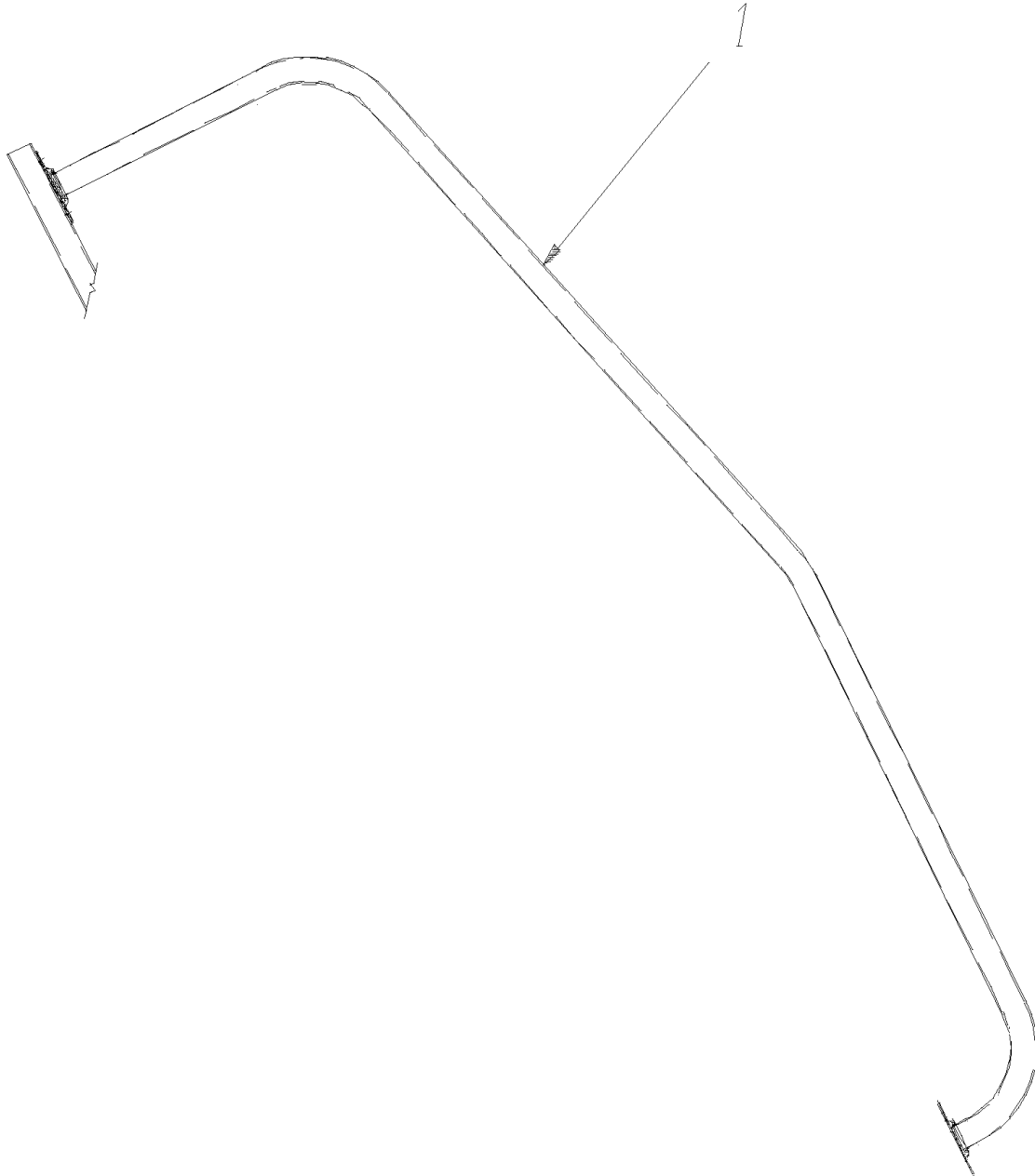
**Models:** **A3RE**  
**HANDRAILS**  
**FORWARD HANDRAIL**  
**With Features:** **OPTION 0288, FEATURE 31049-09**

Key	PartNumber	Qty	Description	Comment
1	1909563		HANDRAIL ASSY,ENTRANCE DOOR,FORWARD	<i>OPTION 0288</i>
1	1916121		HANDRAIL ASSY,ENT DR,FWD,GRABRAIL,ADA	<i>OPTION 0288 ADA</i>
1	0076726		HANDRAIL ASSY,ENT DR,FORWARD,20.00,	<i>FEATURE 31049-09</i>

**Models:** A3RE  
HANDRAILS  
HANDRAIL ASSY, SQUARE STEPWELL  
3904 MODEL

**With Features:** FEATURE 31049-01

Key	PartNumber	Qty	Description	Comment
-----	------------	-----	-------------	---------



**Models:** A3RE  
HANDRAILS  
HANDRAIL ASSY, SQUARE STEPWELL  
3904 MODEL

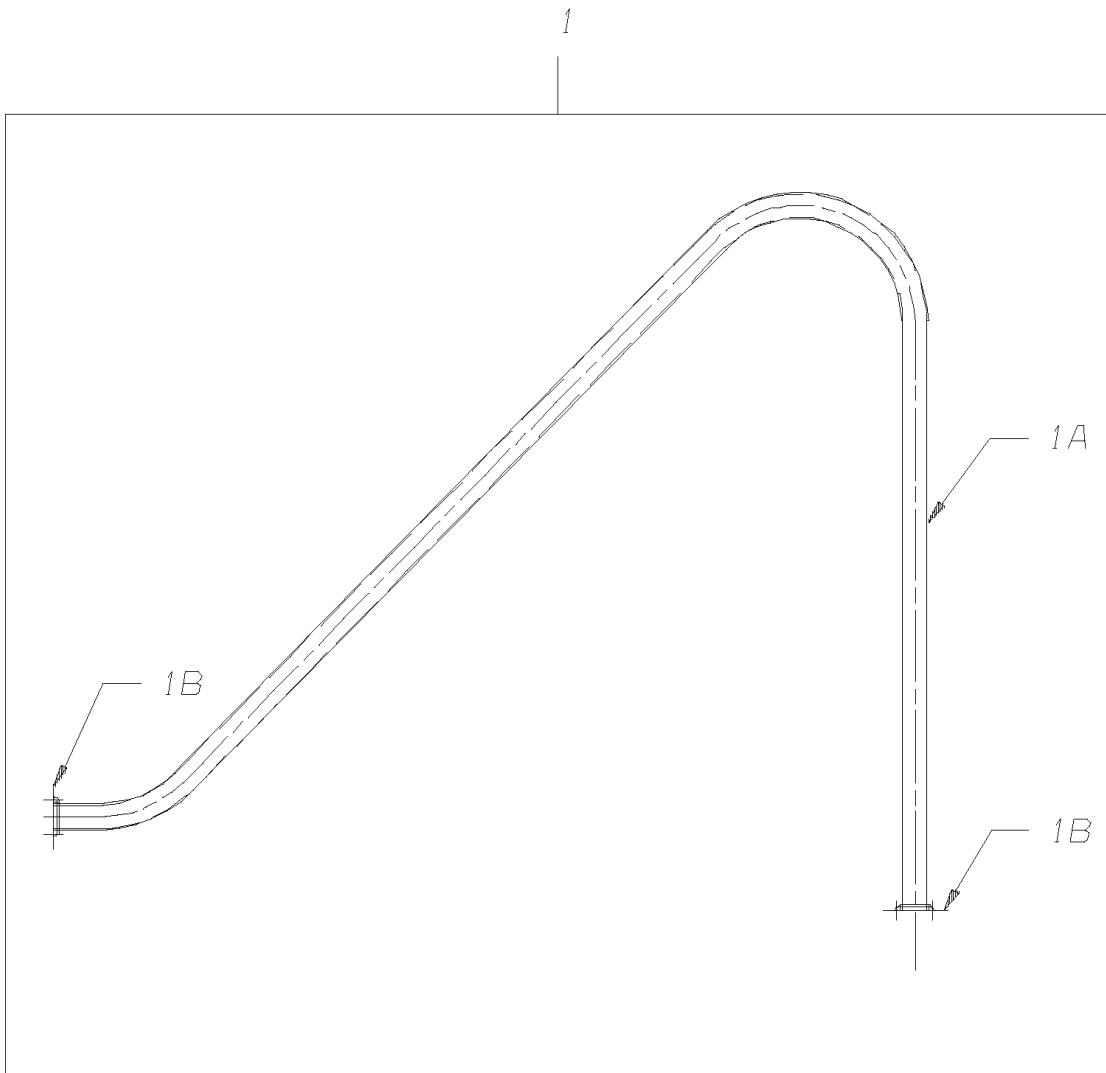
**With Features:** FEATURE 31049-01

Key	PartNumber	Qty	Description	Comment
1	0043359		HANDRAIL ASSY,ENT DOOR,SQ STEPWELL,12"	
NI	2000644	6	SCREW,1/4-14X 3/4,AB,PH1,TRUSS HD,	



Models: A3RE  
HANDRAILS  
RH DRIVE  
A3RE U.K.

Key	PartNumber	Qty	Description	Comment
-----	------------	-----	-------------	---------



**Models:**  
**A3RE**  
**HANDRAILS**  
**RH DRIVE**  
**A3RE U.K.**


Key	PartNumber	Qty	Description	Comment
	0043643		HANDRAIL ASSY,REAR,RH DRIVE,PAINTED,	<i>INCLUDES 1A AND 1B</i>
1A	0043625		HANDRAIL,REAR,RH DRIVE, A3RE	
1B	0043649		FLANGE,HANDRAIL,1.25 DIA	
NI	0043763		HANDRAIL,FWD,72,RH DRIVE, A3RE	
NI	0044485		BRACE ASSY,HANDRAIL,REAR,RH DR, A3RE	
NI	0043764		BRACKET,MTG,ENTRANCE DOOR GRABRAIL,	

Models: A3FE, A3RE  
STEPWELL  
JACKKNIFE DOOR, MANUAL  
With Features: FEATURE 30977 WITH 30978 or OPTION 10239

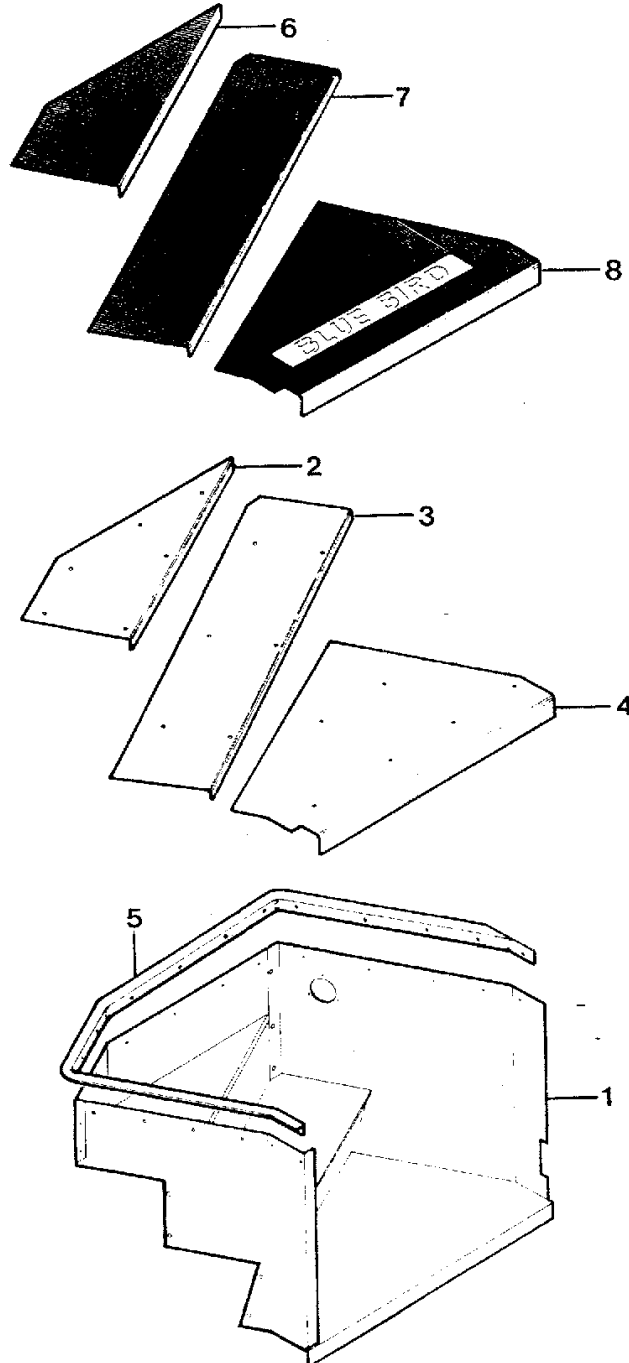
Key	PartNumber	Qty	Description	Comment
-----	------------	-----	-------------	---------

STEPWELL ASSY., 36" JACKKNIFE DOOR  
FLUSH MOUNTED

8007973	REV
ALL RIGHTS RESERVED	



BLUE BIRD



**Models:** A3FE, A3RE  
**STEPWELL**  
**JACKKNIFE DOOR, MANUAL**  
**With Features:** FEATURE 30977 WITH 30978 or OPTION 10239


Key	PartNumber	Qty	Description	Comment
1	1979236		STEPWELL ASSY,J/K DOOR,23.00 STEP, DRFL	FEATURE 30977-03 WITH 30978-01
1	1979251		STEPWELL ASSY,JK,23.00,RH DR, A3FE	OPTION 3480-05
1	1979244		STEPWELL ASSY,JK,24.75,A3FE	FEATURE 30977-03 WITH 30978-01
1	0005862		STEPWELL ASSY,JK,24.75,A3RE	FEATURE 30977-03 WITH 30978-01
2	0006510		STEPTREAD,U/STEP,O/O DOOR,BLK,RBR, DRFL	
2	1561414		STEPTREAD,U/STEP,O/O DOOR,BLK,RBR,DRRE	
2	0006528		STEPTREAD,U/STEP,O/O DOOR,GRN,RBR, DRFL	
2	1561422		STEPTREAD,U/STEP,O/O DOOR,GRN,RBR, DRRE	
2	0006536		STEPTREAD,U/STEP,O/O DOOR,TAN,RBR,DRFL	
2	1561430		STEPTREAD,U/STEP,O/O DOOR,TAN,RBR,DRRE	
2	0006544		STEPTREAD,U/STEP,O/O DOOR,GRY 766,RBR,	
2	1708841		STEPTREAD,U/STEP,O/O DOOR,GRY,RBR, TCRE	
3	0006593		STEPTREAD,M/STEP,O/O DOOR,BLK,RBR, DRFL	
3	1863828		STEPTREAD,M/STEP,O/O DOOR,BLK,RBR, DRRE	
3	0006601		STEPTREAD,M/STEP,O/O DOOR,GRN,RBR, DRFL	
3	1852664		STEPTREAD,M/STEP,O/O DOOR,GRN,RBR, DRRE	
3	0006619		STEPTREAD,M/STEP,O/O DOOR,TAN,RBR, DRFL	
3	1852672		STEPTREAD,M/STEP,O/O DOOR,TAN,RBR,DRRE	
3	0006627		STEPTREAD,M/STEP,O/O DOOR,GRY 766,RBR,	
3	1852680		STEPTREAD,M/STEP,O/O DOOR,GRY,RBR,	
4	0006759		STEPTREAD,L/STEP,J/K DOOR,BLK,RBR, DRFL	
4	1561372		STEPTREAD,L/STEP,J/K DOOR,BLK,RBR, DRRE	
4	0006767		STEPTREAD,L/STEP,J/K DOOR,GRN,RBR, DRFL	
4	1561380		STEPTREAD,L/STEP,J/K DOOR,GRN,RBR, DRRE	
4	0006775		STEPTREAD,L/STEP,J/K DOOR,TAN,RBR, DRFL	
4	1561398		STEPTREAD,L/STEP,J/K DOOR,TAN,RBR,DRRE	
4	0006783		STEPTREAD,L/STEP,J/K DOOR,GRY 766,RBR,	
4	1811769		STEPTREAD,L/STEP,J/K DOOR,GRY 766,RBR,	
5			STEPWELL, TRIM A3FE	
6			STEPWELL, TRIM A3RE, DRRE	

Models: A3FE, A3RE  
STEPWELL  
OUTWARD OPENING DOOR  
With Features: STD

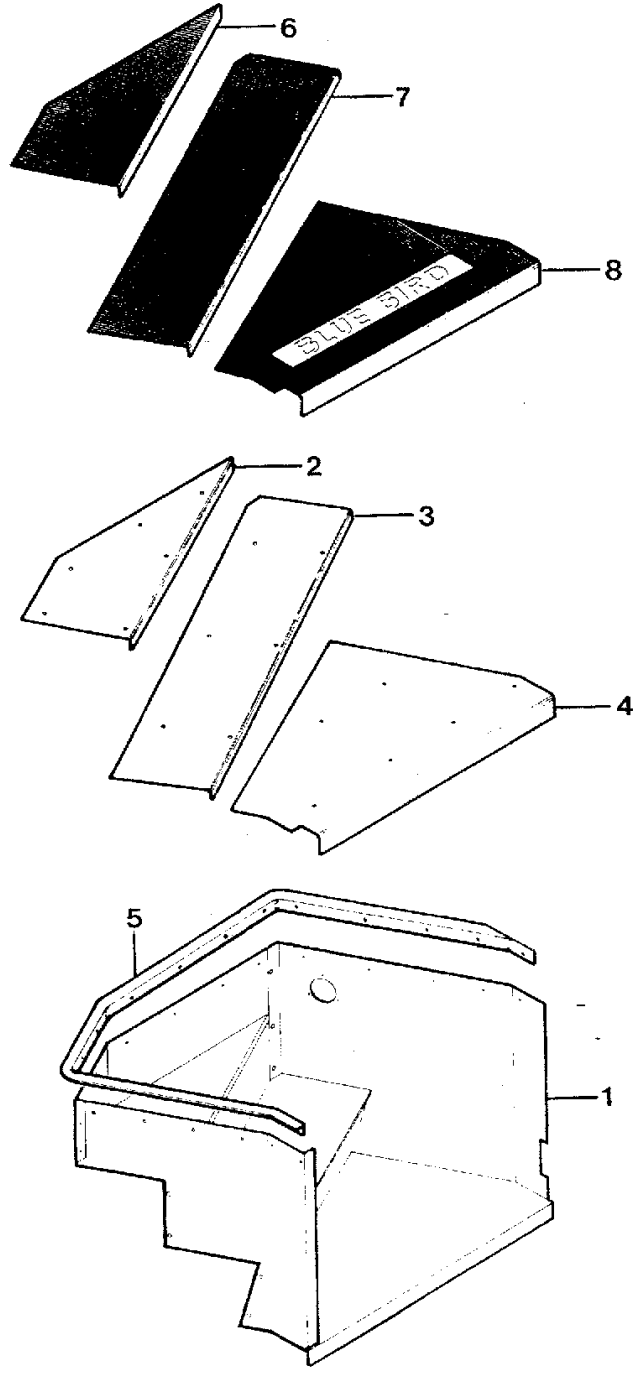
Key	PartNumber	Qty	Description	Comment
-----	------------	-----	-------------	---------

STEPWELL ASSY., 36" JACKKNIFE DOOR  
FLUSH MOUNTED

8007973	REV
ALL RIGHTS RESERVED	



BLUE BIRD



**Models:** A3FE, A3RE  
**STEPWELL**  
**OUTWARD OPENING DOOR**  
**With Features:** STD

Key	PartNumber	Qty	Description	Comment
1	1979053		STEPWELL ASSY,O/O DOOR,23.00 STEP, DRFL	STANDARD
1	1979228		STEPWELL ASSY,O/O,24.75,A3FE	STANDARD
1	0062424		STEPWELL ASSY,O/O,24.75,304 S/S, A3FE	STANDARD
1	1889104		STEPWELL ASSY,O/O,24.75,A3RE	STANDARD
2	0006510		STEPTREAD,U/STEP,O/O DOOR,BLK,RBR, DRFL	A3FE, FEATURE 31021-01
2	0011425		STEPTREAD,U/STEP,O/O DOOR,BLK,ABR, DRFL	A3FE, FEATURE 31021-01 WITH FEATURE 31160-01. ABRASIVE STRIP
2	1561414		STEPTREAD,U/STEP,O/O DOOR,BLK,RBR,DRRE	A3RE, FEATURE 31021-01
2	0011792		STEPTREAD,U/STEP,O/O DOOR,BLK,ABR,DRRE	A3RE, FEATURE 31021-01 WITH FEATURE 31160-01. ABRASIVE STRIP
2	0006528		STEPTREAD,U/STEP,O/O DOOR,GRN,RBR, DRFL	A3FE, FEATURE 31021-06
2	0011426		STEPTREAD,U/STEP,O/O DOOR,GRN,ABR, DRFL	A3FE, FEATURE 31021-06 WITH FEATURE 31160-01. ABRASIVE STRIP
2	1561422		STEPTREAD,U/STEP,O/O DOOR,GRN,RBR, DRRE	A3RE, FEATURE 31021-06
2	0011793		STEPTREAD,U/STEP,O/O DOOR,GRN,ABR, DRRE	A3RE, FEATURE 31021-06 WITH FEATURE 31160-01. ABRASIVE STRIP
2	0006536		STEPTREAD,U/STEP,O/O DOOR,TAN,RBR,DRFL	A3FE, FEATURE 31021-07
2	0011427		STEPTREAD,U/STEP,O/O DOOR,TAN,ABR, DRFL	A3FE, FEATURE 31021-07 WITH FEATURE 31160-01. ABRASIVE STRIP
2	1561430		STEPTREAD,U/STEP,O/O DOOR,TAN,RBR,DRRE	A3RE, FEATURE 31021-07
2	0011794		STEPTREAD,U/STEP,O/O DOOR,TAN,ABR, DRRE	A3RE, FEATURE 31021-07 WITH FEATURE 31160-01. ABRASIVE STRIP
2	0006544		STEPTREAD,U/STEP,O/O DOOR,GRY 766,RBR,	A3FE, FEATURE 31021-09
2	0011428		STEPTREAD,U/STEP,O/O DOOR,GRY 766,ABR,	A3FE, FEATURE 31021-09 WITH FEATURE 31160-01. ABRASIVE STRIP
2	1708841		STEPTREAD,U/STEP,O/O DOOR,GRY,RBR, TCRE	A3RE, FEATURE 31021-08. LIGHT GREY
2	1811751		STEPTREAD,U/STEP,O/O DOOR,GRY 766,RBR,	A3RE, FEATURE 31021-09. DARK GREY
2	0011795		STEPTREAD,U/STEP,O/O DOOR,GRY 766,ABR,	A3RE, FEATURE 31021-09. DARK GREY WITH FEATURE 31160-01
2	0018345		STEPTREAD,U/STEP,O/O DOOR,BLUE,ABR,DRFL	A3FE, FEATURE 31021-11 WITH FEATURE 31160-01
2	0018363		STEPTREAD,U/STEP,O/O DOOR,BLUE,ABR,DRRE	A3RE, FEATURE 31021-11 WITH FEATURE 31160-01
2	0052918		STEPTREAD,UPR,BLK,K/SEAL,O/O,M/B,W/NOS,	A3RE, FEATURE 31160-04
				A3RE, FEATURE 31160-06

**Models:** A3FE, A3RE  
**STEPWELL**  
**OUTWARD OPENING DOOR**  
**With Features:** STD

Key	PartNumber	Qty	Description	Comment
3	0006593		STEPTREAD,M/STEP,O/O DOOR,BLK,RBR, DRFL	A3FE, FEATURE 31021-01
3	0011429		STEPTREAD,M/STEP,O/O DOOR,BLK,ABR, DRFL	A3FE, FEATURE 31021-01 WITH FEATURE 31160-01. ABRASIVE STRIP
3	1863828		STEPTREAD,M/STEP,O/O DOOR,BLK,RBR, DRRE	A3RE, FEATURE 31021-01
3	0011796		STEPTREAD,M/STEP,O/O DOOR,BLK,ABR,DRRE	A3RE, FEATURE 31021-01 WITH FEATURE 31160-01. ABRASIVE STRIP
3	0006601		STEPTREAD,M/STEP,O/O DOOR,GRN,RBR, DRFL	A3FE, FEATURE 31021-06
3	0011430		STEPTREAD,M/STEP,O/O DOOR,GRN,ABR, DRFL	A3FE, FEATURE 31021-06 WITH FEATURE 31160-01. ABRASIVE STRIP
3	1852664		STEPTREAD,M/STEP,O/O DOOR,GRN,RBR, DRRE	A3RE, FEATURE 31021-06
3	0011797		STEPTREAD,M/STEP,O/O DOOR,GRN,ABR, DRRE	A3RE, FEATURE 31021-06 WITH FEATURE 31160-01. ABRASIVE STRIP
3	0006619		STEPTREAD,M/STEP,O/O DOOR,TAN,RBR, DRFL	A3FE, FEATURE 31021-07
3	0011431		STEPTREAD,M/STEP,O/O DOOR,TAN,ABR, DRFL	A3FE, FEATURE 31021-07 WITH FEATURE 31160-01. ABRASIVE STRIP
3	1852672		STEPTREAD,M/STEP,O/O DOOR,TAN,RBR,DRRE	A3RE, FEATURE 31021-07
3	0011798		STEPTREAD,M/STEP,O/O DOOR,TAN,ABR,DRRE	A3RE, FEATURE 31021-07 WITH FEATURE 31160-01. ABRASIVE STRIP
3	0006627		STEPTREAD,M/STEP,O/O DOOR,GRY 766,RBR,	A3FE, FEATURE 31021-09
3	0011432		STEPTREAD,M/STEP,O/O DOOR,GRY 766,ABR,	A3FE, FEATURE 31021-09 WITH FEATURE 31160-01. ABRASIVE STRIP
3	1852680		STEPTREAD,M/STEP,O/O DOOR,GRY,RBR,	A3RE, FEATURE 31021-08. LIGHT GREY
3	1993146		STEPTREAD,M/STEP,O/O DOOR,GRY 766,RBR,	A3RE, FEATURE 31021-09. DARK GREY
3	0011799		STEPTREAD,M/STEP,O/O DOOR,GRY 766,ABR,	A3RE, FEATURE 31021-09. DARK GREY WITH FEATURE 31160-01
3	0018346		STEPTREAD,M/STEP,O/O DOOR,BLUE,ABR,DRFL	A3FE, FEATURE 31021-11 WITH FEATURE 31160-01
3	0018349		STEPTREAD,M/STEP,O/O DOOR,BLUE,ABR,	A3RE, FEATURE 31021-11 WITH FEATURE 31160-01
3	0052916		STEPTREAD,MID,BLK,K/SEAL,O/O,M/B,W/NOS,	A3RE, FEATURE 31160-04
3	0087184		STEPTREAD,CENTER,KOROSEAL,N-M,O/O DOOR	A3RE, FEATURE 31160-06
4	0006676		STEPTREAD,L/STEP,O/O DOOR,BLK,RBR, DRFL	A3FE, FEATURE 31021-01
4	0011595		STEPTREAD,L/STEP,O/O DOOR,BLK,ABR, DRFL	A3FE, FEATURE 31021-01 WITH FEATURE 31160-01. ABRASIVE STRIP

**Models:** A3FE, A3RE  
**STEPWELL**  
**OUTWARD OPENING DOOR**  
**With Features:** STD

Key	PartNumber	Qty	Description	Comment
4	1863836		STEPTREAD,L/STEP,O/O DOOR,BLK,RBR, DRRE	A3RE, FEATURE 31021-01
4	0011800		STEPTREAD,L/STEP,O/O DOOR,BLK,ABR, DRRE	A3RE, FEATURE 31021-01 WITH FEATURE 31160-01. ABRASIVE STRIP
4	0006684		STEPTREAD,L/STEP,O/O DOOR,GRN,RBR, DRFL	A3FE, FEATURE 31021-06
4	0011596		STEPTREAD,L/STEP,O/O DOOR,GRN,ABR, DRFL	A3FE, FEATURE 31021-06 WITH FEATURE 31160-01. ABRASIVE STRIP
4	1852698		STEPTREAD,L/STEP,O/O DOOR,GRN,RBR, DRRE	A3RE, FEATURE 31021-06
4	0011801		STEPTREAD,L/STEP,O/O DOOR,GRN,ABR, DRRE	A3RE, FEATURE 31021-06 WITH FEATURE 31160-01. ABRASIVE STRIP
4	0006692		STEPTREAD,L/STEP,O/O DOOR,TAN,RBR,DRFL	A3FE, FEATURE 31021-07
4	0011597		STEPTREAD,L/STEP,O/O DOOR,TAN,ABR, DRFL	A3FE, FEATURE 31021-07 WITH FEATURE 31160-01. ABRASIVE STRIP
4	1852706		STEPTREAD,L/STEP,O/O DOOR,TAN,RBR, DRRE	A3RE, FEATURE 31021-07
4	0011802		STEPTREAD,L/STEP,O/O DOOR,TAN,ABR,DRRE	A3RE, FEATURE 31021-07 WITH FEATURE 31160-01. ABRASIVE STRIP
4	0006700		STEPTREAD,L/STEP,O/O DOOR,GRY 766,RBR,	A3FE, FEATURE 31021-09
4	0011598		STEPTREAD,L/STEP,O/O DOOR,GRY 766,ABR,	A3FE, FEATURE 31021-09 WITH FEATURE 31160-01. ABRASIVE STRIP
4	1852714		STEPTREAD,L/STEP,O/O DOOR,GRY,RBR,	A3RE, FEATURE 31021-08. LIGHT GREY
4	1992734		STEPTREAD,L/STEP,O/O DOOR,GRY 766,RBR,	A3RE, FEATURE 31021-09. DARK GREY
4	0011803		STEPTREAD,L/STEP,O/O DOOR,GRY 766,ABR,	A3RE, FEATURE 31021-09. DARK GREY WITH FEATURE 31160-01
4	0018347		STEPTREAD,L/STEP,O/O DOOR,BLUE,ABR, DRFL	A3FE, FEATURE 31021-11 WITH FEATURE 31160-01
4	0018351		STEPTREAD,L/STEP,O/O DOOR,BLUE,ABR, DRRE	A3RE, FEATURE 31021-11 WITH FEATURE 31160-01
4	0052827		STEPTREAD,LWR,BLK,K/SEAL,O/O,M/B,W/NOS,	A3RE, FEATURE 31160-04
4	0087175		STEPTREAD,LOWER,KOROSEAL,N-M,O/O DOOR,	A3RE, FEATURE 31160-06
5			STEPWELL, TRIM A3FE	
6			STEPWELL, TRIM A3RE	



**Models:** A3RE  
**STEPWELL**  
**RH DRIVE**  
**JACKKNIFE DOOR, 25.75 INCH STEP**  
**A3RE U.K.**  
**With Features:** FEATURE 30977-03

Key	PartNumber	Qty	Description	Comment
NI	0043354		STEPWELL ASSY,JK,25.75,RH DR, A3RE	
NI	1744432		TRIM,STEPWELL,PLYWOOD FLOOR,RH DRIVE	
NI	1744440		TRIM,STEPWELL,FRONT,36,RH DRIVE	
NI	0043503	2	STEPTREAD,U/STEP,J/K DR,BLK RBR UK-RHD	
NI	0044273		STEPTREAD,L/STEP,J/K DR.BLK RBR UK-RHD	
			FOR MORE STEPWELL PARTS	SEE "FRONT FLOOR STRUCTURE"

**Models:** A3FE, A3RE, BBCV, SBCV  
**STEPWELL**  
**With Features:** STEPTREADS, PEBBLETOP  
**FEATURE 31160-04**

Key	PartNumber	Qty	Description	Comment
	0052938		STEPTREAD,UPR,BLK,K/SEAL,O/O,M/B,W/NOS,	<i>FEATURE 31160-04</i>
	0052918		STEPTREAD,UPR,BLK,K/SEAL,O/O,M/B,W/NOS,	<i>FEATURE 31160-04</i>
	0052921		STEPTREAD,UPR,BLK,K/SEAL,O/O,M/B,W/NOS,	<i>FEATURE 31160-04</i>
	0052937		STEPTREAD,MID,BLK,K/SEAL,O/O,M/B,W/NOS,	<i>FEATURE 31160-04</i>
	0052916		STEPTREAD,MID,BLK,K/SEAL,O/O,M/B,W/NOS,	<i>FEATURE 31160-04</i>
	0052920		STEPTREAD,MID,BLK,K/SEAL,O/O,M/B,W/NOS,	<i>FEATURE 31160-04</i>
	0052936		STEPTREAD,LWR,BLK,K/SEAL,O/O,M/B,W/NOS,	<i>FEATURE 31160-04</i>
	0052827		STEPTREAD,LWR,BLK,K/SEAL,O/O,M/B,W/NOS,	<i>FEATURE 31160-04</i>
	0052919		STEPTREAD,LWR,BLK,K/SEAL,O/O,M/B,W/NOS,	<i>FEATURE 31160-04</i>