

**Body**

**360 Windows**

DRIVER'S

BLACK FRAME	1
EXCEL, FULL SLIDER, AND SOLID INSULATED	2
<i>With: FEATURE 31200-16</i>	3
SPECTAL ALUMINUM FRAME	
<i>To BSN 2-18-07</i>	4
<i>From BSN 2-19-07</i>	5
BLACK FRAME	
<i>To BSN 2-18-07</i>	6
<i>From BSN 2-19-07</i>	7
RH DRIVE	
<i>To BSN 2-18-07</i>	8
RH DRIVE	
<i>From BSN 2-19-07</i>	9
STORM CLEAR	
<i>With: FEATURE 31200-03</i>	10
CLEAR, BLACK BRAME	
<i>With: FEATURE 31200-11</i>	11
<i>With: FEATURE 31200-01</i>	12
LIGHT TINT TEMPERED	
<i>With: FEATURE 31200-05</i>	13
ENTRANCE, LIFT, AND REAR EMERGENCY DOOR/WINDOW ENTRANCE, & WHEELCHAIR LIFT	14

REAR EMERGENCY WINDOW	<b>PageSet</b> ▼
ASSEMBLY	
<i>With: STD, OPTION 0177, 3387</i>	15
GLASS	
<i>With: STANDARD</i>	16
LOCK	
<i>With: STANDARD, OPTION 0177</i>	17
HORIZONTAL PUSH OUT	
28 INCH WITH 12 INCH OPENING	
6 PERCENT BRONZE, LAMINATED	18
CLEAR LAMINATED	19
CLEAR, TEMPERED	20
DARK TINTED, LAMINATED	21
DARK TINTED, TEMPERED	22
GREEN TINT, LAMINATED	23
28 INCH WITH 9 INCH OPENING	
CLEAR LAMINATED	24
CLEAR TEMPERED	25
DARK TINTED, LAMINATED	26
DARK TINTED, TEMPERED	27
GREEN TINT, LAMINATED	28
35 INCH WITH 12 INCH OPENING	
CLEAR, LAMINATED	29
CLEAR, TEMPERED	30
DARK TINTED, LAMINATED	31

DARK TINTED, TEMPERED	32
GREEN TINTED, LAMINATED	33
35 INCH WITH 9 INCH OPENING CLEAR LAMINATED	34
CLEAR TEMPERED	35
DARK TINTED, LAMINATED	36
DARK TINTED, TEMPERED	37
GREEN TINTED, LAMINATED	38
GLASS	
<i>From BSN 018805, 369412, 256959,188871</i>	39
LAMINATED	40
INSTALLATION HARDWARE	
	41
	42
	43
SPECTAL, ALUMINUM FRAME	
28 INCH WITH 12 INCH OPENING	44
28 INCH WITH 9 INCH OPENING	45
35 INCH WITH 12 INCH OPENING	46
35 INCH WITH 9 INCH OPENING	47
SPECTAL, BLACK FRAME	
28 INCH WITH 12 INCH OPENING	48
28 INCH WITH 9 INCH OPENING	49

35 INCH WITH 12 INCH OPENING	50
35 INCH WITH 9 INCH OPENING	51
STORM	52
	53
	54
MISCELLANEOUS	
28 INCH S.E.D.	
<i>With: OPTION 428, 429, FEATURE 31198-01, -02, -03, -04</i>	55
43 INCH LIFT DOOR	56
43 INCH LIFT DOOR, 35 INCH S.E.D.	
<i>With: OPTION 432, 434, 439, 455, 456, FEATURE 31070-01, -02, -03, -04, FEATURE 31198-01, -02, -03, -04</i>	57
ENTRANCE DOOR	
O/O	58
O/O STORM	59
STORM, STEEL TUBE	60
ENTRANCE DOOR/EXIT	61
ENTRANCE/EXIT DOOR, STEEL TUBE	62
GLASS	
TRANSIT WINDOW	
<i>With: OPTION 3365</i>	63
REAR VISION	
<i>With: FEATURE 31187-01, -02, -03, -04, -05</i>	64
REAR VISION, SMALL	
<i>With: FEATURE 31182, 31183, 31187</i>	65
REAR WINDOW	

<i>With: FEATURE 31182-01, -02, -03, -04, 31183-01, -02, -03, -04</i>	66
WINDOW STOP	
<i>With: FEATURE 03355-01, -02, -03, 04</i>	67
SPLIT SASH	
28 INCH WITH 12 INCH OPENING	
CLEAR LAMINATED	
<i>To BSN B20107259 F20054224 L10093804 M10119600 11-3-02</i>	68
<i>From BSN B20107260 F20054225 L10093805 11-4-02</i>	69
CLEAR TEMPERED	
<i>To BSN B20107259 F20054224 L10093804 M10119600 11-3-02</i>	70
<i>From BSN B20107260 F20054225 L10093805 11-4-02</i>	71
DARK TINT LAMINATED	
<i>To BSN B20107259 F20054224 L10093804 M10119600 11-3-02</i>	72
<i>From BSN B20107260 F20054225 L10093805 11-4-02</i>	73
DARK TINT TEMPERED	
<i>To BSN B20107259 F20054224 L10093804 M10119600 11-3-02</i>	74
<i>From BSN B20107260 F20054225 L10093805 11-4-02</i>	75
GREEN TINT LAMINATED	
<i>To BSN B20107259 F20054224 L10093804 M10119600 11-3-02</i>	76
<i>From BSN B20107260 F20054225 L10093805 11-4-02</i>	77
28 INCH WITH 12 INCH OPENING, STORM	
CLEAR TEMPERED	
<i>To BSN B20107259 F20054224 L10093804 M10119600 11-3-02</i>	78
<i>From BSN B20107260, F20054225, L10093805, 11-4-02</i>	79
DARK TINT TEMPERED	
<i>To BSN B20107259, F20054224, L10093804, M10119600, 11-3-02</i>	80
<i>From BSN B20107260, F20054225, L10093805, 11-4-02</i>	81
28 INCH WITH 9 INCH OPENING	
CLEAR LAMINATED	

	82
CLEAR TEMPERED	
	83
DARK TINT LAMINATED	
	84
DARK TINT TEMPERED	
	85
GREEN TINT LAMINATED	
	86
28 INCH WITH 9 INCH OPENING, STORM CLEAR LAMINATED	
	87
CLEAR TEMPERED	
	88
DARK TINT TEMPERED	
	89
35 INCH WITH 12 INCH OPENING CLEAR LAMINATED	
<i>To BSN B20107259 F20054224 L10093804 M10119600 11-3-02</i>	90
<i>From BSN B20107260 F20054225 L10093805 11-4-02</i>	91
CLEAR TEMPERED	
<i>To BSN B20107259 F20054224 L10093804 M10119600 11-3-02</i>	92
<i>From BSN B20107260 F20054225 L10093805 11-4-02</i>	93
DARK TINT LAMINATED	
<i>To BSN B20107259 F20054224 L10093804 M10119600 11-3-02</i>	94
<i>From BSN B20107260 F20054225 L10093805 11-4-02</i>	95
DARK TINT TEMPERED	
<i>To BSN B20107259 F20054224 L10093804 M10119600 11-3-02</i>	96
<i>From BSN B20107260 F20054225 L10093805 11-4-02</i>	97
GREEN TINT LAMINATED	
<i>To BSN B20107259 F20054224 L10093804 M10119600 11-3-02</i>	98
<i>From BSN B20107260 F20054225 L10093805 11-4-02</i>	99

35 INCH WITH 12 INCH OPENING, STORM CLEAR TEMPERED	
<i>To BSN B20107259, F20054224, L10093804, M10119600, 11-3-02</i>	100
<i>From BSN B20107260, F20054225, L10093805, 11-4-02</i>	101
DARK TINT TEMPERED	
<i>To BSN B20107259, F20054224, L10093804, M10119600, 11-3-02</i>	102
<i>From BSN B20107260, F20054225, L10093805, 11-4-02</i>	103
35 INCH WITH 9 INCH OPENING CLEAR LAMINATED	104
CLEAR TEMPERED	105
DARK TINT LAMINATED	106
DARK TINT TEMPERED	107
GREEN TINT LAMINATED	108
35 INCH WITH 9 INCH OPENING, STORM CLEAR TEMPERED	109
DARK TINT TEMPERED	110
GLASS, DIMENSION S/S LAMINATED	111
S/S TEMPERED	
<i>From BSN 018805, 369412, 256959, 188871</i>	112
S/S TEMPERED STORM	113
HEHR 12 INCH	
<i>With: OPTION 3363</i>	114
9 INCH	
<i>With: OPTION 3363</i>	115

HEHR INSTALLATION	
<i>With: OPTION 3363</i>	
_____	116
SPECTAL	
WINDOW STOPS	
_____	117
SPECTAL, ALUMINUM FRAME	
28 INCH WITH 12 INCH OPENING	
_____	118
28 INCH WITH 9 INCH OPENING	
_____	119
35 INCH WITH 12 INCH OPENING	
_____	120
35 INCH WITH 9 INCH OPENING	
_____	121
SPECTAL, BLACK FRAME	
28 INCH WITH 12 INCH OPENING	
_____	122
28 INCH WITH 9 INCH OPENING	
_____	123
35 INCH WITH 12 INCH OPENING	
_____	124
35 INCH WITH 9 INCH OPENING	
_____	125
TRANSIT	
BLUE BIRD TYPE WITH BLACK FRAMES	
<i>With: (OPTION 2312) OPTION 3364, 3365, 3366, 3367 WITH OPTION 3475</i>	
_____	126
EXCEL	
DESTINATION SIGN WINDOW	
<i>With: FEATURE 3055, 6164</i>	
_____	127
FULL SLIDER	
<i>With: FEATURE 31196-22, THRU 28, 31196-76</i>	
_____	128
FULL SLIDER, PUSHOUT	
<i>With: FEATURE 31197-26, -27, -28</i>	
_____	129
SOLID	
<i>With: FEATURE 31196-44 THRU 59</i>	
_____	130
SOLID INSULATED	

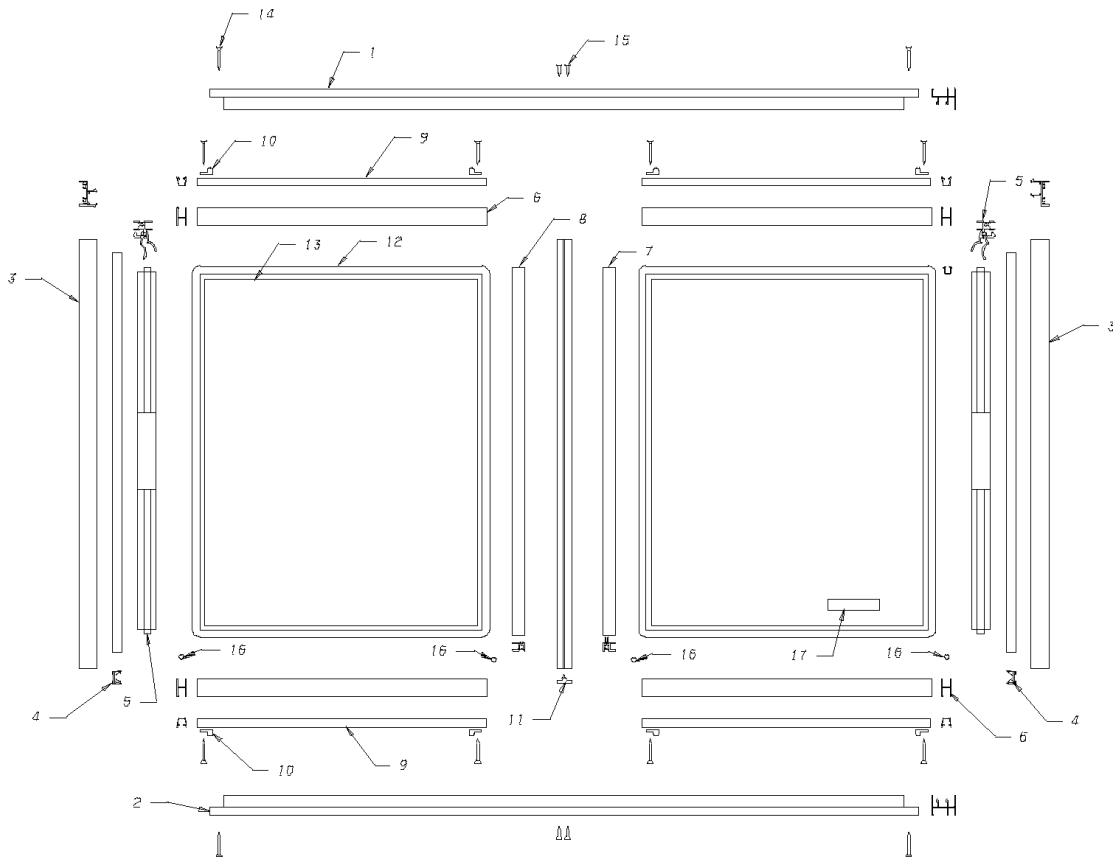


<i>With: FEATURE 31196-60 THRU 75</i>	131
SOLID INSULATED, PUSHOUT	
<i>With: FEATURE 31197-35, -36, -37</i>	132
SOLID, PUSHOUT	
<i>With: FEATURE 31197-32, -33, -34</i>	133
TOP T-SLIDE	
<i>With: FEATURE 31196-28 THRU 43</i>	134
TOP T-SLIDE, PUSHOUT	
<i>With: FEATURE 31197-29, -30, -31</i>	135
HEHR	
FULL SLIDER, NON-PUSHOUT	
<i>With: OPTION 3377, 3380</i>	136
FULL SLIDER, PUSHOUT	
<i>With: OPTION 3376 3379</i>	137
VERTICAL PUSH OUT	
BLUE BIRD TYPE	
28 INCH WITH 12 INCH OPENING LH	138
28 INCH WITH 12 INCH OPENING RH	139
28 INCH WITH 9 INCH OPENING LH	140
28 INCH WITH 9 INCH OPENING RH	141
35 INCH WITH 12 INCH OPENING LH	142
35 INCH WITH 12 INCH OPENING RH	143
35 INCH WITH 9 INCH OPENING LH	144
35 INCH WITH 9 INCH OPENING RH	145
SPECTAL, ALUMINUM FRAME	
28 INCH WITH 12 INCH OPENING LH	146

28 INCH WITH 12 INCH OPENING RH	147
28 INCH WITH 9 INCH OPENING LH	148
28 INCH WITH 9 INCH OPENING RH	149
35 INCH WITH 12 INCH OPENING LH	150
35 INCH WITH 12 INCH OPENING RH	151
35 INCH WITH 9 INCH OPENING LH	152
35 INCH WITH 9 INCH OPENING RH	153
SPECTAL, BLACK FRAME	
28 INCH WITH 12 INCH OPENING LH	154
28 INCH WITH 12 INCH OPENING RH	155
28 INCH WITH 9 INCH OPENING LH	156
28 INCH WITH 9 INCH OPENING RH	157
35 INCH WITH 12 INCH OPENING LH	158
35 INCH WITH 12 INCH OPENING RH	159
35 INCH WITH 9 INCH OPENING LH	160
35 INCH WITH 9 INCH OPENING RH	161
WINDSHIELDS	162

Models: AAFE, AARE, A3FE, A3RE, TCFE  
DRIVER'S

Key	PartNumber	Qty	Description	Comment
-----	------------	-----	-------------	---------

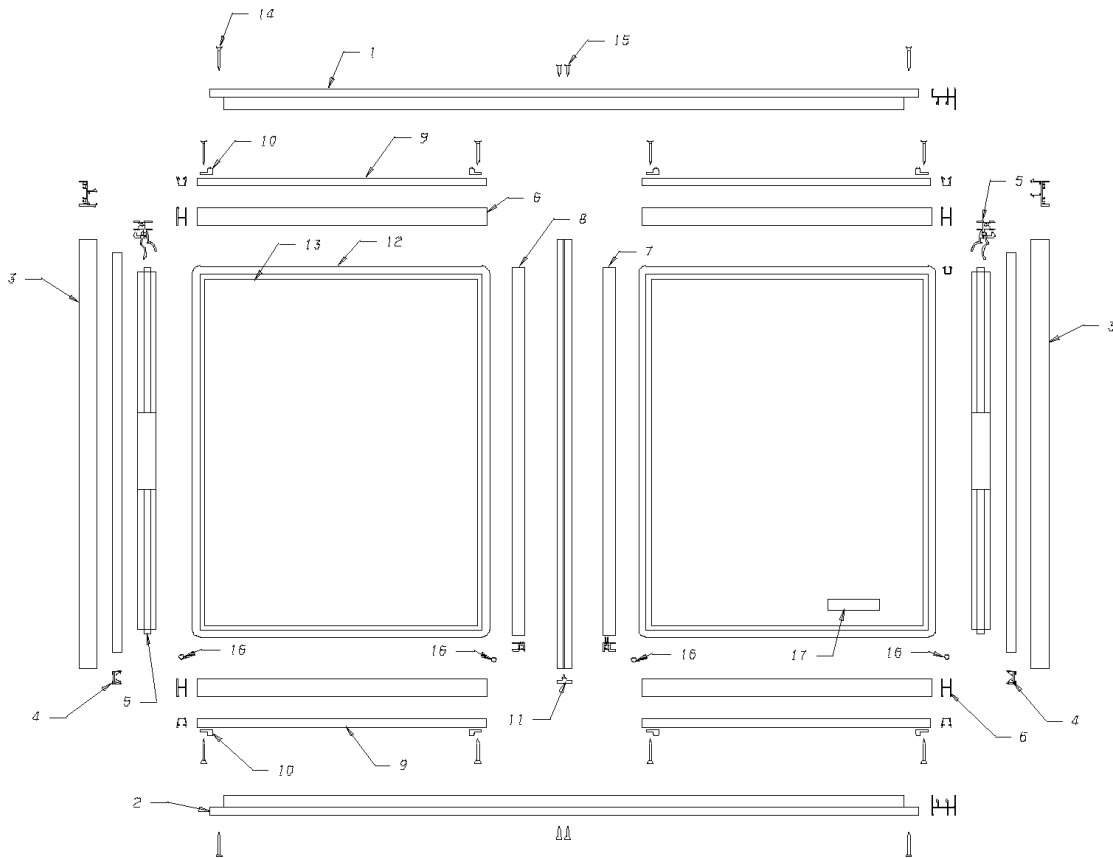


Models: AAFE, AARE, A3FE, A3RE, TCFE  
DRIVER'S

Key	PartNumber	Qty	Description	Comment
NI			DRIVER'S WINDOW ASSY., COMPLETE	
	0073666		WINDOW ASSY,DRVR,CLEAR TEMP,AAFE/RE	STANDARD FEATURE 31200-06
	0073667		WINDOW ASSY,DRVR,CLEAR LAM, AAFE/RE	OPTION 3327, 3331, FEATURE 31200-01, CLEAR LAMINATED
	0073671		WINDOW ASSY,DRVR,SAFETY PLT,AAFE/RE	OPTION 3328, FEATURE 31200-04
	0073668		WINDOW ASSY,DRVR,GREEN TINT, AAFE/RE	OPTION 3330, FEATURE 31200-02
1	3924750		FRAME,DRIVERS WINDOW,UPPER,AAFC/RE"	
2	0044370		FRAME,DRIVERS WINDOW,LOWER,A3FE/RE	
3	3795945		FRAME,VERTICAL,DRIVERS WINDOW,FRONT &	
4	3795952		SEAL,VERTICAL FRAME,DRIVERS WINDOW	
5	1703727		RAIL ASSY,LATCH,DRIVERS WINDOW	
	2192656		RAIL,PULL TAB,DRIVERS WINDOW	
	2192680		TRIGGER,LATCH RELEASE,DRIVERS WINDOW	
	2167195		SPRING,LATCH,WINDOW,.032	
6	3924776		RAIL,SLIDE,DRIVERS WINDOW,AAFC/RE"	
7	3796075		RAIL ASSY,VERT,FRT SASH,DRIVERS WDO	
	3795655		SEAL,VERTICAL,DRIVERS WINDOW	
8	3796083		RAIL,VERTICAL,DRIVERS WINDOW	
9	3924784		SEAL,HORIZ,DRIVERS WINDOW,AAFC/RE"	
10	2169100		GLIDE,DRIVERS WINDOW	
11	2226991		BRACE,VERT,FRAME,DRIVERS WINDOW	
12	3924792		GLAZING,VINYL,SB,SS WINDOW,58.00 IN"	
13			GLASS, FRONT OR REAR SASH	
	3915204		GLASS,SS,CLEAR TEMPERED,DRV WINDOW,	STANDARD FEATURE 31200-06
	3923547		GLASS,SS,CLEAR LAM,DRV WINDOW,AAFC/RE"	OPTION 3327, 3331, FEATURE 31200-01
	3924800		GLASS,DRIVERS WINDOW,CLEAR LAM,SAFETY	OPTION 3328, FEATURE 31200-04
	3923539		GLASS,SS,TINTED,LAM,DRV WINDOW,AAFC/RE"	OPTION 3330, FEATURE 31200-02
14	4644357		SCREW,10-12X1 1/4,#2 SQ DRIVE,#8,BUGLE	
15	2227007		SCREW,SM,PH,FT/HD,8-18 X 3/4,TYPE AB,ZN3	
16	0862953		SEALANT,SCHNEE-MOREHEAD 5522,VINYL	
17	2193050		DECAL,LUBRICATION,DRIVERS WINDOW	
NI			OPT 3325, DRIVERS VENT WINDOW	
	2171783		WINDOW ASSY,DRIVERS VENT	
	2232577		BRACE,VERT,FRAME,DRIVERS WINDOW,STORM	

Models: **A3FE, A3RE, TCFE**  
**DRIVER'S**  
**BLACK FRAME**

Key	PartNumber	Qty	Description	Comment
-----	------------	-----	-------------	---------



Models: **A3FE, A3RE, TCFE  
DRIVER'S  
BLACK FRAME**

Key	PartNumber	Qty	Description	Comment
			DRIVER'S WINDOW ASSEMBLY COMPLETE,	
	0073829		WINDOW ASSY,DRVR,CLEAR LAM BLACK, AA	FEATURE 31200-09
	0073831		WINDOW ASSY,DRVR,CLEAR TEMP BLACK, AA	FEATURE 31200-08
	0073832		WINDOW ASSY,DRVR,CLEAR TEMP BLACK,RH	OPTION 3480, CLEAR TEMPERED, RH DRIVE, UK
	0073833		WINDOW ASSY,DRVR,GREEN TINT BLACK,AA	FEATURE 31200-10
	0073834		WINDOW ASSY,DRVR,SAFETY PLT BLACK, AA	FEATURE 31200-12
1	1767110		FRAME,DRIVERS WINDOW,UPPER,BLACK, AA/TC	
2	0044374		FRAME,DRIVERS WINDOW,LOWER,BLACK,	
3	1767144		FRAME,VERTICAL,DRV WINDOW,FRT & RR,	
4	3795952		SEAL,VERTICAL FRAME,DRIVERS WINDOW	
5	1767151		RAIL ASSY,LATCH,DRIVERS WINDOW,BLACK	
	1703727		RAIL ASSY,LATCH,DRIVERS WINDOW	
	2192656		RAIL,PULL TAB,DRIVERS WINDOW	
	2192680		TRIGGER,LATCH RELEASE,DRIVERS WINDOW	
	2167195		SPRING,LATCH,WINDOW,.032	
6	1767177		RAIL SLIDE,DRIVERS WINDOW,BLACK, AA/TC	
7	1767185		RAIL ASSY,VERTICAL,FRT SASH,DRIVERS WDO,	
	3795655		SEAL,VERTICAL,DRIVERS WINDOW	
	1767193		RAIL,VERTICAL,DRIVERS WINDOW,BLACK	
8	1767193		RAIL,VERTICAL,DRIVERS WINDOW,BLACK	
9	3924784		SEAL,HORIZ,DRIVERS WINDOW,AAFC/RE"	
10	2169100		GLIDE,DRIVERS WINDOW	
11	1767201		BRACE VERTICAL,FRAME,DRIVERS WINDOW,	
12	3924792		GLAZING,VINYL,SB,SS WINDOW,58.00 IN"	
13			GLASS, FRONT OR REAR	
	3923547		GLASS,SS,CLEAR LAM,DRV WINDOW,AAFC/RE"	FEATURE 31200-09
	3915204		GLASS,SS,CLEAR TEMPERED,DRV WINDOW,	FEATURE 31200-08, OPTION 3480 RH DRIVE
	3923539		GLASS,SS,TINTED,LAM,DRV WINDOW,AAFC/RE"	FEATURE 31200-10
	3924800		GLASS,DRIVERS WINDOW,CLEAR LAM,SAFETY	FEATURE 31200-12
	0042930		GLASS,SS,CLEAR TEMP,DRV WINDOW,EMARK	
14	4644357		SCREW,10-12X1 1/4,#2 SQ DRIVE,#8,BUGLE	
15	2227007		SCREW,SM,PH,FT/HD,8-18 X 3/4,TYPE AB,ZN3	
16	0862953		SEALANT,SCHNEE-MOREHEAD 5522,VINYL	

**Models:** A3FE, A3RE, TCFE  
DRIVER'S  
BLACK FRAME

Key	PartNumber	Qty	Description	Comment
17	2193050		DECAL,LUBRICATION,DRIVERS WINDOW	

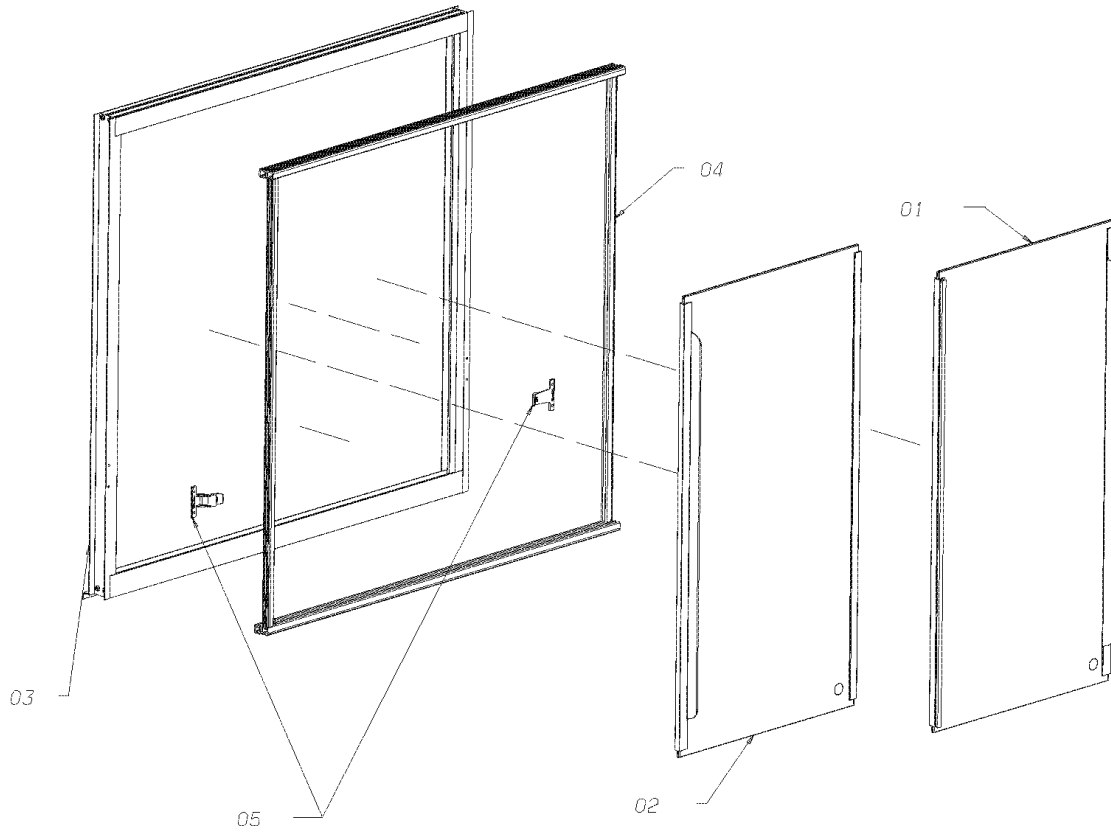
**Models:** A3FE, A3RE, BBCV, C1FE, CSFE, GMCV, MBWB, SBCV, TCFE  
**DRIVER'S EXCEL, FULL SLIDER, AND SOLID INSULATED**  
**With Features:** FEATURE 31200-16

Key	PartNumber	Qty	Description	Comment
			WINDOW ASSY, TSW, EXCEL, FULL SLIDER	
	0028235		WINDOW ASSY,TSW,EXL,DRV,SLDG,BLK PNT	
	0055611		TRIM RING, TSW,DRV, 0028235	
	0064659		LATCH ASSY,WINDOW,DRIVERS,0028235	
	0028236		WINDOW ASSY,TSW,EXL,CPLT,SLDG,BLK PNT	
	0028237		WINDOW ASSY,TSW,EXL,DRV,CV,SLDG,BLK PNT	
			WINDOW ASSY, TSW, EXCEL, INSULATED	
	0028745		WINDOW ASSY,TSW,EXL,DRV,INSL,SLDG,BLK	
	0028578		WINDOW ASSY,TSW,EXL,CPLT,INSL,BLK	
	0028575		WINDOW ASSY,TSW,EXL,DRV,CV,INSL,BLK	



Models: A3FE, A3RE  
DRIVER'S  
SPECTAL  
ALUMINUM FRAME  
To BSN 2-18-07

Key	PartNumber	Qty	Description	Comment
-----	------------	-----	-------------	---------



**Models:** A3FE, A3RE  
**DRIVER'S  
 SPECTAL  
 ALUMINUM FRAME  
 To BSN 2-18-07**

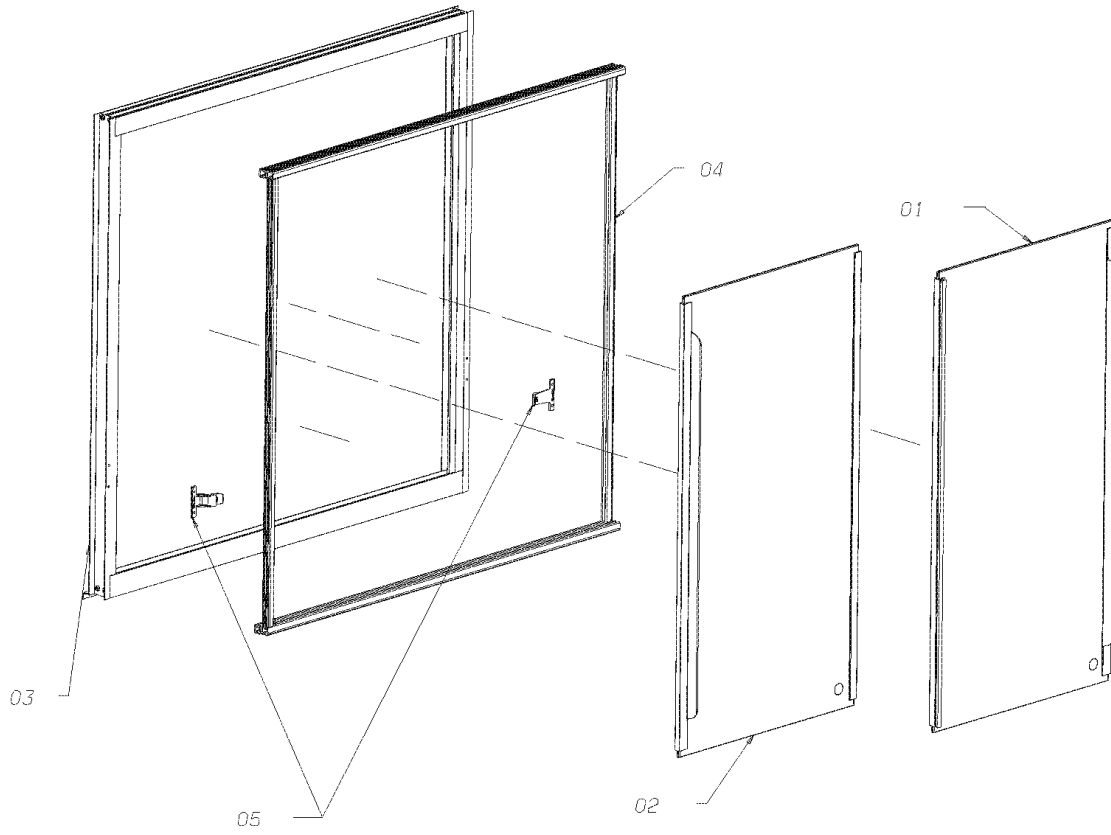
Key	PartNumber	Qty	Description	Comment
	0093904		WINDOW ASSY,DRVR,CLEAR,LAMI,SPEC,AA	<i>FEATURE 31200-29</i>
1	0097007		KIT,DRIVER,GLASS ASSY,FRT,CLEAR,LAM,ALUM,	
2	0097038		KIT,DRIVER,GLASS ASSY,REAR,CLEAR,LAM,	
3	0097118		KIT,DRIVER,WINDOW,FRAME ASSY,LH,ALUM,AA	
4	0097124		KIT,DRIVER,WINDOW,SEAL,AA	
5	0097127		KIT,DRIVER,WINDOW,CLIP FRONT AND REAR	
	0093905		WINDOW ASSY,DRVR,CLEAR,TEMP,SPEC,AA	<i>FEATURE 31200-33</i>
1	0097011		KIT,DRIVER,GLASS ASSY,FRT,CLEAR,TEMP,	
2	0097039		KIT,DRIVER,GLASS ASSY,REAR,CLEAR,TEMP,	
3	0097118		KIT,DRIVER,WINDOW,FRAME ASSY,LH,ALUM,AA	
4	0097124		KIT,DRIVER,WINDOW,SEAL,AA	
5	0097127		KIT,DRIVER,WINDOW,CLIP FRONT AND REAR	
	0093907		WINDOW ASSY,DRVR,GREEN TINT,LAMI,SPEC,	<i>FEATURE 31200-35</i>
1	0097017		KIT,DRIVER,GLASS ASSY,FRT,GREEN,LAM,	
2	0097040		KIT,DRIVER,GLASS ASSY,REAR,GREEN,LAM,	
3	0097118		KIT,DRIVER,WINDOW,FRAME ASSY,LH,ALUM,AA	
4	0097124		KIT,DRIVER,WINDOW,SEAL,AA	
5	0097127		KIT,DRIVER,WINDOW,CLIP FRONT AND REAR	
	0093947		WINDOW ASSY,DRVR,STORM,CLEAR TEMP,	<i>FEATURE 30200-25</i>
1	0097027		KIT,DRIVER,GLASS ASSY,FRT,CLR,TEMP,THRML,	
2	0097055		KIT,DRIVER,GLASS ASSY,REAR,CLEAR,THRML,	
3	0097118		KIT,DRIVER,WINDOW,FRAME ASSY,LH,ALUM,AA	
4	0097125		KIT,DRIVER,WINDOW,SEAL,AA,THERMAL	
5	0097127		KIT,DRIVER,WINDOW,CLIP FRONT AND REAR	
	0093949		WINDOW ASSY,DRVR,STORM,GR TINT TEMP,	<i>FEATURE 31200-26</i>
1	0097029		KIT,DRIVER,GLASS ASSY,FRT,GREEN,THRML,	
2	0097060		KIT,DRIVER,GLASS ASSY,REAR,GREEN,THRML,	
3	0097118		KIT,DRIVER,WINDOW,FRAME ASSY,LH,ALUM,AA	
4	0097125		KIT,DRIVER,WINDOW,SEAL,AA,THERMAL	
5	0097127		KIT,DRIVER,WINDOW,CLIP FRONT AND REAR	
	0093908		WINDOW ASSY,DRVR,CLR TEMP,SPEC,RH	<i>FEATURE 31200-33 WITH 3480</i>
1	0097018		KIT,DRIVER,GLASS ASSY,FRT,CLEAR,TEMP,RH,	
2	0097041		KIT,DRIVER,GLASS ASSY,REAR,CLEAR,TEMP,	

**Models:** A3FE, A3RE  
**DRIVER'S**  
**SPECTAL**  
**ALUMINUM FRAME**  
**To BSN 2-18-07**

Key	PartNumber	Qty	Description	Comment
3	0097119		KIT,DRIVER,WINDOW,FRAME ASSY,RH,ALUM,AA	
4	0097124		KIT,DRIVER,WINDOW,SEAL,AA	
5	0097127		KIT,DRIVER,WINDOW,CLIP FRONT AND REAR	
	0093910		WINDOW ASSY,DRVR,GR TINT,LAM,SPE,RH	FEATURE 31200-35 WITH 3480
1	0097019		KIT,DRIVER,GLASS ASSY,FRT,GREEN,LAM,	
2	0097042		KIT,DRIVER,GLASS ASSY,REAR,GREEN,LAM,	
3	0097119		KIT,DRIVER,WINDOW,FRAME ASSY,RH,ALUM,AA	
4	0097124		KIT,DRIVER,WINDOW,SEAL,AA	
5	0097127		KIT,DRIVER,WINDOW,CLIP FRONT AND REAR	
	0099742		WINDOW ASSY,DRVR,STORM,CLEAR LAM,SPEC,	FEATURE 31200-36
1				
2				
3	0097118		KIT,DRIVER,WINDOW,FRAME ASSY,LH,ALUM,AA	
4	0097125		KIT,DRIVER,WINDOW,SEAL,AA,THERMAL	
5	0097127		KIT,DRIVER,WINDOW,CLIP FRONT AND REAR	
	0099750		WINDOW ASSY,DRVR,STORM,GR TINT,LAM,	FEATURE 31200-37
1				
2				
3	0097118		KIT,DRIVER,WINDOW,FRAME ASSY,LH,ALUM,AA	
4	0097125		KIT,DRIVER,WINDOW,SEAL,AA,THERMAL	
5	0097127		KIT,DRIVER,WINDOW,CLIP FRONT AND REAR	

**Models:** A3FE, A3RE  
**DRIVER'S  
SPECTAL  
ALUMINUM FRAME**  
**BSN:** From BSN 2-19-07

Key	PartNumber	Qty	Description	Comment
-----	------------	-----	-------------	---------



**Models:** A3FE, A3RE  
**DRIVER'S**  
**SPECTAL**  
**ALUMINUM FRAME**  
**BSN:** From BSN 2-19-07

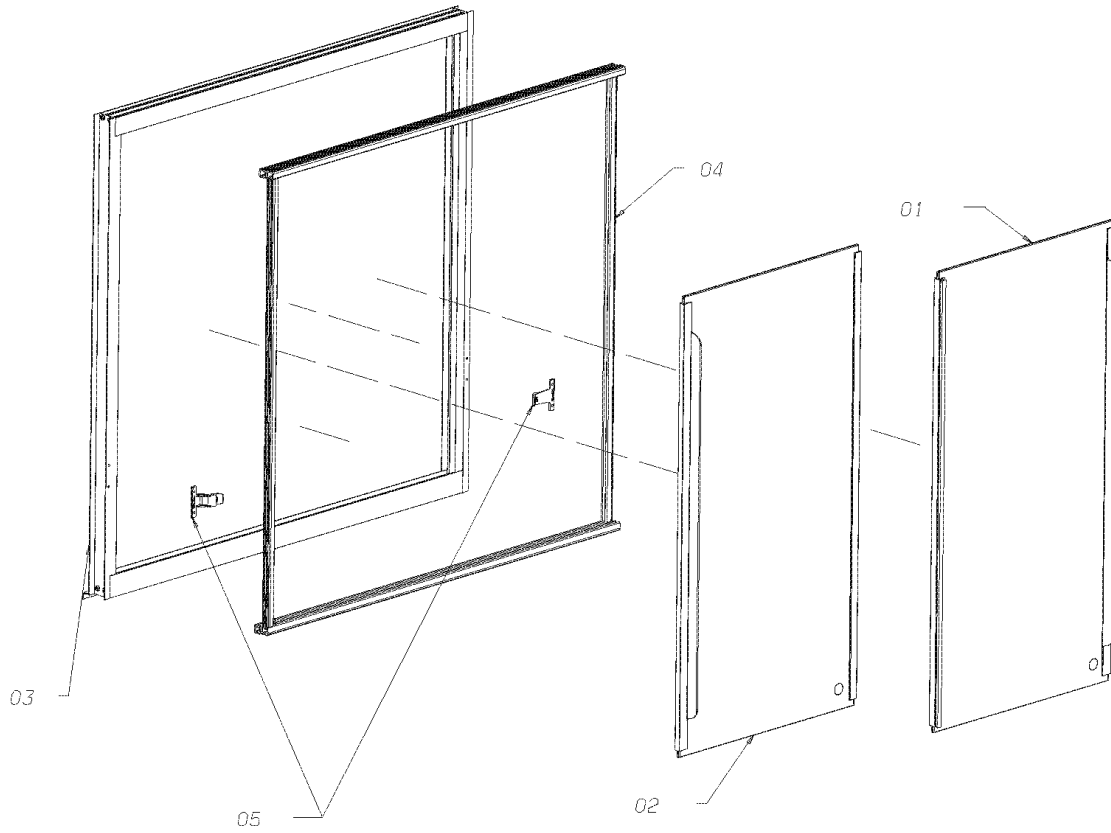
Key	PartNumber	Qty	Description	Comment
	0115753		WINDOW ASSY,DRVR,CLEAR,LAMI,SPEC,AA	FEATURE 31200-29
1	0097007		KIT,DRIVER,GLASS ASSY,FRT,CLEAR,LAM,ALUM,	
2	0097038		KIT,DRIVER,GLASS ASSY,REAR,CLEAR,LAM,	
3	0116801		KIT,DRIVER,FRAME ASSY,LH,ALUM,AA,33-11/16	
4	0116818		KIT,DRIVER,WINDOW SEAL,AA,33-11/16	
5	0116641		KIT,DRIVER,WIINDOW,CLIP,METAL,FRONT AND	
	0115754		WINDOW ASSY,DRVR,CLEAR,TEMP,SPSEC,AA	FEATURE 31200-33
1	0116845		KIT,DRIVER,GLASS ASSY,FRT,CLR,TMP,AA,33	
2	0116851		KIT,DRIVER,GLASS ASSY,REAR,CLR,TMP,ALM,	
3	0116801		KIT,DRIVER,FRAME ASSY,LH,ALUM,AA,33-11/16	
4	0116818		KIT,DRIVER,WINDOW SEAL,AA,33-11/16	
5	0116641		KIT,DRIVER,WIINDOW,CLIP,METAL,FRONT AND	
	0115755		WINDOW ASSY,DRVR,GRN TNT,LAM,SPEC,AA	FEATURE 31200-35
1	0097017		KIT,DRIVER,GLASS ASSY,FRT,GREEN,LAM,	
2	0097040		KIT,DRIVER,GLASS ASSY,REAR,GREEN,LAM,	
3	0116801		KIT,DRIVER,FRAME ASSY,LH,ALUM,AA,33-11/16	
4	0116818		KIT,DRIVER,WINDOW SEAL,AA,33-11/16	
5	0116641		KIT,DRIVER,WIINDOW,CLIP,METAL,FRONT AND	
	0115765		WINDOW ASSY,DRVR,STORM,CLEAR TEMP,	FEATURE 30200-25
1	0097027		KIT,DRIVER,GLASS ASSY,FRT,CLR,TEMP,THRML,	
2	0097055		KIT,DRIVER,GLASS ASSY,REAR,CLEAR,THRML,	
3	0116801		KIT,DRIVER,FRAME ASSY,LH,ALUM,AA,33-11/16	
4	0116819		KIT,DRIVER,WINDOW SEAL,AA,33-11/16	
5	0116641		KIT,DRIVER,WIINDOW,CLIP,METAL,FRONT AND	
	0115767		WINDOW ASSY,DRVR,STORM,GR TINT TEMP,	FEATURE 31200-26
1	0097029		KIT,DRIVER,GLASS ASSY,FRT,GREEN,THRML,	
2	0097060		KIT,DRIVER,GLASS ASSY,REAR,GREEN,THRML,	
3	0116801		KIT,DRIVER,FRAME ASSY,LH,ALUM,AA,33-11/16	
4	0116819		KIT,DRIVER,WINDOW SEAL,AA,33-11/16	
5	0116641		KIT,DRIVER,WIINDOW,CLIP,METAL,FRONT AND	
	0115775		WINDOW ASSY,DRVR,STORM,CLEAR,LAM,SPEC,	FEATURE 31200-36
1				
2				

**Models:** A3FE, A3RE  
**DRIVER'S**  
**SPECTAL**  
**ALUMINUM FRAME**  
**BSN:** From BSN 2-19-07

Key	PartNumber	Qty	Description	Comment
3	0116801		KIT,DRIVER,FRAME ASSY,LH,ALUM,AA,33-11/16	
4	0116819		KIT,DRIVER,WINDOW SEAL,AA,33-11/16	
5	0116641		KIT,DRIVER,WIINDOW,CLIP,METAL,FRONT AND	
	0115779		WINDOW ASSY,DRVR,STORM,GR TNT, LAM,	<i>FEATURE 31200-37</i>
1				
2				
3	0116801		KIT,DRIVER,FRAME ASSY,LH,ALUM,AA,33-11/16	
4	0116819		KIT,DRIVER,WINDOW SEAL,AA,33-11/16	
5	0116641		KIT,DRIVER,WIINDOW,CLIP,METAL,FRONT AND	

Models: A3FE, A3RE  
DRIVER'S  
SPECTAL  
BLACK FRAME  
To BSN 2-18-07

Key	PartNumber	Qty	Description	Comment
-----	------------	-----	-------------	---------



**Models:** A3FE, A3RE  
**DRIVER'S  
 SPECTAL  
 BLACK FRAME  
 To BSN 2-18-07**

Key	PartNumber	Qty	Description	Comment
	0093941		WINDOW ASSY,DRVR,CLEAR LAM,BLK,SPEC,AA	FEATURE 31200-28
1	0097023		KIT,DRIVER,GLASS ASSY,FRT,CLEAR,LAM,	
2	0097046		KIT,DRIVER,GLASS ASSY,REAR,CLEAR,LAM,	
3	0097121		KIT,DRIVER,WINDOW,FRAME ASSY,LH,BLACK,	
4	0097124		KIT,DRIVER,WINDOW,SEAL,AA	
5	0097127		KIT,DRIVER,WINDOW,CLIP FRONT AND REAR	
	0093942		WINDOW ASSY,DRVR,CLEAR TEMP,BLK,SPEC,AA	FEATURE 31200-30
1	0097024		KIT,DRIVER,GLASS ASSY,FRT,CLEAR,LAM,	
2	0097047		KIT,DRIVER,GLASS ASSY,REAR,CLEAR,TEMP,	
3	0097121		KIT,DRIVER,WINDOW,FRAME ASSY,LH,BLACK,	
4	0097124		KIT,DRIVER,WINDOW,SEAL,AA	
5	0097127		KIT,DRIVER,WINDOW,CLIP FRONT AND REAR	
	0093943		WINDOW ASSY,DRVR,GR TINT,LAM,BLK,SPE,AA	FEATURE 31200-34
1	0097025		KIT,DRIVER,GLASS ASSY,FRT,GREEN,LAM,	
2	0097050		KIT,DRIVER,GLASS ASSY,REAR,GREEN,LAM,	
3	0097121		KIT,DRIVER,WINDOW,FRAME ASSY,LH,BLACK,	
4	0097124		KIT,DRIVER,WINDOW,SEAL,AA	
5	0097127		KIT,DRIVER,WINDOW,CLIP FRONT AND REAR	
	0093948		WINDOW ASSY,DRVR,STORM,CLR TEMP,BLK,	FEATURE 31200-24
1	0097028		KIT,DRIVER,GLASS ASSY,FRT,CLEAR,THRML,	
2	0097057		KIT,DRIVER,GLASS ASSY,CLEAR,THRML,BLACK,	
3	0097121		KIT,DRIVER,WINDOW,FRAME ASSY,LH,BLACK,	
4	0097125		KIT,DRIVER,WINDOW,SEAL,AA,THERMAL	
5	0097127		KIT,DRIVER,WINDOW,CLIP FRONT AND REAR	
	0093950		WINDOW ASSY,DRV,STORM,GR TNT TMP,BLK,	FEATURE 31200-27
1	0097030		KIT,DRIVER,GLASS ASSY,FRT,GREEN,THRML,	
2	0097062		KIT,DRIVER,GLASS ASSY,REAR,GREEN,THRML,	
3	0097121		KIT,DRIVER,WINDOW,FRAME ASSY,LH,BLACK,	
4	0097125		KIT,DRIVER,WINDOW,SEAL,AA,THERMAL	
5	0097127		KIT,DRIVER,WINDOW,CLIP FRONT AND REAR	
	0099743		WINDOW ASSY,DRVR,STORM,CLEAR LAM,BLK,	FEATURE 31200-38
1				
2				

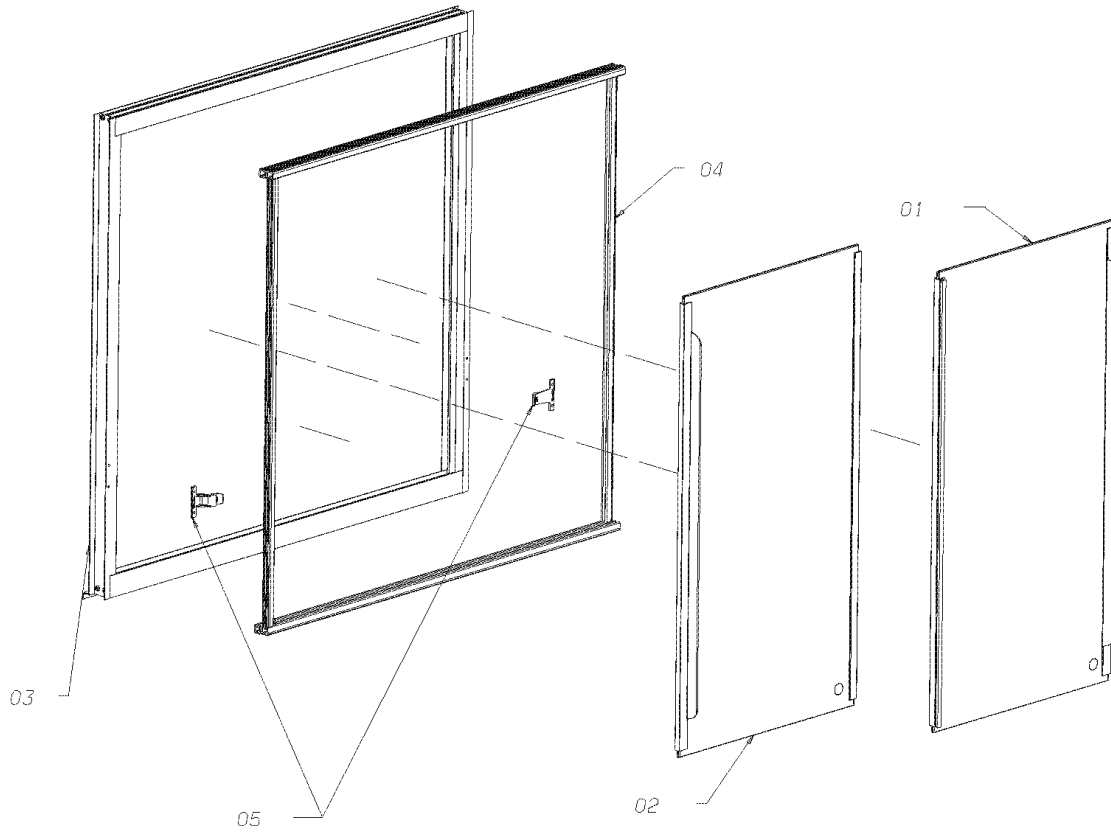


**Models:** A3FE, A3RE  
DRIVER'S  
SPECTAL  
BLACK FRAME  
To BSN 2-18-07

Key	PartNumber	Qty	Description	Comment
3	0097121		KIT,DRIVER,WINDOW,FRAME ASSY,LH,BLACK,	
4	0097125		KIT,DRIVER,WINDOW,SEAL,AA,THERMAL	
5	0097127		KIT,DRIVER,WINDOW,CLIP FRONT AND REAR	
	0099751		WINDOW ASSY,DRVR,STORM,GR TINT LAM,BLK,	

**Models:** A3FE, A3RE  
DRIVER'S  
SPECTAL  
BLACK FRAME  
**BSN:** From BSN 2-19-07

Key	PartNumber	Qty	Description	Comment
-----	------------	-----	-------------	---------



**Models:** A3FE, A3RE  
**DRIVER'S**  
**SPECTAL**  
**BLACK FRAME**  
**BSN:** From BSN 2-19-07

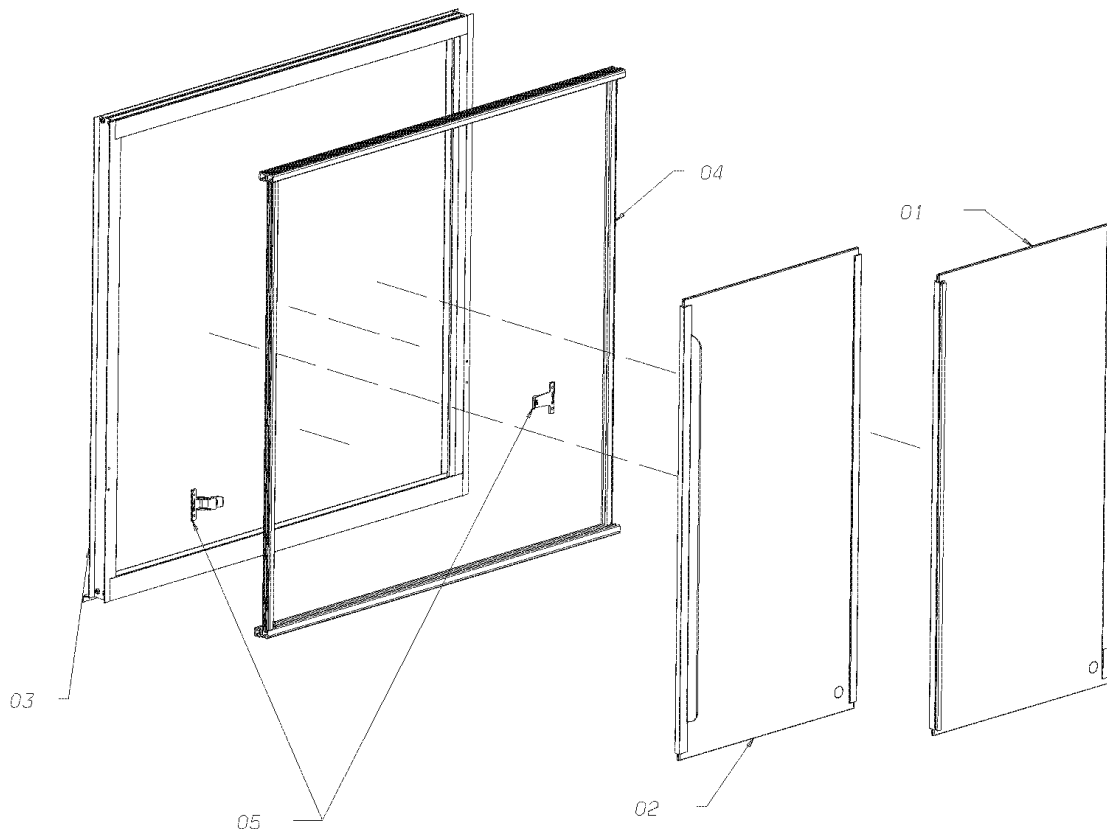
Key	PartNumber	Qty	Description	Comment
	0115761		WINDOW ASSY,DRVR,CLEAR LAM,BLK,SPEC,AA	FEATURE 31200-28
1	0097023		KIT,DRIVER,GLASS ASSY,FRT,CLEAR,LAM,	
2	0097046		KIT,DRIVER,GLASS ASSY,REAR,CLEAR,LAM,	
3	0116811		KIT,DRIVER,FRAME ASSY,LH,BLK,AA,33-11/16	
4	0116818		KIT,DRIVER,WINDOW SEAL,AA,33-11/16	
5	0116641		KIT,DRIVER,WIINDOW,CLIP,METAL,FRONT AND	
	0115762		WINDOW ASSY,DRVR,CLEAR TEMP,BLK,SPEC,AA	FEATURE 31200-30
1	0116848		KIT,DRIVER,GLASS ASSY,FRT,CLR,TMP,AA,	
2	0116854		KIT,DRIVER,GLASS,REAR,CLR,TEMP,BLK,AA,33	
3	0116811		KIT,DRIVER,FRAME ASSY,LH,BLK,AA,33-11/16	
4	0116818		KIT,DRIVER,WINDOW SEAL,AA,33-11/16	
5	0116641		KIT,DRIVER,WIINDOW,CLIP,METAL,FRONT AND	
	0115763		WINDOW ASSY,DRVR,GR TING,LAM,BLK,SPEC,	FEATURE 31200-34
1	0097025		KIT,DRIVER,GLASS ASSY,FRT,GREEN,LAM,	
2	0097050		KIT,DRIVER,GLASS ASSY,REAR,GREEN,LAM,	
3	0116811		KIT,DRIVER,FRAME ASSY,LH,BLK,AA,33-11/16	
4	0116818		KIT,DRIVER,WINDOW SEAL,AA,33-11/16	
5	0116641		KIT,DRIVER,WIINDOW,CLIP,METAL,FRONT AND	
	0115766		WINDOW ASSY,DRBR,STORM,CLR TEMP,BLK,	FEATURE 31200-24
1	0097028		KIT,DRIVER,GLASS ASSY,FRT,CLEAR,THRML,	
2	0097057		KIT,DRIVER,GLASS ASSY,CLEAR,THRML,BLACK,	
3	0116811		KIT,DRIVER,FRAME ASSY,LH,BLK,AA,33-11/16	
4	0116819		KIT,DRIVER,WINDOW SEAL,AA,33-11/16	
5	0116641		KIT,DRIVER,WIINDOW,CLIP,METAL,FRONT AND	
	0115768		WINDOW ASSY,DRV,STORM,GR TNT,TMP,BLK,	FEATURE 31200-27
1	0097030		KIT,DRIVER,GLASS ASSY,FRT,GREEN,THRML,	
2	0097062		KIT,DRIVER,GLASS ASSY,REAR,GREEN,THRML,	
3	0116811		KIT,DRIVER,FRAME ASSY,LH,BLK,AA,33-11/16	
4	0116819		KIT,DRIVER,WINDOW SEAL,AA,33-11/16	
5	0116641		KIT,DRIVER,WIINDOW,CLIP,METAL,FRONT AND	
	0115776		WINDOW ASSY,DRVR,STORM,CLR LAM,BLK,	FEATURE 31200-38
1				
2				

**Models:** A3FE, A3RE  
**DRIVER'S**  
**SPECTAL**  
**BLACK FRAME**  
**BSN:** From BSN 2-19-07

Key	PartNumber	Qty	Description	Comment
3	0116811		KIT,DRIVER,FRAME ASSY,LH,BLK,AA,33-11/16	
4	0116819		KIT,DRIVER,WINDOW SEAL,AA,33-11/16	
5	0116641		KIT,DRIVER,WIINDOW,CLIP,METAL,FRONT AND	
	0115780		WINDOW ASSY,DRVR,STORM,GR TNT LAM,BLK,	<i>FEATURE 31200-39</i>
1				
2				
3	0116811		KIT,DRIVER,FRAME ASSY,LH,BLK,AA,33-11/16	
4	0116819		KIT,DRIVER,WINDOW SEAL,AA,33-11/16	
5	0116641		KIT,DRIVER,WIINDOW,CLIP,METAL,FRONT AND	

Models: A3FE, A3RE  
DRIVER'S  
SPECTAL  
BLACK FRAME  
RH DRIVE  
To BSN 2-18-07

Key	PartNumber	Qty	Description	Comment
-----	------------	-----	-------------	---------

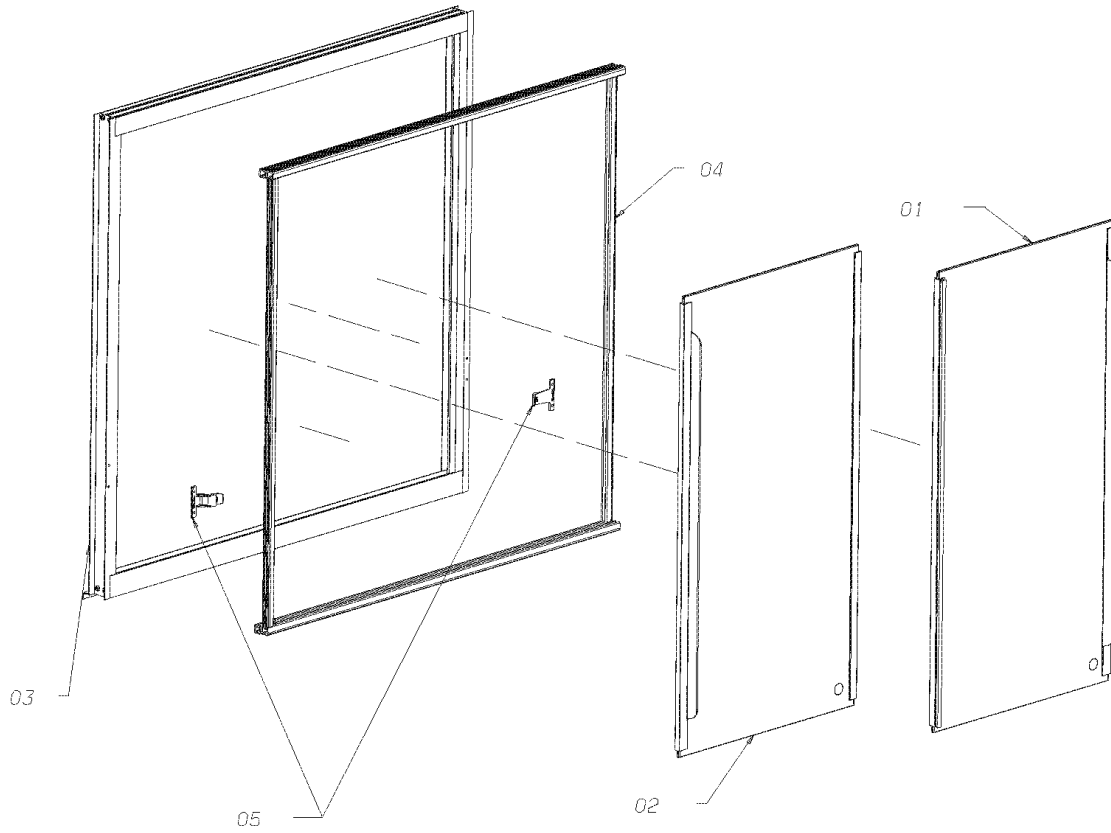


**Models:** **A3FE, A3RE**  
**DRIVER'S**  
**SPECTAL**  
**BLACK FRAME**  
**RH DRIVE**  
**To BSN 2-18-07**

Key	PartNumber	Qty	Description	Comment
	0093946		WINDOW ASSY,DRVR,CLR TEMP,BLK,SPE,RH	<i>FEATURE 31200-30 WITH 3480</i>
1	0097026		KIT,DRIVER,GLASS ASSY,FRT,CLEAR,TEMP,	
2	0097053		KIT,DRIVER,GLASS ASSY,REAR,CLEAR,TEMP,	
3	0097122		KIT,DRIVER,WINDOW,FRAME ASSY,RH,BLACK,	
4	0097124		KIT,DRIVER,WINDOW,SEAL,AA	
5	0097127		KIT,DRIVER,WINDOW,CLIP FRONT AND REAR	

**Models:** A3FE, A3RE  
DRIVER'S  
SPECTAL  
RH DRIVE  
**BSN:** From BSN 2-19-07

Key	PartNumber	Qty	Description	Comment
-----	------------	-----	-------------	---------



**Models:** A3FE, A3RE  
**DRIVER'S**  
**SPECTAL**  
**RH DRIVE**  
**BSN:** From BSN 2-19-07

Key	PartNumber	Qty	Description	Comment
	0115756		WINDOW ASSY,DRVR,CLR TEMP,SPEC,RH DRIVE	<i>FEATURE 31200-33 WITH 3480</i>
1	0116845		KIT,DRIVER,GLASS ASSY,FRT,CLR,TMP,AA,33	
2	0116851		KIT,DRIVER,GLASS ASSY,REAR,CLR,TMP,ALM,	
3	0116816		KIT,DRIVER,FRAME ASSY,RH DRIVE,ALU,AA,33	
4	0116818		KIT,DRIVER,WINDOW SEAL,AA,33-11/16	
5	0116641		KIT,DRIVER,WIINDOW,CLIP,METAL,FRONT AND	
	0115757		WINDOW ASSY,DRVR,GR TINT,LAM,SPE,RH	<i>FEATURE 31200-35 WITH 3480</i>
1	0097019		KIT,DRIVER,GLASS ASSY,FRT,GREEN,LAM,	
2	0097042		KIT,DRIVER,GLASS ASSY,REAR,GREEN,LAM,	
3	0116816		KIT,DRIVER,FRAME ASSY,RH DRIVE,ALU,AA,33	
4	0116818		KIT,DRIVER,WINDOW SEAL,AA,33-11/16	
5	0116641		KIT,DRIVER,WIINDOW,CLIP,METAL,FRONT AND	
	0115764		WINDOW ASSY,DRVR,CLR TEMP,BLK,SPE,RH	<i>FEATURE 31200-30 WITH 3480</i>
1	0116848		KIT,DRIVER,GLASS ASSY,FRT,CLR,TMP,AA,	
2	0116854		KIT,DRIVER,GLASS,REAR,CLR,TEMP,BLK,AA,33	
3	0116812		KIT,DRIVER,FRAME ASSY,RH DRV,,BLK,AA,33	
4	0116818		KIT,DRIVER,WINDOW SEAL,AA,33-11/16	
5	0116641		KIT,DRIVER,WIINDOW,CLIP,METAL,FRONT AND	

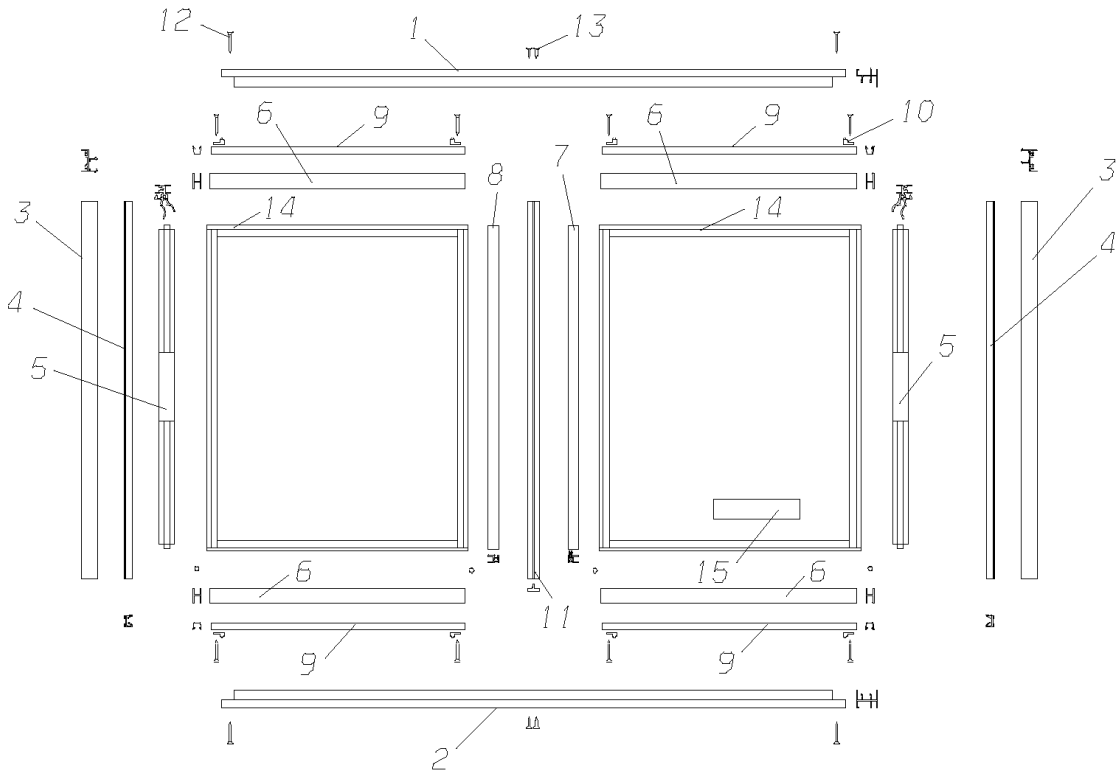


**Models:** A3FE, A3RE, TCFE

**DRIVER'S  
STORM  
CLEAR**

**With Features:** FEATURE 31200-03

Key	PartNumber	Qty	Description	Comment
-----	------------	-----	-------------	---------



**Models:** A3FE, A3RE, TCFE

**DRIVER'S  
STORM  
CLEAR**

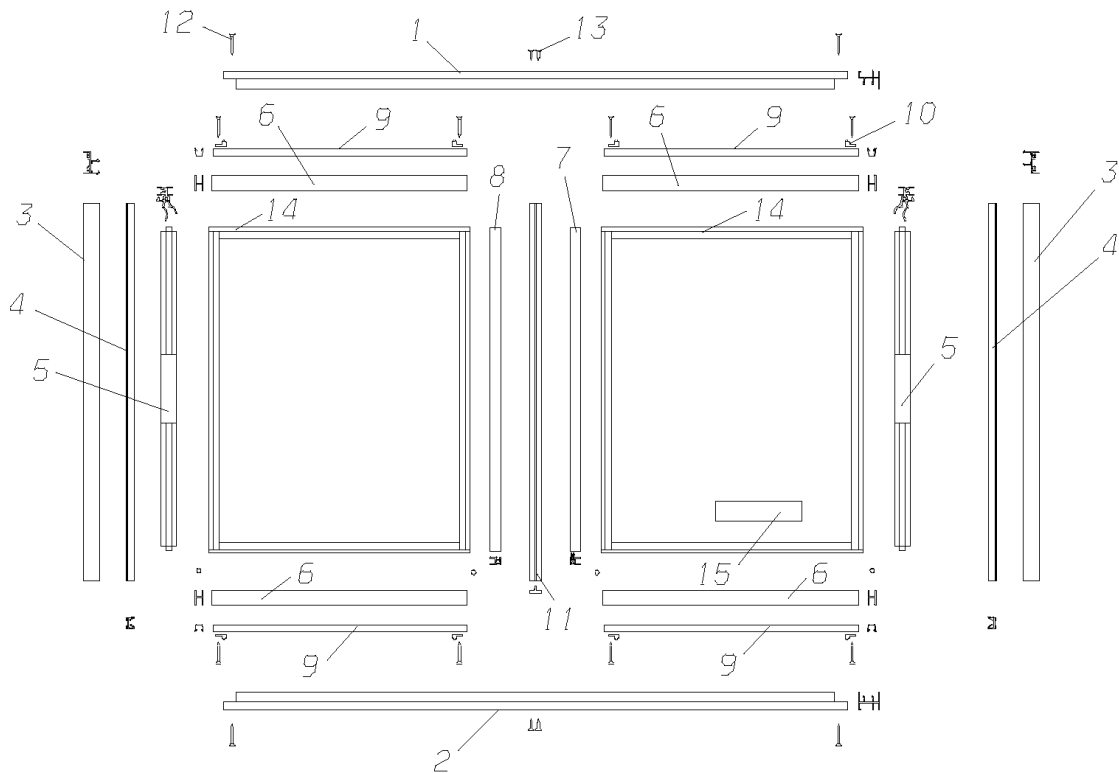
**With Features:** FEATURE 31200-03

Key	PartNumber	Qty	Description	Comment
			WINDOW ASSY, SS CLEAR, DRS STORM	FEATURE 31200-03
	0044482		WINDOW ASSY,SS,CLEAR,DRS STORM,AAFC/RE	ENDING WITH BSN B20144129B, B10144049, F10058589, L10125309 4-11-04
	0073839		WINDOW ASSY,SS,CLEAR,DRVR STORM,AA	BEGIN WITH BSN B20144130B, B10144050, F10058590, L10125310 4-12-04
			CONSIST OF THE FOLLOWING	
1	3924750		FRAME,DRIVERS WINDOW,UPPER,AAFC/RE"	
2	0044370		FRAME,DRIVERS WINDOW,LOWER,A3FE/RE	
3	3795945	2	FRAME,VERTICAL,DRIVERS WINDOW,FRONT &	
4	3795952	2	SEAL,VERTICAL FRAME,DRIVERS WINDOW	
5	1703727	2	RAIL ASSY,LATCH,DRIVERS WINDOW	
	2192656		RAIL,PULL TAB,DRIVERS WINDOW	
	2192680		TRIGGER,LATCH RELEASE,DRIVERS WINDOW	
	2167195		SPRING,LATCH,WINDOW,.032	
6	3924776	4	RAIL,SLIDE,DRIVERS WINDOW,AAFC/RE"	
7	3796075		RAIL ASSY,VERT,FRT SASH,DRIVERS WDO	
	3795655		SEAL,VERTICAL,DRIVERS WINDOW	
	3796083		RAIL,VERTICAL,DRIVERS WINDOW	
	3797537		EXTRUSION,ALUM,RAIL,LWR,UPR,SS,127.25 IN	
8	3796083		RAIL,VERTICAL,DRIVERS WINDOW	
9	3924784	4	SEAL,HORIZ,DRIVERS WINDOW,AAFC/RE"	
10	2169100	8	GLIDE,DRIVERS WINDOW	
11	2232577		BRACE,VERT,FRAME,DRIVERS WINDOW,STORM	
12	4644357	16	SCREW,10-12X1 1/4,#2 SQ DRIVE,#8,BUGLE	
13	2227007	4	SCREW,SM,PH,FT/HD,8-18 X 3/4,TYPE AB,ZN3	
14	1509447	2	GLASS & FRAME ASSY,SS,CLEAR,DRVR,AAFC/RE	
	3926128	2	FRAME,UPPER & LOWER,DRIVERS STORM,	
	2174886	2	FRAME,SIDE,DRIVERS STORM WINDOW,GLASS	
	1509330		GLASS,SS,CLEAR,DRIVERS STORM,	
	3926136		GLAZING,VINYL,SB,SS STORM WINDOW	
	2194025	8	SCREW,8-18 X 3/4,AB,PH1,PAN HD,YEL ZN	
NI	0898627		SEALANT,CARTRIDGE,SM5522,VINYL GRAY	
15	2193050		DECAL,LUBRICATION,DRIVERS WINDOW	

**Models:** A3FE, A3RE, TCFE  
**DRIVER'S  
 STORM  
 CLEAR, BLACK BRAME  
 FEATURE 31200-11**

**With Features:** FEATURE 31200-11

Key	PartNumber	Qty	Description	Comment
-----	------------	-----	-------------	---------



**Models:** A3FE, A3RE, TCFE  
**DRIVER'S STORM**  
**With Features:** CLEAR, BLACK BRAME  
**FEATURE 31200-11**

Key	PartNumber	Qty	Description	Comment
			WINDOW ASSY, SS CLEAR, DRS STORM, BLACK,	
	0044483		WINDOW ASSY,SS,CLEAR,DRS STORM,,	<i>ENDING WITH BSN B20144129B, B10144049, F10058589, L10125309 4-11-04</i>
	0073840		WINDOW ASSY,SS,CLEAR,DRVR STORM,BLACK,	<i>BEGIN WITH BSN B20144130B, B10144050, F10058590, L10125310 4-12-04</i>
			CONSIST OF THE FOLLOWING	
1	1767110		FRAME,DRIVERS WINDOW,UPPER,BLACK, AA/TC	
2	0044374		FRAME,DRIVERS WINDOW,LOWER,BLACK,	
3	1767144	2	FRAME,VERTICAL,DRV WINDOW,FRT & RR,	
4	3795952	2	SEAL,VERTICAL FRAME,DRIVERS WINDOW	
5	1767151	2	RAIL ASSY,LATCH,DRIVERS WINDOW,BLACK	
	1703727	2	RAIL ASSY,LATCH,DRIVERS WINDOW	
	2192656		RAIL,PULL TAB,DRIVERS WINDOW	
	2192680		TRIGGER,LATCH RELEASE,DRIVERS WINDOW	
	2167195		SPRING,LATCH,WINDOW,.032	
6	1767177	4	RAIL SLIDE,DRIVERS WINDOW,BLACK, AA/TC	
7	1767185		RAIL ASSY,VERTICAL,FRT SASH,DRIVERS WDO,	
	3795655		SEAL,VERTICAL,DRIVERS WINDOW	
	3795580		SEAL,WEATHER STRIP,FIN-SEAL,45 DENSITY	
	1767193		RAIL,VERTICAL,DRIVERS WINDOW,BLACK	
	3796083		RAIL,VERTICAL,DRIVERS WINDOW	
8	1767193		RAIL,VERTICAL,DRIVERS WINDOW,BLACK	
9	3924784	4	SEAL,HORIZ,DRIVERS WINDOW,AAFC/RE"	
10	2169100	8	GLIDE,DRIVERS WINDOW	
11	1779883		BRACE,VERT,FRAME,DRIVERS WINDOW,STORM,	
12	4644357	16	SCREW,10-12X1 1/4,#2 SQ DRIVE,#8,BUGLE	
13	2227007	4	SCREW,SM,PH,FT/HD,8-18 X 3/4,TYPE AB,ZN3	
14	1509447	2	GLASS & FRAME ASSY,SS,CLEAR,DRVR,AAFC/RE	
	3926128		FRAME,UPPER & LOWER,DRIVERS STORM,	
	2174886		FRAME,SIDE,DRIVERS STORM WINDOW,GLASS	
	1509330		GLASS,SS,CLEAR,DRIVERS STORM,	
	3926136		GLAZING,VINYL,SB,SS STORM WINDOW	
	2194025		SCREW,8-18 X 3/4,AB,PH1,PAN HD,YEL ZN	

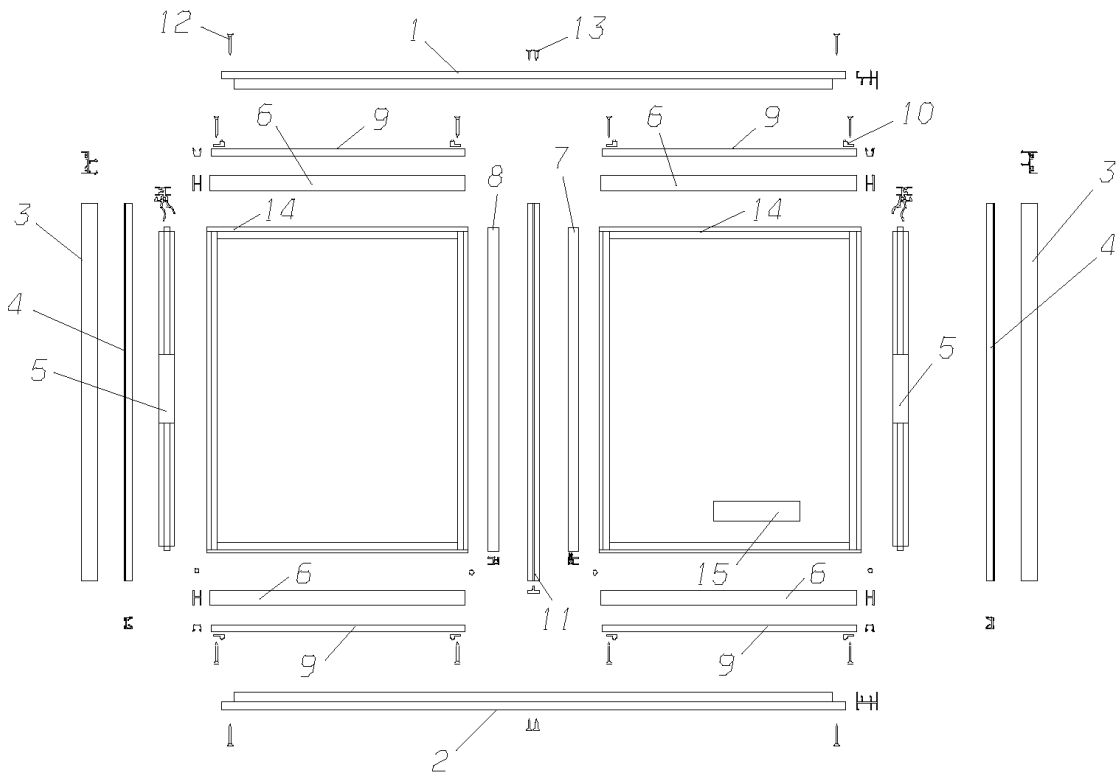
**Models:** A3FE, A3RE, TCFE  
DRIVER'S  
STORM  
**With Features:** CLEAR, BLACK BRAME  
FEATURE 31200-11

Key	PartNumber	Qty	Description	Comment
15	0898627		SEALANT,CARTRIDGE,SM5522,VINYL GRAY	
16	2193050		DECAL,LUBRICATION,DRIVERS WINDOW	

**Models:** A3FE, A3RE, TCFE  
**DRIVER'S  
 STORM  
 CLEAR, BLACK BRAME  
 FEATURE 31200-01**

**With Features:** FEATURE 31200-01

Key	PartNumber	Qty	Description	Comment
-----	------------	-----	-------------	---------



**Models:** A3FE, A3RE, TCFE  
**DRIVER'S STORM**  
**With Features:** CLEAR, BLACK BRAME  
**FEATURE 31200-01**

Key	PartNumber	Qty	Description	Comment
			WINDOW ASSY, SS CLEAR, DRS STORM, BLACK,	
	0054607		WINDOW ASSY,DRIVERS,TNT,TEMP,STORM,	<i>ENDING WITH BSN B20144129B, B10144049, F10058589, L10125309 4-11-04</i>
	0073842		WINDOW ASSY,SS,TINT,TEMP,DRVR STORM	<i>BEGIN WITH BSN B20144130B, B10144050, F10058590, L10125310 4-12-04</i>
			CONSIST OF THE FOLLOWING	
1	1767110		FRAME,DRIVERS WINDOW,UPPER,BLACK, AA/TC	
2	0044374		FRAME,DRIVERS WINDOW,LOWER,BLACK,	
3	1767144	2	FRAME,VERTICAL,DRV WINDOW,FRT & RR,	
4	3795952	2	SEAL,VERTICAL FRAME,DRIVERS WINDOW	
5	1767151	2	RAIL ASSY,LATCH,DRIVERS WINDOW,BLACK	
	1703727	2	RAIL ASSY,LATCH,DRIVERS WINDOW	
	2192656		RAIL,PULL TAB,DRIVERS WINDOW	
	2192680		TRIGGER,LATCH RELEASE,DRIVERS WINDOW	
	2167195		SPRING,LATCH,WINDOW,.032	
6	1767177	4	RAIL SLIDE,DRIVERS WINDOW,BLACK, AA/TC	
7	1767185		RAIL ASSY,VERTICAL,FRT SASH,DRIVERS WDO,	
	3795655		SEAL,VERTICAL,DRIVERS WINDOW	
	3795580		SEAL,WEATHER STRIP,FIN-SEAL,45 DENSITY	
	1767193		RAIL,VERTICAL,DRIVERS WINDOW,BLACK	
	3796083		RAIL,VERTICAL,DRIVERS WINDOW	
8	1767193		RAIL,VERTICAL,DRIVERS WINDOW,BLACK	
9	3924784	4	SEAL,HORIZ,DRIVERS WINDOW,AAFC/RE"	
10	2169100	8	GLIDE,DRIVERS WINDOW	
11	1779883		BRACE,VERT,FRAME,DRIVERS WINDOW,STORM,	
12	4644357	16	SCREW,10-12X1 1/4,#2 SQ DRIVE,#8,BUGLE	
13	2227007	4	SCREW,SM,PH,FT/HD,8-18 X 3/4,TYPE AB,ZN3	
14	1865930	2	GLASS&FRAME ASSY,SS,TNT TEMP,DRV STM,	
	3926128		FRAME,UPPER & LOWER,DRIVERS STORM,	
	2174886		FRAME,SIDE,DRIVERS STORM WINDOW,GLASS	
	1865906		GLASS,SS,LIGHT TINT TEMP,DRIVER STORM,	
	3926136		GLAZING,VINYL,SB,SS STORM WINDOW	
	2194025		SCREW,8-18 X 3/4,AB,PH1,PAN HD,YEL ZN	

**Models:** A3FE, A3RE, TCFE  
DRIVER'S  
STORM  
CLEAR, BLACK BRAME  
**With Features:** FEATURE 31200-01

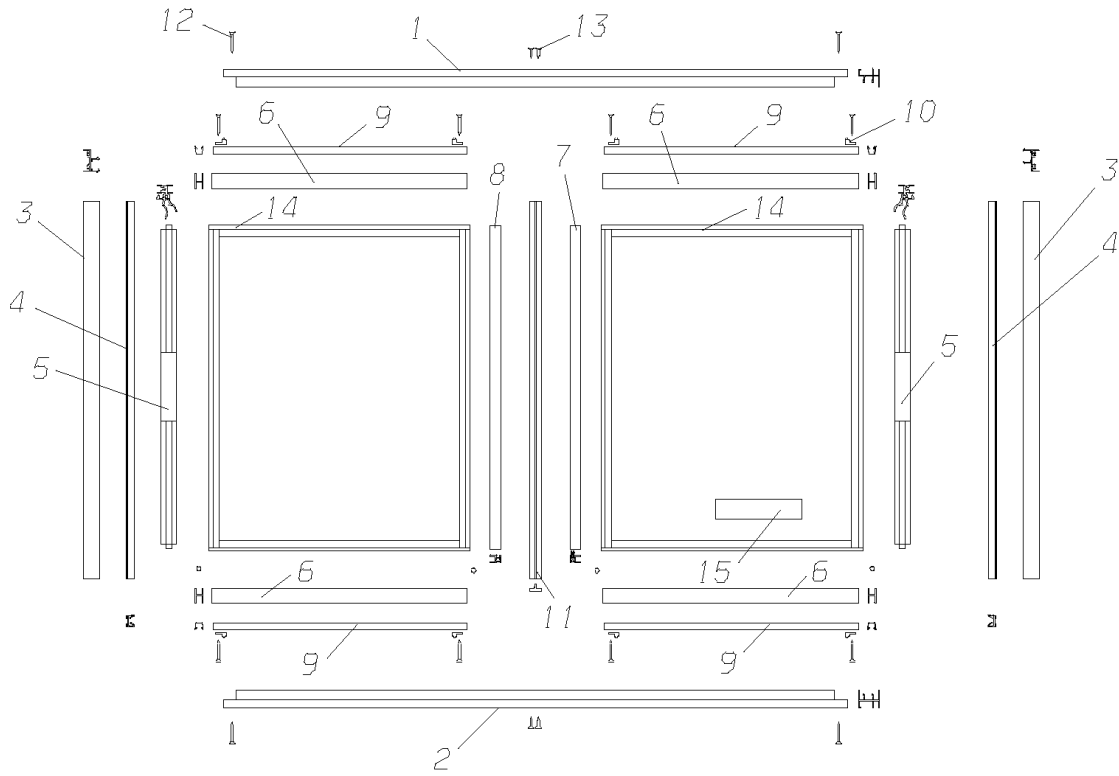
Key	PartNumber	Qty	Description	Comment
15	0898627		SEALANT,CARTRIDGE,SM5522,VINYL GRAY	
16	2193050		DECAL,LUBRICATION,DRIVERS WINDOW	



**Models:** A3FE, A3RE, TCFE  
**DRIVER'S  
 STORM  
 LIGHT TINT TEMPERED  
 FEATURE 31200-05**

**With Features:**

Key	PartNumber	Qty	Description	Comment
-----	------------	-----	-------------	---------



**Models:** A3FE, A3RE, TCFE  
**DRIVER'S  
 STORM  
 LIGHT TINT TEMPERED**  
**With Features:** FEATURE 31200-05

Key	PartNumber	Qty	Description	Comment
			WINDOW ASSY, SS LIGHT TINT TEMPERED, CONSIST OF THE FOLLOWING	<i>FEATURE31200-05</i>
	0044484		WINDOW ASSY,SS,LIGHT TNT TEMP,DRV STM,	<i>ENDING WITH BSN B20144129B, B10144049, F10058589, L10125309 4-11-04</i>
	0073844		WINDOW ASSY,28,9SS,CLEAR LAM	<i>BEGIN WITH BSN B20144130B, B10144050, F10058590, L10125310 4-12-04</i>
1	3924750		FRAME,DRIVERS WINDOW,UPPER,AAFC/RE"	
2	0044370		FRAME,DRIVERS WINDOW,LOWER,A3FE/RE	
3	3795945	2	FRAME,VERTICAL,DRIVERS WINDOW,FRONT &	
4	3795952	2	SEAL,VERTICAL FRAME,DRIVERS WINDOW	
5	1703727	2	RAIL ASSY,LATCH,DRIVERS WINDOW	
	2192656		RAIL,PULL TAB,DRIVERS WINDOW	
	2192680		TRIGGER,LATCH RELEASE,DRIVERS WINDOW	
	2167195		SPRING,LATCH,WINDOW,.032	
6	3924776	4	RAIL,SLIDE,DRIVERS WINDOW,AAFC/RE"	
7	3796075		RAIL ASSY,VERT,FRT SASH,DRIVERS WDO	
	3795655		SEAL,VERTICAL,DRIVERS WINDOW	
	3796083		RAIL,VERTICAL,DRIVERS WINDOW	
	3795580		SEAL,WEATHER STRIP,FIN-SEAL,45 DENSITY	
8	3796083		RAIL,VERTICAL,DRIVERS WINDOW	
9	3924784	4	SEAL,HORIZ,DRIVERS WINDOW,AAFC/RE"	
10	2169100	8	GLIDE,DRIVERS WINDOW	
11	2232577		BRACE,VERT,FRAME,DRIVERS WINDOW,STORM	
12	4644357	16	SCREW,10-12X1 1/4,#2 SQ DRIVE,#8,BUGLE	
13	2227007	4	SCREW,SM,PH,FT/HD,8-18 X 3/4,TYPE AB,ZN3	
14	1865930		GLASS&FRAME ASSY,SS,TNT TEMP,DRV STM,	
	3926128	2	FRAME,UPPER & LOWER,DRIVERS STORM,	
	2174886	2	FRAME,SIDE,DRIVERS STORM WINDOW,GLASS	
	1865906		GLASS,SS,LIGHT TINT TEMP,DRIVER STORM,	
	3926136		GLAZING,VINYL,SB,SS STORM WINDOW	
NI	0898627		SEALANT,CARTRIDGE,SM5522,VINYL GRAY	
15	2193050		DECAL,LUBRICATION,DRIVERS WINDOW	

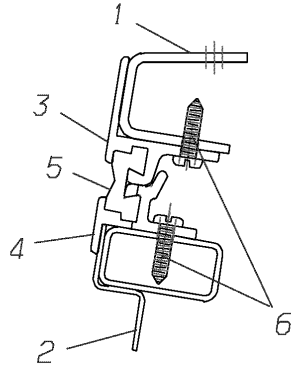
**Models:** **A3FE, A3RE, TCFE**  
**ENTRANCE, LIFT, AND REAR EMERGENCY DOOR/WINDOW**  
**ENTRANCE, & WHEELCHAIR LIFT**

Key	PartNumber	Qty	Description	Comment
		x	JACKKNIFE DOOR	SEE GROUP 350, DOORS
			ALUMINUM OUTWARD OPENING DOOR	SEE GROUP 350, DOORS
			WHEELCHAIR LIFT DOOR	
NI			GLASS	
	0799973		GLASS,42 LIFT DOOR,CLEAR,LAMINATED	OPTION 3331
	1163237		GLASS,DOOR,28 SIDE EM,DARK TINT	OPTION 3333
	1565134		GLASS,CLEAR,STORM,42.00 LIFT DOOR	OPTION 3334
NI			GLAZING RUBBER	
	0962746		GLAZING,RUBBER,84	STANDARD
	1456490		GLAZING,RUBBER,ENT DOOR,LOWER,STORM	OPTION 3334
NI	0269373		FILLERSTRIP,GLAZING RUBBER	SPECIFY LENGTH IN FEET

**Models:** A3FE, A3RE, BBCV, B1VC, B2VC, C1FE, SBCV, TCFE  
**ENTRANCE, LIFT, AND REAR EMERGENCY DOOR/WINDOW  
 REAR EMERGENCY WINDOW  
 ASSEMBLY**

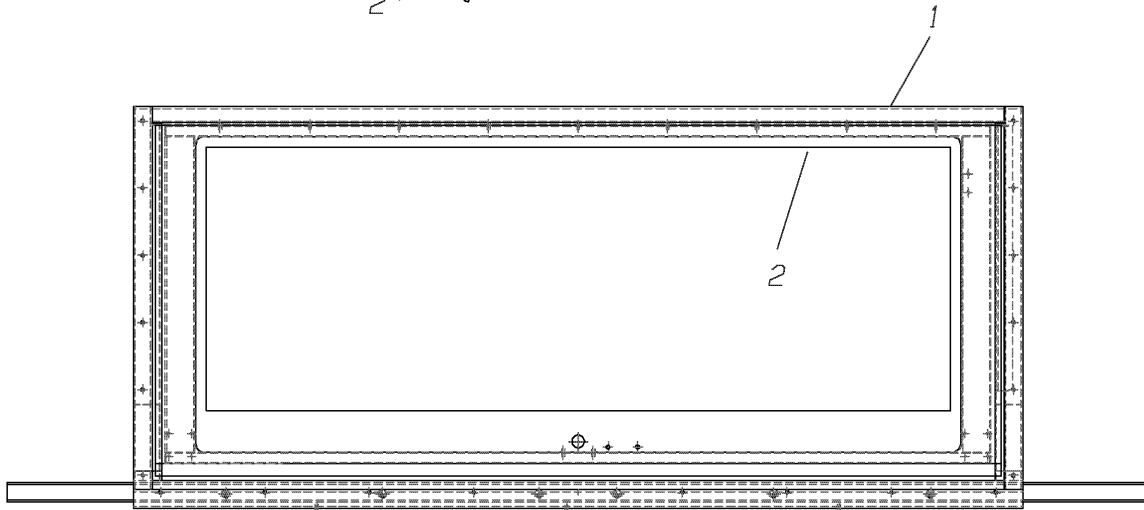
**With Features:** STD, OPTION 0177, 3387

Key	PartNumber	Qty	Description	Comment
-----	------------	-----	-------------	---------



DR. 07/25/02	BY TFM		1994.391	M
APP.	BY	FRT		REV

© BLUE BIRD BODY COMPANY. ALL RIGHTS RESERVED



**Models:** A3FE, A3RE, BBCV, B1VC, B2VC, C1FE, SBCV, TCFE  
**ENTRANCE, LIFT, AND REAR EMERGENCY DOOR/WINDOW  
 REAR EMERGENCY WINDOW  
 ASSEMBLY**

**With Features:** STD, OPTION 0177, 3387

Key	PartNumber	Qty	Description	Comment
			FRAME AND WINDOW ASSY, R. E. W.	<i>CONSIST OF THE FOLLOWING</i>
	1994391		FRAME & WINDOW ASSY,RR EM WDO,217	<i>ENDING WITH BSN B20158349</i>
	0081787		FRAME AND WINDOW ASSY,RR EM WDO,FMVSS	<i>BEGIN WITH BSN B20158350</i>
1	1839935		FRAME ASSY,REAR EMERGENCY WINDOW,	
2			WINDOW ASSY, REW, FMVSS 217, E-COAT	
	1865484		WINDOW ASSY,REW,FMVSS 217,E-COAT	<i>ENDING WITH BSN B20158349</i>
	0080507		WINDOW ASSY,EMERGENCY,RR,FMVSS217,	<i>BEGIN WITH BSN B20158350</i>
3	1991314		HINGE,TOP SECTION,REAR EMERGENCY	
4	1839976		HINGE,BOTTOM SECTION,REAR EMERGENCY	
5	1200807		RUBBER,HINGE,STORAGE COMPARTMENT	
6	0864579	18	SCREW,10-16 X 3/4,AB,PH1,PAN HD,SST	
NI	0862953	AR	SEALANT,SCHNEE-MOREHEAD 5522,VINYL	

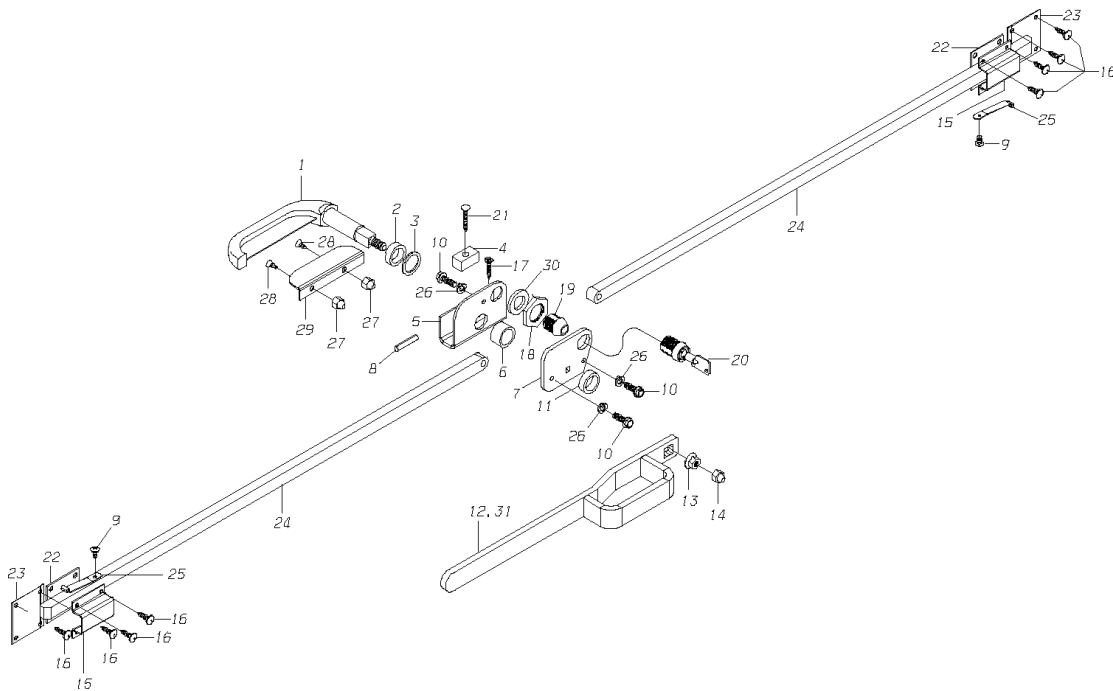
**Models:** A3RE, T2RE, TCRE  
**ENTRANCE, LIFT, AND REAR EMERGENCY DOOR/WINDOW**  
**REAR EMERGENCY WINDOW**  
**GLASS**  
**With Features:** STANDARD

Key	PartNumber	Qty	Description	Comment
NI			GLASS	
	0800193	2	GLASS,REAR VISION,SMALL,CLEAR,LAMINATED	
	1844042		GLASS,REW,CLEAR LAMINATED	
NI			GLAZING	
	0269373	23	FILLERSTRIP,GLAZING RUBBER	
	0800003	2	GLAZING,RUBBER,REAR VISION,SMALL	
	1844075		GLAZING,RUBBER,REAR EMER. WINDOW	

**Models:** AAFE, AARE, A3FE, A3RE, BBCV, SBCV, T2RE, TCFE, TCRE  
**ENTRANCE, LIFT, AND REAR EMERGENCY DOOR/WINDOW  
 REAR EMERGENCY WINDOW  
 LOCK**

**With Features:** STANDARD, OPTION 0177

Key	PartNumber	Qty	Description	Comment
-----	------------	-----	-------------	---------



**Models:** AAFE, AARE, A3FE, A3RE, BBCV, SBCV, T2RE, TCFE, TCRE  
**ENTRANCE, LIFT, AND REAR EMERGENCY DOOR/WINDOW  
 REAR EMERGENCY WINDOW  
 LOCK**

**With Features:** STANDARD, OPTION 0177

Key	PartNumber	Qty	Description	Comment
1	1211929		HANDLE,WINDOW,O/S,R E D	
2	1203918		SPACER,OUTSIDE,REW LOCK,YEL ZINC PLT	
3	1140102		WASHER,NYLON SEAL,REW LOCK	
4	1140144		STOP,HANDLE,REW LOCK,YEL ZINC PLTD	
5	1211747		HOUSING,REAR EMERGENCY WDO LOCK,CAD	
6	1211895		SPACER,INSIDE,REW LOCK,YEL ZINC PLTD	
7	1211911		PLATE,CAM,REAR EM WINDOW LOCK,PLATED	
8	1140110		PIN,1/4 X 1-1/4 A SHRPRF PLN 1903 DRIV-LOK	
9	2000719	2	SCREW,8-32 X 3/8, PH 1, RD HD,YEL ZN DICH"	
10	1542372	3	CAPSCREW,HEX FLG,1/4-20X.75,GRD5,BLACK	
11	1203926		SLEEVE,INSIDE,REW LOCK,YEL ZINC PLT	
12	0063832		HANDLE,ASSY,I/S,R.E.W.	
13	0543934		NUT,HEX HD,3/8-16,ZINC,LG FLG LK,YEL	
14	0928440		NUT,ACORN,3/8-16,YEL ZN DICH,LOW CROWN	
15	1211846	2	ARM,GUIDE,REAR EMERGENCY WINDOW	
16	0864579	16	SCREW,10-16 X 3/4,AB,PH1,PAN HD,SST	
17	1589530		SCREW,1/4-14 X 3/4,AB,PH1,PAN HD,YEL ZN	
18	0967281		NUT,PANEL,HEX HD,3/4-27,YEL ZN DICH	
19	0967307		BARREL,PLUG LOCK,CHROME PLTD	
20	0831461		LOCK,REMOVABLE PLUG,ACE 4127	
21	2000685		SCREW,1/4-14 X 1,AB,PH1,PAN HD,YEL ZN"	
22	1211838	2	PLATE,BASE,ARM GUIDE,REW	
23	1150648	2	STRIKER,LOCK,REAR EMERGENCY	
24	1211879	2	ARM,REW,YELLOW ZINC PLATED	
25	1211770	2	SPRING,REAR EMERGENCY WINDOW	
26	2001170	3	LOCKWASHER,SPLIT RING, 1/4 ,MED,YEL ZN	
27	2001402	2	NUT,HEX HD,1/4-28,YEL ZN DICH	
28	0008256	2	SCREW,1/4-28,NF X 3/4,PHIL,RD HD,MACH	
29	1212067		GUARD,GRAB,REAR EMERGENCY WINDOW	
30	0954420		WASHER,FLAT,3/4 ID X 1 1/8 OD X3/16TK,	
31	0063818		PANEL,ASSY,INSTRUMENT,B5.9G AMERICAN,	
32	0080505		SPACER,LOCK,REW BELLCRANK, A3RE	



Models:  
TCRE, VCTA

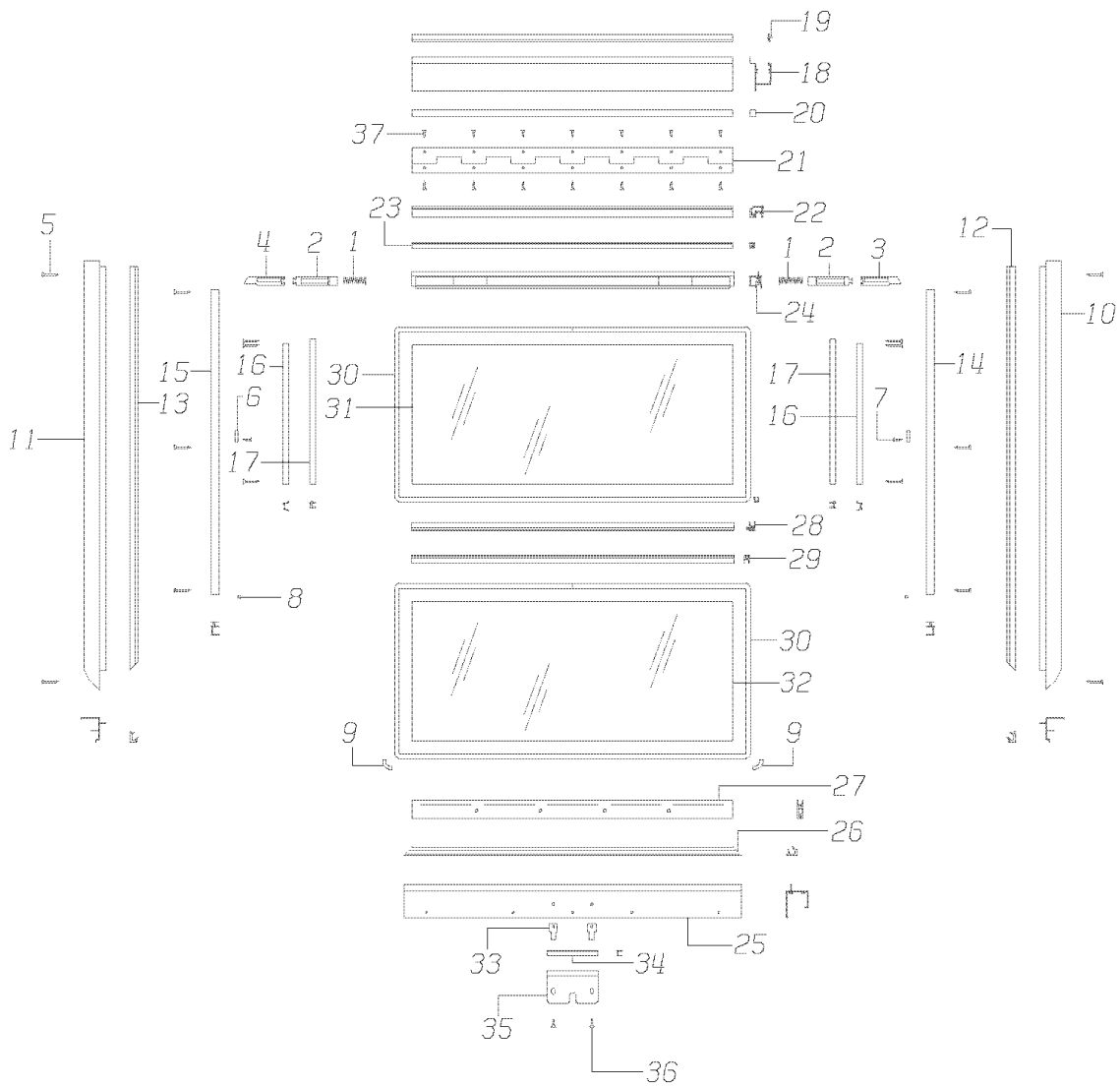
Models: **AAFE, AARE, A1VC, A3FE, A3RE, BBCV, B1VC, B2VC, GMCV, GPWB, SBCV, TCFE,**

**HORIZONTAL PUSH OUT  
28 INCH WITH 12 INCH OPENING  
6 PERCENT BRONZE, LAMINATED**

Key	PartNumber	Qty	Description	Comment
-----	------------	-----	-------------	---------

DR. 8/29/95	BY DB		3920535	G
APP. 8/29/95	BY AB	FRT		REV

© BLUE BIRD BODY COMPANY. ALL RIGHTS RESERVED



**Models:** AAFE, AARE, A1VC, A3FE, A3RE, BBCV, B1VC, B2VC, GMCV, GPWB, SBCV, TCFE, TCRC, VCTA

**HORIZONTAL PUSH OUT  
28 INCH WITH 12 INCH OPENING  
6 PERCENT BRONZE, LAMINATED**

Key	PartNumber	Qty	Description	Comment
			WINDOW ASSEMBLY 28, 12SS, P/O, 6%	
	0059093		WINDOW ASSY,28,12SS,P/O,6% BRNZ,	<i>ENDING WITH BSN B20144129B, B10144049, F10058589, L10125309 4-11-04</i>
	0073970		WINDOW ASSY,28,12SS,P/O,HORIZ,6% BRNZ	<i>BEGIN WITH BSN B20144130B, B10144050, F10058590, L10125310 4-12-04</i>
1	3817558	2	SPRING,SPLIT SASH WINDOW,W/REMOVABLE	
2	2176584	2	ACTUATOR,LATCH,SIDE WINDOW	
3	2176576		LATCH,SIDE,WINDOW,CONCEALED,RH	
4	2176568		LATCH,SIDE,WINDOW,CONCEALED,LH	
5	4644357	22	SCREW,10-12X1 1/4,#2 SQ DRIVE,#8,BUGLE	
6	3816592	2	STOP,WINDOW,REMOVABLE LATCH	
7	2260198	2	SCREW,SM,PH,FT/HD,8-18 X 1/2,TYPE B,ZN3	
8	0862953	AR	SEALANT,SCHNEE-MOREHEAD 5522,VINYL	
9	2185148	AR	SEALANT,UNISEAL	
10	3920675		FRAME,SIDE,PUSH OUT WINDOW,RH 12 OPG	
11	3920667		FRAME,SIDE,PUSH OUT WINDOW,LH 12 OPG	
12	3920717		SEAL,SIDE,PUSH OUT WINDOW,RH	
13	3920725		SEAL,SIDE,PUSH OUT WINDOW,LH,12 OPG	
14	3927373		RAIL,SIDE,SS,P/O,RH,12IN OPG,W/RMVBL LAT	
15	3927365		RAIL,SIDE,SS,P/O,LH,12IN OPG,W/RMVBL LAT	
16	3927357	2	SEAL,SLIDING,PUSH OUT WINDOW,12 IN OPG	
17	3927340	2	CHANNEL,SLIDING,UPPER,PUSH OUT WINDOW	
18	3920741		FRAME,UPPER,28IN PUSH OUT WINDOW	
19	3920766		SEAL,UPPER FRAME TO HEADER,28 POW	
20	3920782		SEAL,WEATHER,POW,28IN	
21	3920857		HINGE ASSY,35IN POW	
22	3920865		RAIL,UPPER,28IN,PUSH OUT WINDOW	
23	3920881		SEAL,UPPER FRAME TO LATCH RAIL,28IN POW	
24	3920907		RAIL,LATCH,W/REMOVABLE LATCH,28IN POW	
25	1981893		FRAME,LOWER,28 INCH,PUSHOUT WINDOW	
26	3920949		SEAL,LOWER FRAME,28IN POW	
27	3920972		RAIL,LOWER,LOWER SASH,28IN PUSH OUT	
28	3920998		RAIL ASSY,LOWER,28IN POW	

**Models:**  
TCRE, VCTA

**AAFE, AARE, A1VC, A3FE, A3RE, BBCV, B1VC, B2VC, GMCV, GPWB, SBCV, TCFE,**

**HORIZONTAL PUSH OUT  
28 INCH WITH 12 INCH OPENING  
6 PERCENT BRONZE, LAMINATED**

Key	PartNumber	Qty	Description	Comment
29	3921012		RAIL,LOWER,28IN PUSH OUT WINDOW	
30	3831534	2	GLAZING,VINYL,SB,SS WINDOW,55.50IN	
31	0056453		GLASS,SS,BRONZE,6%,LAM,28,POW,12 OPG,	
32	0056454		GLASS,SS,BRONZE,6%,LAM,28,POW,12 OPG,	
33	2165736	2	NUT,SPEED,P O W STRIKER	
34	2265940		SPACER,POW,STRIKER PLATE	
35	3876380		PLATE,STRIKER,PUSH-OUT WINDOW LATCH	
36	3876513	2	SCREW,SM,PH,PN/HD,NO12-24 X 3/8,TYPE C,	
37	2186401	10	SCREW,10-16 X 1/2,AB,PH1,PAN HD,YEL ZN	
NI	4033254	10	WASHER,SIDE WINDOW,ALUM	
NI	2000669	10	SCREW,1/4-14 X 3/4,TYP1,PH1,OVAL CNSK,YEL	

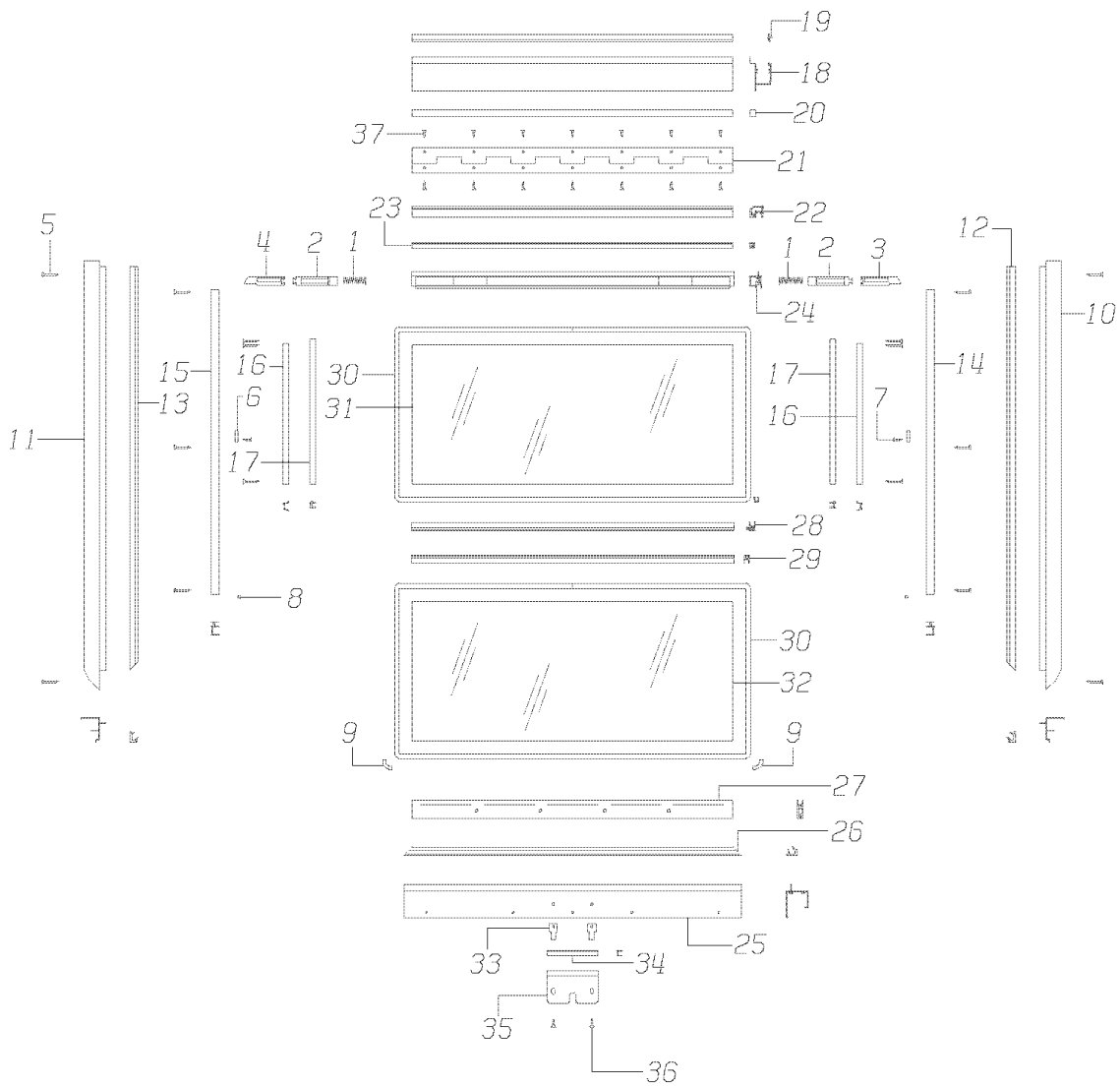
Models: AAFE, AARE, A1VC, A3FE, A3RE, BBCV, B1VC, B2VC, GMCV, GPWB, SBCV, TCFE, TCRC, VCTA

**HORIZONTAL PUSH OUT  
28 INCH WITH 12 INCH OPENING  
CLEAR LAMINATED**

Key	PartNumber	Qty	Description	Comment
-----	------------	-----	-------------	---------

DR. 8/29/95	BY DB		3920535	G
APP. 8/29/95	BY AB	FRT		REV

© BLUE BIRD BODY COMPANY. ALL RIGHTS RESERVED



**Models:** AAFE, AARE, A1VC, A3FE, A3RE, BBCV, B1VC, B2VC, GMCV, GPWB, SBCV, TCFE, TCRC, VCTA

**HORIZONTAL PUSH OUT  
28 INCH WITH 12 INCH OPENING  
CLEAR LAMINATED**

Key	PartNumber	Qty	Description	Comment
			WINDOW ASSEMBLY 28 S/S, P/O, CLEAR LAM,	
	3920576		WINDOW ASSY,28 S/S,P/O,CLEAR LAM,12 OPG	ENDING WITH BSN B20144129B, B10144049, F10058589, L10125309 4-11-04
	0073953		WINDOW ASSY,28,12SS,P/O,HORIZ,CLEAR LAM	BEGIN WITH BSN B20144130B, B10144050, F10058590, L10125310 4-12-04
1	3817558	2	SPRING,SPLIT SASH WINDOW,W/REMOVABLE	
2	2176584	2	ACTUATOR,LATCH,SIDE WINDOW	
3	2176576		LATCH,SIDE,WINDOW,CONCEALED,RH	
4	2176568		LATCH,SIDE,WINDOW,CONCEALED,LH	
5	4644357	22	SCREW,10-12X1 1/4,#2 SQ DRIVE,#8,BUGLE	
6	3816592	2	STOP,WINDOW,REMOVABLE LATCH	
7	2260198	2	SCREW,SM,PH,FT/HD,8-18 X 1/2,TYPE B,ZN3	
8	0862953	AR	SEALANT,SCHNEE-MOREHEAD 5522,VINYL	
9	2185148	AR	SEALANT,UNISEAL	
10	3920675		FRAME,SIDE,PUSH OUT WINDOW,RH 12 OPG	
11	3920667		FRAME,SIDE,PUSH OUT WINDOW,LH 12 OPG	
12	3920717		SEAL,SIDE,PUSH OUT WINDOW,RH	
13	3920725		SEAL,SIDE,PUSH OUT WINDOW,LH,12 OPG	
14	3927373		RAIL,SIDE,SS,P/O,RH,12IN OPG,W/RMVBL LAT	
15	3927365		RAIL,SIDE,SS,P/O,LH,12IN OPG,W/RMVBL LAT	
16	3927357	2	SEAL,SLIDING,PUSH OUT WINDOW,12 IN OPG	
17	3927340	2	CHANNEL,SLIDING,UPPER,PUSH OUT WINDOW	
18	3920741		FRAME,UPPER,28IN PUSH OUT WINDOW	
19	3920766		SEAL,UPPER FRAME TO HEADER,28 POW	
20	3920782		SEAL,WEATHER,POW,28IN	
21	3920857		HINGE ASSY,35IN POW	
22	3920865		RAIL,UPPER,28IN,PUSH OUT WINDOW	
23	3920881		SEAL,UPPER FRAME TO LATCH RAIL,28IN POW	
24	3920907		RAIL,LATCH,W/REMOVABLE LATCH,28IN POW	
25	1981893		FRAME,LOWER,28 INCH,PUSHOUT WINDOW	
26	3920949		SEAL,LOWER FRAME,28IN POW	
27	3920972		RAIL,LOWER,LOWER SASH,28IN PUSH OUT	
28	3920998		RAIL ASSY,LOWER,28IN POW	

**TCRE, VCTA**

**Models: AAFE, AARE, A1VC, A3FE, A3RE, BBCV, B1VC, B2VC, GMCV, GPWB, SBCV, TCFE,**

**HORIZONTAL PUSH OUT  
28 INCH WITH 12 INCH OPENING  
CLEAR LAMINATED**

Key	PartNumber	Qty	Description	Comment
29	3921012		RAIL,LOWER,28IN PUSH OUT WINDOW	
30	3831534	2	GLAZING,VINYL,SB,SS WINDOW,55.50IN	
31	3921194		GLASS,SS,CLEAR LAM,28,POW,12 OPG,UPPER	
32	3921103		GLASS,SS,CLEAR LAM,28,POW,12 OPG,LOWER	
33	2165736	2	NUT,SPEED,P O W STRIKER	
34	2265940		SPACER,POW,STRIKER PLATE	
35	3876380		PLATE,STRIKER,PUSH-OUT WINDOW LATCH	
36	3876513	2	SCREW,SM,PH,PN/HD,NO12-24 X 3/8,TYPE C,	
37	2186401	10	SCREW,10-16 X 1/2,AB,PH1,PAN HD,YEL ZN	
NI	4033254	10	WASHER,SIDE WINDOW,ALUM	
NI	2000669	10	SCREW,1/4-14 X 3/4,TYP1,PH1,OVAL CNSK,YEL	

Models:  
TCRE, VCTA

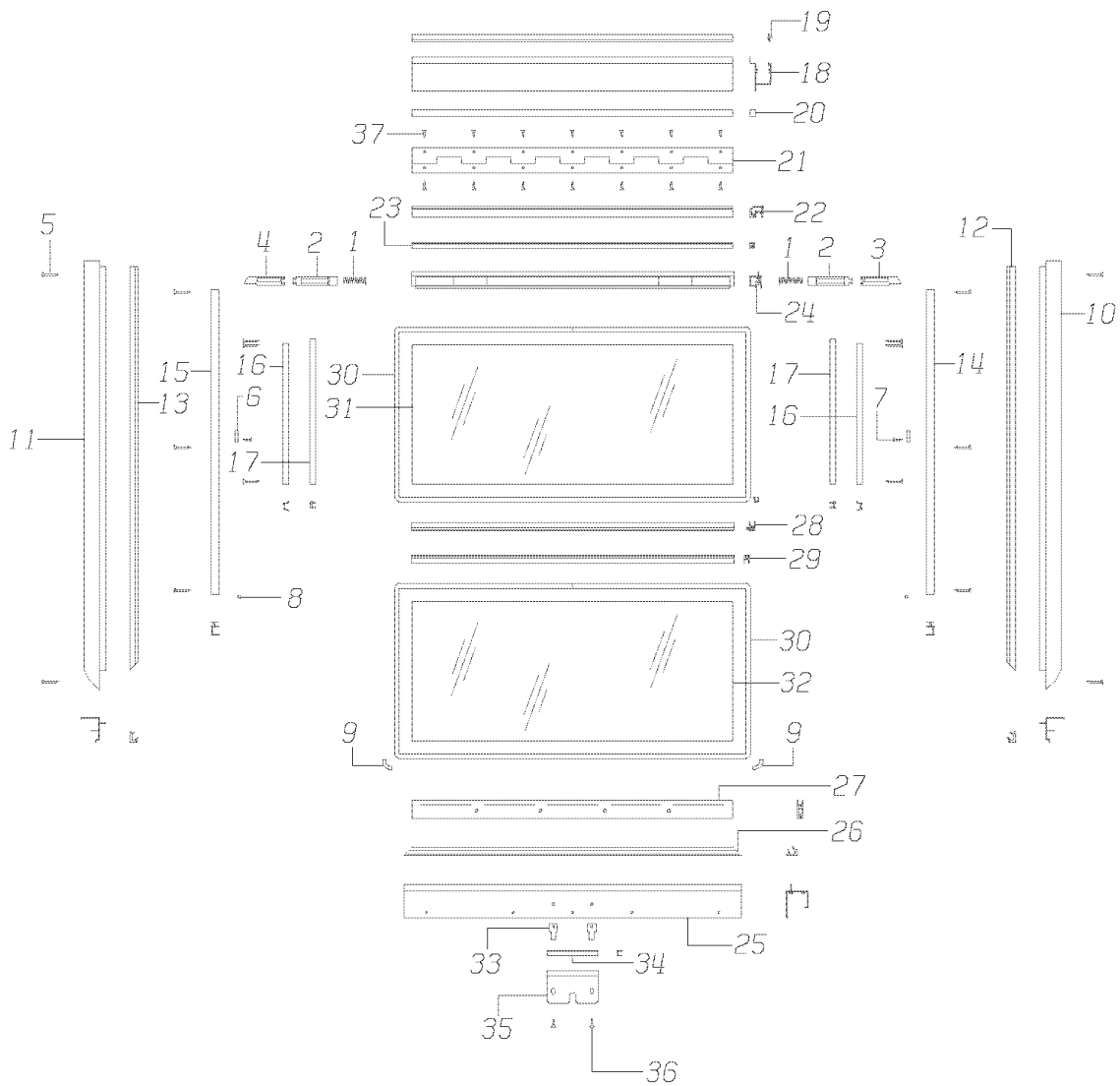
AAFE, AARE, A1VC, A3FE, A3RE, BBCV, B1VC, B2VC, GMCV, GPWB, SBCV, TCFE,

**HORIZONTAL PUSH OUT  
28 INCH WITH 12 INCH OPENING  
CLEAR, TEMPERED**

Key	PartNumber	Qty	Description	Comment
-----	------------	-----	-------------	---------

DR. 8/29/95	BY DB		3920535	G
APP. 8/29/95	BY AB	FRT		REV

© BLUE BIRD BODY COMPANY. ALL RIGHTS RESERVED



**Models:** AAFE, AARE, A1VC, A3FE, A3RE, BBCV, B1VC, B2VC, GMCV, GPWB, SBCV, TCFE, TCRC, VCTA

**HORIZONTAL PUSH OUT  
28 INCH WITH 12 INCH OPENING  
CLEAR, TEMPERED**

Key	PartNumber	Qty	Description	Comment
			WINDOW ASSEMBLY 28, 12SS, P/O, CLEAR	
	0037073		WINDOW ASSY,28,12SS,P/O,CLEAR TEMP,	<i>ENDING WITH BSN B20144129B, B10144049, F10058589, L10125309 4-11-04</i>
	0073968		WINDOW ASSY,28,12SS,P/O,HORIZ,CLEAR	<i>BEGIN WITH BSN B20144130B, B10144050, F10058590, L10125310 4-12-04</i>
1	3817558	2	SPRING,SPLIT SASH WINDOW,W/REMOVABLE	
2	2176584	2	ACTUATOR,LATCH,SIDE WINDOW	
3	2176576		LATCH,SIDE,WINDOW,CONCEALED,RH	
4	2176568		LATCH,SIDE,WINDOW,CONCEALED,LH	
5	4644357	22	SCREW,10-12X1 1/4,#2 SQ DRIVE,#8,BUGLE	
6	3816592	2	STOP,WINDOW,REMOVABLE LATCH	
7	2260198	2	SCREW,SM,PH,FT/HD,8-18 X 1/2,TYPE B,ZN3	
8	0862953	AR	SEALANT,SCHNEE-MOREHEAD 5522,VINYL	
9	2185148	AR	SEALANT,UNISEAL	
10	3920675		FRAME,SIDE,PUSH OUT WINDOW,RH 12 OPG	
11	3920667		FRAME,SIDE,PUSH OUT WINDOW,LH 12 OPG	
12	3920717		SEAL,SIDE,PUSH OUT WINDOW,RH	
13	3920725		SEAL,SIDE,PUSH OUT WINDOW,LH,12 OPG	
14	3927373		RAIL,SIDE,SS,P/O,RH,12IN OPG,W/RMVBL LAT	
15	3927365		RAIL,SIDE,SS,P/O,LH,12IN OPG,W/RMVBL LAT	
16	3927357	2	SEAL,SLIDING,PUSH OUT WINDOW,12 IN OPG	
17	3927340	2	CHANNEL,SLIDING,UPPER,PUSH OUT WINDOW	
18	3920741		FRAME,UPPER,28IN PUSH OUT WINDOW	
19	3920766		SEAL,UPPER FRAME TO HEADER,28 POW	
20	3920782		SEAL,WEATHER,POW,28IN	
21	3920857		HINGE ASSY,35IN POW	
22	3920865		RAIL,UPPER,28IN,PUSH OUT WINDOW	
23	3920881		SEAL,UPPER FRAME TO LATCH RAIL,28IN POW	
24	3920907		RAIL,LATCH,W/REMOVABLE LATCH,28IN POW	
25	1981893		FRAME,LOWER,28 INCH,PUSHOUT WINDOW	
26	3920949		SEAL,LOWER FRAME,28IN POW	
27	3920972		RAIL,LOWER,LOWER SASH,28IN PUSH OUT	
28	3920998		RAIL ASSY,LOWER,28IN POW	



**Models:** AAFE, AARE, A1VC, A3FE, A3RE, BBCV, B1VC, B2VC, GMCV, GPWB, SBCV, TCFE, TCRE, VCTA

**HORIZONTAL PUSH OUT  
28 INCH WITH 12 INCH OPENING  
CLEAR, TEMPERED**

Key	PartNumber	Qty	Description	Comment
29	3921012		RAIL,LOWER,28IN PUSH OUT WINDOW	
30	3831534	2	GLAZING,VINYL,SB,SS WINDOW,55.50IN	
31	0037060		GLASS,SS,CLEAR TEMP,28,POW,12 OPG,UPPER	
32	0037061		GLASS,SS,CLEAR TEMP,28,POW,12 OPG,LOWER	
33	2165736	2	NUT,SPEED,P O W STRIKER	
34	2265940		SPACER,POW,STRIKER PLATE	
35	3876380		PLATE,STRIKER,PUSH-OUT WINDOW LATCH	
36	3876513	2	SCREW,SM,PH,PN/HD,NO12-24 X 3/8,TYPE C,	
37	2186401	10	SCREW,10-16 X 1/2,AB,PH1,PAN HD,YEL ZN	
NI	4033254	10	WASHER,SIDE WINDOW,ALUM	
NI	2000669	10	SCREW,1/4-14 X 3/4,TYP1,PH1,OVAL CNSK,YEL	

Models:  
TCRE, VCTA

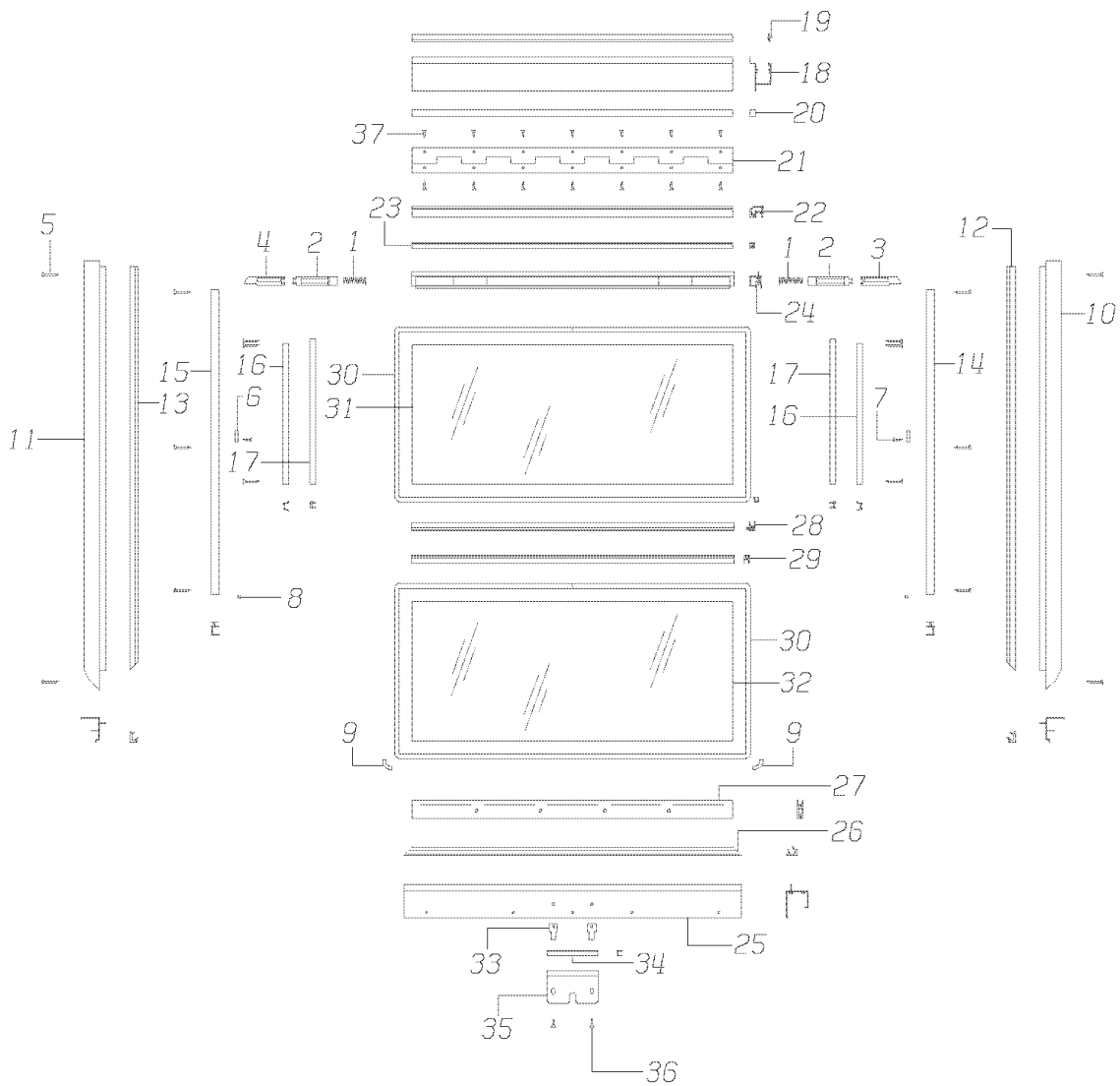
AAFE, AARE, A1VC, A3FE, A3RE, BBCV, B1VC, B2VC, GMCV, GPWB, SBCV, TCFE,

**HORIZONTAL PUSH OUT  
28 INCH WITH 12 INCH OPENING  
DARK TINTED, LAMINATED**

Key	PartNumber	Qty	Description	Comment
-----	------------	-----	-------------	---------

DR. 8/29/95	BY DB		3920535	G
APP. 8/29/95	BY AB	FRT		REV

© BLUE BIRD BODY COMPANY. ALL RIGHTS RESERVED



**Models:** AAFE, AARE, A1VC, A3FE, A3RE, BBCV, B1VC, B2VC, GMCV, GPWB, SBCV, TCFE, TCRC, VCTA

**HORIZONTAL PUSH OUT  
28 INCH WITH 12 INCH OPENING  
DARK TINTED, LAMINATED**

Key	PartNumber	Qty	Description	Comment
			WINDOW ASSEMBLY 28, 12SS, P/O, DARK	
	3920584		WINDOW ASSY,28,12SS,P/O,DARK TINT	<i>ENDING WITH BSN B20144129B, B10144049, F10058589, L10125309 4-11-04</i>
	0073955		WINDOW ASSY,28,12SS,P/O,HORIZ,DK TINT	<i>BEGIN WITH BSN B20144130B, B10144050, F10058590, L10125310 4-12-04</i>
1	3817558	2	SPRING,SPLIT SASH WINDOW,W/REMOVABLE	
2	2176584	2	ACTUATOR,LATCH,SIDE WINDOW	
3	2176576		LATCH,SIDE,WINDOW,CONCEALED,RH	
4	2176568		LATCH,SIDE,WINDOW,CONCEALED,LH	
5	4644357	22	SCREW,10-12X1 1/4,#2 SQ DRIVE,#8,BUGLE	
6	3816592	2	STOP,WINDOW,REMOVABLE LATCH	
7	2260198	2	SCREW,SM,PH,FT/HD,8-18 X 1/2,TYPE B,ZN3	
8	0862953	AR	SEALANT,SCHNEE-MOREHEAD 5522,VINYL	
9	2185148	AR	SEALANT,UNISEAL	
10	3920675		FRAME,SIDE,PUSH OUT WINDOW,RH 12 OPG	
11	3920667		FRAME,SIDE,PUSH OUT WINDOW,LH 12 OPG	
12	3920717		SEAL,SIDE,PUSH OUT WINDOW,RH	
13	3920725		SEAL,SIDE,PUSH OUT WINDOW,LH,12 OPG	
14	3927373		RAIL,SIDE,SS,P/O,RH,12IN OPG,W/RMVBL LAT	
15	3927365		RAIL,SIDE,SS,P/O,LH,12IN OPG,W/RMVBL LAT	
16	3927357	2	SEAL,SLIDING,PUSH OUT WINDOW,12 IN OPG	
17	3927340	2	CHANNEL,SLIDING,UPPER,PUSH OUT WINDOW	
18	3920741		FRAME,UPPER,28IN PUSH OUT WINDOW	
19	3920766		SEAL,UPPER FRAME TO HEADER,28 POW	
20	3920782		SEAL,WEATHER,POW,28IN	
21	3920857		HINGE ASSY,35IN POW	
22	3920865		RAIL,UPPER,28IN,PUSH OUT WINDOW	
23	3920881		SEAL,UPPER FRAME TO LATCH RAIL,28IN POW	
24	3920907		RAIL,LATCH,W/REMOVABLE LATCH,28IN POW	
25	1981893		FRAME,LOWER,28 INCH,PUSHOUT WINDOW	
26	3920949		SEAL,LOWER FRAME,28IN POW	
27	3920972		RAIL,LOWER,LOWER SASH,28IN PUSH OUT	
28	3920998		RAIL ASSY,LOWER,28IN POW	

**Models:**  
TCRE, VCTA

**AAFE, AARE, A1VC, A3FE, A3RE, BBCV, B1VC, B2VC, GMCV, GPWB, SBCV, TCFE,**

**HORIZONTAL PUSH OUT  
28 INCH WITH 12 INCH OPENING  
DARK TINTED, LAMINATED**

Key	PartNumber	Qty	Description	Comment
29	3921012		RAIL,LOWER,28IN PUSH OUT WINDOW	
30	3831534	2	GLAZING,VINYL,SB,SS WINDOW,55.50IN	
31	3921202		GLASS,SS,DRK TNT,BRNZ,LAM,28,POW,12 OPG,	
32	3921111		GLASS,SS,DRK TNT,BRNZ,LAM,28,POW,12 OPG,	
33	2165736	2	NUT,SPEED,P O W STRIKER	
34	2265940		SPACER,POW,STRIKER PLATE	
35	3876380		PLATE,STRIKER,PUSH-OUT WINDOW LATCH	
36	3876513	2	SCREW,SM,PH,PN/HD,NO12-24 X 3/8,TYPE C,	
37	2186401	10	SCREW,10-16 X 1/2,AB,PH1,PAN HD,YEL ZN	
NI	4033254	10	WASHER,SIDE WINDOW,ALUM	
NI	2000669	10	SCREW,1/4-14 X 3/4,TYP1,PH1,OVAL CNSK,YEL	

TCRE, VCTA

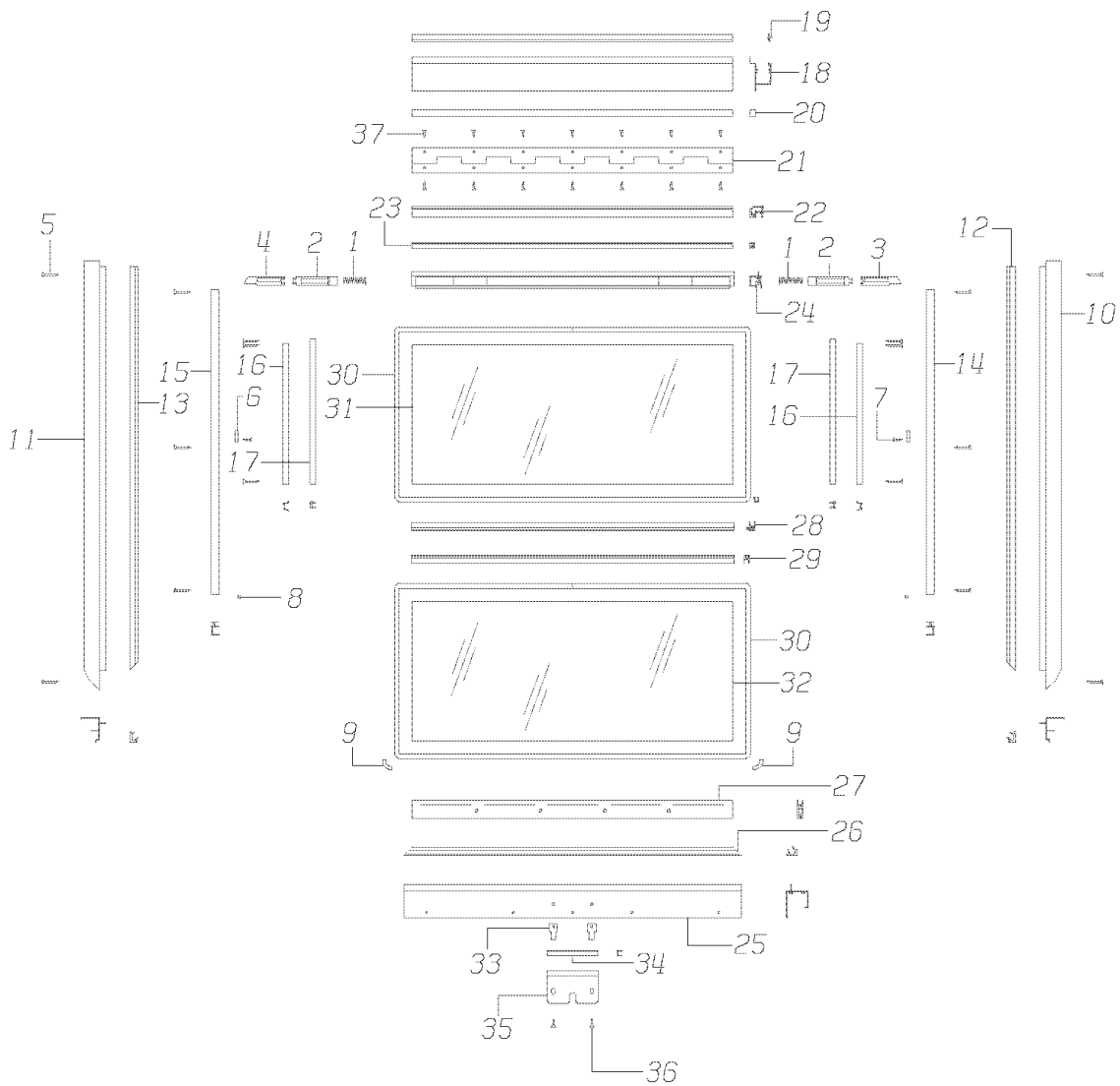
Models: AAFE, AARE, A1VC, A3FE, A3RE, BBCV, B1VC, B2VC, GMCV, GPWB, SBCV, TCFE,

**HORIZONTAL PUSH OUT  
28 INCH WITH 12 INCH OPENING  
DARK TINTED, TEMPERED**

Key	PartNumber	Qty	Description	Comment
-----	------------	-----	-------------	---------

DR. 8/29/95	BY DB		3920535	G
APP. 8/29/95	BY AB	FRT		REV

© BLUE BIRD BODY COMPANY. ALL RIGHTS RESERVED



**Models:** AAFE, AARE, A1VC, A3FE, A3RE, BBCV, B1VC, B2VC, GMCV, GPWB, SBCV, TCFE, TCRE, VCTA

**HORIZONTAL PUSH OUT  
28 INCH WITH 12 INCH OPENING  
DARK TINTED, TEMPERED**

Key	PartNumber	Qty	Description	Comment
			WINDOW ASSEMBLY 28, 12SS, P/O, DARK	
	1862226		WINDOW ASSY,28,12SS,P/O,DARK TINT	<i>ENDING WITH BSN B20144129B, B10144049, F10058589, L10125309 4-11-04</i>
	0073954		WINDOW ASSY,28,12SS,P/O,HORIZ,DK TINT	<i>BEGIN WITH BSN B20144130B, B10144050, F10058590, L10125310 4-12-04</i>
1	3817558	2	SPRING,SPLIT SASH WINDOW,W/REMOVABLE	
2	2176584	2	ACTUATOR,LATCH,SIDE WINDOW	
3	2176576		LATCH,SIDE,WINDOW,CONCEALED,RH	
4	2176568		LATCH,SIDE,WINDOW,CONCEALED,LH	
5	4644357	22	SCREW,10-12X1 1/4,#2 SQ DRIVE,#8,BUGLE	
6	3816592	2	STOP,WINDOW,REMOVABLE LATCH	
7	2260198	2	SCREW,SM,PH,FT/HD,8-18 X 1/2,TYPE B,ZN3	
8	0862953	AR	SEALANT,SCHNEE-MOREHEAD 5522,VINYL	
9	2185148	AR	SEALANT,UNISEAL	
10	3920675		FRAME,SIDE,PUSH OUT WINDOW,RH 12 OPG	
11	3920667		FRAME,SIDE,PUSH OUT WINDOW,LH 12 OPG	
12	3920717		SEAL,SIDE,PUSH OUT WINDOW,RH	
13	3920725		SEAL,SIDE,PUSH OUT WINDOW,LH,12 OPG	
14	3927373		RAIL,SIDE,SS,P/O,RH,12IN OPG,W/RMVBL LAT	
15	3927365		RAIL,SIDE,SS,P/O,LH,12IN OPG,W/RMVBL LAT	
16	3927357	2	SEAL,SLIDING,PUSH OUT WINDOW,12 IN OPG	
17	3927340	2	CHANNEL,SLIDING,UPPER,PUSH OUT WINDOW	
18	3920741		FRAME,UPPER,28IN PUSH OUT WINDOW	
19	3920766		SEAL,UPPER FRAME TO HEADER,28 POW	
20	3920782		SEAL,WEATHER,POW,28IN	
21	3920857		HINGE ASSY,35IN POW	
22	3920865		RAIL,UPPER,28IN,PUSH OUT WINDOW	
23	3920881		SEAL,UPPER FRAME TO LATCH RAIL,28IN POW	
24	3920907		RAIL,LATCH,W/REMOVABLE LATCH,28IN POW	
25	1981893		FRAME,LOWER,28 INCH,PUSHOUT WINDOW	
26	3920949		SEAL,LOWER FRAME,28IN POW	
27	3920972		RAIL,LOWER,LOWER SASH,28IN PUSH OUT	
28	3920998		RAIL ASSY,LOWER,28IN POW	

**Models:** AAFE, AARE, A1VC, A3FE, A3RE, BBCV, B1VC, B2VC, GMCV, GPWB, SBCV, TCFE, TCRE, VCTA

**HORIZONTAL PUSH OUT  
28 INCH WITH 12 INCH OPENING  
DARK TINTED, TEMPERED**

Key	PartNumber	Qty	Description	Comment
29	3921012		RAIL,LOWER,28IN PUSH OUT WINDOW	
30	3831534	2	GLAZING,VINYL,SB,SS WINDOW,55.50IN	
31	1864479		GLASS,SS,DARK TINT TEMP,28,POW,12 OPG,	
32	1864487		GLASS,SS,DARK TINT TEMP,28,POW,12 OPG,	
33	2165736	2	NUT,SPEED,P O W STRIKER	
34	2265940		SPACER,POW,STRIKER PLATE	
35	3876380		PLATE,STRIKER,PUSH-OUT WINDOW LATCH	
36	3876513	2	SCREW,SM,PH,PN/HD,NO12-24 X 3/8,TYPE C,	
37	2186401	10	SCREW,10-16 X 1/2,AB,PH1,PAN HD,YEL ZN	
NI	4033254	10	WASHER,SIDE WINDOW,ALUM	
NI	2000669	10	SCREW,1/4-14 X 3/4,TYP1,PH1,OVAL CNSK,YEL	

TCRE, VCTA

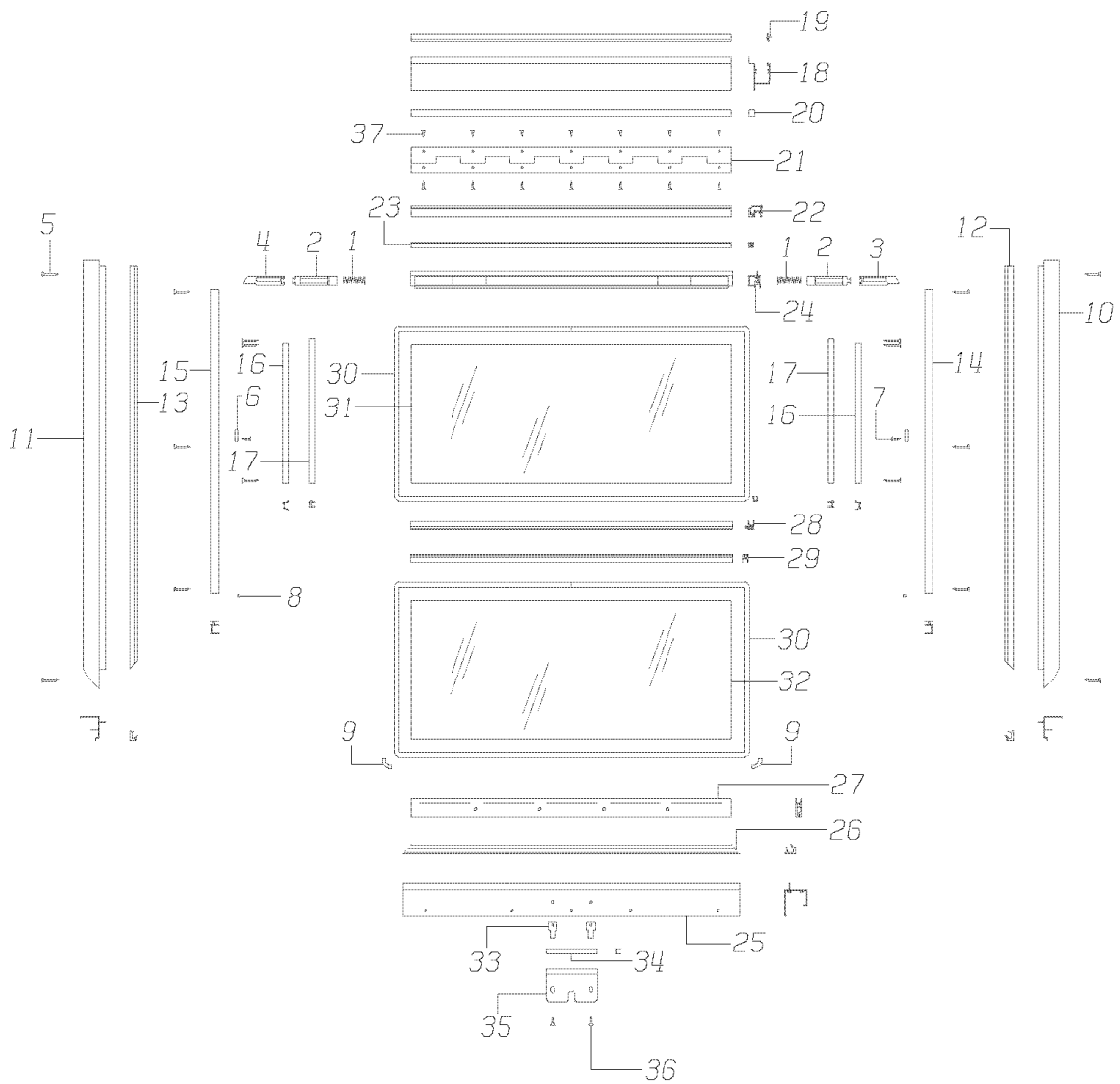
Models: AAFE, AARE, A1VC, A3FE, A3RE, BBCV, B1VC, B2VC, GMCV, GPWB, SBCV, TCFE,

**HORIZONTAL PUSH OUT  
28 INCH WITH 12 INCH OPENING  
GREEN TINT, LAMINATED**

Key	PartNumber	Qty	Description	Comment
-----	------------	-----	-------------	---------

DR. 8/29/95	BY DB		3920535	G
APP. 8/29/95	BY AB	FRT		REV

© BLUE BIRD BODY COMPANY. ALL RIGHTS RESERVED





**Models:** AAFE, AARE, A1VC, A3FE, A3RE, BBCV, B1VC, B2VC, GMCV, GPWB, SBCV, TCFE, TCRC, VCTA

**HORIZONTAL PUSH OUT  
28 INCH WITH 12 INCH OPENING  
GREEN TINT, LAMINATED**

Key	PartNumber	Qty	Description	Comment
			WINDOW ASSEMBLY 28 S/S, P/O, GREEN	
	3920592		WINDOW ASSY,28 S/S,P/O,GREEN TINT,12 OPG	<i>ENDING WITH BSN B20144129B, B10144049, F10058589, L10125309 4-11-04</i>
	0073956		WINDOW ASSY,28,12SS,P/O,HORIZ,GREENTINT	<i>BEGIN WITH BSN B20144130B, B10144050, F10058590, L10125310 4-12-04</i>
1	3817558	2	SPRING,SPLIT SASH WINDOW,W/REMOVABLE	
2	2176584	2	ACTUATOR,LATCH,SIDE WINDOW	
3	2176576		LATCH,SIDE,WINDOW,CONCEALED,RH	
4	2176568		LATCH,SIDE,WINDOW,CONCEALED,LH	
5	4644357	22	SCREW,10-12X1 1/4,#2 SQ DRIVE,#8,BUGLE	
6	3816592	2	STOP,WINDOW,REMOVABLE LATCH	
7	2260198	2	SCREW,SM,PH,FT/HD,8-18 X 1/2,TYPE B,ZN3	
8	0862953	AR	SEALANT,SCHNEE-MOREHEAD 5522,VINYL	
9	2185148	AR	SEALANT,UNISEAL	
10	3920675		FRAME,SIDE,PUSH OUT WINDOW,RH 12 OPG	
11	3920667		FRAME,SIDE,PUSH OUT WINDOW,LH 12 OPG	
12	3920717		SEAL,SIDE,PUSH OUT WINDOW,RH	
13	3920725		SEAL,SIDE,PUSH OUT WINDOW,LH,12 OPG	
14	3927373		RAIL,SIDE,SS,P/O,RH,12IN OPG,W/RMVBL LAT	
15	3927365		RAIL,SIDE,SS,P/O,LH,12IN OPG,W/RMVBL LAT	
16	3927357	2	SEAL,SLIDING,PUSH OUT WINDOW,12 IN OPG	
17	3927340	2	CHANNEL,SLIDING,UPPER,PUSH OUT WINDOW	
18	3920741		FRAME,UPPER,28IN PUSH OUT WINDOW	
19	3920766		SEAL,UPPER FRAME TO HEADER,28 POW	
20	3920782		SEAL,WEATHER,POW,28IN	
21	3920857		HINGE ASSY,35IN POW	
22	3920865		RAIL,UPPER,28IN,PUSH OUT WINDOW	
23	3920881		SEAL,UPPER FRAME TO LATCH RAIL,28IN POW	
24	3920907		RAIL,LATCH,W/REMOVABLE LATCH,28IN POW	
25	1981893		FRAME,LOWER,28 INCH,PUSHOUT WINDOW	
26	3920949		SEAL,LOWER FRAME,28IN POW	
27	3920972		RAIL,LOWER,LOWER SASH,28IN PUSH OUT	
28	3920998		RAIL ASSY,LOWER,28IN POW	

**TCRE, VCTA**

**Models: AAFE, AARE, A1VC, A3FE, A3RE, BBCV, B1VC, B2VC, GMCV, GPWB, SBCV, TCFE,**

**HORIZONTAL PUSH OUT  
28 INCH WITH 12 INCH OPENING  
GREEN TINT, LAMINATED**

Key	PartNumber	Qty	Description	Comment
29	3921012		RAIL,LOWER,28IN PUSH OUT WINDOW	
30	3831534	2	GLAZING,VINYL,SB,SS WINDOW,55.50IN	
31	3921210		GLASS,SS,GREEN LAM,28,POW,12 OPG,UPPER	
32	3921129		GLASS,SS,GREEN LAM,28,POW,12 OPG,LOWER	
33	2165736	2	NUT,SPEED,P O W STRIKER	
34	2265940		SPACER,POW,STRIKER PLATE	
35	3876380		PLATE,STRIKER,PUSH-OUT WINDOW LATCH	
36	3876513	2	SCREW,SM,PH,PN/HD,NO12-24 X 3/8,TYPE C,	
37	2186401	10	SCREW,10-16 X 1/2,AB,PH1,PAN HD,YEL ZN	
NI	4033254	10	WASHER,SIDE WINDOW,ALUM	
NI	2000669	10	SCREW,1/4-14 X 3/4,TYP1,PH1,OVAL CNSK,YEL	

VCTA

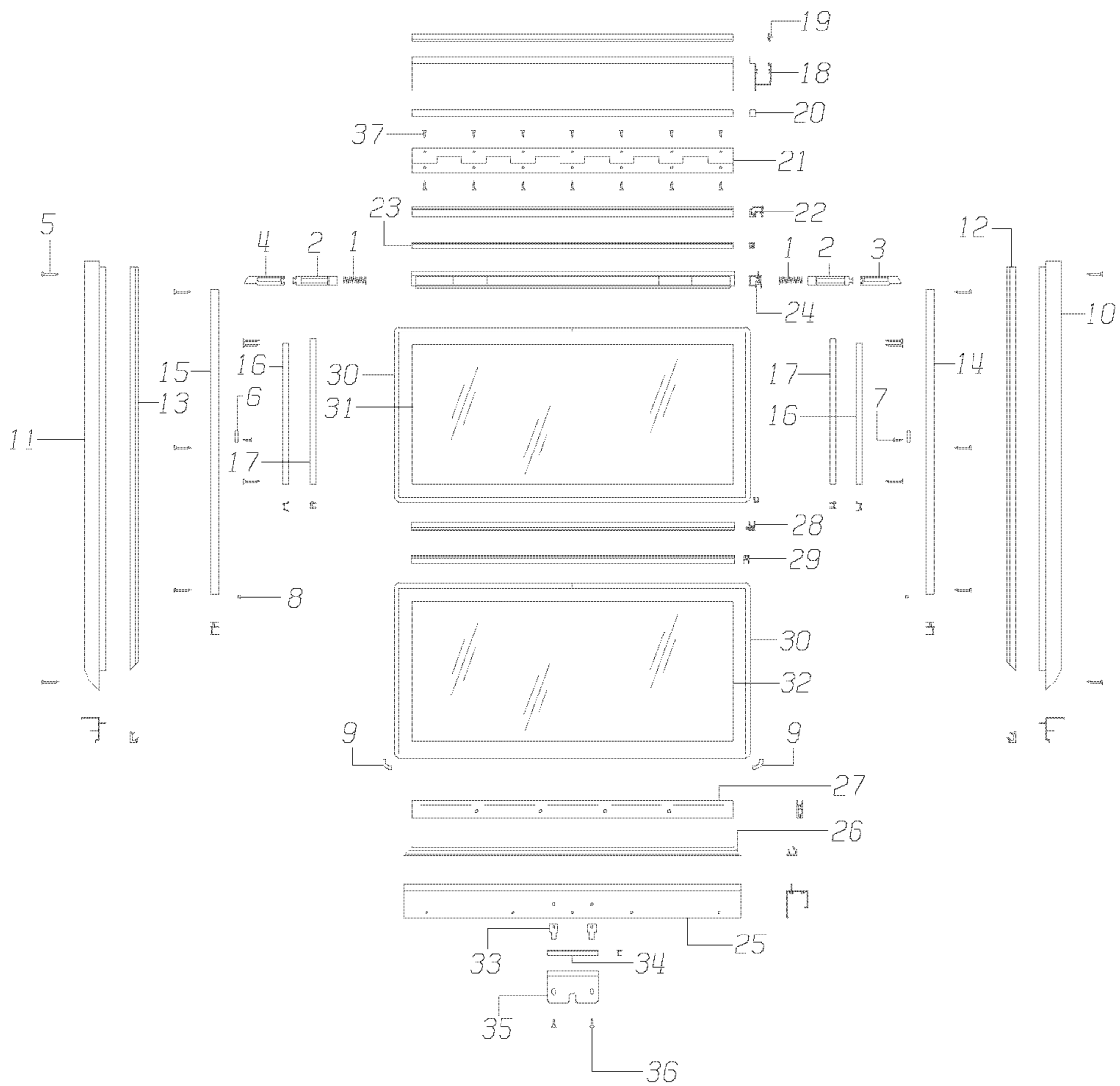
Models: AAFE, AARE, A3FE, A3RE, BBCV, B1VC, B2VC, GMCV, GPWB, SBCV, TCFE, TCRE,

**HORIZONTAL PUSH OUT  
28 INCH WITH 9 INCH OPENING  
CLEAR LAMINATED**

Key	PartNumber	Qty	Description	Comment
-----	------------	-----	-------------	---------

DR. 8/29/95	BY DB		3920535	G
APP. 8/29/95	BY AB	FRT		REV

© BLUE BIRD BODY COMPANY. ALL RIGHTS RESERVED



**VCTA**      **Models:** **AAFE, AARE, A3FE, A3RE, BBCV, B1VC, B2VC, GMCV, GPWB, SBCV, TCFE, TCRE,**  
**HORIZONTAL PUSH OUT**  
**28 INCH WITH 9 INCH OPENING**  
**CLEAR LAMINATED**

Key	PartNumber	Qty	Description	Comment
			WINDOW ASSEMBLY, 28 S/S, P/O, CLEAR LAM	
	3920543		WINDOW ASSY,28 S/S,P/O,CLEAR LAM	<i>ENDING WITH BSN B20144129B, B10144049, F10058589, L10125309 4-11-04</i>
	0073949		WINDOW ASSY,28,9SS,P/O,HORIZ,CLEAR LAM	<i>BEGIN WITH BSN B20144130B, B10144050, F10058590, L10125310 4-12-04</i>
1	3817558	2	SPRING,SPLIT SASH WINDOW,W/REMOVABLE	
2	2176584	2	ACTUATOR,LATCH,SIDE WINDOW	
3	2176576		LATCH,SIDE,WINDOW,CONCEALED,RH	
4	2176568		LATCH,SIDE,WINDOW,CONCEALED,LH	
5	4644357	22	SCREW,10-12X1 1/4,#2 SQ DRIVE,#8,BUGLE	
6	3816592	2	STOP,WINDOW,REMOVABLE LATCH	
7	2260198	2	SCREW,SM,PH,FT/HD,8-18 X 1/2,TYPE B,ZN3	
8	0862953	AR	SEALANT,SCHNEE-MOREHEAD 5522,VINYL	
9	2185148	AR	SEALANT,UNISEAL	
10	3920691		FRAME,SIDE,PUSH OUT WINDOW,RH	
11	3920683		FRAME,SIDE,PUSH OUT WINDOW,LH	
12	3920717		SEAL,SIDE,PUSH OUT WINDOW,RH	
13	3920709		SEAL,SIDE,PUSH OUT WINDOW,LH	
14	3929759		RAIL,SIDE,SS,P/O,RH,W/RMVBL LAT	
15	3929742		RAIL,SIDE,SS,P/O,LH,W/RMVBL LAT	
16	3929734	2	SEAL,SLIDING,PUSH OUT WINDOW	
17	3929726	2	CHANNEL,SLIDING,UPPER,PUSH OUT WINDOW	
18	3920741		FRAME,UPPER,28IN PUSH OUT WINDOW	
19	3920766		SEAL,UPPER FRAME TO HEADER,28 POW	
20	3920782		SEAL,WEATHER,POW,28IN	
21	3920840		HINGE ASSY,28IN POW	
22	3920865		RAIL,UPPER,28IN,PUSH OUT WINDOW	
23	3920881		SEAL,UPPER FRAME TO LATCH RAIL,28IN POW	
24	3920907		RAIL,LATCH,W/REMOVABLE LATCH,28IN POW	
25	1981893		FRAME,LOWER,28 INCH,PUSHOUT WINDOW	
26	3920949		SEAL,LOWER FRAME,28IN POW	
27	3920972		RAIL,LOWER,LOWER SASH,28IN PUSH OUT	
28	3920998		RAIL ASSY,LOWER,28IN POW	

**VCTA**      **Models:** **AAFE, AARE, A3FE, A3RE, BBCV, B1VC, B2VC, GMCV, GPWB, SBCV, TCFE, TCRE,**  
**HORIZONTAL PUSH OUT**  
**28 INCH WITH 9 INCH OPENING**  
**CLEAR LAMINATED**

Key	PartNumber	Qty	Description	Comment
29	3921012		RAIL,LOWER,28IN PUSH OUT WINDOW	
30	1863489	2	GLAZING,VINYL,SB,9SS,P/O,1/8 GLASS,54.50"	
31	3929668		GLASS,SS,CLEAR LAM,28,POW,9 OPG,UPPER	
32	3921079		GLASS,SS,CLEAR LAM,28,POW,9 OPG,LOWER	
33	2165736	2	NUT,SPEED,P O W STRIKER	
34	2265940		SPACER,POW,STRIKER PLATE	
35	3876380		PLATE,STRIKER,PUSH-OUT WINDOW LATCH	
36	3876513	2	SCREW,SM,PH,PN/HD,NO12-24 X 3/8,TYPE C,	
37	2186401	10	SCREW,10-16 X 1/2,AB,PH1,PAN HD,YEL ZN	
NI	4033254	10	WASHER,SIDE WINDOW,ALUM	
NI	2000669	10	SCREW,1/4-14 X 3/4,TYP1,PH1,OVAL CNSK,YEL	

VCTA

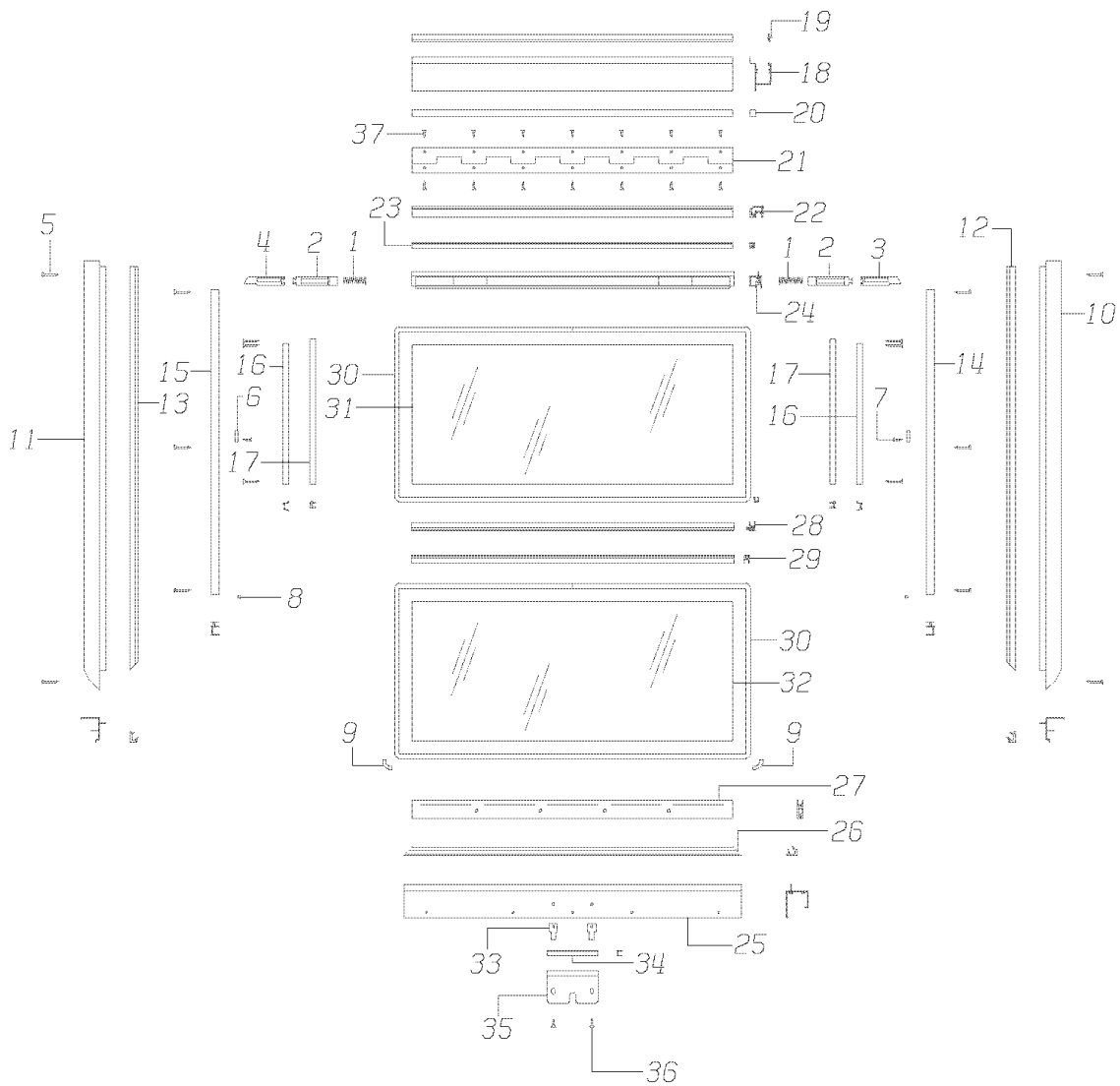
Models: AAFE, AARE, A3FE, A3RE, BBCV, B1VC, B2VC, GMCV, GPWB, SBCV, TCFE, TCRE,

**HORIZONTAL PUSH OUT  
28 INCH WITH 9 INCH OPENING  
CLEAR TEMPERED**

Key	PartNumber	Qty	Description	Comment
-----	------------	-----	-------------	---------

DR. 8/29/95	BY DB		3920535	G
APP. 8/29/95	BY AB	FRT		REV

© BLUE BIRD BODY COMPANY. ALL RIGHTS RESERVED



VCTA

Models: AAFE, AARE, A3FE, A3RE, BBCV, B1VC, B2VC, GMCV, GPWB, SBCV, TCFE, TCRE,

**HORIZONTAL PUSH OUT  
28 INCH WITH 9 INCH OPENING  
CLEAR TEMPERED**

Key	PartNumber	Qty	Description	Comment
			WINDOW ASSEMBLY 28, 9SS, P/O, CLEAR	
	0037065		WINDOW ASSY,28,9SS,P/O,CLEAR TEMP,HORIZ	ENDING WITH BSN B20144129B, B10144049, F10058589, L10125309 4-11-04
	0073966		WINDOW ASSY,28,9SS,P/O,HORIZ,CLEAR TEMP	BEGIN WITH BSN B20144130B, B10144050, F10058590, L10125310 4-12-04
1	3817558	2	SPRING,SPLIT SASH WINDOW,W/REMOVABLE	
2	2176584	2	ACTUATOR,LATCH,SIDE WINDOW	
3	2176576		LATCH,SIDE,WINDOW,CONCEALED,RH	
4	2176568		LATCH,SIDE,WINDOW,CONCEALED,LH	
5	4644357	22	SCREW,10-12X1 1/4,#2 SQ DRIVE,#8,BUGLE	
6	3816592	2	STOP,WINDOW,REMOVABLE LATCH	
7	2260198	2	SCREW,SM,PH,FT/HD,8-18 X 1/2,TYPE B,ZN3	
8	0862953	AR	SEALANT,SCHNEE-MOREHEAD 5522,VINYL	
9	2185148	AR	SEALANT,UNISEAL	
10	3920691		FRAME,SIDE,PUSH OUT WINDOW,RH	
11	3920683		FRAME,SIDE,PUSH OUT WINDOW,LH	
12	3920717		SEAL,SIDE,PUSH OUT WINDOW,RH	
13	3920709		SEAL,SIDE,PUSH OUT WINDOW,LH	
14	3929759		RAIL,SIDE,SS,P/O,RH,W/RMVBL LAT	
15	3929742		RAIL,SIDE,SS,P/O,LH,W/RMVBL LAT	
16	3929734	2	SEAL,SLIDING,PUSH OUT WINDOW	
17	3929726	2	CHANNEL,SLIDING,UPPER,PUSH OUT WINDOW	
18	3920741		FRAME,UPPER,28IN PUSH OUT WINDOW	
19	3920766		SEAL,UPPER FRAME TO HEADER,28 POW	
20	3920782		SEAL,WEATHER,POW,28IN	
21	3920840		HINGE ASSY,28IN POW	
22	3920865		RAIL,UPPER,28IN,PUSH OUT WINDOW	
23	3920881		SEAL,UPPER FRAME TO LATCH RAIL,28IN POW	
24	3920907		RAIL,LATCH,W/REMOVABLE LATCH,28IN POW	
25	1981893		FRAME,LOWER,28 INCH,PUSHOUT WINDOW	
26	3920949		SEAL,LOWER FRAME,28IN POW	
27	3920972		RAIL,LOWER,LOWER SASH,28IN PUSH OUT	
28	3920998		RAIL ASSY,LOWER,28IN POW	

**VCTA**      **Models:**    **AAFE, AARE, A3FE, A3RE, BBCV, B1VC, B2VC, GMCV, GPWB, SBCV, TCFE, TCRE,**  
**HORIZONTAL PUSH OUT**  
**28 INCH WITH 9 INCH OPENING**  
**CLEAR TEMPERED**

Key	PartNumber	Qty	Description	Comment
29	3921012		RAIL,LOWER,28IN PUSH OUT WINDOW	
30	3921038	2	GLAZING,VINYL,SB,SS WINDOW,52.65	
31	0036938		GLASS,SS,CLEAR TEMP,28,POW,9 OPG,UPPER	
32	0036939		GLASS,SS,CLEAR TEMP,28,POW,9 OPG,LOWER	
33	2165736	2	NUT,SPEED,P O W STRIKER	
34	2265940		SPACER,POW,STRIKER PLATE	
35	3876380		PLATE,STRIKER,PUSH-OUT WINDOW LATCH	
36	3876513	2	SCREW,SM,PH,PN/HD,NO12-24 X 3/8,TYPE C,	
37	2186401	10	SCREW,10-16 X 1/2,AB,PH1,PAN HD,YEL ZN	
NI	4033254	10	WASHER,SIDE WINDOW,ALUM	
NI	2000669	10	SCREW,1/4-14 X 3/4,TYP1,PH1,OVAL CNSK,YEL	



VCTA

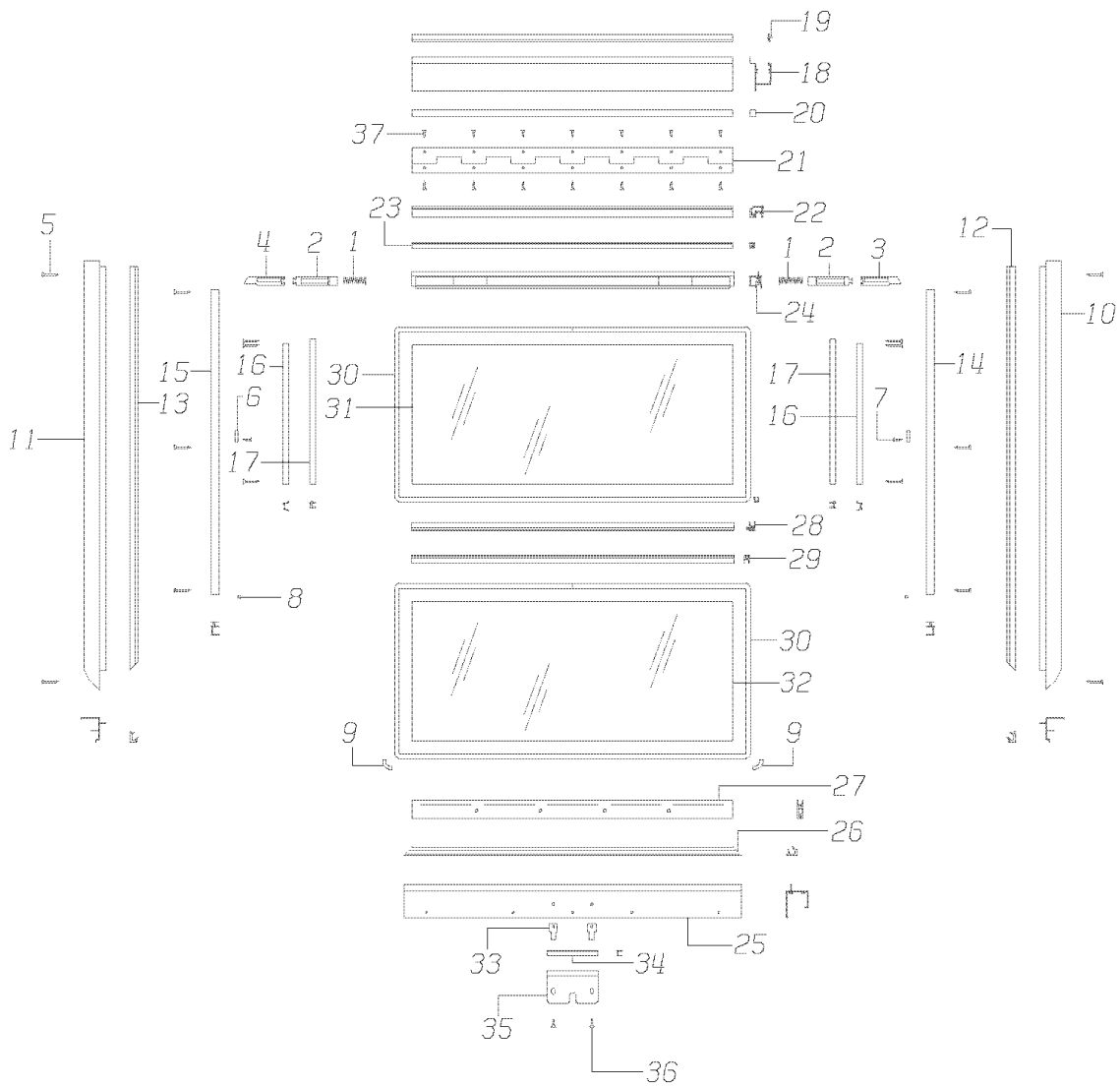
Models: AAFE, AARE, A3FE, A3RE, BBCV, B1VC, B2VC, GMCV, GPWB, SBCV, TCFE, TCRE,

**HORIZONTAL PUSH OUT  
28 INCH WITH 9 INCH OPENING  
DARK TINTED, LAMINATED**

Key	PartNumber	Qty	Description	Comment
-----	------------	-----	-------------	---------

DR. 8/29/95	BY DB		3920535	G
APP. 8/29/95	BY AB	FRT		REV

© BLUE BIRD BODY COMPANY. ALL RIGHTS RESERVED



VCTA

Models: **AAFE, AARE, A3FE, A3RE, BBCV, B1VC, B2VC, GMCV, GPWB, SBCV, TCFE, TCRE,**

**HORIZONTAL PUSH OUT  
28 INCH WITH 9 INCH OPENING  
DARK TINTED, LAMINATED**

Key	PartNumber	Qty	Description	Comment
			WINDOW ASSEMBLY 28, 9SS, P/O, DARK	
	3920550		WINDOW ASSY,28,9SS,P/O,DARK TINT	<i>ENDING WITH BSN B20144129B, B10144049, F10058589, L10125309 4-11-04</i>
	0073951		WINDOW ASSY,28,9SS,P/O,HORIZ,DK TINT LAM	<i>BEGIN WITH BSN B20144130B, B10144050, F10058590, L10125310 4-12-04</i>
1	3817558	2	SPRING,SPLIT SASH WINDOW,W/REMOVABLE	
2	2176584	2	ACTUATOR,LATCH,SIDE WINDOW	
3	2176576		LATCH,SIDE,WINDOW,CONCEALED,RH	
4	2176568		LATCH,SIDE,WINDOW,CONCEALED,LH	
5	4644357	22	SCREW,10-12X1 1/4,#2 SQ DRIVE,#8,BUGLE	
6	3816592	2	STOP,WINDOW,REMOVABLE LATCH	
7	2260198	2	SCREW,SM,PH,FT/HD,8-18 X 1/2,TYPE B,ZN3	
8	0862953	AR	SEALANT,SCHNEE-MOREHEAD 5522,VINYL	
9	2185148	AR	SEALANT,UNISEAL	
10	3920691		FRAME,SIDE,PUSH OUT WINDOW,RH	
11	3920683		FRAME,SIDE,PUSH OUT WINDOW,LH	
12	3920717		SEAL,SIDE,PUSH OUT WINDOW,RH	
13	3920709		SEAL,SIDE,PUSH OUT WINDOW,LH	
14	3929759		RAIL,SIDE,SS,P/O,RH,W/RMVBL LAT	
15	3929742		RAIL,SIDE,SS,P/O,LH,W/RMVBL LAT	
16	3929734	2	SEAL,SLIDING,PUSH OUT WINDOW	
17	3929726	2	CHANNEL,SLIDING,UPPER,PUSH OUT WINDOW	
18	3920741		FRAME,UPPER,28IN PUSH OUT WINDOW	
19	3920766		SEAL,UPPER FRAME TO HEADER,28 POW	
20	3920782		SEAL,WEATHER,POW,28IN	
21	3920840		HINGE ASSY,28IN POW	
22	3920865		RAIL,UPPER,28IN,PUSH OUT WINDOW	
23	3920881		SEAL,UPPER FRAME TO LATCH RAIL,28IN POW	
24	3920907		RAIL,LATCH,W/REMOVABLE LATCH,28IN POW	
25	1981893		FRAME,LOWER,28 INCH,PUSHOUT WINDOW	
26	3920949		SEAL,LOWER FRAME,28IN POW	
27	3920972		RAIL,LOWER,LOWER SASH,28IN PUSH OUT	
28	3920998		RAIL ASSY,LOWER,28IN POW	

**VCTA**

**Models: AAFE, AARE, A3FE, A3RE, BBCV, B1VC, B2VC, GMCV, GPWB, SBCV, TCFE, TCRE,**

**HORIZONTAL PUSH OUT  
28 INCH WITH 9 INCH OPENING  
DARK TINTED, LAMINATED**

Key	PartNumber	Qty	Description	Comment
29	3921012		RAIL,LOWER,28IN PUSH OUT WINDOW	
30	1863489	2	GLAZING,VINYL,SB,9SS,P/O,1/8 GLASS,54.50"	
31	3929700		GLASS,SS,GREEN LAM,28,POW,9 OPG,UPPER	
32	3921095		GLASS,SS,GREEN LAM,28,POW,9 OPG,LOWER	
33	2165736	2	NUT,SPEED,P O W STRIKER	
34	2265940		SPACER,POW,STRIKER PLATE	
35	3876380		PLATE,STRIKER,PUSH-OUT WINDOW LATCH	
36	3876513	2	SCREW,SM,PH,PN/HD,NO12-24 X 3/8,TYPE C,	
37	2186401	10	SCREW,10-16 X 1/2,AB,PH1,PAN HD,YEL ZN	
NI	4033254	10	WASHER,SIDE WINDOW,ALUM	
NI	2000669	10	SCREW,1/4-14 X 3/4,TYP1,PH1,OVAL CNSK,YEL	

VCTA

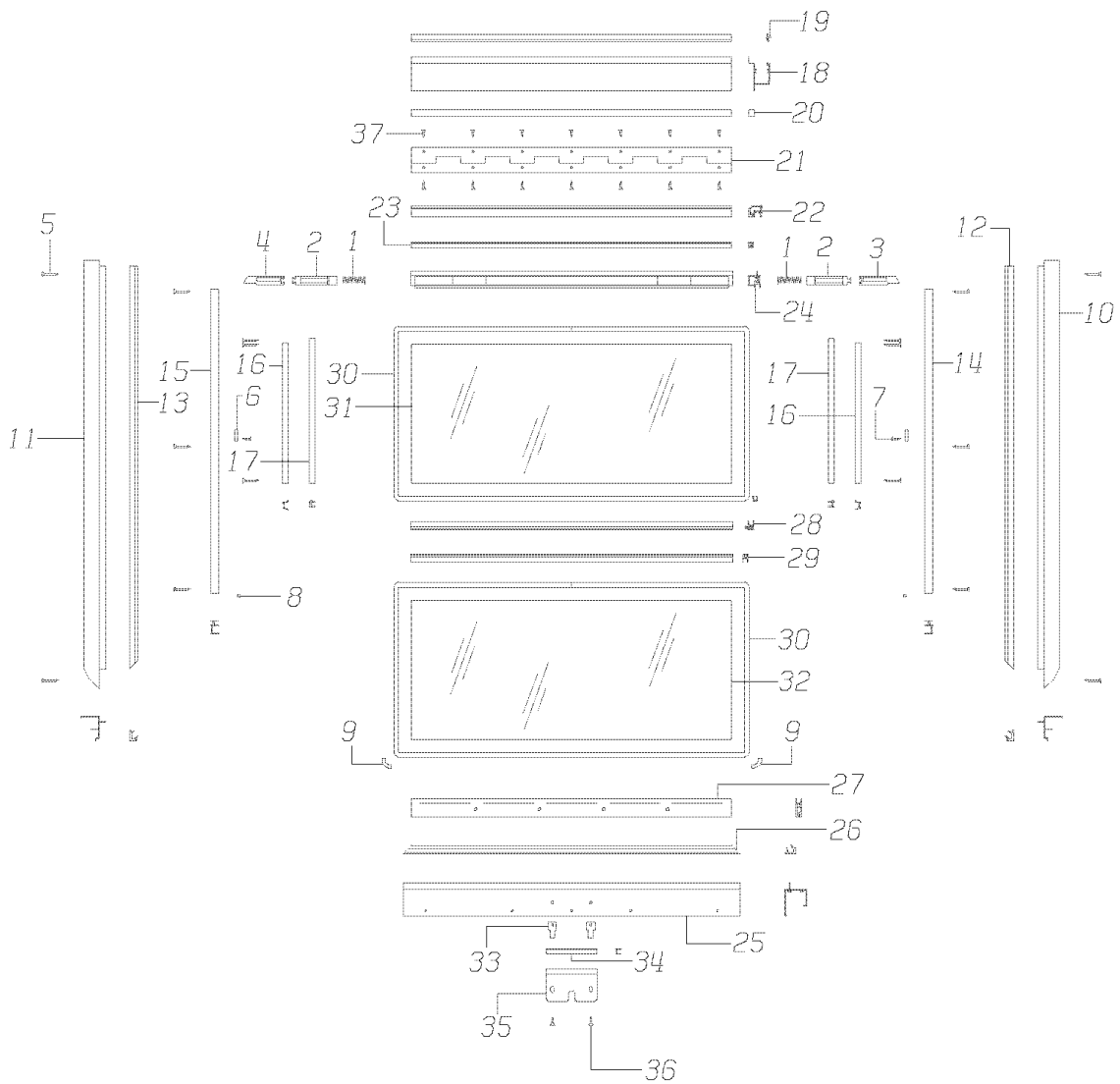
Models: AAFE, AARE, A3FE, A3RE, BBCV, B1VC, B2VC, GMCV, GPWB, SBCV, TCFE, TCRE,

**HORIZONTAL PUSH OUT  
28 INCH WITH 9 INCH OPENING  
DARK TINTED, TEMPERED**

Key	PartNumber	Qty	Description	Comment
-----	------------	-----	-------------	---------

DR. 8/29/95	BY DB		3920535	G
APP. 8/29/95	BY AB	FRT		REV

© BLUE BIRD BODY COMPANY. ALL RIGHTS RESERVED



**VCTA**      **Models:**    **AAFE, AARE, A3FE, A3RE, BBCV, B1VC, B2VC, GMCV, GPWB, SBCV, TCFE, TCRE,**  
**HORIZONTAL PUSH OUT**  
**28 INCH WITH 9 INCH OPENING**  
**DARK TINTED, TEMPERED**

Key	PartNumber	Qty	Description	Comment
			WINDOW ASSEMBLY 28, 9SS, P/O, DARK	
	1862218		WINDOW ASSY,28,9SS,P/O,DARK TINT	<i>ENDING WITH BSN B20144129B, B10144049, F10058589, L10125309 4-11-04</i>
	0073950		WINDOW ASSY,28,9SS,P/O,HORIZ,DK TINT	<i>BEGIN WITH BSN B20144130B, B10144050, F10058590, L10125310 4-12-04</i>
1	3817558	2	SPRING,SPLIT SASH WINDOW,W/REMOVABLE	
2	2176584	2	ACTUATOR,LATCH,SIDE WINDOW	
3	2176576		LATCH,SIDE,WINDOW,CONCEALED,RH	
4	2176568		LATCH,SIDE,WINDOW,CONCEALED,LH	
5	4644357	22	SCREW,10-12X1 1/4,#2 SQ DRIVE,#8,BUGLE	
6	3816592	2	STOP,WINDOW,REMOVABLE LATCH	
7	2260198	2	SCREW,SM,PH,FT/HD,8-18 X 1/2,TYPE B,ZN3	
8	0862953	AR	SEALANT,SCHNEE-MOREHEAD 5522,VINYL	
9	2185148	AR	SEALANT,UNISEAL	
10	3920691		FRAME,SIDE,PUSH OUT WINDOW,RH	
11	3920683		FRAME,SIDE,PUSH OUT WINDOW,LH	
12	3920717		SEAL,SIDE,PUSH OUT WINDOW,RH	
13	3920709		SEAL,SIDE,PUSH OUT WINDOW,LH	
14	3929759		RAIL,SIDE,SS,P/O,RH,W/RMVBL LAT	
15	3929742		RAIL,SIDE,SS,P/O,LH,W/RMVBL LAT	
16	3929734	2	SEAL,SLIDING,PUSH OUT WINDOW	
17	3929726	2	CHANNEL,SLIDING,UPPER,PUSH OUT WINDOW	
18	3920741		FRAME,UPPER,28IN PUSH OUT WINDOW	
19	3920766		SEAL,UPPER FRAME TO HEADER,28 POW	
20	3920782		SEAL,WEATHER,POW,28IN	
21	3920840		HINGE ASSY,28IN POW	
22	3920865		RAIL,UPPER,28IN,PUSH OUT WINDOW	
23	3920881		SEAL,UPPER FRAME TO LATCH RAIL,28IN POW	
24	3920907		RAIL,LATCH,W/REMOVABLE LATCH,28IN POW	
25	1981893		FRAME,LOWER,28 INCH,PUSHOUT WINDOW	
26	3920949		SEAL,LOWER FRAME,28IN POW	
27	3920972		RAIL,LOWER,LOWER SASH,28IN PUSH OUT	
28	3920998		RAIL ASSY,LOWER,28IN POW	

**VCTA**

**Models: AAFE, AARE, A3FE, A3RE, BBCV, B1VC, B2VC, GMCV, GPWB, SBCV, TCFE, TCRE,**

**HORIZONTAL PUSH OUT  
28 INCH WITH 9 INCH OPENING  
DARK TINTED, TEMPERED**

Key	PartNumber	Qty	Description	Comment
29	3921012		RAIL,LOWER,28IN PUSH OUT WINDOW	
30	1863489	2	GLAZING,VINYL,SB,9SS,P/O,1/8 GLASS,54.50"	
31	1864438		GLASS,SS,DARK TINT TEMP,28,POW,9 OPG,	
32	1864446		GLASS,SS,DARK TINT TEMP,28,POW,9 OPG,	
33	2165736	2	NUT,SPEED,P O W STRIKER	
34	2265940		SPACER,POW,STRIKER PLATE	
35	3876380		PLATE,STRIKER,PUSH-OUT WINDOW LATCH	
36	3876513	2	SCREW,SM,PH,PN/HD,NO12-24 X 3/8,TYPE C,	
37	2186401	10	SCREW,10-16 X 1/2,AB,PH1,PAN HD,YEL ZN	
NI	4033254	10	WASHER,SIDE WINDOW,ALUM	
NI	2000669	10	SCREW,1/4-14 X 3/4,TYP1,PH1,OVAL CNSK,YEL	

VCTA

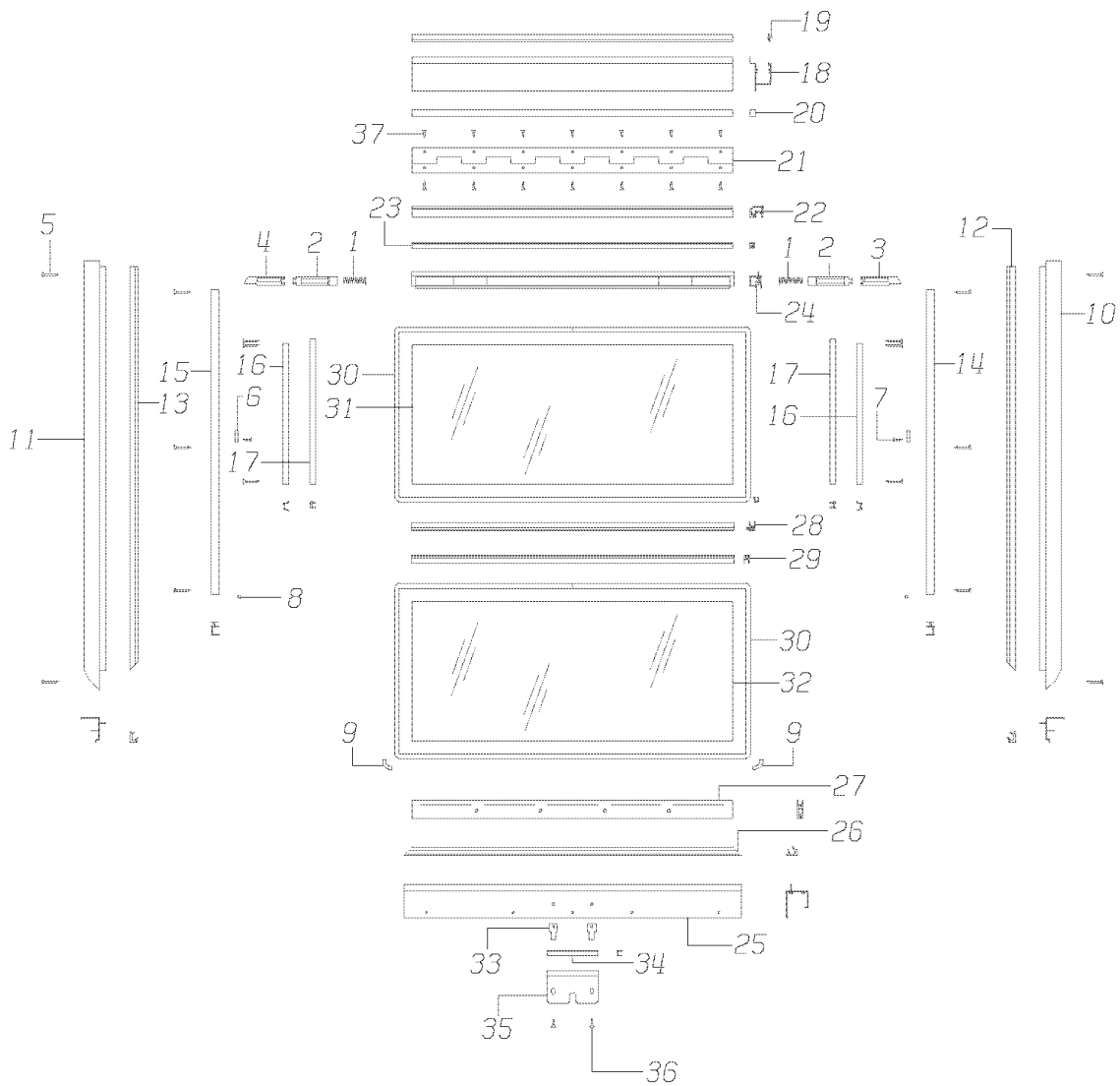
Models: AAFE, AARE, A3FE, A3RE, BBCV, B1VC, B2VC, GMCV, GPWB, SBCV, TCFE, TCRE,

**HORIZONTAL PUSH OUT  
28 INCH WITH 9 INCH OPENING  
GREEN TINT, LAMINATED**

Key	PartNumber	Qty	Description	Comment
-----	------------	-----	-------------	---------

DR. 8/29/95	BY DB		3920535	G
APP. 8/29/95	BY AB	FRT		REV

© BLUE BIRD BODY COMPANY. ALL RIGHTS RESERVED



**VCTA**      **Models:**    **AAFE, AARE, A3FE, A3RE, BBCV, B1VC, B2VC, GMCV, GPWB, SBCV, TCFE, TCRE,**  
**HORIZONTAL PUSH OUT**  
**28 INCH WITH 9 INCH OPENING**  
**GREEN TINT, LAMINATED**

Key	PartNumber	Qty	Description	Comment
			WINDOW ASSEMBLY 28 S/S, P/O, GREEN TINT	
	3920568		WINDOW ASSY,28 S/S,P/O,GREEN TINT	<i>ENDING WITH BSN B20144129B, B10144049, F10058589, L10125309 4-11-04</i>
	0073952		WINDOW ASSY,28,9SS,P/O,HORIZ,GREEN TINT	<i>BEGIN WITH BSN B20144130B, B10144050, F10058590, L10125310 4-12-04</i>
1	3817558	2	SPRING,SPLIT SASH WINDOW,W/REMOVABLE	
2	2176584	2	ACTUATOR,LATCH,SIDE WINDOW	
3	2176576		LATCH,SIDE,WINDOW,CONCEALED,RH	
4	2176568		LATCH,SIDE,WINDOW,CONCEALED,LH	
5	4644357	22	SCREW,10-12X1 1/4,#2 SQ DRIVE,#8,BUGLE	
6	3816592	2	STOP,WINDOW,REMOVABLE LATCH	
7	2260198	2	SCREW,SM,PH,FT/HD,8-18 X 1/2,TYPE B,ZN3	
8	0862953	AR	SEALANT,SCHNEE-MOREHEAD 5522,VINYL	
9	2185148	AR	SEALANT,UNISEAL	
10	3920691		FRAME,SIDE,PUSH OUT WINDOW,RH	
11	3920683		FRAME,SIDE,PUSH OUT WINDOW,LH	
12	3920717		SEAL,SIDE,PUSH OUT WINDOW,RH	
13	3920709		SEAL,SIDE,PUSH OUT WINDOW,LH	
14	3929759		RAIL,SIDE,SS,P/O,RH,W/RMVBL LAT	
15	3929742		RAIL,SIDE,SS,P/O,LH,W/RMVBL LAT	
16	3929734	2	SEAL,SLIDING,PUSH OUT WINDOW	
17	3929726	2	CHANNEL,SLIDING,UPPER,PUSH OUT WINDOW	
18	3920741		FRAME,UPPER,28IN PUSH OUT WINDOW	
19	3920766		SEAL,UPPER FRAME TO HEADER,28 POW	
20	3920782		SEAL,WEATHER,POW,28IN	
21	3920840		HINGE ASSY,28IN POW	
22	3920865		RAIL,UPPER,28IN,PUSH OUT WINDOW	
23	3920881		SEAL,UPPER FRAME TO LATCH RAIL,28IN POW	
24	3920907		RAIL,LATCH,W/REMOVABLE LATCH,28IN POW	
25	1981893		FRAME,LOWER,28 INCH,PUSHOUT WINDOW	
26	3920949		SEAL,LOWER FRAME,28IN POW	
27	3920972		RAIL,LOWER,LOWER SASH,28IN PUSH OUT	
28	3920998		RAIL ASSY,LOWER,28IN POW	



**VCTA**      **Models:**    **AAFE, AARE, A3FE, A3RE, BBCV, B1VC, B2VC, GMCV, GPWB, SBCV, TCFE, TCRE,**  
**HORIZONTAL PUSH OUT**  
**28 INCH WITH 9 INCH OPENING**  
**GREEN TINT, LAMINATED**

Key	PartNumber	Qty	Description	Comment
29	3921012		RAIL,LOWER,28IN PUSH OUT WINDOW	
30	1863489	2	GLAZING,VINYL,SB,9SS,P/O,1/8 GLASS,54.50"	
31	3929684		GLASS,SS,DARK TINT LAM,28,POW,9 OPG,	
32	3921087		GLASS,SS,DARK TINT LAM,28,POW,9 OPG,	
33	2165736	2	NUT,SPEED,P O W STRIKER	
34	2265940		SPACER,POW,STRIKER PLATE	
35	3876380		PLATE,STRIKER,PUSH-OUT WINDOW LATCH	
36	3876513	2	SCREW,SM,PH,PN/HD,NO12-24 X 3/8,TYPE C,	
37	2186401	10	SCREW,10-16 X 1/2,AB,PH1,PAN HD,YEL ZN	
NI	4033254	10	WASHER,SIDE WINDOW,ALUM	
NI	2000669	10	SCREW,1/4-14 X 3/4,TYP1,PH1,OVAL CNSK,YEL	

Models:  
TCRE, VCTA

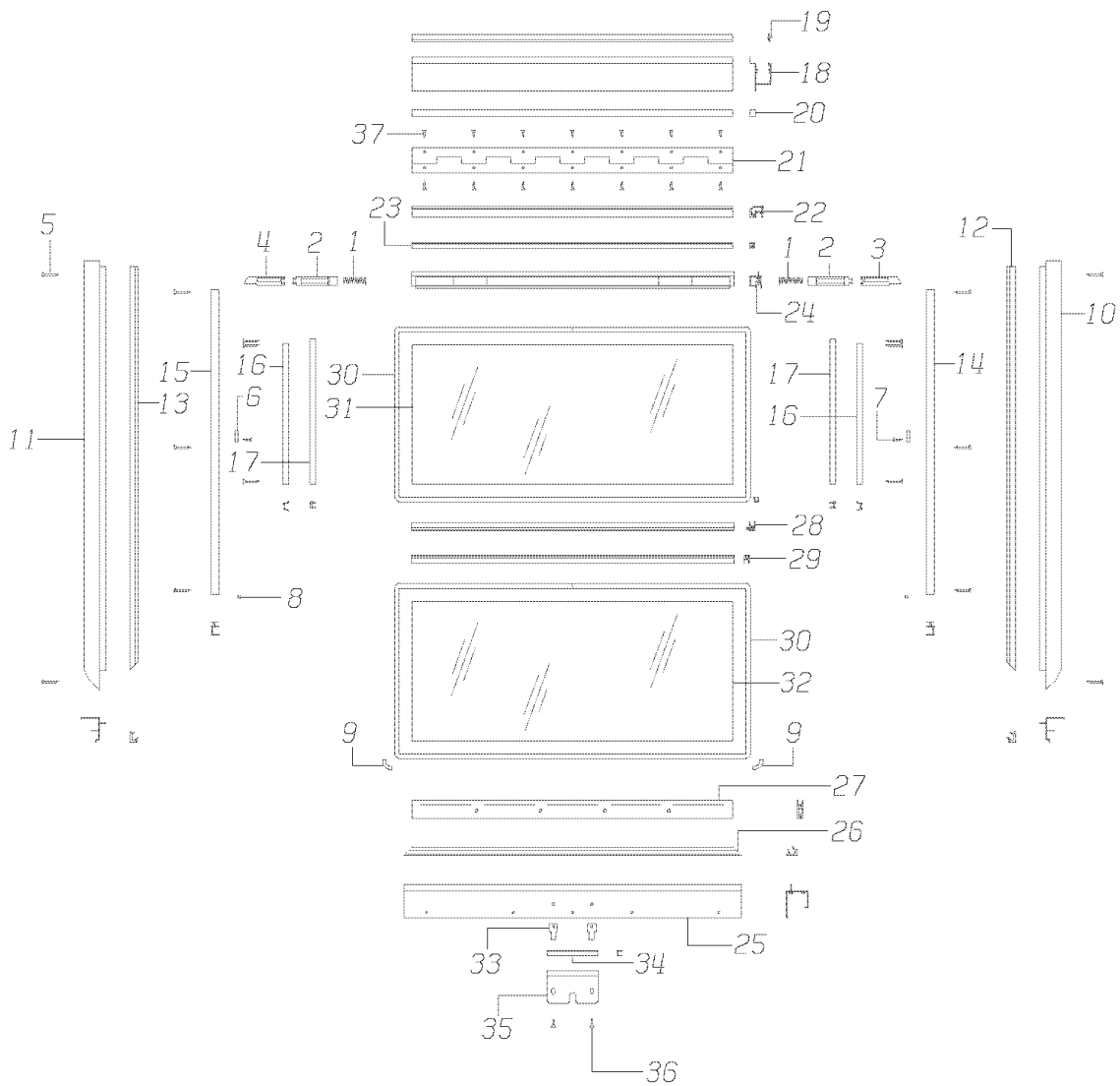
AAFE, AARE, A1VC, A3FE, A3RE, BBCV, B1VC, B2VC, GMCV, GPWB, SBCV, TCFE,

**HORIZONTAL PUSH OUT  
35 INCH WITH 12 INCH OPENING  
CLEAR, LAMINATED**

Key	PartNumber	Qty	Description	Comment
-----	------------	-----	-------------	---------

DR. 8/29/95	BY DB		3920535	G
APP. 8/29/95	BY AB	FRT		REV

© BLUE BIRD BODY COMPANY. ALL RIGHTS RESERVED



**Models:** AAFE, AARE, A1VC, A3FE, A3RE, BBCV, B1VC, B2VC, GMCV, GPWB, SBCV, TCFE, TCRC, VCTA

**HORIZONTAL PUSH OUT  
35 INCH WITH 12 INCH OPENING  
CLEAR, LAMINATED**

Key	PartNumber	Qty	Description	Comment
			WINDOW ASSEMBLY 35 S/S, P/O, CLEAR LAM,	
	3920634		WINDOW ASSY,35 S/S,P/O,CLEAR LAM,12 OPG	ENDING WITH BSN B20144129B, B10144049, F10058589, L10125309 4-11-04
	0073962		WINDOW ASSY,35,12SS,P/O,HORIZ,CLEAR LAM	BEGIN WITH BSN B20144130B, B10144050, F10058590, L10125310 4-12-04
1	3817558	2	SPRING,SPLIT SASH WINDOW,W/REMOVABLE	
2	2176584	2	ACTUATOR,LATCH,SIDE WINDOW	
3	2176576		LATCH,SIDE,WINDOW,CONCEALED,RH	
4	2176568		LATCH,SIDE,WINDOW,CONCEALED,LH	
5	4644357	22	SCREW,10-12X1 1/4,#2 SQ DRIVE,#8,BUGLE	
6	3816592	2	STOP,WINDOW,REMOVABLE LATCH	
7	2260198	2	SCREW,SM,PH,FT/HD,8-18 X 1/2,TYPE B,ZN3	
8	0862953	AR	SEALANT,SCHNEE-MOREHEAD 5522,VINYL	
9	2185148	AR	SEALANT,UNISEAL	
10	3920675		FRAME,SIDE,PUSH OUT WINDOW,RH 12 OPG	
11	3920667		FRAME,SIDE,PUSH OUT WINDOW,LH 12 OPG	
12	3920733		SEAL,SIDE,PUSH OUT WINDOW,RH,12 OPG	
13	3920725		SEAL,SIDE,PUSH OUT WINDOW,LH,12 OPG	
14	3927373		RAIL,SIDE,SS,P/O,RH,12IN OPG,W/RMVBL LAT	
15	3927365		RAIL,SIDE,SS,P/O,LH,12IN OPG,W/RMVBL LAT	
16	3927357	2	SEAL,SLIDING,PUSH OUT WINDOW,12 IN OPG	
17	3927340	2	CHANNEL,SLIDING,UPPER,PUSH OUT WINDOW	
18	3920758		FRAME,UPPER,35IN PUSH OUT WINDOW	
19	3920774		SEAL,UPPER FRAME TO HEADER,35 POW	
20	3920790		SEAL,WEATHER,POW,35IN	
21	3920857		HINGE ASSY,35IN POW	
22	3920873		RAIL,UPPER,35IN,PUSH OUT WINDOW	
23	3920899		SEAL,UPPER FRAME TO LATCH RAIL,35IN POW	
24	3920915		RAIL,LATCH,W/REMOVABLE LATCH,35IN POW	
25	1981901		FRAME,LOWER,35 INCH,PUSHOUT WINDOW	
26	3920956		SEAL,LOWER FRAME,35IN POW	
27	3920980		RAIL,LOWER,LOWER SASH,35IN PUSH OUT	
28	3921004		RAIL ASSY,LOWER,35IN,POW	

**Models:** AAFE, AARE, A1VC, A3FE, A3RE, BBCV, B1VC, B2VC, GMCV, GPWB, SBCV, TCFE, TCRE, VCTA

**HORIZONTAL PUSH OUT  
35 INCH WITH 12 INCH OPENING  
CLEAR, LAMINATED**

Key	PartNumber	Qty	Description	Comment
29	3921020		RAIL,LOWER,35IN PUSH OUT WINDOW	
30	1863513	2	GLAZING,VINYL,SB,12SS,P/O,1/8	
31	3921228		GLASS,SS,CLEAR LAM,35,POW,12 OPG,UPPER"	
32	3921160		GLASS,SS,CLEAR LAM,35,POW,12 OPG,LOWER	
33	2165736	2	NUT,SPEED,P O W STRIKER	
34	2265940		SPACER,POW,STRIKER PLATE	
35	3876380		PLATE,STRIKER,PUSH-OUT WINDOW LATCH	
36	3876513	2	SCREW,SM,PH,PN/HD,NO12-24 X 3/8,TYPE C,	
37	2186401	10	SCREW,10-16 X 1/2,AB,PH1,PAN HD,YEL ZN	
NI	4033254	10	WASHER,SIDE WINDOW,ALUM	
NI	2000669	10	SCREW,1/4-14 X 3/4,TYP1,PH1,OVAL CNSK,YEL	

TCRE, VCTA

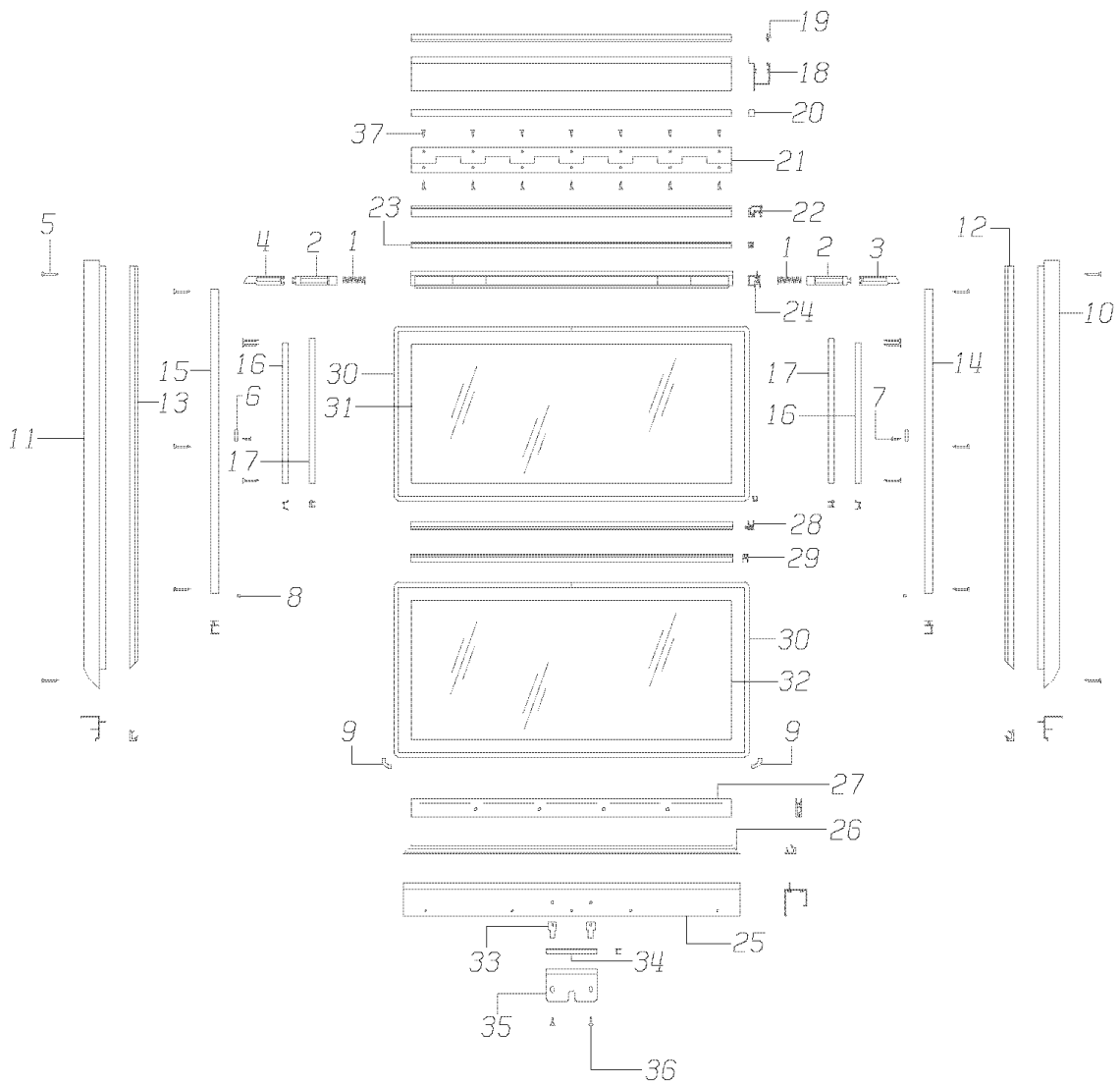
Models: AAFE, AARE, A1VC, A3FE, A3RE, BBCV, B1VC, B2VC, GMCV, GPWB, SBCV, TCFE,

**HORIZONTAL PUSH OUT  
35 INCH WITH 12 INCH OPENING  
CLEAR, TEMPERED**

Key	PartNumber	Qty	Description	Comment
-----	------------	-----	-------------	---------

DR. 8/29/95	BY DB		3920535	G
APP. 8/29/95	BY AB	FRT		REV

© BLUE BIRD BODY COMPANY. ALL RIGHTS RESERVED



**Models:** AAFE, AARE, A1VC, A3FE, A3RE, BBCV, B1VC, B2VC, GMCV, GPWB, SBCV, TCFE, TCRC, VCTA

**HORIZONTAL PUSH OUT  
35 INCH WITH 12 INCH OPENING  
CLEAR, TEMPERED**

Key	PartNumber	Qty	Description	Comment
			WINDOW ASSEMBLY 35, 12SS, P/O, CLEAR	
	0037079		WINDOW ASSY,35,12SS,P/O,CLEAR TEMP,	<i>ENDING WITH BSN B20144129B, B10144049, F10058589, L10125309 4-11-04</i>
	0073969		WINDOW ASSY,35,12SS,P/O,HORIZ,CLEAR	<i>BEGIN WITH BSN B20144130B, B10144050, F10058590, L10125310 4-12-04</i>
1	3817558	2	SPRING,SPLIT SASH WINDOW,W/REMOVABLE	
2	2176584	2	ACTUATOR,LATCH,SIDE WINDOW	
3	2176576		LATCH,SIDE,WINDOW,CONCEALED,RH	
4	2176568		LATCH,SIDE,WINDOW,CONCEALED,LH	
5	4644357	22	SCREW,10-12X1 1/4,#2 SQ DRIVE,#8,BUGLE	
6	3816592	2	STOP,WINDOW,REMOVABLE LATCH	
7	2260198	2	SCREW,SM,PH,FT/HD,8-18 X 1/2,TYPE B,ZN3	
8	0862953	AR	SEALANT,SCHNEE-MOREHEAD 5522,VINYL	
9	2185148	AR	SEALANT,UNISEAL	
10	3920675		FRAME,SIDE,PUSH OUT WINDOW,RH 12 OPG	
11	3920667		FRAME,SIDE,PUSH OUT WINDOW,LH 12 OPG	
12	3920733		SEAL,SIDE,PUSH OUT WINDOW,RH,12 OPG	
13	3920725		SEAL,SIDE,PUSH OUT WINDOW,LH,12 OPG	
14	3927373		RAIL,SIDE,SS,P/O,RH,12IN OPG,W/RMVBL LAT	
15	3927365		RAIL,SIDE,SS,P/O,LH,12IN OPG,W/RMVBL LAT	
16	3927357	2	SEAL,SLIDING,PUSH OUT WINDOW,12 IN OPG	
17	3927340	2	CHANNEL,SLIDING,UPPER,PUSH OUT WINDOW	
18	3920758		FRAME,UPPER,35IN PUSH OUT WINDOW	
19	3920774		SEAL,UPPER FRAME TO HEADER,35 POW	
20	3920790		SEAL,WEATHER,POW,35IN	
21	3920857		HINGE ASSY,35IN POW	
22	3920873		RAIL,UPPER,35IN,PUSH OUT WINDOW	
23	3920899		SEAL,UPPER FRAME TO LATCH RAIL,35IN POW	
24	3920915		RAIL,LATCH,W/REMOVABLE LATCH,35IN POW	
25	1981901		FRAME,LOWER,35 INCH,PUSHOUT WINDOW	
26	3920956		SEAL,LOWER FRAME,35IN POW	
27	3920980		RAIL,LOWER,LOWER SASH,35IN PUSH OUT	
28	3921004		RAIL ASSY,LOWER,35IN,POW	

**TCRE, VCTA**

**Models: AAFE, AARE, A1VC, A3FE, A3RE, BBCV, B1VC, B2VC, GMCV, GPWB, SBCV, TCFE,**

**HORIZONTAL PUSH OUT  
35 INCH WITH 12 INCH OPENING  
CLEAR, TEMPERED**

Key	PartNumber	Qty	Description	Comment
29	3921020		RAIL,LOWER,35IN PUSH OUT WINDOW	
30	3831567	2	GLAZING,VINYL,SB,SS WINDOW,67.50IN"	
31	0037062		GLASS,SS,CLEAR TEMP,35,POW,12 OPG UPPER	
32	0037063		GLASS,SS,CLEAR TEMP,35,POW,12 OPG,LOWER	
33	2165736	2	NUT,SPEED,P O W STRIKER	
34	2265940		SPACER,POW,STRIKER PLATE	
35	3876380		PLATE,STRIKER,PUSH-OUT WINDOW LATCH	
36	3876513	2	SCREW,SM,PH,PN/HD,NO12-24 X 3/8,TYPE C,	
37	2186401	10	SCREW,10-16 X 1/2,AB,PH1,PAN HD,YEL ZN	
NI	4033254	10	WASHER,SIDE WINDOW,ALUM	
NI	2000669	10	SCREW,1/4-14 X 3/4,TYP1,PH1,OVAL CNSK,YEL	

TCRE, VCTA

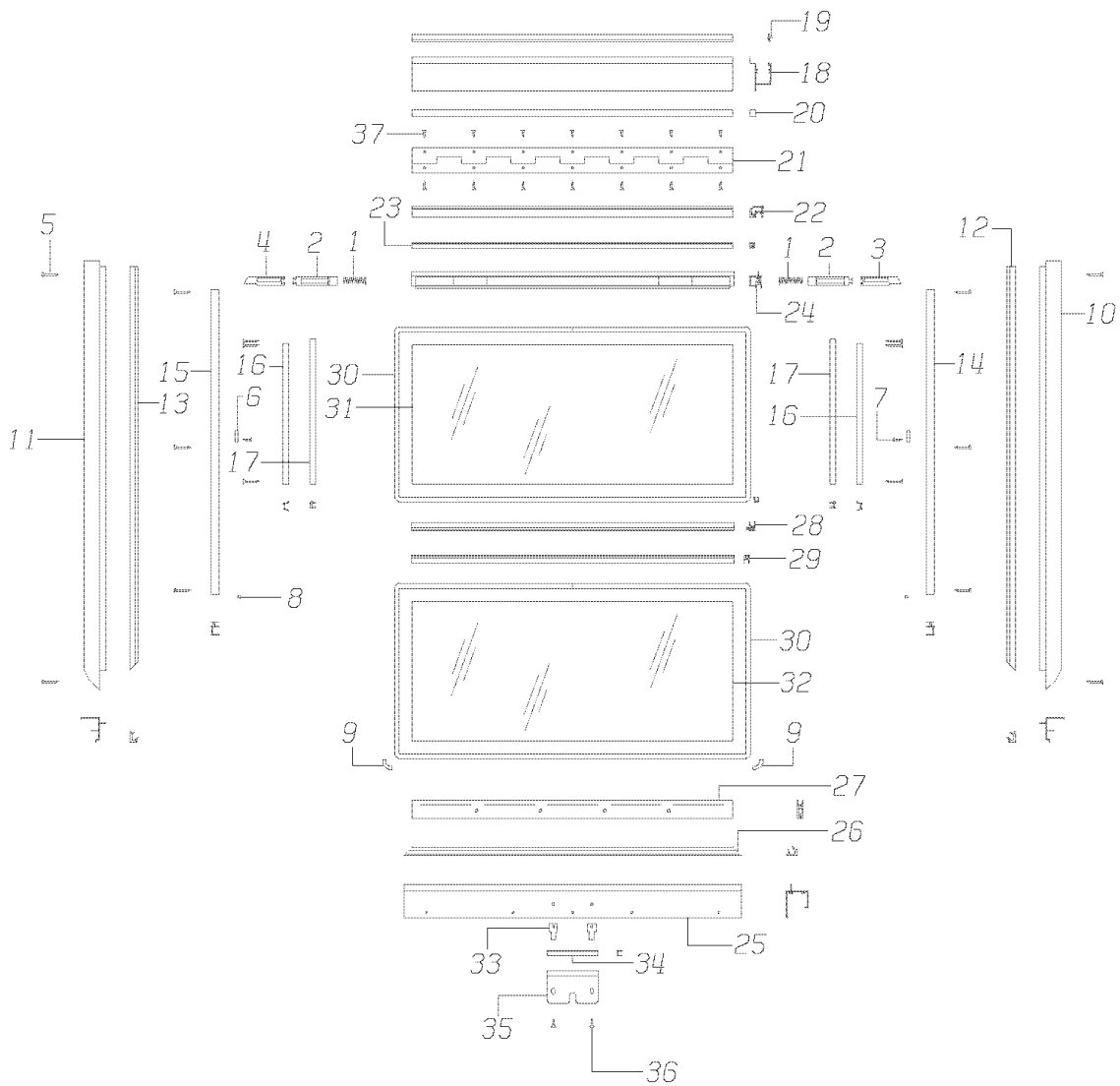
Models: AAFE, AARE, A1VC, A3FE, A3RE, BBCV, B1VC, B2VC, GMCV, GPWB, SBCV, TCFE,

**HORIZONTAL PUSH OUT  
35 INCH WITH 12 INCH OPENING  
DARK TINTED, LAMINATED**

Key	PartNumber	Qty	Description	Comment
-----	------------	-----	-------------	---------

DR. 8/29/95	BY DB		3920535	G
APP. 8/29/95	BY AB	FRT		REV

© BLUE BIRD BODY COMPANY. ALL RIGHTS RESERVED





TCRE, VCTA

Models: AAFE, AARE, A1VC, A3FE, A3RE, BBCV, B1VC, B2VC, GMCV, GPWB, SBCV, TCFE,

**HORIZONTAL PUSH OUT  
35 INCH WITH 12 INCH OPENING  
DARK TINTED, LAMINATED**

Key	PartNumber	Qty	Description	Comment
			WINDOW ASSEMBLY 35, 12SS, P/O, HORIZ,	
	3920642		WINDOW ASSY,35,12SS,P/O,DARK TINT	<i>ENDING WITH BSN B20144129B, B10144049, F10058589, L10125309 4-11-04</i>
	0073964		WINDOW ASSY,35,12SS,P/O,HORIZ,DK TINT	<i>BEGIN WITH BSN B20144130B, B10144050, F10058590, L10125310 4-12-04</i>
1	3817558	2	SPRING,SPLIT SASH WINDOW,W/REMOVABLE	
2	2176584	2	ACTUATOR,LATCH,SIDE WINDOW	
3	2176576		LATCH,SIDE,WINDOW,CONCEALED,RH	
4	2176568		LATCH,SIDE,WINDOW,CONCEALED,LH	
5	4644357	22	SCREW,10-12X1 1/4,#2 SQ DRIVE,#8,BUGLE	
6	3816592	2	STOP,WINDOW,REMOVABLE LATCH	
7	2260198	2	SCREW,SM,PH,FT/HD,8-18 X 1/2,TYPE B,ZN3	
8	0862953	AR	SEALANT,SCHNEE-MOREHEAD 5522,VINYL	
9	2185148	AR	SEALANT,UNISEAL	
10	3920675		FRAME,SIDE,PUSH OUT WINDOW,RH 12 OPG	
11	3920667		FRAME,SIDE,PUSH OUT WINDOW,LH 12 OPG	
12	3920733		SEAL,SIDE,PUSH OUT WINDOW,RH,12 OPG	
13	3920725		SEAL,SIDE,PUSH OUT WINDOW,LH,12 OPG	
14	3927373		RAIL,SIDE,SS,P/O,RH,12IN OPG,W/RMVBL LAT	
15	3927365		RAIL,SIDE,SS,P/O,LH,12IN OPG,W/RMVBL LAT	
16	3927357	2	SEAL,SLIDING,PUSH OUT WINDOW,12 IN OPG	
17	3927340	2	CHANNEL,SLIDING,UPPER,PUSH OUT WINDOW	
18	3920758		FRAME,UPPER,35IN PUSH OUT WINDOW	
19	3920774		SEAL,UPPER FRAME TO HEADER,35 POW	
20	3920790		SEAL,WEATHER,POW,35IN	
21	3920857		HINGE ASSY,35IN POW	
22	3920873		RAIL,UPPER,35IN,PUSH OUT WINDOW	
23	3920899		SEAL,UPPER FRAME TO LATCH RAIL,35IN POW	
24	3920915		RAIL,LATCH,W/REMOVABLE LATCH,35IN POW	
25	1981901		FRAME,LOWER,35 INCH,PUSHOUT WINDOW	
26	3920956		SEAL,LOWER FRAME,35IN POW	
27	3920980		RAIL,LOWER,LOWER SASH,35IN PUSH OUT	
28	3921004		RAIL ASSY,LOWER,35IN,POW	

**TCRE, VCTA**

**Models: AAFE, AARE, A1VC, A3FE, A3RE, BBCV, B1VC, B2VC, GMCV, GPWB, SBCV, TCFE,**

**HORIZONTAL PUSH OUT  
35 INCH WITH 12 INCH OPENING  
DARK TINTED, LAMINATED**

Key	PartNumber	Qty	Description	Comment
29	3921020		RAIL,LOWER,35IN PUSH OUT WINDOW	
30	1863513	2	GLAZING,VINYL,SB,12SS,P/O,1/8	
31	3921236		GLASS,SS,DARK TINT LAM,35,POW,12 OPG,	
32	3921178		GLASS,SS,DARK TINT LAM,35,POW,12 OPG,	
33	2165736	2	NUT,SPEED,P O W STRIKER	
34	2265940		SPACER,POW,STRIKER PLATE	
35	3876380		PLATE,STRIKER,PUSH-OUT WINDOW LATCH	
36	3876513	2	SCREW,SM,PH,PN/HD,NO12-24 X 3/8,TYPE C,	
37	2186401	10	SCREW,10-16 X 1/2,AB,PH1,PAN HD,YEL ZN	
NI	4033254	10	WASHER,SIDE WINDOW,ALUM	
NI	2000669	10	SCREW,1/4-14 X 3/4,TYP1,PH1,OVAL CNSK,YEL	

Models:  
TCRE, VCTA

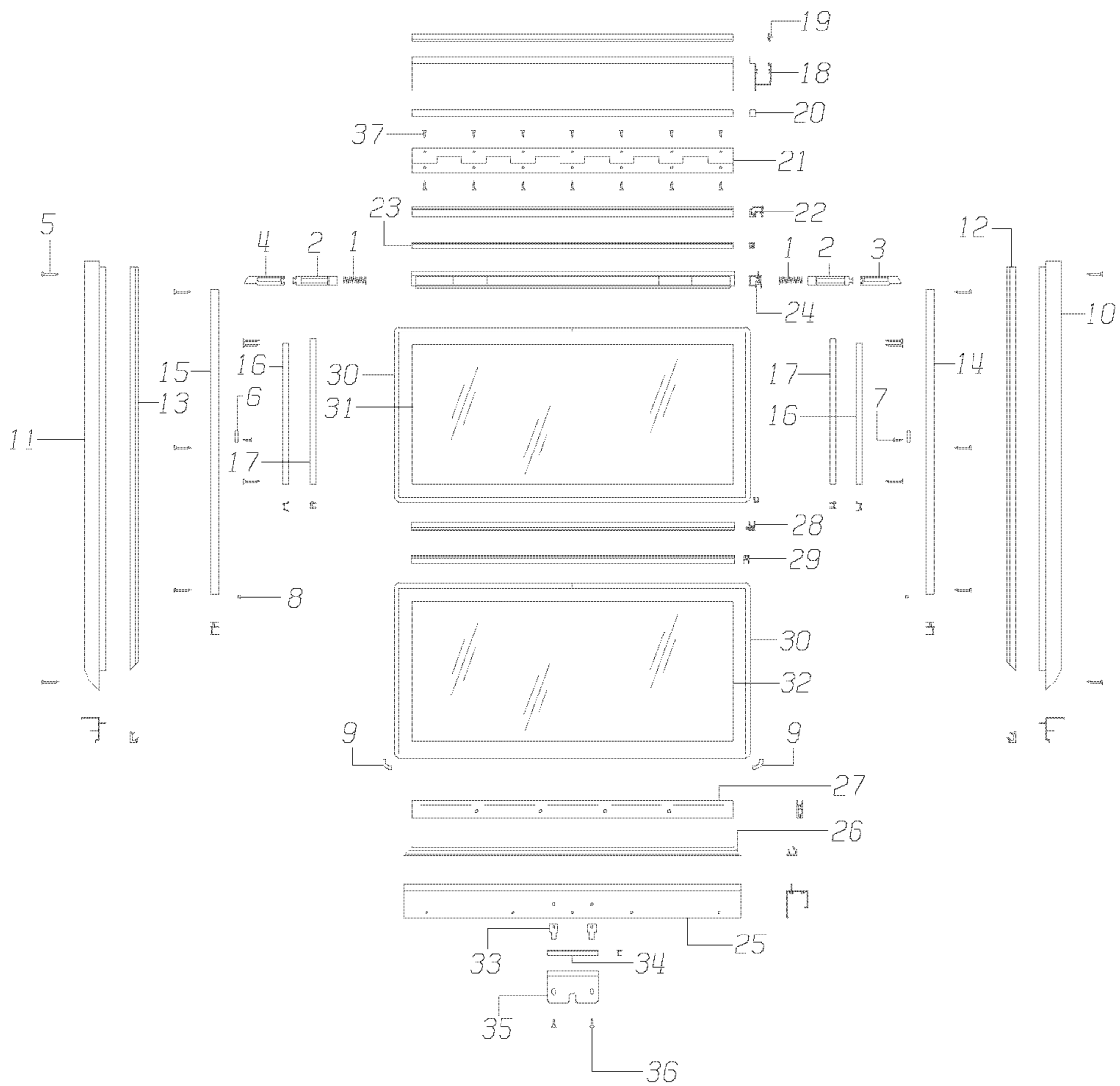
AAFE, AARE, A1VC, A3FE, A3RE, BBCV, B1VC, B2VC, GMCV, GPWB, SBCV, TCFE,

**HORIZONTAL PUSH OUT  
35 INCH WITH 12 INCH OPENING  
DARK TINTED, TEMPERED**

Key	PartNumber	Qty	Description	Comment
-----	------------	-----	-------------	---------

DR. 8/29/95	BY DB		3920535	G
APP. 8/29/95	BY AB	FRT		REV

© BLUE BIRD BODY COMPANY. ALL RIGHTS RESERVED



TCRE, VCTA

Models: AAFE, AARE, A1VC, A3FE, A3RE, BBCV, B1VC, B2VC, GMCV, GPWB, SBCV, TCFE,

**HORIZONTAL PUSH OUT  
35 INCH WITH 12 INCH OPENING  
DARK TINTED, TEMPERED**

Key	PartNumber	Qty	Description	Comment
			WINDOW ASSEMBLY 35, 12SS, P/O, DARK	
	1862242		WINDOW ASSY,35,12SS,P/O,DARK TINT	<i>ENDING WITH BSN B20144129B, B10144049, F10058589, L10125309 4-11-04</i>
	0073963		WINDOW ASSY,35,12SS,P/O,HORIZ,DK TINT	<i>BEGIN WITH BSN B20144130B, B10144050, F10058590, L10125310 4-12-04</i>
1	3817558	2	SPRING,SPLIT SASH WINDOW,W/REMOVABLE	
2	2176584	2	ACTUATOR,LATCH,SIDE WINDOW	
3	2176576		LATCH,SIDE,WINDOW,CONCEALED,RH	
4	2176568		LATCH,SIDE,WINDOW,CONCEALED,LH	
5	4644357	22	SCREW,10-12X1 1/4,#2 SQ DRIVE,#8,BUGLE	
6	3816592	2	STOP,WINDOW,REMOVABLE LATCH	
7	2260198	2	SCREW,SM,PH,FT/HD,8-18 X 1/2,TYPE B,ZN3	
8	0862953	AR	SEALANT,SCHNEE-MOREHEAD 5522,VINYL	
9	2185148	AR	SEALANT,UNISEAL	
10	3920675		FRAME,SIDE,PUSH OUT WINDOW,RH 12 OPG	
11	3920667		FRAME,SIDE,PUSH OUT WINDOW,LH 12 OPG	
12	3920733		SEAL,SIDE,PUSH OUT WINDOW,RH,12 OPG	
13	3920725		SEAL,SIDE,PUSH OUT WINDOW,LH,12 OPG	
14	3927373		RAIL,SIDE,SS,P/O,RH,12IN OPG,W/RMVBL LAT	
15	3927365		RAIL,SIDE,SS,P/O,LH,12IN OPG,W/RMVBL LAT	
16	3927357	2	SEAL,SLIDING,PUSH OUT WINDOW,12 IN OPG	
17	3927340	2	CHANNEL,SLIDING,UPPER,PUSH OUT WINDOW	
18	3920758		FRAME,UPPER,35IN PUSH OUT WINDOW	
19	3920774		SEAL,UPPER FRAME TO HEADER,35 POW	
20	3920790		SEAL,WEATHER,POW,35IN	
21	3920857		HINGE ASSY,35IN POW	
22	3920873		RAIL,UPPER,35IN,PUSH OUT WINDOW	
23	3920899		SEAL,UPPER FRAME TO LATCH RAIL,35IN POW	
24	3920915		RAIL,LATCH,W/REMOVABLE LATCH,35IN POW	
25	1981901		FRAME,LOWER,35 INCH,PUSHOUT WINDOW	
26	3920956		SEAL,LOWER FRAME,35IN POW	
27	3920980		RAIL,LOWER,LOWER SASH,35IN PUSH OUT	
28	3921004		RAIL ASSY,LOWER,35IN,POW	

**Models:**  
TCRE, VCTA

**AAFE, AARE, A1VC, A3FE, A3RE, BBCV, B1VC, B2VC, GMCV, GPWB, SBCV, TCFE,**

**HORIZONTAL PUSH OUT  
35 INCH WITH 12 INCH OPENING  
DARK TINTED, TEMPERED**

Key	PartNumber	Qty	Description	Comment
29	3921020		RAIL,LOWER,35IN PUSH OUT WINDOW	
30	1863513	2	GLAZING,VINYL,SB,12SS,P/O,1/8	
31	1864495		GLASS,DARK TINT TEMP,35,POW,12 OPG,UPPER	
32	1864503		GLASS,SS,DARK TINT TEMP,35,POW,12 OPG,	
33	2165736	2	NUT,SPEED,P O W STRIKER	
34	2265940		SPACER,POW,STRIKER PLATE	
35	3876380		PLATE,STRIKER,PUSH-OUT WINDOW LATCH	
36	3876513	2	SCREW,SM,PH,PN/HD,NO12-24 X 3/8,TYPE C,	
37	2186401	10	SCREW,10-16 X 1/2,AB,PH1,PAN HD,YEL ZN	
NI	4033254	10	WASHER,SIDE WINDOW,ALUM	
NI	2000669	10	SCREW,1/4-14 X 3/4,TYP1,PH1,OVAL CNSK,YEL	

Models:  
TCRE, VCTA

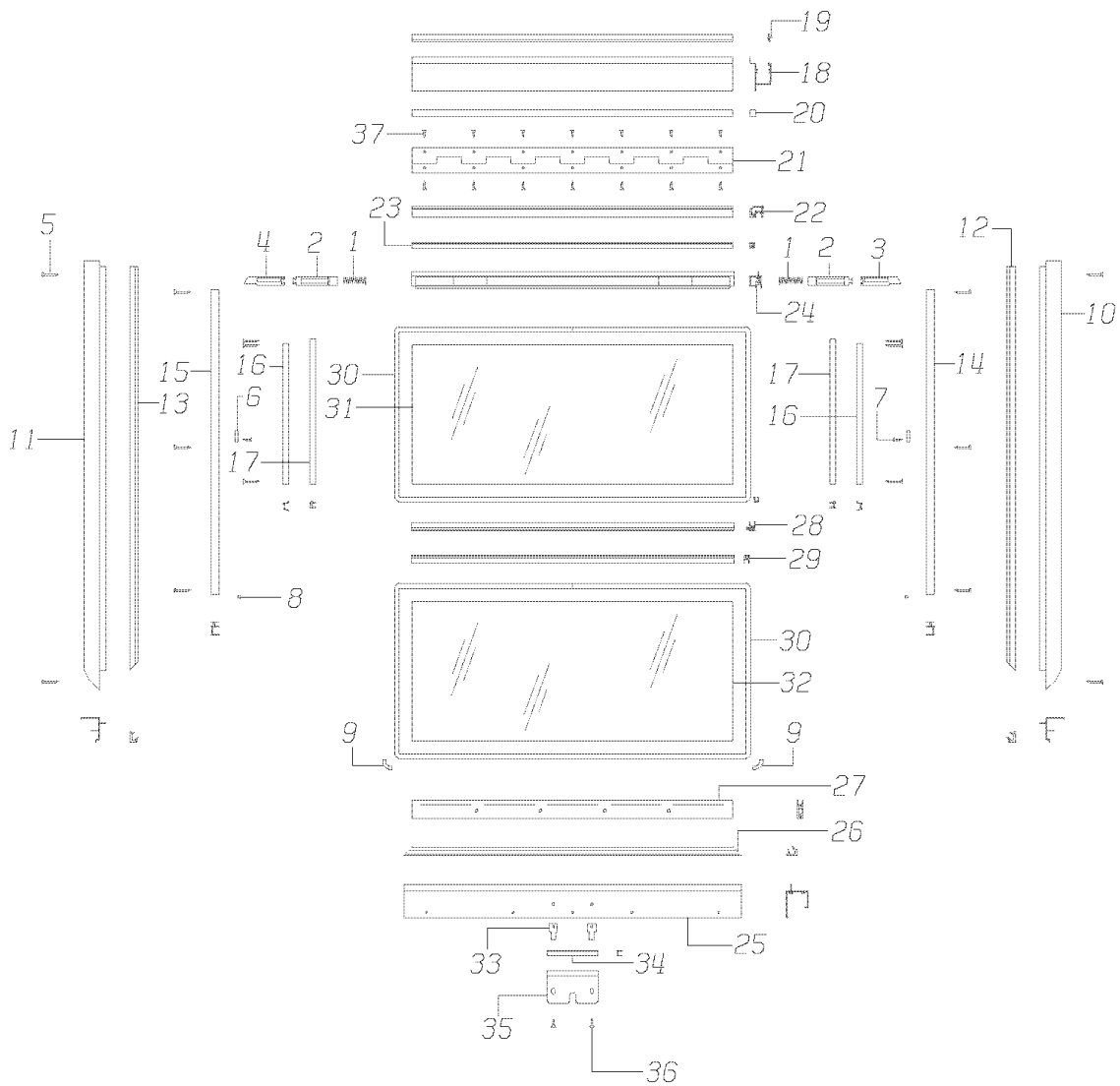
AAFE, AARE, A1VC, A3FE, A3RE, BBCV, B1VC, B2VC, GMCV, GPWB, SBCV, TCFE,

**HORIZONTAL PUSH OUT  
35 INCH WITH 12 INCH OPENING  
GREEN TINTED, LAMINATED**

Key	PartNumber	Qty	Description	Comment
-----	------------	-----	-------------	---------

DR. 8/29/95	BY DB		3920535	G
APP. 8/29/95	BY AB	FRT		REV

© BLUE BIRD BODY COMPANY. ALL RIGHTS RESERVED



**Models:** AAFE, AARE, A1VC, A3FE, A3RE, BBCV, B1VC, B2VC, GMCV, GPWB, SBCV, TCFE, TCRC, VCTA

**HORIZONTAL PUSH OUT  
35 INCH WITH 12 INCH OPENING  
GREEN TINTED, LAMINATED**

Key	PartNumber	Qty	Description	Comment
			WINDOW ASSEMBLY 35 S/S, P/O, GREEN	
	3920659		WINDOW ASSY,35 S/S,P/O,GREEN TINT,12 OPG	<i>ENDING WITH BSN B20144129B, B10144049, F10058589, L10125309 4-11-04</i>
	0073965		WINDOW ASSY,35,12SS,P/O,HORIZ,GREENTINT	<i>BEGIN WITH BSN B20144130B, B10144050, F10058590, L10125310 4-12-04</i>
1	3817558	2	SPRING,SPLIT SASH WINDOW,W/REMOVABLE	
2	2176584	2	ACTUATOR,LATCH,SIDE WINDOW	
3	2176576		LATCH,SIDE,WINDOW,CONCEALED,RH	
4	2176568		LATCH,SIDE,WINDOW,CONCEALED,LH	
5	4644357	22	SCREW,10-12X1 1/4,#2 SQ DRIVE,#8,BUGLE	
6	3816592	2	STOP,WINDOW,REMOVABLE LATCH	
7	2260198	2	SCREW,SM,PH,FT/HD,8-18 X 1/2,TYPE B,ZN3	
8	0862953	AR	SEALANT,SCHNEE-MOREHEAD 5522,VINYL	
9	2185148	AR	SEALANT,UNISEAL	
10	3920675		FRAME,SIDE,PUSH OUT WINDOW,RH 12 OPG	
11	3920667		FRAME,SIDE,PUSH OUT WINDOW,LH 12 OPG	
12	3920733		SEAL,SIDE,PUSH OUT WINDOW,RH,12 OPG	
13	3920725		SEAL,SIDE,PUSH OUT WINDOW,LH,12 OPG	
14	3927373		RAIL,SIDE,SS,P/O,RH,12IN OPG,W/RMVBL LAT	
15	3927365		RAIL,SIDE,SS,P/O,LH,12IN OPG,W/RMVBL LAT	
16	3927357	2	SEAL,SLIDING,PUSH OUT WINDOW,12 IN OPG	
17	3927340	2	CHANNEL,SLIDING,UPPER,PUSH OUT WINDOW	
18	3920758		FRAME,UPPER,35IN PUSH OUT WINDOW	
19	3920774		SEAL,UPPER FRAME TO HEADER,35 POW	
20	3920790		SEAL,WEATHER,POW,35IN	
21	3920857		HINGE ASSY,35IN POW	
22	3920873		RAIL,UPPER,35IN,PUSH OUT WINDOW	
23	3920899		SEAL,UPPER FRAME TO LATCH RAIL,35IN POW	
24	3920915		RAIL,LATCH,W/REMOVABLE LATCH,35IN POW	
25	1981901		FRAME,LOWER,35 INCH,PUSHOUT WINDOW	
26	3920956		SEAL,LOWER FRAME,35IN POW	
27	3920980		RAIL,LOWER,LOWER SASH,35IN PUSH OUT	
28	3921004		RAIL ASSY,LOWER,35IN,POW	

**Models:** AAFE, AARE, A1VC, A3FE, A3RE, BBCV, B1VC, B2VC, GMCV, GPWB, SBCV, TCFE, TCRC, VCTA

**HORIZONTAL PUSH OUT  
35 INCH WITH 12 INCH OPENING  
GREEN TINTED, LAMINATED**

Key	PartNumber	Qty	Description	Comment
29	3921020		RAIL,LOWER,35IN PUSH OUT WINDOW	
30	1863513	2	GLAZING,VINYL,SB,12SS,P/O,1/8	
31	3921244		GLASS,SS,GREEN LAM,35,POW,12 OPG,UPPER	
32	3921186		GLASS,SS,GREEN LAM,35,POW,12 OPG,LOWER	
33	2165736	2	NUT,SPEED,P O W STRIKER	
34	2265940		SPACER,POW,STRIKER PLATE	
35	3876380		PLATE,STRIKER,PUSH-OUT WINDOW LATCH	
36	3876513	2	SCREW,SM,PH,PN/HD,NO12-24 X 3/8,TYPE C,	
37	2186401	10	SCREW,10-16 X 1/2,AB,PH1,PAN HD,YEL ZN	
NI	4033254	10	WASHER,SIDE WINDOW,ALUM	
NI	2000669	10	SCREW,1/4-14 X 3/4,TYP1,PH1,OVAL CNSK,YEL	



VCTA

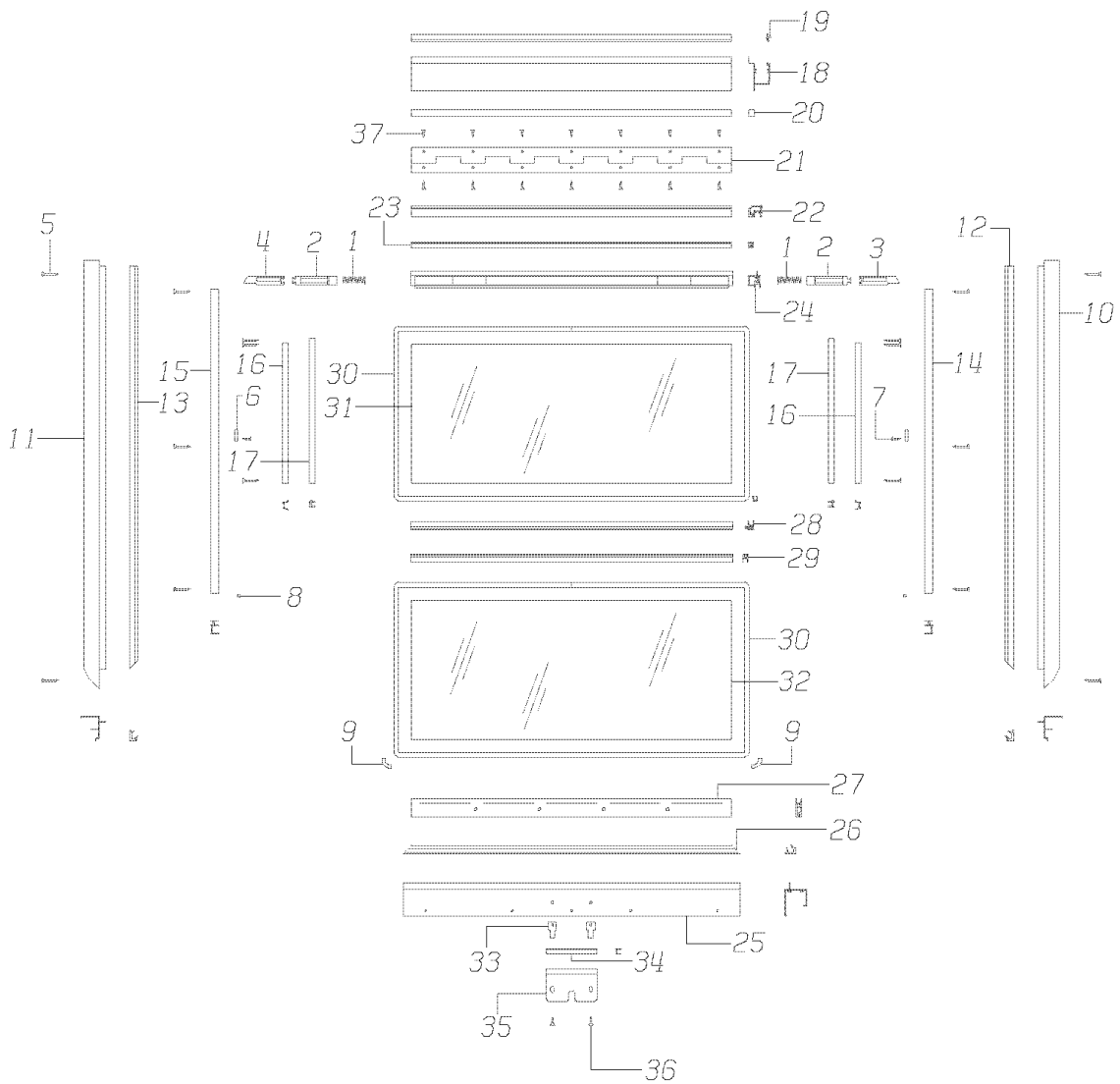
Models: AAFE, AARE, A3FE, A3RE, BBCV, B1VC, B2VC, GMCV, GPWB, SBCV, TCFE, TCRE,

**HORIZONTAL PUSH OUT  
35 INCH WITH 9 INCH OPENING  
CLEAR LAMINATED**

Key	PartNumber	Qty	Description	Comment
-----	------------	-----	-------------	---------

DR. 8/29/95	BY DB		3920535	G
APP. 8/29/95	BY AB	FRT		REV

© BLUE BIRD BODY COMPANY. ALL RIGHTS RESERVED



**VCTA**      **Models:**    **AAFE, AARE, A3FE, A3RE, BBCV, B1VC, B2VC, GMCV, GPWB, SBCV, TCFE, TCRE,**  
**HORIZONTAL PUSH OUT**  
**35 INCH WITH 9 INCH OPENING**  
**CLEAR LAMINATED**

Key	PartNumber	Qty	Description	Comment
			WINDOW ASSEMBLY 35 S/S, P/O, CLEAR LAM	
	3920600		WINDOW ASSY,35 S/S,P/O,CLEAR LAM	<i>ENDING WITH BSN B20144129B, B10144049, F10058589, L10125309 4-11-04</i>
	0073957		WINDOW ASSY,35,9SS,P/O,HORIZ,CLEAR LAM	<i>BEGIN WITH BSN B20144130B, B10144050, F10058590, L10125310 4-12-04</i>
1	3817558	2	SPRING,SPLIT SASH WINDOW,W/REMOVABLE	
2	2176584	2	ACTUATOR,LATCH,SIDE WINDOW	
3	2176576		LATCH,SIDE,WINDOW,CONCEALED,RH	
4	2176568		LATCH,SIDE,WINDOW,CONCEALED,LH	
5	4644357	22	SCREW,10-12X1 1/4,#2 SQ DRIVE,#8,BUGLE	
6	3816592	2	STOP,WINDOW,REMOVABLE LATCH	
7	2260198	2	SCREW,SM,PH,FT/HD,8-18 X 1/2,TYPE B,ZN3	
8	0862953	AR	SEALANT,SCHNEE-MOREHEAD 5522,VINYL	
9	2185148	AR	SEALANT,UNISEAL	
10	3920691		FRAME,SIDE,PUSH OUT WINDOW,RH	
11	3920683		FRAME,SIDE,PUSH OUT WINDOW,LH	
12	3920733		SEAL,SIDE,PUSH OUT WINDOW,RH,12 OPG	
13	3920709		SEAL,SIDE,PUSH OUT WINDOW,LH	
14	3929759		RAIL,SIDE,SS,P/O,RH,W/RMVBL LAT	
15	3929742		RAIL,SIDE,SS,P/O,LH,W/RMVBL LAT	
16	3929734	2	SEAL,SLIDING,PUSH OUT WINDOW	
17	3929726	2	CHANNEL,SLIDING,UPPER,PUSH OUT WINDOW	
18	3920758		FRAME,UPPER,35IN PUSH OUT WINDOW	
19	3920774		SEAL,UPPER FRAME TO HEADER,35 POW	
20	3920790		SEAL,WEATHER,POW,35IN	
21	3920840		HINGE ASSY,28IN POW	
22	3920873		RAIL,UPPER,35IN,PUSH OUT WINDOW	
23	3920899		SEAL,UPPER FRAME TO LATCH RAIL,35IN POW	
24	3920915		RAIL,LATCH,W/REMOVABLE LATCH,35IN POW	
25	1981901		FRAME,LOWER,35 INCH,PUSHOUT WINDOW	
26	3920956		SEAL,LOWER FRAME,35IN POW	
27	3920980		RAIL,LOWER,LOWER SASH,35IN PUSH OUT	
28	3921004		RAIL ASSY,LOWER,35IN,POW	

**VCTA**

**Models: AAFE, AARE, A3FE, A3RE, BBCV, B1VC, B2VC, GMCV, GPWB, SBCV, TCFE, TCRE,**

**HORIZONTAL PUSH OUT  
35 INCH WITH 9 INCH OPENING  
CLEAR LAMINATED**

Key	PartNumber	Qty	Description	Comment
29	3921020		RAIL,LOWER,35IN PUSH OUT WINDOW	
30	1863505	2	GLAZING,VINYL,.125 GLASS,66.50""	
31	3929676		GLASS,SS,CLEAR LAM,35,POW,9 OPG,UPPER	
32	3921137		GLASS,SS,CLEAR LAM,35,POW,9 OPG,LOWER	
33	2165736	2	NUT,SPEED,P O W STRIKER	
34	2265940		SPACER,POW,STRIKER PLATE	
35	3876380		PLATE,STRIKER,PUSH-OUT WINDOW LATCH	
36	3876513	2	SCREW,SM,PH,PN/HD,NO12-24 X 3/8,TYPE C,	
37	2186401	10	SCREW,10-16 X 1/2,AB,PH1,PAN HD,YEL ZN	
NI	4033254	10	WASHER,SIDE WINDOW,ALUM	
NI	2000669	10	SCREW,1/4-14 X 3/4,TYP1,PH1,OVAL CNSK,YEL	

VCTA

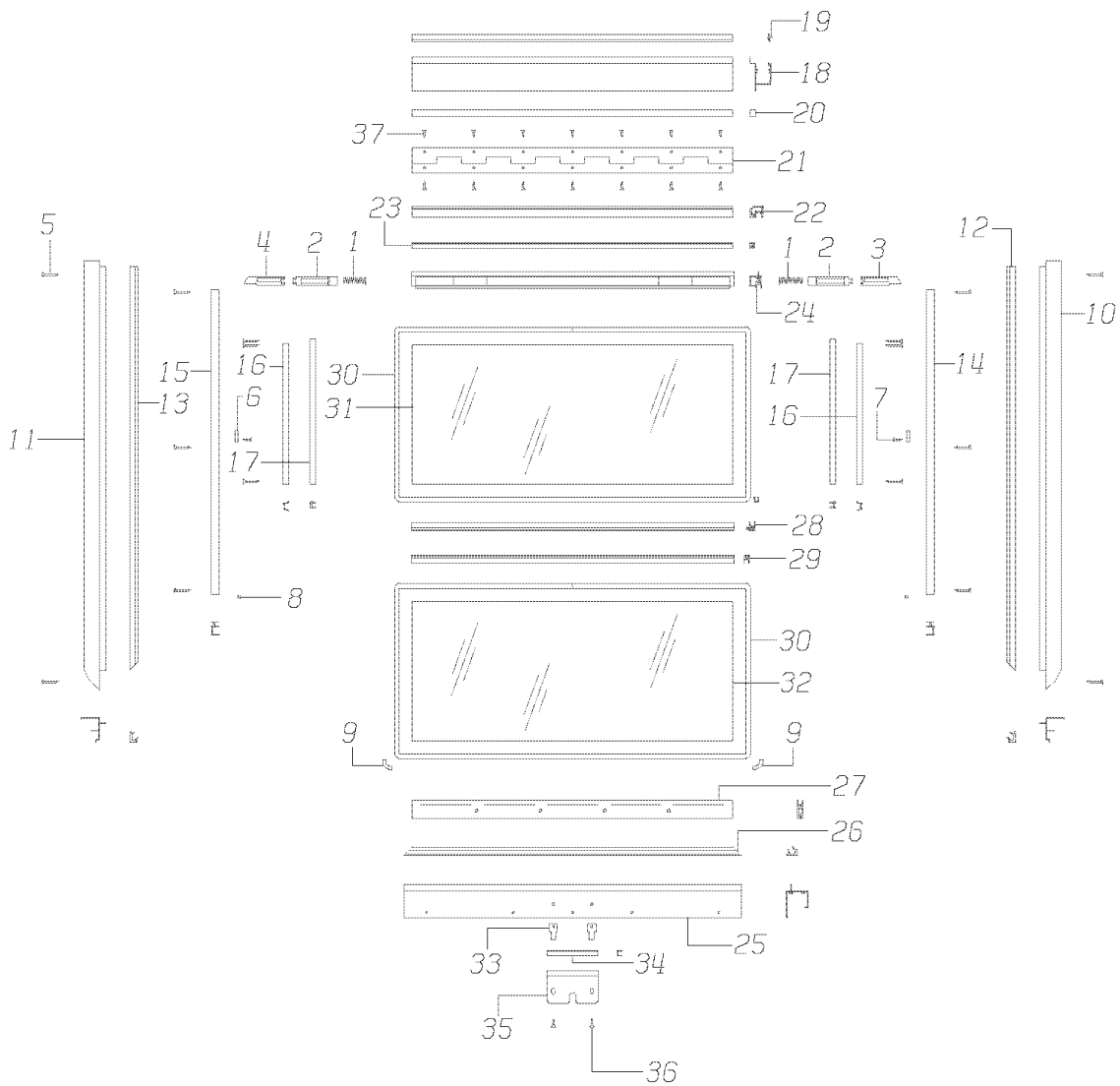
Models: AAFE, AARE, A3FE, A3RE, BBCV, B1VC, B2VC, GMCV, GPWB, SBCV, TCFE, TCRE,

**HORIZONTAL PUSH OUT  
35 INCH WITH 9 INCH OPENING  
CLEAR TEMPERED**

Key	PartNumber	Qty	Description	Comment
-----	------------	-----	-------------	---------

DR. 8/29/95	BY DB		3920535	G
APP. 8/29/95	BY AB	FRT		REV

© BLUE BIRD BODY COMPANY. ALL RIGHTS RESERVED



**VCTA**      **Models:**    **AAFE, AARE, A3FE, A3RE, BBCV, B1VC, B2VC, GMCV, GPWB, SBCV, TCFE, TCRE,**  
**HORIZONTAL PUSH OUT**  
**35 INCH WITH 9 INCH OPENING**  
**CLEAR TEMPERED**

Key	PartNumber	Qty	Description	Comment
			WINDOW ASSEMBLY 35, 9SS, P/O, CLEAR	
	0037069		WINDOW ASSY,35,9SS,P/O,CLEAR TEMP,HORIZ	<i>ENDING WITH BSN B20144129B, B10144049, F10058589, L10125309 4-11-04</i>
	0073967		WINDOW ASSY,35,9SS,P/O,HORIZ,CLEAR TEMP	<i>BEGIN WITH BSN B20144130B, B10144050, F10058590, L10125310 4-12-04</i>
1	3817558	2	SPRING,SPLIT SASH WINDOW,W/REMOVABLE	
2	2176584	2	ACTUATOR,LATCH,SIDE WINDOW	
3	2176576		LATCH,SIDE,WINDOW,CONCEALED,RH	
4	2176568		LATCH,SIDE,WINDOW,CONCEALED,LH	
5	4644357	22	SCREW,10-12X1 1/4,#2 SQ DRIVE,#8,BUGLE	
6	3816592	2	STOP,WINDOW,REMOVABLE LATCH	
7	2260198	2	SCREW,SM,PH,FT/HD,8-18 X 1/2,TYPE B,ZN3	
8	0862953	AR	SEALANT,SCHNEE-MOREHEAD 5522,VINYL	
9	2185148	AR	SEALANT,UNISEAL	
10	3920691		FRAME,SIDE,PUSH OUT WINDOW,RH	
11	3920683		FRAME,SIDE,PUSH OUT WINDOW,LH	
12	3920733		SEAL,SIDE,PUSH OUT WINDOW,RH,12 OPG	
13	3920709		SEAL,SIDE,PUSH OUT WINDOW,LH	
14	3929759		RAIL,SIDE,SS,P/O,RH,W/RMVBL LAT	
15	3929742		RAIL,SIDE,SS,P/O,LH,W/RMVBL LAT	
16	3929734	2	SEAL,SLIDING,PUSH OUT WINDOW	
17	3929726	2	CHANNEL,SLIDING,UPPER,PUSH OUT WINDOW	
18	3920758		FRAME,UPPER,35IN PUSH OUT WINDOW	
19	3920774		SEAL,UPPER FRAME TO HEADER,35 POW	
20	3920790		SEAL,WEATHER,POW,35IN	
21	3920840		HINGE ASSY,28IN POW	
22	3920873		RAIL,UPPER,35IN,PUSH OUT WINDOW	
23	3920899		SEAL,UPPER FRAME TO LATCH RAIL,35IN POW	
24	3920915		RAIL,LATCH,W/REMOVABLE LATCH,35IN POW	
25	1981901		FRAME,LOWER,35 INCH,PUSHOUT WINDOW	
26	3920956		SEAL,LOWER FRAME,35IN POW	
27	3920980		RAIL,LOWER,LOWER SASH,35IN PUSH OUT	
28	3921004		RAIL ASSY,LOWER,35IN,POW	

**VCTA**

**Models: AAFE, AARE, A3FE, A3RE, BBCV, B1VC, B2VC, GMCV, GPWB, SBCV, TCFE, TCRE,**  
**HORIZONTAL PUSH OUT**  
**35 INCH WITH 9 INCH OPENING**  
**CLEAR TEMPERED**

Key	PartNumber	Qty	Description	Comment
29	3921020		RAIL,LOWER,35IN PUSH OUT WINDOW	
30	3831153	2	GLAZING,VINYL,SB,SS WINDOW,59.75IN	
31	0036940		GLASS,SS,CLEAR TEMP,35,POW,9 OPG,UPPER	
32	0036941		GLASS,SS,CLEAR TEMP,35,POW,9 OPG,LOWER	
33	2165736	2	NUT,SPEED,P O W STRIKER	
34	2265940		SPACER,POW,STRIKER PLATE	
35	3876380		PLATE,STRIKER,PUSH-OUT WINDOW LATCH	
36	3876513	2	SCREW,SM,PH,PN/HD,NO12-24 X 3/8,TYPE C,	
37	2186401	10	SCREW,10-16 X 1/2,AB,PH1,PAN HD,YEL ZN	
NI	4033254	10	WASHER,SIDE WINDOW,ALUM	
NI	2000669	10	SCREW,1/4-14 X 3/4,TYP1,PH1,OVAL CNSK,YEL	

VCTA

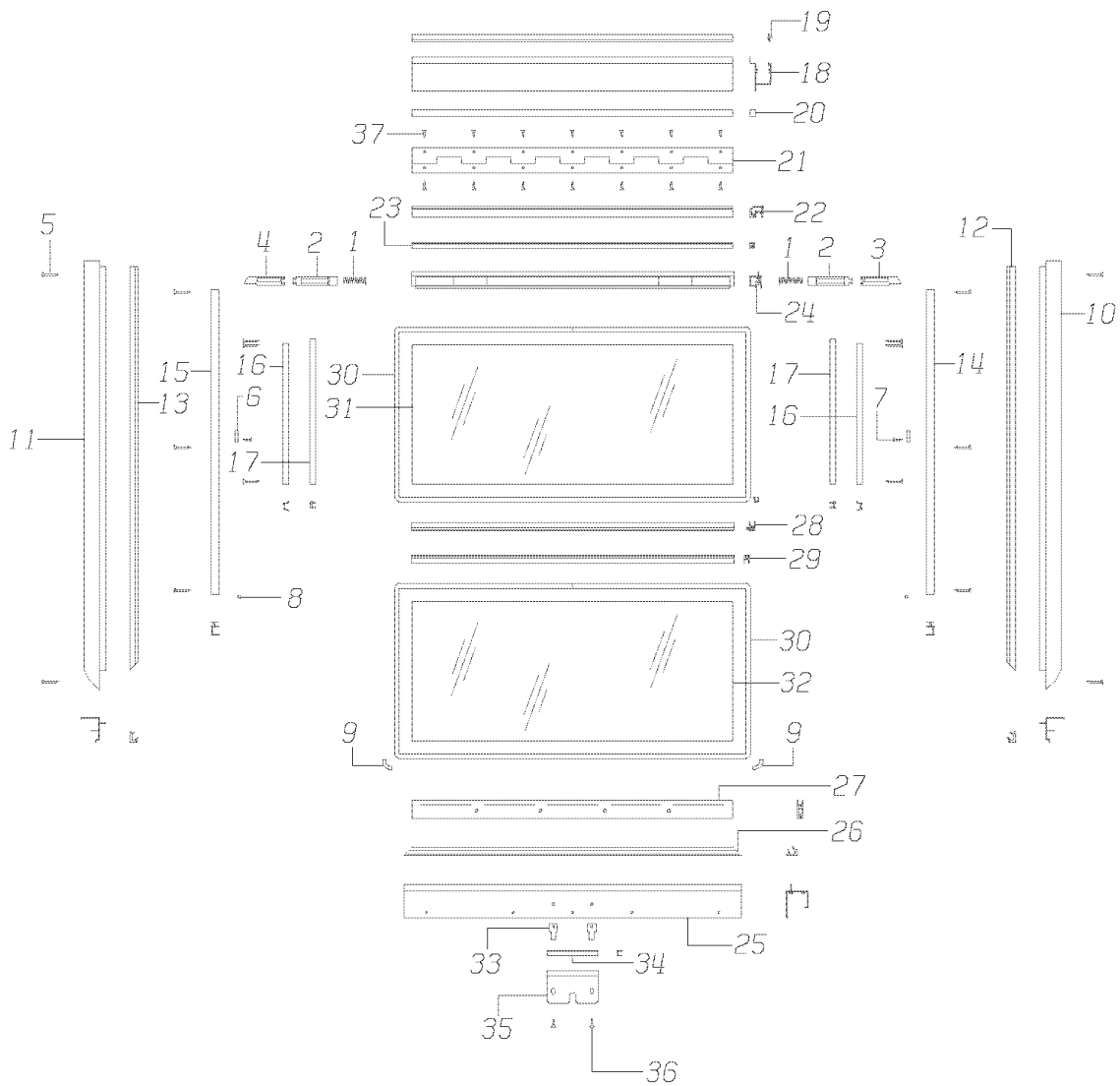
Models: AAFE, AARE, A3FE, A3RE, BBCV, B1VC, B2VC, GMCV, GPWB, SBCV, TCFE, TCRE,

**HORIZONTAL PUSH OUT  
35 INCH WITH 9 INCH OPENING  
DARK TINTED, LAMINATED**

Key	PartNumber	Qty	Description	Comment
-----	------------	-----	-------------	---------

DR. 8/29/95	BY DB		3920535	G
APP. 8/29/95	BY AB	FRT		REV

© BLUE BIRD BODY COMPANY. ALL RIGHTS RESERVED



**VCTA**      **Models:**    **AAFE, AARE, A3FE, A3RE, BBCV, B1VC, B2VC, GMCV, GPWB, SBCV, TCFE, TCRE,**  
**HORIZONTAL PUSH OUT**  
**35 INCH WITH 9 INCH OPENING**  
**DARK TINTED, LAMINATED**

Key	PartNumber	Qty	Description	Comment
			WINDOW ASSEMBLY 35, 9SS, P/O, DARK TINT	
	3920618		WINDOW ASSY,35,9SS,P/O,DARK TINT	<i>ENDING WITH BSN B20144129B, B10144049, F10058589, L10125309 4-11-04</i>
	0073959		WINDOW ASSY,35,9SS,P/O,HORIZ,DK TINT LAM	<i>BEGIN WITH BSN B20144130B, B10144050, F10058590, L10125310 4-12-04</i>
1	3817558	2	SPRING,SPLIT SASH WINDOW,W/REMOVABLE	
2	2176584	2	ACTUATOR,LATCH,SIDE WINDOW	
3	2176576		LATCH,SIDE,WINDOW,CONCEALED,RH	
4	2176568		LATCH,SIDE,WINDOW,CONCEALED,LH	
5	4644357	22	SCREW,10-12X1 1/4,#2 SQ DRIVE,#8,BUGLE	
6	3816592	2	STOP,WINDOW,REMOVABLE LATCH	
7	2260198	2	SCREW,SM,PH,FT/HD,8-18 X 1/2,TYPE B,ZN3	
8	0862953	AR	SEALANT,SCHNEE-MOREHEAD 5522,VINYL	
9	2185148	AR	SEALANT,UNISEAL	
10	3920691		FRAME,SIDE,PUSH OUT WINDOW,RH	
11	3920683		FRAME,SIDE,PUSH OUT WINDOW,LH	
12	3920733		SEAL,SIDE,PUSH OUT WINDOW,RH,12 OPG	
13	3920709		SEAL,SIDE,PUSH OUT WINDOW,LH	
14	3929759		RAIL,SIDE,SS,P/O,RH,W/RMVBL LAT	
15	3929742		RAIL,SIDE,SS,P/O,LH,W/RMVBL LAT	
16	3929734	2	SEAL,SLIDING,PUSH OUT WINDOW	
17	3929726	2	CHANNEL,SLIDING,UPPER,PUSH OUT WINDOW	
18	3920758		FRAME,UPPER,35IN PUSH OUT WINDOW	
19	3920774		SEAL,UPPER FRAME TO HEADER,35 POW	
20	3920790		SEAL,WEATHER,POW,35IN	
21	3920840		HINGE ASSY,28IN POW	
22	3920873		RAIL,UPPER,35IN,PUSH OUT WINDOW	
23	3920899		SEAL,UPPER FRAME TO LATCH RAIL,35IN POW	
24	3920915		RAIL,LATCH,W/REMOVABLE LATCH,35IN POW	
25	1981901		FRAME,LOWER,35 INCH,PUSHOUT WINDOW	
26	3920956		SEAL,LOWER FRAME,35IN POW	
27	3920980		RAIL,LOWER,LOWER SASH,35IN PUSH OUT	
28	3921004		RAIL ASSY,LOWER,35IN,POW	



**VCTA**      **Models:** **AAFE, AARE, A3FE, A3RE, BBCV, B1VC, B2VC, GMCV, GPWB, SBCV, TCFE, TCRE,**  
**HORIZONTAL PUSH OUT**  
**35 INCH WITH 9 INCH OPENING**  
**DARK TINTED, LAMINATED**

Key	PartNumber	Qty	Description	Comment
29	3921020		RAIL,LOWER,35IN PUSH OUT WINDOW	
30	1863505	2	GLAZING,VINYL,.125 GLASS,66.50"'"	
31	3929692		GLASS,SS,DARK TINT LAM,35,POW,9 OPG,	
32	3921145		GLASS,SS,DARK TINT LAM,35,POW,9 OPG,	
33	2165736	2	NUT,SPEED,P O W STRIKER	
34	2265940		SPACER,POW,STRIKER PLATE	
35	3876380		PLATE,STRIKER,PUSH-OUT WINDOW LATCH	
36	3876513	2	SCREW,SM,PH,PN/HD,NO12-24 X 3/8,TYPE C,	
37	2186401	10	SCREW,10-16 X 1/2,AB,PH1,PAN HD,YEL ZN	
NI	4033254	10	WASHER,SIDE WINDOW,ALUM	
NI	2000669	10	SCREW,1/4-14 X 3/4,TYP1,PH1,OVAL CNSK,YEL	

VCTA

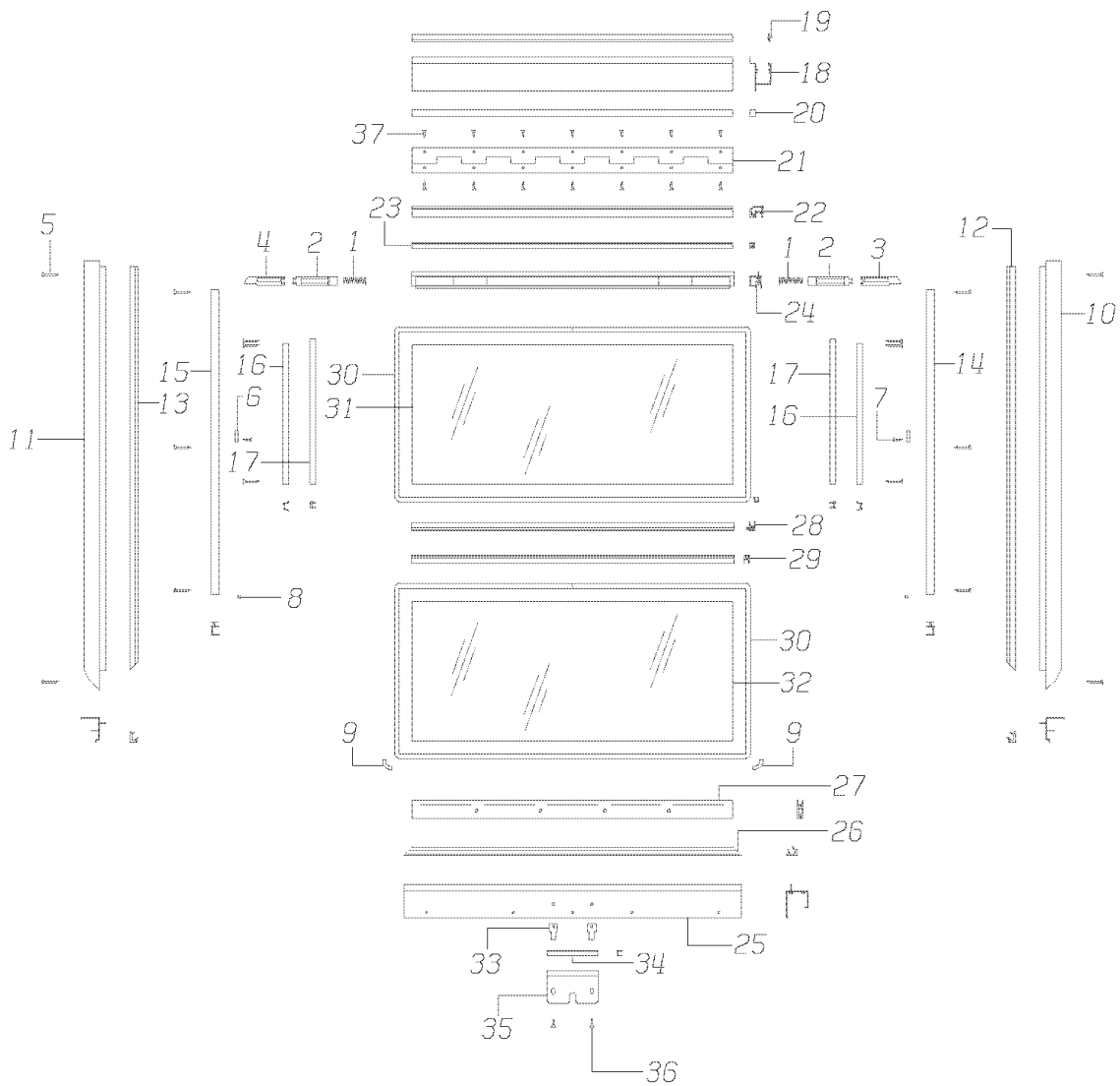
Models: AAFE, AARE, A3FE, A3RE, BBCV, B1VC, B2VC, GMCV, GPWB, SBCV, TCFE, TCRE,

**HORIZONTAL PUSH OUT  
35 INCH WITH 9 INCH OPENING  
DARK TINTED, TEMPERED**

Key	PartNumber	Qty	Description	Comment
-----	------------	-----	-------------	---------

DR. 8/29/95	BY DB		3920535	G
APP. 8/29/95	BY AB	FRT		REV

© BLUE BIRD BODY COMPANY. ALL RIGHTS RESERVED



**VCTA**      **Models:** **AAFE, AARE, A3FE, A3RE, BBCV, B1VC, B2VC, GMCV, GPWB, SBCV, TCFE, TCRE,**  
**HORIZONTAL PUSH OUT**  
**35 INCH WITH 9 INCH OPENING**  
**DARK TINTED, TEMPERED**

Key	PartNumber	Qty	Description	Comment
			WINDOW ASSEMBLY 35, 9SS, P/O, DARK	
	1862234		WINDOW ASSY,35,9SS,P/O,DARK TINT	<i>ENDING WITH BSN B20144129B, B10144049, F10058589, L10125309 4-11-04</i>
	0073958		WINDOW ASSY,35,9SS,P/O,HORIZ,DK TINT	<i>BEGIN WITH BSN B20144130B, B10144050, F10058590, L10125310 4-12-04</i>
1	3817558	2	SPRING,SPLIT SASH WINDOW,W/REMOVABLE	
2	2176584	2	ACTUATOR,LATCH,SIDE WINDOW	
3	2176576		LATCH,SIDE,WINDOW,CONCEALED,RH	
4	2176568		LATCH,SIDE,WINDOW,CONCEALED,LH	
5	4644357	22	SCREW,10-12X1 1/4,#2 SQ DRIVE,#8,BUGLE	
6	3816592	2	STOP,WINDOW,REMOVABLE LATCH	
7	2260198	2	SCREW,SM,PH,FT/HD,8-18 X 1/2,TYPE B,ZN3	
8	0862953	AR	SEALANT,SCHNEE-MOREHEAD 5522,VINYL	
9	2185148	AR	SEALANT,UNISEAL	
10	3920691		FRAME,SIDE,PUSH OUT WINDOW,RH	
11	3920683		FRAME,SIDE,PUSH OUT WINDOW,LH	
12	3920733		SEAL,SIDE,PUSH OUT WINDOW,RH,12 OPG	
13	3920709		SEAL,SIDE,PUSH OUT WINDOW,LH	
14	3929759		RAIL,SIDE,SS,P/O,RH,W/RMVBL LAT	
15	3929742		RAIL,SIDE,SS,P/O,LH,W/RMVBL LAT	
16	3929734	2	SEAL,SLIDING,PUSH OUT WINDOW	
17	3929726	2	CHANNEL,SLIDING,UPPER,PUSH OUT WINDOW	
18	3920758		FRAME,UPPER,35IN PUSH OUT WINDOW	
19	3920774		SEAL,UPPER FRAME TO HEADER,35 POW	
20	3920790		SEAL,WEATHER,POW,35IN	
21	3920840		HINGE ASSY,28IN POW	
22	3920873		RAIL,UPPER,35IN,PUSH OUT WINDOW	
23	3920899		SEAL,UPPER FRAME TO LATCH RAIL,35IN POW	
24	3920915		RAIL,LATCH,W/REMOVABLE LATCH,35IN POW	
25	1981901		FRAME,LOWER,35 INCH,PUSHOUT WINDOW	
26	3920956		SEAL,LOWER FRAME,35IN POW	
27	3920980		RAIL,LOWER,LOWER SASH,35IN PUSH OUT	
28	3921004		RAIL ASSY,LOWER,35IN,POW	

**VCTA**      **Models:** **AAFE, AARE, A3FE, A3RE, BBCV, B1VC, B2VC, GMCV, GPWB, SBCV, TCFE, TCRE,**  
**HORIZONTAL PUSH OUT**  
**35 INCH WITH 9 INCH OPENING**  
**DARK TINTED, TEMPERED**

Key	PartNumber	Qty	Description	Comment
29	3921020		RAIL,LOWER,35IN PUSH OUT WINDOW	
30	1863505	2	GLAZING,VINYL,.125 GLASS,66.50""	
31	1864453		GLASS,SS,DARK TINT TEMP,35,POW,9 OPG,	
32	1864461		GLASS,SS,DARK TINT TEMP,35,POW,9 OPG,	
33	2165736	2	NUT,SPEED,P O W STRIKER	
34	2265940		SPACER,POW,STRIKER PLATE	
35	3876380		PLATE,STRIKER,PUSH-OUT WINDOW LATCH	
36	3876513	2	SCREW,SM,PH,PN/HD,NO12-24 X 3/8,TYPE C,	
37	2186401	10	SCREW,10-16 X 1/2,AB,PH1,PAN HD,YEL ZN	
NI	4033254	10	WASHER,SIDE WINDOW,ALUM	
NI	2000669	10	SCREW,1/4-14 X 3/4,TYP1,PH1,OVAL CNSK,YEL	

VCTA

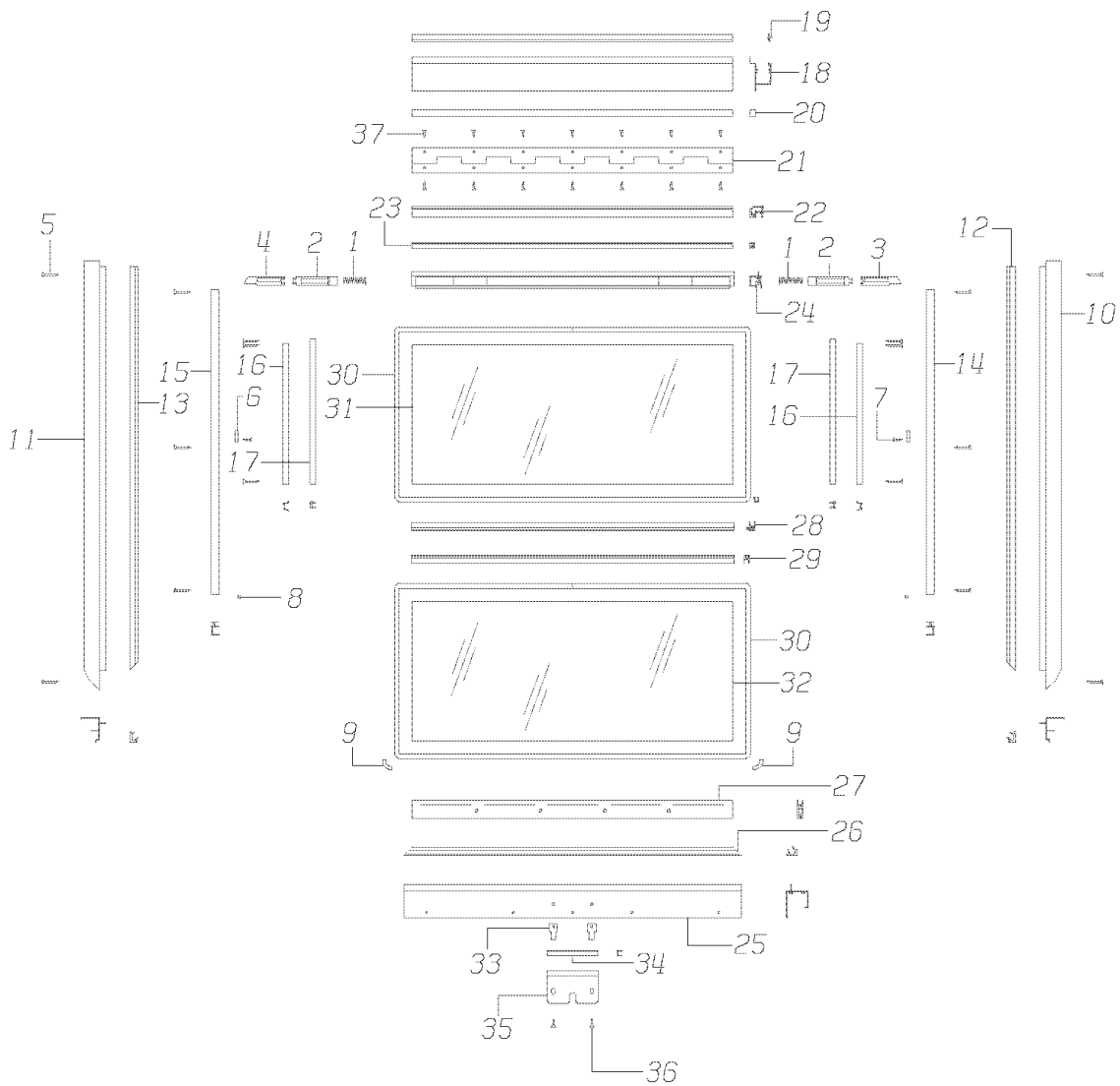
Models: AAFE, AARE, A3FE, A3RE, BBCV, B1VC, B2VC, GMCV, GPWB, SBCV, TCFE, TCRE,

**HORIZONTAL PUSH OUT  
35 INCH WITH 9 INCH OPENING  
GREEN TINTED, LAMINATED**

Key	PartNumber	Qty	Description	Comment
-----	------------	-----	-------------	---------

DR. 8/29/95	BY DB		3920535	G
APP. 8/29/95	BY AB	FRT		REV

© BLUE BIRD BODY COMPANY. ALL RIGHTS RESERVED



VCTA

Models: AAFE, AARE, A3FE, A3RE, BBCV, B1VC, B2VC, GMCV, GPWB, SBCV, TCFE, TCRE,

**HORIZONTAL PUSH OUT  
35 INCH WITH 9 INCH OPENING  
GREEN TINTED, LAMINATED**

Key	PartNumber	Qty	Description	Comment
			WINDOW ASSEMBLY 35 S/S, P/O, GREEN TINT	
	3920626		WINDOW ASSY,35 S/S,P/O,GREEN TINT	<i>ENDING WITH BSN B20144129B, B10144049, F10058589, L10125309 4-11-04</i>
	0073960		WINDOW ASSY,35,9SS,P/O,HORIZ,GREEN TINT	<i>BEGIN WITH BSN B20144130B, B10144050, F10058590, L10125310 4-12-04</i>
1	3817558	2	SPRING,SPLIT SASH WINDOW,W/REMOVABLE	
2	2176584	2	ACTUATOR,LATCH,SIDE WINDOW	
3	2176576		LATCH,SIDE,WINDOW,CONCEALED,RH	
4	2176568		LATCH,SIDE,WINDOW,CONCEALED,LH	
5	4644357	22	SCREW,10-12X1 1/4,#2 SQ DRIVE,#8,BUGLE	
6	3816592	2	STOP,WINDOW,REMOVABLE LATCH	
7	2260198	2	SCREW,SM,PH,FT/HD,8-18 X 1/2,TYPE B,ZN3	
8	0862953	AR	SEALANT,SCHNEE-MOREHEAD 5522,VINYL	
9	2185148	AR	SEALANT,UNISEAL	
10	3920691		FRAME,SIDE,PUSH OUT WINDOW,RH	
11	3920683		FRAME,SIDE,PUSH OUT WINDOW,LH	
12	3920733		SEAL,SIDE,PUSH OUT WINDOW,RH,12 OPG	
13	3920709		SEAL,SIDE,PUSH OUT WINDOW,LH	
14	3929759		RAIL,SIDE,SS,P/O,RH,W/RMVBL LAT	
15	3929742		RAIL,SIDE,SS,P/O,LH,W/RMVBL LAT	
16	3929734	2	SEAL,SLIDING,PUSH OUT WINDOW	
17	3929726	2	CHANNEL,SLIDING,UPPER,PUSH OUT WINDOW	
18	3920758		FRAME,UPPER,35IN PUSH OUT WINDOW	
19	3920774		SEAL,UPPER FRAME TO HEADER,35 POW	
20	3920790		SEAL,WEATHER,POW,35IN	
21	3920840		HINGE ASSY,28IN POW	
22	3920873		RAIL,UPPER,35IN,PUSH OUT WINDOW	
23	3920899		SEAL,UPPER FRAME TO LATCH RAIL,35IN POW	
24	3920915		RAIL,LATCH,W/REMOVABLE LATCH,35IN POW	
25	1981901		FRAME,LOWER,35 INCH,PUSHOUT WINDOW	
26	3920956		SEAL,LOWER FRAME,35IN POW	
27	3920980		RAIL,LOWER,LOWER SASH,35IN PUSH OUT	
28	3921004		RAIL ASSY,LOWER,35IN,POW	

**VCTA**      **Models:** **AAFE, AARE, A3FE, A3RE, BBCV, B1VC, B2VC, GMCV, GPWB, SBCV, TCFE, TCRE,**  
**HORIZONTAL PUSH OUT**  
**35 INCH WITH 9 INCH OPENING**  
**GREEN TINTED, LAMINATED**

Key	PartNumber	Qty	Description	Comment
29	3921020		RAIL,LOWER,35IN PUSH OUT WINDOW	
30	1863505	2	GLAZING,VINYL,.125 GLASS,66.50"'"	
31	3929718		GLASS,SS,GREEN LAM,35,POW,9 OPG,UPPER	
32	3921152		GLASS,SS,GREEN LAM,35,POW,9 OPG,LOWER	
33	2165736	2	NUT,SPEED,P O W STRIKER	
34	2265940		SPACER,POW,STRIKER PLATE	
35	3876380		PLATE,STRIKER,PUSH-OUT WINDOW LATCH	
36	3876513	2	SCREW,SM,PH,PN/HD,NO12-24 X 3/8,TYPE C,	
37	2186401	10	SCREW,10-16 X 1/2,AB,PH1,PAN HD,YEL ZN	
NI	4033254	10	WASHER,SIDE WINDOW,ALUM	
NI	2000669	10	SCREW,1/4-14 X 3/4,TYP1,PH1,OVAL CNSK,YEL	

**Models:** AAFE, AARE, A1VC, A3FE, A3RE, BBCV, C1FE, GMCV, GPWB, SBCV, TCFE, TCRE, TSFE, VCTA

**HORIZONTAL PUSH OUT GLASS**

**BSN:** From BSN 018805, 369412, 256959,188871

Key	PartNumber	Qty	Description	Comment
			GLASS, SS, TEMPERED	
	1864438		GLASS,SS,DARK TINT TEMP,28,POW,9 OPG,	3 MM
	1864446		GLASS,SS,DARK TINT TEMP,28,POW,9 OPG,	3 MM
	1864453		GLASS,SS,DARK TINT TEMP,35,POW,9 OPG,	3 MM
	1864461		GLASS,SS,DARK TINT TEMP,35,POW,9 OPG,	3 MM
	1864479		GLASS,SS,DARK TINT TEMP,28,POW,12 OPG,	3 MM
	1864487		GLASS,SS,DARK TINT TEMP,28,POW,12 OPG,	3 MM
	1864495		GLASS,DARK TINT TEMP,35,POW,12 OPG,UPPER	3 MM
	1864503		GLASS,SS,DARK TINT TEMP,35,POW,12 OPG,	3 MM



**Models:** AAFE, AARE, A1VC, A3FE, A3RE, BBCV, C1FE, GMCV, GPWB, SBCV, TCFE, TCRE, TSFE, VCTA

**HORIZONTAL PUSH OUT  
GLASS  
LAMINATED**

Key	PartNumber	Qty	Description	Comment
			GLASS, SPLIT SASH, LAMINATED, POW	
	3929668		GLASS,SS,CLEAR LAM,28,POW,9 OPG,UPPER	8.89 X 23.67 X .23
	3921079		GLASS,SS,CLEAR LAM,28,POW,9 OPG,LOWER	8.48 X 23.87 X .23
	3929676		GLASS,SS,CLEAR LAM,35,POW,9 OPG,UPPER	8.89 X 30.67 X .23
	3921137		GLASS,SS,CLEAR LAM,35,POW,9 OPG,LOWER	8.48 X 30.87 X .23
	3921194		GLASS,SS,CLEAR LAM,28,POW,12 OPG,UPPER	12.00 X 23.67 X .23
	3921103		GLASS,SS,CLEAR LAM,28,POW,12 OPG,LOWER	11.00 X 23.87 X .23
	3921228		GLASS,SS,CLEAR LAM,35,POW,12 OPG,UPPER"	12.00 X 30.67 X .23
	3921160		GLASS,SS,CLEAR LAM,35,POW,12 OPG,LOWER	11.00 X 30.87 X .23
	3929684		GLASS,SS,DARK TINT LAM,28,POW,9 OPG,	8.89 X 23.67 X .23
	3921087		GLASS,SS,DARK TINT LAM,28,POW,9 OPG,	8.48 X 23.87 X .23
	3929692		GLASS,SS,DARK TINT LAM,35,POW,9 OPG,	8.89 X 30.67 X .23
	3921145		GLASS,SS,DARK TINT LAM,35,POW,9 OPG,	8.48 X 30.87 X .23
	3921202		GLASS,SS,DRK TNT,BRNZ,LAM,28,POW,12 OPG,	12.00 X 23.67 X .23
	3921111		GLASS,SS,DRK TNT,BRNZ,LAM,28,POW,12 OPG,	11.00 X 23.87 X .23
	3921236		GLASS,SS,DARK TINT LAM,35,POW,12 OPG,	12.00 X 30.67 X .23
	3921178		GLASS,SS,DARK TINT LAM,35,POW,12 OPG,	11.00 X 30.87 X .23
	3929700		GLASS,SS,GREEN LAM,28,POW,9 OPG,UPPER	8.89 X 23.67 X .23
	3921095		GLASS,SS,GREEN LAM,28,POW,9 OPG,LOWER	8.48 X 23.87 X .23
	3929718		GLASS,SS,GREEN LAM,35,POW,9 OPG,UPPER	8.89 X 30.67 X .23
	3921152		GLASS,SS,GREEN LAM,35,POW,9 OPG,LOWER	8.48 X 30.87 X .23
	3921210		GLASS,SS,GREEN LAM,28,POW,12 OPG,UPPER	12.00 X 23.67 X .23
	3921129		GLASS,SS,GREEN LAM,28,POW,12 OPG,LOWER	11.00 X 23.87 X .23
	3921244		GLASS,SS,GREEN LAM,35,POW,12 OPG,UPPER	12.00 X 30.67 X .23
	3921186		GLASS,SS,GREEN LAM,35,POW,12 OPG,LOWER	11.00 X 30.87 X .23

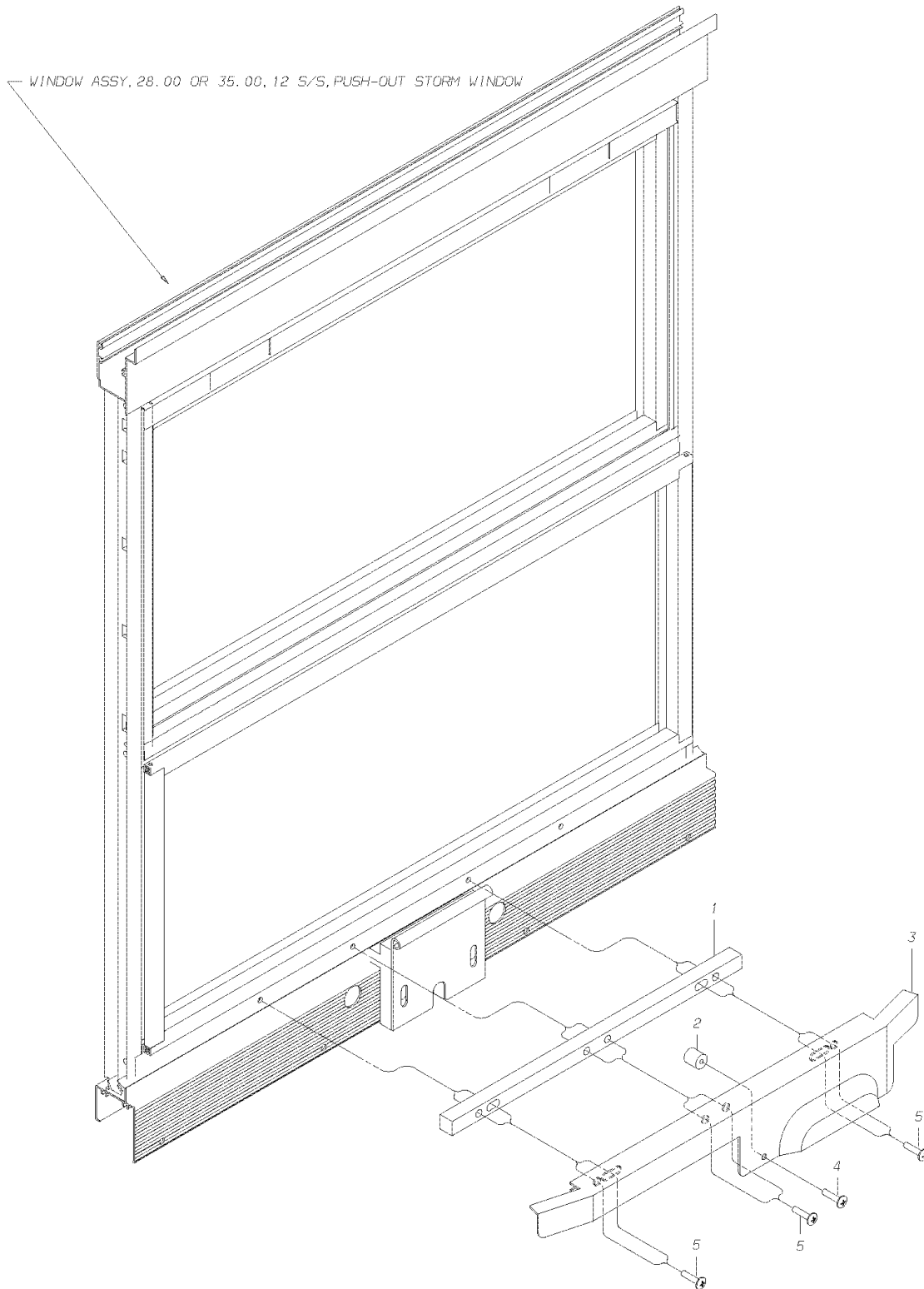
**Models:** AAFE, AARE, A1VC, A3FE, A3RE, BBCV, B1VC, B2VC, GMCV, GPWB, SBCV, TCFE, TCRE, VCTA

**HORIZONTAL PUSH OUT  
INSTALLATION HARDWARE**

Key	PartNumber	Qty	Description	Comment
			LATCH ASSY, HANDLE, P/O WINDOW	
	1991306		LATCH ASSY,HANDLE,P/O WINDOW,LH	
	1991298		LATCH ASSY,HANDLE,P/O WINDOW,RH	
	2167393		SWITCH,STANDARD POW WARNING BUZZ	<i>STANDARD POW WARNING BUZZER</i>
	1337039	2	SCREW,12-24 X 3/8,PH1,PAN HD,YEL ZN	
	1530229	AR	TAPE,FOAM,3/8 X 5/8 X 25FT ROLL,CLOSED	
			SILL, S/S WINDOW	
	1311422		SILL,WINDOW,SS,28IN,FMVSS 221	
	1311430		SILL,WINDOW,SS,35IN,FMVSS 221	
	4033254	2	WASHER,SIDE WINDOW,ALUM	
	1787704		WASHER,SIDE WINDOW,LOWER	
	1160399	2	PIN,RATCHET,TYPE ONE,RUBBER PAD,PC 47486	
	2000669	3	SCREW,1/4-14 X 3/4,TYP1,PH1,OVAL CNSK,YEL	
	1981687		SHIM,WINDOW BUZZER SWITCH,TSW S/S	
	1330893		PLUG,BUTTON,BLACK,DP-750,HEYCO 2683	

**Models:** A1VC, A3FE, A3RE, BBCV, B1VC, B2VC, SBCV  
**HORIZONTAL PUSH OUT  
 INSTALLATION HARDWARE**

Key	PartNumber	Qty	Description	Comment
-----	------------	-----	-------------	---------



**Models:** **A1VC, A3FE, A3RE, BBCV, B1VC, B2VC, SBCV**  
**HORIZONTAL PUSH OUT**  
**INSTALLATION HARDWARE**

Key	PartNumber	Qty	Description	Comment
1	0091228		SPACER,LATCH,HANDLE,P/O STORM WINDOW	
2	0091254		SPACER,BUZZER,ELEC,HANDLE,P/O STORM	
3	1991298		LATCH ASSY,HANDLE,P/O WINDOW,RH	
	1991306		LATCH ASSY,HANDLE,P/O WINDOW,LH	
4	2000750		SCREW,MACH,10-24 X 1/2,PH1,RD HD,YEL	
5	0070471		SCREW,PAN HD,12-24,3/4,F,PH1,YELLOW ZINC	

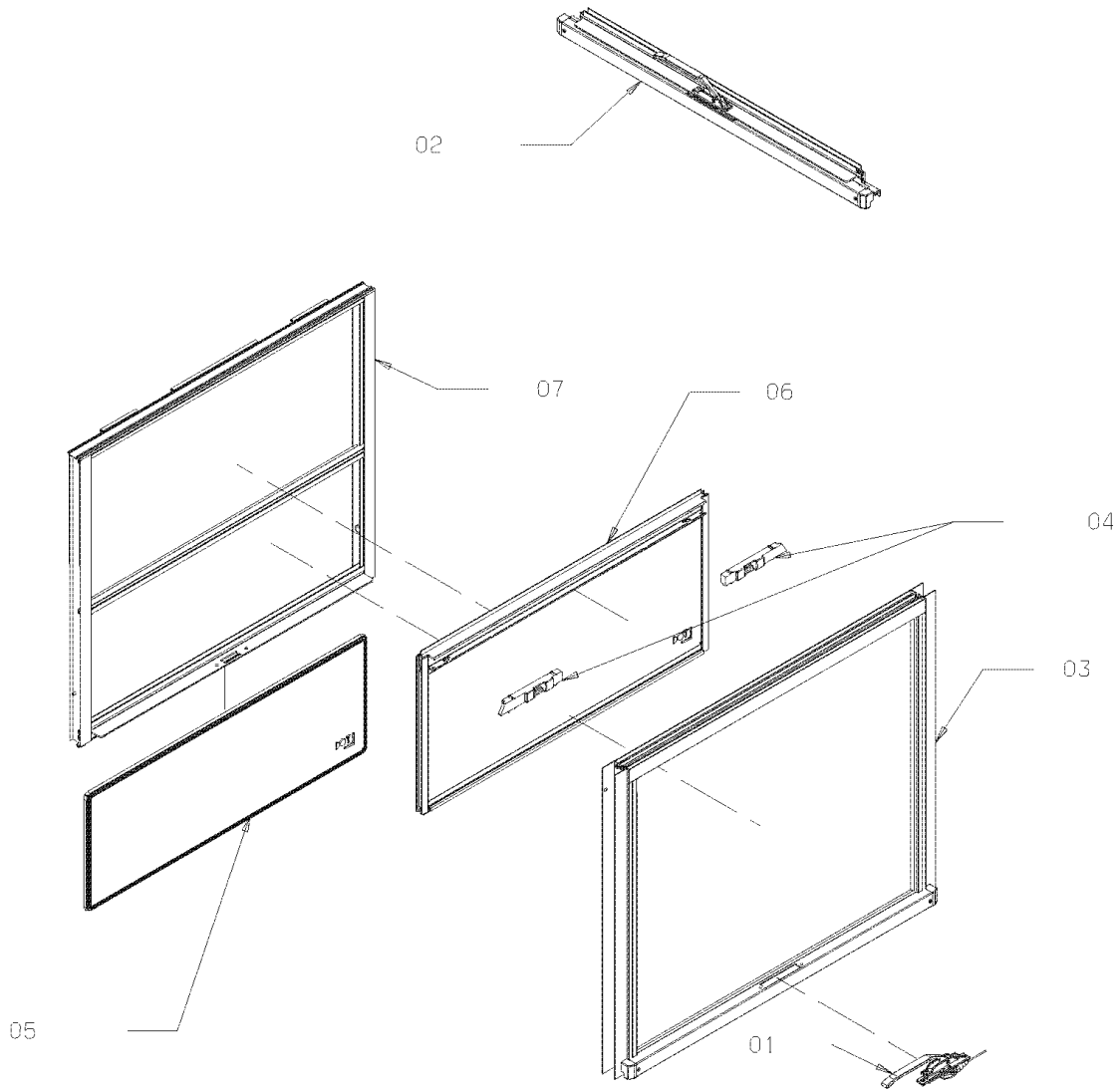
**Models:** AAFE, AARE, A1VC, A3FE, A3RE, BBCV, B1VC, B2VC, GMCV, GPWB, MBWB, SBCV, TCFE, TCRE, VOTA

**HORIZONTAL PUSH OUT  
INSTALLATION HARDWARE**

Key	PartNumber	Qty	Description	Comment
	1530229	AR	TAPE,FOAM,3/8 X 5/8 X 25FT ROLL,CLOSED SILL, S/S WINDOW	
	1311422		SILL,WINDOW,SS,28IN,FMVSS 221	
	1311430		SILL,WINDOW,SS,35IN,FMVSS 221	
	4033254	2	WASHER,SIDE WINDOW,ALUM	
	1787704		WASHER,SIDE WINDOW,LOWER	
	1160399	2	PIN,RATCHET,TYPE ONE,RUBBER PAD,PC 47486	
	2000669	3	SCREW,1/4-14 X 3/4,TYP1,PH1,OVAL CNSK,YEL	
	1981687		SHIM,WINDOW BUZZER SWITCH,TSW S/S	
	1330893		PLUG,BUTTON,BLACK,DP-750,HEYCO 2683	
	3876380	2	PLATE,STRIKER,PUSH-OUT WINDOW LATCH	

Models: A3FE, A3RE, BBCV, SBCV  
HORIZONTAL PUSH OUT  
SPECTAL, ALUMINUM FRAME  
28 INCH WITH 12 INCH OPENING

Key	PartNumber	Qty	Description	Comment
-----	------------	-----	-------------	---------



**Models:** **A3FE, A3RE, BBCV, SBCV**  
**HORIZONTAL PUSH OUT**  
**SPECTAL, ALUMINUM FRAME**  
**28 INCH WITH 12 INCH OPENING**

Key	PartNumber	Qty	Description	Comment
	0093452		WINDOW ASSY,28,12SS,PO,HOR,CLR TMP,SPCT	<i>CONSISTS OF THE FOLLOWING</i>
1	0098185		KIT,SWITCH,HORIZ P/O,SPECTAL	
2	0098188		KIT,WINDOW,BASE,ALUM,28	
3	0098195		KIT,WINDOW,HORIZ P/O,EXT FRAME,	
4	0097143		KIT,PASS WDO,SLIDER LOCK KIT	
5	0097552		KIT,WINDOW,P/O,BOTTOM GLASS,28/12	
6	0097614		KIT,WINDOW,P/O,SLIDER,CLEAR,TEMP,	
7	0098203		KIT,WINDOW,P/O,INT FRAME,ALUM,28/12	
	0093453		WINDOW ASSY,28,12SS,PO,HOR,CLR LAM,SPCT	<i>CONSISTS OF THE FOLLOWING</i>
1	0098185		KIT,SWITCH,HORIZ P/O,SPECTAL	
2	0098188		KIT,WINDOW,BASE,ALUM,28	
3	0098195		KIT,WINDOW,HORIZ P/O,EXT FRAME,	
4	0097143		KIT,PASS WDO,SLIDER LOCK KIT	
5	0097553		KIT,WINDOW,P/O,BOTTOM GLASS,28/12	
6	0097615		KIT,WINDOW,P/O,SLIDER,CLEAR,LAM,	
7	0098203		KIT,WINDOW,P/O,INT FRAME,ALUM,28/12	
	0093454		WINDOW ASSY,28,12SS,PO,HOR,TNT TMP,SPCT	<i>CONSISTS OF THE FOLLOWING</i>
1	0098185		KIT,SWITCH,HORIZ P/O,SPECTAL	
2	0098188		KIT,WINDOW,BASE,ALUM,28	
3	0098195		KIT,WINDOW,HORIZ P/O,EXT FRAME,	
4	0097143		KIT,PASS WDO,SLIDER LOCK KIT	
5	0097554		KIT,WINDOW,P/O,BOTTOM GLASS,28/12	
6	0097616		KIT,WINDOW,P/O,SLIDER,TNT,TEMP,	
7	0098203		KIT,WINDOW,P/O,INT FRAME,ALUM,28/12	
	0093455		WINDOW ASSY,28,12SS,PO,HOR,TNT LAM,SPCT	<i>CONSISTS OF THE FOLLOWING</i>
1	0098185		KIT,SWITCH,HORIZ P/O,SPECTAL	
2	0098188		KIT,WINDOW,BASE,ALUM,28	
3	0098195		KIT,WINDOW,HORIZ P/O,EXT FRAME,	
4	0097143		KIT,PASS WDO,SLIDER LOCK KIT	
5	0097555		KIT,WINDOW,P/O,BOTTOM GLASS,28/12	
6	0067617		INSERT,THD,AVK,AH,1/4-20 UNC,165 GRIP,SST	
7	0098203		KIT,WINDOW,P/O,INT FRAME,ALUM,28/12	
	0093465		WINDOW ASSY,28,12SS,PO,HOR,TINTED,POLY,	<i>CONSISTS OF THE FOLLOWING</i>

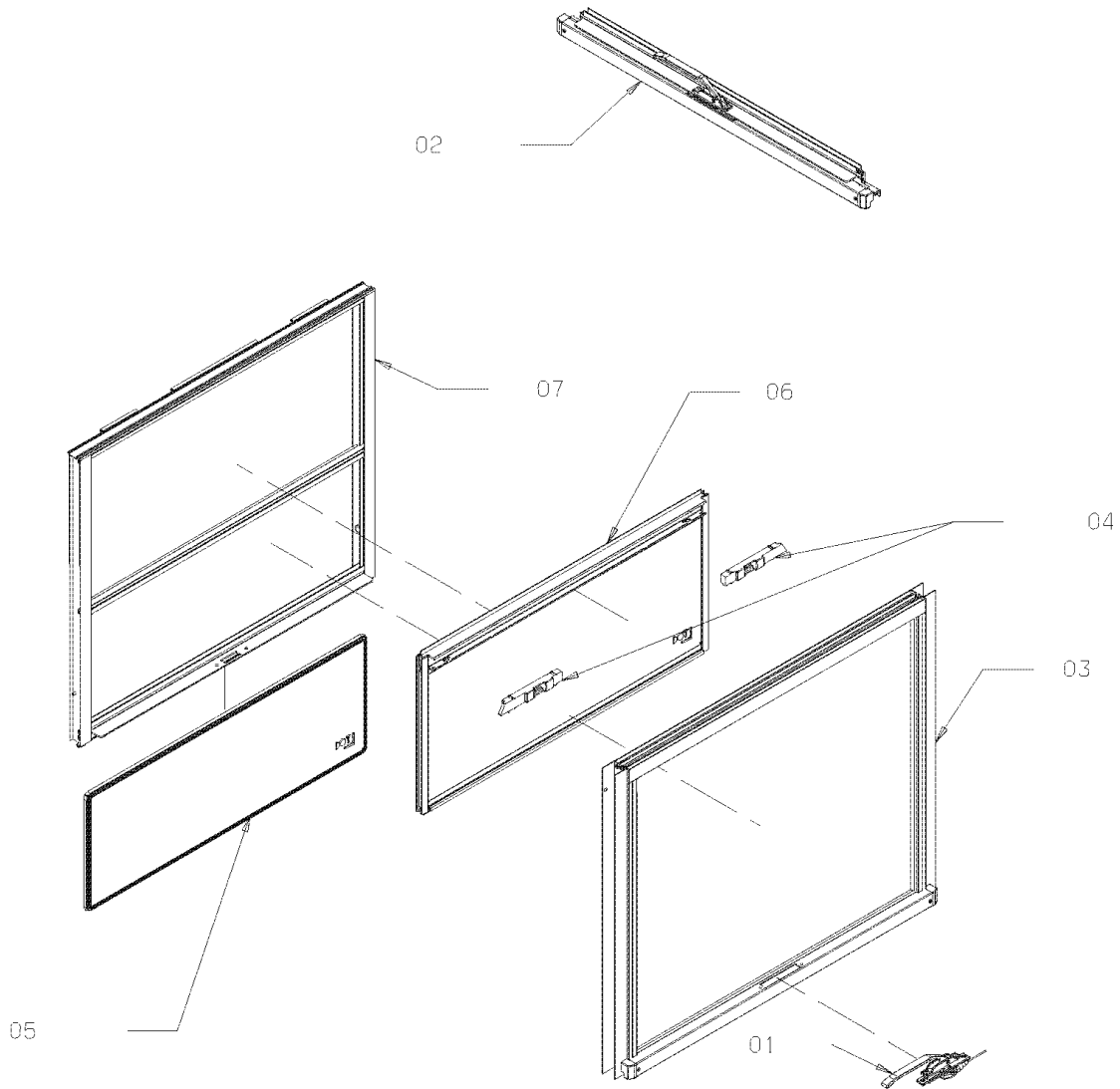
**Models:** **A3FE, A3RE, BBCV, SBCV**  
**HORIZONTAL PUSH OUT**  
**SPECTAL, ALUMINUM FRAME**  
**28 INCH WITH 12 INCH OPENING**

Key	PartNumber	Qty	Description	Comment
1	0098185		KIT,SWITCH,HORIZ P/O,SPECTAL	
2	0098188		KIT,WINDOW,BASE,ALUM,28	
3	0098195		KIT,WINDOW,HORIZ P/O,EXT FRAME,	
4	0097143		KIT,PASS WDO,SLIDER LOCK KIT	
5	0098310		KIT,WINDOW,P/O,BOTTOM GLASS,28/12	
6	0098308		KIT,WINDOW,P/O,SLIDER,TNT,POLY,28/12	
7	0098203		KIT,WINDOW,P/O,INT FRAME,ALUM,28/12	



**Models:** A3FE, A3RE, BBCV, SBCV  
HORIZONTAL PUSH OUT  
SPECTAL, ALUMINUM FRAME  
28 INCH WITH 9 INCH OPENING

Key	PartNumber	Qty	Description	Comment
-----	------------	-----	-------------	---------

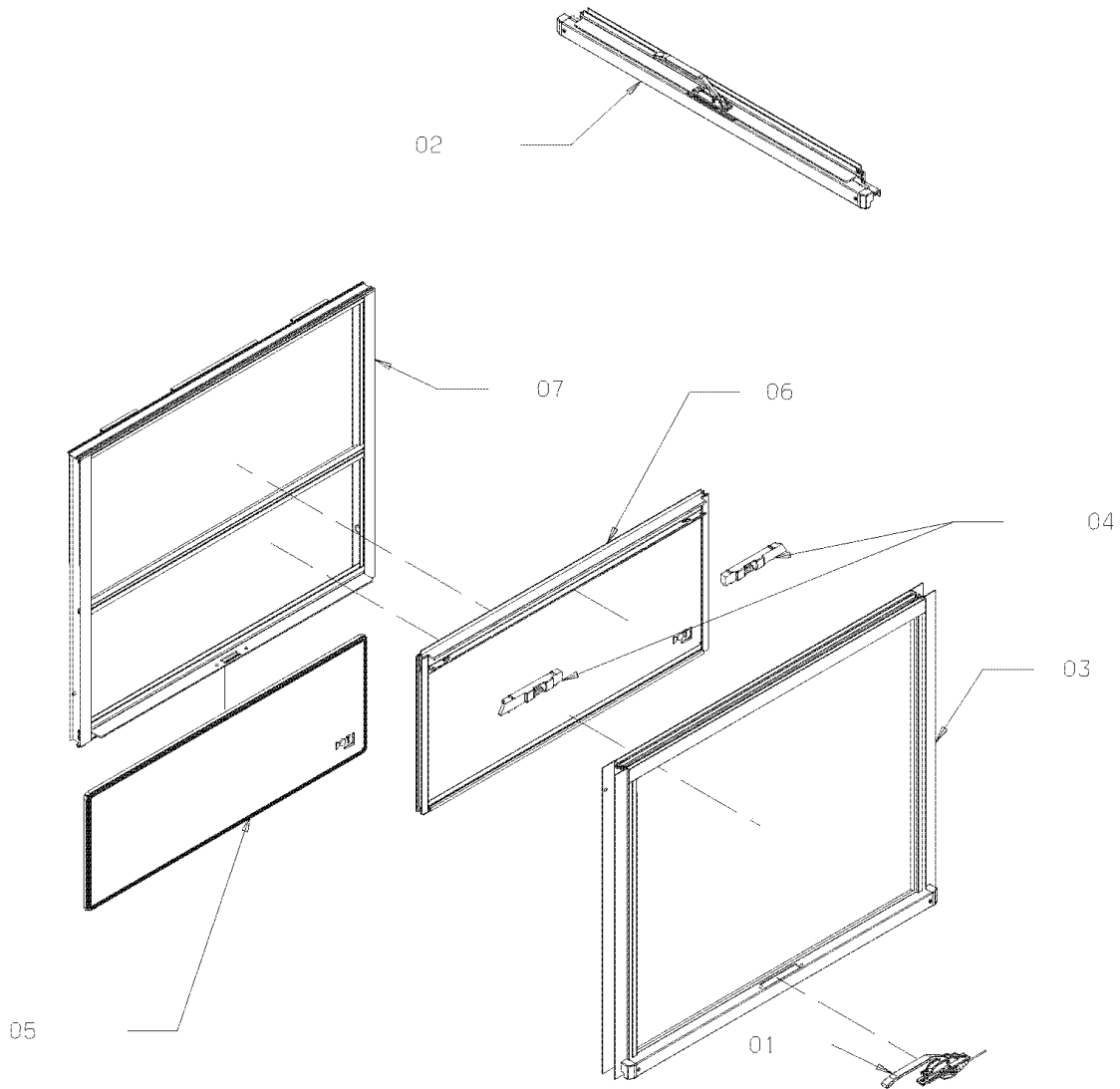


**Models:** **A3FE, A3RE, BBCV, SBCV**  
**HORIZONTAL PUSH OUT**  
**SPECTAL, ALUMINUM FRAME**  
**28 INCH WITH 9 INCH OPENING**

Key	PartNumber	Qty	Description	Comment
	0093447		WINDOW ASSY,28,9SS,PO,HOR,CLR TMP,SPCT	CONSISTS OF THE FOLLOWING
1	0098185		KIT,SWITCH,HORIZ P/O,SPECTAL	
2	0098188		KIT,WINDOW,BASE,ALUM,28	
3	0098194		KIT,WINDOW,HORIZ P/O,EXT FRAME,	
4	0097143		KIT,PASS WDO,SLIDER LOCK KIT	
5	0097548		KIT,WINDOW,P/O,BOTTOM GLASS,28/9	
6	0097610		KIT,WINDOW,P/O,SLIDER,CLEAR,TEMP,	
7	0098202		KIT,WINDOW,P/O,INT FRAME,ALUM,28/9	
	0093448		WINDOW ASSY,28,9SS,PO,HOR,CLR LAM,SPCT	CONSISTS OF THE FOLLOWING
1	0098185		KIT,SWITCH,HORIZ P/O,SPECTAL	
2	0098188		KIT,WINDOW,BASE,ALUM,28	
3	0098194		KIT,WINDOW,HORIZ P/O,EXT FRAME,	
4	0097143		KIT,PASS WDO,SLIDER LOCK KIT	
5	0097549		KIT,WINDOW,P/O,BOTTOM,GLASS,28/9	
6	0097611		KIT,WINDOW,P/O,SLIDER,CLEAR,LAM,	
7	0098202		KIT,WINDOW,P/O,INT FRAME,ALUM,28/9	
	0093450		WINDOW ASSY,28,9SS,PO,HOR,TNT TMP,SPCT	CONSISTS OF THE FOLLOWING
1	0098185		KIT,SWITCH,HORIZ P/O,SPECTAL	
2	0098188		KIT,WINDOW,BASE,ALUM,28	
3	0098194		KIT,WINDOW,HORIZ P/O,EXT FRAME,	
4	0097143		KIT,PASS WDO,SLIDER LOCK KIT	
5	0097550		KIT,WINDOW,P/O,BOTTOM GLASS,28/9	
6	0097612		KIT,WINDOW,P/O,SLIDER,TNT,TEMP,ALUM,28/9	
7	0098202		KIT,WINDOW,P/O,INT FRAME,ALUM,28/9	
	0093451		WINDOW ASSY,28,9SS,PO,HOR,TNT LAM,SPCT	CONSISTS OF THE FOLLOWING
1	0098185		KIT,SWITCH,HORIZ P/O,SPECTAL	
2	0098188		KIT,WINDOW,BASE,ALUM,28	
3	0098194		KIT,WINDOW,HORIZ P/O,EXT FRAME,	
4	0097143		KIT,PASS WDO,SLIDER LOCK KIT	
5	0097551		KIT,WINDOW,P/O,BOTTOM GLASS,28/9	
6	0097613		KIT,WINDOW,P/O,SLIDER,TNT,LAM,ALUM,28/9	
7	0098202		KIT,WINDOW,P/O,INT FRAME,ALUM,28/9	

Models: A3FE, A3RE, BBCV, SBCV  
HORIZONTAL PUSH OUT  
SPECTAL, ALUMINUM FRAME  
35 INCH WITH 12 INCH OPENING

Key	PartNumber	Qty	Description	Comment
-----	------------	-----	-------------	---------



**Models:** **A3FE, A3RE, BBCV, SBCV**  
**HORIZONTAL PUSH OUT**  
**SPECTAL, ALUMINUM FRAME**  
**35 INCH WITH 12 INCH OPENING**

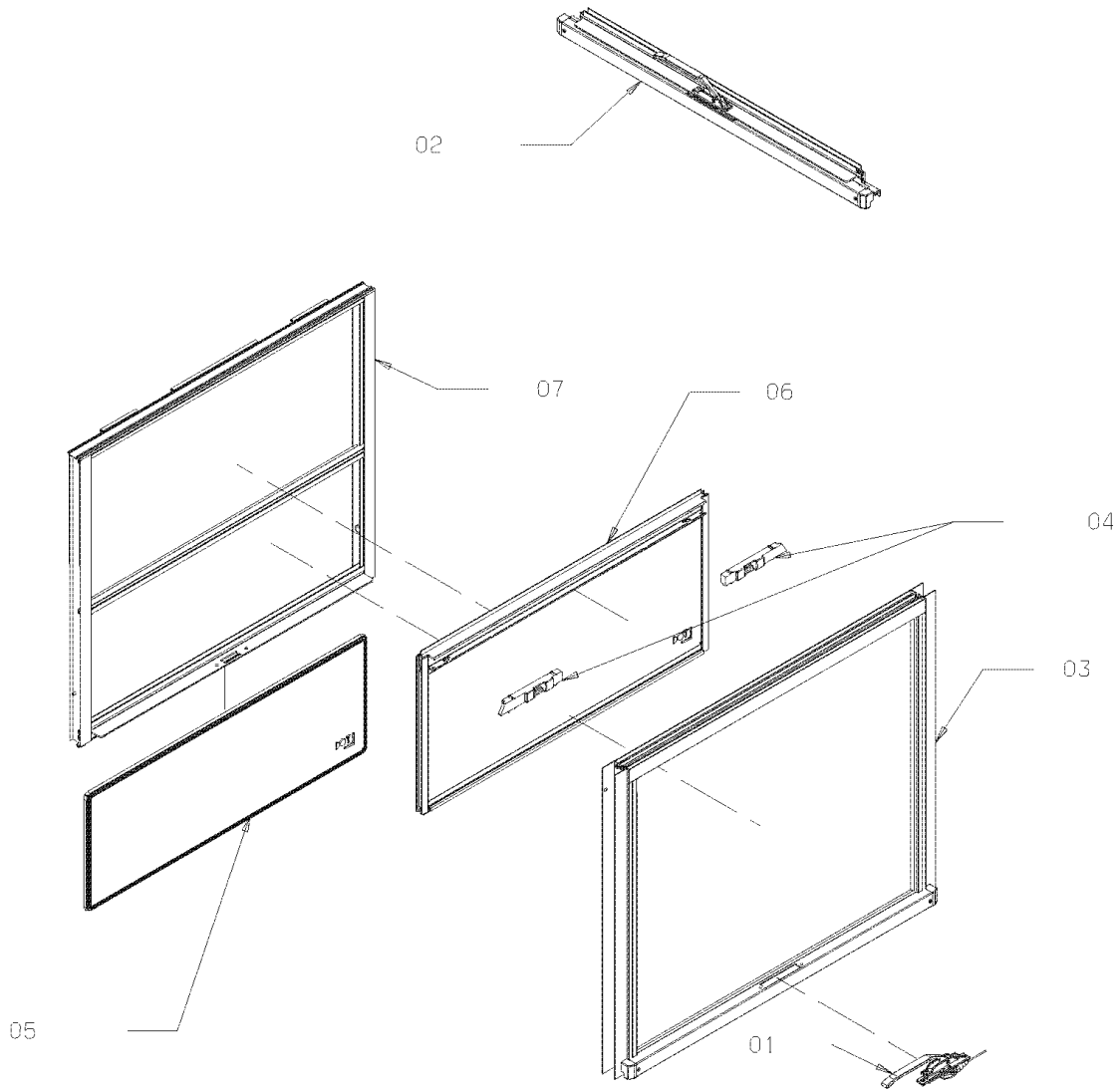
Key	PartNumber	Qty	Description	Comment
	0093460		WINDOW ASSY,35,12SS,PO,HOR,CLR TMP,SPCT	<i>CONSISTS OF THE FOLLOWING</i>
1	0098185		KIT,SWITCH,HORIZ P/O,SPECTAL	
2	0098189		KIT,WINDOW,BASE,ALUM,35	
3	0098197		KIT,WINDOW,HORIZ P/O,EXT FRAME,	
4	0097143		KIT,PASS WDO,SLIDER LOCK KIT	
5	0097560		KIT,WINDOW,P/O,BOTTOM GLASS,35/12	
6	0097623		KIT,WINDOW,P/O,SLIDER,CLEAR,TEMP,	
7	0098205		KIT,WINDOW,P/O,INT FRAME,ALUM,35/12	
	0093462		WINDOW ASSY,35,12SS,PO,HOR,CLR LAM,SPCT	<i>CONSISTS OF THE FOLLOWING</i>
1	0098185		KIT,SWITCH,HORIZ P/O,SPECTAL	
2	0098189		KIT,WINDOW,BASE,ALUM,35	
3	0098197		KIT,WINDOW,HORIZ P/O,EXT FRAME,	
4	0097143		KIT,PASS WDO,SLIDER LOCK KIT	
5	0097561		KIT,WINDOW,P/O,BOTTOM GLASS,35/12	
6	0097624		KIT,WINDOW,P/O,SLIDER,CLEAR,LAM,	
7	0098205		KIT,WINDOW,P/O,INT FRAME,ALUM,35/12	
	0093463		WINDOW ASSY,35,12SS,PO,HOR,TNT TMP,SPCT	<i>CONSISTS OF THE FOLLOWING</i>
1	0098185		KIT,SWITCH,HORIZ P/O,SPECTAL	
2	0098189		KIT,WINDOW,BASE,ALUM,35	
3	0098197		KIT,WINDOW,HORIZ P/O,EXT FRAME,	
4	0097143		KIT,PASS WDO,SLIDER LOCK KIT	
5	0097562		KIT,WINDOW,P/O,BOTTOM GLASS,35/12	
6	0097625		KIT,WINDOW,P/O,SLIDER,TNT,TEMP,	
7	0098205		KIT,WINDOW,P/O,INT FRAME,ALUM,35/12	
	0093464		WINDOW ASSY,35,12SS,PO,HOR,TNT LAM,SPCT	<i>CONSISTS OF THE FOLLOWING</i>
1	0098185		KIT,SWITCH,HORIZ P/O,SPECTAL	
2	0098189		KIT,WINDOW,BASE,ALUM,35	
3	0098197		KIT,WINDOW,HORIZ P/O,EXT FRAME,	
4	0097143		KIT,PASS WDO,SLIDER LOCK KIT	
5	0098306		KIT,WINDOW,P/O,BOTTOM GLASS,35/12	
6	0097626		KIT,WINDOW,P/O,SLIDER,TNT,LAM,ALUM,35/12	
7	0098205		KIT,WINDOW,P/O,INT FRAME,ALUM,35/12	
	0093466		WINDOW ASSY,35,12SS,PO,HOR,TINTED,POLY,	<i>CONSISTS OF THE FOLLOWING</i>

**Models:** **A3FE, A3RE, BBCV, SBCV**  
**HORIZONTAL PUSH OUT**  
**SPECTAL, ALUMINUM FRAME**  
**35 INCH WITH 12 INCH OPENING**

Key	PartNumber	Qty	Description	Comment
1	0098185		KIT,SWITCH,HORIZ P/O,SPECTAL	
2	0098189		KIT,WINDOW,BASE,ALUM,35	
3	0098197		KIT,WINDOW,HORIZ P/O,EXT FRAME,	
4	0097143		KIT,PASS WDO,SLIDER LOCK KIT	
5	0098307		KIT,WINDOW,P/O,BOTTOM GLASS,35/12	
6	0098309		KIT,WINDOW,P/O,SLIDER,TNT,POLY,35/12	
7	0098205		KIT,WINDOW,P/O,INT FRAME,ALUM,35/12	

**Models:** A3FE, A3RE, BBCV, SBCV  
HORIZONTAL PUSH OUT  
SPECTAL, ALUMINUM FRAME  
35 INCH WITH 9 INCH OPENING

Key	PartNumber	Qty	Description	Comment
-----	------------	-----	-------------	---------

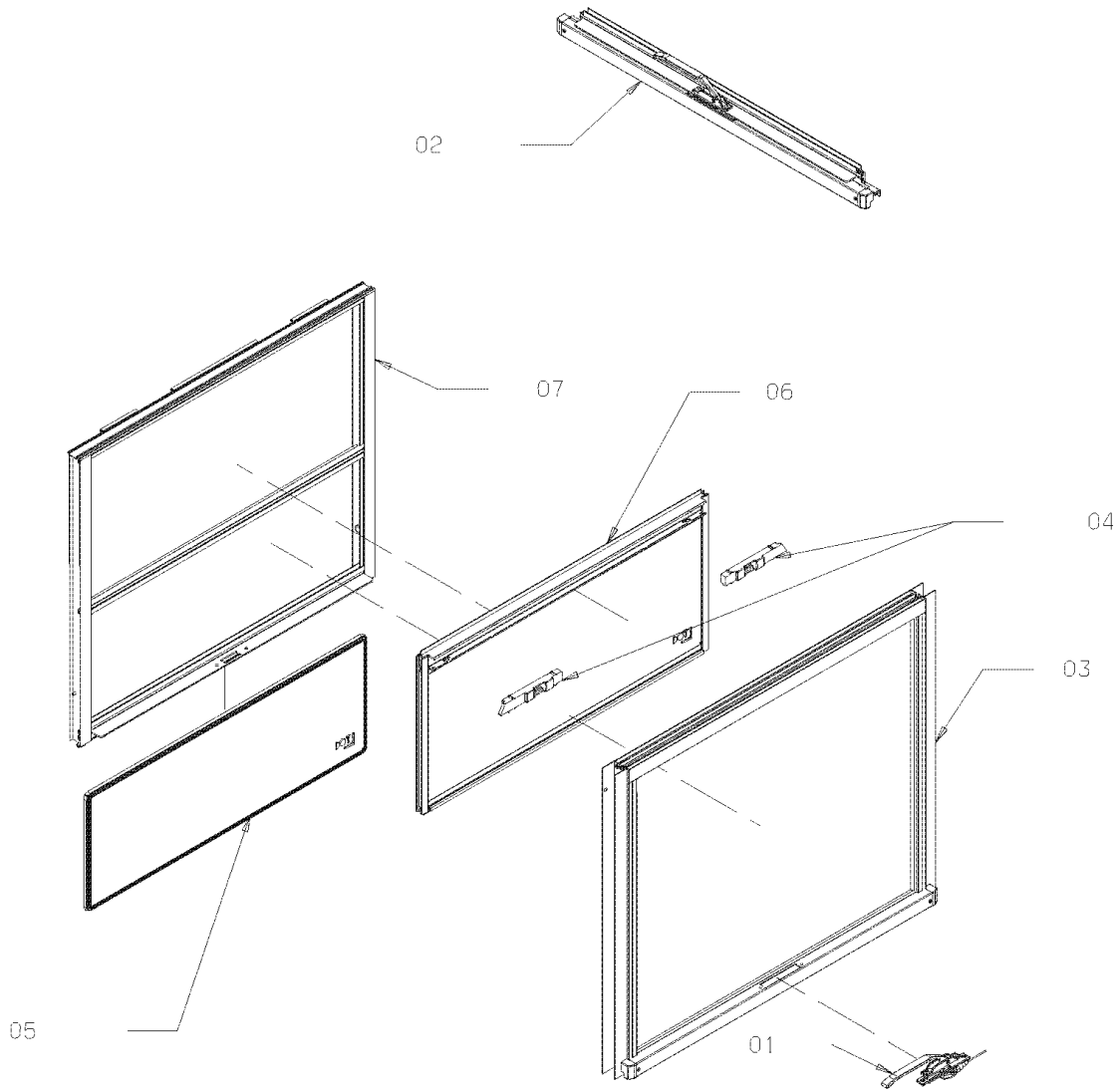


**Models:** **A3FE, A3RE, BBCV, SBCV**  
**HORIZONTAL PUSH OUT**  
**SPECTAL, ALUMINUM FRAME**  
**35 INCH WITH 9 INCH OPENING**

Key	PartNumber	Qty	Description	Comment
	0093456		WINDOW ASSY,35,9SS,PO,HOR,CLR TMP,SPCT	CONSISTS OF THE FOLLOWING
1	0098185		KIT,SWITCH,HORIZ P/O,SPECTAL	
2	0098189		KIT,WINDOW,BASE,ALUM,35	
3	0098196		KIT,WINDOW,HORIZ P/O,EXT FRAME,	
4	0097143		KIT,PASS WDO,SLIDER LOCK KIT	
5	0097556		KIT,WINDOW,P/O,BOTTOM GLASS,35/9	
6	0097618		KIT,WINDOW,P/O,SLIDER,CLEAR,TEMP,	
7	0098204		KIT,WINDOW,P/O,INT FRAME,ALUM,35/9	
	0093457		WINDOW ASSY,35,9SS,PO,HOR,CLR LAM,SPCT	CONSISTS OF THE FOLLOWING
1	0098185		KIT,SWITCH,HORIZ P/O,SPECTAL	
2	0098189		KIT,WINDOW,BASE,ALUM,35	
3	0098196		KIT,WINDOW,HORIZ P/O,EXT FRAME,	
4	0097143		KIT,PASS WDO,SLIDER LOCK KIT	
5	0097557		KIT,WINDOW,P/O,BOTTOM GLASS,35/9	
6	0097619		KIT,WINDOW,P/O,SLIDER,CLEAR,LAM,	
7	0098204		KIT,WINDOW,P/O,INT FRAME,ALUM,35/9	
	0093458		WINDOW ASSY,35,9SS,PO,HOR,TNT TMP,SPCT	CONSISTS OF THE FOLLOWING
1	0098185		KIT,SWITCH,HORIZ P/O,SPECTAL	
2	0098189		KIT,WINDOW,BASE,ALUM,35	
3	0098196		KIT,WINDOW,HORIZ P/O,EXT FRAME,	
4	0097143		KIT,PASS WDO,SLIDER LOCK KIT	
5	0097558		KIT,WINDOW,P/O,BOTTOM GLASS,35/9	
6	0097621		KIT,WINDOW,P/O,SLIDER,TNT,TEMP,ALUM,35/9	
7	0098204		KIT,WINDOW,P/O,INT FRAME,ALUM,35/9	
	0093459		WINDOW ASSY,35,9SS,PO,HOR,TNT LAM,SPCT	CONSISTS OF THE FOLLOWING
1	0098185		KIT,SWITCH,HORIZ P/O,SPECTAL	
2	0098189		KIT,WINDOW,BASE,ALUM,35	
3	0098196		KIT,WINDOW,HORIZ P/O,EXT FRAME,	
4	0097143		KIT,PASS WDO,SLIDER LOCK KIT	
5	0097559		KIT,WINDOW,P/O,BOTTOM GLASS,35/9	
6	0097622		KIT,WINDOW,P/O,SLIDER,TNT,LAM,ALUM,35/9	
7	0098204		KIT,WINDOW,P/O,INT FRAME,ALUM,35/9	

Models: A3FE, A3RE, BBCV, SBCV  
HORIZONTAL PUSH OUT  
SPECTAL, BLACK FRAME  
28 INCH WITH 12 INCH OPENING

Key	PartNumber	Qty	Description	Comment
-----	------------	-----	-------------	---------



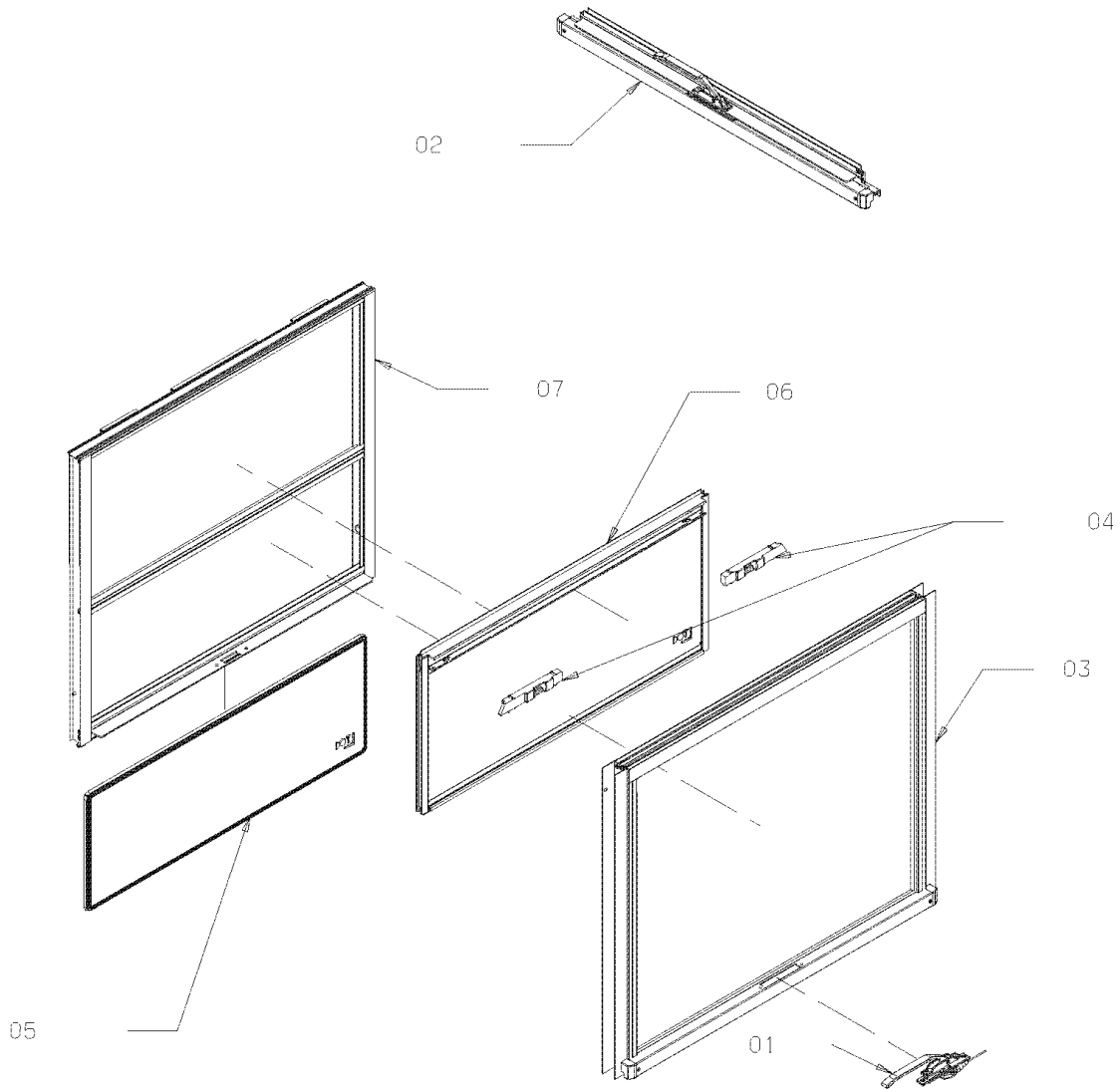


**Models:** **A3FE, A3RE, BBCV, SBCV**  
**HORIZONTAL PUSH OUT**  
**SPECTAL, BLACK FRAME**  
**28 INCH WITH 12 INCH OPENING**

Key	PartNumber	Qty	Description	Comment
	0080611		WINDOW ASSY,28,12SS,PO,HOR,CLR TMP,BLK,	<i>CONSISTS OF</i>
1	0098185		KIT,SWITCH,HORIZ P/O,SPECTAL	
2	0098186		KIT,WINDOW,BASE,BLACK,28	
3	0098191		KIT,WINDOW,HORIZ P/O,EXT FRAME,BLK,28/12	
4	0097143		KIT,PASS WDO,SLIDER LOCK KIT	
5	0097552		KIT,WINDOW,P/O,BOTTOM GLASS,28/12	
6	0097570		KIT,WINDOW,P/O,SLIDER,CLEAR,TEMP,	
7	0098199		KIT,WINDOW,P/O,INT FRAME,BLK,28/12	
	0080612		WINDOW ASSY,28,12SS,PO,HOR,CLR LAM,BLK,	<i>CONSISTS OF THE FOLLOWING</i>
1	0098185		KIT,SWITCH,HORIZ P/O,SPECTAL	
2	0098186		KIT,WINDOW,BASE,BLACK,28	
3	0098191		KIT,WINDOW,HORIZ P/O,EXT FRAME,BLK,28/12	
4	0097143		KIT,PASS WDO,SLIDER LOCK KIT	
5	0097553		KIT,WINDOW,P/O,BOTTOM GLASS,28/12	
6	0097571		KIT,WINDOW,P/O,SLIDER,CLEAR,LAM,	
7	0098199		KIT,WINDOW,P/O,INT FRAME,BLK,28/12	
	0080613		WINDOW ASSY,28,12SS,PO,HOR,TNT TMP,BLK,	<i>CONSISTS OF THE FOLLOWING</i>
1	0098185		KIT,SWITCH,HORIZ P/O,SPECTAL	
2	0098186		KIT,WINDOW,BASE,BLACK,28	
3	0098191		KIT,WINDOW,HORIZ P/O,EXT FRAME,BLK,28/12	
4	0097143		KIT,PASS WDO,SLIDER LOCK KIT	
5	0097554		KIT,WINDOW,P/O,BOTTOM GLASS,28/12	
6	0097572		KIT,WINDOW,P/O,SLIDER,TNT,TEMP,	
7	0098199		KIT,WINDOW,P/O,INT FRAME,BLK,28/12	
	0080614		WINDOW ASSY,28,12SS,PO,HOR,TNT LAM,BLK	<i>CONSISTS OF THE FOLLOWING</i>
1	0098185		KIT,SWITCH,HORIZ P/O,SPECTAL	
2	0098186		KIT,WINDOW,BASE,BLACK,28	
3	0098191		KIT,WINDOW,HORIZ P/O,EXT FRAME,BLK,28/12	
4	0097413		BM L4RE FE30600-02 KIT,FIRST AID,16 UNIT	
5	0097555		KIT,WINDOW,P/O,BOTTOM GLASS,28/12	
6	0097573		KIT,WINDOW,P/O,SLIDER,TNT,LAM,	
7	0098199		KIT,WINDOW,P/O,INT FRAME,BLK,28/12	

Models: A3FE, A3RE, BBCV, SBCV  
HORIZONTAL PUSH OUT  
SPECTAL, BLACK FRAME  
28 INCH WITH 9 INCH OPENING

Key	PartNumber	Qty	Description	Comment
-----	------------	-----	-------------	---------

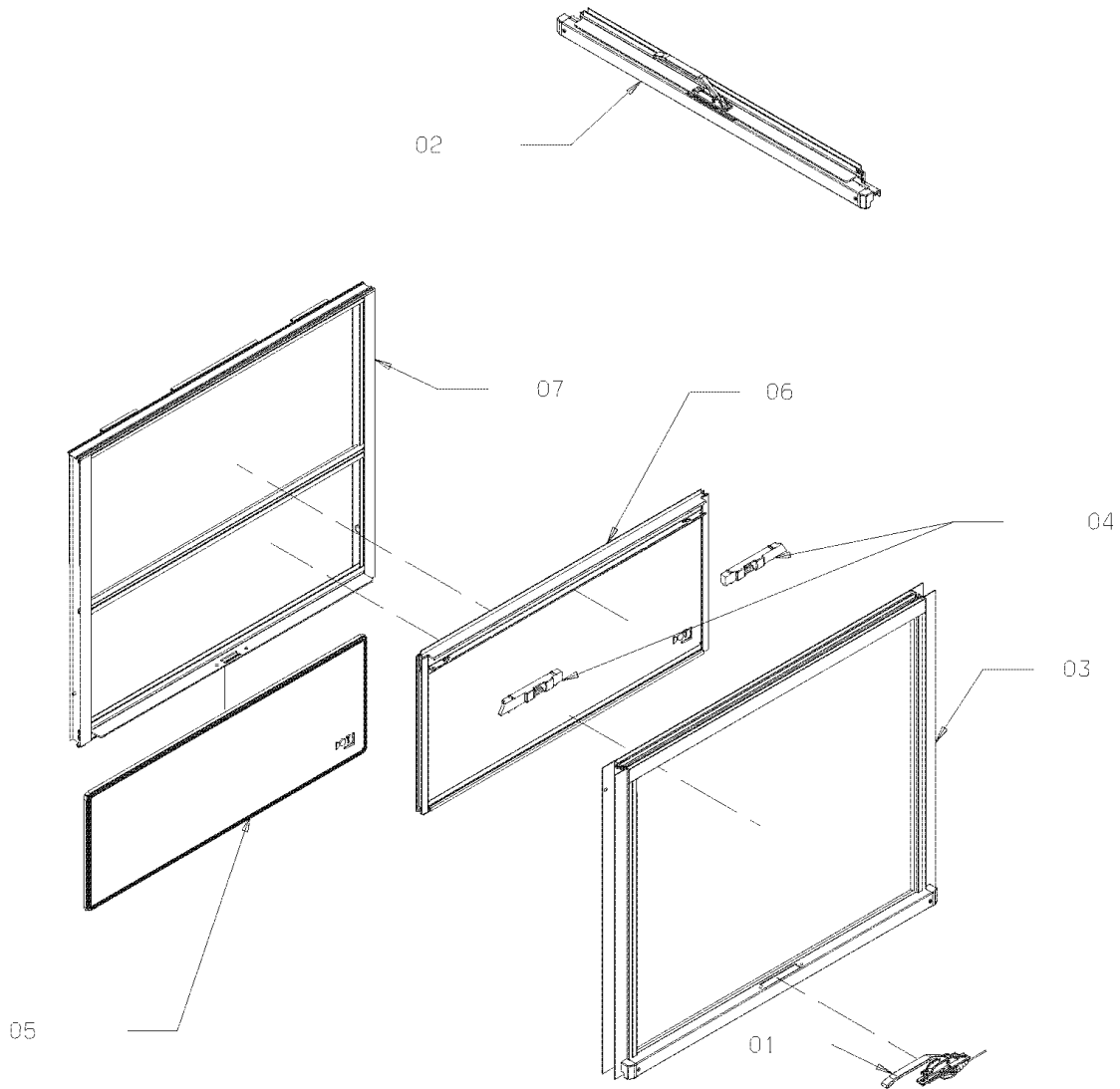


**Models:** **A3FE, A3RE, BBCV, SBCV**  
**HORIZONTAL PUSH OUT**  
**SPECTAL, BLACK FRAME**  
**28 INCH WITH 9 INCH OPENING**

Key	PartNumber	Qty	Description	Comment
	0080607		WINDOW ASSY,28,9SS,PO,HOR,CLR TMP,BLK,	<i>CONSISTS OF</i>
1	0098185		KIT,SWITCH,HORIZ P/O,SPECTAL	
2	0098186		KIT,WINDOW,BASE,BLACK,28	
3	0098190		KIT,WINDOW,HORIZ P/O,EXT FRAME,BLK,28/9	
4	0097143		KIT,PASS WDO,SLIDER LOCK KIT	
5	0097548		KIT,WINDOW,P/O,BOTTOM GLASS,28/9	
6	0097565		KIT,WINDOW,P/O,SLIDER,CLEAR,TEMP,	
7	0098198		KIT,WINDOW,P/O,INT FRAME,BLK,28/9	
	0080608		WINDOW ASSY,28,9SS,PO,HOR,CLR LAM,BLK,	<i>CONSISTS OF</i>
1	0098185		KIT,SWITCH,HORIZ P/O,SPECTAL	
2	0098186		KIT,WINDOW,BASE,BLACK,28	
3	0098190		KIT,WINDOW,HORIZ P/O,EXT FRAME,BLK,28/9	
4	0097143		KIT,PASS WDO,SLIDER LOCK KIT	
5	0097549		KIT,WINDOW,P/O,BOTTOM,GLASS,28/9	
6	0097566		KIT,WINDOW,SLIDER,CLEAR,LAM,BLACK,28/9	
7	0098198		KIT,WINDOW,P/O,INT FRAME,BLK,28/9	
	0080609		WINDOW ASSY,28,9SS,PO,HOR,TNT TMP,BLK,	<i>CONSISTS OF</i>
1	0098185		KIT,SWITCH,HORIZ P/O,SPECTAL	
2	0098186		KIT,WINDOW,BASE,BLACK,28	
3	0098190		KIT,WINDOW,HORIZ P/O,EXT FRAME,BLK,28/9	
4	0097143		KIT,PASS WDO,SLIDER LOCK KIT	
5	0097550		KIT,WINDOW,P/O,BOTTOM GLASS,28/9	
6	0097566		KIT,WINDOW,SLIDER,CLEAR,LAM,BLACK,28/9	
7	0098198		KIT,WINDOW,P/O,INT FRAME,BLK,28/9	
	0080610		WINDOW ASSY,28,9SS,PO,HOR,TNT LAM,BLK,	<i>CONSISTS OF THE FOLLOWING</i>
1	0098185		KIT,SWITCH,HORIZ P/O,SPECTAL	
2	0098186		KIT,WINDOW,BASE,BLACK,28	
3	0098190		KIT,WINDOW,HORIZ P/O,EXT FRAME,BLK,28/9	
4	0097143		KIT,PASS WDO,SLIDER LOCK KIT	
5	0097551		KIT,WINDOW,P/O,BOTTOM GLASS,28/9	
6	0097569		KIT,WINDOW,P/O,SLIDER,TNT,LAM,BLACK,28/9	
7	0098198		KIT,WINDOW,P/O,INT FRAME,BLK,28/9	

Models: A3FE, A3RE, BBCV, SBCV  
HORIZONTAL PUSH OUT  
SPECTAL, BLACK FRAME  
35 INCH WITH 12 INCH OPENING

Key	PartNumber	Qty	Description	Comment
-----	------------	-----	-------------	---------

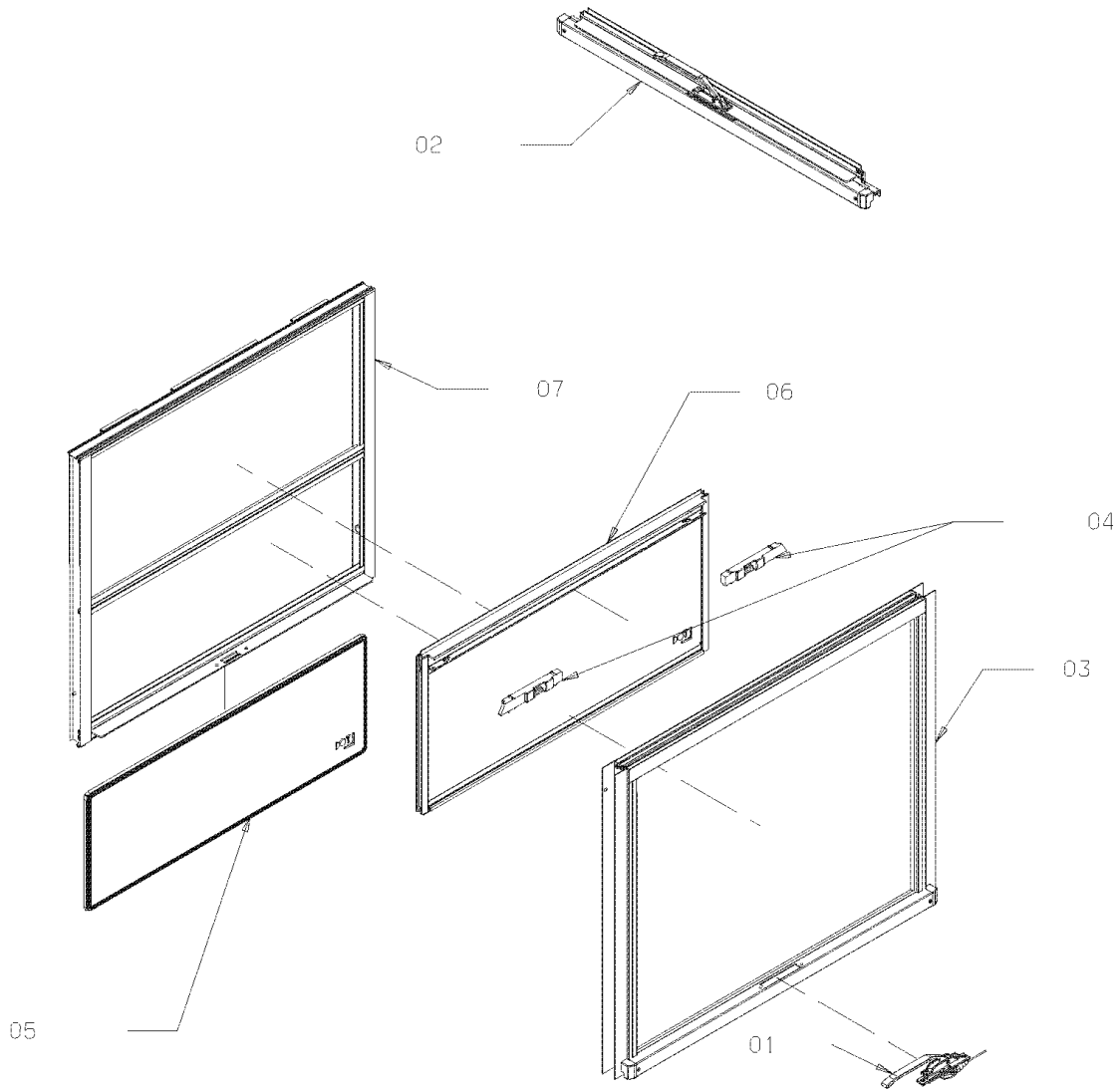


**Models:** **A3FE, A3RE, BBCV, SBCV**  
**HORIZONTAL PUSH OUT**  
**SPECTAL, BLACK FRAME**  
**35 INCH WITH 12 INCH OPENING**

Key	PartNumber	Qty	Description	Comment
	0080619		WINDOW ASSY,35,12SS,PO,HOR,CLR TMP,BLK,	<i>CONSISTS OF THE FOLLOWING</i>
1	0098185		KIT,SWITCH,HORIZ P/O,SPECTAL	
2	0098187		KIT,WINDOW,BASE,BLACK,35	
3	0098193		KIT,WINDOW,HORIZ P/O,EXT FRAME,BLK,35/12	
4	0097143		KIT,PASS WDO,SLIDER LOCK KIT	
5	0097560		KIT,WINDOW,P/O,BOTTOM GLASS,35/12	
6	0097578		KIT,WINDOW,P/O,SLIDER,CLEAR,TEMP,	
7	0098200		KIT,WINDOW,P/O,INT FRAME,BLK,35/9	
	0080620		WINDOW ASSY,35,12SS,PO,HOR,CLR LAM,BLK,	<i>CONSISTS OF THE FOLLOWING</i>
1	0098185		KIT,SWITCH,HORIZ P/O,SPECTAL	
2	0098187		KIT,WINDOW,BASE,BLACK,35	
3	0098193		KIT,WINDOW,HORIZ P/O,EXT FRAME,BLK,35/12	
4	0097143		KIT,PASS WDO,SLIDER LOCK KIT	
5	0097561		KIT,WINDOW,P/O,BOTTOM GLASS,35/12	
6	0097579		KIT,WINDOW,P/O,SLIDER,CLEAR,LAM,	
7	0098201		KIT,WINDOW,P/O,INT FRAME,BLK,35/12	
	0080621		WINDOW ASSY,35,12SS,PO,HOR,TNT TMP,BLK,	<i>CONSISTS OF THE FOLLOWING</i>
1	0098185		KIT,SWITCH,HORIZ P/O,SPECTAL	
2	0098187		KIT,WINDOW,BASE,BLACK,35	
3	0098193		KIT,WINDOW,HORIZ P/O,EXT FRAME,BLK,35/12	
4	0097143		KIT,PASS WDO,SLIDER LOCK KIT	
5	0097562		KIT,WINDOW,P/O,BOTTOM GLASS,35/12	
6	0097580		KIT,WINDOW,P/O,SLIDER,TNT,TEMP,	
7	0098201		KIT,WINDOW,P/O,INT FRAME,BLK,35/12	
	0080622		WINDOW ASSY,35,12SS,PO,HOR,TNT LAM,BLK,	<i>CONSISTS OF THE FOLLOWING</i>
1	0098185		KIT,SWITCH,HORIZ P/O,SPECTAL	
2	0098187		KIT,WINDOW,BASE,BLACK,35	
3	0098193		KIT,WINDOW,HORIZ P/O,EXT FRAME,BLK,35/12	
4	0097143		KIT,PASS WDO,SLIDER LOCK KIT	
5	0098306		KIT,WINDOW,P/O,BOTTOM GLASS,35/12	
6	0097582		KIT,WINDOW,P/O,SLIDER,TNT,LAM,	
7	0098201		KIT,WINDOW,P/O,INT FRAME,BLK,35/12	

Models: A3FE, A3RE, BBCV, SBCV  
HORIZONTAL PUSH OUT  
SPECTAL, BLACK FRAME  
35 INCH WITH 9 INCH OPENING

Key	PartNumber	Qty	Description	Comment
-----	------------	-----	-------------	---------

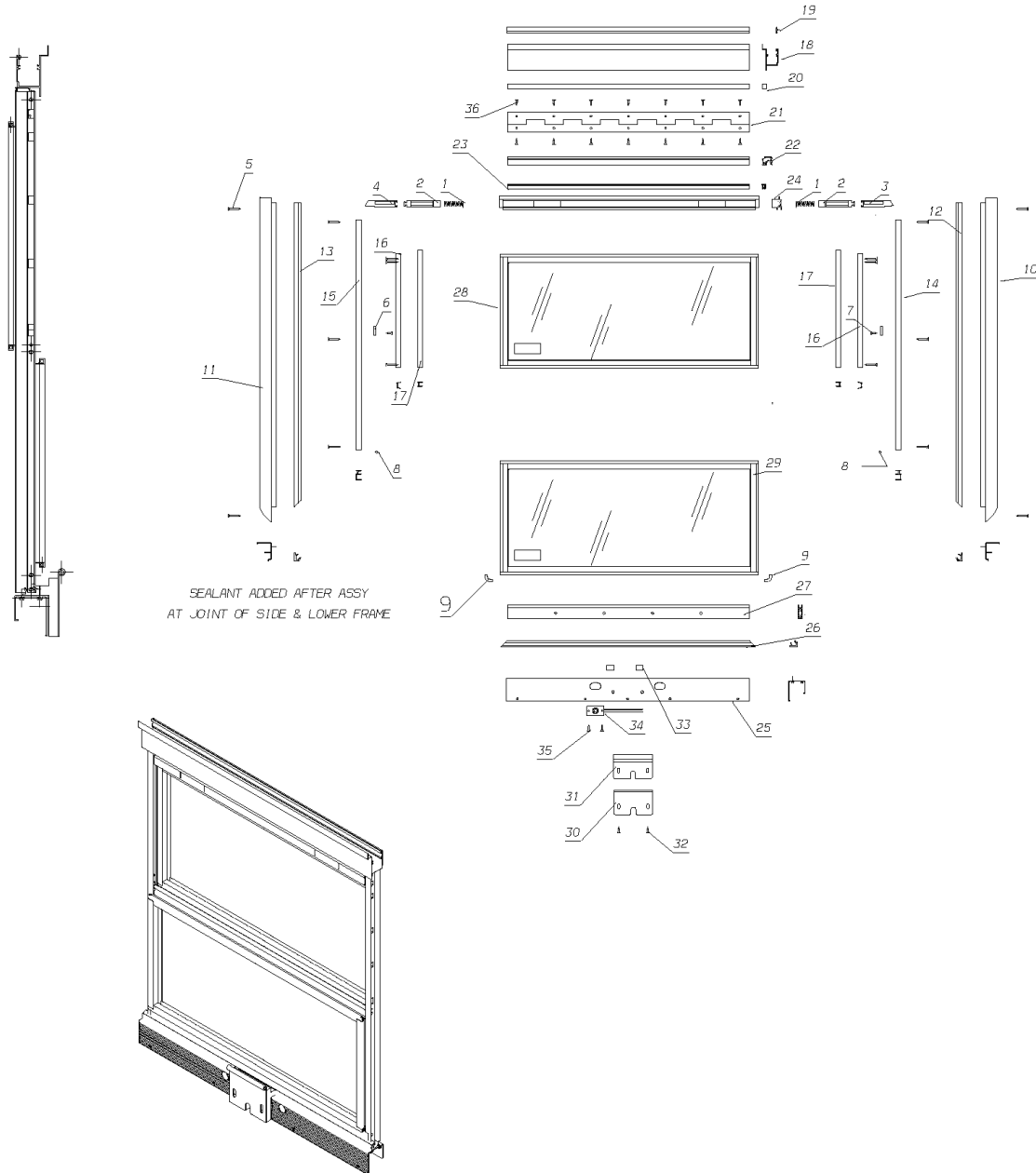


**Models:** **A3FE, A3RE, BBCV, SBCV**  
**HORIZONTAL PUSH OUT**  
**SPECTAL, BLACK FRAME**  
**35 INCH WITH 9 INCH OPENING**

Key	PartNumber	Qty	Description	Comment
	0080615		WINDOW ASSY,35,9SS,PO,HOR,CLR TMP,BLK,	<i>CONSISTS OF THE FOLLOWING</i>
1	0098185		KIT,SWITCH,HORIZ P/O,SPECTAL	
2	0098187		KIT,WINDOW,BASE,BLACK,35	
3	0098192		KIT,WINDOW,HORIZ P/O,EXT FRAME,BLK,35/9	
4	0097143		KIT,PASS WDO,SLIDER LOCK KIT	
5	0097556		KIT,WINDOW,P/O,BOTTOM GLASS,35/9	
6	0097574		KIT,WINDOW,P/O,SLIDER,CLEAR,TEMP,	
7	0098200		KIT,WINDOW,P/O,INT FRAME,BLK,35/9	
	0080616		WINDOW ASSY,35,9SS,PO,HOR,CLR LAM,BLK,	<i>CONSISTS OF THE FOLLOWING</i>
1	0098185		KIT,SWITCH,HORIZ P/O,SPECTAL	
2	0098187		KIT,WINDOW,BASE,BLACK,35	
3	0098192		KIT,WINDOW,HORIZ P/O,EXT FRAME,BLK,35/9	
4	0097143		KIT,PASS WDO,SLIDER LOCK KIT	
5	0097557		KIT,WINDOW,P/O,BOTTOM GLASS,35/9	
6	0097575		KIT,WINDOW,P/O,SLIDER,CLEAR,LAM,	
7	0098200		KIT,WINDOW,P/O,INT FRAME,BLK,35/9	
	0080617		WINDOW ASSY,35,9SS,PO,HOR,TNT TMP,BLK,	<i>CONSISTS OF THE FOLLOWING</i>
1	0098185		KIT,SWITCH,HORIZ P/O,SPECTAL	
2	0098187		KIT,WINDOW,BASE,BLACK,35	
3	0098192		KIT,WINDOW,HORIZ P/O,EXT FRAME,BLK,35/9	
4	0097143		KIT,PASS WDO,SLIDER LOCK KIT	
5	0097558		KIT,WINDOW,P/O,BOTTOM GLASS,35/9	
6	0097576		KIT,WINDOW,P/O,SLIDER,TNT,TEMP,	
7	0098200		KIT,WINDOW,P/O,INT FRAME,BLK,35/9	
	0080618		WINDOW ASSY,35,9SS,PO,HOR,TNT LAM,BLK,	<i>CONSISTS OF THE FOLLOWING</i>
1	0098185		KIT,SWITCH,HORIZ P/O,SPECTAL	
2	0098187		KIT,WINDOW,BASE,BLACK,35	
3	0098192		KIT,WINDOW,HORIZ P/O,EXT FRAME,BLK,35/9	
4	0097143		KIT,PASS WDO,SLIDER LOCK KIT	
5	0097559		KIT,WINDOW,P/O,BOTTOM GLASS,35/9	
6	0097577		KIT,WINDOW,P/O,SLIDER,TNT,LAM,BLACK,35/9	
7	0098200		KIT,WINDOW,P/O,INT FRAME,BLK,35/9	

Models: **A1VC, A3FE, A3RE, BBCV, B1VC, B2VC, SBCV**  
**HORIZONTAL PUSH OUT**  
**STORM**

Key	PartNumber	Qty	Description	Comment
-----	------------	-----	-------------	---------





**Models: A1VC, A3FE, A3RE, BBCV, B1VC, B2VC, SBCV  
HORIZONTAL PUSH OUT  
STORM**

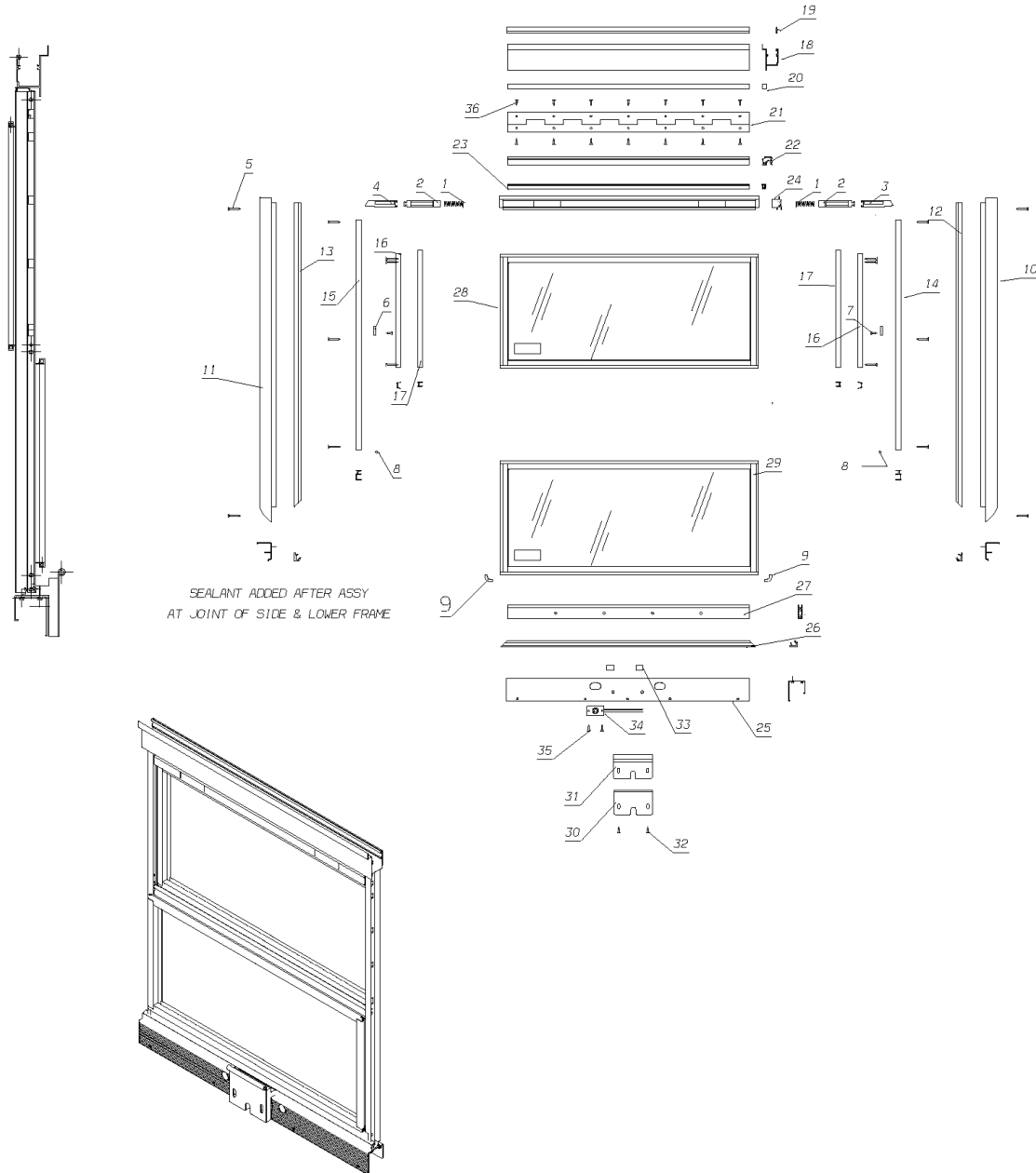
Key	PartNumber	Qty	Description	Comment
1	3817558		SPRING,SPLIT SASH WINDOW,W/REMOVABLE	
2	2176584		ACTUATOR,LATCH,SIDE WINDOW	
3	2176576		LATCH,SIDE,WINDOW,CONCEALED,RH	
4	2176568		LATCH,SIDE,WINDOW,CONCEALED,LH	
5	4644357		SCREW,10-12X1 1/4,#2 SQ DRIVE,#8,BUGLE	
6	3816592		STOP,WINDOW,REMOVABLE LATCH	
7	2260198		SCREW,SM,PH,FT/HD,8-18 X 1/2,TYPE B,ZN3	
8	0862953		SEALANT,SCHNEE-MOREHEAD 5522,VINYL	
9	2185148		SEALANT,UNISEAL	
10	3920691		FRAME,SIDE,PUSH OUT WINDOW,RH	
10	3920675		FRAME,SIDE,PUSH OUT WINDOW,RH 12 OPG	
11	3920683		FRAME,SIDE,PUSH OUT WINDOW,LH	
11	3920667		FRAME,SIDE,PUSH OUT WINDOW,LH 12 OPG	
12	3920717		SEAL,SIDE,PUSH OUT WINDOW,RH	
12	3920733		SEAL,SIDE,PUSH OUT WINDOW,RH,12 OPG	
13	3920709		SEAL,SIDE,PUSH OUT WINDOW,LH	
13	3920725		SEAL,SIDE,PUSH OUT WINDOW,LH,12 OPG	
14	3929759		RAIL,SIDE,SS,P/O,RH,W/RMVBL LAT	
14	3927373		RAIL,SIDE,SS,P/O,RH,12IN OPG,W/RMVBL LAT	
15	3929742		RAIL,SIDE,SS,P/O,LH,W/RMVBL LAT	
15	3927365		RAIL,SIDE,SS,P/O,LH,12IN OPG,W/RMVBL LAT	
16	3929734		SEAL,SLIDING,PUSH OUT WINDOW	
16	3927357		SEAL,SLIDING,PUSH OUT WINDOW,12 IN OPG	
17	3929726		CHANNEL,SLIDING,UPPER,PUSH OUT WINDOW	
17	3927340		CHANNEL,SLIDING,UPPER,PUSH OUT WINDOW	
18	3920741		FRAME,UPPER,28IN PUSH OUT WINDOW	
18	3920758		FRAME,UPPER,35IN PUSH OUT WINDOW	
19	3920766		SEAL,UPPER FRAME TO HEADER,28 POW	
19	3920774		SEAL,UPPER FRAME TO HEADER,35 POW	
20	3920782		SEAL,WEATHER,POW,28IN	
20	3920790		SEAL,WEATHER,POW,35IN	
21	3920840		HINGE ASSY,28IN POW	
21	3920857		HINGE ASSY,35IN POW	

**Models: A1VC, A3FE, A3RE, BBCV, B1VC, B2VC, SBCV  
HORIZONTAL PUSH OUT  
STORM**

Key	PartNumber	Qty	Description	Comment
22	3920865		RAIL,UPPER,28IN,PUSH OUT WINDOW	
22	3920873		RAIL,UPPER,35IN,PUSH OUT WINDOW	
23	3920881		SEAL,UPPER FRAME TO LATCH RAIL,28IN POW	
23	3920899		SEAL,UPPER FRAME TO LATCH RAIL,35IN POW	
24	3920907		RAIL,LATCH,W/REMOVABLE LATCH,28IN POW	
24	3920915		RAIL,LATCH,W/REMOVABLE LATCH,35IN POW	
25	0091299		FRAME,LOWER,28.00,P/O STORM WINDOW	
25	0091300		FRAME,LOWER,35.00,P/O STORM WINDOW	
26	3920949		SEAL,LOWER FRAME,28IN POW	
26	3920956		SEAL,LOWER FRAME,35IN POW	
27	3920972		RAIL,LOWER,LOWER SASH,28IN PUSH OUT	
27	3920980		RAIL,LOWER,LOWER SASH,35IN PUSH OUT	
28	0091161		GLASS,FRAME ASSY,SS,TNT,28,12,UPR,P/O	
29	0091163		GLASS,FRAME ASSY,SS,TNT,28,12,LWR,P/O	
28	0091164		GLASS,FRAME ASSY,SS,TNT,35,12,UPR,P/O	
29	0091165		GLASS,FRAME ASSY,SS,TNT,35,12,LWR,P/O	
30	0091304		PLATE,STRIKER,PUSH-OUT,STORM,WINDOW	
31	0091227		PLATE,SPACER,STRIKER,HORIZONT,P/O STORM	
32	1307917		SCREW,MACH,1/4-28X1,PH1,PAN HD,YEL ZN	
33	1518158		NUT,HEX HD,1/4-28,LOCKING,YEL ZN DICH	
34	0049454		SWITCH ASSY,POW,HORIZONTAL HINGE	
35	2000511		SCREW,10-16 X 1/2,AB,PH1,TRUSS HD,	
36	2186401		SCREW,10-16 X 1/2,AB,PH1,PAN HD,YEL ZN	

Models: **A1VC, A3FE, A3RE, BBCV, B1VC, B2VC, SBCV**  
**HORIZONTAL PUSH OUT**  
**STORM**

Key	PartNumber	Qty	Description	Comment
-----	------------	-----	-------------	---------



**Models: A1VC, A3FE, A3RE, BBCV, B1VC, B2VC, SBCV  
HORIZONTAL PUSH OUT  
STORM**

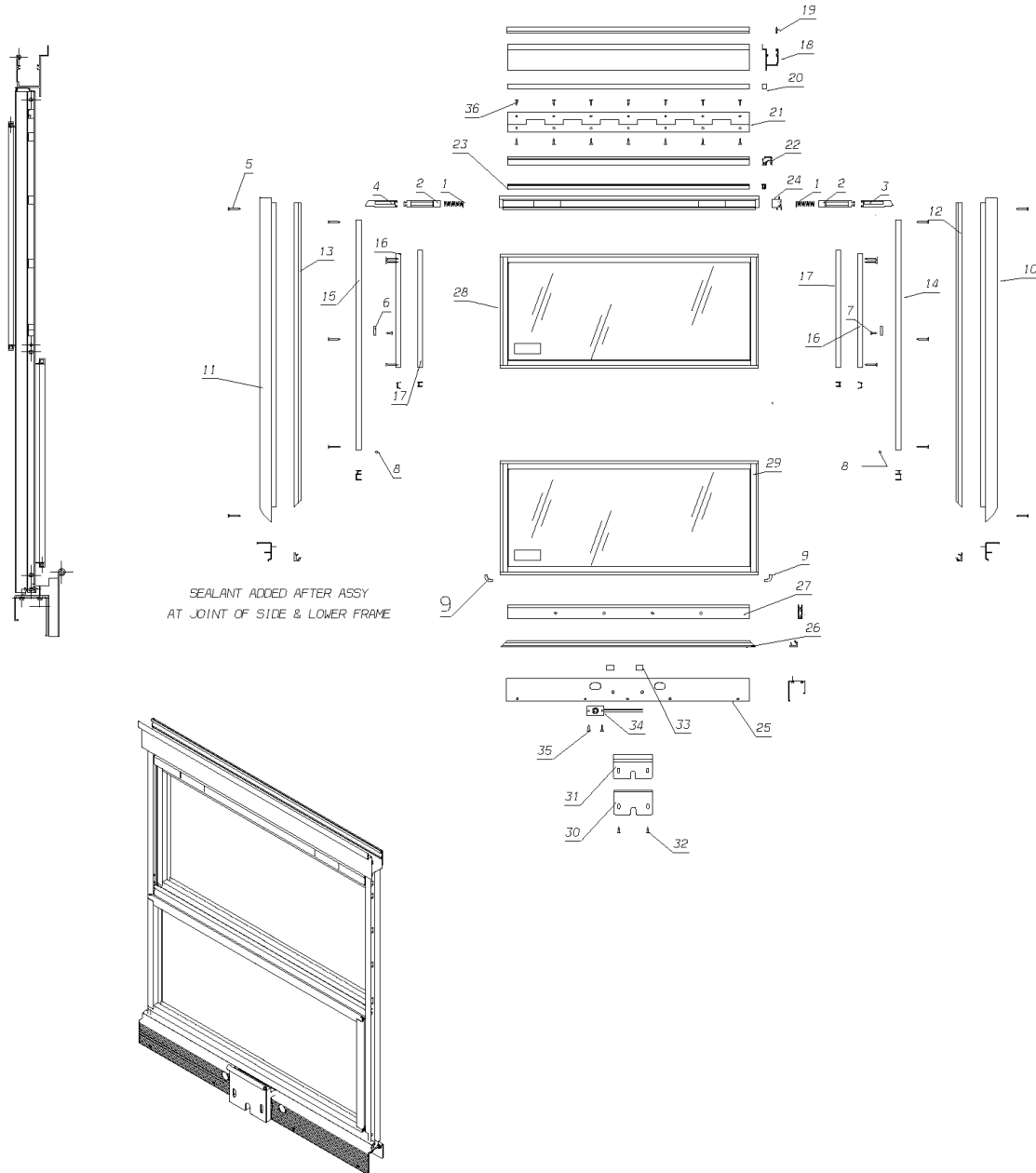
Key	PartNumber	Qty	Description	Comment
1	3817558		SPRING,SPLIT SASH WINDOW,W/REMOVABLE	
2	2176584		ACTUATOR,LATCH,SIDE WINDOW	
3	2176576		LATCH,SIDE,WINDOW,CONCEALED,RH	
4	2176568		LATCH,SIDE,WINDOW,CONCEALED,LH	
5	4644357		SCREW,10-12X1 1/4,#2 SQ DRIVE,#8,BUGLE	
6	3816592		STOP,WINDOW,REMOVABLE LATCH	
7	2260198		SCREW,SM,PH,FT/HD,8-18 X 1/2,TYPE B,ZN3	
8	0862953		SEALANT,SCHNEE-MOREHEAD 5522,VINYL	
9	2185148		SEALANT,UNISEAL	
10	3920675		FRAME,SIDE,PUSH OUT WINDOW,RH 12 OPG	
11	3920667		FRAME,SIDE,PUSH OUT WINDOW,LH 12 OPG	
12	3920733		SEAL,SIDE,PUSH OUT WINDOW,RH,12 OPG	
13	3920725		SEAL,SIDE,PUSH OUT WINDOW,LH,12 OPG	
14	3927373		RAIL,SIDE,SS,P/O,RH,12IN OPG,W/RMVBL LAT	
15	3927365		RAIL,SIDE,SS,P/O,LH,12IN OPG,W/RMVBL LAT	
16	3927357		SEAL,SLIDING,PUSH OUT WINDOW,12 IN OPG	
17	3927340		CHANNEL,SLIDING,UPPER,PUSH OUT WINDOW	
18	3920741		FRAME,UPPER,28IN PUSH OUT WINDOW	
19	3920774		SEAL,UPPER FRAME TO HEADER,35 POW	
20	3920782		SEAL,WEATHER,POW,28IN	
21	3920840		HINGE ASSY,28IN POW	
22	3920865		RAIL,UPPER,28IN,PUSH OUT WINDOW	
23	3920881		SEAL,UPPER FRAME TO LATCH RAIL,28IN POW	
24	3920907		RAIL,LATCH,W/REMOVABLE LATCH,28IN POW	
25	0091299		FRAME,LOWER,28.00,P/O STORM WINDOW	
26	3920956		SEAL,LOWER FRAME,35IN POW	
27	3920972		RAIL,LOWER,LOWER SASH,28IN PUSH OUT	
28	0091161		GLASS,FRAME ASSY,SS,TNT,28,12,UPR,P/O	
29	0091163		GLASS,FRAME ASSY,SS,TNT,28,12,LWR,P/O	
30	0091304		PLATE,STRIKER,PUSH-OUT,STORM,WINDOW	
31	0091227		PLATE,SPACER,STRIKER,HORIZONT,P/O STORM	
32	1307917		SCREW,MACH,1/4-28X1,PH1,PAN HD,YEL ZN	
33	1518158		NUT,HEX HD,1/4-28,LOCKING,YEL ZN DICH	

**Models:** A1VC, A3FE, A3RE, BBCV, B1VC, B2VC, SBCV  
HORIZONTAL PUSH OUT  
STORM

Key	PartNumber	Qty	Description	Comment
34	0049454		SWITCH ASSY,POW,HORIZONTAL HINGE	
35	2000511		SCREW,10-16 X 1/2,AB,PH1,TRUSS HD,	
36	2186401		SCREW,10-16 X 1/2,AB,PH1,PAN HD,YEL ZN	

Models: **A1VC, A3FE, A3RE, BBCV, B1VC, B2VC, SBCV**  
**HORIZONTAL PUSH OUT**  
**STORM**

Key	PartNumber	Qty	Description	Comment
-----	------------	-----	-------------	---------



**Models: A1VC, A3FE, A3RE, BBCV, B1VC, B2VC, SBCV  
HORIZONTAL PUSH OUT  
STORM**

Key	PartNumber	Qty	Description	Comment
1	3817558		SPRING,SPLIT SASH WINDOW,W/REMOVABLE	
2	2176584		ACTUATOR,LATCH,SIDE WINDOW	
3	2176576		LATCH,SIDE,WINDOW,CONCEALED,RH	
4	2176568		LATCH,SIDE,WINDOW,CONCEALED,LH	
5	4644357		SCREW,10-12X1 1/4,#2 SQ DRIVE,#8,BUGLE	
6	3816592		STOP,WINDOW,REMOVABLE LATCH	
7	2260198		SCREW,SM,PH,FT/HD,8-18 X 1/2,TYPE B,ZN3	
8	0862953		SEALANT,SCHNEE-MOREHEAD 5522,VINYL	
9	2185148		SEALANT,UNISEAL	
10	3920675		FRAME,SIDE,PUSH OUT WINDOW,RH 12 OPG	
11	3920667		FRAME,SIDE,PUSH OUT WINDOW,LH 12 OPG	
12	3920733		SEAL,SIDE,PUSH OUT WINDOW,RH,12 OPG	
13	3920725		SEAL,SIDE,PUSH OUT WINDOW,LH,12 OPG	
14	3927373		RAIL,SIDE,SS,P/O,RH,12IN OPG,W/RMVBL LAT	
15	3927365		RAIL,SIDE,SS,P/O,LH,12IN OPG,W/RMVBL LAT	
16	3927357		SEAL,SLIDING,PUSH OUT WINDOW,12 IN OPG	
17	3927340		CHANNEL,SLIDING,UPPER,PUSH OUT WINDOW	
18	3920758		FRAME,UPPER,35IN PUSH OUT WINDOW	
19	3920774		SEAL,UPPER FRAME TO HEADER,35 POW	
20	3920790		SEAL,WEATHER,POW,35IN	
21	3920857		HINGE ASSY,35IN POW	
22	3920873		RAIL,UPPER,35IN,PUSH OUT WINDOW	
23	3920899		SEAL,UPPER FRAME TO LATCH RAIL,35IN POW	
24	3920915		RAIL,LATCH,W/REMOVABLE LATCH,35IN POW	
25	0091300		FRAME,LOWER,35.00,P/O STORM WINDOW	
26	3920956		SEAL,LOWER FRAME,35IN POW	
27	3920980		RAIL,LOWER,LOWER SASH,35IN PUSH OUT	
28	0091164		GLASS,FRAME ASSY,SS,TNT,35,12,UPR,P/O	
29	0091165		GLASS,FRAME ASSY,SS,TNT,35,12,LWR,P/O	
30	0091304		PLATE,STRIKER,PUSH-OUT,STORM,WINDOW	
31	0091227		PLATE,SPACER,STRIKER,HORIZONT,P/O STORM	
32	1307917		SCREW,MACH,1/4-28X1,PH1,PAN HD,YEL ZN	
33	1518158		NUT,HEX HD,1/4-28,LOCKING,YEL ZN DICH	

**Models:** **A1VC, A3FE, A3RE, BBCV, B1VC, B2VC, SBCV**  
**HORIZONTAL PUSH OUT**  
**STORM**

Key	PartNumber	Qty	Description	Comment
34	0049454		SWITCH ASSY,POW,HORIZONTAL HINGE	
35	2000511		SCREW,10-16 X 1/2,AB,PH1,TRUSS HD,	
36	2186401		SCREW,10-16 X 1/2,AB,PH1,PAN HD,YEL ZN	



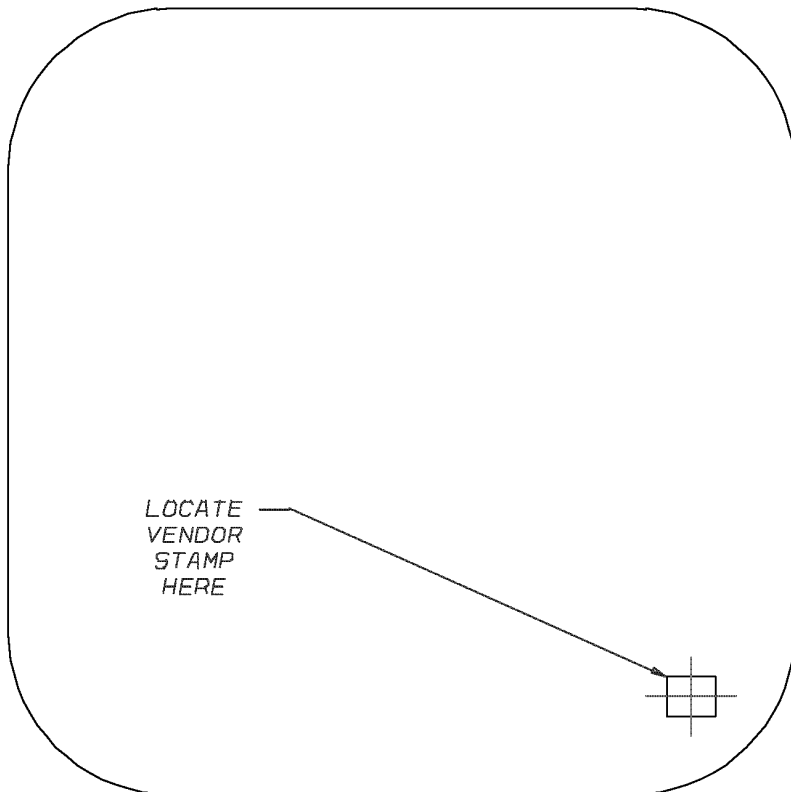
Models: A3FE, A3RE, BBCV, GMCV, MBWB, SBCV, TCFE  
MISCELLANEOUS

With Features: 28 INCH S.E.D.  
OPTION 428, 429, FEATURE 31198-01, -02, -03, -04

Key	PartNumber	Qty	Description	Comment
-----	------------	-----	-------------	---------

DR. 07/25/01	BY TFM			
APP.	BY	PRT	1861251	A REV

© BLUE BIRD BODY COMPANY, ALL RIGHTS RESERVED

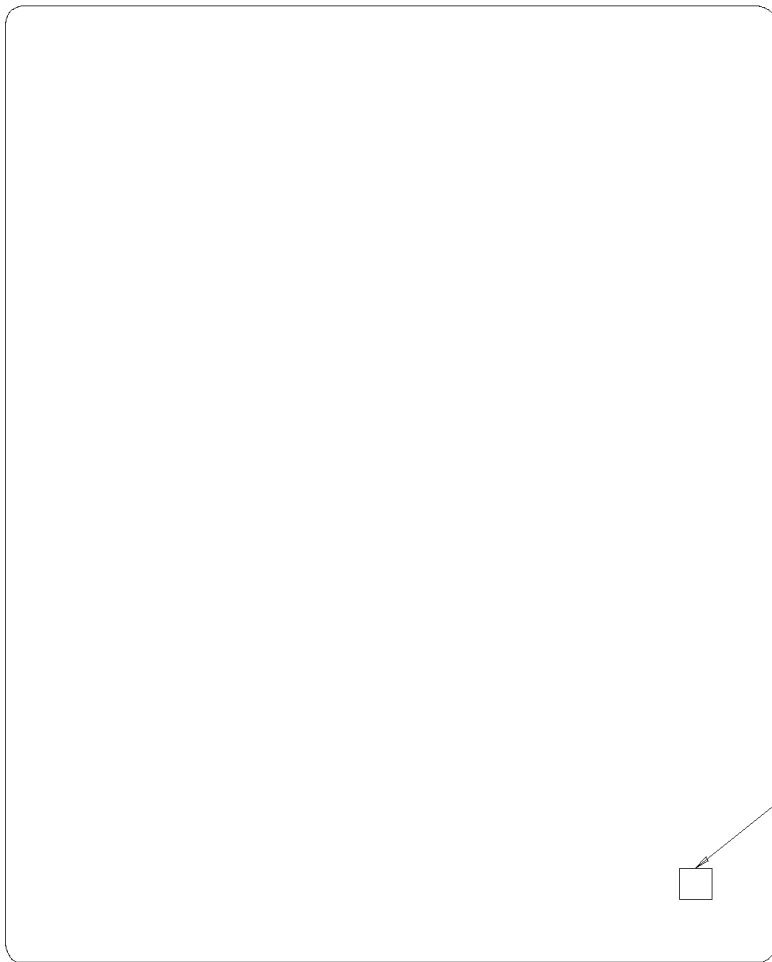


**Models:** A3FE, A3RE, BBCV, GMCV, MBWB, SBCV, TCFE  
**MISCELLANEOUS**  
**28 INCH S.E.D.**  
**With Features:** OPTION 428, 429, FEATURE 31198-01, -02, -03, -04

Key	PartNumber	Qty	Description	Comment
			GLASS 19.93 X 19.93	
	0800169		GLASS,DOOR,28 SIDE EM,CLEAR LAMINATED	
	0042936		GLASS,DOOR,28 SIDE EM,CLR,TEMP,EMARK	
	1163245		GLASS,DOOR,28 SIDE EM,70 PCT GREEN	
	1858687		GLASS,DOOR,28 SIDE EM,DARK TINT	
	1163237		GLASS,DOOR,28 SIDE EM,DARK TINT	

**Models:** A3FE, A3RE, BBCV, GMCV, MBWB, SBCV, TCFE  
MISCELLANEOUS  
43 INCH LIFT DOOR

Key	PartNumber	Qty	Description	Comment
-----	------------	-----	-------------	---------



GLASS MUST COMPLY  
AND BE STAMPED  
IN ACCORDANCE  
WITH FMVSS-205

**Models:** A3FE, A3RE, BBCV, GMCV, MBWB, SBCV, TCFE  
 MISCELLANEOUS  
 43 INCH LIFT DOOR

Key	PartNumber	Qty	Description	Comment
			GLASS 18.30 X 22.77	
	1478775		GLASS,DOOR,43 LIFT,CLEAR,LAMINATED	
	1478783		GLASS,DOOR,43 LIFT,GREEN	
	1478791		GLASS,DOOR,43 LIFT,BRONZE	

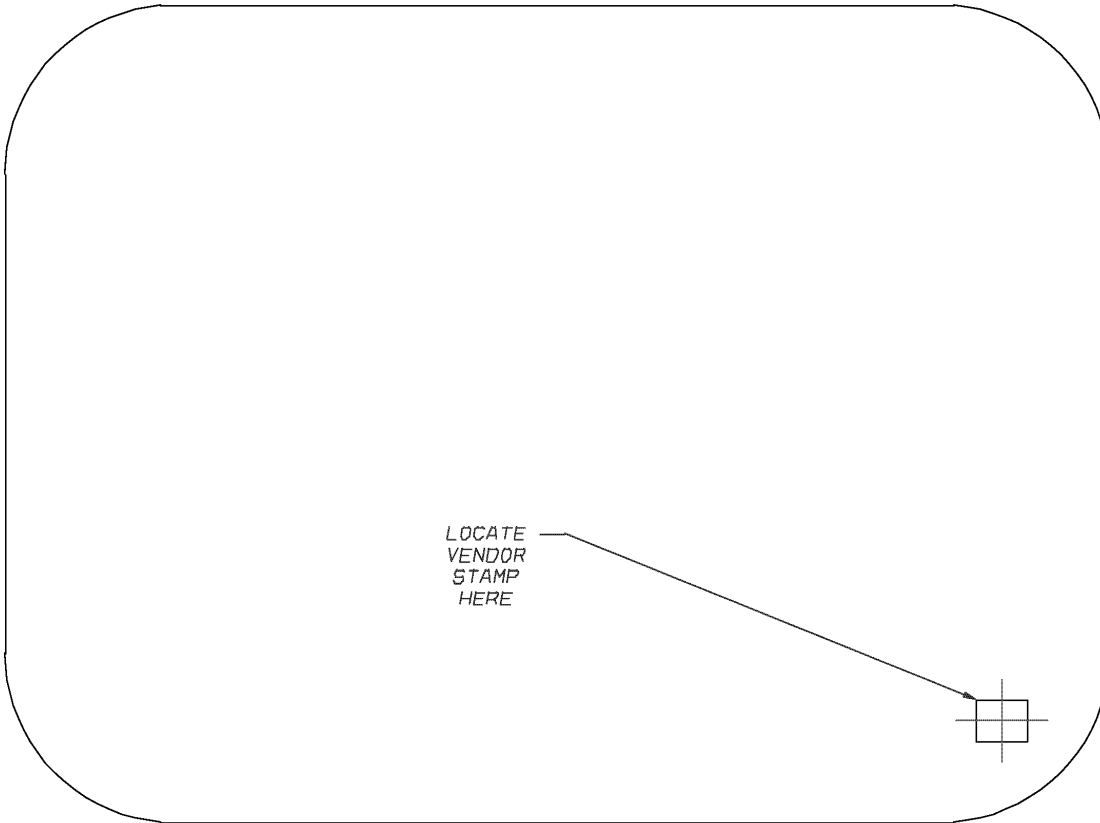

**Models:** A3FE, A3RE, BBCV, B1VC, B2VC, GMCV, MBWB, SBCV, TCFE  
MISCELLANEOUS  
43 INCH LIFT DOOR, 35 INCH S.E.D.

**With Features:** OPTION 432, 434, 439, 455, 456, FEATURE 31070-01, -02, -03, -04, FEATURE  
31198-01, -02, -03, -04

Key	PartNumber	Qty	Description	Comment
-----	------------	-----	-------------	---------

DR. 07/25/01	BYTFM			
APP.	BY	PRT	1881244	E
				REV

© BLUE BIRD BODY COMPANY. ALL RIGHTS RESERVED



**Models:** A3FE, A3RE, BBCV, B1VC, B2VC, GMCV, MBWB, SBCV, TCFE  
**MISCELLANEOUS**

**With Features:** 43 INCH LIFT DOOR, 35 INCH S.E.D.  
**31198-01, -02, -03, -04** OPTION 432, 434, 439, 455, 456, FEATURE 31070-01, -02, -03, -04,FEATURE

Key	PartNumber	Qty	Description	Comment
			GLASS 18.30 X 22.77	
	0799973		GLASS,42 LIFT DOOR,CLEAR,LAMINATED	
	1163229		GLASS,42 LIFT DOOR,70 PCT GREEN	
	1858679		GLASS,42 LIFT DOOR,DARK TINT TEMPERED	
	1163211		GLASS,42 LIFT DOOR,DARK TINT LAMINATED	

Models: AAFE, AARE, A3FE, A3RE, CSFE, CSRE, GPWB, SBCV, TCFE, TCRE  
MISCELLANEOUS  
ENTRANCE DOOR  
O/O

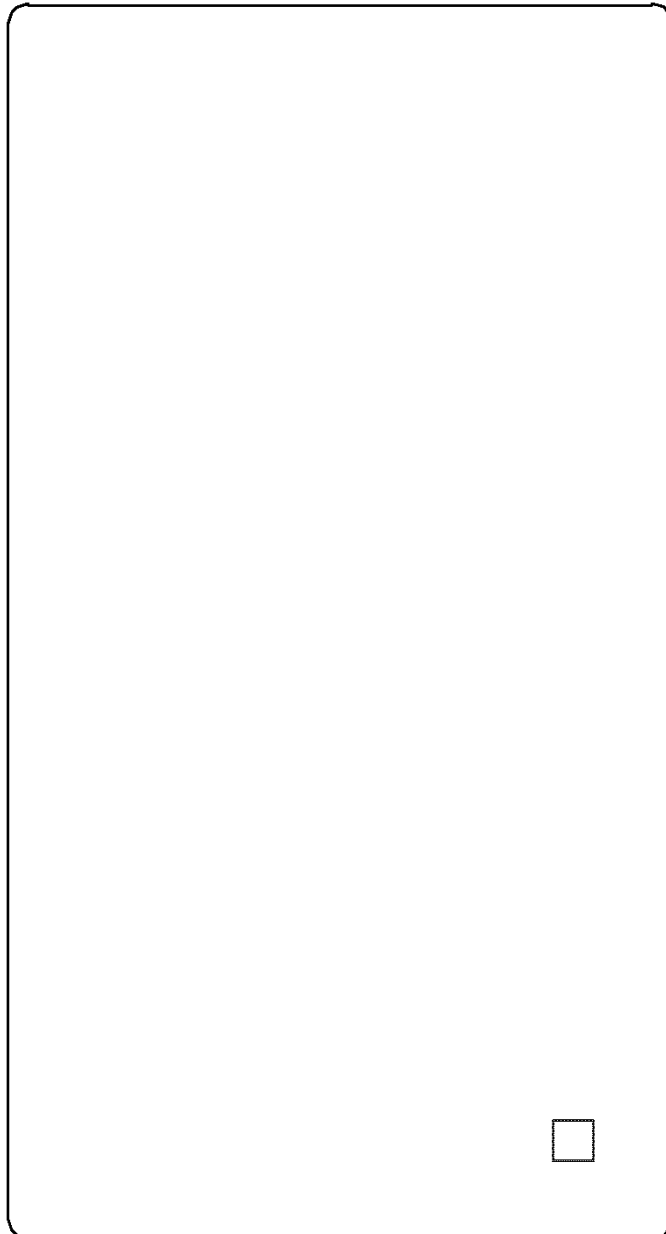
Key	PartNumber	Qty	Description	Comment
-----	------------	-----	-------------	---------

DR. 02/05/02 BY TFM		1773060	F
APP. BY	FRT		REV



© BLUE BIRD BODY COMPANY. ALL RIGHTS RESERVED

MADE IN U.S.A.



**Models:** AAFE, AARE, A3FE, A3RE, CSFE, CSRE, GPWB, SBCV, TCFE, TCRE  
**MISCELLANEOUS**  
**ENTRANCE DOOR**  
**O/O**

Key	PartNumber	Qty	Description	Comment
			GLASS, O/O ENT DOOR	
	1773076		GLASS,UPPER,O/O ENT DR LAM CLR	
	1773027		RUBBER,GLAZING,O/O ENTRANCE DOOR	
	1773084		GLASS,UPPER,O/O ENT DR TEMP CLR	
	1773027		RUBBER,GLAZING,O/O ENTRANCE DOOR	
	1773092		GLASS,UPPER,O/O ENT DR LAM 70 LT GRN	
	1773027		RUBBER,GLAZING,O/O ENTRANCE DOOR	
	1773100		GLASS,LOWER,O/O ENT DR LAM CLR 23 STEP	
	1773035		RUBBER,GLAZING,O/O ENT DR,LWR,23 STEP	
	1773118		GLASS,LOWER,O/O ENT DR TEMP CLR 23 STEP	
	1773035		RUBBER,GLAZING,O/O ENT DR,LWR,23 STEP	
	1773126		GLASS,LOWER,O/O ENT DR LAM 70 LT GRN 23	
	1773035		RUBBER,GLAZING,O/O ENT DR,LWR,23 STEP	
	1781285		GLASS,LWR,O/O ENT DR,LAM CLR,24.75 STEP	
	1777085		RUBBER,GLAZING,O/O ENT DR,LWR,24.75 STEP	
	1781293		GLASS,LWR,O/O ENT DR,TEMP CLR,24.75 STEP	
	1777085		RUBBER,GLAZING,O/O ENT DR,LWR,24.75 STEP	
	1781301		GLASS,LWR,O/O ENT DR,LAM 70 LT GRN,24.75	
	1777085		RUBBER,GLAZING,O/O ENT DR,LWR,24.75 STEP	
	1773134		GLASS,UPPER,O/O ENT DR LAM CLR,CV	
	1773043		RUBBER,GLAZING,O/O ENTRANCE DOOR,MB/CV	
	1773142		GLASS,UPPER,O/O ENT DR TEMP CLR,CV	
	1773043		RUBBER,GLAZING,O/O ENTRANCE DOOR,MB/CV	
	1773159		GLASS,UPPER,O/O ENT DR LAM 70 LT GRN,CV	
	1773043		RUBBER,GLAZING,O/O ENTRANCE DOOR,MB/CV	
	1781319		GLASS,LWR,O/O ENT DR,LAM CLR,23 STEP,CV	
	1768183		RUBBER,GLAZING,O/O ENT DR,LWR,23 STEP	
	1781327		GLASS,LWR,O/O ENT DR,TEMP CLR,23 STEP,CV	
	1768183		RUBBER,GLAZING,O/O ENT DR,LWR,23 STEP	
	1781335		GLASS,LWR,O/O ENT DR,LAM 70 LT GRN,23	
	1768183		RUBBER,GLAZING,O/O ENT DR,LWR,23 STEP	
	1773167		GLASS,LOWER,O/O ENT DR LAM CLR 24.75	
	1773050		RUBBER,GLAZING,O/O ENT DR,LWR,24 STEP	



**Models:** AAFE, AARE, A3FE, A3RE, CSFE, CSRE, GPWB, SBCV, TCFE, TCRE  
**MISCELLANEOUS  
 ENTRANCE DOOR  
 O/O**

Key	PartNumber	Qty	Description	Comment
	1773175		GLASS,LOWER,O/O ENT DR TEMP CLR 24.75	
	1773050		RUBBER,GLAZING,O/O ENT DR,LWR,24 STEP	
	1773183		GLASS,LOWER,O/O ENT DR LAM 70 LTGRN	
	1773050		RUBBER,GLAZING,O/O ENT DR,LWR,24 STEP	
	1781343		GLASS,LWR,O/O ENT DR,LAM CLR,27.50 STEP,	
	1777051		RUBBER,GLAZING,O/O ENT DR,LOWER,27.50	
	1781350		GLASS,LWR,O/O ENT DR,TEMP CLR,27.50 STEP,	
	1777051		RUBBER,GLAZING,O/O ENT DR,LOWER,27.50	
	1780535		GLASS,LWR,O/O ENT DR,LAM 70 LT GRN 27.50	
	1777051		RUBBER,GLAZING,O/O ENT DR,LOWER,27.50	
			GLASS, O/O ENT DOOR	
	0040980		GLASS,LWR ENT DR,LAM CLER,29.00, CV	
	0040998		RUBBER,GLAZING,O/O ENT DR,LWR,29.00 STEP	
	0040982		GLASS,LWR ENT DR,TEMP CLER,29.00, CV	
	0040998		RUBBER,GLAZING,O/O ENT DR,LWR,29.00 STEP	
	0040983		GLASS,LWR ENT DR,LAM TO LT GRN,29.00, CV	
	0040998		RUBBER,GLAZING,O/O ENT DR,LWR,29.00 STEP	
	1794981		GLASS,LWR,O/O ENT DR LAM CLR 14.25 STEP,	
	1768159		RUBBER,GLAZING,O/O ENT DR,LOWER,14.25 ST	
	1794999		GLASS,LWR,O/O ENT DR TEMP CLR 14.25 STEP	
	1768159		RUBBER,GLAZING,O/O ENT DR,LOWER,14.25 ST	
	1795004		GLASS,LWR,O/O ENT DR LAM 70 LTGRN 14.25,	
	1768159		RUBBER,GLAZING,O/O ENT DR,LOWER,14.25 ST	
	0012780		GLASS,O/O ENTRANCE DOOR,LAMINATED CLR,	
	0012775		RUBBER,GLAZING,O/O ENTRANCE DOOR,,B1VC	
	0012779		GLASS,O/O ENTRANCE DOOR,TEMPERED CLR,,	
	0012775		RUBBER,GLAZING,O/O ENTRANCE DOOR,,B1VC	
	0012778		GLASS,O/O ENTRANCE DR,LAM 70% LT GREEN,	
	0012775		RUBBER,GLAZING,O/O ENTRANCE DOOR,,B1VC	
	0034238		GLASS,O/O ENT DOOR,UPR,LAM CLR,69HR,	
	0034249		RUBBER,GLAZING,O/O ENT DOOR,UPR,69HR,	
	0034239		GLASS,O/O ENT DOOR,UPR,TEMP CLR,69HR,	
	0034249		RUBBER,GLAZING,O/O ENT DOOR,UPR,69HR,	

**Models:** AAFE, AARE, A3FE, A3RE, CSFE, CSRE, GPWB, SBCV, TCFE, TCRE  
MISCELLANEOUS  
ENTRANCE DOOR  
O/O

Key	PartNumber	Qty	Description	Comment
	0034240		GLASS,O/O ENT DOOR,LAM 70% LT GN,69HR,	
	0034249		RUBBER,GLAZING,O/O ENT DOOR,UPR,69HR,	

Models: AAFE, AARE, A3FE, A3RE, CSFE, CSRE, GPWB, SBCV, TCFE, TCRE  
 MISCELLANEOUS  
 ENTRANCE DOOR  
 O/O STORM

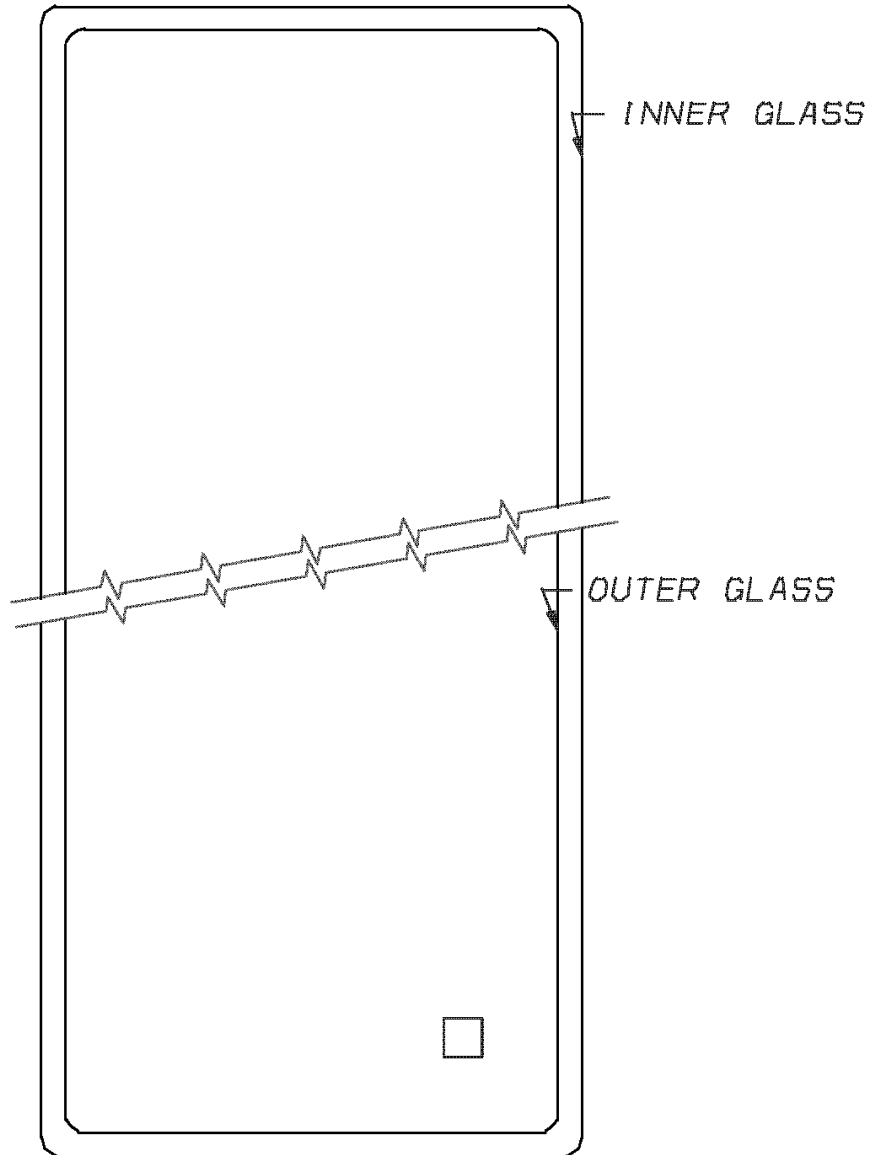
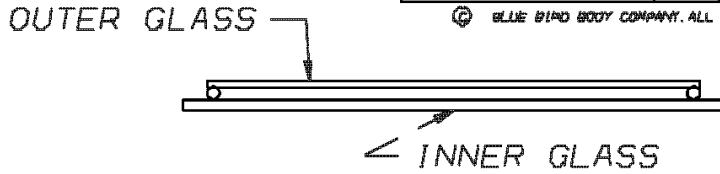
Key	PartNumber	Qty	Description	Comment
-----	------------	-----	-------------	---------

DR. 02/05/02 BY TFM		1781137	E
APP.	BY	FRT	REV

© BLUE BIRD BODY COMPANY. ALL RIGHTS RESERVED



BLUE BIRD



**Models:** AAFE, AARE, A3FE, A3RE, CSFE, CSRE, GPWB, SBCV, TCFE, TCRE  
**MISCELLANEOUS**  
**ENTRANCE DOOR**  
**O/O STORM**

Key	PartNumber	Qty	Description	Comment
			GLASS, O/O ENT DOOR, STORM	
	1795780		GLASS ASSY,STORM,O/O DR LWR,14.25, VC	
	1726744		RUBBER,STORM GLAZING,ENTRANCE DOOR,	
	1795798		GLASS ASSY,STORM,O/O DR LWR,14.25 TINTED	
	1726744		RUBBER,STORM GLAZING,ENTRANCE DOOR,	
	1781145		GLASS ASSY,STORM,ENT DR,UPPER,O/O	
	1726819		RUBBER,STORM GLAZING,O/O ENT DOOR	
	1781152		GLASS ASSY,STORM,ENT DR,UPPER,O/O	
	1726819		RUBBER,STORM GLAZING,O/O ENT DOOR	
	1781160		GLASS ASSY,STORM,ENT DR,LWR,23 STEP	
	1726827		RUBBER,STORM GLAZING,O/O ENT DR,LWR 23	
	1781178		GLASS ASSY,STORM,O/O DR,LWR,23 STEP	
	1726827		RUBBER,STORM GLAZING,O/O ENT DR,LWR 23	
	1781186		GLASS ASSY,STORM,O/O DR,LWR,24.75 STEP	
	1814706		RUBBER,STORM GLAZING,O/O,ENT DR LWR	
	1781194		GLASS ASSY,STORM,O/O DR,LWR,24.75 STEP,	
	1814706		RUBBER,STORM GLAZING,O/O,ENT DR LWR	
	1781202		GLASS ASSY,STORM,ENT DR,UPPER,O/O,CV	
	1726744		RUBBER,STORM GLAZING,ENTRANCE DOOR,	
	1781210		GLASS ASSY,STORM,ENT DR,UPPER,O/O	
	1726744		RUBBER,STORM GLAZING,ENTRANCE DOOR,	
	1781228		GLASS ASSY,STORM,O/O DR,LWR,23 STEP,CV	
	1726769		RUBBER,STORM GLAZING,O/O ENT,LWR 23	
	1781236		GLASS ASSY,STORM,O/O DR,LWR,23 STEP,	
	1726769		RUBBER,STORM GLAZING,O/O ENT,LWR 23	
	1781244		GLASS ASSY,STORM,O/O DR,LWR,24.75 STEP,	
	1726777		RUBBER,STORM GLAZING,O/O ENT,LWR,24	
	1781251		GLASS ASSY,STORM,O/O DR,LWR,24.75 STEP,	
	1726777		RUBBER,STORM GLAZING,O/O ENT,LWR,24	
	1781269		GLASS ASSY,STORM,O/O DR,LWR,27.50 STEP,	
	1726801		RUBBER,STORM GLAZING,O/O ENT DR,	
	1781277		GLASS ASSY,STORM,O/O DR,LWR,27.50 STEP,	
	1726801		RUBBER,STORM GLAZING,O/O ENT DR,	

**Models:** AAFE, AARE, A3FE, A3RE, CSFE, CSRE, GPWB, SBCV, TCFE, TCRE  
**MISCELLANEOUS  
 ENTRANCE DOOR  
 O/O STORM**

Key	PartNumber	Qty	Description	Comment
	0040994		GLASS ASSY,STORM,O/O DR,LWR,29.00,CLEAR,	
	0041000		RUBBER,STORM GLAZING,O/O ENT DR,LWR	
	0040996		GLASS ASSY,STORM,O/O DR,LWR,29.00,TINTED	
	0041000		RUBBER,STORM GLAZING,O/O ENT DR,LWR	
	0012776		GLASS ASSY,STORM,O/O ENT DR,CLEAR,,B1VC	
	0012774		RUBBER,STORM,GLAZING,O/O ENT DOOR,,	
	0012777		GLASS ASSY,STORM,O/O ENT DR,TINTED,,B1VC	
	0012774		RUBBER,STORM,GLAZING,O/O ENT DOOR,,	
	0034242		GLASS ASSY,STORM,ENT DR,UPR,CLR,69HR,	
	0034250		RUBBER,STORM GLAZING,O/O DOOR,UPR,69HR	
	0034243		GLASS ASSY,STORM,ENT DR,UPR,TNT,69HR,	
	0034250		RUBBER,STORM GLAZING,O/O DOOR,UPR,69HR	

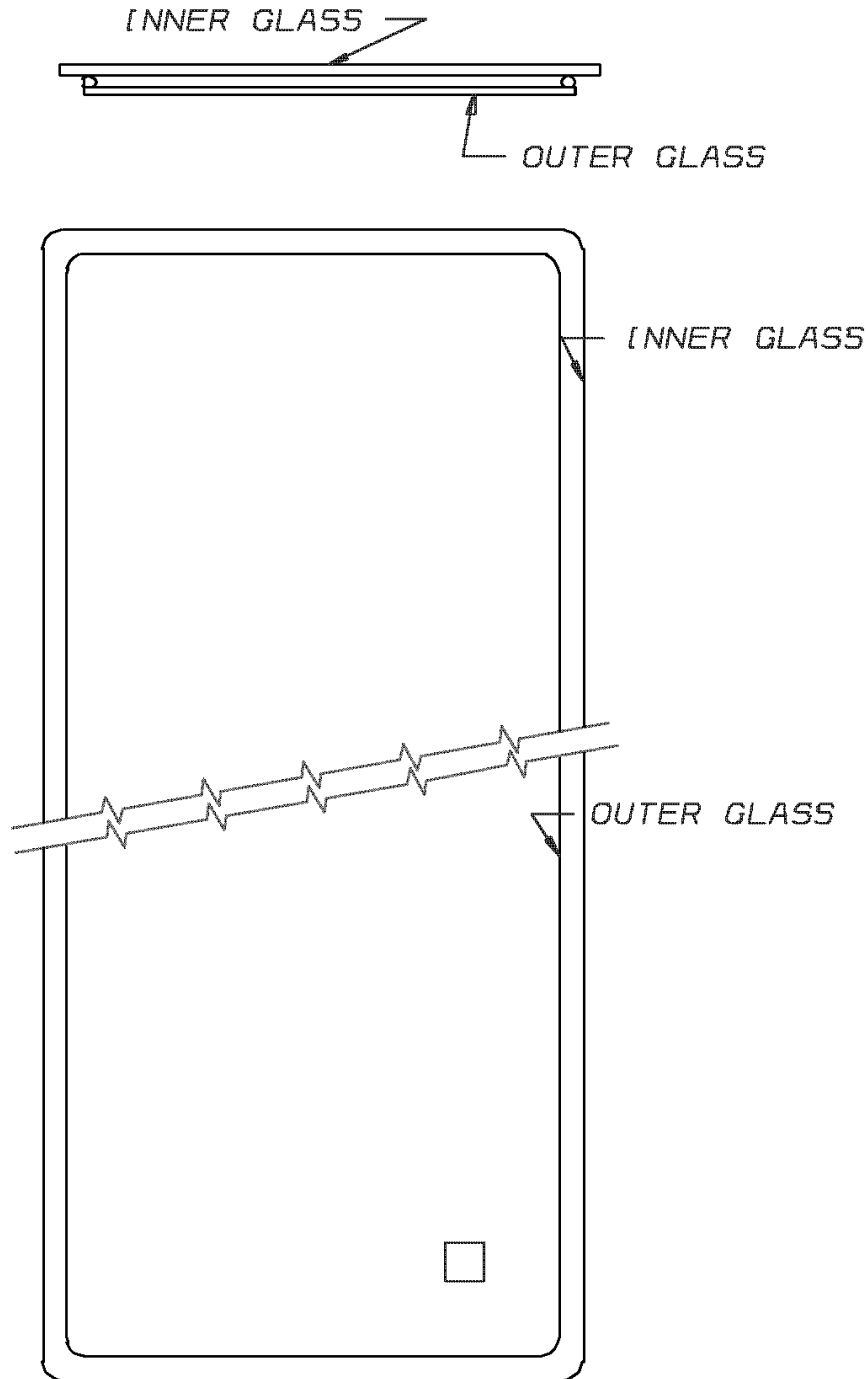
Models: AAFE, AARE, A3FE, A3RE, CSFE, CSRE, GPWB, SBCV, TCFE, TCRE  
 MISCELLANEOUS  
 ENTRANCE DOOR  
 STORM, STEEL TUBE

Key	PartNumber	Qty	Description	Comment
-----	------------	-----	-------------	---------

DR. 02/04/02 BY TFM				
APP.	BY	FRT	1602077	C REV



© BLUE BIRD BODY COMPANY. ALL RIGHTS RESERVED



**Models:** AAFE, AARE, A3FE, A3RE, CSFE, CSRE, GPWB, SBCV, TCFE, TCRE  
**MISCELLANEOUS  
 ENTRANCE DOOR  
 STORM, STEEL TUBE**

Key	PartNumber	Qty	Description	Comment
			GLASS ASSY, STORM, ENTRANCE	
	1602085		GLASS ASSY,STORM,ENT DR,UPPER,O/O,CV	
	1814722		RUBBER,STORM GLAZING,ENTRANCE DOOR,CV	
	1602093		GLASS ASSY,STORM,ENT DR,UPPER,TC AA	
	1814748		RUBBER,STORM GLAZING,ENTRANCE DOOR,,	
	1602119		GLASS ASSY,STORM,ENT DR,LWR,O/O,27.50,CV	
	1814771		RUBBER,STORM GLAZING,ENT DOOR LOWER,CV	
	0040653		GLASS ASSY,STORM,ENT DR,LWR,JK,29.00, CV	
	0040656		RUBBER,STORM GLAZING,ENT DR,	
	1602127		GLASS ASSY,STORM,ENT DR,LWR,23.00,TC	
	1814789		RUBBER,STORM GLAZING,ENT DR LWR,23.00	
	1602135		GLASS ASSY,STORM,ENT DR,LWR,24.75,TC AA	
	1814755		RUBBER,STORM GLAZING,ENT DR LWR,24.75	
	1625466		GLASS ASSY,STORM,ENT DR,UPPER,O/O,	
	1814722		RUBBER,STORM GLAZING,ENTRANCE DOOR,CV	
	1625474		GLASS ASSY,STORM,ENT DR,UPPER,TINTED,TC	
	1814748		RUBBER,STORM GLAZING,ENTRANCE DOOR,,	
	1625490		GLASS ASSY,STORM,ENT DR,LWR,O/O,27.50,	
	1814771		RUBBER,STORM GLAZING,ENT DOOR LOWER,CV	
	0040654		GLASS ASSY,STORM,ENT DR,LWR,JK,29.00,TNT	
	0040656		RUBBER,STORM GLAZING,ENT DR,	
	1625508		GLASS ASSY,STORM,ENT DR,LOWER,23.00,TNT,	
	1814789		RUBBER,STORM GLAZING,ENT DR LWR,23.00	
	1625516		GLASS ASSY,STORM,ENT DR,LWR,24.75,TNT TC	
	1814755		RUBBER,STORM GLAZING,ENT DR LWR,24.75	

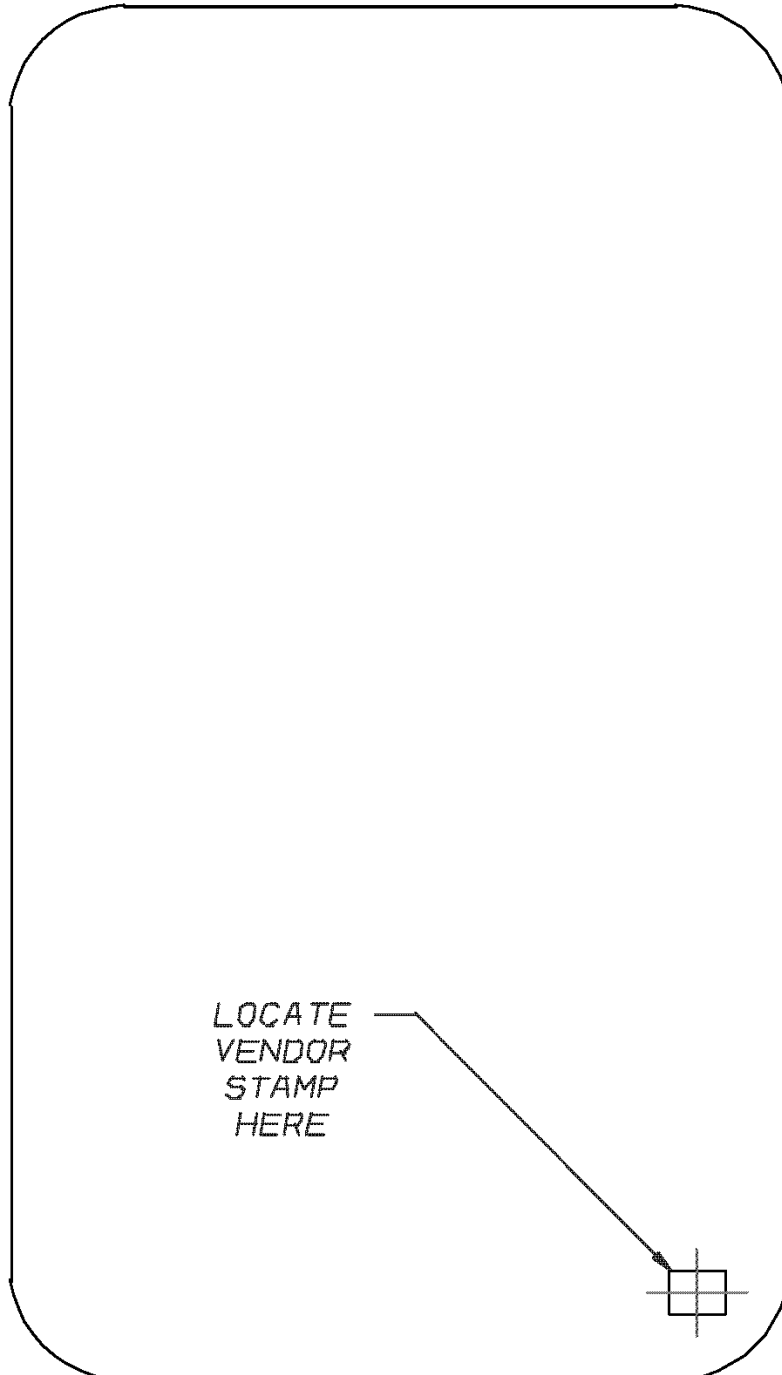
Models: AAFE, AARE, A3FE, A3RE, CSFE, CSRE, GPWB, SBCV, TCFE, TCRE  
MISCELLANEOUS  
ENTRANCE DOOR/EXIT

Key	PartNumber	Qty	Description	Comment
-----	------------	-----	-------------	---------

DR. 01/31/02 BY TFM		1858844	A
APP.	BY	FRT	REV



BLUE BIRD BODY COMPANY. ALL RIGHTS RESERVED



LOCATE  
VENDOR  
STAMP  
HERE



**Models: AAFE, AARE, A3FE, A3RE, CSFE, CSRE, GPWB, SBCV, TCFE, TCRE  
MISCELLANEOUS  
ENTRANCE DOOR/EXIT**

Key	PartNumber	Qty	Description	Comment
			GLASS, ENTRANCE DOOR	
	0258350		GLASS,DOOR,ENTRANCE,UPPER,TEMPERED	
	0347849		GLAZING,RUBBER,ENT DOOR,LOWER	
	0347625		GLASS,DOOR,ENTRANCE,LOWER,TEMPERED	
	0347849		GLAZING,RUBBER,ENT DOOR,LOWER	
	0093112		GLASS,DOOR,ENTRANCE,UPPER,CLEAR	
	0311142		GLAZING,RUBBER,ENT DOOR,UPPER,54	
	0347617		GLASS,DOOR,ENTRANCE,LOWER,CLEAR	
	0347849		GLAZING,RUBBER,ENT DOOR,LOWER	
	0803882		GLASS,DOOR,ENTRANCE,UPPER,70 PCT GREEN	
	0311142		GLAZING,RUBBER,ENT DOOR,UPPER,54	
	0803908		GLASS,DOOR,ENTRANCE,LOWER,70 PCT GREEN	
	0347849		GLAZING,RUBBER,ENT DOOR,LOWER	
			GLASS, EXIT DOOR	
	1858786		GLASS,DOOR,ENTRANCE,UPPER,DARK TINT	
	0311142		GLAZING,RUBBER,ENT DOOR,UPPER,54	
	1858752		GLASS,DOOR,ENTRANCE,LOWER,DARK TINT	
	0347849		GLAZING,RUBBER,ENT DOOR,LOWER	
	1163062		GLASS,DOOR,ENTRANCE,UPPER,DARK TINT LAM	
	0311142		GLAZING,RUBBER,ENT DOOR,UPPER,54	
	1163054		GLASS,DOOR,ENTRANCE,LOWER,DARK TINT	
	0347849		GLAZING,RUBBER,ENT DOOR,LOWER	

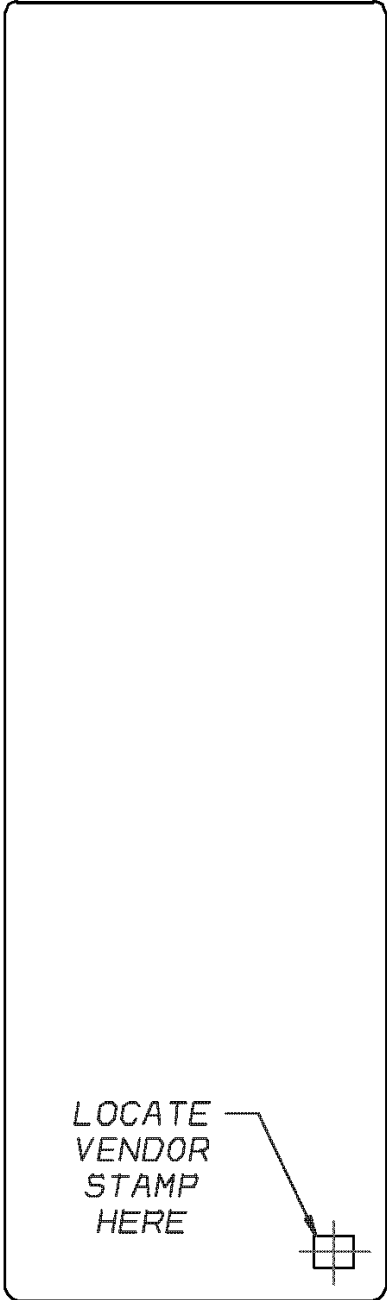
Models: AAFE, AARE, A3FE, A3RE, CSFE, CSRE, GPWB, SBCV, TCFE, TCRE  
MISCELLANEOUS  
ENTRANCE/EXIT DOOR, STEEL TUBE

Key	PartNumber	Qty	Description	Comment
-----	------------	-----	-------------	---------

DR. 10/08/01	BY TFM		1861277	C
APP.	BY	FRT		REV



© BLUE BIRD BODY COMPANY, ALL RIGHTS RESERVED



LOCATE  
VENDOR  
STAMP  
HERE

**Models:** AAFE, AARE, A3FE, A3RE, CSFE, CSRE, GPWB, SBCV, TCFE, TCRE  
**MISCELLANEOUS**  
**ENTRANCE/EXIT DOOR, STEEL TUBE**

Key	PartNumber	Qty	Description	Comment
			GLASS, DOOR, STEEL TUBE	
	1444868		GLASS,DOOR,ENT,STL TUBE,UPPER,CLEAR,LAM	
	1444793		RUBBER,GLAZING,ENTRANCE DOOR,CV	
	1444876		GLASS,DOOR,ENT,STL TUBE,UPPER,70 PCT	
	1444793		RUBBER,GLAZING,ENTRANCE DOOR,CV	
	1858794		GLASS,DOOR,EXIT,STL TUB,UPPER,DARK TINT	
	1444793		RUBBER,GLAZING,ENTRANCE DOOR,CV	
	1444884		GLASS,DOOR,ENT,STL TUBE,UPPER,TEMPERED	
	1444793		RUBBER,GLAZING,ENTRANCE DOOR,CV	
	1444827		GLASS,DOOR,ENT,STL TUBE,LOWER,CLEAR,LAM	
	1444801		RUBBER,GLAZING,35 EXIT DR LWR,24,	
	1444835		GLASS,DOOR,ENT,STL TUBE,LOWER,70 PCT	
	1444801		RUBBER,GLAZING,35 EXIT DR LWR,24,	
	1444843		GLASS,DOOR,ENT,STL TUBE,LOWER,TEMPERED	
	1444801		RUBBER,GLAZING,35 EXIT DR LWR,24,	
	1858802		GLASS,DOOR,EXIT,STL TUB,LWR,DK TINT	
	1444801		RUBBER,GLAZING,35 EXIT DR LWR,24,	
	1472661		GLASS,DOOR,ENT,STL TUBE,UPPER,CLEAR,LAM,	
	1472695		RUBBER,GLAZING,ENTRANCE DOOR,,TC/CS	
	1472679		GLASS,DOOR,ENT,STL TUBE,UPPER,70PCT GRN,	
	1472695		RUBBER,GLAZING,ENTRANCE DOOR,,TC/CS	
	1472687		GLASS,DOOR,ENT,STL TUBE,UPPER,TEMPERED,	
	1472695		RUBBER,GLAZING,ENTRANCE DOOR,,TC/CS	
	0042934		GLASS,DOOR,ENT,STL TUBE,UPPER,TEMP,	
	1472695		RUBBER,GLAZING,ENTRANCE DOOR,,TC/CS	
	1472620		GLASS,DOOR,ENT,STL TUBE,LOWER,CLEAR	
	1472703		RUBBER,GLAZING,ENT DOOR LOWER,24.75,	
	1472638		GLASS,DOOR,ENT,STL TUBE,LOWER,70PCT	
	1472703		RUBBER,GLAZING,ENT DOOR LOWER,24.75,	
	1472646		GLASS,DOOR,ENT,STL TUBE,LOWER,TEMPERED,	
	1472703		RUBBER,GLAZING,ENT DOOR LOWER,24.75,	
	0042935		GLASS,DOOR,ENT,STL TUBE,LOWER,TEMP,	
	1472703		RUBBER,GLAZING,ENT DOOR LOWER,24.75,	

**Models:** AAFE, AARE, A3FE, A3RE, CSFE, CSRE, GPWB, SBCV, TCFE, TCRE  
**MISCELLANEOUS**  
**ENTRANCE/EXIT DOOR, STEEL TUBE**

Key	PartNumber	Qty	Description	Comment
	1529908		GLASS,DOOR,ENT,STL TUBE,LOWER,CLEAR,	
	1529882		RUBBER,GLAZING,35 EXIT DR LWR,23 STEP,	
	1529916		GLASS,DOOR,ENT,STL TUBE,LOWER,70 PCT	
	1529882		RUBBER,GLAZING,35 EXIT DR LWR,23 STEP,	
	1858810		GLASS,DOOR,EXIT,STL TUB,LOWER,DARK TINT	
	1529882		RUBBER,GLAZING,35 EXIT DR LWR,23 STEP,	
	1529924		GLASS,DOOR,ENT,STL TUBE,LOWER,	
	1529882		RUBBER,GLAZING,35 EXIT DR LWR,23 STEP,	
	1548353		GLASS,DOOR,ENT,STL TUBE,LWR,CLEAR,	
	1547595		RUBBER,GLAZING,ENT DOOR LOWER,CV	
	1548361		GLASS,DOOR,ENT,STL TUBE,LWR,70 PCT	
	1547595		RUBBER,GLAZING,ENT DOOR LOWER,CV	
	1548379		GLASS,DOOR,ENT,STL TUBE,LWR,	
	1547595		RUBBER,GLAZING,ENT DOOR LOWER,CV	
	0040649		GLASS,DOOR,ENT,STL TUBE,LWR,CLEAR,	
	0040655		RUBBER,GLAZING,ENT DOOR,LOWER,29.00	
	0040650		GLASS,DOOR,ENT,STL TUBE,LWR,70 PCT	
	0040655		RUBBER,GLAZING,ENT DOOR,LOWER,29.00	
	0040651		GLASS,DOOR,ENT,STL TUBE,LWR,TEMPERED,	
	0040655		RUBBER,GLAZING,ENT DOOR,LOWER,29.00	
	1548387		GLASS,DOOR,ENT,STL,LOWER,CLEAR,LAM,23	
	1547603		RUBBER,GLAZING,ENT DOOR LOWER,GP/CV	
	1548395		GLASS,DOOR,ENT,STL,LOWER,70 PCT	
	1547603		RUBBER,GLAZING,ENT DOOR LOWER,GP/CV	
	1548403		GLASS,DOOR,ENT,STL,LOWER,TEMPERED,23	
	1547603		RUBBER,GLAZING,ENT DOOR LOWER,GP/CV	
	1661875		GLASS,DOOR,EXIT,STL TUB,UPPER,DARK TINT	
	1444793		RUBBER,GLAZING,ENTRANCE DOOR,CV	
	1661883		GLASS,DOOR,EXIT,STL TUB,LOWER,DARK TINT	
	1529882		RUBBER,GLAZING,35 EXIT DR LWR,23 STEP,	
	1687037		GLASS,DOOR,EXIT,STL TUB,LWR,DK TINT	
	1444801		RUBBER,GLAZING,35 EXIT DR LWR,24, GLASS, DOOR, ENTRANCE, SEDAN	

**Models:** AAFE, AARE, A3FE, A3RE, CSFE, CSRE, GPWB, SBCV, TCFE, TCRE  
**MISCELLANEOUS**  
**ENTRANCE/EXIT DOOR, STEEL TUBE**

Key	PartNumber	Qty	Description	Comment
	1472448		GLASS,DOOR,ENT,SEDAN,CLEAR,LAMINATED,	
	1472380		GLAZING,RUBBER,ENT DOOR,SEDAN	
	1472455		GLASS,DOOR,ENT,SEDAN,70 PCT GREEN,AA	
	1472380		GLAZING,RUBBER,ENT DOOR,SEDAN	
	1472463		GLASS,DOOR,ENT,SEDAN,TEMPERED,AA	
	1472380		GLAZING,RUBBER,ENT DOOR,SEDAN	


**Models:** AAFE, AARE, A3FE, A3RE, C1FE, CSFE, CSRE, GMCV, SBCV, TCFE, TCRE, TSFE  
**MISCELLANEOUS  
 GLASS  
 TRANSIT WINDOW**

**With Features:** **OPTION 3365**

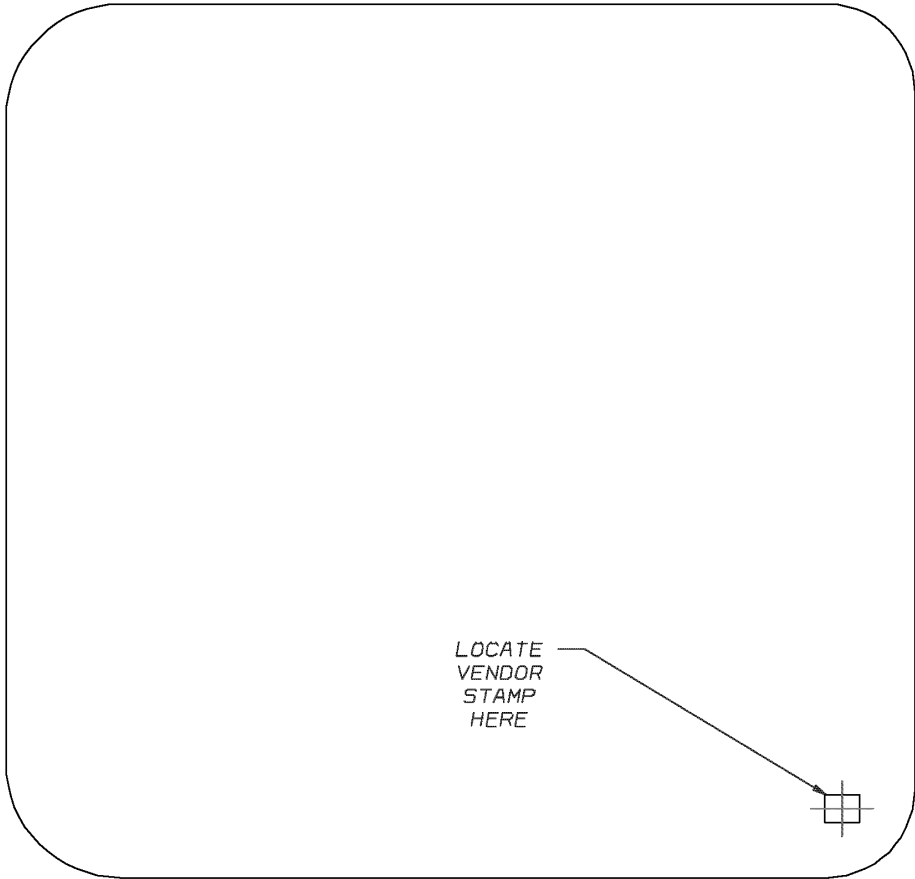
Key	PartNumber	Qty	Description	Comment
NI			GLASS, TRANSIT WINDOW	
	3800299		GLASS,TRANSIT WINDOW,28 SECT,74 HR	22 1/16 X 10 3/16
	3800307		GLASS,TRANSIT WINDOW,28 SECT,77 HR	24 1/16 X 10 3/16
	3799947		GLASS,TRANSIT WINDOW,35 SECT,74 HR	22 1/16 X 13 11/16
	3800042		GLASS,TRANSIT WINDOW,35 SECT,77 HR	24 1/16 X 13 11/16
	3799467		GLASS,TRANSIT WINDOW,42 SECT,77 HR	24 1/16 X 17 3/16
	3833241		GLASS,TRANSIT WINDOW,42 SECT,77 HR,6PCT	24 1/16 X 17 13/16
	3820727		GLASS,TRANSIT WINDOW,42 SECT,77 HR,	24 1/16 X 17 3/16
	3799558		GLASS,TRANSIT WINDOW,56 SECT,74 HR	22 1/16 X 24 3/16
	3798782		GLASS,TRANSIT WINDOW,56 SECT,77 HR	24 1/16 X 24 3/16
	3833258		GLASS,TRANSIT WINDOW,56 SECT,77 HR,6PCT	24 1/16 X 24 3/16
	3799632		GLASS,TRANSIT WINDOW,63 SECT,74 HR	22 1/16 X 27 11/16
	3799772		GLASS,TRANSIT WINDOW,63 SECT,77 HR	24 1/16 X 27 11/16
	3799731		GLASS,TRANSIT WINDOW,70 SECT,74 HR	22 1/16 X 31 3/16
	3799897		SASH ASSY,TRANSIT,RH FRONT,70 RECT,77HR	24 1/16 X 31 3/16
	3926748		GLASS,TRANSIT WINDOW,DRIVERS,GREEN	22 1/16 X 13 7/32

**Models:** A3FE, A3RE, BBCV, B1VC, B2VC, GMCV, MBWB, SBCV, TCFE  
MISCELLANEOUS  
REAR VISION  
**With Features:** FEATURE 31187-01, -02, -03, -04, -05

Key	PartNumber	Qty	Description	Comment
-----	------------	-----	-------------	---------

DR. 07/24/01 BY TFM	1861228	B	
APP. BY	FRT	REV	

© BLUE BIRD BODY COMPANY. ALL RIGHTS RESERVED



**Models:** A3FE, A3RE, BBCV, B1VC, B2VC, GMCV, MBWB, SBCV, TCFE  
**MISCELLANEOUS**  
**REAR VISION**

**With Features:** FEATURE 31187-01, -02, -03, -04, -05

Key	PartNumber	Qty	Description	Comment
			GLASS, REAR VISION 20.93 X 21.34 X .218	
	1110154		GLASS,REAR VISION,TEMPERED	FEATURE 31187-01
	1110162		GLASS,REAR VISION,CLEAR,LAMINATED	FEATURE 31187-02
	1858646		GLASS,REAR VISION,DARK TINT,TEMPERED	FEATURE 31187-03
	1163096		GLASS,RR VISION,28% BRONZE LAMINATED	FEATURE 31187-04
	1163104		GLASS,REAR VISION,70 PCT GREEN	FEATURE 31187-05




**Models:** A3FE, A3RE, BBCV, B1VC, B2VC, GMCV, MBWB, SBCV, TCFE  
MISCELLANEOUS  
REAR VISION, SMALL  
**With Features:** FEATURE 31182, 31183, 31187

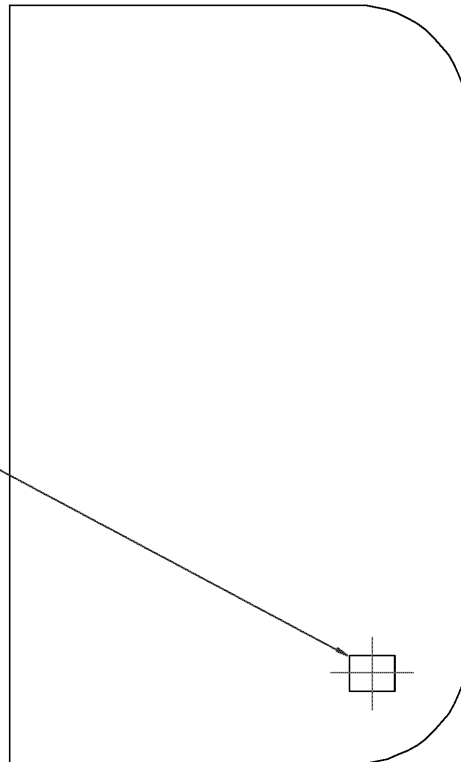
Key	PartNumber	Qty	Description	Comment
-----	------------	-----	-------------	---------

DR. 07/25/01 BY TFM				
APP.	BY	PRT 1861269	B	REV

© BLUE BIRD BODY COMPANY. ALL RIGHTS RESERVED



LOCATE  
VENDOR  
STAMP  
HERE




**Models:** A3FE, A3RE, BBCV, B1VC, B2VC, GMCV, MBWB, SBCV, TCFE  
**MISCELLANEOUS**  
**REAR VISION, SMALL**  
**With Features:** FEATURE 31182, 31183, 31187

Key	PartNumber	Qty	Description	Comment
			GLASS, REAR VISION, SMALL 12.62 X 20.93	
	0800193		GLASS,REAR VISION,SMALL,CLEAR,LAMINATED	FEATURE, 31182-01, 31183-01, 31187-02
	0042937		GLASS,REAR VISION,SMALL,CLR,TEMP,EMARK	
	1858745		GLASS,REAR VISION,SMALL,DARK TINT	FEATURE, 31182-02, 31183-02 31187-03
	1163112		GLASS,REAR VISION,SMALL,DARK TINT	FEATURE, 31182-03, 31183-03 31187-04
	1163120		GLASS,REAR VISION,SMALL,70 PCT GREEN	

**Models:** A3FE, A3RE, BBCV, B1VC, B2VC, C1FE, GMCV, MBWB, SBCV, TCFE  
MISCELLANEOUS  
REAR WINDOW  
**With Features:** FEATURE 31182-01, -02, -03, -04, 31183-01, -02, -03, -04

Key	PartNumber	Qty	Description	Comment
-----	------------	-----	-------------	---------

DR: 07/24/01	BY TFM	1858851	B	
APP.	BY	PRT	REV	

© BLUE BIRD BODY COMPANY, ALL RIGHTS RESERVED



**Models:** A3FE, A3RE, BBCV, B1VC, B2VC, C1FE, GMCV, MBWB, SBCV, TCFE  
**MISCELLANEOUS**  
**REAR WINDOW**  
**With Features:** FEATURE 31182-01, -02, -03, -04, 31183-01, -02, -03, -04

Key	PartNumber	Qty	Description	Comment
			GLASS	
			REAR CENTER WINDOW, 20.93 X 50.12	STATIONARY WINDOW
			REAR EMERGENCY WINDOW 17.87 X 50.12	
	0800227		GLASS,REAR CENTER WINDOW,CLEAR,	FEATURE 31183-01
	1844042		GLASS,REW,CLEAR LAMINATED	FEATURE 31183-01
	0042938		GLASS,REW,CLEAR,TEMPERED,EMARK	
	1163161		GLASS,REAR CENTER WINDOW,70 PCT GREEN	FEATURE 31182-04
	1844067		GLASS,REW,70 PCT GREEN	FEATURE 31183-04
	1858737		GLASS,REAR CENTER WINDOW,DARK TINT	FEATURE 31182-02
	1858729		GLASS,REW,DARK TINT TEMPERED	FEATURE 31183-02
	1163153		GLASS,REAR CENTER WINDOW,DARK TINT LAM	FEATURE 31182-03
	1844059		GLASS,REW,DARK TINT LAMINATED	FEATURE 31183-03
	0038147		GLASS,REAR CNTR WINDOW,CLEAR TEMPERED	TEMPORARY OPTION
	0038148		GLASS,REAR EMERGENCY WINDOW,CLEAR	TEMPORARY OPTION

**Models:** A3FE, A3RE, BBCV, B1VC, B2VC, GMCV, MBWB, SBCV  
MISCELLANEOUS  
WINDOW STOP

**With Features:** FEATURE 03355-01, -02, -03, 04

---

Key	PartNumber	Qty	Description	Comment
-----	------------	-----	-------------	---------

---

**Models:** A3FE, A3RE, BBCV, B1VC, B2VC, GMCV, MBWB, SBCV

MISCELLANEOUS  
WINDOW STOP

**With Features:** FEATURE 03355-01, -02, -03, 04


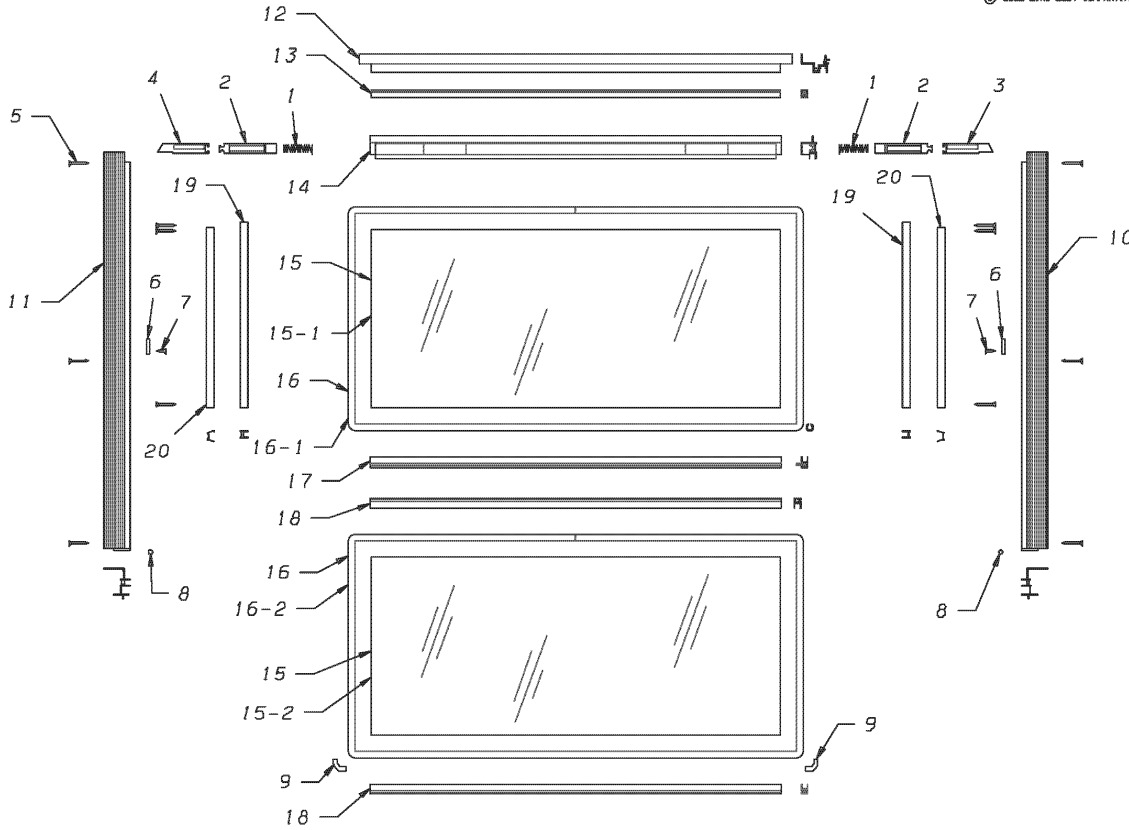
Key	PartNumber	Qty	Description	Comment
	0079898		STOP,WINDOW,SPLIT SASH,3.50 OPENING	
	0079899		STOP,WINDOW,SPLIT SASH,5.00 OPENING	
	0079900		STOP,WINDOW,SPLIT SASH,7.00 OPENING	
	0079901		STOP,WINDOW,SPLIT SASH,9.00 OPENING	
	0654004		STOP,AUXILIARY WINDOW,SPLIT & DROP SASH	
	2000446		SCREW,6-20 X 3/8,AB,PH1,PAN HD,YEL ZN	

Models: AAFE, AARE, A1VC, A3FE, A3RE, B1VC, B2VC, C1FE, GMCV, GPWB, MBWB,  
 SBCV, TCFE, TCRE, TSFE, VCTA  
**SPLIT SASH**  
**28 INCH WITH 12 INCH OPENING**  
**CLEAR LAMINATED**  
**To BSN B20107259 F20054224 L10093804 M10119600 11-3-02**

Key	PartNumber	Qty	Description	Comment
-----	------------	-----	-------------	---------

DR. 12/08/01 BY JL	---	3832060	X
APP. 12/08/01 BY PF	FRT		REV

© BLUE BIRD BODY COMPANY, ALL RIGHTS RESERVED

**Models: AAFE, AARE, A1VC, A3FE, A3RE, B1VC, B2VC, C1FE, GMCV, GPWB, MBWB, SBCV, TCFE, TCRE, TSE, VCTA**  
**SPLIT SASH**  
**28 INCH WITH 12 INCH OPENING**  
**CLEAR LAMINATED**  
**To BSN B20107259 F20054224 L10093804 M10119600 11-3-02**

Key	PartNumber	Qty	Description	Comment
NI	1741297		WINDOW ASSY,28"CLEAR LAM,12"OPG,74	
1	3817558	2	SPRING,SPLIT SASH WINDOW,W/REMOVABLE	
2	2176584	2	ACTUATOR,LATCH,SIDE WINDOW	
3	2176576		LATCH,SIDE,WINDOW,CONCEALED,RH	
4	2176568		LATCH,SIDE,WINDOW,CONCEALED,LH	
5	2168797	12	SCREW,SM,PH,FT/HD,10-12X1 1/4 W/NO 8 HD,	
6	3816592	2	STOP,WINDOW,REMOVABLE LATCH	
7	2260198	2	SCREW,SM,PH,FT/HD,8-18 X 1/2,TYPE B,ZN3	
8	0862953		SEALANT,SCHNEE-MOREHEAD 5522,VINYL	
9	2185148		SEALANT,UNISEAL	
10	3817459		FRAME,SIDE,12OPEN,74HR,RH,REMOVABLE	
11	3817442		FRAME,SIDE,12OPEN,74HR,LH,REMOVABLE	
12	1741180		FRAME ASSY,UPPER,12" SPLIT SASH,28"	
13	2211696		SEAL,UPPER FRAME TO LATCH RAIL,28SS	
14	3816907		RAIL,LATCH,W/REMOVABLE LATCH,S/WDO,28IN	
15/	3805843		GLASS,SS,CLEAR LAM,28,12 OPG,UPPER	
15/	3805934		GLASS,SS,CLEAR LAM,28,12 OPG,LOWER	
16/	3831559	1	GLAZING,VINYL,SB,SS WINDOW,63.00IN"	
16/	3831153		GLAZING,VINYL,SB,SS WINDOW,59.75IN	
17	2211910		RAIL ASSY,LOWER,28SS	
18	1741206	2	RAIL,LOWER,12" SPLIT SASH,28"	
19	3805595	2	CHANNEL,SLIDING,12IN OPENING,SS	
20	3805603	2	SEAL,SLIDING,12IN,S/S	
NI	4033254	2	WASHER,SIDE WINDOW,ALUM	
NI	2000669	2	SCREW,1/4-14 X 3/4,TYP1,PH1,OVAL CNSK,YEL	




Models: AAFE, AARE, A1VC, A3FE, A3RE, B1VC, B2VC, BBCV, C1FE, GMCV, GPWB, MBWB, SBCV, TCFE, TCRE, TSFE, VCTA

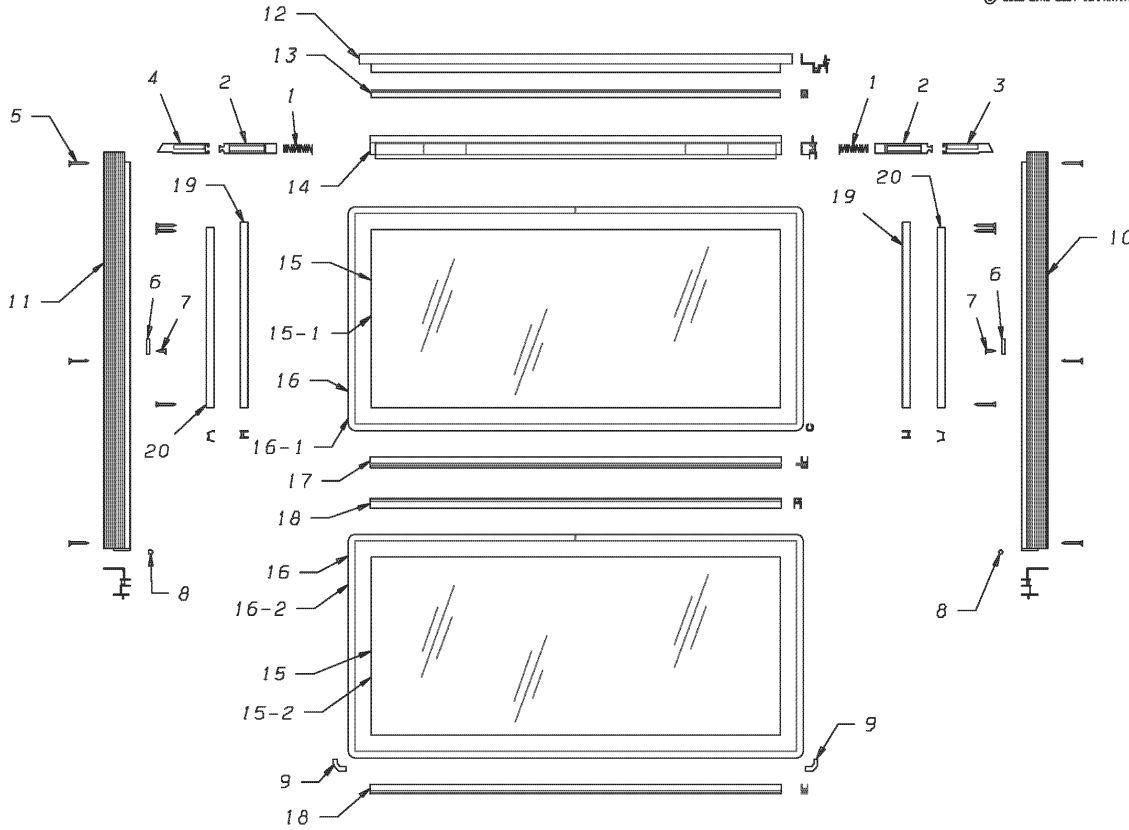
SPLIT SASH  
28 INCH WITH 12 INCH OPENING  
CLEAR LAMINATED

BSN: From BSN B20107260 F20054225 L10093805 11-4-02

Key	PartNumber	Qty	Description	Comment
-----	------------	-----	-------------	---------

DR. 12/08/01 BY JL	---	3832060	X	
APP. 12/08/01 BY PF	FRT		REV	

© BLUE BIRD BODY COMPANY. ALL RIGHTS RESERVED



**Models:** AAFE, AARE, A1VC, A3FE, A3RE, B1VC, B2VC, BBCV, C1FE, GMCV, GPWB, MBWB, SBCV, TCFE, TCRE, TSFE, VCTA

**SPLIT SASH  
28 INCH WITH 12 INCH OPENING  
CLEAR LAMINATED**

**BSN:** From BSN B20107260 F20054225 L10093805 11-4-02


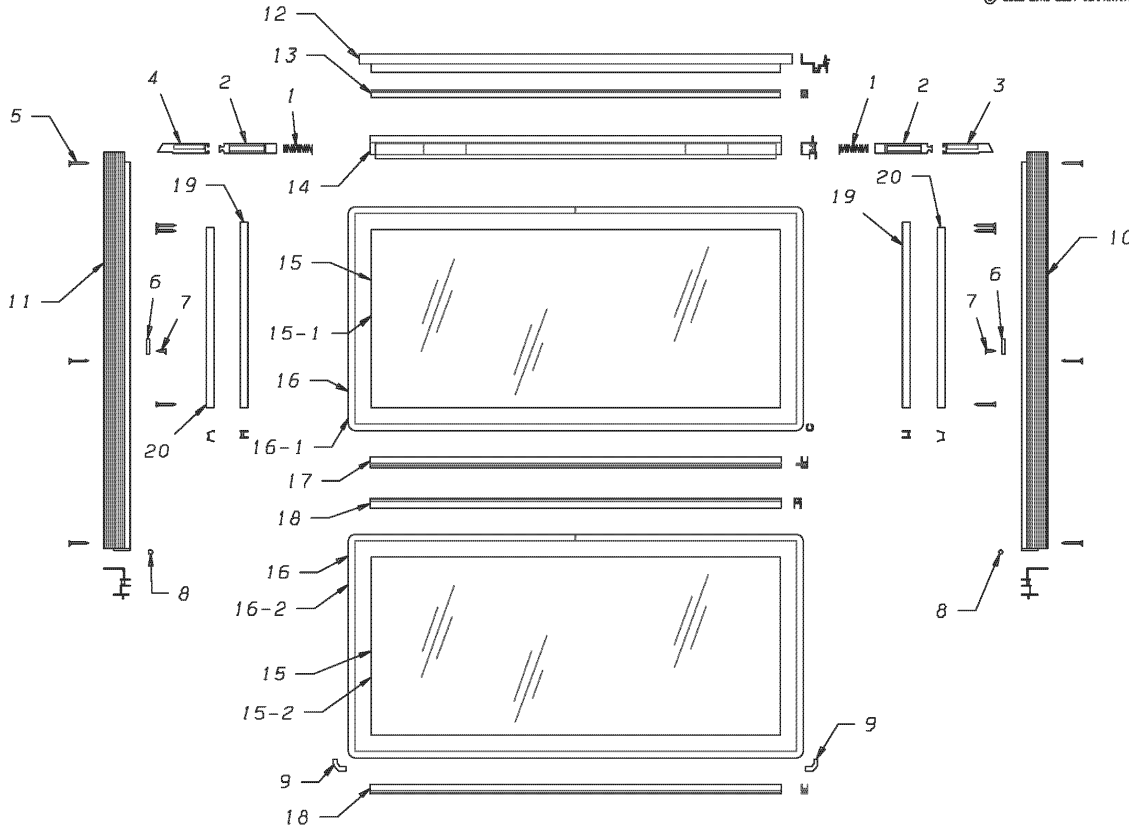
Key	PartNumber	Qty	Description	Comment
NI			WINDOW ASSY. CLEAR LAMINATED 12 IN	
	0053784		WINDOW ASSY,28 S/S,CLEAR LAM,12""OPG	<i>ENDING WITH BSN B20144129B, B10144049, F10058589, L10125309 4-11-04</i>
	0073849		WINDOW ASSY,28,12SS,CLEAR LAM	<i>BEGIN WITH BSN B20144130B, B10144050, F10058590, L10125310 4-12-04</i>
1	3817558	2	SPRING,SPLIT SASH WINDOW,W/REMOVABLE	
2	2176584	2	ACTUATOR,LATCH,SIDE WINDOW	
3	2176576		LATCH,SIDE,WINDOW,CONCEALED,RH	
4	2176568		LATCH,SIDE,WINDOW,CONCEALED,LH	
5	4644357	12	SCREW,10-12X1 1/4,#2 SQ DRIVE,#8,BUGLE	
6	3816592	2	STOP,WINDOW,REMOVABLE LATCH	
7	2260198	2	SCREW,SM,PH,FT/HD,8-18 X 1/2,TYPE B,ZN3	
8	0862953		SEALANT,SCHNEE-MOREHEAD 5522,VINYL	
9	2185148		SEALANT,UNISEAL	
10	0053780		FRAME,SIDE,12 OPEN,SPLIT SASH WINDOW,RH	
11	0053779		FRAME,SIDE,12 OPEN,SPLIT SASH WINDOW,LH	
12	0053844		FRAME ASSY,UPPER,12" SPLIT SASH,28"	
13	2211696		SEAL,UPPER FRAME TO LATCH RAIL,28SS	
14	3816907		RAIL,LATCH,W/REMOVABLE LATCH,S/WDO,28IN	
15/	3805843		GLASS,SS,CLEAR LAM,28,12 OPG,UPPER	
15/	3805934		GLASS,SS,CLEAR LAM,28,12 OPG,LOWER	
16	3831559		GLAZING,VINYL,SB,SS WINDOW,63.00IN"	
16	3831153		GLAZING,VINYL,SB,SS WINDOW,59.75IN	
17	2211910		RAIL ASSY,LOWER,28SS	
18	1741206	2	RAIL,LOWER,12""SPLIT SASH,28""	
19	3805595	2	CHANNEL,SLIDING,12IN OPENING,SS	
20	3805603	2	SEAL,SLIDING,12IN,S/S	
NI	4033254	2	WASHER,SIDE WINDOW,ALUM	
NI	2000669		SCREW,1/4-14 X 3/4,TYP1,PH1,OVAL CNSK,YEL	

Models: AAFE, AARE, A1VC, A3FE, A3RE, B1VC, B2VC, C1FE, GMCV, GPWB, MBWB,  
 SBCV, TCFE, TCRE, TSFE, VCTA  
**SPLIT SASH**  
**28 INCH WITH 12 INCH OPENING**  
**CLEAR TEMPERED**  
**To BSN B20107259 F20054224 L10093804 M10119600 11-3-02**

Key	PartNumber	Qty	Description	Comment
-----	------------	-----	-------------	---------

DR. 12/08/01 BY JL	---	3832060	X
APP. 12/08/01 BY PF	FRT		REV

© BLUE BIRD BODY COMPANY. ALL RIGHTS RESERVED

**Models: AAFE, AARE, A1VC, A3FE, A3RE, B1VC, B2VC, C1FE, GMCV, GPWB, MBWB, SBCV, TCFE, TCRE, TSFE, VCTA**  
**SPLIT SASH**  
**28 INCH WITH 12 INCH OPENING**  
**CLEAR TEMPERED**  
**To BSN B20107259 F20054224 L10093804 M10119600 11-3-02**


Key	PartNumber	Qty	Description	Comment
NI	1948777		WINDOW ASSY,28 S/S,CLR,TEMPERED 12 OPG	
1	3817558	2	SPRING,SPLIT SASH WINDOW,W/REMOVABLE	
2	2176584	2	ACTUATOR,LATCH,SIDE WINDOW	
3	2176576		LATCH,SIDE,WINDOW,CONCEALED,RH	
4	2176568		LATCH,SIDE,WINDOW,CONCEALED,LH	
5	2168797	12	SCREW,SM,PH,FT/HD,10-12X1 1/4 W/NO 8 HD,	
6	3816592	2	STOP,WINDOW,REMOVABLE LATCH	
7	2260198	2	SCREW,SM,PH,FT/HD,8-18 X 1/2,TYPE B,ZN3	
8	0862953		SEALANT,SCHNEE-MOREHEAD 5522,VINYL	
9	2185148		SEALANT,UNISEAL	
10	3817459		FRAME,SIDE,12OPEN,74HR,RH,REMOVABLE	
11	3817442		FRAME,SIDE,12OPEN,74HR,LH,REMOVABLE	
12	1741180		FRAME ASSY,UPPER,12"" SPLIT SASH,28""	
13	2211696		SEAL,UPPER FRAME TO LATCH RAIL,28SS	
14	3816907		RAIL,LATCH,W/REMOVABLE LATCH,S/WDO,28IN	
15/	1948785		GLASS,SS,CLEAR TEMPERED,28,12 OPC,UPR	
15/	1949676		GLASS,SS,CLEAR TEMPERED,28,12 OPG,LWR	
16	1863505	2	GLAZING,VINYL,.125 GLASS,66.50""	
17	2211910		RAIL ASSY,LOWER,28SS	
18	1741206	2	RAIL,LOWER,12""SPLIT SASH,28""	
19	3805595	2	CHANNEL,SLIDING,12IN OPENING,SS	
20	3805603	2	SEAL,SLIDING,12IN,S/S	
NI	4033254	2	WASHER,SIDE WINDOW,ALUM	
NI	2000669	2	SCREW,1/4-14 X 3/4,TYP1,PH1,OVAL CNSK,YEL	

Models: AAFE, AARE, A1VC, A3FE, A3RE, B1VC, B2VC, BBCV, C1FE, GMCV, GPWB, MBWB, SBCV, TCFE, TCRE, TSFE, VCTA

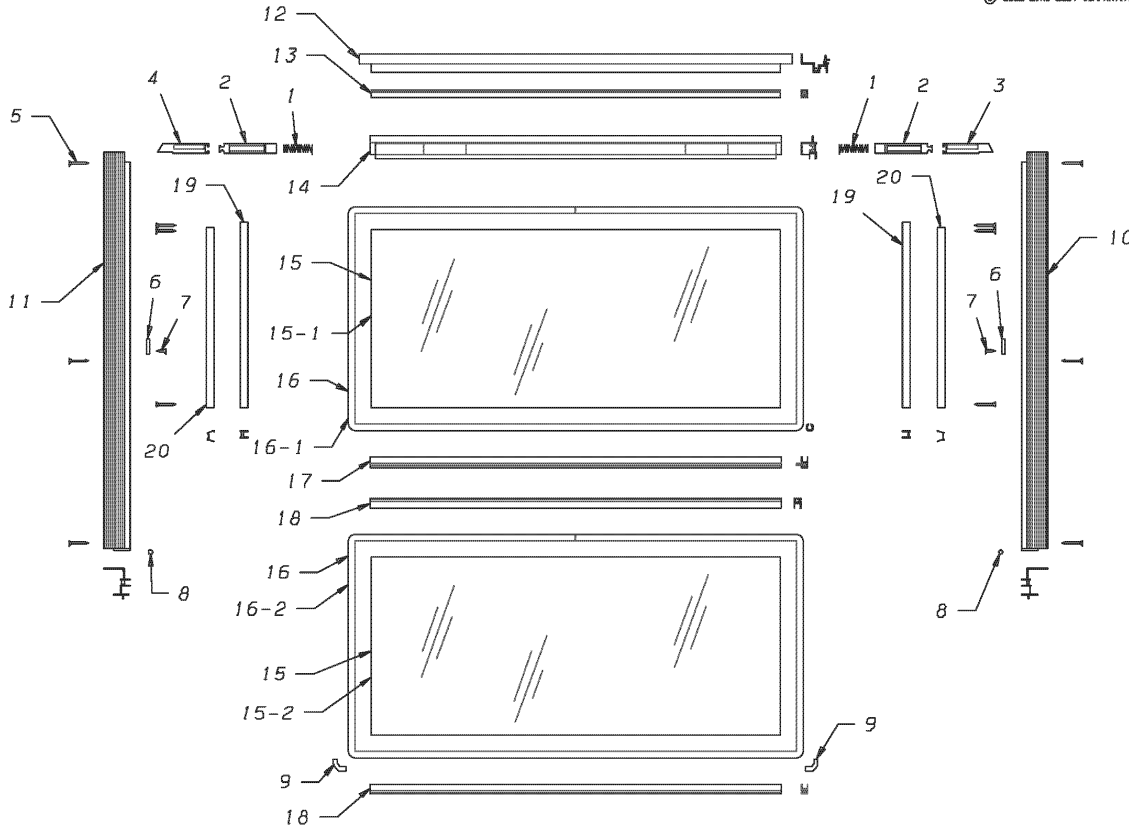
**SPLIT SASH  
28 INCH WITH 12 INCH OPENING  
CLEAR TEMPERED**

BSN: From BSN B20107260 F20054225 L10093805 11-4-02

Key	PartNumber	Qty	Description	Comment
-----	------------	-----	-------------	---------

DR. 12/08/01 BY JL	---	3832060	X	
APP. 12/08/01 BY PF	FRT		REV	

© BLUE BIRD BODY COMPANY. ALL RIGHTS RESERVED




**Models:** AAFE, AARE, A1VC, A3FE, A3RE, B1VC, B2VC, BBCV, C1FE, GMCV, GPWB, MBWB, SBCV, TCFE, TCRE, TSFE, VCTA  
**SPLIT SASH**  
**28 INCH WITH 12 INCH OPENING**  
**CLEAR TEMPERED**  
**BSN:** From BSN B20107260 F20054225 L10093805 11-4-02

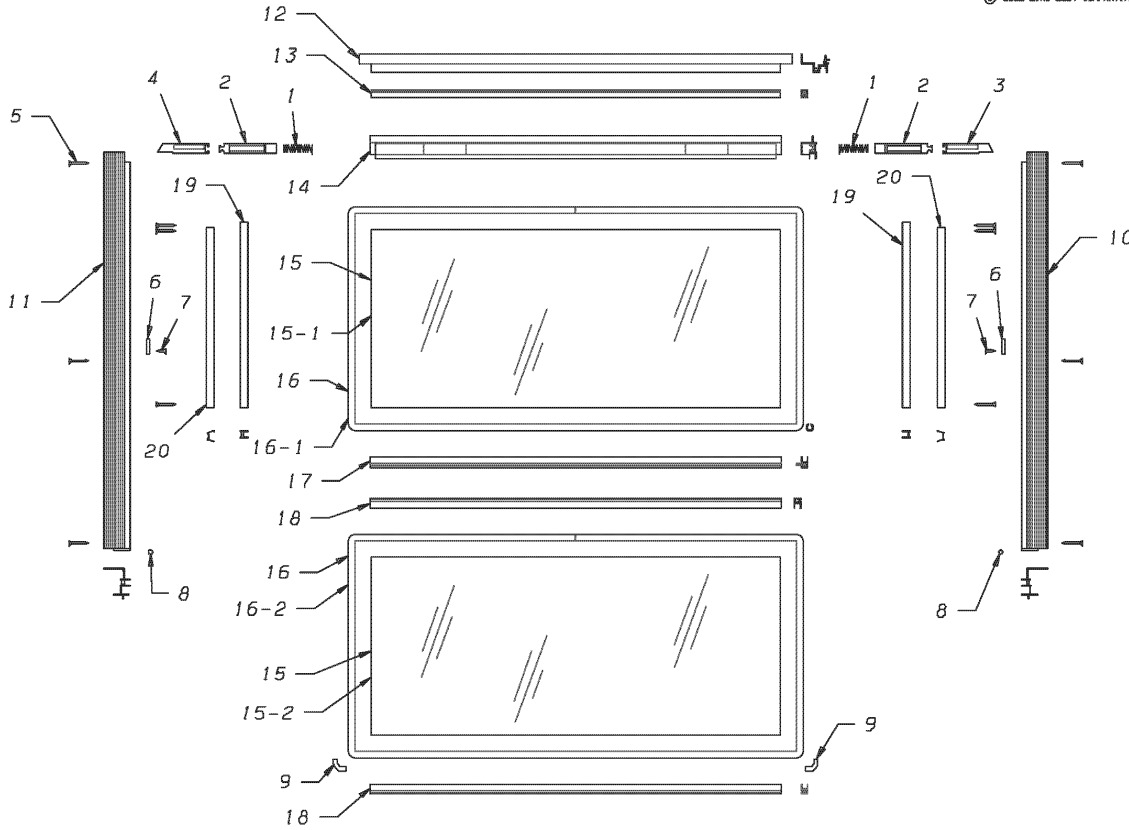
Key	PartNumber	Qty	Description	Comment
NI			WINDOW ASSY. CLEAR TEMPERED, 12 IN	
	0053788		WINDOW ASSY,28 S/S,CLEAR TEMPERED,12"	ENDING WITH BSN B20144129B, B10144049, F10058589, L10125309 4-11-04
	0073853		WINDOW ASSY,28,12SS,CLEAR TEMP	BEGIN WITH BSN B20144130B, B10144050, F10058590, L10125310 4-12-04
1	3817558	2	SPRING,SPLIT SASH WINDOW,W/REMOVABLE	
2	2176584	2	ACTUATOR,LATCH,SIDE WINDOW	
3	2176576		LATCH,SIDE,WINDOW,CONCEALED,RH	
4	2176568		LATCH,SIDE,WINDOW,CONCEALED,LH	
5	4644357	12	SCREW,10-12X1 1/4,#2 SQ DRIVE,#8,BUGLE	
6	3816592	2	STOP,WINDOW,REMOVABLE LATCH	
7	2260198	2	SCREW,SM,PH,FT/HD,8-18 X 1/2,TYPE B,ZN3	
8	0862953		SEALANT,SCHNEE-MOREHEAD 5522,VINYL	
9	2185148		SEALANT,UNISEAL	
10	0053780		FRAME,SIDE,12 OPEN,SPLIT SASH WINDOW,RH	
11	0053779		FRAME,SIDE,12 OPEN,SPLIT SASH WINDOW,LH	
12	0053844		FRAME ASSY,UPPER,12" SPLIT SASH,28"	
13	2211696		SEAL,UPPER FRAME TO LATCH RAIL,28SS	
14	3816907		RAIL,LATCH,W/REMOVABLE LATCH,S/WDO,28IN	
15/	1948785		GLASS,SS,CLEAR TEMPERED,28,12 OPC,UPR	
15/	1949676		GLASS,SS,CLEAR TEMPERED,28,12 OPG,LWR	
16	1863505	2	GLAZING,VINYL,.125 GLASS,66.50""	
17	2211910		RAIL ASSY,LOWER,28SS	
18	1741206	2	RAIL,LOWER,12""SPLIT SASH,28""	
19	3805595	2	CHANNEL,SLIDING,12IN OPENING,SS	
20	3805603	2	SEAL,SLIDING,12IN,S/S	
NI	4033254	2	WASHER,SIDE WINDOW,ALUM	
NI	2000669		SCREW,1/4-14 X 3/4,TYP1,PH1,OVAL CNSK,YEL	

Models: AAFE, AARE, A1VC, A3FE, A3RE, B1VC, B2VC, C1FE, GMCV, GPWB, MBWB, SBCV, TCFE, TCRE, TSFE, VCTA  
**SPLIT SASH**  
**28 INCH WITH 12 INCH OPENING**  
**DARK TINT LAMINATED**  
**To BSN B20107259 F20054224 L10093804 M10119600 11-3-02**

Key	PartNumber	Qty	Description	Comment
-----	------------	-----	-------------	---------

DR. 12/08/01 BY JL	---	3832060	X	
APP. 12/08/01 BY PF	FRT		REV	

© BLUE BIRD BODY COMPANY. ALL RIGHTS RESERVED



**Models: AAFE, AARE, A1VC, A3FE, A3RE, B1VC, B2VC, C1FE, GMCV, GPWB, MBWB, SBCV, TCFE, TCRE, TSE, VCTA**  
**SPLIT SASH**  
**28 INCH WITH 12 INCH OPENING**  
**DARK TINT LAMINATED**  
**To BSN B20107259 F20054224 L10093804 M10119600 11-3-02**

Key	PartNumber	Qty	Description	Comment
NI	1741305		WINDOW ASSY,28 S/S,DARK TINT LAM,12 OPG	
1	3817558	2	SPRING,SPLIT SASH WINDOW,W/REMOVABLE	
2	2176584	2	ACTUATOR,LATCH,SIDE WINDOW	
3	2176576		LATCH,SIDE,WINDOW,CONCEALED,RH	
4	2176568		LATCH,SIDE,WINDOW,CONCEALED,LH	
5	2168797	12	SCREW,SM,PH,FT/HD,10-12X1 1/4 W/NO 8 HD,	
6	3816592	2	STOP,WINDOW,REMOVABLE LATCH	
7	2260198	2	SCREW,SM,PH,FT/HD,8-18 X 1/2,TYPE B,ZN3	
8	0862953		SEALANT,SCHNEE-MOREHEAD 5522,VINYL	
9	2185148		SEALANT,UNISEAL	
10	3817459		FRAME,SIDE,12OPEN,74HR,RH,REMOVABLE	
11	3817442		FRAME,SIDE,12OPEN,74HR,LH,REMOVABLE	
12	1741180		FRAME ASSY,UPPER,12"" SPLIT SASH,28""	
13	2211696		SEAL,UPPER FRAME TO LATCH RAIL,28SS	
14	3816907		RAIL,LATCH,W/REMOVABLE LATCH,S/WDO,28IN	
15/	3805850		GLASS,SS,DRK TNT,BRNZ,LAM,28,12 OPG,	
15/	3805942		GLASS,SS,DRK TNT,BRNZ,LAM,28,12 OPG,	
16/	3831559	1	GLAZING,VINYL,SB,SS WINDOW,63.00IN"	
16/	3831153		GLAZING,VINYL,SB,SS WINDOW,59.75IN	
17	2211910		RAIL ASSY,LOWER,28SS	
18	1741206	2	RAIL,LOWER,12""SPLIT SASH,28""	
19	3805595	2	CHANNEL,SLIDING,12IN OPENING,SS	
20	3805603	2	SEAL,SLIDING,12IN,S/S	
NI	4033254	2	WASHER,SIDE WINDOW,ALUM	
NI	2000669	2	SCREW,1/4-14 X 3/4,TYP1,PH1,OVAL CNSK,YEL	



Models: AAFE, AARE, A1VC, A3FE, A3RE, B1VC, B2VC, BBCV, C1FE, GMCV, GPWB, MBWB, SBCV, TCFE, TCRE, TSFE, VCTA


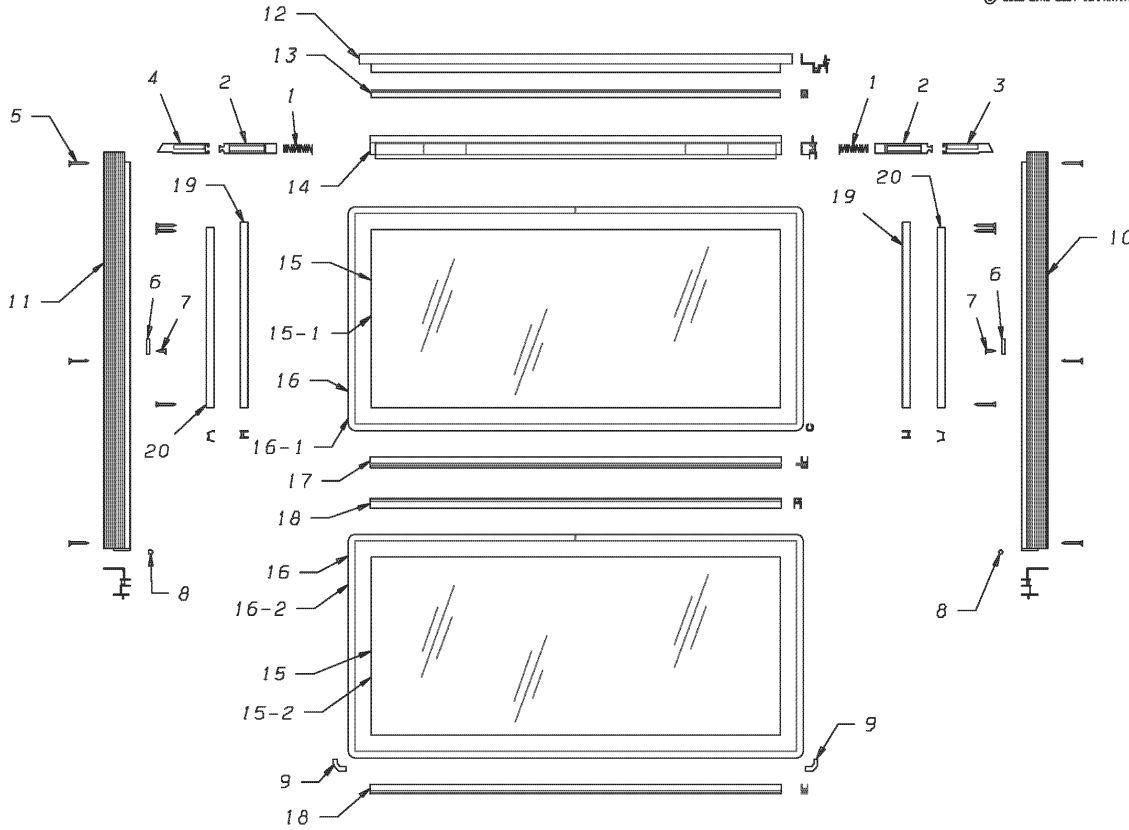
SPLIT SASH  
28 INCH WITH 12 INCH OPENING  
DARK TINT LAMINATED

BSN: From BSN B20107260 F20054225 L10093805 11-4-02

Key	PartNumber	Qty	Description	Comment
-----	------------	-----	-------------	---------

DR. 12/08/01 BY JL	---	3832060	X
APP. 12/08/01 BY PF	FRT		REV

© BLUE BIRD BODY COMPANY. ALL RIGHTS RESERVED





**Models:** AAFE, AARE, A1VC, A3FE, A3RE, B1VC, B2VC, BBCV, C1FE, GMCV, GPWB, MBWB, SBCV, TCFE, TCRE, TSFE, VCTA  
**SPLIT SASH**  
**28 INCH WITH 12 INCH OPENING**  
**DARK TINT LAMINATED**  
**BSN:** From BSN B20107260 F20054225 L10093805 11-4-02

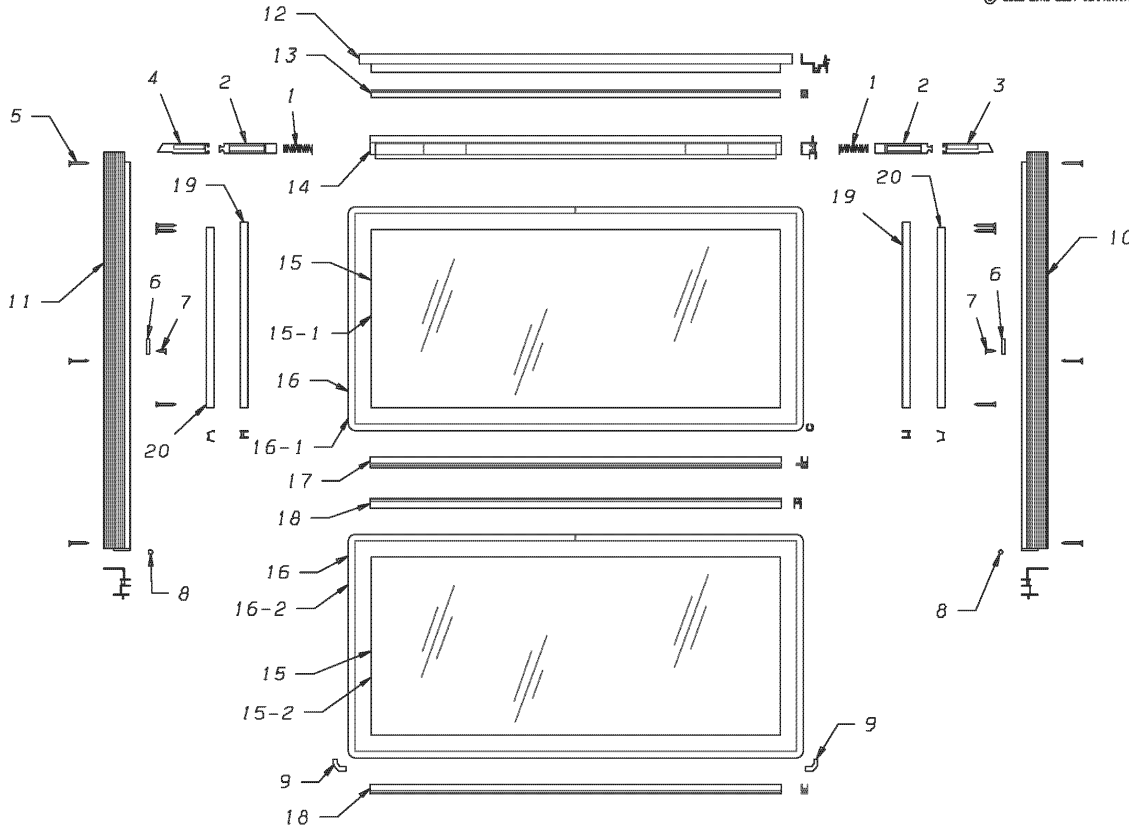
Key	PartNumber	Qty	Description	Comment
NI			WINDOW ASSY. DARK TINT LAMINATED, 12 IN	
	0053787		WINDOW ASSY,28 S/S,DARK TINT,LAM,12OPG	ENDING WITH BSN B20144129B, B10144049, F10058589, L10125309 4-11-04
	0073851		WINDOW ASSY,28,12SS,DARK TINT LAM	BEGIN WITH BSN B20144130B, B10144050, F10058590, L10125310 4-12-04
1	3817558	2	SPRING,SPLIT SASH WINDOW,W/REMOVABLE	
2	2176584	2	ACTUATOR,LATCH,SIDE WINDOW	
3	2176576		LATCH,SIDE,WINDOW,CONCEALED,RH	
4	2176568		LATCH,SIDE,WINDOW,CONCEALED,LH	
5	4644357	12	SCREW,10-12X1 1/4,#2 SQ DRIVE,#8,BUGLE	
6	3816592	2	STOP,WINDOW,REMOVABLE LATCH	
7	2260198	2	SCREW,SM,PH,FT/HD,8-18 X 1/2,TYPE B,ZN3	
8	0862953		SEALANT,SCHNEE-MOREHEAD 5522,VINYL	
9	2185148		SEALANT,UNISEAL	
10	0053780		FRAME,SIDE,12 OPEN,SPLIT SASH WINDOW,RH	
11	0053779		FRAME,SIDE,12 OPEN,SPLIT SASH WINDOW,LH	
12	0053844		FRAME ASSY,UPPER,12" SPLIT SASH,28"	
13	2211696		SEAL,UPPER FRAME TO LATCH RAIL,28SS	
14	3816907		RAIL,LATCH,W/REMOVABLE LATCH,S/WDO,28IN	
15/	3805850		GLASS,SS,DRK TNT,BRNZ,LAM,28,12 OPG,	
15/	3805942		GLASS,SS,DRK TNT,BRNZ,LAM,28,12 OPG,	
16	3831559	1	GLAZING,VINYL,SB,SS WINDOW,63.00IN"	
16	3831153	1	GLAZING,VINYL,SB,SS WINDOW,59.75IN	
17	2211910		RAIL ASSY,LOWER,28SS	
18	1741206	2	RAIL,LOWER,12""SPLIT SASH,28""	
19	3805595	2	CHANNEL,SLIDING,12IN OPENING,SS	
20	3805603	2	SEAL,SLIDING,12IN,S/S	
NI	4033254	2	WASHER,SIDE WINDOW,ALUM	
NI	2000669		SCREW,1/4-14 X 3/4,TYP1,PH1,OVAL CNSK,YEL	

Models: **AAFE, AARE, A1VC, A3FE, A3RE, B1VC, B2VC, C1FE, GMCV, GPWB, MBWB, SBCV, TCFE, TCRE, TSFE, VCTA**  
**SPLIT SASH**  
**28 INCH WITH 12 INCH OPENING**  
**DARK TINT TEMPERED**  
**To BSN B20107259 F20054224 L10093804 M10119600 11-3-02**

Key	PartNumber	Qty	Description	Comment
-----	------------	-----	-------------	---------

DR. 12/08/01 BY JL	---	3832060	X	
APP. 12/08/01 BY PF	FRT		REV	

© BLUE BIRD BODY COMPANY, ALL RIGHTS RESERVED




**Models: AAFE, AARE, A1VC, A3FE, A3RE, B1VC, B2VC, C1FE, GMCV, GPWB, MBWB, SBCV, TCFE, TCRE, TSE, VCTA**  
**SPLIT SASH**  
**28 INCH WITH 12 INCH OPENING**  
**DARK TINT TEMPERED**  
**To BSN B20107259 F20054224 L10093804 M10119600 11-3-02**

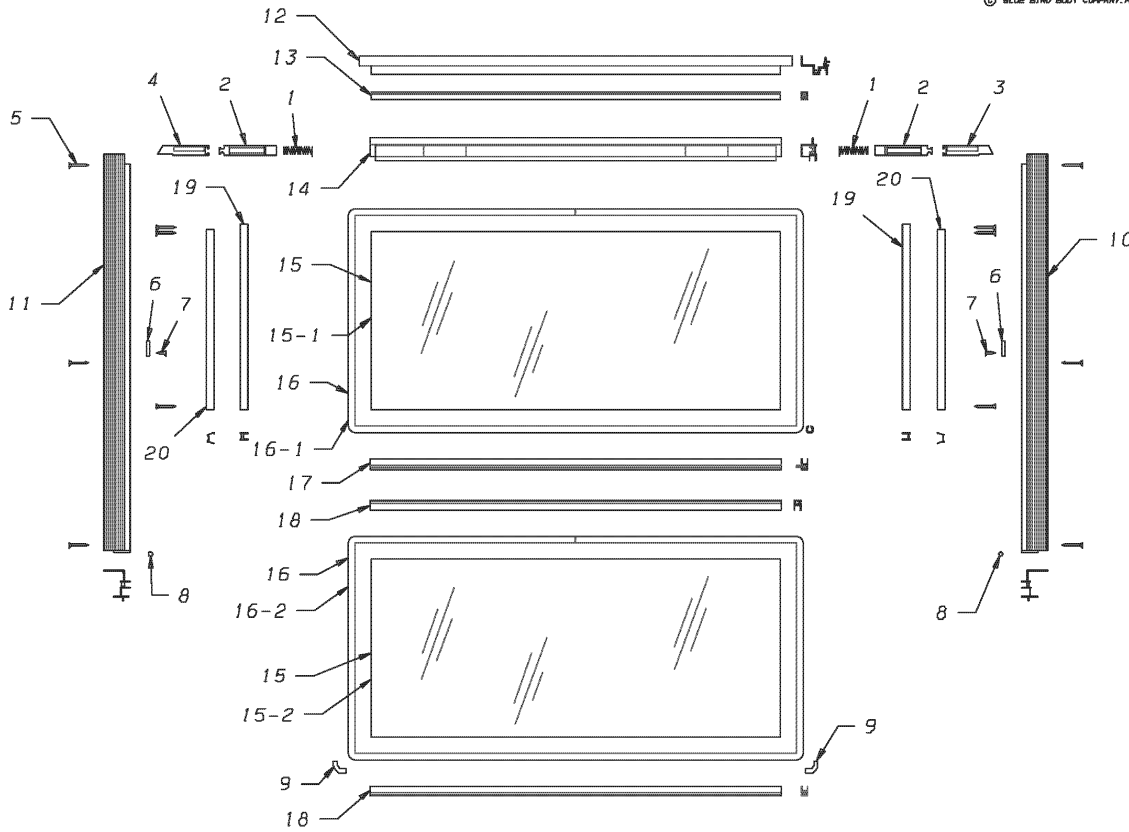
Key	PartNumber	Qty	Description	Comment
NI	1883529		WINDOW ASSY,28 S/S,DARK TINT,	
1	3817558	2	SPRING,SPLIT SASH WINDOW,W/REMOVABLE	
2	2176584	2	ACTUATOR,LATCH,SIDE WINDOW	
3	2176576		LATCH,SIDE,WINDOW,CONCEALED,RH	
4	2176568		LATCH,SIDE,WINDOW,CONCEALED,LH	
5	2168797	12	SCREW,SM,PH,FT/HD,10-12X1 1/4 W/NO 8 HD,	
6	3816592	2	STOP,WINDOW,REMOVABLE LATCH	
7	2260198	2	SCREW,SM,PH,FT/HD,8-18 X 1/2,TYPE B,ZN3	
8	0862953		SEALANT,SCHNEE-MOREHEAD 5522,VINYL	
9	2185148		SEALANT,UNISEAL	
10	3817459		FRAME,SIDE,12OPEN,74HR,RH,REMOVABLE	
11	3817442		FRAME,SIDE,12OPEN,74HR,LH,REMOVABLE	
12	1741180		FRAME ASSY,UPPER,12"" SPLIT SASH,28""	
13	2211696		SEAL,UPPER FRAME TO LATCH RAIL,28SS	
14	3816907		RAIL,LATCH,W/REMOVABLE LATCH,S/WDO,28IN	
15/	1883503		GLASS,SS,DARK TINT TEMPERED,28,12 OPG,	
15/	1883511		GLASS,SS,DARK TINT TEMPERED,28,12 OPG,	
16	2265510		GLAZING,VINYL,SB,.125 GLASS,62.50""	
16	1863505	2	GLAZING,VINYL,.125 GLASS,66.50""	
17	2211910		RAIL ASSY,LOWER,28SS	
18	1741206	2	RAIL,LOWER,12""SPLIT SASH,28""	
19	3805595	2	CHANNEL,SLIDING,12IN OPENING,SS	
20	3805603	2	SEAL,SLIDING,12IN,S/S	
NI	4033254	2	WASHER,SIDE WINDOW,ALUM	
NI	2000669	2	SCREW,1/4-14 X 3/4,TYP1,PH1,OVAL CNSK,YEL	

**Models:** AAFE, AARE, A1VC, A3FE, A3RE, B1VC, B2VC, BBCV, C1FE, GMCV, GPWB, MBWB, SBCV, TCFE, TCRE, TSFE, VCTA  
**SPLIT SASH**  
**28 INCH WITH 12 INCH OPENING**  
**DARK TINT TEMPERED**  
**BSN:** From BSN B20107260 F20054225 L10093805 11-4-02

Key	PartNumber	Qty	Description	Comment
-----	------------	-----	-------------	---------

DR. 12/08/01 BY JL	---	3832060	X	
APP. 12/08/01 BY PF	FRT		REV	

© BLUE BIRD BODY COMPANY. ALL RIGHTS RESERVED



**Models:** AAFE, AARE, A1VC, A3FE, A3RE, B1VC, B2VC, BBCV, C1FE, GMCV, GPWB, MBWB, SBCV, TCFE, TCRC, TSFE, VCTA  
**SPLIT SASH  
 28 INCH WITH 12 INCH OPENING  
 DARK TINT TEMPERED**  
**BSN:** From BSN B20107260 F20054225 L10093805 11-4-02


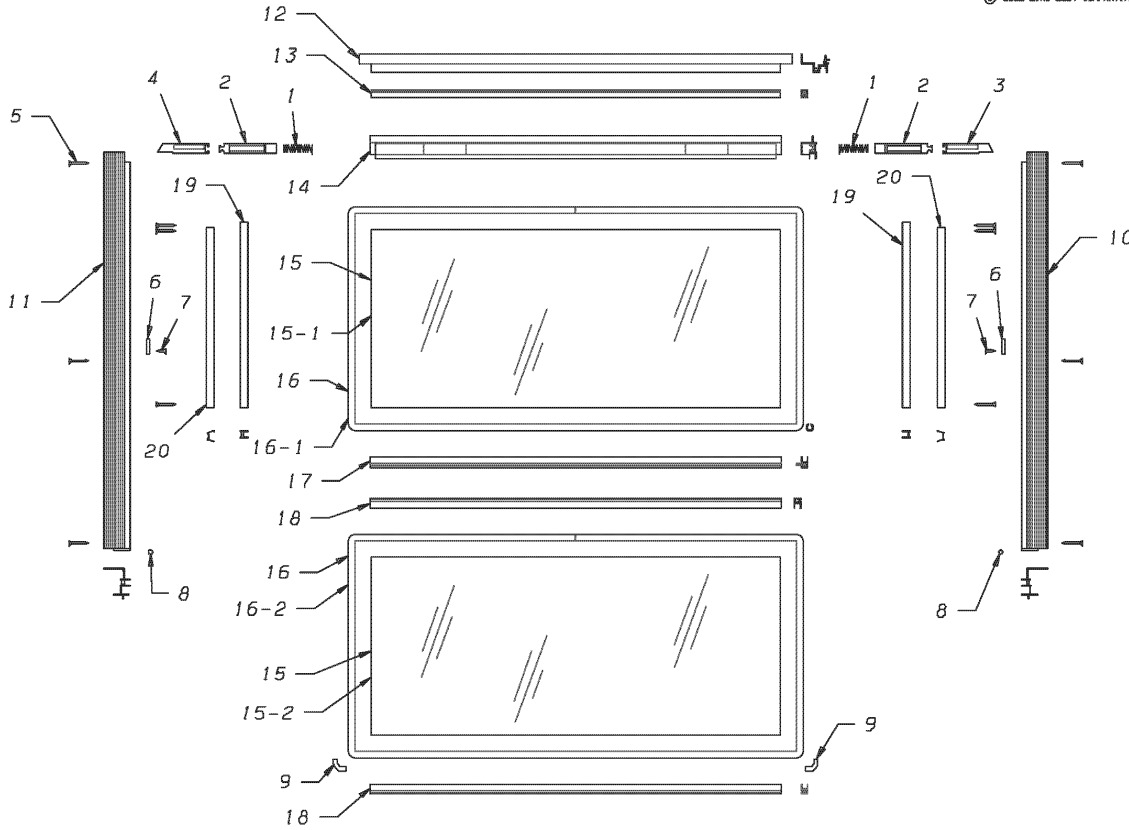
Key	PartNumber	Qty	Description	Comment
NI			WINDOW ASSY. DARK TINT TEMPERED, 12 IN	
	0053785		WINDOW ASSY,28 S/S,DARK TINT,	<i>ENDING WITH BSN B20144129B, B10144049, F10058589, L10125309 4-11-04</i>
	0073850		WINDOW ASSY,28,12SS,DARK TINT TEMP	<i>BEGIN WITH BSN B20144130B, B10144050, F10058590, L10125310 4-12-04</i>
1	3817558	2	SPRING,SPLIT SASH WINDOW,W/REMOVABLE	
2	2176584	2	ACTUATOR,LATCH,SIDE WINDOW	
3	2176576		LATCH,SIDE,WINDOW,CONCEALED,RH	
4	2176568		LATCH,SIDE,WINDOW,CONCEALED,LH	
5	4644357	12	SCREW,10-12X1 1/4,#2 SQ DRIVE,#8,BUGLE	
6	3816592	2	STOP,WINDOW,REMOVABLE LATCH	
7	2260198	2	SCREW,SM,PH,FT/HD,8-18 X 1/2,TYPE B,ZN3	
8	0862953		SEALANT,SCHNEE-MOREHEAD 5522,VINYL	
9	2185148		SEALANT,UNISEAL	
10	0053780		FRAME,SIDE,12 OPEN,SPLIT SASH WINDOW,RH	
11	0053779		FRAME,SIDE,12 OPEN,SPLIT SASH WINDOW,LH	
12	0053844		FRAME ASSY,UPPER,12" SPLIT SASH,28"	
13	2211696		SEAL,UPPER FRAME TO LATCH RAIL,28SS	
14	3816907		RAIL,LATCH,W/REMOVABLE LATCH,S/WDO,28IN	
15/	1883503		GLASS,SS,DARK TINT TEMPERED,28,12 OPG,	
15/	1883511		GLASS,SS,DARK TINT TEMPERED,28,12 OPG,	
16	1863505	2	GLAZING,VINYL,.125 GLASS,66.50""	
17	2211910		RAIL ASSY,LOWER,28SS	
18	1741206	2	RAIL,LOWER,12""SPLIT SASH,28""	
19	3805595	2	CHANNEL,SLIDING,12IN OPENING,SS	
20	3805603	2	SEAL,SLIDING,12IN,S/S	
NI	4033254	2	WASHER,SIDE WINDOW,ALUM	
NI	2000669		SCREW,1/4-14 X 3/4,TYP1,PH1,OVVAL CNSK,YEL	

Models: AAFE, AARE, A1VC, A3FE, A3RE, B1VC, B2VC, C1FE, GMCV, GPWB, MBWB,  
 SBCV, TCFE, TCRE, TSFE, VCTA  
**SPLIT SASH**  
**28 INCH WITH 12 INCH OPENING**  
**GREEN TINT LAMINATED**  
 To BSN B20107259 F20054224 L10093804 M10119600 11-3-02

Key	PartNumber	Qty	Description	Comment
-----	------------	-----	-------------	---------

DR. 12/08/01 BY JL	---	3832060	X
APP. 12/08/01 BY PF	FRT		REV

© BLUE BIRD BODY COMPANY, ALL RIGHTS RESERVED


**Models:** AAFE, AARE, A1VC, A3FE, A3RE, B1VC, B2VC, C1FE, GMCV, GPWB, MBWB, SBCV, TCFE, TCRE, TSE, VCTA  
**SPLIT SASH  
 28 INCH WITH 12 INCH OPENING  
 GREEN TINT LAMINATED  
 To BSN B20107259 F20054224 L10093804 M10119600 11-3-02**

Key	PartNumber	Qty	Description	Comment
NI	1741313		WINDOW ASSY,28"GREEN TINT,12"OPG,74	
1	3817558	2	SPRING,SPLIT SASH WINDOW,W/REMOVABLE	
2	2176584	2	ACTUATOR,LATCH,SIDE WINDOW	
3	2176576		LATCH,SIDE,WINDOW,CONCEALED,RH	
4	2176568		LATCH,SIDE,WINDOW,CONCEALED,LH	
5	2168797	12	SCREW,SM,PH,FT/HD,10-12X1 1/4 W/NO 8 HD,	
6	3816592	2	STOP,WINDOW,REMOVABLE LATCH	
7	2260198	2	SCREW,SM,PH,FT/HD,8-18 X 1/2,TYPE B,ZN3	
8	0862953		SEALANT,SCHNEE-MOREHEAD 5522,VINYL	
9	2185148		SEALANT,UNISEAL	
10	3817459		FRAME,SIDE,12OPEN,74HR,RH,REMOVABLE	
11	3817442		FRAME,SIDE,12OPEN,74HR,LH,REMOVABLE	
12	1741180		FRAME ASSY,UPPER,12" SPLIT SASH,28"	
13	2211696		SEAL,UPPER FRAME TO LATCH RAIL,28SS	
14	3816907		RAIL,LATCH,W/REMOVABLE LATCH,S/WDO,28IN	
15/	3805876		GLASS,SS,GREEN LAM,28,12 OPG,UPPER	
15/	3805967		GLASS,SS,GREEN LAM,28,12 OPG,LOWER	
16/	3831559	1	GLAZING,VINYL,SB,SS WINDOW,63.00IN"	
16/	3831153		GLAZING,VINYL,SB,SS WINDOW,59.75IN	
17	2211910		RAIL ASSY,LOWER,28SS	
18	1741206	2	RAIL,LOWER,12" SPLIT SASH,28"	
19	3805595	2	CHANNEL,SLIDING,12IN OPENING,SS	
20	3805603	2	SEAL,SLIDING,12IN,S/S	
NI	4033254	2	WASHER,SIDE WINDOW,ALUM	
NI	2000669	2	SCREW,1/4-14 X 3/4,TYP1,PH1,OVAL CNSK,YEL	

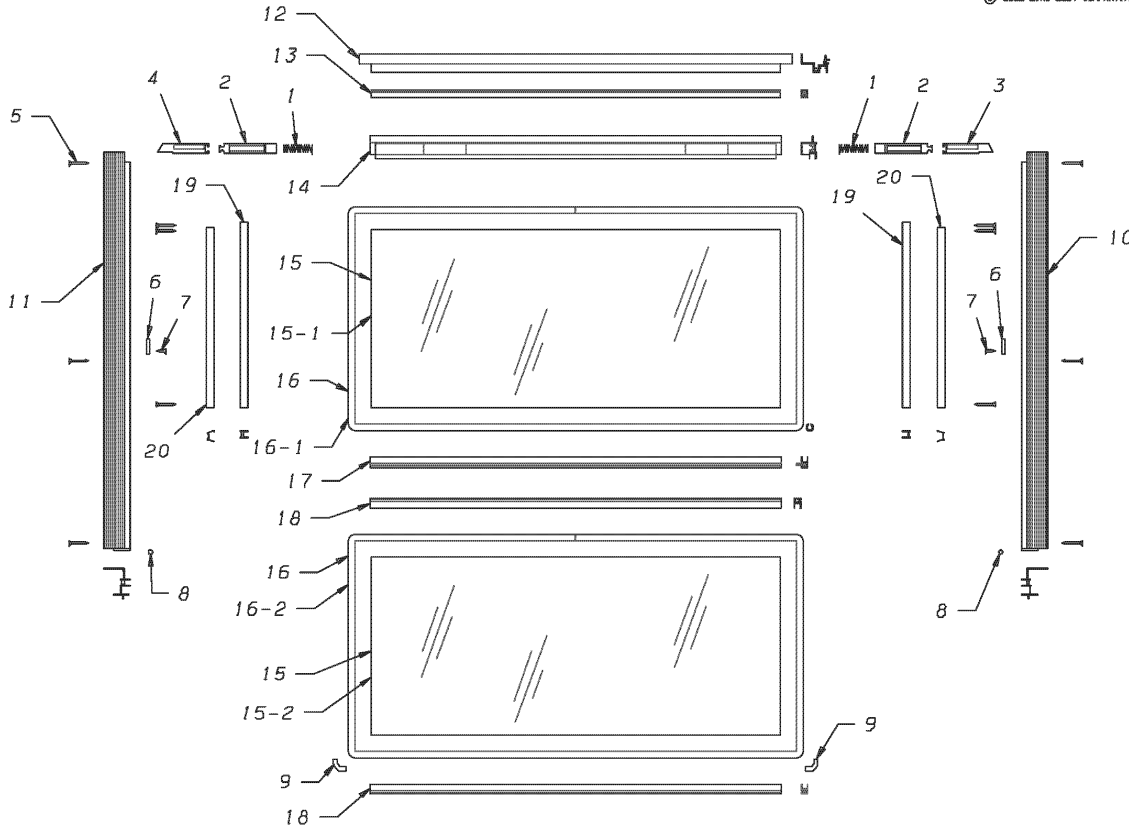


**Models:** AAFE, AARE, A1VC, A3FE, A3RE, B1VC, B2VC, BBCV, C1FE, GMCV, GPWB, MBWB, SBCV, TCFE, TCRE, TSFE, VCTA  
**SPLIT SASH**  
**28 INCH WITH 12 INCH OPENING**  
**GREEN TINT LAMINATED**  
**BSN:** From BSN B20107260 F20054225 L10093805 11-4-02

Key	PartNumber	Qty	Description	Comment
-----	------------	-----	-------------	---------

DR. 12/08/01 BY JL	---	3832060	X	
APP. 12/08/01 BY PF	FRT		REV	

© BLUE BIRD BODY COMPANY. ALL RIGHTS RESERVED

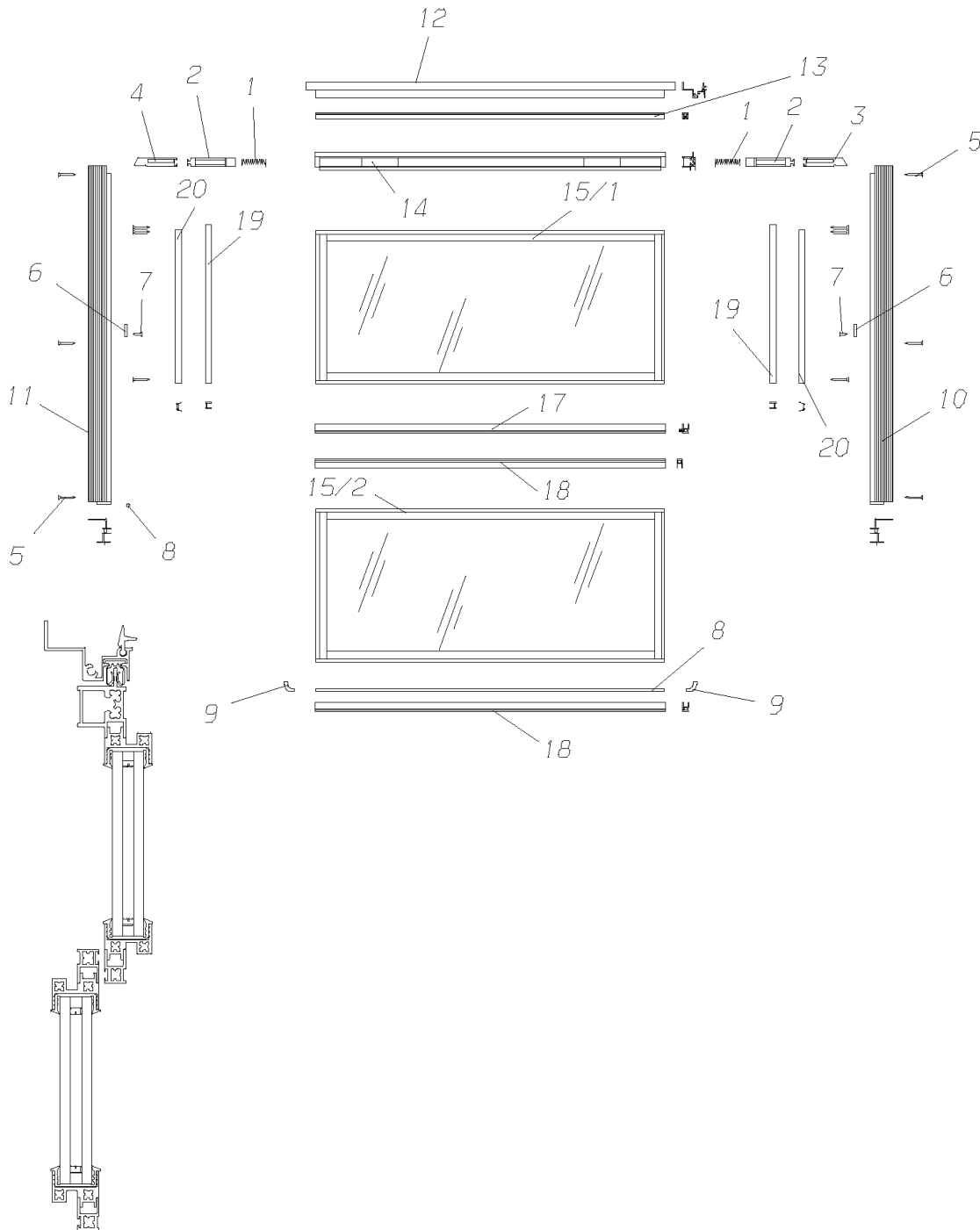


**Models:** AAFE, AARE, A1VC, A3FE, A3RE, B1VC, B2VC, BBCV, C1FE, GMCV, GPWB, MBWB, SBCV, TCFE, TCRE, TSFE, VCTA  
**SPLIT SASH**  
**28 INCH WITH 12 INCH OPENING**  
**GREEN TINT LAMINATED**  
**BSN:** From BSN B20107260 F20054225 L10093805 11-4-02

Key	PartNumber	Qty	Description	Comment
NI			WINDOW ASSY. GREEN TINT LAMINATED, 12 IN	
	0053786		WINDOW ASSY,28 S/S,LAM,GREEN TINT,12OPG	ENDING WITH BSN B20144129B, B10144049, F10058589, L10125309 4-11-04
	0073852		WINDOW ASSY,28,12SS,GREEN TINT LAM	BEGIN WITH BSN B20144130B, B10144050, F10058590, L10125310 4-12-04
1	3817558	2	SPRING,SPLIT SASH WINDOW,W/REMOVABLE	
2	2176584	2	ACTUATOR,LATCH,SIDE WINDOW	
3	2176576		LATCH,SIDE,WINDOW,CONCEALED,RH	
4	2176568		LATCH,SIDE,WINDOW,CONCEALED,LH	
5	4644357	12	SCREW,10-12X1 1/4,#2 SQ DRIVE,#8,BUGLE	
6	3816592	2	STOP,WINDOW,REMOVABLE LATCH	
7	2260198	2	SCREW,SM,PH,FT/HD,8-18 X 1/2,TYPE B,ZN3	
8	0862953		SEALANT,SCHNEE-MOREHEAD 5522,VINYL	
9	2185148		SEALANT,UNISEAL	
10	0053780		FRAME,SIDE,12 OPEN,SPLIT SASH WINDOW,RH	
11	0053779		FRAME,SIDE,12 OPEN,SPLIT SASH WINDOW,LH	
12	0053844		FRAME ASSY,UPPER,12" SPLIT SASH,28"	
13	2211696		SEAL,UPPER FRAME TO LATCH RAIL,28SS	
14	3816907		RAIL,LATCH,W/REMOVABLE LATCH,S/WDO,28IN	
15/	3805876		GLASS,SS,GREEN LAM,28,12 OPG,UPPER	
15/	3805967		GLASS,SS,GREEN LAM,28,12 OPG,LOWER	
16	3831559	1	GLAZING,VINYL,SB,SS WINDOW,63.00IN"	
16	3831153	1	GLAZING,VINYL,SB,SS WINDOW,59.75IN	
17	2211910		RAIL ASSY,LOWER,28SS	
18	1741206	2	RAIL,LOWER,12""SPLIT SASH,28""	
19	3805595	2	CHANNEL,SLIDING,12IN OPENING,SS	
20	3805603	2	SEAL,SLIDING,12IN,S/S	
NI	4033254	2	WASHER,SIDE WINDOW,ALUM	
NI	2000669		SCREW,1/4-14 X 3/4,TYP1,PH1,OVAL CNSK,YEL	

**Models: AAFE, AARE, A1VC, A3FE, A3RE, B1VC, B2VC, C1FE, GMCV, GPWB, MBWB, SBCV, TCFE, TCRE, TSFE, VCTA**  
**SPLIT SASH**  
**28 INCH WITH 12 INCH OPENING, STORM**  
**CLEAR TEMPERED**  
**To BSN B20107259 F20054224 L10093804 M10119600 11-3-02**

Key	PartNumber	Qty	Description	Comment
-----	------------	-----	-------------	---------



**Models:** AAFE, AARE, A1VC, A3FE, A3RE, B1VC, B2VC, C1FE, GMCV, GPWB, MBWB, SBCV, TCFE, TCRE, TSFE, VCTA  
**SPLIT SASH**  
**28 INCH WITH 12 INCH OPENING, STORM**  
**CLEAR TEMPERED**  
**To BSN B20107259 F20054224 L10093804 M10119600 11-3-02**

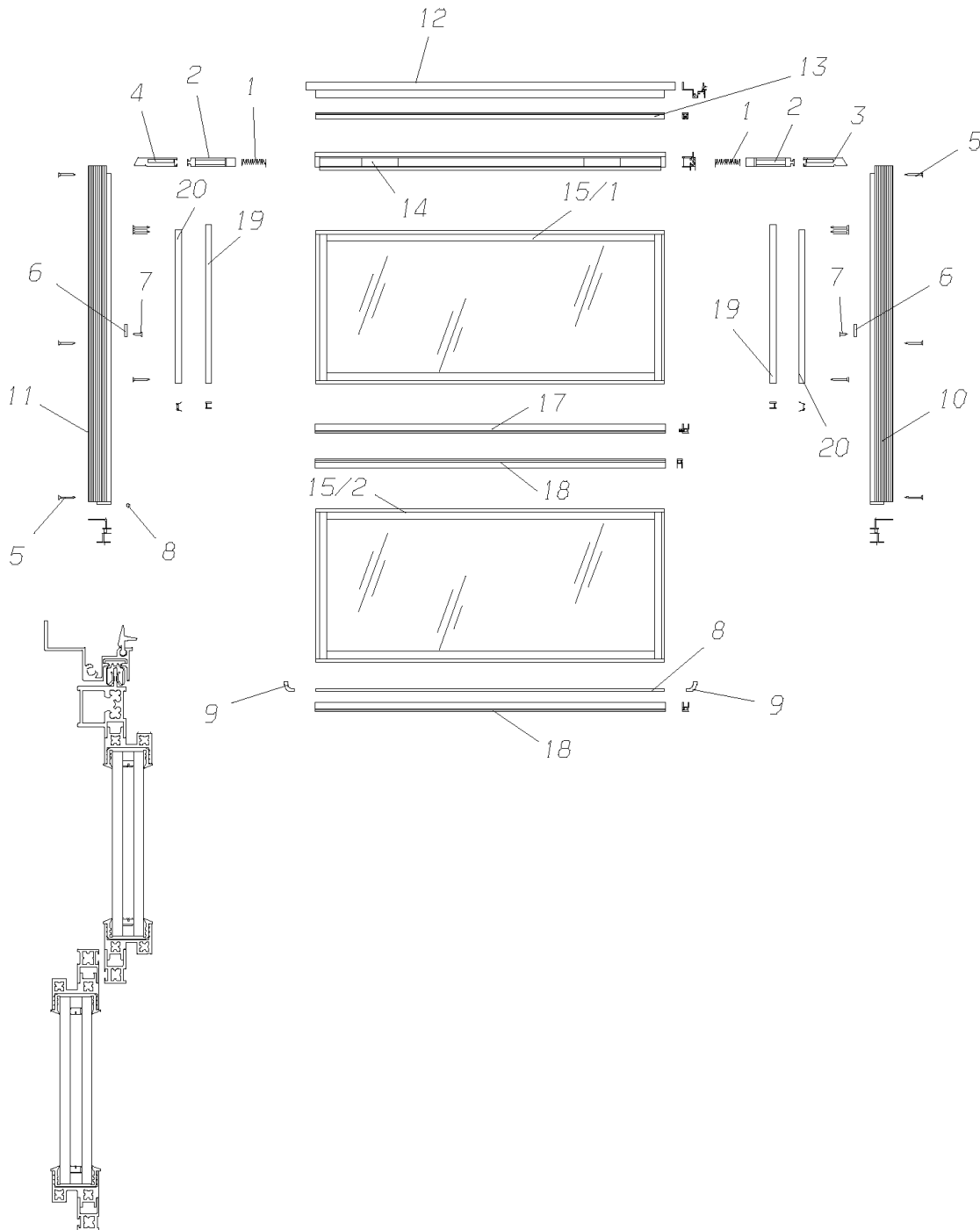
Key	PartNumber	Qty	Description	Comment
	1741248		WINDOW ASSY,SS,CLEAR,28,12""OPG,STORM	
1	3817558	2	SPRING,SPLIT SASH WINDOW,W/REMOVABLE	
2	2176584	2	ACTUATOR,LATCH,SIDE WINDOW	
3	2176576		LATCH,SIDE,WINDOW,CONCEALED,RH	
4	2176568		LATCH,SIDE,WINDOW,CONCEALED,LH	
5	4644357	12	SCREW,10-12X1 1/4,#2 SQ DRIVE,#8,BUGLE	
6	3816592	2	STOP,WINDOW,REMOVABLE LATCH	
7	2260198		SCREW,SM,PH,FT/HD,8-18 X 1/2,TYPE B,ZN3	
8	0862953		SEALANT,SCHNEE-MOREHEAD 5522,VINYL	
9	2185148		SEALANT,UNISEAL	
10	3817459		FRAME,SIDE,12OPEN,74HR,RH,REMOVABLE	
11	3817442		FRAME,SIDE,12OPEN,74HR,LH,REMOVABLE	
12	1741180		FRAME ASSY,UPPER,12"" SPLIT SASH,28""	
13	2211696		SEAL,UPPER FRAME TO LATCH RAIL,28SS	
14	3816907		RAIL,LATCH,W/REMOVABLE LATCH,S/WDO,28IN	
15/	1509405		GLASS & FRAME ASSY,SS,CLEAR,28,UPPER	CONSISTS OF THE FOLLOWING
	2164655	2	FRAME,UPPER & LOWER,28IN STORM	
	3810702	2	FRAME,VERTICAL,UPPER,12IN STORM	
	1509280		GLASS,SS,CLEAR,28,12 OPG,UPPER STORM	
	3831765		GLAZING,VINYL,SB,SS STORM	
	2194025	8	SCREW,8-18 X 3/4,AB,PH1,PAN HD,YEL ZN	
	0862953		SEALANT,SCHNEE-MOREHEAD 5522,VINYL	
15/	1509413		GLASS & FRAME ASSY,SS,CLEAR,28,LOWER	CONSISTS OF THE FOLLOWING
	2164655	2	FRAME,UPPER & LOWER,28IN STORM	
	3810710	2	FRAME,VERTICAL,LOWER,12IN STORM	
	1509298		GLASS,SS,CLEAR,28,12 OPG,LOWER STORM	
	3831757		GLAZING,VINYL,SB,SS STORM	
	2194025	8	SCREW,8-18 X 3/4,AB,PH1,PAN HD,YEL ZN	
	0862953		SEALANT,SCHNEE-MOREHEAD 5522,VINYL	
17	2211910		RAIL ASSY,LOWER,28SS	
18	1741206		RAIL,LOWER,12""SPLIT SASH,28""	
19	3805595		CHANNEL,SLIDING,12IN OPENING,SS	
20	3805603		SEAL,SLIDING,12IN,S/S	

**Models:** AAFE, AARE, A1VC, A3FE, A3RE, B1VC, B2VC, C1FE, GMCV, GPWB, MBWB, SBCV, TCFE, TCRE, TSFE, VCTA  
**SPLIT SASH**  
**28 INCH WITH 12 INCH OPENING, STORM**  
**CLEAR TEMPERED**  
**To BSN B20107259 F20054224 L10093804 M10119600 11-3-02**

Key	PartNumber	Qty	Description	Comment
NI	4033254	2	WASHER,SIDE WINDOW,ALUM	
NI	2000669	2	SCREW,1/4-14 X 3/4,TYP1,PH1,OVAL CNSK,YEL	

**Models:** AAFE, AARE, A1VC, A3FE, A3RE, B1VC, B2VC, BBCV, C1FE, GMCV, GPWB, MBWB, SBCV, TCFE, TCRE, TSFE, VCTA  
**SPLIT SASH**  
**28 INCH WITH 12 INCH OPENING, STORM**  
**CLEAR TEMPERED**  
**BSN:** From BSN B20107260, F20054225, L10093805, 11-4-02

Key	PartNumber	Qty	Description	Comment
-----	------------	-----	-------------	---------



**Models:** AAFE, AARE, A1VC, A3FE, A3RE, B1VC, B2VC, BBCV, C1FE, GMCV, GPWB, MBWB, SBCV, TCFE, TCRE, TSFE, VCTA  
**SPLIT SASH**  
**28 INCH WITH 12 INCH OPENING, STORM**  
**CLEAR TEMPERED**  
**BSN:** From BSN B20107260, F20054225, L10093805, 11-4-02

Key	PartNumber	Qty	Description	Comment
NI			WINDOW ASSY. CLEAR TEMPERED, 12 IN	
	0053861		WINDOW ASSY,SS,CLEAR,28,12"OPG,STORM	ENDING WITH BSN B20144129B, B10144049, F10058589, L10125309 4-11-04
	0073869		WINDOW ASSY,28,12SS,CLEAR STORM	BEGIN WITH BSN B20144130B, B10144050, F10058590, L10125310 4-12-04
1	3817558	2	SPRING,SPLIT SASH WINDOW,W/REMOVABLE	
2	2176584	2	ACTUATOR,LATCH,SIDE WINDOW	
3	2176576		LATCH,SIDE,WINDOW,CONCEALED,RH	
4	2176568		LATCH,SIDE,WINDOW,CONCEALED,LH	
5	4644357	12	SCREW,10-12X1 1/4,#2 SQ DRIVE,#8,BUGLE	
6	3816592	2	STOP,WINDOW,REMOVABLE LATCH	
7	2260198		SCREW,SM,PH,FT/HD,8-18 X 1/2,TYPE B,ZN3	
8	0862953		SEALANT,SCHNEE-MOREHEAD 5522,VINYL	
9	2185148		SEALANT,UNISEAL	
10	0053780		FRAME,SIDE,12 OPEN,SPLIT SASH WINDOW,RH	
11	0053779		FRAME,SIDE,12 OPEN,SPLIT SASH WINDOW,LH	
12	0053844		FRAME ASSY,UPPER,12" SPLIT SASH,28"	
13	2211696		SEAL,UPPER FRAME TO LATCH RAIL,28SS	
14	3816907		RAIL,LATCH,W/REMOVABLE LATCH,S/WDO,28IN	
15/	1509405		GLASS & FRAME ASSY,SS,CLEAR,28,UPPER	CONSISTS OF THE FOLLOWING
	2164655	2	FRAME,UPPER & LOWER,28IN STORM	
	3810702	2	FRAME,VERTICAL,UPPER,12IN STORM	
	1509280		GLASS,SS,CLEAR,28,12 OPG,UPPER STORM	
	3831765		GLAZING,VINYL,SB,SS STORM	
	2194025	8	SCREW,8-18 X 3/4,AB,PH1,PAN HD,YEL ZN	
	0862953		SEALANT,SCHNEE-MOREHEAD 5522,VINYL	
15/	1509413		GLASS & FRAME ASSY,SS,CLEAR,28,LOWER	CONSISTS OF THE FOLLOWING
	2164655	2	FRAME,UPPER & LOWER,28IN STORM	
	3810710	2	FRAME,VERTICAL,LOWER,12IN STORM	
	1509280		GLASS,SS,CLEAR,28,12 OPG,UPPER STORM	
	3831757		GLAZING,VINYL,SB,SS STORM	
	2194025	8	SCREW,8-18 X 3/4,AB,PH1,PAN HD,YEL ZN	
	0862953		SEALANT,SCHNEE-MOREHEAD 5522,VINYL	

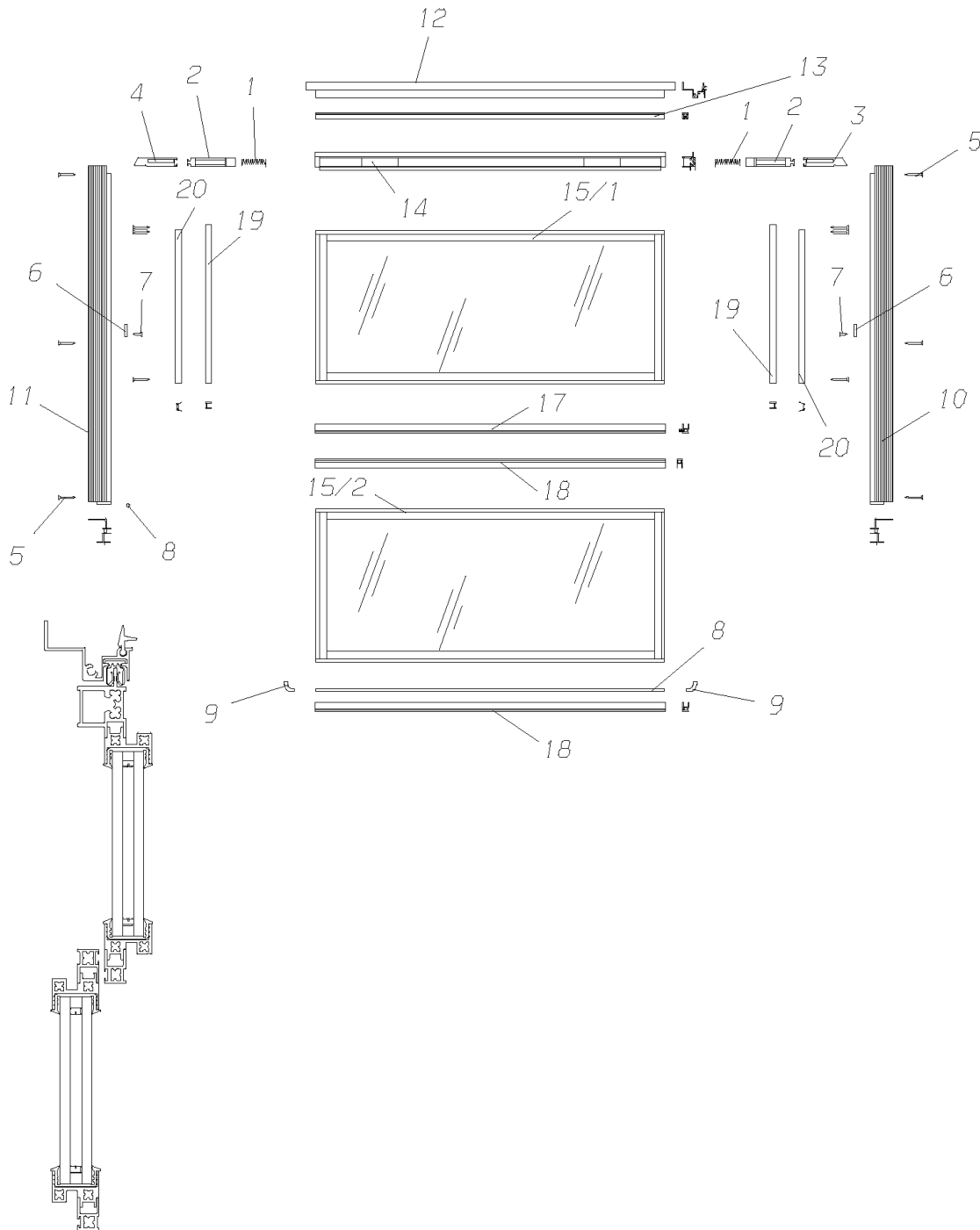
**Models:** AAFE, AARE, A1VC, A3FE, A3RE, B1VC, B2VC, BBCV, C1FE, GMCV, GPWB, MBWB, SBCV, TCFE, TCRE, TSFE, VCTA  
**SPLIT SASH**  
**28 INCH WITH 12 INCH OPENING, STORM**  
**CLEAR TEMPERED**  
**BSN:** From BSN B20107260, F20054225, L10093805, 11-4-02

Key	PartNumber	Qty	Description	Comment
17	2211910		RAIL ASSY,LOWER,28SS	
18	1741206		RAIL,LOWER,12""SPLIT SASH,28""	
19	3805595		CHANNEL,SLIDING,12IN OPENING,SS	
20	3805603		SEAL,SLIDING,12IN,S/S	
NI	4033254	2	WASHER,SIDE WINDOW,ALUM	
NI	2000669		SCREW,1/4-14 X 3/4,TYP1,PH1,OVAL CNSK,YEL	



**Models: AAFE, AARE, A1VC, A3FE, A3RE, B1VC, B2VC, C1FE, GMCV, GPWB, MBWB, SBCV, TCFE, TCRE, TSFE, VCTA**  
**SPLIT SASH**  
**28 INCH WITH 12 INCH OPENING, STORM**  
**DARK TINT TEMPERED**  
**To BSN B20107259, F20054224, L10093804, M10119600, 11-3-02**

Key	PartNumber	Qty	Description	Comment
-----	------------	-----	-------------	---------



**Models:** AAFE, AARE, A1VC, A3FE, A3RE, B1VC, B2VC, C1FE, GMCV, GPWB, MBWB, SBCV, TCFE, TCRE, TSFE, VCTA  
**SPLIT SASH**  
**28 INCH WITH 12 INCH OPENING, STORM**  
**DARK TINT TEMPERED**  
**To BSN B20107259, F20054224, L10093804, M10119600, 11-3-02**

Key	PartNumber	Qty	Description	Comment
	1865799		WINDOW ASSY,SS,DK TNT TEMP,28,12 OPG,	
1	3817558	2	SPRING,SPLIT SASH WINDOW,W/REMOVABLE	
2	2176584	2	ACTUATOR,LATCH,SIDE WINDOW	
3	2176576		LATCH,SIDE,WINDOW,CONCEALED,RH	
4	2176568		LATCH,SIDE,WINDOW,CONCEALED,LH	
5	4644357	12	SCREW,10-12X1 1/4,#2 SQ DRIVE,#8,BUGLE	
6	3816592	2	STOP,WINDOW,REMOVABLE LATCH	
7	2260198		SCREW,SM,PH,FT/HD,8-18 X 1/2,TYPE B,ZN3	
8	0862953		SEALANT,SCHNEE-MOREHEAD 5522,VINYL	
9	2185148		SEALANT,UNISEAL	
10	3817459		FRAME,SIDE,12OPEN,74HR,RH,REMOVABLE	
11	3817442		FRAME,SIDE,12OPEN,74HR,LH,REMOVABLE	
12	1741180		FRAME ASSY,UPPER,12"" SPLIT SASH,28""	
13	2211696		SEAL,UPPER FRAME TO LATCH RAIL,28SS	
14	3816907		RAIL,LATCH,W/REMOVABLE LATCH,S/WDO,28IN	
15/	1865831		GLASS&FRAME ASSY,SS,TNT T,28,12 OPG,UPR	CONSISTS OF THE FOLLOWING
	2164655	2	FRAME,UPPER & LOWER,28IN STORM	
	3810702	2	FRAME,VERTICAL,UPPER,12IN STORM	
	1865732		GLASS,SS,DARK TINT TEMP,28,12 OPG,UPR	
	3831765		GLAZING,VINYL,SB,SS STORM	
	2194025	8	SCREW,8-18 X 3/4,AB,PH1,PAN HD,YEL ZN	
	0862953		SEALANT,SCHNEE-MOREHEAD 5522,VINYL	
15/	1865849		GLASS&FRAME ASSY,SS,TNT T,28,12 OPG,LWR	CONSISTS OF THE FOLLOWING
	2164655	2	FRAME,UPPER & LOWER,28IN STORM	
	3810710	2	FRAME,VERTICAL,LOWER,12IN STORM	
	1865740		GLASS,SS,DARK TINT TEMP,28,12 OPG,LWR	
	3831757		GLAZING,VINYL,SB,SS STORM	
	2194025	8	SCREW,8-18 X 3/4,AB,PH1,PAN HD,YEL ZN	
	0862953		SEALANT,SCHNEE-MOREHEAD 5522,VINYL	
17	2211910		RAIL ASSY,LOWER,28SS	
18	1741206		RAIL,LOWER,12""SPLIT SASH,28""	
19	3805595		CHANNEL,SLIDING,12IN OPENING,SS	
20	3805603		SEAL,SLIDING,12IN,S/S	

**Models:** AAFE, AARE, A1VC, A3FE, A3RE, B1VC, B2VC, C1FE, GMCV, GPWB, MBWB, SBCV, TCFE, TCRE, TSFE, VCTA  
**SPLIT SASH**  
**28 INCH WITH 12 INCH OPENING, STORM**  
**DARK TINT TEMPERED**  
**To BSN B20107259, F20054224, L10093804, M10119600, 11-3-02**

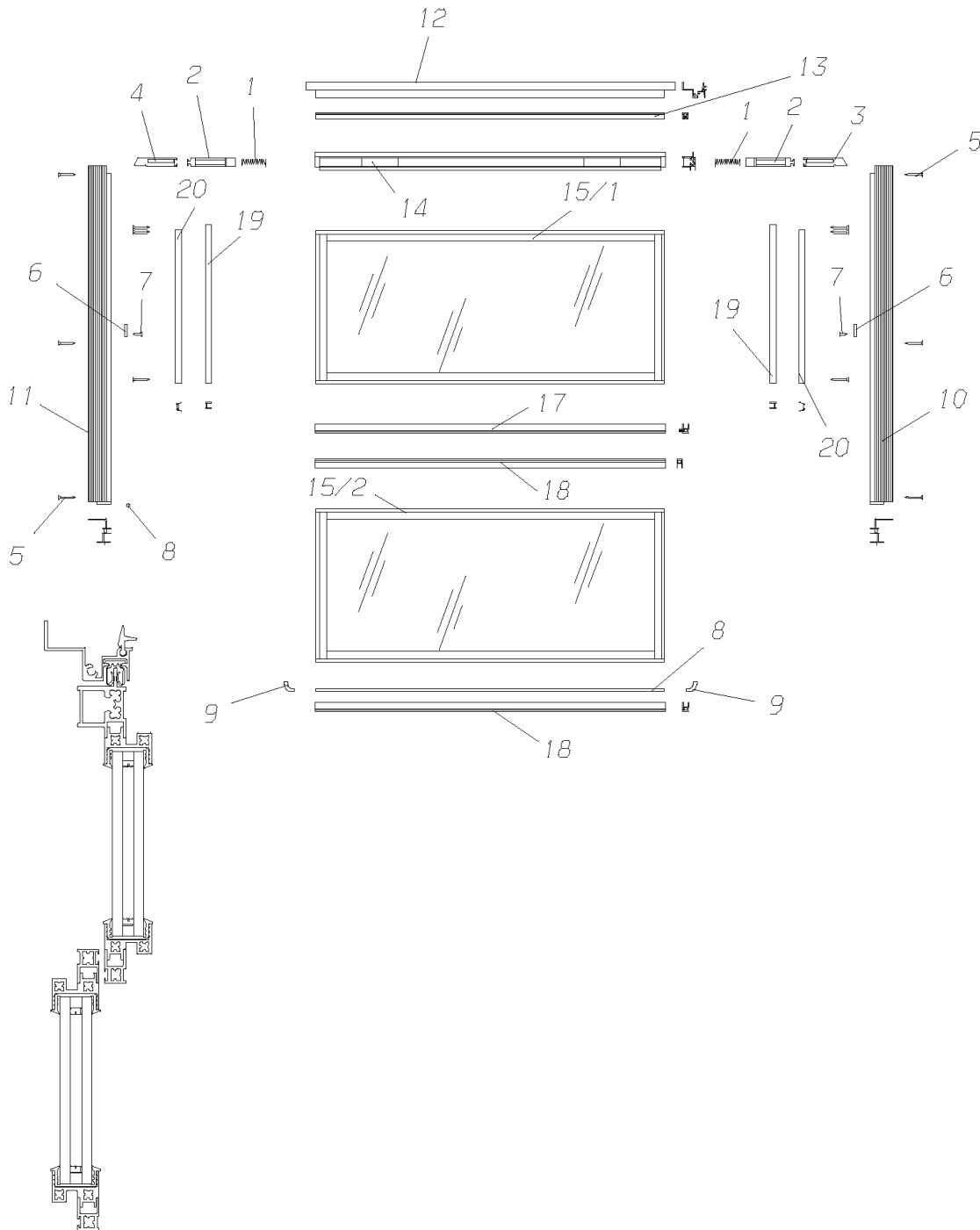
Key	PartNumber	Qty	Description	Comment
NI	4033254	2	WASHER,SIDE WINDOW,ALUM	
NI	2000669	2	SCREW,1/4-14 X 3/4,TYP1,PH1,OVAL CNSK,YEL	

Models: AAFE, AARE, A1VC, A3FE, A3RE, B1VC, B2VC, BBCV, C1FE, GMCV, GPWB, MBWB, SBCV, TCFE, TCRE, TSFE, VCTA

SPLIT SASH  
28 INCH WITH 12 INCH OPENING, STORM  
DARK TINT TEMPERED

BSN: From BSN B20107260, F20054225, L10093805, 11-4-02

Key	PartNumber	Qty	Description	Comment
-----	------------	-----	-------------	---------



**Models:** AAFE, AARE, A1VC, A3FE, A3RE, B1VC, B2VC, BBCV, C1FE, GMCV, GPWB, MBWB, SBCV, TCFE, TCRE, TSFE, VCTA  
**SPLIT SASH**  
**28 INCH WITH 12 INCH OPENING, STORM**  
**DARK TINT TEMPERED**  
**BSN:** From BSN B20107260, F20054225, L10093805, 11-4-02

Key	PartNumber	Qty	Description	Comment
NI			WINDOW ASSY. DARK TINT TEMPERED, 12 IN	
	0053863		WINDOW ASSY,SS,DK TNT TEMP,28,12 OPG,	ENDING WITH BSN B20144129B, B10144049, F10058589, L10125309 4-11-04
	0073874		WINDOW ASSY,28,12SS,DARK TINT TEMP	BEGIN WITH BSN B20144130B, B10144050, F10058590, L10125310 4-12-04
1	3817558	2	SPRING,SPLIT SASH WINDOW,W/REMOVABLE	
2	2176584	2	ACTUATOR,LATCH,SIDE WINDOW	
3	2176576		LATCH,SIDE,WINDOW,CONCEALED,RH	
4	2176568		LATCH,SIDE,WINDOW,CONCEALED,LH	
5	4644357	12	SCREW,10-12X1 1/4,#2 SQ DRIVE,#8,BUGLE	
6	3816592	2	STOP,WINDOW,REMOVABLE LATCH	
7	2260198		SCREW,SM,PH,FT/HD,8-18 X 1/2,TYPE B,ZN3	
8	0862953		SEALANT,SCHNEE-MOREHEAD 5522,VINYL	
9	2185148		SEALANT,UNISEAL	
10	0053780		FRAME,SIDE,12 OPEN,SPLIT SASH WINDOW,RH	
11	0053779		FRAME,SIDE,12 OPEN,SPLIT SASH WINDOW,LH	
12	0053844		FRAME ASSY,UPPER,12" SPLIT SASH,28"	
13	2211696		SEAL,UPPER FRAME TO LATCH RAIL,28SS	
14	3816907		RAIL,LATCH,W/REMOVABLE LATCH,S/WDO,28IN	
15/	1865831		GLASS&FRAME ASSY,SS,TNT T,28,12 OPG,UPR	CONSISTS OF THE FOLLOWING
	2164655	2	FRAME,UPPER & LOWER,28IN STORM	
	3810702	2	FRAME,VERTICAL,UPPER,12IN STORM	
	1865732		GLASS,SS,DARK TINT TEMP,28,12 OPG,UPR	
	3831765		GLAZING,VINYL,SB,SS STORM	
	2194025	8	SCREW,8-18 X 3/4,AB,PH1,PAN HD,YEL ZN	
	0862953		SEALANT,SCHNEE-MOREHEAD 5522,VINYL	
15/	1865849		GLASS&FRAME ASSY,SS,TNT T,28,12 OPG,LWR	CONSISTS OF THE FOLLOWING
	2164655	2	FRAME,UPPER & LOWER,28IN STORM	
	3810710	2	FRAME,VERTICAL,LOWER,12IN STORM	
	1865740		GLASS,SS,DARK TINT TEMP,28,12 OPG,LWR	
	3831757		GLAZING,VINYL,SB,SS STORM	
	2194025	8	SCREW,8-18 X 3/4,AB,PH1,PAN HD,YEL ZN	
	0862953		SEALANT,SCHNEE-MOREHEAD 5522,VINYL	


**Models:** AAFE, AARE, A1VC, A3FE, A3RE, B1VC, B2VC, BBCV, C1FE, GMCV, GPWB, MBWB, SBCV, TCFE, TCRE, TSFE, VCTA  
**SPLIT SASH**  
**28 INCH WITH 12 INCH OPENING, STORM**  
**DARK TINT TEMPERED**  
**BSN:** From BSN B20107260, F20054225, L10093805, 11-4-02

Key	PartNumber	Qty	Description	Comment
17	2211910		RAIL ASSY,LOWER,28SS	
18	1741206		RAIL,LOWER,12""SPLIT SASH,28""	
19	3805595		CHANNEL,SLIDING,12IN OPENING,SS	
20	3805603		SEAL,SLIDING,12IN,S/S	
NI	4033254	2	WASHER,SIDE WINDOW,ALUM	
NI	2000669		SCREW,1/4-14 X 3/4,TYP1,PH1,OVAL CNSK,YEL	

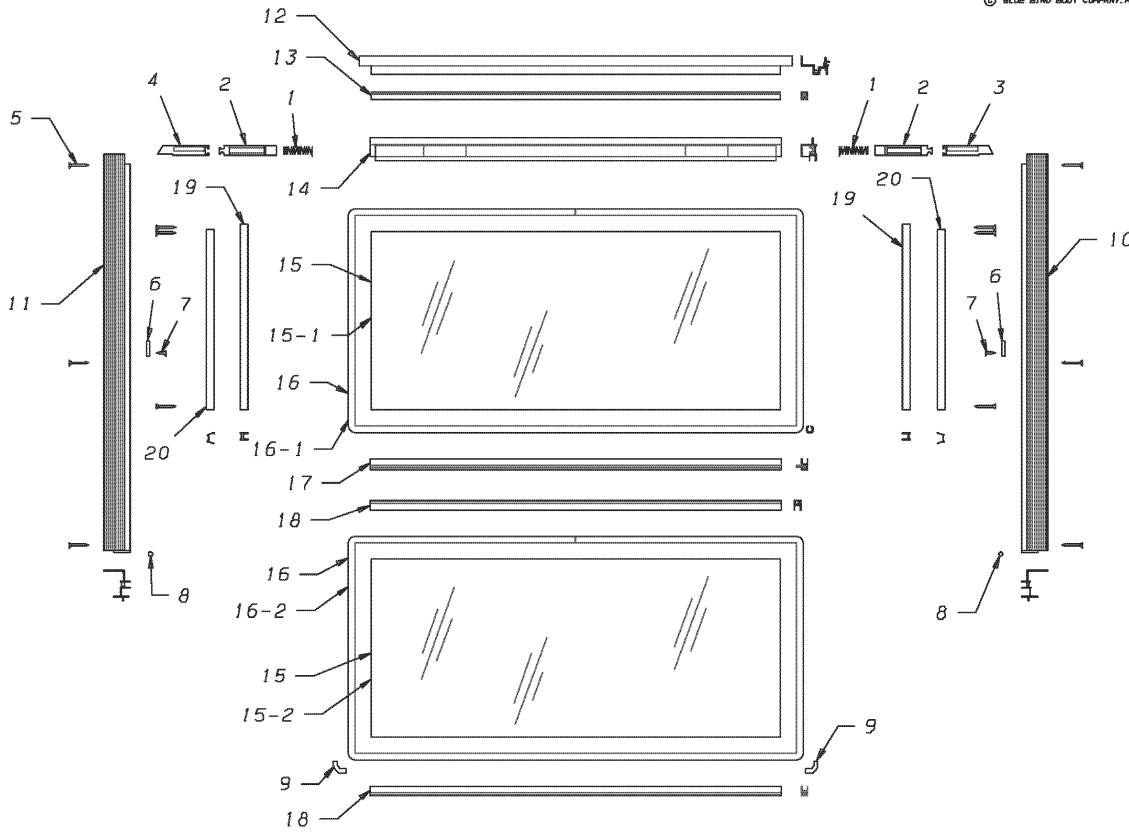
Models: AAFE, AARE, A1VC, A3FE, A3RE, BBCV, C1FE, GMCV, GPWB, MBWB, SBCV, TCFE, TCRE, TSFE, VCTA

**SPLIT SASH  
28 INCH WITH 9 INCH OPENING  
CLEAR LAMINATED**

Key	PartNumber	Qty	Description	Comment
-----	------------	-----	-------------	---------

DR. 12/08/01 BY JL	---	3832060	X	
APP. 12/08/01 BY PF	FRT		REV	

© BLUE BIRD BODY COMPANY. ALL RIGHTS RESERVED



Models: AAFE, AARE, A1VC, A3FE, A3RE, BBCV, C1FE, GMCV, GPWB, MBWB, SBCV, TCFE, TCRC, TSFE, VCTA

**SPLIT SASH  
28 INCH WITH 9 INCH OPENING  
CLEAR LAMINATED**

Key	PartNumber	Qty	Description	Comment
NI			WINDOW ASSY., 28 IN, CLEAR LAMINATED 9 IN	
	3819273		WINDOW ASSY,28 S/S,CLEAR LAM,9OP	<i>ENDING WITH BSN B20144129B, B10144049, F10058589, L10125309 4-11-04</i>
	0073844		WINDOW ASSY,28,9SS,CLEAR LAM	<i>BEGIN WITH BSN B20144130B, B10144050, F10058590, L10125310 4-12-04</i>
1	3817558	2	SPRING,SPLIT SASH WINDOW,W/REMOVABLE	
2	2176584	2	ACTUATOR,LATCH,SIDE WINDOW	
3	2176576		LATCH,SIDE,WINDOW,CONCEALED,RH	
4	2176568		LATCH,SIDE,WINDOW,CONCEALED,LH	
5	2168797	12	SCREW,SM,PH,FT/HD,10-12X1 1/4 W/NO 8 HD,	
6	3816592	2	STOP,WINDOW,REMOVABLE LATCH	
7	2260198	2	SCREW,SM,PH,FT/HD,8-18 X 1/2,TYPE B,ZN3	
8	0862953		SEALANT,SCHNEE-MOREHEAD 5522,VINYL	
9	2185148		SEALANT,UNISEAL	
10	3816626		FRAME,SIDE,SS WINDOW,RH,W/REMOVABLE	
11	3816618		FRAME,SIDE,SS WINDOW,LH,W/REMOVABLE	
12	2245769		FRAME ASSY,UPPER,28SS,STD OPG	
13	2211696		SEAL,UPPER FRAME TO LATCH RAIL,28SS	
14	3816907		RAIL,LATCH,W/REMOVABLE LATCH,S/WDO,28IN	
15	2165033	2	GLASS,SS,CLEAR LAM,28,9 OPG	
16	3831534		GLAZING,VINYL,SB,SS WINDOW,55.50IN	
17	2211910		RAIL ASSY,LOWER,28SS	
18	2166379	2	RAIL,LOWER,SS,28IN	
19	2164135	2	CHANNEL,SLIDING,UPPER SASH	
20	2184950	2	SEAL,SLIDING,SPLIT SASH WINDOW	
NI	4033254	2	WASHER,SIDE WINDOW,ALUM	
NI	2000669		SCREW,1/4-14 X 3/4,TYP1,PH1,OVAL CNSK,YEL	




Models:  
TCRE, TSFE, VCTA

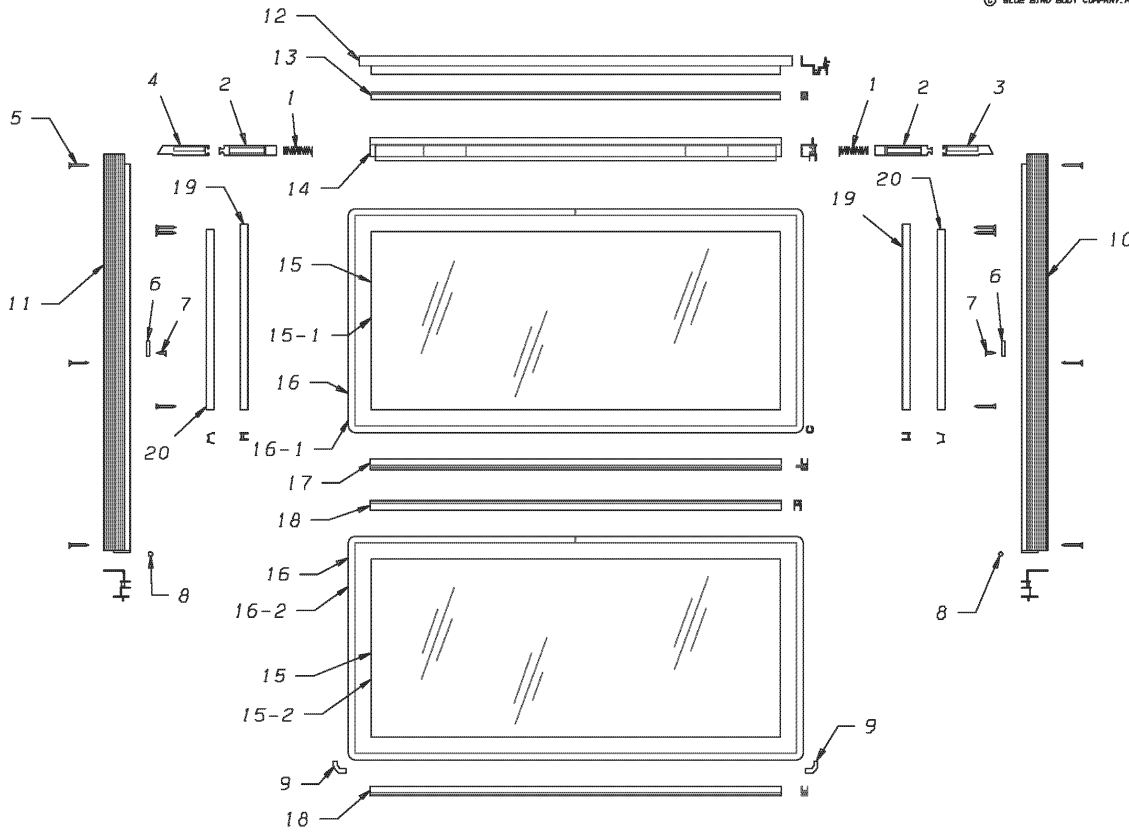
AAFE, AARE, A1VC, A3FE, A3RE, BBCV, C1FE, GMCV, GPWB, MBWB, SBCV, TCFE,

**SPLIT SASH  
28 INCH WITH 9 INCH OPENING  
CLEAR TEMPERED**

Key	PartNumber	Qty	Description	Comment
-----	------------	-----	-------------	---------

DR. 12/08/01 BY JL	---	3832060	X	
APP. 12/08/01 BY PF	FRT		REV	

© BLUE BIRD BODY COMPANY. ALL RIGHTS RESERVED



**Models:** AAFE, AARE, A1VC, A3FE, A3RE, BBCV, C1FE, GMCV, GPWB, MBWB, SBCV, TCFE, TCRC, TSFE, VCTA


**SPLIT SASH  
28 INCH WITH 9 INCH OPENING  
CLEAR TEMPERED**

Key	PartNumber	Qty	Description	Comment
NI			WINDOW ASSY, 28 IN, TEMPERED, 9 IN	
	3819307		WINDOW ASSY,SS,28,9 IN TEMPER	<i>ENDING WITH BSN B20144129B, B10144049, F10058589, L10125309 4-11-04</i>
	0073847		WINDOW ASSY,28,9SS,.12 TEMP	<i>BEGIN WITH BSN B20144130B, B10144050, F10058590, L10125310 4-12-04</i>
1	3817558	2	SPRING,SPLIT SASH WINDOW,W/REMOVABLE	
2	2176584	2	ACTUATOR,LATCH,SIDE WINDOW	
3	2176576		LATCH,SIDE,WINDOW,CONCEALED,RH	
4	2176568		LATCH,SIDE,WINDOW,CONCEALED,LH	
5	2168797	12	SCREW,SM,PH,FT/HD,10-12X1 1/4 W/NO 8 HD,	
6	3816592	2	STOP,WINDOW,REMOVABLE LATCH	
7	2260198	2	SCREW,SM,PH,FT/HD,8-18 X 1/2,TYPE B,ZN3	
8	0862953		SEALANT,SCHNEE-MOREHEAD 5522,VINYL	
9	2185148		SEALANT,UNISEAL	
10	3816626		FRAME,SIDE,SS WINDOW,RH,W/REMOVABLE	
11	3816618		FRAME,SIDE,SS WINDOW,LH,W/REMOVABLE	
12	2245769		FRAME ASSY,UPPER,28SS,STD OPG	
13	2211696		SEAL,UPPER FRAME TO LATCH RAIL,28SS	
14	3816907		RAIL,LATCH,W/REMOVABLE LATCH,S/WDO,28IN	
15	2265502	2	GLASS,SS,TEMPERED,28,.12 THK	
16	2265510	2	GLAZING,VINYL,SB,.125 GLASS,62.50"	
17	2211910		RAIL ASSY,LOWER,28SS	
18	2166379	2	RAIL,LOWER,SS,28IN	
19	2164135	2	CHANNEL,SLIDING,UPPER SASH	
20	2184950	2	SEAL,SLIDING,SPLIT SASH WINDOW	
NI	4033254	2	WASHER,SIDE WINDOW,ALUM	
NI	2000669		SCREW,1/4-14 X 3/4,TYP1,PH1,OVAL CNSK,YEL	

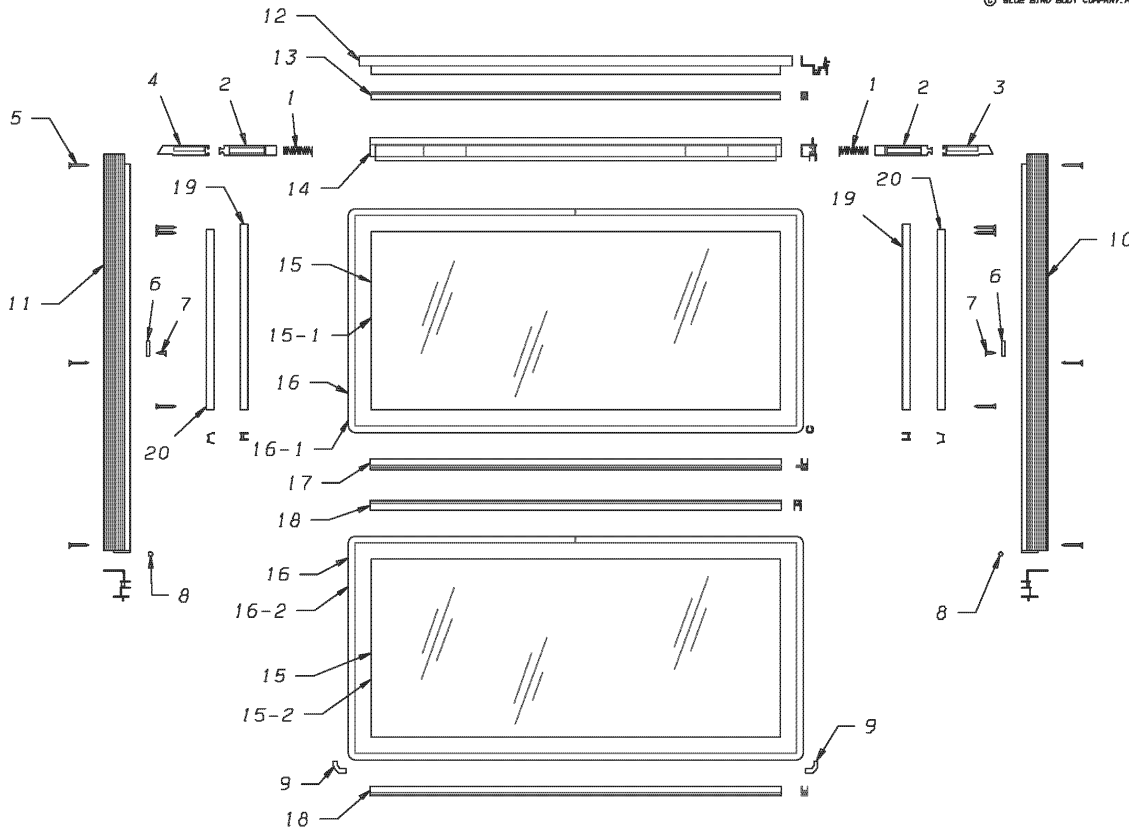
Models: AAFE, AARE, A1VC, A3FE, A3RE, BBCV, C1FE, GMCV, GPWB, MBWB, SBCV, TCFE, TCRE, TSFE, VCTA

**SPLIT SASH  
28 INCH WITH 9 INCH OPENING  
DARK TINT LAMINATED**

Key	PartNumber	Qty	Description	Comment
-----	------------	-----	-------------	---------

DR. 12/08/01 BY JL	---	3832060	X	
APP. 12/08/01 BY PF	FRT		REV	

© BLUE BIRD BODY COMPANY. ALL RIGHTS RESERVED



Models: AAFE, AARE, A1VC, A3FE, A3RE, BBCV, C1FE, GMCV, GPWB, MBWB, SBCV, TCFE, TCRC, TSFE, VCTA


**SPLIT SASH  
28 INCH WITH 9 INCH OPENING  
DARK TINT LAMINATED**

Key	PartNumber	Qty	Description	Comment
NI			WINDOW ASSY., 28 IN, DARK TINTED,	
	3819281		WINDOW ASSY,28 S/S,DARK TINT LAM,9 OPG	ENDING WITH BSN B20144129B, B10144049, F10058589, L10125309 4-11-04
	0073846		WINDOW ASSY,28,9SS,DARK TINT LAM	BEGIN WITH BSN B20144130B, B10144050, F10058590, L10125310 4-12-04
1	3817558	2	SPRING,SPLIT SASH WINDOW,W/REMOVABLE	
2	2176584	2	ACTUATOR,LATCH,SIDE WINDOW	
3	2176576		LATCH,SIDE,WINDOW,CONCEALED,RH	
4	2176568		LATCH,SIDE,WINDOW,CONCEALED,LH	
5	2168797	12	SCREW,SM,PH,FT/HD,10-12X1 1/4 W/NO 8 HD,	
6	3816592	2	STOP,WINDOW,REMOVABLE LATCH	
7	2260198	2	SCREW,SM,PH,FT/HD,8-18 X 1/2,TYPE B,ZN3	
8	0862953		SEALANT,SCHNEE-MOREHEAD 5522,VINYL	
9	2185148		SEALANT,UNISEAL	
10	3816626		FRAME,SIDE,SS WINDOW,RH,W/REMOVABLE	
11	3816618		FRAME,SIDE,SS WINDOW,LH,W/REMOVABLE	
12	2245769		FRAME ASSY,UPPER,28SS,STD OPG	
13	2211696		SEAL,UPPER FRAME TO LATCH RAIL,28SS	
14	3816907		RAIL,LATCH,W/REMOVABLE LATCH,S/WDO,28IN	
15	3798527	2	GLASS,SS,DARK TINT LAM,28,9 OPG	
16	3831534		GLAZING,VINYL,SB,SS WINDOW,55.50IN	
17	2211910		RAIL ASSY,LOWER,28SS	
18	2166379	2	RAIL,LOWER,SS,28IN	
19	2164135	2	CHANNEL,SLIDING,UPPER SASH	
20	2184950	2	SEAL,SLIDING,SPLIT SASH WINDOW	
NI	4033254	2	WASHER,SIDE WINDOW,ALUM	
NI	2000669		SCREW,1/4-14 X 3/4,TYP1,PH1,OVAL CNSK,YEL	

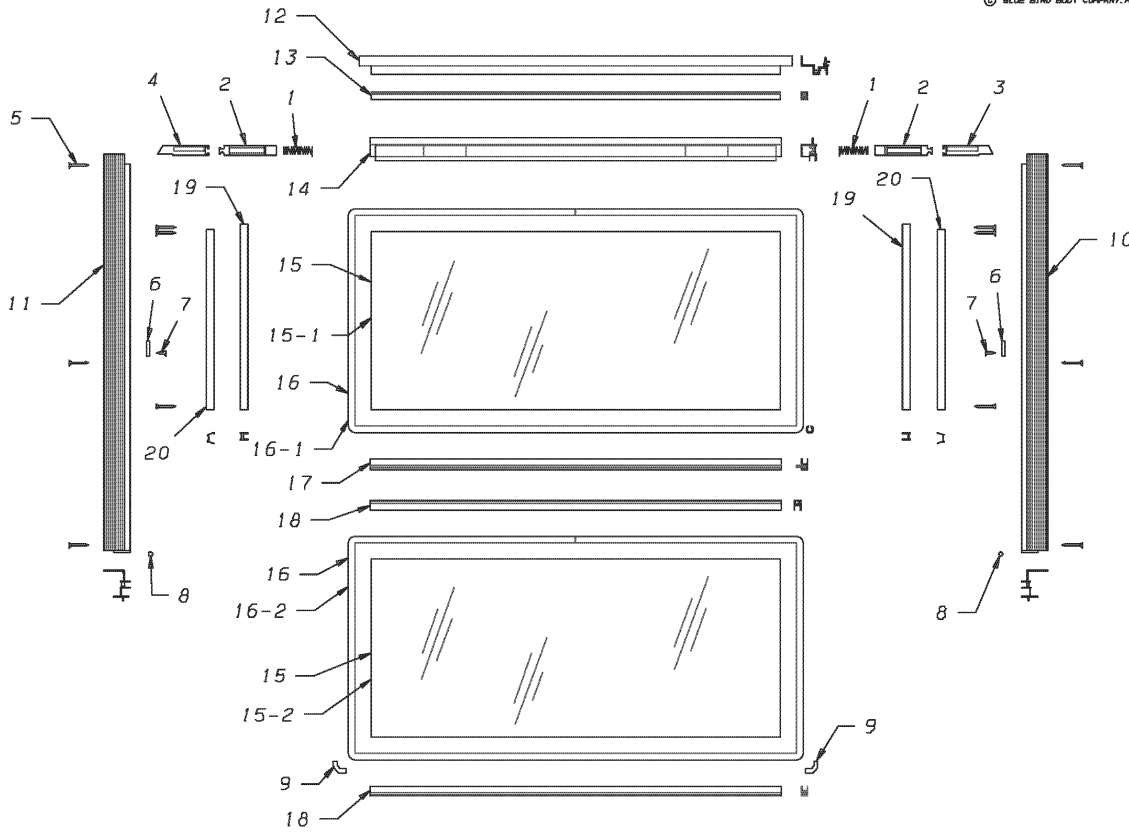
Models: AAFE, AARE, A1VC, A3FE, A3RE, BBCV, C1FE, GMCV, GPWB, MBWB, SBCV, TCFE, TCRE, TSFE, VCTA

**SPLIT SASH  
28 INCH WITH 9 INCH OPENING  
DARK TINT TEMPERED**

Key	PartNumber	Qty	Description	Comment
-----	------------	-----	-------------	---------

DR. 12/08/01 BY JL	---	3832060	X	
APP. 12/08/01 BY PF	FRT		REV	

© BLUE BIRD BODY COMPANY. ALL RIGHTS RESERVED



**Models:** AAFE, AARE, A1VC, A3FE, A3RE, BBCV, C1FE, GMCV, GPWB, MBWB, SBCV, TCFE, TCRC, TSFE, VCTA


**SPLIT SASH  
28 INCH WITH 9 INCH OPENING  
DARK TINT TEMPERED**

Key	PartNumber	Qty	Description	Comment
NI			WINDOW ASSY, 28 IN, DARK TINTED	
	1858596		WINDOW ASSY,28 S/S,DARK TINT TEMPERED,9	<i>ENDING WITH BSN B20144129B, B10144049, F10058589, L10125309 4-11-04</i>
	0073845		WINDOW ASSY,28,9SS,DARK TINT TEMP	<i>BEGIN WITH BSN B20144130B, B10144050, F10058590, L10125310 4-12-04</i>
1	3817558	2	SPRING,SPLIT SASH WINDOW,W/REMOVABLE	
2	2176584	2	ACTUATOR,LATCH,SIDE WINDOW	
3	2176576		LATCH,SIDE,WINDOW,CONCEALED,RH	
4	2176568		LATCH,SIDE,WINDOW,CONCEALED,LH	
5	2168797	12	SCREW,SM,PH,FT/HD,10-12X1 1/4 W/NO 8 HD,	
6	3816592	2	STOP,WINDOW,REMOVABLE LATCH	
7	2260198	2	SCREW,SM,PH,FT/HD,8-18 X 1/2,TYPE B,ZN3	
8	0862953		SEALANT,SCHNEE-MOREHEAD 5522,VINYL	
9	2185148		SEALANT,UNISEAL	
10	3816626		FRAME,SIDE,SS WINDOW,RH,W/REMOVABLE	
11	3816618		FRAME,SIDE,SS WINDOW,LH,W/REMOVABLE	
12	2245769		FRAME ASSY,UPPER,28SS,STD OPG	
13	2211696		SEAL,UPPER FRAME TO LATCH RAIL,28SS	
14	3816907		RAIL,LATCH,W/REMOVABLE LATCH,S/WDO,28IN	
15	1858539	2	GLASS,SS,DARK TINT TEMPERED,28,9 OPG	
16	2265510	2	GLAZING,VINYL,SB,.125 GLASS,62.50"	
17	2211910		RAIL ASSY,LOWER,28SS	
18	2166379	2	RAIL,LOWER,SS,28IN	
19	2164135	2	CHANNEL,SLIDING,UPPER SASH	
20	2184950	2	SEAL,SLIDING,SPLIT SASH WINDOW	
NI	4033254	2	WASHER,SIDE WINDOW,ALUM	
NI	2000669		SCREW,1/4-14 X 3/4,TYP1,PH1,OVAL CNSK,YEL	
		2		

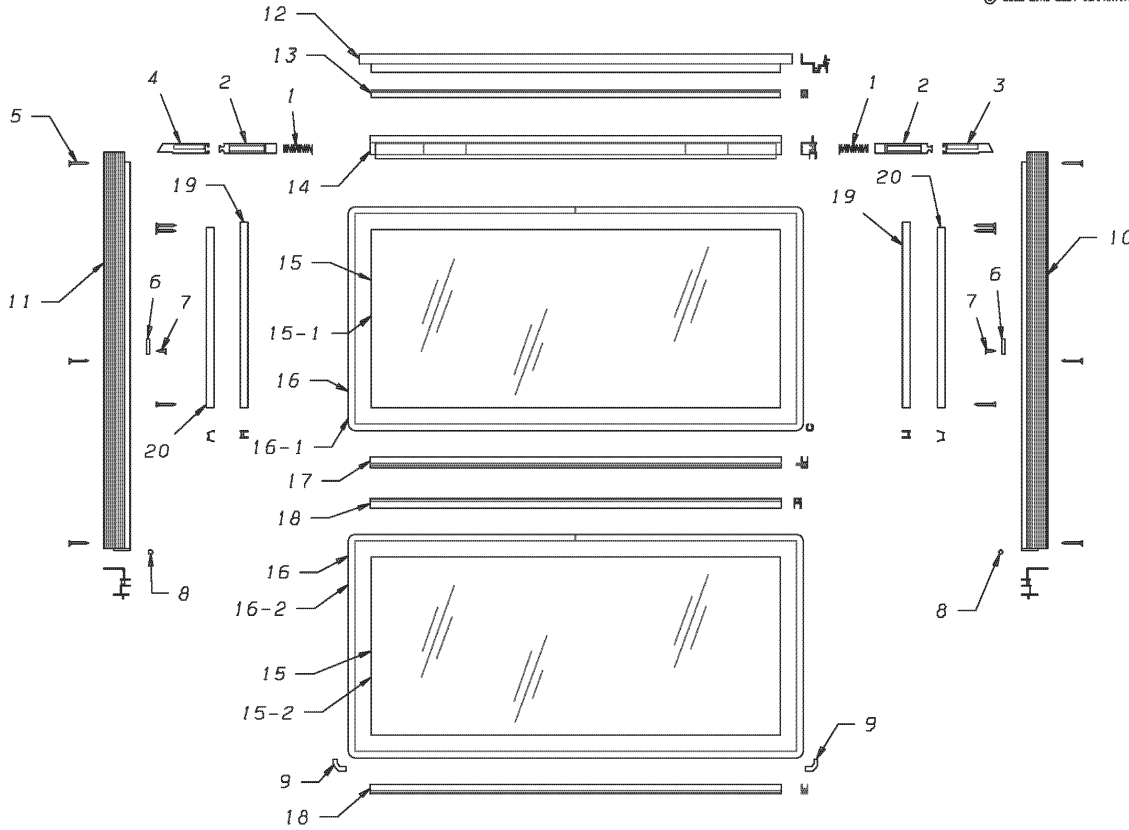
Models: AAFE, AARE, A1VC, A3FE, A3RE, BBCV, C1FE, GMCV, GPWB, MBWB, SBCV, TCFE, TCRE, TSFE, VCTA

**SPLIT SASH  
28 INCH WITH 9 INCH OPENING  
GREEN TINT LAMINATED**

Key	PartNumber	Qty	Description	Comment
-----	------------	-----	-------------	---------

DR. 12/08/01 BY JL	---	3832060	X	
APP. 12/08/01 BY PF	FRT		REV	

© BLUE BIRD BODY COMPANY. ALL RIGHTS RESERVED



**Models:** AAFE, AARE, A1VC, A3FE, A3RE, BBCV, C1FE, GMCV, GPWB, MBWB, SBCV, TCFE, TCRC, TSFE, VCTA

**SPLIT SASH  
28 INCH WITH 9 INCH OPENING  
GREEN TINT LAMINATED**

Key	PartNumber	Qty	Description	Comment
NI			WINDOW ASSY., 28 IN, GREEN TINTED,	
	3819323		WINDOW ASSY,28 S/S,GREEN TINT,9OP	<i>ENDING WITH BSN B20144129B, B10144049, F10058589, L10125309 4-11-04</i>
	0073848		WINDOW ASSY,28,9SS,GREEN TINT LAM	<i>BEGIN WITH BSN B20144130B, B10144050, F10058590, L10125310 4-12-04</i>
1	3817558	2	SPRING,SPLIT SASH WINDOW,W/REMOVABLE	
2	2176584	2	ACTUATOR,LATCH,SIDE WINDOW	
3	2176576		LATCH,SIDE,WINDOW,CONCEALED,RH	
4	2176568		LATCH,SIDE,WINDOW,CONCEALED,LH	
5	2168797	12	SCREW,SM,PH,FT/HD,10-12X1 1/4 W/NO 8 HD,	
6	3816592	2	STOP,WINDOW,REMOVABLE LATCH	
7	2260198	2	SCREW,SM,PH,FT/HD,8-18 X 1/2,TYPE B,ZN3	
8	0862953		SEALANT,SCHNEE-MOREHEAD 5522,VINYL	
9	2185148		SEALANT,UNISEAL	
10	3816626		FRAME,SIDE,SS WINDOW,RH,W/REMOVABLE	
11	3816618		FRAME,SIDE,SS WINDOW,LH,W/REMOVABLE	
12	2245769		FRAME ASSY,UPPER,28SS,STD OPG	
13	2211696		SEAL,UPPER FRAME TO LATCH RAIL,28SS	
14	3816907		RAIL,LATCH,W/REMOVABLE LATCH,S/WDO,28IN	
15	3800729	2	GLASS,SS,GREEN LAM,28,9 OPG	
16	3831534		GLAZING,VINYL,SB,SS WINDOW,55.50IN	
17	2211910		RAIL ASSY,LOWER,28SS	
18	2166379	2	RAIL,LOWER,SS,28IN	
19	2164135	2	CHANNEL,SLIDING,UPPER SASH	
20	2184950	2	SEAL,SLIDING,SPLIT SASH WINDOW	
NI	4033254	2	WASHER,SIDE WINDOW,ALUM	
NI	2000669		SCREW,1/4-14 X 3/4,TYP1,PH1,OVAL CNSK,YEL	

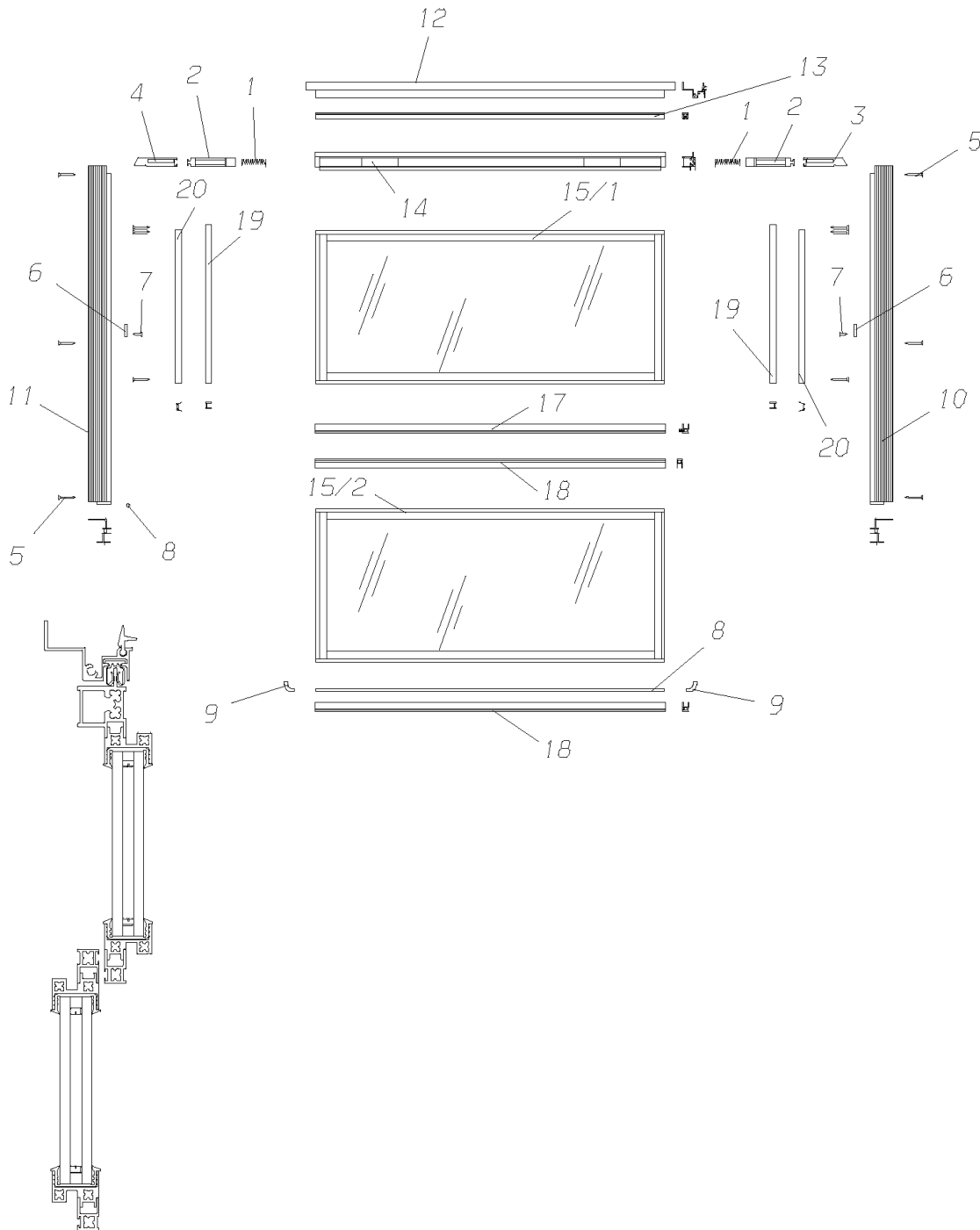


**Models:**  
TCRE, TSFE, VCTA

**AAFE, AARE, A1VC, A3FE, A3RE, BBCV, C1FE, GMCV, GPWB, MBWB, SBCV, TCFE,**

**SPLIT SASH  
28 INCH WITH 9 INCH OPENING, STORM  
CLEAR LAMINATED**

Key	PartNumber	Qty	Description	Comment
-----	------------	-----	-------------	---------



**Models:** AAFE, AARE, A1VC, A3FE, A3RE, BBCV, C1FE, GMCV, GPWB, MBWB, SBCV, TCFE, TCRE, TSFE, VCTA

**SPLIT SASH  
28 INCH WITH 9 INCH OPENING, STORM  
CLEAR LAMINATED**

Key	PartNumber	Qty	Description	Comment
NI	0082635		WINDOW ASSY,28,9SS,CLEAR LAMINATED	
1	3817558	2	SPRING,SPLIT SASH WINDOW,W/REMOVABLE	
2	2176584	2	ACTUATOR,LATCH,SIDE WINDOW	
3	2176576		LATCH,SIDE,WINDOW,CONCEALED,RH	
4	2176568		LATCH,SIDE,WINDOW,CONCEALED,LH	
5	4644357	12	SCREW,10-12X1 1/4,#2 SQ DRIVE,#8,BUGLE	
6	3816592	2	STOP,WINDOW,REMOVABLE LATCH	
7	2260198		SCREW,SM,PH,FT/HD,8-18 X 1/2,TYPE B,ZN3	
8	0862953		SEALANT,SCHNEE-MOREHEAD 5522,VINYL	
9	2185148		SEALANT,UNISEAL	
10	3816626		FRAME,SIDE,SS WINDOW,RH,W/REMOVABLE	
11	3816618		FRAME,SIDE,SS WINDOW,LH,W/REMOVABLE	
12	2245769		FRAME ASSY,UPPER,28SS,STD OPG	
13	2211696		SEAL,UPPER FRAME TO LATCH RAIL,28SS	
14	3816907		RAIL,LATCH,W/REMOVABLE LATCH,S/WDO,28IN	
15/	1509389		GLASS & FRAME ASSY,SS,CLEAR,28	CONSISTS OF THE FOLLOWING
	2164655	2	FRAME,UPPER & LOWER,28IN STORM	
	2164663	2	FRAME,SIDE,28IN,STORM	
	1509264		GLASS,SS,CLEAR,28 STORM,TEMP	
	3831740		GLAZING,VINYL,SB,SS STORM	
	2194025	8	SCREW,8-18 X 3/4,AB,PH1,PAN HD,YEL ZN	
	0862953		SEALANT,SCHNEE-MOREHEAD 5522,VINYL	
15/	1509389		GLASS & FRAME ASSY,SS,CLEAR,28	CONSISTS OF THE FOLLOWING
	2164655	2	FRAME,UPPER & LOWER,28IN STORM	
	2164663	2	FRAME,SIDE,28IN,STORM	
	1509264		GLASS,SS,CLEAR,28 STORM,TEMP	
	3831740		GLAZING,VINYL,SB,SS STORM	
	2194025	8	SCREW,8-18 X 3/4,AB,PH1,PAN HD,YEL ZN	
	0862953		SEALANT,SCHNEE-MOREHEAD 5522,VINYL	
17	2211910		RAIL ASSY,LOWER,28SS	
18	2166379		RAIL,LOWER,SS,28IN	
19	2164135		CHANNEL,SLIDING,UPPER SASH	
20	2184950		SEAL,SLIDING,SPLIT SASH WINDOW	

**Models:** AAFE, AARE, A1VC, A3FE, A3RE, BBCV, C1FE, GMCV, GPWB, MBWB, SBCV, TCFE, TCRE, TSFE, VCTA

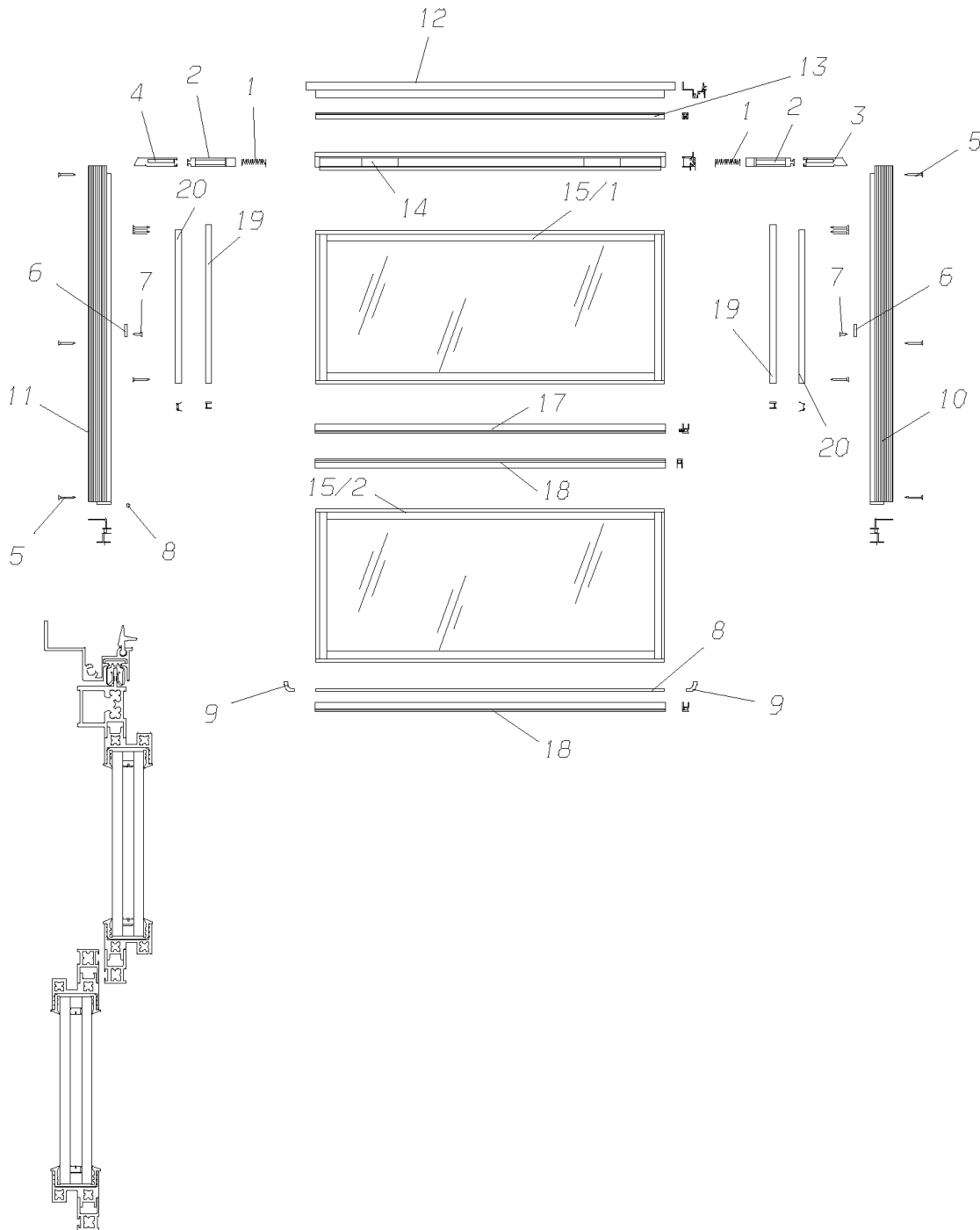
**SPLIT SASH  
28 INCH WITH 9 INCH OPENING, STORM  
CLEAR LAMINATED**

Key	PartNumber	Qty	Description	Comment
NI	4033254	2	WASHER,SIDE WINDOW,ALUM	
NI	2000669		SCREW,1/4-14 X 3/4,TYP1,PH1,OVAL CNSK,YEL	

Models: AAFE, AARE, A1VC, A3FE, A3RE, BBCV, C1FE, GMCV, GPWB, MBWB, SBCV, TCFE, TCRE, TSFE, VCTA

**SPLIT SASH  
28 INCH WITH 9 INCH OPENING, STORM  
CLEAR TEMPERED**

Key	PartNumber	Qty	Description	Comment
-----	------------	-----	-------------	---------



**Models:** AAFE, AARE, A1VC, A3FE, A3RE, BBCV, C1FE, GMCV, GPWB, MBWB, SBCV, TCFE, TCRC, TSFE, VCTA

**SPLIT SASH  
28 INCH WITH 9 INCH OPENING, STORM  
CLEAR TEMPERED**

Key	PartNumber	Qty	Description	Comment
NI			WINDOW ASSY. CLEAR TEMPERED STORM, 9 IN	
	1509504		WINDOW ASSY,SS,CLEAR,28 STORM	<i>ENDING WITH BSN B20144129B, B10144049, F10058589, L10125309 4-11-04</i>
	0073867		WINDOW ASSY,28,SS,CLEAR STORM	<i>BEGIN WITH BSN B20144130B, B10144050, F10058590, L10125310 4-12-04</i>
1	3817558	2	SPRING,SPLIT SASH WINDOW,W/REMOVABLE	
2	2176584	2	ACTUATOR,LATCH,SIDE WINDOW	
3	2176576		LATCH,SIDE,WINDOW,CONCEALED,RH	
4	2176568		LATCH,SIDE,WINDOW,CONCEALED,LH	
5	4644357	12	SCREW,10-12X1 1/4,#2 SQ DRIVE,#8,BUGLE	
6	3816592	2	STOP,WINDOW,REMOVABLE LATCH	
7	2260198		SCREW,SM,PH,FT/HD,8-18 X 1/2,TYPE B,ZN3	
8	0862953		SEALANT,SCHNEE-MOREHEAD 5522,VINYL	
9	2185148		SEALANT,UNISEAL	
10	3816626		FRAME,SIDE,SS WINDOW,RH,W/REMOVABLE	
11	3816618		FRAME,SIDE,SS WINDOW,LH,W/REMOVABLE	
12	2245769		FRAME ASSY,UPPER,28SS,STD OPG	
13	2211696		SEAL,UPPER FRAME TO LATCH RAIL,28SS	
14	3816907		RAIL,LATCH,W/REMOVABLE LATCH,S/WDO,28IN	
15/	1509389		GLASS & FRAME ASSY,SS,CLEAR,28	<i>CONSISTS OF THE FOLLOWING</i>
	2164655	2	FRAME,UPPER & LOWER,28IN STORM	
	2164663	2	FRAME,SIDE,28IN,STORM	
	1509264		GLASS,SS,CLEAR,28 STORM,TEMP	
	3831740		GLAZING,VINYL,SB,SS STORM	
	2194025	8	SCREW,8-18 X 3/4,AB,PH1,PAN HD,YEL ZN	
	0862953		SEALANT,SCHNEE-MOREHEAD 5522,VINYL	
15/	1509389		GLASS & FRAME ASSY,SS,CLEAR,28	<i>CONSISTS OF THE FOLLOWING</i>
	2164655	2	FRAME,UPPER & LOWER,28IN STORM	
	2164663	2	FRAME,SIDE,28IN,STORM	
	1509264		GLASS,SS,CLEAR,28 STORM,TEMP	
	3831740		GLAZING,VINYL,SB,SS STORM	
	2194025	8	SCREW,8-18 X 3/4,AB,PH1,PAN HD,YEL ZN	
	0862953		SEALANT,SCHNEE-MOREHEAD 5522,VINYL	

**Models:** AAFE, AARE, A1VC, A3FE, A3RE, BBCV, C1FE, GMCV, GPWB, MBWB, SBCV, TCFE, TCRE, TSFE, VCTA

**SPLIT SASH  
28 INCH WITH 9 INCH OPENING, STORM  
CLEAR TEMPERED**

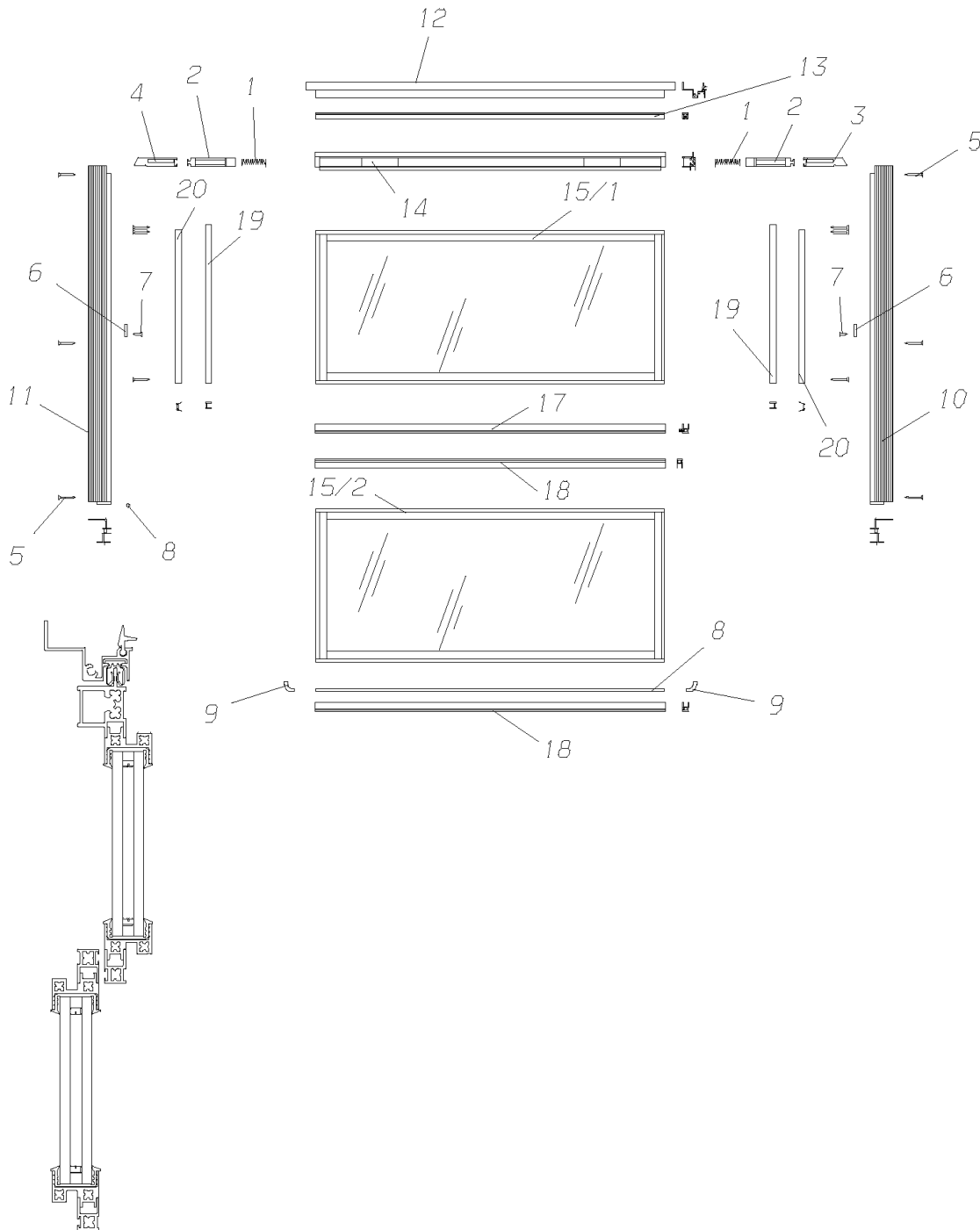
Key	PartNumber	Qty	Description	Comment
17	2211910		RAIL ASSY,LOWER,28SS	
18	2166379		RAIL,LOWER,SS,28IN	
19	2164135		CHANNEL,SLIDING,UPPER SASH	
20	2184950		SEAL,SLIDING,SPLIT SASH WINDOW	
NI	4033254	2	WASHER,SIDE WINDOW,ALUM	
NI	2000669		SCREW,1/4-14 X 3/4,TYP1,PH1,OVAL CNSK,YEL	

Models:  
TCRE, TSFE, VCTA

AAFE, AARE, A1VC, A3FE, A3RE, BBCV, C1FE, GMCV, GPWB, MBWB, SBCV, TCFE,

**SPLIT SASH**  
**28 INCH WITH 9 INCH OPENING, STORM**  
**DARK TINT TEMPERED**

Key	PartNumber	Qty	Description	Comment
-----	------------	-----	-------------	---------



**Models:** AAFE, AARE, A1VC, A3FE, A3RE, BBCV, C1FE, GMCV, GPWB, MBWB, SBCV, TCFE, TCRE, TSFE, VCTA

**SPLIT SASH  
28 INCH WITH 9 INCH OPENING, STORM  
DARK TINT TEMPERED**

Key	PartNumber	Qty	Description	Comment
NI			WINDOW ASSY. DARK TINT TEMPERED, 9 IN	
	1865773		WINDOW ASSY,SS,DK TNT TEMP,28,9 OPG,	<i>ENDING WITH BSN B20144129B, B10144049, F10058589, L10125309 4-11-04</i>
	0073872		WINDOW ASSY,28,9SS,DARK TINT TEMP	<i>BEGIN WITH BSN B20144130B, B10144050, F10058590, L10125310 4-12-04</i>
1	3817558	2	SPRING,SPLIT SASH WINDOW,W/REMOVABLE	
2	2176584	2	ACTUATOR,LATCH,SIDE WINDOW	
3	2176576		LATCH,SIDE,WINDOW,CONCEALED,RH	
4	2176568		LATCH,SIDE,WINDOW,CONCEALED,LH	
5	4644357	12	SCREW,10-12X1 1/4,#2 SQ DRIVE,#8,BUGLE	
6	3816592	2	STOP,WINDOW,REMOVABLE LATCH	
7	2260198		SCREW,SM,PH,FT/HD,8-18 X 1/2,TYPE B,ZN3	
8	0862953		SEALANT,SCHNEE-MOREHEAD 5522,VINYL	
9	2185148		SEALANT,UNISEAL	
10	3816626		FRAME,SIDE,SS WINDOW,RH,W/REMOVABLE	
11	3816618		FRAME,SIDE,SS WINDOW,LH,W/REMOVABLE	
12	2245769		FRAME ASSY,UPPER,28SS,STD OPG	
13	2211696		SEAL,UPPER FRAME TO LATCH RAIL,28SS	
14	3816907		RAIL,LATCH,W/REMOVABLE LATCH,S/WDO,28IN	
15/	1865815		GLASS&FRAME ASSY,SS,TNT T,28,9 OPG,	<i>CONSISTS OF THE FOLLOWING</i>
	1865716		GLASS,SS,DARK TINT TEMP,28,9 OPG,STORM	
	2164655	2	FRAME,UPPER & LOWER,28IN STORM	
	2164663	2	FRAME,SIDE,28IN,STORM	
	2194025	8	SCREW,8-18 X 3/4,AB,PH1,PAN HD,YEL ZN	
	3831740		GLAZING,VINYL,SB,SS STORM	
	0862953		SEALANT,SCHNEE-MOREHEAD 5522,VINYL	
15/	1865815		GLASS&FRAME ASSY,SS,TNT T,28,9 OPG,	<i>CONSISTS OF THE FOLLOWING</i>
	1865716		GLASS,SS,DARK TINT TEMP,28,9 OPG,STORM	
	2164655	2	FRAME,UPPER & LOWER,28IN STORM	
	2164663	2	FRAME,SIDE,28IN,STORM	
	2194025	8	SCREW,8-18 X 3/4,AB,PH1,PAN HD,YEL ZN	
	3831740		GLAZING,VINYL,SB,SS STORM	
	0862953		SEALANT,SCHNEE-MOREHEAD 5522,VINYL	



**Models:** AAFE, AARE, A1VC, A3FE, A3RE, BBCV, C1FE, GMCV, GPWB, MBWB, SBCV, TCFE, TCRE, TSFE, VCTA

**SPLIT SASH  
28 INCH WITH 9 INCH OPENING, STORM  
DARK TINT TEMPERED**

Key	PartNumber	Qty	Description	Comment
17	2211910		RAIL ASSY,LOWER,28SS	
18	2166379		RAIL,LOWER,SS,28IN	
19	2164135		CHANNEL,SLIDING,UPPER SASH	
20	2184950		SEAL,SLIDING,SPLIT SASH WINDOW	
NI	4033254	2	WASHER,SIDE WINDOW,ALUM	
NI	2000669		SCREW,1/4-14 X 3/4,TYP1,PH1,OVAL CNSK,YEL	

Models: AAFE, AARE, A1VC, A3FE, A3RE, B1VC, B2VC, C1FE, GMCV, GPWB, MBWB, SBCV, TCFE, TCRE, TSFE, VCTA

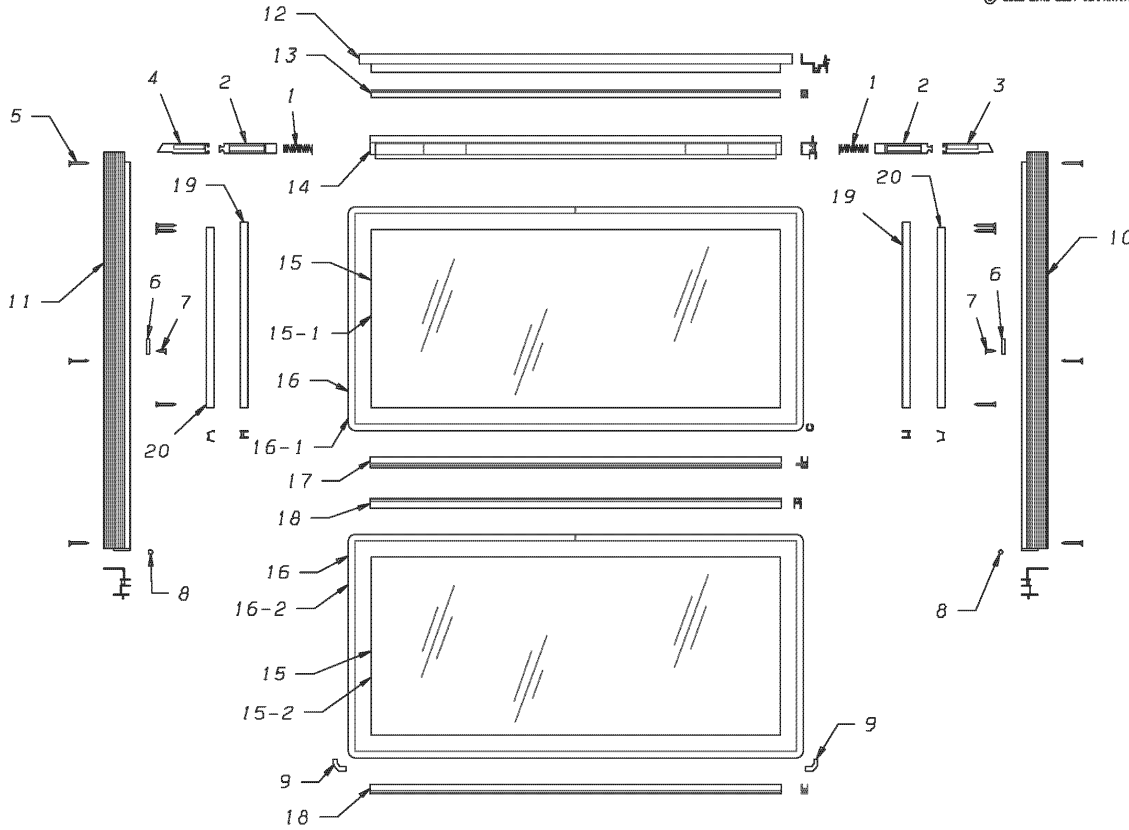
**SPLIT SASH  
35 INCH WITH 12 INCH OPENING  
CLEAR LAMINATED**

To BSN B20107259 F20054224 L10093804 M10119600 11-3-02

Key	PartNumber	Qty	Description	Comment
-----	------------	-----	-------------	---------

DR. 12/08/01 BY JL	---	3832060	X	
APP. 12/08/01 BY PF	FRT		REV	

© BLUE BIRD BODY COMPANY. ALL RIGHTS RESERVED




**Models: AAFE, AARE, A1VC, A3FE, A3RE, B1VC, B2VC, C1FE, GMCV, GPWB, MBWB, SBCV, TCFE, TCRE, TSE, VCTA**  
**SPLIT SASH**  
**35 INCH WITH 12 INCH OPENING**  
**CLEAR LAMINATED**  
**To BSN B20107259 F20054224 L10093804 M10119600 11-3-02**

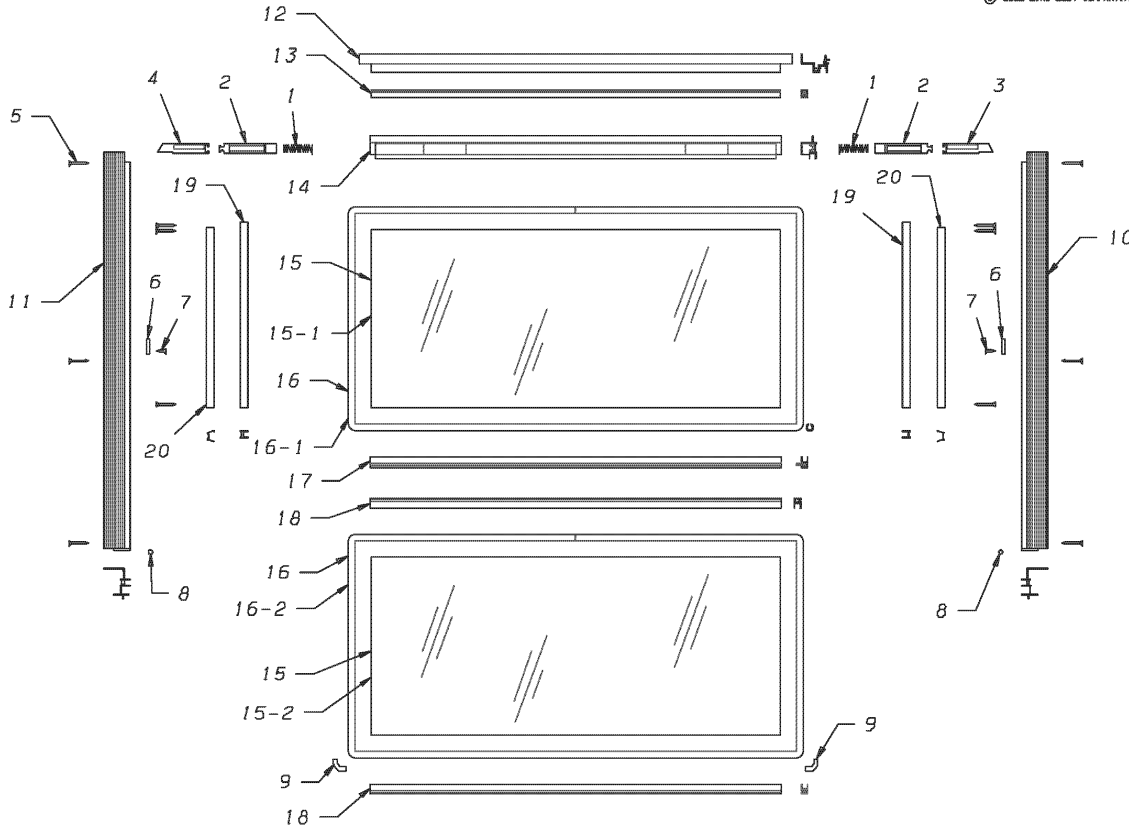
Key	PartNumber	Qty	Description	Comment
NI	1741263		WINDOW ASSY,35" CLEAR LAM,12" OPG,74	
1	3817558	2	SPRING,SPLIT SASH WINDOW,W/REMOVABLE	
2	2176584	2	ACTUATOR,LATCH,SIDE WINDOW	
3	2176576		LATCH,SIDE,WINDOW,CONCEALED,RH	
4	2176568		LATCH,SIDE,WINDOW,CONCEALED,LH	
5	4644357	12	SCREW,10-12X1 1/4,#2 SQ DRIVE,#8,BUGLE	
6	3816592	2	STOP,WINDOW,REMOVABLE LATCH	
7	2260198		SCREW,SM,PH,FT/HD,8-18 X 1/2,TYPE B,ZN3	
8	0862953		SEALANT,SCHNEE-MOREHEAD 5522,VINYL	
9	2185148		SEALANT,UNISEAL	
10	3817459		FRAME,SIDE,12OPEN,74HR,RH,REMOVABLE	
11	3817442		FRAME,SIDE,12OPEN,74HR,LH,REMOVABLE	
12	1741198		FRAME ASSY,UPPER,12" SPLIT SASH,35"	
13	2211720		SEAL,UPPER FRAME TO LATCH RAIL,35SS	
14	3816915		RAIL,LATCH,W/REMOVABLE LATCH,S/WDO,35IN	
15/	3806072		GLASS,SS,CLEAR LAM,35,12 OPG,UPPER	
15/	3806171		GLASS,SS,CLEAR LAM,35,12 OPG,LOWER	
16/	3831583		GLAZING,VINYL,SB,SS WINDOW,74.00IN"	
16/	3831575		GLAZING,VINYL,SB,SS WINDOW,69.50IN"	
17	2211977		RAIL ASSY,LOWER,35SS	
18	1741214		RAIL,LOWER,12" SPLIT SASH,35"	
19	3805595		CHANNEL,SLIDING,12IN OPENING,SS	
20	3805603		SEAL,SLIDING,12IN,S/S	
NI	4033254	2	WASHER,SIDE WINDOW,ALUM	
NI	2000669	2	SCREW,1/4-14 X 3/4,TYP1,PH1,OVAL CNSK,YEL	

Models: AAFE, AARE, A1VC, A3FE, A3RE, B1VC, B2VC, BBCV, C1FE, GMCV, GPWB, MBWB, SBCV, TCFE, TCRE, TSFE, VCTA  
**SPLIT SASH**  
**35 INCH WITH 12 INCH OPENING**  
**CLEAR LAMINATED**  
 BSN: From BSN B20107260 F20054225 L10093805 11-4-02

Key	PartNumber	Qty	Description	Comment
-----	------------	-----	-------------	---------

DR. 12/08/01 BY JL	---	3832060	X	
APP. 12/08/01 BY PF	FRT		REV	

© BLUE BIRD BODY COMPANY. ALL RIGHTS RESERVED




**Models:** AAFE, AARE, A1VC, A3FE, A3RE, B1VC, B2VC, BBCV, C1FE, GMCV, GPWB, MBWB, SBCV, TCFE, TCRE, TSFE, VCTA  
**SPLIT SASH**  
**35 INCH WITH 12 INCH OPENING**  
**CLEAR LAMINATED**  
**BSN:** From BSN B20107260 F20054225 L10093805 11-4-02

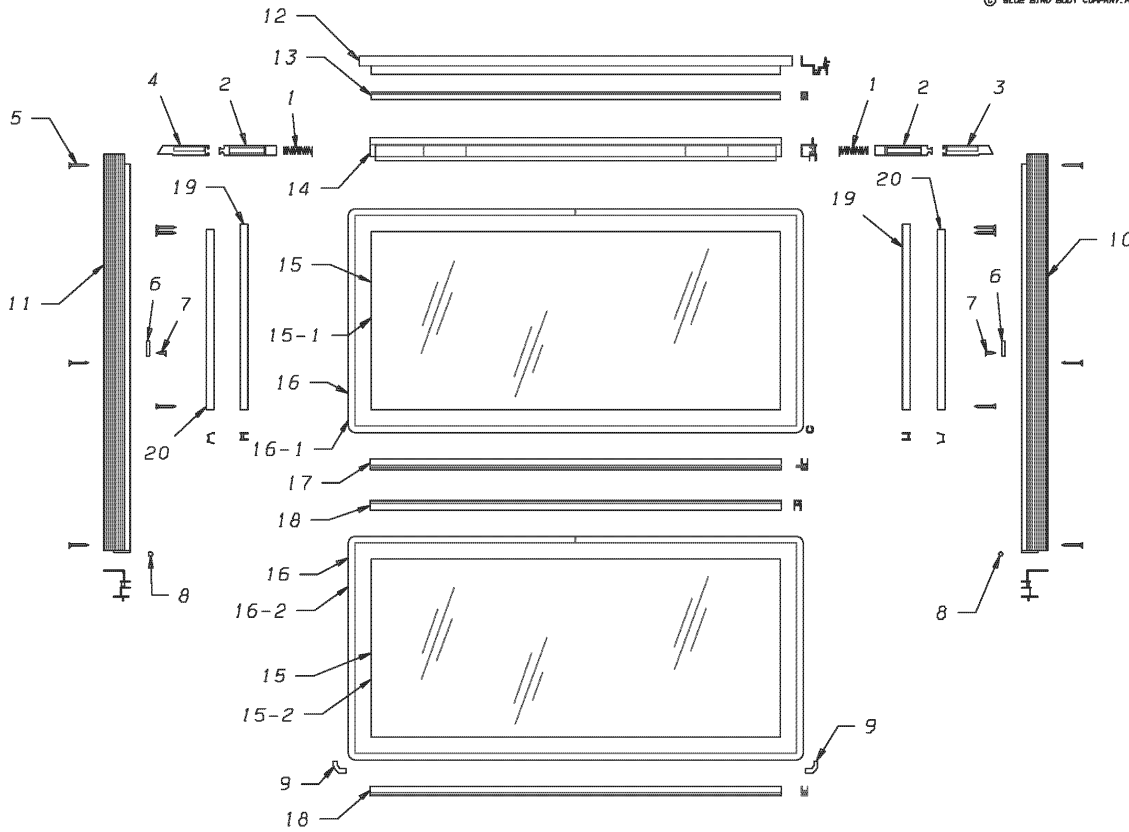
Key	PartNumber	Qty	Description	Comment
NI			WINDOW ASSY. CLEAR LAMINATED, 12 IN	
	0053802		WINDOW ASSY,35 S/S,CLEAR LAM,12""OPG	<i>ENDING WITH BSN B20144129B, B10144049, F10058589, L10125309 4-11-04</i>
	0073859		WINDOW ASSY,35,12SS,CLEAR LAM	<i>BEGIN WITH BSN B20144130B, B10144050, F10058590, L10125310 4-12-04</i>
1	3817558	2	SPRING,SPLIT SASH WINDOW,W/REMOVABLE	
2	2176584	2	ACTUATOR,LATCH,SIDE WINDOW	
3	2176576		LATCH,SIDE,WINDOW,CONCEALED,RH	
4	2176568		LATCH,SIDE,WINDOW,CONCEALED,LH	
5	4644357	12	SCREW,10-12X1 1/4,#2 SQ DRIVE,#8,BUGLE	
6	3816592	2	STOP,WINDOW,REMOVABLE LATCH	
7	2260198		SCREW,SM,PH,FT/HD,8-18 X 1/2,TYPE B,ZN3	
8	0862953		SEALANT,SCHNEE-MOREHEAD 5522,VINYL	
9	2185148		SEALANT,UNISEAL	
10	0053780		FRAME,SIDE,12 OPEN,SPLIT SASH WINDOW,RH	
11	0053779		FRAME,SIDE,12 OPEN,SPLIT SASH WINDOW,LH	
12	0053846		FRAME ASSY,UPPER,12"" SPLIT SASH,35""	
13	2211720		SEAL,UPPER FRAME TO LATCH RAIL,35SS	
14	3816915		RAIL,LATCH,W/REMOVABLE LATCH,S/WDO,35IN	
15/	3806072		GLASS,SS,CLEAR LAM,35,12 OPG,UPPER	
15/	3806171		GLASS,SS,CLEAR LAM,35,12 OPG,LOWER	
16	3831575		GLAZING,VINYL,SB,SS WINDOW,69.50IN"	
16	3831583		GLAZING,VINYL,SB,SS WINDOW,74.00IN"	
17	2211977		RAIL ASSY,LOWER,35SS	
18	1741214	2	RAIL,LOWER,12"SPLIT SASH,35"	
19	3805595	2	CHANNEL,SLIDING,12IN OPENING,SS	
20	3805603	2	SEAL,SLIDING,12IN,S/S	
NI	4033254	2	WASHER,SIDE WINDOW,ALUM	
NI	2000669		SCREW,1/4-14 X 3/4,TYP1,PH1,OVAL CNSK,YEL	

Models: AAFE, AARE, A1VC, A3FE, A3RE, B1VC, B2VC, C1FE, GMCV, GPWB, MBWB, SBCV, TCFE, TCRE, TSFE, VCTA  
**SPLIT SASH**  
**35 INCH WITH 12 INCH OPENING**  
**CLEAR TEMPERED**  
**To BSN B20107259 F20054224 L10093804 M10119600 11-3-02**

Key	PartNumber	Qty	Description	Comment
-----	------------	-----	-------------	---------

DR. 12/08/01 BY JL	---	3832060	X	
APP. 12/08/01 BY PF	FRT		REV	

© BLUE BIRD BODY COMPANY. ALL RIGHTS RESERVED



**Models: AAFE, AARE, A1VC, A3FE, A3RE, B1VC, B2VC, C1FE, GMCV, GPWB, MBWB, SBCV, TCFE, TCRE, TSE, VCTA**  
**SPLIT SASH**  
**35 INCH WITH 12 INCH OPENING**  
**CLEAR TEMPERED**  
**To BSN B20107259 F20054224 L10093804 M10119600 11-3-02**


Key	PartNumber	Qty	Description	Comment
NI	1948793		WINDOW ASSY,35 SS,CLR TEMPERED,12 OPG"	
1	3817558	2	SPRING,SPLIT SASH WINDOW,W/REMOVABLE	
2	2176584	2	ACTUATOR,LATCH,SIDE WINDOW	
3	2176576		LATCH,SIDE,WINDOW,CONCEALED,RH	
4	2176568		LATCH,SIDE,WINDOW,CONCEALED,LH	
5	4644357	12	SCREW,10-12X1 1/4,#2 SQ DRIVE,#8,BUGLE	
6	3816592	2	STOP,WINDOW,REMOVABLE LATCH	
7	2260198		SCREW,SM,PH,FT/HD,8-18 X 1/2,TYPE B,ZN3	
8	0862953		SEALANT,SCHNEE-MOREHEAD 5522,VINYL	
9	2185148		SEALANT,UNISEAL	
10	3817459		FRAME,SIDE,12OPEN,74HR,RH,REMOVABLE	
11	3817442		FRAME,SIDE,12OPEN,74HR,LH,REMOVABLE	
12	1741198		FRAME ASSY,UPPER,12" SPLIT SASH,35"	
13	2211720		SEAL,UPPER FRAME TO LATCH RAIL,35SS	
14	3816915		RAIL,LATCH,W/REMOVABLE LATCH,S/WDO,35IN	
15/	1948801		GLASS,SS,CLEAR TEMPERED,35,12 OPG,UPR	
15/	1949668		GLASS,SS,CLEAR TEMPERED,35,12 OPG,LWR	
16	1877075	2	GLAZING,VINYL,SB,12 SS, 1/8 GLASS,77.50"	
17	2211977		RAIL ASSY,LOWER,35SS	
18	1741214		RAIL,LOWER,12"SPLIT SASH,35"	
19	3805595		CHANNEL,SLIDING,12IN OPENING,SS	
20	3805603		SEAL,SLIDING,12IN,S/S	
NI	4033254	2	WASHER,SIDE WINDOW,ALUM	
NI	2000669	2	SCREW,1/4-14 X 3/4,TYP1,PH1,OVAL CNSK,YEL	

Models: AAFE, AARE, A1VC, A3FE, A3RE, B1VC, B2VC, BBCV, C1FE, GMCV, GPWB, MBWB, SBCV, TCFE, TCRE, TSFE, VCTA

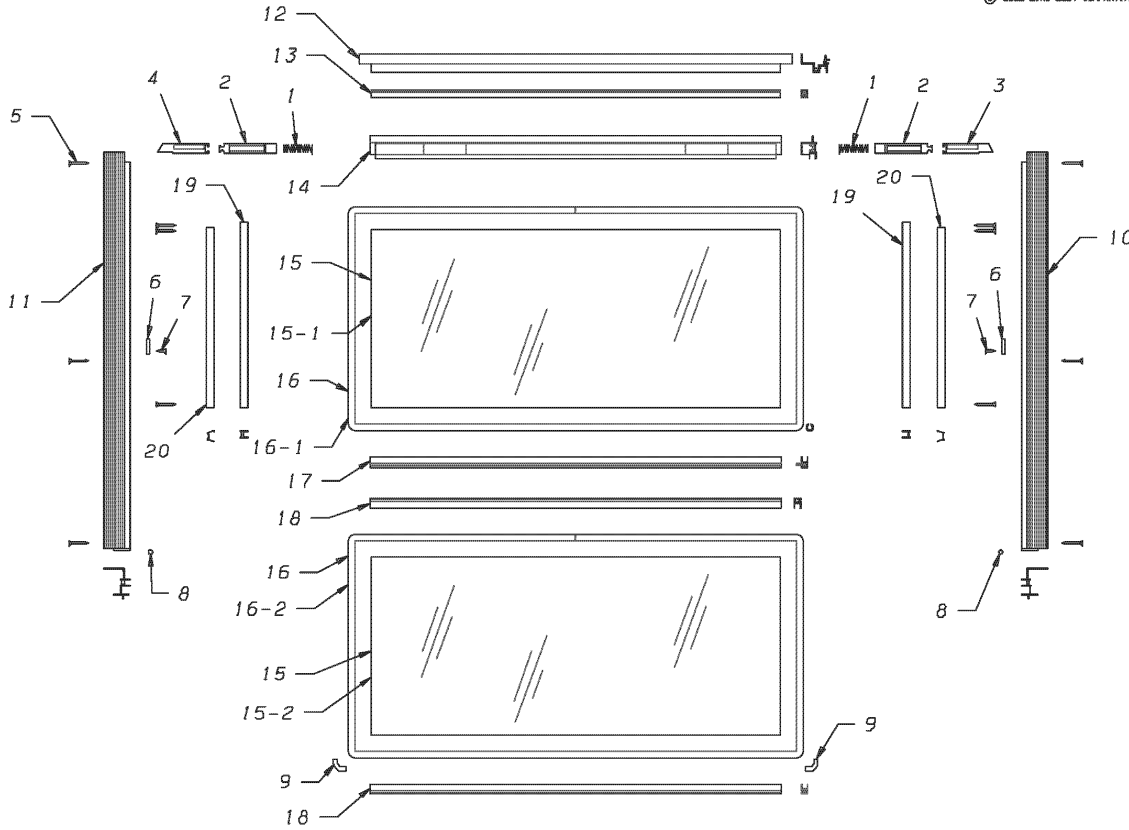
SPLIT SASH  
35 INCH WITH 12 INCH OPENING  
CLEAR TEMPERED

BSN: From BSN B20107260 F20054225 L10093805 11-4-02

Key	PartNumber	Qty	Description	Comment
-----	------------	-----	-------------	---------

DR. 12/08/01 BY JL	---	3832060	X	
APP. 12/08/01 BY PF	FRT		REV	

© BLUE BIRD BODY COMPANY. ALL RIGHTS RESERVED






**Models:** AAFE, AARE, A1VC, A3FE, A3RE, B1VC, B2VC, BBCV, C1FE, GMCV, GPWB, MBWB, SBCV, TCFE, TCRE, TSFE, VCTA  
**SPLIT SASH**  
**35 INCH WITH 12 INCH OPENING**  
**CLEAR TEMPERED**  
**BSN:** From BSN B20107260 F20054225 L10093805 11-4-02

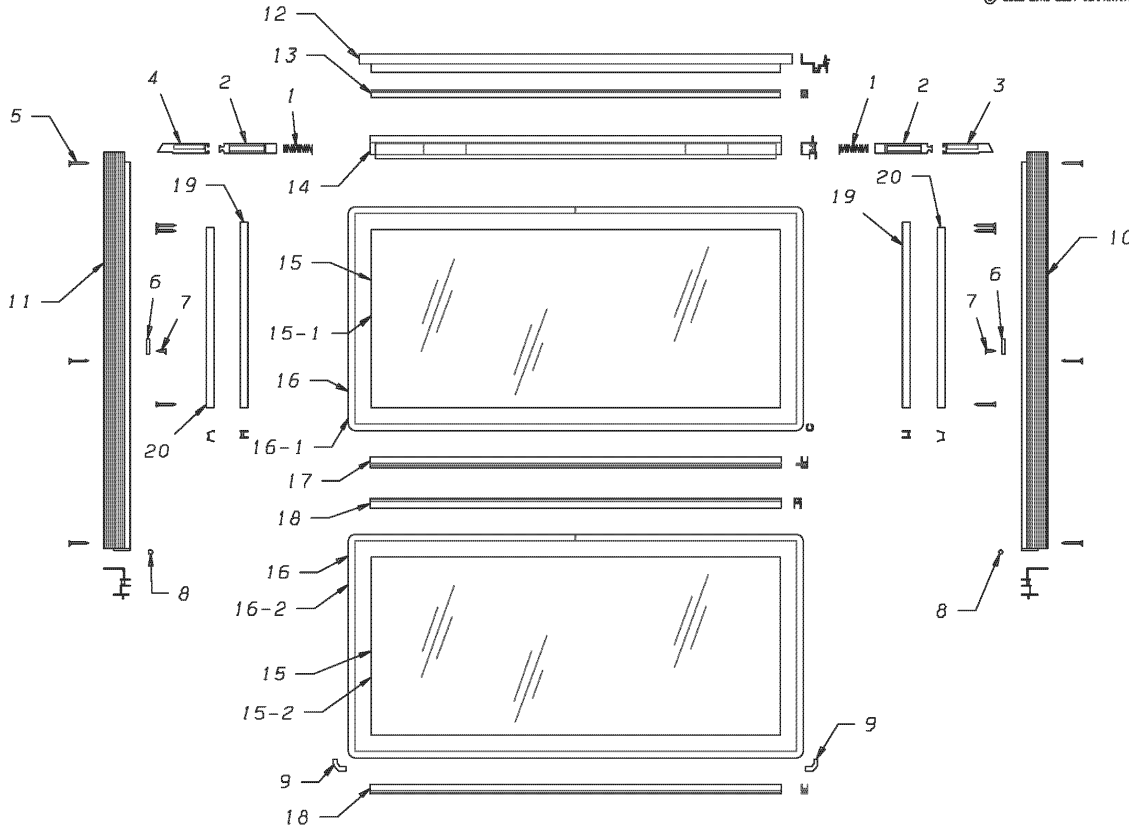
Key	PartNumber	Qty	Description	Comment
NI			WINDOW ASSY. CLEAR TEMPERED, 12 IN	
	0053810		WINDOW ASSY,35 S/S,CLEAR	ENDING WITH BSN B20144129B, B10144049, F10058589, L10125309 4-11-04
	0073863		WINDOW ASSY,35,12SS,CLEAR TEMP	BEGIN WITH BSN B20144130B, B10144050, F10058590, L10125310 4-12-04
1	3817558	2	SPRING,SPLIT SASH WINDOW,W/REMOVABLE	
2	2176584	2	ACTUATOR,LATCH,SIDE WINDOW	
3	2176576		LATCH,SIDE,WINDOW,CONCEALED,RH	
4	2176568		LATCH,SIDE,WINDOW,CONCEALED,LH	
5	4644357	12	SCREW,10-12X1 1/4,#2 SQ DRIVE,#8,BUGLE	
6	3816592	2	STOP,WINDOW,REMOVABLE LATCH	
7	2260198		SCREW,SM,PH,FT/HD,8-18 X 1/2,TYPE B,ZN3	
8	0862953		SEALANT,SCHNEE-MOREHEAD 5522,VINYL	
9	2185148		SEALANT,UNISEAL	
10	0053780		FRAME,SIDE,12 OPEN,SPLIT SASH WINDOW,RH	
11	0053779		FRAME,SIDE,12 OPEN,SPLIT SASH WINDOW,LH	
12	0053846		FRAME ASSY,UPPER,12" SPLIT SASH,35"	
13	2211720		SEAL,UPPER FRAME TO LATCH RAIL,35SS	
14	3816915		RAIL,LATCH,W/REMOVABLE LATCH,S/WDO,35IN	
15/	1948801		GLASS,SS,CLEAR TEMPERED,35,12 OPG,UPR	
15/	1949668		GLASS,SS,CLEAR TEMPERED,35,12 OPG,LWR	
16	1877075	2	GLAZING,VINYL,SB,12 SS, 1/8 GLASS,77.50"	
17	2211977		RAIL ASSY,LOWER,35SS	
18	1741214	2	RAIL,LOWER,12"SPLIT SASH,35"	
19	3805595	2	CHANNEL,SLIDING,12IN OPENING,SS	
20	3805603	2	SEAL,SLIDING,12IN,S/S	
NI	4033254	2	WASHER,SIDE WINDOW,ALUM	
NI	2000669		SCREW,1/4-14 X 3/4,TYP1,PH1,OVAL CNSK,YEL	

Models: AAFE, AARE, A1VC, A3FE, A3RE, B1VC, B2VC, C1FE, GMCV, GPWB, MBWB,  
 SBCV, TCFE, TCRE, TSFE, VCTA  
**SPLIT SASH**  
**35 INCH WITH 12 INCH OPENING**  
**DARK TINT LAMINATED**  
**To BSN B20107259 F20054224 L10093804 M10119600 11-3-02**

Key	PartNumber	Qty	Description	Comment
-----	------------	-----	-------------	---------

DR. 12/08/01 BY JL	---	3832060	X	
APP. 12/08/01 BY PF	FRT		REV	

© BLUE BIRD BODY COMPANY. ALL RIGHTS RESERVED




**Models: AAFE, AARE, A1VC, A3FE, A3RE, B1VC, B2VC, C1FE, GMCV, GPWB, MBWB, SBCV, TCFE, TCRE, TSE, VCTA**  
**SPLIT SASH**  
**35 INCH WITH 12 INCH OPENING**  
**DARK TINT LAMINATED**  
**To BSN B20107259 F20054224 L10093804 M10119600 11-3-02**

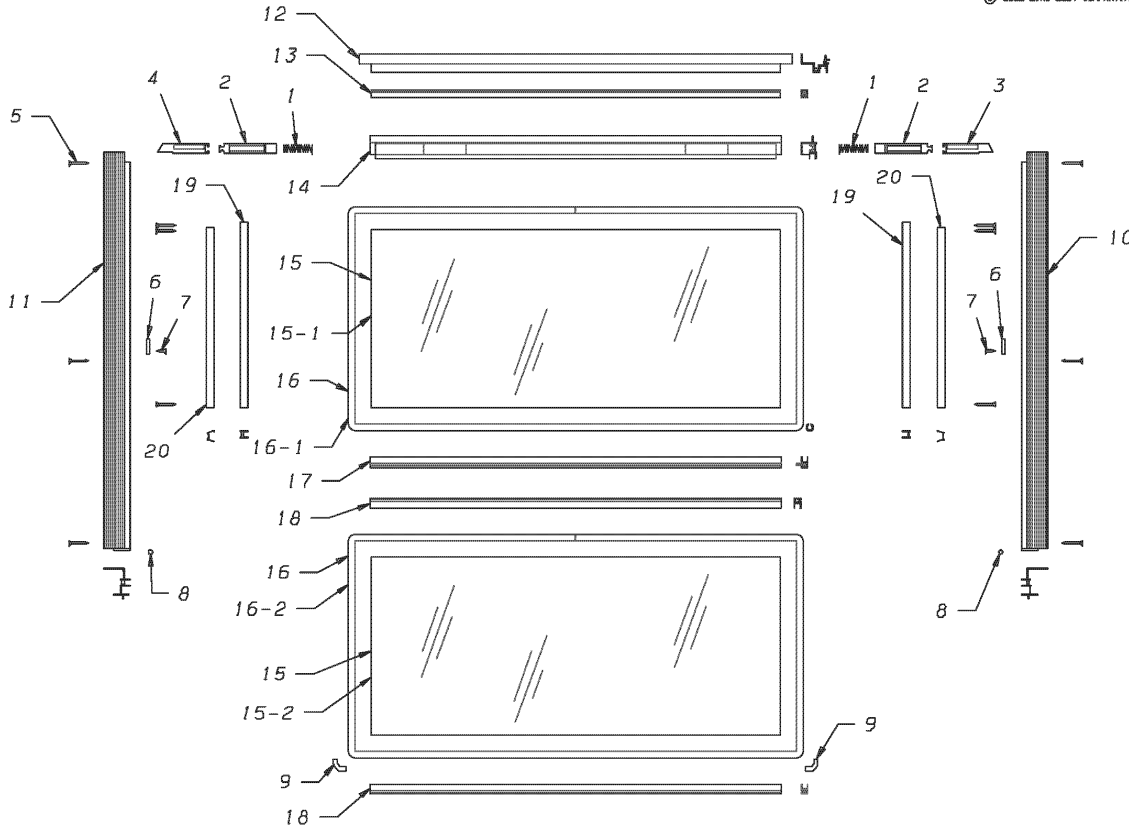
Key	PartNumber	Qty	Description	Comment
NI			WINDOW ASSY. DARK TINT LAMINATED, 12 IN	
1	3817558	2	SPRING,SPLIT SASH WINDOW,W/REMOVABLE	
2	2176584	2	ACTUATOR,LATCH,SIDE WINDOW	
3	2176576		LATCH,SIDE,WINDOW,CONCEALED,RH	
4	2176568		LATCH,SIDE,WINDOW,CONCEALED,LH	
5	4644357	12	SCREW,10-12X1 1/4,#2 SQ DRIVE,#8,BUGLE	
6	3816592	2	STOP,WINDOW,REMOVABLE LATCH	
7	2260198		SCREW,SM,PH,FT/HD,8-18 X 1/2,TYPE B,ZN3	
8	0862953		SEALANT,SCHNEE-MOREHEAD 5522,VINYL	
9	2185148		SEALANT,UNISEAL	
10	3817459		FRAME,SIDE,12OPEN,74HR,RH,REMOVABLE	
11	3817442		FRAME,SIDE,12OPEN,74HR,LH,REMOVABLE	
12	1741198		FRAME ASSY,UPPER,12" SPLIT SASH,35"	
13	2211720		SEAL,UPPER FRAME TO LATCH RAIL,35SS	
14	3816915		RAIL,LATCH,W/REMOVABLE LATCH,S/WDO,35IN	
15/	3806080		GLASS,SS,DRK TNT,BRNZ,LAM,35,12 OPG,	
15/	3806189		GLASS,SS,DRK TNT,BRNZ,LAM,35,12 OPG,	
16/	3831583		GLAZING,VINYL,SB,SS WINDOW,74.00IN"	
16/	3831575		GLAZING,VINYL,SB,SS WINDOW,69.50IN"	
17	2211977		RAIL ASSY,LOWER,35SS	
18	1741214		RAIL,LOWER,12"SPLIT SASH,35"	
19	3805595		CHANNEL,SLIDING,12IN OPENING,SS	
20	3805603		SEAL,SLIDING,12IN,S/S	
NI	4033254	2	WASHER,SIDE WINDOW,ALUM	
NI	2000669	2	SCREW,1/4-14 X 3/4,TYP1,PH1,OVAL CNSK,YEL	

**Models:** AAFE, AARE, A1VC, A3FE, A3RE, B1VC, B2VC, BBCV, C1FE, GMCV, GPWB, MBWB, SBCV, TCFE, TCRE, TSFE, VCTA  
**SPLIT SASH**  
**35 INCH WITH 12 INCH OPENING**  
**DARK TINT LAMINATED**  
**BSN:** From BSN B20107260 F20054225 L10093805 11-4-02

Key	PartNumber	Qty	Description	Comment
-----	------------	-----	-------------	---------

DR. 12/08/01 BY JL	---	3832060	X	
APP. 12/08/01 BY PF	FRT		REV	

© BLUE BIRD BODY COMPANY. ALL RIGHTS RESERVED



**Models:** AAFE, AARE, A1VC, A3FE, A3RE, B1VC, B2VC, BBCV, C1FE, GMCV, GPWB, MBWB, SBCV, TCFE, TCRC, TSFE, VCTA  
**SPLIT SASH  
 35 INCH WITH 12 INCH OPENING  
 DARK TINT LAMINATED**  
**BSN:** From BSN B20107260 F20054225 L10093805 11-4-02


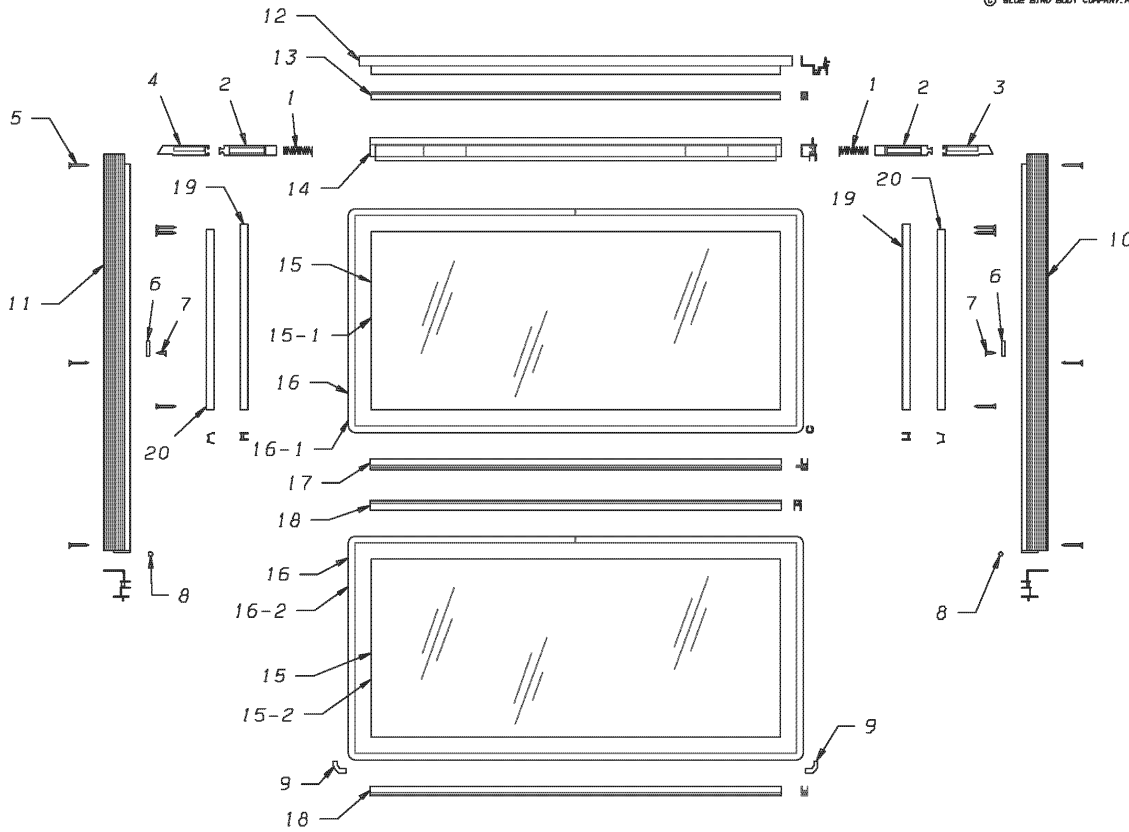
Key	PartNumber	Qty	Description	Comment
NI			WINDOW ASSY. DARK TINT LAMINATED, 12 IN	
	0053808		WINDOW ASSY,35 S/S,DARK TINT,LAM,12OPG	ENDING WITH BSN B20144129B, B10144049, F10058589, L10125309 4-11-04
	0073862		WINDOW ASSY,35,12SS,DARK TINT LAM	BEGIN WITH BSN B20144130B, B10144050, F10058590, L10125310 4-12-04
1	3817558	2	SPRING,SPLIT SASH WINDOW,W/REMOVABLE	
2	2176584	2	ACTUATOR,LATCH,SIDE WINDOW	
3	2176576		LATCH,SIDE,WINDOW,CONCEALED,RH	
4	2176568		LATCH,SIDE,WINDOW,CONCEALED,LH	
5	4644357	12	SCREW,10-12X1 1/4,#2 SQ DRIVE,#8,BUGLE	
6	3816592	2	STOP,WINDOW,REMOVABLE LATCH	
7	2260198		SCREW,SM,PH,FT/HD,8-18 X 1/2,TYPE B,ZN3	
8	0862953		SEALANT,SCHNEE-MOREHEAD 5522,VINYL	
9	2185148		SEALANT,UNISEAL	
10	0053780		FRAME,SIDE,12 OPEN,SPLIT SASH WINDOW,RH	
11	0053779		FRAME,SIDE,12 OPEN,SPLIT SASH WINDOW,LH	
12	0053846		FRAME ASSY,UPPER,12" SPLIT SASH,35"	
13	2211720		SEAL,UPPER FRAME TO LATCH RAIL,35SS	
14	3816915		RAIL,LATCH,W/REMOVABLE LATCH,S/WDO,35IN	
15/	3806080		GLASS,SS,DRK TNT,BRNZ,LAM,35,12 OPG,	
15/	3806189		GLASS,SS,DRK TNT,BRNZ,LAM,35,12 OPG,	
16	3831575		GLAZING,VINYL,SB,SS WINDOW,69.50IN"	
16	3831583		GLAZING,VINYL,SB,SS WINDOW,74.00IN"	
17	2211977		RAIL ASSY,LOWER,35SS	
18	1741214	2	RAIL,LOWER,12"SPLIT SASH,35"	
19	3805595	2	CHANNEL,SLIDING,12IN OPENING,SS	
20	3805603	2	SEAL,SLIDING,12IN,S/S	
NI	4033254	2	WASHER,SIDE WINDOW,ALUM	
NI	2000669		SCREW,1/4-14 X 3/4,TYP1,PH1,OVAL CNSK,YEL	

Models: AAFE, AARE, A1VC, A3FE, A3RE, B1VC, B2VC, C1FE, GMCV, GPWB, MBWB, SBCV, TCFE, TCRE, TSFE, VCTA  
**SPLIT SASH**  
**35 INCH WITH 12 INCH OPENING**  
**DARK TINT TEMPERED**  
**To BSN B20107259 F20054224 L10093804 M10119600 11-3-02**

Key	PartNumber	Qty	Description	Comment
-----	------------	-----	-------------	---------

DR. 12/08/01 BY JL	---	3832060	X
APP. 12/08/01 BY PF	FRT		REV

© BLUE BIRD BODY COMPANY, ALL RIGHTS RESERVED





**Models: AAFE, AARE, A1VC, A3FE, A3RE, B1VC, B2VC, C1FE, GMCV, GPWB, MBWB, SBCV, TCFE, TCRE, TSE, VCTA**  
**SPLIT SASH**  
**35 INCH WITH 12 INCH OPENING**  
**DARK TINT TEMPERED**  
**To BSN B20107259 F20054224 L10093804 M10119600 11-3-02**

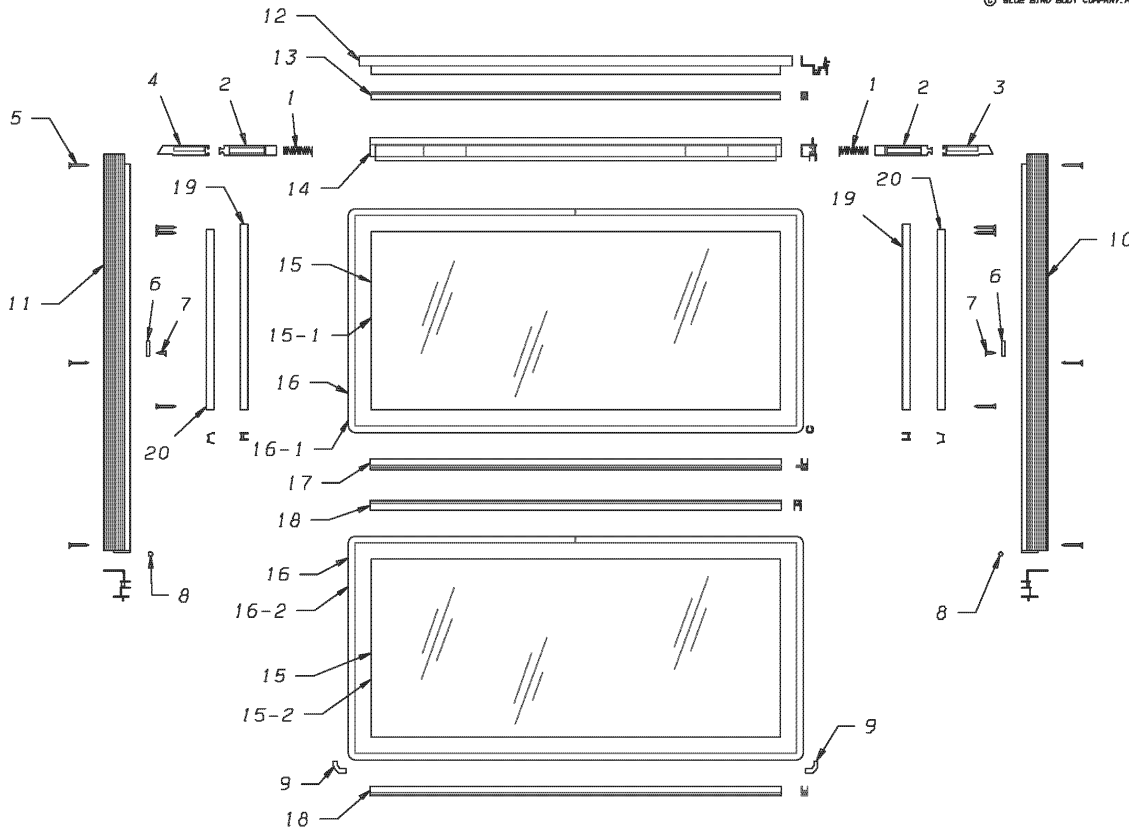
Key	PartNumber	Qty	Description	Comment
NI	1877091		WINDOW ASSY,35 S/S,DARK TINT TEMPERED,	
1	3817558	2	SPRING,SPLIT SASH WINDOW,W/REMOVABLE	
2	2176584	2	ACTUATOR,LATCH,SIDE WINDOW	
3	2176576		LATCH,SIDE,WINDOW,CONCEALED,RH	
4	2176568		LATCH,SIDE,WINDOW,CONCEALED,LH	
5	4644357	12	SCREW,10-12X1 1/4,#2 SQ DRIVE,#8,BUGLE	
6	3816592	2	STOP,WINDOW,REMOVABLE LATCH	
7	2260198		SCREW,SM,PH,FT/HD,8-18 X 1/2,TYPE B,ZN3	
8	0862953		SEALANT,SCHNEE-MOREHEAD 5522,VINYL	
9	2185148		SEALANT,UNISEAL	
10	3817459		FRAME,SIDE,12OPEN,74HR,RH,REMOVABLE	
11	3817442		FRAME,SIDE,12OPEN,74HR,LH,REMOVABLE	
12	1741198		FRAME ASSY,UPPER,12" SPLIT SASH,35"	
13	2211720		SEAL,UPPER FRAME TO LATCH RAIL,35SS	
14	3816915		RAIL,LATCH,W/REMOVABLE LATCH,S/WDO,35IN	
15/	1877059		GLASS,SS,DARK TINT TEMPERED,35,12 OPG,	
15/	1877067		GLASS,SS,DARK TINT TEMPERED,35,12 OPG,	
16	1877075	2	GLAZING,VINYL,SB,12 SS, 1/8 GLASS,77.50"	
17	2211977		RAIL ASSY,LOWER,35SS	
18	1741214		RAIL,LOWER,12"SPLIT SASH,35"	
19	3805595		CHANNEL,SLIDING,12IN OPENING,SS	
20	3805603		SEAL,SLIDING,12IN,S/S	
NI	4033254	2	WASHER,SIDE WINDOW,ALUM	
NI	2000669	2	SCREW,1/4-14 X 3/4,TYP1,PH1,OVAL CNSK,YEL	

**Models:** AAFE, AARE, A1VC, A3FE, A3RE, B1VC, B2VC, BBCV, C1FE, GMCV, GPWB, MBWB, SBCV, TCFE, TCRE, TSFE, VCTA  
**SPLIT SASH**  
**35 INCH WITH 12 INCH OPENING**  
**DARK TINT TEMPERED**  
**BSN:** From BSN B20107260 F20054225 L10093805 11-4-02

Key	PartNumber	Qty	Description	Comment
-----	------------	-----	-------------	---------

DR. 12/08/01 BY JL	---	3832060	X	
APP. 12/08/01 BY PF	FRT		REV	

© BLUE BIRD BODY COMPANY. ALL RIGHTS RESERVED





**Models:** AAFE, AARE, A1VC, A3FE, A3RE, B1VC, B2VC, BBCV, C1FE, GMCV, GPWB, MBWB, SBCV, TCFE, TCRC, TSFE, VCTA  
**SPLIT SASH  
 35 INCH WITH 12 INCH OPENING  
 DARK TINT TEMPERED**  
**BSN:** From BSN B20107260 F20054225 L10093805 11-4-02


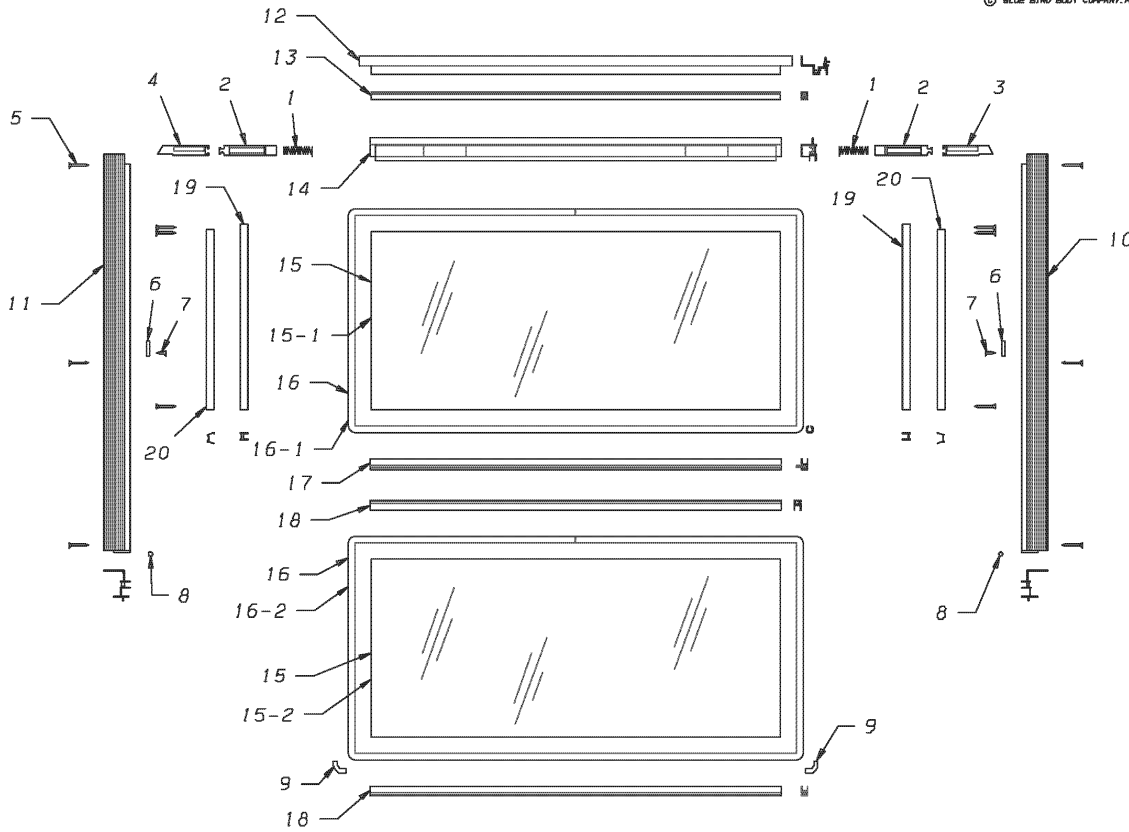
Key	PartNumber	Qty	Description	Comment
NI			WINDOW ASSY. DARK TINT TEMPERED, 12 IN	
	0053804		WINDOW ASSY,35 S/S,DARK TINT,	<i>ENDING WITH BSN B20144129B, B10144049, F10058589, L10125309 4-11-04</i>
	0073860		WINDOW ASSY,35,12SS,DARK TINT TEMP	<i>BEGIN WITH BSN B20144130B, B10144050, F10058590, L10125310 4-12-04</i>
1	3817558	2	SPRING,SPLIT SASH WINDOW,W/REMOVABLE	
2	2176584	2	ACTUATOR,LATCH,SIDE WINDOW	
3	2176576		LATCH,SIDE,WINDOW,CONCEALED,RH	
4	2176568		LATCH,SIDE,WINDOW,CONCEALED,LH	
5	4644357	12	SCREW,10-12X1 1/4,#2 SQ DRIVE,#8,BUGLE	
6	3816592	2	STOP,WINDOW,REMOVABLE LATCH	
7	2260198		SCREW,SM,PH,FT/HD,8-18 X 1/2,TYPE B,ZN3	
8	0862953		SEALANT,SCHNEE-MOREHEAD 5522,VINYL	
9	2185148		SEALANT,UNISEAL	
10	0053780		FRAME,SIDE,12 OPEN,SPLIT SASH WINDOW,RH	
11	0053779		FRAME,SIDE,12 OPEN,SPLIT SASH WINDOW,LH	
12	0053846		FRAME ASSY,UPPER,12" SPLIT SASH,35"	
13	2211720		SEAL,UPPER FRAME TO LATCH RAIL,35SS	
14	3816915		RAIL,LATCH,W/REMOVABLE LATCH,S/WDO,35IN	
15/	1877059		GLASS,SS,DARK TINT TEMPERED,35,12 OPG,	
15/	1877067		GLASS,SS,DARK TINT TEMPERED,35,12 OPG,	
16	1877075	2	GLAZING,VINYL,SB,12 SS, 1/8 GLASS,77.50"	
17	2211977		RAIL ASSY,LOWER,35SS	
18	1741214	2	RAIL,LOWER,12"SPLIT SASH,35"	
19	3805595	2	CHANNEL,SLIDING,12IN OPENING,SS	
20	3805603	2	SEAL,SLIDING,12IN,S/S	
NI	4033254	2	WASHER,SIDE WINDOW,ALUM	
NI	2000669		SCREW,1/4-14 X 3/4,TYP1,PH1,OVAL CNSK,YEL	

Models: **AAFE, AARE, A1VC, A3FE, A3RE, B1VC, B2VC, C1FE, GMCV, GPWB, MBWB, SBCV, TCFE, TCRE, TSFE, VCTA**  
**SPLIT SASH**  
**35 INCH WITH 12 INCH OPENING**  
**GREEN TINT LAMINATED**  
**To BSN B20107259 F20054224 L10093804 M10119600 11-3-02**

Key	PartNumber	Qty	Description	Comment
-----	------------	-----	-------------	---------

DR. 12/08/01 BY JL	---	3832060	X
APP. 12/08/01 BY PF	FRT		REV

© BLUE BIRD BODY COMPANY, ALL RIGHTS RESERVED

**Models: AAFE, AARE, A1VC, A3FE, A3RE, B1VC, B2VC, C1FE, GMCV, GPWB, MBWB, SBCV, TCFE, TCRE, TSE, VCTA**  
**SPLIT SASH**  
**35 INCH WITH 12 INCH OPENING**  
**GREEN TINT LAMINATED**  
**To BSN B20107259 F20054224 L10093804 M10119600 11-3-02**


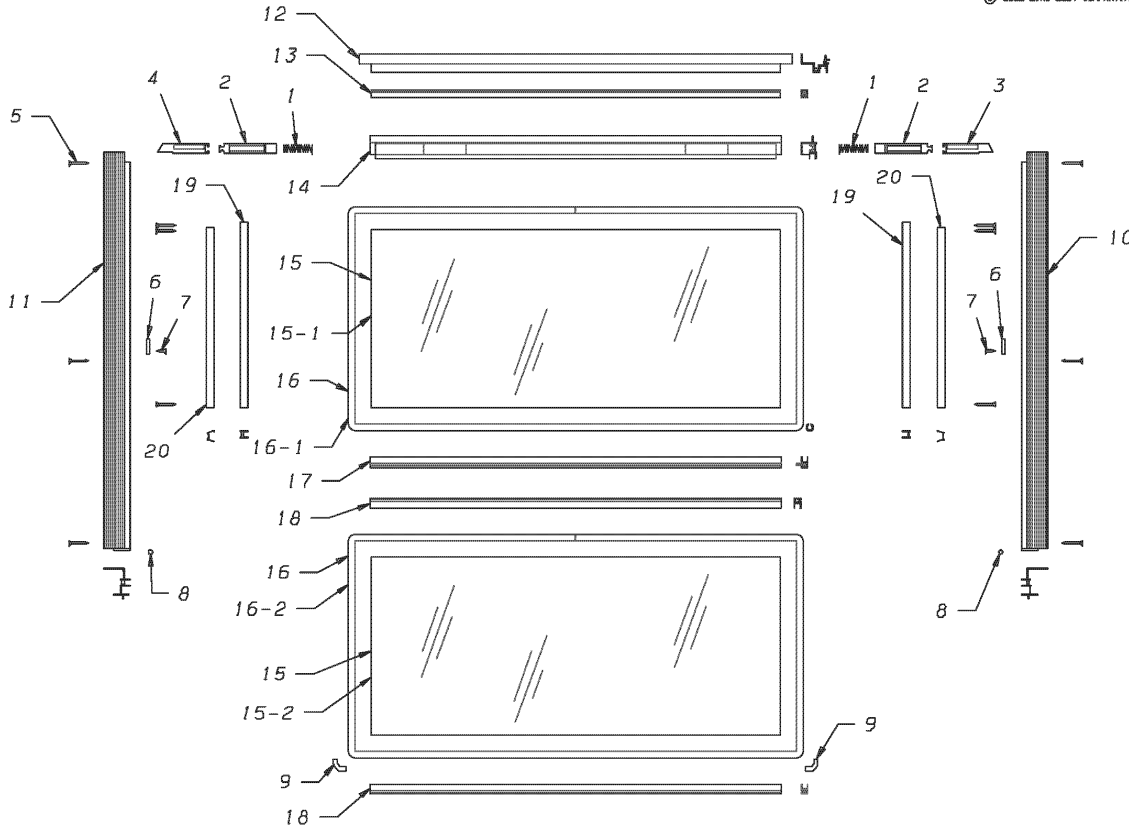
Key	PartNumber	Qty	Description	Comment
NI	1741289		WINDOW ASSY,35"GREEN TINT,12"OPG,74	
1	3817558	2	SPRING,SPLIT SASH WINDOW,W/REMOVABLE	
2	2176584	2	ACTUATOR,LATCH,SIDE WINDOW	
3	2176576		LATCH,SIDE,WINDOW,CONCEALED,RH	
4	2176568		LATCH,SIDE,WINDOW,CONCEALED,LH	
5	4644357	12	SCREW,10-12X1 1/4,#2 SQ DRIVE,#8,BUGLE	
6	3816592	2	STOP,WINDOW,REMOVABLE LATCH	
7	2260198		SCREW,SM,PH,FT/HD,8-18 X 1/2,TYPE B,ZN3	
8	0862953		SEALANT,SCHNEE-MOREHEAD 5522,VINYL	
9	2185148		SEALANT,UNISEAL	
10	3817459		FRAME,SIDE,12OPEN,74HR,RH,REMOVABLE	
11	3817442		FRAME,SIDE,12OPEN,74HR,LH,REMOVABLE	
12	1741198		FRAME ASSY,UPPER,12" SPLIT SASH,35"	
13	2211720		SEAL,UPPER FRAME TO LATCH RAIL,35SS	
14	3816915		RAIL,LATCH,W/REMOVABLE LATCH,S/WDO,35IN	
15/	3806080		GLASS,SS,DRK TNT,BRNZ,LAM,35,12 OPG,	
15/	3806197		GLASS,SS,GREEN LAM,35,12 OPG,LOWER	
16/	3831583		GLAZING,VINYL,SB,SS WINDOW,74.00IN"	
16/	3831575		GLAZING,VINYL,SB,SS WINDOW,69.50IN"	
17	2211977		RAIL ASSY,LOWER,35SS	
18	1741214		RAIL,LOWER,12"SPLIT SASH,35"	
19	3805595		CHANNEL,SLIDING,12IN OPENING,SS	
20	3805603		SEAL,SLIDING,12IN,S/S	
NI	4033254	2	WASHER,SIDE WINDOW,ALUM	
NI	2000669	2	SCREW,1/4-14 X 3/4,TYP1,PH1,OVAL CNSK,YEL	

**Models:** AAFE, AARE, A1VC, A3FE, A3RE, B1VC, B2VC, BBCV, C1FE, GMCV, GPWB, MBWB, SBCV, TCFE, TCRE, TSFE, VCTA  
**SPLIT SASH**  
**35 INCH WITH 12 INCH OPENING**  
**GREEN TINT LAMINATED**  
**BSN:** From BSN B20107260 F20054225 L10093805 11-4-02

Key	PartNumber	Qty	Description	Comment
-----	------------	-----	-------------	---------

DR. 12/08/01 BY JL	---	3832060	X
APP. 12/08/01 BY PF	FRT		REV

© BLUE BIRD BODY COMPANY, ALL RIGHTS RESERVED

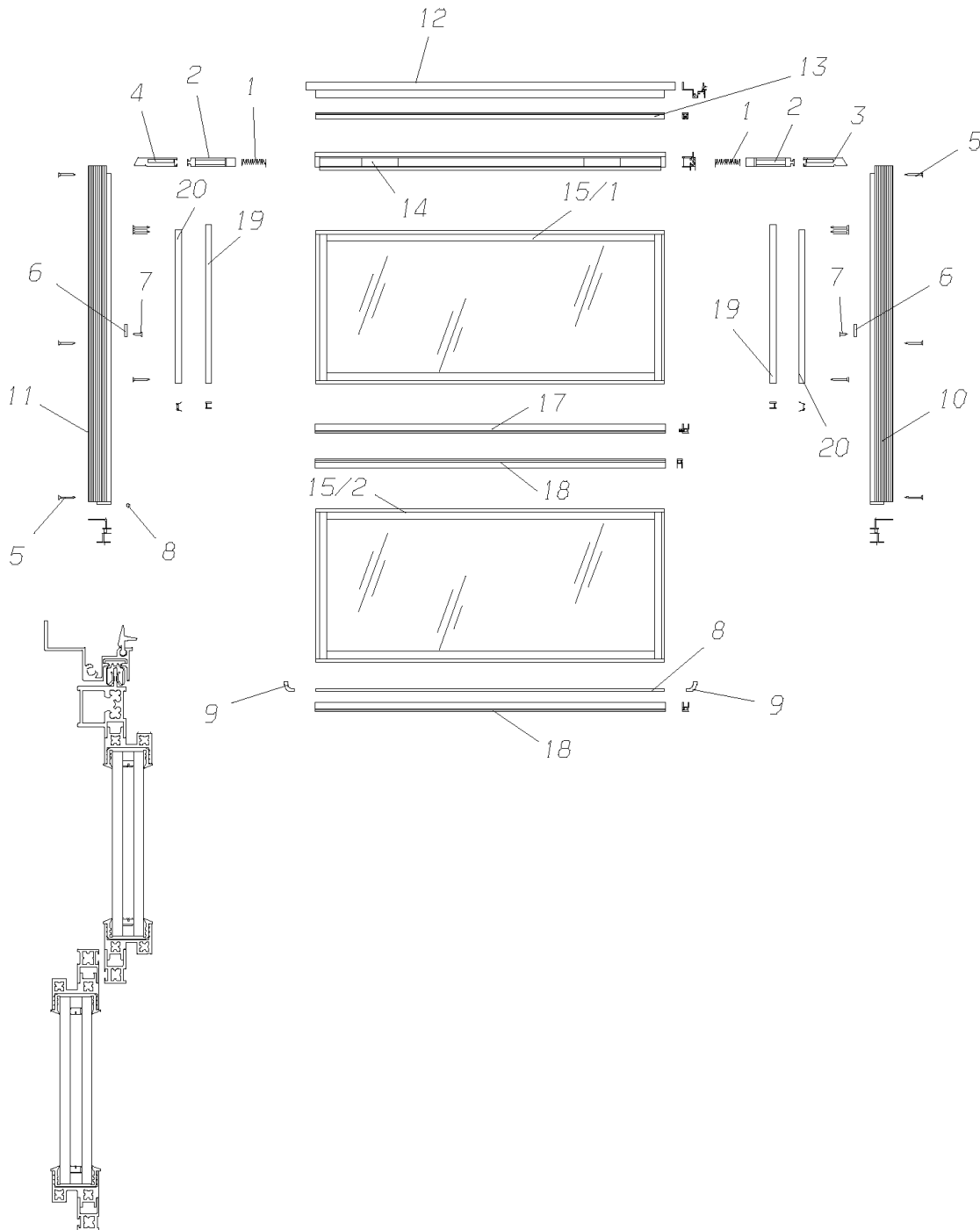



**Models:** AAFE, AARE, A1VC, A3FE, A3RE, B1VC, B2VC, BBCV, C1FE, GMCV, GPWB, MBWB, SBCV, TCFE, TCRC, TSFE, VCTA  
**SPLIT SASH  
 35 INCH WITH 12 INCH OPENING  
 GREEN TINT LAMINATED**  
**BSN:** From BSN B20107260 F20054225 L10093805 11-4-02

Key	PartNumber	Qty	Description	Comment
NI			WINDOW ASSY. GREEN TINT LAMINATED, 12 IN	
	0053806		WINDOW ASSY,35 S/S,LAM,GREEN TINT,12OPG	<i>ENDING WITH BSN B20144129B, B10144049, F10058589, L10125309 4-11-04</i>
	0073861		WINDOW ASSY,35,12SS,GREEN TINT,LAM	<i>BEGIN WITH BSN B20144130B, B10144050, F10058590, L10125310 4-12-04</i>
1	3817558	2	SPRING,SPLIT SASH WINDOW,W/REMOVABLE	
2	2176584	2	ACTUATOR,LATCH,SIDE WINDOW	
3	2176576		LATCH,SIDE,WINDOW,CONCEALED,RH	
4	2176568		LATCH,SIDE,WINDOW,CONCEALED,LH	
5	4644357	12	SCREW,10-12X1 1/4,#2 SQ DRIVE,#8,BUGLE	
6	3816592	2	STOP,WINDOW,REMOVABLE LATCH	
7	2260198		SCREW,SM,PH,FT/HD,8-18 X 1/2,TYPE B,ZN3	
8	0862953		SEALANT,SCHNEE-MOREHEAD 5522,VINYL	
9	2185148		SEALANT,UNISEAL	
10	0053780		FRAME,SIDE,12 OPEN,SPLIT SASH WINDOW,RH	
11	0053779		FRAME,SIDE,12 OPEN,SPLIT SASH WINDOW,LH	
12	0053846		FRAME ASSY,UPPER,12" SPLIT SASH,35"	
13	2211720		SEAL,UPPER FRAME TO LATCH RAIL,35SS	
14	3816915		RAIL,LATCH,W/REMOVABLE LATCH,S/WDO,35IN	
15/	3806098		GLASS,SS,GREEN LAM,35,12 OPG,UPPER	
15/	3806197		GLASS,SS,GREEN LAM,35,12 OPG,LOWER	
16	3831575		GLAZING,VINYL,SB,SS WINDOW,69.50IN"	
16	3831583		GLAZING,VINYL,SB,SS WINDOW,74.00IN"	
17	2211977		RAIL ASSY,LOWER,35SS	
18	1741214		RAIL,LOWER,12"SPLIT SASH,35"	
19	3805595		CHANNEL,SLIDING,12IN OPENING,SS	
20	3805603		SEAL,SLIDING,12IN,S/S	
NI	4033254	2	WASHER,SIDE WINDOW,ALUM	
NI	2000669		SCREW,1/4-14 X 3/4,TYP1,PH1,OVAL CNSK,YEL	

**Models: AAFE, AARE, A1VC, A3FE, A3RE, B1VC, B2VC, C1FE, GMCV, GPWB, MBWB, SBCV, TCFE, TCRE, TSFE, VCTA**  
**SPLIT SASH**  
**35 INCH WITH 12 INCH OPENING, STORM**  
**CLEAR TEMPERED**  
**To BSN B20107259, F20054224, L10093804, M10119600, 11-3-02**

Key	PartNumber	Qty	Description	Comment
-----	------------	-----	-------------	---------



**Models:** AAFE, AARE, A1VC, A3FE, A3RE, B1VC, B2VC, C1FE, GMCV, GPWB, MBWB, SBCV, TCFE, TCRE, TSFE, VCTA  
**SPLIT SASH**  
**35 INCH WITH 12 INCH OPENING, STORM**  
**CLEAR TEMPERED**  
**To BSN B20107259, F20054224, L10093804, M10119600, 11-3-02**

Key	PartNumber	Qty	Description	Comment
	1741255		WINDOW ASSY,SS,CLEAR,35,12"OPG,STORM	
1	3817558	2	SPRING,SPLIT SASH WINDOW,W/REMOVABLE	
2	2176584	2	ACTUATOR,LATCH,SIDE WINDOW	
3	2176576		LATCH,SIDE,WINDOW,CONCEALED,RH	
4	2176568		LATCH,SIDE,WINDOW,CONCEALED,LH	
5	4644357	12	SCREW,10-12X1 1/4,#2 SQ DRIVE,#8,BUGLE	
6	3816592	2	STOP,WINDOW,REMOVABLE LATCH	
7	2260198		SCREW,SM,PH,FT/HD,8-18 X 1/2,TYPE B,ZN3	
8	0862953		SEALANT,SCHNEE-MOREHEAD 5522,VINYL	
9	2185148		SEALANT,UNISEAL	
10	3817459		FRAME,SIDE,12OPEN,74HR,RH,REMOVABLE	
11	3817442		FRAME,SIDE,12OPEN,74HR,LH,REMOVABLE	
12	1741198		FRAME ASSY,UPPER,12" SPLIT SASH,35"	
13	2211720		SEAL,UPPER FRAME TO LATCH RAIL,35SS	
14	3816915		RAIL,LATCH,W/REMOVABLE LATCH,S/WDO,35IN	
15/	1509421		GLASS & FRAME ASSY,SS,CLEAR,35,UPPER	CONSISTS OF THE FOLLOWING
	2205649	2	FRAME,UPPER & LOWER,35IN STORM WINDOW	
	3810702	2	FRAME,VERTICAL,UPPER,12IN STORM	
	1509306		GLASS,SS,CLEAR,35,12 OPG,UPPER STORM	
	3831799		GLAZING,VINYL,SB,SS STORM	
	2194025	8	SCREW,8-18 X 3/4,AB,PH1,PAN HD,YEL ZN	
	0862953		SEALANT,SCHNEE-MOREHEAD 5522,VINYL	
15/	1509439		GLASS & FRAME ASSY,SS,CLEAR,35,LOWER	CONSISTS OF THE FOLLOWING
	2205649	2	FRAME,UPPER & LOWER,35IN STORM WINDOW	
	3810710	2	FRAME,VERTICAL,LOWER,12IN STORM	
	1509314		GLASS,SS,CLEAR,35,12 OPG,LOWER STORM	
	3831781		GLAZING,VINYL,SB,SS STORM	
	2194025	8	SCREW,8-18 X 3/4,AB,PH1,PAN HD,YEL ZN	
	0862953		SEALANT,SCHNEE-MOREHEAD 5522,VINYL	
17	2211977		RAIL ASSY,LOWER,35SS	
18	1741214		RAIL,LOWER,12"SPLIT SASH,35"	
19	3805595		CHANNEL,SLIDING,12IN OPENING,SS	
20	3805603		SEAL,SLIDING,12IN,S/S	

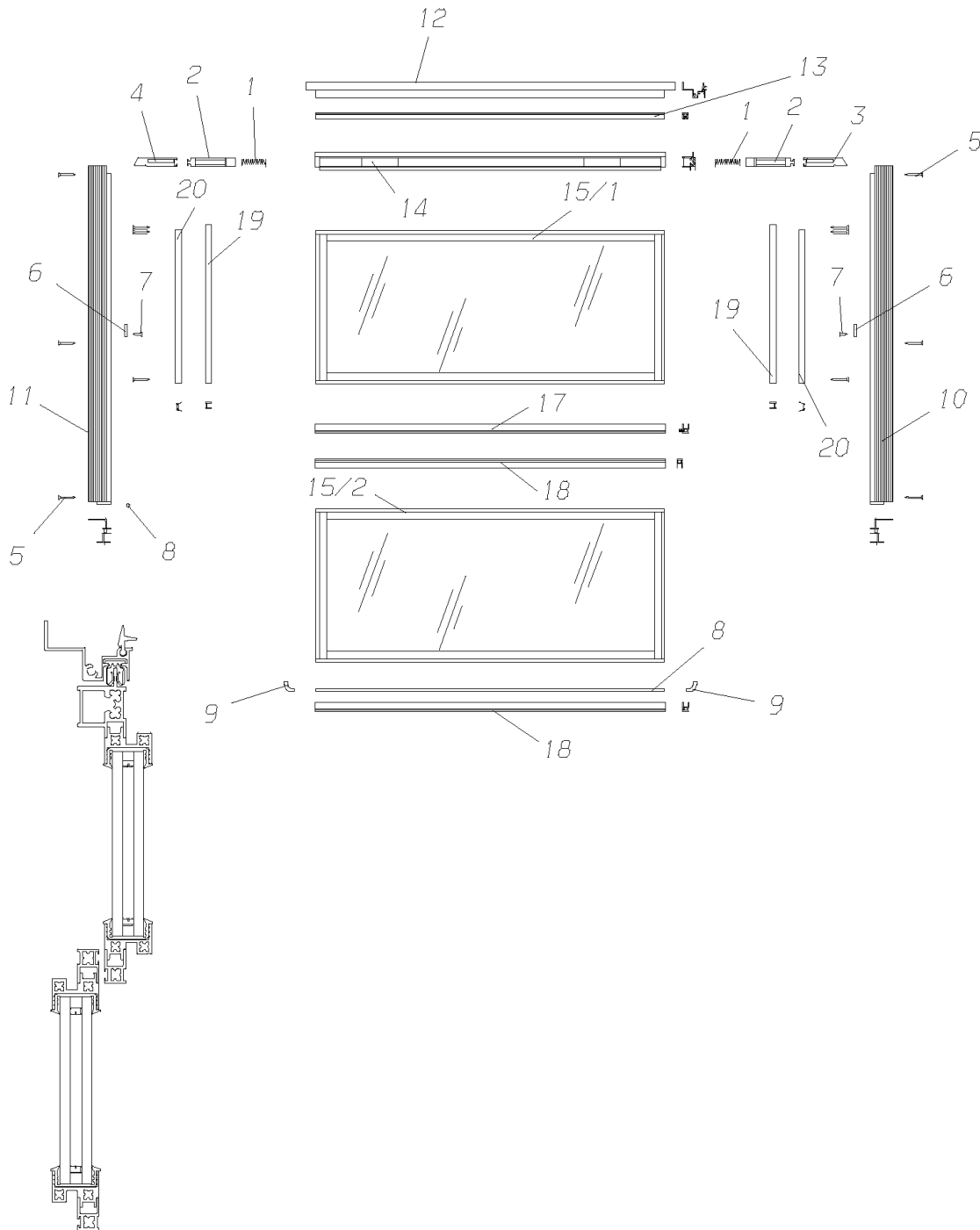
**Models:** AAFE, AARE, A1VC, A3FE, A3RE, B1VC, B2VC, C1FE, GMCV, GPWB, MBWB, SBCV, TCFE, TCRE, TSFE, VCTA  
**SPLIT SASH**  
**35 INCH WITH 12 INCH OPENING, STORM**  
**CLEAR TEMPERED**  
**To BSN B20107259, F20054224, L10093804, M10119600, 11-3-02**

Key	PartNumber	Qty	Description	Comment
NI	4033254	2	WASHER,SIDE WINDOW,ALUM	
NI	2000669	2	SCREW,1/4-14 X 3/4,TYP1,PH1,OVAL CNSK,YEL	



**Models:** AAFE, AARE, A1VC, A3FE, A3RE, B1VC, B2VC, BBCV, C1FE, GMCV, GPWB, MBWB, SBCV, TCFE, TCRE, TSFE, VCTA  
**SPLIT SASH**  
**35 INCH WITH 12 INCH OPENING, STORM**  
**CLEAR TEMPERED**  
**BSN:** From BSN B20107260, F20054225, L10093805, 11-4-02

Key	PartNumber	Qty	Description	Comment
-----	------------	-----	-------------	---------



**Models:** AAFE, AARE, A1VC, A3FE, A3RE, B1VC, B2VC, BBCV, C1FE, GMCV, GPWB, MBWB, SBCV, TCFE, TCRC, TSFE, VCTA  
**SPLIT SASH  
 35 INCH WITH 12 INCH OPENING, STORM  
 CLEAR TEMPERED**  
**BSN:** From BSN B20107260, F20054225, L10093805, 11-4-02

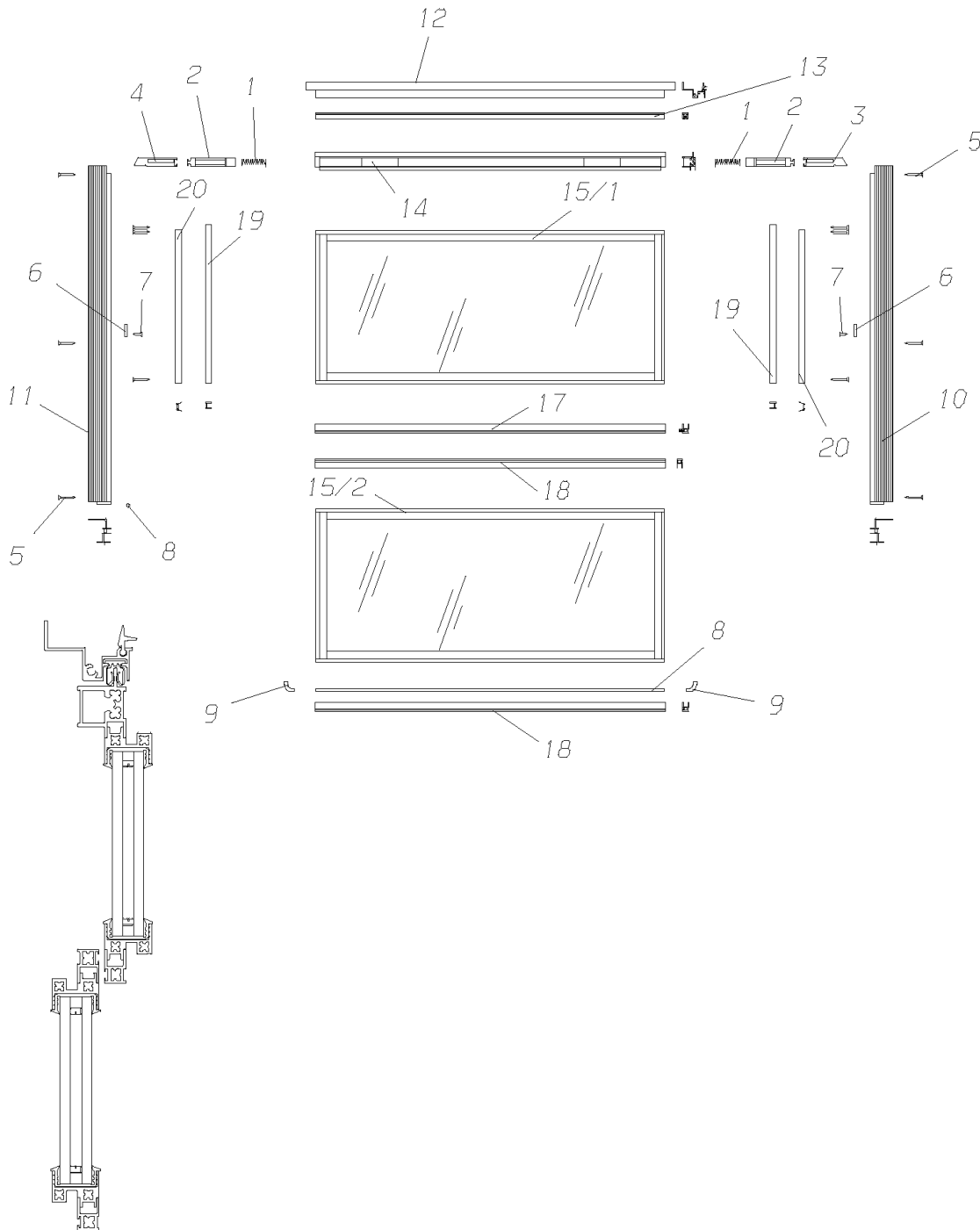
Key	PartNumber	Qty	Description	Comment
NI			WINDOW ASSY. CLEAR TEMPERED, 12 IN	
	0053862		WINDOW ASSY,SS,CLEAR,35,12"OPG,STORM	ENDING WITH BSN B20144129B, B10144049, F10058589, L10125309 4-11-04
	0073871		WINDOW ASSY,35,12SS,CLEAR STORM	BEGIN WITH BSN B20144130B, B10144050, F10058590, L10125310 4-12-04
1	3817558	2	SPRING,SPLIT SASH WINDOW,W/REMOVABLE	
2	2176584	2	ACTUATOR,LATCH,SIDE WINDOW	
3	2176576		LATCH,SIDE,WINDOW,CONCEALED,RH	
4	2176568		LATCH,SIDE,WINDOW,CONCEALED,LH	
5	4644357	12	SCREW,10-12X1 1/4,#2 SQ DRIVE,#8,BUGLE	
6	3816592	2	STOP,WINDOW,REMOVABLE LATCH	
7	2260198		SCREW,SM,PH,FT/HD,8-18 X 1/2,TYPE B,ZN3	
8	0862953		SEALANT,SCHNEE-MOREHEAD 5522,VINYL	
9	2185148		SEALANT,UNISEAL	
10	0053780		FRAME,SIDE,12 OPEN,SPLIT SASH WINDOW,RH	
11	0053779		FRAME,SIDE,12 OPEN,SPLIT SASH WINDOW,LH	
12	0053846		FRAME ASSY,UPPER,12" SPLIT SASH,35"	
13	2211720		SEAL,UPPER FRAME TO LATCH RAIL,35SS	
14	3816915		RAIL,LATCH,W/REMOVABLE LATCH,S/WDO,35IN	
15/	1509421		GLASS & FRAME ASSY,SS,CLEAR,35,UPPER	CONSISTS OF THE FOLLOWING
	2205649	2	FRAME,UPPER & LOWER,35IN STORM WINDOW	
	3810702	2	FRAME,VERTICAL,UPPER,12IN STORM	
	1509306		GLASS,SS,CLEAR,35,12 OPG,UPPER STORM	
	3831799		GLAZING,VINYL,SB,SS STORM	
	2194025	8	SCREW,8-18 X 3/4,AB,PH1,PAN HD,YEL ZN	
	0862953		SEALANT,SCHNEE-MOREHEAD 5522,VINYL	
15/	1509439		GLASS & FRAME ASSY,SS,CLEAR,35,LOWER	CONSISTS OF THE FOLLOWING
	2205649	2	FRAME,UPPER & LOWER,35IN STORM WINDOW	
	3810710	2	FRAME,VERTICAL,LOWER,12IN STORM	
	1509314		GLASS,SS,CLEAR,35,12 OPG,LOWER STORM	
	3831781		GLAZING,VINYL,SB,SS STORM	
	2194025	8	SCREW,8-18 X 3/4,AB,PH1,PAN HD,YEL ZN	
	0862953		SEALANT,SCHNEE-MOREHEAD 5522,VINYL	

**Models:** AAFE, AARE, A1VC, A3FE, A3RE, B1VC, B2VC, BBCV, C1FE, GMCV, GPWB, MBWB, SBCV, TCFE, TCRE, TSFE, VCTA  
**SPLIT SASH**  
**35 INCH WITH 12 INCH OPENING, STORM**  
**CLEAR TEMPERED**  
**BSN:** From BSN B20107260, F20054225, L10093805, 11-4-02

Key	PartNumber	Qty	Description	Comment
17	2211977		RAIL ASSY,LOWER,35SS	
18	1741214		RAIL,LOWER,12"SPLIT SASH,35"	
19	3805595		CHANNEL,SLIDING,12IN OPENING,SS	
20	3805603		SEAL,SLIDING,12IN,S/S	
NI	4033254	2	WASHER,SIDE WINDOW,ALUM	
NI	2000669		SCREW,1/4-14 X 3/4,TYP1,PH1,OVAL CNSK,YEL	

Models: AAFE, AARE, A1VC, A3FE, A3RE, B1VC, B2VC, C1FE, GMCV, GPWB, MBWB, SBCV, TCFE, TCRE, TSFE, VCTA  
**SPLIT SASH**  
**35 INCH WITH 12 INCH OPENING, STORM**  
**DARK TINT TEMPERED**  
**To BSN B20107259, F20054224, L10093804, M10119600, 11-3-02**

Key	PartNumber	Qty	Description	Comment
-----	------------	-----	-------------	---------



**Models:** AAFE, AARE, A1VC, A3FE, A3RE, B1VC, B2VC, C1FE, GMCV, GPWB, MBWB, SBCV, TCFE, TCRE, TSFE, VCTA  
**SPLIT SASH**  
**35 INCH WITH 12 INCH OPENING, STORM**  
**DARK TINT TEMPERED**  
**To BSN B20107259, F20054224, L10093804, M10119600, 11-3-02**

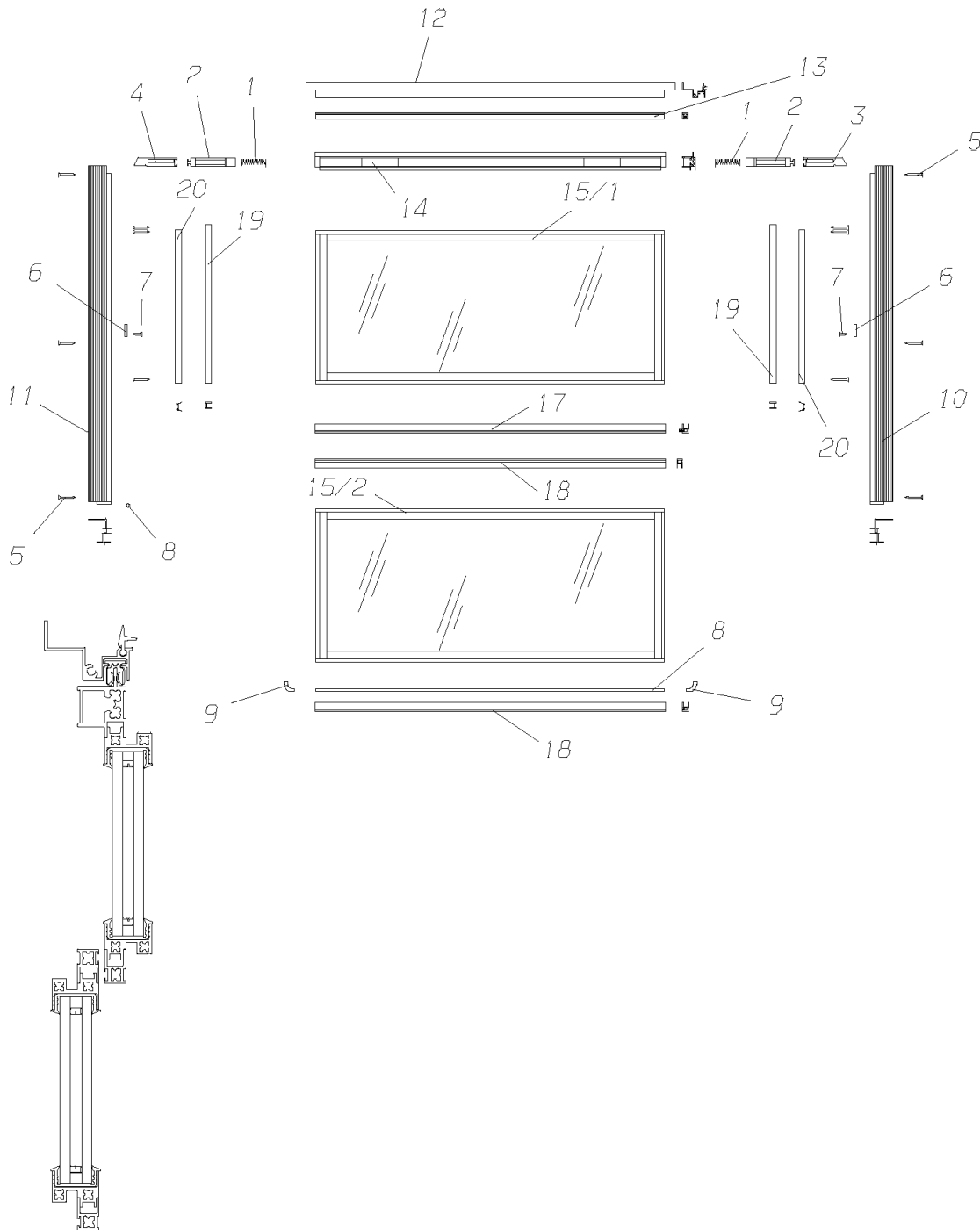
Key	PartNumber	Qty	Description	Comment
	1865807		WINDOW ASSY,SS,DK TNT TEMP,35,12 OPG,	
1	3817558	2	SPRING,SPLIT SASH WINDOW,W/REMOVABLE	
2	2176584	2	ACTUATOR,LATCH,SIDE WINDOW	
3	2176576		LATCH,SIDE,WINDOW,CONCEALED,RH	
4	2176568		LATCH,SIDE,WINDOW,CONCEALED,LH	
5	4644357	12	SCREW,10-12X1 1/4,#2 SQ DRIVE,#8,BUGLE	
6	3816592	2	STOP,WINDOW,REMOVABLE LATCH	
7	2260198		SCREW,SM,PH,FT/HD,8-18 X 1/2,TYPE B,ZN3	
8	0862953		SEALANT,SCHNEE-MOREHEAD 5522,VINYL	
9	2185148		SEALANT,UNISEAL	
10	3817459		FRAME,SIDE,12OPEN,74HR,RH,REMOVABLE	
11	3817442		FRAME,SIDE,12OPEN,74HR,LH,REMOVABLE	
12	1741198		FRAME ASSY,UPPER,12" SPLIT SASH,35"	
13	2211720		SEAL,UPPER FRAME TO LATCH RAIL,35SS	
14	3816915		RAIL,LATCH,W/REMOVABLE LATCH,S/WDO,35IN	
15/	1865856		GLASS&FRAME ASSY,SS,TNT T,35,12 OPG,UPR	CONSISTS OF THE FOLLOWING
	2205649	2	FRAME,UPPER & LOWER,35IN STORM WINDOW	
	3810702	2	FRAME,VERTICAL,UPPER,12IN STORM	
	1865757		GLASS,SS,DARK TINT TEMP,35,12 OPG,UPR	
	3831799		GLAZING,VINYL,SB,SS STORM	
	2194025	8	SCREW,8-18 X 3/4,AB,PH1,PAN HD,YEL ZN	
	0898627		SEALANT,CARTRIDGE,SM5522,VINYL GRAY	
15/	1865864		GLASS&FRAME ASSY,SS,TNT T,35,12 OPG,LWR	CONSISTS OF THE FOLLOWING
	2205649	2	FRAME,UPPER & LOWER,35IN STORM WINDOW	
	3810710	2	FRAME,VERTICAL,LOWER,12IN STORM	
	1865765		GLASS,SS,DARK TINT TEMP,35,12 OPG,LWR	
	3831781		GLAZING,VINYL,SB,SS STORM	
	2194025	8	SCREW,8-18 X 3/4,AB,PH1,PAN HD,YEL ZN	
	0862953		SEALANT,SCHNEE-MOREHEAD 5522,VINYL	
17	2211977		RAIL ASSY,LOWER,35SS	
18	1741214		RAIL,LOWER,12"SPLIT SASH,35"	
19	3805595		CHANNEL,SLIDING,12IN OPENING,SS	
20	3805603		SEAL,SLIDING,12IN,S/S	

**Models:** AAFE, AARE, A1VC, A3FE, A3RE, B1VC, B2VC, C1FE, GMCV, GPWB, MBWB, SBCV, TCFE, TCRE, TSFE, VCTA  
**SPLIT SASH**  
**35 INCH WITH 12 INCH OPENING, STORM**  
**DARK TINT TEMPERED**  
**To BSN B20107259, F20054224, L10093804, M10119600, 11-3-02**

Key	PartNumber	Qty	Description	Comment
NI	4033254	2	WASHER,SIDE WINDOW,ALUM	
NI	2000669	2	SCREW,1/4-14 X 3/4,TYP1,PH1,OVAL CNSK,YEL	

**Models:** AAFE, AARE, A1VC, A3FE, A3RE, B1VC, B2VC, BBCV, C1FE, GMCV, GPWB, MBWB, SBCV, TCFE, TCRE, TSFE, VCTA  
**SPLIT SASH**  
**35 INCH WITH 12 INCH OPENING, STORM**  
**DARK TINT TEMPERED**  
**BSN:** From BSN B20107260, F20054225, L10093805, 11-4-02

Key	PartNumber	Qty	Description	Comment
-----	------------	-----	-------------	---------



**Models:** AAFE, AARE, A1VC, A3FE, A3RE, B1VC, B2VC, BBCV, C1FE, GMCV, GPWB, MBWB, SBCV, TCFE, TCRE, TSFE, VCTA  
**SPLIT SASH**  
**35 INCH WITH 12 INCH OPENING, STORM**  
**DARK TINT TEMPERED**  
**BSN:** From BSN B20107260, F20054225, L10093805, 11-4-02

Key	PartNumber	Qty	Description	Comment
NI			WINDOW ASSY. DARK TINT TEMPERED, 12 IN	
	0053864		WINDOW ASSY,SS,DK TNT TEMP,35,12 OPG,	ENDING WITH BSN B20144129B, B10144049, F10058589, L10125309 4-11-04
	0073875		WINDOW ASSY,35,12SS,DARK TINT TEMP	BEGIN WITH BSN B20144130B, B10144050, F10058590, L10125310 4-12-04
1	3817558	2	SPRING,SPLIT SASH WINDOW,W/REMOVABLE	
2	2176584	2	ACTUATOR,LATCH,SIDE WINDOW	
3	2176576		LATCH,SIDE,WINDOW,CONCEALED,RH	
4	2176568		LATCH,SIDE,WINDOW,CONCEALED,LH	
5	4644357	12	SCREW,10-12X1 1/4,#2 SQ DRIVE,#8,BUGLE	
6	3816592	2	STOP,WINDOW,REMOVABLE LATCH	
7	2260198		SCREW,SM,PH,FT/HD,8-18 X 1/2,TYPE B,ZN3	
8	0862953		SEALANT,SCHNEE-MOREHEAD 5522,VINYL	
9	2185148		SEALANT,UNISEAL	
10	0053780		FRAME,SIDE,12 OPEN,SPLIT SASH WINDOW,RH	
11	0053779		FRAME,SIDE,12 OPEN,SPLIT SASH WINDOW,LH	
12	0053846		FRAME ASSY,UPPER,12" SPLIT SASH,35"	
13	2211720		SEAL,UPPER FRAME TO LATCH RAIL,35SS	
14	3816915		RAIL,LATCH,W/REMOVABLE LATCH,S/WDO,35IN	
15/	1865856		GLASS&FRAME ASSY,SS,TNT T,35,12 OPG,UPR	CONSISTS OF THE FOLLOWING
	2205649	2	FRAME,UPPER & LOWER,35IN STORM WINDOW	
	3810702	2	FRAME,VERTICAL,UPPER,12IN STORM	
	1865757		GLASS,SS,DARK TINT TEMP,35,12 OPG,UPR	
	3831799		GLAZING,VINYL,SB,SS STORM	
	2194025	8	SCREW,8-18 X 3/4,AB,PH1,PAN HD,YEL ZN	
	0898627		SEALANT,CARTRIDGE,SM5522,VINYL GRAY	
15/	1865864		GLASS&FRAME ASSY,SS,TNT T,35,12 OPG,LWR	CONSISTS OF THE FOLLOWING
	2205649	2	FRAME,UPPER & LOWER,35IN STORM WINDOW	
	3810710	2	FRAME,VERTICAL,LOWER,12IN STORM	
	1865765		GLASS,SS,DARK TINT TEMP,35,12 OPG,LWR	
	3831781		GLAZING,VINYL,SB,SS STORM	
	2194025	8	SCREW,8-18 X 3/4,AB,PH1,PAN HD,YEL ZN	
	0862953		SEALANT,SCHNEE-MOREHEAD 5522,VINYL	



**Models:** AAFE, AARE, A1VC, A3FE, A3RE, B1VC, B2VC, BBCV, C1FE, GMCV, GPWB, MBWB, SBCV, TCFE, TCRE, TSFE, VCTA  
**SPLIT SASH**  
**35 INCH WITH 12 INCH OPENING, STORM**  
**DARK TINT TEMPERED**  
**BSN:** From BSN B20107260, F20054225, L10093805, 11-4-02


Key	PartNumber	Qty	Description	Comment
17	2211977		RAIL ASSY,LOWER,35SS	
18	1741214		RAIL,LOWER,12"SPLIT SASH,35"	
19	3805595		CHANNEL,SLIDING,12IN OPENING,SS	
20	3805603		SEAL,SLIDING,12IN,S/S	
NI	4033254	2	WASHER,SIDE WINDOW,ALUM	
NI	2000669		SCREW,1/4-14 X 3/4,TYP1,PH1,OVAL CNSK,YEL	

Models:  
TCRE, TSFE, VCTA

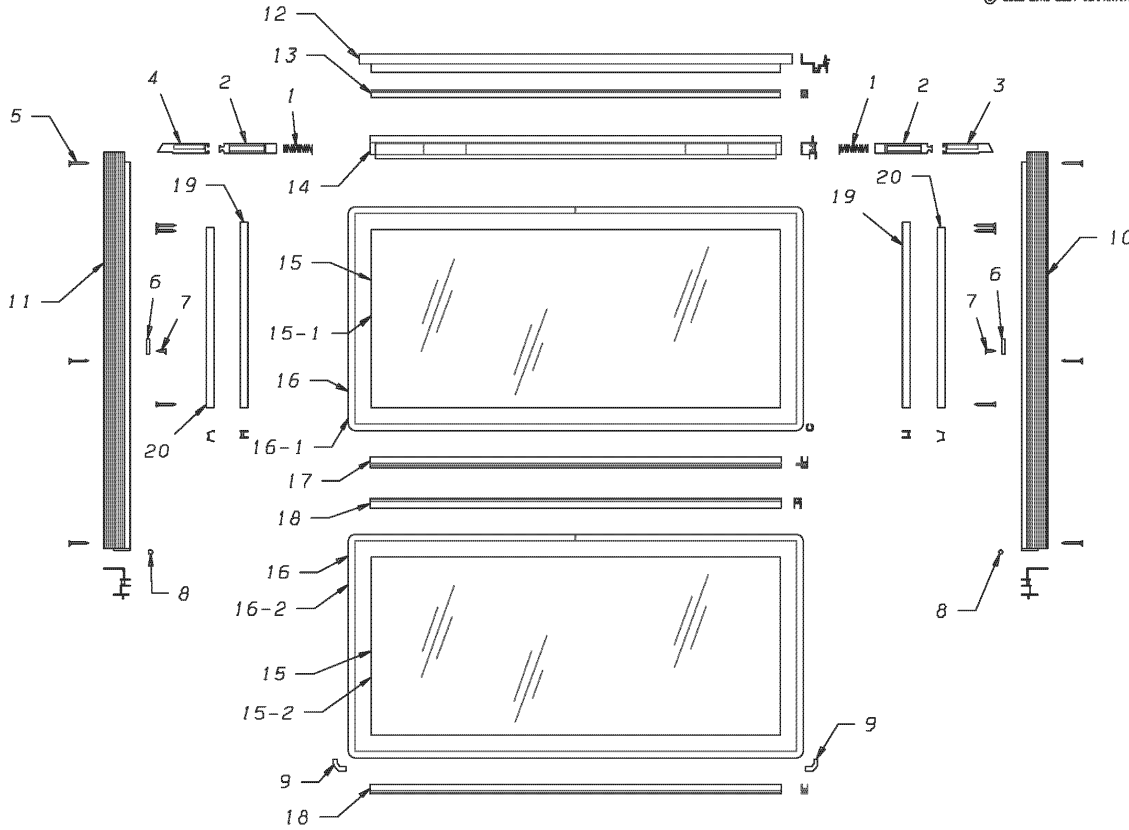
AAFE, AARE, A1VC, A3FE, A3RE, BBCV, C1FE, GMCV, GPWB, MBWB, SBCV, TCFE,

**SPLIT SASH  
35 INCH WITH 9 INCH OPENING  
CLEAR LAMINATED**

Key	PartNumber	Qty	Description	Comment
-----	------------	-----	-------------	---------

DR. 12/08/01 BY JL	---	3832060	X	
APP. 12/08/01 BY PF	FRT		REV	

© BLUE BIRD BODY COMPANY. ALL RIGHTS RESERVED



**Models:** AAFE, AARE, A1VC, A3FE, A3RE, BBCV, C1FE, GMCV, GPWB, MBWB, SBCV, TCFE, TCRC, TSFE, VCTA


**SPLIT SASH  
35 INCH WITH 9 INCH OPENING  
CLEAR LAMINATED**

Key	PartNumber	Qty	Description	Comment
NI			WINDOW ASSY. CLEAR LAMINATED, 9 IN	
	3819539		WINDOW ASSY,35 S/S,CLEAR LAM	<i>ENDING WITH BSN B20144129B, B10144049, F10058589, L10125309 4-11-04</i>
	0073854		WINDOW ASSY,35,9SS,CLEAR LAM	<i>BEGIN WITH BSN B20144130B, B10144050, F10058590, L10125310 4-12-04</i>
1	3817558	2	SPRING,SPLIT SASH WINDOW,W/REMOVABLE	
2	2176584	2	ACTUATOR,LATCH,SIDE WINDOW	
3	2176576		LATCH,SIDE,WINDOW,CONCEALED,RH	
4	2176568		LATCH,SIDE,WINDOW,CONCEALED,LH	
5	4644357	12	SCREW,10-12X1 1/4,#2 SQ DRIVE,#8,BUGLE	
6	3816592	2	STOP,WINDOW,REMOVABLE LATCH	
7	2260198		SCREW,SM,PH,FT/HD,8-18 X 1/2,TYPE B,ZN3	
8	0862953		SEALANT,SCHNEE-MOREHEAD 5522,VINYL	
9	2185148		SEALANT,UNISEAL	
10	3816626		FRAME,SIDE,SS WINDOW,RH,W/REMOVABLE	
11	3816618		FRAME,SIDE,SS WINDOW,LH,W/REMOVABLE	
12	2245777		FRAME ASSY,UPPER,35SS,STD OPG	
13	2211720		SEAL,UPPER FRAME TO LATCH RAIL,35SS	
14	3816915		RAIL,LATCH,W/REMOVABLE LATCH,S/WDO,35IN	
15	2165066	2	GLASS,SS,CLEAR LAM,35,9 OPG	
16	3831567	2	GLAZING,VINYL,SB,SS WINDOW,67.50IN"	
17	2211977		RAIL ASSY,LOWER,35SS	
18	2166387	2	RAIL,LOWER,SS,35IN	
19	2164135	2	CHANNEL,SLIDING,UPPER SASH	
20	2184950	2	SEAL,SLIDING,SPLIT SASH WINDOW	
NI	4033254	2	WASHER,SIDE WINDOW,ALUM	
NI	2000669		SCREW,1/4-14 X 3/4,TYP1,PH1,OVAL CNSK,YEL	

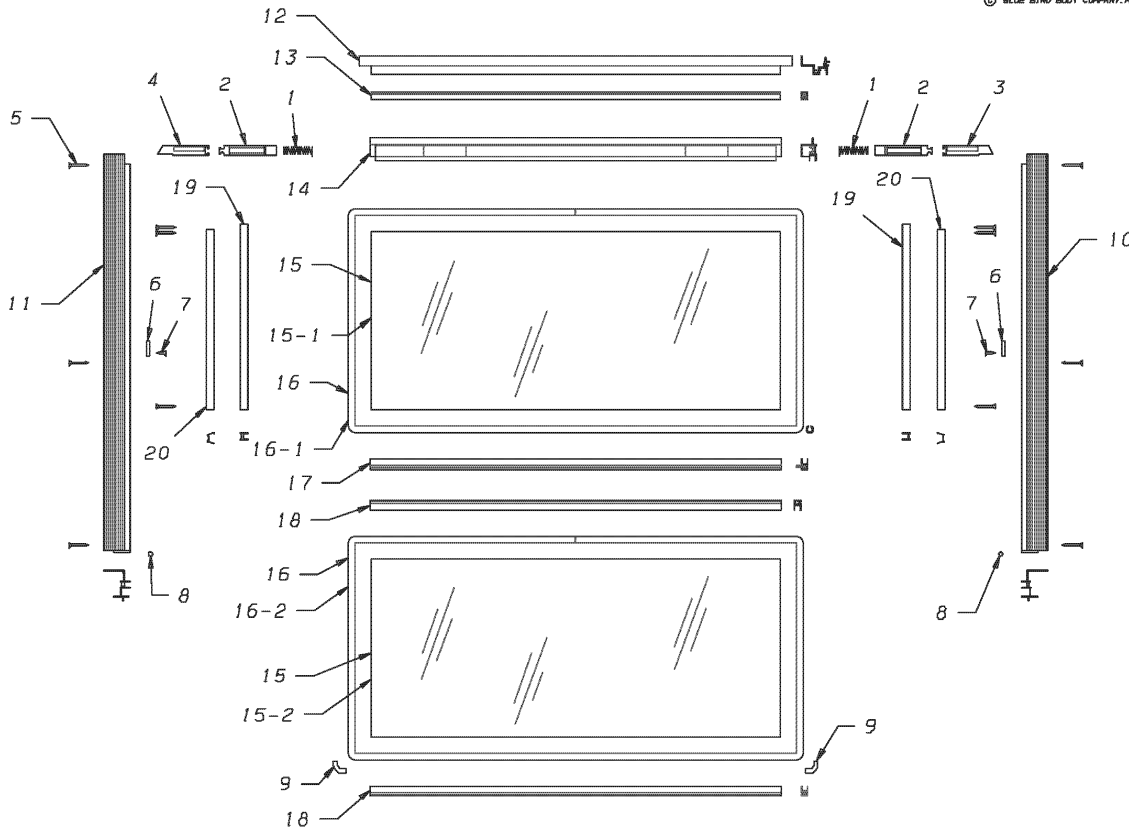
Models: AAFE, AARE, A1VC, A3FE, A3RE, BBCV, C1FE, GMCV, GPWB, MBWB, SBCV, TCFE, TCRE, TSFE, VCTA

**SPLIT SASH  
35 INCH WITH 9 INCH OPENING  
CLEAR TEMPERED**

Key	PartNumber	Qty	Description	Comment
-----	------------	-----	-------------	---------

DR. 12/08/01 BY JL	---	3832060	X	
APP. 12/08/01 BY PF	FRT		REV	

© BLUE BIRD BODY COMPANY. ALL RIGHTS RESERVED



Models: AAFE, AARE, A1VC, A3FE, A3RE, BBCV, C1FE, GMCV, GPWB, MBWB, SBCV, TCFE, TCRC, TSFE, VCTA


**SPLIT SASH  
35 INCH WITH 9 INCH OPENING  
CLEAR TEMPERED**

Key	PartNumber	Qty	Description	Comment
NI			WINDOW ASSY. CLEAR TEMPERED, 9 IN	
	1990647		WINDOW ASSY,35 SS,CLEAR TEMPERED,9 OPG	ENDING WITH BSN B20144129B, B10144049, F10058589, L10125309 4-11-04
	0073855		WINDOW ASSY,35,9SS,CLEAR TEMP	BEGIN WITH BSN B20144130B, B10144050, F10058590, L10125310 4-12-04
1	3817558	2	SPRING,SPLIT SASH WINDOW,W/REMOVABLE	
2	2176584	2	ACTUATOR,LATCH,SIDE WINDOW	
3	2176576		LATCH,SIDE,WINDOW,CONCEALED,RH	
4	2176568		LATCH,SIDE,WINDOW,CONCEALED,LH	
5	4644357	12	SCREW,10-12X1 1/4,#2 SQ DRIVE,#8,BUGLE	
6	3816592	2	STOP,WINDOW,REMOVABLE LATCH	
7	2260198		SCREW,SM,PH,FT/HD,8-18 X 1/2,TYPE B,ZN3	
8	0862953		SEALANT,SCHNEE-MOREHEAD 5522,VINYL	
9	2185148		SEALANT,UNISEAL	
10	3816626		FRAME,SIDE,SS WINDOW,RH,W/REMOVABLE	
11	3816618		FRAME,SIDE,SS WINDOW,LH,W/REMOVABLE	
12	2245777		FRAME ASSY,UPPER,35SS,STD OPG	
13	2211720		SEAL,UPPER FRAME TO LATCH RAIL,35SS	
14	3816915		RAIL,LATCH,W/REMOVABLE LATCH,S/WDO,35IN	
15	1990639	2	GLASS,SS,CLEAR TEMPERED,35,9 OPG	
16	1863513	2	GLAZING,VINYL,SB,12SS,P/O,1/8	
17	2211977		RAIL ASSY,LOWER,35SS	
18	2166387	2	RAIL,LOWER,SS,35IN	
19	2164135	2	CHANNEL,SLIDING,UPPER SASH	
20	2184950	2	SEAL,SLIDING,SPLIT SASH WINDOW	
NI	4033254	2	WASHER,SIDE WINDOW,ALUM	
NI	2000669		SCREW,1/4-14 X 3/4,TYP1,PH1,OVAL CNSK,YEL	

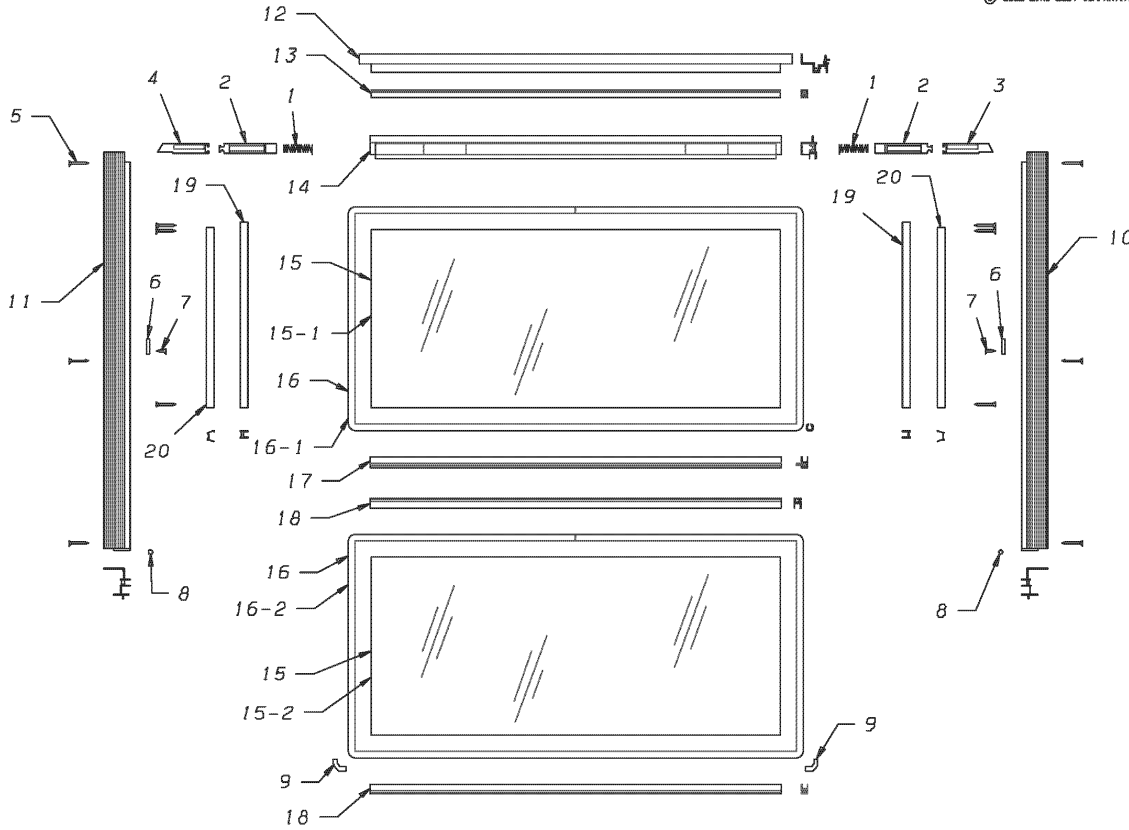
Models: AAFE, AARE, A1VC, A3FE, A3RE, BBCV, C1FE, GMCV, GPWB, MBWB, SBCV, TCFE, TCRE, TSFE, VCTA

**SPLIT SASH  
35 INCH WITH 9 INCH OPENING  
DARK TINT LAMINATED**

Key	PartNumber	Qty	Description	Comment
-----	------------	-----	-------------	---------

DR. 12/08/01 BY JL	---	3832060	X	
APP. 12/08/01 BY PF	FRT		REV	

© BLUE BIRD BODY COMPANY. ALL RIGHTS RESERVED



Models: AAFE, AARE, A1VC, A3FE, A3RE, BBCV, C1FE, GMCV, GPWB, MBWB, SBCV, TCFE, TCRC, TSFE, VCTA

**SPLIT SASH  
35 INCH WITH 9 INCH OPENING  
DARK TINT LAMINATED**

Key	PartNumber	Qty	Description	Comment
NI			WINDOW ASSY., DARK TINT, LAMINATED, 9 IN	
	3819547		WINDOW ASSY,35 S/S,DARK TINT LAM,9 OPG	ENDING WITH BSN B20144129B, B10144049, F10058589, L10125309 4-11-04
	0073856		WINDOW ASSY,35,9SS,DARK TINT LAM	BEGIN WITH BSN B20144130B, B10144050, F10058590, L10125310 4-12-04
1	3817558	2	SPRING,SPLIT SASH WINDOW,W/REMOVABLE	
2	2176584	2	ACTUATOR,LATCH,SIDE WINDOW	
3	2176576		LATCH,SIDE,WINDOW,CONCEALED,RH	
4	2176568		LATCH,SIDE,WINDOW,CONCEALED,LH	
5	4644357	12	SCREW,10-12X1 1/4,#2 SQ DRIVE,#8,BUGLE	
6	3816592	2	STOP,WINDOW,REMOVABLE LATCH	
7	2260198		SCREW,SM,PH,FT/HD,8-18 X 1/2,TYPE B,ZN3	
8	0862953		SEALANT,SCHNEE-MOREHEAD 5522,VINYL	
9	2185148		SEALANT,UNISEAL	
10	3816626		FRAME,SIDE,SS WINDOW,RH,W/REMOVABLE	
11	3816618		FRAME,SIDE,SS WINDOW,LH,W/REMOVABLE	
12	2245777		FRAME ASSY,UPPER,35SS,STD OPG	
13	2211720		SEAL,UPPER FRAME TO LATCH RAIL,35SS	
14	3816915		RAIL,LATCH,W/REMOVABLE LATCH,S/WDO,35IN	
15	3798568	2	GLASS,SS,DARK TINT LAM,35,9 OPG	
16	3831567	2	GLAZING,VINYL,SB,SS WINDOW,67.50IN"	
17	2211977		RAIL ASSY,LOWER,35SS	
18	2166387	2	RAIL,LOWER,SS,35IN	
19	2164135	2	CHANNEL,SLIDING,UPPER SASH	
20	2184950	2	SEAL,SLIDING,SPLIT SASH WINDOW	
NI	4033254	2	WASHER,SIDE WINDOW,ALUM	
NI	2000669		SCREW,1/4-14 X 3/4,TYP1,PH1,OVAL CNSK,YEL	

Models:  
TCRE, TSFE, VCTA


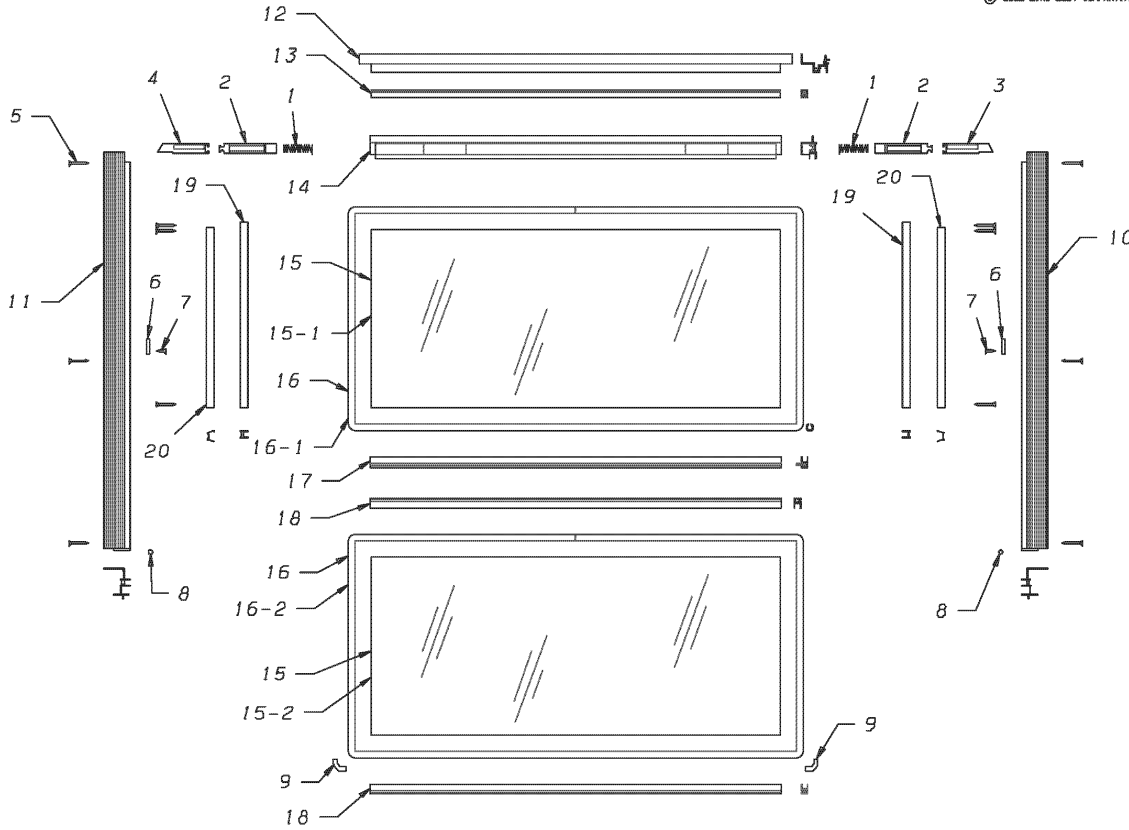
AAFE, AARE, A1VC, A3FE, A3RE, BBCV, C1FE, GMCV, GPWB, MBWB, SBCV, TCFE,

**SPLIT SASH  
35 INCH WITH 9 INCH OPENING  
DARK TINT TEMPERED**

Key	PartNumber	Qty	Description	Comment
-----	------------	-----	-------------	---------

DR. 12/08/01 BY JL	---	3832060	X
APP. 12/08/01 BY PF	FRT		REV

© BLUE BIRD BODY COMPANY. ALL RIGHTS RESERVED



**Models:** AAFE, AARE, A1VC, A3FE, A3RE, BBCV, C1FE, GMCV, GPWB, MBWB, SBCV, TCFE, TCRC, TSFE, VCTA

**SPLIT SASH  
35 INCH WITH 9 INCH OPENING  
DARK TINT TEMPERED**


Key	PartNumber	Qty	Description	Comment
NI			WINDOW ASSY., DARK TINT, TEMPERED, 9 IN	
	1877083		WINDOW ASSY,35 S/S,DARK TINT TEMPERED, 9	<i>ENDING WITH BSN B20144129B, B10144049, F10058589, L10125309 4-11-04</i>
	0073857		WINDOW ASSY,35,9SS,DARK TINT TEMP	<i>BEGIN WITH BSN B20144130B, B10144050, F10058590, L10125310 4-12-04</i>
1	3817558	2	SPRING,SPLIT SASH WINDOW,W/REMOVABLE	
2	2176584	2	ACTUATOR,LATCH,SIDE WINDOW	
3	2176576		LATCH,SIDE,WINDOW,CONCEALED,RH	
4	2176568		LATCH,SIDE,WINDOW,CONCEALED,LH	
5	4644357	12	SCREW,10-12X1 1/4,#2 SQ DRIVE,#8,BUGLE	
6	3816592	2	STOP,WINDOW,REMOVABLE LATCH	
7	2260198		SCREW,SM,PH,FT/HD,8-18 X 1/2,TYPE B,ZN3	
8	0862953		SEALANT,SCHNEE-MOREHEAD 5522,VINYL	
9	2185148		SEALANT,UNISEAL	
10	3816626		FRAME,SIDE,SS WINDOW,RH,W/REMOVABLE	
11	3816618		FRAME,SIDE,SS WINDOW,LH,W/REMOVABLE	
12	2245777		FRAME ASSY,UPPER,35SS,STD OPG	
13	2211720		SEAL,UPPER FRAME TO LATCH RAIL,35SS	
14	3816915		RAIL,LATCH,W/REMOVABLE LATCH,S/WDO,35IN	
15	1877042	2	GLASS,SS,DARK TINT TEMPERED,35,9 OPG	
16	1863513	2	GLAZING,VINYL,SB,12SS,P/O,1/8	
17	2211977		RAIL ASSY,LOWER,35SS	
18	2166387	2	RAIL,LOWER,SS,35IN	
19	2164135	2	CHANNEL,SLIDING,UPPER SASH	
20	2184950	2	SEAL,SLIDING,SPLIT SASH WINDOW	
NI	4033254	2	WASHER,SIDE WINDOW,ALUM	
NI	2000669		SCREW,1/4-14 X 3/4,TYP1,PH1,OVAL CNSK,YEL	

Models:  
TCRE, TSFE, VCTA

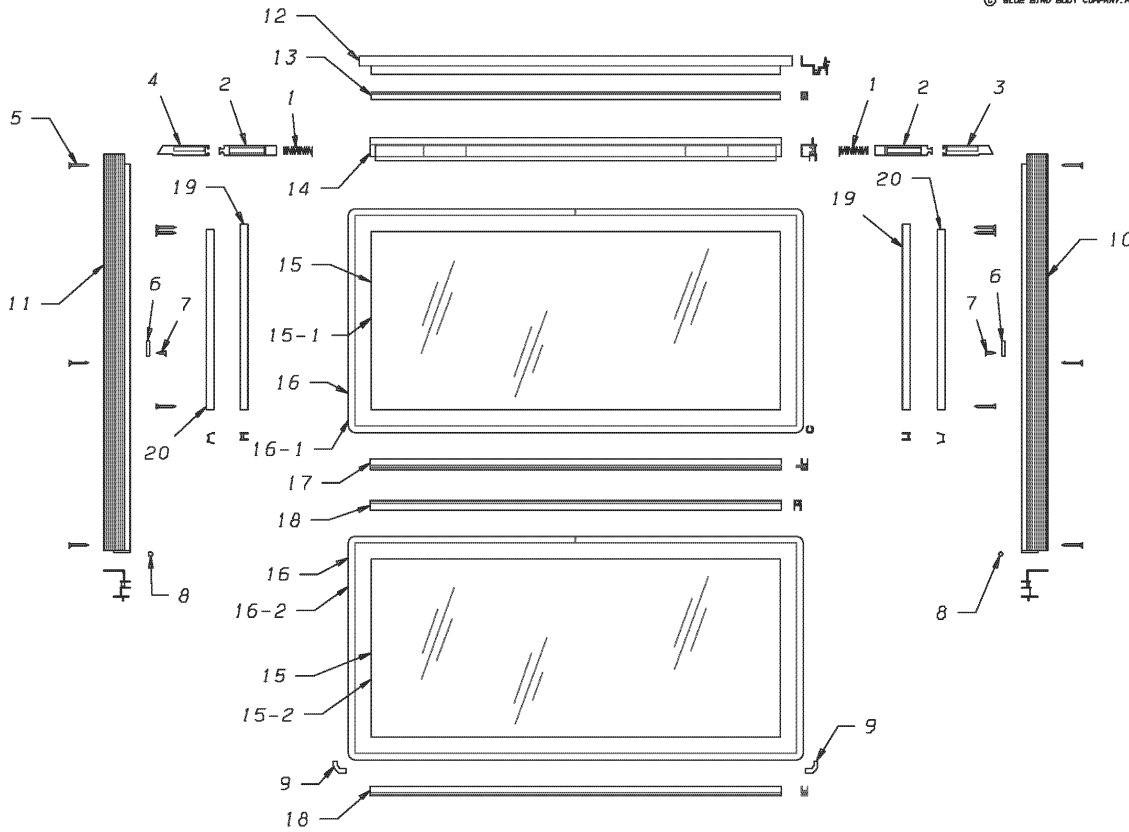
AAFE, AARE, A1VC, A3FE, A3RE, BBCV, C1FE, GMCV, GPWB, MBWB, SBCV, TCFE,

**SPLIT SASH  
35 INCH WITH 9 INCH OPENING  
GREEN TINT LAMINATED**

Key	PartNumber	Qty	Description	Comment
-----	------------	-----	-------------	---------

DR. 12/08/01 BY JL	---	3832060	X	
APP. 12/08/01 BY PF	FRT		REV	

© BLUE BIRD BODY COMPANY. ALL RIGHTS RESERVED



Models: AAFE, AARE, A1VC, A3FE, A3RE, BBCV, C1FE, GMCV, GPWB, MBWB, SBCV, TCFE, TCRE, TSFE, VCTA

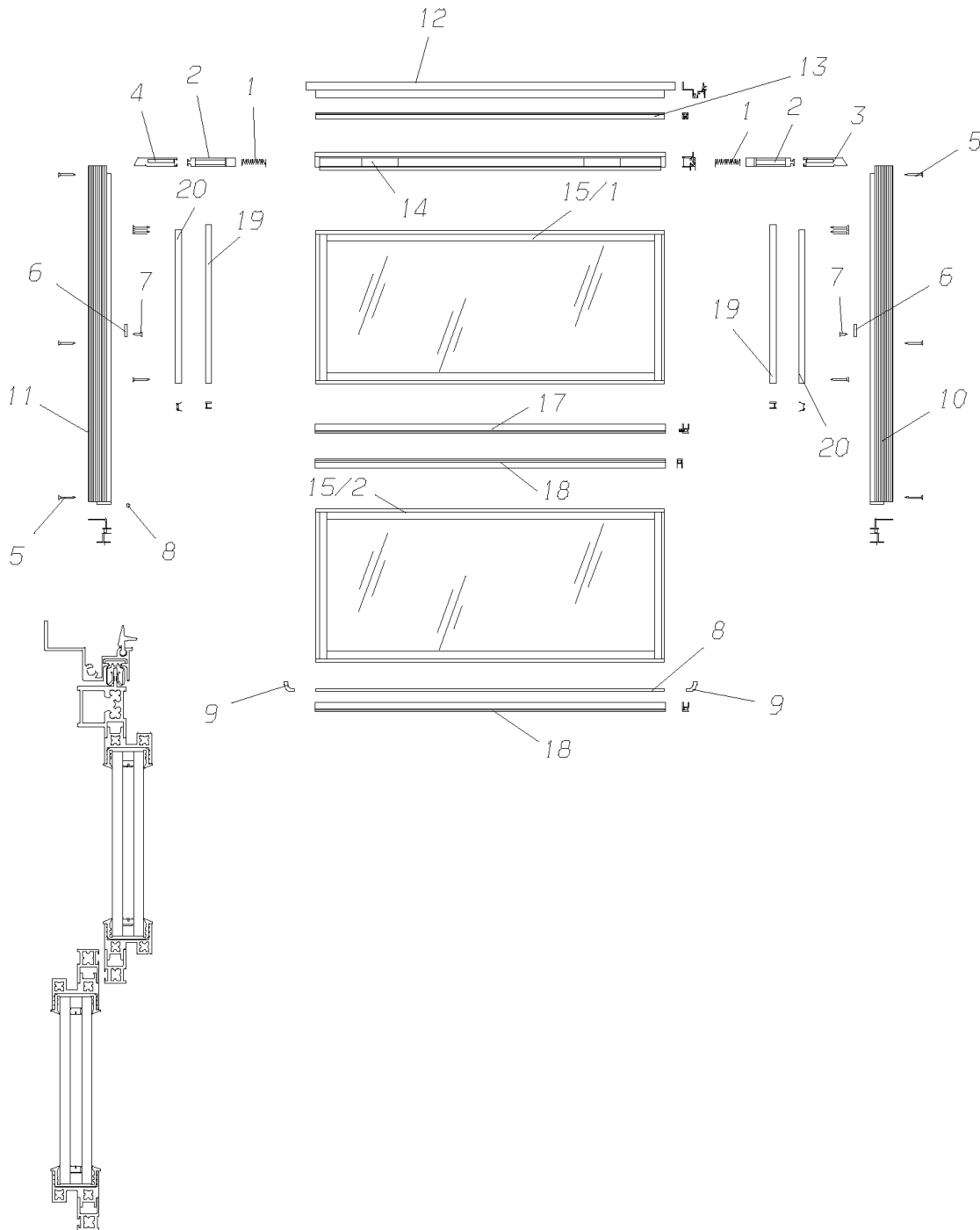
**SPLIT SASH  
35 INCH WITH 9 INCH OPENING  
GREEN TINT LAMINATED**

Key	PartNumber	Qty	Description	Comment
NI			WINDOW ASSY. GREEN TINTED, 9 IN OPENING	
	3819570		WINDOW ASSY,35 S/S,GREEN TINT	<i>ENDING WITH BSN B20144129B, B10144049, F10058589, L10125309 4-11-04</i>
	0073858		WINDOW ASSY,35,9SS,GREEN TINT,LAM	<i>BEGIN WITH BSN B20144130B, B10144050, F10058590, L10125310 4-12-04</i>
1	3817558	2	SPRING,SPLIT SASH WINDOW,W/REMOVABLE	
2	2176584	2	ACTUATOR,LATCH,SIDE WINDOW	
3	2176576		LATCH,SIDE,WINDOW,CONCEALED,RH	
4	2176568		LATCH,SIDE,WINDOW,CONCEALED,LH	
5	4644357	12	SCREW,10-12X1 1/4,#2 SQ DRIVE,#8,BUGLE	
6	3816592	2	STOP,WINDOW,REMOVABLE LATCH	
7	2260198		SCREW,SM,PH,FT/HD,8-18 X 1/2,TYPE B,ZN3	
8	0862953		SEALANT,SCHNEE-MOREHEAD 5522,VINYL	
9	2185148		SEALANT,UNISEAL	
10	3816626		FRAME,SIDE,SS WINDOW,RH,W/REMOVABLE	
11	3816618		FRAME,SIDE,SS WINDOW,LH,W/REMOVABLE	
12	2245777		FRAME ASSY,UPPER,35SS,STD OPG	
13	2211720		SEAL,UPPER FRAME TO LATCH RAIL,35SS	
14	3816915		RAIL,LATCH,W/REMOVABLE LATCH,S/WDO,35IN	
15	3800737	2	GLASS,SS,GREEN LAM,35,9 OPG	
16	3831567	2	GLAZING,VINYL,SB,SS WINDOW,67.50IN"	
17	2211977		RAIL ASSY,LOWER,35SS	
18	2166387	2	RAIL,LOWER,SS,35IN	
19	2164135	2	CHANNEL,SLIDING,UPPER SASH	
NI	4033254	2	WASHER,SIDE WINDOW,ALUM	
NI	2000669		SCREW,1/4-14 X 3/4,TYP1,PH1,OVAL CNSK,YEL	

Models: AAFE, AARE, A1VC, A3FE, A3RE, BBCV, C1FE, GMCV, GPWB, MBWB, SBCV, TCFE, TCRE, TSFE, VCTA

**SPLIT SASH  
35 INCH WITH 9 INCH OPENING, STORM  
CLEAR TEMPERED**

Key	PartNumber	Qty	Description	Comment
-----	------------	-----	-------------	---------



**Models:** AAFE, AARE, A1VC, A3FE, A3RE, BBCV, C1FE, GMCV, GPWB, MBWB, SBCV, TCFE, TCRC, TSFE, VCTA

**SPLIT SASH  
35 INCH WITH 9 INCH OPENING, STORM  
CLEAR TEMPERED**

Key	PartNumber	Qty	Description	Comment
NI			WINDOW ASSY. CLEAR TEMPERED, 12 IN	
	1509512		WINDOW ASSY,SS,CLEAR,35 STORM	<i>ENDING WITH BSN B20144129B, B10144049, F10058589, L10125309 4-11-04</i>
	0073868		WINDOW ASSY,35,SS,CLEAR STORM	<i>BEGIN WITH BSN B20144130B, B10144050, F10058590, L10125310 4-12-04</i>
1	3817558	2	SPRING,SPLIT SASH WINDOW,W/REMOVABLE	
2	2176584	2	ACTUATOR,LATCH,SIDE WINDOW	
3	2176576		LATCH,SIDE,WINDOW,CONCEALED,RH	
4	2176568		LATCH,SIDE,WINDOW,CONCEALED,LH	
5	4644357	12	SCREW,10-12X1 1/4,#2 SQ DRIVE,#8,BUGLE	
6	3816592	2	STOP,WINDOW,REMOVABLE LATCH	
7	2260198		SCREW,SM,PH,FT/HD,8-18 X 1/2,TYPE B,ZN3	
8	0862953		SEALANT,SCHNEE-MOREHEAD 5522,VINYL	
9	2185148		SEALANT,UNISEAL	
10	3816626		FRAME,SIDE,SS WINDOW,RH,W/REMOVABLE	
11	3816618		FRAME,SIDE,SS WINDOW,LH,W/REMOVABLE	
12	2245777		FRAME ASSY,UPPER,35SS,STD OPG	
13	2211720		SEAL,UPPER FRAME TO LATCH RAIL,35SS	
14	3816915		RAIL,LATCH,W/REMOVABLE LATCH,S/WDO,35IN	
15/	1509397		GLASS & FRAME ASSY,SS,CLEAR,35	<i>CONSISTS OF THE FOLLOWING</i>
	2205649	2	FRAME,UPPER & LOWER,35IN STORM WINDOW	
	2164663	2	FRAME,SIDE,28IN,STORM	
	1509272		GLASS,SS,CLEAR,35 STORM	
	3831773		GLAZING,VINYL,SB,SS STORM	
	2194025	8	SCREW,8-18 X 3/4,AB,PH1,PAN HD,YEL ZN	
	0862953		SEALANT,SCHNEE-MOREHEAD 5522,VINYL	
15/	1509397		GLASS & FRAME ASSY,SS,CLEAR,35	<i>CONSISTS OF THE FOLLOWING</i>
	2205649	2	FRAME,UPPER & LOWER,35IN STORM WINDOW	
	2164663	2	FRAME,SIDE,28IN,STORM	
	1509272		GLASS,SS,CLEAR,35 STORM	
	3831773		GLAZING,VINYL,SB,SS STORM	
	2194025	8	SCREW,8-18 X 3/4,AB,PH1,PAN HD,YEL ZN	
	0862953		SEALANT,SCHNEE-MOREHEAD 5522,VINYL	

**Models:** AAFE, AARE, A1VC, A3FE, A3RE, BBCV, C1FE, GMCV, GPWB, MBWB, SBCV, TCFE, TCRE, TSFE, VCTA

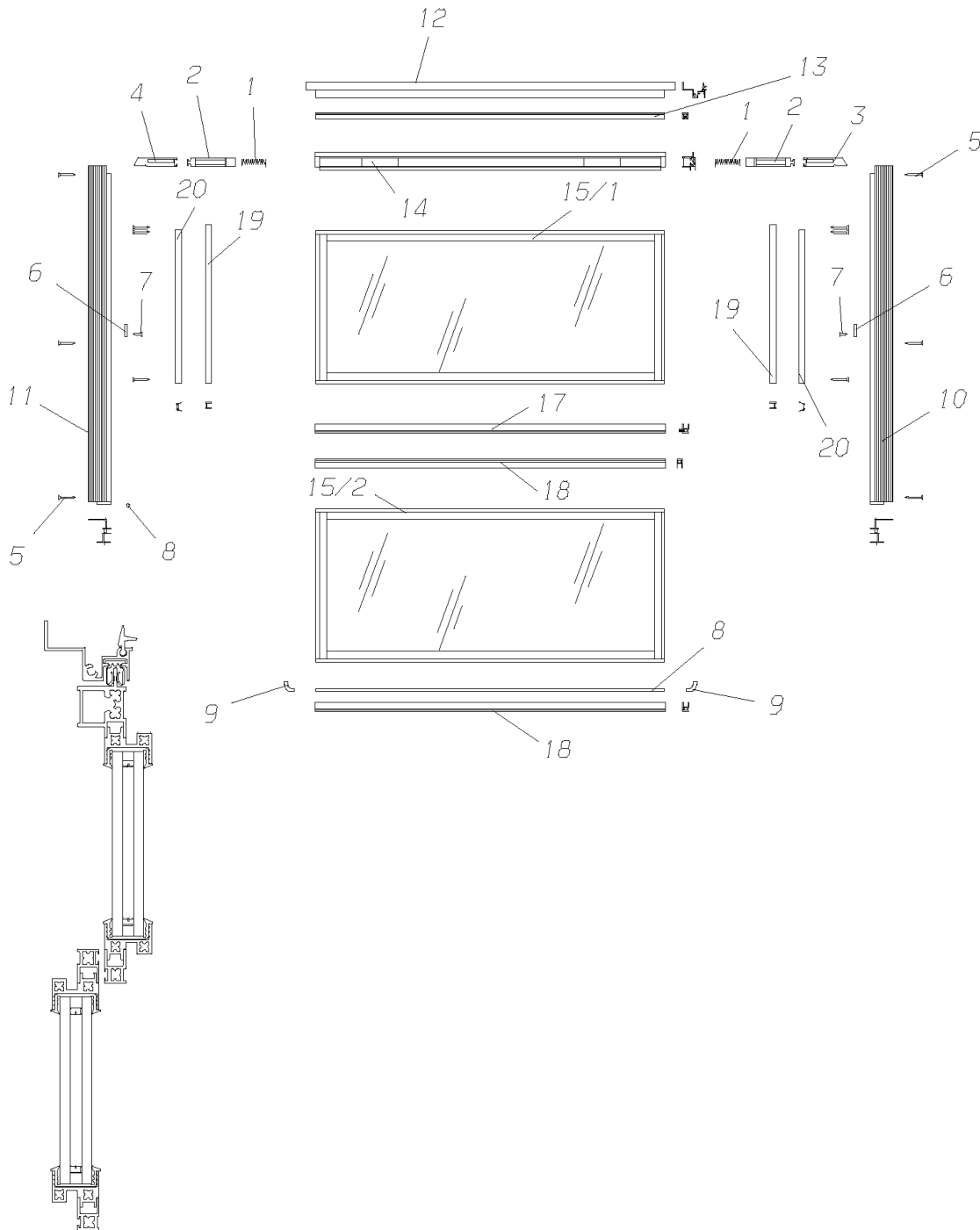
**SPLIT SASH  
35 INCH WITH 9 INCH OPENING, STORM  
CLEAR TEMPERED**

Key	PartNumber	Qty	Description	Comment
17	2211977		RAIL ASSY,LOWER,35SS	
18	2166387		RAIL,LOWER,SS,35IN	
19	2164135		CHANNEL,SLIDING,UPPER SASH	
20	2184950		SEAL,SLIDING,SPLIT SASH WINDOW	
NI	4033254	2	WASHER,SIDE WINDOW,ALUM	
NI	2000669		SCREW,1/4-14 X 3/4,TYP1,PH1,OVAL CNSK,YEL	

**Models:** AAFE, AARE, A1VC, A3FE, A3RE, BBCV, C1FE, GMCV, GPWB, MBWB, SBCV, TCFE, TCRE, TSFE, VCTA

**SPLIT SASH  
35 INCH WITH 9 INCH OPENING, STORM  
DARK TINT TEMPERED**

Key	PartNumber	Qty	Description	Comment
-----	------------	-----	-------------	---------



**Models:** AAFE, AARE, A1VC, A3FE, A3RE, BBCV, C1FE, GMCV, GPWB, MBWB, SBCV, TCFE, TCRC, TSFE, VCTA

**SPLIT SASH  
35 INCH WITH 9 INCH OPENING, STORM  
DARK TINT TEMPERED**

Key	PartNumber	Qty	Description	Comment
NI			WINDOW ASSY. DARK TINT TEMPERED, 12 IN	
	1865781		WINDOW ASSY,SS,DK TNT TEMP,35,9 OPG,	<i>ENDING WITH BSN B20144129B, B10144049, F10058589, L10125309 4-11-04</i>
	0073873		WINDOW ASSY,35,9SS,DARK TINT TEMP	<i>BEGIN WITH BSN B20144130B, B10144050, F10058590, L10125310 4-12-04</i>
1	3817558	2	SPRING,SPLIT SASH WINDOW,W/REMOVABLE	
2	2176584	2	ACTUATOR,LATCH,SIDE WINDOW	
3	2176576		LATCH,SIDE,WINDOW,CONCEALED,RH	
4	2176568		LATCH,SIDE,WINDOW,CONCEALED,LH	
5	4644357	12	SCREW,10-12X1 1/4,#2 SQ DRIVE,#8,BUGLE	
6	3816592	2	STOP,WINDOW,REMOVABLE LATCH	
7	2260198		SCREW,SM,PH,FT/HD,8-18 X 1/2,TYPE B,ZN3	
8	0862953		SEALANT,SCHNEE-MOREHEAD 5522,VINYL	
9	2185148		SEALANT,UNISEAL	
10	3816626		FRAME,SIDE,SS WINDOW,RH,W/REMOVABLE	
11	3816618		FRAME,SIDE,SS WINDOW,LH,W/REMOVABLE	
12	2245777		FRAME ASSY,UPPER,35SS,STD OPG	
13	2211720		SEAL,UPPER FRAME TO LATCH RAIL,35SS	
14	3816915		RAIL,LATCH,W/REMOVABLE LATCH,S/WDO,35IN	
15/	1865823		GLASS&FRAME ASSY,SS,TNT T,35,9 OPG,	
	2205649	2	FRAME,UPPER & LOWER,35IN STORM WINDOW	
	2164663	2	FRAME,SIDE,28IN,STORM	
	1865724		GLASS,SS,DARK TINT TEMP,35,9 OPG,STORM	
	3831773		GLAZING,VINYL,SB,SS STORM	
	2194025	8	SCREW,8-18 X 3/4,AB,PH1,PAN HD,YEL ZN	
	0862953		SEALANT,SCHNEE-MOREHEAD 5522,VINYL	
15/	1865823		GLASS&FRAME ASSY,SS,TNT T,35,9 OPG,	
	2205649	2	FRAME,UPPER & LOWER,35IN STORM WINDOW	
	2164663	2	FRAME,SIDE,28IN,STORM	
	1865724		GLASS,SS,DARK TINT TEMP,35,9 OPG,STORM	
	3831773		GLAZING,VINYL,SB,SS STORM	
	2194025	8	SCREW,8-18 X 3/4,AB,PH1,PAN HD,YEL ZN	
	0862953		SEALANT,SCHNEE-MOREHEAD 5522,VINYL	



**Models:** AAFE, AARE, A1VC, A3FE, A3RE, BBCV, C1FE, GMCV, GPWB, MBWB, SBCV, TCFE, TCRE, TSFE, VCTA

**SPLIT SASH  
35 INCH WITH 9 INCH OPENING, STORM  
DARK TINT TEMPERED**

Key	PartNumber	Qty	Description	Comment
17	2211977		RAIL ASSY,LOWER,35SS	
18	2166387		RAIL,LOWER,SS,35IN	
19	2164135		CHANNEL,SLIDING,UPPER SASH	
20	2184950		SEAL,SLIDING,SPLIT SASH WINDOW	
NI	4033254	2	WASHER,SIDE WINDOW,ALUM	
NI	2000669		SCREW,1/4-14 X 3/4,TYP1,PH1,OVAL CNSK,YEL	

**Models:** AAFE, AARE, A1VC, A3FE, A3RE, B1VC, B2VC, BBCV, C1FE, GMCV, GPWB, SBCV, TCFE, TCRE, TSFE, VCTA  
**SPLIT SASH  
 GLASS, DIMENSION  
 S/S LAMINATED**

Key	PartNumber	Qty	Description	Comment
			GLASS, SPLIT SASH, LAMINATED	
	2165033		GLASS,SS,CLEAR LAM,28,9 OPG	10.87 X 25.00 X .23
	2165066		GLASS,SS,CLEAR LAM,35,9 OPG	10.87 X 32.00 X .23
	3805843		GLASS,SS,CLEAR LAM,28,12 OPG,UPPER	14.09 X 25.00 X .23
	3805934		GLASS,SS,CLEAR LAM,28,12 OPG,LOWER	13.34 X 25.00 X .23
	3806072		GLASS,SS,CLEAR LAM,35,12 OPG,UPPER	14.09 X 32.00 X .23
	3806171		GLASS,SS,CLEAR LAM,35,12 OPG,LOWER	13.34 X 32.00 X .23
	3798527		GLASS,SS,DARK TINT LAM,28,9 OPG	10.87 X 25.00 X .23
	3798568		GLASS,SS,DARK TINT LAM,35,9 OPG	10.87 X 32.00 X .23
	3805850		GLASS,SS,DRK TNT,BRNZ,LAM,28,12 OPG,	14.09 X 25.00 X .23
	3805942		GLASS,SS,DRK TNT,BRNZ,LAM,28,12 OPG,	13.34 X 25.00 X .23
	3806080		GLASS,SS,DRK TNT,BRNZ,LAM,35,12 OPG,	14.09 X 32.00 X .23
	3806189		GLASS,SS,DRK TNT,BRNZ,LAM,35,12 OPG,	13.34 X 32.00 X .23
	3800729		GLASS,SS,GREEN LAM,28,9 OPG	10.87 X 25.00 X .23
	3800737		GLASS,SS,GREEN LAM,35,9 OPG	10.87 X 32.00 X .23
	3805876		GLASS,SS,GREEN LAM,28,12 OPG,UPPER	14.09 X 25.00 X .23
	3805967		GLASS,SS,GREEN LAM,28,12 OPG,LOWER	13.34 X 25.00 X .23)
	3806098		GLASS,SS,GREEN LAM,35,12 OPG,UPPER	14.09 X 32.00 X .23
	3806197		GLASS,SS,GREEN LAM,35,12 OPG,LOWER	13.34 X 32.00 X .23

**Models:** AAFE, AARE, A1VC, A3FE, A3RE, B1VC, B2VC, BBCV, C1FE, GMCV, GPWB, SBCV, TCFE, TCRE, TSFE, VCTA

**SPLIT SASH  
GLASS, DIMENSION  
S/S TEMPERED**

**BSN:** From BSN 018805, 369412, 256959,188871

Key	PartNumber	Qty	Description	Comment
			GLASS, SS, TEMPERED	
	2165025		GLASS,SS,TEMPERED,28,.21 THK	OPTION 7290, 10.87 X 25.00 X .218. 5.5 MM,
	2265502		GLASS,SS,TEMPERED,28,.12 THK	3 MM
	2165058		GLASS,SS,TEMPERED,35	5.5 MM
	1858539		GLASS,SS,DARK TINT TEMPERED,28,9 OPG	3 MM
	1858547		GLASS,SS,DARK TINT TEMPERED,35,9 OPG	5.5 MM
	1858554		GLASS,SS,DARK TINT TEMPERED,28,12 OPG,	5.5 MM
	1858562		GLASS,SS,DARK TINT TEMPERED,28,12 OPG,	5.5 MM
	1858570		GLASS,SS,DARK TINT TEMPERED,35,12 OPG,	5.5 MM
	1858588		GLASS,SS,DARK TINT TEMPERED,35,12 OPG,	5.5 MM

**Models: AAFE, AARE, A1VC, A3FE, A3RE, B1VC, B2VC, BBCV, C1FE, GMCV, GPWB, SBCV, TCFE, TCRE, TSFE, VCTA**

**SPLIT SASH  
GLASS, DIMENSION  
S/S TEMPERED STORM**

Key	PartNumber	Qty	Description	Comment
			GLASS, SPLIT SASH, TEMPERED STORM	
	1509264		GLASS,SS,CLEAR,28 STORM,TEMP	9.81 X 23.93 X .12
	1509272		GLASS,SS,CLEAR,35 STORM	9.81 X 30.93 X .12
	1509280		GLASS,SS,CLEAR,28,12 OPG,UPPER STORM	13.03 X 23.9 X .12
	1509298		GLASS,SS,CLEAR,28,12 OPG,LOWER STORM	12.28 X 23.93 X .12
	1509306		GLASS,SS,CLEAR,35,12 OPG,UPPER STORM	13.03 X 30.93 X .12
	1509314		GLASS,SS,CLEAR,35,12 OPG,LOWER STORM	
	1865716		GLASS,SS,DARK TINT TEMP,28,9 OPG,STORM	9.81 X 23.93 X .12
	1865724		GLASS,SS,DARK TINT TEMP,35,9 OPG,STORM	9.81 X 30.93 X .12
	1865732		GLASS,SS,DARK TINT TEMP,28,12 OPG,UPR	13.03 X 23.93 X .12
	1865740		GLASS,SS,DARK TINT TEMP,28,12 OPG,LWR	12.28 X 23.93 X .12
	1865757		GLASS,SS,DARK TINT TEMP,35,12 OPG,UPR	13.03 X 30.93 X .12
	1865765		GLASS,SS,DARK TINT TEMP,35,12 OPG,LWR	12.28 X 30.93 X .12

**TCRE**      **Models:**    **AAFE, AARE, A1VC, A3FE, A3RE, C1FE, CSFE, CSRE, GMCV, MBWB, SBCV, TCFE,**  
**SPLIT SASH**  
**HEHR**  
**12 INCH**  
**With Features:**    **OPTION 3363**

Key	PartNumber	Qty	Description	Comment
			WINDOW ASSY, HEHR, 12 SS, 28 IN.	
	1743293		WINDOW ASSY,HEHR,12SS,28,CLEAR LAM 3/16	
	8300485		GLASS,HEHR WDO,28",12 S/S,3/16 CLR LAM,	GLASS ONLY,
	1743335		WINDOW ASSY,HEHR,12SS,28,CLEAR	
	1748375		WINDOW ASSY,HEHR,12SS,28,BRONZE LAM	
	8307951		GLASS, 28" WINDOW 12" S/S BRONZE,HEHR	GLASS ONLY
	0042919		WINDOW ASSY,HEHR,12SS,28,CLR,TEMPERED,	
	0046903		GLASS ONLY,12SS,28,CLR,TEMP,EMARK,UPR	GLASS ONLY,
	0046904		GLASS ONLY,12SS,28,CLR,TEMP,EMARK,LWR	GLASS ONLY
			WINDOW ASSY, HEHR, 12 SS, 28 IN. PUSHOUT	
	1748383		WINDOW ASSY,HEHR,12SS,28,P/O,TOP,	
	1748391		WINDOW ASSY,HEHR,12SS,28,P/O,LH,BRONZE	
	1748409		WINDOW ASSY,HEHR,12SS,28,P/O,RH BRONZE	
	1743301		WINDOW ASSY,HEHR,12SS,28,P/O,TOP,CLEAR	
	8300519		GLASS,HEHR WDO,28" P/O,12 S/S,3/16 CLR	GLASS ONLY
	1743319		WINDOW ASSY,HEHR,12SS,28,P/O,LH,CLEAR	
	1743327		WINDOW ASSY,HEHR,12SS,28,P/O,RH,CLEAR	
			WINDOW ASSY, HEHR, 12 SS, 35 IN.	
	1743384		WINDOW ASSY,HEHR,12SS,35,CLEAR LAM 3/16	
	8300493		GLASS,HEHR WDO,35",12 S/S,3/16 CLR LAM,	GLASS ONLY
	1743426		WINDOW ASSY,HEHR,12SS,35,CLEAR	
	1748458		WINDOW ASSY,HEHR,12SS,35,BRONZE LAM	
	0042920		WINDOW ASSY,HEHR,12SS,35,CLR,TEMPERED,	
	0046905		GLASS ONLY,12SS,35,CLR,TEMP,EMARK,UPR	GLASS ONLY
	0046906		GLASS ONLY,12SS,35,CLR,TEMP,EMARK,LWR	GLASS ONLY
			WINDOW ASSY, HEHR, 12 SS, 35 IN. PUSHOUT	
	1748466		WINDOW ASSY,HEHR,12SS,35,P/O,TOP,	
	1748474		WINDOW ASSY,HEHR,12SS,35,P/O,LH BRONZE	
	1748482		WINDOW ASSY,HEHR,12SS,35,P.O,RH BRONZE	
	1743392		WINDOW ASSY,HEHR,12SS,35,P/O,TOP,CLEAR	
	1743400		WINDOW ASSY,HEHR,12SS,35,P/O,LH,CLEAR	
	1743418		WINDOW ASSY,HEHR,12SS,35,P/O,RH,CLEAR	
	8300121		HANDLE,EGRESS BASE & HANDLE,HEHR WDO"	

**TCRE**

**Models:** AAFE, AARE, A1VC, A3FE, A3RE, C1FE, CSFE, CSRE, GMCV, MBWB, SBCV, TCFE,

**With Features:** SPLIT SASH  
HEHR  
12 INCH  
OPTION 3363

Key	PartNumber	Qty	Description	Comment
	4319869		LATCH,WINDOW,LH,SB,HEHR"	
	4319877		LATCH,WINDOW,RH,SB,HEHR"	
	8315376		LATCH BLOCK,HEHR,109-289"	
	8301723		SPRING,WINDOW LATCH,HEHR WDO,007-174"	

**TCRE**      **Models:**    **AAFE, AARE, A1VC, A3FE, A3RE, C1FE, CSFE, CSRE, GMCV, MBWB, SBCV, TCFE,**  
**SPLIT SASH**  
**HEHR**  
**9 INCH**  
**With Features:**    **OPTION 3363**

Key	PartNumber	Qty	Description	Comment
			WINDOW ASSY., HEHR, 9 SS, 28 IN.	
	1743061		WINDOW ASSY,HEHR,9SS,28,CLEAR TEMPERED	
	1743103		WINDOW ASSY,HEHR,9SS,28,CLEAR LAM 3/16	
	1743145		WINDOW ASSY,HEHR,9SS,28,CLEAR	
	1748334		WINDOW ASSY,HEHR,9SS,28,BRONZE LAM	
	0022449		LATCH RAIL,28",HEHR,1748334	
	4328241		GLASS,HEHR WDO. 28" UPPER/LOWER TINTED	GLASS ONLY,
			WINDOW ASSY., HEHR, 9 SS, 28 IN. PUSHOUT	
	1748342		WINDOW ASSY,HEHR,9SS,28,P/O,TOP,BRONZE	
	0051273		GLASS,28,UPPER,TINTED,9X22 (VENT) HEHR	VENT
	0051274		GLASS,28,LOWER,TINTED,9X22 HEHR	STATIONARY
	1748359		WINDOW ASSY,HEHR,9SS,28,P/O,LH,BRONZE	
	1748367		WINDOW ASSY,HEHR,9SS,28,P/O,RH,BRONZE	
	1743111		WINDOW ASSY,HEHR,9SS,28,P/O,TOP,CLEAR	
	1743129		WINDOW ASSY,HEHR,9SS,28,P/O,LH,CLEAR	
	1743137		WINDOW ASSY,HEHR,9SS,28,P/O,RH,CLEAR	
			WINDOW ASSY., HEHR, 9 SS, 35 IN.	
	1743152		WINDOW ASSY,HEHR,9SS,35,CLEAR TEMPERED	
	1743194		WINDOW ASSY,HEHR,9SS,35,CLEAR LAM 3/16	
	1743236		WINDOW ASSY,HEHR,9SS,35,CLEAR	
	1748417		WINDOW ASSY,HEHR,9SS,35 BRONZE LAM	
	0022448		LATCH RAIL,35",HEHR,1748417	
			WINDOW ASSY., HEHR, 9 SS, 35 IN. PUSHOUT	
	1748425		WINDOW ASSY,HEHR,9SS,35,P/O,TOP,BRONZE	
	1748433		WINDOW ASSY,HEHR,9SS,35,P/O,LH,BRONZE	
	1748441		WINDOW ASSY,HEHR,9SS,35,P/O,RH,BRONZE	
	1743202		WINDOW ASSY,HEHR,9SS,35,P/O,TOP,CLEAR	
	1743210		WINDOW ASSY,HEHR,9SS,35,P/O,LH,CLEAR	
	8315350		GLASS,28,HEHR,9" STAT,LOWER 1743211	GLASS ONLY
	8315368		GLASS,28",HEHR,9" OPEN UPPER 1743211	GLASS ONLY
	1743228		WINDOW ASSY,HEHR,9SS,35,P/O,RH,CLEAR	

Models:  
SBCV, TCFE, TCRE


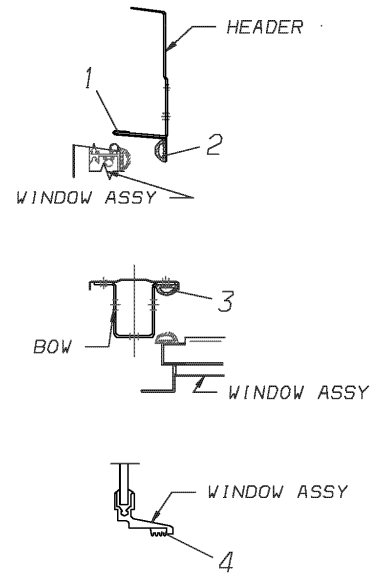
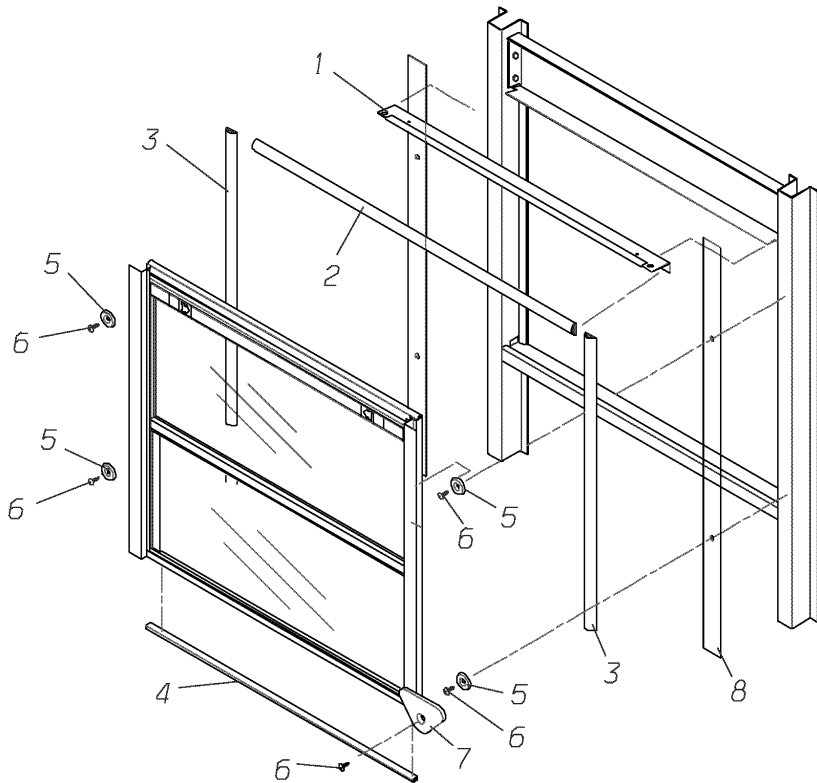
AAFE, AARE, A1VC, A3FE, A3RE, B1VC, B2VC, C1FE, CSFE, CSRE, GMCV, MBWB,

With Features:  
SPLIT SASH  
HEHR INSTALLATION  
OPTION 3363

Key	PartNumber	Qty	Description	Comment
-----	------------	-----	-------------	---------

DR. 10/01/02 BY TFM				
APP.	BY	FRT	1748508	F REV

© BLUE BIRD BODY COMPANY. ALL RIGHTS RESERVED



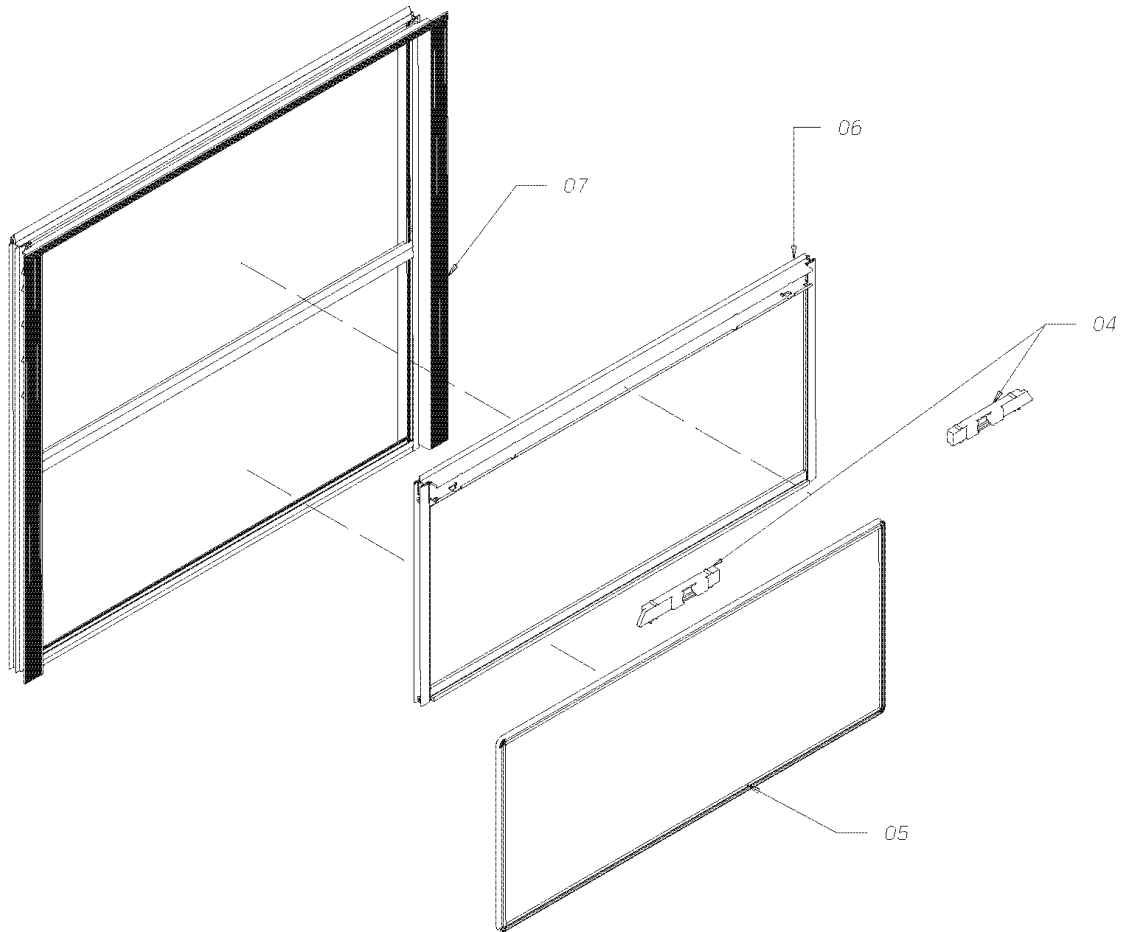
**Models:** AAFE, AARE, A1VC, A3FE, A3RE, B1VC, B2VC, C1FE, CSFE, CSRE, GMCV, MBWB, SBCV, TCFE, TCRE

**With Features:** SPLIT SASH  
HEHR INSTALLATION  
OPTION 3363

Key	PartNumber	Qty	Description	Comment
1			TRIM, CLOSE-OUT, HEADER, HEHR WINDOWS	
	1746122		TRIM,CLOSE-OUT,HEADER,HEHR WINDOWS,28	
	1746130		TRIM,CLOSE-OUT,HEADER,HEHR WINDOWS,35	
	0048051		TRIM,CLOSE-OUT,HEADER,HEHR WDO,28,	
	0048050		TRIM,CLOSE-OUT,HEADER,HEHR WDO,35,	
2			TOP SEAL, HEHR WINDOWS	
	1749761		SEAL, TOP, 28.00, HEHR WINDOWS	
	1749779		SEAL, TOP, 35.00, HEHR WINDOWS	
3			SEAL, SIDE, VERTICAL, HEHR WINDOWS	
	1749746		SEAL, SIDE, VERTICAL, 9SS, HEHR WINDOWS	
	1749753		SEAL, SIDE, VERTICAL, 12SS, HEHR WINDOWS	
4			LOWER SEAL	
	1748524		SEAL, BOTTOM, 28.00, HEHR WINDOW	
	1748532		SEAL, BOTTOM, 35.00, HEHR WINDOW	
5	1777242		WASHER, MOUNTING, SIDE WINDOW, BLACK	
6	1777259		SCREW, 14 X 3/4, PH, OVAL, CS, TYPE AB, BLK ZC	
7	1797356		WASHER, SIDE WINDOW, LOWER, BLACK	
			TRIM, HEHR WINDOW	
	1980747		TRIM, HEHR WINDOW, 9" SS	
	1980754		TRIM, HEHR WINDOW, 12" SS	

Models: A1VC, B1VC, B2VC, A3FE, A3RE, BBCV, SBCV  
SPLIT SASH  
SPECTAL  
WINDOW STOPS

Key	PartNumber	Qty	Description	Comment
-----	------------	-----	-------------	---------

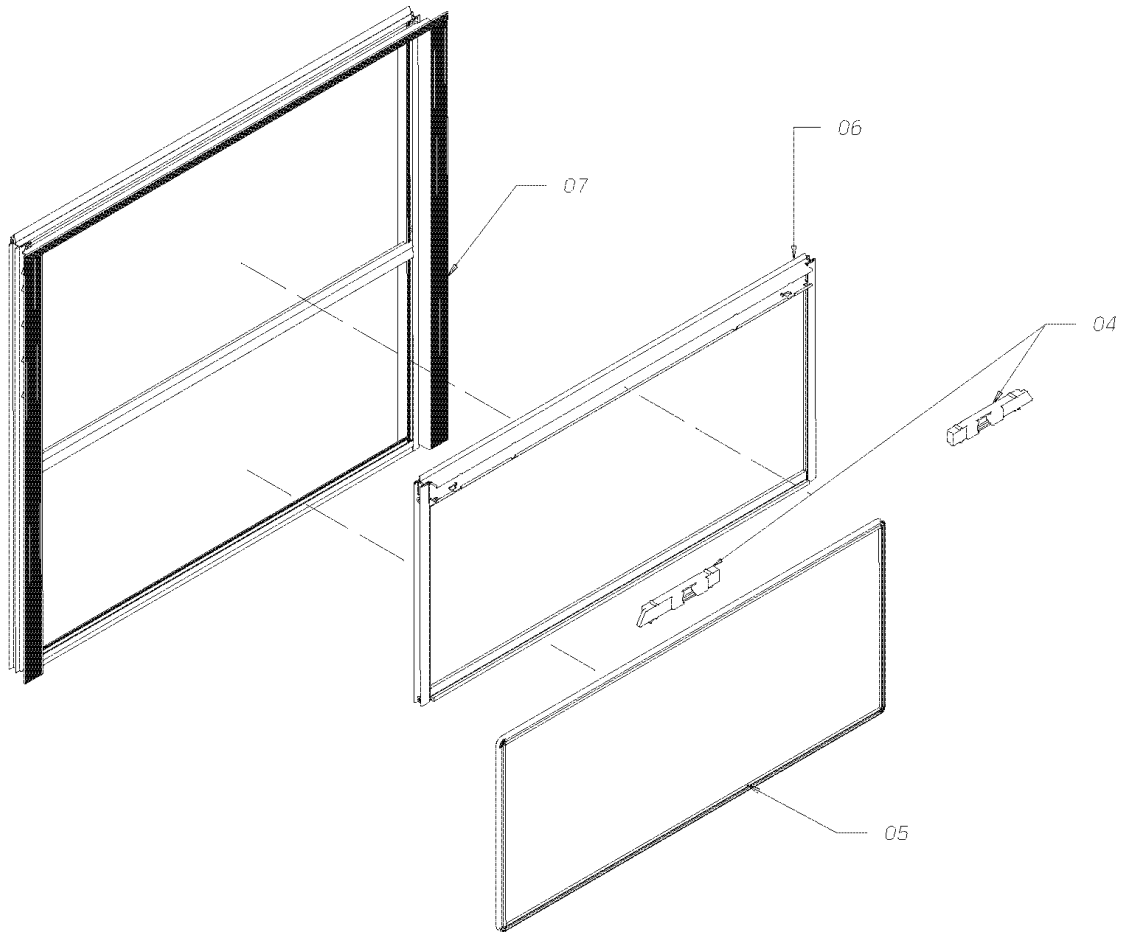


**Models:** **A1VC, B1VC, B2VC, A3FE, A3RE, BBCV, SBCV**  
**SPLIT SASH**  
**SPECTAL**  
**WINDOW STOPS**

Key	PartNumber	Qty	Description	Comment
			STOP, WINDOW SPLIT SASH	
	0098833		STOP,WINDOW,SPLIT SASH,3.50 OPENING,	<i>3.50 OPENING, FEATURE 30010-01</i>
	0098834		STOP,WINDOW,SPLIT SASH,5IN OPENING,	<i>5" OPENING, FEATURE 30010-02</i>
	0098835		STOP,WINDOW,SPLIT SASH,7IN OPENING,	<i>7" OPENING, FEATURE 30010-03</i>
	0098836		STOP,WINDOW,SPLIT SASH,9IN OPENING,	<i>9" OPENING, FEATURE 30010-04</i>

Models: A1VC, B1VC, B2VC, A3FE, A3RE, BBCV, SBCV  
SPLIT SASH  
SPECTAL, ALUMINUM FRAME  
28 INCH WITH 12 INCH OPENING

Key	PartNumber	Qty	Description	Comment
-----	------------	-----	-------------	---------



**Models:** A1VC, B1VC, B2VC, A3FE, A3RE, BBCV, SBCV  
**SPLIT SASH**  
**SPECTAL, ALUMINUM FRAME**  
**28 INCH WITH 12 INCH OPENING**

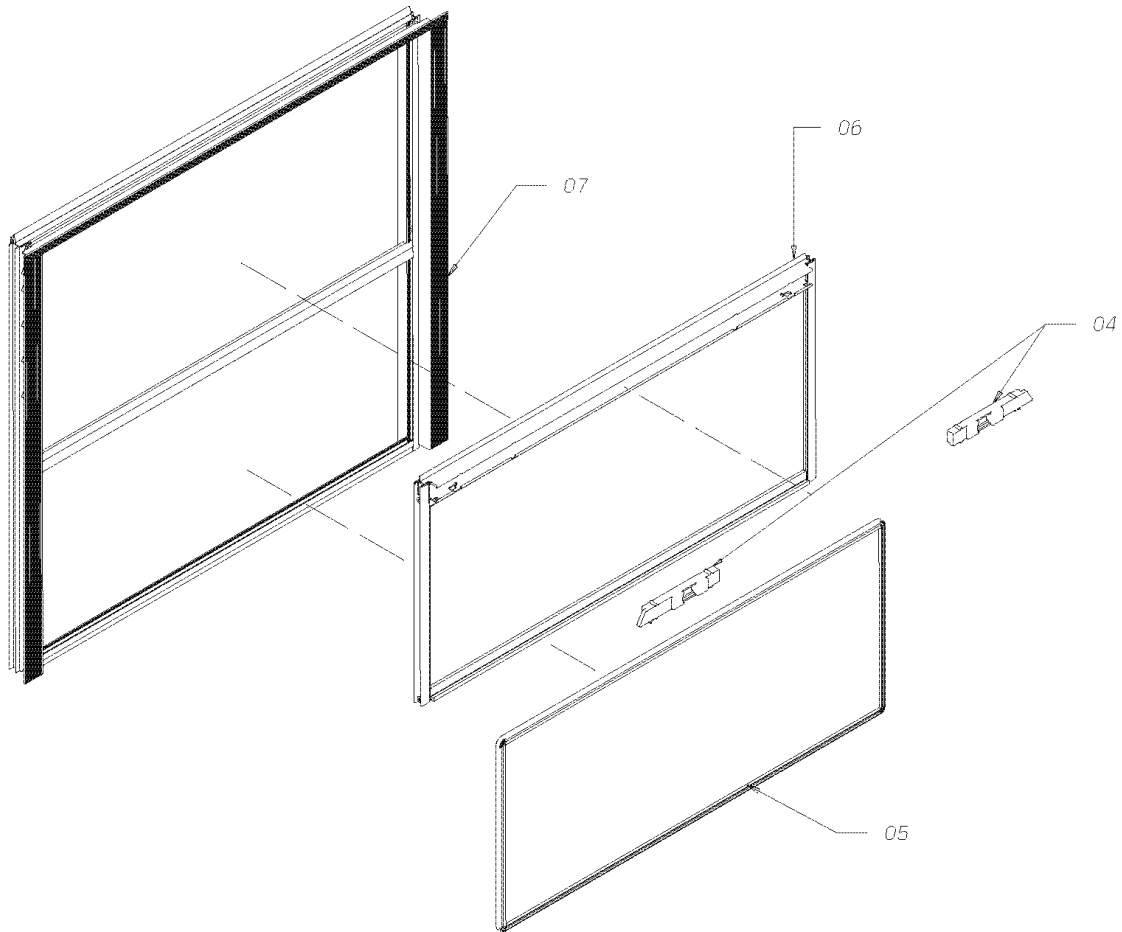
Key	PartNumber	Qty	Description	Comment
	0093400		WINDOW ASSY,28,12SS,CLR TEMP,SPECTAL	CONSISTS OF THE FOLLOWING
4	0097143		KIT,PASS WDO,SLIDER LOCK KIT	
5	0097159		KIT,PASS WDO,BTM GLASS,CLEAR,TEMP,	
6	0097214		KIT,PASS WDO,SLIDER,CLEAR,TEMP,	
7	0097274		KIT,PASS WDO,FRAME, ALUM,28/12	
	0093401		WINDOW ASSY,28,12SS,CLR LAM,SPECTAL	CONSISTS OF THE FOLLOWING
4	0097143		KIT,PASS WDO,SLIDER LOCK KIT	
5	0097160		KIT,PASS WDO,BTM GLASS,CLEAR,LAM,	
6	0097214		KIT,PASS WDO,SLIDER,CLEAR,TEMP,	
7	0097274		KIT,PASS WDO,FRAME, ALUM,28/12	
	0093402		WINDOW ASSY,28,12SS,CLR STORM,TEMP,	CONSISTS OF THE FOLLOWING
4	0097143		KIT,PASS WDO,SLIDER LOCK KIT	
5	0097161		KIT,PASS WDO,BTM GLASS,CLEAR,THRML,	
6	0097217		KIT,PASS WDO,SLIDER,CLEAR,THRML,	
7	0097274		KIT,PASS WDO,FRAME, ALUM,28/12	
	0093403		WINDOW ASSY,28,12SS,TINT TEMP,SPECTAL"	CONSISTS OF THE FOLLOWING
4	0097143		KIT,PASS WDO,SLIDER LOCK KIT	
5	0097162		KIT,PASS WDO,BTM GLASS,TINT,TEMP,	
6	0097218		KIT,PASS WDO,SLIDER,TINT,TEMPER,	
7	0097274		KIT,PASS WDO,FRAME, ALUM,28/12	
	0093404		WINDOW ASSY,28,12SS,TINT LAM,SPECTAL	CONSISTS OF THE FOLLOWING
4	0097143		KIT,PASS WDO,SLIDER LOCK KIT	
5	0097163		KIT,PASS WDO,BTM GLASS,TINT,LAM,	
6	0097219		KIT,PASS WDO,SLIDER,TINT,LAM,ALUM,28/12	
7	0097274		KIT,PASS WDO,FRAME, ALUM,28/12	
	0093405		WINDOW ASSY,28,12SS,TINT STORM,TEMP,	
4	0097143		KIT,PASS WDO,SLIDER LOCK KIT	
5	0097164		KIT,PASS WDO,BTM GLASS,TINT,THRML,	
6	0097220		KIT,PASS WDO,SLIDER,TINT,THRML,	
7	0097274		KIT,PASS WDO,FRAME, ALUM,28/12	
	0093642		WINDOW ASSY,28,12SS,CLR STORM,LAMI,	CONSISTS OF THE FOLLOWING
4	0097143		KIT,PASS WDO,SLIDER LOCK KIT	
5	0097178		KIT,PASS WDO,BTM GLASS,CLEAR,THRML/LAM,	

**Models:** A1VC, B1VC, B2VC, A3FE, A3RE, BBCV, SBCV  
SPLIT SASH  
SPECTAL, ALUMINUM FRAME  
28 INCH WITH 12 INCH OPENING

Key	PartNumber	Qty	Description	Comment
6	0097234		KIT,PASS WDO,SLIDER,CLEAR,THRML/LAM.	
7	0097274		KIT,PASS WDO,FRAME, ALUM,28/12	

Models: A1VC, B1VC, B2VC, A3FE, A3RE, BBCV, SBCV  
SPLIT SASH  
SPECTAL, ALUMINUM FRAME  
28 INCH WITH 9 INCH OPENING

Key	PartNumber	Qty	Description	Comment
-----	------------	-----	-------------	---------



**Models:** A1VC, B1VC, B2VC, A3FE, A3RE, BBCV, SBCV  
**SPLIT SASH  
 SPECTAL, ALUMINUM FRAME  
 28 INCH WITH 9 INCH OPENING**

Key	PartNumber	Qty	Description	Comment
	0093394		WINDOW ASSY,28,9SS,CLR TEMP,SPECTAL	<i>CONSISTS OF THE FOLLOWING</i>
4	0097143		KIT,PASS WDO,SLIDER LOCK KIT	
5	0097144		KIT,PASS WDO,BTM GLASS,CLEAR,TEMP,28/9	
6	0097208		KIT,PASS WDO,SLIDER,CLEAR,TEMPER,	
7	0097273		KIT,PASS WDO,FRAME,ALUM,28/9	
	0093395		WINDOW ASSY,28,9SS,CLR LAM,SPECTAL	<i>CONSISTS OF THE FOLLOWING</i>
4	0097143		KIT,PASS WDO,SLIDER LOCK KIT	
5	0097145		KIT,PASS WDO,BTM GLASS,CLEAR,LAM,	
6	0097209		KIT,PASS WDO,SLIDER,CLEAR,LAM,ALUM,28/9	
7	0097273		KIT,PASS WDO,FRAME,ALUM,28/9	
	0093396		WINDOW ASSY,28,9SS,CLR STORM,TEMP,	<i>CONSISTS OF</i>
4	0097143		KIT,PASS WDO,SLIDER LOCK KIT	
5	0102684		KIT,WINDOW,BOTTOM GLASS,CLEAR TEMP,SS	
6	0097210		KIT,PASS WDO,SLIDER,CLEAR,THRML,	
7	0097273		KIT,PASS WDO,FRAME,ALUM,28/9	
	0093397		WINDOW ASSY,28,9SS,TINT TEMP,SPECTAL	<i>CONSISTS OF THE FOLLOWING</i>
4	0097143		KIT,PASS WDO,SLIDER LOCK KIT	
5	0097147		KIT,PASS WDO,BTM GLASS,TINT,TEMP,	
6	0097211		KIT,PASS WDO,SLIDER,TINT,TEMP,ALUM,28/9	
7	0097273		KIT,PASS WDO,FRAME,ALUM,28/9	
	0105062		KIT,SEAL,DRIVER TOOL,2731T1,MERITOR	
	0093398		WINDOW ASSY,28,9SS,TINT LAM,SPECTAL	<i>CONSISTS OF THE FOLLOWING</i>
4	0097143		KIT,PASS WDO,SLIDER LOCK KIT	
5	0097148		KIT,PASS WDO,BTM GLASS,TINT,LAM,	
6	0097212		KIT,PASS WDO,SLIDER,TINT,LAM,ALUM,28/9	
7	0097273		KIT,PASS WDO,FRAME,ALUM,28/9	
	0093399		WINDOW ASSY,28,9SS,TINT STORM,TEMP,	<i>CONSISTS OF THE FOLLOWING</i>
4	0097143		KIT,PASS WDO,SLIDER LOCK KIT	
5	0097158		KIT,PASS WDO,BTM GLASS,TINT,THRML.	
6	0097213		KIT,PASS WDO,SLIDER,TINT,THRML,ALUM,28/9	
7	0097273		KIT,PASS WDO,FRAME,ALUM,28/9	
	0093641		WINDOW ASSY,28,9SS,CLR STORM,LAMI,	
4	0097143		KIT,PASS WDO,SLIDER LOCK KIT	

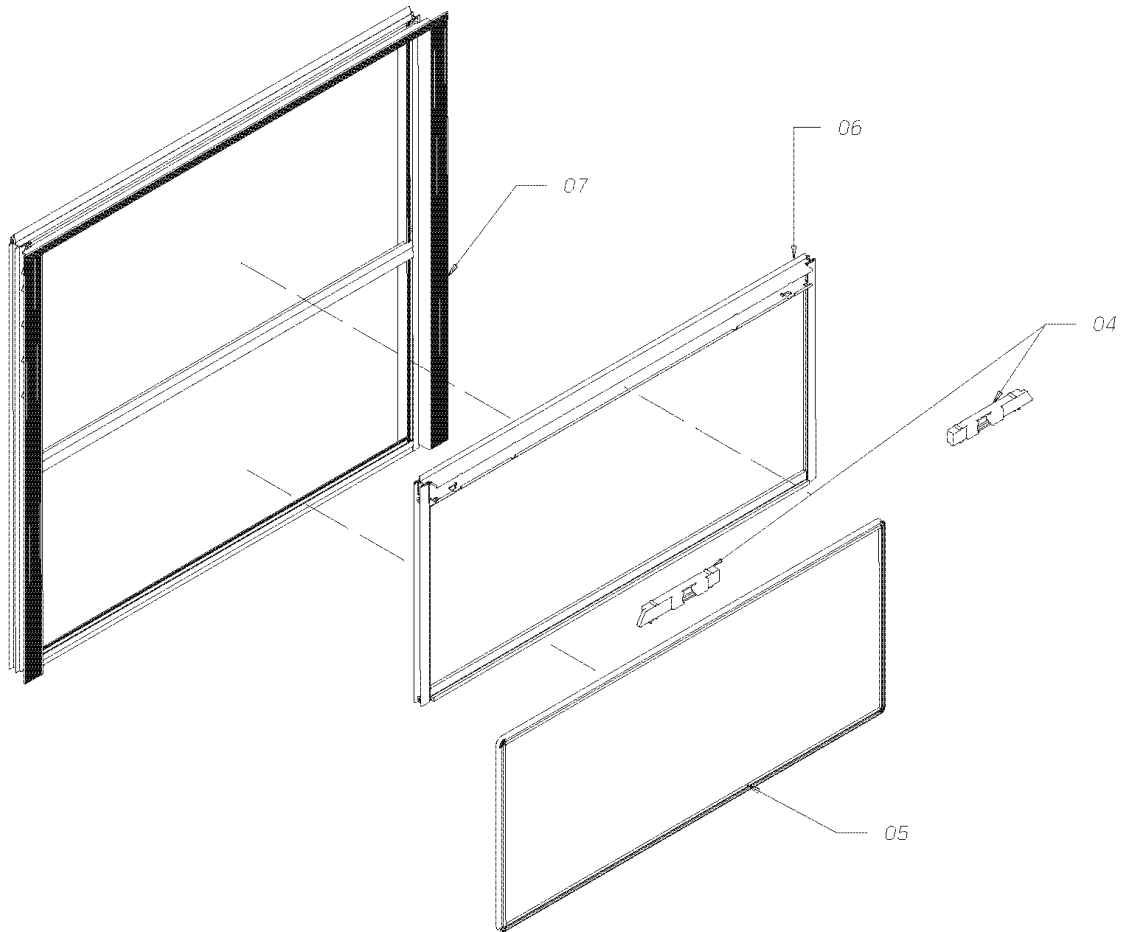


**Models:** A1VC, B1VC, B2VC, A3FE, A3RE, BBCV, SBCV  
SPLIT SASH  
SPECTAL, ALUMINUM FRAME  
28 INCH WITH 9 INCH OPENING

Key	PartNumber	Qty	Description	Comment
5	0097177		KIT,PASS WDO,BTM GLASS,CLEAR,THRML/LAM,	
6	0097233		KIT,PASS WDO,SLIDER,TINT,THRML/LAM,	
7	0097273		KIT,PASS WDO,FRAME,ALUM,28/9	

Models: A1VC, B1VC, B2VC, A3FE, A3RE, BBCV, SBCV  
SPLIT SASH  
SPECTAL, ALUMINUM FRAME  
35 INCH WITH 12 INCH OPENING

Key	PartNumber	Qty	Description	Comment
-----	------------	-----	-------------	---------



**Models:** A1VC, B1VC, B2VC, A3FE, A3RE, BBCV, SBCV  
**SPLIT SASH**  
**SPECTAL, ALUMINUM FRAME**  
**35 INCH WITH 12 INCH OPENING**

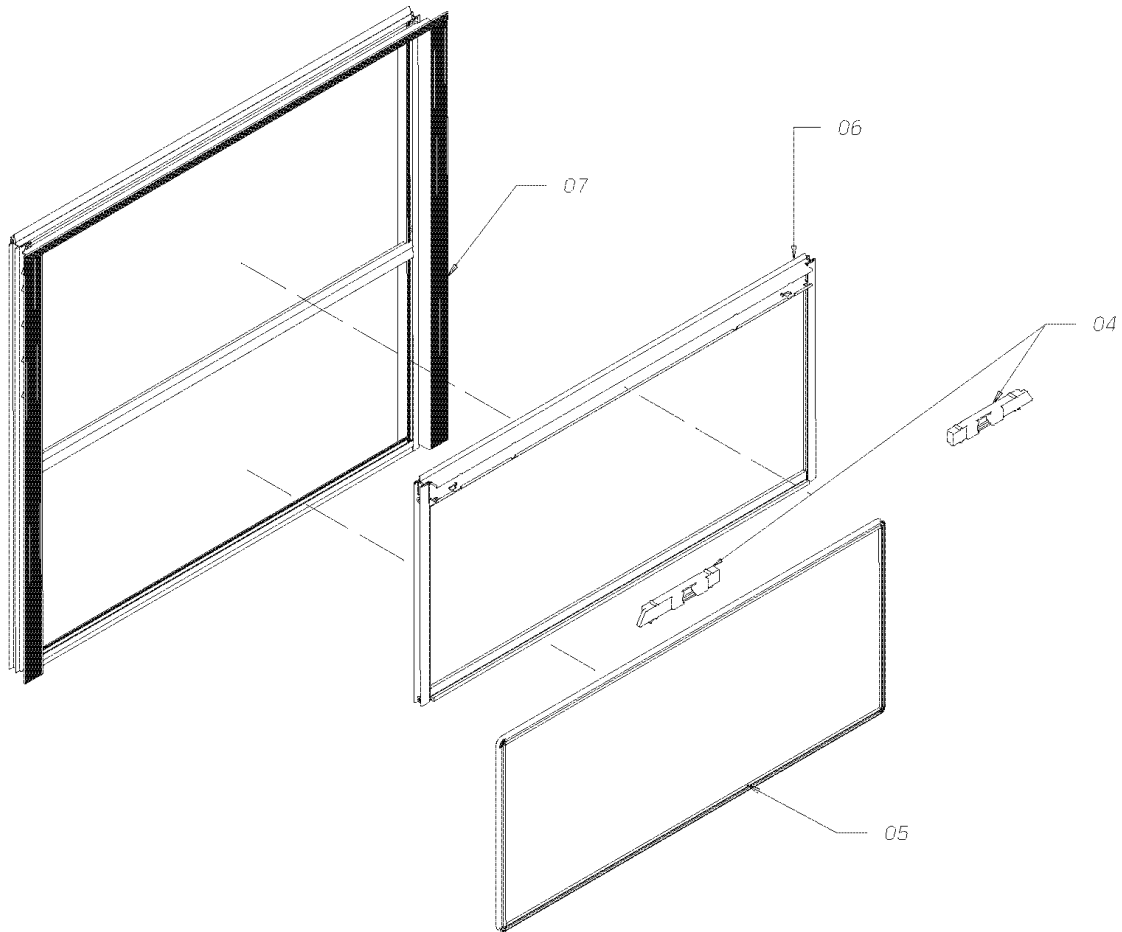
Key	PartNumber	Qty	Description	Comment
	0093412		WINDOW ASSY,35,12SS,CLR TEMP,SPECTAL	<i>CONSISTS OF THE FOLLOWING</i>
4	0097143		KIT,PASS WDO,SLIDER LOCK KIT	
5	0097171		KIT,PASS WDO,BTM GLASS,CLEAR,TEMPER,	
6	0097227		KIT,PASS WDO,SLIDER,CLEAR,TEMP,	
7	0097276		KIT,PASS WDO,FRAME,ALUM,35/12	
	0093414	(C	WINDOW ASSY,35,12SS,CLR LAM,SPECTAL	<i>CONSISTS OF THE FOLLOWING</i>
4	0097143		KIT,PASS WDO,SLIDER LOCK KIT	
5	0097172		KIT,PASS WDO,BTM GLASS,CLEAR,LAM,	
6	0097228		KIT,PASS WDO,SLIDER,CLEAR,LAM,ALUM,35/12	
7	0097276		KIT,PASS WDO,FRAME,ALUM,35/12	
	0093415		WINDOW ASSY,35,12SS,CLR STORM,TEMP,	<i>CONSISTS OF THE FOLLOWING</i>
4	0097143		KIT,PASS WDO,SLIDER LOCK KIT	
5	0097173		KIT,PASS WDO,BTM GLASS,CLEAR,THRML,	
6	0097229		KIT,PASS WDO,SLIDER,CLEAR,THRML,	
7	0097276		KIT,PASS WDO,FRAME,ALUM,35/12	
	0093416		WINDOW ASSY,35,12SS,TINT TEMP,SPECTAL	<i>CONSISTS OF THE FOLLOWING</i>
4	0097143		KIT,PASS WDO,SLIDER LOCK KIT	
5	0097174		KIT,PASS WDO,BTM GLASS,TINT,TEMP,	
6	0097230		KIT,PASS WDO,SLIDER,TINT,TEMPER,	
7	0097276		KIT,PASS WDO,FRAME,ALUM,35/12	
	0093417		WINDOW ASSY,35,12SS,TINT LAM,SPECTAL	<i>CONSISTS OF THE FOLLOWING</i>
4	0097143		KIT,PASS WDO,SLIDER LOCK KIT	
5	0097175		KIT,PASS WDO,BTM GLASS,TINT,LAM,	
6	0097231		KIT,PASS WDO,SLIDER,TINT,LAM,ALUM,35/12	
7	0097276		KIT,PASS WDO,FRAME,ALUM,35/12	
	0093418		WINDOW ASSY,35,12SS,TINT STORM,TEMP,	<i>CONSISTS OF THE FOLLOWING</i>
4	0097143		KIT,PASS WDO,SLIDER LOCK KIT	
5	0097176		KIT,PASS WDO,BTM GLASS,TINT,THRML,	
6	0097232		KIT,PASS WDO,SLIDER,TINT,THRML,	
7	0097276		KIT,PASS WDO,FRAME,ALUM,35/12	
	0093644		WINDOW ASSY,35,12SS,CLR STORM,LAMI,	
4	0097143		KIT,PASS WDO,SLIDER LOCK KIT	
5	0097180		KIT,PASS WDO,BTM GLASS,CLEAR,THRML/LAM.	

**Models:** A1VC, B1VC, B2VC, A3FE, A3RE, BBCV, SBCV  
SPLIT SASH  
SPECTAL, ALUMINUM FRAME  
35 INCH WITH 12 INCH OPENING

Key	PartNumber	Qty	Description	Comment
6	0097236		KIT,PASS WDO,SLIDER,CLEAR,THRML/LAM,	
7	0097276		KIT,PASS WDO,FRAME,ALUM,35/12	

Models: A1VC, B1VC, B2VC, A3FE, A3RE, BBCV, SBCV  
SPLIT SASH  
SPECTAL, ALUMINUM FRAME  
35 INCH WITH 9 INCH OPENING

Key	PartNumber	Qty	Description	Comment
-----	------------	-----	-------------	---------



**Models:** A1VC, B1VC, B2VC, A3FE, A3RE, BBCV, SBCV  
**SPLIT SASH**  
**SPECTAL, ALUMINUM FRAME**  
**35 INCH WITH 9 INCH OPENING**

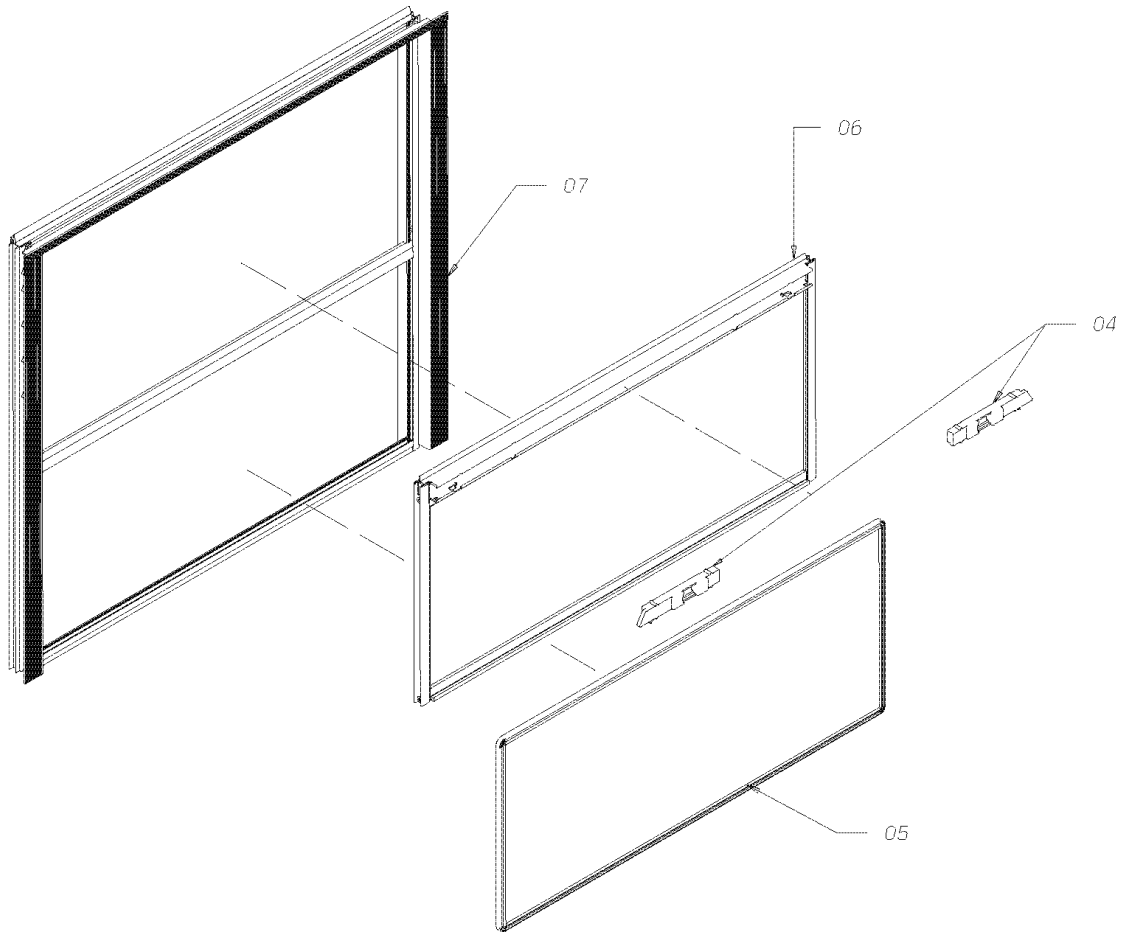
Key	PartNumber	Qty	Description	Comment
	0093406		WINDOW ASSY,35,9SS,CLR TEMP,SPECTAL	<i>CONSISTS OF THE FOLLOWING</i>
4	0097143		KIT,PASS WDO,SLIDER LOCK KIT	
5	0097165		KIT,PASS WDO,BTM GLASS,CLEAR,TEMP,	
6	0097221		KIT,PASS WDO,SLIDER,CLEAR,TEMP,ALUM,35/9	
7	0097275		KIT,PASS WDO,FRAME, ALUM,35/9	
	0093407		WINDOW ASSY,35,9SS,CLR LAM,SPECTAL	<i>CONSISTS OF THE FOLLOWING</i>
4	0097143		KIT,PASS WDO,SLIDER LOCK KIT	
5	0097166		KIT,PASS WDO,BTM GLASS,CLEAR,LAM,	
6	0097222		KIT,PASS WDO,SLIDER,CLEAR,LAM,ALUM,35/9	
7	0097275		KIT,PASS WDO,FRAME, ALUM,35/9	
	0093408		WINDOW ASSY,35,9SS,CLR STORM,TEMP,	
4	0097143		KIT,PASS WDO,SLIDER LOCK KIT	
5	0097167		KIT,PASS WDO,BTM GLASS,CLEAR,THRML,	
6	0097223		KIT,PASS WDO,SLIDER,CLEAR,THRML,	
7	0097275		KIT,PASS WDO,FRAME, ALUM,35/9	
	0093409		WINDOW ASSY,35,9SS,TINT TEMP,SPECTAL	<i>CONSISTS OF THE FOLLOWING</i>
4	0097143		KIT,PASS WDO,SLIDER LOCK KIT	
5	0097168		KIT,PASS WDO,BTM GLASS,TINT,TEMP,	
6	0097224		KIT,PASS WDO,SLIDER,TINT,TEMP,ALUM,35/9	
7	0097275		KIT,PASS WDO,FRAME, ALUM,35/9	
	0093410		WINDOW ASSY,35,9SS,TINT LAM,SPECTAL	<i>CONSISTS OF THE FOLLOWING</i>
4	0097143		KIT,PASS WDO,SLIDER LOCK KIT	
5	0097169		KIT,PASS WDO,BTM GLASS,TINT,LAM,	
6	0097225		KIT,PASS WDO,SLIDER,TINT,LAM,ALUM,35/9	
7	0097275		KIT,PASS WDO,FRAME, ALUM,35/9	
	0093411		WINDOW ASSY,35,9SS,TINT STORM,TEMP,	
4	0097143		KIT,PASS WDO,SLIDER LOCK KIT	
5	0097170		KIT,PASS WDO,BTM GLASS,TINT,THRML,	
6	0097226		KIT,PASS WDO,SLIDER,TINT,THRML,ALUM,35/9	
7	0097275		KIT,PASS WDO,FRAME, ALUM,35/9	
	0093643		WINDOW ASSY,35,9SS,CLR STORM,LAMI,	<i>CONSISTS OF THE FOLLOWING</i>
4	0097143		KIT,PASS WDO,SLIDER LOCK KIT	
5	0097179		KIT,PASS WDO,BTM GLASS,CLEAR,THRML/LAM,	

**Models:** A1VC, B1VC, B2VC, A3FE, A3RE, BBCV, SBCV  
SPLIT SASH  
SPECTAL, ALUMINUM FRAME  
35 INCH WITH 9 INCH OPENING

Key	PartNumber	Qty	Description	Comment
6	0097235		KIT,PASS WDO,CLEAR,THRML/LAM,ALUM,35/9	
7	0097275		KIT,PASS WDO,FRAME, ALUM,35/9	

Models: A1VC, B1VC, B2VC, A3FE, A3RE, BBCV, SBCV  
SPLIT SASH  
SPECTAL, BLACK FRAME  
28 INCH WITH 12 INCH OPENING

Key	PartNumber	Qty	Description	Comment
-----	------------	-----	-------------	---------



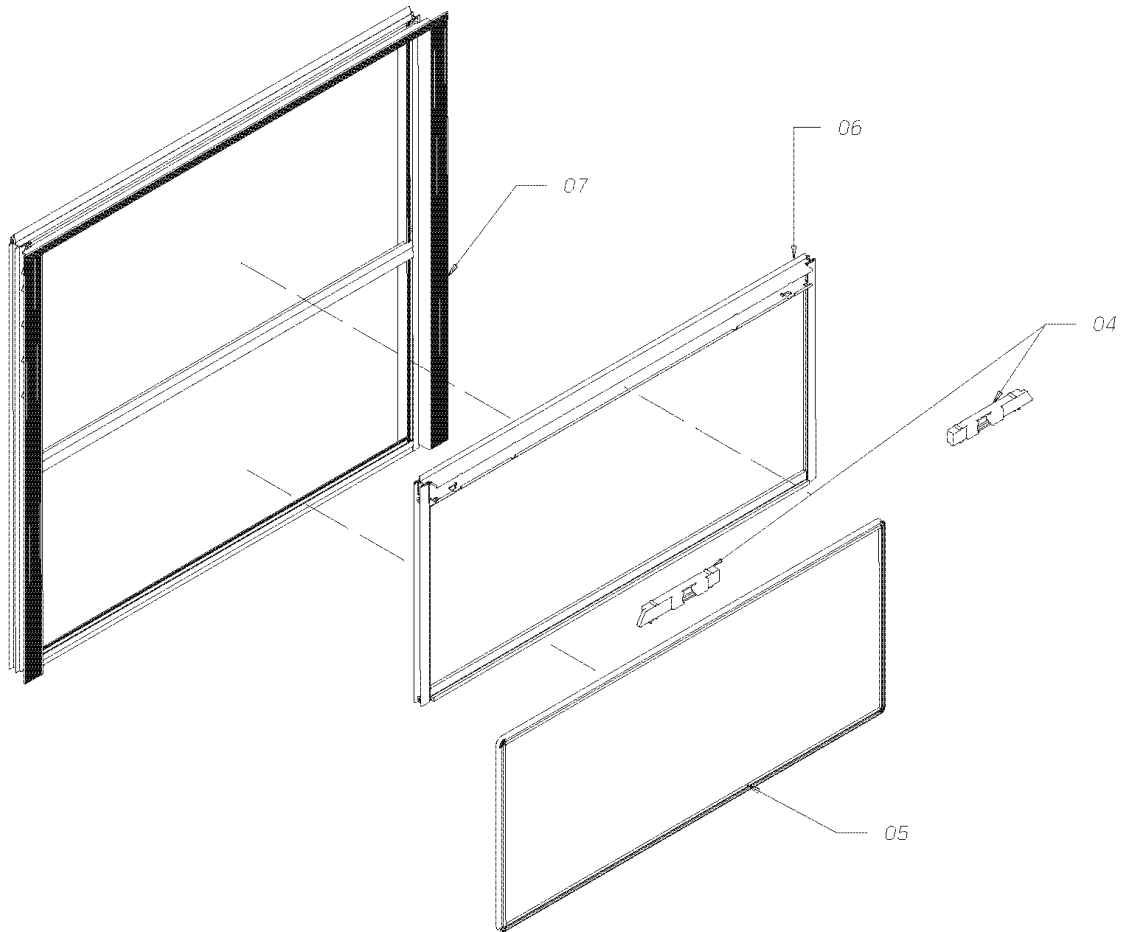


**Models:** **A1VC, B1VC, B2VC, A3FE, A3RE, BBCV, SBCV**  
**SPLIT SASH**  
**SPECTAL, BLACK FRAME**  
**28 INCH WITH 12 INCH OPENING**

Key	PartNumber	Qty	Description	Comment
	0080589		WINDOW ASSY,28,12SS,CLR TEMP,BLK,	<i>CONSISTS OF THE FOLLOWING</i>
4	0097143		KIT,PASS WDO,SLIDER LOCK KIT	
5	0097159		KIT,PASS WDO,BTM GLASS,CLEAR,TEMP,	
6	0097190		KIT,PASS WDO,SLIDER,CLEAR,TEMPER,	
7	0097269		KIT,PASS WDO,FRAME,BLACK,28/12	
	0080590		WINDOW ASSY,28,12SS,CLR LAM,BLK,SPECTAL	<i>CONSISTS OF THE FOLLOWING</i>
4	0097143		KIT,PASS WDO,SLIDER LOCK KIT	
5	0097160		KIT,PASS WDO,BTM GLASS,CLEAR,LAM,	
6	0097191		KIT,PASS WDO,SLIDER,CLEAR,LAM,	
7	0097269		KIT,PASS WDO,FRAME,BLACK,28/12	
	0080591		WINDOW ASSY,28,12SS,CLR STORM,BLK,TEMP,	<i>CONSISTS OF THE FOLLOWING</i>
4	0097143		KIT,PASS WDO,SLIDER LOCK KIT	
5	0097161		KIT,PASS WDO,BTM GLASS,CLEAR,THRML,	
6	0097192		KIT,PASS WDO,SLIDER,CLEAR,THRML,	
7	0097269		KIT,PASS WDO,FRAME,BLACK,28/12	
	0080592		WINDOW ASSY,28,12SS,TINT TEMP,BLK,	<i>CONSISTS OF THE FOLLOWING</i>
4	0097143		KIT,PASS WDO,SLIDER LOCK KIT	
5	0097162		KIT,PASS WDO,BTM GLASS,TINT,TEMP,	
6	0097193		KIT,PASS WDO,SLIDER,TINT,TEMP,BLACK,28/12	
7	0097269		KIT,PASS WDO,FRAME,BLACK,28/12	
	0080593		WINDOW ASSY,28,12SS,TINT LAM,BLK,	<i>CONSISTS OF THE FOLLOWING</i>
4	0097143		KIT,PASS WDO,SLIDER LOCK KIT	
5	0097163		KIT,PASS WDO,BTM GLASS,TINT,LAM,	
6	0097194		KIT,PASS WDO,SLIDER,TINT,LAM,BLACK,28/12	
7	0097269		KIT,PASS WDO,FRAME,BLACK,28/12	
	0080594		WINDOW ASSY,28,12SS,TINT STORM,BLK,	<i>CONSISTS OF THE FOLLOWING</i>
4	0097143		KIT,PASS WDO,SLIDER LOCK KIT	
5	0097164		KIT,PASS WDO,BTM GLASS,TINT,THRML,	
6	0097195		KIT,PASS WDO,SLIDER,TINT,THRML,	
7	0097269		KIT,PASS WDO,FRAME,BLACK,28/12	

Models: A1VC, B1VC, B2VC, A3FE, A3RE, BBCV, SBCV  
SPLIT SASH  
SPECTAL, BLACK FRAME  
28 INCH WITH 9 INCH OPENING

Key	PartNumber	Qty	Description	Comment
-----	------------	-----	-------------	---------

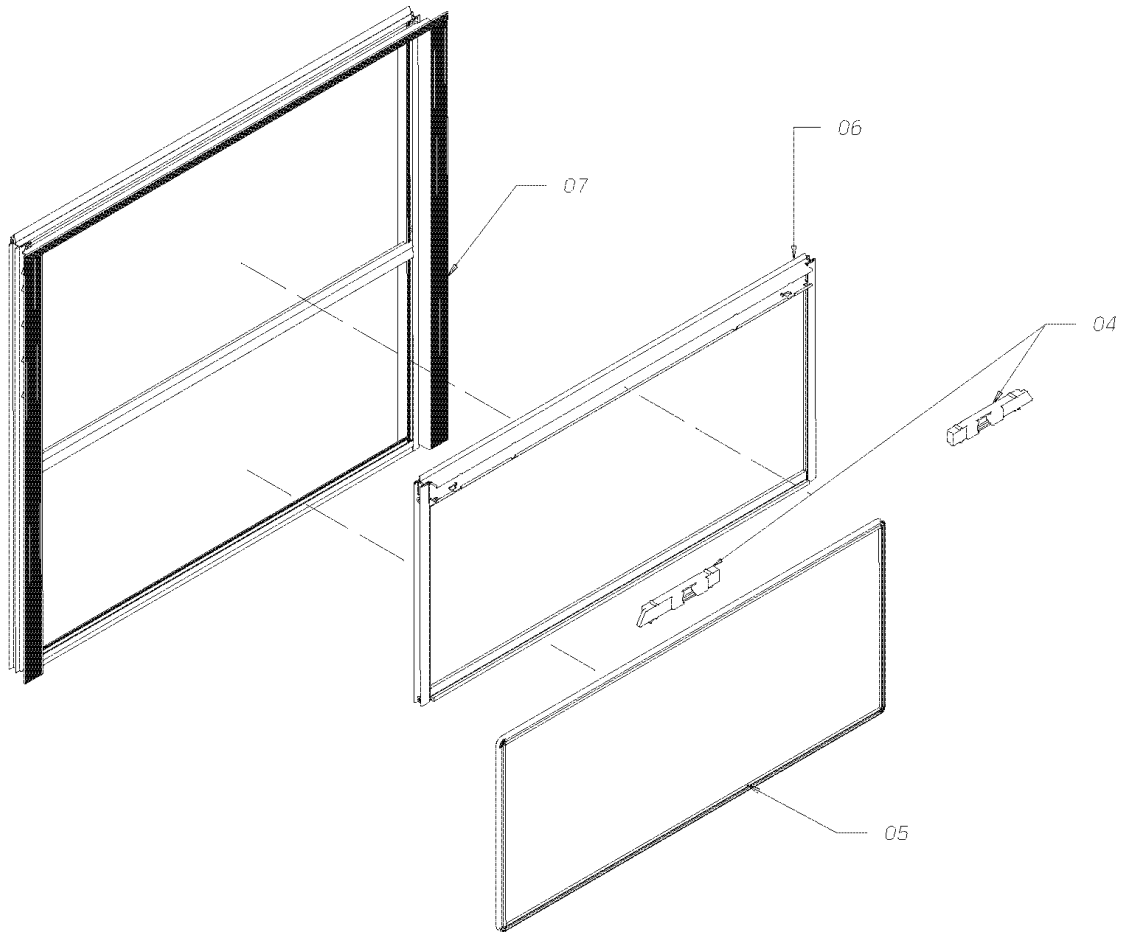


**Models: A1VC, B1VC, B2VC, A3FE, A3RE, BBCV, SBCV  
SPLIT SASH  
SPECTAL, BLACK FRAME  
28 INCH WITH 9 INCH OPENING**

Key	PartNumber	Qty	Description	Comment
	0080583		WINDOW ASSY,28,9SS,CLR TEMP,BLK,SPECTAL	<i>CONSISTS OF THE FOLLOWING</i>
4	0097143		KIT,PASS WDO,SLIDER LOCK KIT	
5	0097144		KIT,PASS WDO,BTM GLASS,CLEAR,TEMP,28/9	
6	0097182		KIT,PASS WDO,SLIDER,CLEAR,TEMP,	
7	0097268		KIT,PASS WDO,FRAME,BLACK,28/9	
	0080584		WINDOW ASSY,28,9SS,CLR LAM,BLK,SPECTAL	<i>CONSISTS OF THE FOLLOWING</i>
4	0097143		KIT,PASS WDO,SLIDER LOCK KIT	
5	0097145		KIT,PASS WDO,BTM GLASS,CLEAR,LAM,	
6	0097183		KIT,PASS WDO,SLIDER,CLEAR,LAM,BLACK,28/9	
7	0097268		KIT,PASS WDO,FRAME,BLACK,28/9	
	0080585		WINDOW ASSY,28,9SS,CLR STORM,TEMP,BLK,	<i>CONSISTS OF THE FOLLOWING</i>
4	0097143		KIT,PASS WDO,SLIDER LOCK KIT	
5	0097146		KIT,PASS WDO,BTM GLASS,CLEAR,THRML,	
6	0097184		KIT,PASS WDO,SLIDER,CLEAR,THRML,	
7	0097268		KIT,PASS WDO,FRAME,BLACK,28/9	
	0080586		WINDOW ASSY,28,9SS,TINT TEMP,BLK,SPECTAL	<i>CONSISTS OF THE FOLLOWING</i>
4	0097143		KIT,PASS WDO,SLIDER LOCK KIT	
5	0097147		KIT,PASS WDO,BTM GLASS,TINT,TEMP,	
6	0097185		KIT,PASS WDO,SLIDER,TINT,TEMP,BLACK,28/9	
7	0097268		KIT,PASS WDO,FRAME,BLACK,28/9	
	0105062		KIT,SEAL,DRIVER TOOL,2731T1,MERITOR	
	0080587		WINDOW ASSY,28,9SS,TINT LAM,BLK,SPECTAL	<i>CONSISTS OF THE FOLLOWING</i>
4	0097143		KIT,PASS WDO,SLIDER LOCK KIT	
5	0097148		KIT,PASS WDO,BTM GLASS,TINT,LAM,	
6	0097186		KIT,PASS WDO,SLIDER,TINT,LAM,BLACK,28/9	
7	0097268		KIT,PASS WDO,FRAME,BLACK,28/9	
	0080588		WINDOW ASSY,28,9SS,TINT STORM,BLK,TEMP,	<i>CONSISTS OF THE FOLLOWING</i>
4	0097143		KIT,PASS WDO,SLIDER LOCK KIT	
5	0097158		KIT,PASS WDO,BTM GLASS,TINT,THRML.	
6	0097189		KIT,PASS WDO,SLIDER,TINT,THRML,	
7	0097268		KIT,PASS WDO,FRAME,BLACK,28/9	

Models: A1VC, B1VC, B2VC, A3FE, A3RE, BBCV, SBCV  
SPLIT SASH  
SPECTAL, BLACK FRAME  
35 INCH WITH 12 INCH OPENING

Key	PartNumber	Qty	Description	Comment
-----	------------	-----	-------------	---------

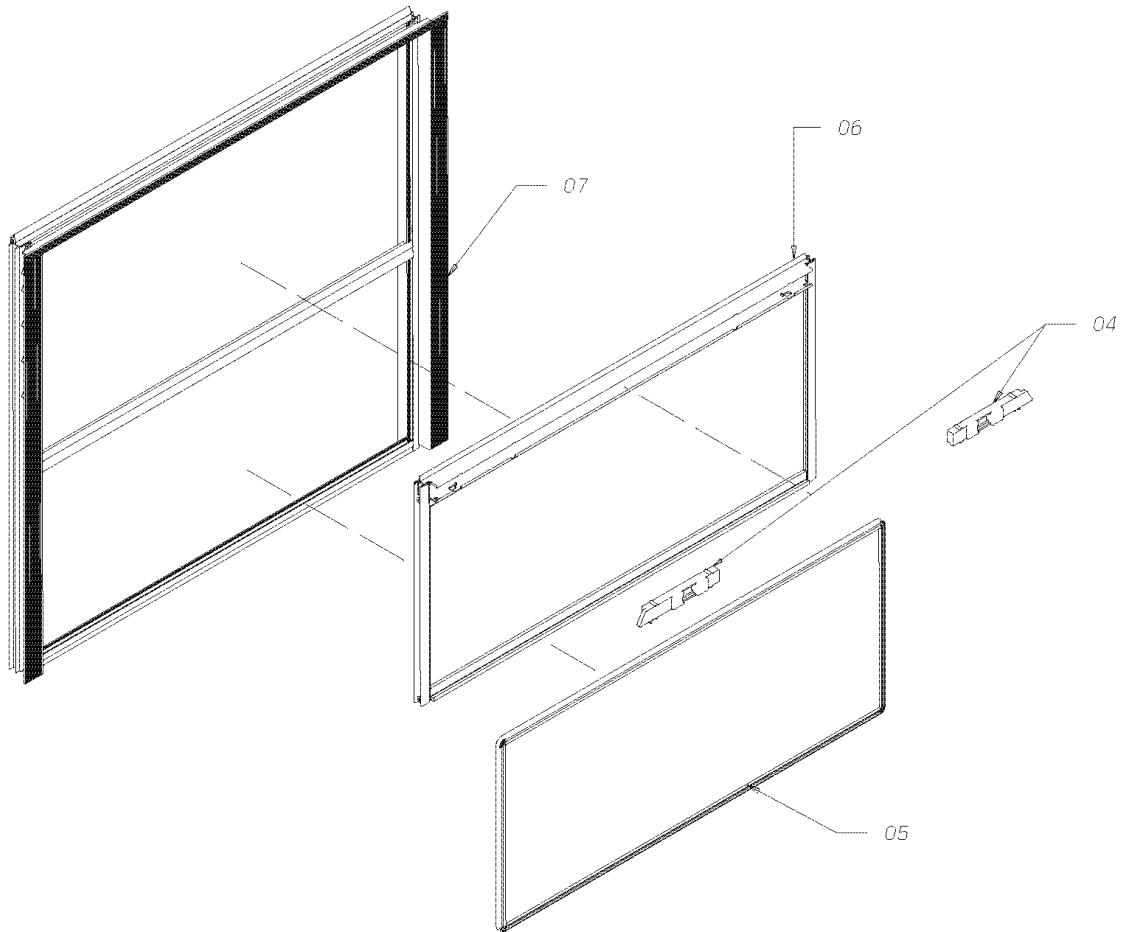


**Models:** **A1VC, B1VC, B2VC, A3FE, A3RE, BBCV, SBCV**  
**SPLIT SASH**  
**SPECTAL, BLACK FRAME**  
**35 INCH WITH 12 INCH OPENING**

Key	PartNumber	Qty	Description	Comment
	0080601		WINDOW ASSY,35,12SS,CLR TEMP,BLK,	<i>CONSISTS OF THE FOLLOWING</i>
4	0097143		KIT,PASS WDO,SLIDER LOCK KIT	
5	0097171		KIT,PASS WDO,BTM GLASS,CLEAR,TEMPER,	
6	0097202		KIT,PASS WDO,SLIDER,CLEAR,TEMP,	
7	0097272		KIT,PASS WDO,FRAME,BLACK,35/12	
	0080602		WINDOW ASSY,35,12SS,CLR LAM,BLK,SPECTAL	<i>CONSISTS OF THE FOLLOWING</i>
4	0097143		KIT,PASS WDO,SLIDER LOCK KIT	
5	0097172		KIT,PASS WDO,BTM GLASS,CLEAR,LAM,	
6	0097203		KIT,PASS WDO,SLIDER,CLEAR,LAM,	
7	0097272		KIT,PASS WDO,FRAME,BLACK,35/12	
	0080603		WINDOW ASSY,35,12SS,CLR STORM,TEMP,BLK,	<i>CONSISTS OF THE FOLLOWING</i>
4	0097143		KIT,PASS WDO,SLIDER LOCK KIT	
5	0097173		KIT,PASS WDO,BTM GLASS,CLEAR,THRML,	
6	0097204		KIT,PASS WDO,SLIDER,CLEAR,THRML,	
7	0097272		KIT,PASS WDO,FRAME,BLACK,35/12	
	0080604		WINDOW ASSY,35,12SS,TINT TEMP,BLK,	<i>CONSISTS OF THE FOLLOWING</i>
4	0097143		KIT,PASS WDO,SLIDER LOCK KIT	
5	0097174		KIT,PASS WDO,BTM GLASS,TINT,TEMP,	
6	0097205		KIT,PASS WDO,SLIDER,TINT,TEMP,BLACK,35/12	
7	0097272		KIT,PASS WDO,FRAME,BLACK,35/12	
	0080605		WINDOW ASSY,35,12SS,TINT LAM,BLK,	<i>CONSISTS OF THE FOLLOWING</i>
4	0097143		KIT,PASS WDO,SLIDER LOCK KIT	
5	0097175		KIT,PASS WDO,BTM GLASS,TINT,LAM,	
6	0097206		KIT,PASS WDO,SLIDER,TINT,LAM,BLACK,35/12	
7	0097272		KIT,PASS WDO,FRAME,BLACK,35/12	
	0080606		WINDOW ASSY,35,12SS,TINT STORM,TEMP,	<i>CONSISTS OF THE FOLLOWING</i>
4	0097143		KIT,PASS WDO,SLIDER LOCK KIT	
5	0097176		KIT,PASS WDO,BTM GLASS,TINT,THRML,	
6	0097207		KIT,PASS WDO,SLIDER,TINT,THRML,	
7	0097272		KIT,PASS WDO,FRAME,BLACK,35/12	

Models: A1VC, B1VC, B2VC, A3FE, A3RE, BBCV, SBCV  
SPLIT SASH  
SPECTAL, BLACK FRAME  
35 INCH WITH 9 INCH OPENING

Key	PartNumber	Qty	Description	Comment
-----	------------	-----	-------------	---------



**Models:** **A1VC, B1VC, B2VC, A3FE, A3RE, BBCV, SBCV**  
**SPLIT SASH**  
**SPECTAL, BLACK FRAME**  
**35 INCH WITH 9 INCH OPENING**

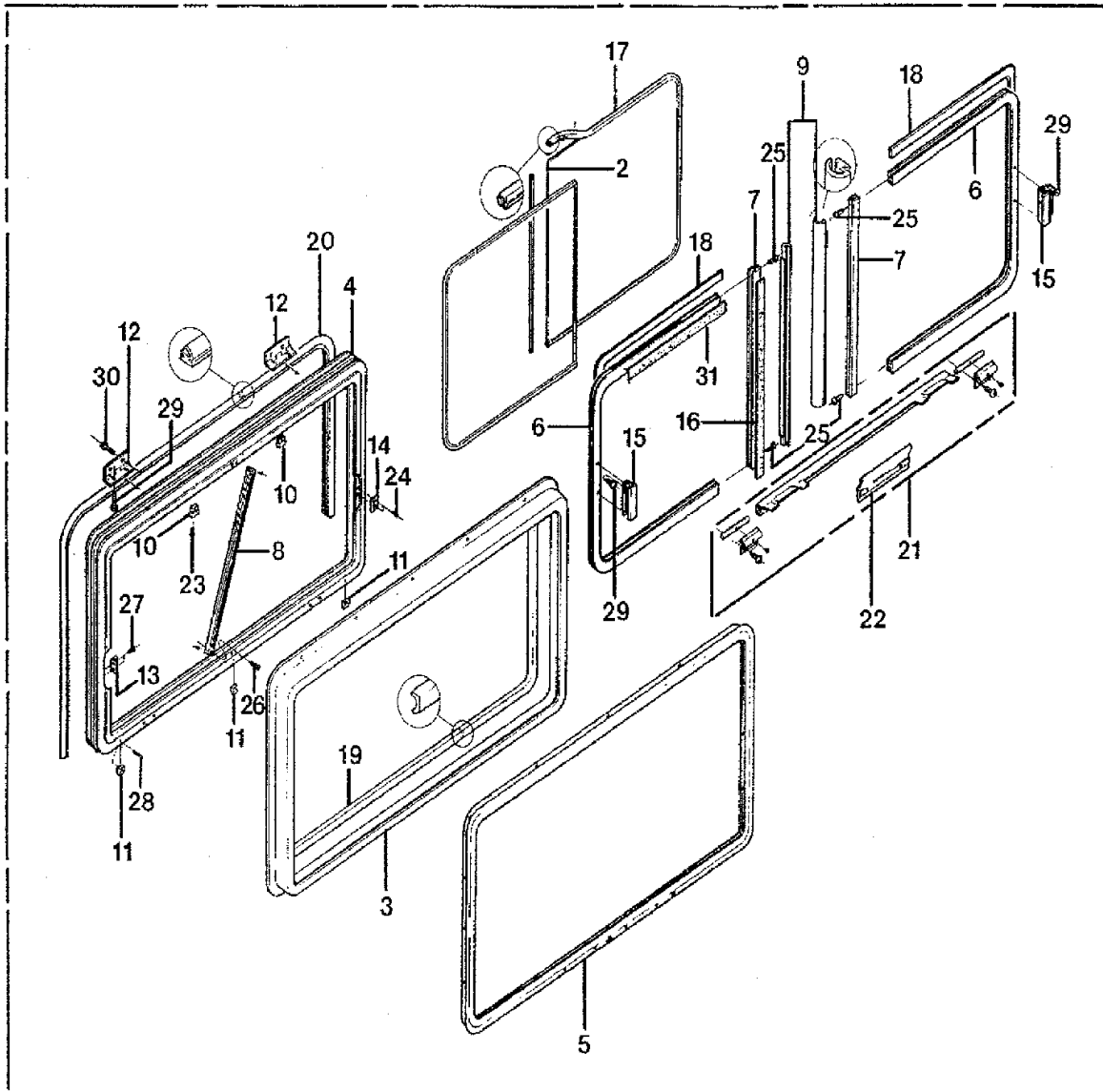
Key	PartNumber	Qty	Description	Comment
	0080595		WINDOW ASSY,35,9SS,CLR TEMP,BLK,SPECTAL	<i>CONSISTS OF THE FOLLOWING</i>
4	0097143		KIT,PASS WDO,SLIDER LOCK KIT	
5	0097165		KIT,PASS WDO,BTM GLASS,CLEAR,TEMP,	
6	0097196		KIT,PASS WDO,SLIDER,CLEAR,TEMP,	
7	0097271		KIT,PASS WDO,FRAME,BLACK,35/9	
	0080596		WINDOW ASSY,35,9SS,CLR LAM,BLK,SPECTAL	<i>CONSISTS OF THE FOLLOWING</i>
4	0097143		KIT,PASS WDO,SLIDER LOCK KIT	
5	0097166		KIT,PASS WDO,BTM GLASS,CLEAR,LAM,	
6	0097197		KIT,PASS WDO,SLIDER,CLEAR,LAM,BLACK,35/9	
7	0097271		KIT,PASS WDO,FRAME,BLACK,35/9	
	0080597		WINDOW ASSY,35,9SS,CLR STORM,TEMP,BLK,	<i>CONSISTS OF THE FOLLOWING</i>
4	0097143		KIT,PASS WDO,SLIDER LOCK KIT	
5	0097167		KIT,PASS WDO,BTM GLASS,CLEAR,THRML,	
6	0097198		KIT,PASS WDO,SLIDER,CLEAR,THRML,	
7	0097271		KIT,PASS WDO,FRAME,BLACK,35/9	
	0080598		WINDOW ASSY,35,9SS,TINT TEMP,BLK,SPECTAL	<i>CONSISTS OF THE FOLLOWING</i>
4	0097143		KIT,PASS WDO,SLIDER LOCK KIT	
5	0097168		KIT,PASS WDO,BTM GLASS,TINT,TEMP,	
6	0097199		KIT,PASS WDO,SLIDER,TINT,TEMP,BLACK,35/9	
7	0097271		KIT,PASS WDO,FRAME,BLACK,35/9	
	0080599		WINDOW ASSY,35,9SS,TINT LAM,BLK,SPECTAL	<i>CONSISTS OF THE FOLLOWING</i>
4	0097143		KIT,PASS WDO,SLIDER LOCK KIT	
5	0097169		KIT,PASS WDO,BTM GLASS,TINT,LAM,	
6	0097200		KIT,PASS WDO,SLIDER,TINT,LAM,BLACK,35/9	
7	0097271		KIT,PASS WDO,FRAME,BLACK,35/9	
	0080600		WINDOW ASSY,35,9SS,TINT STORM,TEMP,BLK,	<i>CONSISTS OF THE FOLLOWING</i>
4	0097143		KIT,PASS WDO,SLIDER LOCK KIT	
5	0097170		KIT,PASS WDO,BTM GLASS,TINT,THRML,	
6	0097201		KIT,PASS WDO,SLIDER,TINT,THRML,	
7	0097271		KIT,PASS WDO,FRAME,BLACK,35/9	

**Models:** AAFE, AARE, A3FE, A3RE, C1FE, GMCV, SBCV, TCFE, TCRE, TSFE  
TRANSIT

**With Features:** BLUE BIRD TYPE WITH BLACK FRAMES  
(OPTION 2312) OPTION 3364, 3365, 3366, 3367 WITH OPTION 3475

Key	PartNumber	Qty	Description	Comment
-----	------------	-----	-------------	---------

DR. 6-2-87 BY LAD		
APP. —	BY —	8006769
FRONT		© 1987 BLUE BIRD BODY COMPANY ALL RIGHTS RESERVED



1



**Models:** AAFE, AARE, A3FE, A3RE, C1FE, GMCV, SBCV, TCFE, TCRE, TSFE  
**TRANSIT**  
**With Features:** BLUE BIRD TYPE WITH BLACK FRAMES  
(OPTION 2312) OPTION 3364, 3365, 3366, 3367 WITH OPTION 3475

Key	PartNumber	Qty	Description	Comment
1			WINDOW ASSY.	
	3786043		WINDOW ASSY,TSW,28 74 HR,LH,BLACK	OPTION 3364, 74 HR
	3786050		WINDOW ASSY,TSW,28 74 HR,RH,BLACK	OPTION 3364, 74 HR
	3785706		WINDOW ASSY,TSW,35 74 HR,LH,BLACK	OPTION 3364, 74 HR
	3785714		WINDOW ASSY,TSW,35 74 HR,RH,BLACK	OPTION 3364, 74 HR
	3785847		WINDOW ASSY,TSW,56 74 HR,LH,BLACK	OPTION 3364, 74 HR
	3785854		WINDOW ASSY,TSW,56 74 HR,RH,BLACK	OPTION 3364, 74 HR
	3785920		WINDOW ASSY,TSW,63 74 HR,LH,BLACK	OPTION 3364, 74 HR
	3785938		WINDOW ASSY,TSW,63 74 HR,RH,BLACK	OPTION 3364, 74 HR
	3786001		WINDOW ASSY,TSW,70 74 HR,LH,BLACK	OPTION 3364, 74 HR
	3786019		WINDOW ASSY,TSW,70 74 HR,RH,BLACK	OPTION3364, 74 HR
	3786068		WINDOW ASSY,TSW,28 77 HR,LH,BLACK	OPTION 3365, 77 HR
	3786076		WINDOW ASSY,TSW,28 77 HR,RH,BLACK	OPTION 3365, 77 HR
	3785722		WINDOW ASSY,TSW,35 77 HR,LH,BLACK	OPTION 3365, 77 HR
	3785748		WINDOW ASSY,TSW,35 77 HR,RH,BLACK	OPTION 3365, 77 HR
	3802055		WINDOW ASSY,TSW,42 77 HR,LH,BLACK	OPTION 3365, 77 HR
	3785797		WINDOW ASSY,TSW,42 77 HR,RH,BLACK	OPTION 3365, 77 HR
	3802634		WINDOW ASSY,TSW,56 77 HR,LH,BLACK	OPTION 3365, 77 HR
	3802642		WINDOW ASSY,TSW,56 77 HR,RH,BLACK	OPTION 3365, 77 HR
	3785946		WINDOW ASSY,TSW,63 77 HR,LH,BLACK	OPTION 3365, 77 HR
	3785953		WINDOW ASSY,TSW,63 77 HR,RH,BLACK	OPTION 3365, 77 HR
	3786027		WINDOW ASSY,TSW,70 77 HR,LH,BLACK	OPTION 3365, 77 HR
	3786035		WINDOW ASSY,TSW,70 77 HR,RH,BLACK	OPTION 3365, 77 HR
	3785805		WINDOW ASSY,TSW,56 74 HR,LH,PUSHOUT,	OPTION 3366, 74 HR PUSHOUT
	3785813		WINDOW ASSY,TSW,56 74 HR,RH,PUSHOUT,	OPTION 3366, 74 HR PUSHOUT
	3785888		WINDOW ASSY,TSW,63 74 HR,LH,PUSHOUT,	OPTION 3366, 74 HR PUSHOUT
	3785896		WINDOW ASSY,TSW,63 74 HR,RH,PUSHOUT,	OPTION 3366, 74 HR PUSHOUT
	3785961		WINDOW ASSY,TSW,70 74 HR,LH,PUSHOUT,	OPTION 3366, 74 HR PUSHOUT
	3785979		WINDOW ASSY,TSW,70 74 HR,RH,PUSHOUT,	OPTION 3366, 74 HR PUSHOUT
	3785771		WINDOW ASSY,TSW,42 77 HR,LH,PUSHOUT,	OPTION 3367, 77 HR PUSHOUT
	3846664		WINDOW ASSY,TSW,42 77 HR,RH,PUSHOUT,	OPTION 3367, 77 HR PUSHOUT
	3801339		WINDOW ASSY,TSW,56 77 HR,LH,PUSHOUT,	OPTION 3367, 77 HR PUSHOUT
	3801990		WINDOW ASSY,TSW,56 77 HR,RH,PUSHOUT,	OPTION 3367, 77 HR PUSHOUT

**Models:** AAFE, AARE, A3FE, A3RE, C1FE, GMCV, SBCV, TCFE, TCRE, TSFE  
**TRANSIT**  
**BLUE BIRD TYPE WITH BLACK FRAMES**  
**With Features:** (OPTION 2312) OPTION 3364, 3365, 3366, 3367 WITH OPTION 3475

Key	PartNumber	Qty	Description	Comment
	3785904		WINDOW ASSY,TSW,63 77 HR,LH,PUSHOUT,	
	3785912		WINDOW ASSY,TSW,63 77 HR,RH,PUSHOUT,	OPTION 3367, 77 HR PUSHOUT
	3785987		WINDOW ASSY,TSW,70 77 HR,LH,PUSHOUT,	OPTION 3367, 77 HR PUSHOUT
	3785995		WINDOW ASSY,TSW,70 77 HR,RH,PUSHOUT,	OPTION 3367, 77 HR PUSHOUT
2			GLASS	
	3800299		GLASS,TRANSIT WINDOW,28 SECT,74 HR	OPTION 3364, 3366, 74HR
	3799947		GLASS,TRANSIT WINDOW,35 SECT,74 HR	OPTION 3364, 3366, 74HR
	3799558		GLASS,TRANSIT WINDOW,56 SECT,74 HR	OPTION 3364, 3366, 74HR
	3799632		GLASS,TRANSIT WINDOW,63 SECT,74 HR	OPTION 3364, 3366, 74HR
	3799731		GLASS,TRANSIT WINDOW,70 SECT,74 HR	OPTION 3364, 3366, 74HR
	3800307		GLASS,TRANSIT WINDOW,28 SECT,77 HR	OPTION 3365, 3367, 77HR
	3800042		GLASS,TRANSIT WINDOW,35 SECT,77 HR	OPTION 3365, 3367, 77HR
	3799467		GLASS,TRANSIT WINDOW,42 SECT,77 HR	OPTION 3365, 3367, 77HR
	3798782		GLASS,TRANSIT WINDOW,56 SECT,77 HR	OPTION 3365, 3367, 77HR
	3799772		GLASS,TRANSIT WINDOW,63 SECT,77 HR	OPTION 3365, 3367, 77HR
	3799871		GLASS,TRANSIT WINDOW,70 SECT,77 HR	OPTION 3365, 3367, 77HR
3			FRAME, O/S	
	3852308		FRAME,O/S,TSW,28 IN 74 HR,BLACK	OPTION 3364, 3366, 74HR
	3852316		FRAME,O/S,TSW,35 IN,74 HR,BLACK	OPTION 3364, 3366, 74HR
	3852324		FRAME,O/S,TSW,56 IN,74 HR,BLACK	OPTION 3364, 3366, 74HR
	3852332		FRAME,O/S,TSW,63 IN 74 HR,BLACK	OPTION 3364, 3366, 74HR
	3852340		FRAME,O/S,TSW,70 IN,74 HR,BLACK	OPTION 3364, 3366, 74HR
	3852357		FRAME,O/S,TSW,28 IN,77 HR,BLACK	OPTION 3365, 3367, 77HR
	3824919		FRAME,O/S,TSW,35 IN 77 HR,BLACK	OPTION 3365, 3367, 77HR
	3802089		FRAME,O/S,TSW,42 IN 77 HR,BLACK	OPTION3365, 3367, 77HR
	3801842		FRAME,O/S,TSW,56 IN 77 HR,BLACK	OPTION 3365, 3367, 77HR
	3852365		FRAME,O/S,TSW,63 IN 77 HR,BLACK	OPTION 3365, 3367, 77HR
	3852373		FRAME,O/S,TSW,70 IN 77 HR,BLACK	OPTION 3365, 3367, 77HR
	3852399		FRAME,INSIDE,TSW,28 IN 74 HR,LH,BLACK	OPTION 3364, FRAME, I/S
	3852407		FRAME,INSIDE,TSW,28 IN 74 HR,RH,BLACK	OPTION 3364, FRAME, I/S
	3852431		FRAME,INSIDE,TSW,35 IN 74 HR,LH,BLACK	OPTION 3364, FRAME, I/S
	3852449		FRAME,INSIDE,TSW,35 IN 74 HR,RH,BLACK	OPTION 3364, FRAME, I/S
	3852548		FRAME,INSIDE,TSW,56 IN 74 HR,LH,BLACK	OPTION 3364, FRAME, I/S
				OPTION 3364, FRAME, I/S

**Models:** AAFE, AARE, A3FE, A3RE, C1FE, GMCV, SBCV, TCFE, TCRE, TSFE  
**TRANSIT**  
**BLUE BIRD TYPE WITH BLACK FRAMES**  
**With Features:** (OPTION 2312) OPTION 3364, 3365, 3366, 3367 WITH OPTION 3475

Key	PartNumber	Qty	Description	Comment
	3852555		FRAME,INSIDE,TSW,56 IN 74 HR,RH,BLACK	
	3852456		FRAME,INSIDE,TSW,63 IN 74 HR,LH,BLACK	OPTION 3364, FRAME, I/S
	3852464		FRAME,INSIDE,TSW,63 IN 74 HR,RH,BLACK	OPTION 3364, FRAME, I/S
	3852498		FRAME,INSIDE,TSW,70 IN 74 HR,LH,BLACK	OPTION 3364, FRAME, I/S
	3852506		FRAME,INSIDE,TSW,70 IN 74 HR,RH,BLACK	OPTION 3364, FRAME, I/S
	3852415		FRAME,INSIDE,TSW,28 IN 77 HR,LH,BLACK	OPTION 3365, 77 HR
	3852423		FRAME,INSIDE,TSW,28 IN 77 HR,RH,BLACK	OPTION 3365, 77 HR
	3824943		FRAME,INSIDE,TSW,35 IN 77 HR,LH,BLACK	OPTION 3365, 77 HR
	3824950		FRAME,INSIDE,TSW,35 IN 77 HR,RH,BLACK	OPTION 3365, 77 HR
	3802113		FRAME,INSIDE,TSW,42 IN 77 HR,LH,BLACK	OPTION 3365, 77 HR
	3824869		FRAME,INSIDE,TSW,42 IN 77 HR,RH,BLACK	OPTION 3365, 77 HR
	3802733		FRAME,INSIDE,TSW,56 IN 77 HR,LH,BLACK	OPTION 3365, 77 HR
	3802758		FRAME,INSIDE,TSW,56 IN 77 HR,RH,BLACK	OPTION 3365, 77 HR
	3852472		FRAME,INSIDE,TSW,63 IN 77 HR,LH,BLACK	OPTION 3365, 77 HR
	3852480		FRAME,INSIDE,TSW,63 IN 77 HR,RH,BLACK	OPTION 3365, 77 HR
	3852514		FRAME,INSIDE,TSW,70 IN 77 HR,LH,BLACK	OPTION 3365, 77 HR
	3852522		FRAME,INSIDE,TSW,70 IN 77 HR,RH,BLACK	OPTION 3365, 77 HR
	3853181		FRAME,INSIDE,TSW,56 IN 74 HR,LH,PUSHOUT,	OPTION 3366, 74 HR, PUSHOUT
	3853199		FRAME,INSIDE,TSW,56 IN 74 HR,RH,PUSHOUT,	OPTION 3366, 74 HR, PUSHOUT
	3853207		FRAME,INSIDE,TSW,63 IN 74 HR,LH,PUSHOUT,	OPTION 3366, 74 HR, PUSHOUT
	3853215		FRAME,INSIDE,TSW,63 IN 74 HR,RH,PUSHOUT,	OPTION 3366, 74 HR, PUSHOUT
	3853249		FRAME,INSIDE,TSW,70 IN 74 HR,LH,PUSHOUT,	OPTION 3366, 74 HR, PUSHOUT
	3853256		FRAME,INSIDE,TSW,70 IN 74 HR,RH,PUSHOUT,	OPTION 3366, 74 HR, PUSHOUT
	3853165		FRAME,INSIDE,TSW,42 IN 77 HR,LH,PUSHOUT,	OPTION 3367, 77 HR PUSHOUT
	3853173		FRAME,INSIDE,TSW,42 IN 77 HR,RH,PUSHOUT,	OPTION 3367, 77 HR PUSHOUT
	3801974		FRAME,INSIDE,TSW,56 IN 77 HR,LH,PUSHOUT,	OPTION 3367, 77 HR PUSHOUT
	3802014		FRAME,INSIDE,TSW,56 IN 77 HR,RH,PUSHOUT,	OPTION 3367, 77 HR PUSHOUT
	3853223		FRAME,INSIDE,TSW,63 IN 77 HR,LH,PUSHOUT,	OPTION 3367, 77 HR PUSHOUT
	3853231		FRAME,INSIDE,TSW,63 IN 77 HR,RH,PUSHOUT,	OPTION 3367, 77 HR PUSHOUT
	3853264		FRAME,INSIDE,TSW,70 IN 77 HR,LH,PUSHOUT,	OPTION 3367, 77 HR PUSHOUT
	3853272		FRAME,INSIDE,TSW,70 IN 77 HR,RH,PUSHOUT,	OPTION 3367, 77 HR PUSHOUT
5			TRIM, I/S	OPTION 3367, 77 HR PUSHOUT
	3852563		TRIM,I/S,TSW,28IN,74 HR,BLACK	OPTION 3364, 74 HR
				OPTION 3364, 74 HR

**Models:** AAFE, AARE, A3FE, A3RE, C1FE, GMCV, SBCV, TCFE, TCRE, TSFE  
**TRANSIT**  
**BLUE BIRD TYPE WITH BLACK FRAMES**  
**With Features:** (OPTION 2312) OPTION 3364, 3365, 3366, 3367 WITH OPTION 3475

Key	PartNumber	Qty	Description	Comment
	3852589		TRIM,I/S,TSW,35IN,74 HR,BLACK	
	3852597		TRIM,I/S,TSW,56IN,74 HR,BLACK	OPTION 3364, 74 HR
	3852605		TRIM,I/S,TSW,63IN,74 HR,BLACK	OPTION 3364, 74 HR
	3852621		TRIM,I/S,TSW,70IN,74 HR,BLACK	OPTION 3364, 74 HR
	3852571		TRIM,I/S,TSW,28IN,77 HR,BLACK	OPTION 3365, 77 HR
	3825007		TRIM,I/S,TSW,35IN,77 HR,BLACK	OPTION 3365, 77 HR
	3802063		TRIM,I/S,TSW,42IN,77HR,BLACK	OPTION 3365, 77 HR
	3801925		TRIM,I/S,TSW,56IN,77 HR,BLACK	OPTION 3365, 77 HR
	3852613		TRIM,I/S,TSW,63IN,77 HR,BLACK	OPTION 3365, 77 HR
	3852639		TRIM,I/S,TSW,70IN,77 HR,BLACK	OPTION 3365, 77 HR
6			RAIL, SLIDING SASH	OPTION 3365, 77 HR
	3852217		RAIL,SLIDING SASH,TSW,28 IN 74 HR,BLACK	OPTION 3364, 3366, 74 HR
	3852233		RAIL,SLIDING SASH,TSW,35 IN 74 HR,BLACK	OPTION 3364, 3366, 74 HR
	3852241		RAIL,SLIDING SASH,TSW,56 IN 74 HR,BLACK	OPTION 3364, 3366, 74 HR
	3852258		RAIL,SLIDING SASH,TSW,63 IN 74 HR,BLACK	OPTION 3364, 3366, 74 HR
	3852274		RAIL,SLIDING SASH,TSW,70 IN 74 HR,BLACK	OPTION 3364, 3366, 74 HR
	3852225		RAIL,SLIDING SASH,TSW,28 IN 77 HR,BLACK	OPTION 3365, 3367, 77 HR
	3846581		RAIL,SLIDING SASH,TSW,35 IN 77 HR,BLACK	OPT 3365, 3367, 77HR
	3846599		RAIL,SLIDING SASH,TSW,42 IN 77 HR,BLACK	OPTION 3365, 3367, 77 HR
	3846607		RAIL,SLIDING SASH,TSW,56 IN 77 HR,BLACK	OPTION 3365, 3367, 77 HR
	3852266		RAIL,SLIDING SASH,TSW,63 IN 77 HR,BLACK	OPTION 3365, 3367, 77 HR
	3852282		RAIL,SLIDING SASH,TSW,70 IN 77 HR,BLACK	OPTION 3365, 3367, 77 HR
7	3852654		RAIL,SLIDING SASH,TSW,VERTICAL,74 HR,	OPTION 3364, 3366, 74" HR
7	3846565		RAIL,SLIDING SASH,TSW,VERTICAL,77 HR,	OPTION 3365, 3367, 77" HR
8	3852662		BRACE,VERT,TSW,74 HR,BLACK	OPTION 3364, 3366, 74" HR
8	3846250		BRACE,VERT,TSW,77 HR,BLACK	OPTION 3365, 3367, 77" HR
9	3846417		SEAL,VERTICAL,TSW,74 HR	OPTION 3364, 3366, 74" HR
9	3846409		SEAL,VERTICAL,TSW,77 HR	OPTION 3365, 3367, 77" HR
10	2203172		STOP,SLIDING SASH,TSW	OPTION 3365, 3367, 77" HR
11	2203164		SNUBBER,SLIDING SASH,TSW	OPTION 3365, 3367, 77" HR
12	3867835		HINGE,BUTT,TSW,PUSHOUT,BLACK	OPTION 3365, 3367, 77" HR
13	3801586		KEEPER,SASH,FRONT,TSW,BLACK	OPTION 3365, 3367, 77" HR
14	3801560		KEEPER,SASH,REAR,TSW,BLACK	OPTION 3365, 3367, 77" HR

**Models:** AAFE, AARE, A3FE, A3RE, C1FE, GMCV, SBCV, TCFE, TCRE, TSFE  
TRANSIT

**With Features:** BLUE BIRD TYPE WITH BLACK FRAMES  
(OPTION 2312) OPTION 3364, 3365, 3366, 3367 WITH OPTION 3475

Key	PartNumber	Qty	Description	Comment
15	3801289		LATCH ASSY,TSW,BLACK	
16	2220689		LACE,VERTICAL,TSW,74 HR	OPTION 3364, 3366, 74" HR
16	2213544		LACE,VERTICAL,TSW,77 HR	OPTION 3365, 3367, 77" HR
17			GLAZING, VINYL	OPTION 3365, 3367, 77" HR
	3752292		GLAZING,VINYL,TSW,54 IN	OPTION 3364, 3366, 74 HR
	3741147		GLAZING,VINYL,TSW,63 IN	OPTION 3364, 3366, 74 HR
	3735206		GLAZING,VINYL,TSW,80 IN	OPTION 3364, 3366, 74 HR
	2214153		GLAZING,VINYL,TSW,87 IN	OPTION 3364, 3366, 74 HR
	2214344		GLAZING,VINYL,TSW,94 IN	OPTION 3364, 3366, 74 HR
	3752581		GLAZING,VINYL,TSW,57 IN	OPTION 3365, 3367, 77 HR
	3735487		GLAZING,VINYL,TSW,66 IN	OPTION 3365, 3367, 77 HR
	3748936		GLAZING,VINYL,TSW,67 IN	OPTION 3365, 3367, 77 HR
	2213569		GLAZING,VINYL,TSW,83 IN	OPTION 3365, 3367, 77 HR
	3735255		GLAZING,VINYL,TSW,90 IN	OPTION 3365, 3367, 77 HR
	3735339		GLAZING,VINYL,TSW,95 IN	OPTION 3365, 3367, 77 HR
18	2210276		EXTRUSION,POLYETHYLENE,CHANNEL,GLASS	OPTION 3365, 3367, 77 HR
19			SEAL, O/S FRAME	OPTION 3365, 3367, 77 HR
	3752136		SEAL,OUTSIDE FRAME,TSW, 92 1/2 IN	OPTION 3364, 3366, 74 HR
	3735438		SEAL,OUTSIDE FRAME,TSW,106 1/2 IN	OPTION 3364, 3366, 74 HR
	3735164		SEAL,OUTSIDE FRAME,TSW,148 1/2 IN	OPTION 3364, 3366, 74 HR
	3735214		SEAL,OUTSIDE FRAME,TSW,162 1/2 IN	OPTION 3364, 3366, 74 HR
	3735362		SEAL,OUTSIDE FRAME,TSW,176 1/2 IN	OPTION 3364, 3366, 74 HR
	3752425		SEAL,OUTSIDE FRAME,TSW, 96 1/2 IN	OPTION 3365, 3367, 77 HR
	3736592		SEAL,OUTSIDE FRAME,TSW,110 1/2 IN	OPTION 3365, 3367, 77 HR
	3748787		SEAL,OUTSIDE FRAME,TSW,124 1/2 IN	OPTION 3365, 3367, 77 HR
	2245314		SEAL,OUTSIDE,FRAME,TSW,152 1/2 IN	OPTION 3365, 3367, 77 HR
	3735248		SEAL,OUTSIDE FRAME,TSW,166 1/2 IN	OPTION 3365, 3367, 77 HR
	3735271		SEAL,OUTSIDE FRAME,TSW,180 1/2 IN	OPTION 3365, 3367, 77 HR
20			SEAL, I/S FRAME	OPTION 3365, 3367, 77 HR
	3752185		SEAL,I/S FRAME,TSW, 70 IN	OPTION 3364, 3366, 74 HR
	2245363		SEAL,I/S FRAME,TSW, 80 IN	OPTION 3364, 3366, 74 HR
	2243657		SEAL,I/S FRAME,TSW,100 IN	OPTION 3364, 3366, 74 HR
	2243848		SEAL,I/S FRAME,TSW,107 IN	OPTION 3364, 3366, 74 HR
				OPTION 3364, 3366, 74 HR

**Models:** AAFE, AARE, A3FE, A3RE, C1FE, GMCV, SBCV, TCFE, TCRE, TSFE  
**TRANSIT**  
**BLUE BIRD TYPE WITH BLACK FRAMES**  
**With Features:** (OPTION 2312) OPTION 3364, 3365, 3366, 3367 WITH OPTION 3475

Key	PartNumber	Qty	Description	Comment
	3735354		SEAL,I/S FRAME,TSW,114 IN	
	3752474		SEAL,I/S FRAME,TSW, 74 IN	OPTION 3365, 3367, 77 HR
	3735446		SEAL,I/S FRAME,TSW, 84 IN	OPTION 3365, 3367, 77 HR
	3748837		SEAL,I/S FRAME,TSW, 87 IN	OPTION 3365, 3367, 77 HR
	2243723		SEAL,I/S FRAME,TSW,104 IN	OPTION 3365, 3367, 77 HR
	2243962		SEAL,I/S FRAME,TSW,111 IN	OPTION 3365, 3367, 77 HR
	3735321		SEAL,I/S FRAME,TSW,118 IN	OPTION 3365, 3367, 77 HR
21	3801396		LATCH ASSY,DBL PULL HANDLE,TSW,PUSHOUT,	OPTION 3365, 3367, 77 HR
22	3801446		STRIKER,LATCH ASSY,DOUBLE PULL,TSW,P/O,	OPTION 3365, 3367, 77 HR
23	2204220		SCREW,SM,PH,OVAL HD,8-18 X 1,TYPE AB,ZN3	OPTION 3365, 3367, 77 HR
NI	2274686		SCREW,SM,PH,OVAL HD,10-16 X 1 3/16,AB,ZN3	OPTION 3364, 3366
24	2204212		SCREW,SM,PH,FT/HD,6-32 X 5/16,TYPE F,UC,	OPTION 3364, 3366
25	2168797		SCREW,SM,PH,FT/HD,10-12X1 1/4 W/NO 8 HD,	OPTION 3364, 3366
26	2204188		SCREW,SM,PH,FT/HD,8-32 X 1/4,TYPE F,U/C,	OPTION 3364, 3366
27	2204204		SCREW,SM,PH,RND HD,6-32 X 5/16,TYPE F,ZN3	OPTION 3364, 3366
28	2204162		NAIL,SCREW TYPE,3/32 X 1/2	OPTION 3364, 3366
29	2204170		SCREW,SM,PH,PN/HD,8-32 X 3/8,TYPE T,ZN3	OPTION 3364, 3366
30	2193456		SCREW,SM,PH,PN/HD,10-24 X 3/8,TYPE G,ZN3	OPTION 3364, 3366
31	3852670		LACE,HORIZONTAL,TSW	OPTION 3364, 3366
NI	2188233		SEALANT,SCHNEE-MOREHEAD 5522	OPTION 3364, 3366
NI	2190452		ADHESIVE,1300L	OPTION 3364, 3366

**Models:** A3FE, A3RE, BBCV, C1FE, CSFE, GMCV, MBWB, SBCV, TCFE  
**TRANSIT**  
**EXCEL**  
**DESTINATION SIGN WINDOW**

**With Features:** FEATURE 3055, 6164

Key	PartNumber	Qty	Description	Comment
			WINDOW ASSY, TSW, EXCEL	
			FULL SLIDER, PUSHOUT	
	0028308		WINDOW ASSY,TSW,EXL,56,DEST,P/O,SLDG,	
	0028312		WINDOW ASSY,TSW,EXL,63,DEST,P/O,SLDG,	
	0028313		WINDOW ASSY,TSW,EXL,70,DEST,P/O,SLDG,	
			TOP T-SLIDER, SOLID, PUSHOUT	
	0028669		WINDOW ASSY,TSW,EXL,56,DEST,P/O,SOL,BLK	
	0028670		WINDOW ASSY,TSW,EXL,63,DEST,P/O,SOL,BLK	
	0028671		WINDOW ASSY,TSW,EXL,70,DEST,P/O,SOL,BLK	
	0056102		GLASS,UPR,TOP T-SLIDER,SOLID,P/O,0028671	
	0028671		WINDOW ASSY,TSW,EXL,70,DEST,P/O,SOL,BLK	
			SOLID INSULATED	
	0028584		WINDOW ASSY,TSW,EXL,56,DEST,P/O,INSL,BLK	
	0028590		WINDOW ASSY,TSW,EXL,63,DEST,P/O,INSL,BLK	
	0028597		WINDOW ASSY,TSW,EXL,70,DEST,P/O,INSL,BLK	

**Models:** A3FE, A3RE, BBCV, C1FE, CSFE, GMCV, MBWB, SBCV, TCFE  
**TRANSIT**  
**EXCEL**  
**FULL SLIDER**

**With Features:** FEATURE 31196-22, THRU 28, 31196-76

Key	PartNumber	Qty	Description	Comment
			WINDOW ASSY, TSW, EXCEL, FULL SLIDER,	
	0028238		WINDOW ASSY,TSW,EXL,28,SOLID,BLK PNT	
	0072126		GLASS,TSW,EXCEL,28IN,SOLID	
	0028242		WINDOW ASSY,TSW,EXL,35,LH,SLDG,BLK PNT	
	0028243		WINDOW ASSY,TSW,EXL,35,RH,SLDG,BLK PNT	
	0028245		TSW ASY,EXL,56,LH,SLDG,BLK PT	
	0054499		GLASS,SLIDING,STAT,EXCEL	
	0028246		TSW ASY,EXL,56,RH,SLDG,BLK PT	
	0054499		GLASS,SLIDING,STAT,EXCEL	
	0028247		TSW ASY,EXL,63,LH,SLDG,BLK PT	
	0028248		TSW ASY,EXL,63,RH,SLDG,BLK PT	
	0028249		WINDOW ASSY,TSW,EXL,70,LH,SLDG,BLK PNT	
	0072125		GLASS,TSW,EXCEL,70IN,SOLID	
	0028250		WINDOW ASSY,TSW,EXL,70,RH,SLDG,BLK PNT	



**Models:** A3FE, A3RE, BBCV, C1FE, CSFE, GMCV, MBWB, SBCV, TCFE  
 TRANSIT  
 EXCEL

**With Features:** FULL SLIDER, PUSHOUT  
 FEATURE 31197-26, -27, -28

Key	PartNumber	Qty	Description	Comment
			WINDOW ASSY, TSW, EXCEL, FULL SLIDER,	
	0028251		WINDOW ASSY,TSW,EXL,56,LH,P/O,SLDG,BLK	
	0052207		GLASS,TRANSIT WDW,56""P/O (0028251 ASSY)	
	0028252		WINDOW ASSY,TSW,EXL,56,RH,P/O,SLDG,BLK	
	0066994		TRIM RING,WINDOW,56" PO,EXCEL	
	0028253		WINDOW ASSY,TSW,EXL,63,LH,P/O,SLDG,BLK	
	0028254		WINDOW ASSY,TSW,EXL,63,RH,P/O,SLDG,BLK	
	0028255		WINDOW ASSY,TSW,EXL,70,LH,P/O,SLDG,BLK	
	0068611		GLASS,TSW,EXCEL,70IN,SLIDING,P/O	
	0028256		WINDOW ASSY,TSW,EXL,70,RH,P/O,SLDG,BLK	

**Models:** A3FE, A3RE, BBCV, C1FE, CSFE, GMCV, MBWB, SBCV, TCFE  
 TRANSIT  
 EXCEL  
 SOLID

**With Features:** FEATURE 31196-44 THRU 59

Key	PartNumber	Qty	Description	Comment
			WINDOW ASSY, TSW, EXCEL, SOLID,	
	0028238		WINDOW ASSY,TSW,EXL,28,SOLID,BLK PNT	
	0028581		WINDOW ASSY,TSW,EXL,35,SOL,BLK PNT	
	0028586		WINDOW ASSY,TSW,EXL,56,SOL,BLK PNT	
	0056104		GLASS,SOLID,56IN, EXCEL,0028586	
	0028594		WINDOW ASSY,TSW,EXL,63,SOL,BLK PNT	
	0028599		WINDOW ASSY,TSW,EXL,70,SOL,BLK PNT	

**Models:** A3FE, A3RE, BBCV, C1FE, CSFE, GMCV, MBWB, SBCV, TCFE  
**TRANSIT**  
**EXCEL**  
**SOLID INSULATED**

**With Features:** **FEATURE 31196-60 THRU 75**

Key	PartNumber	Qty	Description	Comment
			WINDOW ASSY, TSW, EXCEL, INSULATED,	
	0028577		WINDOW ASSY,TSW,EXL,28,INSL,BLK PNT	
	0028579		WINDOW ASSY,TSW,EXL,35,INSL,BLK PNT	
	0028582		WINDOW ASSY,TSW,EXL,56,INSL,BLK PNT	
	0028588		WINDOW ASSY,TSW,EXL,63,INSL,BLK PNT	
	0028596		WINDOW ASSY,TSW.EXL,70,INSL,BLK PNT	

**Models:** A3FE, A3RE, BBCV, C1FE, CSFE, GMCV, MBWB, SBCV, TCFE  
 TRANSIT  
 EXCEL  
**With Features:** SOLID INSULATED, PUSHOUT  
 FEATURE 31197-35, -36, -37

Key	PartNumber	Qty	Description	Comment
			WINDOW ASSY, TSW, EXCEL, INSULATED,	
	0028602		WINDOW ASSY,TSW,EXL,56,P/O,INSL,BLK PNT	
	0028587		WINDOW ASSY,TSW,EXL,63,P/O,INSL,BLK PNT	
	0028595		WINDOW ASSY,TSW,EXL,70,P/O,INSL,BLK PNT	

**Models:** A3FE, A3RE, BBCV, C1FE, CSFE, GMCV, MBWB, SBCV, TCFE  
 TRANSIT  
 EXCEL  
**With Features:** SOLID, PUSHOUT  
 FEATURE 31197-32, -33, -34

Key	PartNumber	Qty	Description	Comment
			WINDOW ASSY, TSW, EXCEL, SOLID, PUSHOUT	
	0028585		WINDOW ASSY,TSW,EXL,56,P/O,SOL,BLK PNT	
	0056105		GLASS,SOLID,P/O,56IN,EXCEL,0028585	
	0028592		WINDOW ASSY,TSW,EXL,63,P/O,SOL,BLK PNT	
	0028598		WINDOW ASSY,TSW,EXL,70,P/O,SOL,BLK PNT	
	0056106		GLASS,SOLID,P.I,70IN,EXCEL,0028598	

**Models:** A3FE, A3RE, BBCV, C1FE, CSFE, GMCV, MBWB, SBCV, TCFE  
**TRANSIT**  
**EXCEL**  
**TOP T-SLIDE**

**With Features:** FEATURE 31196-28 THRU 43

Key	PartNumber	Qty	Description	Comment
			WINDOW ASSY, TSW, EXCEL, TOP T-SLIDE,	
	0028674		WINDOW ASSY,TSW,EXL,28,LH,TTOP,BLK PNT	
	0028682		WINDOW ASSY,TSW,EXL,28,RH,TTOP,BLK PNT	
	0028672		WINDOW ASSY,TSW,EXL,35,LH,TTOP,BLK PNT	
	0028673		WINDOW ASSY,TSW,EXL,35,RH,TTOP,BLK PNT	
	0028732		WINDOW ASSY,TSW,EXL,56,LH,TTOP,BLK PNT	
	0055610		GLASS,WINDOW,TSW,EXL,56,RH,TTOP	0028733
	0028733		WINDOW ASSY,TSW,EXL,56,RH,TTOP,BLK PNT	
	0028734		WINDOW ASSY,TSW,EXL,63,LH,TTOP,BLK PNT	
	0028735		WINDOW ASSY,TSW,EXL,63,RH,TTOP,BLK PNT	
	0028736		WINDOW ASSY,TSW,EXL,70,LH,TTOP,BLK PNT	
	0028737		WINDOW ASSY,TSW,EXL,70,RH,TTOP,BLK PNT	

**Models:** A3FE, A3RE, BBCV, C1FE, CSFE, GMCV, MBWB, SBCV, TCFE  
**TRANSIT**  
**EXCEL**  
**TOP T-SLIDE, PUSHOUT**  
**With Features:** FEATURE 31197-29, -30, -31

Key	PartNumber	Qty	Description	Comment
			WINDOW ASSY, TSW, EXCEL, TOP T-SLIDE,	
	0028738		WINDOW ASSY,TSW,EXL,56,LH,P/O,TTOP,BLK	
	0028739		WINDOW ASSY,TSW,EXL,56,RH,P/O,TTOP,BLK	
	0028740		WINDOW ASSY,TSW,EXL,63,LH,P/O,TTOP,BLK	
	0028741		WINDOW ASSY,TSW,EXL,63,RH,P/O,TTOP,BLK	
	0028742		WINDOW ASSY,TSW,EXL,70,LH,P/O,TTOP,BLK	
	0028743		WINDOW ASSY,TSW,EXL,70,RH,P/O,TTOP,BLK	

**Models:** AAFE, AARE, A3FE, A3RE, C1FE, CSFE, CSRE, GMCV, MBWB, SBCV, TCFE, TCRE  
**TRANSIT HEHR**  
**With Features:** FULL SLIDER, NON-PUSHOUT  
 OPTION 3377, 3380

Key	PartNumber	Qty	Description	Comment
			WINDOW 28 IN. TRANS, FULL SLIDER, BLACK	
	1736107		WINDOW,28 TRANS,FULL SL,BLK,NON PO,HEHR	
	1736115		WINDOW,28 TRANS,FULL SL,BLK,NON PO,HEHR	
	8313892		GLASS ONLY HEHR/FOR WDW, 1736107 &	GLASS ONLY, RH AND LH
	1695303		CLAMP RING 28 TRANS HEHR 012-387 HLE/I	
			WINDOW 35 IN. TRANS, FULL SLIDER, BLACK	
	1736123		WINDOW,35 TRANS,FULL SL,BLK,NON PO,HEHR	
	1736131		WINDOW,35 TRANS,FULL SL,BLK NON PO,HEHR	
	1695311		CLAMP RING 35 TRANS HEHR 012-387 HLE/I	
			WINDOW 56 IN. TRANS, FULL SLIDER, BLACK	
	1736149		WINDOW,56 TRANS,FULL SL,BLK NON PO,HEHR	
	8313124		GLASS,WINDOW 56" NON PLO 1736149	GLASS ONLY, RH
	1736156		WINDOW,56 TRANS,FULL SL,BLK NON PO,HEHR	
	1695329		CLAMP RING 56 TRANS HEHR 012-387 HLE/I	
			WINDOW 63 IN. TRANS, FULL SLIDER, BLACK	
	1736164		WINDOW,63 TRANS,FULL SL,BLK NON PO,HEHR	
	1736172		WINDOW,63 TRANS,FULL SL,BLK NON PO,HEHR	
	1695337		CLAMP RING 63 TRANS HEHR 012-387 HLE/I	
			WINDOW 70 IN. TRANS, FULL SLIDER, BLACK	
	1736180		WINDOW,70 TRANS,FULL SL,BLK NON PO,HEHR	
	1736198		WINDOW,70 TRANS,FULL SL,BLK NON PO,HEHR	
	1695345		CLAMP RING 70 TRANS HEHR 012-387 HLE/I	
	1695295		WINDOW,DRIVERS,TRANSIT HEHR	TRANSIT UNITS ONLY
	1711753		CLAMP RING DR TRANS HEHR 012-387 HLE/I	TRANSIT UNITS ONLY
	1736263		WINDOW,DRIVERS TRANS,FULL SL,BLK,NON	CONVENTIONAL UNITS ONLY
	1736271		CLAMP RING,DRVS,TRANS,BLK HEHR	CONVENTIONAL UNITS ONLY



**Models:** AAFE, AARE, A3FE, A3RE, C1FE, CSFE, CSRE, GMCV, MBWB, SBCV, TCFE, TCRE  
**TRANSIT**  
**HEHR**  
**With Features:** FULL SLIDER, PUSHOUT  
**OPTION 3376 3379**

Key	PartNumber	Qty	Description	Comment
			WINDOW 56 IN. TRANS, FULL SLIDER, BLACK	
	1736206		WINDOW,56 TRANS,FULL SL,BLK,PO HEHR RH	
	1736214		WINDOW,56 TRANS,FULL SL,BLK,PO HEHR LH	
	8310617		GLASS,HEHR TRANSIT WDO.1736214	GLASS ONLY,
	1695329		CLAMP RING 56 TRANS HEHR 012-387 HLE/I	
			WINDOW 63 IN. TRANS, FULL SLIDER, BLACK	
	1736222		WINDOW,63 TRANS,FULL SL,BLK,PO HEHR RH	
	1736230		WINDOW,63 TRANS,FULL SL,BLK,PO HEHR LH	
	1695337		CLAMP RING 63 TRANS HEHR 012-387 HLE/I	
			WINDOW 70 IN. TRANS, FULL SLIDER, BLACK	
	1736248		WINDOW,70 TRANS,FULL SL,BLK,PO HEHR RH	
	1736255		WINDOW,70 TRANS,FULL SL,BLK,PO HEHR LH	
	1695345		CLAMP RING 70 TRANS HEHR 012-387 HLE/I	
			HANDLE, EGRESS WINDOW	
	8316424		HANDLE,EGRESS WINDOW 110132 RH"	
	8317067		HANDLE,EGRESS WINDOW 110231 LH"	

VCTA


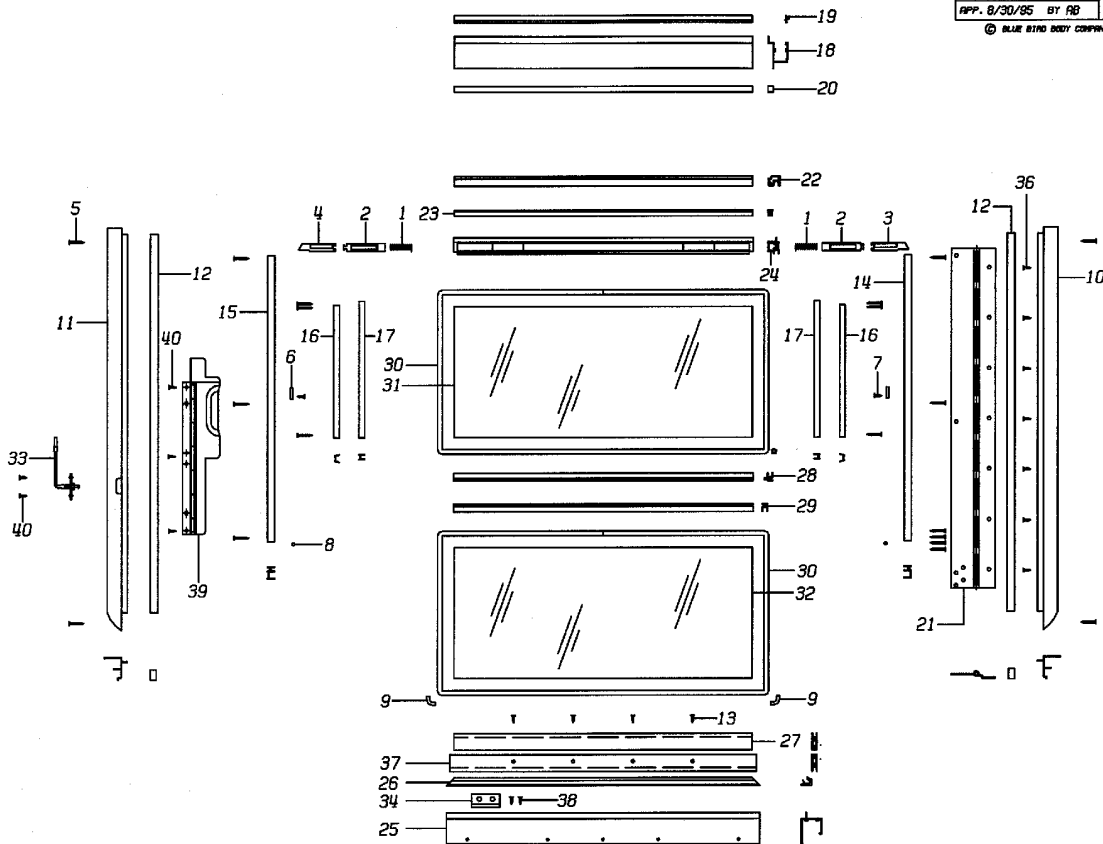
Models: AAFE, AARE, A3FE, A3RE, BBCV, GMCV, GPWB, MBWB, SBCV, TCEV, TCFE, TCRE,

VERTICAL PUSH OUT  
 BLUE BIRD TYPE  
 28 INCH WITH 12 INCH OPENING LH

Key	PartNumber	Qty	Description	Comment
-----	------------	-----	-------------	---------

DR. 8/30/95	BY DB		1695147	J
APP. 8/30/95	BY RB	FRT.		REV

© BLUE BIRD BODY COMPANY. ALL RIGHTS RESERVED

**VCTA**      **Models:** **AAFE, AARE, A3FE, A3RE, BBCV, GMCV, GPWB, MBWB, SBCV, TCEV, TCFE, TCRE,**  
**VERTICAL PUSH OUT**  
**BLUE BIRD TYPE**  
**28 INCH WITH 12 INCH OPENING LH**

Key	PartNumber	Qty	Description	Comment
NI			WINDOW ASSY. CLEAR LAMINATED	<i>W/OPT 3331, 3336-3339</i>
	1694181		WINDOW ASSY,28,12SS VERT HNG,PO,CLR LAM	<i>ENDING WITH BSN B20144129B, B10144049, F10058589, L10125309 4-11-04</i>
	0073914		WINDOW ASSY,28,12SS,P/O,VERT,LH,CLEAR BRONZE TINT TEMPERED	<i>BEGIN WITH BSN B20144130B, B10144050, F10058590, L10125310 4-12-04</i> <i>W/OPT 3333</i>
	1862309		WINDOW ASSY,28,12SS,P/O,VERT,LH,DK TNT	<i>ENDING WITH BSN B20144129B, B10144049, F10058589, L10125309 4-11-04</i>
	0073915		WINDOW ASSY,28,12SS,P/O,VERT,LH,DKTINT BRONZE TINT LAMINATED	<i>BEGIN WITH BSN B20144130B, B10144050, F10058590, L10125310 4-12-04</i> <i>W/OPT 3353</i>
	1700103		WINDOW ASSY,28,12SS,P/O,VERT,LH,DK TNT	<i>ENDING WITH BSN B20144129B, B10144049, F10058589, L10125309 4-11-04</i>
	0073916		WINDOW ASSY,28,12SS,P/O,VERT,LH,DK TINT GREEN TINT LAMINATED	<i>BEGIN WITH BSN B20144130B, B10144050, F10058590, L10125310 4-12-04</i> <i>W/OPT 7294</i>
	1700129		WINDOW ASSY,28,12SS,VERT HNG,PO,GRN,	<i>ENDING WITH BSN B20144129B, B10144049, F10058589, L10125309 4-11-04</i>
	0073917		WINDOW ASSY,28,12SS,P/O,VERT,LH,GREEN CLEAR TEMPERED	<i>BEGIN WITH BSN B20144130B, B10144050, F10058590, L10125310 4-12-04</i>
	0037075		WINDOW ASSY,28,12SS,P/O,CLEAR TEMP,VERT	<i>ENDING WITH BSN B20144129B, B10144049, F10058589, L10125309 4-11-04</i>
	0073930		WINDOW ASSY,28,12SS,P/O,VERT,LH,CLEAR	<i>BEGIN WITH BSN B20144130B, B10144050, F10058590, L10125310 4-12-04</i>
1	3817558	2	SPRING,SPLIT SASH WINDOW,W/REMOVABLE	
2	2176584	2	ACTUATOR,LATCH,SIDE WINDOW	
3	2176576		LATCH,SIDE,WINDOW,CONCEALED,RH	
4	2176568		LATCH,SIDE,WINDOW,CONCEALED,LH	
5	4644357	22	SCREW,10-12X1 1/4,#2 SQ DRIVE,#8,BUGLE	
6	3816592	2	STOP,WINDOW,REMOVABLE LATCH	
7	2260198	2	SCREW,SM,PH,FT/HD,8-18 X 1/2,TYPE B,ZN3	

**VCTA**      **Models:**    **AAFE, AARE, A3FE, A3RE, BBCV, GMCV, GPWB, MBWB, SBCV, TCEV, TCFE, TCRE,**  
**VERTICAL PUSH OUT**  
**BLUE BIRD TYPE**  
**28 INCH WITH 12 INCH OPENING LH**

Key	PartNumber	Qty	Description	Comment
8	0862953	1	SEALANT,SCHNEE-MOREHEAD 5522,VINYL	
9	2185148	1	SEALANT,UNISEAL	
10	1699933		FRAME,FRONT SIDE,VERT HNG,12SS POLH	
11	1718915		FRAME,REAR,SIDE VERTICAL HINGE 12SS PO	
12	3920782		SEAL,WEATHER,POW,28IN	
13	0864579	4	SCREW,10-16 X 3/4,AB,PH1,PAN HD,SST	
14	1707900		RAIL,FR,SIDE,VERT HNG12SS,PO,W/REM	
15	1698364		RAIL,REAR,SIDE,VERT HNG,12SS,POW/REM	
16	3927357	2	SEAL,SLIDING,PUSH OUT WINDOW,12 IN OPG	
17	3927340	2	CHANNEL,SLIDING,UPPER,PUSH OUT WINDOW	
18	3920741		FRAME,UPPER,28IN PUSH OUT WINDOW	
19	3920766		SEAL,UPPER FRAME TO HEADER,28 POW	
20	3920782		SEAL,WEATHER,POW,28IN	
21	1747906		HINGE,VERTICAL HINGE,12SS,PO,LH	
22	3920865		RAIL,UPPER,28IN,PUSH OUT WINDOW	
23	3920881		SEAL,UPPER FRAME TO LATCH RAIL,28IN POW	
24	3920907		RAIL,LATCH,W/REMOVABLE LATCH,28IN POW	
25	1694363		FRAME,LOWER,28,VERT HNG,PO,LH	
26	3920949		SEAL,LOWER FRAME,28IN POW	
27	1707959		RAIL LOWER LOWER SASH VERT HNG PO 28	
28	3920998		RAIL ASSY,LOWER,28IN POW	
29	3921012		RAIL,LOWER,28IN PUSH OUT WINDOW	
30		2	GLAZING	
	3831534		GLAZING,VINYL,SB,SS WINDOW,55.50IN	WITH OPTION 3331, 3336-3339
	1863497		GLAZING,VINYL,SB,12SS,P/O,1/8	WITH OPTION 3333
	3831534		GLAZING,VINYL,SB,SS WINDOW,55.50IN	WITH OPTION 7294
	3831534		GLAZING,VINYL,SB,SS WINDOW,55.50IN	
31			GLASS, UPPER	
	3921194		GLASS,SS,CLEAR LAM,28,POW,12 OPG,UPPER	WITH OPTION 3331, 3336-3339
	1864479		GLASS,SS,DARK TINT TEMP,28,POW,12 OPG,	WITH OPTION 3333
	3921210		GLASS,SS,GREEN LAM,28,POW,12 OPG,UPPER	WITH OPTION 7294
	0037060		GLASS,SS,CLEAR TEMP,28,POW,12 OPG,UPPER	
32			GLASS, LOWER	
				WITH OPTION 3331, 3336-3339

VCTA

Models: AAFE, AARE, A3FE, A3RE, BBCV, GMCV, GPWB, MBWB, SBCV, TCEV, TCFE, TCRE,

**VERTICAL PUSH OUT  
BLUE BIRD TYPE  
28 INCH WITH 12 INCH OPENING LH**

Key	PartNumber	Qty	Description	Comment
	3921103		GLASS,SS,CLEAR LAM,28,POW,12 OPG,LOWER	
	1864487		GLASS,SS,DARK TINT TEMP,28,POW,12 OPG,	WITH OPTION 3333
	3921129		GLASS,SS,GREEN LAM,28,POW,12 OPG,LOWER	WITH OPTION 7294
	0037061		GLASS,SS,CLEAR TEMP,28,POW,12 OPG,LOWER	
33	1718667		SWITCH FINAL ASSY VERTICAL HINGE WINDOW	
34	2265940		SPACER,POW,STRIKER PLATE	
35	3876513	2	SCREW,SM,PH,PN/HD,NO12-24 X 3/8,TYPE C,	
36	2186401	7	SCREW,10-16 X 1/2,AB,PH1,PAN HD,YEL ZN	
37	1694322		RAIL,LOWER,OUTER,28,VERT HNG PO	
38	1266600	2	SCREW,10-16 X 3/4,AB,PH1,OVAL CNSK HD,	
39	1694264		LATCH ASSY,VERT HNG,9SS,PO,LH	
40	2000511	5	SCREW,10-16 X 1/2,AB,PH1,TRUSS HD,	

VCTA


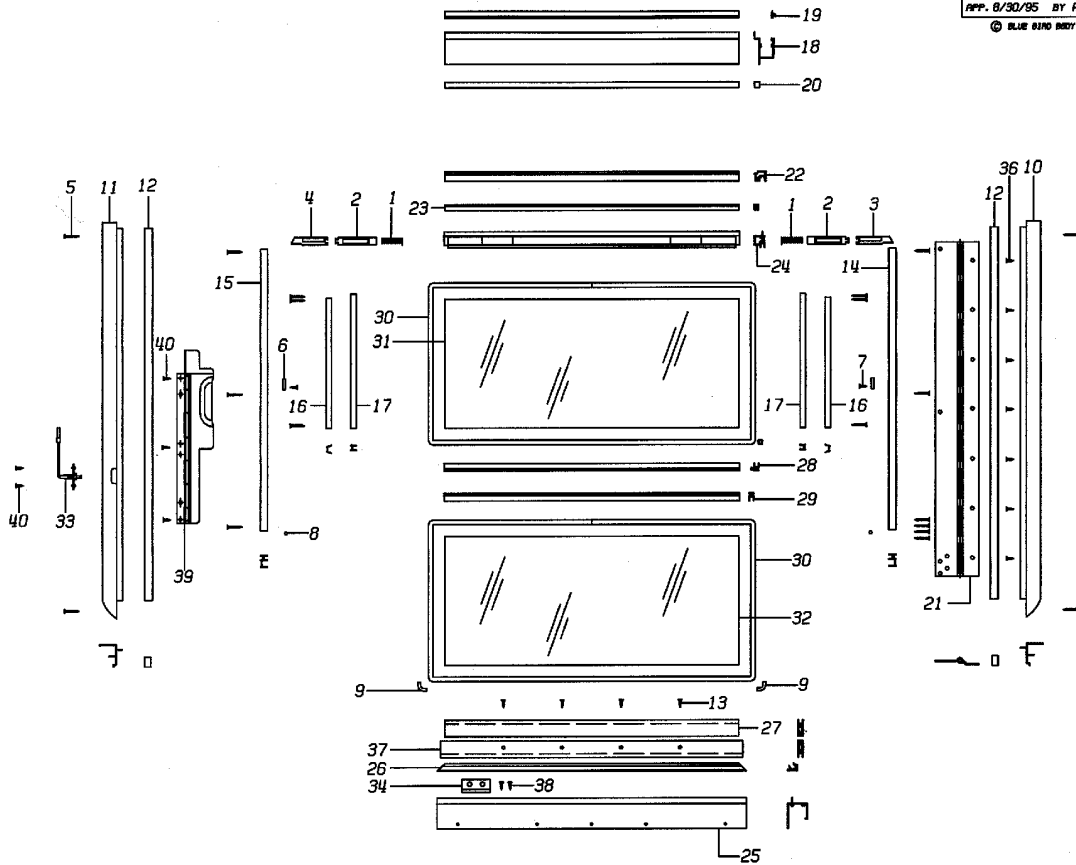
Models: AAFE, AARE, A3FE, A3RE, BBCV, GMCV, GPWB, MBWB, SBCV, TCEV, TCFE, TCRE,

VERTICAL PUSH OUT  
 BLUE BIRD TYPE  
 28 INCH WITH 12 INCH OPENING RH

Key	PartNumber	Qty	Description	Comment
-----	------------	-----	-------------	---------

DR. 8/30/95	BY DB	1895139	J
APP. 8/30/95	BY RB	FRT	REV

© BLUE BIRD BODY COMPANY. ALL RIGHTS RESERVED

**VCTA**      **Models:** **AAFE, AARE, A3FE, A3RE, BBCV, GMCV, GPWB, MBWB, SBCV, TCEV, TCFE, TCRE,**  
**VERTICAL PUSH OUT**  
**BLUE BIRD TYPE**  
**28 INCH WITH 12 INCH OPENING RH**

Key	PartNumber	Qty	Description	Comment
NI			WINDOW ASSY., 12 IN. OPENING CLEAR LAMINATED	<i>W/OPT 3331, 3336-3339</i>
	1694173		WINDOW ASSY,28,12SS,VERT HNG,PO,CLR LAM	<i>ENDING WITH BSN B20144129B, B10144049, F10058589, L10125309 4-11-04</i>
	0073886		WINDOW ASSY,28,12SS,P/O,VERT,RH,CLEAR BRONZE TINT TEMPERED	<i>BEGIN WITH BSN B20144130B, B10144050, F10058590, L10125310 4-12-04</i> <i>W/OPT 3333</i>
	1862267		WINDOW ASSY,28,12SS,P/O,VERT,RH,DK TNT,	<i>ENDING WITH BSN B20144129B, B10144049, F10058589, L10125309 4-11-04</i>
	0073887		WINDOW ASSY,28,12SS,P/O,VERT,RH,DKTINT BRONZE TINT LAMINATED	<i>BEGIN WITH BSN B20144130B, B10144050, F10058590, L10125310 4-12-04</i> <i>W/OPT 3353</i>
	1700095		WINDOW ASSY,28,12SS,P/O,VERT,RH,DK TNT	<i>ENDING WITH BSN B20144129B, B10144049, F10058589, L10125309 4-11-04</i>
	0073888		WINDOW ASSY,28,12SS,P/O,VERT,RH,DK TINT GREEN TINT LAMINATED	<i>BEGIN WITH BSN B20144130B, B10144050, F10058590, L10125310 4-12-04</i> <i>W/OPT 7294</i>
	1700111		WINDOW ASSY,28,12SS,VERT HNG,PO,GRN,	<i>ENDING WITH BSN B20144129B, B10144049, F10058589, L10125309 4-11-04</i>
	0073889		WINDOW ASSY,28,12SS,P/O,VERT,RH,GREEN CLEAR TEMPERED	<i>BEGIN WITH BSN B20144130B, B10144050, F10058590, L10125310 4-12-04</i>
	0037074		WINDOW ASSY,28,12SS,P/O,CLEAR TEMP,VERT	<i>ENDING WITH BSN B20144129B, B10144049, F10058589, L10125309 4-11-04</i>
	0073900		WINDOW ASSY,28,12SS,P/O,VERT,RH,CLEAR	<i>BEGIN WITH BSN B20144130B, B10144050, F10058590, L10125310 4-12-04</i>
1	3817558	2	SPRING,SPLIT SASH WINDOW,W/REMOVABLE	
2	2176584	2	ACTUATOR,LATCH,SIDE WINDOW	
3	2176576		LATCH,SIDE,WINDOW,CONCEALED,RH	
4	2176568		LATCH,SIDE,WINDOW,CONCEALED,LH	
5	4644357	22	SCREW,10-12X1 1/4,#2 SQ DRIVE,#8,BUGLE	
6	3816592	2	STOP,WINDOW,REMOVABLE LATCH	
7	2260198	2	SCREW,SM,PH,FT/HD,8-18 X 1/2,TYPE B,ZN3	

**VCTA**      **Models:**    **AAFE, AARE, A3FE, A3RE, BBCV, GMCV, GPWB, MBWB, SBCV, TCEV, TCFE, TCRE,**  
**VERTICAL PUSH OUT**  
**BLUE BIRD TYPE**  
**28 INCH WITH 12 INCH OPENING RH**

Key	PartNumber	Qty	Description	Comment
8	0862953	1	SEALANT,SCHNEE-MOREHEAD 5522,VINYL	
9	2185148	1	SEALANT,UNISEAL	
10	1698323		FRAME,FRONT,SIDE,VERT HNG,12SS,PO,RH	
11	1718899		FRAME,REAR,SIDE VERTICAL HINGE 12SS PO	
12	3920782		SEAL,WEATHER,POW,28IN	
13	0864579	4	SCREW,10-16 X 3/4,AB,PH1,PAN HD,SST	
14	1707892		RAIL,FR,SIDE,VERT HNG12SS,PO,W/REM	
15	1699925		RAIL,REAR,SIDE,VERT HNG,12SS,POW/REM	
16	3927357		SEAL,SLIDING,PUSH OUT WINDOW,12 IN OPG	
17	3927340		CHANNEL,SLIDING,UPPER,PUSH OUT WINDOW	
18	3920741		FRAME,UPPER,28IN PUSH OUT WINDOW	
19	3920766		SEAL,UPPER FRAME TO HEADER,28 POW	
20	3920782		SEAL,WEATHER,POW,28IN	
21	1747625		HINGE,VERTICAL HINGE,12,PO,RH	
22	3920865		RAIL,UPPER,28IN,PUSH OUT WINDOW	
23	3920881		SEAL,UPPER FRAME TO LATCH RAIL,28IN POW	
24	3920907		RAIL,LATCH,W/REMOVABLE LATCH,28IN POW	
25	1694355		FRAME,LOWER,28,VERT HNG,PO,RH	
26	3920949		SEAL,LOWER FRAME,28IN POW	
27	1707959		RAIL LOWER LOWER SASH VERT HNG PO 28	
28	3920998		RAIL ASSY,LOWER,28IN POW	
29	3921012		RAIL,LOWER,28IN PUSH OUT WINDOW	
30			GLAZING	
	3831534		GLAZING,VINYL,SB,SS WINDOW,55.50IN	OPTION 3331, 3336-3339
	2265510		GLAZING,VINYL,SB,.125 GLASS,62.50"	WITH OPTION 3333
	3831534		GLAZING,VINYL,SB,SS WINDOW,55.50IN	WITH OPTION 7294
	3831534		GLAZING,VINYL,SB,SS WINDOW,55.50IN	
31			GLASS, UPPER	
	3921194		GLASS,SS,CLEAR LAM,28,POW,12 OPG,UPPER	WITH OPTION 3331, 3336-3339
	1864479		GLASS,SS,DARK TINT TEMP,28,POW,12 OPG,	OPTION 3333
	3921202		GLASS,SS,DRK TNT,BRNZ,LAM,28,POW,12 OPG,	OPTION 3353
	3921210		GLASS,SS,GREEN LAM,28,POW,12 OPG,UPPER	WITH OPTION 7294
	0037060		GLASS,SS,CLEAR TEMP,28,POW,12 OPG,UPPER	



VCTA

Models: AAFE, AARE, A3FE, A3RE, BBCV, GMCV, GPWB, MBWB, SBCV, TCEV, TCFE, TCRE,

**VERTICAL PUSH OUT  
BLUE BIRD TYPE  
28 INCH WITH 12 INCH OPENING RH**

Key	PartNumber	Qty	Description	Comment
32			GLASS, LOWER	
	3921103		GLASS,SS,CLEAR LAM,28,POW,12 OPG,LOWER	WITH OPTION 3331, 3336-3339
	1864487		GLASS,SS,DARK TINT TEMP,28,POW,12 OPG,	
	3921111		GLASS,SS,DRK TNT,BRNZ,LAM,28,POW,12 OPG,	WITH OPTION 3353
	3921129		GLASS,SS,GREEN LAM,28,POW,12 OPG,LOWER	WITH OPTION 7294
	0037061		GLASS,SS,CLEAR TEMP,28,POW,12 OPG,LOWER	
33	1718667		SWITCH FINAL ASSY VERTICAL HINGE WINDOW	
35	2265940		SPACER,POW,STRIKER PLATE	SHIM, 12" ONLY
35	3876513	2	SCREW,SM,PH,PN/HD,NO12-24 X 3/8,TYPE C,	
36	2186401	7	SCREW,10-16 X 1/2,AB,PH1,PAN HD,YEL ZN	
37	1694322		RAIL,LOWER,OUTER,28,VERT HNG PO	
38	1266600	2	SCREW,10-16 X 3/4,AB,PH1,OVAL CNSK HD,	
39	1694256		LATCH ASSY,VERT HNG,9SS,PO,RH	
40	2000511	5	SCREW,10-16 X 1/2,AB,PH1,TRUSS HD,	

VCTA


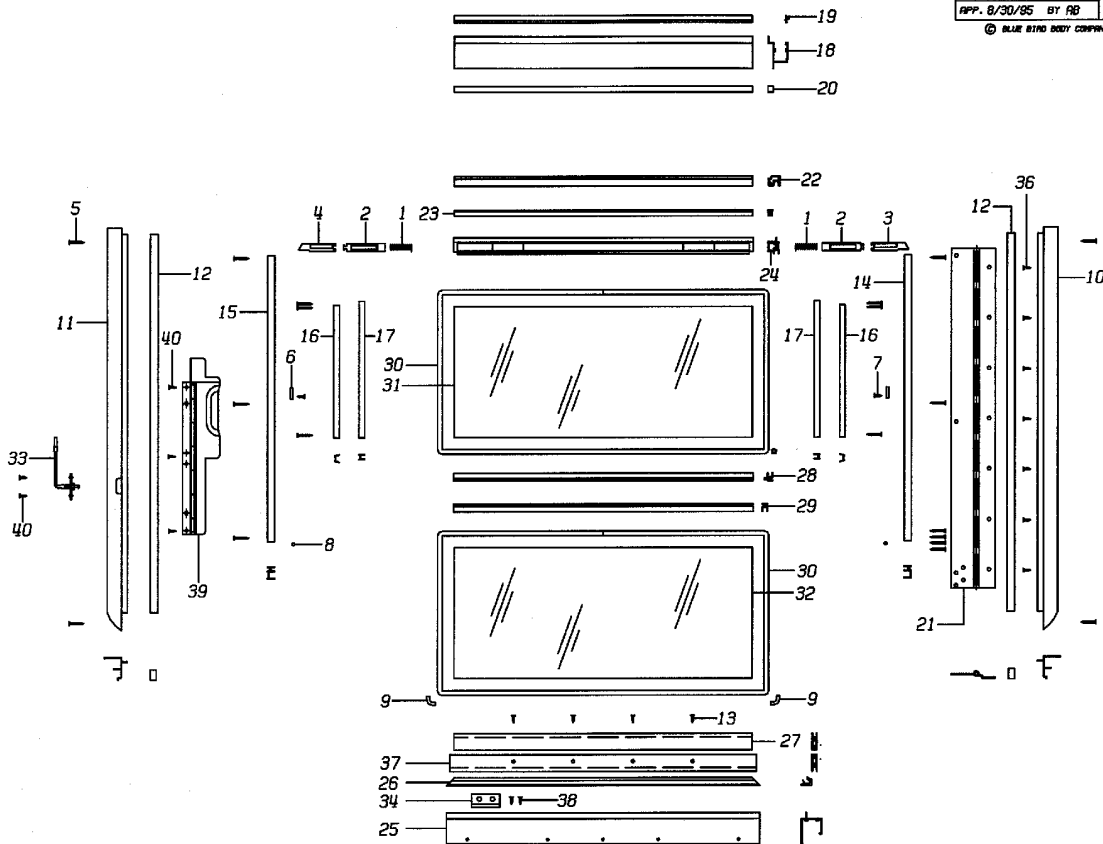
Models: AAFE, AARE, A3FE, A3RE, BBCV, GMCV, GPWB, MBWB, SBCV, TCEV, TCFE, TCRE,

VERTICAL PUSH OUT  
 BLUE BIRD TYPE  
 28 INCH WITH 9 INCH OPENING LH

Key	PartNumber	Qty	Description	Comment
-----	------------	-----	-------------	---------

DR. 8/30/95	BY DB		1695147	J
APP. 8/30/95	BY RB	FRT.		REV

© BLUE BIRD BODY COMPANY. ALL RIGHTS RESERVED

**VCTA**      **Models:**    **AAFE, AARE, A3FE, A3RE, BBCV, GMCV, GPWB, MBWB, SBCV, TCEV, TCFE, TCRE,**  
**VERTICAL PUSH OUT**  
**BLUE BIRD TYPE**  
**28 INCH WITH 9 INCH OPENING LH**

Key	PartNumber	Qty	Description	Comment
NI			WINDOW ASSY., 9 INCH CLEAR LAMINATED	<i>W/OPT 3331, 3336-3339</i>
	1690965		WINDOW ASSY,28,9SS VERT HNG,PO,CLR LAM,	<i>ENDING WITH BSN B20144129B, B10144049, F10058589, L10125309 4-11-04</i>
	0073910		WINDOW ASSY,28,9SS,P/O,VERT,LH,CLEAR LAM BRONZE TINT TEMPERED	<i>BEGIN WITH BSN B20144130B, B10144050, F10058590, L10125310 4-12-04 W/OPT 3333</i>
	1862291		WINDOW ASSY,28,9SS,P/O,VERT,LH,DK TNT	<i>ENDING WITH BSN B20144129B, B10144049, F10058589, L10125309 4-11-04</i>
	0073911		WINDOW ASSY,28,9SS,P/O,VERT,LH,DK TINT BRONZE TINT LAMINATED	<i>BEGIN WITH BSN B20144130B, B10144050, F10058590, L10125310 4-12-04 W/OPT 3353</i>
	1700020		WINDOW ASSY,28,9SS,P/O,VERT,LH,DK TNT	<i>ENDING WITH BSN B20144129B, B10144049, F10058589, L10125309 4-11-04</i>
	0073912		WINDOW ASSY,28,9SS,P/O,VERT,LH,DK TINT GREEN TINT LAMINATED	<i>BEGIN WITH BSN B20144130B, B10144050, F10058590, L10125310 4-12-04 W/OPT 7294</i>
	1700046		WINDOW ASSY,28,9SS,VERT HNG,PO,GRN,LAM	<i>ENDING WITH BSN B20144129B, B10144049, F10058589, L10125309 4-11-04</i>
	0073913		WINDOW ASSY,28,9SS,P/O,VERT,LH,GREEN CLEAR TEMPERED	<i>BEGIN WITH BSN B20144130B, B10144050, F10058590, L10125310 4-12-04</i>
	0037067		WINDOW ASSY,28,9SS,P/O,CLEAR TEMP,VERT	<i>ENDING WITH BSN B20144129B, B10144049, F10058589, L10125309 4-11-04</i>
	0073927		WINDOW ASSY,28,9SS,P/O,VERT,LH,CLEAR	<i>BEGIN WITH BSN B20144130B, B10144050, F10058590, L10125310 4-12-04</i>
1	3817558	2	SPRING,SPLIT SASH WINDOW,W/REMOVABLE	
2	2176584	2	ACTUATOR,LATCH,SIDE WINDOW	
3	2176576		LATCH,SIDE,WINDOW,CONCEALED,RH	
4	2176568		LATCH,SIDE,WINDOW,CONCEALED,LH	
5	4644357	22	SCREW,10-12X1 1/4,#2 SQ DRIVE,#8,BUGLE	
6	3816592	2	STOP,WINDOW,REMOVABLE LATCH	
7	2260198	2	SCREW,SM,PH,FT/HD,8-18 X 1/2,TYPE B,ZN3	

VCTA

Models: AAFE, AARE, A3FE, A3RE, BBCV, GMCV, GPWB, MBWB, SBCV, TCEV, TCFE, TCRE,

**VERTICAL PUSH OUT  
BLUE BIRD TYPE  
28 INCH WITH 9 INCH OPENING LH**

Key	PartNumber	Qty	Description	Comment
8	0862953	1	SEALANT,SCHNEE-MOREHEAD 5522,VINYL	
9	2185148	1	SEALANT,UNISEAL	
10	1695121		FRAME,FRONT,SIDE,VERT HNG,9SS,PO,LH	
11	1718907		FRAME,REAR,SIDE VERTICAL HINGE 9SS PO LH	
12	3920782		SEAL,WEATHER,POW,28IN	
13	0864579	4	SCREW,10-16 X 3/4,AB,PH1,PAN HD,SST	
14	1707884		RAIL,FR,SIDE,VERT HNG,9SS,PO,W/REM LATCH,	
15	1698356		RAIL,REAR,SIDE,VERT HNG,9SS,PO,W/REM	
16	3929734	2	SEAL,SLIDING,PUSH OUT WINDOW	
17	3929726	2	CHANNEL,SLIDING,UPPER,PUSH OUT WINDOW	
18	3920741		FRAME,UPPER,28IN PUSH OUT WINDOW	
19	3920766		SEAL,UPPER FRAME TO HEADER,28 POW	
20	3920782		SEAL,WEATHER,POW,28IN	
21	1747898		HINGE,VERTICAL HINGE,9SS,PO,LH	
22	3920865		RAIL,UPPER,28IN,PUSH OUT WINDOW	
23	3920881		SEAL,UPPER FRAME TO LATCH RAIL,28IN POW	
24	3920907		RAIL,LATCH,W/REMOVABLE LATCH,28IN POW	
25	1694363		FRAME,LOWER,28,VERT HNG,PO,LH	
26	3920949		SEAL,LOWER FRAME,28IN POW	
27	1707959		RAIL LOWER LOWER SASH VERT HNG PO 28	
28	3920998		RAIL ASSY,LOWER,28IN POW	
29	3921012		RAIL,LOWER,28IN PUSH OUT WINDOW	
30		2	GLAZING	
	3921038		GLAZING,VINYL,SB,SS WINDOW,52.65	WITH OPTION 3331, 3336-3339
	1863489		GLAZING,VINYL,SB,9SS,P/O,1/8 GLASS,54.50"	WITH OPTION 3333
	3921038		GLAZING,VINYL,SB,SS WINDOW,52.65	WITH OPTION 7294
	3921038		GLAZING,VINYL,SB,SS WINDOW,52.65	
31			GLASS, UPPER	
	3929668		GLASS,SS,CLEAR LAM,28,POW,9 OPG,UPPER	WITH OPTION 3331, 3336-3339
	1864438		GLASS,SS,DARK TINT TEMP,28,POW,9 OPG,	WITH OPTION 3333
	3929700		GLASS,SS,GREEN LAM,28,POW,9 OPG,UPPER	WITH OPTION 7294
	0036938		GLASS,SS,CLEAR TEMP,28,POW,9 OPG,UPPER	
32			GLASS, LOWER	

WITH OPTION 3331, 3336-3339

**VCTA**      **Models:** **AAFE, AARE, A3FE, A3RE, BBCV, GMCV, GPWB, MBWB, SBCV, TCEV, TCFE, TCRE,**  
**VERTICAL PUSH OUT**  
**BLUE BIRD TYPE**  
**28 INCH WITH 9 INCH OPENING LH**

Key	PartNumber	Qty	Description	Comment
	3921079		GLASS,SS,CLEAR LAM,28,POW,9 OPG,LOWER	
	1864446		GLASS,SS,DARK TINT TEMP,28,POW,9 OPG,	<i>WITH OPTION 3333</i>
	3921095		GLASS,SS,GREEN LAM,28,POW,9 OPG,LOWER	<i>WITH OPTION 7294</i>
	0036939		GLASS,SS,CLEAR TEMP,28,POW,9 OPG,LOWER	
33	1718667		SWITCH FINAL ASSY VERTICAL HINGE WINDOW	
34	1694314		SHIM,LOWER,VERT HNG,PO	
35	3876513	2	SCREW,SM,PH,PN/HD,NO12-24 X 3/8,TYPE C,	
36	2186401	7	SCREW,10-16 X 1/2,AB,PH1,PAN HD,YEL ZN	
37	1694322		RAIL,LOWER,OUTER,28,VERT HNG PO	
38	1266600	2	SCREW,10-16 X 3/4,AB,PH1,OVAL CNSK HD,	
39	1694264		LATCH ASSY,VERT HNG,9SS,PO,LH	
40	2000511	5	SCREW,10-16 X 1/2,AB,PH1,TRUSS HD,	

VCTA


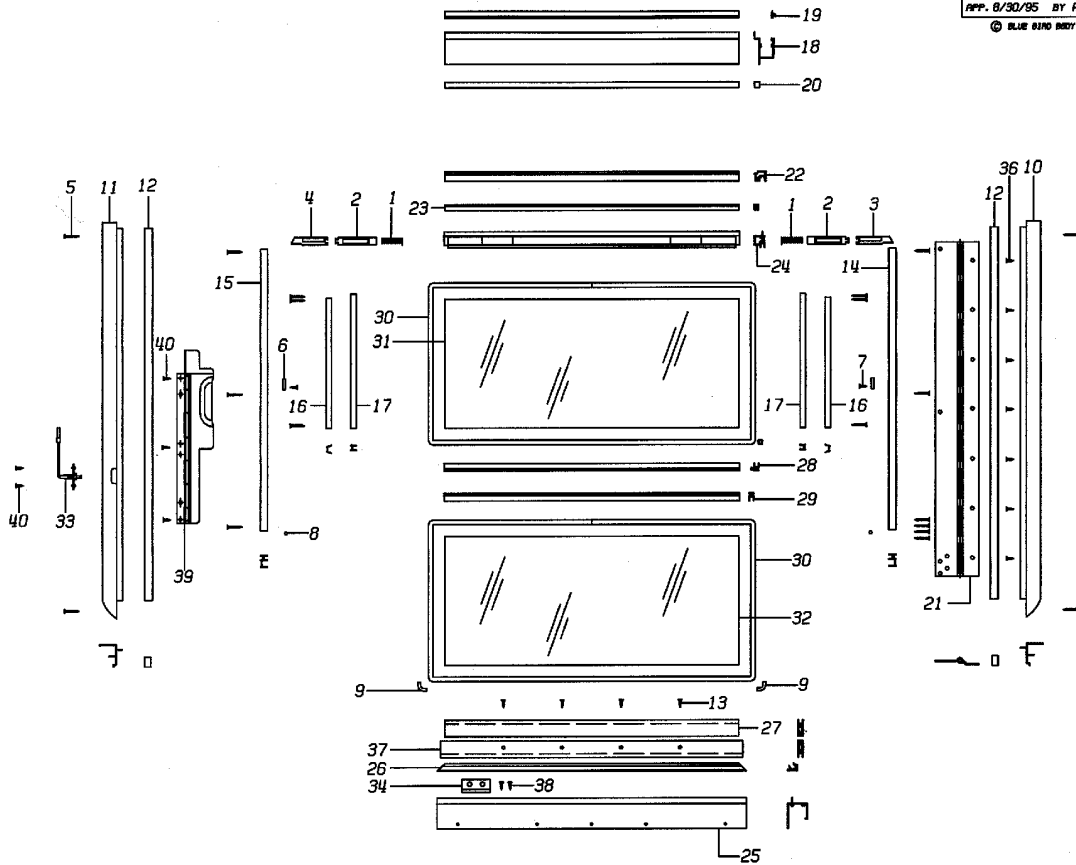
Models: AAFE, AARE, A3FE, A3RE, BBCV, GMCV, GPWB, MBWB, SBCV, TCEV, TCFE, TCRE,

VERTICAL PUSH OUT  
 BLUE BIRD TYPE  
 28 INCH WITH 9 INCH OPENING RH

Key	PartNumber	Qty	Description	Comment
-----	------------	-----	-------------	---------

DR. 8/30/95	BY DB	1895139	J
APP. 8/30/95	BY RB	FRT	REV

© BLUE BIRD BODY COMPANY. ALL RIGHTS RESERVED

**VCTA**      **Models:**    **AAFE, AARE, A3FE, A3RE, BBCV, GMCV, GPWB, MBWB, SBCV, TCEV, TCFE, TCRE,**  
**VERTICAL PUSH OUT**  
**BLUE BIRD TYPE**  
**28 INCH WITH 9 INCH OPENING RH**

Key	PartNumber	Qty	Description	Comment
NI			WINDOW ASSY. 9 IN. OPENING CLEAR LAMINATED	<i>W/OPT 3331, 3336-3339</i>
	1690957		WINDOW ASSY,28,9SS,VERT HNG,PO,CLR LAM,	<i>ENDING WITH BSN B20144129B, B10144049, F10058589, L10125309 4-11-04</i>
	0073881		WINDOW ASSY,28,9SS,P/O,VERT,RH,CLEAR BRONZE TINT TEMPERED	<i>BEGIN WITH BSN B20144130B, B10144050, F10058590, L10125310 4-12-04</i> <i>W/OPT 3333</i>
	1862259		WINDOW ASSY,28,9SS,P/O,VERT,RH,DK TNT	<i>ENDING WITH BSN B20144129B, B10144049, F10058589, L10125309 4-11-04</i>
	0073882		WINDOW ASSY,28,9SS,P/O,VERT,RH,DK TINT BRONZE TINT LAMINATED	<i>BEGIN WITH BSN B20144130B, B10144050, F10058590, L10125310 4-12-04</i> <i>W/OPT 3353</i>
	1700012		WINDOW ASSY,28,9SS,P/O,VERT,RH,DK TNT	<i>ENDING WITH BSN B20144129B, B10144049, F10058589, L10125309 4-11-04</i>
	0073883		WINDOW ASSY,28,9SS,P/O,VERT,RH,DK TINT GREEN TINT LAMINATED	<i>BEGIN WITH BSN B20144130B, B10144050, F10058590, L10125310 4-12-04</i> <i>W/OPT 7294</i>
	1700038		WINDOW ASSY,28,9SS,VERT HNG,PO,GRN,LAM	<i>ENDING WITH BSN B20144129B, B10144049, F10058589, L10125309 4-11-04</i>
	0073884		WINDOW ASSY,28,9SS,P/O,VERT,RH,GREEN CLEAR TEMPERED	<i>BEGIN WITH BSN B20144130B, B10144050, F10058590, L10125310 4-12-04</i>
	0037066		WINDOW ASSY,28,9SS,P/O,CLEAR TEMP,VERT	<i>ENDING WITH BSN B20144129B, B10144049, F10058589, L10125309 4-11-04</i>
	0073898		WINDOW ASSY,28,9SS,P/O,VERT,RH,CLEAR	<i>BEGIN WITH BSN B20144130B, B10144050, F10058590, L10125310 4-12-04</i>
1	3817558	2	SPRING,SPLIT SASH WINDOW,W/REMOVABLE	
2	2176584	2	ACTUATOR,LATCH,SIDE WINDOW	
3	2176576		LATCH,SIDE,WINDOW,CONCEALED,RH	
4	2176568		LATCH,SIDE,WINDOW,CONCEALED,LH	
5	4644357	22	SCREW,10-12X1 1/4,#2 SQ DRIVE,#8,BUGLE	
6	3816592	2	STOP,WINDOW,REMOVABLE LATCH	
7	2260198	2	SCREW,SM,PH,FT/HD,8-18 X 1/2,TYPE B,ZN3	

VCTA

Models: AAFE, AARE, A3FE, A3RE, BBCV, GMCV, GPWB, MBWB, SBCV, TCEV, TCFE, TCRE,

**VERTICAL PUSH OUT  
BLUE BIRD TYPE  
28 INCH WITH 9 INCH OPENING RH**

Key	PartNumber	Qty	Description	Comment
8	0862953	1	SEALANT,SCHNEE-MOREHEAD 5522,VINYL	
9	2185148	1	SEALANT,UNISEAL	
10	1695113		FRAME,FRONT,SIDE,VERT HNG,9SS,PO,RH	
11	1718881		FRAME,REAR,SIDE VERTICAL HINGE 9SS PO RH	
12	3920782		SEAL,WEATHER,POW,28IN	
13	0864579	4	SCREW,10-16 X 3/4,AB,PH1,PAN HD,SST	
14	1707876		RAIL,FR,SIDE,VERT HNG,9SS,PO,W/REM LATCH,	
15	1694280		RAIL,REAR,SIDE,VERT HNG,9SS,PO W/REM	
16	3929734		SEAL,SLIDING,PUSH OUT WINDOW	
17	3929726		CHANNEL,SLIDING,UPPER,PUSH OUT WINDOW	
18	3920741		FRAME,UPPER,28IN PUSH OUT WINDOW	
19	3920766		SEAL,UPPER FRAME TO HEADER,28 POW	
20	3920782		SEAL,WEATHER,POW,28IN	
21	1747617		HINGE,VERTICAL HINGE,9SS,PO,RH	
22	3920865		RAIL,UPPER,28IN,PUSH OUT WINDOW	
23	3920881		SEAL,UPPER FRAME TO LATCH RAIL,28IN POW	
24	3920907		RAIL,LATCH,W/REMOVABLE LATCH,28IN POW	
25	1694355		FRAME,LOWER,28,VERT HNG,PO,RH	
26	3920949		SEAL,LOWER FRAME,28IN POW	
27	1707959		RAIL LOWER LOWER SASH VERT HNG PO 28	
28	3920998		RAIL ASSY,LOWER,28IN POW	
29	3921012		RAIL,LOWER,28IN PUSH OUT WINDOW	
30			GLAZING, 9 IN	
	3921038		GLAZING,VINYL,SB,SS WINDOW,52.65	OPTION 3331, 3336-3339
	1863489		GLAZING,VINYL,SB,9SS,P/O,1/8 GLASS,54.50"	WITH OPTION 3333
	3921038		GLAZING,VINYL,SB,SS WINDOW,52.65	WITH OPTION 7294
	3921038		GLAZING,VINYL,SB,SS WINDOW,52.65	
31			GLASS, UPPER, 9 IN	
	3929668		GLASS,SS,CLEAR LAM,28,POW,9 OPG,UPPER	WITH OPTION 3331, 3336-3339
	1864438		GLASS,SS,DARK TINT TEMP,28,POW,9 OPG,	OPTION 3333
	3929684		GLASS,SS,DARK TINT LAM,28,POW,9 OPG,	OPTION 3353
	3929700		GLASS,SS,GREEN LAM,28,POW,9 OPG,UPPER	WITH OPTION 7294
	0036938		GLASS,SS,CLEAR TEMP,28,POW,9 OPG,UPPER	



**VCTA**      **Models:** **AAFE, AARE, A3FE, A3RE, BBCV, GMCV, GPWB, MBWB, SBCV, TCEV, TCFE, TCRE,**  
**VERTICAL PUSH OUT**  
**BLUE BIRD TYPE**  
**28 INCH WITH 9 INCH OPENING RH**


Key	PartNumber	Qty	Description	Comment
32			GLASS, LOWER, 9 IN	
	3921079		GLASS,SS,CLEAR LAM,28,POW,9 OPG,LOWER	<i>WITH OPTION 3331, 3336-3339</i>
	1864446		GLASS,SS,DARK TINT TEMP,28,POW,9 OPG,	
	3921087		GLASS,SS,DARK TINT LAM,28,POW,9 OPG,	<i>WITH OPTION 3353</i>
	3921095		GLASS,SS,GREEN LAM,28,POW,9 OPG,LOWER	<i>WITH OPTION 7294</i>
	0036939		GLASS,SS,CLEAR TEMP,28,POW,9 OPG,LOWER	
33	1718667		SWITCH FINAL ASSY VERTICAL HINGE WINDOW	
34	1694314		SHIM,LOWER,VERT HNG,PO	<i>SHIM, 9" ONLY</i>
35	3876513	2	SCREW,SM,PH,PN/HD,NO12-24 X 3/8,TYPE C,	
36	2186401	7	SCREW,10-16 X 1/2,AB,PH1,PAN HD,YEL ZN	
37	1694322		RAIL,LOWER,OUTER,28,VERT HNG PO	
38	1266600	2	SCREW,10-16 X 3/4,AB,PH1,OVAL CNSK HD,	
39	1694256		LATCH ASSY,VERT HNG,9SS,PO,RH	
40	2000511	5	SCREW,10-16 X 1/2,AB,PH1,TRUSS HD,	

VCTA

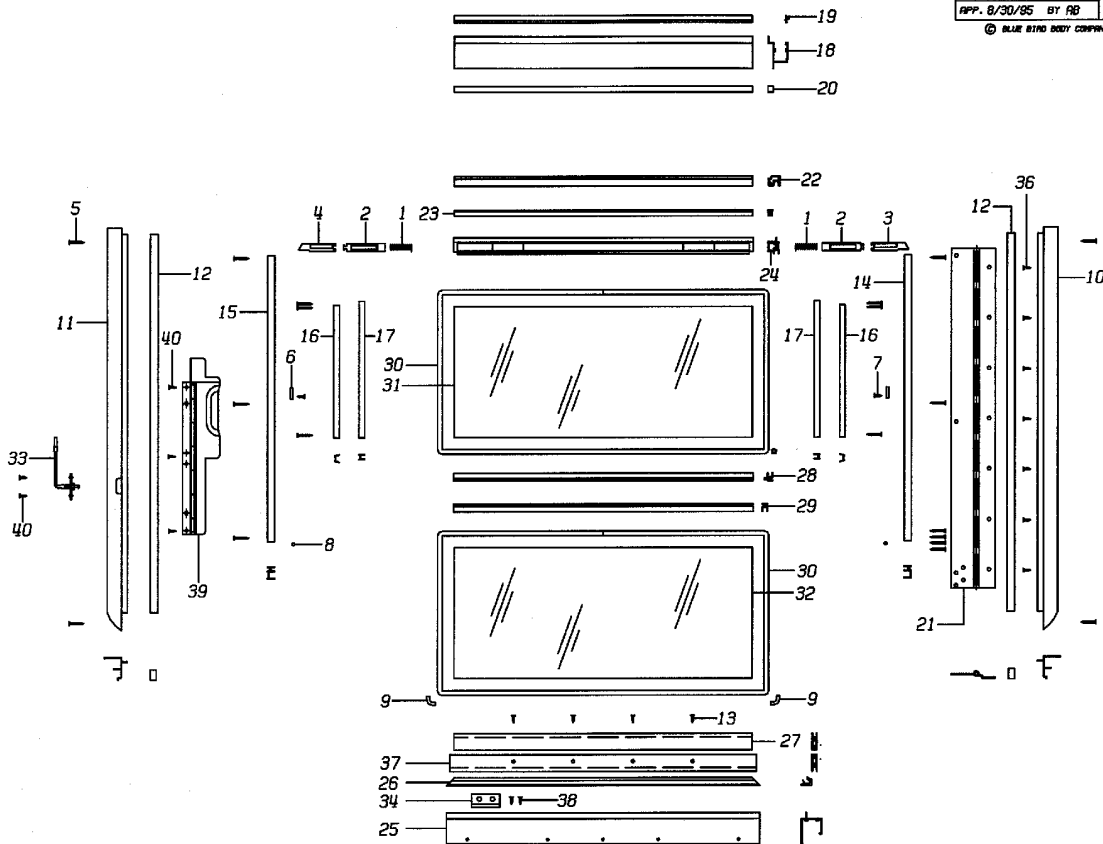
Models: AAFE, AARE, A3FE, A3RE, BBCV, GMCV, GPWB, MBWB, SBCV, TCEV, TCFE, TCRE,

VERTICAL PUSH OUT  
BLUE BIRD TYPE  
35 INCH WITH 12 INCH OPENING LH

Key	PartNumber	Qty	Description	Comment
-----	------------	-----	-------------	---------

DR. 8/30/95	BY DB	1695147	J	
APP. 8/30/95	BY RB	FRT.	REV	

© BLUE BIRD BODY COMPANY. ALL RIGHTS RESERVED



**VCTA**      **Models:**    **AAFE, AARE, A3FE, A3RE, BBCV, GMCV, GPWB, MBWB, SBCV, TCEV, TCFE, TCRE,**  
**VERTICAL PUSH OUT**  
**BLUE BIRD TYPE**  
**35 INCH WITH 12 INCH OPENING LH**

Key	PartNumber	Qty	Description	Comment
NI			WINDOW ASSY	
			CLEAR LAMINATED	W/OPT 3331, 3336-3339
	1694207		WINDOW ASSY,35,12SS VERT HNG,PO,CLR LAM	ENDING WITH BSN B20144129B, B10144049, F10058589, L10125309 4-11-04
	0073923		WINDOW ASSY,35,12SS,P/O,VERT,LH,CLEAR	BEGIN WITH BSN B20144130B, B10144050, F10058590, L10125310 4-12-04
			BRONZE TINT TEMPERED	W/OPT 3333
	1862325		WINDOW ASSY,35,12SS,P/O,VERT,LH,DK TNT	ENDING WITH BSN B20144129B, B10144049, F10058589, L10125309 4-11-04
	0073924		WINDOW ASSY,35,12SS,P/O,VERT,LH,DKTINT	BEGIN WITH BSN B20144130B, B10144050, F10058590, L10125310 4-12-04
			BRONZE TINT LAMINATE	W/OPT 3353
	1698299		WINDOW ASSY,35,12SS,P/O,VERT,LH,DK TNT	ENDING WITH BSN B20144129B, B10144049, F10058589, L10125309 4-11-04
	0073925		WINDOW ASSY,35,12SS,P/O,VERT,LH,DK TINT	BEGIN WITH BSN B20144130B, B10144050, F10058590, L10125310 4-12-04
			GREEN TINT LAMINATED	W/OPT 7294
	1698315		WINDOW ASSY,35,12SS,VERT HNG,PO,GRN,	ENDING WITH BSN B20144129B, B10144049, F10058589, L10125309 4-11-04
	0073926		WINDOW ASSY,35,12SS,P/O,VERT,LH,GREEN	BEGIN WITH BSN B20144130B, B10144050, F10058590, L10125310 4-12-04
			CLEAR TEMPERED	
	0037082		WINDOW ASSY,35,12SS,P/O,CLEAR TEMP,VERT	ENDING WITH BSN B20144129B, B10144049, F10058589, L10125309 4-11-04
	0073931		WINDOW ASSY,35,12SS,P/O,VERT,LH,CLEAR	BEGIN WITH BSN B20144130B, B10144050, F10058590, L10125310 4-12-04
1	3817558	2	SPRING,SPLIT SASH WINDOW,W/REMOVABLE	
2	2176584	2	ACTUATOR,LATCH,SIDE WINDOW	
3	2176576		LATCH,SIDE,WINDOW,CONCEALED,RH	
4	2176568		LATCH,SIDE,WINDOW,CONCEALED,LH	
5	4644357	22	SCREW,10-12X1 1/4,#2 SQ DRIVE,#8,BUGLE	
6	3816592	2	STOP,WINDOW,REMOVABLE LATCH	
7	2260198	2	SCREW,SM,PH,FT/HD,8-18 X 1/2,TYPE B,ZN3	

VCTA

Models: AAFE, AARE, A3FE, A3RE, BBCV, GMCV, GPWB, MBWB, SBCV, TCEV, TCFE, TCRE,

**VERTICAL PUSH OUT  
BLUE BIRD TYPE  
35 INCH WITH 12 INCH OPENING LH**

Key	PartNumber	Qty	Description	Comment
8	0862953	1	SEALANT,SCHNEE-MOREHEAD 5522,VINYL	
9	2185148	1	SEALANT,UNISEAL	
10	1699933		FRAME,FRONT SIDE,VERT HNG,12SS POLH	
11	1718915		FRAME,REAR,SIDE VERTICAL HINGE 12SS PO	
12	3920790		SEAL,WEATHER,POW,35IN	
13	0864579	4	SCREW,10-16 X 3/4,AB,PH1,PAN HD,SST	
14	1707900		RAIL,FR,SIDE,VERT HNG12SS,PO,W/REM	
15	1698364		RAIL,REAR,SIDE,VERT HNG,12SS,POW/REM	
16	3927357	2	SEAL,SLIDING,PUSH OUT WINDOW,12 IN OPG	
17	3927340	2	CHANNEL,SLIDING,UPPER,PUSH OUT WINDOW	
18	3920758		FRAME,UPPER,35IN PUSH OUT WINDOW	
19	3920774		SEAL,UPPER FRAME TO HEADER,35 POW	
20	3920790		SEAL,WEATHER,POW,35IN	
21	1747906		HINGE,VERTICAL HINGE,12SS,PO,LH	
22	3920873		RAIL,UPPER,35IN,PUSH OUT WINDOW	
23	3920899		SEAL,UPPER FRAME TO LATCH RAIL,35IN POW	
24	3920915		RAIL,LATCH,W/REMOVABLE LATCH,35IN POW	
25	1694389		FRAME,LOWER,35,VERT HNG,PO,LH	
26	3920956		SEAL,LOWER FRAME,35IN POW	
27	1707967		RAIL LOWER LOWER SASH VERT HNG PO 35	
28	3921004		RAIL ASSY,LOWER,35IN,POW	
29	3921020		RAIL,LOWER,35IN PUSH OUT WINDOW	
30			GLAZING	
	3831567		GLAZING,VINYL,SB,SS WINDOW,67.50IN"	WITH OPTION 3331, 3336-3339, 12"
	1863513		GLAZING,VINYL,SB,12SS,P/O,1/8	WITH OPTION 3333, 12"
	3831567		GLAZING,VINYL,SB,SS WINDOW,67.50IN"	WITH OPTION 7294, 12"
	3831567		GLAZING,VINYL,SB,SS WINDOW,67.50IN"	
31			GLASS, UPPER	
	3921228		GLASS,SS,CLEAR LAM,35,POW,12 OPG,UPPER"	WITH OPTION 3331, 3336-3339, 12"
	1864495		GLASS,DARK TINT TEMP,35,POW,12 OPG,UPPER	WITH OPTION 3333, 12"
	3921236		GLASS,SS,DARK TINT LAM,35,POW,12 OPG,	WITH OPTION 3353, 12"
	3921244		GLASS,SS,GREEN LAM,35,POW,12 OPG,UPPER	WITH OPTION 7294, 12"
	0037062		GLASS,SS,CLEAR TEMP,35,POW,12 OPG UPPER	

VCTA

Models: AAFE, AARE, A3FE, A3RE, BBCV, GMCV, GPWB, MBWB, SBCV, TCEV, TCFE, TCRE,

**VERTICAL PUSH OUT  
BLUE BIRD TYPE  
35 INCH WITH 12 INCH OPENING LH**

Key	PartNumber	Qty	Description	Comment
32			GLASS, LOWER	
	3921160		GLASS,SS,CLEAR LAM,35,POW,12 OPG,LOWER	WITH OPTION 3331, 3336-3339
	1864503		GLASS,SS,DARK TINT TEMP,35,POW,12 OPG,	WITH OPTION 3333
	3921178		GLASS,SS,DARK TINT LAM,35,POW,12 OPG,	WITH OPTION 3353
	3921186		GLASS,SS,GREEN LAM,35,POW,12 OPG,LOWER	WITH OPTION 7294
	0037063		GLASS,SS,CLEAR TEMP,35,POW,12 OPG,LOWER	
33	1718667		SWITCH FINAL ASSY VERTICAL HINGE WINDOW	
34	2265940		SPACER,POW,STRIKER PLATE	
35	3876513	2	SCREW,SM,PH,PN/HD,NO12-24 X 3/8,TYPE C,	
36	2186401	7	SCREW,10-16 X 1/2,AB,PH1,PAN HD,YEL ZN	
37	1694330		RAIL,LOWER,OUTER,35,VERT HNG PO	
38	1266600	2	SCREW,10-16 X 3/4,AB,PH1,OVAL CNSK HD,	
39	1694264		LATCH ASSY,VERT HNG,9SS,PO,LH	
40	2000511	5	SCREW,10-16 X 1/2,AB,PH1,TRUSS HD,	

VCTA


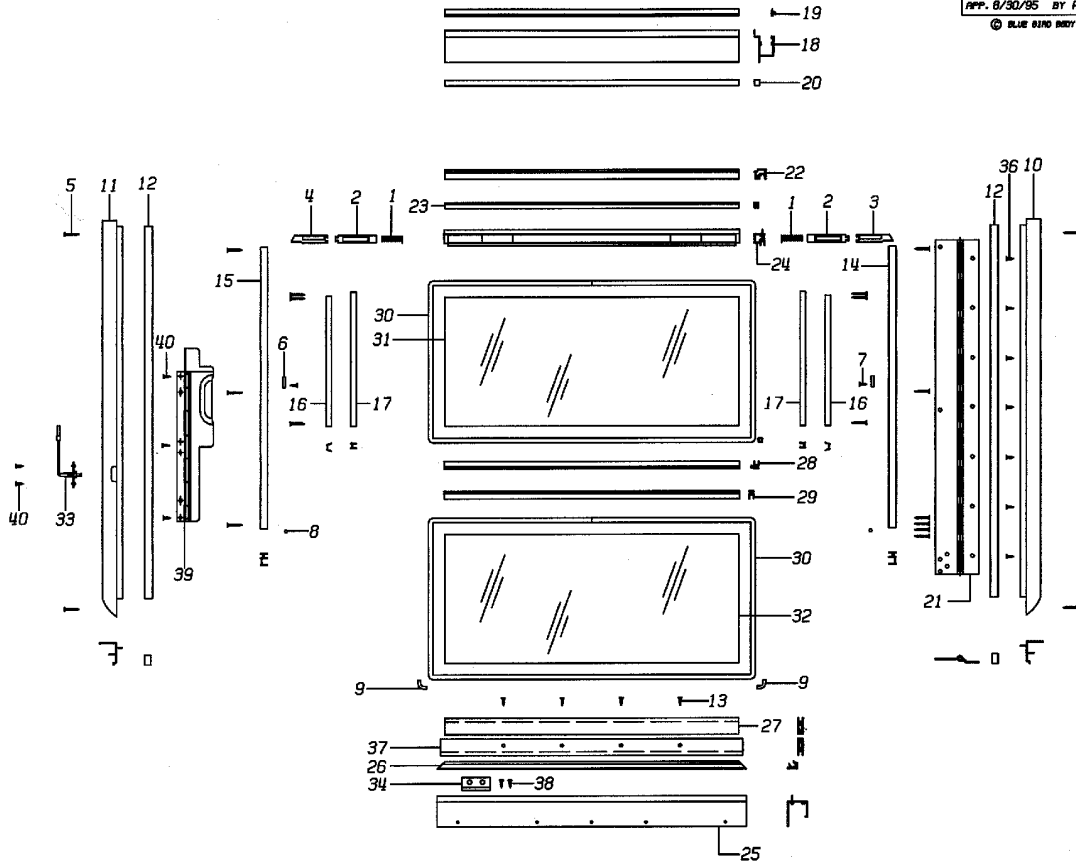
Models: AAFE, AARE, A3FE, A3RE, BBCV, GMCV, GPWB, MBWB, SBCV, TCEV, TCFE, TCRE,

VERTICAL PUSH OUT  
 BLUE BIRD TYPE  
 35 INCH WITH 12 INCH OPENING RH

Key	PartNumber	Qty	Description	Comment
-----	------------	-----	-------------	---------

DR. 8/30/95	BY DB	1895139	J
APP. 8/30/95	BY RB	FRT	REV

© BLUE BIRD BODY COMPANY. ALL RIGHTS RESERVED

**VCTA**      **Models:**    **AAFE, AARE, A3FE, A3RE, BBCV, GMCV, GPWB, MBWB, SBCV, TCEV, TCFE, TCRE,**  
**VERTICAL PUSH OUT**  
**BLUE BIRD TYPE**  
**35 INCH WITH 12 INCH OPENING RH**

Key	PartNumber	Qty	Description	Comment
NI			WINDOW ASSY. CLEAR LAMINATE	<i>W/OPT 3331, 3336-3339</i>
	1694199		WINDOW ASSY,35,12SS VERT HNG,PO,CLR LAM	<i>ENDING WITH BSN B20144129B, B10144049, F10058589, L10125309 4-11-04</i>
	0073894		WINDOW ASSY,35,12SS,P/O,VERT,RH,CLEAR BRONZE TINT TEMPERED	<i>BEGIN WITH BSN B20144130B, B10144050, F10058590, L10125310 4-12-04</i> <i>W/OPT 3333</i>
	1862283		WINDOW ASSY,35,12SS,P/O,VERT,RH,DK TNT	<i>ENDING WITH BSN B20144129B, B10144049, F10058589, L10125309 4-11-04</i>
	0073895		WINDOW ASSY,35,12SS,P/O,VERT,RH,DKTINT BRONZE TINT LAMINATED	<i>BEGIN WITH BSN B20144130B, B10144050, F10058590, L10125310 4-12-04</i> <i>W/OPT 3353</i>
	1700053		WINDOW ASSY,35,9SS,P/O,VERT,RH,DK TNT	<i>ENDING WITH BSN B20144129B, B10144049, F10058589, L10125309 4-11-04</i>
	0073892		WINDOW ASSY,35,9SS,P/O,VERT,RH,DK TINT GREEN TINT LAMINATED	<i>BEGIN WITH BSN B20144130B, B10144050, F10058590, L10125310 4-12-04</i> <i>W/OPT 7294</i>
	1698307		WINDOW ASSY,35,12SS,VERT HNG,PO,GRN,	<i>ENDING WITH BSN B20144129B, B10144049, F10058589, L10125309 4-11-04</i>
	0073897		WINDOW ASSY,35,12SS,P/O,VERT,RH,GREEN CLEAR TEMPERED	<i>BEGIN WITH BSN B20144130B, B10144050, F10058590, L10125310 4-12-04</i>
	0037080		WINDOW ASSY,35,12 SS,P/O,CLEAR TEMP,VERT	<i>ENDING WITH BSN B20144129B, B10144049, F10058589, L10125309 4-11-04</i>
	0073901		WINDOW ASSY,35,12SS,P/O,VERT,RH,CLEAR	<i>BEGIN WITH BSN B20144130B, B10144050, F10058590, L10125310 4-12-04</i>
1	3817558	2	SPRING,SPLIT SASH WINDOW,W/REMOVABLE	
2	2176584	2	ACTUATOR,LATCH,SIDE WINDOW	
3	2176576		LATCH,SIDE,WINDOW,CONCEALED,RH	
4	2176568		LATCH,SIDE,WINDOW,CONCEALED,LH	
5	4644357	22	SCREW,10-12X1 1/4,#2 SQ DRIVE,#8,BUGLE	
6	3816592	2	STOP,WINDOW,REMOVABLE LATCH	
7	2260198	2	SCREW,SM,PH,FT/HD,8-18 X 1/2,TYPE B,ZN3	

**VCTA**      **Models:**    **AAFE, AARE, A3FE, A3RE, BBCV, GMCV, GPWB, MBWB, SBCV, TCEV, TCFE, TCRE,**  
**VERTICAL PUSH OUT**  
**BLUE BIRD TYPE**  
**35 INCH WITH 12 INCH OPENING RH**

Key	PartNumber	Qty	Description	Comment
8	0862953	1	SEALANT,SCHNEE-MOREHEAD 5522,VINYL	
9	2185148	1	SEALANT,UNISEAL	
10	1698323		FRAME,FRONT,SIDE,VERT HNG,12SS,PO,RH	
11	1718899		FRAME,REAR,SIDE VERTICAL HINGE 12SS PO	
12	3920790		SEAL,WEATHER,POW,35IN	
13	0864579	4	SCREW,10-16 X 3/4,AB,PH1,PAN HD,SST	
14	1707892		RAIL,FR,SIDE,VERT HNG12SS,PO,W/REM	
15	1699925		RAIL,REAR,SIDE,VERT HNG,12SS,POW/REM	
16	3927357		SEAL,SLIDING,PUSH OUT WINDOW,12 IN OPG	
17	3927340		CHANNEL,SLIDING,UPPER,PUSH OUT WINDOW	
18	3920758		FRAME,UPPER,35IN PUSH OUT WINDOW	
19	3920774		SEAL,UPPER FRAME TO HEADER,35 POW	
20	3920790		SEAL,WEATHER,POW,35IN	
21	1747625		HINGE,VERTICAL HINGE,12,PO,RH	
22	3920873		RAIL,UPPER,35IN,PUSH OUT WINDOW	
23	3920899		SEAL,UPPER FRAME TO LATCH RAIL,35IN POW	
24	3920915		RAIL,LATCH,W/REMOVABLE LATCH,35IN POW	
25	1694371		FRAME,LOWER,35,VERT HNG,PO,RH	
26	3920956		SEAL,LOWER FRAME,35IN POW	
27	1707967		RAIL LOWER LOWER SASH VERT HNG PO 35	
28	3921004		RAIL ASSY,LOWER,35IN,POW	
29	3921020		RAIL,LOWER,35IN PUSH OUT WINDOW	
30		2	GLAZING	
	3831567		GLAZING,VINYL,SB,SS WINDOW,67.50IN"	WITH OPTION 3331, 3336-3339
	1863513		GLAZING,VINYL,SB,12SS,P/O,1/8	WITH OPTION 3333
	3831567		GLAZING,VINYL,SB,SS WINDOW,67.50IN"	WITH OPTION 7294
	3831567		GLAZING,VINYL,SB,SS WINDOW,67.50IN"	
31			GLASS, UPPER	
	3921228		GLASS,SS,CLEAR LAM,35,POW,12 OPG,UPPER"	WITH OPTION 3331, 3336-3339
	1864495		GLASS,DARK TINT TEMP,35,POW,12 OPG,UPPER	WITH OPTION 3333
	3921236		GLASS,SS,DARK TINT LAM,35,POW,12 OPG,	WITH OPTION 3353
	3921244		GLASS,SS,GREEN LAM,35,POW,12 OPG,UPPER	WITH OPTION 7294
	0037062		GLASS,SS,CLEAR TEMP,35,POW,12 OPG UPPER	



VCTA

Models: AAFE, AARE, A3FE, A3RE, BBCV, GMCV, GPWB, MBWB, SBCV, TCEV, TCFE, TCRE,

**VERTICAL PUSH OUT  
BLUE BIRD TYPE  
35 INCH WITH 12 INCH OPENING RH**

Key	PartNumber	Qty	Description	Comment
32			GLASS, LOWER	
	3921160		GLASS,SS,CLEAR LAM,35,POW,12 OPG,LOWER	WITH OPTION 3331, 3336-3339
	1864503		GLASS,SS,DARK TINT TEMP,35,POW,12 OPG,	WITH OPTION 3333
	3921178		GLASS,SS,DARK TINT LAM,35,POW,12 OPG,	WITH OPTION 3353
	3921186		GLASS,SS,GREEN LAM,35,POW,12 OPG,LOWER	WITH OPTION 7294
	0037063		GLASS,SS,CLEAR TEMP,35,POW,12 OPG,LOWER	
33	1718667		SWITCH FINAL ASSY VERTICAL HINGE WINDOW	CONSISTS OF THE FOLLOWING
	1718659		SWITCH ASSY,VERTICAL HINGE WINDOW	
	1718642		PLATE,MOUNTING,SWITCH,VERTICAL HINGE	
	1259167		TUBING,HEAT SHRINK,BLACK,1/4 SCL	
	2007409		TERMINAL,BUTT CONN,14-16GA,INSULATED	
	2001410		NUT,HEX HD,5/16-18,YEL ZN DICH"	
34	2265940		SPACER,POW,STRIKER PLATE	
35	3876513	2	SCREW,SM,PH,PN/HD,NO12-24 X 3/8,TYPE C,	
36	2186401	7	SCREW,10-16 X 1/2,AB,PH1,PAN HD,YEL ZN	
37	1694330		RAIL,LOWER,OUTER,35,VERT HNG PO	
38	1266600	2	SCREW,10-16 X 3/4,AB,PH1,OVAL CNSK HD,	
39	1694256		LATCH ASSY,VERT HNG,9SS,PO,RH	
40	2000511		SCREW,10-16 X 1/2,AB,PH1,TRUSS HD,	

VCTA


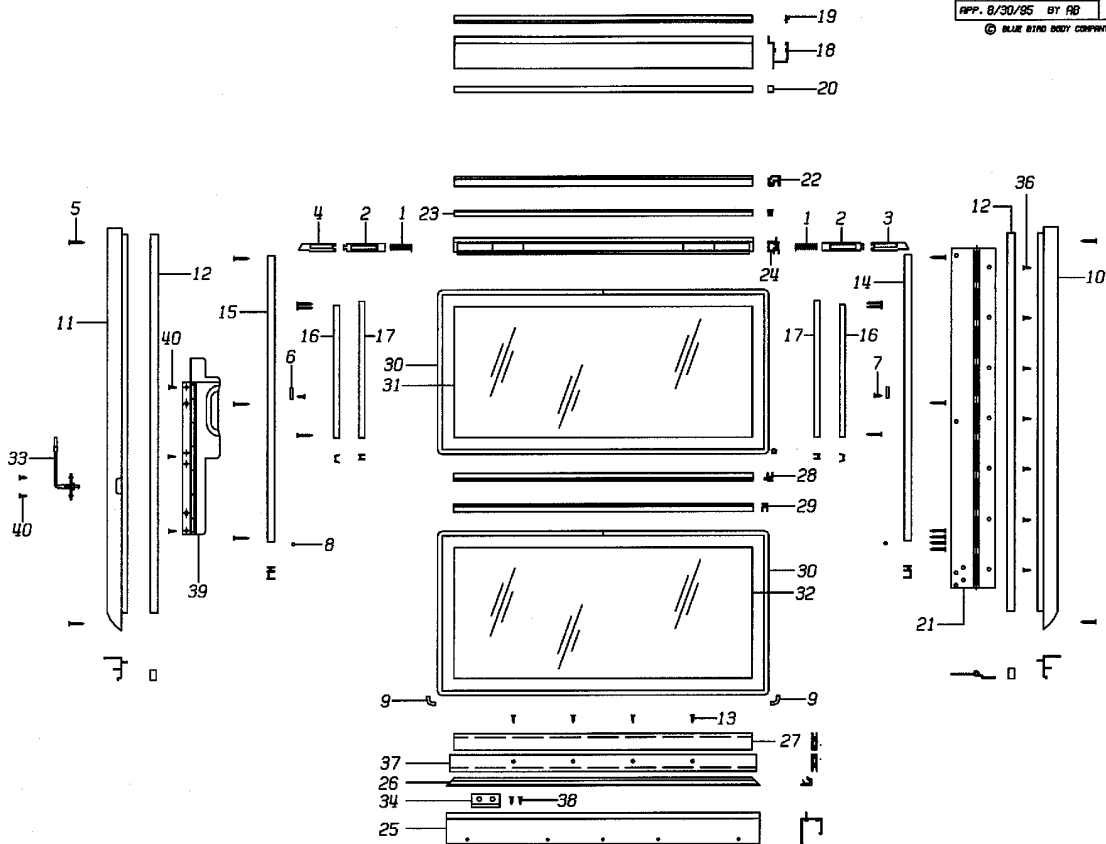
Models: AAFE, AARE, A3FE, A3RE, BBCV, GMCV, GPWB, MBWB, SBCV, TCEV, TCFE, TCRE,

VERTICAL PUSH OUT  
 BLUE BIRD TYPE  
 35 INCH WITH 9 INCH OPENING LH

Key	PartNumber	Qty	Description	Comment
-----	------------	-----	-------------	---------

DR. 8/30/95	BY DB	1695147	J
APP. 8/30/95	BY RB	FRT.	REV

© BLUE BIRD BODY COMPANY. ALL RIGHTS RESERVED

**VCTA**      **Models:** **AAFE, AARE, A3FE, A3RE, BBCV, GMCV, GPWB, MBWB, SBCV, TCEV, TCFE, TCRE,**  
**VERTICAL PUSH OUT**  
**BLUE BIRD TYPE**  
**35 INCH WITH 9 INCH OPENING LH**

Key	PartNumber	Qty	Description	Comment
NI			WINDOW ASSY	
			CLEAR LAMINATED	W/OPT 3331, 3336-3339
	1690981		WINDOW ASSY,35,9SS VERT HNG,PO,CLR LAM,	ENDING WITH BSN B20144129B, B10144049, F10058589, L10125309 4-11-04
	0073918		WINDOW ASSY,35,9SS,P/O,VERT,LH,CLEAR LAM	BEGIN WITH BSN B20144130B, B10144050, F10058590, L10125310 4-12-04
			BRONZE TINT TEMPERED	W/OPT 3333
	1862317		WINDOW ASSY,35,9SS,P/O,VERT,LH,DK TNT	ENDING WITH BSN B20144129B, B10144049, F10058589, L10125309 4-11-04
	0073919		WINDOW ASSY,35,9SS,P/O,VERT,LH,DK TINT	BEGIN WITH BSN B20144130B, B10144050, F10058590, L10125310 4-12-04
			BRONZE TINT LAMINATED	W/OPT 3353
	1700061		WINDOW ASSY,35,9SS,P/O,VERT,LH,DK TNT	ENDING WITH BSN B20144129B, B10144049, F10058589, L10125309 4-11-04
	0073920		WINDOW ASSY,35,9SS,P/O,VERT,LH,DK TINT	BEGIN WITH BSN B20144130B, B10144050, F10058590, L10125310 4-12-04
			GREEN TINT LAMINATED	W/OPT 7294
	1700087		WINDOW ASSY,35,9SS,VERT HNG,PO,GRN,LAM	ENDING WITH BSN B20144129B, B10144049, F10058589, L10125309 4-11-04
	0073922		WINDOW ASSY,35,9SS,P/O,VERT,LH,GREEN	BEGIN WITH BSN B20144130B, B10144050, F10058590, L10125310 4-12-04
			CLEAR TEMPERED	
	0037072		WINDOW ASSY,35,9SS,P/O,CLEAR TEMP,VERT	ENDING WITH BSN B20144129B, B10144049, F10058589, L10125309 4-11-04
	0073929		WINDOW ASSY,35,9SS,P/O,VERT,LH,CLEAR	BEGIN WITH BSN B20144130B, B10144050, F10058590, L10125310 4-12-04
1	3817558	2	SPRING,SPLIT SASH WINDOW,W/REMOVABLE	
2	2176584	2	ACTUATOR,LATCH,SIDE WINDOW	
3	2176576		LATCH,SIDE,WINDOW,CONCEALED,RH	
4	2176568		LATCH,SIDE,WINDOW,CONCEALED,LH	
5	4644357	22	SCREW,10-12X1 1/4,#2 SQ DRIVE,#8,BUGLE	
6	3816592	2	STOP,WINDOW,REMOVABLE LATCH	
7	2260198	2	SCREW,SM,PH,FT/HD,8-18 X 1/2,TYPE B,ZN3	

VCTA

Models: AAFE, AARE, A3FE, A3RE, BBCV, GMCV, GPWB, MBWB, SBCV, TCEV, TCFE, TCRE,

**VERTICAL PUSH OUT  
BLUE BIRD TYPE  
35 INCH WITH 9 INCH OPENING LH**

Key	PartNumber	Qty	Description	Comment
8	0862953	1	SEALANT,SCHNEE-MOREHEAD 5522,VINYL	
9	2185148	1	SEALANT,UNISEAL	
10	1695121		FRAME,FRONT,SIDE,VERT HNG,9SS,PO,LH	
11	1718907		FRAME,REAR,SIDE VERTICAL HINGE 9SS PO LH	
12	3920790		SEAL,WEATHER,POW,35IN	
13	0864579	4	SCREW,10-16 X 3/4,AB,PH1,PAN HD,SST	
14	1707884		RAIL,FR,SIDE,VERT HNG,9SS,PO,W/REM LATCH,	
15	1698356		RAIL,REAR,SIDE,VERT HNG,9SS,PO,W/REM	
16	3929734	2	SEAL,SLIDING,PUSH OUT WINDOW	
17	3929726	2	CHANNEL,SLIDING,UPPER,PUSH OUT WINDOW	
18	3920758		FRAME,UPPER,35IN PUSH OUT WINDOW	
19	3920774		SEAL,UPPER FRAME TO HEADER,35 POW	
20	3920790		SEAL,WEATHER,POW,35IN	
21	1747898		HINGE,VERTICAL HINGE,9SS,PO,LH	
22	3920873		RAIL,UPPER,35IN,PUSH OUT WINDOW	
23	3920899		SEAL,UPPER FRAME TO LATCH RAIL,35IN POW	
24	3920915		RAIL,LATCH,W/REMOVABLE LATCH,35IN POW	
25	1694389		FRAME,LOWER,35,VERT HNG,PO,LH	
26	3920956		SEAL,LOWER FRAME,35IN POW	
27	1707967		RAIL LOWER LOWER SASH VERT HNG PO 35	
28	3921004		RAIL ASSY,LOWER,35IN,POW	
29	3921020		RAIL,LOWER,35IN PUSH OUT WINDOW	
30			GLAZING	
	3831153		GLAZING,VINYL,SB,SS WINDOW,59.75IN	WITH OPTION 3331, 3336-3339
	1863505		GLAZING,VINYL,.125 GLASS,66.50""	WITH OPTION 3333
	3831153		GLAZING,VINYL,SB,SS WINDOW,59.75IN	WITH OPTION 7294
	3831153		GLAZING,VINYL,SB,SS WINDOW,59.75IN	
31			GLASS, UPPER	
	3929676		GLASS,SS,CLEAR LAM,35,POW,9 OPG,UPPER	WITH OPTION 3331, 3336-3339
	1864453		GLASS,SS,DARK TINT TEMP,35,POW,9 OPG,	WITH OPTION 3333
	3929692		GLASS,SS,DARK TINT LAM,35,POW,9 OPG,	WITH OPTION 3353
	3929718		GLASS,SS,GREEN LAM,35,POW,9 OPG,UPPER	WITH OPTION 7294
	0036940		GLASS,SS,CLEAR TEMP,35,POW,9 OPG,UPPER	

VCTA

Models: **AAFE, AARE, A3FE, A3RE, BBCV, GMCV, GPWB, MBWB, SBCV, TCEV, TCFE, TCRE,**

**VERTICAL PUSH OUT  
BLUE BIRD TYPE  
35 INCH WITH 9 INCH OPENING LH**

Key	PartNumber	Qty	Description	Comment
32			GLASS, LOWER	
	3921137		GLASS,SS,CLEAR LAM,35,POW,9 OPG,LOWER	<i>WITH OPTION 3331, 3336-3339, 9" OPENING</i>
	1864461		GLASS,SS,DARK TINT TEMP,35,POW,9 OPG,	<i>WITH OPTION 3333, 9" OPENING</i>
	3921145		GLASS,SS,DARK TINT LAM,35,POW,9 OPG,	<i>WITH OPTION 3353, 9" OPENING</i>
	3921152		GLASS,SS,GREEN LAM,35,POW,9 OPG,LOWER	<i>WITH OPTION 7294, 9" OPENING</i>
	0036941		GLASS,SS,CLEAR TEMP,35,POW,9 OPG,LOWER	
33	1718667		SWITCH FINAL ASSY VERTICAL HINGE WINDOW	
34	2265940		SPACER,POW,STRIKER PLATE	
35	3876513	2	SCREW,SM,PH,PN/HD,NO12-24 X 3/8,TYPE C,	
36	2186401	7	SCREW,10-16 X 1/2,AB,PH1,PAN HD,YEL ZN	
37	1694330		RAIL,LOWER,OUTER,35,VERT HNG PO	
38	1266600	2	SCREW,10-16 X 3/4,AB,PH1,OVAL CNSK HD,	
39	1694264		LATCH ASSY,VERT HNG,9SS,PO,LH	
40	2000511	5	SCREW,10-16 X 1/2,AB,PH1,TRUSS HD,	

VCTA


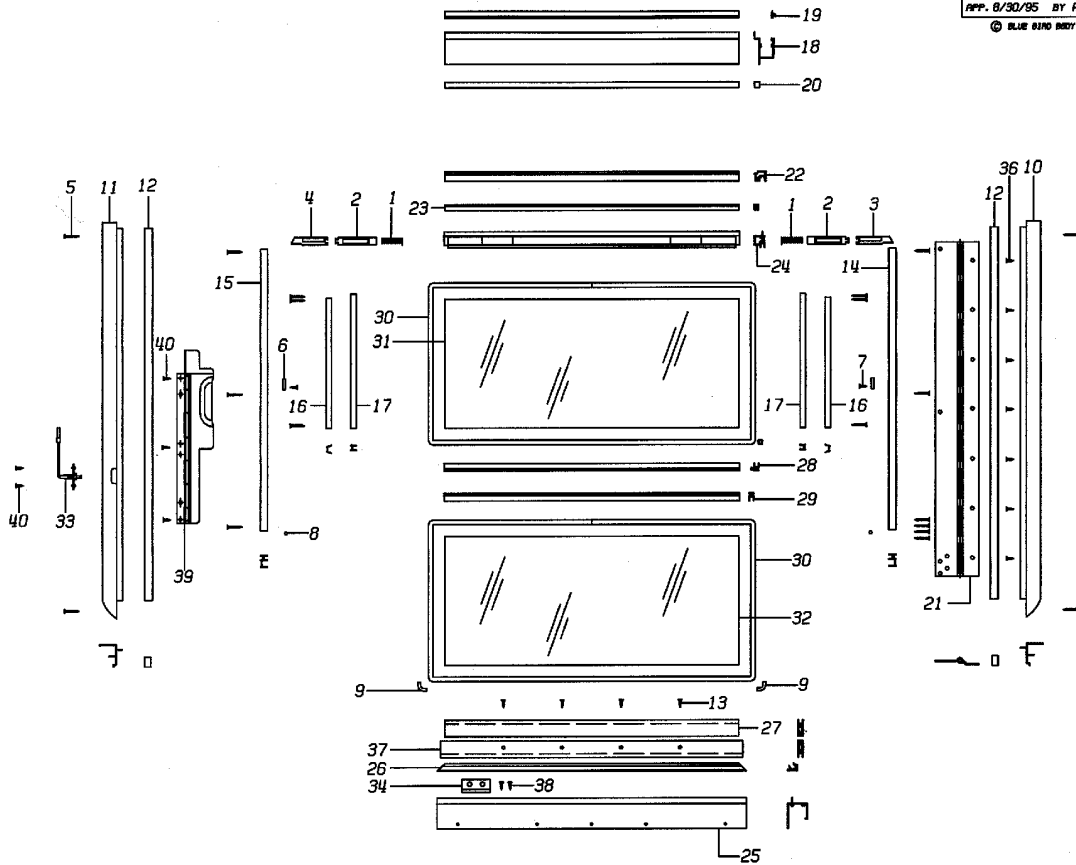
Models: AAFE, AARE, A3FE, A3RE, BBCV, GMCV, GPWB, MBWB, SBCV, TCEV, TCFE, TCRE,

VERTICAL PUSH OUT  
 BLUE BIRD TYPE  
 35 INCH WITH 9 INCH OPENING RH

Key	PartNumber	Qty	Description	Comment
-----	------------	-----	-------------	---------

DR. 8/30/95	BY DB	1895139	J
APP. 8/30/95	BY RB	FRT	REV

© BLUE BIRD BODY COMPANY. ALL RIGHTS RESERVED

**VCTA**      **Models:** **AAFE, AARE, A3FE, A3RE, BBCV, GMCV, GPWB, MBWB, SBCV, TCEV, TCFE, TCRE,**  
**VERTICAL PUSH OUT**  
**BLUE BIRD TYPE**  
**35 INCH WITH 9 INCH OPENING RH**

Key	PartNumber	Qty	Description	Comment
NI			WINDOW ASSY., 9 INCH CLEAR LAMINATED	<i>W/OPT 3331, 3336-3339</i>
	1690973		WINDOW ASSY,35,9SS VERT HNG,PO,CLR LAM,	<i>ENDING WITH BSN B20144129B, B10144049, F10058589, L10125309 4-11-04</i>
	0073890		WINDOW ASSY,35,9SS,P/O,VERT,RH,CLEAR BRONZE TINT TEMPERED	<i>BEGIN WITH BSN B20144130B, B10144050, F10058590, L10125310 4-12-04</i> <i>W/OPT 3333</i>
	1862275		WINDOW ASSY,35,9SS,P/O,VERT,RH,DK TNT	<i>ENDING WITH BSN B20144129B, B10144049, F10058589, L10125309 4-11-04</i>
	0073891		WINDOW ASSY,35,9SS,P/O,VERT,RH,DK TINT BRONZE TINT LAMINATED	<i>BEGIN WITH BSN B20144130B, B10144050, F10058590, L10125310 4-12-04</i> <i>W/OPT 3353</i>
	1700053		WINDOW ASSY,35,9SS,P/O,VERT,RH,DK TNT	<i>ENDING WITH BSN B20144129B, B10144049, F10058589, L10125309 4-11-04</i>
	0073892		WINDOW ASSY,35,9SS,P/O,VERT,RH,DK TINT GREEN TINT LAMINATED	<i>BEGIN WITH BSN B20144130B, B10144050, F10058590, L10125310 4-12-04</i> <i>W/OPT 7294</i>
	1700079		WINDOW ASSY,35,9SS,VERT HNG,PO,GRN,LAM	<i>ENDING WITH BSN B20144129B, B10144049, F10058589, L10125309 4-11-04</i>
	0073893		WINDOW ASSY,35,9SS,P/O,VERT,RH,GREEN CLEAR TEMPERED	<i>BEGIN WITH BSN B20144130B, B10144050, F10058590, L10125310 4-12-04</i>
	0037071		WINDOW ASSY,35,9SS,P/O,CLEAR TEMP,VERT	<i>ENDING WITH BSN B20144129B, B10144049, F10058589, L10125309 4-11-04</i>
	0079899		STOP,WINDOW,SPLIT SASH,5.00 OPENING	<i>BEGIN WITH BSN B20144130B, B10144050, F10058590, L10125310 4-12-04</i>
1	3817558	2	SPRING,SPLIT SASH WINDOW,W/REMOVABLE	
2	2176584	2	ACTUATOR,LATCH,SIDE WINDOW	
3	2176576		LATCH,SIDE,WINDOW,CONCEALED,RH	
4	2176568		LATCH,SIDE,WINDOW,CONCEALED,LH	
5	4644357	22	SCREW,10-12X1 1/4,#2 SQ DRIVE,#8,BUGLE	
6	3816592	2	STOP,WINDOW,REMOVABLE LATCH	
7	2260198	2	SCREW,SM,PH,FT/HD,8-18 X 1/2,TYPE B,ZN3	

VCTA

Models: AAFE, AARE, A3FE, A3RE, BBCV, GMCV, GPWB, MBWB, SBCV, TCEV, TCFE, TCRE,

**VERTICAL PUSH OUT  
BLUE BIRD TYPE  
35 INCH WITH 9 INCH OPENING RH**

Key	PartNumber	Qty	Description	Comment
8	0862953	1	SEALANT,SCHNEE-MOREHEAD 5522,VINYL	
9	2185148	1	SEALANT,UNISEAL	
10	1695113		FRAME,FRONT,SIDE,VERT HNG,9SS,PO,RH	
11	1718881		FRAME,REAR,SIDE VERTICAL HINGE 9SS PO RH	
12	3920790		SEAL,WEATHER,POW,35IN	
13	0864579	4	SCREW,10-16 X 3/4,AB,PH1,PAN HD,SST	
14	1707876		RAIL,FR,SIDE,VERT HNG,9SS,PO,W/REM LATCH,	
15	1694280		RAIL,REAR,SIDE,VERT HNG,9SS,PO W/REM	
16	3929734		SEAL,SLIDING,PUSH OUT WINDOW	
17	3929726		CHANNEL,SLIDING,UPPER,PUSH OUT WINDOW	
18	3920758		FRAME,UPPER,35IN PUSH OUT WINDOW	
19	3920774		SEAL,UPPER FRAME TO HEADER,35 POW	
20	3920790		SEAL,WEATHER,POW,35IN	
21	1747617		HINGE,VERTICAL HINGE,9SS,PO,RH	
22	3920873		RAIL,UPPER,35IN,PUSH OUT WINDOW	
23	3920899		SEAL,UPPER FRAME TO LATCH RAIL,35IN POW	
24	3920915		RAIL,LATCH,W/REMOVABLE LATCH,35IN POW	
25	1694371		FRAME,LOWER,35,VERT HNG,PO,RH	
26	3920956		SEAL,LOWER FRAME,35IN POW	
27	1707967		RAIL LOWER LOWER SASH VERT HNG PO 35	
28	3921004		RAIL ASSY,LOWER,35IN,POW	
29	3921020		RAIL,LOWER,35IN PUSH OUT WINDOW	
30		2	GLAZING	
	3831153		GLAZING,VINYL,SB,SS WINDOW,59.75IN	WITH OPTION 3331, 3336-3339
	1863505		GLAZING,VINYL,.125 GLASS,66.50""	WITH OPTION 3333
	3831153		GLAZING,VINYL,SB,SS WINDOW,59.75IN	WITH OPTION 7294
	3831153		GLAZING,VINYL,SB,SS WINDOW,59.75IN	
31			GLASS, UPPER	
	3929676		GLASS,SS,CLEAR LAM,35,POW,9 OPG,UPPER	WITH OPTION 3331, 3336-3339
	1864453		GLASS,SS,DARK TINT TEMP,35,POW,9 OPG,	WITH OPTION 3333
	3929692		GLASS,SS,DARK TINT LAM,35,POW,9 OPG,	WITH OPTION 3353
	3929718		GLASS,SS,GREEN LAM,35,POW,9 OPG,UPPER	WITH OPTION 7294
	0037060		GLASS,SS,CLEAR TEMP,28,POW,12 OPG,UPPER	



VCTA

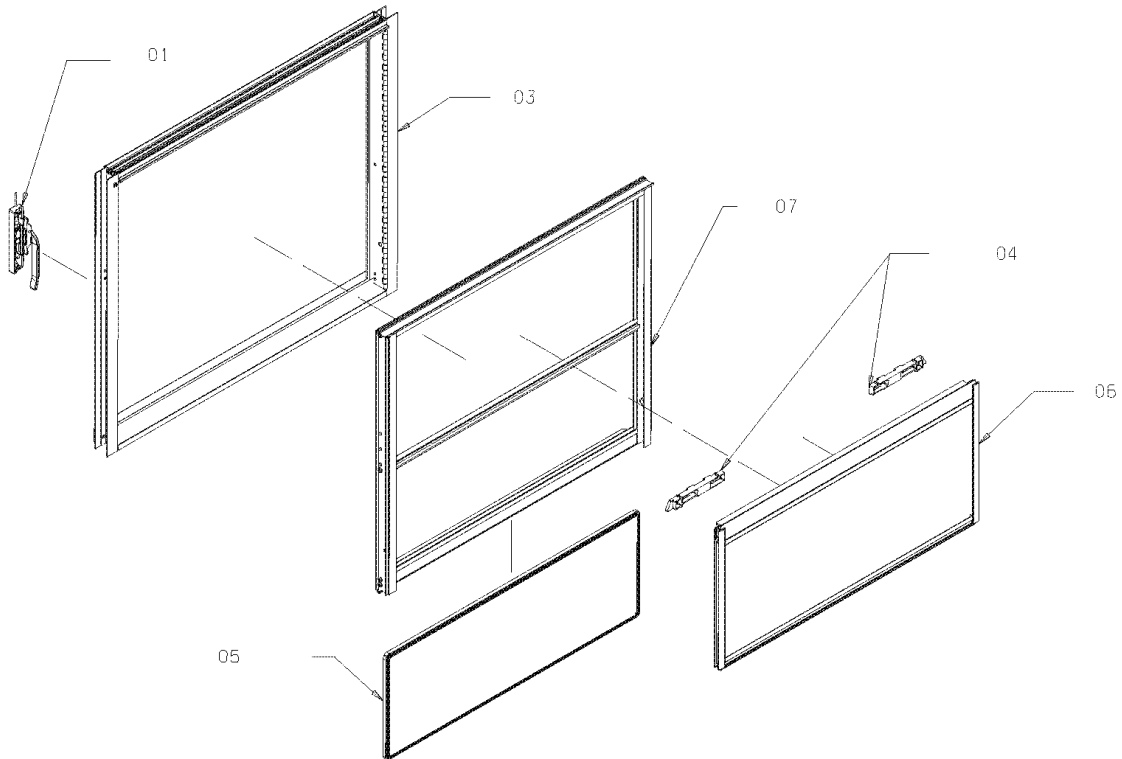
Models: AAFE, AARE, A3FE, A3RE, BBCV, GMCV, GPWB, MBWB, SBCV, TCEV, TCFE, TCRE,

**VERTICAL PUSH OUT  
BLUE BIRD TYPE  
35 INCH WITH 9 INCH OPENING RH**

Key	PartNumber	Qty	Description	Comment
32			GLASS, LOWER	
	3921137		GLASS,SS,CLEAR LAM,35,POW,9 OPG,LOWER	WITH OPTION 3331, 3336-3339
	1864461		GLASS,SS,DARK TINT TEMP,35,POW,9 OPG,	WITH OPTION 3333
	1864461		GLASS,SS,DARK TINT TEMP,35,POW,9 OPG,	WITH OPTION 3353
	3921152		GLASS,SS,GREEN LAM,35,POW,9 OPG,LOWER	WITH OPTION 7294
	0036941		GLASS,SS,CLEAR TEMP,35,POW,9 OPG,LOWER	
33	1718667		SWITCH FINAL ASSY VERTICAL HINGE WINDOW	CONSISTS OF THE FOLLOWING
	1718659		SWITCH ASSY,VERTICAL HINGE WINDOW	
	1718642		PLATE,MOUNTING,SWITCH,VERTICAL HINGE	
	1259167		TUBING,HEAT SHRINK,BLACK,1/4 SCL	
	2007409		TERMINAL,BUTT CONN,14-16GA,INSULATED	
	2001410		NUT,HEX HD,5/16-18,YEL ZN DICH"	
34	2265940		SPACER,POW,STRIKER PLATE	
35	3876513	2	SCREW,SM,PH,PN/HD,NO12-24 X 3/8,TYPE C,	
36	2186401	7	SCREW,10-16 X 1/2,AB,PH1,PAN HD,YEL ZN	
37	1694330		RAIL,LOWER,OUTER,35,VERT HNG PO	
38	1266600	2	SCREW,10-16 X 3/4,AB,PH1,OVAL CNSK HD,	
39	1694256		LATCH ASSY,VERT HNG,9SS,PO,RH	
40	2000511		SCREW,10-16 X 1/2,AB,PH1,TRUSS HD,	

Models: A3FE, A3RE, BBCV, SBCV  
VERTICAL PUSH OUT  
SPECTAL, ALUMINUM FRAME  
28 INCH WITH 12 INCH OPENING LH

Key	PartNumber	Qty	Description	Comment
-----	------------	-----	-------------	---------

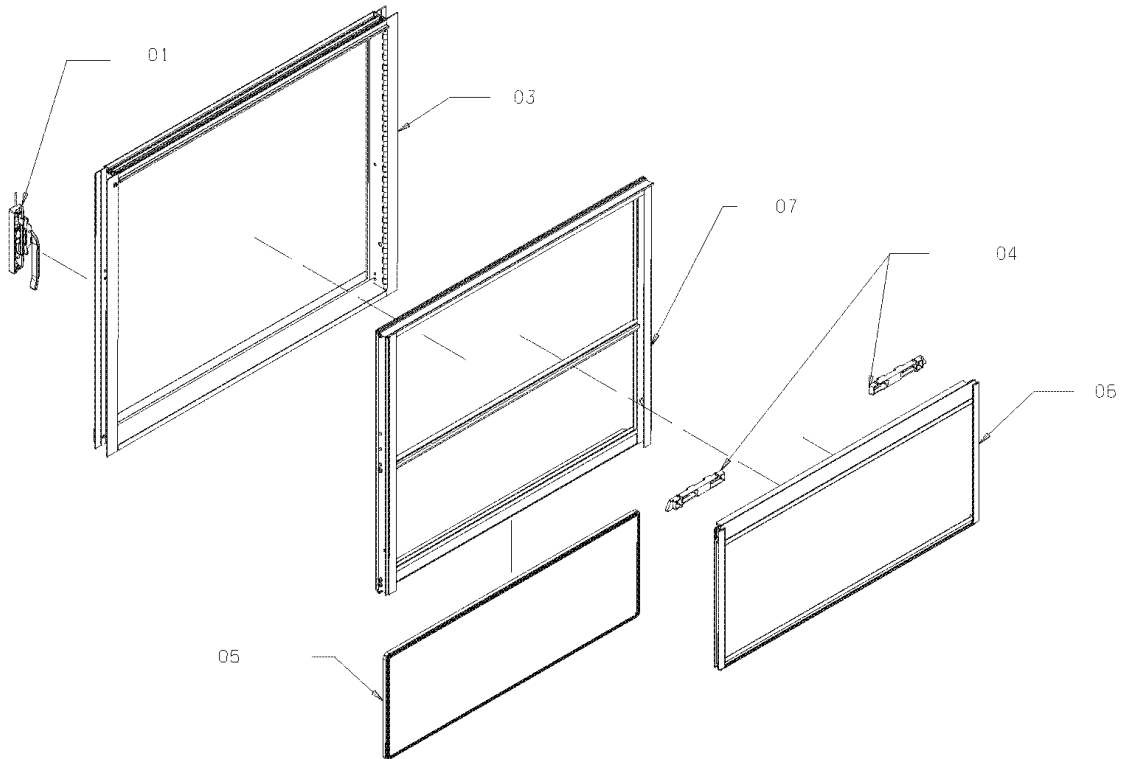


**Models:** **A3FE, A3RE, BBCV, SBCV**  
**VERTICAL PUSH OUT**  
**SPECTAL, ALUMINUM FRAME**  
**28 INCH WITH 12 INCH OPENING LH**

Key	PartNumber	Qty	Description	Comment
	0093471		WINDOW ASSY,28,12SS,PO,VLH,CLR TMP,SPCT	<i>CONSISTS OF THE FOLLOWING</i>
1	0097524		KIT,SWITCH,VERTICAL P/O,SPECTAL	
3	0097545		KIT,WINDOW,VERT P/O,EXT FRAME,LH,	
4	0097143		KIT,PASS WDO,SLIDER LOCK KIT	
5	0097550		KIT,WINDOW,P/O,BOTTOM GLASS,28/9	
6	0097614		KIT,WINDOW,P/O,SLIDER,CLEAR,TEMP,	
7	0098321		KIT,WINDOW,P/O,INT FRAME,ALUM,28/12	
	0093472		WINDOW ASSY,28,12SS,PO,VLH,CLR LAM,SPCT	<i>CONSISTS OF THE FOLLOWING</i>
1	0097524		KIT,SWITCH,VERTICAL P/O,SPECTAL	
3	0097545		KIT,WINDOW,VERT P/O,EXT FRAME,LH,	
4	0097143		KIT,PASS WDO,SLIDER LOCK KIT	
5	0097552		KIT,WINDOW,P/O,BOTTOM GLASS,28/12	
6	0097615		KIT,WINDOW,P/O,SLIDER,CLEAR,LAM,	
7	0098321		KIT,WINDOW,P/O,INT FRAME,ALUM,28/12	
	0093473		WINDOW ASSY,28,12SS,PO,VLH,TNT TMP,SPCT	<i>CONSISTS OF THE FOLLOWING</i>
1	0097524		KIT,SWITCH,VERTICAL P/O,SPECTAL	
3	0097545		KIT,WINDOW,VERT P/O,EXT FRAME,LH,	
4	0097143		KIT,PASS WDO,SLIDER LOCK KIT	
5	0097553		KIT,WINDOW,P/O,BOTTOM GLASS,28/12	
6	0097616		KIT,WINDOW,P/O,SLIDER,TNT,TEMP,	
7	0098321		KIT,WINDOW,P/O,INT FRAME,ALUM,28/12	
	0093474		WINDOW ASSY,28,12SS,PO,VLH,TNT LAM,SPCT	<i>CONSISTS OF THE FOLLOWING</i>
1	0097524		KIT,SWITCH,VERTICAL P/O,SPECTAL	
3	0097545		KIT,WINDOW,VERT P/O,EXT FRAME,LH,	
4	0097143		KIT,PASS WDO,SLIDER LOCK KIT	
5	0097554		KIT,WINDOW,P/O,BOTTOM GLASS,28/12	
7	0098321		KIT,WINDOW,P/O,INT FRAME,ALUM,28/12	

Models: A3FE, A3RE, BBCV, SBCV  
VERTICAL PUSH OUT  
SPECTAL, ALUMINUM FRAME  
28 INCH WITH 12 INCH OPENING RH

Key	PartNumber	Qty	Description	Comment
-----	------------	-----	-------------	---------

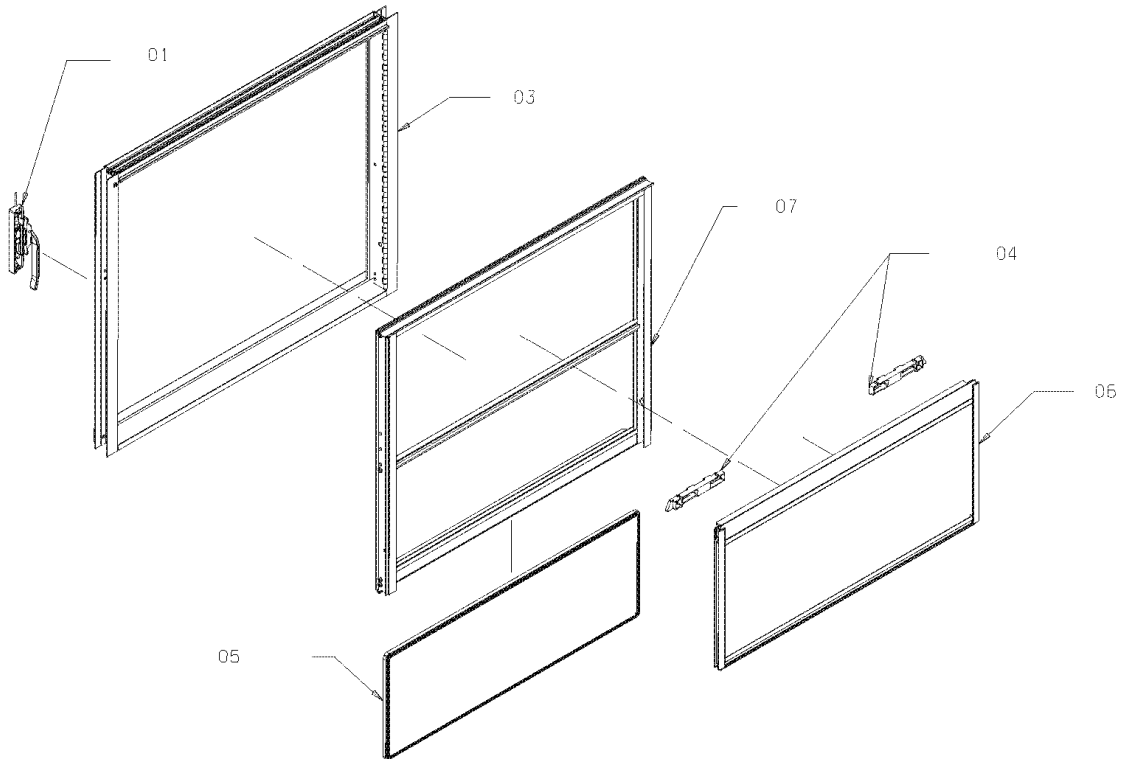


**Models:** **A3FE, A3RE, BBCV, SBCV**  
**VERTICAL PUSH OUT**  
**SPECTAL, ALUMINUM FRAME**  
**28 INCH WITH 12 INCH OPENING RH**

Key	PartNumber	Qty	Description	Comment
	0093431		WINDOW ASSY,28,12SS,PO,VRH,CLR TMP,SPCT	<i>CONSISTS OF THE FOLLOWING</i>
1	0097524		KIT,SWITCH,VERTICAL P/O,SPECTAL	
3	0079538		SEAT,CEW,CR 30 RH,GREEN,PRFM II,S/B,TRK	
4	0097143		KIT,PASS WDO,SLIDER LOCK KIT	
5	0097551		KIT,WINDOW,P/O,BOTTOM GLASS,28/9	
6	0097614		KIT,WINDOW,P/O,SLIDER,CLEAR,TEMP,	
7	0098322		KIT,WINDOW,P/O,INT FRAME,ALUM,35/9	
	0093432		WINDOW ASSY,28,12SS,PO,VRH,CLR LAM,SPCT	<i>CONSISTS OF THE FOLLOWING</i>
1	0097524		KIT,SWITCH,VERTICAL P/O,SPECTAL	
3	0079538		SEAT,CEW,CR 30 RH,GREEN,PRFM II,S/B,TRK	
4	0097143		KIT,PASS WDO,SLIDER LOCK KIT	
5	0097552		KIT,WINDOW,P/O,BOTTOM GLASS,28/12	
6	0097615		KIT,WINDOW,P/O,SLIDER,CLEAR,LAM,	
7	0098322		KIT,WINDOW,P/O,INT FRAME,ALUM,35/9	
	0093433		WINDOW ASSY,28,12SS,PO,VRH,TNT TMP,SPCT	<i>CONSISTS OF THE FOLLOWING</i>
1	0097524		KIT,SWITCH,VERTICAL P/O,SPECTAL	
3	0097538		KIT,WINDOW,VERT P/O,EXT FRAME,RH,	
4	0097143		KIT,PASS WDO,SLIDER LOCK KIT	
5	0097553		KIT,WINDOW,P/O,BOTTOM GLASS,28/12	
6	0097616		KIT,WINDOW,P/O,SLIDER,TNT,TEMP,	
7	0098322		KIT,WINDOW,P/O,INT FRAME,ALUM,35/9	
	0093434		WINDOW ASSY,28,12SS,PO,VRH,TNT LAM,SPCT	<i>CONSISTS OF THE FOLLOWING</i>
1	0097524		KIT,SWITCH,VERTICAL P/O,SPECTAL	
3	0097539		KIT,WINDOW,VERT P/O,EXT FRAME,RH,	
4	0097143		KIT,PASS WDO,SLIDER LOCK KIT	
5	0097554		KIT,WINDOW,P/O,BOTTOM GLASS,28/12	
6	0097617		KIT,WINDOW,P/O,SLIDER,TNT,LAM,ALUM,28/12	
7	0098322		KIT,WINDOW,P/O,INT FRAME,ALUM,35/9	

Models: A3FE, A3RE, BBCV, SBCV  
VERTICAL PUSH OUT  
SPECTAL, ALUMINUM FRAME  
28 INCH WITH 9 INCH OPENING LH

Key	PartNumber	Qty	Description	Comment
-----	------------	-----	-------------	---------

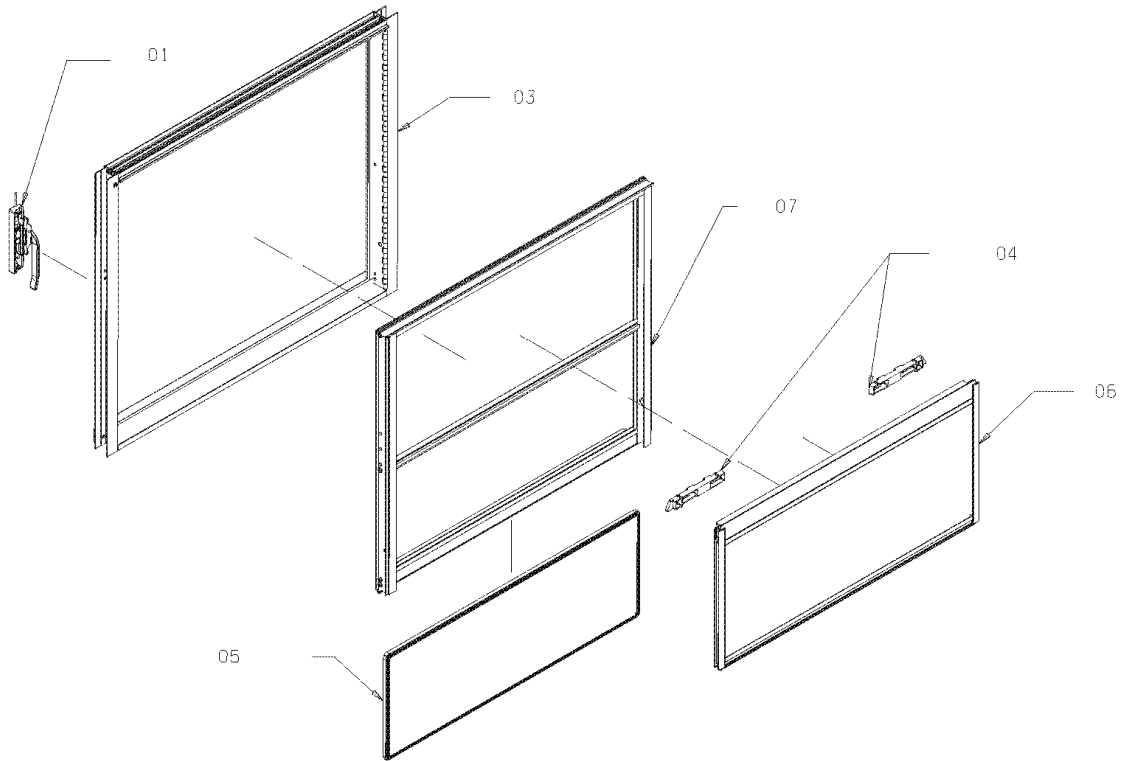


**Models:** **A3FE, A3RE, BBCV, SBCV**  
**VERTICAL PUSH OUT**  
**SPECTAL, ALUMINUM FRAME**  
**28 INCH WITH 9 INCH OPENING LH**

Key	PartNumber	Qty	Description	Comment
	0093467		WINDOW ASSY,28,9SS,PO,VLH,CLR TMP,SPCT	<i>CONSISTS OF THE FOLLOWING</i>
1	0097524		KIT,SWITCH,VERTICAL P/O,SPECTAL	
3	0097544		KIT,WINDOW,VERT P/O,EXT FRAME,LH,	
4	0097143		KIT,PASS WDO,SLIDER LOCK KIT	
5	0097548		KIT,WINDOW,P/O,BOTTOM GLASS,28/9	
6	0097610		KIT,WINDOW,P/O,SLIDER,CLEAR,TEMP,	
7	0098321		KIT,WINDOW,P/O,INT FRAME,ALUM,28/12	
	0093468		WINDOW ASSY,28,9SS,PO,VLH,CLR LAM,SPCT	<i>CONSISTS OF THE FOLLOWING</i>
1	0097524		KIT,SWITCH,VERTICAL P/O,SPECTAL	
3	0097544		KIT,WINDOW,VERT P/O,EXT FRAME,LH,	
4	0097143		KIT,PASS WDO,SLIDER LOCK KIT	
5	0097549		KIT,WINDOW,P/O,BOTTOM,GLASS,28/9	
6	0097611		KIT,WINDOW,P/O,SLIDER,CLEAR,LAM,	
7	0098321		KIT,WINDOW,P/O,INT FRAME,ALUM,28/12	
	0097469		SEAL,DOOR,LEADING EDGE,FRONT,CENTER	<i>CONSISTS OF THE FOLLOWING</i>
1	0097524		KIT,SWITCH,VERTICAL P/O,SPECTAL	
3	0097544		KIT,WINDOW,VERT P/O,EXT FRAME,LH,	
4	0097143		KIT,PASS WDO,SLIDER LOCK KIT	
5	0097550		KIT,WINDOW,P/O,BOTTOM GLASS,28/9	
6	0097612		KIT,WINDOW,P/O,SLIDER,TNT,TEMP,ALUM,28/9	
7	0098321		KIT,WINDOW,P/O,INT FRAME,ALUM,28/12	
	0093470		WINDOW ASSY,28,9SS,PO,VLH,TNT LAM,SPCT	<i>CONSISTS OF THE FOLLOWING</i>
1	0097524		KIT,SWITCH,VERTICAL P/O,SPECTAL	
3	0097544		KIT,WINDOW,VERT P/O,EXT FRAME,LH,	
4	0097143		KIT,PASS WDO,SLIDER LOCK KIT	
5	0097550		KIT,WINDOW,P/O,BOTTOM GLASS,28/9	
6	0097613		KIT,WINDOW,P/O,SLIDER,TNT,LAM,ALUM,28/9	
7	0098321		KIT,WINDOW,P/O,INT FRAME,ALUM,28/12	

Models: A3FE, A3RE, BBCV, SBCV  
VERTICAL PUSH OUT  
SPECTAL, ALUMINUM FRAME  
28 INCH WITH 9 INCH OPENING RH

Key	PartNumber	Qty	Description	Comment
-----	------------	-----	-------------	---------



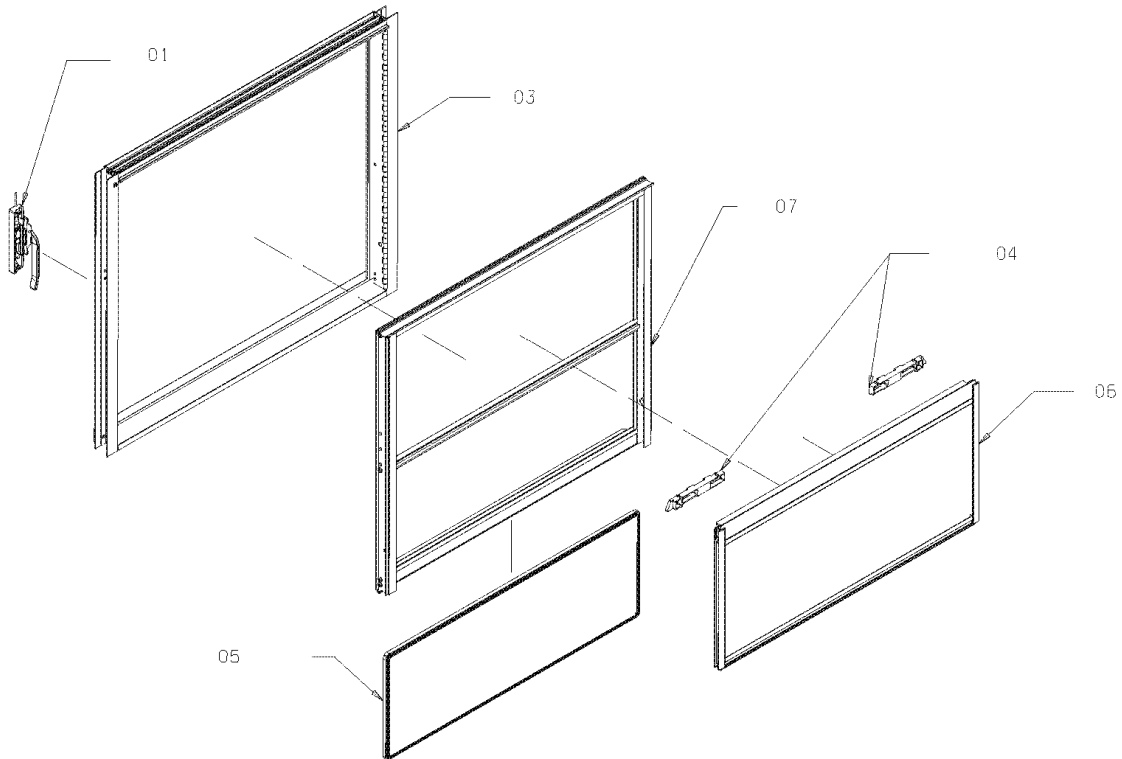


**Models:** **A3FE, A3RE, BBCV, SBCV**  
**VERTICAL PUSH OUT**  
**SPECTAL, ALUMINUM FRAME**  
**28 INCH WITH 9 INCH OPENING RH**

Key	PartNumber	Qty	Description	Comment
	0092427		PEDAL ASSY,VALVE,ABS,6 CHAN, H4RE	<i>CONSISTS OF THE FOLLOWING</i>
1	0097524		KIT,SWITCH,VERTICAL P/O,SPECTAL	
3	0097537		KIT,WINDOW,VERT P/O,EXT FRAME,RH,	
4	0097143		KIT,PASS WDO,SLIDER LOCK KIT	
5	0097548		KIT,WINDOW,P/O,BOTTOM GLASS,28/9	
6	0097610		KIT,WINDOW,P/O,SLIDER,CLEAR,TEMP,	
7	0098321		KIT,WINDOW,P/O,INT FRAME,ALUM,28/12	
	0093428		WINDOW ASSY,28,9SS,PO,VRH,CLR LAM,SPCT	<i>CONSISTS OF THE FOLLOWING</i>
1	0097524		KIT,SWITCH,VERTICAL P/O,SPECTAL	
3	0097537		KIT,WINDOW,VERT P/O,EXT FRAME,RH,	
4	0097143		KIT,PASS WDO,SLIDER LOCK KIT	
5	0097549		KIT,WINDOW,P/O,BOTTOM,GLASS,28/9	
6	0097611		KIT,WINDOW,P/O,SLIDER,CLEAR,LAM,	
7	0098321		KIT,WINDOW,P/O,INT FRAME,ALUM,28/12	
	0093429		WINDOW ASSY,28,9SS,PO,VRH,TNT TMP,SPCT	<i>CONSISTS OF THE FOLLOWING</i>
1	0097524		KIT,SWITCH,VERTICAL P/O,SPECTAL	
3	0097537		KIT,WINDOW,VERT P/O,EXT FRAME,RH,	
4	0097143		KIT,PASS WDO,SLIDER LOCK KIT	
5	0097550		KIT,WINDOW,P/O,BOTTOM GLASS,28/9	
6	0097612		KIT,WINDOW,P/O,SLIDER,TNT,TEMP,ALUM,28/9	
7	0098321		KIT,WINDOW,P/O,INT FRAME,ALUM,28/12	
	0093430		WINDOW ASSY,28,9SS,PO,VRH,TNT LAM,SPCT	<i>CONSISTS OF THE FOLLOWING</i>
1	0097524		KIT,SWITCH,VERTICAL P/O,SPECTAL	
3	0097537		KIT,WINDOW,VERT P/O,EXT FRAME,RH,	
4	0097143		KIT,PASS WDO,SLIDER LOCK KIT	
5	0097550		KIT,WINDOW,P/O,BOTTOM GLASS,28/9	
6	0097613		KIT,WINDOW,P/O,SLIDER,TNT,LAM,ALUM,28/9	
7	0098321		KIT,WINDOW,P/O,INT FRAME,ALUM,28/12	

Models: A3FE, A3RE, BBCV, SBCV  
VERTICAL PUSH OUT  
SPECTAL, ALUMINUM FRAME  
35 INCH WITH 12 INCH OPENING LH

Key	PartNumber	Qty	Description	Comment
-----	------------	-----	-------------	---------

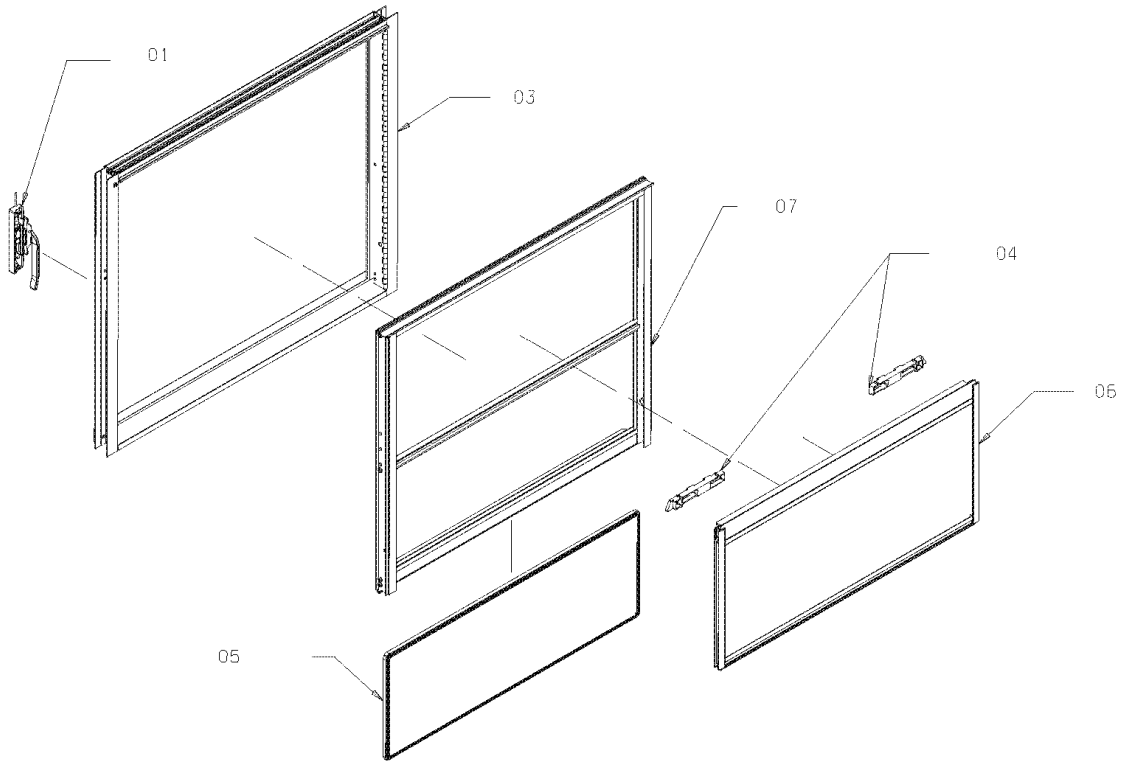


**Models:** **A3FE, A3RE, BBCV, SBCV**  
**VERTICAL PUSH OUT**  
**SPECTAL, ALUMINUM FRAME**  
**35 INCH WITH 12 INCH OPENING LH**

Key	PartNumber	Qty	Description	Comment
	0093480		WINDOW ASSY,35,12SS,PO,VLH,CLR TMP,SPCT	CONSISTS OF THE FOLLOWING
1	0097524		KIT,SWITCH,VERTICAL P/O,SPECTAL	
3	0097547		KIT,WINDOW,VERT P/O,EXT FRAME,LH,	
4	0097143		KIT,PASS WDO,SLIDER LOCK KIT	
5	0097559		KIT,WINDOW,P/O,BOTTOM GLASS,35/9	
6	0097623		KIT,WINDOW,P/O,SLIDER,CLEAR,TEMP,	
7	0098323		KIT,WINDOW,P/O,INT FRAME,ALUM,35/12	
	0093481		WINDOW ASSY,35,12SS,PO,VLH,CLR LAM,SPCT	CONSISTS OF THE FOLLOWING
1	0097524		KIT,SWITCH,VERTICAL P/O,SPECTAL	
3	0097547		KIT,WINDOW,VERT P/O,EXT FRAME,LH,	
4	0097143		KIT,PASS WDO,SLIDER LOCK KIT	
5	0097560		KIT,WINDOW,P/O,BOTTOM GLASS,35/12	
6	0097624		KIT,WINDOW,P/O,SLIDER,CLEAR,LAM,	
7	0098323		KIT,WINDOW,P/O,INT FRAME,ALUM,35/12	
	0093482		WINDOW ASSY,35,12SS,PO,VLH,TNT TMP,SPCT	CONSISTS OF THE FOLLOWING
1	0097524		KIT,SWITCH,VERTICAL P/O,SPECTAL	
3	0097547		KIT,WINDOW,VERT P/O,EXT FRAME,LH,	
4	0097143		KIT,PASS WDO,SLIDER LOCK KIT	
5	0097561		KIT,WINDOW,P/O,BOTTOM GLASS,35/12	
6	0097625		KIT,WINDOW,P/O,SLIDER,TNT,TEMP,	
7	0098323		KIT,WINDOW,P/O,INT FRAME,ALUM,35/12	
	0093483		WINDOW ASSY,35,12SS,PO,VLH,TNT LAM,SPCT	CONSISTS OF THE FOLLOWING
1	0097524		KIT,SWITCH,VERTICAL P/O,SPECTAL	
3	0097547		KIT,WINDOW,VERT P/O,EXT FRAME,LH,	
4	0097143		KIT,PASS WDO,SLIDER LOCK KIT	
5	0097562		KIT,WINDOW,P/O,BOTTOM GLASS,35/12	
6	0097626		KIT,WINDOW,P/O,SLIDER,TNT,LAM,ALUM,35/12	
7	0098323		KIT,WINDOW,P/O,INT FRAME,ALUM,35/12	

Models: A3FE, A3RE, BBCV, SBCV  
VERTICAL PUSH OUT  
SPECTAL, ALUMINUM FRAME  
35 INCH WITH 12 INCH OPENING RH

Key	PartNumber	Qty	Description	Comment
-----	------------	-----	-------------	---------

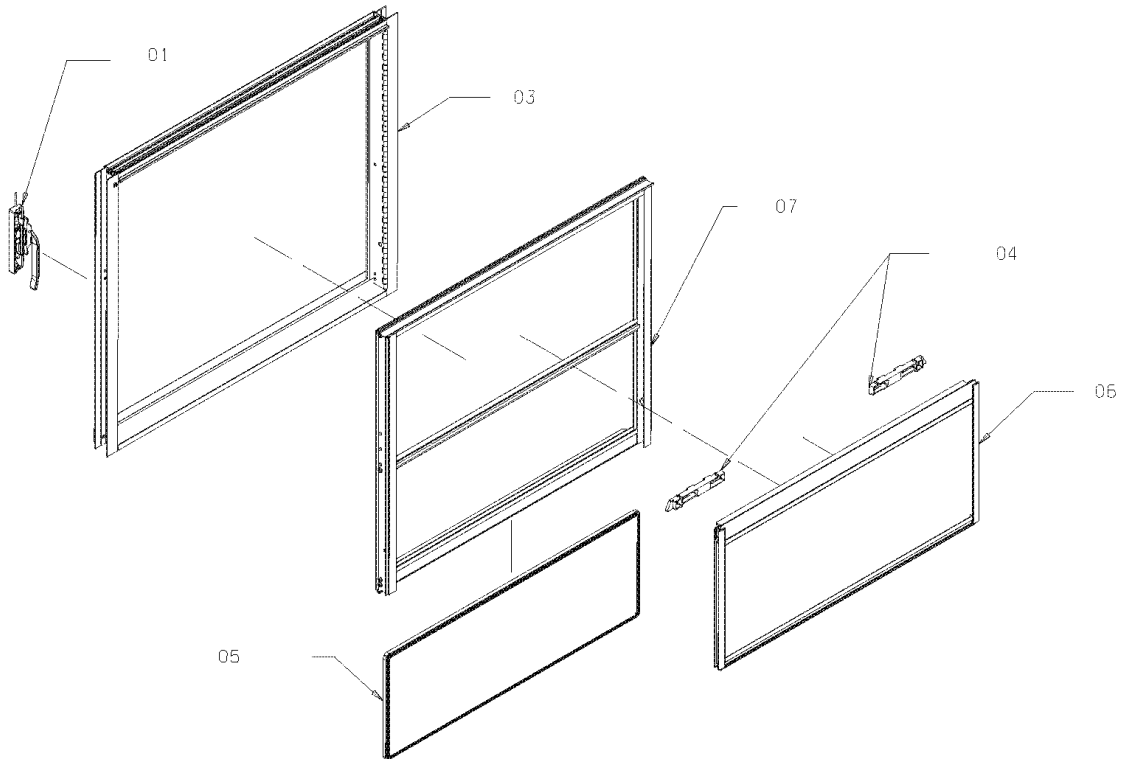


**Models:** **A3FE, A3RE, BBCV, SBCV**  
**VERTICAL PUSH OUT**  
**SPECTAL, ALUMINUM FRAME**  
**35 INCH WITH 12 INCH OPENING RH**

Key	PartNumber	Qty	Description	Comment
	0093442		WINDOW ASSY,35,12SS,PO,VRH,CLR TMP,SPCT	CONSISTS OF THE FOLLOWING
1	0097524		KIT,SWITCH,VERTICAL P/O,SPECTAL	
3	0097541		KIT,WINDOW,VERT P/O,EXT FRAME,RH,	
4	0097143		KIT,PASS WDO,SLIDER LOCK KIT	
5	0097559		KIT,WINDOW,P/O,BOTTOM GLASS,35/9	
6	0097623		KIT,WINDOW,P/O,SLIDER,CLEAR,TEMP,	
7	0098637		KIT,WINDOW,P/O,INT FRAME,ALUM,35/12	
	0093444		WINDOW ASSY,35,12SS,PO,VRH,CLR LAM,SPCT	CONSISTS OF THE FOLLOWING
1	0097524		KIT,SWITCH,VERTICAL P/O,SPECTAL	
3	0097541		KIT,WINDOW,VERT P/O,EXT FRAME,RH,	
4	0097143		KIT,PASS WDO,SLIDER LOCK KIT	
5	0097560		KIT,WINDOW,P/O,BOTTOM GLASS,35/12	
6	0097624		KIT,WINDOW,P/O,SLIDER,CLEAR,LAM,	
7	0098637		KIT,WINDOW,P/O,INT FRAME,ALUM,35/12	
	0093445		WINDOW ASSY,35,12SS,PO,VRH,TNT TMP,SPCT	CONSISTS OF THE FOLLOWING
1	0097524		KIT,SWITCH,VERTICAL P/O,SPECTAL	
3	0097541		KIT,WINDOW,VERT P/O,EXT FRAME,RH,	
4	0097143		KIT,PASS WDO,SLIDER LOCK KIT	
5	0097561		KIT,WINDOW,P/O,BOTTOM GLASS,35/12	
6	0097625		KIT,WINDOW,P/O,SLIDER,TNT,TEMP,	
7	0098637		KIT,WINDOW,P/O,INT FRAME,ALUM,35/12	
	0093446		WINDOW ASSY,35,12SS,PO,VRH,TNT LAM,SPCT	CONSISTS OF THE FOLLOWING
1	0097524		KIT,SWITCH,VERTICAL P/O,SPECTAL	
3	0097541		KIT,WINDOW,VERT P/O,EXT FRAME,RH,	
4	0097143		KIT,PASS WDO,SLIDER LOCK KIT	
5	0097562		KIT,WINDOW,P/O,BOTTOM GLASS,35/12	
6	0097626		KIT,WINDOW,P/O,SLIDER,TNT,LAM,ALUM,35/12	
7	0098637		KIT,WINDOW,P/O,INT FRAME,ALUM,35/12	

Models: A3FE, A3RE, BBCV, SBCV  
VERTICAL PUSH OUT  
SPECTAL, ALUMINUM FRAME  
35 INCH WITH 9 INCH OPENING LH

Key	PartNumber	Qty	Description	Comment
-----	------------	-----	-------------	---------

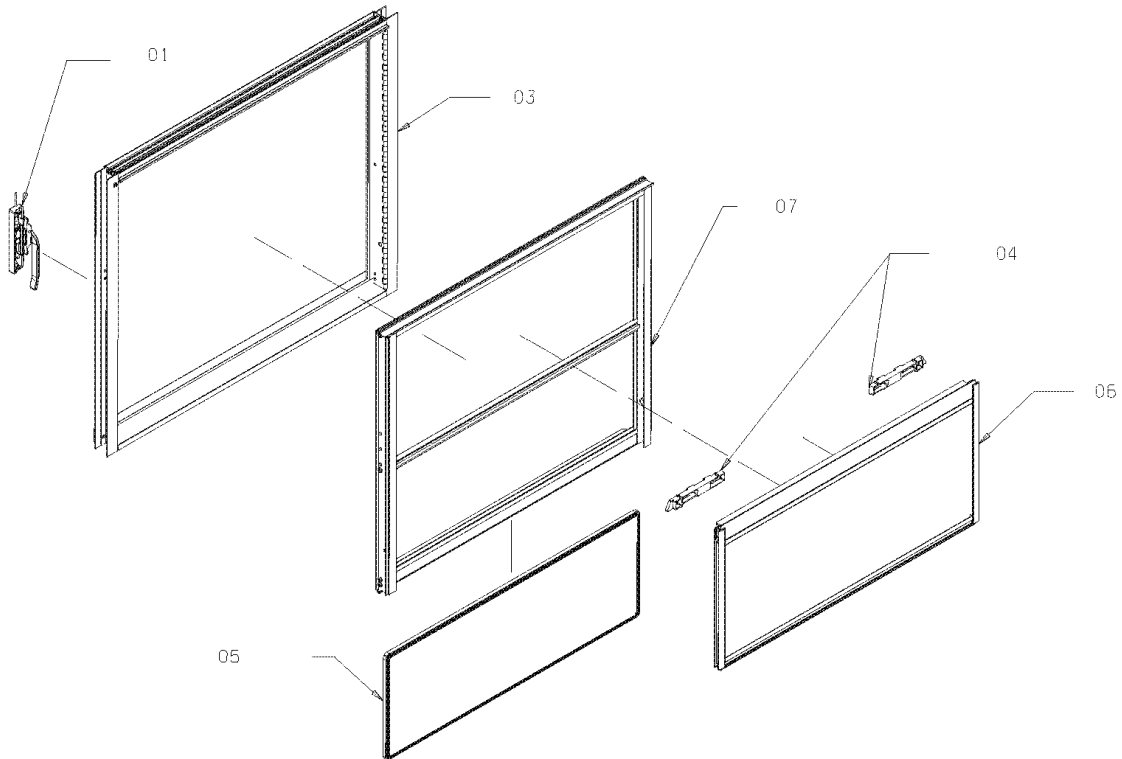


**Models:** **A3FE, A3RE, BBCV, SBCV**  
**VERTICAL PUSH OUT**  
**SPECTAL, ALUMINUM FRAME**  
**35 INCH WITH 9 INCH OPENING LH**

Key	PartNumber	Qty	Description	Comment
	0093475		WINDOW ASSY,35,9SS,PO,VLH,CLR TMP,SPCT	<i>CONSISTS OF THE FOLLOWING</i>
1	0097524		KIT,SWITCH,VERTICAL P/O,SPECTAL	
3	0097546		KIT,WINDOW,VERT P/O,EXT FRAME,LH,	
4	0097143		KIT,PASS WDO,SLIDER LOCK KIT	
5	0097555		KIT,WINDOW,P/O,BOTTOM GLASS,28/12	
6	0097618		KIT,WINDOW,P/O,SLIDER,CLEAR,TEMP,	
7	0098323		KIT,WINDOW,P/O,INT FRAME,ALUM,35/12	
	0093477		WINDOW ASSY,35,9SS,PO,VLH,CLR LAM,SPCT	<i>CONSISTS OF</i>
1	0097524		KIT,SWITCH,VERTICAL P/O,SPECTAL	
3	0097546		KIT,WINDOW,VERT P/O,EXT FRAME,LH,	
4	0097143		KIT,PASS WDO,SLIDER LOCK KIT	
5	0097556		KIT,WINDOW,P/O,BOTTOM GLASS,35/9	
6	0097619		KIT,WINDOW,P/O,SLIDER,CLEAR,LAM,	
7	0098323		KIT,WINDOW,P/O,INT FRAME,ALUM,35/12	
	0093478		WINDOW ASSY,35,9SS,PO,VLH,TNT TMP,SPCT	<i>CONSISTS OF THE FOLLOWING</i>
1	0097524		KIT,SWITCH,VERTICAL P/O,SPECTAL	
3	0097546		KIT,WINDOW,VERT P/O,EXT FRAME,LH,	
4	0097143		KIT,PASS WDO,SLIDER LOCK KIT	
5	0097557		KIT,WINDOW,P/O,BOTTOM GLASS,35/9	
6	0097621		KIT,WINDOW,P/O,SLIDER,TNT,TEMP,ALUM,35/9	
7	0098323		KIT,WINDOW,P/O,INT FRAME,ALUM,35/12	
	0097479		KIT,BRAKE,INTERLOCK FOR DOOR,BBCV ONLY	
1	0097524		KIT,SWITCH,VERTICAL P/O,SPECTAL	
3	0097546		KIT,WINDOW,VERT P/O,EXT FRAME,LH,	
4	0097143		KIT,PASS WDO,SLIDER LOCK KIT	
5	0097558		KIT,WINDOW,P/O,BOTTOM GLASS,35/9	
6	0097622		KIT,WINDOW,P/O,SLIDER,TNT,LAM,ALUM,35/9	
7	0098323		KIT,WINDOW,P/O,INT FRAME,ALUM,35/12	

Models: A3FE, A3RE, BBCV, SBCV  
VERTICAL PUSH OUT  
SPECTAL, ALUMINUM FRAME  
35 INCH WITH 9 INCH OPENING RH

Key	PartNumber	Qty	Description	Comment
-----	------------	-----	-------------	---------



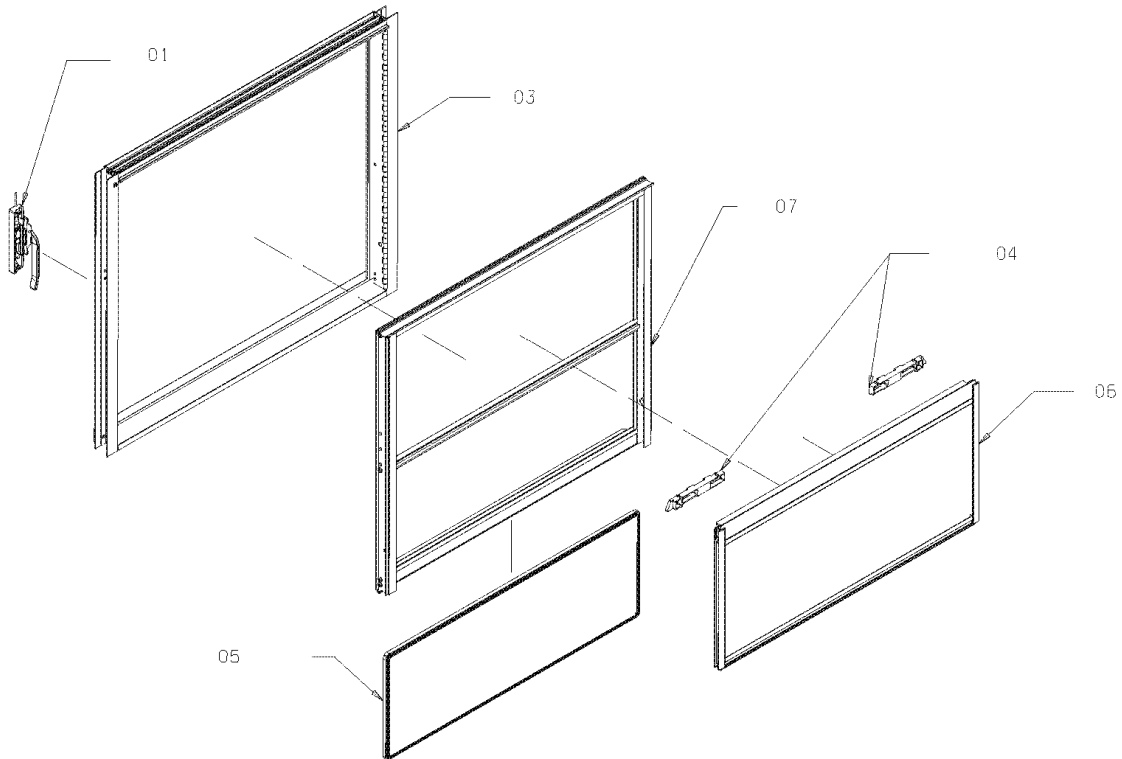


**Models:** **A3FE, A3RE, BBCV, SBCV**  
**VERTICAL PUSH OUT**  
**SPECTAL, ALUMINUM FRAME**  
**35 INCH WITH 9 INCH OPENING RH**

Key	PartNumber	Qty	Description	Comment
	0093435		WINDOW ASSY,35,9SS,PO,VRH,CLR TMP,SPCT	CONSISTS OF THE FOLLOWING
1	0097524		KIT,SWITCH,VERTICAL P/O,SPECTAL	
3	0097540		KIT,WINDOW,VERT P/O,EXT FRAME, RH,	
4	0097143		KIT,PASS WDO,SLIDER LOCK KIT	
5	0097555		KIT,WINDOW,P/O,BOTTOM GLASS,28/12	
6	0097618		KIT,WINDOW,P/O,SLIDER,CLEAR,TEMP,	
7	0098323		KIT,WINDOW,P/O,INT FRAME,ALUM,35/12	
	0093436		WINDOW ASSY,35,9SS,PO,VRH,CLR LAM,SPCT	CONSISTS OF THE FOLLOWING
1	0097524		KIT,SWITCH,VERTICAL P/O,SPECTAL	
3	0097540		KIT,WINDOW,VERT P/O,EXT FRAME, RH,	
4	0097143		KIT,PASS WDO,SLIDER LOCK KIT	
5	0097556		KIT,WINDOW,P/O,BOTTOM GLASS,35/9	
6	0097619		KIT,WINDOW,P/O,SLIDER,CLEAR,LAM,	
7	0098323		KIT,WINDOW,P/O,INT FRAME,ALUM,35/12	
	0093437		WINDOW ASSY,35,9SS,PO,VRH,TNT TMP,SPCT	CONSISTS OF THE FOLLOWING
1	0097524		KIT,SWITCH,VERTICAL P/O,SPECTAL	
3	0097540		KIT,WINDOW,VERT P/O,EXT FRAME, RH,	
4	0097143		KIT,PASS WDO,SLIDER LOCK KIT	
5	0097557		KIT,WINDOW,P/O,BOTTOM GLASS,35/9	
6	0097621		KIT,WINDOW,P/O,SLIDER,TNT,TEMP,ALUM,35/9	
7	0098323		KIT,WINDOW,P/O,INT FRAME,ALUM,35/12	
	0093440		WINDOW ASSY,35,9SS,PO,VRH,TNT LAM,SPCT	CONSISTS OF THE FOLLOWING
1	0097524		KIT,SWITCH,VERTICAL P/O,SPECTAL	
3	0097540		KIT,WINDOW,VERT P/O,EXT FRAME, RH,	
4	0097143		KIT,PASS WDO,SLIDER LOCK KIT	
5	0097558		KIT,WINDOW,P/O,BOTTOM GLASS,35/9	
6	0097622		KIT,WINDOW,P/O,SLIDER,TNT,LAM,ALUM,35/9	
7	0098323		KIT,WINDOW,P/O,INT FRAME,ALUM,35/12	

**Models:** A3FE, A3RE, BBCV, SBCV  
VERTICAL PUSH OUT  
SPECTAL, BLACK FRAME  
28 INCH WITH 12 INCH OPENING LH

Key	PartNumber	Qty	Description	Comment
-----	------------	-----	-------------	---------

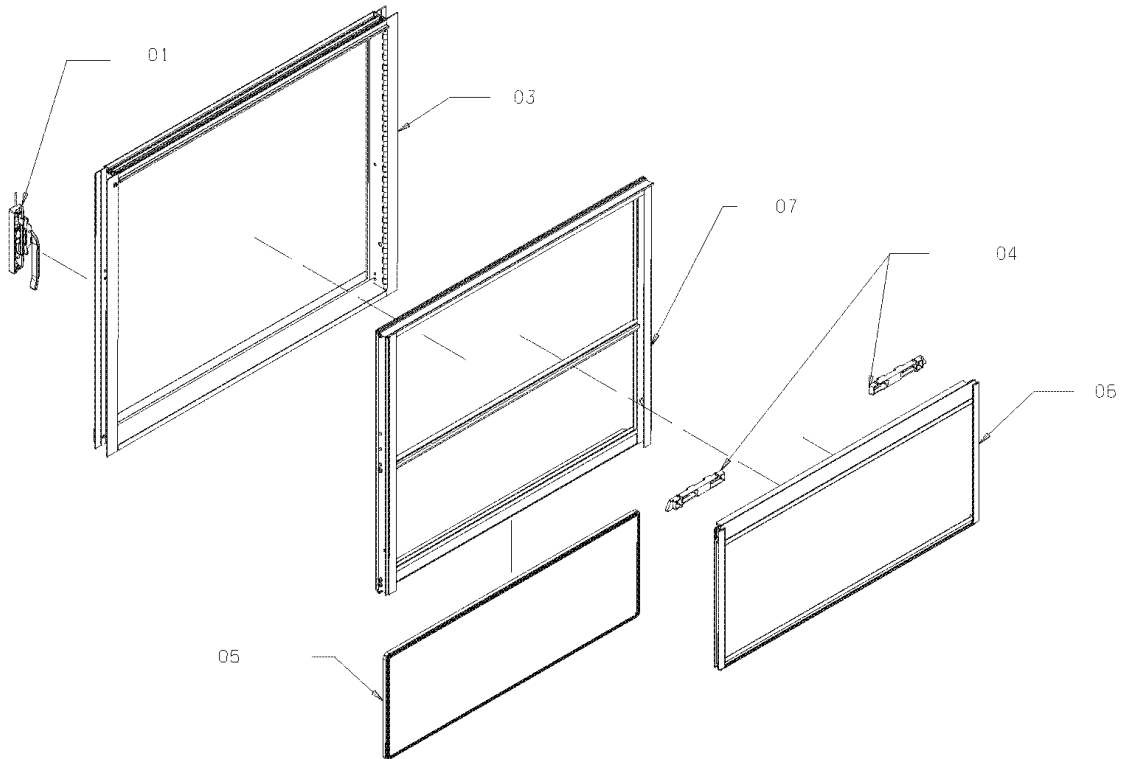


**Models:** **A3FE, A3RE, BBCV, SBCV**  
**VERTICAL PUSH OUT**  
**SPECTAL, BLACK FRAME**  
**28 INCH WITH 12 INCH OPENING LH**

Key	PartNumber	Qty	Description	Comment
	0080644		WINDOW ASSY,28,12SS,PO,VLH,CLR TMP,BLK,	<i>CONSISTS OF THE FOLLOWING</i>
1	0097524		KIT,SWITCH,VERTICAL P/O,SPECTAL	
3	0097534		KIT,WINDOW,VERT P/O,EXT FRAME,LH,	
4	0097143		KIT,PASS WDO,SLIDER LOCK KIT	
5	0097551		KIT,WINDOW,P/O,BOTTOM GLASS,28/9	
6	0097570		KIT,WINDOW,P/O,SLIDER,CLEAR,TEMP,	
7	0098631		KIT,WINDOW,P/O,INT FRAME,BLACK,28/12	
	0080645		WINDOW ASSY,28,12SS,PO,VLH,CLR LAM,BLK,	<i>CONSISTS OF THE FOLLOWING</i>
1	0097524		KIT,SWITCH,VERTICAL P/O,SPECTAL	
3	0097534		KIT,WINDOW,VERT P/O,EXT FRAME,LH,	
4	0097143		KIT,PASS WDO,SLIDER LOCK KIT	
5	0097552		KIT,WINDOW,P/O,BOTTOM GLASS,28/12	
6	0097571		KIT,WINDOW,P/O,SLIDER,CLEAR,LAM,	
7	0098631		KIT,WINDOW,P/O,INT FRAME,BLACK,28/12	
	0080646		WINDOW ASSY,28,12SS,PO,VLH,TNT TMP,BLK,	<i>CONSISTS OF THE FOLLOWING</i>
1	0097524		KIT,SWITCH,VERTICAL P/O,SPECTAL	
3	0097534		KIT,WINDOW,VERT P/O,EXT FRAME,LH,	
4	0097143		KIT,PASS WDO,SLIDER LOCK KIT	
5	0097553		KIT,WINDOW,P/O,BOTTOM GLASS,28/12	
6	0097572		KIT,WINDOW,P/O,SLIDER,TNT,TEMP,	
7	0098631		KIT,WINDOW,P/O,INT FRAME,BLACK,28/12	
	0080647		WINDOW ASSY,28,12SS,PO,VLH,TNT LAM,BLK,	<i>CONSISTS OF THE FOLLOWING</i>
1	0097524		KIT,SWITCH,VERTICAL P/O,SPECTAL	
3	0097534		KIT,WINDOW,VERT P/O,EXT FRAME,LH,	
4	0097143		KIT,PASS WDO,SLIDER LOCK KIT	
5	0097554		KIT,WINDOW,P/O,BOTTOM GLASS,28/12	
6	0097573		KIT,WINDOW,P/O,SLIDER,TNT,LAM,	
7	0098631		KIT,WINDOW,P/O,INT FRAME,BLACK,28/12	

Models: A3FE, A3RE, BBCV, SBCV  
VERTICAL PUSH OUT  
SPECTAL, BLACK FRAME  
28 INCH WITH 12 INCH OPENING RH

Key	PartNumber	Qty	Description	Comment
-----	------------	-----	-------------	---------

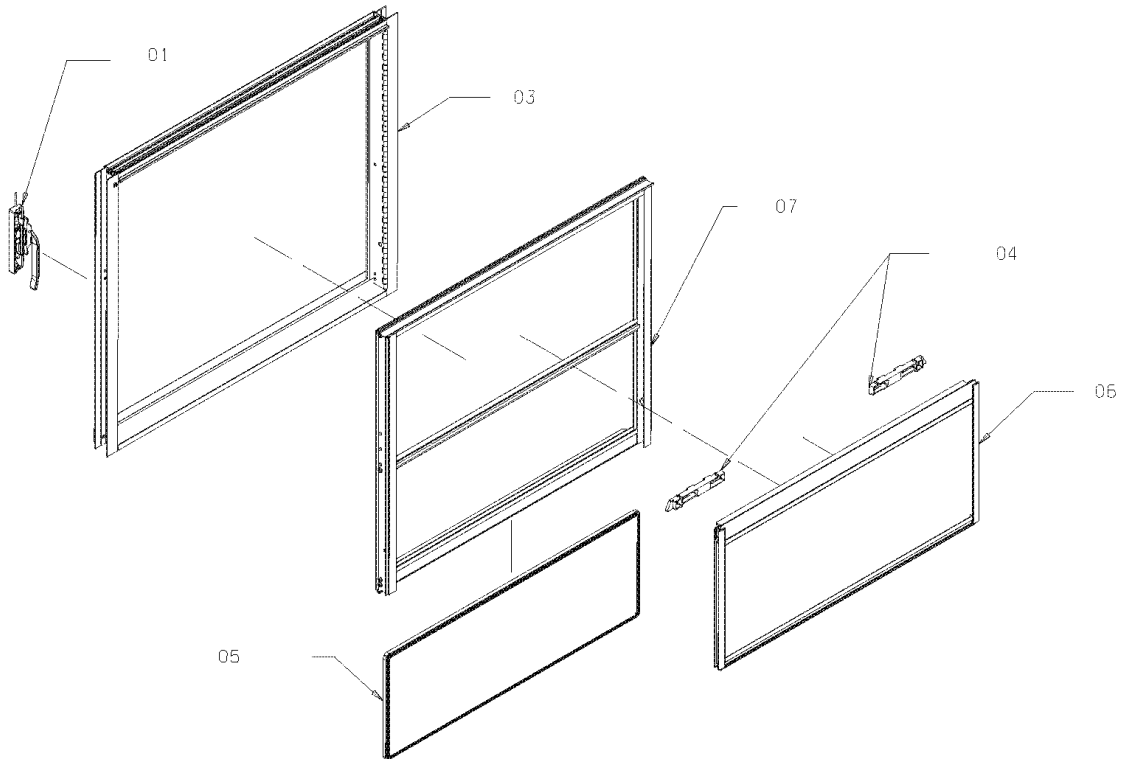


**Models:** **A3FE, A3RE, BBCV, SBCV**  
**VERTICAL PUSH OUT**  
**SPECTAL, BLACK FRAME**  
**28 INCH WITH 12 INCH OPENING RH**

Key	PartNumber	Qty	Description	Comment
	0080627		WINDOW ASSY,28,12SS,PO,VRH,CLR TMP,BLK,	<i>CONSISTS OF THE FOLLOWING</i>
1	0097524		KIT,SWITCH,VERTICAL P/O,SPECTAL	
3	0097530		KIT,WINDOW,VERT P/O,EXT FRAME,RH,	
4	0097143		KIT,PASS WDO,SLIDER LOCK KIT	
5	0097551		KIT,WINDOW,P/O,BOTTOM GLASS,28/9	
6	0097570		KIT,WINDOW,P/O,SLIDER,CLEAR,TEMP,	
7	0098631		KIT,WINDOW,P/O,INT FRAME,BLACK,28/12	
	0080629		WINDOW ASSY,28,12SS,PO,VRH,CLR LAM,BLK,	<i>CONSISTS OF THE FOLLOWING</i>
1	0097524		KIT,SWITCH,VERTICAL P/O,SPECTAL	
3	0097530		KIT,WINDOW,VERT P/O,EXT FRAME,RH,	
4	0097143		KIT,PASS WDO,SLIDER LOCK KIT	
5	0097552		KIT,WINDOW,P/O,BOTTOM GLASS,28/12	
6	0097571		KIT,WINDOW,P/O,SLIDER,CLEAR,LAM,	
7	0098631		KIT,WINDOW,P/O,INT FRAME,BLACK,28/12	
	0080630		WINDOW ASSY,28,12SS,PO,VRH,TNT TMP,BLK,	<i>CONSISTS OF THE FOLLOWING</i>
1	0097524		KIT,SWITCH,VERTICAL P/O,SPECTAL	
3	0097530		KIT,WINDOW,VERT P/O,EXT FRAME,RH,	
4	0097143		KIT,PASS WDO,SLIDER LOCK KIT	
5	0097553		KIT,WINDOW,P/O,BOTTOM GLASS,28/12	
6	0097572		KIT,WINDOW,P/O,SLIDER,TNT,TEMP,	
7	0098631		KIT,WINDOW,P/O,INT FRAME,BLACK,28/12	
	0080631		WINDOW ASSY,28,12SS,PO,VRH,TNT LAM,BLK,	
1	0097524		KIT,SWITCH,VERTICAL P/O,SPECTAL	
3	0097530		KIT,WINDOW,VERT P/O,EXT FRAME,RH,	
4	0097143		KIT,PASS WDO,SLIDER LOCK KIT	
5	0097554		KIT,WINDOW,P/O,BOTTOM GLASS,28/12	
6	0097573		KIT,WINDOW,P/O,SLIDER,TNT,LAM,	
7	0098631		KIT,WINDOW,P/O,INT FRAME,BLACK,28/12	

**Models:** A3FE, A3RE, BBCV, SBCV  
VERTICAL PUSH OUT  
SPECTAL, BLACK FRAME  
28 INCH WITH 9 INCH OPENING LH

Key	PartNumber	Qty	Description	Comment
-----	------------	-----	-------------	---------

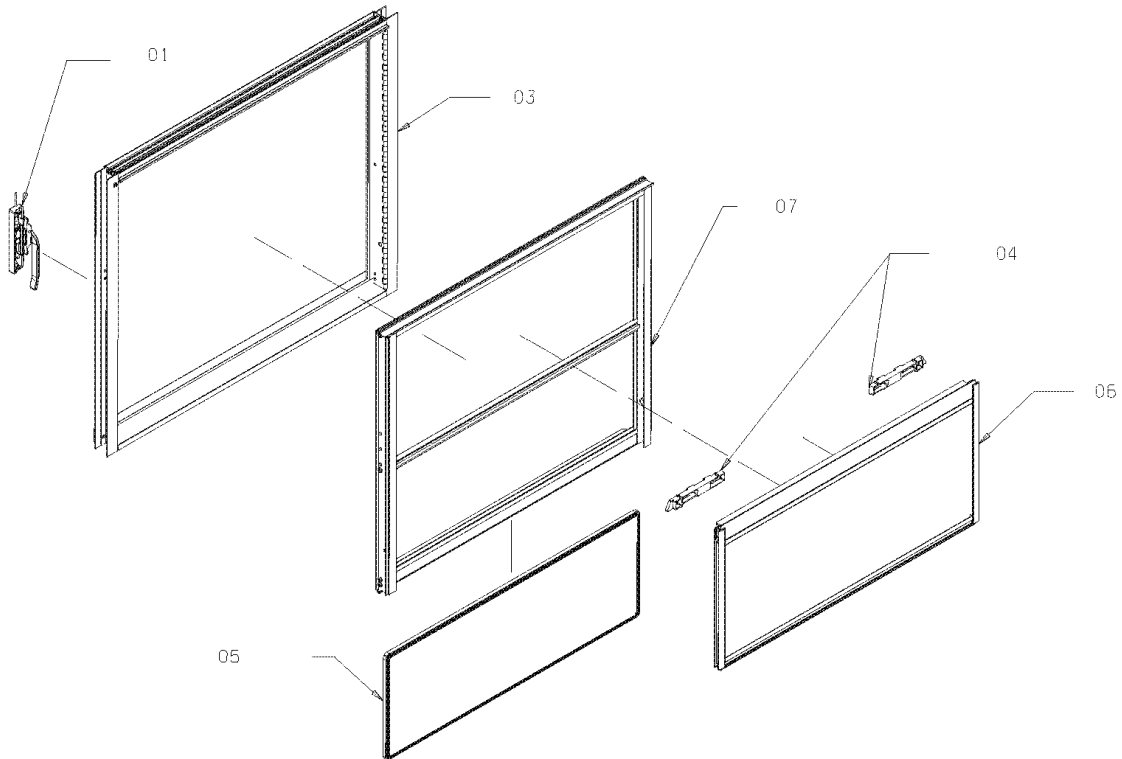


**Models:** **A3FE, A3RE, BBCV, SBCV**  
**VERTICAL PUSH OUT**  
**SPECTAL, BLACK FRAME**  
**28 INCH WITH 9 INCH OPENING LH**

Key	PartNumber	Qty	Description	Comment
	0080640		WINDOW ASSY,28,9SS,PO,VLH,CLR TMP,BLK,	<i>CONSISTS OF THE FOLLOWING</i>
1	0097524		KIT,SWITCH,VERTICAL P/O,SPECTAL	
3	0097533		KIT,WINDOW,VERT PLO,EXT FRAME,LH,	
4	0097143		KIT,PASS WDO,SLIDER LOCK KIT	
5	0097548		KIT,WINDOW,P/O,BOTTOM GLASS,28/9	
6	0097565		KIT,WINDOW,P/O,SLIDER,CLEAR,TEMP,	
7	0098625		KIT,WINDOW,P/O,INT FRAME,BLACK,28/9	
	0080641		WINDOW ASSY,28,9SS,PO,VLH,CLR LAM,BLK,	<i>CONSISTS OF THE FOLLOWING</i>
1	0097524		KIT,SWITCH,VERTICAL P/O,SPECTAL	
3	0097533		KIT,WINDOW,VERT PLO,EXT FRAME,LH,	
4	0097143		KIT,PASS WDO,SLIDER LOCK KIT	
5	0097549		KIT,WINDOW,P/O,BOTTOM,GLASS,28/9	
6	0097566		KIT,WINDOW,SLIDER,CLEAR,LAM,BLACK,28/9	
7	0098625		KIT,WINDOW,P/O,INT FRAME,BLACK,28/9	
	0080642		WINDOW ASSY,28,9SS,PO,VLH,TNT TMP,BLK,	<i>CONSISTS OF THE FOLLOWING</i>
1	0097524		KIT,SWITCH,VERTICAL P/O,SPECTAL	
3	0097533		KIT,WINDOW,VERT PLO,EXT FRAME,LH,	
4	0097143		KIT,PASS WDO,SLIDER LOCK KIT	
5	0097550		KIT,WINDOW,P/O,BOTTOM GLASS,28/9	
7	0098625		KIT,WINDOW,P/O,INT FRAME,BLACK,28/9	
	0080643		WINDOW ASSY,28,9SS,PO,VLH,TNT LAM,BLK,	<i>CONSISTS OF THE FOLLOWING</i>
1	0097524		KIT,SWITCH,VERTICAL P/O,SPECTAL	
3	0097533		KIT,WINDOW,VERT PLO,EXT FRAME,LH,	
4	0097143		KIT,PASS WDO,SLIDER LOCK KIT	
5	0097550		KIT,WINDOW,P/O,BOTTOM GLASS,28/9	
6	0097569		KIT,WINDOW,P/O,SLIDER,TNT,LAM,BLACK,28/9	
7	0098625		KIT,WINDOW,P/O,INT FRAME,BLACK,28/9	

**Models:** A3FE, A3RE, BBCV, SBCV  
VERTICAL PUSH OUT  
SPECTAL, BLACK FRAME  
28 INCH WITH 9 INCH OPENING RH

Key	PartNumber	Qty	Description	Comment
-----	------------	-----	-------------	---------



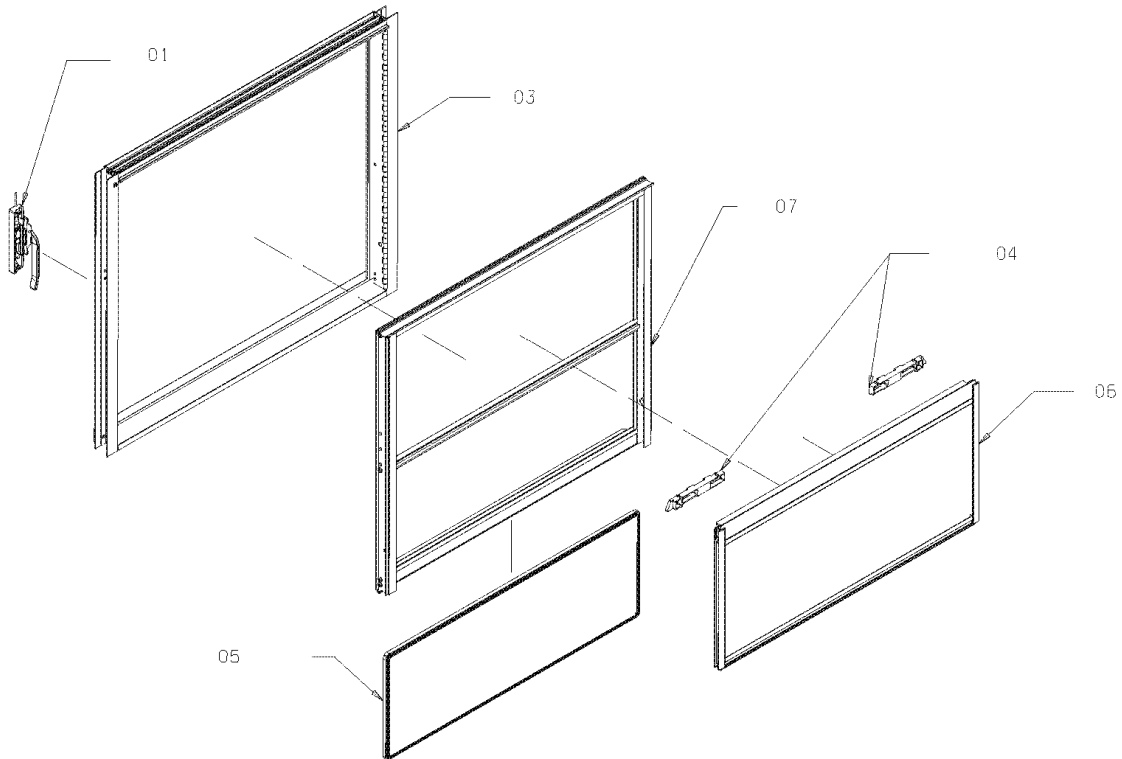


**Models:** **A3FE, A3RE, BBCV, SBCV**  
**VERTICAL PUSH OUT**  
**SPECTAL, BLACK FRAME**  
**28 INCH WITH 9 INCH OPENING RH**

Key	PartNumber	Qty	Description	Comment
	0080623		WINDOW ASSY,28,9SS,PO,VRH,CLR TMP,BLK,	<i>CONSISTS OF THE FOLLOWING</i>
1	0097524		KIT,SWITCH,VERTICAL P/O,SPECTAL	
3	0097525		KIT,WINDOW,VERT P/O,EXT FRAME,RH,	
4	0097143		KIT,PASS WDO,SLIDER LOCK KIT	
5	0097548		KIT,WINDOW,P/O,BOTTOM GLASS,28/9	
6	0097565		KIT,WINDOW,P/O,SLIDER,CLEAR,TEMP,	
7	0098625		KIT,WINDOW,P/O,INT FRAME,BLACK,28/9	
	0080624		WINDOW ASSY,28,9SS,PO,VRH,CLR LAM,BLK,	<i>CONSISTS OF THE FOLLOWING</i>
1	0097524		KIT,SWITCH,VERTICAL P/O,SPECTAL	
3	0097525		KIT,WINDOW,VERT P/O,EXT FRAME,RH,	
4	0097143		KIT,PASS WDO,SLIDER LOCK KIT	
5	0097549		KIT,WINDOW,P/O,BOTTOM,GLASS,28/9	
6	0097566		KIT,WINDOW,SLIDER,CLEAR,LAM,BLACK,28/9	
7	0098625		KIT,WINDOW,P/O,INT FRAME,BLACK,28/9	
	0080625		WINDOW ASSY,28,9SS,PO,VRH,TNT TMP,BLK,	<i>CONSISTS OF THE FOLLOWING</i>
1	0097524		KIT,SWITCH,VERTICAL P/O,SPECTAL	
3	0097525		KIT,WINDOW,VERT P/O,EXT FRAME,RH,	
4	0097143		KIT,PASS WDO,SLIDER LOCK KIT	
5	0097550		KIT,WINDOW,P/O,BOTTOM GLASS,28/9	
7	0098625		KIT,WINDOW,P/O,INT FRAME,BLACK,28/9	
	0080626		WINDOW ASSY,28,9SS,PO,VRH,TNT LAM,BLK,	<i>CONSISTS OF THE FOLLOWING</i>
1	0097524		KIT,SWITCH,VERTICAL P/O,SPECTAL	
3	0097525		KIT,WINDOW,VERT P/O,EXT FRAME,RH,	
4	0097143		KIT,PASS WDO,SLIDER LOCK KIT	
5	0097550		KIT,WINDOW,P/O,BOTTOM GLASS,28/9	
6	0097569		KIT,WINDOW,P/O,SLIDER,TNT,LAM,BLACK,28/9	
7	0098625		KIT,WINDOW,P/O,INT FRAME,BLACK,28/9	

**Models:** A3FE, A3RE, BBCV, SBCV  
VERTICAL PUSH OUT  
SPECTAL, BLACK FRAME  
35 INCH WITH 12 INCH OPENING LH

Key	PartNumber	Qty	Description	Comment
-----	------------	-----	-------------	---------

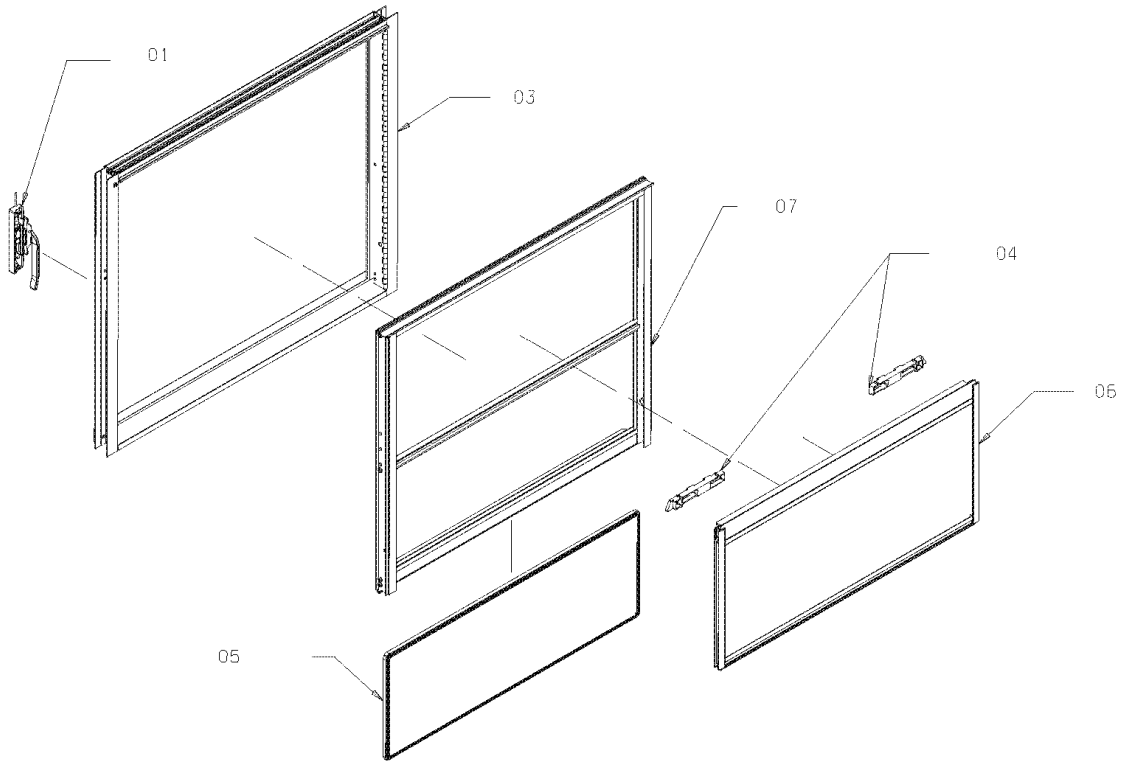


**Models:** **A3FE, A3RE, BBCV, SBCV**  
**VERTICAL PUSH OUT**  
**SPECTAL, BLACK FRAME**  
**35 INCH WITH 12 INCH OPENING LH**

Key	PartNumber	Qty	Description	Comment
	0080652		WINDOW ASSY,35,12SS,PO,VLH,CLR TMP,BLK,	<i>CONSISTS OF THE FOLLOWING</i>
1	0097524		KIT,SWITCH,VERTICAL P/O,SPECTAL	
3	0097536		KIT,WINDOW,VERT P/O,EXT FRAME,LH,	
4	0097143		KIT,PASS WDO,SLIDER LOCK KIT	
5	0097559		KIT,WINDOW,P/O,BOTTOM GLASS,35/9	
6	0097578		KIT,WINDOW,P/O,SLIDER,CLEAR,TEMP,	
7	0098320		KIT,WINDOW,P/O,INT FRAME,BLACK,35/12	
	0080653		WINDOW ASSY,35,12SS,PO,VLH,CLR LAM,BLK,	<i>CONSISTS OF THE FOLLOWING</i>
1	0097524		KIT,SWITCH,VERTICAL P/O,SPECTAL	
3	0097536		KIT,WINDOW,VERT P/O,EXT FRAME,LH,	
4	0097143		KIT,PASS WDO,SLIDER LOCK KIT	
5	0097560		KIT,WINDOW,P/O,BOTTOM GLASS,35/12	
6	0097579		KIT,WINDOW,P/O,SLIDER,CLEAR,LAM,	
7	0098320		KIT,WINDOW,P/O,INT FRAME,BLACK,35/12	
	0080654		WINDOW ASSY,35,12SS,PO,VLH,TNT TMP,BLK,	<i>CONSISTS OF THE FOLLOWING</i>
1	0097524		KIT,SWITCH,VERTICAL P/O,SPECTAL	
3	0097536		KIT,WINDOW,VERT P/O,EXT FRAME,LH,	
4	0097143		KIT,PASS WDO,SLIDER LOCK KIT	
5	0097561		KIT,WINDOW,P/O,BOTTOM GLASS,35/12	
6	0097580		KIT,WINDOW,P/O,SLIDER,TNT,TEMP,	
7	0098320		KIT,WINDOW,P/O,INT FRAME,BLACK,35/12	
	0080655		WINDOW ASSY,35,12SS,PO,VLH,TNT LAM,BLK,	<i>CONSISTS OF THE FOLLOWING</i>
1	0097524		KIT,SWITCH,VERTICAL P/O,SPECTAL	
3	0097536		KIT,WINDOW,VERT P/O,EXT FRAME,LH,	
4	0097143		KIT,PASS WDO,SLIDER LOCK KIT	
5	0097562		KIT,WINDOW,P/O,BOTTOM GLASS,35/12	
6	0097582		KIT,WINDOW,P/O,SLIDER,TNT,LAM,	
7	0098320		KIT,WINDOW,P/O,INT FRAME,BLACK,35/12	

Models: A3FE, A3RE, BBCV, SBCV  
VERTICAL PUSH OUT  
SPECTAL, BLACK FRAME  
35 INCH WITH 12 INCH OPENING RH

Key	PartNumber	Qty	Description	Comment
-----	------------	-----	-------------	---------

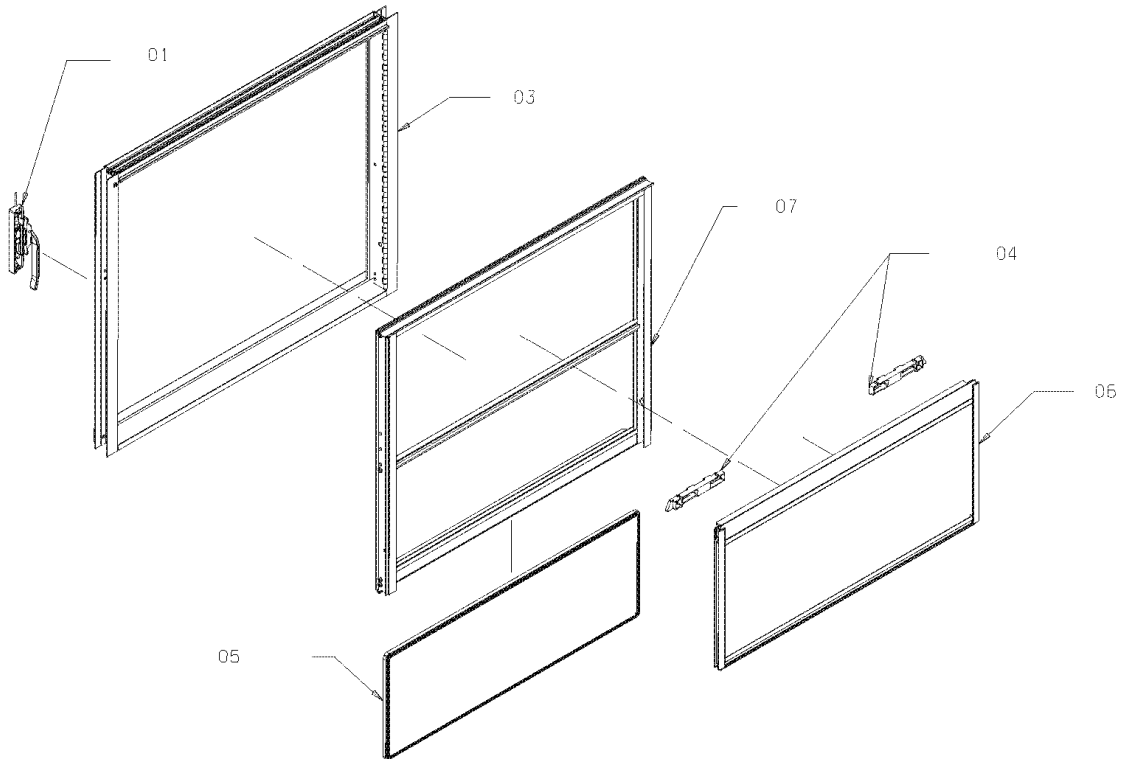


**Models:** **A3FE, A3RE, BBCV, SBCV**  
**VERTICAL PUSH OUT**  
**SPECTAL, BLACK FRAME**  
**35 INCH WITH 12 INCH OPENING RH**

Key	PartNumber	Qty	Description	Comment
	0080636		WINDOW ASSY,35,12SS,PO,VRH,CLR TMP,BLK,	<i>CONSISTS OF THE FOLLOWING</i>
1	0097524		KIT,SWITCH,VERTICAL P/O,SPECTAL	
3	0097532		KIT,WINDOW,VERT P/O,EXT FRAME,RH,	
4	0097143		KIT,PASS WDO,SLIDER LOCK KIT	
5	0097559		KIT,WINDOW,P/O,BOTTOM GLASS,35/9	
6	0097578		KIT,WINDOW,P/O,SLIDER,CLEAR,TEMP,	
7	0098320		KIT,WINDOW,P/O,INT FRAME,BLACK,35/12	
	0080637		WINDOW ASSY,35,12SS,PO,VRH,CLR LAM,BLK	<i>CONSISTS OF THE FOLLOWING</i>
1	0097524		KIT,SWITCH,VERTICAL P/O,SPECTAL	
3	0097532		KIT,WINDOW,VERT P/O,EXT FRAME,RH,	
4	0097143		KIT,PASS WDO,SLIDER LOCK KIT	
5	0097560		KIT,WINDOW,P/O,BOTTOM GLASS,35/12	
6	0097579		KIT,WINDOW,P/O,SLIDER,CLEAR,LAM,	
7	0098320		KIT,WINDOW,P/O,INT FRAME,BLACK,35/12	
	0080638		WINDOW ASSY,35,12SS,PO,VRH,TNT TMP,BLK,	
1	0097524		KIT,SWITCH,VERTICAL P/O,SPECTAL	
3	0097532		KIT,WINDOW,VERT P/O,EXT FRAME,RH,	
4	0097143		KIT,PASS WDO,SLIDER LOCK KIT	
5	0097561		KIT,WINDOW,P/O,BOTTOM GLASS,35/12	
6	0097580		KIT,WINDOW,P/O,SLIDER,TNT,TEMP,	
7	0098320		KIT,WINDOW,P/O,INT FRAME,BLACK,35/12	
	0080639		WINDOW ASSY,35,12SS,PO,VRH,TNT LAM,BLK,	<i>CONSISTS OF THE FOLLOWING</i>
1	0097524		KIT,SWITCH,VERTICAL P/O,SPECTAL	
3	0097532		KIT,WINDOW,VERT P/O,EXT FRAME,RH,	
4	0097143		KIT,PASS WDO,SLIDER LOCK KIT	
5	0097562		KIT,WINDOW,P/O,BOTTOM GLASS,35/12	
6	0097582		KIT,WINDOW,P/O,SLIDER,TNT,LAM,	
7	0098320		KIT,WINDOW,P/O,INT FRAME,BLACK,35/12	

Models: A3FE, A3RE, BBCV, SBCV  
VERTICAL PUSH OUT  
SPECTAL, BLACK FRAME  
35 INCH WITH 9 INCH OPENING LH

Key	PartNumber	Qty	Description	Comment
-----	------------	-----	-------------	---------

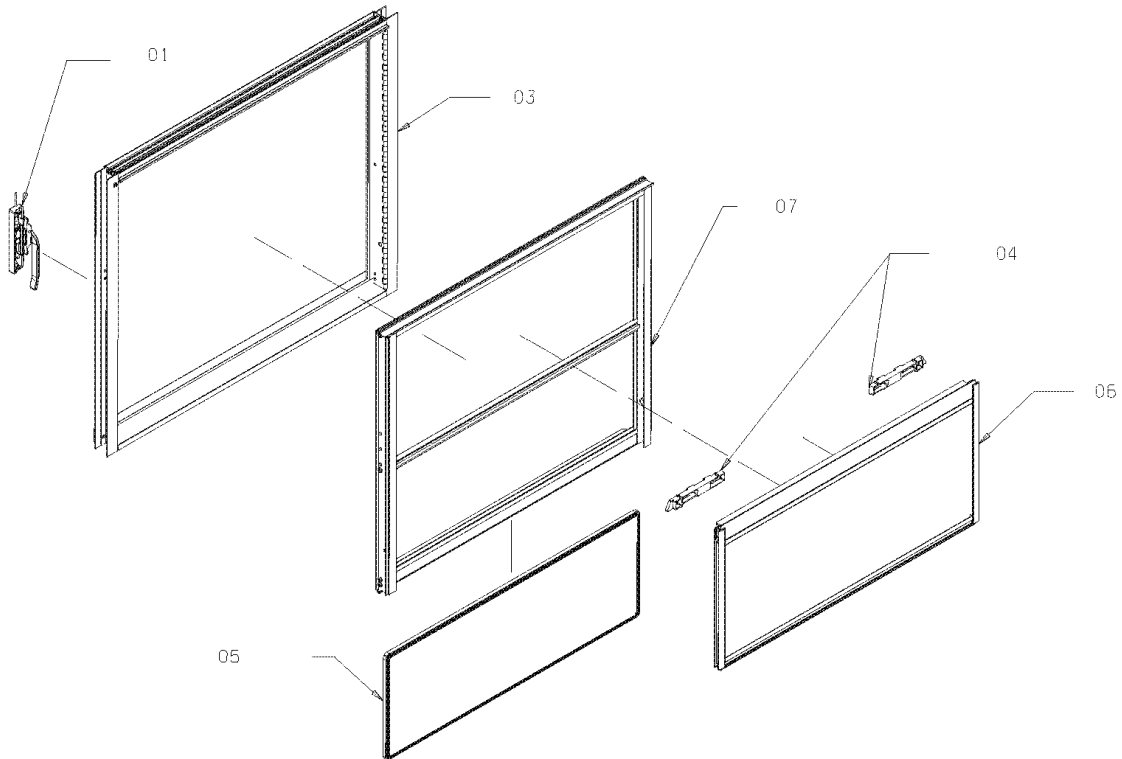


**Models:** **A3FE, A3RE, BBCV, SBCV**  
**VERTICAL PUSH OUT**  
**SPECTAL, BLACK FRAME**  
**35 INCH WITH 9 INCH OPENING LH**

Key	PartNumber	Qty	Description	Comment
	0080648		WINDOW ASSY,35,9SS,PO,VLH,CLR TMP,BLK,	<i>CONSISTS OF THE FOLLOWING</i>
1	0097524		KIT,SWITCH,VERTICAL P/O,SPECTAL	
3	0097535		KIT,WINDOW,VERT P/O,EXT FRAME,LH,	
4	0097143		KIT,PASS WDO,SLIDER LOCK KIT	
5	0097555		KIT,WINDOW,P/O,BOTTOM GLASS,28/12	
6	0097574		KIT,WINDOW,P/O,SLIDER,CLEAR,TEMP,	
7	0098632		KIT,WINDOW,P/O,INT FRAME,BLACK,35/9	
	0080649		WINDOW ASSY,35,9SS,PO,VLH,CLR LAM,BLK,	<i>CONSISTS OF THE FOLLOWING</i>
1	0097524		KIT,SWITCH,VERTICAL P/O,SPECTAL	
3	0097535		KIT,WINDOW,VERT P/O,EXT FRAME,LH,	
4	0097143		KIT,PASS WDO,SLIDER LOCK KIT	
5	0097556		KIT,WINDOW,P/O,BOTTOM GLASS,35/9	
6	0097575		KIT,WINDOW,P/O,SLIDER,CLEAR,LAM,	
7	0098632		KIT,WINDOW,P/O,INT FRAME,BLACK,35/9	
	0080650		WINDOW ASSY,35,9SS,PO,VLH,TNT TMP,BLK,	<i>CONSISTS OF THE FOLLOWING</i>
1	0097524		KIT,SWITCH,VERTICAL P/O,SPECTAL	
3	0097535		KIT,WINDOW,VERT P/O,EXT FRAME,LH,	
4	0097143		KIT,PASS WDO,SLIDER LOCK KIT	
5	0097557		KIT,WINDOW,P/O,BOTTOM GLASS,35/9	
6	0097576		KIT,WINDOW,P/O,SLIDER,TNT,TEMP,	
7	0098632		KIT,WINDOW,P/O,INT FRAME,BLACK,35/9	
	0080651		WINDOW ASSY,35,9SS,PO,VLH,TNT LAM,BLK,	<i>CONSISTS OF THE FOLLOWING</i>
1	0097524		KIT,SWITCH,VERTICAL P/O,SPECTAL	
3	0097535		KIT,WINDOW,VERT P/O,EXT FRAME,LH,	
4	0097143		KIT,PASS WDO,SLIDER LOCK KIT	
5	0097558		KIT,WINDOW,P/O,BOTTOM GLASS,35/9	
6	0097577		KIT,WINDOW,P/O,SLIDER,TNT,LAM,BLACK,35/9	
7	0098632		KIT,WINDOW,P/O,INT FRAME,BLACK,35/9	

**Models:** A3FE, A3RE, BBCV, SBCV  
VERTICAL PUSH OUT  
SPECTAL, BLACK FRAME  
35 INCH WITH 9 INCH OPENING RH

Key	PartNumber	Qty	Description	Comment
-----	------------	-----	-------------	---------





**Models:** **A3FE, A3RE, BBCV, SBCV**  
**VERTICAL PUSH OUT**  
**SPECTAL, BLACK FRAME**  
**35 INCH WITH 9 INCH OPENING RH**

Key	PartNumber	Qty	Description	Comment
	0080632		WINDOW ASSY,35,9SS,PO,VRH,CLR TMP,BLK,	<i>CONSISTS OF THE FOLLOWING</i>
1	0097524		KIT,SWITCH,VERTICAL P/O,SPECTAL	
3	0097531		KIT,WINDOW,VERT P/O,EXT FRAME,RH,	
4	0097143		KIT,PASS WDO,SLIDER LOCK KIT	
5	0097556		KIT,WINDOW,P/O,BOTTOM GLASS,35/9	
6	0097574		KIT,WINDOW,P/O,SLIDER,CLEAR,TEMP,	
7	0098632		KIT,WINDOW,P/O,INT FRAME,BLACK,35/9	
	0080633		WINDOW ASSY,35,9SS,PO,VRH,CLR LAM,BLK,	<i>CONSISTS OF THE FOLLOWING</i>
1	0097524		KIT,SWITCH,VERTICAL P/O,SPECTAL	
3	0097531		KIT,WINDOW,VERT P/O,EXT FRAME,RH,	
4	0097143		KIT,PASS WDO,SLIDER LOCK KIT	
5	0097556		KIT,WINDOW,P/O,BOTTOM GLASS,35/9	
7	0098632		KIT,WINDOW,P/O,INT FRAME,BLACK,35/9	
	0080634		WINDOW ASSY,35,9SS,PO,VRH,TNT TMP,BLK,	<i>CONSISTS OF THE FOLLOWING</i>
1	0097524		KIT,SWITCH,VERTICAL P/O,SPECTAL	
3	0097531		KIT,WINDOW,VERT P/O,EXT FRAME,RH,	
4	0097143		KIT,PASS WDO,SLIDER LOCK KIT	
5	0097557		KIT,WINDOW,P/O,BOTTOM GLASS,35/9	
6	0097576		KIT,WINDOW,P/O,SLIDER,TNT,TEMP,	
7	0098632		KIT,WINDOW,P/O,INT FRAME,BLACK,35/9	
	0080635		WINDOW ASSY,35,9SS,PO,VRH,TNT LAM,BLK,	<i>CONSISTS OF THE FOLLOWING</i>
1	0097524		KIT,SWITCH,VERTICAL P/O,SPECTAL	
3	0097531		KIT,WINDOW,VERT P/O,EXT FRAME,RH,	
4	0097143		KIT,PASS WDO,SLIDER LOCK KIT	
5	0097558		KIT,WINDOW,P/O,BOTTOM GLASS,35/9	
6	0097577		KIT,WINDOW,P/O,SLIDER,TNT,LAM,BLACK,35/9	
7	0098632		KIT,WINDOW,P/O,INT FRAME,BLACK,35/9	

Models: A3FE, A3RE, C3FE, CSFE, CSRE, TCFE, TCRE  
WINDSHIELDS

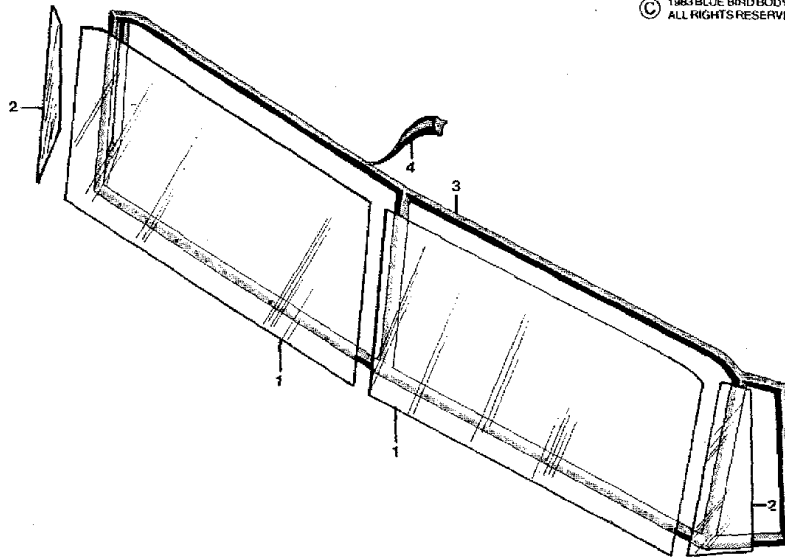
Key	PartNumber	Qty	Description	Comment
-----	------------	-----	-------------	---------

WINDSHIELDS

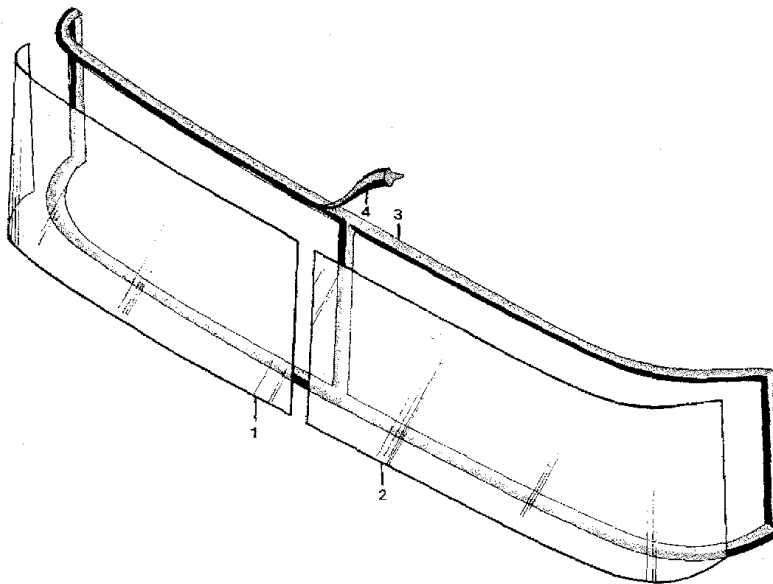
WINDSHIELD  
4 PIECE FLAT  
SBCV

DR	BY	8002503
APP	BY	

© 1983 BLUE BIRD BODY COMPANY  
ALL RIGHTS RESERVED



WINDSHIELD  
2 PIECE CURVED  
SBCV



**Models: A3FE, A3RE, C3FE, CSFE, CSRE, TCFE, TCRE  
WINDSHIELDS**

Key	PartNumber	Qty	Description	Comment
			4 PIECE FLAT	<i>A3FE, A3RE, C3FE, TCFE, TCRE</i>
1			GLASS, W/S, CENTER, SAFETY PLATE	
	1551258		GLASS,W/S,CNTR,4FF,CLEAR,20.09 BELT BAR	<i>STANDARD CLEAR</i>
	1551233		GLASS,W/S,CNTR,4FF,.265 AUTO TINT,20.09	<i>OPTION 3316, TINTED</i>
	1551241		GLASS,W/S,CNTR,4FF,.265 AUTO	<i>OPTION 3318, SHADED</i>
	0042933		GLASS,W/S,CNTR,4FF,.265 AUTO SHADED,	
2			GLASS, W/S, CORNER, SAFETY PLATE	
	1551266		GLASS,W/S,CORNER,4FF,.265,CLEAR,20.09	<i>STANDARD CLEAR</i>
	1532399		GLASS,W/S,CORNER,4FF,.265,AUTO	<i>OPTION 3316, 3318, TINTED OR SHADED</i>
	0042932		GLASS,W/S,CORNER,4FF,.265,AUTO TINT,	
3	1551167		RUBBER,WINDSHIELD SEAL,4FF,20.09 BELT	
4	0269373		FILLERSTRIP,GLAZING RUBBER	<i>SPECIFY LENGTH IN FEET</i>
			2 PIECE CURVED	<i>A3FE, A3RE, C3FE, TCFE/CSFE, TCRE/CSRE</i>
1			GLASS, W/S, CURVED, SAFETY PLATE, RH	
	1551183		GLASS,W/S,2CF,.265 AUTO TINT,RH,20.09	<i>OPTION 3315, TINTED. STANDARD CSFE, C3FE</i>
	1551209		GLASS,W/S,2CF,.265 AUTO TNT/SHD,	<i>OPTION 3311, SHADED</i>
2			GLASS, W/S CURVED, SAFETY PLATE, LH	
	1551191		GLASS,W/S,2CF,.265 AUTO TINT,LH,20.09	<i>OPTION 3315, TINTED. STANDARD CSFE, C3FE</i>
	1551217		GLASS,W/S,2CF,.265 AUTO TNT/SHD,	<i>OPTION 3311, SHADED</i>
3	1551159		RUBBER,WINDSHIELD SEAL,2CF,20.09 BELT	
4	0269373	25	FILLERSTRIP,GLAZING RUBBER	<i>SPECIFY LENGTH IN FEET</i>
NI	1566819		VENT ASSY,DRIVER'S,3.62 X 4.00,SALEM	