

Body

370 Heaters

AUXILIARY

ESPAR H10 & WEBASTO COMPARTMENT ONLY

With: OPTION 1345-05, -06

1

ESPAR, D12W, BRACKET ASSY, WITH FUEL PUMP

With: OPTION 1345

2

ESPAR, D12W, ON SLIDE PANEL

With: OPTION 1345

3

ESPAR, D12W, WITH 99 HOUR TIMER

With: OPTION 1345-01, -02

4

ESPAR, H10, HEATER INSTALLATION

With: OPTION 1345-03, -04

5

WEBASTO

HEATER INSTALLATION

With: OPTION 1345-01, 1345-02

6

COMFORT AIR AC

A/C COMPRESSOR AND ENGINE HOSE KIT INSTALLATION DIAGRAM

CAT C7

With: FEATURE 30006, FEATURE 30007

7

DUCTED

BOOK RACK, DUCTED A/C

8

COVER ASSY, EVAPORATOR, 45, 74HR

9

COVER ASSY, EVAPORATOR, 45, 77HR

10

COVER ASSY, EVAPORATOR, 55, 74HR

11

COVER ASSY, EVAPORATOR, 55, 77HR

12

EVAPORATOR KIT 12V CME 55 DUCTED

With: FEATURE 30007-02 -03 FEATURE 30007-05 -06

13

KIT, HARNESS

With: FEATURE 30007-03, -06, AND 11

14

MOUNTING EVAPORATOR KIT DUCTED	
<i>With: FEATURE 30007-01 - 06</i>	15
DUCTED AND FREEBLOW CHASSIS HOSE KIT	
<i>With: FEATURE 30006-04, -07, FEATURE 30007-03, -06</i>	16
<i>With: FEATURE 30006-04,-07, 30007-06,-06 WITH AND WITHOUT 30008-03 From BSN 3/19/07</i>	17
COMPRESSOR INSTALLATION ISC07	
<i>With: FEATURE 30006-04,-07, 30007-06,-06 WITH OUT 30008-03 From BSN 3/19/07</i>	18
ISC07 FLORIDA	
<i>With: FEATURE 30006-04,-07, 30007-06,-06 WITH 30008-03 From BSN 3/19/07</i>	19
CONTROL KIT DUAL SYSTEM	
<i>With: FEATURE 30006-02 THRU 07 FEATURE 30007-01 THRU 06</i>	20
COVER, A/C POWER CABLE	
	21
FITTING KIT, DUAL SYSTEM FE/RE	
<i>With: FEATURE 30006-03 -04 -06 -07 FEATURE 30007-02 -03 -05 -06</i>	22
<i>With: FEATURE 30006-03 -04 -06 -07 FEATURE 30007-02 -03 -05 -06</i>	23
HOSE COVER, A/C WITH LUGGAGE INSTALLATION DIAGRAM	
	24
	25
KIT, ENGINE CUMMINS, FLA	
	26
KIT, HOSE COVER	
	27
	28
	29
ENGINE KIT CAT C7	
	30
ENGINE KIT CAT C7, FLORIDA	

	31
FREEBLOW	
COVER, EVAPORATOR KIT, 45K, 74HR	
<i>With: FEATURE 30006</i>	32
COVER, EVAPORATOR KIT, 45K, 77HR	
<i>With: FEATURE 30006</i>	33
COVER, EVAPORATOR KIT, 55K, 74HR	
<i>With: FEATURE 30006</i>	34
COVER, EVAPORATOR KIT, 55K, 77HR	
<i>With: FEATURE 30006</i>	35
EVAPORATOR KIT 12V, CME 45	
<i>With: FEATURE 30006-02 -03 -04 -05</i>	36
EVAPORATOR KIT 12V, CME 55	
<i>With: FEATURE 30006-05 -06 -07</i>	37
EVAPORATOR KIT, ROOF TOP	
<i>With: FEATURE 30006-08</i>	38
KIT, HARNESS	
<i>With: FEATURE 30006-04, -07, AND 11</i>	39
MOUNTING EVAPORATOR KIT	
<i>With: FEATURE 30006-02 THRU 07</i>	40
SKIRT MOUNT CONDENSER KIT 12V	
<i>With: FEATURE 30006-02 THRU 07 FEATURE 30007-01 THRU 06</i>	41
DRIVER'S HEATER	
<i>From BSN 182348</i>	42
<i>With: FEATURE 30055-01, 30060-01</i>	43
FRONT HEATER	
HEATER ASSY	
CONTROLS AND SWITCHES	
<i>From *(BSN 0001263, 0260163, 0022484, 0191751, 0373871)</i>	
<i>To BSN B10035319, F10020224, L10032854, M10041329, 10009289</i>	44
<i>From BSN B10035320, F10020225, L10032855, M10041330, X10009290</i>	45

CONTROL PANEL ASSEMBLY

From BSN F10064340, F10035825, F20035860, L10059260, M10074850 1-22-01 46

DASH PANELS AND TRIM

*From *(BSN 0191751, 0022484, 0373871, 0260163, 0001263)
To BSN B10035319, F10020224, L10032854, M10041329, 10009289* 47

From BSN B10035320, F10020225, L10032855, M10041330, X10009290 48

PANELS AND BLOWER

*From *BSN 0001263, 0260163, 0022484, 0191751, 0373871
To BSN B-10035319, F-10020224, L-10032854, M-10041329, X-10009289* 49

From BSN B10035320, F10020225, L10032855, M10041330, X10009290 50

RH DRIVE - UK

CONTROLS AND SWITCHES

51

DASH PANELS AND TRIM

52

PANELS AND BLOWER

53

HEATER INSTALLATION

To BSN F10020224 54

*From BSN F10020225
To BSN F10035824, L10059259* 55

DASH INSTALLATION & PANELS WITH POWER DOOR CONTROL

From BSN F10068990, L10133500 56

DRIVER'S WINDOW DEFROSTER DUCT

From BSN F10035825, L10059260 57

LH DRIVE

*From BSN F10035825, L10059260
To BSN F10068989, L10133499* 58

RH DRIVE

From BSN F10035825, L10059260 59

RH DRIVE - UK

60

HEATER PIPING

BODY

<i>With: FEATURE 30056-01, -05</i>	61
<hr/>	
<i>With: FEATURE 30056</i>	62
<hr/>	
RH DRIVE - UK	
<i>With: FEATURE 30056</i>	63
<hr/>	
CHASSIS	
<hr/>	64
CUMMINS ISB	
<i>With: FEATURE 40177</i>	65
<hr/>	
CUMMINS ISB 07 and ISC 07 WITH COPPER TUBING	
<i>With: With FEATURE 30058-02, With and Without 30056-06, -07</i>	66
<hr/>	
WITH OUT COPPER TUBING	
<i>With: WITHOUT FEATURE 30058-02, WITH and WITHOUT 30056-06, -07</i>	67
<hr/>	
HEATER WATER PUMP	
<i>With: FEATURE 30058-01, -02</i>	68
<hr/>	
HEATER/AC COMBO COMFORT AIRE COMBO ASSY BERGSTROM	
<hr/>	69
CONDENSER ASSY SINGLE MOBILE CLIMATE	
<hr/>	70
CONDENSER ASSY, DUAL, MOBILE CLIMATE	
<hr/>	71
CONTROL ASSEMBLY	
<hr/>	72
DUCTING ASSY	
<hr/>	73
EVAPORATOR ASSY DUCTED, MOBILE CLIMATE	
<hr/>	74
FREEBLOW, MOBILE CLIMATE	
<hr/>	75
EVAPORATOR ASSY, 12V, CME 45, FREEBLOW	
<hr/>	76
HTR, DASH, PWR DOOR, A/C INSTALLATION	

MODE ACTUATOR ASSEMBLY	77
OPTIONS, SWITCHES, COVERS, TRIM & ACCESSORIES	78
ACCESSORIES	79
REMOTE CONTROL VALVE	80
<i>With: OPTION 1240 & 1242</i> <i>To BSN 10-31-99</i>	80
<i>With: OPTION 1240 & 1242</i> <i>From BSN F10020225 L10032685</i> <i>To BSN F10035824 L10059259</i>	81
<i>With: OPTION 1240, 1242</i> <i>From BSN F10035825 L10059260</i>	82
ACTUATOR ASSY	83
<i>With: OPTION 1240, 1242</i> <i>From BSN F10035825 L10059260</i>	83
SWITCHES FOR OPTIONAL HEATERS	84
<i>From BSN B10064340 F10035825 F20035860 L10059260 M10074850 X10019805</i>	84
<i>With: OPTION 3075</i> <i>From BSN B10064340 F10035825 F20035860 L10059260 M10074850 X10019805</i>	85
VALVE ASSEMBLIES	86
UNDERSEAT HEATER	86
50,000 BTU	
FLOOR MOUNTED	87
<i>With: OPTION 1325, 1328, 1330, 1332, WITH 1348-01, 30060, 6127, 6147</i>	87
SEAT MOUNTED	88
<i>With: OPTION 1325, 1328, 1330, 1332, 6251, 30052-01, 30052-02, 30054-01, 30060</i>	88
<i>With: OPTION 1325, 1330 - RH DRIVE</i>	89
80,000 BTU	
FLOOR MOUNTED	90
<i>With: OPTION 1336, 1337, 1342, 1343 WITH 1348-02, 30060</i>	90
SEAT MOUNTED	91
<i>With: OPTION 1336, 1337, 1342, 1343, 30060, 6252</i>	91

CROSSOVER PIPING

_____ 92

HEATER OPTION/USAGE

_____ 93

_____ 94

_____ 95

_____ 96

_____ 97

_____ 98

_____ 99

UNDERSEAT HEATER BERGSTROM

50,000 BTU

FLOOR MOUNTED, LH

_____ 100

SEAT MOUNTED RH

_____ 101

SEAT MOUNTED, LH

_____ 102

80,000 BTU

FLOOR MOUNTED, LH

_____ 103

FLOOR MOUNTED, LH, KENTUCKY

_____ 104

SEAT MOUNTED LH

_____ 105

SEAT MOUNTED RH

_____ 106

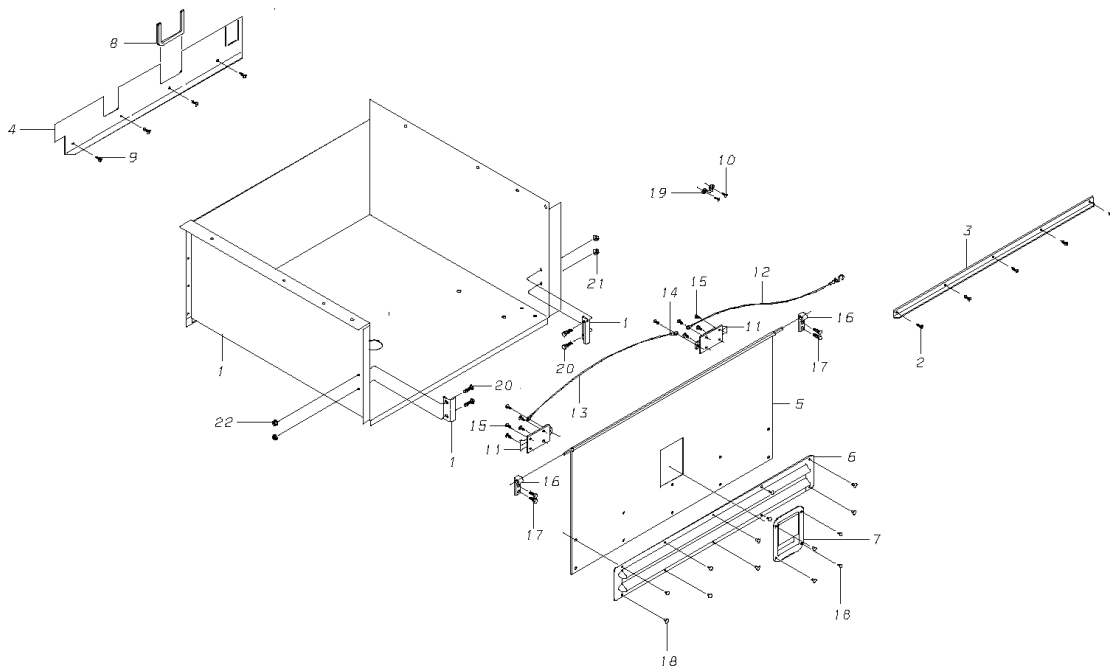
SEAT MOUNTED, LH, KENTUCKY

_____ 107

Models: AAFE, AARE, A3FE, A3RE, BBCV, CSFE, CSRE, GMCV, SBCV, TCPE, TCRE
AUXILIARY

With Features: ESPAR H10 & WEBASTO COMPARTMENT ONLY
OPTION 1345-05, -06

Key	PartNumber	Qty	Description	Comment
-----	------------	-----	-------------	---------



Models: AAFE, AARE, A3FE, A3RE, BBCV, CSFE, CSRE, GMCV, SBCV, TCPE, TCRE

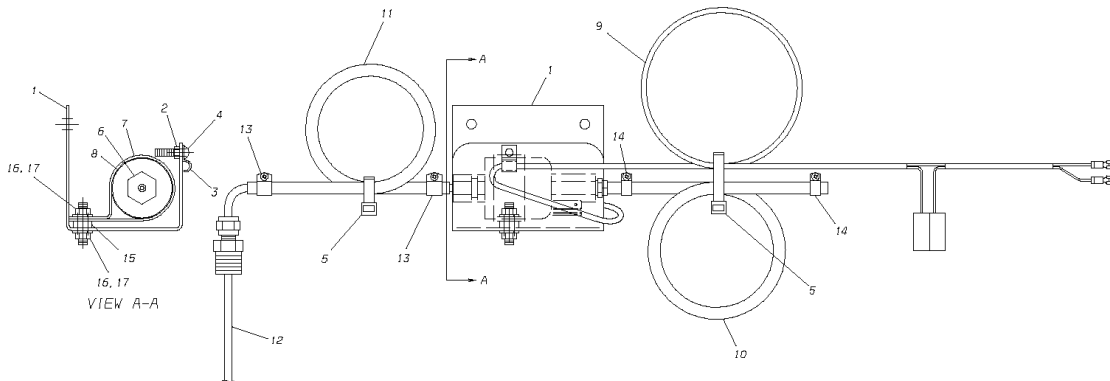
With Features: AUXILIARY
 ESPAR H10 & WEBASTO COMPARTMENT ONLY
 OPTION 1345-05, -06

Key	PartNumber	Qty	Description	Comment
1	1418201	2	PLATE,STRIKER,BATTERY CMPT,BAT DISC SW	
2	2083095	5	SCREW,10-16 X 3/4,AB,PH1,PANHD,YELZN,	
3	1647908		MOLDING,DRIP,BATTERY COMPARTMENT,26,E-	
4	1457126		PANEL,C/OUT,UPPER INBOARD,D12W HTR CMPT	
5	1453026		DOOR ASSY,D12W AUXILIARY HEATER	
6	1453018		RUB RAIL,D12W HEATER COMPARTMENT DOOR	16.25 SKIRT
7	0948596		LOCK ASSY,LUG&TIRE,NON-LOCKING	
8	1393859		TRIM,EDGE,PLASTIC,BLACK,EGL 11-3	
9	1164821	4	SCREW,10-16 X 3/4,AB,PH1,TRUSS HD, YEL ZN	
10	0527317	2	SCREW,8-18 X 5/8,AB,PH1,OVAL CNSK HD,YEL	
11	0994657	2	LATCH,CABLE LOCK	
12	1214931		CABLE & HOOK ASSY,CMPT DOOR,10 13/16	
13	1896117		CABLE ASSY,LOCK,74 IN	
14	0994673		SLEEVE,OVAL CABLE LOCK	
15	1200799	10	SCREW,10-24 X 3/8,T,PH1,PAN HD, YEL ZN	
16	0757427	2	MOUNT,HINGE PIN,ALODINED	
17	2000024	4	SCREW,1/4-14 X 3/4,B,HEX HD,YEL ZN DICH	
18	0948521	14	RIVET,.187 X .375,WAGON BX,SOLID,STL,ZN-NI	
19	0602029		BRACKET,O/S CHAIN HOOK	
20	2000057	4	CAPSCREW,HEX HD,1/4-20 X 1,GR 5,YEL ZN	
21	1339639	4	NUT,HEX HD,1/4-20,PRVLG TORQUE,FLG,YEL	
22	0080163		BOX ASSY,HEATER,WEBASTO	WEBASTO. OPTION 01345-05
22	0080175		BOX ASSY,HEATER,ESPAR	ESPAR. OPTION 01345-06

Models: AAFE, AARE, A3FE, A3RE, CSFE, CSRE, GMCV, SBCV, TCFE, TCRE

With Features: AUXILIARY ESPAR, D12W, BRACKET ASSY, WITH FUEL PUMP OPTION 1345

Key	PartNumber	Qty	Description	Comment
-----	------------	-----	-------------	---------



Models: AAFE, AARE, A3FE, A3RE, CSFE, CSRE, GMCV, SBCV, TCFE, TCRE

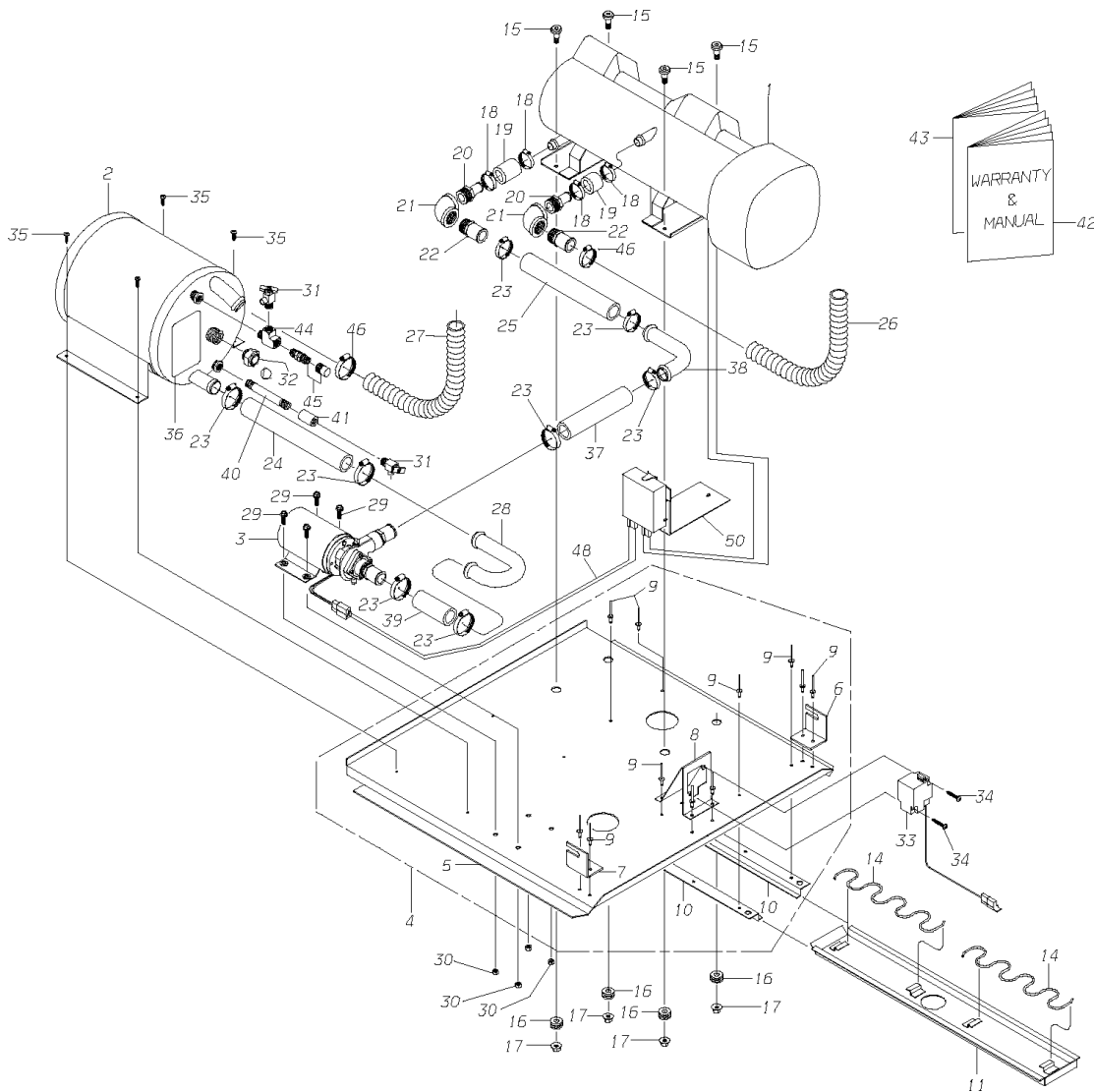
With Features: AUXILIARY
ESPAR, D12W, BRACKET ASSY, WITH FUEL PUMP
OPTION 1345

Key	PartNumber	Qty	Description	Comment
1	1448950		BRACKET,FUEL PUMP MOUNT,D12W AUX	
2	2001287		NUT,HEX HD,10-32,YEL ZN DICH	
3	2008563		CLAMP,HALF,.250	
4	2000776		SCREW,MACH, 10-32 X 3/4,PH1,RD HD,	
5	0599704	2	TIE,CABLE,NYLON	
	1455237		KIT,FUEL PUMP,D12W HEATER,301 0175 1202	CONSISTS OF THE FOLLOWING
6	1455013		D12W FUEL PUMP,25 1570 45 00 00	
7	1455021		D12W PUMP HOLDER,25 1156 20 00 11	
8	1455039		D12W PUMP HOLDER RBR RING,20 1449 00 10	
9	1455070		D12W FUEL PUMP HARNESS,15FT,CA1 75 010	
10	1455104		D12W FUEL LINE 3.5 MM X 30 FT,360 75 110	
11	1455112		D12W FUEL LINE 5.0 MM X 6.5 FT,360 75 130	
12	1455120		D12W FUEL PICK UP PIPE 4 MM,CA0 00 030	
13	1455138	2	D12W CLAMP,10 MM,10 2063 01 00 98	
14	1455146	2	D12W CLAMP,7 MM,10 2063 00 70 78	
15	1455153		D12W FUEL PUMP MOUNT,20 8460 01 00 15	
16	1455161	2	D12W NUT 6 MM,110 10 026	
17	1455179	2	D12W WASHER 6 MM,171 22 111	
NI	2054625		BAG,POLYET,17IN X 19IN X 4 MIL	

Models: AAFE, AARE, A3FE, A3RE, CSFE, CSRE, GMCV, SBCV, TCFE, TCRE

With Features: AUXILIARY ESPAR, D12W, ON SLIDE PANEL OPTION 1345

Key	PartNumber	Qty	Description	Comment
-----	------------	-----	-------------	---------



Models: AAFE, AARE, A3FE, A3RE, CSFE, CSRE, GMCV, SBCV, TCFE, TCRE

With Features: AUXILIARY ESPAR, D12W, ON SLIDE PANEL OPTION 1345

Key	PartNumber	Qty	Description	Comment
	0008094		HEATER ASSY,D12W,ON SLIDE PANEL	
1	0025617		KIT,AUXILIARY HEATER,ESPAR	
2	0003129		TANK ASSY,DEAERATION,D12W AUXILIARY	
NI	1452192		BRACKET,SUPT,DEAERATION TANK,D12W	
NI	2009033		BUSHING,PIPE,GALV,1/4 X 3/8	
NI	2009074		BUSHING,PIPE,GALV,1/2 X 3/4	
3	0024965		PUMP ASSY,WATER,HEAVY DUTY,	
	1973999		PUMP,WATER,AUXILIARY HTR,MP,12 VOLT	
	1161850		CONNECTOR,2 CIRC,SHROUD,WEATHERPACK,	
	1154582	2	SEAL,WIRE,CBL/DIA.111-.137,GY,W/PACK,PACK	
	1113307	2	TERMINAL,PIN,14-16 GA,WEATHERPACK,	
4	0007815		PANEL ASSY,SLIDE SYS MOUNT,D/2W AUX HTR	
NI	0003111		PANEL,SLIDE,SYSTEM MOUNT,D12W AUX	
NI	1450733	2	Z-MEMBER,SLOT SEAL PANEL RETAINER	
NI	0008128		BRACKET,INNERTIAL SWITCH MOUNT,D/2W	
5	0003111		PANEL,SLIDE,SYSTEM MOUNT,D12W AUX	
6	0008110		ANGLE,RETAINER STUD CATCH,RR,D/2W SLD	
7	0008102		ANGLE,RETAINER STUD CATCH,FRT,D/2W SLD	
8	0008128		BRACKET,INNERTIAL SWITCH MOUNT,D/2W	
9	1415769	12	RIVET,POP,.18 X .45,CHERRY SSPS-6-4	
10	1450733	2	Z-MEMBER,SLOT SEAL PANEL RETAINER	
11	0003137		PANEL ASSY,EXHAUST PIPE SLOT SEAL	
14	1366582	2	SPRING,CUSHION SUPPORT,DRIVERS SEAT	
15	1455401	4	SCREW,SHLDR,ALLEN,3/8 X 1/2	
16	0890566	4	GROMMET,RUBBER,ATLANTIC INDIA,NO 2758	
17	1480433	4	NUT,HEX HD,5/16-18,FLG PRVG TORQ,GR F,	
18	0871582	4	CLAMP,HOSE,5/8IN	
19	1455252	2	HOSE,HEATER,D12W, 5/8 ID X 2.50 LG"	
19	1477983	2	HOSE,HEATER,7/8 ID X 2.50 IN LONG	
20	1453810	2	ADAPTER,HTR,3/4 PIPE X 5/8 HOSE,YEL ZN	
20	1453828	2	ADAPTER,HTR,3/4 PIPE X 7/8 HOSE,YEL ZN	
21	2009207	2	ELBOW,PIPE,3/4 X 90 DEG,GALV	
22	0315200	2	ADAPTER,HTR,3/4 PIPE X 1 HOSE	

Models: AAFE, AARE, A3FE, A3RE, CSFE, CSRE, GMCV, SBCV, TCFE, TCRE

With Features: AUXILIARY ESPAR, D12W, ON SLIDE PANEL OPTION 1345

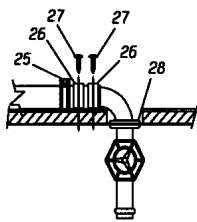
Key	PartNumber	Qty	Description	Comment
23	2008522	8	CLAMP,1IN HOSE	
24	1455260		HOSE,HEATER,D12W,1.00 ID X 8.00 LG	
25	1455278		HOSE,HEATER,D12W,1.00 ID X 10.00 LG	
26	1455344		HOSE,FLEXIBLE,D12W HEATER RETURN,23.50	
27	1455336		HOSE,FLEXIBLE,D12W DEAERATION	
28	1455500		TUBING,180 DEG BEND,1.25 X 3.50	
29	0824722	4	CAPSCREW,HEX FLG,1/4-20X .75,GR5,SER,BLK	
30	2001345	4	NUT,HEX HD,1/4-20,LOCKING,YELLOW	
31	2020659	2	COCK,DRAIN	
32	1422179		SIGHT GLASS	
33	1485846		SWITCH ASSY,FUEL PUMP,INERTIAL,D12W	
NI	1454883		SWITCH,FUEL PUMP,INERTIAL,D12W HEATER	
34	2000586	2	SCREW,10-16X1-1/4,AB,PH1,PAN HD,YEL ZN	
35	1589522	4	SCREW,10-16 X 3/4,AB,PH1,PAN HD,YEL ZN	
36	1455492		DECAL,VENT WARNING,D12W DEAERATION	
37	1458694		HOSE,HEATER,D12W,1.00 ID X 5.00 LG	
38	0281303		TUBING,BRASS,ELBOW,90 DEGREE	
39	1458702		HOSE,HEATER,D12W,1.00 ID X 2.50 LG	
40	1458678		NIPPLE,GALV,1/4 X 4.00	
41	1458686		COUPLING,GALV,1/4IN	
42			PACKET, WARRANTY AND MANUAL	INCLUDED IN 1454990 KIT
43	1813724		MANUAL,OPERATORS,ESPAR D12W W/BB INSTL	
44	0654277		TEE,STREET,1/4 PIPE,3750X4	
45	1459122		VALVE,PRESS RELIEF,50 PSI,BRASS	
46	2008522	2	CLAMP,1IN HOSE	
NI	1455054		D12W POWER SWITCH HARNESS,CA1 60 513	INCLUDED IN 1454990 KIT
48	1455062		D12W WATER PUMP HARNESS,2 FT,CA1 65 002	INCLUDED IN 1454990 KIT
NI	1485838		WIRE ASSY,16GA,GRAY,408.L,SLIDE/SLIDE	TO WATER PUMP SWITCH
50			CONTROL BOX ASSEMBLY WITH BRACKET	
50	0035316		CONTROL UNIT,ESPAR HEATER	ENDING WITH BSN 4/29/00
50	0038797		CONTROL UNIT,EXPAR HEATER D12	FROM BSN 4/30/00 TO 1-21-01
NI	4302154		DIODE,D12W,ESPAR 208 00 012	
NI	4309589		SWITCH,SAFETY THERMAL CUTOUT	

Models: AAFE, AARE, A3FE, A3RE, CSFE, CSRE, GMCV, SBCV, TCFE, TCRE

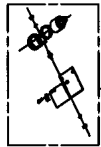
AUXILIARY
 ESPAR, D12W, WITH 99 HOUR TIMER
 OPTION 1345-01, -02

With Features:

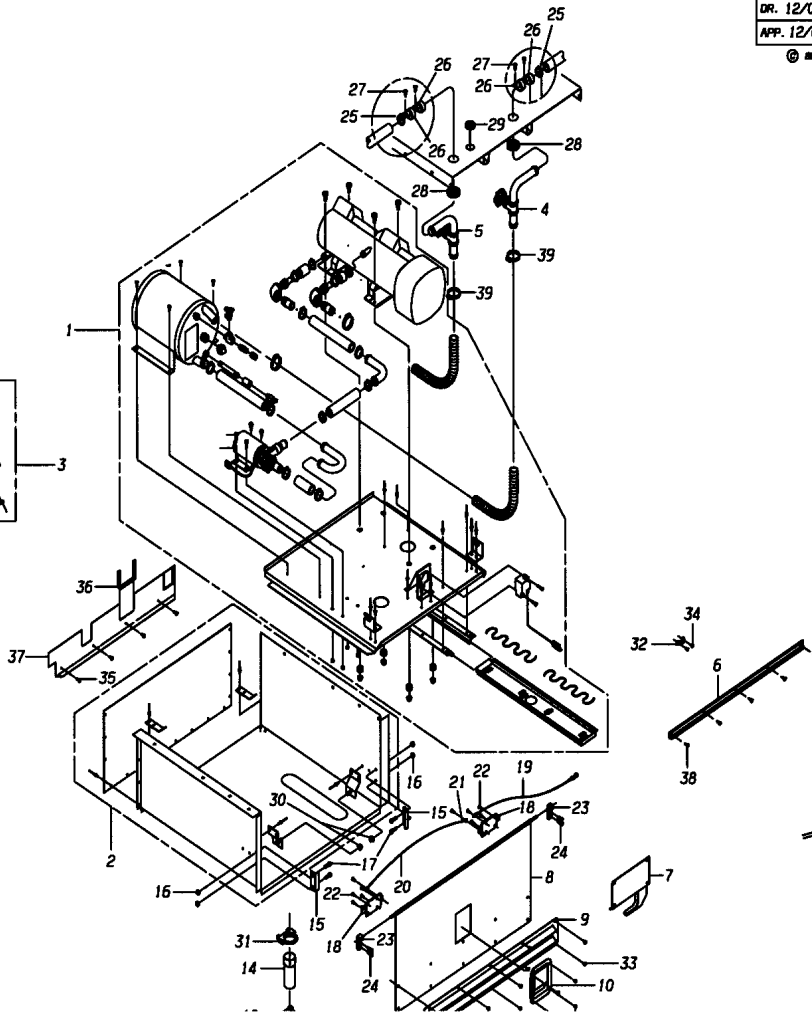
Key	PartNumber	Qty	Description	Comment
-----	------------	-----	-------------	---------



DETAIL B
 (TYP. HOSE TO VALVE
 CONNECTION)



DETAIL A



DR. 12/03/99 BY J.L.	---	1459171	Q
APP. 12/03/99 BY AB	PRT		REV

© BLUE BIRD BODY COMPANY. ALL RIGHTS RESERVED



Models: AAFE, AARE, A3FE, A3RE, CSFE, CSRE, GMCV, SBCV, TCFE, TCRE

With Features: AUXILIARY
ESPAR, D12W, WITH 99 HOUR TIMER
OPTION 1345-01, -02

Key	PartNumber	Qty	Description	Comment
1	0008094		HEATER ASSY,D12W,ON SLIDE PANEL	
2	1452911		HOUSING ASSY,D12W AUXILIARY HEATER	
3	1455187		BRACKET ASSY,WITH FUEL PUMP,D12W HEATER	
4	1452374		VALVE ASSY,FEEDER,D12W AUXILIARY HEATER	
	1452366		TUBE,ELBOW,D12W VALVE ASSY	PART OF ITEM 4
	1452390		TUBE,BRASS,1 OD X 2.50 LG X .035 WALL	PART OF ITEM 4
	0544353		VALVE,GATE,HEATER,REAMED 2 SIDES ONE	PART OF ITEM 4
5	1452358		VALVE ASSY,RETURN,D12W AUXILIARY HEATER	
	1452366		TUBE,ELBOW,D12W VALVE ASSY	PART OF ITEM 5
	1452390		TUBE,BRASS,1 OD X 2.50 LG X .035 WALL	PART OF ITEM 5
	0544353		VALVE,GATE,HEATER,REAMED 2 SIDES ONE	PART OF ITEM 5
6	1124833		MOLDING,DRIP,BATTERY CMPT,26,PRIMED,	
7	1577543		BRACKET ASSY,SUPT,EXHAUST,EXPAR HEATER	
8	1453026		DOOR ASSY,D12W AUXILIARY HEATER	
9	1453018		RUB RAIL,D12W HEATER COMPARTMENT DOOR	DOOR. ONLY WITH 16.25" SKIRT
10	0948596		LOCK ASSY,LUG&TIRE,NON-LOCKING	
11	1577519		TUBE ASSY,EXHAUST,D12W HEATER,PAINTED	
12	1455229	2	D12W EXHAUST CLAMP,152 10 062	
13	1455211		D12W EXHAUST ELBOW,25 1226 89 46 00	
14	1453943		TUBE,EXHAUST EXT,19.75 SKIRT,D12W HEATER	ONLY WITH 19.75" SKIRT
14	1800770		TUBE,EXHAUST EXT,25.75 SKIRT,D12W HEATER	ONLY WITH 19.75" SKIRT
15	1418201	2	PLATE,STRIKER,BATTERY CMPT,BAT DISC SW	BATTERY DISC SW OPTION
16	0659979	4	NUT,HEX,FLANGE SER,1/4-20,BLACK ZINC	
17	0962753	4	CAPSCREW,HEX HD,1/4-28,X,1,,GR5,YELDICH	
18	0994657	2	LATCH,CABLE LOCK	
19	1214931		CABLE & HOOK ASSY,CMPT DOOR,10 13/16	
20	1896117		CABLE ASSY,LOCK,74 IN	
21	0994673		SLEEVE,OVAL CABLE LOCK	
22	1200799	10	SCREW,10-24 X 3/8,T,PH1,PAN HD, YEL ZN	
23	0757427	2	MOUNT,HINGE PIN,ALODINED	
24	2000024	4	SCREW,1/4-14 X 3/4,B,HEX HD,YEL ZN DICH	
25	2008522	2	CLAMP,1IN HOSE	
26	0948141	4	CLAMP,LOOP,1.312	

Models: AAFE, AARE, A3FE, A3RE, CSFE, CSRE, GMCV, SBCV, TCFE, TCRE

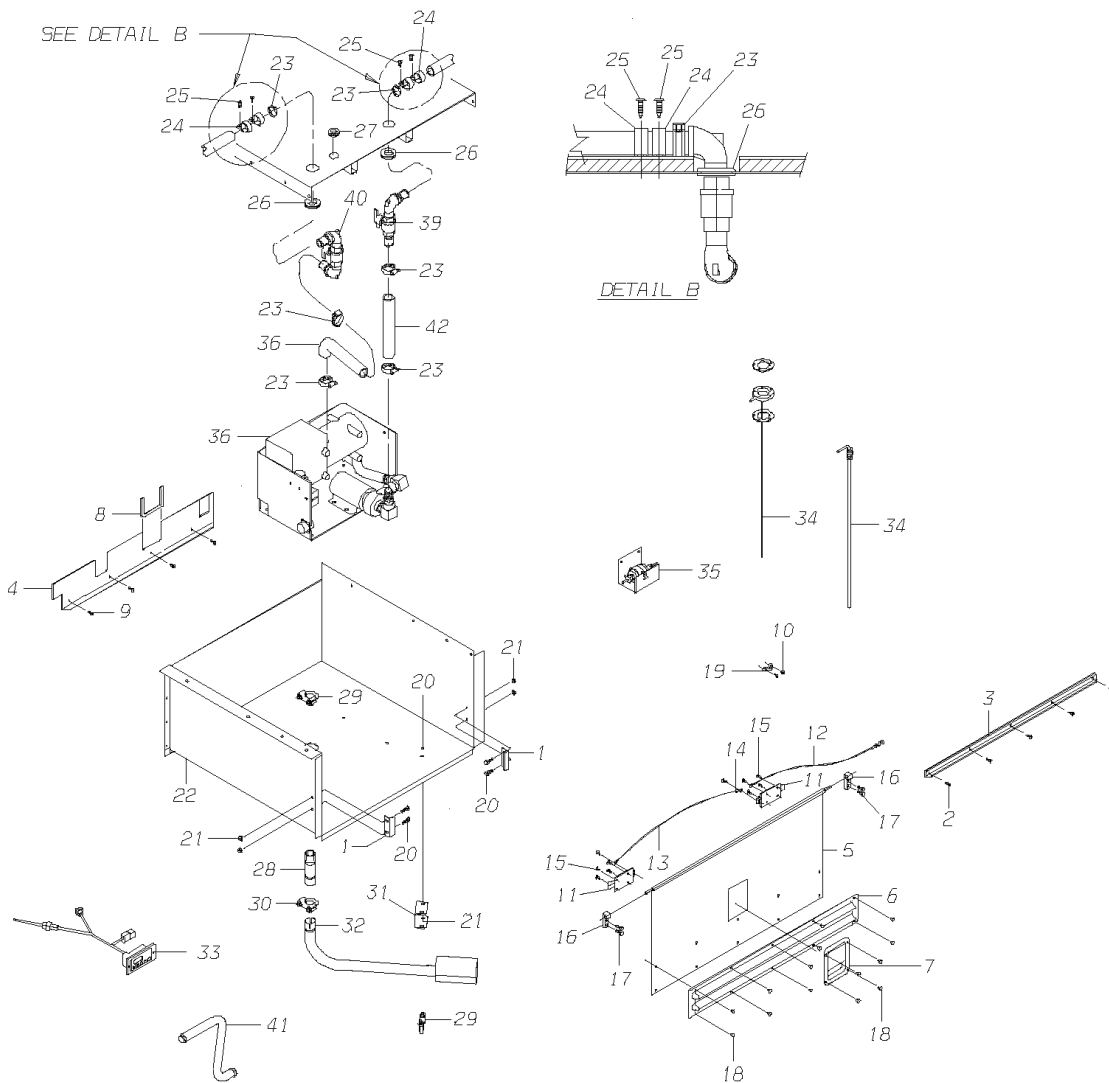
With Features: AUXILIARY
 ESPAR, D12W, WITH 99 HOUR TIMER
 OPTION 1345-01, -02

Key	PartNumber	Qty	Description	Comment
27	0527283	4	SCREW,14 X 3/4, PH, PAN, AB 0003, YEL ZN	
28	2003184	2	GROMMET,RUBBER,HEATER PANEL,1-1/4 IN. ID	
29	2003192		GROMMET,RUBBER,FC	
30	2004257	2	NUT,HEX HD,5/16-24,FLG,PRVLG TORQ,	
31	1460542		CLAMP,U-BOLT & SADDLE,FOR 1.62 TUBE	ONLY WITH 19.75 & 25.75" SKIRT
32	0602029		BRACKET,O/S CHAIN HOOK	
33	0948521	14	RIVET,.187 X .375,WAGON BX,SOLID,STL,ZN-NI	
34	0527317	2	SCREW,8-18 X 5/8,AB,PH1,OVAL CNSK HD,YEL	
35	1164821	4	SCREW,10-16 X 3/4,AB,PH1,TRUSS HD, YEL ZN	
36	1393859	1	TRIM,EDGE,PLASTIC,BLACK,EGL 11-3	
37	1457126		PANEL,C/OUT,UPPER INBOARD,D12W HTR CMPT	
38	0527291	5	SCREW,10X3/4,PH,PAN,AB 0003,YEL ZN DICH	
39	2008522	2	CLAMP,1IN HOSE	
NI	1454990		KIT,AUX HEATER,ESPAR D12W, CA1744-55	CONSISTS OF THE FOLLOWING
	1455005		D12W HEATER,ESPAR 25 1655 01	
	1455047		D12W HOT THERMOSTAT SWITCH,25 1436 01	
	1455054		D12W POWER SWITCH HARNESS,CA1 60 513	
	1455088		D12W FUSE HOLDER,CA1 04 103	
	1455096		D12W FUSE BAF25,CA1 04 104	
	1455062		D12W WATER PUMP HARNESS,2 FT,CA1 65 002	
	1455211		D12W EXHAUST ELBOW,25 1226 89 46 00	
	1455229		D12W EXHAUST CLAMP,152 10 062	
NI	1606813		D12W SWITCH,99 HOURS PRE SELECT TIMER	OPTION 1346
NI	4297560		GLOWPLUG,ESPAR,D12W	

Models: AAFE, AARE, A3FE, A3RE, CSFE, BBCV, CSRE, GMCV, SBCV, TCPE, TCRE

With Features: AUXILIARY ESPAR, H10, HEATER INSTALLATION OPTION 1345-03, -04

Key	PartNumber	Qty	Description	Comment
-----	------------	-----	-------------	---------



Models: AAFE, AARE, A3FE, A3RE, CSFE, BBCV, CSRE, GMCV, SBCV, TCPE, TCRE
AUXILIARY
With Features: ESPAR, H10, HEATER INSTALLATION
OPTION 1345-03, -04

Key	PartNumber	Qty	Description	Comment
1	1418201	2	PLATE,STRIKER,BATTERY CMPT,BAT DISC SW	
2	2083095	5	SCREW,10-16 X 3/4,AB,PH1,PANHD,YELZN,	
3	1647908		MOLDING,DRIP,BATTERY COMPARTMENT,26,E-	
4	1457126		PANEL,C/OUT,UPPER INBOARD,D12W HTR CMPT	
5	1453026		DOOR ASSY,D12W AUXILIARY HEATER	
6	1453018		RUB RAIL,D12W HEATER COMPARTMENT DOOR	16.25 SKIRT
7	0948596		LOCK ASSY,LUG&TIRE,NON-LOCKING	
8	1393859		TRIM,EDGE,PLASTIC,BLACK,EGL 11-3	
9	1164821	4	SCREW,10-16 X 3/4,AB,PH1,TRUSS HD, YEL ZN	
10	0527317	2	SCREW,8-18 X 5/8,AB,PH1,OVAL CNSK HD,YEL	
11	0994657	2	LATCH,CABLE LOCK	
12	1214931		CABLE & HOOK ASSY,CMPT DOOR,10 13/16	
13	1896117		CABLE ASSY,LOCK,74 IN	
14	0994673		SLEEVE,OVAL CABLE LOCK	
15	1200799	10	SCREW,10-24 X 3/8,T,PH1,PAN HD, YEL ZN	
16	0757427	2	MOUNT,HINGE PIN,ALODINED	
17	2000024	4	SCREW,1/4-14 X 3/4,B,HEX HD,YEL ZN DICH	
18	0948521	14	RIVET,.187 X .375,WAGON BX,SOLID,STL,ZN-NI	
19	0602029		BRACKET,O/S CHAIN HOOK	
20	2000057	6	CAPSCREW,HEX HD,1/4-20 X 1,GR 5,YEL ZN	
21	1339639	6	NUT,HEX HD,1/4-20,PRVLG TORQUE,FLG,YEL	
22	0080175		BOX ASSY,HEATER,ESPAR	
23	2008522	6	CLAMP,1IN HOSE	FEATURE 30056-02, -04
23	1894799	6	CLAMP,CONSTANT TORQUE,13/16 TO 1-1/2 DIA	FEATURE 30056-01, -03, -05
24	0948141	4	CLAMP,LOOP,1.312	
25	1589530	4	SCREW,1/4-14 X 3/4,AB,PH1,PAN HD,YEL ZN	
26	2003184	2	GROMMET,RUBBER,HEATER PANEL,1-1/4 IN. ID	
27	2003192		GROMMET,RUBBER,FC	
28	0032420		TUBE,EXTENSION,4.38,ESPAR HEATER	19.75 SKIRT
28	0032422		TUBE,EXTENSION,10.38,ESPAR HEATER	25.75 SKIRT
29	0032403	2	CLAMP,U-BOLT & SADDLE,1.12-1.34 ID	
30	0032403		CLAMP,U-BOLT & SADDLE,1.12-1.34 ID	19.75, 25.75 SKIRT
31	0032587		BRACKET,MTG,EXHAUST PIPE,ESPAR HTR,16 SK	

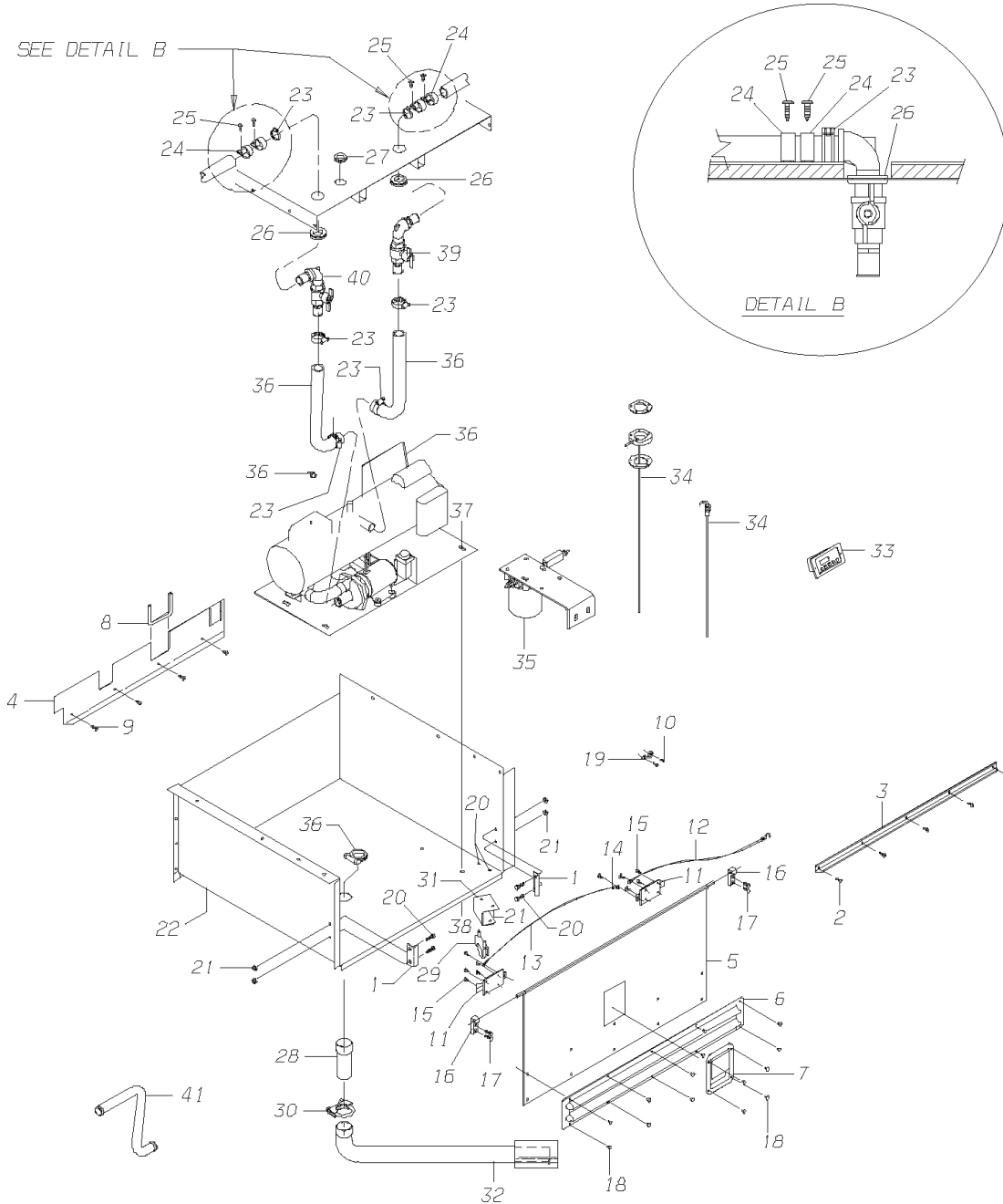
Models: AAFE, AARE, A3FE, A3RE, CSFE, BBCV, CSRE, GMCV, SBCV, TCPE, TCRE
AUXILIARY
With Features: ESPAR, H10, HEATER INSTALLATION
OPTION 1345-03, -04

Key	PartNumber	Qty	Description	Comment
31	0032588		BRACKET,MTG,EXHAUST PIPE,ESPAR HTR,19 SK	
31	0032589		BRACKET,MTG,EXHAUST PIPE,ESPAR HTR,25 SK	
32	0032412		TUBE ASSY,EXHAUST,ESPAR AUXILIARY	
33	0025514		TIMER,ESPAR,7-DAY	OPTION 01345-04
34	0032350		STANDPIPE,FUEL PICK UP,ESPAR HEATER	ALL EXCEPT INTCV
34	0032351		STANDPIPE,FUEL PICK UP,ESPAR,SENDER	INTCV
35	0032206		KIT,HEATER,WATER,AUXILIARY,ESPAR,FUEL	
36	0032204		KIT,HEATER,WATER,AUXILIARY,ESPAR,BODY	
37	0882803	4	CAPSCREW,HEX HD,3/8-16,X,1,,GR5,YELDICH	
38	2171809	4	NUT,HEX HD,3/8-16,ZINC,SM FLG LK,YEL	
39	0033011		VALVE ASSY,HEATER WATER,AUXILIARY	CONSISTS OF THE FOLLOWING
	0031500	2	DINETTE,BENCH,VILLA,W/DRAWER,BENTLEYII,	
	2009207		ELBOW,PIPE,3/4 X 90 DEG,GALV	
	1626431		VALVE,BALL,3/4,W/BUTTERFLY HANDLE	
	2009504		NIPPLE,PIPE,3/4 X CLOSE,GALV	
40	0033012		VALVE ASSY,HEATER WATER,AUXILIARY,W/90	
	0031500	2	DINETTE,BENCH,VILLA,W/DRAWER,BENTLEYII,	
	0048663		ADAPTER,HEATER,3/4 PIPE X 3/4 HOSE,	
	0760249		ELBOW,STREET,3/4,90 DEG,GALV	
	2009207		ELBOW,PIPE,3/4 X 90 DEG,GALV	
	1626431		VALVE,BALL,3/4,W/BUTTERFLY HANDLE	
	2009504		NIPPLE,PIPE,3/4 X CLOSE,GALV	
41	0020825		TUBE,FRONT HEATER W/AUXILIARY HEAT,SBCV	
41	0020826		TUBE,FRONT HEATER W/AUXILIARY HEAT,	GMCV
42	2003317	1	HOSE,HEATER,1 INCH BRAID,BLACK	FEATURE 30056-02, -03
42	1143866	1	HOSE,HEATER,1 INCH ID,SILICONE	FEATURE 30056-01
42	1250760	1	HOSE,HEATER,1",GY HI MILER,BLUE W/WHT	FEATURE 30056-04, -05
NI	0032705		WARRANTY KIT,HEATER,ESPAR	

Models: AAFE, AARE, A3FE, A3RE, BBCV, CSFE, CSRE, GMCV, SBCV, TCPE, TCRE
**AUXILIARY
 WEBASTO
 HEATER INSTALLATION**

With Features: OPTION 1345-01, 1345-02

Key	PartNumber	Qty	Description	Comment
-----	------------	-----	-------------	---------



Models: AAFE, AARE, A3FE, A3RE, BBCV, CSFE, CSRE, GMCV, SBCV, TCPE, TCRE
**AUXILIARY
 WEBASTO
 HEATER INSTALLATION**

With Features: OPTION 1345-01, 1345-02

Key	PartNumber	Qty	Description	Comment
1	1418201	2	PLATE,STRIKER,BATTERY CMPT,BAT DISC SW	
2	2083095	5	SCREW,10-16 X 3/4,AB,PH1,PANHD,YELZN,	
3	1647908		MOLDING,DRIP,BATTERY COMPARTMENT,26,E-	
4	1457126		PANEL,C/OUT,UPPER INBOARD,D12W HTR CMPT	
5	1453026		DOOR ASSY,D12W AUXILIARY HEATER	
6	1453018		RUB RAIL,D12W HEATER COMPARTMENT DOOR	16.25 SKIRT
7	0948596		LOCK ASSY,LUG&TIRE,NON-LOCKING	
8	1393859		TRIM,EDGE,PLASTIC,BLACK,EGL 11-3	
9	1164821	4	SCREW,10-16 X 3/4,AB,PH1,TRUSS HD, YEL ZN	
10	0527317	2	SCREW,8-18 X 5/8,AB,PH1,OVAL CNSK HD,YEL	
11	0994657	2	LATCH,CABLE LOCK	
12	1214931		CABLE & HOOK ASSY,CMPT DOOR,10 13/16	
13	1896117		CABLE ASSY,LOCK,74 IN	
14	0994673		SLEEVE,OVAL CABLE LOCK	
15	1200799	10	SCREW,10-24 X 3/8,T,PH1,PAN HD, YEL ZN	
16	0757427	2	MOUNT,HINGE PIN,ALODINED	
17	2000024	4	SCREW,1/4-14 X 3/4,B,HEX HD,YEL ZN DICH	
18	0948521	14	RIVET,.187 X .375,WAGON BX,SOLID,STL,ZN-NI	
19	0602029		BRACKET,O/S CHAIN HOOK	
20	2000057	6	CAPSCREW,HEX HD,1/4-20 X 1,GR 5,YEL ZN	
21	1339639	6	NUT,HEX HD,1/4-20,PRVLG TORQUE,FLG,YEL	
22	0080163		BOX ASSY,HEATER,WEBASTO	
23	2008522	6	CLAMP,1IN HOSE	FEATURE 30056-02, -04
23	1894799	6	CLAMP,CONSTANT TORQUE,13/16 TO 1-1/2 DIA	FEATURE 30056-01, -03, -05
24	0948141	4	CLAMP,LOOP,1.312	
25	1589530	4	SCREW,1/4-14 X 3/4,AB,PH1,PAN HD,YEL ZN	
26	2003184	2	GROMMET,RUBBER,HEATER PANEL,1-1/4 IN. ID	
27	2003192		GROMMET,RUBBER,FC	
28	0025083		TUBE,EXTENSION,4.38,WEBASTO HEATER	19.75 SKIRT
28	0025084		TUBE,EXTENSION,10.38,WEBASTO HEATER	25.75 SKIRT
29	1616226		CLAMP,U-BOLT & SADDLE, 1.62 ID	
30	1616226		CLAMP,U-BOLT & SADDLE, 1.62 ID	
31	0025443		BRACKET,MTG,EXHAUST PIPE,WEBASTO HTR,16	

Models: AAFE, AARE, A3FE, A3RE, BBCV, CSFE, CSRE, GMCV, SBCV, TCPE, TCRE
**AUXILIARY
 WEBASTO
 HEATER INSTALLATION**

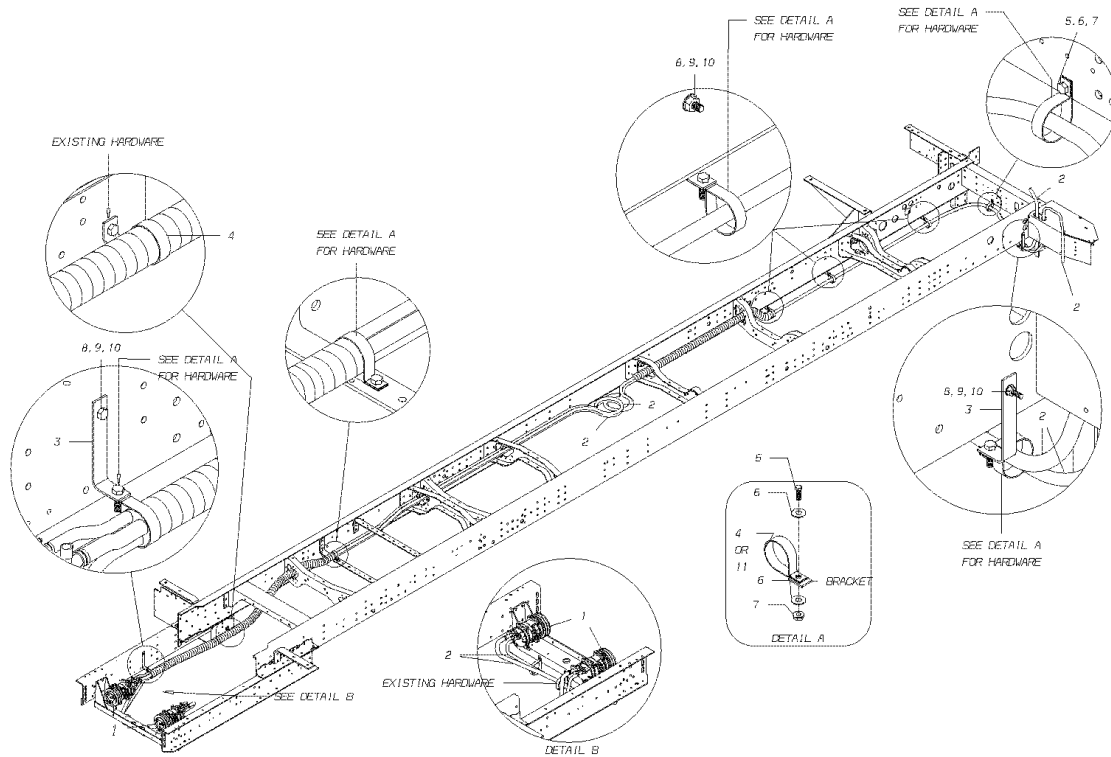
With Features: **OPTION 1345-01, 1345-02**

Key	PartNumber	Qty	Description	Comment
31	0025448		BRACKET,MTG,EXHAUST PIPE,WEBASTO HTR,19	
31	0025450		BRACKET,MTG,EXHAUST PIPE,WEBASTO HTR,25	
32	0023325		TUBE ASSY,EXHAUST,WEBASTO AUXILIARY	
33	0025970		TIMER,WEBASTO,7-DAY	OPTION 01345-02
34	0025404		KIT,HEATER,WATER,AUXILIARY,WEBASTO,	ALL EXCEPT INTCV
34	0032820		KIT,HEATER,WATER,AUX,WEBASTO,CHAS,	INTCV
35	0025410		FILTER ASSY,FUEL,WEBASTO HEATER	CONSISTS OF THE FOLLOWING
	0020649		KIT,HEATER,WATER,AUXILIARY,WEBASTO,FUEL	
	0015662		BRACKET,MTG,RACOR FUEL FILTER,EXTENDED	
	0882795		LOCKWASHER,SPLIT RING,3/8,MED,YELLOW	
	0882803		CAPSCREW,HEX HD,3/8-16,X,1,,GR5,YELDICH	
36	0025402		KIT,HEATER,WATER,AUXILIARY,WEBASTO,BODY	
37	0882803	4	CAPSCREW,HEX HD,3/8-16,X,1,,GR5,YELDICH	
38	2171809	4	NUT,HEX HD,3/8-16,ZINC,SM FLG LK,YEL	
39	0033010		VALVE ASSY,HEATER WATER,AUXILIARY	
40	0033011		VALVE ASSY,HEATER WATER,AUXILIARY	
	0315200		ADAPTER,HTR,3/4 PIPE X 1 HOSE	PART OF ITEM 39 AND 40
	0760249		ELBOW,STREET,3/4,90 DEG,GALV	PART OF ITEM 39 AND 40
	1626431		VALVE,BALL,3/4,W/BUTTERFLY HANDLE	PART OF ITEM 39 AND 40
41	0033253		TUBE,HEATER,MAIN FRONT,W/AUX HTR,	GMCV
41	0033254		TUBE,HEATER,MAIN FRONT,W/AUX HTR INTCV,	
NI	0032925		WARRANTY KIT,HEATER,WEBASTO	

Models: A3RE
 COMFORT AIR AC
 A/C COMPRESSOR AND ENGINE HOSE KIT INSTALLATION DIAGRAM
 CAT C7

With Features: FEATURE 30006, FEATURE 30007

Key	PartNumber	Qty	Description	Comment
-----	------------	-----	-------------	---------



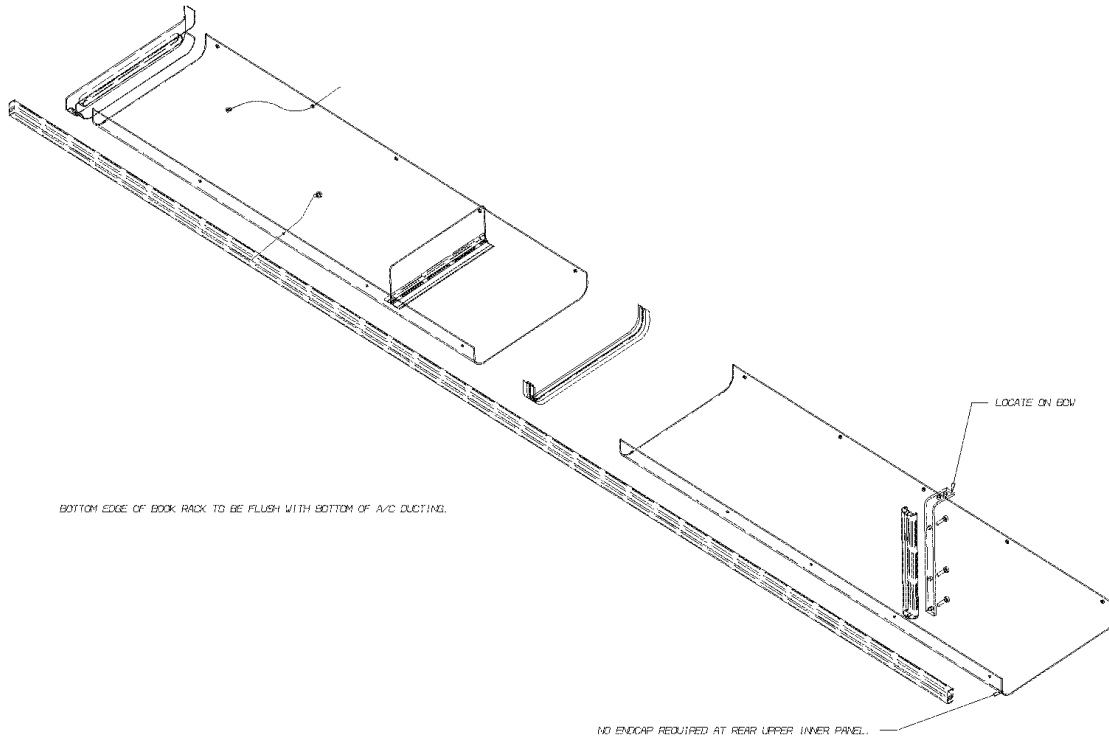
Models: **A3RE**
COMFORT AIR AC
A/C COMPRESSOR AND ENGINE HOSE KIT INSTALLATION DIAGRAM
CAT C7

With Features: **FEATURE 30006, FEATURE 30007**

Key	PartNumber	Qty	Description	Comment
1	0085171		KIT,ENGINE,TM21 12V,19-7056,CAT C7,	SEE PAGE SET 4278 FOR KIT BREAKDOWN
1	0096892		KIT,ENGINE,TM21 12V,19-7148,CAT C7 FLA	SEE PAGE SET 4279 FOR KIT BREAKDOWN
2	0085179		KIT,HOSE,CHASSIS,19-7053, A3RE	
3	0086160		BRACKET,SUPPORT,A/C HOSES	
4			CLAMP, LOOP, 2.25	
5	0870477		CAPSCREW,HEX HD,1/4-20 X 1,GR 8,YEL ZN	
6	1467000		WASHER,FLAT,.281 X.750X.078 HARDENED,BLK	
7	1339639		NUT,HEX HD,1/4-20,PRVLG TORQUE,FLG,YEL	
8	0803239		CAPSCREW,HEX HD,1/2-13 X1 1/2,GR8	
9	1003045		WASHER,FLAT,17/32 X 1 1/16 X 7/64,HDN,	
10	0850800		NUT,HEX HD,1/2-13,LOCKING,GR 8,CAD WAX	
11			CLAMP, LOOP, 3.00	
12	0067651	AR	INSULATION,TUBING,SPLIT W/ADH 1.125 ID X	

Models: A3FE, A3RE, BBCV
 COMFORT AIR AC
 DUCTED
 BOOK RACK, DUCTED A/C

Key	PartNumber	Qty	Description	Comment
-----	------------	-----	-------------	---------

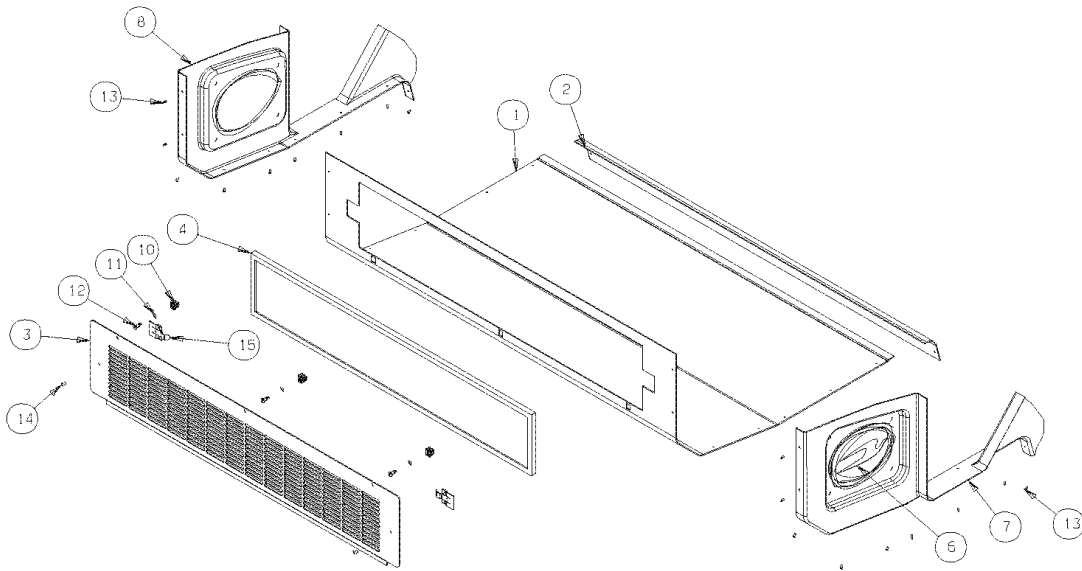


Models: **A3FE, A3RE, BBCV**
COMFORT AIR AC
DUCTED
BOOK RACK, DUCTED A/C

Key	PartNumber	Qty	Description	Comment
1	0094482		KIT,BOOK RACK,DUCTED A/C SYSTEM 3904	
2	0094484		KIT,BOOK RACK,DUCTED A/C SYSTEM 3204	
3	0094485		KIT,BOOK RACK,DUCTED A/C SYSTEM,3408	
4	0094486		KIT,BOOK RACK,DUCTED A/C SYSTEM,3700	
5	0094487		KIT,BOOK RACK,DUCTED A/C SYSTEM,2311	
6	0094488		KIT,BOOK RACK,DUCTED A/C SYSTEM,2610	
7	0094489		KIT,BOOK RACK,DUCTED A/C SYSTEM,, BBCV	
8	0094490		KIT,BOOK RACK,DUCTED A/C SYSTEM,2803	
9	0094491		KIT,BOOK RACK,DUCTED A/C SYSTEM,3306	
10	0094492		KIT,BOOK RACK,DUCTED A/C SYSTEM,3700	
11	0094492		KIT,BOOK RACK,DUCTED A/C SYSTEM,3700	
12	0094493		KIT,BOOK RACK,DUCTED A/C SYSTEM,3904	

Models: A3FE, A3RE, BBCV
COMFORT AIR AC
DUCTED
COVER ASSY, EVAPORATOR, 45, 74HR

Key	PartNumber	Qty	Description	Comment
-----	------------	-----	-------------	---------

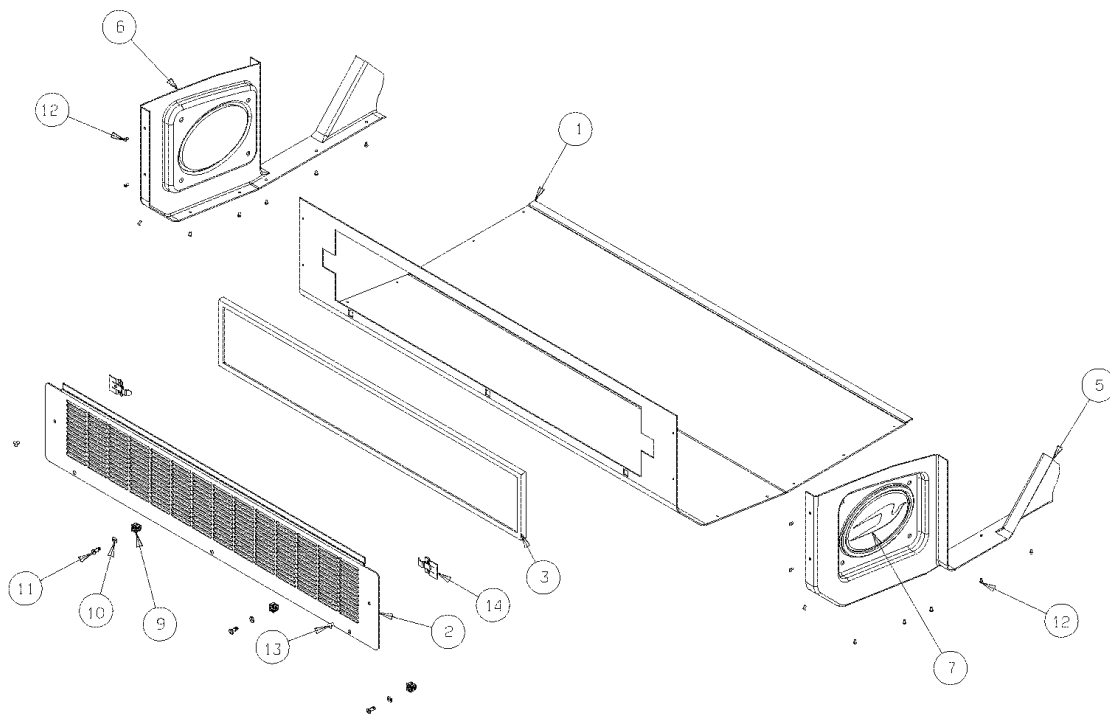


Models: **A3FE, A3RE, BBCV**
COMFORT AIR AC
DUCTED
COVER ASSY, EVAPORATOR, 45, 74HR

Key	PartNumber	Qty	Description	Comment
	0090089		COVER,EVAPORATOR,45K DUCTED	
1			COVER, CME - 45D	
2			`COVER, CME - 45	
3	0105416		GRILLE,EVAPORATOR,CME,45,24-7764	
4	0105417		FILTER,EVAPORATOR,CME,45,26-1257	
5	0103148		SEAL,BULB,MCC,28-1108	
6	0091367		DECAL,A/C,FOIL,SYSTEM CAPACITY,COMFORT	
7			END COVER, D, RH, 74 IN	
8			END COVER, D, LH, 74 IN	
9			1/8 INSULATION 44 X 35	
10			RECEPTACLE	
11			RETAINER	
12			STUD OVAL SLOTTED	
13			POP RIVET 1/8	
14			POP RIVET 3/16	
15			SNAP FASTENER	
16			PHILLIPS SCREW, M5 X 25	
17			INSULATION 3/16 X 1/2	
18			INSULATION 3/4 X 3	
19			INSULATION 3/8 X 5/8	

Models: A3FE, A3RE, BBCV
COMFORT AIR AC
DUCTED
COVER ASSY, EVAPORATOR, 45, 77HR

Key	PartNumber	Qty	Description	Comment
-----	------------	-----	-------------	---------

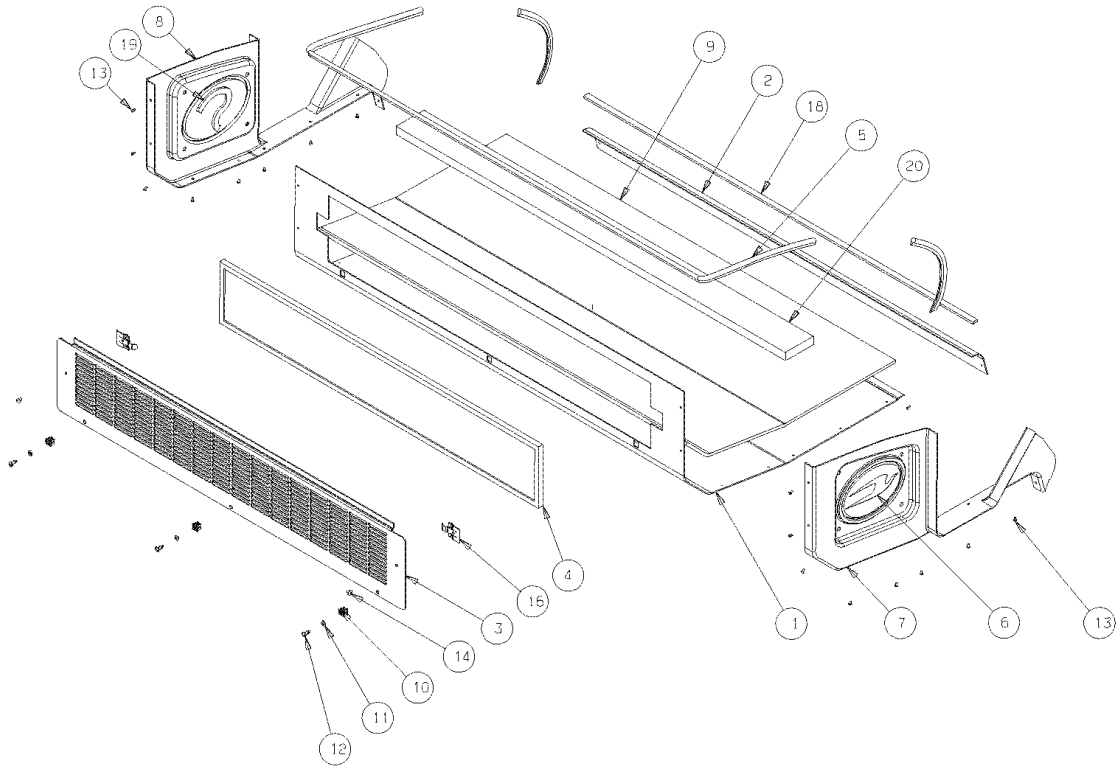


Models: **A3FE, A3RE, BBCV**
COMFORT AIR AC
DUCTED
COVER ASSY, EVAPORATOR, 45, 77HR

Key	PartNumber	Qty	Description	Comment
	0090085		COVER,EVAPORATOR,45K DUCTED	<i>CONSISTS OF THE FOLLOWING</i>
1			COVER, CME 45, 77 HR	
2	0105416		GRILLE,EVAPORATOR,CME,45,24-7764	
3	0105417		FILTER,EVAPORATOR,CME,45,26-1257	
NI	0103148		SEAL,BULB,MCC,28-1108	
5			END COVER, DUCTED, RH, 77 HR	
6			END COVER, DUCTED, LH, 77 HR	
7	0091367	2	DECAL,A/C,FOIL,SYSTEM CAPACITY,COMFORT	
8			INSULATION, 1/4	
9		3	RECEPTACLE	
10			RETAINER	
11		3	STUD, OVAL SLOTTED	
12		AR	POP RIVET	
13		AR	POP RIVET	
14		2	SNAP FASTENER	
NI			INSULATION 3/16 X 1/2	
NI			INSULATION 3/4 X 3	
NI			INSULATION 3/8 X 5/8	

Models: A3FE, A3RE, BBCV
COMFORT AIR AC
DUCTED
COVER ASSY, EVAPORATOR, 55, 74HR

Key	PartNumber	Qty	Description	Comment
-----	------------	-----	-------------	---------

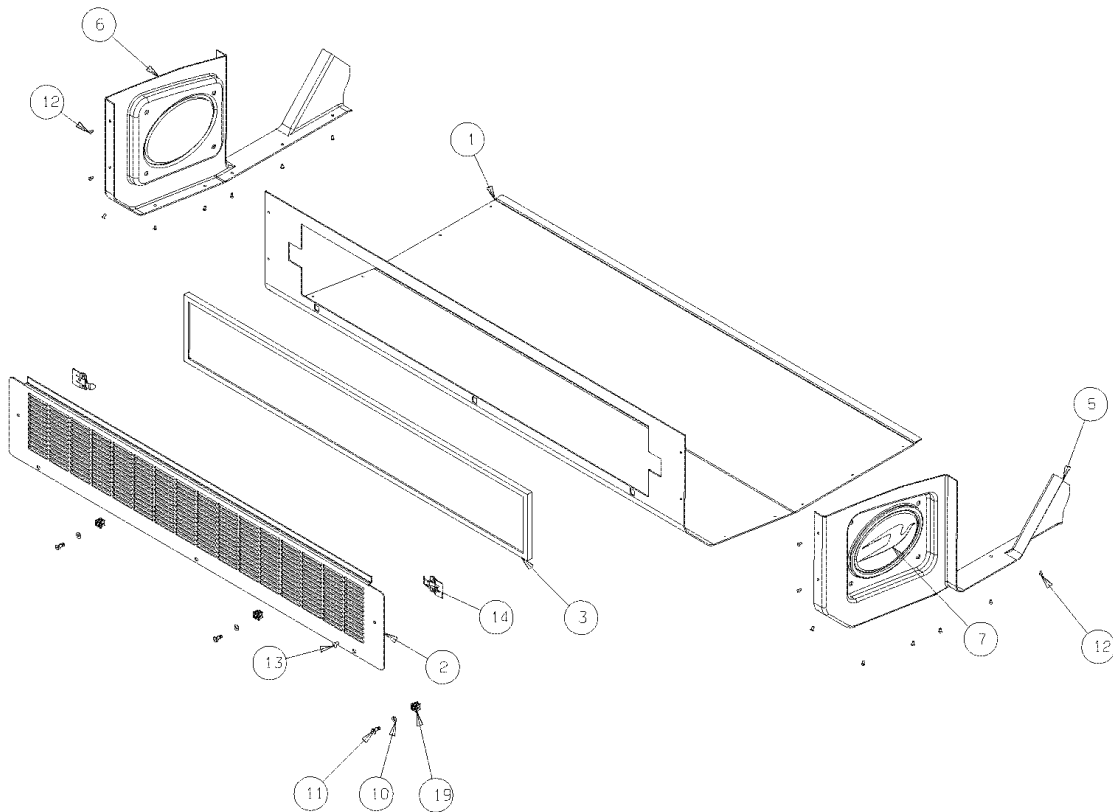


Models: **A3FE, A3RE, BBCV**
COMFORT AIR AC
DUCTED
COVER ASSY, EVAPORATOR, 55, 74HR

Key	PartNumber	Qty	Description	Comment
	0090088		COVER,EVAPORATOR,55K DUCTED	
1			COVER 1	
2			COVER 2	
3	0105413		GRILLE,EVAPORATOR,CME 55,24-7763	
4	0105415		FILTER,EVAPORATOR,CME,55,26-1256	
5	0103148		SEAL,BULB,MCC,28-1108	
6	0091367		DECAL,A/C,FOIL,SYSTEM CAPACITY,COMFORT	
7			END COVER, D, RH, 74	
8			END COVER, D, LH, 74	
9			INSULATION 1/4 IN	
10			RECEPTACLE	
11			RETAINER	
12			STUD OVAL SLOTTED	
13			POP RIVET	
14			POP RIVET	
15			WASHER M5 SS	
16			SNAP FASTENER	
17			M5 X 25 PHIL SCREW	
18			FOAM	

Models: A3FE, A3RE, BBCV
 COMFORT AIR AC
 DUCTED
 COVER ASSY, EVAPORATOR, 55, 77HR

Key	PartNumber	Qty	Description	Comment
-----	------------	-----	-------------	---------



Models: **A3FE, A3RE, BBCV**
COMFORT AIR AC
DUCTED
COVER ASSY, EVAPORATOR, 55, 77HR

Key	PartNumber	Qty	Description	Comment
	0090084		COVER,EVAPORATOR,55K DUCTED	<i>CONSISTS OF THE FOLLOWING</i>
1			COVER, CME 55, 77 HR	
2	0105413		GRILLE,EVAPORATOR,CME 55,24-7763	
3	0105415		FILTER,EVAPORATOR,CME,55,26-1256	
NI	0103148		SEAL,BULB,MCC,28-1108	
5			END COVER, DUCTED, RH, 77 HR	
6			END COVER, DUCTED, LH, 77 HR	
7	0091367	2	DECAL,A/C,FOIL,SYSTEM CAPACITY,COMFORT	
8			INSULATION, 1/4	
9		3	RECEPTACLE	
10			RETAINER	
11		3	STUD, OVAL SLOTTED	
12		AR	POP RIVET	
13		AR	POP RIVET	
14		2	SNAP FASTENER	
NI			INSULATION 3/16 X 1/2	
NI			INSULATION 3/4 X 3	
NI			INSULATION 3/8 X 5/8	

Models: A3FE, A3RE, BBCV
**COMFORT AIR AC
 DUCTED
 EVAPORATOR KIT 12V CME 55 DUCTED**
With Features: FEATURE 30007-02 -03 FEATURE 30007-05 -06

Key	PartNumber	Qty	Description	Comment
	0085188		KIT,EVAPORATOR,12V,19-7047 CME 55,DUCTED	<i>CONSISTS OF THE FOLLOWING</i>
		2	TUBE, CL PVC 1/2 IN ID 10 FT LONG	
		6	DRAIN HOSE CLAMP 1/2 IN	
	0096297	2	VALVE,DRAIN,END,MCC,(KUZOO)	
	0096298	2	CONNECTOR,DRAIN,1/2 IN,MCC,(KUZOO)	
			REFRIGERANT HOSE ASSY NO 12	
			REFRIGERANT HOSE ASSY NO 12	
			REFRIGERANT HOSE ASSY NO 6	
			REFRIGERANT HOSE ASSY NO 6	
		2	PIPE INSULATION 1 1/8 IN ID, 3 FT LONG	
		8	M8 X 25 HEX HEAD SCREW	<i>ZINC</i>
		8	M8 WASHER CLEAR ZINC	
		8	M8 WASHER SPRING LOCK	
	0091179	2	EVAPORATOR,ASSY,12V,CME,55 DUCTED,	<i>SEE 0091179 FOR DRAWING</i>
	0092856		KIT,A/C,HOSE SPLICE,#6 QUICK CLICK	<i>CONSISTS OF 1 STRAIGHT SPLICE, 4 CLIPS, 2 CAGES</i>
	0092858		KIT,A/C,HOSE SPLICE,#12 QUICK CLICK	<i>CONSISTS OF 1 STRAIGHT SPLICE, 4 CLIPS, 2 CAGES</i>

Models: A3RE
**COMFORT AIR AC
 DUCTED
 KIT, HARNESS**
With Features: FEATURE 30007-03, -06, AND 11

Key	PartNumber	Qty	Description	Comment
			KIT, HARNESS, A/C, MCC, FREEBLOW	<i>CONSIST OF THE FOLLOWING</i>
	0091792		KIT,HARN,A/C,MCC DUCTED,3204,19-7113,	
	0091789		KIT,HARN,A/C,MCC DUCTED,3408,19-7114,	
	0091790		KIT,HARN,A/C,MCC DUCTED,3700,19-7112,	
	0091540		KIT,HARN,A/C,MCC DUCTED,3904,19-7101, HARNESS, CONTROL CABLE, EVAP, NO 1 CABLE, EVAP, NO 2 CABLE ASSY, CONDENSER POWER	
	0092070		CABLE,ASSY,CONDENSER POWER,MCC 25-2093	
	0092071		CABLE,ASSY,CONDENSER POWER,MCC 25-2097	
	0092078		CABLE,ASSY,CONDENSER POWER,MCC 25-2101	
	0092081		CABLE,ASSY,CONDENSER POWER,MCC 25-2028	
	0026853		GROMMET,RUBBER,2.125 I.D. REF 0091531	

Models: A3FE, A3RE, BBCV
 COMFORT AIR AC
 DUCTED
With Features: MOUNTING EVAPORATOR KIT DUCTED
 FEATURE 30007-01 - 06

Key	PartNumber	Qty	Description	Comment
	0087918		KIT,BRACKET,MTG,DUCTED EVAPORATOR,MCC	
			BRACKET	
			BRACKET	

Models:

**A3RE
COMFORT AIR AC
DUCTED AND FREEBLOW
CHASSIS HOSE KIT**

With Features:

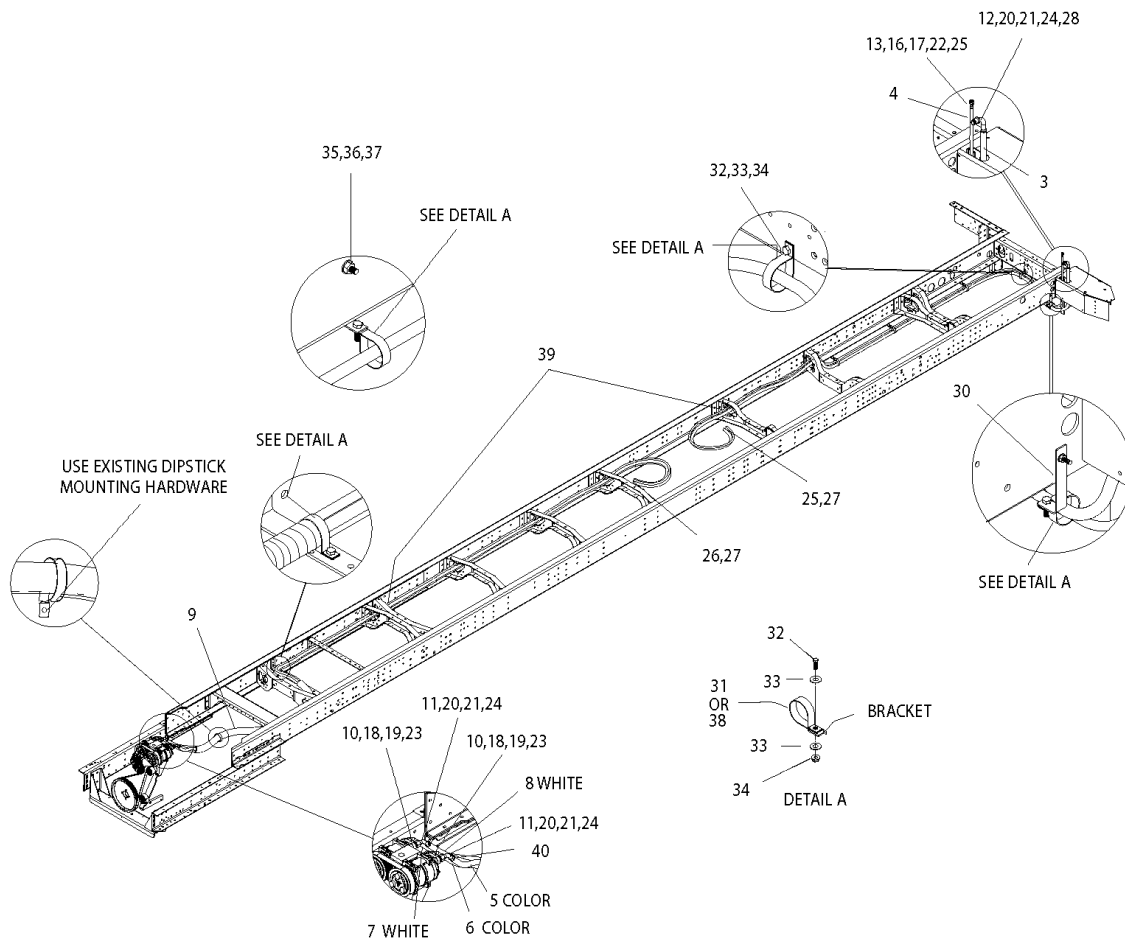
FEATURE 30006-04, -07, FEATURE 30007-03, -06

Key	PartNumber	Qty	Description	Comment
	0085179		KIT,HOSE,CHASSIS,19-7053, A3RE WIRING HARNESS REFRIGERANT HOSE ASSY NO 6 REFRIGERANT HOSE ASSY NO 12 REFRIGERANT HOSE ASSY NO 12 REFRIGERANT HOSE ASSY NO 8 REFRIGERANT HOSE ASSY NO 8 REFRIGERANT HOSE ASSY NO 12	<i>CONSISTS OF THE FOLLOWING</i> <i>BLUE</i> <i>BLUE</i> <i>BLACK</i> <i>BLACK</i>
		10	CLAMP P 3 IN SS	
		10	CLAMP P 2.25 IN SS	
			CORRUGATED CONDUIT ASSY 7 FT LONG	
	0092856		KIT,A/C,HOSE SPLICE,#6 QUICK CLICK	<i>CONSISTS OF 1 STRAIGHT SPLICE, 4 CLIPS, 2 CAGES</i>
	0092857		KIT,A/C,HOSE SPLICE,#8 QUICK CLICK	<i>CONSISTS OF 1 STRAIGHT SPLICE, 4 CLIPS, 2 CAGES</i>
	0092858		KIT,A/C,HOSE SPLICE,#12 QUICK CLICK	<i>CONSISTS OF 1 STRAIGHT SPLICE, 4 CLIPS, 2 CAGES</i>

Models: A3RE
 COMFORT AIR AC
 DUCTED AND FREEBLOW
 CHASSIS HOSE KIT

With Features: FEATURE 30006-04,-07, 30007-06,-06 WITH AND WITHOUT 30008-03
BSN: From BSN 3/19/07

Key	PartNumber	Qty	Description	Comment
-----	------------	-----	-------------	---------



Models:

**A3RE
COMFORT AIR AC
DUCTED AND FREEBLOW
CHASSIS HOSE KIT**

With Features:

FEATURE 30006-04,-07, 30007-06,-06 WITH AND WITHOUT 30008-03

BSN:

From BSN 3/19/07

Key	PartNumber	Qty	Description	Comment
1	0095401		COMPRESSOR,ASSY,TM-21,POLY GRV,BBCV	
2	0112512		KIT,BRACKET,TM21,BSI 23125,ISC-07	<i>WITHOUT FEATURE 30008-03</i>
2	0112502		KIT,BRACKET,TM21,BSI 23123,ISC-07,FLA	<i>WITH FEATURE 30008-03</i>
3	0113024		HOSE,A/C,#12,WEATHERHEAD E-Z CLIP,COLOR	
4	0113019		HOSE,A/C,#6,WEATHERHEAD E-Z CLIP,COLOR	
5	0113024		HOSE,A/C,#12,WEATHERHEAD E-Z CLIP,COLOR	
6	0113021		HOSE,A/C,#8,WEATHERHEAD E-Z CLIP,COLOR	
7	0088307		HOSE,A/C,#8,WEATHERHEAD E-Z CLIP	
8	0088309		HOSE,A/C,#12,WEATHERHEAD E-Z CLIP	
9	0113011		LOOM,CORRUGATED,BLACK,NYLON,2.00 I.D. SS	
10	0112526	2	FITTING,ELBOW,EZ CLIP,45-0808S	
11	0112524	2	FITTING,ELBOW,EZ CLIP,FM 45-1012S	
12	0112527		FITTING,ELBOW,EZ CLIP,MALE,1012S	
13	0112521		FITTING,STRAIGHT,EZ CLIP,FM,0606	
14	0113042	2	FITTING,STRAIGHT,EZ-CLIP,CHARGE PORT,#8	
15	0113043	2	FITTING,STRAIGHT,EZ-CLIP,CHARGE PORT,#12	
16	0112867		GUARD,HOSE,#6,WEATHERHEAD E-Z CLIP	
17	0112868	2	CLIP,HOSE,#6,WEATHERHEAD E-Z CLIP	
18	0088554	6	GUARD,HOSE,#8,WEATHERHEAD E-Z CLIP	
19	0088555	12	CLIP,HOSE,#8,WEATHERHEAD E-Z CLIP	
20	0088551	7	GUARD,HOSE,#12,WEATHERHEAD E-Z CLIP	
21	0088552	14	CLIP,HOSE,#12,WEATHERHEAD E-Z CLIP	
22	0088556		O RING,SEAL,#6	
23	0088994	2	O RING,SEAL,#8	
24	0088553	3	O RING,SEAL,#12	
25	0113030		PLUG,PLASTIC,#6 REFRIGERATION HOSE	
26	0113031	2	PLUG,PLASTIC,#8 REFRIGERATION HOSE	
27	0113032	3	PLUG,PLASTIC,#12 REFRIGERATION HOSE	
28	0113033		PLUG,PLASTIC,REFRIG FITTING,FM #12	
29	0113034		PLUG,PLASTIC,REFRIG FITTING,MALE #6	
30	0086160	8	BRACKET,SUPPORT,A/C HOSES	
31	1674217	10	CLAMP,LOOP,2.25	
32	0870477	12	CAPSCREW,HEX HD,1/4-20 X 1,GR 8,YEL ZN	

Models: **A3RE**
COMFORT AIR AC
DUCTED AND FREEBLOW
CHASSIS HOSE KIT

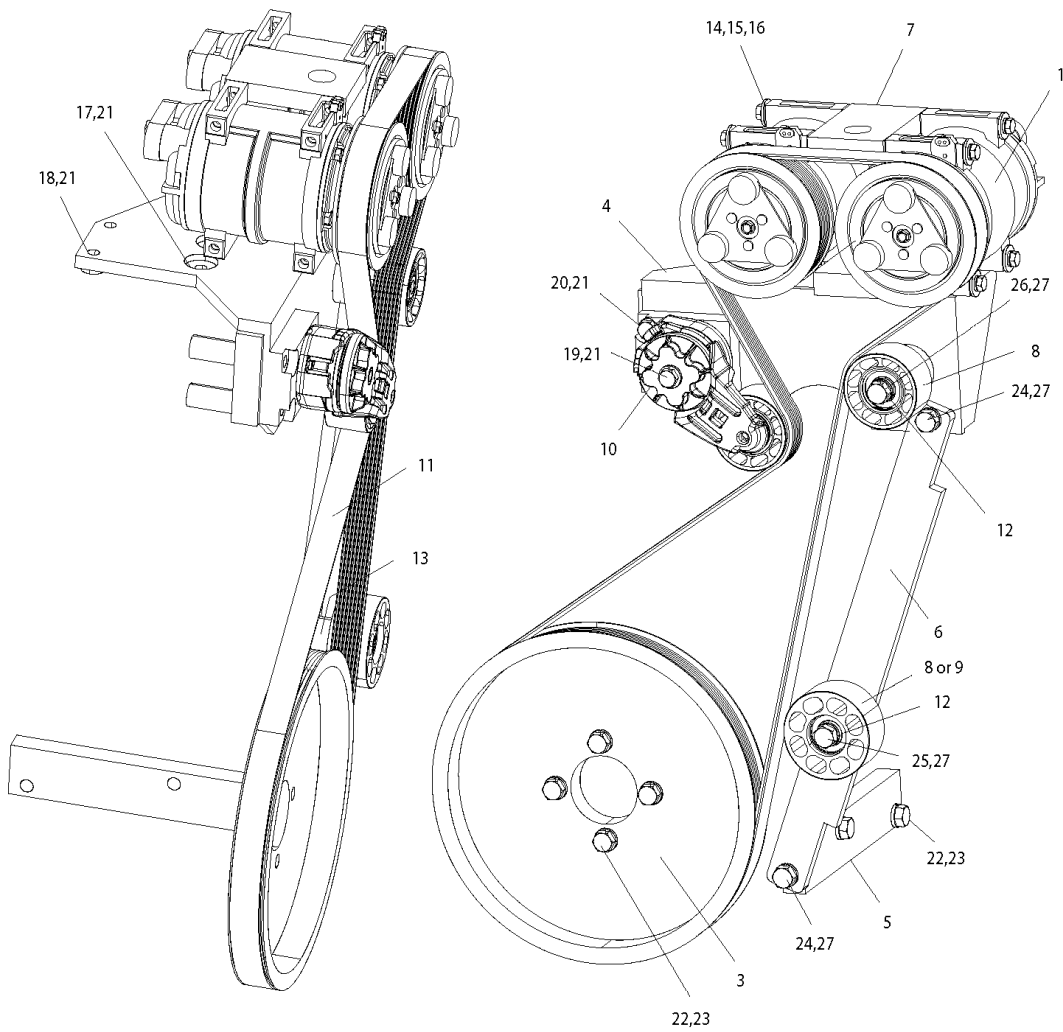
With Features: **FEATURE 30006-04,-07, 30007-06,-06 WITH AND WITHOUT 30008-03**
BSN: **From BSN 3/19/07**

Key	PartNumber	Qty	Description	Comment
33	1467000	24	WASHER,FLAT, .281 X.750X.078 HARDENED,BLK	
34	1339639	12	NUT,HEX HD,1/4-20,PRVLG TORQUE,FLG,YEL	
35	0803239	3	CAPSCREW,HEX HD,1/2-13 X1 1/2,GR8	
36	1003045	6	WASHER,FLAT,17/32 X 1 1/16 X 7/64,HDN,	
37	0850800	3	NUT,HEX HD,1/2-13,LOCKING,GR 8,CAD WAX	
38	0008340	10	CLAMP,LOOP,3.00	
39	0067651	AR	INSULATION,TUBING,SPLIT W/ADH 1.125 ID X	
40	0114377		HARNES,A/C,CHASSIS,MCC 25-1979	

Models: A3RE
 COMFORT AIR AC
 DUCTED AND FREEBLOW
 COMPRESSOR INSTALLATION
 ISC07

With Features: FEATURE 30006-04,-07, 30007-06,-06 WITH OUT 30008-03
BSN: From BSN 3/19/07

Key	PartNumber	Qty	Description	Comment
-----	------------	-----	-------------	---------



Models:

**A3RE
COMFORT AIR AC
DUCTED AND FREEBLOW
COMPRESSOR INSTALLATION
ISC07**

With Features:

**FEATURE 30006-04,-07, 30007-06,-06 WITH OUT 30008-03
From BSN 3/19/07**

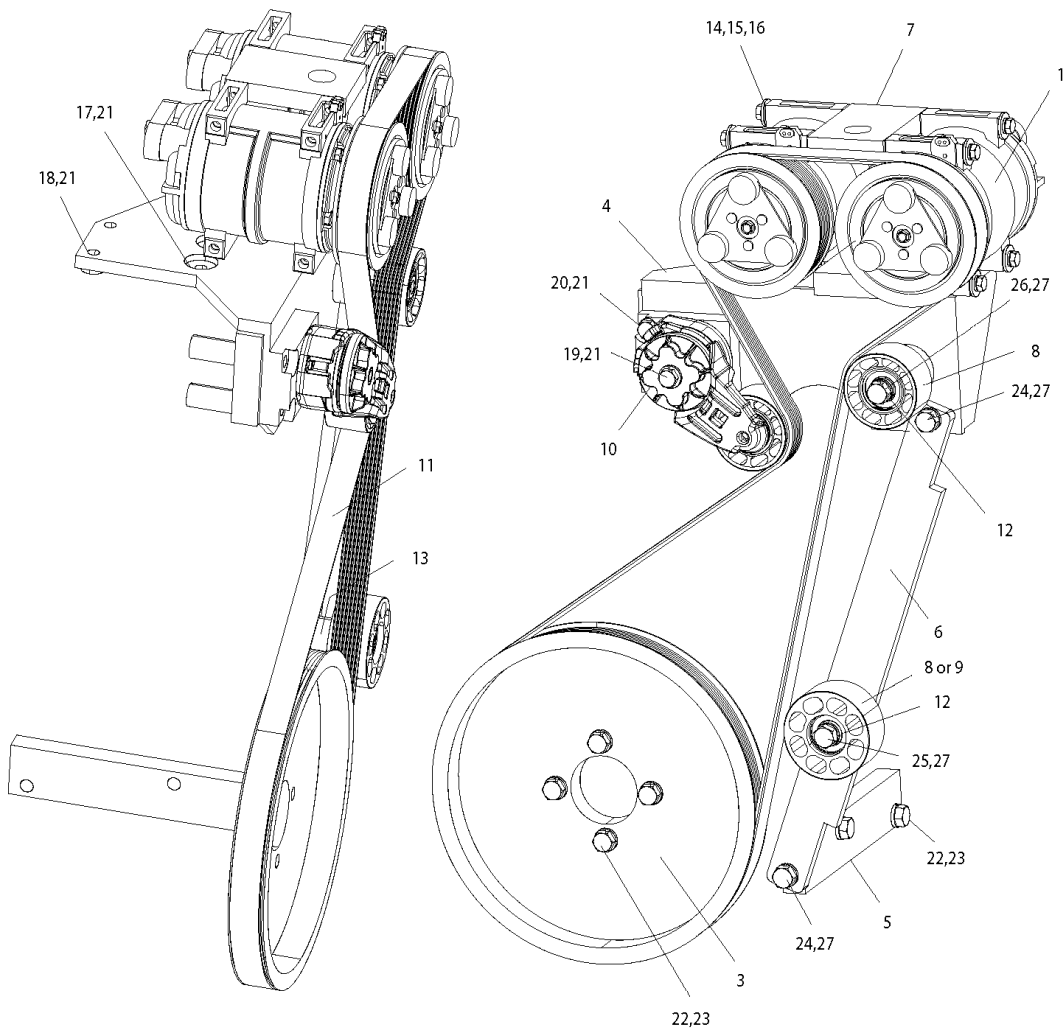
BSN:

Key	PartNumber	Qty	Description	Comment
1	0095401		COMPRESSOR,ASSY,TM-21,POLY GRV,BBCV	
2	0112512		KIT,BRACKET,TM21,BSI 23125,ISC-07	<i>CONSIST OF THE FOLLOWING</i>
3	0112515		PULLEY,CRANKSHAFT,AC,BSI23025-1,ISC	
4	0112507		BRACKET,MOUNT,AC COMP,BSI 23023-2,ISC	
5	0112509		BRACE,ANCHOR,AC COMP,BSI 23023-4,ISC	
6	0112513		BRACE,MOUNT,AC COMP,BSI 23125-1,ISC	
7	0095257		BLOCK,KIT,TIE,COMPRESSOR MT,MCC,BBCV,C7,	
8	0095354	2	IDLER,PULLEY,BACKSIDE,MCC,6.0 GAS TM-16	
10	0102472		TENSIONER,COMPRESSOR,MCC,CUMM ISC,FLA	
11	0112516		BELT,AC,BSI/DAYCO 830K-8,ISC	
12	0112514	2	SPACER,BUSHING,1/2" DB BEARING,BSI	
14			8MM-1.25X100 HEX BOLT	
15			8MM FLAT WASHER	
16			8MM LOCK WASHER	
17			10MM-1.5X30 GRD 10.9 HEX BOLT	
18			10MM-1.5X35 GRD 10.9 HEX BOLT	
19			10MM-1.25X85 GRD 10.9 HEX BOLT	
20			10MM-1.5X110 GRD 10.9 HEX BOLT	
21			10MM LOCK WASHER	
22			12MM-1.75X50 GRD 10.9 HEX BOLT	
23			12MM LOCK WASHER	
24			1/2-20X1-1/4 GRD 8 BOLT	
25			1/2-20X3 GRD 8 BOLT	
26			1/2-20X3-1/2 GRD 8 BOLT	
27			1/2 INCH LOCK WASHER	

Models: A3RE
 COMFORT AIR AC
 DUCTED AND FREEBLOW
 COMPRESSOR INSTALLATION
 ISC07 FLORIDA

With Features: FEATURE 30006-04,-07, 30007-06,-06 WITH 30008-03
BSN: From BSN 3/19/07

Key	PartNumber	Qty	Description	Comment
-----	------------	-----	-------------	---------



Models:

**A3RE
COMFORT AIR AC
DUCTED AND FREEBLOW
COMPRESSOR INSTALLATION
ISC07 FLORIDA**

**With Features:
BSN:**

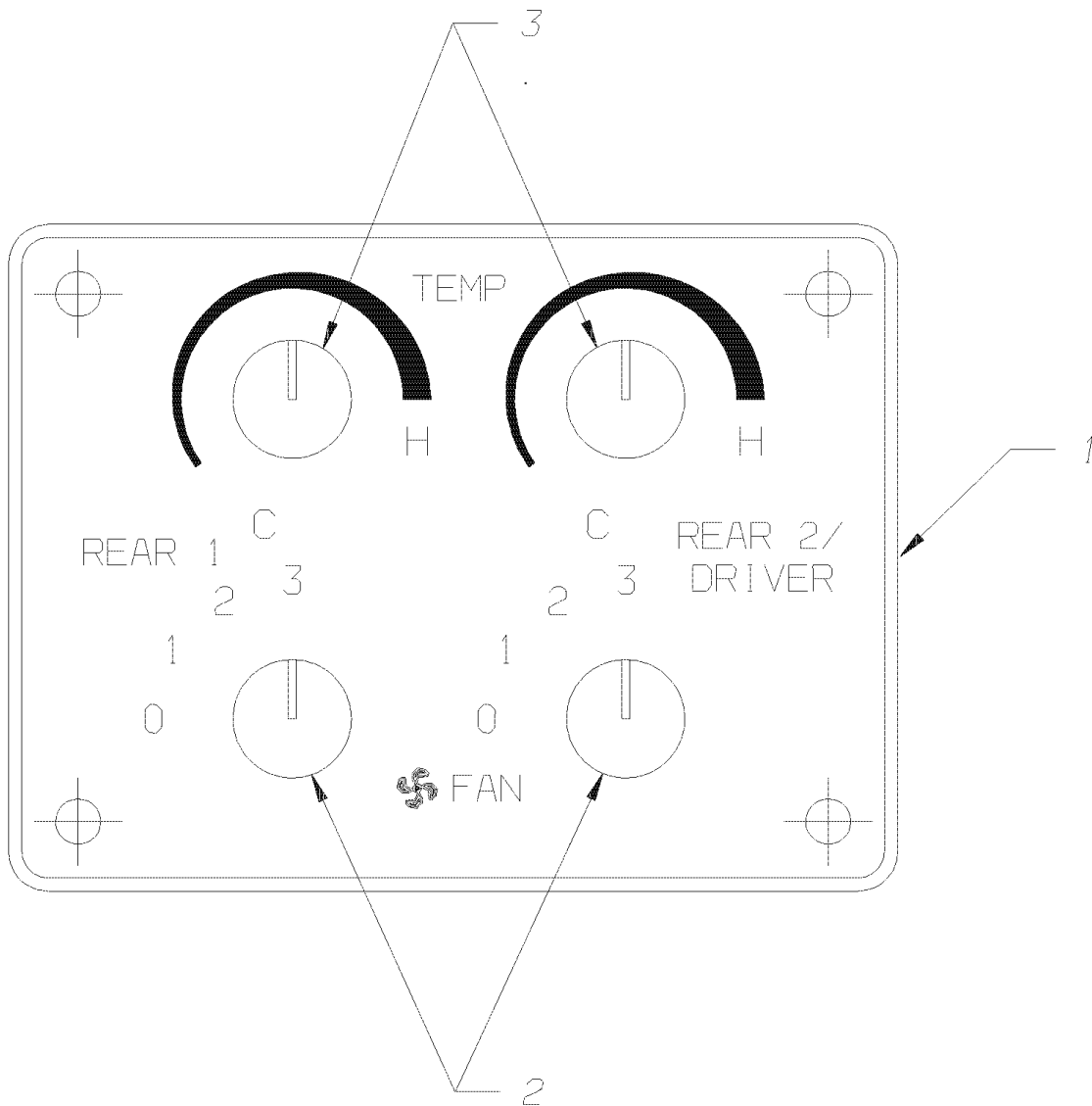
**FEATURE 30006-04,-07, 30007-06,-06 WITH 30008-03
From BSN 3/19/07**

Key	PartNumber	Qty	Description	Comment
1	0095401		COMPRESSOR,ASSY,TM-21,POLY GRV,BBCV	
2	0112502		KIT,BRACKET,TM21,BSI 23123,ISC-07,FLA	
3	0112506		PULLEY,CRANKSHAFT,AC,FL,BSI23023-1,ISC	
4	0112507		BRACKET,MOUNT,AC COMP,BSI 23023-2,ISC	
5	0112509		BRACE,ANCHOR,AC COMP,BSI 23023-4,ISC	
6	0112511		BRACE,MOUNT,AC COMP,BSI 23023R1-5R1,ISC	
7	0095257		BLOCK,KIT,TIE,COMPRESSOR MT,MCC,BBCV,C7,	
8	0095354		IDLER,PULLEY,BACKSIDE,MCC,6.0 GAS TM-16	
9	0095324		IDLER,PULLEY,BACKSIDE,MCC,5.4L TM-16	
10	0102472		TENSIONER,COMPRESSOR,MCC,CUMM ISC,FLA	
11	0102483		BELT,A/C,COMPRESSOR,DAYCO	
12	0112514	2	SPACER,BUSHING,1/2" DB BEARING,BSI	
13	0112518		SPACER,IDLER,CONE,BSI 1-1/4X17/32X1-1/8	
14			8MM-1.25X100 HEX BOLT	
15			8MM FLAT WASHER	
16			8MM LOCK WASHER	
17			10MM-1.5X30 GRD 10.9 HEX BOLT	
18			10MM-1.5X35 GRD 10.9 HEX BOLT	
19			10MM-1.25X85 GRD 10.9 HEX BOLT	
20			10MM-1.5X110 GRD 10.9 HEX BOLT	
21			10MM LOCK WASHER	
22			12MM-1.75X50 GRD 10.9 HEX BOLT	
23			12MM LOCK WASHER	
24			1/2-20X1-1/4 GRD 8 BOLT	
25			1/2-20X3 GRD 8 BOLT	
26			1/2-20X3-1/2 GRD 8 BOLT	
27			1/2 INCH LOCK WASHER	

Models: A3FE, A3RE, BBCV
**COMFORT AIR AC
 DUCTED AND FREEBLOW
 CONTROL KIT DUAL SYSTEM**

With Features: FEATURE 30006-02 THRU 07 FEATURE 30007-01 THRU 06

Key	PartNumber	Qty	Description	Comment
-----	------------	-----	-------------	---------



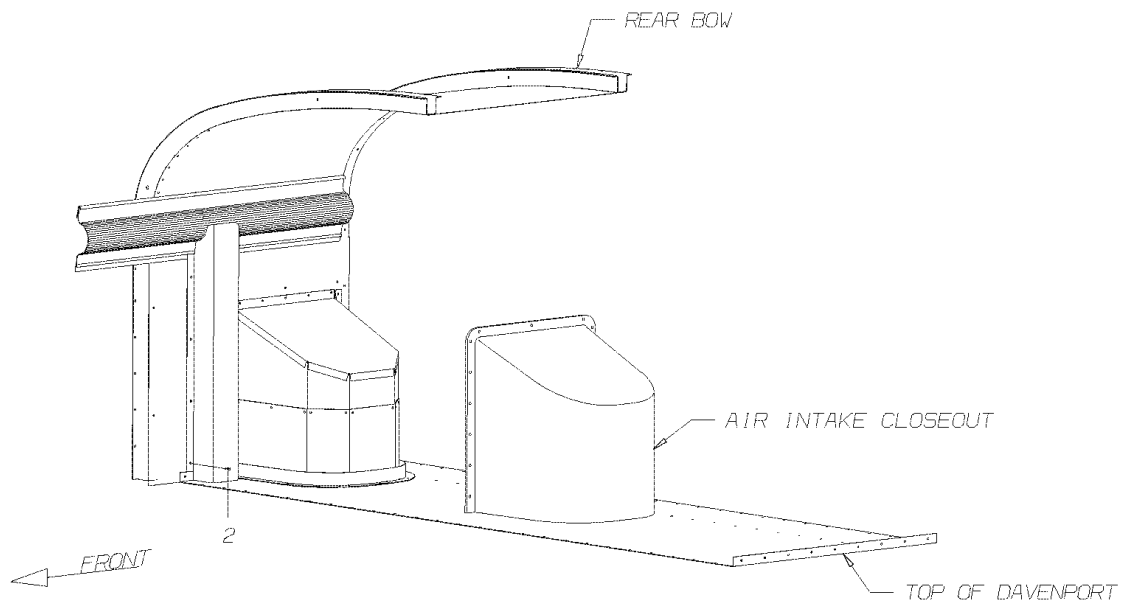
Models: A3FE, A3RE, BBCV
 COMFORT AIR AC
 DUCTED AND FREEBLOW
 CONTROL KIT DUAL SYSTEM

With Features: FEATURE 30006-02 THRU 07 FEATURE 30007-01 THRU 06

Key	PartNumber	Qty	Description	Comment
	0067851		PANEL ASSY,CONTROL,MCC,HVAC, A3,BBCV	<i>CONSISTS OF THE FOLLOWING</i>
1	0067849	1	PANEL,CONTROL,MCC,HVAC, A3/BBCV	
2	0102223	2	SWITCH,ROTARY,SQUARE CASE,HVAC PANEL	
3	0102224	2	SWITCH,TEMP,POTENTIOMETER,HVAC,A1/B1	
	0102222	4	KNOB,PANEL ASSY,OCNTROL	

Models: **A3RE**
COMFORT AIR AC
DUCTED AND FREEBLOW
COVER, A/C POWER CABLE

Key	PartNumber	Qty	Description	Comment
-----	------------	-----	-------------	---------



Models: **A3RE**
COMFORT AIR AC
DUCTED AND FREEBLOW
COVER, A/C POWER CABLE

Key	PartNumber	Qty	Description	Comment
1	0093730		COVER,CABLE,EVAP POWER,74 HR, A3RE	
	0093731		COVER,CABLE,EVAP POWER,77 HR, A3RE	
2	2000511	7	SCREW,10-16 X 1/2,AB,PH1,TRUSS HD,	
NI	2004547		TRIM,INSTRUMENT HOOD,VINYL EDGE,BLACK	

Models: **A3FE, A3RE, BBCV
COMFORT AIR AC
DUCTED AND FREEBLOW
FITTING KIT, DUAL SYSTEM
FE/RE**

With Features: **FEATURE 30006-03 -04 -06 -07 FEATURE 30007-02 -03 -05 -06**

Key	PartNumber	Qty	Description	Comment
	0090349		KIT,FITTING,DUAL A/C SYSTEM A3FE/RE	<i>CONSISTS OF THE FOLLOWING</i>
		5	O-RING NO 6	
		2	O-RING NO 8	
		2	FITTING (F) 3/4 IN 16X90X NO8	
		3	FITTING, (F)5/8 IN 18X90X NO6	
			T-SPLICER NO 12	
		5	CAGE NO 6	
		6	CAGE NO 8	
		7	CAGE NO 12	
		10	CLIP NO 6	
		12	CLIP NO 8	
		14	CLIP NO 12	
		2	FITTING (F) 5/8 IN 18 FEX 180X NO 6	
		2	STRAIGHT SPLICER NO 8 W/SERV PORT	
		2	STRAIGHT SPLICER NO 12 W/SERV PORT	
			TEE MALE NO 6	<i>BRAZED</i>
		10	CLAMP P 3 IN SS	
		10	CLAMP P 2.25 IN SS	

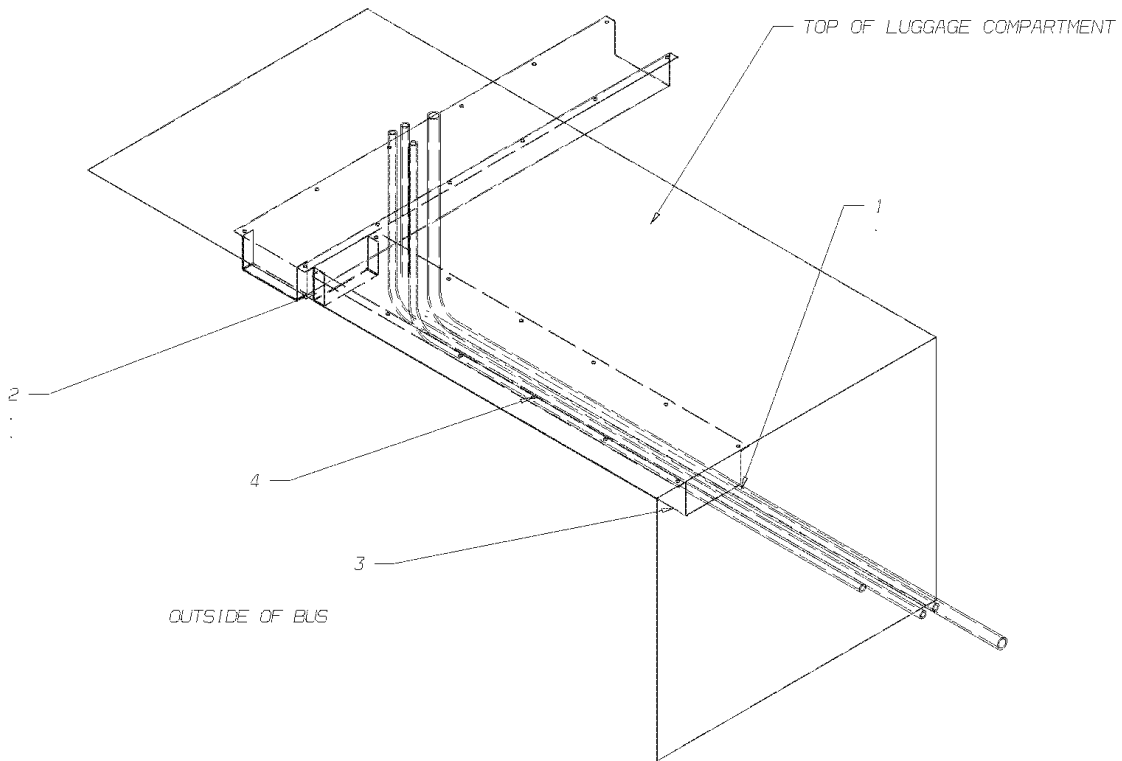
Models: A3FE, A3RE, BBCV
 COMFORT AIR AC
 DUCTED AND FREEBLOW
 FITTING KIT, DUAL SYSTEM
 FE/RE

With Features: FEATURE 30006-03 -04 -06 -07 FEATURE 30007-02 -03 -05 -06

Key	PartNumber	Qty	Description	Comment
	0087353		KIT,FITTING,RF MNT CONDENSER,W/28"FR	
		2	STRAIGHT SPLICER NO 12	
		2	STRAIGHT SPLICER NO 8 W/SERV PORT	
			SPLICER NO 6	
			T-SPLICER NO 12	
		5	CAGE NO 6	
		6	CAGE NO 8	
		7	CAGE NO 12	
		10	CLIP NO 6	
		12	CLIP NO 8	
		14	CLIP NO 12	

Models: A3FE, A3RE, BBCV
COMFORT AIR AC
DUCTED AND FREEBLOW
HOSE COVER, A/C WITH LUGGAGE INSTALLATION DIAGRAM

Key	PartNumber	Qty	Description	Comment
-----	------------	-----	-------------	---------

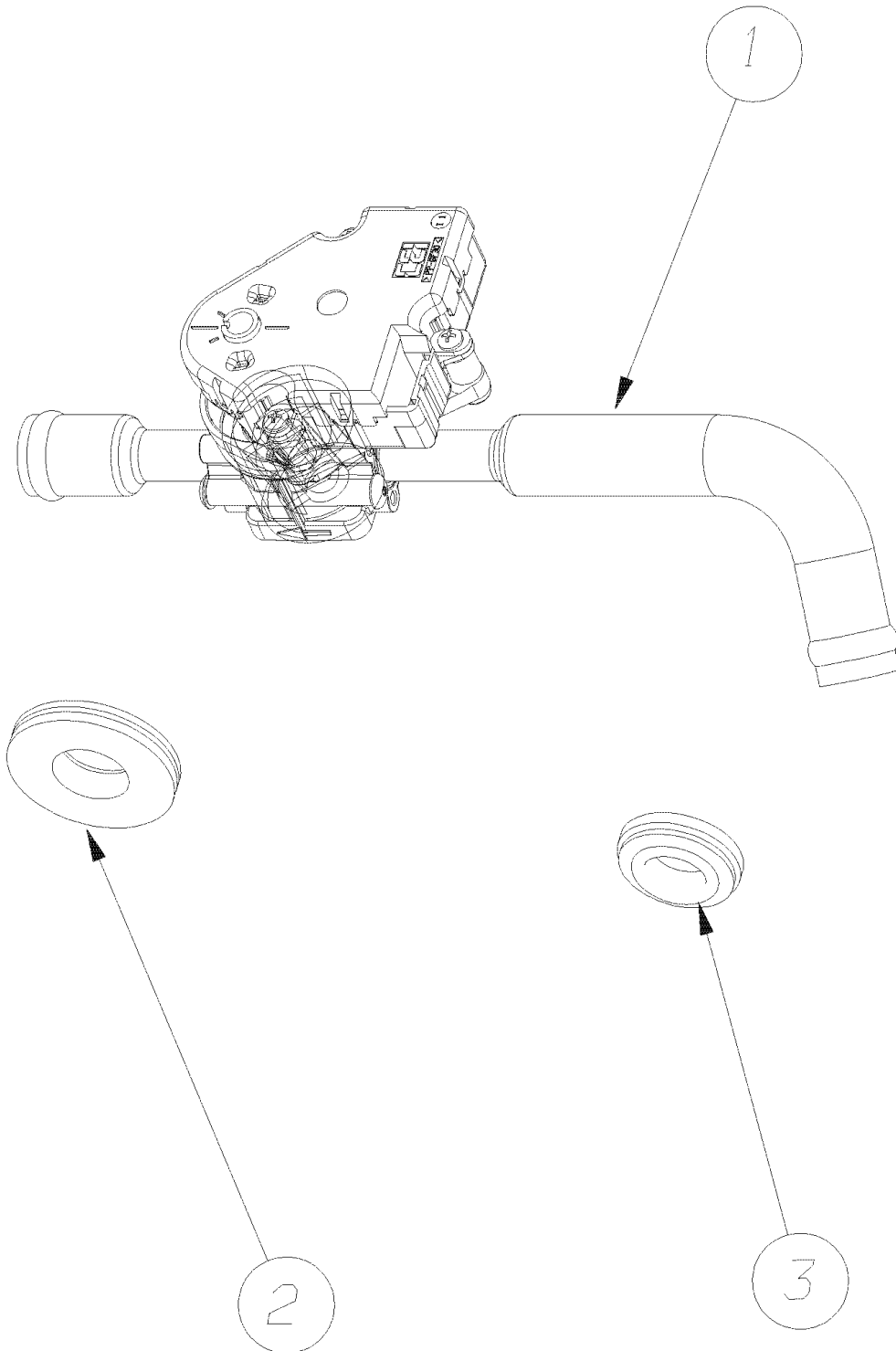


Models: **A3FE, A3RE, BBCV
COMFORT AIR AC
DUCTED AND FREEBLOW
HOSE COVER, A/C WITH LUGGAGE INSTALLATION DIAGRAM**

Key	PartNumber	Qty	Description	Comment
1	0026853	2	GROMMET,RUBBER,2.125 I.D.	
2	0091794		COVER,HOSE,END CLOSEOUT,LUGGAGE	
3	1572551		COVER,HEATER HOSE,UNDER FLOOR	
4	0071609	16	SCREW,TAPPING,10-16 X 3/4,PN HD,BLKZN,	

Models: A3FE, A3RE
COMFORT AIR AC
DUCTED AND FREEBLOW
HOSE COVER, A/C WITH LUGGAGE INSTALLATION DIAGRAM

Key	PartNumber	Qty	Description	Comment
-----	------------	-----	-------------	---------



Models: **A3FE, A3RE**
COMFORT AIR AC
DUCTED AND FREEBLOW
HOSE COVER, A/C WITH LUGGAGE INSTALLATION DIAGRAM

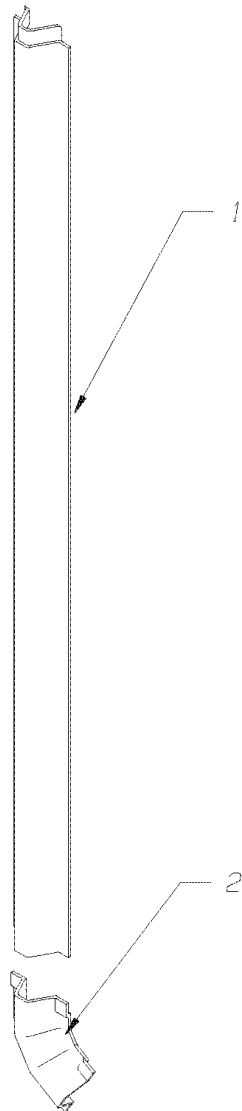
Key	PartNumber	Qty	Description	Comment
	0091624		KIT,ASSY,WATER VALVE,A/C FRT HEATER,	<i>CONSISTS OF THE FOLLOWING</i>
1	0091776		VALVE,ASSY,WATER,HEATER/AC,A3FE	
2			GROMMET	
3		2	GROMMET	

Models: **A3RE**
COMFORT AIR AC
DUCTED AND FREEBLOW
KIT, ENGINE
CUMMINS, FLA

Key	PartNumber	Qty	Description	Comment
	0098642		KIT,ENGINE,TM21 12V,19-7151,CUMMINS FLA	<i>CONSISTS OF THE FOLLOWING</i>
	0102468		KIT,COMPRESSOR,MOUNT,A3RE,CUMMINS,FLA, CRANKSHAFT PULLEY COMPRESSOR MOUNT TURBO BRACKET BRACE ANCHOR BRACE	<i>CONSISTS OF THE FOLLOWING</i>
	0095257		BLOCK,KIT,TIE,COMPRESSOR MT,MCC,BBCV,C7,	
	0095354		IDLER,PULLEY,BACKSIDE,MCC,6.0 GAS TM-16	
	0102472		TENSIONER,COMPRESSOR,MCC,CUMM ISC,FLA	
	0102483		BELT,A/C,COMPRESSOR,DAYCO	
	0095401		COMPRESSOR,ASSY,TM-21,POLY GRV,BBCV	
	0096021		MANIFOLD,HORIZONTAL,A/C COMPRESSOR,	
	0103598		KIT,SEAL,SHAFT,COMPRESSOR,TM21,MC	

Models: A3FE, A3RE, BBCV
COMFORT AIR AC
DUCTED AND FREEBLOW
KIT, HOSE COVER

Key	PartNumber	Qty	Description	Comment
-----	------------	-----	-------------	---------



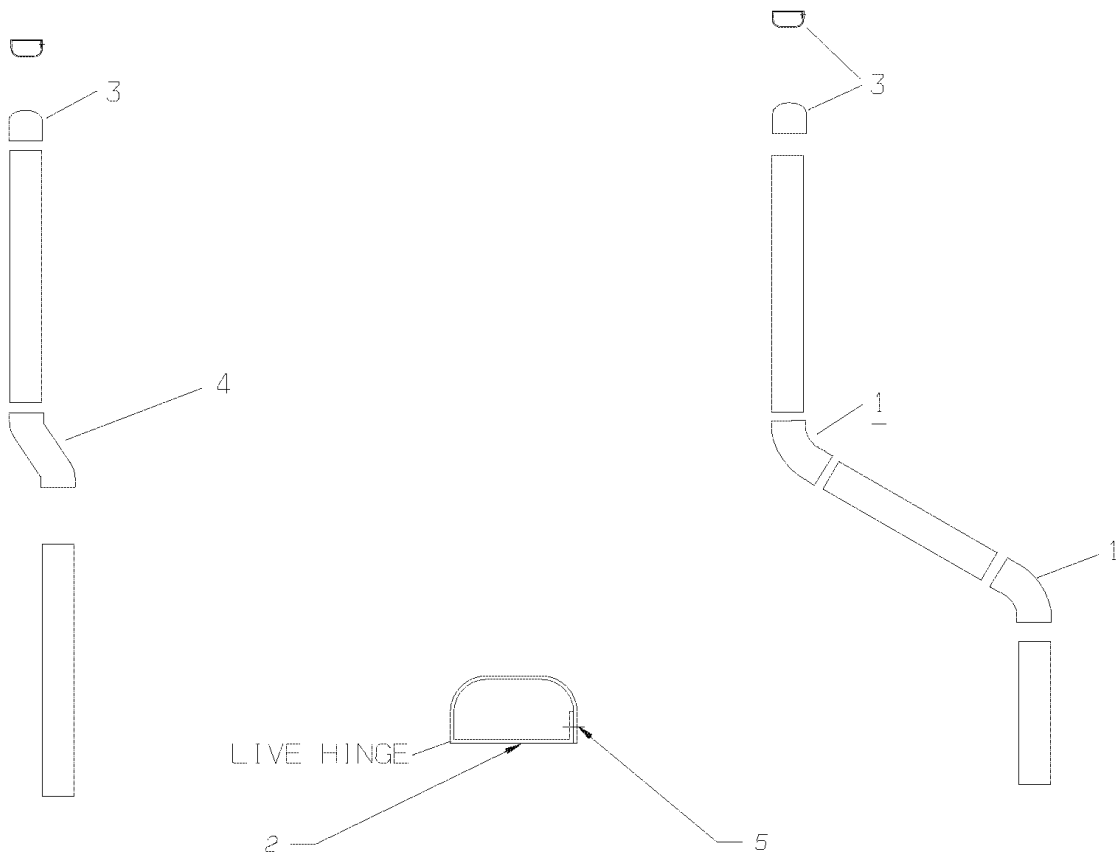
Models: A3FE, A3RE, BBCV
 COMFORT AIR AC
 DUCTED AND FREEBLOW
 KIT, HOSE COVER

Key	PartNumber	Qty	Description	Comment
	0092869		KIT,A/C,HOSE COVER,SINGLE DRAIN LINE	<i>CONSISTS OF THE FOLLOWING</i>
1	0097691		FAN,12 VOLT,CONDENSER,MCC,15-1301	
2	0097692		HARNES,MIRROR,PIGTAIL,SWITCH,FOR	

Models: A3FE, A3RE, BBCV
**COMFORT AIR AC
 DUCTED AND FREEBLOW
 KIT, HOSE COVER**

Key	PartNumber	Qty	Description	Comment
-----	------------	-----	-------------	---------

BELOW ARE TWO EXAMPLES OF POSSIBLE CONFIGURATIONS.

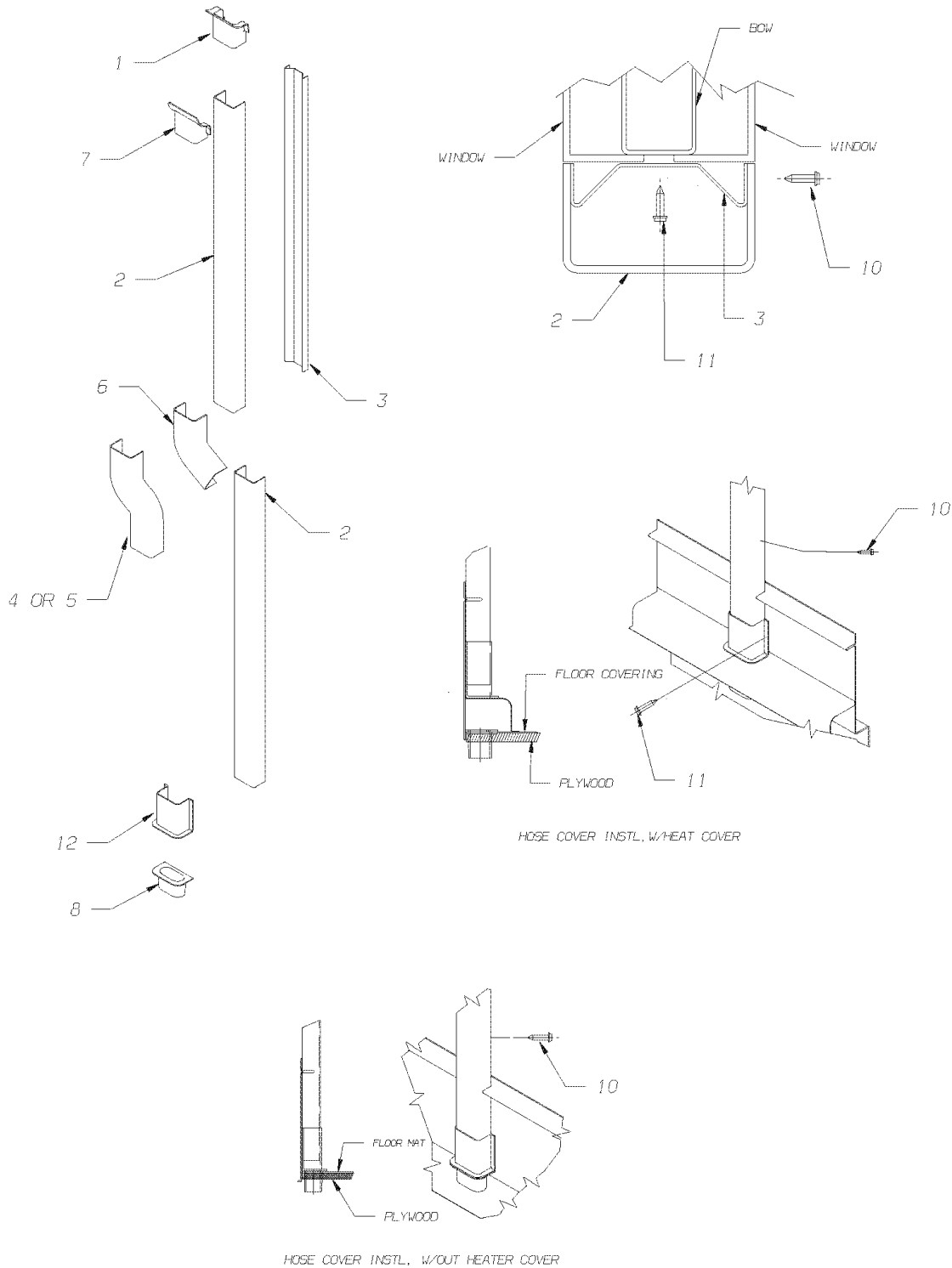


Models: **A3FE, A3RE, BBCV
COMFORT AIR AC
DUCTED AND FREEBLOW
KIT, HOSE COVER**

Key	PartNumber	Qty	Description	Comment
	0089856		KIT,COVER,HOSE AND WIRE,W/ROOF	<i>CONSISTS OF THE FOLLOWING</i>
1	0091858		COVER,HOSE,WIRE,ANGLE,FREEBLOW	
2	0091860		COVER,HOSE,WIRE,W/HINGE 8FT,BREEBLOW	
3	0091859		COVER,HOSE,WIRE,CAP,FREEBLOW	
4	0091832		COVER,HOSE,WIRE,S SHAPE,FREEBLOW	
5	0089636		CLIP,NYLON,KEY HOLE,A/C,WIRE AND HOSE	<i>KEY HOSE, A/C, WIRE & HOSE COVER</i>

Models: **A3FE, A3RE, BBCV
COMFORT AIR AC
DUCTED AND FREEBLOW
KIT, HOSE COVER**

Key	PartNumber	Qty	Description	Comment
-----	------------	-----	-------------	---------



Models: **A3FE, A3RE, BBCV
COMFORT AIR AC
DUCTED AND FREEBLOW
KIT, HOSE COVER**

Key	PartNumber	Qty	Description	Comment
1	0098398		CAP,COVER,A/C HOSE TO WIRE MOLD,77HR	
2	0092112		COVER,HOSE,A/C COMFORT AIRE	
3	0092111		CHANNEL,MTG,HOSE COVER,COMFORT AIRE	
4	0095226		ELBOW,COVER,A/C HOSE,3IN OFFSET	
5	0095357		ELBOW,COVER,A/C HOSE,3IN OFFSET,LH	
6	0095227		ELBOW,COVER,A/C HOSE,60 DEGREE	
7	0098412		CAP,COVER,A/C HOSE TO WIRE MOLD,74HR	
8	0098911		GROMMET,PLASTIC,A/C HOSE THRU FLOOR	
10	0093010		SCREW,HEX HD,NO 8-18 X 1/2 TEKS 2 ZINC	
11	0071609	18	SCREW,TAPPING,10-16 X 3/4,PN HD,BLKZN,	
12	0751883		SEALANT,SILICONE,CLEAR,CARTRIDGE	

Models: **A3FE, A3RE**
COMFORT AIR AC
ENGINE KIT CAT C7

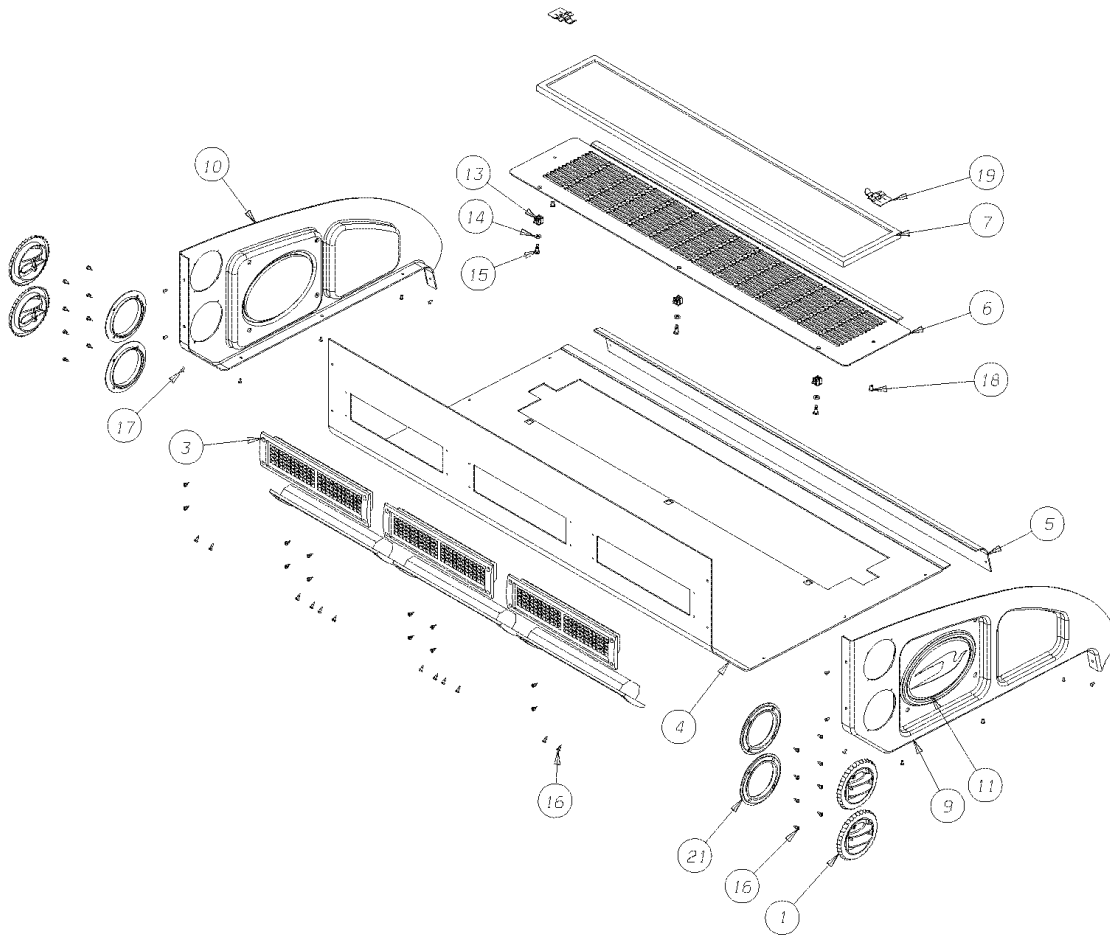
Key	PartNumber	Qty	Description	Comment
	0085171		KIT,ENGINE,TM21 12V,19-7056,CAT C7,	<i>CONSISTS OF THE FOLLOWING</i>
	0095240		KIT,COMPRESSOR,MOUNT,MCC,A3,CAT C7	<i>CONSISTS OF THE FOLLOWING</i>
			CRANKSHAFT PULLEY	
	0095225		BRACKET,MOUNT,COMPRESSOR,RH,MCC,A3	
	0095224		BRACKET,MOUNT,COMPRESSOR,LH,MCC,A3	
	0095232		KIT,BOLT,COMPRESSOR MT,MCC,A3	
	0095131		IDLER,PULLEY,MCC,A3,COMP MT	
	0095233		NUT,BEARING,10M,COMPRESSOR MNT KIT,MCC,	
	0095132		BOLT,ADJUST,MCC,A3,COMPT MT	
	0095234		SPACER,3/4,CONE,COMPRESSOR MT,MCC,A3	
	0095235		SHIM,COMPRESSOR,MOUNT,MCC,A3	
	4325940		BELT,A/C COMPRESSOR Q BUS, DAYCO 17450	
	0095405	2	COMPRESSOR,ASSY,TM-21,V BLT,A3	
	0096021		MANIFOLD,HORIZONTAL,A/C COMPRESSOR,	
	0103598		KIT,SEAL,SHAFT,COMPRESSOR,TM21,MC	

Models: **A3FE, A3RE**
COMFORT AIR AC
ENGINE KIT CAT C7, FLORIDA

Key	PartNumber	Qty	Description	Comment
	0096892		KIT,ENGINE,TM21 12V,19-7148,CAT C7 FLA COMPRESSOR MOUNT KIT CAT C7 19-7149 CRANKSHAFT PULLEY	<i>CONSISTS OF THE FOLLOWING</i>
	0095225		BRACKET,MOUNT,COMPRESSOR,RH,MCC,A3	
	0095224		BRACKET,MOUNT,COMPRESSOR,LH,MCC,A3	
	0095232		KIT,BOLT,COMPRESSOR MT,MCC,A3	
	0095131		IDLER,PULLEY,MCC,A3,COMP MT	
	0095233		NUT,BEARING,10M,COMPRESSOR MNT KIT,MCC,	
	0095132		BOLT,ADJUST,MCC,A3,COMPT MT	
	0095234		SPACER,3/4,CONE,COMPRESSOR MT,MCC,A3	
	0095235		SHIM,COMPRESSOR,MOUNT,MCC,A3	
	4325940		BELT,A/C COMPRESSOR Q BUS, DAYCO 17450	
	0102501	2	COMPRESSOR,12 VOLT,MCC,26-1332 MANIFOLD, HORIZONTAL, A/C COMPRESSOR,	

Models: AEFE, A3RE, BBCV
COMFORT AIR AC
FREEBLOW
COVER, EVAPORATOR KIT, 45K, 74HR
With Features: FEATURE 30006

Key	PartNumber	Qty	Description	Comment
-----	------------	-----	-------------	---------

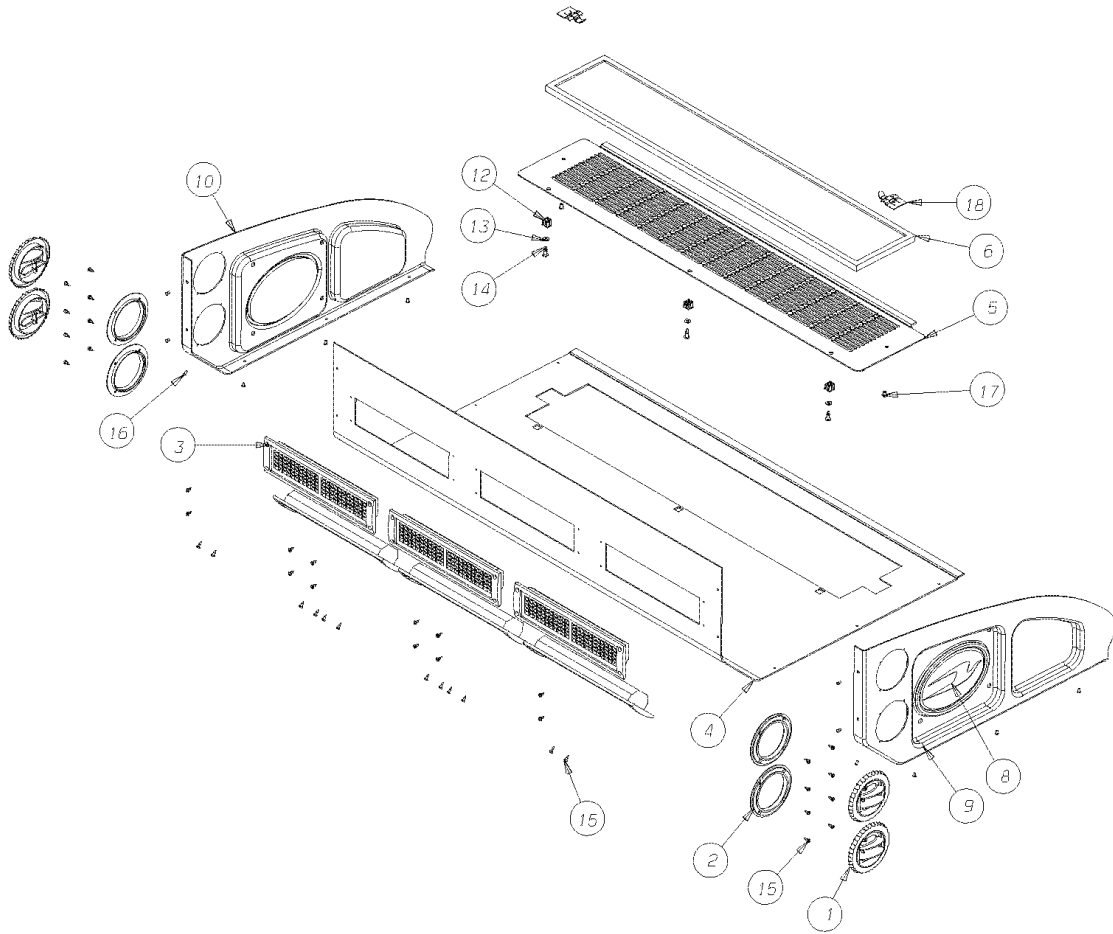


Models: AEFE, A3RE, BBCV
COMFORT AIR AC
FREEBLOW
COVER, EVAPORATOR KIT, 45K, 74HR
With Features: FEATURE 30006

Key	PartNumber	Qty	Description	Comment
	0090087		COVER,EVAPORATOR,45K FREEBLOW	<i>CONSISTS OF THE FOLLOWING</i>
1	0104468		LOUVER,ROUND,EVAPORATOR,23-0005,MCC	
2		2	ADAPTER	
3	0099912	6	LOUVER,VENT,EVAP,DOUBLE,BLACK,MCC	
4			COVER, FRONT	
5			COVER, REAR	
6	0105416		GRILLE,EVAPORATOR,CME,45,24-7764	
7	0105417		FILTER,EVAPORATOR,CME,45,26-1257	
8	0103148		SEAL,BULB,MCC,28-1108	
9	0106783		COVER,RH,END,FREEBLOW,74,28-1005	
10	0106784		COVER,LH,END,FREEBLOW,74,28-1006	
11	0091367	2	DECAL,A/C,FOIL,SYSTEM CAPACITY,COMFORT	
12			INSULATION, 1/4 IN	
13		3	RECEPTACLE	
14		3	RETAINER	
15		3	STUD, OVAL SLOTTED	
16		40	SMALL SCREW, # 6 X 3/8 IN	
17			POP RIVET	
18			POP RIVET	
19		2	SNAP FASTENER	
20		16	M5 X 25 SCREW	
21			INSULATION	

Models: AEFE, A3RE, BBCV
COMFORT AIR AC
FREEBLOW
COVER, EVAPORATOR KIT, 45K, 77HR
With Features: FEATURE 30006

Key	PartNumber	Qty	Description	Comment
-----	------------	-----	-------------	---------

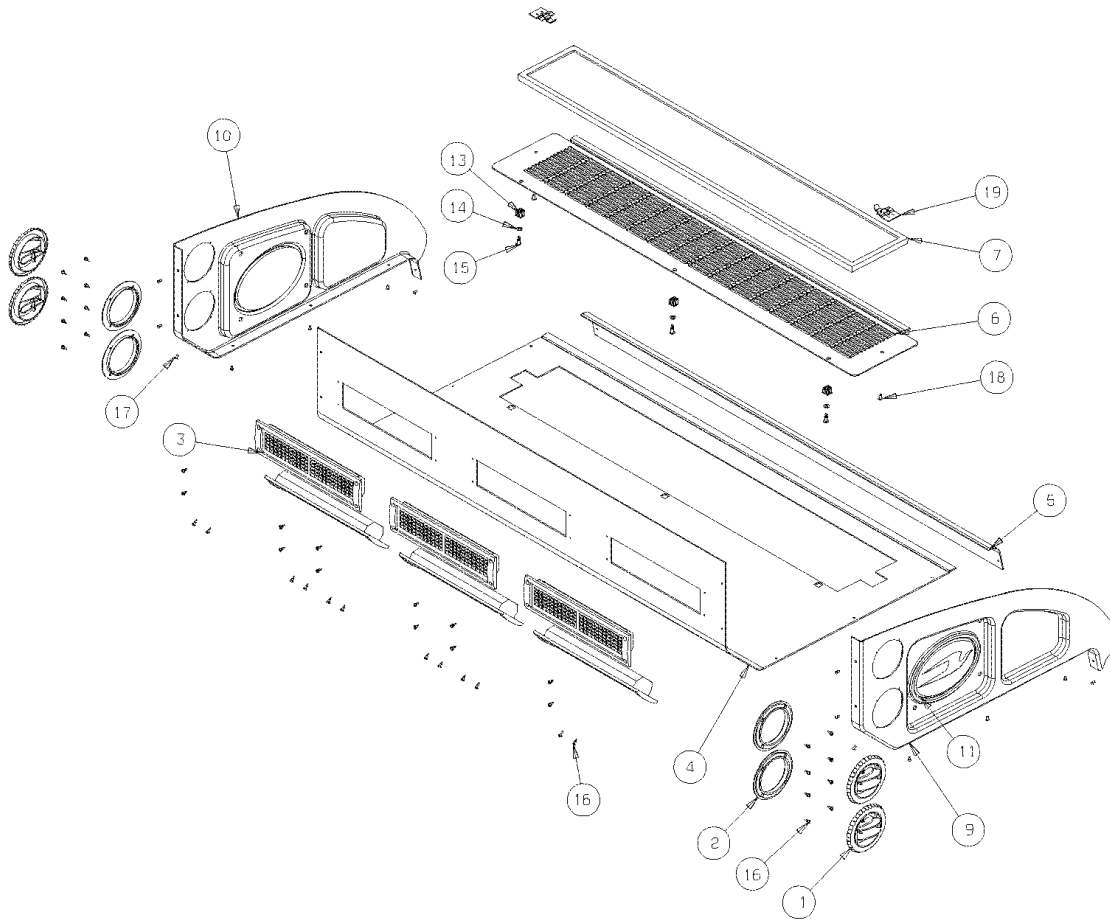


Models: AEFE, A3RE, BBCV
COMFORT AIR AC
FREEBLOW
COVER, EVAPORATOR KIT, 45K, 77HR
With Features: FEATURE 30006

Key	PartNumber	Qty	Description	Comment
	0090091		COVER,EVAPORATOR,45K FREEBLOW	<i>CONSISTS OF THE FOLLOWING</i>
1	0104468		LOUVER,ROUND,EVAPORATOR,23-0005,MCC	
2		2	ADAPTER	
3	0099912	6	LOUVER,VENT,EVAP,DOUBLE,BLACK,MCC	
4			COVER, FRONT	
5	0105416		GRILLE,EVAPORATOR,CME,45,24-7764	
6	0105417		FILTER,EVAPORATOR,CME,45,26-1257	
7	0103148		SEAL,BULB,MCC,28-1108	
8	0091367	2	DECAL,A/C,FOIL,SYSTEM CAPACITY,COMFORT	
9			COVER, END, FB, RIGHT	
10			COVER, END, FB, LEFT	
11			INSULATION, 1/4 IN	
12		3	RECEPTACLE	
13		3	RETAINER	
14		3	STUD, OVAL SLOTTED	
15		40	SMALL SCREW, # 6 X 3/8 IN	
16			POP RIVET	
17			POP RIVET	
18		2	SNAP FASTENER	
19		16	M5 X 25 SCREW	
20			INSULATION	

Models: AEFE, A3RE, BBCV
COMFORT AIR AC
FREEBLOW
COVER, EVAPORATOR KIT, 55K, 74HR
With Features: FEATURE 30006

Key	PartNumber	Qty	Description	Comment
-----	------------	-----	-------------	---------

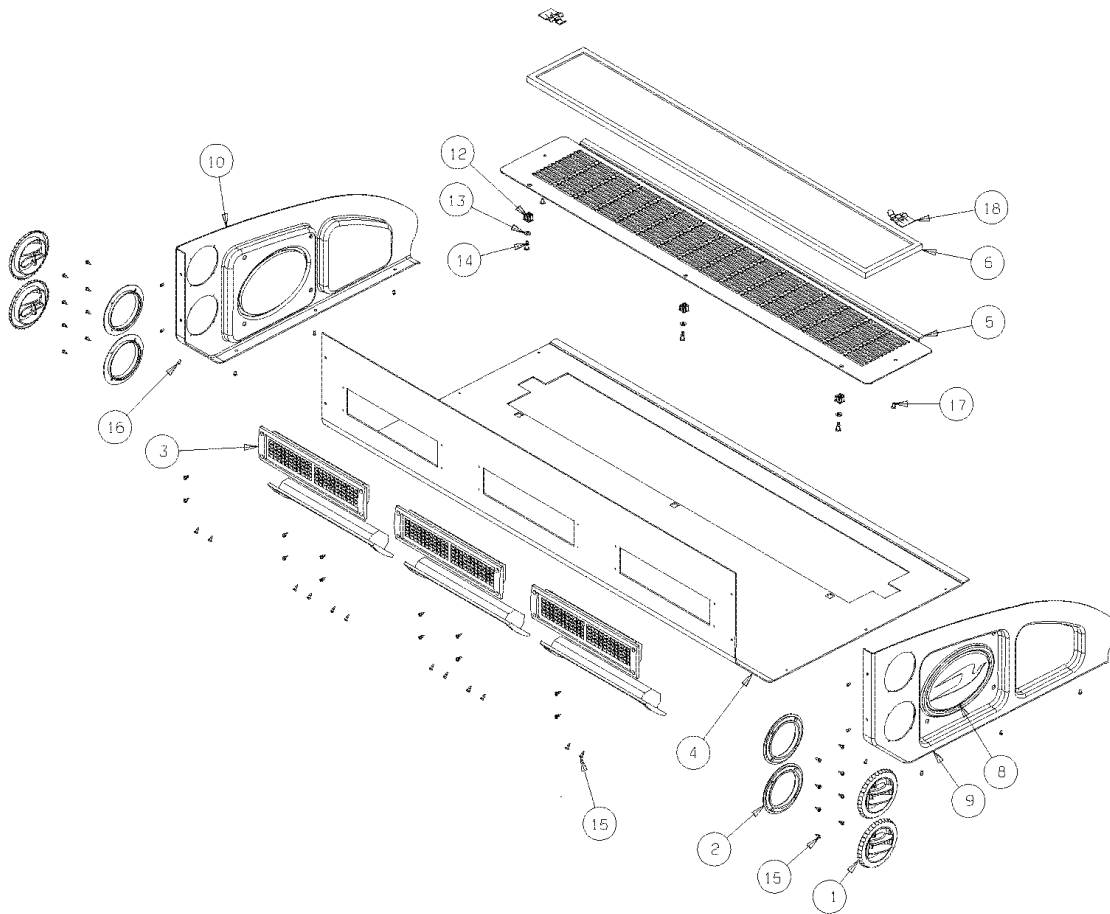


Models: AEFE, A3RE, BBCV
COMFORT AIR AC
FREEBLOW
COVER, EVAPORATOR KIT, 55K, 74HR
With Features: FEATURE 30006

Key	PartNumber	Qty	Description	Comment
	0090086		COVER,EVAPORATOR,55K FREEBLOW	<i>CONSISTS OF THE FOLLOWING</i>
1	0104468		LOUVER,ROUND,EVAPORATOR,23-0005,MCC	
2		2	ADAPTER	
3	0099912	6	LOUVER,VENT,EVAP,DOUBLE,BLACK,MCC	
4			COVER, FRONT	
5			COVER, REAR	
6	0105413		GRILLE,EVAPORATOR,CME 55,24-7763	
7	0105415		FILTER,EVAPORATOR,CME,55,26-1256	
8	0103148		SEAL,BULB,MCC,28-1108	
9	0106783		COVER,RH,END,FREEBLOW,74,28-1005	
10	0106784		COVER,LH,END,FREEBLOW,74,28-1006	
11	0091367	2	DECAL,A/C,FOIL,SYSTEM CAPACITY,COMFORT	
12			INSULATION, 1/4 IN	
13		3	RECEPTACLE	
14		3	RETAINER	
15		3	STUD, OVAL SLOTTED	
16		40	SMALL SCREW, # 6 X 3/8 IN	
17			POP RIVET	
18			POP RIVET	
19		2	SNAP FASTENER	
20		16	M5 X 25 SCREW	
21			INSULATION	
			PART OF KIT 0087572	

Models: AEFE, A3RE, BBCV
COMFORT AIR AC
FREEBLOW
COVER, EVAPORATOR KIT, 55K, 77HR
With Features: FEATURE 30006

Key	PartNumber	Qty	Description	Comment
-----	------------	-----	-------------	---------



Models: AEFE, A3RE, BBCV
COMFORT AIR AC
FREEBLOW
COVER, EVAPORATOR KIT, 55K, 77HR
With Features: FEATURE 30006

Key	PartNumber	Qty	Description	Comment
	0090090		COVER,EVAPORATOR,55K FREEBLOW	<i>CONSISTS OF THE FOLLOWING</i>
1	0104468		LOUVER,ROUND,EVAPORATOR,23-0005,MCC	
2		2	ADAPTER	
3	0099912	6	LOUVER,VENT,EVAP,DOUBLE,BLACK,MCC	
4			COVER, FRONT	
5	0105413		GRILLE,EVAPORATOR,CME 55,24-7763	
6	0105415		FILTER,EVAPORATOR,CME,55,26-1256	
7	0103148		SEAL,BULB,MCC,28-1108	
8	0091367	2	DECAL,A/C,FOIL,SYSTEM CAPACITY,COMFORT	
9			COVER, END, FB, RIGHT	
10			COVER, END, FB, LEFT	
11			INSULATION, 1/4 IN	
12		3	RECEPTACLE	
13		3	RETAINER	
14		3	STUD, OVAL SLOTTED	
15		40	SMALL SCREW, # 6 X 3/8 IN	
16			POP RIVET	
17			POP RIVET	
18		2	SNAP FASTENER	
19		16	M5 X 25 SCREW	
20			INSULATION	

Models: A3FE, A3RE, BBCV
 COMFORT AIR AC
 FREEBLOW
With Features: EVAPORATOR KIT 12V, CME 45
 FEATURE 30006-02 -03 -04 -05

Key	PartNumber	Qty	Description	Comment
	0085185		KIT,EVAPORATOR,12V,19-7044 CME 45, TUBE, CL, PVC 1/2 IN ID, 10FT	CONSISTS OF THE FOLLOWING
	0091919		CLAMP,DRAIN,HOSE,1/2 IN,EVAPORATOR,MCC	
	0096297		VALVE,DRAIN,END,MCC,(KUZOO)	
	0096298		CONNECTOR,DRAIN,1/2 IN,MCC,(KUZOO)	
			REFRIGERANT HOSE ASSY NO 12	
			REFRIGERANT HOSE ASSY NO 12	
			REFRIGERANT HOSE ASSY NO 6	
			REFRIGERANT HOSE ASSY NO 6	
			PIPE INSULATION 1 1/8IN ID 3 FT LONG	
			M8 X 25 HEX HEAD SCREW	ZINC
			M8 WASHER CLEAR ZINC	
			M8 WASHER SPRING LOCK	
	0100862		EVAPORATOR,12 VOLT,ASSY,CME45,FREBLOW,	SEE 0100862 FOR DRAWING
	0092856		KIT,A/C,HOSE SPLICE,#6 QUICK CLICK	CONSISTS OF 1 STRAIGHT SPLICE, 4 CLIPS, 2 CAGES
	0092858		KIT,A/C,HOSE SPLICE,#12 QUICK CLICK	CONSISTS OF 1 STRAIGHT SPLICE, 4 CLIPS, 2 CAGES

Models: A3FE, A3RE, BBCV
 COMFORT AIR AC
 FREEBLOW
With Features: EVAPORATOR KIT 12V, CME 55
 FEATURE 30006-05 -06 -07

Key	PartNumber	Qty	Description	Comment
	0085186		KIT,EVAPORATOR,12V,19-7045 CME 55,	<i>CONSISTS OF THE FOLLOWING</i>
		2	TUBE, CL PVC 1/2 IN ID 10FT LONG	
		6	DRAIN HOSE CLAMP 1/2 IN	
	0096297	2	VALVE,DRAIN,END,MCC,(KUZOO)	
	0096298	2	CONNECTOR,DRAIN,1/2 IN,MCC,(KUZOO)	
			REFRIGERANT HOSE ASSY NO 12	
			REFRIGERANT HOSE ASSY NO 12	
			REFRIGERANT HOSE ASSY NO 6	
			REFRIGERANT HOSE ASSY NO 6	
			PIPE INSULATION 1 1/8 IN ID 3 FT LONG	
			M8 X 25 HEX HEAD SCREW	<i>ZINC</i>
			M8 WASHER CLEAR ZINC	
			M8 WASHER SPRING LOCK	
	0091176		EVAPORATOR,ASSY,12V,CME,55 FREEBLOW,	<i>SEE 0091176 FOR DRAWING</i>
	0092856		KIT,A/C,HOSE SPLICE,#6 QUICK CLICK	<i>CONSISTS OF 1 STRAIGHT SPLICE, 4 CLIPS, 2 CAGES</i>
	0092858		KIT,A/C,HOSE SPLICE,#12 QUICK CLICK	<i>CONSISTS OF 1 STRAIGHT SPLICE, 4 CLIPS, 2 CAGES</i>

Models: AEFE, A3RE, BBCV
COMFORT AIR AC
FREEBLOW
EVAPORATOR KIT, ROOF TOP
With Features: **FEATURE 30006-08**

Key	PartNumber	Qty	Description	Comment
	0087572		KIT,EVAPORATOR,12V,W/ROOFTOP COND, TUBE, CLEAR PVC 1/2 IN ID DRAIN HOSE CLAMP 1/2 IN	<i>CONSISTS OF THE FOLLOWING</i>
	0096297		VALVE,DRAIN,END,MCC,(KUZOO) REFRIGERATION HOSE ASSY NO 6 REFRIGERATION HOSE ASSY NO 12 REFRIGERATION HOSE ASSY NO 6 REFRIGERATION HOSE ASSY NO 12 PIPE INSULATION 1 1/8 ID X 3/8	
	0090086		COVER,EVAPORATOR,55K FREEBLOW	<i>SEE DRAWING 0090086</i>
	0091176		EVAPORATOR,ASSY,12V,CME,55 FREEBLOW,	<i>SEE DRAWING 0091176</i>
	0096298		CONNECTOR,DRAIN,1/2 IN,MCC,(KUZOO) M5 X 25 SCREW REFRIGERATION HSOE ASSY NO 6 REFRIGERATION HOSE ASSY NO 8 REFRIGERATION HOSE ASSY NO 8 REFRIGERATION HOSE ASSY NO 12 M8 X 25 HEX BOLT M8 WASHER M8 LOCK WASHER	

Models: A3RE
COMFORT AIR AC
FREEBLOW
KIT, HARNESS
With Features: FEATURE 30006-04, -07, AND 11

Key	PartNumber	Qty	Description	Comment
			KIT, HARNESS, A/C, MCC, FREEBLOW	<i>CONSIST OF THE FOLLOWING</i>
	0091786		KIT,HARN,A/C,MCC FREEBLOW,3204,19-7115,	
	0091787		KIT,HARN,A/C,MCC FREEBLOW,3408,19-7116,	
	0091788		KIT,HARN,A/C,MCC FREEBLOW,3700,19-7117,	
	0091541		KIT,HARN,A/C,MCC FREEBLOW,3904,19-7102, HARNESS, CONTROL CABLE, EVAP, NO 1 CABLE, EVAP, NO 2 CABLE ASSY, CONDENSOR POWER	
	0092070		CABLE,ASSY,CONDENSER POWER,MCC 25-2093	
	0092071		CABLE,ASSY,CONDENSER POWER,MCC 25-2097	
	0092078		CABLE,ASSY,CONDENSER POWER,MCC 25-2101	
	0092081		CABLE,ASSY,CONDENSER POWER,MCC 25-2028	
	0026853		GROMMET,RUBBER,2.125 I.D. REF 0091531	

Models: A3FE, A3RE, BBCV
 COMFORT AIR AC
 FREEBLOW
With Features: MOUNTING EVAPORATOR KIT
 FEATURE 30006-02 THRU 07

Key	PartNumber	Qty	Description	Comment
	0088314		KIT,FITTING,RF MNT CONDENSER,W/35"FRT	
		2	BRACKET	
		2	BRACKET	

Models: A3FE, A3RE, BBCV
 COMFORT AIR AC
 FREEBLOW
SKIRT MOUNT CONDENSER KIT 12V
With Features: FEATURE 30006-02 THRU 07 FEATURE 30007-01 THRU 06

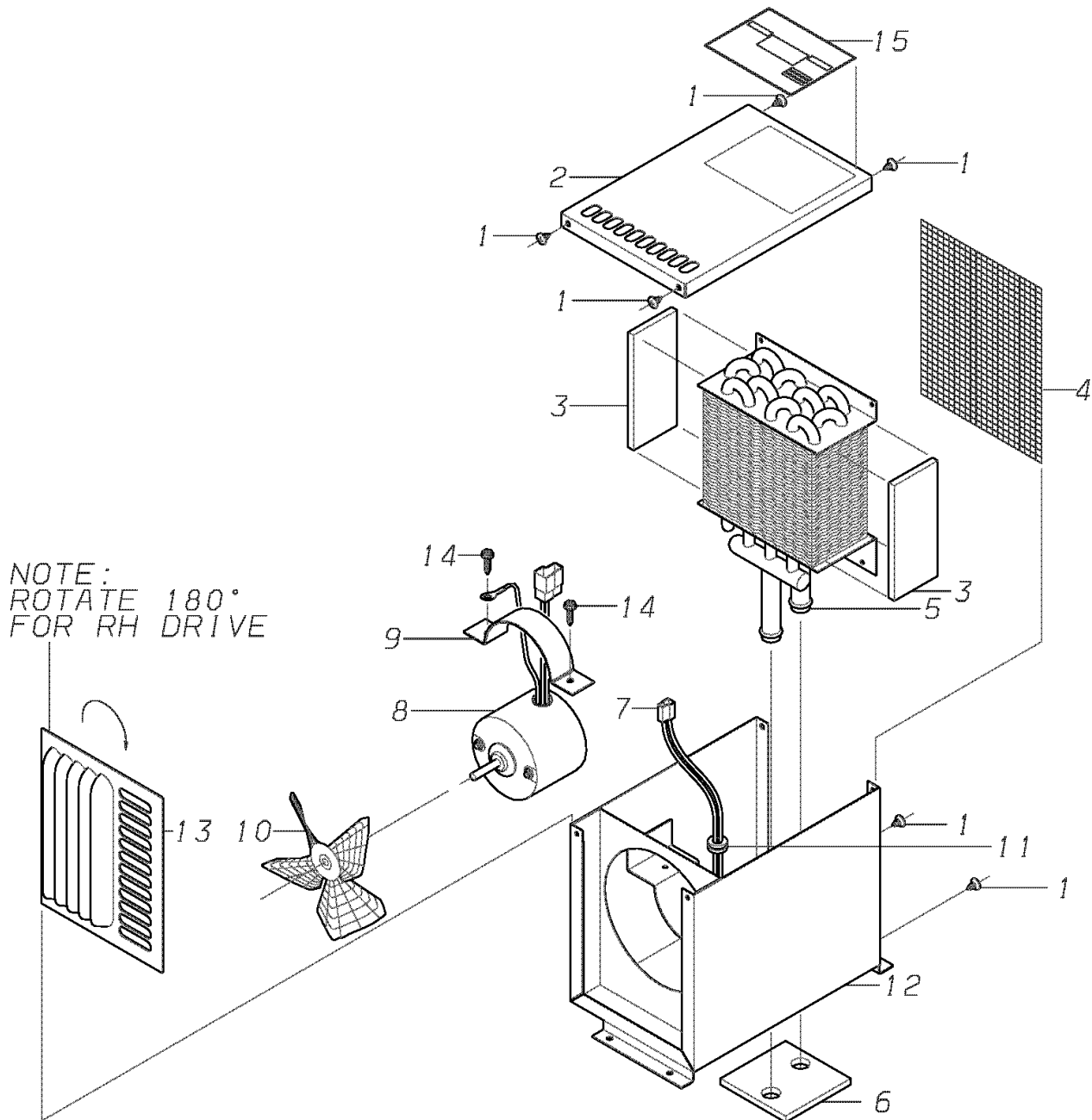
Key	PartNumber	Qty	Description	Comment
	0085183		KIT,CONDENSER,TM21 12V,19-7042	<i>CONSISTS OF FOLLOWING</i>
	0097730		GRILLE,A/C,SKRT MT CONDENSER,MCC	
		14	1/4-20X1 IN SS HEXHEAD CAP SCREW	
		14	WASHER 1/4 IN SS FLAT	
		14	SPRING LOCKWASHER 1/4 IN SS	
	0091182		CONDENSER,12 VOLT,TM21,SKIRT,COMFT AIRE, <i>SEE 0091182 FOR DRAWING</i>	

Models: A3FE, A3RE, C1FE, C3FE, C4RE, CSFE, CSRE, QBRE, TCEV, TCPE, TCRE, TSPE
DRIVER'S HEATER
BSN: From BSN 182348

Key	PartNumber	Qty	Description	Comment
-----	------------	-----	-------------	---------

DR.1/16/95 BY DB		1654482A	
APP.1/16/95 BY AB	FRT		REV

© BLUE BIRD BODY COMPANY. ALL RIGHTS RESERVED

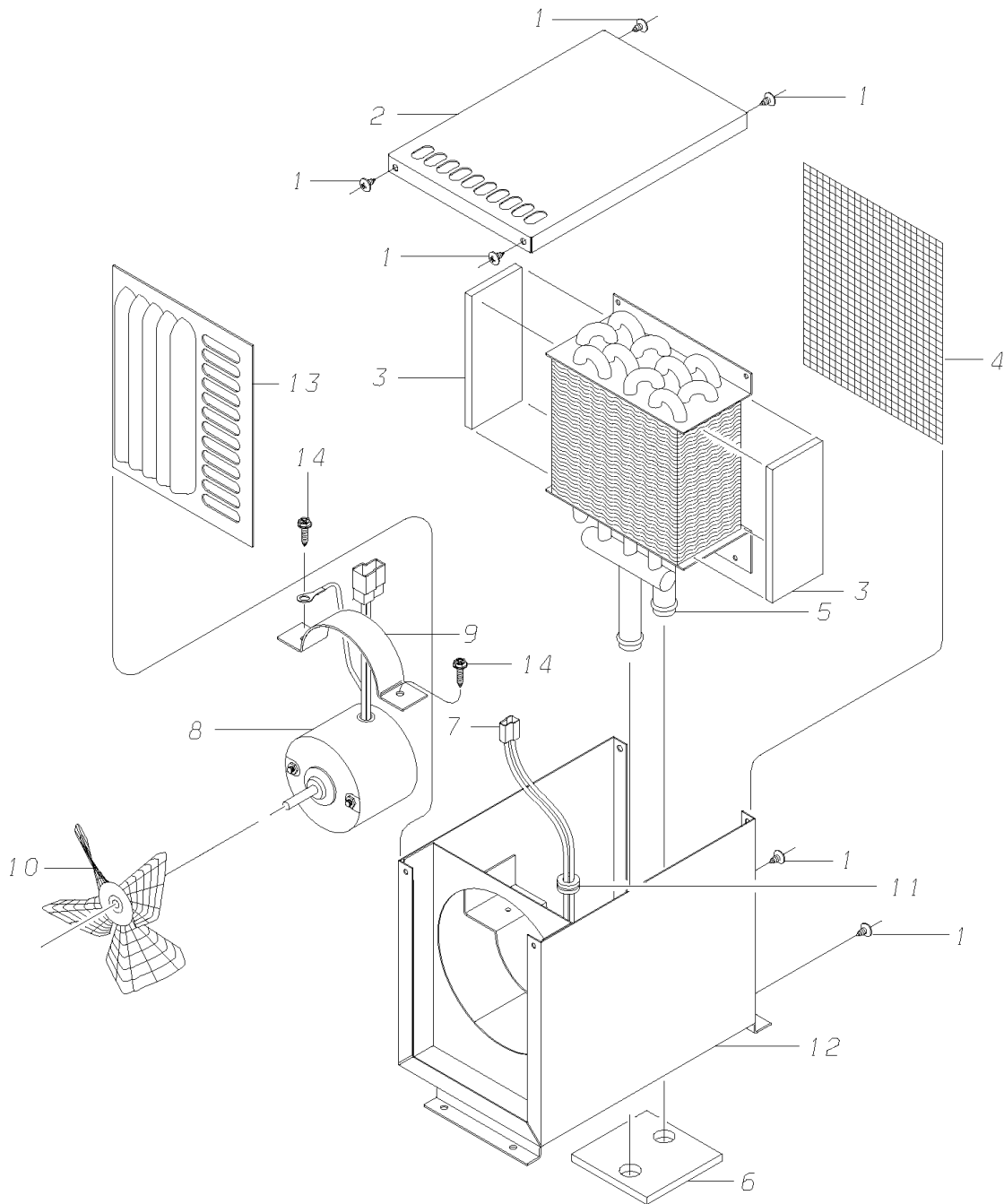


Models: A3FE, A3RE, C1FE, C3FE, C4RE, CSFE, CSRE, QBRE, TCEV, TCPE, TCRE, TSFE
DRIVER'S HEATER
BSN: From BSN 182348

Key	PartNumber	Qty	Description	Comment
1	2186401	6	SCREW,10-16 X 1/2,AB,PH1,PAN HD,YEL ZN	
2	1444025		PANEL,TOP,DRIVERS HEATER, TCFC	
3	1438506	2	SEAL,DRIVERS HEATER COIL,SIDE	
4	1438100		SCREEN,END,DRIVERS HEATER	
5	1438118		COIL,DRIVERS HEATER,2.50 X 5.00 X 7.00	
6	1438175		SEAL,DRIVERS HEATER COIL,TUBES	
7	1656370		HARNASS,WRG,HEATER,DRIVERS,TCFC/RE	
8	1438480		MOTOR ASSY,W/TERMINAL PLUG,DRIVERS	
9	1450717		CLAMP,MOTOR MOUNT,DRIVERS HEATER	
10	1438126		FAN,5.00 IN HEATER,METAL,4 BLADE	
11	2003168		GROMMET,RUBBER	
12	1438191		HOUSING ASSY,DRIVERS HEATER	
13	1443480		PANEL,OUTLET,DRIVERS HEATER,TCFC	
14	1285923	2	SCREW,10-16 X 3/4,AB/B,PH1,HEX HD,	
15	1501535		PLATE,HEATER NAME,12M BTU	

Models: A3RE
DRIVER'S HEATER
With Features: FEATURE 30055-01, 30060-01

Key	PartNumber	Qty	Description	Comment
-----	------------	-----	-------------	---------



Models: A3RE
DRIVER'S HEATER
With Features: FEATURE 30055-01, 30060-01

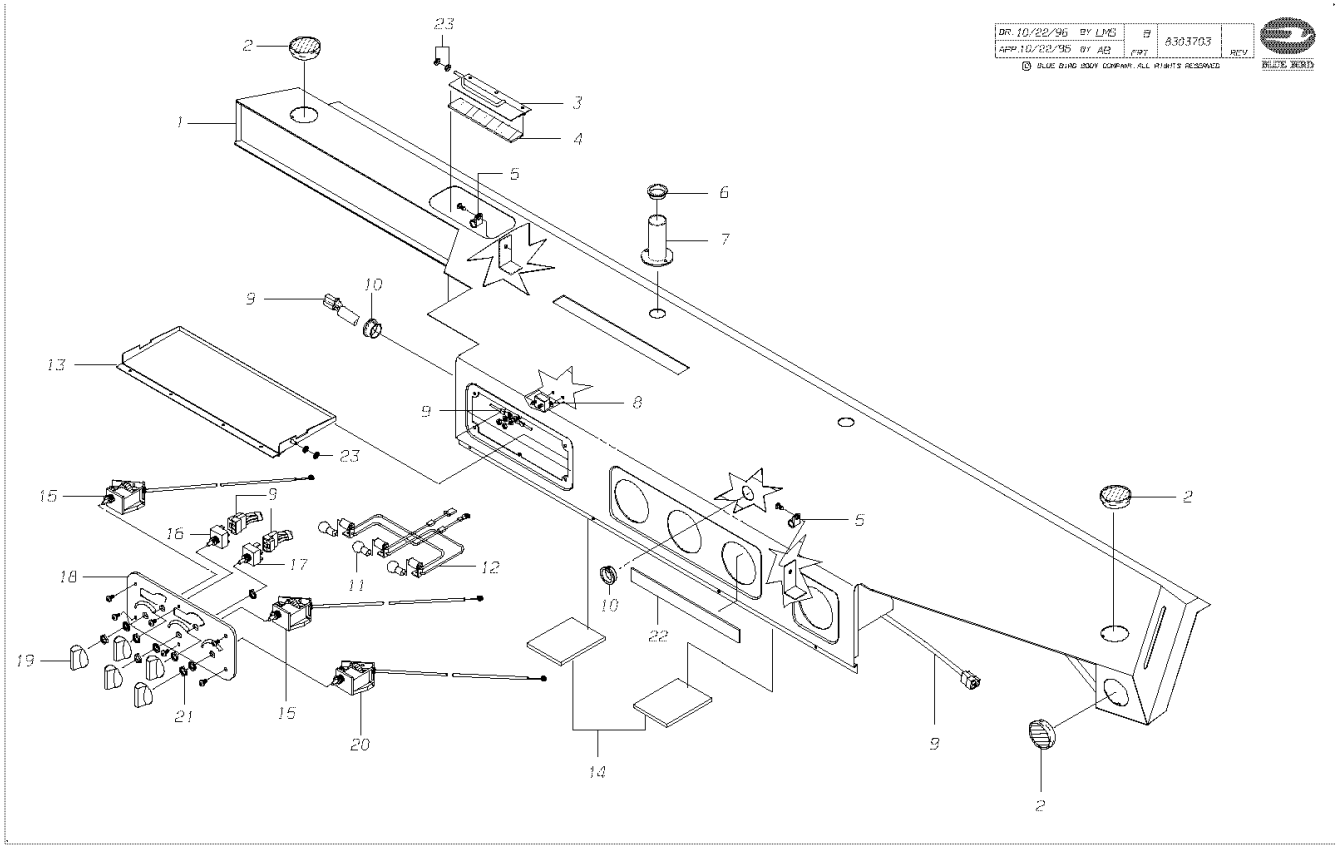
Key	PartNumber	Qty	Description	Comment
NI	1766757		HEATER ASSY,BLUEBIRD,DRIVER'S,RHD,	
1	1143676	6	SCREW,10-16 X 3/4, AB,PH1,PAN HD,BLK ZN,	
2	1444025		PANEL,TOP,DRIVERS HEATER, TCFC	
3	1438506	2	SEAL,DRIVERS HEATER COIL,SIDE	
4	1438100		SCREEN,END,DRIVERS HEATER	
5	1438118		COIL,DRIVERS HEATER,2.50 X 5.00 X 7.00	
6	1438175		SEAL,DRIVERS HEATER COIL,TUBES	
7	1656370		HARNESS,WRG,HEATER,DRIVERS,TCFC/RE	
8	1438480		MOTOR ASSY,W/TERMINAL PLUG,DRIVERS	
9	1450717		CLAMP,MOTOR MOUNT,DRIVERS HEATER	
10	1438126		FAN,5.00 IN HEATER,METAL,4 BLADE	
11	2003168		GROMMET,RUBBER	
12	1438191		HOUSING ASSY,DRIVERS HEATER	
13	1443480		PANEL,OUTLET,DRIVERS HEATER,TCFC	
14	1143676	2	SCREW,10-16 X 3/4, AB,PH1,PAN HD,BLK ZN,	
NI	1501535		PLATE,HEATER NAME,12M BTU	


Models: A3FE, A3RE, C1FE, CSFE, CSRE, TCFE, TCRE, TSFE

**FRONT HEATER
HEATER ASSY
CONTROLS AND SWITCHES**

BSN: From *(BSN 0001263, 0260163, 0022484, 0191751, 0373871)
To BSN B10035319, F10020224, L10032854, M10041329, 10009289

Key	PartNumber	Qty	Description	Comment
-----	------------	-----	-------------	---------



DR. 10/22/96	BY LMS	#	A303703	 <small>BLUE BIRD COMPANY ALL RIGHTS RESERVED</small>
APP. 10/20/95	BY AEB	REV		

Models: A3FE, A3RE, C1FE, CSFE, CSRE, TCFE, TCRE, TSFE

**FRONT HEATER
HEATER ASSY
CONTROLS AND SWITCHES**

BSN: From *(BSN 0001263, 0260163, 0022484, 0191751, 0373871)
To BSN B10035319, F10020224, L10032854, M10041329, 10009289

Key	PartNumber	Qty	Description	Comment
1			WELDMONT-DUCT	
2	8303091		LOUVER, TC HEATER"	
3			WELDMONT- DRIVER DOOR	
4			URETHANE	
5	4316790		CLAMP, CABLE HTR.	
6			BUSHING	
7			BUSHING	
8	8303109		BREAKER, 10-AMP TC HEATER"	
9	8304081		HARNESS, WIRE KYSOR 222858"	
9	8304099		HARNESS, WIRE KYSOR 222860"	<i>WITHOUT DR. SWITCH</i>
10			BUSHING, SNAP	
11	8303117		LAMP, 12V HEATER	
12	8303125		SOCKET, WIRE TC HEATER"	
13			WELDMONT- DOOR HEAT	
14			PAD-NEOPRENE	
15	8303133		CONTROL CABLE ASSY. 42"" TC HEATER"	
16	8303141		SWITCH, 2-SPEED TC HEATER"	
17	4320925		SWITCH,FAN,HEATER,CONV"	
NI	1838499		CONNECTOR,5 CIRC,SWITCH	
18	0007545		PLATE,PLASTIC,FRESH AIR DOOR W/SWITCH	
18	0007546		PLATE,PLASTIC,FRESH AIR DOOR W/O SWITCH	
19	8303158		KNOB, TC HEATER PANEL"	
20	8303166		CONTROL CABLE ASSY. 63"" TC HEATER"	
21	4316774		NUT, SWITCH LH FRT HTR.	
22			FOAM	
23	4316477		NUT, CABLE END	
NI			FOR HEATER ASSY 1913763 AND 0003017	

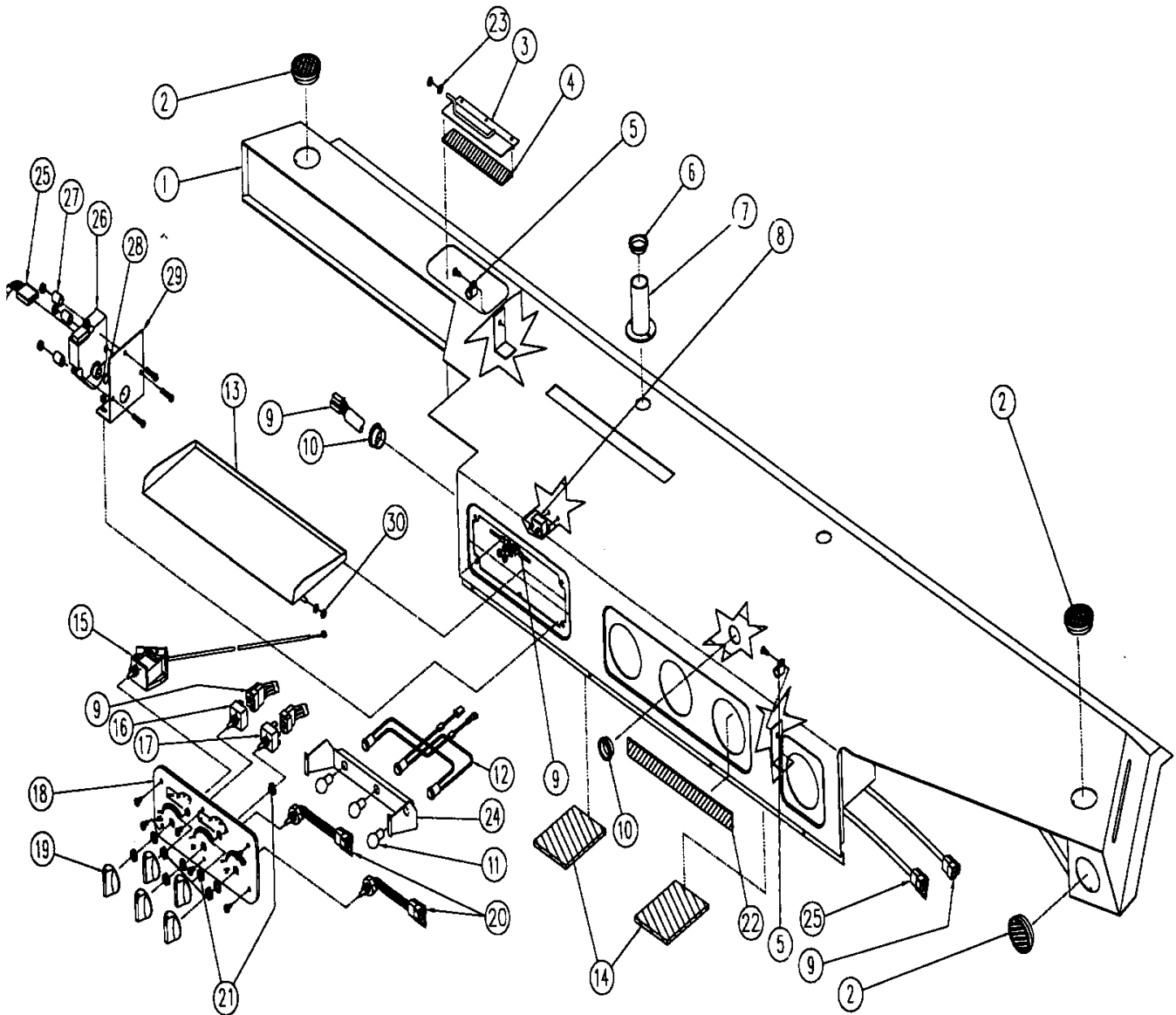
Models: A3FE, A3RE, C1FE, C3FE, CSFE, CSRE, TCFE, TCRE, TSFE

**FRONT HEATER
HEATER ASSY
CONTROLS AND SWITCHES**

BSN: From BSN B10035320, F10020225, L10032855, M10041330, X10009290

Key	PartNumber	Qty	Description	Comment
-----	------------	-----	-------------	---------

1749372



Models: A3FE, A3RE, C1FE, C3FE, CSFE, CSRE, TCFE, TCRE, TSFE

**FRONT HEATER
HEATER ASSY
CONTROLS AND SWITCHES**

BSN: From BSN B10035320, F10020225, L10032855, M10041330, X10009290

Key	PartNumber	Qty	Description	Comment
1			WELDMONT-DUCT	
2	8303091		LOUVER, TC HEATER"	
3			WELDMONT- DRIVER DOOR	
4			URETHANE	
5	4316790		CLAMP, CABLE HTR.	
6			BUSHING	
7			BUSHING	
8	8303109		BREAKER, 10-AMP TC HEATER"	
9	0021266		HARNES, WIRE W/DOOR SWITCH 222989	SEE NOTE AT BOTTOM OF PAGE)
9	0021267		HARNES, WIRE W/O DOOR SWITCH 222988	WITHOUT DR. SWITCH
10			BUSHING, SNAP	
11	8303117		LAMP, 12V HEATER	
12			SOCKET- WIRE	
13			WELDMONT- DOOR HEAT	
14			PAD-NEOPRENE	
15	8303133		CONTROL CABLE ASSY. 42"" TC HEATER"	SEE NOTE AT BOTTOM OF PAGE
16	8303141		SWITCH, 2-SPEED TC HEATER"	SEE NOTE AT BOTTOM OF PAGE
17	4320925		SWITCH,FAN,HEATER,CONV"	SEE NOTE AT BOTTOM OF PAGE
NI	1838499		CONNECTOR,5 CIRC,SWITCH	
18	0021268		PLATE, W/DR SWITCH 360890 KYSOR	SEE NOTE AT BOTTOM OF PAGE)
18	0021269		PLATE W/O DR SWITCH 360891 KYSOR	SEE NOTE AT BOTTOM OF PAGE)
19	8303158		KNOB, TC HEATER PANEL"	SEE NOTE AT BOTTOM OF PAGE
20	0016333		SWITCH ASSY,AIR CONTROL ACTUATOR	SEE NOTE AT BOTTOM OF PAGE
21	4316774		NUT, SWITCH LH FRT HTR.	SEE NOTE AT BOTTOM OF PAGE
22			FOAM	
23	4316477		NUT, CABLE END	
24			BRACKET - LIGHT	
25	0021270		ACTUATOR 274327 KYSOR	
26	0010591		MOTOR ACTUATOR,RED,KYSOR #274327	
27			SPACER	
28			PLUG - (D) - 45 DEG.	
29			BRACKET - MTG.	
30			WASHER - NYLON	


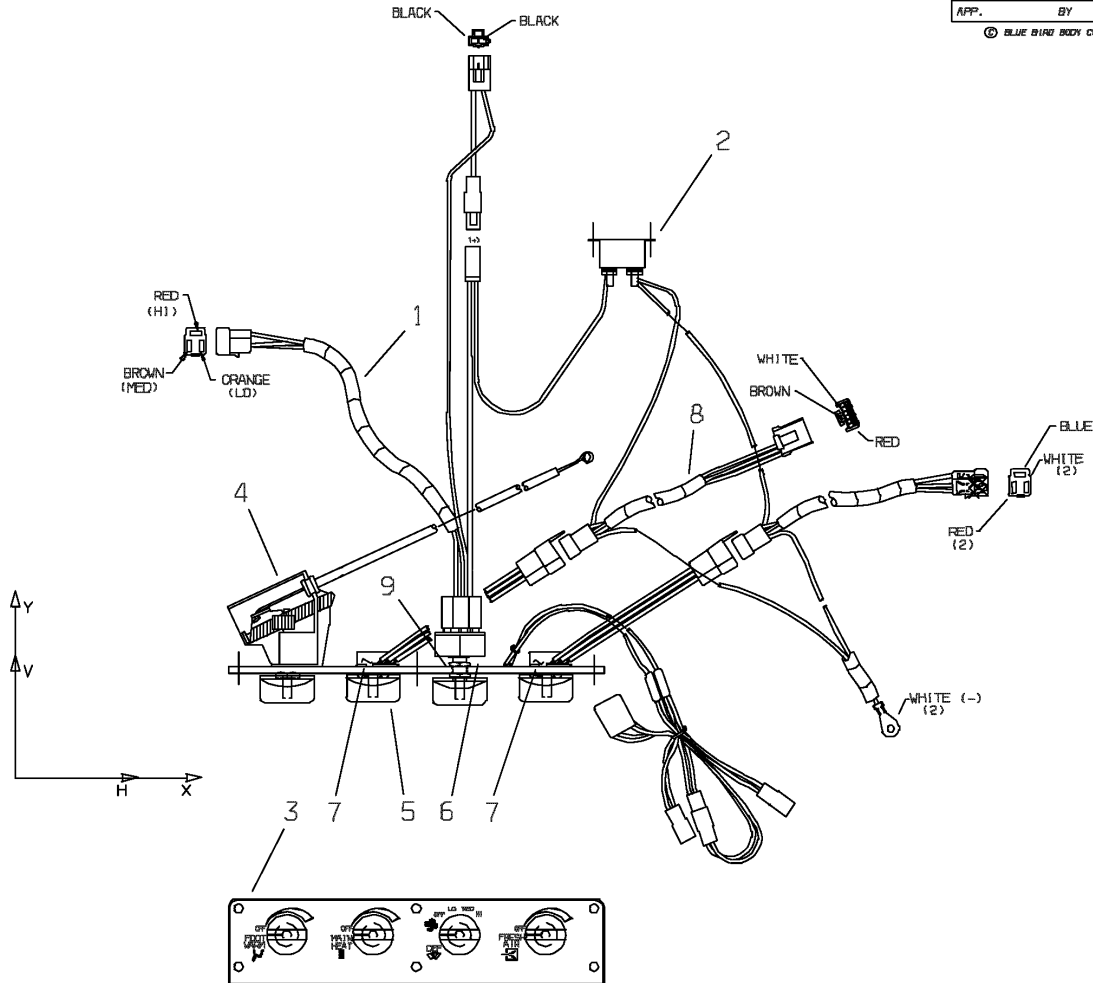
Models: A3FE, A3RE, C1FE, C3FE, CSFE, CSRE, TCFE, TCRE, TSFE
 FRONT HEATER
 HEATER ASSY
 CONTROLS AND SWITCHES
 CONTROL PANEL ASSEMBLY
 BSN: From BSN F10064340, F10035825, F20035860, L10059260, M10074850 1-22

-01

Key	PartNumber	Qty	Description	Comment
-----	------------	-----	-------------	---------

DR. 04-10-01	BY MC	2502631	
APP.	BY	FRT	REV

© BLUE BIRD BODY COMPANY. ALL RIGHTS RESERVED

Models: A3FE, A3RE, C1FE, C3FE, CSFE, CSRE, TCFE, TCRE, TSFE
FRONT HEATER
HEATER ASSY
CONTROLS AND SWITCHES
CONTROL PANEL ASSEMBLY

BSN: From BSN F10064340, F10035825, F20035860, L10059260, M10074850 1-22

-01

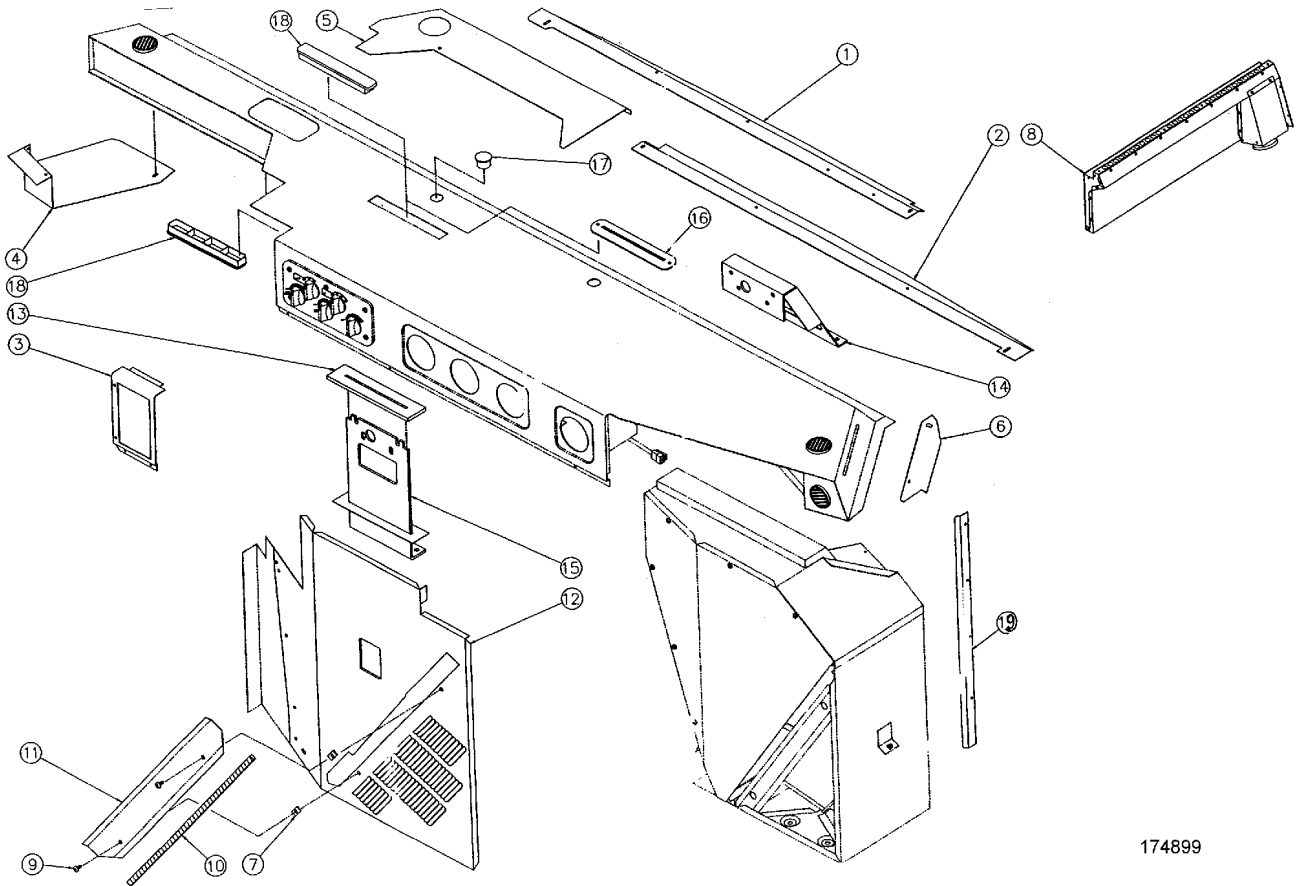
Key	PartNumber	Qty	Description	Comment
	0037588		CONTROL ASSY, TRANSIT 250263	<i>CONSISTS OF THE FOLLOWING</i>
1	0038984		HARNESS,FRT HTR,KYSOR CONTROL PANEL	
2	8303109		BREAKER, 10-AMP TC HEATER"	
3	0038985		PLATE,SWITCH, FRT HTR KYSOR CONTROL	
4	0038986		CONTROL CABLE 42IN, FRT HTR, KYSOR	
5	0031531		KNOB,TEMPERATURE CONTROL,HEATER WATER	
6	0037788		SWITCH, BLOWER, FAN, 4 POSITION, CV	
7	0016333		SWITCH ASSY,AIR CONTROL ACTUATOR	
8	0038989		HARNESS,ACTUATOR KYSOR CONTROL PANEL	
9	4316774		NUT, SWITCH LH FRT HTR.	

Models: A3FE, A3RE, C1FE, CSFE, CSRE, TCFE, TCRE, TSFE

**FRONT HEATER
HEATER ASSY
DASH PANELS AND TRIM**

BSN: From *(BSN 0191751, 0022484, 0373871, 0260163, 0001263)
To BSN B10035319, F10020224, L10032854, M10041329, 10009289

Key	PartNumber	Qty	Description	Comment
-----	------------	-----	-------------	---------



174899

Models: A3FE, A3RE, C1FE, CSFE, CSRE, TCFE, TCRE, TSFE
FRONT HEATER
HEATER ASSY
DASH PANELS AND TRIM

BSN: From *(BSN 0191751, 0022484, 0373871, 0260163, 0001263)
 To BSN B10035319, F10020224, L10032854, M10041329, 10009289

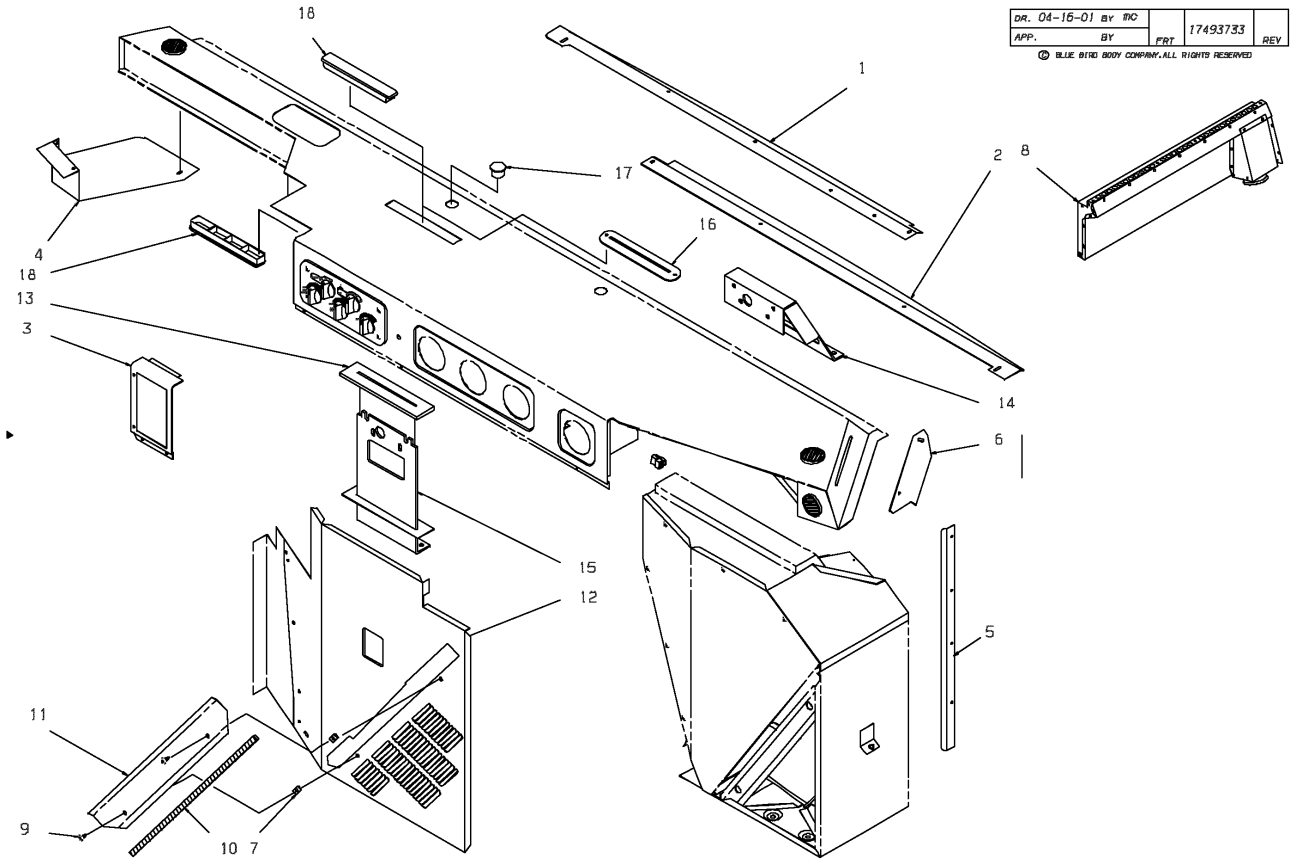
Key	PartNumber	Qty	Description	Comment
1			TRIM, LH BELT	
2			TRIM, RH BELT	
3			PANEL, FRONT DASH	
4			TRIM, LH FRONT	
5			PANEL, DASH	
6			PLATE, COVER RH	
7	0035469		NUT-SPEED, KYSOR 290241, FRT HTR	
8			ASSEMBLY, DUCT SIDE	
9	0035467		FASTENER, KYSOR 290378, FRT HTR	
10	4316550		RUBBER, .25 X .50 HEATER CV KYSOR	
11			COVER, FILTER	
12			PANEL - INTERIOR	
13			SEAL, DOOR	
14			BRKT, FRONT MAN. DOOR	
15			BRKT, WLDT MAN. DOOR	
16			PLATE, COVER	
17	0022751		PLUG,BUTTON,1" OD HOLE 1914134	
18	0022752		PLUG,QB LONG HOLE 1914134	
19	0031090		ANGLE,FRONT CORNER HEATER TC2000	
			KITS AS FOLLOWS	
A	1914142		KIT,DASH & HEATER COVER,CSRE	CONTAINS ITEMS 4,5,6,7,9,10,11,12 TCRE, CSRE
B	1914134		KIT,DUCT CLOSURE FOR PWR DOOR CTRLS	CONTAINS ITEMS 17 & 18
C	1914126		KIT,MANUAL DOOR CONTROL BRACKETS,	CONTAINS ITEMS 13,14,15,16
D	1913862		KIT,DASH & HEATER COVER,TCFE	CONTAINS ITEMS 4,5,6,7,9,10,11,12, TCFE, CSFE, TSFE, C1FE
E	1913847		KIT,TRIM,DASH W/PUSH BUTTON SHIFTER,2CF	CONTAINS ITEMS 1 AND 2
F	1913821		KIT,TRIM,DASH W/STD AUTOMATIC TRANS	CONTAINS ITEMS 1,2, AND 3
G	0006768		KIT, FRONT HEATER COVER, A3	CONTAINS ITEMS 4,5,6,7,9,10,11, & 12
NI			FOR HEATER ASSY 0003017 AND 1913763	

Models: A3FE, A3RE, C1FE, C3FE, CSFE, CSRE, TCFE, TCRE, TSFE

**FRONT HEATER
HEATER ASSY
DASH PANELS AND TRIM**


BSN: From BSN B10035320, F10020225, L10032855, M10041330, X10009290

Key	PartNumber	Qty	Description	Comment
-----	------------	-----	-------------	---------



DR. 04-16-01	BY: JIC	17493733	REV
APP.	BY	PRT	REV

© BLUE BIRD BODY COMPANY, ALL RIGHTS RESERVED



Models: A3FE, A3RE, C1FE, C3FE, CSFE, CSRE, TCFE, TCRE, TSFE

**FRONT HEATER
HEATER ASSY
DASH PANELS AND TRIM**

BSN: From BSN B10035320, F10020225, L10032855, M10041330, X10009290

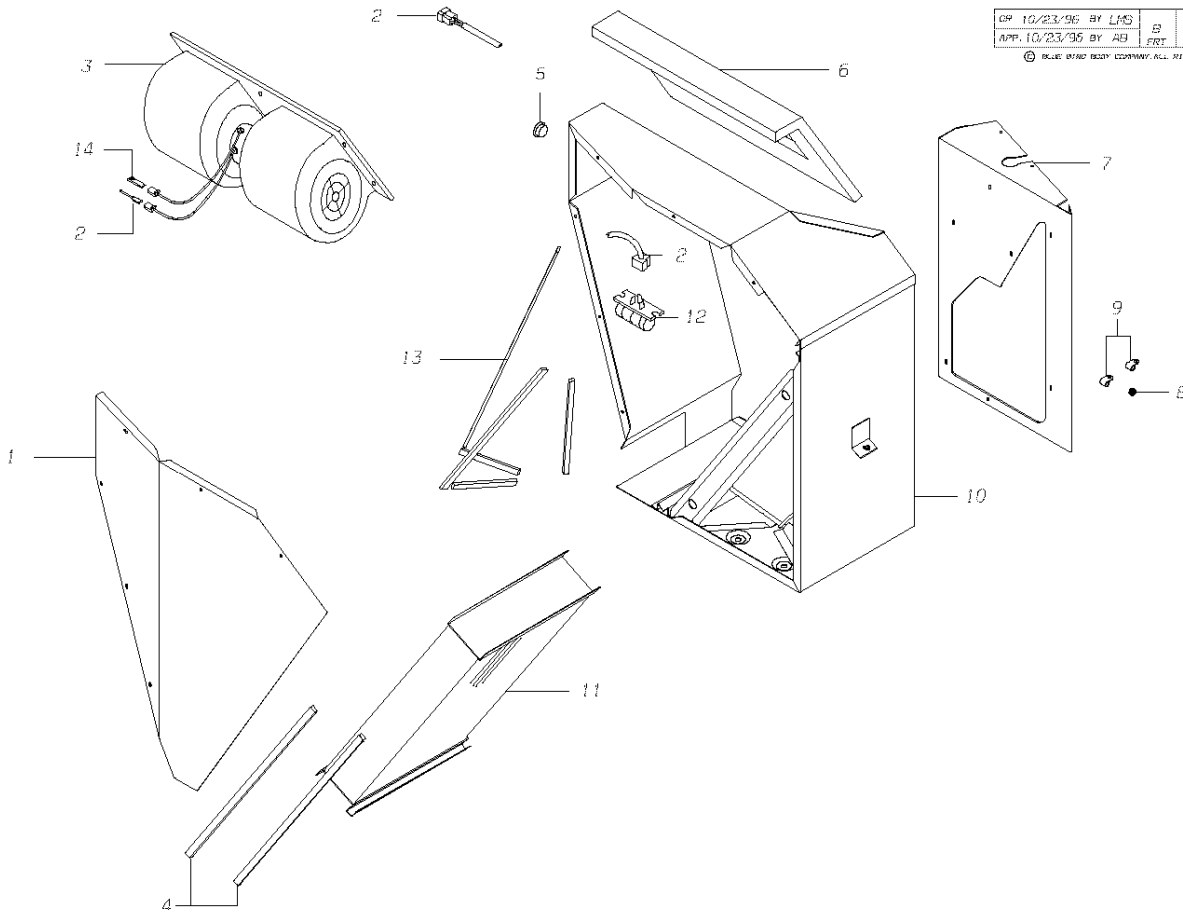
Key	PartNumber	Qty	Description	Comment
1			TRIM, LH BELT	
2			TRIM, RH BELT	
3			PANEL, FRONT DASH	
4	0061998		TRIM,LH,FRONT DASH, PART OF KIT 0015272	FOR PART OF KIT 0015272
5	0031090		ANGLE,FRONT CORNER HEATER TC2000	
6			PLATE, COVER, RH	
7			NUT, SPEED	
8			ASSEMBLY, DUCT SIDE	
9			FASTENER, #12	
10	4316550		RUBBER, .25 X .50 HEATER CV KYSOR	
11			COVER, FILTER	
12	0092319		COVER,WELDMENT,HEATER,TC	
13			SEAL, DOOR	
14			BRKT, FRONT MAN DOOR	
15			BRKT WELDMENT, MAN DOOR	
16			PLATE, COVER	
17	0022751		PLUG,BUTTON,1" OD HOLE 1914134	
18	0022752		PLUG,QB LONG HOLE 1914134	
			KITS AS FOLLOWS	
A	0015273		KIT,DASH & HEATER COVER,A3RE	CONTAINS ITEMS 4,6,7,9,10,11,& 12, A3RE
B	0015274		KIT,DASH & HEATER COVER,A3FE	CONTAINS ITEMS 4,6,7,9,10,11,& 12, A3FE
C	0015269		KIT,DASH & HEATER COVER,TC/CS/A3 RE	CONTAINS ITEMS 4,6,7,9,10,11,& 12, TCRE
D	1914134		KIT,DUCT CLOSURE FOR PWR DOOR CTRLS	CONTAINS ITEMS 17 AND 18
E	1914142		KIT,DASH & HEATER COVER,CSRE	CONTAINS ITEMS 13,14,15,16
F	0015272		KIT,DASH & HEATER COVER,TCFE	CONTAINS ITEMS 4,6,7,9,10,11,12, TCFE
G	1913847		KIT,TRIM,DASH W/PUSH BUTTON SHIFTER,2CF	CONTAINS ITEMS 1 & 2
H	1913821		KIT,TRIM,DASH W/STD AUTOMATIC TRANS	CONTAINS ITEMS 1,2, AND 3
NI			FOR HEATER ASSY 0015281 AND 0015279	

Models: A3FE, A3RE, C1FE, CSFE, CSRE, TCFE, TCRE, TSFE

**FRONT HEATER
HEATER ASSY
PANELS AND BLOWER**

BSN: From *BSN 0001263, 0260163, 0022484, 0191751, 0373871
To BSN B-10035319, F-10020224, L-10032854, M-10041329, X-10009289

Key	PartNumber	Qty	Description	Comment
-----	------------	-----	-------------	---------



GP 10/23/95 BY LMS	REV	0303711	REV
APP: 10/23/95 BY AB	FRY		



© BLUE BIRD BODY COMPANY. ALL RIGHTS RESERVED

Models: A3FE, A3RE, C1FE, CSFE, CSRE, TCFE, TCRE, TSFE

**FRONT HEATER
HEATER ASSY
PANELS AND BLOWER**

BSN: From *BSN 0001263, 0260163, 0022484, 0191751, 0373871
To BSN B-10035319, F-10020224, L-10032854, M-10041329, X-10009289

Key	PartNumber	Qty	Description	Comment
1			PANEL-COVER	
2	8316853		HARNESS,WIRING,TC,HTR."	
3	8303182		BLOWER ASSY. TC HEATER	<i>INCLUDES THE FOLLOWING:</i>
	8313223	8	SPRING CLIP,HEATER BLOWER,KYSOR"	
	0078280		BASE,BLOWER,MOUNTING,FRONT HEATER,	
	0078281		HOUSING,BLOWER,TOP,FRONT HEATER,BERG,	
	0014626	2	GRILLE, END BLOWER ASSY 360870	
	8307365		WHEEL,HTR BLOWER 8303182(PLASTIC)"	
	8307373		MOTOR,12 VOLT,HEATER,FOR 8303182"	
	0013477		MOTOR STRAP	
4	4316550		RUBBER, .25 X .50 HEATER CV KYSOR	
5	4316345		BUSHING, SNAP WIRING HARNESS CV HTR	
6	8303174		GASKET, BLOWER OUTLET	
7	0031091		PANEL, FRONT CLOSEOUT,HEATER	
8	4316477		NUT, CABLE END	
9	4316790		CLAMP, CABLE HTR.	
10	0019167		WELDMENT,CASE TC2000 HEATER FRT.	
11			COIL	
	8303208		COIL, HEATER TC"	
	1987726		COIL,MAIN FRONT HEATER,A3FE	
12	4316295		RESISTOR, 12V 3-SPD. HTR MOTOR"	
13			FELT	
14			TERMINAL WIRE	
NI			FOR HEATER ASSY 0003017 AND 1913763	

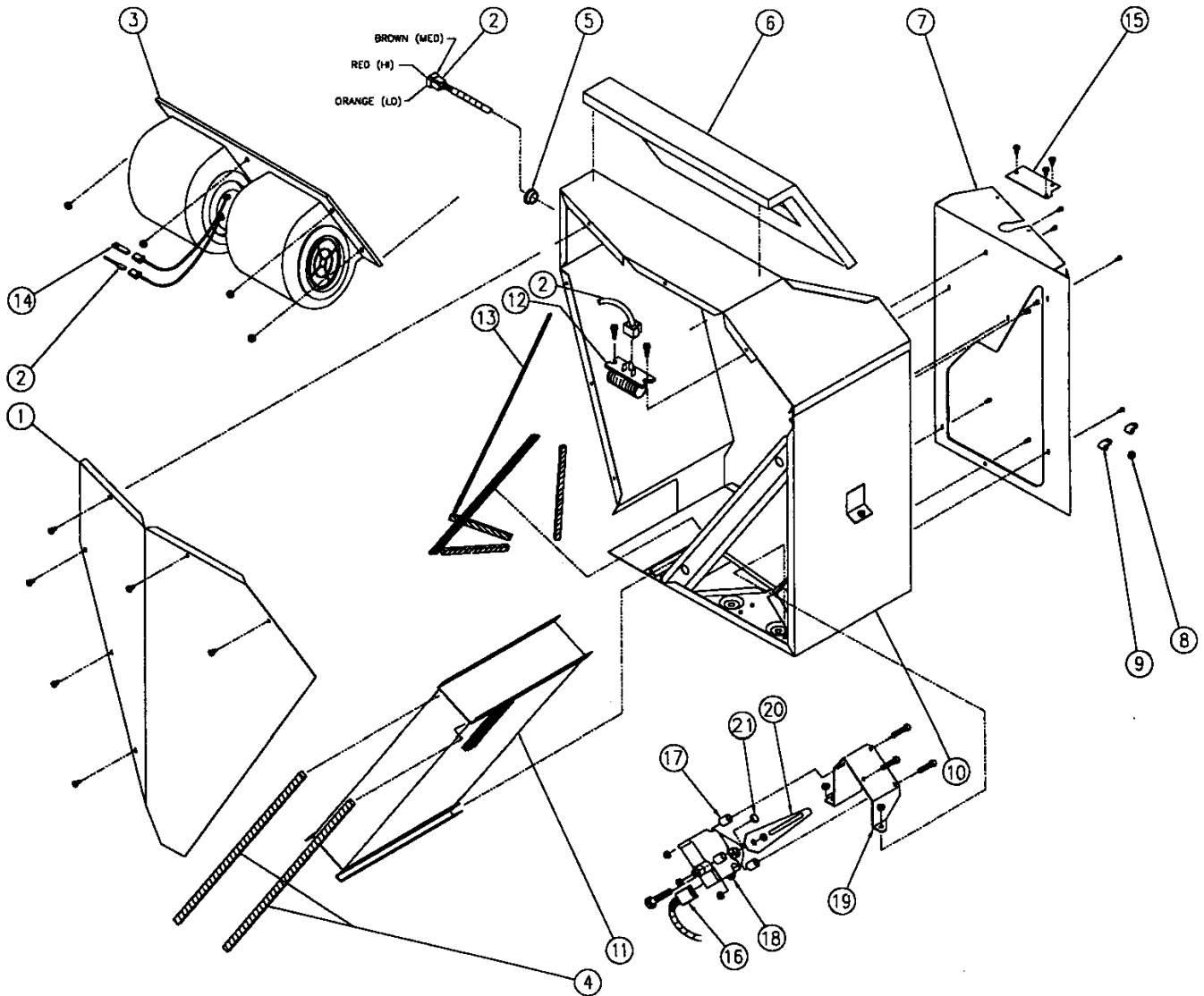
Models: A3FE, A3RE, C1FE, C3FE, CSFE, CSRE, TCFE, TCRE, TSFE

FRONT HEATER
HEATER ASSY
PANELS AND BLOWER

BSN: From BSN B10035320, F10020225, L10032855, M10041330, X10009290

Key	PartNumber	Qty	Description	Comment
-----	------------	-----	-------------	---------

1749371



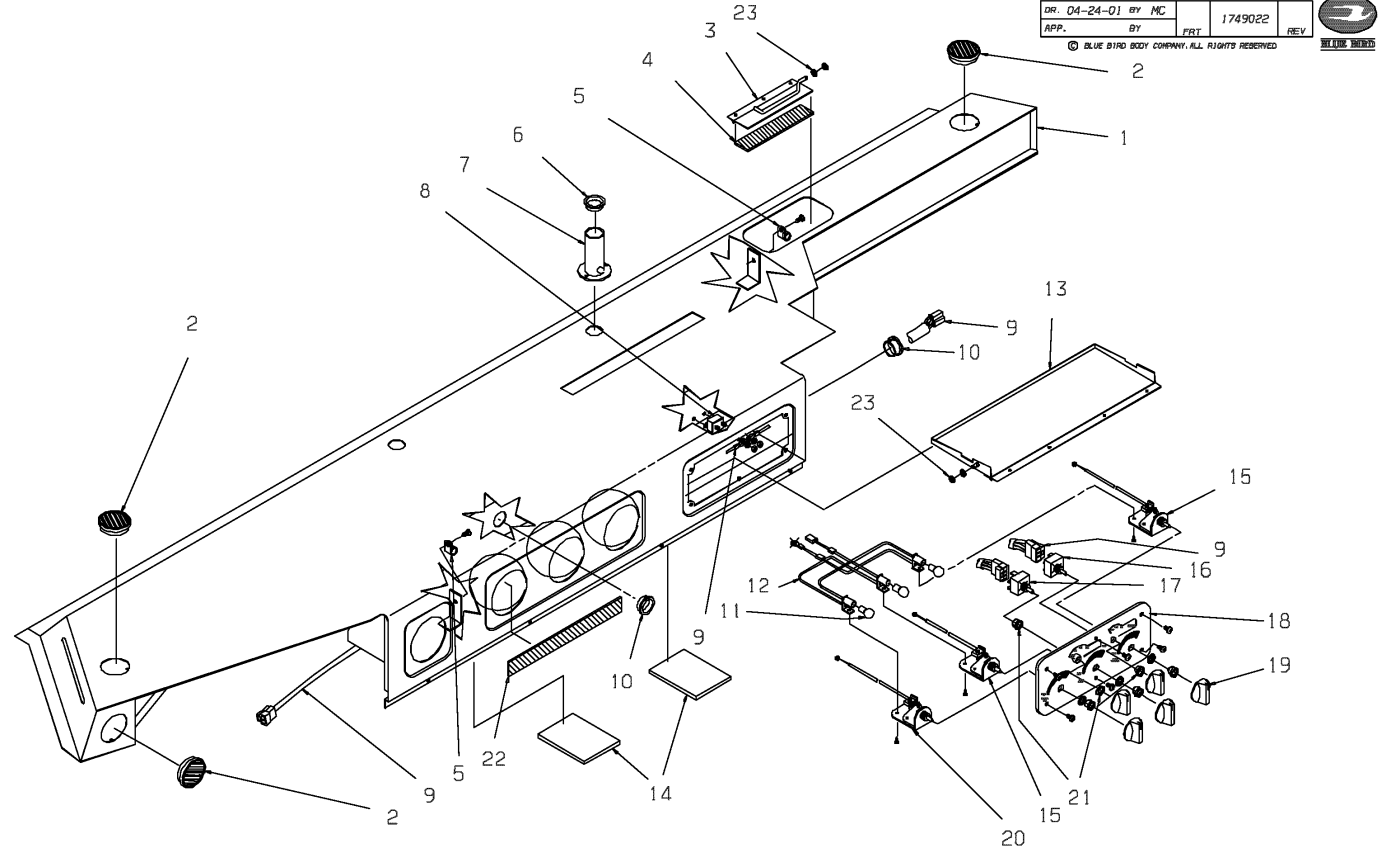
Models: A3FE, A3RE, C1FE, C3FE, CSFE, CSRE, TCFE, TCRE, TSFE
**FRONT HEATER
 HEATER ASSY
 PANELS AND BLOWER**

BSN: From BSN B10035320, F10020225, L10032855, M10041330, X10009290

Key	PartNumber	Qty	Description	Comment
1	0103620		PANEL,COVER,FRONT HEATER,BERG	
2	8316853		HARNESS,WIRING,TC,HTR."	
3	8303182		BLOWER ASSY. TC HEATER	<i>INCLUDES THE FOLLOWING:</i>
	8313223	8	SPRING CLIP,HEATER BLOWER,KYSOR"	
	0078280		BASE,BLOWER,MOUNTING,FRONT HEATER,	
	0078281		HOUSING,BLOWER,TOP,FRONT HEATER,BERG,	
	0014626	2	GRILLE, END BLOWER ASSY 360870	
	8307365		WHEEL,HTR BLOWER 8303182(PLASTIC)"	
	8307373		MOTOR,12 VOLT,HEATER,FOR 8303182"	
	0013477		MOTOR STRAP	
4			URETHANE	
5			BUSHING-SNAP	
6	8303174		GASKET, BLOWER OUTLET	
7	0046298		PANEL,FRT.CLOSEOUT,KYSOR	
8	4316477		NUT, CABLE END	
9	4316790		CLAMP, CABLE HTR.	
10	0038740		WELDMENT BLOWER COVER FRT HTR	
11	8303208		COIL, HEATER TC"	
11	0006766		COIL,HEATER,A3	
12	4316295		RESISTOR, 12V 3-SPD. HTR MOTOR"	
13			FELT	
14			TERMINAL WIRE	
15			PLATE - WIRE	
16			HARNESS - WIRE ACTUATOR	
17			SPACER - .44	
18	0010591		MOTOR ACTUATOR,RED,KYSOR #274327	
19	0021264		BRACKET, MTG, 518317 KYSOR	
20	0021265		LEVER, PIVOT, 518321 KYSOR	
21			PLUG - (D) 45 IN.	
NI			FOR HEATER ASSY 0015281 AND 0015279	

Models: A3RE
FRONT HEATER
HEATER ASSY
RH DRIVE - UK
CONTROLS AND SWITCHES

Key	PartNumber	Qty	Description	Comment
-----	------------	-----	-------------	---------



DR. 04-24-01	BY MC	1749022	REV.
APP.	BY	PRT	REV.

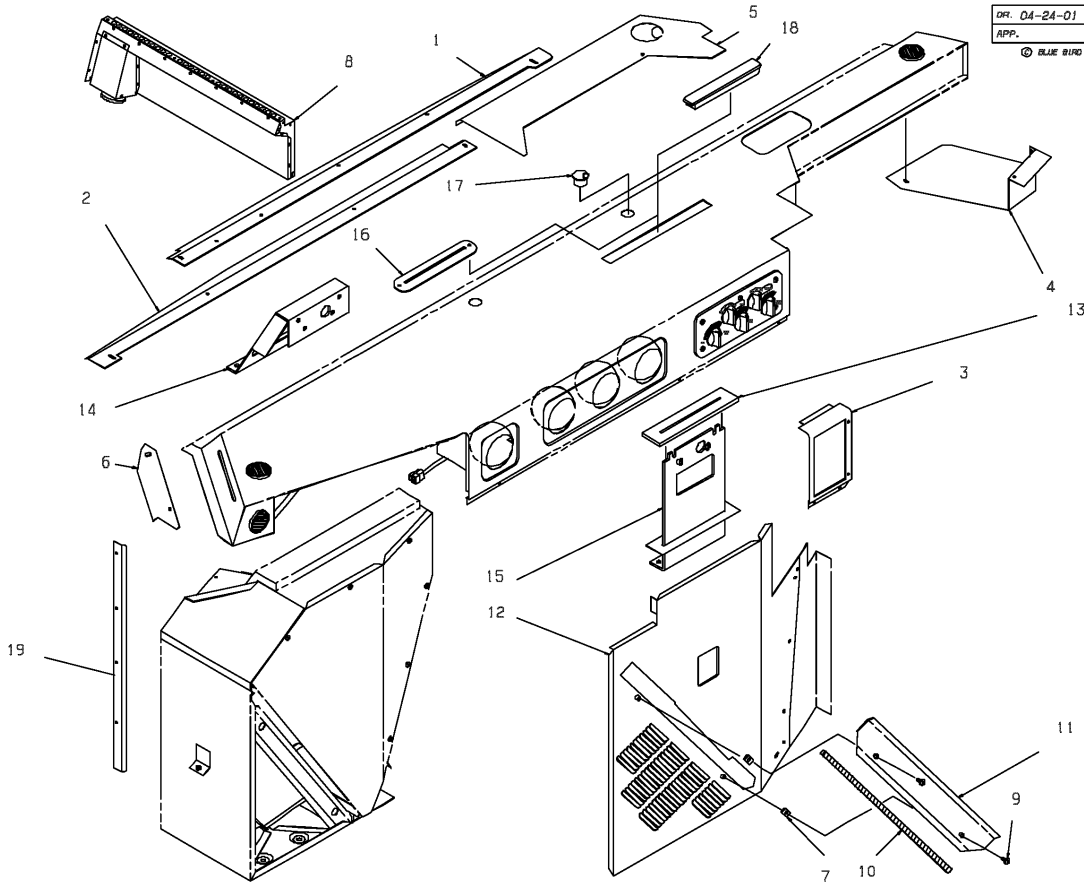
© BLUE BIRD BODY COMPANY. ALL RIGHTS RESERVED.

Models: **A3RE**
FRONT HEATER
HEATER ASSY
RH DRIVE - UK
CONTROLS AND SWITCHES

Key	PartNumber	Qty	Description	Comment
1			WELDMENT, DUCT	
2	8303091	3	LOUVER, TC HEATER"	
3			WELDMENT, DRIVER DOOR	
4		1	URETHANE, .12 X 1.12	
5	4316790	2	CLAMP, CABLE HTR.	
6			BUSHING, 1.0 SNAP	
7			BUSHING, WIRE	
10	4316345	2	BUSHING, SNAP WIRING HARNESS CV HTR	
11	8303117	3	LAMP, 12V HEATER	
12	8303125		SOCKET, WIRE TC HEATER"	
13			WELDMENT, DOOR HEAT	
14		1	PAD, NEOPRENE	
22		1	FOAM, SPG, .12 X 1.0	
23	4316477	4	NUT, CABLE END	
			THE FOLLOWING ITEMS ARE PART OF 0037588	
8			REFER TO DRAWING 2502631	
9			REFER TO DRAWING 2502631	
15			REFER TO DRAWING 2502631	
16			REFER TO DRAWING 2502631	
17			REFER TO DRAWING 2502631	
18			REFER TO DRAWING 2502631	
19			REFER TO DRAWING 2502631	
20			REFER TO DRAWING 2502631	
21			REFER TO DRAWING 2502631	
			FOR HEATER ASSY 0015280	


Models: A3RE
FRONT HEATER
HEATER ASSY
RH DRIVE - UK
DASH PANELS AND TRIM

Key	PartNumber	Qty	Description	Comment
-----	------------	-----	-------------	---------



DR. 04-24-01	BY MC	1749023	REV
APP.	BY	FRT	REV

© BLUE BIRD BODY COMPANY. ALL RIGHTS RESERVED

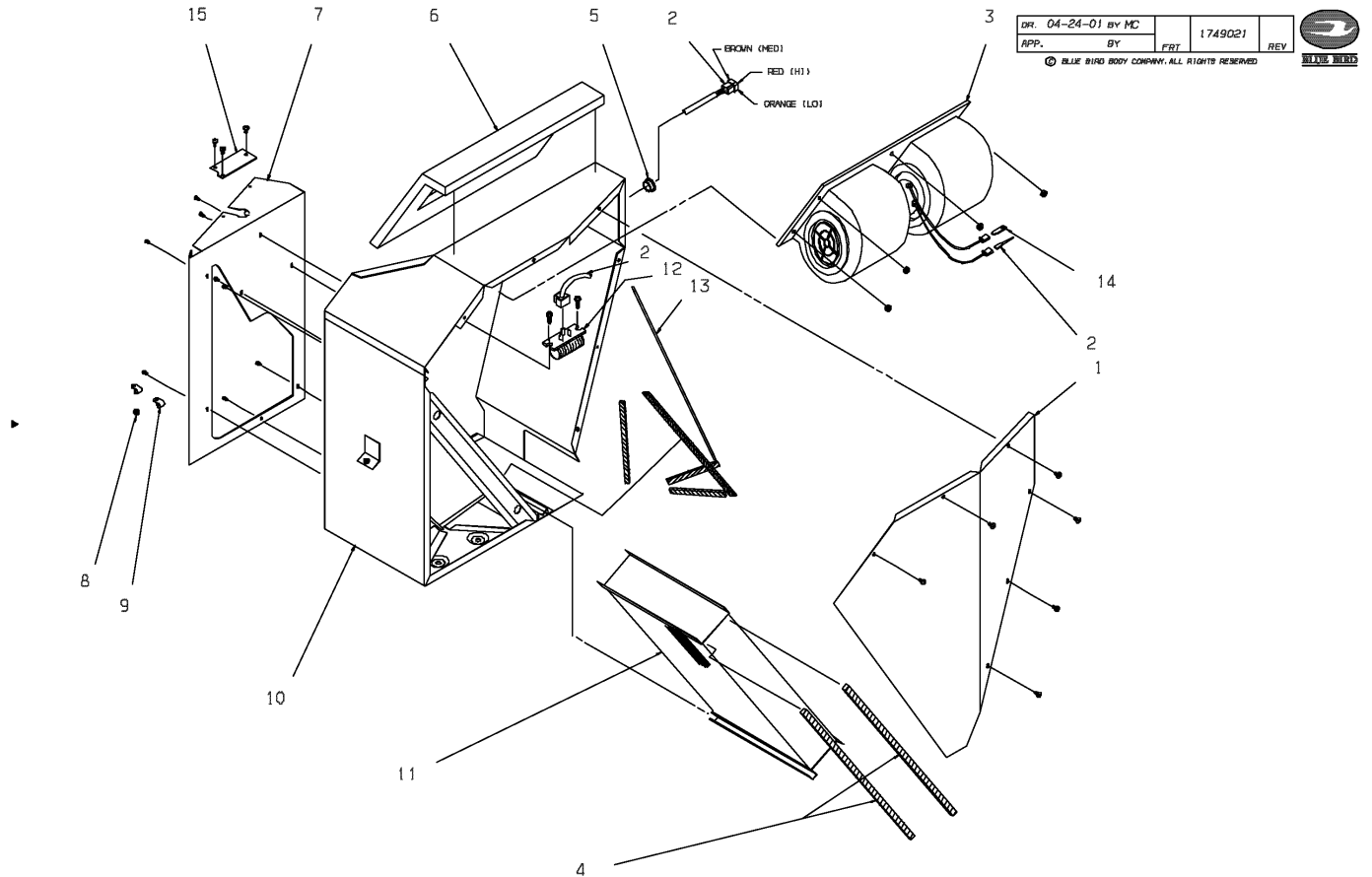


Models: **A3RE**
FRONT HEATER
HEATER ASSY
RH DRIVE - UK
DASH PANELS AND TRIM

Key	PartNumber	Qty	Description	Comment
1			TRIM, BELT, LH	
2			TRIM, BELT, RH	
3			PANEL, DASH, FRONT	
4			TRIM, FRONT, LH	
5			TRIM, RH	
6			TRIM, LH	
7	0035469	2	NUT-SPEED, KYSOR 290241, FRT HTR	
8			ASSEMBLY, DUCT SIDE SLID WIND STD.	
9	0035467	2	FASTENER, KYSOR 290378, FRT HTR	
10	4316550	2	RUBBER, .25 X .50 HEATER CV KYSOR	
11			COVER, FILTER	
12			PANEL, INTERIOR	
12			PANEL, INTERIOR	
13			SEAL, DOOR BRKT., MANUAL DOOR	
14			FRONT	
15			WLDT.	
16			PLATE, COVER	
17	0022751		PLUG,BUTTON,1" OD HOLE 1914134	
18	0022752		PLUG,QB LONG HOLE 1914134	
19	0031090		ANGLE,FRONT CORNER HEATER TC2000 KITS AS FOLLOWS	
A	1914159		KIT,DASH & HEATER COVER,RH DRIVE, CSRE	CONTAINS ITEMS: 4, 5, 6, 7, 9, 10, 11, 12
B	1914134		KIT,DUCT CLOSURE FOR PWR DOOR CTRLS	CONTAINS ITEMS 17 & 18
C	1914126		KIT,MANUAL DOOR CONTROL BRACKETS,	CONTAINS ITEMS 13, 14, 15, 16
D			KIT - DASH COVERS CONTAINS THE	CONTAINS ITEMS 4,5,6,9,12,11,12
E	1913854		KIT,TRIM,DASH,W/P BUT SHFT RH DRV,	CONTAINS ITEMS 1 AND 2
F	1913839		KIT,TRIM,DASH W/STD A/TRANS RH DRV, FOR HEATER ASSY 0015280	CONTAINS ITEMS 1,2 & 3

Models: **A3RE
FRONT HEATER
HEATER ASSY
RH DRIVE - UK
PANELS AND BLOWER**

Key	PartNumber	Qty	Description	Comment
-----	------------	-----	-------------	---------

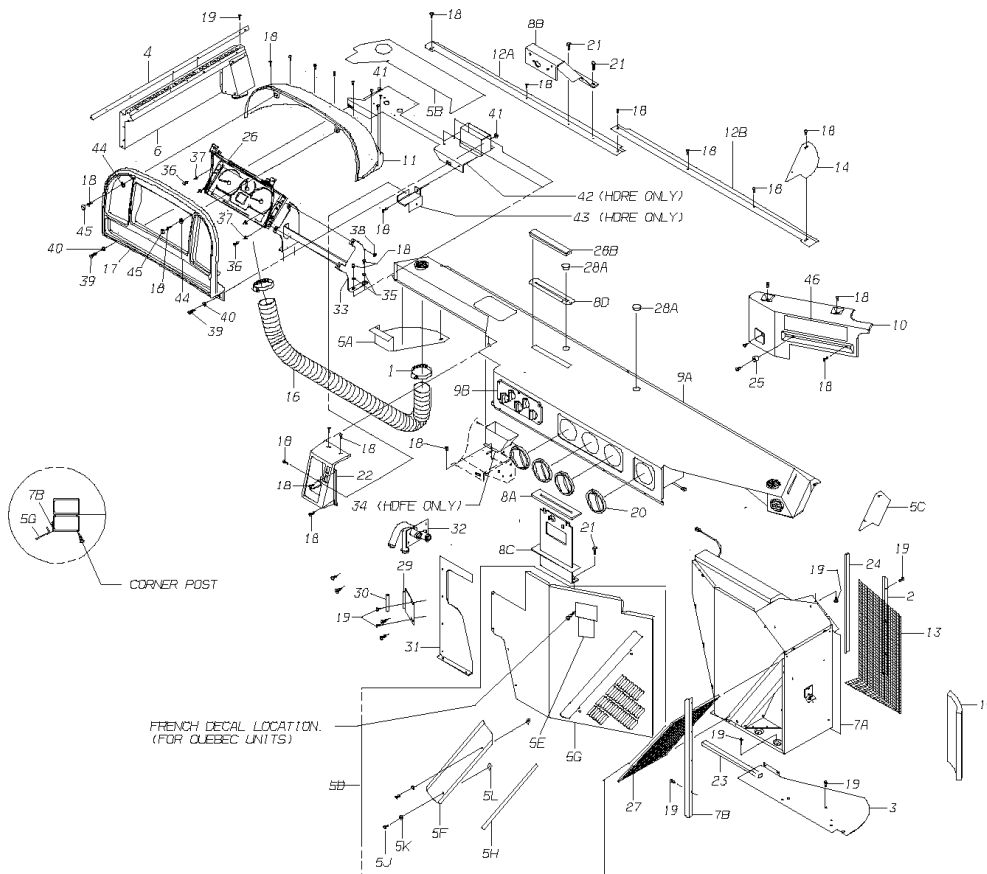


Models: **A3RE**
FRONT HEATER
HEATER ASSY
RH DRIVE - UK
PANELS AND BLOWER

Key	PartNumber	Qty	Description	Comment
1			PANEL, COVER	
2	8316853		HARNESS,WIRING,TC,HTR."	
3	8303182		BLOWER ASSY. TC HEATER	<i>CONSIST OF THE FOLLOWING</i>
	8313223	8	SPRING CLIP,HEATER BLOWER,KYSOR"	
	0078280		BASE,BLOWER,MOUNTING,FRONT HEATER,	
	0078281		HOUSING,BLOWER,TOP,FRONT HEATER,BERG,	
	0014626	2	GRILLE, END BLOWER ASSY 360870	
	8307365		WHEEL,HTR BLOWER 8303182(PLASTIC)"	
	8307373		MOTOR,12 VOLT,HEATER,FOR 8303182"	
	0013477		MOTOR STRAP	
4	4316550	3	RUBBER, .25 X .50 HEATER CV KYSOR	
5	4316345		BUSHING, SNAP WIRING HARNESS CV HTR	
6	8303174		GASKET, BLOWER OUTLET	
7			PANEL, FRONT CLOSEOUT	
8	4316477		NUT, CABLE END	
9	4316790	2	CLAMP, CABLE HTR.	
10			WELDMENT CASE	
11	8303208		COIL, HEATER TC"	
12	4316295		RESISTOR, 12V 3-SPD. HTR MOTOR"	
13		4	FELT, .12 X .38	
14	4287090		PISTON ASSY,CLUTCH SLAVE CYLINDER FOR HEATER ASSY 0015280	

Models: A3FE, A3RE
FRONT HEATER
HEATER INSTALLATION
To BSN F10020224

Key	PartNumber	Qty	Description	Comment
-----	------------	-----	-------------	---------



Models: **A3FE, A3RE**
FRONT HEATER
HEATER INSTALLATION
To BSN F10020224

Key	PartNumber	Qty	Description	Comment
1	1572304		CLAMP,HOSE,SIZE 36,UNLINED,2.75	
2	1532910		ANGLE,SCREEN RET,HTR AIR INTAKE	
3	1988773		PANEL,CLOSEOUT,HEATER TO COWL,DRFL	
4	1532761		ANGLE,AIR DEFLECTOR DRV WDO DEFR	
6	1494178		DUCT ASSY,DRIVERS WINDOW DEFROSTER	
	1513316		DUCT ASSY,DRIVERS WDO,DEFROSTER,TSW	
7	0003017		HEATER ASSY,PURCHASED IN ASSEMBLY,, A3FE	<i>INCLUDES ITEMS 7A & 7B</i>
7A			HEATER ASSY.	
7B	0031090		ANGLE,FRONT CORNER HEATER TC2000	
8	1914126		KIT,MANUAL DOOR CONTROL BRACKETS,	<i>INCLUDES ITEMS 8A, 8B, 8C, 8D</i>
8A			SEAL, DOOR	
8B			BRACKET, FRONT	
8C			BRACKET, REAR	
8D			PLATE, COVER	
9	1913789		DUCT ASSY,STD PURCHASED IN ASSEMBLY,	<i>INCLUDES ITEMS 9A & 9B</i>
9A			DUCT ASSY.	
9B			CONTROL ASSY.	
9	1913805		DUCT ASSY,W/O DRV HTR,PUR IN ASSY,	<i>INCLUDES ITEMS 9A & 9B</i>
9A			DUCT ASSY.	
9B			CONTROL ASSY.	
10	1914316		COVER,DASH,RH REAR,TCFE/RE	
11	0013375		COVER,FRONT,INSTRUMENT HOUSING,AA	
12	1913847		KIT,TRIM,DASH W/PUSH BUTTON SHIFTER,2CF	<i>INCLUDES ITEMS 12A & 12B</i>
12			TRIM, LH BELT BAR	
12			TRIM, RH BELT BAR	
13	1532902		SCREEN,HTR AIR INTAKE,TCFC/RE	
14	1925759		TRIM,RH FRONT CORNER OF DASH,TCFE/RE	
15	1532936		INSULATION & SEAL,RH COWL	
16	1508381		HOSE,FLEXIBLE,DUCT,2.50X28.00	
17	0013391		HOUSING,INSTRUMENT,AA	
18	1143676	31	SCREW,10-16 X 3/4, AB,PH1,PAN HD,BLK ZN,	
19	1589522	30	SCREW,10-16 X 3/4,AB,PH1,PAN HD,YEL ZN	
20	0530253	4	DIFFUSER,AIR,BLACK,MB	

Models: A3FE, A3RE
FRONT HEATER
HEATER INSTALLATION
To BSN F10020224

Key	PartNumber	Qty	Description	Comment
21	2000198	4	SCREW,5/16-18 X 1,D,HEX HD,YEL ZN DICH	
22	0013383		BEZEL,SHIFTER,KEYPAD,AA	KEYPAD
	0009159		BEZEL,TRANSMISSION SHIFTER,MANUAL	
23	0830059		TAPE,FOAM,1/2X3/4,CLSD CELL NEOPRENE ADH	
24	0758292		TAPE,FOAM,PCV,3/16 X 3/8 WIDTH,W/ADH	
25	1486919		BUMPER,RUBBER RECESS,.469 X .719 DIA	
26	1935931		CLUSTER,INSTR,BB-1,BK,ENGLISH,AIR BRK	
	1935956		CLUSTER,INSTR,BB-1,BK,METRIC,AIR BRK	
27	1922384		FILTER,MAIN HTR,10 X 21.06 X.43 FRM	
28	1914134		KIT,DUCT CLOSURE FOR PWR DOOR CTRLS	INCLUDES ITEMS 28A &28B
28	0022751		PLUG,BUTTON,1" OD HOLE 1914134	
28	0022752		PLUG,QB LONG HOLE 1914134	
29	0000059		BRACKET,HEATER PANEL TO DUCT	
30	2004547	25	TRIM,INSTRUMENT HOOD,VINYL EDGE,BLACK	
31	0005256		PANEL,HEATER TO ENGINE HOOD, HDFE	
32			CONNECTOR ASSY., HEATER PPG, CAT	
32	0003021		CONNECTOR ASSY,HTR PPG,CAT,FIREWALL,	ENDING WITH BSN F10012979, L10020744
	0010842		CONNECTOR ASSY,HTR PPG,CAT/ISC,F/WALL,	BEGIN WITH BSN F10012980, L10020745
			CONNECTOR ASSY., HEATER PPD, ISB/ISC	
	1948074		CONNECTOR ASSY,HTR PPG,ISB/ISC F/WALL,	ENDING WITH BSN F10012979, L10020744
	0010841		CONNECTOR ASSY,HTR PPG,ISB FIREWALL,,	BEGIN WITH BSN F10012980, L10020745
33	0019612		BRACKET ASSY,MTG,VDO CLUSTER	
34			DUCT, DRIVERS FOOTWARMER	
	1988740		DUCT,DRIVERS FOOTWARMER	ENDING WITH BSN F10014699, L10023425. 5-23-99
	0011217		DUCT,DRIVERS FOOTWARMER, A3FE	BEGIN WITH BSN F10014700, L10023425. 5-24-99
35	2001105	4	WASHER,FLAT,13/64 X,1/2 X 3/64,YEL ZN DICH	
36	1221399	4	SCREW,10-32 X 3/4,PH,TRUSS,YEL ZN DICH	
37	2001162	4	LOCKWASHER,SPLIT RING, 3/16,MED,YEL ZN	
38	2001287	4	NUT,HEX HD,10-32,YEL ZN DICH	
39	2000057	2	CAPSCREW,HEX HD,1/4-20 X 1,GR 5,YEL ZN	
40	1247709	2	WASHER,FLAT,17/64 ID X,5/8,YEL ZN DICH	

Models: A3FE, A3RE
FRONT HEATER
HEATER INSTALLATION
To BSN F10020224

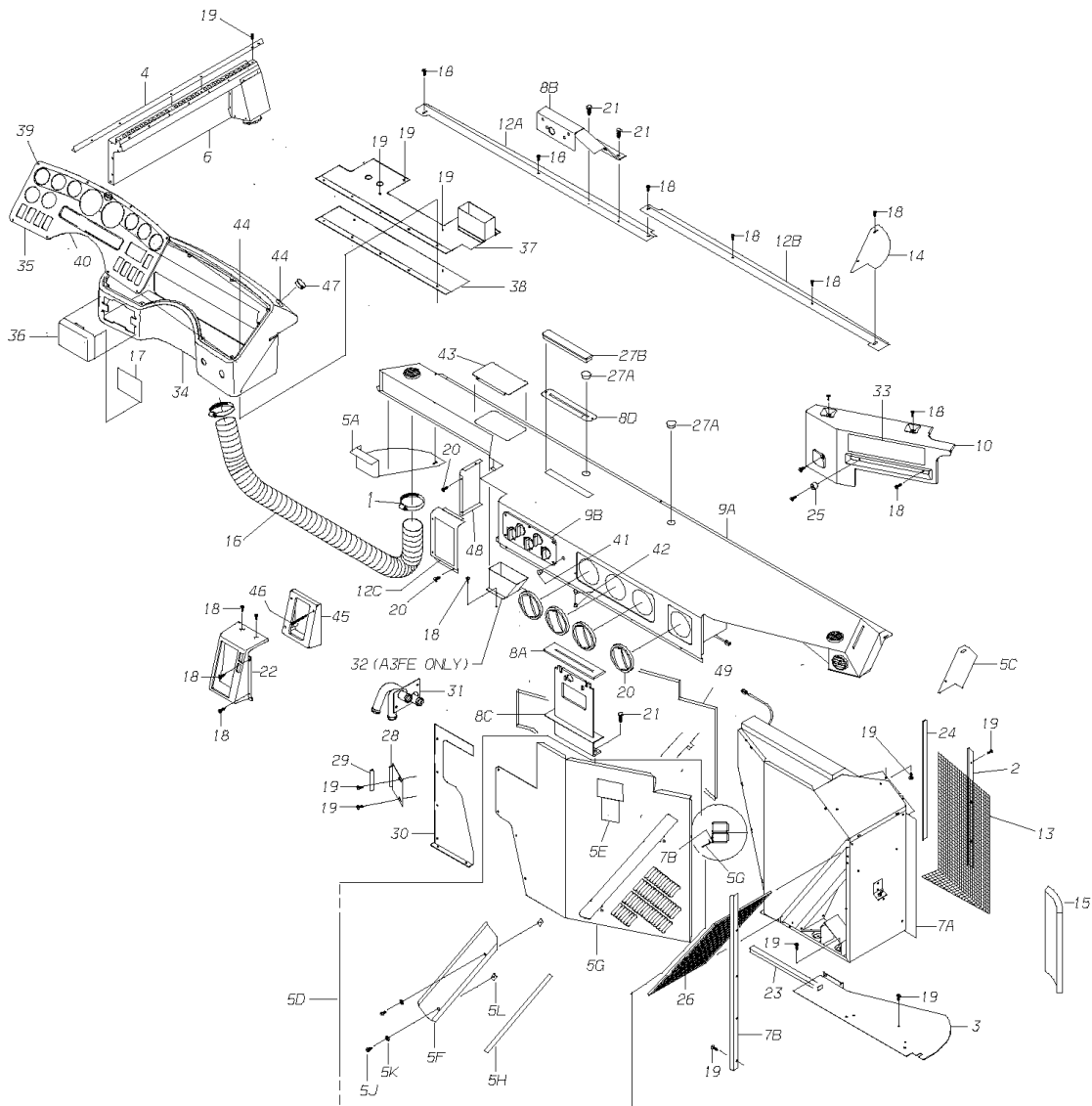
Key	PartNumber	Qty	Description	Comment
41	0659979	2	NUT,HEX,FLANGE SER,1/4-20,BLACK ZINC	
42	0011486		PANEL ASSY,MTG,INSTR PNL COVER, DRRE	
43	0016485		BRACKET,MOUNTING,SHIFTER COVER, DRRE	
44	3775863	2	WASHER,COUNTERSUNK,12/12,WL	
45	2144038	2	COVER,SCREWHEAD,BLACK,NO 12/12	
46			NAMEPLATE, DASH	
	0000100		NAMEPLATE,DASH,ALL AMERICAN	
	0000101		NAMEPLATE,DASH,CANADIAN	
			A3FE	
5	0003018		KIT,DASH & HEATER COVER,, A3FE	<i>INCLUDES ITEMS 5A THRU 5L</i>
5A			TRIM, LH FRONT	
5B			TRIM, LH	
5C			TRIM, RH	
5D			COVER ASSY.	
5E			TAG	
5F			COVER, FILTER	
5G			PANEL INTERIOR	
5H	4316550	2F	RUBBER, .25 X .50 HEATER CV KYSOR	
5J	0035467	2	FASTENER, KYSOR 290378, FRT HTR	
5K	0035468	2	RETAINER, KYSOR 290343, FRT HTR	
5L	0035469	2	NUT-SPEED, KYSOR 290241, FRT HTR	
26	1935949		CLUSTER,INSTR,BB-1,BK,ENGLISH,HYD BRK	
	1935964		CLUSTER,INSTR,BB-1,BK,METRIC,HYD BRK	
			A3RE	
5			KIT, DASH & HEATER COVER	<i>INCLUDES ITEMS 5A THRU 5L</i>
	1914142		KIT,DASH & HEATER COVER,CSRE	<i>ENDING WITH BSN 10021750</i>
	0008840		KIT,DASH & HEATER COVER,A3RE	<i>BEGIN WITH BSN 10021750</i>
5A			TRIM, LH FRONT	
5B			TRIM, LH	
5C			TRIM, RH	
5D			COVER ASSY.	
5E			TAG	
5F			COVER, FILTER	

Models: A3FE, A3RE
FRONT HEATER
HEATER INSTALLATION
To BSN F10020224

Key	PartNumber	Qty	Description	Comment
5G			PANEL, INTERIOR	
5H	4316550	2F	RUBBER, .25 X .50 HEATER CV KYSOR	
5J	0035467	2	FASTENER, KYSOR 290378, FRT HTR	
5K	0035468	2	RETAINER, KYSOR 290343, FRT HTR	
5L	0035469	2	NUT-SPEED, KYSOR 290241, FRT HTR	

Models: A3FE, A3RE
FRONT HEATER
HEATER INSTALLATION
BSN: From BSN F10020225
 To BSN F10035824, L10059259

Key	PartNumber	Qty	Description	Comment
-----	------------	-----	-------------	---------



Models: A3FE, A3RE
**FRONT HEATER
 HEATER INSTALLATION**
BSN: From BSN F10020225
 To BSN F10035824, L10059259

Key	PartNumber	Qty	Description	Comment
1	1572304	2	CLAMP,HOSE,SIZE 36,UNLINED,2.75	
2	1532910		ANGLE,SCREEN RET,HTR AIR INTAKE	
3	1988773		PANEL,CLOSEOUT,HEATER TO COWL,DRFL	
4	1532761		ANGLE,AIR DEFLECTOR DRV WDO DEFR	
6	1494178		DUCT ASSY,DRIVERS WINDOW DEFROSTER	
	1513316		DUCT ASSY,DRIVERS WDO,DEFROSTER,TSW	
7	0015279		HEATER ASSY,TRANSIT MAIN,PIA,VERT FEED PURCHASED IN ASSEMBLY	<i>INCLUDES ITEMS 7A & 7B</i>
7A			HEATER ASSY.	
7B	0031090		ANGLE,FRONT CORNER HEATER TC2000	
8	1914126		KIT,MANUAL DOOR CONTROL BRACKETS,	<i>INCLUDES ITEMS 8A, 8B, 8C, 8D</i>
8A			SEAL, DOOR	
8B			BRACKET, FRONT	
8C			BRACKET, REAR	
8D			PLATE, COVER	
9	0015278		DUCT ASSY,DEF,TRANSIT,PIA,W/DRV HTR PURCHASED IN ASSEMBLY	<i>WITHOUT OPT,1237 INCLUDES ITEMS 9A & 9B</i>
9A			DUCT ASSY.	
9B	0037588		CONTROL ASSY, TRANSIT 250263	<i>REFER TO DRAWING 2502631</i>
9	0015276		DUCT ASSY,DEF,TRANSIT,PIA,W/O DRV HTR PURCHASED IN ASSY	<i>WITHOUT OPT,1237 INCLUDES ITEMS 9A & 9B</i>
9A			DUCT ASSY.	
9B			CONTROL ASSY.	
10	1914316		COVER,DASH,RH REAR,TCFE/RE	
12	1913821		KIT,TRIM,DASH W/STD AUTOMATIC TRANS INCLUDES ITEMS 12A & 12B	<i>WITH STANDARD SHIFTER ONLY</i>
12			TRIM, LH BELT BAR	
12			TRIM, RH BELT BAR	
12	1913847		KIT,TRIM,DASH W/PUSH BUTTON SHIFTER,2CF INCLUDES ITEMS 12A & 12B	<i>WITH PUSH BUT SHIFTER ONLY WITH WORLD TRANSMISSION</i>
12			TRIM, LH BELT BAR	
12			TRIM, RH BELT BAR	
13	1532902		SCREEN,HTR AIR INTAKE,TCFC/RE	

Models: A3FE, A3RE
**FRONT HEATER
 HEATER INSTALLATION**
BSN: From BSN F10020225
 To BSN F10035824, L10059259

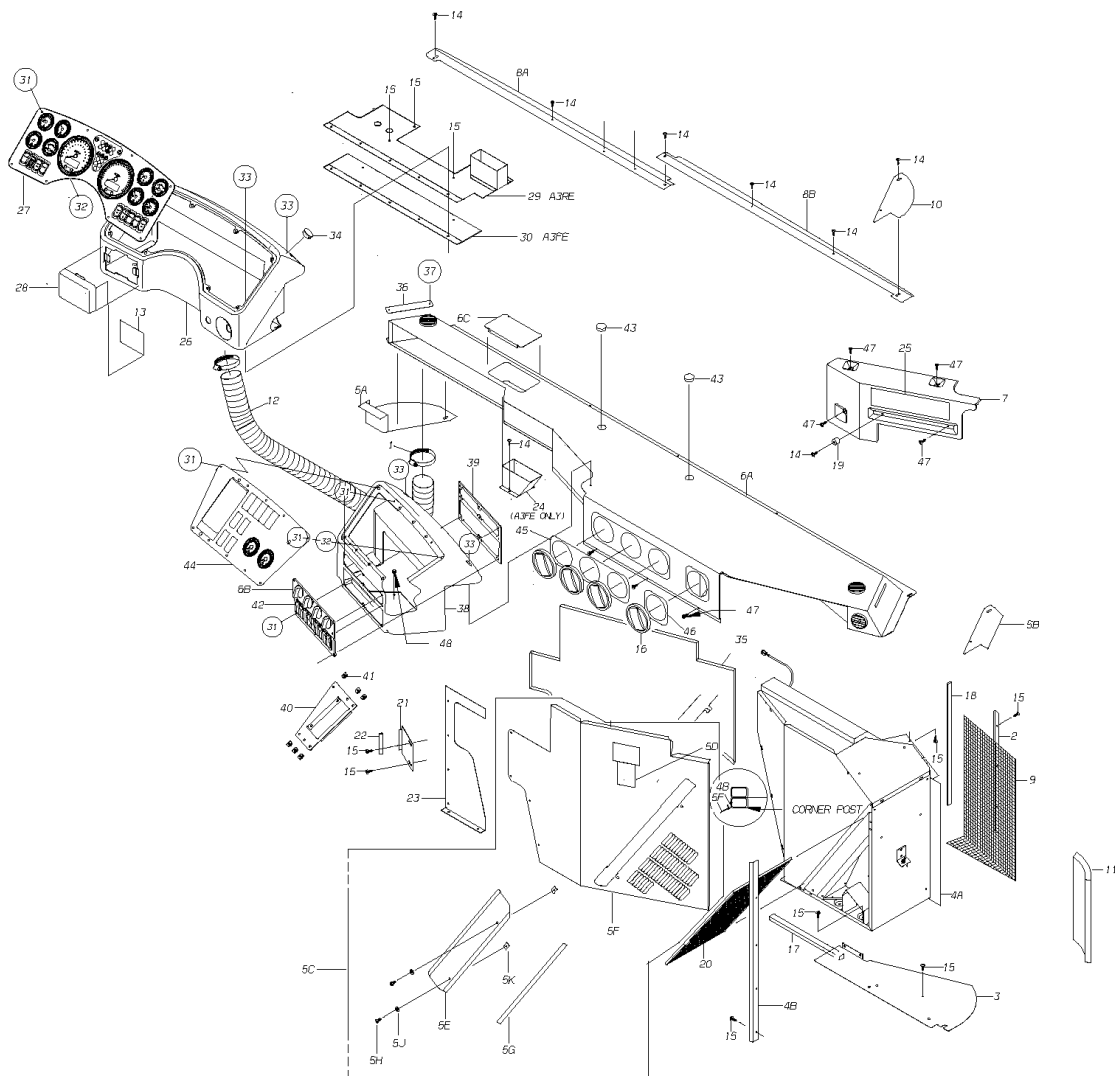
Key	PartNumber	Qty	Description	Comment
14	1925759		TRIM,RH FRONT CORNER OF DASH,TCFE/RE	
15	1532936		INSULATION & SEAL,RH COWL	
16	1508381		HOSE,FLEXIBLE,DUCT,2.50X28.00	
17	0013460		DECAL,FUSE BLOCK, HD/CSRE	A3RE ONLY
18	1143676	31	SCREW,10-16 X 3/4, AB,PH1,PAN HD,BLK ZN,	
19	1589522	30	SCREW,10-16 X 3/4,AB,PH1,PAN HD,YEL ZN	
20	0530253		DIFFUSER,AIR,BLACK,MB	
21	2000198	4	SCREW,5/16-18 X 1,D,HEX HD,YEL ZN DICH	
22	0017644		BEZEL,SHIFTER,KEYPAD	WITH WORLD TRANSMISSION ONLY
23	0830059		TAPE,FOAM,1/2X3/4,CLSD CELL NEOPRENE ADH	
24	0758292		TAPE,FOAM,PCV,3/16 X 3/8 WIDTH,W/ADH	
25	1486919		BUMPER,RUBBER RECESS,.469 X .719 DIA	
26	1922384		FILTER,MAIN HTR,10 X 21.06 X.43 FRM	
27	1914134		KIT,DUCT CLOSURE FOR PWR DOOR CTRLS	INCLUDES ITEMS 28A &28B
27	0022751		PLUG,BUTTON,1" OD HOLE 1914134	
27	0022752		PLUG,QB LONG HOLE 1914134	
28	0000059		BRACKET,HEATER PANEL TO DUCT	
29	2004547		TRIM,INSTRUMENT HOOD,VINYL EDGE,BLACK	
30	0005256		PANEL,HEATER TO ENGINE HOOD, HDPE	
31	0010842		CONNECTOR ASSY,HTR PPG,CAT/ISC,F/WALL,	WITH CAT 3126 OR ISC
	0010841		CONNECTOR ASSY,HTR PPG,ISB FIREWALL,,	
32	0011217		DUCT,DRIVERS FOOTWARMER, A3FE	
33			NAMEPLATE, DASH	
	0000100		NAMEPLATE,DASH,ALL AMERICAN	
	0000101		NAMEPLATE,DASH,CANADIAN	
34	0012194		HOUSING,PANEL ASSY,INSTRUMENT,2000	
35	0016317		PANEL ASSY,INSTRUMENT,BLK W/GRAY,	
36	0017276		COVER,FUSE BLOCK W/O CIRCUIT BREAKERS	
37	0016854		PLATE ASSY,MOUNTING,DASH HOUSING	
38	0016369		PLATE,MOUNTING,INSTRUMENT HOUSING,,	A3FE ONLY
39	1315100	1	SCREW,MACH,10-32X1,PHI,PAN HD,BLK	
40	1315118		WELLNUT Q-1032,.377 X 5/8	
41	1422864		PLUG,BUTTON,BLACK,DP-437,HEYCO 2633	WITHOUT OPTION 1240 OR 1242

Models: A3FE, A3RE
FRONT HEATER
HEATER INSTALLATION
BSN: From BSN F10020225
 To BSN F10035824, L10059259

Key	PartNumber	Qty	Description	Comment
42	1626159		PLUG,BUTTON,BLACK,DP-375,HEYCO 2617	WITHOUT OPTION 1240 OR 1242
43	0017831		TRIM,ACCESS OPENING,FOOTWARMER DOOR	
44	0017645		SCREW,1/4-20 X.75,TYPE F W/WSHR,PAN HD,	
45	1528579		COVER,SHIFTER	
46	1557693		SCREW,10-16 X 2-1/2,AB,PH1,TRUSS HD, BLK	
47	0017694		PLUG,PRY-OUT,.875 HOLE,HEYCO 3083	
48	1528561		PANEL,DASH,END CAP	
49	0008386		INSULATION,THERMAL,HEATER COVER, A3FE	A3FE ONLY
			A3FE	
5	0015274		KIT,DASH & HEATER COVER,A3FE	INCLUDES ITEMS 5A THRU 5L
5A			TRIM, LH FRONT	
5C			TRIM, RH	
5D			COVER ASSY.	
5E			TAG	
5F			COVER, FILTER	
5G			PANEL INTERIOR	
5H	4316550	2F	RUBBER, .25 X .50 HEATER CV KYSOR	
5J	0035467	2	FASTENER, KYSOR 290378, FRT HTR	
5K	0035468	2	RETAINER, KYSOR 290343, FRT HTR	
5L	0035469	2	NUT-SPEED, KYSOR 290241, FRT HTR	
			A3RE	
5	0015273		KIT,DASH & HEATER COVER,A3RE	INCLUDES ITEMS 5A THRU 5L
5A			TRIM, LH FRONT	
5C			TRIM, RH	
5D			COVER ASSY.	
5E			TAG	
5F			COVER, FILTER	
5G			PANEL, INTERIOR	
5H	4316550	2F	RUBBER, .25 X .50 HEATER CV KYSOR	
5J	0035467	2	FASTENER, KYSOR 290378, FRT HTR	
5K	0035468	2	RETAINER, KYSOR 290343, FRT HTR	
5L	0035469	2	NUT-SPEED, KYSOR 290241, FRT HTR	

Models: A3FE, A3RE
FRONT HEATER
HEATER INSTALLATION
DASH INSTALLATION & PANELS WITH POWER DOOR CONTROL
BSN: From BSN F10068990, L10133500

Key	PartNumber	Qty	Description	Comment
-----	------------	-----	-------------	---------



Models: A3FE, A3RE
**FRONT HEATER
 HEATER INSTALLATION
 DASH INSTALLATION & PANELS WITH POWER DOOR CONTROL**
BSN: From BSN F10068990, L10133500

Key	PartNumber	Qty	Description	Comment
1	1572304	2	CLAMP,HOSE,SIZE 36,UNLINED,2.75	
2	1532910		ANGLE,SCREEN RET,HTR AIR INTAKE	
3			PANEL, CLOSEOUT, HEATER TO COWL	
	0010683		PANEL,CLOSEOUT,HEATER TO COWL,DRFL	A3FE
	1564699		PLATE,CLOSEOUT,MAIN HTR TO COWL	A3RE
4	0015279		HEATER ASSY,TRANSIT MAIN,PIA,VERT FEED	
4A			HEATER ASSY	
4B			ANGLE, FRONT COVER	
**	0015274		KIT,DASH & HEATER COVER,A3FE	
			PLATE, HEATER NAME, 90M BTU, FRENCH	ADD 1246388 TO QUEBEC UNITS
			QUEBEC UNITS.	
5A	0061998		TRIM,LH,FRONT DASH, PART OF KIT 0015272	
5B			TRIM, RH	
5C			COVER ASSY	
5D	4316402		PLATE, ID HEATER CV KYSOR WESTRAN 342384	
5E			COVER, FILTER	
5F			PANEL, INTERIOR	
5G	4316550		RUBBER, .25 X .50 HEATER CV KYSOR	
5H	0035467		FASTENER, KYSOR 290378, FRT HTR	
5J	0035468		RETAINER, KYSOR 290343, FRT HTR	
5K	0035469		NUT-SPEED, KYSOR 290241, FRT HTR	
**	0015269		KIT,DASH & HEATER COVER,TC/CS/A3 RE	
			PLATE, HEATER NAME, 90M BTU, FRENCH	ADD 1246388 TO QUEBEC UNITS
			QUEBEC UNITS.	
5A	0061998		TRIM,LH,FRONT DASH, PART OF KIT 0015272	
5B			TRIM, RH	
5C			COVER ASSY	
5D	4316402		PLATE, ID HEATER CV KYSOR WESTRAN 342384	
5E			COVER, FILTER	
5F			PANEL, INTERIOR	
5G	4316550		RUBBER, .25 X .50 HEATER CV KYSOR	
5H	0035467		FASTENER, KYSOR 290378, FRT HTR	
5J	0035468		RETAINER, KYSOR 290343, FRT HTR	

Models: A3FE, A3RE
**FRONT HEATER
 HEATER INSTALLATION
 DASH INSTALLATION & PANELS WITH POWER DOOR CONTROL**
BSN: From BSN F10068990, L10133500

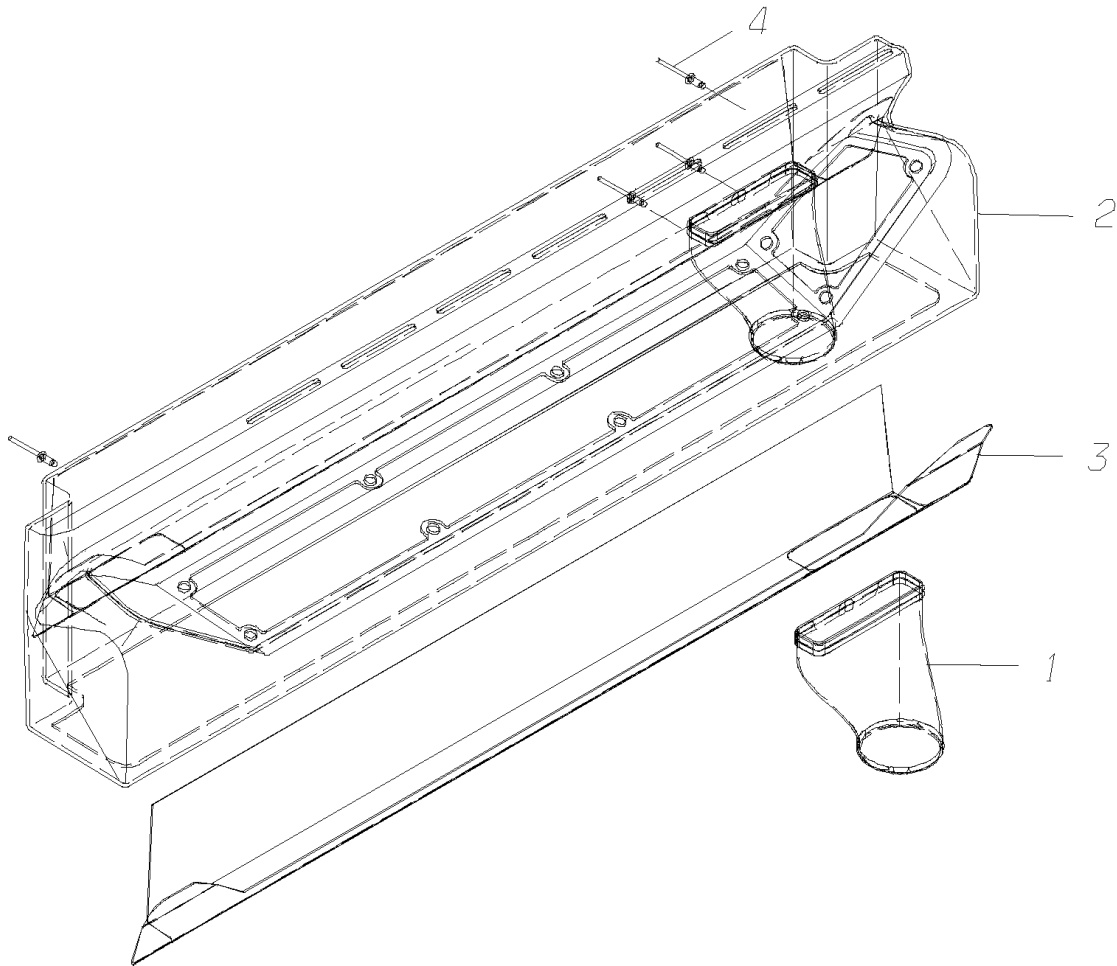
Key	PartNumber	Qty	Description	Comment
5K	0035469		NUT-SPEED, KYSOR 290241, FRT HTR	
6	0028726		DUCT ASSY,DEF,WITH UNMOUNTED CONTROLS	
6A			DUCT ASSY	
6B			CONTROL ASSY	
6C	0030465		TRIM,ACCESS OPENING,FOOTWARMER DOOR	
7	0031645		COVER,DASH,RH REAR,TC/A3	
8	1913847		KIT,TRIM,DASH W/PUSH BUTTON SHIFTER,2CF	
8A			TRIM, LH BELT BAR	
8B			TRIM, RH BELT BAR	
9	1532902		SCREEN,HTR AIR INTAKE,TCFC/RE	
10	1925759		TRIM,RH FRONT CORNER OF DASH,TCFE/RE	
11	1532936		INSULATION & SEAL,RH COWL	
12	1508381		HOSE,FLEXIBLE,DUCT,2.50X28.00	
13	0041799		DECAL,FUSE BLOCK	
14	1143676		SCREW,10-16 X 3/4, AB,PH1,PAN HD,BLK ZN,	
15	1589522		SCREW,10-16 X 3/4,AB,PH1,PAN HD,YEL ZN	
16	0530253		DIFFUSER,AIR,BLACK,MB	
17	0830059		TAPE,FOAM,1/2X3/4,CLSD CELL NEOPRENE ADH	
18	0758292		TAPE,FOAM,PCV,3/16 X 3/8 WIDTH,W/ADH	
19	1486919		BUMPER,RUBBER RECESS,.469 X .719 DIA	
20	1922384		FILTER,MAIN HTR,10 X 21.06 X.43 FRM	
21	0000059		BRACKET,HEATER PANEL TO DUCT	
22	2004547		TRIM,INSTRUMENT HOOD,VINYL EDGE,BLACK	
23	0005256		PANEL,HEATER TO ENGINE HOOD, HDPE	
24	0011217		DUCT,DRIVERS FOOTWARMER, A3FE	
25			NAMEPLATE, DASH	
	0000100		NAMEPLATE,DASH,ALL AMERICAN	
	0000101		NAMEPLATE,DASH,CANADIAN	
26	0031025		HOUSING,PANEL ASSY,INSTRUMENT,2001	
27	0077816		PANEL ASSY,INSTRUMENT,PURCHAS,ACTIA,	
28	0017276		COVER,FUSE BLOCK W/O CIRCUIT BREAKERS	
29	0016854		PLATE ASSY,MOUNTING,DASH HOUSING	
30	0016369		PLATE,MOUNTING,INSTRUMENT HOUSING,,	

Models: A3FE, A3RE
FRONT HEATER
HEATER INSTALLATION
DASH INSTALLATION & PANELS WITH POWER DOOR CONTROL
BSN: From BSN F10068990, L10133500

Key	PartNumber	Qty	Description	Comment
31	1315100		SCREW,MACH,10-32X1,PHI,PAN HD,BLK	
32	1315118		WELLNUT Q-1032,.377 X 5/8	
33	0017645		SCREW,1/4-20 X.75,TYPE F W/WSHR,PAN HD,	
34	0017694		PLUG,PRY-OUT,.875 HOLE,HEYCO 3083	
35	0008386		INSULATION,THERMAL,HEATER COVER, A3FE	
36	0000852		TAG,VEHICLE IDENTIFICATION NUMBER,.032	
37	0422915		RIVET,1/8 DIA,ALUMINUM,W/ST STEM	
38	0025579		HOUSING,VEHICLE CONTROL COMPONENTS	
39	0028997		PLATE,REINFORCEMENT,HTR SWITCH PNL,A3	
40	0023394		PANEL,MTG,SHIFT SELECTOR TO HOUSING,LH	
41	0025522		U-NUT,10-32	
42	0028949		PANEL ASSY,SWITCH,AUX HEATERS,W/CMPS	
43	1351071		PLUG,BUTTON,BLACK,DP-1000 HEYCO 2713	
44			PANEL ASSY, SWITCH, SHIFTER, W/	
	0079089		PANEL ASSY,SWITCH,SHIFTER,	
	0080497		PANEL ASSY,SWITCH,SHIFTER,W/COMP,	
45	0031699		DECAL,INSERT,HEATER DIFFUSER,DASH,3-	
46	0031700		DECAL,INSERT,HEATER DIFFUSER,DASH,1-	
47	0033684		SCREW,10-16 X 3/4,AB,PHI,PN/HD,BZDICH,	
48	2000016		SCREW,1/4-14 X 5/8,B,HEX,W/PLAIN WASH,	

Models: A3FE, A3RE, CSFE, CSRE, TCFE
FRONT HEATER
HEATER INSTALLATION
DRIVER'S WINDOW DEFROSTER DUCT
BSN: From BSN F10035825, L10059260

Key	PartNumber	Qty	Description	Comment
-----	------------	-----	-------------	---------



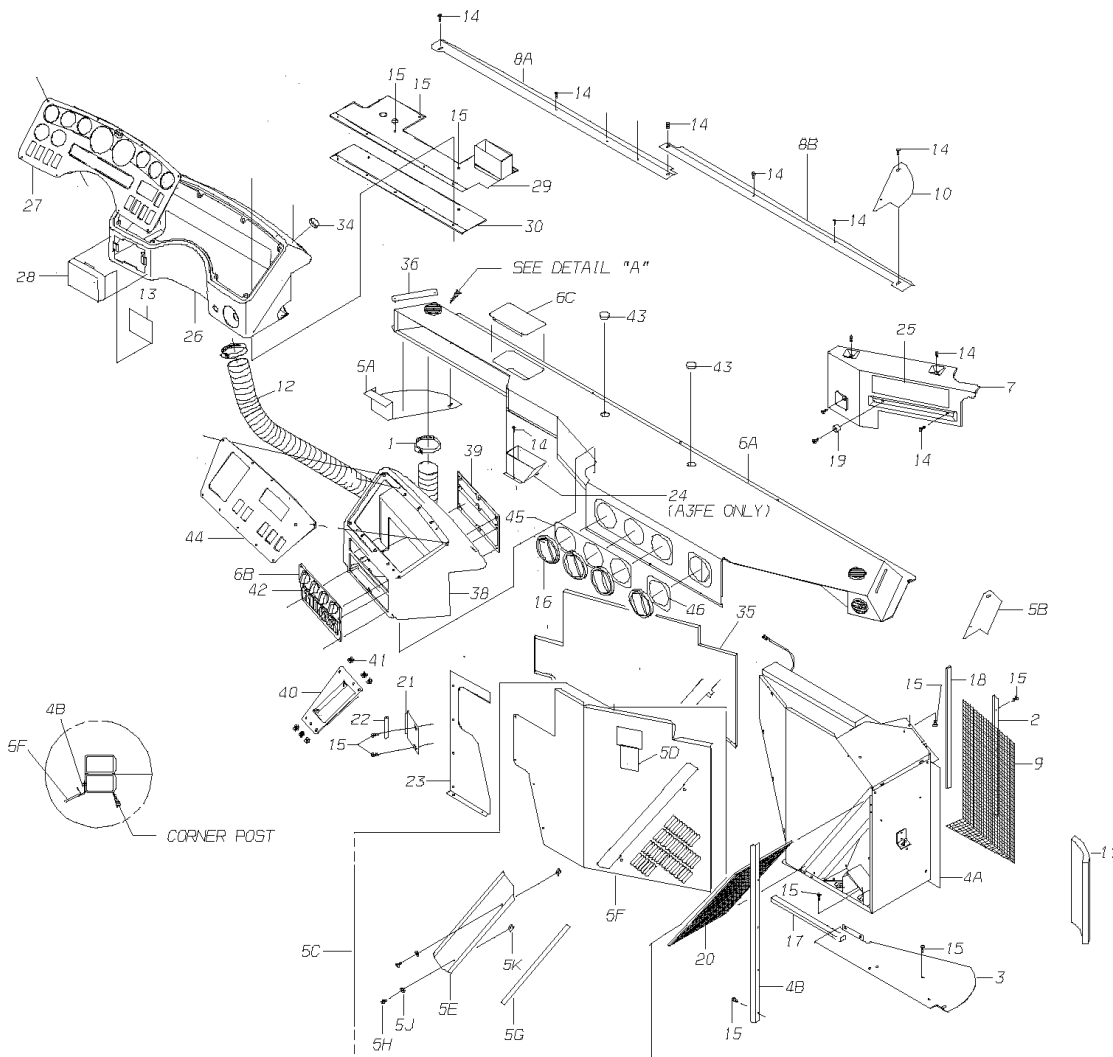
Models: A3FE, A3RE, CSFE, CSRE, TCFE
FRONT HEATER
HEATER INSTALLATION
DRIVER'S WINDOW DEFROSTER DUCT
BSN: From BSN F10035825, L10059260

Key	PartNumber	Qty	Description	Comment
			HOUSING ASSY. DRIVERS WINDOW	
			CONSIST OF THE FOLLOWING:	
1	0028140		DUCT,TRANSITION,DRIVERS WINDOW	
2			HOUSING, DRIVER'S SWITCH CONSOLE	
	0025577		HOUSING,DRIVERS SWITCH CONSOLE	
	0031702		HOUSING,DRIVERS SWITCH CONSOLE,RH	
3			BAFFLE, CLOSE-OUT, DRIVERS WINDOW	
	0031146		BAFFLE,CLOSE-OUT,DRIVERS WINDOW DEF	
	0031760		BAFFLE,CLOSE-OUT,DR WIN DEF DUCT,RH	
4	1415769		RIVET,POP,.18 X .45,CHERRY SSPS-6-4	

Models: A3FE, A3RE, C3FE
FRONT HEATER
HEATER INSTALLATION
LH DRIVE

BSN: From BSN F10035825, L10059260
 To BSN F10068989, L10133499

Key	PartNumber	Qty	Description	Comment
-----	------------	-----	-------------	---------



Models: A3FE, A3RE, C3FE
**FRONT HEATER
 HEATER INSTALLATION
 LH DRIVE**
BSN: From BSN F10035825, L10059260
 To BSN F10068989, L10133499

Key	PartNumber	Qty	Description	Comment
1	1572304	2	CLAMP,HOSE,SIZE 36,UNLINED,2.75	
2	1532910		ANGLE,SCREEN RET,HTR AIR INTAKE	
3	0010683		PANEL,CLOSEOUT,HEATER TO COWL,DRFL	A3FE
3	1564699		PLATE,CLOSEOUT,MAIN HTR TO COWL	A3RE
4	0015279		HEATER ASSY,TRANSIT MAIN,PIA,VERT FEED	
4A			KYSOR 116918, HEATER ASSY.	
4B	0031090		ANGLE,FRONT CORNER HEATER TC2000	
5	0015274		KIT,DASH & HEATER COVER,A3FE	A3FE
5A	0061998		TRIM,LH,FRONT DASH, PART OF KIT 0015272	A3FE
5B			KYSOR 517601, TRIM, RH	A3FE
5C			KYSOR 411476, COVER ASSY.	A3FE
5D	4316402		PLATE, ID HEATER CV KYSOR WESTRAN 342384	A3FE
5E			KYSOR 518342, COVER, FILTER	A3FE
5F			KYSOR 518345, PANEL, INTERIOR	A3FE
5G	4316550	2	RUBBER, .25 X .50 HEATER CV KYSOR	A3FE
5H	0035467	2	FASTENER, KYSOR 290378, FRT HTR	A3FE
5J	0035468	2	RETAINER, KYSOR 290343, FRT HTR	A3FE
5K	0035469	2	NUT-SPEED, KYSOR 290241, FRT HTR	A3FE
5	0015269		KIT,DASH & HEATER COVER,TC/CS/A3 RE	A3RE
5A	0061998		TRIM,LH,FRONT DASH, PART OF KIT 0015272	A3RE
5B			KYSOR 517601, TRIM, RH	A3RE
5C			KYSOR 411474, COVER ASSY.	A3RE
5D	4316402		PLATE, ID HEATER CV KYSOR WESTRAN 342384	A3RE
5E			KYSOR 518342, COVER, FILTER	A3RE
5F			KYSOR 518341, PANEL, INTERIOR	A3RE
5G	4316550	2	RUBBER, .25 X .50 HEATER CV KYSOR	A3RE
5H	0035467	2	FASTENER, KYSOR 290378, FRT HTR	A3RE
5J	0035468	2	RETAINER, KYSOR 290343, FRT HTR	A3RE
5K	0035469	2	NUT-SPEED, KYSOR 290241, FRT HTR	A3RE
6	0028726		DUCT ASSY,DEF,WITH UNMOUNTED CONTROLS	WITH OPTION 1237
6A			KYSOR 170438, DUCT ASSY	W/OPT 1237
6B	0037588		CONTROL ASSY, TRANSIT 250263	WITH OPTION 1237. SEE DIAGRAM 2502631
6C	0030465		TRIM,ACCESS OPENING,FOOTWARMER DOOR	

Models: A3FE, A3RE, C3FE
FRONT HEATER
HEATER INSTALLATION
LH DRIVE
BSN: From BSN F10035825, L10059260
 To BSN F10068989, L10133499

Key	PartNumber	Qty	Description	Comment
7	0031645		COVER,DASH,RH REAR,TC/A3	
8	1913847		KIT,TRIM,DASH W/PUSH BUTTON SHIFTER,2CF	
8A			KYSOR 515538, TRIM, LH BELT BAR	
8B			KYSOR 517314, TRIM, RH BELT BAR	
9	1532902		SCREEN,HTR AIR INTAKE,TCFC/RE	
10	1925759		TRIM,RH FRONT CORNER OF DASH,TCFE/RE	
11	1532936		INSULATION & SEAL,RH COWL	
12	1508381		HOSE,FLEXIBLE,DUCT,2.50X28.00	
13	0041799		DECAL,FUSE BLOCK	A3RE ONLY
14	1143676	19	SCREW,10-16 X 3/4, AB,PH1,PAN HD,BLK ZN,	
15	1589522	30	SCREW,10-16 X 3/4,AB,PH1,PAN HD,YEL ZN	
16	0530253	4	DIFFUSER,AIR,BLACK,MB	
17	0830059	12	TAPE,FOAM,1/2X3/4,CLSD CELL NEOPRENE ADH	
18	0758292	18	TAPE,FOAM,PCV,3/16 X 3/8 WIDTH,W/ADH	
19	1486919		BUMPER,RUBBER RECESS,.469 X .719 DIA	
20	1922384		FILTER,MAIN HTR,10 X 21.06 X.43 FRM	
21	0000059		BRACKET,HEATER PANEL TO DUCT	
22	2004547		TRIM,INSTRUMENT HOOD,VINYL EDGE,BLACK	
23	0005256		PANEL,HEATER TO ENGINE HOOD, HDPE	
24	0011217		DUCT,DRIVERS FOOTWARMER, A3FE	
25	0000100		NAMEPLATE,DASH,ALL AMERICAN	
25	0000101		NAMEPLATE,DASH,CANADIAN	
26	0031025		HOUSING,PANEL ASSY,INSTRUMENT,2001	
27	0026348		PANEL ASSY,INSTRUMENT,BLK W/GRAY,	
28	0017276		COVER,FUSE BLOCK W/O CIRCUIT BREAKERS	
29	0016854		PLATE ASSY,MOUNTING,DASH HOUSING	A3RE
30	0016369		PLATE,MOUNTING,INSTRUMENT HOUSING,,	A3FE
31	1315100	29	SCREW,MACH,10-32X1,PHI,PAN HD,BLK	
32	1315118	14	WELLNUT Q-1032,.377 X 5/8	
33	0017645	8	SCREW,1/4-20 X.75,TYPE F W/WSHR,PAN HD,	
34	0017694	4	PLUG,PRY-OUT,.875 HOLE,HEYCO 3083	
35	0008386		INSULATION,THERMAL,HEATER COVER, A3FE	A3FE ONLY
36	0000852		TAG,VEHICLE IDENTIFICATION NUMBER,.032	

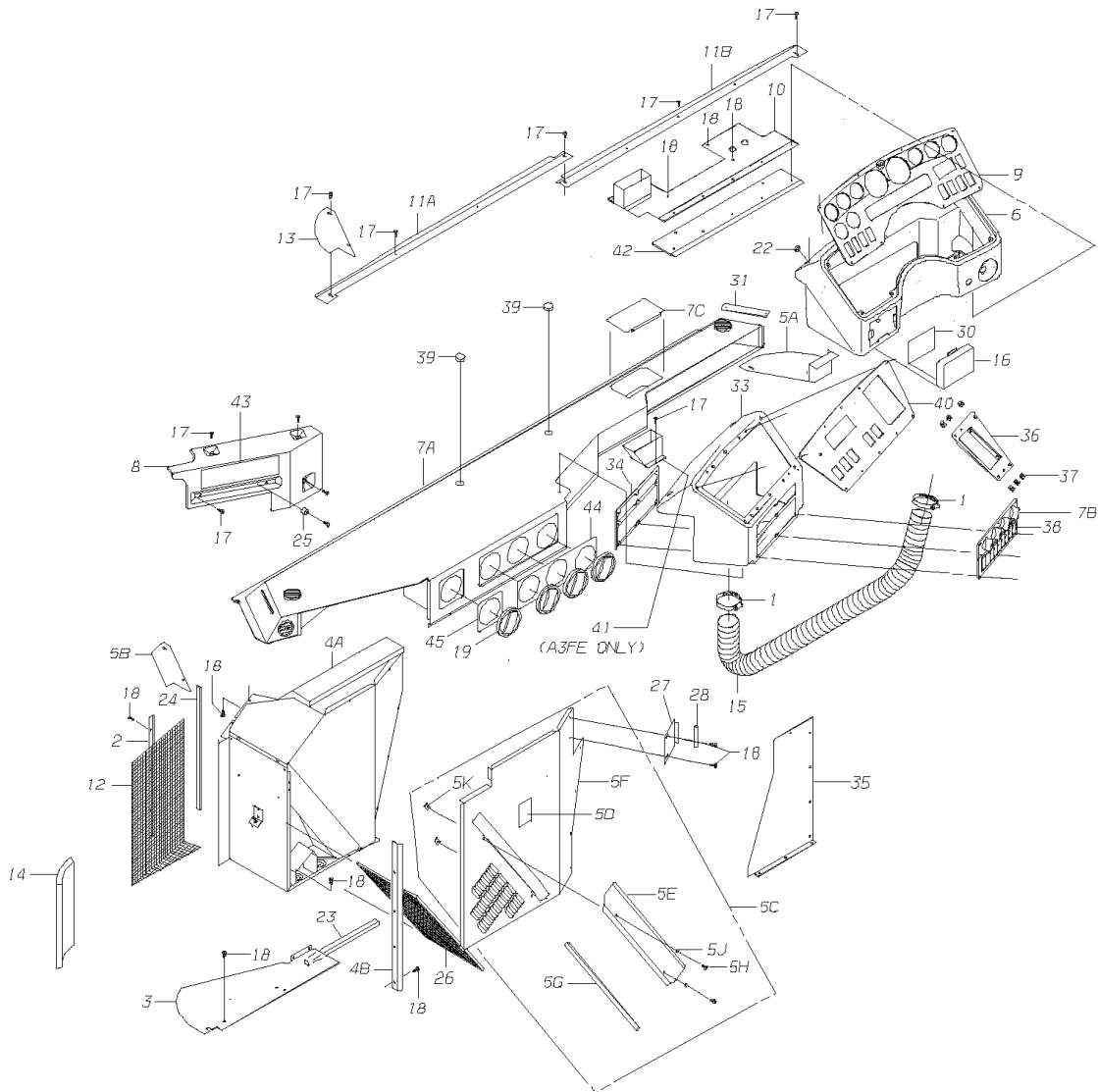
Models: A3FE, A3RE, C3FE
FRONT HEATER
HEATER INSTALLATION
LH DRIVE

BSN: From BSN F10035825, L10059260
 To BSN F10068989, L10133499

Key	PartNumber	Qty	Description	Comment
37	0422915	2	RIVET,1/8 DIA,ALUMINUM,W/ST STEM	
38	0025579		HOUSING,VEHICLE CONTROL COMPONENTS	
39	0028997		PLATE,REINFORCEMENT,HTR SWITCH PNL,A3	
40	0023394		PANEL,MTG,SHIFT SELECTOR TO HOUSING,LH	
41	0025522	6	U-NUT,10-32	
42	0028949		PANEL ASSY,SWITCH,AUX HEATERS,W/CMPS	
43	1351071	2	PLUG,BUTTON,BLACK,DP-1000 HEYCO 2713	
44	0027358		PANEL ASSY,SWITCH,SHIFTER,	
44	0030779		PANEL ASSY,SWITCH,SHIFTER,W/COMP,	
45	0031699		DECAL,INSERT,HEATER DIFFUSER,DASH,3-	
46	0031700		DECAL,INSERT,HEATER DIFFUSER,DASH,1-	

Models: A3FE, A3RE
FRONT HEATER
HEATER INSTALLATION
RH DRIVE
BSN: From BSN F10035825, L10059260

Key	PartNumber	Qty	Description	Comment
-----	------------	-----	-------------	---------



Models: A3FE, A3RE
FRONT HEATER
HEATER INSTALLATION
RH DRIVE
BSN: From BSN F10035825, L10059260

Key	PartNumber	Qty	Description	Comment
1	1572304	2	CLAMP,HOSE,SIZE 36,UNLINED,2.75	
2	1751650		ANGLE,SCREEN RET,HTR AIR INTAKE, RH DRIVE	
3	1986249		PANEL,CLOSEOUT,HEATER TO COWL,RH DRV,	
4	0015280		HEATER ASSY,TRANSIT MAIN,PIA,HORIZ FEED,	
4A			KYSOR 116921, HEATER ASSY.	
4B	0031090		ANGLE,FRONT CORNER HEATER TC2000	
			CONSIST OF THE FOLLOWING	A3FE
5	0015270		KIT,DASH & HEATER COVER,TCFE RHD	
5A			KYSOR 516841, TRIM, LH FRONT	
5B			KYSOR 518334, TRIM, LH	
5C			KYSOR 411387, COVER ASSY.	
5D	4316402		PLATE, ID HEATER CV KYSOR WESTRAN 342384	
5E			KYSOR 517762, COVER, FILTER	
5F			KYSOR 517730, PANEL, INTERIOR	
5G	4316550	2	RUBBER, .25 X .50 HEATER CV KYSOR	
5H	0035467	2	FASTENER, KYSOR 290378, FRT HTR	
5J	0035468	2	RETAINER, KYSOR 290343, FRT HTR	
5K	0035469	2	NUT-SPEED, KYSOR 290241, FRT HTR	
			CONSIST OF THE FOLLOWING	A3RE
5	0015268		KIT,DASH & HEATER COVER,CSRE RHD	
5A			KYSOR 516841, TRIM, LH FRONT	
5B			KYSOR 518334, TRIM, LH	
5C			KYSOR 411388, COVER ASSY.	
5D	4316402		PLATE, ID HEATER CV KYSOR WESTRAN 342384	
5E			KYSOR 517762, COVER, FILTER	
5F			KYSOR 517733, PANEL, INTERIOR	
5G	4316550	2	RUBBER, .25 X .50 HEATER CV KYSOR	
5H	0035467	2	FASTENER, KYSOR 290378, FRT HTR	
5J	0035468	2	RETAINER, KYSOR 290343, FRT HTR	
5K	0035469	2	NUT-SPEED, KYSOR 290241, FRT HTR	
6	0031025		HOUSING,PANEL ASSY,INSTRUMENT,2001	
7	0028728		DUCT ASSY,DEF,WITH UNMOUNTED CONTROLS,	RHD. WITHOUT OPTION 1237
7A			KYSOR 170439, DUCT ASSY.	W/O OPT 1237
				W/O OPT 1237

Models: A3FE, A3RE
FRONT HEATER
HEATER INSTALLATION
RH DRIVE
BSN: From BSN F10035825, L10059260

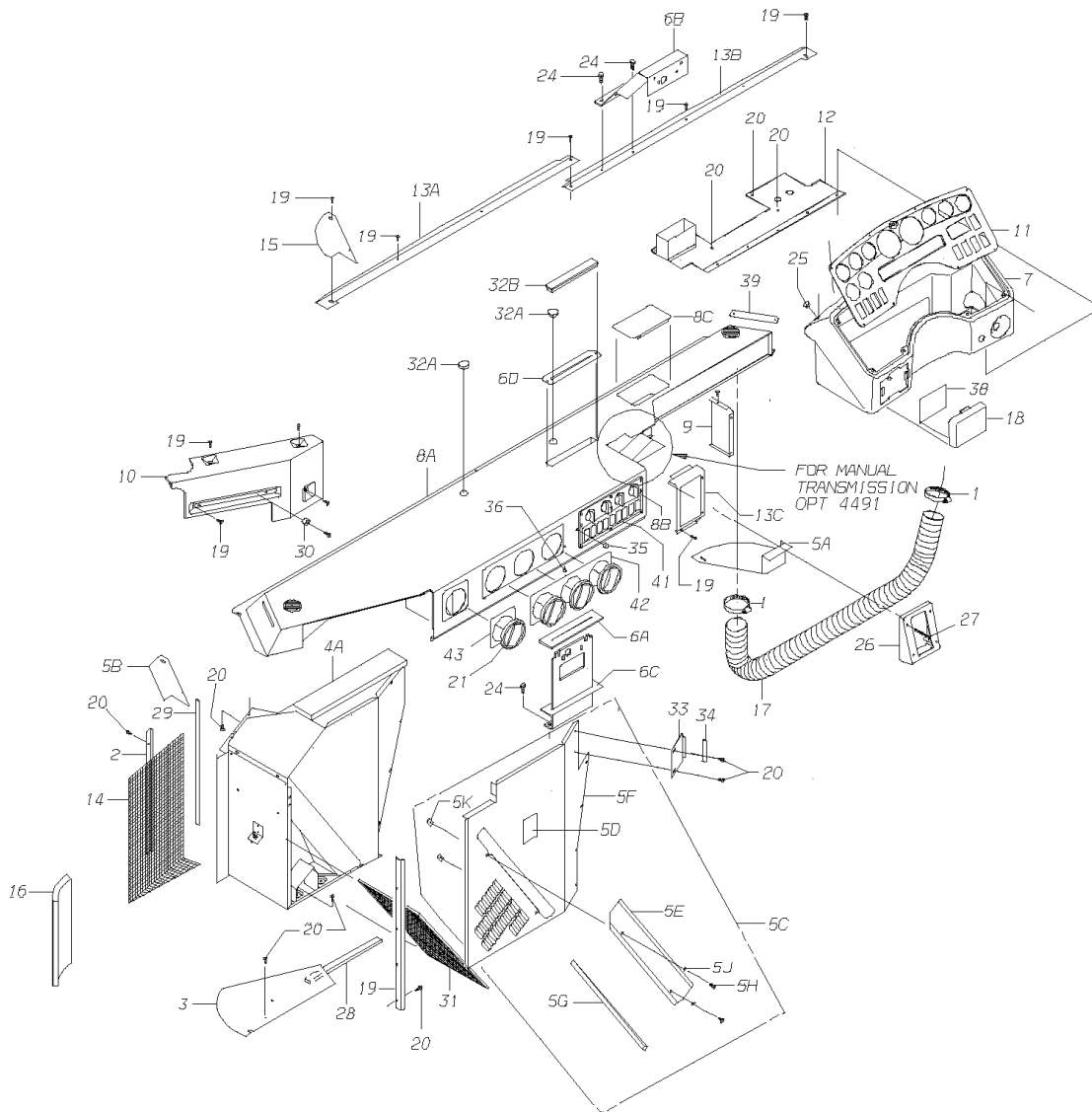
Key	PartNumber	Qty	Description	Comment
7B			KYSOR , CONTROL ASSY.	
7C	0030465		TRIM,ACCESS OPENING,FOOTWARMER DOOR	
8	0031646		COVER,DASH,LH REAR,RH DRIVE, TC/A3"	
9	0026348		PANEL ASSY,INSTRUMENT,BLK W/GRAY,	
10	0018948		PLATE ASSY,MOUNTING,DASH HOUSING, RH	
11	1913854		KIT,TRIM,DASH,W/P BUT SHFT RH DRV,	
11			KYSOR 516837, TRIM, LH BELT BAR	
11			KYSOR 517727, TRIM, RH BELT BAR	
12	1729243		SCREEN,HEATER AIR INTAKE,RH DRIVE	
13	1925759		TRIM,RH FRONT CORNER OF DASH,TCFE/RE	
14	1532936		INSULATION & SEAL,RH COWL	
15	1508381		HOSE,FLEXIBLE,DUCT,2.50X28.00	
16	0017276		COVER,FUSE BLOCK W/O CIRCUIT BREAKERS	A3RE ONLY
17	1143676	19	SCREW,10-16 X 3/4, AB,PH1,PAN HD,BLK ZN,	
18	1589522	30	SCREW,10-16 X 3/4,AB,PH1,PAN HD,YEL ZN	
19	0530253	4	DIFFUSER,AIR,BLACK,MB	
20	1315100	29	SCREW,MACH,10-32X1,PHI,PAN HD,BLK	
21	1315118	14	WELLNUT Q-1032,.377 X 5/8	
22	0017694	4	PLUG,PRY-OUT,.875 HOLE,HEYCO 3083	
23	0830059	12	TAPE,FOAM,1/2X3/4,CLSD CELL NEOPRENE ADH	
24	0758292	18	TAPE,FOAM,PCV,3/16 X 3/8 WIDTH,W/ADH	
25	1486919		BUMPER,RUBBER RECESS,.469 X .719 DIA	
26	1922384		FILTER,MAIN HTR,10 X 21.06 X.43 FRM	
27	0000059		BRACKET,HEATER PANEL TO DUCT	
28	2004547		TRIM,INSTRUMENT HOOD,VINYL EDGE,BLACK	
29	0017645	8	SCREW,1/4-20 X.75,TYPE F W/WSHR,PAN HD,	
30	0026201		DECAL,FUSE BLOCK,CSRE/HDRE/HDFE	A3RE ONLY
31	0000852		TAG,VEHICLE IDENTIFICATION NUMBER,.032	
32	0422915	2	RIVET,1/8 DIA,ALUMINUM,W/ST STEM	
33	0032043		HOUSING,VEHICLE CONTROL COMPONENTS,RH	
34	0028997		PLATE,REINFORCEMENT,HTR SWITCH PNL,A3	
35	1988534		PANEL,HEATER CLOSEOUT,INTERIOR,RH DRV,	
36	0023396		PANEL,MTG,SHIFT SELECTOR TO HOUSING,RH	

Models: A3FE, A3RE
FRONT HEATER
HEATER INSTALLATION
RH DRIVE
BSN: From BSN F10035825, L10059260

Key	PartNumber	Qty	Description	Comment
37	0025522	6	U-NUT,10-32	
38	0028949		PANEL ASSY,SWITCH,AUX HEATERS,W/CMPS	
39	1351071	2	PLUG,BUTTON,BLACK,DP-1000 HEYCO 2713	
40	0031044		CHART,PANEL ASSY,SWITCH,SHIFTR,	
41	0011217		DUCT,DRIVERS FOOTWARMER, A3FE	
42	0016369		PLATE,MOUNTING,INSTRUMENT HOUSING,,	
43			NAMEPLATE, DASH	
	0000100		NAMEPLATE,DASH,ALL AMERICAN	
	0000101		NAMEPLATE,DASH,CANADIAN	
			DECAL, INSERT, HEATER DIFFUSER, DASH	
44	0031699		DECAL,INSERT,HEATER DIFFUSER,DASH,3-	
45	0031700		DECAL,INSERT,HEATER DIFFUSER,DASH,1-	

Models: **A3RE**
FRONT HEATER
HEATER INSTALLATION
RH DRIVE - UK

Key	PartNumber	Qty	Description	Comment
-----	------------	-----	-------------	---------



Models: **A3RE**
FRONT HEATER
HEATER INSTALLATION
RH DRIVE - UK

Key	PartNumber	Qty	Description	Comment
1	1572304	2	CLAMP,HOSE,SIZE 36,UNLINED,2.75	
2	1751650		ANGLE,SCREEN RET,HTR AIR INTAKE, RH DRIVE	
3	1564699		PLATE,CLOSEOUT,MAIN HTR TO COWL	
4	0015280		HEATER ASSY,TRANSIT MAIN,PIA,HORIZ FEED,	
4A			KYSOR 116921, HEATER ASSY.	
4B	0031090		ANGLE,FRONT CORNER HEATER TC2000	
5	0015268		KIT,DASH & HEATER COVER,CSRE RHD	
5A			KYSOR 516841, TRIM, LH FRONT	
5B			KYSOR 518334, TRIM, LH	
5C			KYSOR 411388, COVER ASSY.	
5D	4316402		PLATE, ID HEATER CV KYSOR WESTRAN 342384	
5E			KYSOR 517762, COVER, FILTER	
5F			KYSOR 517733, PANEL, INTERIOR	
5G	4316550	2	RUBBER, .25 X .50 HEATER CV KYSOR	
5H	0035467	2	FASTENER, KYSOR 290378, FRT HTR	
5J	0035468	2	RETAINER, KYSOR 290343, FRT HTR	
5K	0035469	2	NUT-SPEED, KYSOR 290241, FRT HTR	
6	0031450		KIT,MANUAL DOOR CONTROL BRACKETS	NOT REQUIRED
7	0043750		CHART,TUBE,STL,RECT,1.00X1.50X.083,	
8	0028728		DUCT ASSY,DEF,WITH UNMOUNTED CONTROLS,	
8A			KYSOR 170437, DUCT ASSY.	
8B	0037588		CONTROL ASSY, TRANSIT 250263	REFER TO DRAWING 2502631
8C	0030465		TRIM,ACCESS OPENING,FOOTWARMER DOOR	
9	1929355		PANEL,DASH,END CAP,RH DRIVE, TCFE	
10	0031646		COVER,DASH,LH REAR,RH DRIVE, TC/A3"	
11	0046289		PANEL ASSY,INSTR,BLK W/GRAY,PURCH,RHD,	
12	0018948		PLATE ASSY,MOUNTING,DASH HOUSING, RH	
13	0032835		KIT,TRIM,DASH W/STD AUTO.TRANS.RHD,	WITH STANDARD AUTO, TRANS., RHD. TC/CS ONLY
13			KYSOR 516837, TRIM, LH BELT BAR	
13			KYSOR 517727, TRIM, RH BELT BAR	
13			PANEL, SHIFTER TRIM, MED GRAY	
13	1913854		KIT,TRIM,DASH,W/P BUT SHFT RH DRV,	TCFE/RE
13			KYSOR 516837, TRIM, LH BELT BAR	

Models: **A3RE**
FRONT HEATER
HEATER INSTALLATION
RH DRIVE - UK

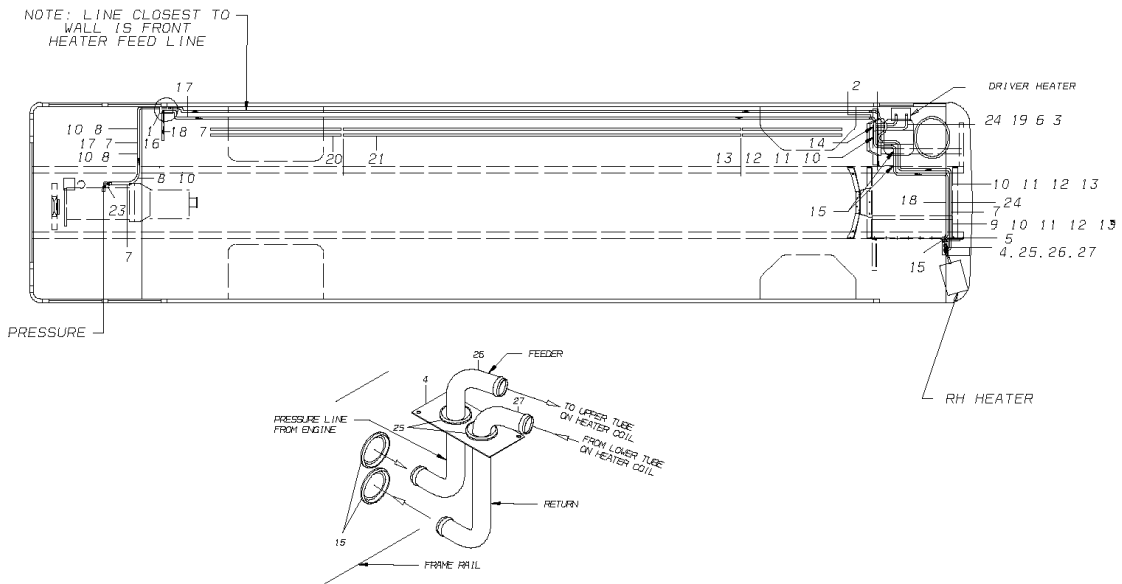
Key	PartNumber	Qty	Description	Comment
13			KYSOR 517727, TRIM, RH BELT BAR	
14	1729243		SCREEN,HEATER AIR INTAKE,RH DRIVE	
15	1925759		TRIM,RH FRONT CORNER OF DASH,TCFE/RE	
16	1532936		INSULATION & SEAL,RH COWL	
17	1508381		HOSE,FLEXIBLE,DUCT,2.50X28.00	
18	0017276		COVER,FUSE BLOCK W/O CIRCUIT BREAKERS SCREW, 10 - 16 X 3/4, AB, PH1, PAN HD	
19	1143676	25	SCREW,10-16 X 3/4, AB,PH1,PAN HD,BLK ZN,	
20	1589522	30	SCREW,10-16 X 3/4,AB,PH1,PAN HD,YEL ZN	
21	0530253	4	DIFFUSER,AIR,BLACK,MB	
22	1315100	8	SCREW,MACH,10-32X1,PHI,PAN HD,BLK	
23	1315118	8	WELLNUT Q-1032,.377 X 5/8	
24	2000198	4	SCREW,5/16-18 X 1,D,HEX HD,YEL ZN DICH	
25	0017694	2	PLUG,PRY-OUT,.875 HOLE,HEYCO 3083	
26	1528579		COVER,SHIFTER	
27	1557693	4	SCREW,10-16 X 2-1/2,AB,PH1,TRUSS HD, BLK TAPE, FOAM	
28	0830059	12	TAPE,FOAM,1/2X3/4,CLSD CELL NEOPRENE ADH	
29	0758292	18	TAPE,FOAM,PCV,3/16 X 3/8 WIDTH,W/ADH	
30	1486919		BUMPER,RUBBER RECESS,.469 X .719 DIA	
31	1922384		FILTER,MAIN HTR,10 X 21.06 X.43 FRM	
32	1914134		KIT,DUCT CLOSURE FOR PWR DOOR CTRLS	
32	0022751		PLUG,BUTTON,1" OD HOLE 1914134	
32	0022752	2	PLUG,QB LONG HOLE 1914134	UPPER & LOWER SLOTS
33	0000059		BRACKET,HEATER PANEL TO DUCT	
34	2004547	1	TRIM,INSTRUMENT HOOD,VINYL EDGE,BLACK PLUG, BUTTON, BLACK	W/O OPT 1240 OR 1242
35	1422864		PLUG,BUTTON,BLACK,DP-437,HEYCO 2633	
36	1626159		PLUG,BUTTON,BLACK,DP-375,HEYCO 2617	
37	0017645	5	SCREW,1/4-20 X.75,TYPE F W/WSHR,PAN HD, DECAL, FUSE BLOCK	
38	0026200		DECAL,FUSE BLOCK,CSFE/TCFE	TC/CSFE ONLY
	0026201		DECAL,FUSE BLOCK,CSRE/HDRE/HDFE	CSRE ONLY

Models: **A3RE**
FRONT HEATER
HEATER INSTALLATION
RH DRIVE - UK

Key	PartNumber	Qty	Description	Comment
39	0000852		TAG,VEHICLE IDENTIFICATION NUMBER,.032	
40	0422915	2	RIVET,1/8 DIA,ALUMINUM,W/ST STEM	
41	0028949		PANEL ASSY,SWITCH,AUX HEATERS,W/CMPS DECAL, INSERT, HEATER DIFFUSER, DASH	
42	0031699		DECAL,INSERT,HEATER DIFFUSER,DASH,3-	
43	0031700		DECAL,INSERT,HEATER DIFFUSER,DASH,1-	

Models: **A3RE**
HEATER PIPING
BODY
 With Features: **FEATURE 30056-01, -05**

Key	PartNumber	Qty	Description	Comment
-----	------------	-----	-------------	---------



Models: A3RE
**HEATER PIPING
 BODY**
With Features: FEATURE 30056-01, -05

Key	PartNumber	Qty	Description	Comment
1	0007060		CONNECTOR ASSY,HTR PIPE,TWO OFST 90	
2	1619691		CONNECTOR ASSY,HTR PIPE,FRONT W/H	
3	1654482		HEATER ASSY,BLUE BIRD,DRIVERS	
4	1504778		PLATE,HEATER HOSE W/2 HOLES,TCRE	
5	1504760		PANEL,HTR HOSE COVER, TCRE	
6	0858894	2	INSULATION,ARMAFLEX,1-1/8 ID(252 FT. PER	
7	1369586	34	INSULATION,ARMAFLEX,1-3/8 ID X 3/8 WALL	
8	1167808	3	SCREW,1/4-14 X 3/4,AB,PH1,PAN HD,BLK ZN	
9	1528413		PLATE,HEATER HOSE SUPPORT, TCRE	
10	1107937	6	CLAMP,LOOP,2.00	
11	2000057	3	CAPSCREW,HEX HD,1/4-20 X 1,GR 5,YEL ZN	
12	2001170	3	LOCKWASHER,SPLIT RING, 1/4 ,MED,YEL ZN	
13	2001337	3	NUT,HEX HD,1/4-20,ZINC	
14	1360270		TUBING ASSY,WATER SUPPLY/RET,RH WS DEF	
15	2003176	6	GROMMET,HEATER HOSE,1 1/2IN ID	
16	1706399		BUSHING,NYLON,.562 HEYCO	
17	1143866	AR	HOSE,HEATER,1 INCH ID,SILICONE	FEATURE 30056-01
17	2003309	AR	HOSE,HEATER,1 RED,1 BRAID	FEATURES 30056. -02,03
17	1250760	AR	HOSE,HEATER,1",GY HI MILER,BLUE W/WHT	FEATURES 30056. -04,05
18	1143866	AR	HOSE,HEATER,1 INCH ID,SILICONE	FEATURE 30056-01
18	2003317	AR	HOSE,HEATER,1 INCH BRAID,BLACK	FEATURES 30056. -02,03
18	1250760	AR	HOSE,HEATER,1",GY HI MILER,BLUE W/WHT	FEATURES 30056. -04,05
19	1163583	AR	HOSE, SILICON, 5/8 ID	FEATURE 30056-01
19	0413153	AR	HOSE,HEATER,WATER,5/8 ID	FEATURES 30056. -02,03
19	1280569	AR	HOSE,HEATER,5/8",GY HI MILER,BLUE W/WHT	
20	0253989	2	PIPE,HEATER,BRASS,W/H SECT	FEATURE 30056-01 ONLY
21	2004331	AR	BRASS TUBE,1.00,OD X .035 WALL	
22	1145127	2	PIPE,HEATER,BRASS,FRONT W/HSG,	
23	1894799		CLAMP,CONSTANT TORQUE,13/16 TO 1-1/2 DIA	FEATURES 30056. -01,-03,-05
23	2008522		CLAMP,1IN HOSE	FEATURES 30056. -02,-04
24	1894823	4	CLAMP,CONSTANT TORQUE,9/16 TO 1-1/16 DIA	FEATURES 30056. -01,-03,-05
24	1025857	4	CLAMP,HOSE,SIZE 8,LINED	FEATURES 30056. -02,-04
25	2003200	2	GROMMET,RUBBER,1 IN. ID	

Models: A3RE
HEATER PIPING
BODY
With Features: FEATURE 30056-01, -05

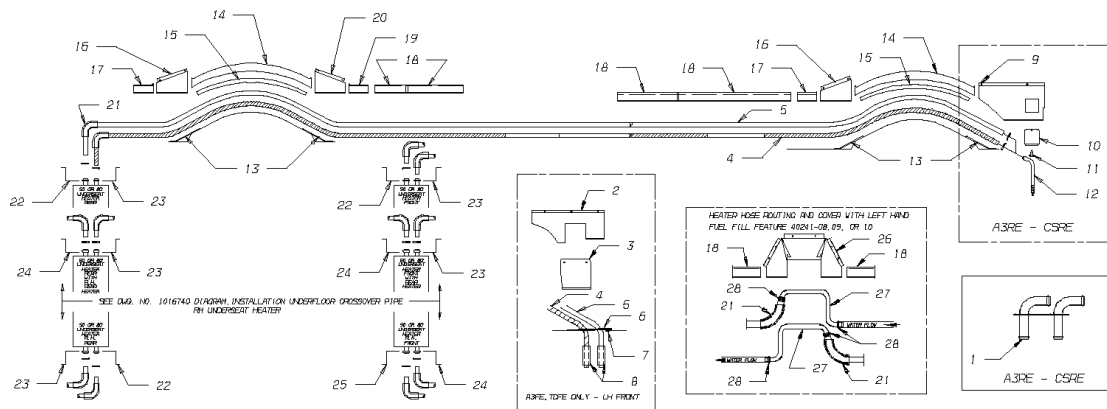
Key	PartNumber	Qty	Description	Comment
26	0009577		TUBING,BRASS,2 EL W/105 DEG.,FEEDER	
27	0009576		TUBING,BRASS,2 EL W/103 DEG.,RETURN	

Models: A3FE, A3RE, CSRE, TCFE

**HEATER PIPING
BODY**

With Features: FEATURE 30056

Key	PartNumber	Qty	Description	Comment
-----	------------	-----	-------------	---------



Models: A3FE, A3RE, CSRE, TCFE

**HEATER PIPING
BODY**

With Features: FEATURE 30056

Key	PartNumber	Qty	Description	Comment
1	0007060		CONNECTOR ASSY,HTR PIPE,TWO OFST 90	WITHOUT ISC07
1	0112151		CONNECTOR,HEATER,PIPE ASSY,THRU FLOOR	ISC07 ONLY
2	1404227		COVER,HTR PIPE,FRONT W/H,TCFC	
2	0001211		COVER,HEATER PIPE,FRT W/H,DRFL	
3	1407014		COVER,ACCESS,HOSE CLAMP,US HEATER,TCFC	FE ONLY
4	2003309		HOSE,HEATER,1 RED,1 BRAID	
5	2003317		HOSE,HEATER,1 INCH BRAID,BLACK	
6	1528439		SEAL,HEATER HOSE/ FIREWALL	
7	1489434		TRIM,VINYL,BLACK,DOUBLE LIP	
8	1369586		INSULATION,ARMAFLEX,1-3/8 ID X 3/8 WALL	
9	1904275		COVER,HTR PIPE,FRONT W/H	
9	0006340		COVER,HTR PIPE,FRONT W/H,PLY FLR,DRRE	
9	1766799		COVER,HTR PIPE,FRONT WHEELHOUSING,RH	
9	1766781		COVER,HTR PIPE,FRONT W/H,PLY FLOOR RH	
10	1056050		COVER,ACCESS,HOSE CLAMP,U/S HEATER	RE ONLY
11	1285923		SCREW,10-16 X 3/4,AB/B,PH1,HEX HD,	
12	1619691		CONNECTOR ASSY,HTR PIPE,FRONT W/H	
13	1053412		SUPPORT,W/H HEATER HOSE,FLOOR TO	
14	1052737		COVER,WHEELHOUSING HTR HOSE	
15	1727932		INSULATION,HEATER COVER,WHEELHOUSING	
16	1052703		TRIM,W/H HEATER HOSE COVER,REAR,	STANDARD
16	1052729		TRIM,W/H HEATER HOSE COVER,REAR,PLY	
17	1052760		COVER,FLOOR TO WHEELHOUSING,REAR	
NI	1572692		COVER,HEATER PIPE,SED,RH CLOSEOUT	
18	0363143		COVER,HTR PIPE,54IN SECT	
19	1052752		COVER,WHEELHOUSING TO FLOOR,FRONT	
20	1052695		TRIM,W/H HEATER HOSE COVER,FRONT,	STANDARD
20	1052711		TRIM,W/H HEATER HOSE COVER,FRONT,PLY	
21	1059278		SPLINT,1IN HOSE BEND,90 DEGREE,4.5IN.RAD	
22	1058361		TRIM,PIPE COVER,HEATER TO WALL,REAR	
23	1058379		TRIM,PIPE COVER,HEATER TO WALL,FRONT	
24	1058387		TRIM,UNDERSEAT HEATER PIPE COVER,FRT,2	
25	1058395		TRIM,UNDERSEAT HEATER PIPE COVER,REAR,	

Models: A3FE, A3RE, CSRE, TCFE

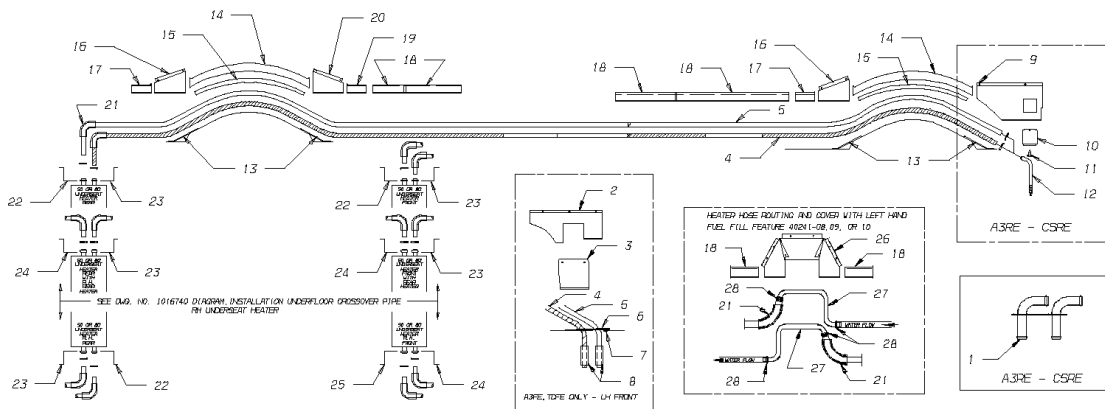
**HEATER PIPING
BODY**

With Features: FEATURE 30056

Key	PartNumber	Qty	Description	Comment
26	0023608		COVER ASSY,HEATER HOSE W/LH FUEL FILL	
27	0022023		TUBING,BRASS,UNDER ST HTR W/LH MM FUEL	
28	1894799		CLAMP,CONSTANT TORQUE,13/16 TO 1-1/2 DIA	
NI	1143866		HOSE,HEATER,1 INCH ID,SILICONE	<i>SILICONE. FEATURE 30056-01</i>
NI	1250760		HOSE,HEATER,1",GY HI MILER,BLUE W/WHT	<i>FEATURE 30056-04, 05</i>
NI	2008522		CLAMP,1IN HOSE	<i>STANDARD</i>
NI	1572692		COVER,HEATER PIPE,SED,RH CLOSEOUT	<i>WITH RH HTR W/O LH HEATER</i>

Models: A3RE
HEATER PIPING
BODY
RH DRIVE - UK
With Features: FEATURE 30056

Key	PartNumber	Qty	Description	Comment
-----	------------	-----	-------------	---------

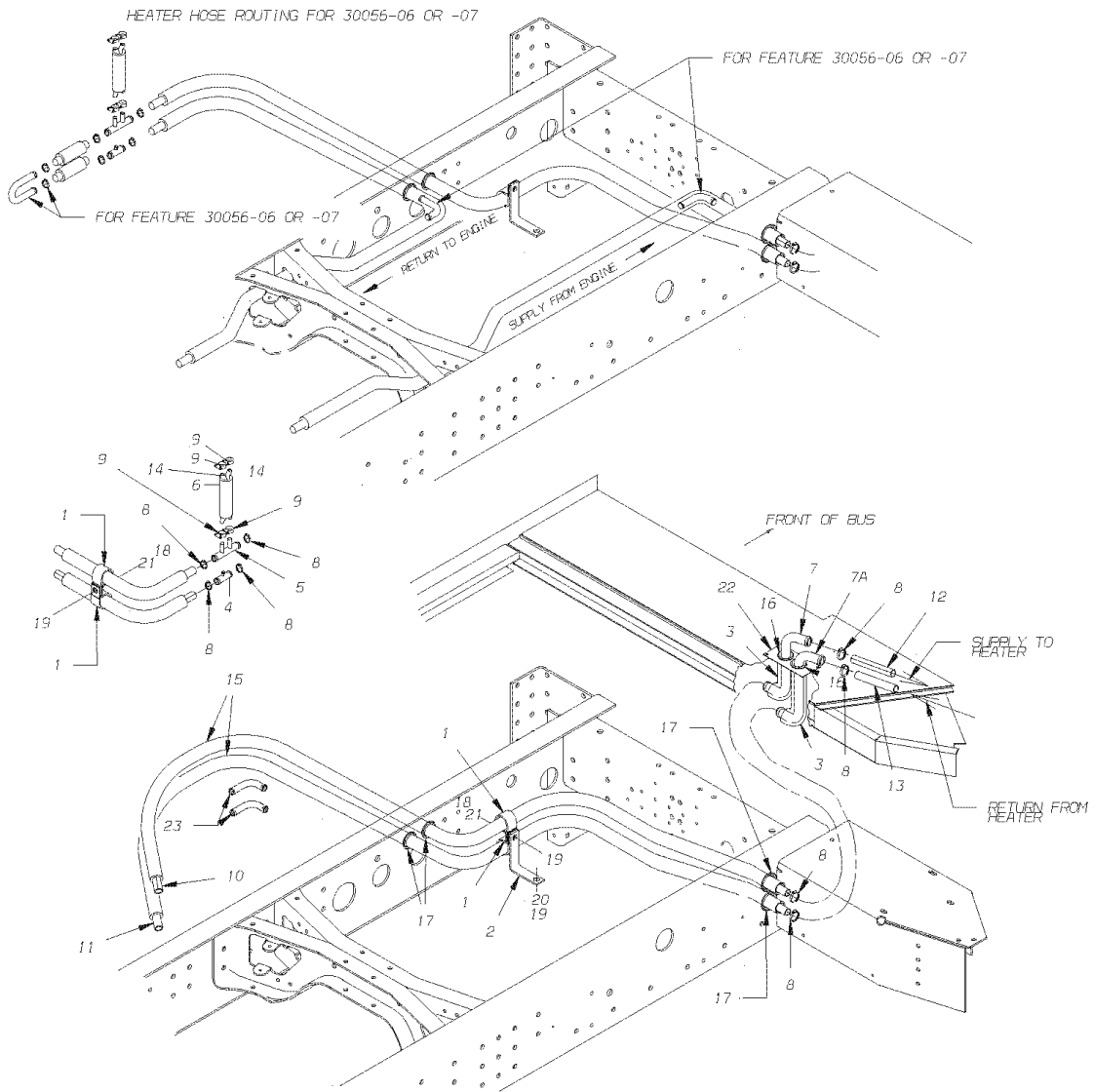


Models: A3RE
**HEATER PIPING
 BODY
 RH DRIVE - UK**
With Features: FEATURE 30056

Key	PartNumber	Qty	Description	Comment
1	0007060		CONNECTOR ASSY,HTR PIPE,TWO OFST 90	
2			COVER, HEATER PIPE, FRONT W/H, NOT	
3	1407014		COVER,ACCESS,HOSE CLAMP,US HEATER,TCFC	FE ONLY
4	2003309		HOSE,HEATER,1 RED,1 BRAID	
5	2003317		HOSE,HEATER,1 INCH BRAID,BLACK	
6	1528439		SEAL,HEATER HOSE/ FIREWALL	
7	1489434		TRIM,VINYL,BLACK,DOUBLE LIP	
8	1369586		INSULATION,ARMAFLEX,1-3/8 ID X 3/8 WALL	
9	1766781		COVER,HTR PIPE,FRONT W/H,PLY FLOOR RH	
10	1056050		COVER,ACCESS,HOSE CLAMP,U/S HEATER	HEATER. RE ONLY
11	1285923		SCREW,10-16 X 3/4,AB/B,PH1,HEX HD,	
12	1619691		CONNECTOR ASSY,HTR PIPE,FRONT W/H	
13	1053412		SUPPORT,W/H HEATER HOSE,FLOOR TO	
14	1052737		COVER,WHEELHOUSING HTR HOSE	
15	1727932		INSULATION,HEATER COVER,WHEELHOUSING	
16	1052729		TRIM,W/H HEATER HOSE COVER,REAR,PLY	
17	1052760		COVER,FLOOR TO WHEELHOUSING,REAR	
NI	1572692		COVER,HEATER PIPE,SED,RH CLOSEOUT	
18	0363143		COVER,HTR PIPE,54IN SECT	
19	1052752		COVER,WHEELHOUSING TO FLOOR,FRONT	
20	1052711		TRIM,W/H HEATER HOSE COVER,FRONT,PLY	
21	1059278		SPLINT,1IN HOSE BEND,90 DEGREE,4.5IN.RAD	
22	1058361		TRIM,PIPE COVER,HEATER TO WALL,REAR	
23	1058379		TRIM,PIPE COVER,HEATER TO WALL,FRONT	
24	1058387		TRIM,UNDERSEAT HEATER PIPE COVER,FRT,2	
25	1058395		TRIM,UNDERSEAT HEATER PIPE COVER,REAR,	
26	0023608		COVER ASSY,HEATER HOSE W/LH FUEL FILL	
27	0022023		TUBING,BRASS,UNDER ST HTR W/LH MM FUEL	
28	1894799		CLAMP,CONSTANT TORQUE,13/16 TO 1-1/2 DIA	
NI	2008522		CLAMP,1IN HOSE	STANDARD

Models: **A3RE**
HEATER PIPING
CHASSIS

Key	PartNumber	Qty	Description	Comment
-----	------------	-----	-------------	---------



Models: **A3RE
HEATER PIPING
CHASSIS**


Key	PartNumber	Qty	Description	Comment
1	1107937	4	CLAMP,LOOP,2.00	
2	1317247		BRACKET,ATCH,BRAKE LINE TO FRAME	
3	0020702	16	INSULATION,ARMAFLEX,1-5/8 ID X 3/8 WALL	
4	0810929		TUBING ASSY,BLEEDER,LH HEATER	
5	1360270		TUBING ASSY,WATER SUPPLY/RET,RH WS DEF	
6	0020702	18	INSULATION,ARMAFLEX,1-5/8 ID X 3/8 WALL	
7	0009577		TUBING,BRASS,2 EL W/105 DEG.,FEEDER	
7A	0009576		TUBING,BRASS,2 EL W/103 DEG.,RETURN	
8	2008522		CLAMP,1IN HOSE	FEATURE 30056-02,-04
8	1894799		CLAMP,CONSTANT TORQUE,13/16 TO 1-1/2 DIA	FEATURE 30056-01,-05
9	1025857	4	CLAMP,HOSE,SIZE 8,LINED	FEATURE 30056-02,-04
9	1363274	4	CLAMP,HOSE,SILICON,.62.00	SILICONE, 62.00. FEATURE 30056-01,-05
10	2003309	12	HOSE,HEATER,1 RED,1 BRAID	FEATURE 30056-02,-03
10	1143866	12	HOSE,HEATER,1 INCH ID,SILICONE	SILICONE. FEATURE 30056-01,-07
10	1250760	12	HOSE,HEATER,1",GY HI MILER,BLUE W/WHT	FEATURE 30056-05,-06
11	2003317		HOSE,HEATER,1 INCH BRAID,BLACK	FEATURE 30056-02,-03
11	1143866		HOSE,HEATER,1 INCH ID,SILICONE	SILICONE. FEATURE 30056-01,-07
11	1250760		HOSE,HEATER,1",GY HI MILER,BLUE W/WHT	FEATURE 30056-05,-06
12	2003309	8	HOSE,HEATER,1 RED,1 BRAID	FEATURE 30056-02,-03
12	1143866	8	HOSE,HEATER,1 INCH ID,SILICONE	SILICONE. FEATURE 30056-01,-07
12	1250760	8	HOSE,HEATER,1",GY HI MILER,BLUE W/WHT	FEATURE 30056-05,-06
13	2003317	8	HOSE,HEATER,1 INCH BRAID,BLACK	FEATURE 30056-02,-03
13	1143866	8	HOSE,HEATER,1 INCH ID,SILICONE	SILICONE. FEATURE 30056-01,-07
13	1250760	8	HOSE,HEATER,1",GY HI MILER,BLUE W/WHT	FEATURE 30056-05,-06
14	0413153	48	HOSE,HEATER,WATER,5/8 ID	FEATURE 30056-02,-03
14	1163583	48	HOSE, SILICON, 5/8 ID	SILICONE. FEATURE 30056-01,-07
14	1280569	48	HOSE,HEATER,5/8",GY HI MILER,BLUE W/WHT	FEATURE 30056-05,-06
15	0020702	25	INSULATION,ARMAFLEX,1-5/8 ID X 3/8 WALL	
16	2003200	2	GROMMET,RUBBER,1 IN. ID	
17	2003176	4	GROMMET,HEATER HOSE,1 1/2IN ID	
18	0559195	2	CAPSCREW,HEX HD,3/8-16 X 1,GR 8,YEL ZN	

Models: **A3RE
HEATER PIPING
CHASSIS**

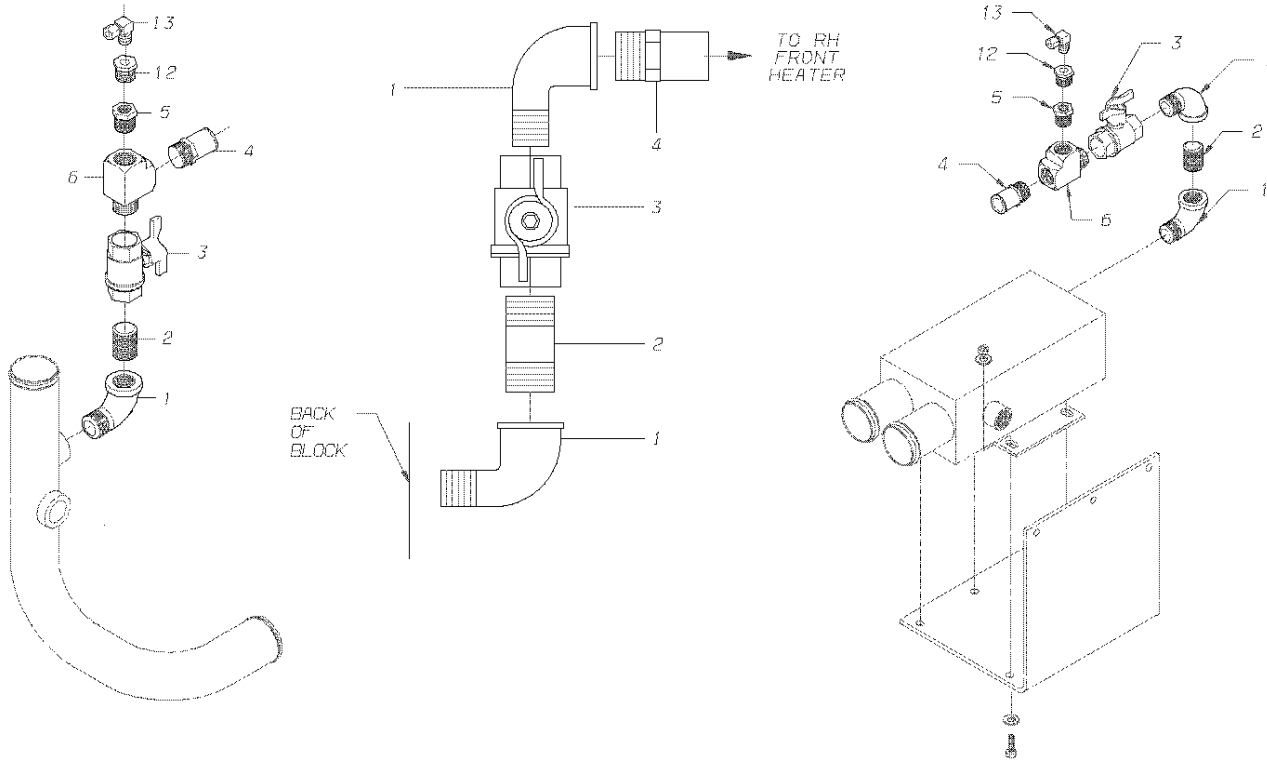
Key	PartNumber	Qty	Description	Comment
19	2001337	3	NUT,HEX HD,1/4-20,ZINC	
20	2001188		LOCKWASHER,SPLIT RING, 5/16,MED,YEL ZN	
21	1107085	2	WASHER,FLAT,13/32 X 13/16 X 3/32,HDN,BLK	
22	1504778		PLATE,HEATER HOSE W/2 HOLES,TCRE	
23	0281303		TUBING,BRASS,ELBOW,90 DEGREE	<i>FEATURE 40081-05</i>
NI	0281303	2	TUBING,BRASS,ELBOW,90 DEGREE	<i>FOR FEATURE 30056-06 OR -07 (HEATER HOSE WITH BRASS TUBES) ADD:</i>
NI	0195412	1	TUBING,180 DEGREE BRASS ELBOW	<i>FOR FEATURE 30056-06 OR -07 (HEATER HOSE WITH BRASS TUBES) ADD:</i>
NI	1894799	6	CLAMP,CONSTANT TORQUE,13/16 TO 1-1/2 DIA	<i>FOR FEATURE 30056-06 OR -07 (HEATER HOSE WITH BRASS TUBES) ADD:</i>

Models: A3RE
HEATER PIPING
CUMMINS ISB
With Features: FEATURE 40177

Key	PartNumber	Qty	Description	Comment
-----	------------	-----	-------------	---------

DR. 10/05/98 BY NJ	1944305	B	REV	
APP. 10/16/98 BY MT	FRT			

© BLUE BIRD BODY COMPANY. ALL RIGHTS RESERVED



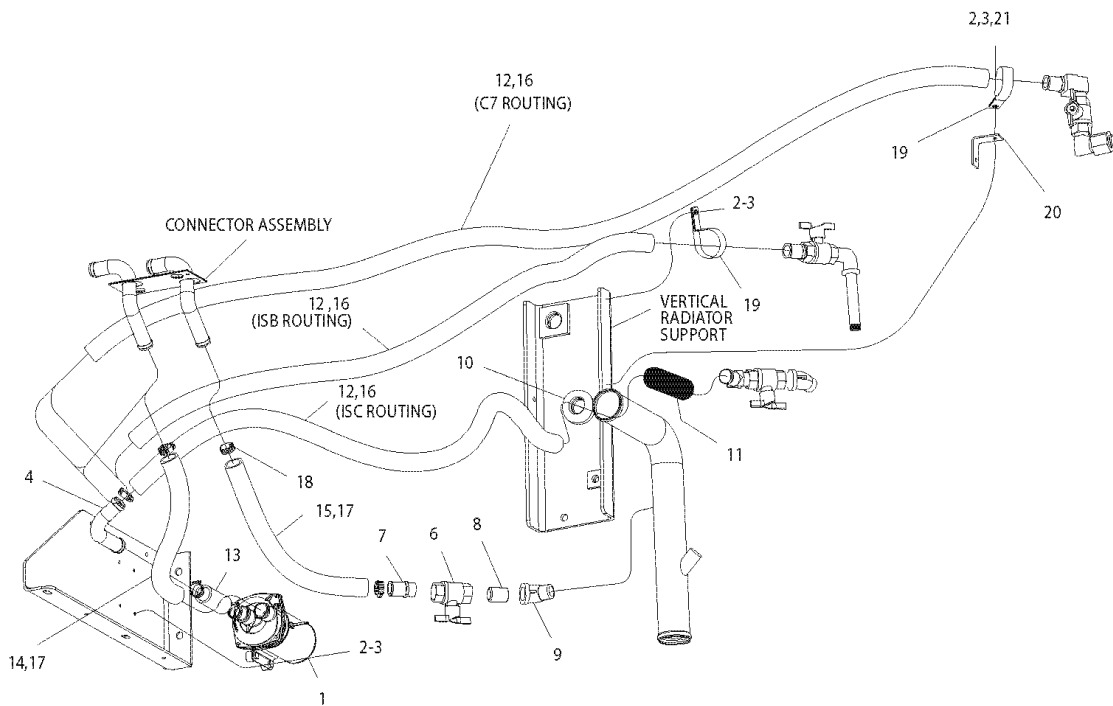
Models: A3RE
HEATER PIPING
CUMMINS ISB
With Features: FEATURE 40177

Key	PartNumber	Qty	Description	Comment
1	0760249	AR	ELBOW, STREET, 3/4, 90 DEG, GALV	
2	2009504	2	NIPPLE, PIPE, 3/4 X CLOSE, GALV	
3	1626431	2	VALVE, BALL, 3/4, W/BUTTERFLY HANDLE	
4	0315200	2	ADAPTER, HTR, 3/4 PIPE X 1 HOSE	
5	1394691		BUSHING, PIPE, 3/4 X 1/2, BRASS, COATED	
6	1640317		TEE, 3/4 PIPE, STREET, 3750X12Z, WEATHERHEAD	
12	2027159		BUSHING, PIPE, 1/2 X 1/4, BRASS	
13	1344092		ELBOW, 90 DEG, MALE, 1469X4X4-Z, .25 MP X .25	

Models: A3RE
HEATER PIPING
CUMMINS ISB 07 and ISC 07
WITH COPPER TUBING

With Features: With FEATURE 30058-02, With and Without 30056-06, -07

Key	PartNumber	Qty	Description	Comment
-----	------------	-----	-------------	---------



Models: **A3RE**
HEATER PIPING
CUMMINS ISB 07 and ISC 07
WITH COPPER TUBING

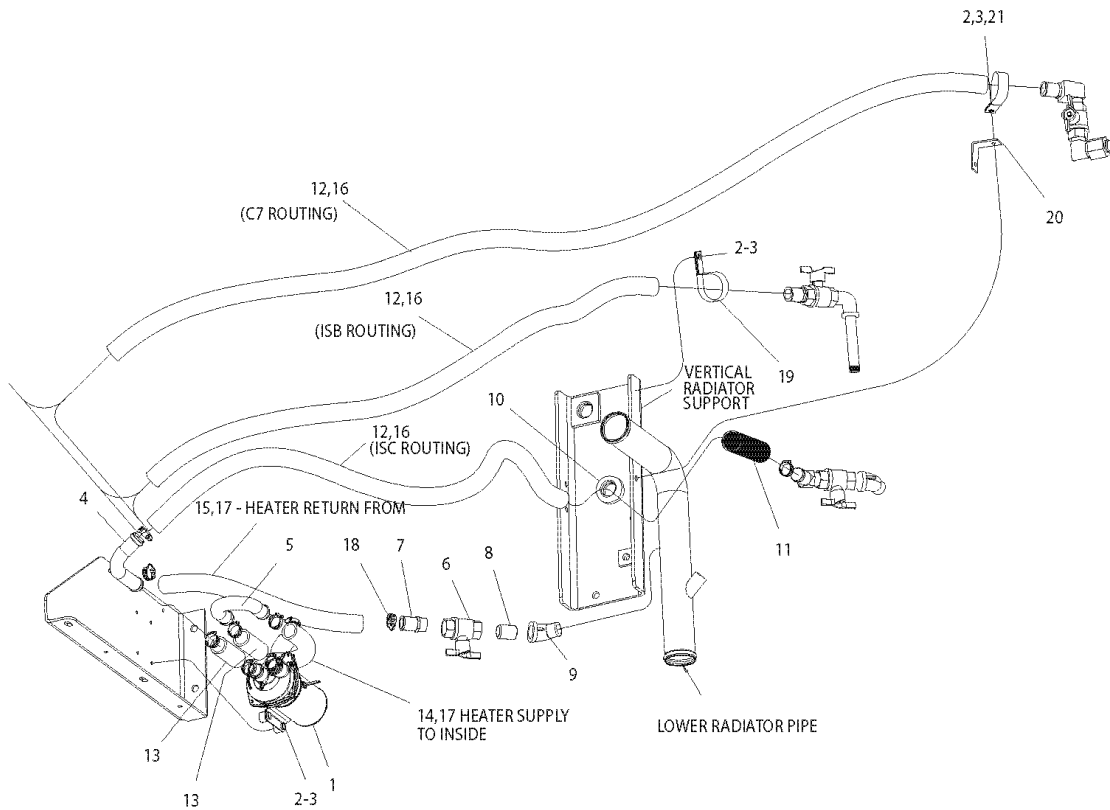
With Features: **With FEATURE 30058-02, With and Without 30056-06, -07**

Key	PartNumber	Qty	Description	Comment
1	0024965	1	PUMP ASSY,WATER,HEAVY DUTY,	
2	2000073	4	SCREW,1/4-20 X 1,D,HEX HD,YEL ZN DICH	<i>WITH ISC</i>
3	2001121	4	WASHER,FLAT,5/16 X 3/4,X 5/64,YEL ZN DICH	<i>WITH ISC</i>
4	0281303	1	TUBING,BRASS,ELBOW,90 DEGREE	
5	0013355	1	TUBING,BRASS,ELBOW,180 DEG,1.25	<i>WITH 30056-06, -07</i>
6	1626431	1	VALVE,BALL,3/4,W/BUTTERFLY HANDLE	
7	0315200	1	ADAPTER,HTR,3/4 PIPE X 1 HOSE	
8	2009504	1	NIPPLE,PIPE,3/4 X CLOSE,GALV	
9	0085292	1	FITTING,ELBOW,45 DEG,.75 MPT X 1 INCH	
10	0112325	1	GROMMET,RUBBER,1.75ID W/2.00 X .25	<i>WITH ISC ONLY</i>
11	1228840	10	LOOM,CORRUGATED,BLACK,NYLON,1 1/4ID,SS	<i>WITH ISC ONLY</i>
12	1143866	AR	HOSE,HEATER,1 INCH ID,SILICONE	
12	1250760	AR	HOSE,HEATER,1",GY HI MILER,BLUE W/WHT	
13	1143866	AR	HOSE,HEATER,1 INCH ID,SILICONE	
13	1250760	AR	HOSE,HEATER,1",GY HI MILER,BLUE W/WHT	
14	1143866	AR	HOSE,HEATER,1 INCH ID,SILICONE	
14	1250760	AR	HOSE,HEATER,1",GY HI MILER,BLUE W/WHT	
15	1143866	AR	HOSE,HEATER,1 INCH ID,SILICONE	
15	1250760	AR	HOSE,HEATER,1",GY HI MILER,BLUE W/WHT	
16	0858894	AR	INSULATION,ARMAFLEX,1-1/8 ID(252 FT. PER	
17	0858894	AR	INSULATION,ARMAFLEX,1-1/8 ID(252 FT. PER	
18	1894799	AR	CLAMP,CONSTANT TORQUE,13/16 TO 1-1/2 DIA	
19	1107937	1	CLAMP,LOOP,2.00	<i>WITH ISB ONLY</i>

Models: A3RE
HEATER PIPING
CUMMINS ISB 07 and ISC 07
WITH OUT COPPER TUBING

With Features: WITHOUT FEATURE 30058-02, WITH and WITHOUT 30056-06, -07

Key	PartNumber	Qty	Description	Comment
-----	------------	-----	-------------	---------



Models:

**A3RE
HEATER PIPING
CUMMINS ISB 07 and ISC 07
WITH OUT COPPER TUBING**

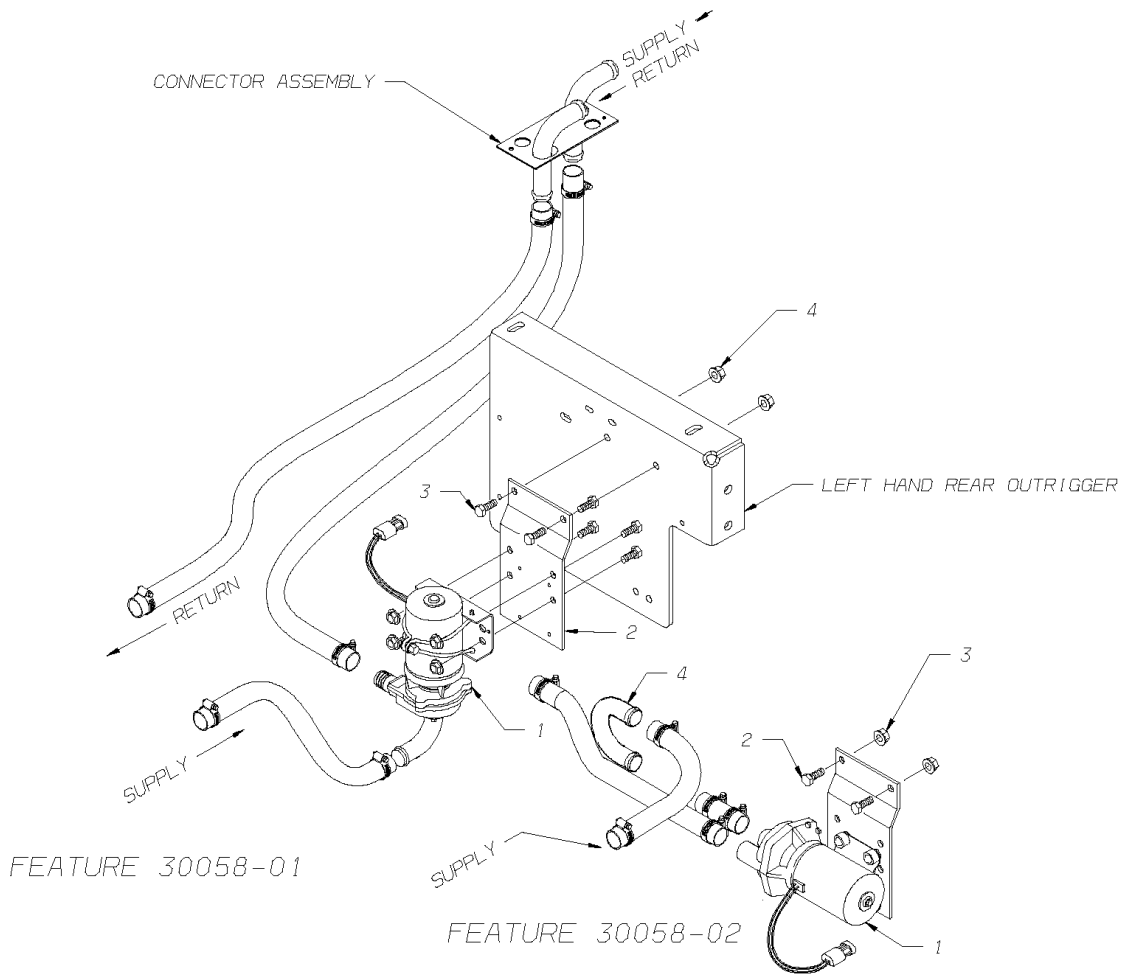
With Features:

WITHOUT FEATURE 30058-02, WITH and WITHOUT 30056-06, -07

Key	PartNumber	Qty	Description	Comment
1	0024965		PUMP ASSY,WATER,HEAVY DUTY,	
2	2000073	1	SCREW,1/4-20 X 1,D,HEX HD,YEL ZN DICH	<i>WITH ISB ONLY</i>
3	2001121	1	WASHER,FLAT,5/16 X 3/4,X 5/64,YEL ZN DICH	<i>WITH ISB ONLY</i>
6	1626431	1	VALVE,BALL,3/4,W/BUTTERFLY HANDLE	
7	0315200	1	ADAPTER,HTR,3/4 PIPE X 1 HOSE	
8	2009504	1	NIPPLE,PIPE,3/4 X CLOSE,GALV	
9	0085292	1	FITTING,ELBOW,45 DEG,.75 MPT X 1 INCH	
10	0112325	1	GROMMET,RUBBER,1.75ID W/2.00 X .25	<i>WITH ISC ONLY</i>
11	1228840	10	LOOM,CORRUGATED,BLACK,NYLON,1 1/4ID,SS	<i>WITH ISC ONLY</i>
12	1143866	AR	HOSE,HEATER,1 INCH ID,SILICONE	<i>WITH ISC</i>
12	1250760	AR	HOSE,HEATER,1",GY HI MILER,BLUE W/WHT	<i>WITH ISC</i>
15	1143866	AR	HOSE,HEATER,1 INCH ID,SILICONE	
15	1250760	AR	HOSE,HEATER,1",GY HI MILER,BLUE W/WHT	
16	0858894	AR	INSULATION,ARMAFLEX,1-1/8 ID(252 FT. PER	
17	0858894	AR	INSULATION,ARMAFLEX,1-1/8 ID(252 FT. PER	
18	1894799	AR	CLAMP,CONSTANT TORQUE,13/16 TO 1-1/2 DIA	
19	1107937	1	CLAMP,LOOP,2.00	<i>WITH ISB</i>

Models: A3RE
HEATER WATER PUMP
With Features: FEATURE 30058-01, -02

Key	PartNumber	Qty	Description	Comment
-----	------------	-----	-------------	---------



Models: A3RE
With Features: HEATER WATER PUMP
 FEATURE 30058-01, -02

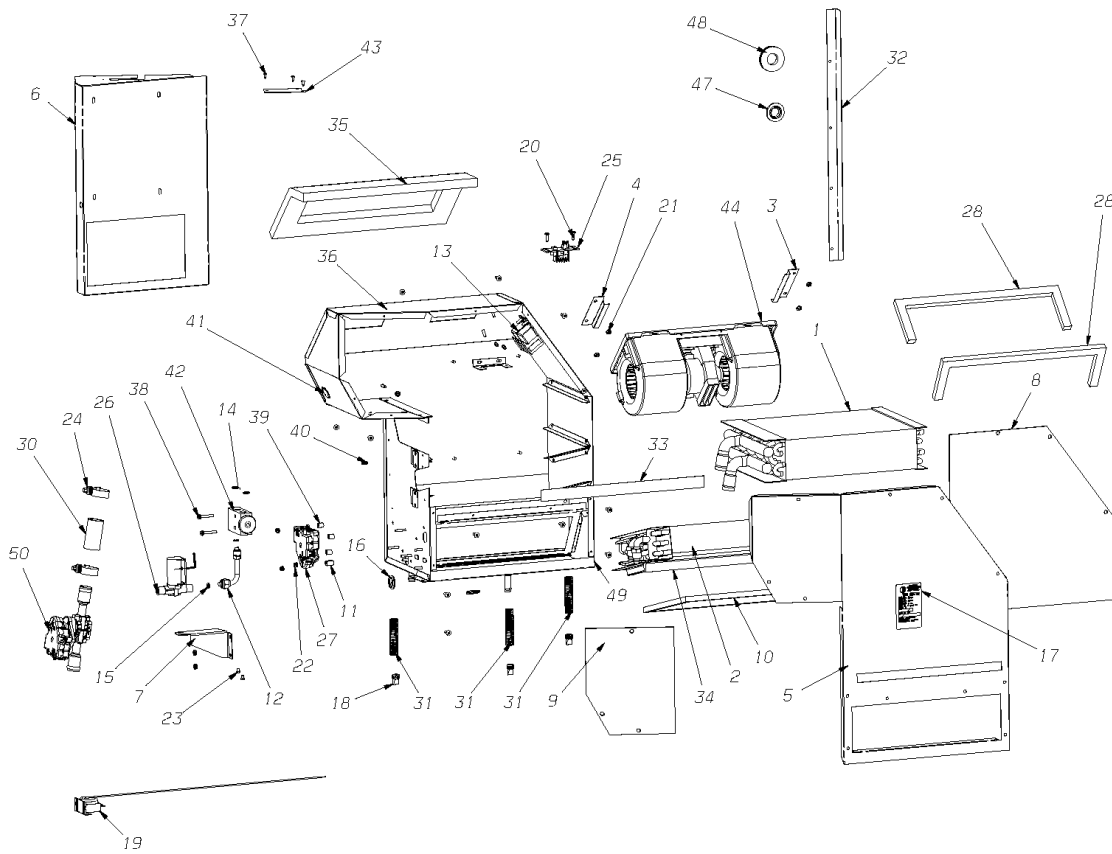
Key	PartNumber	Qty	Description	Comment
<i>FEATURE 30058-01</i>				
1	0007258		PUMP,WATER,AUXILIARY HTR,BERGSTROM 12	
2	0007212		BRACKET,MTG,HEATER WATER PUMP,RE	
3	0882803	6	CAPSCREW,HEX HD,3/8-16,X,1,,GR5,YELDICH	
4	1013689	6	NUT,HEX HD,3/8-16,WASHER SER,YEL ZN DICH	
<i>FEATURE 30058-02</i>				
1	1973999		PUMP,WATER,AUXILIARY HTR,MP,12 VOLT	<i>ENDING WITH CSN 10023834 PUMP ONLY NOW INCLUDED WITH ASSEMBLY</i>
1	0009685		PUMP ASSY,WATER,AUX,HEAVY DUTY, A3RE	<i>BEGIN WITH CSN 10023835 PUMP ONLY</i>
1	0007212		BRACKET,MTG,HEATER WATER PUMP,RE	<i>ENDING WITH CSN 10023834 INCLUDED WITH ASSY</i>
1	1113307		TERMINAL,PIN,14-16 GA,WEATHERPACK,	<i>INCLUDED WITH ASSY</i>
1	1154582		SEAL,WIRE,CBL/DIA.111-.137,GY,W/PACK,PACK	<i>INCLUDED WITH ASSY</i>
1	1161850		CONNECTOR,2 CIRC,SHROUD,WEATHERPACK,	<i>INCLUDED WITH ASSY</i>
1	2000073		SCREW,1/4-20 X 1,D,HEX HD,YEL ZN DICH	<i>INCLUDED WITH ASSY</i>
1	2001121		WASHER,FLAT,5/16 X 3/4,X 5/64,YEL ZN DICH	
2	0882803	2	CAPSCREW,HEX HD,3/8-16,X,1,,GR5,YELDICH	
3	1013689	2	NUT,HEX HD,3/8-16,WASHER SER,YEL ZN DICH	
4	1059278	2	SPLINT,1IN HOSE BEND,90 DEGREE,4.5IN.RAD	<i>ENDING WITH CSN 10031074</i>
4	1107937	2	CLAMP,LOOP,2.00	<i>ENDING WITH CSN 10031074</i>
4	0013355	2	TUBING,BRASS,ELBOW,180 DEG,1.25	<i>BEGIN WITH CSN 10031075</i>
<i>FEATURE 30058-01 AND 30058-02</i>				
5	2003317	34	HOSE,HEATER,1 INCH BRAID,BLACK	
5	1143866	34	HOSE,HEATER,1 INCH ID,SILICONE	
5	1250760	34	HOSE,HEATER,1",GY HI MILER,BLUE W/WHT	
6	2003309	34	HOSE,HEATER,1 RED,1 BRAID	
6	1143866	34	HOSE,HEATER,1 INCH ID,SILICONE	
6	1250760	34	HOSE,HEATER,1",GY HI MILER,BLUE W/WHT	
7	2003309	40	HOSE,HEATER,1 RED,1 BRAID	
7	1143866	40	HOSE,HEATER,1 INCH ID,SILICONE	
7	1250760	40	HOSE,HEATER,1",GY HI MILER,BLUE W/WHT	
8	2003309	7	HOSE,HEATER,1 RED,1 BRAID	
8	1143866	7	HOSE,HEATER,1 INCH ID,SILICONE	

Models: A3RE
HEATER WATER PUMP
With Features: FEATURE 30058-01, -02

Key	PartNumber	Qty	Description	Comment
8	1250760	7	HOSE,HEATER,1",GY HI MILER,BLUE W/WHT	
9	2008522	AR	CLAMP,1IN HOSE	
9	1894799	AR	CLAMP,CONSTANT TORQUE,13/16 TO 1-1/2 DIA	

Models: **A3RE**
HEATER/AC COMBO COMFORT AIRE
COMBO ASSY BERGSTROM

Key	PartNumber	Qty	Description	Comment
-----	------------	-----	-------------	---------



Models: **A3RE
HEATER/AC COMBO COMFORT AIRE
COMBO ASSY BERGSTROM**

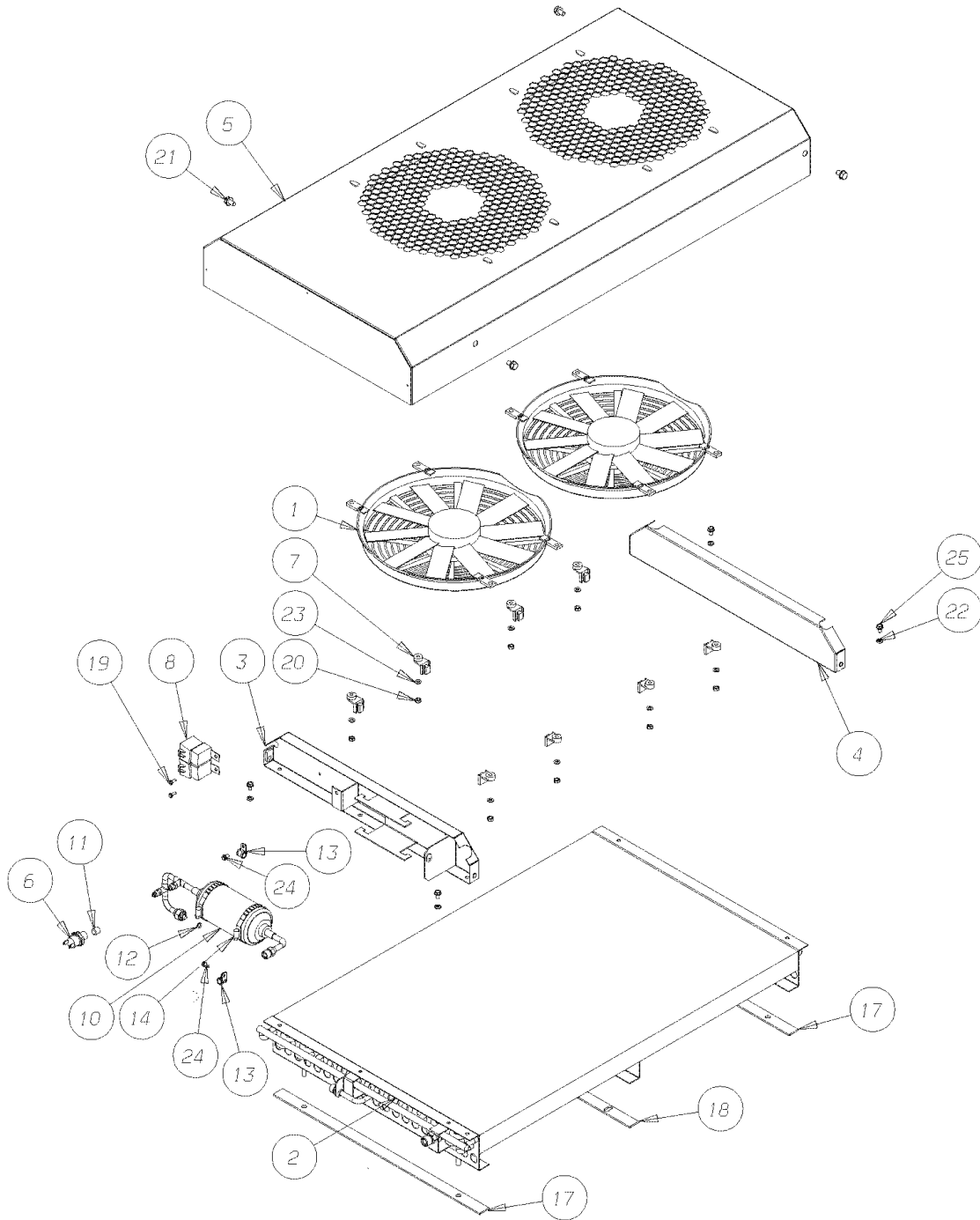
Key	PartNumber	Qty	Description	Comment
	0085146		KIT,HEATER,AIR CONDITIONING COMBO, A3RE	CONSISTS OF THE FOLLOWING
1	0091738		COIL,HEATER,COMBO,A3RE,BERGSTROM	
2	0091741		COIL,EVAPORATOR,HEAT/AC COMBO,A3RE	
3	0091743		BRACKET,BLOWER,MOUNT,RH,HEATER/AC,	
4	0091744		BRACKET,BLOWER,MOUNT,LH,HEATER/AC,BERG	
5	0091745		COVER,CASE,HEATER/AC,A3,BERGSTROM	
6	0091766		PANEL,HEATER/AC COMBO,MAIN,A3,	
7	0091751		BRACKET,SOLENOID,HEATER/AC,A3RE	
8	0091767		COVER,GASKET,FRONT,HEATER/AC,BERG	
9	0091768		COVER,GASKET,FRONT,LT,HEATER/AC,BERG	
10	0091769		FILTER,AIR,HEATER/AC,A3,BERG	
11			BUSHING ADAPTER	
12	0091770		TUBE ASSY,HEATER/AC COMBO,.375 X 90 DEG	
13	0090192	2	RELAY,12 VOLT,HEATER/AC COMBO,BERG	
14		2	O-RING	
15		2	O-RING	
16		2	GROMMET, 7/8 DIA. SPLIT DIAPHRAGM	
17	0091723		PLATE,ID,A3,BBCV,HEATER/AC,BERGSTROM	
18	0090196	3	VALVE,DRAIN,CHECK,HEATER/AC COMBO,BERG	
19	0090190		CONTROL,FRESH AIR,HEAT/AC COMBO,BERG	
20		20	NO 10 X 5/8 TRUSS, QUADREX 2/2	
21		9	NUT, 10-32 KEPS	
22		3	NUT, NO. 8-32 NYLON INSERT	
23		2	SCREW HX HD NO. 8-32 X .25 IN	
24		2	CLAMP, 25.4 SILICONE HOSE	
25	0035868		RESISTOR, 12V W(2) 152C FUSE, BERG, OPT	
26	0090197		SOLENOID,ASSY,12V,HEATER/AC COMBO,BERG	
27	0090191		ACTUATOR,HEATER/AC COMBO,BERG	
28	0091779	A/	GASKET,FOAM,HEATER/AC,A3,BERGSTROM	3.5 FT
29	0091765	A/	SEAL,HEATER/AC COMBO,2INX1.5FT,	NOT SHOWN. 1.5 FT
30	0091780	A/	HOSE,SILICONE,HEATER/AC,A3,BERGSTROM	.21 FT
31	0091757	A/	HOSE,DRAIN,HEATER/AC,BERGSTROM	. 8 FT
32	0031090		ANGLE,FRONT CORNER HEATER TC2000	

Models: **A3RE**
HEATER/AC COMBO COMFORT AIRE
COMBO ASSY BERGSTROM

Key	PartNumber	Qty	Description	Comment
33		A/	FOAM, EPT-PS .25IN X 1.0IN (1.25 FT)	
34	0091781	A/	GASKET,FILTER,HEATER/AC,A3,BERGSTROM	
35	8303174		GASKET, BLOWER OUTLET	
36	0091727		WELDMENT,CASE,HEATER/AC,A3,BERGSTROM	
37		3	NO. 6 CROSS RECESS	
38		2	SCREW, 10-32 X 1.25IN	
39	0091773	3	SPACER,HEATER/AC COMBO.25IN ID X.38IN OD	
40			GROMMET, RUBBER 0.25IN ID	
41	4316345		BUSHING, SNAP WIRING HARNESS CV HTR	
42	0015318		VALVE,EXPANSION,134A LTC KYSOR (404255)	
43	0091772		PLATE,WIRE,HEATER/AC,A3,BERGSTROM	
44	0090195		BLOWER,ASSY,HEATER/AC COMBO,BERG	
45	0091774		HARNESS,WIRE,HEATER/AC,A3,BERGSTROM	<i>NOT SHOWN</i>
46	0091775		VALVE,ASSY,WATER,HEATER/AC,A3RE	
47			GROMMET	
48			GROMMET	
49		A/	SEALER	

Models: A3FE, A3RE, BBCV
 HEATER/AC COMBO COMFORT AIRE
 CONDENSER ASSY
 SINGLE MOBILE CLIMATE

Key	PartNumber	Qty	Description	Comment
-----	------------	-----	-------------	---------

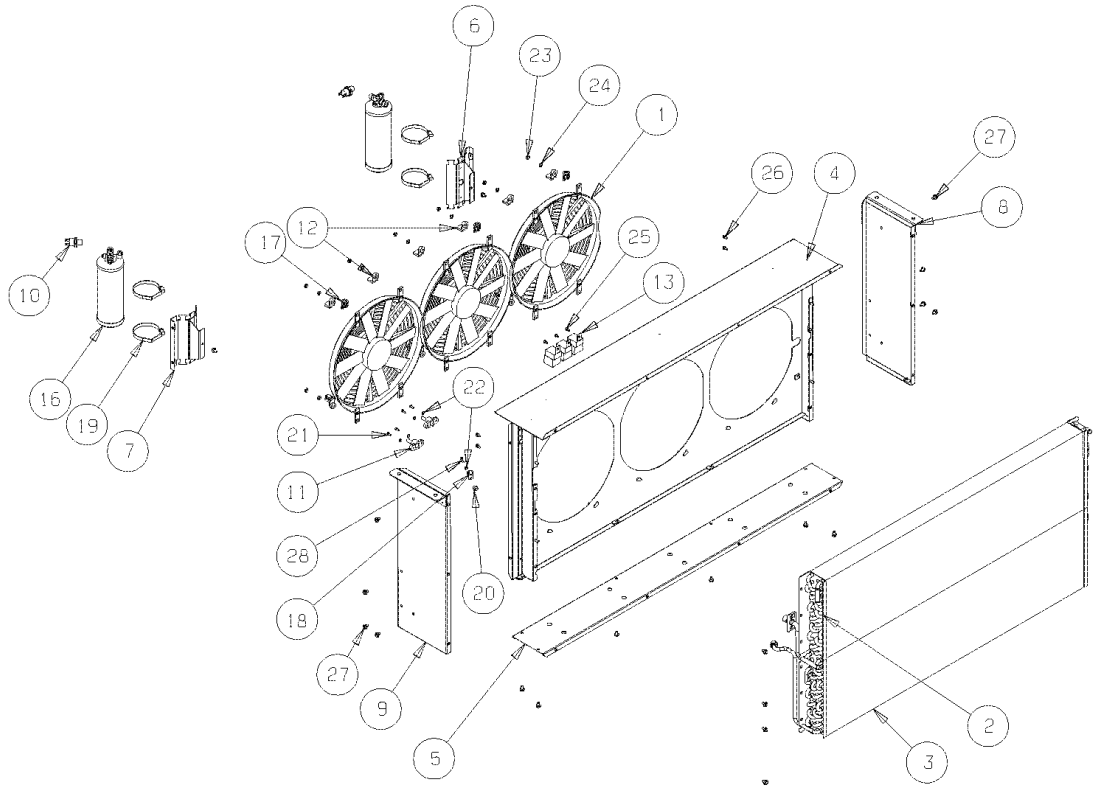


Models: A3FE, A3RE, BBCV
 HEATER/AC COMBO COMFORT AIRE
 CONDENSER ASSY
 SINGLE MOBILE CLIMATE

Key	PartNumber	Qty	Description	Comment
	0091181		CONDENSER,12 VOLT,ROOF MT,COMFORT AIRE,	
1	0097691	2	FAN,12 VOLT,CONDENSER,MCC,15-1301	
2	0091869		CONDENSER,COIL,SINGLE,MCC	
3	0091876		SUPPORT,CONDENSER,1,MCC	
4	0091877		SUPPORT,CONDENSER,2,MCC	
5	0091878		COVER,CONDENSER,SINGLE,MCC	
6	0091177		SWITCH,PRESSURE,REC/DRYER,COND/SNGL,	
7	0091901	8	MOUNT,FAN,CONDENSER,MCC	
8	0091904	2	RELAY,12 VOLT,CONDENSER,SINGLE,MCC	
9	0091911		HARNES, WIRING,CONDENSER,SINGLE,1956,	NOT SHOWN
10	0091915		FILTER,ASSY,CONDENSER,SINGLE,MCC	
11	0091928		CAP,CONDENSER,SCHRADER,MCC	
12			O-RING NO6	
13	0091924	2	CLAMP,CONDENSER,P,3/8IN,NO 6,SINGLE,MCC	
14	0091923	2	CLAMP,CONDENSER,GEAR,SINGLE,3 IN,MCC	
17	0091929	2	GASKET,COIL,1/8,CONDENSER,END,MCC	
18	0091930		GASKET,COIL,1/8,CONDENSER,CENTER,MCC	
19		2	M4X12 HEX BOLT	
20		8	M6 NUT	
21		4	M8X12 BOLT TAPTITE	
22		4	1/4IN LOCK	
23		8	M6 FLAT WASHER	
24		2	M5X10 YELL. CROM. TAP.	
25		4	M6X10 BOLT	
			PART OF KIT 0087286	

Models: A3FE, A3RE, BBCV
HEATER/AC COMBO COMFORT AIRE
CONDENSER ASSY, DUAL, MOBILE CLIMATE

Key	PartNumber	Qty	Description	Comment
-----	------------	-----	-------------	---------

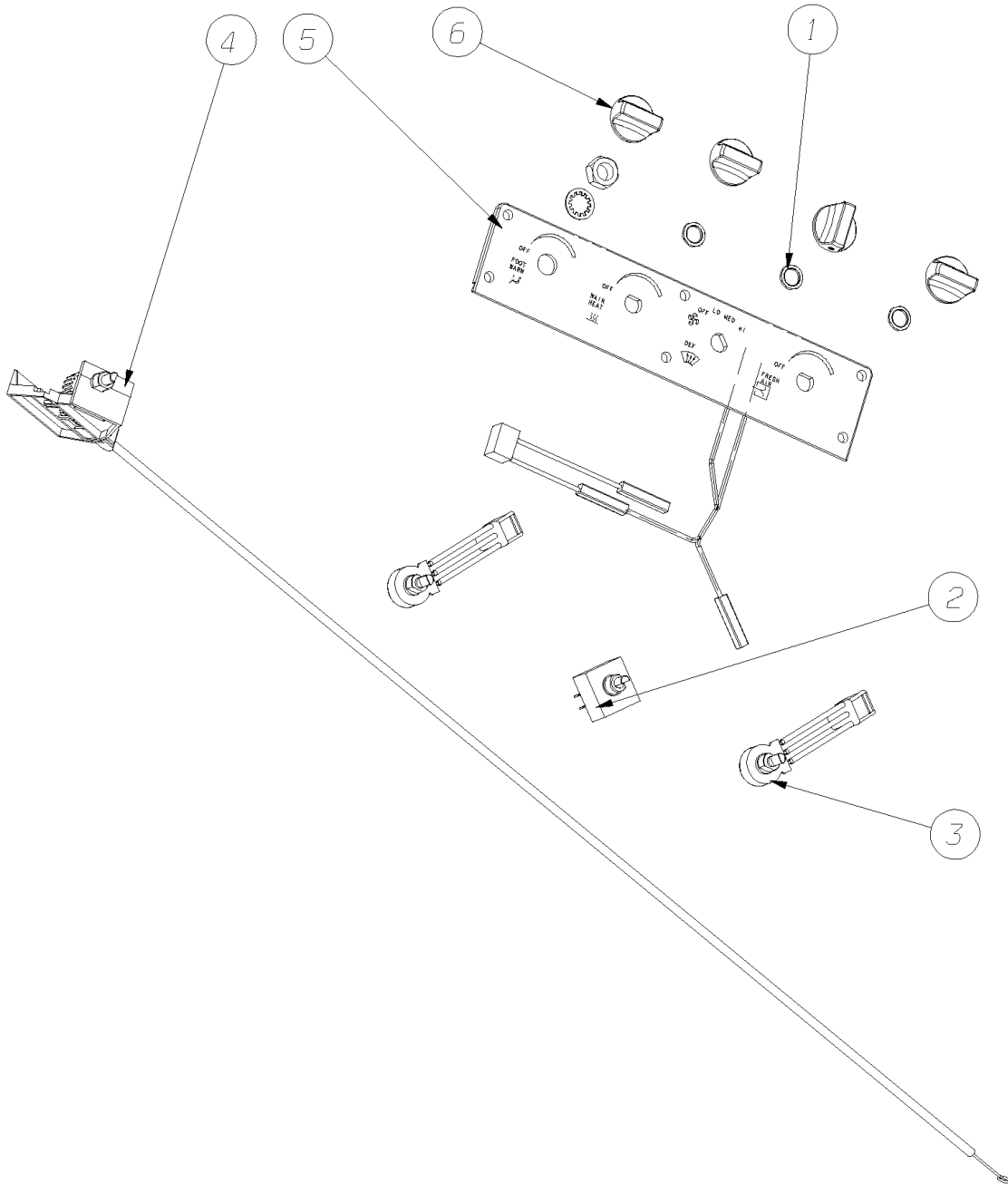


Models: **A3FE, A3RE, BBCV**
HEATER/AC COMBO COMFORT AIRE
CONDENSER ASSY, DUAL, MOBILE CLIMATE

Key	PartNumber	Qty	Description	Comment
	0091182		CONDENSER,12 VOLT,TM21,SKIRT,COMFT AIRE,	<i>CONSISTS OF THE FOLLOWING</i>
1	0102394	3	FAN,12 VOLT,CONDENSER,MCC,15-1303	
2	0091871		CONDENSER,COIL,DUAL,MCC,2	
3	0091870		CONDENSER,COIL,DUAL,MCC,1	
4	0091880		HOUSING,ASSY,CASING,CONDENSER,DUAL,	
5	0091891		COVER,BOTTOM,CONDENSER,DUAL,MCC	
6	0091875		BRACKET,MOUNTING,RECEIVER/DRYER,LH,MCC	<i>L</i>
7	0091874		BRACKET,MOUNTING,RECEIVER/DRYER,RH,MCC	<i>R</i>
8			SIDE 1	
9			SIDE 2	
10	0091177	2	SWITCH,PRESSURE,REC/DRYER,COND/SNGL,	
11	0091900	2	STUD,JUMPER,3/8 IN,MCC	
12	0091901	12	MOUNT,FAN,CONDENSER,MCC	
13	0091904	3	RELAY,12 VOLT,CONDENSER,SINGLE,MCC	
16	0091914	2	DRYER,RECEIVER,CONDENSER,DUAL,MCC	
17			P-CLAMP	
18	0091924		CLAMP,CONDENSER,P,3/8IN,NO 6,SINGLE,MCC	
19	0091923	4	CLAMP,CONDENSER,GEAR,SINGLE,3 IN,MCC	
20			NYLON SPACER 1/4IN X 1/2IN	
21		4	SCREW M4X12 PHL CL ZN	
22		5	WASHER M4	
23		12	NUT M6	
24		12	M6 FLAT WASHER	
25			M4X8	
26		7	M5X10 YELL. CROM. TAP.	
27		18	M6X10 YELL. CROM. TAP.	
28			SCREW M4X20 PHL CL ZN	
			PART OF KIT NUMBER 0085183	

Models: **A3FE, A3RE**
HEATER/AC COMBO COMFORT AIRE
CONTROL ASSEMBLY

Key	PartNumber	Qty	Description	Comment
-----	------------	-----	-------------	---------

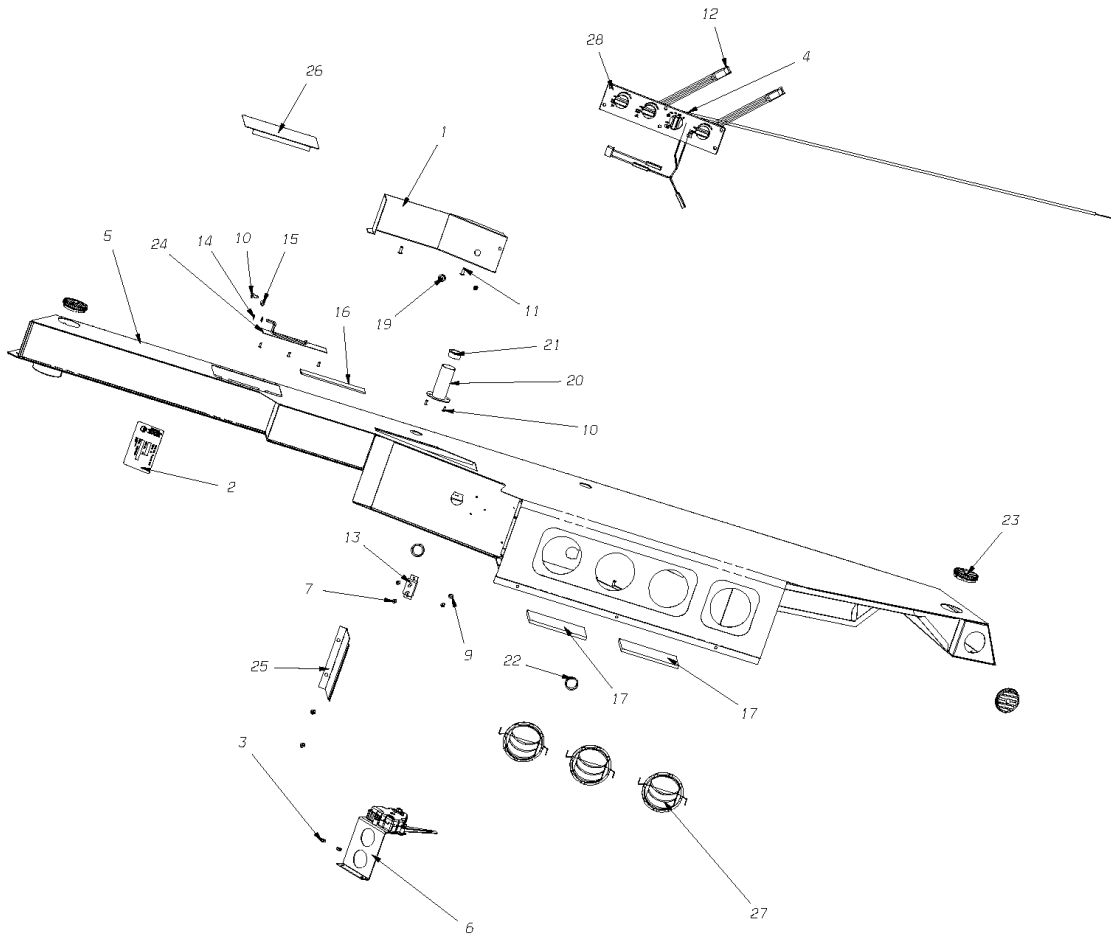


Models: **A3FE, A3RE**
HEATER/AC COMBO COMFORT AIRE
CONTROL ASSEMBLY

Key	PartNumber	Qty	Description	Comment
1	4316774	2	NUT, SWITCH LH FRT HTR.	
2	0037788		SWITCH, BLOWER, FAN, 4 POSITION, CV	
3	0016333	2	SWITCH ASSY,AIR CONTROL ACTUATOR	
4	0038986		CONTROL CABLE 42IN, FRT HTR, KYSOR	
5	0038985		PLATE,SWITCH, FRT HTR KYSOR CONTROL	
6	0031531	4	KNOB,TEMPERATURE CONTROL,HEATER WATER	

Models: **A3FE, A3RE**
HEATER/AC COMBO COMFORT AIRE
DUCTING ASSY

Key	PartNumber	Qty	Description	Comment
-----	------------	-----	-------------	---------

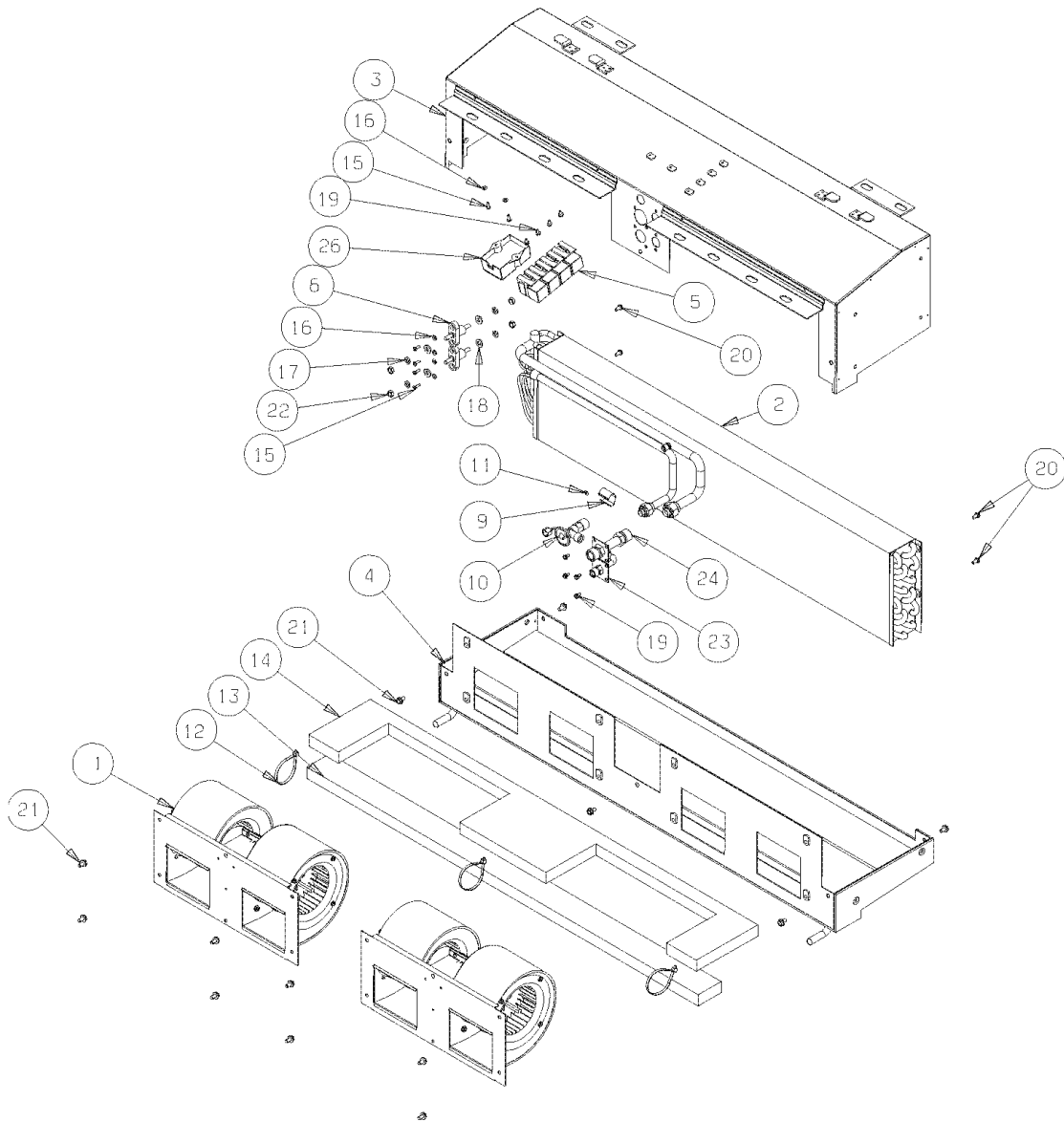


Models: A3FE, A3RE
**HEATER/AC COMBO COMFORT AIRE
 DUCTING ASSY**

Key	PartNumber	Qty	Description	Comment
1	0090168		BAFFLE,DUCT,HEATER/AIR COMBO,BERG	
2	0091721		PLATE,ID,DUCTING,HEATER/AC,BERGSTROM	
3		2	NUT, 10-32	
4	0090172		HARNES, WIRING, TO CONTROL, HEAT/AC, BERG	
5	0091724		WELDMENT, CASE, HEATER/AC, DUCTING,	
6	0090173		ACTUATOR, ASSY, MODE, HEAT/AC, BERG	SEE DRAWING 0090173 FOR BREAKDOWN
7		4	SCREW, NO 8 1/2	
8		3	SCREW, NO 10 X 1/2	
9	8307068		WASHER, GROUND, WALL MTD. HEATER	
10		5	RIVET, POP 1/8	
11		2	RIVET, POP 3/16	
12	0090174		HARNES, WIRING, CONTROL, HEAT/AC, BERG	
13	8303109		BREAKER, 10-AMP TC HEATER"	
14	4316477	2	NUT, CABLE END	
15	4316790		CLAMP, CABLE HTR.	
16	0063633	AR	GASKET, HEATER, SP, P.S., .25X2.62, BERG	.5 FT
17	0091735	AR	GASKET, PAD, HEATER/AC, BERG	.8 FT
18		2	PLASTIC TIE (NOT SHOWN)	
19			BUSHING, CABLE	
20			BUSHING, WIRING TUBES	
21			BUSHING, TOP	
22	4316345	2	BUSHING, SNAP WIRING HARNES CV HTR	
23	8303091	3	LOUVER, TC HEATER"	
24	0090177		DOOR, FOOT, HEAT/AC, BERG	
25	0090178		COVER, ACCESS, SIDE, HEAT/AC, BERG	
26	0090179		COVER, ACCESS, TOP, HEAT/AC, BERG	
27	0090180	3	LOUVER, HEATER/AC COMBO, BERG	
28	0090181		CONTROL, ASSY, HEAT/AC, DUCT, BERG	SEE DRAWING 0090181 FOR BREAKDOWN

Models: **A3FE, A3RE, BBCV**
HEATER/AC COMBO COMFORT AIRE
EVAPORATOR ASSY
DUCTED, MOBILE CLIMATE

Key	PartNumber	Qty	Description	Comment
-----	------------	-----	-------------	---------

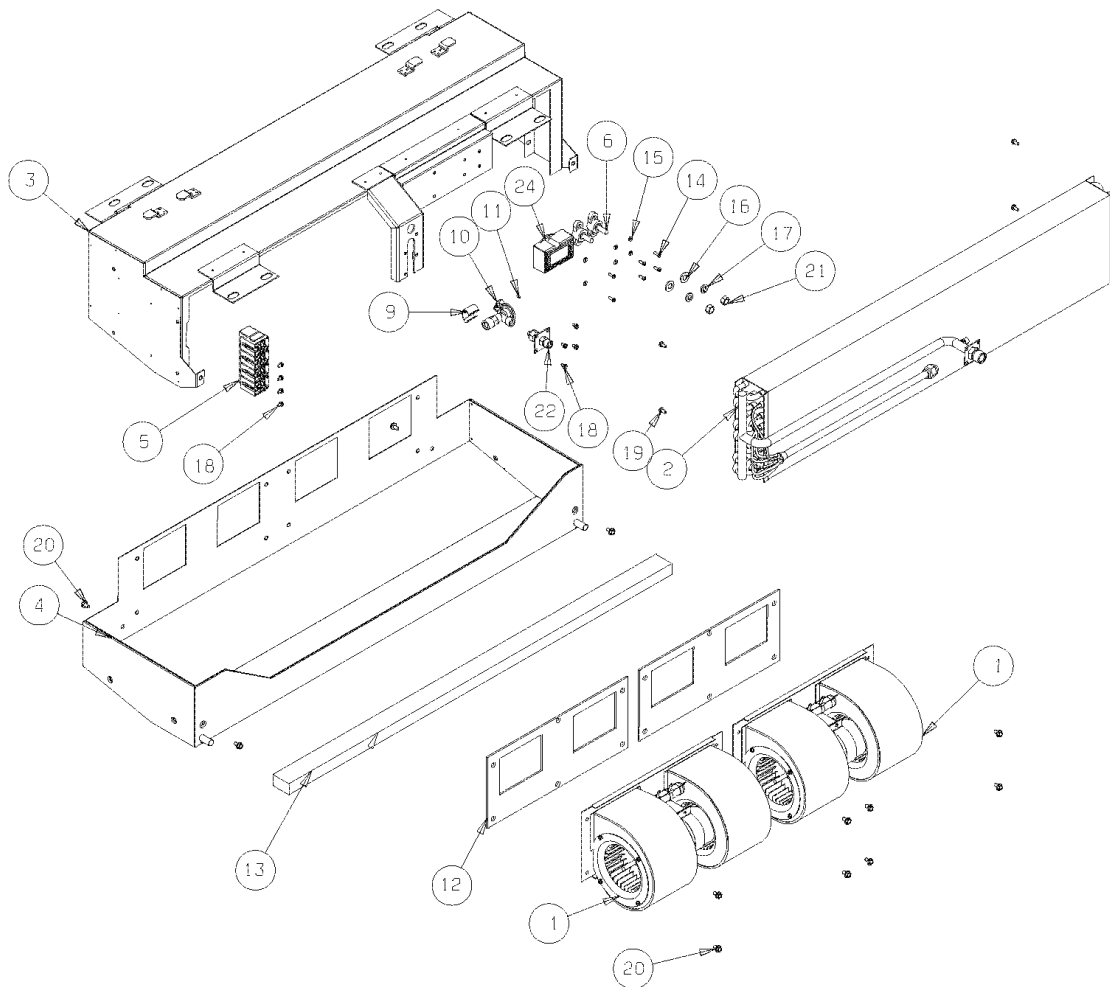


Models: A3FE, A3RE, BBCV
 HEATER/AC COMBO COMFORT AIRE
 EVAPORATOR ASSY
 DUCTED, MOBILE CLIMATE

Key	PartNumber	Qty	Description	Comment
	0091179		EVAPORATOR,ASSY,12V,CME,55 DUCTED,	
1	0091868	2	BLOWER,ASSY,EVAPORATOR,MCC	
2	0091872		EVAPORATOR,COIL,DUCTED,MCC	
3	0091894		HOUSING,ASSY,CASING,EVAPORATOR,DUCTED,	
4	0091895		PAN,DRAIN,ASSY,EVAPORATOR,DUCTED,MCC	
5	0091898	4	RELAY,12 VOLT,EVAPORATOR,MCC	
6	0091902	2	STUD,JUMPER,1/4 IN - 20,MCC	
7	0091908		HARNES, WIRING, EVAPORATOR, DUCTED, 1927,	N/S
8	0091909		HARNES, WIRING, EVAP, BLOWER INT, 25-1954,	N/S
9	0091912		CLAMP, EVAPORATOR, COMFORT AIRE, MCC	
10	0091913		VALVE, EXPANSION, EVAPORATOR, MCC	
11			O-RING NO4	
12			TIE WRAP	
13			BB WICKING FOAM	
14			BB WICKING FOAM	
15		6	SCREW M4X12 PHL. CL ZN	
16		6	WASHER M4	
17			LOCKWASHER, 1/4 IN	
18			WASHER, 1/4 IN	
19		8	M4X8 YELL. CROM. TAP.	
20		4	M5X10 YELL. CROM. TAP.	
21		13	M6X10 YELL. CROM. TAP.	
22			1/4 IN NUT	
23	0103597		TUBE, COPPER, 3/8IN, 34-3051 MCC	
24			COPPER TUBE 5/8IN	
25	0091931		SENSOR, ASSY, EVAPORATOR, DUCTED, MCC	N/S
26	0091932		MODULE, THERMOSTAT, EVAPORATOR, 12V, MCC	
			PART OF KIT 0088052 AND 0085188	

Models: A3FE, A3RE, BBCV
**HEATER/AC COMBO COMFORT AIRE
 EVAPORATOR ASSY
 FREEBLOW, MOBILE CLIMATE**

Key	PartNumber	Qty	Description	Comment
-----	------------	-----	-------------	---------

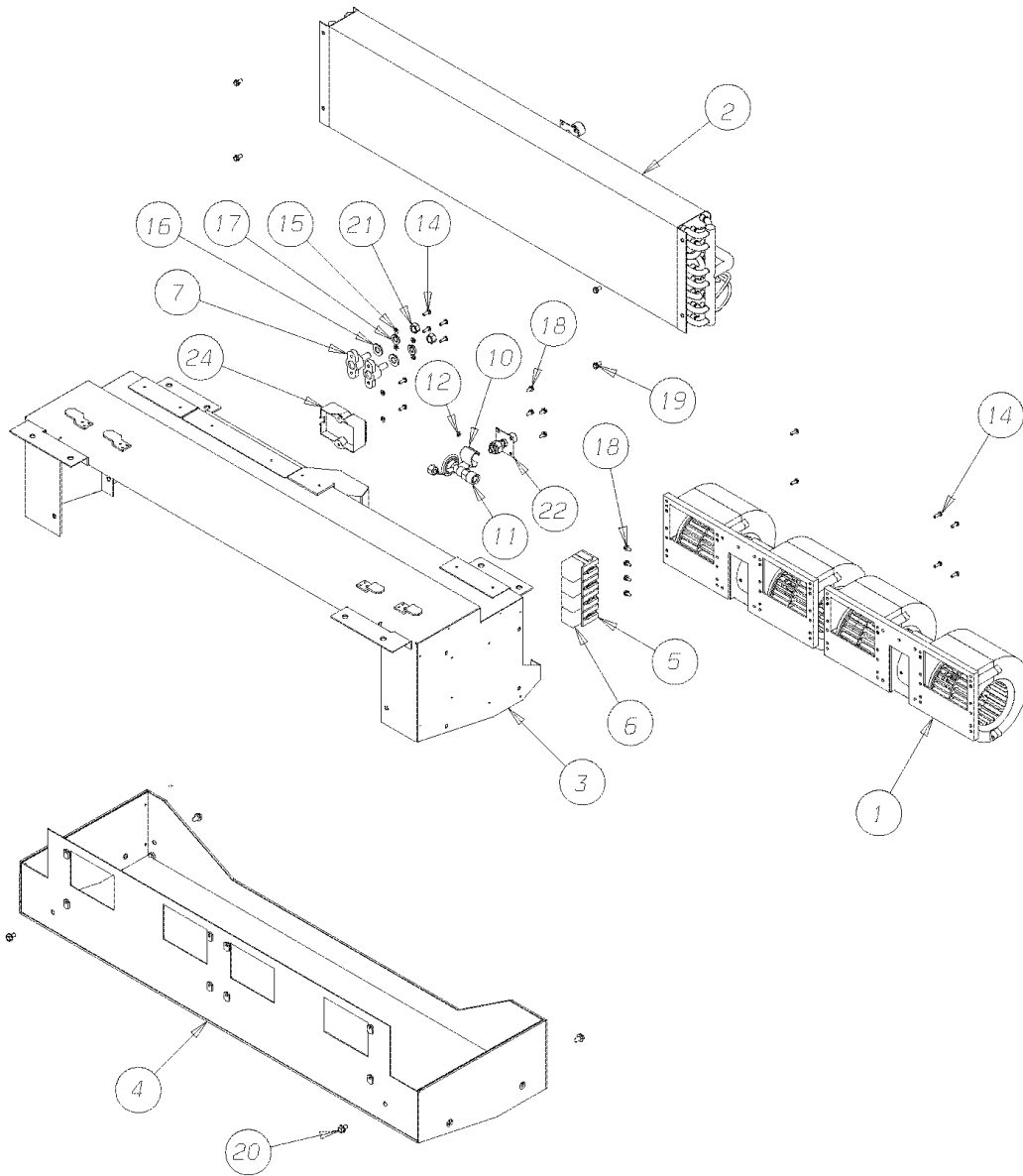


Models: **A3FE, A3RE, BBCV**
HEATER/AC COMBO COMFORT AIRE
EVAPORATOR ASSY
FREEBLOW, MOBILE CLIMATE

Key	PartNumber	Qty	Description	Comment
	0091176		EVAPORATOR,ASSY,12V,CME,55 FREEBLOW,	CONSISTS OF THE FOLLOWING
1	0091868	2	BLOWER,ASSY,EVAPORATOR,MCC	
	0096505		MOTOR,BLOWER,A/C,EVAP,MCC	
2	0091873		COIL,EVAPORATOR,FREEBLOW,MCC	
3	0091896		HOUSING,ASSY,CASING,EVAPORATOR,	
4	0091897		PAN,DRAIN,ASSY,EVAPORATOR,FREEBLOW,MCC	
5	0091898	4	RELAY,12 VOLT,EVAPORATOR,MCC	
6	0091900	2	STUD,JUMPER,3/8 IN,MCC	
NI	0091910		HARNES, WIRING, EVAPORATOR,	
8			WIRE HARNESS	
9	0091912		CLAMP,EVAPORATOR,COMFORT AIRE,MCC	
10	0091913		VALVE,EXPANSION,EVAPORATOR,MCC	
11			O-RING NO4	
12	0091925	2	FOAM,BLOWER,EVAPORATOR,FREEBLOW,MCC	
13			BB WICKING FOAM	
14		6	SCREW M4X12 PHL. CL ZN	
16		6	WASHER M4	
17		2	M10 WASHER ZINC	
18		2	LOCK WASHER 3/8IN	
19		8	M4X8 YELL. CROM, TAP	
20		4	M5X10 YELL. CROM, TAP	
21		12	M6X10 YELL. CROM, TAP	
22		2	HEX NUT 3/8IN-16	
23			COPPER TUBE 3/8IN	
24	0091932		MODULE,THERMOSTAT,EVAPORATOR,12V,MCC	
			PART OF KIT 0085186 AND 0087572	

Models: **A3FE, A3RE, BBCV**
HEATER/AC COMBO COMFORT AIRE
EVAPORATOR ASSY, 12V, CME 45, FREEBLOW

Key	PartNumber	Qty	Description	Comment
-----	------------	-----	-------------	---------

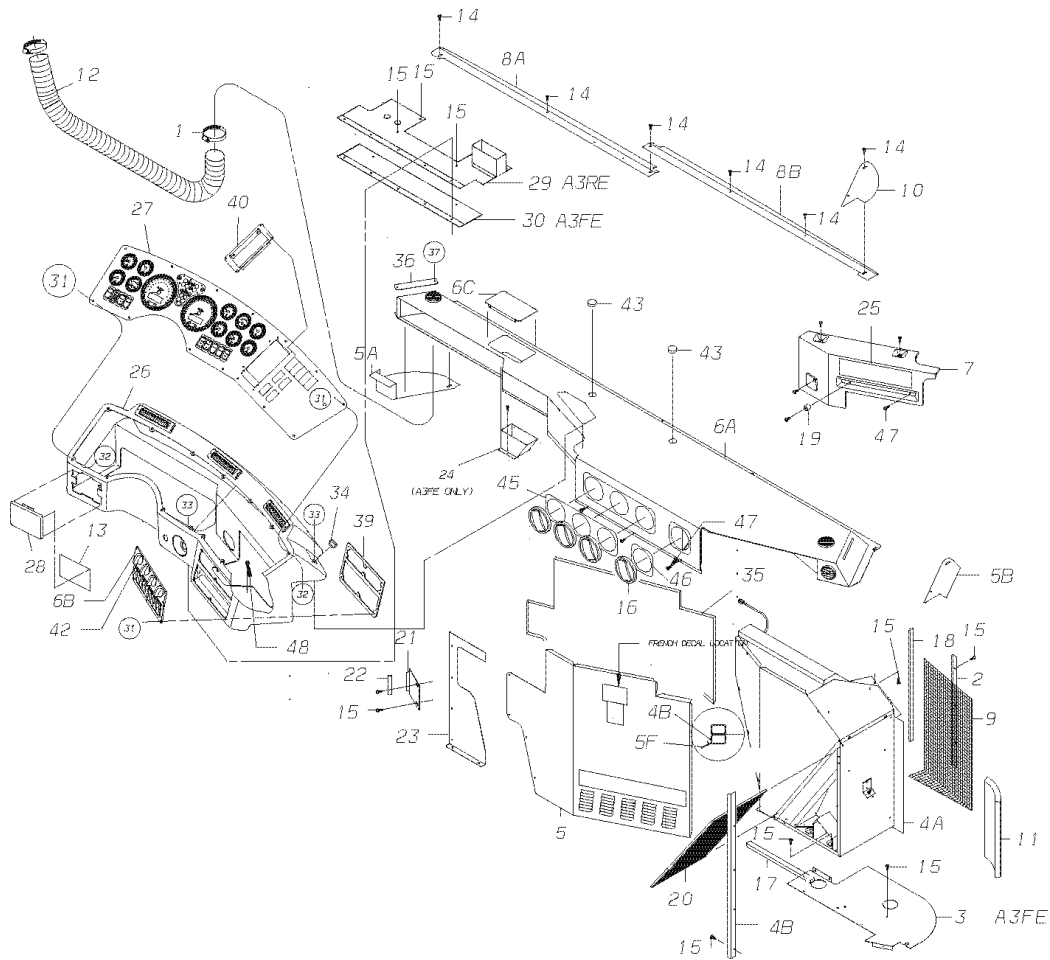


Models: A3FE, A3RE, BBCV
**HEATER/AC COMBO COMFORT AIRE
 EVAPORATOR ASSY, 12V, CME 45, FREEBLOW**

Key	PartNumber	Qty	Description	Comment
	0100862		EVAPORATOR,12 VOLT,ASSY,CME45,FREBLOW,	CONSISTS OF THE FOLLOWING
1	0105366		BLOWER ASSEMBLY,EVAP,MCC,15-1561	
2	0105367		COIL,EVAPORATOR,CME 45,FRBLOW,MCC,21	
3			CASING ASSY	
4			DRAIN PAN ASSY	
5	0105368		SOCKET,RELAY,EVAP,MCC,25-0221	
6	0091898		RELAY,12 VOLT,EVAPORATOR,MCC	
7	0091900		STUD,JUMPER,3/8 IN,MCC	
NI	0105369		HARNES, WIRING, EVAP, MAIN INT, 25-1930,	
NI	0091909		HARNES, WIRING, EVAP, BLOWER INT, 25-1954,	
10	0091912		CLAMP, EVAPORATOR, COMFORT AIRE, MCC	
11	0091913		VALVE, EXPANSION, EVAPORATOR, MCC	
12			O RING NO 4	
13			BB WICKING FOAM	
14			SCREW, M4 X 12	
15			WASHER, M4	
16			M10 WASHER	
17			LOCK WASHER, 3/8 IN	
18			M4 X 8 YELL CROM TAP	
19			M5 X 10 YELL CROM TAP	
20			M6 X 10 YELL CROM TAP	
21			HEX NUT 3/8 IN - 16	
22			COPPER TUBE 3/8 IN	
23	0091931		SENSOR, ASSY, EVAPORATOR, DUCTED, MCC	
24	0091932		MODULE, THERMOSTAT, EVAPORATOR, 12V, MCC	
			PART OF EVAPORATOR KIT 0085185	

Models: **A3FE, A3RE**
HEATER/AC COMBO COMFORT AIRE
HTR, DASH, PWR DOOR, A/C INSTALLATION

Key	PartNumber	Qty	Description	Comment
-----	------------	-----	-------------	---------



Models: A3FE, A3RE
**HEATER/AC COMBO COMFORT AIRE
 HTR, DASH, PWR DOOR, A/C INSTALLATION**

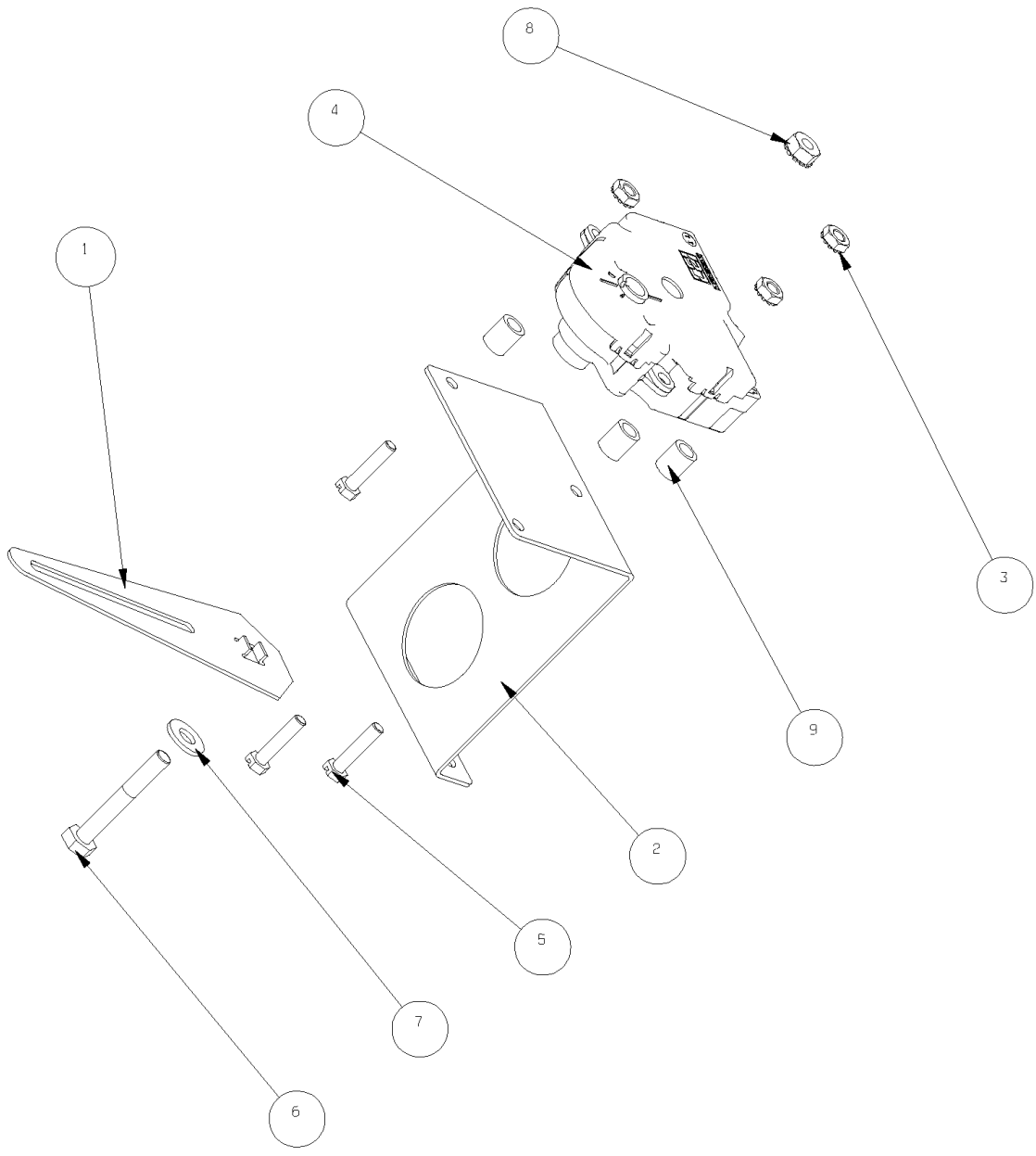
Key	PartNumber	Qty	Description	Comment
1	1572304	2	CLAMP,HOSE,SIZE 36,UNLINED,2.75	
2	1532910		ANGLE,SCREEN RET,HTR AIR INTAKE	
3	0091718		PANEL,CLOSEOUT,HEATER TO COWL W/AC,	
4	0085145		KIT,HEATER,AIR CONDITIONING COMBO, A3FE	
	0085146		KIT,HEATER,AIR CONDITIONING COMBO, A3RE	
4A			HEATER ASSY	
4B	0031090		ANGLE,FRONT CORNER HEATER TC2000	
5	0085150		PANEL,COVER,HTR,AC COMBO, A3FE	
	0087579		TRIM,RH,FRT HTR,TRANSIT,RH DRIVE	
	0085151		PANEL,COVER,HTR,AC COMBO, A3RE	
	0087579		TRIM,RH,FRT HTR,TRANSIT,RH DRIVE	
6	0028726		DUCT ASSY,DEF,WITH UNMOUNTED CONTROLS	
6A			KYSOR 170438 DUCT ASSY	
6B	0037588		CONTROL ASSY, TRANSIT 250263	
7	0031645		COVER,DASH,RH REAR,TC/A3	
8	1913847		KIT,TRIM,DASH W/PUSH BUTTON SHIFTER,2CF	
8A			KYSOR 515538 TRIM, LH BELT BAR	
8B			KYSOR 517314 TRIM, RH BELT BAR	
8	0080326		KIT,TRIM,DASH W/PUSH BUTTON SHIFTER,4FF	
8A			KYSOR TRIM, LH BELT BAR	
8B			KYSOR TRIM, LH BELT BAR	
9	1532902		SCREEN,HTR AIR INTAKE,TCFC/RE	
10	1925759		TRIM,RH FRONT CORNER OF DASH,TCFE/RE	
11	1532936		INSULATION & SEAL,RH COWL	
12	1508381		HOSE,FLEXIBLE,DUCT,2.50X28.00	
13	0041799		DECAL,FUSE BLOCK	
14	1143676	15	SCREW,10-16 X 3/4, AB,PH1,PAN HD,BLK ZN,	
15	1589522	30	SCREW,10-16 X 3/4,AB,PH1,PAN HD,YEL ZN	
16	0530253	4	DIFFUSER,AIR,BLACK,MB	
17	0830059	12	TAPE,FOAM,1/2X3/4,CLSD CELL NEOPRENE ADH	
18	0758292	18	TAPE,FOAM,PCV,3/16 X 3/8 WIDTH,W/ADH	
19	1486919		BUMPER,RUBBER RECESS,.469 X .719 DIA	
20	1922384		FILTER,MAIN HTR,10 X 21.06 X.43 FRM	

Models: **A3FE, A3RE**
HEATER/AC COMBO COMFORT AIRE
HTR, DASH, PWR DOOR, A/C INSTALLATION

Key	PartNumber	Qty	Description	Comment
21	0000059		BRACKET,HEATER PANEL TO DUCT	
22	2004547	.25	TRIM,INSTRUMENT HOOD,VINYL EDGE,BLACK	
23	0005256		PANEL,HEATER TO ENGINE HOOD, HDPE	
24	0011217		DUCT,DRIVERS FOOTWARMER, A3FE	
25	0000100		NAMEPLATE,DASH,ALL AMERICAN	
	0000101		NAMEPLATE,DASH,CANADIAN	
26	0087895		HOUSING ASSY,INSTRUMENT,AC COMBO, A3	
	0099934	3	LOUVER,A/C,DASH,EAGER,SLNTD CIRCULAR	
27	0086105		PANEL ASSY,INSTRUMENT,DASH,W/AC OPTION, <i>WITH AC OPTION A3</i>	
28	0017276		COVER,FUSE BLOCK W/O CIRCUIT BREAKERS	
29	0016854		PLATE ASSY,MOUNTING,DASH HOUSING	
30	0016369		PLATE,MOUNTING,INSTRUMENT HOUSING,,	
31	1315100	29	SCREW,MACH,10-32X1,PHI,PAN HD,BLK	
32	1315118	14	WELLNUT Q-1032,.377 X 5/8	
33	0017645	8	SCREW,1/4-20 X.75,TYPE F W/WSHR,PAN HD,	
34	0017694	4	PLUG,PRY-OUT,.875 HOLE,HEYCO 3083	
35	0008386		INSULATION,THERMAL,HEATER COVER, A3FE	
36	0000852		TAG,VEHICLE IDENTIFICATION NUMBER,.032	
37	0422915	2	RIVET,1/8 DIA,ALUMINUM,W/ST STEM	
39	0028997		PLATE,REINFORCEMENT,HTR SWITCH PNL,A3	
40	0091221		BRACKET,MTG,SHIFT,A/C W/FEA 40427-07,08	
	0091223		BRACKET ASSY,MTG,SHIFT,A/C W/FEA 40439	
41	0025522	6	U-NUT,10-32	
42	0028949		PANEL ASSY,SWITCH,AUX HEATERS,W/CMPS	
43	1351071	2	PLUG,BUTTON,BLACK,DP-1000 HEYCO 2713	
45	0031699		DECAL,INSERT,HEATER DIFFUSER,DASH,3-	
	0090180		LOUVER,HEATER/AC COMBO,BERG	
46	0031700		DECAL,INSERT,HEATER DIFFUSER,DASH,1-	
47	0033684	7	SCREW,10-16 X 3/4,AB,PHI,PN/HD,BZDICH,	
48	2000016		SCREW,1/4-14 X 5/8,B,HEX,W/PLAIN WASH,	

Models: A3FE, A3RE
HEATER/AC COMBO COMFORT AIRE
MODE ACTUATOR ASSEMBLY

Key	PartNumber	Qty	Description	Comment
-----	------------	-----	-------------	---------



Models: **A3FE, A3RE**
HEATER/AC COMBO COMFORT AIRE
MODE ACTUATOR ASSEMBLY

Key	PartNumber	Qty	Description	Comment
1	0091804		LEVER,ACTUATOR,MODE,HEATER/AC,	
2	0091803		BRACKET,ACTUATOR,MODE,HEATER/AC,	
3		3	NUT	
4	0090191		ACTUATOR,HEATER/AC COMBO,BERG	
5		3	SCREW	
6			BOLT, 1/4-20	
7			WASHER, 1/4 FLAT	
8			NUT, 1/4-20	
9	0091773		SPACER,HEATER/AC COMBO.25IN ID X.38IN OD	

Models: **AAFE, AARE, A3FE, A3RE, MBWB, SBCV, VCTA
 OPTIONS, SWITCHES, COVERS, TRIM & ACCESSORIES
 ACCESSORIES**

Key	PartNumber	Qty	Description	Comment
			HEATER HOSE & CONNECTORS	
	2003309		HOSE,HEATER,1 RED,1 BRAID	
	2003317		HOSE,HEATER,1 INCH BRAID,BLACK	
	0281303		TUBING,BRASS,ELBOW,90 DEGREE	
	1059278		SPLINT,1IN HOSE BEND,90 DEGREE,4.5IN.RAD	
	2008522		CLAMP,1IN HOSE	
			HEATER TUBING	
	2030336		STEEL TUBE RD, 1.00, OD 20GA 140.00 GAL	STANDARD
			140 IN. STRAIGHT SECTION	
	2004331		BRASS TUBE,1.00,OD X .035 WALL	OPTION 1414 SPECIFY LENGTH IN FEET
	0253989		PIPE,HEATER,BRASS,W/H SECT	OPTION 1414 CURVED OVER
			WHEELHOUSING	
			AUXILIARY WATER PUMP	
	0952887		PUMP,HEATER WATER,W/MTG BRKT	OPTION 1416 OR 1417
	0566919		COVER,AUXILIARY WATER PUMP,U/S	OPTION 1416 ONLY
			PUMP REPAIR PARTS:	
	2103299		MOTOR,ONLY,AUXILIARY WATER PUMP"	MOTOR ONLY
	2103307		KIT,REPAIR AUX. WATER PUMP (BRASS)"	
	2115780		IMPELLER,AUXILIARY WATER PUMP	
			MISCELLANEOUS	
	2102994		KIT,INTERIOR,PLUMBING UNDERSEAT HEATER"	

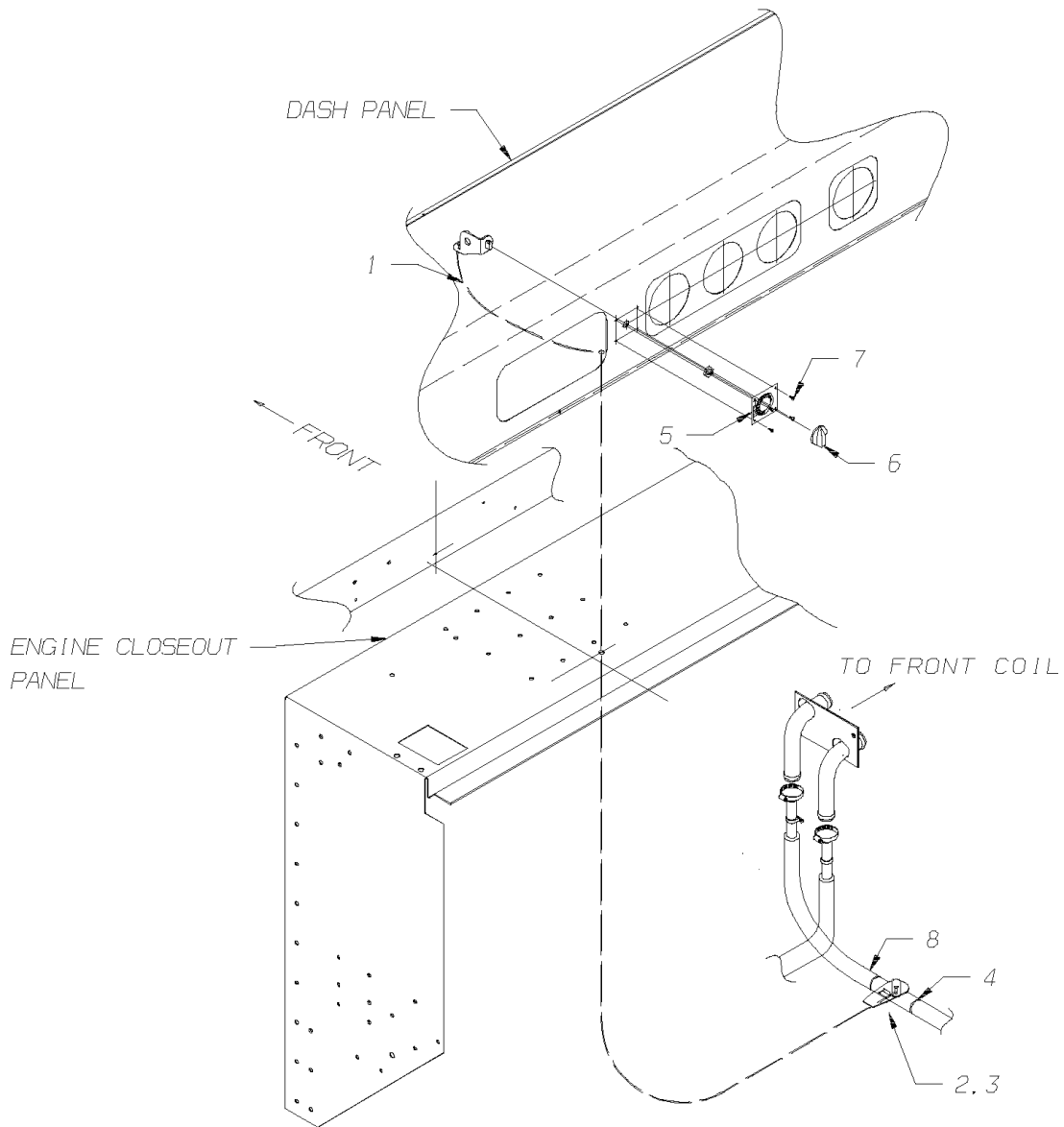
Models:

**A3FE, A3RE
OPTIONS, SWITCHES, COVERS, TRIM & ACCESSORIES
REMOTE CONTROL VALVE**

With Features:

**OPTION 1240 & 1242
To BSN 10-31-99**

Key	PartNumber	Qty	Description	Comment
-----	------------	-----	-------------	---------

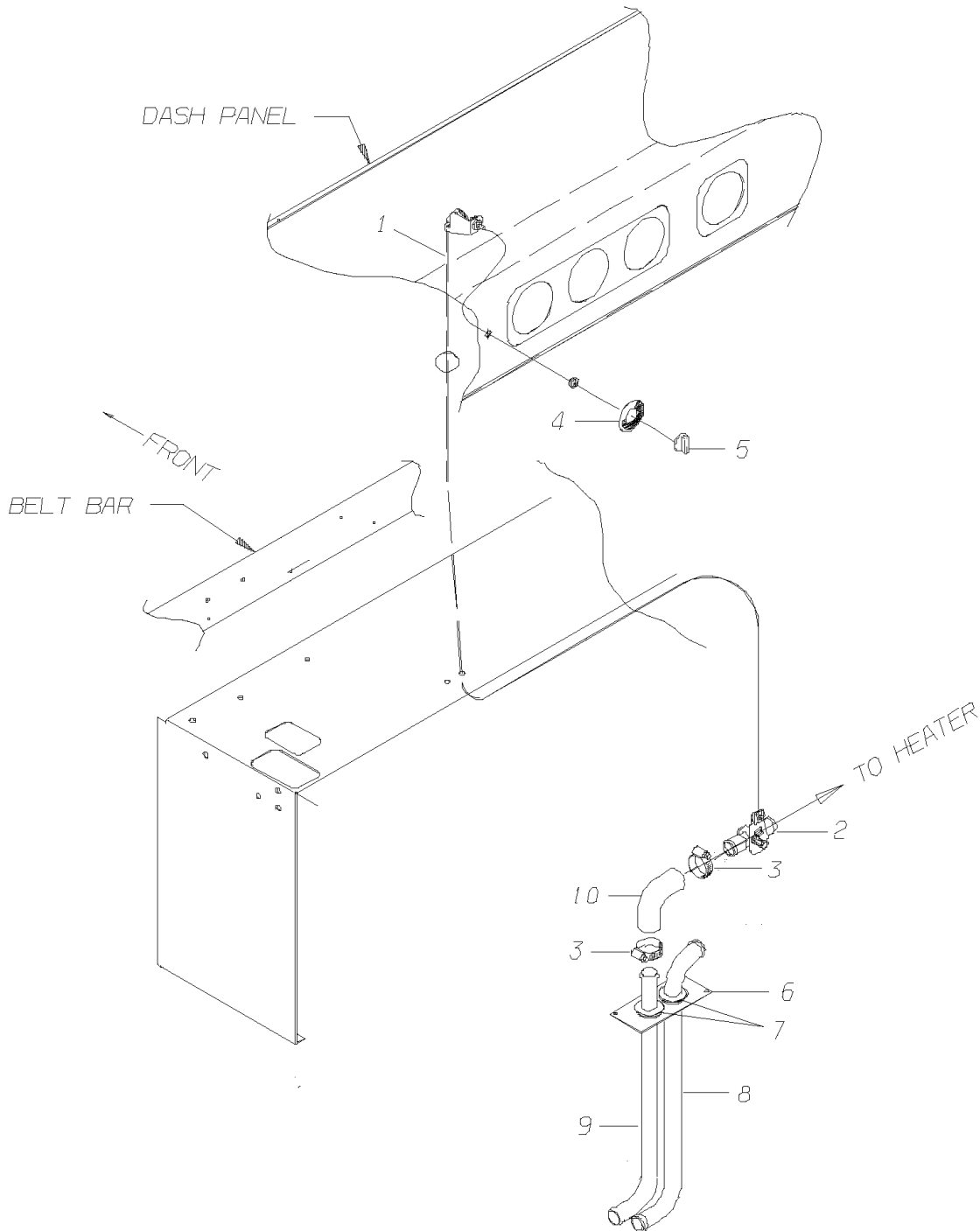


Models: A3FE, A3RE
OPTIONS, SWITCHES, COVERS, TRIM & ACCESSORIES
REMOTE CONTROL VALVE
With Features: OPTION 1240 & 1242
To BSN 10-31-99

Key	PartNumber	Qty	Description	Comment
1	0002942		CABLE,REMOTE CONTROL HEATER VALVE,22,	
1	1533074		CABLE,REMOTE CONTROL HTR VALVE,52,	
2	0651844		VALVE,REM CTRL,CABLE OPER,1" ID HOSE	OPTION 1240
2	1583665		VALVE ASSY,HTR FLOW REG FOR ESPAR,CBL	OPTION 1242
3	2008522	2	CLAMP,1IN HOSE	
4	1679372		PLATE,HEATER CONTROL IDENTIFICATION	
5	0758102		KNOB,VENT CONTROL,31W/1/4	
6	1560747	4	SCREW,6-20 X 1/2,AB,PH1,PAN HD,BLK	
7	0599704	2	TIE,CABLE,NYLON	
8	0020702	AR	INSULATION,ARMAFLEX,1-5/8 ID X 3/8 WALL	

Models: A3FE, A3RE
OPTIONS, SWITCHES, COVERS, TRIM & ACCESSORIES
REMOTE CONTROL VALVE
With Features: OPTION 1240 & 1242
BSN: From BSN F10020225 L10032685
 To BSN F10035824 L10059259

Key	PartNumber	Qty	Description	Comment
-----	------------	-----	-------------	---------

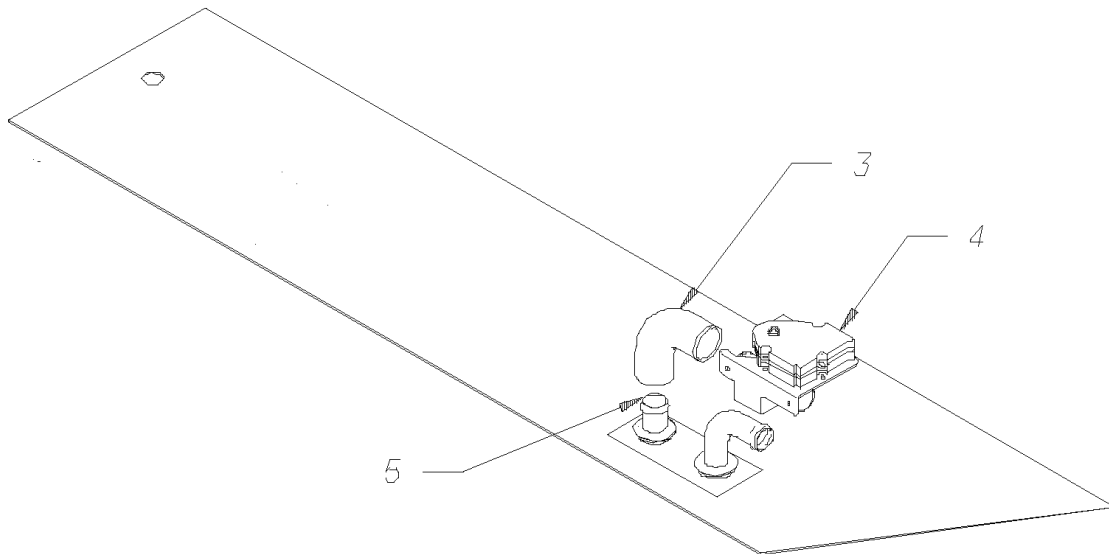
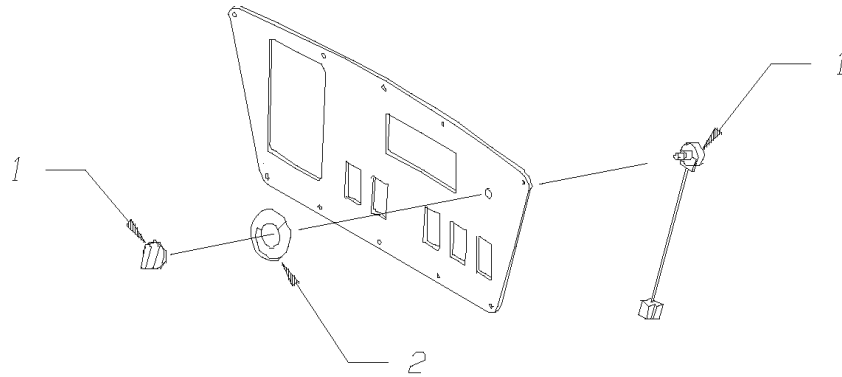


Models: A3FE, A3RE
OPTIONS, SWITCHES, COVERS, TRIM & ACCESSORIES
REMOTE CONTROL VALVE
With Features: OPTION 1240 & 1242
BSN: From BSN F10020225 L10032685
 To BSN F10035824 L10059259

Key	PartNumber	Qty	Description	Comment
1	0002942		CABLE,REMOTE CONTROL HEATER VALVE,22,	
1	1533074		CABLE,REMOTE CONTROL HTR VALVE,52,	
2	0651844		VALVE,REM CTRL,CABLE OPER,1" ID HOSE	OPTION 1240
2	1583665		VALVE ASSY,HTR FLOW REG FOR ESPAR,CBL	OPTION 1242
3		2	CLAMP, 1 IN.	
4	0017783		DECAL,TRANSIT HEATER TEMPERATURE	
5	0758102		KNOB,VENT CONTROL,31W/1/4	
6	1504778		PLATE,HEATER HOSE W/2 HOLES,TCRE	
7	2003200	2	GROMMET,RUBBER,1 IN. ID	
8	1504752		TUBING,BRASS,2 ELBOW W/90 DEGREES	
9	1785997		TUBING,BRASS,ELBOW,90 DEGREE	
10	1786508	AR	HOSE,RUBBER,2 ELBOW,W/90 DEG	
NI	1626159		PLUG,BUTTON,BLACK,DP-375,HEYCO 2617	
NI	1422864		PLUG,BUTTON,BLACK,DP-437,HEYCO 2633	

Models: A3RE
OPTIONS, SWITCHES, COVERS, TRIM & ACCESSORIES
REMOTE CONTROL VALVE
With Features: OPTION 1240, 1242
BSN: From BSN F10035825 L10059260

Key	PartNumber	Qty	Description	Comment
-----	------------	-----	-------------	---------

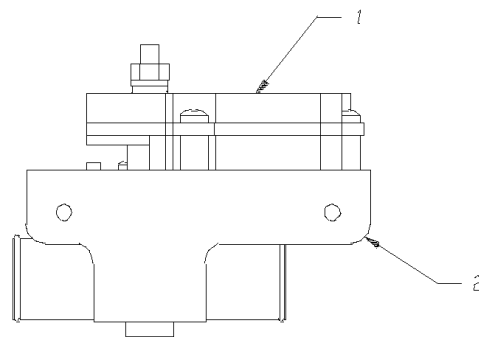
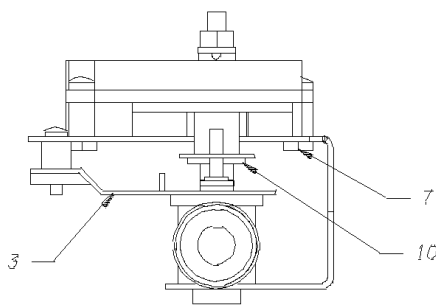
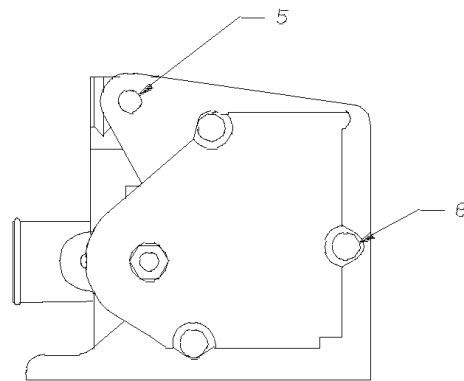
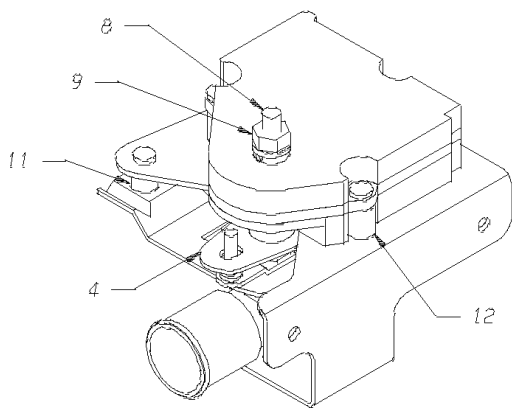


Models: A3RE
OPTIONS, SWITCHES, COVERS, TRIM & ACCESSORIES
REMOTE CONTROL VALVE
With Features: OPTION 1240, 1242
BSN: From BSN F10035825 L10059260

Key	PartNumber	Qty	Description	Comment
1	0031148		SWITCH ASSY,ACTUATOR	
	0031531		KNOB,TEMPERATURE CONTROL,HEATER WATER	
2	0031475		DECAL,TEMPERATURE CONTROL,HEATER	
3	1786508		HOSE,RUBBER,2 ELBOW,W/90 DEG	
4	0031247		ACTUATOR ASSY,WATER FLOW,1 ID HOSE	<i>WITH FEATURE 01240</i>
4	0031291		ACTUATOR ASSY,WATER FLOW,1 OD HOSE,	<i>WITH FEATURE 01242</i>
5	0028730		TUBING,BRASS,REMOTE VALVE FEEDER,,A3RE	

Models: A3FE, A3RE
OPTIONS, SWITCHES, COVERS, TRIM & ACCESSORIES
REMOTE CONTROL VALVE
ACTUATOR ASSY
With Features: OPTION 1240, 1242
BSN: From BSN F10035825 L10059260

Key	PartNumber	Qty	Description	Comment
-----	------------	-----	-------------	---------



Models: A3FE, A3RE
OPTIONS, SWITCHES, COVERS, TRIM & ACCESSORIES
REMOTE CONTROL VALVE
ACTUATOR ASSY
With Features: OPTION 1240, 1242
BSN: From BSN F10035825 L10059260

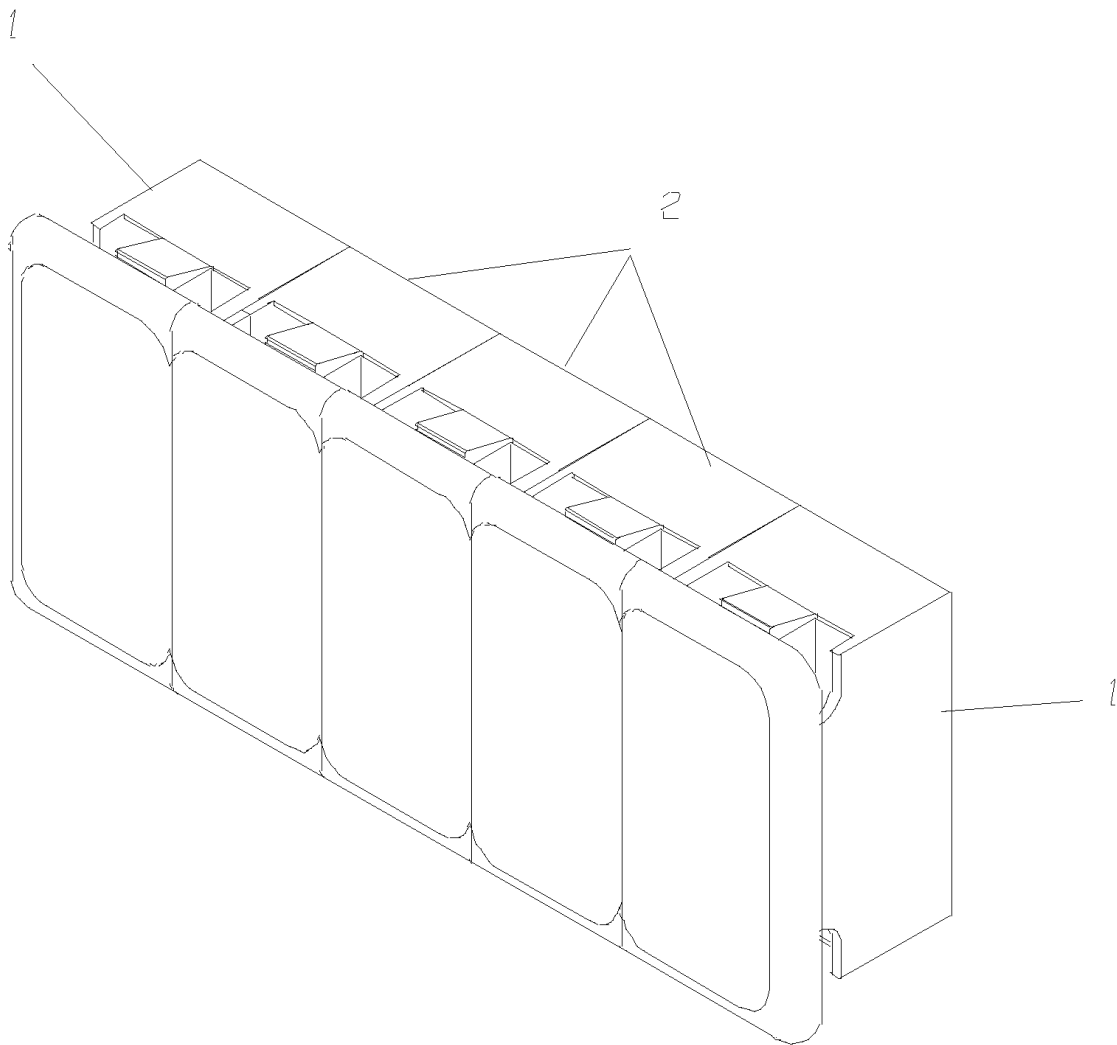
Key	PartNumber	Qty	Description	Comment
	0031247		ACTUATOR ASSY,WATER FLOW,1 ID HOSE	CONSIST OF THE FOLLOWING
	0031291		ACTUATOR ASSY,WATER FLOW,1 OD HOSE,	CONSIST OF THE FOLLOWING
1	0015418		ACTUATOR,ELECTRONIC,CEI 51067	
2	0031234		BRACKET,MTG,ACTUATOR	
3	0651844		VALVE,REM CTRL,CABLE OPER,1" ID HOSE	ACTUATOR ASSY. 0031247
3	1583665		VALVE ASSY,HTR FLOW REG FOR ESPAR,CBL	ACTUATOR ASSY. 0031291
4	0031290		LEVER,ACTUATOR	
5	0019129		SCREW,MACH,8-32X3/4,PH,PAN HD,YELZNDICH	
6	1315100	3	SCREW,MACH,10-32X1,PHI,PAN HD,BLK	
7	1495415	3	NUT,HEX HD,10-32 PRVLG TORQUE, GRADE A,	
8	1092337		CAPSCREW,HEX HD,1/4-20 X 2,GR 5,YEL ZN	
9	1339639		NUT,HEX HD,1/4-20,PRVLG TORQUE,FLG,YEL	
10	1991108		WASHER,FLAT,17/64 ID X 3/4,YELLOW ZINC	
11	0031313		SPACER,.250 ID X .375 OD X .35 LONG	
12	0031314	3	SPACER,.250 ID X .375 OD X .45 LONG	

Models: A3FE, A3RE, C1FE, CSFE, CSRE, GMCV, T2RE, TCFE, TCRE, TSFE, SBCV
OPTIONS, SWITCHES, COVERS, TRIM & ACCESSORIES
SWITCHES FOR OPTIONAL HEATERS

BSN: From BSN B10064340 F10035825 F20035860 L10059260 M10074850

X10019805

Key	PartNumber	Qty	Description	Comment
-----	------------	-----	-------------	---------



Models: A3FE, A3RE, C1FE, CSFE, CSRE, GMCV, T2RE, TCFE, TCRE, TSFE, SBCV
OPTIONS, SWITCHES, COVERS, TRIM & ACCESSORIES
SWITCHES FOR OPTIONAL HEATERS
BSN: From BSN B10064340 F10035825 F20035860 L10059260 M10074850

X10019805

Key	PartNumber	Qty	Description	Comment
1	0027347		BEZEL,END,NGR,SWITCH PANEL	
2	0027348		BEZEL,CENTER,NGR,SWITCH PANEL	
	0028949		PANEL ASSY,SWITCH,AUX HEATERS,W/CMPS	CONSIST OF THE FOLLOWING: REFER TO FEATURE ON PRODUCTION ORDER
	0027330		ROCKER,BUTTON,NGR,HEATER,DRIVERS	FEATURE 30055-01
	0027291		SWITCH,BASE,NGR,SPDT,ON-OFF-ON,HIGH	
	0027319		ROCKER,BUTTON,NGR,HEATER,PUMP	
	0027298		SWITCH,BASE,NGR,SPST,IND,OFF-ON,HIGH	
				APPLIES TO THE FOLLOWING FEATURES
			PUMP, HEATER	30058-01
			PUMP, HEATER, HEAVY DUTY	30058-02
			WEBASTO AUXILIARY HEATER (PUMP)	1345-01, 02 W/O 30058-01, 02
			EXPAR AUXILIARY HEATER (PUMP)	1345-03, 04 W/O 30058-01, 02
	0027317		ROCKER,BUTTON,NGR,HEATER,REAR	
	0027291		SWITCH,BASE,NGR,SPDT,ON-OFF-ON,HIGH	
				APPLIES TO THE FOLLOWING FEATURES
			50K BTU REAR, LH UNDERSEAT HEATER	1330-01, 6251-01
			50K BTU REAR, LH UNERSEAT HEATER (LAST	1330-02, 6251-02
			50K BTU REAR, LH UNDERSEAT HEATER (C1FE)	1330-03
			88K BTU REAR, LH WALL MOUNTED HEATER	1341-00
			80K BTU REAR, LH UNDERSEAT HEATER	1342-00, 6252-00
			50K BTU REAR, RH UNERSEAT HEATER, W/LH	1332-01
			50K BTU REAR, RH UNDERSEAT HEATER W/O	1332-02
			50K BTU REAR, RH UNDERSEAT HEATER (C1FE)	1332-03
			80K BTU REAR, RH UNDERSEAT HEATER W/LH	1343-01
			80K BTU REAR, RH UNDERSEAT HEATER W/O	1343-02
	0027316		ROCKER,BUTTON,NGR,HEATER,FRONT	
	0027291		SWITCH,BASE,NGR,SPDT,ON-OFF-ON,HIGH	
				APPLIES TO THE FOLLOWING FEATURES
			50K BTU FRONT, LH UNDERSEAT HEATER (1	1325-01
			50K BTU FRONT, LH UNDERSEAT HEATER (2	1325-02
			50K BTU FRONT, LH UNDERSEAT HEATER	1325-04

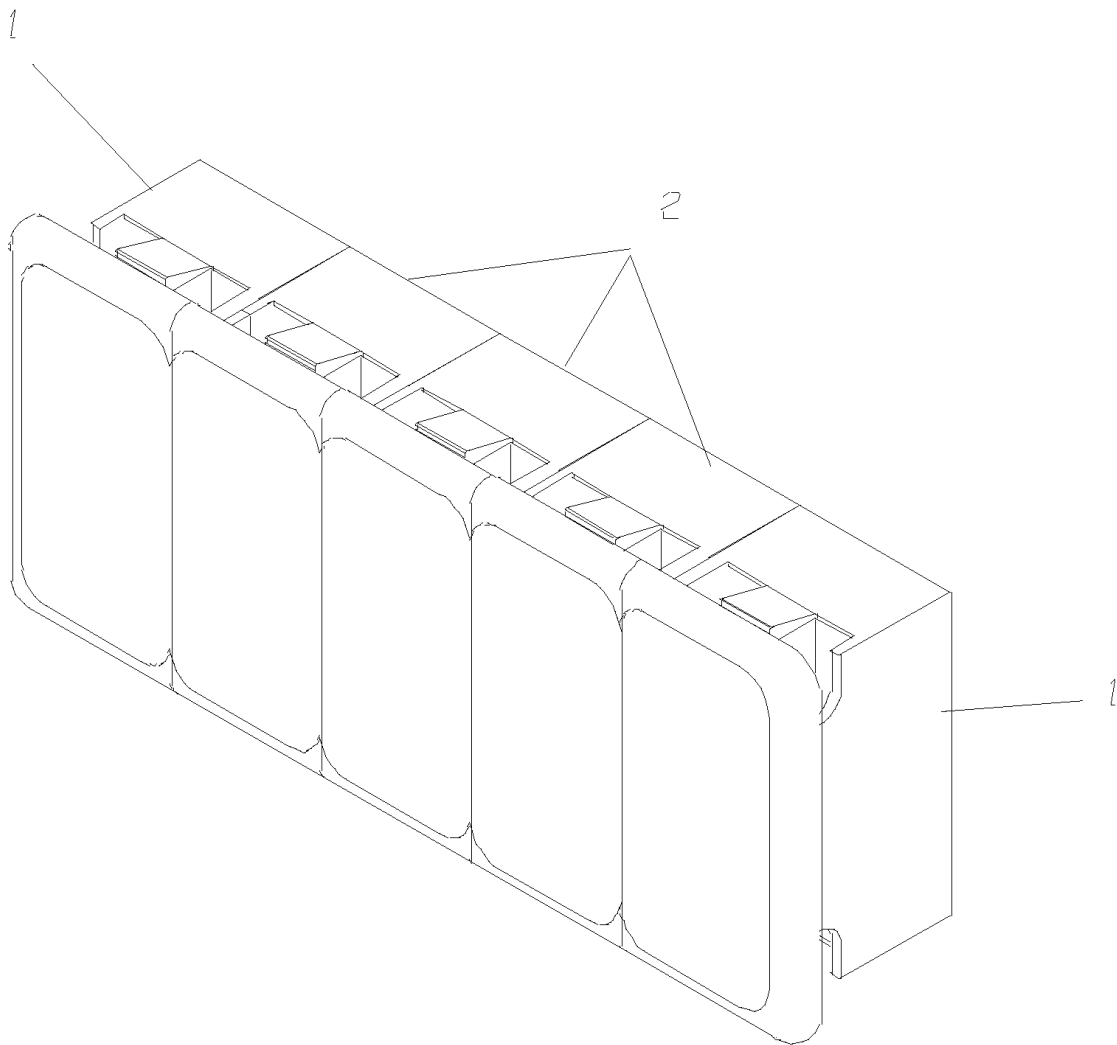
Models: A3FE, A3RE, C1FE, CSFE, CSRE, GMCV, T2RE, TCFE, TCRE, TSFE, SBCV
OPTIONS, SWITCHES, COVERS, TRIM & ACCESSORIES
SWITCHES FOR OPTIONAL HEATERS
BSN: From BSN B10064340 F10035825 F20035860 L10059260 M10074850
X10019805

Key	PartNumber	Qty	Description	Comment
			80K BTU FRONT, LH UNDERSEAT HEATER (1	
			80K BTU FRONT, LH UNDERSEAT HEATER (2	1336-02
			50K BTU FRONT, RH UNDERSEAT HEATER W/LH	1328-01
			50K BTU FRONT, RH UNDERSEAT HEATER W/O	1328-02
			50K BTU FRONT, RH UNDERSEAT HEATER	1328-03
			80K BTU FRONT, RH UNDERSEAT HEATER W/LH	1337-01
			80K BTU FRONT, RH UNDERSEAT HEATER W/O	1337-02
	0029026		ROCKER,BUTTON,NGR,HEATER,RH	FEATURE 1154
	0027291		SWITCH,BASE,NGR,SPDT,ON-OFF-ON,HIGH	
	0027332		ROCKER,BUTTON,NGR,STEP DE-ICE	FEATURE 1350-01
	0027287		SWITCH,BASE,NGR,SPST,IND,OFF-ON	
			ENTRANCE STEP, DE-ICER, LOWER STEP	1350-01
			ENTRANCE STEP, DE-ICER, LOWER & SECOND	1350-02
			RIGHT HAND DRIVE, BODY ONLY	FEATURE 3480

Models: A3FE, A3RE, C1FE, CSFE, CSRE, GMCV, T2RE, TCFE, TCRE, TSFE, SBCV
OPTIONS, SWITCHES, COVERS, TRIM & ACCESSORIES
SWITCHES FOR OPTIONAL HEATERS
With Features: OPTION 3075
BSN: From BSN B10064340 F10035825 F20035860 L10059260 M10074850

X10019805

Key	PartNumber	Qty	Description	Comment
-----	------------	-----	-------------	---------



Models: A3FE, A3RE, C1FE, CSFE, CSRE, GMCV, T2RE, TCFE, TCRE, TSFE, SBCV
Options, Switches, Covers, Trim & Accessories
Switches for Optional Heaters
With Features: OPTION 3075
BSN: From BSN B10064340 F10035825 F20035860 L10059260 M10074850
X10019805

Key	PartNumber	Qty	Description	Comment
1	0027347		BEZEL,END,NGR,SWITCH PANEL	
2	0027348		BEZEL,CENTER,NGR,SWITCH PANEL	
	0034532		PANEL ASSY,SWITCH,AUX HEATER,W/CMP,	CONSIST OF THE FOLLOWING: REFER TO FEATURE ON PRODUCTION ORDER
	0033329		ROCKER,BUTTON,NGR,HEATER PUMP,FR/BLNGL	
	0027298		SWITCH,BASE,NGR,SPST,IND,OFF-ON,HIGH	APPLIES TO THE FOLLOWING FEATURES 30058-01 30058-02 1345-01, -02 W/O 30058-01, -02 1345-03-04 W/O 30058-01, -02
	0033328		ROCKER,BUTTON,NGR,HEATER REAR,FR/BLNGL	
	0027291		SWITCH,BASE,NGR,SPDT,ON-OFF-ON,HIGH	APPLIES TO THE FOLLOWING FEATURES 1330-01 1330-02 1341-00 1342-00 1332-01 1332-02 1343-01 1343-02
	0033327		ROCKER,BUTTON,NGR,HEATER FRONT,	
	0027291		SWITCH,BASE,NGR,SPDT,ON-OFF-ON,HIGH	APPLIES TO THE FOLLOWING FEATURES 1336-01 1336-02 1325-01 1325-02 1328-01 1328-02 1337-01

Models: A3FE, A3RE, C1FE, CSFE, CSRE, GMCV, T2RE, TCFE, TCRE, TSFE, SBCV
OPTIONS, SWITCHES, COVERS, TRIM & ACCESSORIES
SWITCHES FOR OPTIONAL HEATERS
With Features: OPTION 3075
BSN: From BSN B10064340 F10035825 F20035860 L10059260 M10074850
X10019805

Key	PartNumber	Qty	Description	Comment
			80K BTU FRONT, RH UNDERSEAT HEATER W/O	1337-02
			50K BTU FRONT, RH HEATER	1154
	0033331		ROCKER,BUTTON,NGR,STEP DE-ICE,FR/BLNGL	
	0027287		SWITCH,BASE,NGR,SPST,IND,OFF-ON	
				<i>APPLIES TO THE FOLLOWING FEATURES</i>
			ENTRANCE STEP DE-ICER, LOWER STEP	1350-01
			ENTRANCE STEP DE-ICER, LOWER & SECOND	1350-02
			CONVECTION HEATING	FEATURE 30059-01, -11

Models: **AAFE, AARE, A3FE, A3RE, MBWB, QBRE, SBCV, TCFE, TCRE, VCTA**
OPTIONS, SWITCHES, COVERS, TRIM & ACCESSORIES
VALVE ASSEMBLIES

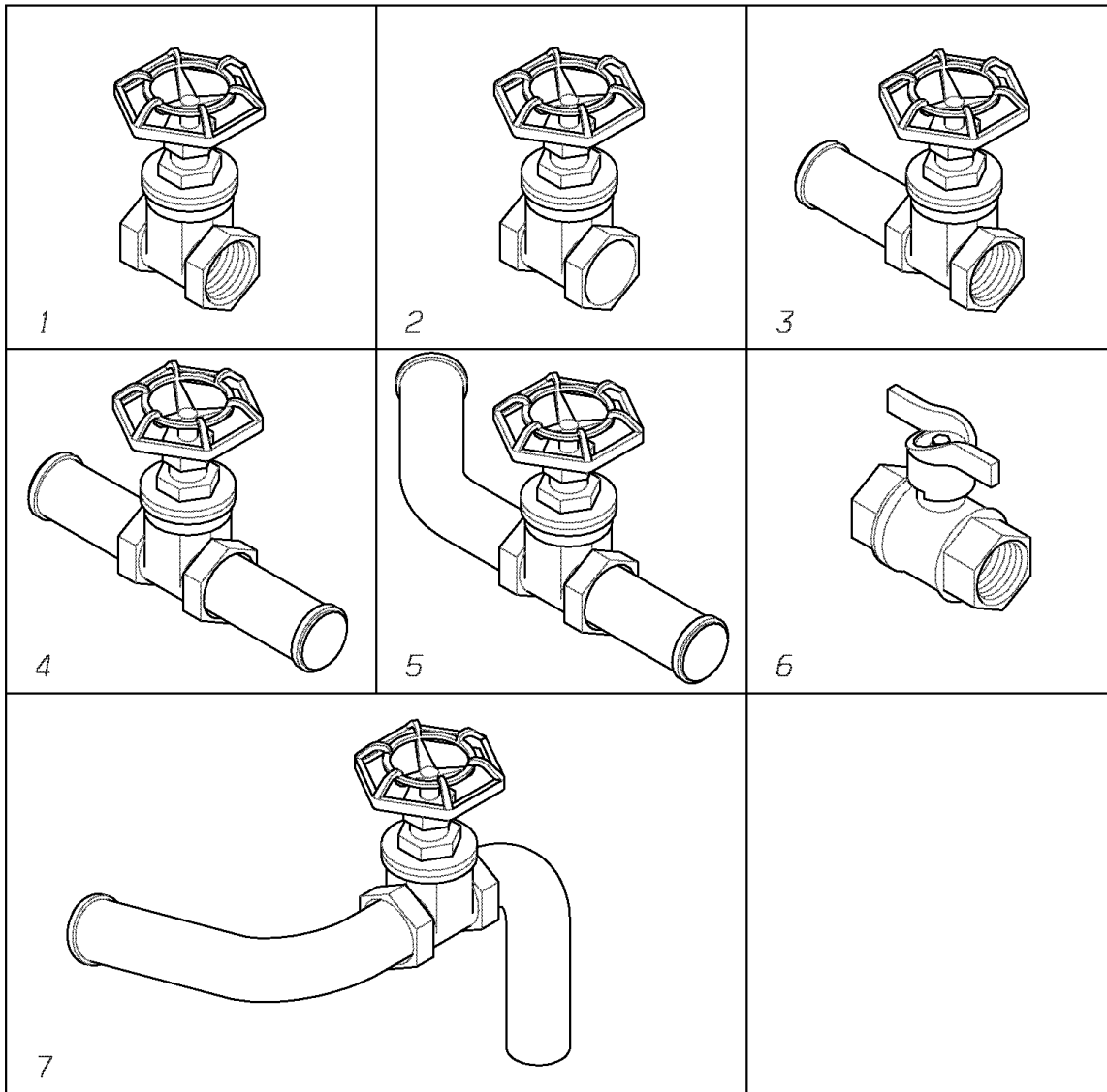
Key	PartNumber	Qty	Description	Comment
-----	------------	-----	-------------	---------

DR. 8/27/92 BY AWS		8009037	
APP. 8/27/92 BY VK	FRT		REV

© 1992 BLUE BIRD BODY COMPANY. ALL RIGHTS RESERVED



BLUE BIRD



Models: **AAFE, AARE, A3FE, A3RE, MBWB, QBRE, SBCV, TCFE, TCRE, VCTA**
OPTIONS, SWITCHES, COVERS, TRIM & ACCESSORIES
VALVE ASSEMBLIES

Key	PartNumber	Qty	Description	Comment
1	2052579		VALVE,GATE,3/4,CANADIAN	
2	0544361		VALVE,GATE,HEATER,REAMED 1 SIDE ONE INCH	
2	0544353		VALVE,GATE,HEATER,REAMED 2 SIDES ONE	
3	0250803		VALVE ASSY,HTR,DUAL CUT OFF VALVE	
4	0244475		VALVE ASSY,HTR,STRAIGHT THROUGH	
5	1203850		TUBING ASSY,W/VALVE LH HEATER	
6	1626431		VALVE,BALL,3/4,W/BUTTERFLY HANDLE	
7	0621664		VALVE ASSY,FRONT HEATER,AA	

VCTA

Models:

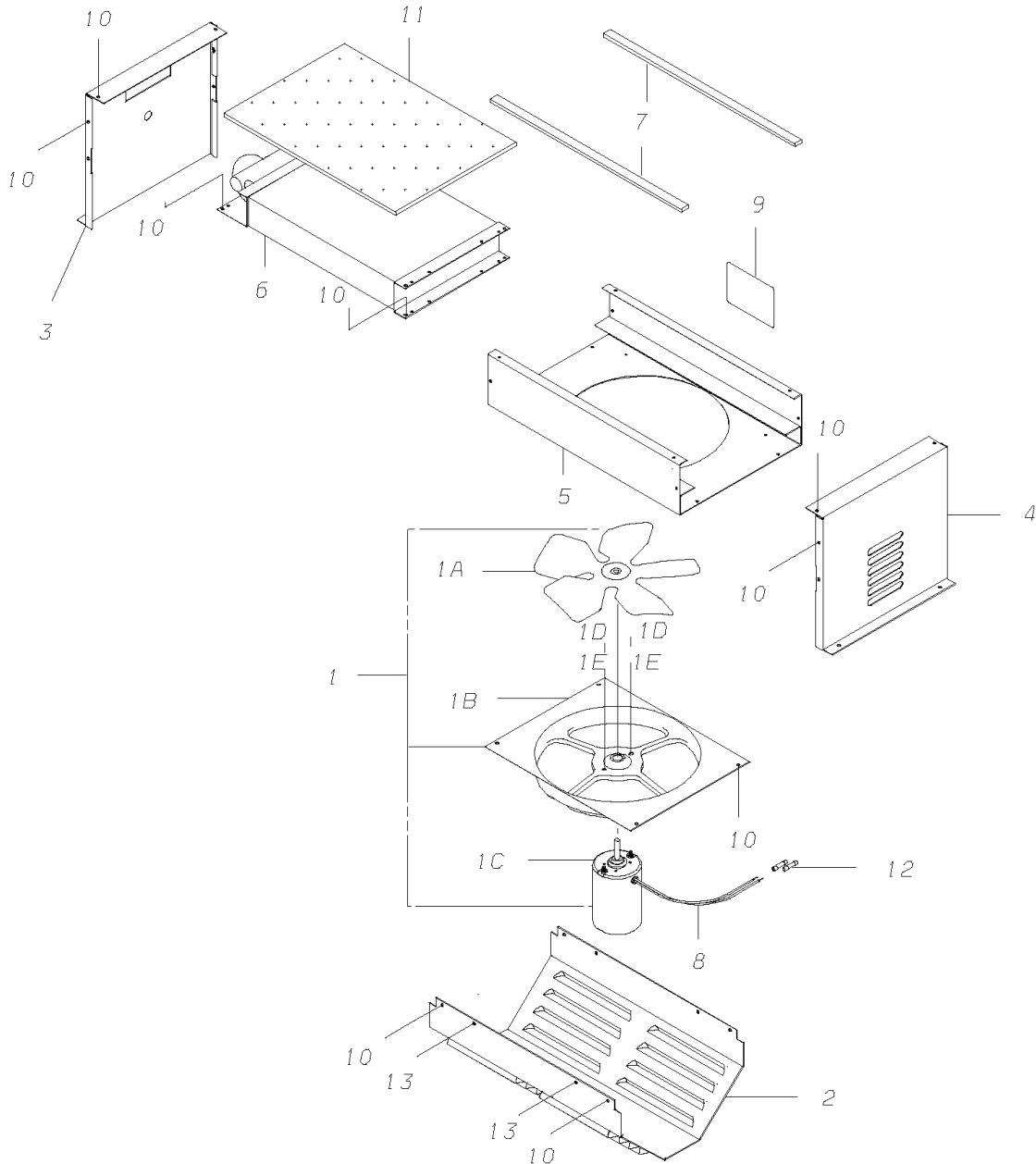
AAFE, AARE, A3FE, A3RE, BBCV, C1FE, C4RE, MBWB, QBRE, SBCV, TCPE, TCRE,

UNDERSEAT HEATER
50,000 BTU
FLOOR MOUNTED

With Features:

OPTION 1325, 1328, 1330, 1332, WITH 1348-01, 30060, 6127, 6147

Key	PartNumber	Qty	Description	Comment
-----	------------	-----	-------------	---------



VCTA **Models:** **AAFE, AARE, A3FE, A3RE, BBCV, C1FE, C4RE, MBWB, QBRE, SBCV, TCPE, TCRE,**
With Features: **UNDERSEAT HEATER**
50,000 BTU
FLOOR MOUNTED
OPTION 1325, 1328, 1330, 1332, WITH 1348-01, 30060, 6127, 6147

Key	PartNumber	Qty	Description	Comment
NI			HEATER ASSY.	<i>INCLUDES ALL PARTS LISTED ON THIS PAGE</i>
	0007724		HEATER ASSY,50M BTU,U/S ALUM F/N COIL,	<i>OPT 1325, 1330, LH, 1328, 1332 RH W/1348 FLOOR MTD</i> <i>ENDING WITH BSN F10020224, B10035319, L10032854 M10041329, X10009289 10/31/99</i>
	0016883		HEATER ASSY,50M BTU,FLOOR MOUNTED	<i>BEGIN WITH BSN F10020225, B10035320, L10032855 M10041330, X10009290 11/01/99</i>
1	0007690		BLOWER ASSY,9 AMP MOTOR & FAN U/S HTR	
1A	2004307		FAN,10IN,HEATER,METAL,5 BLADE	<i>PART OF ITEM 1</i>
1B	0002956		HOUSING,10 IN FAN	<i>PART OF ITEM 1</i>
1C	0228072		MOTOR,HEATER,12V,2 SPEED,CW	<i>PART OF ITEM 1</i>
1D	2001279		NUT,HEX HD,10-24,YEL ZN DICH"	<i>PART OF ITEM 1</i>
1E	2001162		LOCKWASHER,SPLIT RING, 3/16,MED,YEL ZN	<i>PART OF ITEM 1</i>
2	0003210		PANEL,OUTLET,50M,UNDERSEAT HEATER,FMTD	
3	0003103		PANEL,WALL END,FLOOR MOUNTED HEATER	<i>ENDING WITH BSN F10020224, B10035319, L10032854 M10041329, X10009289</i>
3	0016889		PANEL,WALL END,FLOOR MOUNTED HEATER	<i>BEGIN WITH BSN F10020225, B10035320, L10032855, M10041330, X10009290</i>
4	0003012		PANEL,AISLE END,FLOOR MOUNTED HEATER	
5	0004135		HOUSING ASSY,50M U/S HTR,ALUM FIN COIL,	<i>ENDING WITH BSN F10020224, B10035319, L10032854 M10041329, X10009289</i>
5	0016913		HOUSING ASSY,50M BTU HEATER,FLOOR	<i>BEGIN WITH BSN F10020225, B10035320, L10032855, M10041330, X10009290</i>
6	1294099		COIL,HEATER,2 X 9 X 16.2,50M	
7	2003101	*	RUBBER,SPONGE,3/16 X 1/2 WITH PSA	
8	2005718	*	LOOM,ASPHALTUM,WIRE,5/16IN	
9	0659177		PLATE,HEATER NAME,50M BTU	
10	1943695	20	SCREW,10-16X3/4,AB,PH1,PAN HD,BLK ZN	
11	0015894	4	FILTER,AIR,10.38 X 14.75,UNDERSEAT HEATER	<i>FILTER AIR, 10.38 X 14.75 U/S HEATER BEGIN WITH BSN F10020225, B10035320, L10032855, M10041330, X10009290 11/01/99</i>
12	2007409		TERMINAL,BUTT CONN,14-16GA,INSULATED	

VCTA

Models: AAFE, AARE, A3FE, A3RE, BBCV, C1FE, C4RE, MBWB, QBRE, SBCV, TCPE, TCRE,

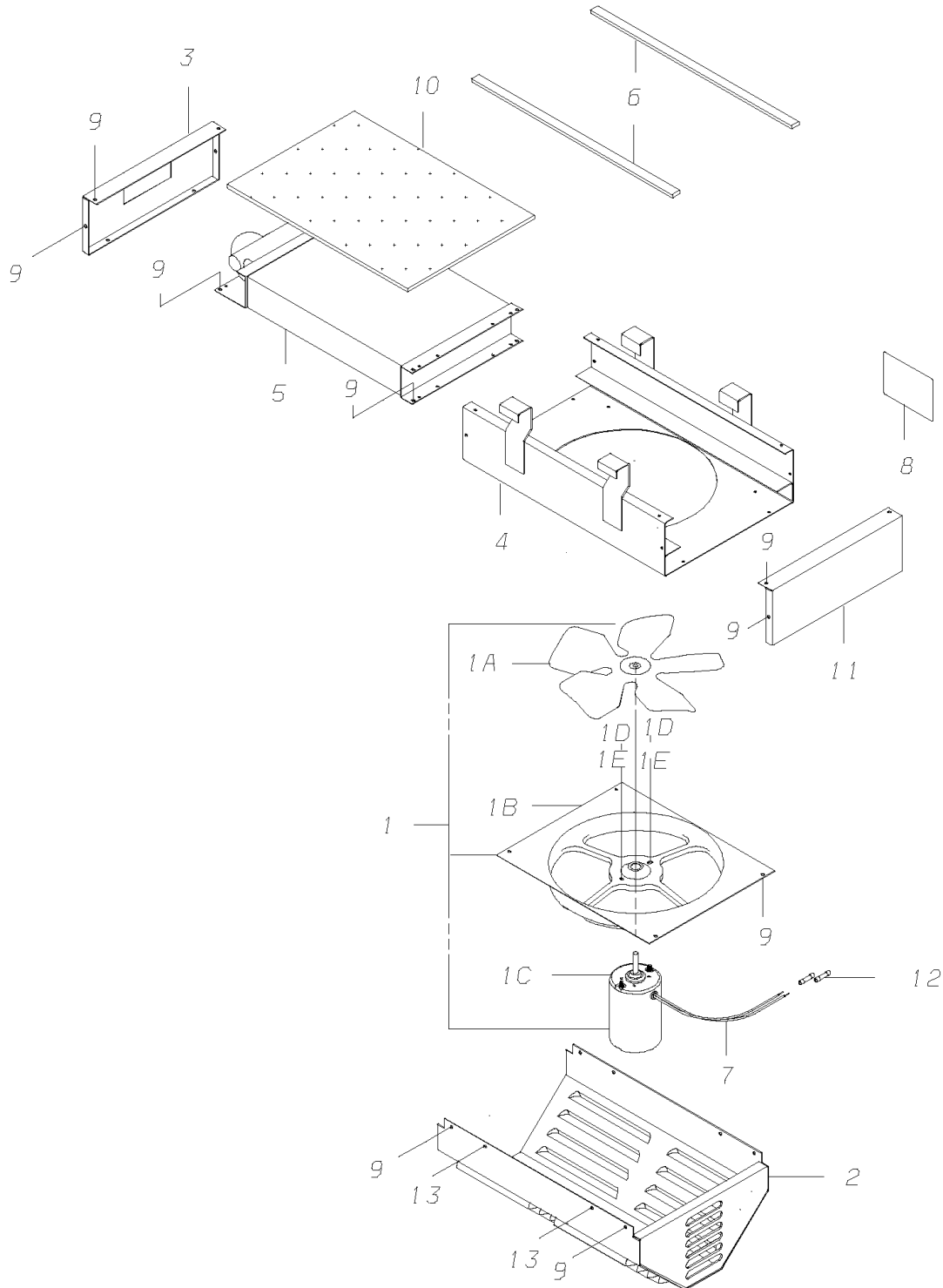
With Features: UNDERSEAT HEATER
 50,000 BTU
 FLOOR MOUNTED
 OPTION 1325, 1328, 1330, 1332, WITH 1348-01, 30060, 6127, 6147

Key	PartNumber	Qty	Description	Comment
13	1560754		SCREW,10-16 X 3/8,AB,PH1,PAN HD,BLK	
NI	0007252		SCREEN,SECURITY,U/S HEATER,50M BTU	OPTION 3724-01

Models: AAFE, AARE, A3FE, A3RE, BBCV, B1VC, B2VC, MBWB, SBCV, TCFE, TCRE, VCTA
 UNDERSEAT HEATER
 50,000 BTU
 SEAT MOUNTED

With Features: OPTION 1325, 1328, 1330, 1332, 6251, 30052-01, 30052-02, 30054-01, 30060

Key	PartNumber	Qty	Description	Comment
-----	------------	-----	-------------	---------



Models: AAFE, AARE, A3FE, A3RE, BBCV, B1VC, B2VC, MBWB, SBCV, TCPE, TCRE, VCTA
UNDERSEAT HEATER
50,000 BTU
SEAT MOUNTED

With Features: **OPTION 1325, 1328, 1330, 1332, 6251, 30052-01, 30052-02, 30054-01,**
30060

Key	PartNumber	Qty	Description	Comment
NI			HEATER ASSY.	<i>INCLUDES ALL PARTS LISTED ON THIS PAGE</i>
	0007716		HEATER ASSY,50M BTU,U/S ALUM F/N COIL	<i>OPT 1325, 1330, 6251, 30052-01, 30052-02, 30054-01 LH</i> <i>ENDING WITH BSN F10020224, B10035319, L10032854, M10041329, X10009289 10/31/99</i>
	0016882		HEATER ASSY,50M BTU,UNDERSEAT	<i>BEGIN WITH BSN F10020225, B10035320, L10032855, M10041330, X10009290 11/01/99</i> <i>OPT 30052-02</i>
	0013647		HEATER ASSY,50M,U/S HTR,LH FRT, AFGM	<i>BEGIN WITH BSN F10020225, B10035320, L10032855, M10041330, X10009290 11/01/99</i> <i>OPT 1328, 1332 RH</i>
	0007757		HEATER ASSY,50M BTU,U/S ALUM F/N COIL,RH,	<i>ENDING WITH BSN F10020224, B10035319, L10032854, M10041329, X10009289 10/31/99</i>
	0016885		HEATER ASSY,50M BTU,UNDERSEAT,RH	<i>BEGIN WITH BSN F10020225, B10035320, L10032855, M10041330, X10009290</i>
1	0007690		BLOWER ASSY,9 AMP MOTOR & FAN U/S HTR	<i>INCLUDES THE FOLLOWING INDENTED PARTS</i>
1A	2004307		FAN,10IN,HEATER,METAL,5 BLADE	<i>PART OF ITEM 1</i>
1B	0002956		HOUSING,10 IN FAN	<i>PART OF ITEM 1</i>
1C	0228072		MOTOR,HEATER,12V,2 SPEED,CW	<i>PART OF ITEM 1</i>
1D	2001279		NUT,HEX HD,10-24,YEL ZN DICH"	<i>PART OF ITEM 1</i>
1E	2001162		LOCKWASHER,SPLIT RING, 3/16,MED,YEL ZN	<i>PART OF ITEM 1</i>
2	0003004		OUTLET ASSY,50M BTU UNDERSEAT HEATER	<i>OPTION 1325, 1328, 1330, 1332, 6251, 30052-01, 30054-01 LH</i>
2	0013646		OUTLET ASSY,50M,U/S HTR,LH FRT, AFGM	<i>OPTION 30052-02</i>
3	0003061		COVER,WALL END,ALUMINUM FIN COIL,U/S	<i>ENDING WITH BSN F10020224, B10035319, L10032854, M10041329, X10009289 10/31/99</i>
3	0016890		PANEL,WALL END,UNDERSEAT HEATER	<i>BEGIN WITH BSN F10020225, B10035320, L10032855, M10041330, X10009290</i>
4	0004127		HOUSING ASSY,50M U/S HTR,ALUM FIN COIL	<i>ENDING WITH BSN F10020224, B10035319, L10032854, M10041329, X10009289 10/31/99</i>

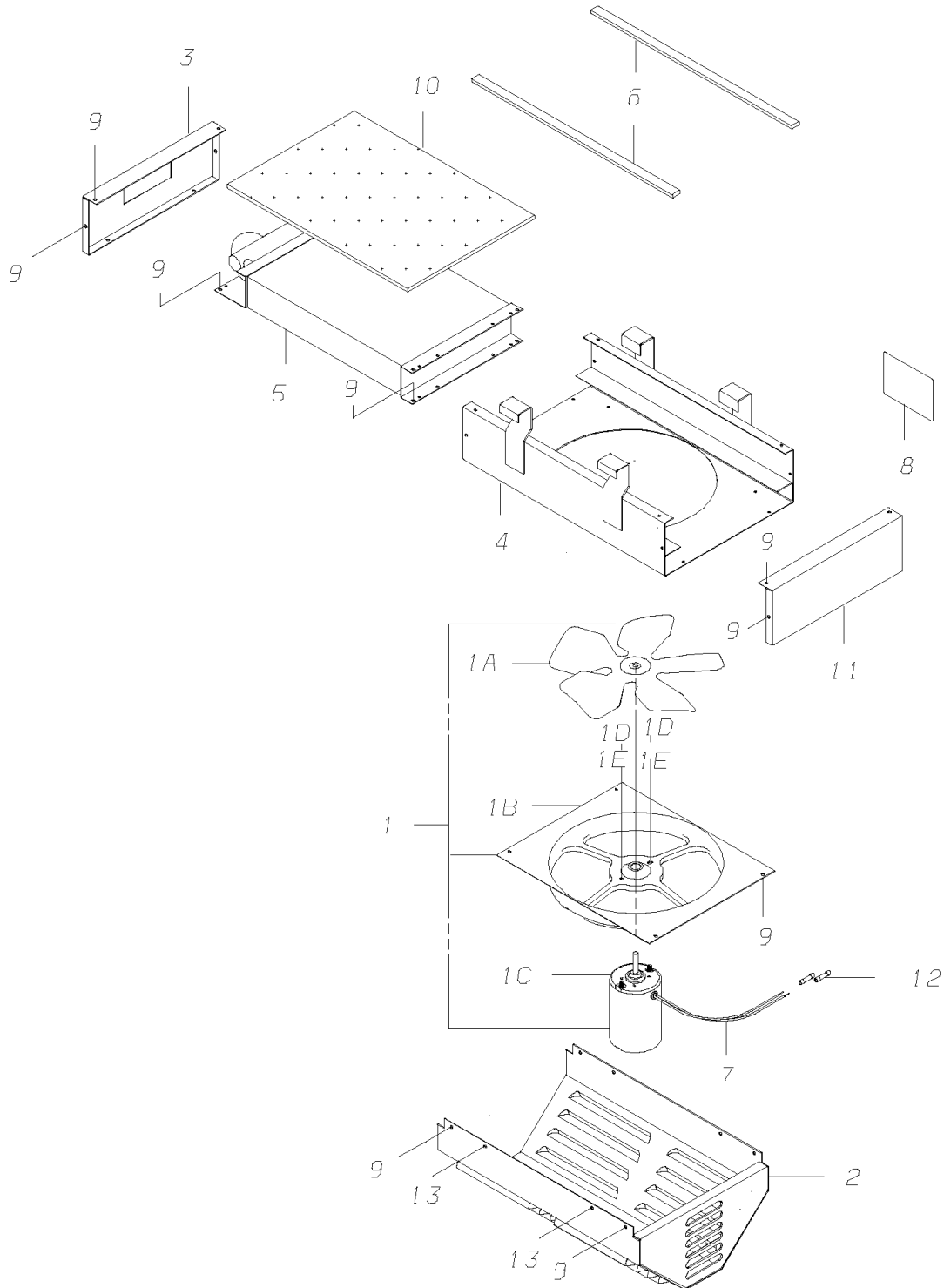
Models: AAFE, AARE, A3FE, A3RE, BBCV, B1VC, B2VC, MBWB, SBCV, TCPE, TCRE, VCTA
UNDERSEAT HEATER
50,000 BTU
SEAT MOUNTED

With Features: OPTION 1325, 1328, 1330, 1332, 6251, 30052-01, 30052-02, 30054-01,
30060

Key	PartNumber	Qty	Description	Comment
4	0016892		HOUSING ASSY,50M BTU HEATER,UNDERSEAT	BEGIN WITH BSN F10020225, B10035320, L10032855, M10041330, X10009290
5	1294099		COIL,HEATER,2 X 9 X 16.2,50M	
6	2003101		RUBBER,SPONGE,3/16 X 1/2 WITH PSA	SPECIFY LENGTH IN FEET
7	2005718		LOOM,ASPHALTUM,WIRE,5/16IN	SPECIFY LENGTH IN FEET
8	0659177		PLATE,HEATER NAME,50M BTU	
9	1943695	20	SCREW,10-16X3/4,AB,PH1,PAN HD,BLK ZN	
10	0015894	4	FILTER,AIR,10.38 X 14.75,UNDERSEAT HEATER	BEGIN WITH BSN F10020225, B10035320, L10032855, M10041330, X10009290 11/01/99
11	0003087		COVER,AISLE END,ALUM FIN COIL,U/S HEATER	
12	2007409		TERMINAL,BUTT CONN,14-16GA,INSULATED	
13	1560754		SCREW,10-16 X 3/8,AB,PH1,PAN HD,BLK	

Models: A3RE
UNDERSEAT HEATER
50,000 BTU
SEAT MOUNTED
With Features: OPTION 1325, 1330 - RH DRIVE

Key	PartNumber	Qty	Description	Comment
-----	------------	-----	-------------	---------



Models: A3RE
UNDERSEAT HEATER
50,000 BTU
SEAT MOUNTED
With Features: OPTION 1325, 1330 - RH DRIVE

Key	PartNumber	Qty	Description	Comment
NI	0016882		HEATER ASSY,50M BTU,UNDERSEAT	<i>INCLUDES ALL PARTS LISTED ON THIS PAGE</i>
1	0007690		BLOWER ASSY,9 AMP MOTOR & FAN U/S HTR	
1A	2004307		FAN,10IN,HEATER,METAL,5 BLADE	<i>PART OF ITEM 1</i>
1B	0002956		HOUSING,10 IN FAN	<i>PART OF ITEM 1</i>
1C	0228072		MOTOR,HEATER,12V,2 SPEED,CW	<i>PART OF ITEM 1</i>
1D	2001279		NUT,HEX HD,10-24,YEL ZN DICH"	<i>PART OF ITEM 1</i>
1E	2001162		LOCKWASHER,SPLIT RING, 3/16,MED,YEL ZN	<i>PART OF ITEM 1</i>
2	0003004		OUTLET ASSY,50M BTU UNDERSEAT HEATER	
3	0016890		PANEL,WALL END,UNDERSEAT HEATER	
4	0016892		HOUSING ASSY,50M BTU HEATER,UNDERSEAT	
5	1294099		COIL,HEATER,2 X 9 X 16.2,50M	
6	2003101	*	RUBBER,SPONGE,3/16 X 1/2 WITH PSA	
7	2005718	*	LOOM,ASPHALTUM,WIRE,5/16IN	
8	0659177		PLATE,HEATER NAME,50M BTU	
9	1943695	20	SCREW,10-16X3/4,AB,PH1,PAN HD,BLK ZN	
10	0015894	4	FILTER,AIR,10.38 X 14.75,UNDERSEAT HEATER	
11	0003087		COVER,AISLE END,ALUM FIN COIL,U/S HEATER	
12	2007409		TERMINAL,BUTT CONN,14-16GA,INSULATED	
13	1560754		SCREW,10-16 X 3/8,AB,PH1,PAN HD,BLK	

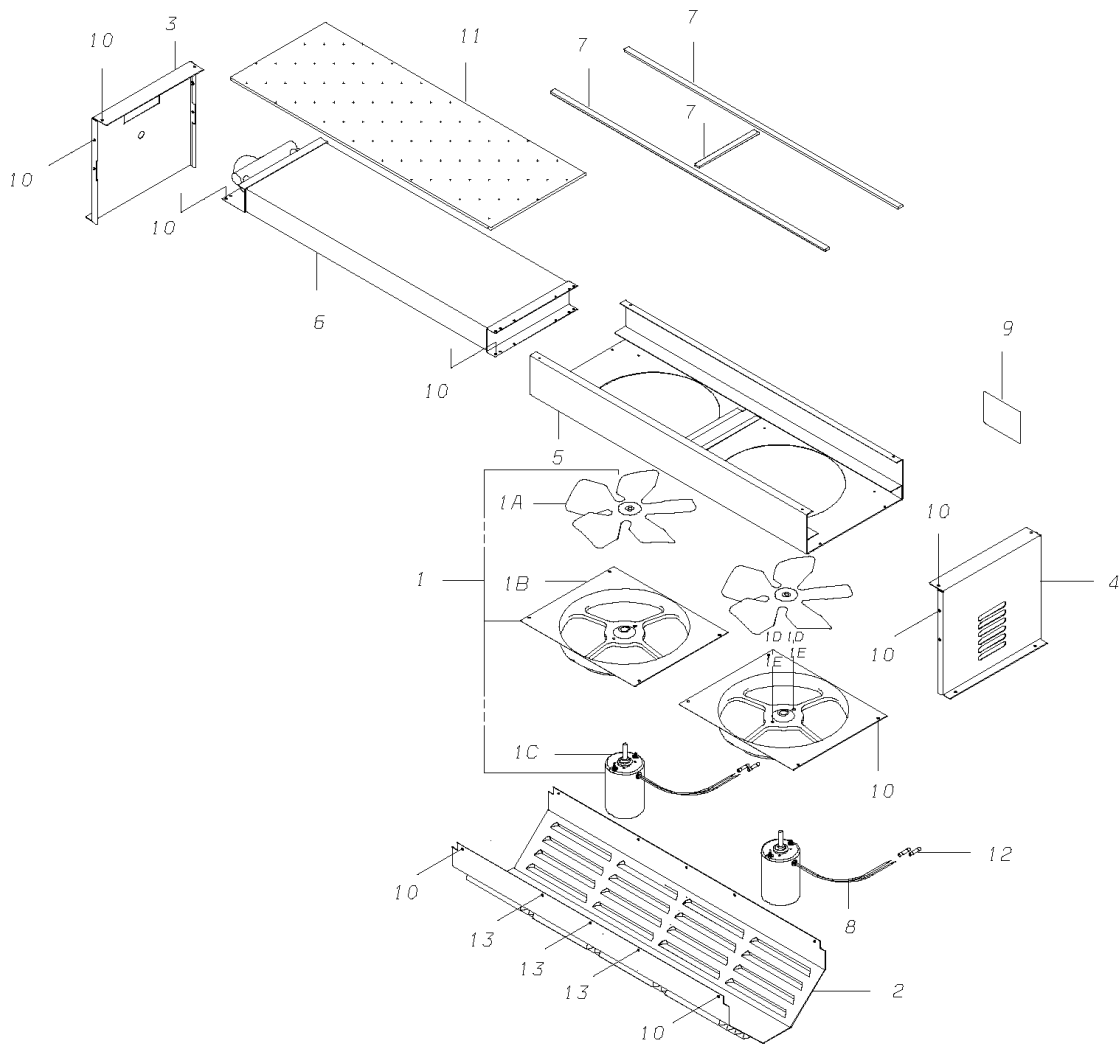
Models: AAFE, AARE, A3FE, A3RE, BBCV, MBWB, SBCV, TCFE, TCRE, VCTA

UNDERSEAT HEATER
80,000 BTU

FLOOR MOUNTED

With Features: OPTION 1336, 1337, 1342, 1343 WITH 1348-02, 30060

Key	PartNumber	Qty	Description	Comment
-----	------------	-----	-------------	---------



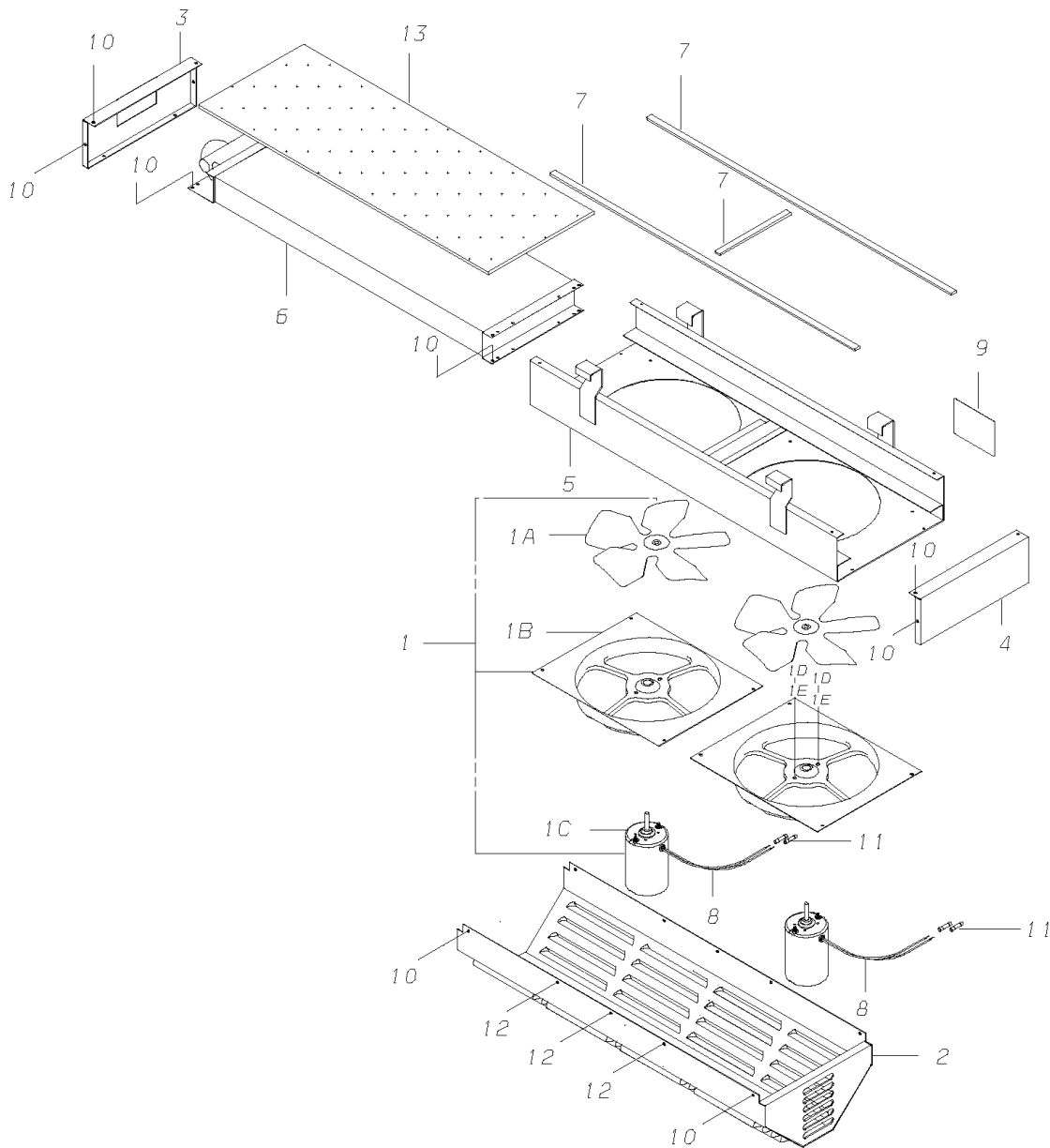
Models: AAFE, AARE, A3FE, A3RE, BBCV, MBWB, SBCV, TCFE, TCRE, VCTA
UNDERSEAT HEATER
80,000 BTU
FLOOR MOUNTED
With Features: OPTION 1336, 1337, 1342, 1343 WITH 1348-02, 30060

Key	PartNumber	Qty	Description	Comment
NI			HEATER ASSY.	<i>INCLUDES ALL PARTS LISTED ON THIS PAGE</i>
	0007732		HEATER ASSY,80M BTU,U/S ALUM F/N COIL,	<i>ENDING WITH BSN F10020224, B10035319, L10032854 M10041329, X10009289 10/31/99</i>
	0016884		HEATER ASSY,80M BTU,FLOOR MOUNTED	<i>BEGIN WITH BSN F10020225, B10035320, L10032855 M10041330, X10009290 11/01/99</i>
1	0007690	2	BLOWER ASSY,9 AMP MOTOR & FAN U/S HTR	
1A	2004307		FAN,10IN,HEATER,METAL,5 BLADE	<i>PART OF ITEM 1</i>
1B	0002956		HOUSING,10 IN FAN	<i>PART OF ITEM 1</i>
1C	0228072		MOTOR,HEATER,12V,2 SPEED,CW	<i>PART OF ITEM 1</i>
1D	2001279		NUT,HEX HD,10-24,YEL ZN DICH"	<i>PART OF ITEM 1</i>
1E	2001162		LOCKWASHER,SPLIT RING, 3/16,MED,YEL ZN	<i>PART OF ITEM 1</i>
2	0003202		PANEL,OUTLET,80M,UNDERSEAT HEATER,FMTD	
3	0003103		PANEL,WALL END,FLOOR MOUNTED HEATER	<i>ENDING WITH BSN F10020224, B10035319, L10032854 M10041329, X10009289 10/31/99</i>
3	0016889		PANEL,WALL END,FLOOR MOUNTED HEATER	<i>BEGIN WITH BSN F10020225, B10035320, L10032855 M10041330, X10009290 11/01/99</i>
4	0003012		PANEL,AISLE END,FLOOR MOUNTED HEATER	
5	0003079		HOUSING ASSY,80M BTU U/S HTR,ALUM F/C,FM	<i>ENDING WITH BSN F10020224, B10035319, L10032854 M10041329, X10009289 10/31/99</i>
5	0016914		HOUSING ASSY,80M BTU HEATER,FLOOR	<i>BEGIN WITH BSN F10020225, B10035320, L10032855 M10041330, X10009290 11/01/99</i>
6	1294081		COIL,HEATER,2 X 9 X 29.9,80M	
*7	2003101		RUBBER,SPONGE,3/16 X 1/2 WITH PSA	
*8	2005718		LOOM,ASPHALTUM,WIRE,5/16IN	
9	0659169		PLATE,HEATER NAME,80M BTU	
10	1943695	26	SCREW,10-16X3/4,AB,PH1,PAN HD,BLK ZN	
11	0015895	4	FILTER,AIR,10.38 X 28.50,UNDERSEAT HEATER	
12	2007409		TERMINAL,BUTT CONN,14-16GA,INSULATED	

Models: AAFE, AARE, A3FE, A3RE, BBCV, MBWB, SBCV, TCFE, TCRE, VCTA
UNDERSEAT HEATER
80,000 BTU
SEAT MOUNTED

With Features: OPTION 1336, 1337, 1342, 1343, 30060, 6252

Key	PartNumber	Qty	Description	Comment
-----	------------	-----	-------------	---------



Models: **AAFE, AARE, A3FE, A3RE, BBCV, MBWB, SBCV, TCFE, TCRE, VCTA**
UNDERSEAT HEATER
80,000 BTU
SEAT MOUNTED

With Features: **OPTION 1336, 1337, 1342, 1343, 30060, 6252**

Key	PartNumber	Qty	Description	Comment
NI			HEATER ASSY.	<i>INCLUDES ALL PARTS LISTED ON THIS PAGE</i> <i>OPT 1336, 1342 LH</i>
	0007740		HEATER ASSY,80M BTU,U/S ALUM F/N COIL,	<i>ENDING WITH BSN F10020224, B10035319, L10032854 M10041329, X10009289 10/31/99</i>
	0016880		HEATER ASSY,80M BTU,UNDERSEAT	<i>BEGIN WITH BSN F10020225, B10035320, L10032855 M10041330, X10009290 11/01/99</i> <i>OPT 1337, 1343 RH</i>
	0007765		HEATER ASSY,80M BTU,U/S ALUM F/N COIL,RH,	<i>ENDING WITH BSN F10020224, B10035319, L10032854, M10041329, X10009289</i>
	0016886		HEATER ASSY,80M BTU,UNDERSEAT,RH	<i>BEGIN WITH BSN F10020225, B10035320, L10032855, M10041330, X10009290</i> <i>OPT 6252, FEATURE 30060-33</i>
	0007708		HEATER ASSY,80M BTU,U/S ALUM F/N COIL,KY	<i>ENDING WITH BSN F10020224, B10035319, L10032854 M10041329, X10009289 10/31/99</i>
	0016887		HEATER ASSY,80M BTU,UNDERSEAT,KENTUCKY	<i>BEGIN WITH BSN F10020225, B10035320, L10032855, M10041330, X10009290</i>
1		2	BLOWER ASSY., 9 AMP MOTOR AND FAN	<i>INCLUDES THE FOLLOWING PARTS</i>
1	0007690		BLOWER ASSY,9 AMP MOTOR & FAN U/S HTR	<i>OPTION 1336, 1337, 1342, 1343</i>
1	0007682		BLOWER ASSY,MOTOR AND FAN,42,000 &	<i>OPTION 6252</i>
1A	2004307		FAN,10IN,HEATER,METAL,5 BLADE	
1B	0002956		HOUSING,10 IN FAN	
1C	0228072		MOTOR,HEATER,12V,2 SPEED,CW	<i>OPTION 1336, 1337, 1342, 1343</i>
1C	0159723		MOTOR,HEATER,CW-4 AMP	<i>OPTION 6252</i>
1D	2001279		NUT,HEX HD,10-24,YEL ZN DICH"	<i>OPTION 1336, 1337, 1342, 1343</i>
1D	2001287		NUT,HEX HD,10-32,YEL ZN DICH	<i>OPTION 6252</i>
1E	2001162		LOCKWASHER,SPLIT RING, 3/16,MED,YEL ZN	
2	0003020		OUTLET ASSY,BOM BTU UNDERSEAT HEATER	
3	0003061		COVER,WALL END,ALUMINUM FIN COIL,U/S	<i>ENDING WITH BSN F10020224, B10035319, L10032854 M10041329, X10009289 10/31/99</i>
3	0016890		PANEL,WALL END,UNDERSEAT HEATER	<i>BEGIN WITH BSN F10020225, B10035320, L10032855</i>

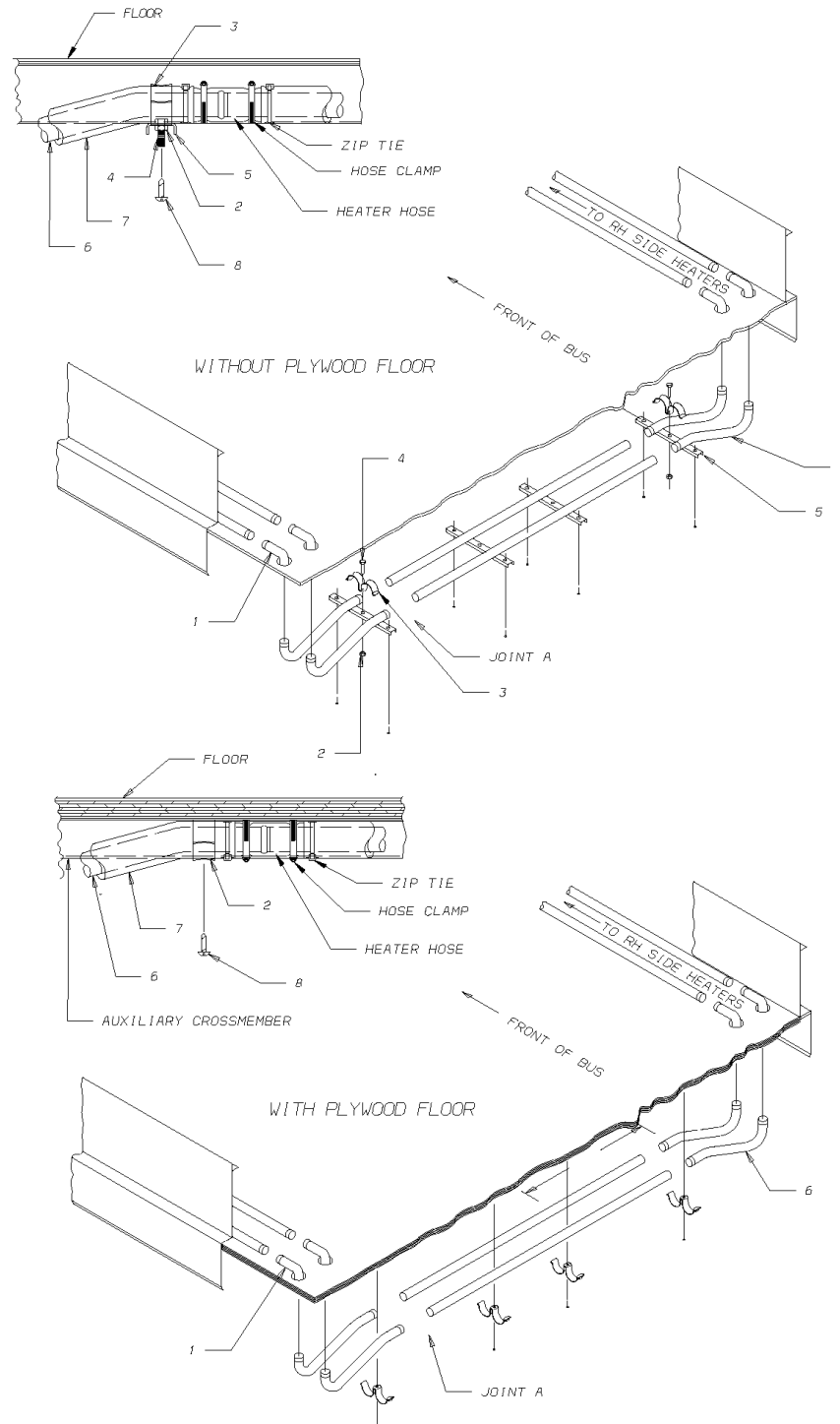
Models: AAFE, AARE, A3FE, A3RE, BBCV, MBWB, SBCV, TCFE, TCRE, VCTA
UNDERSEAT HEATER
80,000 BTU
SEAT MOUNTED

With Features: OPTION 1336, 1337, 1342, 1343, 30060, 6252

Key	PartNumber	Qty	Description	Comment
				M10041330, X10009290 11/01/99
4	0003087		COVER,AISLE END,ALUM FIN COIL,U/S HEATER	
5			HOUSING ASSY., 80M, UNDERSEAT HTR,	
5	0003053		HOUSING ASSY,80M BTU U/S HTR,ALUM FIN	ENDING WITH BSN F10020224, B10035319, L10032854 M10041329, X10009289 10/31/99
5	0016891		HOUSING ASSY,80M BTU HEATER,UNDERSEAT	BEGIN WITH BSN F10020225, B10035320, L10032855 M10041330, X10009290 11/01/99
6	1294081		COIL,HEATER,2 X 9 X 29.9,80M	
7	2003101		RUBBER,SPONGE,3/16 X 1/2 WITH PSA	SPECIFY LENGTH IN FEET
8	2005718		LOOM,ASPHALTUM,WIRE,5/16IN	SPECIFY LENGTH IN FEET
9	0659169		PLATE,HEATER NAME,80M BTU	
10	1943695	26	SCREW,10-16X3/4,AB,PH1,PAN HD,BLK ZN	
11	2007409		TERMINAL,BUTT CONN,14-16GA,INSULATED	
12	2000511	4	SCREW,10-16 X 1/2,AB,PH1,TRUSS HD,	
13	0015895		FILTER,AIR,10.38 X 28.50,UNDERSEAT HEATER	BEGIN WITH BSN F10020225 B10035320, L10032855, M10041330, X10009290 11/01/99
NI	0007260		SCREEN,SECURITY,U/S HEATER,80M BTU	OPTION 3724-02

Models: AAFE, AARE, A3FE, A3RE, BBCV, MBWB, SBCV, TCFE, TCRE, VCTA
**UNDERSEAT HEATER
 CROSSOVER PIPING**

Key	PartNumber	Qty	Description	Comment
-----	------------	-----	-------------	---------



Models: **AAFE, AARE, A3FE, A3RE, BBCV, MBWB, SBCV, TCFE, TCRE, VCTA**
UNDERSEAT HEATER
CROSSOVER PIPING

Key	PartNumber	Qty	Description	Comment
1	0281303		TUBING,BRASS,ELBOW,90 DEGREE	
2	0659979		NUT,HEX,FLANGE SER,1/4-20,BLACK ZINC	
3	0601617		CLAMP,HEATER HOSE SUPPORT	
4	2000057		CAPSCREW,HEX HD,1/4-20 X 1,GR 5,YEL ZN	
5	1016732		CHANNEL,SUPPORT,UNDFLR C/OVR PIPE,RH US	
6	1016716		TUBING,UNDERFLOOR CROSSOVER,FOR RH U/S	
7	0988873		INSULATION,ARMAFLEX,1-1/8 I.D. X 1/4 WALL	
8	2000644		SCREW,1/4-14X 3/4,AB,PH1,TRUSS HD,	

Models: **A3FE, A3RE, BBCV, B1VC, B2VC, C4RE, GMCV, SBCV**
UNDERSEAT HEATER
HEATER OPTION/USAGE

Key	PartNumber	Qty	Description	Comment
			HEATER, 50K, LH FRONT, UNDERSEAT	<i>FEATURE 3006008</i>
	0069754		HEATER ASSY,50K BTU,UNDERSEAT,S/M,LH"	
	1059278	2	SPLINT,1IN HOSE BEND,90 DEGREE,4.5IN.RAD	
	1058379		TRIM,PIPE COVER,HEATER TO WALL,FRONT	
	1058361		TRIM,PIPE COVER,HEATER TO WALL,REAR	<i>WITH NO OTHER BODY HEATERS</i>
	1058387		TRIM,UNDERSEAT HEATER PIPE COVER,FRT,2	<i>WITH OTHER BODY HEATERS</i>
	0363143	2	COVER,HTR PIPE,54IN SECT	
			HEATER, 50K, LH, FRONT, FLOOR MTD	<i>FEATURE 3006009</i>
	0069758		HEATER ASSY,50K BTU,UNDERSEAT,F/M"	
	1059278	2	SPLINT,1IN HOSE BEND,90 DEGREE,4.5IN.RAD	
	1058379		TRIM,PIPE COVER,HEATER TO WALL,FRONT	
	1058361		TRIM,PIPE COVER,HEATER TO WALL,REAR	<i>WITH NO OTHER BODY HEATERS</i>
	1058387		TRIM,UNDERSEAT HEATER PIPE COVER,FRT,2	<i>WITH OTHER BODY HEATERS</i>
	0363143	2	COVER,HTR PIPE,54IN SECT	
			HEATER, 50K, LH, REAR, UNDERSEAT	<i>FEATURE 3006010</i>
	0069754		HEATER ASSY,50K BTU,UNDERSEAT,S/M,LH"	
	1059278	2	SPLINT,1IN HOSE BEND,90 DEGREE,4.5IN.RAD	
	1058379		TRIM,PIPE COVER,HEATER TO WALL,FRONT	
	1058361		TRIM,PIPE COVER,HEATER TO WALL,REAR	<i>WITH NO RH REAR BODY HEATERS</i>
	1058387		TRIM,UNDERSEAT HEATER PIPE COVER,FRT,2	<i>WITH REAR BODY HEATERS</i>
	1052752		COVER,WHEELHOUSING TO FLOOR,FRONT	
	1052695		TRIM,W/H HEATER HOSE COVER,FRONT,	<i>WITHOUT PLYWOOD FLOOR</i>
	1052711		TRIM,W/H HEATER HOSE COVER,FRONT,PLY	<i>WITH PLYWOOD FLOOR</i>
	1052737		COVER,WHEELHOUSING HTR HOSE	
	1052703		TRIM,W/H HEATER HOSE COVER,REAR,	<i>WITHOUT PLYWOOD FLOOR</i>
	1052729		TRIM,W/H HEATER HOSE COVER,REAR,PLY	<i>FLOOR. WITH PLYWOOD FLOOR</i>
	1052760		COVER,FLOOR TO WHEELHOUSING,REAR	
	1053412	2	SUPPORT,W/H HEATER HOSE,FLOOR TO	
	0363143	AR	COVER,HTR PIPE,54IN SECT	
	1727932		INSULATION,HEATER COVER,WHEELHOUSING	
			HEATER, 50K, LH REAR, F/M	<i>FEATURE 3006011</i>
	0069758		HEATER ASSY,50K BTU,UNDERSEAT,F/M"	
	1059278	22	SPLINT,1IN HOSE BEND,90 DEGREE,4.5IN.RAD	

Models: **A3FE, A3RE, BBCV, B1VC, B2VC, C4RE, GMCV, SBCV**
UNDERSEAT HEATER
HEATER OPTION/USAGE

Key	PartNumber	Qty	Description	Comment
	1058379		TRIM,PIPE COVER,HEATER TO WALL,FRONT	<i>WITH NO RH REAR BODY HEATER</i>
	1058361		TRIM,PIPE COVER,HEATER TO WALL,REAR	<i>WITH /NO RH REAR BODY HEATERS</i>
	1058387		TRIM,UNDERSEAT HEATER PIPE COVER,FRT,2	<i>WITH REAR BODY HEATERS</i>
	1052752		COVER,WHEELHOUSING TO FLOOR,FRONT	
	1052695		TRIM,W/H HEATER HOSE COVER,FRONT,	<i>WITHOUT PLYWOOD FLOOR</i>
	1052711		TRIM,W/H HEATER HOSE COVER,FRONT,PLY	<i>WITH PLYWOOD FLOOR</i>
	1052737		COVER,WHEELHOUSING HTR HOSE	
	1052703		TRIM,W/H HEATER HOSE COVER,REAR,	<i>WITHOUT PLYWOOD FLOOR</i>
	1052729		TRIM,W/H HEATER HOSE COVER,REAR,PLY	<i>WITH PLYWOOD FLOOR</i>
	1052760		COVER,FLOOR TO WHEELHOUSING,REAR	
	1053412	2	SUPPORT,W/H HEATER HOSE,FLOOR TO	
	0363143	AR	COVER,HTR PIPE,54IN SECT	
	1727932		INSULATION,HEATER COVER,WHEELHOUSING	

Models: **A3FE, A3RE, BBCV, B1VC, B2VC, C4RE, GMCV, SBCV**
UNDERSEAT HEATER
HEATER OPTION/USAGE

Key	PartNumber	Qty	Description	Comment
			HEATER, 50K, LH FRONT, U/S DUAL	<i>FEATURE 3006012</i>
	0069754		HEATER ASSY,50K BTU,UNDERSEAT,S/M,LH"	
	1059278	4	SPLINT,1IN HOSE BEND,90 DEGREE,4.5IN.RAD	
	1058379	2	TRIM,PIPE COVER,HEATER TO WALL,FRONT	
	1058361		TRIM,PIPE COVER,HEATER TO WALL,REAR	<i>WITH NO RH REAR BODY HEATER</i>
	1058387	AR	TRIM,UNDERSEAT HEATER PIPE COVER,FRT,2	
	1052752		COVER,WHEELHOUSING TO FLOOR,FRONT	
	1092980		TRIM,W/H,HEATER HOSE COVER,FRT STD	<i>STANDARD FLOOR</i>
	1052737		COVER,WHEELHOUSING HTR HOSE	
	1092998		TRIM,W/H,HEATER HOSE COVER,REAR,STD FLR,	<i>STANDARD FLOOR</i>
	1052760		COVER,FLOOR TO WHEELHOUSING,REAR	
	1053412	2	SUPPORT,W/H HEATER HOSE,FLOOR TO	
	0363143	3	COVER,HTR PIPE,54IN SECT	
	1727932		INSULATION,HEATER COVER,WHEELHOUSING	
			HEATER, 50K, LH, FRONT, F/M, DUAL	<i>FEATURE 3006013</i>
	0069758		HEATER ASSY,50K BTU,UNDERSEAT,F/M"	
	1059278	4	SPLINT,1IN HOSE BEND,90 DEGREE,4.5IN.RAD	
	1058379	2	TRIM,PIPE COVER,HEATER TO WALL,FRONT	
	1058361		TRIM,PIPE COVER,HEATER TO WALL,REAR	<i>WITH NO RH REAR BODY HEATER</i>
	1058387	AR	TRIM,UNDERSEAT HEATER PIPE COVER,FRT,2	
	1052752		COVER,WHEELHOUSING TO FLOOR,FRONT	
	1092980		TRIM,W/H,HEATER HOSE COVER,FRT STD	<i>STANDARD FLOOR</i>
	1052737		COVER,WHEELHOUSING HTR HOSE	
	1092998		TRIM,W/H,HEATER HOSE COVER,REAR,STD FLR,	<i>STANDARD FLOOR</i>
	1052760		COVER,FLOOR TO WHEELHOUSING,REAR	
	1053412	2	SUPPORT,W/H HEATER HOSE,FLOOR TO	
	0363143	3	COVER,HTR PIPE,54IN SECT	
	1727932		INSULATION,HEATER COVER,WHEELHOUSING	
			HEATER, 50K, RH, FRONT, U/S	<i>FEATURE 3006014</i>
	0069753		HEATER ASSY,50K BTU,UNDERSEAT,S/M,RH"	
	1059278	2	SPLINT,1IN HOSE BEND,90 DEGREE,4.5IN.RAD	
	1058387		TRIM,UNDERSEAT HEATER PIPE COVER,FRT,2	
	1058395		TRIM,UNDERSEAT HEATER PIPE COVER,REAR,	

Models: **A3FE, A3RE, BBCV, B1VC, B2VC, C4RE, GMCV, SBCV**
UNDERSEAT HEATER
HEATER OPTION/USAGE

Key	PartNumber	Qty	Description	Comment
	0363143	.5	COVER,HTR PIPE,54IN SECT HEATER, 50K BTU, RH FRONT, FLOOR MOUNTED	<i>FEATURE 3006015</i>
	0069758		HEATER ASSY,50K BTU,UNDERSEAT,F/M"	
	1059278		SPLINT,1IN HOSE BEND,90 DEGREE,4.5IN.RAD	
	1058387		TRIM,UNDERSEAT HEATER PIPE COVER,FRT,2	
	1058395		TRIM,UNDERSEAT HEATER PIPE COVER,REAR,	
	0363143		COVER,HTR PIPE,54IN SECT	

Models: **A3FE, A3RE, BBCV, B1VC, B2VC, C4RE, GMCV, SBCV**
UNDERSEAT HEATER
HEATER OPTION/USAGE

Key	PartNumber	Qty	Description	Comment
			HEATER, 50K, RH REAR, U/S	<i>FEATURE 3006016</i>
	0069753		HEATER ASSY,50K BTU,UNDERSEAT,S/M,RH"	
	1059278	2	SPLINT,1IN HOSE BEND,90 DEGREE,4.5IN.RAD	
	1058361		TRIM,PIPE COVER,HEATER TO WALL,REAR	
	1058379		TRIM,PIPE COVER,HEATER TO WALL,FRONT	
	0363143	.5	COVER,HTR PIPE,54IN SECT	
	1727932		INSULATION,HEATER COVER,WHEELHOUSING	
			HEATER, 50K, RH, REAR, F/M	<i>FEATURE 3006017</i>
	0069758		HEATER ASSY,50K BTU,UNDERSEAT,F/M"	
	1059278	2	SPLINT,1IN HOSE BEND,90 DEGREE,4.5IN.RAD	
	1058361		TRIM,PIPE COVER,HEATER TO WALL,REAR	
	1058379		TRIM,PIPE COVER,HEATER TO WALL,FRONT	
	0363143	.5	COVER,HTR PIPE,54IN SECT	
	1727932		INSULATION,HEATER COVER,WHEELHOUSING	
			HEATER, 80K, LH, FRONT, U/S	<i>FEATURE 3006018</i>
	0069752		HEATER ASSY,80K BTU,UNDERSEAT,S/M,LH"	
	1059278	2	SPLINT,1IN HOSE BEND,90 DEGREE,4.5IN.RAD	
	1058379		TRIM,PIPE COVER,HEATER TO WALL,FRONT	
	1058361		TRIM,PIPE COVER,HEATER TO WALL,REAR	<i>WITH NO OTHER BODY HEATERS</i>
	1058387		TRIM,UNDERSEAT HEATER PIPE COVER,FRT,2	<i>WITH OTHER BODY HEATERS</i>
	0363143	2	COVER,HTR PIPE,54IN SECT	
			HEATER, 80K, LH FRONT, F/M	<i>FEATURE 3006019</i>
	0069757		HEATER ASSY,80K BTU,UNDERSEAT,F/M"	
	1059278	2	SPLINT,1IN HOSE BEND,90 DEGREE,4.5IN.RAD	
	1058379		TRIM,PIPE COVER,HEATER TO WALL,FRONT	
	1058361		TRIM,PIPE COVER,HEATER TO WALL,REAR	<i>WITH NO OTHER BODY HEATERS</i>
	1058387		TRIM,UNDERSEAT HEATER PIPE COVER,FRT,2	<i>WITH OTHER BODY HEATERS</i>
	0363143	2	COVER,HTR PIPE,54IN SECT	
			HEATER, 80K, LH, REAR, U/S	<i>FEATURE 3006020</i>
	0069752		HEATER ASSY,80K BTU,UNDERSEAT,S/M,LH"	
	1059278	2	SPLINT,1IN HOSE BEND,90 DEGREE,4.5IN.RAD	
	1058379		TRIM,PIPE COVER,HEATER TO WALL,FRONT	
	1058361		TRIM,PIPE COVER,HEATER TO WALL,REAR	<i>WITH NO RH REAR BODY HEATER</i>
				<i>WITH RH REAR BODY HEATER</i>

Models: **A3FE, A3RE, BBCV, B1VC, B2VC, C4RE, GMCV, SBCV**
UNDERSEAT HEATER
HEATER OPTION/USAGE

Key	PartNumber	Qty	Description	Comment
	1058387		TRIM,UNDERSEAT HEATER PIPE COVER,FRT,2	
	1052752		COVER,WHEELHOUSING TO FLOOR,FRONT	
	1052695		TRIM,W/H HEATER HOSE COVER,FRONT,	<i>WITHOUT PLYWOOD FLOOR</i>
	1052711		TRIM,W/H HEATER HOSE COVER,FRONT,PLY	<i>WITH PLYWOOD FLOOR</i>
	1052737		COVER,WHEELHOUSING HTR HOSE	
	1052703		TRIM,W/H HEATER HOSE COVER,REAR,	<i>WITHOUT PLYWOOD FLOOR</i>
	1052729		TRIM,W/H HEATER HOSE COVER,REAR,PLY	<i>WITH PLYWOOD FLOOR</i>
	1052760		COVER,FLOOR TO WHEELHOUSING,REAR	
	1053412		SUPPORT,W/H HEATER HOSE,FLOOR TO	
	0363143	AR	COVER,HTR PIPE,54IN SECT	
	1727932		INSULATION,HEATER COVER,WHEELHOUSING	

Models: **A3FE, A3RE, BBCV, B1VC, B2VC, C4RE, GMCV, SBCV**
UNDERSEAT HEATER
HEATER OPTION/USAGE

Key	PartNumber	Qty	Description	Comment
			HEATER, 80K, LH, REAR, F/M	<i>FEATURE 3006021</i>
	0069757		HEATER ASSY,80K BTU,UNDERSEAT,F/M"	
	1059278	2	SPLINT,1IN HOSE BEND,90 DEGREE,4.5IN.RAD	
	1058379		TRIM,PIPE COVER,HEATER TO WALL,FRONT	<i>WITH NO RH REAR BODY HEATER</i>
	1058361		TRIM,PIPE COVER,HEATER TO WALL,REAR	<i>WITH RH REAR BODY HEATER</i>
	1058387		TRIM,UNDERSEAT HEATER PIPE COVER,FRT,2	
	1052752		COVER,WHEELHOUSING TO FLOOR,FRONT	
	1052695		TRIM,W/H HEATER HOSE COVER,FRONT,	<i>WITHOUT PLYWOOD FLOOR</i>
	1052711		TRIM,W/H HEATER HOSE COVER,FRONT,PLY	<i>WITH PLYWOOD FLOOR</i>
	1052737		COVER,WHEELHOUSING HTR HOSE	
	1052703		TRIM,W/H HEATER HOSE COVER,REAR,	<i>WITHOUT PLYWOOD FLOOR</i>
	1052729		TRIM,W/H HEATER HOSE COVER,REAR,PLY	<i>WITH PLYWOOD FLOOR</i>
	1052760		COVER,FLOOR TO WHEELHOUSING,REAR	
	1053412	AR	SUPPORT,W/H HEATER HOSE,FLOOR TO	
	0363143		COVER,HTR PIPE,54IN SECT	
	1727932		INSULATION,HEATER COVER,WHEELHOUSING	
			HEATER, 80K, LH, FRONT, U/S, DUAL	<i>FEATURE 3006022</i>
	0069755		HEATER ASSY,80K BTU,UNDERSEAT,S/M,LH,KY	
	1059278	4	SPLINT,1IN HOSE BEND,90 DEGREE,4.5IN.RAD	
	1058379	2	TRIM,PIPE COVER,HEATER TO WALL,FRONT	
	1058361		TRIM,PIPE COVER,HEATER TO WALL,REAR	<i>WITH NO REAR BODY HEATER</i>
	1058387	AR	TRIM,UNDERSEAT HEATER PIPE COVER,FRT,2	
	1052752		COVER,WHEELHOUSING TO FLOOR,FRONT	
	1092980		TRIM,W/H,HEATER HOSE COVER,FRT STD	<i>STANDARD FLOOR</i>
	1052737		COVER,WHEELHOUSING HTR HOSE	
	1092998		TRIM,W/H,HEATER HOSE COVER,REAR,STD FLR,	<i>STANDARD FLOOR</i>
	1052760		COVER,FLOOR TO WHEELHOUSING,REAR	
	1053412	2	SUPPORT,W/H HEATER HOSE,FLOOR TO	
	0363143	3	COVER,HTR PIPE,54IN SECT	
	1727932		INSULATION,HEATER COVER,WHEELHOUSING	
			HEATER, 80K, LH, FRONT, F/M, DUAL	<i>FEATURE 3006023</i>
	0069757		HEATER ASSY,80K BTU,UNDERSEAT,F/M"	
	1059278	4	SPLINT,1IN HOSE BEND,90 DEGREE,4.5IN.RAD	

Models: A3FE, A3RE, BBCV, B1VC, B2VC, C4RE, GMCV, SBCV
**UNDERSEAT HEATER
 HEATER OPTION/USAGE**

Key	PartNumber	Qty	Description	Comment
	1058379	2	TRIM,PIPE COVER,HEATER TO WALL,FRONT	
	1058361		TRIM,PIPE COVER,HEATER TO WALL,REAR	<i>WITH NO RH REAR BODY HEATER</i>
	1058387	AR	TRIM,UNDERSEAT HEATER PIPE COVER,FRT,2	
	1052752		COVER,WHEELHOUSING TO FLOOR,FRONT	
	1092980		TRIM,W/H,HEATER HOSE COVER,FRT STD	<i>STANDARD FLOOR</i>
	1052737		COVER,WHEELHOUSING HTR HOSE	
	1092998		TRIM,W/H,HEATER HOSE COVER,REAR,STD FLR,	<i>STANDARD FLOOR</i>
	1052760		COVER,FLOOR TO WHEELHOUSING,REAR	
	1053412	2	SUPPORT,W/H HEATER HOSE,FLOOR TO	
	0363143	3	COVER,HTR PIPE,54IN SECT	
	1727932		INSULATION,HEATER COVER,WHEELHOUSING	

Models: **A3FE, A3RE, BBCV, B1VC, B2VC, C4RE, GMCV, SBCV**
UNDERSEAT HEATER
HEATER OPTION/USAGE

Key	PartNumber	Qty	Description	Comment
			HEATER, 80K, RH, FRONT, U/S	<i>FEATURE 3006024</i>
	0069751		HEATER ASSY,80K BTU,UNDERSEAT,S/M,RH"	
	1059278	2	SPLINT,1IN HOSE BEND,90 DEGREE,4.5IN.RAD	
	1058387		TRIM,UNDERSEAT HEATER PIPE COVER,FRT,2	
	1058395		TRIM,UNDERSEAT HEATER PIPE COVER,REAR,	
	0363143	.5	COVER,HTR PIPE,54IN SECT	
			HEATER, 80K, RH, FRONT, F/M	<i>FEATURE 3006025</i>
	0069757		HEATER ASSY,80K BTU,UNDERSEAT,F/M"	
	1059278		SPLINT,1IN HOSE BEND,90 DEGREE,4.5IN.RAD	
	1058387		TRIM,UNDERSEAT HEATER PIPE COVER,FRT,2	
	1058395		TRIM,UNDERSEAT HEATER PIPE COVER,REAR,	
	0363143	.5	COVER,HTR PIPE,54IN SECT	
			HEATER, 80K, RH, REAR, U/S	<i>FEATURE 3006026</i>
	0069751		HEATER ASSY,80K BTU,UNDERSEAT,S/M,RH"	
	1059278	2	SPLINT,1IN HOSE BEND,90 DEGREE,4.5IN.RAD	
	1058361		TRIM,PIPE COVER,HEATER TO WALL,REAR	
	1058379		TRIM,PIPE COVER,HEATER TO WALL,FRONT	
	0363143	.5	COVER,HTR PIPE,54IN SECT	
	1727932		INSULATION,HEATER COVER,WHEELHOUSING	
			HEATER, 80K, RH REAR, F/M	<i>FEATURE 3006027</i>
	0069757		HEATER ASSY,80K BTU,UNDERSEAT,F/M"	
	1059278	2	SPLINT,1IN HOSE BEND,90 DEGREE,4.5IN.RAD	
	1058361		TRIM,PIPE COVER,HEATER TO WALL,REAR	
	1058379		TRIM,PIPE COVER,HEATER TO WALL,FRONT	
	0363143	.5	COVER,HTR PIPE,54IN SECT	
	1727932		INSULATION,HEATER COVER,WHEELHOUSING	
			HEATER, 80K, LH, REAR, U/S, KY	<i>FEATURE 3006033</i>
	0069755		HEATER ASSY,80K BTU,UNDERSEAT,S/M,LH,KY	
	1059278	2	SPLINT,1IN HOSE BEND,90 DEGREE,4.5IN.RAD	
	1058379		TRIM,PIPE COVER,HEATER TO WALL,FRONT	
	1058361		TRIM,PIPE COVER,HEATER TO WALL,REAR	<i>WITH NO RH REAR BODY HEATER</i>
	1058387		TRIM,UNDERSEAT HEATER PIPE COVER,FRT,2	<i>WITH RH REAR BODY HEATER</i>
	1052752		COVER,WHEELHOUSING TO FLOOR,FRONT	
				<i>STANDARD FLOOR</i>

Models: **A3FE, A3RE, BBCV, B1VC, B2VC, C4RE, GMCV, SBCV**
UNDERSEAT HEATER
HEATER OPTION/USAGE

Key	PartNumber	Qty	Description	Comment
	1092980		TRIM,W/H,HEATER HOSE COVER,FRT STD	
	1052737		COVER,WHEELHOUSING HTR HOSE	
	1092998		TRIM,W/H,HEATER HOSE COVER,REAR,STD FLR, <i>STANDARD FLOOR</i>	
	1052760		COVER,FLOOR TO WHEELHOUSING,REAR	
	1053412	2	SUPPORT,W/H HEATER HOSE,FLOOR TO	
	0363143	AR	COVER,HTR PIPE,54IN SECT	
	1727932		INSULATION,HEATER COVER,WHEELHOUSING	

Models: **A3FE, A3RE, BBCV, B1VC, B2VC, C4RE, GMCV, SBCV**
UNDERSEAT HEATER
HEATER OPTION/USAGE

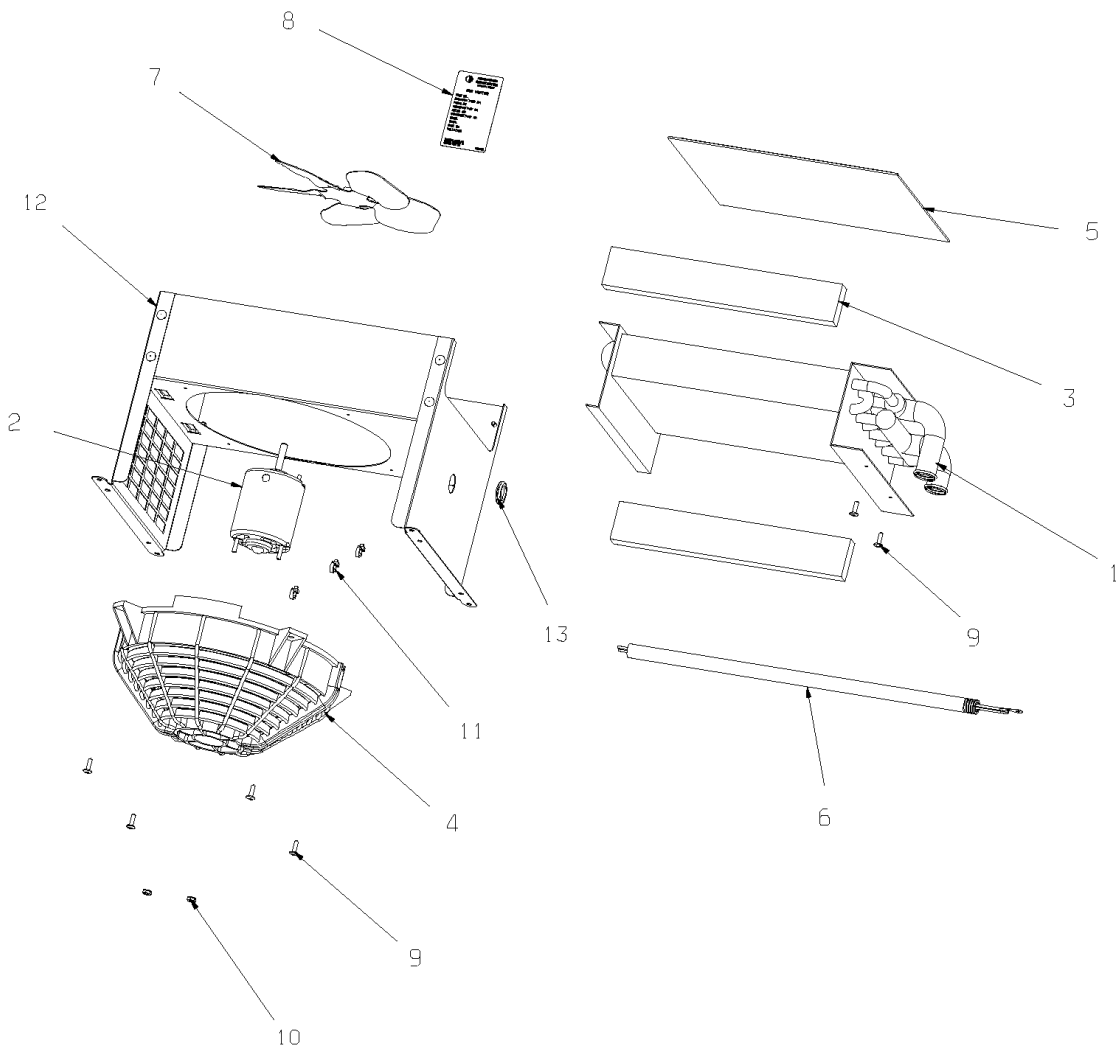
Key	PartNumber	Qty	Description	Comment
			HEATER, 80K, LH, REAR, F/M, KY	<i>FEATURE 3006034</i>
	0069757		HEATER ASSY,80K BTU,UNDERSEAT,F/M"	
	1059278	2	SPLINT,1IN HOSE BEND,90 DEGREE,4.5IN.RAD	
	1058379		TRIM,PIPE COVER,HEATER TO WALL,FRONT	
	1058361		TRIM,PIPE COVER,HEATER TO WALL,REAR	<i>WITH NO RH REAR BODY HEATER</i>
	1058387		TRIM,UNDERSEAT HEATER PIPE COVER,FRT,2	<i>WITH RH REAR BODY HEATER</i>
	1052752		COVER,WHEELHOUSING TO FLOOR,FRONT	
	1092980		TRIM,W/H,HEATER HOSE COVER,FRT STD	<i>STANDARD FLOOR</i>
	1052737		COVER,WHEELHOUSING HTR HOSE	
	1092998		TRIM,W/H,HEATER HOSE COVER,REAR,STD FLR,	<i>STANDARD FLOOR</i>
	1052760		COVER,FLOOR TO WHEELHOUSING,REAR	
	1053412	2	SUPPORT,W/H HEATER HOSE,FLOOR TO	
	0363143	AR	COVER,HTR PIPE,54IN SECT	
	1727932		INSULATION,HEATER COVER,WHEELHOUSING	

Models: **A3FE, A3RE, BBCV, B1VC, B2VC, C4RE, GMCV, SBCV**
UNDERSEAT HEATER
HEATER OPTION/USAGE

Key	PartNumber	Qty	Description	Comment
			ADD THE FOLLOWING TO TRANSIT UNITS WITH	
			DOES NOT APPLY TO FLAT FLOOR UNITS	30060-08 THRU 30060-29
	1052760		COVER,FLOOR TO WHEELHOUSING,REAR	
	1052703		TRIM,W/H HEATER HOSE COVER,REAR,	WITHOUT PLYWOOD FLOOR
	1052729		TRIM,W/H HEATER HOSE COVER,REAR,PLY	WITH PLYWOOD FLOOR
	1052737		COVER,WHEELHOUSING HTR HOSE	
	1727932		INSULATION,HEATER COVER,WHEELHOUSING	
	1053412		SUPPORT,W/H HEATER HOSE,FLOOR TO	
	1404227		COVER,HTR PIPE,FRONT W/H,TCFC	TCFE
	0001211		COVER,HEATER PIPE,FRT W/H,DRFL	A3FE
	1407014		COVER,ACCESS,HOSE CLAMP,US HEATER,TCFC	FORWARD ENGINE
	1528439		SEAL,HEATER HOSE/ FIREWALL	FORWARD ENGINE
	1489434	AR	TRIM,VINYL,BLACK,DOUBLE LIP	FORWARD ENGINE
	1904275		COVER,HTR PIPE,FRONT W/H	WITHOUT PLYWOOD FLOOR
	0006340		COVER,HTR PIPE,FRONT W/H,PLY FLR,DRRE	WITH PLYWOOD FLOOR
	1766799		COVER,HTR PIPE,FRONT WHEELHOUSING,RH	WITHOUT PLYWOOD FLOOR
	1766781		COVER,HTR PIPE,FRONT W/H,PLY FLOOR RH	WITH PLYWOOD FLOOR
	1056050		COVER,ACCESS,HOSE CLAMP,U/S HEATER	REAR ENGINE
	1619691		CONNECTOR ASSY,HTR PIPE,FRONT W/H	REAR ENGINE
	0007060		CONNECTOR ASSY,HTR PIPE,TWO OFST 90	REAR ENGINE

Models: A3FE, A3RE, BBCV, B1VC, B2VC, C4RE, GMCV, SBCV
UNDERSEAT HEATER BERGSTROM
50,000 BTU
FLOOR MOUNTED, LH

Key	PartNumber	Qty	Description	Comment
-----	------------	-----	-------------	---------

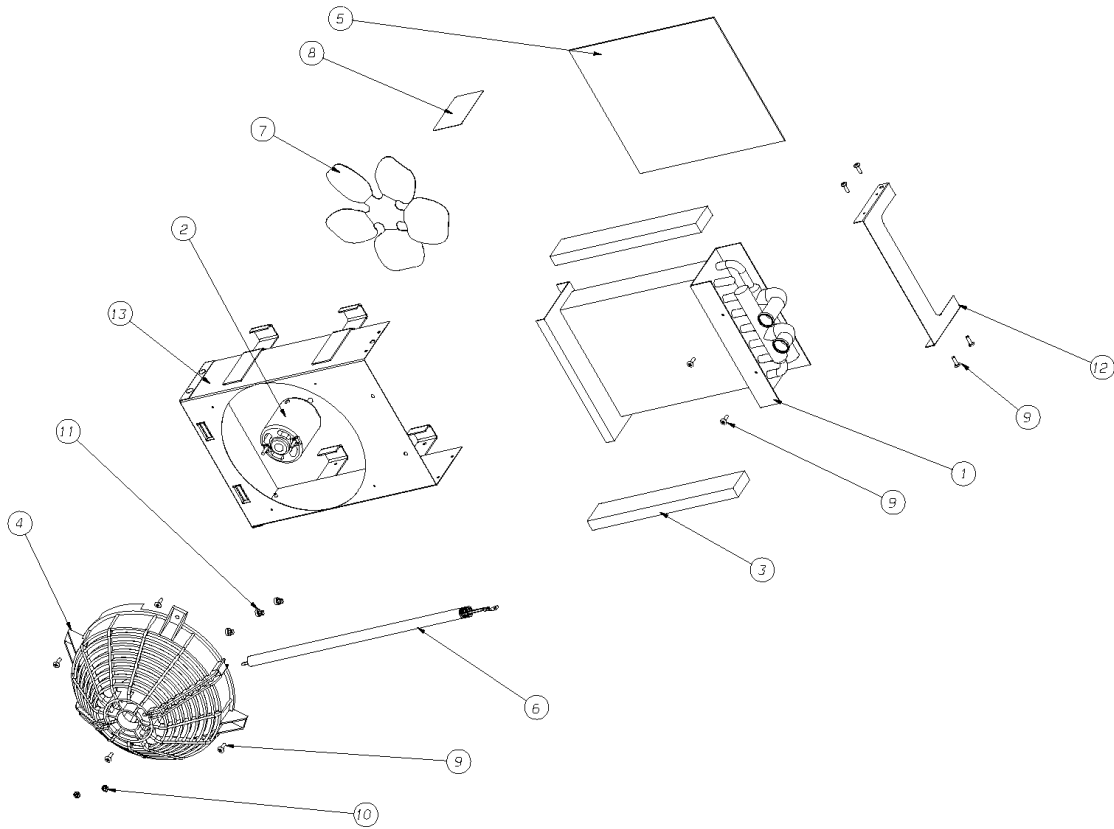


Models: **A3FE, A3RE, BBCV, B1VC, B2VC, C4RE, GMCV, SBCV**
UNDERSEAT HEATER BERGSTROM
50,000 BTU
FLOOR MOUNTED, LH

Key	PartNumber	Qty	Description	Comment
	0069758		HEATER ASSY,50K BTU,UNDERSEAT,F/M"	
1	0070764		COIL,HEATER,50K U/S,BERGSTROM	
2	0057157	2	MOTOR,HEATER,12V 2SPD CW, EXTERNAL	
3			GASKETS, SPACER	
4	0070769		GUARD,FAN,U/S HEATER,BERGSTROM"	
5	0070771	2	FILTER,AIR,50K,U/S HEATER,BERGSTROM"	
6			CONVOLUTED CONDUIT, SPLIT	
7	2004307	2	FAN,10IN,HEATER,METAL,5 BLADE	
8	0035865		DECAL,NAME,BTU,BERGSTROM,OPT 1341	
9		10	SCREW, NO 10 TRUSS HEAD	
10		2	LOCKNUT NO 10-32	
11		3	TIE CABLE	
12			SIDE, TUBE SIDE	
13	0071094		WELDMENT,CASE,LH,50K U/S,FLOOR MT,	

Models: A3FE, A3RE, BBCV, B1VC, B2VC, C4RE, GMCV, SBCV
UNDERSEAT HEATER BERGSTROM
50,000 BTU
SEAT MOUNTED RH

Key	PartNumber	Qty	Description	Comment
-----	------------	-----	-------------	---------

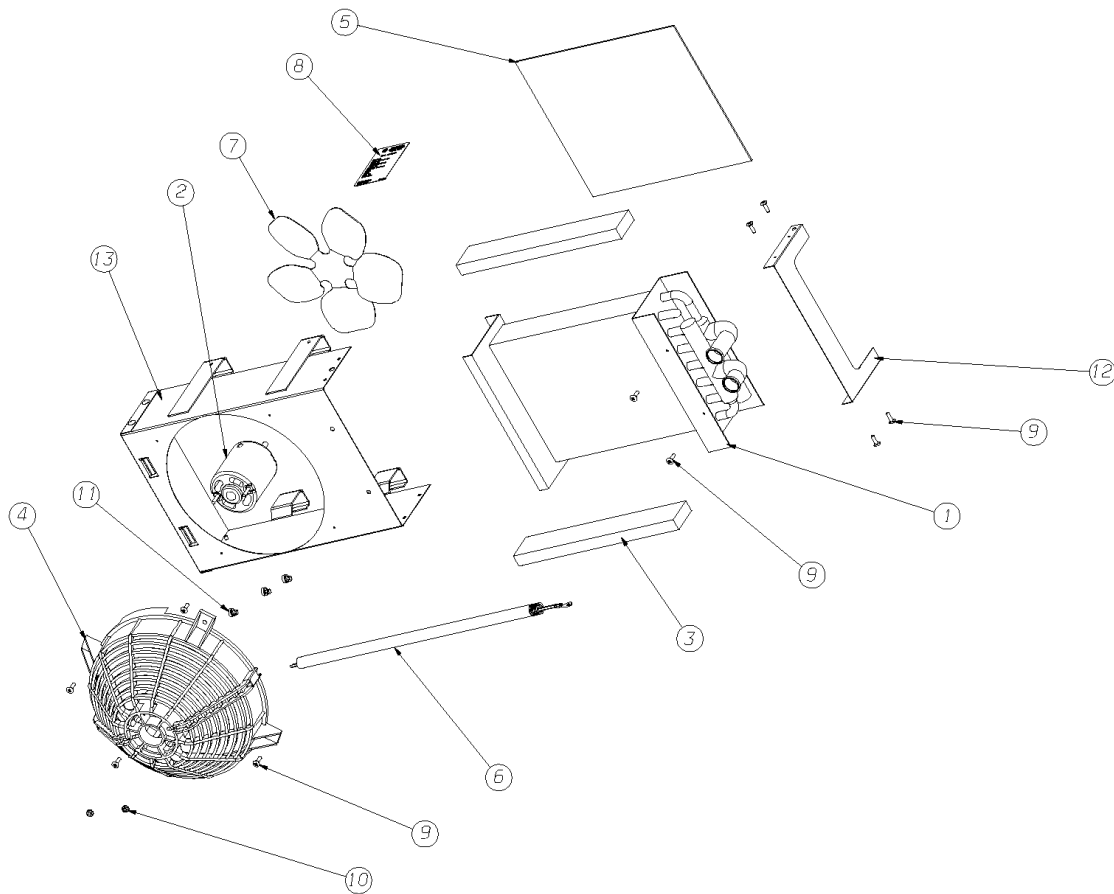


Models: **A3FE, A3RE, BBCV, B1VC, B2VC, C4RE, GMCV, SBCV**
UNDERSEAT HEATER BERGSTROM
50,000 BTU
SEAT MOUNTED RH

Key	PartNumber	Qty	Description	Comment
	0069753		HEATER ASSY,50K BTU,UNDERSEAT,S/M,RH"	<i>CONSISTS OF THE FOLLOWING</i>
1	0070764		COIL,HEATER,50K U/S,BERGSTROM	
2	0057157	2	MOTOR,HEATER,12V 2SPD CW, EXTERNAL	
3			GASKETS, SPACER	
4	0070769		GUARD,FAN,U/S HEATER,BERGSTROM"	
5	0070771		FILTER,AIR,50K,U/S HEATER,BERGSTROM"	
6			CONVOLUTED CONDUIT, SPLIT	
7	2004307		FAN,10IN,HEATER,METAL,5 BLADE	
8	0035865		DECAL,NAME,BTU,BERGSTROM,OPT 1341	
9		10	SCREW, NO 10 TRUSS HEAD	
10		2	LOCKNUT NO 10-32	
11		3	TIE CABLE	
12			SIDE, TUBE SIDE	
13	0070768		WELDMENT,CASE,RH,50K U/S,BERGSTROM	

Models: A3FE, A3RE, BBCV, B1VC, B2VC, C4RE, GMCV, SBCV
UNDERSEAT HEATER BERGSTROM
50,000 BTU
SEAT MOUNTED, LH

Key	PartNumber	Qty	Description	Comment
-----	------------	-----	-------------	---------

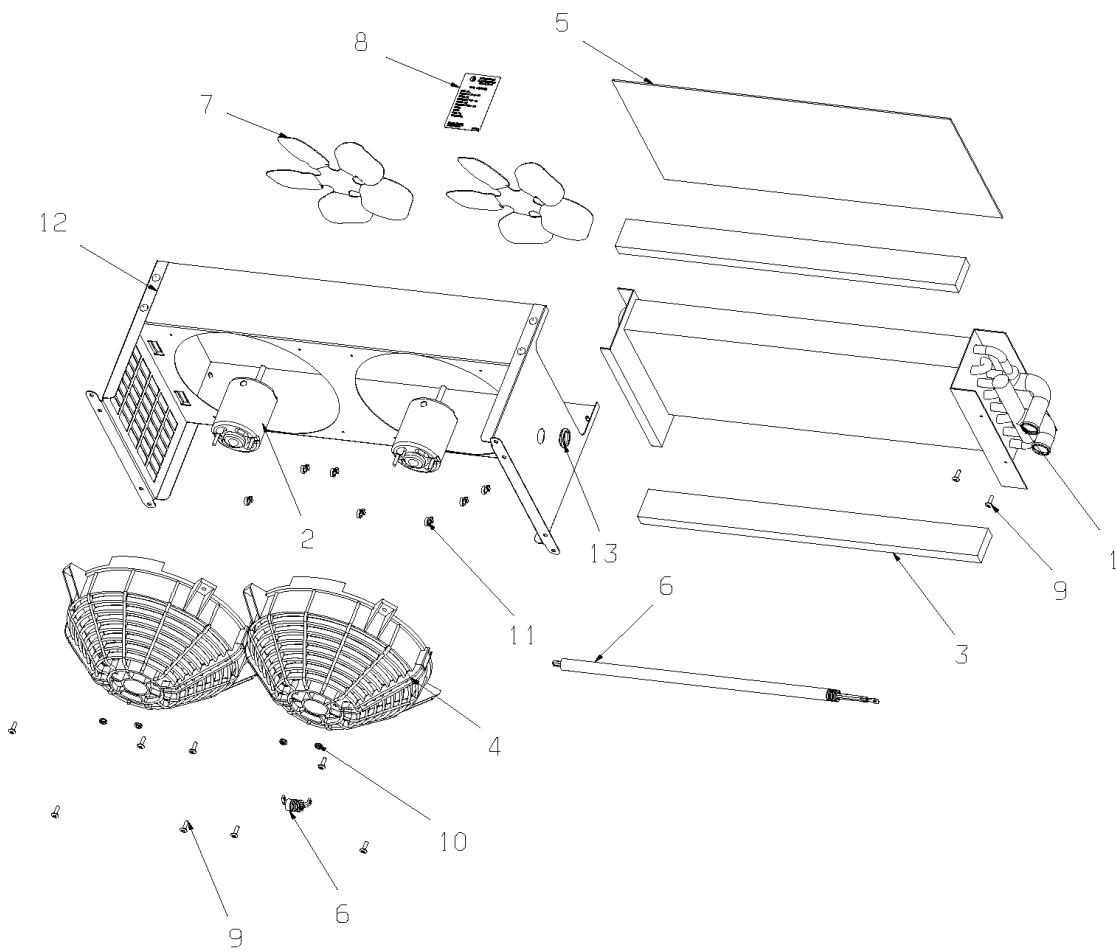


Models: **A3FE, A3RE, BBCV, B1VC, B2VC, C4RE, GMCV, SBCV**
UNDERSEAT HEATER BERGSTROM
50,000 BTU
SEAT MOUNTED, LH

Key	PartNumber	Qty	Description	Comment
	0069754		HEATER ASSY,50K BTU,UNDERSEAT,S/M,LH"	
1	0070764		COIL,HEATER,50K U/S,BERGSTROM	
2	0057157	2	MOTOR,HEATER,12V 2SPD CW, EXTERNAL	
3			GASKETS, SPACER	
4	0070769		GUARD,FAN,U/S HEATER,BERGSTROM"	
5	0070771		FILTER,AIR,50K,U/S HEATER,BERGSTROM"	
6			CONVOLUTED CONDUIT, SPLIT	
7	2004307		FAN,10IN,HEATER,METAL,5 BLADE	
8	0035865		DECAL,NAME,BTU,BERGSTROM,OPT 1341	
9		10	SCREW, NO 10 TRUSS HEAD	
10		2	LOCKNUT NO 10-32	
11		3	TIE CABLE	
12			SIDE, TUBE SIDE	
13	0070767		WELDMENT,CASE,LH,50K U/S,BERGSTROM	

Models: A3FE, A3RE, BBCV, B1VC, B2VC, C4RE, GMCV, SBCV
UNDERSEAT HEATER BERGSTROM
80,000 BTU
FLOOR MOUNTED, LH

Key	PartNumber	Qty	Description	Comment
-----	------------	-----	-------------	---------

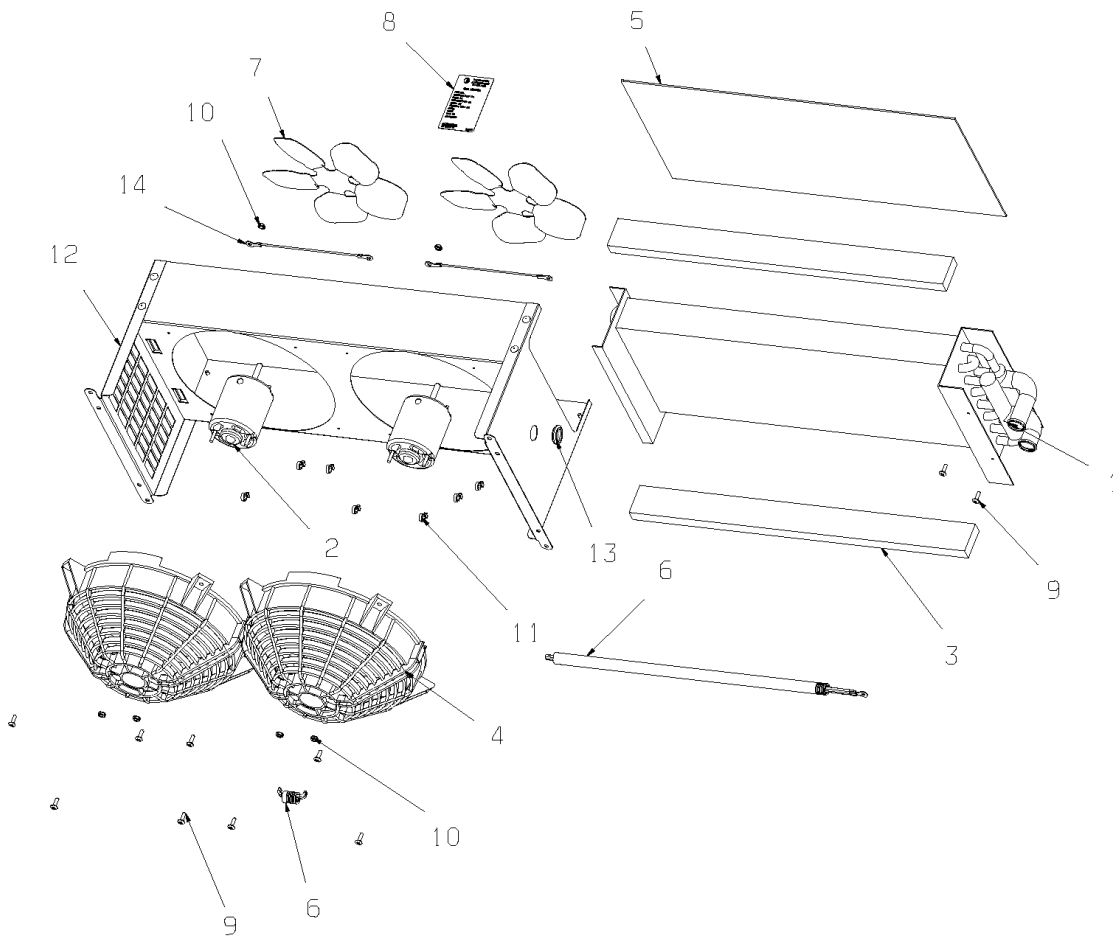


Models: **A3FE, A3RE, BBCV, B1VC, B2VC, C4RE, GMCV, SBCV**
UNDERSEAT HEATER BERGSTROM
80,000 BTU
FLOOR MOUNTED, LH

Key	PartNumber	Qty	Description	Comment
	0069757		HEATER ASSY,80K BTU,UNDERSEAT,F/M"	
1	0070762		COIL,HEATER,80K U/S,BERGSTROM	
2	0057157	2	MOTOR,HEATER,12V 2SPD CW, EXTERNAL	
3			GASKETS, SPACER	
4	0070769		GUARD,FAN,U/S HEATER,BERGSTROM"	
5	0070770	2	FILTER,AIR,80K,U/S HEATER,BERGSTROM"	
6			CONVOLUTED CONDUIT, SPLIT	
7	2004307	2	FAN,10IN,HEATER,METAL,5 BLADE	
8	0035865		DECAL,NAME,BTU,BERGSTROM,OPT 1341	
9		10	SCREW, NO 10 TRUSS HEAD	
10		2	LOCKNUT NO 10-32	
11		3	TIE CABLE	
12			SIDE, TUBE SIDE	
13	0071095		WELDMENT,CASE,LH,80K U/S,FLOOR MTD,	

Models: A3FE, A3RE, BBCV, B1VC, B2VC, C4RE, GMCV, SBCV
UNDERSEAT HEATER BERGSTROM
80,000 BTU
FLOOR MOUNTED, LH, KENTUCKY

Key	PartNumber	Qty	Description	Comment
-----	------------	-----	-------------	---------

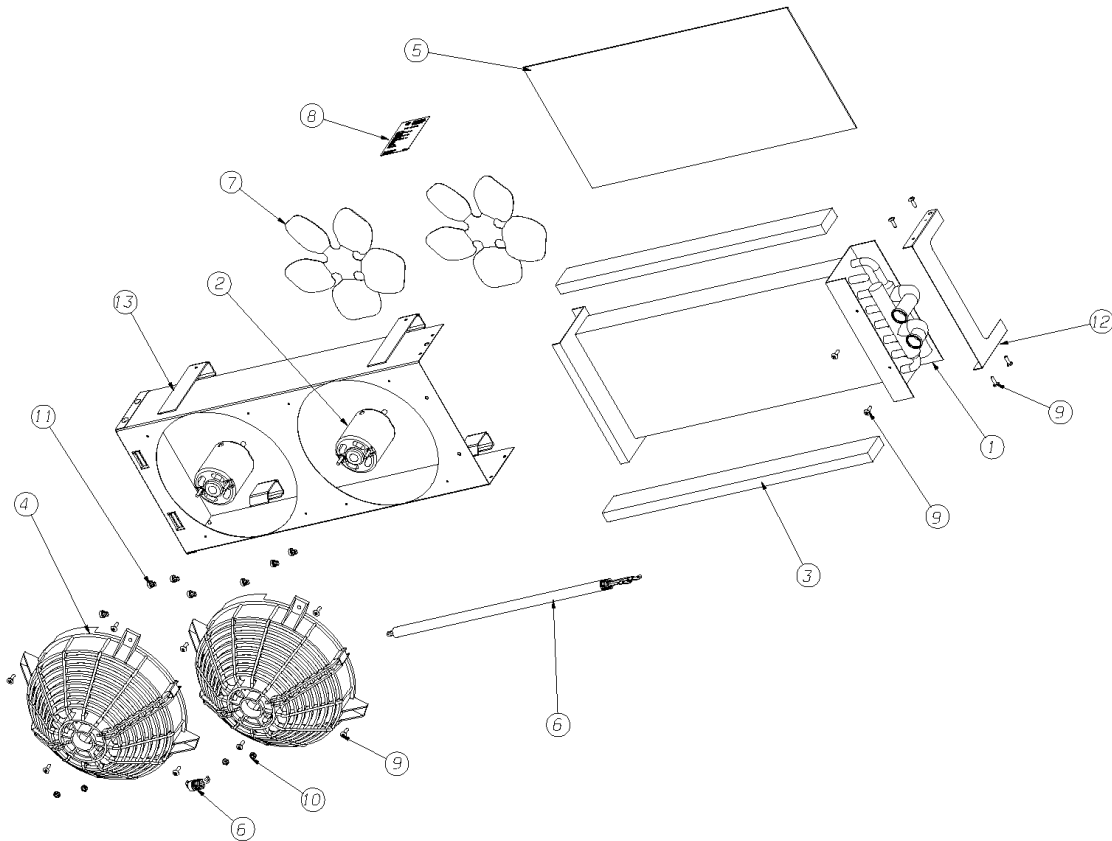


Models: **A3FE, A3RE, BBCV, B1VC, B2VC, C4RE, GMCV, SBCV**
UNDERSEAT HEATER BERGSTROM
80,000 BTU
FLOOR MOUNTED, LH, KENTUCKY

Key	PartNumber	Qty	Description	Comment
	0069756		HEATER ASSY,80K BTU,UNDERSEAT,F/M,LH,KY	
1	0070762		COIL,HEATER,80K U/S,BERGSTROM	
2	0159723	2	MOTOR,HEATER,CW-4 AMP	
3			GASKETS, SPACER	
4	0070769		GUARD,FAN,U/S HEATER,BERGSTROM"	
5	0070770	2	FILTER,AIR,80K,U/S HEATER,BERGSTROM"	
6			CONVOLUTED CONDUIT, SPLIT	
7	2004307	2	FAN,10IN,HEATER,METAL,5 BLADE	
8	0035865		DECAL,NAME,BTU,BERGSTROM,OPT 1341	
9		10	SCREW, NO 10 TRUSS HEAD	
10		2	LOCKNUT NO 10-32	
11		3	TIE CABLE	
12			SIDE, TUBE SIDE	
13	0071095		WELDMENT,CASE,LH,80K U/S,FLOOR MTD,	
14	0071093		WIRE ASSY,GROUND,KY,U/S,BERGSTROM	

Models: A3FE, A3RE, BBCV, B1VC, B2VC, C4RE, GMCV, SBCV
UNDERSEAT HEATER BERGSTROM
80,000 BTU
SEAT MOUNTED LH

Key	PartNumber	Qty	Description	Comment
-----	------------	-----	-------------	---------

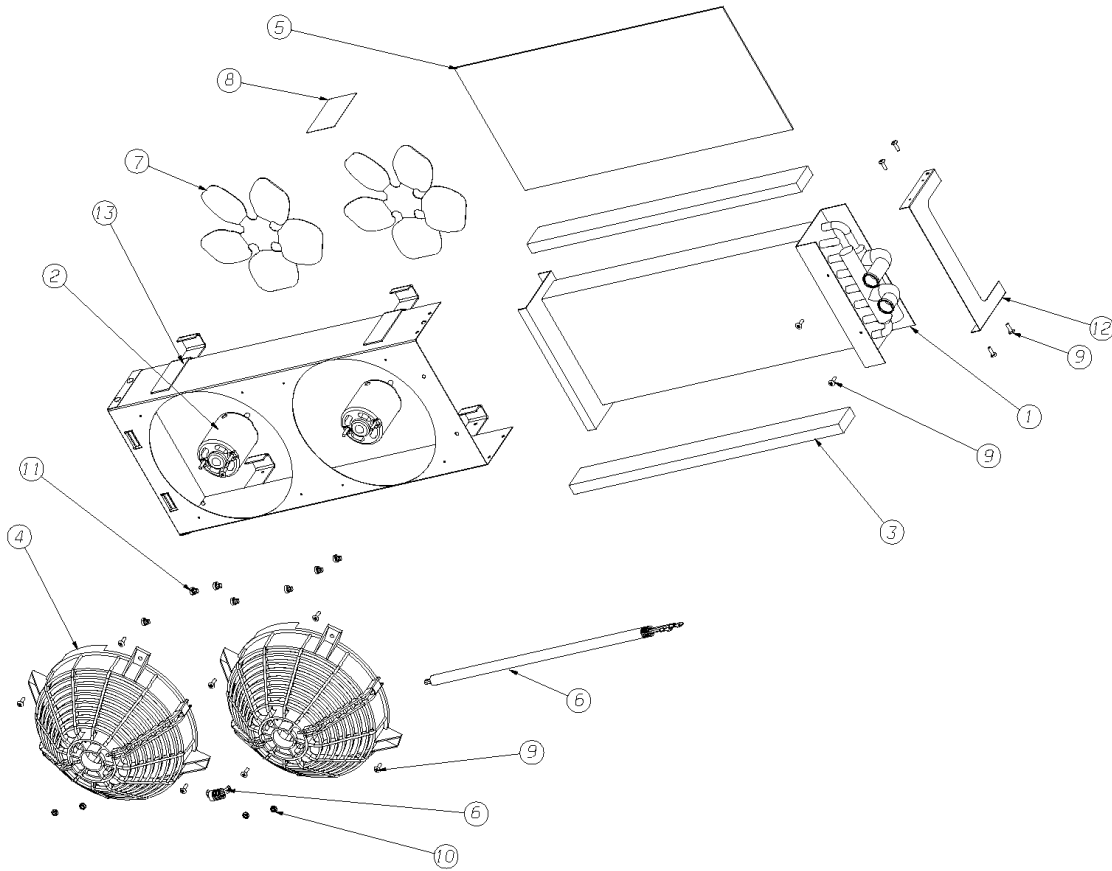


Models: **A3FE, A3RE, BBCV, B1VC, B2VC, C4RE, GMCV, SBCV**
UNDERSEAT HEATER BERGSTROM
80,000 BTU
SEAT MOUNTED LH

Key	PartNumber	Qty	Description	Comment
	0069752		HEATER ASSY,80K BTU,UNDERSEAT,S/M,LH"	<i>CONSISTS OF THE FOLLOWING</i>
1	0070762		COIL,HEATER,80K U/S,BERGSTROM	
2	0057157	2	MOTOR,HEATER,12V 2SPD CW, EXTERNAL	
3		2	GASKETS, SPACER	
4	0070769	2	GUARD,FAN,U/S HEATER,BERGSTROM"	
5	0070770		FILTER,AIR,80K,U/S HEATER,BERGSTROM"	
6			CONVOLUTED CONDUIT, SPLIT	
7	2004307	2	FAN,10IN,HEATER,METAL,5 BLADE	
8	0035865		DECAL,NAME,BTU,BERGSTROM,OPT 1341	
9		14	SCREW, NO 10 TRUSS HEAD	
10		4	LOCKNUT, NO 10-32	
11		7	TIE CABLE	
12			SIDE, TUBE SIDE	
13	0070765		WELDMENT,CASE,LH,80K U/S,BERGSTROM	

Models: A3FE, A3RE, BBCV, B1VC, B2VC, C4RE, GMCV, SBCV
UNDERSEAT HEATER BERGSTROM
80,000 BTU
SEAT MOUNTED RH

Key	PartNumber	Qty	Description	Comment
-----	------------	-----	-------------	---------

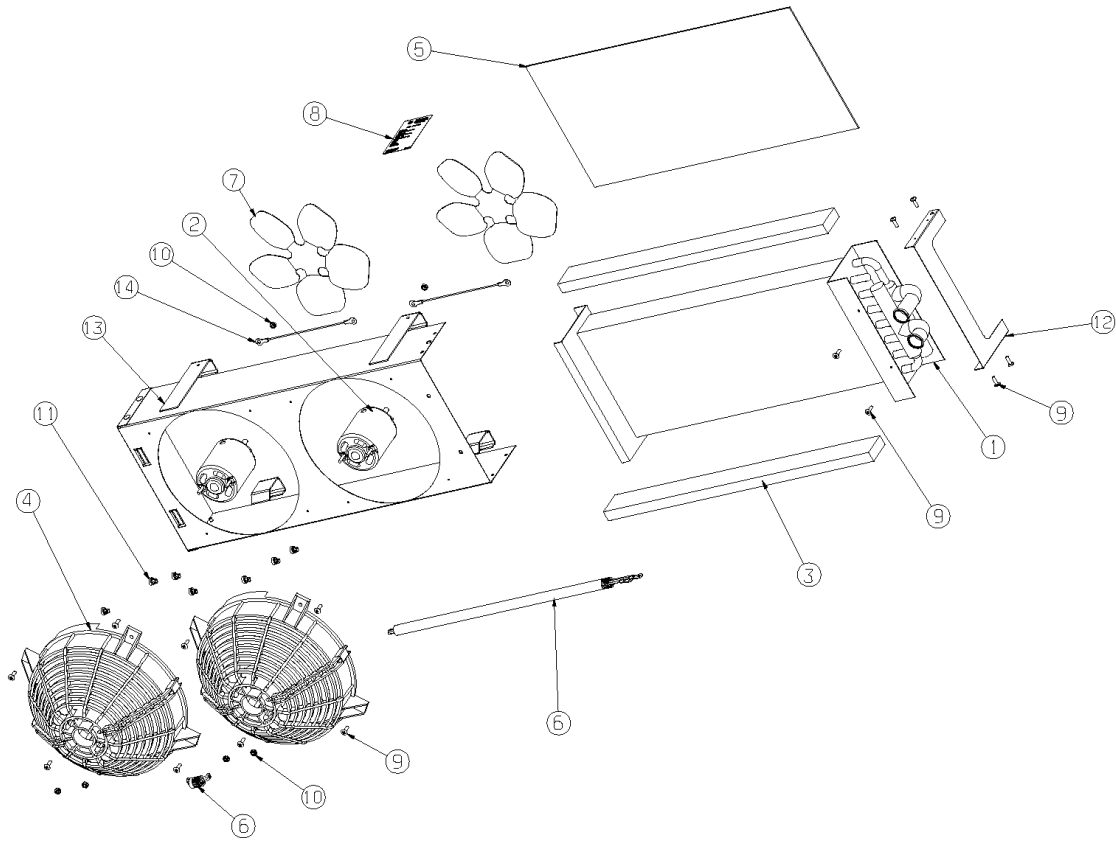


Models: **A3FE, A3RE, BBCV, B1VC, B2VC, C4RE, GMCV, SBCV**
UNDERSEAT HEATER BERGSTROM
80,000 BTU
SEAT MOUNTED RH

Key	PartNumber	Qty	Description	Comment
	0069751		HEATER ASSY,80K BTU,UNDERSEAT,S/M,RH"	<i>CONSISTS OF THE FOLLOWING</i>
1	0070762		COIL,HEATER,80K U/S,BERGSTROM	
2	0057157	2	MOTOR,HEATER,12V 2SPD CW, EXTERNAL	
3		2	GASKET, SPACER	
4	0070769	2	GUARD,FAN,U/S HEATER,BERGSTROM"	
5	0070770		FILTER,AIR,80K,U/S HEATER,BERGSTROM"	
6			CONVOLUTED CONDUIT, SPLIT	
7	2004307	2	FAN,10IN,HEATER,METAL,5 BLADE	
8	0035865		DECAL,NAME,BTU,BERGSTROM,OPT 1341	
9		14	SCREW, NO. 10 TRUSS HEAD	
10		4	LOCKNUT, NO 10-32	
11		7	TIE CABLE	
12			SIDE, TUBE SIDE	
13	0070766		WELDMENT,CASE,RH,80K U/S,BERGSTROM	

Models: A3FE, A3RE, BBCV, B1VC, B2VC, C4RE, GMCV, SBCV
UNDERSEAT HEATER BERGSTROM
80,000 BTU
SEAT MOUNTED, LH, KENTUCKY

Key	PartNumber	Qty	Description	Comment
-----	------------	-----	-------------	---------



Models: **A3FE, A3RE, BBCV, B1VC, B2VC, C4RE, GMCV, SBCV**
UNDERSEAT HEATER BERGSTROM
80,000 BTU
SEAT MOUNTED, LH, KENTUCKY

Key	PartNumber	Qty	Description	Comment
	0069755		HEATER ASSY,80K BTU,UNDERSEAT,S/M,LH,KY	
1	0070762		COIL,HEATER,80K U/S,BERGSTROM	
2	0057157	2	MOTOR,HEATER,12V 2SPD CW, EXTERNAL	
3			GASKETS, SPACER	
4	0070769		GUARD,FAN,U/S HEATER,BERGSTROM"	
5	0070770	2	FILTER,AIR,80K,U/S HEATER,BERGSTROM"	
6			CONVOLUTED CONDUIT, SPLIT	
7	2004307	2	FAN,10IN,HEATER,METAL,5 BLADE	
8	0035865		DECAL,NAME,BTU,BERGSTROM,OPT 1341	
9		10	SCREW, NO 10 TRUSS HEAD	
10		2	LOCKNUT NO 10-32	
11		3	TIE CABLE	
12			SIDE, TUBE SIDE	
13	0070765		WELDMENT,CASE,LH,80K U/S,BERGSTROM	
14	0071093		WIRE ASSY,GROUND,KY,U/S,BERGSTROM	