

Body

380 Seats

BARRIERS

39IN HI-BACK, LH & RH

With: OPTION 2704 _____ 1

DOT

With: FEATURE 30820 _____ 2

RH DRIVE UK

With: FEATURE 30820, RH DRIVE UK _____ 3

LH & RH, DOT THIN BACK INSET

*With: OPTION 2713-01, (39L OR 39R)
OPTION 2713-03, (39L OR 39R)* _____ 4

MODESTY PANEL

With: FEATURE 30784-09 _____ 5

With: FEATURE 30784-15 _____ 6

With: FEATURE 30784-16 _____ 7

DRIVER'S SEAT

With: STD _____ 8

BOSTROM ROUTEMASTER

WITH ARMREST

With: OPTION 2824 / STD C3FE, CSFE, CSRE, A3FE, A3RE, WITH OPTION 2831 _____ 9

WITH ARMREST, RH DRIVE UK

With: OPTION 2831 _____ 10

BOSTROM ROUTEMASTER + AIRE BASE BREAKDOWN

AIR & HYDRAULIC BRAKE UNITS, WITH ARMREST

With: OPTION 02827 WITH OPTION 2831 _____ 11

AIR & HYDRAULIC BRAKE UNITS, WITH ARMREST

With: OPTION 02827, WITH OPTION 2831 _____ 12

With: OPTION 02827 WITH OPTION 2831 _____ 13

BOSTROM ROUTEMASTER + AIRE SEAT AND FRAME DIAGRAM

AIR & HYDRAULIC BRAKE UNITS, WITH ARMREST

With: OPTION 02827, WITH OPTION 2831 _____ 14

<i>With: OPTION 02827 WITH OPTION 2831</i>	15
<hr/>	
BOSTROM ROUTEMASTER + AIRE SEAT ASSEMBLIES	
AIR BRAKE UNITS / STD AAFE, AARE, WITH ARMREST	
<i>With: OPTION 02827, STD AAFE, AARE, WITH OPTION 2831</i>	16
<hr/>	
<i>With: OPTION 02827, STD AAFE, AARE, WITH OPTION 2831</i>	17
<hr/>	
<i>With: OPTION 02827, STD AAFE, AARE, WITH OPTION 2831</i>	18
<hr/>	
<i>With: OPTION 02827, STD AAFE, AARE, WITH OPTION 2831</i>	19
<hr/>	
<i>With: OPTION 02827, STD AAFE, AARE, WITH OPTION 2831</i>	20
<hr/>	
<i>With: OPTION 02827, STD AAFE, AARE, WITH OPTION 2831</i>	21
<hr/>	
HYDRAULIC UNITS, WITH ARMREST	
<i>With: OPTION 02827, WITH OPTION 2831</i>	22
<hr/>	
<i>With: OPTION 02827, WITH OPTION 2831</i>	23
<hr/>	
<i>With: OPTION 02827 WITH OPTION 2831</i>	24
<hr/>	
<i>With: OPTION 02827 WITH OPTION 2831</i>	25
<hr/>	
BOSTROM ROUTEMASTER + AIRE WITH DUAL SHOCKS	
<i>With: OPTION 02827-13</i>	26
<hr/>	
<i>With: OPTION 02827-13</i>	27
<hr/>	
<i>With: OPTION 02827-13</i>	28
<hr/>	
NATIONAL	
AIR SEAT	
<i>With: FEATURE 30796</i>	29
<hr/>	
<i>With: FEATURE 30796 WITH 30797-01</i>	30
<hr/>	
<i>With: FEATURE 30796 WITH 30797-02</i>	31
<hr/>	
SEAT COMPONENTS	
<i>With: FEATURE 30796</i>	32
<hr/>	

STATIC SEAT	
<i>With: FEATURE 30795</i>	33
<hr/>	
<i>With: FEATURE 30795 WITH 30797-01</i>	34
<hr/>	
<i>With: FEATURE 30795 WITH 30797-02</i>	35
<hr/>	
SEAT COMPONENTS	
<i>With: FEATURE 30796</i>	36
<hr/>	
SEAT INC. INSTALLATION WITH 3 PT ST BELT	
<i>With: FEATURE 30794-01, -05</i>	37
<hr/>	
<hr/>	38
DRIVER'S SEAT BELT	
<i>With: OPTION 2830</i>	39
<hr/>	
172 IN DRIVER'S 3-POINT	
<hr/>	40
DRIVER'S 3-POINT WITH 4IN ADJUSTABLE PILLAR LOOP, BOSTROM STATIONARY SEAT	
<i>With: OPTION 2832</i>	41
<hr/>	
DRIVER'S 3-POINT WITH 4IN ADJUSTABLE PILLAR LOOP, BOSTROM SUSPENSION SEAT	
<i>With: * STD ON AAFE AND AARE, OPTION 2832</i>	42
<hr/>	
DRIVER'S 3-POINT WITH ADJUSTABLE PILLAR LOOP	
<i>With: OPTION 2836</i>	43
<hr/>	
DRIVER'S 3-POINT, BOSTROM STATIONARY SEAT BELT	
<i>With: OPTION 2826</i>	44
<hr/>	
DRIVER'S 3-POINT, BOSTROM SUSPENSION SEAT BELT	
<i>With: OPTION 2826</i>	45
<hr/>	
DRIVER'S AUTO-LOCKING SEAT BELT WITH EMERGENCY LOCKING SHOULDER HARNESS	
<i>With: OPTION 6938</i>	46
<hr/>	
PASSENGER SEATING	
ACTIVITY SEAT	
35 INCH FREEDMAN	
<i>With: FEATURE 30837-02, -03</i>	47
<hr/>	

36 IN.	
<i>With: OPTION 2856</i>	48
<hr/>	
ARMREST & SEAT BELT, FREEDMAN	
<i>With: FEATURE 30837-04, -05, -06</i>	49
<hr/>	
C.E. WHITE	
CHILD RESTRAINT	
BLACK, BLUE, GRAY, GREEN, AND TEAL	
<i>With: OPTION 2812-01,02,03,04</i>	50
<hr/>	
BROWN	
<i>With: OPTION 2812-01,02,03,04</i>	51
<hr/>	
BURGUNDY	
<i>With: OPTION 2812-01,02,03,04</i>	52
<hr/>	
STUDENT SAFETY	
<i>With: FEATURE 30840-01,05,06,07,08</i>	53
<hr/>	
<i>With: FEATURE 30840-09,10,11,12,17,18,19,20</i>	54
<hr/>	
<i>With: FEATURE 30840-01,05,06,07,08,41</i>	55
<hr/>	
<i>With: FEATURE 30840-09,10,11,12,17,18,19,20</i>	56
<hr/>	
<i>With: FEATURE 30840-01,05,06,07,08,09,10,11,12,17,18,19,20,41</i>	57
<hr/>	
<i>With: FEATURE 30840-01,05,06,07,08,09,10,11,12,17,18,19,20,41</i>	58
<hr/>	
<i>With: FEATURE 30840-01,05,06,07,08,09,10,11,12,17,18,19,20,41</i>	59
<hr/>	
<i>With: FEATURE 30840-01,05,06,07,08,09,10,11,12,17,18,19,20,41</i>	60
<hr/>	
<i>With: FEATURE 30840-01,05,06,07,08,09,10,11,12,17,18,19,20,41</i>	61
<hr/>	
DAVENPORT	
BACK ASSY.	
<i>With: OPTION 2721, 2722, 2747, 2748</i>	
<i>From BSN 10014401</i>	62
<hr/>	
BACK ASSY. RH DRIVE UK	63
<hr/>	
BETWEEN SEAT SHIELD AND PAD	64
<hr/>	

CUSHION & BACK ASSY.	
<i>With: OPTION 2721</i>	
<i>From BSN 10007805</i>	
<i>To BSN 10014400 A3RE ONLY</i>	65
<hr/>	
CUSHION ASSY.	
<i>With: OPTION 2721, 2722, 2747, 2748, 6955</i>	
<i>From BSN 10014401</i>	66
<hr/>	
CUSHION ASSY. RH DRIVE UK	
<hr/>	
SEAT, NON-SCHOOL BUS	
<i>With: OPTION 2750</i>	68
<hr/>	
DOT T/F SEAT	
<i>With: OPTION 2712</i>	69
<hr/>	
26 IN. LH REAR, HIGH BACK SEAT	
<i>With: OPTION 2701</i>	70
<hr/>	
26 IN. REAR, RH & LH SEAT	
<i>With: OPTION 2720</i>	71
<hr/>	
30/39 IN., 2/3 FRONT	
<i>With: OPTION 2715, 2716</i>	72
<hr/>	
39 IN. REAR	
<i>With: OPTION 2714</i>	73
<hr/>	
39 IN. RH & LH	
<i>With: OPTION 2703</i>	74
<hr/>	
SEAT BELT SEATS, RH DRIVE UK	
<i>With: OPTION 2784</i>	75
<hr/>	
SPACE SAVER SEAT	
<i>With: OPTION 2707</i>	76
<hr/>	
FASTENERS	
HARDWARE, FREEDMAN ACTIVITY SEAT	
<i>With: FEATURE 30837</i>	77
<hr/>	
MISCELLANEOUS FASTENERS FOR SEATS	
<hr/>	
	78

	PageSet ▼
FLIP-UP SEAT	
<i>With: OPTION 2740, 2741</i>	79
<hr/>	
<i>With: OPTION 2740, 2741</i>	80
<hr/>	
<i>With: OPTION 12700, 12701</i>	81
<hr/>	
<i>With: OPTION 12702, 12703</i>	82
<hr/>	
<i>With: OPTION 30835, 30836</i>	83
<hr/>	
LATCH SEATS	
<i>With: FEATURE 30838-16, -20, -21</i>	84
<hr/>	
NON-SCHOOL BUS	
LH & RH EXPORT SEATS	
30 INCH SEATS	
<i>With: OPTION 2692</i>	85
<hr/>	
34 IN SEATS	
<i>With: OPTION 2692</i>	86
<hr/>	
39 IN SEATS	
<i>With: OPTION 2692</i>	87
<hr/>	
45 INCH SEATS	
<i>With: OPTION 2692</i>	88
<hr/>	
LH FULLY PADDED SEATS	
<i>With: OPTION 2695</i>	89
<hr/>	
PASSENGER SEATS	
<i>With: OPTION 2698</i>	90
<hr/>	
RH FULLY PADDED SEATS	
<i>With: OPTION 2695</i>	91
<hr/>	
TSI FIBERGLASS SEATS	
<i>With: OPTION 2782</i>	92
<hr/>	
PASSENGER SEAT BELTS	
<hr/>	93

DOT T/F

- With: OPTION 2784*
- 2784-01 24 INCH*
- 2784-02 26 INCH*
- 2784-04 30 INCH*
- 2784-05 34 INCH*
- 2784-06 36 INCH*
- 2784-07 39 INCH*
- 2784-08 45 INCH*
- 2784-17 36 INCH*

HI-BACK, DOT T/F

- With: OPTION 2785*
- 2785-01 30 INCH*
- 2785-02 34 INCH*
- 2785-11 36 INCH*
- 2785-03 39 INCH*
- 2785-05 45 INCH*

INSTALLATION, 3 POINT

SEAT BELT READY SEATS

DOT T/F

- With: OPTION 2784 RH DRIVE UK*

SPACE SAVER, DOT T/F

- With: OPTION 2709*

THIN BACK SEAT PAD

- With: OPTION 2710*

THIN BACK SEAT PAD

- With: OPTION 2699*

TRACK MOUNTED

- With: OPTION 2834 AND OPTION 2841*

C.E. WHITE CHILD RESTRAINT

BLACK, BLUE, GRAY, GREEN, AND TEAL

- With: FEATURE 2812-9,10,13,14*

BROWN AND BURGUNDY

- With: FEATURE 2812-9,10,13,14*

C.E. WHITE STUDENT SAFETY

- With: FEATURE 30840-25,26,27,28,29,30,31,32,37,38,39,40*

- With: FEATURE 30840-25,26,27,28,29,30,31,32,37,38,39,40*

- With: FEATURE 30840-25,26,27,28,29,30,31,32,37,38,39,40*

94

95

96

97

98

99

100

101

102

103

104

105

106



<i>With: FEATURE 30840-25,26,27,28,29,30,31,32,37,38,39,40</i>	107
<hr/>	
TRACK MOUNTED/GUSSET MOUNTED	
C.E. WHITE STUDENT SAFETY	
<i>With: FEATURE 30840-25, -29 WITH FEATURE 30857-10, -12, -14, -16, -18, -20, -22</i>	108
<hr/>	
<i>With: FEATURE 30840-25, -29 WITH FEATURE 30857-10, -12, -14, -16, -18, -20, -22</i>	109
<hr/>	
<i>With: FEATURE 30840-25, -29 WITH FEATURE 30857-10, -12, -14, -16, -18, -20, -22</i>	110
<hr/>	
<i>With: FEATURE 30840-25, -29 WITH FEATURE 30857-10, -12, -14, -16, -18, -20, -22</i>	111
<hr/>	
<i>With: FEATURE 30840-25, -29 WITH FEATURE 30857-10, -12, -14, -16, -18, -20, -22</i>	112
<hr/>	
<i>With: FEATURE 30840-25, -29 WITH FEATURE 30857-10, -12, -14, -16, -18, -20, -22</i>	113
<hr/>	
<i>With: FEATURE 30840-25, -29 WITH FEATURE 30857-10, -12, -14, -16, -18, -20, -22</i>	114
<hr/>	
STANCHIONS, AND GUARDRAILS	
PADDED, ENT. DOOR	
<i>With: FEATURE 30818-01 WITH FEATURE 30784-06</i>	115
<hr/>	
<i>With: FEATURE 30818-06 LH WITH FEATURE 30784-22 LH</i>	116
<hr/>	
<i>With: FEATURE 30818-06 WITH FEATURE 30784-06</i>	117
<hr/>	
PADDED, ENT. DOOR & DRIVER'S	
<i>With: FEATURE 30818-01</i>	118
<hr/>	
<i>With: FEATURE 30818-01, -06</i>	119
<hr/>	
PADDED, REAR OF ENT. DOOR	
<i>With: FEATURE 30818-03 WITH FEATURE 30784-07</i>	120
<hr/>	
<i>With: FEATURE 30818-03 WITH FEATURE 30784-01</i>	121
<hr/>	
<i>With: FEATURE 30818-03, -08 WITH FEATURE 30784-07, -23</i>	122
<hr/>	
<i>With: FEATURE 30818-03, -08 WITH FEATURE 30784-01, -19</i>	123
<hr/>	
STAINLESS STEEL, DRIVER'S	
<i>With: FEATURE 30818-02 WITH FEATURE 30784-06</i>	124
<hr/>	

<i>With: FEATURE 30818-02 WITH FEATURE 30784-14 RH DRIVE UK</i>	125
STAINLESS STEEL, ENT. DOOR	
<i>With: FEATURE 30818-02</i>	126
<i>With: FEATURE 30818-02 WITH FEATURE 30784-11</i>	127
STAINLESS STEEL, REAR OF ENT. DOOR	
<i>With: FEATURE 30818-04 WITH FEATURE 30784-01 & 30784-07</i>	128
UPHOLSTERY	
<i>With: OPTION 2980</i>	129
SHOULDER PAD	
<i>With: OPTION 2834, AND 2841 To BSN 11-3-02</i>	130
WHEELCHAIR RETAINERS	
<i>With: OPTION 2834, AND 2841 From BSN 11/4/02</i>	131
<i>With: OPTION 2834, AND 2841 From BSN 11-3-02</i>	132
ANCHORAGE BELTS	
<i>With: OPTION 2835, ANCRA</i>	133
FLOOR AND SHOULDER BELT TRACK, TRANSVERSE	
<i>With: FEATURE 31052-01,-02 To BSN 11-3-02</i>	134
<i>With: FEATURE 31052-01,-02 From BSN 11-4-02</i>	135
KINEDYNE	
<i>With: OPTION 2776-01,02,03,04</i>	136
ORTHO SAFE	
<i>With: OPTION 2774-01,02,03</i>	137
Q'STRAIT	
<i>With: OPTION 2773</i>	138
STORAGE POUCH	
<i>With: OPTION 2833, FEATURE 31050-05</i>	139

Models: AAFE, AARE, A3FE, A3RE, MBWB, SBCV, TCFE, TCRE, TSFE
BARRIERS

With Features: 39IN HI-BACK, LH & RH
OPTION 2704

Key	PartNumber	Qty	Description	Comment
NI	1440759		BARRIER ASSY,39,HIGH BACK,LH, SBTF	
NI	1440742		BARRIER ASSY,39,HIGH BACK,RH, SBTF	
NI	1440775		FRAME ASSY,BAR,39IN,HI BACK,LH, SBTF	
NI	1440767		FRAME ASSY,BAR,39IN,HI BACK,RH, SBTF	
NI	0982579		PAD,SEAT BACK,39IN,NO 2,NEW YORK	
NI	0982611		COVER ASSY,BK,39,NY, SBTF	
NI	0928507		PANEL,BAR,LWR,39.00,RH,DOT/TF	
NI	1035088	2	BRACKET,BARRIER WALL MOUNT,LOWER	
NI	0862490	2	CAPLUG,FOR 1IN SQ TUBE	

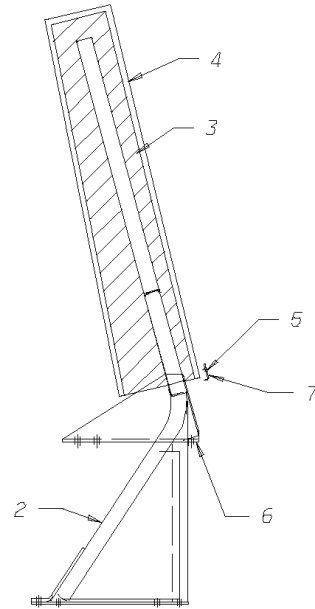
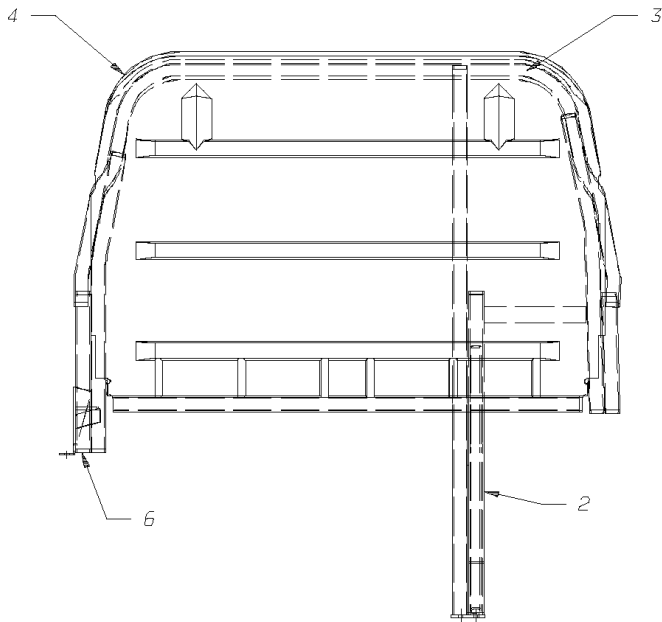
Models:
TCRE, TSFE, VCTA

AAFE, AARE, A1VC, A3FE, A3RE, BBCV, B1VC, B2VC, GPWB, MBWB, SBCV, TCFE,

**BARRIERS
DOT**

With Features:
FEATURE 30820

Key	PartNumber	Qty	Description	Comment
-----	------------	-----	-------------	---------



Models: AAFE, AARE, A1VC, A3FE, A3RE, BBCV, B1VC, B2VC, GPWB, MBWB, SBCV, TCPE, TCRE, TSFE, VCTA

**BARRIERS
DOT**

With Features: FEATURE 30820

Key	PartNumber	Qty	Description	Comment
1	0928333		BARRIER ASSY,30,RH,DOT/TF	
1	0008383		BARRIER ASSY,30,RH,DOT/TF	
1	0928341		BARRIER ASSY,30,LH,DOT/TF	
1	0008391		BARRIER ASSY,30,LH,DOT/TF	
1	1714401		BARRIER ASSY,30,HIGH BACK,RH, SBTF	
1	0000494		BARRIER ASSY,30,HIGH BACK,RH, SBTF	
1	1714419		BARRIER ASSY,30,HIGH BACK,LH, SBTF	
1	0000495		BARRIER ASSY,30,HIGH BACK,LH, SBTF	
1	1655489		BARRIER ASSY,34.00,GM,OFFSET LEG,RH	
1	0017780		BARRIER ASSY,34.00,GM,OFFSET LEG,RH	
1	1655471		BARRIER ASSY,34.00,GM,OFFSET LEG,LH	
1	0017772		BARRIER ASSY,34.00,GM,OFFSET LEG,LH	
1	1967199		BARRIER ASSY,34,HI-BACK,RH, OFFSET LEG	
1	0008755		BARRIER,ASSY,34,HI-BACK,RH OFFSET LEG	
1	1967181		BARRIER ASSY,34,HI-BACK,LH, OFFSET LEG	
1	0008748		BARRIER,ASSY,34,HI-BACK,LH OFFSET LEG	
1	1655505		BARRIER ASSY,36.00,GM,OFFSET LEG,RH	
1	0017806		BARRIER ASSY,36.00,GM,OFFSET LEG,RH	
1	1655497		BARRIER ASSY,36.00,GM,OFFSET LEG,LH	
1	0017798		BARRIER ASSY,36.00,GM,OFFSET LEG,LH	
1	1967215		BARRIER ASSY,36,HI-BACK,RH, OFFSET LEG	
1	0008771		BARRIER,ASSY,36,HI-BACK,RH OFFSET LEG	
1	1967207		BARRIER ASSY,36,HI-BACK,LH, OFFSET LEG	
1	0008763		BARRIER,ASSY,36,HI-BACK,LH OFFSET LEG	
1	1655521		BARRIER ASSY,39.00,GM,OFFSET LEG,RH	
1	0017822		BARRIER ASSY,39.00,GM,OFFSET LEG,RH	
1	1655513		BARRIER ASSY,39.00,GM,OFFSET LEG,LH	
1	0017814		BARRIER ASSY,39.00,GM,OFFSET LEG,LH	
1	1967231		BARRIER ASSY,39,HI-BACK,RH, OFFSET LEG	
1	0008797		BARRIER,ASSY,39,HI-BACK,RH OFFSET LEG	
1	1967223		BARRIER ASSY,39,HI-BACK,LH, OFFSET LEG	
1	0008789		BARRIER,ASSY,39,HI-BACK,LH OFFSET LEG	
1	1655539		BARRIER ASSY,45.00,GM,OFFSET LEG	

Models:
TCRE, TSFE, VCTA

AAFE, AARE, A1VC, A3FE, A3RE, BBCV, B1VC, B2VC, GPWB, MBWB, SBCV, TCPE,

**BARRIERS
DOT**

With Features: **FEATURE 30820**

Key	PartNumber	Qty	Description	Comment
1	0017830		BARRIER ASSY,45.00,GM,OFFSET LEG,LH	
1	1967249		BARRIER ASSY,45,HI-BACK,LH, OFFSET LEG	
1	0008805		BARRIER,ASSY,45,HI-BACK,LH OFFSET LEG	
2	0921197		FRAME ASSY,BAR,30IN,RH,DOT/TF	
2	0008375		FRAME ASSY,BAR,30 IN,RH,DOT/TF	
2	0921155		FRAME ASSY,BAR,30IN,LH,DOT/TF	
2	0008326		FRAME ASSY,BAR,30 IN,LH,DOT/TF	
2	1714476		FRAME ASSY,BARRIER,30,HIGH BACK,RH, SBTF	
2	0000492		FRAME ASSY,BARRIER,30,HIGH BACK,RH,,SBTF	
2	1714484		FRAME ASSY,BARRIER,30,HIGH BACK,LH, SBTF	
2	0000493		FRAME ASSY,BARRIER,30,HIGH BACK,LH,SBTF	
2	1655067		FRAME ASSY,BARRIER,OFFSET LEG,34.00,RH	
2	0007132		FRAME ASSY,BARRIER,GM,34,RH, OFFSET LEG	
2	1655059		FRAME ASSY,BARRIER,OFFSET LEG,34.00,LH	
2	0007131		FRAME ASSY,BARRIER,GM,34,LH, OFFSET LEG	
2	1965474		FRAME ASSY,BARRIER,34,HI-BACK,RH OFFSET	
2	0008680		FRAME ASSY,BARRIER,34,HI-BACK,RH OFFSET	
2	1965466		FRAME ASSY,BARRIER,34,HI-BACK,LH OFFSET	
2	0008672		FRAME ASSY,BARRIER,34,HI-BACK,LH OFFSET	
2	1655505		BARRIER ASSY,36.00,GM,OFFSET LEG,RH	
2	0007134		FRAME ASSY,BARRIER,GM,36,RH, OFFSET LEG	
2	1655315		FRAME ASSY,BARRIER,OFFSET LEG,36.00,LH	
2	0007133		FRAME ASSY,BARRIER,GM,36,LH, OFFSET LEG	
2	1965490		FRAME ASSY,BARRIER,36,HI-BACK,RH OFFSET	
2	0008706		FRAME ASSY,BARRIER,36,HI-BACK,RH OFFSET	
2	1965482		BARRIER ASSY,36,HI-BK	
2	0008698		FRAME ASSY,BARRIER,36,HI-BACK,LH OFFSET	
2	1655448		FRAME ASSY,BARRIER,OFFSET LEG,39.00,RH	
2	0007136		FRAME ASSY,BARRIER,GM,39,RH, OFFSET LEG	
2	1655430		FRAME ASSY,BARRIER,OFFSET LEG,39.00,LH	
2	0007135		FRAME ASSY,BARRIER,GM,39,LH, OFFSET LEG	
2	1965516		FRAME ASSY,BARRIER,39,HI-BACK,RH OFFSET	
2	0008722		FRAME ASSY,BARRIER,39,HI-BACK,RH OFFSET	

Models: AAFE, AARE, A1VC, A3FE, A3RE, BBCV, B1VC, B2VC, GPWB, MBWB, SBCV, TCPE, TCRE, TSFE, VCTA

**BARRIERS
DOT**

With Features: FEATURE 30820

Key	PartNumber	Qty	Description	Comment
2	1965508		FRAME ASSY,BARRIER,39,HI-BACK,LH OFFSET	
2	0008714		FRAME ASSY,BARRIER,39,HI-BACK,LH OFFSET	
2	1655455		FRAME ASSY,BARRIER,OFFSET LEG,45.00,LH	
2	0007137		FRAME ASSY,BARRIER,GM,45,LH, OFFSET LEG	
2	1965524		FRAME ASSY,BARRIER,45,HI-BACK,LH OFFSET	
2	0008730		FRAME ASSY,BARRIER,45,HI-BACK,LH OFFSET	
3	0979559		PAD,SEAT BARRIER BACK,30IN	
3	0982553		PAD,SEAT BACK,30IN,NO 2 NY, SBTF	
3	0005537		PAD,BARRIER,34.00,GM,RH, OFFSET LEG	
3	0005522		PAD,BARRIER,34.00,GM,LH, OFFSET LEG	
3	0005524		PAD,BARRIER,34.00,HI-BACK,RH, OFFSET LEG	
3	0005523		PAD,BARRIER,34.00,HI-BACK,LH, OFFSET LEG	
3	0005526		PAD,BARRIER,36.00,GM,RH, OFFSET LEG	
3	0005525		PAD,BARRIER,36.00,GM,LH, OFFSET LEG	
3	0005528		PAD,BARRIER,36.00,HI-BACK,RH, OFFSET LEG	
3	0005527		PAD,BARRIER,36.00,HI-BACK,LH, OFFSET LEG	
3	0005535		PAD,BARRIER,39.00,GM,RH, OFFSET LEG	
3	0005534		PAD,BARRIER,39.00,GM,LH, OFFSET LEG	
3	0005533		PAD,BARRIER,39.00,HI-BACK,RH, OFFSET LEG	
3	0005530		CHART,PAD,BARRIER,HI-BACK, OFFSET LEG	
3	0005529		CHART,PAD,BARRIER,GM, OFFSET LEG	
3	0005532		PAD,BARRIER,45.00,HI-BACK,LH, OFFSET LEG	
4	0918482		COVER ASSY,BK,30,DOT/TF	
4	0982595		COVER ASSY,BK,30,NY, SBTF	
4	1520030		UPHOLSTERY ASSY,BARRIER,34.00,OFST,RH,	
4	1519941		UPHOLSTERY ASSY,BARRIER,34.00,OFST,LH,	
4	1967264		UPHOLSTERY ASSY,BAR,34,HI-BK,RH, OFFSET	
4	1967256		UPHOLSTERY ASSY,BAR,34,HI-BK,LH, OFFSET	
4	1520048		UPHOLSTERY ASSY,BARRIER,36.00,OFST,RH,	
4	1519958		UPHOLSTERY ASSY,BARRIER,36.00,OFST,LH,	
4	1967280		UPHOLSTERY ASSY,BAR,36,HI-BK,RH, OFFSET	
4	1967272		UPHOLSTERY ASSY,BAR,36,HI-BK,LH, OFFSET	
4	1520295		UPHOLSTERY ASSY,BARRIER,39.00,OFST,RH,	

Models: AAFE, AARE, A1VC, A3FE, A3RE, BBCV, B1VC, B2VC, GPWB, MBWB, SBCV, TCPE, TCRE, TSFE, VCTA

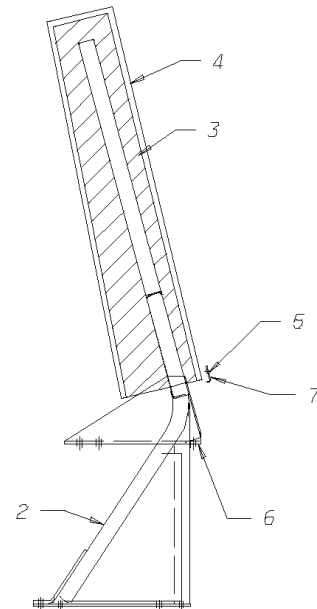
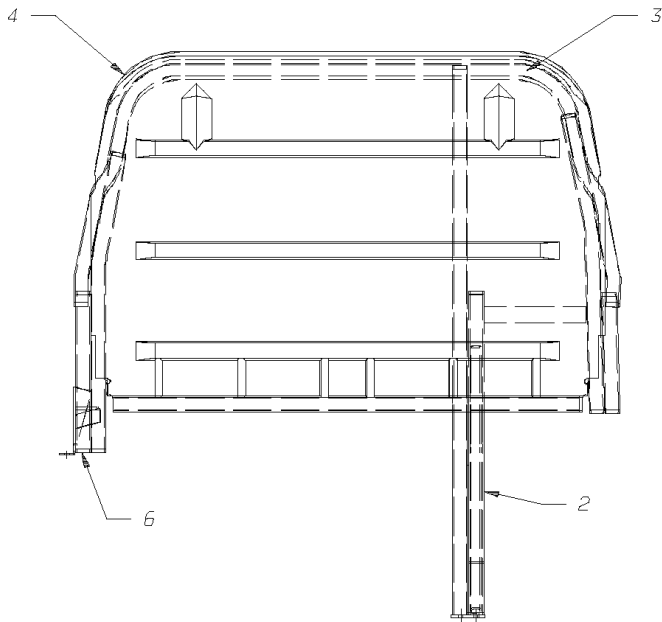
**BARRIERS
DOT**

With Features: FEATURE 30820

Key	PartNumber	Qty	Description	Comment
4	1519966		UPHOLSTERY ASSY,BARRIER,39.00,OFST,LH,	
4	1966902		UPHOLSTERY ASSY,BAR,39,HI-BK,RH, OFFSET	
4	1967298		UPHOLSTERY ASSY,BAR,39,HI-BK,LH, OFFSET	
4	1519974		UPHOLSTERY ASSY,BARRIER,45.00,OFST,LH,	
4	1966910		UPHOLSTERY ASSY,BAR,45,HI-BK,LH, OFFSET	
5	1747302		RETAINER,UPHOLSTERY,OFFSET LEG BARRIER	
5	1472265		RETAINER,UPH,34.00,OFFSET LEG	
5	1472273		RETAINER,UPH,36.00,OFFSET LEG	
5	1360247		RETAINER,UPH,BARRIER,SB THIN BACK,6.75	
5	1360254		RETAINER,UPH,BARRIER,SB THIN BACK,27.75	
5	1765270		RETAINER,UPH,OFFSET LEG BARRIER BLACK	
5	1765338		RETAINER,UPH,34,OFFSET LEG,BLACK	
5	1765320		RETAINER,UPH,36,OFFSET LEG,BLACK	
5	1765304		RETAINER,UPH,BARRIER,THIN BK,6.75,BLACK	
5	1765247		RETAINER,UPH,BARRIER,THIN BK,45,BLACK	
6	0862490		CAPLUG,FOR 1IN SQ TUBE	
NI	1035088		BRACKET,BARRIER WALL MOUNT,LOWER	
NI	0003301		BRACKET,BARRIER WALL MOUNT,LOWER	
7	0527291		SCREW,10X3/4,PH,PAN,AB 0003,YEL ZN DICH	
NI	1653211		PANEL ASSY,BACK,BARRIER,39,RH, SB THIN	
NI	1653203		PANEL ASSY,BACK,BARRIER,39,LH, SB THIN	
NI	1653229		PANEL ASSY,BACK,BARRIER,45,LH, SB THIN	

Models: A3RE
BARRIERS
DOT
RH DRIVE UK
With Features: FEATURE 30820, RH DRIVE UK

Key	PartNumber	Qty	Description	Comment
-----	------------	-----	-------------	---------



Models: A3RE
BARRIERS
DOT
RH DRIVE UK
With Features: FEATURE 30820, RH DRIVE UK

Key	PartNumber	Qty	Description	Comment
1	0030847		BARRIER ASSY,30,RH,DOT/TF,BURG,W/OW	PARENT 0008383
1	0046823		BARRIER ASSY,45,LH,BURG,WOW	PARENT 0017830
2	0008375		FRAME ASSY,BAR,30 IN,RH,DOT/TF	
2	0007137		FRAME ASSY,BARRIER,GM,45,LH, OFFSET LEG	
3			PAD SEAT BARRIER 30 IN RH	
3	0979559		PAD,SEAT BARRIER BACK,30IN	
3	0005536		PAD,BARRIER,45.00,GM,LH, OFFSET LEG	
4	8315806		COVER ASSY BK 30 BURGUNDY TF	PARENT 0918482
4	8316028		COVER ASSY, 45 BK, BURGUNDY TF	PARENT 0918516
5	1765247		RETAINER,UPH,BARRIER,THIN BK,45,BLACK	
6	0862490		CAPLUG,FOR 1IN SQ TUBE	
NI	0003301		BRACKET,BARRIER WALL MOUNT,LOWER	
7	0527291		SCREW,10X3/4,PH,PAN,AB 0003,YEL ZN DICH	
7			PANEL ASSY., BACK BARRIER	
NI	1653229		PANEL ASSY,BACK,BARRIER,45,LH, SB THIN	

Models: AAFE, AARE, A3FE, A3RE, GPWB, MBWB, SBCV, TCFE, TCRE, TSFE, VCTA
 BARRIERS
 LH & RH, DOT THIN BACK INSET
 With Features: OPTION 2713-01, (39L OR 39R)
 OPTION 2713-03, (39L OR 39R)

Key	PartNumber	Qty	Description	Comment
-----	------------	-----	-------------	---------

OPT. 2713 DOT THIN BACK INSET LEG BARRIERS LH & RH

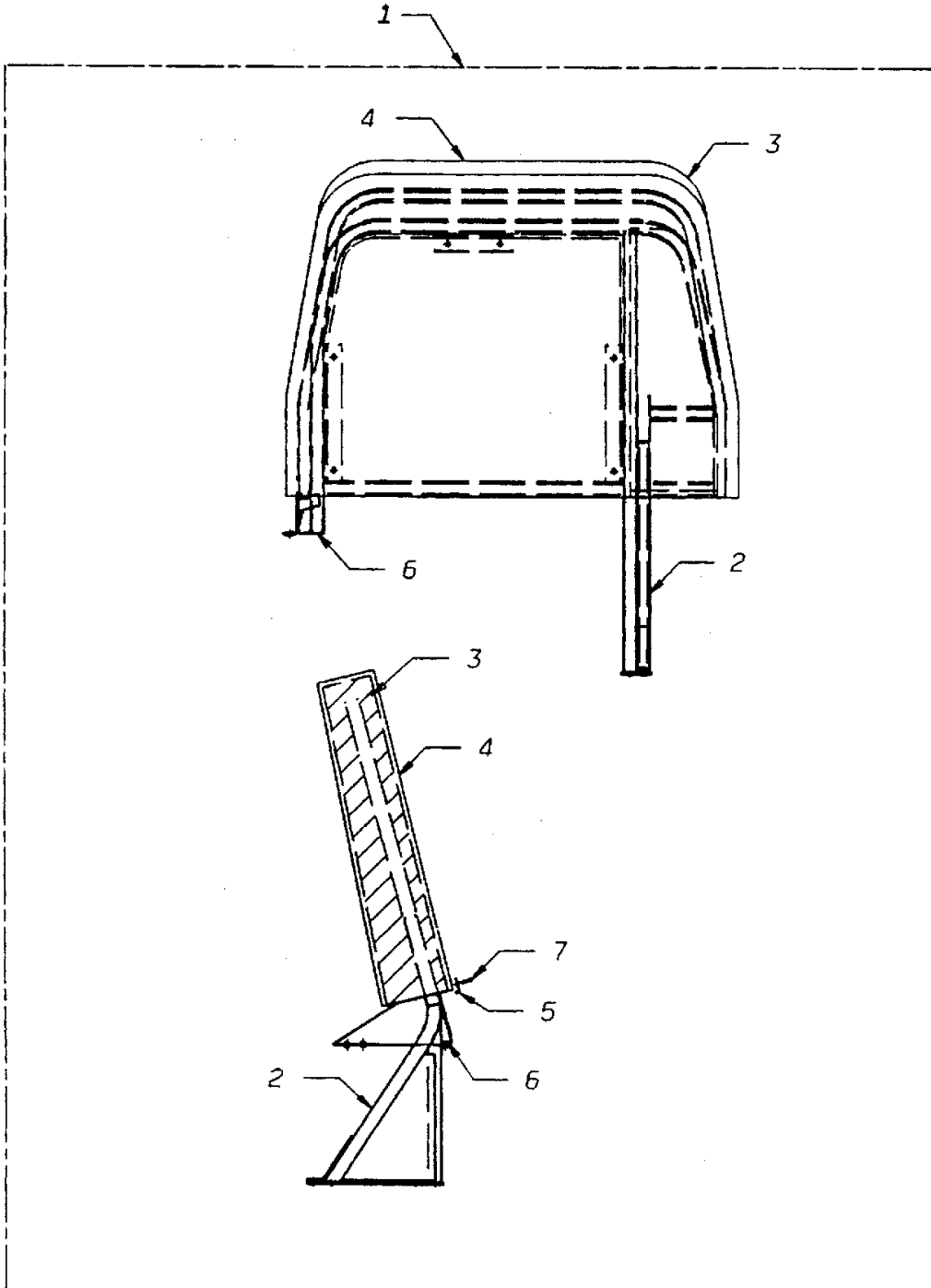
1358944

REV



ALL RIGHTS RESERVED

BLUE



Models: AAFE, AARE, A3FE, A3RE, GPWB, MBWB, SBCV, TCFE, TCRE, TSFE, VCTA
BARRIERS
LH & RH, DOT THIN BACK INSET
With Features: **OPTION 2713-01, (39L OR 39R)**
OPTION 2713-03, (39L OR 39R)

Key	PartNumber	Qty	Description	Comment
1	0928333		BARRIER ASSY,30,RH,DOT/TF	
1	1655513		BARRIER ASSY,39.00,GM,OFFSET LEG,LH	
1	1655521		BARRIER ASSY,39.00,GM,OFFSET LEG,RH	
2	0921197		FRAME ASSY,BAR,30IN,RH,DOT/TF	
2	1655430		FRAME ASSY,BARRIER,OFFSET LEG,39.00,LH	
2	1655448		FRAME ASSY,BARRIER,OFFSET LEG,39.00,RH	
3	0979559		PAD,SEAT BARRIER BACK,30IN	
3	1356294		PAD,BARRIER,39.00,LH	
3	1355973		PAD,BARRIER,39.00,RH	
4	0918482		COVER ASSY,BK,30,DOT/TF	
4	1519966		UPHOLSTERY ASSY,BARRIER,39.00,OFST,LH,	
4	1520295		UPHOLSTERY ASSY,BARRIER,39.00,OFST,RH,	
5	1360247		RETAINER,UPH,BARRIER,SB THIN BACK,6.75	
5	0843938		RETAINER,UPH,BARRIER,30IN,DOT/TF	
6	0862490		CAPLUG,FOR 1IN SQ TUBE	
NI	1035088		BRACKET,BARRIER WALL MOUNT,LOWER	
7	0527291		SCREW,10X3/4,PH,PAN,AB 0003,YEL ZN DICH	

Models: A1VC, A3FE, A3RE, BBCV, B1VC, B2VC, GMCV, MBWB, SBCV, TCFE

With Features: BARRIERS
MODESTY PANEL
FEATURE 30784-09

Key	PartNumber	Qty	Description	Comment
			PANEL, MODESTY, RIGHT HAND INSTALLATION	
	1959105		PANEL,MODESTY,ENT DR,SQ STPWL,ALUM	
	0040292		PANEL,MODESTY,ENT DR,SQ STPWL,CANADA	
	1959139		PANEL,MODESTY,ENT DR,SQ STPWL,KTY	<i>SBCV WITH OPTION 7352</i>
	1866771		PANEL,MODESTY,REAR,GALV STEEL,RH	
	0035693		PANEL,BARRIER,LOWER,RH,19.75 LOC, A3FE	
	0035753		BRACKET,BARRIER,LOWER,RH,19.75 LOC, A3FE	
	0035695		PANEL,BARRIER,LOWER,RH,22.75 LOC,A3FE	
	0035757		BRACKET,BARRIER,LOWER,RH,22.75 LOC,A3FE	
	0035696		PANEL,BARRIER,LOWER,RH,26.75 LOC,A3FE	
	0035758		BRACKET,BARRIER,LOWER,RH,26.75 LOC, A3FE	
	0035692		PANEL,BARRIER,LOWER,RH,17.25 LOC,TCFE	
	0035751		BRACKET,BARRIER,LOWER,RH,17.25 LOC, TCFE	
	0035694		PANEL,BARRIER,LOWER,RH,19.75 LOC,TCFE	
	0035756		BRACKET,BARRIER,LOWER,RH,19.75 LOC,TCFE	
	0035697		PANEL,BARRIER,LOWER,RH,26.75 LOC,TCFE	
	0035759		BRACKET,BARRIER,LOWER,RH,26.75 LOC, TCFE	
	1489434		TRIM,VINYL,BLACK,DOUBLE LIP INSTALLATION HARDWARE	
	0659979	2	NUT,HEX,FLANGE SER,1/4-20,BLACK ZINC	
	1164821	9	SCREW,10-16 X 3/4,AB,PH1,TRUSS HD, YEL ZN	
	1542372	2	CAPSCREW,HEX FLG,1/4-20X.75,GRD5,BLACK	
	2000784	2	SCREW,MACH,1/4-20X1/2,PH1,TRUSSHD,	
	2001170	2	LOCKWASHER,SPLIT RING, 1/4 ,MED,YEL ZN	
	2001360	2	NUT,ACORN,1/4-20,NICKEL"	
	2004547		TRIM,INSTRUMENT HOOD,VINYL EDGE,BLACK	

Models: A1VC, A3FE, A3RE, BBCV, B1VC, B2VC, GMCV, MBWB, SBCV, TCFL

BARRIERS

MODESTY PANEL

With Features: FEATURE 30784-15

Key	PartNumber	Qty	Description	Comment
			PANEL, LEFT HAND INSTALLATION (30-39 INCH	
	1468917		PANEL,BAR,LWR,30.00,LH,CV/AARE	
	1980168		PANEL,MOD,LH,39,OFFSET LEG,ALUM STL,CV	
	1968460		PANEL,MOD,LH,39,OFFSET LEG,ALUM STL,KTY,	
	1468990		PANEL,BAR,LWR,30.00,LH, MB/TCFC	
	0000828		PANEL,MODESTY,REAR,GALVALUME STEEL,LH	
	1468933		PANEL,BAR,LWR,30.00,7.40 C/O,LH,W/H,AAFC	
	0005413	2	ANGLE,MTG,LOWER BARRIER PANEL ALUM STL	
	2000792	4	SCREW,MACH,1/4-20X1/2,PH1,RD HD,YEL ZN	
	2001170	4	LOCKWASHER,SPLIT RING, 1/4 ,MED,YEL ZN	
	2001360	2	NUT,ACORN,1/4-20,NICKEL"	
	2001337	2	NUT,HEX HD,1/4-20,ZINC	
			PANEL, LEFT HAND INSTALLATION (45 INCH	
	1968239		PANEL,MOD,LH,45,OFFSET LEG,ALUM	
	0045811		PANEL,MOD,LH,45,OFFSET LEG,ALUM STL, UK-	
	1980176		PANEL,MOD,LH,45,OFFSET LEG,ALUM STL, CV	
	1968221		PANEL,MOD,LH,45,OFFSET LEG,ALUM STL,	
	1968247		PANEL,MOD,LH,45,OFFSET LEG,ALUM STL,	
	1968254		PANEL,MOD,LH,45,OFFSET LEG,ALUM STL, AAFE	
	0005413	2	ANGLE,MTG,LOWER BARRIER PANEL ALUM STL	
	2000792	4	SCREW,MACH,1/4-20X1/2,PH1,RD HD,YEL ZN	
	2001170	4	LOCKWASHER,SPLIT RING, 1/4 ,MED,YEL ZN	
	2001360	2	NUT,ACORN,1/4-20,NICKEL"	
	2001337	2	NUT,HEX HD,1/4-20,ZINC	

Models: A1VC, A3FE, A3RE, BBCV, B1VC, B2VC, GMCV, MBWB, SBCV, TCPL

**BARRIERS
MODESTY PANEL**

With Features: FEATURE 30784-16

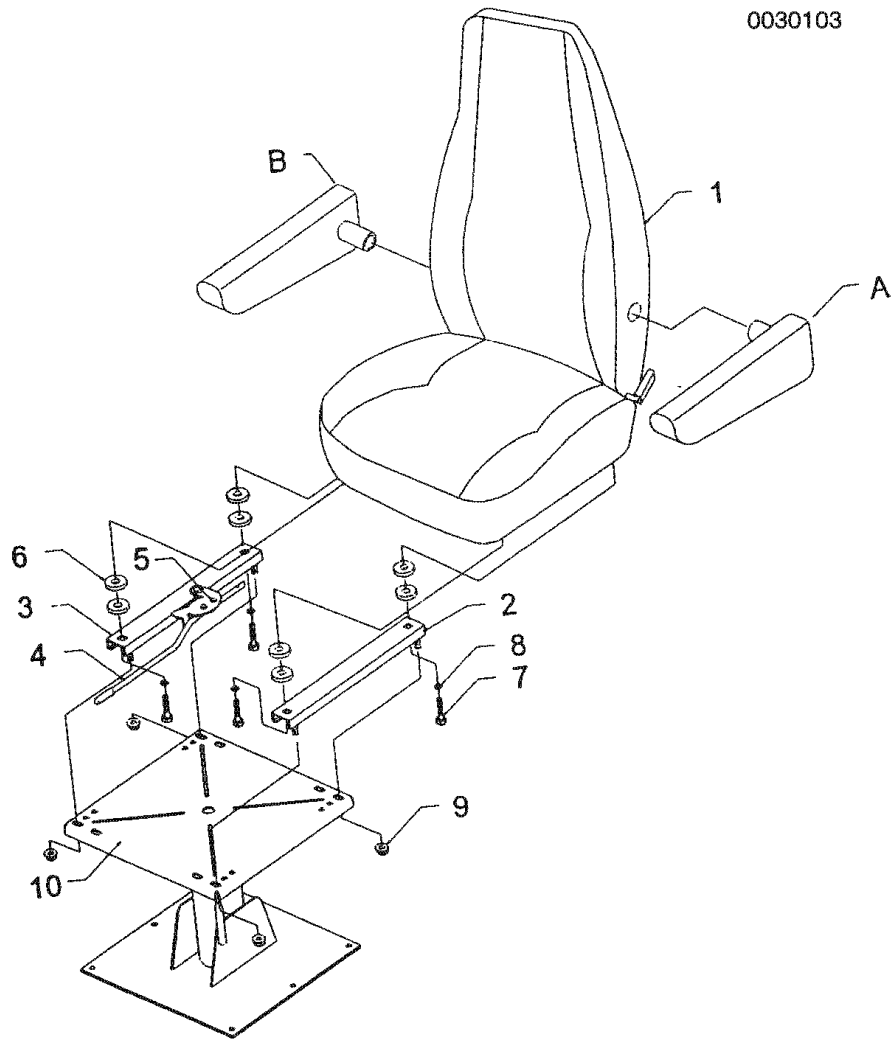
Key	PartNumber	Qty	Description	Comment
			PANEL, LEFT HAND INSTALLATION (30-39 INCH	
	0000828		PANEL,MODESTY,REAR,GALVALUME STEEL,LH	<i>CV WITH OPTION 6220 WITH U/S HEATER</i>
	0000836		PANEL,MODESTY,REAR, GALV STEEL,LH,	<i>ALL PRODUCTS WITH U/S HEATERS EXCEPT CV WITH OPT 6220</i>
			PANEL, LEFT HAND INSTALLATION (45 INCH	
	1968247		PANEL,MOD,LH,45,OFFSET LEG,ALUM STL,	<i>ALL PRODUCTS CV WITH OPTION 6220 WITH U/S HEATER</i>
	0000844		PANEL,MODESTY,REAR,GALV STEEL,LH,45,	<i>ALL PRODUCTS WITH U/S HEATERS EXCEPT CV WITH OPT 6220</i>
			PANEL, RIGHT HAND INSTALLATION	
	1866771		PANEL,MODESTY,REAR,GALV STEEL,RH	

Models: A3FE, A3RE
DRIVER'S SEAT
With Features: STD

Key	PartNumber	Qty	Description	Comment
NI			DRIVERS SEAT	
	0002308		SEAT,DR,BOSTROM ROUTEMASTER,BURGUNDY	OPTION 2824-06
	0002323		SEAT,DR,BOSTROM ROUTEMASTER,BURG VNL,	OPTION 2824-07
	0002324		SEAT,DR,BOSTROM ROUTEMASTER,BURG	OPTION 2824-08
NI	4321287		FOAM,SEAT CUSH,BOST,6200322-001"	
NI	4315727		RISER, ADJ. HEIGHT BOSTROM HYDRAULIC"	
NI			ARMREST	
	0002326		ARMREST,BOSTROM,BURGUNDY VINYL	OPTION 2824-06, 2824-08
	0002328		ARMREST,BOSTROM,BURG VINYL,FIRE	OPTION 2824-07

Models: A3FE, A3RE, BBCV, C3FE, CSFE, CSRE, GMCV, MBWB, SBCV, T2RE, TCFE, TCRE,
 TSFE
**DRIVER'S SEAT
 BOSTROM ROUTEMASTER
 WITH ARMREST**
 With Features: **OPTION 2824 / STD C3FE, CSFE, CSRE, A3FE, A3RE, WITH OPTION 2831**

Key	PartNumber	Qty	Description	Comment
-----	------------	-----	-------------	---------



Models: A3FE, A3RE, BBCV, C3FE, CSFE, CSRE, GMCV, MBWB, SBCV, T2RE, T3FE, T3RE,
TSFE
DRIVER'S SEAT
BOSTROM ROUTEMASTER
WITH ARMREST
With Features: OPTION 2824 / STD C3FE, CSFE, CSRE, A3FE, A3RE, WITH OPTION 2831

Key	PartNumber	Qty	Description	Comment
			BOSTROM ROUTEMASTER	OPT 2824
1			SEAT ASSY., BROWN VINYL	
	1697366		SEAT,DR,BOSTROM,ROUTEMASTER BROWN	ENDING WITH BSN B0258340, F0190468, L0020617, M076447, X000073 3-24-96
	4324208		COVER ASSY,CUSH,BOST,OPT 2824&5,BRN VYL"	
	4324224		COVER ASSY,HI-BK,BOST,OPT 2824&5&7,BRN	
	1903582		SEAT,DR,BOSTROM ROUTEMASTER,BROWN	FROM BSN B0258341, F0190469, L0020618, M076448, X000074 3-25-96 (TO BSN B10038199, F10021794, L10035429, M10044779, X10010254) 1 2 00
	4324208		COVER ASSY,CUSH,BOST,OPT 2824&5,BRN VYL"	
	4324224		COVER ASSY,HI-BK,BOST,OPT 2824&5&7,BRN	
	0017449		SEAT,DR,BOSTROM ROUTEMASTER,BROWN	BEGIN WITH BSN B10038200, F10021795, L10035430, M10044780, X1001355
	4324208		COVER ASSY,CUSH,BOST,OPT 2824&5,BRN VYL"	
	4324224		COVER ASSY,HI-BK,BOST,OPT 2824&5&7,BRN	
	0038681		SEAT,DRV,BOSTROM ROUTEMASTER,BROWN	BEGIN WITH BSN 7/9/01
	0059763		SEAT,DRV,BOSTROM RTMSTR,BROWN VNL,	BBCV ONLY
1			SEAT ASSY, BROWN VINYL, FIRE	
	1697374		SEAT,DR,BOSTROM,ROUTEMASTER,BRN VNL,	ENDING WITH BSN B0258340, F0190468, L0020617, M076447, X000073 3-24-96
	4321907		COVER ASSY,CUSH,BOST,OPT 2824,KEV BRN"	
	4324273		COVER ASSY,HI-BK,BOST,OPT 2824&5,KEV	
	1903590		SEAT,DR,BOSTROM ROUTEMASTER,BN VNL,	FROM BSN B0258341, F0190469, L0020618, M076448, X000074 3-25-96 TO BSN B10038199, F10021794, L10035429, M10044779, X10010254) 1 2 00
	4321907		COVER ASSY,CUSH,BOST,OPT 2824,KEV BRN"	
	4324273		COVER ASSY,HI-BK,BOST,OPT 2824&5,KEV	
	0017450		SEAT,DR,BOSTROM ROUTEMASTER,BRN VNL,	BEGIN WITH BSN B10038200, F10021795, L10035430, M10044780, X1001355
	4321907		COVER ASSY,CUSH,BOST,OPT 2824,KEV BRN"	
	4324273		COVER ASSY,HI-BK,BOST,OPT 2824&5,KEV	
	0038683		SEAT,DRV,BOSTROM ROUTEMASTER,BRN	BEGIN WITH BSN 7/9/01 BBCV ONLY

Models: A3FE, A3RE, BBCV, C3FE, CSFE, CSRE, GMCV, MBWB, SBCV, T2RE, TCFE, TCRE,
TSFE
DRIVER'S SEAT
BOSTROM ROUTEMASTER
WITH ARMREST
With Features: OPTION 2824 / STD C3FE, CSFE, CSRE, A3FE, A3RE, WITH OPTION 2831

Key	PartNumber	Qty	Description	Comment
	0059764		SEAT,DRV,BOSTROM RTMSTR,BN VNL/FIRERT,	
1	0078657		SEAT,DRV,BOST,RTMSTR,BN,PRFM II	ALL EXCEPT BBCV
	0078673		SEAT,DRV,BOST,RTMSTR,BN,PRFM II, BBCV	BBCV ONLY
1			SEAT ASSY., BROWN VINYL/FABRIC	
	1697382		SEAT,DR,BOSTROM,ROUTEMASTER,BRN	ENDING WITH BSN B0258340, F0190468, L0020617, M076447, X000073 3-24-96
	4321584		COVER ASSY,CUSH,BOST,RTMSTR,BRN	
	4325387		COVER ASSY,HI-BK,BOST,OPT 2824&25,BRN	
	1903608		SEAT,DR,BOSTROM ROUTEMASTER,BRN	FROM BSN B0258341, F0190469, L0020618, M076448, X000074 3 -25-96 TO BSN B10038199, F10021794, L10035429, M10044779, X10010254 1-2-00
	4321584		COVER ASSY,CUSH,BOST,RTMSTR,BRN	
	4325387		COVER ASSY,HI-BK,BOST,OPT 2824&25,BRN	
	0017451		SEAT,DR,BOSTROM ROUTEMASTER,BRN	BEGIN WITH BSN B10038200, F10021795, L10035430, M10044780, X1001355
	0023242		SEAT ONLY,W/O PEDESTAL BOSTROM	
	4321584		COVER ASSY,CUSH,BOST,RTMSTR,BRN	
	4325387		COVER ASSY,HI-BK,BOST,OPT 2824&25,BRN	
	0038682		SEAT,DRV,BOSTROM ROUTEMASTER,BRN	BEGIN WITH BSN 7/9/01
	0059766		SEAT,DRV,BOSTROM RTMSTR,BN VNL/FABRIC,	BBCV ONLY
1	0078659		SEAT,DRV,BOST,RTMSTR,BN,PRFM II,W/FAB	ALL EXCEPT BBCV
	0078674		SEAT,DRV,BOST,RTMSTR,BN,PRFM II,W/FAB,	BBCV ONLY
1	1697390		SEAT,DR,BOSTROM,ROUTEMASTER,GREEN	
	4324216		COVER ASSY,CUSH,BOST,OPT2824&5,GRN VYL"	
	4324232		COVER ASSY,HI-BK,BOST,OPT 2824&5&7,GRN	
1			SEAT ASSY, GREEN VINYL, FIRE	
	1697408		SEAT,DR,BOSTROM,ROUTEMASTER,GRN VNL,	ENDING WITH BSN B0258340, F0190468, L0020617, M076447, X000073 3-24-96
	4324240		COVER ASSY,BACK,LOW,BOST,OPT 2824&5 KEV	
	4324265		COVER ASSY,HI-BK,BOST,OPT 2824&5,KEV	
	4322087		COVER ASSY,CUSH,BOST,OPT 2825,KEV GRN,	
	1903624		SEAT,DR,BOSTROM,RTMSTR,DK GREEN VNL,	FROM BSN B0258341, F0190469, L0020618, M076448, X000074 3 -25-96

Models: A3FE, A3RE, BBCV, C3FE, CSFE, CSRE, GMCV, MBWB, SBCV, T2RE, TCFE, TCRE,
TSFE
DRIVER'S SEAT
BOSTROM ROUTEMASTER
WITH ARMREST
With Features: OPTION 2824 / STD C3FE, CSFE, CSRE, A3FE, A3RE, WITH OPTION 2831

Key	PartNumber	Qty	Description	Comment
				TO BSN B10038194, F10021794, F20021824, M10044774, X10010324
	4324240		COVER ASSY,BACK,LOW,BOST,OPT 2824&5 KEV	
	4324265		COVER ASSY,HI-BK,BOST,OPT 2824&5,KEV	
	0017452		SEAT,DR,BOSTROM RTMSTR,DK GREEN VNL,	BEGIN WITH BSN B10038195, F10021795, F20021825, L10035430 M10044775, X10010325
	4324240		COVER ASSY,BACK,LOW,BOST,OPT 2824&5 KEV	
	4324265		COVER ASSY,HI-BK,BOST,OPT 2824&5,KEV	
	0072853		COVER ASSY,CUSH,GREEN KEV,BSTRM,RT	
	0038687		SEAT,DRV,BOSTROM RTMSTR,DK GRN VNL,FIRE	BEGIN WITH BSN 7/9/01
	0059776		SEAT,DRV,BSTRM RTMSTR,DK GN VNL,FIRERT	BBCV ONLY
1	1697416		SEAT,DR,BOSTROM,ROUTEMASTER,GRN	
	4321527		COVER ASSY,DRIVERS CUSH,BOST 6235135	
	4325379		COVER ASSY,HI-BK,BOST,OPT 2824&25,GRN	
1	0078667		SEAT,DRV,BOST,RTMSTR,GN,PRFM II	ALL EXCEPT BBCV
	0078679		SEAT,DRV,BOST,RTMSTR,GN,PRFM II, BBCV	BBCV ONLY
1			SEAT ASSY, BLACK VINYL	
	1697424		SEAT,DR,BOSTROM,ROUTEMASTER,BLACK	ENDING WITH BSN B0258340, F0190468, L0020617, M076447, X000073 3-24-96
	4315735		COVER ASSY. CUSH.,BOST. OPT. 2824 & 5, BLK	
	4315776		COVER ASSY.HI-BK,BOST.OPT.2824,5,7,BLK	
	1903640		SEAT,DR,BOSTROM ROUTEMASTER,BLACK	FROM BSN B0258341, F0190469, L0020618, M076448, X000074 3-25-96 TO BSN B10038199, F10021794, F20021824, L10035430, M10044780, X10010325
	4315735		COVER ASSY. CUSH.,BOST. OPT. 2824 & 5, BLK	
	4315776		COVER ASSY.HI-BK,BOST.OPT.2824,5,7,BLK	
	0017453		SEAT,DR,BOSTROM ROUTEMASTER,BLACK	BEGIN WITH BSN B10038200, F10021795, F20021825 L10035430
	0038679		SEAT,DRV,BOSTROM ROUTEMASTER,BLACK	BEGIN WITH BSN 7/9/01 M10044780, X1001355
	4315735		COVER ASSY. CUSH.,BOST. OPT. 2824 & 5, BLK	
	4315776		COVER ASSY.HI-BK,BOST.OPT.2824,5,7,BLK	
	0059761		SEAT,DRV,BOSTROM ROUTEMASTER,BLK VNL,	BBCV ONLY

ALL EXCEPT BBCV

Models: A3FE, A3RE, BBCV, C3FE, CSFE, CSRE, GMCV, MBWB, SBCV, T2RE, T3FE, T3RE,
TSFE
DRIVER'S SEAT
BOSTROM ROUTEMASTER
WITH ARMREST
With Features: OPTION 2824 / STD C3FE, CSFE, CSRE, A3FE, A3RE, WITH OPTION 2831

Key	PartNumber	Qty	Description	Comment
1	0078653		SEAT,DRV,BOST,RTMSTR,BK,PRFM II	
	0078669		SEAT,DRV,BOST,RTMSTR,BK,PRFM II, BBCV	BBCV ONLY
1			SEAT ASSY, BLACK VINYL/FABRIC	
	1697432		SEAT,DR,BOSTROM,ROUTEMASTER,BLK	ENDING WITH BSN B0258340, F0190468, L0020617, M076447, X000073 3-24-96
	4315800		COVER ASSY.HI-BK BOST.OPT. 2824 BLK	
	1903657		SEAT,DR,BOSTROM ROUTEMASTER,BLK	FROM BSN B0258341, F0190469, L0020618, M076448, X000074 3 -25-96 TO BSN B10038199, F10021794, F 20021824, L10035430, M10044780, X1001355
	4315768		COVER ASSY.BACK.BOST.OPT 2821,BLK	
	4315800		COVER ASSY.HI-BK BOST.OPT. 2824 BLK	
	0017454		SEAT,DR,BOSTROM ROUTEMASTER,BLK	BEGIN WITH BSN B10038200, F10021795, F20021825, L10035430 M10044780, X1001355
	4315800		COVER ASSY.HI-BK BOST.OPT. 2824 BLK	
	0038680		SEAT,DRV,BOSTROM ROUTEMASTER,BLK	BEGIN WITH BSN 7/9/01
	0059762		SEAT,DRV,BOSTROM RTMSTR,BLK VNL/FABRIC	BBCV ONLY
1	0078654		SEAT,DRV,BOST,RTMSTR,BK,PRFM II,W/FAB	ALL EXCEPT BBCV
	0078670		SEAT,DRV,BOST,RTMSTR,BK,PRFM II,W/FAB,	ALL EXCEPT BBCV
1	0002308		SEAT,DR,BOSTROM ROUTEMASTER,BURGUNDY	(END W/BSN B10038199, F10021794, L10035429, M10044779, X10010354)
	8317448		COVER ASSY,BACK,DRVR,BOST,BURG,VINYL	
	0017442		SEAT,DR,BOSTROM ROUTEMASTER,BURGUNDY	BEGIN WITH BSN B10038200, F10021795, F20021825, L10035430 M10044780 X1001355
	8317448		COVER ASSY,BACK,DRVR,BOST,BURG,VINYL	
	0038684		SEAT,DRV,BOSTROM ROUTEMASTER,	BEGIN WITH BSN 7/9/01
	0059767		SEAT,DRV,BOSTROM RTMSTR,BURGUNDY VNL,	BBCV ONLY
1	0002323		SEAT,DR,BOSTROM ROUTEMASTER,BURG VNL,	END W/BSN B10038199, F10021794, F20021824, L10035429 M10044779, X10010354
	0018108		COVER ASSY, CUSH BURG VINYL FIRE RET	
	0018109		COVER ASSY, HI-BACK BURG VIN FIRE RET	

Models: A3FE, A3RE, BBCV, C3FE, CSFE, CSRE, GMCV, MBWB, SBCV, T2RE, TCFE, TCRE,
TSFE
DRIVER'S SEAT
BOSTROM ROUTEMASTER
WITH ARMREST
With Features: OPTION 2824 / STD C3FE, CSFE, CSRE, A3FE, A3RE, WITH OPTION 2831

Key	PartNumber	Qty	Description	Comment
	0017445		SEAT,DR,BOSTROM ROUTEMASTER,BURG VNL,	F10021795, L10035430, M10044780, X1001355
	0018108		COVER ASSY, CUSH BURG VINYL FIRE RET	
	0018109		COVER ASSY, HI-BACK BURG VIN FIRE RET	
	0038685		SEAT,DRV,BOSTROM RTMSTR,BURG	BEGIN WITH BSN 7/9/01
	0059768		SEAT,DRV,BOSTRM RTMSTR,BURG VNL/FIRERT	BBCV ONLY
1	0078662		SEAT,DRV,BOST,RTMSTR,BG,PRFM II	ALL EXCEPT BBCV
	0078675		SEAT,DRV,BOST,RTMSTR,BG,PRFM II, BBCV	BBCV ONLY
1	0002324		SEAT,DR,BOSTROM ROUTEMASTER,BURG	END W/BSN B10038199, F10021794, F20021824, L10035429 M1004779, X10010354
	8317950		COVER ASSY,BACK,DRVR,BOST,BURG KEV	
	0017446		SEAT,DR,BOSTROM ROUTEMASTER,BURG	BEGIN WITH BSN B10038200, F10021795, F20021825 L10035430 M10044780, X1001355
	8317950		COVER ASSY,BACK,DRVR,BOST,BURG KEV	
	0038686		SEAT,DRV,BOSTROM RTMSTR,BURG	BEGIN WITH BSN 7/9/01
	0059770		SEAT,DRV,BOSTROM RTMSTR,BURG VNL/FAB,	
1	0078664		SEAT,DRV,BOST,RTMSTR,BG,PRFM II,W/FAB	ALL EXCEPT BBCV
	0078676		SEAT,DRV,BOST,RTMSTR,BG,PRFM II,W/FAB,	BBCV ONLY
1	0002322		SEAT,DR,BOSTROM ROUTEMASTER,BLUE VINYL	END W/BSN B10038199, F10021794, F20021824, L10035429 M1004779, X10010354
	0017444		SEAT,DR,BOSTROM ROUTEMASTER,BLUE VINYL	BEGIN WITH BSN B10038200, F10021795, L10035430, M10044780, X1001355
	0038675		CABINET,TV,VANITY,BEDROOM,SPEC,F132462"	BEGIN WITH BSN 7/9/01
	0059771		SEAT,DRV,BOSTROM ROUTEMASTER,BLUE VNL,	BBCV ONLY
1	0002321		SEAT,DR,BOST,RTMSTR+AIR,HYD,BLUE	END W/BSN B10038199, F10021794, F20021824, L10035429 M1004779, X10010354
	0017448		SEAT,DR,BOSTROM ROUTEMASTER,BLUE VNL,	BEGIN WITH BSN B10038200, F10021795, L10035430, M10044780, X1001355
	0038678		SEAT,DRV,BOSTROM ROUTEMASTER,BL	BEGIN WITH BSN 7/9/01
	0059773		SEAT,DRV,BOSTROM RTMSTR,BL VNL/FIRERT,	BBCV ONLY
1	0078655		SEAT,DRV,BOST,RTMSTR,BL,PRFM II	ALL EXCEPT BBCV

Models: A3FE, A3RE, BBCV, C3FE, CSFE, CSRE, GMCV, MBWB, SBCV, T2RE, TCFE, TCRE,
TSFE
DRIVER'S SEAT
BOSTROM ROUTEMASTER
WITH ARMREST
With Features: OPTION 2824 / STD C3FE, CSFE, CSRE, A3FE, A3RE, WITH OPTION 2831

Key	PartNumber	Qty	Description	Comment
	0078671		SEAT,DRV,BOST,RTMSTR,BL,PRFM II, BBCV	BBCV ONLY
1	0002325		SEAT,DR,BOSTROM ROUTEMASTER,BLUE	END W/BSN B10038199, F10021794, F20021824, L10035429 M1004779, X10010354
	0017447		SEAT,DR,BOSTROM ROUTEMASTER,BLUE	BEGIN WITH BSN B10038200, F10021795, L10035430, M10044780, X1001355
	0038677		SEAT,DRV,BOSTROM ROUTEMASTER,BLUE	BEGIN WITH BSN 7/9/01
	0059774		SEAT,DRV,BOSTROM RTMSTR,BLUE VNL/FAB,	BBCV ONLY
1	0060206		SEAT,DR,BOST,RTMSTR,BLUE KEV/FAB, BBCV	
1	0078656		SEAT,DRV,BOST,RTMSTR,BL,PRFM II,W/FAB	ALL EXCEPT BBCV
1	0078672		SEAT,DRV,BOST,RTMSTR,BL,PRFM II,W/FAB,	BBCV ONLY
1	0078855		SEAT,DRV,BOST,RTMSTR,TL,PRFM II	ALL EXCEPT BBCV
	0078856		SEAT,DRV,BOST,RTMSTR,TL,PRFM II, BBCV	BBCV ONLY
A/			ARMREST (RH AND LH)	OPT 2831
	1697762		ARMREST,BOSTROM,BROWN VINYL	
	1697770		ARMREST,BOSTROM,BROWN VINYL,FIRE	
	0078719		ARM REST ASSY,DRV,BOST,BN ATHOL	
	1697788		ARMREST,BOSTROM,GREEN VINYL	
	1697796		ARMREST,BOSTROM,DK GREEN ,FIRE RET	
	0078722		ARM REST ASSY,DRV,BOST,GN ATHOL	
	1697804		ARMREST,BOSTROM,BLACK VINYL	
	0078717		ARM REST ASSY,DRV,BOST,BK ATHOL	
	0002326		ARMREST,BOSTROM,BURGUNDY VINYL	
	0002328		ARMREST,BOSTROM,BURG VINYL,FIRE	
	0078720		ARM REST ASSY,DRV,BOST,BG ATHOL	
	0002327		ARMREST,BOSTROM,BLUE VINYL	
	0002330		ARMREST,BOSTROM,BLUE VINYL,FIRE	
	0078718		ARM REST ASSY,DRV,BOST,BL ATHOL PROFORM	
	0078860		ARM REST ASSY,DRV,BOST,TL ATHOL PROFORM	
2-8	8309221		KIT,SLIDE RAIL 7"" BOSTROM"	CONSISTS OF THE FOLLOWING: NOT SOLD SEPARATELY
2			SEAT ADJUST NON-LOCKING	
3			SEAT ADJUST W/LATCH	
4	0027916		LEVER,SPEED ADJUSTER HANDLE	

TSFE

Models: A3FE, A3RE, BBCV, C3FE, CSFE, CSRE, GMCV, MBWB, SBCV, T2RE, TCFE, TCRE,

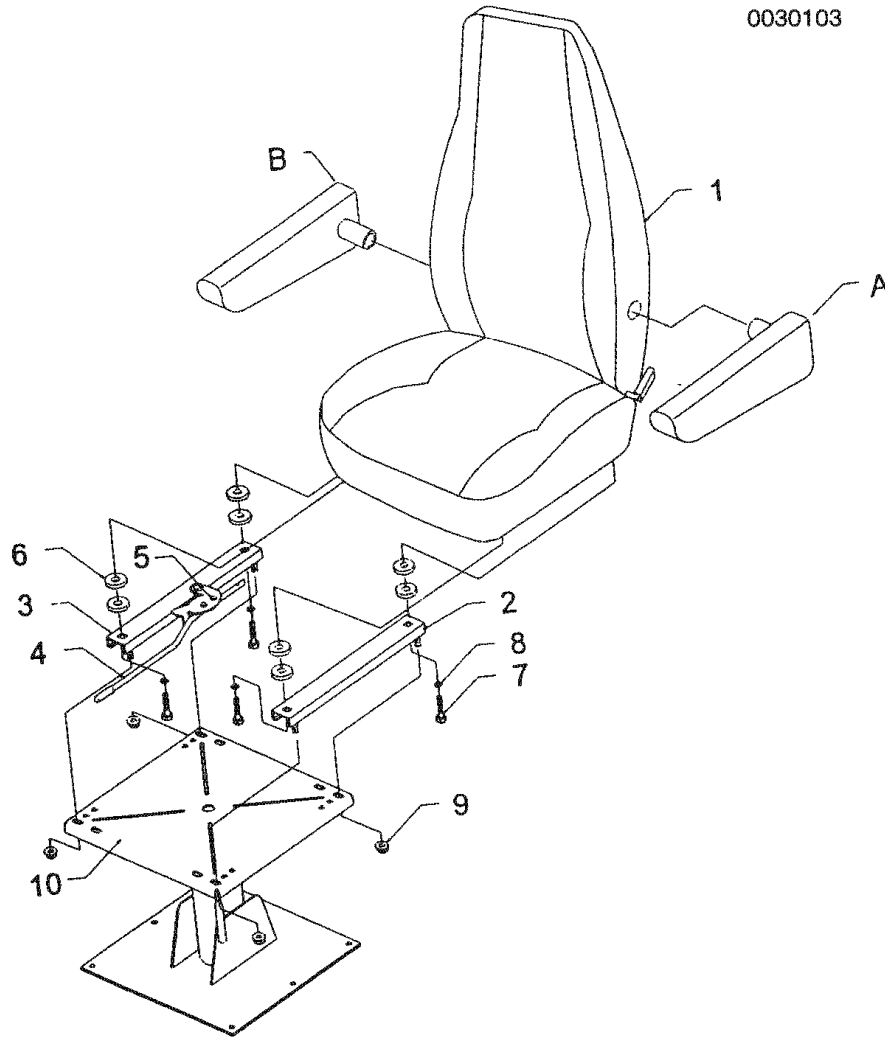
**DRIVER'S SEAT
BOSTROM ROUTEMASTER
WITH ARMREST**

With Features: OPTION 2824 / STD C3FE, CSFE, CSRE, A3FE, A3RE, WITH OPTION 2831

Key	PartNumber	Qty	Description	Comment
5		2	RIVET	
6		8	WASHER FLAT	
7		4	SCREW CAP M8 X 25 MM	
8		4	WASHER FLAT	
9		4	5/16 IN. FLANGE NUT	
10	4315727		RISER, ADJ. HEIGHT BOSTROM HYDRAULIC"	
10	0045943		RISER,ADJ,HEIGHT,BOSTROM,2 INCH OFFSET	
10	0061075		PEDESTAL,RISER,ADJ HEIGHT,2.5 IN SHORTER,	<i>BBCV ONLY</i>
NI	0033597	2	KIT SLIDE RAIL, BOSTROM,RT MASTER	<i>INCLUDES ITEMS 2 THRU 9</i>
NI	1727650		LABEL,WARNING,BOSTROM ST,ROUTEMASTER	
NI	0018511		FOAM,SEAT CUSHION,DRVRS SEAT	
NI	4315826		FOAM,BACK,SEAT,HI-BK BOSTROM"	
NI	0020890	4	KIT,RISER, BOSTROM 6222103-001	
NI	0040201	4	HANDLE,PEDESTAL,ADJUST,4315727	
NI	4309597		HANDLE,SEAT BK ADJ,BOSTROM,915"	

Models: A3RE
DRIVER'S SEAT
BOSTROM ROUTEMASTER
WITH ARMREST, RH DRIVE UK
With Features: OPTION 2831

Key	PartNumber	Qty	Description	Comment
-----	------------	-----	-------------	---------



Models: A3RE
DRIVER'S SEAT
BOSTROM ROUTEMASTER
WITH ARMREST, RH DRIVE UK
With Features: OPTION 2831

Key	PartNumber	Qty	Description	Comment
A/			ARMREST OPT 2831 (RH AND LH)	
	1697804		ARMREST,BOSTROM,BLACK VINYL OPT 2824, BOSTROM ROUTEMASTER	
1	0038679		SEAT,DRV,BOSTROM ROUTEMASTER,BLACK	
	4315735		COVER ASSY. CUSH.,BOST. OPT. 2824 & 5, BLK	
	4315776		COVER ASSY.HI-BK,BOST.OPT.2824,5,7,BLK	
2-8	8309221		KIT,SLIDE RAIL 7"" BOSTROM"	<i>CONSISTS OF THE FOLLOWING: NOT SOLD SEPARATELY</i>
2			SEAT ADJUST NON-LOCKING	
3			SEAT ADJUST W/LATCH	
4	0027916		LEVER,SPEED ADJUSTER HANDLE	
5		2	RIVET	
6		8	WASHER FLAT	
7		4	SCREW CAP M8 X 25 MM	
8		4	WASHER FLAT	
9		4	5/16 IN. FLANGE NUT	
10	4315727		RISER, ADJ. HEIGHT BOSTROM HYDRAULIC"	
NI	0033597	2	KIT SLIDE RAIL, BOSTROM,RT MASTER	<i>INCLUDES ITEMS 2 THRU 9</i>
NI	1727650		LABEL,WARNING,BOSTROM ST,ROUTEMASTER	
NI	0018511		FOAM,SEAT CUSHION,DRVRS SEAT	
NI	4315826		FOAM,BACK,SEAT,HI-BK BOSTROM"	
NI	0020890	4	KIT,RISER, BOSTRUM 6222103-001	
NI	0040201	4	HANDLE,PEDESTAL,ADJUST,4315727	
NI	4309597		HANDLE,SEAT BK ADJ,BOSTROM,915"	

Models: AAFE, AARE, A3FE, A3RE, BBCV, C1FE, C4RE, CSFE, CSRE, GMCV, LSRE, L4RE, MBWB, SBCV, TCFE, TCRE, TSFE, T2RE

DRIVER'S SEAT

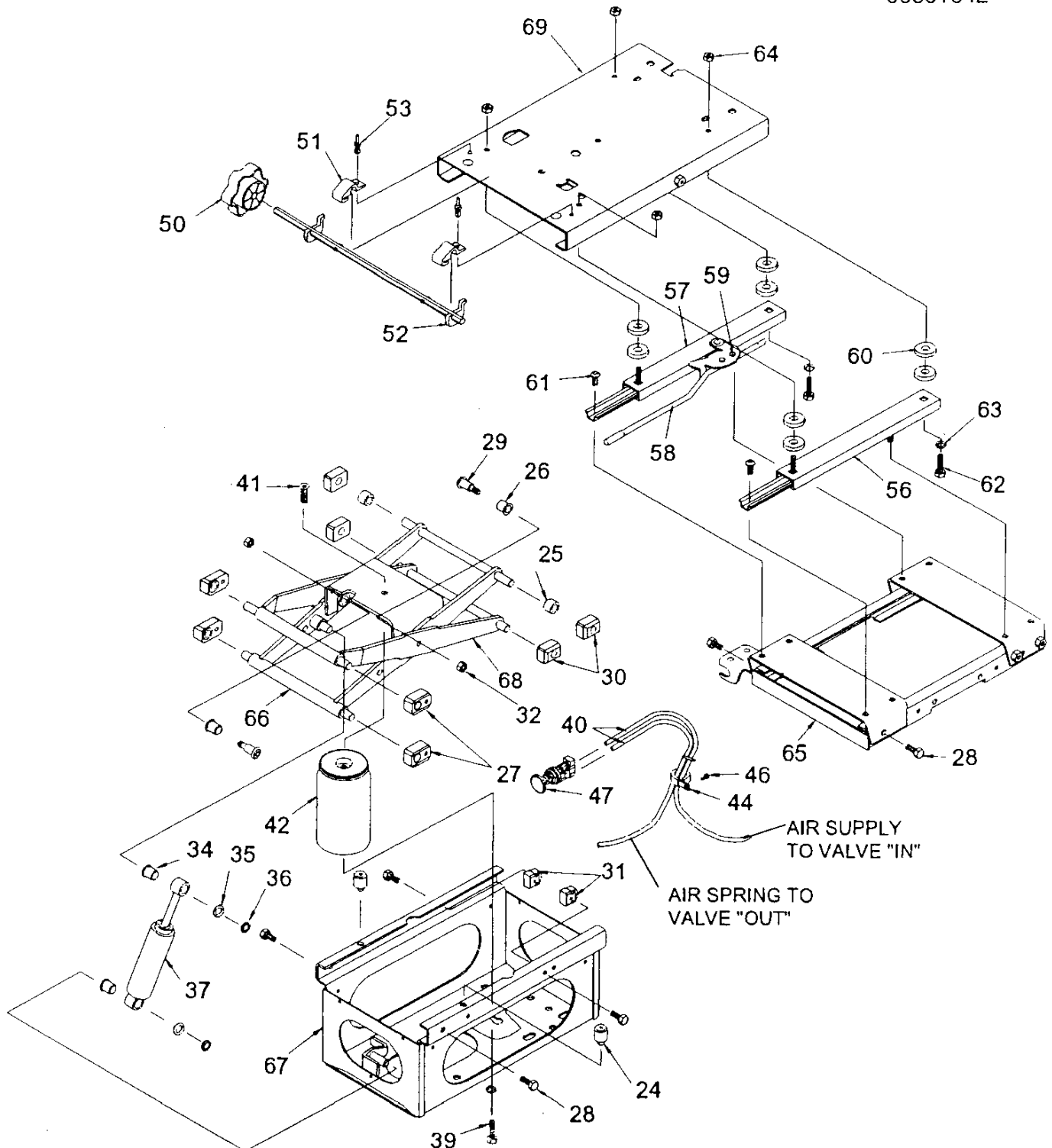
BOSTROM ROUTEMASTER + AIRE BASE BREAKDOWN

AIR & HYDRAULIC BRAKE UNITS, WITH ARMREST

With Features: OPTION 02827 WITH OPTION 2831

Key	PartNumber	Qty	Description	Comment
-----	------------	-----	-------------	---------

00301042



Models: AAFE, AARE, A3FE, A3RE, BBCV, C1FE, C4RE, CSFE, CSRE, GMCV, LSRE, L4RE,
MBWB, SBCV, TCFE, TCRE, TSFE, T2RE
DRIVER'S SEAT
BOSTROM ROUTEMASTER + AIRE BASE BREAKDOWN
AIR & HYDRAULIC BRAKE UNITS, WITH ARMREST
With Features: OPTION 02827 WITH OPTION 2831

Key	PartNumber	Qty	Description	Comment
58	0027916		LEVER,SPEED ADJUSTER HANDLE	METAL ROD W/BLACK RUBBER CAP
59		2	RIVET	
60		8	WASHER FLAT	
61		4	SCREW SOCKET M8X16MM	
62		4	CAP SCREW M8X25MM	
63		4	FLAT WASHER	
64		4	HEX NUT M8X1.25	
65			UPPER PLATE ASSY NON IDOLATOR	
66			INNER LEVER ASSY	
67	8308009		RISER ASSY.BOSTROM 915 DR.SEAT	
68			OUTER LEVER ASSY	
69			CHANNEL WELDMENT FOR SLIDE RAILS	
70			ICP BRACKET KIT; CONSIST OF 70 AND 71	
71		2	ICP BRACKETS	
72		4	CAP SCREW M8X12MM	
NI	0016472		SHOCK, BOSTRUM, RTMTR, 6222082-001	
NI	8314965		KIT,RHEONETIC DAMPER"	
NI			BASE ASSY, BOSTROM	
NI	8311425		BASE ASSY BOSTRUM,2321524-001"	WITH STANDARD SHOCK
NI				(END W/BSN/B10032559, F10017549, L10027924, M10035639, X10007304)
NI	0063777		BASE,ASSY,BSTRM,RT MSTR + AIR,HVY DUTY	WITH HEAVY DUTY STOCK
NI				(BEG W/BSN/B10032560, F10017550, L10027925, M10035640, X10007305)

Models: AAFE, AARE, A3FE, A3RE, BBCV, C1FE, C4RE, CSFE, CSRE, GMCV, LSRE, L4RE, MBWB, SBCV, TCFE, TCRE, TSFE, T2RE

DRIVER'S SEAT

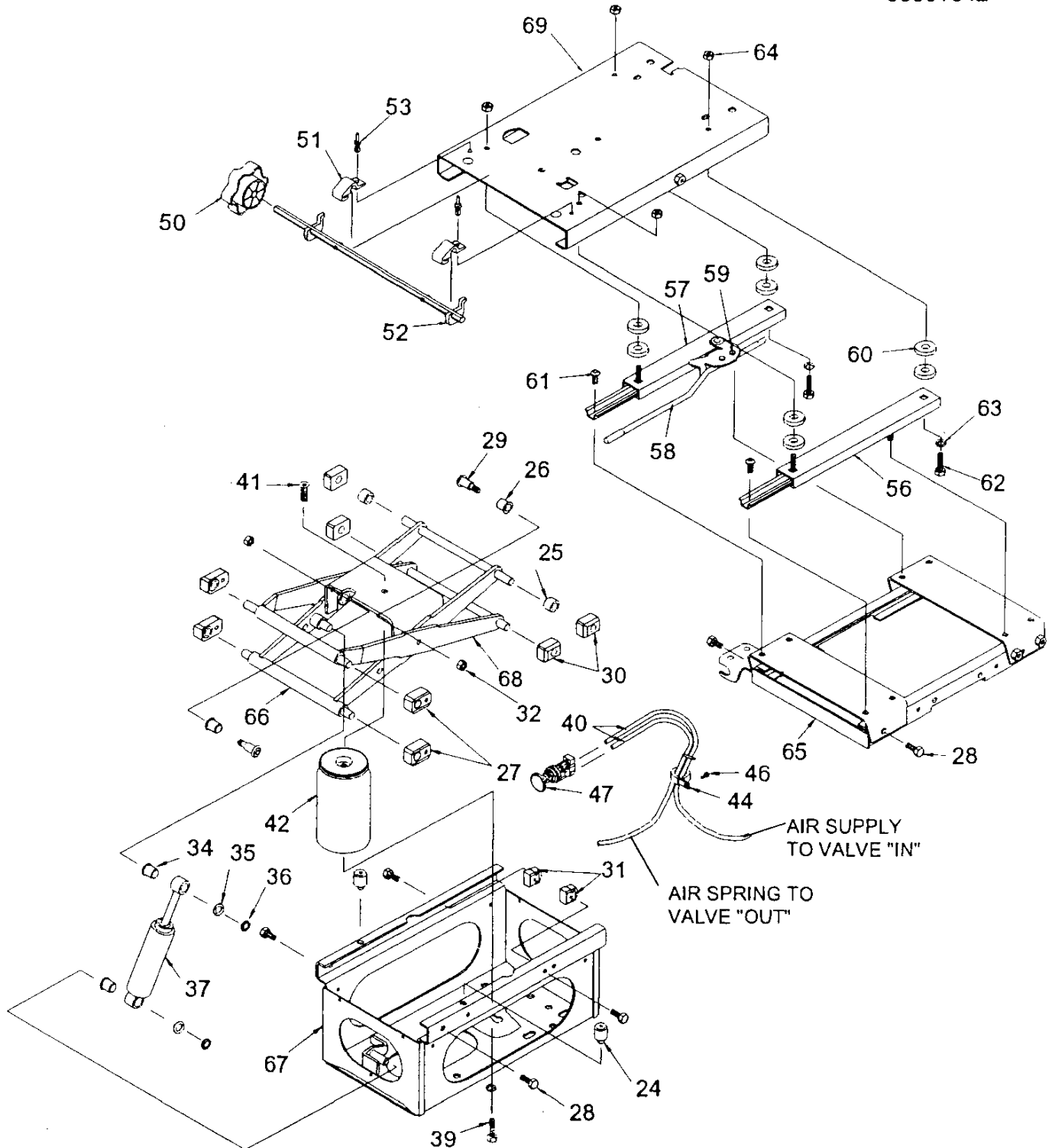
BOSTROM ROUTEMASTER + AIRE BASE BREAKDOWN

AIR & HYDRAULIC BRAKE UNITS, WITH ARMREST

With Features: OPTION 02827, WITH OPTION 2831

Key	PartNumber	Qty	Description	Comment
-----	------------	-----	-------------	---------

00301042



Models: AAFE, AARE, A3FE, A3RE, BBCV, C1FE, C4RE, CSFE, CSRE, GMCV, LSRE, L4RE, MBWB, SBCV, TCFE, TCRE, TSFE, T2RE
DRIVER'S SEAT
BOSTROM ROUTEMASTER + AIRE BASE BREAKDOWN
AIR & HYDRAULIC BRAKE UNITS, WITH ARMREST
With Features: OPTION 02827, WITH OPTION 2831

Key	PartNumber	Qty	Description	Comment
23	4315586		KIT, SUSPENSION HDW BOSTROM 6222076	CONSISTS OF 24 THRU 32
24		2	BUMPER RUBBER	
25		2	SPACER ROLLER	
26		6	BEARING MULTILUBE	
27		4	BEARING BLOCK SINTERED	
28		6	SCREW CAP M 8X20MM HX CL	
29		2	BOLT SHOULDER M8 X 1.25	
30		4	BLOCK - SLIDE	
31		2	STOP BLOCK ASSY	
32		3	NUT HEX M8 X 1.25 LK CL 9	
33	4315594		KIT, DAMPER BOSTROM 6222067-001"	CONSISTS OF 34 THRU 37
34		2	BEARING MULTILUBE	
35		2	WASHER, FL 2.00M X 12.48 X 22.00	
36		2	FASTENER	PUSH ON
37			STANDARD DAMPER	
38	4315602		KIT AIR SPRING BOSTROM 6222086-001	CONSISTS OF 39 THRU 42
39			SCREW CAP M 8XMM HX LOC 08.8	
40		3.3	TUBING NYLON BLACK 1/4 OK	
41			SCR M8X1.25 LFHD C4 8 BLK OX	
42			AIR SPRING ASSY	
43	4315610		KIT, AIR VALVE BOSTROM 6222077-001"	CONSISTS OF 44 THRU 48. UP/DOWN, PUSH PULL VALVE.
43	8313868		KIT,LH,AIR VAVLE ASSY 6222163-001	CONSISTS OF 44 THRU 48 ROCKER TYPE TRIPLE SWITCH,
			UP/DOWN/LUMBAR	
44			CLAMP CABLE	
45			TUBING NYLON BLACK 1/4 O.D.	
46			SCREW THD CUT NO 10 24	
47			VALVE PNEUMATIC - GT	
48			REINFORCEMENT BUMPER	
49	4315628		KIT, KNOBS AND TILT RODS BOSTROM	CONSISTS OF 50 THRU 54
50	4321451		KNOB,BOST,DRIVERS SEAT ADJUSTMENT"	
51		2	CLIP BRACKET, CAM SHAFT	
52			TILT ROD WELDMENT	
53		2	PLASTIC RIVET	

Models: AAFE, AARE, A3FE, A3RE, BBCV, C1FE, C4RE, CSFE, CSRE, GMCV, LSRE, L4RE, MBWB, SBCV, TCFE, TCRE, TSFE, T2RE
DRIVER'S SEAT
BOSTROM ROUTEMASTER + AIRE BASE BREAKDOWN
AIR & HYDRAULIC BRAKE UNITS, WITH ARMREST
With Features: OPTION 02827, WITH OPTION 2831

Key	PartNumber	Qty	Description	Comment
54		2	BLOCK, CAM	
55	4315636		KIT SLIDE RAIL 7" BOSTROM 6222128-001"	CONSISTS OF 56 THRU 64
56			SEAT ADJUST NON-LOCKING	
57			SEAT ADJUST WITH LATCH	
58	0027916		LEVER,SPEED ADJUSTER HANDLE	METAL ROD W/BLACK RUBBER CAP
59		2	RIVET	
60		8	WASHER FLAT	
61		4	SCREW SOCKET M8X16MM	
62		4	CAP SCREW M8X25MM	
63		4	FLAT WASHER	
64		4	HEX NUT M8X1.25	
65			UPPER PLATE ASSY NON IDOLATOR	
66			INNER LEVER ASSY	
67	8308009		RISER ASSY.BOSTROM 915 DR.SEAT	
68			OUTER LEVER ASSY	
69			CHANNEL WELDMENT FOR SLIDE RAILS	
70			ICP BRACKET KIT; CONSIST OF 70 AND 71	
71		2	ICP BRACKETS	
72		4	CAP SCREW M8X12MM	
NI	0016472		SHOCK, BOSTRUM, RTMTR, 6222082-001	
NI	8314965		KIT,RHEONETIC DAMPER"	
NI			BASE ASSY, BOSTROM	
NI	8311425		BASE ASSY BOSTRUM,2321524-001"	WITH STANDARD SHOCK
NI				(END W/BSN/B10032559, F10017549, L10027924, M10035639, X10007304)
NI	0063777		BASE,ASSY,BSTRM,RT MSTR + AIR,HVY DUTY	WITH HEAVY DUTY STOCK
NI				(BEG W/BSN/B10032560, F10017550, L10027925, M10035640, X10007305)

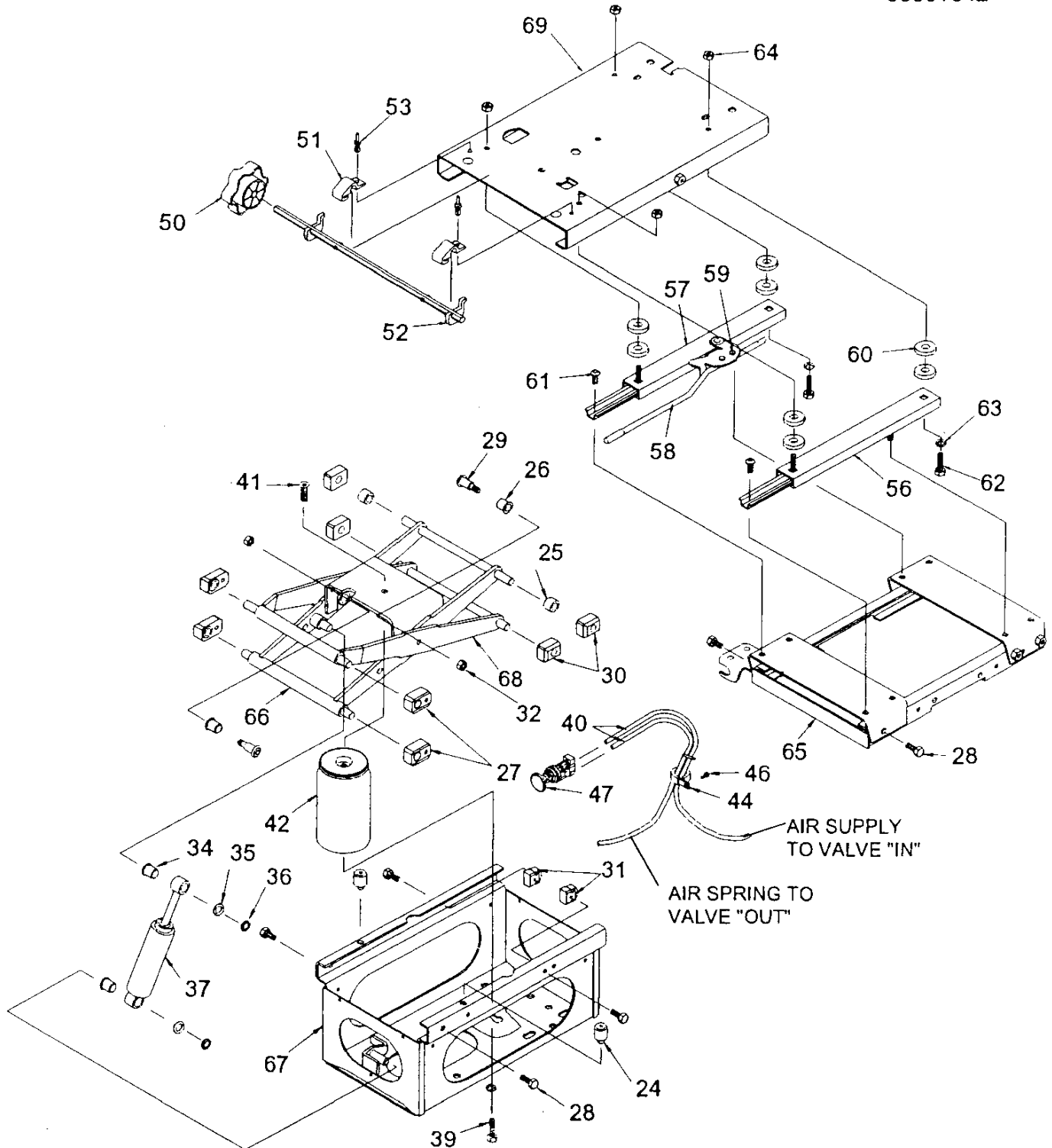
Models: AAFE, AARE, A3FE, A3RE, BBCV, C1FE, C4RE, CSFE, CSRE, GMCV, LSRE, L4RE, MBWB, SBCV, TCFE, TCRE, TSFE, T2RE

**DRIVER'S SEAT
BOSTROM ROUTEMASTER + AIRE BASE BREAKDOWN
AIR & HYDRAULIC BRAKE UNITS, WITH ARMREST
OPTION 02827 WITH OPTION 2831**

With Features:

Key	PartNumber	Qty	Description	Comment
-----	------------	-----	-------------	---------

00301042



Models: AAFE, AARE, A3FE, A3RE, BBCV, C1FE, C4RE, CSFE, CSRE, GMCV, LSRE, L4RE, MBWB, SBCV, TCFE, TCRE, TSFE, T2RE
DRIVER'S SEAT
BOSTROM ROUTEMASTER + AIRE BASE BREAKDOWN
AIR & HYDRAULIC BRAKE UNITS, WITH ARMREST
With Features: OPTION 02827 WITH OPTION 2831

Key	PartNumber	Qty	Description	Comment
23	4315586		KIT, SUSPENSION HDW BOSTROM 6222076	CONSISTS OF 24 THRU 32
24		2	BUMPER RUBBER	
25		2	SPACER ROLLER	
26		6	BEARING MULTILUBE	
27		4	BEARING BLOCK SINTERED	
28		6	SCREW CAP M 8X20MM HX CL	
29		2	BOLT SHOULDER M8 X 1.25	
30		4	BLOCK - SLIDE	
31		2	STOP BLOCK ASSY	
32		3	NUT HEX M8 X 1.25 LK CL 9	
33	4315594		KIT, DAMPER BOSTROM 6222067-001"	CONSISTS OF 34 THRU 37
34		2	BEARING MULTILUBE	
35		2	WASHER, FL 2.00M X 12.48 X 22.00	
36		2	FASTENER (PUSH ON)	
37			STANDARD DAMPER	
38	4315602		KIT AIR SPRING BOSTROM 6222086-001	CONSISTS OF 39 THRU 42
39			SCREW CAP M 8XMM HX LOC 08.8	
40		3.3	TUBING NYLON BLACK 1/4 OK	
41			SCR M8X1.25 LFHD C4 8 BLK OX	
42			AIR SPRING ASSY	
43	4315610		KIT, AIR VALVE BOSTROM 6222077-001"	CONSISTS OF 44 THRU 48. UP/DOWN, PUSH PULL VALVE.
43	8313868		KIT,LH,AIR VAVLE ASSY 6222163-001	CONSISTS OF 44 THRU 48 ROCKER TYPE TRIPLE SWITCH,
			UP/DOWN/LUMBAR	
44			CLAMP CABLE	
45			TUBING NYLON BLACK 1/4 O.D.	
46			SCREW THD CUT NO 10 24	
47			VALVE PNEUMATIC - GT	
48			REINFORCEMENT BUMPER	
49	4315628		KIT, KNOBS AND TILT RODS BOSTROM	CONSISTS OF 50 THRU 54
50	4321451		KNOB,BOST,DRIVERS SEAT ADJUSTMENT"	
51		2	CLIP BRACKET, CAM SHAFT	
52			TILT ROD WELDMENT	
53		2	PLASTIC RIVET	

Models: AAFE, AARE, A3FE, A3RE, BBCV, C1FE, C4RE, CSFE, CSRE, GMCV, LSRE, L4RE, MBWB, SBCV, TCFE, TCRE, TSFE, T2RE

With Features: DRIVER'S SEAT
 BOSTROM ROUTEMASTER + AIRE BASE BREAKDOWN
 AIR & HYDRAULIC BRAKE UNITS, WITH ARMREST
 OPTION 02827 WITH OPTION 2831

Key	PartNumber	Qty	Description	Comment
54		2	BLOCK, CAM	
55	4315636		KIT SLIDE RAIL 7" BOSTROM 6222128-001"	CONSISTS OF 56 THRU 64
56			SEAT ADJUST NON-LOCKING	
57			SEAT ADJUST WITH LATCH	

Models: AAFE, AARE, A3FE, A3RE, BBCV, C1FE, C4RE, CSFE, CSRE, GMCV, LSRE, L4RE, MBWB, SBCV, TCFE, TCRE, TSFE, T2RE

DRIVER'S SEAT

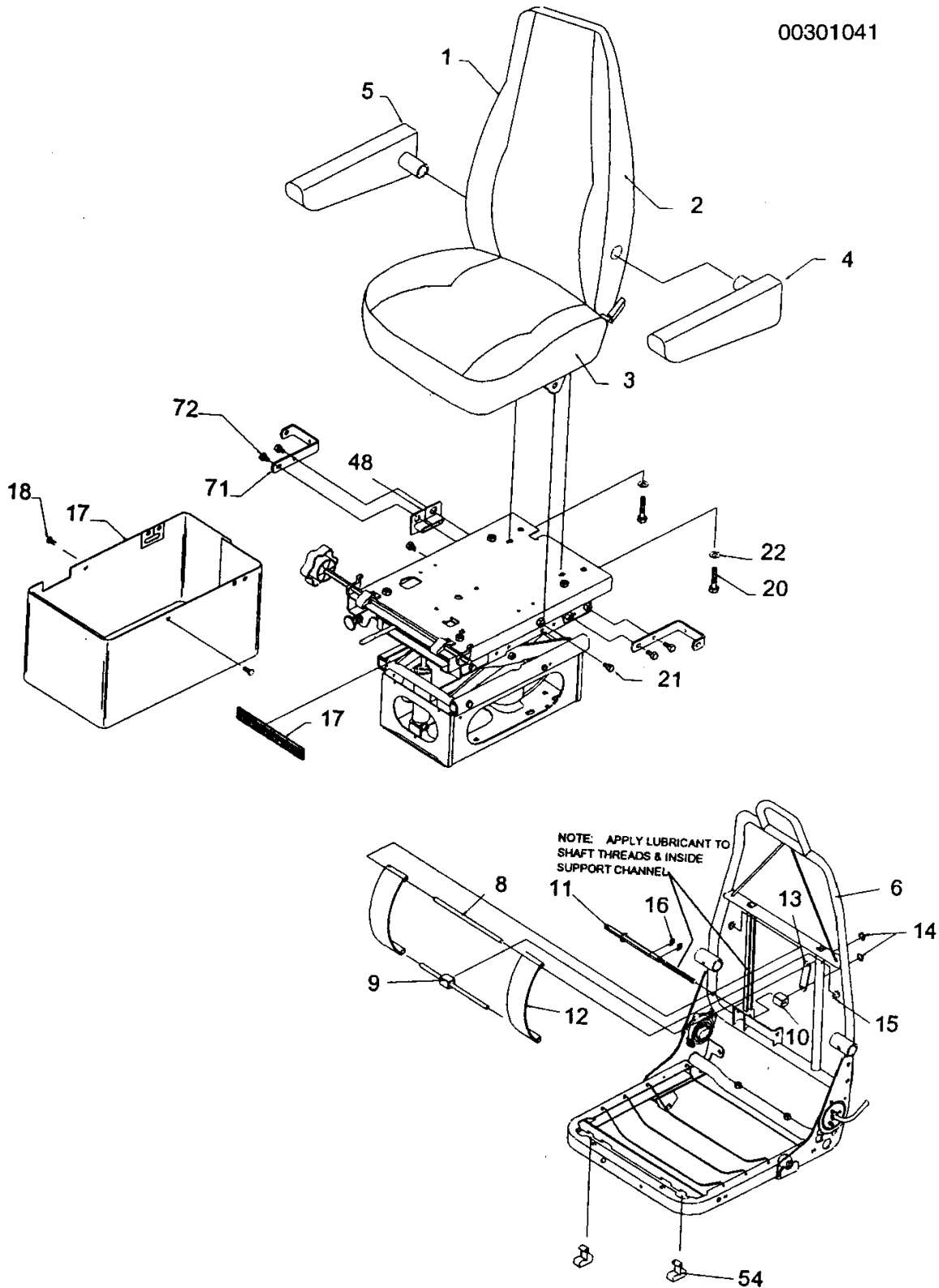
BOSTROM ROUTEMASTER + AIRE SEAT AND FRAME DIAGRAM

AIR & HYDRAULIC BRAKE UNITS, WITH ARMREST

With Features: OPTION 02827, WITH OPTION 2831

Key	PartNumber	Qty	Description	Comment
-----	------------	-----	-------------	---------

00301041



Models: AAFE, AARE, A3FE, A3RE, BBCV, C1FE, C4RE, CSFE, CSRE, GMCV, LSRE, L4RE, MBWB, SBCV, TCFE, TCRE, TSFE, T2RE
DRIVER'S SEAT
BOSTROM ROUTEMASTER + AIRE SEAT AND FRAME DIAGRAM
AIR & HYDRAULIC BRAKE UNITS, WITH ARMREST
With Features: OPTION 02827, WITH OPTION 2831

Key	PartNumber	Qty	Description	Comment
4/5			ARMREST RH AND LH	OPT 2831
	1697762		ARMREST,BOSTROM,BROWN VINYL	
	1697770		ARMREST,BOSTROM,BROWN VINYL,FIRE	
	0078719		ARM REST ASSY,DRV,BOST,BN ATHOL	
	1697788		ARMREST,BOSTROM,GREEN VINYL	
	1697796		ARMREST,BOSTROM,DK GREEN ,FIRE RET	
	0078722		ARM REST ASSY,DRV,BOST,GN ATHOL	
	1697804		ARMREST,BOSTROM,BLACK VINYL	
	0078717		ARM REST ASSY,DRV,BOST,BK ATHOL	
	0002326		ARMREST,BOSTROM,BURGUNDY VINYL	
	0002328		ARMREST,BOSTROM,BURG VINYL,FIRE	
	0078720		ARM REST ASSY,DRV,BOST,BG ATHOL	
	0002327		ARMREST,BOSTROM,BLUE VINYL	
	0002330		ARMREST,BOSTROM,BLUE VINYL,FIRE	
	0078718		ARM REST ASSY,DRV,BOST,BL ATHOL PROFORM	
	0078860		ARM REST ASSY,DRV,BOST,TL ATHOL PROFORM	
NI	8301400		KIT,RETROFIT,ARM REST,BOST DRI SEAT"	PRIOR TO 1996
NI	0027664		KIT,ARMREST INSERT 6222159-001	
6	4315552		FRAME ASSY,HI-BK BOSTROM 6200755-001	
7	8307613		KIT,LUMBAR,222,BOSTROM SEAT	CONSISTS OF 8 THRU 18
8			LUMBAR SUPPORT SHAFT	
9			LUMBER SLIDE SHAFT WELDMENT	
10			LUMBER ADJUSTMENT BLOCK	
11			LUMBER SHAFT WELDMENT	
12		2	LUMBER SPRING	
13			LUMBER LINKAGE	
14		2	PUSHNUT 5/16 IN	
15		2	PUSHNUT 3/8 IN	
16		2	EXTERNAL RETAINING RING	
17	0049851		COVER, SUSPENSION, BALCK VINYL, BOSTROM	
18		2	XMAS TREE CLIP	
NI	8302507		KNOB,BOSTROM SEAT BACK LUMBAR ADJ."	
19	4315578		KIT, FASTENERS, SEAT MTG. BOSTROM	CONSISTS OF 20, 21, & 22

Models: AAFE, AARE, A3FE, A3RE, BBCV, C1FE, C4RE, CSFE, CSRE, GMCV, LSRE, L4RE, MBWB, SBCV, TCFE, TCRE, TSFE, T2RE

**DRIVER'S SEAT
BOSTROM ROUTEMASTER + AIRE SEAT AND FRAME DIAGRAM
AIR & HYDRAULIC BRAKE UNITS, WITH ARMREST
OPTION 02827, WITH OPTION 2831**

With Features:

Key	PartNumber	Qty	Description	Comment
20		2	SCREW, CAP M 8X40MM FULLTHRDZP	
21		2	BOLT SHDR M8X1.25	
22		2	WASHER FL 060X0.34X0.68 ZP	
48			PART OF KIT KEY # 43	
54			PART OF KIT KEY # 49	
70	4315701		KIT, IPC BRACKET BOSTROM 622127-001"	<i>CONSISTS OF 71 THRU 72</i>
71		2	ICP BRACKETS	
72		4	CAP SCREW M8X12MM	
NI	8312100		FOAM,SEAT CUSHION,BOST RTE MASTER T,	
NI	4315826		FOAM,BACK,SEAT,HI-BK BOSTROM"	

Models: AAFE, AARE, A3FE, A3RE, BBCV, C1FE, C4RE, CSFE, CSRE, GMCV, LSRE, L4RE, MBWB, SBCV, TCFE, TCRE, TSFE, T2RE

DRIVER'S SEAT

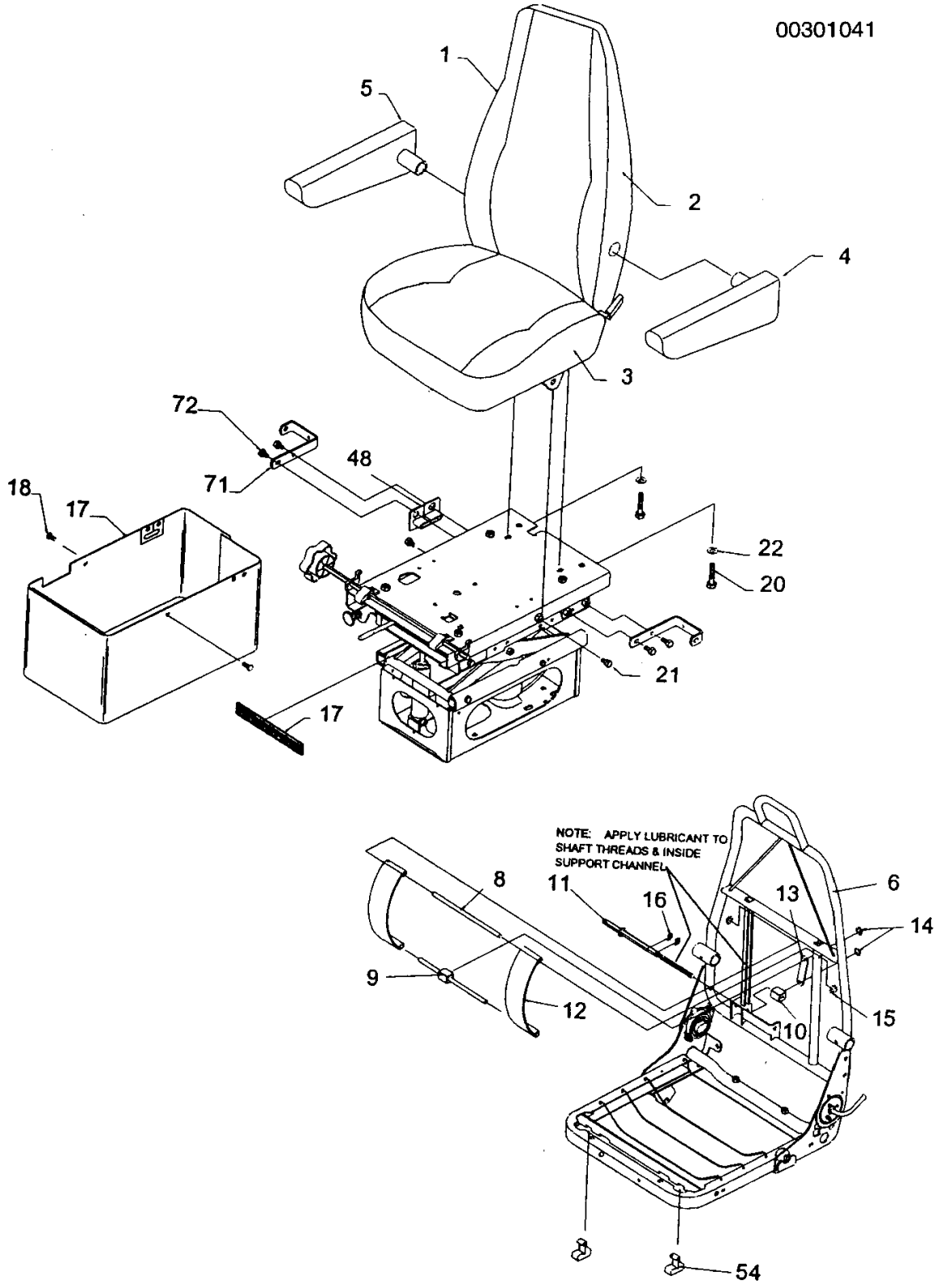
BOSTROM ROUTEMASTER + AIRE SEAT AND FRAME DIAGRAM

AIR & HYDRAULIC BRAKE UNITS, WITH ARMREST

With Features: OPTION 02827 WITH OPTION 2831

Key	PartNumber	Qty	Description	Comment
-----	------------	-----	-------------	---------

00301041



Models: AAFE, AARE, A3FE, A3RE, BBCV, C1FE, C4RE, CSFE, CSRE, GMCV, LSRE, L4RE, MBWB, SBCV, TCFE, TCRE, TSFE, T2RE
DRIVER'S SEAT
BOSTROM ROUTEMASTER + AIRE SEAT AND FRAME DIAGRAM
AIR & HYDRAULIC BRAKE UNITS, WITH ARMREST
With Features: OPTION 02827 WITH OPTION 2831

Key	PartNumber	Qty	Description	Comment
4/5			ARMREST OPT 2831 (RH AND LH)	
	1697762		ARMREST,BOSTROM,BROWN VINYL	
	1697770		ARMREST,BOSTROM,BROWN VINYL,FIRE	
	0078719		ARM REST ASSY,DRV,BOST,BN ATHOL	
	1697788		ARMREST,BOSTROM,GREEN VINYL	
	1697796		ARMREST,BOSTROM,DK GREEN ,FIRE RET	
	0078722		ARM REST ASSY,DRV,BOST,GN ATHOL	
	1697804		ARMREST,BOSTROM,BLACK VINYL	
	0078717		ARM REST ASSY,DRV,BOST,BK ATHOL	
	0002326		ARMREST,BOSTROM,BURGUNDY VINYL	
	0002328		ARMREST,BOSTROM,BURG VINYL,FIRE	
	0078720		ARM REST ASSY,DRV,BOST,BG ATHOL	
	0002327		ARMREST,BOSTROM,BLUE VINYL	
	0002330		ARMREST,BOSTROM,BLUE VINYL,FIRE	
	0078718		ARM REST ASSY,DRV,BOST,BL ATHOL PROFORM	
	0078860		ARM REST ASSY,DRV,BOST,TL ATHOL PROFORM	
NI	8301400		KIT,RETROFIT,ARM REST,BOST DRI SEAT"	PRIOR TO 1996
NI	0027664		KIT,ARMREST INSERT 6222159-001	
6	4315552		FRAME ASSY,HI-BK BOSTROM 6200755-001	
7	8307613		KIT,LUMBAR,222,BOSTROM SEAT	CONSISTS OF 8 THRU 18
8			LUMBAR SUPPORT SHAFT	
9			LUMBER SLIDE SHAFT WELDMENT	
10			LUMBER ADJUSTMENT BLOCK	
11			LUMBER SHAFT WELDMENT	
12		2	LUMBER SPRING	
13			LUMBER LINKAGE	
14		2	PUSHNUT 5/16 IN	
15		2	PUSHNUT 3/8 IN	
16		2	EXTERNAL RETAINING RING	
17	0049851		COVER, SUSPENSION, BALCK VINYL, BOSTROM	
18		2	XMAS TREE CLIP	
NI	8302507		KNOB,BOSTROM SEAT BACK LUMBAR ADJ."	
19	4315578		KIT, FASTENERS, SEAT MTG. BOSTROM	CONSISTS OF 20, 21, & 22

Models: AAFE, AARE, A3FE, A3RE, BBCV, C1FE, C4RE, CSFE, CSRE, GMCV, LSRE, L4RE, MBWB, SBCV, TCFE, TCRE, TSFE, T2RE

**DRIVER'S SEAT
BOSTROM ROUTEMASTER + AIRE SEAT AND FRAME DIAGRAM
AIR & HYDRAULIC BRAKE UNITS, WITH ARMREST
OPTION 02827 WITH OPTION 2831**

With Features:

Key	PartNumber	Qty	Description	Comment
20		2	SCREW, CAP M 8X40MM FULLTHRDZP	
21		2	BOLT SHDR M8X1.25	
22		2	WASHER FL 060X0.34X0.68 ZP	
48			PART OF KIT KEY # 43	
54			PART OF KIT KEY # 49	
70	4315701		KIT, IPC BRACKET BOSTROM 622127-001"	<i>CONSISTS OF 71 THRU 72</i>
71		2	ICP BRACKETS	
72		4	CAP SCREW M8X12MM	
NI	8312100		FOAM,SEAT CUSHION,BOST RTE MASTER T,	
NI	4315826		FOAM,BACK,SEAT,HI-BK BOSTROM"	

Models: AAFE, AARE, A3FE, A3RE, BBCV, C1FE, C4RE, CSFE, CSRE, GMCV, LSRE, L4RE, MBWB, SBCV, TCFE, TCRE, TSFE, T2RE
DRIVER'S SEAT
BOSTROM ROUTEMASTER + AIRE SEAT ASSEMBLIES
AIR BRAKE UNITS / STD AAFE, AARE, WITH ARMREST
With Features: OPTION 02827, STD AAFE, AARE, WITH OPTION 2831

Key	PartNumber	Qty	Description	Comment
			BOSTROM ROUTEMASTER + AIR FOR AIR	OPT 2827
	1697606		SEAT,DR,BOST,RTMSTR+AIR,BROWN VINYL	END WITH BSN B0256964, F0188893, L0018799, M0369415
	4328571		COVER ASSY,CUSH,BOST,OPT 2827,BRN VNYL"	
	4324224		COVER ASSY,HI-BK,BOST,OPT 2824&5&7,BRN	
	1860204		SEAT,DR,BOST,RTMSTR+AIR,BROWN VINYL	FROM BSN B0256965, F0188894, L0018800, M0369414 TO BSN B10032559, F10017549, L10027924, M10035639, X10007304
	4328571		COVER ASSY,CUSH,BOST,OPT 2827,BRN VNYL"	
	4324224		COVER ASSY,HI-BK,BOST,OPT 2824&5&7,BRN	
	0014178		SEAT,DR,BOST,RTMSTR+AIR,BROWN VINYL	BEGIN WITH BSN/B10032560, F10017550, L10027925, M10035640 X10007305
	4328571		COVER ASSY,CUSH,BOST,OPT 2827,BRN VNYL"	
	4324224		COVER ASSY,HI-BK,BOST,OPT 2824&5&7,BRN	
	1697614		SEAT,DR,BOST,RTMSTR+AIR,BRN VNL,FIRE RET	END WITH BSN B0256964, F0188893, L0018799, M0369415
	4324273		COVER ASSY,HI-BK,BOST,OPT 2824&5,KEV	
	1860212		SEAT,DR,BOST,RTMSTR+AIR,BRN VNL,FIRE RET	FROM BSN B0256965, F0188894, L0018800, M0369414 TO BSN B10032559, F10017549, L10027924, M10035639, X10007304
	4324273		COVER ASSY,HI-BK,BOST,OPT 2824&5,KEV	
	0014179		SEAT,DR,BOST,RTMSTR+AIR,BRN VNL,FIRE RET	BEG WITH BSN B10032560, F10017550, L10027925, M10035640, X10007305
	4324273		COVER ASSY,HI-BK,BOST,OPT 2824&5,KEV	
	0078685		SEAT,DRV,BOST,RTMSTR+AIR,BN,PRFM II	
	1697622		SEAT,DR,BOST,RTMSTR+AIR,BRN VNL / FABRIC	END WITH BSN B0256964, F0188893, L0018799, M0369415
	4325387		COVER ASSY,HI-BK,BOST,OPT 2824&25,BRN	
	1860220		SEAT,DR,BOST,RTMSTR+AIR,BRN VNL/FABRIC	FROM BSN B0256965, F0188894, L0018800, M0369414 TO BSN B10032559, F10017549, L10027924, M10035639, X10007304
	4325387		COVER ASSY,HI-BK,BOST,OPT 2824&25,BRN	
	4320834		COVER ASSY,CUSH,BOST,OPT 2825(27),BRN	
	0014180		SEAT,DR,BOST,RTMSTR+AIR,BRN VNL/FABRIC	BEGIN WITH BSN B10032560, F10017550, L10027925, M10035640, X10007305

Models: AAFE, AARE, A3FE, A3RE, BBCV, C1FE, C4RE, CSFE, CSRE, GMCV, LSRE, L4RE, MBWB, SBCV, TCFE, TCRE, TSFE, T2RE

With Features: DRIVER'S SEAT
 BOSTROM ROUTEMASTER + AIRE SEAT ASSEMBLIES
 AIR BRAKE UNITS / STD AAFE, AARE, WITH ARMREST
 OPTION 02827, STD AAFE, AARE, WITH OPTION 2831

Key	PartNumber	Qty	Description	Comment
	4325387		COVER ASSY,HI-BK,BOST,OPT 2824&25,BRN	
	0078686		SEAT,DRV,BOST,RTMSTR+AIR,BN,PRFM II,	

Models: AAFE, AARE, A3FE, A3RE, BBCV, C1FE, C4RE, CSFE, CSRE, GMCV, LSRE, L4RE, MBWB, SBCV, TCFE, TCRE, TSFE, T2RE
DRIVER'S SEAT
BOSTROM ROUTEMASTER + AIRE SEAT ASSEMBLIES
AIR BRAKE UNITS / STD AAFE, AARE, WITH ARMREST
With Features: OPTION 02827, STD AAFE, AARE, WITH OPTION 2831

Key	PartNumber	Qty	Description	Comment
	1697630		SEAT,DR,BOST,RTMSTR+AIR,GREEN VINYL	END WITH BSN B0256964, F0188893, L0018799, M0369415
	1697648		SEAT,DR,BOST,RTMSTR+AIR,GRN VNL,FIRE RET	
	1860246		SEAT,DR,BOST,RTMSTR+AIR,DK GRN VNL,FIRE	FROM BSN B0256965, F0188894, L0018800, M0369414 TO BSN B10032559, F10017549, L10027924, M10035639, X10007304
	4324265		COVER ASSY,HI-BK,BOST,OPT 2824&5,KEV	
	0014188		SEAT,DR,BOST,RTMSTR+AIR,DK GRN VNL,FIRE	BEG WITH BSN B10032560, F10017550, L10027925, M10035640, X10007305
	4324265		COVER ASSY,HI-BK,BOST,OPT 2824&5,KEV	
	0078691		SEAT,DRV,BOST,RTMSTR+AIR,GN,PRFM II	
	1697655		SEAT,DR,BOST,RTMSTR+AIR,GRN VNL / FABRIC	END WITH BSN B0256964, F0188893, L0018799, M0369415
	4318879		COVER ASSY,CUSH,DRI,BOST,OPT 2825,	
	4324232		COVER ASSY,HI-BK,BOST,OPT 2824&5&7,GRN	
	1697663		SEAT,DR,BOST,RTMSTR+AIR,BLACK VINYL	END WITH BSN B0256964, F0188893, L0018799, M0369415
	1860261		SEAT,DR,BOST,RTMSTR+AIR,BLACK VINYL	FROM BSN B0256965, F0188894, L0018800, M0369414 TO BSN B10032559, F10017549, L10027924, M10035639, X10007304
	0014176		SEAT,DR,BOST,RTMSTR+AIR,BLACK VINYL	BEG WITH BSN B10032560, F10017550, L10027925, M10035640, X10007305
	4315776		COVER ASSY.HI-BK,BOST.OPT.2824,5,7,BLK	
	0078681		SEAT,DRV,BOST,RTMSTR+AIR,BK,PRFM II	
	1697671		SEAT,DR,BOST,RTMSTR+AIR,BLK VNL / FABRIC	END WITH BSN B0256964, F0188893, L0018799, M0369415
	1860279		SEAT,DR,BOST,RTMSTR+AIR,BLK VNL/FABRIC	FROM BSN B0256965, F0188894, L0018800, M0369414 TO BSN B10032559, F10017549, L10027924, M10035639, X10007304
	4315800		COVER ASSY.HI-BK BOST.OPT. 2824 BLK	
	0014177		SEAT,DR,BOST,RTMSTR+AIR,BLK VNL/FABRIC	BEG WITH BSN B10032560, F10017550, L10027925, M10035640, X10007305
	4315800		COVER ASSY.HI-BK BOST.OPT. 2824 BLK	
	0028037		COVER ASSY CUSH,DRI,BOST,BLACK VNYL	

Models: AAFE, AARE, A3FE, A3RE, BBCV, C1FE, C4RE, CSFE, CSRE, GMCV, LSRE, L4RE,
MBWB, SBCV, TCFE, TCRE, TSFE, T2RE

With Features: DRIVER'S SEAT
BOSTROM ROUTEMASTER + AIRE SEAT ASSEMBLIES
AIR BRAKE UNITS / STD AAFE, AARE, WITH ARMREST
OPTION 02827, STD AAFE, AARE, WITH OPTION 2831

Key	PartNumber	Qty	Description	Comment
	0078682		SEAT,DRV,BOST,RTMSTR+AIR,BK,PRFM II,	

Models: AAFE, AARE, A3FE, A3RE, BBCV, C1FE, C4RE, CSFE, CSRE, GMCV, LSRE, L4RE, MBWB, SBCV, TCFE, TCRE, TSFE, T2RE

DRIVER'S SEAT

BOSTROM ROUTEMASTER + AIRE SEAT ASSEMBLIES

AIR BRAKE UNITS / STD AAFE, AARE, WITH ARMREST

With Features: OPTION 02827, STD AAFE, AARE, WITH OPTION 2831

Key	PartNumber	Qty	Description	Comment
	0014184		SEAT,DR,BOST,RTMSTR+AIR,BURG VNL/FAB	BEG WITH BSN B10032560, F10017550, L10027925, M10035640, X10007305
	8317422		COVER ASSY,CUSH,BURGUNDY,VINYL FAB"	
	8317448		COVER ASSY,BACK,DRVR,BOST,BURG,VINYL	
	8317950		COVER ASSY,BACK,DRVR,BOST,BURG KEV	
	0078687		SEAT,DRV,BOST,RTMSTR+AIR,BG,PRFM II	
	0078688		SEAT,DRV,BOST,RTMSTR+AIR,BG,PRFM II,	
	0002315		SEAT,DR,BOST,RTMSTR+AIR,BLUE VINYL	
	0014185		SEAT,DR,BOST,RTMSTR+AIR,BLUE VINYL	BEG WITH BSN B10032560, F10017550, L10027925, M10035640, X10007305
	0002314		SEAT,DR,BOST,RTMSTR+AIR,BLUE VNL,FIRE	
	0014186		SEAT,DR,BOST,RTMSTR+AIR,BLUE VNL,FIRE	
	0078683		SEAT,DRV,BOST,RTMSTR+AIR,BL,PRFM II	BEG WITH BSN B10032560, F10017550, L10027925, M10035640, X10007305
	0002312		SEAT,DR,BOST,RTMSTR+AIR,BLUE VNL/FABRIC	
	0014187		SEAT,DR,BOST,RTMSTR+AIR,BLUE VNL/FABRIC	BEG WITH BSN B10032560, F10017550, L10027925, M10035640, X10007305
	0013504		COVER ASSY,CUSH,BOST.DVR, BLUE FABRIC	
	0013505		COVER ASSY,BACK,BOST.DVR, BLUE FABRIC	
	0057074		SEAT,DR,BOST,RTMSTR+AIR,BLUE KEV/FAB	
	0078684		SEAT,DRV,BOST,RTMSTR+AIR,BL,PRFM II,	
	0078857		SEAT,DRV,BOST,RTMSTR+AIR,TL,PRFM II	

Models: AAFE, AARE, A3FE, A3RE, BBCV, C1FE, C4RE, CSFE, CSRE, GMCV, LSRE, L4RE, MBWB, SBCV, TCFE, TCRE, TSFE, T2RE
DRIVER'S SEAT
BOSTROM ROUTEMASTER + AIRE SEAT ASSEMBLIES
AIR BRAKE UNITS / STD AAFE, AARE, WITH ARMREST
With Features: OPTION 02827, STD AAFE, AARE, WITH OPTION 2831

Key	PartNumber	Qty	Description	Comment
			BOSTROM ROUTEMASTER + AIR FOR AIR	OPT 2827
	1697606		SEAT,DR,BOST,RTMSTR+AIR,BROWN VINYL	ENDING WITH BSN B0256964, F0188893, L0018799, M0369415
	4328571		COVER ASSY,CUSH,BOST,OPT 2827,BRN VNYL"	
	4324224		COVER ASSY,HI-BK,BOST,OPT 2824&5&7,BRN	
	1860204		SEAT,DR,BOST,RTMSTR+AIR,BROWN VINYL	FROM BSN/B0256965, F0188894, L0018800, M0369414 TO BSN/B10032559, F10017549, L10027924, M10035639, X10007304
	4328571		COVER ASSY,CUSH,BOST,OPT 2827,BRN VNYL"	
	4324224		COVER ASSY,HI-BK,BOST,OPT 2824&5&7,BRN	
	0014178		SEAT,DR,BOST,RTMSTR+AIR,BROWN VINYL	BEGIN WITH BSN/B10032560, F10017550, L10027925, M10035640 X10007305
	4328571		COVER ASSY,CUSH,BOST,OPT 2827,BRN VNYL"	
	4324224		COVER ASSY,HI-BK,BOST,OPT 2824&5&7,BRN	
	1697614		SEAT,DR,BOST,RTMSTR+AIR,BRN VNL,FIRE RET	ENDING WITH BSN B0256964, F0188893, L0018799, M0369415
	4324273		COVER ASSY,HI-BK,BOST,OPT 2824&5,KEV	
	1860212		SEAT,DR,BOST,RTMSTR+AIR,BRN VNL,FIRE RET	FROM BSN/B0256965, F0188894, L0018800, M0369414 TO BSN/B10032559, F10017549, L10027924, M10035639, X10007304
	4324273		COVER ASSY,HI-BK,BOST,OPT 2824&5,KEV	
	0014179		SEAT,DR,BOST,RTMSTR+AIR,BRN VNL,FIRE RET	BEGIN WITH BSN/B10032560, F10017550, L10027925, M10035640, X10007305
	4324273		COVER ASSY,HI-BK,BOST,OPT 2824&5,KEV	
	0078685		SEAT,DRV,BOST,RTMSTR+AIR,BN,PRFM II	
	1697622		SEAT,DR,BOST,RTMSTR+AIR,BRN VNL / FABRIC	ENDING WITH BSN B0256964, F0188893, L0018799, M0369415
	4325387		COVER ASSY,HI-BK,BOST,OPT 2824&25,BRN	
	1860220		SEAT,DR,BOST,RTMSTR+AIR,BRN VNL/FABRIC	FROM BSN/B0256965, F0188894, L0018800, M0369414 TO BSN/B10032559, F10017549, L10027924, M10035639, X10007304
	4325387		COVER ASSY,HI-BK,BOST,OPT 2824&25,BRN	
	4320834		COVER ASSY,CUSH,BOST,OPT 2825(27),BRN	
	0014180		SEAT,DR,BOST,RTMSTR+AIR,BRN VNL/FABRIC	BEGIN WITH BSN/B10032560, F10017550, L10027925,

Models: AAFE, AARE, A3FE, A3RE, BBCV, C1FE, C4RE, CSFE, CSRE, GMCV, LSRE, L4RE, MBWB, SBCV, TCFE, TCRE, TSFE, T2RE

With Features: DRIVER'S SEAT
 BOSTROM ROUTEMASTER + AIRE SEAT ASSEMBLIES
 AIR BRAKE UNITS / STD AAFE, AARE, WITH ARMREST
 OPTION 02827, STD AAFE, AARE, WITH OPTION 2831

Key	PartNumber	Qty	Description	Comment
				<i>M10035640, X10007305</i>
	4325387		COVER ASSY,HI-BK,BOST,OPT 2824&25,BRN	
	0078686		SEAT,DRV,BOST,RTMSTR+AIR,BN,PRFM II,	

Models: AAFE, AARE, A3FE, A3RE, BBCV, C1FE, C4RE, CSFE, CSRE, GMCV, LSRE, L4RE, MBWB, SBCV, TCFE, TCRE, TSFE, T2RE
DRIVER'S SEAT
BOSTROM ROUTEMASTER + AIRE SEAT ASSEMBLIES
AIR BRAKE UNITS / STD AAFE, AARE, WITH ARMREST
With Features: OPTION 02827, STD AAFE, AARE, WITH OPTION 2831

Key	PartNumber	Qty	Description	Comment
	1697630		SEAT,DR,BOST,RTMSTR+AIR,GREEN VINYL	ENDING WITHBSN B0256964, F0188893, L0018799, M0369415
	1697648		SEAT,DR,BOST,RTMSTR+AIR,GRN VNL,FIRE RET	
	1860246		SEAT,DR,BOST,RTMSTR+AIR,DK GRN VNL,FIRE	FROM BSN/B0256965, F0188894, L0018800, M0369414; TO BSN/B10032559, F10017549, L10027924, M10035639, X10007304
	4324265		COVER ASSY,HI-BK,BOST,OPT 2824&5,KEV	
	0014188		SEAT,DR,BOST,RTMSTR+AIR,DK GRN VNL,FIRE	BEGIN WITH BSN/B10032560, F10017550, L10027925, M10035640, X10007305
	4324265		COVER ASSY,HI-BK,BOST,OPT 2824&5,KEV	
	0078691		SEAT,DRV,BOST,RTMSTR+AIR,GN,PRFM II	
	1697655		SEAT,DR,BOST,RTMSTR+AIR,GRN VNL / FABRIC	ENDING WITH BSN B0256964, F0188893, L0018799, M0369415
	4318879		COVER ASSY,CUSH,DRI,BOST,OPT 2825,	
	4324232		COVER ASSY,HI-BK,BOST,OPT 2824&5&7,GRN	
	1697663		SEAT,DR,BOST,RTMSTR+AIR,BLACK VINYL	ENDING WITH BSN B0256964, F0188893, L0018799, M0369415
	1860261		SEAT,DR,BOST,RTMSTR+AIR,BLACK VINYL	FROM BSN/B0256965, F0188894, L0018800, M0369414; TO BSN/B10032559, F10017549, L10027924, M10035639, X10007304
	0014176		SEAT,DR,BOST,RTMSTR+AIR,BLACK VINYL	BEGIN WITH BSN/B10032560, F10017550, L10027925, M10035640, X10007305
	4315776		COVER ASSY.HI-BK,BOST.OPT.2824,5,7,BLK	
	0078681		SEAT,DRV,BOST,RTMSTR+AIR,BK,PRFM II	
	1697671		SEAT,DR,BOST,RTMSTR+AIR,BLK VNL / FABRIC	ENDING WITH BSN B0256964, F0188893, L0018799, M0369415
	1860279		SEAT,DR,BOST,RTMSTR+AIR,BLK VNL/FABRIC	FROM BSN/B0256965, F0188894, L0018800, M0369414; TO BSN/B10032559, F10017549, L10027924, M10035639, X10007304
	4315800		COVER ASSY.HI-BK BOST.OPT. 2824 BLK	
	0014177		SEAT,DR,BOST,RTMSTR+AIR,BLK VNL/FABRIC	BEGIN WITH BSN/B10032560, F10017550, L10027925, M10035640, X10007305
	4315800		COVER ASSY.HI-BK BOST.OPT. 2824 BLK	
	0028037		COVER ASSY CUSH,DRI,BOST,BLACK VNYL	
	0078682		SEAT,DRV,BOST,RTMSTR+AIR,BK,PRFM II,	

Models: AAFE, AARE, A3FE, A3RE, BBCV, C1FE, C4RE, CSFE, CSRE, GMCV, LSRE, L4RE, MBWB, SBCV, TCFE, TCRE, TSFE, T2RE

DRIVER'S SEAT

BOSTROM ROUTEMASTER + AIRE SEAT ASSEMBLIES

AIR BRAKE UNITS / STD AAFE, AARE, WITH ARMREST

With Features: OPTION 02827, STD AAFE, AARE, WITH OPTION 2831

Key	PartNumber	Qty	Description	Comment
	0014184		SEAT,DR,BOST,RTMSTR+AIR,BURG VNL/FAB	BEGIN WITH BSN/B10032560, F10017550, L10027925, M10035640, X10007305
	8317422		COVER ASSY,CUSH,BURGUNDY,VINYL FAB"	
	8317448		COVER ASSY,BACK,DRVR,BOST,BURG,VINYL	
	8317950		COVER ASSY,BACK,DRVR,BOST,BURG KEV	
	0078687		SEAT,DRV,BOST,RTMSTR+AIR,BG,PRFM II	
	0078688		SEAT,DRV,BOST,RTMSTR+AIR,BG,PRFM II,	
	0002315		SEAT,DR,BOST,RTMSTR+AIR,BLUE VINYL	
	0014185		SEAT,DR,BOST,RTMSTR+AIR,BLUE VINYL	BEGIN WITH BSN/B10032560, F10017550, L10027925, M10035640, X10007305
	0002314		SEAT,DR,BOST,RTMSTR+AIR,BLUE VNL,FIRE	
	0014186		SEAT,DR,BOST,RTMSTR+AIR,BLUE VNL,FIRE	
	0078683		SEAT,DRV,BOST,RTMSTR+AIR,BL,PRFM II	BEGIN WITH BSN/B10032560, F10017550, L10027925, M10035640, X10007305
	0002312		SEAT,DR,BOST,RTMSTR+AIR,BLUE VNL/FABRIC	
	0014187		SEAT,DR,BOST,RTMSTR+AIR,BLUE VNL/FABRIC	BEGIN WITH BSN/B10032560, F10017550, L10027925, M10035640, X10007305
	0013504		COVER ASSY,CUSH,BOST.DVR, BLUE FABRIC	
	0013505		COVER ASSY,BACK,BOST.DVR, BLUE FABRIC	
	0057074		SEAT,DR,BOST,RTMSTR+AIR,BLUE KEV/FAB	
	0078684		SEAT,DRV,BOST,RTMSTR+AIR,BL,PRFM II,	
	0078857		SEAT,DRV,BOST,RTMSTR+AIR,TL,PRFM II	

Models: AAFE, AARE, A3FE, A3RE, BBCV, C1FE, C4RE, CSFE, CSRE, GMCV, LSRE, L4RE, MBWB, SBCV, TCFE, TCRE, TSFE, T2RE
DRIVER'S SEAT
BOSTROM ROUTEMASTER + AIRE SEAT ASSEMBLIES
HYDRAULIC UNITS, WITH ARMREST
With Features: OPTION 02827, WITH OPTION 2831

Key	PartNumber	Qty	Description	Comment
			BOSTROM ROUTEMASTER + AIR FOR	OPT 2827
	1697689		SEAT,DR,BOST,RTMSTR+AIR,HYD,BROWN	END WITH BSN B10032559, F10017549, L10027924, M10035639, X10007304
	4328571		COVER ASSY,CUSH,BOST,OPT 2827,BRN VNYL"	
	4324224		COVER ASSY,HI-BK,BOST,OPT 2824&5&7,BRN	
	0014192		SEAT,DR,BOST,RTMSTR+AIR,HYD,BROWN	BEG WITH BSN B10032560, F10017550, L10027925, M10035640, X10007305
	4328571		COVER ASSY,CUSH,BOST,OPT 2827,BRN VNYL"	
	4324224		COVER ASSY,HI-BK,BOST,OPT 2824&5&7,BRN	
	1697697		SEAT,DR,BOST,RTMSTR+AIR,HYD,BRN VNL,	END WITH BSN B10032559, F10017549, L10027924, M10035639, X10007304
	4321923		COVER ASSY,CUSH,BOST,OPT2825 & 27,KEV	
	4324273		COVER ASSY,HI-BK,BOST,OPT 2824&5,KEV	
	0014193		SEAT,DR,BOST,RTMSTR+AIR,HYD,BRN VNL,	BEG WITH BSN B10032560, F10017550, L10027925, M10035640, X10007305
	4321923		COVER ASSY,CUSH,BOST,OPT2825 & 27,KEV	
	4324273		COVER ASSY,HI-BK,BOST,OPT 2824&5,KEV	
	0078709		SEAT,DRV,BOST,RTMSTR+AIR,HYD,BN,PRFM II	
	1697705		SEAT,DR,BOST,RTMSTR+AIR,HYD,BRN VNL	END WITH BSN B10032559, F10017549, L10027924, M10035639, X10007304
	0014194		SEAT,DR,BOST,RTMSTR+AIR,HYD,BRN	BEG WITH BSN B10032560, F10017550, L10027925, M10035640, X10007305
	4320834		COVER ASSY,CUSH,BOST,OPT 2825(27),BRN	
	4325387		COVER ASSY,HI-BK,BOST,OPT 2824&25,BRN	
	0078710		SEAT,DRV,BOST,RTMSTR+AIR,HYD,BN,PRFM II,	
	0002316		SEAT,DR,BOST,RTMSTR+AIR,HYD,BURGUNDY	END WITH BSN B10032559, F10017549, L10027924, M10035639, X10007304
	0014195		SEAT,DR,BOST,RTMSTR+AIR,HYD,BURGUNDY	BEG WITH BSN B10032560, F10017550, L10027925, M10035640, X10007305
	0002318		SEAT,DR,BOST,RTMSTR+AIR,HYD,BURG VNL,	END WITH BSN B10032559, F10017549, L10027924, M10035639, X10007304
	8317950		COVER ASSY,BACK,DRVR,BOST,BURG KEV	
	0014196		SEAT,DR,BOST,RTMSTR+AIR,HYD,BURG VNL,	BEG WITH BSN B10032560, F10017550, L10027925,

Models: AAFE, AARE, A3FE, A3RE, BBCV, C1FE, C4RE, CSFE, CSRE, GMCV, LSRE, L4RE, MBWB, SBCV, TCFE, TCRE, TSFE, T2RE

**DRIVER'S SEAT
BOSTROM ROUTEMASTER + AIRE SEAT ASSEMBLIES
HYDRAULIC UNITS, WITH ARMREST
OPTION 02827, WITH OPTION 2831**

With Features:

Key	PartNumber	Qty	Description	Comment
				M10035640, X10007305
	0017168		COVER CUSH BOST, OPT 2827 BURG KEV	
	0017166		COVER ASSY HI BK, BOST 2827 BURG KEV	
	0078711		SEAT,DRV,BOST,RTMSTR+AIR,HYD,BG,PRFM II	
	0002320		SEAT,DR,BOST,RTMSTR+AIR,HYD,BURG	END WITH BSN B10032559, F10017549, L10027924, M10035639, X10007304
	8317448		COVER ASSY,BACK,DRVR,BOST,BURG,VINYL	
	0014197		SEAT,DR,BOST,RTMSTR+AIR,HYD,BURG	BEG WITH BSN B10032560, F10017550, L10027925, M10035640, X10007305
	0078712		SEAT,DRV,BOST,RTMSTR+AIR,HYD,BG,PRFM II,	

Models: AAFE, AARE, A3FE, A3RE, BBCV, C1FE, C4RE, CSFE, CSRE, GMCV, LSRE, L4RE, MBWB, SBCV, TCFE, TCRE, TSFE, T2RE
DRIVER'S SEAT
BOSTROM ROUTEMASTER + AIRE SEAT ASSEMBLIES
HYDRAULIC UNITS, WITH ARMREST
With Features: OPTION 02827, WITH OPTION 2831

Key	PartNumber	Qty	Description	Comment
	0002317		SEAT,DR,BOST,RTMSTR+AIR,HYD,BLUE VINYL	ENDING WITH BSN B10032559, F10017549, L10027924, M10035639, X10007304
	0014198		SEAT,DR,BOST,RTMSTR+AIR,HYD,BLUE VINYL	BEGIN WITH BSN B10032560, F10017550, L10027925, M10035640, X10007305
	0002319		SEAT,DR,BOST,RTMSTR+AIR,HYD,BLUE VNL,	ENDING WITH BSN B10032559, F10017549, L10027924, M10035639, X10007304
	0014199		SEAT,DR,BOST,RTMSTR+AIR,HYD.BLUE VNL,	BEGIN WITH BSN B10032560, F10017550, L10027925, M10035640, X10007305
	0078707		SEAT,DRV,BOST,RTMSTR+AIR,HYD,BL,PRFM II	
	0002321		SEAT,DR,BOST,RTMSTR+AIR,HYD,BLUE	ENDING WITH BSN/B10032559, F10017549, L10027924, M10035639, X10007304
	0014200		SEAT,DR,BOST,RTMSTR+AIR,HYD,BLUE	BEGIN WITH BSN/B10032560, F10017550, L10027925, M10035640, X10007305
	0078708		SEAT,DRV,BOST,RTMSTR+AIR,HYD,BL,PRFM II,	
	1697721		SEAT,DR,BOST,RTMSTR+AIR,HYD,DK GRN VNL,	ENDING WITH BSN/B10032559, F10017549, L10027924, M10035639, X10007304
	4322087		COVER ASSY,CUSH,BOST,OPT 2825,KEV GRN,	
	4324232		COVER ASSY,HI-BK,BOST,OPT 2824&5&7,GRN	
	0014201		SEAT,DR,BOST,RTMSTR+AIR,HYD,DK GRN VNL,	BEGIN WITH BSN/B10032560, F10017550, L10027925, M10035640, X10007305
	4322087		COVER ASSY,CUSH,BOST,OPT 2825,KEV GRN,	
	4324265		COVER ASSY,HI-BK,BOST,OPT 2824&5,KEV	
	0078715		SEAT,DRV,BOST,RTMSTR+AIR,HYD,GN,PRFM II	
	1697747		SEAT,DR,BOST,RTMSTR+AIR,HYD,BLACK VINYL	ENDING WITH BSN/B10032559, F10017549, L10027924, M10035639, X10007304)
	0014189		SEAT,DR,BOST,RTMSTR+AIR,HYD,BLACK VINYL	ENDING WITH BSN/B10032559, F10017549, L10027924, M10035639, X10007304)
	4315776		COVER ASSY.HI-BK,BOST.OPT.2824,5,7,BLK	
	0078705		SEAT,DRV,BOST,RTMSTR+AIR,HYD,BK,PRFM II	
	1697754		SEAT,DR,BOST,RTMSTR+AIR,HYD,BLK VNL	1217218-431, ENDING WITH BSN/B10032559, F10017549, L10027924, M10035639, X10007304
	0064632		CUSHION ASSY,UPPER,BLACK VINYL&CLOTH,	
	0014190		SEAT,DR,BOST,RTMSTR+AIR,HYD,BLK	

Models: AAFE, AARE, A3FE, A3RE, BBCV, C1FE, C4RE, CSFE, CSRE, GMCV, LSRE, L4RE, MBWB, SBCV, TCFE, TCRE, TSFE, T2RE

**DRIVER'S SEAT
BOSTROM ROUTEMASTER + AIRE SEAT ASSEMBLIES
HYDRAULIC UNITS, WITH ARMREST
OPTION 02827, WITH OPTION 2831**

With Features:

Key	PartNumber	Qty	Description	Comment
				<i>BSN/B10032560, F10017550, L10027925, M10035640, X10007305</i>
	0064632		CUSHION ASSY,UPPER,BLACK VINYL&CLOTH,	
	4319620		COVER ASSY,CUSH,BOST,OPT2825(27),BLK	
	4315800		COVER ASSY.HI-BK BOST.OPT. 2824 BLK	
	0078706		SEAT,DRV,BOST,RTMSTR+AIR,HYD,BK,PRFM II,	
	0078859		SEAT,DRV,BOST,RTMSTR+AIR,HYD,TL,PRFM II	

Models: AAFE, AARE, A3FE, A3RE, BBCV, C1FE, C4RE, CSFE, CSRE, GMCV, LSRE, L4RE, MBWB, SBCV, TCFE, TCRE, TSFE, T2RE
DRIVER'S SEAT
BOSTROM ROUTEMASTER + AIRE SEAT ASSEMBLIES
HYDRAULIC UNITS, WITH ARMREST
With Features: OPTION 02827 WITH OPTION 2831

Key	PartNumber	Qty	Description	Comment
			BOSTROM ROUTEMASTER + AIR FOR	OPTION 2827
	1697689		SEAT,DR,BOST,RTMSTR+AIR,HYD,BROWN	ENDING WITH BSN/B10032559, F10017549, L10027924, M10035639, X10007304
	4328571		COVER ASSY,CUSH,BOST,OPT 2827,BRN VNYL"	
	4324224		COVER ASSY,HI-BK,BOST,OPT 2824&5&7,BRN	
	0014192		SEAT,DR,BOST,RTMSTR+AIR,HYD,BROWN	BEGIN WITH BSN/B10032560, F10017550, L10027925, M10035640, X10007305
	4328571		COVER ASSY,CUSH,BOST,OPT 2827,BRN VNYL"	
	4324224		COVER ASSY,HI-BK,BOST,OPT 2824&5&7,BRN	
	1697697		SEAT,DR,BOST,RTMSTR+AIR,HYD,BRN VNL,	ENDING WITH BSN/B10032559, F10017549, L10027924, M10035639, X10007304
	4321923		COVER ASSY,CUSH,BOST,OPT2825 & 27,KEV	
	4324273		COVER ASSY,HI-BK,BOST,OPT 2824&5,KEV	
	0014193		SEAT,DR,BOST,RTMSTR+AIR,HYD,BRN VNL,	BEGIN WITH BSN/B10032560, F10017550, L10027925, M10035640, X10007305
	4321923		COVER ASSY,CUSH,BOST,OPT2825 & 27,KEV	
	4324273		COVER ASSY,HI-BK,BOST,OPT 2824&5,KEV	
	0078709		SEAT,DRV,BOST,RTMSTR+AIR,HYD,BN,PRFM II	
	1697705		SEAT,DR,BOST,RTMSTR+AIR,HYD,BRN VNL	ENDING WITH BSN/B10032559, F10017549, L10027924, M10035639, X10007304
	0014194		SEAT,DR,BOST,RTMSTR+AIR,HYD,BRN	BEGIN WITH BSN/B10032560, F10017550, L10027925, M10035640, X10007305
	4320834		COVER ASSY,CUSH,BOST,OPT 2825(27),BRN	
	4325387		COVER ASSY,HI-BK,BOST,OPT 2824&25,BRN	
	0078710		SEAT,DRV,BOST,RTMSTR+AIR,HYD,BN,PRFM II,	
	0002316		SEAT,DR,BOST,RTMSTR+AIR,HYD,BURGUNDY	END WITH BSN/B10032559, F10017549, L10027924, M10035639, X10007304
	0014195		SEAT,DR,BOST,RTMSTR+AIR,HYD,BURGUNDY	BEGIN WITH BSN/B10032560, F10017550, L10027925, M10035640, X10007305
	0002318		SEAT,DR,BOST,RTMSTR+AIR,HYD,BURG VNL,	ENDING WITH BSN/B10032559, F10017549, L10027924, M10035639, X10007304
	8317950		COVER ASSY,BACK,DRVR,BOST,BURG KEV	
	0014196		SEAT,DR,BOST,RTMSTR+AIR,HYD,BURG VNL,	BEGIN WITH BSN/B10032560, F10017550, L10027925,

Models: AAFE, AARE, A3FE, A3RE, BBCV, C1FE, C4RE, CSFE, CSRE, GMCV, LSRE, L4RE, MBWB, SBCV, TCFE, TCRE, TSFE, T2RE
DRIVER'S SEAT
BOSTROM ROUTEMASTER + AIRE SEAT ASSEMBLIES
HYDRAULIC UNITS, WITH ARMREST
With Features: OPTION 02827 WITH OPTION 2831

Key	PartNumber	Qty	Description	Comment
				M10035640, X10007305
	0017168		COVER CUSH BOST, OPT 2827 BURG KEV	
	0017166		COVER ASSY HI BK, BOST 2827 BURG KEV	
	0078711		SEAT,DRV,BOST,RTMSTR+AIR,HYD,BG,PRFM II	
	0002320		SEAT,DR,BOST,RTMSTR+AIR,HYD,BURG	ENDING WITH BSN/B10032559, F10017549, L10027924, M10035639, X10007304
	8317448		COVER ASSY,BACK,DRVR,BOST,BURG,VINYL	
	0014197		SEAT,DR,BOST,RTMSTR+AIR,HYD,BURG	BEGIN WITH BSN/B10032560, F10017550, L10027925, M10035640, X10007305
	8317950		COVER ASSY,BACK,DRVR,BOST,BURG KEV	
	0078712		SEAT,DRV,BOST,RTMSTR+AIR,HYD,BG,PRFM II,	

Models: AAFE, AARE, A3FE, A3RE, BBCV, C1FE, C4RE, CSFE, CSRE, GMCV, LSRE, L4RE, MBWB, SBCV, TCFE, TCRE, TSFE, T2RE
DRIVER'S SEAT
BOSTROM ROUTEMASTER + AIRE SEAT ASSEMBLIES
HYDRAULIC UNITS, WITH ARMREST
With Features: OPTION 02827 WITH OPTION 2831

Key	PartNumber	Qty	Description	Comment
	0002317		SEAT,DR,BOST,RTMSTR+AIR,HYD,BLUE VINYL	ENDING WITH BSN/B10032559, F10017549, L10027924, M10035639, X10007304
	0014198		SEAT,DR,BOST,RTMSTR+AIR,HYD,BLUE VINYL	BEGIN WITH BSN/B10032560, F10017550, L10027925, M10035640, X10007305
	0002319		SEAT,DR,BOST,RTMSTR+AIR,HYD,BLUE VNL,	ENDING WITH BSN/B10032559, F10017549, L10027924, M10035639, X10007304
	0014199		SEAT,DR,BOST,RTMSTR+AIR,HYD.BLUE VNL,	BEGIN WITH BSN/B10032560, F10017550, L10027925, M10035640, X10007305
	0078707		SEAT,DRV,BOST,RTMSTR+AIR,HYD,BL,PRFM II	
	0002321		SEAT,DR,BOST,RTMSTR+AIR,HYD,BLUE	ENDING WITH BSN/B10032559, F10017549, L10027924, M10035639, X10007304
	0014200		SEAT,DR,BOST,RTMSTR+AIR,HYD,BLUE	BEGIN WITH BSN/B10032560, F10017550, L10027925, M10035640, X10007305
	0078708		SEAT,DRV,BOST,RTMSTR+AIR,HYD,BL,PRFM II,	
	1697721		SEAT,DR,BOST,RTMSTR+AIR,HYD,DK GRN VNL,	ENDING WITH BSN/B10032559, F10017549, L10027924, M10035639, X10007304
	4322087		COVER ASSY,CUSH,BOST,OPT 2825,KEV GRN,	
	4324232		COVER ASSY,HI-BK,BOST,OPT 2824&5&7,GRN	
	0014201		SEAT,DR,BOST,RTMSTR+AIR,HYD,DK GRN VNL,	BEGIN WITH BSN/B10032560, F10017550, L10027925, M10035640, X10007305
	4322087		COVER ASSY,CUSH,BOST,OPT 2825,KEV GRN,	
	4324265		COVER ASSY,HI-BK,BOST,OPT 2824&5,KEV	
	0078715		SEAT,DRV,BOST,RTMSTR+AIR,HYD,GN,PRFM II	
	1697747		SEAT,DR,BOST,RTMSTR+AIR,HYD,BLACK VINYL	ENDING WITH BSN/B10032559, F10017549, L10027924, M10035639, X10007304
	0014189		SEAT,DR,BOST,RTMSTR+AIR,HYD,BLACK VINYL	BEGIN WITH BSN/B10032560, F10017550, L10027925, M10035640, X10007305
	4315776		COVER ASSY.HI-BK,BOST.OPT.2824,5,7,BLK	
	0078705		SEAT,DRV,BOST,RTMSTR+AIR,HYD,BK,PRFM II	
	1697754		SEAT,DR,BOST,RTMSTR+AIR,HYD,BLK VNL	1217218-431 ENDING WITH BSN/B10032559, F10017549, L10027924, M10035639, X10007304
	0064632		CUSHION ASSY,UPPER,BLACK VINYL&CLOTH,	
	0014190		SEAT,DR,BOST,RTMSTR+AIR,HYD,BLK	

Models: AAFE, AARE, A3FE, A3RE, BBCV, C1FE, C4RE, CSFE, CSRE, GMCV, LSRE, L4RE,
 MBWB, SBCV, TCFE, TCRE, TSFE, T2RE
DRIVER'S SEAT
BOSTROM ROUTEMASTER + AIRE SEAT ASSEMBLIES
HYDRAULIC UNITS, WITH ARMREST
With Features: OPTION 02827 WITH OPTION 2831

Key	PartNumber	Qty	Description	Comment
				<i>BSN/B10032560, F10017550, L10027925, M10035640, X10007305</i>
	0064632		CUSHION ASSY,UPPER,BLACK VINYL&CLOTH,	
	4319620		COVER ASSY,CUSH,BOST,OPT2825(27),BLK	
	4315800		COVER ASSY.HI-BK BOST.OPT. 2824 BLK	<i>BEGIN WITH BSN/B10032560, F10017550, L10027925, M10035640, X10007305</i>
	0078706		SEAT,DRV,BOST,RTMSTR+AIR,HYD,BK,PRFM II,	
	0078859		SEAT,DRV,BOST,RTMSTR+AIR,HYD,TL,PRFM II	

Models: A3FE, A3RE, GMCV, MBWB, SBCV, TCFE
DRIVER'S SEAT
BOSTROM ROUTEMASTER + AIRE WITH DUAL SHOCKS
With Features: OPTION 02827-13

Key	PartNumber	Qty	Description	Comment
			SEAT ASSY	
	0034339		SEAT,DR,BOST,RTMSTR+AIR,BLACK VNL,D/SHK	
	0034340		SEAT,DR,BOST,RTMSTR+AIR,BLK VNL/FAB,	
	0078693		SEAT,DRV,BOST,RTMSTR+AIR,BK,PRFM II,SHK	
	0078694		SEAT,DRV,BOST,RTMSTR+AIR,BK,PRFM II,FAB,	
	0034341		SEAT,DR,BOST,RTMSTR+AIR,BROWN VNL,	
	0034342		SEAT,DR,BOST,RTMSTR+AIR,BRN VNL,F RET,	
	0034343		SEAT,DR,BOST,RTMSTR+AIR,BRN VNL/FAB,	
	0078697		SEAT,DRV,BOST,RTMSTR+AIR,BN,PRFM II,SHK	
	0079868		CAP,FRAME,LOWER, 45H4RE	
	0034344		SEAT,DR,BOST,RTMSTR+AIR,BURGUNDY VNL,	
	0034345		SEAT,DR,BOST,RTMSTR+AIR,BUR VNL,F RET,	
	0034346		SEAT,DR,BOST,RTMSTR+AIR,BUR VNL/FAB,	
	0078699		SEAT,DRV,BOST,RTMSTR+AIR,BG,PRFM II,SHK	
	0078700		SEAT,DRV,BOST,RTMSTR+AIR,BG,PRFM II,FAB,	
	0034347		SEAT,DR,BOST,RTMSTR+AIR,BLUE VNL,D/SHK	
	0034348		SEAT,DR,BOST,RTMSTR+AIR,BL VNL,F RET,	
	0034349		SEAT,DR,BOST,RTMSTR+AIR,BLUE VNL/FAB,	
	0056200		SEAT,DR,BOST,RTMSTR+AIR,BLUE KEV/FAB,	
	0078695		SEAT,DRV,BOST,RTMSTR+AIR,BL,PRFM II,SHK	
	0078696		SEAT,DRV,BOST,RTMSTR+AIR,BL,PRFM II,FAB,	
	0034350		SEAT,DR,BOST,RTMSTR+AIR,GN VNL,F RET,	
	0078703		SEAT,DRV,BOST,RTMSTR+AIR,GN,PRFM II,SHK	
	0078858		SEAT,DRV,BOST,RTMSTR+AIR,TL,PRFM II,SHK	
			ARM REST ASSY	
	1697762		ARMREST,BOSTROM,BROWN VINYL	
	1697770		ARMREST,BOSTROM,BROWN VINYL,FIRE	
	0078719		ARM REST ASSY,DRV,BOST,BN ATHOL	
	1697788		ARMREST,BOSTROM,GREEN VINYL	
	1697796		ARMREST,BOSTROM,DK GREEN ,FIRE RET	
	0078722		ARM REST ASSY,DRV,BOST,GN ATHOL	
	1697804		ARMREST,BOSTROM,BLACK VINYL	
	0078717		ARM REST ASSY,DRV,BOST,BK ATHOL	

Models: A3FE, A3RE, GMCV, MBWB, SBCV, TCFE
DRIVER'S SEAT
With Features: BOSTROM ROUTEMASTER + AIRE WITH DUAL SHOCKS
OPTION 02827-13

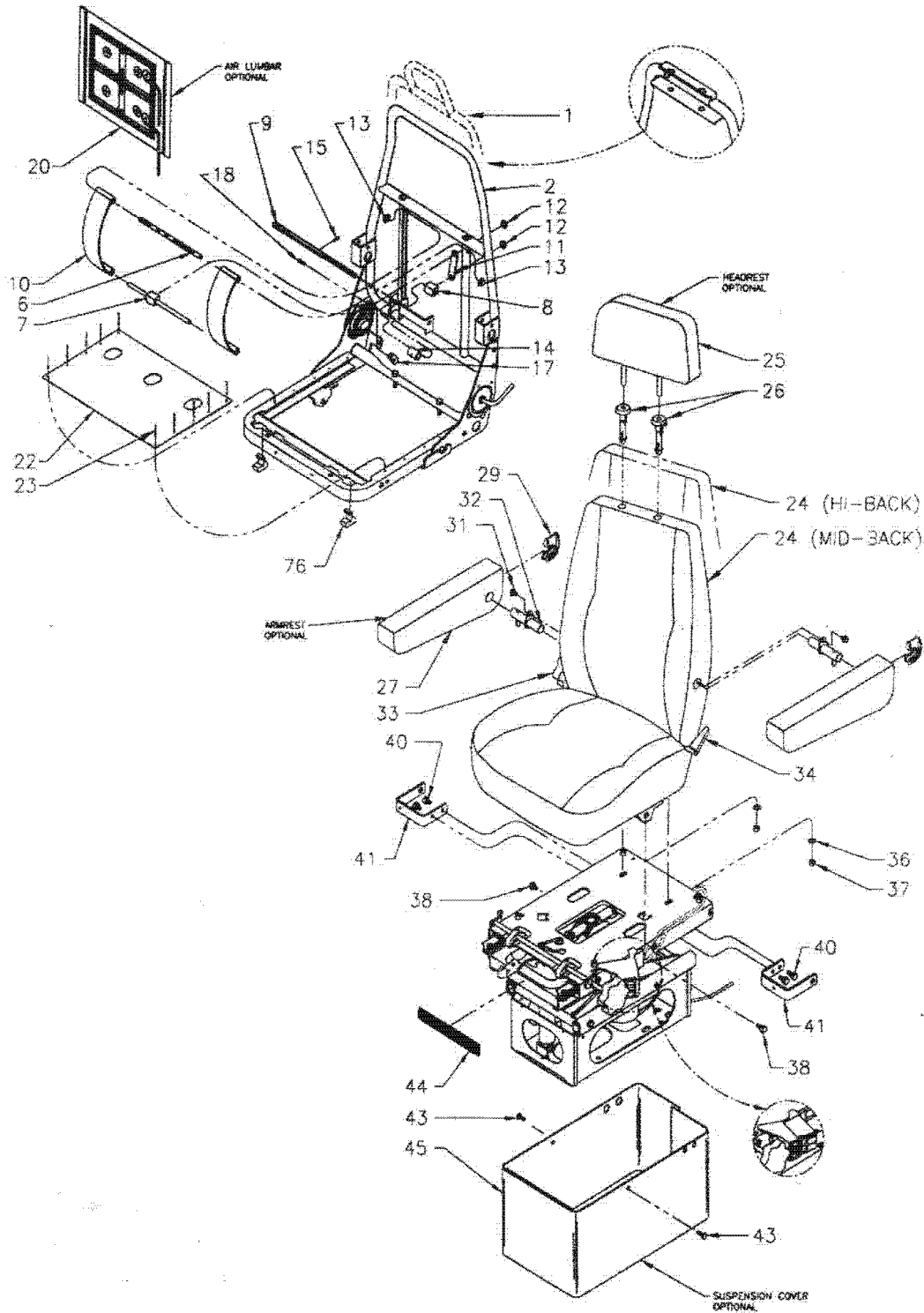
Key	PartNumber	Qty	Description	Comment
	0002326		ARMREST,BOSTROM,BURGUNDY VINYL	
	0002328		ARMREST,BOSTROM,BURG VINYL,FIRE	
	0078720		ARM REST ASSY,DRV,BOST,BG ATHOL	
	0002327		ARMREST,BOSTROM,BLUE VINYL	
	0002330		ARMREST,BOSTROM,BLUE VINYL,FIRE	
	0078718		ARM REST ASSY,DRV,BOST,BL ATHOL PROFORM	
	0078860		ARM REST ASSY,DRV,BOST,TL ATHOL PROFORM	

Models: A3FE, A3RE, GMCV, MBWB, SBCV, TCFE

DRIVER'S SEAT
 BOSTROM ROUTEMASTER + AIRE WITH DUAL SHOCKS
 OPTION 02827-13

With Features:

Key	PartNumber	Qty	Description	Comment
-----	------------	-----	-------------	---------



Models: A3FE, A3RE, GMCV, MBWB, SBCV, TCFE
DRIVER'S SEAT
BOSTROM ROUTEMASTER + AIRE WITH DUAL SHOCKS
With Features: OPTION 02827-13

Key	PartNumber	Qty	Description	Comment
1	0040249		FRAME,HI-BACK,TALLADEGA SERIES	
2	0040249		FRAME,HI-BACK,TALLADEGA SERIES	
3			FRAME W/HEADREST	
4			FRAME W/AIR LUMBAR	
5	0030666		PARABAR II LUMBAR KIT, TALLADEGA	CONSISTS OF ITEMS 6-15
6			LUMBAR SUPPORT SHAFT	
7			LUMBAR SLIDE SHAFT	
8			LUMBAR ADJUSTMENT BLOCK	
9			LUMBAR ADJUSTMENT SHAFT	
10		2	LUMBAR SPRING	
11			LUMBAR LINKAGE	
12		2	PUSHNUT 5/16 IN	
13		2	PUSHNUT 3/8 IN	
14			SPACER	
15			ROLL PIN	
16			BACK RESTRICTION KIT; CONSIST OF ITEMS 17	
17			STOP BLOCK	
18			SCREW 10-32	
19	0049855		KIT, LUMBER AIR BOSTROM	AIR
20			LUMBAR BLADDER	
21			PAN - SUPPORT KIT; CONSIST OF ITEMS 22	
22			PAN	
23		10	RIVETS	
24			UPPER COVER PAD KIT	
25			HEADREST	
26		2	GROMMET	
27			ARMREST ASSY SEE PAGE WITH SEAT ASSY	
28	0027664		KIT,ARMREST INSERT 6222159-001	
29			INSERT	
30	0049854		KIT, ARMREST BRACKET, BOSTROM	CONSISTS OF ITEMS 30 AND 31
31			SCREW, 5/16 X 1/2 HEX TAP	
32			ARMREST SHAFT	
33	8302507		KNOB,BOSTROM SEAT BACK LUMBAR ADJ."	

Models: A3FE, A3RE, GMCV, MBWB, SBCV, TCFE
DRIVER'S SEAT
BOSTROM ROUTEMASTER + AIRE WITH DUAL SHOCKS
With Features: OPTION 02827-13

Key	PartNumber	Qty	Description	Comment
34	4309597		HANDLE,SEAT BK ADJ,BOSTROM,915"	
35	0049853		KIT, FASTENER, MOUNTING, BOSTROM 2827-13	<i>CONSISTS OF ITEMS 36 THRU 38</i>
36		2	WASHER FLAT	
37		2	NUT M8 X .125	
38		2	SHOULDER BOLT MB	
39	0049852	2	KIT, ICP BRACKET, BOSTROM 2827-13	<i>CONSISTS OF ITEMS 40 THRU 45</i>
40		4	BOLTS	
41		2	ICP BRACKET	
42			SUSPENSION COVER KIT	
43		2	FASTENER	
44			VELCRO	
45	0049851		COVER, SUSPENSION, BALCK VINYL, BOSTROM	
76		2	SLIDE BLOCK SEAT TILT	<i>INCLUDED IN ITEM 71</i>

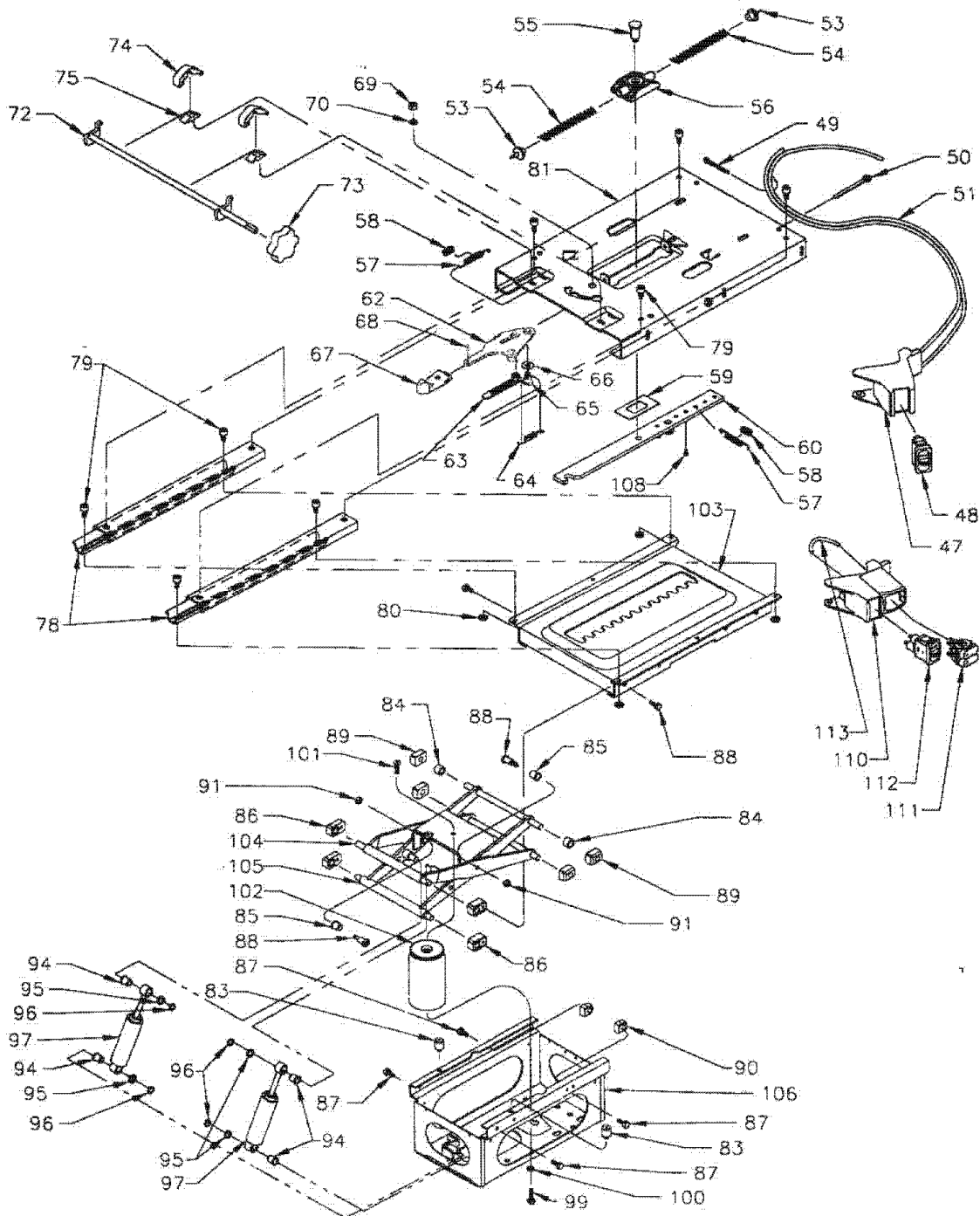
Models: A3FE, A3RE, GMCV, MBWB, SBCV, TCFE

DRIVER'S SEAT

BOSTROM ROUTEMASTER + AIRE WITH DUAL SHOCKS

With Features: OPTION 02827-13

Key	PartNumber	Qty	Description	Comment
-----	------------	-----	-------------	---------



Models: A3FE, A3RE, GMCV, MBWB, SBCV, TCFE
DRIVER'S SEAT
BOSTROM ROUTEMASTER + AIRE WITH DUAL SHOCKS
With Features: OPTION 02827-13

Key	PartNumber	Qty	Description	Comment
46	4315610		KIT, AIR VALVE BOSTROM 6222077-001"	
			CONSIST OF 47 THRU 51	<i>NOT SOLD SEPARATELY</i>
47			VALVE MOUNTING POD	
48			AIR VALVE	
49		3	WIRE TIE 3"	
50			WIRE TIE 6"	
51			AIR LINE	
52	0021576		KIT,ISOLATOR,SPRING BOSTRUM(62222133	<i>CONSISTS OF ITEMS 53 THRU 60</i>
53		2	RUBBER BUMPER	
54		2	ISOLATOR SPRING	
55			SHOULDER BOLT M10 X 1.50	
56			PIVOT BLOCK ASSY	
57		2	LATCH SPRING	
58		2	SPLIT POLY LOOM	
59			SPACER	
60			LATCH BAR	
61	0047450		KIT CONTROL HANDLE	<i>CONSISTS OF ITEMS 62 THRU 70</i>
62			CONTROL HANDLE ASSY	
63			DETENT PIN ASSY	
64			SPRING LOCKOUT	
65			HEX HEAD - SHOULDER	
66			WASHER,	
67	0030797		CAP,RUBBER SLIDE RAIL ARM	
68			POP RIVET	
69			HEX NUT M8 X 1.25 LK	
70			WASHER	
71	8306524		KIT,REPLACEMENT,TILT,DR. SEAT BOSTROM"	<i>CONSISTS OF ITEMS 72 THRU 76</i>
72			TILT ROD WELDMENT	
73			TILT KNOB	
74		2	BRACKET TILT ROD	
75		2	BRACKET TILT ROD	
77	0026857		KIT SLIDE RAIL, 7"', BOSTRUM (STEEL	<i>CONSISTS OF ITEMS 78 THRU 80</i>
78		2	SLIDE RAIL	

Models: A3FE, A3RE, GMCV, MBWB, SBCV, TCFE
DRIVER'S SEAT
BOSTROM ROUTEMASTER + AIRE WITH DUAL SHOCKS
With Features: OPTION 02827-13

Key	PartNumber	Qty	Description	Comment
79		8	SCREWS	
80		4	NUTS	
81	8300790		SLIDE ASSY,BOST,RTMSTR + AIR"	
82	0034661		KIT, STOP BLOCKS, BOSTROM 2827 122006	CONSISTS OF ITEMS 83 THRU 91
83		2	RUBBER BUMPER	
84		2	SPACER ROLLER	
85		2	BEARING, MULTILUBE	
86		4	BEARING BLOCK	
87		6	SCREW CAP M8 X 20 MM	
88		2	BOLT SHOULDER M8 X 1.26	
89		4	BLOCK SLIDE	
90		2	STOP BLOCK ASSY	
91		2	NUT HEX M8 X 1.25 LK	
92			HIGH PROFILE DAMPER KIT	
93	0016472		SHOCK, BOSTRUM, RTMTR, 6222082-001	CONSISTS OF ITEMS 94 THRU 97
94		2	BEARING MULTILUBE	
95		2	WASHER FLAT	
96		2	FASTENER	
97			STANDARD DAMPER	
98	4315602		KIT AIR SPRING BOSTROM 6222086-001	CONSISTS OF ITEMS 99 THRU 102
99			SCREW CAP M8 X 30 MM	
10			LOCK WASHER	
10			SCREW M8 X 1.25 X 25	
10			AIR SPRING ASSY	
10			UPPER PLATE WELDMENT	
10			OUTER LEVER ASSY	
10			INNER LEVER ASSY	
10	0018824		RISER SINGLE SHOCK TO DUAL 6200390-001	
10	0024972		KIT, FORE & AFT RESTRICTOR	
10			RESTRICTOR SCREW	
10	8313868		KIT,LH,AIR VAVLE ASSY 6222163-001	ROCKER TYPE TRIPLE SWITCH
			CONSIST OF ITEMS 110 THRU 113	
11			PAD	

Models: A3FE, A3RE, GMCV, MBWB, SBCV, TCFE
DRIVER'S SEAT
With Features: BOSTROM ROUTEMASTER + AIRE WITH DUAL SHOCKS
OPTION 02827-13

Key	PartNumber	Qty	Description	Comment
11			AIR LUMBER VALVE	
11			AIR VALVE	
11			JUMPER LOOP	

Models: A3FE, A3RE, BBCV, SBCV

DRIVER'S SEAT

NATIONAL

AIR SEAT

With Features: FEATURE 30796

Key	PartNumber	Qty	Description	Comment
			SEAT, DRIVER, NATIONAL, AIR	
	0092731		SEAT,DRVR,NATIONAL,AIR,GRAY,PRFMII	FEATURE 30796-01
	0096173		SEAT,DRVR,NATIONAL,AIR,CHARCOAL,	FEATURE 30796-05
	0096170		SEAT,DRVR,NATIONAL,AIR,BLUE,PRFMII	FEATURE 30796-02
	0096174		SEAT,DRVR,NATIONAL,AIR,BLUE,MORDURA	FATURE 30796-06
	0100876		ARM REST ASSY,RH,BLUE MODURA III,	
	0096171		SEAT,DRVR,NATIONAL,AIR,BRWN,PRFMII	FEATURE 30796-03
	0102547		COVER ASSY,CUSH,BRN PRFM II W/CLOTH	
	0102548		COVER ASSY,BACK,BRN PRFM II W/CLOTH	
	0096175		SEAT,DRVR,NATIONAL,AIR,CHOCO,MORDURA	FEATURE 30796-07
	0096172		SEAT,DRVR,NATIONAL,AIR,BURG,PRFMII	FEATURE 30796-08
	0096176		SEAT,DRVR,NATIONAL,AIR,RED,MORDURA	FEATURE 30796-08
	0104186		KNOB,KIT,BACK RECLINE,NATIONAL	

Models: A3FE, A3RE, BBCV, SBCV

DRIVER'S SEAT

NATIONAL

AIR SEAT

With Features: FEATURE 30796 WITH 30797-01

Key	PartNumber	Qty	Description	Comment
			SEAT, DRIVER, NATIONAL, AIR	
	0096211		SEAT,DRVR,NATIONAL,AIR,GRAY,PRFMII,RH	FEATURE 30796-01 WITH 30797-01
	0096215		SEAT,DRVR,NATL,AIR,CHAR,MORDURA,RH ARM	FEATURE 30796-05 WITH 30797-01
	0096212		SEAT,DRVR,NATIONAL,AIR,BLUE,PRFMII,RH	FEATURE 30796-02 W/ 30797-01
	0096216		SEAT,DRVR,NATIONAL,AIR,BLUE,MORDURA,RH	FEATURE 30796-06 W/ 30797-01
	0106962		COVER ASSY,SEAT,CUSHION,NATL DRS,	
	0096213		SEAT,DRVR,NATIONAL,AIR,BRWN,PRFMII,RH	FEATURE 30796-03 WITH 30797-01
	0096217		SEAT,DRVR,NATIONAL,AIR,CHOCO,MORDURA,	FEATURE 30796-07 WITH 30797-01
	0096214		SEAT,DRVR,NATIONAL,AIR,BURG,PRFMII,RH	FEATURE 30796-08 WITH 30797-01
	0096218		SEAT,DRVR,NATIONAL,AIR,RED,MORDURA,RH	FEATURE 30796-08 WITH 30797-01

Models: A3FE, A3RE, SBCV
DRIVER'S SEAT
NATIONAL
AIR SEAT
With Features: FEATURE 30796 WITH 30797-02

Key	PartNumber	Qty	Description	Comment
			SEAT, DRIVER, NATIONAL, AIR	
	0096230		SEAT,DRVR,NTL,AIR,GRAY,PRFMII,LH ARM	FEATURE 30796-01 WITH 30797-02
	0096231		SEAT,DRVR,NTL,AIR,CHAR,MORDURA,LH ARM	FEATURE 30796-05 WITH 30797-02
	0107210		ARM REST ASSY,LH,CHARCOAL MODURA	

Models: A3FE, A3RE, BBCV, SBCV
DRIVER'S SEAT
NATIONAL
AIR SEAT
SEAT COMPONENTS
With Features: FEATURE 30796

Key	PartNumber	Qty	Description	Comment
1	0098328		MANIFOLD,AIR,LINE,DRIVER'S SEAT,NATIONAL	
2	0098329		KIT,VALVE,RKR,1,DR ST,TRPL LUMBAR,GREY	SWITCH
3	0098330		KIT,VALVE,RKR,2,DR ST,SEAT HEIGHT,RED	SWITCH
4	0098331		COVER,BASE,AND SHROUD,DRIVER'S SEAT,	
5	0098332		FRAME,BACK,DRIVER SEAT,AIR,NATIONAL	
6	0098334		FRAME,LOWER,DRIVER SEAT,AIR,NATIONAL	
7	0098335		FRAME,LOWER,DRIVER SEAT,STATIC,NATIONAL	
8	0098337		KIT,SHOCK,DRIVER SEAT,AIR,NATIONAL	
9	0098338		BASE,DRIVERS SEAT,AIR,NATIONAL	
10	0098340		KIT,TRACK,DRIVER'S SEAT,AIR,NATIONAL	

Models: A3FE, A3RE, SBCV
DRIVER'S SEAT
NATIONAL
STATIC SEAT
With Features: FEATURE 30795

Key	PartNumber	Qty	Description	Comment
			SEAT, DRIVER, NATIONAL, STATIC	
	0092730		SEAT,DRVR,NATIONAL,STATIC,GRAY,PRFMII	FEATURE 30795-01
	0096181		SEAT,DRVR,NATIONAL,STAT,CHARCOAL,	FEATURE 30795-05
	0096178		SEAT,DRVR,NATIONAL,STATIC,BLUE,PRFMII	FEATURE 30795-02
	0096182		SEAT,DRVR,NATIONAL,STAT,BLUE,MORDURA	FEATURE 30795-06
	0115702		COVER,BACK,DRVR,NATIONAL,SATT,BLUE	
	0095179		MOD 28"/12" S/S LAM TINT SPECTAL	FEATURE 30795-03
	0096183		SEAT,DRVR,NATIONAL,STAT,CHOCO,MORDURA	FEATURE 30795-07
	0096180		SEAT,DRVR,NATIONAL,STATIC,BURG,PRFMII	FEATURE 30795-08
	0096184		SEAT,DRVR,NATIONAL,STAT,RED,MORDURA	FEATURE 30795-08

Models: A3FE, A3RE, SBCV
DRIVER'S SEAT
NATIONAL
STATIC SEAT
With Features: FEATURE 30795 WITH 30797-01

Key	PartNumber	Qty	Description	Comment
			SEAT, DRIVER, NATIONAL, STATIC	
	0096194		SEAT,DRVR,NATIONAL,STATIC,GRAY,PRFMII,RH	FEATURE 30795-01 WITH 30797-01
	0096199		SEAT,DRVR,NATL,STAT,CHARCOAL,MORDURA,	FEATURE 30795-05 WITH 30797-01
	0096195		SEAT,DRVR,NATIONAL,STATIC,BLUE,PRFMII,RH	FEATURE 30795-02 W/ 30797-01
	0096200		SEAT,DRVR,NATIONAL,STAT,BLUE,MORDURA,	FEATURE 30795-06 W/ 30797-01
	0096196		SEAT,DRVR,NATIONAL,STATIC,BRWN,PRFMII,	FEATURE 30795-03 WITH 30797-01
	0096201		SEAT,DRVR,NATIONAL,STAT,CHOCO,MORDURA,	FEATURE 30795-07 WITH 30797-01
	0096198		SEAT,DRVR,NATIONAL,STATIC,BURG,PRFMII,RH	FEATURE 30795-08 WITH 30797-01
	0096202		SEAT,DRVR,NATIONAL,STAT,RED,MORDURA,RH	FEATURE 30795-08 WITH 30797-01

Models: A3FE, A3RE, SBCV
DRIVER'S SEAT
NATIONAL
STATIC SEAT
With Features: FEATURE 30795 WITH 30797-02

Key	PartNumber	Qty	Description	Comment
			SEAT, DRIVER, NATIONAL, STATIC	
	0096227		SEAT,DRVR,NATIONAL,STATIC,GRAY,PRFMII,LH	FEATURE 30795-01 WITH 30797-02
	0096229		SEAT,DRVR,NTL,STAT,CHAR,MORDURA,LH ARM	FEATURE 30795-05 WITH 30797-02

Models: A3FE, A3RE, SBCV
DRIVER'S SEAT
NATIONAL
STATIC SEAT
SEAT COMPONENTS
With Features: FEATURE 30796

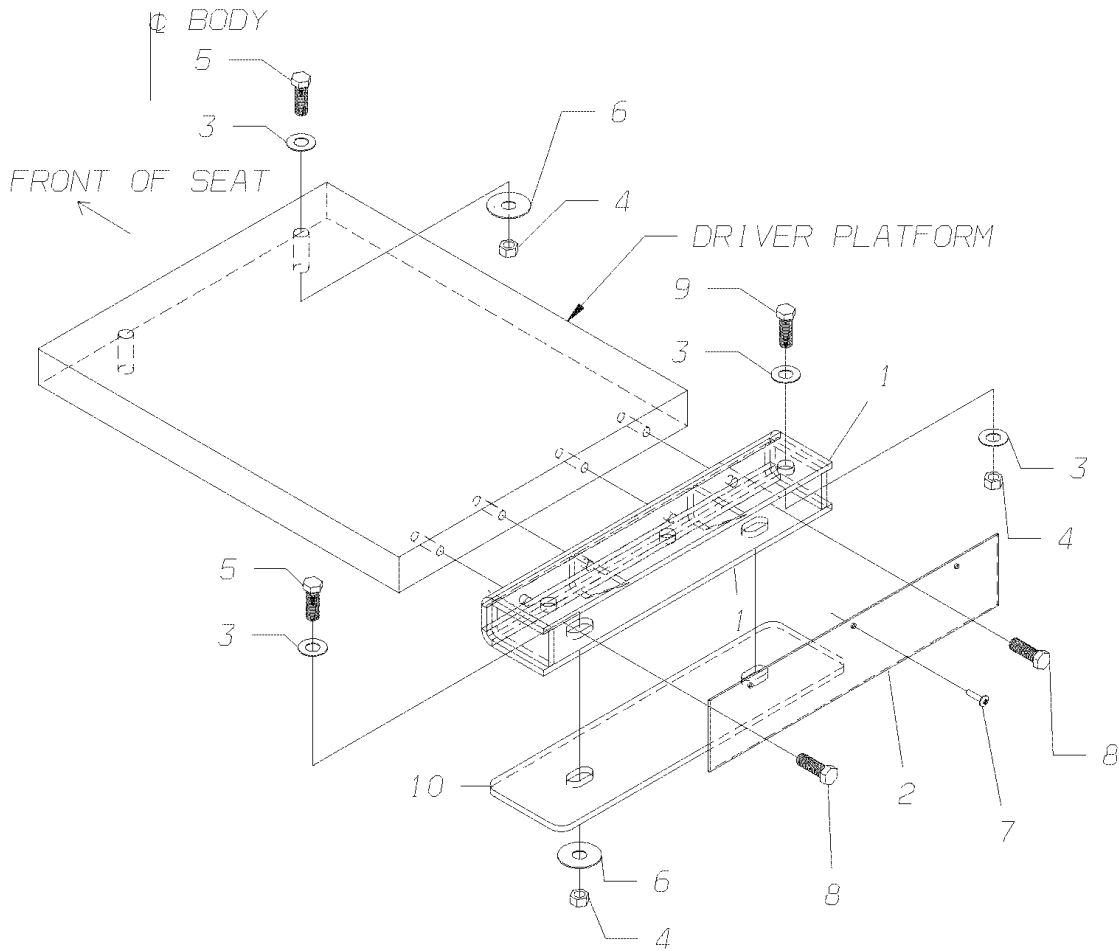
Key	PartNumber	Qty	Description	Comment
1	0098333		FRAME,BACK,DRIVER SEAT,STATAIC,NATIONAL	
2	0098335		FRAME,LOWER,DRIVER SEAT,STATIC,NATIONAL	
3	0099874		BASE,DRIVERS SEAT,STATIC,NATIONAL,TALL,	
4	0098341		KIT,TRACK,DRIVER'S SEAT,STATIC,NATIONAL	

Models: A3RE, BBCV
DRIVER'S SEAT
SEAT INC. INSTALLATION WITH 3 PT ST BELT
With Features: FEATURE 30794-01, -05

Key	PartNumber	Qty	Description	Comment
NI	0093565		SEAT,DRIVERS,SEAT INC.,3PT BELT.BRWN,PR II	
NI	0074993		SEAT,DRIVERS,SEAT INC.,3PT BELT.BLK,PR II	

Models: **A3RE**
DRIVER'S SEAT
SEAT INC. INSTALLATION WITH 3 PT ST BELT

Key	PartNumber	Qty	Description	Comment
-----	------------	-----	-------------	---------



Models: **A3RE**
DRIVER'S SEAT
SEAT INC. INSTALLATION WITH 3 PT ST BELT

Key	PartNumber	Qty	Description	Comment
1	0094925		BRACKET ASSY,MTG,DRIVER,SEAT INC, A3RE	
2	0094927		COVER,BRACKET,MTG,DRIVER,SEAT INC, A3RE	
3	1165265	10	WASHER,FLAT,9/16,X 1 3/8 X 7/64,YEL ZNDICH	
4	0850800	7	NUT,HEX HD,1/2-13,LOCKING,GR 8,CAD WAX	
5	0803205	4	CAPSCREW,HEX HD,1/2-13 X 2,GR 8,YEL ZN	
6	1896521	4	WASHER,FLAT,.531 X 2.00 X 11 GA,YEL ZN	
7	2000511	3	SCREW,10-16 X 1/2,AB,PH1,TRUSS HD,	
8	0822817	4	SCREW,3/8-16 X 1,F,HEX WASH HD,YEL ZN	
9	0803239	3	CAPSCREW,HEX HD,1/2-13 X1 1/2,GR8	
10	0095386		PLATE,MTG,DRIVER,SEAT INC, A3RE	

Models: AAFE, AARE, A3FE, A3RE, BBCV, CSFE, CSRE, GMCV, MBWB, SBCV, TCFE, TCRE,
TSFE
With Features: DRIVER'S SEAT BELT
 OPTION 2830

Key	PartNumber	Qty	Description	Comment
	1868413		SEAT BELT ASSY,DUAL ALR,W/TETHER,	
	1868421		SEAT BELT ASSY,DUAL ALR,W/TETHER,CV	
	1868439		SEAT BELT ASSY,DUAL ALR,W/TETHER,A3,IN33	
	1868447		SEATBELT,ASSY,DUAL AIR,W/TETHER, MBWB	

TSFE

Models: AAFE, AARE, A3FE, A3RE, BBCV, C1FE, CSFE, CSRE, GMCV, SBCV, TCPE, TCRE,

**DRIVER'S SEAT BELT
172 IN
DRIVER'S 3-POINT**

Key	PartNumber	Qty	Description	Comment
NI	8304362		SEAT BLT ASSY, 3PT SUSP. 172.00 FOR	<i>LONGER THAN STANDARD</i>

Models: **AAFE, AARE, A3FE, A3RE, GMCV, SBCV, TCFE, TCRE**
DRIVER'S SEAT BELT
DRIVER'S 3-POINT WITH 4IN ADJUSTABLE PILLAR LOOP, BOSTROM

STATIONARY SEAT
With Features: **OPTION 2832**

Key	PartNumber	Qty	Description	Comment
NI	0036012		SEAT BELT ASSY,3PNT,ADJ-D,STAT,IMMI	AA, A3, TC
NI	1727262		CABLE ASSY,RETAINER,SEAT BELT BUCKLE	AA, A3, TC
NI	1725332	2	BRACKET ASSY,MTG,ADJ D-RING,DRV ST BLT,	AA, A3, TC
NI	1725423		COVER,BRACKET,ADJ D-RING,DRVS SEAT BLT	AA, A3, TC
NI	0036014		S/BELT ASSY,3PNT,ADJ-D,STAT,IMMI F12948,	GMCV, SBCV
NI	1727262		CABLE ASSY,RETAINER,SEAT BELT BUCKLE	GMCV, SBCV
NI	1725399		BRACKET ASSY,MTG,ADJ D-RING,DRV ST	STANDARD 74" HR
NI	1725332		BRACKET ASSY,MTG,ADJ D-RING,DRV ST BLT,	OPTION 3471, 3473; 77" HR
NI	1725431		COVER,BRACKET,ADJ D-RING,DRVS SEAT BLT,	12" SS TSW ONLY
NI	1725308		PLATE ASSY,MTG,ADJ D-RING & RETRACTOR,DR	

Models: **AAFE, AARE, A3FE, A3RE, GMCV, SBCV, TCFE, TCRE**
DRIVER'S SEAT BELT
DRIVER'S 3-POINT WITH 4IN ADJUSTABLE PILLAR LOOP, BOSTROM

SUSPENSION SEAT
With Features: *** STD ON AAFE AND AARE, OPTION 2832**

Key	PartNumber	Qty	Description	Comment
				<i>OPT 2832 W/ OPT 2827</i>
			DRIVER'S 3-POINT W/ 4IN ADJUSTABLE PILLAR	
NI	0046876		SEAT BELT ASSY,3PNT,ADJ-D,SUSP,IMMI	<i>AAFE, AARE, A3FE, A3RE, DRFL, DRRE, TCFE, TCRE, TSFE</i>
NI	1725332		BRACKET ASSY,MTG,ADJ D-RING,DRV ST BLT,	<i>AAFE, AARE, A3FE, A3RE, DRFL, DRRE, TCFE, TCRE, TSFE</i>
NI	1725423		COVER,BRACKET,ADJ D-RING,DRVS SEAT BLT	<i>AAFE, AARE, A3FE, A3RE, DRFL, DRRE, TCFE, TCRE, TSFE</i>
NI	0061436		TETHER,ASSY,SEAT BELT,19.25,BLACK(PR OF 2)	
NI	0061438		TETHER,ASSY,SEAT BELT,18.00,BLACK(PR OF 2)	
NI	1695790		TETHER,ASSY,SEAT BELT,16.00,BLACK,F10263	
NI	0036022		S/BELT ASSY,3PNT,ADJ-D,SUSP,IMMI F12956,	<i>GMCV, SBCV</i>
			BRACKET ASSY, MTG. D-RING	<i>GMCV, SBCV</i>
NI	1725399		BRACKET ASSY,MTG,ADJ D-RING,DRV ST	<i>STANDARD 74" HR</i>
NI	1725332		BRACKET ASSY,MTG,ADJ D-RING,DRV ST BLT,	<i>OPTION 3471, 3473; 77" HR</i>
NI	1725431		COVER,BRACKET,ADJ D-RING,DRVS SEAT BLT,	
NI	1695790		TETHER,ASSY,SEAT BELT,16.00,BLACK,F10263	
NI	1725308		PLATE ASSY,MTG,ADJ D-RING & RETRACTOR,DR	

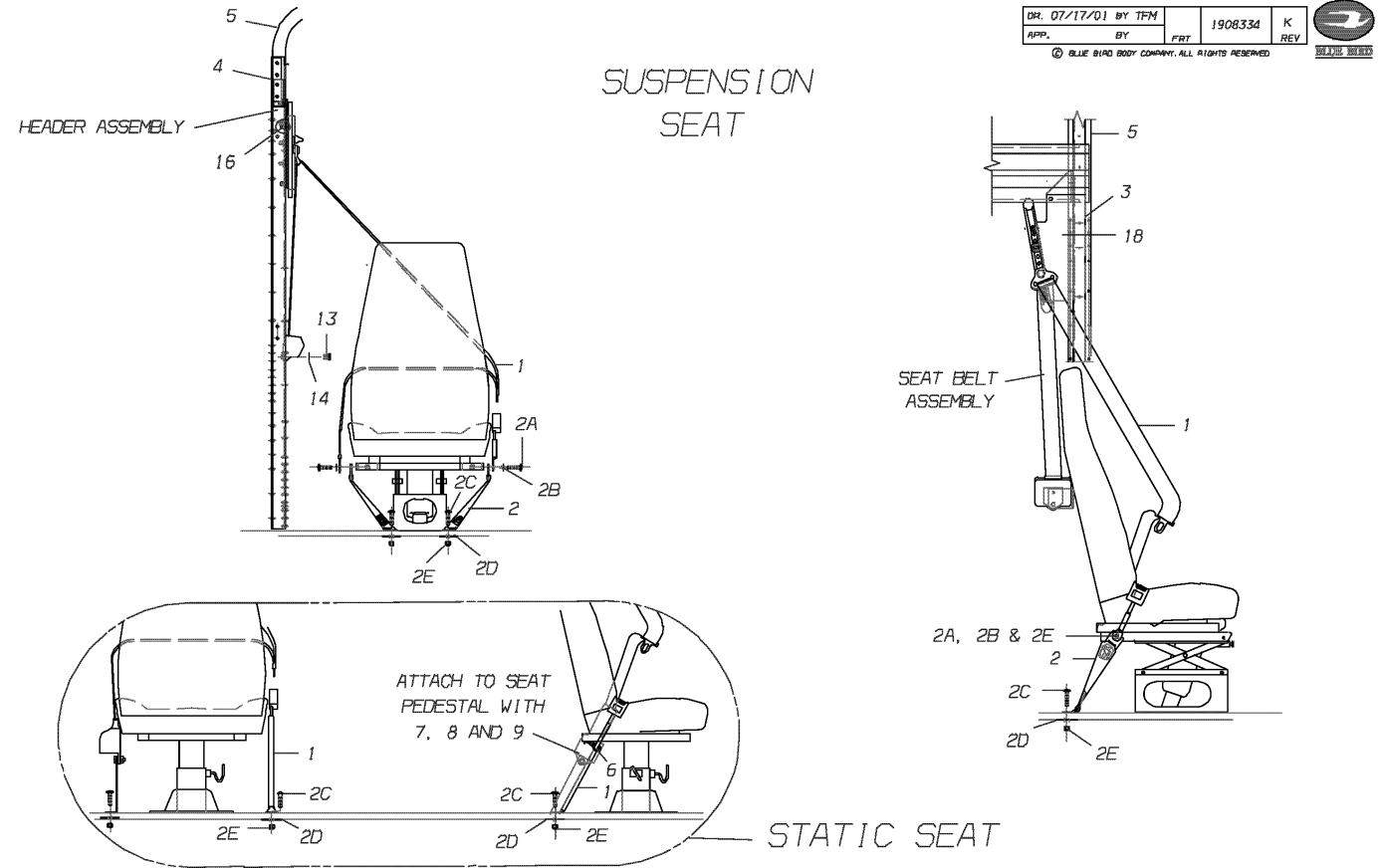
** OPT 2827 IS STD. EQUIPMENT ON AAFE, AARE, ONLY*

Models: AAFE, AARE, A3FE, A3RE, BBCV, C1FE, C3FE, CSFE, CSRE, GMCV, SBCV, TCFE, TCRE, TSFE

DRIVER'S SEAT BELT
 DRIVER'S 3-POINT WITH ADJUSTABLE PILLAR LOOP
 OPTION 2836

With Features:

Key	PartNumber	Qty	Description	Comment
-----	------------	-----	-------------	---------



Models:
TCRE, TSFE

AAFE, AARE, A3FE, A3RE, BBCV, C1FE, C3FE, CSFE, CSRE, GMCV, SBCV, TCFE,

With Features:

**DRIVER'S SEAT BELT
DRIVER'S 3-POINT WITH ADJUSTABLE PILLAR LOOP
OPTION 2836**

Key	PartNumber	Qty	Description	Comment
1			SEAT BELT ASSY FOR STATIC SEAT	
1	0036023		S/BELT ASSY,3PNT,ADJ-D,RETR,STAT,F12958,	OPTION 2836-01, TRANSIT ENDING WITH BSN 6-06-04
1	0079234		S/BELT ASSY,3PNT,ADJ-D,RETR,STAT,F15333	OPTION 2836-01, TRANSIT BEGING WITH BSN 6-07-04
1	0036032		S/BELT ASSY,3PNT,ADJ-D,DUAL,STAT,F12962,	OPTION 2836-02, TRANSIT
1	0084422		S/BELT ASSY,3PNT,ADJ-D,DUAL,STAT,RHD,, A3	OPTION 2836-02, TRANSIT, RH DRIVE ONLY
1	0036029		S/BELT ASSY,3PNT,ADJ-D,RETR,STAT,F12960,	OPTION 2836-01 GMCV, SBCV ONLY ENDING WITH BSN 6-06-04
1	0079236		S/BELT ASSY,3PNT,ADJ-D,RETR,STAT,F15335	OPTION 2836-01 GMCV, SBCV ONLY BEGIN WITH BSN 6-07-04
1	0036033		S/BELT ASSY,3PNT,ADJ-D,DUAL,STAT,F12963,	OPTION 2836-02 GMCV, SBCV ONLY
1			SEAT BELT ASSY FOR SUSPENSION SEAT	
1	0036028		S/BELT ASSY,3PNT,ADJ-D,RETR,SUSP,F12959,	OPTION 2836-01, TRANSIT
1	0036034		S/BELT ASSY,3PNT,ADJ-D,DUAL,SUSP,F12964,	OPTION 2836-02, TRANSIT
1	0034328		SEAT BELT ASSY,3 PT,ADJ D,SGL RET,LK BAR	OPTION 2836-03, TRANSIT
1	0036031		S/BELT ASSY,3PNT,ADJ-D,RETR,SUSP,F12961,	OPTION 2836-01 GMCV, SBCV ONLY
1	0043776		SEAT BELT ASSY,3PT,ADJ D,DUAL,SUSP,	OPTION 2836-02 GMCV, SBCV ONLY
1	0034327		SEAT BELT ASSY,3 PT,ADJ D,SGL RET,LK BAR	OPTION 2836-03 GMCV, SBCV ONLY
2			TETHER ASSEMBLY FOR SUSPENSION SEAT	
2	0061436		TETHER,ASSY,SEAT BELT,19.25,BLACK(PR OF 2)	
2	0061438		TETHER,ASSY,SEAT BELT,18.00,BLACK(PR OF 2)	
2	1695790		TETHER,ASSY,SEAT BELT,16.00,BLACK,F10263	
2	0061438		TETHER,ASSY,SEAT BELT,18.00,BLACK(PR OF 2)	
3/4	1814102		BRACKET ASSY,MTG,3 PT,RETRACT,74-77,9-12	
3/4	1797380		BRACKET ASSY,MTG,3 PT,HT ADJ,74HR,9SS,	
3/4	1797414		BRACKET,MTG,3PT ADJ D,HT ADJ,74HR,9SS,	
3/4	1814045		BRACKET ASSY,MTG,3 PT,HT ADJ,77HR,9SS,	
3/4	1814078		BRACKET,MTG,3PT ADJ D,HT ADJ,77HR,9SS,	
3/4	1814243		BRACKET ASSY,MTG,3PNT,HT ADJ,74 HR,12SS,	
3/4	1814037		BRACKET,MTG,3PT ADJ D,HT ADJ,74HR,12SS,	
3/4	1814250		BRACKET ASSY,MTG,3PNT,HT ADJ,77 HR,12SS,	
3/4	1999903		BRACKET ASSY,3PT ADJ D,77HR,12SS,LWR,	
3/4	1848183		BRACKET ASSY,MTG,3PT,HT ADJ,UPR,CS	UPPER, C1FE, CSFE, CSRE, TSFE ONLY

Models:
TCRE, TSFE

AAFE, AARE, A3FE, A3RE, BBCV, C1FE, C3FE, CSFE, CSRE, GMCV, SBCV, TCPE,

With Features:

**DRIVER'S SEAT BELT
DRIVER'S 3-POINT WITH ADJUSTABLE PILLAR LOOP
OPTION 2836**

Key	PartNumber	Qty	Description	Comment
3/4	1999895		BRACKET ASSY,3PT ADJ D,LWR,CS"	<i>LOWER, C1FE, CSFE, CSRE, TSFE ONLY</i>
3/4	1814177		BRACKET ASSY,MTG,3 PT,HT ADJ,74-77,9SS,	<i>GMCV, SBCV ONLY</i>
3/4	1814193		BRACKET ASSY,MTG,3 PT,HT ADJ,74-77,9SS,	<i>GMCV, SBCV ONLY</i>
3/4	1814185		BRACKET ASSY,MTG,3 PT,HT ADJ,74-77,12SS,	<i>GMCV, SBCV ONLY</i>
5			BOW, ASSY, FRONT	
6	1727262		CABLE ASSY,RETAINER,SEAT BELT BUCKLE	
7	2000768		SCREW,MACH,10-24 X 1, PH1,RD HD,YEL ZN	
8	2001279		NUT,HEX HD,10-24,YEL ZN DICH"	
9	2001105		WASHER,FLAT,13/64 X,1/2 X 3/64,YEL ZN DICH	
NI	0616748	2	CAPSCREW,HEX HD,5/16-18X2 1/4,GR5,	
NI	1167485	2	WASHER,FLAT,11/32 X 11/16 X 5/64,HDN,BLK	
NI	1142603	2	NUT,HEX HD,5/16-18,GR 8,YELLOW	
13	0559195		CAPSCREW,HEX HD,3/8-16 X 1,GR 8,YEL ZN	
14	1078922		WASHER,FLAT,3/8 X 7/8 X 5/64,YEL ZN DICH	
15	1401603	2	SCREW,MACH,1/4-20 X 5/8, PH1, RD HD,BLK	
16	0803213	5	CAPSCREW,HEX HD,3/8-16X1 1/4,GR8,YEL	
18	0075989		PAD ASSY,3-PT,ADJUSTABLE D,12SS	
18	0046044		PAD ASSEMBLY,3PNT,ADJUSTABLE D,12SS, UK-	<i>RH DRIVE ONLY</i>

Models: AAFE, AARE, A3FE, A3RE, GMCV, MBWB, SBCV, TCFE, TCRE
With Features: DRIVER'S SEAT BELT
 DRIVER'S 3-POINT, BOSTROM STATIONARY SEAT BELT
 OPTION 2826

Key	PartNumber	Qty	Description	Comment
NI	0036009		SEAT BELT ASSY,3PNT,STAT,150.0,IMMI F12937	AAFE, AARE, A3FE, A3RE, DRFL, DRRE, TCFE, TCRE
NI	0036315		SEAT BELT ASSY,3PNT STAT,150,IMMI F12925	MBWB, GMCV, SBCV
	1547108		BRACKET ASSY,MTG,UPPER,DRVS 3 PNT SEAT	TRANSIT ONLY

Models: AAFE, AARE, A3FE, A3RE, GMCV, MBWB, SBCV, TCFE, TCRE, TSFE

With Features: DRIVER'S SEAT BELT
DRIVER'S 3-POINT, BOSTROM SUSPENSION SEAT BELT
OPTION 2826

Key	PartNumber	Qty	Description	Comment
NI	0036016		SEAT BELT ASSY,3PNT,SUSP,120.0,IMMI	<i>AAFE, AARE, A3FE, A3RE, DRFL, DRRE, TCFE, TCRE</i>
NI	0035304		SEAT BELT ASSY,3PNT,SUSP,147.0,IMMI	<i>MBWB, GMCV, SBCV</i>
	1695790		TETHER,ASSY,SEAT BELT,16.00,BLACK,F10263	
	0061436		TETHER,ASSY,SEAT BELT,19.25,BLACK(PR OF 2)	
	0061438		TETHER,ASSY,SEAT BELT,18.00,BLACK(PR OF 2)	
	1695790		TETHER,ASSY,SEAT BELT,16.00,BLACK,F10263	
	1695816		TETHER ASSY,SEAT BELT,25.25,BLUE,F10265	

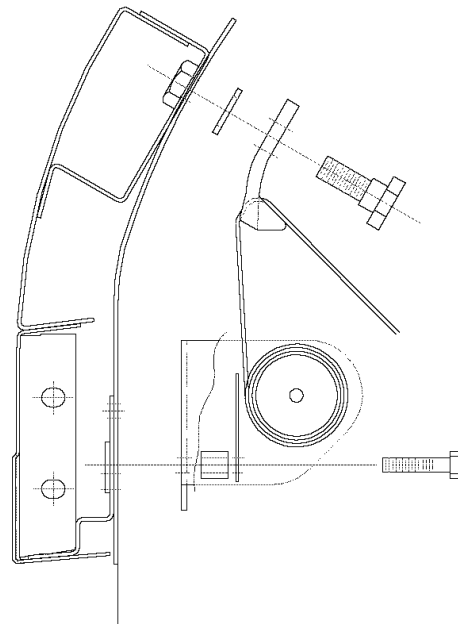
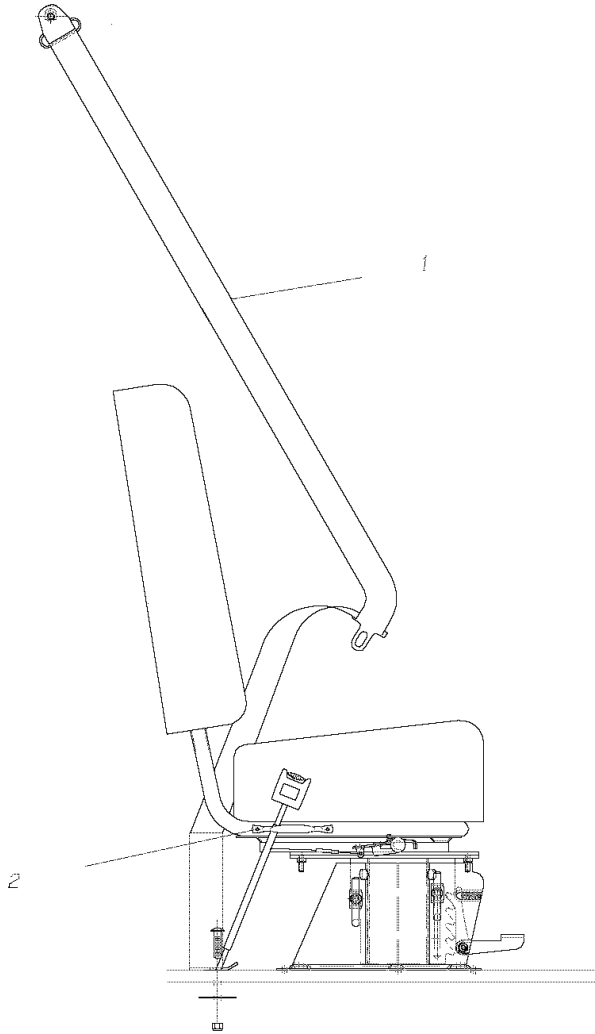
Models: AAFE, AARE, A3FE, A3RE, GMCV, MBWB, SBCV, TCFE, TCRE

HARNES

With Features: OPTION 6938

**DRIVER'S SEAT BELT
DRIVER'S AUTO-LOCKING SEAT BELT WITH EMERGENCY LOCKING SHOULDER**

Key	PartNumber	Qty	Description	Comment
-----	------------	-----	-------------	---------



DR. 11/8/99	BY MC			
APP.	BY	FRT	1671379	REV

© BLUE BIRD BODY COMPANY. ALL RIGHTS RESERVED



Models: AAFE, AARE, A3FE, A3RE, GMCV, MBWB, SBCV, TCFE, TCRE

**DRIVER'S SEAT BELT
DRIVER'S AUTO-LOCKING SEAT BELT WITH EMERGENCY LOCKING SHOULDER**

HARNESSES

With Features: OPTION 6938

Key	PartNumber	Qty	Description	Comment
			SEAT BELT ASSY. SUSPENSION SEAT	<i>AAFE, AARE, A3FE, A3RE, DRFL, DRRE, TCFE, TCRE</i>
1	0035302		SEAT BELT ASSY,ELR/ALR,SUSP,82,IMMI	<i>WITH FEATURE 31180; 9" SPLIT SASH WINDOWS</i>
1	0035303		SEAT BELT ASSY,ELR/ALR,SUSP,99,IMMI	<i>WITH FEATURE 31180 WITH FEATURE 31176; 12" SPLIT SASH WINDOWS</i>
			SEAT BELT ASSY. STATIONARY SEAT	
1	0036010		SEAT BELT ASSY,ELR/ALR,STAT,89,IMMI	<i>WITH FEATURE 31180; 9" SPLIT SASH WINDOWS</i>
1	0036011		SEAT BELT ASSY,ELR/ALR,STAT,104,IMMI	<i>WITH FEATURE 31180 WITH FEATURE 31176; 12" SPLIT SASH WINDOWS</i>
2	1480771		HANDLE,CLEVELAND 2786-1/2-G,5.37 LG,ZINC	
			SEAT BELT ASSY. SUSPENSION SEAT	<i>MBWB, GMCV, SBCV</i>
1	0035307		SEAT BELT ASSY,ELR/ALR,SUSP,F12951,BELT	<i>WITH FEATURE 31180; 9" SPLIT SASH WINDOWS</i>
1	0035308		SEAT BELT ASSY,ELR/ALR,SUSP,F12953,BELT	<i>WITH FEATURE 31180 WITH FEATURE 31176; 12IN SPLIT SASH WINDOWS</i>
			SEAT BELT ASSY. STATIONARY SEAT CV	
1	0035578		SEAT BELT ASSY,ELR/ALR,STAT,F12942,BLT	<i>WITH FEATURE 31180; 9" SPLIT SASH WINDOWS</i>
1	0035300		SEAT BELT ASSY,ELR/ALR,STAT,F12943,BLT	<i>WITH FEATURE 31180 WITH FEATURE 31176; 12" SPLIT SASH WINDOWS</i>
1	0035999		SEAT BELT ASSY,ELR/ALR,STAT,F12944,BLT	
2	1480771		HANDLE,CLEVELAND 2786-1/2-G,5.37 LG,ZINC	
	1695790		TETHER,ASSY,SEAT BELT,16.00,BLACK,F10263	
	0061436		TETHER,ASSY,SEAT BELT,19.25,BLACK(PR OF 2)	
	0061438		TETHER,ASSY,SEAT BELT,18.00,BLACK(PR OF 2)	
	1695790		TETHER,ASSY,SEAT BELT,16.00,BLACK,F10263	
	1695816		TETHER ASSY,SEAT BELT,25.25,BLUE,F10265	

Models: A3FE, A3RE, BBCV, B1VC, B2VC, GMCV, MBWB, SBCV, TCPE

PASSENGER SEATING

ACTIVITY SEAT

35 INCH FREEDMAN

With Features: FEATURE 30837-02, -03

Key	PartNumber	Qty	Description	Comment
			SEAT, FREEDMAN FAMILY, 35 INCH	FEATURE 30837-02
	0041028		SEAT,FREEDMAN FAMILY,35 RH,GRAY VINYL	FEATURE 30837-07
	0041029		SEAT,FREEDMAN FAMILY,35 LH,GRAY VINYL	FEATURE 30837-07
	0041030		SEAT,FREEDMAN FAMILY,35 RH,GRAY/BURG	FEATURE 30837-08
	0014031		BM ABR STEPTREADS CV NON-O/O 2STP	FEATURE 30837-08
	0014032		BM ABR STEPTREADS CV NON-O/O 2STP	FEATURE 30837-09
	0014033		BM ABR STEPTREADS CV NON-O/O 3STP	FEATURE 30837-09
	0041034		SEAT,FREEDMAN FAM,35 RH,GRAY	FEATURE 30837-10
	0041035		SEAT,FREEDMAN FAM,35 LH,GRAY	FEATURE 30837-10
	0041036		SEAT,FREEDMAN FAM,35 RH,GRAY	FEATURE 30837-11
	0041037		SEAT,FREEDMAN FAM,35 LH,GRAY VNL/AUTUMN	FEATURE 30837-11
	0041038		SEAT,FREEDMAN FAM,35 RH,GRAY VNL/MOSAIC	FEATURE 30837-12
	0041039		SEAT,FREEDMAN FAM,35 LH,GRAY VNL/MOSAIC	FEATURE 30837-12
			SEAT, FREEDMAN FAMILY, DAVENPORT, 35	FEAT 30837-03 A3RE ONLY
	0041049		SEAT,DVPT,FREEDMAN FAM,35,GRAY VINYL	FEATURE 30837-07
	0041050		SEAT,DVPT,FREEDMAN FAM,35,GRAY/BURG	FEATURE 30837-08
	0014051		BM ABR STEPTREADS A3RE O/O ENT/DR BLACK	FEATURE 30837-09
	0041052		SEAT,DVPT,FREEDMAN FAM,35,GRAY	FEATURE 30837-10
	0041053		SEAT,DVPT,FREEDMAN FAM,GRAY VNL/AUTUMN	FEATURE 30837-11
	0041054		SEAT,DVPT,FREEDMAN FAM,35,GRAY	FEATURE 30837-12

Models: AAFE, AARE, A3FE, A3RE, GMCV, GPWB, SBCV, TCFE, TCRL
 PASSENGER SEATING
 ACTIVITY SEAT
 36 IN.

With Features: OPTION 2856

Key	PartNumber	Qty	Description	Comment
-----	------------	-----	-------------	---------

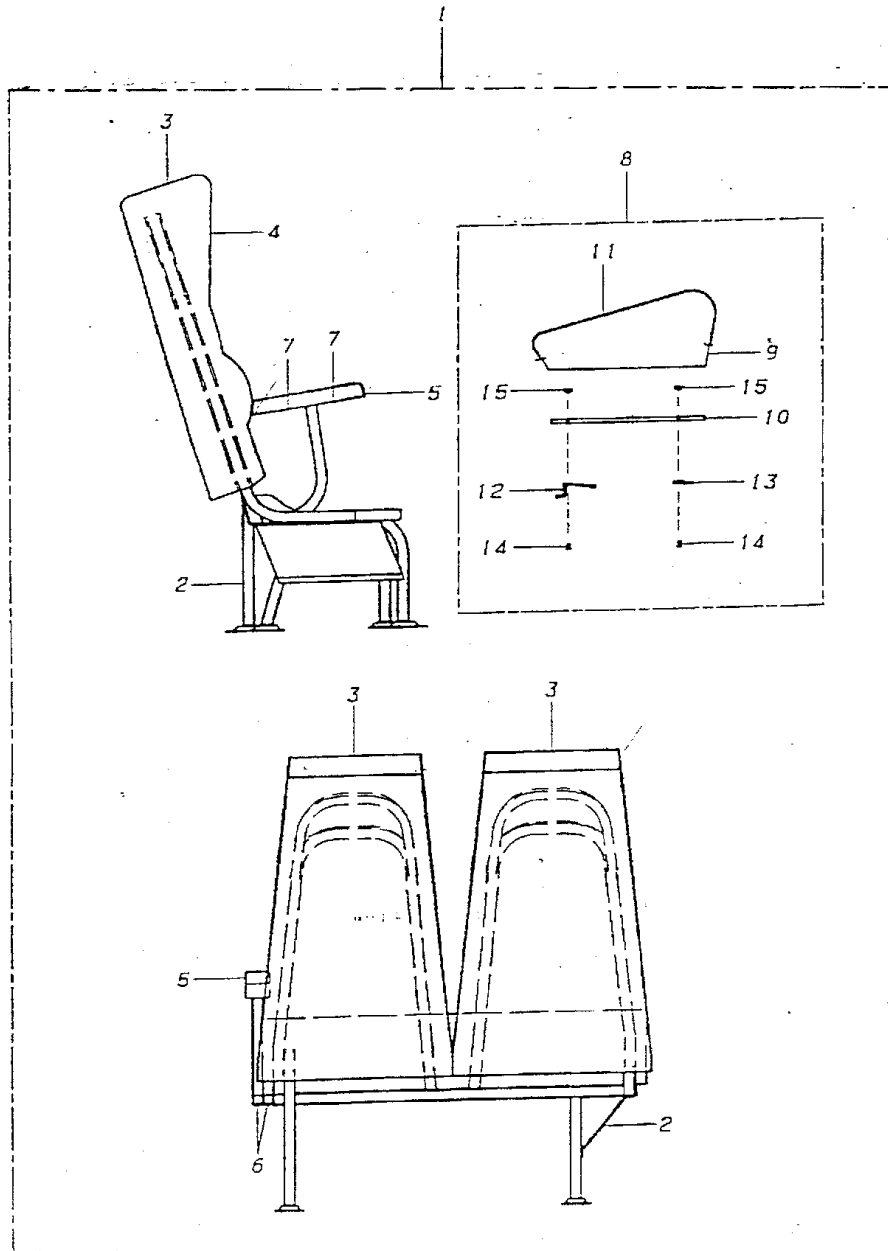
36" SEAT ASSEMBLY
 FLOOR MOUNTED
 OPT. 2842

8009052

A
 REV



ALL RIGHTS RESERVED



REVISED 06-21-91

90AAR380

Models: AAFE, AARE, A3FE, A3RE, GMCV, GPWB, SBCV, TCFE, TCRL

**PASSENGER SEATING
ACTIVITY SEAT
36 IN.**

With Features: OPTION 2856

Key	PartNumber	Qty	Description	Comment
1			SEAT ASSY., FLOOR MOUNTED 36 IN.	
1	0000355		SEAT ASSY,36,FMTD,RH, SB ACT	
1	0000357		SEAT ASSY,36,FMTD,LH, SB ACT	
1	0000358		SEAT ASSY,36,FMTD,S/BELT,RH, SB ACT	WITH SEAT BELT
1	0000359		SEAT ASSY,36,FMTD,S/BELT,LH, SB ACT	WITH SEAT BELT
1			SEAT ASSY., GUSSET MOUNTED 36 IN.	
1	0000346		SEAT ASSY,36,GM,RH, SB ACT	
1	0000347		SEAT ASSY,36,GM,LH, SB ACT	
1	0000348		SEAT ASSY,36,GM,S/BELT,RH, SB ACT	WITH SEAT BELT
1	0000350		SEAT ASSY,36,GM,S/BELT,LH, SB ACT	WITH SEAT BELT
2			FRAME ASSY, SEAT, FLOOR MOUNTED, 36 IN.	
2	0000351		FRAME ASSY,SEAT,36,FMTD,RH, SB ACT	
2	0000352		FRAME ASSY,SEAT,36,FMTD,LH, SB ACT	
2	0000353		FRAME ASSY,SEAT,36,FMTD,S/BELT,RH, SB ACT	WITH SEAT BELT
2	0000354		FRAME ASSY,SEAT,36,FMTD,S/BELT,LH, SB ACT	WITH SEAT BELT
2			FRAME ASSY, SEAT, GUSSET MOUNTED, 36 IN.	
2	0000116		FRAME ASSY,SEAT,36,GM,RH, SB ACT	
2	0000337		FRAME ASSY,SEAT,36,GM,LH, SB ACT	
2	0000118		FRAME ASSY,SEAT,36,GM,S/BELT,RH, SB ACT	WITH SEAT BELT
2	0000345		FRAME ASSY,SEAT,36,GM,S/BELT,LH, SB ACT	WITH SEAT BELT
3	1420009	2	PAD,SEAT BACK,ACTIVITY	
4			COVER ASSY., SEAT BACK 36 IN.	
4	1416346	2	UPHOLSTERY ASSY,ST BK,36,FIRE RETARD,SB	
4	1416353	2	UPHOLSTERY ASSY,SEAT BK,36,VINYL, SB ACT	
5	1471192		ARMREST ASSY,36 SB ACTIVITY	
6	0862490	3	CAPLUG,FOR 1IN SQ TUBE	
7	2000826	2	SCREW,MACH,1/4X20X3/4,PH1,TRUSSHD,	
8	1426634		CUSHION ASSY,17,36 SEAT, SB ACT	
9	1426642		PAD,SEAT CUSH,17,36 SEAT, SB ACT	
11	1426667		UPHOLSTERY ASSY,SEAT CUSHION,17,36 STSB	
12	0825331	2	CLAMP,SWIVEL,POSITIVE SEAT CUSHION,SM	
13	0919803	2	CLAMP,SEAT CUSHION,SWIVEL,DOT/TF	
14	0813477	4	SCREW,MACH,1/4-20X1/2,PH1,RD,YELZN,	

Models: AAFE, AARE, A3FE, A3RE, GMCV, GPWB, SBCV, TCFE, TCRE
PASSENGER SEATING
ACTIVITY SEAT
36 IN.

With Features: OPTION 2856

Key	PartNumber	Qty	Description	Comment
15	2001352	4	NUT,T,LONG PRONGED,1/4-20"	

Models: A1VC, A3FE, A3RE, BBCV, B1VC, B2VC, GMCV, MBWB, SBCV, TCFE
PASSENGER SEATING
ACTIVITY SEAT
ARMREST & SEAT BELT, FREEDMAN

With Features: FEATURE 30837-04, -05, -06

Key	PartNumber	Qty	Description	Comment
	0041790		KIT,SEAT BELT,RETRACTOR,U/S,FRDMN FAMILY	FEATURE 30837-04
			SEAT BELT ASSY, AM-SAFE, W/RETRACTOR	FEATURE 30837-05 A3RE ONLY
	0022377		SEAT BELT ASSY,W/RETRACTOR,BEIGE	
	0022380		SEAT BELT ASSY,W/RETRACTOR,BLACK	
			KIT, ARMREST, FREEDMAN, ALL EXCEPT A1VC	FEATURE 30837-06
	0041791		KIT,ARMREST,FREEDMAN FAMILY,LH	
	0042560		KIT,ARMREST,FREEDMAN FAMILY,RH	

TCRE, TSFE

Models: AAFE, AARE, A1VC, A3FE, A3RE, BBCV, B1VC, B2VC, GMCV, MBWB, SBCV, TCFE,

**PASSENGER SEATING
C.E. WHITE
CHILD RESTRAINT
BLACK, BLUE, GRAY, GREEN, AND TEAL
OPTION 2812-01,02,03,04**

With Features:

Key	PartNumber	Qty	Description	Comment
NI			SEAT, C.E. WHITE, CHILD RESTRAINT	
	0079401		SEAT,CEW,CR 30 RH,10.75,BLACK,PRFM II	
	0079402		SEAT,CEW,CR 30 LH,10.75,BLACK,PRFM II	
	0079405		SEAT,CEW,CR 30 RH,10.75,BLACK,PRFM II,S/B	
	0079406		SEAT,CEW,CR 30 LH,10.75,BLACK,PRFM II,S/B	
	0079399		SEAT,CEW,CR 39 RH,10.75,BLACK,PRFM II	
	0079400		SEAT,CEW,CR 39 LH,10.75,BLACK,PRFM II	
	0079403		SEAT,CEW,CR 39 RH,10.75,BLACK,PRFM II,S/B	
	0079404		SEAT,CEW,CR 39 LH,10.75,BLACK,PRFM II,S/B	
	0079417		SEAT,CEW,CR 30 RH,10.75,BLUE,PRFM II	
	0079418		SEAT,CEW,CR 30 LH,10.75,BLUE,PRFM II	
	0079421		SEAT,CEW,CR 30 RH,10.75,BLUE,PRFM II,S/B	
	0079422		SEAT,CEW,CR 30 LH,10.75,BLUE,PRFM II,S/B	
	0079415		SEAT,CEW,CR 39 RH,10.75,BLUE,PRFM II	
	0079416		SEAT,CEW,CR 39 LH,10.75,BLUE,PRFM II	
	0079419		SEAT,CEW,CR 39 RH,10.75,BLUE,PRFM II,S/B	
	0079420		SEAT,CEW,CR 39 LH,10.75,BLUE,PRFM II,S/B	
	0079433		SEAT,CEW,CR 30 RH,10.75,GRAY,PRFM II	
	0079434		SEAT,CEW,CR 30 LH,10.75,GRAY,PRFM II	
	0079437		SEAT,CEW,CR 30 RH,10.75,GRAY,PRFM II,S/B	
	0079438		SEAT,CEW,CR 30 LH,10.75,GRAY,PRFM II,S/B	
	0079431		SEAT,CEW,CR 39 RH,10.75,GRAY,PRFM II	
	0079432		SEAT,CEW,CR 39 LH,10.75,GRAY,PRFM II	
	0079435		SEAT,CEW,CR 39 RH,10.75,GRAY,PRFM II,S/B	
	0079436		SEAT,CEW,CR 39 LH,10.75,GRAY,PRFM II,S/B	
	0079449		SEAT,CEW,CR 30 RH,10.75,GREEN,PRFM II	
	0079450		SEAT,CEW,CR 30 LH,10.75,GREEN,PRFM II	
	0079453		SEAT,CEW,CR 30 RH,10.75,GREEN,PRFM II,S/B	
	0079454		SEAT,CEW,CR 30 LH,10.75,GREEN,PRFM II,S/B	
	0079447		SEAT,CEW,CR 39 RH,10.75,GREEN,PRFM II	
	0079448		SEAT,CEW,CR 39 LH,10.75,GREEN,PRFM II	
	0079451		SEAT,CEW,CR 39 RH,10.75,GREEN,PRFM II,S/B	
	0079452		SEAT,CEW,CR 39 LH,10.75,GREEN,PRFM II,S/B	

Models:
TCRE, TSFE

AAFE, AARE, A1VC, A3FE, A3RE, BBCV, B1VC, B2VC, GMCV, MBWB, SBCV, TCPE,

**PASSENGER SEATING
C.E. WHITE
CHILD RESTRAINT
BLACK, BLUE, GRAY, GREEN, AND TEAL
OPTION 2812-01,02,03,04**

With Features:

Key	PartNumber	Qty	Description	Comment
	0079466		SEAT,CEW,CR 30 RH,10.75,TEAL,PRFM II	
	0079467		SEAT,CEW,CR 30 LH,10.75,TEAL,PRFM II	
	0079470		SEAT,CEW,CR 30 RH,10.75,TEAL,PRFM II,S/B	
	0079471		SEAT,CEW,CR 30 LH,10.75,TEAL,PRFM II,S/B	
	0079464		SEAT,CEW,CR 39 RH,10.75,TEAL,PRFM II	
	0079465		SEAT,CEW,CR 39 LH,10.75,TEAL,PRFM II	
	0079468		SEAT,CEW,CR 39 RH,10.75,TEAL,PRFM II,S/B	
	0079469		SEAT,CEW,CR 39 LH,10.75,TEAL,PRFM II,S/B	

TCRE, TSFE

Models: AAFE, AARE, A1VC, A3FE, A3RE, BBCV, B1VC, B2VC, GMCV, MBWB, SBCV, TCPE,

**PASSENGER SEATING
C.E. WHITE
CHILD RESTRAINT
BROWN
OPTION 2812-01,02,03,04**

With Features:

Key	PartNumber	Qty	Description	Comment
NI			SEAT, C.E. WHITE, CHILD RESTRAINT	
	0025366		SEAT,CE WHITE,CR 30 RH,10.75,BR #10	
	0025363		SEAT,CE WHITE,CR 30 LH,10.75,BR #10	
	0025367		SEAT,CE WHITE,CR 30 RH,10.75,BR #10,	
	0025364		SEAT,CE WHITE,CR 30 LH,10.75,BR #10,	
	0076359		SEAT,CEW,CR 30 RH,10.75,BROWN,PRFM II	
	0076360		SEAT,CEW,CR 30 LH,10.75,BROWN,PRFM II	
	0025368		SEAT,CE WHITE,CR 30 RH,10.75,BR #10,ST BLT	
	0025365		SEAT,CE WHITE,CR 30 LH,10.75,BR #10,ST BLT	
	0025376		SEAT,CEW,CR 30RH,10.75,BR #10,KEVLAR,ST	
	0025375		SEAT,CEW,CR 30LH,10.75,BR #10,KEVLAR,ST	
	0076363		SEAT,CEW,CR 30 RH,10.75,BROWN,PRFM II,S/B	
	0076364		SEAT,CEW,CR 30 LH,10.75,BROWN,PRFM II,S/B	
	0025372		SEAT,CE WHITE,CR 39 RH,10.75,BR #10	
	0025371		SEAT,CE WHITE,CR 39 LH,10.75,BR #10	
	0025373		SEAT,CE WHITE,CR 39 RH,10.75,BR #10,	
	0025369		SEAT,CE WHITE,CR 39 LH,10.75,BR #10,	
	0076357		SEAT,CEW,CR 39 RH,10.75,BROWN,PRFM II	
	0076358		SEAT,CEW,CR 39 LH,10.75,BROWN,PRFM II	
	0025374		SEAT,CE WHITE,CR 39 RH,10.75,BR #10,ST BLT	
	0025370		SEAT,CE WHITE,CR 39 LH,10.75,BR #10,ST BLT	
	0025378		SEAT,CEW,CR 39RH,10.75,BR #10,KEVLAR,ST	
	0025377		SEAT,CEW,CR 39LH,10.75,BR #10,KEVLAR,ST	
	0076361		SEAT,CEW,CR 39 RH,10.75,BROWN,PRFM II,S/B	
	0076362		SEAT,CEW,CR 39 LH,10.75,BROWN,PRFM II,S/B	

TCRE, TSFE

Models: AAFE, AARE, A1VC, A3FE, A3RE, BBCV, B1VC, B2VC, GMCV, MBWB, SBCV, TCPE,

**PASSENGER SEATING
C.E. WHITE
CHILD RESTRAINT
BURGUNDY
OPTION 2812-01,02,03,04**

With Features:

Key	PartNumber	Qty	Description	Comment
NI			SEAT, C.E. WHITE, CHILD RESTRAINT	
	0037187		SEAT,CE WHITE,CR 30 RH,10.75,BURG #8	
	0037188		SEAT,CE WHITE,CR 30 LH,10.75,BURG #8	
	0037189		SEAT,CE WHITE,CR 30 RH,10.75,BURG #8,	
	0037190		SEAT,CE WHITE,CR 30 LH,10.75,BURG #8,	
	0076376		SEAT,CEW,CR 30 RH,10.75,BURGUNDY,PRFM II	
	0076377		SEAT,CEW,CR 30 LH,10.75,BURGUNDY,PRFM II	
	0037195		SEAT,CE WHITE,CR 30 RH,10.75,BURG #8,	
	0037196		SEAT,CE WHITE,CR 30 LH,10.75,BURG #8,	
	0037197		SEAT,CEW,CR 30 RH,10.75,BURG #8,KEV,	
	0037198		SEAT,CEW,CR 30 LH,10.75,BURG #8,KEV,	
	0076380		SEAT,CEW,CR 30 RH,10.75,BURGUND,PRFM II,	
	0076381		SEAT,CEW,CR 30 LH,10.75,BURGUND,PRFM II,	
	0037183		SEAT,CE WHITE,CR 39 RH,10.75,BURG #8,	
	0037184		SEAT,CE WHITE,CR 39 LH,10.75,BURG #8	
	0037185		SEAT,CE WHITE,CR 39 RH,10.75,BURG #8,	
	0037186		SEAT,CE WHITE,CR 39 LH,10.75,BURG #8,	
	0076374		SEAT,CEW,CR 39 RH,10.75,BURGUNDY,PRFM II	
	0076375		SEAT,CEW,CR 39 LH,10.75,BURGUNDY,PRFM II	
	0037191		SEAT,CE WHITE,CR 39 RH,10.75,BURG #8,	
	0037192		SEAT,CE WHITE,CR 39 LH,10.75,BURG #8,	
	0037193		SEAT,CEW,CR 39 RH,10.75,BURG #8,KEV,	
	0037194		SEAT,CEW,CR 39 LH,10.75,BURG #8,KEV,	
	0076378		SEAT,CEW,CR 39 RH,10.75,BURGUND,PRFM II,	
	0076379		SEAT,CEW,CR 39 LH,10.75,BURGUND,PRFM II,	

Models: **A1VC, A3FE, A3RE, BBCV, B1VC, B2VC, SBCV**
PASSENGER SEATING
C.E. WHITE
STUDENT SAFETY

With Features: **FEATURE 30840-01,05,06,07,08**

Key	PartNumber	Qty	Description	Comment
			SEAT, CE WHITE, STUDENT SAFETY SEAT	
	0065480		SEAT,CEW,SSS,21,RH,BRN#10	
	0065484		SEAT,CEW,SSS,21,LH,BRN#10	
	0065481		SEAT,CEW,SSS,21,RH,BRN#10,K	
	0065485		SEAT,CEW,SSS,21,LH,BRN#10,K	
	0076206		SEAT,CEW,SSS,21,RH,BROWN,PRFM II	
	0076207		SEAT,CEW,SSS,21,LH,BROWN,PRFM II	
	0061535		SEAT,CEW,SSS,30,RH,BRN#10	
	0061543		SEAT,CEW,SSS,30,LH,BRN#10	
	0061536		SEAT,CEW,SSS,30,RH,BRN#10,K	
	0061544		SEAT,CEW,SSS,30,LH,BRN#10,K	
	0076208		SEAT,CEW,SSS,30,RH,BROWN,PRFM II	
	0076212		SEAT,CEW,SSS,30,LH,BROWN,PRFM II	
	0061537		SEAT,CEW,SSS,30,RH,BRN#10,UCRA	
	0061545		SEAT,CEW,SSS,30,LH,BRN#10,UCRA	
	0061538		SEAT,CEW,SSS,30,RH,BRN#10,K,UCRA	
	0061546		SEAT,CEW,SSS,30,LH,BRN#10,K,UCRA	
	0076209		SEAT,CEW,SSS,30,RH,BROWN,PRFM II,UCRA	
	0076213		SEAT,CEW,SSS,30,LH,BROWN,PRFM II,UCRA	
	0061539		SEAT,CEW,SSS,30,RH,BRN#10,CR	
	0061547		SEAT,CEW,SSS,30,LH,BRN#10,CR	
	0061540		SEAT,CEW,SSS,30,RH,BRN#10,CR,K	
	0061548		SEAT,CEW,SSS,30,LH,BRN#10,CR,K	
	0076210		SEAT,CEW,SSS,30,RH,BROWN,CR,PRFM II	
	0076214		SEAT,CEW,SSS,30,LH,BROWN,CR,PRFM II	
	0061541		SEAT,CEW,SSS,30,RH,BRN#10,CR,UCRA	
	0061549		SEAT,CEW,SSS,30,LH,BRN#10,CR,UCRA	
	0061542		SEAT,CEW,SSS,30,RH,BRN#10,CR,K,UCRA	
	0061550		SEAT,CEW,SSS,30,LH,BRN#10,CR,K,UCRA	
	0076211		SEAT,CEW,SSS,30,RH,BROWN,CR,PRFM II,UCRA	
	0076215		SEAT,CEW,SSS,30,LH,BROWN,CR,PRFM II,UCRA	

Models: A1VC, A3FE, A3RE, BBCV, B1VC, B2VC, SBCV
PASSENGER SEATING
C.E. WHITE
STUDENT SAFETY

With Features: FEATURE 30840-09,10,11,12,17,18,19,20

Key	PartNumber	Qty	Description	Comment
			SEAT, CE WHITE, STUDENT SAFETY SEAT	
	0061551		SEAT,CEW,SSS,36,RH,BRN#10	
	0061559		SEAT,CEW,SSS,36,LH,BRN#10	
	0061552		SEAT,CEW,SSS,36,RH,BRN#10,K	
	0061560		SEAT,CEW,SSS,36,LH,BRN#10,K	
	0076216		SEAT,CEW,SSS,36,RH,BROWN,PRFM II	
	0076220		SEAT,CEW,SSS,36,LH,BROWN,PRFM II	
	0061553		SEAT,CEW,SSS,36,RH,BRN#10,UCRA	
	0061561		SEAT,CEW,SSS,36,LH,BRN#10,UCRA	
	0061554		SEAT,CEW,SSS,36,RH,BRN#10,K,UCRA	
	0061562		SEAT,CEW,SSS,36,LH,BRN#10,K,UCRA	
	0076217		SEAT,CEW,SSS,36,RH,BROWN,PRFM II,UCRA	
	0076221		SEAT,CEW,SSS,36,LH,BROWN,PRFM II,UCRA	
	0061555		SEAT,CEW,SSS,36,RH,BRN#10,CR	
	0061563		SEAT,CEW,SSS,36,LH,BRN#10,CR	
	0061556		SEAT,CEW,SSS,36,RH,BRN#10,CR,K	
	0061564		SEAT,CEW,SSS,36,LH,BRN#10,CR,K	
	0076218		SEAT,CEW,SSS,36,RH,BROWN,CR,PRFM II	
	0076222		SEAT,CEW,SSS,36,LH,BROWN,CR,PRFM II	
	0061557		SEAT,CEW,SSS,36,RH,BRN#10,CR,UCRA	
	0061565		SEAT,CEW,SSS,36,LH,BRN#10,CR,UCRA	
	0061558		SEAT,CEW,SSS,36,RH,BRN#10,CR,K,UCRA	
	0061566		SEAT,CEW,SSS,36,LH,BRN#10,CR,K,UCRA	
	0076219		SEAT,CEW,SSS,36,RH,BROWN,CR,PRFM II,UCRA	
	0076223		SEAT,CEW,SSS,36,LH,BROWN,CR,PRFM II,UCRA	
	0061575		SEAT,CEW,SSS,45,LH,BRN#10	
	0061576		SEAT,CEW,SSS,45,LH,BRN#10,K	
	0076224		SEAT,CEW,SSS,45,LH,BROWN,PRFM II	
	0061577		SEAT,CEW,SSS,45,LH,BRN#10,UCRA	
	0061578		SEAT,CEW,SSS,45,LH,BRN#10,K,UCRA	
	0076225		SEAT,CEW,SSS,45,LH,BROWN,PRFM II,UCRA	
	0061579		SEAT,CEW,SSS,45,LH,BRN#10,CR	
	0061580		SEAT,CEW,SSS,45,LH,BRN#10,CR,K	

Models: A1VC, A3FE, A3RE, BBCV, B1VC, B2VC, SBCV
PASSENGER SEATING
C.E. WHITE
STUDENT SAFETY

With Features: FEATURE 30840-09,10,11,12,17,18,19,20

Key	PartNumber	Qty	Description	Comment
	0076226		SEAT,CEW,SSS,45,LH,BROWN,CR,PRFM II	
	0061581		SEAT,CEW,SSS,45,LH,BRN#10,CR,UCRA	
	0061582		SEAT,CEW,SSS,45,LH,BRN#10,CR,K,UCRA	
	0076227		SEAT,CEW,SSS,45,LH,BROWN,CR,PRFM II,UCRA	
	0053930		DECAL,CHILD RESTRAINT SEAT	

Models: A1VC, A3FE, A3RE, BBCV, B1VC, B2VC, SBCV
PASSENGER SEATING
C.E. WHITE
STUDENT SAFETY

With Features: FEATURE 30840-01,05,06,07,08,41

Key	PartNumber	Qty	Description	Comment
			SEAT, CE WHITE, STUDENT SAFETY SEAT	
	0065488		SEAT,CEW,SSS,21,RH,BURG#8	
	0065492		SEAT,CEW,SSS,21,LH,BURG#8	
	0065489		SEAT,CEW,SSS,21,RH,BURG#8,K	
	0065493		SEAT,CEW,SSS,21,LH,BURG#8,K	
	0076228		SEAT,CEW,SSS,21,RH,BURGUNDY,PRFM II	
	0076229		SEAT,CEW,SSS,21,LH,BURGUNDY,PRFM II	
	0061583		SEAT,CEW,SSS,30,RH,BURG#8	
	0061592		SEAT,CEW,SSS,30,LH,BURG#8	
	0061584		SEAT,CEW,SSS,30,RH,BURG#8,K	
	0061593		SEAT,CEW,SSS,30,LH,BURG#8,K	
	0076230		SEAT,CEW,SSS,30,RH,BURGUNDY,PRFM II	
	0076234		SEAT,CEW,SSS,30,LH,BURGUNDY,PRFM II	
	0061586		SEAT,CEW,SSS,30,RH,BURG#8,UCRA	
	0061594		SEAT,CEW,SSS,30,LH,BURG#8,UCRA	
	0061587		SEAT,CEW,SSS,30,RH,BURG#8,K,UCRA	
	0061595		SEAT,CEW,SSS,30,LH,BURG#8,K,UCRA	
	0076231		SEAT,CEW,SSS,30,RH,BURGUNDY,PRFM II,	
	0076235		SEAT,CEW,SSS,30,LH,BURGUNDY,PRFM II,UCRA	
	0061588		SEAT,CEW,SSS,30,RH,BURG#8,CR	
	0061596		SEAT,CEW,SSS,30,LH,BURG#8,CR	
	0061589		SEAT,CEW,SSS,30,RH,BURG#8,CR,K	
	0061297		WHEEL,BLOWER,A/C,CW,CURBSIDE	
	0076232		SEAT,CEW,SSS,30,RH,BURGUNDY,CR,PRFM II	
	0076236		SEAT,CEW,SSS,30,LH,BURGUNDY,CR,PRFM II	
	0061590		SEAT,CEW,SSS,30,RH,BURG#8,CR,UCRA	
	0061598		SEAT,CEW,SSS,30,LH,BURG#8,CR,UCRA	
	0061591		SEAT,CEW,SSS,30,RH,BURG#8,CR,K,UCRA	
	0061599		SEAT,CEW,SSS,30,LH,BURG#8,CR,K,UCRA	
	0076233		SEAT,CEW,SSS,30,RH,BURGUNDY,CR,PRFM II,	
	0076237		SEAT,CEW,SSS,30,LH,BURGUNDY,CR,PRFM II,	
	0084578		SEAT,CEW,SSS,30,RH,BURGUNDY,PRFM II,4-PT	
	0084579		SEAT,CEW,SSS,30,RH,BURGUN,PRFM II,	

Models: A1VC, A3FE, A3RE, BBCV, B1VC, B2VC, SBCV
PASSENGER SEATING
C.E. WHITE
STUDENT SAFETY

With Features: FEATURE 30840-01,05,06,07,08,41

Key	PartNumber	Qty	Description	Comment
	0084613		SEAT,CEW,SSS,30,LH,BURGUNDY,PRFM II,4-PT	
	0081614		AXLE ASSY,STEER,FF967LX241	

Models: A1VC, A3FE, A3RE, BBCV, B1VC, B2VC, SBCV
PASSENGER SEATING
C.E. WHITE
STUDENT SAFETY

With Features: FEATURE 30840-09,10,11,12,17,18,19,20

Key	PartNumber	Qty	Description	Comment
			SEAT, CE WHITE, STUDENT SAFETY SEAT	
	0061600		SEAT,CEW,SSS,36,RH,BURG#8	
	0061608		SEAT,CEW,SSS,36,LH,BURG#8	
	0061601		SEAT,CEW,SSS,36,RH,BURG#8,K	
	0061609		SEAT,CEW,SSS,36,LH,BURG#8,K	
	0076240		SEAT,CEW,SSS,36,RH,BURGUNDY,PRFM II	
	0076245		SEAT,CEW,SSS,36,LH,BURGUNDY,PRFM II	
	0061602		SEAT,CEW,SSS,36,RH,BURG#8,UCRA	
	0061610		SEAT,CEW,SSS,36,LH,BURG#8,UCRA	
	0061603		SEAT,CEW,SSS,36,RH,BURG#8,K,UCRA	
	0061611		SEAT,CEW,SSS,36,LH,BURG#8,K,UCRA	
	0076241		SEAT,CEW,SSS,36,RH,BURGUNDY,PRFM II,	
	0076246		SEAT,CEW,SSS,36,LH,BURGUNDY,PRFM II,UCRA	
	0061604		SEAT,CEW,SSS,36,RH,BURG#8,CR	
	0061612		SEAT,CEW,SSS,36,LH,BURG#8,CR	
	0061605		SEAT,CEW,SSS,36,RH,BURG#8,CR,K	
	0061613		SEAT,CEW,SSS,36,LH,BURG#8,CR,K	
	0076243		SEAT,CEW,SSS,36,RH,BURGUNDY,CR,PRFM II	
	0076247		SEAT,CEW,SSS,36,LH,BURGUNDY,CR,PRFM II	
	0061606		SEAT,CEW,SSS,36,RH,BURG#8,CR,UCRA	
	0061614		SEAT,CEW,SSS,36,LH,BURG#8,CR,UCRA	
	0061607		SEAT,CEW,SSS,36,RH,BURG#8,CR,K,UCRA	
	0061615		SEAT,CEW,SSS,36,LH,BURG#8,CR,K,UCRA	
	0076244		SEAT,CEW,SSS,36,RH,BURGUNDY,CR,PRFM II,	
	0076248		SEAT,CEW,SSS,36,LH,BURGUNDY,CR,PRFM II,	
	0061624		SEAT,CEW,SSS,45,LH,BURG#8	
	0061625		SEAT,CEW,SSS,45,LH,BURG#8,K	
	0076249		SEAT,CEW,SSS,45,LH,BURGUNDY,PRFM II	
	0061626		SEAT,CEW,SSS,45,LH,BURG#8,UCRA	
	0061627		SEAT,CEW,SSS,45,LH,BURG#8,K,UCRA	
	0076250		SEAT,CEW,SSS,45,LH,BURGUNDY,PRFM II,UCRA	
	0061628		SEAT,CEW,SSS,45,LH,BURG#8,CR	
	0016129		CABLE ASSY,BAT,SNG,NEG,3/0,4GA,RE	

Models: A1VC, A3FE, A3RE, BBCV, B1VC, B2VC, SBCV
 PASSENGER SEATING
 C.E. WHITE
 STUDENT SAFETY

With Features: FEATURE 30840-09,10,11,12,17,18,19,20

Key	PartNumber	Qty	Description	Comment
	0076251		SEAT,CEW,SSS,45,LH,BURGUNDY,CR,PRFM II	
	0061630		SEAT,CEW,SSS,45,LH,BURG#8,CR,UCRA	
	0061631		SEAT,CEW,SSS,45,LH,BURG#8,CR,K,UCRA	
	0076252		SEAT,CEW,SSS,45,LH,BURGUNDY,CR,PRFM II,	
	0053930		DECAL,CHILD RESTRAINT SEAT	

Models: **A1VC, A3FE, A3RE, BBCV, B1VC, B2VC, SBCV**
PASSENGER SEATING
C.E. WHITE
STUDENT SAFETY

With Features: **FEATURE 30840-01,05,06,07,08,09,10,11,12,17,18,19,20,41**

Key	PartNumber	Qty	Description	Comment
			SEAT, CE WHITE, STUDENT SAFETY SEAT	
	0079559		SEAT,CEW,SSS,21,RH,BLACK,PRFM II	
	0079560		SEAT,CEW,SSS,21,LH,BLACK,PRFM II	
	0079561		SEAT,CEW,SSS,30,RH,BLACK,PRFM II	
	0079565		SEAT,CEW,SSS,30,LH,BLACK,PRFM II	
	0079562		SEAT,CEW,SSS,30,RH,BLACK,PRFM II,UCRA	
	0079566		SEAT,CEW,SSS,30,LH,BLACK,PRFM II,UCRA	
	0076563		DIAGRAM,WRG,RWK,CHASSIS ELEC CENTER,	
	0079567		SEAT,CEW,SSS,30,LH,BLACK,CR,PRFM II	
	0079564		SEAT,CEW,SSS,30,RH,BLACK,CR,PRFM II,UCRA	
	0079568		SEAT,CEW,SSS,30,LH,BLACK,CR,PRFM II,UCRA	
	0079569		SEAT,CEW,SSS,36,RH,BLACK,PRFM II	
	0079573		SEAT,CEW,SSS,36,LH,BLACK,PRFM II	
	0079570		SEAT,CEW,SSS,36,RH,BLACK,PRFM II,UCRA	
	0079574		SEAT,CEW,SSS,36,LH,BLACK,PRFM II,UCRA	
	0079571		SEAT,CEW,SSS,36,RH,BLACK,CR,PRFM II	
	0079576		SEAT,CEW,SSS,36,LH,BLACK,CR,PRFM II	
	0079572		SEAT,CEW,SSS,36,RH,BLACK,CR,PRFM II,UCRA	
	0079577		SEAT,CEW,SSS,36,LH,BLACK,CR,PRFM II,UCRA	
	0079578		SEAT,CEW,SSS,45,LH,BLACK,PRFM II	
	0079579		SEAT,CEW,SSS,45,LH,BLACK,PRFM II,UCRA	
	0079580		SEAT,CEW,SSS,45,LH,BLACK,CR,PRFM II	
	0079581		SEAT,CEW,SSS,45,LH,BLACK,CR,PRFM II,UCRA	

Models: **A1VC, A3FE, A3RE, BBCV, B1VC, B2VC, SBCV**
PASSENGER SEATING
C.E. WHITE
STUDENT SAFETY

With Features: **FEATURE 30840-01,05,06,07,08,09,10,11,12,17,18,19,20,41**

Key	PartNumber	Qty	Description	Comment
			SEAT, CE WHITE, STUDENT SAFETY SEAT	
	0079582		SEAT,CEW,SSS,21,RH,BLUE,PRFM II	
	0079583		SEAT,CEW,SSS,21,LH,BLUE,PRFM II	
	0079584		SEAT,CEW,SSS,30,RH,BLUE,PRFM II	
	0079588		SEAT,CEW,SSS,30,LH,BLUE,PRFM II	
	0079585		SEAT,CEW,SSS,30,RH,BLUE,PRFM II,UCRA	
	0079589		SEAT,CEW,SSS,30,LH,BLUE,PRFM II,UCRA	
	0079586		SEAT,CEW,SSS,30,RH,BLUE,CR,PRFM II	
	0079590		SEAT,CEW,SSS,30,LH,BLUE,CR,PRFM II	
	0079587		SEAT,CEW,SSS,30,RH,BLUE,CR,PRFM II,UCRA	
	0079591		SEAT,CEW,SSS,30,LH,BLUE,CR,PRFM II,UCRA	
	0079593		SEAT,CEW,SSS,36,RH,BLUE,PRFM II	
	0079597		SEAT,CEW,SSS,36,LH,BLUE,PRFM II	
	0079594		SEAT,CEW,SSS,36,RH,BLUE,PRFM II,UCRA	
	0079598		SEAT,CEW,SSS,36,LH,BLUE,PRFM II,UCRA	
	0079595		SEAT,CEW,SSS,36,RH,BLUE,CR,PRFM II	
	0079599		SEAT,CEW,SSS,36,LH,BLUE,CR,PRFM II	
	0079596		SEAT,CEW,SSS,36,RH,BLUE,CR,PRFM II,UCRA	
	0079600		SEAT,CEW,SSS,36,LH,BLUE,CR,PRFM II,UCRA	
	0079601		SEAT,CEW,SSS,45,LH,BLUE,PRFM II	
	0079602		SEAT,CEW,SSS,45,LH,BLUE,PRFM II,UCRA	
	0079603		SEAT,CEW,SSS,45,LH,BLUE,CR,PRFM II	
	0079604		SEAT,CEW,SSS,45,LH,BLUE,CR,PRFM II,UCRA	

Models: **A1VC, A3FE, A3RE, BBCV, B1VC, B2VC, SBCV**
PASSENGER SEATING
C.E. WHITE
STUDENT SAFETY

With Features: **FEATURE 30840-01,05,06,07,08,09,10,11,12,17,18,19,20,41**

Key	PartNumber	Qty	Description	Comment
			SEAT, CE WHITE, STUDENT SAFETY SEAT	
	0079605		SEAT,CEW,SSS,21,RH,GRAY,PRFM II	
	0079606		SEAT,CEW,SSS,21,LH,GRAY,PRFM II	
	0079607		SEAT,CEW,SSS,30,RH,GRAY,PRFM II	
	0079612		SEAT,CEW,SSS,30,LH,GRAY,PRFM II	
	0079608		SEAT,CEW,SSS,30,RH,GRAY,PRFM II,UCRA	
	0079613		SEAT,CEW,SSS,30,LH,GRAY,PRFM II,UCRA	
	0079609		SEAT,CEW,SSS,30,RH,GRAY,CR,PRFM II	
	0079614		SEAT,CEW,SSS,30,LH,GRAY,CR,PRFM II	
	0079611		SEAT,CEW,SSS,30,RH,GRAY,CR,PRFM II,UCRA	
	0079615		SEAT,CEW,SSS,30,LH,GRAY,CR,PRFM II,UCRA	
	0079616		SEAT,CEW,SSS,36,RH,GRAY,PRFM II	
	0079620		SEAT,CEW,SSS,36,LH,GRAY,PRFM II	
	0079617		SEAT,CEW,SSS,36,RH,GRAY,PRFM II,UCRA	
	0079621		SEAT,CEW,SSS,36,LH,GRAY,PRFM II,UCRA	
	0079618		SEAT,CEW,SSS,36,RH,GRAY,CR,PRFM II	
	0079622		SEAT,CEW,SSS,36,LH,GRAY,CR,PRFM II	
	0079619		SEAT,CEW,SSS,36,RH,GRAY,CR,PRFM II,UCRA	
	0079623		SEAT,CEW,SSS,36,LH,GRAY,CR,PRFM II,UCRA	
	0079624		SEAT,CEW,SSS,45,LH,GRAY,PRFM II	
	0079625		SEAT,CEW,SSS,45,LH,GRAY,PRFM II,UCRA	
	0079626		SEAT,CEW,SSS,45,LH,GRAY,CR,PRFM II	
	0079627		SEAT,CEW,SSS,45,LH,GRAY,CR,PRFM II,UCRA	

Models: **A1VC, A3FE, A3RE, BBCV, B1VC, B2VC, SBCV**
PASSENGER SEATING
C.E. WHITE
STUDENT SAFETY

With Features: **FEATURE 30840-01,05,06,07,08,09,10,11,12,17,18,19,20,41**

Key	PartNumber	Qty	Description	Comment
			SEAT, CE WHITE, STUDENT SAFETY SEAT	
	0079628		SEAT,CEW,SSS,21,RH,GREEN,PRFM II	
	0079629		SEAT,CEW,SSS,21,LH,GREEN,PRFM II	
	0079630		SEAT,CEW,SSS,30,RH,GREEN,PRFM II	
	0079634		SEAT,CEW,SSS,30,LH,GREEN,PRFM II	
	0079631		SEAT,CEW,SSS,30,RH,GREEN,PRFM II,UCRA	
	0079635		SEAT,CEW,SSS,30,LH,GREEN,PRFM II,UCRA	
	0079632		SEAT,CEW,SSS,30,RH,GREEN,CR,PRFM II	
	0079636		SEAT,CEW,SSS,30,LH,GREEN,CR,PRFM II	
	0079633		SEAT,CEW,SSS,30,RH,GREEN,CR,PRFM II,UCRA	
	0079637		SEAT,CEW,SSS,30,LH,GREEN,CR,PRFM II,UCRA	
	0079638		SEAT,CEW,SSS,36,RH,GREEN,PRFM II	
	0079642		SEAT,CEW,SSS,36,LH,GREEN,PRFM II	
	0079639		SEAT,CEW,SSS,36,RH,GREEN,PRFM II,UCRA	
	0079643		SEAT,CEW,SSS,36,LH,GREEN,PRFM II,UCRA	
	0079640		SEAT,CEW,SSS,36,RH,GREEN,CR,PRFM II	
	0079644		SEAT,CEW,SSS,36,LH,GREEN,CR,PRFM II	
	0079641		SEAT,CEW,SSS,36,RH,GREEN,CR,PRFM II,UCRA	
	0079645		SEAT,CEW,SSS,36,LH,GREEN,CR,PRFM II,UCRA	
	0079646		SEAT,CEW,SSS,45,LH,GREEN,PRFM II	
	0079647		SEAT,CEW,SSS,45,LH,GREEN,PRFM II,UCRA	
	0079648		SEAT,CEW,SSS,45,LH,GREEN,CR,PRFM II	
	0079649		SEAT,CEW,SSS,45,LH,GREEN,CR,PRFM II,UCRA	

Models: A1VC, A3FE, A3RE, BBCV, B1VC, B2VC, SBCV
PASSENGER SEATING
C.E. WHITE
STUDENT SAFETY

With Features: FEATURE 30840-01,05,06,07,08,09,10,11,12,17,18,19,20,41

Key	PartNumber	Qty	Description	Comment
			SEAT, CE WHITE, STUDENT SAFETY SEAT	
	0079650		SEAT,CEW,SSS,21,RH,TEAL,PRFM II	
	0079651		SEAT,CEW,SSS,21,LH,TEAL,PRFM II	
	0079652		SEAT,CEW,SSS,30,RH,TEAL,PRFM II	
	0079656		SEAT,CEW,SSS,30,LH,TEAL,PRFM II	
	0079653		SEAT,CEW,SSS,30,RH,TEAL,PRFM II,UCRA	
	0079657		SEAT,CEW,SSS,30,LH,TEAL,PRFM II,UCRA	
	0079654		SEAT,CEW,SSS,30,RH,TEAL,CR,PRFM II	
	0079658		SEAT,CEW,SSS,30,LH,TEAL,CR,PRFM II	
	0079655		SEAT,CEW,SSS,30,RH,TEAL,CR,PRFM II,UCRA	
	0079659		SEAT,CEW,SSS,30,LH,TEAL,CR,PRFM II,UCRA	
	0079660		SEAT,CEW,SSS,36,RH,TEAL,PRFM II	
	0079664		SEAT,CEW,SSS,36,LH,TEAL,PRFM II	
	0079661		SEAT,CEW,SSS,36,RH,TEAL,PRFM II,UCRA	
	0079665		SEAT,CEW,SSS,36,LH,TEAL,PRFM II,UCRA	
	0079662		SEAT,CEW,SSS,36,RH,TEAL,CR,PRFM II	
	0079666		SEAT,CEW,SSS,36,LH,TEAL,CR,PRFM II	
	0079663		SEAT,CEW,SSS,36,RH,TEAL,CR,PRFM II,UCRA	
	0079667		SEAT,CEW,SSS,36,LH,TEAL,CR,PRFM II,UCRA	
	0079668		SEAT,CEW,SSS,45,LH,TEAL,PRFM II	
	0079669		SEAT,CEW,SSS,45,LH,TEAL,PRFM II,UCRA	
	0079670		SEAT,CEW,SSS,45,LH,TEAL,CR,PRFM II	
	0079671		SEAT,CEW,SSS,45,LH,TEAL,CR,PRFM II,UCRA	

Models: A3RE
PASSENGER SEATING
DAVENPORT
BACK ASSY.
With Features: OPTION 2721, 2722, 2747, 2748
BSN: From BSN 10014401

Key	PartNumber	Qty	Description	Comment
NI			PAD ASSEMBLY, SEAT BACK, DAVENPORT AREA	OPT 2721, 2747
	0007831		PAD ASSY,SEAT BACK,30.00,DAVENPORT, RE	
	0007849		PAD ASSY,SEAT BACK,36.00,DAVENPORT, RE	
	0007856		PAD ASSY,SEAT BACK,39.00,DAVENPORT, RE	
	0007864		PAD ASSY,SEAT BACK,45.00,DAVENPORT, RE	
NI			PAD	
	1580026		PAD,SEAT BACK,30.00,DAVENPORT, RE	
	1580034		PAD,SEAT BACK,36.00,DAVENPORT, RE	
	1580042		PAD,SEAT BACK,39.00,DAVENPORT, RE	
	1580059		PAD,SEAT BACK,45.00,DAVENPRT, RE	
NI			BOARD	
	1583780		BOARD,SEAT BACK,30.00,DAVENPORT, RE	
	1583798		BOARD,SEAT BACK,36.00,DAVENPORT, RE	
	1583806		BOARD,SEAT BACK,39.00,DAVENPORT, RE	
	1583814		BOARD,SEAT BACK,45.00,DAVENPORT, RE	
NI			UPHOLSTERY, ASSY	
	1580968		UPHOLSTERY ASSY,SEAT BACK,30.00 DVPT, RE	
	1580976		UPHOLSTERY ASSY, SEAT BACK 36.00 DVPT	
	1580984		UPHOLSTERY ASSY,SEAT BACK,39.00 DVPT, RE	
	1580992		UPHOLSTERY ASSY,SEAT BACK,45.00 DVPT, RE	
NI			PAD ASSEMBLY, SEAT BACK, HIGH BACK,	OPT 2722, 2748
	0007880		PAD ASSY,SEAT BACK,30.00 HIGH BACK,DVPT,	
	0007898		PAD ASSY,SEAT BACK,36.00 HIGH BACK,DVPT,	
	0007906		PAD ASSY,SEAT BACK,39.00 HIGH BACK,DVPT,	
	0007914		PAD ASSY,SEAT BACK,45.00 HIGH BACK,DVPT,	
NI			PAD	
	1580125		PAD,SEAT BACK,30.00 HIGH BACK,DAVENPORT,	
	1580133		PAD,SEAT BACK,36.00 HIGH BACK,DAVENPORT,	
	1580141		PAD,SEAT BACK,39.00 HIGH BACK,DAVENPORT,	
	1580158		PAD,SEAT BACK,45.00 HIGH BACK,DAVENPORT,	
NI			BOARD	
	1584101		BOARD,SEAT BACK,30.00,HB,DAVENPORT, RE	
	1584119		BOARD,SEAT BACK,36.00,HB,DAVENPORT, RE	

Models: A3RE
PASSENGER SEATING
DAVENPORT
BACK ASSY.
With Features: OPTION 2721, 2722, 2747, 2748
BSN: From BSN 10014401

Key	PartNumber	Qty	Description	Comment
	1584127		BOARD,SEAT BACK,39.00,HB,DAVENPORT, RE	
	1584135		BOARD,SEAT BACK,45.00,HB,DAVENPORT, RE	
NI			UPHOLSTERY, ASSY	
	1581016		UPHOLSTERY ASSY,SEAT BACK,30.00 HB,DVPT,	
	1581024		UPHOLSTERY ASSY,SEAT BACK,36.00	
	1581032		UPHOLSTERY ASSY,SEAT BACK,39.00 HB,DVPT,	
	1581040		UPHOLSTERY ASSY,SEAT BACK,45.00 HB,DVPT,	
NA	0002931	2	ANGLE,DAVENPORT SEAT BACK	
NA	0253385	2	TAB,DAVENPORT SEAT BACK,SIDE	
NA	0813477	8	SCREW,MACH,1/4-20X1/2,PH1,RD,YELZN,	
NA	2001352	8	NUT,T,LONG PRONGED,1/4-20"	

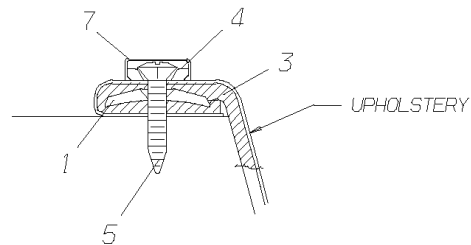
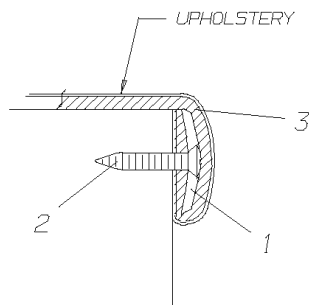
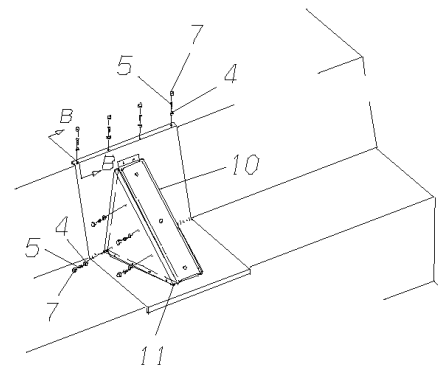
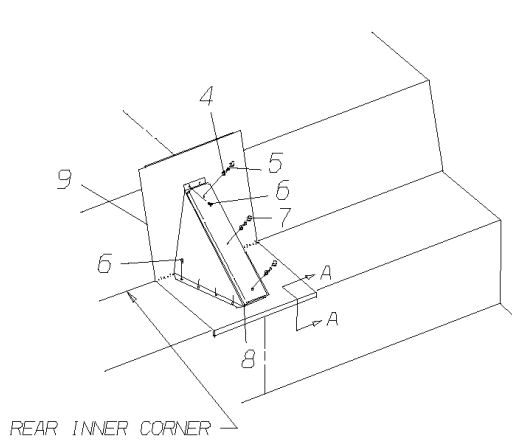
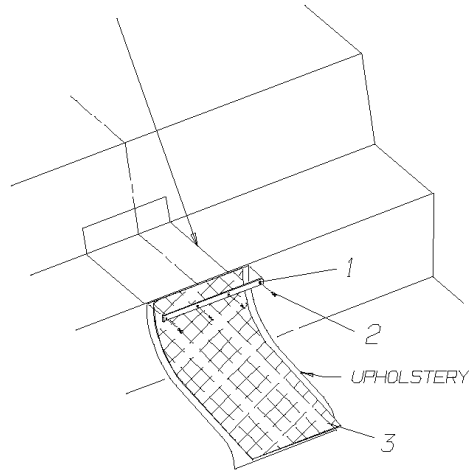
Models: **A3RE**
PASSENGER SEATING
DAVENPORT
BACK ASSY. RH DRIVE UK

Key	PartNumber	Qty	Description	Comment
NI			PAD ASSEMBLY, SEAT BACK, DAVENPORT AREA	
NI	0046834		CUSHION ASSY,SEAT BACK,30,DVPT,BURG,	PARENT 0007831
NI	0046835		CUSHION ASSY,SEAT BACK,45,DVPT,BURG,	PARENT 0007864
NI	1580026		PAD,SEAT BACK,30.00,DAVENPORT, RE	
NI	1580059		PAD,SEAT BACK,45.00,DAVENPRT, RE	
NI	1583780		BOARD,SEAT BACK,30.00,DAVENPORT, RE	
NI	1583814		BOARD,SEAT BACK,45.00,DAVENPORT, RE	
NI	0046836		COVER ASSY,BK,30,DVPT,BURG,WOW	PARENT 1580968
NI	0046837		COVER ASSY,BK,45,DVPT,BURG,WOW	PARENT 1580992
NA	0002931	2	ANGLE,DAVENPORT SEAT BACK	
NA	0253385	2	TAB,DAVENPORT SEAT BACK,SIDE	
NA	0813477	8	SCREW,MACH,1/4-20X1/2,PH1,RD,YELZN,	
NA	2001352	8	NUT,T,LONG PRONGED,1/4-20"	

Models: A3RE, CSFE, CSRE, TCFE, TCRE
PASSENGER SEATING
DAVENPORT
BETWEEN SEAT SHIELD AND PAD

Key	PartNumber	Qty	Description	Comment
-----	------------	-----	-------------	---------

ENGINE ACCESS PANEL



Models: **A3RE, CSFE, CSRE, TCFE, TCRE**
PASSENGER SEATING
DAVENPORT
BETWEEN SEAT SHIELD AND PAD

Key	PartNumber	Qty	Description	Comment
1	1573278		RETAINER,PAD,DAVENPORT,BETWEEN SEATS,	
2	2000495		SCREW,8-18 X1,AB,PH1,OVAL CNSK HD,	
3	1573286		PAD,DAVENPORT COVER,BETWEEN SEATS,	
4	1103035		LATCH,SPR,SOUTHCO	
5	0527325		SCREW,10-16 X 1,AB,PH1,OVAL CNSK HD, YEL	
6	1589522		SCREW,10-16 X 3/4,AB,PH1,PAN HD,YEL ZN	
7	2144038		COVER,SCREWHEAD,BLACK,NO 12/12	
8	1097609		PAD ASSY,SEAT,GUARD,RE	
9	0003467		SHIELD,CENTER,DAVENPORT SEAT, AARE	
10	0058328		PAD ASSY,SEAT,GUARD,LH,DVPT SHLD, RE	<i>WITHOUT PROFORM</i>
10	0073742		PAD ASSY,SEAT,GUARD,LH,DVPT SHLD,W/PRO,	
11	0058327		PAD ASSY,SEAT,GUARD,RH,DVPT SHLD, RE	<i>WITHOUT PROFORM</i>
11	0073741		PAD ASSY,SEAT,GUARD,RH,DVPT SHLD,W/PRO,	

Models: AARE, A3RE, TCRE
PASSENGER SEATING
DAVENPORT
CUSHION & BACK ASSY.
With Features: OPTION 2721
BSN: From BSN 10007805
 To BSN 10014400 A3RE ONLY

Key	PartNumber	Qty	Description	Comment
			CUSHION ASSY., SEAT, DAVENPORT AREA	
NI	0008011		CUSHION ASSY,SEAT,30.00 DVPT,.38 PLY, RE	
	0008029		CUSHION ASSY,SEAT,30.00 DVPT,.50 PLY, RE	OPTION 6955
	0008037		CUSHION ASSY,SEAT,36.00 DVPT,.38 PLY, RE	
	0008045		CUSHION ASSY,SEAT,36.00 DVPT,.50 PLY, RE	OPTION 6955
	0008052		CUSHION ASSY,SEAT,39.00 DVPT,.38 PLY, RE	
	0008060		CUSHION ASSY,SEAT,39.00 DVPT,.50 PLY, RE	OPTION 6955
	0008078		CUSHION ASSY,SEAT,45.00 DVPT,.38 PLY, RE	
	0008086		CUSHION ASSY,SEAT,45.00 DVPT,.50 PLY, RE	OPTION 6955
NI			CUSHION	
	1583731		PAD,CUSHION,SEAT,30.00,DAVENPORT, RE	
	1583749		PAD,CUSHION,SEAT,36.00,DAVENPORT, RE	
	1583756		PAD,CUSHION,SEAT,39.00,DAVENPORT,RE	
	1583764		PAD,CUSHION,SEAT,45.00,DAVENPORT, RE	
NI			BOARD	
	1581081		BOARD,CUSHION,SEAT,30.00,DVPT,.38 PLY, RE	
	1581099		BOARD,CUSHION,SEAT,30.00,DVPT,.50 PLY, RE	OPTION 6955
	1581107		BOARD,CUSHION,SEAT,36.00,DVPT,.38 PLY, RE	
	1581115		BOARD,CUSHION,SEAT,36.00,DVPT,.50 PLY, RE	OPTION 6955
	1581123		BOARD,CUSHION,SEAT,39.00,DVPT,.38 PLY, RE	
	1581131		BOARD,CUSHION,SEAT,39.00,DVPT,.50 PLY, RE	OPTION 6955
	1581149		BOARD,CUSHION,SEAT,45.00,DVPT,.38 PLY, RE	
	1581156		BOARD,CUSHION,SEAT,45.00,DVPT,.50 PLY, RE	OPTION 6955
NI			UPHOLSTERY ASSY	
	1584218		UPHOLSTERY ASSY,CUSHION,SEAT,30.00,DVPT,	
	1584226		UPHOLSTERY ASSY,CUSHION,SEAT,36.00,DVPT,	
	1584234		UPHOLSTERY ASSY,CUSHION,SEAT,39.00,DVPT,	
	1584242		UPHOLSTERY ASSY,CUSHION,SEAT,45.00,DVPT,	
NI	0004481	2	ANGLE,DAVENPORT SEAT TO RISER	
NI	0007989		BRACKET ASSY,MTG,CUSHION,SEAT,DVPT,RH,	
NI	0007997		BRACKET ASSY,MTG,CUSHION,SEAT,DVPT,LH,	
NI	0813477	8	SCREW,MACH,1/4-20X1/2,PH1,RD,YELZN,	
NI	2001352	8	NUT,T,LONG PRONGED,1/4-20"	

Models: AARE, A3RE, TCRE
PASSENGER SEATING
DAVENPORT
CUSHION & BACK ASSY.
With Features: OPTION 2721
BSN: From BSN 10007805
 To BSN 10014400 A3RE ONLY

Key	PartNumber	Qty	Description	Comment
NI			PAD ASSEMBLY, SEAT BACK, DAVENPORT AREA	
	0007831		PAD ASSY,SEAT BACK,30.00,DAVENPORT, RE	
	0007849		PAD ASSY,SEAT BACK,36.00,DAVENPORT, RE	
	0007856		PAD ASSY,SEAT BACK,39.00,DAVENPORT, RE	
	0007864		PAD ASSY,SEAT BACK,45.00,DAVENPORT, RE	
NI			PAD	
	1580026		PAD,SEAT BACK,30.00,DAVENPORT, RE	
	1580034		PAD,SEAT BACK,36.00,DAVENPORT, RE	
	1580042		PAD,SEAT BACK,39.00,DAVENPORT, RE	
	1580059		PAD,SEAT BACK,45.00,DAVENPRT, RE	
			BOARD	
	1583780		BOARD,SEAT BACK,30.00,DAVENPORT, RE	
	1583798		BOARD,SEAT BACK,36.00,DAVENPORT, RE	
	1583806		BOARD,SEAT BACK,39.00,DAVENPORT, RE	
	1583814		BOARD,SEAT BACK,45.00,DAVENPORT, RE	
			UPHOLSTERY ASSEMBLY	
	1580968		UPHOLSTERY ASSY,SEAT BACK,30.00 DVPT, RE	
	1580976		UPHOLSTERY ASSY, SEAT BACK 36.00 DVPT	
	1580984		UPHOLSTERY ASSY,SEAT BACK,39.00 DVPT, RE	
	1580992		UPHOLSTERY ASSY,SEAT BACK,45.00 DVPT, RE	
	0002931		ANGLE,DAVENPORT SEAT BACK	
	0253385		TAB,DAVENPORT SEAT BACK,SIDE	
	0813477		SCREW,MACH,1/4-20X1/2,PH1,RD,YELZN,	
	2001352		NUT,T,LONG PRONGED,1/4-20"	

Models: A3RE
PASSENGER SEATING
DAVENPORT
CUSHION ASSY.
With Features: OPTION 2721, 2722, 2747, 2748, 6955
BSN: From BSN 10014401

Key	PartNumber	Qty	Description	Comment
			CUSHION ASSY., SEAT, DAVENPORT AREA	
NI	0010385		CUSHION ASSY,SEAT,30.00,DVPT,.38 PLY, RE	
	0010386		CUSHION ASSY,SEAT,30.00,DVPT,.50 PLY, RE	30" .50 PLY, OPTION 6955
	0010387		CUSHION ASSY,SEAT,36.00,DVPT,.38 PLY, RE	
	0010388		CUSHION ASSY,SEAT,36.00,DVPT,.50 PLY, RE	36" .50 PLY, OPTION 6955
	0010390		CUSHION ASSY,SEAT,39.00,DVPT,.38 PLY, RE	
	0010391		CUSHION ASSY,SEAT,39.00,DVPT,.50 PLY, RE	39" .50 PLY, OPTION 6955
	0010392		CUSHION ASSY,SEAT,45.00,DVPT,.38 PLY, RE	
	0010393		CUSHION ASSY,SEAT,45.00,DVPT,.50 PLY, RE	45" .50 PLY OPTION 6955
NI			CUSHION	
	0010373		PAD,CUSHION,SEAT,30.00,DAVENPORT, RE	
	0010374		PAD,CUSHION,SEAT,36.00,DAVENPORT, RE	
	0010375		PAD,CUSHION,SEAT,39.00,DAVENPORT, RE	
	0010376		PAD,CUSHION,SEAT,45.00,DAVENPORT, RE	
NI			BOARD	
	0007147		BOARD,CUSHION,SEAT,30.00,DVPT,.38 PLY, RE	
	0007148		BOARD,CUSHION,SEAT,30.00,DVPT,.50 PLY, RE	30" .50 PLY, OPTION 6955
	0007149		BOARD,CUSHION,SEAT,36.00,DVPT,.38 PLY, RE	
	0007150		BOARD,CUSHION,SEAT,36.00,DVPT,.50 PLY, RE	36" .50 PLY, OPTION 6955
	0007151		BOARD,CUSHION,SEAT,39.00,DVPT,.38 PLY,RE	
	0007152		BOARD,CUSHION,SEAT,39.00,DVPT,.50 PLY, RE	39" .50 PLY, OPTION 6955
	0007154		BOARD,CUSHION,SEAT,45.00,DVPT,.38 PLY, RE	
	0007155		BOARD,CUSHION,SEAT,45.00,DVPT,.50 PLY, RE	45" .50 PLY OPTION 6955
NI			UPHOLSTERY ASSY	
	0010381		UPHOLSTERY ASSY,CUSHION,SEAT,30.00,DVPT,	
	0010382		UPHOLSTERY ASSY,CUSHION,SEAT,36.00,DVPT,	
	0010383		UPHOLSTERY ASSY,CUSHION,SEAT,39.00,DVPT,	
	0010384		UPHOLSTERY ASSY,CUSHION,SEAT,45.00,DVPT,	
NI	0004481	2	ANGLE,DAVENPORT SEAT TO RISER	
NI	0007989		BRACKET ASSY,MTG,CUSHION,SEAT,DVPT,RH,	
NI	0007997		BRACKET ASSY,MTG,CUSHION,SEAT,DVPT,LH,	
NI	0813477	8	SCREW,MACH,1/4-20X1/2,PH1,RD,YELZN,	
NI	2001352	8	NUT,T,LONG PRONGED,1/4-20"	

Models: **A3RE**
PASSENGER SEATING
DAVENPORT
CUSHION ASSY. RH DRIVE UK

Key	PartNumber	Qty	Description	Comment
NI	0046830		CUSHION ASSY,SEAT,31.5,DVPT,BURG,WOW	PARENT 0043034
NI	0046831		CUSHION ASSY,SEAT,47.25,DVPT,BURG,WOW	PARENT 0043035
NI	0043031		PAD,CUSHION,SEAT,31.50,DAVENPORT, RE	
NI	0043032		PAD,CUSHION,SEAT,47.25,DAVENPORT, RE	
NI	0043028		BOARD,CUSHION,SEAT,31.50,DVPT,.38 PLY, RE	
NI	0043029		BOARD,CUSHION,SEAT,47.25,DVPT,.38 PLY, RE	
NI	0046832		COVER ASSY,CUSH,31.5,DVPT,BURG,WOW	PARENT 0043023
NI	0046833		COVER ASSY,CUSH,47.25,DVPT,BURG,WOW	PARENT 0043024
NI	0004481	2	ANGLE,DAVENPORT SEAT TO RISER	
NI	0007989		BRACKET ASSY,MTG,CUSHION,SEAT,DVPT,RH,	
NI	0007997		BRACKET ASSY,MTG,CUSHION,SEAT,DVPT,LH,	
NI	0813477	8	SCREW,MACH,1/4-20X1/2,PH1,RD,YELZN,	
NI	2001352	8	NUT,T,LONG PRONGED,1/4-20"	

Models: A3RE
PASSENGER SEATING
DAVENPORT
SEAT, NON-SCHOOL BUS
With Features: OPTION 2750

Key	PartNumber	Qty	Description	Comment
NI	0008201		SEAT ASSY,DAVENPORT,COMPLETE,NSB,1991	
	0007930	3	CUSHION ASSY,DVPT,30 SEAT,1991 NSB, AARE	
	1501923		BOARD,SEAT CUSHION,30 DVPT,NSB	
	1197086		PAD,SEAT CUSH,30IN,VIRGIN FOAM,DAVENPRT	
	0813477	8	SCREW,MACH,1/4-20X1/2,PH1,RD,YELZN,	
	0424911		COVER,30IN SEAT,PASSENGER SEAT	
	0253385	2	TAB,DAVENPORT SEAT BACK,SIDE	
	0004481	2	ANGLE,DAVENPORT SEAT TO RISER	
	2001352	8	NUT,T,LONG PRONGED,1/4-20"	
	0018762		SEAT BACK ASSY,DAVENPORT,NSB	
	0423293		COVER ASSY,BK,DVPT,SB AND PASSENGER	
	1171271		PAD,SEAT BACK,90IN,VIRGIN FOAM,EXPORT	
	0944975		BOARD,SEAT BACK,RD CORNERS 90 SB & PASS	
	0004333		BRACE,COVER,SEAT BACK,DAVENPORT,NSB	
	0253385	4	TAB,DAVENPORT SEAT BACK,SIDE	
	2001352	8	NUT,T,LONG PRONGED,1/4-20"	
	0813477	8	SCREW,MACH,1/4-20X1/2,PH1,RD,YELZN,	
	2000511	17	SCREW,10-16 X 1/2,AB,PH1,TRUSS HD,	

Models:
TCRE, TSFE, VCTA

AAFE, AARE, A1VC, A3FE, A3RE, BBCV, B1VC, B2VC, GPWB, MBWB, SBCV, TCFE,

With Features:

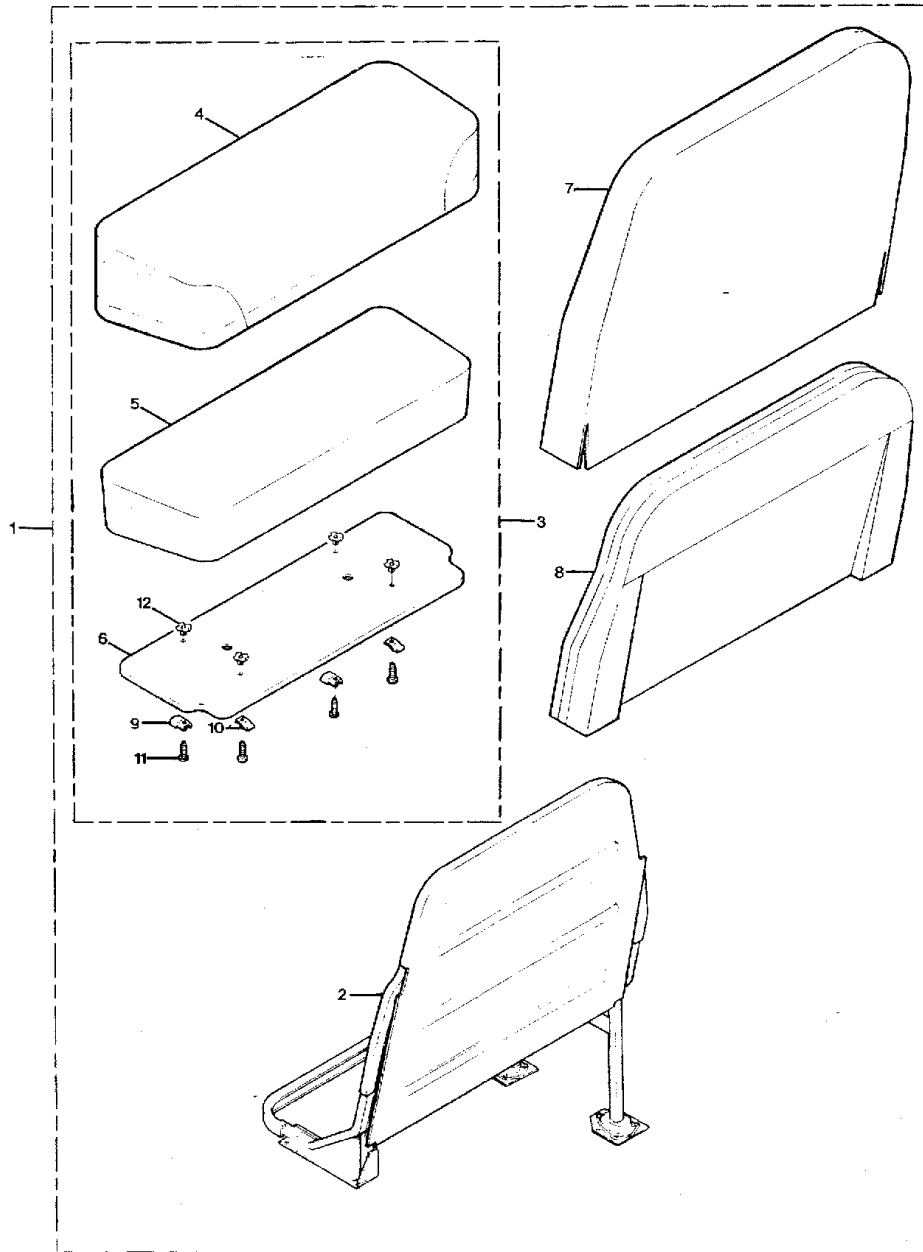
**PASSENGER SEATING
DOT T/F SEAT
OPTION 2712**

Key	PartNumber	Qty	Description	Comment
-----	------------	-----	-------------	---------

1122 8001976

OPT. 2699, DOT TASK FORCE HIGH BACK SEAT

© 1982 BLUE BIRD BODY COMPANY
ALL RIGHTS RESERVED



REVISED

90TCR380

Models:
TCRE, TSFE, VCTA

AAFE, AARE, A1VC, A3FE, A3RE, BBCV, B1VC, B2VC, GPWB, MBWB, SBCV, TCPE,

With Features:

**PASSENGER SEATING
DOT T/F SEAT
OPTION 2712**

Key	PartNumber	Qty	Description	Comment
1	0019141		SEAT ASSY,24,GM,RH	
1	0019158		SEAT ASSY,26,GM,LH	
1	0019166		SEAT ASSY,26,GM,RH	
1	0019174		SEAT ASSY,30,GM,LH	
1	0019182		SEAT ASSY,30,GM,RH	
1	0019190		SEAT ASSY,34,GM,LH	
1	0019927		SEAT ASSY,34,GM,RH	
1	0019935		SEAT ASSY,36,GM,LH	
1	0019943		SEAT ASSY,36,GM,RH	
1	0019950		SEAT ASSY,39,GM,LH	
1	0019968		SEAT ASSY,39,GM,RH	
1	0019976		SEAT ASSY,45,GM,LH	AVAILABLE IN LH ONLY.
2	0019018		FRAME ASSY,SEAT,26,GM,RH	
2	0019000		FRAME ASSY,SEAT,26,GM,LH	
2	0019018		FRAME ASSY,SEAT,26,GM,RH	
2	0019026		FRAME ASSY,SEAT,30,GM,LH	
2	0019034		FRAME ASSY,SEAT,30,GM,RH	
2	0019042		FRAME ASSY,SEAT,34,GM,LH	
2	0019059		FRAME ASSY,SEAT,34,GM,RH	
2	0019067		FRAME ASSY,SEAT,36,GM,LH	
2	0019075		FRAME ASSY,SEAT,36,GM,RH	
2	0019083		FRAME ASSY,SEAT,39,GM,LH	
2	0019091		FRAME ASSY,SEAT,39,GM,RH	
2	0019109		FRAME ASSY,SEAT,45,GM,LH	
3	0995993		CUSHION ASSY,24IN	
3	0954842		CUSHION ASSY,26IN, SBTF	
3	0918433		CUSHION ASSY,30IN,DOT/TF	
3	0918441		CUSHION ASSY,34IN,DOT/TF	
3	1325497		CUSHION ASSY,36IN,DOT/TF	
3	0918458		CUSHION ASSY,39IN,DOT/TF	
3	0918466		CUSHION ASSY,45IN,DOT/TF	
4	0996066		UPHOLSTERY ASSY,CUSH,24	
4	0954917		UPHOLSTERY ASSY,CUSH,26, SBTF	

Models:
TCRE, TSFE, VCTA

AAFE, AARE, A1VC, A3FE, A3RE, BBCV, B1VC, B2VC, GPWB, MBWB, SBCV, TCPE,

With Features:

**PASSENGER SEATING
DOT T/F SEAT
OPTION 2712**

Key	PartNumber	Qty	Description	Comment
4	0930586		COVER ASSY,CUSH,30,DOT/TF	
4	0930594		COVER ASSY,CUSH,34,DOT/TF	
4	1325612		UPHOLSTERY ASSY,CUSH,36,DOT/TF, SBTF	
4	0931436		COVER ASSY,CUSH,39,DOT/TF	
4	0930610		COVER ASSY,CUSH,45,DOT/TF	
5	1168475		PAD,SEAT CUSH,VIRGIN FOAM	
5	1168483		PAD,SEAT CUSH,26IN,VIRGIN FOAM	
5	1168491		PAD,SEAT CUSH,30IN,VIRGIN FOAM	
5	1168509		PAD,SEAT CUSH,34IN,VIRGIN FOAM,15	
5	1171123		PAD,SEAT CUSH,36IN,VIRGIN FOAM	
5	1168517		PAD,SEAT CUSH,39IN,VIRGIN FOAM	
5	1168525		PAD,SEAT CUSH,45IN,VIRGIN FOAM	
6	0005265		BOARD ASSY,CUSH,SEAT,DOT/TF,24,W/T-NUT	
6	0005266		BOARD ASSY,CUSH,SEAT,DOT/TF,26,W/T-NUT	
6	0005261		BOARD ASSY,CUSH,SEAT,DOT/TF,30,W/T-NUT	
6	0005267		BOARD ASSY,CUSH,SEAT,DOT/TF,34,W/T-NUT	
6	0005263		BOARD ASSY,CUSH,SEAT,DOT/TF,36,W/T-NUT	
6	0005788		BOARD ASSY,CUSH,SEAT,DOT/TF,39,W/T-NUT	
6	0005268		BOARD ASSY,CUSH,SEAT,DOT/TF,45,W/T-NUT	
7	0996033		UPHOLSTERY ASSY,BACK,24	
7	0954875		COVER ASSY,BK,26,DOT/TF	
7	0918482		COVER ASSY,BK,30,DOT/TF	
7	0918490		COVER ASSY,BK,34,DOT/TF	
7	1327725		COVER ASSY,BK,36,DOT/TF	
7	0918508		COVER ASSY,BK,39,DOT/TF	
7	0918516		COVER ASSY,BK,45,DOT/TF	
8	0996025		PAD,SEAT BACK,24IN, SBTF	
8	0979542		PAD,SEAT BACK,26IN	
8	0979559		PAD,SEAT BARRIER BACK,30IN	
8	0979567		PAD,FOAM,BARRIER BACK,34IN	
8	1327808		PAD,FOAM,SEAT BK,36IN,SBTF	
8	0979575		PAD,FOAM,SEAT BK,39IN,DOT TF	
8	1370451		PAD ASSY,SEAT,THIN BK,39,TAPERED LICHTER	

Models:
TCRE, TSFE, VCTA

AAFE, AARE, A1VC, A3FE, A3RE, BBCV, B1VC, B2VC, GPWB, MBWB, SBCV, TCPE,

With Features:

**PASSENGER SEATING
DOT T/F SEAT
OPTION 2712**

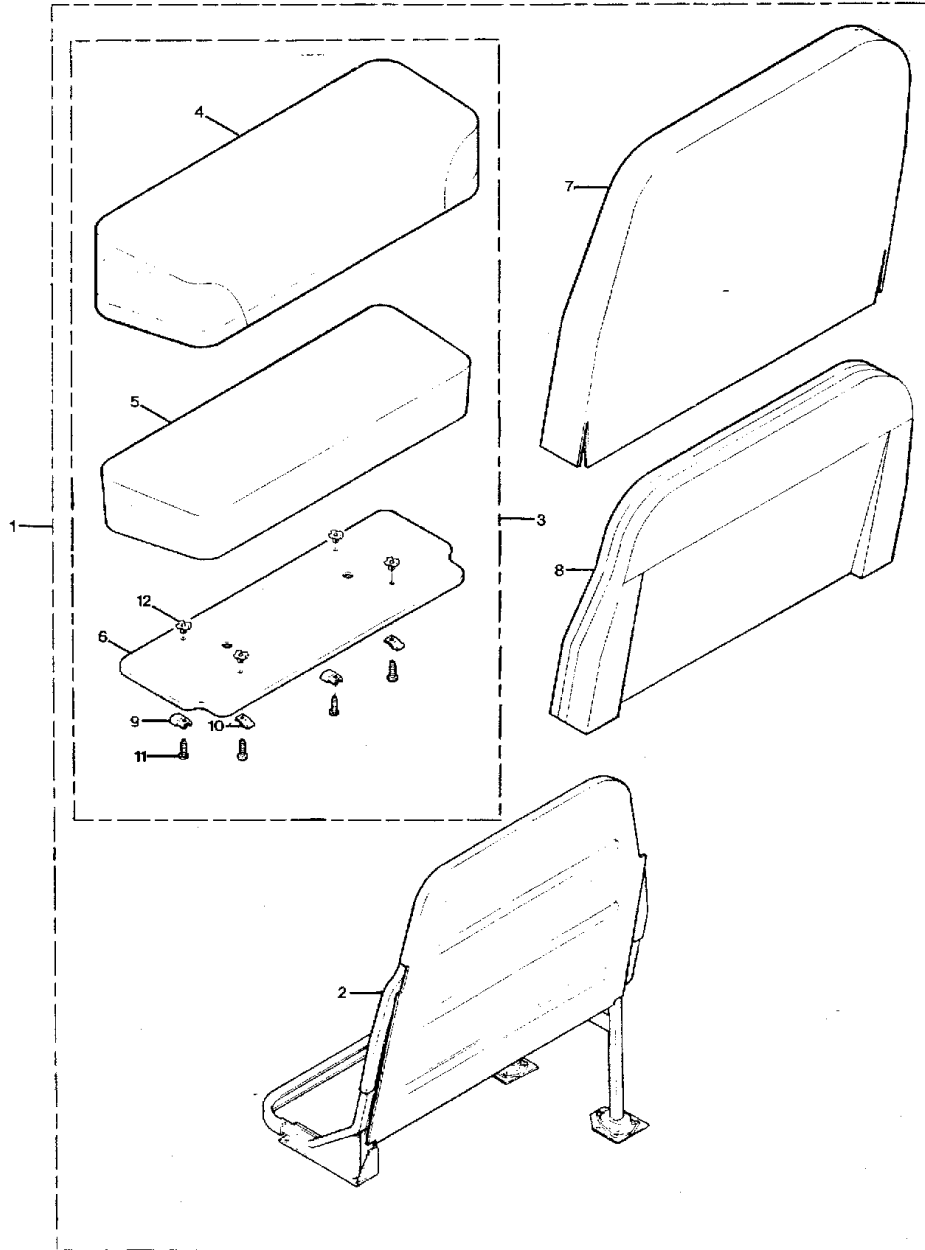
Key	PartNumber	Qty	Description	Comment
8	0979583		PAD,FOAM,BARRIER BACK,45IN	
9	0919803		CLAMP,SEAT CUSHION,SWIVEL,DOT/TF	
10	0919811		CLAMP,POSITIVE POSITION,SEAT CUSH,DOT/TF	
11	0813477		SCREW,MACH,1/4-20X1/2,PH1,RD,YELZN,	
12	2001352		NUT,T,LONG PRONGED,1/4-20"	
NI	0957324		BRACKET,MTG,SEAT CUSHION,W/US HEATER	

Models: AAFE, AARE, A3FE, A3RE, BBCV, B1VC, B2VC, MBWB, SBCV, TCPE, TCPE, TCPE, TSPE
 PASSENGER SEATING
 DOT T/F SEAT
 26 IN. LH REAR, HIGH BACK SEAT
 With Features: OPTION 2701

Key	PartNumber	Qty	Description	Comment
-----	------------	-----	-------------	---------

OPT. 2699, DOT TASK FORCE HIGH BACK SEAT

1122-11270 8001976
 © 1982 BLUE BIRD BODY COMPANY
 ALL RIGHTS RESERVED



REVISED

90TCR380

Models: AAFE, AARE, A3FE, A3RE, BBCV, B1VC, B2VC, MBWB, SBCV, TCPE, TCRE, TSPE

PASSENGER SEATING

DOT T/F SEAT

26 IN. LH REAR, HIGH BACK SEAT

With Features: **OPTION 2701**

Key	PartNumber	Qty	Description	Comment
1	1397603		SEAT ASSY,26 GM,NY,LH,REAR, SBTF	
2	1396829		FRAME ASSY,SEAT,26,GM,HI-BACK,LH,SBTF	
3	0954842		CUSHION ASSY,26IN, SBTF	
4	0954917		UPHOLSTERY ASSY,CUSH,26, SBTF	
5	1168483		PAD,SEAT CUSH,26IN,VIRGIN FOAM	
6	0954859		BOARD,CUSHION,SEAT,26	
7	1133776		UPHOLSTERY ASSY,BACK,RR ST,26,NY, SBTF	
8	1261486		PAD,SEAT BACK,26IN,REAR,NEW YORK, SBTF	
9	0919803		CLAMP,SEAT CUSHION,SWIVEL,DOT/TF	
10	0919811		CLAMP,POSITIVE POSITION,SEAT CUSH,DOT/TF	
11	0813477		SCREW,MACH,1/4-20X1/2,PH1,RD,YELZN,	
12	2001352		NUT,T,LONG PRONGED,1/4-20"	

Models:
TSFE, VCTA

Models: AAFE, AARE, A3FE, A3RE, BBCV, B1VC, B2VC, GPWB, MBWB, SBCV, TCPE, TCRE,

With Features:

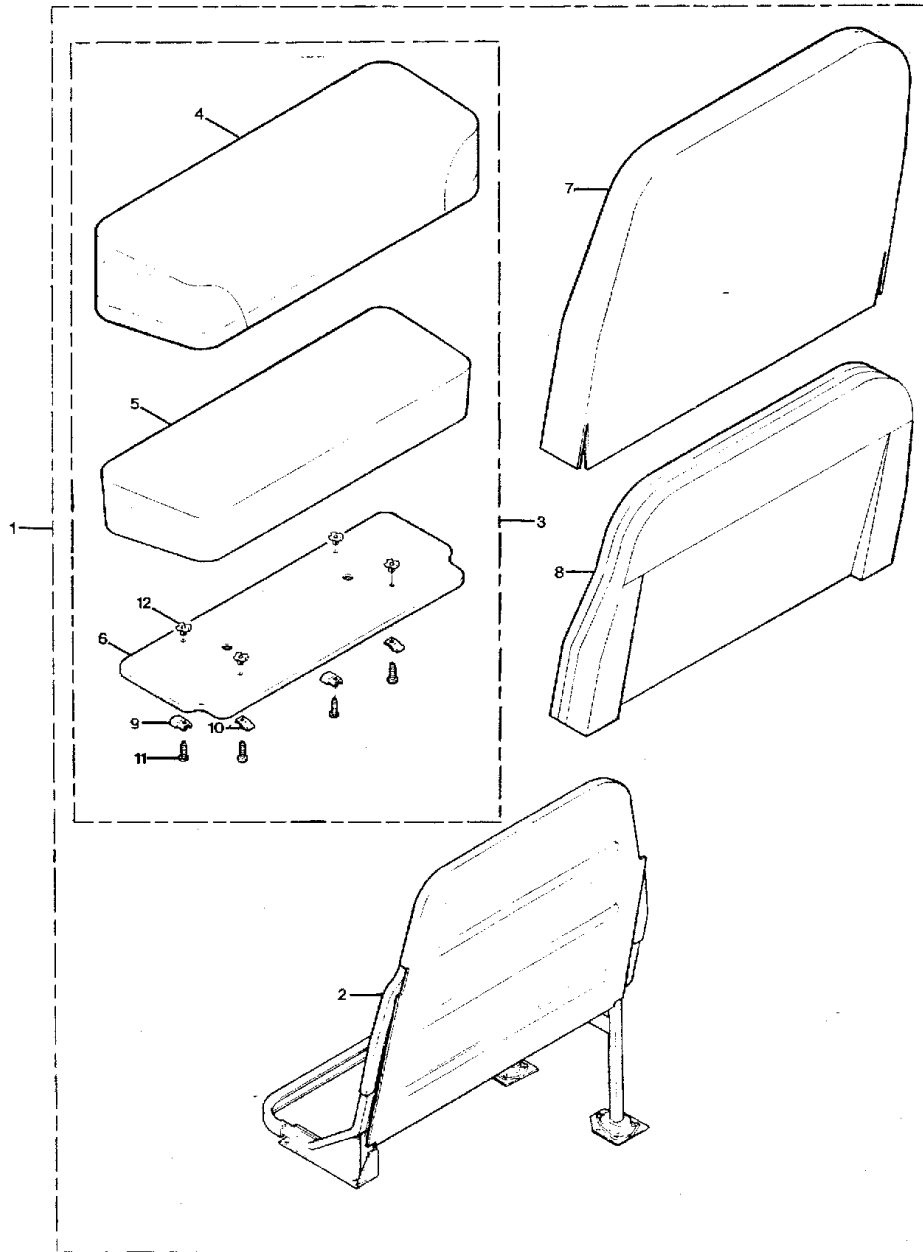
**PASSENGER SEATING
DOT T/F SEAT
26 IN. REAR, RH & LH SEAT
OPTION 2720**

Key	PartNumber	Qty	Description	Comment
-----	------------	-----	-------------	---------

1182-1187 8001976

OPT. 2699, DOT TASK FORCE HIGH BACK SEAT

© 1982 BLUE BIRD BODY COMPANY
ALL RIGHTS RESERVED



REVISED

90TCR380

Models:
TSFE, VCTA

AAFE, AARE, A3FE, A3RE, BBCV, B1VC, B2VC, GPWB, MBWB, SBCV, TCPE, TCRE,

With Features:

**PASSENGER SEATING
DOT T/F SEAT
26 IN. REAR, RH & LH SEAT
OPTION 2720**

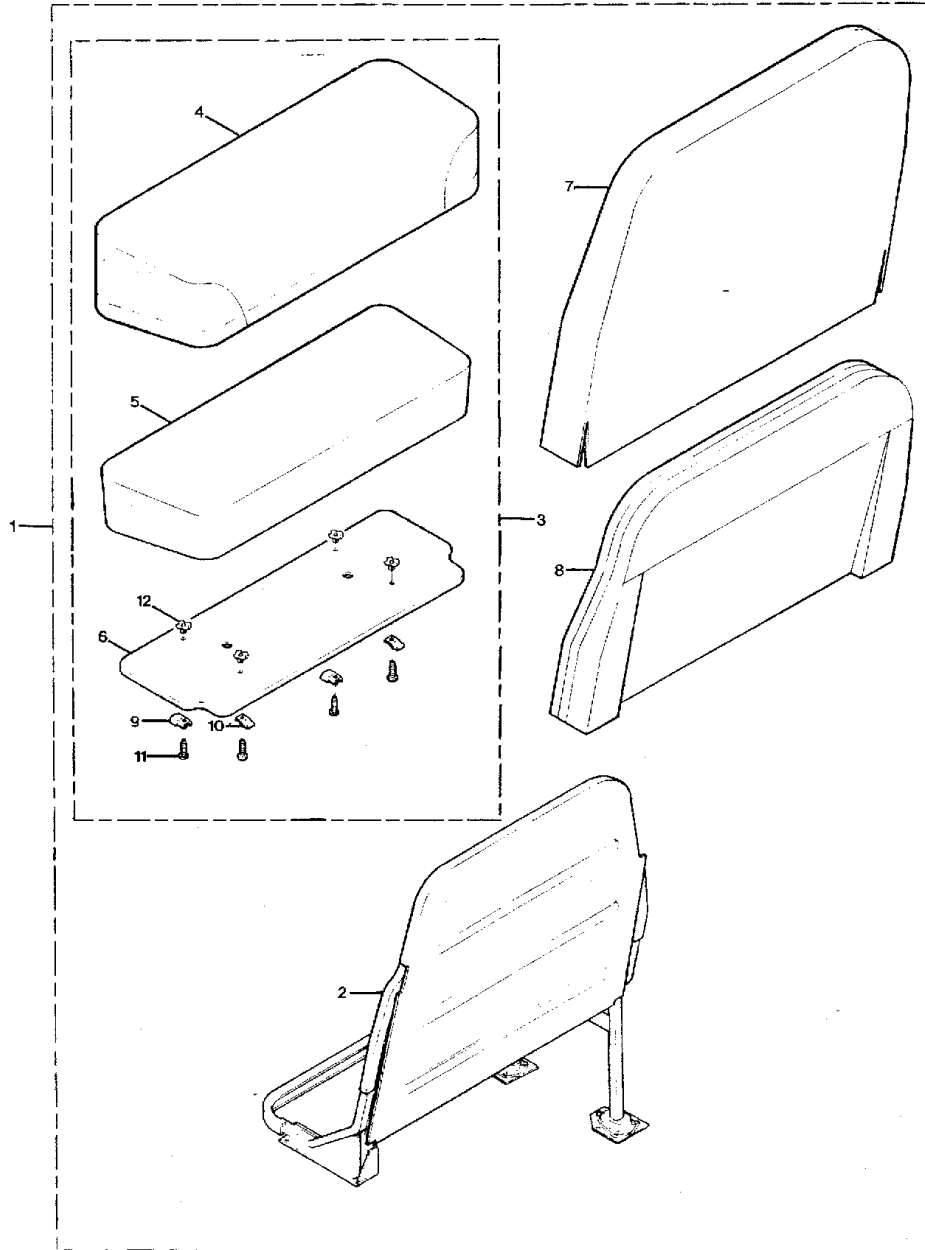
Key	PartNumber	Qty	Description	Comment
1	1397454		SEAT ASSY,26 GM,RH,RR	
1	1397447		SEAT ASSY,26 GM,LH,RR	
2	1396712		FRAME ASSY,SEAT,26,GM,RH	
2	1396704		FRAME ASSY,SEAT,26,GM,LH	
3	0954842		CUSHION ASSY,26IN, SBTF	
4	0954917		UPHOLSTERY ASSY,CUSH,26, SBTF	
5	1168483		PAD,SEAT CUSH,26IN,VIRGIN FOAM	
6	0954859		BOARD,CUSHION,SEAT,26	
7	1133701		UPHOLSTERY ASSY,BACK,RR ST,26, SBTF	
8	1261510		PAD,SEAT BACK,REAR SEAT 26	
9	0919803		CLAMP,SEAT CUSHION,SWIVEL,DOT/TF	
10	0919811		CLAMP,POSITIVE POSITION,SEAT CUSH,DOT/TF	
11	0813477		SCREW,MACH,1/4-20X1/2,PH1,RD,YELZN,	
12	2001352		NUT,T,LONG PRONGED,1/4-20"	
NI	0957324		BRACKET,MTG,SEAT CUSHION,W/US HEATER	

Models: AAFE, AARE, A3FE, A3RE, BBCV, GPWB, MBWB, SBCV, TCPE, TCRE, TSPE, VCTA
 PASSENGER SEATING
 DOT T/F SEAT
 30/39 IN., 2/3 FRONT
 With Features: OPTION 2715, 2716

Key	PartNumber	Qty	Description	Comment
-----	------------	-----	-------------	---------

OPT. 2699, DOT TASK FORCE HIGH BACK SEAT

1122-11270 8001976
 © 1982 BLUE BIRD BODY COMPANY
 ALL RIGHTS RESERVED



REVISED

90TCR380

Models: AAFE, AARE, A3FE, A3RE, BBCV, GPWB, MBWB, SBCV, TCPE, TCRE, TSPE, VCTA

**PASSENGER SEATING
DOT T/F SEAT
30/39 IN., 2/3 FRONT
OPTION 2715, 2716**

With Features:

Key	PartNumber	Qty	Description	Comment
1	1397421		SEAT ASSY,2/3 GM,LH	OPTION 2715, LH
1	1397439		SEAT ASSY,2/3 GM,RH	OPTION 2716, RH
2	1397074		FRAME ASSY,SEAT,2/3,GM,LH	OPTION 2715, LH
2	1397082		FRAME ASSY,SEAT,2/3,GM,RH	OPTION 2716, RH
3	0918433		CUSHION ASSY,30IN,DOT/TF	
4	0930586		COVER ASSY,CUSH,30,DOT/TF	
5	1168491		PAD,SEAT CUSH,30IN,VIRGIN FOAM	
6	0918383		BOARD,CUSHION,SEAT,30	
7	0918508		COVER ASSY,BK,39,DOT/TF	
8	0928416		PAD,SEAT BACK,2/3,RH	
8	0949057		PAD,SEAT BACK,2/3,LH,39, SBTF	
9	0919803		CLAMP,SEAT CUSHION,SWIVEL,DOT/TF	
10	0919811		CLAMP,POSITIVE POSITION,SEAT CUSH,DOT/TF	
11	0813477		SCREW,MACH,1/4-20X1/2,PH1,RD,YELZN,	
12	2001352		NUT,T,LONG PRONGED,1/4-20"	
NI	0957324		BRACKET,MTG,SEAT CUSHION,W/US HEATER	

Models: TSFE, VCTA

AAFE, AARE, A3FE, A3RE, BBCV, B1VC, B2VC, GPWB, MBWB, SBCV, TCPE, TCRE,

PASSENGER SEATING
 DOT T/F SEAT
 39 IN. REAR
 OPTION 2714

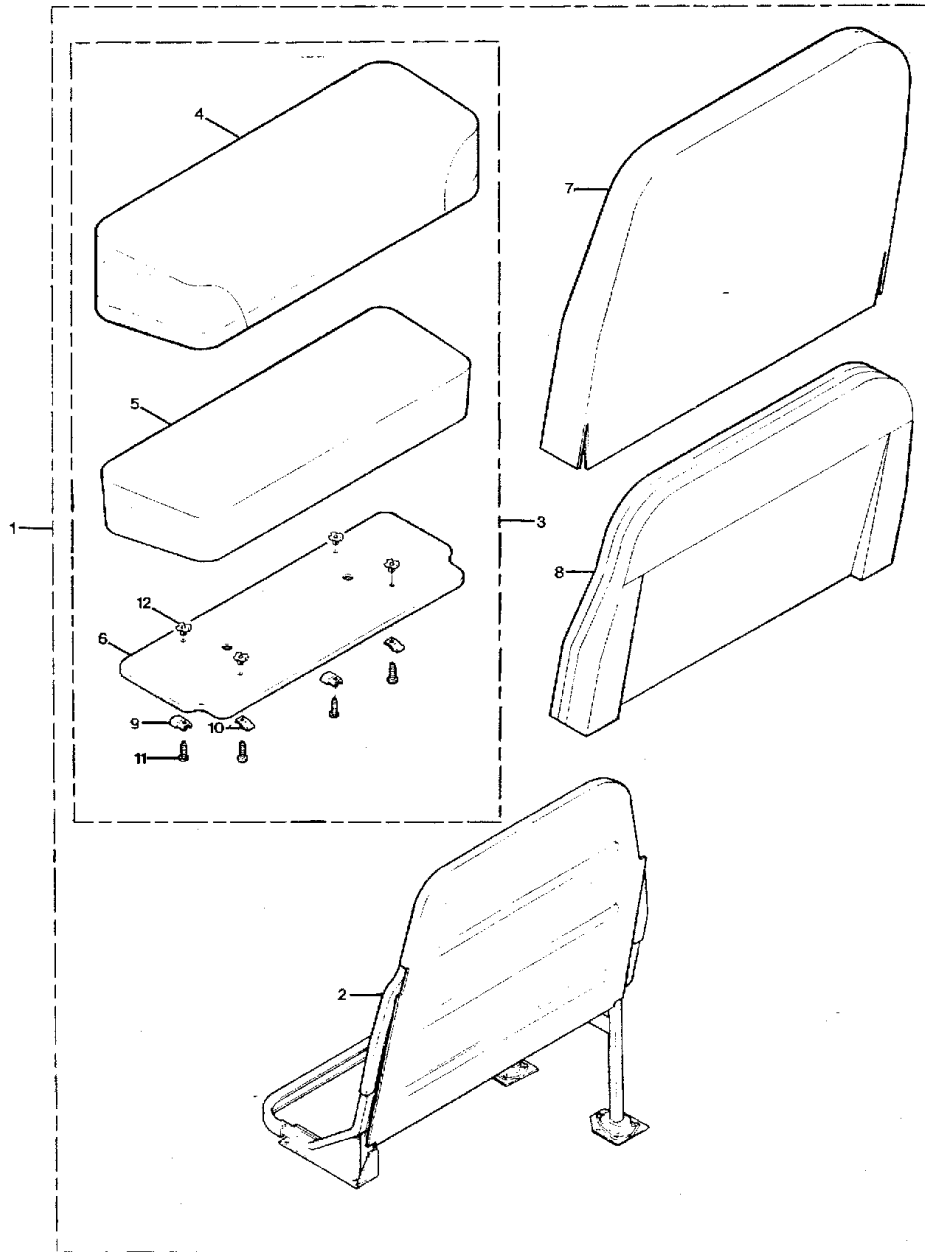
With Features:

Key	PartNumber	Qty	Description	Comment
-----	------------	-----	-------------	---------

1182-1187 8001976

OPT. 2699, DOT TASK FORCE HIGH BACK SEAT

© 1982 BLUE BIRD BODY COMPANY
 ALL RIGHTS RESERVED



REVISED

90TCR380

Models:
TSFE, VCTA

AAFE, AARE, A3FE, A3RE, BBCV, B1VC, B2VC, GPWB, MBWB, SBCV, TCPE, TCRE,

**PASSENGER SEATING
DOT T/F SEAT
39 IN. REAR
OPTION 2714**

With Features:

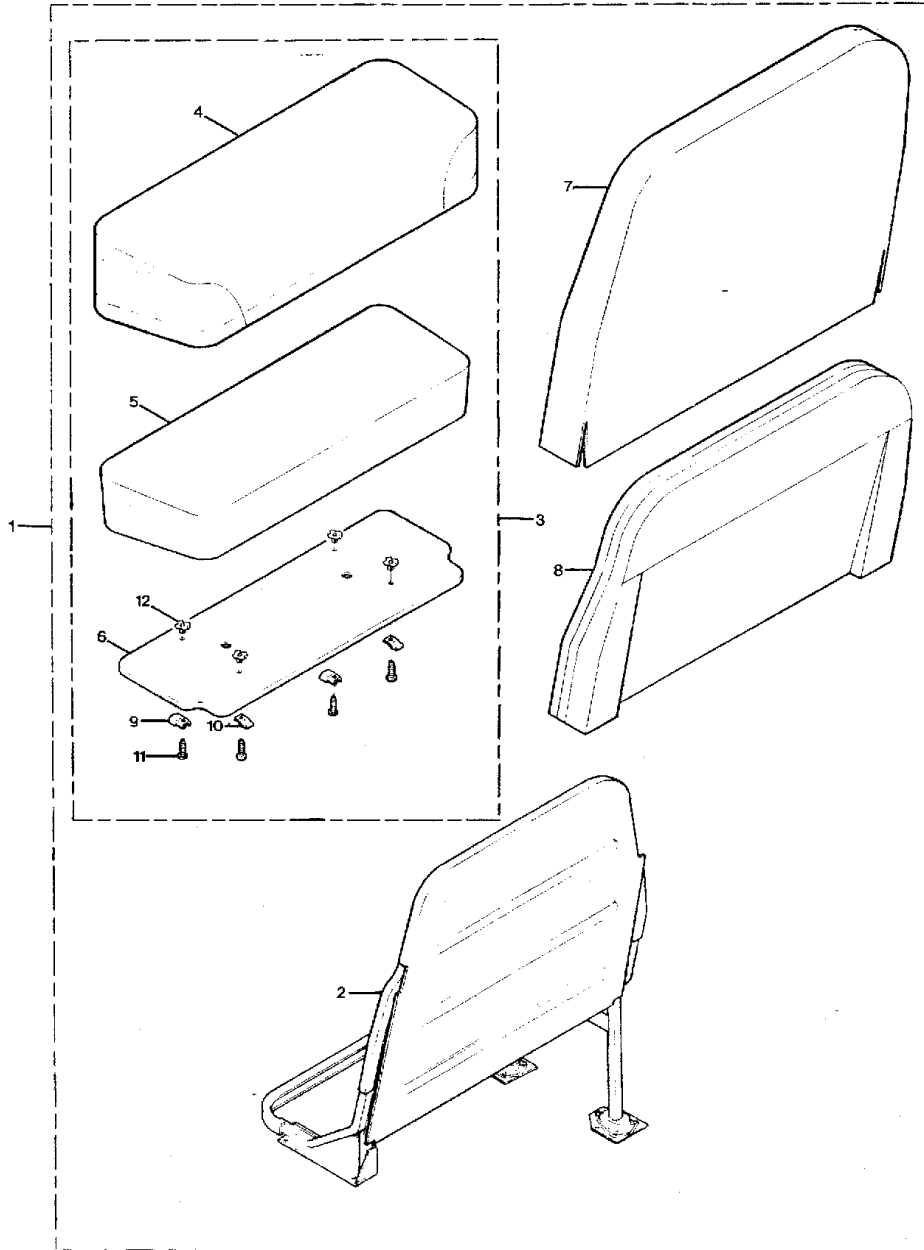
Key	PartNumber	Qty	Description	Comment
1	1397488		SEAT ASSY,39,GUSSET MOUNTED,LH,REAR	
1	1397496		SEAT ASSY,39,GUSSET MOUNTED,RH,REAR	
2	1396787		FRAME ASSY,SEAT,39,GM,LH	
2	1396795		FRAME ASSY,SEAT,39,GM,RH	
3	0918458		CUSHION ASSY,39IN,DOT/TF	
4	0931436		COVER ASSY,CUSH,39,DOT/TF	
5	1168517		PAD,SEAT CUSH,39IN,VIRGIN FOAM	
6	0918409		BOARD,CUSHION,SEAT,39,DOT/TF	
7	1133719		COVER ASSY,BK,39,DOT/TF,RR	
8	1261528		PAD,SEAT BACK,REAR SEAT 39	
9	0919803		CLAMP,SEAT CUSHION,SWIVEL,DOT/TF	
10	0919811		CLAMP,POSITIVE POSITION,SEAT CUSH,DOT/TF	
11	0813477		SCREW,MACH,1/4-20X1/2,PH1,RD,YELZN,	
12	2001352		NUT,T,LONG PRONGED,1/4-20"	
NI	0957324		BRACKET,MTG,SEAT CUSHION,W/US HEATER	

Models: AAFE, AARE, A3FE, A3RE, BBCV, B1VC, B2VC, MBWB, SBCV, TCPE, TCPE, TCPE, TSPE
 PASSENGER SEATING
 DOT T/F SEAT
 39 IN. RH & LH
 With Features: OPTION 2703

Key	PartNumber	Qty	Description	Comment
-----	------------	-----	-------------	---------

OPT. 2699, DOT TASK FORCE HIGH BACK SEAT

1122-11270 8001976
 © 1982 BLUE BIRD BODY COMPANY
 ALL RIGHTS RESERVED



REVISED

90TCR380

Models: AAFE, AARE, A3FE, A3RE, BBCV, B1VC, B2VC, MBWB, SBCV, TCPE, TCRE, TSPE

PASSENGER SEATING

DOT T/F SEAT

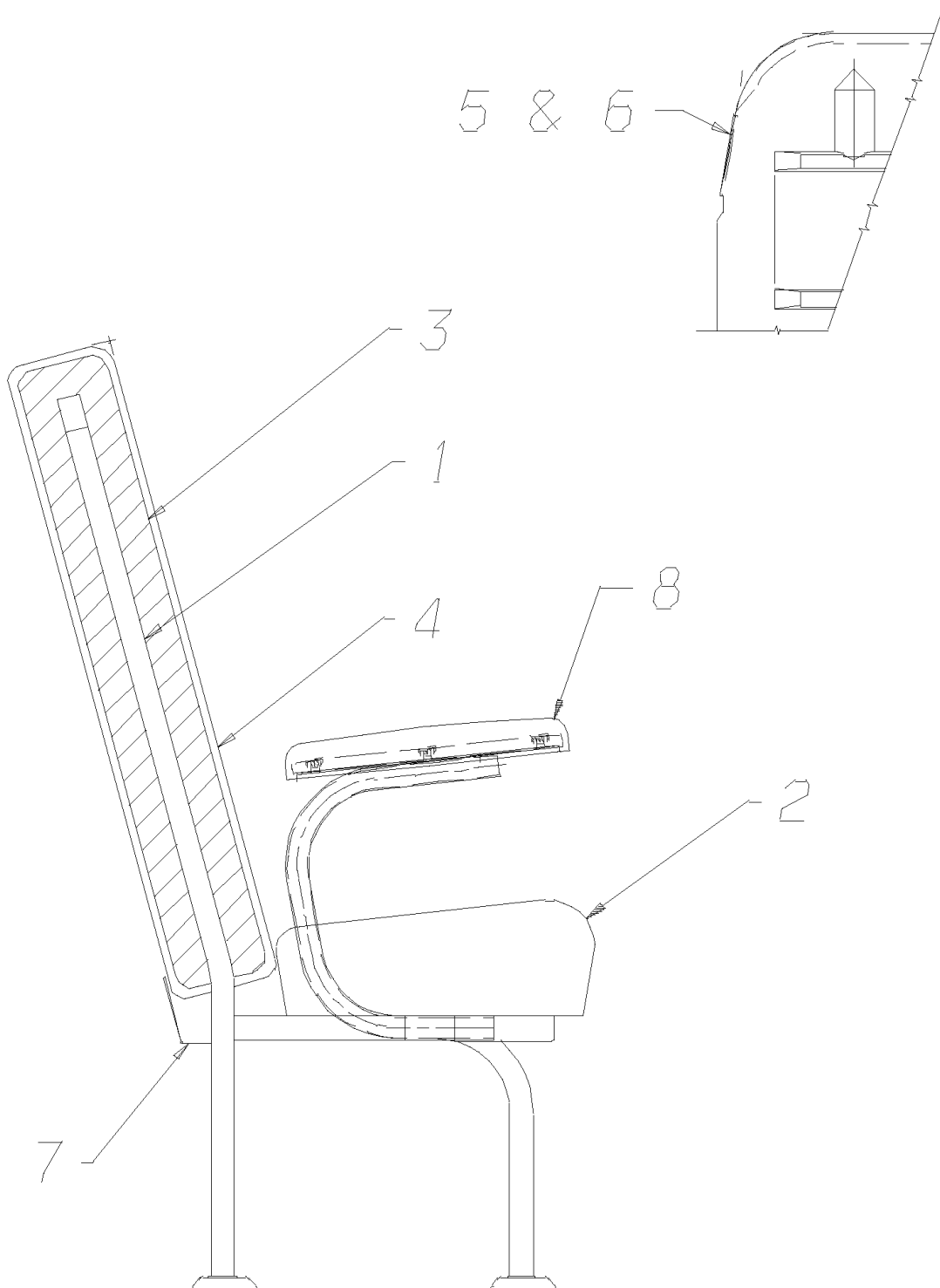
39 IN. RH & LH

With Features: **OPTION 2703**

Key	PartNumber	Qty	Description	Comment
1	1397652		SEAT ASSY,39,GUSSET MOUNTED,NY,RH,REAR	
1	1397645		SEAT ASSY,39,GUSSET MOUNTED,NY,LH,REAR	
2	1396910		FRAME ASSY,SEAT,39,GM,HI-BACK,RH,SBTF	
2	1396902		FRAME ASSY,SEAT,39,GM,HI-BACK,LH,SBTF	
3	0918458		CUSHION ASSY,39IN,DOT/TF	
4	0931436		COVER ASSY,CUSH,39,DOT/TF	
5	1168517		PAD,SEAT CUSH,39IN,VIRGIN FOAM	
6	0918409		BOARD,CUSHION,SEAT,39,DOT/TF	
7	1133784		UPHOLSTERY ASSY,BACK,RR ST,39,NY, SBTF	
8	1261494		PAD,SEAT BACK,REAR SEAT 39,NEW YORK,	
9	0919803		CLAMP,SEAT CUSHION,SWIVEL,DOT/TF	
10	0919811		CLAMP,POSITIVE POSITION,SEAT CUSH,DOT/TF	
11	0813477		SCREW,MACH,1/4-20X1/2,PH1,RD,YELZN,	
12	2001352		NUT,T,LONG PRONGED,1/4-20"	

Models: A3RE
PASSENGER SEATING
DOT T/F SEAT
With Features: SEAT BELT SEATS, RH DRIVE UK
OPTION 2784

Key	PartNumber	Qty	Description	Comment
-----	------------	-----	-------------	---------



Models: A3RE
PASSENGER SEATING
DOT T/F SEAT
SEAT BELT SEATS, RH DRIVE UK
With Features: OPTION 2784

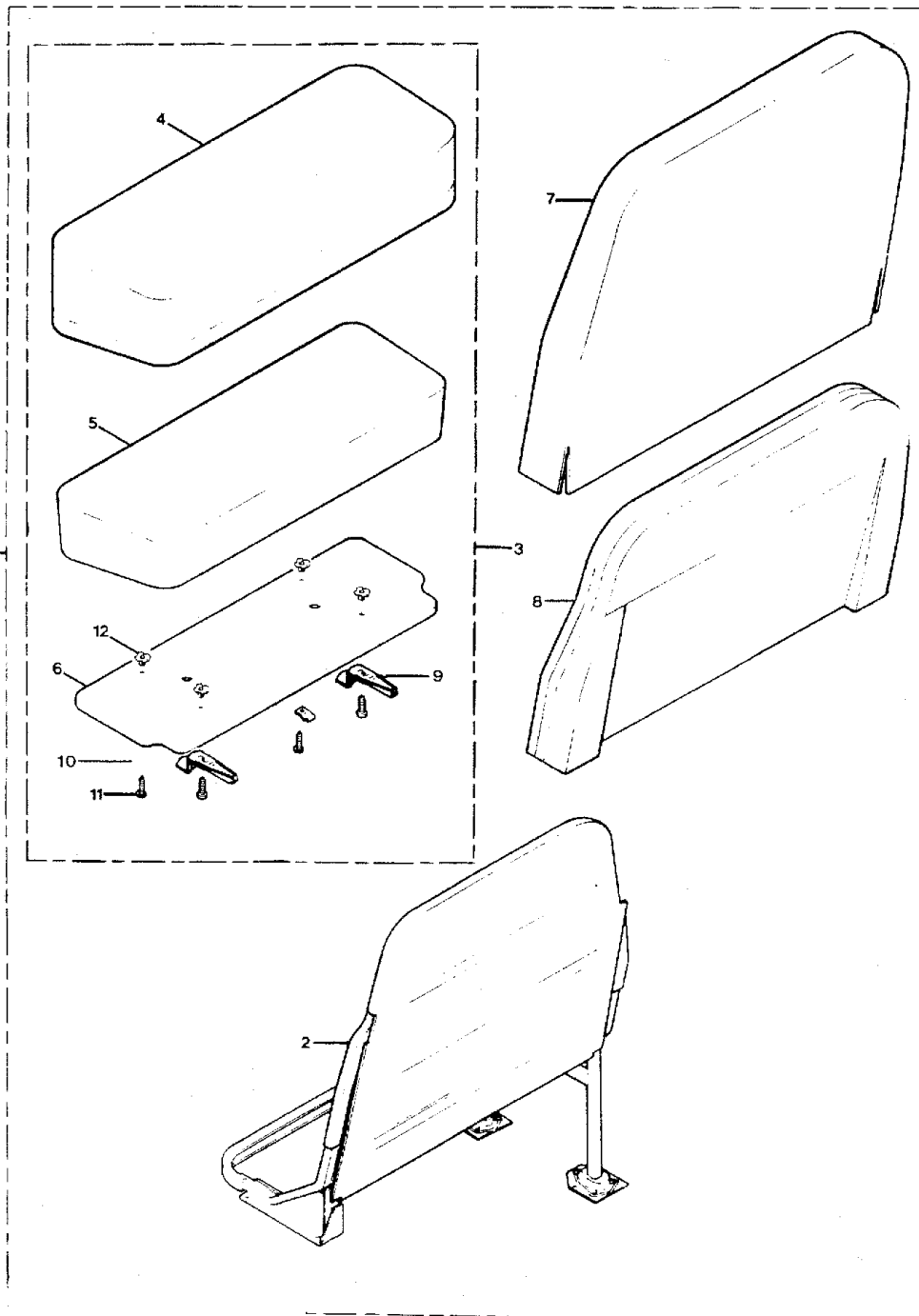
Key	PartNumber	Qty	Description	Comment
	0046824		SEAT ASSY,31.5,FM,S/BELT,RH,BURG,WOW	PARENT 0043185
1	0043590		FRAME ASSY,SEAT,SED ARMREST,RH DRIVE,	
2	0046825		CUSHION ASSY,31.5,SEAT,S/BELT,BURG,WOW	PARENT 0043099
	0046826		COVER ASSY,CUSH,31.5,BURG,WOW	PARENT 0043101 PART OF ITEM 2
	0043097		PAD,SEAT CUSH,31.50IN,VIRGIN FOAM	PART OF ITEM 2
	0043118		BOARD ASSY,CUSH,DOT/TF & S/BELT, 31.5,	PART OF ITEM 2
	0825331	2	CLAMP,SWIVEL,POSITIVE SEAT CUSHION,SM	PART OF ITEM 2
	0919803	2	CLAMP,SEAT CUSHION,SWIVEL,DOT/TF	PART OF ITEM 2
	0813477	4	SCREW,MACH,1/4-20X1/2,PH1,RD,YELZN,	PART OF ITEM 2
3	0979559		PAD,SEAT BARRIER BACK,30IN	
4	8315806		COVER ASSY BK 30 BURGUNDY TF	PARENT 0918482
5	0971267	6	TAPE,DUCT,PVC 2 IN	
6	1277151	6	CHANNEL,EXTRUDED,PVC,.62	
7	0046324		COVER,SEAT BELT,REAR,4 RET,30,BLK, UK-RHD	
8	1340330		PAD ASSY,ARMREST,DRV,MOLDED FOAM	
9	0813477	3	SCREW,MACH,1/4-20X1/2,PH1,RD,YELZN,	
	0046850		SEAT ASSY, 31.5,GM,S/BELT,RH,BURG,WOW	PARENT 0043171
1	0043164		FRAME ASSY,SEAT,31.5,GM,S/BELT,RH,	
2	0046825		CUSHION ASSY,31.5,SEAT,S/BELT,BURG,WOW	PARENT 0043099
	0046826		COVER ASSY,CUSH,31.5,BURG,WOW	PARENT 0043101 PART OF ITEM 2
	0043097		PAD,SEAT CUSH,31.50IN,VIRGIN FOAM	PART OF ITEM 2
	0043118		BOARD ASSY,CUSH,DOT/TF & S/BELT, 31.5,	PART OF ITEM 2
	0825331	2	CLAMP,SWIVEL,POSITIVE SEAT CUSHION,SM	PART OF ITEM 2
	0919803	2	CLAMP,SEAT CUSHION,SWIVEL,DOT/TF	PART OF ITEM 2
	0813477	4	SCREW,MACH,1/4-20X1/2,PH1,RD,YELZN,	PART OF ITEM 2
3	0046879		PAD ASSY,SEAT,THIN BK,30,TAPERED, UKRHD	
4	8315806		COVER ASSY BK 30 BURGUNDY TF	PARENT 0918482
5	0971267		TAPE,DUCT,PVC 2 IN	
6	1277151	6	CHANNEL,EXTRUDED,PVC,.62	
7	0046324	6	COVER,SEAT BELT,REAR,4 RET,30,BLK, UK-RHD	

Models: AAFE, AARE, A3FE, A3RE, GPWB, MBWB, SBCV, TCFE, TCRE, TSFE, VCTA
 PASSENGER SEATING
 DOT T/F SEAT
 SPACE SAVER SEAT
 With Features: OPTION 2707

Key	PartNumber	Qty	Description	Comment
-----	------------	-----	-------------	---------

DR 10-11-88 BY LAD			
APP 10-11-88 BY JM	FRT	800854Z	REV

© 1988 BLUE BIRD BODY COMPANY ALL RIGHTS RESERVED

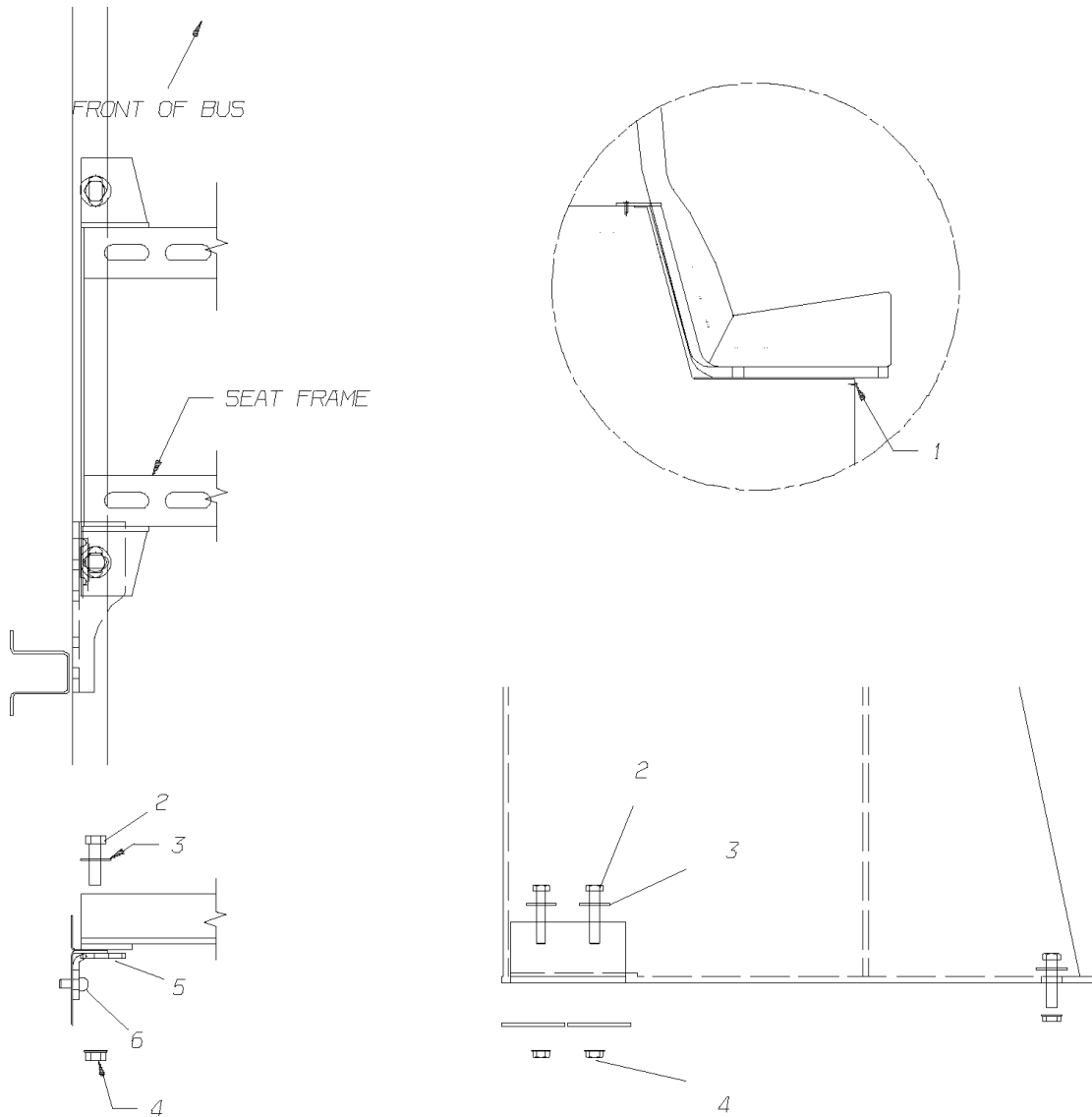


Models: AAFE, AARE, A3FE, A3RE, GPWB, MBWB, SBCV, TCFE, TCRE, TSFE, VCTA
With Features: PASSENGER SEATING
 DOT T/F SEAT
 SPACE SAVER SEAT
 OPTION 2707

Key	PartNumber	Qty	Description	Comment
1	1655927		SEAT ASSY,39,GM,RH SB SPC SVR	
1	1655919		SEAT ASSY,39,GM,LH SB SPC SVR	
2	1653294		FRAME ASSY,SEAT,39,GM,RH	
2	1653286		FRAME ASSY,SEAT,39,GM,LH	
3	1347335		CUSHION ASSY,39IN,SEAT	
4	0931436		COVER ASSY,CUSH,39,DOT/TF	
5	1168517		PAD,SEAT CUSH,39IN,VIRGIN FOAM	
6	0918409		BOARD,CUSHION,SEAT,39,DOT/TF	
6	0919522		BOARD,CUSHION,SEAT,39 OPT 6955	
7	0918508		COVER ASSY,BK,39,DOT/TF	
8	1347756		PAD ASSY,SEAT BACK,39.00	
9	0919811		CLAMP,POSITIVE POSITION,SEAT CUSH,DOT/TF	
10	0825331		CLAMP,SWIVEL,POSITIVE SEAT CUSHION,SM	
11	0813477		SCREW,MACH,1/4-20X1/2,PH1,RD,YELZN,	
12	2001352		NUT,T,LONG PRONGED,1/4-20"	

Models: A1VC, A3FE, A3RE, BBCV, B1VC, B2VC, GMCV, MBWB, SBCV, TCPL
PASSENGER SEATING
FASTENERS
With Features: HARDWARE, FREEDMAN ACTIVITY SEAT
FEATURE 30837

Key	PartNumber	Qty	Description	Comment
-----	------------	-----	-------------	---------



Models: A1VC, A3FE, A3RE, BBCV, B1VC, B2VC, GMCV, MBWB, SBCV, TCPL
With Features: PASSENGER SEATING
 FASTENERS
 HARDWARE, FREEDMAN ACTIVITY SEAT
 FEATURE 30837

Key	PartNumber	Qty	Description	Comment
1	1167808		SCREW,1/4-14 X 3/4,AB,PH1,PAN HD,BLK ZN	
2	0801910		CAPSCREW,HEX HD,3/8-16 X 2,GR8,YEL ZN	
2	2079606		CAPSCREW,HEX HD,3/8-16X4 1/2,GR8,YEL	
3	2028546		WASHER,FLAT,7/16,X 1 1/32 X 5/64,YL ZN	
4	1013689		NUT,HEX HD,3/8-16,WASHER SER,YEL ZN DICH	
NI	0049082		WASHER,SEAT,UNDERFLOOR,SIMT LD,FRDMN	
5	0040312		BRACKET,MTG,SEAT TO GUSSET,FRDMN FAM,LH	
5	0040313		BRACKET,MTG,SEAT TO GUSSET,FRDMN FAM,	
6	1085604		CAPSCREW,HEX HD,5/16-18X1 3/4,GR8,	
6	0829390		NUT,HEX HD,5/16-18,SER WASHER,YEL ZN	
6	2001121		WASHER,FLAT,5/16 X 3/4,X 5/64,YEL ZN DICH	

Models: **AAFE, AARE, A3FE, A3RE, BBCV, GPWB, MBWB, SBCV, TCPE, TCRE, TSPE, VCTA**
PASSENGER SEATING
FASTENERS
MISCELLANEOUS FASTENERS FOR SEATS

Key	PartNumber	Qty	Description	Comment
NI	1692664		CAPSCREW, HEX FLG,1/4-20 X .75, GR5, YEL	
NI	1542372		CAPSCREW,HEX FLG,1/4-20X.75,GRD5,BLACK	
NI	0824722		CAPSCREW,HEX FLG,1/4-20X .75,GR5,SER,BLK	
NI	1674225		CAPSCREW,HEX FLG,1/4-20X1.25,GRD5,BLACK	
NI	1542380		CAPSCREW,HEX FLG,1/4-20X1.50,GRD5,BLACK	
NI	0016654		CAPSCREW,HEX FLG,1/4-20X2.75,GRD5,BLACK	
NI	1542398		CAPSCREW,HEX FLG,1/4-20X3.25,GRD5,BLACK	
NI	1542406		CAPSCREW,HEX FLG,1/4-20X4.00,GRD5,BLACK	

Models: AAFE, AARE, A3FE, A3RE, BBCV, MBWB, SBCV, TCFE, TSFE, TCRE

PASSENGER SEATING

FLIP-UP SEAT

With Features: OPTION 2740, 2741

Key	PartNumber	Qty	Description	Comment
NI			SEAT ASSY, 39 IN. FLIP UP	
	1612951		SEAT ASSY,39.00,FLIP UP,RH	RH. ENDING WITH BSN B20012999, F20007869, L10013099, M10015679, X10002570
	0000363		SEAT ASSY,FLIP UP,39,RH, SBTF	RH. BEGIN WITH BSN B20013000, F20007870, L10013100, M10015680, X10002571
	1612969		SEAT ASSY,39.00,FLIP UP,LH	LH. ENDING WITH BSN B20012999, F20007869, L10013099, M10015679, X10002570
	0000365		SEAT ASSY,FLIP UP,39,LH, SBTF	LH. BEGIN WITH BSN B20013000, F20007870, L10013100, M10015680, X10002571
			HIGH BACK	
	1612977		SEAT ASSY,39.00,FLIP UP,HIGH BACK,RH	RH. ENDING WITH BSN B20012999, F20007869, L10013099, M10015679, X10002570
	0000366		SEAT ASSY,FLIP UP,39,HBK,RH, SBTF	RH. BEGIN WITH BSN B20013000, F20007870, L10013100, M10015680, X10002571
	1612985		SEAT ASSY,39.00,FLIP UP,HIGH BACK,LH	LH. ENDING WITH BSN B20012999, F20007869, L10013099, M10015679, X10002570
	0000367		SEAT ASSY,FLIP UP,39,HBK,LH, SBTF	LH. BEGIN WITH BSN B20013000, F20007870, L10013100, M10015680, X10002571
NI			FRAME ASSY	
	1610427		FRAME ASSY,SEAT,FLIP UP,39.00,RH, SBTF	RH. ENDING WITH BSN B20012999, F20007869, L10013099, M10015679, X10002570
	0000360		FRAME ASSY,SEAT,FLIP UP,39,RH, SBTF	RH. BEGIN WITH BSN B20013000, F20007870, L10013100, M10015680, X10002571
	1610419		FRAME ASSY,SEAT,FLIP UP,39.00,LH, SBTF	LH. ENDING WITH BSN B20012999, F20007869, L10013099, M10015679, X10002570
	0000344		FRAME ASSY,SEAT,FLIP UP,39,LH, SBTF	LH. BEGIN WITH BSN B20013000, F20007870, L10013100, M10015680, X10002571
			HIGH BACK	

Models: AAFE, AARE, A3FE, A3RE, BBCV, MBWB, SBCV, TCFE, TSFE, TCRE

PASSENGER SEATING

FLIP-UP SEAT

With Features: OPTION 2740, 2741

Key	PartNumber	Qty	Description	Comment
	1611136		FRAME ASSY,SEAT,FLIPUP,39.00,HIGH BK,	<i>RH. ENDING WITH BSN B20012999, F20007869, L10013099, M10015679, X10002570</i>
	0000362		FRAME ASSY,SEAT,FLIP UP,39,HBK,RH, SBTF	<i>RH. BEGIN WITH BSN B20013000, F20007870, L10013100, M10015680, X10002571</i>
	1611128		FRAME ASSY,SEAT,FLIPUP,39.00,HIGH BK,	<i>LH. ENDING WITH BSN B20012999, F20007869, L10013099, M10015679, X10002570</i>
	0000361		FRAME ASSY,SEAT,FLIP UP,39,HBK,LH, SBTF	<i>LH. BEGIN WITH BSN B20013000, F20007870, L10013100, M10015680, X10002571</i>
NI	1277151	6	CHANNEL,EXTRUDED,PVC,.62	
NI	0971267	6	TAPE,DUCT,PVC 2 IN	
NI			PAD, 39 IN.	
	0928416		PAD,SEAT BACK,2/3,RH	
	0949057		PAD,SEAT BACK,2/3,LH,39, SBTF	
	1613819		UPHOLSTERY ASSY,BACK,39.00 FLIP UP,HI BK,	
	1508241		PAD ASSY,SEAT,39.00,FLIP UP,HIGH BACK,LH	
NI			UPHOLSTERY BACK	
	1520022		UPHOLSTERY ASSY,BARRIER,39.00,FM,RH,	
	1519925		UPHOLSTERY ASSY,BARRIER,39.00,FM,LH, SBTF	
	1613751		PAD ASSY,SEAT,39.00,FLIP UP,HIGH BACK,RH	
	1508241		PAD ASSY,SEAT,39.00,FLIP UP,HIGH BACK,LH	
NI	1814839		PAD ASSY,HINGE,FLIP UP SEAT	
NI	1630615		CUSHION ASSY,39.00,FLIP UP SEAT,RH	
NI	1630623		CUSHION ASSY,39.00,FLIP UP SEAT,LH	
NI	1769157		COVER,CUSHION BOTTOM,39.00 FLIP-UP SEAT	
NI	0892604		GAS SPRING,FBN128,50 LB	
NI	3758810		STUD,BALL,O/H CABINET 10MM,WL	
NI	0420786		SCREW,MACH,1/4-20X1-1/4,PH1,TRUSS,	
NI	0813477		SCREW,MACH,1/4-20X1/2,PH1,RD,YELZN,	
NI	2000511		SCREW,10-16 X 1/2,AB,PH1,TRUSS HD,	
NI	0899096		WIRE,SAFETY,A9002,GAS SPRING	

Models: AAFE, AARE, A3FE, A3RE, BBCV, MBWB, SBCV, TCFE, TSFE, TCRE

PASSENGER SEATING

FLIP-UP SEAT

With Features: OPTION 2740, 2741

Key	PartNumber	Qty	Description	Comment
NI	1814839		PAD ASSY,HINGE,FLIP UP SEAT	
NI	1630615		CUSHION ASSY,39.00,FLIP UP SEAT,RH	
NI	1630623		CUSHION ASSY,39.00,FLIP UP SEAT,LH	
NI	1769157		COVER,CUSHION BOTTOM,39.00 FLIP-UP SEAT	
NI	0892604		GAS SPRING,FBN128,50 LB	
NI	3758810	2	STUD,BALL,O/H CABINET 10MM,WL	
NI	0420786	5	SCREW,MACH,1/4-20X1-1/4,PH1,TRUSS,	
NI	0813477	3	SCREW,MACH,1/4-20X1/2,PH1,RD,YELZN,	
NI	2000511	32	SCREW,10-16 X 1/2,AB,PH1,TRUSS HD,	
NI	0899096	2	WIRE,SAFETY,A9002,GAS SPRING	

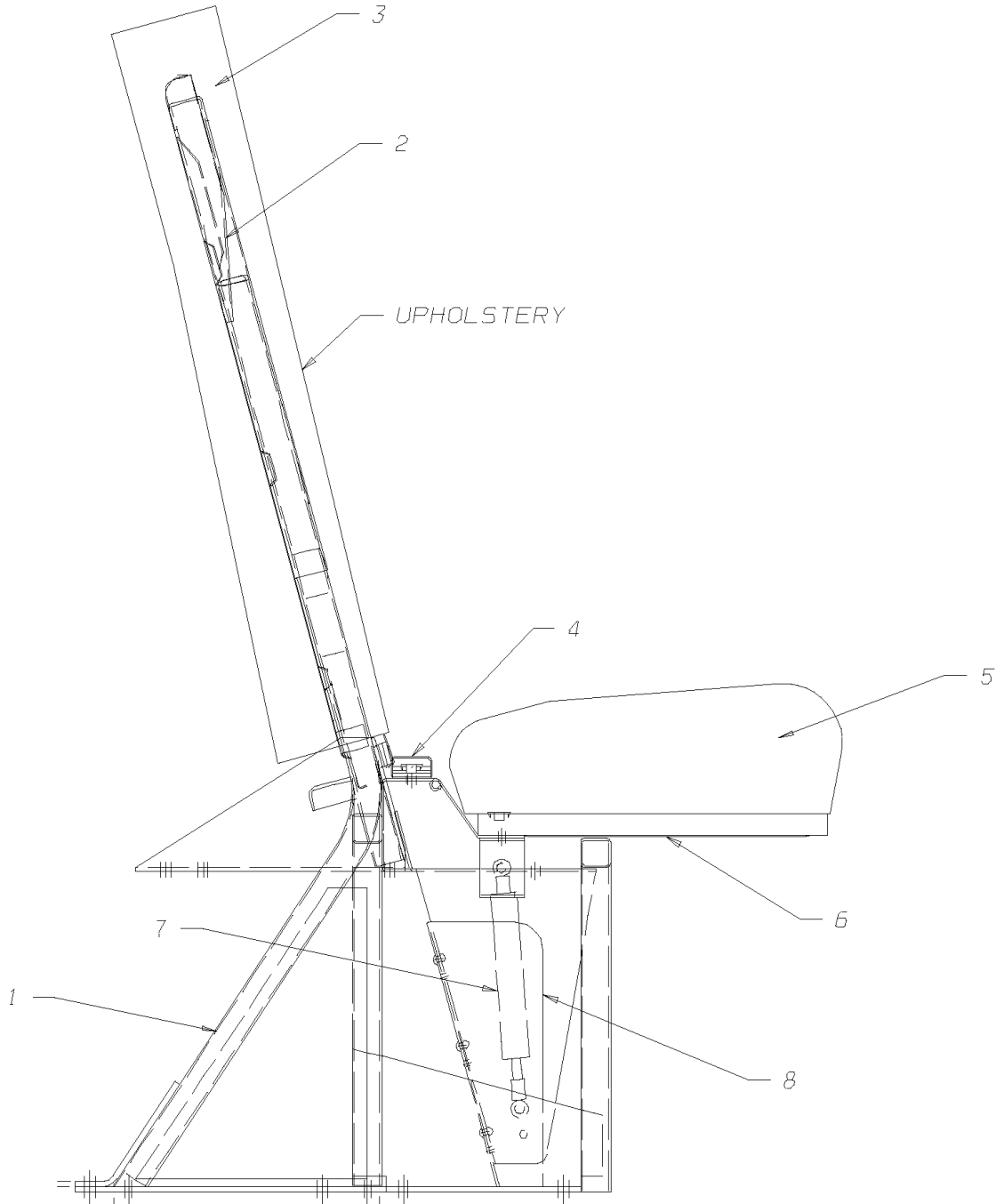
Models: AAFE, AARE, A3FE, A3RE, BBCV, GMCV, MBWB, SBCV, TCPE, TSPE, TCRE

PASSENGER SEATING

FLIP-UP SEAT

With Features: OPTION 12700, 12701

Key	PartNumber	Qty	Description	Comment
-----	------------	-----	-------------	---------



Models: AAFE, AARE, A3FE, A3RE, BBCV, GMCV, MBWB, SBCV, TCPE, TSPE, TCRE

PASSENGER SEATING

FLIP-UP SEAT

With Features: OPTION 12700, 12701

Key	PartNumber	Qty	Description	Comment
NI			SEAT ASSY, 39 IN. FLIP UP	
	1767227		SEAT ASSY,39.00,FLIP-UP,GM,LH	ENDING WITH BSN B20012999, F20007869, L10013099, M10015679, X10002570
	0000557		SEAT ASSY,39,FLIP-UP,GM,LH	BEGIN WITH BSN B20013000, F20007870, L10013100, M10015680, X10002571
	0061574		SEAT ASSY,39,FLIP-UP,GUSSET MOUNTED,LH	BEGIN WITH BSN 3-31-03
	1767268		SEAT ASSY,39.00,FLIP-UP,GM,RH	ENDING WITH BSN B20012999, F20007869, L10013099, M10015679, X10002570
	0000558		SEAT ASSY,39,FLIP-UP,GM,RH	BEGIN WITH BSN B20013000, F20007870, L10013100, M10015680, X10002571
	0061994		SEAT,ASSY,39,FLIP-UP,GUSSETT MOUNTED,RH	BEGIN WITH BSN 3-31-03
			HI BACK	
	1767276		SEAT ASSY,39.00,FLIP-UP,HI-BACK,GM,LH	ENDING WITH BSN B20012999, F20007869, L10013099, M10015679, X10002570
	0000559		SEAT ASSY,39,FLIP-UP,HBK,GM,LH	BEGIN WITH BSN B20013000, F20007870, L10013100, , M10015680, X10002571
	0061995		SEAT ASSY,39,FLIP-UP,HIGH BACK,GM,LH	BEGIN WITH BSN 3-31-03
	0000560		SEAT ASSY,39,FLIP-UP,HBK,GM,RH	BEGIN WITH BSN B20013000, F20007870, L10013100, M10015680, X10002571
	0061996		SEAT ASSY,39,FLIP-UP,HIGH BACK,GM,RH	BEGIN WITH BSN 3-31-03
1			FRAME ASSY 39 IN. FLIP UP	
	1766583		FRAME ASSY,39.00,FLIP SEAT,GUSSET MTD,LH	ENDING WITH BSN B20012999, F20007869, L10013099, M10015679, X10002570
	0000553		FRAME ASSY,39,FLIP SEAT,GM,LH	BEGIN WITH BSN B20013000, F20007870, L10013100, M10015680, X10002571
	0061569		FRAME ASSY,39,FLIP ST,GM,LH	BEGIN WITH BSN 3-31-03
	1766591		FRAME ASSY,39.00,FLIP SEAT,GUSSET MTD,RH	ENDING WITH BSN B20012999, F20007869, L10013099, M10015679, X10002570
	0000552		FRAME ASSY,39,FLIP SEAT,GM,RH	BEGIN WITH BSN B20013000, F20007870, L10013100, M10015680, X10002571
	0061570		FRAME ASSY,39,FLIP ST,GM,RH	BEGIN WITH BSN 3-31-03
			HI BACK	
	1766609		FRAME ASSY,39.00,FLIP SEAT,HI-BACK,GM,LH	ENDING WITH BSN B20012999, F20007869, L10013099,

Models: AAFE, AARE, A3FE, A3RE, BBCV, GMCV, MBWB, SBCV, TCPE, TSPE, TCRE

PASSENGER SEATING

FLIP-UP SEAT

With Features: OPTION 12700, 12701

Key	PartNumber	Qty	Description	Comment
				M10015679, X10002570
	0000555		FRAME ASSY,39,FLIP SEAT,HBK,GM,LH	BEGIN WITH BSN B20013000, F20007870, L10013100, M10015680, X10002571
	0061571		FRAME ASSY,39,FLIP ST,HBK,GM,LH	BEGIN WITH BSN 3-31-03
	1766617		FRAME ASSY,39.00,FLIP SEAT,HI-BACK,GM,RH	ENDING WITH BSN B20012999, F20007869, L10013099, M10015679, X10002570
	0000556		FRAME ASSY,39,FLIP SEAT,HBK,GM,RH	BEGIN WITH BSN B20013000, F20007870, L10013100, M10015680, X10002571
	0061572		FRAME ASSY,39,FLIP ST,HBK,GM,RH	BEGIN WITH BSN 3-31-03
2	1277151	6	CHANNEL,EXTRUDED,PVC,.62	
	0971267	6	TAPE,DUCT,PVC 2 IN	
3	0979575		PAD,FOAM,SEAT BK,39IN,DOT TF	
NI			UPHOLSTERY PAD 39 IN. COVER ASSY	PARENT NUMBER
	0918508		COVER ASSY,BK,39,DOT/TF	
	0982611		COVER ASSY,BK,39,NY, SBTF	
4	1814839		PAD ASSY,HINGE,FLIP UP SEAT	
5			CUSHION ASSY 39 IN.	
	1767334		CUSHION ASSY,SEAT,FLIP-UP,GUSSET MTD,LH	
	1767326		CUSHION ASSY,SEAT,FLIP-UP,GUSSET MTD,RH	
6			COVER ASSY, BOTTOM, CUSHION 39 IN.	
	1630664		COVER,CUSHION BOTTOM,39.00,FLIP UP SEAT	
	1769157		COVER,CUSHION BOTTOM,39.00 FLIP-UP SEAT	
7	1766716		GAS SPRING,752770-P1-0250N,56 LBS	
7	3758810	2	STUD,BALL,O/H CABINET 10MM,WL	
NI	0420786	5	SCREW,MACH,1/4-20X1-1/4,PH1,TRUSS,	
NI	0813477	3	SCREW,MACH,1/4-20X1/2,PH1,RD,YELZN,	
NI	2000511	34	SCREW,10-16 X 1/2,AB,PH1,TRUSS HD,	
8			GAS SPRING GUARD	
	1766690		GUARD,GAS SPRING,FLIP SEAT,GUSSET MTD,LH	
	1768639		GUARD,GAS SPRING,FLIP SEAT,GM,LH	
	1766708		GUARD,GAS SPRING,FLIP SEAT,GUSSET MTD,	
	1768647		GUARD,GAS SPRING,FLIP SEAT,GM,RH	
NI			COVER, FRAME ASSY	
	1780568		COVER,FRAME ASSY,GM FLIP SEAT,LH	

Models: AAFE, AARE, A3FE, A3RE, BBCV, GMCV, MBWB, SBCV, TCFE, TSFE, TCRE

**PASSENGER SEATING
FLIP-UP SEAT**

With Features: OPTION 12700, 12701

Key	PartNumber	Qty	Description	Comment
	1780584		COVER,FRAME ASSY,GM FLIP SEAT,LH	
	1780774		COVER,FRAME ASSY,GM FLIP SEAT,RH	
	1780790		COVER,FRAME ASSY,GM FLIP SEAT,RH	

Models: AAFE, AARE, A3FE, A3RE, BBCV, GMCV, MBWB, SBCV, TCPE, TSPE, TCRE

PASSENGER SEATING

FLIP-UP SEAT

With Features: OPTION 12702, 12703

Key	PartNumber	Qty	Description	Comment
NI			SEAT ASSY 3/2, FLIP-UP	
	1768787		SEAT ASSY,3/2 FLIP-UP,GUSSET MOUNTED,LH	ENDING WITH BSN B20012999, F20007869, L10013099, M10015679, X10002570
	0000551		SEAT ASSY,3/2 FLIP-UP,GM,LH	BEGIN WITH BSN B20013000, F20007870, L10013100, M10015680, X10002571
	1768795		SEAT ASSY,3/2 FLIP-UP,GUSSET MOUNTED,RH	ENDING WITH BSN B20012999, F20007869, L10013099, M10015679, X10002570
	0000561		SEAT ASSY,3/2 FLIP-UP,GM,RH	BEGIN WITH BSN B20013000, F20007870, L10013100, M10015680, X10002571
			HI BACK	
	1768803		SEAT ASSY,3/2 FLIP-UP,HI-BACK,GUSSET MTD,	ENDING WITH BSN B20012999, F20007869, L10013099, M10015679, X10002570
	0000563		SEAT ASSY,3/2 FLIP-UP,HBK,GM,LH	BEGIN WITH BSN B20013000, F20007870, L10013100, M10015680, X10002571
	1768811		SEAT ASSY,3/2 FLIP-UP,HI-BACK,GUSSET MTD,	ENDING WITH BSN B20012999, F20007869, L10013099, M10015679, X10002570
	0000564		SEAT ASSY,3/2 FLIP-UP,HBK,GM,RH	BEGIN WITH BSN B20013000, F20007870, L10013100, M10015680, X10002571
NI			FRAME ASSY 39 IN.	
	1766583		FRAME ASSY,39.00,FLIP SEAT,GUSSET MTD,LH	ENDING WITH BSN B20012999, F20007869, L10013099, M10015679, X10002570
	0000553		FRAME ASSY,39,FLIP SEAT,GM,LH	BEGIN WITH BSN B20013000, F20007870, L10013100, M10015680, X10002571
	1766591		FRAME ASSY,39.00,FLIP SEAT,GUSSET MTD,RH	ENDING WITH BSN B20012999, F20007869, L10013099, M10015679, X10002570
	0000552		FRAME ASSY,39,FLIP SEAT,GM,RH	BEGIN WITH BSN B20013000, F20007870, L10013100, M10015680, X10002571
			HI BACK	
	1766609		FRAME ASSY,39.00,FLIP SEAT,HI-BACK,GM,LH	ENDING WITH BSN B20012999, F20007869, L10013099, M10015679, X10002570
	0000555		FRAME ASSY,39,FLIP SEAT,HBK,GM,LH	BEGIN WITH BSN B20013000, F20007870, L10013100, M10015680, X10002571
	1766617		FRAME ASSY,39.00,FLIP SEAT,HI-BACK,GM,RH	ENDING WITH BSN B20012999, F20007869, L10013099,

Models: **AAFE, AARE, A3FE, A3RE, BBCV, GMCV, MBWB, SBCV, TCPE, TSPE, TCRE**

PASSENGER SEATING

FLIP-UP SEAT

With Features: **OPTION 12702, 12703**

Key	PartNumber	Qty	Description	Comment
				M10015679 X10002570
	0000556		FRAME ASSY,39,FLIP SEAT,HBK,GM,RH	BEGIN WITH BSN B20013000, F20007870, L10013100, M10015680, X10002571
NI			GUARD, GAS SPRING, 39 IN.	
	1766690		GUARD,GAS SPRING,FLIP SEAT,GUSSET MTD,LH	
	1768639		GUARD,GAS SPRING,FLIP SEAT,GM,LH	
	1766708		GUARD,GAS SPRING,FLIP SEAT,GUSSET MTD,	
	1768647		GUARD,GAS SPRING,FLIP SEAT,GM,RH	
NI	1277151	6	CHANNEL,EXTRUDED,PVC,.62	
NI	0971267	6	TAPE,DUCT,PVC 2 IN	
NI			PAD	
	0979575		PAD,FOAM,SEAT BK,39IN,DOT TF	
	0982579		PAD,SEAT BACK,39IN,NO 2,NEW YORK	
NI			UPHOLSTERY	
	0918508		COVER ASSY,BK,39,DOT/TF	
	0982611		COVER ASSY,BK,39,NY, SBTF	
NI	1768746		CUSHION ASSY,3/2 FLIP SEAT,GUSSET	
NI	1814839		PAD ASSY,HINGE,FLIP UP SEAT	
NI	1768761		COVER,CUSHION,BOTTOM,3/2 FLIP SEAT,GM,LH	
NI	1768621		COVER,CUSHION BOTTOM,3/2 FLIP ST,GM,LH	
NI	1768654		COVER,CUSHION BOTTOM,3/2 FLIP ST,GM,RH	
NI	1768662		COVER,CUSHION BOTTOM,3/2 FLIP ST,GM,RH	
NI	1766716		GAS SPRING,752770-P1-0250N,56 LBS	
NI	3758810		STUD,BALL,O/H CABINET 10MM,WL	
NI	0420786		SCREW,MACH,1/4-20X1-1/4,PH1,TRUSS,	
NI	0813477		SCREW,MACH,1/4-20X1/2,PH1,RD,YELZN,	
NI	1631613		SCREW,MACH,1/4-20X1,PH1,TRUSS HD,YEL	
NI	2000511		SCREW,10-16 X 1/2,AB,PH1,TRUSS HD,	
NI	1768720		PAD ASSY,FILLER,3/2 FLIP SEAT,GUSSET MTD	
NI	1780568		COVER,FRAME ASSY,GM FLIP SEAT,LH	
NI	1780584		COVER,FRAME ASSY,GM FLIP SEAT,LH	
NI	1780774		COVER,FRAME ASSY,GM FLIP SEAT,RH	

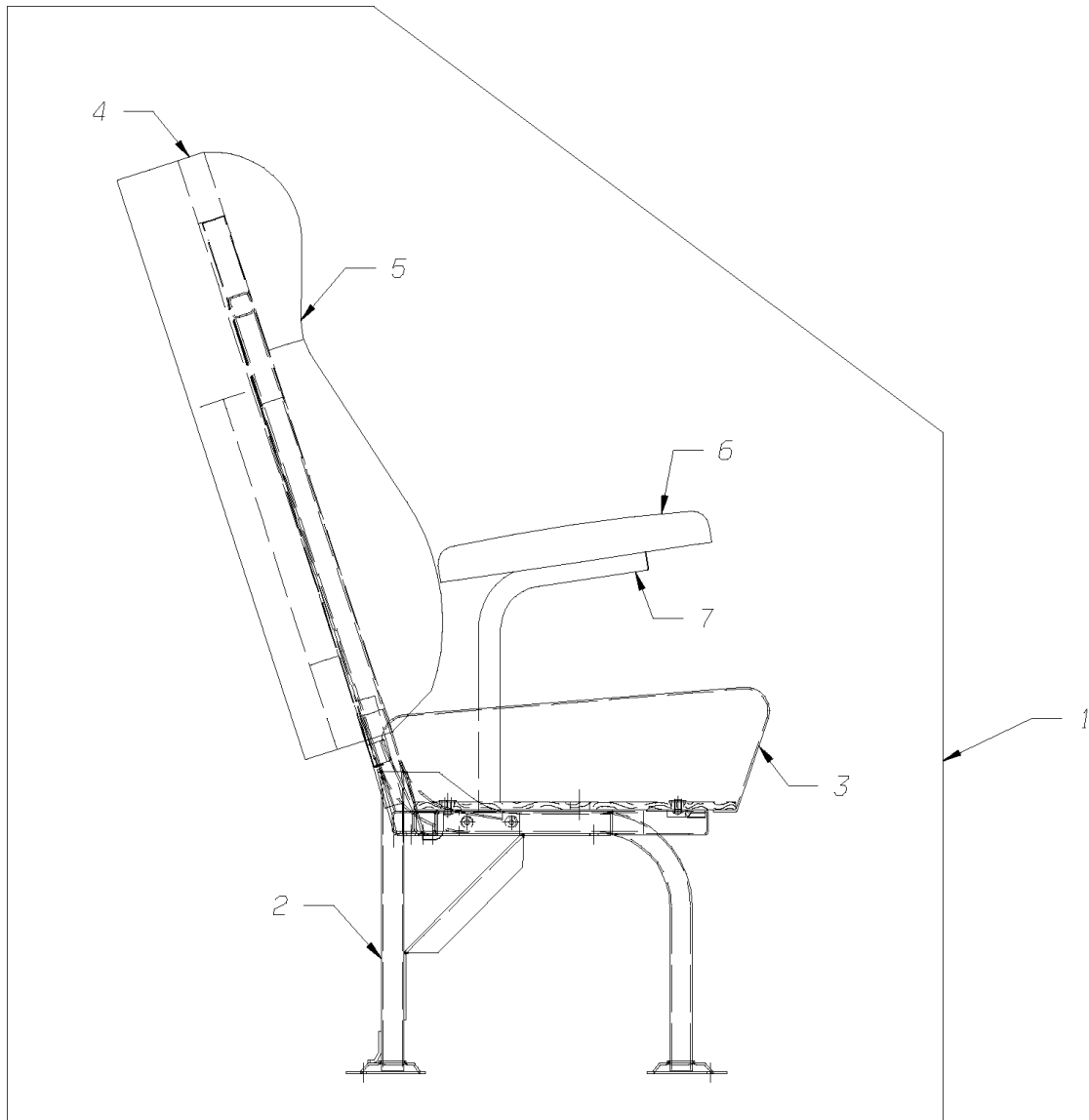
Models: A3FE, A3RE, B2VC, GMCV, MBWB, SBCV, TCFE

PASSENGER SEATING

FLIP-UP SEAT

With Features: OPTION 30835, 30836

Key	PartNumber	Qty	Description	Comment
-----	------------	-----	-------------	---------



Models: A3FE, A3RE, B2VC, GMCV, MBWB, SBCV, TCFE

PASSENGER SEATING

FLIP-UP SEAT

With Features: OPTION 30835, 30836

Key	PartNumber	Qty	Description	Comment
1	0016640		SEAT ASSY,36,GM,S/BELT READY,RH, ACTIVITY	
1	0016641		SEAT ASSY,36,GM,S/BELT READY,LH, ACTIVITY	
2	0014218		FRAME ASSY,SEAT,36,GM,RH, ACTIVITY	
2	0014219		FRAME ASSY,SEAT,36,GM,LH, ACTIVITY	
3	0023788		CUSHION ASSY,17,36 SEAT,.50 PLY, ACTIVITY	
NI	1171164		PAD,SEAT CUSH,36IN,VIRGIN FOAM,	
NI	0424978		COVER ASSY,CUSH,36, ACTIVITY	
4	0016643		PAD,SEAT BACK, ACTIVITY	
5	0016644		UPHOLSTERY ASSY,SEAT BACK,36,VINYL	
			ARMREST ASSY CONSIST OF THE FOLLOWING	
6	1340330		PAD ASSY,ARMREST,DRV,MOLDED FOAM	
7	0016650		FRAME ASSY,ARM REST,RH,ACTIVITY	
7	0016652		FRAME ASSY,ARM REST,LH,ACTIVITY	
NI	0813477	3	SCREW,MACH,1/4-20X1/2,PH1,RD,YELZN,	
NI	0016654	2	CAPSCREW,HEX FLG,1/4-20X2.75,GRD5,BLACK	
NI	0659979	2	NUT,HEX,FLANGE SER,1/4-20,BLACK ZINC	
NI	0016655		PLUG,BUTTON,BLACK,G-875,HEYCO 2700	
NI	0018322		SEAT BACK ASSEMBLY,ACTIVITY,DVPT, A3RE	
NI	0018318		BM L4RE BODY FLOOR	
NI	0018323		UPHOLSTERY ASSY,SEAT BACK,ACT,DVPT, A3RE	
NI	0017667		CUSHION ASSEMBLY,ACTIVITY SEAT,DVPT,	
NI	0018435		PAD,CUSHION,ACTIVITY SEAT,DAVENPORT,	
NI	0018479		UPHOLSTERY ASSEMBLY,CUSHION,ACTIVITY,	
NI	1991462		SEAT BELT ASSY,PUSH BUTTON,BLACK,IN	
NI	0022380		SEAT BELT ASSY,W/RETRACTOR,BLACK	

Models: A1VC, A3FE, A3RE, BBCV, B1VC, B2VC, GMCV, MBWB, SBCV, TCPL

PASSENGER SEATING

LATCH SEATS

With Features: FEATURE 30838-16, -20, -21

Key	PartNumber	Qty	Description	Comment
	0096140		SEAT ASSY,LATCH,2 POS,39,LBK,GM,LH	
	0096138		FRAME ASSY,SEAT,39,GM,LATCH,LH	
	0099910		CUSHION ASSY,SEAT,39IN,SEAT BELT,LATCH	
	0099557		PAD,SEAT,BACK,39,LATCH,TWO POSITION	
	0102646		COVER ASSY,BK,39,LATCH	
	0099565		COVER,SEAT BELT,REAR,6 RET,39,LATCH,LH	
	0099577		SEAT ASSY,LATCH,2 POS,39,LBK,GM,RH	
	0098985		FRAME ASSY,SEAT,39,GM,LATCH,RH	
	0099910		CUSHION ASSY,SEAT,39IN,SEAT BELT,LATCH	
	0099557		PAD,SEAT,BACK,39,LATCH,TWO POSITION	
	0102646		COVER ASSY,BK,39,LATCH	
	0099567		COVER,SEAT BELT,REAR,6 RET,39,LATCH,RH	
	0100805		SEAT ASSY,LATCH,1 POS,30,LBK,TM,LH	
	0100789		FRAME ASSY,SEAT,30,TM,LATCH,LH	
	0100801		CUSHION ASSY,SEAT,30IN,SEAT BELT,LATCH	
	0100803		PAD,SEAT,BACK,30,LH,LATCH,ONE POSITION	
	0102666		COVER ASSY,BACK,30,LATCH,LH	
	0054365		COVER,SEAT BELT,REAR,4 RET,30,UCRA,LH	
	0100806		SEAT ASSY,LATCH,1 POS,30,LBK,TM,RH	
	0100790		FRAME ASSY,SEAT,30,TM,LATCH,RH	
	0100801		CUSHION ASSY,SEAT,30IN,SEAT BELT,LATCH	
	0100804		PAD,SEAT,BACK,30,RH,LATCH,ONE POSITION	
	0102664		COVER ASSY,BACK,30,LATCH,RH	
	0054011		COVER,SEAT BELT,REAR,4 RET,30,UCRA,RH	
	0100250		SEAT ASSY,LATCH,2 POS,39,LBK,TM,LH	
	0100252		FRAME ASSY,SEAT,39,TM,LATCH,LH	
	0099910		CUSHION ASSY,SEAT,39IN,SEAT BELT,LATCH	
	0099557		PAD,SEAT,BACK,39,LATCH,TWO POSITION	
	0102646		COVER ASSY,BK,39,LATCH	
	0099565		COVER,SEAT BELT,REAR,6 RET,39,LATCH,LH	
	0100251		SEAT ASSY,LATCH,2 POS,39,LBK,TM,RH	
	0100253		FRAME ASSY,SEAT,39,TM,LATCH,RH	
	0099910		CUSHION ASSY,SEAT,39IN,SEAT BELT,LATCH	

Models: A1VC, A3FE, A3RE, BBCV, B1VC, B2VC, GMCV, MBWB, SBCV, TCPL
PASSENGER SEATING
LATCH SEATS

With Features: FEATURE 30838-16, -20, -21

Key	PartNumber	Qty	Description	Comment
	0099557	2	PAD,SEAT,BACK,39,LATCH,TWO POSITION	
	0102646		COVER ASSY,BK,39,LATCH	
	0099567		COVER,SEAT BELT,REAR,6 RET,39,LATCH,RH	
	0971267		TAPE,DUCT,PVC 2 IN	
	1277151		CHANNEL,EXTRUDED,PVC,.62	

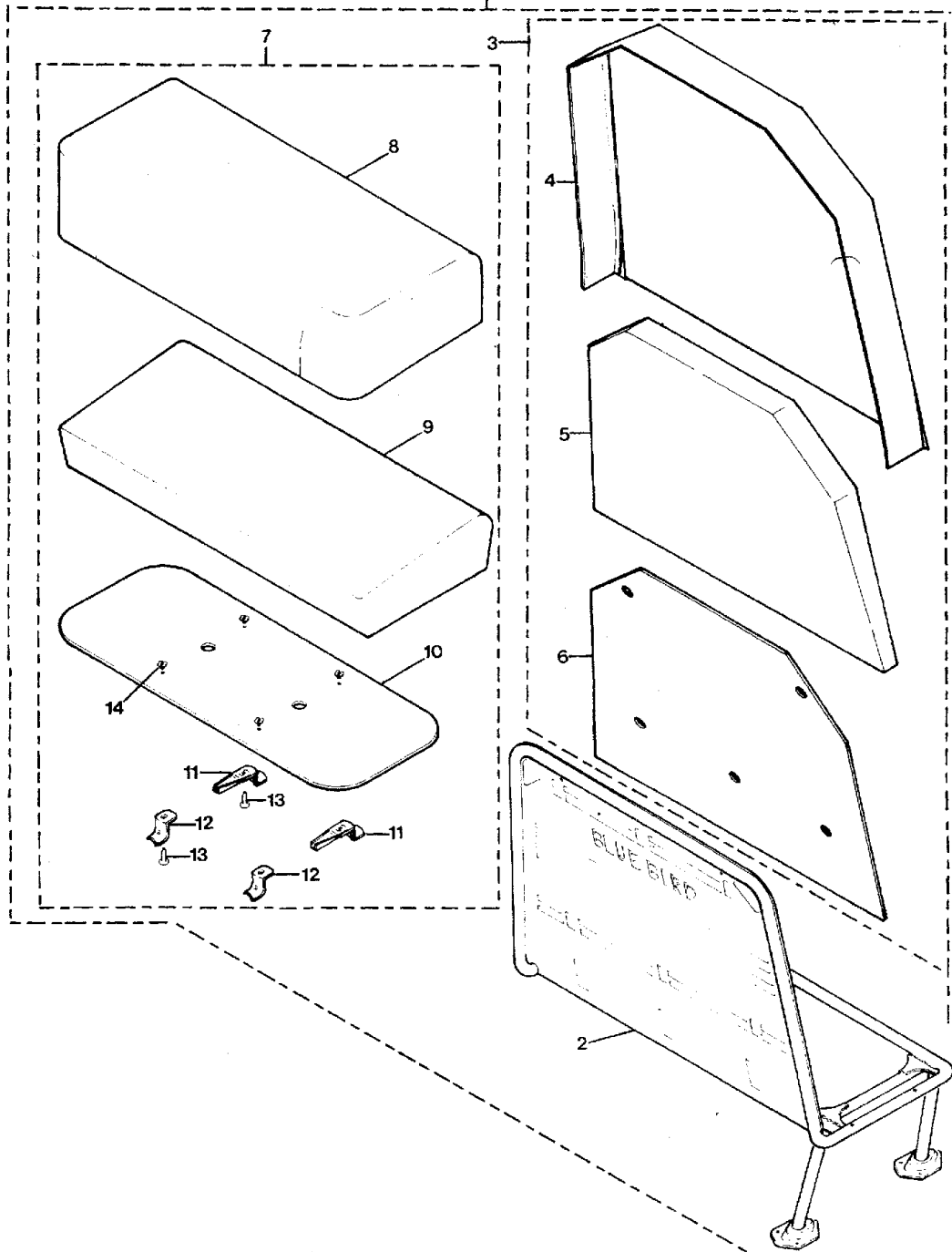
Models: AAFE, AARE, A3FE, A3RE, BBCV, MBWB, SBCV, TCFE, TCRE, TSFL
 PASSENGER SEATING
 NON-SCHOOL BUS
 LH & RH EXPORT SEATS
 30 INCH SEATS
 With Features: OPTION 2692

Key	PartNumber	Qty	Description	Comment
-----	------------	-----	-------------	---------

DR 3/10/83 BY JAW
 APP BY 8002.172

© 1983 BLUE BIRD BODY COMPANY
 ALL RIGHTS RESERVED

OPT. 2692
 LH & RH EXPORT SEATS NON-SCHOOL BUS



Models: AAFE, AARE, A3FE, A3RE, BBCV, MBWB, SBCV, TCFE, TCRE, TSFE
PASSENGER SEATING
NON-SCHOOL BUS
LH & RH EXPORT SEATS
30 INCH SEATS
With Features: OPTION 2692

Key	PartNumber	Qty	Description	Comment
1	0018234		SEAT ASSY,30 EXPORT,GM,LH,COMPLETE,NSB	
1	0018226		SEAT ASSY,30 EXPORT,GM,RH,COMPLETE,NSB	
1	0018218		SEAT ASSY,30 EXPORT,FMTD,COMPLETE,NSB	
2	0017962		FRAME ASSY,SEAT,30,GM,LH,NSB	
2	0017954		FRAME ASSY,SEAT,30,GM,RH,NSB	
2	0017897		FRAME ASSY,SEAT,30,FMTD,NSB	
3	0423434		BACK ASSY,30,C/A CRNS	
4	0423509		COVER ASSY,BK,30,C/A CRNS	
5	1171305		PAD,SEAT BACK,30IN,VIRGIN FOAM,	
6	0813055		BOARD,BACK,30IN SEAT,RH,NSB	
7	1241918		CUSHION ASSY,SEAT,30,VIRGIN FOAM,NSB	
8	0930586		COVER ASSY,CUSH,30,DOT/TF	
9	1168491		PAD,SEAT CUSH,30IN,VIRGIN FOAM	
10	1481738		BOARD,CUSHION,SEAT,30.00,NSB	

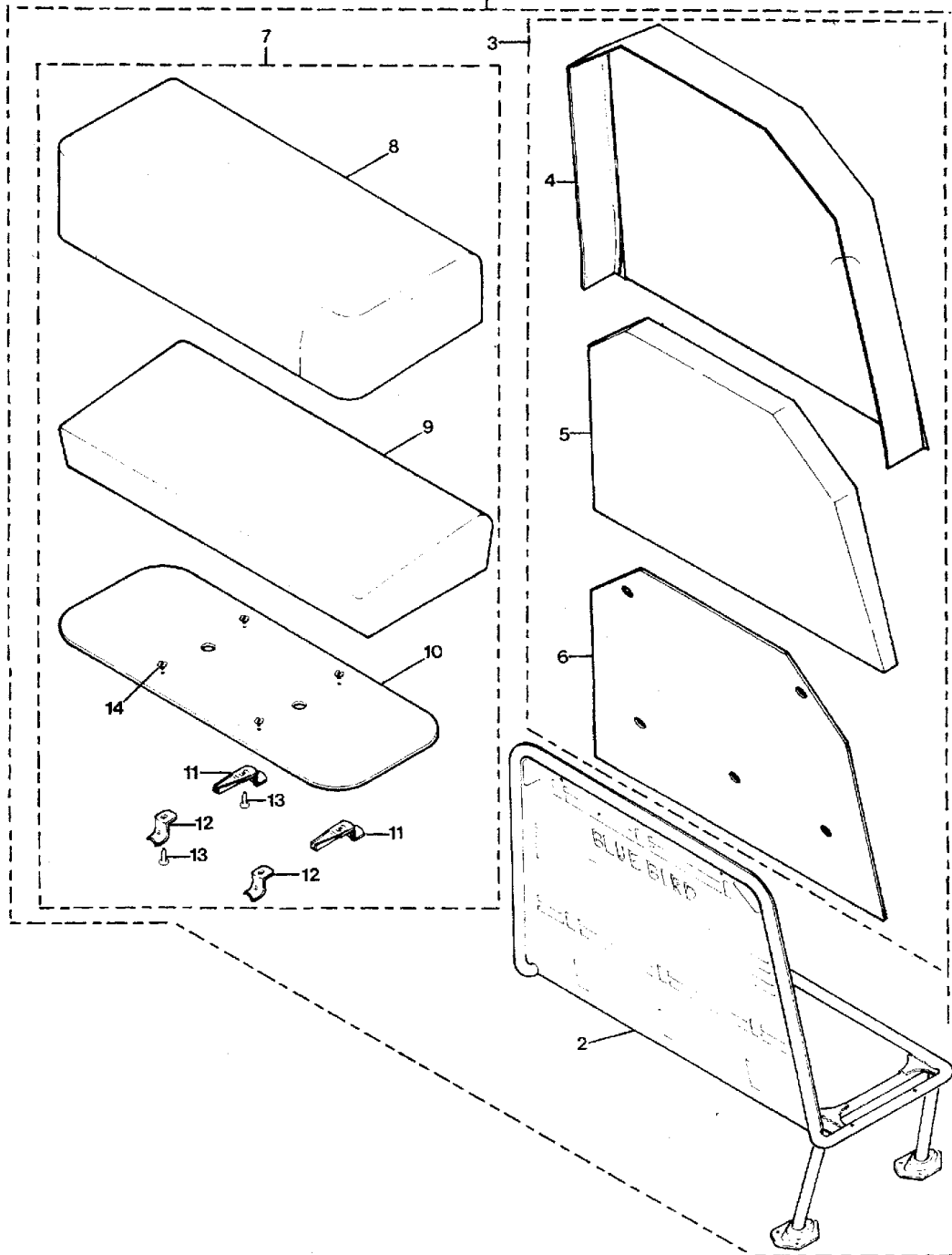
Models: AAFE, AARE, A3FE, A3RE, BBCV, MBWB, SBCV, TCFE, TCRE, TSFL
 PASSENGER SEATING
 NON-SCHOOL BUS
 LH & RH EXPORT SEATS
 34 IN SEATS
 With Features: OPTION 2692

Key	PartNumber	Qty	Description	Comment
-----	------------	-----	-------------	---------

DR 3/10/83 BY JAW
 APP BY 8002.172

© 1983 BLUE BIRD BODY COMPANY
 ALL RIGHTS RESERVED

OPT. 2692
 LH & RH EXPORT SEATS NON-SCHOOL BUS



Models: AAFE, AARE, A3FE, A3RE, BBCV, MBWB, SBCV, TCFE, TCRE, TSFE
PASSENGER SEATING
NON-SCHOOL BUS
LH & RH EXPORT SEATS
34 IN SEATS
With Features: **OPTION 2692**

Key	PartNumber	Qty	Description	Comment
1	0018267		SEAT ASSY,34 EXPORT,GM,LH,COMPLERE,NSB	
1	0018259		SEAT ASSY,34 EXPORT,GM,RH,COMPLERE,NSB	
1	0018242		SEAT ASSY,34 EXPORT,FMTD,COMPLETE,NSB	
2	0017988		FRAME ASSY,SEAT,34,GM,LH,NSB	
2	0017970		FRAME ASSY,SEAT,34,GM,RH,NSB	
2	0017905		FRAME ASSY,SEAT,34,FMTD,NSB	
3	0423459		BACK ASSY,34,C/A CRNS	
4	0423657		COVER ASSY,BK,34,C/A CRNS	
5	1171313		PAD,SEAT BACK,34IN,VIRGIN FOAM,HANDHOLD	
6	0945014		BOARD,BACK,34IN SEAT,RH,NSB	
7	1241926		CUSHION ASSY,SEAT,34,VIRGIN FOAM,NSB	
8	0930594		COVER ASSY,CUSH,34,DOT/TF	
9	1168509		PAD,SEAT CUSH,34IN,VIRGIN FOAM,15	
10	1481746		BOARD,CUSHION,SEAT,34.00,NSB	

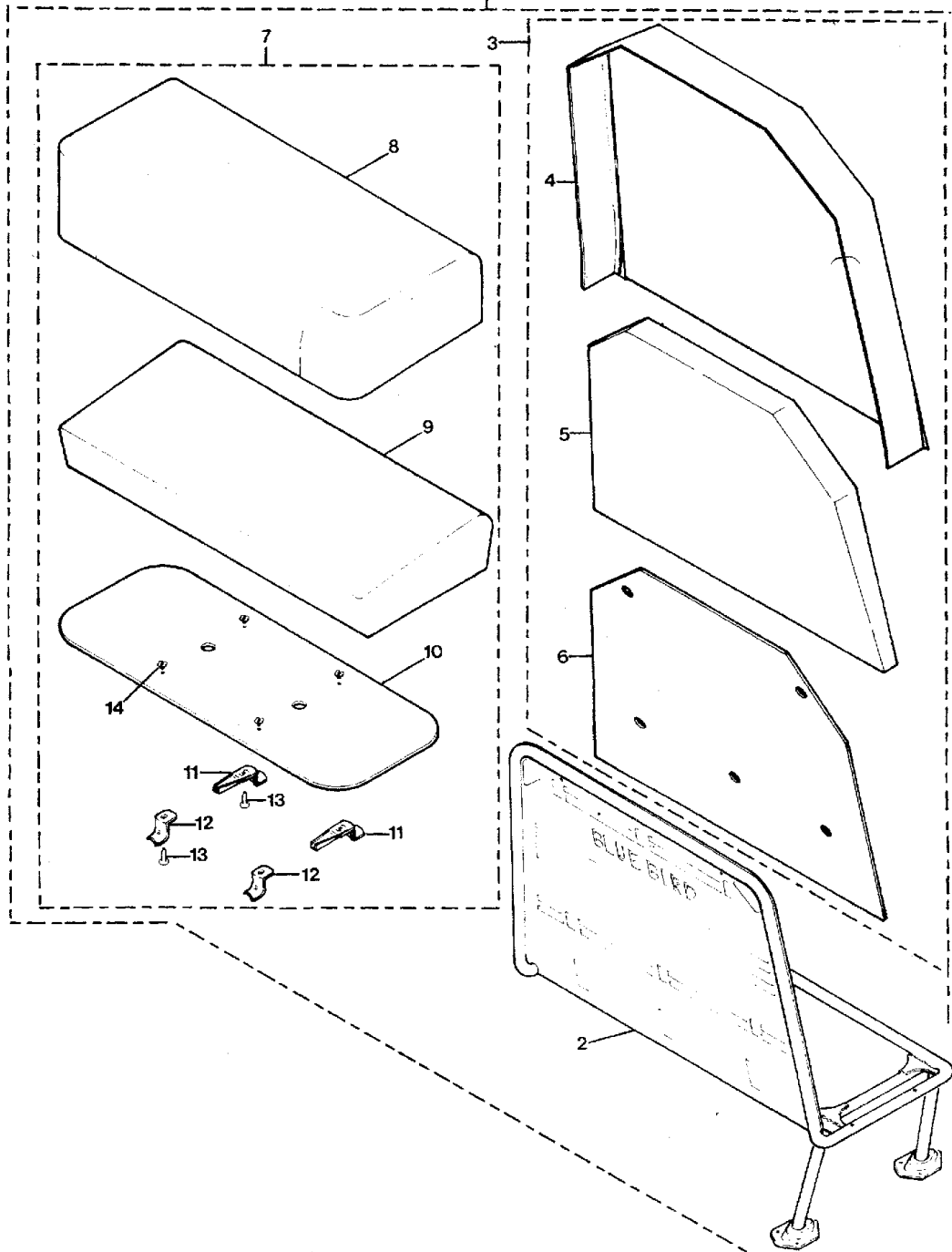
Models: AAFE, AARE, A3FE, A3RE, BBCV, MBWB, SBCV, TCFE, TCRE, TSFL
 PASSENGER SEATING
 NON-SCHOOL BUS
 LH & RH EXPORT SEATS
 39 IN SEATS
 With Features: OPTION 2692

Key	PartNumber	Qty	Description	Comment
-----	------------	-----	-------------	---------

DR 3/10/83 BY JAW
 APP BY 8002.172

© 1983 BLUE BIRD BODY COMPANY
 ALL RIGHTS RESERVED

OPT. 2692
 LH & RH EXPORT SEATS NON-SCHOOL BUS



Models: AAFE, AARE, A3FE, A3RE, BBCV, MBWB, SBCV, TCFE, TCRE, TSFE
PASSENGER SEATING
NON-SCHOOL BUS
LH & RH EXPORT SEATS
39 IN SEATS
With Features: **OPTION 2692**

Key	PartNumber	Qty	Description	Comment
			39 IN. SEAT	
1	0018291		SEAT ASSY,39 EXPORT,GM,LH,COMPLERE,NSB	
1	0018283		SEAT ASSY,39 EXPORT,GM,RH,COMPLERE,NSB	
1	0018275		SEAT ASSY,39 EXPORT,FMTD,COMPLETE,NSB	
2	0018044		FRAME ASSY,SEAT,39,GM,LH,NSB	
2	0018036		FRAME ASSY,SEAT,39,GM,RH,NSB	
2	0017921		FRAME ASSY,SEAT,39,FMTD,NSB	
3	0423467		BACK ASSY,39,C/A CRNS	
4	0423665		COVER ASSY,BK,39,C/A CRNS	
5	1171321		PAD,SEAT BACK,39IN,VIRGIN FOAM,HANDHOLD	
6	0806612		BOARD,BACK,39IN SEAT,RH,NSB	
7	1241942		CUSHION ASSY,SEAT,39,VIRGIN FOAM,NSB	
8	0931436		COVER ASSY,CUSH,39,DOT/TF	
9	1168517		PAD,SEAT CUSH,39IN,VIRGIN FOAM	
10	1481761		BOARD,CUSHION,SEAT,39.00,NSB	

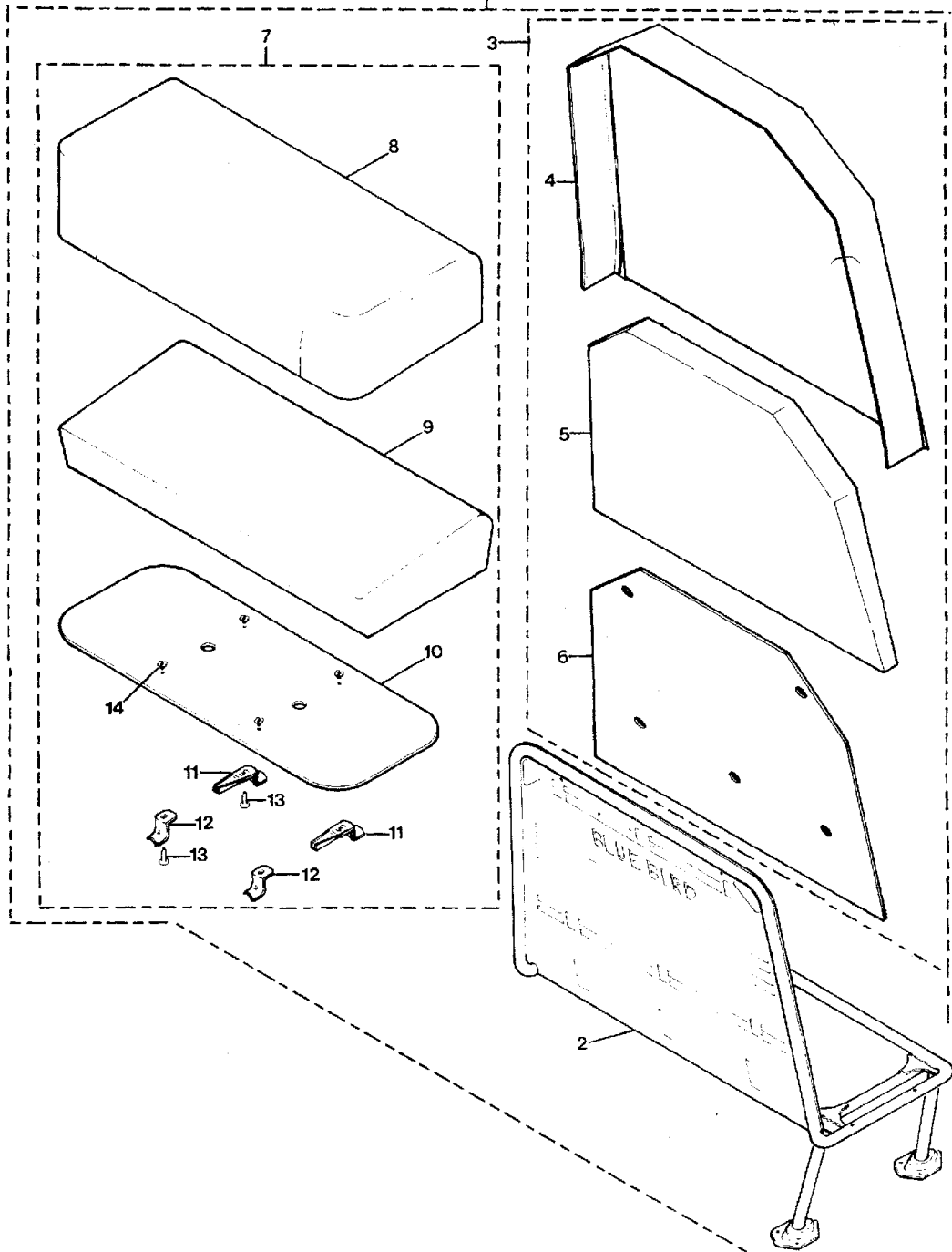
Models: AAFE, AARE, A3FE, A3RE, BBCV, MBWB, SBCV, TCFE, TCRE, TSFL
 PASSENGER SEATING
 NON-SCHOOL BUS
 LH & RH EXPORT SEATS
 45 INCH SEATS
 With Features: OPTION 2692

Key	PartNumber	Qty	Description	Comment
-----	------------	-----	-------------	---------

DR 3/10/83 BY JAW
 APP BY 8002.172

© 1983 BLUE BIRD BODY COMPANY
 ALL RIGHTS RESERVED

OPT. 2692
 LH & RH EXPORT SEATS NON-SCHOOL BUS



Models: AAFE, AARE, A3FE, A3RE, BBCV, MBWB, SBCV, TCFE, TCRE, TSFE
PASSENGER SEATING
NON-SCHOOL BUS
LH & RH EXPORT SEATS
45 INCH SEATS
With Features: **OPTION 2692**

Key	PartNumber	Qty	Description	Comment
1	0018325		SEAT ASSY,45 EXPORT,GM,LH,COMPLERE,NSB	
1	0018317		SEAT ASSY,45 EXPORT,GM,LH,COMPLETE,NSB,	
1	0018309		SEAT ASSY,45 EXPORT,FMTD,COMPLETE,NSB	
2	0018051		FRAME ASSY,SEAT,45,GM,LH,NSB	
2	0018069		FRAME ASSY,SEAT,45,GM,LH,W/H,NSB	
2	0017939		FRAME ASSY,SEAT,45,FMTD,NSB	
3	0423483		BACK ASSY,45,C/A CRNS	
4	0423681		COVER ASSY,BK,45,C/A CRNS	
5	1171339		PAD,SEAT BACK,45IN,VIRGIN FOAM,HANDHOLD	
6	0813063		BOARD,SEAT BACK,45 SCHOOL BUS	
7	1241959		CUSHION ASSY,SEAT,45,VIRGIN FOAM,NSB	
8	0930610		COVER ASSY,CUSH,45,DOT/TF	
9	1168525		PAD,SEAT CUSH,45IN,VIRGIN FOAM	
10	1481779		BOARD,CUSHION,SEAT,45.00,NSB	
11	0919803		CLAMP,SEAT CUSHION,SWIVEL,DOT/TF	
12	0919811		CLAMP,POSITIVE POSITION,SEAT CUSH,DOT/TF	
13	0813477		SCREW,MACH,1/4-20X1/2,PH1,RD,YELZN,	
14	2001352		NUT,T,LONG PRONGED,1/4-20"	
NI	0018333		CHART,SEAT ASSY,EXPORT,COMPLETE,NSB	

Models: AAFE, AARE, A3FE, A3RE, BBCV, MBWB, SBCV, TCFE, TCRE, TSFL

PASSENGER SEATING
NON-SCHOOL BUS
LH FULLY PADDED SEATS
OPTION 2695

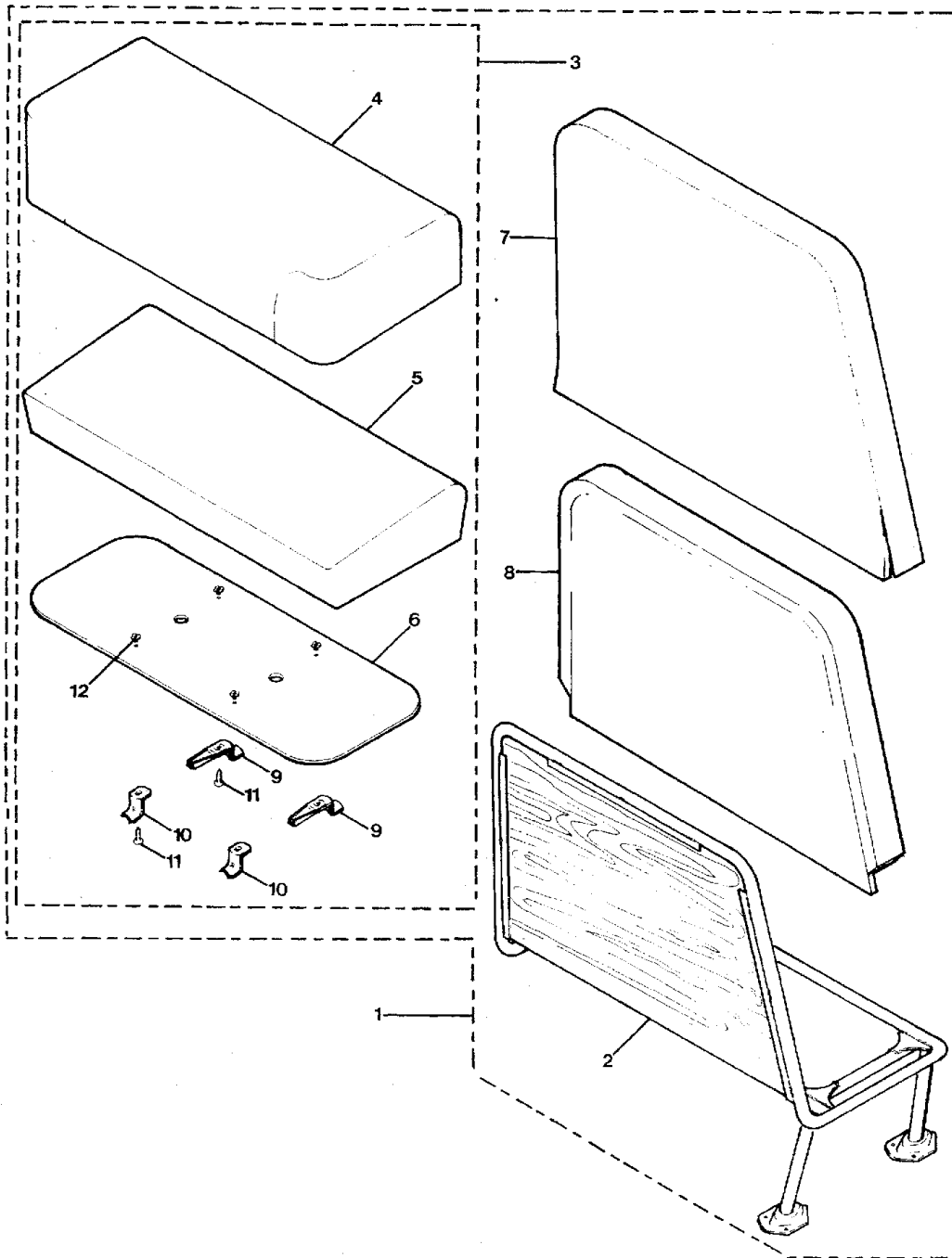
With Features:

Key	PartNumber	Qty	Description	Comment
-----	------------	-----	-------------	---------

L.H. FULLY PADDED SEATS
NON-SCHOOL BUS
OPT. 2695

DR	3/10/83	BY	JPW	0002180
APP		BY		

© 1983 BLUE BIRD BODY COMPANY
ALL RIGHTS RESERVED



Models: AAFE, AARE, A3FE, A3RE, BBCV, MBWB, SBCV, TCFE, TCRE, TSFE

**PASSENGER SEATING
NON-SCHOOL BUS
LH FULLY PADDED SEATS
OPTION 2695**

With Features:

Key	PartNumber	Qty	Description	Comment
			36 IN. SEAT	
1	1210814		SEAT ASSY,36 NSB GM,LH FULL PAD FMVSS 201	
2	1103944		FRAME ASSY,SEAT,36,GM,FULLY PADDED,LH	
3	1075282		CUSHION ASSY,36IN,RH,NON-SB	
4	0651000		COVER ASSY,CUSH,36,HB FP	
5	1171123		PAD,SEAT CUSH,36IN,VIRGIN FOAM	
6	1074426		BOARD,CUSHION,SEAT,EXPORT/FP,36IN	
7	1104652		UPHOLSTERY ASSY,BACK,36,FULLY PADDED	
8	1210756		PAD,FOAM,SEAT BK,36IN,FULL PAD ST,FMVSS	
9	0825331	2	CLAMP,SWIVEL,POSITIVE SEAT CUSHION,SM	
10	0615567	2	CLAMP,POSITIVE SEAT CUSHION,REAR	
11	0813477	2	SCREW,MACH,1/4-20X1/2,PH1,RD,YELZN,	
12	2001352	4	NUT,T,LONG PRONGED,1/4-20"	
			39 IN. SEAT	
1	1046036		SEAT ASSY,39 LH FP	
2	0659839		FRAME ASSY,SEAT,39,GM,LH	
3	1075290		CUSHION ASSY,39IN,RH,NON-SB	
4	0931436		COVER ASSY,CUSH,39,DOT/TF	
5	1168517		PAD,SEAT CUSH,39IN,VIRGIN FOAM	
6	1074392		BOARD,CUSHION,SEAT,EXPORT/FP,39IN	
7	0611517		COVER ASSY,BK,39,FP	
8	1045988		PAD,FOAM,SEAT BK,39IN,FULL PAD ST,FMVSS	
9	0825331	2	CLAMP,SWIVEL,POSITIVE SEAT CUSHION,SM	
10	0615567	2	CLAMP,POSITIVE SEAT CUSHION,REAR	
11	0813477	4	SCREW,MACH,1/4-20X1/2,PH1,RD,YELZN,	
12	2001352	4	NUT,T,LONG PRONGED,1/4-20"	

Models: AAFE, AARE, A3FE, A3RE, BBCV, MBWB, SBCV, TCFE, TCRE, TSFE

**PASSENGER SEATING
NON-SCHOOL BUS
PASSENGER SEATS
OPTION 2698**

With Features:

Key	PartNumber	Qty	Description	Comment
			SEAT ASSY, COMPLETE, PASSENGER	
	0018085		SEAT ASSY,30 PASSENGER,FMTD,COMPLETE,	
	0018093		SEAT ASSY,30 PASSENGER,GM,RH,COMPLETE,	
	0018101		SEAT ASSY,30 PASSENGER,GM,LH,COMPLETE,	
	0018119		SEAT ASSY,34 PASS,FMTD,COMPLETE,NSB	
	0018127		SEAT ASSY,34 PASS,GM,RH,COMPLETE,NSB	
	0018135		SEAT ASSY,34 PASS,GM,LH,COMPLETE,NSB	
	0018143		SEAT ASSY,36 PASS,FMTD,COMPLETE,NSB	
	0018150		SEAT ASSY,36 PASS,GM,RH,COMPLETE,NSB	
	0018168		SEAT ASSY,36 PASS,GM,LH,COMPLETE,NSB	
	0018176		SEAT ASSY,45 PASS,FMTD,COMPLETE,NSB	
	0018184		SEAT ASSY,45 PASS,FMTD,GM,LH,COMPLETE,	
	0018192		SEAT ASSY,45 PASS,GM,LH,COMPLETE,NSB	
			FRAME ASSY	
	0017897		FRAME ASSY,SEAT,30,FMTD,NSB	
	0017954		FRAME ASSY,SEAT,30,GM,RH,NSB	
	0017962		FRAME ASSY,SEAT,30,GM,LH,NSB	
	0017905		FRAME ASSY,SEAT,34,FMTD,NSB	
	0017970		FRAME ASSY,SEAT,34,GM,RH,NSB	
	0017988		FRAME ASSY,SEAT,34,GM,LH,NSB	
	0017913		FRAME ASSY,SEAT,36,FMTD,NSB	
	0017996		FRAME ASSY,SEAT,36,GM,RH,NSB	
	0018002		FRAME ASSY,SEAT,36,GM,LH,NSB	
	0017939		FRAME ASSY,SEAT,45,FMTD,NSB	
	0018069		FRAME ASSY,SEAT,45,GM,LH,W/H,NSB	
	0018051		FRAME ASSY,SEAT,45,GM,LH,NSB	
			CUSHION ASSY	
	1241074		CUSHION ASSY, SEAT, PASSENGER, 30, NSB	
	1241082		CUSHION ASSY,SEAT,PASSENGER,34,NSB	
	1241090		CUSHION ASSY,SEAT,PASSENGER,36,NSB	
	1241108		CUSHION ASSY,SEAT,PASSENGER,45,NSB	
			COVER, CUSHION	
	0424911		COVER,30IN SEAT,PASSENGER SEAT	

Models: AAFE, AARE, A3FE, A3RE, BBCV, MBWB, SBCV, TCFE, TCRE, TSFE

**PASSENGER SEATING
NON-SCHOOL BUS
PASSENGER SEATS
OPTION 2698**

With Features:

Key	PartNumber	Qty	Description	Comment
	0424929		COVER ASSY,CUSH,34,PASS	
	0424978		COVER ASSY,CUSH,36, ACTIVITY	
	0424945		COVER ASSY,CUSH,45,PASS PAD, CUSHION	
	1171149		PAD,SEAT CUSH,30IN,VIRGIN FOAM,	
	1171156		PAD,SEAT CUSH,34IN,VIRGIN FOAM,	
	1171164		PAD,SEAT CUSH,36IN,VIRGIN FOAM,	
	1171180		PAD,SEAT CUSH,45IN,VIRGIN FOAM, BOARD SEAT CUSHION	
	1239755		BOARD,SEAT CUSHION,PASSENGER BUS,30,	
	1239763		BOARD,SEAT CUSHION,PASSENGER BUS,34,	
	1239771		BOARD,SEAT CUSHION,PASSENGER BUS,36,	
	1239797		BOARD,SEAT CUSHION,PASSENGER BUS,45, BACK ASSEMBLY	
	0423152		BACK ASSY,30	
	0423178		BACK ASSY,34,RND CRNS	
	1104009		BACK ASSY,36,RND CRNS,PASS	
	0423202		BACK ASSY,45,RND CRNS COVER ASSEMBLY BACK	
	0423236		COVER ASSY,BK,30,PASS,RND CRNS	
	0423251		COVER ASSY,BK,34,PASS,RND CRNS	
	1104017		UPHOLSTERY ASSY,BACK,36,RD CORNERS	
	0423285		COVER ASSY,BK,45,RND CRNS BOARD, BACK	
	0944926		BOARD,SEAT BACK,RD CORNERS 30 SB & PASS	
	0944942		BOARD,SEAT BACK,RD CORNERS 34 SB & PASS	
	1104033		BOARD,SEAT BACK,RD CORNERS 36 PASS BUS	
	0820340		BOARD,SEAT BACK,45 PASS BUS PAD, BACK	
	1171230		PAD,SEAT BACK,30IN,VIRGIN FOAM,EXPORT	
	1171248		PAD,SEAT BACK,34IN,VIRGIN FOAM,EXPORT	
	1171255		PAD,SEAT BACK,36IN,VIRGIN FOAM,EXP & PASS	
	1171263		PAD,SEAT BACK,45IN,VIRGIN FOAM,EXPORT	

Models: AAFE, AARE, A3FE, A3RE, BBCV, MBWB, SBCV, TCFE, TCRE, TSFE

PASSENGER SEATING

NON-SCHOOL BUS

PASSENGER SEATS

With Features: **OPTION 2698**

Key	PartNumber	Qty	Description	Comment
	1240373		HANDRAIL,RAISED PASSENGER SEAT,NSB,36	
	0813477		SCREW,MACH,1/4-20X1/2,PH1,RD,YELZN,	
	0919803		CLAMP,SEAT CUSHION,SWIVEL,DOT/TF	
	0919811		CLAMP,POSITIVE POSITION,SEAT CUSH,DOT/TF	
	2001352		NUT,T,LONG PRONGED,1/4-20"	

Models: AAFE, AARE, A3FE, A3RE, BBCV, MBWB, SBCV, TCFE, TCRE, TSFE

PASSENGER SEATING
NON-SCHOOL BUS
RH FULLY PADDED SEATS
OPTION 2695

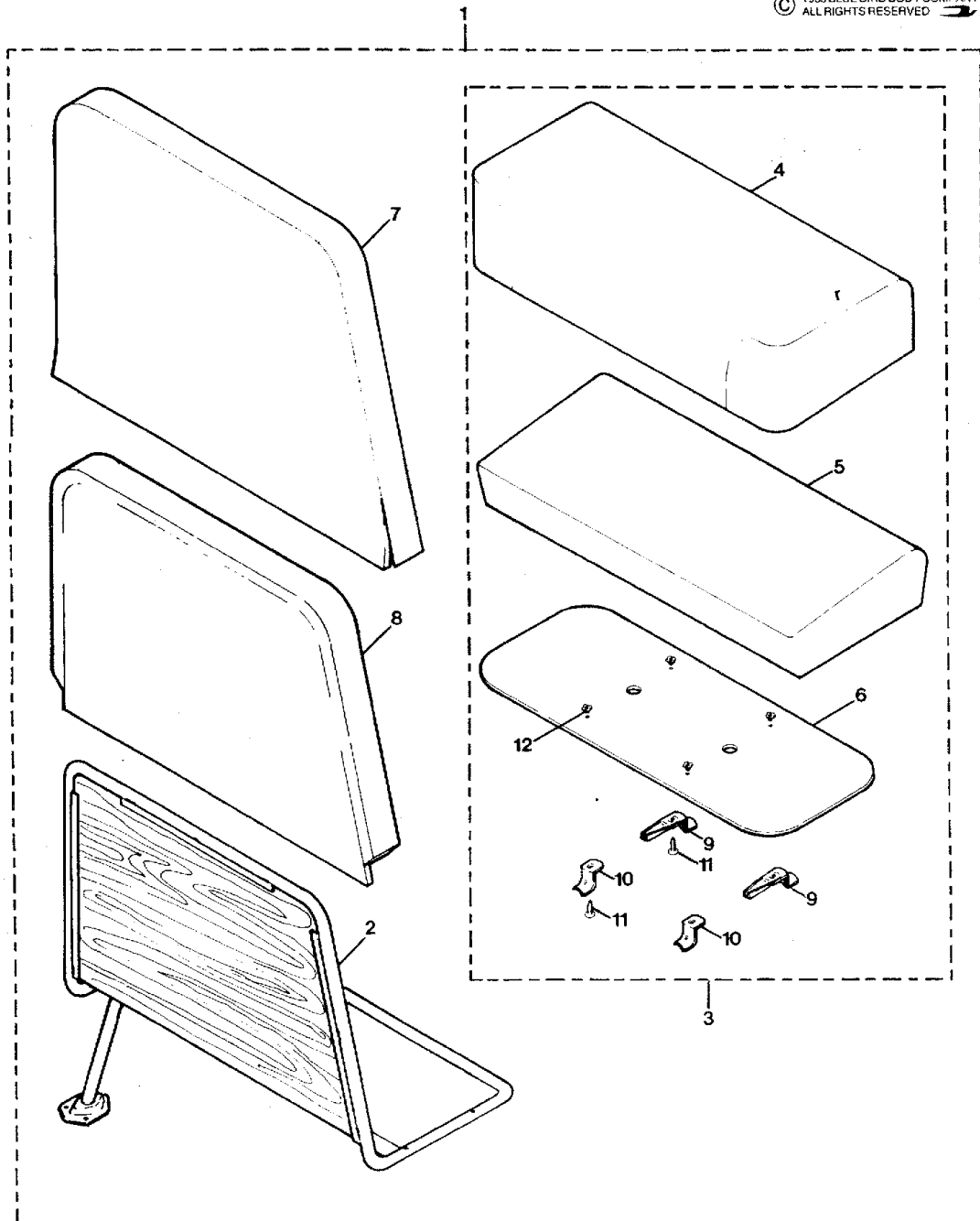
With Features:

Key	PartNumber	Qty	Description	Comment
-----	------------	-----	-------------	---------

R.H. FULLY PADDED SEATS
NON-SCHOOL BUS
OPT. 2695

DR. 3/10/83 BY JPA
APP. BK 2002198

© 1983 BLUE BIRD BODY COMPANY
ALL RIGHTS RESERVED



68P

Models: AAFE, AARE, A3FE, A3RE, BBCV, MBWB, SBCV, TCFE, TCRE, TSFE

**PASSENGER SEATING
NON-SCHOOL BUS
RH FULLY PADDED SEATS
OPTION 2695**

With Features:

Key	PartNumber	Qty	Description	Comment
			36 IN. SEAT	
1	1210822		SEAT ASSY,36 NSB GM,RH FULL PAD FMVSS	
2	1103936		FRAME ASSY,SEAT,36,GM,FULLY PADDED,RH	
3	1075282		CUSHION ASSY,36IN,RH,NON-SB	
4	0651000		COVER ASSY,CUSH,36,HB FP	
5	1171123		PAD,SEAT CUSH,36IN,VIRGIN FOAM	
6	1074426		BOARD,CUSHION,SEAT,EXPORT/FP,36IN	
7	1104652		UPHOLSTERY ASSY,BACK,36,FULLY PADDED	
8	1210756		PAD,FOAM,SEAT BK,36IN,FULL PAD ST,FMVSS	
9	0825331	2	CLAMP,SWIVEL,POSITIVE SEAT CUSHION,SM	
10	0615567	2	CLAMP,POSITIVE SEAT CUSHION,REAR	
11	0813477	4	SCREW,MACH,1/4-20X1/2,PH1,RD,YELZN,	
12	2001352	4	NUT,T,LONG PRONGED,1/4-20"	
			39 IN. SEAT	
1	1046028		SEAT ASSY,39 RH FP	
2	0659821		FRAME ASSY,SEAT,39,GM,RH	
3	1075290		CUSHION ASSY,39IN,RH,NON-SB	
4	0931436		COVER ASSY,CUSH,39,DOT/TF	
5	1168517		PAD,SEAT CUSH,39IN,VIRGIN FOAM	
6	1074392		BOARD,CUSHION,SEAT,EXPORT/FP,39IN	
7	0611517		COVER ASSY,BK,39,FP	
8	1045988		PAD,FOAM,SEAT BK,39IN,FULL PAD ST,FMVSS	
9	0825331	2	CLAMP,SWIVEL,POSITIVE SEAT CUSHION,SM	
10	0615567	2	CLAMP,POSITIVE SEAT CUSHION,REAR	
11	0813477	4	SCREW,MACH,1/4-20X1/2,PH1,RD,YELZN,	
12	2001352	4	NUT,T,LONG PRONGED,1/4-20"	

Models:
TCRE, TSFE

AAFE, AARE, A3FE, A3RE, BBCV, C1FE, CSFE, CSRE, GMCV, MBWB, SBCV, TCPE,

With Features:

**PASSENGER SEATING
NON-SCHOOL BUS
TSI FIBERGLASS SEATS
OPTION 2782**

Key	PartNumber	Qty	Description	Comment
NI	1378959		SEAT ASSY,36,LH,TSI 1036,TAN	
NI	1378942		SEAT ASSY,36,RH,TSI 1036,TAN	
NI	1378918		SEAT ASSY,39,LH TSI 1039,TAN	
NI	1378900		SEAT ASSY,39,RH,TSI 1039,TAN	

VCTA Models: AAFE, AARE, A3FE, A3RE, BBCV, GMCV, GPWB, MBWB, SBCV, TCPE, TCRE, TSPE,
PASSENGER SEATING
PASSENGER SEAT BELTS

Key	PartNumber	Qty	Description	Comment
NI	4279717		KIT,PASS S/BELT,BEIGE,W/NOTICE IMMI	INCLUDES MOUNTING HARDWARE
NI	4279725		KIT,PASS S/BELT,BLACK,W/NOTICE IMMI	INCLUDES MOUNTING HARDWARE
NI	4280566		KIT,PASS S/BELT,MAROON,W/NOTICE IMMI	INCLUDES MOUNTING HARDWARE
NI			SEAT BELT ONLY	
	1991454		SEAT BELT ASSY,PUSH BUTTON,BEIGE,IN MILLS	ENDING WITH BSN 3-30-03
	0060699		SEAT BELT ASSY,BUTTON,PUSH,BEIGE	FROM BSN 3-31-03 TO 06-05-04
	0079086		SEAT BELT ASSY,PASS,2-PT,BEG,AMSAFE 1246	BEGIN WITH BSN 06-06-04
	1991462		SEAT BELT ASSY,PUSH BUTTON,BLACK,IN	ENDING WITH BSN 3-30-03
	0060700		SEAT BELT ASSY,BUTTON,PUSH,BLACK	FROM BSN 3-31-03 TO 06-05-04
	0079087		SEAT BELT ASSY,PASS,2-PT,BLK,AMSAFE 1246	BEGIN WITH BSN 06-06-04
	1991470		SEAT BELT ASSY,PUSH BUTTON,MAROON,IN	ENDING WITH BSN 3-30-03
	0060701		SEAT BELT ASSY,BUTTON,PUSH,MAROON	FROM BSN 3-31-03 TO 06-05-04
	0079088		SEAT BELT ASSY,PASS,2-PT,MRN,AMSAFE 1246	BEGIN WITH BSN 06-06-04
	0022377		SEAT BELT ASSY,W/RETRACTOR,BEIGE	ENDING WITH BSN 3-30-03
	0062413		CM BBCV FE40113-01 HYD SHUTTERS	BEGIN WITH BSN 3-31-03
	0022380		SEAT BELT ASSY,W/RETRACTOR,BLACK	ENDING WITH BSN 3-30-03
	0062417		SEAT BELT ASSY,W/,RETRACTOR,BLACK	BEGIN WITH BSN 3-31-03
	0022381		SEAT BELT ASSY,W/RETRACTOR,MAROON	ENDING WITH BSN 3-30-03
	0062418		SEAT BELT ASSY,W/,RETRACTOR,MAROON	
NI			HARDWARE	
	1248764		CAPSCREW,HEX HD,3/8-16 X 3,FULL THD,GR 5,	ENDING WITH BSN 3-30-03
	0060068		CAPSCREW,HEX HD,7/16-20X3,FULLTHD,GR8,	BEGIN WITH BSN 3-31-03
	2171809		NUT,HEX HD,3/8-16,ZINC,SM FLG LK,YEL	ENDING WITH BSN 3-30-03
	0060652		NUT,HEX HD,7/16-20,ZINC,FLGLK,GR8,YEL	BEGIN WITH BSN 3-31-03
	1078922		WASHER,FLAT,3/8 X 7/8 X 5/64,YEL ZN DICH	ENDING WITH BSN 3-30-03
	2028546		WASHER,FLAT,7/16,X 1 1/32 X 5/64,YL ZN	
NI			SEAT BELT ONLY	
	0034631		SEAT BELT ASSY,PUSH BUTTON,BEIGE,	ENDING WITH BSN 9-30-01
	0034632		SEAT BELT ASSY,PUSH BUTTON,BLACK,	ENDING WITH BSN 9-30-01
	0034633		SEAT BELT ASSY,PUSH BUTTON,MAROON,	ENDING WITH BSN 9-30-01
	0034634		SEAT BELT ASSY,W/RETRACTOR,SHORT,BEIGE	ENDING WITH BSN 9-30-01
	0034635		SEAT BELT ASSY,W/RETRACTOR,SHORT,BLACK	ENDING WITH BSN 9-30-01

VCTA **Models:** **AAFE, AARE, A3FE, A3RE, BBCV, GMCV, GPWB, MBWB, SBCV, TCPE, TCRE, TSPE,**

**PASSENGER SEATING
PASSENGER SEAT BELTS**

Key	PartNumber	Qty	Description	Comment
	0034636		SEAT BELT ASSY,W/RETRACTOR,SHORT,	
	1576172		SCREW,HEX,WASH,5/16X3/4,TYPE F,YEL ZN	<i>ENDING WITH BSN 3-30-03</i>
	0803171		CAPSCREW,HEXHD,3/8-16NCX1-1/2,GR8,	
	0839027		NUT,HEX HD,3/8-16,GR G,SM FLG LK,YEL	
NI	0083960		EXTENSION,SEAT BELT,PASSENGER"	

Models:
TCRE, TSFE, VCTA

AAFE, AARE, A1VC, A3FE, A3RE, BBCV, B1VC, B2VC, GPWB, MBWB, SBCV, TCPE,

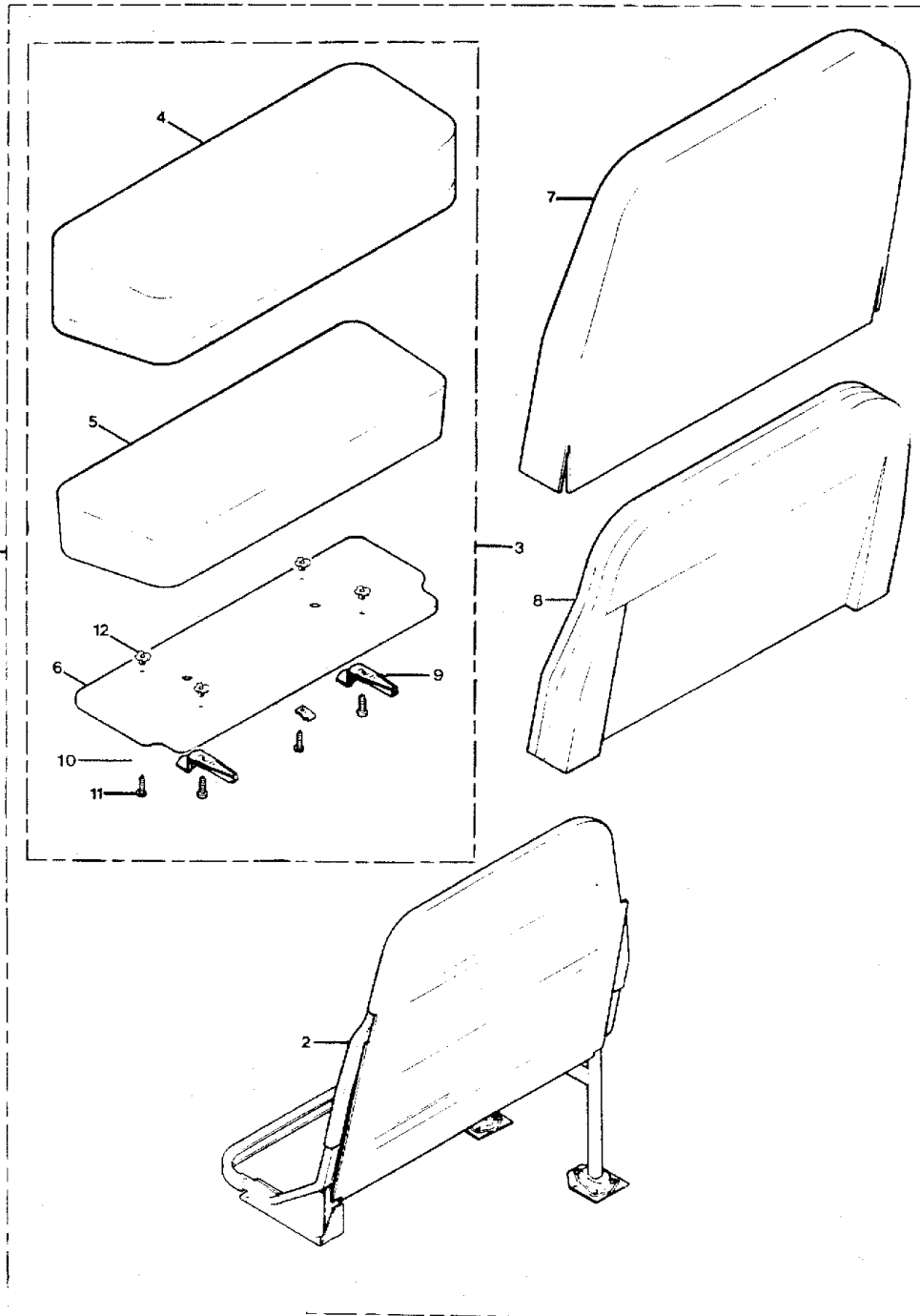
**PASSENGER SEATING
PASSENGER SEAT BELTS
DOT T/F
OPTION 2784**

With Features:
2784-01 24 INCH
2784-02 26 INCH

Key	PartNumber	Qty	Description	Comment
-----	------------	-----	-------------	---------

DR 10-11-88 BY LAD				
APP 10-11-88 BY JM	FRT	800854Z	REV	

© 1988 BLUE BIRD BODY COMPANY ALL RIGHTS RESERVED



Models:
TCRE, TSFE, VCTA

AAFE, AARE, A1VC, A3FE, A3RE, BBCV, B1VC, B2VC, GPWB, MBWB, SBCV, TCPE,

**PASSENGER SEATING
PASSENGER SEAT BELTS
DOT T/F
OPTION 2784**

With Features:
2784-01 24 INCH
2784-02 26 INCH

Key	PartNumber	Qty	Description	Comment
1	0000196		SEAT ASSY,24,GM,S/BELT,RH	END 3/29/03
1	0062044		SEAT ASSY,24,GM,S/BELT,RH	BEGIN 3/31/03
1	0000197		SEAT ASSY,26,GM,S/BELT,LH	END 3/29/03
1	0062045		SEAT ASSY,26,GM,S/BELT,LH	BEGIN 3/31/03
1	0000198		SEAT ASSY,26,GM,S/BELT,RH	END 3/29/03
1	0062046		SEAT ASSY,26,GM,S/BELT,RH	BEGIN 3/31/03
1	0000199		SEAT ASSY,30,GM,S/BELT,LH	END 3/29/03
1	0062047		SEAT ASSY,30,GM,S/BELT,LH	BEGIN 3/31/03
1	0000200		SEAT ASSY,30,GM,S/BELT,RH	END 3/29/03
1	0062048		SEAT ASSY,30,GM,S/BELT,RH	BEGIN 3/31/03
1	0000201		SEAT ASSY,34,GM,S/BELT,LH	END 3/29/03
1	0062049		SEAT ASSY,34,GM,S/BELT,LH	BEGIN 3/31/03
1	0000202		SEAT ASSY,34,GM,S/BELT,RH	END 3/29/03
1	0062050		SEAT ASSY,34,GM,S/BELT,RH	BEGIN 3/31/03
1	0000203		SEAT ASSY,36,GM,S/BELT,LH	END 3/29/03
1	0062051		SEAT ASSY,36,GM,S/BELT,LH	BEGIN 3/31/03
1	0000204		SEAT ASSY,36,GM,S/BELT,RH	END 3/29/03
1	0062053		SEAT ASSY,36,GM,S/BELT,RH	BEGIN 3/31/03
1	0000205		SEAT ASSY,39,GM,S/BELT,LH	END 3/29/03
1	0062055		SEAT ASSY,39,GM,S/BELT,LH	BEGIN 3/31/03
1	0000206		SEAT ASSY,39,GM,S/BELT,RH	END 3/29/03
1	0062056		SEAT ASSY,39,GM,S/BELT,RH	BEGIN 3/31/03
1	0000207		SEAT ASSY,45,GM,S/BELT,LH	END 3/29/03
1	0062058		SEAT ASSY,45,GM,S/BELT,LH	BEGIN 3/31/03
1			SEAT ASSEMBLY, FL, OOR MOUNTED	
1	0000575		SEAT ASSY,30,FMTD,S/BELT,LH,, SBTF	ENDING 3-29-03
1	0062223		SEAT ASSY,30,FMTD,SEAT BELT,LH, SBTF	BEGIN WITH BSN 3-31-03
1	0000576		SEAT ASSY,30,FMTD,S/BELT,RH,, SBTF	ENDING 3-29-03
1	0062224		SEAT ASSY,30,FMTD,SEAT BELT,RH, SBTF	BEGIN WITH BSN 3-31-03
1	0000577		SEAT ASSY,34,FMTD,S/BELT,LH,, SBTF	ENDING 3-29-03
1	0062225		SEAT ASSY,34,FMTD,SEAT BELT,LH, SBTF	BEGIN WITH BSN 3-31-03
1	0000578		SEAT ASSY,34,FMTD,S/BELT,RH,, SBTF	ENDING 3-29-03
1	0062226		SEAT ASSY,34,FMTD,SEAT BELT,RH, SBTF	BEGIN WITH BSN 3-31-03
				ENDING 3-29-03

Models:
TCRE, TSFE, VCTA

AAFE, AARE, A1VC, A3FE, A3RE, BBCV, B1VC, B2VC, GPWB, MBWB, SBCV, TCPE,

**PASSENGER SEATING
PASSENGER SEAT BELTS
DOT T/F
OPTION 2784**

With Features:
2784-01 24 INCH
2784-02 26 INCH

Key	PartNumber	Qty	Description	Comment
1	0000579		SEAT ASSY,36,FMTD,S/BELT,LH,, SBTF	
1	0062232		SEAT ASSY,36,FMTD,SEAT BELT,LH, SBTF	BEGIN WITH BSN 3-31-03
1	0000580		SEAT ASSY,36,FMTD,S/BELT,RH,, SBTF	ENDING 3-29-03
1	0062227		SEAT ASSY,36,FMTD,SEAT BELT,RH, SBTF	BEGIN WITH BSN 3-31-03
1	0000581		SEAT ASSY,39,FMTD,,S/BELT,LH,, SBTF	ENDING 3-29-03
1	0062228		SEAT ASSY,39,FMTD,SEAT BELT,LH, SBTF	BEGIN WITH BSN 3-31-03
1	0000582		SEAT ASSY,39,FMTD,S/BELT,RH,, SBTF	ENDING 3-29-03
1	0062229		SEAT ASSY,39,FMTD,SEAT BELT,RH, SBTF	BEGIN WITH BSN 3-31-03
1	0000583		SEAT ASSY,45,FMTD,S/BELT,LH,, SBTF	ENDING 3-29-03
1	0062230		SEAT ASSY,45,FMTD,SEAT BELT,LH, SBTF	BEGIN WITH BSN 3-31-03
2			FR AME ASSY., SEAT, GUSSET MOUNTED	
2	0000053		FRAME ASSY,SEAT,26,GM,S/BELT,RH,, SBTF	ENDING 3-29-03
2	0061840		FRAME ASSY,ST,26,GM,S/BELT,RH, SBTF	BEGIN WITH BSN 3-31-03
2	0000052		FRAME ASSY,SEAT,26,GM,S/BELT,LH,SBTF	ENDING 3-29-03
2	0061839		FRAME ASSY,ST,26,GM,S/BELT,LH, SBTF	BEGIN WITH BSN 3-31-03
2	0000053		FRAME ASSY,SEAT,26,GM,S/BELT,RH,, SBTF	ENDING 3-29-03
2	0061840		FRAME ASSY,ST,26,GM,S/BELT,RH, SBTF	BEGIN WITH BSN 3-31-03
2	0000054		FRAME ASSY,SEAT,30,GM,S/BELT,LH,,SBTF	ENDING 3-29-03
2	0061841		FRAME ASSY,ST,30,GM,S/BELT,LH, SBTF	BEGIN WITH BSN 3-31-03
2	0000055		FRAME ASSY,SEAT,30,GM,S/BELT,RH,,SBTF	ENDING 3-29-03
2	0061842		FRAME ASSY,ST,30,GM,S/BELT,RH, SBTF	BEGIN WITH BSN 3-31-03
2	0000056		FRAME ASSY,SEAT,34,GM,S/BELT,LH,, SBTF	ENDING 3-29-03
2	0061843		FRAME ASSY,ST,34,GM,S/BELT,LH, SBTF	BEGIN WITH BSN 3-31-03
2	0000057		FRAME ASSY,SEAT,34,GM,S/BELT,RH,, SBTF	ENDING 3-29-03
2	0061844		FRAME ASSY,ST,34,GM,S/BELT,RH, SBTF	BEGIN WITH BSN 3-31-03
2	0000058		FRAME ASSY,SEAT,36,GM,S/BELT,LH,,SBTF	ENDING 3-29-03
2	0061845		FRAME ASSY,ST,36,GM,S/BELT,LH, SBTF	BEGIN WITH BSN 3-31-03
2	0000060		FRAME ASSY,SEAT,36,GM,S/BELT,RH,,SBTF	ENDING 3-29-03
2	0061846		FRAME ASSY,ST,36,GM,S/BELT,RH, SBTF	BEGIN WITH BSN 3-31-03
2	0000061		FRAME ASSY,SEAT,39,GM,S/BELT,LH,,SBTF	ENDING 3-29-03
2	0061847		FRAME ASSY,ST,39,GM,S/BELT,LH, SBTF	BEGIN WITH BSN 3-31-03
2	0000066		FRAME ASSY,SEAT,39,GM,S/BELT,RH,,SBTF	ENDING 3-29-03
2	0061848		FRAME ASSY,ST,39,GM,S/BELT,RH, SBTF	BEGIN WITH BSN 3-31-03

Models:
TCRE, TSFE, VCTA

AAFE, AARE, A1VC, A3FE, A3RE, BBCV, B1VC, B2VC, GPWB, MBWB, SBCV, TCPE,

**PASSENGER SEATING
PASSENGER SEAT BELTS
DOT T/F
OPTION 2784**

With Features:
2784-01 24 INCH
2784-02 26 INCH

Key	PartNumber	Qty	Description	Comment
2			FRAME ASSY., SEAT, GUSSET MOUNTED	
2	0019919		FRAME ASSY,SEAT,45,GM,S/BELT,LH, SBTF	45" LH, ENDING 3-29-03
2	0061849		PANEL,INTERIOR,CENTER,MIDDLE,SS,M4RE	BEGIN WITH BSN 3-31-03
2			FRAME ASSY., SEAT, FLOOR MOUNTED	
2	0000566		FRAME ASSY,SEAT,30,FMTD,S/BELT,LH,, SBTF	30" LH, ENDING 3-29-03
2	0061897		FRAME ASSY,ST,30,FMTD,S/BELT,LH, SBTF	BEGIN WITH BSN 3-31-03
2	0000565		FRAME ASSY,SEAT,30,FMTD,S/BELT,RH,SBTF	30" RH, ENDING 3-29-03
2	0061896		FRAME ASSY,ST,30,FMTD,S/BELT,RH, SBTF	BEGIN WITH BSN 3-31-03
2	0000568		FRAME ASSY,SEAT,34,FMTD,S/BELT,LH,, SBTF	34" LH, ENDING 3-29-03
2	0061900		FRAME ASSY,ST,34,FMTD,S/BELT,LH, SBTF	BEGIN WITH BSN 3-31-03
2	0000567		FRAME ASSY,SEAT,34,FMTD,S/BELT,RH,, SBTF	34" RH, ENDING 3-29-03
2	0061899		FRAME ASSY,ST,34,FMTD,S/BELT,RH, SBTF	BEGIN WITH BSN 3-31-03
2	0000571		FRAME ASSY,SEAT,36,FMTD,S/BELT,LH,, SBTF	36" LH, ENDING 3-29-03
2	0061902		FRAME ASSY,ST,36,FMTD,S/BELT,LH, SBTF	BEGIN WITH BSN 3-31-03
2	0000569		FRAME ASSY,SEAT,36,FMTD,S/BELT,RH,, SBTF	36" RH, ENDING 3-29-03
2	0061901		FRAME ASSY,ST,36,FMTD,S/BELT,RH, SBTF	BEGIN WITH BSN 3-31-03
2	0000573		FRAME ASSY,SEAT,39,FMTD,S/BELT,LH,, SBTF	39" LH, ENDING 3-29-03
2	0061904		FRAME ASSY,ST,39,FMTD,S/BELT,LH, SBTF	BEGIN WITH BSN 3-31-03
2	0000572		FRAME ASSY,SEAT,39,FMTD,S/BELT,RH,, SBTF	39" RH, ENDING 3-29-03
2	0061903		FRAME ASSY,ST,39,FMTD,S/BELT,RH, SBTF	BEGIN WITH BSN 3-31-03
2	0000574		FRAME ASSY,SEAT,45,FMTD,S/BELT,LH,, SBTF	45" LH, ENDING 3-29-03
2	0061905		FRAME ASSY,ST,45,FMTD,S/BELT,LH, SBTF	BEGIN WITH BSN 3-31-03
3	1307610		CUSHION ASSY,24IN,SEAT BELT SEAT	
3	1307628		CUSHION ASSY,26IN,SEAT BELT SEAT	
3	1307636		CUSHION ASSY, 30 IN, SEAT BELT	
3	1307644		CUSHION ASSY,34IN,SEAT BELT SEAT	
3	1325471		CUSHION ASSY,36IN,SEAT BELT SEAT	
3	1307651		CUSHION ASSY,39IN,SEAT BELT SEAT	
3	1307669		CUSHION ASSY,45IN,SEAT BELT SEAT	
4	0996066		UPHOLSTERY ASSY,CUSH,24	
4	0954917		UPHOLSTERY ASSY,CUSH,26, SBTF	
4	0930586		COVER ASSY,CUSH,30,DOT/TF	
4	0930594		COVER ASSY,CUSH,34,DOT/TF	

Models:
TCRE, TSFE, VCTA

AAFE, AARE, A1VC, A3FE, A3RE, BBCV, B1VC, B2VC, GPWB, MBWB, SBCV, TCPE,

**PASSENGER SEATING
PASSENGER SEAT BELTS
DOT T/F
OPTION 2784**

With Features:
2784-01 24 INCH
2784-02 26 INCH

Key	PartNumber	Qty	Description	Comment
4	1325612		UPHOLSTERY ASSY,CUSH,36,DOT/TF, SBTF	
4	0931436		COVER ASSY,CUSH,39,DOT/TF	
4	0930610		COVER ASSY,CUSH,45,DOT/TF	
4	1168517		PAD,SEAT CUSH,39IN,VIRGIN FOAM	
4	1168525		PAD,SEAT CUSH,45IN,VIRGIN FOAM	
5	1168475		PAD,SEAT CUSH,VIRGIN FOAM	
5	1168483		PAD,SEAT CUSH,26IN,VIRGIN FOAM	
5	1168491		PAD,SEAT CUSH,30IN,VIRGIN FOAM	
5	1168509		PAD,SEAT CUSH,34IN,VIRGIN FOAM,15	
5	1171123		PAD,SEAT CUSH,36IN,VIRGIN FOAM	
6	0005276		BOARD ASSY,CUSH,DOT/TF & S/BELT, 24, W/T-	
6	1307578		BOARD,CUSHION,SEAT,BELT,26.00	
6	1307487		BOARD,CUSHION,SEAT,BELT,30.00	
6	1307545		BOARD,CUSHION,SEAT,BELT,34.00	
6	1325588		BOARD,CUSHION,SEAT,BELT,36.00	
6	1307495		BOARD,CUSHION,SEAT,BELT,39.00	
6	1307503		BOARD,CUSHION,SEAT,BELT,45.00	
7	0996033		UPHOLSTERY ASSY,BACK,24	
7	0954875		COVER ASSY,BK,26,DOT/TF	
7	0918482		COVER ASSY,BK,30,DOT/TF	
7	0918490		COVER ASSY,BK,34,DOT/TF	
7	1327725		COVER ASSY,BK,36,DOT/TF	
7	0918508		COVER ASSY,BK,39,DOT/TF	
7	0918516		COVER ASSY,BK,45,DOT/TF	
8	0996025		PAD,SEAT BACK,24IN, SBTF	
8	0979542		PAD,SEAT BACK,26IN	
8	0979559		PAD,SEAT BARRIER BACK,30IN	
8	0979567		PAD,FOAM,BARRIER BACK,34IN	
8	1327808		PAD,FOAM,SEAT BK,36IN,SBTF	
8	0979575		PAD,FOAM,SEAT BK,39IN,DOT TF	
8	0979583		PAD,FOAM,BARRIER BACK,45IN	
NI	1929546		COVER,SEAT BELT,REAR,4 RETAINERS,26,	
NI	1929546		COVER,SEAT BELT,REAR,4 RETAINERS,26,	

Models:
TCRE, TSFE, VCTA

AAFE, AARE, A1VC, A3FE, A3RE, BBCV, B1VC, B2VC, GPWB, MBWB, SBCV, TCPE,

**PASSENGER SEATING
PASSENGER SEAT BELTS
DOT T/F
OPTION 2784**

With Features:
2784-01 24 INCH
2784-02 26 INCH

Key	PartNumber	Qty	Description	Comment
NI	1929553		COVER,SEAT BELT,REAR,4 RETAINERS,30,	
NI	1929561		COVER,SEAT BELT,REAR,4 RETAINERS,34,	
NI	1929579		COVER,SEAT BELT,REAR,4 RETAINERS,36,	
NI	1929538		COVER,SEAT BELT,REAR,6 RETAINERS,39,	
NI	1929587		COVER,SEAT BELT,REAR,6 RET,45,LH,BLACK	
9	0919811	2	CLAMP,POSITIVE POSITION,SEAT CUSH,DOT/TF	
10	0825331	2	CLAMP,SWIVEL,POSITIVE SEAT CUSHION,SM	
11	0813477		SCREW,MACH,1/4-20X1/2,PH1,RD,YELZN,	
12	2001352	4	NUT,T,LONG PRONGED,1/4-20"	
NI	0003459		BRACKET,MTG,SEAT CUSHION,U/S HEATER	
NI	1032291	4	CAPSCREW,HEX HD,5/16-18 X 1 1/4,GR 5,ZINC	
NI	1032317		CAPSCREW,HEX HD,5/16-18, X, 4, ,GR 5,ZINC	
NI	1032283		CAPSCREW,HEX HD,5/16-18,X,3/4,GR5,	
NI	0829390		NUT,HEX HD,5/16-18,SER WASHER,YEL ZN	
NI	1415793	2	WASHER,UNDERFLOOR,SEAT BELT SEAT, VCTA	
NI	2001055		WASHER,FLAT,11/32 X 1 1/4 X 5/32,YEL ZN	
NI	1120120		SCREW,5/16-18 X 1 1/2,HEX PHOS & OIL TYPE	
NI	0018903		CHANNEL,ADAPTOR,U/S HEATER TO SEAT	
NI	1021435	8	BOLT,FLGHD,5/16 X 1 3/4,TAP,CAD PLT,SR	

Models:
TCRE, TSFE, VCTA

AAFE, AARE, A1VC, A3FE, A3RE, BBCV, B1VC, B2VC, GPWB, MBWB, SBCV, TCPE,

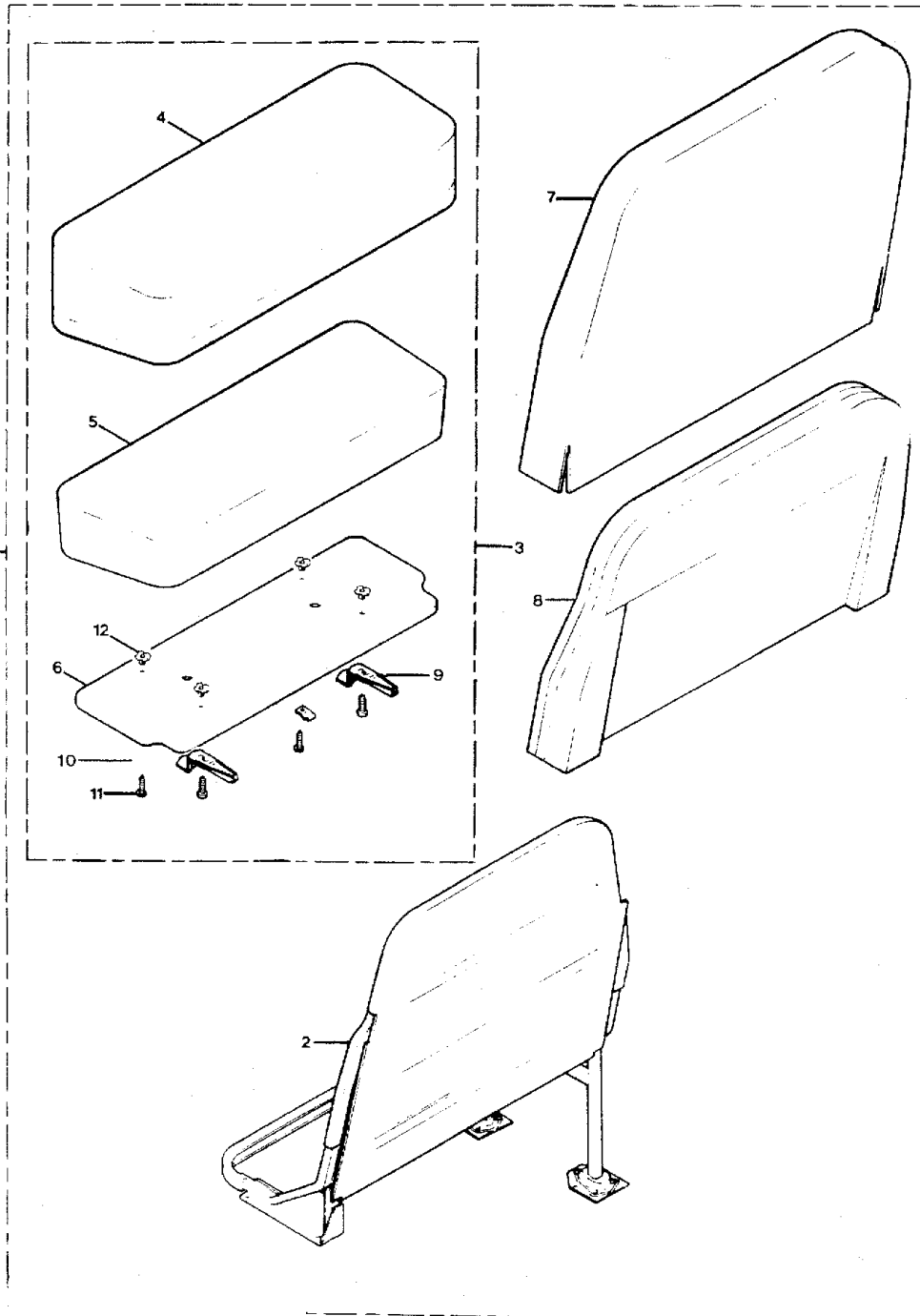
**PASSENGER SEATING
PASSENGER SEAT BELTS
HI-BACK, DOT T/F
OPTION 2785**

With Features:
2785-01 30 INCH
2785-02 34 INCH

Key	PartNumber	Qty	Description	Comment
-----	------------	-----	-------------	---------

DR 10-11-88 BY LAD				
APP 10-11-88 BY JM	FRT	800854Z	REV	

© 1988 BLUE BIRD BODY COMPANY ALL RIGHTS RESERVED



Models:
TCRE, TSFE, VCTA

AAFE, AARE, A1VC, A3FE, A3RE, BBCV, B1VC, B2VC, GPWB, MBWB, SBCV, TCPE,

**PASSENGER SEATING
PASSENGER SEAT BELTS
HI-BACK, DOT T/F
OPTION 2785**

With Features:
2785-01 30 INCH
2785-02 34 INCH

Key	PartNumber	Qty	Description	Comment
1			SEAT ASSY, COMPLETE, NY HIGH-BACK,	
1	0000233		SEAT ASSY,30,GM,S/BELT,NY,LH	ENDING 3-30-03
1	0062185		SEAT ASSY,30,GM,S/BELT,NY,LH	BEGIN BSN 3-31-03
1	0000234		SEAT ASSY,30,GM,S/BELT,NY,RH	ENDING 3-30-03
1	0062186		SEAT ASSY,30,GM,S/BELT,NY,RH	BEGIN BSN 3-31-03
1	0000235		SEAT ASSY,34,GM,S/BELT,NY,LH	ENDING 3-30-03
1	0062187		SEAT ASSY,34,GM,S/BELT,NY,LH	BEGIN BSN 3-31-03
1	0000236		SEAT ASSY,34,GM,S/BELT,NY,RH	ENDING 3-30-03
1	0062188		SEAT ASSY,34,GM,S/BELT,NY,RH	BEGIN BSN 3-31-03
1	0000237		SEAT ASSY,36,GM,S/BELT,NY,LH	ENDING 3-30-03
1	0062189		SEAT ASSY,36,GM,S/BELT,NY,LH	BEGIN BSN 3-31-03
1	0000238		SEAT ASSY,36,GM,S/BELT,NY,RH	ENDING 3-30-03
1	0062190		SEAT ASSY,36,GM,S/BELT,NY,RH	BEGIN BSN 3-31-03
1	0000239		SEAT ASSY,39,GM,S/BELT,NY,LH	ENDING 3-30-03
1	0062191		SEAT ASSY,39,GM,S/BELT,NY,LH	BEGIN BSN 3-31-03
1	0000241		SEAT ASSY,39,GM,S/BELT,NY,RH	ENDING 3-30-03
1	0062192		SEAT ASSY,39,GM,S/BELT,NY,RH	BEGIN BSN 3-31-03
1	0000242		SEAT ASSY,45,GM,S/BELT,NY,LH	ENDING 3-30-03
1	0062193		SEAT ASSY,45,GM,S/BELT,NY,LH	BEGIN BSN 3-31-03
1			SEAT ASSY, COMPLETE, NY HIGH-BACK, FLOOR	
1	0000310		SEAT ASSY,30,FMTD,S/BELT,NY,LH	ENDING 3-30-03
1	0062071		SEAT ASSY,30,FMTD,S/BELT,NY,LH	BEGIN BSN 3-31-03
1	0000311		SEAT ASSY,30,FMTD,S/BELT,NY,RH	ENDING 3-30-03
1	0062072		SEAT ASSY,30,FMTD,S/BELT,NY,RH	BEGIN BSN 3-31-03
1	0000312		SEAT ASSY,34,FMTD,S/BELT,NY,LH	ENDING 3-30-03
1	0062073		SEAT ASSY,34,FMTD,S/BELT,NY,LH	BEGIN BSN 3-31-03
1	0000313		SEAT ASSY,34,FMTD,S/BELT,NY,RH	ENDING 3-30-03
1	0062074		SEAT ASSY,34,FMTD,S/BELT,NY,RH	BEGIN BSN 3-31-03
1	0000314		SEAT ASSY,36,FMTD,S/BELT,NY,LH	ENDING 3-30-03
1	0062075		SEAT ASSY,36,FMTD,S/BELT,NY,LH	BEGIN BSN 3-31-03
1	0000318		SEAT ASSY,36,FMTD,S/BELT,NY,RH	ENDING 3-30-03
1	0062076		SEAT ASSY,36,FMTD,S/BELT,NY,RH	BEGIN BSN 3-31-03
1	0000321		SEAT ASSY,39,FMTD,S/BELT,NY,LH, SBTF	ENDING 3-30-03
				BEGIN BSN 3-31-03

Models:
TCRE, TSFE, VCTA

AAFE, AARE, A1VC, A3FE, A3RE, BBCV, B1VC, B2VC, GPWB, MBWB, SBCV, TCPE,

**PASSENGER SEATING
PASSENGER SEAT BELTS
HI-BACK, DOT T/F
OPTION 2785**

With Features:
2785-01 30 INCH
2785-02 34 INCH

Key	PartNumber	Qty	Description	Comment
1	0062077		SEAT ASSY,39,FMTD,SEAT BELT,NY,LH, SBTF	
1	0000322		SEAT ASSY,39,FMTD,S/BELT,NY,RH, SBTF	ENDING 3-30-03
1	0062078		SEAT ASSY,39,FMTD,SEAT BELT,NY,RH, SBTF	BEGIN BSN 3-31-03
1	0000325		SEAT ASSY,45,FMTD,S/BELT,NY,LH, SBTF	ENDING 3-30-03
1	0062079		SEAT ASSY,45,FMTD,SEAT BELT,NY,LH, SBTF	BEGIN BSN 3-31-03
2			FRAME ASSY, NY HIGH-BACK, GUSSET	
2	0000222		FRAME ASSY,SEAT,30,GM,S/BELT,HBK,LH,SBTF	ENDING 3-30-03
2	0061866		FRAME ASSY,ST,30,GM,S/BELT,HBK,LH, SBTF	BEGIN BSN 3-31-03
2	0000223		FRAME ASSY,SEAT,30,GM,S/BELT,HBK,RH,SBTF	ENDING 3-30-03
2	0061867		FRAME ASSY,ST,30,GM,S/BELT,HBK,RH, SBTF	BEGIN BSN 3-31-03
2	0000225		FRAME ASSY,SEAT,34,GM,S/BELT,HBK,LH, SBTF	ENDING 3-30-03
2	0061868		FRAME ASSY,ST,34,GM,S/BELT,HBK,LH, SBTF	BEGIN BSN 3-31-03
2	0000226		FRAME ASSY,SEAT,34,GM,S/BELT,HBK,RH, SBTF	ENDING 3-30-03
2	0061869		FRAME ASSY,ST,34,GM,S/BELT,HBK,RH, SBTF	BEGIN BSN 3-31-03
2	0000227		FRAME ASSY,SEAT,36,GM,S/BELT,HBK,LH, SBTF	ENDING 3-30-03
2	0061870		FRAME ASSY,ST,36,GM,S/BELT,HBK,LH, SBTF	BEGIN BSN 3-31-03
2	0000228		FRAME ASSY,SEAT,36,GM,S/BELT,HBK,RH, SBTF	ENDING 3-30-03
2	0061871		FRAME ASSY,ST,36,GM,S/BELT,HBK,RH, SBTF	BEGIN BSN 3-31-03
2	0000230		FRAME ASSY,SEAT,39,GM,S/BELT,HBK,LH,SBTF	ENDING 3-30-03
2	0061872		FRAME ASSY,ST,39,GM,S/BELT,HBK,LH, SBTF	BEGIN BSN 3-31-03
2	0000231		FRAME ASSY,SEAT,39,GM,S/BELT,HBK,RH,SBTF	ENDING 3-30-03
2	0061873		FRAME ASSY,ST,39,GM,S/BELT,HBK,RH, SBTF	BEGIN BSN 3-31-03
2	0000104		FRAME ASSY,SEAT,45,GM,S/BELT,HBK,LH, SBTF	ENDING 3-30-03
2	0061747		FRAME ASSY,ST,45,GM,S/BELT,HBK,LH, SBTF	BEGIN BSN 3-31-03
2			FRAME ASSY, NY HIGH-BACK, FLOOR MOUNTED	
2	0000301		FRAME ASSY,SEAT,30,FMTD,S/BELT,HBK,LH,	ENDING 3-30-03
2	0061830		FRAME ASSY,ST,30,FMTD,S/BELT,HBK,LH, SBTF	BEGIN BSN 3-31-03
2	0000280		FRAME ASSY,SEAT,30,FMTD,S/BELT,HBK,RH,	ENDING 3-30-03
2	0061829		FRAME ASSY,ST,30,FMTD,S/BELT,HBK,RH, SBTF	BEGIN BSN 3-31-03
2	0000303		FRAME ASSY,SEAT,34,FMTD,S/BELT,HBK,LH,	ENDING 3-30-03
2	0061832		FRAME ASSY,ST,34,FMTD,S/BELT,HBK,LH, SBTF	BEGIN BSN 3-31-03
2	0000302		FRAME ASSY,SEAT,34,FMTD,S/BELT,HBK,RH,	ENDING 3-30-03
2	0061831		FRAME ASSY,ST,34,FMTD,S/BELT,HBK,RH, SBTF	BEGIN BSN 3-31-03
				ENDING 3-30-03

Models:
TCRE, TSFE, VCTA

AAFE, AARE, A1VC, A3FE, A3RE, BBCV, B1VC, B2VC, GPWB, MBWB, SBCV, TCPE,

**PASSENGER SEATING
PASSENGER SEAT BELTS
HI-BACK, DOT T/F
OPTION 2785**

With Features:
2785-01 30 INCH
2785-02 34 INCH

Key	PartNumber	Qty	Description	Comment
2	0000305		FRAME ASSY,SEAT,36,FMTD,S/BELT,HBK,LH,	
2	0061834		FRAME ASSY,ST,36,FMTD,S/BELT,HBK,LH, SBTF	BEGIN BSN 3-31-03
2	0000304		FRAME ASSY,SEAT,36,FMTD,S/BELT,HBK,RH,	ENDING 3-30-03
2	0061833		FRAME ASSY,ST,36,FMTD,S/BELT,HBK,RH, SBTF	BEGIN BSN 3-31-03
2	0000308		FRAME ASSY,SEAT,39,FMTD,S/BELT,HBK,LH,	ENDING 3-30-03
2	0061836		FRAME ASSY,ST,39,FMTD,S/BELT,HBK,LH, SBTF	BEGIN BSN 3-31-03
2	0000306		FRAME ASSY,SEAT,39,FMTD,S/BELT,HBK,RH,	ENDING 3-30-03
2	0061835		FRAME ASSY,ST,39,FMTD,S/BELT,HBK,RH, SBTF	BEGIN BSN 3-31-03
2	0000309		FRAME ASSY,SEAT,45,FMTD,S/BELT,HBK,LH,	ENDING 3-30-03
2	0061837		FRAME ASSY,ST,45,FMTD,S/BELT,HBK,LH, SBTF	BEGIN BSN 3-31-03
3	1307636		CUSHION ASSY, 30 IN, SEAT BELT	
3	1307644		CUSHION ASSY,34IN,SEAT BELT SEAT	
3	1325471		CUSHION ASSY,36IN,SEAT BELT SEAT	
3	1307651		CUSHION ASSY,39IN,SEAT BELT SEAT	
3	1307669		CUSHION ASSY,45IN,SEAT BELT SEAT	
4	0930586		COVER ASSY,CUSH,30,DOT/TF	30" AND OPTIONAL NY HIGH-BACK
4	0930594		COVER ASSY,CUSH,34,DOT/TF	34" AND OPTIONAL NY HIGH-BACK
4	1325612		UPHOLSTERY ASSY,CUSH,36,DOT/TF, SBTF	36" AND OPTIONAL NY HIGH-BACK
4	0931436		COVER ASSY,CUSH,39,DOT/TF	39" AND OPTIONAL NY HIGH-BACK
4	0930610		COVER ASSY,CUSH,45,DOT/TF	45" AND OPTIONAL NY HIGH-BACK
5	1168491		PAD,SEAT CUSH,30IN,VIRGIN FOAM	30" AND OPTIONAL NY HIGH-BACK
5	1168509		PAD,SEAT CUSH,34IN,VIRGIN FOAM,15	34" AND OPTIONAL NY HIGH-BACK
5	1171123		PAD,SEAT CUSH,36IN,VIRGIN FOAM	36" AND OPTIONAL NY HIGH-BACK
5	1168517		PAD,SEAT CUSH,39IN,VIRGIN FOAM	39" AND OPTIONAL NY HIGH-BACK
5	1168525		PAD,SEAT CUSH,45IN,VIRGIN FOAM	45" AND OPTIONAL NY HIGH-BACK
6	1307487		BOARD,CUSHION,SEAT,BELT,30.00	
6	1307545		BOARD,CUSHION,SEAT,BELT,34.00	
6	0005274		BOARD ASSY,CUSH,DOT/TF & S/BELT, 36, W/T-	
6	1307495		BOARD,CUSHION,SEAT,BELT,39.00	
6	1307503		BOARD,CUSHION,SEAT,BELT,45.00	

Models:
TCRE, TSFE, VCTA

AAFE, AARE, A1VC, A3FE, A3RE, BBCV, B1VC, B2VC, GPWB, MBWB, SBCV, TCPE,

**PASSENGER SEATING
PASSENGER SEAT BELTS
HI-BACK, DOT T/F
OPTION 2785**

With Features:
2785-01 30 INCH
2785-02 34 INCH

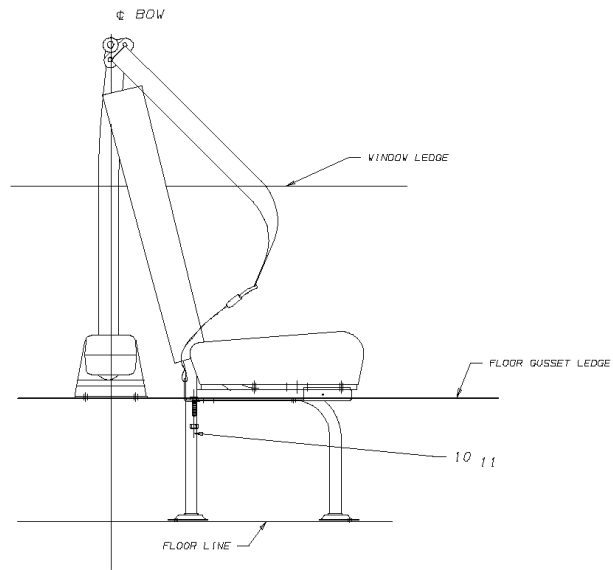
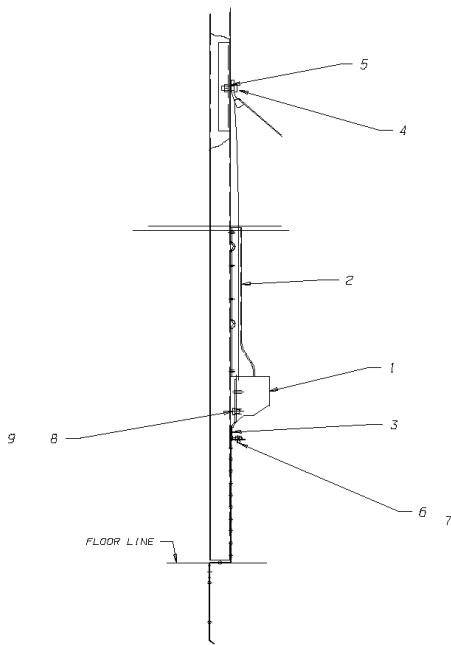
Key	PartNumber	Qty	Description	Comment
7	0982595		COVER ASSY,BK,30,NY, SBTF	
7	0982603		COVER ASSY,BK,34,NY, SBTF	
7	1327733		COVER ASSY,BK,36,NY, SBTF	
7	0982611		COVER ASSY,BK,39,NY, SBTF	
7	0982629		COVER ASSY,BK,45,NEW YORK, SBTF	
8	0982553		PAD,SEAT BACK,30IN,NO 2 NY, SBTF	
8	0982561		PAD,SEAT BACK,34IN,NO 2 NY, SBTF	
8	1325901		PAD,SEAT BACK,36IN,NO 2,NEW YORK,SBTF	
8	0982579		PAD,SEAT BACK,39IN,NO 2,NEW YORK	
8	0982587		PAD,FOAM,45 IN, HI-BACK	
NI	1370972		COVER,SEAT BELT,REAR,4 RETAINERS,30.00	
NI	1370980		COVER,SEAT BELT,REAR,4 RETAINERS,34.00	
NI	1370949		COVER,SEAT BELT,REAR,6 RETAINERS,39.00	
NI	1370956		COVER,SEAT BELT,REAR,6 RETAINERS,45.00,LH	
9	0825331	2	CLAMP,SWIVEL,POSITIVE SEAT CUSHION,SM	
10	0919811	2	CLAMP,POSITIVE POSITION,SEAT CUSH,DOT/TF	
11	0813477	4	SCREW,MACH,1/4-20X1/2,PH1,RD,YELZN,	
12	2001352	4	NUT,T,LONG PRONGED,1/4-20"	T
NI	0003459		BRACKET,MTG,SEAT CUSHION,U/S HEATER	
NI			UNDERSEAT HEATERS	
NI	1032291	6	CAPSCREW,HEX HD,5/16-18 X 1 1/4,GR 5,ZINC	

VCTA

Models: AAFE, AARE, A3FE, A3RE, BBCV, GMCV, GPWB, MBWB, SBCV, TCPE, TCRE, TSPE,

PASSENGER SEATING
 PASSENGER SEAT BELTS
 INSTALLATION, 3 POINT

Key	PartNumber	Qty	Description	Comment
-----	------------	-----	-------------	---------



VCTA

Models: AAFE, AARE, A3FE, A3RE, BBCV, GMCV, GPWB, MBWB, SBCV, TCPE, TCRE, TSPE,

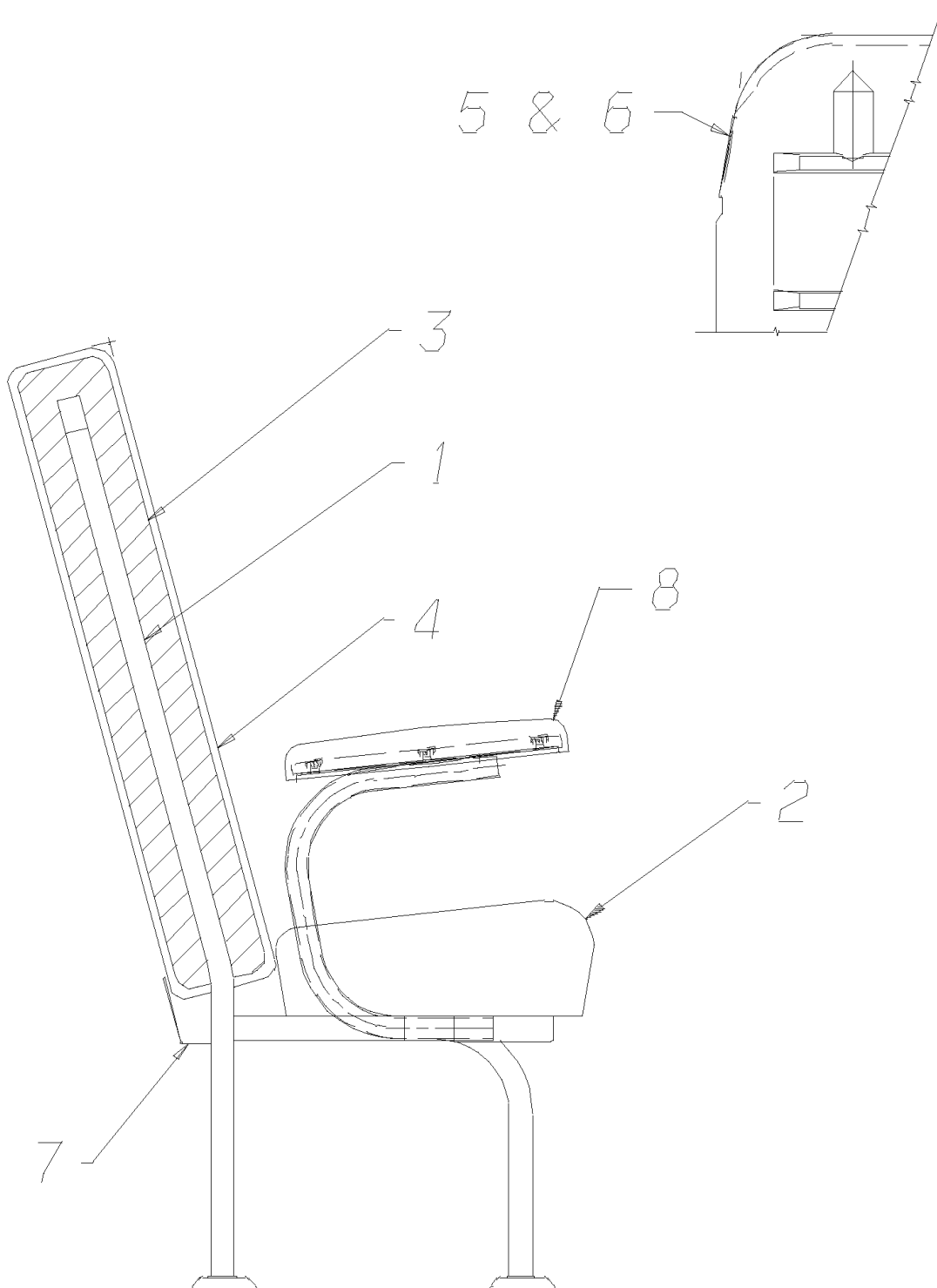
**PASSENGER SEATING
PASSENGER SEAT BELTS
INSTALLATION, 3 POINT**

Key	PartNumber	Qty	Description	Comment
1	0036004		SEAT BELT ASSY,3PNT PASS,126.0,IMMI	
2	1546340		COVER,3 POINT SEAT BELT,PASSENGER SEAT	
3	1546936		BRACKET,MTG,LWR,3 POINT ST BELT,PASS	
4	1546951		BRACKET ASSY,MTG,UPPER,3PNT ST BELT,PASS	
5	2001113		WASHER,FLAT,7/16, X 1 1/64 X 5/64,CADMIUM	
6	1032283		CAPSCREW,HEX HD,5/16-18,X,3/4,GR5,	
7	2001410		NUT,HEX HD,5/16-18,YEL ZN DICH"	
8	0988691		CAPSCREW,HEX HD,3/8-16X 7/8,GR5,YEL ZN	
9	0839027		NUT,HEX HD,3/8-16,GR G,SM FLG LK,YEL	
10	0854851		CAPSCREW,HEX HD,3/8-16X1 3/4,GR8,YEL	
11	0543934		NUT,HEX HD,3/8-16,ZINC,LG FLG LK,YEL	

Models: A3RE
PASSENGER SEATING
SEAT BELT READY SEATS
DOT T/F

With Features: OPTION 2784 RH DRIVE UK

Key	PartNumber	Qty	Description	Comment
-----	------------	-----	-------------	---------



Models: A3RE
PASSENGER SEATING
SEAT BELT READY SEATS
DOT T/F
With Features: **OPTION 2784 RH DRIVE UK**

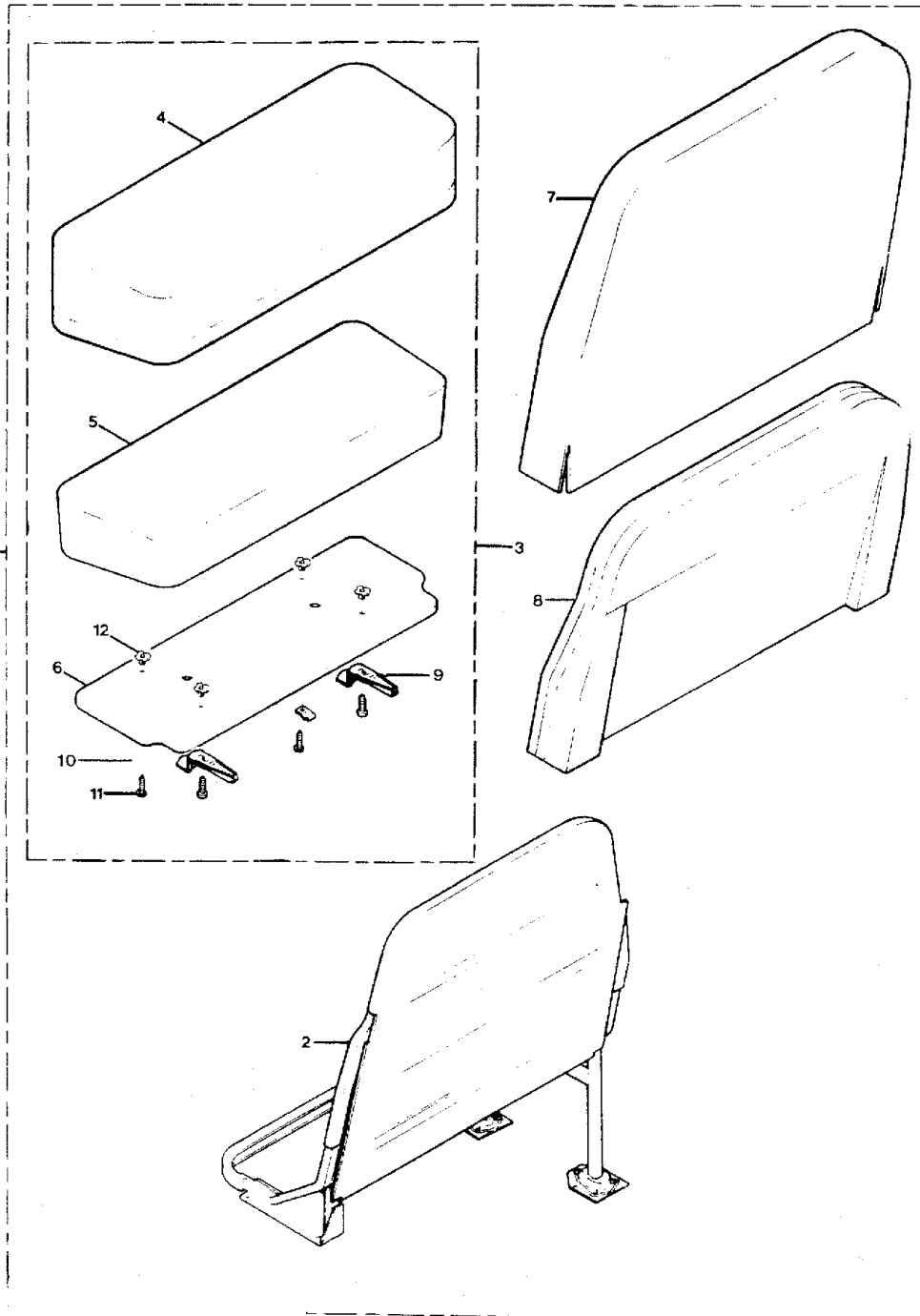
Key	PartNumber	Qty	Description	Comment
	0046827		SEAT ASSY,47.25,GM,S/BELT,LH,BURG,WOW	PARENT 0043172
1	0043160		FRAME ASSY,SEAT,47.25,GM,S/BELT,LH DRV,	
2	0046828		CUSHION ASSY,47.25 SEAT,S/BELT,BURG,WOW	PARENT 0043100
	0046829		COVER ASSY,CUSH,47.25,BURG,WOW	PARENT 0043102 PART OF ITEM 2
	0043098		PAD,SEAT CUSH,47.25IN,VIRGIN FOAM	PART OF ITEM 2
	0043120		BOARD ASSY,CUSH,DOT/TF & S/BELT, 47.25	PART OF ITEM 2
	0825331	2	CLAMP,SWIVEL,POSITIVE SEAT CUSHION,SM	PART OF ITEM 2
	0919803	2	CLAMP,SEAT CUSHION,SWIVEL,DOT/TF	PART OF ITEM 2
	0813477	4	SCREW,MACH,1/4-20X1/2,PH1,RD,YELZN,	PART OF ITEM 2
3	0979583		PAD,FOAM,BARRIER BACK,45IN	
4	8316028		COVER ASSY, 45 BK, BURGUNDY TF	PARENT 0918516
5	0971267		TAPE,DUCT,PVC 2 IN	
6	1277151	6	CHANNEL,EXTRUDED,PVC,.62	
7	1929587	6	COVER,SEAT BELT,REAR,6 RET,45,LH,BLACK	
NI			SEAT BELT ASSY, W/ RETRACTOR	
	0044752		SEAT BELT ASSY,IMMI,F13342,W/RETRACTOR,	
	0044753		SEAT BELT ASSY,IMMI,F13344,W/RETRACTOR,	
	0044754		SEAT BELT ASSY,IMMI,F13343,W/RETRACTOR,	

Models: AAFE, AARE, A3FE, A3RE, GPWB, MBWB, SBCV, TCFE, TCRE, TSFE, VCTA
With Features: PASSENGER SEATING
 SEAT BELT READY SEATS
 SPACE SAVER, DOT T/F
 OPTION 2709

Key	PartNumber	Qty	Description	Comment
-----	------------	-----	-------------	---------

DR 10-11-88 BY LAD				
APP 10-11-88 BY JM	FRT	800854Z	REV	

© 1988 BLUE BIRD BODY COMPANY ALL RIGHTS RESERVED



Models: AAFE, AARE, A3FE, A3RE, GPWB, MBWB, SBCV, TCFE, TCRE, TSFE, VCTA
With Features: PASSENGER SEATING
 SEAT BELT READY SEATS
 SPACE SAVER, DOT T/F
 OPTION 2709

Key	PartNumber	Qty	Description	Comment
1	1340447		SEAT ASSY,39,GM,LH,SB SEAT BELT THIN BACK	
1	1340454		SEAT ASSY,39,GM,RH,SB SEAT BELT THIN	
2	1340413		FRAME ASSY,SEAT,39,GM,LH,ST BLT SPACE	
2	1340421		FRAME ASSY,SEAT,39,GM,RH,SB BLT SPACE	
3	1307651		CUSHION ASSY,39IN,SEAT BELT SEAT	
4	0931436		COVER ASSY,CUSH,39,DOT/TF	
5	1168517		PAD,SEAT CUSH,39IN,VIRGIN FOAM	
6	1307495		BOARD,CUSHION,SEAT,BELT,39.00	
7	0918508		COVER ASSY,BK,39,DOT/TF	
8	1347756		PAD ASSY,SEAT BACK,39.00	
8	1370451		PAD ASSY,SEAT,THIN BK,39,TAPERED LICHTER	
9	0825331		CLAMP,SWIVEL,POSITIVE SEAT CUSHION,SM	
10	0919811		CLAMP,POSITIVE POSITION,SEAT CUSH,DOT/TF	
11	0813477		SCREW,MACH,1/4-20X1/2,PH1,RD,YELZN,	
12	2001352		NUT,T,LONG PRONGED,1/4-20"	
NI	1350552		CHANNEL,ADAPTOR,U/S HEATER TO SEAT	
NI	1032291		CAPSCREW,HEX HD,5/16-18 X 1 1/4,GR 5,ZINC	
NI	1032317		CAPSCREW,HEX HD,5/16-18, X, 4, ,GR 5,ZINC	

Models: AAFE, AARE, A3FE, A3RE, BBCV, GMCV, MBWB, SBCV, TCPE, TSPE, TCRE

With Features: PASSENGER SEATING
THIN BACK SEAT PAD
OPTION 2710

Key	PartNumber	Qty	Description	Comment
NI	0006142		PAD ASSY,SEAT,THIN BK,39,TAPERED, LICHTER	
	0081411		SEAT ASSY,39,FMTD,SED,LH,THIN/BK, SBTF	
	0081413		SEAT ASSY,39,GM,LH,THIN/BK, SBTF	
	0081414		SEAT ASSY,39,GM,RH,THIN/BK, SBTF	
	0081415		SEAT ASSY,39,FLIP-UP,GUSSET MOUNTED,LH,	
	0081416		SEAT,ASSY,39,FLIP-UP,GUSSETT MOUNTED,RH,	
	0081417		SEAT ASSY,39,GM,SEAT BELT,LH,THIN/BK	
	0081418		SEAT ASSY,39,GM,SEAT BELT,RH,THIN/BK	
	0081419		SEAT ASSY,39,GM,SEAT BELT,SIMT LD,RH,	
	0081420		SEAT ASSY,39,GM,SEAT BELT,SIMT LD,LH,SBTF,	
	0081421		SEAT ASSY,TRK,39,GM,LH,THIN/BK	
	0081422		SEAT ASSY,TRK,39,GM,RH,THIN/BK	
	0081423		SEAT ASSY,TRK,39,FMTD,LH,THIN/BK	
	0081424		SEAT ASSY,TRK,39,FMTD,RH,THIN/BK	
	0081425		SEAT ASSY,39,FMTD,SEAT BELT,LH,SBTF,	
	0081426		SEAT ASSY,39,FMTD,SEAT BELT,RH,SBTF,	
	0081427		SEAT,ASSY,3/2 FLIP-UP,GM,LH,THIN/BK	
	0081428		SEAT,ASSY,3/2 FLIP-UP,GM,RH,THIN/BK	

TSFE

Models: AAFE, AARE, A1VC, A3FE, A3RE, BBCV, B1VC, B2VC, MBWB, SBCV, TCFE, TCRE,

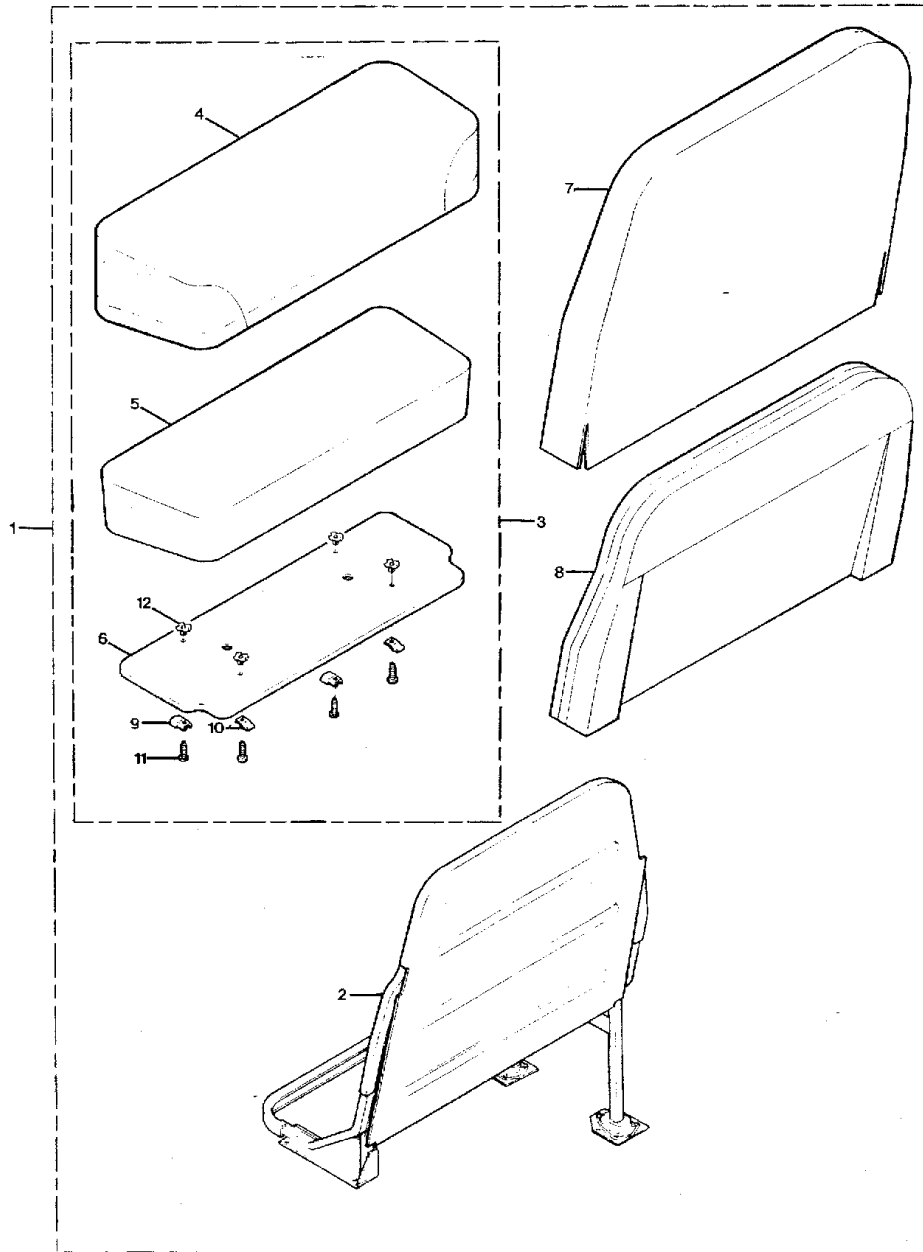
With Features: PASSENGER SEATING
THIN BACK SEAT PAD
THIN BACK SEAT PAD
OPTION 2699

Key	PartNumber	Qty	Description	Comment
-----	------------	-----	-------------	---------

1182-1187 8001976

OPT. 2699, DOT TASK FORCE HIGH BACK SEAT

© 1982 BLUE BIRD BODY COMPANY
ALL RIGHTS RESERVED



REVISED

90TCR380

Models: AAFE, AARE, A1VC, A3FE, A3RE, BBCV, B1VC, B2VC, MBWB, SBCV, TCPE, TCRE,
TSFE
With Features: PASSENGER SEATING
 THIN BACK SEAT PAD
 THIN BACK SEAT PAD
 OPTION 2699

Key	PartNumber	Qty	Description	Comment
1	1397512		SEAT ASSY,30,GUSSET MOUNTED,NY,LH	
1	1397520		SEAT ASSY,30,GUSSET MOUNTED,NY,RH	
1	1397553		SEAT ASSY,36,GUSSET MOUNTED,NY,LH	
1	1397561		SEAT ASSY,36,GUSSET MOUNTED,NY,RH	
1	1397579		SEAT ASSY,39,GUSSET MOUNTED,NY,LH	
1	1397587		SEAT ASSY,39,GUSSET MOUNTED,NY,RH	
2	1396845		FRAME ASSY,SEAT,30,GM,HI-BACK,LH,SBTF	
2	1396852		FRAME ASSY,SEAT,30,GM,HI-BACK,RH,SBT	
2	1396886		FRAME ASSY,SEAT,36,GM,HI-BACK,LH,SBTF	
2	1396894		FRAME ASSY,SEAT,36,GM,HI-BACK,RH,SBTF	
2	1396902		FRAME ASSY,SEAT,39,GM,HI-BACK,LH,SBTF	
2	1396910		FRAME ASSY,SEAT,39,GM,HI-BACK,RH,SBTF	
3	0918433		CUSHION ASSY,30IN,DOT/TF	
3	1325497		CUSHION ASSY,36IN,DOT/TF	
3	0918458		CUSHION ASSY,39IN,DOT/TF	
4	0930586		COVER ASSY,CUSH,30,DOT/TF	
4	1325612		UPHOLSTERY ASSY,CUSH,36,DOT/TF, SBTF	
4	0931436		COVER ASSY,CUSH,39,DOT/TF	
5	1168491		PAD,SEAT CUSH,30IN,VIRGIN FOAM	
5	1171123		PAD,SEAT CUSH,36IN,VIRGIN FOAM	
5	1168517		PAD,SEAT CUSH,39IN,VIRGIN FOAM	
6	0918383		BOARD,CUSHION,SEAT,30	
6	1325570		BOARD,CUSHION,SEAT,36	
6	0918409		BOARD,CUSHION,SEAT,39,DOT/TF	
7	0982595		COVER ASSY,BK,30,NY, SBTF	
7	1327733		COVER ASSY,BK,36,NY, SBTF	
7	0982611		COVER ASSY,BK,39,NY, SBTF	
8	0982553		PAD,SEAT BACK,30IN,NO 2 NY, SBTF	
8	1325901		PAD,SEAT BACK,36IN,NO 2,NEW YORK,SBTF	
8	0982579		PAD,SEAT BACK,39IN,NO 2,NEW YORK	
9	0919803		CLAMP,SEAT CUSHION,SWIVEL,DOT/TF	
10	0919811		CLAMP,POSITIVE POSITION,SEAT CUSH,DOT/TF	
11	0813477		SCREW,MACH,1/4-20X1/2,PH1,RD,YELZN,	

TSFE

Models: AAFE, AARE, A1VC, A3FE, A3RE, BBCV, B1VC, B2VC, MBWB, SBCV, TCFE, TCRE,

**PASSENGER SEATING
THIN BACK SEAT PAD
THIN BACK SEAT PAD
OPTION 2699**

With Features:

Key	PartNumber	Qty	Description	Comment
12	2001352		NUT,T,LONG PRONGED,1/4-20"	

Models: AAFE, AARE, A3FE, A3RE, BBCV, GMCV, MBWB, SBCV, TCPE, TCRE, TSPE

PASSENGER SEATING

TRACK MOUNTED

With Features: OPTION 2834 AND OPTION 2841

Key	PartNumber	Qty	Description	Comment
NI			SEAT ASSEMBLY, TRACK, GUSSET MOUNTED	OPT 2834
	0000514		SEAT ASSY,TRACK,30,GM,LH	ENDING WITH BSN 3-30-03
	0062202		SEAT ASSY,TRK,30,GM,LH	BEGIN WITH BSN 3-31-03
	0000515		SEAT ASSY,TRACK,30,GM,RH	ENDING WITH BSN 3-30-03
	0062203		SEAT ASSY,TRK,30,GM,RH	BEGIN WITH BSN 3-31-03
	0000516		SEAT ASSY,TRACK,39,GM,LH	ENDING WITH BSN 3-30-03
	0062204		SEAT ASSY,TRK,39,GM,LH	BEGIN WITH BSN 3-31-03
	0000517		SEAT ASSY,TRACK,39,GM,RH	ENDING WITH BSN 3-30-03
	0062205		SEAT ASSY,TRK,39,GM,RH	BEGIN WITH BSN 3-31-03
NI			SEAT ASSEMBLY, HIGH BACK, TRACK, GUSSET	OPT 2834
	0000518		SEAT ASSY,TRACK,30,GM,HBK,LH	ENDING WITH BSN 3-30-03
	0062206		SEAT ASSY,TRK,30,GM,HBK,LH	BEGIN WITH BSN 3-31-03
	0000519		SEAT ASSY,TRACK,30,GM,HBK,RH	ENDING WITH BSN 3-30-03
	0062207		SEAT ASSY,TRK,30,GM,HBK,RH	BEGIN WITH BSN 3-31-03
	0000520		SEAT ASSY,TRACK,39,GM,HBK,LH	ENDING WITH BSN 3-30-03
	0062208		SEAT ASSY,TRK,39,GM,HBK,LH	BEGIN WITH BSN 3-31-03
	0000522		SEAT ASSY,TRACK,39,GM,HBK,RH	ENDING WITH BSN 3-30-03
	0062209		SEAT ASSY,TRK,39,GM,HBK,RH	BEGIN WITH BSN 3-31-03
NI			SEAT ASSEMBLY, TRACK, FLOOR	OPT 2841
	0000523		SEAT ASSY,TRACK,30,FMTD,LH	ENDING WITH BSN 3-30-03
	0062210		SEAT ASSY,TRK,30,FMTD,LH	BEGIN WITH BSN 3-31-03
	0000524		SEAT ASSY,TRACK,30,FMTD,RH	ENDING WITH BSN 3-30-03
	0062211		SEAT ASSY,TRK,30,FMTD,RH	BEGIN WITH BSN 3-31-03
	0000525		SEAT ASSY,TRACK,39,FMTD,LH	ENDING WITH BSN 3-30-03
	0062212		SEAT ASSY,TRK,39,FMTD,LH	BEGIN WITH BSN 3-31-03
	0000526		SEAT ASSY,TRACK,39,FMTD,RH	ENDING WITH BSN 3-30-03
	0062213		SEAT ASSY,TRK,39,FMTD,RH	BEGIN WITH BSN 3-31-03
NI			SEAT ASSEMBLY, HIGH BACK, TRACK, FLOOR	OPT 2841
	0000527		SEAT ASSY,TRACK,30,FMTD,HBK,LH	ENDING WITH BSN 3-30-03
	0062214		SEAT ASSY,TRK,30,FMTD,HBK,LH	BEGIN WITH BSN 3-31-03
	0000528		SEAT ASSY,TRACK,30,FMTD,HBK,RH	ENDING WITH BSN 3-30-03
	0062215		SEAT ASSY,TRK,30,FMTD,HBK,RH	BEGIN WITH BSN 3-31-03
	0000529		SEAT ASSY,TRACK,39,FMTD,HBK,LH	ENDING WITH BSN 3-30-03
				BEGIN WITH BSN 3-31-03

Models: AAFE, AARE, A3FE, A3RE, BBCV, GMCV, MBWB, SBCV, TCPE, TCRE, TSPE

**PASSENGER SEATING
TRACK MOUNTED**

With Features: OPTION 2834 AND OPTION 2841

Key	PartNumber	Qty	Description	Comment
	0062216		SEAT ASSY,TRK,39,FMTD,HBK,LH	
	0000530		SEAT ASSY,TRACK,39,FMTD,HBK,RH	<i>ENDING WITH BSN 3-30-03</i>
	0062217		SEAT ASSY,TRK,39,FMTD,HBK,RH	<i>BEGIN WITH BSN 3-31-03</i>
NI			BARRIER ASSY, FLOOR MOUNTED	
	0008508		BARRIER ASSY,30,LH,FLOOR MTD,DOT/TF,	
	0008516		BARRIER ASSY,30,RH,FLOOR,MTD,DOT/TF,	
	0008557		BARRIER ASSY,36,LH,FLOOR,MTD,COMPL, SBTF	
	0008565		BARRIER ASSY,36,RH,FLOOR,MTD,COMPL, SBTF	
	0008524		BARRIER ASSY,39,LH,FLOOR,MOUNTED	
	0008532		BARRIER ASSY,39,RH,FLOOR,MOUNTED	
	0008540		BARRIER ASSY,45,LH,FLOOR,MOUNTED	

Models: A3FE, A3RE, BBCV, SBCV, B2VC

**PASSENGER SEATING
TRACK MOUNTED
C.E. WHITE CHILD RESTRAINT
BLACK, BLUE, GRAY, GREEN, AND TEAL
FEATURE 2812-9,10,13,14**

With Features:

Key	PartNumber	Qty	Description	Comment
			SEAT, C.E. WHITE, CHILD RESTRAINT, TRACK	
	0079508		SEAT,CEW,CR 30 RH,GRAY,PRFM II,TRK	
	0079510		SEAT,CEW,CR 30 LH,GRAY,PRFM II,TRK	
	0079514		SEAT,CEW,CR 30 RH,GRAY,PRFM II,S/B,TRK	
	0079517		SEAT,CEW,CR 30 LH,GRAY,PRFM II,S/B,TRK	
	0081662		SEAT,CEW,CR 39 RH,GRAY,PRFM II,TRK	
	0079507		SEAT,CEW,CR 39 LH,GRAY,PRFM II,TRK	
	0081663		SEAT,CEW,CR 39 RH,GRAY,PRFM II,S/B,TRK	
	0079512		SEAT,CEW,CR 39 LH,GRAY,PRFM II,S/B,TRK	
			SEAT, C.E. WHITE, CHILD RESTRAINT, TRACK	
	0079535		SEAT,CEW,CR 30 RH,GREEN,PRFM II,TRK	
	0079536		SEAT,CEW,CR 30 LH,GREEN,PRFM II,TRK	
	0079538		SEAT,CEW,CR 30 RH,GREEN,PRFM II,S/B,TRK	
	0079539		SEAT,CEW,CR 30 LH,GREEN,PRFM II,S/B,TRK	
	0081676		SEAT,CEW,CR 39 RH,GREEN,PRFM II,TRK	
	0079534		SEAT,CEW,CR 39 LH,GREEN,PRFM II,TRK	
	0081677		SEAT,CEW,CR 39 RH,GREEN,PRFM II,S/B,TRK	
	0079537		SEAT,CEW,CR 39 LH,GREEN,PRFM II,S/B,TRK	
			SEAT, C.E. WHITE, CHILD RESTRAINT, TRACK	
	0079484		SEAT,CEW,CR 30 RH,BLACK,PRFM II,TRK	
	0079485		SEAT,CEW,CR 30 LH,BLACK,PRFM II,TRK	
	0079487		SEAT,CEW,CR 30 RH,BLACK,PRFM II,S/B,TRK	
	0079488		SEAT,CEW,CR 30 LH,BLACK,PRFM II,S/B,TRK	
	0081641		SEAT,CEW,CR 39 RH,BLACK,PRFM II,TRK	
	0079483		SEAT,CEW,CR 39 LH,BLACK,PRFM II,TRK	
	0081642		SEAT,CEW,CR 39 RH,BLACK,PRFM II,S/B,TRK	
	0079486		SEAT,CEW,CR 39 LH,BLACK,PRFM II,S/B,TRK	
			SEAT, C.E. WHITE, CHILD RESTRAINT, TRACK	
	0079496		SEAT,CEW,CR 30 RH,BLUE,PRFM II,TRK	
	0079497		SEAT,CEW,CR 30 LH,BLUE,PRFM II,TRK	
	0079499		SEAT,CEW,CR 30 RH,BLUE,PRFM II,S/B,TRK	
	0079500		SEAT,CEW,CR 30 LH,BLUE,PRFM II,S/B,TRK	
	0081672		SEAT,CEW,CR 39 RH,BLUE,PRFM II,TRK	

Models: A3FE, A3RE, BBCV, SBCV, B2VC
PASSENGER SEATING
TRACK MOUNTED
C.E. WHITE CHILD RESTRAINT
BLACK, BLUE, GRAY, GREEN, AND TEAL
With Features: FEATURE 2812-9,10,13,14

Key	PartNumber	Qty	Description	Comment
	0079495		SEAT,CEW,CR 39 LH,BLUE,PRFM II,TRK	
	0081673		SEAT,CEW,CR 39 RH,BLUE,PRFM II,S/B,TRK	
	0079498		SEAT,CEW,CR 39 LH,BLUE,PRFM II,S/B,TRK	
			SEAT, C.E. WHITE, CHILD RESTRAINT, TRACK	
	0079547		SEAT,CEW,CR 30 RH,TEAL,PRFM II,TRK	
	0079548		SEAT,CEW,CR 30 LH,TEAL,PRFM II,TRK	
	0079550		SEAT,CEW,CR 30 RH,TEAL,PRFM II,S/B,TRK	
	0079551		SEAT,CEW,CR 30 LH,TEAL,PRFM II,S/B,TRK	
	0081698		SEAT,CEW,CR 39 RH,TEAL,PRFM II,TRK	
	0079546		SEAT,CEW,CR 39 LH,TEAL,PRFM II,TRK	
	0081699		SEAT,CEW,CR 39 RH,TEAL,PRFM II,S/B,TRK	
	0079549		SEAT,CEW,CR 39 LH,TEAL,PRFM II,S/B,TRK	
	0061034		WASHER,FLAT,13/32 X 1.25 X 5/64,Y ZINC	
	1788231		ANCHOR,TRACK SEAT MOUNTING,KINEDYNE	

Models: A3FE, A3RE, BBCV, SBCV, B2VC
PASSENGER SEATING
TRACK MOUNTED
C.E. WHITE CHILD RESTRAINT
BROWN AND BURGUNDY
With Features: FEATURE 2812-9,10,13,14

Key	PartNumber	Qty	Description	Comment
			SEAT, C.E. WHITE, CHILD RESTRAINT, TRACK	
	0060754		SEAT,CEW,CR 30 RH,BR #10,TRK	
	0060755		SEAT,CEW,CR 30 LH,BR #10,TRK	
	0060756		SEAT,CEW,CR 30 RH,BR #10,KEVLAR,TRK	
	0060757		SEAT,CEW,CR 30 LH,BR #10,KEVLAR,TRK	
	0076391		SEAT,CEW,CR 30 RH,BROWN,PRFM II,TRK	
	0076392		SEAT,CEW,CR 30 LH,BROWN,PRFM II,TRK	
	0060764		SEAT,CEW,CR 30 RH,BR #10,ST BLT,TRK	
	0060768		SEAT,CEW,CR 30 LH,BR #10,ST BLT,TRK	
	0060775		SEAT,CEW,CR 30RH,BR #10,KEVLAR,ST BLT,	
	0060779		SEAT,CEW,CR 30LH,BR #10,KEVLAR,ST BLT,	
	0076395		SEAT,CEW,CR 30 RH,BROWN,PRFM II,S/B,TRK	
	0076396		SEAT,CEW,CR 30 LH,BROWN,PRFM II,S/B,TRK	
	0060752		SEAT,CEW,CR 39,BR #10,TRK	
	0060753		SEAT,CEW,CR 39,BR #10,KEVLAR,TRK	
	0076390		SEAT,CEW,CR 39 LH,BROWN,PRFM II,TRK	
	0081680		SEAT,CEW,CR 39 RH,BROWN,PRFM II,TRK	
	0060759		SEAT,CEW,CR 39,BR #10,ST BLT,TRK	
	0060762		SEAT,CEW,CR 39,BR #10,KEVLAR,ST BLT,TRK	
	0076393		SEAT,CEW,CR 39 LH,BROWN,PRFM II,S/B,TRK	
	0081695		SEAT,CEW,CR 39 RH,BROWN,PRFM II,S/B TRK	
			SEAT, C.E. WHITE, CHILD RESTRAINT, TRACK	
	0060795		SEAT,CEW,CR 30 RH,BURG #8,TRK	
	0060796		SEAT,CEW,CR 30 LH,BURG #8,TRK	
	0060797		SEAT,CEW,CR 30 RH,BURG #8,KEVLAR,TRK	
	0060798		SEAT,CEW,CR 30 LH,BURG #8,KEVLAR,TRK	
	0076404		SEAT,CEW,CR 30 RH,BURGUNDY,PRFM II,TRK	
	0076405		SEAT,CEW,CR 30 LH,BURGUNDY,PRFM II,TRK	
	0060801		SEAT,CEW,CR 30 RH,BURG #8,S/BELT,TRK	
	0060802		SEAT,CEW,CR 30 LH,BURG #8,S/BELT,TRK	
	0060803		SEAT,CEW,CR 30 RH,BURG #8,KEV,S/BELT,TRK	
	0060804		SEAT,CEW,CR 30 LH,BURG #8,KEV,S/BELT,TRK	
	0076408		SEAT,CEW,CR 30 RH,BURGUNDY,PRFM II,S/B,	

Models: A3FE, A3RE, BBCV, SBCV, B2VC
PASSENGER SEATING
TRACK MOUNTED
C.E. WHITE CHILD RESTRAINT
BROWN AND BURGUNDY
With Features: FEATURE 2812-9,10,13,14

Key	PartNumber	Qty	Description	Comment
	0076410		SEAT,CEW,CR 30 LH,BURGUNDY,PRFM II,S/B,	
	0060793		SEAT,CEW,CR 39,BURG #8,TRK	
	0060794		SEAT,CEW,CR 39,BURG #8,KEVLAR,TRK	
	0081702		SEAT,CEW,CR 39 RH,BURGUNDY,PRFM II,TRK	
	0076403		SEAT,CEW,CR 39 LH,BURGUNDY,PRFM II,TRK	
	0060799		SEAT,CEW,CR 39,BURG #8,S/BELT,TRK	
	0060800		SEAT,CEW,CR 39,BURG #8,KEV,S/BEL,TRK	
	0081703		SEAT,CEW,CR 39 RH,BURGUNDY,PRFM II,S/B,	
	0076406		SEAT,CEW,CR 39 LH,BURGUNDY,PRFM II,S/B,	
	0061034		WASHER,FLAT,13/32 X 1.25 X 5/64,Y ZINC	
	1788231		ANCHOR,TRACK SEAT MOUNTING,KINEDYNE	

Models: A1VC, A3FE, A3RE, BBCV, B1VC, B2VC, SBCV

PASSENGER SEATING

TRACK MOUNTED

C.E. WHITE STUDENT SAFETY

With Features: FEATURE 30840-25,26,27,28,29,30,31,32,37,38,39,40

Key	PartNumber	Qty	Description	Comment
			C.E. WHITE STUDENT SAFETY SEAT, TRACK	
	0082364		SEAT,CEW,SSS,30,RH,BROWN,PRFM II,TRK	
	0082368		SEAT,CEW,SSS,30,LH,BROWN,PRFM II,TRK	
	0082365		SEAT,CEW,SSS,30,RH,BROWN,PRFM II,UCRA,	
	0082369		SEAT,CEW,SSS,30,LH,BROWN,PRFM II,UCRA,	
	0082366		SEAT,CEW,SSS,30,RH,BROWN,PRFM II,CR,TRK	
	0082370		SEAT,CEW,SSS,30,LH,BROWN,PRFM II,CR,TRK	
	0082367		SEAT,CEW,SSS,30,RH,BROWN,PRFMII,CR,UCRA,	
	0082371		SEAT,CEW,SSS,30,LH,BROWN,PRFMII,CR,UCRA,	
	0082384		SEAT,CEW,SSS,36,BROWN,PRFM II,TRK	
	0082385		SEAT,CEW,SSS,36,BROWN,PRFM II,UCRA,TRK	
	0082386		SEAT,CEW,SSS,36,BROWN,PRFM II,CR,TRK	
	0082387		SEAT,CEW,SSS,36,BROWN,PRFM II,CR,UCRA,	
	0082391		SEAT,CEW,SSS,45,LH,BROWN,PRFM II,TRK	
	0082392		SEAT,CEW,SSS,45,LH,BROWN,PRFM II,UCRA,	
	0082393		SEAT,CEW,SSS,45,LH,BROWN,PRFM II,CR,TRK	
	0082394		SEAT,CEW,SSS,45,LH,BROWN,PRFMII,CR,UCRA,	
	0082395		SEAT,CEW,SSS,30,RH,BURG,PRFM II,TRK	
	0082400		SEAT,CEW,SSS,30,LH,BURG,PRFM II,TRK	
	0082396		SEAT,CEW,SSS,30,RH,BURG,PRFM II,UCRA,TRK	
	0082401		SEAT,CEW,SSS,30,LH,BURG,PRFM II,UCRA,TRK	
	0082397		SEAT,CEW,SSS,30,RH,BURG,PRFM II,CR,TRK	
	0082402		SEAT,CEW,SSS,30,LH,BURG,PRFM II,CR,TRK	
	0082398		SEAT,CEW,SSS,30,RH,BURG,PRFM II,CR,UCRA,	
	0082403		SEAT,CEW,SSS,30,LH,BURG,PRFM II,CR,UCRA,	
	0082404		SEAT,CEW,SSS,36,BURG,PRFM II,TRK	
	0082405		SEAT,CEW,SSS,36,BURG,PRFM II,UCRA,TRK	
	0082406		SEAT,CEW,SSS,36,BURG,PRFM II,CR,TRK	
	0082407		SEAT,CEW,SSS,36,BURG,PRFM II,CR,UCRA,TRK	
	0082408		SEAT,CEW,SSS,45,LH,BURG,PRFM II,TRK	
	0082409		SEAT,CEW,SSS,45,LH,BURG,PRFM II,UCRA,TRK	
	0082410		SEAT,CEW,SSS,45,LH,BURG,PRFM II,CR,TRK	
	0082411		SEAT,CEW,SSS,45,LH,BURG,PRFM II,CR,UCRA,	

Models: A1VC, A3FE, A3RE, BBCV, B1VC, B2VC, SBCV

PASSENGER SEATING

TRACK MOUNTED

C.E. WHITE STUDENT SAFETY

With Features: FEATURE 30840-25,26,27,28,29,30,31,32,37,38,39,40

Key	PartNumber	Qty	Description	Comment
			C.E. WHITE STUDENT SAFETY SEAT, TRACK	
	0082412		SEAT,CEW,SSS,30,RH,BLACK,PRFM II,TRK	
	0082416		SEAT,CEW,SSS,30,LH,BLACK,PRFM II,TRK	
	0082413		SEAT,CEW,SSS,30,RH,BLACK,PRFM II,UCRA,TRK	
	0082417		SEAT,CEW,SSS,30,LH,BLACK,PRFM II,UCRA,TRK	
	0082414		SEAT,CEW,SSS,30,RH,BLACK,PRFM II,CR,TRK	
	0082418		SEAT,CEW,SSS,30,LH,BLACK,PRFM II,CR,TRK	
	0082415		SEAT,CEW,SSS,30,RH,BLACK,PRFMII,CR,UCRA,	
	0082419		SEAT,CEW,SSS,30,LH,BLACK,PRFMII,CR,UCRA,	
	0082420		SEAT,CEW,SSS,36,BLACK,PRFM II,TRK	
	0082421		SEAT,CEW,SSS,36,BLACK,PRFM II,UCRA,TRK	
	0082422		SEAT,CEW,SSS,36,BLACK,PRFM II,CR,TRK	
	0082423		SEAT,CEW,SSS,36,BLACK,PRFM II,CR,UCRA,TRK	
	0082424		SEAT,CEW,SSS,45,LH,BLACK,PRFM II,TRK	
	0082425		SEAT,CEW,SSS,45,LH,BLACK,PRFM II,UCRA,TRK	
	0082426		SEAT,CEW,SSS,45,LH,BLACK,PRFM II,CR,TRK	
	0082427		SEAT,CEW,SSS,45,LH,BLACK,PRFMII,CR,UCRA,	
	0082428		SEAT,CEW,SSS,30,RH,BLUE,PRFM II,TRK	
	0082432		SEAT,CEW,SSS,30,LH,BLUE,PRFM II,TRK	
	0082429		SEAT,CEW,SSS,30,RH,BLUE,PRFM II,UCRA,TRK	
	0082433		SEAT,CEW,SSS,30,LH,BLUE,PRFM II,UCRA,TRK	
	0082430		SEAT,CEW,SSS,30,RH,BLUE,PRFM II,CR,TRK	
	0082434		SEAT,CEW,SSS,30,LH,BLUE,PRFM II,CR,TRK	
	0082431		SEAT,CEW,SSS,30,RH,BLUE,PRFM II,CR,UCRA,	
	0082435		SEAT,CEW,SSS,30,LH,BLUE,PRFM II,CR,UCRA,	
	0082438		SEAT,CEW,SSS,36,BLUE,PRFM II,TRK	
	0082439		SEAT,CEW,SSS,36,BLUE,PRFM II,UCRA,TRK	
	0082440		SEAT,CEW,SSS,36,BLUE,PRFM II,CR,TRK	
	0082441		SEAT,CEW,SSS,36,BLUE,PRFM II,CR,UCRA,TRK	
	0082442		SEAT,CEW,SSS,45,LH,BLUE,PRFM II,TRK	
	0082443		SEAT,CEW,SSS,45,LH,BLUE,PRFM II,UCRA,TRK	
	0082444		SEAT,CEW,SSS,45,LH,BLUE,PRFM II,CR,TRK	
	0082445		SEAT,CEW,SSS,45,LH,BLUE,PRFM II,CR,UCRA,	

Models: A1VC, A3FE, A3RE, BBCV, B1VC, B2VC, SBCV

PASSENGER SEATING

TRACK MOUNTED

C.E. WHITE STUDENT SAFETY

With Features: FEATURE 30840-25,26,27,28,29,30,31,32,37,38,39,40

Key	PartNumber	Qty	Description	Comment
			C.E. WHITE STUDENT SAFETY SEAT, TRACK	
	0082446		SEAT,CEW,SSS,30,RH,GRAY,PRFM II,TRK	
	0082450		SEAT,CEW,SSS,30,LH,GRAY,PRFM II,TRK	
	0082447		SEAT,CEW,SSS,30,RH,GRAY,PRFM II,UCRA,TRK	
	0082451		SEAT,CEW,SSS,30,LH,GRAY,PRFM II,UCRA,TRK	
	0082448		SEAT,CEW,SSS,30,RH,GRAY,PRFM II,CR,TRK	
	0082452		SEAT,CEW,SSS,30,LH,GRAY,PRFM II,CR,TRK	
	0082449		SEAT,CEW,SSS,30,RH,GRAY,PRFM II,CR,UCRA,	
	0082453		SEAT,CEW,SSS,30,LH,GRAY,PRFM II,CR,UCRA,	
	0082454		SEAT,CEW,SSS,36,GRAY,PRFM II,TRK	
	0082455		SEAT,CEW,SSS,36,GRAY,PRFM II,UCRA,TRK	
	0082456		SEAT,CEW,SSS,36,GRAY,PRFM II,CR,TRK	
	0082457		SEAT,CEW,SSS,36,GRAY,PRFM II,CR,UCRA,TRK	
	0082458		SEAT,CEW,SSS,45,LH,GRAY,PRFM II,TRK	
	0082459		SEAT,CEW,SSS,45,LH,GRAY,PRFM II,UCRA,TRK	
	0082460		SEAT,CEW,SSS,45,LH,GRAY,PRFM II,CR,TRK	
	0082461		SEAT,CEW,SSS,45,LH,GRAY,PRFM II,CR,UCRA,	
	0082462		SEAT,CEW,SSS,30,RH,GREEN,PRFM II,TRK	
	0082466		SEAT,CEW,SSS,30,LH,GREEN,PRFM II,TRK	
	0082463		SEAT,CEW,SSS,30,RH,GREEN,PRFM II,UCRA,	
	0082467		SEAT,CEW,SSS,30,LH,GREEN,PRFM II,UCRA,	
	0082464		SEAT,CEW,SSS,30,RH,GREEN,PRFM II,CR,TRK	
	0082468		SEAT,CEW,SSS,30,LH,GREEN,PRFM II,CR,TRK	
	0082465		SEAT,CEW,SSS,30,RH,GREEN,PRFMII,CR,UCRA,	
	0082469		SEAT,CEW,SSS,30,LH,GREEN,PRFMII,CR,UCRA,	
	0082470		SEAT,CEW,SSS,36,GREEN,PRFM II,TRK	
	0082471		SEAT,CEW,SSS,36,GREEN,PRFM II,UCRA,TRK	
	0082472		SEAT,CEW,SSS,36,GREEN,PRFM II,CR,TRK	
	0082473		SEAT,CEW,SSS,36,GREEN,PRFM II,CR,UCRA,	
	0082474		SEAT,CEW,SSS,45,LH,GREEN,PRFM II,TRK	
	0082476		SEAT,CEW,SSS,45,LH,GREEN,PRFM II,UCRA,	
	0082477		SEAT,CEW,SSS,45,LH,GREEN,PRFM II,CR,TRK	
	0082478		SEAT,CEW,SSS,45,LH,GREEN,PRFMII,CR,UCRA,	

Models: A1VC, A3FE, A3RE, BBCV, B1VC, B2VC, SBCV
PASSENGER SEATING
TRACK MOUNTED
C.E. WHITE STUDENT SAFETY
With Features: FEATURE 30840-25,26,27,28,29,30,31,32,37,38,39,40

Key	PartNumber	Qty	Description	Comment
			C.E. WHITE STUDENT SAFETY SEAT, TRACK	
	0082479		SEAT,CEW,SSS,30,RH,TEAL,PRFM II,TRK	
	0082483		SEAT,CEW,SSS,30,LH,TEAL,PRFM II,TRK	
	0082480		SEAT,CEW,SSS,30,RH,TEAL,PRFM II,UCRA,TRK	
	0082484		SEAT,CEW,SSS,30,LH,TEAL,PRFM II,UCRA,TRK	
	0082481		SEAT,CEW,SSS,30,RH,TEAL,PRFM II,CR,TRK	
	0082485		SEAT,CEW,SSS,30,LH,TEAL,PRFM II,CR,TR	
	0082482		SEAT,CEW,SSS,30,RH,TEAL,PRFM II,CR,UCRA,	
	0082486		SEAT,CEW,SSS,30,LH,TEAL,PRFM II,CR,UCRA,	
	0082487		SEAT,CEW,SSS,36,TEAL,PRFM II,TRK	
	0082488		SEAT,CEW,SSS,36,TEAL,PRFM II,UCRA,TRK	
	0082489		SEAT,CEW,SSS,36,TEAL,PRFM II,CR,TRK	
	0082490		SEAT,CEW,SSS,36,TEAL,PRFM II,CR,UCRA,TRK	
	0082491		SEAT,CEW,SSS,45,LH,TEAL,PRFM II,TRK	
	0082492		SEAT,CEW,SSS,45,LH,TEAL,PRFM II,UCRA,TRK	
	0082493		SEAT,CEW,SSS,45,LH,TEAL,PRFM II,CR,TRK	
	0082494		SEAT,CEW,SSS,45,LH,TEAL,PRFM II,CR,UCRA,	

Models: A1VC, A3FE, A3RE, BBCV, B1VC, B2VC, SBCV
PASSENGER SEATING
TRACK MOUNTED/GUSSET MOUNTED
C.E. WHITE STUDENT SAFETY

With Features: FEATURE 30840-25, -29 WITH FEATURE 30857-10, -12, -14, -16, -18, -20, -22

Key	PartNumber	Qty	Description	Comment
			C.E. WHITE STUDENT SAFETY SEAT, TRACK	
	0097846		SEAT,CEW,SSS,30,GM,TM,RH,BRWN PRFM II	
	0097847		SEAT,CEW,SSS,30,GM,TM,LH,BRWN PRFM II	
	0097848		SEAT,CEW,SSS,36,GM,TM,RH,BRWN PRFM II	
	0097849		SEAT,CEW,SSS,36,GM,TM,LH,BRWN PRFM II	

Models: A1VC, A3FE, A3RE, BBCV, B1VC, B2VC, SBCV
PASSENGER SEATING
TRACK MOUNTED/GUSSET MOUNTED
C.E. WHITE STUDENT SAFETY

With Features: FEATURE 30840-25, -29 WITH FEATURE 30857-10, -12, -14, -16, -18, -20, -22

Key	PartNumber	Qty	Description	Comment
			C.E. WHITE STUDENT SAFETY SEAT, TRACK	
	0097850		SEAT,CEW,SSS,30,GM,TM,RH,BURG,PRFM II	
	0097851		SEAT,CEW,SSS,30,GM,TM,LH,BURG,PRFM II	
	0097852		SEAT,CEW,SSS,36,GM,TM,RH,BURG,PRFM II	
	0097853		SEAT,CEW,SSS,36,GM,TM,LH,BURG,PRFM II	

Models: A1VC, A3FE, A3RE, BBCV, B1VC, B2VC, SBCV
PASSENGER SEATING
TRACK MOUNTED/GUSSET MOUNTED
C.E. WHITE STUDENT SAFETY

With Features: FEATURE 30840-25, -29 WITH FEATURE 30857-10, -12, -14, -16, -18, -20, -22

Key	PartNumber	Qty	Description	Comment
			C.E. WHITE STUDENT SAFETY SEAT, TRACK	
	0097858		SEAT,CEW,SSS,30,GM,TM,RH,BLK,PRFM II	
	0097859		SEAT,CEW,SSS,30,GM,TM,LH,BLK,PRFM II	
	0097860		SEAT,CEW,SSS,36,GM,TM,RH,BLK,PRFM II	
	0097861		SEAT,CEW,SSS,36,GM,TM,LH,BLK,PRFM II	

Models: A1VC, A3FE, A3RE, BBCV, B1VC, B2VC, SBCV
PASSENGER SEATING
TRACK MOUNTED/GUSSET MOUNTED
C.E. WHITE STUDENT SAFETY

With Features: FEATURE 30840-25, -29 WITH FEATURE 30857-10, -12, -14, -16, -18, -20, -22

Key	PartNumber	Qty	Description	Comment
			C.E. WHITE STUDENT SAFETY SEAT, TRACK	
	0097854		SEAT,CEW,SSS,30,GM,TM,RH,BLUE,PRFM II	
	0097855		SEAT,CEW,SSS,30,GM,TM,LH,BLUE,PRFM II	
	0097856		SEAT,CEW,SSS,36,GM,TM,RH,BLUE,PRFM II	
	0097857		SEAT,CEW,SSS,36,GM,TM,LH,BLUE,PRFM II	

Models: A1VC, A3FE, A3RE, BBCV, B1VC, B2VC, SBCV
PASSENGER SEATING
TRACK MOUNTED/GUSSET MOUNTED
C.E. WHITE STUDENT SAFETY

With Features: FEATURE 30840-25, -29 WITH FEATURE 30857-10, -12, -14, -16, -18, -20, -22

Key	PartNumber	Qty	Description	Comment
			C.E. WHITE STUDENT SAFETY SEAT, TRACK	
	0097862		SEAT,CEW,SSS,30,GM,TM,RH,GRAY,PRFM II	
	0097863		SEAT,CEW,SSS,30,GM,TM,LH,GRAY,PRFM II	
	0097864		SEAT,CEW,SSS,36,GM,TM,RH,GRAY,PRFM II	
	0097865		SEAT,CEW,SSS,36,GM,TM,LH,GRAY,PRFM II	

Models: A1VC, A3FE, A3RE, BBCV, B1VC, B2VC, SBCV
PASSENGER SEATING
TRACK MOUNTED/GUSSET MOUNTED
C.E. WHITE STUDENT SAFETY

With Features: FEATURE 30840-25, -29 WITH FEATURE 30857-10, -12, -14, -16, -18, -20, -22

Key	PartNumber	Qty	Description	Comment
			C.E. WHITE STUDENT SAFETY SEAT, TRACK	
	0097867		SEAT,CEW,SSS,30,GM,TM,RH,GRN,PRFM II	
	0097870		SEAT,CEW,SSS,30,GM,TM,LH,GRN,PRFM II	
	0097871		SEAT,CEW,SSS,36,GM,TM,RH,GRN,PRFM II	
	0097872		SEAT,CEW,SSS,36,GM,TM,LH,GRN,PRFM II	

Models: A1VC, A3FE, A3RE, BBCV, B1VC, B2VC, SBCV
PASSENGER SEATING
TRACK MOUNTED/GUSSET MOUNTED
C.E. WHITE STUDENT SAFETY

With Features: FEATURE 30840-25, -29 WITH FEATURE 30857-10, -12, -14, -16, -18, -20, -22

Key	PartNumber	Qty	Description	Comment
			C.E. WHITE STUDENT SAFETY SEAT, TRACK	
	0097873		SEAT,CEW,SSS,30,GM,TM,RH,TEAL,PRFM II	
	0097874		SEAT,CEW,SSS,30,GM,TM,LH,TEAL,PRFM II	
	0097875		SEAT,CEW,SSS,36,GM,TM,RH,TEAL,PRFM II	
	0097876		SEAT,CEW,SSS,36,GM,TM,LH,TEAL,PRFM II	

Models: AAFE, AARE, A3FE, A3RE, BBCV, CSFE, CSRE, MBWB, T2RE, TCFE, TCRE
 STANCHIONS, AND GUARDRAILS

With Features: FEATURE 30818-01 WITH FEATURE 30784-06

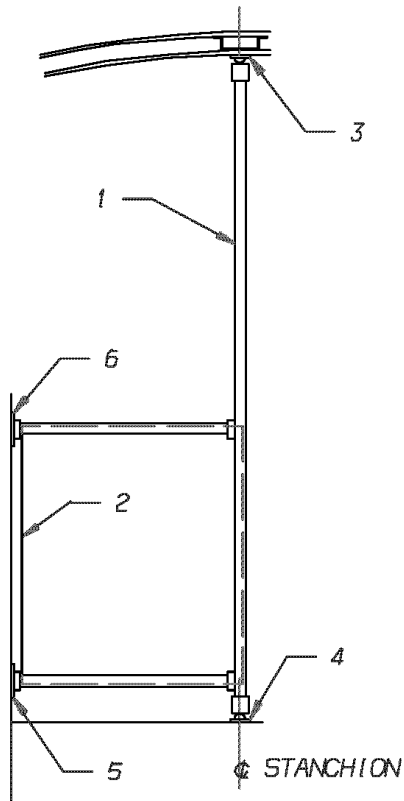
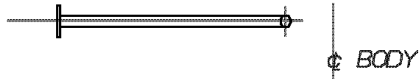
Key	PartNumber	Qty	Description	Comment
-----	------------	-----	-------------	---------

DR. 10/13/00 BY JL	---	19723068	R
APP. 10/13/00 BY PF	FRT		REV



© BLUE BIRD BODY COMPANY. ALL RIGHTS RESERVED

⌀ FRONT BOW



FEATURE 30818-01 W/30784-06

Models: AAFE, AARE, A3FE, A3RE, BBCV, CSFE, CSRE, MBWB, T2RE, TCPE, TCRE
STANCHIONS, AND GUARDRAILS

With Features: PADDED, ENT. DOOR
FEATURE 30818-01 WITH FEATURE 30784-06

Key	PartNumber	Qty	Description	Comment
1	0803338		STANCHION/GUARD RAIL ASSY,PAD,DRVR	
1	0803320		STANCHION/GUARD RAIL ASSY,PAD,DRVR	
1	0003236		STANCHION/GUARDRAIL ASSY,PAD,DRVR,	<i>MBWB ONLY</i>
2	0803668		PANEL,MODESTY,DRIVERS,NY, AA	<i>SHIELD</i>
3	1055821		FITTING ASSY,STANCHION,S/S	
4	1055821		FITTING ASSY,STANCHION,S/S	
5	1654268		FITTING ASSY,HANDRAIL,SS,ADA CTR DOOR,	
6	0803312		FITTING ASSY,UPPER DR	

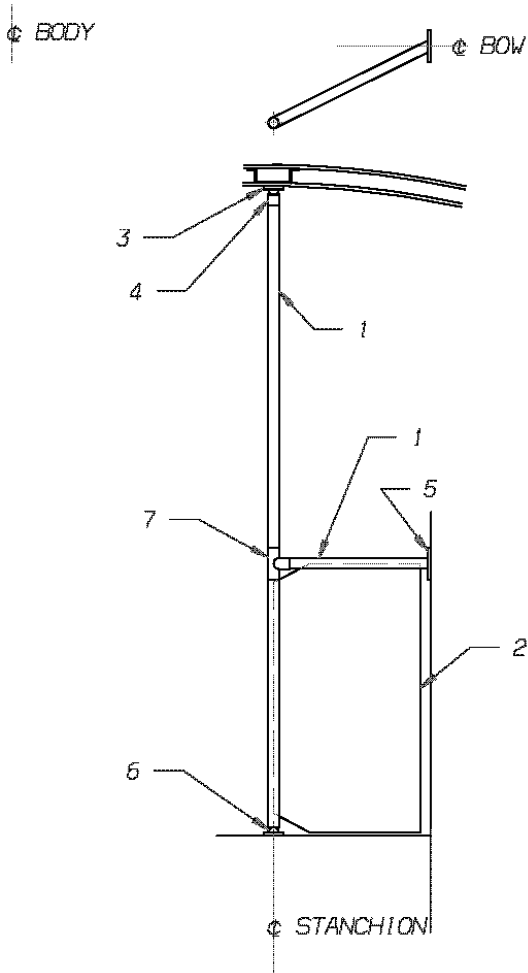
Models: A3FE, A3RE
STANCHIONS, AND GUARDRAILS
PADDED, ENT. DOOR
With Features: FEATURE 30818-06 LH WITH FEATURE 30784-22 LH

Key	PartNumber	Qty	Description	Comment
-----	------------	-----	-------------	---------

DR. 04/05/05 BY MR	---	00557176	C
APP. BY	FRT		REV



© BLUE BIRD BODY COMPANY. ALL RIGHTS RESERVED



FEATURE 30818-01 RH W/30784-04 RH
 FEATURE 30818-06 LH W/30784-22 LH

Models:

**A3FE, A3RE
STANCHIONS, AND GUARDRAILS
PADDED, ENT. DOOR**

With Features:

FEATURE 30818-06 LH WITH FEATURE 30784-22 LH

Key	PartNumber	Qty	Description	Comment
1	0658963		STANCHION/GUARD RAIL ASSY,PAD,ENT DR,W	
1	0658971		STANCHION/GUARD RAIL ASSY,PAD,ENT DR,W	
2	0658948		PANEL,MODESTY,17,ALUMINIZED STEEL,RH	
3	1055821		FITTING ASSY,STANCHION,S/S	
4	0666016		CAP,BLACK VINYL PLASTIC,2X2-1IN HOLE	
5	1954437		FITTING ASSY,GUARD RAIL	
6	1055821		FITTING ASSY,STANCHION,S/S	
7	0062078		SEAT ASSY,39,FMTD,SEAT BELT,NY,RH, SBTF	
NI	0649624		CAP,BLACK VINYL PLASTIC,2X3/4-1 1/4 HOLE	

Models: A3FE, A3RE
STANCHIONS, AND GUARDRAILS
PADDED, ENT. DOOR

With Features: FEATURE 30818-06 WITH FEATURE 30784-06

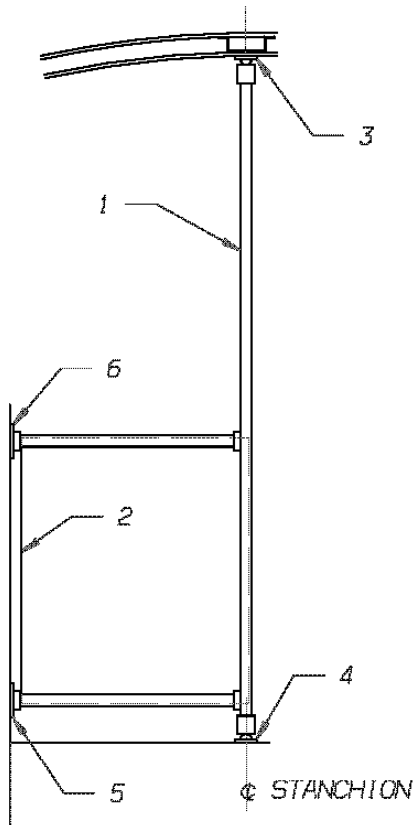
Key	PartNumber	Qty	Description	Comment
-----	------------	-----	-------------	---------

DR. 04/05/05	BY MR	---	00557177	C
APP.	BY	FRT		REV



© BLUE BIRD BODY COMPANY. ALL RIGHTS RESERVED

⌀ FRONT BOW



⌀ STANCHION

FEATURE 30818-06 W/30784-06

Models: A3FE, A3RE
**STANCHIONS, AND GUARDRAILS
 PADDED, ENT. DOOR**
With Features: FEATURE 30818-06 WITH FEATURE 30784-06

Key	PartNumber	Qty	Description	Comment
1	0803338		STANCHION/GUARD RAIL ASSY,PAD,DRVR	
1	0803320		STANCHION/GUARD RAIL ASSY,PAD,DRVR	
2	0803668		PANEL,MODESTY,DRIVERS,NY, AA	<i>SHIELD</i>
3	1055821		FITTING ASSY,STANCHION,S/S	
4	1055821		FITTING ASSY,STANCHION,S/S	
5	1654268		FITTING ASSY,HANDRAIL,SS,ADA CTR DOOR,	
6	0803312		FITTING ASSY,UPPER DR	


Models:
TCFE, TCRE, TSFE

A3FE, A3RE, AAFE, AARE, BBCV, C1FE, CSFE, CSRE, GMCV, MBWB, SBCV, T2RE,

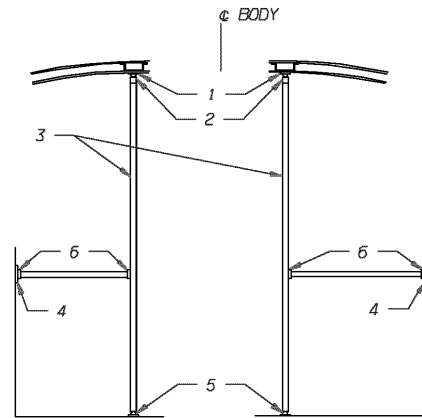
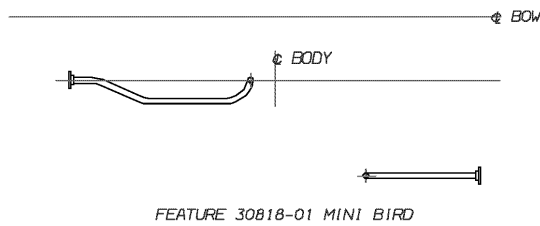
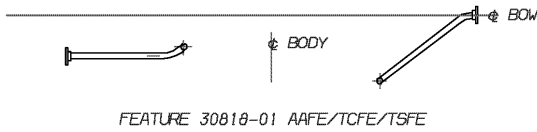
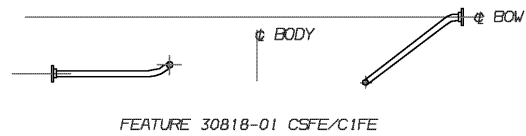
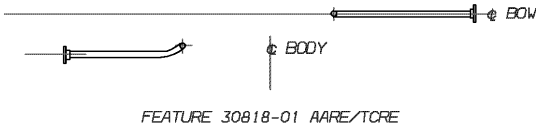
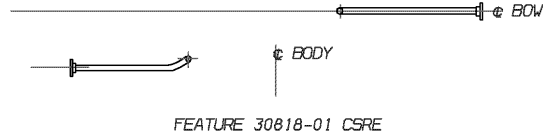
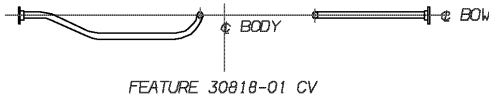
With Features:

**STANCHIONS, AND GUARDRAILS
PADDED, ENT. DOOR & DRIVER'S
FEATURE 30818-01**

Key	PartNumber	Qty	Description	Comment
-----	------------	-----	-------------	---------

DR. 10/13/00 BY J.L.	---	19723063	R	
APP. 10/13/00 BY FF	FRT		REV	

© BLUE BIRD BODY COMPANY. ALL RIGHTS RESERVED



Models:
TCFE, TCRE, TSFE

A3FE, A3RE, AAFE, AARE, BBCV, C1FE, CSFE, CSRE, GMCV, MBWB, SBCV, T2RE,

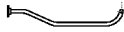
With Features:

**STANCHIONS, AND GUARDRAILS
PADDED, ENT. DOOR & DRIVER'S
FEATURE 30818-01**

Key	PartNumber	Qty	Description	Comment
1	1055821		FITTING ASSY,STANCHION,S/S	
2	0666016		CAP,BLACK VINYL PLASTIC,2X2-1IN HOLE	
3	0649699		STANCHION/GUARD RAIL ASSY,PAD,DRVR,74	
3	0649632		STANCHION/GUARD RAIL ASSY,PAD,DRVR	
3	0649723		STANCHION/GUARD RAIL ASSY,PAD,DRVR	
3	0649665		STANCHION/GUARD RAIL ASSY,PAD,DRVR	
3	0649707		STANCHION/GUARD RAIL ASSY,PAD,ENT DR	
3	0649640		STANCHION/GUARD RAIL ASSY,PAD,ENT DR	
3	1147818		STANCHION/GUARD RAIL ASSY,PAD,ENT	
3	1147826		STANCHION/GUARD RAIL ASSY,PAD,ENT	CSRE
3	0649731		STANCHION/GUARD RAIL ASSY,PAD,ENT DR	
3	0649673		STANCHION/GUARD RAIL ASSY,PAD,ENT DR	CSFE, C1FE
4	0803312		FITTING ASSY,UPPER DR	LH. CV ONLY
4	1654268		FITTING ASSY,HANDRAIL,SS,ADA CTR DOOR,	
4	1954429		FITTING ASSY,WALL STANCHION	
5	1055821		FITTING ASSY,STANCHION,S/S	
6	0649624		CAP,BLACK VINYL PLASTIC,2X3/4-1 1/4 HOLE	
NI	1946441		BRACKET,MOUNTING,GUARDRAIL	

Models: A3FE, A3RE, BBCV, SBCV
STANCHIONS, AND GUARDRAILS
With Features: PADDED, ENT. DOOR & DRIVER'S
FEATURE 30818-01, -06

Key	PartNumber	Qty	Description	Comment
-----	------------	-----	-------------	---------



FEATURE 30818-06 CV



FEATURE 30818-01 CV



FEATURE 30818-06 A3RE



FEATURE 30818-01 A3RE



FEATURE 30818-06 A3FE



FEATURE 30818-01 A3FE



FEATURE 30818-06 B1VC



FEATURE 30818-01 W/30784-01 B1VC



FEATURE 30818-06 W/30784-19 B1VC



FEATURE 30818-01 W/30784-02 B1VC



FEATURE 30818-06 W/30784-20 B1VC



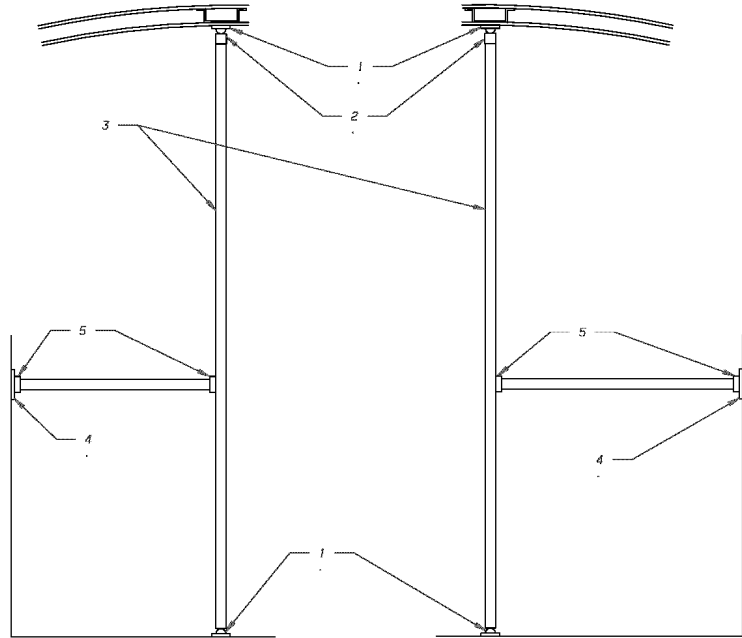
FEATURE 30818-01 W/30784-03 B1VC



FEATURE 30818-06 W/30784-21 B1VC

DR. 04/04/05	BY MR	00557171	C
APP.	BY	FRT	REV

© BLUE BIRD BODY COMPANY. ALL RIGHTS RESERVED



Models: A3FE, A3RE, BBCV, SBCV
**STANCHIONS, AND GUARDRAILS
 PADDED, ENT. DOOR & DRIVER'S
 With Features:** FEATURE 30818-01, -06

Key	PartNumber	Qty	Description	Comment
1	1055821		FITTING ASSY,STANCHION,S/S	
2	0666016		CAP,BLACK VINYL PLASTIC,2X2-1IN HOLE	
3	0649699		STANCHION/GUARD RAIL ASSY,PAD,DRVR,74	
3	0649632		STANCHION/GUARD RAIL ASSY,PAD,DRVR	
3	0649723		STANCHION/GUARD RAIL ASSY,PAD,DRVR	
3	0649665		STANCHION/GUARD RAIL ASSY,PAD,DRVR	
3	0649707		STANCHION/GUARD RAIL ASSY,PAD,ENT DR	
3	0649640		STANCHION/GUARD RAIL ASSY,PAD,ENT DR	
3	1147818		STANCHION/GUARD RAIL ASSY,PAD,ENT	
3	1147826		STANCHION/GUARD RAIL ASSY,PAD,ENT	CSRE
3	0649731		STANCHION/GUARD RAIL ASSY,PAD,ENT DR	
3	0649673		STANCHION/GUARD RAIL ASSY,PAD,ENT DR	CSFE, C1FE
4	0803312		FITTING ASSY,UPPER DR	
4	1954429		FITTING ASSY,WALL STANCHION	
5	0649624		CAP,BLACK VINYL PLASTIC,2X3/4-1 1/4 HOLE	

Models:
TCFE, TCRE, TSFE

AAFE, AARE, A3FE, A3RE, BBCV, B1VC, C1FE, CSFE, CSRE, GMCV, SBCV, T2RE,

With Features:

**STANCHIONS, AND GUARDRAILS
PADDED, REAR OF ENT. DOOR
FEATURE 30818-03 WITH FEATURE 30784-07**

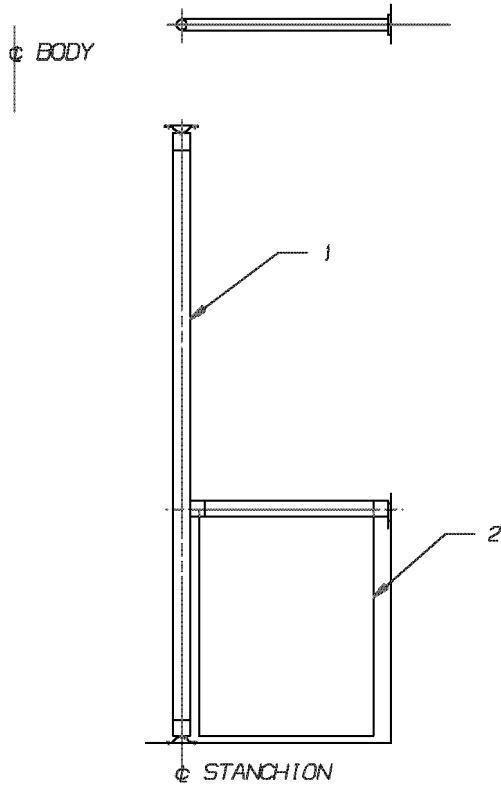
Key	PartNumber	Qty	Description	Comment
-----	------------	-----	-------------	---------

DR. 10/13/00 BY JL	---	19723064	R
APP. 10/13/00 BY PF	FRT		REV



© BLUE BIRD BODY COMPANY. ALL RIGHTS RESERVED

BLUE BIRD



FEATURE 30818-03 W/30784-07

Models:
TCFE, TCRE, TSFE

AAFE, AARE, A3FE, A3RE, BBCV, B1VC, C1FE, CSFE, CSRE, GMCV, SBCV, T2RE,

With Features:

**STANCHIONS, AND GUARDRAILS
PADDED, REAR OF ENT. DOOR
FEATURE 30818-03 WITH FEATURE 30784-07**

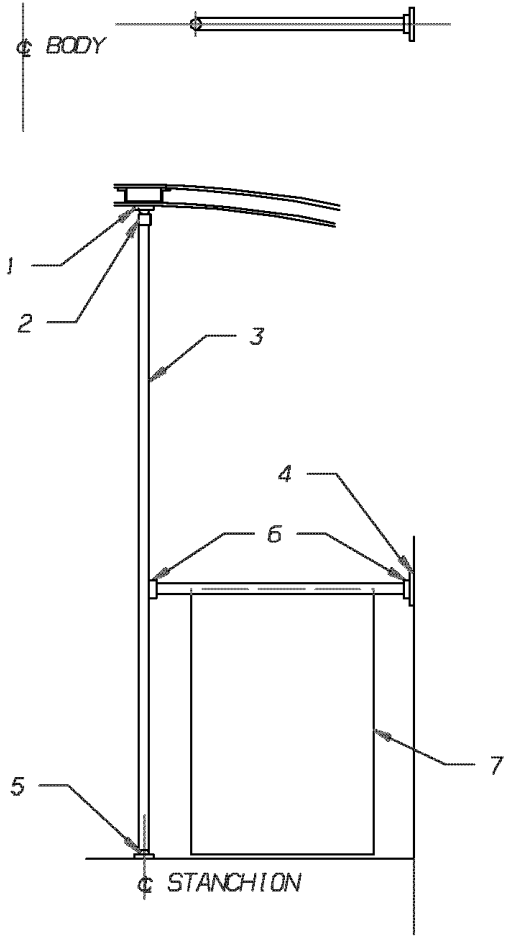
Key	PartNumber	Qty	Description	Comment
1	1814896		STANCHION & GUARDRAIL ASSY,PADDED,ENT	<i>C1/CS ONLY</i>
1	0000968		STANCHION/GUARD RAIL ASSY,PAD,LWR	
1	0000943		STANCHION/GUARD RAIL ASSY,RAD,LWR	
2	0919712		PANEL,MODESTY,21 3/4,EXPORT,MODIFIED	
	1055821		FITTING ASSY,STANCHION,S/S	
	0666016		CAP,BLACK VINYL PLASTIC,2X2-1IN HOLE	
	0803304		BRACKET,UPPER,GUARD RAIL,DRV PANEL,NY	
	0356923		PLUG,RUBBER,STANCHION GUARD RAIL	
	0649624		CAP,BLACK VINYL PLASTIC,2X3/4-1 1/4 HOLE	

Models: AAFE, AARE, A3FE, A3RE, BBCV, B1VC, GMCV, SBCV, T2RE, TCPE, TCRE, TSPE
 STANCHIONS, AND GUARDRAILS
 PADDED, REAR OF ENT. DOOR
 With Features: FEATURE 30818-03 WITH FEATURE 30784-01

Key	PartNumber	Qty	Description	Comment
-----	------------	-----	-------------	---------

DR. 10/13/00 BY JL	---	19723065	R
APP. 10/13/00 BY PF	FRT		REV

© BLUE BIRD BODY COMPANY. ALL RIGHTS RESERVED



FEATURE 30818-03 W/30784-01

Models: AAFE, AARE, A3FE, A3RE, BBCV, B1VC, GMCV, SBCV, T2RE, TCPE, TCRE, TSPE
STANCHIONS, AND GUARDRAILS

With Features: PADDED, REAR OF ENT. DOOR
FEATURE 30818-03 WITH FEATURE 30784-01

Key	PartNumber	Qty	Description	Comment
1	1055821		FITTING ASSY,STANCHION,S/S	
2	0666016		CAP,BLACK VINYL PLASTIC,2X2-1IN HOLE	
3	0649707		STANCHION/GUARD RAIL ASSY,PAD,ENT DR	
3	0649640		STANCHION/GUARD RAIL ASSY,PAD,ENT DR	
3	0961987		STANCHION/GUARD RAIL ASSY,PAD, MBCC	<i>MBWB ONLY</i>
4	0803304		BRACKET,UPPER,GUARD RAIL,DRV PANEL,NY	
NI	0356923		PLUG,RUBBER,STANCHION GUARD RAIL	
5	1055821		FITTING ASSY,STANCHION,S/S	
6	0649624		CAP,BLACK VINYL PLASTIC,2X3/4-1 1/4 HOLE	
7	0414102		PANEL,MODESTY,ALUMINIZED STEEL	

Models: A3FE, A3RE, BBCV, B1VC, SBCV
**STANCHIONS, AND GUARDRAILS
 PADDED, REAR OF ENT. DOOR**
With Features: FEATURE 30818-03, -08 WITH FEATURE 30784-07, -23

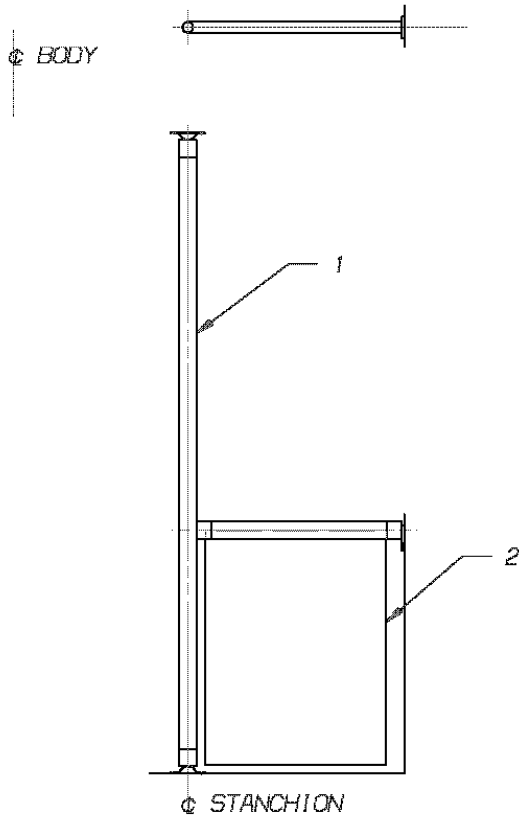
Key	PartNumber	Qty	Description	Comment
-----	------------	-----	-------------	---------

DR. 04/04/05 BY MR	---	00557173	C
APP.	BY	FRT	REV



© BLUE BIRD BODY COMPANY. ALL RIGHTS RESERVED

BLUE BIRD



FEATURE 30818-03, 08 W/30784-07, 23

Models: A3FE, A3RE, BBCV, B1VC, SBCV
**STANCHIONS, AND GUARDRAILS
 PADDED, REAR OF ENT. DOOR**
With Features: FEATURE 30818-03, -08 WITH FEATURE 30784-07, -23

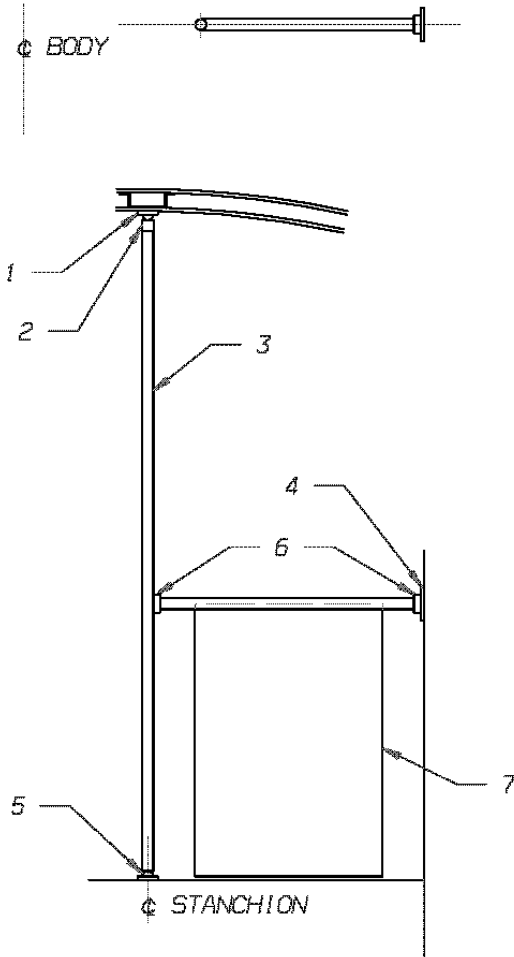
Key	PartNumber	Qty	Description	Comment
1	1814896		STANCHION & GUARDRAIL ASSY,PADDED,ENT	<i>C1/CS ONLY</i>
1	0000968		STANCHION/GUARD RAIL ASSY,PAD,LWR	
1	0000943		STANCHION/GUARD RAIL ASSY,RAD,LWR	
2	0919712		PANEL,MODESTY,21 3/4,EXPORT,MODIFIED	
NI	1055821		FITTING ASSY,STANCHION,S/S	
NI	0666016		CAP,BLACK VINYL PLASTIC,2X2-1IN HOLE	
NI	0803312		FITTING ASSY,UPPER DR	
NI	0356923		PLUG,RUBBER,STANCHION GUARD RAIL	
NI	0649624		CAP,BLACK VINYL PLASTIC,2X3/4-1 1/4 HOLE	

Models: A3FE, A3RE, BBCV, B1VC, SBCV
STANCHIONS, AND GUARDRAILS
PADDED, REAR OF ENT. DOOR
With Features: FEATURE 30818-03, -08 WITH FEATURE 30784-01, -19

Key	PartNumber	Qty	Description	Comment
-----	------------	-----	-------------	---------

DR. 04/05/05	BY MR	---	00557174	C
APP.	BY	FRT		REV

© BLUE BIRD BODY COMPANY. ALL RIGHTS RESERVED



FEATURE 30818-03, 08 W/30784-01, 19

Models: A3FE, A3RE, BBCV, B1VC, SBCV
STANCHIONS, AND GUARDRAILS
PADDED, REAR OF ENT. DOOR

With Features: FEATURE 30818-03, -08 WITH FEATURE 30784-01, -19

Key	PartNumber	Qty	Description	Comment
1	1055821		FITTING ASSY,STANCHION,S/S	
2	0666016		CAP,BLACK VINYL PLASTIC,2X2-1IN HOLE	
3	0649707		STANCHION/GUARD RAIL ASSY,PAD,ENT DR	
3	0649640		STANCHION/GUARD RAIL ASSY,PAD,ENT DR	
3	0961987		STANCHION/GUARD RAIL ASSY,PAD, MBCC	<i>MBWB ONLY</i>
4	0803312		FITTING ASSY,UPPER DR	
NI	0356923		PLUG,RUBBER,STANCHION GUARD RAIL	
5	1055821		FITTING ASSY,STANCHION,S/S	
6	0649624		CAP,BLACK VINYL PLASTIC,2X3/4-1 1/4 HOLE	
7	0414102		PANEL,MODESTY,ALUMINIZED STEEL	

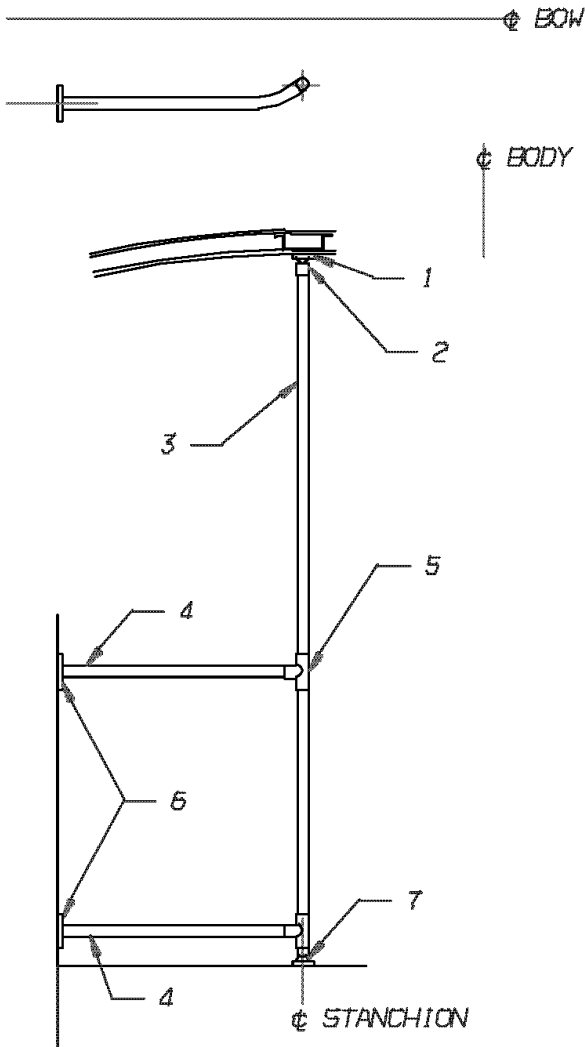
Models: AAFE, AARE, A3FE, A3RE, C1FE, CSFE, CSRE, T2RE, TCFE, TCRE, T3FE
 STANCHIONS, AND GUARDRAILS

With Features: STAINLESS STEEL, DRIVER'S
 FEATURE 30818-02 WITH FEATURE 30784-06

Key	PartNumber	Qty	Description	Comment
-----	------------	-----	-------------	---------

DR. 10/13/00 BY JL	---	19722983	V
APP. 10/13/00 BY PF	FRT		REV

© BLUE BIRD BODY COMPANY. ALL RIGHTS RESERVED



FEATURE 30818-02 W/30784-06


Models: AAFE, AARE, A3FE, A3RE, C1FE, CSFE, CSRE, T2RE, TCFE, TCRE, T3FE
STANCHIONS, AND GUARDRAILS

With Features: STAINLESS STEEL, DRIVER'S
FEATURE 30818-02 WITH FEATURE 30784-06

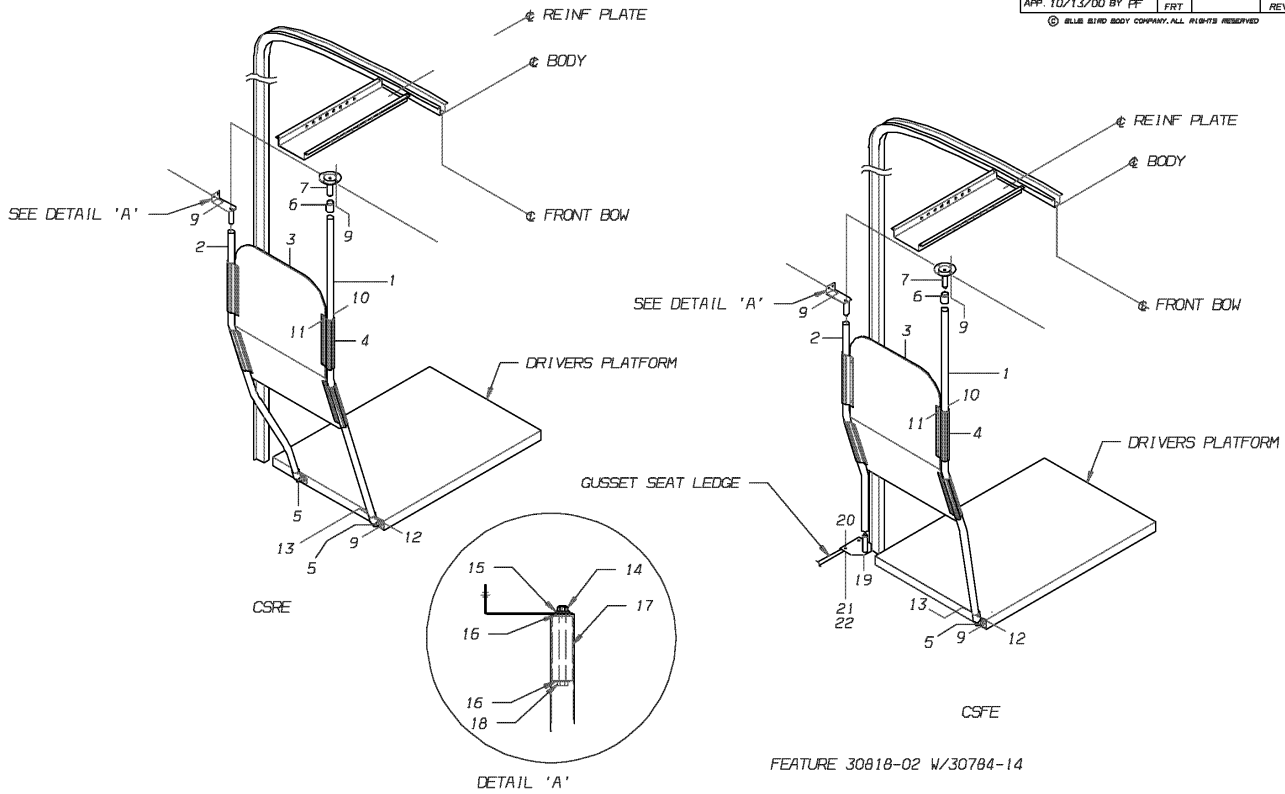
Key	PartNumber	Qty	Description	Comment
1	1055821		FITTING ASSY,STANCHION,S/S	
2	1055771		CAP,STANCHION,CBPP	
3	1313717		TUBE,SS,RD,1.250 OD X .050 X 75.31,SS 304	
4	1313642		RAIL,ENTRANCE DOOR,GUARD,RH DRIVE,FC	
5	0862078		TEE,STAINLESS STEEL,FOR 1 1/4 TUBE	
6	1654268		FITTING ASSY,HANDRAIL,SS,ADA CTR DOOR,	
	1954437		FITTING ASSY,GUARD RAIL	<i>CS/C1 ONLY</i>
7	1055821		FITTING ASSY,STANCHION,S/S	
NI	0803668		PANEL,MODESTY,DRIVERS,NY, AA	

Models: **A3RE
STANCHIONS, AND GUARDRAILS
STAINLESS STEEL, DRIVER'S**
With Features: **FEATURE 30818-02 WITH FEATURE 30784-14 RH DRIVE UK**

Key	PartNumber	Qty	Description	Comment
-----	------------	-----	-------------	---------

DR. 10/13/00 BY JL	---	19722988	V	
APP. 10/13/00 BY PF	FRT		REV	

© BLUE BIRD BODY COMPANY. ALL RIGHTS RESERVED



Models:

**A3RE
STANCHIONS, AND GUARDRAILS
STAINLESS STEEL, DRIVER'S**

With Features:

FEATURE 30818-02 WITH FEATURE 30784-14 RH DRIVE UK


Key	PartNumber	Qty	Description	Comment
1	1836550		STANCHION,INSIDE,DRIVER'S BARRIER,CSRE	
2	0044126		STANCHION,OUTSIDE,DRIVER'S BARRIER,UK-	
3	0044983		ENCLOSURE,DRVS BARRIER,POLYC,UK-RHD	
4	1670918	AR	CLAMP,DRIVER'S ENCLOSURE,11.00,QBRE	
5	1661651	AR	FITTING,STANCHION,ADJUSTABLE,1.25 ID	
6	1055771		CAP,STANCHION,CBPP	
7	1055821		FITTING ASSY,STANCHION,S/S	
8	0043416		BRACKET,MTG,DRV PARTITION,WALL SIDE,SS	
9	1062124	AR	SCREW,1/4-14 X 1,AB,PH1,PAN HD,YEL ZN	
10	1468461	AR	NUT,ACORN,LOCKING,1/4 - 20 NYLON INSERT	
11	2000826	AR	SCREW,MACH,1/4X20X3/4,PH1,TRUSSHD,	
12	1607043	AR	SCREW,TUBE FITTING,INTERNAL THD,1/4-28	
13	1607035	AR	SCREW,TUBE FITTING,EXTERNAL THD,1/4-28	
14	2001410		NUT,HEX HD,5/16-18,YEL ZN DICH"	
15	2001188		LOCKWASHER,SPLIT RING, 5/16,MED,YEL ZN	
16	2001121		WASHER,FLAT,5/16 X 3/4,X 5/64,YEL ZN DICH	
17	0569459		PLUG,RUBBER,5/16ID X 1-1/16OD X 3-3/8	
18	1542455		CAPSCREW,HEX FLG,5/16-18X4.00,GRD5,	
NI	0307124		PLATE,REINF,STANCH,28IN SECT	
19			NOT APPLICABLE	
20			NOT APPLICABLE	
21			NOT APPLICABLE	
22			NOT APPLICABLE	

Models: AAFE, AARE, A3FE, A3RE, BBCV, C1FE, CSFE, GMCV, MBWB, SBCV, T2RE, TCFE, TCRE, TSFE

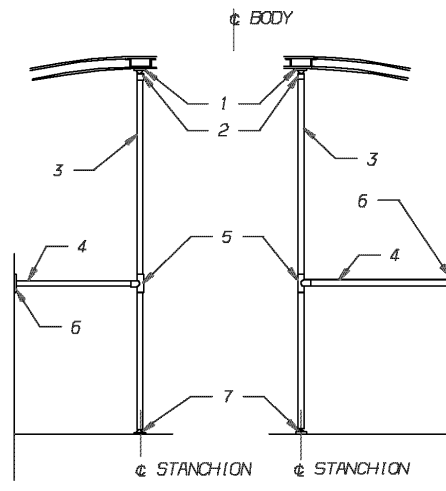
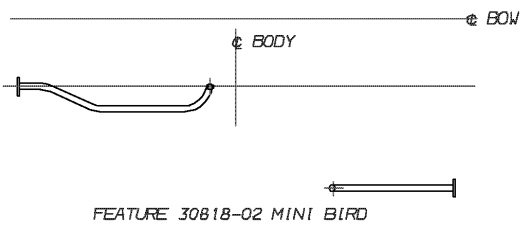
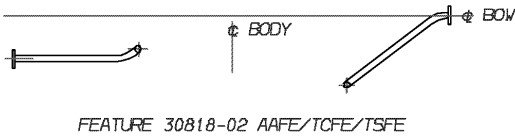
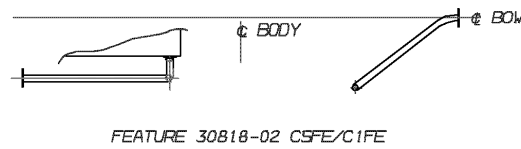
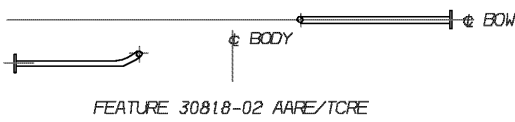
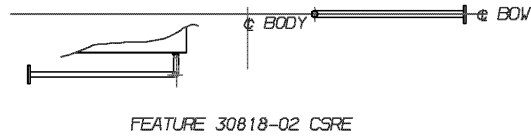
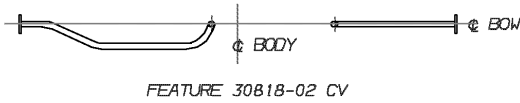
With Features:

**STANCHIONS, AND GUARDRAILS
STAINLESS STEEL, ENT. DOOR
FEATURE 30818-02**

Key	PartNumber	Qty	Description	Comment
-----	------------	-----	-------------	---------

DR. 10/13/00 BY JL	---	19722582	V	
APP. 10/13/00 BY PF	FRY		REV	

© BLUE BIRD BODY COMPANY. ALL RIGHTS RESERVED



Models:
TCRE, TSFE

AAFE, AARE, A3FE, A3RE, BBCV, C1FE, CSFE, GMCV, MBWB, SBCV, T2RE, TCPE,

With Features:

**STANCHIONS, AND GUARDRAILS
STAINLESS STEEL, ENT. DOOR
FEATURE 30818-02**

Key	PartNumber	Qty	Description	Comment
1	1055821		FITTING ASSY,STANCHION,S/S	
2	1055771		CAP,STANCHION,CBPP	
3	1313717		TUBE,SS,RD,1.250 OD X .050 X 75.31,SS 304	ALL EXCEPT CS
3	1836550		STANCHION,INSIDE,DRIVER'S BARRIER,CSRE	CSRE ONLY
3	1841386		STANCHION,INSIDE,DRIVER'S BARRIER,CSFE	CSFE/C1FE ONLY
4	1313683		RAIL,DRIVERS GUARD, CV	CV/MB ONLY
4	1313659		RAIL,ENTRANCE DOOR,GUARD,24.37	CV/MB ONLY
4	1313642		RAIL,ENTRANCE DOOR,GUARD,RH DRIVE,FC	
4	1313667		RAIL,ENTRANCE DOOR,GUARD,30.37,AARE	RE ONLY
4	1313634		RAIL,ENTRANCE DOOR,GUARD,SST,FC	FE ONLY
5	0862078		TEE,STAINLESS STEEL,FOR 1 1/4 TUBE	
6	0803312		FITTING ASSY,UPPER DR	
6	1954429		FITTING ASSY,WALL STANCHION	
7	1055821		FITTING ASSY,STANCHION,S/S	
7	1661651		FITTING,STANCHION,ADJUSTABLE,1.25 ID	CS ONLY


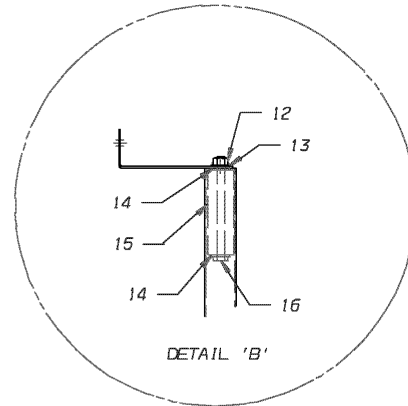
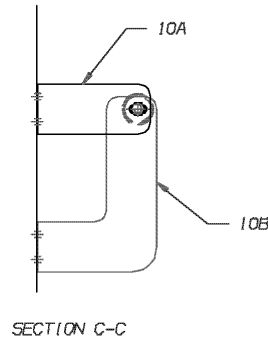
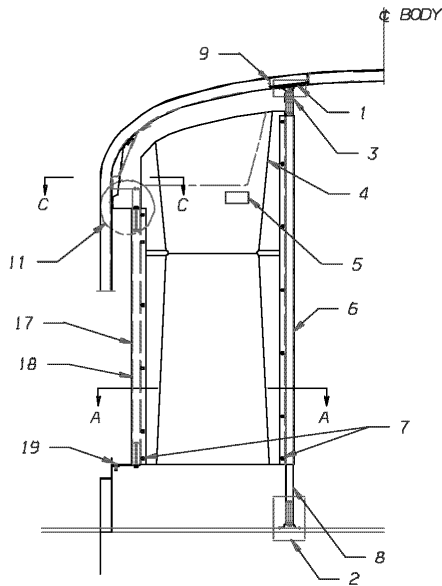
Models: AAFE, AARE, A3FE, A3RE, CSFE, CSRE, T2RE, TCFE, TCRE

With Features: STANCHIONS, AND GUARDRAILS
STAINLESS STEEL, ENT. DOOR
FEATURE 30818-02 WITH FEATURE 30784-11

Key	PartNumber	Qty	Description	Comment
-----	------------	-----	-------------	---------

DR. 10/13/00 BY JL	---	19722984	V
APP. 10/13/00 BY PF	FRT		REV

© BLUE BIRD BODY COMPANY. ALL RIGHTS RESERVED

FEATURE 30818-02 LH W/30784-11 LH (SHOWN)
FEATURE 30818-02 RH W/30784-11 RH (OPPOSITE)

Models: AAFE, AARE, A3FE, A3RE, CSFE, CSRE, T2RE, TCFE, TCRE

With Features: STANCHIONS, AND GUARDRAILS
STAINLESS STEEL, ENT. DOOR
FEATURE 30818-02 WITH FEATURE 30784-11

Key	PartNumber	Qty	Description	Comment
1	1055821	2	FITTING ASSY,STANCHION,S/S	
2	2083103	8	SCREW,1/4-14X3/4,AB,PH1,PANHD,YEL ZN,	
3	1055771		CAP,STANCHION,CBPP	
4	1070747		ENCLOSURE,DRIVERS AREA,AA	
4	1590272		ENCLOSURE,DRIVERS AREA,W/AIR	
4	1766815		ENCLOSURE,DRIVERS AREA,RH DRIVE	
4	1766971		ENCLOSURE,DRIVERS AREA,W/A/C, RH DRIVE	
5	1255348		DECAL,INSTRUCTIONS,FROST REMOVAL &	
6	0985358	2	CLAMP,DRIVER ENCLOSURE,AISLE	
7	2000826	13	SCREW,MACH,1/4X20X3/4,PH1,TRUSSHD,	
7	1468461	13	NUT,ACORN,LOCKING,1/4 - 20 NYLON INSERT	
8	1071240		STANCHION,DRIVERS,ENCL,AISLE SIDE,74HR,	
8	1071257		STANCHION,DRIVERS,ENCL,AISLE SIDE,77HR,	
8	1738541		STANCHION,DRIVERS ENCL,AISLE SIDE,73.75	CS ONLY
9	0307124		PLATE,REINF,STANCH,28IN SECT	
9	0307132		PLATE,REINF,STANCH,35IN SECT	
10	0004879		BRACKET,MTG,DRV PART,WALL SI	W/LAP BELT
10	1952712		BRACKET,MTG,DRVRS PARTITION,WALL SIDE,	CS ONLY
10	0004853		BRACKET,MTG,DRV PART,WALL SI,SHLDR BLT	W/SHOULDER BELT
10	1952720		BRACKET,MTG,DRVRS PART,WL ST,SDR BT,	CS ONLY
10	0004861		BRACKET,MTG,DRV PART,WALL SI,SHLDR BLT,	
10	1952753		BRACKET,MTG,DRVRS PART,WL ST,SDR BT,RHD	WITH SHOULDER BELT CS ONLY
11	1854397		RIVET,BLIND, .25 DIA, .38 GRIP	
12	2001410		NUT,HEX HD,5/16-18,YEL ZN DICH"	
13	2001188		LOCKWASHER,SPLIT RING, 5/16,MED,YEL ZN	
14	2001121	2	WASHER,FLAT,5/16 X 3/4,X 5/64,YEL ZN DICH	
15	0569459		PLUG,RUBBER,5/16ID X 1-1/16OD X 3-3/8	
16	1542455		CAPSCREW,HEX FLG,5/16-18X4.00,GRD5,	
17	1591049	2	CLAMP,DRIVERS ENCLOSURE,WALL SIDE	
18	1590306		STANCHION,DRIVERS ENCLOSURE,WALL	WITH 9" SS
18	1590314		STANCHION,DRIVERS ENCLOSURE,WALL	WITH 12" SS & TSW
19	0004283		BRACKET,DRIVERS ENCL,WALL SIDE,LOWER,	
19	1952746		FITTING ASSY,DRIVERS ENCL,WALL SI,LWR,SS	CS ONLY

Models: AAFE, AARE, A3FE, A3RE, CSFE, CSRE, T2RE, TCFE, TCRE

STANCHIONS, AND GUARDRAILS

STAINLESS STEEL, ENT. DOOR

With Features: FEATURE 30818-02 WITH FEATURE 30784-11

Key	PartNumber	Qty	Description	Comment
NI	0870477	2	CAPSCREW,HEX HD,1/4-20 X 1,GR 8,YEL ZN	
NI	2001170	2	LOCKWASHER,SPLIT RING, 1/4 ,MED,YEL ZN	
NI	2001337	2	NUT,HEX HD,1/4-20,ZINC	

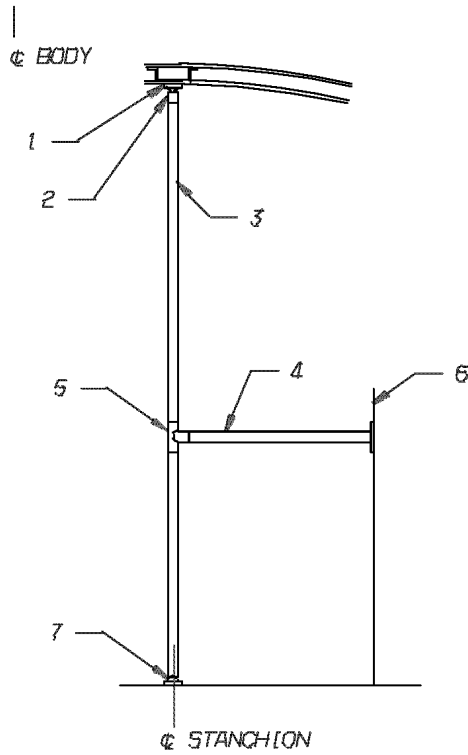
Models: AAFE, AARE, A3FE, A3RE, BBCV, C1FE, CSFE, GMCV, SBCV, T2RE, TCFE, TCRE
STANCHIONS, AND GUARDRAILS

With Features: STAINLESS STEEL, REAR OF ENT. DOOR
FEATURE 30818-04 WITH FEATURE 30784-01 & 30784-07

Key	PartNumber	Qty	Description	Comment
-----	------------	-----	-------------	---------

DR. 10/13/00 BY JL	---	19722987	V
APP. 10/13/00 BY PF	FRT		REV

© BLUE BIRD BODY COMPANY. ALL RIGHTS RESERVED



FEATURE 30818-04 W/30784-01 OR 30784-07

Models: AAFE, AARE, A3FE, A3RE, BBCV, C1FE, CSFE, GMCV, SBCV, T2RE, TCFE, TCRE
STANCHIONS, AND GUARDRAILS

With Features: STAINLESS STEEL, REAR OF ENT. DOOR
FEATURE 30818-04 WITH FEATURE 30784-01 & 30784-07

Key	PartNumber	Qty	Description	Comment
1	1055821		FITTING ASSY,STANCHION,S/S	
2	1055771		CAP,STANCHION,CBPP	
3	1313717		TUBE,SS,RD,1.250 OD X .050 X 75.31,SS 304	
4	1313659		RAIL,ENTRANCE DOOR,GUARD,24.37	
5	0862078		TEE,STAINLESS STEEL,FOR 1 1/4 TUBE	
6	1954429		FITTING ASSY,WALL STANCHION	
7	1055821		FITTING ASSY,STANCHION,S/S	
NI	0414102		PANEL,MODESTY,ALUMINIZED STEEL	30784-01 ONLY
NI	0919712		PANEL,MODESTY,21 3/4,EXPORT,MODIFIED	30784-07 ONLY, 21 3/4"

Models: AAFE, AARE, A1VC, A3FE, A3RE, BBCV, B1VC, B2VC, GPWB, MBWB, TCPE, TCRE,

TSFE

UPHOLSTERY

Key	PartNumber	Qty	Description	Comment
NI	1409226		UPHOLSTERY,POLYC,J/KNIT,GREEN SPRADLING	
NI	0000860		UPHOLSTERY,POLYESTER BACKED,BURGUNDY	
NI	1409184		UPHOLSTERY,POLYESTER BACKED,BROWN	
NI	1409192		UPHOLSTERY,POLYC,J/KNIT,CORAL SPRADLING	
NI	1409218		UPHOLSTERY,POLYC,J/KNIT,GOLD SPRADLING	
NI	1409200		UPHOLSTERY,POLYC,J/KNIT,BLUE SPRADLING"	
NI	1409234		UPHOLSTERY,POLYC,J/KNIT,RED SPRADLING	
NI	0904276		UPHOLSTERY,POLYC,J/KNIT,IVORY	
NI	1409226		UPHOLSTERY,POLYC,J/KNIT,GREEN SPRADLING	
NI	1409184		UPHOLSTERY,POLYESTER BACKED,BROWN	
NI	1315324		UPHOLSTERY,POLYC,J/KNIT,GREEN,52 OZ	
NI	1732064		UPHOLSTERY,PRO-BLOCK 6926 FRB,DK GREEN	
NI	1732072		UPHOLSTERY,PRO-BLOCK 6926 FRB,BROWN	
NI	1308451		UPHOLSTERY,VINYL,BLK,UNIROYAL,SPIRIT OF	
NI	1312248		UPHOLSTERY,FLAME RETARDANT,UNIGLASS	
NI	1435247		UPHOLSTERY,KEVLAR 6926FR,GRN,LOW SMOKE	
			SEAT REPAIR TAPE	
	2142925		TAPE,SEAT,GREEN,3IN X 60 YARDS	
	2142933		TAPE,SEAT,BROWN,3IN X 60 YARDS	
	0029737		TAPE,SEAT,BURGANDY, 3IN X 60 YARDS	
NI	1732064		UPHOLSTERY,PRO-BLOCK 6926 FRB,DK GREEN	OPT 2842
NI	1732072		UPHOLSTERY,PRO-BLOCK 6926 FRB,BROWN	OPT 2842

Models: AAFE, AARE, A3FE, A3RE, BBCV, B1VC, B2VC, GMCV, GPWB, MBWB, SBCV, T2RE, TCFE, TSFE, VCTA

With Features: UPHOLSTERY
SHOULDER PAD
OPTION 2980

Key	PartNumber	Qty	Description	Comment
NI			SHOULDER PAD, BROWN	
	4304085		PAD,SHOULDER,68,BROWN	
	4280673		PAD,SHOULDER,90,BROWN	
	2149367		PAD,SHOULDER,101,BROWN"	
	2149359		PAD,SHOULDER,105,BROWN	
	4304093		PAD,SHOULDER,120,BROWN	
	2144566		PAD,SHOULDER,148,BROWN	
	4320800		PAD,SHOULDER,162,BROWN	
	4287207		PAD,SHOULDER,168,BROWN	
	0011695		PAD,SHOULDER,180,BROWN	
	0068073		PAD,SHOULDER,185,BROWN	
	4320792		PAD,SHOULDER,217,BROWN	
	2148401		PAD,SHOULDER,240,BROWN	
	2149425		PAD,SHOULDER,270,BROWN	
	2142974		PAD,SHOULDER,277,BROWN	
	4295648		PAD,SHOULDER,315,BROWN	
	4282851		PAD,SHOULDER,332,BROWN	
	4286803		PAD,SHOULDER,375,BROWN	
	2146744		PAD,SHOULDER,379,BROWN	
	4293189		PAD,SHOULDER,407,BROWN	
NI			SHOULDER PAD, GREEN	
	2711869		PAD,SHOULDER,84,GREEN	
	4281747		PAD,SHOULDER,90,GREEN	
	4286043		PAD,SHOULDER,114,GREEN	
	2713758		PAD,SHOULDER,124,GREEN	
	4286035		PAD,SHOULDER,136,GREEN	
	4279824		PAD,SHOULDER,137,GREEN	
	2144483		PAD,SHOULDER,147,GREEN	
	4282000		PAD,SHOULDER,150,GREEN	
	2711331		PAD,SHOULDER,165,GREEN	
	2144475		PAD,SHOULDER,179 1/2,GREEN	
	2144491		PAD,SHOULDER,203 1/2,GREEN	
	2713857		PAD,SHOULDER,216,GREEN	

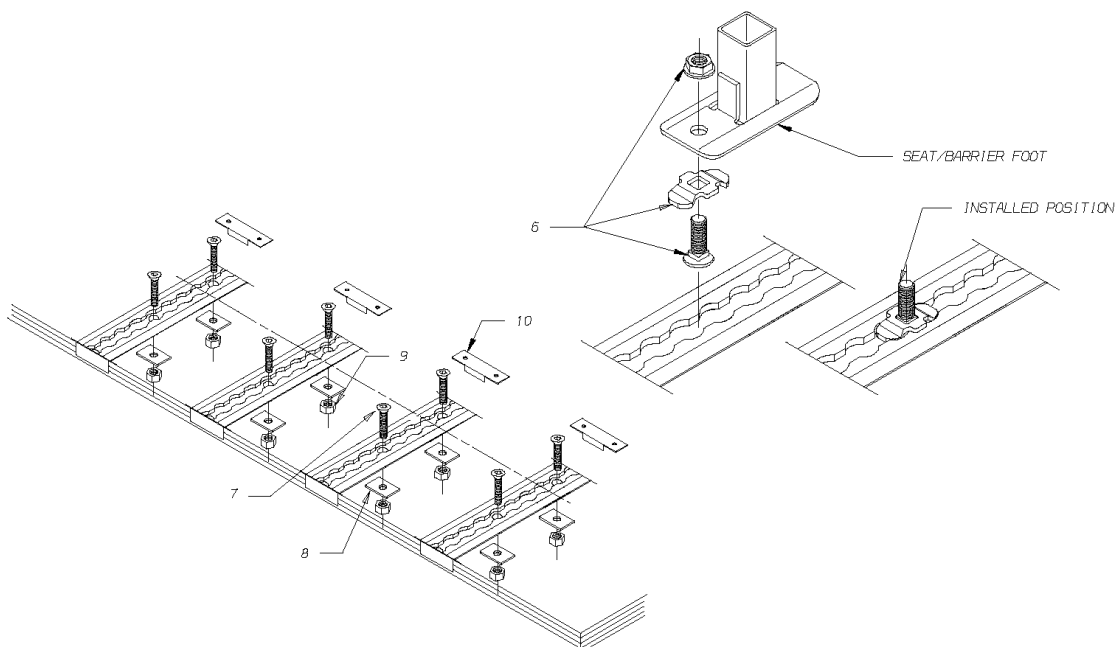
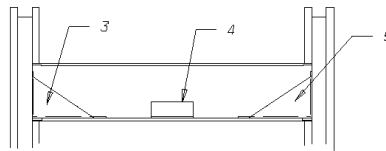
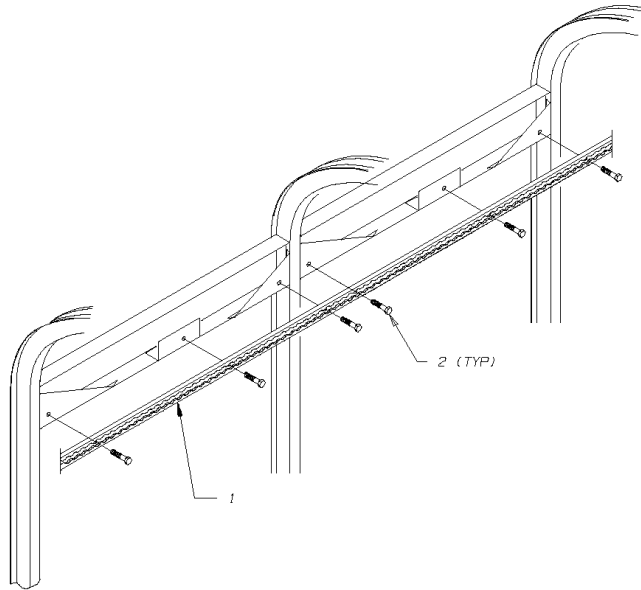
Models: AAFE, AARE, A3FE, A3RE, BBCV, B1VC, B2VC, GMCV, GPWB, MBWB, SBCV, T2RE, TCFE, TSFE, VCTA

With Features: UPHOLSTERY
SHOULDER PAD
OPTION 2980

Key	PartNumber	Qty	Description	Comment
	2713865		PAD,SHOULDER,242,GREEN	
	2148989		PAD,SHOULDER,246,GREEN	
	2719870		PAD,SHOULDER,270,GREEN	
	2712974		PAD,SHOULDER,277,GREEN	
	4293148		PAD,SHOULDER,303,GREEN	
	4323937		PAD,SHOULDER,315,GREEN	
	8314700		PAD,SHOULDER,348,GREEN	
	4284220		PAD,SHOULDER,101,ROYAL BLUE	
	4284238		PAD,SHOULDER,105,ROYAL BLUE	
	2719243		PAD,SHOULDER,180,ROY/BLUE	
NI	4288387		PAD,SHOULDER,70,BEIGE	
NI	2712057		PAD,SHOULDER,140,MET/IVY	
NI	2712008		PAD,SHOULDER,165,MET/IVY	
NI	2721702		PAD,SHOULDER,143,CORAL	
NI	2721710		PAD,SHOULDER,164,CORAL	

Models: AAFE, AARE, A3FE, A3RE, GMCV, MBWB, SBCV, TCVE, TCVE, TSFE
With Features: WHEELCHAIR RETAINERS
 OPTION 2834, AND 2841
 To BSN 11-3-02

Key	PartNumber	Qty	Description	Comment
-----	------------	-----	-------------	---------

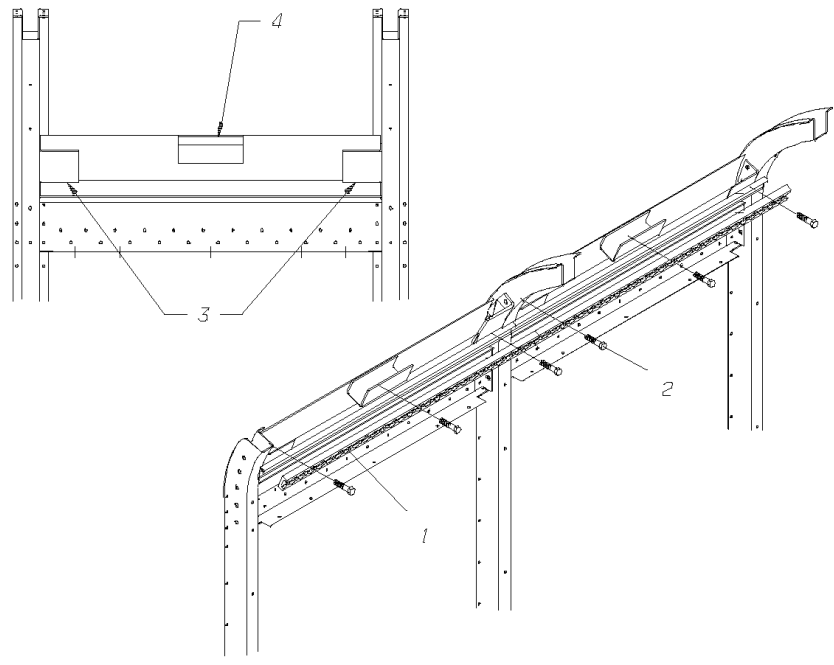
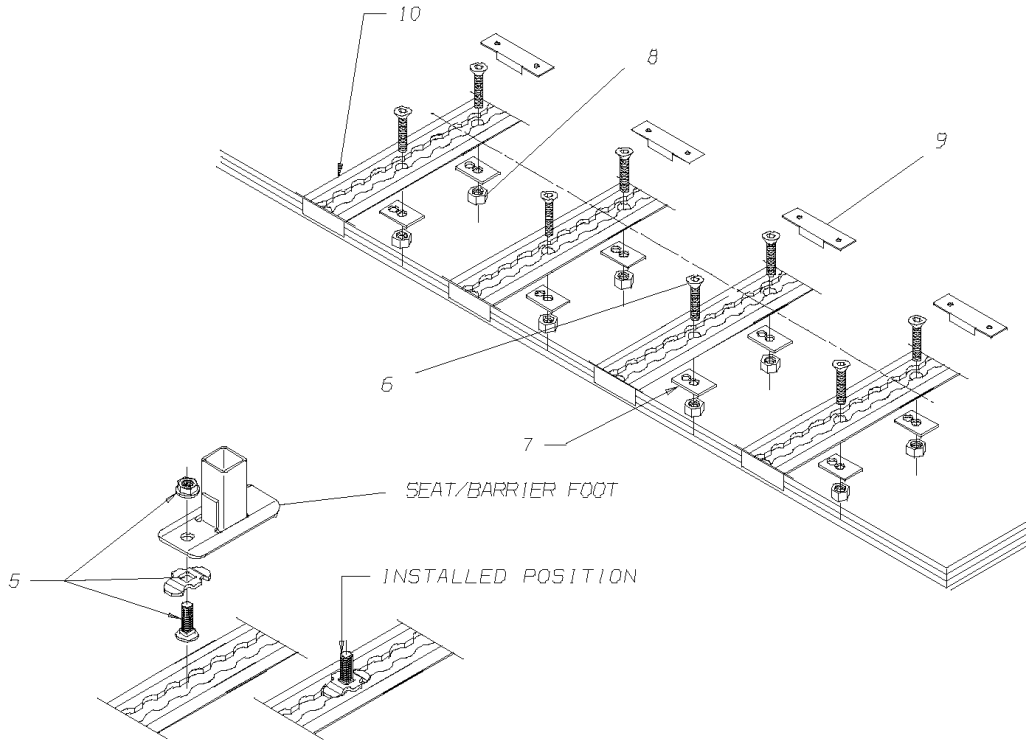


Models: AAFE, AARE, A3FE, A3RE, GMCV, MBWB, SBCV, TCFE, TCRE, TSFE
With Features: WHEELCHAIR RETAINERS
 OPTION 2834, AND 2841
 To BSN 11-3-02

Key	PartNumber	Qty	Description	Comment
1	1659697		TRACK,H/D ALUM,SEAT/W/C	ENDING WITH BSN 11/01/00
1	0031412		TRACK,L,HEAVY DUTY ALUMINUM	BEGIN WITH BSN 11/02/00
1	1856988		TRACK,WHEELCHAIR ANCH,SHLDR BELT,5-28	OPTION 2834
1	1856996		TRACK,WHEELCHAIR ANCH,SHLDR BELT,4-35	OPTION 2834
2	0822817	3	SCREW,3/8-16 X 1,F,HEX WASH HD,YEL ZN	
3	1671718		GUSSET,MOUNTING,SHOULDER BELT TRACK,LH	
4	1673599		BRACKET,MTG,SHOULDER BELT TRACK	
5	1671700		GUSSET,MOUNTING,SHOULDER BELT TRACK,RH	
6	0015513		ANCHOR,TRACK SEAT MOUNTING,ANCRA 49184	
7	1467323	28	SCREW,ALLEN,1/4-20 X 1 1/2,CSK,FLT HD	
7	1666106	28	SCREW,ALLEN,1/4-20X4,GR8,CSK,FLT HD,BLK	WHEN REQUIRED THRU AUX CROSSMEMBER
8	1726389		PLATE,UNDERFLOOR,WHEELCHAIR ANCHOR	
9	0659979	28	NUT,HEX,FLANGE SER,1/4-20,BLACK ZINC	
10	1660612		TRIM,FLOOR COVERING,END,RECESSED TRACK	ENDING F-10020224
10	0000148		TRIM,FLOOR COVERING,END,RECESSED TRACK	BEGIN F-10020225
NI	1589522		SCREW,10-16 X 3/4,AB,PH1,PAN HD,YEL ZN	
11	1788264		TRACK,L,FLANGED,SEAT/WC,4.00 CENTERS	ENDING 10/3/99
11	0010010		TRACK,L,FLANGED,SEAT/WC,4" CENTERS	BEGIN 10/4/99
NI	1943760		DECAL,TRACK SEATING INSTRUCTIONS	

Models: A3FE, A3RE, BBCV, GMCV, MBWB, SBCV, TCFE
 WHEELCHAIR RETAINERS
 With Features: OPTION 2834, AND 2841
 BSN: From BSN 11/4/02

Key	PartNumber	Qty	Description	Comment
-----	------------	-----	-------------	---------



Models: A3FE, A3RE, BBCV, GMCV, MBWB, SBCV, TCFE
WHEELCHAIR RETAINERS
With Features: OPTION 2834, AND 2841
BSN: From BSN 11/4/02

Key	PartNumber	Qty	Description	Comment
1	1856988		TRACK,WHEELCHAIR ANCH,SHLDR BELT,5-28	OPTION 2834
1	1856996		TRACK,WHEELCHAIR ANCH,SHLDR BELT,4-35	OPTION 2834
2	0822817	3	SCREW,3/8-16 X 1,F,HEX WASH HD,YEL ZN	
3	0054041		CHANNEL,MTG,SHOULDER TRACK	
4	0054042		BRACKET,MTG,SHOULDER TRACK	
4	0616748		CAPSCREW,HEX HD,5/16-18X2 1/4,GR5,	
4	0868992		WASHER,FLAT,5/16,YEL ZN DICH	
4	1480433		NUT,HEX HD,5/16-18,FLG PRVG TORQ,GR F,	
5	1788231		ANCHOR,TRACK SEAT MOUNTING,KINEDYNE	
6	0087307	28	SCREW,F/CSK HD,SOCKET 1/4-20X3,ZN-NI	
6	1666106	28	SCREW,ALLEN,1/4-20X4,GR8,CSK,FLT HD,BLK	WHEN REQUIRED THRU AUX CROSSMEMBER
7	1726389		PLATE,UNDERFLOOR,WHEELCHAIR ANCHOR	
8	0659979	28	NUT,HEX,FLANGE SER,1/4-20,BLACK ZINC	
9	0000148		TRIM,FLOOR COVERING,END,RECESSED TRACK	
NI	1589522		SCREW,10-16 X 3/4,AB,PH1,PAN HD,YEL ZN	
11	0031447		TRACK,L,FLANGED,ANODIZED,4.00	
NI	0087851		FILM,PROTECTIVE,POLYETHY,5"W,120G,600FT	
NI	0751883		SEALANT,SILICONE,CLEAR,CARTRIDGE	
NI	1943760		DECAL,TRACK SEATING INSTRUCTIONS	

Models: AAFE, AARE, A3FE, A3RE, GMCV, MBWB, SBCV, TCFE, TCRE, TSFE

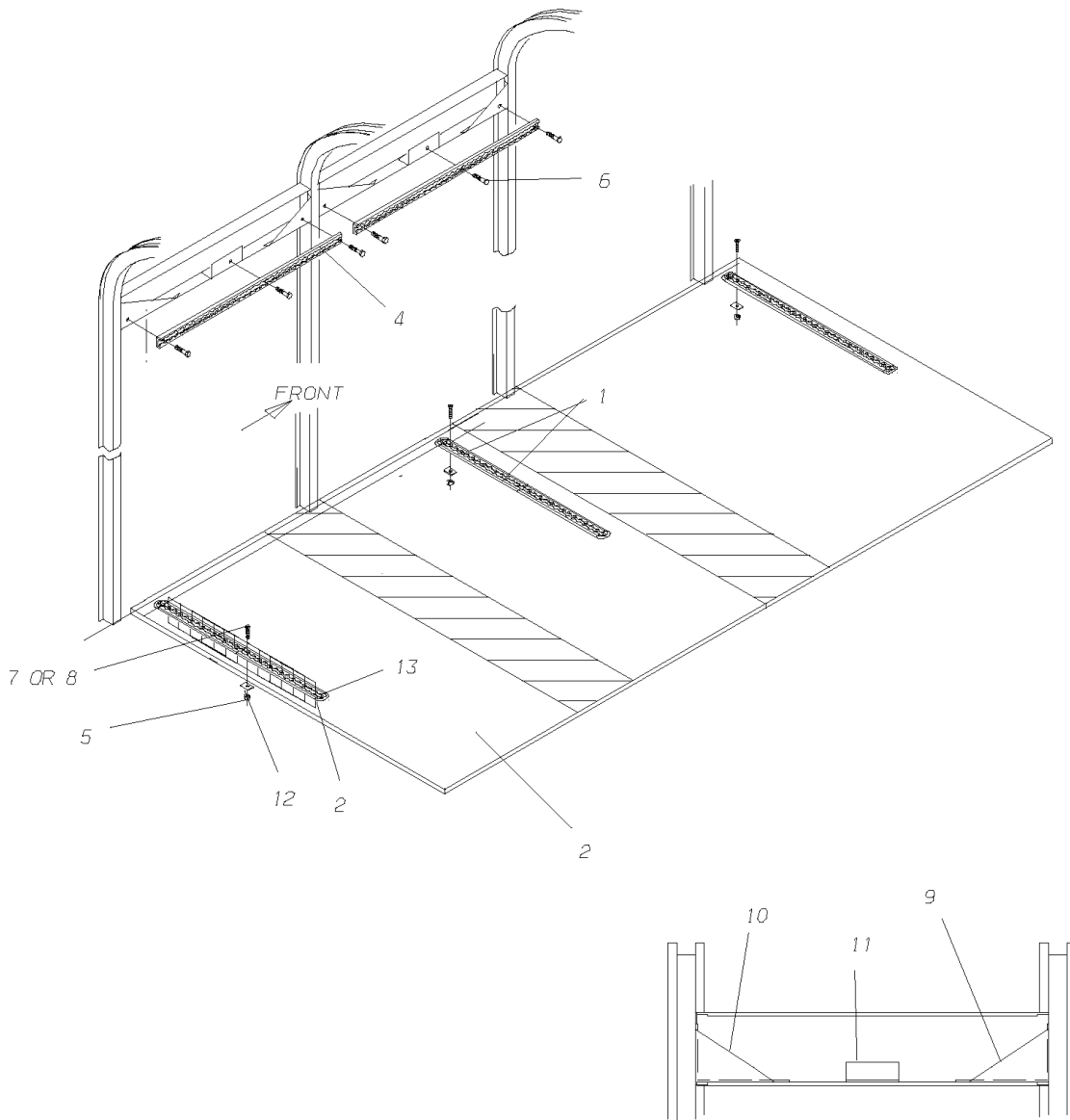
With Features: WHEELCHAIR RETAINERS
ANCHORAGE BELTS
OPTION 2835, ANCRA

Key	PartNumber	Qty	Description	Comment
NI	1665850		KIT, W/C & OCCUPANT RESTRAINT(ANCRA	<i>CONSISTS OF THE FOLLOWING</i>
NI	4327359	4	STRAP ASSY,OVER CENTER BUCKLE,ANCRA	
NI	4315305		KIT,SHLDR BLT,SERIES A FIXED,ANCRA"	
NI	4313839		BELT,LAP,OCCUPANT RESTRG SYS,ANCRA"	

Models: AAFE, AARE, A3FE, A3RE, GMCV, MBWB, SBCV, TCFE, TCRE, TSFE

With Features: WHEELCHAIR RETAINERS
FLOOR AND SHOULDER BELT TRACK, TRANSVERSE
FEATURE 31052-01,-02
To BSN 11-3-02

Key	PartNumber	Qty	Description	Comment
-----	------------	-----	-------------	---------



Models: AAFE, AARE, A3FE, A3RE, GMCV, MBWB, SBCV, TCFE, TCRE, TSFE

With Features: WHEELCHAIR RETAINERS
 FLOOR AND SHOULDER BELT TRACK, TRANSVERSE
 FEATURE 31052-01,-02
 To BSN 11-3-02

Key	PartNumber	Qty	Description	Comment
1	0030834	AR	TRACK,L,FLANGED,W/C,14.00,2 INCH CTRS	
2	0030960	AR	END CAP,FLANGED L-TRACK,KINEDYNE	
3	0031332		PLYWOOD,GROOVED,W/C,XVSE	
3	0031335		PLYWOOD,GROOVED,W/C,XVSE,MARINE	
4	0031341		TRACK,L,HEADER,ALUMINUM	
5	0659979	AR	NUT,HEX,FLANGE SER,1/4-20,BLACK ZINC	
6	0822817	3	SCREW,3/8-16 X 1,F,HEX WASH HD,YEL ZN	
7	1467323	AR	SCREW,ALLEN,1/4-20 X 1 1/2,CSK,FLT HD	
8	1666106		SCREW,ALLEN,1/4-20X4,GR8,CSK,FLT HD,BLK	
9	1671700		GUSSET,MOUNTING,SHOULDER BELT TRACK,RH	
10	1671718		GUSSET,MOUNTING,SHOULDER BELT TRACK,LH	
11	1673599		BRACKET,MTG,SHOULDER BELT TRACK	
12	1726389	AR	PLATE,UNDERFLOOR,WHEELCHAIR ANCHOR	
13	1266600	AR	SCREW,10-16 X 3/4,AB,PH1,OVAL CNSK HD,	

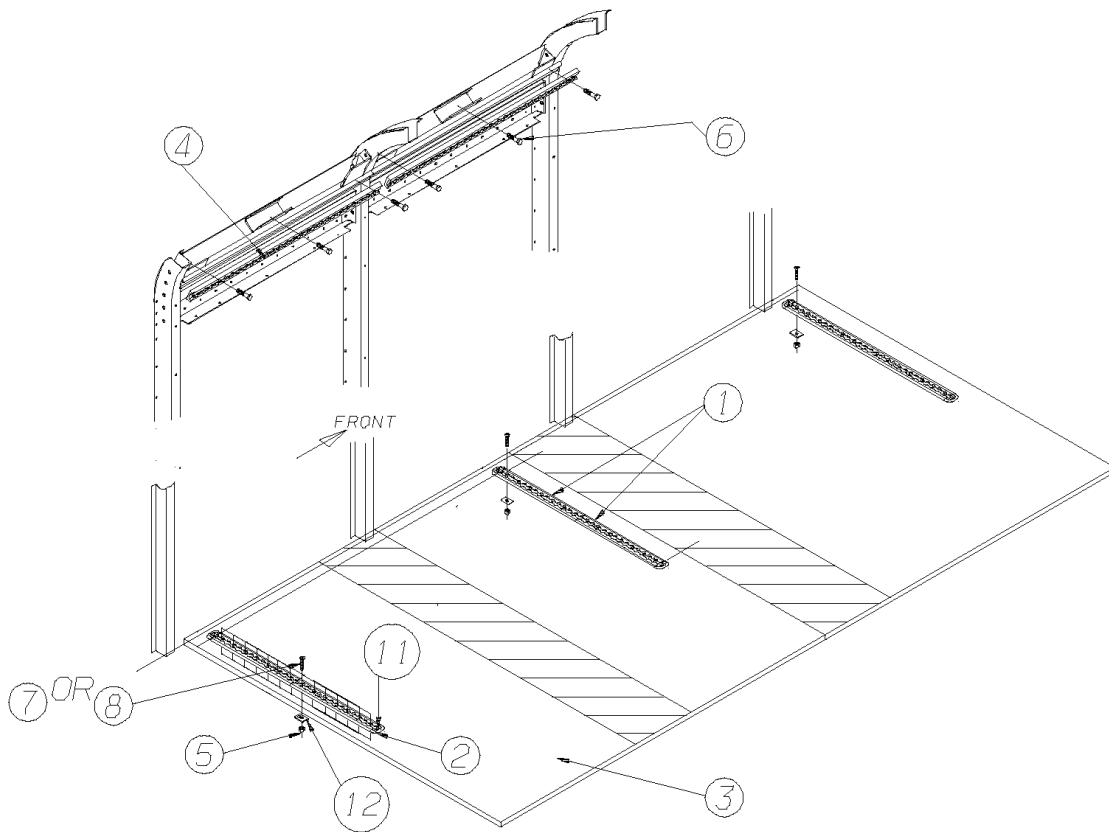
Models: A3FE, A3RE, BBCV, B1VC, B2VC, BBCV, GMCV, MBWB, SBCV, TCPL

**WHEELCHAIR RETAINERS
FLOOR AND SHOULDER BELT TRACK, TRANSVERSE**

With Features: FEATURE 31052-01,-02

BSN: From BSN 11-4-02

Key	PartNumber	Qty	Description	Comment
-----	------------	-----	-------------	---------



Models: A3FE, A3RE, BBCV, B1VC, B2VC, BBCV, GMCV, MBWB, SBCV, TCPL

**WHEELCHAIR RETAINERS
FLOOR AND SHOULDER BELT TRACK, TRANSVERSE**

With Features: FEATURE 31052-01,-02

BSN: From BSN 11-4-02

Key	PartNumber	Qty	Description	Comment
1	0030834	AR	TRACK,L,FLANGED,W/C,14.00,2 INCH CTRS	
2	0030960	AR	END CAP,FLANGED L-TRACK,KINEDYNE	
3	0031335		PLYWOOD,GROOVED,W/C,XVSE,MARINE	
4	0031341		TRACK,L,HEADER,ALUMINUM	
5	0659979	AR	NUT,HEX,FLANGE SER,1/4-20,BLACK ZINC	
6	0083579	3	SCREW,3/8-16,X 1,F,1/2 HEX WASH HD,YEL	
7	1467323	AR	SCREW,ALLEN,1/4-20 X 1 1/2,CSK,FLT HD	
8	1666106		SCREW,ALLEN,1/4-20X4,GR8,CSK,FLT HD,BLK	
9	0054041		CHANNEL,MTG,SHOULDER TRACK	
10	0054042		BRACKET,MTG,SHOULDER TRACK	
11	1266600	AR	SCREW,10-16 X 3/4,AB,PH1,OVAL CNSK HD,	
12	1726389	AR	PLATE,UNDERFLOOR,WHEELCHAIR ANCHOR	
NI	0084756	AR	BRACKET,REINF,MID,W/C TRACK,UPPER,77HR	BBCV WITH 77" HR ONLY

Models: AAFE, AARE, A3FE, A3RE, GMCV, MBWB, SBCV, TCFE, TCRE, TSFE

WHEELCHAIR RETAINERS

KINEDYNE

With Features: OPTION 2776-01,02,03,04

Key	PartNumber	Qty	Description	Comment
NI	1469170		HEADER ASSY,28,4 POINT,W/C TIE DOWN	OPTION 2776-01,03,04
NI	1469188		HEADER ASSY,35,4 POINT W/C TIE DOWN	OPTION 2776-02
NI	1752195		TRACK,L,W/C SHOULDER BELT RETAINER,28.00	OPTION 2776-01,03,04
NI	1752203		TRACK,L,W/C SHOULDER BELT RETAINER,35.00	OPTION 2776-02
NI	1824531		MOLDING,WIRE,WHEELCHAIR TIE	OPTION 2776-01
NI	1824549		MOLDING,WIRE,WHEELCHAIR TIE	OPTION 2776-02
NI	1831148		MOLDING,WIRE,WHEELCHAIR TIE DOWN,4PT,	OPTION 2776-03,04
NI	1469121		TRIM,TRACK,W/C,4-PT TIE DOWN,28 SECT	OPTION 2776-01
NI	1469139		TRIM,TRACK,W/C,4-PT TIE DOWN,35 SECT	OPTION 2776-02
NI	1469113		TRIM,TRACK,W/C,4-PT TIE DOWN,28 SECT,RR	OPTION 2776-03,04
NI	1589522	AR	SCREW,10-16 X 3/4,AB,PH1,PAN HD,YEL ZN	
NI	0659979	27	NUT,HEX,FLANGE SER,1/4-20,BLACK ZINC	
NI	1467323	7	SCREW,ALLEN,1/4-20 X 1 1/2,CSK,FLT HD	
NI	1426998		PAD ASSY,HDR,3.00 X 31.00	OPTION 2776-01,03,04
NI	1426956		PAD ASSY,HDR,R E D,3.00 X 38.00	OPTION 2776-02
NI	2001030	6	WASHER,COUNTERSUNK,NO10,ZN W/ BLUE	
NI	2000594	3	SCREW,10-16X1-1/2,AB,PH1,OVAL CNSK,YEL	
NI	1592591		TRIM,RETAINER,W/C,4-PT 30/20 SYS,FRONT	ENDING WITH BSN B10035490, F10007799, L10013065, M10015685, X10002571
NI	0003921		TRIM,RETAINER,W/C,4-PT 30-20 SYS,FRONT	BEGIN WITH BSN B10035491, F10007800, L10013066, M10015686, X10002572
NI	1592609		TRIM,RETAINER,W/C,4-PT 30/20 SYS,REAR	ENDING WITH BSN B10035490, F10007799, L10013065, M10015685, X10002571
NI	0003939		TRIM,RETAINER,W/C,4-PT 30-20 SYS,REAR	BEGIN WITH BSN B10035491, F10007800, L10013066, M10015686, X10002572
NI	1592575	2	RETAINER,W/C,4-PT 30/20 SYS,6",HORIZ A-TRK	ENDING WITH BSN B10035490, F10007799, L10013065, M10015685, X10002571
NI	0003905	2	RETAINER,W/C,4-PT 30/20 SYS,6,HORIZ A-TRK	BEGIN WITH BSN B10035491, F10007800, L10013066, M10015686, X10002572
NI	1592583	2	RETAINER,W/C,4-PT 30/20 SYS,10",HORIZ A-	ENDING WITH BSN B10035490, F10007799, L10013065, M10015685, X10002571
NI	0003913	2	RETAINER,W/C,4-PT 30/20 SYS,10,HORIZ A-	BEGIN WITH BSN B10035491, F10007800, L10013066, M10015686, X10002572

Models: AAFE, AARE, A3FE, A3RE, GMCV, MBWB, SBCV, TCFE, TCRE, TSFE

**WHEELCHAIR RETAINERS
KINEDYNE**

With Features: OPTION 2776-01,02,03,04

Key	PartNumber	Qty	Description	Comment
NI	1542380	2	CAPSCREW,HEX FLG,1/4-20X1.50,GRD5,BLACK	
NI	1598994		KIT,WHEELCHAIR TIE DOWN,KINEDYNE,FMVSS	
NI	1752336		BELT ASSY,W/C PASSENGER RESTRAINT,	
NI	1752328		BELT ASSY,W/C PASSENGER RESTRAINT,LAP	


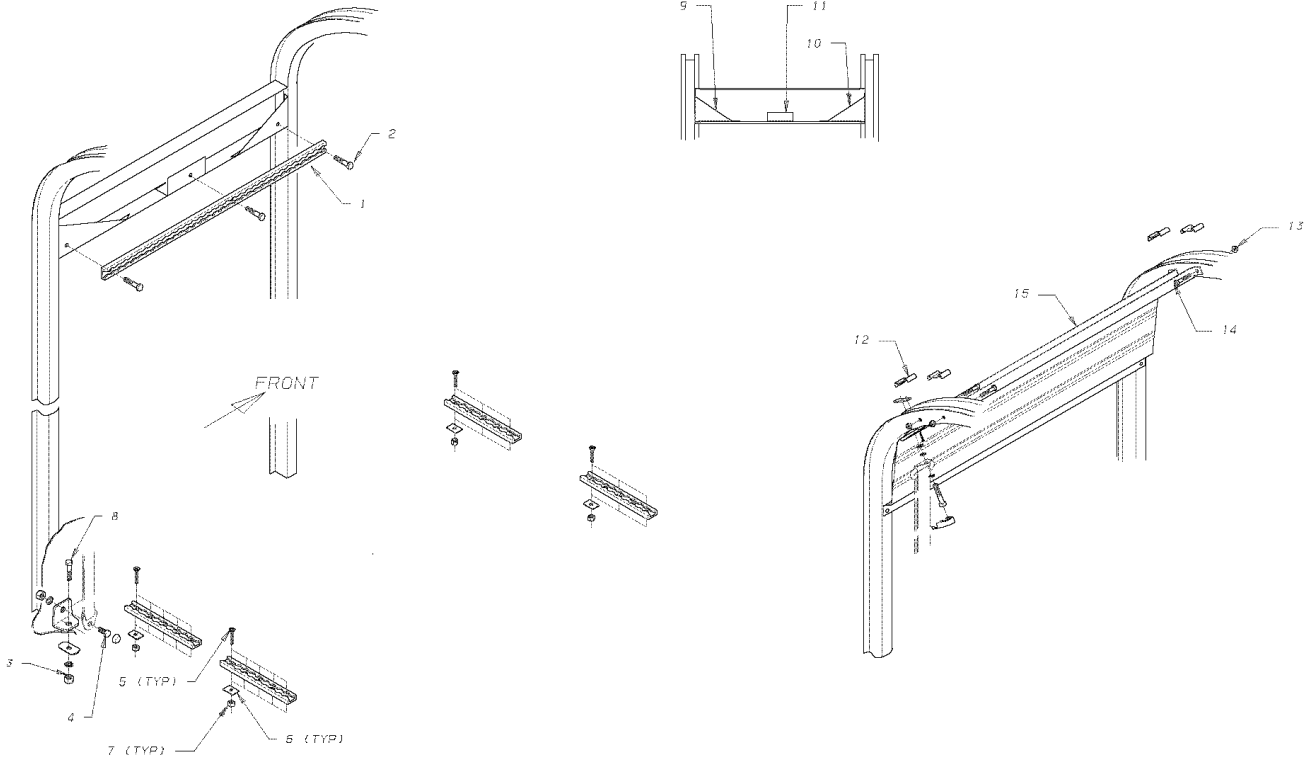
Models: AAFE, AARE, A3FE, A3RE, GMCV, MBWB, SBCV, TCFE, TCRE, TSFE

With Features: WHEELCHAIR RETAINERS
ORTHO SAFE
OPTION 2774-01,02,03

Key	PartNumber	Qty	Description	Comment
-----	------------	-----	-------------	---------

DR. 11/12/99 BY JL	1726421	C
APP. 11/12/99 BY AB	FRT	REV.

© BLUE BIRD BODY COMPANY. ALL RIGHTS RESERVED

Models: AAFE, AARE, A3FE, A3RE, GMCV, MBWB, SBCV, TCFE, TCRE, TSFE

WHEELCHAIR RETAINERS

ORTHO SAFE

With Features: OPTION 2774-01,02,03

Key	PartNumber	Qty	Description	Comment
NI	1726405		KIT,W/C TIEDOWN,FMVSS-222,STAT,ORTHO	OPTION 2774-01,02
NI	1726413		KIT,W/C TIEDOWN,FMVSS-222,XVRS,ORTHO	OPTION 2774-03
NI	4321436		BELT ASSY,SHLDR,W/HEIGHT ADJ & RETRACT,	
NI	4324091		BELT,W/C,REAR TIE-DOWN,ORTHO SAFE(PKG.	PKG OF 2
NI	4313185		BELT,LAP,ORTHO SAFE,W/C TIE DWN,NAT STD,	
NI	4324505		BELT,FRT,ORTHO-SAFE, RETRACTOR	
1	1582147		TRACK,W/C RETAINER,CONTINUOUS,ORTHO	
2	0822817		SCREW,3/8-16 X 1,F,HEX WASH HD,YEL ZN	OPTION 2774-03
3	0826297	2	NUT,HEX HD,3/8-16 LOCK,YEL ZN DICH	
4	0882803	AR	CAPSCREW,HEX HD,3/8-16,X,1,,GR5,YELDICH	
5	1467323	28	SCREW,ALLEN,1/4-20 X 1 1/2,CSK,FLT HD	
5	1666106	28	SCREW,ALLEN,1/4-20X4,GR8,CSK,FLT HD,BLK	WHEN REQUIRED THRU AUX CROSSMEMBER
6	1726389	16	PLATE,UNDERFLOOR,WHEELCHAIR ANCHOR	
7	0659979	16	NUT,HEX,FLANGE SER,1/4-20,BLACK ZINC	
8	2050839	AR	CAPSCREW,HEX HD,3/8-16X1 1/2,GR5,YEL	
8	1510114	AR	CAPSCREW,HEX HD,3/8-16 X 4,GR5,YEL ZN	WHEN REQUIRED THRU AUX CROSSMEMBER
9	1671718		GUSSET,MOUNTING,SHOULDER BELT TRACK,LH	OPTION 2774-03
10	1671700		GUSSET,MOUNTING,SHOULDER BELT TRACK,RH	OPTION 2774-03
11	1673599		BRACKET,MTG,SHOULDER BELT TRACK	OPTION 2774-03
12	0305409	4	SPACER,WINDOW HEADER	OPTION 2774-01,02
13	0829390	4	NUT,HEX HD,5/16-18,SER WASHER,YEL ZN	OPTION 2774-01,02
14	1032309	4	CAPSCREW,HEX HD,5/16-18X 2,GR 5,YEL ZN	OPTION 2774-01,02
15	1583095		BRACE,REINF,W/C TIE DOWN,28 SECTION	OPTION 2774-01
15	1583103		BRACE,REINF,W/C TIE DOWN,35 SECTION	OPTION 2774-02

Models: AAFE, AARE, A3FE, A3RE, GMCV, MBWB, SBCV, TCFE, TCRE, TSFE

With Features: WHEELCHAIR RETAINERS
Q'STRAIT
OPTION 2773

Key	PartNumber	Qty	Description	Comment
NI	1844281		KIT,WHEELCHAIR TIE DOWN,Q'STRAIT	<i>CONTAINS THE FOLLOWING</i>
	8300279		BELT,W/C TIEDWN,REAR,LH,Q-STRAINT"	
	8300261		BELT,W/C TIEDWN,REAR,RH,Q-STRAINT"	
	4321501		BELT,FRT,TIE DOWN,Q STRAIT LH & RH	
	4321519		BELT,FRT,TIE DOWN,Q STRAIT LH & RH	
	4288056		LAP BELT ONLY,FOR Q-STRAINT KIT 1253459	<i>LAP BELT ONLY</i>
	8310252		BELT,SHOULDER, Q STRAIT, Q5-6410	
	0019294		BRACKET, SHOULDER BOLT MTG.	
	9022343	4	TO,POCKET,FLOOR,W/SPRING Q5-7560-5A	<i>ONLY WITH PLYWOOD FLOOR</i>
	1844299	4	RISER,Q'STRAIT,POCKET,W/O PLYWOOD	<i>ONLY WITHOUT PLYWOOD FLOOR</i>
	0943100	4	CAPSCREW,HEX HD,3/8-16 X 2,GR5,YEL ZN	
	2024701	AR	CAPSCREW,HEX HD,3/8-16X4 3/4,GR8,YEL	
		AR	THRU AUXILIARY CROSSMEMBER	
	1107085	4	WASHER,FLAT,13/32 X 13/16 X 3/32,HDN,BLK	

Models: AAFE, AARE, A3FE, A3RE, GMCV, MBWB, SBCV, TCFE, TCRE, TSFE

WHEELCHAIR RETAINERS

STORAGE POUCH

With Features: OPTION 2833, FEATURE 31050-05

Key	PartNumber	Qty	Description	Comment
NI	0032478		POUCH,STORAGE,W/C RESTRAINT BELTS	