

**Body**

**410 Stop Arms & Destination Signs**

CROSSING CONTROL ARM

AIR

INSTALLATION

*With: OPTION 3129, FEATURE 30292*

1

ELECTRIC

ARM BASE ASSEMBLY

*With: OPTION 3131-01, 3131-02*

2

INSTALLATION

*With: OPTION 3131, 30292-01, -02, -06, -12*

3

DESTINATION SIGN

FRONT

*With: OPTION 6165, 6184*

4

TWO STATION

*With: FEATURE 31136, 37, 38*

5

SCHOOL BUS

*With: FEATURE 31139*

6

STOP ARMS

AIR ASSEMBLY

7

ASSEMBLY NUMBERS

AIR

8

ELECTRIC

9

VACUUM

10

ELECTRIC ASSEMBLY, \*5000 SERIES

11

ELECTRIC ASSEMBLY, TRANSPEC

FRONT SIGN FOR A3FE, A3RE, BBCV, GMCV, SBCV, TCFE

*With: OPTION 3166-03, 3179-03; FEATURE 30293-03, -11, -12*

12

FRONT SIGN FOR B1VC, B2VC, MBWB & TCFE WITH OPT 3515; REAR SIGN FOR A3FE, A3RE, BBCV, GMCV, SBCV, TCFE, TCFE

*With: FEATURE 30293-11, -12*

13

MOUNTING BRACKET

---

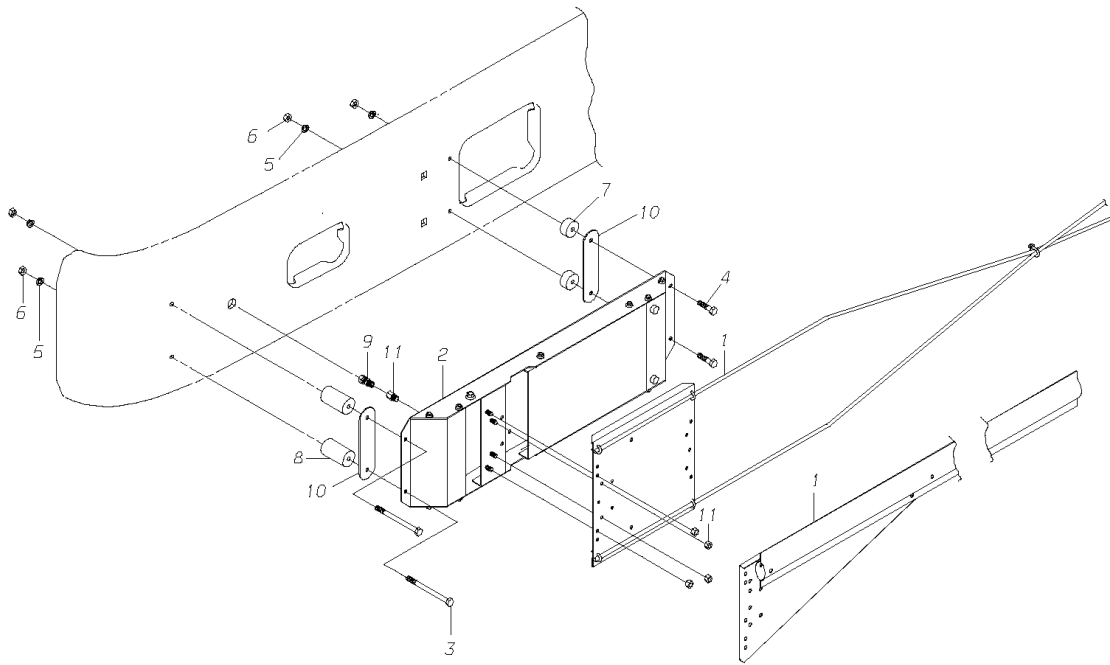
STATE OPTION LIST	14
-------------------	----

---

	15
--	----

**Models:** A3FE, A3RE  
**CROSSING CONTROL ARM**  
**AIR**  
**INSTALLATION**  
**With Features:** OPTION 3129, FEATURE 30292

Key	PartNumber	Qty	Description	Comment
-----	------------	-----	-------------	---------



**Models:** A3FE, A3RE  
**CROSSING CONTROL ARM**  
**AIR**  
**INSTALLATION**  
**With Features:** OPTION 3129, FEATURE 30292

Key	PartNumber	Qty	Description	Comment
1	1217660		ARM,CROSSING CONTROL,AIR,SPECIALTY	OPTION 3129-01, FEATURE 30292-07
1	1325745		ARM CROSSING CONTROL, AIR,	OPTION 3129-02, FEATURE 30292-08
1	0000969		ARM,CROSSING CONTROL,YELLOW POLY ROD	FEATURE 30292-05
2	1217678		BASE,CROSSING CONTROL,AIR,SPECIALTY	
3	0016654	2	CAPSCREW,HEX FLG,1/4-20X2.75,GRD5,BLACK	
4	1674225	2	CAPSCREW,HEX FLG,1/4-20X1.25,GRD5,BLACK	
6	2001410	4	NUT,HEX HD,5/16-18,YEL ZN DICH"	
7	1101138	2	RUBBER,ROUND,1.5 OD X .375 ID	
8	1101138	2	RUBBER,ROUND,1.5 OD X .375 ID	
9	0009917		CONNECTOR,MALE,1868X4-Z,.13MP X .25T"	
10	0002727	2	PLATE,MTG,CROSSING ARM	
11				MOUNT CROSSING ARM TO BASE USING (4) STUDS, WASHERS, NUTS AND CONNECTORS FURNISHED WITH THE BASE.
NI	0654962		TUBING,PLASTIC,1/4 OD,BLACK,SAE J844 TYPE	
NI	0654970		INSERT,PLASTIC TUBING,1/4, 1484 X 4	
NI	1542455		CAPSCREW,HEX FLG,5/16-18X4.00,GRD5,	
NI	2023786	3	ELBOW,1/8 MPT X 1/4 TUBE,1369X4	
NI	0810762		REGULATOR ASSY,SOLENOID VALVE,AIR STOP	

**Models:** AAFE, AARE, A3FE, A3RE, GMCV, MBWB, SBCV, TCEV, TCFE, TCRE, TSFE, VCTA

**CROSSING CONTROL ARM**


**ELECTRIC**

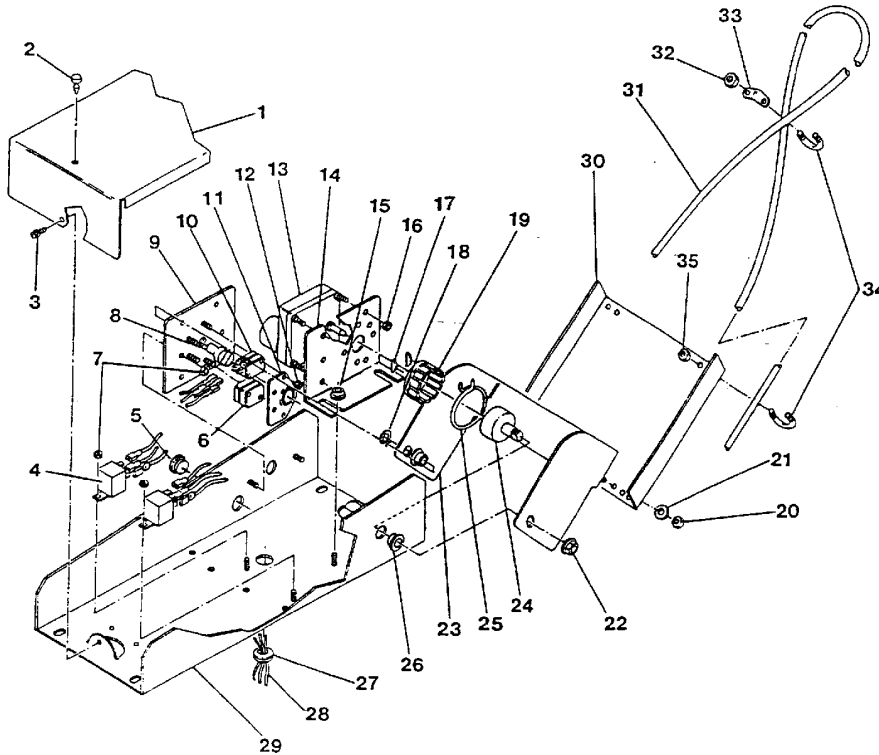
**ARM BASE ASSEMBLY**

**With Features:** OPTION 3131-01, 3131-02

Key	PartNumber	Qty	Description	Comment
-----	------------	-----	-------------	---------

DR.	BY	CHKD	REV
APP.	BY	FRY	4304796
			REV

© 1991 BLUE BIRD BODY COMPANY. ALL RIGHTS RESERVED. 



**Models:** AAFE, AARE, A3FE, A3RE, GMCV, MBWB, SBCV, TCEV, TCFE, TCRE, TSFE, VCTA

**With Features:** CROSSING CONTROL ARM  
ELECTRIC  
ARM BASE ASSEMBLY  
OPTION 3131-01, 3131-02

Key	PartNumber	Qty	Description	Comment
1			HOUSING REAR COVER	
2	2101129		RUBBER,BUMPER PLATE,STOP ARM	
3	2143626		SCREW,SHEET METAL,NO 10 X 1 1/2	
4			RELAY	
5			GROMMET	
6			MICROSWITCH	
7			NUT, HEX 8-32	
8			CAM, ALUMINUM	
9			MICROSWITCH, MTG	
10	4285649		SWITCH,MICRO,MOTOR-MTD,SINGLE,ELEC,	
11			PLATE, CAM, POSITIONER	
12			NUT, HEX, 4-40	
13			MOTOR ONLY	
14			BRKT, MOTOR	
15			NUT, HEX, 1/4-20	
16			LOCKNUT, NYLON 10-32	
17			KEY	
18			1/4 SNAP RING	
19			CLUTCH, PLASTIC	
20			1/4-20, NYLON, LOCKNUT	
21	2143618		WASHER,1/4IN,NYLON ELEC STOP ARM	
22			NUT, 1/2-2, HEX HD	
23			HINGE	
24			CLUTCH, ALUMINUM	
25			CLAMP, ROTOR CLIP	
26			BUSHING	
27	2143774		GROMMET,ELECTRIC STOP ARM"	
28			HARNESS, WIRING	
29	1617786		BASE,CROSSING CONTROL ARM,ELECTRIC	
30			PLATE, ELECTRIC CROSSING GATE	
31			ARM, CROSSING CONTROL	
31	1616382		ARM,CROSSING CONTROL,W/O LIGHTS	OPTION 3131-01, WITH LIGHT
31	1616374		ARM,CROSSING CONTROL,GREEN LIGHTS	OPTION 3131-02, WITH GREEN LIGHT

**Models:** AAFE, AARE, A3FE, A3RE, GMCV, MBWB, SBCV, TCEV, TCFE, TCRE, TSFE, VCTA

**CROSSING CONTROL ARM  
ELECTRIC  
ARM BASE ASSEMBLY**

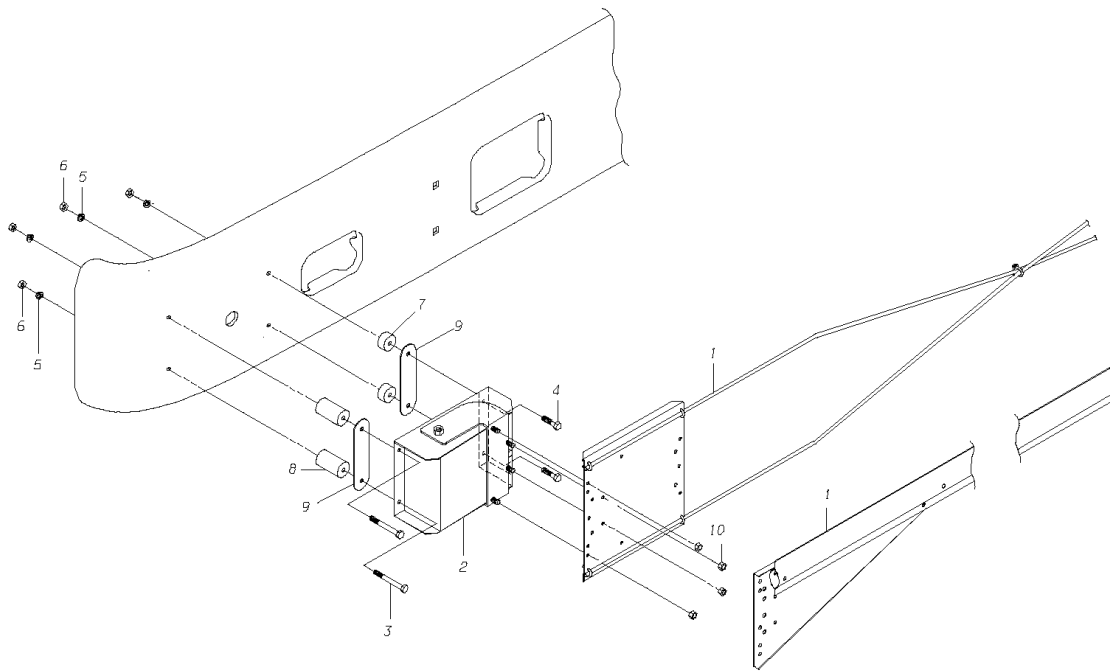
**With Features:** OPTION 3131-01, 3131-02

Key	PartNumber	Qty	Description	Comment
32			NUT	
33			SADDLE, U-BOLT	
34			U-BOLT	
35			NUT	

**Models:** A3FE, A3RE  
CROSSING CONTROL ARM  
ELECTRIC  
INSTALLATION

**With Features:** OPTION 3131, 30292-01, -02, -06, -12

Key	PartNumber	Qty	Description	Comment
-----	------------	-----	-------------	---------





**Models:** A3FE, A3RE  
**CROSSING CONTROL ARM  
 ELECTRIC  
 INSTALLATION**  
**With Features:** OPTION 3131, 30292-01, -02, -06, -12

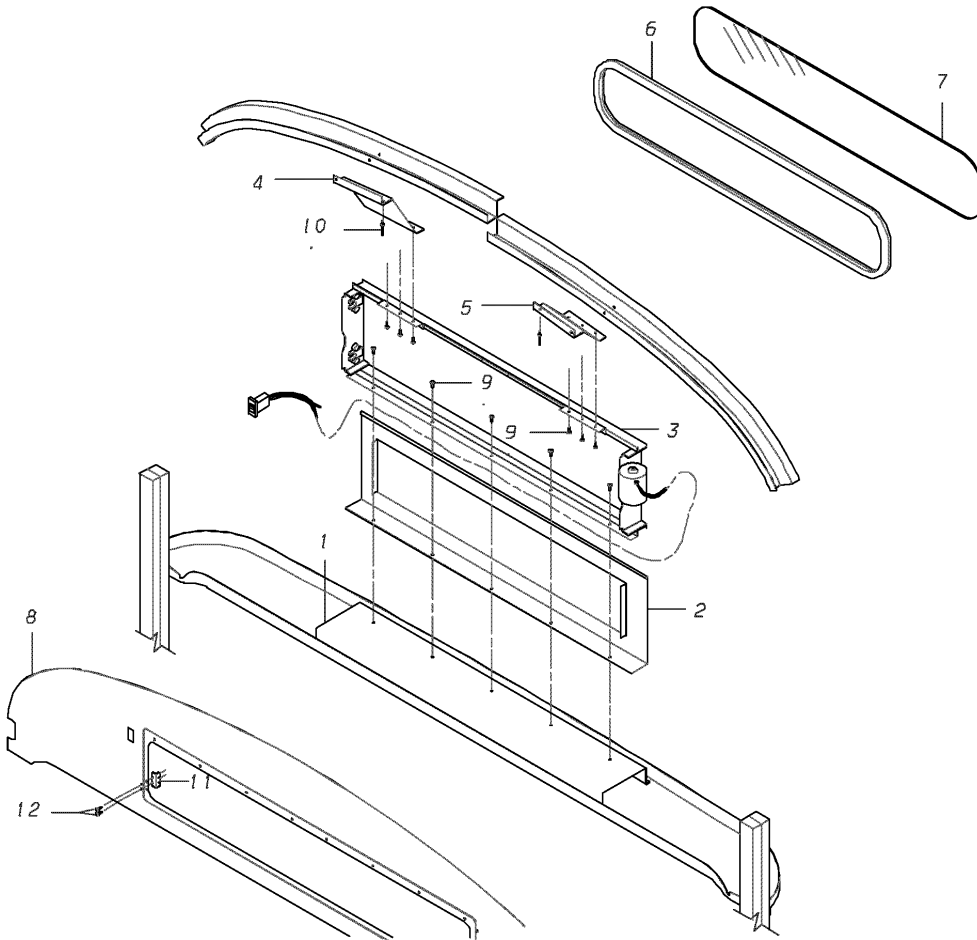
Key	PartNumber	Qty	Description	Comment
1	1616382		ARM,CROSSING CONTROL,W/O LIGHTS	OPTION 3131-01, FEATURE 30292-01. WITHOUT LIGHTS. ENDING WITH BSN 2-21-99
1	1217660		ARM,CROSSING CONTROL,AIR,SPECIALTY	OPTION 3131-01, FEATURE 30292-01. BEGIN WITH BSN 2-22-99
1	1616374		ARM,CROSSING CONTROL,GREEN LIGHTS	OPTION 3131-02, FEATURE 30292-02. WITH GREEN LIGHTS. ENDING WITH BSN 2-21-99
1	1325745		ARM CROSSING CONTROL, AIR,	OPTION 3131-02, FEATURE 30292-01. BEGIN WITH BSN 2-22-99
1	0000969		ARM,CROSSING CONTROL,YELLOW POLY ROD	FEATURE 30292-06
2	1617786		BASE,CROSSING CONTROL ARM,ELECTRIC	ENDING WITH BSN 3-14-99
2	1956754		BASE,CROSSING CONTROL ARM,ELECTRIC	BEGIN WITH BSN 3-15-99
2	0047519		BASE,CROSSING CONTROL ARM,ELE,SOL ST	FEATURE 30292-12
3	0002780	2	CAPSCREW,HEX FLG,5/16-18X2.50,GRD5,	
4	1542430	2	CAPSCREW,HEX FLG,5/16-18X1.25,GRD5,	
5	2001188	4	LOCKWASHER,SPLIT RING, 5/16,MED,YEL ZN	
6	2001410	4	NUT,HEX HD,5/16-18,YEL ZN DICH"	
7	1101138	2	RUBBER,ROUND,1.5 OD X .375 ID	
8	1101138	2	RUBBER,ROUND,1.5 OD X .375 ID	
9	0002727	2	PLATE,MTG,CROSSING ARM	
10				MOUNT CROSSING ARM TO BASE USING (4) STUDS, WASHERS AND NUTS FURNISHED WITH THE BASE.

**Models:** AAFE, AARE, A3FE, A3RE, BBCV, C1FE, SBCV, TCFE, TCRE

**DESTINATION SIGN  
FRONT**

**With Features:** OPTION 6165, 6184

Key	PartNumber	Qty	Description	Comment
-----	------------	-----	-------------	---------



DR. 11-13-02	BY MC	1677467	G
APP.	BY	FRT	REV

© BLUE BIRD BODY COMPANY. ALL RIGHTS RESERVED



Models: AAFE, AARE, A3FE, A3RE, BBCV, C1FE, SBCV, TCFE, TCRE

DESTINATION SIGN

FRONT

With Features: OPTION 6165, 6184

Key	PartNumber	Qty	Description	Comment
1	1677368		BRACKET,MTG,LOWER,FRT DEST SIGN,40" ELEC	
2	1652361		SHIELD,FRONT DESTINATION SIGN, TQ	
3	1628981		SIGN,FRONT DESTINATION,TRANSIGN #D	
4	1677350		BRACKET,MTG,UPR,LH,FRT DEST SIGN,ELEC,74	
4	1671601		BRACKET,MTG,UPR,LH,FRT DEST SIGN,ELEC,77	
5	1671619		BRACKET,MTG,UPR,RH,FRT DEST SIGN,ELEC,74	
5	1671593		BRACKET,MTG,UPR,RH,FRT DEST SIGN,ELEC,77	
6	0604975	7	GLAZING,RUBBER,W/INTEGRAL FILLERSTRIP	
7	1671585		GLASS,DESTINATION SIGN,FRONT,40"	
8	1761451		PANEL,ACCESS,FRT UPR INR,74HR,W/RLR SIGN	
8	1744283		PANEL,ACCESS,FRT UPR INR,W/SIGN, RH DRIVE	
9	1164821	11	SCREW,10-16 X 3/4,AB,PH1,TRUSS HD, YEL ZN	
10	1415769	2	RIVET,POP,.18 X .45,CHERRY SSPS-6-4	
NI	1767367		DOOR ASSY,DESTINATION SIGN W/PEEP HOLE	
NI	0285544		HARNES, ONE STATION SIGN, REAR	
NI	0007318	7	KIT,INLAY,CENTURA MATCH CORIAN PYRENNES	
NI	0007326	7	COUPLING,FLEXIBLE 1-1/2 RUBBER,MR1.2FP	
NI	0059980		DOOR ASSY,SIGN BOX INSPECTION	
NI	1762244		SUPPORT,DOOR,SPRING,EMERGENCY EQUIP	
11	1761428		BRACKET,MTG,SUPPORT,DEST SIGN DOOR	
12	1589522	2	SCREW,10-16 X 3/4,AB,PH1,PAN HD,YEL ZN	
NI	2007318	7	SPRING,PIGTAIL,LIGHT SOCKET	
NI	2007326	7	WASHER,FIBER,LIGHT SOCKET	
NI	2007508	7	TERMINAL,WIRE,STAKE ON TYPE 30876	
NI	2007573	7	BULB,TS-93,15CP	
NI	0768218		BREAKER,CIRCUIT,10AMP	
NI	0805465	2	HANDLE ASSY,SIGN DOOR	
NI	1499102		SWITCH,2 POSN,ACCESSORY	ENDING WITH BSN B20064379, B10064339, F10035824, F20035854, L10059204, M10074849
NI	1345305		APPLIQUE,FRT DEST,SWITCH PANEL, AA	BEGIN WITH BSN B20064380, B10064340, F10035825, F20035855, L10059205, M10074850
NI	0029129		HARNES,WRG,FEATURE 6165,6184	BEGIN WITH BSN B20064380, B10064340, F10035825,

**Models:** AAFE, AARE, A3FE, A3RE, BBCV, C1FE, SBCV, TCFE, TCRE

**DESTINATION SIGN  
FRONT**

**With Features:** OPTION 6165, 6184

Key	PartNumber	Qty	Description	Comment
NI	2006112		BREAKER,CIRCUIT,20 AMP	<i>F20035855, L10059205, M10074850 BEGIN WITH BSN B20064380, B10064340, F10035825, F20035855, L10059205, M10074850</i>

**Models:** A3FE, A3RE, BBCV, SBCV  
**DESTINATION SIGN**  
**TWO STATION**  
**With Features:** FEATURE 31136, 37, 38

Key	PartNumber	Qty	Description	Comment
NI	0231233		GLASS,DESTINATION SIGN,36IN	
NI	0246645		HARNES,WRG,SIGN	ENDING WITH BSN 1-21-01
	0029127		HARNES,WRG,FEATURE 31138	BEGIN WITH BSN 1-22-01
NI	0604975		GLAZING,RUBBER,W/INTEGRAL FILLERSTRIP	
NI	0805465	2	HANDLE ASSY,SIGN DOOR	
NI	1073311		NUT,PANEL,HEX HD,1/2-20,YEL ZN DICH	ENDING WITH BSN 1-21-01
NI	1495746		HOUSING ASSY,TWO STATION SIGN	
NI	1499102		SWITCH,2 POSN,ACCESSORY	ENDING WITH BSN 1-21-01
NI	1694892		MARKER,SWITCH PANEL,SIGN	ENDING WITH BSN 1-21-01
NI	1761428		BRACKET,MTG,SUPPORT,DEST SIGN DOOR	
NI	1762244		SUPPORT,DOOR,SPRING,EMERGENCY EQUIP DOOR ASSY, DESTINATION SIGN	
NI	1774819		DOOR ASSY,DESTINATION SIGN,W/O LIGHT	WITHOUT LIGHT
NI	0274837		DOOR ASSY,SCHOOL BUS LIGHTED SIGN,	ENDING WITH BSN 1-21-01
NI	0027546		DOOR ASSY,ACCESS,SIGN,REAR	BEGIN WITH BSN 1-22-01
			BULB, DOME LIGHT, LIGHTED	
NI	2007573		BULB,TS-93,15CP	ENDING WITH BSN 1-21-01
NI	2007565		BULB,DOME LIGHT	BEGIN WITH BSN 1-22-01
	2089530		SIGN,SCHOOL BUS,8""LTRS,	
	2089548		SIGN,SCHOOL BUS,8""LTRS,	
	2089746		SIGN,ECOLIERS,8""LTRS,SER	
	2089738		SIGN,1/8"" PVC,DESTINATION,BLANK,WHT/YEL	
	0008852		SIGN,1/8"" PVC,DESTINATION,BLANK,	

**Models:** A3FE, A3RE, BBCV, SBCV  
**DESTINATION SIGN**  
**TWO STATION**  
**SCHOOL BUS**  
**With Features:** FEATURE 31139

Key	PartNumber	Qty	Description	Comment
	1684331	2	SIGN,DESTINATION,YELLOW PLEXIGLASS,36"	
	0284943		DOOR ASSY,ONE STATION SIGN,FRONT	ENDING WITH BSN 1-21-01
	0027550		DOOR ASSY,ONE STATION SIGN,REAR	BEGIN WITH BSN 1-22-01
	0285544	2	HARNES, ONE STATION SIGN, REAR	ENDING WITH BSN 1-21-01
	0029128		HARNES,WRG,FEATURE 31139	BEGIN WITH BSN 1-22-01
	1694892		MARKER,SWITCH PANEL,SIGN	BEGIN WITH BSN 1-22-01
	0604975	AR	GLAZING,RUBBER,W/INTEGRAL FILLERSTRIP	
	0805465	4	HANDLE ASSY,SIGN DOOR	
	1761444		PANEL,ACCESS,FRT UPR INR,74HR,W/SIGN	ENDING WITH BSN 1-22-01
	0950857		PANEL,ACCESS,I/S,REAR UPR,W/SB SIGN	ENDING WITH BSN 1-22-01
	0027543		PANEL,ACCESS,REAR UPR INR,W/SIGN,74HR	FROM BSN 1-22-01 TO 10-01-01
	1527175		PANEL,ACCESS,REAR UPR INR,W/SIGN,77HR	ENDING WITH BSN 1-21-01
	0027542		PANEL,ACCESS,REAR UPR INR,W/SIGN,77HR	FROM BSN 1-22-01 TO 11-03-02
	0053585		PANEL,INSIDE,REAR UPPER,W/SCH,BUS	BEGIN WITH 11-04-02
	1073311		NUT,PANEL,HEX HD,1/2-20,YEL ZN DICH	ENDING WITH BSN 1-21-01
	1499102		SWITCH,2 POSN,ACCESSORY	ENDING WITH BSN 1-21-01
	2007318	14	SPRING,PIGTAIL,LIGHT SOCKET	
	2007326	14	WASHER,FIBER,LIGHT SOCKET	
	2007508	14	TERMINAL,WIRE,STAKE ON TYPE 30876	
	2007573	14	BULB,TS-93,15CP	
	2006104		BREAKER,CIRCUIT,15 AMP	ENDING WITH BSN 11-21-01
	1762244	AR	SUPPORT,DOOR,SPRING,EMERGENCY EQUIP	
	1761428		BRACKET,MTG,SUPPORT,DEST SIGN DOOR	
	1767342		DOOR ASSY,DESTINATION SIGN	
	1494160	4	RIVET,.12,CHERRY SSP-42	
	1589522	2	SCREW,10-16 X 3/4,AB,PH1,PAN HD,YEL ZN	

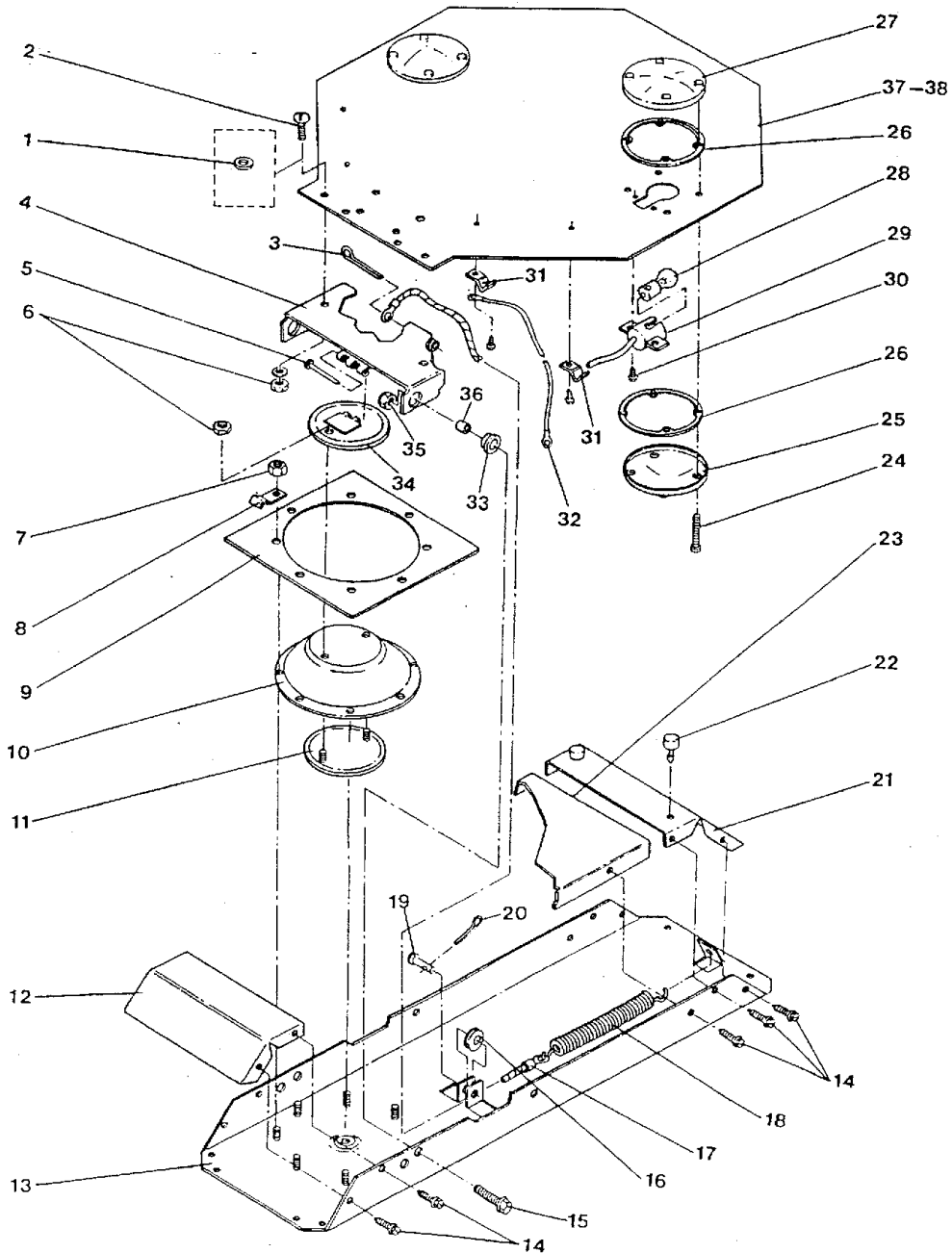
Models: AAFE, AARE, A3FE, A3RE, BBCV, MBWB, SBCV, TCFE, TCRE, TSFE, VCTA  
**STOP ARMS**  
**AIR ASSEMBLY**

Key	PartNumber	Qty	Description	Comment
-----	------------	-----	-------------	---------

AIR STOP ARM ASSEMBLY

CHK	2-90	BY	Jm
APP		BY	4290722

FRONT  
 © 1985 BLUE BIRD BODY COMPANY  
 ALL RIGHTS RESERVED



REVISED 02-11-91

90AAF410

**Models:** AAFE, AARE, A3FE, A3RE, BBCV, MBWB, SBCV, TCFE, TCRE, TSFE, VCTA

**STOP ARMS  
AIR ASSEMBLY**

Key	PartNumber	Qty	Description	Comment
1	2143618		WASHER,1/4IN,NYLON ELEC STOP ARM	
2	2000792		SCREW,MACH,1/4-20X1/2,PH1,RD HD,YEL ZN	
3	2028165		PIN,COTTER,1/8 X 3	
4	2102143		BRACKET,STOP ARM,HINGE PLATE	
5	2101095		PIN,HINGE,STOP ARM	
6	2001337		NUT,HEX HD,1/4-20,ZINC	
7	2001287		NUT,HEX HD,10-32,YEL ZN DICH	
8	2101137		CLAMP,TUBE,STOP ARM WIRING	
9	2132314		RETAINER,DIAPHRAM,AIR STOP & CROSS ARM"	
10	2101061		DIAPHRAGM,VAC STOP ARM	
NI	2102820		DIAPHRAGM ASSY,W/PLATES AIR STOP ARM"	
11	2132298		PLATE,INNER,DIAPHRAGM,W/STUDS"	
12	2101079		PLATE,FRONT,END COVER	
13	2128056		BASE ASSY,AIR STOP ARM,W/STUD	
14	2143626		SCREW,SHEET METAL,NO 10 X 1 1/2	
15	2132306		BOLT,1/4-20 X 3/4 RH MS CROSSING CENTRAL	
16	2101491		PULLEY,NYLON,AIR STOP ARM BLADE RETURN	
17	2101483		CABLE ASSY,STOP ARM BLADE RETURN	
18	2101509		SPRING,RETURN,STOP ARM BLADE	
19	2101467		PIN,CLEVIS	
20	2132223		PIN,COTTER,1/16 X 1 1/2"	
21	2101087		PLATE,REAR,END COVER	
22	2101129		RUBBER,BUMPER PLATE,STOP ARM	
23	2148476		COVER ASSY,AIR STOP ARM,CENTER"	
24			6-32 X 1 1/4 TAPPING SCREW	
25			RED LENS, CUTOUT, REAR, 194 SAE-C	
26			LENS, GASKET, 196 SAE	
27			RED LENS, SOLID, 194 SAE	
28	4287926		BULB,GE 1156 DC STOP ARM	
29			SOCKET & PIGTAIL ASSY.	
30			#7 X 1/4 HEX WASHER HEAD SCREW	
31	2143667		CLAMP,TUBE,ELECTRIC STOP ARM	
32	2101145		STRAP,GROUND,STOP ARM BLADE LIGHTS	



Models: **AAFE, AARE, A3FE, A3RE, BBCV, MBWB, SBCV, TCFE, TCRE, TSFE, VCTA**  
**STOP ARMS**  
**AIR ASSEMBLY**

Key	PartNumber	Qty	Description	Comment
33	2101103		BEARING,OUTER	
34	2102150		PLATE,OUTER DIAPHRAGM,STOP ARM	
35	2004232		NUT,HEX HD,1/4-28,LOCK,NYL INS,YEL ZN	
36	2101111		BEARING,INNER	
37	0607242		STOP ARM,AIR,STD REFL,W/ LIGHTS	OPTION 3135-02, 3149-02, 3178-02
37	0976928		STOP ARM,AIR,H/I REFL,W/ LIGHTS	OPTION 3174-02, 3176-02
37	0753137		STOP ARM,AIR,NON REFL,W/ LIGHTS,8/STOP	OPTION 3146-02
37	0647370		STOP ARM,AIR,NON REFL,W/ LIGHTS	OPTION 3143-02, 3148-02
37	1288455		STOP ARM,AIR,NON REFL W/STROBE	OPTION 3165-02, WITH STROBE
37	1390624		STOP ARM,AIR,NON REFL,W/ STROBE,8/STOP	OPTION 3164-02, WITH STROBE
38	2115327		BLADE ASSY,STOP ARM,REFL. W/LIGHTS	OPTION 3135-02, 3149-02
38	2146140		BLADE ASSY,STOP ARM,OCT,R/WHT SCOT	OPTION 3174-02
38	2103141		BLADE ASSY,STOP ARM,OCT,R/W 8IN WHITE	OPTION 3146-02
38	2101228		BLADE ASSY,STOP ARM,VAC,OCT,R/W RED	OPTION 3143-02
38	4284758		BLADE ASSY,STOP ARM W/STROBE 6IN,OPT	OPTION 3165-02, WITH STROBE
38	4284683		BLADE ASSY,STOP ARM,W/STROBE OPT 3164	OPTION 3164-02, WITH STROBE
NI	2151371		POWER SUPPLY,STROBE LIGHT,STOP ARM	OPTION 3164 & 3165
NI	4286217		CORD,POWER SUPPLY,STROBE STOP ARM	OPTION 3164 & 3165
NI	2145498		BULB,ASSY,LIGHT,STROBE,STOP ARM,	OPTION 3164 & 3165
NI	4287587		ADAPTER,STROBE PWR PACK,MALE,SPECIALITY	OPTION 3164 & 3165
NI	4287579		ADAPTER,STROBE PWR PACK,FEMALE,	OPTION 3164 & 3165
NI	4283800		KIT,MOUNTING,AIR STOP ARM	
NI	4278420		KIT,LENS,STOP ARM (INCLUDES SCREWS &	CONSISTS OF KEY #24, 25, 26, 27
NI	2154862		DECAL,STOP ARM,OCTAGON,REFLECTIVE	
NI	4281457		DECAL,STOP ARM,OCTAGONAL,HIGH INTENSITY	
NI	0809996		SWITCH,1651 2 POSN,STOP ARM W/RED KNOB	
NI	0810762		REGULATOR ASSY,SOLENOID VALVE,AIR STOP	
NI	2154979		RESTRICTOR,STOP ARM,BRASS,1/8 MPT X 1/8	
NI	0768218		BREAKER,CIRCUIT,10AMP	WITH OPTION 3164 & 3165
NI	1161876		RELAY,ISO,W/O TAB	WITH OPTION 3164 & 3165
NI	1079680		BRACKET,WINDGUARD,STOP ARM	OPTION 3175
NI	2102226		KNOB,VACUUM STOP ARM CONTROL	
NI	4284691		BASE ASSY,W/HI-LO STROBE,AIR OPT 3164	

**Models:** **AAFE, AARE, A3FE, A3RE, BBCV, MBWB, SBCV, TCFE, TCRE, TSFE, VCTA**  
**STOP ARMS**  
**AIR ASSEMBLY**

Key	PartNumber	Qty	Description	Comment
NI	4284717		BASE ASSY,W/STROBE,AIR OPT 3165	
NI	4282240		BASE ASSY,AIR STOP ARM	
NI	2117208		BELT,STOP ARM AIR PUMP ASSY,NO 0994830	
NI	2149219		KIT,AIR PUMP,PULLEY REPLACEMENT,STOP ARM	
NI	2101442		REGULATOR,AIR PRESSURE,AIR STOP ARM	
NI	2149227		KIT,AIR/VAC,MOTOR REPLACEMENT,STOP ARM	
NI	1616325		BRACKET,MTG,CROSSING ARM,5.50	

**Models:**  
**TSFE, VCTA**

**AAFE, AARE, A3FE, A3RE, BBCV, B1VC, B2VC, GMCV, MBWB, SBCV, TCPE, TCRE,**

**STOP ARMS  
ASSEMBLY NUMBERS  
AIR**

Key	PartNumber	Qty	Description	Comment
	0647370		STOP ARM,AIR,NON REFL,W/ LIGHTS	OPTION 3143, 3148, 30296-04
	1600592		STOP ARM,AIR,NON REFL,W/ LIGHTS,RR MNT	OPTION 3148
	0839746		STOP ARM,AIR,NON REFL,W/ LIGHTS, MASS	OPTION 7179, 30296-08
	0753137		STOP ARM,AIR,NON REFL,W/ LIGHTS,8/STOP	OPTION 3146, 30296-06
	1288455		STOP ARM,AIR,NON REFL W/STROBE	OPTION 3165, 30296-05
	1390624		STOP ARM,AIR,NON REFL,W/ STROBE,8/STOP	OPTION 3164, 30296-07
	0607242		STOP ARM,AIR,STD REFL,W/ LIGHTS	OPTION 3135, 3149, 3178, 30296-01
	1600626		STOP ARM,AIR,STD REFL,W/ LIGHTS,RR MNT	OPTION 3149
	1459684		STOP ARM,AIR,STD REFL,W/ STROBE	OPTION 3162, 30296-02
	0663500		STOP ARM,AIR,H/I REFL,NO LIGHTS	OPTION 3155
	0976928		STOP ARM,AIR,H/I REFL,W/ LIGHTS	OPTION 3174, 3176. ENDING WITH BSN 0001843, 0029887, 0193696, 0263375; B1VC 20000183, 0378715
	1967876		STOP ARM,AIR,H/I REFL,W/LIGHTS	OPTION 3174-02, 3176-02, 30296-09. BEGIN WITH BSN 0001844, 0029888, 0193697, 0263376. B1VC 20000184, 0378716
	1630334		STOP ARM,AIR,H/I REFL,W/LIGHTS,RR MNT	OPTION 3176. ENDING WITH BSN 0001843, 0029887, 0193696, 0263375; B1VC 20000183, 0378715.
	1967884		STOP ARM,AIR,H/I REFL,W/LIGHTS,RR MNT	OPTION 3176-02. BEGIN WITH BSN 0001844, 0029888, 0193697, 0263376; B1VC 20000184, 0378716.
	1459718		STOP ARM,AIR,H/I REFL,W/ STROBE	OPTION 3163-02, 30296-10
	1605369		ARRET ARM,AIR,STD REFL,W/LIGHTS	OPTION 3179, 3166, 30296-03
	0047518		STOP ARM,AIR,H/I,LED,REFL	FEATURE 30296-11, 12
	0055898		STOP ARM,AIR,H/I,LED,REFL,REAR	FEATURE 30296-12
	0049083		STOP ARM,AIR,HI-REF,W/STROBE,REAR MOUNT	FEATURE 30296-13
	1600584		CHART,STOP ARM,SPECIALTY,APPLICATIONS	DRAWING REFERENCE

**Models:**  
**TSFE, VCTA**

**AAFE, AARE, A3FE, A3RE, BBCV, B1VC, B2VC, GMCV, MBWB, SBCV, TCPE, TCRE,**

**STOP ARMS  
ASSEMBLY NUMBERS  
ELECTRIC**

Key	PartNumber	Qty	Description	Comment
	1600659		STOP ARM,ELE,NON REFL,W/ LIGHTS	OPTION 3143, 3148, 7179, 30293-04
	1600600		STOP ARM,ELE,NON REFL,W/ LIGHTS,RR MNT	OPTION 3148
	1600691		STOP ARM,ELE,NON REFL,W/ LIGHTS,8/STOP	OPTION 3146, 30293-06
	1600667		STOP ARM,ELE,NON REFL,W/ STROBE	OPTION 3165, 30293-05
	1600683		STOP ARM,ELE,NON REFL,W/ STROBE,8/STOP	OPTION 3164, 30293-07
	1600709		STOP ARM,ELE,STD REFL,W/ LIGHTS	OPTION 3135, 3149, 3178, 30293-01
	1600634		STOP ARM,ELE,STD REFL,W/ LIGHTS,RR MNT	OPTION 3149
	1600725		STOP ARM,ELE,STD REFL,W/ STROBE	OPTION 30293-02
	1600675		STOP ARM,ELE,H/I REFL,NO LIGHTS	OPTION 3155
	1600717		STOP ARM,ELE,H/I REFL,W/ LIGHTS	OPTION 3174, 3176
	1967892		STOP ARM,ELE,H/I REFL,W/LIGHTS	OPTION 3174-03, 3176-03, 30293-09.
	1630342		STOP ARM,ELE,H/I REFL,W/LIGHTS,RR MNT	OPTION 3176. ENDING WITH BSN 0001843, 0029887, 0193696, 0263375; B1VC 20000183, 0378715.
	1967900		STOP ARM,ELE,H/I REFL,W/LIGHTS,RR MNT	OPTION 3176-03. BEGIN WITH BSN 0001844, 0029888, 0193697, 0263376; B1VC 20000184, 0378716
	1600733		STOP ARM,ELE,H/I REFL,W/ STROBE	OPTION 3163-03, 30293-10
	1605377		ARRET ARM,ELE,STD REFL,W/LIGHTS	OPTION 3179, 3166
	0047514		STOP ARM,ELE,H/I,LED,REFL	FEATURE 30293-13, 14
	0055894		STOP ARM,ELE,H/I,LED,REFL,REAR	FEATURE 30293-14
	0047515		STOP ARM,ELE,S/S,H/I,W/STROBE	FEATURE 30293-15, 16
	0055895		STOP ARM,ELE,S/S,H/I,W/STROBE,REAR	FEATURE 30293-16
	0047516		STOP ARM,ELE,S/S,INC,REFL	FEATURE 30293-17, 18
	0055896		STOP ARM,ELE,S/S,INC,REFL,REAR	FEATURE 30293-18
	0047517		STOP ARM,ELE,S/S,INC,REFL,ARRET	FEATURE 30293-19, 20
	0055897		STOP ARM,ELE,S/S,INC,REFL,ARRET,REAR	FEATURE 30293-20
	1600584		CHART,STOP ARM,SPECIALTY,APPLICATIONS	DRAWING REFERENCE

**Models:**  
**TSFE, VCTA**

**AAFE, AARE, A3FE, A3RE, BBCV, B1VC, B2VC, GMCV, MBWB, SBCV, TCPE, TCRE,**

**STOP ARMS  
ASSEMBLY NUMBERS  
VACUUM**

Key	PartNumber	Qty	Description	Comment
	2004711		STOP ARM,VAC,NON REFL,W/ LIGHTS	OPTION 3143, 3148, 30294-04
	1600618		STOP ARM,VAC,NON REFL,W/ LIGHTS,RR MNT	OPTION 3148
	0839738		STOP ARM,VAC,NON REFL,W/ LIGHTS, MASS	OPTION 7179, 30294-08
	0753129		STOP ARM,VAC,NON REFL,W/ LIGHTS,8/STOP	OPTION 3146, 30294-06
	1288448		STOP ARM,VAC,NON REFL,W/ STROBE	OPTION 3165, 30294-05
	1390632		STOP ARM,VAC,NON REFL,W/ STROBE,8/STOP	OPTION 3164, 30294-07
	0607234		STOP ARM,VAC,STD REFL,W/ LIGHTS	OPTION 3135, 3149, 7186, 3178, 30294-01
	1600642		STOP ARM,VAC,STD REFL,W/ LIGHTS,RR MNT	OPTION 3149
	1459676		STOP ARM,VAC,STD REFL,W/ STROBE	OPTION 3162, 30294-02
	0663492		STOP ARM,VAC,H/I REFL,NO LIGHTS	OPTION 3155
	0976936		STOP ARM,VAC,H/I REFL,W/ LIGHTS	OPTION 3174, 3176. ENDING WITH BSN 0001843, 0029887, 0193696, 0263375. B1VC 20000183, 0378715
	1965367		STOP ARM,VAC,H/I REFL,W/LIGHTS	OPTION 3174-01, 3176-01, 30294-09. BEGIN WITH BSN 0001844, 0029888, 0193697, 0263376. B1VC 20000184, 0378716
	1630326		STOP ARM,VAC,H/I REFL,W/LIGHTS,RR MNT	OPTION 3176
	1965375		STOP ARM,VAC,H/I REFL,W/LIGHTS,RR MNT	OPTION 3176-01
	1459700		STOP ARM,VAC,H/I REFL,W/ STROBE	OPTION 3163-01, 30294-10
	1605351		ARRET ARM,VAC,STD REFL,W/LIGHTS	OPTION 3179, 3166, 30294-03
	1600584		CHART,STOP ARM,SPECIALTY,APPLICATIONS	DRAWING REFERENCE

VCTA

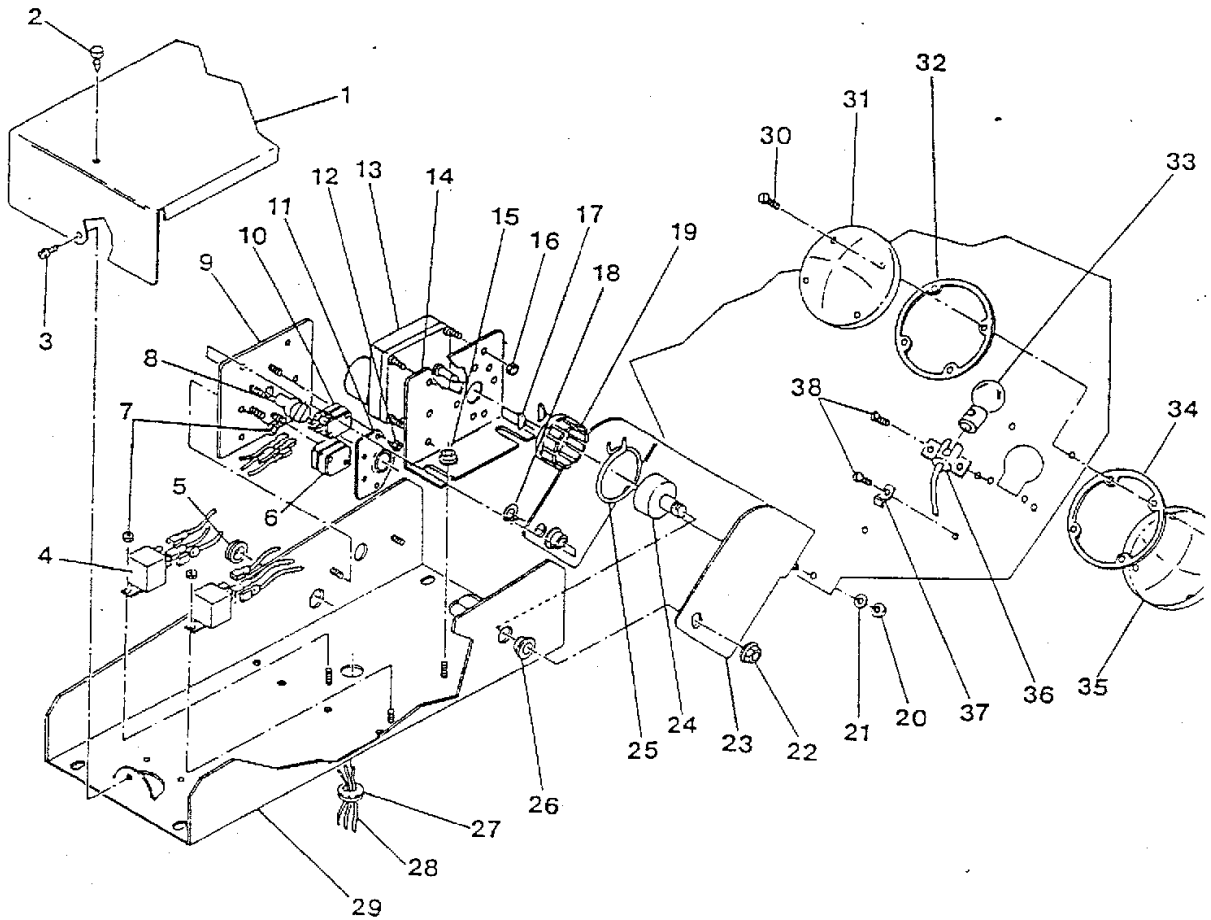
Models: AAFE, AARE, A3FE, A3RE, BBCV, GMCV, MBWB, SBCV, T2RE, TCPE, TCRE, TSPE,

**STOP ARMS  
ELECTRIC ASSEMBLY, \*5000 SERIES**

Key	PartNumber	Qty	Description	Comment
-----	------------	-----	-------------	---------

DR	BY	FRT	4304788	REV
APP	BY			

© 1991 BLUE BIRD BODY COMPANY. ALL RIGHTS RESERVED. 



VCTA Models: **AAFE, AARE, A3FE, A3RE, BBCV, GMCV, MBWB, SBCV, T2RE, TCPE, TCRE, TSPE,**  
**STOP ARMS**  
**ELECTRIC ASSEMBLY, \*5000 SERIES**

Key	PartNumber	Qty	Description	Comment
			STOP ARM ASSY., COMPLETE	
NI	1600709		STOP ARM,ELE,STD REFL,W/ LIGHTS	OPTION 3135-03, 3178-03, 3149-03. FEATURE NUMBER 30293-01
NI	1600659		STOP ARM,ELE,NON REFL,W/ LIGHTS	OPTION 3143-03, 3148-03. FEATURE NUMBER 30293-04
NI	1600691		STOP ARM,ELE,NON REFL,W/ LIGHTS,8/STOP	OPTION 3146-03. FEATURE NUMBER 30293-06
NI	1600667		STOP ARM,ELE,NON REFL,W/ STROBE	OPTION 3165-03. FEATURE NUMBER 30293-05
NI	1600717		STOP ARM,ELE,H/I REFL,W/ LIGHTS	OPTION 3174-03, 3176-03. FEATURE NUMBER 30293-09
NI	1600725		STOP ARM,ELE,STD REFL,W/ STROBE	OPTION 3162-03. FEATURE NUMBER 30293-02
			BLADE ASSY.	
NI	2115327		BLADE ASSY,STOP ARM,REFL. W/LIGHTS	OPTION 3135-03
NI	2101228		BLADE ASSY,STOP ARM,VAC,OCT,R/W RED	OPTION 3143-03
NI	2103141		BLADE ASSY,STOP ARM,OCT,R/W 8IN WHITE	OPTION 3146-03
NI	1600667		STOP ARM,ELE,NON REFL,W/ STROBE	OPTION 3165-03
NI	1600717		STOP ARM,ELE,H/I REFL,W/ LIGHTS	OPTION 3174-03
1			HOUSING REAR COVER	
2	2101129		RUBBER,BUMPER PLATE,STOP ARM	
3	2143626		SCREW,SHEET METAL,NO 10 X 1 1/2	
4			RELAY	
5			GROMMET	
6			MICROSWITCH	
7			NUT, HEX 8-32	
8			CAM, ALUMINUM	
9			MICROSWITCH MTG	
10	4285649		SWITCH,MICRO,MOTOR-MTD,SINGLE,ELEC,	
11			PLATE, CAM, POSITIONER	
12			NUT, HEX 4-40	
13			MOTOR ONLY	
14			BRKT, MOTOR	
15			NUT, HEX, 1/4-20	
16			LOCKNUT, NYLON 10-32	
17			KEY	
18			1/4 SNAP RING	

**VCTA**      **Models:** **AAFE, AARE, A3FE, A3RE, BBCV, GMCV, MBWB, SBCV, T2RE, TCPE, TCRE, TSPE,**

**STOP ARMS**  
**ELECTRIC ASSEMBLY, \*5000 SERIES**

Key	PartNumber	Qty	Description	Comment
19			CLUTCH, PLASTIC	
20			1/4-20, NYLON, LOCKNUT	
21	2143618		WASHER,1/4IN,NYLON ELEC STOP ARM	
22			NUT, 1/2-2, HEX HD	
23			HINGE	
24			CLUTCH, ALUMINUM	
25			CLAMP, ROTOR CLIP	
26			BUSHING	
27	2143774		GROMMET,ELECTRIC STOP ARM"	
28			HARNESS, WIRING	
29	4309340		BASE ASSY,5000 SERIES STOP ARM 5110"	
30			SCREW, TAPPING 3-32 X 1 1/4	
31			LENS, RED, SOLID	
32			GASKET, LENS	
33	4287926		BULB,GE 1156 DC STOP ARM	
34			GASKET, LENS	
35			RED LENS	
36			SOCKET & PIGTAIL ASSY.	
37			CLAMP TUBE	
NI	4314407		ADAPT,WINDGUARD,5000 SERIES STOP ARM	
NI	1617836		BRACKET,WIND GUARD MNT,ELEC S/ARM,	
NI	4308409		KIT,WINDGUARD,ELEC STOP ARM,NO.5127	<i>INCLUDES WINDGUARD &amp; ADAPT.</i>



Models: A3FE, A3RE, BBCV, GMCV, SBCV, TCFE

STOP ARMS

ELECTRIC ASSEMBLY, TRANSPEC


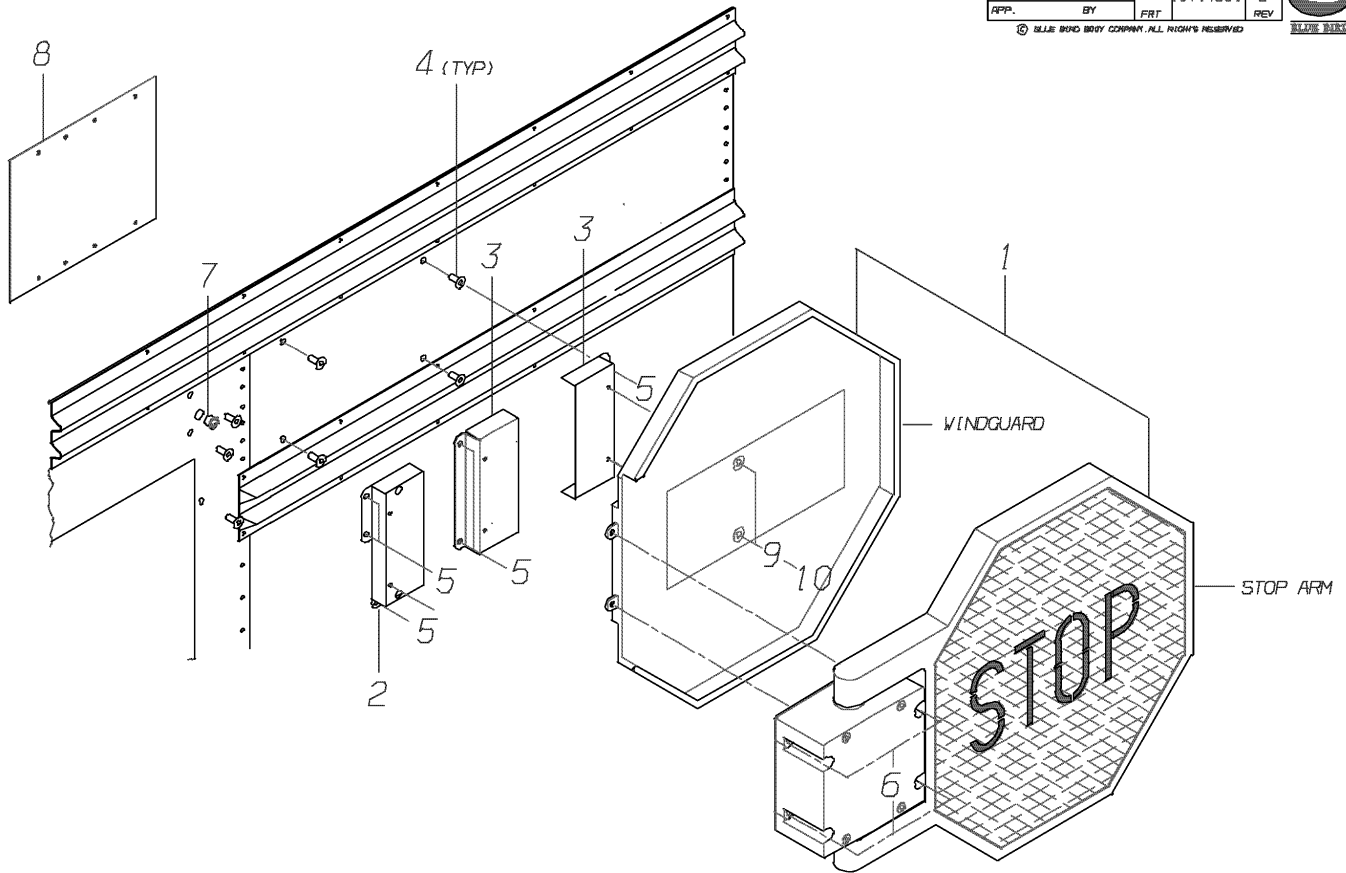
FRONT SIGN FOR A3FE, A3RE, BBCV, GMCV, SBCV, TCFE

With Features: OPTION 3166-03, 3179-03; FEATURE 30293-03, -11, -12

Key	PartNumber	Qty	Description	Comment
-----	------------	-----	-------------	---------

DR. 05/09/03 BY TB	19714801	D
APP. BY FRT	REV	

© BLUE BIRD BODY COMPANY. ALL RIGHTS RESERVED





**Models:** A3FE, A3RE, BBCV, GMCV, SBCV, TCFE  
**STOP ARMS**  
**ELECTRIC ASSEMBLY, TRANSPEC**  
**FRONT SIGN FOR A3FE, A3RE, BBCV, GMCV, SBCV, TCFE**  
**With Features:** OPTION 3166-03, 3179-03; FEATURE 30293-03, -11, -12

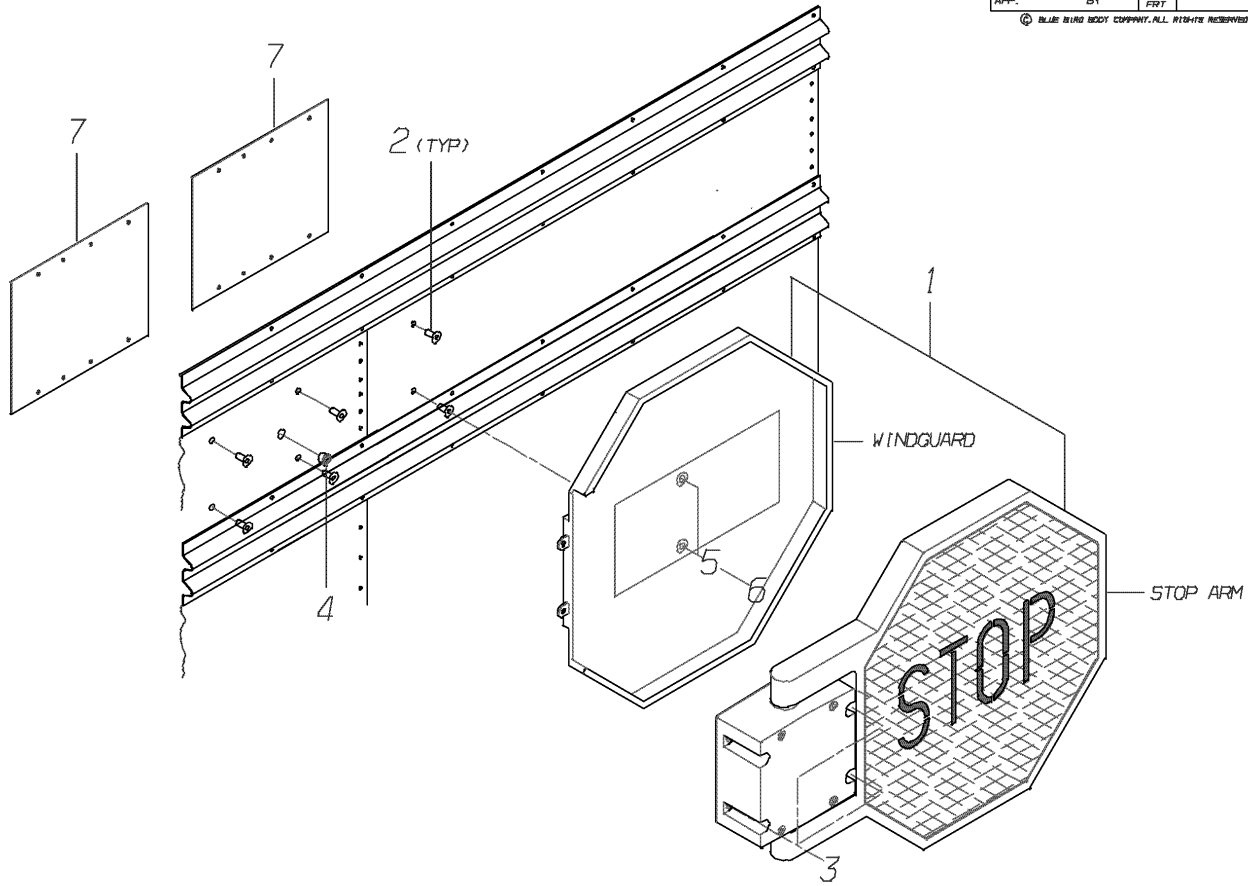
Key	PartNumber	Qty	Description	Comment
1	0007091		STOP ARM,ELE,ARRET,INCAN LGT,STD REFL	<i>OPTION 3166-03, 3179-03, 30293-03. ARRET, INCAN LIGHT, STANDARD, REFLECTIVE</i>
1	1967991		STOP ARM,ELE,H/I LED W/WIND GUARD	<i>FEATURE 30293-11, -12</i>
2	1435890		BRACKET,MTG,FRT,STOP ARM,TCFC	
3	1435965	2	BRACKET,MTG,REAR,STOP ARM,TCFC	
4	2001394	7	RIVNUT,NC,1/4"	
5	0977132	7	CAPSCREW,HEX HD,1/4-20 X 3/4,GR 5,YEL	
6	2000701	4	SCREW,1/4-14 X1-1/2,AB,PH1,PAN HD,	
7	1706399		BUSHING,NYLON,.562 HEYCO	
8	1971993	2	PLATE,BKG,STOP ARM,TRANSPEC	
9	2001121	2	WASHER,FLAT,5/16 X 3/4,X 5/64,YEL ZN DICH	
10	2083103	2	SCREW,1/4-14X3/4,AB,PH1,PANHD,YEL ZN,	

**Models:** A3FE, A3RE, B1VC, B2VC, BBCV, GMCV, MBWB, SBCV, TCFE, TSFE  
**STOP ARMS**  
**ELECTRIC ASSEMBLY, TRANSPEC**  
**FRONT SIGN FOR B1VC, B2VC, MBWB & TCFE WITH OPT 3515; REAR SIGN FOR**  
**A3FE, A3RE, BBCV, GMCV, SBCV, TCFE, TSFE**  
**With Features:** FEATURE 30293-11, -12

Key	PartNumber	Qty	Description	Comment
-----	------------	-----	-------------	---------

OP. 05/09/03 BY TB	19714B02	D	
APP. BY FRT	REV		

© BLUE BIRD BODY COMPANY, ALL RIGHTS RESERVED

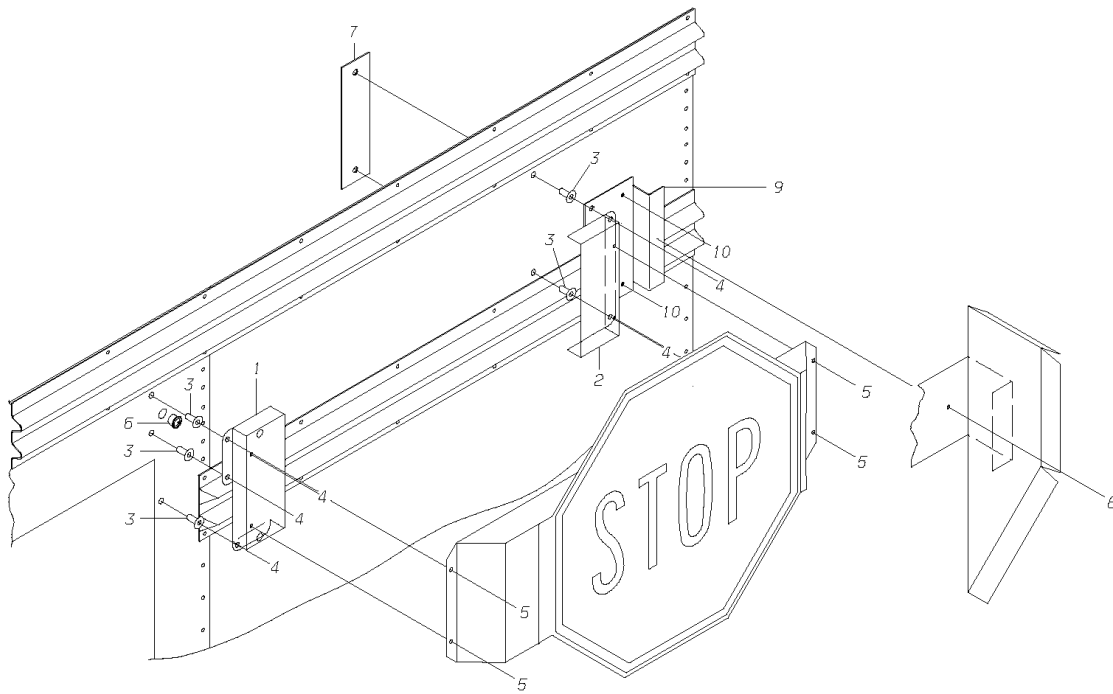


**Models:** A3FE, A3RE, B1VC, B2VC, BBCV, GMCV, MBWB, SBCV, TCFE, TSFE  
**STOP ARMS**  
**ELECTRIC ASSEMBLY, TRANSPEC**  
**FRONT SIGN FOR B1VC, B2VC, MBWB & TCFE WITH OPT 3515; REAR SIGN FOR**  
**A3FE, A3RE, BBCV, GMCV, SBCV, TCFE, TSFE**  
**With Features:** FEATURE 30293-11, -12

Key	PartNumber	Qty	Description	Comment
1	0007091		STOP ARM,ELE,ARRET,INCAN LGT,STD REFL	OPTION 3166-03, 3179-03, 30293-03. ARRET, INCAN LIGHT, STANDARD REFL
1	1967991		STOP ARM,ELE,H/I LED W/WIND GUARD	OPTION 30293-11, -12. H/I L E D WITH WIND GUARD
1	1967918		STOP ARM,ELE,H/I LED,W/WIND GUARD,RR	OPTION 30293-12. H/I L E D WITH WIND GUARD, REAR MOUNT
2	2001394	6	RIVNUT,NC,1/4"	
3	2000701	4	SCREW,1/4-14 X1-1/2,AB,PH1,PAN HD,	
4	1706399		BUSHING,NYLON,.562 HEYCO	
5	2001121	2	WASHER,FLAT,5/16 X 3/4,X 5/64,YEL ZN DICH	
6	2083103	2	SCREW,1/4-14X3/4,AB,PH1,PANHD,YEL ZN,	
7	1971993		PLATE,BKG,STOP ARM,TRANSPEC	
NI	1971985		PLATE,BKG,STOP ARM,W/RAISED FL,TRANSPEC,	OPTION 30293-11. WITH OPTION 3515

Models: A3FE, A3RE, TCFE, TCRE, TSFE  
 STOP ARMS  
 MOUNTING BRACKET

Key	PartNumber	Qty	Description	Comment
-----	------------	-----	-------------	---------



**Models:** A3FE, A3RE, TCFE, TCRE, TSFE  
**STOP ARMS**  
**MOUNTING BRACKET**

Key	PartNumber	Qty	Description	Comment
1	1435890		BRACKET,MTG,FRT,STOP ARM,TCFC	
2	1435965		BRACKET,MTG,REAR,STOP ARM,TCFC	
3	2001394	5	RIVNUT,NC,1/4"	
4	0977132	5	CAPSCREW,HEX HD,1/4-20 X 3/4,GR 5,YEL	
5	0864553	4	SCREW,14 X 3/4,PH,PAN,AB,EPXY LK,0003 YE	
6	2003226		GROMMET,RUBBER,W/S WIPER	
7	1437896		PLATE,BACKING,STOP ARM	

**Models:** AAFE, AARE, A3FE, A3RE, BBCV, GMCV, GPWB, MBWB, SBCV, TCPE, TCRE  
**STOP ARMS**  
**STATE OPTION LIST**

Key	PartNumber	Qty	Description	Comment
			01-VACUUM	
			02-AIR	
			03-ELECTRIC	
			AL	OPTION 3143
			AK	OPTION 3135
			AR	OPTION 3143
			AZ	OPTION 3140
			CO	OPTION 3135
			CT	OPTION 3143
			FL	OPTION 3135
			GA	OPTION 3135
			ID	OPTION 3155
			IL	OPTION 3144
			IN	OPTION 3135
			IA	OPTION 3174
			KS	OPTION 3143
			LA	OPTION 3148
			MA	OPTION 7179
			MN	OPTION 3155
			MS	OPTION 3135
			MO	OPTION 3143
			NB	OPTION 3135
			NH	OPTION 3135
			NM	OPTION 3146
				OPTION 3165
			OH	OPTION 3135
			OK	OPTION 3135
			SC	OPTION 3143
			TN	OPTION 3135
			TX	OPTION 3143
			VA	OPTION 7173
			WA	OPTION 3143
			WV	OPTION 3135
				OPTION 3143