

Body

420 Lights & Lens

BACK-UP, MARKER, DOME, 5 INCH DIRECTIONAL, STEPWELL

_____ 1
ENGINE COMPARTMENT

_____ 2
ENGINE COMPARTMENT DOOR

_____ 3
LED, ENGINE COMPARTMENT DOOR

_____ 4
REAR EXTERIOR (LOCATION & IDENTIFICATION)

_____ 5
STROBE LIGHT

With: OPTION 2022 _____ 6

STROBE LIGHT, WHITE FLASHING _____ 7

With: OPTION 2035, 2036 or FEATURE 30245 _____ 7

U.K. UNITS ONLY _____ 8
ENGINE COMPARTMENT HAZARD/TAIL LIGHTS

_____ 8
MISC BULBS

_____ 9
MISC LIGHTS

_____ 10
REAR CLUSTER LIGHTS

_____ 11
WARNING LIGHT SYSTEM

With: OPTION 1987 _____ 12

With: OPTION 6734 _____ 13

8 LAMP _____ 14

With: OPTION 2013, 2016 _____ 14

WARNING, 7 INCH STOP & DIRECTIONAL, 4 INCH COMBINATION _____ 15

WARNING, FRONT & REAR _____ 16

With: FEATURE 30200-08, -09 _____ 16

VCTA

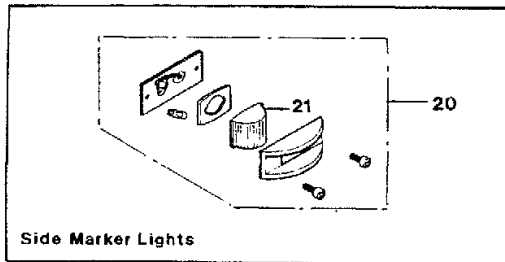
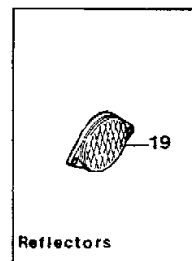
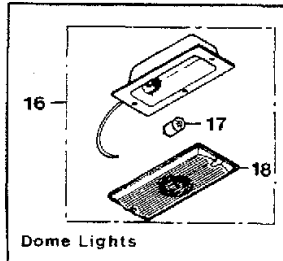
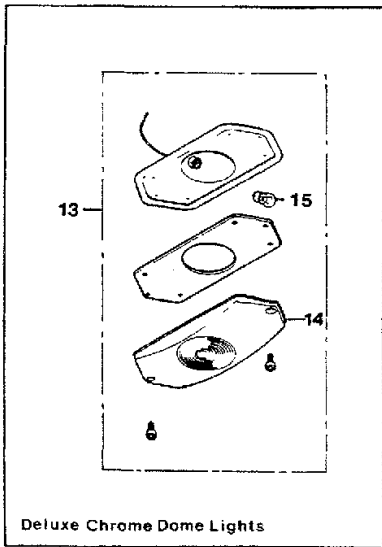
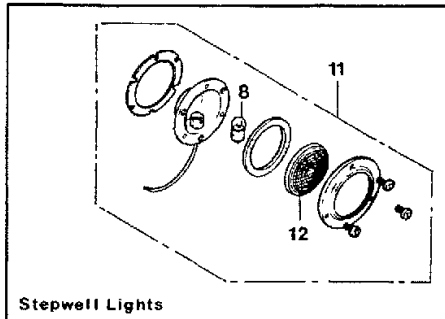
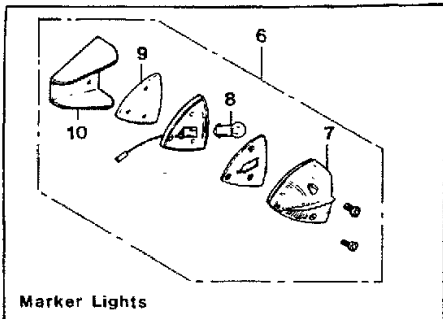
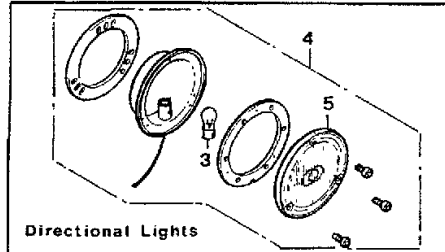
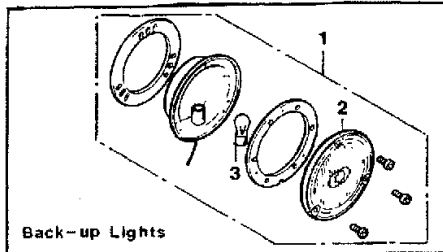
Models: AAFE, AARE, A1VC, A3FE, A3RE, B1VC, B2VC, GPWB, MBWB, SBCV, TCPE, TCRL,

BACK-UP, MARKER, DOME, 5 INCH DIRECTIONAL, STEPWELL

Key	PartNumber	Qty	Description	Comment
-----	------------	-----	-------------	---------

BACK-UP, MARKER, DOME,
5" DIRECTIONAL, STEPWELL

DR. 6/2/82 BY JET
APP. 6-2-82 BY DC
8000531
2 OF 2
© 1983 BLUE BIRD BODY COMPANY
ALL RIGHTS RESERVED



VCTA **Models:** **AAFE, AARE, A1VC, A3FE, A3RE, B1VC, B2VC, GPWB, MBWB, SBCV, TCPE, TCRL,**
BACK-UP, MARKER, DOME, 5 INCH DIRECTIONAL, STEPWELL

Key	PartNumber	Qty	Description	Comment
1	0817122		LIGHT,BACK-UP,W/CLEAR LENS K-D LAMP	STANDARD K-D
1	1392075		LIGHT,BACK-UP,W/CLEAR LENS,W,3-1060-1100	STANDARD OPTION 2232, WELDON
1	0618777		LIGHT,BACK-UP,7IN,W	OPTION 2228, WELDON
1	1203686		LIGHT,BACK-UP,T	
1	1635127		LIGHT,BACK-UP,7 IN,FMVSS108	OPTION 2228, K-D
2	2103794		LENS,BACK-UP LIGHT	STANDARD K-D
2	4280293		LENS,BACK-UP LIGHT,WELDON (1392075)	STANDARD OPTION 2232, WELDON
2	2103224		LENS,BACK-UP LIGHT,7IN,CLEAR	OPTION 2228, WELDON
2	4311775		LENS,BACK-UP LIGHT,CLEAR,7"	OPTION 2228, K-D
2	2146173		GASKET,BACK-UP LIGHT LENS,KD"	STANDARD K-D
2	4280301		GASKET,LENS,1064,W	STANDARD OPTION 2232, WELDON
2	2134369		GASKET,LENS,7IN LIGHT,W	OPTION 2228, WELDON
3	1038215		BULB,CORNERING LIGHTS,GE1156	STANDARD & OPTION 2228, 2232 WELDON
3	2255669		BULB,1157	OPTION 2228 K-D
4			NOT APPLICABLE	
5			NOT APPLICABLE	
6	1586288		LIGHT,MARKER,RED	STANDARD, OPTION 0122, FEATURE 30102-04, 30103-03. DOES NOT INCLUDE SHIELD
6	1586296		LIGHT,MARKER,AMBER	STANDARD OPTION 1591, FEATURE 30102-04, 30103-03. DOES NOT INCLUDE SHIELD
6	2006336		LIGHT,MARKER,RED	OPTION 1576, 1581, 1642, FEATURE 30102-02, 30103-02. DOES NOT INCLUDE SHIELD
6	2006328		LIGHT,MARKER,AMBER	OPTION 1576, 1581, 1591, 1642, 1820, FEATURE 30102-02, 30103-02. DOES NOT INCLUDE SHIELD
6	1685890		LAMP,CLEARANCE,2-BULB,YELLOW	OPTION 1577, FEATURE 30102-03. DOES NOT INCLUDE SHIELD
6	1685882		LAMP,CLEARANCE,2-BULB,RED	OPTION 1577, FEATURE 30102-03. DOES NOT INCLUDE SHIELD
6	2083095		SCREW,10-16 X 3/4,AB,PH1,PANHD,YELZN,	
7	2103398		LENS,RED,ACRYLIC FOR 5050 LAMP"	OPTION 0122
7	2103406		LENS,AMBER,ACRYLIC FOR 505"	OPTION 1591
7	2101632		LENS,CLEARANCE LIGHT,RED,ARMORED	OPTION 1576, 1581, 1642
7	2101640		LENS,DIRECTIONAL LIGHT,AMBER,SIDE	OPTION 1576, 1581, 1591, 1642, 1820

VCTA **Models:** **AAFE, AARE, A1VC, A3FE, A3RE, B1VC, B2VC, GPWB, MBWB, SBCV, TCPE, TCRL, BACK-UP, MARKER, DOME, 5 INCH DIRECTIONAL, STEPWELL**

Key	PartNumber	Qty	Description	Comment
7	1685890		LAMP,CLEARANCE,2-BULB,YELLOW	OPTION 1577, FEATURE 30102-03
7	1685882		LAMP,CLEARANCE,2-BULB,RED	OPTION 1577, FEATURE 30102-03
8	2007557		BULB,TS-67	STANDARD, SINGLE CONTACT BAYONET. MARKER & STEPWELL LIGHTS.
8	4304697		BULB,GE161,WEDGE BASE,1CP	STANDARD WEDGE BASE. MARKER & STEPWELL LIGHTS
8	2007557		BULB,TS-67	OPTION 2233. MARKER & STEPWELL LIGHTS
9	2103653		GASKET,LENS,MARKER LIGHT,W	
10	0932020		SHIELD,ARMORED,W	OPTION 1581, 1583, 6674, WITH 1591, FEATURE 30104-01
NI	1125491		GASKET,ARMORED SHIELD,W 5024	
NI	1226695		LIGHT,DIRECTIONAL,AMBER,PETERSON	OPTION 6680, 6685, FEATURE 30102-05
NI	1228451		LIGHT,CLEARANCE,ARMOR,R,KD-541-1603	OPTION 6680; FEATURE 30102-05
11	1370048		LIGHT,STEPWELL,ENGINE COMPARTMENT	OPTION 0177, 0437, 0439, 0442, 0445, 0448, 0451, 6214, 7372
12	2100436		LENS,STEPWELL LIGHT	LENS ONLY
13	0817155		LIGHT,DOME,DELUXE,W	OPTION 1857
14	2103661		LENS,FOR 8010 DOME LIGHT	LENS ONLY
15	2007573		BULB,TS-93,15CP	
16	1058080		LIGHT ASSY,DOME,ARROW	WITH WEDGE BASE BULB
16	1257997		HOUSING,LIGHT,DOME,WITH 6CP BULB	WELDON & BLUE BIRD. OPTION 1825, 1828, 1831, 1832, 1839, 1840
16	1258003		LENS,DOME LIGHT,W/EMBLEM	WELDON & BLUE BIRD. OPTION 1825, 1828, 1831, 1832, 1839, 1840
17	2007565		BULB,DOME LIGHT	BULB, BAYONET BASE (FITS WELDON & BLUE BIRD LIGHTS). OPTION 1825, 1828, 1831, 1832, 1840, 3051, 3052, 3053, 3054, 3059, 3065.
17	2007573		BULB,TS-93,15CP	BULB, BAYONET BASE (FITS WELDON & BLUE BIRD LIGHTS). OPTION 0437, 0439, 0442, 0445, 0448, 0451, 6214, 7355
NI	2129534		BULB,DOME LIGHT,6CP,ARROW	BULB, WEDGE BASE (FITS ARROW LIGHT)STANDARD, 6CP
NI	1058205		BULB,DOME LIGHT,31CP TEXAS	BULB, WEDGE BASE (FITS ARROW LIGHT)OPTION 7355, 31CP

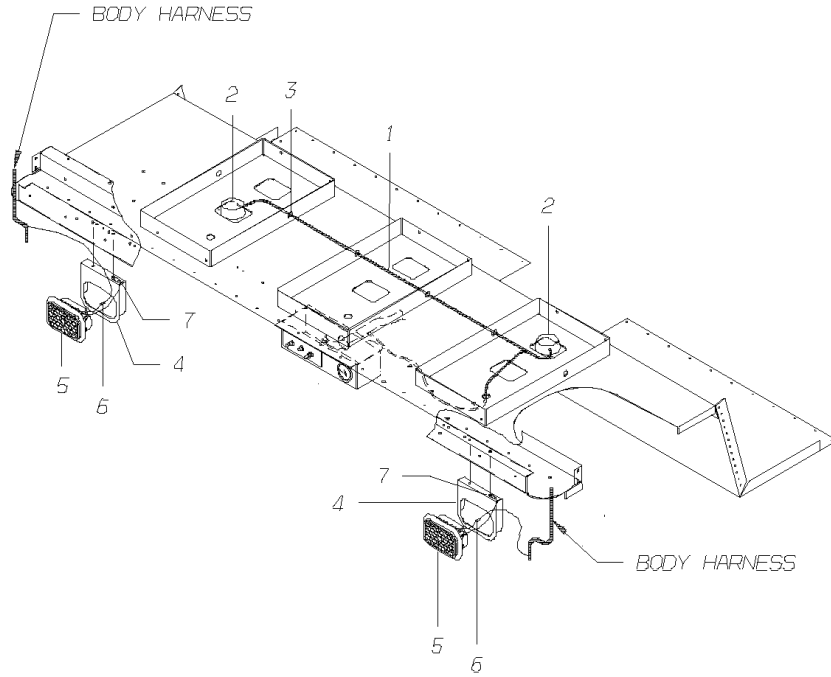
VCTA **Models:** **AAFE, AARE, A1VC, A3FE, A3RE, B1VC, B2VC, GPWB, MBWB, SBCV, TCPE, TCRL,**

BACK-UP, MARKER, DOME, 5 INCH DIRECTIONAL, STEPWELL

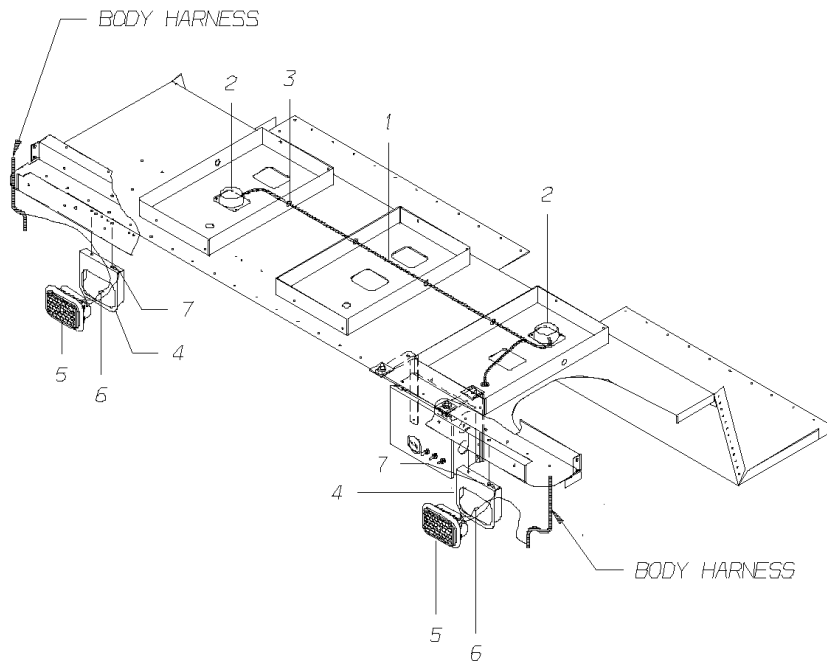
Key	PartNumber	Qty	Description	Comment
18	1258003		LENS,DOME LIGHT,W/EMBLEM	<i>OPTION 1825, 1828, 1831, 1832, 1839, 1840</i>
18	2128080		LENS,DOME LIGHT,ARROW	<i>FITS ARROW.</i>
19	0526624		REFLECTOR,RED,WITH WHITE HOUSING	<i>3 INCH REFLECTOR</i>
19	1835479		REFLECTOR,RED,WITH SELF ADHESIVE	<i>3 INCH REFLECTOR</i>
19	0526632		REFLECTOR,AMBER,WITH WHITE HOUSING	<i>3 INCH REFLECTOR. OPTION 2653</i>
19	1835461		REFLECTOR,AMBER,WITH SELF ADHESIVE	<i>3 INCH REFLECTOR.</i>
19	0618579		REFLECTOR,BRACKET MOUNT,PETERSON	<i>3 INCH REFLECTOR. AMBER, OPTION 2668</i>
19	0618561		BRACKET,MTG,REFLECTOR,FRONT AMBER	<i>FRONT, OPTION 2668</i>
NI	2006278		REFLECTOR,RED,ARROW	<i>4 INCH REFLECTOR, OPTION 6920.</i>
NI	2006260		REFLECTOR,AMBER,ARROW	<i>4 INCH REFLECTOR, OPTION 6920.</i>
20	2006336		LIGHT,MARKER,RED	<i>OPTION 1576, 1581, 1642</i>
20	2006328		LIGHT,MARKER,AMBER	<i>OPTION 1576, 1581, 1591, 1642, 1820</i>
NI	1164359		LIGHT,SIDE DIR,ARROW 059-99000,21 CP	<i>OPTION 1821, 1823</i>
21	2101632		LENS,CLEARANCE LIGHT,RED,ARMORED	
21	2101640		LENS,DIRECTIONAL LIGHT,AMBER,SIDE	
NI	1941368		LIGHT,MARKER,RECESSED,AMBER	<i>FEATURE 30102-01, 30103-01</i>
NI	1941376		LIGHT,MARKER,RECESSED,RED	<i>FEATURE 30102-01, 30103-01</i>
NI	1936772		SCREW,8-18 X 3/4,AB,PH1,PAN HD,YL ZN,W/EX	

Models: **A3RE**
ENGINE COMPARTMENT

Key	PartNumber	Qty	Description	Comment
-----	------------	-----	-------------	---------



HDRE - ALL ENGINES EXCEPT JOHN DEERE



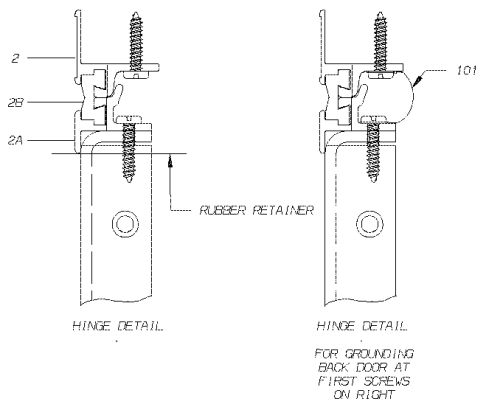
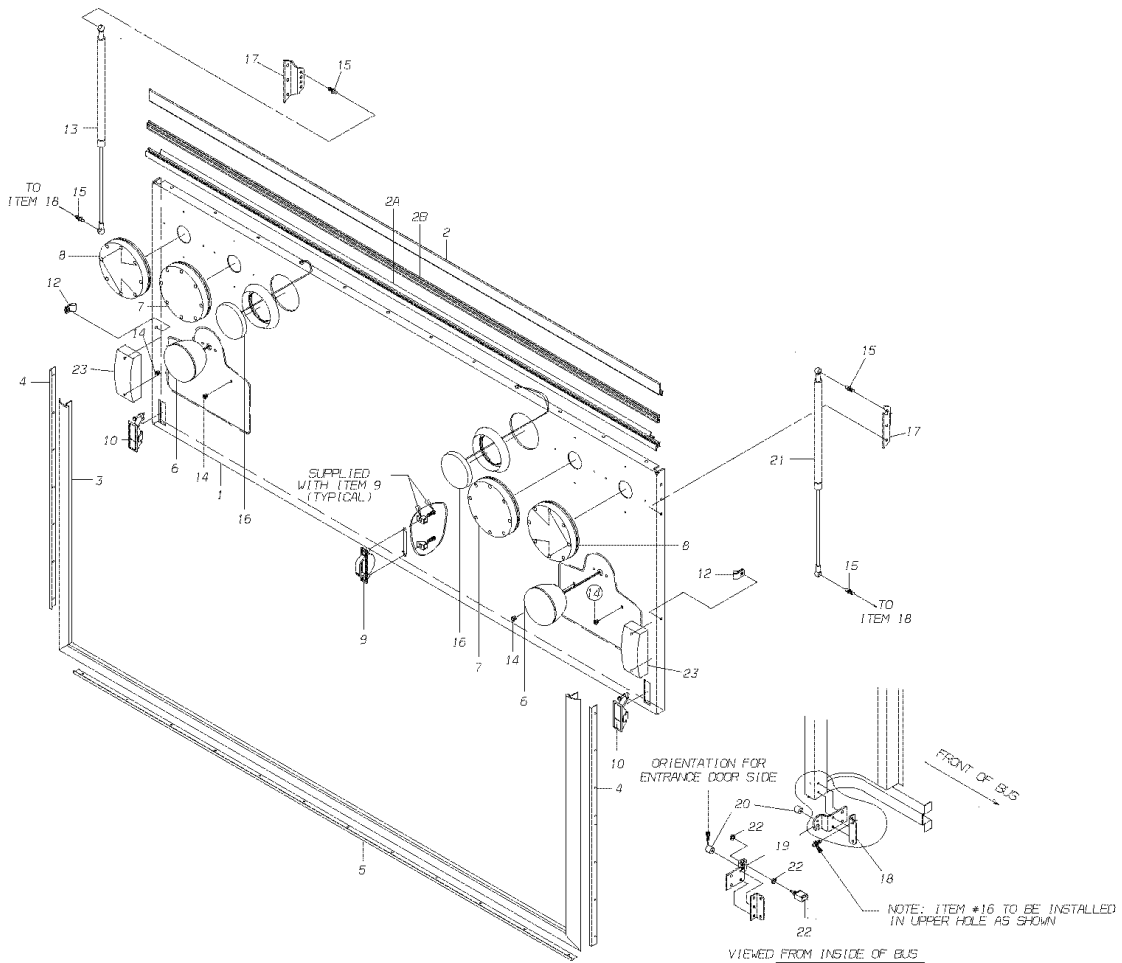
HDRE - JOHN DEERE ONLY

Models: **A3RE**
ENGINE COMPARTMENT

Key	PartNumber	Qty	Description	Comment
1	0004528		HARNES,WRG,ENGINE COMPARTMENT LIGHTS	
2	1627223	2	LIGHT ASSY,ENGINE COMPARTMENT,QB	
2	1370048		LIGHT,STEPWELL,ENGINE COMPARTMENT	
2	2007573		BULB,TS-93,15CP	
2	1564160		CONNECTOR,1 CIRC,HERMAPHRODITIC,	
2	1077486		TERMINAL,PIN,14-18 GA,CPC,SERIES 1,AMP,LS	
2	1960186	6	SCREW,10X1/2,AB,PH1,FLT CNSK,YEL,W/LK	
3	2003226	5	GROMMET,RUBBER,W/S WIPER	
4	1571769	2	BRACKET,MTG,PARKING LAMP,ENGINE	
NI	0016469	2	BRACKET,MTG,P/LMP,ENG CMPT,2020,DRRE	FEATURE 2020
NI	1542372	4	CAPSCREW,HEX FLG,1/4-20X.75,GRD5,BLACK	
NI	2001105	4	WASHER,FLAT,13/64 X,1/2 X 3/64,YEL ZN DICH	
NI	1434463	4	RIVNUT,HEX,1/4-20 X 15/32	
5	1571751	2	PARKING LAMP,RED,4.50 X 6.50	
NI	1357326	2	LIGHT,DIRECTIONAL,RECT,AMBER,W/O ARROW	FEATURE 2020
6	1218486	1	TUBING,HEAT SHRINK,SEALING,BLACK,3/8 DIA	
7	1353630	2	TERMINAL,EYELET,3/8,18-20 GA,INSULATED	
NI	1170083	2	CLAMP,LOOP,.375	

Models: **A3RE**
ENGINE COMPARTMENT DOOR

Key	PartNumber	Qty	Description	Comment
-----	------------	-----	-------------	---------



Models: **A3RE**
ENGINE COMPARTMENT DOOR

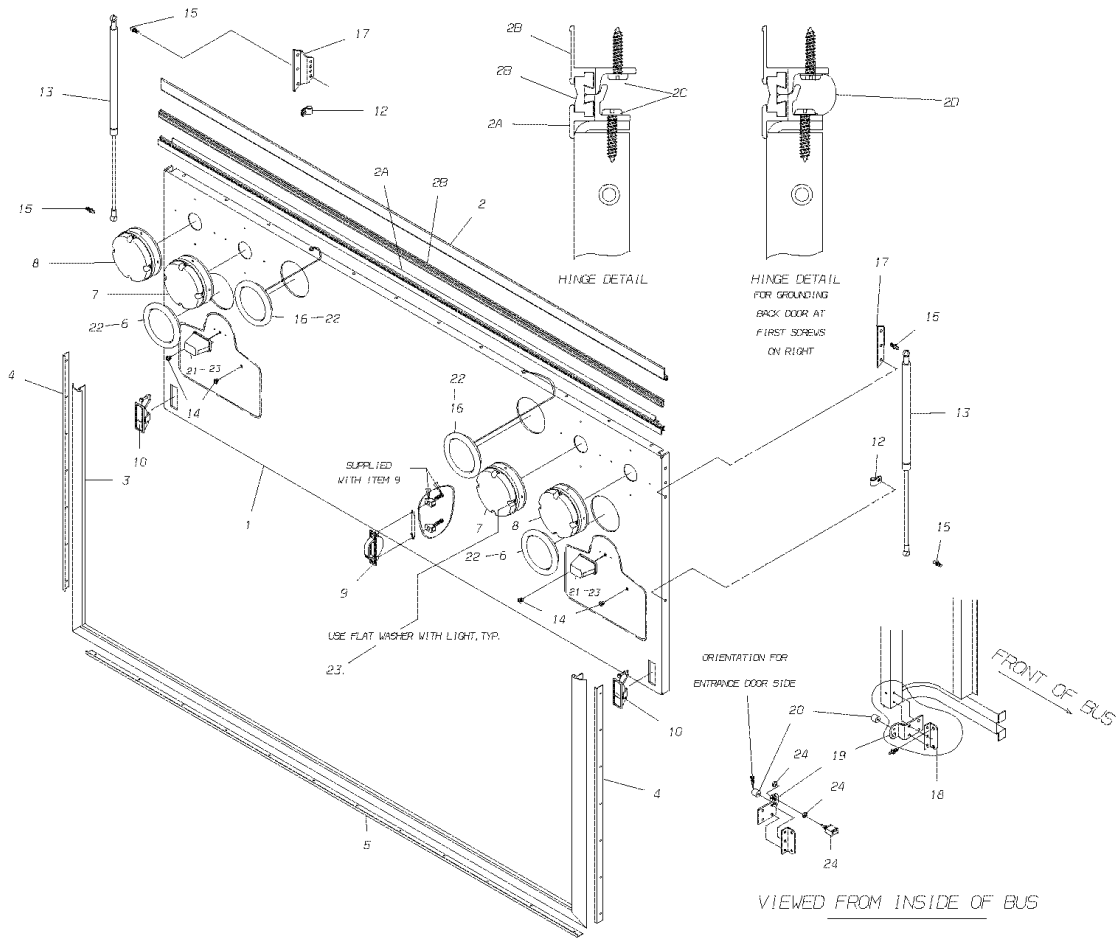
Key	PartNumber	Qty	Description	Comment
1	0062885		DOOR ASSY,ENGINE CMPT,SOLID,UND 275HP,	FEATURE 31009-01
1	0098522		PANEL,ASSY,DOOR,SOLID,KY,A3RE	FEATURE 31009-01, WITH FEATURE 30176-05
1	0062884		DOOR ASSY,ENGINE CMPT,PERFORATED,A3RE	FEATURE 31009-02, STANDARD
1	0098456		PANEL,ASSY,DOOR,PERFORATED,KY,A3RE	FEATURE 31009-02, STANDARD, WITH FEATURE 30176-05
2	1988435		HINGE, TOP SECTION, ENGINE COMP DOOR	
2A	1842152		HINGE, BOTTOM SECTION, ENGINE CMPT DOOR	
2B	1200807		RUBBER, HINGE, STORAGE COMPARTMENT	
NI	1842541		SCREW, 12-14 X 1, AB, PH1, PAN HD, YELLOW	
3	1906569		EXTRUSION, RUBBER, SEAL, ENGINE COMPT	
4	0078269		RETAINER, RUBBER, ENG CMPT DR, SIDE, A3RE	
NI	1457969		RIVET, BLIND, .18 X.45, CHERRY SSP-6-4Z1X, BLK	
5	1528140		RETAINER, RUBBER, ENGINE CMPT DOOR, BTM	
NI	1457969		RIVET, BLIND, .18 X.45, CHERRY SSP-6-4Z1X, BLK	
6	0014581		LIGHT, STOP/TAIL, 4IN, RED	
NI	0070439		SCREW, MACH, 8-32X1, PH, PAN HD, BLACK ZINC	
NI	0019196		WASHER, FLAT, NO 8, YEL ZN DICH	
6	6098198		LIGHT, LICENSE PLATE, 1998 MODEL	WITH FEATURE 30173-02
NI	0019061		SCREW, 10-32 X 1/2, F, PH1, PAN HD, BLACK ZINC	
7	0857656		LIGHT, STOP/TAIL, RED, W	
NI	0070439		SCREW, MACH, 8-32X1, PH, PAN HD, BLACK ZINC	
8	0566208		LIGHT, DIRECTIONAL, AMBER W/ARROW	
NI	0070439		SCREW, MACH, 8-32X1, PH, PAN HD, BLACK ZINC	
9	1579366		PULL, CONCEALED, ENGINE, COMPARTMENT	
10			LATCH, ADJUSTABLE LEVER, THIN GRIP	
10	1798420		LATCH, ADJUSTABLE LEVER, THIN GRIP	
10	0027886		LATCH, ADJUSTABLE LEVER, THIN GRIP, LOCKING	NOT AVAILABLE IN MARYLAND
12	2027498		CLAMP, HOSE, NYLON, 1/2 7	
NI	2000842		SCREW, MACH, 1/4-20 X 3/4, PH1, FLT CNSK,	
NI	2001345		NUT, HEX HD, 1/4-20, LOCKING, YELLOW	
13	1328616		GAS SPRING, FAN22P	
14	2001261		NUT, PLASTIC, EXPANSION"	
15	3758810		STUD, BALL, O/H CABINET 10MM, WL	
16	1203686		LIGHT, BACK-UP, T	

Models: **A3RE**
ENGINE COMPARTMENT DOOR

Key	PartNumber	Qty	Description	Comment
17	1923713		BRACKET,MOUNTING,GAS SPRING TO ENG	
NI	2000842		SCREW,MACH,1/4-20 X 3/4, PH1,FLT CNSK,	
NI	2001345		NUT,HEX HD,1/4-20,LOCKING,YELLOW	
18	8302408		BRACKET,MTG,GAS SPRING,ENG DOOR"	
NI	1339811		CAPSCREW,HEX HD,1/4-20X 5/8,GR5,YEL ZN	
NI	0659979		NUT,HEX,FLANGE SER,1/4-20,BLACK ZINC	
19	0087951		PLATE,STRIKER,ENGINE COMPARTMENT DR,	
NI	2000198		SCREW,5/16-18 X 1,D,HEX HD,YEL ZN DICH	
20	1486919		BUMPER,RUBBER RECESS,.469 X .719 DIA	
NI	2000776		SCREW,MACH, 10-32 X 3/4,PH1,RD HD,	
NI	2001162		LOCKWASHER,SPLIT RING, 3/16,MED,YEL ZN	
NI	2001287		NUT,HEX HD,10-32,YEL ZN DICH	
21	1328616		GAS SPRING,FAN22P	
21	1983766		GAS SPRING,FAL 22,150 LB,LOCKING	
NI	0899096		WIRE,SAFETY,A9002,GAS SPRING	
NI	1890359		GRILL,DOOR,ENGINE COMPARTMENT,CEC	FEATURE 31009-02
NI	1457969		RIVET,BLIND,.18 X.45,CHERRY SSP-6-4Z1X,BLK	
22	1145168		SWITCH,ADJUSTABLE,DPST (NC) INTERNAL	WITH FEATURE 31048-09
22	1073311		NUT,PANEL,HEX HD,1/2-20,YEL ZN DICH	
23	0098253		LIGHT,BACK UP,INCAN,2.5X6	WITH FEATURE 30176-05
NI	2083095		SCREW,10-16 X 3/4,AB,PH1,PANHD,YELZN,	FEATURE 30176-05

Models: **A3RE**
L E D, ENGINE COMPARTMENT DOOR

Key	PartNumber	Qty	Description	Comment
-----	------------	-----	-------------	---------



Models: **A3RE**
LED, ENGINE COMPARTMENT DOOR

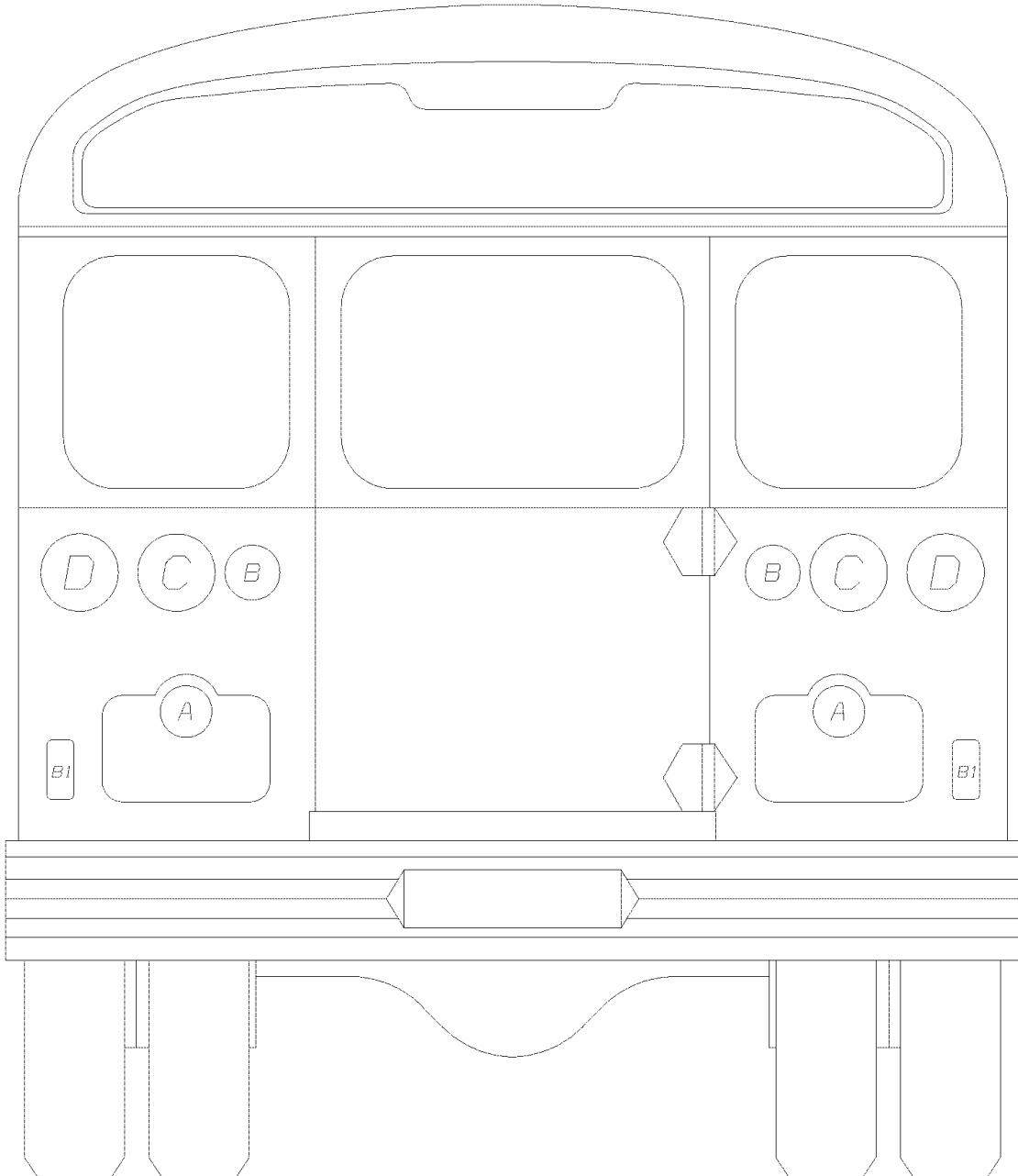
Key	PartNumber	Qty	Description	Comment
1	0078779		DOOR ASSY,ENGINE CMPT,SOLID,W/4IN LED	FEATURE 31009-01, 30173-03, 30176-03
1	0078780		DOOR ASSY,ENGINE CMPT,PERF,W/4IN LED	FEATURE 31009-02, 30173-03, 30176-03
2	1988435		HINGE,TOP SECTION,ENGINE COMP DOOR	
2A	1842152		HINGE,BOTTOM SECTION,ENGINE CMPT DOOR	
2B	1200807		RUBBER,HINGE,STORAGE COMPARTMENT	
2C	1842541		SCREW,12-14 X 1,AB,PH1,PAN HD,YELLOW	
2D	0003477		WIRE ASSY,14 GA,WHITE,6. L,EYELET/EYELET	FOR GROUNDING DOOR
3	1906569		EXTRUSION,RUBBER,SEAL,ENGINE COMPT	
4	1844323		RETAINER,RUBBER,ENGINE CMPT DOOR SIDE	
NI	1457969		RIVET,BLIND,.18 X.45,CHERRY SSP-6-4Z1X,BLK	
5	1528140		RETAINER,RUBBER,ENGINE CMPT DOOR,BTM	
NI	1457969		RIVET,BLIND,.18 X.45,CHERRY SSP-6-4Z1X,BLK	
6	0040858		LIGHT,LED,RED,STOP/TAIL,4 INCH	FEATURE 30173-03
7	0063704		LIGHT,LED,RED,STOP & TAIL,7 INCH	FEATURE 30175-03
7	0078626		LIGHT,STOP/TAIL,LED,7INCH,W/DISCONNECT	FEATURE 30175-03, 30328-06
8	0063703		LIGHT,LED,AMBER,DIRECTIONAL,7 INCH	FEATURE 30116-05
8	0078625		LIGHT,DIRECTIONAL,LED,AMBER,	FEATURE 30116-05, 30328-06
9	1579366		PULL,CONCEALED,ENGINE,COMPARTMENT	ATTACH TO DOOR W/BUSHING & SCREWS PROVIDED INSIDE PULL
10	1798420		LATCH,ADJUSTABLE LEVER,THIN GRIP	
12	2027498		CLAMP,HOSE,NYLON,1/2 7	
NI	2000842		SCREW,MACH,1/4-20 X 3/4, PH1,FLT CNSK,	
NI	2001345		NUT,HEX HD,1/4-20,LOCKING,YELLOW	
13	1328616		GAS SPRING,FAN22P	
14	2001261		NUT,PLASTIC,EXPANSION"	
15	3758810		STUD,BALL,O/H CABINET 10MM,WL	
16	0051796		LIGHT,LED,CLEAR BACKUP LAMP,4 INCH	FEATURE 30176-03
17	1923713		BRACKET,MOUNTING,GAS SPRING TO ENG	
NI	2000842		SCREW,MACH,1/4-20 X 3/4, PH1,FLT CNSK,	
NI	2001345		NUT,HEX HD,1/4-20,LOCKING,YELLOW	
18	8302408		BRACKET,MTG,GAS SPRING,ENG DOOR"	
NI	2000776		SCREW,MACH, 10-32 X 3/4,PH1,RD HD,	
NI	2001162		LOCKWASHER,SPLIT RING, 3/16,MED,YEL ZN	

**Models: A3RE
LED, ENGINE COMPARTMENT DOOR**

Key	PartNumber	Qty	Description	Comment
NI	2001287		NUT,HEX HD,10-32,YEL ZN DICH	
19	0087951		PLATE,STRIKER,ENGINE COMPARTMENT DR,	
NI	2000198		SCREW,5/16-18 X 1,D,HEX HD,YEL ZN DICH	
20	1486919		BUMPER,RUBBER RECESS,.469 X .719 DIA	
NI	2000776		SCREW,MACH, 10-32 X 3/4,PH1,RD HD,	
NI	2001162		LOCKWASHER,SPLIT RING, 3/16,MED,YEL ZN	
NI	2001287		NUT,HEX HD,10-32,YEL ZN DICH	
21	0060244		LIGHT,TAG,PETERSON #M400	
NI	0899096		WIRE,SAFETY,A9002,GAS SPRING	
NI	1890359		GRILL,DOOR,ENGINE COMPARTMENT,CEC	<i>FEATURE 31009-02</i>
NI	1457969		RIVET,BLIND,.18 X.45,CHERRY SSP-6-4Z1X,BLK	<i>FEATURE 31009-02</i>
22	0040856		GROMMET,MOUNTING,LED LIGHT,4 INCH	<i>FEATURE 30173-03, 30176-03</i>
23	0070439		SCREW,MACH,8-32X1,PH,PAN HD,BLACK ZINC	
24	1145168		SWITCH,ADJUSTABLE,DPST (NC) INTERNAL	<i>FEATURE 31048-09</i>
24	1073311		NUT,PANEL,HEX HD,1/2-20,YEL ZN DICH	<i>FEATURE 31048-09</i>

Models: A3FE, A3RE, GMCV, MBWB, SBCV, TCFE
REAR EXTERIOR (LOCATION & IDENTIFICATION)

Key	PartNumber	Qty	Description	Comment
-----	------------	-----	-------------	---------



**Models: A3FE, A3RE, GMCV, MBWB, SBCV, TCFE
REAR EXTERIOR (LOCATION & IDENTIFICATION)**

Key	PartNumber	Qty	Description	Comment
A	6098198		LIGHT,LICENSE PLATE,1998 MODEL	FEATURE 30173-02
A	0074414		SCREW,PAN HD,8-18 X 1,AB,PH1,YL ZN,W/EX	FEATURE 30173-02
A	0014581		LIGHT,STOP/TAIL,4IN,RED	FEATURE 30173-01
A	2083103		SCREW,1/4-14X3/4,AB,PH1,PANHD,YEL ZN,	FEATURE 30173-01
A	0040858		LIGHT,LED,RED,STOP/TAIL,4 INCH	FEATURE 30173-03
A	0040856		GROMMET,MOUNTING,LED LIGHT,4 INCH	FEATURE 30173-03
A	0060244		LIGHT,TAG,PETERSON #M400	FEATURE 30173-03
A	0074414		SCREW,PAN HD,8-18 X 1,AB,PH1,YL ZN,W/EX	FEATURE 30173-03
B	1392075		LIGHT,BACK-UP,W/CLEAR LENS,W,3-1060-1100	FEATURE 30176-01
B	2083095		SCREW,10-16 X 3/4,AB,PH1,PANHD,YELZN,	FEATURE 30176-01
B	0025926		LIGHT,BACK-UP,7 INCH,FMVSS 108	FEATURE 30176-02
B	2083095		SCREW,10-16 X 3/4,AB,PH1,PANHD,YELZN,	FEATURE 30176-02
B	0051796		LIGHT,LED,CLEAR BACKUP LAMP,4 INCH	FEATURE 30176-03
B	0040856		GROMMET,MOUNTING,LED LIGHT,4 INCH	FEATURE 30176-03
B1	0098253		LIGHT,BACK UP,INCAN,2.5X6	FEATURE 30176-05
B1	2083095		SCREW,10-16 X 3/4,AB,PH1,PANHD,YELZN,	FEATURE 30176-02
C	0566174		LIGHT,DIRECTIONAL,RED,PLAIN	FEATURE 30174-01
C	2083095		SCREW,10-16 X 3/4,AB,PH1,PANHD,YELZN,	FEATURE 30174-01
C	0063704		LIGHT,LED,RED,STOP & TAIL,7 INCH	FEATURE 30174-02
C	0074414		SCREW,PAN HD,8-18 X 1,AB,PH1,YL ZN,W/EX	FEATURE 30174-02
C	0078626		LIGHT,STOP/TAIL,LED,7INCH,W/DISCONNECT	FEATURE 30174-02, 30328-06
C	0074414		SCREW,PAN HD,8-18 X 1,AB,PH1,YL ZN,W/EX	FEATURE 30174-02 & 30328-06
C	0857656		LIGHT,STOP/TAIL,RED,W	FEATURE 30175-01
C	2083095		SCREW,10-16 X 3/4,AB,PH1,PANHD,YELZN,	FEATURE 30175-01
C	0063704		LIGHT,LED,RED,STOP & TAIL,7 INCH	FEATURE 30175-03
C	0074414		SCREW,PAN HD,8-18 X 1,AB,PH1,YL ZN,W/EX	FEATURE 30175-03
C	0078626		LIGHT,STOP/TAIL,LED,7INCH,W/DISCONNECT	FEATURE 30175-03, 30328-06
C	0074414		SCREW,PAN HD,8-18 X 1,AB,PH1,YL ZN,W/EX	FEATURE 30175-03, 30328-06
D	0566174		LIGHT,DIRECTIONAL,RED,PLAIN	FEATURE 30116-01
D	0817098		LIGHT,DIRECTIONAL,AMBER,PLAIN	FEATURE 30116-02
D	0566190		LIGHT,DIRECTIONAL,RED W/ARROW	FEATURE 30116-03
D	0566208		LIGHT,DIRECTIONAL,AMBER W/ARROW	FEATURE 30116-04
D	2083095		SCREW,10-16 X 3/4,AB,PH1,PANHD,YELZN,	FEATURE 30116-01, 02, 03, 04 FEATURE 30116-05

Models: A3FE, A3RE, GMCV, MBWB, SBCV, TCFE
REAR EXTERIOR (LOCATION & IDENTIFICATION)

Key	PartNumber	Qty	Description	Comment
D	0063703		LIGHT,LED,AMBER,DIRECTIONAL,7 INCH	
D	0074414		SCREW,PAN HD,8-18 X 1,AB,PH1,YL ZN,W/EX	
D	0078625		LIGHT,DIRECTIONAL,LED,AMBER,	<i>FEATURE 30116-05, 30328-06</i>
D	0074414		SCREW,PAN HD,8-18 X 1,AB,PH1,YL ZN,W/EX	<i>FEATURE 30116-05 & 30328-06</i>

Models: AAFE, AARE, A3FE, A3RE, GPWB, MBWB, TCFE, TCRE, VCTA
With Features: STROBE LIGHT
 OPTION 2022

Key	PartNumber	Qty	Description	Comment
NI	1685908		STROBE LGT,S/CNT PWR SPLY,DBL/FLSH,16	
NI	1410794		LIGHT,PILOT,.53 DIA,AMBER LENS,PL-20AC-10	TCFE
NI	2006799		LIGHT,PILOT,AMBER,17/32IN,PL-19AC-10	SBCV, MBWB, VCTA
NI	1073311		NUT,PANEL,HEX HD,1/2-20,YEL ZN DICH	
NI	1499102		SWITCH,2 POSN,ACCESSORY	
NI	1547165		MARKER,SWITCH PANEL,STROBE	
NI	2001105		WASHER,FLAT,13/64 X,1/2 X 3/64,YEL ZN DICH	
NI	2001162		LOCKWASHER,SPLIT RING, 3/16,MED,YEL ZN	
NI	2001287		NUT,HEX HD,10-32,YEL ZN DICH	
NI	2006112		BREAKER,CIRCUIT,20 AMP	

VCTA

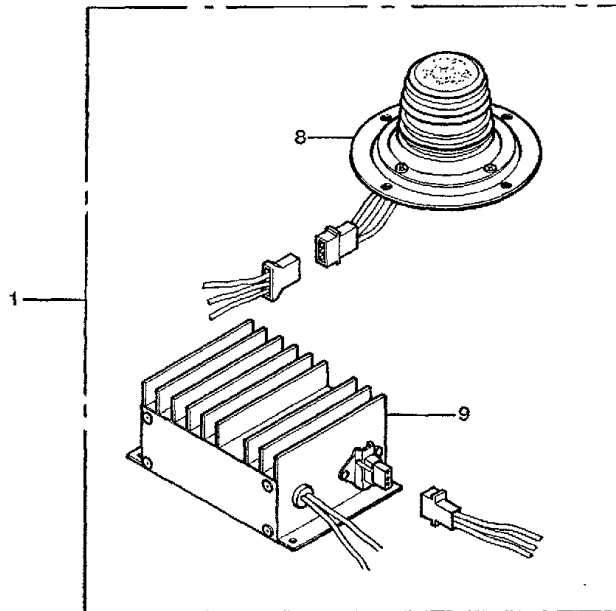
Models: AAFE, AARE, A3FE, A3RE, GMCV, GPWB, MBWB, SBCV, TCEV, TCPE, TCRE, TSPE,



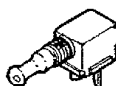
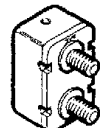
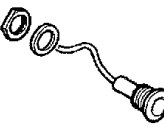
With Features: STROBE LIGHT, WHITE FLASHING
OPTION 2035, 2036 or FEATURE 30245

Key	PartNumber	Qty	Description	Comment
-----	------------	-----	-------------	---------

DR 4-14-89 BY DBW	FRT	8009300	REV
APP 5-23-89 BY HE			

© 1989 BLUE BIRD BODY COMPANY ALL RIGHTS RESERVED



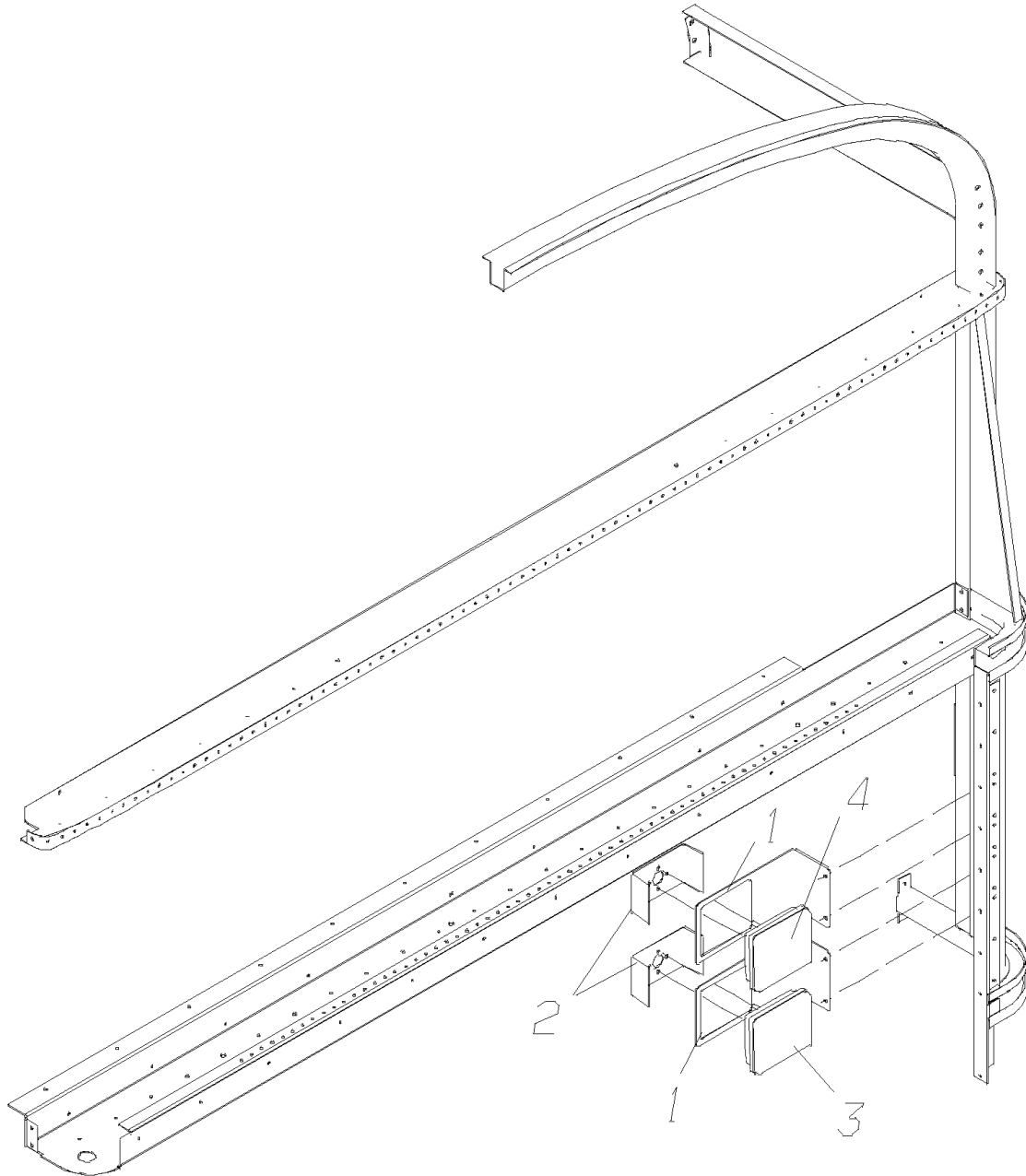
<p>2</p> <p>WARNING</p> <p>STROBE WARNING LAMP POWER SUPPLY LOCATED BEHIND THIS ACCESS PANEL. PANEL MAY BE REMOVED ONLY BY QUALIFIED MECHANIC. IMPROPER HANDLING OF STROBE POWER SUPPLY MAY CAUSE ELECTRICAL BURNS.</p>	<p>3</p> 		
<p>4</p> 	<p>5</p> 	<p>6</p> 	<p>7</p> 

VCTA
Models: AAFE, AARE, A3FE, A3RE, GMCV, GPWB, MBWB, SBCV, TCEV, TCPE, TCRE, TSPE,
With Features: STROBE LIGHT, WHITE FLASHING
 OPTION 2035, 2036 or FEATURE 30245

Key	PartNumber	Qty	Description	Comment
			WHITE FLASHING STROBE LIGHT	OPTION 2035
1	1009281		STROBE,AEROFLASH M-100-C2B2-A,WHITE,DBL	
2	0879619		DECAL,STROBE WARNING	
3	0973404	2	NUT,HEX HD,10-32,BRASS,CIRCUIT BREAKER	
4	1073311		NUT,PANEL,HEX HD,1/2-20,YEL ZN DICH	
5	1120765		SWITCH,2 POSN,ACCESSORY	
6	2006112		BREAKER,CIRCUIT,20 AMP	
7	1410794		LIGHT,PILOT,.53 DIA,AMBER LENS,PL-20AC-10	
8	2147197		LIGHT ASSY,ONLY,STROBE 1009281"	LIGHT ASSEMBLY ONLY
9	2147205		POWER PACK ASSY,STROBE 1009281"	
NI	2147213		HARNES,WRG,STROBE 1009281"	
NI	2126928		BULB,STROBE,LOW PROFILE	
NI			WHITE FLASHING STROBE LIGHT	OPTION 2036
NI	1734011		LIGHT,STROBE,S/CNT POWER SUPPLY,DBL	
NI	1073311		NUT,PANEL,HEX HD,1/2-20,YEL ZN DICH	
NI	1410794		LIGHT,PILOT,.53 DIA,AMBER LENS,PL-20AC-10	
NI	1499102		SWITCH,2 POSN,ACCESSORY	
NI	0768218		BREAKER,CIRCUIT,10AMP	
NI	2006112		BREAKER,CIRCUIT,20 AMP	
NI	2001105		WASHER,FLAT,13/64 X,1/2 X 3/64,YEL ZN DICH	
NI	2001162		LOCKWASHER,SPLIT RING, 3/16,MED,YEL ZN	
NI	2001287		NUT,HEX HD,10-32,YEL ZN DICH	
NI			WHITE FLASHING STROBE LIGHT	FEATURE 30245
NI	1685908		STROBE LGT,S/CNT PWR SPLY,DBL/FLSH,16	
NI	1734011		LIGHT,STROBE,S/CNT POWER SUPPLY,DBL	

Models: A3RE
U.K. UNITS ONLY
ENGINE COMPARTMENT HAZARD/TAIL LIGHTS

Key	PartNumber	Qty	Description	Comment
-----	------------	-----	-------------	---------

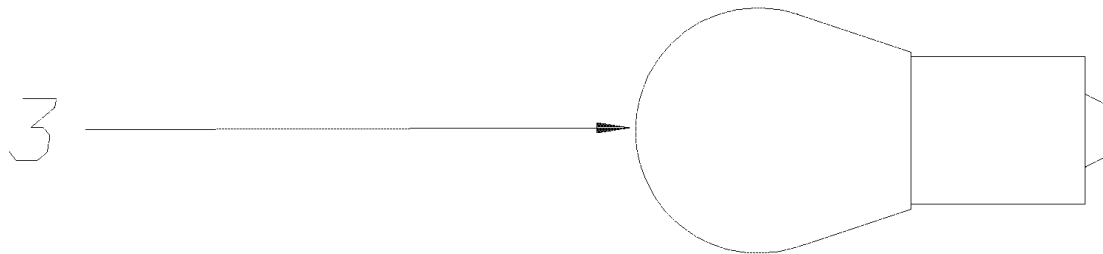
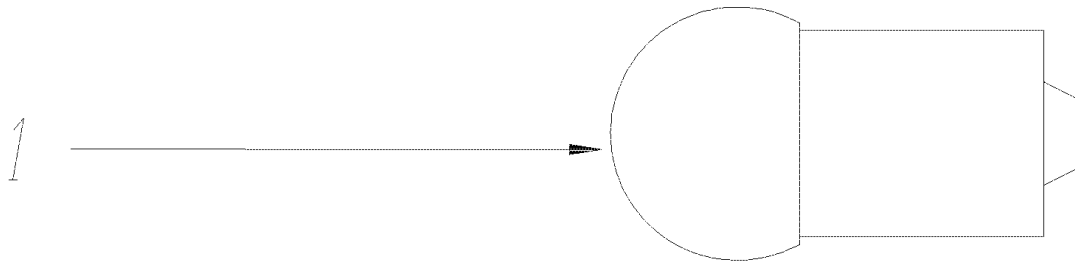


Models: **A3RE**
U.K. UNITS ONLY
ENGINE COMPARTMENT HAZARD/TAIL LIGHTS

Key	PartNumber	Qty	Description	Comment
1	0045833	4	BRACKET,MTG,HAZARD LAMPS,ENG COMP,RHD,	
2	1657345	4	BRACKET,MTG,FRONT DIRECTIONAL LIGHTS	
3	1619998	2	LIGHT ASSY,TAIL,QB	
4	0046542		LIGHT ASSY,DIRECTIONAL,AMBER,RH,E-MARK	
NI	0046543		LIGHT ASSY,DIRECTIONAL,AMBER,LH,E-MARK	

Models: A3RE
U.K. UNITS ONLY
MISC BULBS

Key	PartNumber	Qty	Description	Comment
-----	------------	-----	-------------	---------



Models: **A3RE**
U.K. UNITS ONLY
MISC BULBS

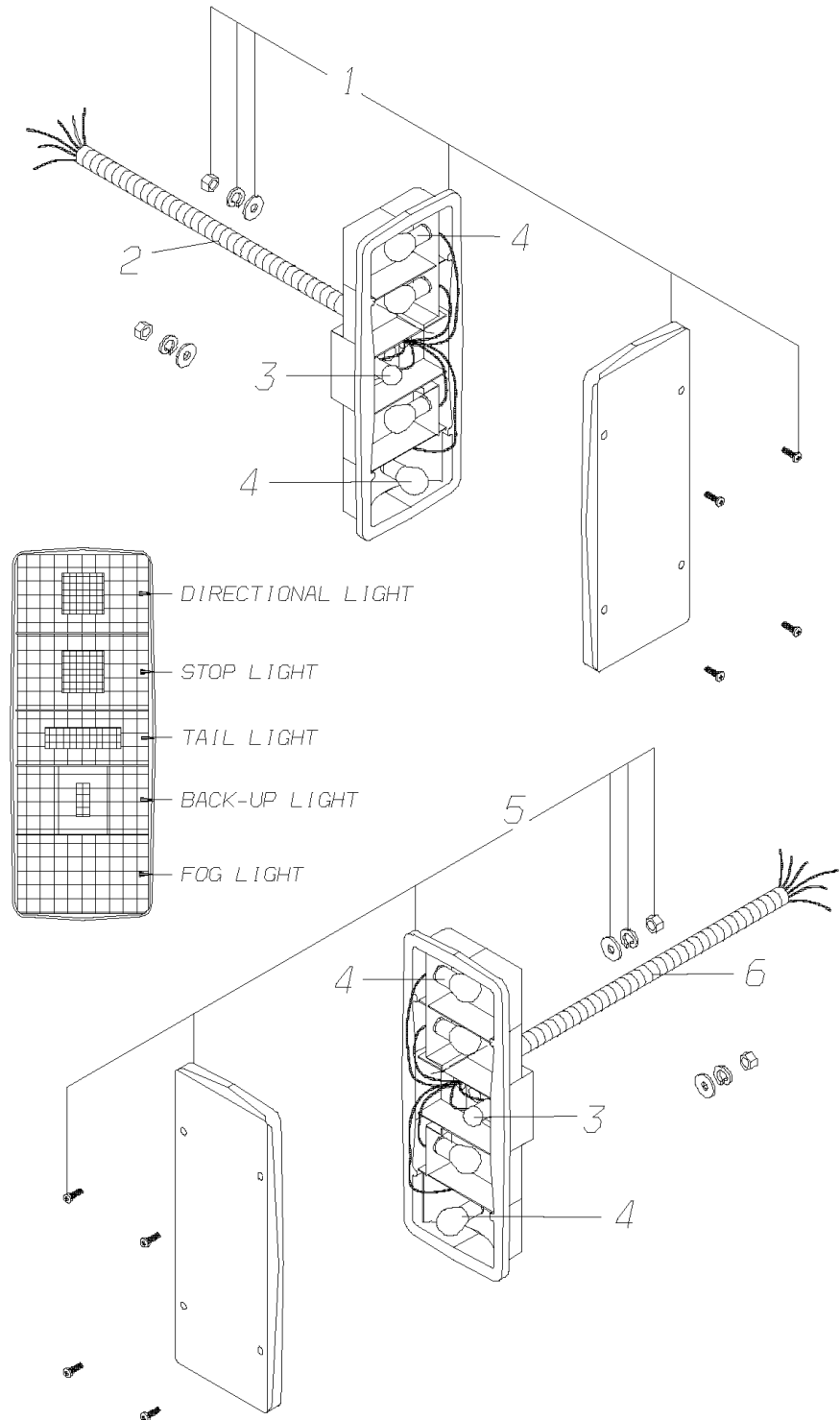
Key	PartNumber	Qty	Description	Comment
1	0044350		BULB,12V5W,E-MARK	
1	0044349		BULB,12V10W,E-MARK	
2	0044351		BULB,12V3W,E-MARK	
3	0044352		BULB,12V21W,E-MARK	
4	0044353		BULB,12V5W,WEDGE,E-MARK	

Models: **A3RE**
U.K. UNITS ONLY
MISC LIGHTS

Key	PartNumber	Qty	Description	Comment
	0044142		HEADLAMP ASSY,RECT DBL,HLGN,LH,RHD, A3	
	0044141		HEADLAMP ASSY,RECT DBL,HLGN,RH,RHD, A3	
	0045123		LIGHT ASSY,MARKER,FRONT,E-MARK	<i>MOUNTED ON FRONT ROOF CAP</i>
	0045124		LIGHT ASSY,MARKER,REAR,E-MARK	<i>MOUNTED ON FRONT ROOF CAP</i>
	0044350		BULB,12V5W,E-MARK	
	0044343		LIGHT,DIRECTIONAL,ROUND,E-MARK	<i>MOUNTED ON REAR ROOF CAP</i>
	0566174		LIGHT,DIRECTIONAL,RED,PLAIN	<i>MOUNTED ON REAR ROOF CAP</i>
	0046543		LIGHT ASSY,DIRECTIONAL,AMBER,LH,E-MARK	
	0046542		LIGHT ASSY,DIRECTIONAL,AMBER,RH,E-MARK	
	0045058		LIGHT ASSY,SIDE DIR,LH,E-MARK	
	0045057		LIGHT ASSY,SIDE DIR,RH,E-MARK	
	0045038		LIGHT ASSY,LICENSE PLATE	
	0044340		REFLECTOR,RED,E-MARK	

Models: **A3RE**
U.K. UNITS ONLY
REAR CLUSTER LIGHTS

Key	PartNumber	Qty	Description	Comment
-----	------------	-----	-------------	---------



Models: **A3RE**
U.K. UNITS ONLY
REAR CLUSTER LIGHTS

Key	PartNumber	Qty	Description	Comment
	0045047		LIGHT ASSY,REAR,CLUSTER,LH,E-MARK	<i>INCLUDES THE FOLLOWING</i>
1	0044085		LIGHT,REAR,CLUSTER,LH,E-MARK	
2	0045049		HARNESS,WRG,REAR,CLUSTER,LH,E-MARK	
3	0044349		BULB,12V10W,E-MARK	
4	0044352		BULB,12V21W,E-MARK	
	0045046		LIGHT ASSY,REAR,CLUSTER,RH,E-MARK	<i>INCLUDES THE FOLLOWING</i>
5	0044086		LIGHT,REAR,CLUSTER,RH,E-MARK	
6	0045048		HARNESS,WRG,REAR,CLUSTER,RH,E-MARK	
3	0044349		BULB,12V10W,E-MARK	
4	0044352		BULB,12V21W,E-MARK	

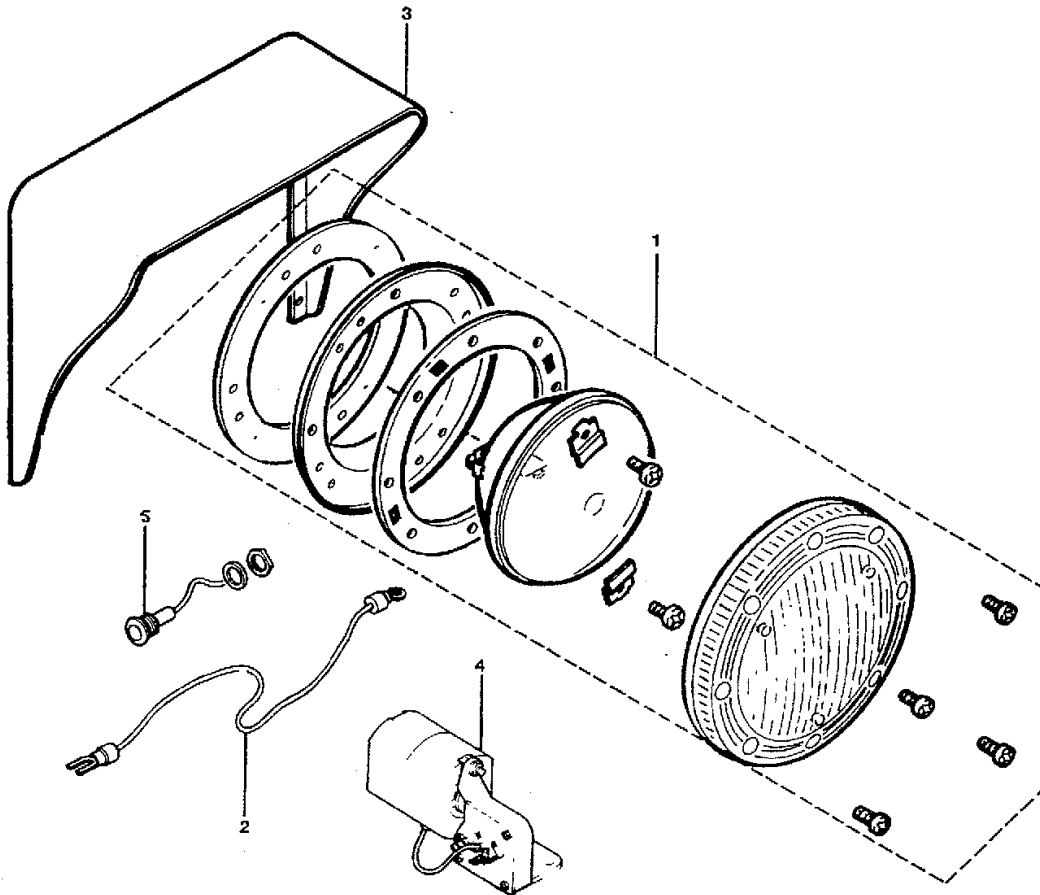
Models: AAFE, AARE, A3FE, A3RE, GPWB, MBWB, TCFE, TCRE, VCTA
 With Features: WARNING LIGHT SYSTEM
 OPTION 1987

Key	PartNumber	Qty	Description	Comment
-----	------------	-----	-------------	---------

OPT. 1987 WARNING LIGHT SYSTEM

DR 6-11-85	JLR	8003766
APP 6-11-85	DL	

FRONT © 1985 BLUE BIRD BODY COMPANY ALL RIGHTS RESERVED



Models: AAFE, AARE, A3FE, A3RE, GPWB, MBWB, TCFE, TCRE, VCTA
With Features: WARNING LIGHT SYSTEM
 OPTION 1987

Key	PartNumber	Qty	Description	Comment
1	1225986	4	LIGHT,WARNING,RED,B	
2	1226455	4	STRAP ASSY,GROUND,BAADER WARNING LAMP	
3	0352310	4	HOOD,FRONT,WARNING LIGHT,SINGLE,PRIMED	
4	2005908		FLASHER,MOTOR DRIVEN	
5	1410802		LIGHT,PILOT,.53 DIA,RED LENS,PL-20RC-10	

Models: A3FE, A3RE, TSFE
With Features: WARNING LIGHT SYSTEM
 OPTION 6734

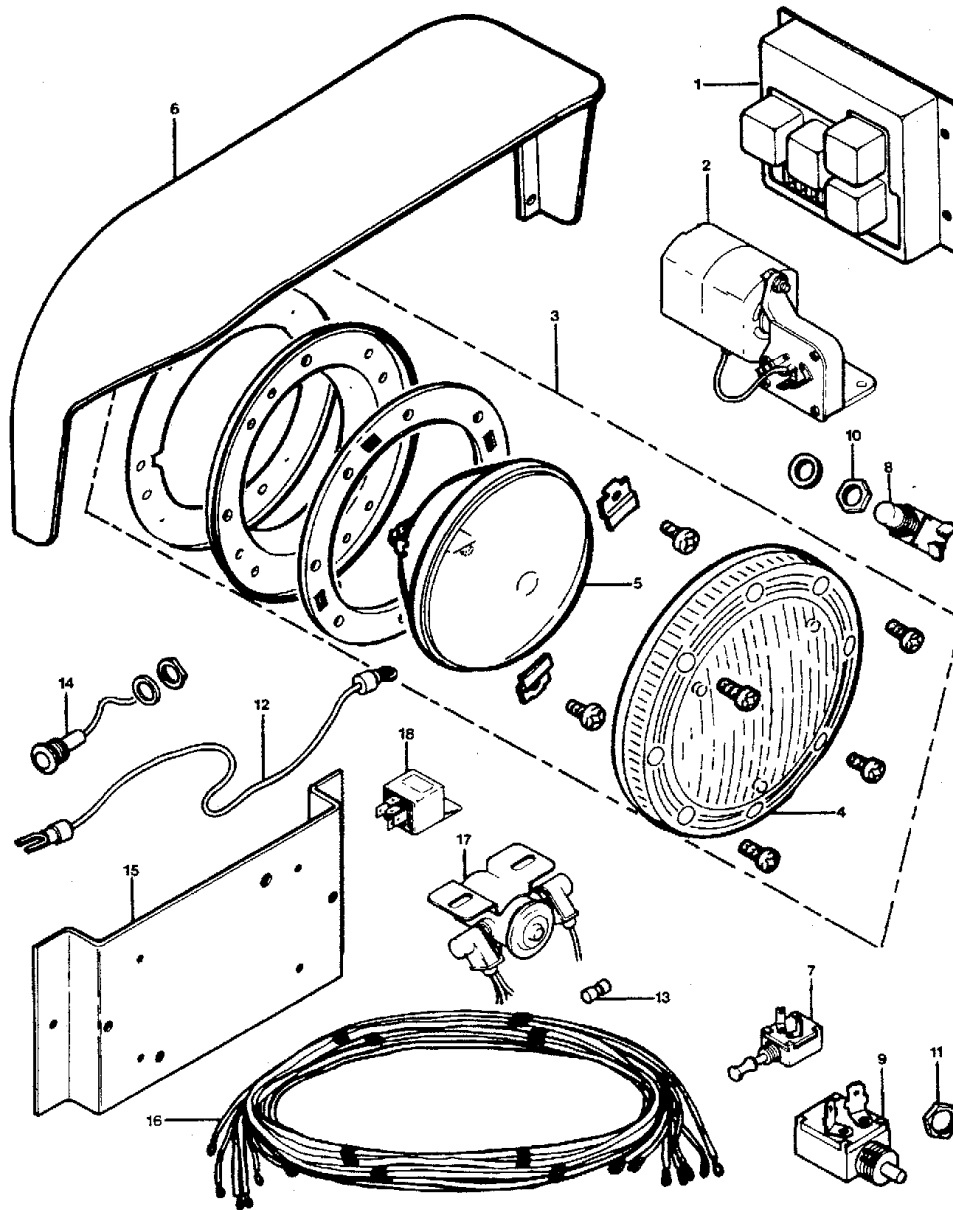
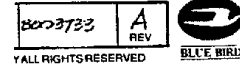
Key	PartNumber	Qty	Description	Comment
	1225986		LIGHT,WARNING,RED,B	
	1225994		LIGHT,WARNING,AMBER,B	
	0758342		HOOD,DUAL WARNING LIGHT,PRIMED	
	1161876		RELAY,ISO,W/O TAB	
	3866738		FUSE,20 AMP,M257-020	
	1499102		SWITCH,2 POSN,ACCESSORY	
	1124411		SWITCH,ADJUSTABLE,DPST (NC)	
	1155241		SWITCH,MANUAL	
	1656743		FLASHER SYSTEM,8 LAMP,WELDON 7000	
	1410794		LIGHT,PILOT,.53 DIA,AMBER LENS,PL-20AC-10	
	1410802		LIGHT,PILOT,.53 DIA,RED LENS,PL-20RC-10	

Models: AAFE, AARE, A3FE, A3RE, GPWB, MBWB, TCWE, TCRE, VCTA
 WARNING LIGHT SYSTEM
 8 LAMP

With Features: OPTION 2013, 2016

Key	PartNumber	Qty	Description	Comment
-----	------------	-----	-------------	---------

WARNING LAMP SYSTEM
 8 LAMP, OPT. 2016



REVISED 10-03-91

90VCT420

Models: AAFE, AARE, A3FE, A3RE, GPWB, MBWB, TCFE, TCRE, VCTA
WARNING LIGHT SYSTEM
8 LAMP
With Features: OPTION 2013, 2016

Key	PartNumber	Qty	Description	Comment
1	1366574		FLASHER SYSTEM,8 LAMP,AEROFLASH 165	OPTION 2013, 2016, AEROFLASH
1	1374149		FLASHER SYSTEM,8 LAMP,RAC NO760506	OPTION 2013, 2016, RAC
1	1656743		FLASHER SYSTEM,8 LAMP,WELDON 7000	OPTION, 2013, 2016, WELDON
3	0566182		LIGHT,WARNING,RED,W	
3	0755132		LIGHT,WARNING,AMBER,W	
3	1225986		LIGHT,WARNING,RED,B	
3	1225994		LIGHT,WARNING,AMBER,B	
4	2102788		LENS,WARNING LIGHT,RED"	
4	2103679		LENS,WARNING LIGHT,AMBER	
4	2132082		LENS,WARNING LIGHT,7IN RED,BB 2000	
4	2132090		LENS,WARNING LIGHT,7IN AMBER,BB 2000	
5	2101517	8	BULB,SEALED BEAM,7IN,WARNING LGT	
5	2146116	8	SEALED BEAM,CLEAR 5IN NO 4631-1,BAADER	
6	0758342		HOOD,DUAL WARNING LIGHT,PRIMED	OPTION 2013, 2016-01, -03
6	1111475		HOOD,WARNING LGT FOR 7 DIA RND LENS,	OPTION 2016-04
6	1625631		HOOD,DUAL WARNING LIGHT,E-COAT	OPTION 2309
NI	0810002		SWITCH,3 POSN,STOP ARM,W/RED KNOB	OPTION 2013 ONLY
NI	1499102		SWITCH,2 POSN,ACCESSORY	2013, 2016-03, 03
NI	1124411		SWITCH,ADJUSTABLE,DPST (NC)	
7			NOT APPLICABLE	
8	1155241		SWITCH,MANUAL	
9	1126176		SWITCH,MOMENTARY,SPST NC	OPTION 2016 ONLY
10	0196394		NUT,ADJUSTING,7/16IN-28,CAD	MANUAL SWITCH
11	1073311		NUT,PANEL,HEX HD,1/2-20,YEL ZN DICH	MOMENTARY SWITCH
12	0943092		STRAP ASSY,GROUND,WARNING LAMP	
13	3866738		FUSE,20 AMP,M257-020	
NI	2154037		FUSE,20 AMP,AEROFLASH & RAC FLASHER	
14	1410802		LIGHT,PILOT,.53 DIA,RED LENS,PL-20RC-10	
14	1410794		LIGHT,PILOT,.53 DIA,AMBER LENS,PL-20AC-10	
15	1052661		BRACKET,WARNING LIGHT FLASHER	
16			NO LONGER USED WITH NEW SWITCH PANEL	
17			NOT APPLICABLE	
18	1077718		RELAY,BOSCH,0-332-209-161,30 AMP	

OPTION 2013

Models: AAFE, AARE, A3FE, A3RE, GPWB, MBWB, TCFE, TCRE, VCTA

**WARNING LIGHT SYSTEM
8 LAMP**

With Features: OPTION 2013, 2016

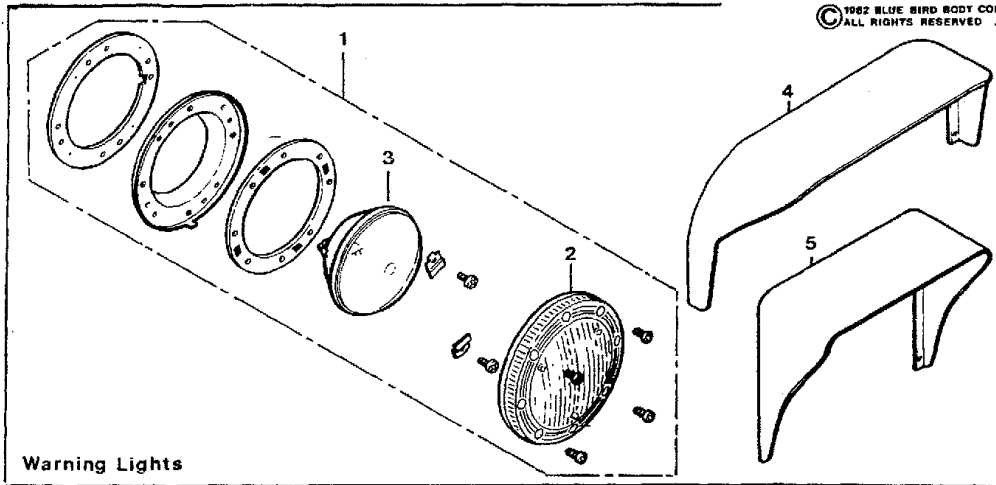
Key	PartNumber	Qty	Description	Comment
18	1120765		SWITCH,2 POSN,ACCESSORY	
18	1124411		SWITCH,ADJUSTABLE,DPST (NC)	OPTION 2013
18	1354646		NUT,PANEL,HEX HD,7/16-28,YEL ZN DICH	
NI	1161876		RELAY,ISO,W/O TAB	
NI	2005874		BRACKET,FLASHER,223 1840	
NI	1607928		ALARM,AUDIBLE CHIME	
NI	1608496		BRACKET,MOUNT,STOPARM ALARM	
NI	2006112		BREAKER,CIRCUIT,20 AMP	

Models: AAFE, AARE, A3FE, A3RE, B1VC, B2VC, GPWB, MBWB, SBCV, TCPE, TCRE, VCTA
 WARNING, 7 INCH STOP & DIRECTIONAL, 4 INCH COMBINATION

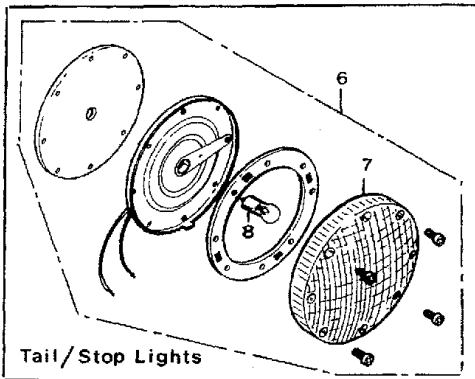
Key	PartNumber	Qty	Description	Comment
-----	------------	-----	-------------	---------

DR- 6/2/82 BY JET. 8000341
 APP- 6-1-82 BY [Signature] 1 of 2

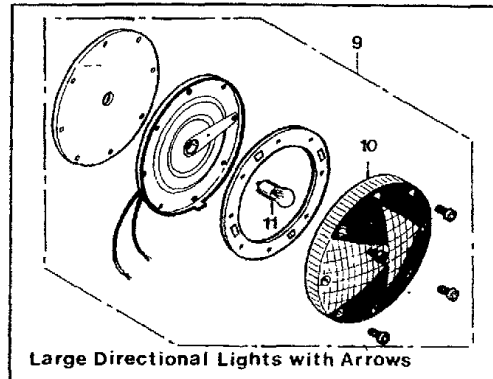
© 1982 BLUE BIRD BODY COMPANY
 ALL RIGHTS RESERVED



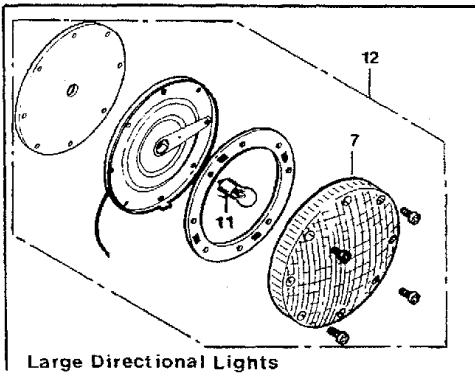
Warning Lights



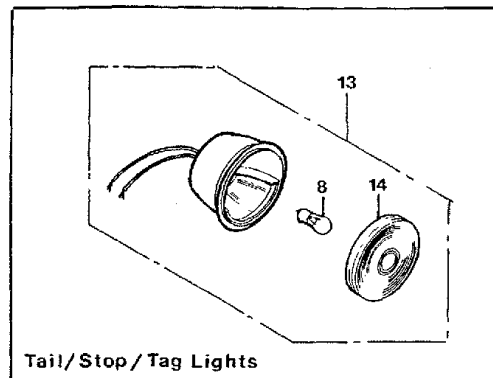
Tail/Stop Lights



Large Directional Lights with Arrows



Large Directional Lights



Tail/Stop/Tag Lights

Models: **AAFE, AARE, A3FE, A3RE, B1VC, B2VC, GPWB, MBWB, SBCV, TCPE, TCRE, VCTA WARNING, 7 INCH STOP & DIRECTIONAL, 4 INCH COMBINATION**

Key	PartNumber	Qty	Description	Comment
1	0566182		LIGHT,WARNING,RED,W	OPTION 1987, 1992, 2016, 2021
1	0755132		LIGHT,WARNING,AMBER,W	OPTION 2016, 2021
1	1225986		LIGHT,WARNING,RED,B	OPTION 1987, 1992, 2016, 2021
1	1225994		LIGHT,WARNING,AMBER,B	OPTION 2016, 2021
2	2102788		LENS,WARNING LIGHT,RED"	OPTION 1987, 1992, 2016, 2021
2	2103679		LENS,WARNING LIGHT,AMBER	OPTION 2016, 2021
2	2132082		LENS,WARNING LIGHT,7IN RED,BB 2000	OPTION 1987, 1992, 2016, 2021
2	2132090		LENS,WARNING LIGHT,7IN AMBER,BB 2000	OPTION 2016, 2021
NI	2134369		GASKET,LENS,7IN LIGHT,W	
NI	4280202		GASKET,LENS,INSIDE (BAADER BROWN)	
3	2101517		BULB,SEALED BEAM,7IN,WARNING LGT	
3	2146116		SEALED BEAM,CLEAR 5IN NO 4631-1,BAADER	
NI	2152239		GASKET,LIGHT,7 IN,BASE TO BODY,(MTG PAD)	
NI	4280194		GASKET,O/S,WRNG LGT HOUSING TO BODY	
4	0758342		HOOD,DUAL WARNING LIGHT,PRIMED	OPTION 2021
5	0352310		HOOD,FRONT,WARNING LIGHT,SINGLE,PRIMED	OPTION 1987, 6728
6	0857656		LIGHT,STOP/TAIL,RED,W	OPTION 1798, 1940, 1959
7	2102770		LENS,STOP LIGHT,RED,PLAIN	LENS ONLY
NI	2134369		GASKET,LENS,7IN LIGHT,W	
8	2255669		BULB,1157	ALL TAIL/STOP LIGHTS
NI	1203660		LIGHT,STOP/TAIL,T	OPTION 1798, 1940, 1959
NI	0027924		LIGHT,LED,RED,STOP,7 IN	FEATURE 30175-03, 30174-02
9	0566190		LIGHT,DIRECTIONAL,RED W/ARROW	OPTION 1788, 1727
9	0566208		LIGHT,DIRECTIONAL,AMBER W/ARROW	OPTION 1788, 1790, 1731, 1701
9	2132157		LIGHT,DIRECTIONAL,7IN,RED,W/ARROW BB	
9	2132140		LIGHT,DIRECTIONAL,7IN,AMBER,W/ARROW BB	
10	2102754		LENS,DIRECTIONAL LIGHT"	OPTION 1788
10	2102762		LENS,DIRECTIONAL LIGHT,AMBER ARROW"	OPTION 1788, 1790
10	2132173		LENS,DIRECTIONAL LIGHT,7IN,RED	
10	2132165		LENS,DIRECTIONAL LIGHT,7IN,AMBER	
NI	2134369		GASKET,LENS,7IN LIGHT,W	
NI	4280202		GASKET,LENS,INSIDE (BAADER BROWN)	
11	1038215		BULB,CORNERING LIGHTS,GE1156	OPTION 1798, 1940

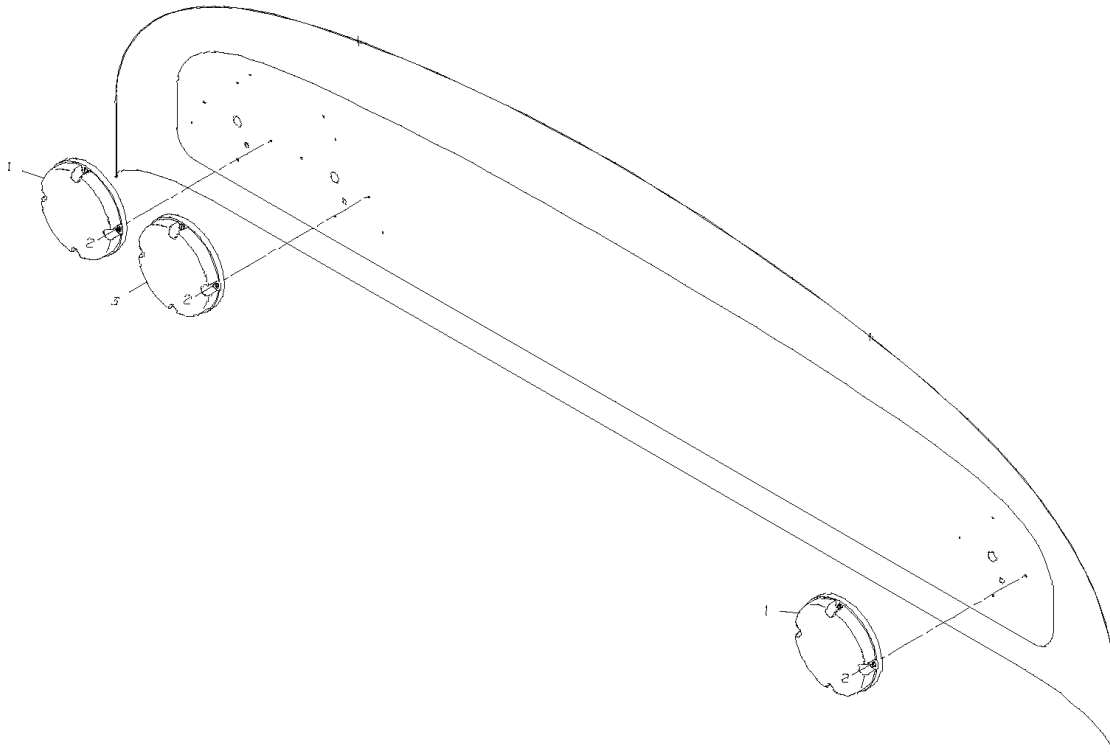
OPTION 1798, 1940

Models: AAFE, AARE, A3FE, A3RE, B1VC, B2VC, GPWB, MBWB, SBCV, TCPE, TCRE, VCTA
WARNING, 7 INCH STOP & DIRECTIONAL, 4 INCH COMBINATION

Key	PartNumber	Qty	Description	Comment
12	0566174		LIGHT,DIRECTIONAL,RED,PLAIN	
12	0817098		LIGHT,DIRECTIONAL,AMBER,PLAIN	OPTION 1796, 1798
12	2132108		LIGHT,STOP,7IN,RED,BB SERIES 5000	
12	2132116		LIGHT,STOP,7IN,AMBER,B-B SERIES 5000	
12	2102770		LENS,STOP LIGHT,RED,PLAIN	OPTION 1798, 1940, 1959
12	2103109		LENS,DIRECTIONAL LIGHT,AMBER,PLAIN	OPTION 1796, 1798
12	2132124		LENS,STOP LIGHT,7IN RED,BB SERIES 5000	
12	2132132		LENS,STOP LIGHT,7IN AMBER,BB 5000 SERIES	
NI	0027923		LIGHT,L E D,AMBER,DIRECTIONAL	FEATURE 30116-05, 30120-03
NI	1203678		LIGHT,DIRECTIONAL,AMBER,T	OPTION 1798
13	0526657		LIGHT,TAIL,PLASTIC,70-6218-11	
14	2101657		LENS,COMBINATION LIGHT,RED	
NI	0044521		LIGHT,TRUCK LITE,MDL 12009R,LAMP KIT,	
NI	0014698		LIGHT,TRUCK-LITE,MODEL 12009Y	
NI	0044513		LAMP,RED,W/GASKET (KIT 12009R TRUCK LITE	
NI	0044514		LAMP,AMBER,W/GASKET (KIT 12009Y TRUCK	
NI	0044515		LAMP ONLY,RED,TRUCK LITE (12009R TRK LITE	
NI	0044516		LAMP ONLY,AMBER,TRUCK LITE (12009Y TRK	
NI	0044517		PIGTAIL FOR TRUCK LITE KIT 12009	
NI	0044518		MOUNTING BRACKET FOR TRUCK LITE KIT	
NI	0044519		MOUNTING BRACKET W/GASKET FOR TRUCK	
NI	0044520		GASKET,TRUCK LITE KIT 12009	

Models: A1VC, A3FE, A3RE, B1VC, B2VC, SBCV
With Features: WARNING, FRONT & REAR
FEATURE 30200-08, -09

Key	PartNumber	Qty	Description	Comment
-----	------------	-----	-------------	---------



Models: A1VC, A3FE, A3RE, B1VC, B2VC, SBCV
With Features: WARNING, FRONT & REAR
 FEATURE 30200-08, -09

Key	PartNumber	Qty	Description	Comment
1	0054503		LIGHT,WARNING,LED,7IN,RED"	
1	0071213		LENS,LIGHT,WARNING,7IN LED,RED	
1	0071214		GASKET,LIGHT,WARNING,7IN LED	
2	2083095		SCREW,10-16 X 3/4,AB,PH1,PANHD,YELZN,	
3	0031978		LIGHT,WARNING,AMBER,HALOGEN,ATC	
3	0071188		LENS,LIGHT,AMBER,HALOGEN,ATC	